

# Model X26J PLUS

## COMPACT CRAWLERS



### MORE ECONOMIC

- Minimal emissions and noise pollution.

### MORE PRODUCTIVE

- Reduce your set-up time with auto-levelling outriggers.  
Unrestricted 230kgs basket capacity.

### MORE ACCESS

- Equipped with track drive for easy manoeuvrability in sensitive environments.

### SMART DESIGN

- Low weight for ease of transportation and operation in weight restricted areas.

### Standard Features

- 0.69 m x 1.34 m Aluminium 2 person platform
- Slide bar rear entry
- Footswitch
- Full proportional control
- Articulating jib
- Powered platform rotator (124°)
- Remote Control (via cable to platform)
- Full Remote Control of drive and stabilization
- Multi-lingual LCD display on platform console
- Platform console position sensor and lock
- Envelope management load sensing system
- Platform designed for ease of removal/changeover
- AC Cable to platform
- 6,5mm air line to platform
- 12.6 mm waterline to platform
- Engine protection
- Rubber Outrigger Pads
- Cylinder Rod Protection on Outriggers
- Automatic cut-out when out of level
- Powered track extensions/retraction
- 360° non-continuous turntable rotation
- Turntable alignment sensor and gauge
- Three emergency descent systems
- Electro-hydraulic controls
- Full pressure hydraulic controls
- 2nd (high) Drive speed
- Lifting/Tie down points
- Forklift pockets
- Assisted automatic stabilization

### Standard Specifications

- |                   |   |
|-------------------|---|
| Power Source      |   |
| • Diesel Engine   | Kubota D902 16,1 Kw (21,6 Kw)                               |
| • Electric Engine | 230 V, 50 Hz - 2.2 kW                                       |
| Tyres             |   |
| • Standard        | 1.76 m x 0.23 m x 0.38 m<br>High profile non marking tracks |

### Accessories & Options

- 100 A/hr 83 V Lithium ion power pack incl. fast charge system
- 110 V, 50 Hz single phase power system
- 2.1 m x 0.23 m x 0.38 m Low Profile Black Rubber Tracks
- 0.59 m x 0.79 m platform in addition to two person platform
- Special paint colour



Note: Some options may increase lead time, and some option combinations may not be available.

# Model X26J PLUS

## COMPACT CRAWLERS

### Performance

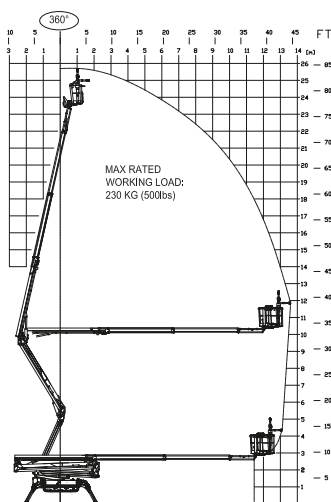
- Working Height 25.7 m
- Working Outreach 13.75 m
- Up & Over Height 10.1 m
- Swing (non continuous) 360°
- Jib - overall length 1.68 m
- Jib - range of articulation: (+/-) 89° (+0/-89°)
- Platform size (standard 2 persons) 0.69 m x 1.34 m
- Stowed width (with std. 2P platform) 1.48 m
- Dimensions:
  - A. Stowed width (without platform) 0.99 m
  - B. Stowed height (on tracks) 1.98 m
  - C. Stowed length (on tracks) 6.34 m
  - D. Outrigger footprint
    - D1. Wide 4.1 m x 3.9 m
    - D2. Narrow 5.4 m x 2.5 m
- Machine weight (with standard platform)<sup>1/2</sup> 4,365 kg
- Gradeability 28%
- Maximum operating slope 16°
- Max. Approach / Depart angles 22°
- Width of Undercarriage (Retracted/Extended) 0.99 m / 1.49 m
- Max. ground bearing pressure (on outriggers) 4.51 kg/cm<sup>2</sup>
- Max. drive speed (single speed m/c) Petrol 1.1 Km/h



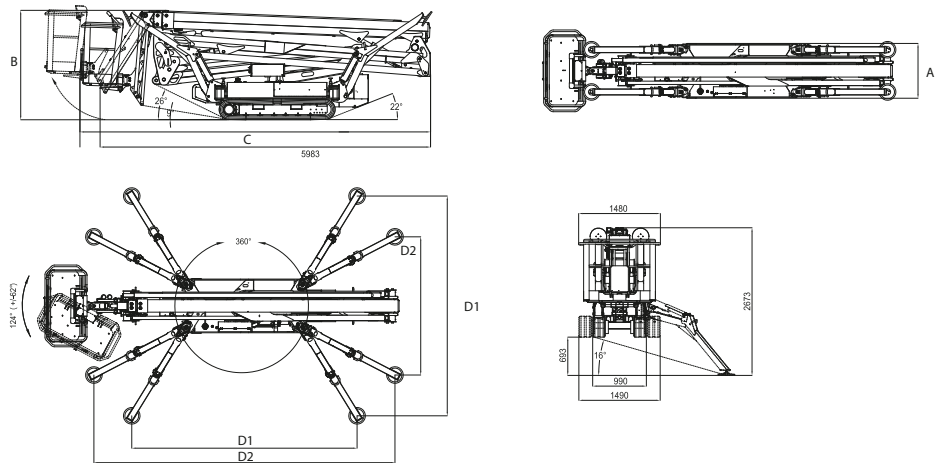
<sup>1</sup> Machine weight (with standard platform)Lithium - Ion: 4384 kg

<sup>2</sup> Certain options or country standards may increase weight and/or dimensions.

### Reach Diagram



### Dimensions



REV: 03/2014  
DIMENSIONS REPORTED IN THIS DRAWING ARE NOMINAL. THE REAL VALUE OF EACH DIMENSION CAN BE INFLUENCED BY TOLERANCES IN THE MANUFACTURE OF THE COMPONENTS, PLAY IN THE CONNECTIONS, ELASTIC DEFORMATIONS DUE TO THE EFFECTS OF FORCES.

### IMPORTANT

JLG is continually researching and developing products and reserves the right to make modifications without prior notice. All data in this document is indicative. Certain options or country standards will increase weight. Specifications may change to meet country standards or with the addition of optional equipment.

Use only JLG approved attachments with proper material handler model/attachment load capacity charts displayed in the operator's cab.

Due to continuous product improvements, JLG Industries reserves the right to make specification and/or equipment changes without prior notification.



### JLG EMEA BV

Polaris Avenue 63  
2132 JH Hoofddorp  
The Netherlands  
Tel: +31 (0)23 565 5665  
Fax: +31 (0)23 557 3750  
[www.jlg.com](http://www.jlg.com)

An Oshkosh Corporation Company