



A TEREX BRAND

Parts Manual

Serial Number Range

Z-62/40

from SN Z6215A-101
to Z6216A-1086
from Z6216N-1087
to Z6216N-2999

Part No. 1257686GT
Rev: D7
December 2021

Technical Publications

Genie has endeavored to deliver the highest degree of accuracy possible. However, continuous improvement of our products is a Genie policy. Therefore, product specifications are subject to change without notice.

Readers are encouraged to notify Genie of errors and send in suggestions for improvement. All communications will be carefully considered for future printings of this and all other manuals.

Contact Us:

Internet: www.genielift.com
e-mail: awp.techpub@terex.com


Find a Manual for this Model

Go to <http://www.genielift.com>

Use the links to locate Operator's, Parts, Maintenance, and Service and Repair Manuals.

Copyright © 2014 by Terex Corporation
1257686 Rev D December 2021
First Edition, Fourth Printing

"Genie" is a registered trademark of Terex South Dakota in the USA and many other countries.
"Z" is a trademark of Terex South Dakota, Inc.

 Printed on recycled paper



A TEREX BRAND

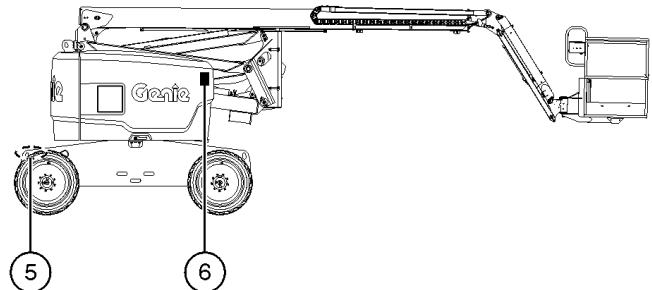
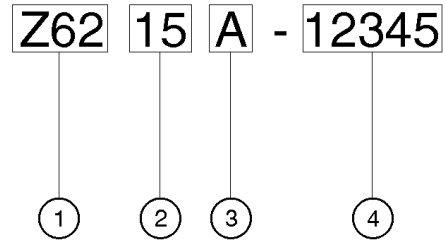
Model: Z-62/40
Serial number: Z6214-12345
Model year: 2014 Manufacture date: 01/05/14
Electrical schematic number:
Machine unladen weight:

Rated work load (including occupants): 500 lb / 227 kg
Maximum number of platform occupants: 2
Maximum allowable side force : 150 lb / 670 N
Maximum allowable inclination of the chassis:
 0 deg
Maximum wind speed : 28 mph/ 12.5 m/s
Maximum platform height : 61 ft 11 in / 18.87 m
Maximum platform reach : 40 ft 5 in / 12.42 m
Gradeability: N/A
Country of manufacture: USA
This machine complies with:
ANSI A92.5-
CAN B.354.4-

Terex South Dakota, Inc.
18340 NE 76th Street
Redmond, WA 98052
USA



PN - 77055



How to Order Parts

Please be prepared with the following information when ordering replacement parts for your Terex or Genie product.

- Machine model number
- Machine serial number
- Part number
- Part description and quantity
- Purchase order number
- "Ship to" address
- Desired method of shipment
- Name and telephone number of the authorized distributor in your area

Use the Service Parts Fax Order Form on the next page and fax your order to our Parts Department.

If you don't know the name of your authorized distributor, or if your area is not currently serviced by an authorized distributor, please call Terex or Genie Industries.

Machine Information

Model

Serial Number

Date of Purchase

Authorized Genie Distributor

Phone Number

North America

Telephone (425)881-1800

Toll Free (800)536-1800 in US and Canada

Fax (425)556-8659

Toll Free fax (888)274-6192

Email AWP.PartsSalesPO@terex.com

<http://genielift.com/en>

EMEAR (Europe, Middle East, Africa and Russia)

Telephone (31)(165)519 313

Fax (31)(165)511 148

<http://genielift.co.uk>

Asia Pacific (Genie Singapore)

Telephone +65 6692 7777

Fax +65 6261 8893

<http://genielift.com.sg/>

Australia

Telephone (61)(7)3456 4444

Fax (61)(7)3456 4466

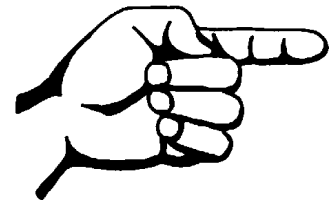
<http://genielift.com.au>

South America

Telephone (55)(11)4082 5600

Fax (55)(11)4082 5630

Please refer to section 001 for the Recommended Spare Parts List.



This page intentionally left blank.



Service Parts Fax Order Form

Fax to: (425) 556-8659 or Toll Free: 888-274-6192
International: +1-425-556-8659

Please fill out completely

Date _____ Account Number _____
 Your Name _____ Your Fax Number _____
 _____ Your Phone Number _____
 Bill To _____ Ship To _____

 Purchase Order Number _____ Ship Via _____

Model(s) _____ **Serial No.(s)** _____

Optional Equipment _____

Part Number	Description	Quantity	Price

All back-ordered parts will be shipped when available via the same ship method as the original order unless Noted below:

- Ship complete order only - No back orders
- Ship all available parts and contact customer on disposition of back-ordered parts
- Other (please specify)

Description	Page
001 Parts Stocking List	12
001.1 Parts Stocking List	12
100 Decals	18
101.1 Decals with Words, Hydraulic Tank side (ANSI & AUS)	18
102.1 Decals with Words, Engine side (ANSI & AUS)	22
103.1 Decals with Words, Boom (ANSI & AUS)	26
104.1 Decals with Words, Platform (ANSI & AUS)	28
105.1 Decals with Symbols, Hydraulic Tank side (ANSI & CE)	30
106.1 Decals with Symbols, Engine side (ANSI & CE)	34
107.1 Decals with Symbols, Boom (ANSI & CE)	38
108.1 Decals with Symbols, Platform (ANSI & CE)	40
200 Drive Chassis Components.....	42
201.1 Steer End (2WS) & Square End (4WS).....	42
202.1 Non-steer End, 2 Wheel Steer	50
203.1 Circle End, 4 Wheel Steer	58
204.1 Drive Hub Assembly	62
205.1 TraX Option Steer End	64
206.1 TraX Option Non-steer End	66
207.1 TraX Option Components	68
300 Turntable Components.....	72
301.1 Hydraulic and Fuel Tanks - Gasoline/LPG Models	72
301.2 Fuel Hoses - Gasoline/LPG Models	76
302.1 Hydraulic and Fuel Tanks - Diesel Models	78
303.1 Battery, Function Manifold, and Auxiliary Power Unit Installation (to SN Z6216N-1524)	82
303.2 Battery, Function Manifold, and Auxiliary Power Unit Installation (from SN Z6216N-1525)	86
304.1 Turntable Rotation and Hydraulic Rotary Coupler Installation	90
305.1 Ground Controls, with Hour Meter, External View	96
306.1 Ground Controls, with Hour Meter, Internal View	100
307.1 Ground Controls, with LCD Readout Screen, External View	104
308.1 Ground Controls, with LCD Readout Screen, Internal View	108
309.1 Turntable Covers	112
310.1 Turntable Counterweight	118
311.1 Wire Harness Diagram	120
400 Engine Components	126
401.1 Perkins 404F-22, View 1	126
402.1 Perkins 404F-22, View 2	130
403.1 Perkins 404F-22, View 3	134

Table of Contents

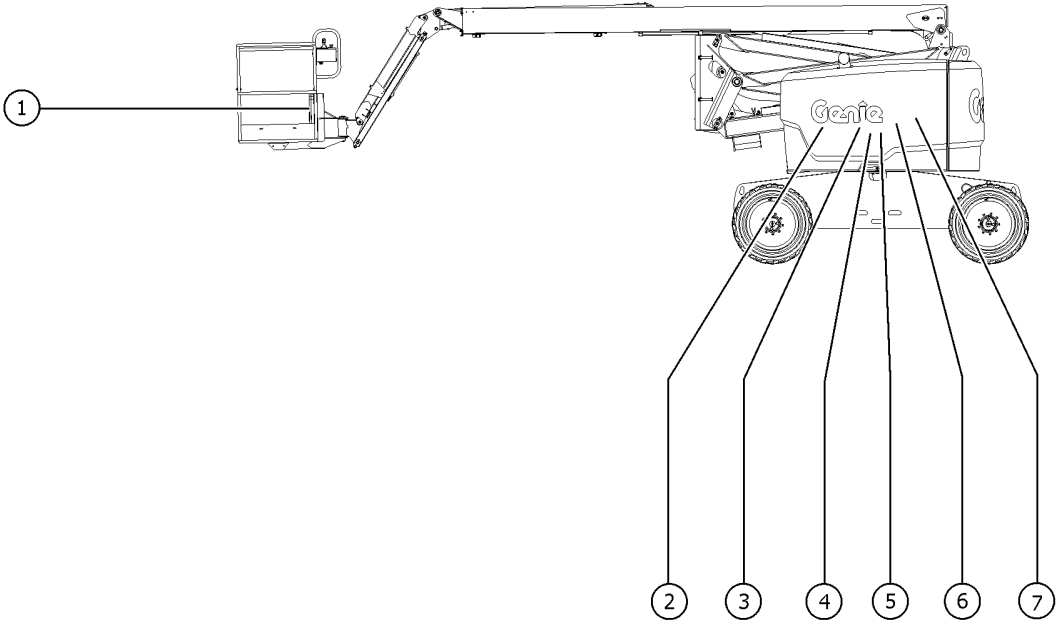
Description	Page
404.1 Perkins 404F-22, View 4	136
405.1 Perkins 404D-22 ROW/TPEM	140
406.1 Deutz D2011L03i ROW/TPEM	150
407.1 Deutz D2.9L4, View 1	158
408.1 Deutz D2.9L4, View 2	162
409.1 Deutz D2.9L4, View 3	164
410.1 Deutz D2.9L4, View 4	168
411.1 Deutz D2.9L4, View 5	172
412.1 Deutz TD2011L04i, View 1	176
413.1 Deutz TD2011L04i, View 2	180
414.1 Deutz TD2.9L4, View 1	184
415.1 Deutz TD2.9L4, View 2	188
416.1 Deutz TD2.9L4, View 3	190
417.1 Deutz TD2.9L4, View 4	194
418.1 Deutz TD2.9L4, View 5	198
419.1 Ford MSG-425, View 1	200
420.1 Ford MSG-425, View 2	204
421.1 Ford MSG-425, View 3	208
422.1 Ford MSG-425, View 4	212
423.1 Engine Tray Components	218
500 Boom Components	222
500.1 Boom Layout	222
501.1 Secondary Boom and Mid Pivot, View 1 (to SN Z6216N-1682)	224
501.2 Secondary Boom and Mid Pivot, View 1 (from SN Z6216N-1683 to Z6216N-2999)	228
502.1 Secondary Boom and Mid Pivot, View 2 (to SN Z6216N-1682)	230
502.2 Secondary Boom and Mid Pivot, View 2 (from SN Z6216N-1683 to Z6216N-2999)	234
503.1 Mid Pivot and Primary Boom Rests (to SN Z6216N-1682)	238
503.2 Mid Pivot and Primary Boom Rests (from SN Z6216N-1683 to Z6216N-2999)	240
504.1 Upper Pivot (to SN Z6216N-1682)	242
504.2 Upper Pivot (from SN Z6216N-1683 to Z6216N-2999)	246
505.1 Primary and Extension Booms	250
506.1 Cable Track	254
507.1 Jib Boom and Platform Rotator	258
600 Platform Components	262
601.1 Platform configuration	262
602.1 Platform Components	264
603.1 Platform Control Box, External View	268
604.1 Platform Control Box, Internal View	272
605.1 Joysticks	274

Description	Page
700 Hydraulic Components	276
701.1 Traction Manifold - 2WD	276
702.1 Traction Manifold - 4WD	278
703.1 Brake & 2-Speed Manifold	280
704.1 Function Manifold, View 1	282
704.2 Function Manifold, View 2	286
704.3 Function Manifold, View 3	288
705.1 Platform Rotate and Jib Boom/Platform Manifold	290
706.1 Hydraulic Pumps	292
707.1 Oscillate Valve	294
708.1 Turntable Rotate Manifold	296
709.1 Steer Select Manifold, 4 Wheel Steer	298
710.1 Hydraulic Hoses and Fittings - 2WD	300
711.1 Hydraulic Hoses and Fittings - 4WD	302
712.1 Hydraulic Hoses and Fittings - 4 Wheel Steer, View 1	304
713.1 Hydraulic Hoses and Fittings - 4 Wheel Steer, View 2	306
714.1 Hydraulic Hoses and Fittings - Oscillate	308
715.1 Hydraulic Hoses and Fittings - Turntable	310
716.1 Hydraulic Hoses and Fittings - Boom	314
800 Accessories	316
801.1 Hydraulic Generator	316
802.1 Hydraulic Generator Option - Hoses and Fittings	318
803.1 Hydraulic Oil Cooler - Hoses and Fittings	320
804.1 Generator - Hose Routing	322
804.2 Welder Option - Chassis Components	324
804.3 Welder Option - Platform Components	328
804.4 Welder Option - Manifold Components	332
805.1 Power to Platform	334
806.1 Circuit Board Heater Option	336
807.1 Drive Lights and Flashing Beacons	338
808.1 Aircraft Protection Package	340
809.1 Air Line to Platform	344
810.1 Platform Overload Option	346
811.1 Platform Control Cover Option	348
812.1 Fall Arrest Bar	350
813.1 Operators Protection Alarm (to January 2017)	352
813.2 Lift Guard Contact Alarm Option (from January 2017)	356
814.1 Operator Protective Structure	360
815.1 Tow Package	362
816.1 Side Swing Gate 8' and 6'	364

Table of Contents

Description	Page
816.2 Front Swing Gate 8' and 6'	368
817.1 Panel Cradle and Pipe Cradle	372
818.1 Hostile Environment Package - View 1	374
819.1 Hostile Environment Package - View 2	376
820.1 Gauge Options	382
821.1 Pinch Guard and Tool Tray - Front Single Entry Platform	384
821.2 Pinch Guard and Tool Tray - Side Swing Gate Platform	386
822.1 Positive Air Shutoff	388
823.1 Telematics Option	390
Part Number Index	392

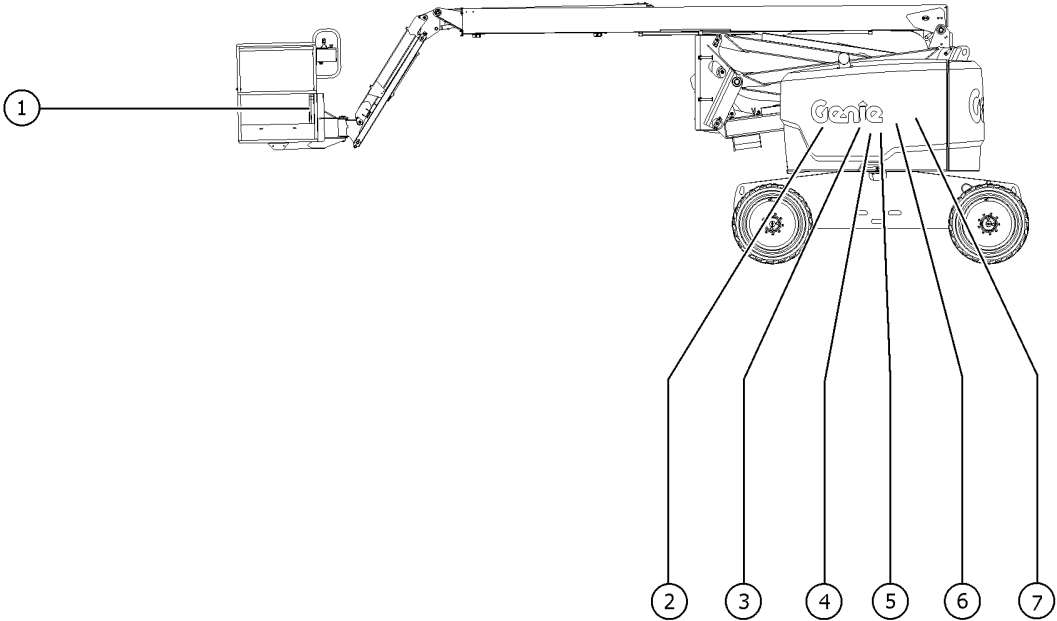
001.1 Parts Stocking List



Item	Part No.	Description	Qty.
A		—INSPECTION SERVICE KITS—	
A-	1278708GT	KIT,ENGINE SERVICE,500 HOUR,DEUTZ D2.9,,Z45/S40/S60/Z62/RT90 models with Deutz D2.9L4 engine	
A-	1278709GT	KIT,ENGINE SERVICE,250 HOUR,FDMSG425,Z45/S40/S60/Z62/RT90 models with Ford MSG425 engine	
A-	1285420GT	KIT,ANNUAL INSPECTION,Z45/Z62/S60 all models (to SN 1797)	
B		— GENERAL SERVICE PARTS —	
B-	1484GT	PAINT, AEROSOL, BRIGHT BLUE*** 12-ounce spray paint	
B-	1268GT	PAINT, AEROSOL, GENIE GRAY*** 12-ounce spray paint	
B-	1258567GT	PAINT, AEROSOL, TRAFFIC BLACK 12-ounce spray paint	
B-	32150GT	PAINT, WET, GENIE BLUE (1 GL)** 1-gallon	
B-	32151GT	PAINT, WET, GENIE GRAY (1GL)** 1-gallon	
B-	1257733GT	PAINT, WET, TRAFFIC BLACK(1 GL)** 1-gallon	
B-	66399GT	GREASE, DIELECTRIC 4 OZ**	
B-	1283776GT	SEAL MARKER,CROSS CHECK,BLUE,TUBE	
B-	93500GT	PARKER DIGITAL PRESSURE GAUGE	
B-	49612GT	O-RING KIT (ORFS FITTINGS) O-ring kit, ORFS	
B-	49613GT	PLUG AND CAP KIT-SERVICE,ORFS* Plug and cap kit, ORFS	
B-	28750GT	O-RING KIT,FIELD SVC,ALL PROD* O-ring kit, SAE	
B-	33994GT	PLUG AND CAP KIT-SERVICE,37 ** Plug and cap kit, SAE	
1		— MANUALS —	
1-	27581GT	MANUAL, SAFTY MANNAL	
1-	1298933GT	MANUAL, SAIA MANUAL OF RESPONSIBILITIES, MEWP	
2		— HYD FILTERS —	
2-	88917GT	FILTER,ELEMENT,BETA(10)=200	
2-	60857GT	FILTER,ELEMENT,BETA(5)=1000	
3		— DEUTZ D2011L03i MODELS —	
3-	27916GT	FILTER,AIR,ELEMENT***	
3-	29560GT	FILTER,FUEL/WTR SEP, DTZ 1008	
3-	49924GT	FILTER,OIL,DEUTZ F4L1011F	



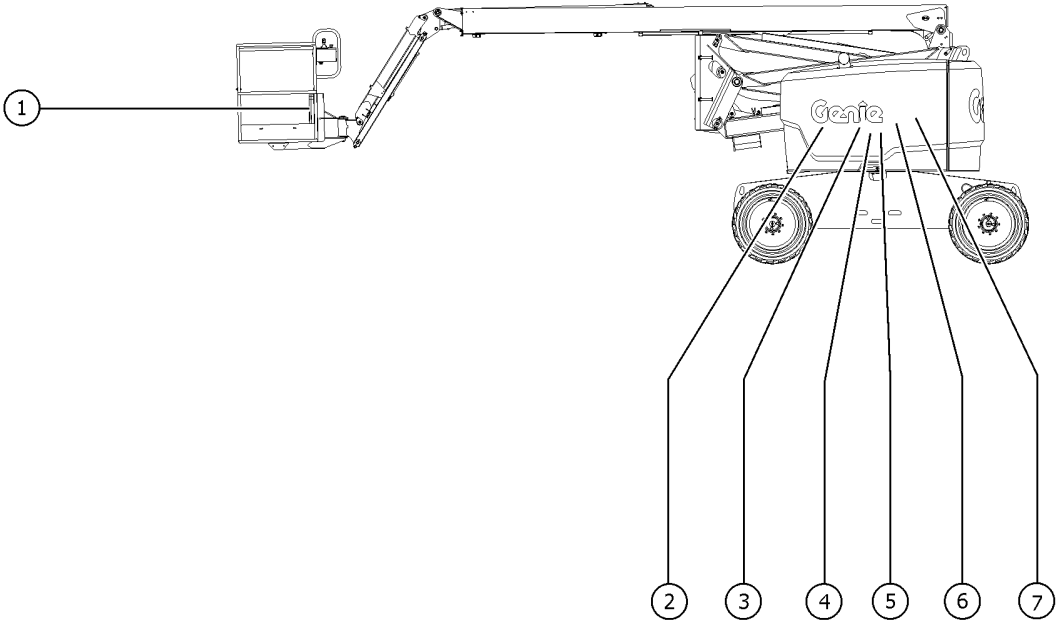
001.1 Parts Stocking List



Item	Part No.	Description	Qty.
3-	32698GT	BELT,V, DEUTZ DIESEL ENGINE	
4		— DEUTZ D2.9L4 MODELS —	
4-	62420GT	FILTER,AIR***	
4-	214228GT	FILTER, DEUTZ 2.9, FUEL	
4-	236260GT	FILTER, FUEL PRE-FILTER, SPIN-ON, DEUTZ	
4-	49924GT	FILTER,OIL,DEUTZ F4L1011F	
4-	1262866GT	FAN BELT, ALTERANTOR	
4-	1262867GT	V-BELT, DEUTZ	
5		— FORD MSG-425 EFI MODELS —	
5-	1271652GT	FILTER, FUEL, GM3.0L	
5-	119139GT	OIL FILTER,DSG-423	
5-	77295GT	FILTER ELEMENT,AIR,NOLFF LPG	
5-	215291GT	BELT, FEAD, MSG425	
5-	215274GT	FAN DRIVE BELT, MSG425	
5-	119474GT	VALVE,PCV FORD DSG-423	
5-	215287GT	SPARK PLUG, MSG425	
6		— PERKINS 404D-22 MODELS —	
6-	62420GT	FILTER,AIR***	
6-	62433GT	FILTER,ELEMENT,30 MIC,75020	
6-	94762GT	OIL FILTER - PERKINS	
6-	89765GT	BELT, V (PERKINS 404)	
6-	72346GT	FILTER,FUEL, PERKINS (54555)	
7		— PERKINS 404F-22 MODELS —	
7-	62420GT	FILTER,AIR***	
7-	94762GT	OIL FILTER - PERKINS	
7-	62433GT	FILTER,ELEMENT,30 MIC,75020	
7-	94889GT	FUEL FILTER ASSEMBLY	
7-	62421GT	FILTER,FUEL,PERKINS	

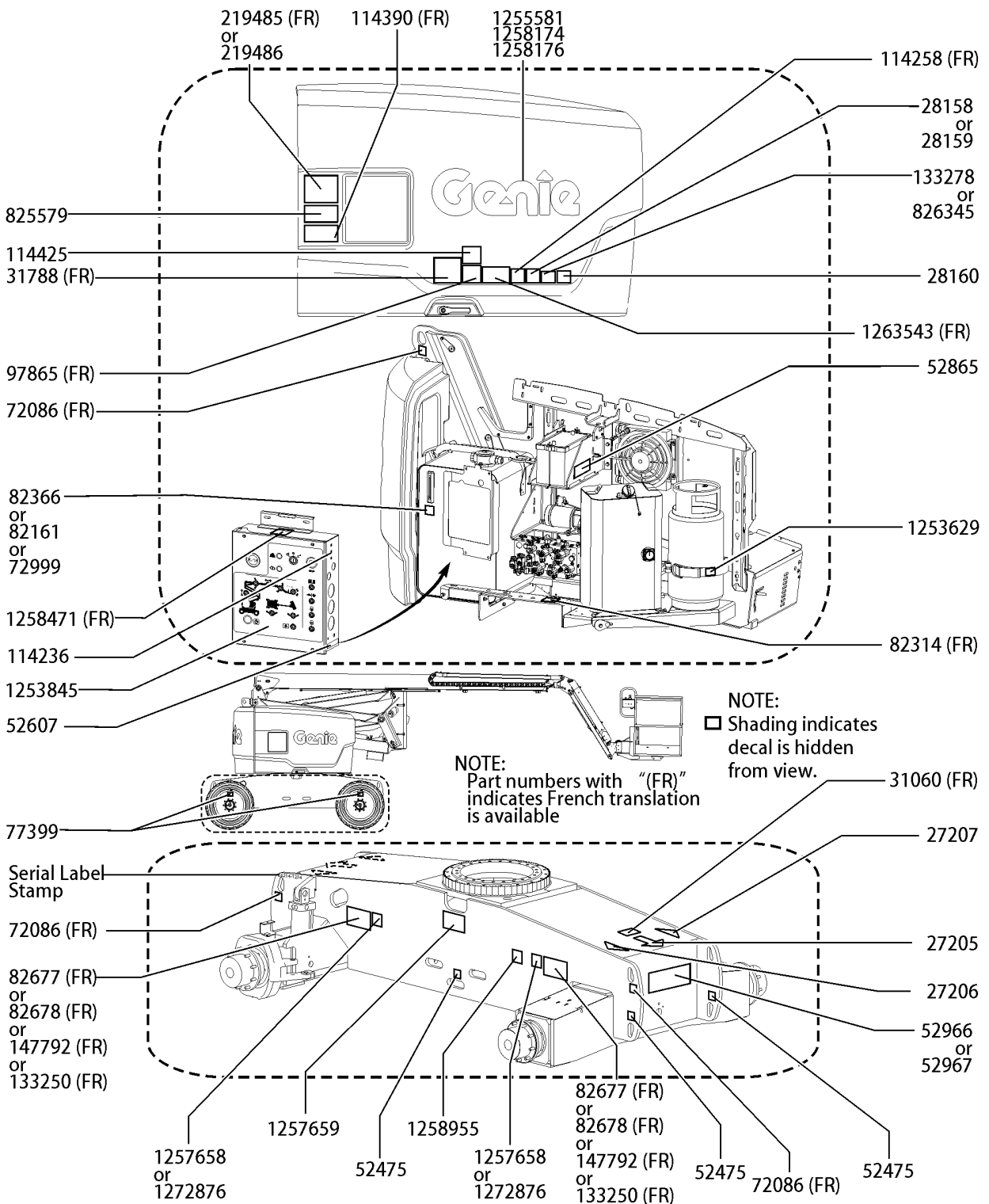


001.1 Parts Stocking List



<i>Item</i>	<i>Part No.</i>	<i>Description</i>	<i>Qty.</i>
7-	89765GT	BELT, V (PERKINS 404)	
7-	1253750GT	BELT,AIR PUMP,PERKINS 404F	

101.1 Decals with Words, Hydraulic Tank side (ANSI & AUS)

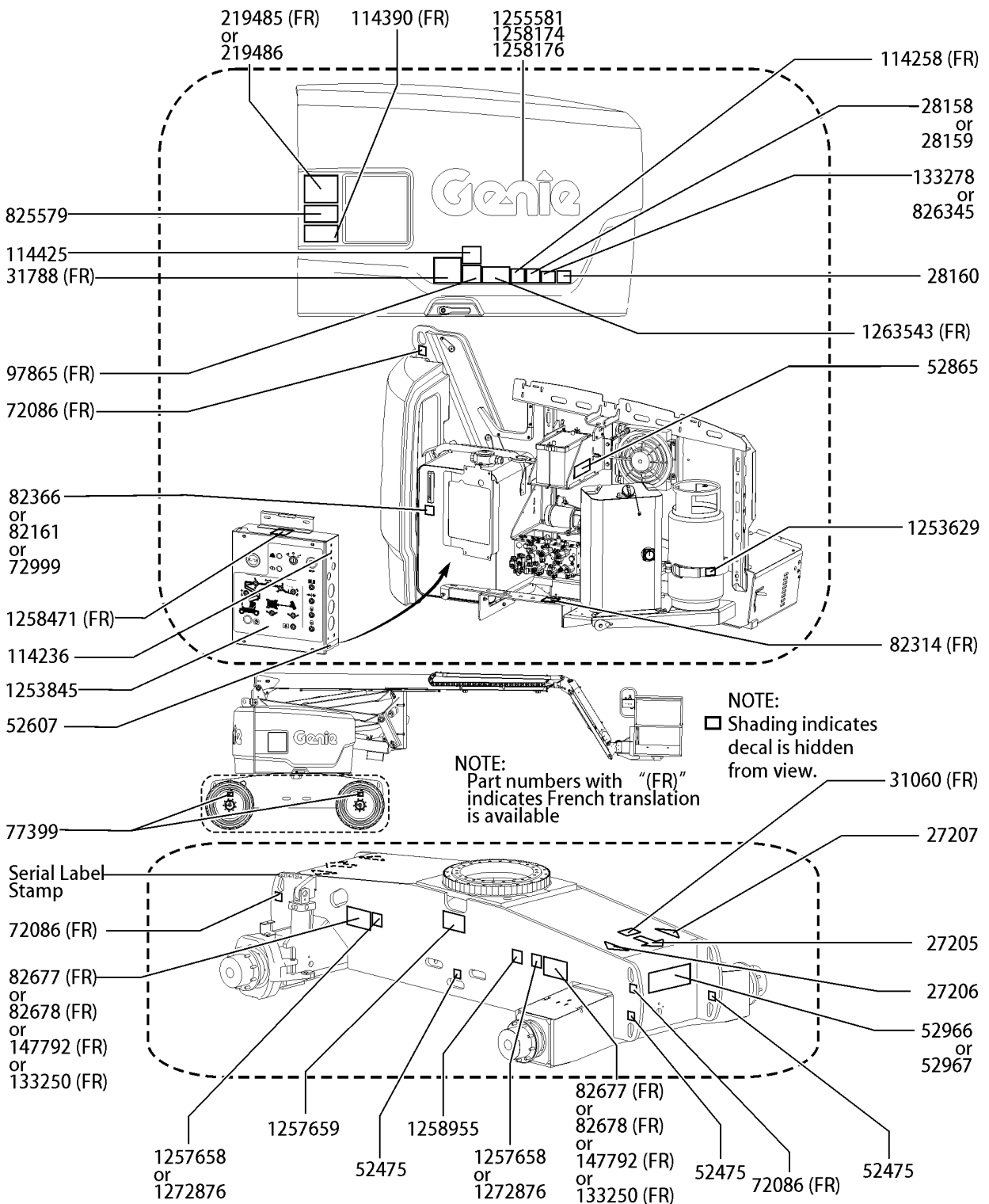


101.1 Decals with Words, Hydraulic Tank side (ANSI & AUS)

Item	Part No.	Description	Qty.
A	1272281GT	DECAL KIT,Z62,COMP,WRD,ANSI (ANSI)	
B	1272283GT	DECAL KIT,Z62,COMP,WRD,AUS (AUS)	
1	27205GT	DECAL,ARROW YELLOW LRG 9"	1
2	27206GT	DECAL,TRIANGLE,BLUE	1
3	27207GT	DECAL,TRIANGLE,YELLOW	1
4	28158GT	DECAL,LABEL,UNLEADED GAS ONLY (Option, Fuel)	1
5	28159GT	DECAL,DIESEL (Option, Fuel)	1
6	28160GT	DECAL,LABEL,LIQUID PROPANE (Option, LPG tank)	1
7	31060GT	DECAL,DANGER DO NOT ALTER SWTC	1
8	31788GT	DECAL,DANGER,BATTERY SAFETY***	1
9	38149GT	DECAL,LABEL,PATENTS (US Only)	1
10	52475GT	DECAL LABEL TRANSPORT TIE DOWN*	3
11	52607GT	DECAL,LABEL,TEST***	1
12	52865GT	DECAL,ANNUAL INSP***	1
13	52966GT	DECAL,COSMETIC,4 X 2 (Option, drive)	1
14	52967GT	DECAL,COSMETIC,4 X 4 (Option, drive)	1
15	72086GT	DECAL,LABEL,LIFTING EYE	2
16	72999GT	DECAL,LABEL,PETRO CANADA*** (Option, hydraulic oil)	1
17	77399GT	DECAL,TIRE SEALANT,1.5 X 1.5 (Option, tire sealant)	2
18	82161GT	DECAL,LABEL,UCON HYDROLUBE (Option, hydraulic oil)	1
19	82314GT	DECAL,DANGER,TIP-OVER	1
20	82366GT	DECAL,CHEVRON RANDO HD (Option, hydraulic oil)	1
21	82677GT	DECAL,DANGER/LABEL,TIRE SPECS (air filled)	2
22	82678GT	DECAL,DANGER,HI-FLOAT TIRE (Option, high floatation)	2
23	97757GT	DECAL,LABEL,OIL LEVEL IND	1
24	97865GT	DECAL,WARN,ELECTRO HAZARD	1
25	114258GT	DECAL,DANGER,NO SMOKING	1
26	114390GT	DECAL,DANGER,ELECT HAZARD***	1



101.1 Decals with Words, Hydraulic Tank side (ANSI & AUS)

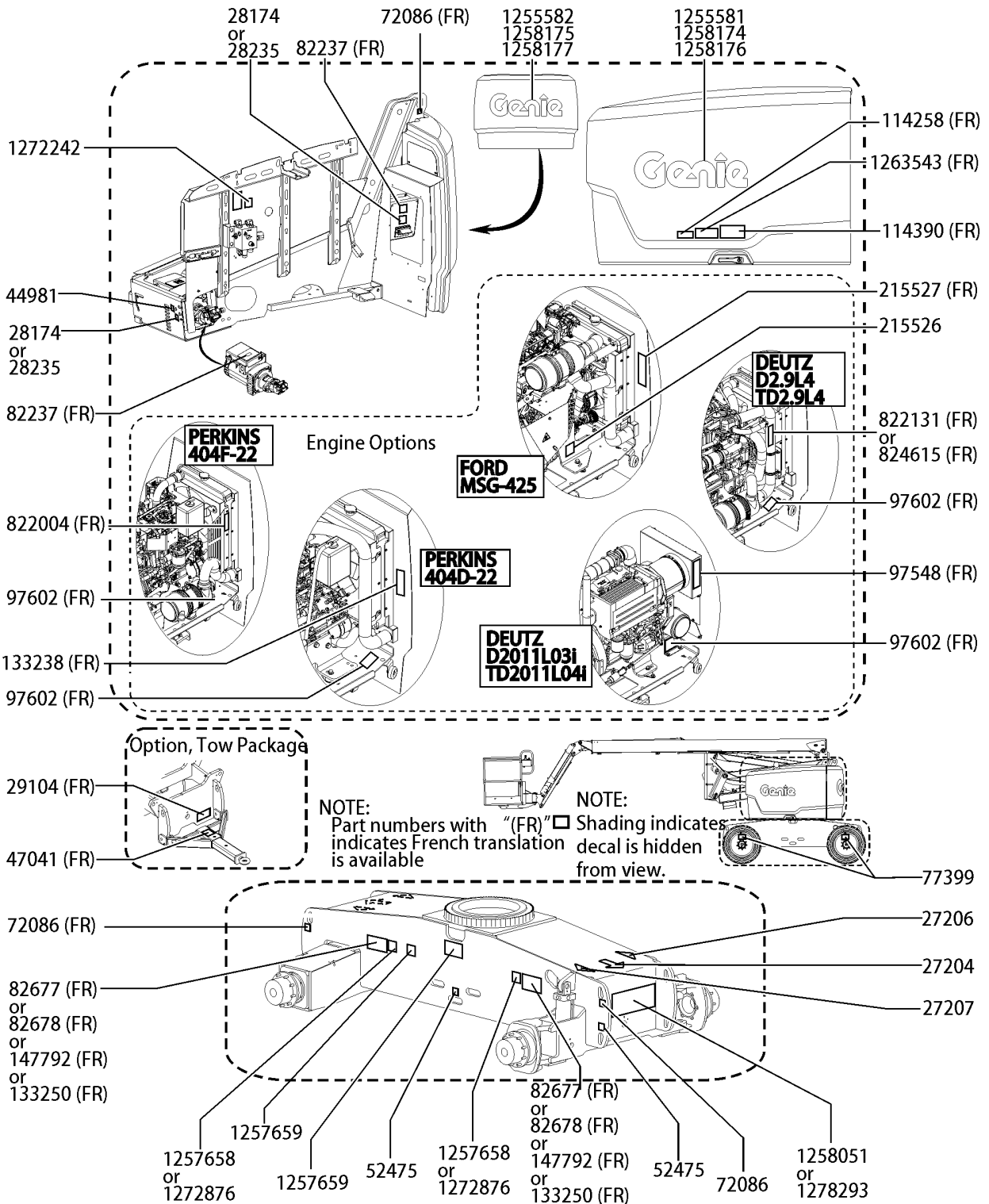


101.1 Decals with Words, Hydraulic Tank side (ANSI & AUS)

Item	Part No.	Description	Qty.
27	114425GT	DECAL,BATTERY DISCONNECT	1
28	133250GT	DECAL,DANGER TIP OVER TRAX (Option, TraX)	2
29	133278GT	DECAL,LOW/ULTRA LOW SULFUR FUEL (Perkins 404D-22 and Deutz D2011L03i)	1
30	147792GT	DANGER, TIPOVR, TIRES FF ONLY	2
		(AUS - foam filled)	
31	219485GT	DECAL,OPER INST, GROUND CONT	1
		(ANSI)	
32	219486GT	DECAL,OP INST,GROUND,AUS	1
		(AUS)	
33	825579GT	DECAL, LCD, TIER 4 (Deutz 2.9 L4 and Perkins 404F-22 T4)	1
34	826345GT	DECAL,ULS DIESEL ONLY,TIER 4 (Deutz 2.9 L4 and Perkins 404F-22 T4)	1
35	1253629GT	DECAL,LP BOTTLE,S60	1
		(Option, Gas/LPS)	
36	1253845GT	DECAL,GROUND CONTROL BOX,Z62	1
37	1255581GT	DECAL,COSMETIC, 10" GENIE BLUE	1
38	1257658GT	DECAL,WHEEL LOAD,Z62	2
39	1257659GT	DECAL,TRANSPORTING/LIFTING,Z62	1
40	1258174GT	DECAL COSMETIC,10" GENIE WHITE	1
		(Option)	
41	1258176GT	DECAL,COSMETIC,10" GENIE BLACK	1
		(Option)	
42	1258471GT	DECAL Z62 RELAYS	1
43	1258955GT	DECAL, ETL CLASSIFIED LISTED	1
		(Option, Gas/LPS)	
44	1263543GT	DECAL,COMPARTMENT ACCESS	1
45	1272876GT	DECAL, FLOOR LOAD, Z62 TRAX	2
		(Option, TraX)	



102.1 Decals with Words, Engine side (ANSI & AUS)

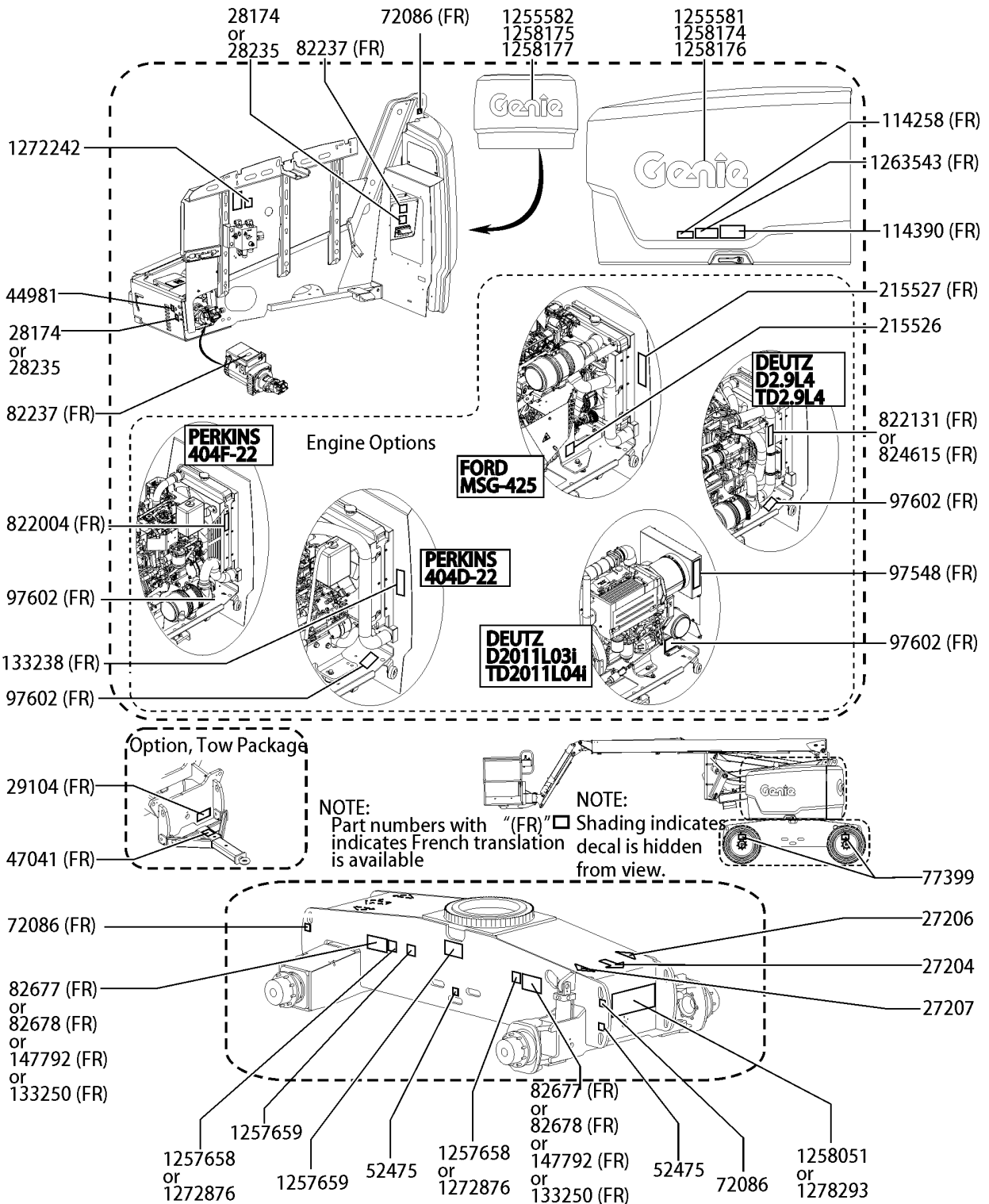


102.1 Decals with Words, Engine side (ANSI & AUS)

Item	Part No.	Description	Qty.
1	27204GT	DECAL,ARROW BLUE	1
2	27206GT	DECAL,TRIANGLE,BLUE	1
3	27207GT	DECAL,TRIANGLE,YELLOW	1
4	28174GT	DECAL,POWER TO PLATFORM 230V	2
5	28235GT	DECAL,POWER TO PLATFORM 115V	2
6	29104GT	DECAL,TOWING INSTRUCTIONS	1
		(Option, Tow Package)	
7	44981GT	DECAL LABEL AIRLINE 110PSI	1
		(Option airline to platform)	
8	47041GT	DECAL,CAUTION,TOWING SPEED	1
		(Option, Tow Package)	
9	52475GT	DECAL LABEL TRANSPORT TIE DOWN*	3
10	72086GT	DECAL,LABEL,LIFTING EYE	2
11	77399GT	DECAL,TIRE SEALANT,1.5 X 1.5	2
		(Option, tire sealant)	
12	82237GT	DECAL,DANGER,HIGH VOLTAGE	2
		Option	
13	82677GT	DECAL,DANGER/LABEL,TIRE SPECS	2
		(air filled)	
14	82678GT	DECAL,DANGER,HI-FLOAT TIRE	2
		(Option, high floatation)	
15	97548GT	DECAL,ENGINE SPEC,DEUTZ 2011	1
		(Deutz D2011L03i)	
16	97602GT	DECAL,EXPLOSION HAZARD	1
17	114258GT	DECAL,DANGER,NO SMOKING	1
18	114390GT	DECAL,DANGER,ELECT HAZARD***	1
19	133238GT	DECAL,ENGINE SPEC,PERKINS***	1
		(Perkins 404D-22)	
20	133250GT	DECAL,DANGER TIP OVER TRAX	2
		(Option, TraX)	
21	147792GT	DANGER, TIPOVR, TIRES FF ONLY	2
		(AUS - foam filled)	
22	215526GT	DECAL,LABEL,BELT,MSG425	1
		(Ford MSG-425 Only)	
23	215527GT	DECAL,FORD ENGINE SPEC MSG425	1
		(Ford MSG-425 Only)	
24	822004GT	DECAL, ENGINE SPEC, 404F-22	1
		(Perkins 404F-22 T4)	
25	822131GT	DECAL, ENGINE SPEC, D2.9	1
		(Deutz 2.9 L4)	
26	824615GT	DECAL,ENGINE SPEC,DEUTZ TD2.9	1
		(Turbo Deutz 2.9 L4)	
27	1253011GT	DECAL,VAPORIZER PRESSURE	1
		(Option, FMRC)	
28	1255581GT	DECAL,COSMETIC, 10" GENIE BLUE	1



102.1 Decals with Words, Engine side (ANSI & AUS)



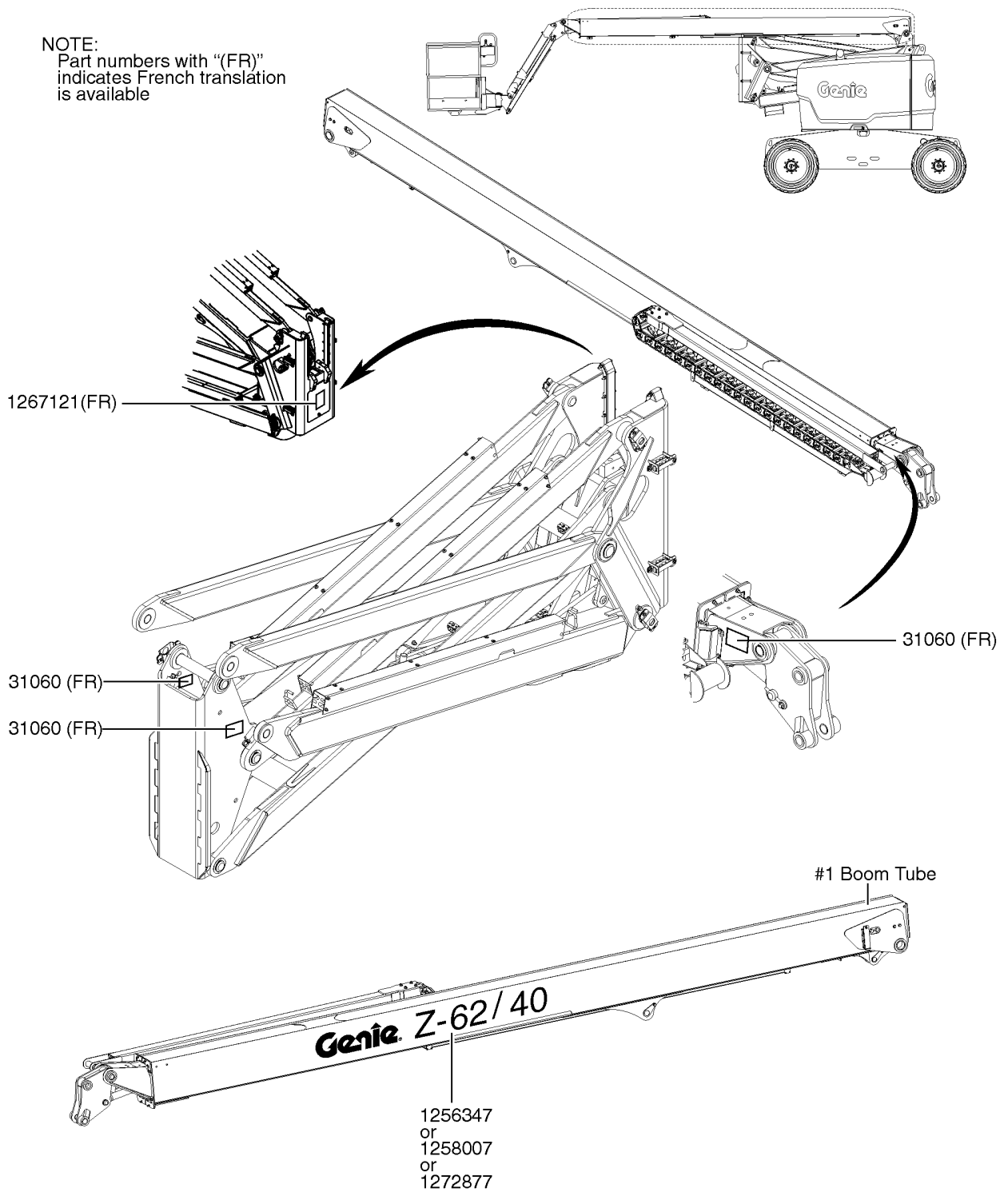
102.1 Decals with Words, Engine side (ANSI & AUS)

Item	Part No.	Description	Qty.
29	1255582GT	DECAL COSMETIC,15" GENIE BLUE	1
30	1257658GT	DECAL,WHEEL LOAD,Z62	2
		(Option, tires)	
31	1257659GT	DECAL,TRANSPORTING/LIFTING,Z62	1
32	1258051GT	DECAL, COSMETIC,Z-62	1
		(Option, tires)	
33	1258174GT	DECAL COSMETIC,10" GENIE WHITE	1
		Option	
34	1258175GT	DECAL COSMETIC,15" GENIE WHITE	1
		Option	
35	1258176GT	DECAL,COSMETIC,10" GENIE BLACK	1
		Option	
36	1258177GT	DECAL COSMETIC,15" GENIE BLACK	1
		Option	
37	1258955GT	DECAL, ETL CLASSIFIED LISTED	1
		(Option, Gas/LPS)	
38	1263543GT	DECAL,COMPARTMENT ACCESS	1
39	1272876GT	DECAL, FLOOR LOAD, Z62 TRAX	2
		(Option, TraX)	
40	1272893GT	DECAL ,COSM, Z62 TRAX	1
		(Option, TraX)	
41	1272242GT	DECAL,MACHINE REGISTRATION/OWN	1



103.1 Decals with Words, Boom (ANSI & AUS)

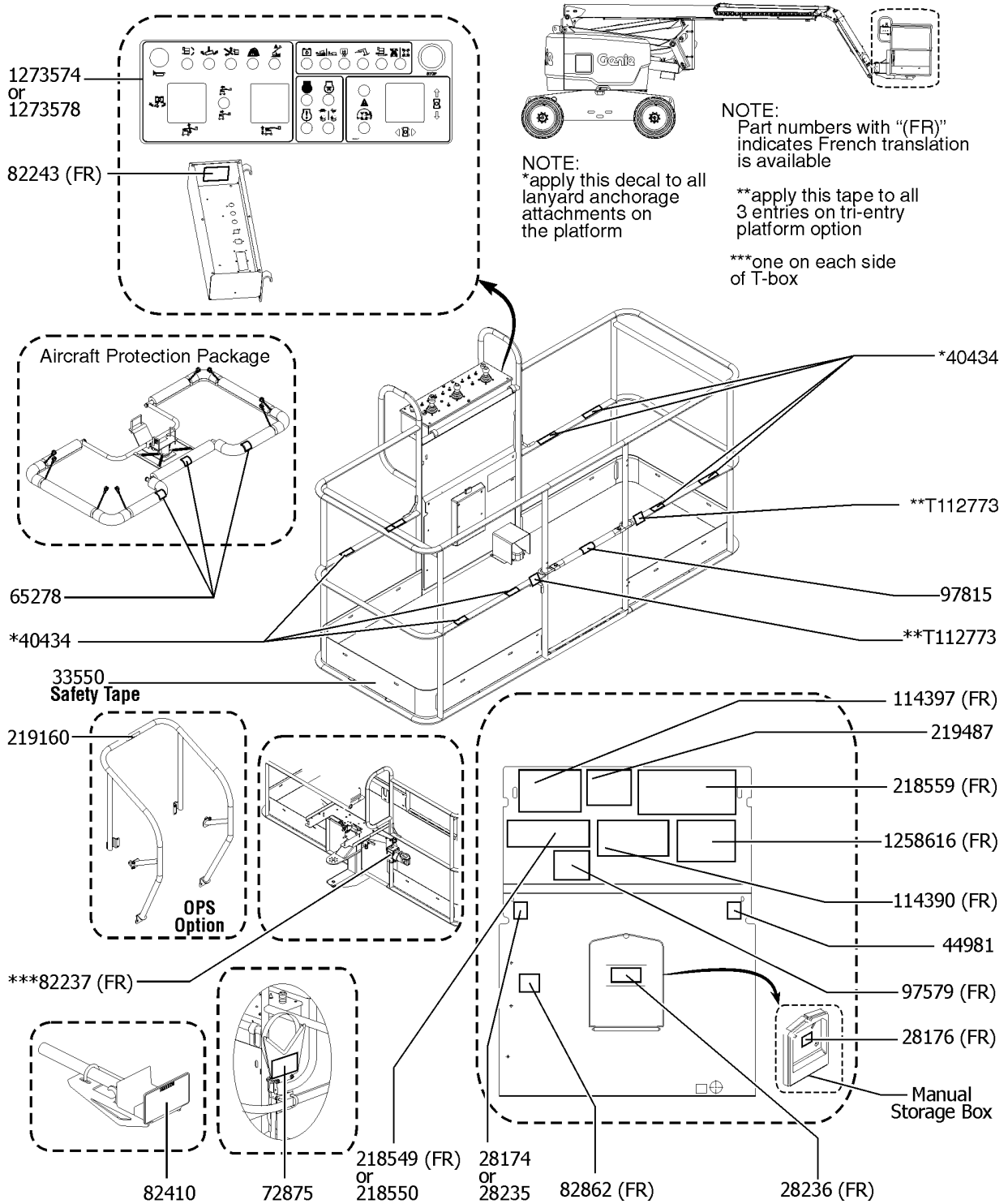
NOTE:
Part numbers with "(FR)"
indicates French translation
is available



103.1 Decals with Words, Boom (ANSI & AUS)

<i>Item</i>	<i>Part No.</i>	<i>Description</i>	<i>Qty.</i>
1	31060GT	DECAL,DANGER DO NOT ALTER SWTC	3
2	1256347GT	DECAL,COSM,Z62/40 GENIE WHITE	1
3	1258007GT	DECAL,COSM,Z62/40 GENIE BLACK	1
		(Option)	
4	1267121GT	DECAL, BOOM SUPPORT	1
		(Australia models)	
5	1272877GT	DECAL, COSMETIC, Z62 TRAX	1
		(Option, TraX)	

104.1 Decals with Words, Platform (ANSI & AUS)

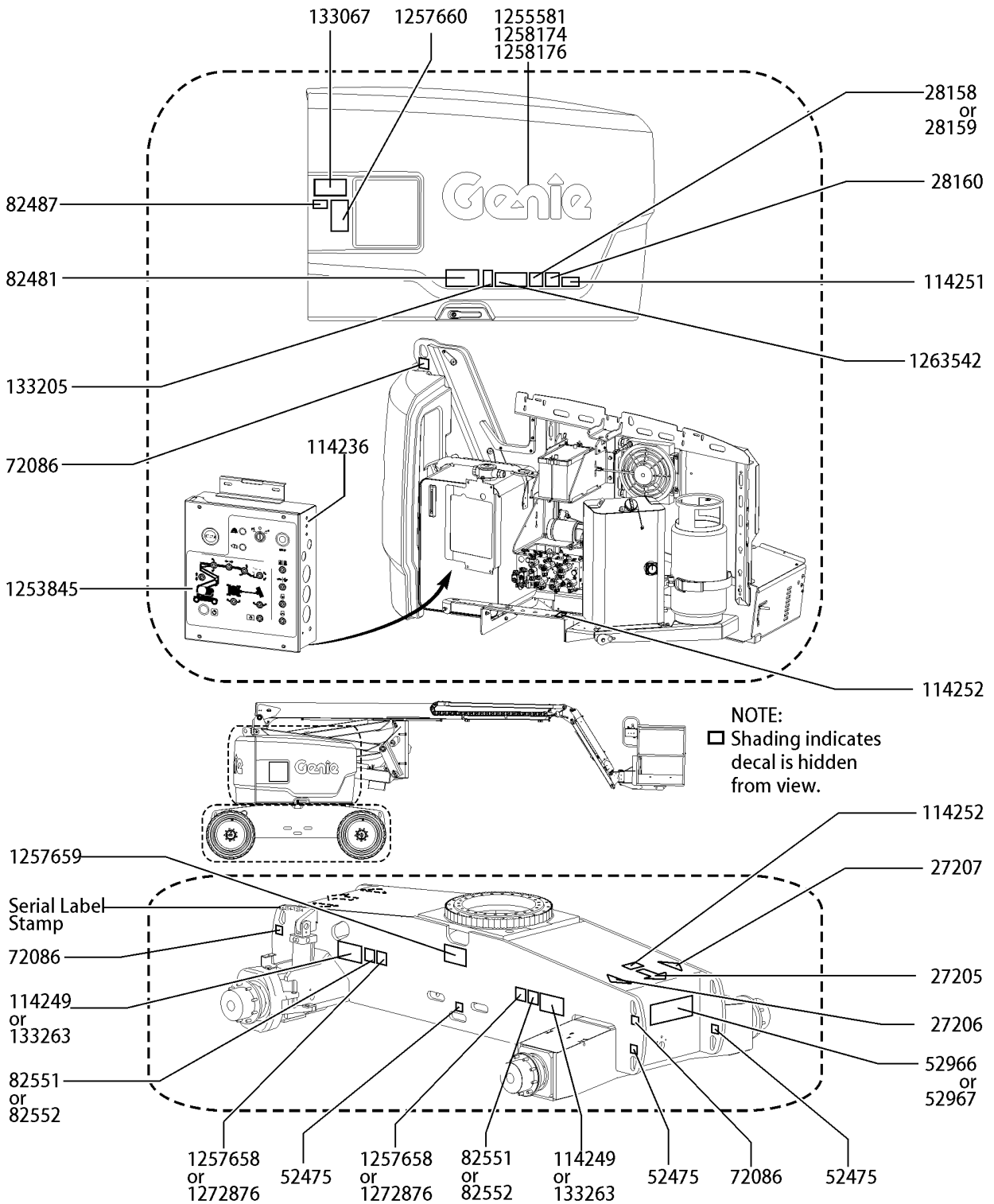


104.1 Decals with Words, Platform (ANSI & AUS)

Item	Part No.	Description	Qty.
A	1272280GT	DECAL KIT,Z62,PLAT,WRD,ANSI (ANSI)	
B	1272282GT	DECAL KIT,Z62,PLAT,WRD,AUS (AUS)	
1	28174GT	DECAL,POWER TO PLATFORM 230V	1
2	28176GT	DECAL,LABEL,MANUAL NOT HERE	1
3	28235GT	DECAL,POWER TO PLATFORM 115V	1
4	28236GT	DECAL,WARN,IMPROPER OPERATION	1
5	33550GT	TAPE,WARNING,BLK/YEL, 50'*** (sold by the roll. 648" per roll) (Required to be installed at base of platform toeboard for Australian market)	1
6	40434GT	DECAL,LANYARD ANCHORAGE POINT	8
7	44981GT	DECAL LABEL AIRLINE 110PSI (Option, Airline to Platform)	1
8	65278GT	DECAL,CAUTION,NO STEP (Option, Aircraft Protection Package)	3
9	72875GT	DECAL,WARNING,PIPE CRADLE,BOOM (Option, Pipe Cradle)	2
10	82237GT	DECAL,DANGER,HIGH VOLTAGE (Option, Welder)	2
11	82243GT	DECAL FAULT CODE	1
12	82410GT	DECAL,WARNING,PANEL CRADLE (Option, Panel Cradle)	2
13	82862GT	DECAL,FIRE EXTINGUISHER (Option, Welder)	1
14	97579GT	DECAL,DANGER,TIP-OVER,WELDER** (Option, Welder)	1
15	97815GT	DECAL,LABEL,LOWER MIDRAIL	1
16	114390GT	DECAL,DANGER,ELECT HAZARD***	1
17	114397GT	DECAL,DANGER,TILT ALARM	1
18	218549GT	DECAL,DANGER,CAP,ANSI WORD (ANSI)	1
19	218550GT	DECAL,DANGER,CAP,AUS WORD (AUS)	1
20	218559GT	DECAL,DANGER/WARNING COMBO	1
21	219160GT	DECAL, INSTRUCTION, OPS (option)	1
22	219487GT	DECAL,PLATFORM OVERLOAD (AUS Only)	1
23	1258616GT	DECAL,WORD,SLOPE RATING,Z62	1
24	1273574GT	LABEL PLAT BOX, Z62 (models with LCD screen on Gbox)	1
25	1273578GT	LABEL PLAT BOX, Z62, ROW/FORD (models with hour meter on Gbox)	1
26	T112773GT	TAPE, PROTECTIVE MASK	2



105.1 Decals with Symbols, Hydraulic Tank side (ANSI & CE)

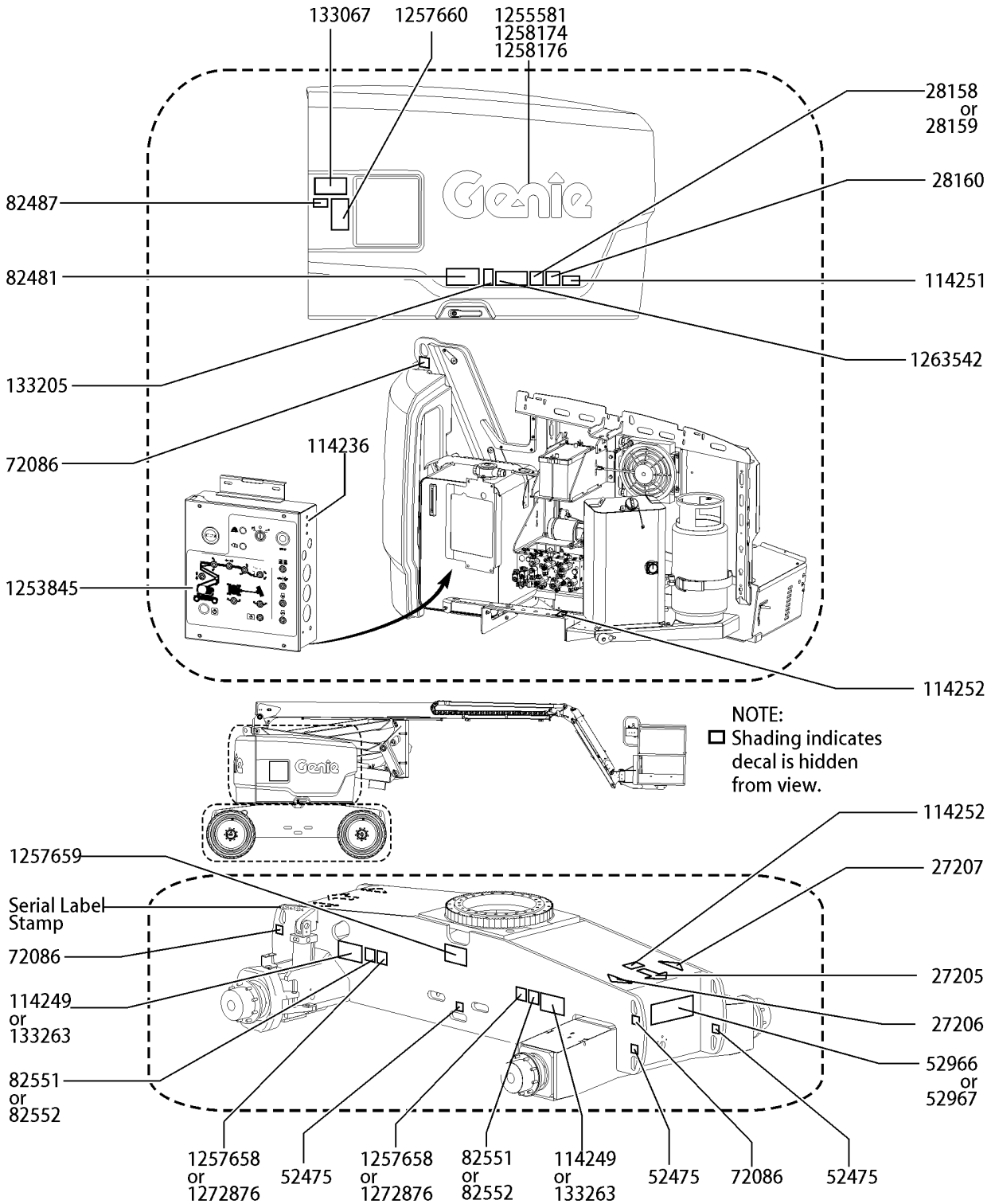


105.1 Decals with Symbols, Hydraulic Tank side (ANSI & CE)

Item	Part No.	Description	Qty.
A	1272285GT	DECAL KIT,Z62,COMP,SYM,ANSI (ANSI)	
B	1272287GT	DECAL KIT,Z62,COMP,SYM,CE (CE)	
1	27205GT	DECAL,ARROW YELLOW LRG 9"	1
2	27206GT	DECAL,TRIANGLE,BLUE	1
3	27207GT	DECAL,TRIANGLE,YELLOW	1
4	28158GT	DECAL,LABEL,UNLEADED GAS ONLY (Option, Fuel)	1
5	28159GT	DECAL,DIESEL (Option, Fuel)	1
6	28160GT	DECAL,LABEL,LIQUID PROPANE (Option, LPG tank)	1
7	52475GT	DECAL LABEL TRANSPORT TIE DOWN*	3
8	52966GT	DECAL,COSMETIC,4 X 2 (Option, Drive)	1
9	52967GT	DECAL,COSMETIC,4 X 4 (Option, Drive)	1
10	72086GT	DECAL,LABEL,LIFTING EYE	2
11	82481GT	DECAL,SYMBOL-BATTERY SAFETY	1
12	82487GT	DECAL,SYMBOL-READ THE MANUAL	1
13	82551GT	DECAL,LABEL,TIRE PRESSURE (RT air filled Only)	2
14	82552GT	DECAL,LABEL,TIRE PRESS HF (high floatation air filled Only)	2
15	114236GT	DECAL,LABEL,CB SYMBOL	1
16	114249GT	DECAL,LABEL,TIPOVER,TIRES,SYMB	2
17	114251GT	DECAL,LABEL,NO SMOKING,SYMB	1
18	114252GT	DECAL,LABEL,TIP OVER LMT SWTCH	2
19	133067GT	DECAL,DANGER,ELEC.HAZ.STAY CLR	1
20	133205GT	DECAL,LABEL, ELECTRO HAZARD	1
21	133263GT	DECAL,LABEL,TIPOVER,TRAX,SYMB (Option, TraX)	2
22	1253845GT	DECAL,GROUND CONTROL BOX,Z62	1
23	1255581GT	DECAL,COSMETIC, 10" GENIE BLUE	1
24	1257658GT	DECAL,WHEEL LOAD,Z62	2
25	1257659GT	DECAL,TRANSPORTING/LIFTING,Z62	1
26	1257660GT	DECAL,EMERGENCY LOWERING,Z62 (CE Only)	1



105.1 Decals with Symbols, Hydraulic Tank side (ANSI & CE)

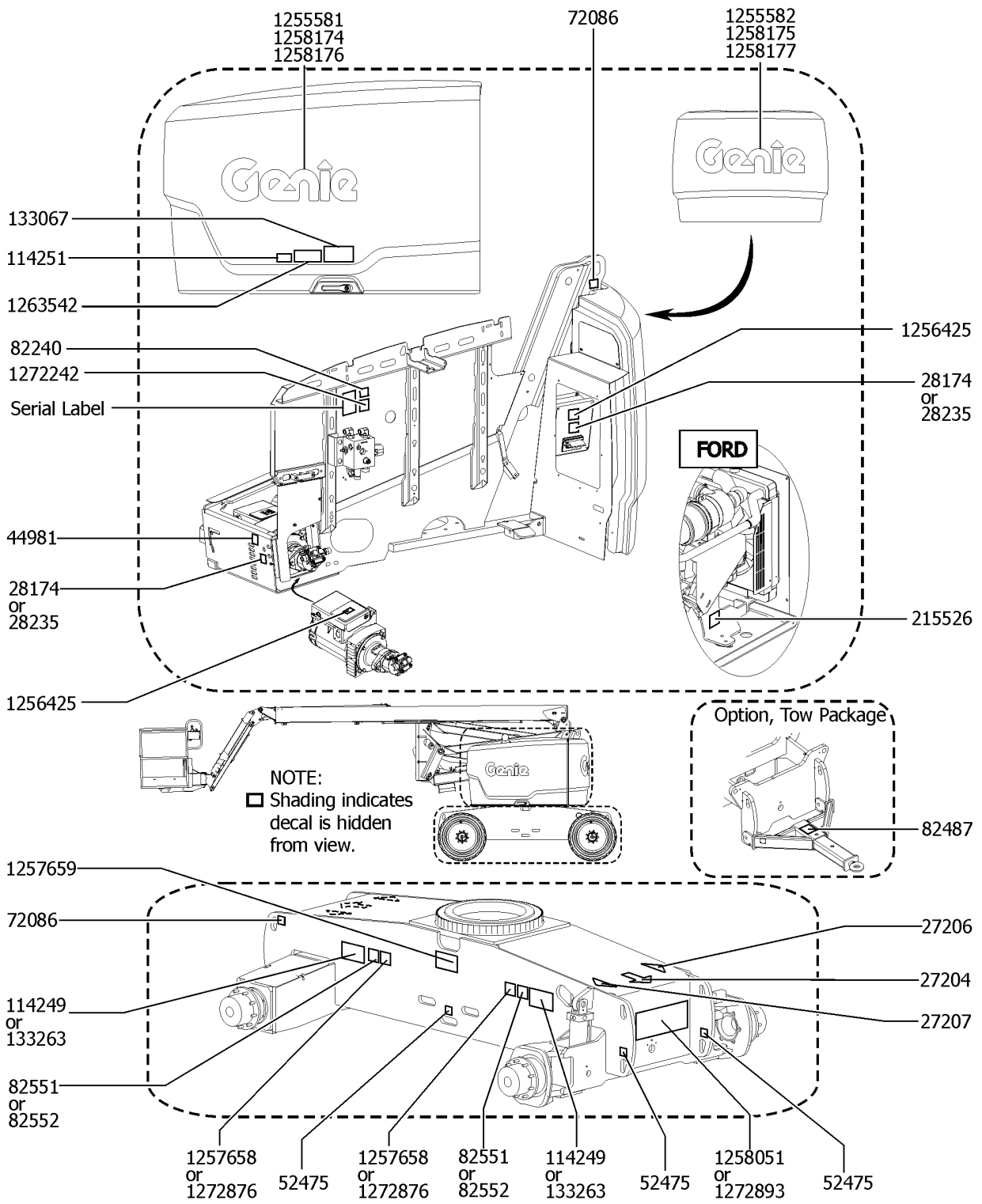


105.1 Decals with Symbols, Hydraulic Tank side (ANSI & CE)

<i>Item</i>	<i>Part No.</i>	<i>Description</i>	<i>Qty.</i>
27	1258174GT	DECAL COSMETIC,10" GENIE WHITE (Option)	1
28	1258176GT	DECAL COSMETIC,10" GENIE BLACK (Option)	1
29	1263542GT	DECAL,IMPROPER OPERATION,SYMBOL	1
30	1272876GT	DECAL, FLOOR LOAD, Z62 TRAX (Option, TraX)	2



106.1 Decals with Symbols, Engine side (ANSI & CE)

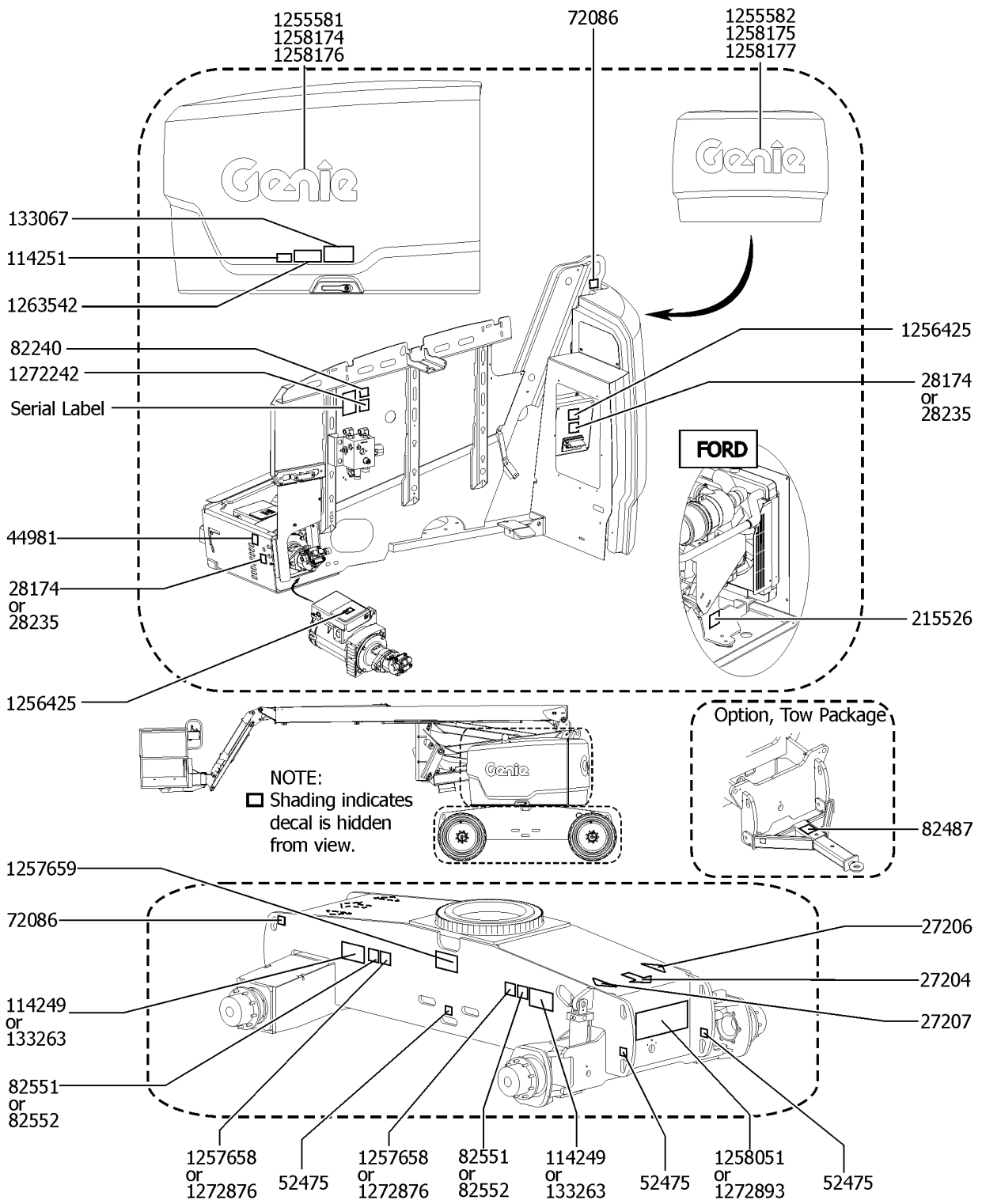


106.1 Decals with Symbols, Engine side (ANSI & CE)

Item	Part No.	Description	Qty.
1	27204GT	DECAL,ARROW BLUE	1
2	27206GT	DECAL,TRIANGLE,BLUE	1
3	27207GT	DECAL,TRIANGLE,YELLOW	1
4	28174GT	DECAL,POWER TO PLATFORM 230V	2
5	28235GT	DECAL,POWER TO PLATFORM 115V	2
6	44981GT	DECAL LABEL AIRLINE 110PSI (Option, Airline to Platform)	1
7	52475GT	DECAL LABEL TRANSPORT TIE DOWN*	3
8	72086GT	DECAL,LABEL,LIFTING EYE	2
9	82240GT	DECAL,LABEL,105 DB (CE units only)	1
10	82487GT	DECAL,SYMBOL-READ THE MANUAL (Option, Tow Package)	1
11	82551GT	DECAL,LABEL,TIRE PRESSURE (RT air filled Only)	2
12	82552GT	DECAL,LABEL,TIRE PRESS HF (high floatation air filled Only)	2
13	114249GT	DECAL,LABEL,TIPOVER,TIRES,SYMB (tires)	2
14	114251GT	DECAL,LABEL,NO SMOKING,SYMB	1
15	133067GT	DECAL,DANGER,ELEC.HAZ.STAY CLR	1
16	133263GT	DECAL,LABEL,TIPOVER,TRAX,SYMB (Option, TraX)	2
17	215526GT	DECAL,LABEL,BELT,MSG425	1
18	1255581GT	DECAL,COSMETIC, 10" GENIE BLUE	1
19	1255582GT	DECAL COSMETIC,15" GENIE BLUE	1
20	1256425GT	DECAL, DANGER, ELECTROCUTION HAZARD, SYMBOL (Option)	1
21	1257658GT	DECAL,WHEEL LOAD,Z62	2
22	1257659GT	DECAL,TRANSPORTING/LIFTING,Z62	1
23	1258051GT	DECAL, COSMETIC,Z-62	1
24	1258174GT	DECAL COSMETIC,10" GENIE WHITE (Option)	1
25	1258175GT	DECAL COSMETIC,15" GENIE WHITE (Option)	1
26	1258176GT	DECAL,COSMETIC,10" GENIE BLACK (Option)	1
27	1258177GT	DECAL COSMETIC,15" GENIE BLACK (Option)	1
28	1263542GT	DECAL,IMPROPER OPERATION,SYMBOL	1



106.1 Decals with Symbols, Engine side (ANSI & CE)

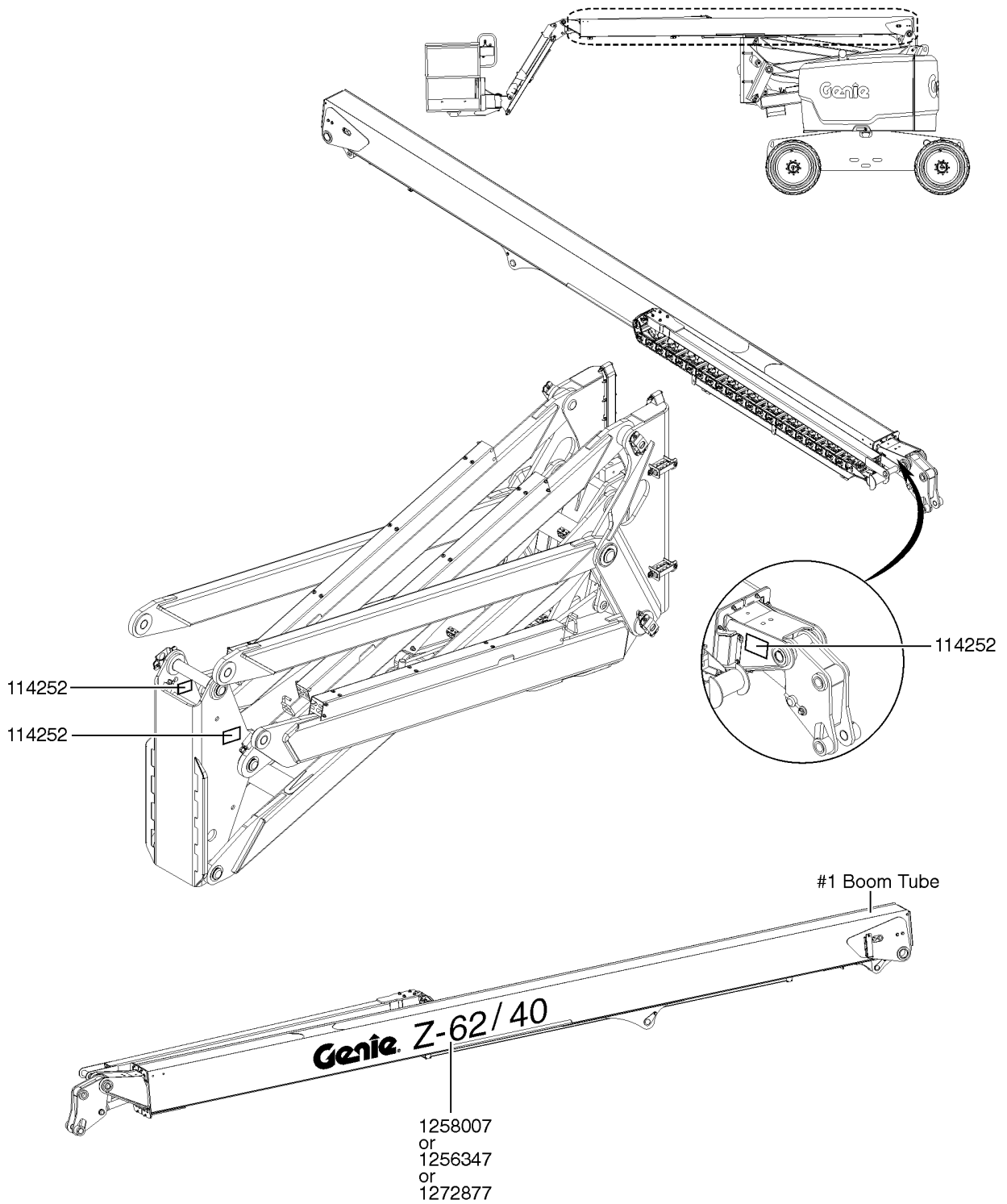


106.1 Decals with Symbols, Engine side (ANSI & CE)

<i>Item</i>	<i>Part No.</i>	<i>Description</i>	<i>Qty.</i>
29	1272876GT	DECAL, FLOOR LOAD, Z62 TRAX (Option, TraX)	2
30	1272893GT	DECAL ,COSM, Z62 TRAX (Option, TraX)	1
31	1272242GT	DECAL,MACHINE REGISTRATION/OWN	1



107.1 Decals with Symbols, Boom (ANSI & CE)

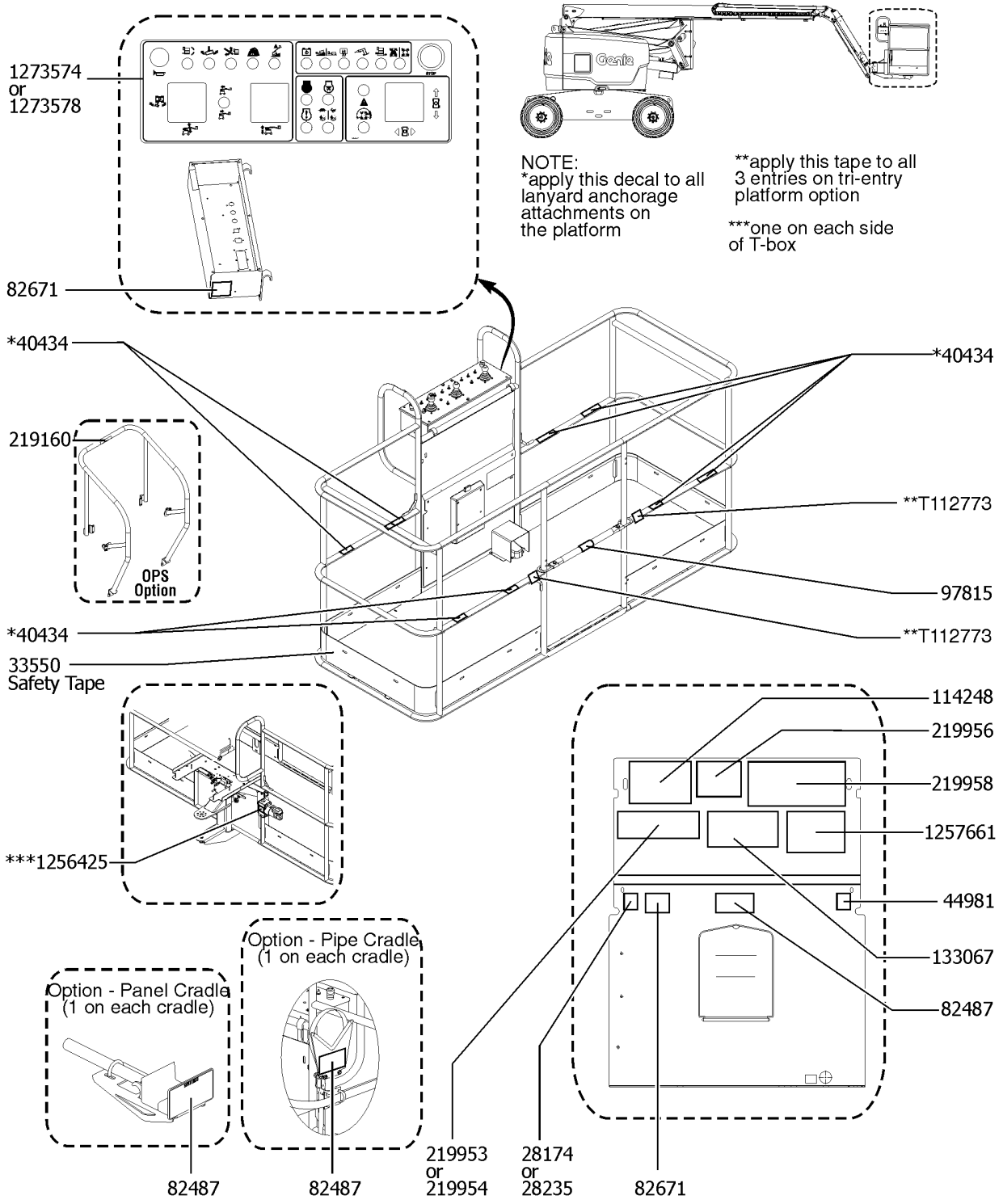


107.1 Decals with Symbols, Boom (ANSI & CE)

<i>Item</i>	<i>Part No.</i>	<i>Description</i>	<i>Qty.</i>
1	114252GT	DECAL,LABEL,TIP OVER LMT SWTCH	3
2	1256347GT	DECAL,COSM,Z62/40 GENIE WHITE	1
3	1258007GT	DECAL,COSM,Z62/40 GENIE BLACK	1
		(Option)	
4	1272877GT	DECAL, COSMETIC, Z62 TRAX	1
		(Option, TraX)	



108.1 Decals with Symbols, Platform (ANSI & CE)

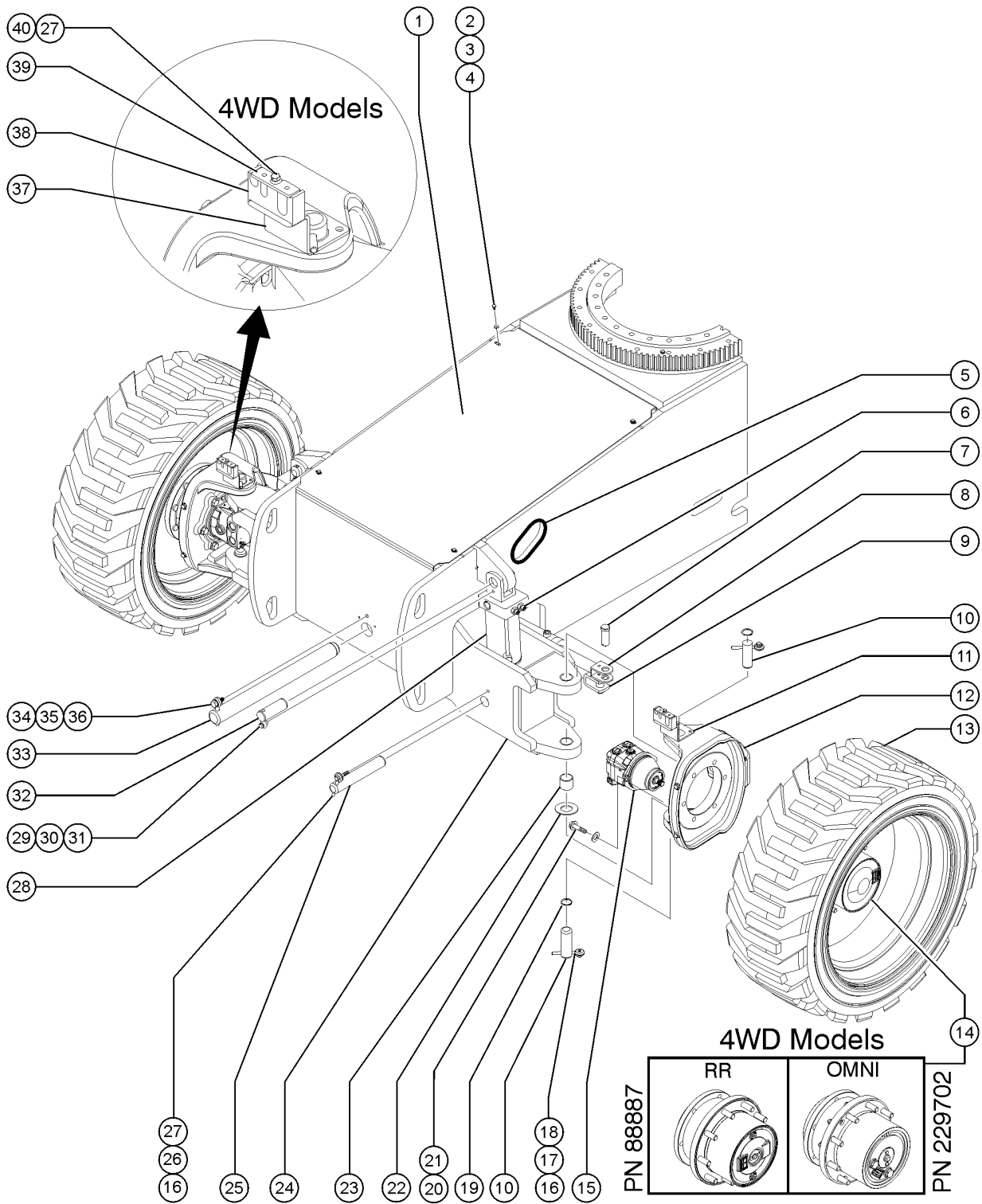


108.1 Decals with Symbols, Platform (ANSI & CE)

Item	Part No.	Description	Qty.
A	1272284GT	DECAL KIT,Z62,PLAT,SYM,ANSI (ANSI)	
B	1272286GT	DECAL KIT,Z62,PLAT,SYM,CE (CE)	
1	28174GT	DECAL,POWER TO PLATFORM 230V	1
2	28235GT	DECAL,POWER TO PLATFORM 115V	1
3	33550GT	TAPE,WARNING,BLK/YEL, 50'*** (sold by the roll. 648" per roll) (Required to be installed at base of platform toeboard for CE market)	1
4	40434GT	DECAL,LANYARD ANCHORAGE POINT	8
5	44981GT	DECAL LABEL AIRLINE 110PSI (Option, Airline to Platform)	1
6	82487GT	DECAL,SYMBOL-READ THE MANUAL	1
7	82671GT	DECAL,LABEL,WELD LINE INST,SYM (Option, Weld Cable)	2
8	97815GT	DECAL,LABEL,LOWER MIDRAIL	1
9	114248GT	DECAL,LABEL,TIPOVER,TILT AL SY	1
10	133067GT	DECAL,DANGER,ELEC.HAZ.STAY CLR	1
11	219160GT	DECAL, INSTRUCTION, OPS (option)	1
12	219953GT	DECAL,TIP-OVER HAZARD,ANSI (ANSI)	1
13	219954GT	DECAL,TIP-OVER HAZARD,CE (CE)	1
14	219956GT	DECAL,PLATFORM OVERLOAD (CE Only)	1
15	219958GT	DECAL,TIP-OVER,CRUSH	1
16	1256425GT	DECAL, DANGER, ELECTROCUTION HAZARD, SYMBOL (Option, Welder)	2
17	1257661GT	DECAL,SYMBOL,SLOPE RATING,Z62	1
18	1273574GT	LABEL PLAT BOX, Z62 (models with LCD screen on Gbox)	1
19	1273578GT	LABEL PLAT BOX, Z62, ROW/FORD (models with hour meter on Gbox)	1
20	T112773GT	TAPE, PROTECTIVE MASK	2



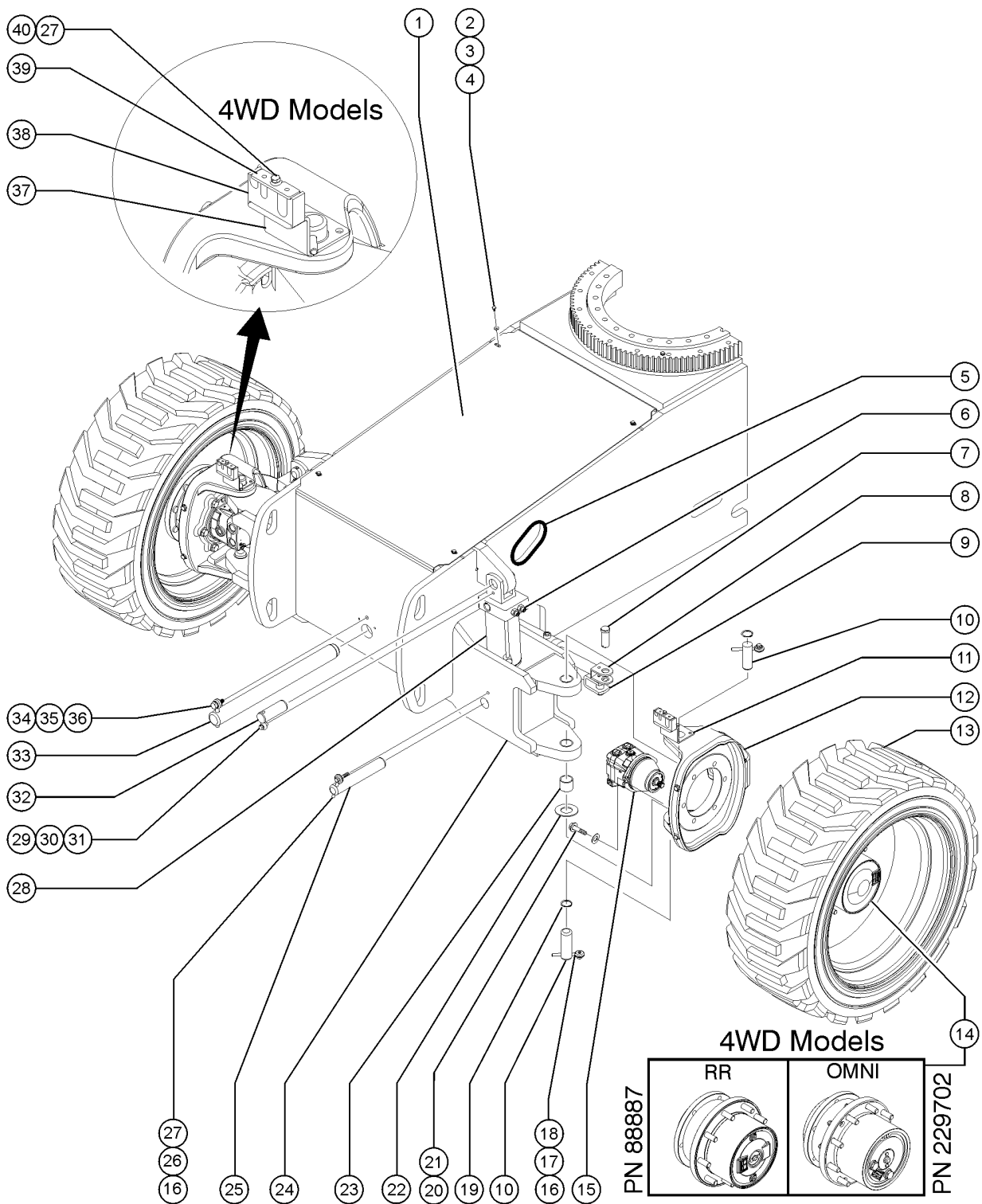
201.1 Steer End (2WS) & Square End (4WS)



201.1 Steer End (2WS) & Square End (4WS)

Item	Part No.	Description	Qty.
	1255713GT	WELDMENT, NON OSC STOP non-oscillate axles; mounts above steer axle (not shown)	1
-	77705GT	SHIM, NON-OSC 22 GAGE (not shown)	4
-	77706GT	SHIM, NON-OSC 16 GAGE (not shown)	4
1A	1255703GT	COVER, DRIVE CHASSIS (2 wheel steer) (decals not included, refer to section 100) (shown)	1
1B	1264541GT	COVER, DRIVE CHASSIS (4 wheel steer) (decals not included, refer to section 100)	1
2	824059GT	SCREW, HHC, 1/4-20X.75, 8, ZAG	
3	824113GT	WASHER, FLAT, 1/4, USS, ZAG	
4	56912GT	SPRING CLIP, 1/4-20, .025-.15X.5	
5	53386GT	GUARD, HOSE PROTECTOR	1
6	48912GT	CONN, 520120-4-6***	2
7	19440GT	PIN, CLEVIS, 1 X 2.5 LG	6
7-	74389GT	RUE RING, 1.00	
8	59460GT	CYLINDER, STEERING***	2
8-	89294GT	SEAL KIT CYLINDER (59460)	
9	1255710GT	WELDMENT, TIE ROD	1
10	110221GT	PIN, GROOVE/HOLE, 1.50 DIA X 4.475	4
11	1255705GT	BRACKET, HOSE ROUTING, AXLE LH 4wd models	1
12A	1270346GT	YOKE ASSY BLK W/BEARINGS, RH	
12A-	25817GT	BEARING, 1.00IDX1.25ODX1.00L	
12B	1270347GT	YOKE ASSY BLK W/BEARINGS, LH	
12B-	25817GT	BEARING, 1.00IDX1.25ODX1.00L	
13A	88729GT	TIRE & WHEEL ASSY, AIR, RH*** RT, Air-filled, right	2
13A	88730GT	TIRE & WHEEL ASSY, AIR, LH RT, Air-filled, left	2
13A-	88727GT	WHEEL, 24.5X11.75, 9 X 9 BCD	
13A-	88728GT	TIRE, 355/55D625	
13B	94534GT	WHEEL & TIRE ASSY, RH, NM AIR RT, Air-filled, Non-marking, right	2
13B	94535GT	WHEEL & TIRE ASSY, LH NM AIR RT, Air-filled, Non-marking, left	2
13B-	88727GT	WHEEL, 24.5X11.75, 9 X 9 BCD	4

201.1 Steer End (2WS) & Square End (4WS)

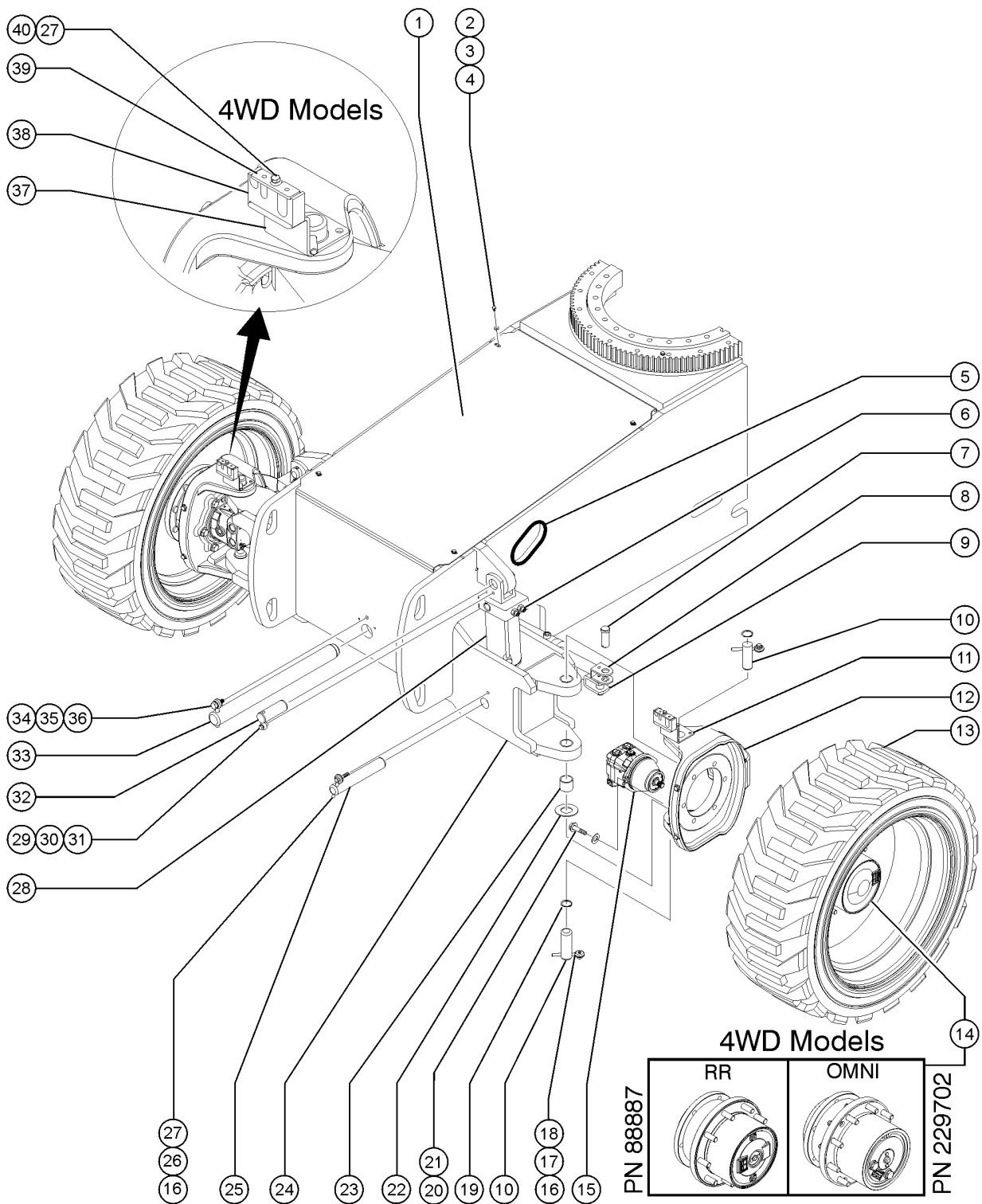


201.1 Steer End (2WS) & Square End (4WS)

Item	Part No.	Description	Qty.
13B-	94536GT	TIRE,355/55D625,14 PLY,NM	4
13C	110727GT	TIRE/WHEEL ASSY,LP RT W/SEALAN RT, Air-filled, with sealant, left	2
13C	110728GT	TIRE/WHEEL ASSY,LP RT W/SEALAN RT, Air-filled, with sealant, right	2
13D	110730GT	TIRE/WHEEL ASSY,LP NM W/SEALAN RT, Air-filled, Non-marking, with sealant, right	2
13D	110731GT	TIRE/WHEEL ASSY,LP NM W/SEALAN RT, Air-filled, Non-marking, with sealant, left	2
13E	77790GT	TIRE & WHEEL ASSY, RH, 355/55D625, FF RT, Foam-filled, right (overall diameter: 37 inches)	2
13E	77791GT	TIRE & WHEEL ASSY, LH, 355/55D625, FF RT, Foam-filled, left (overall diameter: 37 inches)	2
13F	228768GT	TIRE/WH ASSY,RH,FF,REPNEU	2
13F	228769GT	TIRE/WH ASSY,LH,FF,REPNEU***	2
13G	106647GT	TIRE & WHEEL ASSY,RH,FOAM,NM RT, Foam-filled, Non-marking, right (overall diameter: 37 inches)	2
13G	106648GT	TIRE & WHEEL ASSY,LH,FOAM,NM RT, Foam-filled, Non-marking, left (overall diameter: 37 inches)	2
13H	227816GT	TIRE & WHEEL ASSY,RH,FOAM,NM RT, Foam-filled, oil based, Non-marking, right	2
13J	227817GT	TIRE & WHEEL ASSY,LH,FOAM,NM RT, Foam-filled, oil based, Non-marking, left	2
13K	94332GT	TIRE & WHEEL ASSY,TURF SPEC*** Turf, Air-filled; can only replace units with factory installed turf tire/wheel assembly	4
13L	110733GT	TIRE/WHEEL ASSY,HF W/SEALANT Turf, Air-filled with sealant; can only replace units with factory installed turf tire/wheel assembly	4
14A		WHEEL DRIVE 57.5:1 4WD TYPE: OMNI. 4WD models. PN 231612 REPLACED OMNIGEAR WHEEL DRIVE PN 229702	2
14A-	139965GT	WHEEL STUD,5/8-18,OMNI***	
14A-	139966GT	ROD,DISCONNECT,OMNI***	
14A-	139967GT	CAP,DISENGAGE,OMNI***	
14A-	139968GT	O-RING,END COVER,OMNI***	
14A-	139969GT	LINING KIT,BRAKE,OMNI***	
14A-	139970GT	SEAL KIT,BRAKE,OMNI***	
14A-	139971GT	BEARING KIT,OMNI***	
14A-	139972GT	SEAL KIT,GEARBOX,OMNI***	
14A-	147033GT	O-RING,PIPE PLUG KIT,OMNI***	
14A-	147034GT	PIPE PLUG KIT,OMNI***	
14A-	1260084GT	END CAP, WHEEL DRIVE	



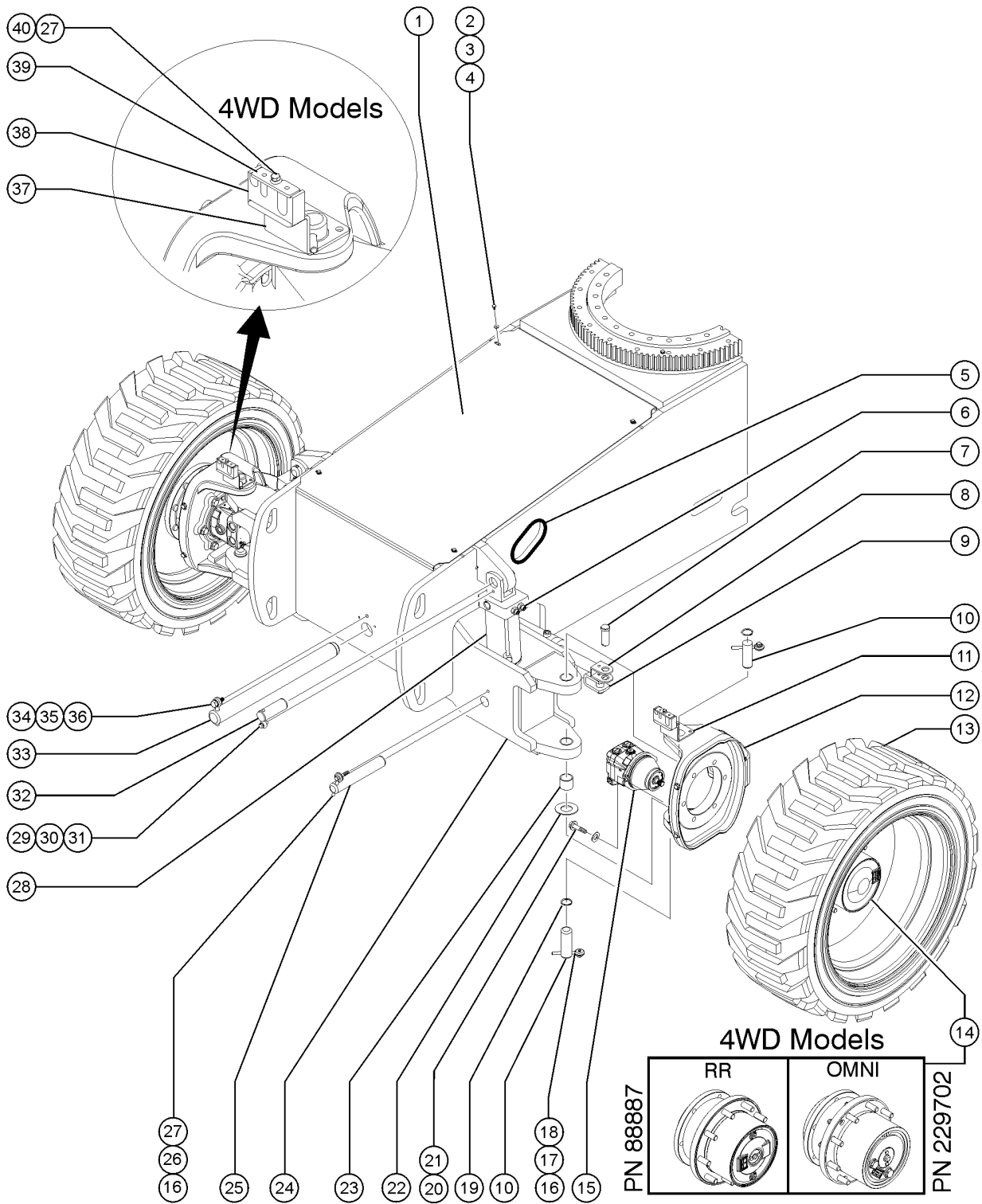
201.1 Steer End (2WS) & Square End (4WS)



201.1 Steer End (2WS) & Square End (4WS)

Item	Part No.	Description	Qty.
14B	229817GT	WHEEL DRIVE 56:1 Trax	1
14B-	102162GT	LUG,STUD/WHEEL (88887) for 102162	
14B-	102131GT	DISCONNECT KIT (88887) for 102162	
14B-	229818GT	SEAL KIT, DRIVE HUB for 102162	
14B-	215340GT	LOCKRING, RR*** for 102162	
14B-	102516GT	RING,RETAINING,INTERNAL for 102162	
14B-	215642GT	BRAKE KIT (88886)*** for 102162	
14B-	229931GT	SEAL,LIP for 102162	
14C	231612GT	WHEEL DRIVE,W/BRAKE 4WD 2	
14C-	102158GT	O-RING,.103 X 4.737,VITON, 75D 1	
14C-	106117GT	O-RING,2-010,VITON 1	
15A	88884GT	MOTOR,PISTON,30CC,4WD*** 2 4WD models	
15A-	72290GT	SNAP RING(M46 UNITS)* for 88884	
15A-	102158GT	O-RING,.103 X 4.737,VITON, 75D for 88884	
15A-	106117GT	O-RING,2-010,VITON for 88884 (installed between motor and drive hub)	
15A-	102159GT	SHAFT,15 TOOTH for 88884	
15A-	102155GT	BEARING,BALL DRIVE SHAFT for 88884	
15A-	27067GT	SEAL,SHAFT-SUNDSTRAND*** for 88884	
15A-	106098GT	SEAL KIT,MOTOR,LC/KC*** for 88884	
16	825019GT	ROD END,.375X3.69,ZAG	
17	824091GT	SCREW,HHF,3/8-16X1.25,8,ZAG	
18	6021GT	WASHER,LOCK,.375	
19	18383GT	SNAP RING,EXTERNAL,1.5 DIA	
20	824072GT	SCREW,HHC,7/16-14X1.25,8,ZAG	12
21	1257078GT	WASHER,.469 X .768 HRD, ZAG	12
22	45074GT	WASHER,THRUST,1.5 X 3.5 X .187	2
23	45071GT	BEARING,1.5IDX1.75ODX1.5L	
24	1270348GT	STEER AXLE ASSY BLACK includes bearing	1

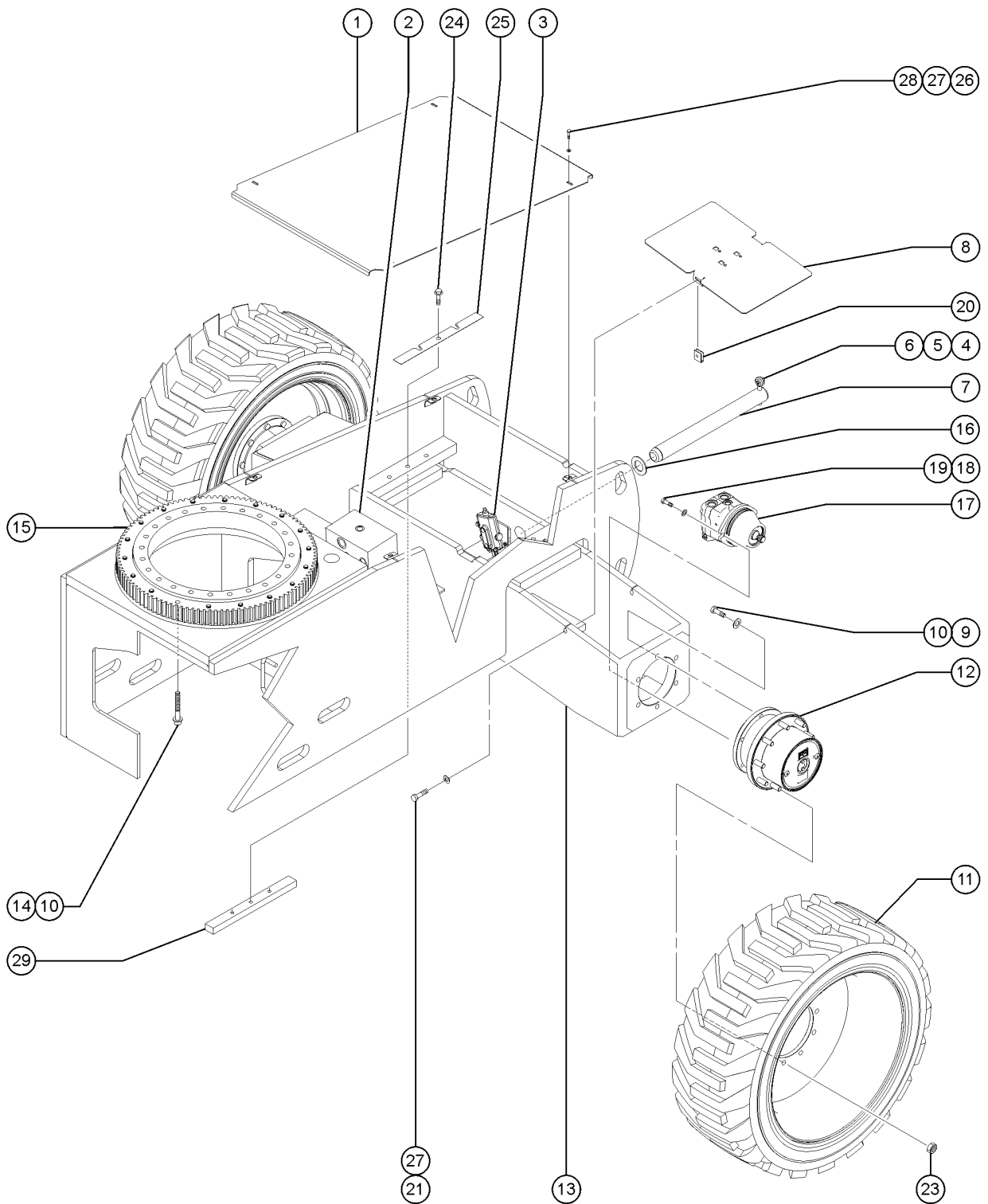
201.1 Steer End (2WS) & Square End (4WS)



201.1 Steer End (2WS) & Square End (4WS)

Item	Part No.	Description	Qty.
24-	42014GT	BEARING,2.00IDX2.25ODX2.00L	2
25	77880GT	PIN,1.50DIAX9.38LG,1HOLE	2
26	1253478GT	SCREW,HHF,3/8-16X2,8,ZAG	
27	824029GT	NUT,TL FLG,3/8-16,G,ZAG	
28	1257470GT	CYLINDER,OSCILLATE,Z62	2
28-	89295GT	SEAL KIT,CYLINDER (63189)	
28-	32722GT	VALVE,COUNTERBAL.CBCG-LJN@3000	
29	1255452GT	ROD END,.375 X 2.25,ZAG	
30	824110GT	WASHER,LOCK,3/8,ZAG	
31	824067GT	SCREW, HHC, 3/8-16 X 1, 8, ZAG	
32	1258681GT	PIN,1.75DIAX3.75,1HOLE	2
33	77610GT	PIN,2.00DIAX23.13LG,CHAMFER	1
34	1256267GT	ROD END,.5 X 3.75,ZAG	
35	8177GT	SCREW,HHC,1/2-13 X 1.5	
36	6033GT	WASHER,LOCK,0.5"	
37	1255704GT	BRACKET,HOSE ROUTING,AXLE RH 4wd models	1
38	106516GT	CLAMP,HOSE,2X4,1X6,2X8*** 4wd models	2
39	1255706GT	CLAMP TOP,HOSE ROUTING*** 4wd models	2
40	824095GT	SCREW, HHF, 3/8-16 X 3, 8, ZAG	

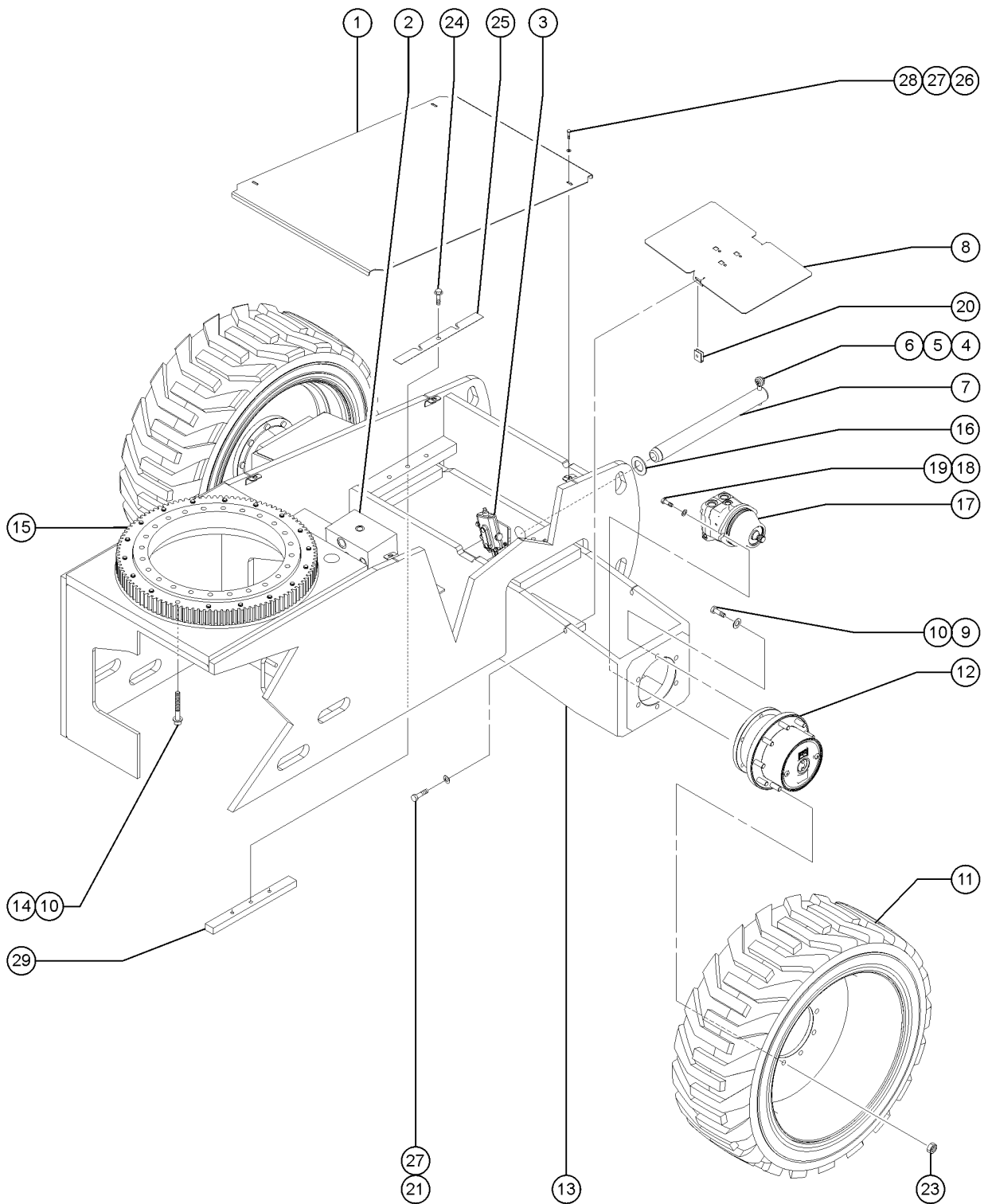
202.1 Non-steer End, 2 Wheel Steer



Item	Part No.	Description	Qty.
1	1255513GT	COVER,REAR,DRIVE CHASSIS decals not included, refer to section 100	1
2		Ref. Traction Manifold refer to 701.1 & 702.1	
3		Ref. Oscillate Valve refer to 707.1	
4	1256267GT	ROD END,.5 X 3.75,ZAG	
5	6175GT	SCREW,HHC,3/8-16 X 1	
6	6021GT	WASHER,LOCK,.375	
7	77950GT	PIN,2.00DIA X 20.88LG,CHAMFER	
8	1255711GT	COVER,REAR AXLE	2
9	73455GT	SCREW,HHC,5/8-11 X 2.25 GR8	
10	13064GT	WASHER,FLAT,.625 HARDENED	
11		REF. WHEEL AND TIRE ASSEMBLY refer to 201.1	
12A		WHEEL DRIVE 57.5:1 4WD TYPE: OMNI. 4WD Models. PN 231612 REPLACED OMNIGEAR WHEEL DRIVE PN 229702	2
12A-	139965GT	WHEEL STUD,5/8-18,OMNI*** for 229702	
12A-	139966GT	ROD,DISCONNECT,OMNI*** for 229702	
12A-	139967GT	CAP,DISENGAGE,OMNI*** for 229702	
12A-	139968GT	O-RING,END COVER,OMNI*** for 229702	
12A-	139969GT	LINING KIT,BRAKE,OMNI*** for 229702	
12A-	139970GT	SEAL KIT,BRAKE,OMNI*** for 229702	
12A-	139971GT	BEARING KIT,OMNI*** for 229702	
12A-	139972GT	SEAL KIT,GEARBOX,OMNI*** for 229702	
12A-	147033GT	O-RING,PIPE PLUG KIT,OMNI*** for 229702	
12A-	147034GT	PIPE PLUG KIT,OMNI*** for 229702	
12A-	1260084GT	END CAP, WHEEL DRIVE for 229702	
12B	88887GT	WHEEL DRIVE 56:1 2WD 2WD models; not shown	2
12B-	102126GT	SEAL KIT,DRIVE HUB (88887) for 88887	
12B-	102131GT	DISCONNECT KIT (88887) for 88887	
12B-	215642GT	BRAKE KIT (88886)*** for 88887	
12B-	102163GT	RING,RETAINING*** for 88887	



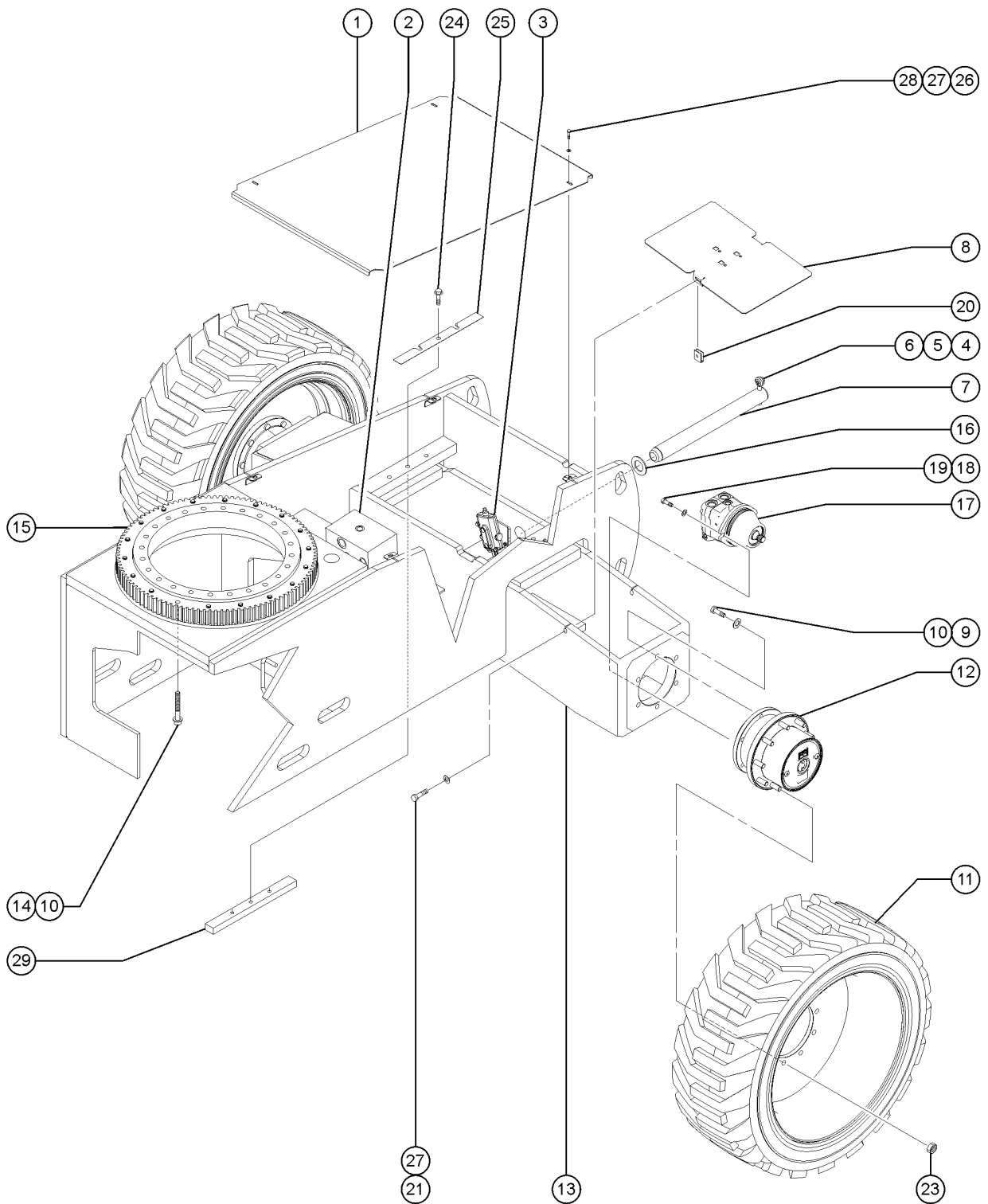
202.1 Non-steer End, 2 Wheel Steer



Item	Part No.	Description	Qty.
12B-	215340GT	LOCKRING, RR*** for 88887	
12B-	102167GT	SHAFT, INPUT DRIVE HUB for 88887	
12B-	102162GT	LUG, STUD/WHEEL (88887) for 88887	
12B-	102516GT	RING, RETAINING, INTERNAL for 88887	
12B-	1274613GT	HUB SCREW for 88887	
12C	229817GT	WHEEL DRIVE 56:1 TraX models	2
12C-	102162GT	LUG, STUD/WHEEL (88887) TraX models	
12C-	102131GT	DISCONNECT KIT (88887) TraX models	
12C-	229818GT	SEAL KIT, DRIVE HUB TraX models	
12C-	215340GT	LOCKRING, RR*** TraX models; replaced 102165	
12C-	102516GT	RING, RETAINING, INTERNAL TraX models	
12C-	215642GT	BRAKE KIT (88886)*** TraX models; replaced 102168	
12C-	229931GT	SEAL, LIP TraX models	
12C-	102157GT	O-RING, .070 X .239, VITON 75D TraX models	
12C-	102158GT	O-RING, .103 X 4.737, VITON, 75D TraX models	
12C-	102166GT	VALVE, CHECK, 30 PSI TraX models	
12C-	102167GT	SHAFT, INPUT DRIVE HUB TraX models	
12C-	106098GT	SEAL KIT, MOTOR, LC/KC*** TraX models	
12C-	27067GT	SEAL, SHAFT-SUNDSTRAND*** TraX models	
12C-	77674GT	NUT, HEX, FLANGE 5/8-18, GRD 8 ZI TraX models	
12C-	88884GT	MOTOR, PISTON, 30CC, 4WD*** TraX models	
12D	231612GT	WHEEL DRIVE, W/BRAKE 4WD	2
12D-	102158GT	O-RING, .103 X 4.737, VITON, 75D	
12D-	106117GT	O-RING, 2-010, VITON	
13	1270349GT	NON-STEER AXLE ASSY BLACK includes bearing	1
13-	42014GT	BEARING, 2.00IDX2.25ODX2.00L	
14	139865GT	SCREW, HHC, 5/8-11 X 4.00 GR8 BO	18
15	63468GT	BEARING, TURNTABLE ROTATION	



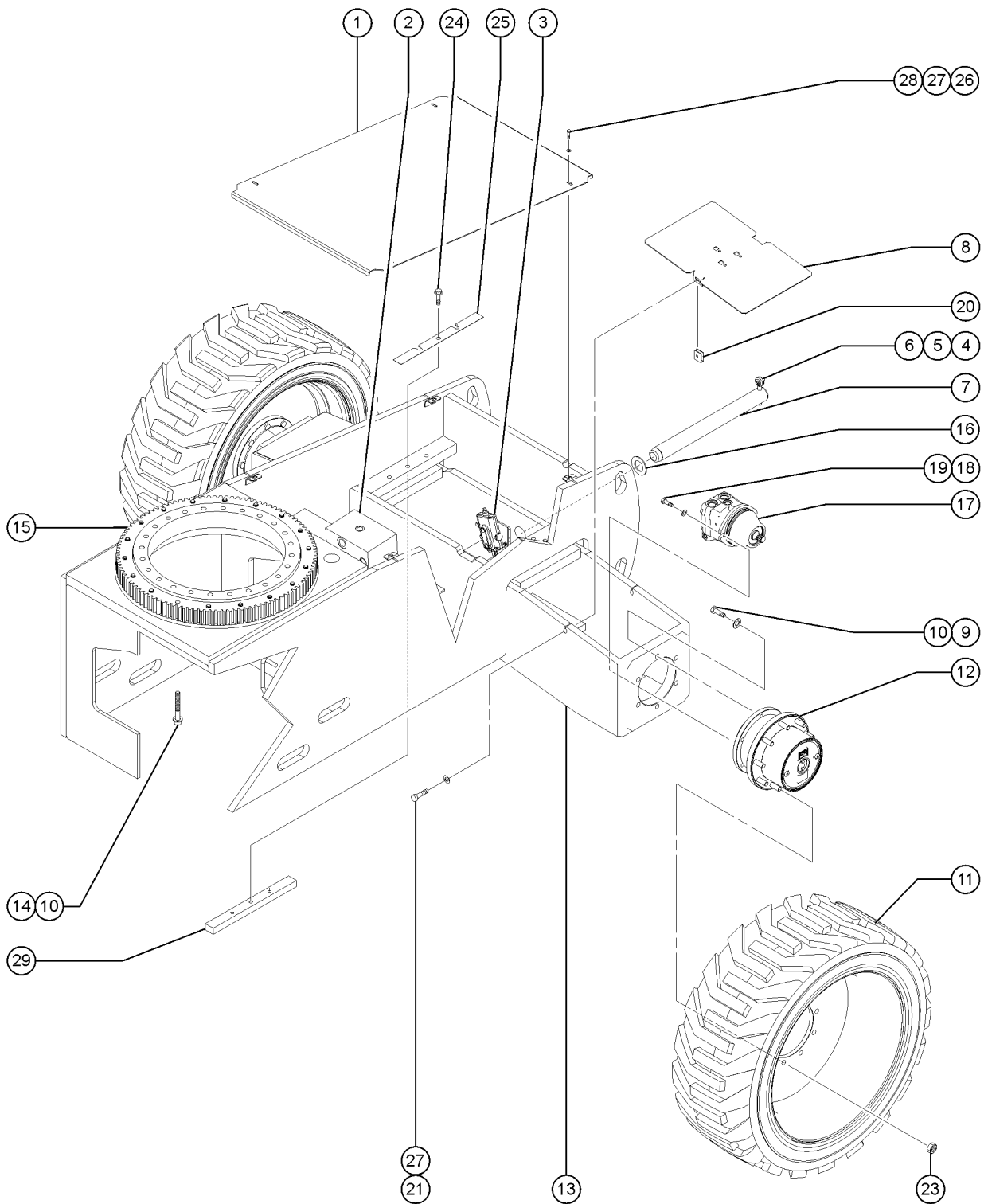
202.1 Non-steer End, 2 Wheel Steer



Item	Part No.	Description	Qty.
15-	227785GT	BEARING TURNTABLE SEAL***	
16	18730GT	WASHER,FLAT,2.01 X 3.5 X .06	
17A	88884GT	MOTOR,PISTON,30CC,4WD*** 4WD 2-wheel steering	4
17A-	72290GT	SNAP RING(M46 UNITS)*	
17A-	102159GT	SHAFT,15 TOOTH	
17A-	102155GT	BEARING,BALL DRIVE SHAFT	
17A-	27067GT	SEAL,SHAFT-SUNDSTRAND***	
17A-	106098GT	SEAL KIT,MOTOR,LC/KC*** for 88884	
17A-	102158GT	O-RING,.103 X 4.737,VITON, 75D for 88884	
17A-	106117GT	O-RING,2-010,VITON for 88884 (installed between motor and drive hub)	
17B	88885GT	MOTOR,PISTON,35CC,2WD*** 2WD models 2-wheel steering; not shown	2
17B-	72290GT	SNAP RING(M46 UNITS)* for 88885	
17B-	102159GT	SHAFT,15 TOOTH for 88885	
17B-	102155GT	BEARING,BALL DRIVE SHAFT for 88885	
17B-	27067GT	SEAL,SHAFT-SUNDSTRAND*** for 88885	
17B-	106098GT	SEAL KIT,MOTOR,LC/KC*** for 88885	
17B-	106117GT	O-RING,2-010,VITON for 88885 (installed between motor and drive hub)	
17B-	102158GT	O-RING,.103 X 4.737,VITON, 75D for 88885	
18	88296GT	SCREW,HHC,7/16-14 X 1.25	4
19	119988GT	WASHER,.469 X .781,HRD	4
20	56912GT	SPRING CLIP,1/4-20,.025-.15X.5	
21	6090GT	SCREW,HHC,1/4-20 X .75	
23	77674GT	NUT,HEX,FLANGE 5/8-18,GRD 8 ZI	18
24	1255802GT	SCREW,HHF,1/2-13X2.5,8,ZAG	6
25A	81610GT	SHIM,AXLE ROTATION STOP,16G used on non-oscillate axle	2
25B	81609GT	SHIM,AXLE ROTATION STOP,22G used on non-oscillate axle	4
26	824059GT	SCREW,HHC,1/4-20X.75,8,ZAG	
27	824113GT	WASHER,FLAT,1/4,USS,ZAG	



202.1 Non-steer End, 2 Wheel Steer

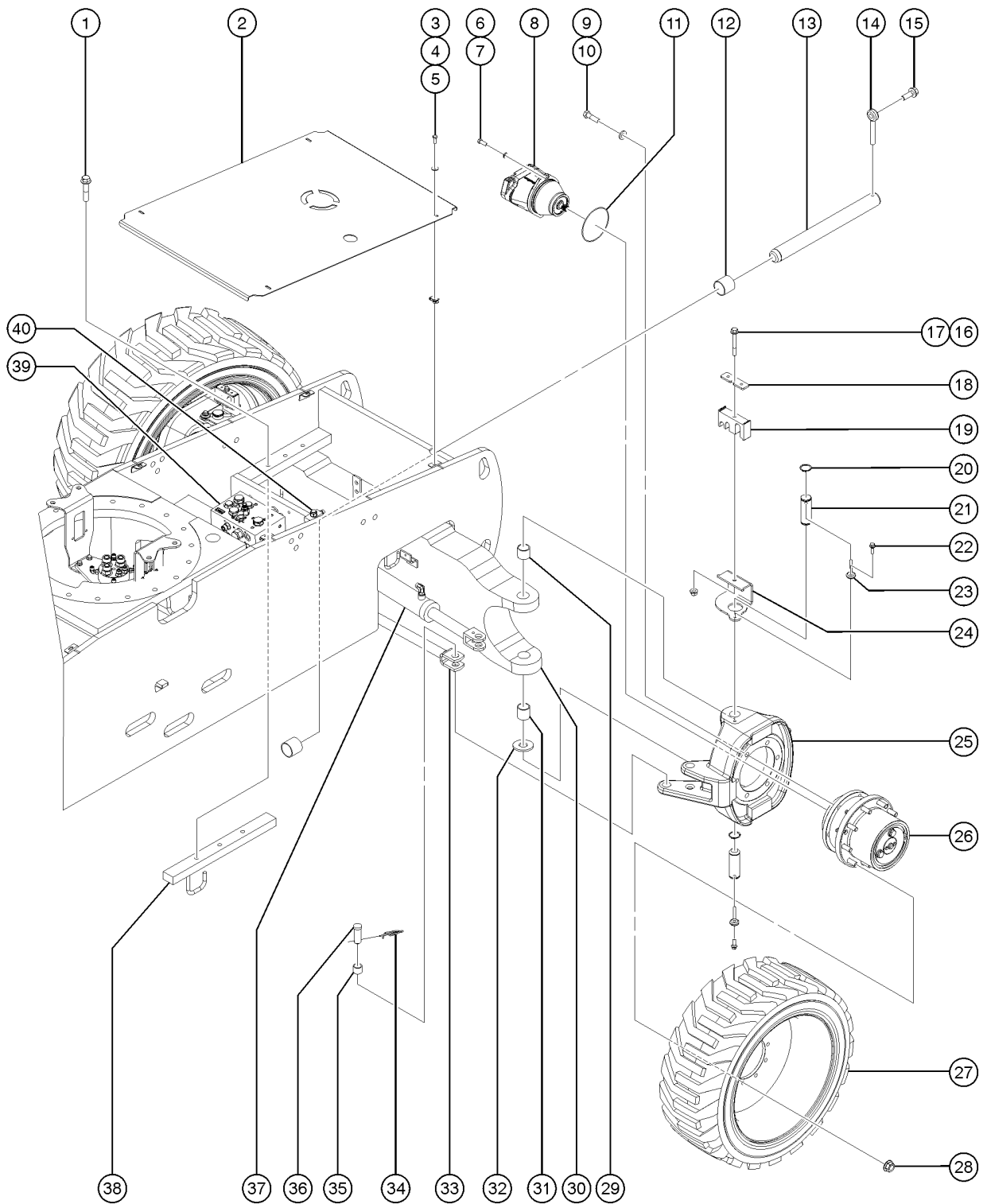


202.1 Non-steer End, 2 Wheel Steer

<i>Item</i>	<i>Part No.</i>	<i>Description</i>	<i>Qty.</i>
28	56912GT	SPRING CLIP,1/4-20,.025-.15X.5	
29	1310157GT	ASSY, BAR,AXLE ROTATION STOP, TRAFFIC BLACK	2

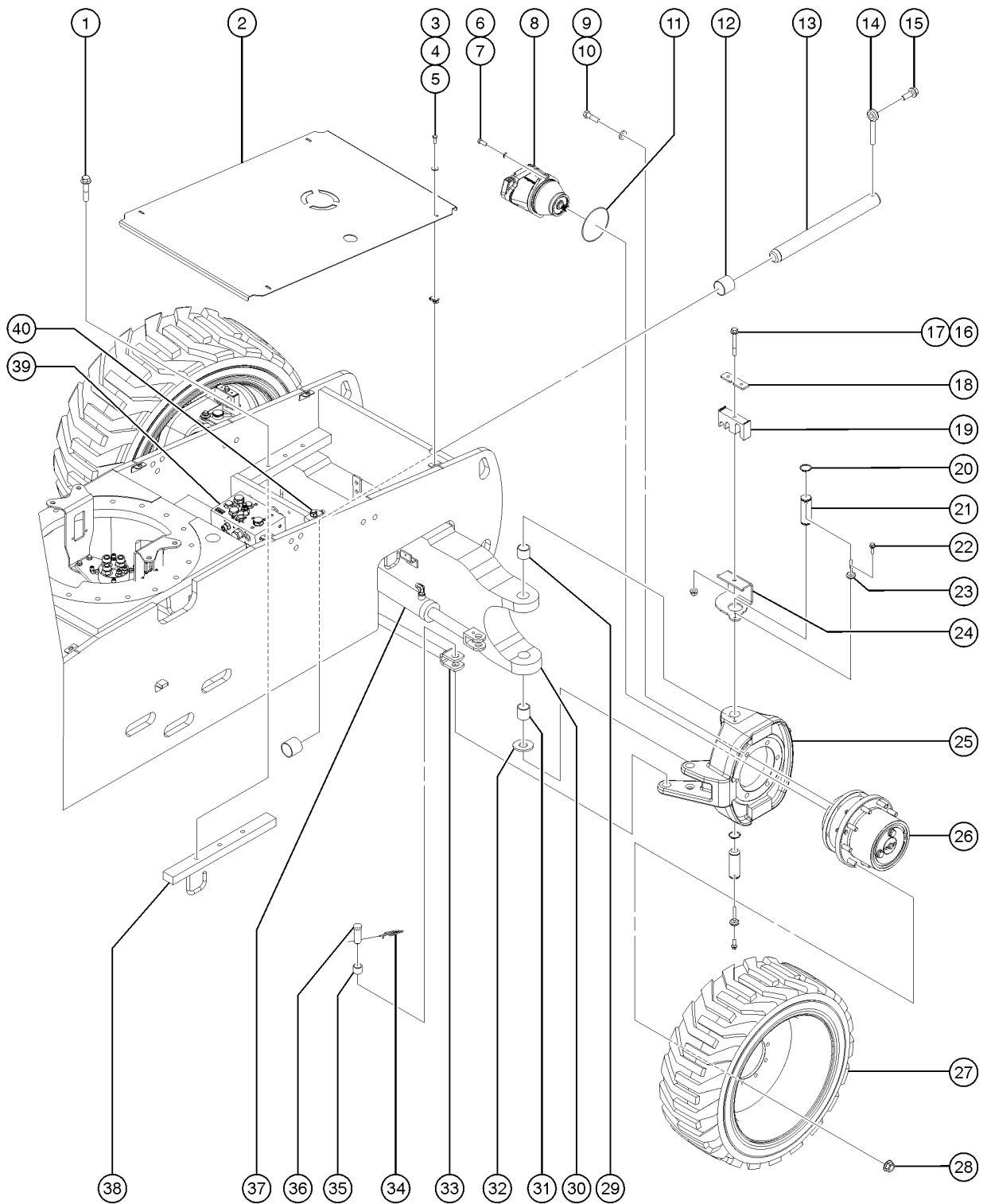


203.1 Circle End, 4 Wheel Steer



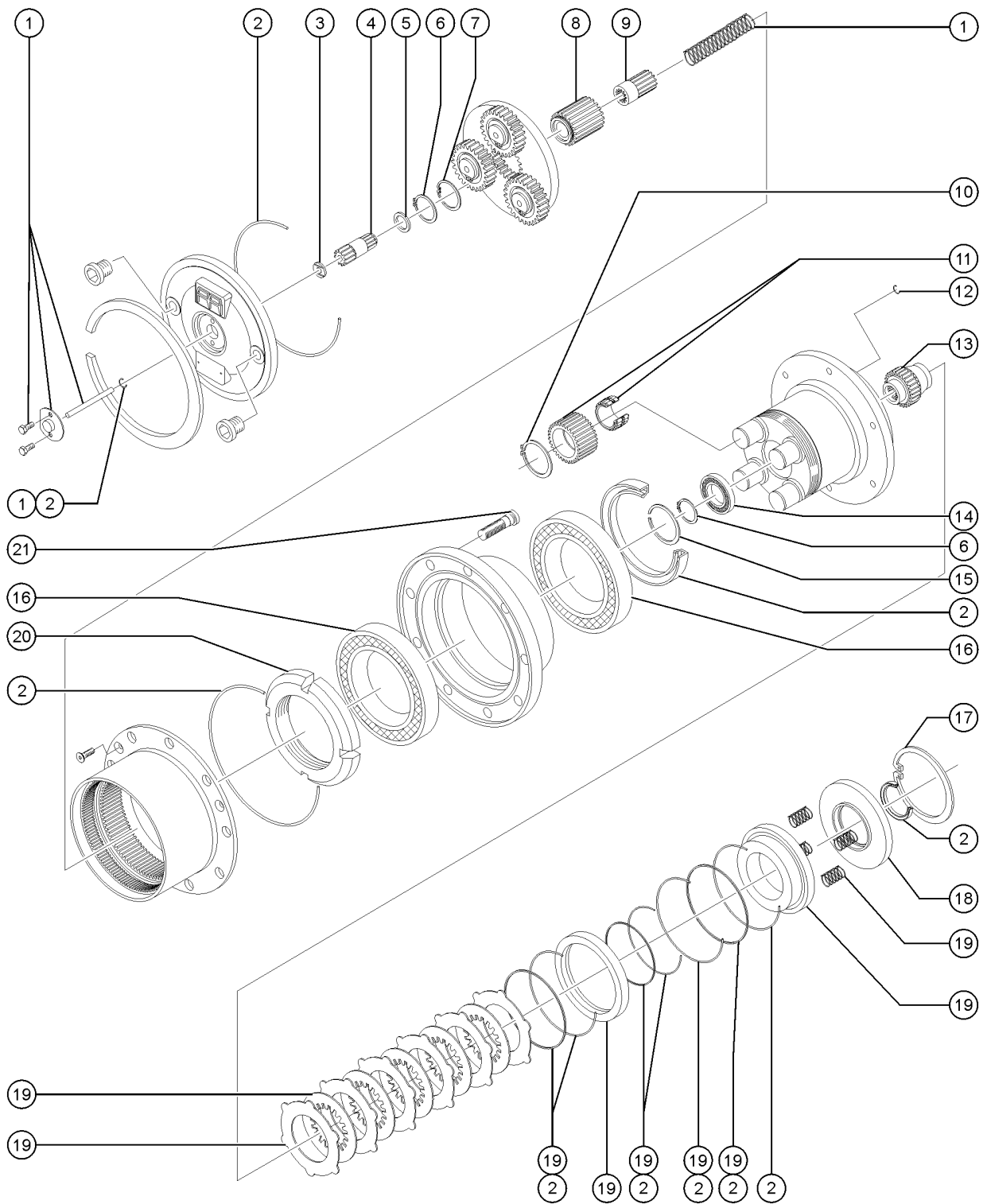
Item	Part No.	Description	Qty.
1	1255802GT	SCREW,HHF,1/2-13X2.5,8,ZAG	6
2	1264540GT	COVER,REAR,DRIVE CHASSIS	1
3	824059GT	SCREW,HHC,1/4-20X.75,8,ZAG	4
4	824113GT	WASHER,FLAT,1/4,USS,ZAG	4
5	56912GT	SPRING CLIP,1/4-20,.025-.15X.5	4
6	824072GT	SCREW,HHC,7/16-14X1.25,8,ZAG	4
7	1257078GT	WASHER,.469 X .768 HRD, ZAG	4
8	88884GT	MOTOR,PISTON,30CC,4WD***	2
9	1255385GT	SCREW,HHC,5/8-11X2.25,8,ZAG	12
10	1256182GT	WASHER,FLAT,5/8,F436,HRD,ZAG	12
11	102158GT	O-RING,.103 X 4.737,VITON, 75D	2
12	42014GT	BEARING,2.00IDX2.25ODX2.00L	2
13	77950GT	PIN,2.00DIA X 20.88LG,CHAMFER	1
14	1256267GT	ROD END,.5 X 3.75,ZAG	1
15	1253498GT	SCREW,HHF,1/2-13X1.5,8,ZAG	1
16	824095GT	SCREW, HHF, 3/8-16 X 3, 8, ZAG	2
17	824029GT	NUT,TL FLG,3/8-16,G,ZAG	2
18	1255706GT	CLAMP TOP,HOSE ROUTING***	2
19	106516GT	CLAMP,HOSE,2X4,1X6,2X8***	2
20	825796GT	SNAP RING,EXTERNAL,1.50,ZAG	4
21	110221GT	PIN,GROOVE/HOLE,1.50 DIA X 4.475	4
22	824091GT	SCREW,HHF,3/8-16X1.25,8,ZAG	4
23	825019GT	ROD END,.375X3.69,ZAG	4
24A	1255704GT	BRACKET,HOSE ROUTING,AXLE RH (right)	1
24B	1255705GT	BRACKET,HOSE ROUTING,AXLE LH (left)	1
25A	1270346GT	YOKE ASSY BLK W/BEARINGS,RH (right)	1
25B	1270347GT	YOKE ASSY BLK W/BEARINGS,LH (left)	1
26	231612GT	WHEEL DRIVE,W/BRAKE 4WD	2

203.1 Circle End, 4 Wheel Steer



Item	Part No.	Description	Qty.
27		REF.WHEEL AND TIRE ASSEMBLY refer to 201.1	
28	77674GT	NUT,HEX,FLANGE 5/8-18,GRD 8 ZI	18
29	45071GT	BEARING,1.5IDX1.75ODX1.5L	2
30	824295GT	WELDMENT, REAR AXLE	1
31	106849GT	BEARING,1.5"ID X 1.75OD X1.75L	2
32	45074GT	WASHER,THRUST,1.5 X 3.5 X .187	2
33	1255710GT	WELDMENT, TIE ROD	1
34	824129GT	RUE RING, 1.0, ZAG	6
35	227492GT	BEARING,1.00IDX1.25ODX1.00L	6
36	19440GT	PIN,CLEVIS,1 X 2.5 LG	6
37	59460GT	CYLINDER,STEERING***	2
38	1264699GT	WELDMENT, AXLE ROTATION STOP (.....	2
39		REF. TRACTION MANIFOLD refer to 702.1	
40		REF. STEER SELECT MANIFOLD refer to 709	

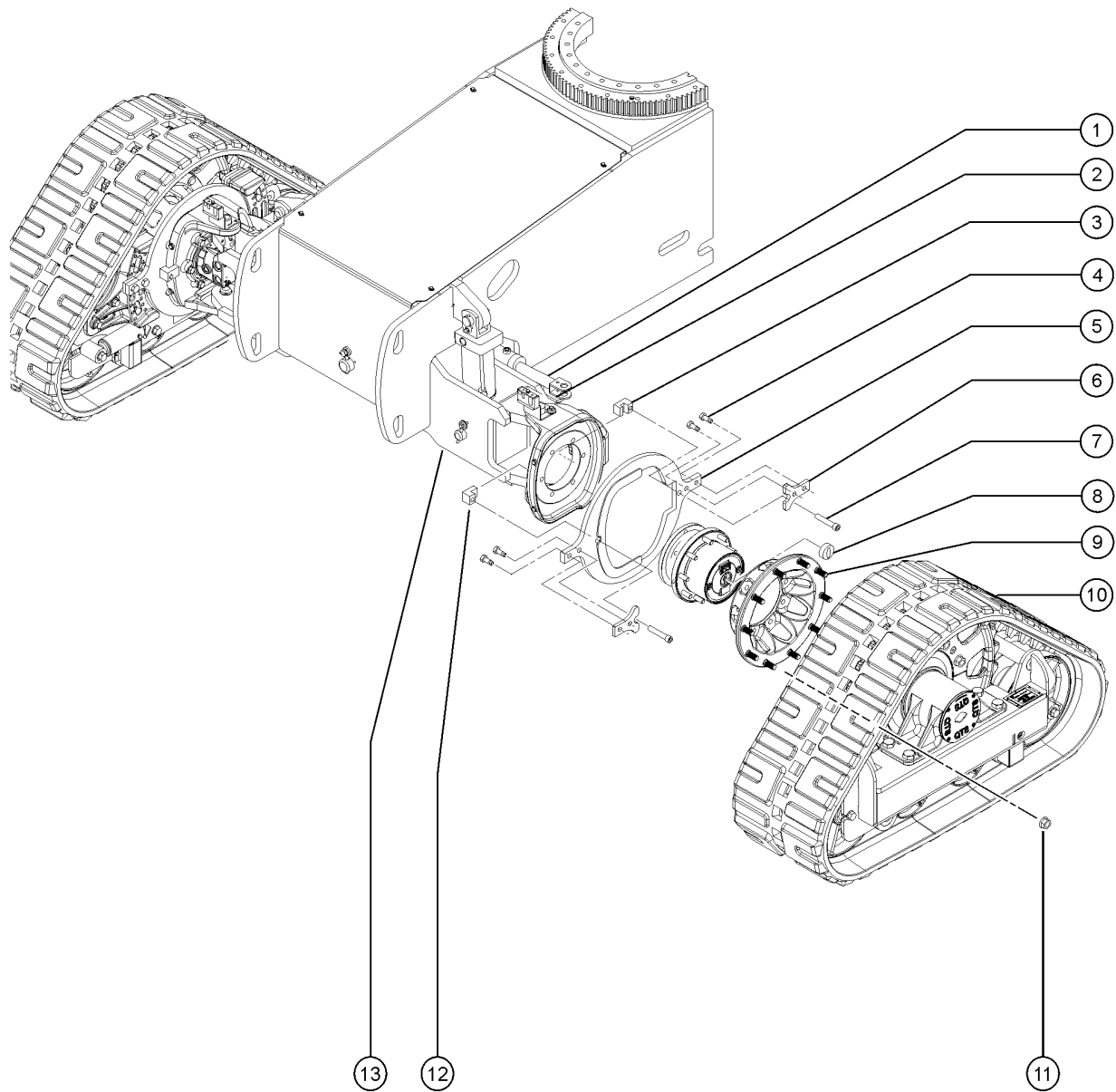
204.1 Drive Hub Assembly



Item	Part No.	Description	Qty.
B-	88887GT	WHEEL DRIVE 56:1 2WD	
C-	102126GT	SEAL KIT,DRIVE HUB (88887)	1
D-	1274613GT	HUB SCREW	
		for 88887	
1	102131GT	DISCONNECT KIT (88887)	1
2	102126GT	SEAL KIT,DRIVE HUB (88887)	1
3	102506GT	Thrust Bearing Plate	1
4	102507GT	Pinion Gear	1
5	102508GT	Thrust Bearing	1
6	102503GT	External Retaining Ring	1
7	102504GT	Internal Retaining Ring	1
8	102505GT	Pinion, Half Shaft	1
9	102509GT	Half Shaft	1
10	102510GT	External Retaining Ring	4
11	1284723GT	GEAR/BEARING ASSY,WHEEL DRIVE (88886)	
		to replace bearing; order part 102511	
11A	102511GT	BEARING,WHEEL DRIVE (88886)	4
		for 1284723	
12	19918GT	O-RING,010 BUNA-N***	1
13	102167GT	SHAFT,INPUT DRIVE HUB	1
14	102514GT	Ball Bearing	1
15	102513GT	Wire Seal Retaining Ring	1
16	102515GT	BEARING,ROLLER TAPERED	2
17	102516GT	RING,RETAINING,INTERNAL	1
18	102517GT	Shaft Bearing Spacer	1
19	215642GT	BRAKE KIT (88886)***	1
20	215340GT	LOCKRING, RR***	1
21	102162GT	LUG,STUD/WHEEL (88887)	9



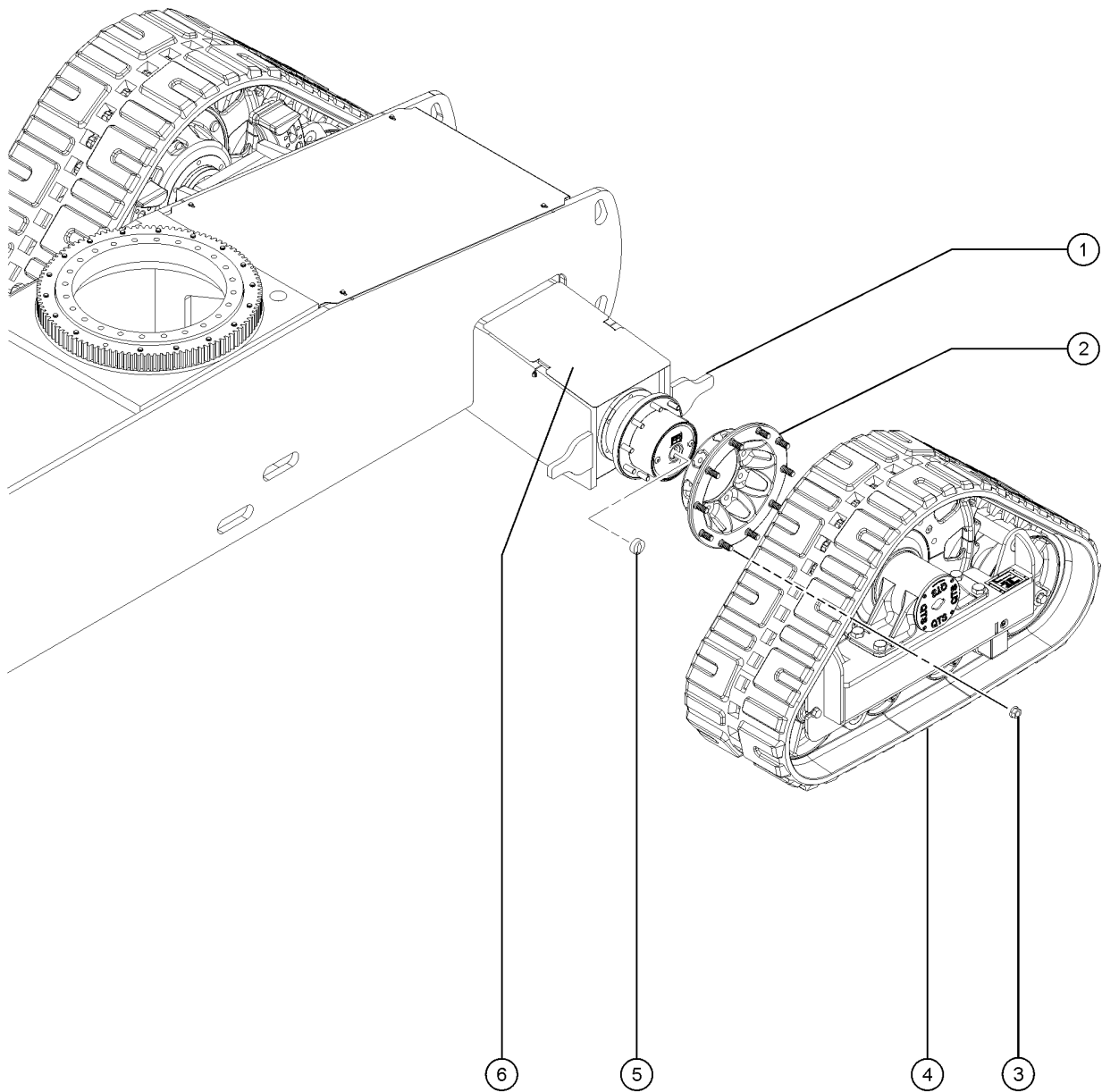
205.1 TraX Option Steer End



Item	Part No.	Description	Qty.
1	125865GT	CYLINDER, STEER	1
1-	89294GT	SEAL KIT CYLINDER (59460)	
2	1255715GT	WELDMENT, TIE ROD	1
3	139122GT	MACH. MOUNTING BLOCK	1
4	94439GT	SCREW,HHC,3/4-10 X 1.5	4
5A	139000GT	ROTATIONAL LIMITER FRONT RIGHT	1
5B	139001GT	ROTATIONAL LIMITER FRONT LEFT	1
6	139121GT	PLATE, HAMMER SHIM 1/2	2
7	28117GT	SCREW,SHC,5/8-11 X 1.5	2
8	139179GT	SEAL,TRAX HUBS	1
9	139002GT	SPACER, 9 BOLT	2
9-	139140GT	STUD, 3/4-16 UNF X 2-1/2 LG for 139002	
10A	139120GT	ASSEMBLY, TRAX UNIT, RIGHT refer to 206.1 for TRAX System service components	1
10B	147149GT	ASSEMBLY, TRAX UNIT, LEFT refer to 206.1 for TRAX System service components	1
11	1257865GT	NUT,TL FLG,3/4-16,G,ZAG	10
12	139125GT	MACH. MOUNTING BLOCK	1
13	1270350GT	STEER AXLE ASSY BLK,TRAX includes bearing	1
13-	45071GT	BEARING,1.5IDX1.75ODX1.5L	

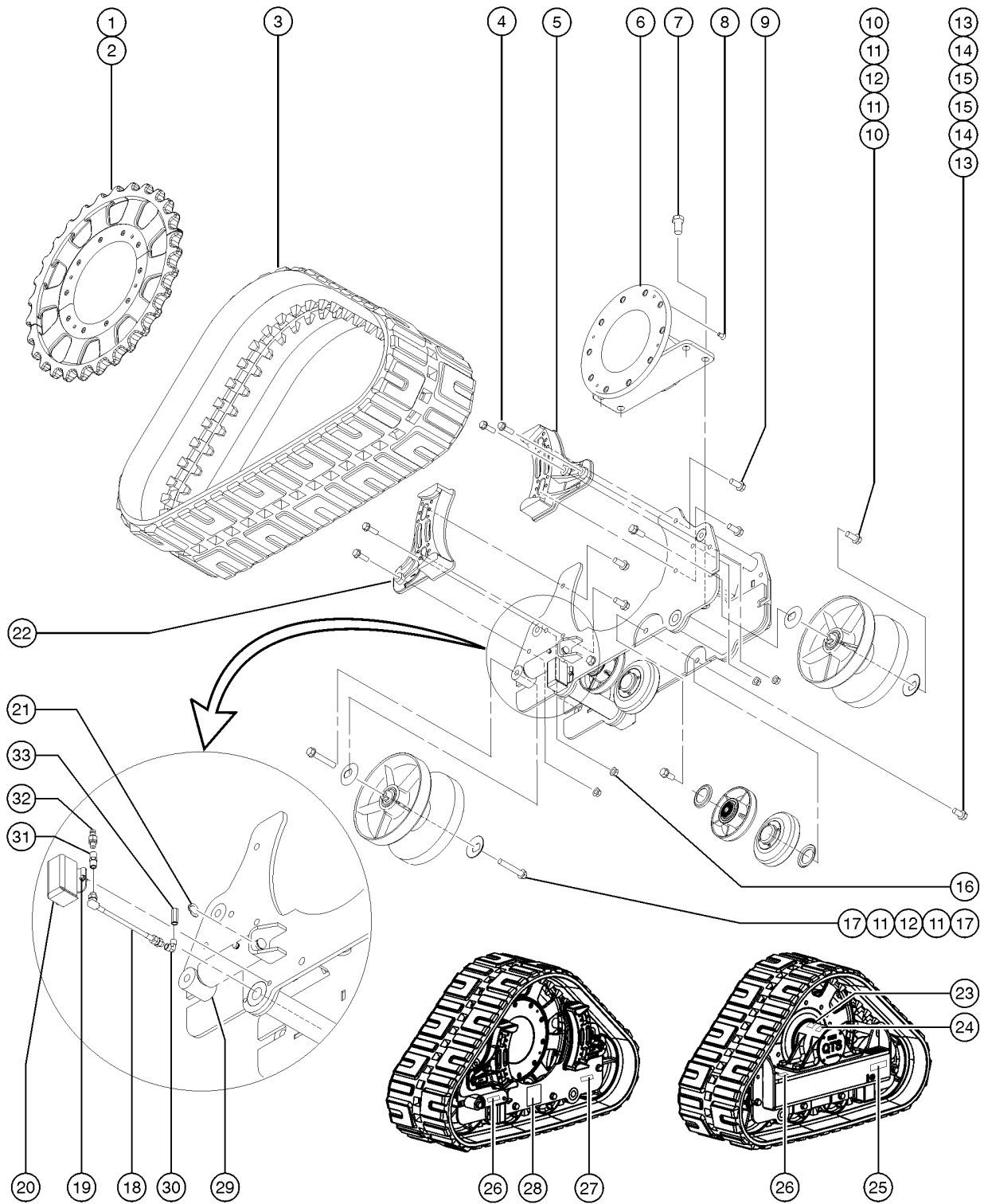


206.1 TraX Option Non-steer End



<i>Item</i>	<i>Part No.</i>	<i>Description</i>	<i>Qty.</i>
1	1270351GT	NON-STEER AXLE ASSY BLK,TRAX includes bearings	
1-	42014GT	BEARING,2.00IDX2.25ODX2.00L	
2	139002GT	SPACER, 9 BOLT	2
2-	139140GT	STUD, 3/4-16 UNF X 2-1/2 LG for 139002	
3	1257865GT	NUT,TL FLG,3/4-16,G,ZAG	10
4A		Ref., TRAX UNIT, RIGHT refer to section 204.1	1
4B		Ref., TRAX UNIT, LEFT refer to section 204.1	1
5	139179GT	SEAL,TRAX HUBS	2
6	1255714GT	COVER, REAR AXLE	

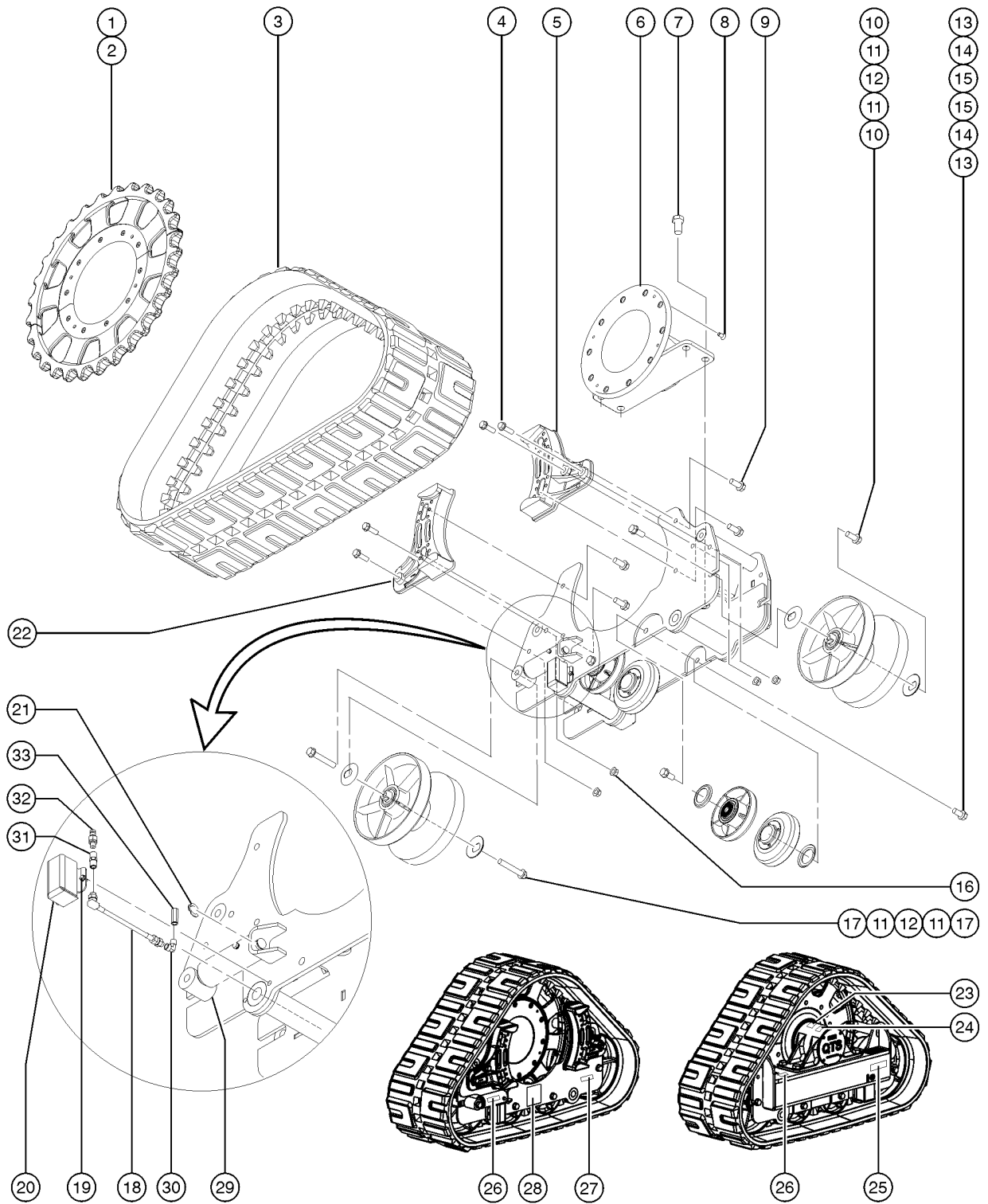
207.1 TraX Option Components



Item	Part No.	Description	Qty.
A	139262GT	KIT,TRAX,9-BOLT, RR HUBS	
A-	139179GT	SEAL,TRAX HUBS	
B	217979GT	KIT,TRAX,9-BOLT, OMNI HUB	
B-	139179GT	SEAL,TRAX HUBS	
C	139000GT	ROTATIONAL LIMITER FRONT RIGHT	
D	139001GT	ROTATIONAL LIMITER FRONT LEFT	
E	147155GT	ROTATIONAL LIMITER REAR	
1	128922GT	SPROCKET, MACH. HALF RIGHT	1
2	128923GT	SPROCKET, MACH. HALF LEFT	1
3	128926GT	TRACK, RUBBER	1
4	111155GT	SCREW,FLANGE,HHC,5/8-11X2,GR8	4
5	128925GT	CAST, LIMITER STOP BRKT R	1
6	128928GT	HUB ASSEMBLY	1
6-	1287812GT	SEAL,RUBBER BRAKE RELEASE,RUBBER TRACK (139120)	
6-	1287813GT	O-RING,RUBBER TRACK (139120)	
7	128913GT	BOLT,HHC,1-14X2.0"GR8 PLT	4
8	128914GT	SCREW, FHSC, 1/2-13X1.00	4
9	128912GT	BOLT,FLANGE,5/8-11X1.5"GR8 PLT	4
10	128910GT	BOLT,FLANGE,3/4-10X1.75GR8 PLT	2
11	128920GT	COVER, DUST	4
12	128917GT	END BOGEY	2
13	128909GT	BOLT,FLANGE,3/4-10X1.5"GR8 PLT	4
14	128921GT	GUARD, SEAL	4
15	128918GT	SPLIT BOGEY	4
15-	215424GT	BEARING, SPL BOGEY (128918)	
		for 128918	
15-	215425GT	SEAL, BEARING (128918)	
		for 215424	
15-	215426GT	SHAFT, RAISED BOSS (128918)	
		internal shaft with raised boss on end	
15-	215427GT	SHAFT, KNURLED (128918)	
		internal shaft with knurled end	

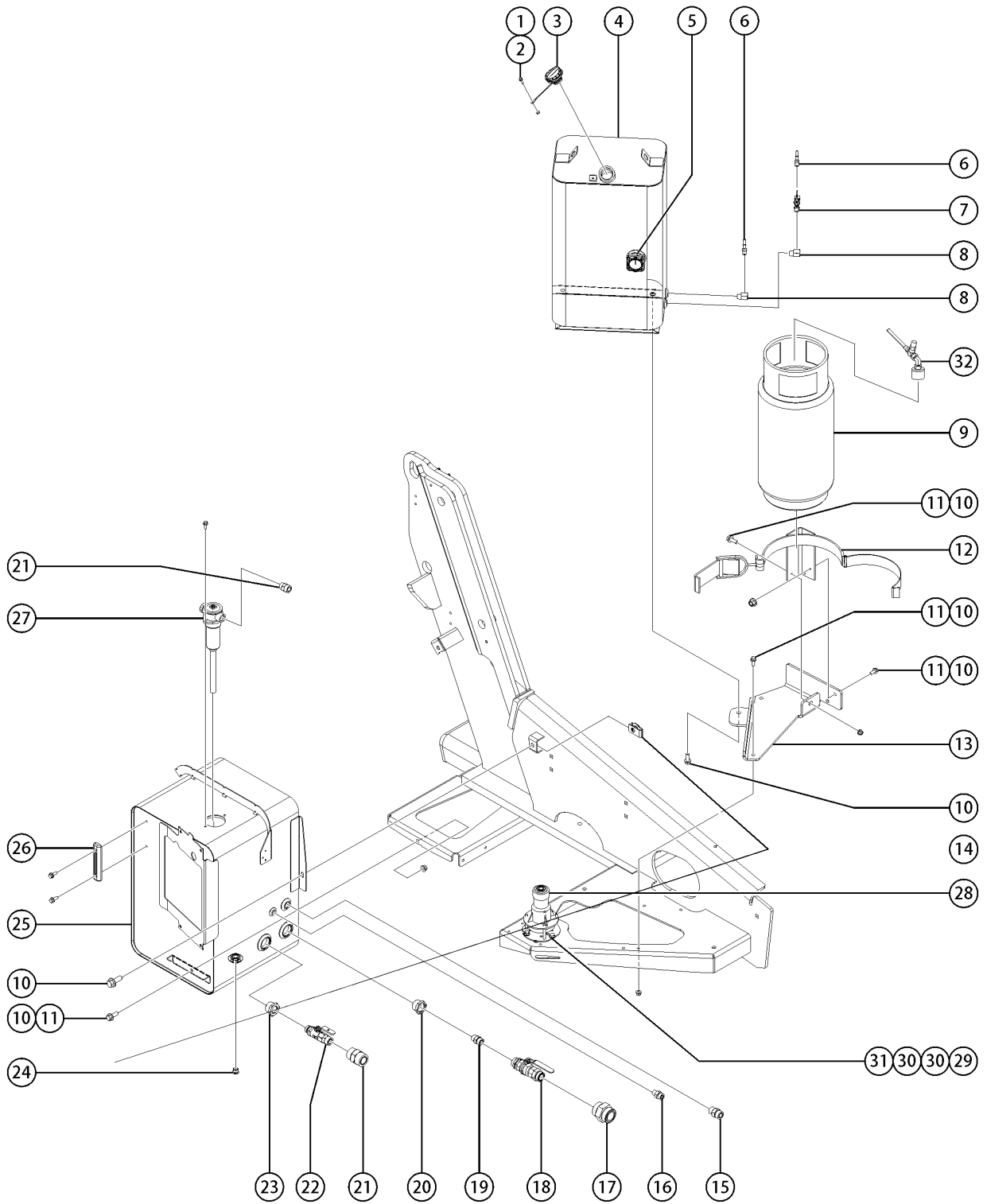


207.1 TraX Option Components



<i>Item</i>	<i>Part No.</i>	<i>Description</i>	<i>Qty.</i>
16	128916GT	NUT,FLANGE,LOCK,5/8-11GR8 PLT	4
17	128911GT	BOLT,FLANGE,3/4-10X4.5"GR8 PLT	2
18	128927GT	HYD. HOSE ASSEMBLY 3000 PSI	1
19	128955GT	BOLT,FLANGE,5/16-18X.50 GR5	4
20A	1261393GT	ASSEMBLY, OUTSIDE HOSE GUARD	
		shown for reference only	
20B	1261394GT	ASSEMBLY, INSIDE HOSE GUARD	
21	128919GT	SNAP RING	2
22	128924GT	CAST, LIMITER STOP BRKT L	1
23	226940GT	DECAL,LABEL,TORQUE	1
24	226944GT	DECAL,WARN,AVOID INJURY	1
25	226946GT	DECAL,WARN,HIGH PRESS	1
26	226943GT	DECAL,CAUTION,READ INST	1
27	226945GT	DECAL,WARN,CRUSH HAZ	1
28A	226941GT	DECAL,LABEL,ASSY INSTALL,R	1
28B	226942GT	DECAL,LABEL,ASSY INSTALL,L	
29	215423GT	TENSIONER, TRAX	
30	1261392GT	ELBOW,90,1/4-18NPT,FEMALE	
31	1261390GT	COUPLING - 1/4 NPT	
32	1261389GT	NIPPLE,STEEL PIPE,1/4NPTX1 LG	
33	1261391GT	NIPPLE,STEEL PIPE,1/4NPTX2.5LG	

301.1 Hydraulic and Fuel Tanks - Gasoline/LPG Models

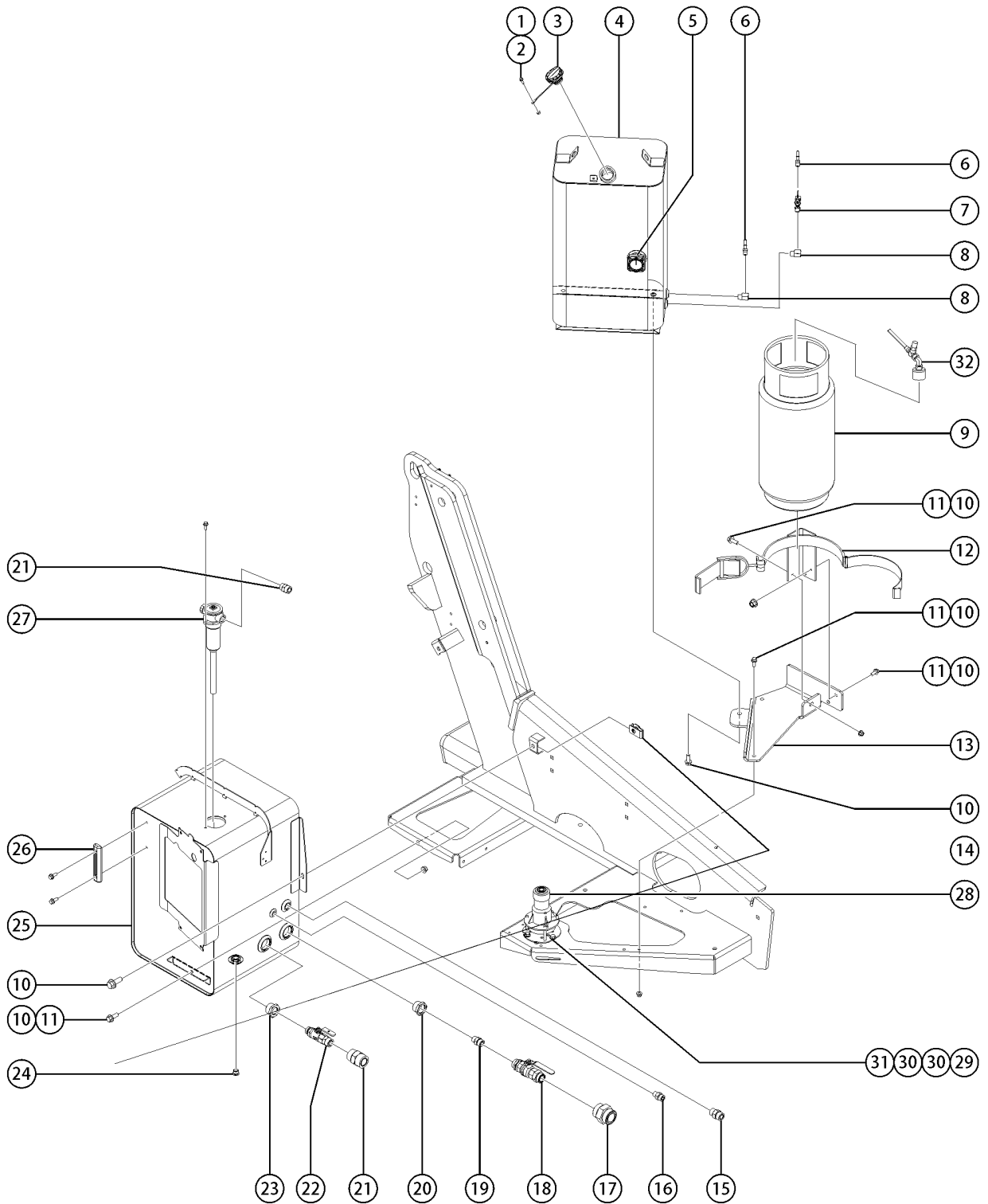


301.1 Hydraulic and Fuel Tanks - Gasoline/LPG Models

Item	Part No.	Description	Qty.
A-	826333GT	ASSEMBLY,38 GAL HYDRAULIC TANK includes items 20, 23 to 26	
B-	214221GT	TANK ASSY, GAS, 20 GAL includes items 4 and 5	
1	824078GT	SCREW,HHF,1/4-20X.75,8,ZAG	
2	824027GT	NUT,TL FLG,1/4-20,G,ZAG	
3	119918GT	CAP,FUEL,GASOLINE 3.5PSI	1
4	214218GT	TANK WLDMT, GAS, 20 GAL STEEL	1
5	146413GT	GAUGE, FUEL LEVEL, 20/30 GAL	1
5-	146550GT	GASKET, FUEL LEVEL GAUGE, GAS	
6	111818GT	FITTING,1/4 NPT X SAE J2044	2
7	19487GT	VALVE, FUEL LOCK	1
8	119824GT	ELBOW,90DEG,5502-04-04-B	2
9	53605GT	TANK, 7 GAL/33.5 POUND, LP	1
10	824090GT	SCREW,HHF,3/8-16X1,8,ZAG	
11	824029GT	NUT,TL FLG,3/8-16,G,ZAG	
12	30256GT	WELDMENT,LP TANK BRACKET**	1
13	825685GT	WELDMENT,FUEL TANK MOUNT	1
14	29868GT	SPRING CLIP,3/8-16,.05-.20X.73	
15	48960GT	FITTING,CONN,520120-12***	1
16	48943GT	FITTING,CONN,520120-8-6	1
17	75654GT	CONN,520120-20	1
18	101494GT	VALVE,BALL,FSAE-20,FSAE-20	1
19	61263GT	UNION,STR.THREAD 20	1
20	101491GT	STRAINER,20 SAE F/24 SAE M***	1
21	48984GT	CONN,520120-16	
22	48996GT	VALVE,BALL,16 MSAE-16 FSAE***	1
23	147419GT	KIT,STRAINER REPLACEMENT	1
24	94612GT	PLUG,MAGNETIC,SAE-6***	1
25	826333GT	ASSEMBLY,38 GAL HYDRAULIC TANK includes item 26, strainers and magnetic plug	1



301.1 Hydraulic and Fuel Tanks - Gasoline/LPG Models

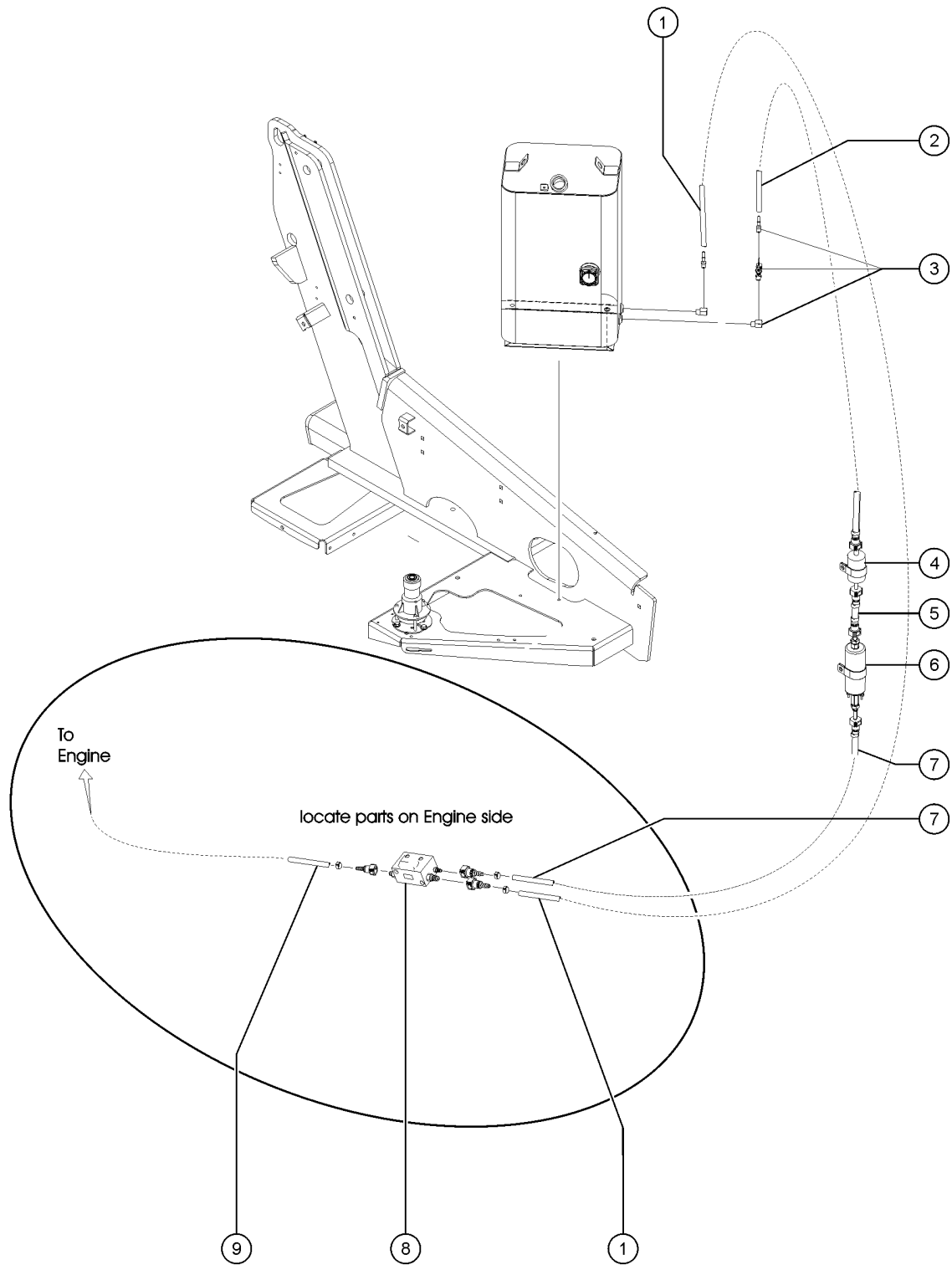


301.1 Hydraulic and Fuel Tanks - Gasoline/LPG Models

Item	Part No.	Description	Qty.
26	21141GT	GAUGE-SIGHT,LHA-LGTB***	1
27A	110345GT	FILTER ASSY,INTANK includes item 27B	1
27A-	147223GT	SEAL,FILTER LID	
27B	77353GT	KIT,ELEMENT**	
27B-	94526GT	GASKET,RETURN FILTER-77353	
27B-	77354GT	FILTER LID,RFM165	
27B-	77365GT	BREATHER CAP,RFM165	
27B-	88917GT	FILTER,ELEMENT,BETA(10)=200	
28A	94077GT	SENSOR,LEVEL,4.5 DEG ANSI models; white ring, to SN Z6216N-1822	
28B	1261984GT	SENSOR, LEVEL, 4.5 X 4.5 DEG ANSI models; white ring, from SN Z6216N-1823	
28C	110382GT	LEVEL SENSOR,LS60,YL,2.5X4.5 CE models; yellow ring, to SN Z6216N-1822	
28D	1263187GT	SENSOR, LEVEL,2.5 X 4.5 DEG CE models; yellow ring, from SN Z6216N-1823	
29	6091GT	NUT,NYLOCK,1/4-20	
30	6638GT	WASHER,FLAT,USS,1/4"Y	
31	8915GT	SCREW,HHC,1/4-20 X 1.25	
32	119055GT	HOSE ASSY,LP GAS 149 inches	



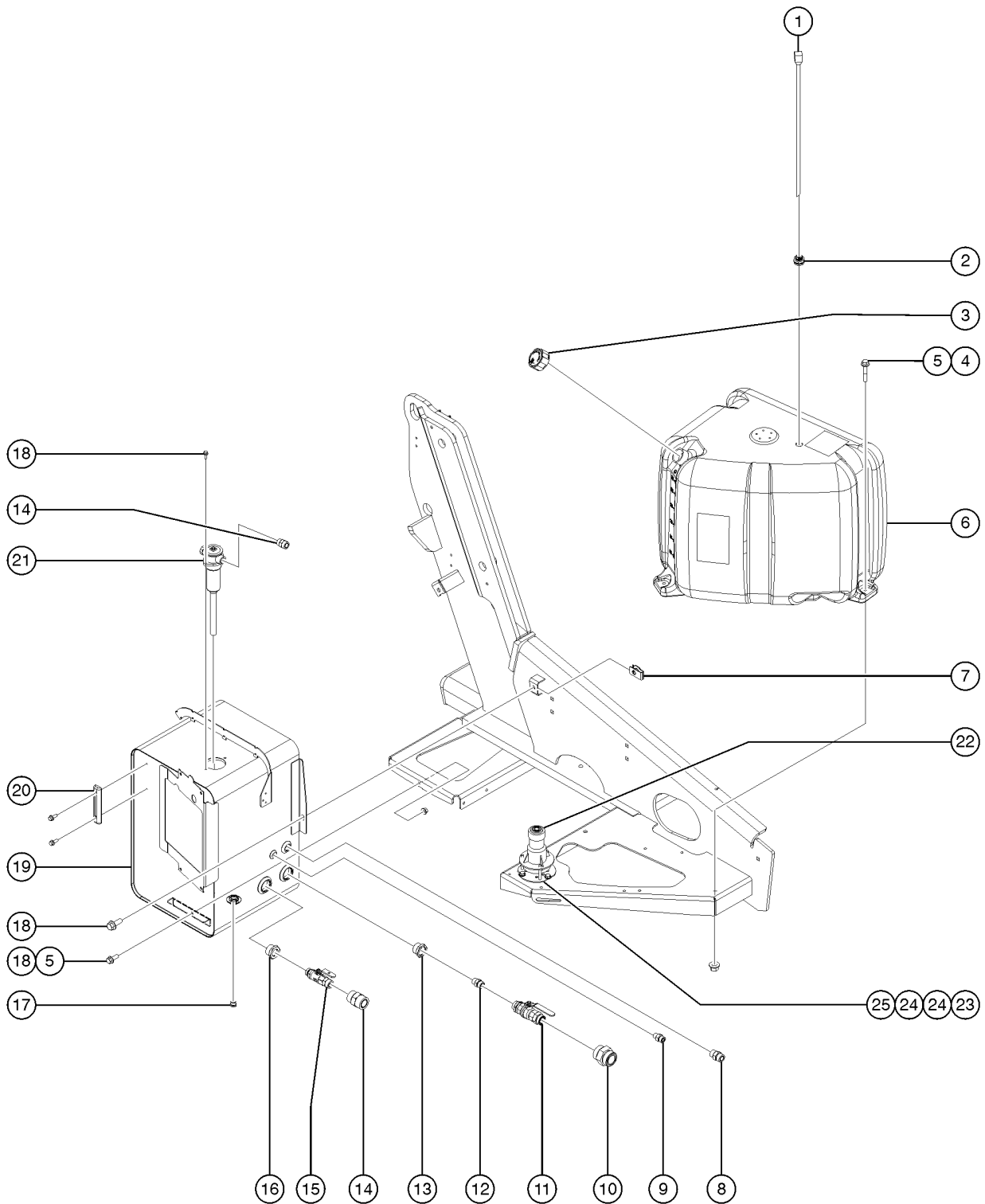
301.2 Fuel Hoses - Gasoline/LPG Models



301.2 Fuel Hoses - Gasoline/LPG Models

<i>Item</i>	<i>Part No.</i>	<i>Description</i>	<i>Qty.</i>
1	111817-6725GT	HOSE ASSY,SAE J2260/J2044	1
2	111817-1925GT	HOSE ASSY,SAE J2260/J2044	1
3		Ref: Fitting, Valve and Elbow	
		refer to 301.1	
4	1271652GT	FILTER, FUEL, GM3.0L	1
5	111817-1025GT	HOSE ASSY,SAE J2260/J2044	1
6	119168GT	FUEL PUMP,DSG-423 AND MSG-425	1
7	111817-5625GT	HOSE ASSY,SAE J2260/J2044	1
8	119170GT	FUEL SENSOR ASSY.	1
9	111817-3425GT	HOSE ASSY,SAE J2260/J2044,2END	1

302.1 Hydraulic and Fuel Tanks - Diesel Models

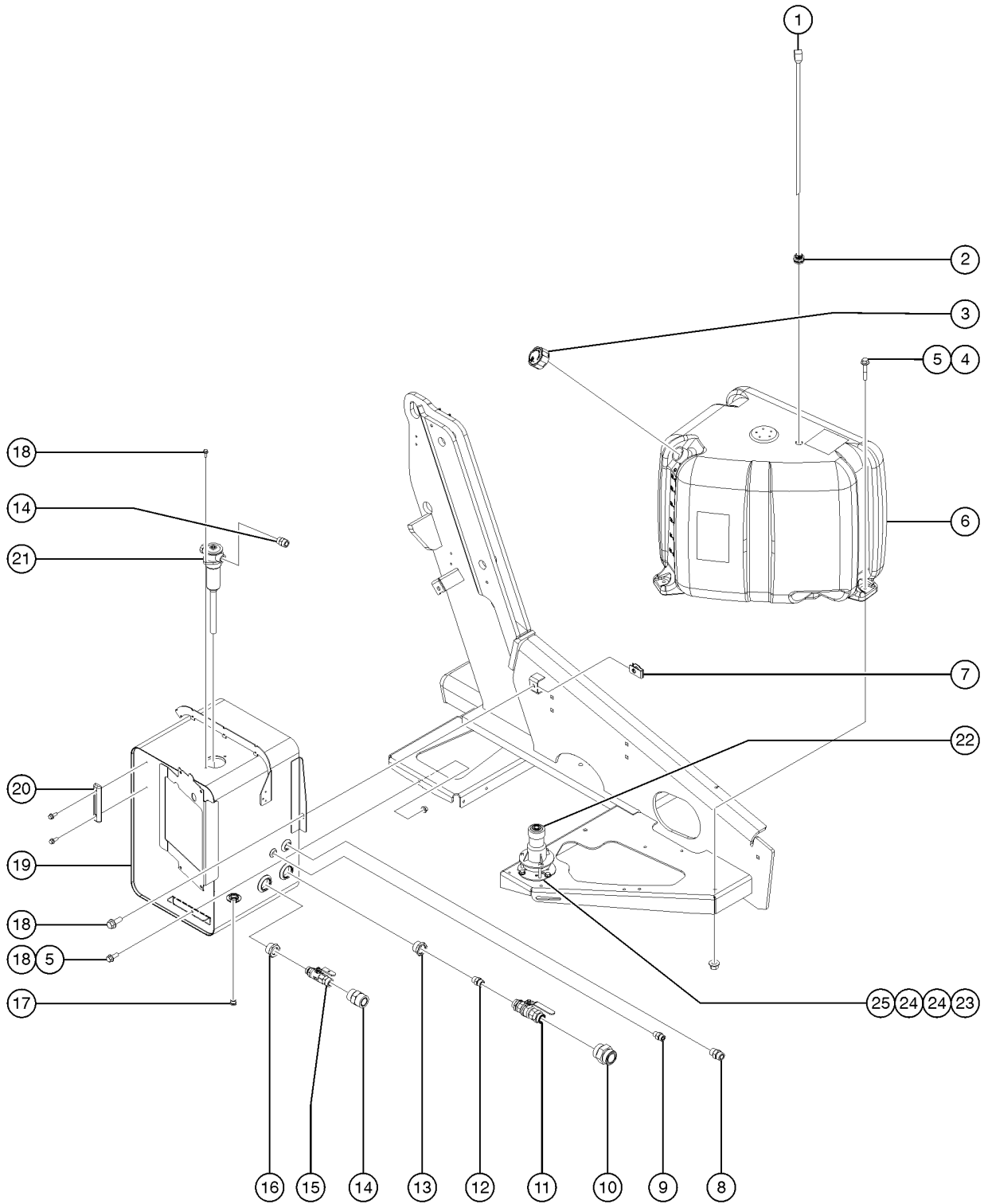


302.1 Hydraulic and Fuel Tanks - Diesel Models

Item	Part No.	Description	Qty.
A	826333GT	ASSEMBLY,38 GAL HYDRAULIC TANK includes items 13, 16, 17, 19 and 20	
B	823396GT	FUEL TANK ASSY,35 GAL PLASTIC includes items 1, 2 and 6	
1	823356GT	TUBE,FUEL RETURN,3/8X3/8X23.5	1
2	54324GT	FITTING,BULKHEAD,3/8NPT,FUELTK	1
3	101726GT	CAP,FUEL,DIESEL,1/8"VENT(GRN)	1
4	1253478GT	SCREW,HHF,3/8-16X2,8,ZAG	
5	824029GT	NUT,TL FLG,3/8-16,G,ZAG	
6	162466GT	TANK,FUEL,35 GALLON	1
7	29868GT	SPRING CLIP,3/8-16,.05-.20X.73	
8	48960GT	FITTING,CONN,520120-12***	1
9	48912GT	CONN,520120-4-6***	1
10	75654GT	CONN,520120-20	1
11	101494GT	VALVE,BALL,FSAE-20,FSAE-20	1
12	61263GT	UNION,STR.THREAD 20	1
13	101491GT	STRAINER,20 SAE F/24 SAE M***	1
14	48984GT	CONN,520120-16	
15	48996GT	VALVE,BALL,16 MSAE-16 FSAE***	1
16	147419GT	KIT,STRAINER REPLACEMENT	1
17	94612GT	PLUG,MAGNETIC,SAE-6***	1
18	824090GT	SCREW,HHF,3/8-16X1,8,ZAG	
19	826333GT	ASSEMBLY,38 GAL HYDRAULIC TANK includes item 20, strainers and magnetic plug	1
20	21141GT	GAUGE-SIGHT,LHA-LGTB***	1
21A	110345GT	FILTER ASSY,INTANK includes item 21B	1
21A-	147223GT	SEAL,FILTER LID	
21B	77353GT	KIT,ELEMENT**	
21B-	94526GT	GASKET,RETURN FILTER-77353	
21B-	77354GT	FILTER LID,RFM165	
21B-	77365GT	BREATHER CAP,RFM165	



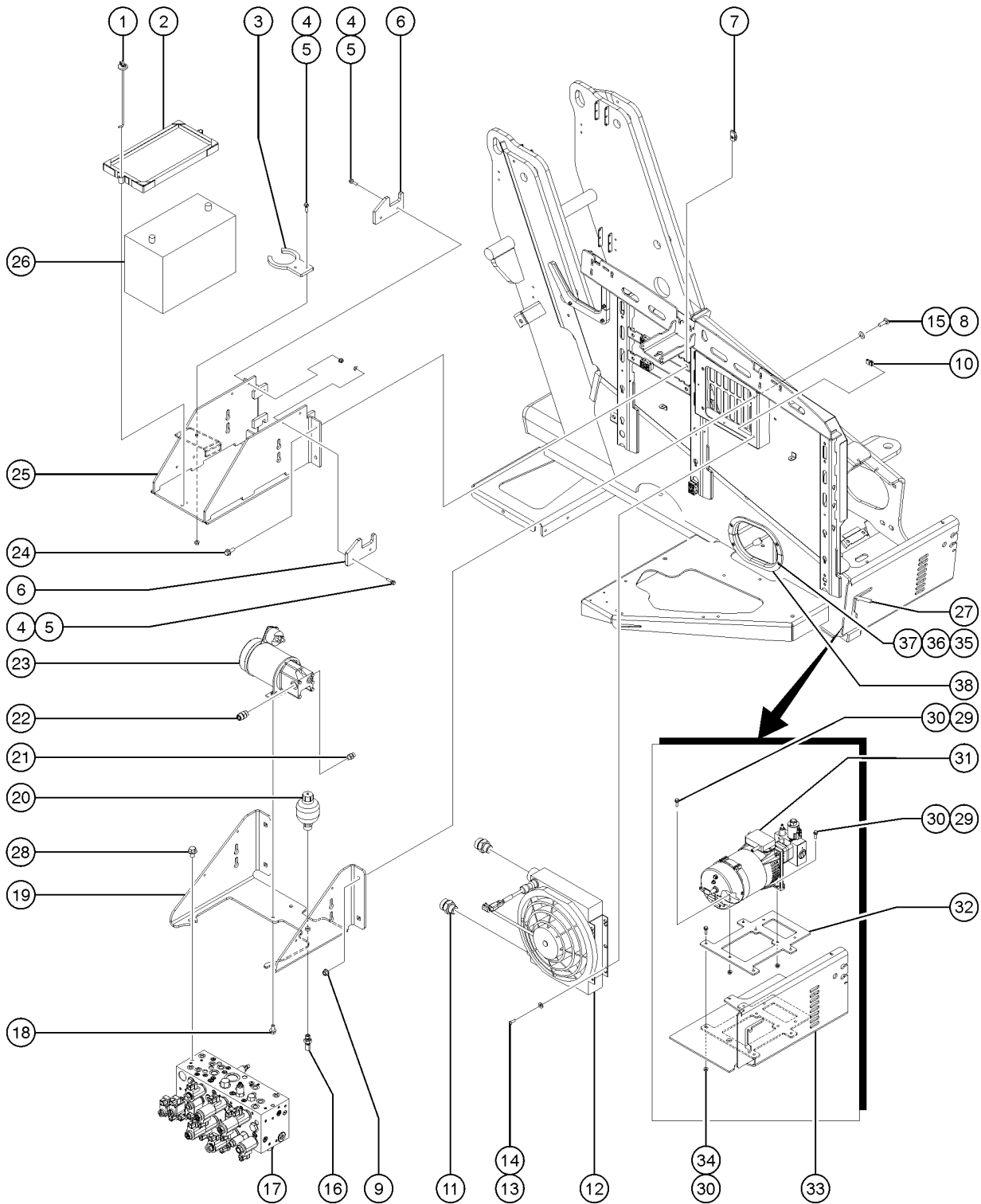
302.1 Hydraulic and Fuel Tanks - Diesel Models



302.1 Hydraulic and Fuel Tanks - Diesel Models

<i>Item</i>	<i>Part No.</i>	<i>Description</i>	<i>Qty.</i>
21B-	88917GT	FILTER,ELEMENT,BETA(10)=200	
22A	94077GT	SENSOR,LEVEL,4.5 DEG ANSI models; white ring	
22B	110382GT	LEVEL SENSOR,LS60,YL,2.5X4.5 CE models; yellow ring	
23	6091GT	NUT,NYLOCK,1/4-20	
24	6638GT	WASHER,FLAT,USS,1/4"Y	
25	8915GT	SCREW,HHC,1/4-20 X 1.25	

303.1 Battery, Function Manifold, and Auxiliary Power Unit Installation (to SN Z6216N-1524)

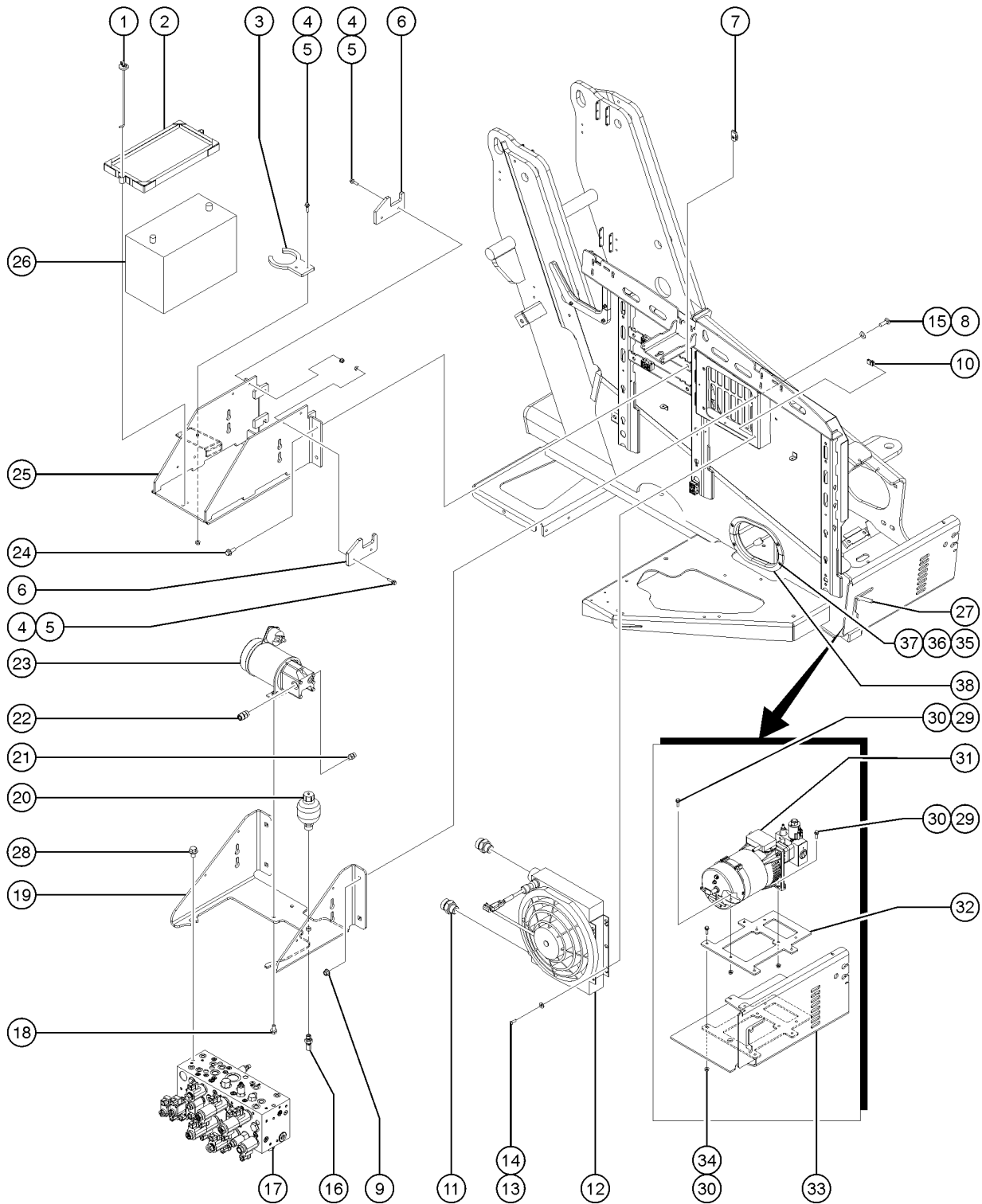


303.1 Battery, Function Manifold, and Auxiliary Power Unit Installation (to SN Z6216N-1524)

Item	Part No.	Description	Qty.
1	45708GT	HOOK,BATT HOLD DOWN,10"	2
2	30144GT	BATTERY HOLD DOWN,GROUP 31	1
3	1254797GT	GUIDE,MANIFOLD HOSE,Z62	1
4	824079GT	SCREW,HHF,1/4-20X1,8,ZAG	
5	824027GT	NUT,TL FLG,1/4-20,G,ZAG	
6	1254796GT	GUIDE,TANK HOSE,Z62	2
7	29868GT	SPRING CLIP,3/8-16,.05-.20X.73	
8	1255757GT	BOLT,CARRIAGE,3/8-16X1.25,5,ZA	
9	824029GT	NUT,TL FLG,3/8-16,G,ZAG	
10	56912GT	SPRING CLIP,1/4-20,.025-.15X.5	
11	49519GT	CONN,520120-16-12	
12		Ref: Oil Cooler with Fan	
		(refer to 803.1)	
13	1256124GT	SCREW,BHC,1/4-20X.75,F835,ZAG	
14	824113GT	WASHER,FLAT,1/4,USS,ZAG	
15	87684GT	PUSHRETAINER FOR 3/8"THRD SCREW	
16	1258913GT	CONNECTOR,BULKHEAD,4-6 WF5OLO	
17		Ref. function manifold	
		(refer to 704.1, 704.2 or 704.3)	
18	824089GT	SCREW,HHF,3/8-16X.75,8,ZAG	
19	1264251GT	ASSY, MANIFOLD/BATTERY MOUNT	1
19-	1260059GT	FORMING, MANIFOLD HARN. MT.	
19-	56912GT	SPRING CLIP,1/4-20,.025-.15X.5	
20	1258914GT	ACCUMULATOR,10CC,1000PSI	
21	48905GT	CONN,520120-4***	
22	48933GT	CONN,520120-8***	
23	89617GT	POWER UNIT,AUX PUMP 12VDC	1
23-	77069GT	MOTOR,12VDC,77066	
		to SN 239	
23-	1264969GT	MOTOR, 12VDC, I-TERMINAL	
		from SN 240	
23-	77071GT	SOLENOID,77066	



303.1 Battery, Function Manifold, and Auxiliary Power Unit Installation (to SN Z6216N-1524)

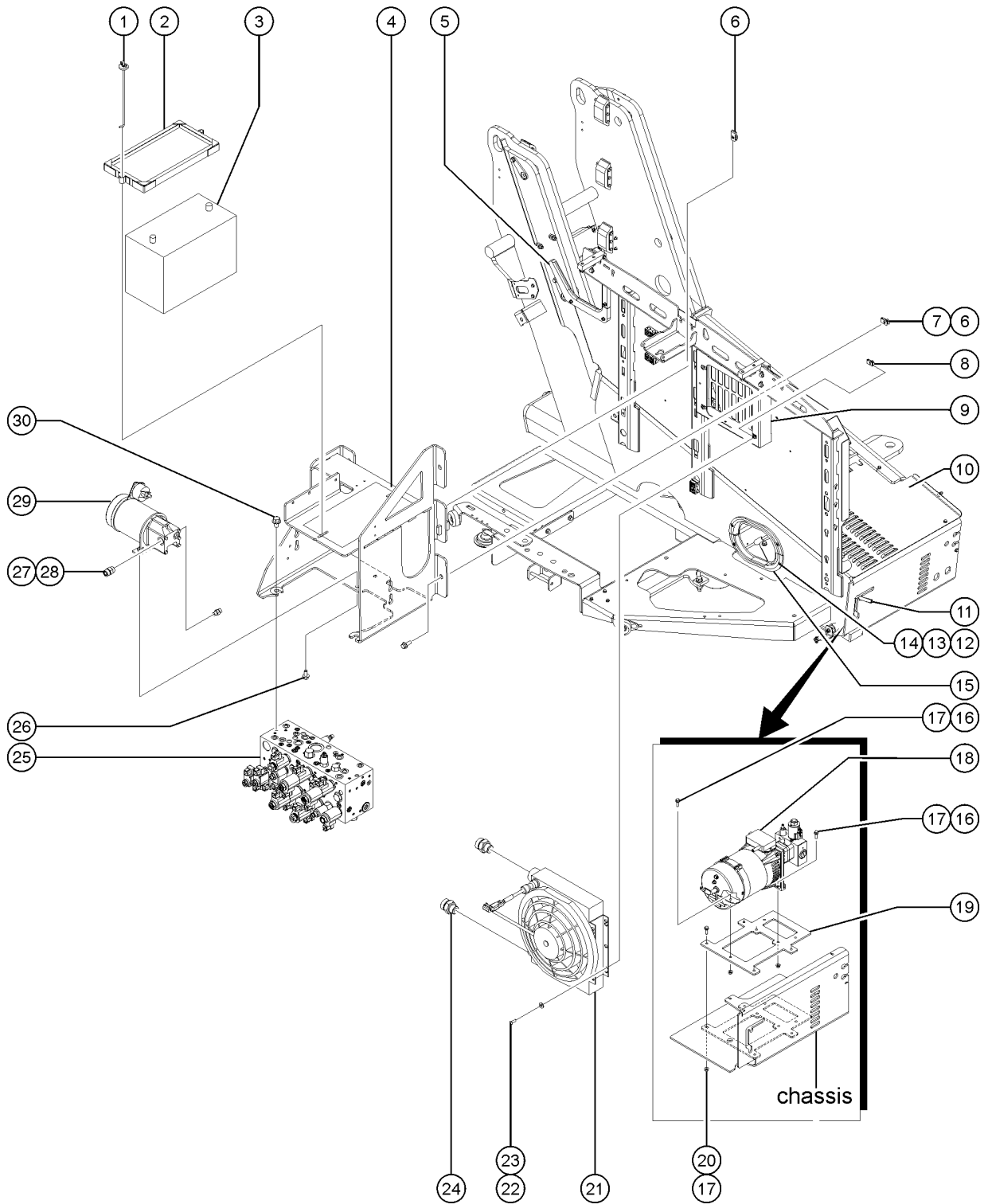


303.1 Battery, Function Manifold, and Auxiliary Power Unit Installation (to SN Z6216N-1524)

Item	Part No.	Description	Qty.
23-	58489GT	PUMP ASSY,AUX.POWER UNIT 89617	
23-	147289GT	SEAL KIT, APU	
23-	147290GT	SHAFT SEAL, APU	
24	824090GT	SCREW,HHF,3/8-16X1,8,ZAG	
25	1254490GT	WDMT, BATTERY TRAY, Z62	1
26	30143GT	BATTERY,12V,1000 CCA GRP 31	1
27	825235GT	WLDT,TRANSPORT LOCK PIN	1
28	1257454GT	SCREW,HHF,1/2-13X.75,8,ZAG	2
29	824087GT	SCREW, HHF, 5/16-18 X 1.25, 8, ZAG	
30	824028GT	NUT,TL FLG,5/16-18,G,ZAG	
31A		Ref: Hydraulic Generator (refer to 801.1, 802.1 and 803.1)	
31B		Ref: Welder Generator (refer to 804.4)	
32	1260413GT	BRACKET,WELD GENERATOR MOUNT	
33		Ref: Chassis Weldment	
		consult factory	
34	824086GT	SCREW,HHF,5/16-18X1,8,ZAG	
35	1256175GT	SCREW,BHC,1/4-20X1.25,F835,ZAG	
36	825358GT	WASHER,FLAT,5/16,USS,ZAG	
37	824024GT	NUT,TL,1/4-20,C,ZAG	
38	1256614GT	HOSE GUARD,SWING CHASSIS	2



303.2 Battery, Function Manifold, and Auxiliary Power Unit Installation (from SN Z6216N-1525)

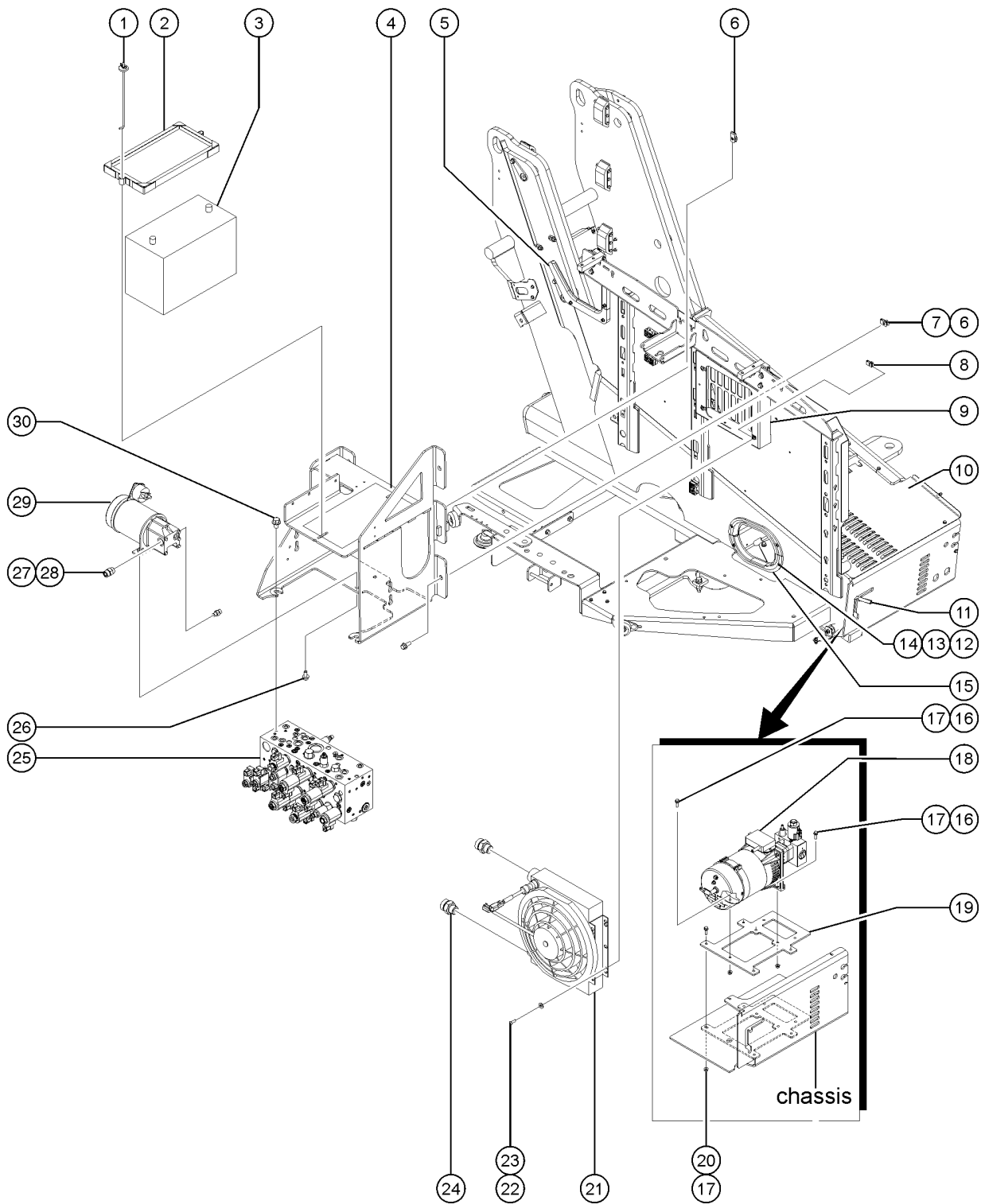


303.2 Battery, Function Manifold, and Auxiliary Power Unit Installation (from SN Z6216N-1525)

Item	Part No.	Description	Qty.
A	1289561GT	BRACKET, TELEMATICS	
A	1289521GT	MODULE, TELEMATICS, ZTR, M7, EMEA/APAC	
1	45708GT	HOOK,BATT HOLD DOWN,10"	2
2	30144GT	BATTERY HOLD DOWN,GROUP 31	1
3	30143GT	BATTERY,12V,1000 CCA GRP 31	1
4	1264250GT	WLDT, MANIFOLD/BATTERY MOUNT	1
5		Ref. Hose guards refer to 309.1	
6	824090GT	SCREW,HHF,3/8-16X1,8,ZAG	
7	29868GT	SPRING CLIP,3/8-16,.05-.20X.73	
8	56912GT	SPRING CLIP,1/4-20,.025-.15X.5	
9	1251729GT	FORMING,OIL COOLER MOUNT	1
10	825217GT	FORMING,COVER,GENERATOR BAY	1
11	825235GT	WLDT,TRANSPORT LOCK PIN	1
12	1256175GT	SCREW,BHC,1/4-20X1.25,F835,ZAG	
13	825358GT	WASHER,FLAT,5/16,USS,ZAG	
14	824024GT	NUT,TL,1/4-20,C,ZAG	
15	1256614GT	HOSE GUARD,SWING CHASSIS	2
16	824087GT	SCREW, HHF, 5/16-18 X 1.25, 8, ZAG	
17	824028GT	NUT,TL FLG,5/16-18,G,ZAG	
18A		Ref. Hydraulic generator refer to 801.1, 802.1 and 803.1	
18B		Ref. Welder generator refer to 804.4	
19	1260413GT	BRACKET,WELD GENERATOR MOUNT	1
20	824086GT	SCREW,HHF,5/16-18X1,8,ZAG	
21		Ref: Oil Cooler with Fan refer to 803.1	
22	824078GT	SCREW,HHF,1/4-20X.75,8,ZAG	
23	824113GT	WASHER,FLAT,1/4,USS,ZAG	
24	49519GT	CONN,520120-16-12	2
24-	1267653GT	TEE,RUN,SWIVEL,520429 not shown, sold seperately, for LPS option	1



303.2 Battery, Function Manifold, and Auxiliary Power Unit Installation (from SN Z6216N-1525)

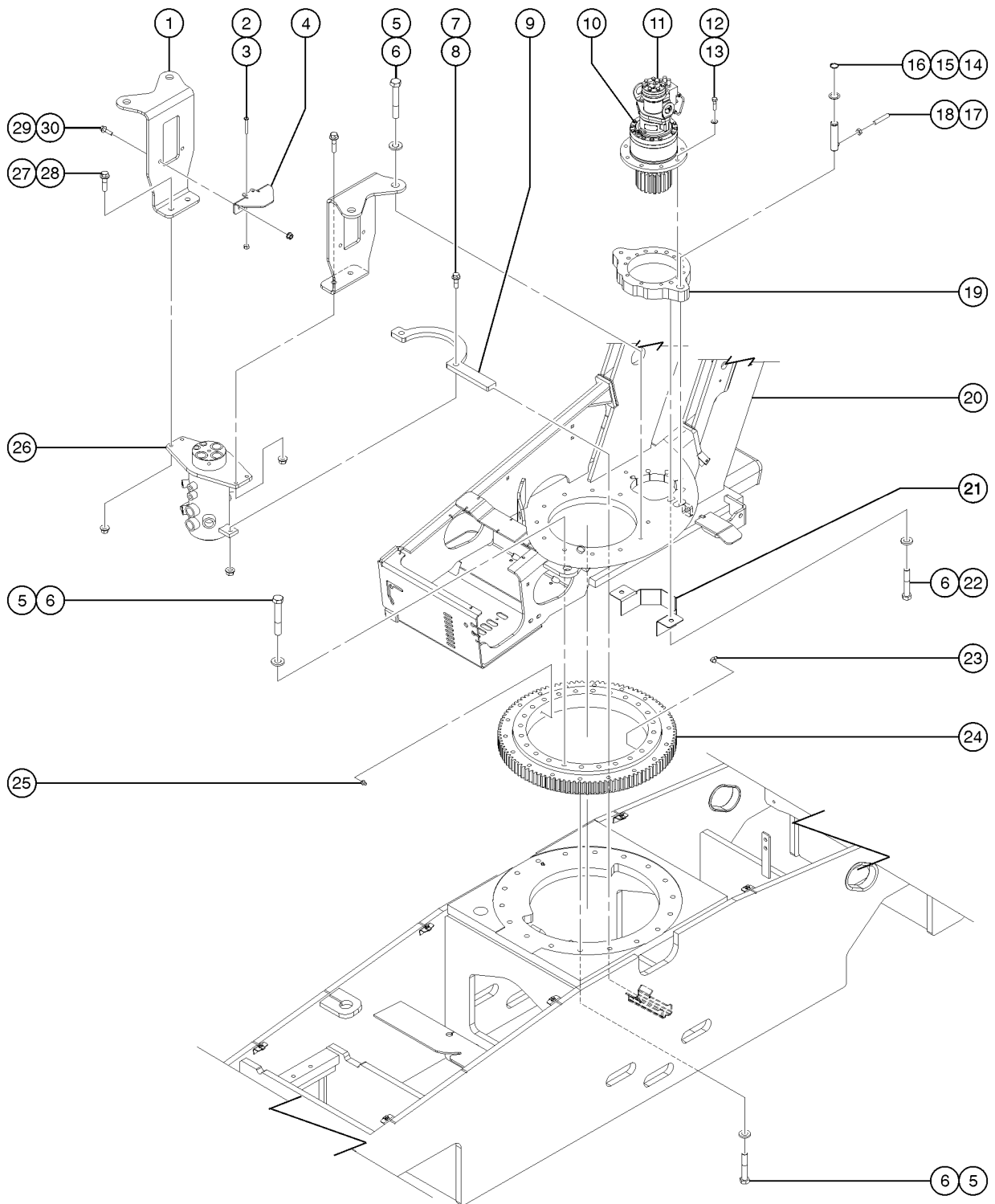


303.2 Battery, Function Manifold, and Auxiliary Power Unit Installation (from SN Z6216N-1525)

<i>Item</i>	<i>Part No.</i>	<i>Description</i>	<i>Qty.</i>
25		Ref. Function manifold refer to fig 704.1, 704.2 or 704.3	
26	824089GT	SCREW,HHF,3/8-16X.75,8,ZAG	
27	48933GT	CONN,520120-8***	1
28	48905GT	CONN,520120-4***	1
29	89617GT	POWER UNIT,AUX PUMP 12VDC	1
29-	1264969GT	MOTOR, 12VDC, I-TERMINAL	
29-	77071GT	SOLENOID,77066	
29-	58489GT	PUMP ASSY,AUX.POWER UNIT 89617	
29-	147289GT	SEAL KIT, APU	
29-	147290GT	SHAFT SEAL, APU	
30	1255469GT	SCREW,HHF,1/2-13X1.25,8,ZAG	



304.1 Turntable Rotation and Hydraulic Rotary Coupler Installation

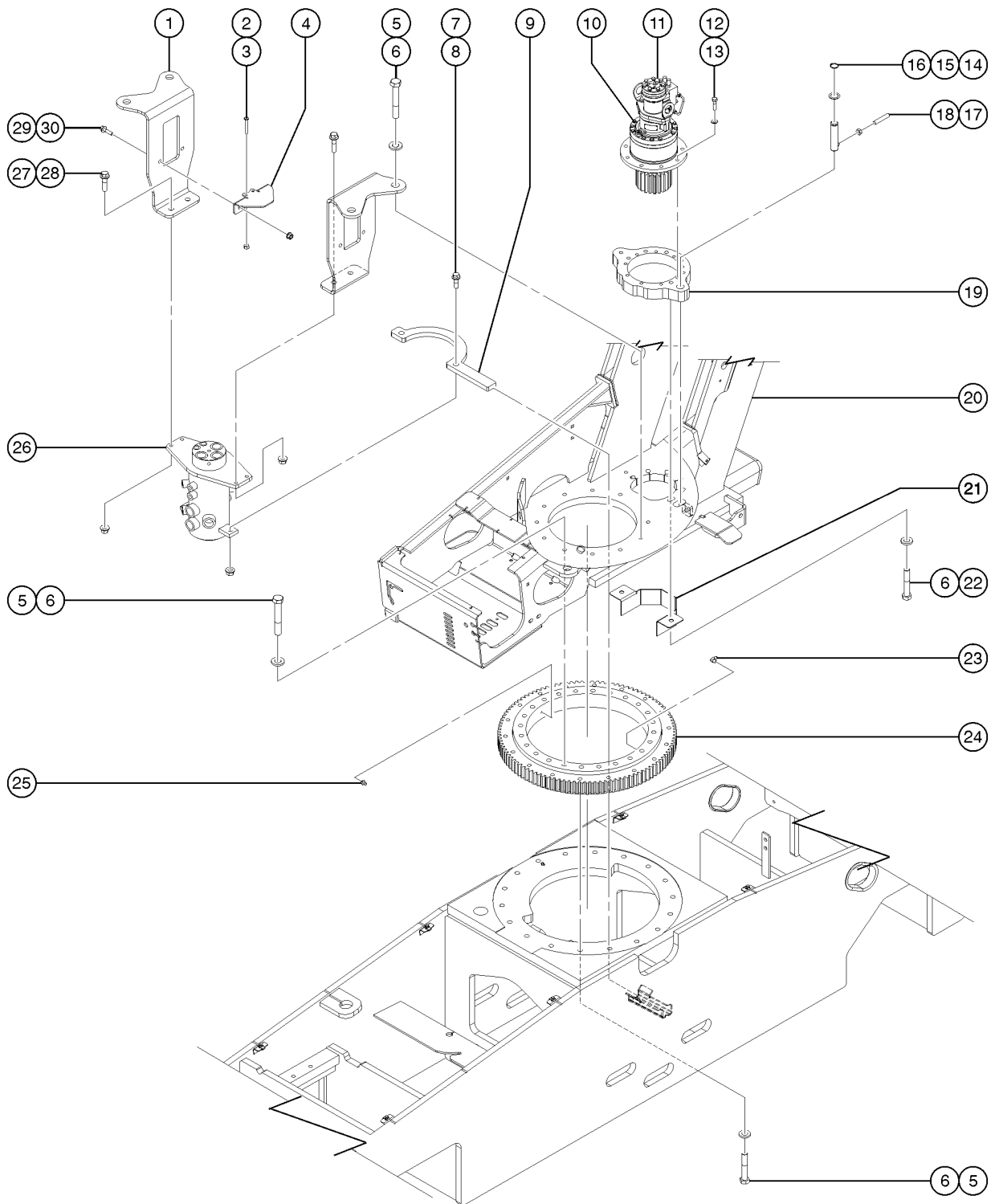


304.1 Turntable Rotation and Hydraulic Rotary Coupler Installation

Item	Part No.	Description	Qty.
1	1255720GT	FORMING,HYD SWIVEL BRACKET	2
2	824216GT	SCREW, PHPM, 10-32 X 1.5, ZAG	2
3	824036GT	NUT, TL, 10-32, A, ZAG	2
4	1255722GT	FORMING,DRIVE ENABLE LIMIT SW	1
5	1256170GT	NUT,SERRATED,8-32,ZAG	46
6	1256182GT	WASHER,FLAT,5/8,F436,HRD,ZAG	52
7	1256172GT	SCREW,HHF,1/2-13X 2,8,ZAG	2
8	1251997GT	NUT,TL FLG,1/2-13,G,ZAG	2
9	1255723GT	PLATE,SWIVEL ROTATION STOP	1
10	1262678GT	FORMING,HOSE GUIDE	1
		hidden from view	
11A		Ref. SWING DRIVE ASSEMBLY	1
		Previous SWING DRIVE ASSEMBLY 139189 is no longer available, order complete	
		assembly 1255768 for first time replacement; to SN Z6215A-550	
11A-	111363GT	O-RING,DISCONNECT ROD (111060)	
		for 139189	
11A-	139308GT	SWING MOTOR COMPLETE***	
		for 139189	
11A-	139309GT	CBV ASSEMBLY***	
		for 139189	
11A-	139310GT	BRAKE TUBING***	
		for 139189	
11A-	139311GT	KIT,FRICION DISC***	
		for 139189	
11A-	139312GT	KIT,BRAKE SPRING***	
		for 139189	
11A-	139313GT	SEAL KIT,SWING BRAKE***	
		for 139189	
11A-	139314GT	KIT,SWING BRAKE REBUILD***	
		for 139189	
11A-	139315GT	O-RING,MOTOR/BRAKE***	
		for 139189	
11A-	139323GT	VALVE,COUNTERBAL,CBCA-LIN***	2
		for 139189	
11A-	58304GT	SHAFT,OUTPUT	
		for 139189	
11A-	75627GT	BEARING,1.25 X 1.5 X 2	
		for 139189	
11A-	94620GT	SEAL KIT,SWING TORQ HUB***	
		for 139189	
11B	1255768GT	SWING DRIVE ASSEMBLY	1
		Previous SWING DRIVE ASSEMBLY 139189 is no longer available, order complete	
		assembly 1255768 for first time replacement; from SN Z6215A-551	
11B-	139308GT	SWING MOTOR COMPLETE***	
		for 1255768	
11B-	139309GT	CBV ASSEMBLY***	
		for 1255768	



304.1 Turntable Rotation and Hydraulic Rotary Coupler Installation

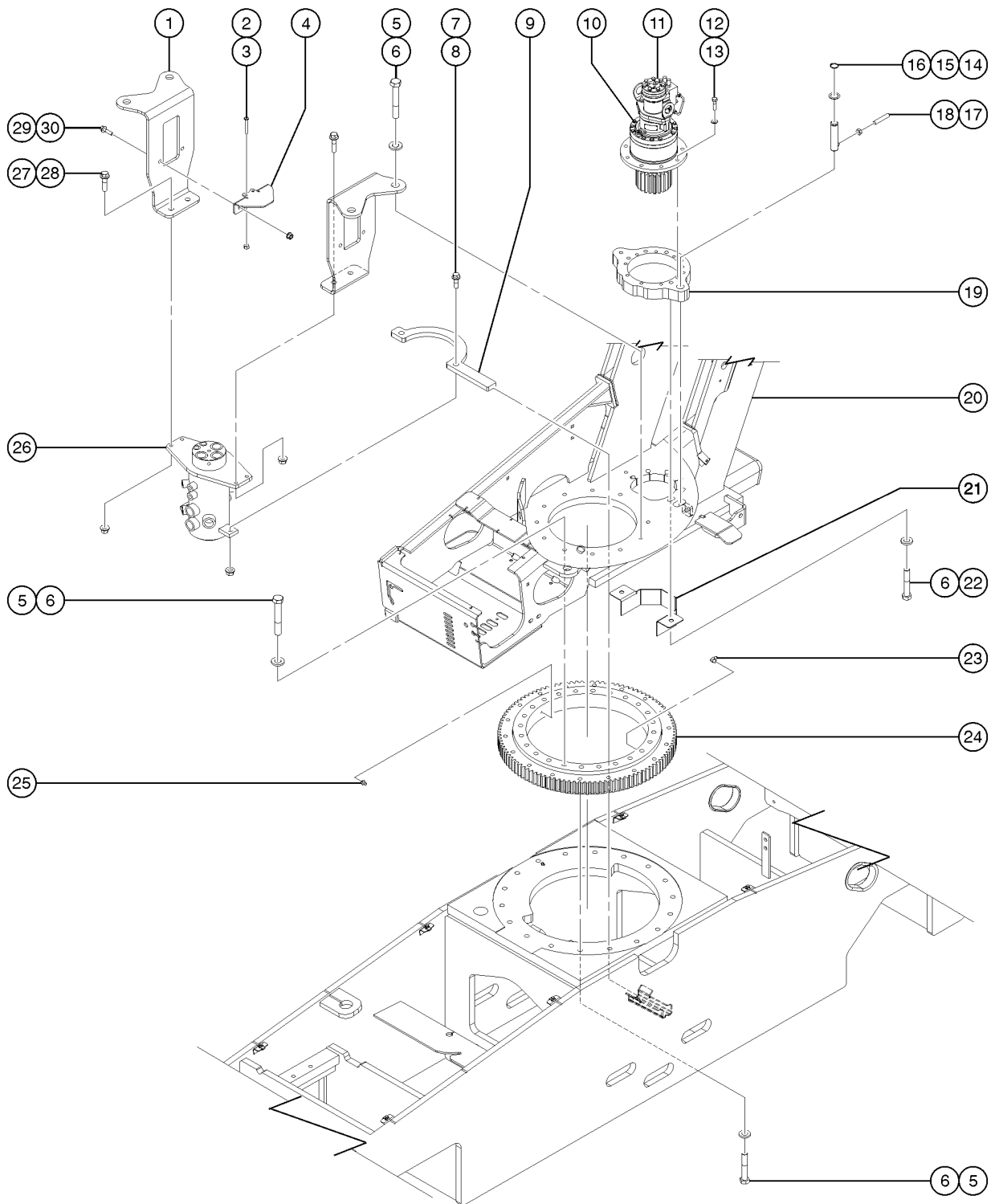


304.1 Turntable Rotation and Hydraulic Rotary Coupler Installation

Item	Part No.	Description	Qty.
11B-	1255769GT	SEAL KIT, SWING BRAKE for 1255768	
11B-	1255770GT	KIT, FRICTION DISC for 1255768	
11B-	1255771GT	KIT, BRAKE SPRING for 1255768	
11B-	1255772GT	KIT, SWING BRAKE REBUILD for 1255768	
11B-	1255773GT	BRAKE TUBING for 1255768	
11B-	139315GT	O-RING,MOTOR/BRAKE*** for 1255768	
11B-	139323GT	VALVE,COUNTERBAL,CBCA-LIN*** for 1255768	
11B-	58304GT	SHAFT,OUTPUT for 1255768	
11B-	75627GT	BEARING,1.25 X 1.5 X 2 for 1255768	
11B-	94620GT	SEAL KIT,SWING TORQ HUB*** for 1255768	
12	1256168GT	SCREW,HHC,1/2-13X1.75,8,ZAG 10	
13	825353GT	WASHER,FLAT,1/2,SAE,HRD,ZAG 10	
14	824164GT	SNAP RING,EXTERNAL,1.25,ZAG 1	
15	824152GT	WASHER,SHIM,1.270X1.875X.062,Z 1	
16	229535GT	PIN,SWING DRIVE ADJUSTMENT 1	
17	1254718GT	SCREW,SET,HS,5/8-11X3.5,CUP,ZA 1	
18	1254728GT	SCREW,FHPM,6-32 X .75,ZAG 1	
19	229555GT	MACHINED,SWING DRIVE MOUNT 1	
20		Swing Chassis ,Z62 (consult factor to order)	
21	1256169GT	SCREW,HHC,5/8-11X3.5,8,ZAG 6	
22	1265442GT	FORMING, SLEW PINION GUARD (option)	1
23	48887GT	ELBOW,90D, 070202-4 1	
24	63468GT	BEARING,TURNTABLE ROTATION 1	
24-	227785GT	BEARING TURNTABLE SEAL *** 1	
25A	94643GT	ZERK,GREASE,5/16-24,STRAIT 1	
25B	49189-5438GT	HOSE ASSEMBLY, 1/4" 1	
26A	89571GT	SWIVEL,HYD 8 PORT*** (2 wheel steer)	1
26B	1264050GT	SWIVEL,HYD 9 PORT (4 wheel steer)	1



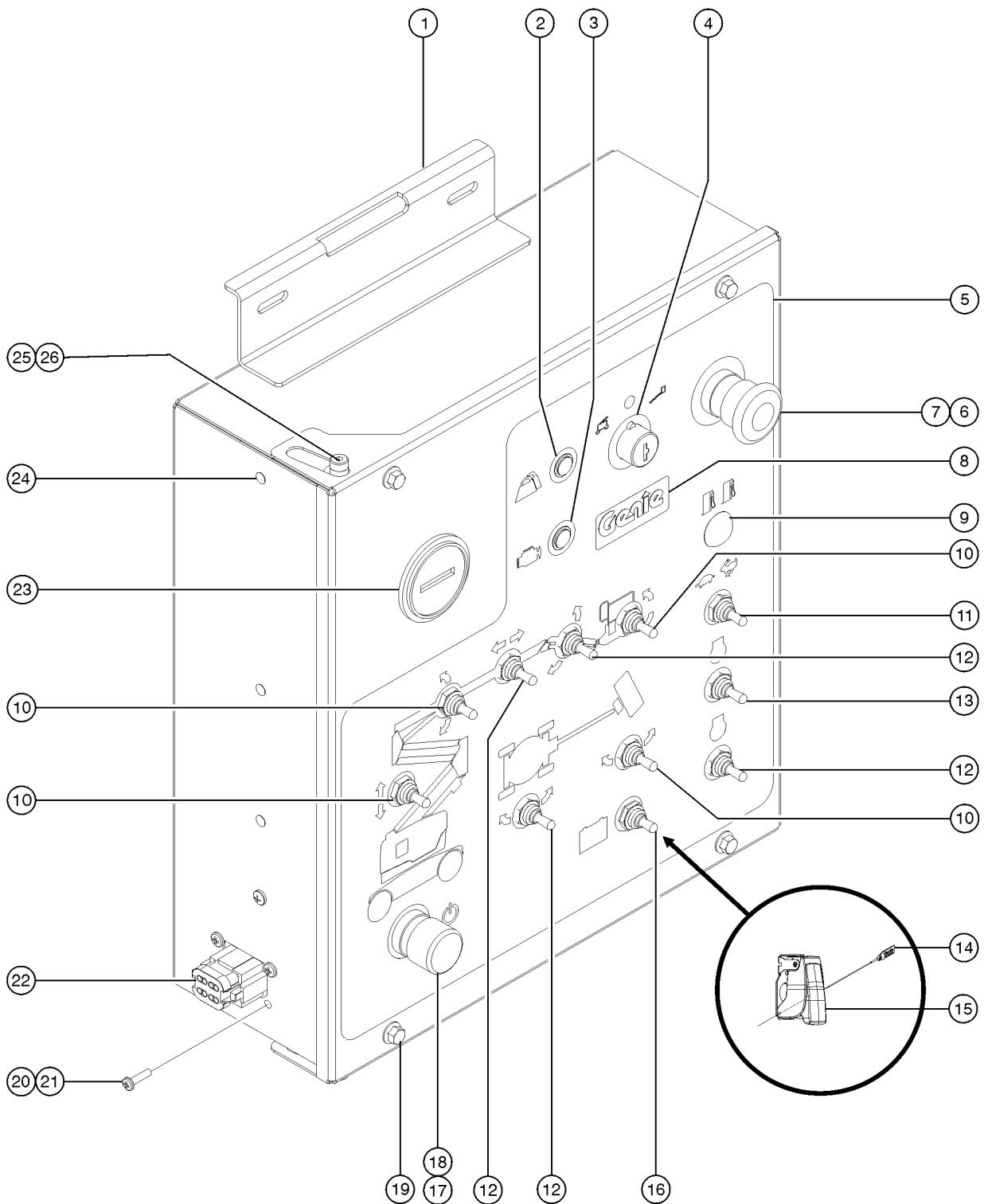
304.1 Turntable Rotation and Hydraulic Rotary Coupler Installation



304.1 Turntable Rotation and Hydraulic Rotary Coupler Installation

<i>Item</i>	<i>Part No.</i>	<i>Description</i>	<i>Qty.</i>
26C	49859GT	PLUG,HEX,090109A-4 2WD with Oscillate Option	5
26C	49859GT	PLUG,HEX,090109A-4 2WD without Oscillate	6
26D	48883GT	PLUG,HEX,090109A-8*** 2WD with Oscillate Option	1
26D	48883GT	PLUG,HEX,090109A-8*** 2WD without Oscillate	2
27	824092GT	SCREW, HHF, 3/8-16 X 1.5, 8, ZAG	2
28	824029GT	NUT,TL FLG,3/8-16,G,ZAG	2
29	824078GT	SCREW,HHF,1/4-20X.75,8,ZAG	2
30	824027GT	NUT,TL FLG,1/4-20,G,ZAG	2

305.1 Ground Controls, with Hour Meter, External View

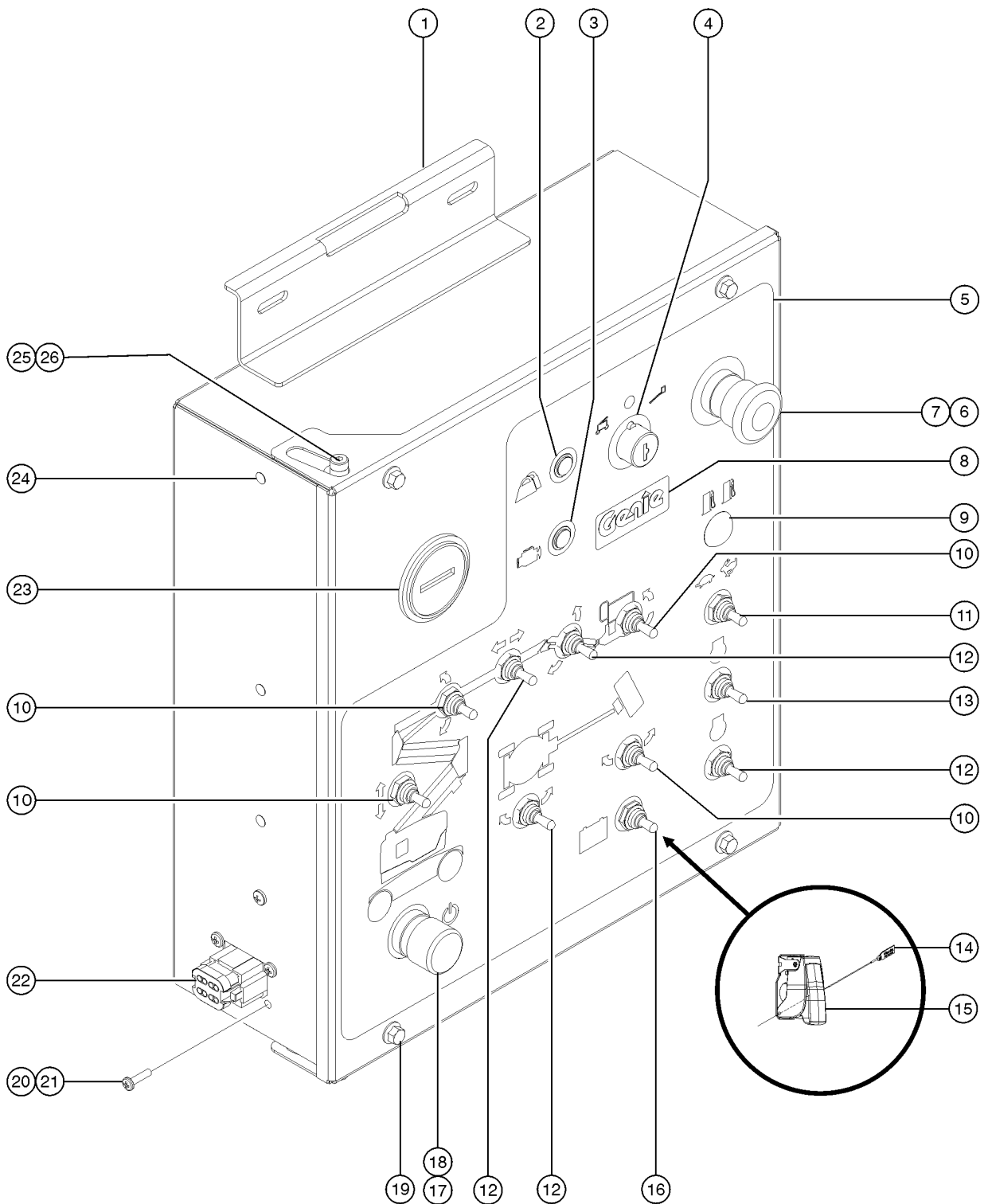


305.1 Ground Controls, with Hour Meter, External View

Item	Part No.	Description	Qty.
A	1259312GT	ASSY,GBOX DIESEL-T3 ANSI Perkins 404D-22, Deutz D2011L03i, Deutz TD2011L04i	1
A-	1259914GT	HARN, GBOX, Z62, DIESEL, T3, ANSI	
B	1259313GT	ASSY,GBOX DIESEL-T3 CE Perkins 404D-22, Deutz D2011L03i, Deutz TD2011L04i	1
B-	1259915GT	HARN, GBOX, Z62, DIESEL, T3, CE	
C	1259314GT	ASSY,GBOX FORD ANSI Ford MSG-425	1
C-	1259916GT	HARN, GBOX, Z62, FORD, ANSI	
D	1259315GT	ASSY,GBOX FORD CE Ford MSG-425	1
D-	1259917GT	HARN, GBOX, Z62, FORD, CE	
1A	825003GT	ASSY,GROUND CONTROL BOX rear enclosure only; for lid see item 5	1
1A-	T107520GT	NUTSERT,LP KNURLED,1/4-20X.165 included with 825003	4
1A-	T107521GT	NUTSERT,LP KNURLED,10-32X.130 included with 825003	3
2A	218165GT	LIGHT,INDICATOR,RED 12V H-BRI CE models	1
2B	229567GT	PLUG,SANTOPRENE .5 BLACK DOME ANSI models	
3	825018GT	LIGHT,AMBER 12V INCANDESCENT	1
4A	96008-SGT	KEYSWITCH,3 POS. W/KEYS***	1
4B	83131GT	KEYSWITCH,3 POS W/KEYS,LOCKING	
5	825002GT	LID,GROUND CONTROL BOX decal not included refer to section 100	1
6	66812GT	BUTTON,PUSH,RED MUSHROOM HEAD base not included	
7		Ref:Base, W/2 N.C. Contacts refer to 306.1	
8	1254595GT	DECAL,COSMETIC,GENIE DOMED BLK	
9A	128204GT	SWITCH TOGGLE ASSY SPDT 2P MNT	
9B	229567GT	PLUG,SANTOPRENE .5 BLACK DOME	
10	128202GT	SWITCH TOGGLE ASSY DPDT 3P MOM	
11	128204GT	SWITCH TOGGLE ASSY SPDT 2P MNT	
12	128200GT	SWITCH TOGGLE ASSY SPDT 3P MOM	
13A	128200GT	SWITCH TOGGLE ASSY SPDT 3P MOM	
13B	229567GT	PLUG,SANTOPRENE .5 BLACK DOME	
14	1261566GT	SECURITY TIE, TOGGLE GUARD CE units only	



305.1 Ground Controls, with Hour Meter, External View

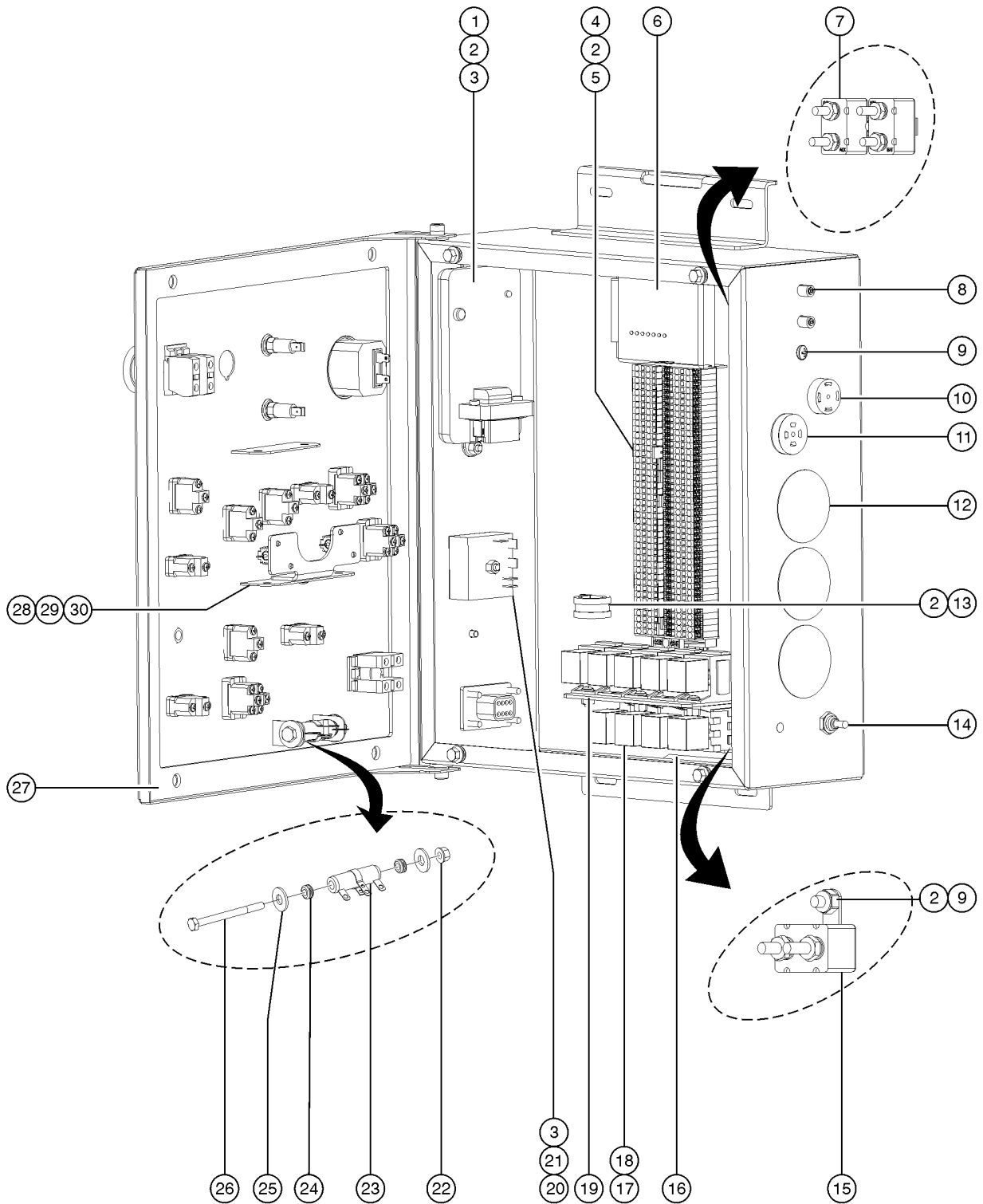


305.1 Ground Controls, with Hour Meter, External View

Item	Part No.	Description	Qty.
15	1261346GT	TOGGLE SWITCH GUARD, RED CE units only	
16	128201GT	SWITCH TOGGLE ASSY DPDT 2P MOM	
17	66813GT	BUTTON,PUSH,BLACK W/SEAL *** base not included	
18		Ref:Base, W/2 N.O. Contacts refer to 306.1	
19	1256855	SCREW,HHF,1/4-20X.625,8,ZAG	
20	824212GT	SPRING CLIP, 5/16-18, ZAG	
21	12344GT	NUT,NYLOCK,6-32	
22	1258768GT	CONN,PLUG 8WAY,BLOCKED GROMMET	
23	19506GT	HOUR METER, 10-80 VOLTS*** analog style; see 56100 for digital	1
24	42781GT	PLUG, NYLON .250 BLACK DOMED	
25	1257410GT	WASHER,SHOULDER,NYLON	
26	218449GT	WASHER,SHOULDER,NYLON	



306.1 Ground Controls, with Hour Meter, Internal View

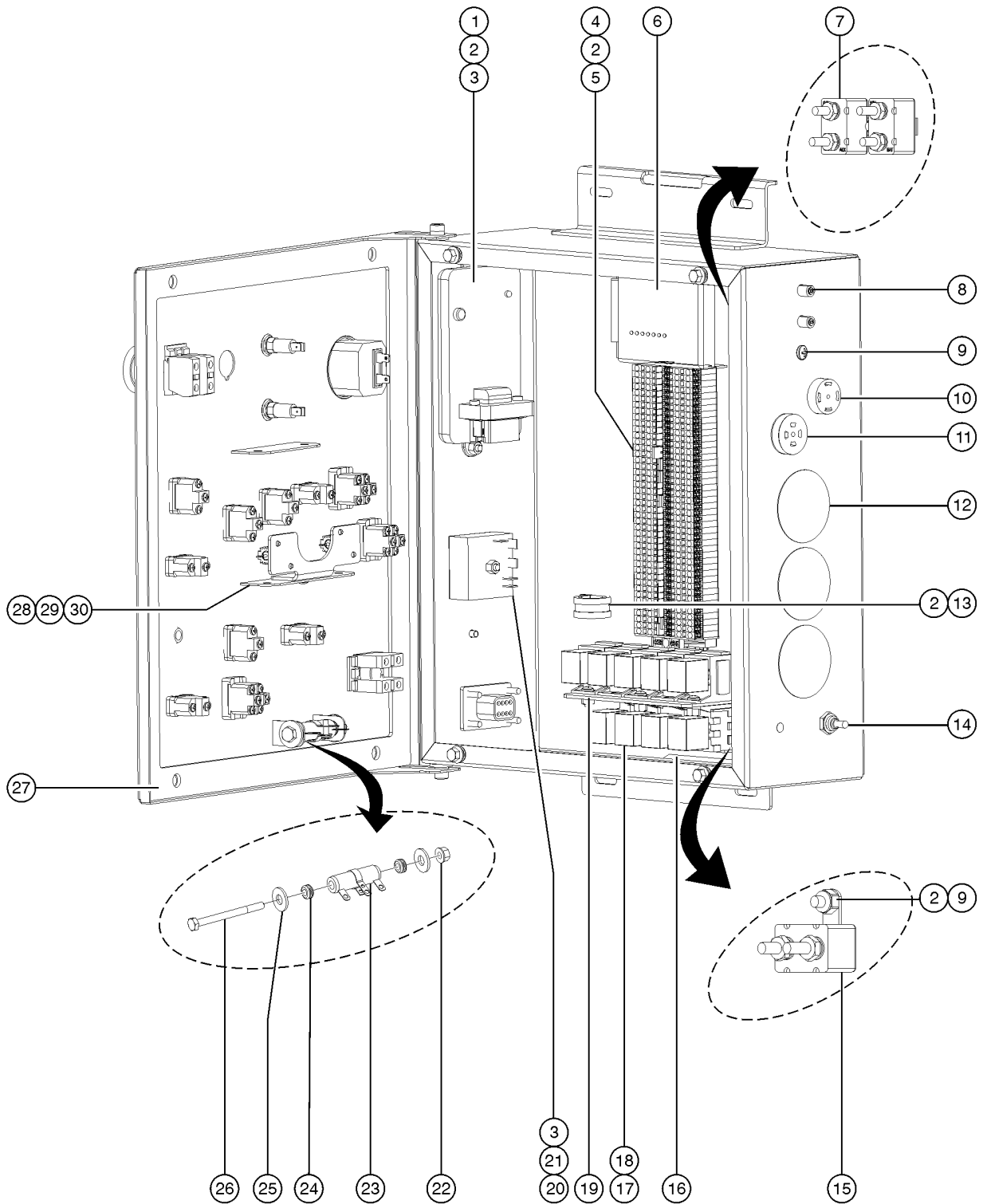


306.1 Ground Controls, with Hour Meter, Internal View

Item	Part No.	Description	Qty.
1	128045GT	MODULE,LOAD SENSE 2007 CE models	1
2	1251757GT	SCREW,PHPM,10-32X.50,ZAG	
3	824036GT	NUT, TL, 10-32, A, ZAG	
4	824517GT	ASSY,TERMINAL RAIL	1
4-	1254652GT	DIN RAIL,13.00	1
4-	216791GT	TERMINAL BLOCK,WIELAND	44
4-	216793GT	TERMINAL BLOCK END PLATE	1
4-	74913GT	END STOP, DIN RAIL,SCREW CLAMP	1
4-	74917GT	JUMPER COMB, 2-WAY,WIELAND	7
5	1253185GT	WASHER,FLAT,#10,USS,ZAG	
6	56057GT	MODULE,IGNITION/START,12/24V diesel engines	1
7	128829GT	CIRCUIT BRKR 15A TYPE 2 METAL	2
8	147090GT	CIRCUIT BREAKER, 15A	2
9	6178GT	NUT,NYLOCK,10-32	
10	18963GT	ALARM,INTERMITTENT TONE 6-30V*	1
11	45383GT	ALARM,WARBLE TONE 5-30 VDC*** Option, Load Sense	1
12A	81900GT	PLUG,NYLON 2.093 BLACK DOMED models without gauges	3
12B		Ref: Gauges, voltage, Oil pressure, Water temp. refer to 819.1	1
13	13268GT	CLAMP,0.75,#12 X 1/4,RUB CUSH	1
14A	128200GT	SWITCH TOGGLE ASSY SPDT 3P MOM Ford engine	1
14A-	27246GT	BOOT,TOGGLE SWITCH,SHORT*	
14A-	128580GT	SWITCH TOGGLE SPDT 3P MOM SHDR	
14B	229567GT	PLUG,SANTOPRENE .5 BLACK DOME Deisel engine	
15	1251757GT	SCREW,PHPM,10-32X.50,ZAG	
16	1258471GT	DECAL Z62 RELAYS	1
17	34052GT	RELAY,SPDT,12V(AUTO) PLUG IN**	9
18		Ref: Relay Harness refer to 311.1	
19	121846GT	RELAY,TIME DELAY,2 SEC,10A Option, Load Sense	1



306.1 Ground Controls, with Hour Meter, Internal View

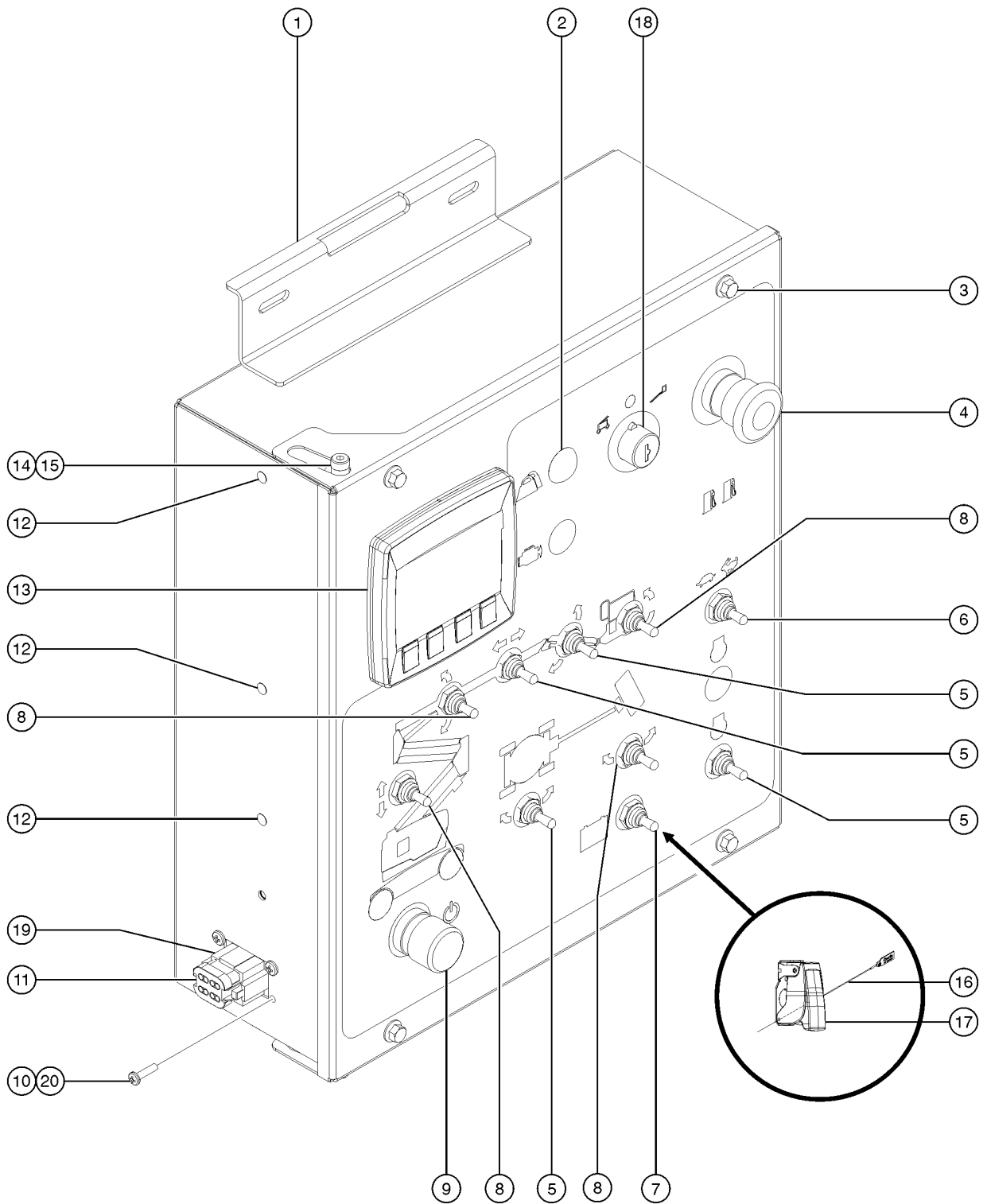


306.1 Ground Controls, with Hour Meter, Internal View

<i>Item</i>	<i>Part No.</i>	<i>Description</i>	<i>Qty.</i>
20	825352GT	SCREW,PHPM,10-32X1.25,ZAG	
21	1261725GT	BRACKET, RELAY MOUNT W/INSERTS	1
22	1256679GT	NUT,SERRATED,1/4-20,8,ZAG	
23	54516GT	RESISTOR,10 OHMS,25W,ADJ***	1
24	42646GT	GROMMET,RUBBER .25 X .50"OD	2
25	825358GT	WASHER,FLAT,5/16,USS,ZAG	
26	1256171GT	SCREW,HHC,1/4-20X3,8,ZAG	1
27	218090GT	WELDMENT,GROUND CONTROL BOX	1
28	40614GT	RESISTOR,5 OHM,25W***	2
29	1257038GT	RESISTOR BRACKET W/NUTSERT	1
30	81551GT	SCREW,PHIL,PHM,6-32 X 1/4 SS	



307.1 Ground Controls, with LCD Readout Screen, External View

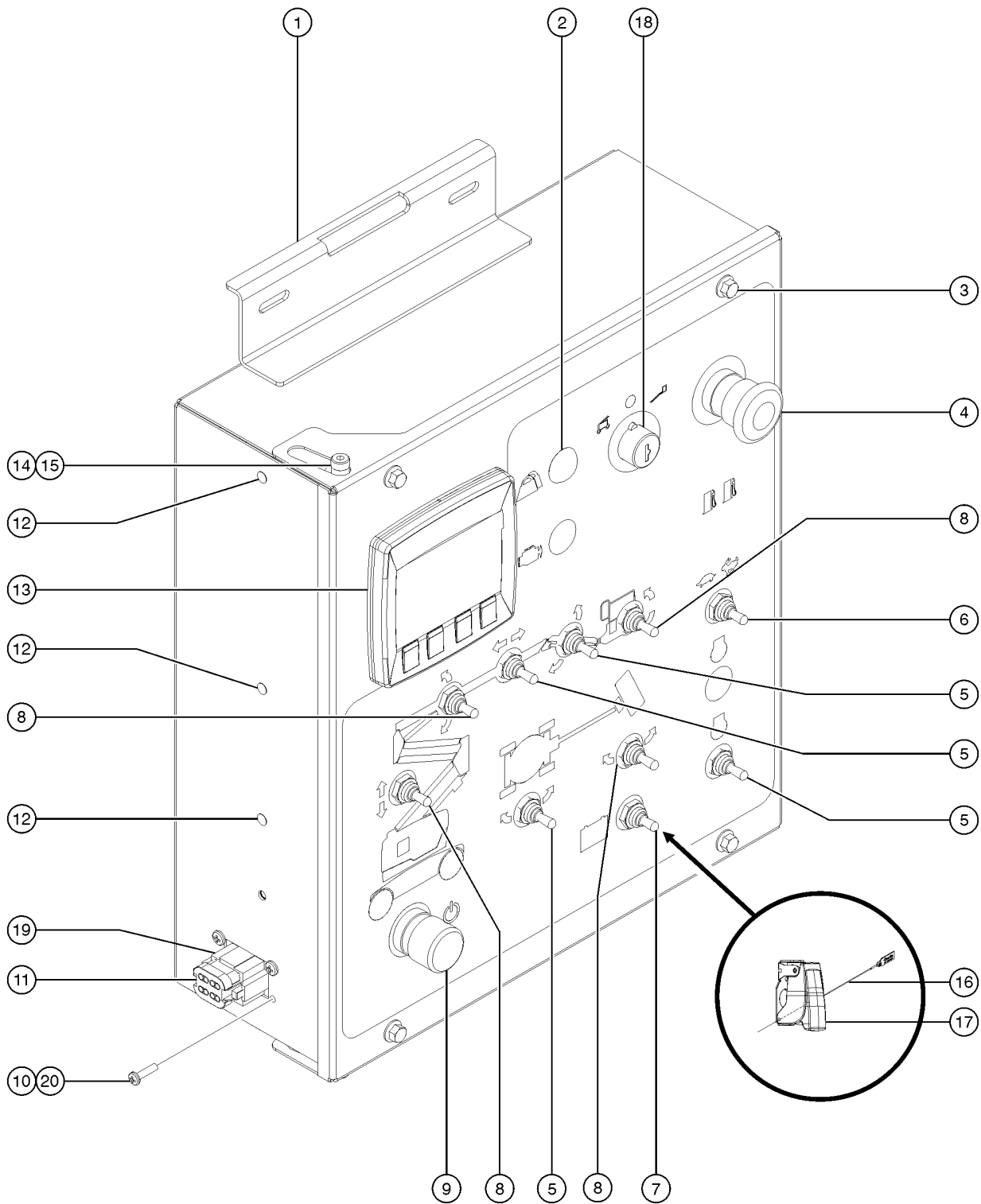


307.1 Ground Controls, with LCD Readout Screen, External View

Item	Part No.	Description	Qty.
1A	1259310GT	ASSY,GBOX DEUTZ-T4 Deutz D2.9L4	
1B	1259311GT	ASSY,GBOX PERKINS-T4 Perkins 404F-22	
1C	825003GT	ASSY,GROUND CONTROL BOX rear enclosure only; see 825002 for lid	1
1D	825002GT	LID,GROUND CONTROL BOX decals not included, refer to section 100	1
2	229567GT	PLUG,SANTOPRENE .5 BLACK DOME	
3	1256855	SCREW,HHF,1/4-20X.625,8,ZAG	6
4	66812GT	BUTTON,PUSH,RED MUSHROOM HEAD	1
4-	73805GT	CONTACT,NC	1
4-	66818GT	CONTACT,NC	2
5	128200GT	SWITCH TOGGLE ASSY SPDT 3P MOM	4
6	128204GT	SWITCH TOGGLE ASSY SPDT 2P MNT	1
7	128201GT	SWITCH TOGGLE ASSY DPDT 2P MOM	1
8	128202GT	SWITCH TOGGLE ASSY DPDT 3P MOM	4
9	66813GT	BUTTON,PUSH,BLACK W/SEAL ***	1
9	66814GT	CONTACT,N.O. ***	
9-	66816GT	CONTACT,N.O.	2
10	824214GT	SCREW,PHPM,6-32X.5,ZAG	4
11A	1258768GT	CONN,PLUG 8WAY,BLOCKED GROMMET models without telematics	1
11B	119060GT	CONN PLUG 8 WAY ENDCAP DT models with telematics	1
11C	60433GT	LOCK,PLUG 8 WAY, 14-18GA models with telematics	
11D	60757GT	PLUG, SEAL, 12-18GA models with telematics	1
12	42781GT	PLUG, NYLON .250 BLACK DOMED	4
13A	1251984GT	ASSY,DISPLAY,DP200 DEUTZ T4 models with Deutz D2.9L4 engine	1
13A-	1252684GT	SCREW,DP200 M3X10 4PACK	1
13A-	1252685GT	GASKET,DP200 BLACK PANEL SEAL	1
13A-	219718GT	BRACKET,DP200 PANEL MOUNT	
13B	1251985GT	ASSY,DISPLAY,DP200 PERKINS T4 models with Perkins 404F engine	1
13B-	1252684GT	SCREW,DP200 M3X10 4PACK	



307.1 Ground Controls, with LCD Readout Screen, External View

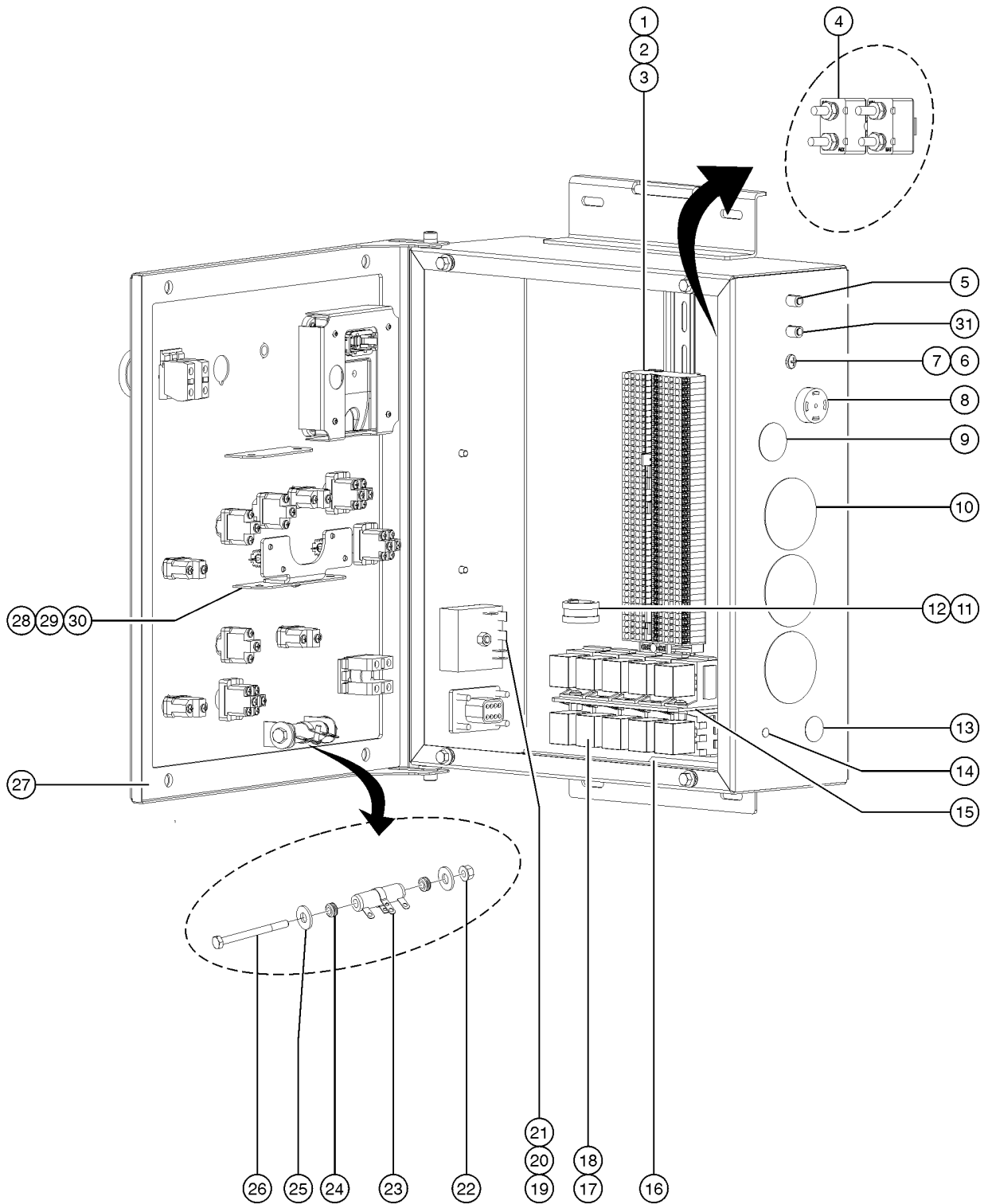


307.1 Ground Controls, with LCD Readout Screen, External View

<i>Item</i>	<i>Part No.</i>	<i>Description</i>	<i>Qty.</i>
13B-	1252685GT	GASKET,DP200 BLACK PANEL SEAL	
13B-	219718GT	BRACKET,DP200 PANEL MOUNT	
14	1257410GT	WASHER,SHOULDER,NYLON	2
15	218449GT	WASHER,SHOULDER,NYLON	2
16	1261566GT	SECURITY TIE, TOGGLE GUARD	1
17	1261346GT	TOGGLE SWITCH GUARD, RED	1
18A	96008-SGT	KEYSWITCH,3 POS. W/KEYS***	1
18B	83131GT	KEYSWITCH,3 POS W/KEYS,LOCKING	1
19	87755GT	CONN,RECEP 8 WAY 14-18GA,FL	1
20	12344GT	NUT,NYLOCK,6-32	



308.1 Ground Controls, with LCD Readout Screen, Internal View

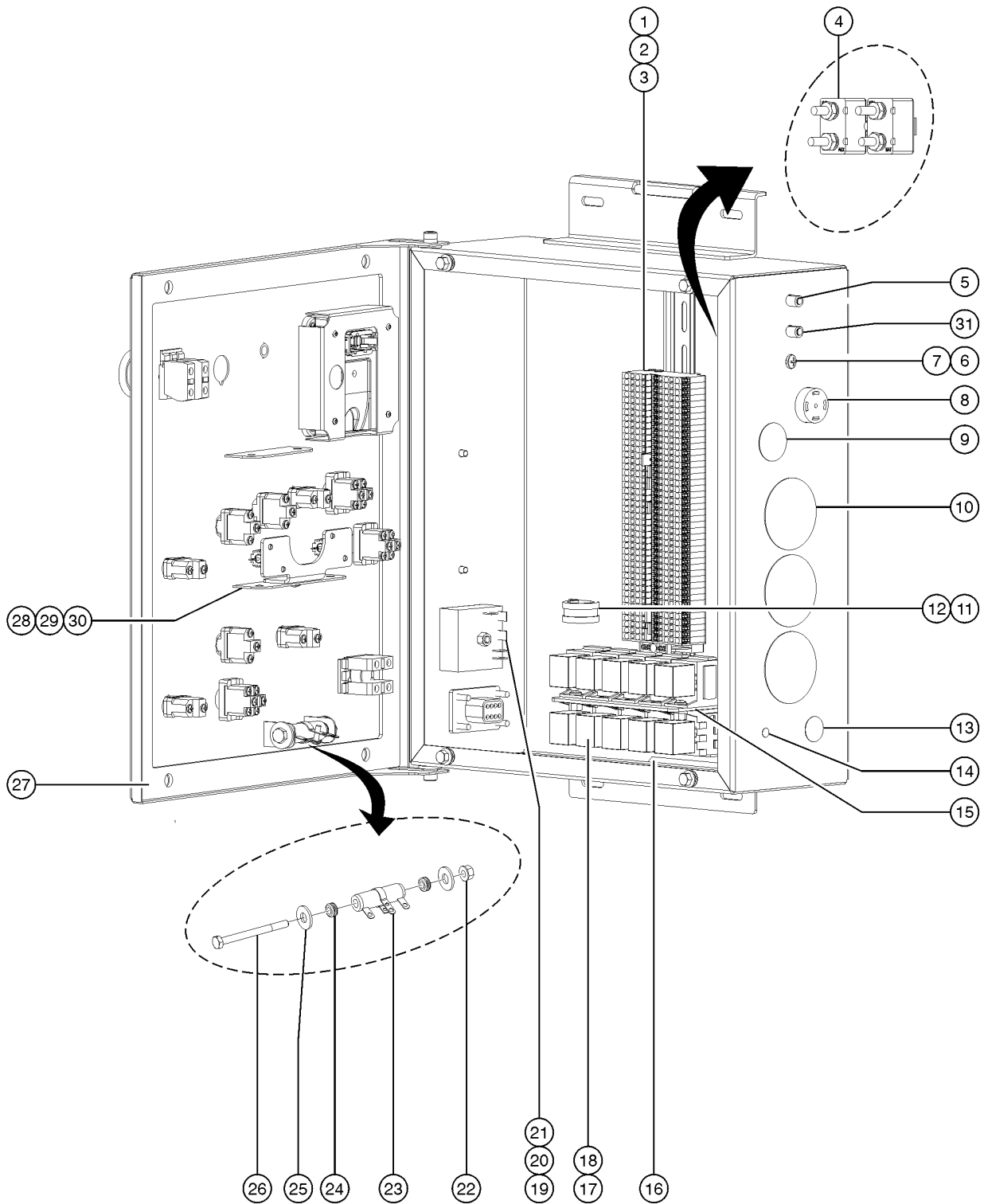


308.1 Ground Controls, with LCD Readout Screen, Internal View

Item	Part No.	Description	Qty.
1	824517GT	ASSY,TERMINAL RAIL	1
1-	1254652GT	DIN RAIL,13.00	1
1-	216791GT	TERMINAL BLOCK,WIELAND	44
1-	216793GT	TERMINAL BLOCK END PLATE	1
1-	74913GT	END STOP, DIN RAIL,SCREW CLAMP	1
1-	74917GT	JUMPER COMB, 2-WAY,WIELAND	7
2	128829GT	CIRCUIT BRKR 15A TYPE 2 METAL	2
3	1253185GT	WASHER,FLAT,#10,USS,ZAG	
4	128829GT	CIRCUIT BRKR 15A TYPE 2 METAL	2
5	147090GT	CIRCUIT BREAKER, 15A	2
		to SN Z62H-3117	
5-	147090GT	CIRCUIT BREAKER, 15A	1
		from SN Z62H-3118	
6	1251757GT	SCREW,PHPM,10-32X.50,ZAG	1
7	6178GT	NUT,NYLOCK,10-32	
8	18963GT	ALARM,INTERMITTENT TONE 6-30V*	1
9	45385GT	PLUG,NYLON 1.12 BLACK DOMED	1
10A	81900GT	PLUG,NYLON 2.093 BLACK DOMED	3
10B		Ref: Gauges, voltage, Oil pressure, Water temp.	1
		refer to 819.1	
11	13268GT	CLAMP,0.75,#12 X 1/4,RUB CUSH	1
12	1251757GT	SCREW,PHPM,10-32X.50,ZAG	
13	229567GT	PLUG,SANTOPRENE .5 BLACK DOME	1
14	42781GT	PLUG, NYLON .250 BLACK DOMED	1
15	1261725GT	BRACKET, RELAY MOUNT W/INSERTS	1
16	1258471GT	DECAL Z62 RELAYS	1
17	34052GT	RELAY,SPDT,12V(AUTO) PLUG IN**	
18		Ref: Relay harness	1
		refer to 311.1	
19	121846GT	RELAY,TIME DELAY,2 SEC,10A	1
20	825352GT	SCREW,PHPM,10-32X1.25,ZAG	
21	824036GT	NUT, TL, 10-32, A, ZAG	



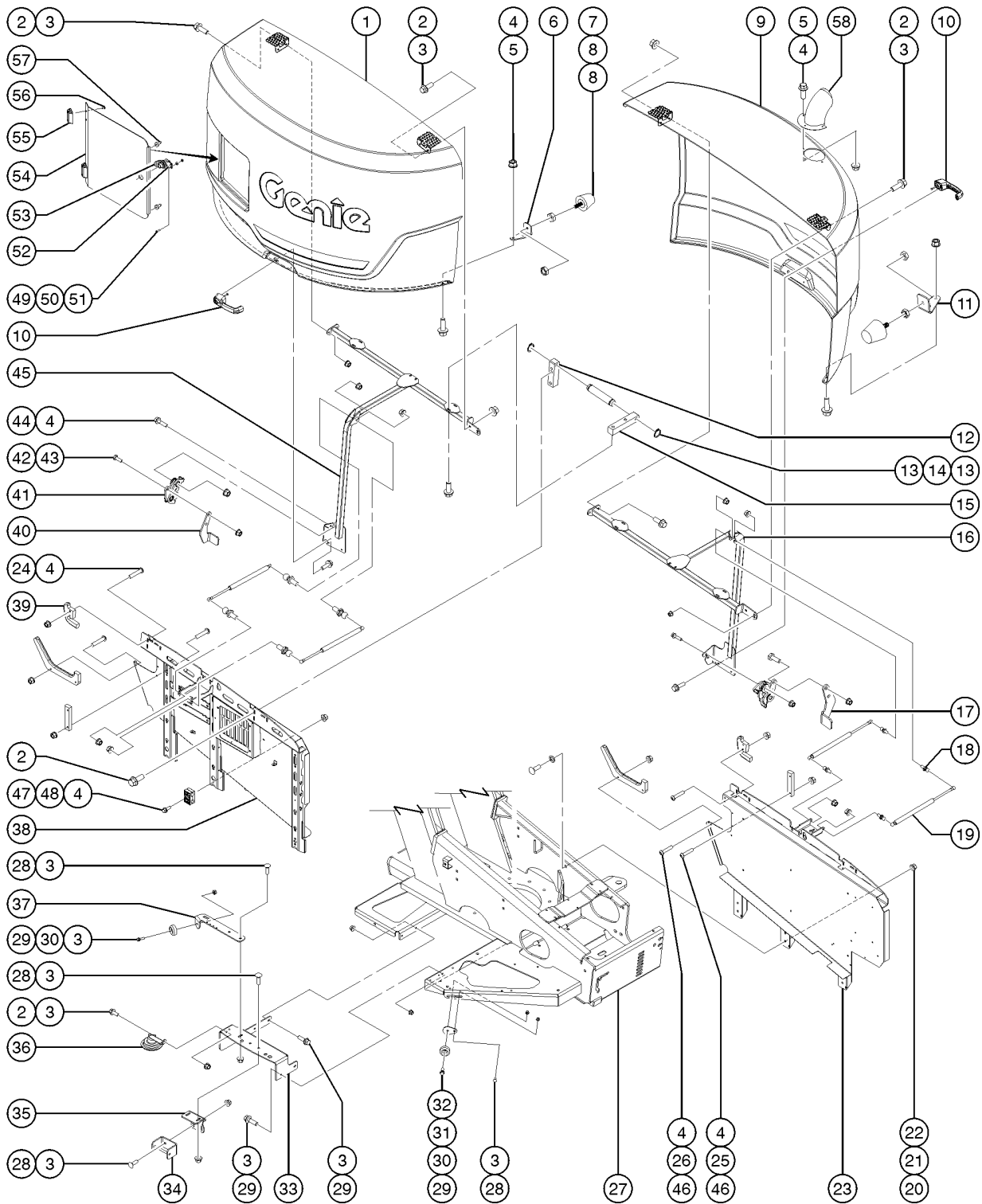
308.1 Ground Controls, with LCD Readout Screen, Internal View



308.1 Ground Controls, with LCD Readout Screen, Internal View

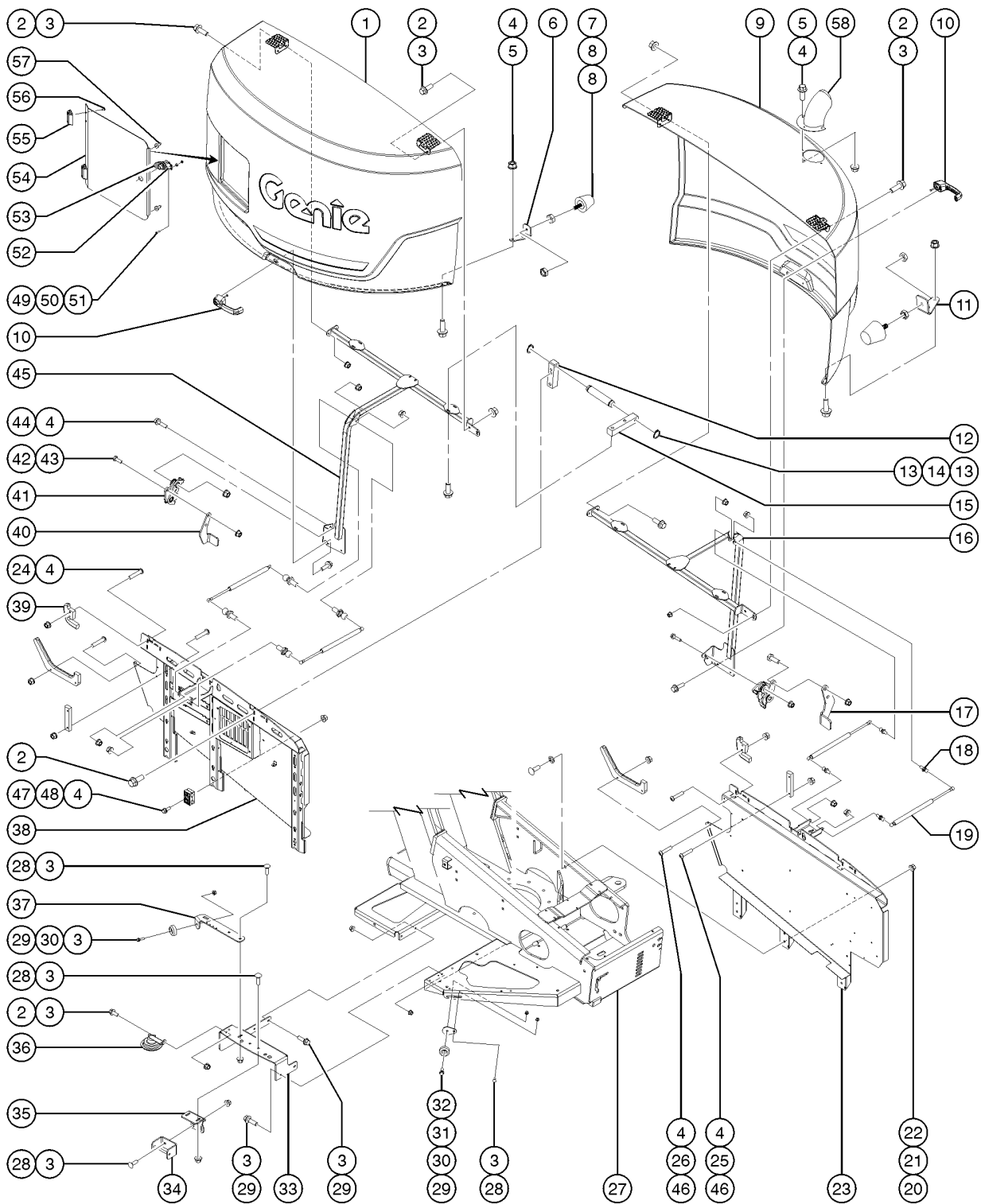
<i>Item</i>	<i>Part No.</i>	<i>Description</i>	<i>Qty.</i>
22	1256679GT	NUT,SERRATED,1/4-20,8,ZAG	
23	54516GT	RESISTOR,10 OHMS,25W,ADJ***	1
24	42646GT	GROMMET,RUBBER .25 X .50"OD	2
25	825358GT	WASHER,FLAT,5/16,USS,ZAG	
26	1256171GT	SCREW,HHC,1/4-20X3,8,ZAG	
27	218090GT	WELDMENT,GROUND CONTROL BOX	1
28	1257038GT	RESISTOR BRACKET W/NUTSERT	1
29	40614GT	RESISTOR,5 OHM,25W***	2
30	81551GT	SCREW,PHIL,PHM,6-32 X 1/4 SS	
31	147095GT	ASSY, CIRCUIT BREAKER 20A from SN Z62H-3118	1

309.1 Turntable Covers



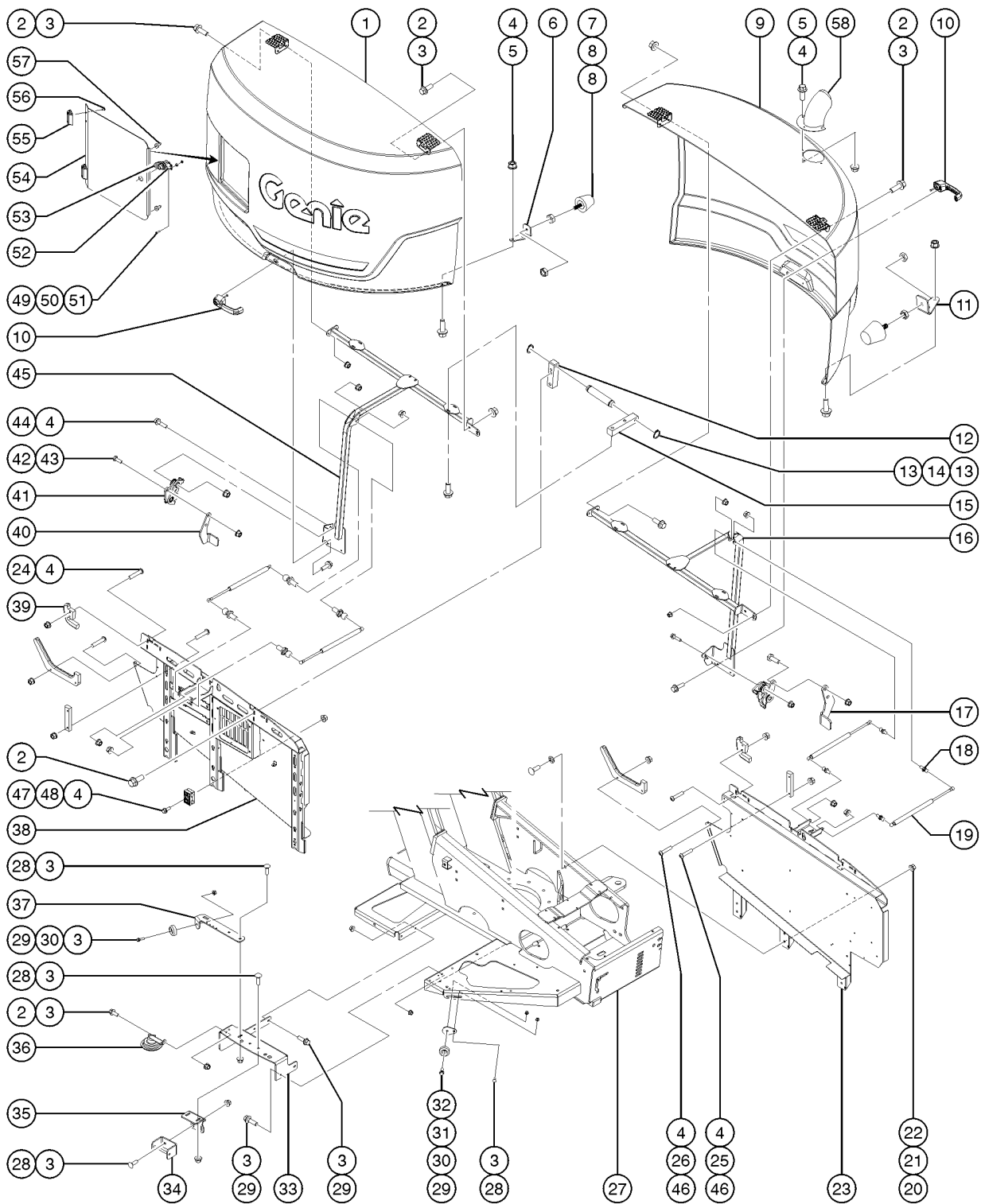
Item	Part No.	Description	Qty.
A	824455GT	ASSY,COVER,TANK SIDE,Z62 include items 1-3, 6, 7, 10, 12, 14, 15, 19 and 45	1
B	824456GT	ASSY,COVER,ENGINE SIDE,Z62 include items 2, 3, 7, 9, 10-12 and 14-17	1
1	1271049GT	ASSEMBLY, Z62 COVER, TANK SIDE	1
2	824090GT	SCREW,HHF,3/8-16X1,8,ZAG	6
3	824029GT	NUT,TL FLG,3/8-16,G,ZAG	11
4	824027GT	NUT,TL FLG,1/4-20,G,ZAG	19
5	824078GT	SCREW,HHF,1/4-20X.75,8,ZAG	5
6	1256160GT	FORMING,REAR COVER STOP,LEFT	1
7	1261277GT	RUBBER BUMPER, 1.25 X 1.25 IN	2
8	1255805GT	NUT,SERRATED,5/16-18,8,ZAG	4
9	1255349GT	ASSY,COVER-MOUNTS,ENG,Z62	1
10	1256054GT	HANDLE,YELLOW LOCKING,CODE 455	2
10-	37947GT	KEYS,10 PACK*** sold separately	
10-	83093GT	KEY SINGLE*** sold separately	
11	1256161GT	FORMING,REAR COVER STOP,RIGHT	1
12	1256393GT	MACHINED,HINGE,1X1X4.25,0.5 PI	2
13	1256607GT	SNAP RING,EXTERNAL,1/2,ZAG	4
14	1256392GT	PIN,HINGE,0.5 X 2.56LG,2 RING	2
15	1256394GT	MACHINED,HINGE,1X1X5.25,0.5 PI	2
16	1251558GT	WELDMENT,COVER SUPRT ENG.SIDE	1
17	1251552GT	FORMING,LATCH TRIGGER BRKT ENG	1
18	33555GT	BALL STUD**	8
19	106069GT	STRUT,GAS,200 LB***	4
20	1251997GT	NUT,TL FLG,1/2-13,G,ZAG	12
21	105634GT	PUSH RETAINER, 1/2" SCREW	12
22	1256179GT	BOLT,CARRIAGE,1/2-13X1.5,5,ZAG	12
23A	826231GT	WLDT,BULKHEAD,ENGINE SIDE to SN Z6216N-1524	1
23B	1268013GT	WLDT,BULKHEAD,ENGINE SIDE from SN Z6216N-1525	

309.1 Turntable Covers



Item	Part No.	Description	Qty.
24	1256175GT	SCREW,BHC,1/4-20X1.25,F835,ZAG	4
25	1256613GT	HOSE GUARD,BULKHD,SIDE	2
26	1256611GT	HOSE GUARD,BULKHD,LOWER	2
27		Swing Chassis Assembly	
		consult factor to order	
28	1255757GT	BOLT,CARRIAGE,3/8-16X1.25,5,ZA	3
29	824091GT	SCREW,HHF,3/8-16X1.25,8,ZAG	6
30	50974GT	BUMPER,RUBBER,COVERS	2
31	1254858GT	PLATE, COVER BUMPER MOUNT	1
32	824025GT	NUT,TL,3/8-16,C,ZAG	1
33	826840GT	FORMING,TANK SIDE LATCH MOUNT	1
34	1255832GT	WELDMENT, LATCH STRIKER	1
35	826588GT	FORMING,STRIKER	1
36	81578GT	HORN,12VDC,SPADE TERMINALS***	1
37	826839GT	FORMING,TANK SIDE BUMP MOUNT	1
38A	826325GT	WLDT,BULKHEAD,TANK SIDE	1
		to SN Z6216N-1524	
38B	1264086GT	WLDT, BULKHEAD, TANK SIDE	1
		from SN Z6216N-1525	
39	1256612GT	HOSE GUARD,BULKHD,UPPER	2
40	1251551GT	FORMING,LATCH TRIGGER BRKT	2
41	215254GT	LATCH,ROTARY,ENGINE COVER	2
42	824087GT	SCREW, HHF, 5/16-18 X 1.25, 8, ZAG	2
43	824028GT	NUT,TL FLG,5/16-18,G,ZAG	2
44	824059GT	SCREW,HHC,1/4-20X.75,8,ZAG	4
45	1251559GT	WELDMENT,COVER SUPRT TANK SIDE	1
46	824080GT	SCREW,HHF,1/4-20X1.25,8,ZAG	2
47	824081GT	SCREW,HHF,1/4-20X1.5,8,ZAG	6
48	78736GT	CLAMP,2 HOSE,PLASTIC,5/8	6
49	824215GT	SCREW, PHPM, 10-32 X .75, ZAG	2
50	1253185GT	WASHER,FLAT,#10,USS,ZAG	2

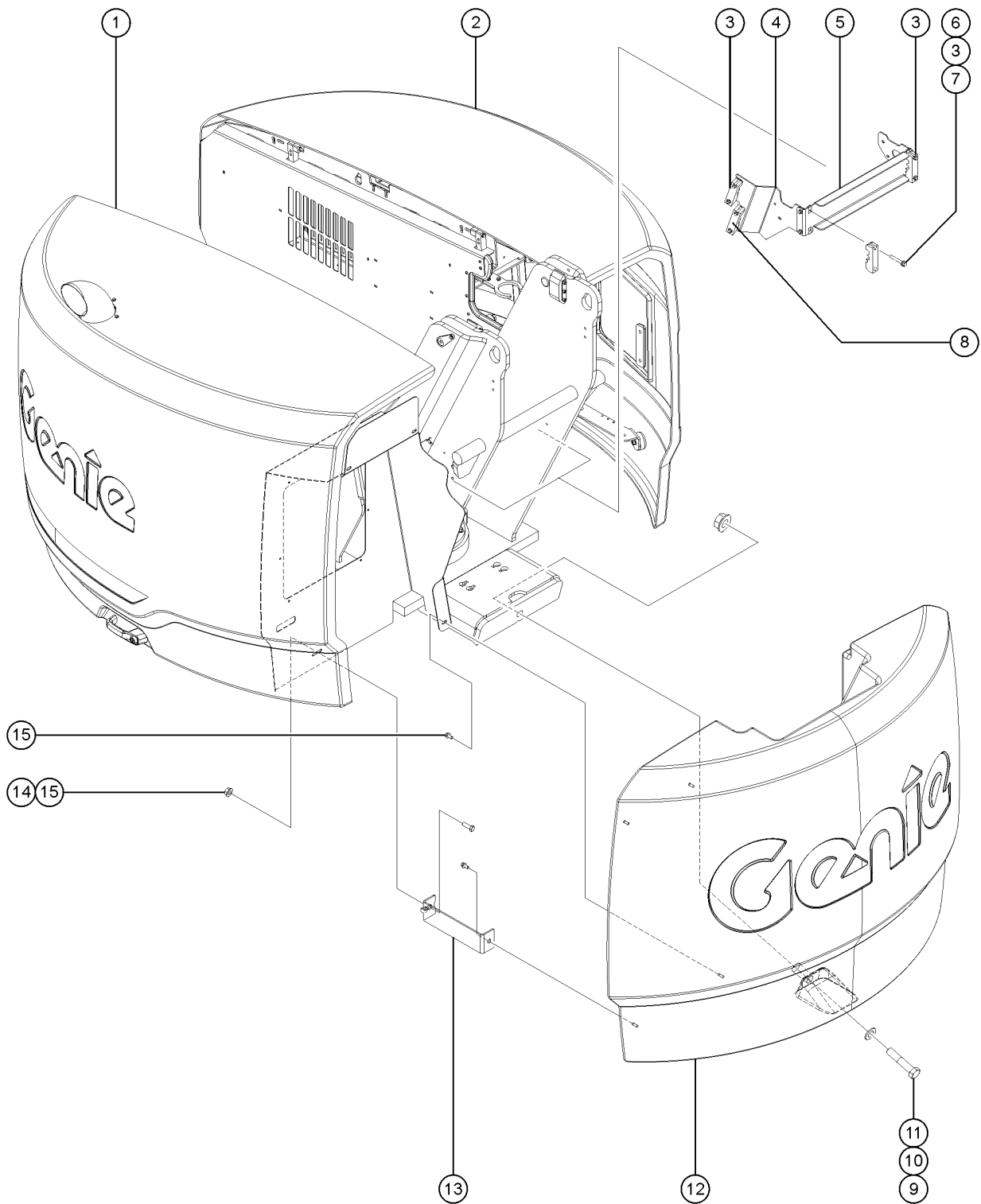
309.1 Turntable Covers



309.1 Turntable Covers

<i>Item</i>	<i>Part No.</i>	<i>Description</i>	<i>Qty.</i>
51	1256804GT	NUT,10-32,ZAG	2
52	823748GT	LATCH STRIKER	1
53	1259583GT	LATCH,PUSH BUTTON	1
54	823747GT	FORMING,CONTROL COVER	1
55	1259584GT	HINGE,CONSTANT TORQUE	2
55-	218457GT	SPACER,GUARD,ALTERNATOR	4
56	229845GT	SCREW,BHSCS,M5X10,SS	4
57	34619GT	BUMPER,RUBBER***	2
58	101964GT	WELDMENT,EXHAUST TUBE	1

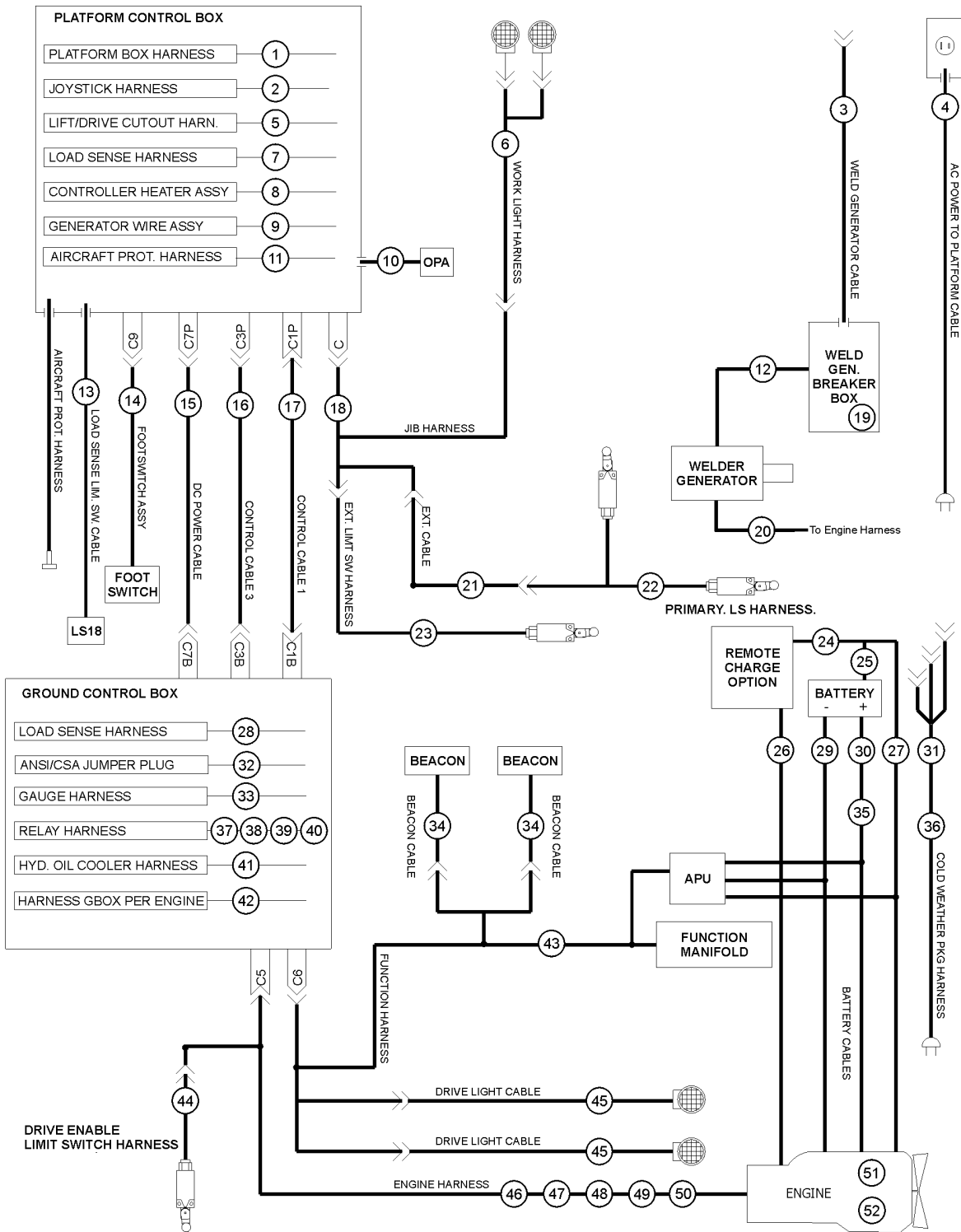
310.1 Turntable Counterweight



310.1 Turntable Counterweight

<i>Item</i>	<i>Part No.</i>	<i>Description</i>	<i>Qty.</i>
1		Ref. ASSY,COVER,ENGINE SIDE,Z62 refer to 309.1	1
2		ASSY,COVER,TANK SIDE,Z62 refer to 309.1	1
3	1252000GT	CLAMP BLOCK,CABLE	3
4	1256653GT	FORMING,WIRE HARNESS BRKT B	1
5	1256652GT	FORMING,WIRE HARNESS BRKT A	1
6	824082GT	SCREW,HHF,1/4-20X1.75,8,ZAG	
7	56912GT	SPRING CLIP,1/4-20,.025-.15X.5	
8	1253207GT	CLAMP BLOCK,OPTIONS	1
9	237731GT	SCREW,HHC,1-8X5,5,ZAG	1
10	824116GT	WASHER,FLAT,1.0,F436,HRD,ZAG	1
11	824031GT	NUT,TL FLG,1-8,G,ZAG	1
12	824433GT	CAST COUNTER WEIGHT,Z60	1
13	1251851GT	FORMING,BAFFLE TO CW STANDOFF	1
14	824029GT	NUT,TL FLG,3/8-16,G,ZAG	1
15	824089GT	SCREW,HHF,3/8-16X.75,8,ZAG	3

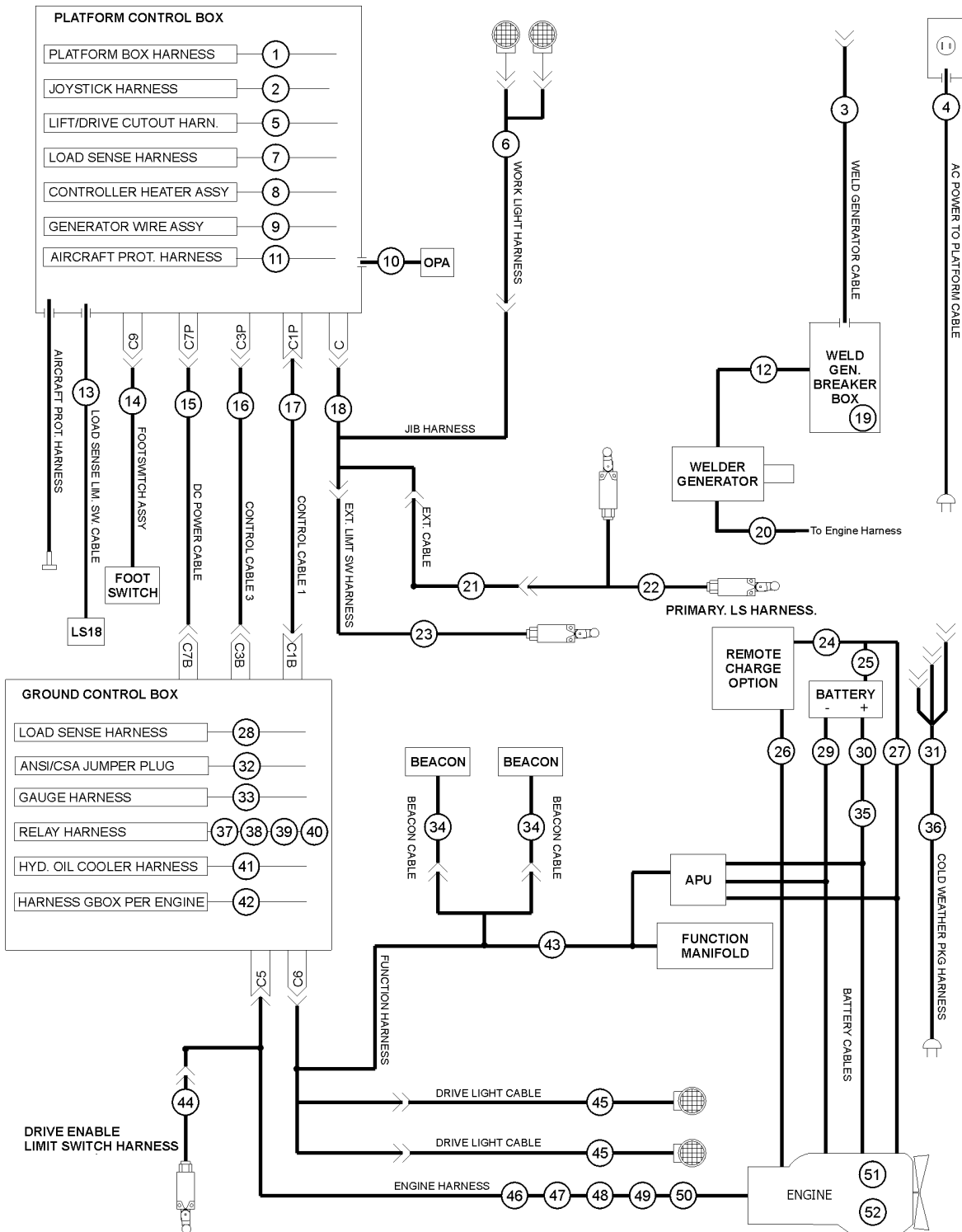
311.1 Wire Harness Diagram



Item	Part No.	Description	Qty.
A	58253GT	KIT,REPAIR,DEUTSCH PLUG,W/TUBE (small kit)	
B	83129GT	KIT,REPAIR,DEUTSH CONNECTORS** (large kit)	
C	61794GT	CRIMPER,DEUTSCH,LIGHT DUTY*** (tool)	
D	1264822GT	KIT, TRC RETROFIT, STNDRD Telematics (includes 1264834)	
D-	1264834GT	INSTRN, TRC RETROFIT, STNDRD	
E	1285811GT	KIT,TILT ALARM,IC MODELS	
E-	1285689GT	INSTRUCTIONS,INSTALL (LEVEL SENSOR ALARM) for kit 1285811	
1A	1258411GT	HARNESS,PBOX,Z62IC	1
1B	823993GT	HARNESS, RELAY, OIL COOLER, Z62 option	1
2	218781GT	HARNESS,JOYSTICK	1
3	1261381GT	HARNESS,WELDER,JBOX TO PLAT option	1
4	1263055GT	CABLE, 120V POWER TO PLATFORM	1
5	219670GT	HARN,LIFT/DRIVE CUTOUT,Z45IC/Z51 CE models only	1
6	824071GT	HARNESS,WORK LIGHT,Z62	1
7	218657GT	HARN,JUMPER,LOAD SENSE,PBOX	1
8		ASSY,ALC500 HEATER,Z45/Z51 (219683) component no longer available	1
9	219672GT	HARNESS,GENERATOR,PBOX,Z45/51 option	1
10A	1255555GT	HARN,PBOX,OPA,HW,12V option	1
10B	1255030GT	PLUG,BLANKING	1
11	228448GT	HARN,PROX KILL+AC BYPASS S60 option	1
12A	1261380GT	HARNESS,11.5KW GEN TO J-BOX for Perkins 404D-22, Perkins 404F-22, Ford MSG-425, Deutz D2011Lo3i and Deutz D2.9L4 engines	1
12B	1268151GT	HARNESS,11.5KW GEN TO J-BOX for Deutz TD2011L04i engine	1
13	121848GT	ASSY,LS,LOAD SENSE,38.5 IN	1
14	227617GT	ASSEMBLY,FOOT SWITCH	1
15	823979GT	HARN,CABLE,DC POWER,Z62IC	1
16	823978GT	HARNESS,CABLE,CONTROL 3,Z62IC	1
17	823977GT	HARNESS,CABLE,CONTROL 1,Z62IC	1
18	1254707GT	HARN JIB SELECT AND LS, Z62	1



311.1 Wire Harness Diagram

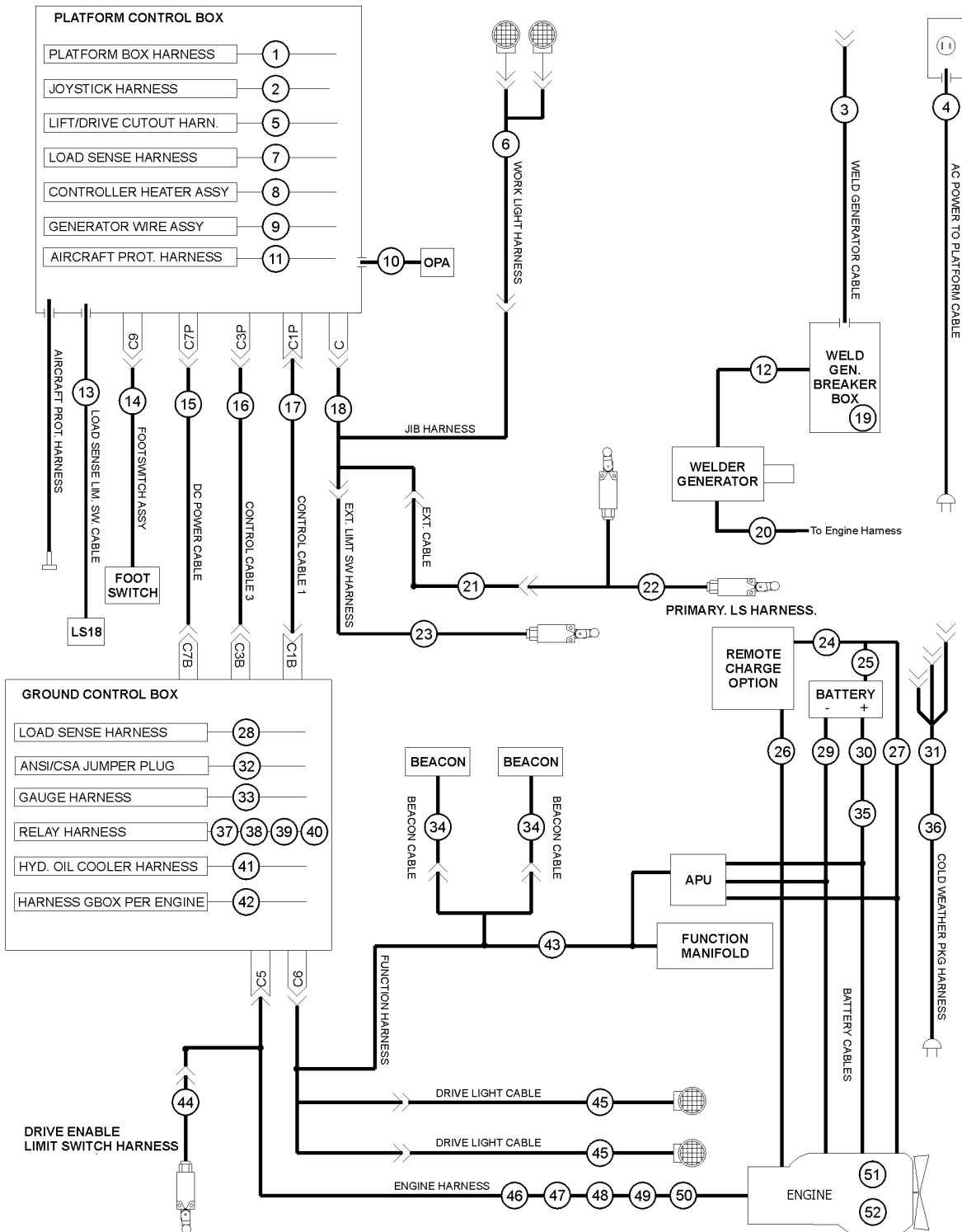


311.1 Wire Harness Diagram

Item	Part No.	Description	Qty.
19	1255649GT	ASSY,BREAKER BOX,WELD GEN,Z62	1
20	1264503GT	HARNESS, GENERATOR ADAPTER	1
21	823976GT	HARNESS,LS,EXTENSION PIGTAIL	1
22	823973GT	HARNESS,LS,PRIM,DUAL,Z62	1
23	823975GT	HARNESS,LS1 PRIMARY RETRACT	1
24	1270206GT	CABLE, RED 2/0, 96", 3/8"	1
25	1269060GT	CABLE, RED 2/0, 20"	1
25_	101681GT	BOOT,BATTERY CABLE TERM,LG RED for 1269060	
26	1270204GT	CABLE, BLACK 2/0, 120", 3/8"	1
27	1258915GT	ASSEMBLY,BATTERY CABLE,Z62IC,LPS	1
28	823980GT	HARN,JUMPER,LOAD SENSE,GBOX	1
29A	823995GT	BATTERY CABLE,NEG,Z62IC for Deutz D2011Lo3i and Deutz TD2011o4i engines	1
29B	1258809GT	BATTERY CABLE,NEG,Z62IC for Ford MSG-425 and Deutz D2.9L4 engines	1
29C	1258810GT	BATTERY CABLE,NEG,Z62IC for Perkins 404D-22 and Perkins 404F-22 engines	1
30A	823994GT	BATTERY CABLE,POSITIVE,Z62IC for Perkins 404D-22 and Perkins 404F-22, Deutz D2011Lo3i and Deutz TD2011o4 and Ford MSG-425 engines without LPS option	1
30B	1258915GT	ASSEMBLY,BATTERY CABLE,Z62IC,LPS for Ford MSG-425 engines with LPS option	1
30C	1258811GT	BATTERY CABLE,POSITIVE,Z62IC for Deutz T4 engine	1
31	823997GT	ASSY,COLD WEATHER PKG,240V,Z62 option	1
32	88832GT	HARNESS,PLUG,NON-LOAD WEIGHING ANSI/CSA	1
33	823983GT	HARNESS, GAUGE, Z62 option	1
34	1261145GT	HARN,FLASHING BEACON,Z62	2
35	106242GT	SWITCH,POWER CUTOUT for Ford MSG-425 LPS engine only	1
36	823998GT	ASSY,COLD WEATHER PKG,120V,Z62 option	1
37	823989GT	HARNESS,RELAY,DEUTZ 2.9D,Z62IC for Deutz D2.9L4 engine	1
38	823990GT	HARN,RELAY,PERKINS 404F,Z62 for Perkins 404F-22 engine	1
39	823991GT	HARN,GBOX RELAY ASSY,T3,Z62 for Perkins 404D-22, Deutz D2011Lo3i and Deutz TD2011o4i engines	1
40	823992GT	HARN,GBOX RELAY ASSY,FORD,Z62 for Ford MSG-425 engine	1
41	823993GT	HARNESS, RELAY, OIL COOLER, Z62	1



311.1 Wire Harness Diagram

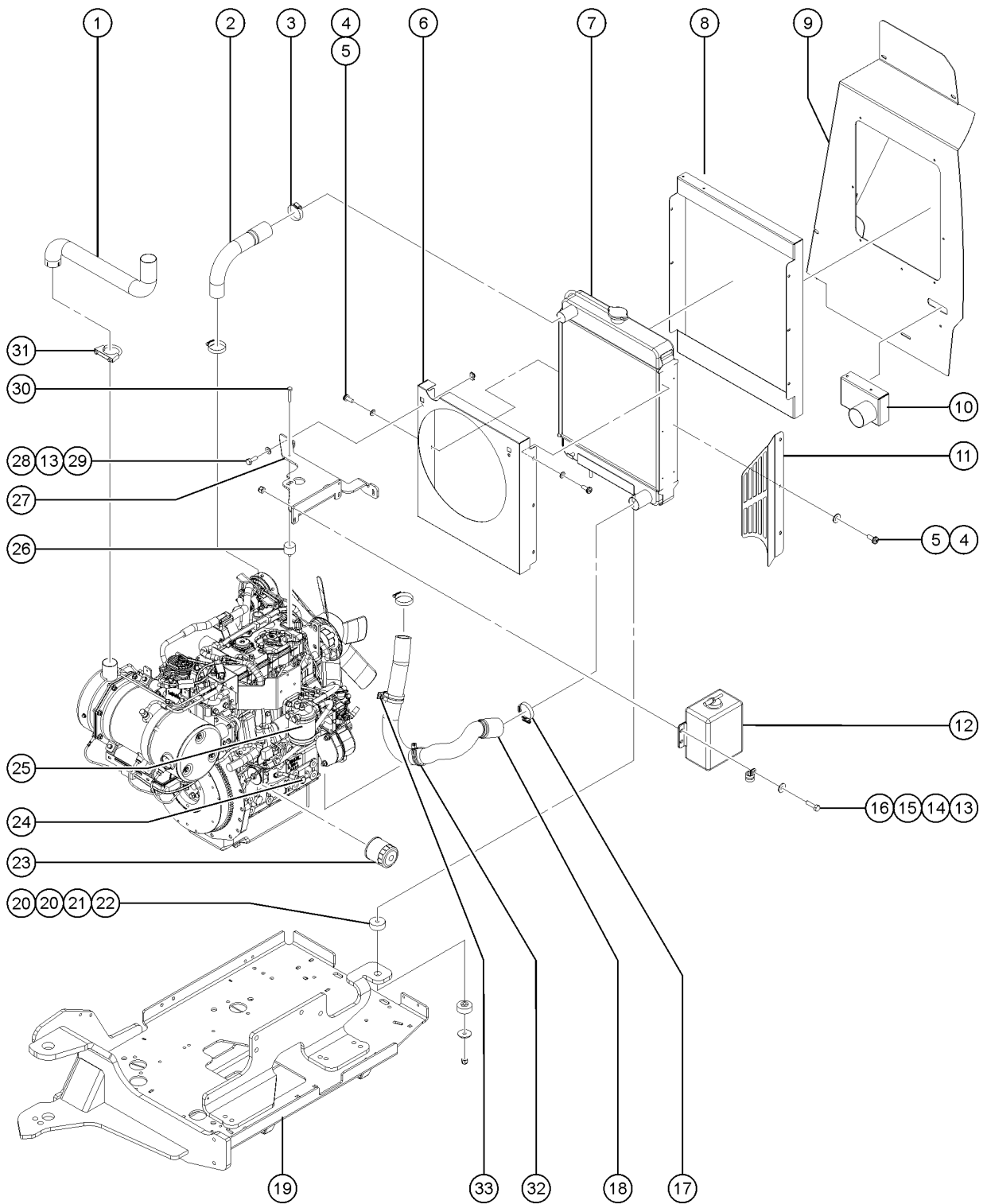


311.1 Wire Harness Diagram

Item	Part No.	Description	Qty.
42A	823971GT	HARNESS,GBOX,Z62IC	1
42B	1259914GT	HARN, GBOX, Z62, DIESEL, T3, ANSI for ANSI with Perkins 404D-22, Deutz D20113i and TD2011Lo4i engines	
42C	1259915GT	HARN, GBOX, Z62, DIESEL, T3, CE for CE with Perkins 404D-22, Deutz D20113i and TD2011Lo4i engines	
42D	1259916GT	HARN, GBOX, Z62, FORD, ANSI	
42E	1259917GT	HARN, GBOX, Z62, FORD, CE	
42F	1259918GT	HARN, GBOX, Z62, D2.9 T4 ANSI	
43	823972GT	HARN,FUNCTION MANIFOLD,Z62IC	1
44	823974GT	HARNESS,LS,D.E.,Z62	1
45	823982GT	HARN,DRIVE LIGHTS,Z62	1
46A	823984GT	HARN,ENGINE,DEUTZ 2.9D,Z62IC	1
46B	1273006GT	HARNESS, Z62 DEUTZ D2.9	
47	823985GT	HARN,ENGINE,DEUTZ D2011,Z62IC	1
48	823986GT	HARN,ENGINE,PERKINS 404F,Z62IC	1
49A	825432GT	ASSY,WELD GEN,Z62,12.5KW	1
49B	1260623GT	GROUNDING HARNESS, Z62 WELDER	1
50A	823988GT	HARN,ENGINE,FORD MSG425,Z62IC	1
50B	215294GT	ENGINE HARNESS, MSG425	
50C	110903GT	HARNESS,LP ONLY JUMPER	
51	160681GT	HARN,2ND GLOW PLUG,DTZ	1
52	1269644GT	DTZ COOLANT SENSOR EXT. for Deutz TD2.9L4 engine	



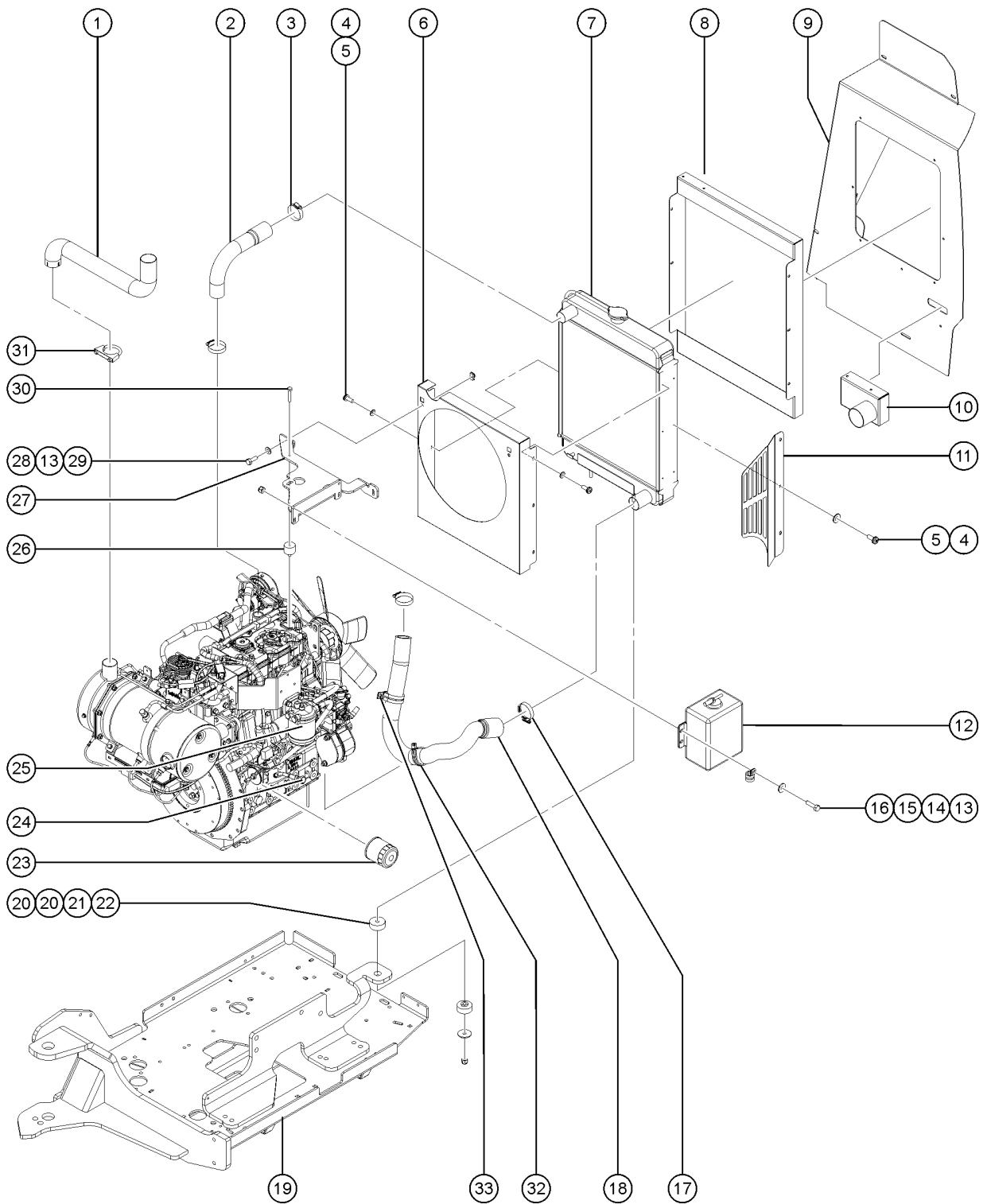
401.1 Perkins 404F-22, View 1



Item	Part No.	Description	Qty.
A	214335GT	ENGINE,PERKINS,DIESEL,404F-22 Due to Tier 4 regulations, many engine replacement parts require the engine serial number at time of order placement. When ordering engine parts please have both machine and engine serial numbers available. For internal engine parts, contact engine dealer	
B	1262866GT	FAN BELT, ALTERANTOR	
C	1262867GT	V-BELT, DEUTZ	
D	1262487GT	BELT,AIR PUMP,PERKINS 404F-22T	
E	1262027GT	PRESSURE PUMP,PERKINS 404F-22T	
1	215477GT	TAILPIPE, S-60 404F-22	1
2	54578GT	HOSE,UPPER RADIATOR,PERKINS	1
3	22672GT	CLAMP,HOSE,1.75	2
4	21019GT	SCREW,PHIL,PHM,10-24 X.5,SEMS	
5	6146GT	WASHER,FLAT,MS,#10,Y	
6	88990PGT	SHROUD,FAN PAINTED	1
7	110304GT	RADIATOR,FORD/PERKINS***	1
7-	65473GT	CAP,RADIATOR,PERKINS/FORD	
8	235660GT	FORMING,RADIATOR SHROUD	1
9	1251850GT	FORMING, RADIATOR BAFFLE	1
10	219181GT	WELDMENT, INTAKE BOX	1
11	215917GT	FORMING, FAN GUARD,PERKINS 404	1
12	70367GT	BOTTLE,COOLANT RECOVERY,3.7***	1
12-	115431GT	CAP ASSY, COOLANT BOTTLE	
13	6888GT	SCREW,HHC,1/4-20 X 1	
14	6638GT	WASHER,FLAT,USS,1/4"Y	
15	6833GT	CLAMP,0.50,#8 X 1/4,RUB CUSH	1
16	6091GT	NUT,NYLOCK,1/4-20	
17	13014GT	CLAMP,HOSE,2.25" DIA.	2
18	54579GT	HOSE,LOWER,RADIATOR,PERKINS	1
19		Ref. Engine Tray	
		refer to 423.1	
20	24038GT	SCREW, HHF, 3/8-16 X .75, 8, ZAG	2

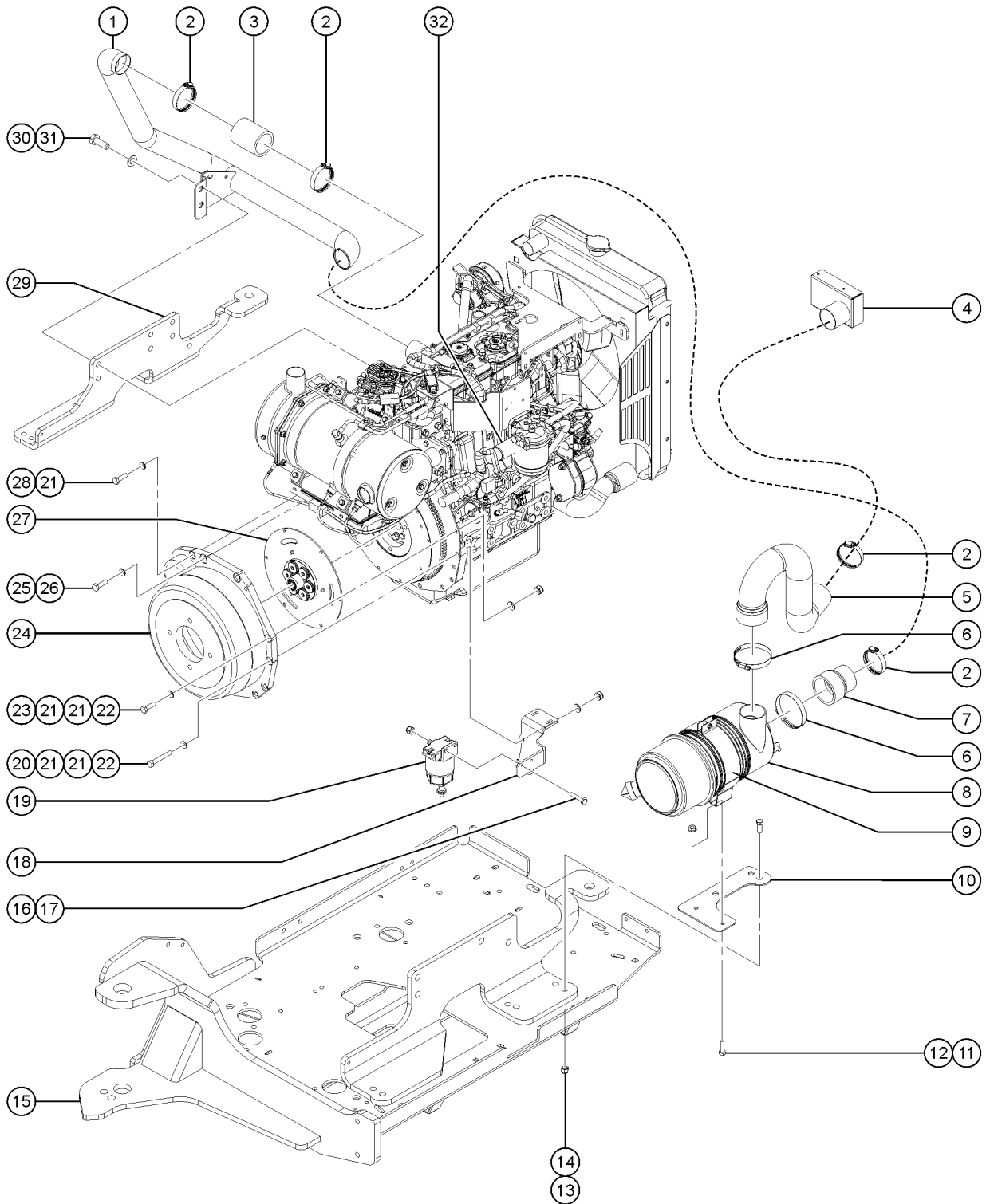


401.1 Perkins 404F-22, View 1



<i>Item</i>	<i>Part No.</i>	<i>Description</i>	<i>Qty.</i>
21	15086GT	WASHER,FLAT,.375 X 1.5 X .125	
22	4828GT	NUT,NYLOCK,3/8-16	
23	94762GT	OIL FILTER - PERKINS	1
24	128984GT	DIPSTICK, STRAIGHT SHORT	1
24-	128985GT	DIPSTICK TUBE, STRAIGHT SH	1
25	94889GT	FUEL FILTER ASSEMBLY	1
25-	62433GT	FILTER,ELEMENT,30 MIC,75020	
25-	62421GT	FILTER,FUEL,PERKINS	1
26	60585GT	ISOLATOR,VIBRATION,M8 MALE/FEM	1
27	88989PGT	FORMING,UPPER RAD SUPPORT PNTD	1
28	6090GT	SCREW,HHC,1/4-20 X .75	
29	56912GT	SPRING CLIP,1/4-20,.025-.15X.5	2
30	28214GT	SCREW,HHC,M8 X 45	1
31	70385GT	CLAMP,EXHAUST,2.00 PLATED	1
32	6653GT	CLAMP,1.88,#30 X 1/4,RUB CUSH	1
		use to secure hose	
33	39518GT	CLAMP,2.00,#32 X 3/8,RUB CUSH	1
		use to secure hose	

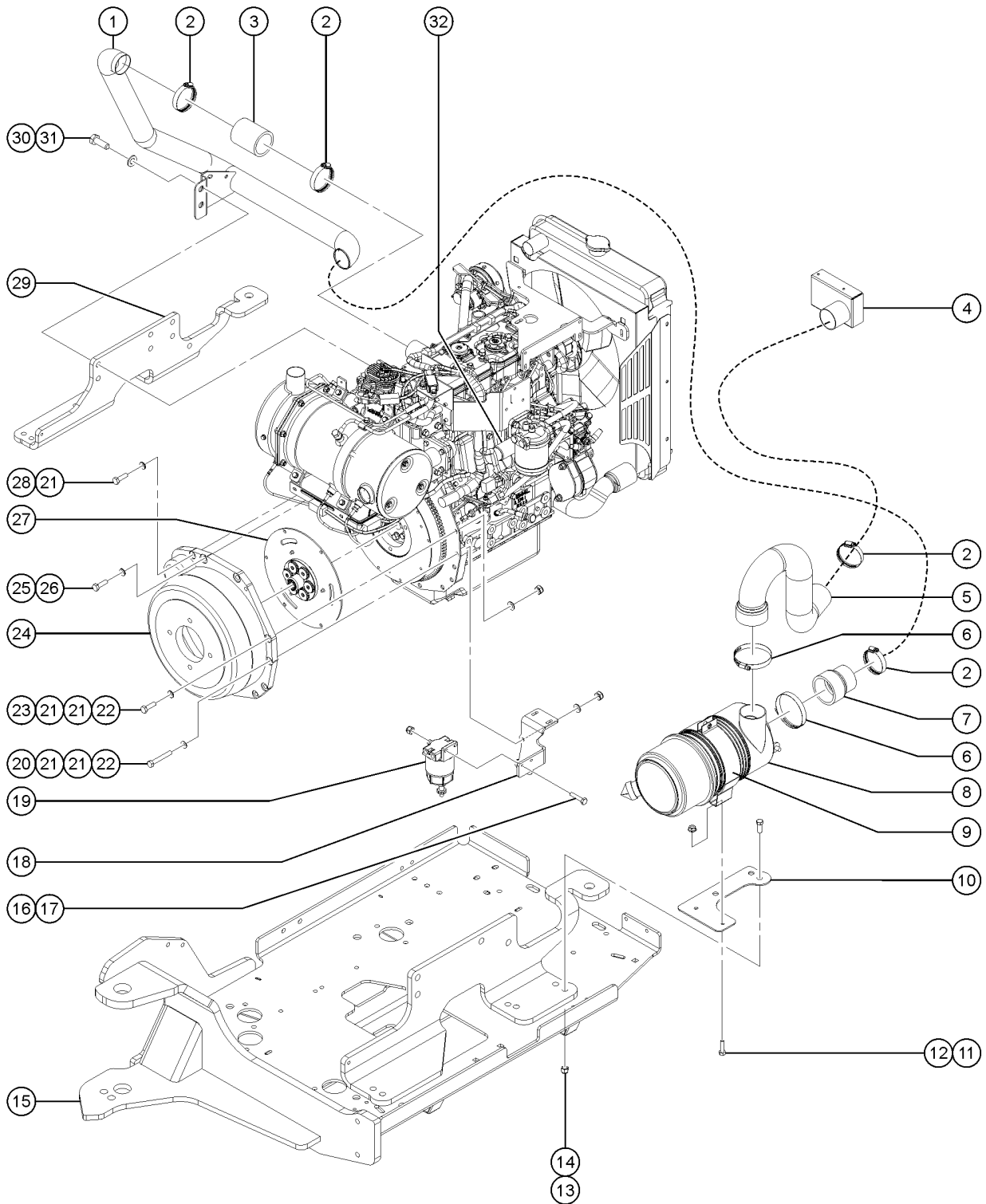
402.1 Perkins 404F-22, View 2



Item	Part No.	Description	Qty.
A-	106663GT	SOLENOID,SHUT DOWN PERKIN40422 Due to Tier 4 regulations, many engine replacement parts require the engine serial number at time of order placement. When ordering engine parts please have both machine and engine serial numbers available. For internal engine parts, contact engine dealer	1
B-	85124GT	GASKET,SOLENOID,PERKINS 72350 for 106663	
1	217703GT	WDMT, PERKINS INTAKE AIR HOSE	4
2	35434GT	CLAMP,HOSE,2.00***	4
3	217187GT	HOSE, INTAKE, 2"ID X 3"	1
4		Ref: Intake Box Weldment refer to 401.1	1
5	215912GT	COLD AIR HOSE, PERK 404F-22	1
6	45435GT	CLAMP,HOSE,2.50"	2
7	216150GT	ADAPTER, AIR HOSE, PERK 404F	1
8	63463GT	AIR CLEANER,NELSON plastic housing	1
8-	58415GT	CLIP,AIR CLEANER END CAP*** end cap not available separately	
8-	62420GT	FILTER,AIR***	
8-	65810GT	BAFFLE, AIR CLEANER (27915)**	
8-	52866GT	EVACUATOR VALVE-AIR CLEANER	
9	53952GT	BRKT,AIR CLEANER ORIENTATION**	1
10	215472GT	PLATE, AIR CLEANER, 404F-22	1
11	824086GT	SCREW,HHF,5/16-18X1,8,ZAG	
12	1255805GT	NUT,SERRATED,5/16-18,8,ZAG	
13	1251997GT	NUT,TL FLG,1/2-13,G,ZAG	
14	1255469GT	SCREW,HHF,1/2-13X1.25,8,ZAG	
15		Ref. Engine Tray refer to 423.1	
16	824079GT	SCREW,HHF,1/4-20X1,8,ZAG	
17	824027GT	NUT,TL FLG,1/4-20,G,ZAG	
18	128588GT	FORMING,SOLENOID MOUNT	1
19	75020GT	SEPRTR/FLTR,FUEL DSL,15GPH,30	3
19-	62433GT	FILTER,ELEMENT,30 MIC,75020	
20	85053GT	SCREW,HHC,M10 X 1.5 X70,GR 8.8	

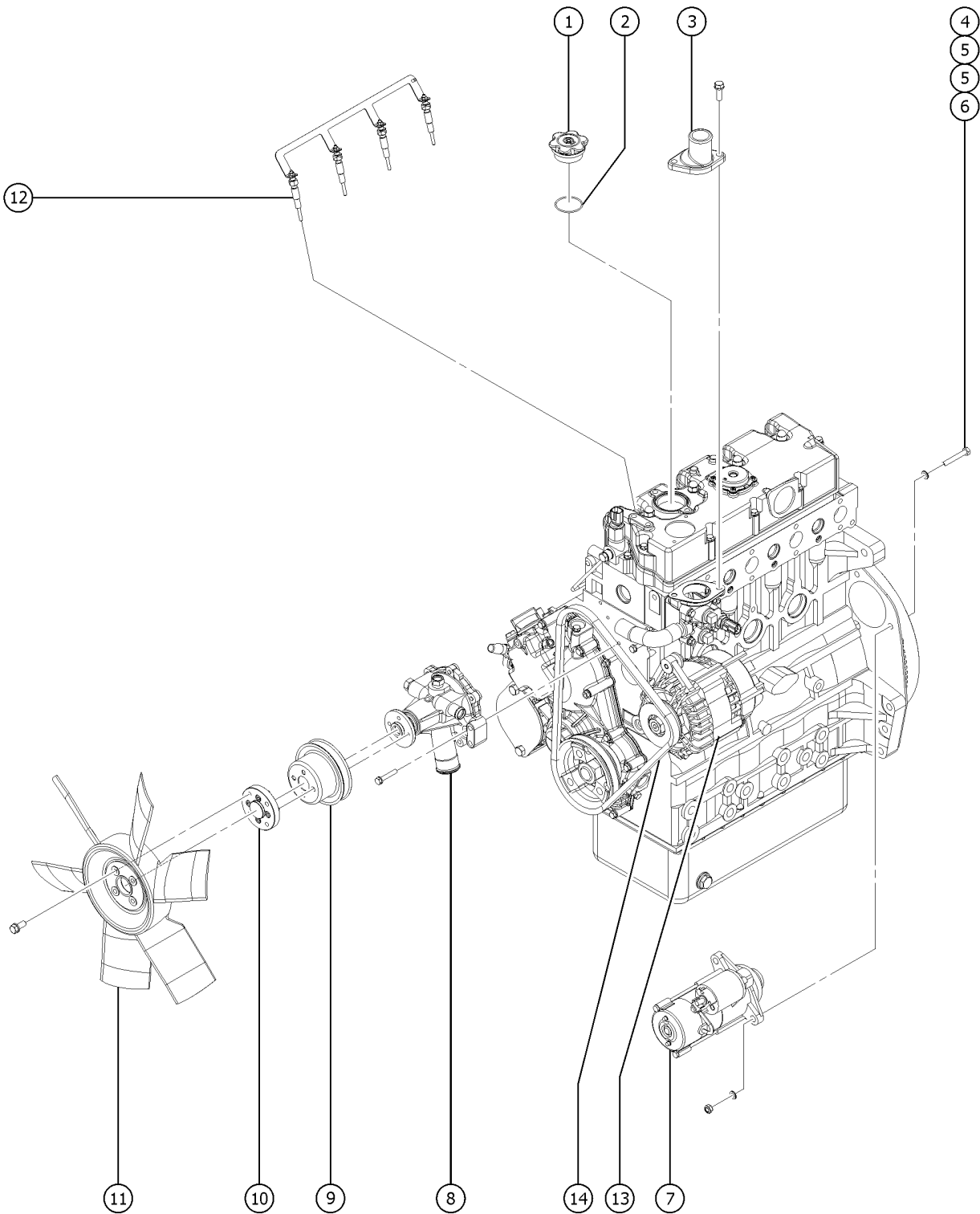


402.1 Perkins 404F-22, View 2



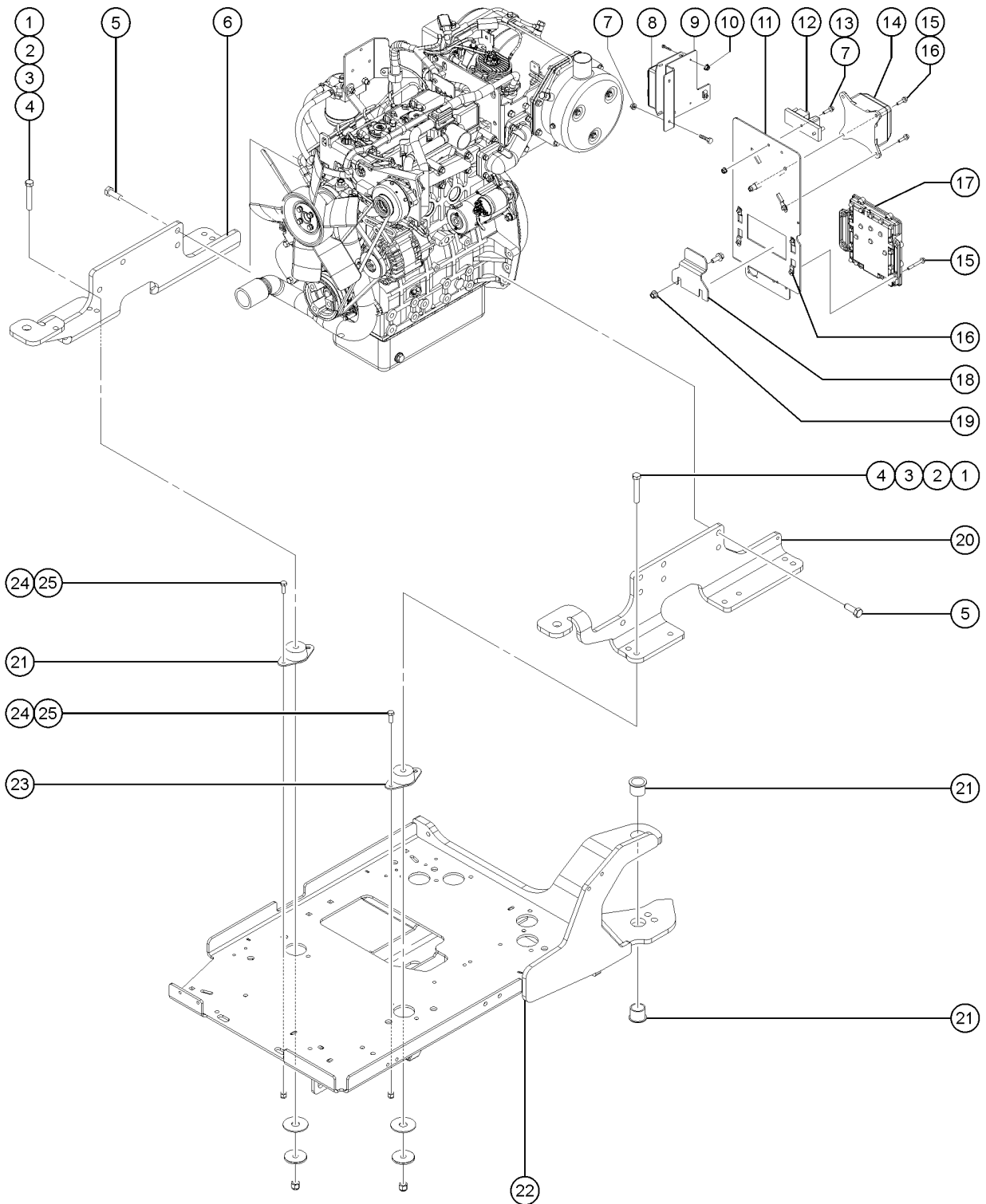
<i>Item</i>	<i>Part No.</i>	<i>Description</i>	<i>Qty.</i>
21	22699GT	WASHER,FLAT,M10,ZINC PLTD.	
22	22736GT	NUT,NYLOCK,M10X1.50	
23	85059GT	SCREW,HHC,M10 X 1.5 X 35	1
24	54573GT	PUMP MOUNT KIT,PERKINS DSL	
24-	128022GT	KIT,FBA STYLE COUPLER,PERKINS includes 15-tooth coupler (128003), fastener kit (1263209) and grease	
24-	89771GT	HOUSING,PUMP MOUNT (54573)	
25	27584GT	SCREW,HHC,M12 X 35MM	
26	49410GT	WASHER,FLAT,M12	1
27	128003GT	COUPLER,15 TOOTH,FBA,PERKINS** includes grease	
28	128061GT	SCREW, HHC, M10 X 1.5 X 50	2
29		Ref. Forming Engine Mount refer to 404.1	
30	54687GT	SCREW,HHC,M14 X 1.5X40MM,GR8.8	
31	49411GT	WASHER,FLAT,M14	
32	1279271GT	SOLENOID,SHUTDOWN,PERKINS,404F-22	1

403.1 Perkins 404F-22, View 3



Item	Part No.	Description	Qty.
A-	1262469GT	OIL PRESSURE SWITCH,PERKINS 404D-22T	
B-	97473GT	SENSOR,WATER TEMPERATURE	
C-	85155GT	PUMP,PRIMER,PERKINS***	
D-	128991GT	THERMOSTAT	
D-	147355GT	GASKET-THERMOSTAT HSG for 128991, Engine block Thermostat	
D-	77477GT	GASKET,THERMOSTAT HSG Vertical Thermostat	
E-	72348GT	PUMP,LIFT(FUEL) PERKINS(54555)	
1	65636GT	CAP, OIL FILLER	1
2	65638GT	SEAL, OIL FILLER CAP	1
3	128986GT	WATER OUTLET, VERTICAL	1
4	128061GT	SCREW, HHC, M10 X 1.5 X 50	
5	22699GT	WASHER,FLAT,M10,ZINC PLTD.	
6	22736GT	NUT,NYLOCK,M10X1.50	
7	1262585GT	STARTER MOTOR,PERKINS 404D	1
8	128987GT	WATER PUMP	1
9	77482GT	PULLEY, WATER PUMP	1
10	1252943GT	SPACER,FAN,PERKINS 404F	1
11	77483GT	FAN, ENGINE (104-22)(404-22)*	1
12	77736GT	GLOW PLUG (PERKINS 404-22)	4
13	1251814GT	ALTERNATOR - 85 AMP, INT REGU	1
14	89765GT	BELT, V (PERKINS 404)	1

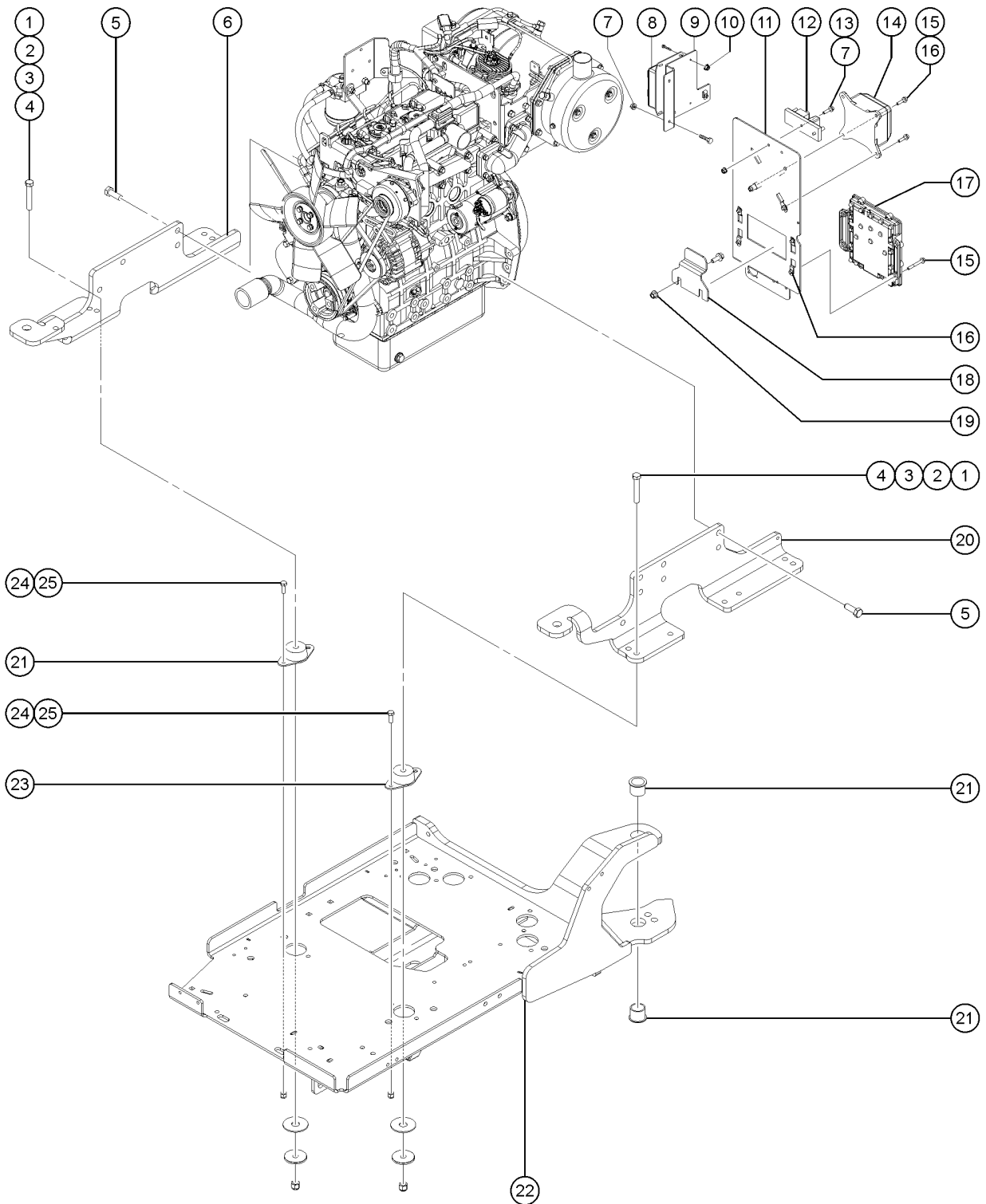
404.1 Perkins 404F-22, View 4



Item	Part No.	Description	Qty.
-		Due to Tier 4 regulations, many engine replacement parts require the engine serial number at time of order placement. When ordering engine parts please have both machine and engine serial numbers available. For internal engine parts, contact engine dealer	
1	1295334GT	TERM QC TAB - #8 RING, .250, 45 DEG, BRASS	4
2	1255760GT	WASHER,FLAT,1/2,USS,ZAG	4
3	1256283GT	FORMING, SWING FUEL MOUNT	4
4	1251997GT	NUT,TL FLG,1/2-13,G,ZAG	4
5	1257705GT	SCREW,HHC,M14-1.5X35,DIN961,10	4
6	88988PGT	FORMING,ENGINE MOUNT RH PAINTE	1
7	824027GT	NUT,TL FLG,1/4-20,G,ZAG	4
7-	824078GT	SCREW,HHF,1/4-20X.75,8,ZAG	4
8		Ref. Wire Harness Diagram refer to 311.1	1
9	1270961GT	MOUNT, JUMP HARN, Z62 PERK T4	1
10	824214GT	SCREW,PHPM,6-32X.5,ZAG	4
10-	824019GT	NUT,TL,6-32,A,ZAG	4
11	823243GT	WDMT,ECU MOUNT,404F-22	1
12	824023GT	RELAY, POWER & FUSE MODULE	1
12-	1251508GT	FUSE, FMX, 60AMP	
12-	1251509GT	COVER,PRM FUSE SERVICE PART	
13	1253485GT	SCREW,HHF,1/4-20X2,8,ZAG	1
14	822793GT	MODULE,FUSE&RELAY,PERKINS 404F	1
15	824079GT	SCREW,HHF,1/4-20X1,8,ZAG	4
16	56912GT	SPRING CLIP,1/4-20,.025-.15X.5	8
17	1280402GT	ECU,PERKINS,DIESEL,404-F22 ENGINE provide engine serial number when ordering	
18	823071GT	FORMING,ECU MOUNT TAB,D2.9	1
19	824029GT	NUT,TL FLG,3/8-16,G,ZAG	2
19-	824090GT	SCREW,HHF,3/8-16X1,8,ZAG	2
20	161611GT	FORMING, ENGINE MOUNT, PERKINS	1
21	35675GT	BEARING,FL,1.25IDX1.5ODX1.25L	2

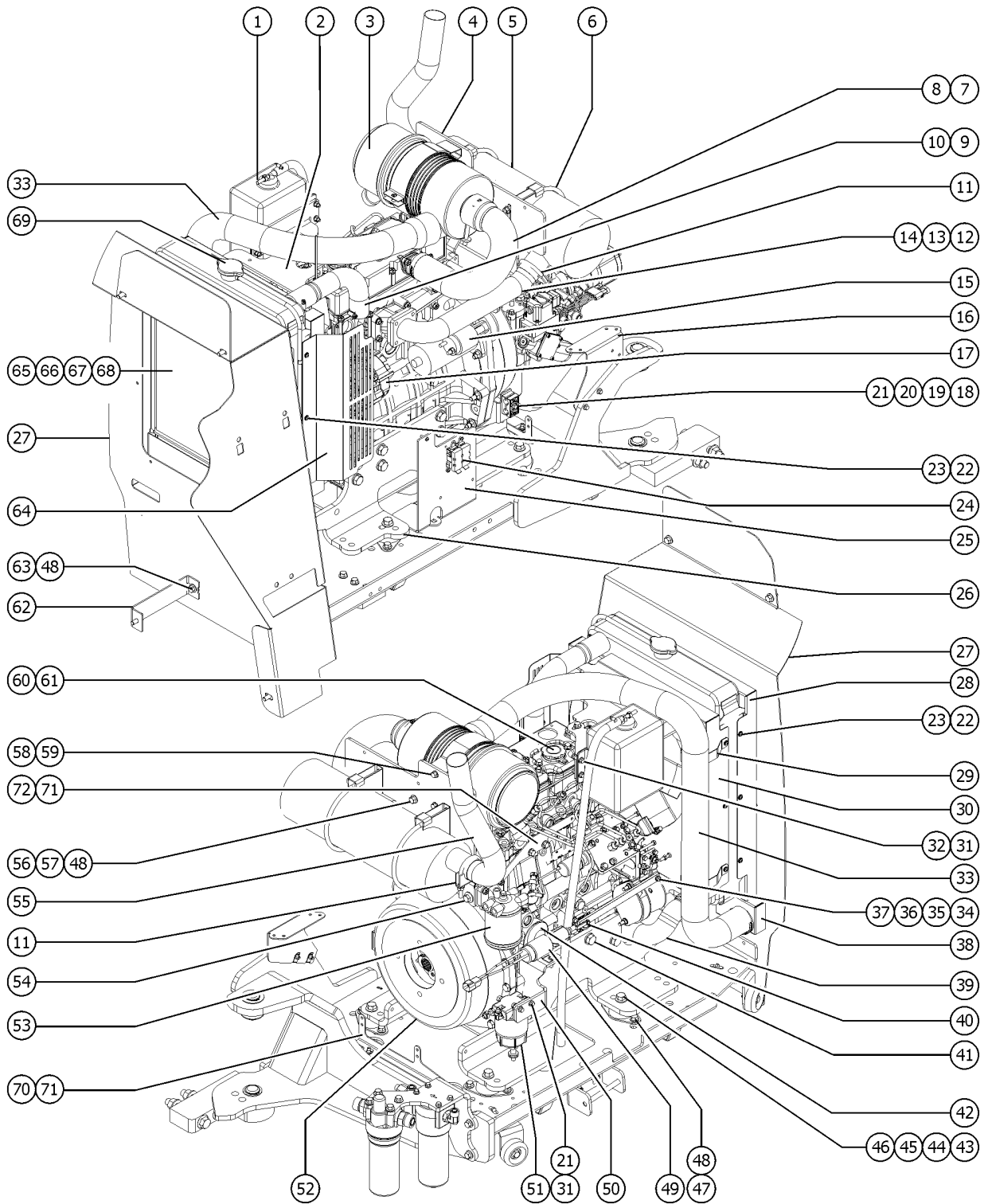


404.1 Perkins 404F-22, View 4



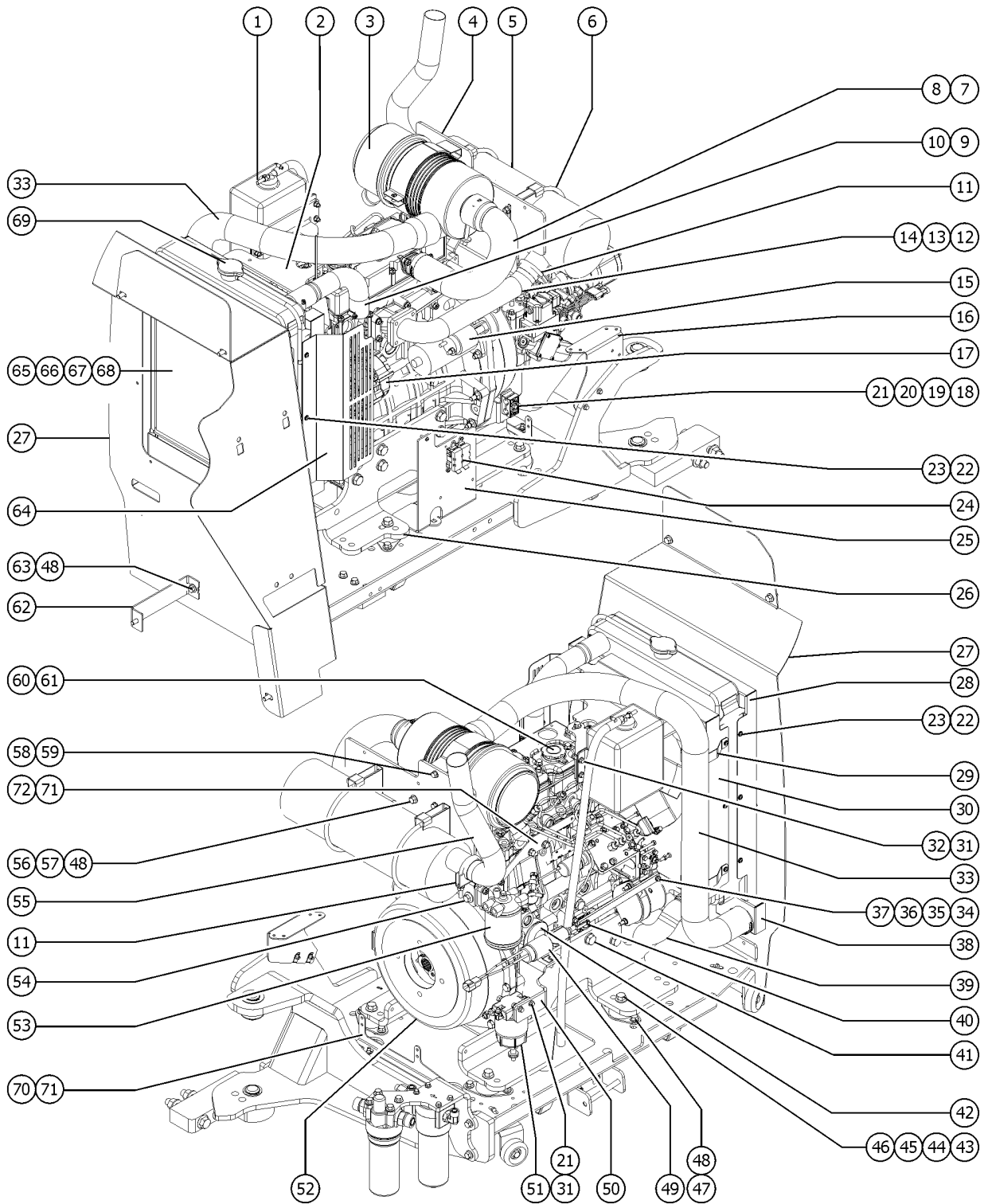
<i>Item</i>	<i>Part No.</i>	<i>Description</i>	<i>Qty.</i>
22		Ref. ENGINE TRAY refer to 423.1	1
23	70452GT	NUT,NYLOCK FLG,3/8-16,F,ZAG	4
24	824090GT	SCREW,HHF,3/8-16X1,8,ZAG	4
25	824029GT	NUT,TL FLG,3/8-16,G,ZAG	8

405.1 Perkins 404D-22 ROW/TPEM



Item	Part No.	Description	Qty.
A	128831GT	ENGINE,PERKINS,DIESEL 404D-22 Tier III Engine	
B	94890GT	MANUAL,OPERATORS PERKINS 404	
C	128987GT	WATER PUMP (for 70253 engine)	
C-	58354GT	GASKET,WATER PUMP (for 70253 engine)	
D	128986GT	WATER OUTLET, VERTICAL	
E	128991GT	THERMOSTAT (for 70253 engine)	
E-	147355GT	GASKET-THERMOSTAT HSG for 128991, Engine block Thermostat	
E-	147355GT	GASKET-THERMOSTAT HSG (for 70253 engine), Engine block Thermostat	
E-	77477GT	GASKET,THERMOSTAT HSG Vertical Thermostat	
F	236426GT	SOLENOID KIT,SHUT DN,PERKINS (for 70253 engine)	
G	1262469GT	OIL PRESSURE SWITCH,PERKINS 404D-22T	
H	111028GT	SWITCH,WATER TEMP,PRKNS,404*** (for 70253 engine)	
J	147350GT	GASKET-CYLINDER HEAD (for 70253 engine)	
K	85155GT	PUMP,PRIMER,PERKINS*** (for 70253 engine)	
L	147348GT	SEAL-VALVE SYSTEM (A) (for 70253 engine)	
M	147349GT	SEAL-VALVE SYSTEM (B) (for 70253 engine)	
N	147351GT	SEAL-ROCKER BOX (for 70253 engine)	
P	147352GT	SEAL-INJECTOR (for 70253 engine)	
R	147353GT	SEAL-INJECTOR (for 70253 engine)	
S	128984GT	DIPSTICK, STRAIGHT SHORT	
T	128985GT	DIPSTICK TUBE, STRAIGHT SH	
U	1262469GT	OIL PRESSURE SWITCH,PERKINS 404D-22T	
V	97473GT	SENSOR,WATER TEMPERATURE	
W	106663GT	SOLENOID,SHUT DOWN PERKIN40422	
X	77736GT	GLOW PLUG (PERKINS 404-22)	
Y	72348GT	PUMP,LIFT(FUEL) PERKINS(54555)	
1	70367GT	BOTTLE,COOLANT RECOVERY,3.7***	1
1-	115431GT	CAP ASSY, COOLANT BOTTLE	

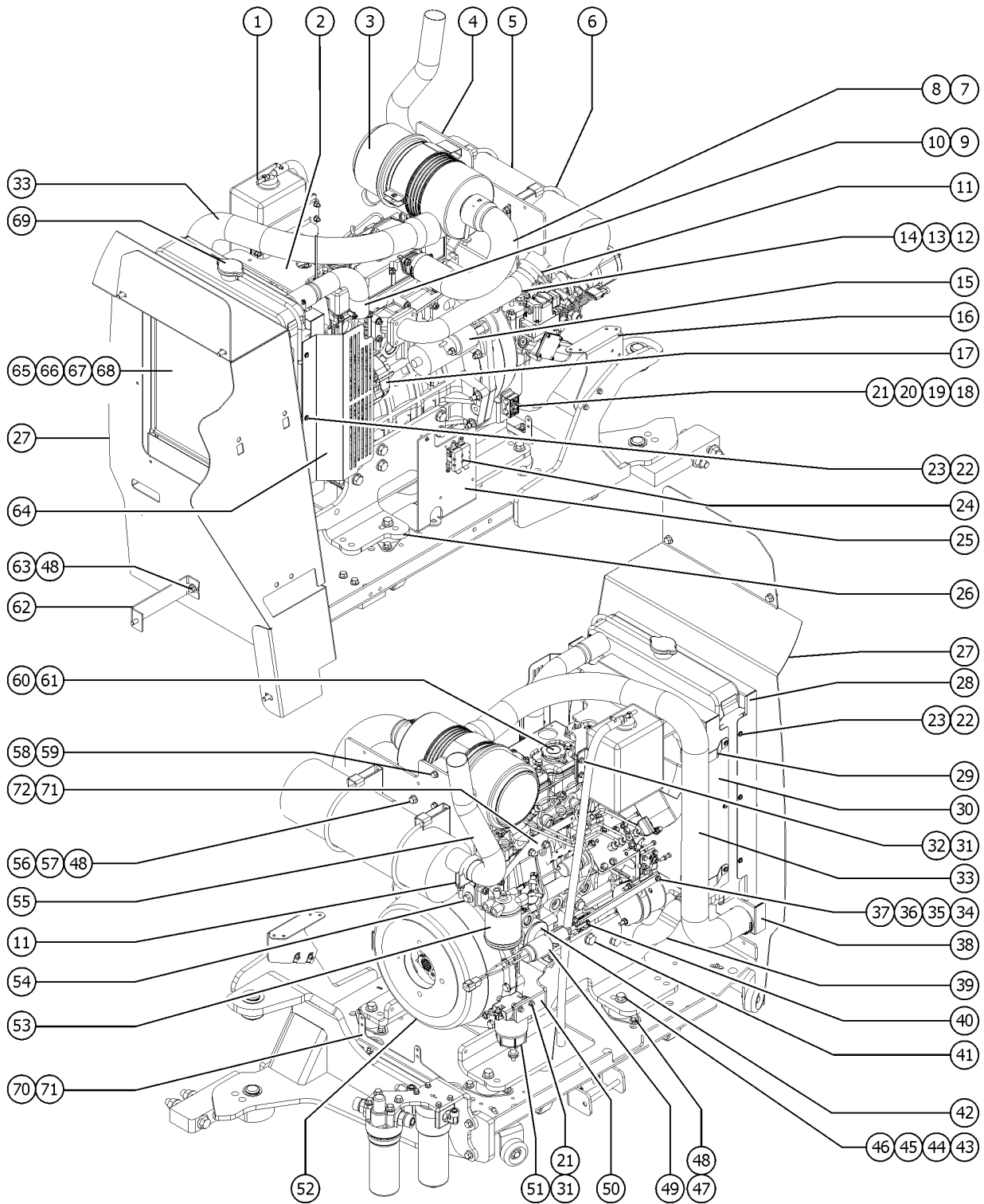
405.1 Perkins 404D-22 ROW/TPEM



Item	Part No.	Description	Qty.
1-	106226-4000GT	TUBING, VINYL, 1/2" CLEAR	
2	88989GT	FORMING,UPPER RAD SUPPORT	
3	63463GT	AIR CLEANER,NELSON	1
		plastic housing	
3-	58415GT	CLIP,AIR CLEANER END CAP***	
		end cap not available separately	
3-	62420GT	FILTER,AIR***	
3-	65810GT	BAFFLE, AIR CLEANER (27915)**	
3-	52866GT	EVACUATOR VALVE-AIR CLEANER	
3-	53952GT	BRKT,AIR CLEANER ORIENTATION**	
4	1257957GT	FORMING, MUFFLER MOUNT	
5A	88841GT	MUFFLER,6"	1
5B	70298GT	MUFFLER,SPARK ARRESTOR	
		option, spark arrestor	
5C	70357GT	MUFFLER,CATALYTIC	
		option, scrubber muffler	
5D	1256577GT	TAILPIPE, EXHAUST	1
6	88993GT	CLAMP,MUFFLER	2
7	88847GT	HOSE,AIR CLEANER TO INTAKE	
8	45435GT	CLAMP,HOSE,2.50"	
9	54578GT	HOSE,UPPER RADIATOR,PERKINS	
10	119053GT	CLAMP,HOSE,1.50	
11	70385GT	CLAMP,EXHAUST,2.00 PLATED	2
12	1256575GT	WELDMENT,HEADERPIPE	
13A	94711GT	FLANGE,EXHAUST	
13B	72343GT	GASKET,EXH FLANGE-FORD/PERKINS	
		hidden from view, sold separately	
14	94888GT	EXHAUST MANIFOLD	
14-	1314265GT	GASKET, EXHAUST MNFLD, PERKINS 404D-22 (94888)	
15	1262585GT	STARTER MOTOR,PERKINS 404D	1
16	1255829GT	FORMING, HARNESS AND HOSE MT.	
17	111029GT	ALTERNATOR,65 AMP,PERKINS 404	1
18	824081GT	SCREW,HHF,1/4-20X1.5,8,ZAG	

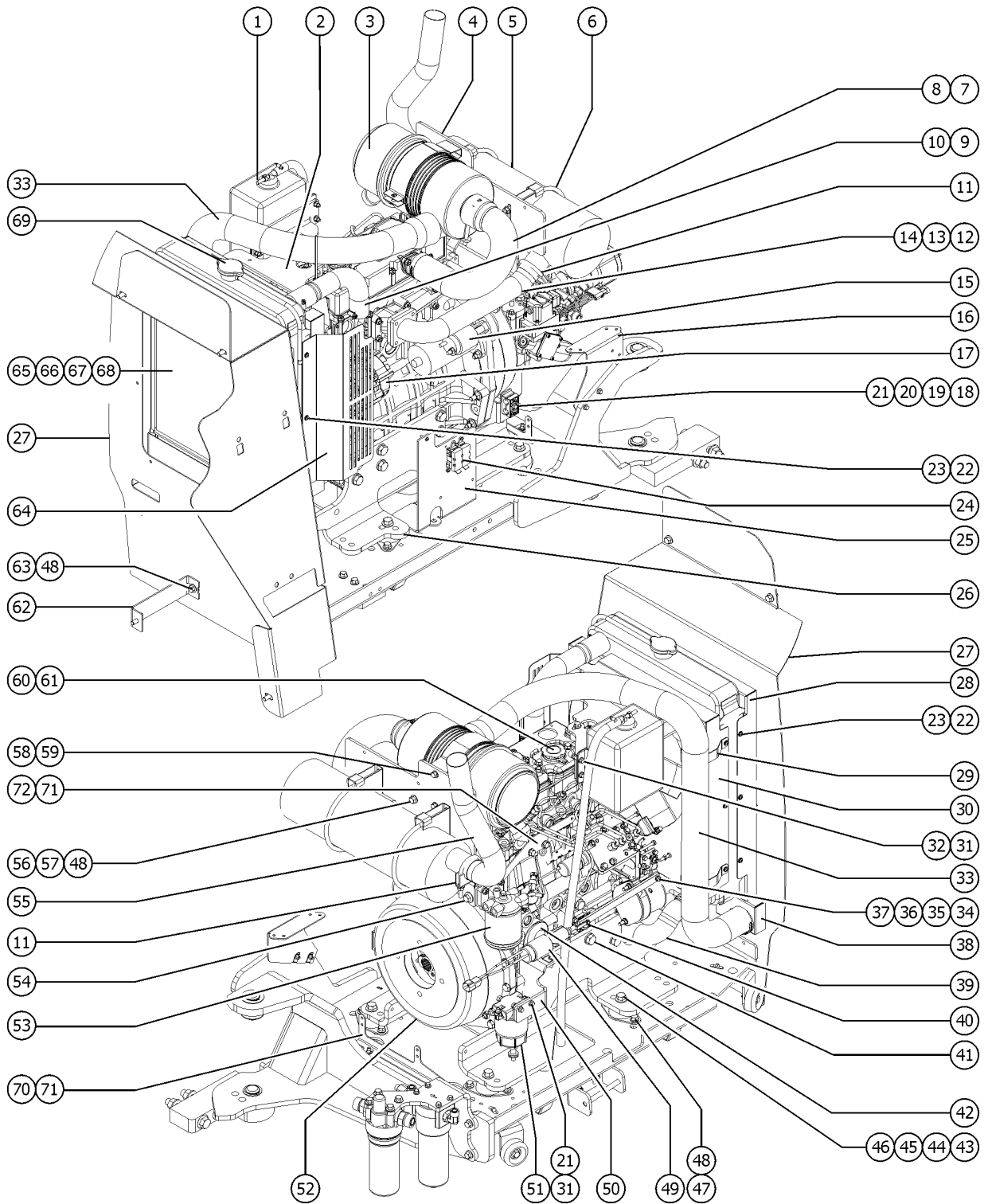


405.1 Perkins 404D-22 ROW/TPEM



<i>Item</i>	<i>Part No.</i>	<i>Description</i>	<i>Qty.</i>
19	78736GT	CLAMP,2 HOSE,PLASTIC,5/8	2
20	1255831GT	FORMING,STARTER CABLE MT.	1
21	824027GT	NUT,TL FLG,1/4-20,G,ZAG	
22	824220GT	SCREW,PHPM SEMS ET,10-24X.5,ZA	
23	1253185GT	WASHER,FLAT,#10,USS,ZAG	
24	218221GT	ASSY,FUSE BLOCK,LMI,1 POLE	1
24-	217905GT	FUSE BLK,LMI,FUSE HOLDER,BARE	
24-	217909GT	FUSE,LMI,70A/32V	
24-	218146GT	BOOT, FUSE HOLDER,LMI	
24-	218215GT	FUSE BLOCK,LMI,FUSE HOLDER	
25	217226GT	FORMING, ELECTRICAL PANEL	
26	161611GT	FORMING, ENGINE MOUNT, PERKINS	
27	1251850GT	FORMING, RADIATOR BAFFLE	
28	235660GT	FORMING,RADIATOR SHROUD	
29	237385GT	HOSE HANGER, MSG425	
30	88990PGT	SHROUD,FAN PAINTED	1
31	824079GT	SCREW,HHF,1/4-20X1,8,ZAG	
32	824027GT	NUT,TL FLG,1/4-20,G,ZAG	
33	1257958GT	HOSE, PERKINS COLD AIR	
34	89953GT	FLATBAR,ALUM,THROTTLE LINKAGE	
35	1258824GT	BOLT,SHS,8X12XM6-1.0,ISO7379,12.9,ZAB	
36	824144GT	WASHER,FLAT,M8,DIN125,ZAB	
37	1256455GT	NUT,TL,M6-1.0,DIN980,10,ZAB	
38	219179GT	FORMING, INTAKE BOX	
39	54579GT	HOSE,LOWER,RADIATOR,PERKINS	1
40	21130GT	CLEVIS YOKE-1/4-28,PLTD W/PIN	1
41	1257705GT	SCREW,HHC,M14-1.5X35,DIN961,10	
42	94762GT	OIL FILTER - PERKINS	

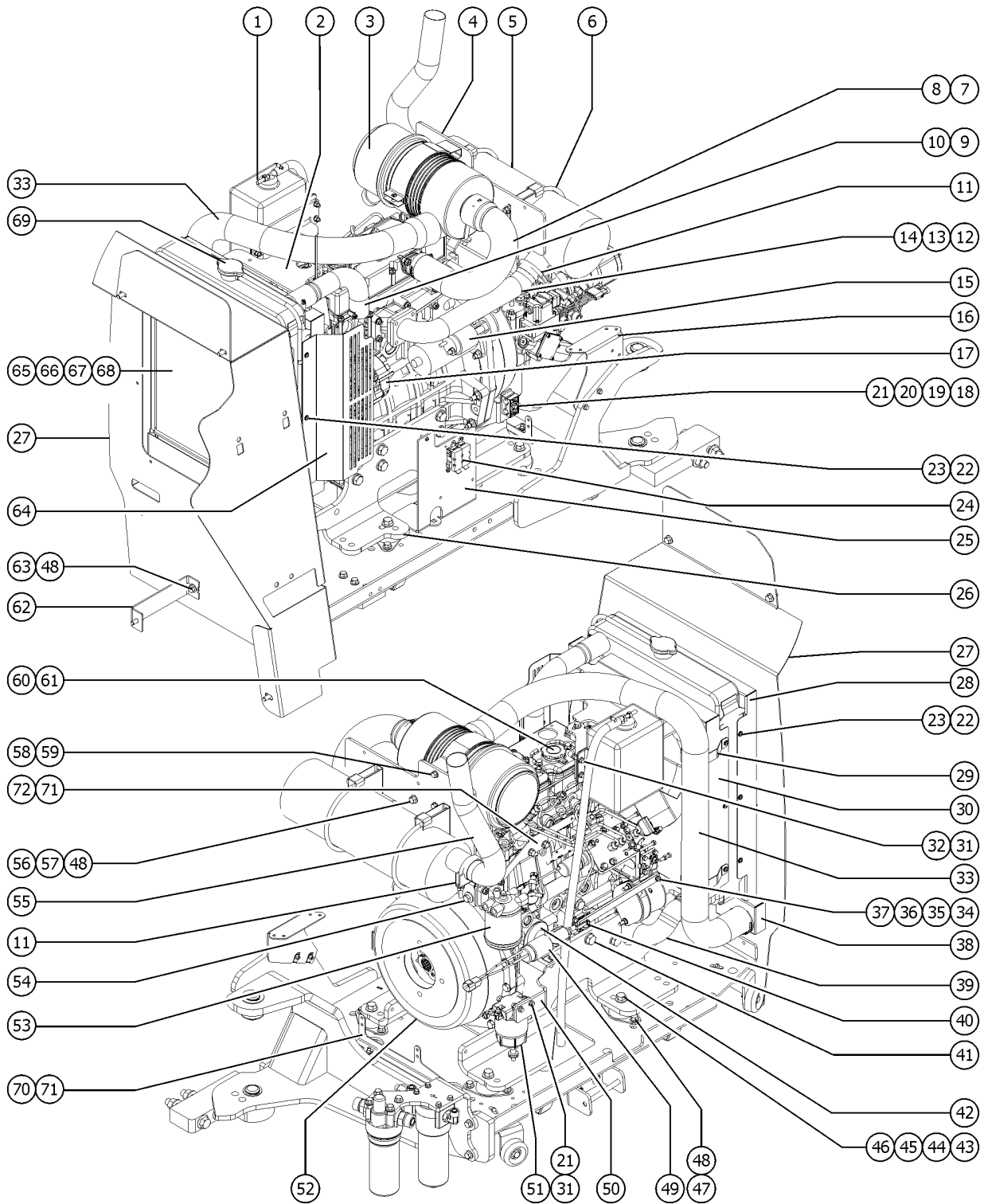
405.1 Perkins 404D-22 ROW/TPEM



Item	Part No.	Description	Qty.
43	1295334GT	TERM QC TAB - #8 RING, .250, 45 DEG, BRASS	
44	70452GT	NUT,NYLOCK FLG,3/8-16,F,ZAG	
45	1256283GT	FORMING, SWING FUEL MOUNT	
46	1251997GT	NUT,TL FLG,1/2-13,G,ZAG	
47	1295334GT	TERM QC TAB - #8 RING, .250, 45 DEG, BRASS	
48	824029GT	NUT,TL FLG,3/8-16,G,ZAG	
49	77402GT	SOLENOID,THROTTLE ACTUATOR DSL	1
50	128588GT	FORMING,SOLENOID MOUNT	
51	147826GT	SEPRTR/FLTR,FUEL DSL,15GPH,.30	
52	89771GT	HOUSING,PUMP MOUNT (54573)	
53	94889GT	FUEL FILTER ASSEMBLY	
53-	62421GT	FILTER,FUEL,PERKINS	
54	231511GT	SCREW,HHF,M12-1.75X35,DIN6921,10.9,ZAB	
55	1256577GT	TAILPIPE, EXHAUST	
56	824090GT	SCREW,HHF,3/8-16X1,8,ZAG	
57	88992GT	FORMING,MUFFLER SUPPORT	
		hidden from view	
58	824086GT	SCREW,HHF,5/16-18X1,8,ZAG	
59	1255805GT	NUT,SERRATED,5/16-18,8,ZAG	
60	65636GT	CAP, OIL FILLER	
61	65638GT	SEAL, OIL FILLER CAP	
62	1251851GT	FORMING,BAFFLE TO CW STANDOFF	
63	824089GT	SCREW,HHF,3/8-16X.75,8,ZAG	
64	229691GT	GUARD,FAN,PERKINS	
65	110304GT	RADIATOR,FORD/PERKINS***	1
66A	77483GT	FAN, ENGINE (104-22)(404-22)*	1
		hidden from view	
66B	1252943GT	SPACER,FAN,PERKINS 404F	1
		hidden from view, sold separately	
67	77482GT	PULLEY, WATER PUMP	
		hidden from view	
68	24038GT	SCREW, HHF, 3/8-16 X .75, 8, ZAG	4
		hidden from view	

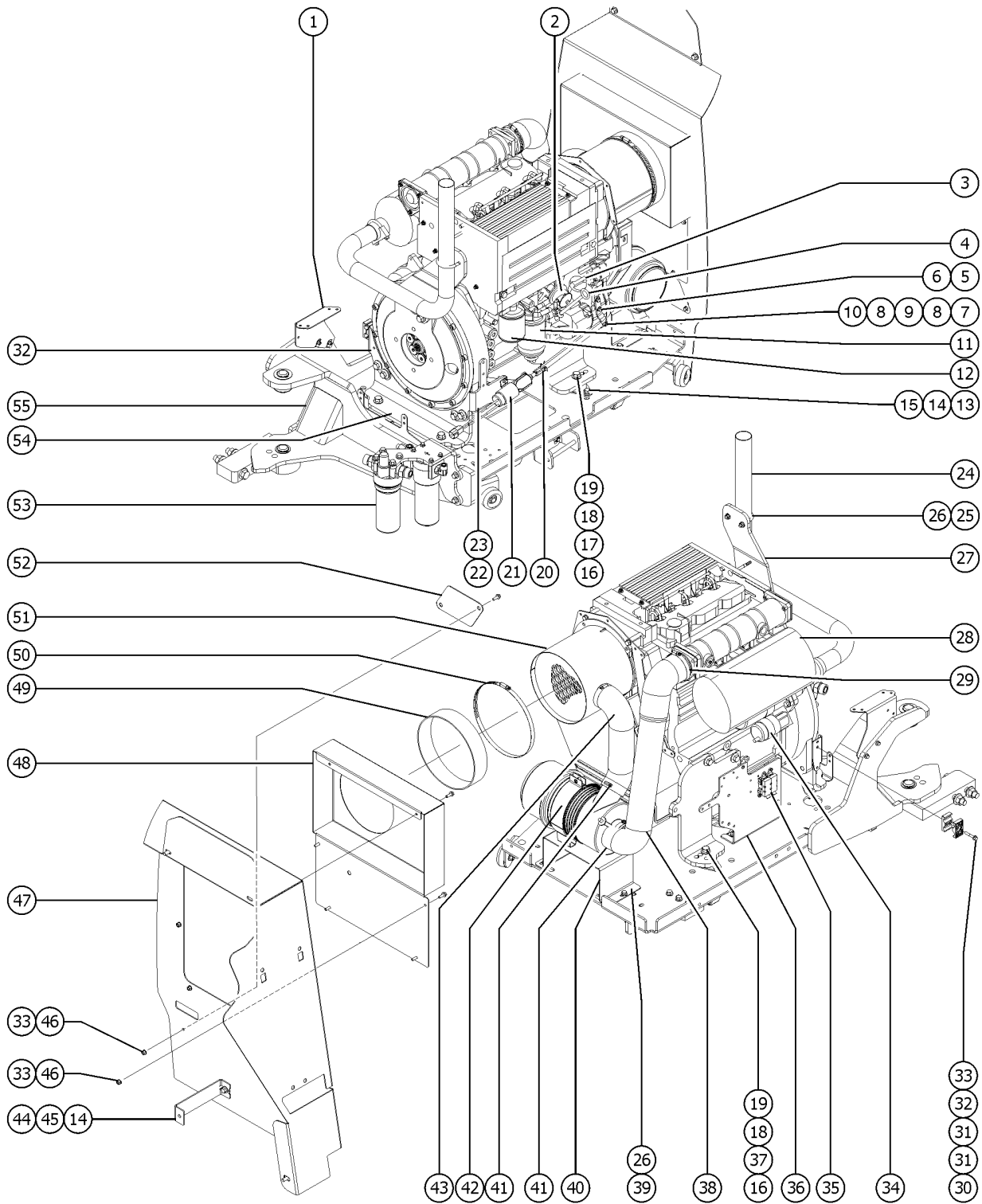


405.1 Perkins 404D-22 ROW/TPEM



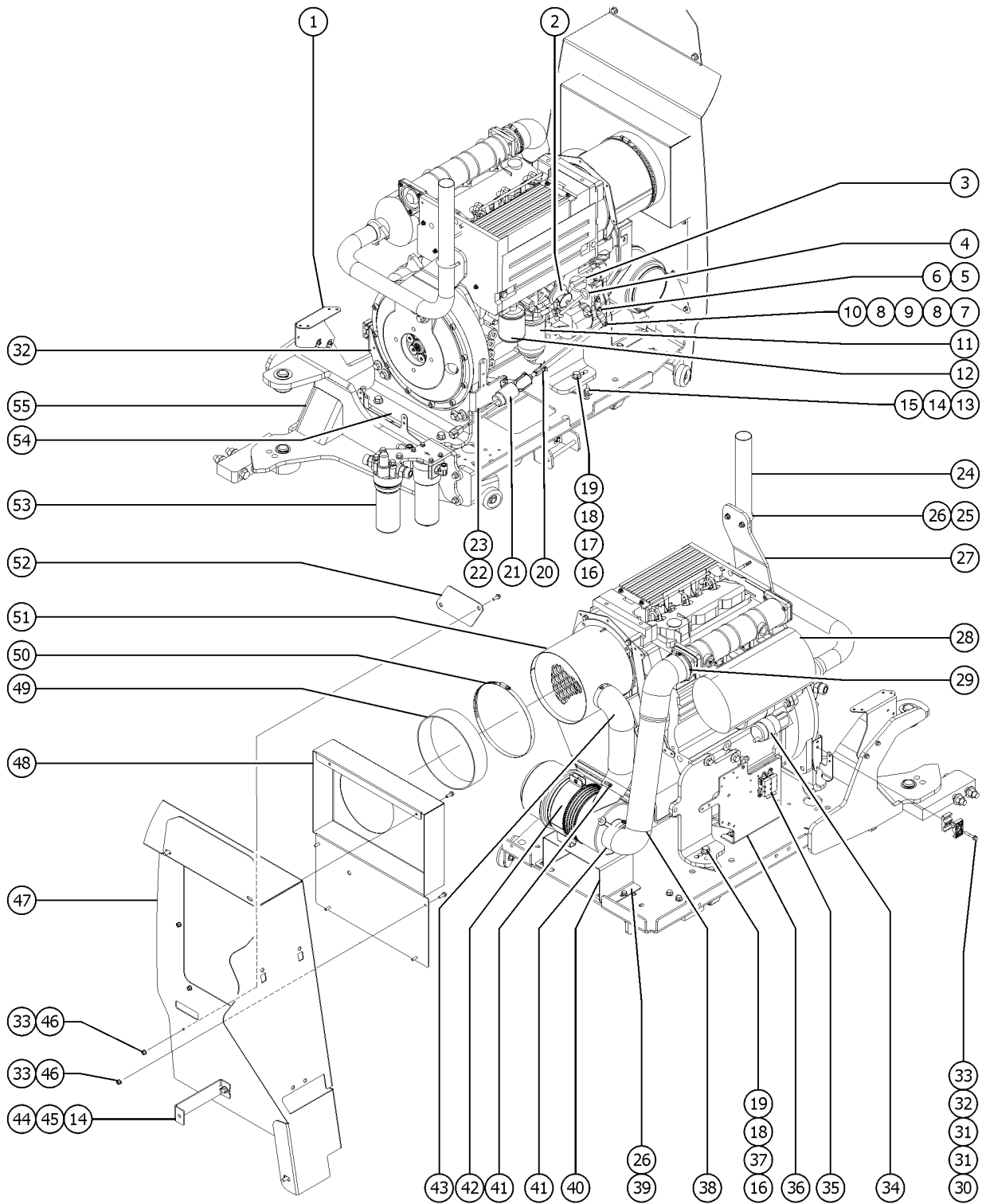
<i>Item</i>	<i>Part No.</i>	<i>Description</i>	<i>Qty.</i>
69	65473GT	CAP,RADIATOR,PERKINS/FORD	1
70	1255826GT	FORMING,TRAY FUEL LINE MT.	1
71	6578GT	CABLE TIE,7 3/8" hidden from view	
72	217228GT	BRACKET,RIGHT HARNESS MT	1

406.1 Deutz D2011L03i ROW/TPEM



Item	Part No.	Description	Qty.
A	160687GT	ENGINE,DEUTZ,D2011L03i TPEM	
B	31408GT	GLOW PLUG,L1011	
C	35586GT	ALTERNATOR, DEUTZ F3L10/F4L10*	
D	65849GT	CONNECTOR KIT, DEUTZ**	
E	139666GT	KIT,OP SWITCH,DEUTZ	
E-	139624GT	SWITCH, OIL PRESSURE 1.5 BAR	
F	111445GT	SENDING UNIT,OIL TEMP SWCH,DTZ	
G	T114678GT	SHUTDOWN SOLENOID,12V, DEUTZ (must order cable assembly, 58256, if replacing 32752) (includes o-ring)	1
H	58256GT	SOLENOID CABLE ASSY***	
J	72255GT	CONNECTOR, DEUTZ FUEL SHUTOFF* (does not include diode, 45782)	
K	45782GT	DIODE,6 AMP,200 PIV,BULK	
L	89792GT	INJECTOR, FUEL(DEUTZ F3L2011F)	
L-	1288561GT	O-RING,FUEL INJECTOR,DEUTZ (89792) for 89792	
M	32698GT	BELT,V, DEUTZ DIESEL ENGINE	
1	1255829GT	FORMING, HARNESS AND HOSE MT.	1
2	102497GT	PUMP,FUEL F3L 2011F DEUTZ	1
2-	27089GT	HOSE,5/16 FUEL,SAE 30R7	120
2-	119344GT	KIT,PRIMER BULB	
3	29557GT	CAP,OIL FILLER,DEUTZ,DIESEL ***	1
4	52352GT	DIPSTICK-F3L1011F (DEUTZ)	1
5	231532GT	SCREW,HHF,M6X20,DIN6921,10.9,Y	
6	50787-SGT	LEVER, GOVERNOR ACTUATOR	1
7	1257076GT	BOLT,SHS,1/4-28X4,ZAG	
8	825355GT	WASHER,FLAT,M6,DIN125,ZAB	
9	94485GT	THROTTLE LINKAGE,DIESEL ***	1
10	5365GT	NUT,NYLOCK,10-24	
11	29560GT	FILTER,FUEL/WTR SEP, DTZ 1008	1
11-	58566GT	FILTER HEAD (29560) aluminum	

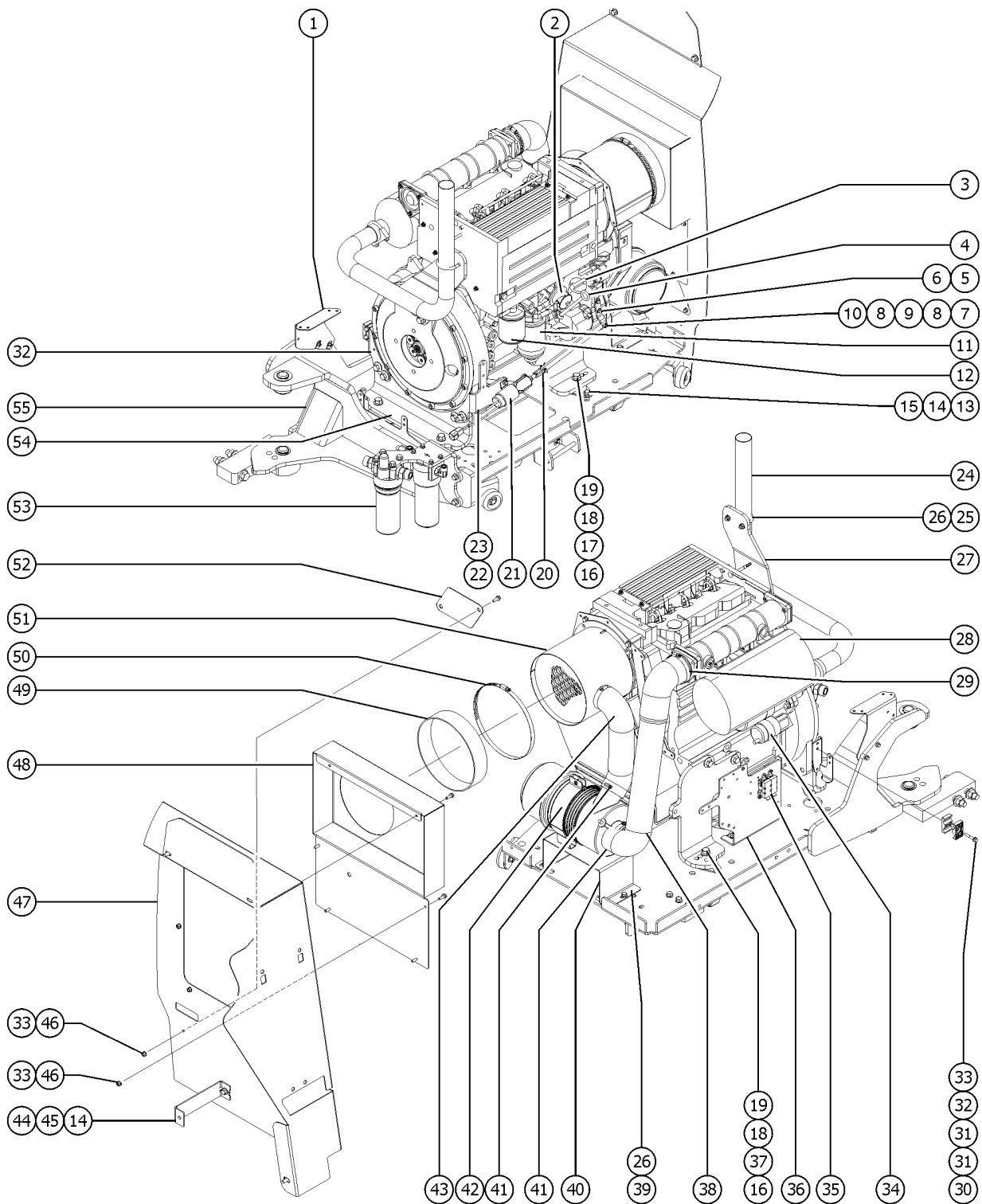
406.1 Deutz D2011L03i ROW/TPEM



Item	Part No.	Description	Qty.
11-	236946GT	PLASTIC FILTER HEAD	
12A	49924GT	FILTER,OIL,DEUTZ F4L1011F	1
		genie genuine part	
12B	1255653GT	FILTER,OIL,DEUTZ,REPLACEMENT	
13	824090GT	SCREW,HHF,3/8-16X1,8,ZAG	
14	824029GT	NUT,TL FLG,3/8-16,G,ZAG	
15	70452GT	NUT,NYLOCK FLG,3/8-16,F,ZAG	4
16	1295334GT	TERM QC TAB - #8 RING, .250, 45 DEG, BRASS	
17	70460PGT	FORMING,ENGINE MOUNT,FR PAINT*	1
18	1256283GT	FORMING, SWING FUEL MOUNT	
19	1251997GT	NUT,TL FLG,1/2-13,G,ZAG	
20	21130GT	CLEVIS YOKE-1/4-28,PLTD W/PIN	1
21	77402GT	SOLENOID,THROTTLE ACTUATOR DSL	1
22A	1256132GT	MOUNTING BRKT.POS.BATTERY CABL	
		to SN Z6216N-1979	
22B	101129GT	BRACKET,SOLENOID MOUNT	
		to SN Z6216N-1979	
22C	1270141GT	MNT BRKT, POS BATT CABL, SOLND	1
		replaced both items 22A and 22B, from SN Z6216N-1980	
23	77245GT	BRACKET,SOLENOID MOUNT BRACE**	1
		hidden from view	
24	1253201GT	TAILPIPE,Z62 DEUTZ	1
25	80391GT	U-BOLT, 5/16"-18" X 2	2
26	1255805GT	NUT,SERRATED,5/16-18,8,ZAG	
27	1254632GT	FORMING, TAILPIPE SUPPORT	1
28A	89774GT	MUFFLER, DEUTZ F3L 2011F	1
28B	54821GT	SCRUBBER,SPARK ARRESTOR,DEUTZ*	
		clamp not included, Option	
28B-	71911GT	CLAMP,MUFFLER, 2.50 INCH	
		not included with muffler	
29	30971GT	CLAMP,HOSE,3.00"	
30	824081GT	SCREW,HHF,1/4-20X1.5,8,ZAG	
31	78736GT	CLAMP,2 HOSE,PLASTIC,5/8	2
32A	1256131GT	MOUNTING BRKT.POS.BATTERY CABL	
		to SN Z6216N-1979	
32B	1270110GT	MOUNTNG BRKT, POS BATT CABLE	1
		from SN Z6216N-1980	

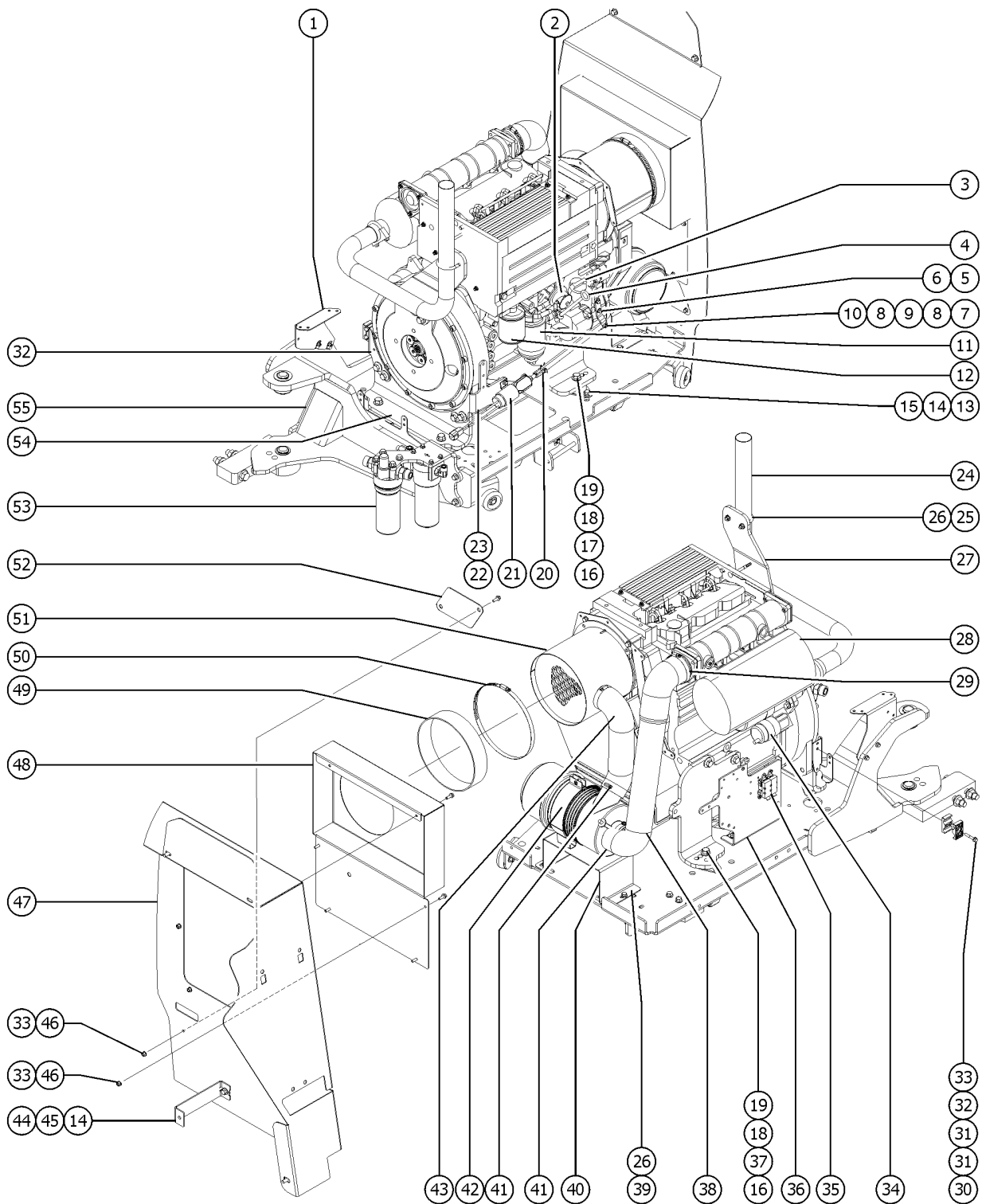


406.1 Deutz D2011L03i ROW/TPEM



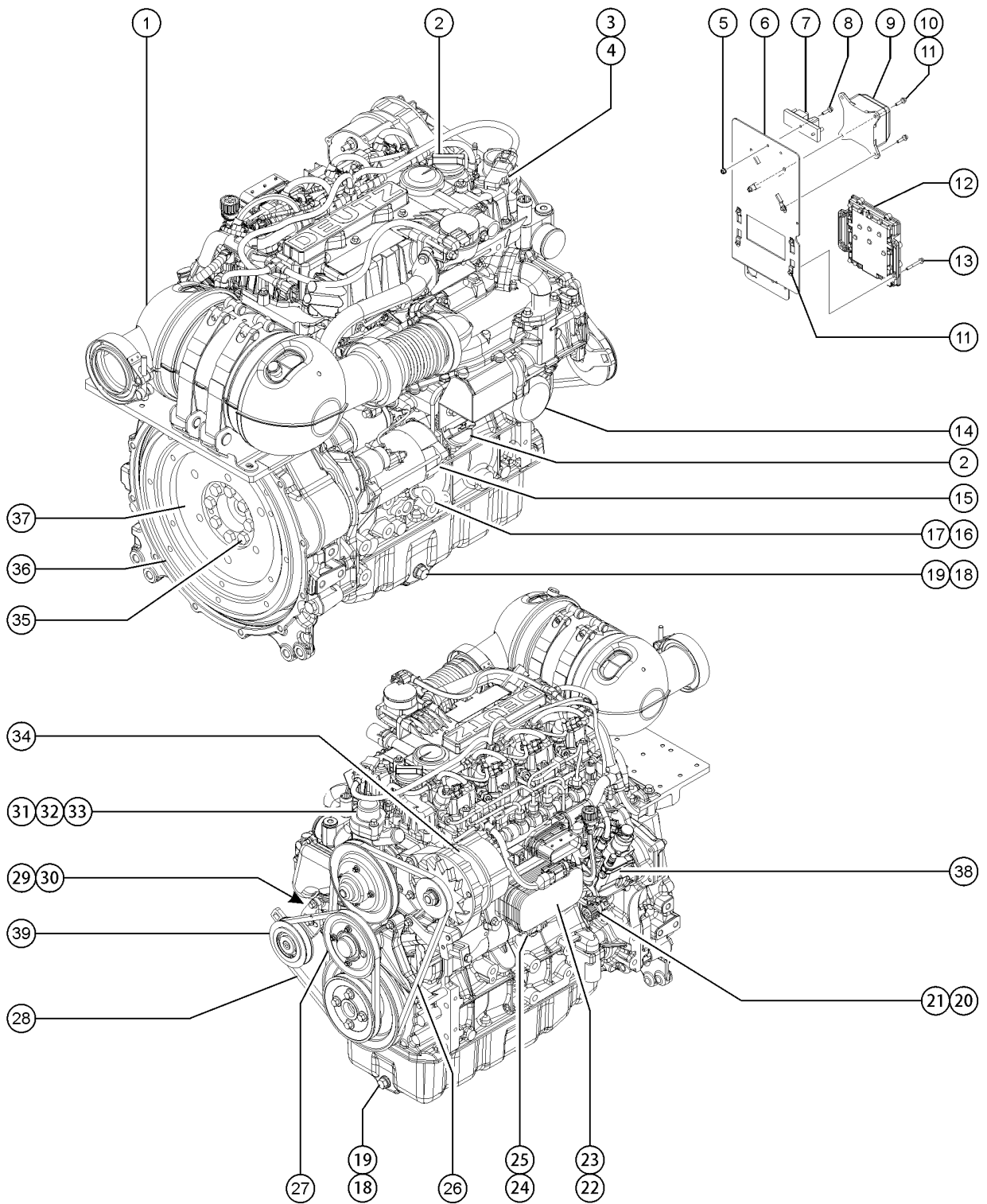
Item	Part No.	Description	Qty.
33	824027GT	NUT,TL FLG,1/4-20,G,ZAG	
34	139709GT	STARTER, 12V with solenoid	1
34-	139621GT	KIT, HEAT GUARD, DEUTZ STARTER (includes sheild 139622 and bolt 139623)	
34-	139622GT	HEAT SHIELD,DEUTZ STARTER	
34-	139623GT	BOLT, GUARD, DEUTZ STARTER	
35	218221GT	ASSY,FUSE BLOCK,LMI,1 POLE	1
35-	217905GT	FUSE BLK,LMI,FUSE HOLDER,BARE	2
35-	217909GT	FUSE,LMI,70A/32V	1
35-	218146GT	BOOT, FUSE HOLDER,LMI	2
35-	218215GT	FUSE BLOCK,LMI,FUSE HOLDER includes fuse 217909	
35-	218216GT	FUSE BLOCK,LMI,INPUT STUD	
36	216343GT	MOUNTING BRKT,ELECTRICAL PANEL	1
37	70461PGT	FORMING,ENGINE MOUNT,FL PAINT*	1
38	70375GT	HOSE,AIR CLEANER	1
39	824086GT	SCREW,HHF,5/16-18X1,8,ZAG	
40	70351PGT	FORMING,AIR CLEANER MOUNT PNTD	1
41	45435GT	CLAMP,HOSE,2.50"	
42	63463GT	AIR CLEANER,NELSON plastic housing	1
42-	58415GT	CLIP,AIR CLEANER END CAP*** end cap not available separately	
42-	62420GT	FILTER,AIR***	
42-	65810GT	BAFFLE, AIR CLEANER (27915)**	
42-	52866GT	EVACUATOR VALVE-AIR CLEANER	
42-	53952P-SGT	BRACKET,AIR CLEANER MTG.PAINT*	
43	101006GT	TUBE,AIR CLEANER INLET	1
44	1251851GT	FORMING,BAFFLE TO CW STANDOFF	1
45	824089GT	SCREW,HHF,3/8-16X.75,8,ZAG	
46	824078GT	SCREW,HHF,1/4-20X.75,8,ZAG	
47	1251850GT	FORMING, RADIATOR BAFFLE	1

406.1 Deutz D2011L03i ROW/TPEM



<i>Item</i>	<i>Part No.</i>	<i>Description</i>	<i>Qty.</i>
48	235645GT	FORM,DEUTZ AIR INTAKE BAFFLE	1
49	33239GT	SHEET,RUBBER,AIR INTAKE	1
50	31523GT	CLAMP, FAN GUARD, DEUTZ F4L1011	1
51	101140P-SGT	AIR INTAKE TUBE ASSY	1
52	161717GT	COVER,PRECLEANER OPENING	1
53		Ref: Filter Assembly	
		refer to 423.1	
54	214846GT	FORMING,REAR ENGINE MOUNT	1
55		Ref: Engine Tray Assembly	
		refer to 423.1	

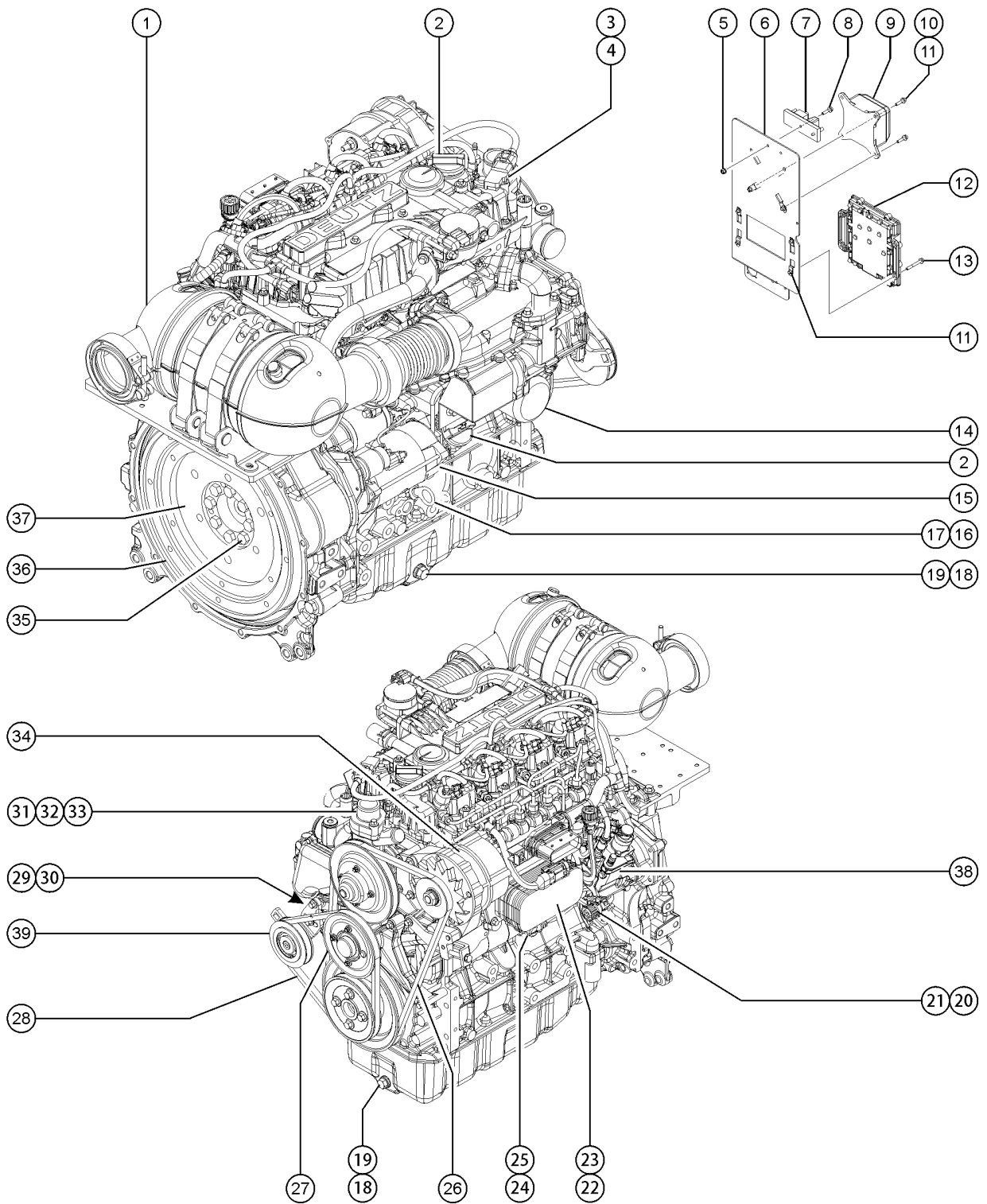
407.1 Deutz D2.9L4, View 1



Item	Part No.	Description	Qty.
A	237188GT	ENGINE KIT, DEUTZ D2.9L4 Due to Tier 4 regulations, many engine replacement parts require the engine serial number at time of order placement. When ordering engine parts please have both machine and engine serial numbers available. For internal engine parts, contact engine dealer	
B	1259717GT	MANUAL, DEUTZ D2.9 ENGINE	1
C	1262870GT	GLOW PLUG, DEUTZ	4
D	1262871GT	SEAL, FRONT ENGINE,DEUTZ	1
E	1262872GT	SEAL, REAR ENGINE,DEUTZ	1
F	1272624GT	KIT,WATER PUMP 2.9 L4 includes fasteners and 1262874 pump	1
F	1289895GT	WASHER,WATER PUMP (1272624) for 1272624	
G	1262875GT	O-RING, WATER PUMP	1
G-	1259654GT	INTAKE BREATHER	1
H	1277974GT	PINS,CONNECTOR,INJ HARNESS,D2.9	
1	1262890GT	OXIDATION CATALYST,DEUTZ (diesel oxygen catalyst/muffler)(contact Genie Parts; engine serial number required)	
2	29557GT	CAP,OIL FILLER,DEUTZ,DIESEL ***	2
3	1262896GT	SENSOR,INTAKE AIR PRESSURE	1
4	1262897GT	O-RING, INTAKE AIR PRESSURE SENSOR	1
5	824027GT	NUT,TL FLG,1/4-20,G,ZAG	
6	1254654GT	MOUNT, DIESEL ECM	1
7	824023GT	RELAY, POWER & FUSE MODULE	1
7-	1251508GT	FUSE, FMX, 60AMP	
7-	1251509GT	COVER,PRM FUSE SERVICE PART	
8	1253485GT	SCREW,HHF,1/4-20X2,8,ZAG	
9	822781GT	MODULE,FUSE&RELAY,DEUTZ 2.9	1
10	824079GT	SCREW,HHF,1/4-20X1,8,ZAG	
11	56912GT	SPRING CLIP,1/4-20,.025-.15X.5	
12	214795GT	ECM, DEUTZ need engine SN to program	1
13	824080GT	SCREW,HHF,1/4-20X1.25,8,ZAG	
14	49924GT	FILTER,OIL,DEUTZ F4L1011F	1
15	1254594GT	STARTER,3.2KW,DEUTZ D2.9	1

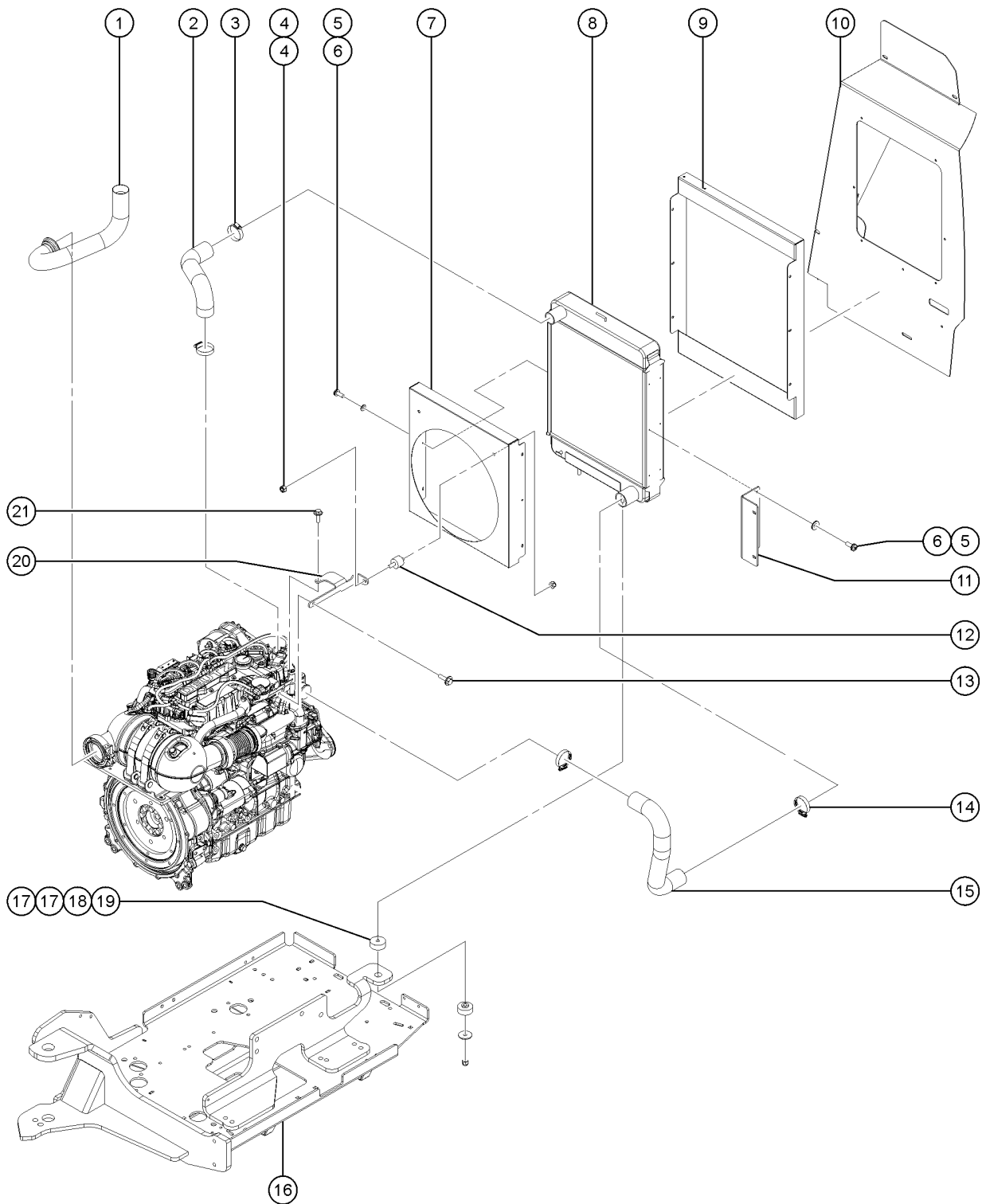


407.1 Deutz D2.9L4, View 1



Item	Part No.	Description	Qty.
15-	1262868GT	BOLT, DEUTZ STARTER not included sold seperately	
16	825708GT	DIPSTICK,TD2.9	1
17	1262881GT	ORING, OIL DIP STICK	1
18	102587GT	PLUG,ENGINE OIL,DEUTZ F4L2011	2
19	108538GT	RING / SEALING	2
20	1262894GT	SENSOR,CAM/CRANKSHAFT POSITION (crankshaft)	1
21	1262895GT	O-RING, CRANKSHAFT POSITION SENSOR	1
22	1260357GT	OIL COOLER,TD2.9	1
23	1262883GT	GASKET, OIL COOLER, DEUTZ	1
24	824673GT	SENSOR, PRESSURE,DEUTZ 2.9	1
25	1262893GT	O-RING, OIL PRESSURE SENSOR	1
26	1262866GT	FAN BELT, ALTERANTOR	1
27	236248GT	PULLEY ASSEMBLY,ALTERNATOR,TCD	1
28	1262867GT	V-BELT, DEUTZ	1
29	1262894GT	SENSOR,CAM/CRANKSHAFT POSITION hidden from view (camshaft)	1
30	1262899GT	O-RING, CAMSHAFT POSITION SENSOR hidden from view	1
31	1262877GT	THERMOSTAT HOUSING	1
32	1262876GT	THERMOSTAT,DEUTZ	1
33	1262878GT	GASKET, THERMOSTAT HOUSING	1
34	236251GT	ALTERNATOR,95 AMP,DEUTZ TCD3.6	1
35	1262873GT	BOLT, DEUTZ FLYWHEEL	8
36	89785GT	RING GEAR,DEUTZ F3L2011F	1
37	1259660GT	FLYWHEEL, SAE 8/10 order with item #37, PN 1262873, qty 8	1
38	1279653GT	PUMP,FUEL,HI PRESS,DEUTZ TD2.9	1
39	1279631GT	PULLEY,BELT TENSIONER,D2.9L4	1

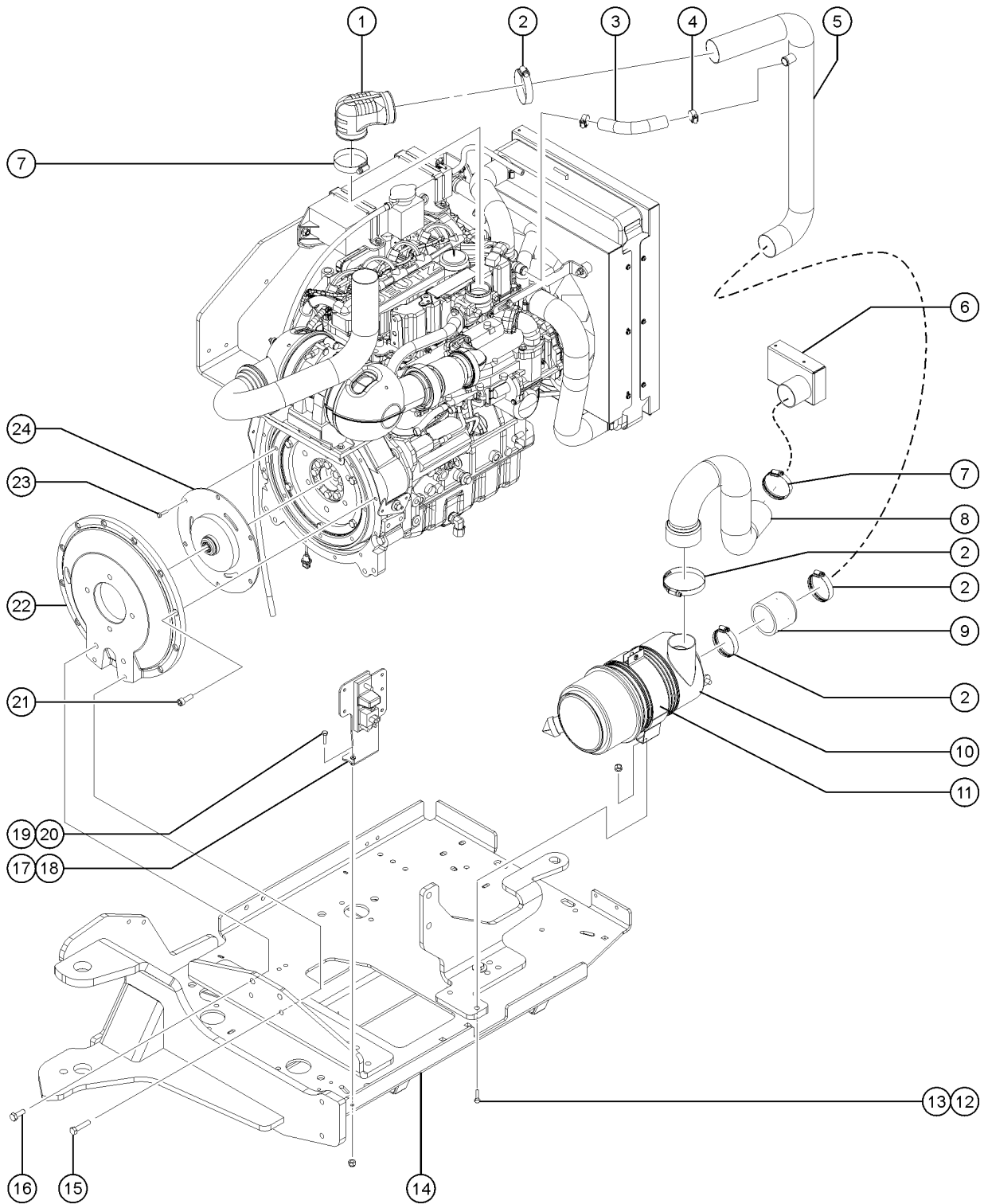
408.1 Deutz D2.9L4, View 2



Item	Part No.	Description	Qty.
-		Due to Tier 4 regulations, many engine replacement parts require the engine serial number at time of order placement. When ordering engine parts please have both machine and engine serial numbers available. For internal engine parts, contact engine dealer	
A	237188GT	ENGINE KIT, DEUTZ D2.9L4	
A-		Ref: Deutz 2.9DL4,Engine Harness refer to 311.1	1
1	1253203GT	WELDMENT, TAILPIPE, Z62 DEUTZ T4	1
2	237193GT	HOSE, UPPER RADIATOR, DEUTZ D2.9	1
3	22672GT	CLAMP, HOSE, 1.75	2
4	1255805GT	NUT, SERRATED, 5/16-18, 8, ZAG	
5	824220GT	SCREW, PHPM SEMS ET, 10-24X.5, ZA	
6	1253185GT	WASHER, FLAT, #10, USS, ZAG	
7	237192GT	FAN SHROUD, DEUTZ D2.9	1
8	214685GT	RADIATOR, CAPLESS, DEUTZ D 2.9	
9	235660GT	FORMING, RADIATOR SHROUD	1
10	1251850GT	FORMING, RADIATOR BAFFLE	1
11	217877GT	FORMING, CLEAN AIR BRACKET	1
12	219437GT	ISOLATOR, VIBRATION	1
13	1251983GT	SCREW, HHF, M8-1.25X16, DIN6921, 1	
14	35434GT	CLAMP, HOSE, 2.00***	2
15	237194GT	HOSE, LOWER RADIATOR, DEUTZ D2.9	1
16		Ref. Engine Tray refer to 423.1	
17	24038GT	SCREW, HHF, 3/8-16 X .75, 8, ZAG	2
18	824120GT	WASHER, FLAT, .375X1.50X.125, ZAG	1
19	824029GT	NUT, TL FLG, 3/8-16, G, ZAG	
20	214237GT	FORMING, RAD BRACE, DEUTZ D2.9	1
21	824132GT	SCREW, HHF, M8-1.25X20, DIN6921, 10.9, ZAB	



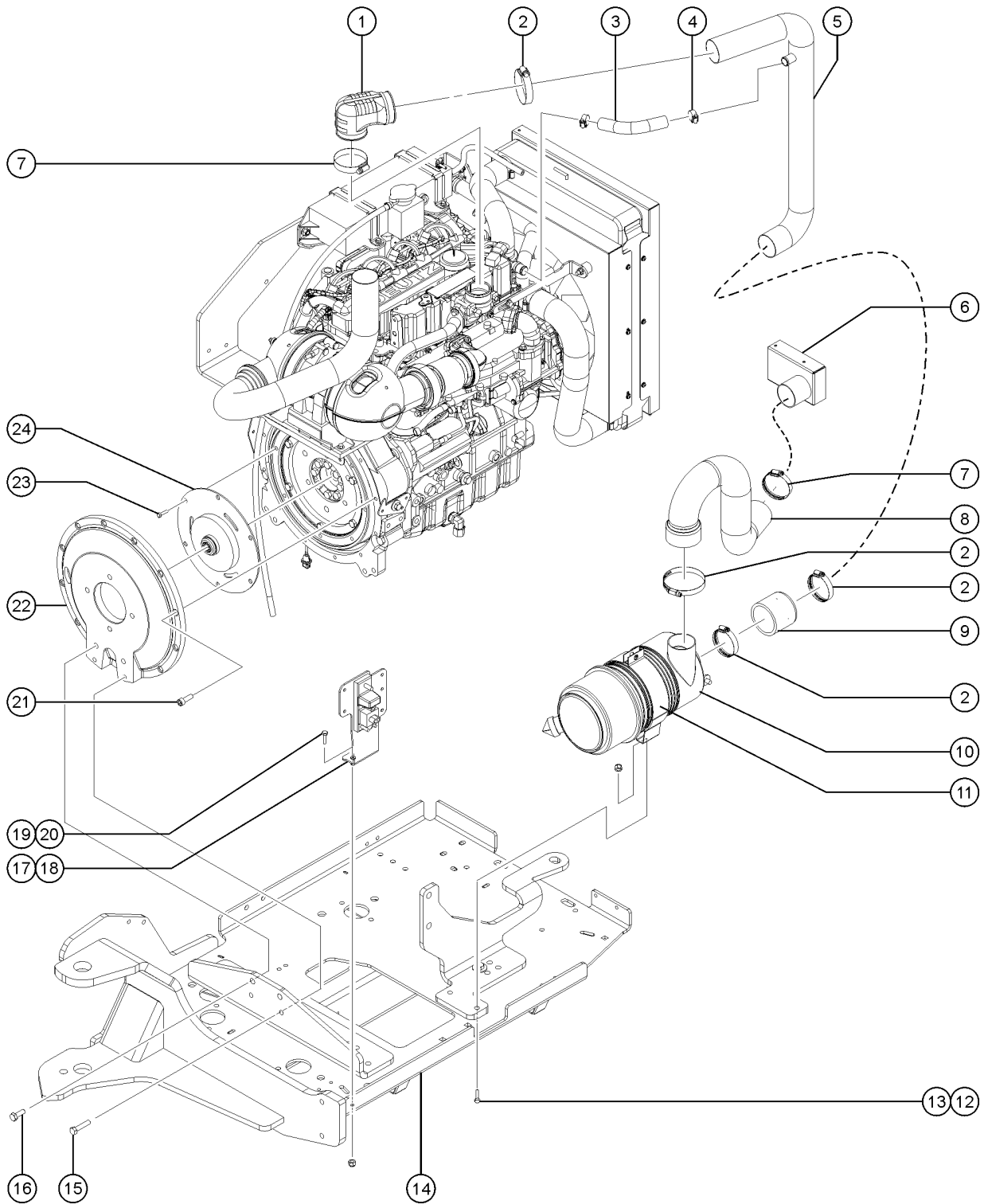
409.1 Deutz D2.9L4, View 3



Item	Part No.	Description	Qty.
Due to Tier 4 regulations, many engine replacement parts require the engine serial number at time of order placement. When ordering engine parts please have both machine and engine serial numbers available. For internal engine parts, contact engine dealer			
1	214686GT	AIR INTAKE ELBOW,90 DEGREE	1
2	45435GT	CLAMP,HOSE,2.50"	4
3	1255894GT	HOSE,PCV,DEUTZ D2.9	1
4	30348GT	CLAMP,HOSE,1.00	2
5	219976GT	WELDMENT,STEEL INTAKE TUBE	1
6	219621GT	WELDMENT,INTAKE BOX,DEUTZ	2
7	35434GT	CLAMP,HOSE,2.00***	2
8	217930GT	HOSE,RAW AIR,DEUTZ D2.9	
9	34162-300GT	HOSE,AIR INTAKE 2.50" ID	1
10	63463GT	AIR CLEANER,NELSON	1
		plastic housing	
10-	58415GT	CLIP,AIR CLEANER END CAP***	
		end cap not available separately	
10-	62420GT	FILTER,AIR***	
10-	65810GT	BAFFLE, AIR CLEANER (27915)**	
10-	52866GT	EVACUATOR VALVE-AIR CLEANER	
11	53952GT	BRKT,AIR CLEANER ORIENTATION**	1
12	824086GT	SCREW,HHF,5/16-18X1,8,ZAG	
13	1255805GT	NUT,SERRATED,5/16-18,8,ZAG	
14		Ref. Engine Tray	
		refer to 423.1	
15	826008GT	SCREW,HHF,M10-1.5X75,DIN6921,10.9,ZAB	
16	1253498GT	SCREW,HHF,1/2-13X1.5,8,ZAG	
17	1253771GT	FORMING,GLOW RELAY BRACKET	1
18		RELAY, POWER & FUSE MODULE	1
		refer to 407.1	
19	824079GT	SCREW,HHF,1/4-20X1,8,ZAG	
20	56912GT	SPRING CLIP,1/4-20,.025-.15X.5	
21	1255666GT	SCREW,SHC,M10-1.5X30,DIN912,12.9,ZAB	
22	70381GT	COVER, FLYWHEEL CASTING	1

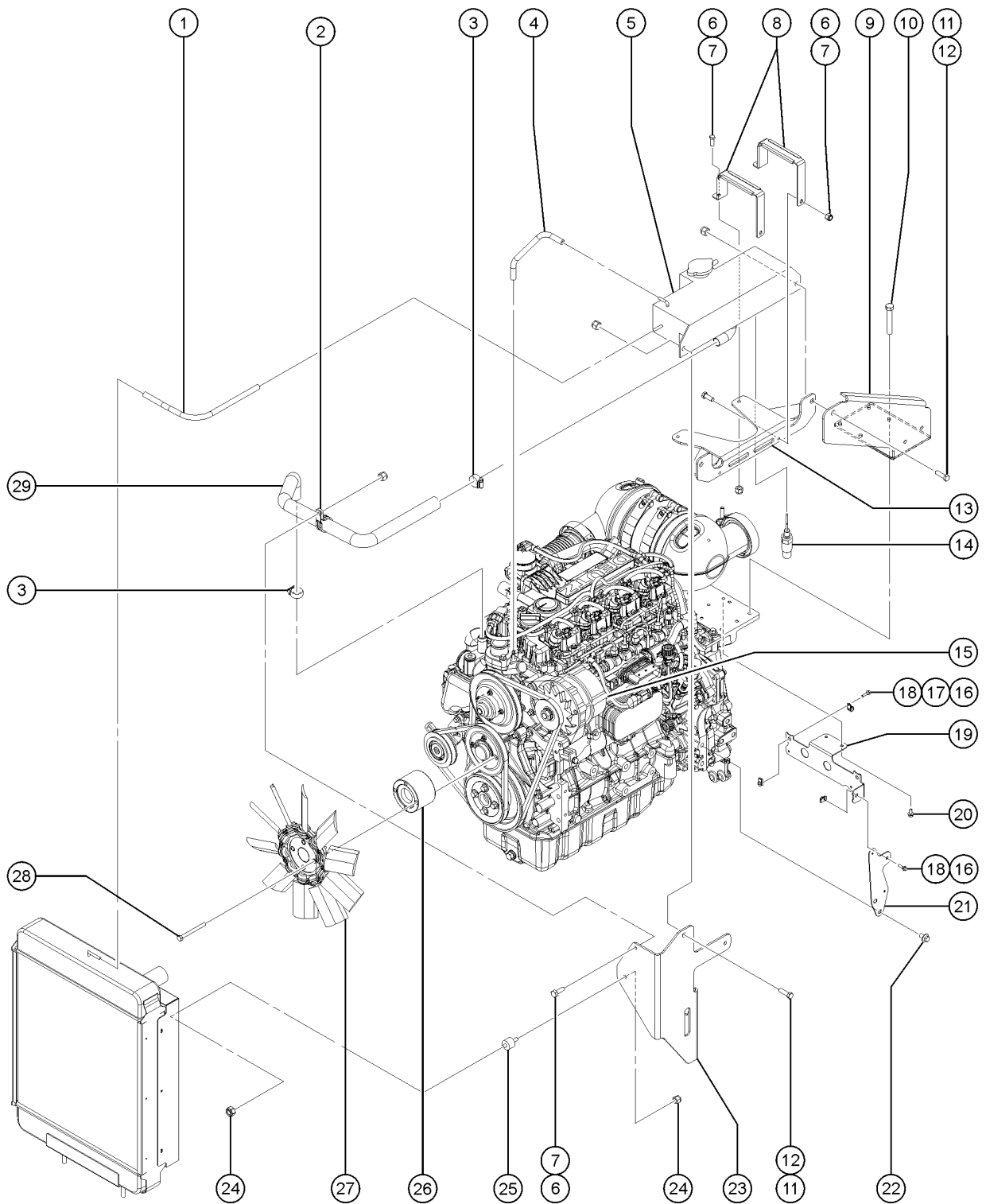


409.1 Deutz D2.9L4, View 3



<i>Item</i>	<i>Part No.</i>	<i>Description</i>	<i>Qty.</i>
23	1257421GT	SCREW,HHC,M10-1.5X16,DIN933,10	
24	128004GT	COUPLER, 15 TOOTH, FBA, SAE 8	1

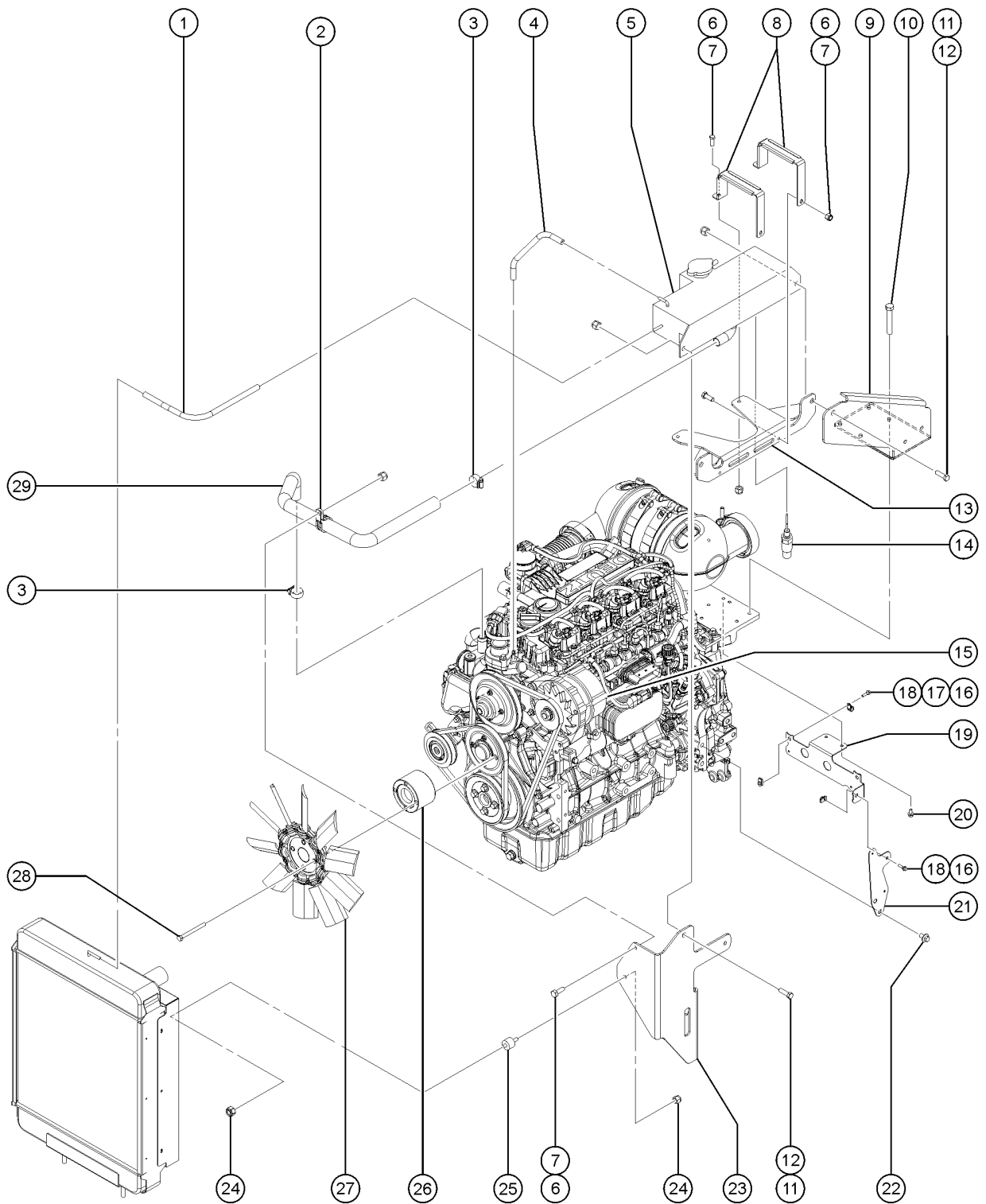
410.1 Deutz D2.9L4, View 4



Item	Part No.	Description	Qty.
-		Due to Tier 4 regulations, many engine replacement parts require the engine serial number at time of order placement. When ordering engine parts please have both machine and engine serial numbers available. For internal engine parts, contact engine dealer	
1	823523GT	HOSE,RADIATOR VENT,DEUTZ D2.9	1
1-	21465GT	CLAMP,HOSE,SIZE .25 TO .63	2
		not shown	
2	119394GT	CLAMP,1.38,#212X3/8,RUB CUSH	1
3	30348GT	CLAMP,HOSE,1.00	2
4	823524GT	HOSE,ENGINE VENT,DEUTZ D2.9	1
4-	21465GT	CLAMP,HOSE,SIZE .25 TO .63	2
		not shown	
5	823970GT	EXPANSION TANK,METAL,D2.9,Z45	1
5A	1254823GT	CAP,RADIATOR,PERKINS (94232)	1
		for 823524	
6	824078GT	SCREW,HHF,1/4-20X.75,8,ZAG	
7	824027GT	NUT,TL FLG,1/4-20,G,ZAG	
8A	1253922GT	FORMING,EXP TANK BAND,D2.9	2
8B	1254452GT	EXTRUSION,RUBBER STRIP,LG,D2.9	2
		(for 1253922) order seperately	
8C	1254453GT	EXTRUSION,RUBBER STRIP,SM,D2.9	2
		(for 1253922) order seperately	
9	1255692GT	FORMING,EXPANSION TANK SUPT	1
		replaced 219653	
10	824133GT	SCREW,HHF,M8-1.25X25,DIN6921,1	
11	824091GT	SCREW,HHF,3/8-16X1.25,8,ZAG	
12	824029GT	NUT,TL FLG,3/8-16,G,ZAG	
13	1254267GT	WDMT,EXPANSION TANK SUPT	1
14	218715GT	COOLANT LEVEL SNSR, DEUTZ TCD3.6	1
15	236251GT	ALTERNATOR,95 AMP,DEUTZ TCD3.6	1
16	824079GT	SCREW,HHF,1/4-20X1,8,ZAG	
17	6833GT	CLAMP,0.50,#8 X 1/4,RUB CUSH	
18	56912GT	SPRING CLIP,1/4-20,.025-.15X.5	
19	1253772GT	FORMING,POS CABLE HARN.BRACKET	1
20	1251983GT	SCREW,HHF,M8-1.25X16,DIN6921,1	
21	1253916GT	PLATE,BELL HOUSING HARN.BRKT	1

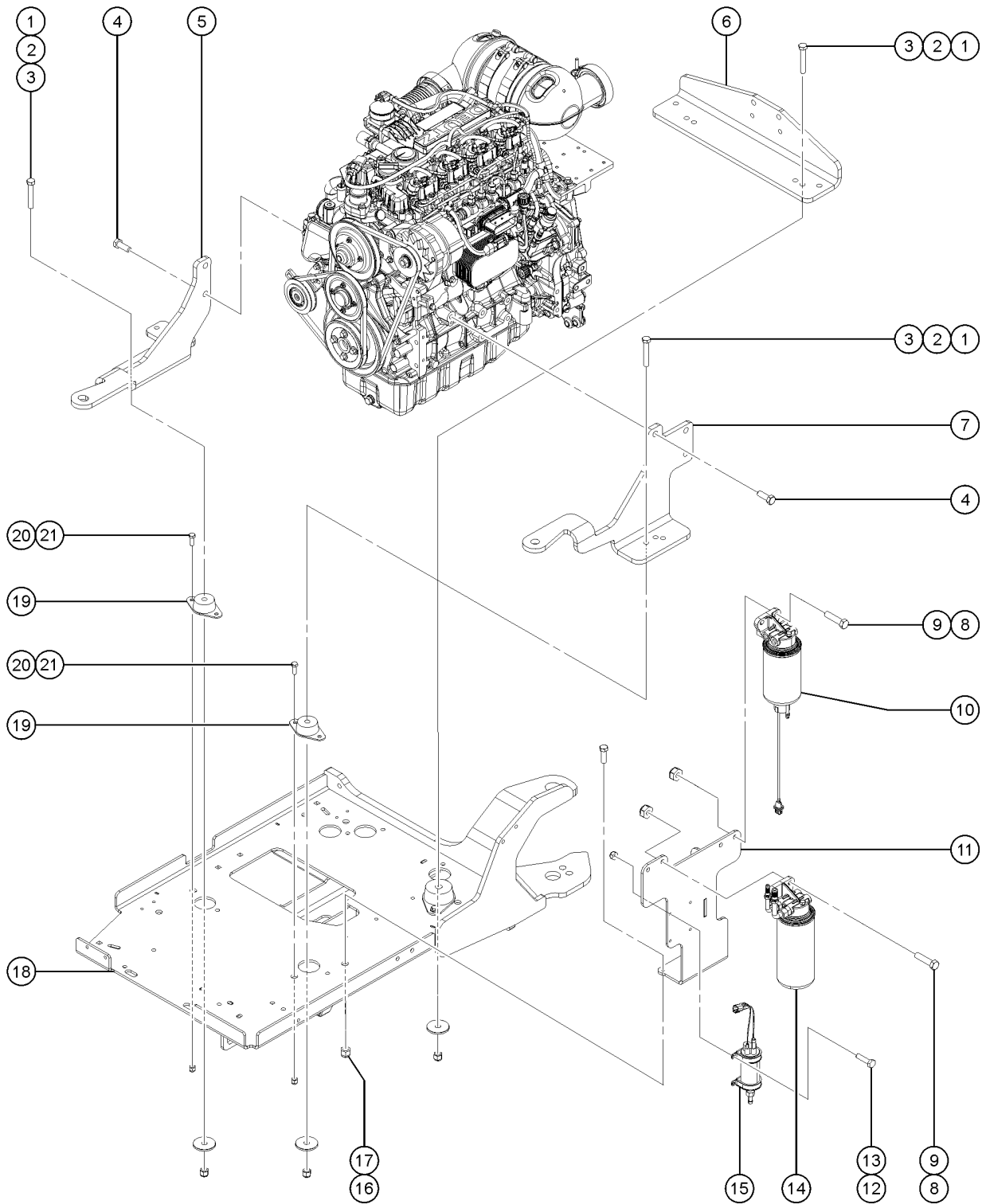


410.1 Deutz D2.9L4, View 4



<i>Item</i>	<i>Part No.</i>	<i>Description</i>	<i>Qty.</i>
22	1255806GT	SCREW,HHF,M12-1.75X20,DIN6921,10.9,ZAB	
23	214934GT	FORMING,RAD EXPSN TANK SUPT	1
24	1255805GT	NUT,SERRATED,5/16-18,8,ZAG	
25	219437GT	ISOLATOR,VIBRATION	1
26A	214683GT	FAN SPACER,DEUTZ D 2.9	1
		to SN Z6215A-166	
26B	1256599GT	SPACER, FAN, DEUTZ, 29.5MM LNG	1
		from SN Z6215A-167	
27	214682GT	FAN, 10 BLADE, 15"	1
28	1257231GT	SCREW,HHF,M8-1.25X50,DIN6921,1	4
		from SN Z6215A-167	
29	1251731GT	HOSE,EXPANSION TANK,D2.9	1

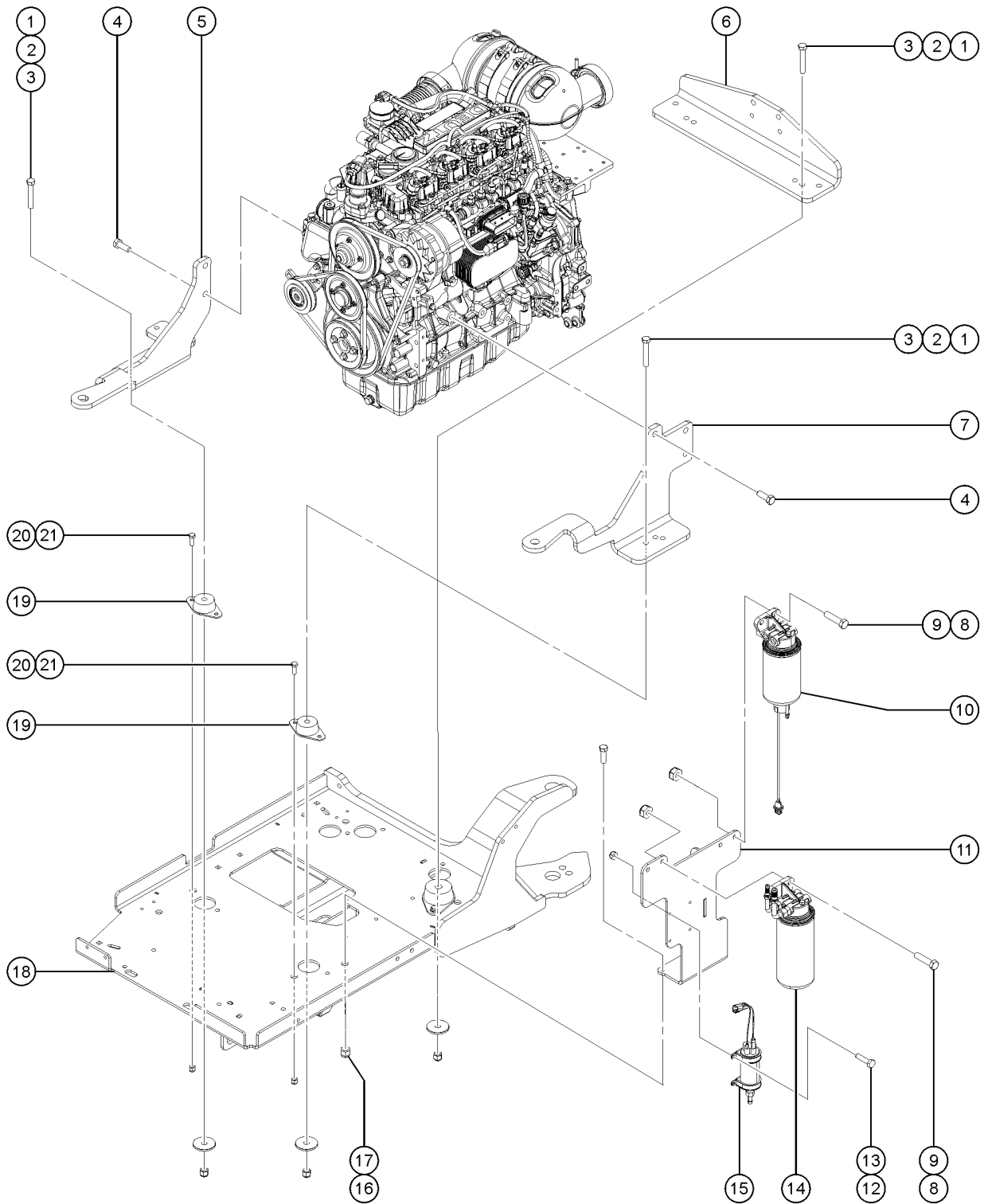
411.1 Deutz D2.9L4, View 5



Item	Part No.	Description	Qty.
-		Due to Tier 4 regulations, many engine replacement parts require the engine serial number at time of order placement. When ordering engine parts please have both machine and engine serial numbers available. For internal engine parts, contact engine dealer	
1	1295334GT	TERM QC TAB - #8 RING, .250, 45 DEG, BRASS	
2	1256283GT	FORMING, SWING FUEL MOUNT	
3	1251997GT	NUT,TL FLG,1/2-13,G,ZAG	
4	1256776GT	SCREW,HHF,M14-2.0X35,DIN6921,10.9,ZAB	
5	237190GT	FORMING, RIGHT ENGINE MOUNT	1
6	218098GT	FORMING,REAR ENGINE MOUNT,Z45	1
7	237189GT	FORMING, LEFT ENGINE MOUNT	1
8	824092GT	SCREW, HHF, 3/8-16 X 1.5, 8, ZAG	
9	824029GT	NUT,TL FLG,3/8-16,G,ZAG	
10	236260GT	FILTER, FUEL PRE-FILTER, SPIN-ON, DEUTZ	1
10-	162209GT	FITTING,CONN,16MM-8MJ	2
10-	162207GT	FITTING,ELBOW,8GS-8FJX90S	2
11	1257961GT	WELDMENT, FUEL FILTER BRACKET	1
12	1251567GT	SCREW,PHPM SEMS ET,10-24X.75,ZAG	
13	1256467GT	NUT,TL FLG,10-24,F,ZAG	
14	214228GT	FILTER, DEUTZ 2.9, FUEL	1
14-	236260GT	FILTER, FUEL PRE-FILTER, SPIN-ON, DEUTZ	
14-	1261240GT	CABLE,WIF SENSOR,DEUTZ 2.9	
14-	162208GT	FITTING,CONN,16MM-6MJ	1
14-	162206GT	FITTING,ELBOW,6GS-6FJX90S	1
14-	162209GT	FITTING,CONN,16MM-8MJ	1
14-	162207GT	FITTING,ELBOW,8GS-8FJX90S	1
15	236259GT	LIFT PUMP,FUEL,DEUTZ	1
16	824027GT	NUT,TL FLG,1/4-20,G,ZAG	
17	824079GT	SCREW,HHF,1/4-20X1,8,ZAG	
18		REF: Engine Tray	1
		refer to 423.1	

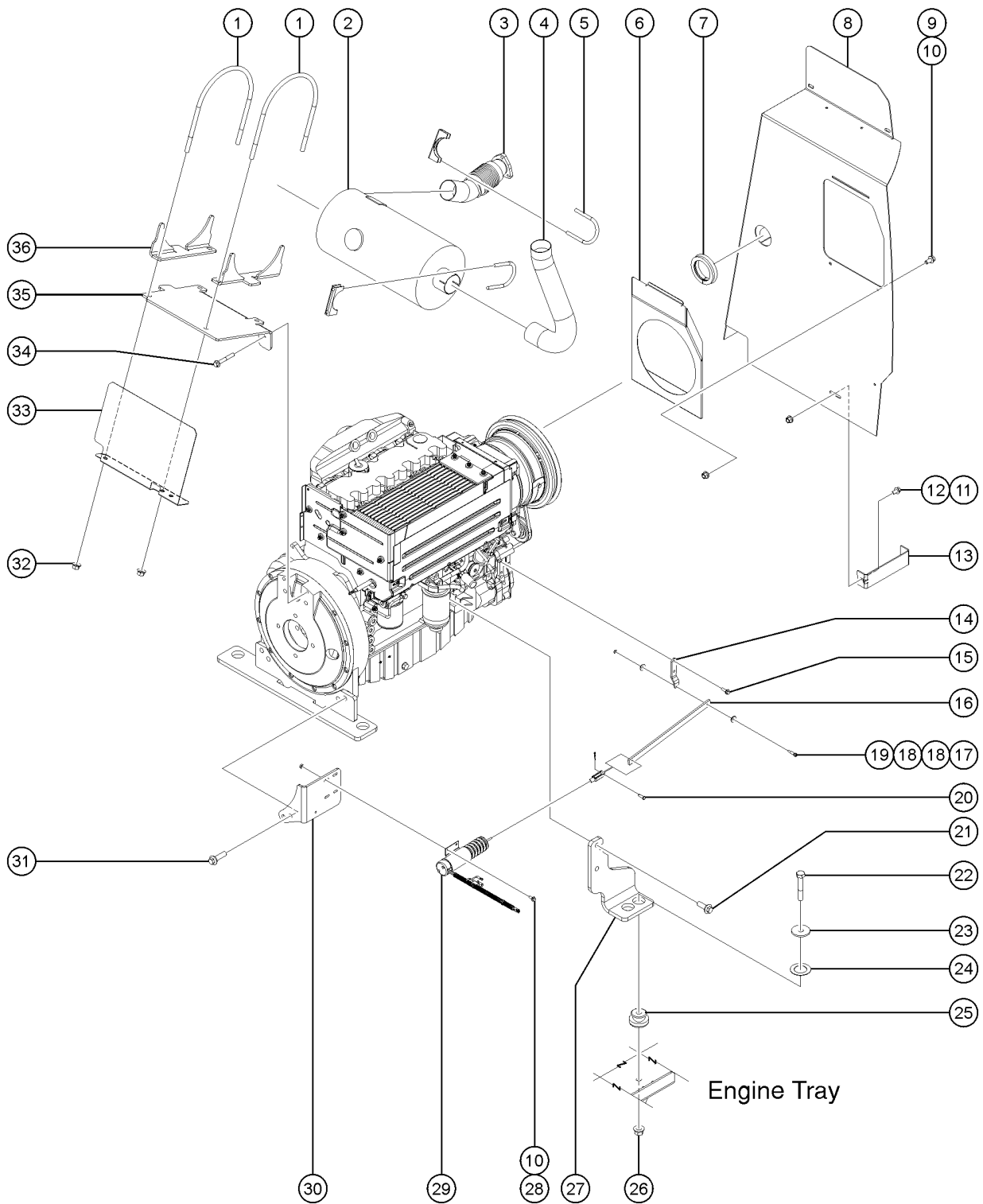


411.1 Deutz D2.9L4, View 5



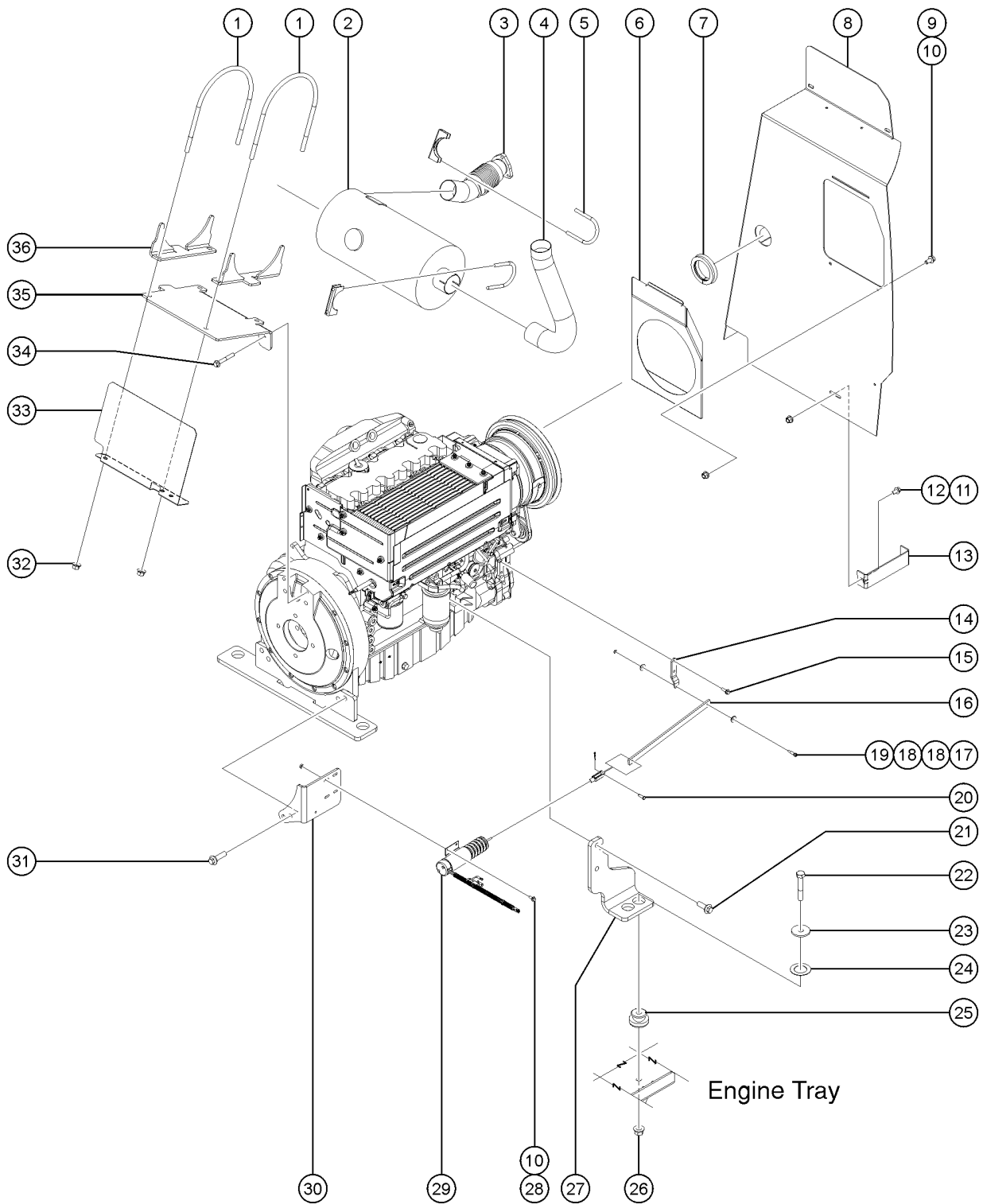
<i>Item</i>	<i>Part No.</i>	<i>Description</i>	<i>Qty.</i>
19	70452GT	NUT,NYLOCK FLG,3/8-16,F,ZAG	4
20	824090GT	SCREW,HHF,3/8-16X1,8,ZAG	
21	824029GT	NUT,TL FLG,3/8-16,G,ZAG	

412.1 Deutz TD2011L04i, View 1



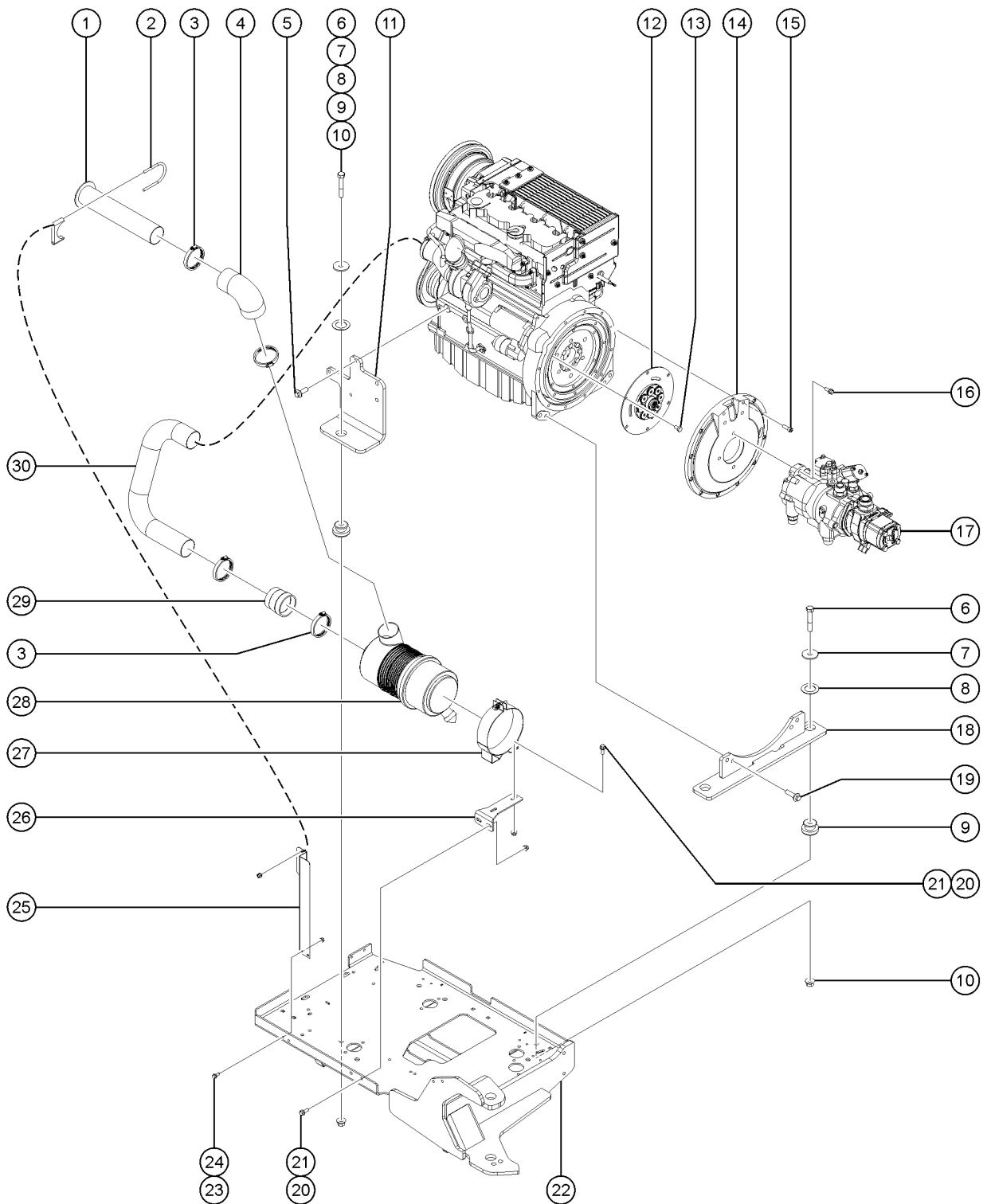
<i>Item</i>	<i>Part No.</i>	<i>Description</i>	<i>Qty.</i>
B	122055GT	STARTING AID,IN-CYLINDER	
C	29560GT	FILTER,FUEL/WTR SEP, DTZ 1008	
D	35498GT	GUIDE RING W/RUBBER LIP	
E	139709GT	STARTER, 12V	
F	65849GT	CONNECTOR KIT, DEUTZ**	
G	139624GT	SWITCH, OIL PRESSURE 1.5 BAR	
H	58299GT	SENDING UNIT,OIL PRESS.,DEUTZ*	
I	111445GT	SENDING UNIT,OIL TEMP SWCH,DTZ	
J	139983GT	EXHAUST PIPE GASKET	
K	49924GT	FILTER,OIL,DEUTZ F4L1011F	
L	58630GT	V-BELT, DEUTZ TD2011LOAI	
1	70449GT	U-BOLT,1/2-13 X 8.5	2
2	70444GT	MUFFLER,2.5"INLET/OUTLET	1
3	70445GT	FLEX PIPE,EXHAUST,2.5" DIA	1
3B	71911GT	CLAMP,MUFFLER, 2.50 INCH	
3B	139983GT	EXHAUST PIPE GASKET	
4	1263076GT	PIPE, EXHAUST PIPE, EXHAUST, DEUTZ TURBO, ROW	1
5	71911GT	CLAMP,MUFFLER, 2.50 INCH	2
6	1263197GT	FORMING, INTAKE, COOLING	1
7	1262842GT	SEAL,AIR INTAKE ADAPTER,LOWER	1
8	1262668GT	FORMING, BAFFLE, INTAKE	1
9	824077GT	SCREW,HHF,1/4-20X.5,8,ZAG	2
10	824027GT	NUT,TL FLG,1/4-20,G,ZAG	6
11	824089GT	SCREW,HHF,3/8-16X.75,8,ZAG	5
12	824029GT	NUT,TL FLG,3/8-16,G,ZAG	1
13	1251851GT	FORMING,BAFFLE TO CW STANDOFF	1
14	50787-SGT	LEVER, GOVERNOR ACTUATOR	1
15	231532GT	SCREW,HHF,M6X20,DIN6921,10.9,Y	2

412.1 Deutz TD2011L04i, View 1



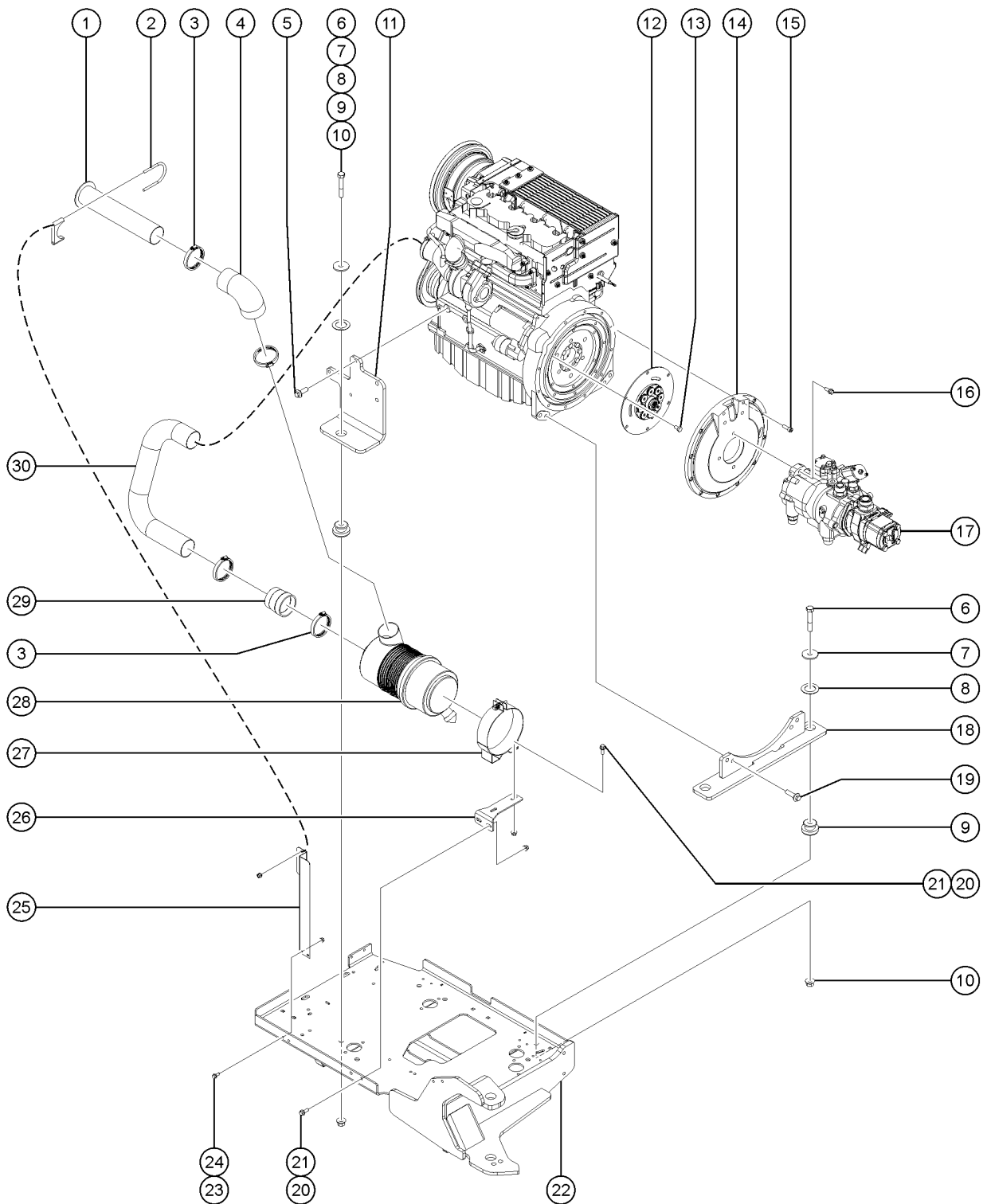
<i>Item</i>	<i>Part No.</i>	<i>Description</i>	<i>Qty.</i>
16	139322GT	THROTTLE LINKAGE, DSL	1
17	6584GT	SCREW,SHS,10-24 X .625	1
18	6638GT	WASHER,FLAT,USS,1/4"Y	2
19	5365GT	NUT,NYLOCK,10-24	1
20	21130GT	CLEVIS YOKE-1/4-28,PLTD W/PIN includes clevis pin and cotter pin	1
21	1251899GT	SCREW,HHF,M14-2.0 X 40,DIN 692	2
22	1256169GT	SCREW,HHC,5/8-11X3.5,8,ZAG	1
23	824123GT	WASHER,FLAT,.625X2.25X.188,ZAG	1
24	1251565GT	WASHER,SHIM,1.56X2.5X.061,ZAG	1
25	102045GT	ISOLATOR,ENGINE VIBRATION	1
26	1253319GT	NUT,TL FLG,5/8-11,G,ZAG	1
27	70455GT	FORMING,ENGINE MOUNT	1
28	1256855	SCREW,HHF,1/4-20X.625,8,ZAG	4
29	121615GT	THROTTLE SOLENOID ASSY, TROMB.	1
29-	128829GT	CIRCUIT BRKR 15A TYPE 2 METAL	
30	139321GT	FORMING, SOLENOID MOUNT***	1
31	1260057GT	SCREW,HHF,M14-2.0X50,DIN6921,10.9,ZAB	2
32	1251997GT	NUT,TL FLG,1/2-13,G,ZAG	4
33	102237PGT	FORMING,HEAT SHIELD,MUFFLER	1
34	238347GT	SCREW,HHF,M10-1.5X70,DIN6921,10.9,ZAB	2
35	70448PGT	FORMING,MUFFLER MOUNT	1
36	70483GT	FORMING,8.5' MUFFLER MOUNT	2

413.1 Deutz TD2011L04i, View 2



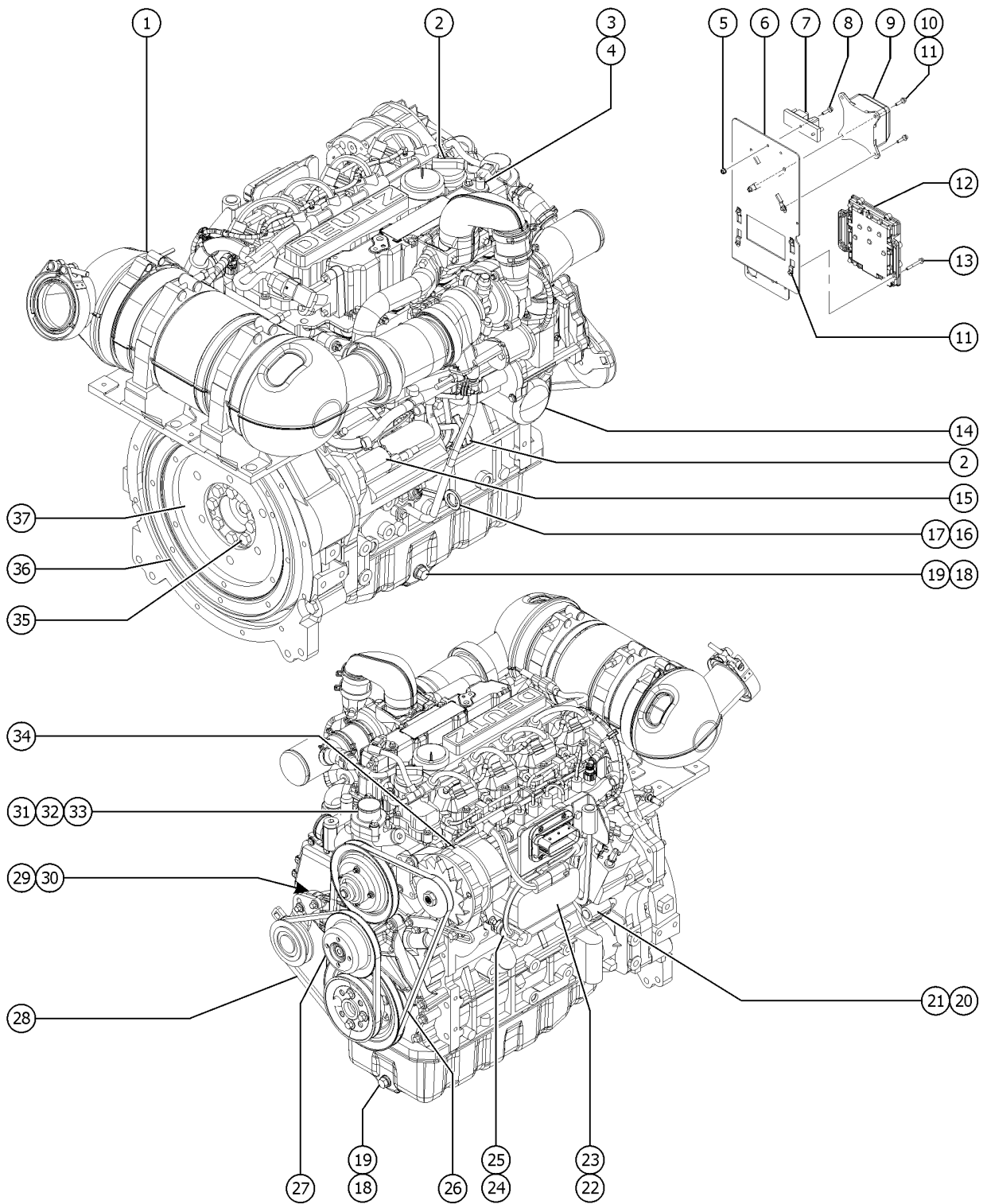
Item	Part No.	Description	Qty.
1	1264117GT	WELDMENT, AIR INTAKE	1
2	1268482GT	U-BOLT,CLAMPING, 2.75" DIA	1
3	30489GT	CLAMP,HOSE,3.50	4
4	139455GT	ELBOW,AIR INTAKE,RUBBER	1
5	1251899GT	SCREW,HHF,M14-2.0 X 40,DIN 692	3
6	1256169GT	SCREW,HHC,5/8-11X3.5,8,ZAG	3
7	824123GT	WASHER,FLAT,.625X2.25X.188,ZAG	3
8	1251565GT	WASHER,SHIM,1.56X2.5X.061,ZAG	3
9	102045GT	ISOLATOR,ENGINE VIBRATION	3
10	1253319GT	NUT,TL FLG,5/8-11,G,ZAG	3
11	70454GT	FORMING,ENGINE MOUNT	1
12	128004GT	COUPLER, 15 TOOTH, FBA, SAE 8	1
13	825351GT	SCREW,HHC,M10-1.5X20,DIN933,10.9,ZAB	6
14	70381GT	COVER, FLYWHEEL CASTING	1
15	61110GT	SCREW,SHC,M10X1.5X30 GR 12.9	10
16	826171GT	SCREW,HHF,1/2-13X1.75,8,ZAG	2
17		Ref. Pump refer to 706.1	1
18	1262319GT	WELDMENT, MOUNT, ENGINE, REAR	1
19	1260057GT	SCREW,HHF,M14-2.0X50,DIN6921,10.9,ZAB	2
20	824090GT	SCREW,HHF,3/8-16X1,8,ZAG	4
21	824029GT	NUT,TL FLG,3/8-16,G,ZAG	4
22		Ref.Engine tray refer to 423.1	1
23	824085GT	SCREW,HHF,5/16-18X.75,8,ZAG	2
24	824028GT	NUT,TL FLG,5/16-18,G,ZAG	2
25	1262946GT	FORMING, BRACKET, AIR INTAKE	1
26	1262950GT	FORMING, BRACKET, AIR CLEANER	1
27	81468GT	MOUNTING BAND,AIR CLEANER	1
28	81467GT	AIR CLEANER,NELSON	1

413.1 Deutz TD2011L04i, View 2



<i>Item</i>	<i>Part No.</i>	<i>Description</i>	<i>Qty.</i>
28-	75450GT	AIR CLEANER CLIPS, SUPERBOOM for 81467	
28-	75451GT	AIR CLEANER COVER, SUPERBOOM* for 81467	
28-	52866GT	EVACUATOR VALVE-AIR CLEANER for 81467	
28-	62425GT	FILTER,AIR CLEANER, SUPERBOOM for 81467	
29	1264252GT	BOOT, RUBBER REDUCER, 3.00 X 2.75	1
30	1262914GT	TUBE, INTAKE, AIR	1

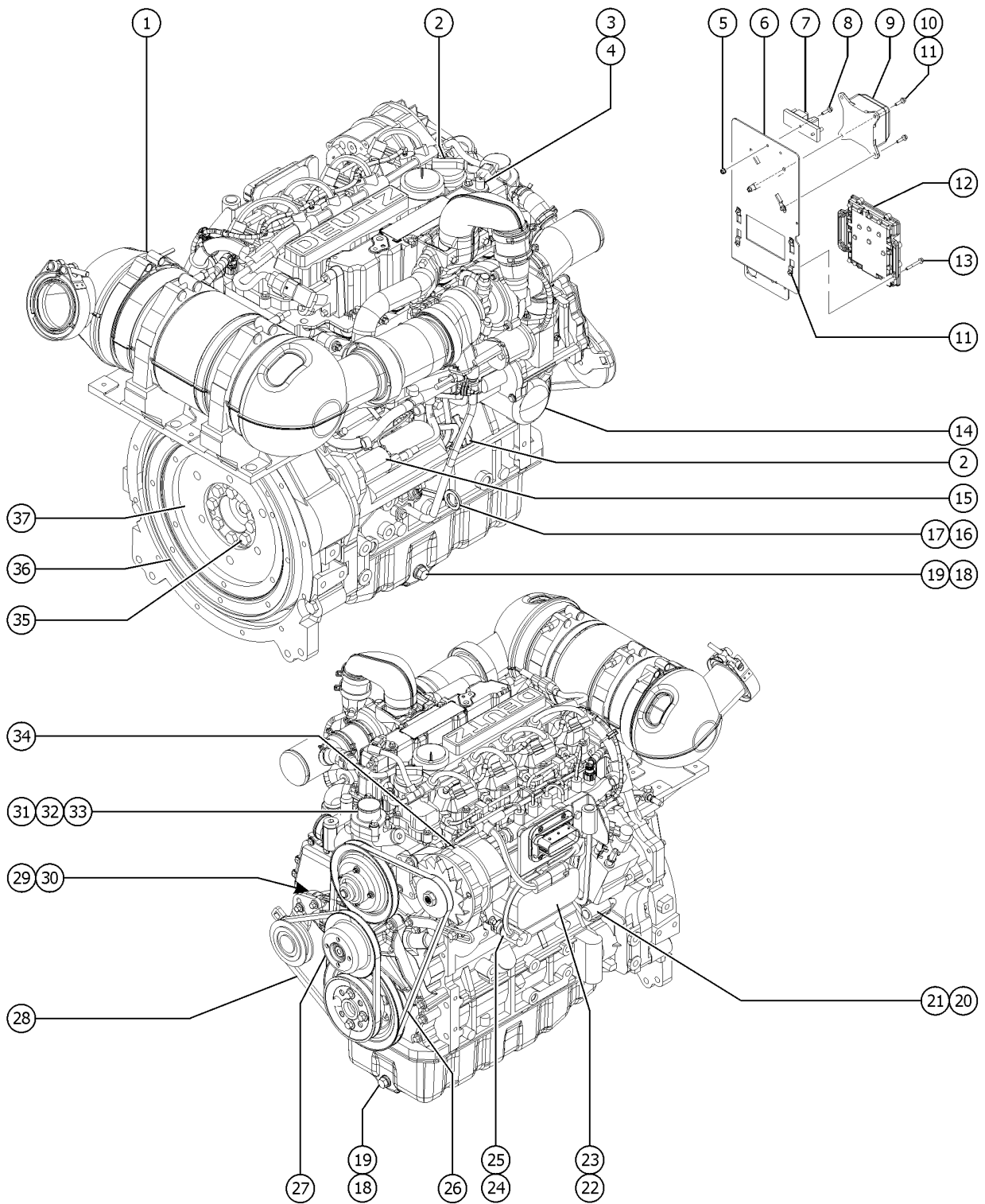
414.1 Deutz TD2.9L4, View 1



Item	Part No.	Description	Qty.
A	237730GT	ENGINE KIT, DEUTZ TD 2.9 Due to Tier 4 regulations, many engine replacement parts require the engine serial number at time of order placement. When ordering engine parts please have both machine and engine serial numbers available. For internal engine parts, contact engine dealer	
B	1262870GT	GLOW PLUG, DEUTZ	4
C	1262871GT	SEAL, FRONT ENGINE,DEUTZ	1
D	1262872GT	SEAL, REAR ENGINE,DEUTZ	1
E	1272624GT	KIT,WATER PUMP 2.9 L4 includes fasteners and 1262874 pump	1
F	1262875GT	O-RING, WATER PUMP	1
F	1289895GT	WASHER,WATER PUMP (1272624) for 1272624	
F-	1259654GT	INTAKE BREATHER	1
G		Ref: Deutz TD2.9L4,Engine Harness (refer to 311.1)	1
H	1277974GT	PINS,CONNECTOR,INJ HARNESS,D2.9	
1	1262890GT	OXIDATION CATALYST,DEUTZ (diesel oxygen catalyst/muffler)(contact Genie Parts; engine serial number required)	
2	29557GT	CAP,OIL FILLER,DEUTZ,DIESEL ***	2
3	1262896GT	SENSOR,INTAKE AIR PRESSURE	1
4	1262897GT	O-RING, INTAKE AIR PRESSURE SENSOR	1
5	824027GT	NUT,TL FLG,1/4-20,G,ZAG	
6	1254654GT	MOUNT, DIESEL ECM	1
7	824023GT	RELAY, POWER & FUSE MODULE	1
8	1253485GT	SCREW,HHF,1/4-20X2,8,ZAG	
9	822781GT	MODULE,FUSE&RELAY,DEUTZ 2.9	1
10	824079GT	SCREW,HHF,1/4-20X1,8,ZAG	
11	56912GT	SPRING CLIP,1/4-20,.025-.15X.5	
12	214795GT	ECM, DEUTZ (need engine SN to program)	1
13	824080GT	SCREW,HHF,1/4-20X1.25,8,ZAG	
14	49924GT	FILTER,OIL,DEUTZ F4L1011F	1
15	1254594GT	STARTER,3.2KW,DEUTZ D2.9	1
15-	1262868GT	BOLT, DEUTZ STARTER (not included sold seperately)	
16	825708GT	DIPSTICK,TD2.9	1

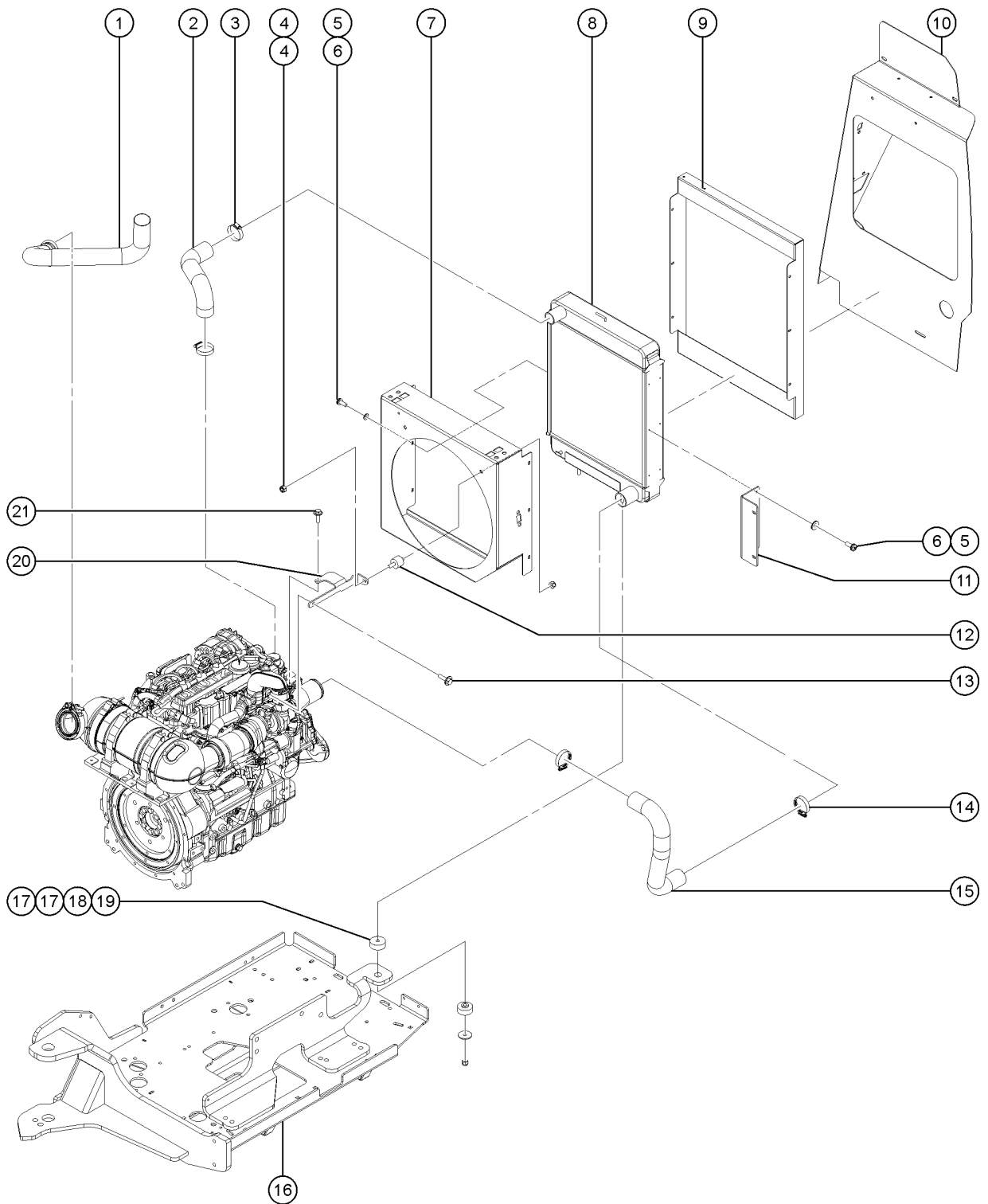


414.1 Deutz TD2.9L4, View 1



<i>Item</i>	<i>Part No.</i>	<i>Description</i>	<i>Qty.</i>
17	1262881GT	ORING, OIL DIP STICK (for 825708)	1
18	102587GT	PLUG,ENGINE OIL,DEUTZ F4L2011	2
19	108538GT	RING / SEALING (for 102587)	2
20	1262894GT	SENSOR,CAM/CRANKSHAFT POSITION (crankshaft)	1
21	1262895GT	O-RING, CRANKSHAFT POSITION SENSOR	1
22	1260357GT	OIL COOLER,TD2.9	1
23	1262883GT	GASKET, OIL COOLER, DEUTZ	1
24	824673GT	SENSOR, PRESSURE,DEUTZ 2.9	1
25	1262893GT	O-RING, OIL PRESSURE SENSOR	1
26	1262866GT	FAN BELT, ALTERANTOR	1
27	236248GT	PULLEY ASSEMBLY,ALTERNATOR,TCD	1
28	1262867GT	V-BELT, DEUTZ	1
29	1262894GT	SENSOR,CAM/CRANKSHAFT POSITION (hidden from view) (camshaft)	1
30	1262899GT	O-RING, CAMSHAFT POSITION SENSOR (hidden from view)	1
31	1262877GT	THERMOSTAT HOUSING	1
32	1262876GT	THERMOSTAT,DEUTZ	1
33	1262878GT	GASKET, THERMOSTAT HOUSING	1
34	236251GT	ALTERNATOR,95 AMP,DEUTZ TCD3.6	1
35	1262873GT	BOLT, DEUTZ FLYWHEEL	8
36	89785GT	RING GEAR,DEUTZ F3L2011F	1
37	1259660GT	FLYWHEEL, SAE 8/10 (need to order with PN 1262873, qty 8)	1

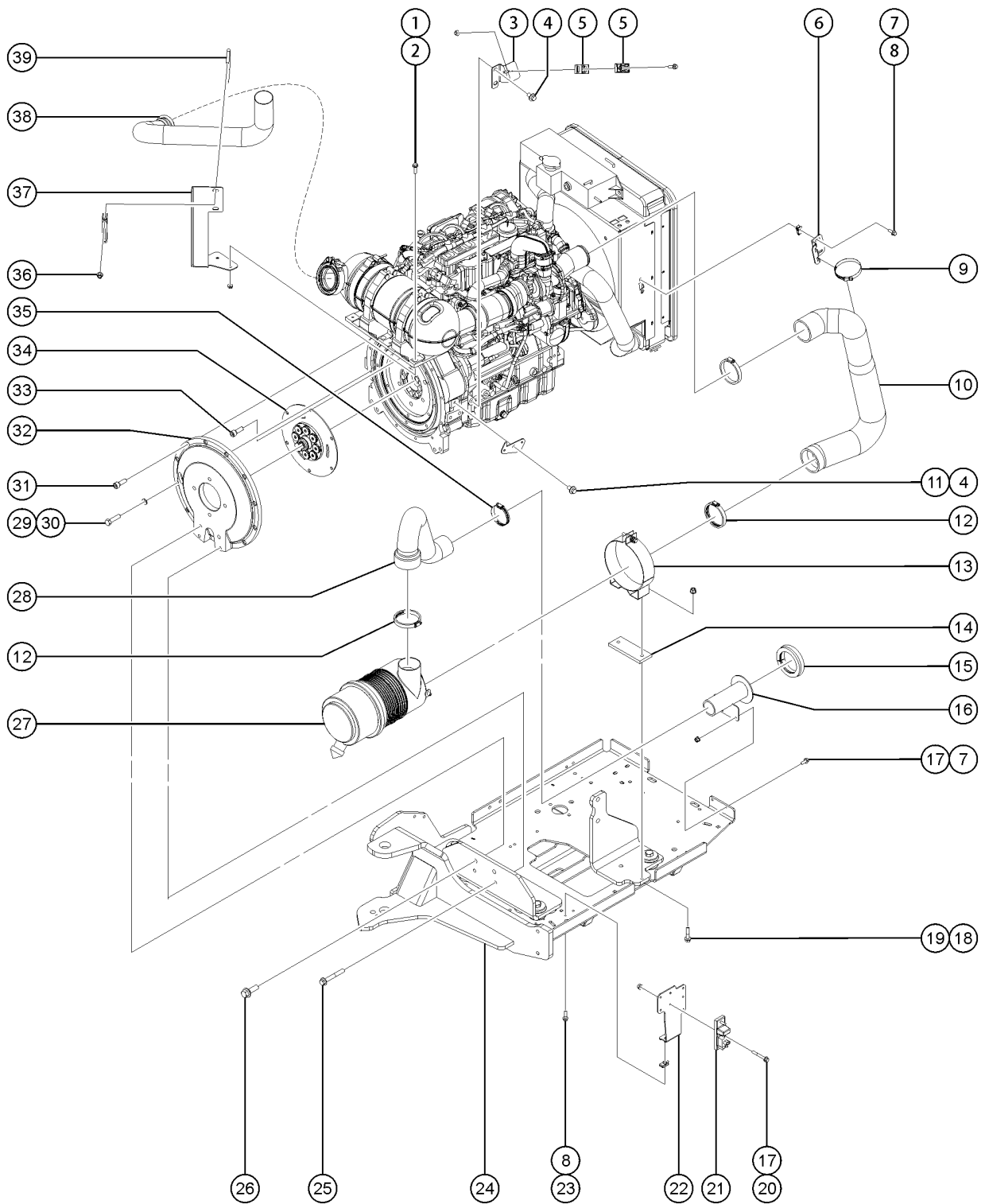
415.1 Deutz TD2.9L4, View 2



Item	Part No.	Description	Qty.
-		Due to Tier 4 regulations, many engine replacement parts require the engine serial number at time of order placement. When ordering engine parts please have both machine and engine serial numbers available. For internal engine parts, contact engine dealer	
A	237730GT	ENGINE KIT, DEUTZ TD 2.9	
A-		Ref: Deutz TD2.9L4,Engine Harness refer to 311.1	1
1	1262760GT	TUBE, EXHAUST	1
2	162283GT	HOSE, UPPER RADIATOR, DEUTZ D	1
3	22672GT	CLAMP,HOSE,1.75	2
4	1255805GT	NUT,SERRATED,5/16-18,8,ZAG	
5	824220GT	SCREW,PHPM SEMS ET,10-24X.5,ZA	
6	1253185GT	WASHER,FLAT,#10,USS,ZAG	
7	1261921GT	SHROUD, 17" FAN	1
8	826795GT	RADIATOR,6-CORE,19.375W X 18.1	
9	1268010GT	FORMING, SHROUD, INLET, RADIATOR	1
9-	1262841GT	TRIM SEAL,RADIATOR,DEUTZ TD2.9 sold separately	1
10	1262082GT	FORMING, RADIATOR BAFFLE	1
11	217877GT	FORMING,CLEAN AIR BRACKET	1
12	219437GT	ISOLATOR,VIBRATION	1
13	1251983GT	SCREW,HHF,M8-1.25X16,DIN6921,1	
14	35434GT	CLAMP,HOSE,2.00***	2
15	162284GT	HOSE,LOWER RADIATOR, 2.9L DEUT	1
16		Ref. Engine Tray refer to 423.1	
17	24038GT	SCREW, HHF, 3/8-16 X .75, 8, ZAG	2
18	824120GT	WASHER,FLAT,,.375X1.50X.125,ZAG	1
19	824029GT	NUT,TL FLG,3/8-16,G,ZAG	
20A	214237GT	FORMING,RAD BRACE,DEUTZ D2.9 to SN 2025	1
20B	1273919GT	FORMING, SUPPORT, RADIATOR from SN 2026	
21	824132GT	SCREW,HHF,M8-1.25X20,DIN6921,10.9,ZAB	



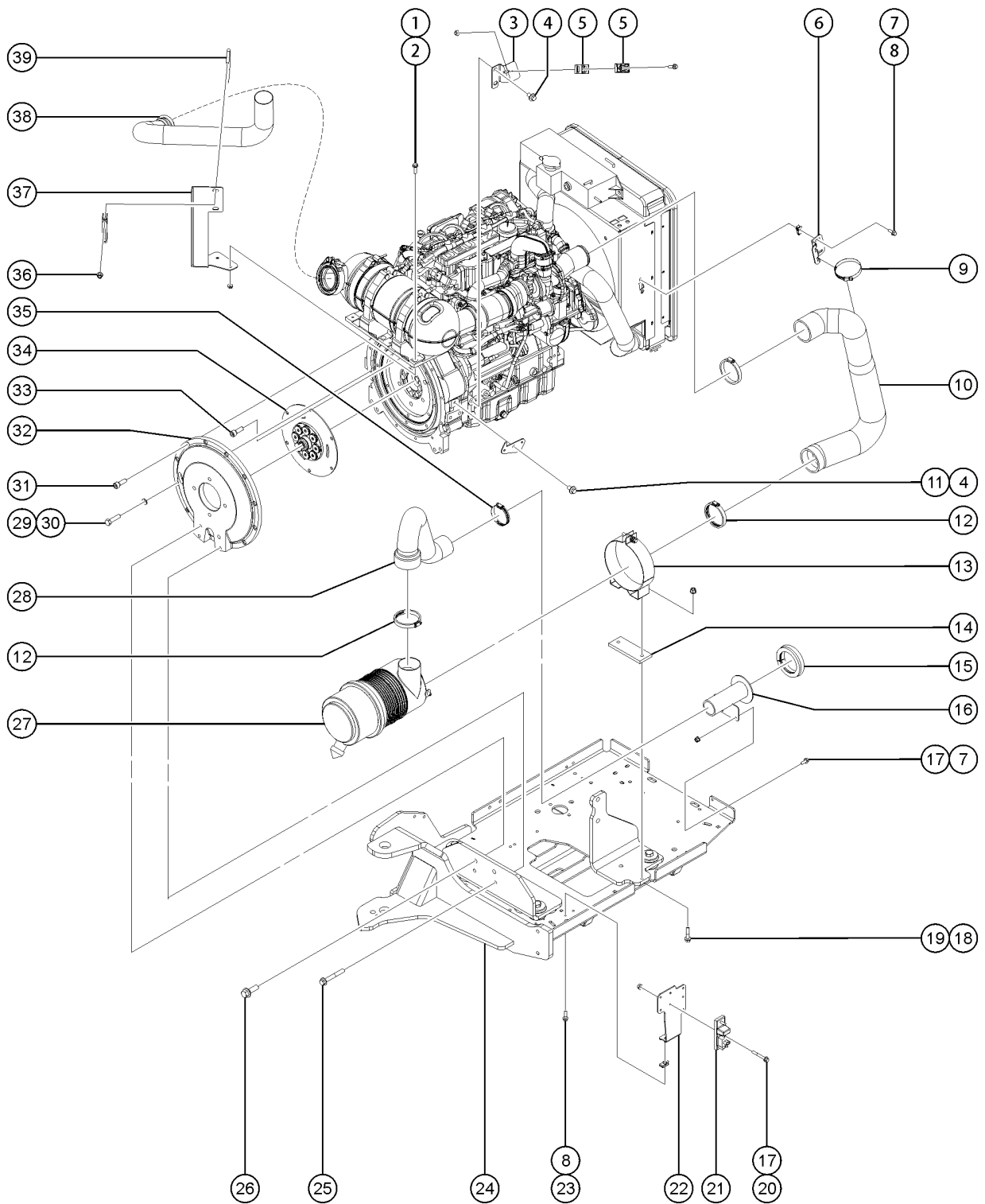
416.1 Deutz TD2.9L4, View 3



Item	Part No.	Description	Qty.
-		Due to Tier 4 regulations, many engine replacement parts require the engine serial number at time of order placement. When ordering engine parts please have both machine and engine serial numbers available. For internal engine parts, contact engine dealer	
1	1255537GT	SCREW,HHF,M8-1.25X30,DIN6921,1	2
2	1268938GT	NUT,FLG,M8-1.25,DIN6923,8,ZAB	2
3	825939GT	FORMING, CLAMP, BATTERY CABLE	1
4	1255806GT	SCREW,HHF,M12-1.75X20,DIN6921,10.9,ZAB	3
5	78736GT	CLAMP,2 HOSE,PLASTIC,5/8	2
6	823751GT	BRACKET,INTAKE PIPE,MOUNT,DEUT	1
7	824078GT	SCREW,HHF,1/4-20X.75,8,ZAG	4
8	56912GT	SPRING CLIP,1/4-20,.025-.15X.5	4
9	30971GT	CLAMP,HOSE,3.00"	2
10	1262829GT	HOSE, INTAKE, AIR	1
11	1253917GT	PLATE,GLOW RELAY HARN.BRKT	
12	30489GT	CLAMP,HOSE,3.50	3
13	81468GT	MOUNTING BAND,AIR CLEANER	1
14	1273918GT	SPACER, AIR CLEANER	1
15	1262842GT	SEAL,AIR INTAKE ADAPTER,LOWER	1
16	1270883GT	WELDMENT, INTAKE AIR	1
17	824027GT	NUT,TL FLG,1/4-20,G,ZAG	3
18	1255763GT	SCREW,HHF,5/16-18X1.5,8,ZAG	2
19	824028GT	NUT,TL FLG,5/16-18,G,ZAG	2
20	1253485GT	SCREW,HHF,1/4-20X2,8,ZAG	1
21	824023GT	RELAY, POWER & FUSE MODULE	1
21-	1251508GT	FUSE, FMX, 60AMP	
21-	1251509GT	COVER,PRM FUSE SERVICE PART	
22	1253771GT	FORMING,GLOW RELAY BRACKET	1
23	824079GT	SCREW,HHF,1/4-20X1,8,ZAG	2
24		Ref. Engine Tray refer to 423.1	

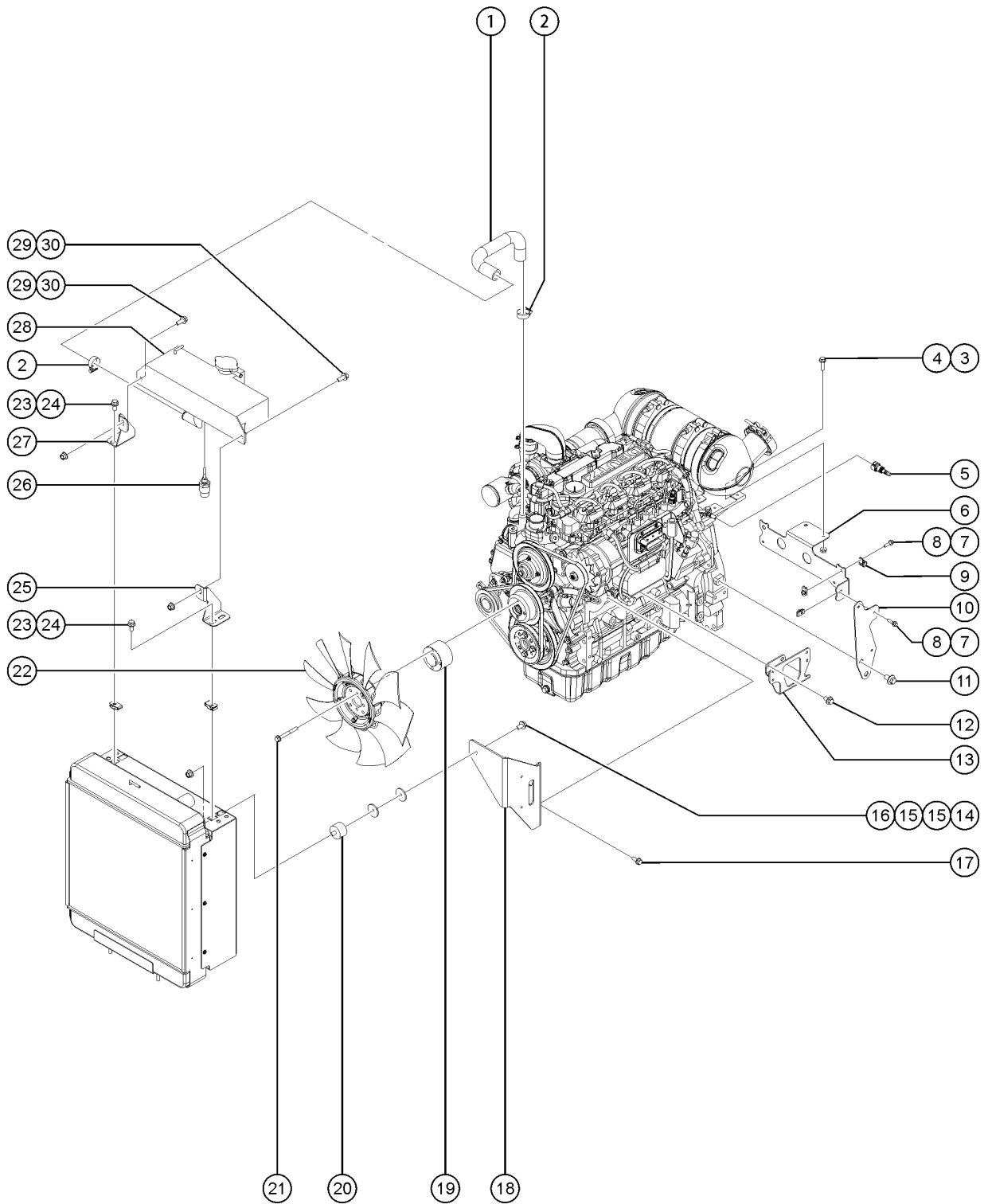


416.1 Deutz TD2.9L4, View 3



Item	Part No.	Description	Qty.
25	826008GT	SCREW,HHF,M10-1.5X75,DIN6921,10.9,ZAB	2
26	1253498GT	SCREW,HHF,1/2-13X1.5,8,ZAG	2
27	81467GT	AIR CLEANER,NELSON	1
27-	75450GT	AIR CLEANER CLIPS, SUPERBOOM for 81467	
27-	75451GT	AIR CLEANER COVER, SUPERBOOM* for 81467	
27-	52866GT	EVACUATOR VALVE-AIR CLEANER for 81467	
27-	62425GT	FILTER,AIR CLEANER, SUPERBOOM for 81467	
28	1262828GT	HOSE, INTAKE, DEUTZ TD2.9	1
29	25548GT	SCREW,HHC,M10 X 40MM,GRD8	1
30	22700GT	WASHER,LOCK,M10	1
31	1255666GT	SCREW,SHC,M10-1.5X30,DIN912,12.9,ZAB	
32	70381GT	COVER, FLYWHEEL CASTING	1
33	1255665GT	SCREW,SHC,M10-1.50X20,DIN912,12.9,ZAB	
34	128004GT	COUPLER, 15 TOOTH, FBA, SAE 8	1
35	45435GT	CLAMP,HOSE,2.50"	1
36	824029GT	NUT,TL FLG,3/8-16,G,ZAG	2
37	1271123GT	FORMING, BRACKET, EXHAUST	1
38	1262760GT	TUBE, EXHAUST	1
39	71911GT	CLAMP,MUFFLER, 2.50 INCH	1

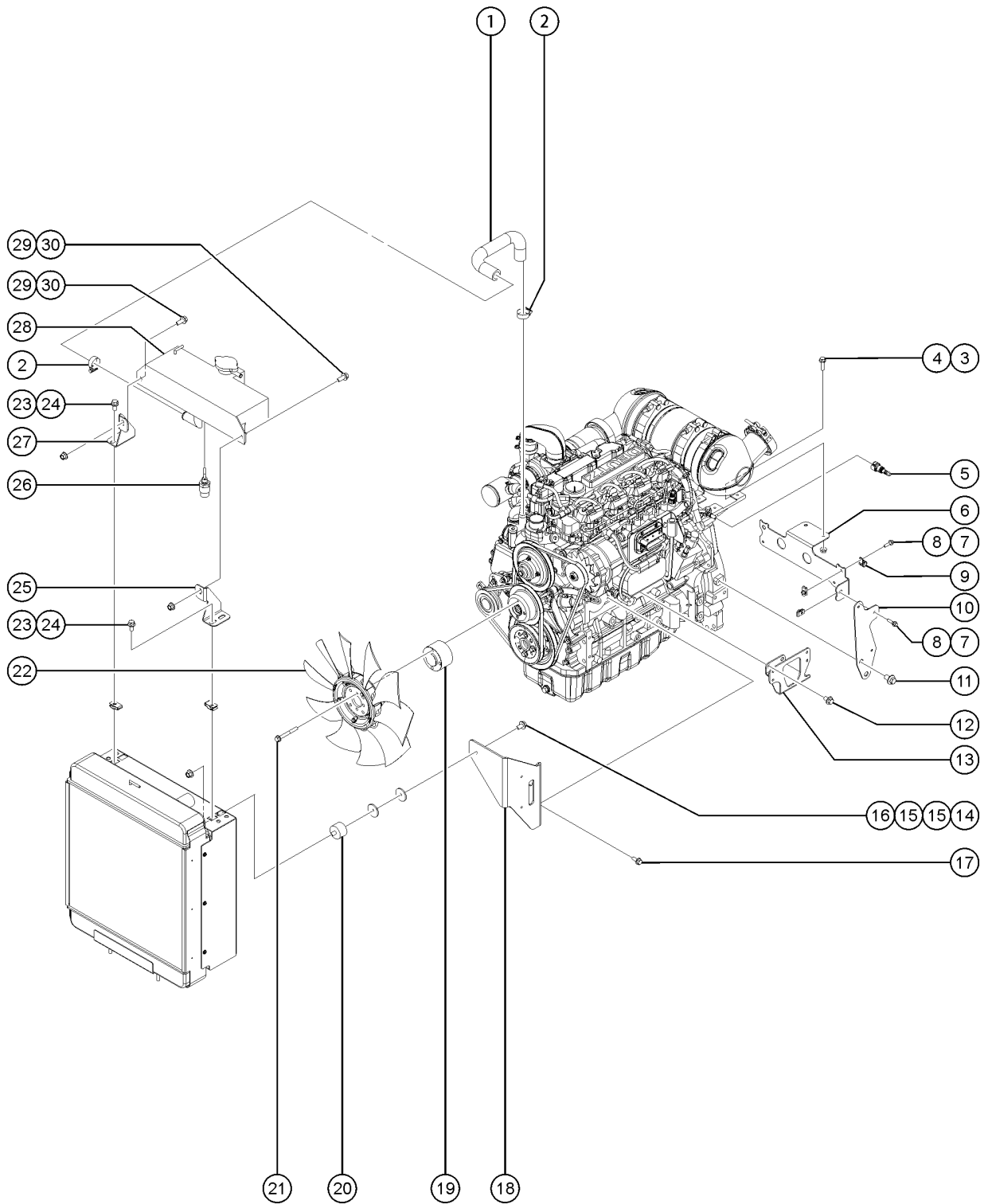
417.1 Deutz TD2.9L4, View 4



Item	Part No.	Description	Qty.
-		Due to Tier 4 regulations, many engine replacement parts require the engine serial number at time of order placement. When ordering engine parts please have both machine and engine serial numbers available. For internal engine parts, contact engine dealer	
1	1261928GT	HOSE, TANK, EXPANSION	1
2	19273GT	CLAMP,HOSE,.75 **	2
3	1255537GT	SCREW,HHF,M8-1.25X30,DIN6921,1	2
4	1268938GT	NUT,FLG,M8-1.25,DIN6923,8,ZAB	2
5	1259102GT	CONNECTOR,SAE10,QUICK CON,STR	1
6	1253772GT	FORMING,POS CABLE HARN.BRACKET	1
7	824079GT	SCREW,HHF,1/4-20X1,8,ZAG	2
8	56912GT	SPRING CLIP,1/4-20,.025-.15X.5	2
9	6833GT	CLAMP,0.50,#8 X 1/4,RUB CUSH	1
10	1253916GT	PLATE,BELL HOUSING HARN.BRKT	1
11	1255806GT	SCREW,HHF,M12-1.75X20,DIN6921,10.9,ZAB	2
12	237352GT	SCREW,HHF,M10-1.5X16,DIN6921,10.9,ZAB	2
13	1253773GT	FORM,DEUTZT4 OILCLR HARN.BRKT	1
14	231088GT	SCREW,HHF,M10-1.5X20,DIN6921,1	1
15	824120GT	WASHER,FLAT,.375X1.50X.125,ZAG	2
16	231529GT	NUT,TL FLG,M10-1.5,DIN6927,10,	1
17	824132GT	SCREW,HHF,M8-1.25X20,DIN6921,10.9,ZAB	1
18	1256165GT	FORMING,RADIATOR SUPPORT,LH	1
19	1258641GT	SPACER, FAN, DEUTZ, 43MM LNG	1
20	1255451GT	ISOLATOR, VIBRATION DAMPENER	1
21	1258771GT	SCREW,HHF,M8-1.25X60,DIN6921,10.9,ZAB	4
22	1251496GT	FAN,10 BLADE,17",DEUTZ 2.9L	1
23	824089GT	SCREW,HHF,3/8-16X.75,8,ZAG	4
24	29868GT	SPRING CLIP,3/8-16,.05-.20X.73	4
25	1261926GT	FORMING, BRACKET, TANK, EXPANS	1
26	218715GT	COOLANT LEVEL SNSR, DEUTZ TCD3.6	1

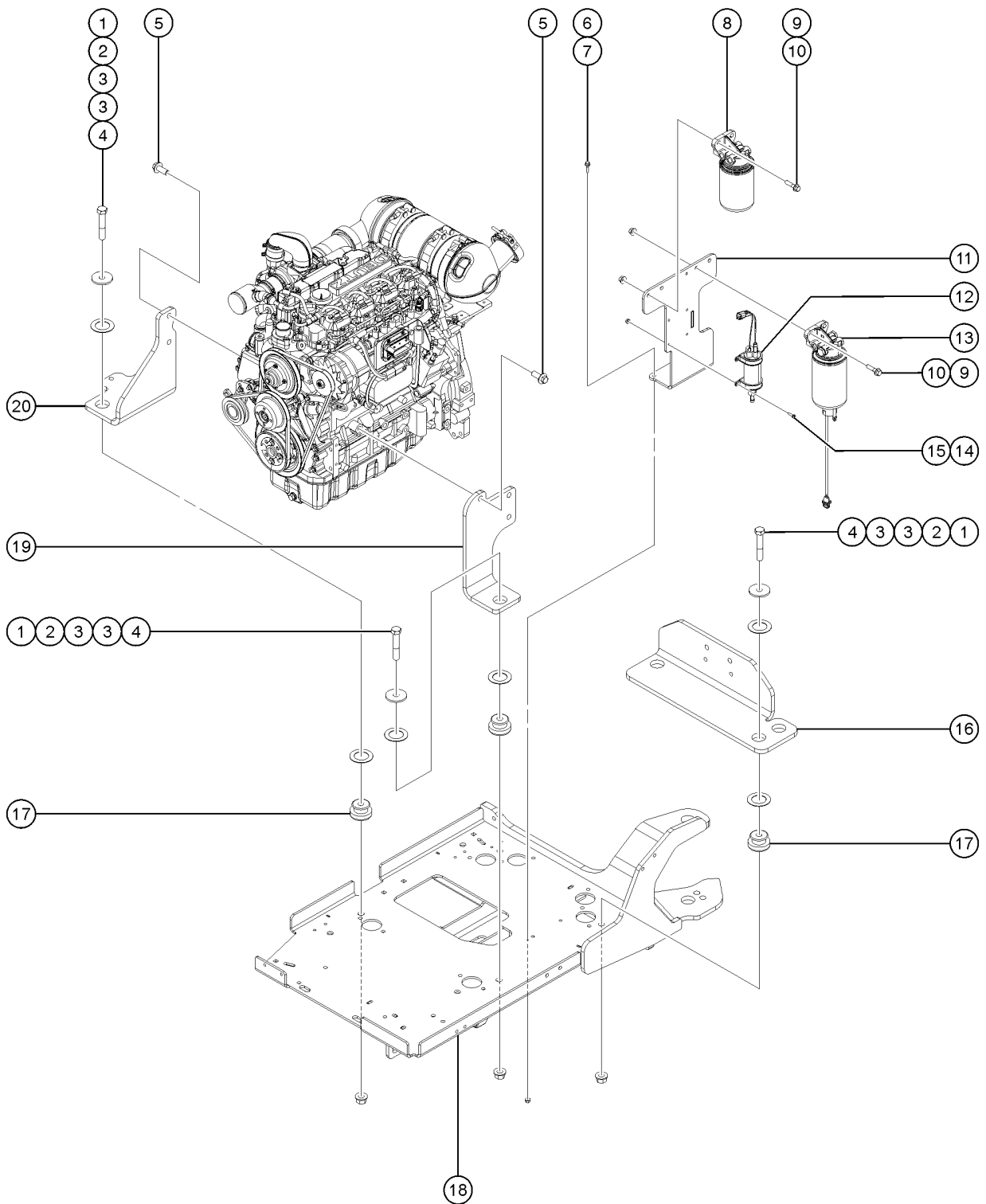


417.1 Deutz TD2.9L4, View 4



<i>Item</i>	<i>Part No.</i>	<i>Description</i>	<i>Qty.</i>
27	1261925GT	FORMING, BRACKET, TANK, EXPANS	1
28	161938GT	EXPANSION TANK,METAL,D2.9	1
28B	1274900GT	SIGHT GLASS	
		for 161938	
28C	1254823GT	CAP,RADIATOR,PERKINS (94232)	
		for 161938	
29	824090GT	SCREW,HHF,3/8-16X1,8,ZAG	2
30	824029GT	NUT,TL FLG,3/8-16,G,ZAG	2

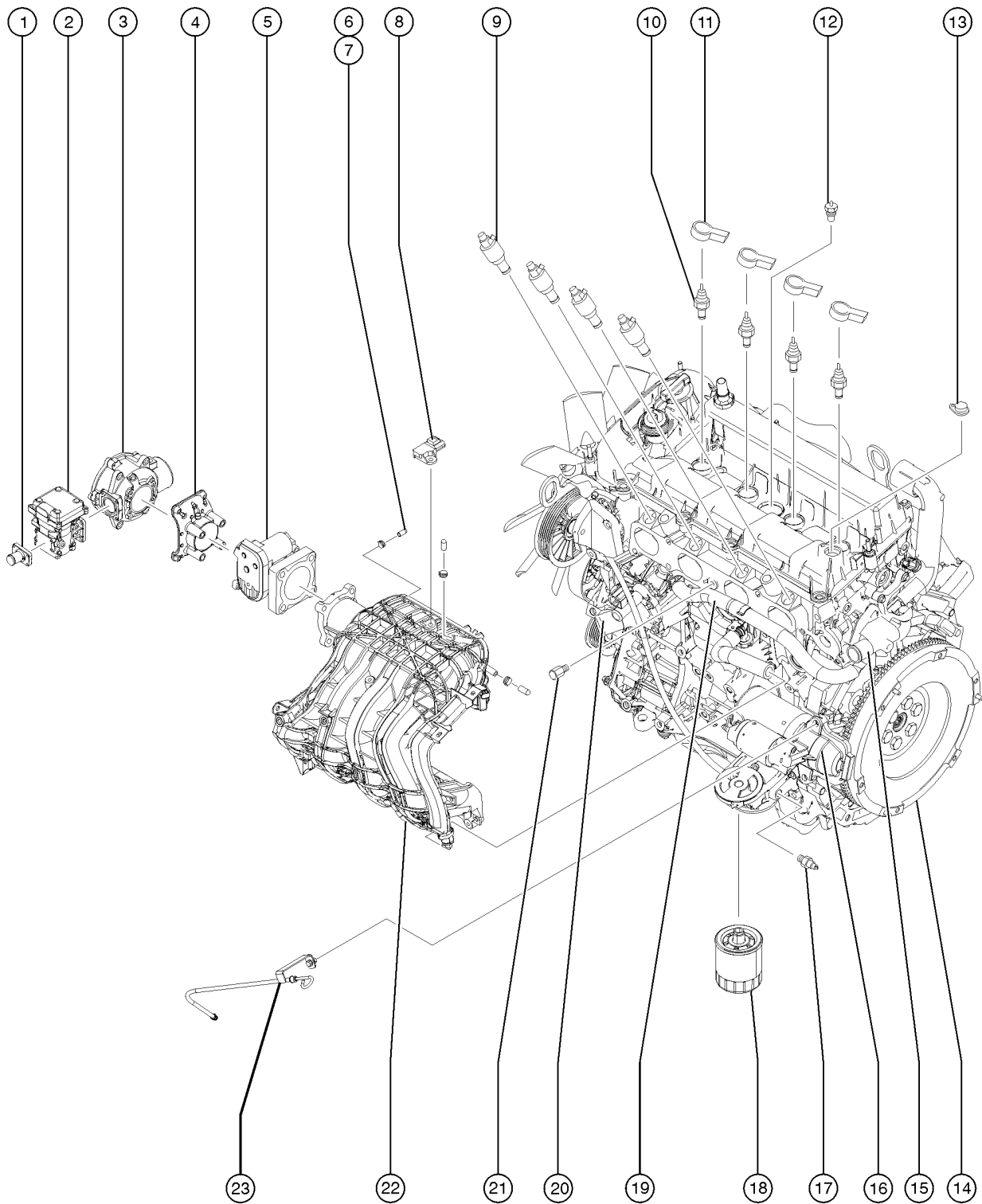
418.1 Deutz TD2.9L4, View 5



Item	Part No.	Description	Qty.
-		Due to Tier 4 regulations, many engine replacement parts require the engine serial number at time of order placement. When ordering engine parts please have both machine and engine serial numbers available. For internal engine parts, contact engine dealer	
1	1256169GT	SCREW,HHC,5/8-11X3.5,8,ZAG	4
2	824123GT	WASHER,FLAT,.625X2.25X.188,ZAG	4
3	1251565GT	WASHER,SHIM,1.56X2.5X.061,ZAG	8
4	1253319GT	NUT,TL FLG,5/8-11,G,ZAG	4
5	1256776GT	SCREW,HHF,M14-2.0X35,DIN6921,10.9,ZAB	5
6	824079GT	SCREW,HHF,1/4-20X1,8,ZAG	2
7	824027GT	NUT,TL FLG,1/4-20,G,ZAG	2
8	1261236GT	ASSY,FUEL FILTER,DEUTZ 2.9	1
8-	214228GT	FILTER, DEUTZ 2.9, FUEL	
8-	1261240GT	CABLE,WIF SENSOR,DEUTZ 2.9	
9	824092GT	SCREW, HHF, 3/8-16 X 1.5, 8, ZAG	4
10	824029GT	NUT,TL FLG,3/8-16,G,ZAG	4
11	1257961GT	WELDMENT, FUEL FILTER BRACKET	1
12	236259GT	LIFT PUMP,FUEL,DEUTZ	1
13	236260GT	FILTER, FUEL PRE-FILTER, SPIN-ON, DEUTZ	1
14	1251567GT	SCREW,PHPM SEMS ET,10-24X.75,ZAG	4
15	1256467GT	NUT,TL FLG,10-24,F,ZAG	4
16	1261920GT	FORMING, MOUNT, ENGINE, REAR	1
17	102045GT	ISOLATOR,ENGINE VIBRATION	4
18		Ref. Engine Tray	
		refer to 423.1	
19	1262833GT	FORMING, ENGINE MOUNT, LH	1
20	1262832GT	FORMING, ENGINE MOUNT, RH	1

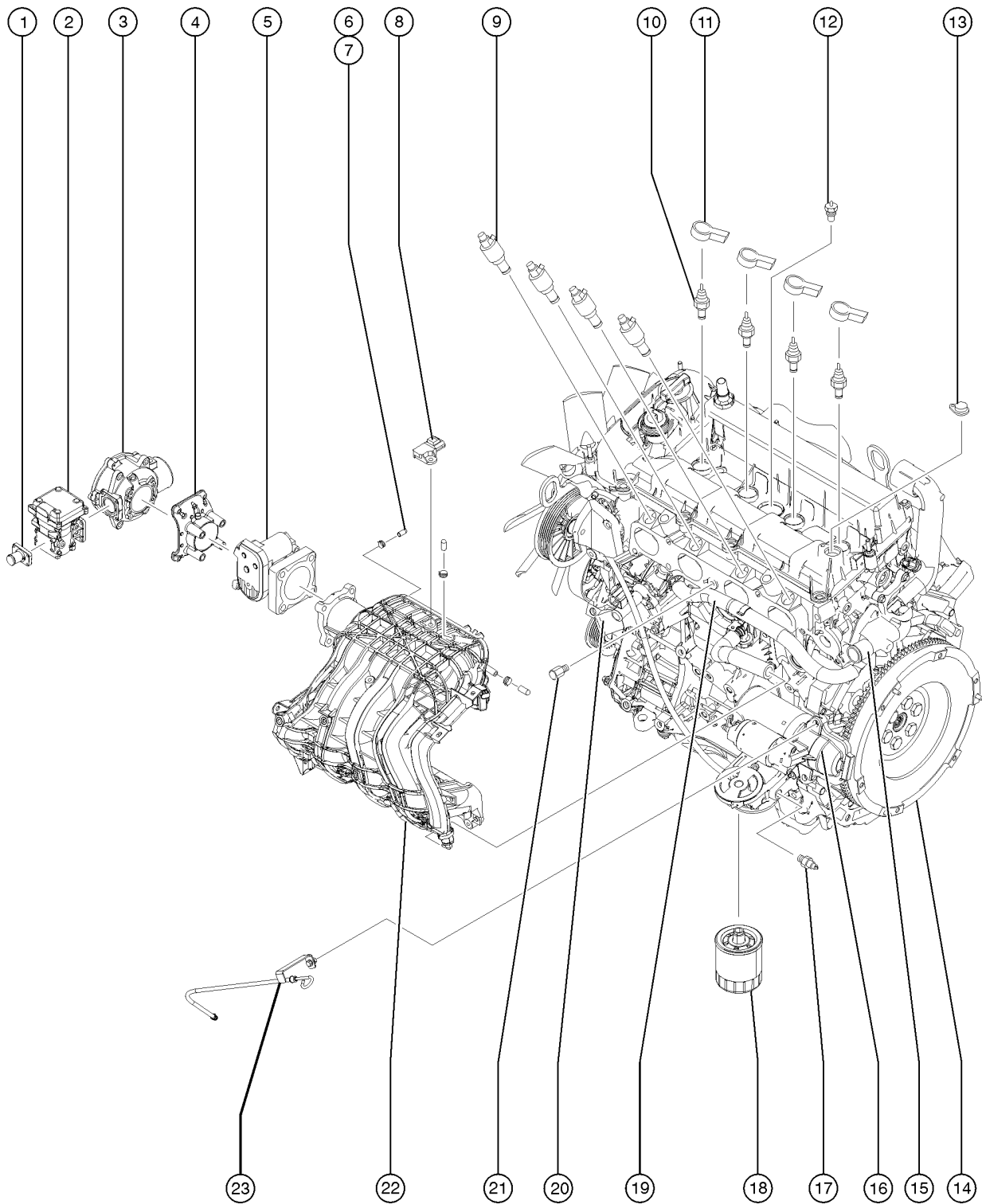


419.1 Ford MSG-425, View 1



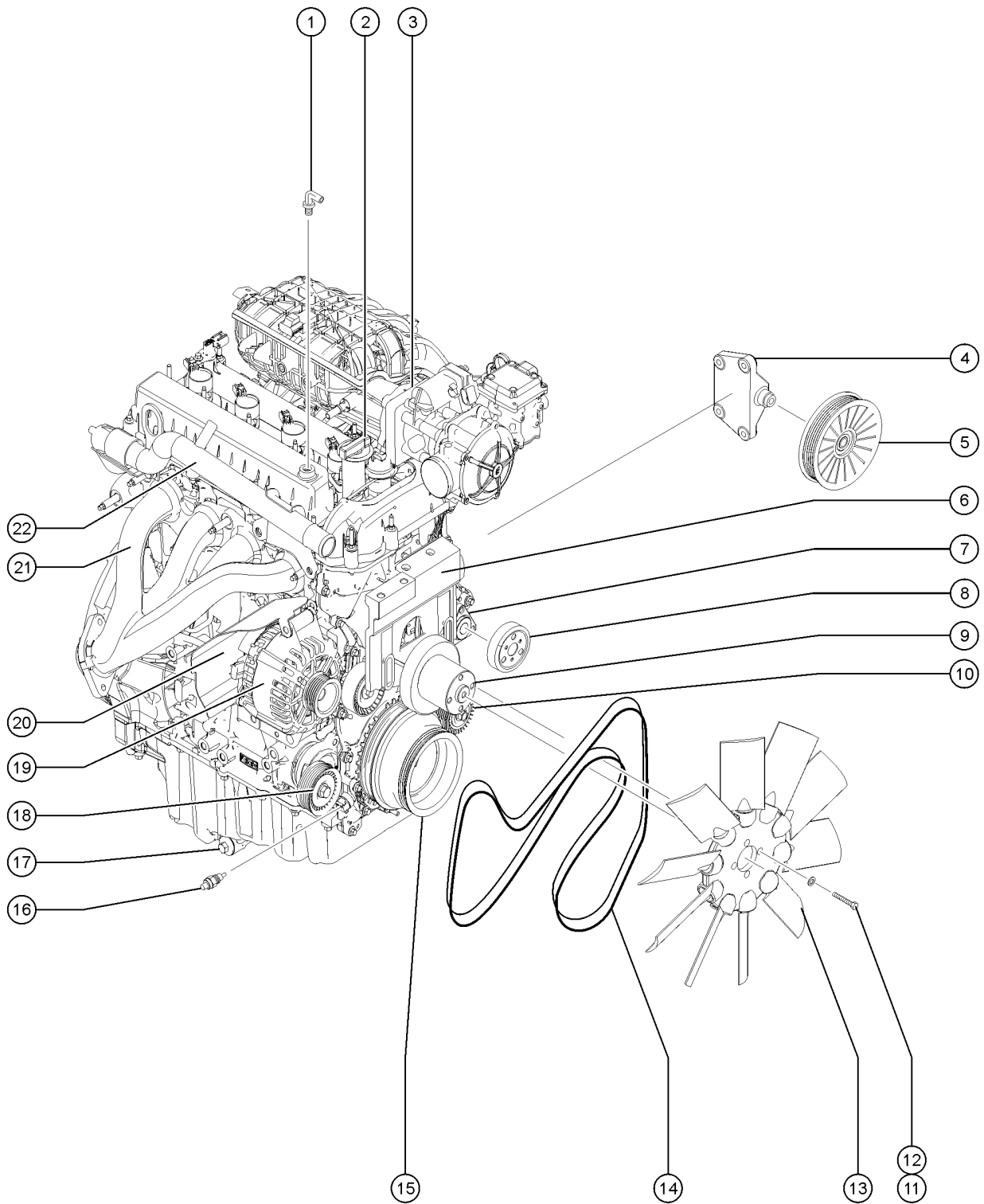
Item	Part No.	Description	Qty.
A	128165GT	RELAY,PWR/FUEL,FORD DSG423	
B	128166GT	RELAY,STARTER,FORD DSG/MSG	
C	215295GT	SOLENOID, VAR. TIM, MSG425	
1	215285GT	FITTING, DEPR LP, MSG425	1
		(sold seperately) (for 215284)	
2	215284GT	REGULATOR,LP PRESSURE,MSG425	1
2-	215286GT	FITTING, DEPR COOLANT, MSG425	
		(sold seperately) (for 215284)	
3	215280GT	MIXER, MSG425	1
3-	1313038GT	INLET SEAL, MIXER, MSG425 (215280)	
3-	1313039GT	O-RING, MIXER, MSG425 (215280)	
3-	1313040GT	QUAD RING, MIXER, MSG425 (215280)	
3-	119546GT	KIT,FITTING,REGULATOR DSG-423	
		for 215280	
3-	215281GT	O-RING, SMOOTH, MSG425	
3-	215282GT	O-RING, RIBBED, MSG425	
4	215283GT	ADAPTER, MIXER/THRO, MSG425	1
5	88451GT	THROTTLE ACTUATOR*(BOSCH)	1
5-	88452GT	GASKET,THROTTLE ACTUATOR***	
6	217820GT	CAP, INT. MFLD. VAC, MSG425	2
7	119568GT	CLAMP,SPRING,1/2"	3
8	119475GT	MAP SENSOR, DSG-423	1
8-	119965GT	COVER,DUST,IDLER,FORD DSG423	
9	215299GT	INJECTOR, FUEL, MSG425	4
10	215287GT	SPARK PLUG, MSG425	4
11	215314GT	COIL ASSY, MSG425	4
12	215300GT	SENSOR, CYL. HEAD TEMP, MSG425	1
13	215308GT	SENSOR, CAM POS, MSG425	1
14	215278GT	FLYWHEEL ASSY, MSG425	1
15	215275GT	ADAPTER, WATER CONN, MSG425	1
16	1264894GT	KIT, HD STARTER INSTALL, MSG-4	1

419.1 Ford MSG-425, View 1



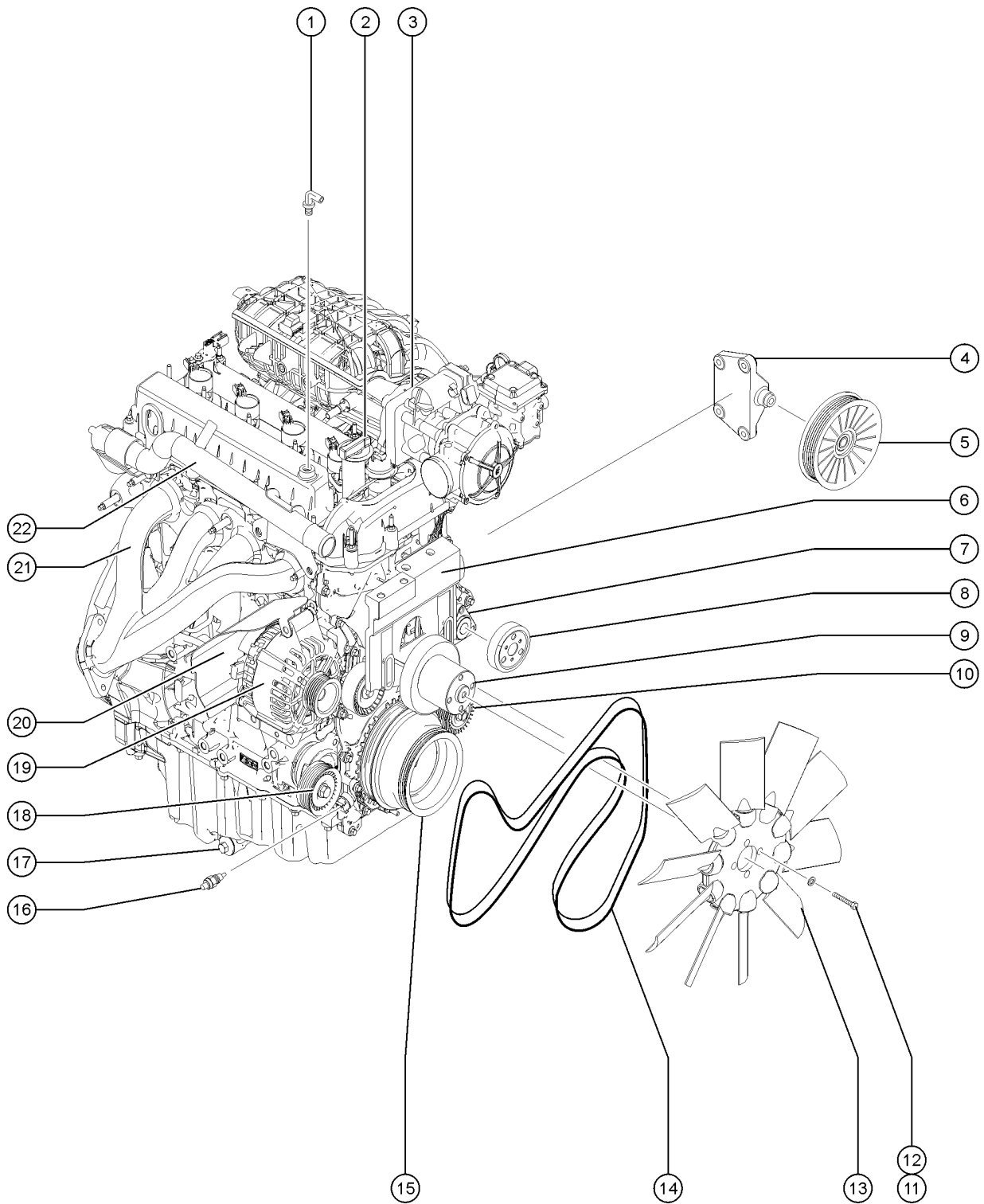
<i>Item</i>	<i>Part No.</i>	<i>Description</i>	<i>Qty.</i>
16-	128166GT	RELAY,STARTER,FORD DSG/MSG	
16-	217823GT	STARTER PLUG SEAL, MSG425	
17	215301GT	SWITCH, OIL PRES, MSG425	1
18	119139GT	OIL FILTER,DSG-423	1
18A	1277968GT	SEPERATOR ASSY,OIL,FORD MSG	1
19	215302GT	HOSE, COOLANT BYPASS, MSG425	1
20	215310GT	THERMOSTAT W/HOUSING, MSG425	1
21	215309GT	SENSOR, KNOCK, MSG425	1
22	215305GT	INTAKE MANIFOLD, MSG425	1
22A	1277969GT	GASKET,INTAKE MANIFOLD,MSG 425 for 215305	1
23	220229GT	KIT, DIPSTICK, MSG425	1
23-	220230GT	DIPSTICK, MSG425	
23-	220231GT	O-RING,DIPSTICK,MSG425	
23-	238359GT	WDMT,DIPSTICK TUBE,MSG425	
23-	824028GT	NUT,TL FLG,5/16-18,G,ZAG	
23-	1255765GT	SCREW,HHF,5/16-18X.5,8,ZAG	

420.1 Ford MSG-425. View 2



Item	Part No.	Description	Qty.
1	119474GT	VALVE,PCV FORD DSG-423	1
1-	75631GT	HOSE,AIR 3/8	
2	58632GT	CAP,OIL FILLER,FORD DSG 423	1
3	215279GT	PLATE, INT. MFLD ADAP, MSG425	
4	119477GT	IDLER BRACKET	1
5	215298GT	UPPER IDLER PULLEY, MSG425	1
6	1283575GT	KIT,FAN SUPPORT RETRO,FORD MSG For first time replacement	1
6-	1283571GT	BRACKET,FAN,FORD MSG included in kit 1283575GT	1
6-	1283572GT	BRACKET,IDLER,FORD MSG included in kit 1283575GT	1
6-	1283573GT	BOLT, BRACKET, SUPPORT,FORD MSG included in kit 1283575GT	2
6-	1283574GT	SCREW,HHC,M8X1.25.80 included in kit 1283575GT	1
7	215288GT	WATER PUMP, MSG425	1
8	215289GT	WATER PUMP PULLEY, MSG425	1
9	1283575GT	KIT,FAN SUPPORT RETRO,FORD MSG For first time replacement (refer to item 6)	1
10	215313GT	LOWER IDLER PULLEY, MSG425	1
11	32309GT	SCREW,HHC,M8 X 60MM X 1.25	
12	49408GT	WASHER, LOCK, M8	
13	215269GT	FAN, MSG425	1
14A	215291GT	BELT, FEAD, MSG425 shown	1
14B	215274GT	FAN DRIVE BELT, MSG425 fan belt (not shown)	
15	215273GT	CRANK PULLEY, EXT, MSG425	1
16	215307GT	SENSOR, CRANK POS, MSG425	1
17	215311GT	PLUG, OIL DRAIN, MSG425	1
18	215290GT	PULLEY/TENSIONER, MSG425	1
19A	119140GT	ALTERNATOR,FORD DSG423,MSG425 gas/LPS engine only	1
19A-	217824GT	CHARGE WIRE, MSG425	
19B	1253749GT	ALTERNATOR, MSG425 LPS LPS engine only	1
20A	227309GT	HEAT SHIELD,ALTERNATOR,FORD	1

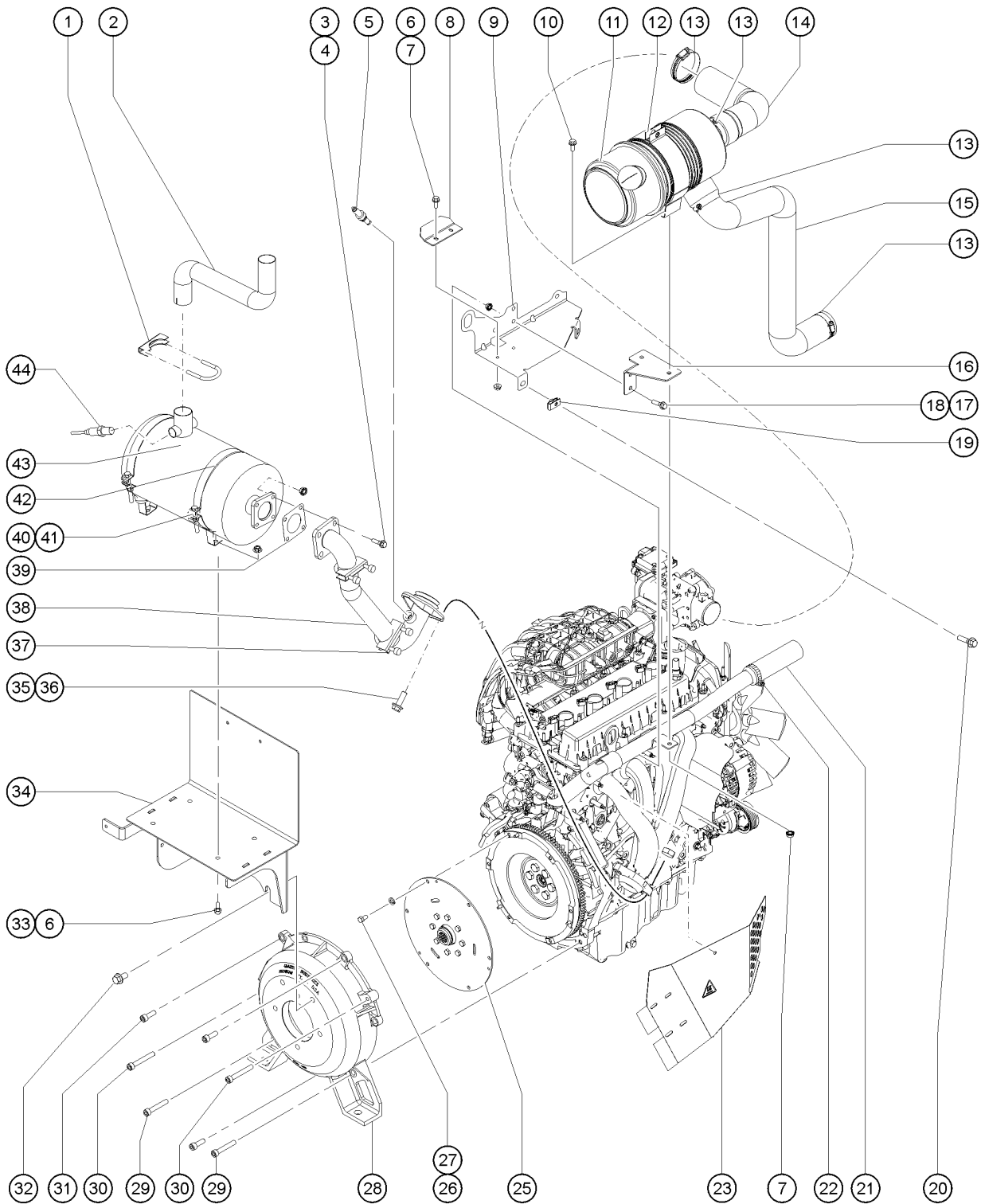
420.1 Ford MSG-425. View 2



<i>Item</i>	<i>Part No.</i>	<i>Description</i>	<i>Qty.</i>
20B	1253608GT	HEAT SHIELD,ALT,MSG425 LPS	1
21	215276GT	EXHAUST MANIFOLD, MSG425	1
21-	215277GT	GASKET, MSG425	1
21-	217822GT	NUT, EXH. MANIFOLD, MSG425	
21-	823816GT	GASKET,EXHAUST,FORD MSG	
22	236373GT	PIPE,COOLANT RETURN, MSG425	1



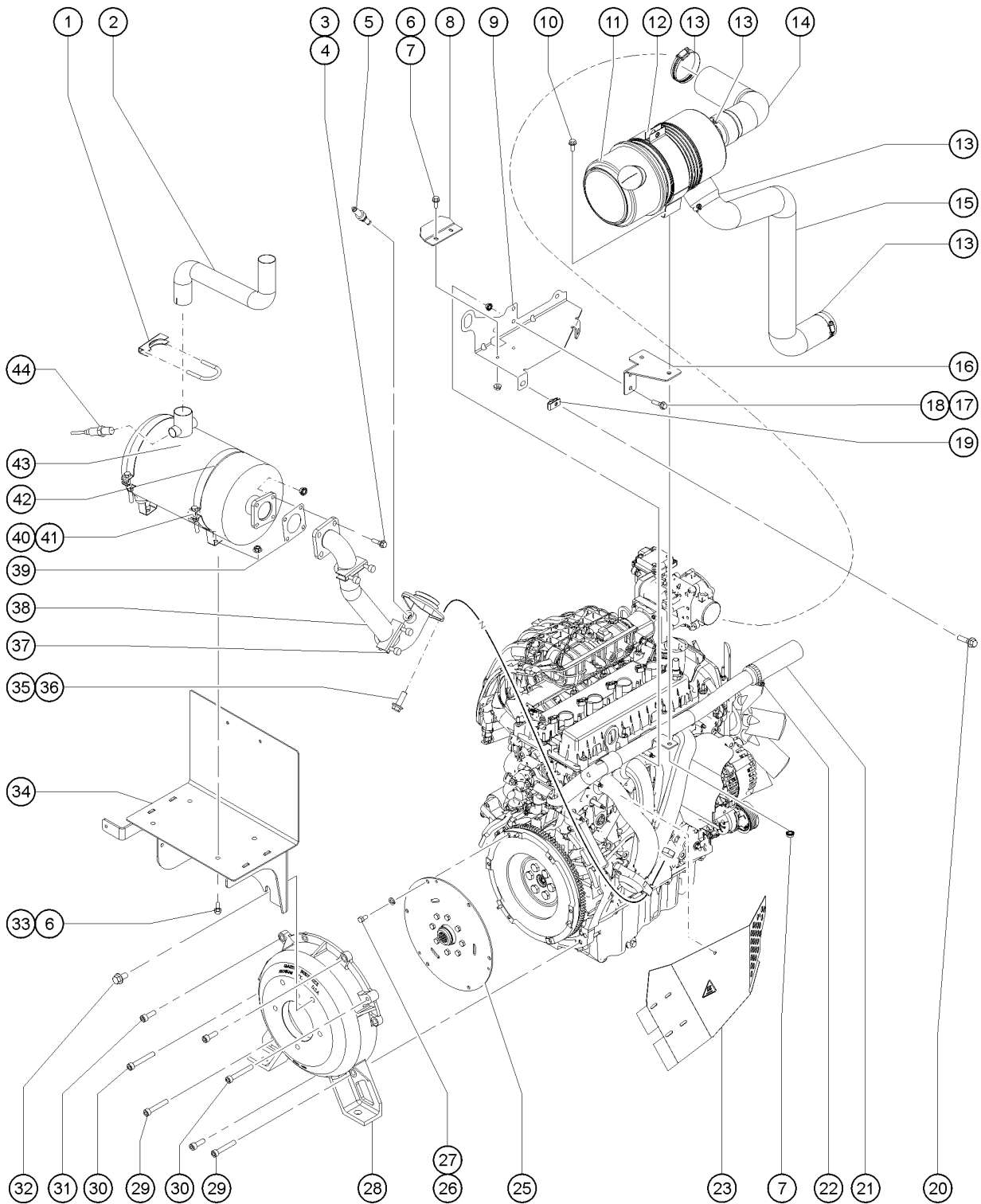
421.1 Ford MSG-425, View 3



Item	Part No.	Description	Qty.
1	102121GT	CLAMP,MUFFLER,1-7/8 IN.	1
2	825553GT	TAILPIPE,FORD MSG425	1
3	824087GT	SCREW, HHF, 5/16-18 X 1.25, 8, ZAG	
4	1255805GT	NUT,SERRATED,5/16-18,8,ZAG	
5	215320GT	SENSOR, O2, MSG425	1
6	824085GT	SCREW,HHF,5/16-18X.75,8,ZAG	
7	1255805GT	NUT,SERRATED,5/16-18,8,ZAG	
8	218742GT	FORMING,MFLD GUARD,MSG425	1
9	218668GT	FORMING, HEAT SHIELD MOUNT	1
10	824085GT	SCREW,HHF,5/16-18X.75,8,ZAG	
11	111634GT	AIR CLEANER,FORD,T3	1
11-	227988GT	VACUATOR VALVE	
11-	77295GT	FILTER ELEMENT,AIR,NOLFF LPG	
11-	58247GT	AIR CLEANER CAP/ FORD/NOLFF***	
11-	1277991GT	CLIP,AIR CLEANER COVER (58247) for 58247	
11-	38922GT	ELBOW,90DEG.1/8MPT-5/16 BARB	
12	53952GT	BRKT,AIR CLEANER ORIENTATION**	1
13	45435GT	CLAMP,HOSE,2.50"	4
14	237146GT	HOSE, CLEAN AIR, MSG425	1
15	235659GT	HOSE, RAW AIR, MSG425	1
16	216367GT	REF. FORMING,AIR CLEANER MOUNT	1
17	824089GT	SCREW,HHF,3/8-16X.75,8,ZAG	
18	824038GT	NUT,TL JAM,3/8-16,A,ZAG	
19	56912GT	SPRING CLIP,1/4-20,.025-.15X.5	
20	824079GT	SCREW,HHF,1/4-20X1,8,ZAG	
21	236338GT	HOSE, UPPER RADIATOR, MSG425	1
22	119053GT	CLAMP,HOSE,1.50	1
23	160541GT	WDMT, HEAT SHIELD, MSG425	1

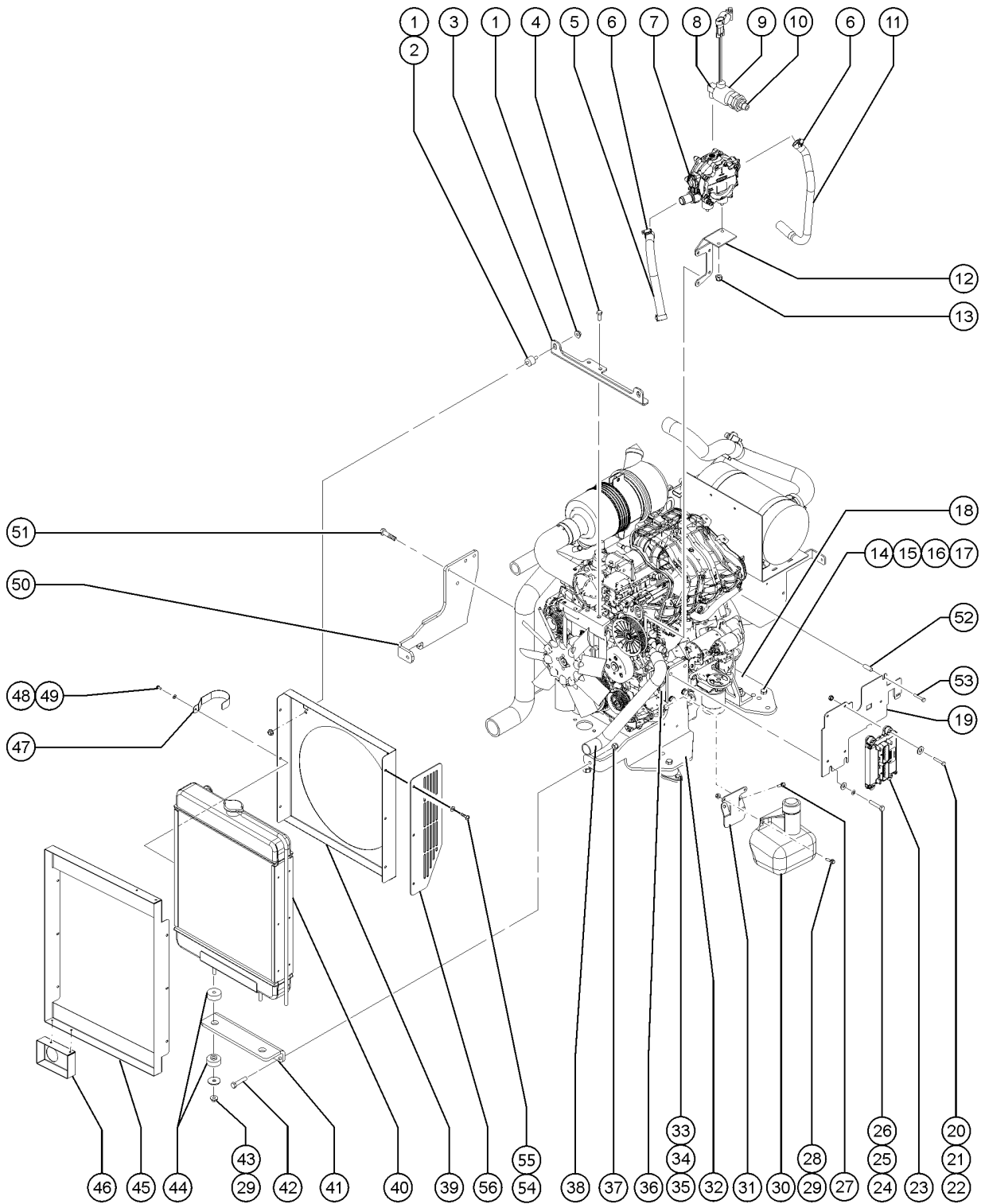


421.1 Ford MSG-425, View 3



<i>Item</i>	<i>Part No.</i>	<i>Description</i>	<i>Qty.</i>
25	214446GT	COUPLER,15T,FBA,SAE 8,MSG425	1
26	49378GT	SCREW,HHC,M8 X 16	
27	6021GT	WASHER,LOCK,.375	
28	119052GT	PUMP MOUNT,FORD DSG423	1
29	111748GT	SCREW,SHC,M10X1.5 X 60 GR8.8	2
30	215544GT	SHCS, M10-1.5X70MM, CL12.9	2
31	61110GT	SCREW,SHC,M10X1.5X30 GR 12.9	3
32	237830GT	SCREW,HHF,1/2-13X1,8,ZAG	
33	1255805GT	NUT,SERRATED,5/16-18,8,ZAG	
34	215707GT	FORMING,CAT MOUNT	1
35	232874GT	SCREW, HHF, M10-1.5X30,DIN6921	
36	231529GT	NUT,TL FLG,M10-1.5,DIN6927,10,	
37	32064GT	CLAMP,MUFFLER,1.75 INCH	2
38	218576GT	WDMT,HEADER PIPE,MSG425	1
39	72343GT	GASKET,EXH FLANGE-FORD/PERKINS	1
40	824094GT	SCREW,HHF,3/8-16X2.75,8,ZAG	2
41	824029GT	NUT,TL FLG,3/8-16,G,ZAG	
42	119051GT	MOUNTING BAND,MUFFLER,8.0"	2
43	215528GT	WDMT, CAT. MUFFLER, MSG425	1
44	139610GT	SENSOR,AIR,CAT MONITOR	1

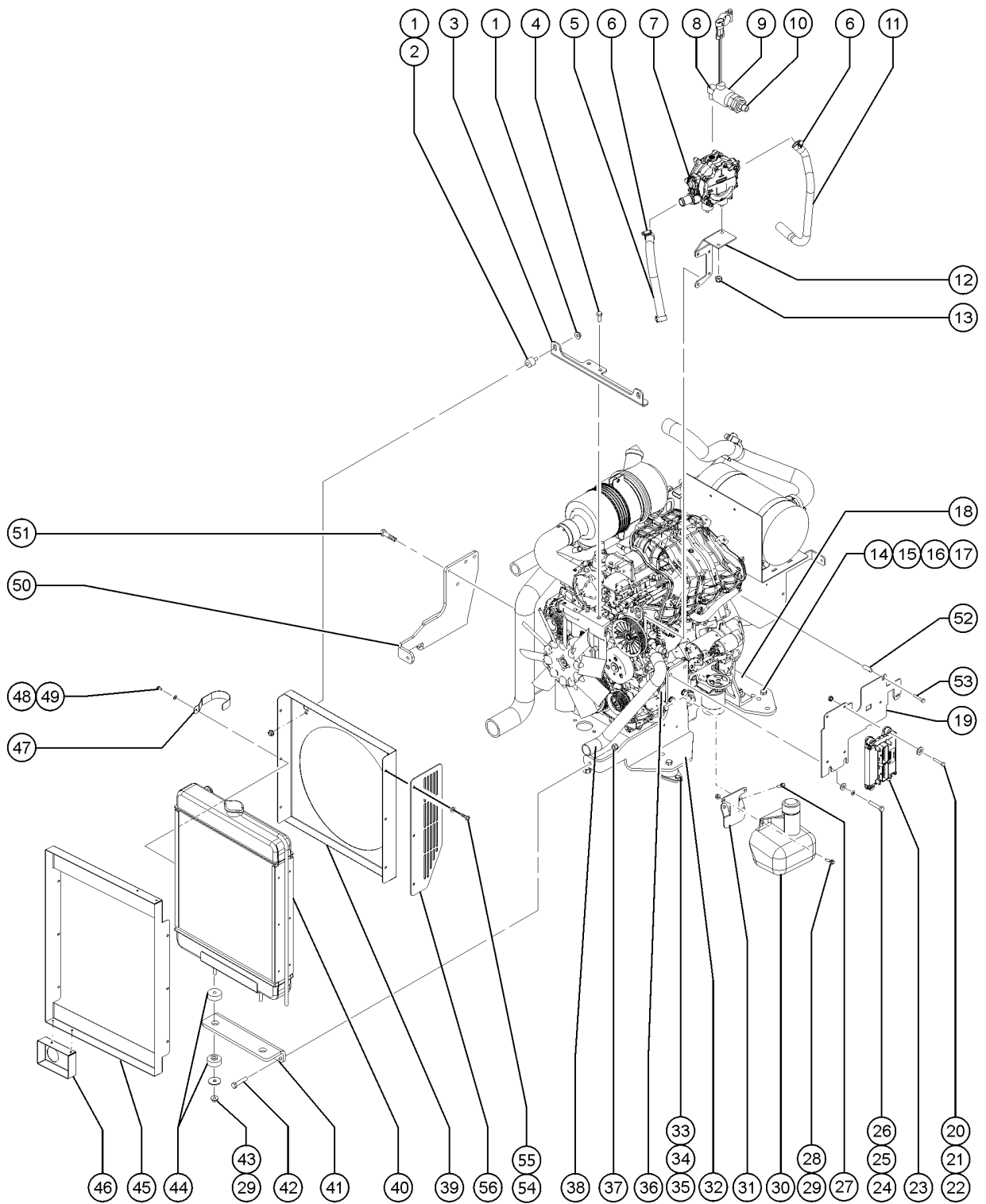
422.1 Ford MSG-425, View 4



Item	Part No.	Description	Qty.
1	1255805GT	NUT,SERRATED,5/16-18,8,ZAG	2
2	219437GT	ISOLATOR,VIBRATION	2
3	237780GT	FORMING, RAD SUPPORT, MSG425	1
4	824132GT	SCREW,HHF,M8-1.25X20,DIN6921,10.9,ZAB	
5	102119GT	HOSE,3/4,LP	1
6	46131GT	CLAMP,HOSE,.63" - 1.0" X .5"	4
7	215316GT	REGULATOR, LP, MSG425	1
7-	219477GT	ISOLATOR, DEPR	
7A	1276926GT	HOSE ASSEMBLY, LP GAS	
7A-	73599GT	CAP,PROT.,RED,1.38ID X .75 DP for 1276926	
8	119824GT	ELBOW,90DEG,5502-04-04-B	1
9	27010GT	VALVE,LOCK OFF,BEAM #FL-418	1
10	19358GT	CONNECTOR,010102-6-4	10
11	236340GT	HOSE, COOLANT, VAP, MSG425	1
12	236423GT	FORMING, LP REG MOUNT, MSG425	1
13	237832GT	NUT,TL,FLG,M8-1.25,DIN6927,10,	
14	1295334GT	TERM QC TAB - #8 RING, .250, 45 DEG, BRASS	
15	1255760GT	WASHER,FLAT,1/2,USS,ZAG	
16	1256283GT	FORMING, SWING FUEL MOUNT	
17	1251997GT	NUT,TL FLG,1/2-13,G,ZAG	
18	236422GT	ENGINE MOUNT, REAR, MSG425	1
19A	1287236GT	BRACKET ASSY, ECU MOUNT, FORD to SN 742	1
19B	236425GT	FORMING, ECU MOUNT, MSG425 (from SN 743)	
20	825358GT	WASHER,FLAT,5/16,USS,ZAG	
21	1255758GT	WASHER,FLAT,3/8,USS,ZAG	
22	824024GT	NUT,TL,1/4-20,C,ZAG	
23	215317GT	CONTROL MODULE, MSG425 original ECM; component no longer available limited inventory on hand	1
23B	1294827GT	CONTROL MODULE, MSG425 replacement ECM	1

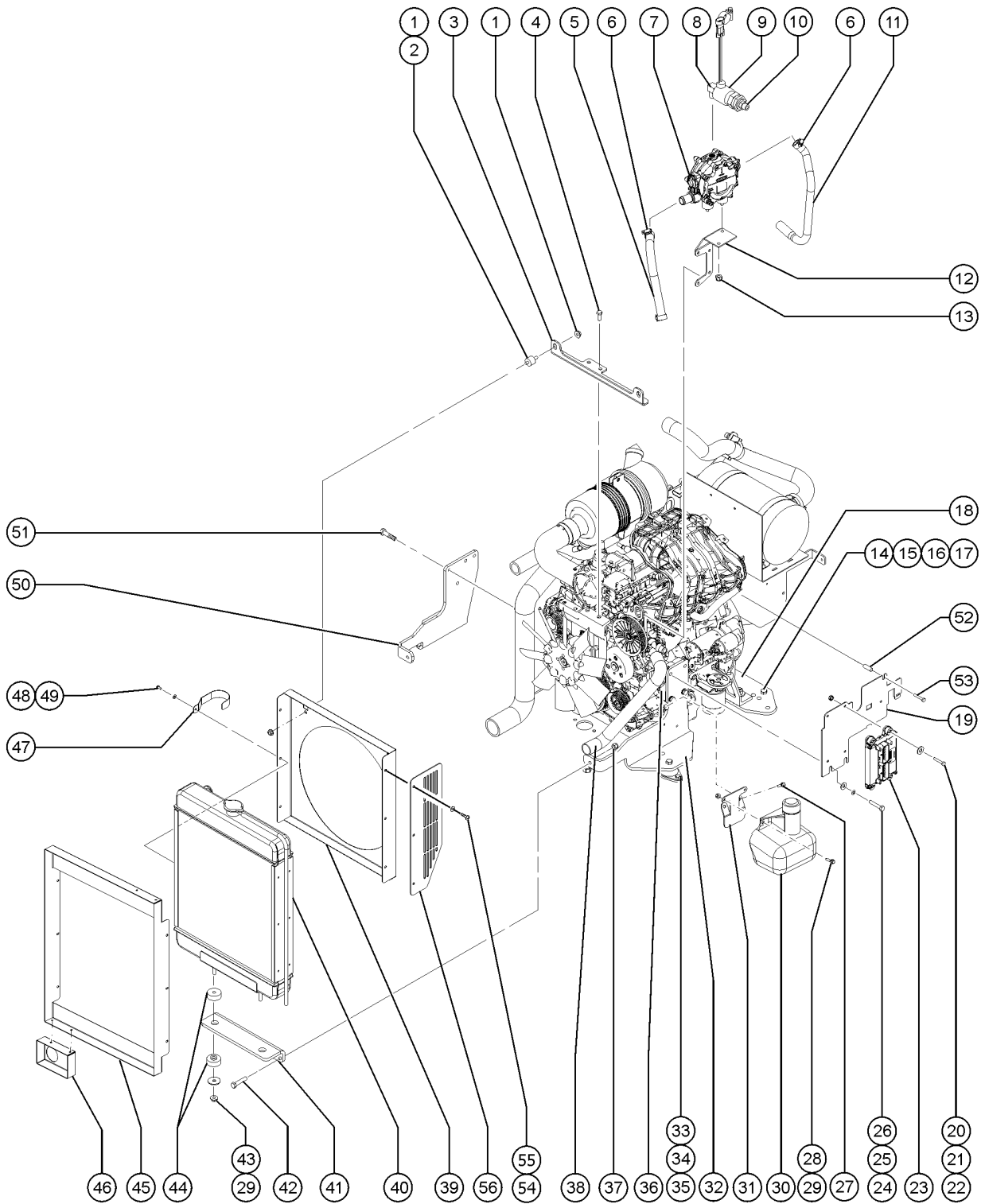


422.1 Ford MSG-425, View 4



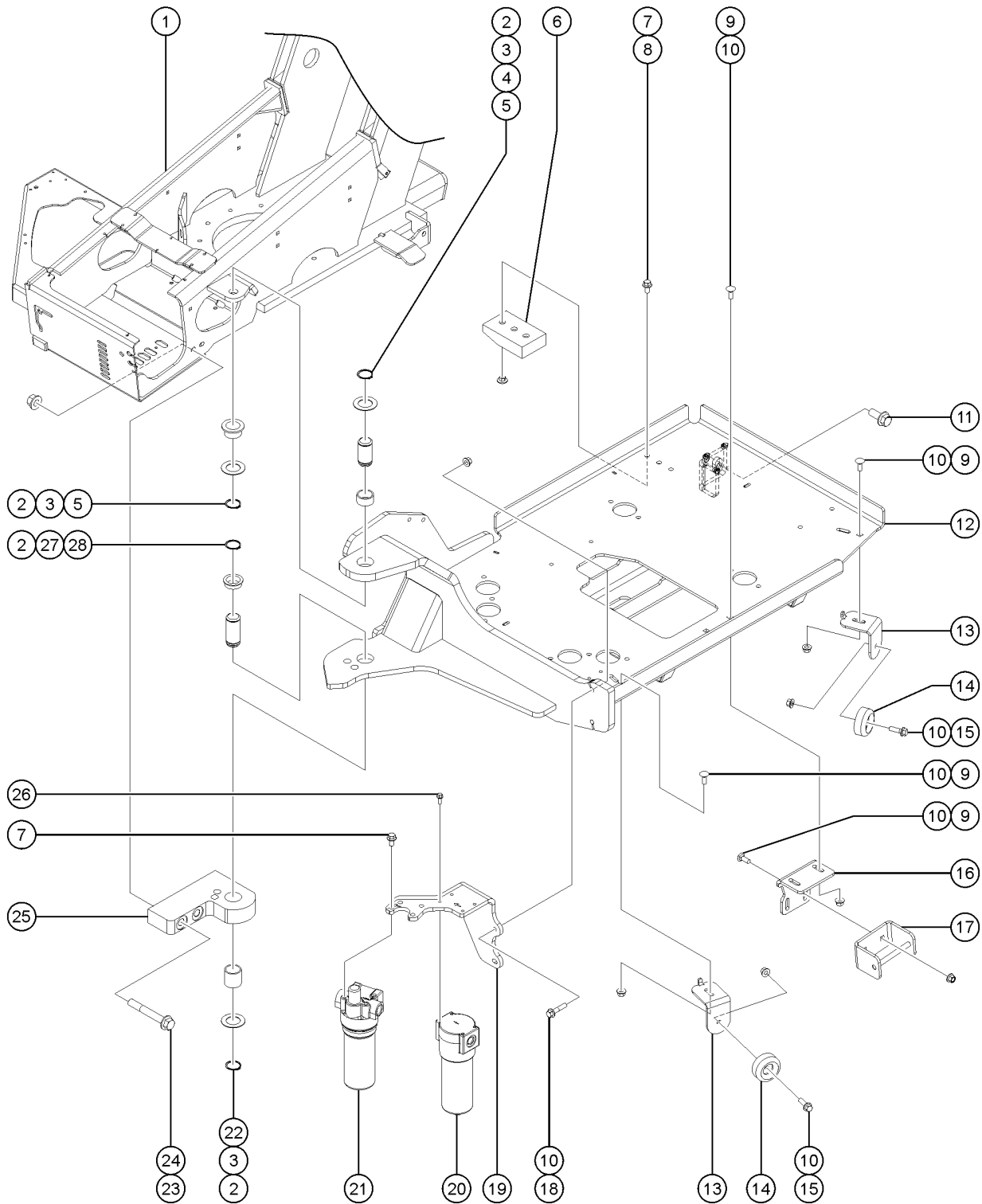
<i>Item</i>	<i>Part No.</i>	<i>Description</i>	<i>Qty.</i>
24	824081GT	SCREW,HHF,1/4-20X1.5,8,ZAG	
25	22700GT	WASHER,LOCK,M10	8
26	824027GT	NUT,TL FLG,1/4-20,G,ZAG	4
27	824133GT	SCREW,HHF,M8-1.25X25,DIN6921,1	8
28	824079GT	SCREW,HHF,1/4-20X1,8,ZAG	8
29	824029GT	NUT,TL FLG,3/8-16,G,ZAG	1
30	42662GT	COOLANT RECOVERY BOTTLE1.5 QT*	1
30-	72284GT	CAP,COOLANT RECOV.BOTTLE	1
31	1260060GT	FORMING, COOLANT BOTTLE MT.	1
32	236420GT	ENGINE MOUNT, LEFT, MSG425	1
33	70452GT	NUT,NYLOCK FLG,3/8-16,F,ZAG	4
34	824090GT	SCREW,HHF,3/8-16X1,8,ZAG	
35	824029GT	NUT,TL FLG,3/8-16,G,ZAG	
36	110477GT	PLATE,ENGINE SUPPORT SPACER	1
37	216019GT	WDMT, SHROUD INT, S60 MSG425	1
38	236339GT	HOSE, LOWER RADIATOR, MSG425	1
39	236364GT	FAN SHROUD, MSG425	1
40A	110406GT	RADIATOR,FORD DSG423 & MSG425	1
40B	65473GT	CAP,RADIATOR,PERKINS/FORD	
40C	119073GT	HOSE,COOLANT,REG INTAKE	
41	110417PGT	FORMING,RADIATOR SUPPORT,PNTD	1
42	824092GT	SCREW, HHF, 3/8-16 X 1.5, 8, ZAG	
43	824120GT	WASHER,FLAT, .375X1.50X.125,ZAG	
44	24038GT	SCREW, HHF, 3/8-16 X .75, 8, ZAG	4
45	235660GT	FORMING,RADIATOR SHROUD	1
45-	219992GT	TRIM, SEAL, RADIATOR SHROUD	93
46	219181GT	WELDMENT, INTAKE BOX	1
47	237385GT	HOSE HANGER, MSG425	2

422.1 Ford MSG-425, View 4



<i>Item</i>	<i>Part No.</i>	<i>Description</i>	<i>Qty.</i>
48	824220GT	SCREW,PHPM SEMS ET,10-24X.5,ZA	
49	1253185GT	WASHER,FLAT,#10,USS,ZAG	
50	236421GT	ENGINE MOUNT, RIGHT, MSG425	1
51	232874GT	SCREW, HHF, M10-1.5X30,DIN6921	
52	215421GT	SPACER, ECU, MSG425	2
53	1258771GT	SCREW,HHF,M8-1.25X60,DIN6921,10.9,ZAB	2
54	824220GT	SCREW,PHPM SEMS ET,10-24X.5,ZA	3
55	1253185GT	WASHER,FLAT,#10,USS,ZAG	3
56	110932GT	PLATE,FAN GUARD	1

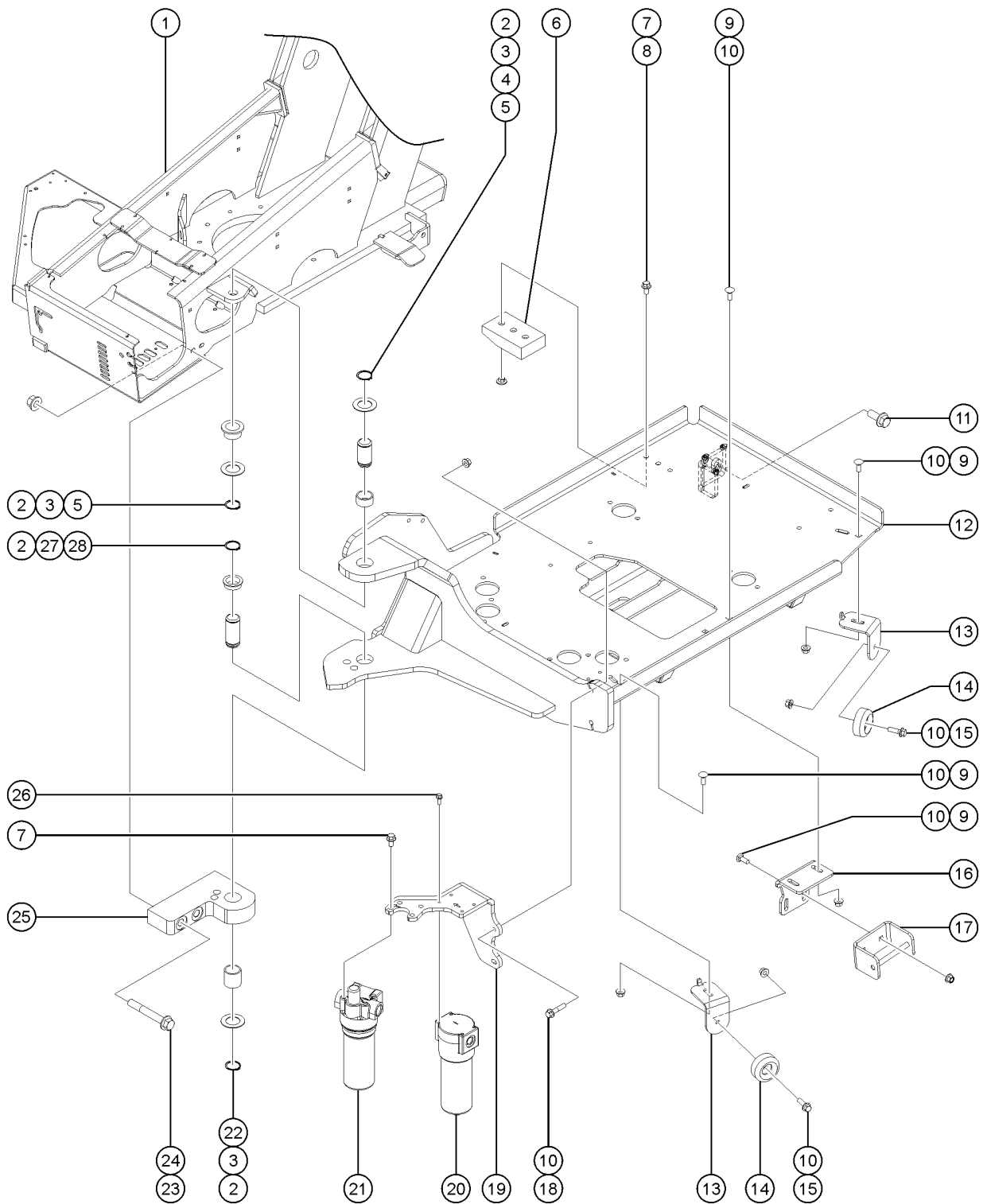
423.1 Engine Tray Components



423.1 Engine Tray Components

Item	Part No.	Description	Qty.
1		SWING CHASSIS (consult factory to order)	
2	824164GT	SNAP RING,EXTERNAL,1.25,ZAG	4
3	824151GT	WASHER,SHIM,1.270X2.130X.062,Z	3
4	825953GT	PIN,1.25DIA X2.5LG,2RING,CHAMF	1
5	51193GT	BEARING,FL,1.50ID X1.25OD X0.90L	1
6	81522GT	WEAR PAD,ENGINE TRAY	5
6A	34344GT	SHIM,SIDE PAD 16GA. 3 X 5 as needed	
7	824089GT	SCREW,HHF,3/8-16X.75,8,ZAG	1
8	48425GT	NUT,FLG-LRG,3/8-16,YZ	1
9	824125GT	BOLT,CARRIAGE,3/8-16X1.5,ZAG	6
10	824029GT	NUT,TL FLG,3/8-16,G,ZAG	10
11	1253208GT	SCREW,HHF,5/8-11X1.5,8,ZAG	1
12	824500GT	WELDMENT,ENGINE TRAY	1
13	826587GT	FORMING,COVER STOP MOUNT	2
14	50974GT	BUMPER,RUBBER,COVERS	2
15	824091GT	SCREW,HHF,3/8-16X1.25,8,ZAG	2
16	826588GT	FORMING,STRIKER	1
17	1255832GT	WELDMENT, LATCH STRIKER	1
18	824093GT	SCREW,HHF,3/8-16X1.75,8,ZAG	2
19	825970GT	FORMING,OIL FILTER MOUNT	1
20A		FILTER ASY,M PRESS,SAE8,WOIND* (77139) (hydraulic) (to sn Z6216N-1797) (component no longer available)	1
20A-	60857GT	FILTER,ELEMENT,BETA(5)=1000 for 77139	
20B	1267807GT	ASSEMBLY, MED. PRESS. FILTER, (hydraulic) (from sn Z6216N-1798)	1
20B-	1268229GT	ELEMENT-5 MIC, PAPER, W/ BYPASS for 1267807	
21	60334GT	FILTER ASSY,HIGH PRESS SAE-12*	1
21-	60857GT	FILTER,ELEMENT,BETA(5)=1000	
21-	58222GT	O-RING,FILTER ASSY (60334)***	
21-	58223GT	SEAL,FILTER ASSY (60334)***	

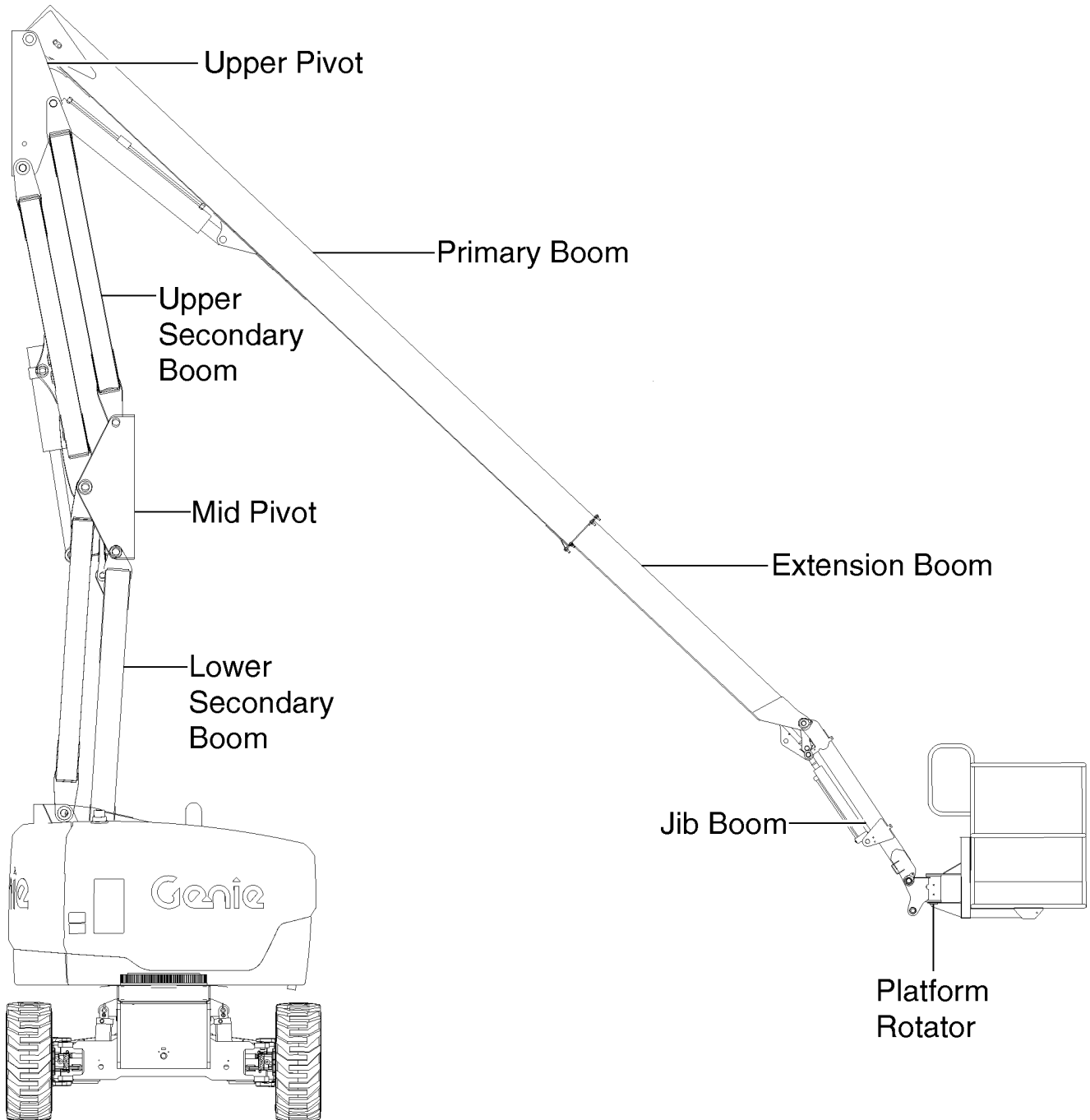
423.1 Engine Tray Components



423.1 Engine Tray Components

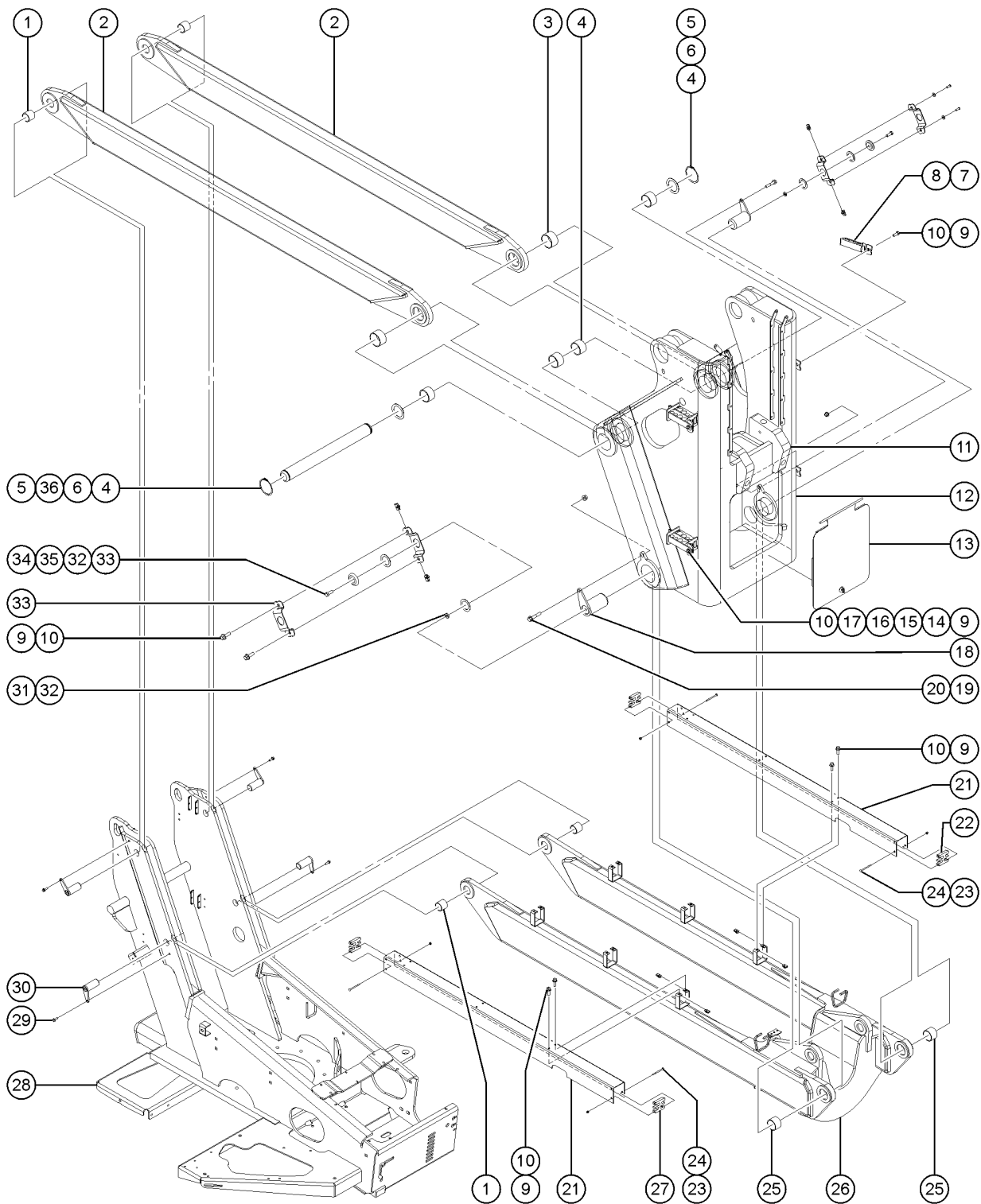
<i>Item</i>	<i>Part No.</i>	<i>Description</i>	<i>Qty.</i>
21-	58380GT	FILTER INDICATOR-(60334)	
22	50560GT	BEARING,1.25IDX1.50ODX1.50L	1
23	824098GT	SCREW,HHF,5/8-11X4.5,8,ZAG	2
24	1253319GT	NUT,TL FLG,5/8-11,G,ZAG	2
25	825230GT	PLATE,ENGINE PIVOT BOTTOM	1
26	824078GT	SCREW,HHF,1/4-20X.75,8,ZAG	4
27	112375GT	BEARING,FL,1.25IDX1.50ODX.44LG	1
28	825954GT	PIN,1.25DIAX3.0LG,2RING,CHAMF	1

500.1 Boom Layout



<i>Item</i>	<i>Part No.</i>	<i>Description</i>	<i>Qty.</i>
1		Lower Secondary Boom refer to 501.1	
2		Mid Pivot refer to 501.1 and 502.1	
3		Upper Secondary Boom refer to 502.1	
4		Upper Pivot refer to 502.1 and 504.1	
5		Primary Boom refer to 504.1 and 505.1	
6		Extension Boom refer to 505.1 and 506.1	
7		Jib Boom refer to 507.1	
8		Platform Rotator refer to 507.1	

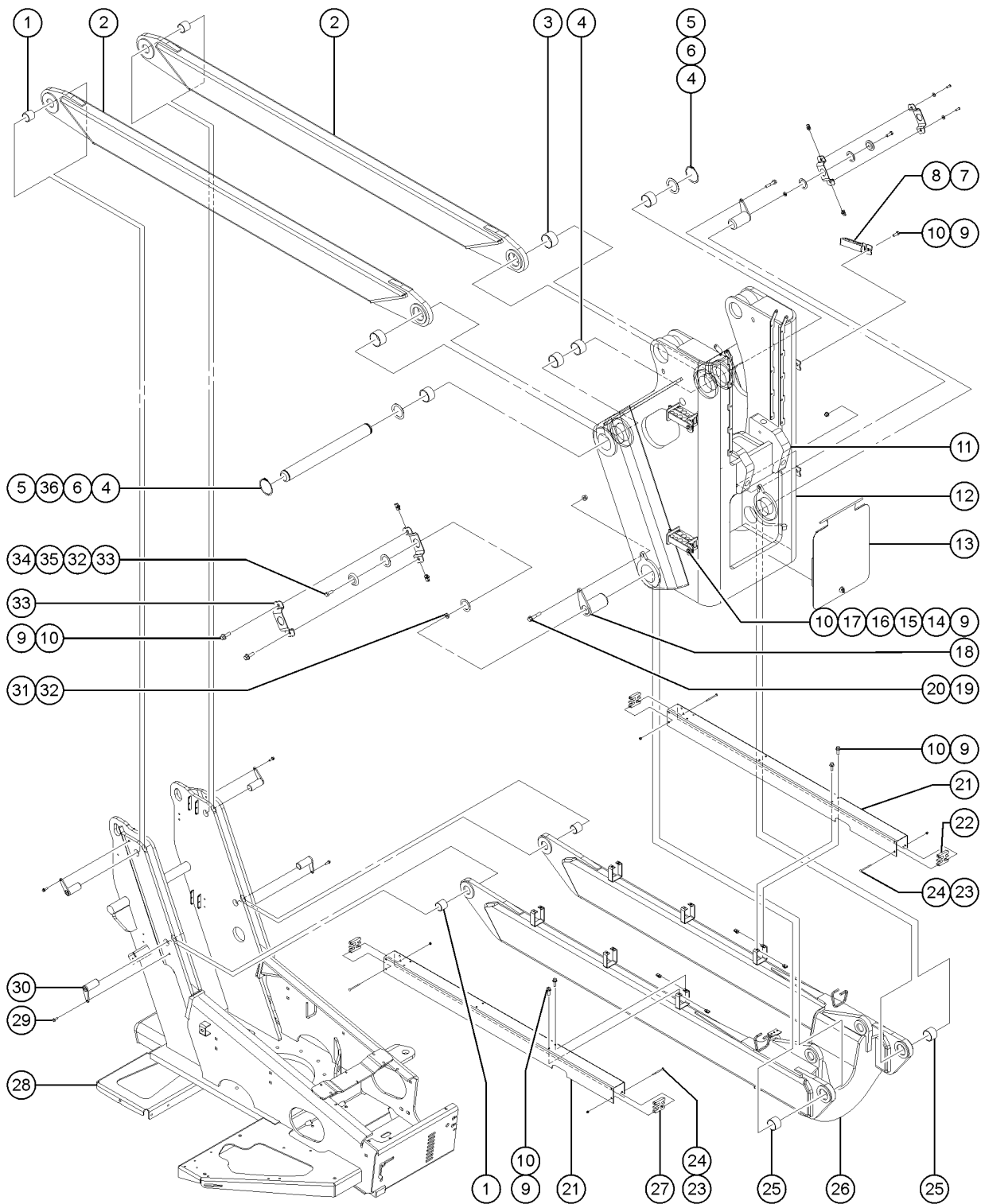
501.1 Secondary Boom and Mid Pivot, View 1 (to SN Z6216N-1682)



501.1 Secondary Boom and Mid Pivot, View 1 (to SN Z6216N-1682)

Item	Part No.	Description	Qty.
1	45071GT	BEARING,1.5IDX1.75ODX1.5L	4
2	824622GT	ASSY,LOWER TENSION ARM,Z62 includes items 1 and 3	2
2-	823650GT	WELDMENT,LOWER TENSION ARM	2
3	27697GT	BEARING,2.50IDX2.75ODX1.50L	2
4	824634GT	BEARING,2.50IDX2.75ODX1.00LG	4
5	825760GT	SNAP RING,EXTERNAL,2.50,ZAG	2
6	1256111GT	WASHER,SHIM,2.5X4X.062,ZAG	2
7	1251493GT	BRACKET, HOSE CLAMP	2
8	1251491GT	CLAMPING BLOCK, CABLE	2
9	824078GT	SCREW,HHF,1/4-20X.75,8,ZAG	
10	56912GT	SPRING CLIP,1/4-20,.025-.15X.5	
11		REF: Boom Rest	2
		refer to 503.1	
12	824623GT	ASSY,MID PIVOT,Z62 includes items 4-19, and 30-35	1
13	1257268GT	ASSY,COVER	1
13-	1257267GT	WELDMENT,COVER	1
13-	214238GT	LATCH,SOUTHCO E3-57-65	1
13-	69773GT	SEAL,RIBBED FOAM,3/8X1/8 PSA**	45
14	1251707GT	BRKT,HOSE CLAMP	4
15	1259835GT	FORMING, HOSE CLAMP BRKT	2
16	1251585GT	CLAMPING BLOCK,HYD	2
17	1251586GT	CLAMPING BLOCK,HYD	2
18	824637GT	WELDMENT,PIN,2.00DIA.X3.375LG	2
19	1253478GT	SCREW,HHF,3/8-16X2,8,ZAG	
20	824029GT	NUT,TL FLG,3/8-16,G,ZAG	
21	826788GT	FORMING,COVER ARMS	2
22	1257293GT	CLAMP-ELECTRICAL	2
23	1256291GT	BOLT,CARRIAGE,1/4-20X3.5,5,ZAG	
24	824027GT	NUT,TL FLG,1/4-20,G,ZAG	

501.1 Secondary Boom and Mid Pivot, View 1 (to SN Z6216N-1682)

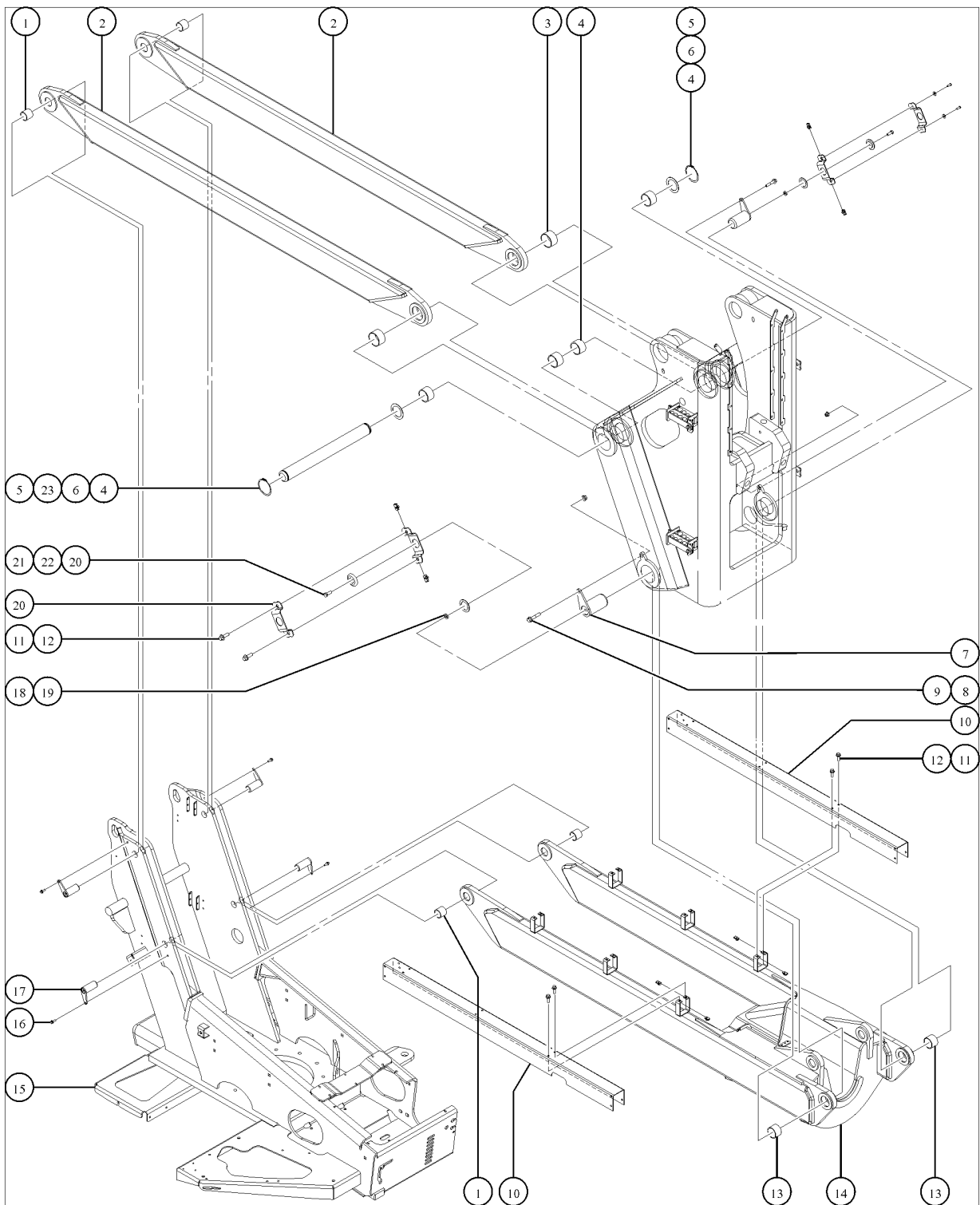


501.1 Secondary Boom and Mid Pivot, View 1 (to SN Z6216N-1682)

<i>Item</i>	<i>Part No.</i>	<i>Description</i>	<i>Qty.</i>
25	18720GT	BEARING,2.0IDX2.25ODX1.50L	2
26	1273053GT	ASSY,LOWER COMPRESSION ARM,Z62	1
26-	1266316GT	MACHINING, LOWER COMP.ARM	1
27	1257292GT	CLAMP-HOSES	2
28		Swing Chassis Assembly consult factory to order	1
29	824078GT	SCREW,HHF,1/4-20X.75,8,ZAG	
30	1254359GT	WELDMENT,PIN,1.5 DIA.X 3.75LG	4
31	1254061GT	SPACER,3/8ID X 3/4OD	2
32	1254060GT	WASHER,UHMW	4
33	1254062GT	CLAMP,GUIDE CABLE	4
34	824067GT	SCREW, HHC, 3/8-16 X 1, 8, ZAG	
35	1254063GT	RETAINER,GUIDE CABLE	2
36	824641GT	PIN,2.50DIAX25.625LG,2RING	1



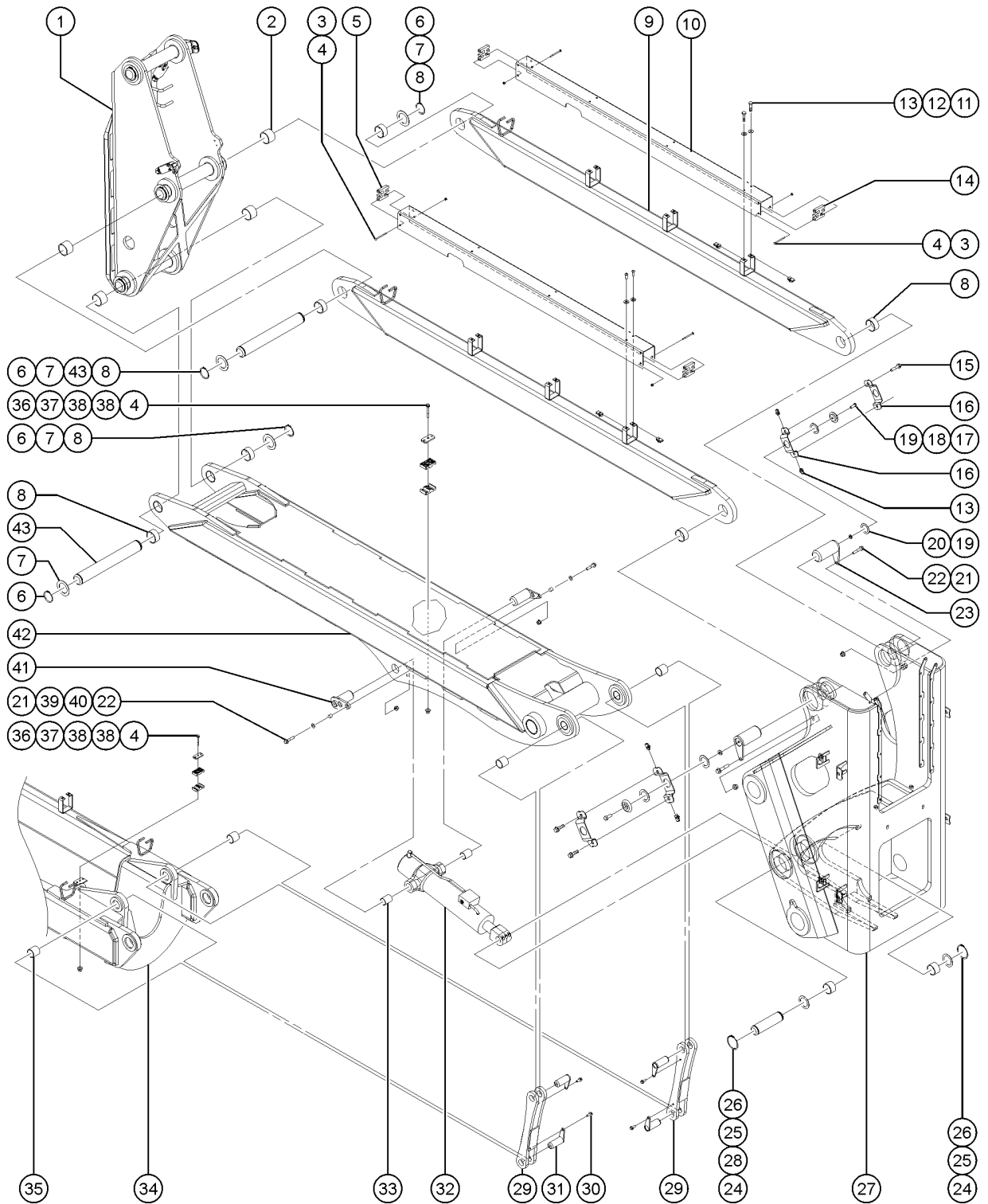
501.2 Secondary Boom and Mid Pivot, View 1 (from SN Z6216N-1683 to Z6216N-2999)



501.2 Secondary Boom and Mid Pivot, View 1 (from SN Z6216N-1683 to Z6216N-2999)

Item	Part No.	Description	Qty.
1	45071GT	BEARING,1.5IDX1.75ODX1.5L	4
2	824622GT	ASSY,LOWER TENSION ARM,Z62 includes items 1 and 3	2
2-	823649GT	MACHINING,LOWER TENSION ARM	
3	27697GT	BEARING,2.50IDX2.75ODX1.50L	2
4	824634GT	BEARING,2.50IDX2.75ODX1.00LG	4
5	825760GT	SNAP RING,EXTERNAL,2.50,ZAG	2
6	1256111GT	WASHER,SHIM,2.5X4X.062,ZAG	2
7	824639GT	WELDMENT,PIN,2.00DIA.X3.875LG	2
8	1253478GT	SCREW,HHF,3/8-16X2,8,ZAG	2
9	824029GT	NUT,TL FLG,3/8-16,G,ZAG	2
10	826788GT	FORMING,COVER ARMS	2
11	824078GT	SCREW,HHF,1/4-20X.75,8,ZAG	16
12	56912GT	SPRING CLIP,1/4-20,.025-.15X.5	16
13	18720GT	BEARING,2.0IDX2.25ODX1.50L	2
14	1266316GT	MACHINING, LOWER COMP.ARM	1
15		Swing Chassis Assembly Consult factory to order	
16	824090GT	SCREW,HHF,3/8-16X1,8,ZAG	4
17	1254359GT	WELDMENT,PIN,1.5 DIA.X 3.75LG	4
18	1254061GT	SPACER,3/8ID X 3/4OD	2
19	1254060GT	WASHER,UHMW	4
20	1254062GT	CLAMP,GUIDE CABLE	4
21	824067GT	SCREW, HHC, 3/8-16 X 1, 8, ZAG	2
22	1254063GT	RETAINER,GUIDE CABLE	2
23	824641GT	PIN,2.50DIA X 25.625LG,2RING	1

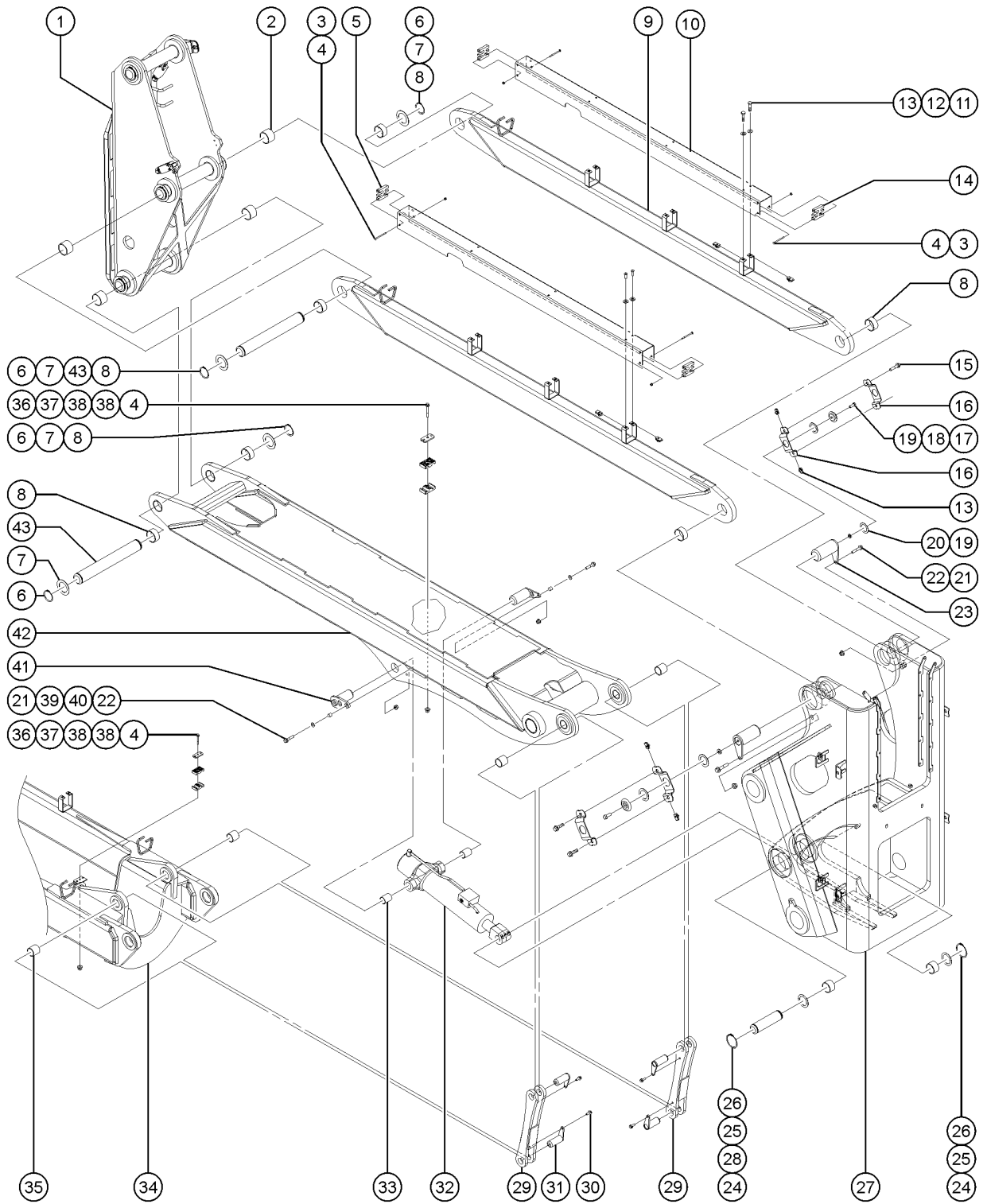
502.1 Secondary Boom and Mid Pivot, View 2 (to SN Z6216N-1682)



502.1 Secondary Boom and Mid Pivot, View 2 (to SN Z6216N-1682)

Item	Part No.	Description	Qty.
1		Ref., Upper Pivot refer to 504.1	1
2	18720GT	BEARING,2.0IDX2.25ODX1.50L	4
3	1256291GT	BOLT,CARRIAGE,1/4-20X3.5,5,ZAG	
4	824027GT	NUT,TL FLG,1/4-20,G,ZAG	
5	1257292GT	CLAMP-HOSES	2
6	1253815GT	SNAP RING,EXTERNAL,2.00,ZAG	4
7	237827GT	WASHER,FLAT,2.00X3.00X.075,ZAG	
8	824645GT	BEARING,2.00IDX2.25ODX1.00LG	6
9	826847GT	ASSY,UPPER COMPRESSION ARM,Z62 includes items 8, 10-13	2
9-	826846GT	MACHINING,UPPER COMP.ARM	2
10	826788GT	FORMING,COVER ARMS	2
11	824059GT	SCREW,HHC,1/4-20X.75,8,ZAG	
12	824113GT	WASHER,FLAT,1/4,USS,ZAG	
13	56912GT	SPRING CLIP,1/4-20,.025-.15X.5	16
14	1257293GT	CLAMP-ELECTRICAL	2
15	824078GT	SCREW,HHF,1/4-20X.75,8,ZAG	
16	1254062GT	CLAMP,GUIDE CABLE	4
17	824067GT	SCREW, HHC, 3/8-16 X 1, 8, ZAG	
18	1254063GT	RETAINER,GUIDE CABLE	2
19	1254060GT	WASHER,UHMW	
20	1254061GT	SPACER,3/8ID X 3/4OD	2
21	1253478GT	SCREW,HHF,3/8-16X2,8,ZAG	
22	824029GT	NUT,TL FLG,3/8-16,G,ZAG	
23	824639GT	WELDMENT,PIN,2.00DIA.X3.875LG	2
24	825759GT	SNAP RING,EXTERNAL,1.75,ZAG	2
25	1256184GT	WASHER,FLAT,1.78X2.75X.057,ZAG	
26	217632GT	BEARING,1.75IDX2.00ODX1.18L	2
27		Ref., Mid Pivot refer to 501.1	1

502.1 Secondary Boom and Mid Pivot, View 2 (to SN Z6216N-1682)

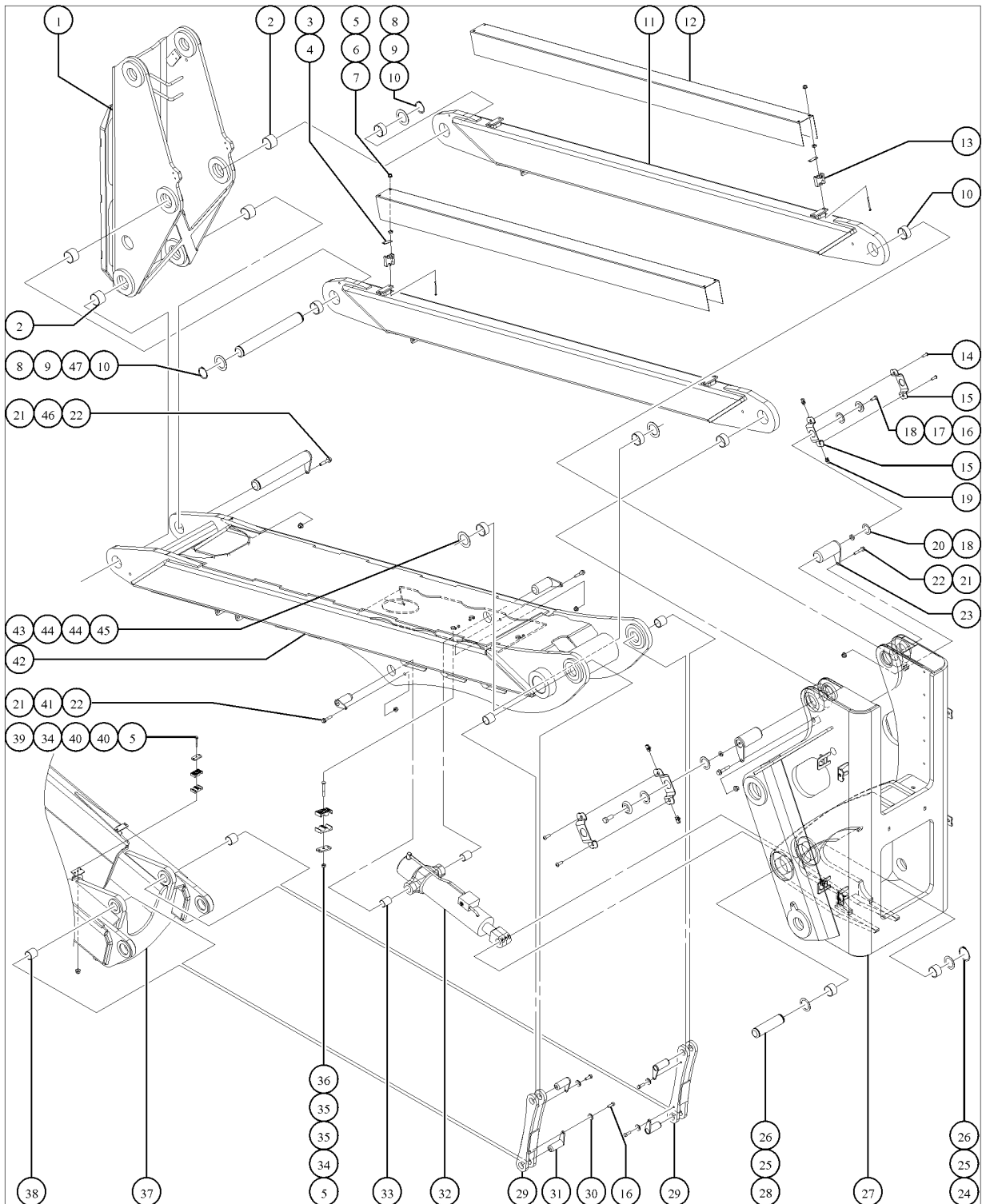


502.1 Secondary Boom and Mid Pivot, View 2 (to SN Z6216N-1682)

Item	Part No.	Description	Qty.
28	824642GT	PIN,1.75DIA X 6.75LG,2RING	1
29	823690GT	WELDMENT,TIMING LINK	2
30	824090GT	SCREW,HHF,3/8-16X1,8,ZAG	
31	824646GT	WELDMENT,PIN,1.5DIA.X 3.5LG	4
32	822966GT	CYLINDER,LIFT Z62	1
		includes item 32	
32-	1255273GT	SEAL KIT (822966)	1
32-	32722GT	VALVE,COUNTERBAL.CBCG-LJN@3000	
		not shown	
32-	61602GT	VALVE,COUNTERBAL.CBBB-LHN@3500	
		not shown	
32-	160732GT	SCREW, SHCS M12-1.75X35	6
33	39274GT	BEARING,1.75IDX2.00ODX2.50L	2
34		Ref., Lower Compression Arm	
		refer to 501.1	
35	824631GT	BEARING,1.50IDX1.75ODX1.63LG	4
36	1253485GT	SCREW,HHF,1/4-20X2,8,ZAG	
		
37	96196GT	PLATE,HOSE ROUTING,BULKHEAD	4
38	78736GT	CLAMP,2 HOSE,PLASTIC,5/8	8
39	1255758GT	WASHER,FLAT,3/8,USS,ZAG	
40	45400GT	SPACER TUBE,.50 LG	2
41	1262407GT	WELDMENT,PIN,1.75DIA X 4.375LG	2
42	824624GT	ASSY,UPPER TENSION ARM Z62	1
		includes items 4, 8 and 34-37	
42-	27698GT	BEARING,2.50IDX2.75ODX2.00L	12
43	824649GT	PIN,2.00DIA X 15.5LG,2RING	2



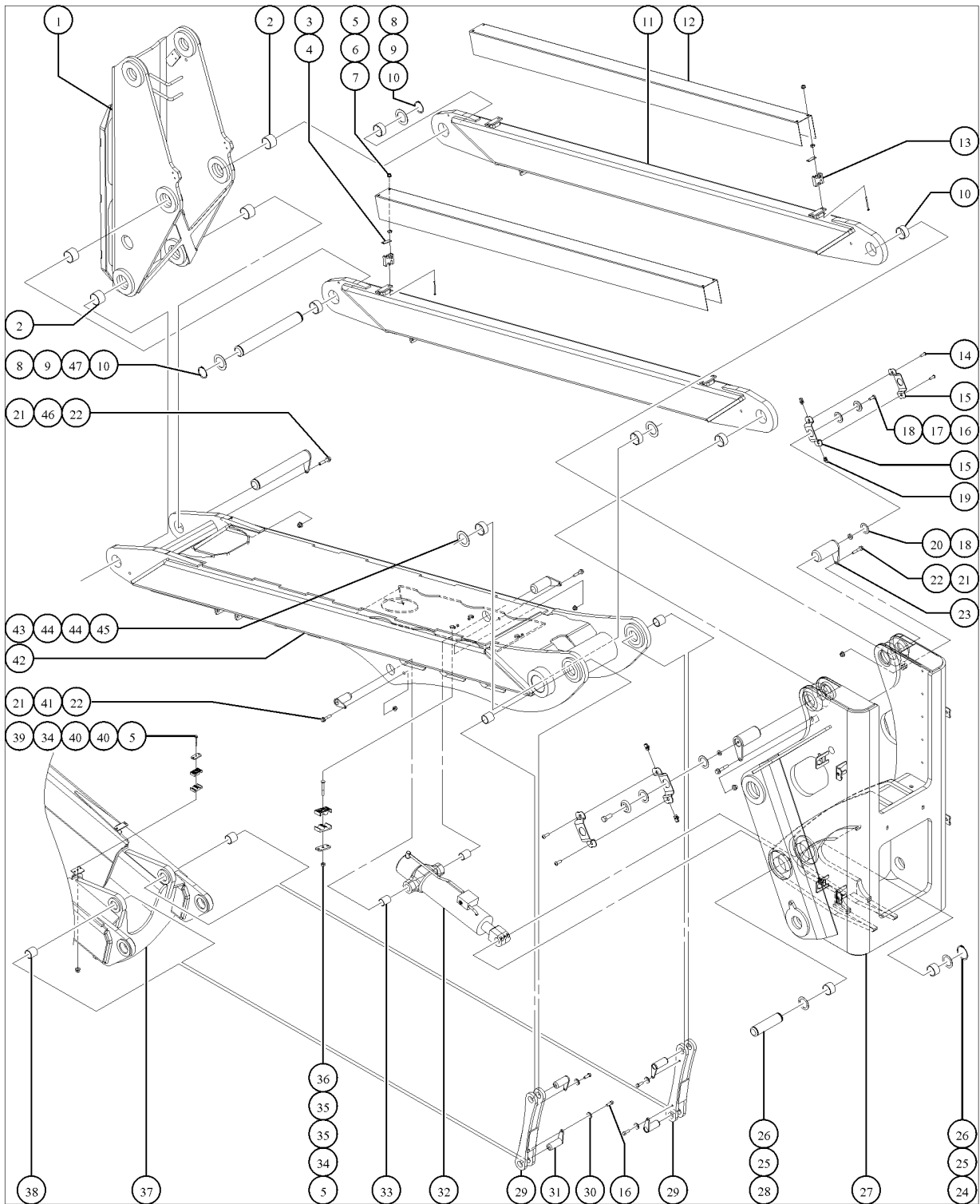
502.2 Secondary Boom and Mid Pivot, View 2 (from SN Z6216N-1683 to Z6216N-2999)



502.2 Secondary Boom and Mid Pivot, View 2 (from SN Z6216N-1683 to Z6216N-2999)

Item	Part No.	Description	Qty.
1		Ref. Upper Pivot (refer to 504.2)	1
2	18720GT	BEARING,2.0IDX2.25ODX1.50L	4
3	1261563GT	PLATE,CLAMP	4
4	1257292GT	CLAMP-HOSES	2
5	824027GT	NUT,TL FLG,1/4-20,G,ZAG	11
6	824037GT	NUT, HH JAM, 1/4-20, A, ZAG	8
7	1258730GT	BOLT,CARRIAGE,1/4-20X3.75,5,ZAG	8
8	1253815GT	SNAP RING,EXTERNAL,2.00,ZAG	2
9	237827GT	WASHER,FLAT,2.00X3.00X.075,ZAG	2
10	824645GT	BEARING,2.00IDX2.25ODX1.00LG	4
11	1261788GT	ASSY,UPPER COMPRESSION ARM,Z60E (includes item 10)	2
11-	1261787GT	MACHINING, UPPER COMP ARM	2
11-	77180GT	CLAMP,1.31,#21 X 3/8,RUB CUSH	1
11-	824061GT	SCREW,HHC,1/4-20X1.25,8,ZAG	1
11-	824027GT	NUT,TL FLG,1/4-20,G,ZAG	1
12	1261554GT	FORMING,COVER ARMS	2
13	1257293GT	CLAMP-ELECTRICAL	2
14	824078GT	SCREW,HHF,1/4-20X.75,8,ZAG	4
15	1254062GT	CLAMP,GUIDE CABLE	4
16	824067GT	SCREW, HHC, 3/8-16 X 1, 8, ZAG	6
17	1254063GT	RETAINER,GUIDE CABLE	2
18	1254060GT	WASHER,UHMW	4
19	56912GT	SPRING CLIP,1/4-20,.025-.15X.5	4
20	1254061GT	SPACER,3/8ID X 3/4OD	2
21	824093GT	SCREW,HHF,3/8-16X1.75,8,ZAG	5
22	824029GT	NUT,TL FLG,3/8-16,G,ZAG	5
23	824639GT	WELDMENT,PIN,2.00DIA.X3.875LG	2
24	825759GT	SNAP RING,EXTERNAL,1.75,ZAG	1

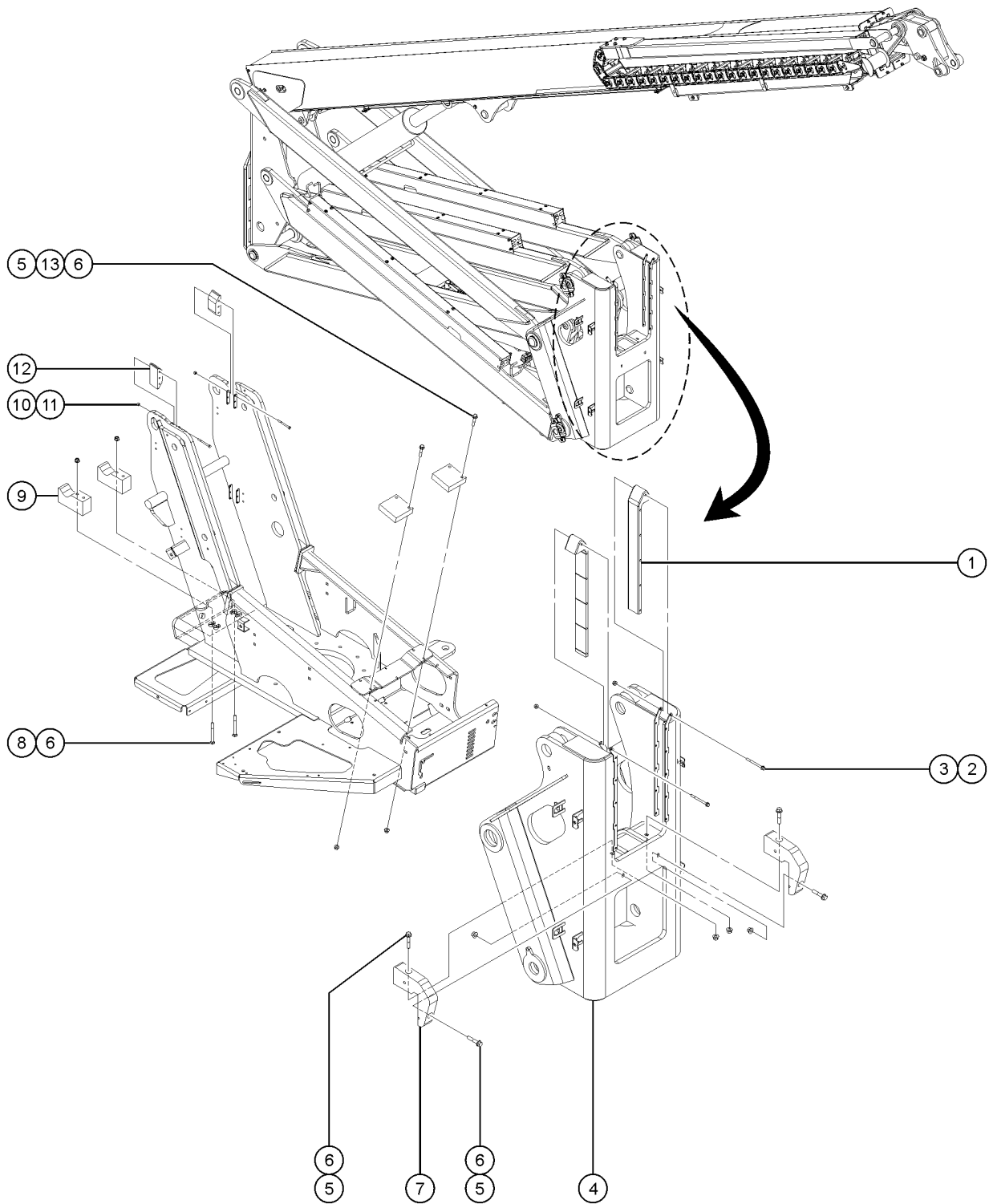
502.2 Secondary Boom and Mid Pivot, View 2 (from SN Z6216N-1683 to Z6216N-2999)



502.2 Secondary Boom and Mid Pivot, View 2 (from SN Z6216N-1683 to Z6216N-2999)

Item	Part No.	Description	Qty.
25	1256184GT	WASHER,FLAT,1.78X2.75X.057,ZAG	4
26	217632GT	BEARING,1.75IDX2.00ODX1.18L	2
27		Ref. Mid. Pivot	1
		(refer to 503.2)	
28	1269001GT	WELDMENT, PIN, 1.75 DIA X 6.75	1
29	823689GT	MACHINING,TIMING LINK	2
30	1268753GT	WASHER,NORD-LOCK,3/8	4
31	824646GT	WELDMENT,PIN,1.5DIA.X 3.5LG	4
32	822966GT	CYLINDER,LIFT Z62	1
		(includes item 33)	
32-	1255273GT	SEAL KIT (822966)	
32-	160732GT	SCREW, SHCS M12-1.75X35	2
32-	32722GT	VALVE,COUNTERBAL.CBCG-LJN@3000	
		(not shown)	
32-	48916GT	FITTING,CONN,520120-6	
		(not shown)	
32-	61602GT	VALVE,COUNTERBAL.CBBB-LHN@3500	
		(not shown)	
33	39274GT	BEARING,1.75IDX2.00ODX2.50L	2
34	96196GT	PLATE,HOSE ROUTING,BULKHEAD	3
35	1264374GT	CLAMP,2 HOSE,PLASTIC,#6	4
36	1255797GT	BOLT,CARRIAGE,1/4-20X2,5,ZAG	2
37		Ref. Lower compression arm	1
		(refer to 501.2)	
38	824631GT	BEARING,1.50IDX1.75ODX1.63LG	4
39	1253485GT	SCREW,HHF,1/4-20X2,8,ZAG	1
40	78736GT	CLAMP,2 HOSE,PLASTIC,5/8	2
41	824828GT	WELDMENT,PIN,1.75 X 3.375	2
42	1268909GT	MACHINING UPPER TENSION ARM	1
43	1261840GT	WASHER,SHIM,2.5X4.5X.062,HRD,Z	1
44	27698GT	BEARING,2.50IDX2.75ODX2.00L	2
45	1261841GT	WASHER,SHIM,2.5X4.5X.030,HRD,Z	1
46	1270572GT	WLDMNT, PIN, 2.00DIAX14.75 LG	1
47	824649GT	PIN,2.00DIAX15.5LG,2RING	1

503.1 Mid Pivot and Primary Boom Rests (to SN Z6216N-1682)

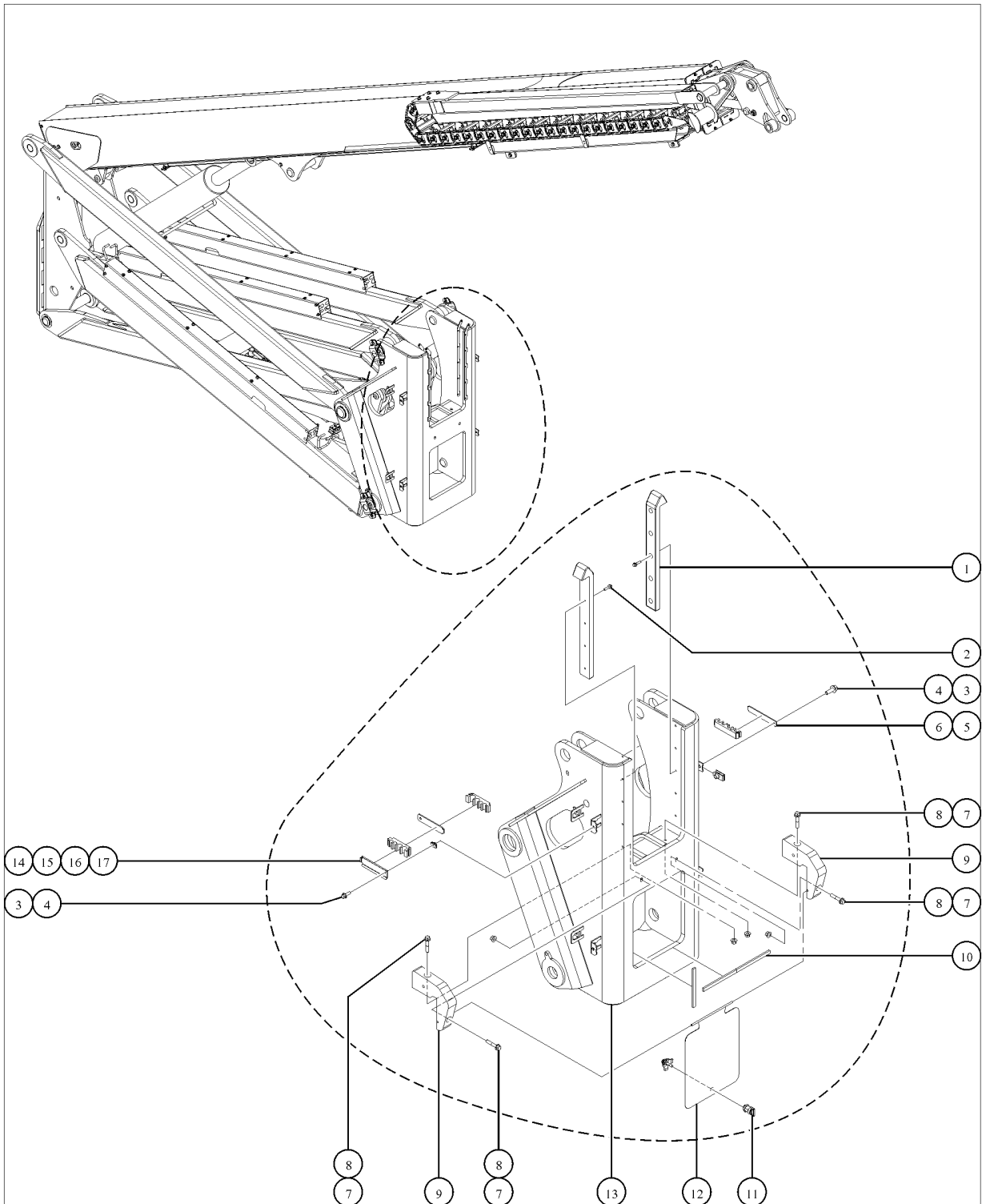


503.1 Mid Pivot and Primary Boom Rests (to SN Z6216N-1682)

<i>Item</i>	<i>Part No.</i>	<i>Description</i>	<i>Qty.</i>
1	1254373GT	GUIDE, BOOM	2
2	824084GT	SCREW, HHF, 1/4-20 X 3, 8, ZAG	12
3	824027GT	NUT, TL FLG, 1/4-20, G, ZAG	12
4		REF. Mid Pivot Assembly refer to 501.1	1
5	1253478GT	SCREW, HHF, 3/8-16X2, 8, ZAG	6
6	824029GT	NUT, TL FLG, 3/8-16, G, ZAG	8
7	1254372GT	BOOM REST	2
8	1256917GT	BOLT, CARRIAGE, 3/8-16X4.0, 5, ZAG	2
9	825220GT	PLASTIC UPPER PIVOT REST	2
10	824024GT	NUT, TL, 1/4-20, C, ZAG	12
11	1256803GT	SCREW, HHC, 1/4-20X2.75, 8, ZAG	12
12	1254817GT	GUIDE-RAMP UHMW SWING	4
13	825219GT	REST PAD, LOWER SECONDARY	2



503.2 Mid Pivot and Primary Boom Rests (from SN Z6216N-1683 to Z6216N-2999)

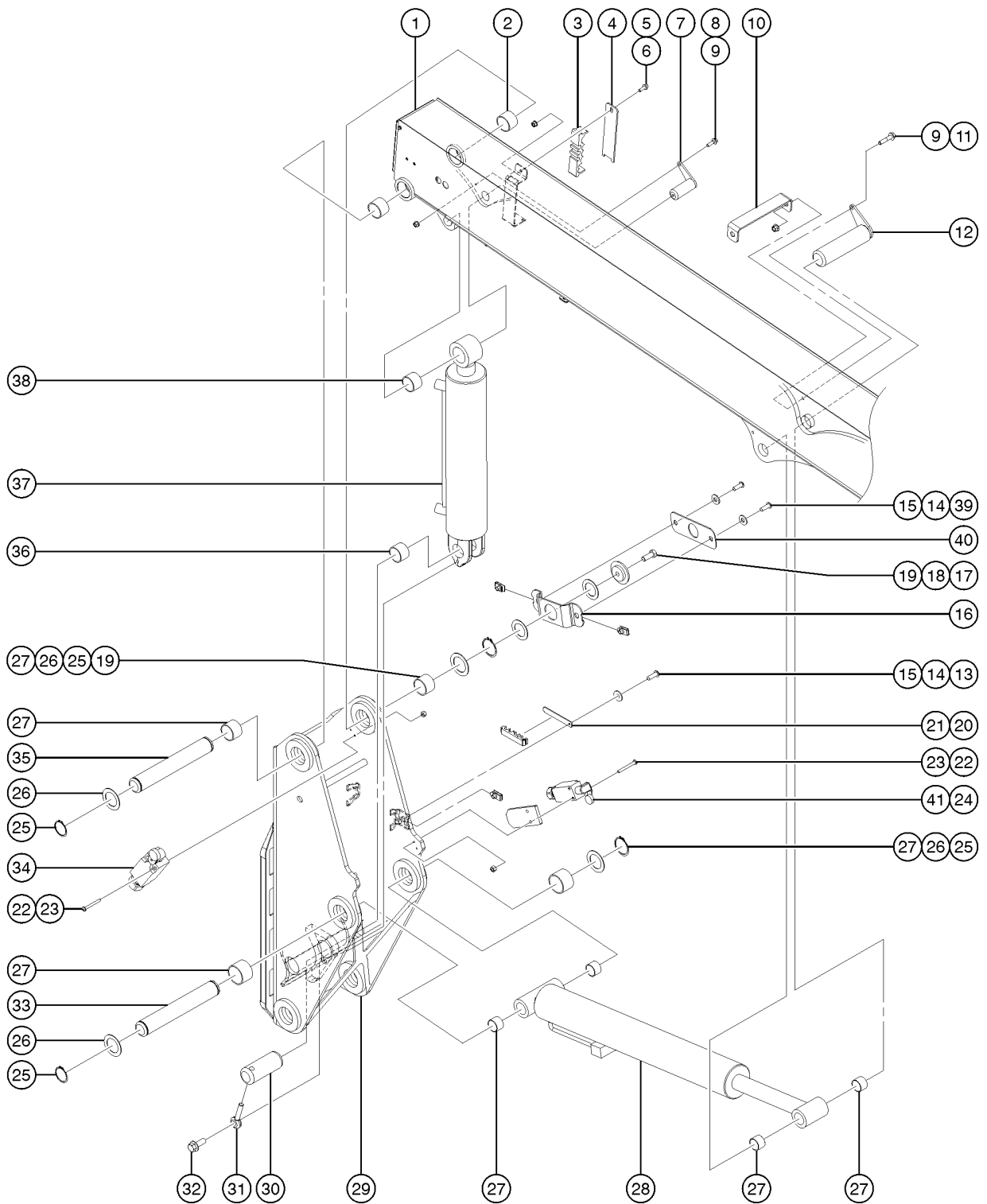


503.2 Mid Pivot and Primary Boom Rests (from SN Z6216N-1683 to Z6216N-2999)

Item	Part No.	Description	Qty.
1	1263527GT	GUIDE BOOM	2
2	824079GT	SCREW,HHF,1/4-20X1,8,ZAG	10
3	824078GT	SCREW,HHF,1/4-20X.75,8,ZAG	6
4	56912GT	SPRING CLIP,1/4-20,.025-.15X.5	6
5	1251493GT	BRACKET, HOSE CLAMP	2
6	1251491GT	CLAMPING BLOCK, CABLE	2
7	1253478GT	SCREW,HHF,3/8-16X2,8,ZAG	4
8	824029GT	NUT,TL FLG,3/8-16,G,ZAG	4
9	1254372GT	BOOM REST	2
10	1259930GT	SEAL, RIBBED FOAM, 5.00"	6
11	214238GT	LATCH,SOUTHCO E3-57-65	1
12	1257267GT	WELDMENT,COVER	1
13	1268912GT	MACHINING, MIDPIVOT	1
13-	1269351GT	PLATE, TAPPED	2
14	1259835GT	FORMING, HOSE CLAMP BRKT	2
15	1251586GT	CLAMPING BLOCK,HYD	2
16	1251707GT	BRKT,HOSE CLAMP	2
17	1251585GT	CLAMPING BLOCK,HYD	2



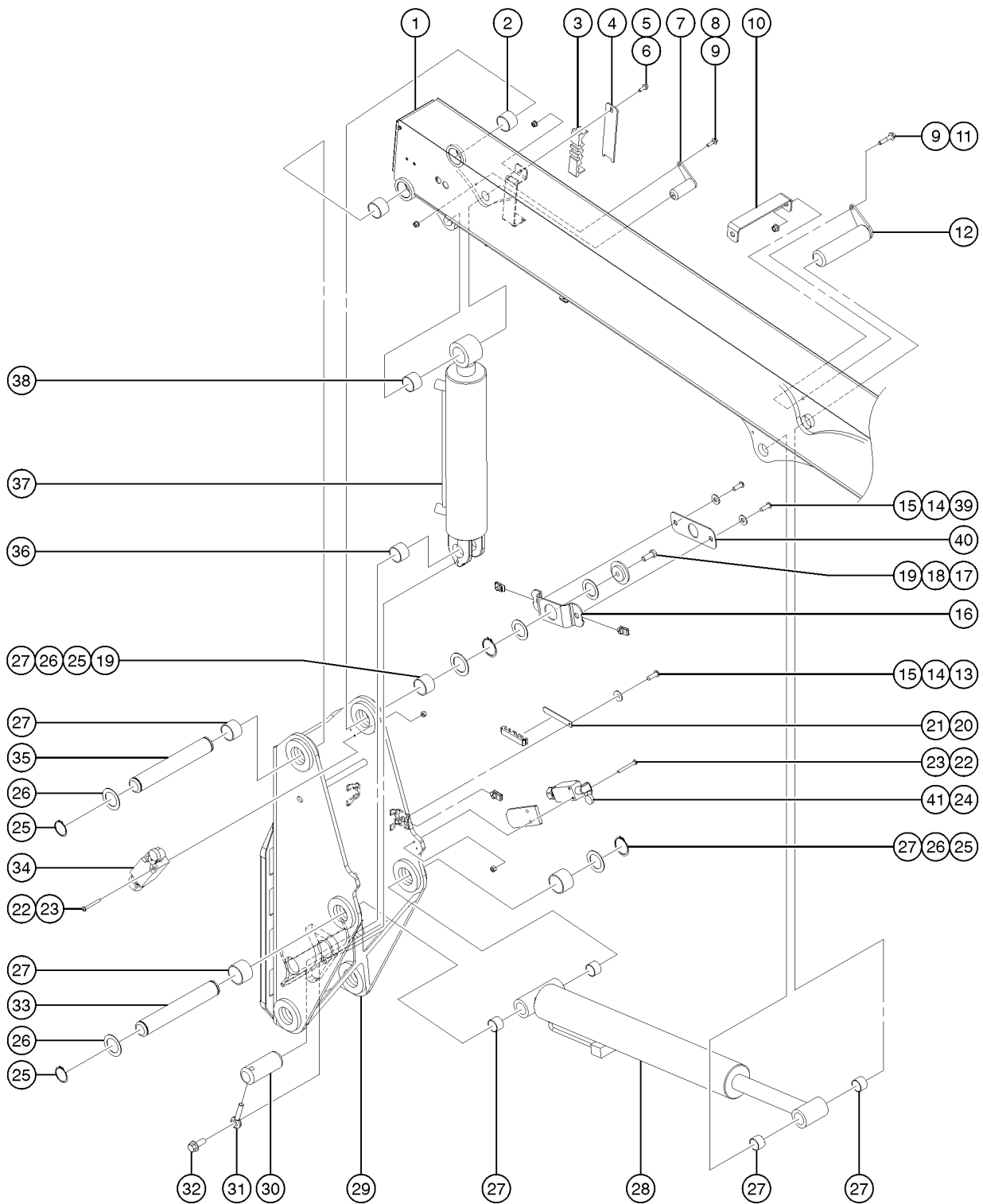
504.1 Upper Pivot (to SN Z6216N-1682)



Item	Part No.	Description	Qty.
1		Ref., Primary Boom Assembly refer to 505.1	1
2	123188GT	BEARING,2.00IDX2.50ODX1.50L	2
3	1254477GT	CLAMP BLOCK,PRIMARY BOOM	1
4	1254478GT	BAR,HOSE CLAMP	1
5	824078GT	SCREW,HHF,1/4-20X.75,8,ZAG	1
6	824027GT	NUT,TL FLG,1/4-20,G,ZAG	1
7	824646GT	WELDMENT,PIN,1.5DIA.X 3.5LG	1
8	824091GT	SCREW,HHF,3/8-16X1.25,8,ZAG	1
9	824029GT	NUT,TL FLG,3/8-16,G,ZAG	2
10	1254479GT	FORMING,HOSE TRAY MID SUPPORT	1
11	824093GT	SCREW,HHF,3/8-16X1.75,8,ZAG	1
12	824651GT	WELDMENT,PIN,2.0DIA.X 7.125LG	1
13	1256124GT	SCREW,BHC,1/4-20X.75,F835,ZAG	
14	824113GT	WASHER,FLAT,1/4,USS,ZAG	
15	56912GT	SPRING CLIP,1/4-20,.025-.15X.5	2
16	1264496GT	CLAMP,GUIDE CABLE	2
17	824067GT	SCREW, HHC, 3/8-16 X 1, 8, ZAG	1
18	1254063GT	RETAINER,GUIDE CABLE	1
19	1254060GT	WASHER,UHMW	2
20	1251493GT	BRACKET, HOSE CLAMP	1
21	1251491GT	CLAMPING BLOCK, CABLE	1
22A	1256922GT	SCREW,PHPM,10-32X2.25,ZAG to SN Z6215A-315	2
22B	1256177GT	SCREW,PHPM,10-32X1.75,ZAG from SN Z6215A-316	2
23	824036GT	NUT, TL, 10-32, A, ZAG	2
24	88356-112J5GT	SWITCH,LIMIT,TAB,BLUE,PLASTIC	1
24-	89756GT	NECK/HEAD-LIMIT SWITCH (88356)	
24-	97128GT	ROLLER ARM,LIMIT SWITCH***	
24-	76450GT	CONN.SQZ,PG 11,.07-.26,W/ORING	



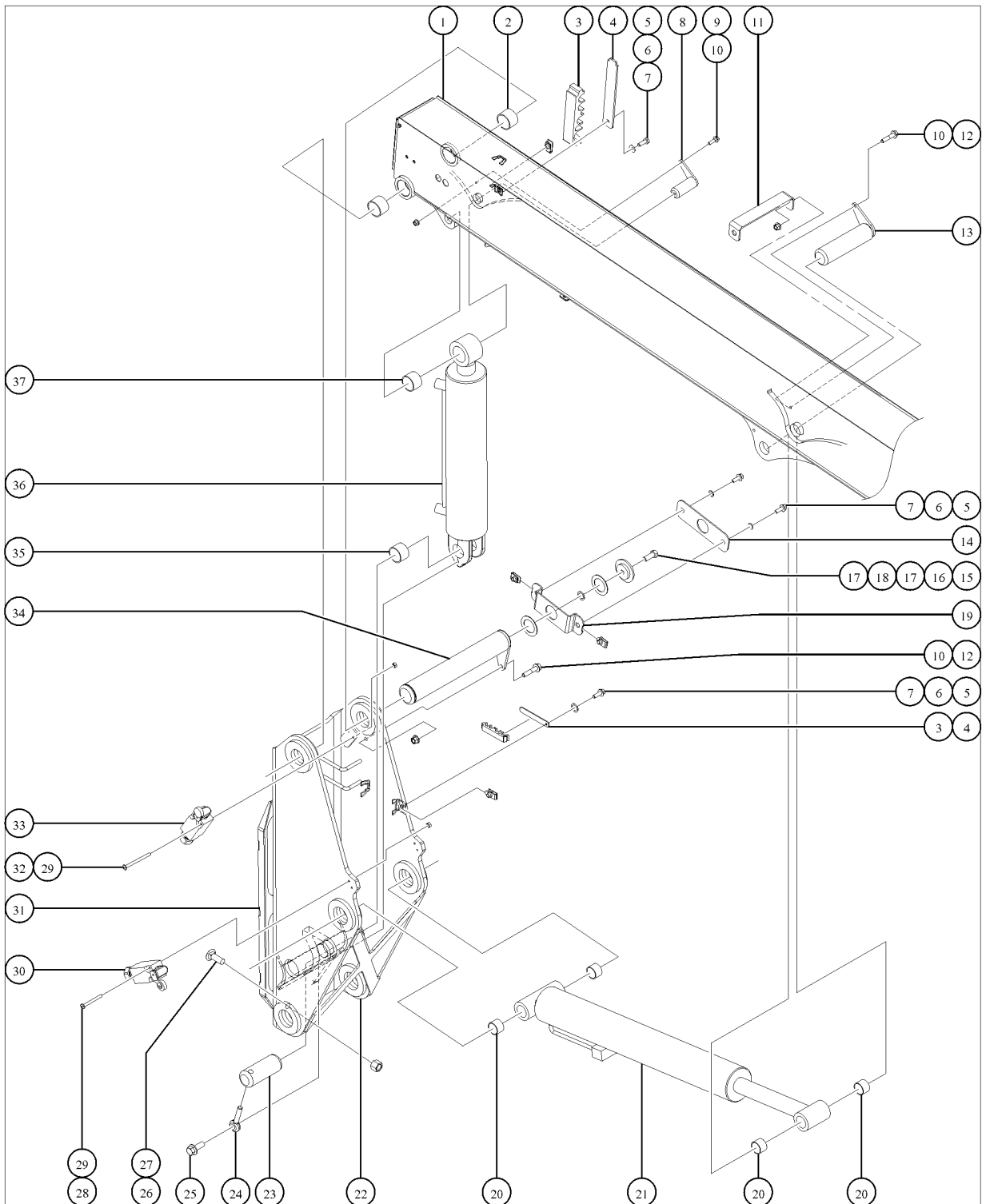
504.1 Upper Pivot (to SN Z6216N-1682)



504.1 Upper Pivot (to SN Z6216N-1682)

Item	Part No.	Description	Qty.
25	1253815GT	SNAP RING,EXTERNAL,2.00,ZAG	4
26	237827GT	WASHER,FLAT,2.00X3.00X.075,ZAG	4
27	18720GT	BEARING,2.0IDX2.25ODX1.50L	6
28	822846GT	CYLINDER,PRIMARY LIFT	1
		includes item 27	
28-	1255272GT	SEAL KIT (822846)	1
28-	61602GT	VALVE,COUNTERBAL.CBBB-LHN@3500	
		not shown	
29	824626GT	ASSY,UPPER PIVOT,Z62	
		includes items 13-27 and 33-35	
29-	18720GT	BEARING,2.0IDX2.25ODX1.50L	6
29-	18396GT	BEARING,1.5IDX1.75ODX1.0L	1
30	824649GT	PIN,2.00DIAX15.5LG,2RING	1
31	1255452GT	ROD END,.375 X 2.25,ZAG	1
32	824090GT	SCREW,HHF,3/8-16X1,8,ZAG	1
33		Ref., Pin	1
		refer to 502.1	
34	88356-11105GT	SWITCH,LIMIT,W/RLLR ARM,NO /NC	1
34-	89756GT	NECK/HEAD-LIMIT SWITCH (88356)	
34-	97128GT	ROLLER ARM,LIMIT SWITCH***	
34-	76450GT	CONN.SQZ,PG 11,.07-.26,W/ORING	
35	824650GT	PIN,2.00DIAX13.31LG,2RING	1
36	18396GT	BEARING,1.5IDX1.75ODX1.0L	1
37	823060GT	CYLINDER,MASTER	1
		includes items 36 and 37	
37-	1255271GT	SEAL KIT	1
38	T108138GT	BEARING,1.50IDX1.75ODX2.00L	2
39	824059GT	SCREW,HHC,1/4-20X.75,8,ZAG	
40	1264495GT	CLAMP,CABLE GUIDE	
41	1272214GT	ASSEMBLY, SPACER, UPPER PIVOT	1
		to SN Z6215A-315	

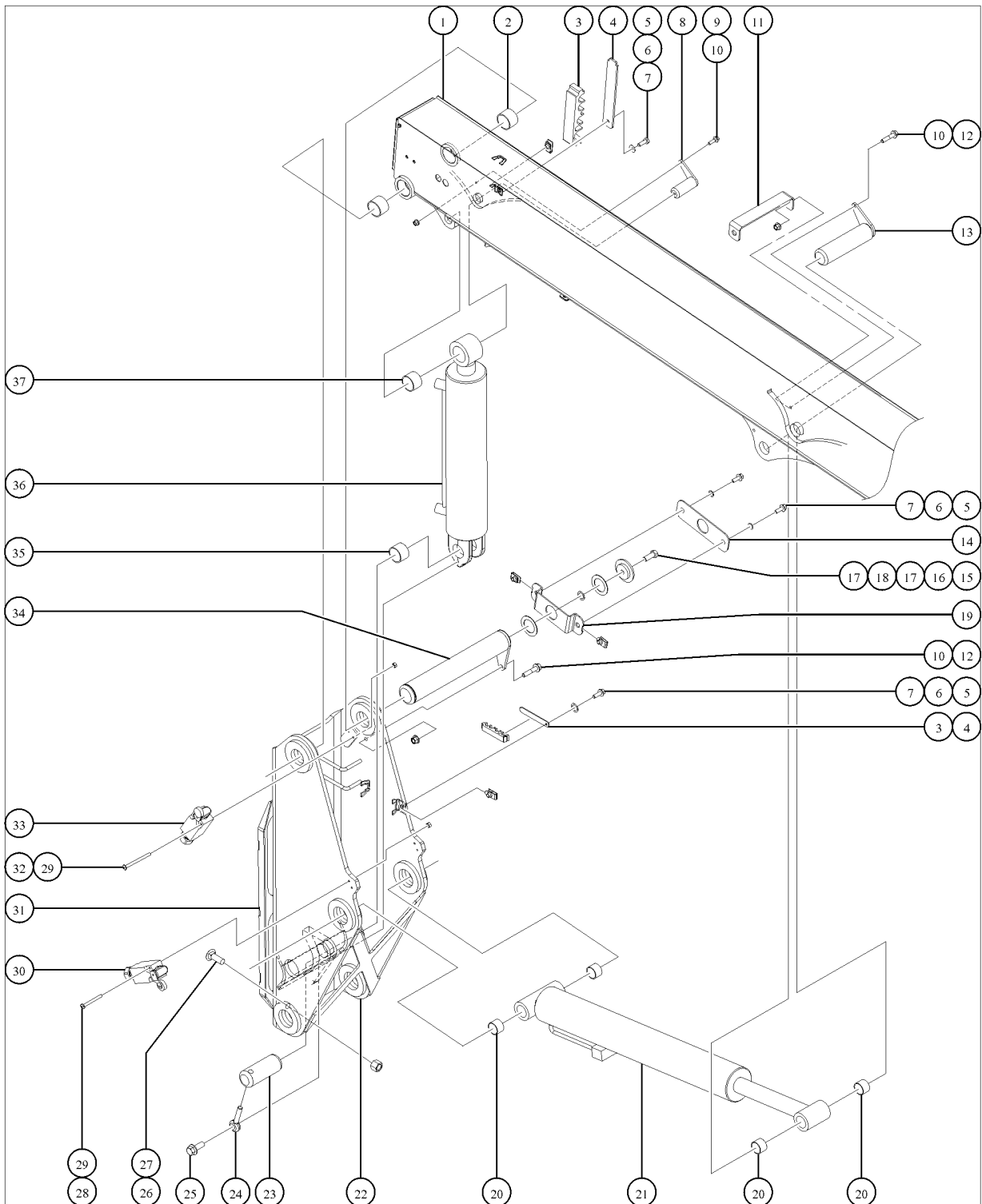
504.2 Upper Pivot (from SN Z6216N-1683 to Z6216N-2999)



504.2 Upper Pivot (from SN Z6216N-1683 to Z6216N-2999)

Item	Part No.	Description	Qty.
1		Ref., Primary Boom Assembly (refer to 505.1)	1
2	1270149GT	BEARING,2.00IDX2.25ODX1.375LG	2
3	1251491GT	CLAMPING BLOCK, CABLE	2
4	1251493GT	BRACKET, HOSE CLAMP	2
5	824059GT	SCREW,HHC,1/4-20X.75,8,ZAG	4
6	824113GT	WASHER,FLAT,1/4,USS,ZAG	4
7	56912GT	SPRING CLIP,1/4-20,.025-.15X.5	4
8	824646GT	WELDMENT,PIN,1.5DIA.X 3.5LG	1
9	824091GT	SCREW,HHF,3/8-16X1.25,8,ZAG	1
10	824029GT	NUT,TL FLG,3/8-16,G,ZAG	3
11	1254479GT	FORMING,HOSE TRAY MID SUPPORT	1
12	824093GT	SCREW,HHF,3/8-16X1.75,8,ZAG	2
13	824651GT	WELDMENT,PIN,2.0DIA.X 7.125LG	1
14	1264495GT	CLAMP,CABLE GUIDE	1
15	824067GT	SCREW, HHC, 3/8-16 X 1, 8, ZAG	1
16	1254063GT	RETAINER,GUIDE CABLE	1
17	1254060GT	WASHER,UHMW	2
18	1254061GT	SPACER,3/8ID X 3/4OD	1
19	1264496GT	CLAMP,GUIDE CABLE	1
20	18720GT	BEARING,2.0IDX2.25ODX1.50L	4
21	822846GT	CYLINDER,PRIMARY LIFT (includes item 20)	1
22	1268906GT	MACHINING, UPPER PIVOT	1
23	94221GT	PIN,1.50DIA X 3.75LG,1HOLE	1
24	1255452GT	ROD END,.375 X 2.25,ZAG	1
25	824090GT	SCREW,HHF,3/8-16X1,8,ZAG	1
26	1256179GT	BOLT,CARRIAGE,1/2-13X1.5,5,ZAG	6
27	1256106GT	NUT,TL,1/2-13,C,ZAG	6
28	1256177GT	SCREW,PHPM,10-32X1.75,ZAG	2

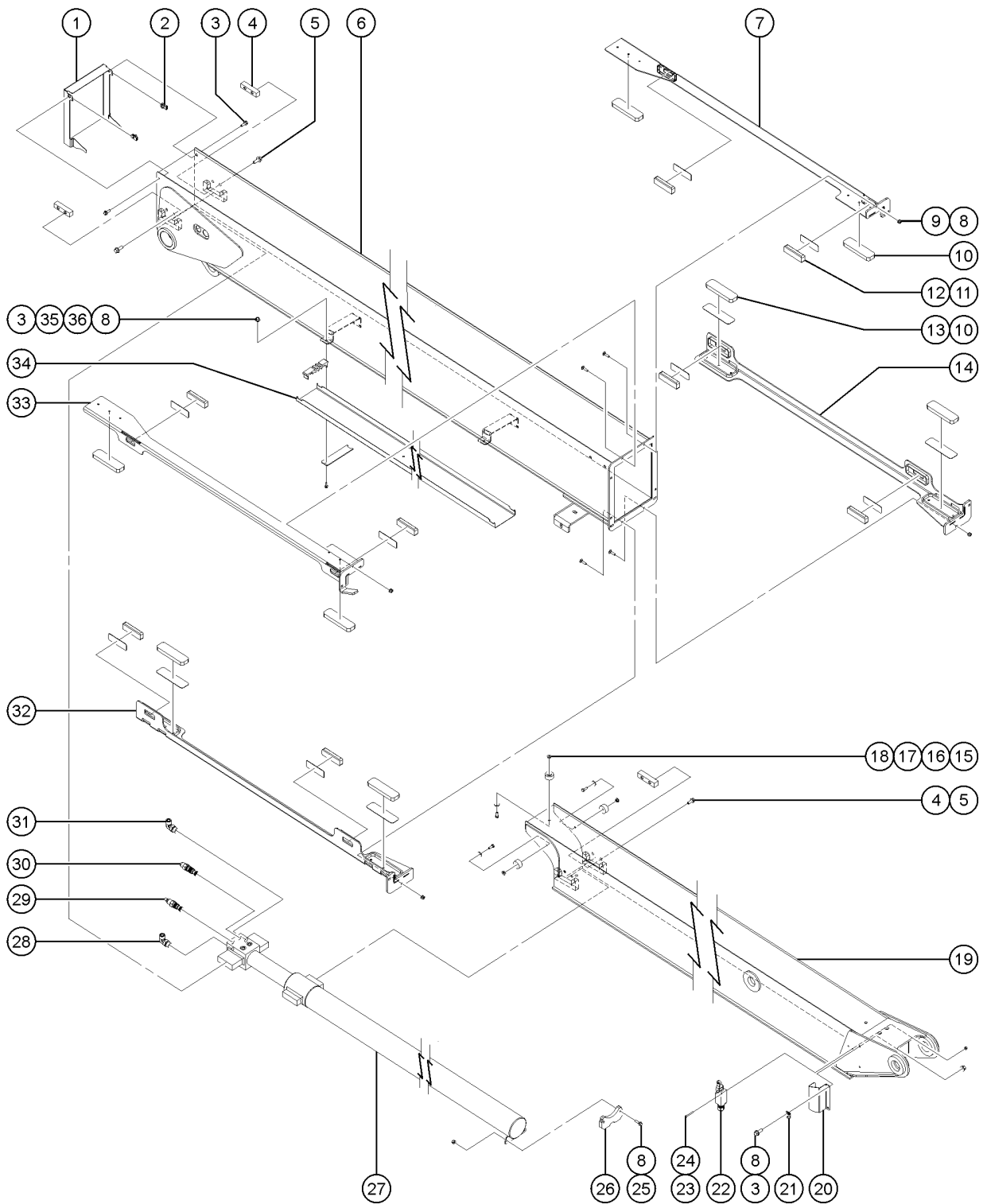
504.2 Upper Pivot (from SN Z6216N-1683 to Z6216N-2999)



504.2 Upper Pivot (from SN Z6216N-1683 to Z6216N-2999)

<i>Item</i>	<i>Part No.</i>	<i>Description</i>	<i>Qty.</i>
29	824036GT	NUT, TL, 10-32, A, ZAG	4
30	88356-112J5GT	SWITCH,LIMIT,TAB,BLUE,PLASTIC	1
31	1268654GT	WELDMNT, UPPER PIVOT RAMP	1
32	1256922GT	SCREW,PHPM,10-32X2.25,ZAG	2
33	88356-11105GT	SWITCH,LIMIT,W/RLLR ARM,NO /NC	1
34	1268658GT	WLDMNT, PIN, 2.00DIA X 13.1 LG	1
35	18396GT	BEARING,1.5IDX1.75ODX1.0L	1
36	823060GT	CYLINDER,MASTER	1
		(includes item 37)	
37	T108138GT	BEARING,1.50IDX1.75ODX2.00L	1

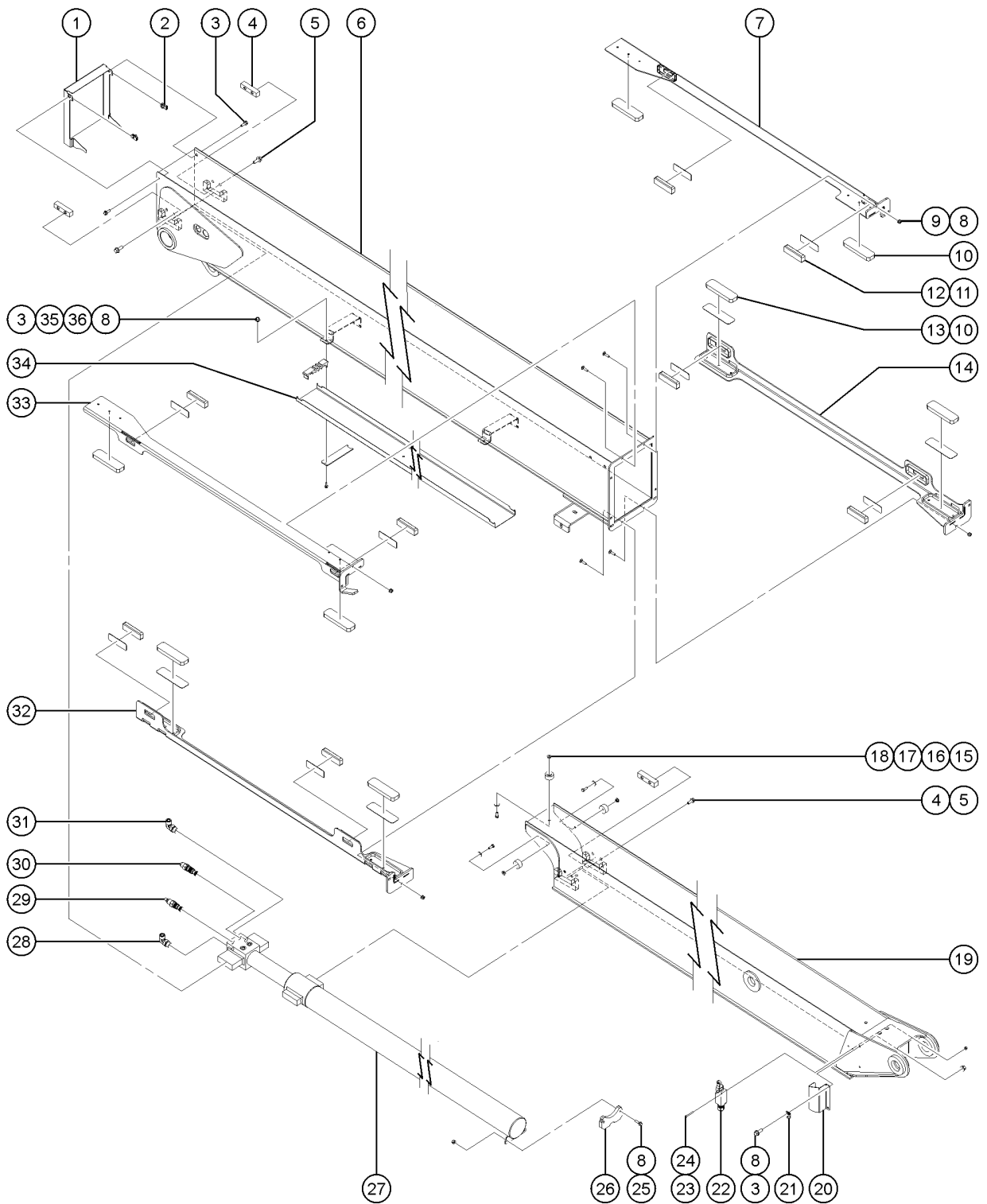
505.1 Primary and Extension Booms



505.1 Primary and Extension Booms

Item	Part No.	Description	Qty.
1	1255383GT	COVER, REAR #1 BOOM	1
2	56912GT	SPRING CLIP, 1/4-20, .025-.15X.5	2
3	824078GT	SCREW, HHF, 1/4-20X.75, 8, ZAG	2
4	T108834GT	RETAINER, EXT CYL SADDLE	4
5	824090GT	SCREW, HHF, 3/8-16X1, 8, ZAG	8
6	824627GT	ASSEMBLY, #1 BOOM Z62 includes items 1-5, 7-14 and 32-36	1
7	1254630GT	WELDMENT, UPPR WEARPAD FRAME, RH	1
8	824027GT	NUT, TL FLG, 1/4-20, G, ZAG	
9	1256127GT	BOLT, CARRIAGE, 1/4-20X1, 5, ZAG	
		to SN Z62H-3230	
9-	824079GT	SCREW, HHF, 1/4-20X1, 8, ZAG	
		from SN Z62H-3231	
10	825057GT	WEARPAD, 5.59 X 1.59 X .611	8
11	825055GT	WEARPAD, 3.74 x 1.24 x .334	8
12	1262264GT	SHIM, WEAR PAD, 1.23X3.73X24GA	2
13	1262265GT	SHIM, WEAR PAD, 1.56X5.56X24GA	2
14	1254628GT	WELDMENT, LWR WEARPAD FRAME, RH	1
15	18504GT	NUT, LOCKING-LG. FLANGE, 1/4-20	
16	825938GT	WEAR PAD, ROUND, 1.25OD X .5THK W/NUT	4
		includes nut	
17	824113GT	WASHER, FLAT, 1/4, USS, ZAG	
18	824059GT	SCREW, HHC, 1/4-20X.75, 8, ZAG	
19	824628GT	ASSEMBLY, #2 BOOM Z62 includes items 3-5, 8, 15-18 and 20-24	1
20	1257662GT	FORMING, EXT LIMIT SWITCH COVER	1
21	45470GT	CLAMP, 0.31, #5 X 1/4, RUB CUSH	1
22	88356-11C03GT	SWITCH, LIMIT, TABULATED, BLUE	1
23A	1261606GT	SCREW, PHPM, 8-32X1.75, ZAG	
		(to SN Z6216N-1934)	
23B	1256144GT	SCREW, PHPM, 10-32X1.75, ZAG	
		(from SN Z6216N-1935)	
24A	1255803GT	NUT, TL FLG, 8-32, F, ZAG	
		(to SN Z6216N-1934)	
24B	82032GT	NUT, TL FLG, 10-32, F, ZAG	
		(from SN Z6216N-1935)	
25	824079GT	SCREW, HHF, 1/4-20X1, 8, ZAG	2

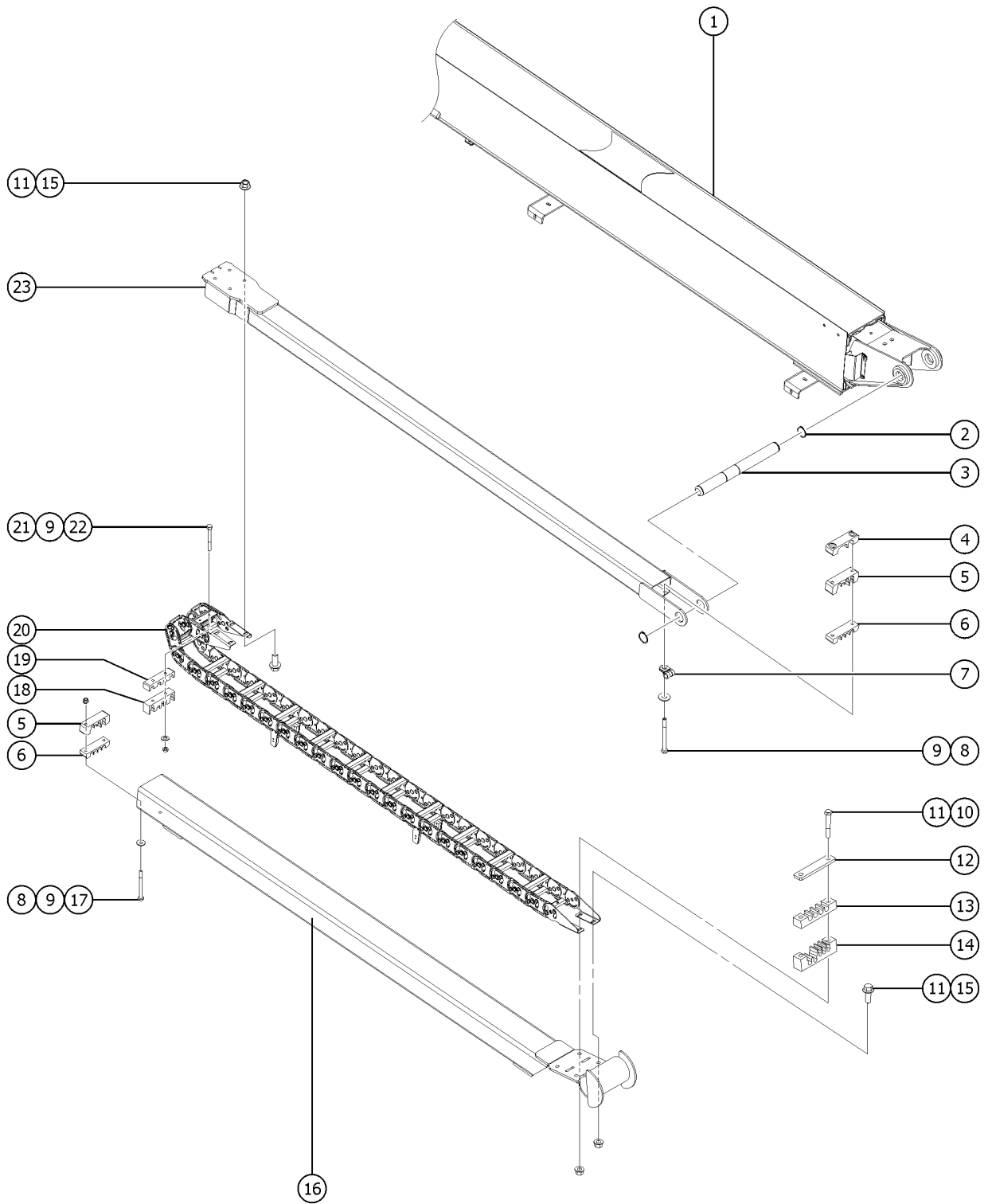
505.1 Primary and Extension Booms



505.1 Primary and Extension Booms

<i>Item</i>	<i>Part No.</i>	<i>Description</i>	<i>Qty.</i>
26	826234GT	EXT CYL END SUPPORT	1
27	822632GT	CYLINDER,EXTENSION includes items 28,29, 30 and 31	1
27-	823062GT	SEAL KIT (822632)	1
28	48915GT	ELBOW,90D,520220-6	1
29	77410GT	VALVE,COUNTERBALNCE,1500 PSI**	1
30	824832GT	VALVE,CNTERBAL,CBCA-LHN@3500	1
31	48932GT	FITTING,ELBOW,90D,520220-8***	1
32	1254629GT	WELDMENT,LWR WEARPAD FRAME,LH	1
33	1254631GT	WELDMENT,UPPR WEARPAD FRAME,LH	1
34	1254476GT	FORMING,HOSE TRAY	1
35	1254478GT	BAR,HOSE CLAMP	2
36	1254477GT	CLAMP BLOCK,PRIMARY BOOM	2

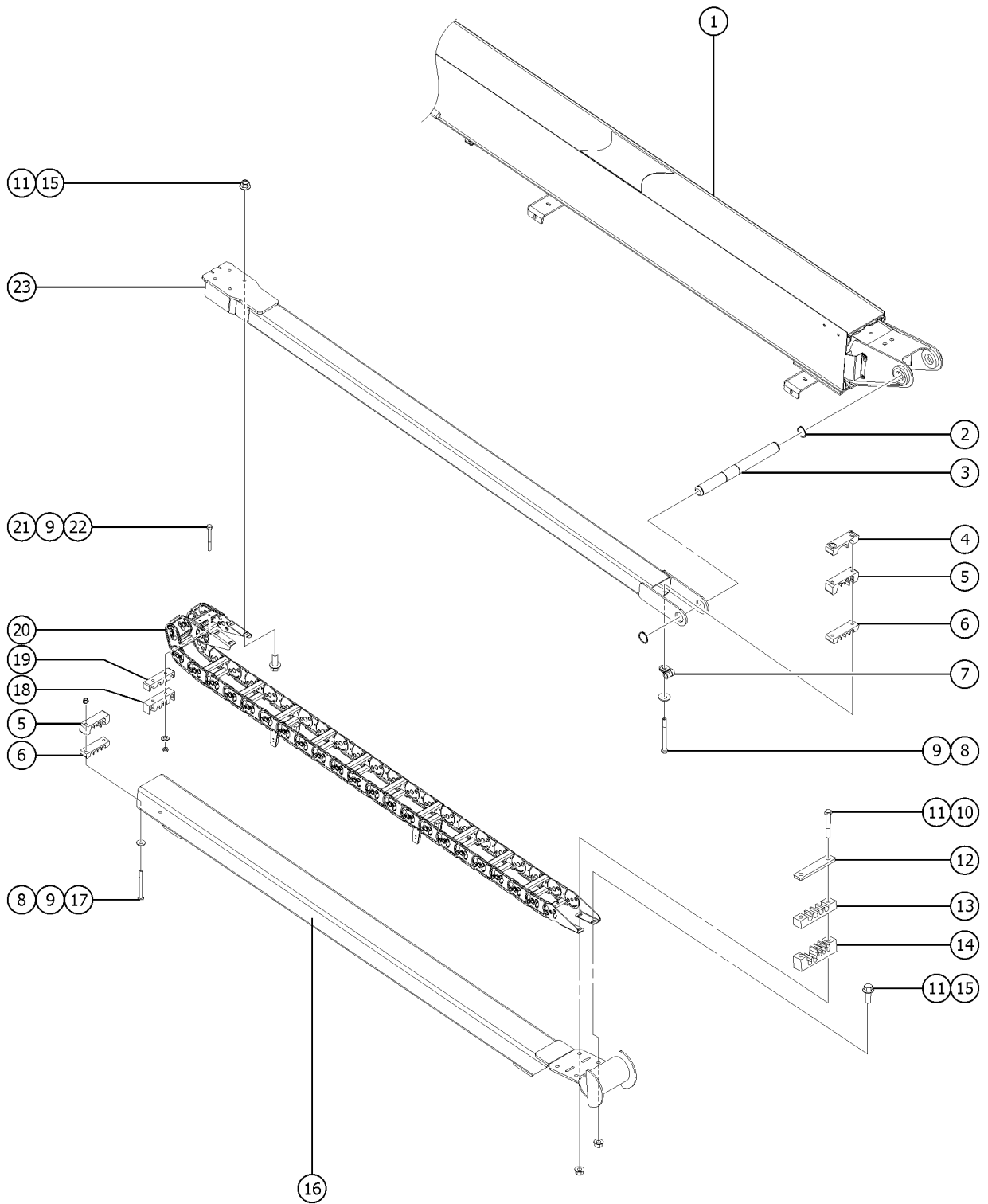
506.1 Cable Track



Item	Part No.	Description	Qty.
1		Ref. Extension boom assy refer to 505.1	1
2	825796GT	SNAP RING,EXTERNAL,1.50,ZAG	3
3		Ref. Pin refer to 507.1	1
4	227306GT	CLAMP ASSY,OPTIONS BLOCK W/NUT	
5	824547GT	CLAMP, CABLES	
6	227308GT	CLAMP, HOSES	
7	45470GT	CLAMP,0.31,#5 X 1/4,RUB CUSH	
8	1256171GT	SCREW,HHC,1/4-20X3,8,ZAG	
9	824113GT	WASHER,FLAT,1/4,USS,ZAG	
10	824069GT	SCREW, HHC, 3/8-16 X 2.5, 8, ZAG	
11	824029GT	NUT,TL FLG,3/8-16,G,ZAG	
12	228797GT	BAR, CLAMP, CABLE TRACK	
13	226325GT	CLAMP, HOSES	
14	824548GT	CLAMP, CABLES	
15	824125GT	BOLT,CARRIAGE,3/8-16X1,5,ZAG	
16	824944GT	WELDMENT,CABLE TRACK TRAY	
17	824027GT	NUT,TL FLG,1/4-20,G,ZAG	
18	824549GT	CLAMP, CABLES	
19	228967GT	CLAMP, CABLE	
20	825474GT	CABLE TRACK, SX, 23 LINK for machines to SN Z6216N-2999 with short pull tube measuring 92 inches overall length)	
20A-	121065GT	FORMING,CLAMP,TOP,CABLE TRACK for 825474	
20A-	122661GT	REPAIR KIT,4 LINK,W/GUIDE for 825474	
20A-	122663GT	END BRACKET,FIXED END for 825474	
20A-	122668GT	GUIDE FINGER,PLASTIC for 825474	
20A-	1283178GT	ASSEMBLY MOVING END SX TRACK for 825474	
20A-	218448GT	FINGER,GUIDE,CABLE TRACK for 825474	
20A-	229169GT	FLATBAR, CLAMPS, CABLE TRACK for 825474	
20B	1272543GT	CABLE TRACK, SX, 24 LINK for machines to SN Z6216N-2999 with long pull tube measuring 94 inches overall length)	



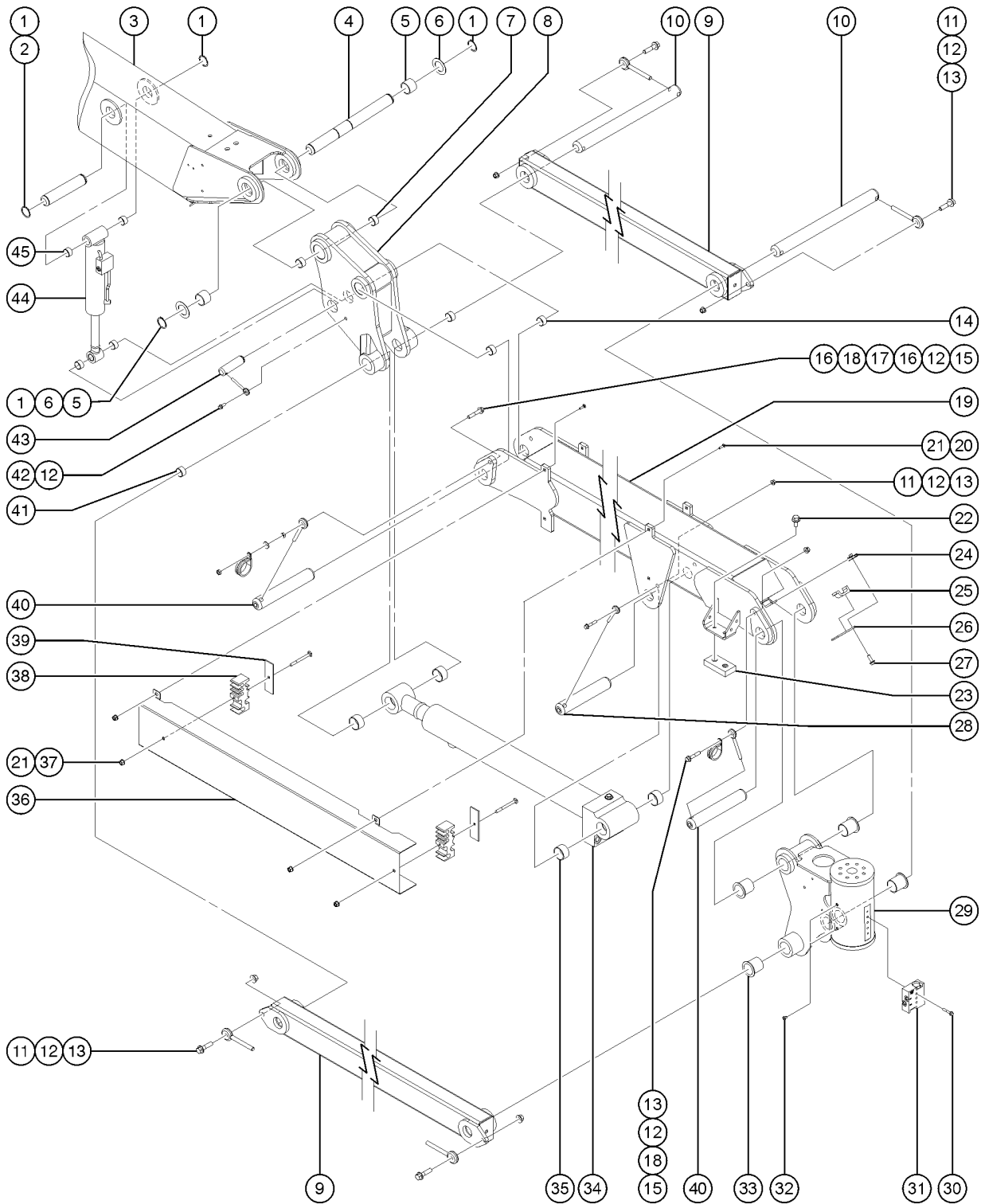
506.1 Cable Track



Item	Part No.	Description	Qty.
20B-	122661GT	REPAIR KIT,4 LINK,W/GUIDE for 1272543	
20B-	121065GT	FORMING,CLAMP, TOP,CABLE TRACK for 1272543	
20B-	121035GT	PIN,1.250 X 9.25, 2 RINGS for 1272543	
20B-	1283178GT	ASSEMBLY MOVING END SX TRACK for 1272543	
20B-	122663GT	END BRACKET, FIXED END for 1272543	
20B-	122668GT	GUIDE FINGER, PLASTIC for 1272543	
20B-	218448GT	FINGER, GUIDE, CABLE TRACK for 1272543	
20B-	229169GT	FLATBAR, CLAMPS, CABLE TRACK for 1272543	
20B-	1273203GT	ASSY,6' PLAT DUAL LG, BLANK W/SIDE Swing Gate (replacement kit includes 1272540 long pull tube and 1273204 cable track kit)	
21	1257867GT	SCREW,HHF,1/4-20X3.5,8,ZAG	
22	824024GT	NUT,TL,1/4-20,C,ZAG	
23		WELDMENT,CABLE TRACK PULL TUBE (824940) (824940 short pull tube no longer available) (92 inches)	
23B-	1272540GT	WELDMENT, PULL TUBE, CABLE TRACK long pull tube (94 inches)	
23B-	1273204GT	ASSY,8' PLAT TRI LG, BLANK W/SIDE Swing Gate for 1272540 (includes 2 cable track links and 1261891 moving end bracket)	



507.1 Jib Boom and Platform Rotator

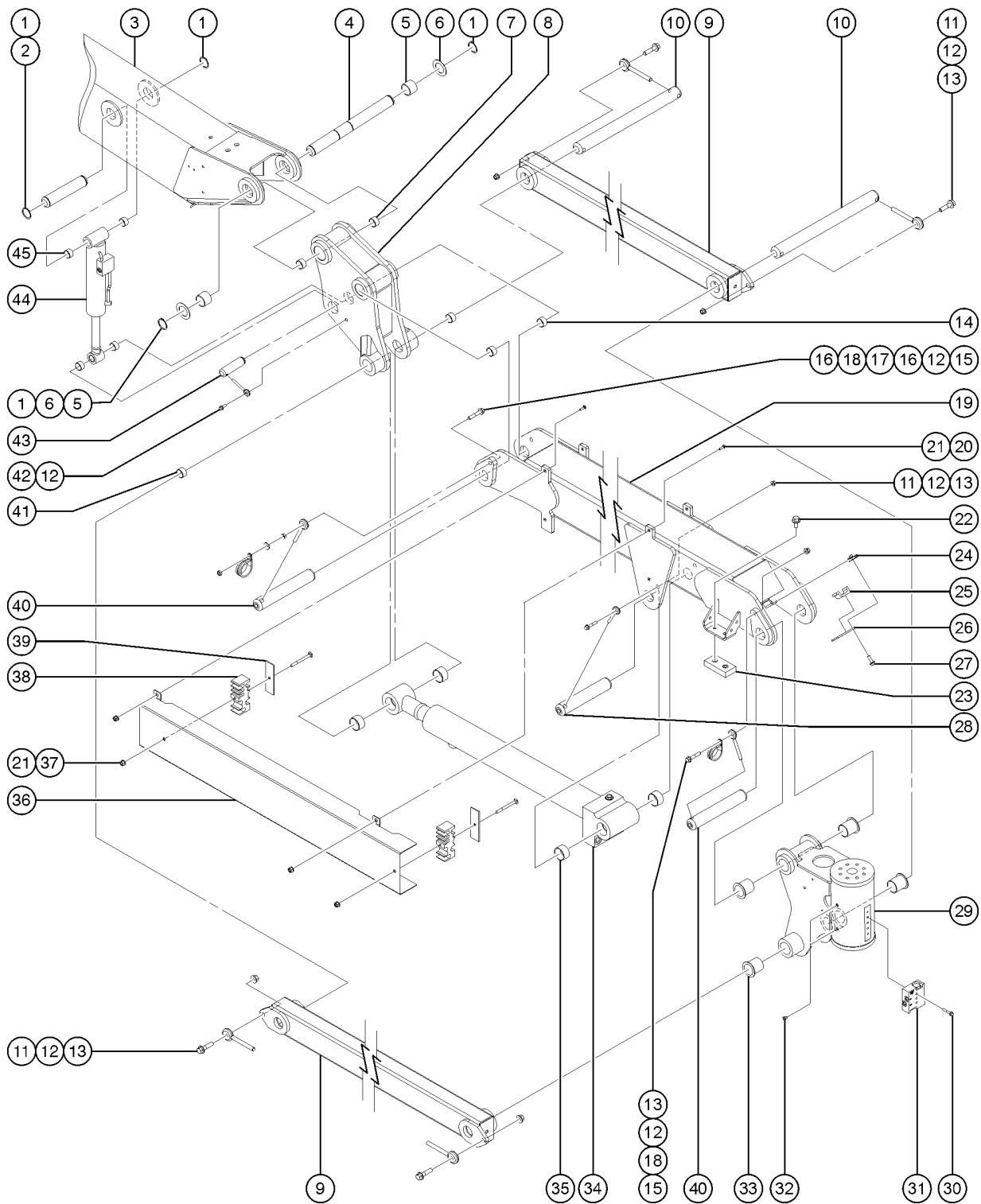


507.1 Jib Boom and Platform Rotator

Item	Part No.	Description	Qty.
1	825796GT	SNAP RING,EXTERNAL,1.50,ZAG	4
2	824830GT	PIN,1.50DIA.X7.42LG,2RING	1
3		Ref., Extension Boom Assembly refer to 506.1	1
4	824990GT	PIN,1.50DIA.X15.63LG,4RING	1
5	110876GT	BEARING,1.5"ID X 1.75OD X1.25L	2
6	1251565GT	WASHER,SHIM,1.56X2.5X.061,ZAG	2
7	54156GT	BEARING,FL,1.5IDX1.75ODX1.10LG	2
8	824629GT	ASSY,BELLCRANK,Z62 includes items 7, 14 and 45	1
8-	824678GT	WELDMENT,BELLCRANK	1
9	61306-SGT	COMPR.LINK,MACHINED,GND CONTR*	2
10	81175GT	PIN,1.25DIA X14.45LG,2HOLE	2
11	824092GT	SCREW, HHF, 3/8-16 X 1.5, 8, ZAG	5
12	825019GT	ROD END,.375X3.69,ZAG	7
13	824029GT	NUT,TL FLG,3/8-16,G,ZAG	
14	35675GT	BEARING,FL,1.25IDX1.5ODX1.25L	2
15	1253478GT	SCREW,HHF,3/8-16X2,8,ZAG	2
16	824038GT	NUT,TL JAM,3/8-16,A,ZAG	
17	825358GT	WASHER,FLAT,5/16,USS,ZAG	
18	61745GT	CLAMP,2.25,#36 X 3/8,RUB CUSH	2
19	128534GT	JIB BOOM ASSY W/WORD DECAL	1
20	1256127GT	BOLT,CARRIAGE,1/4-20X1,5,ZAG	2
21	824027GT	NUT,TL FLG,1/4-20,G,ZAG	
22	824089GT	SCREW,HHF,3/8-16X.75,8,ZAG	2
23	81640GT	WEAR PAD,3 X 1.5 X.625 W/NUTS	1
23-	48425GT	NUT,FLG-LRG,3/8-16,YZ	
24	56912GT	SPRING CLIP,1/4-20,.025-.15X.5	1
25	119542GT	CLAMP,TWO HOSE	1
26	119536PGT	BRACKET,HOSE CLAMP,PAINTED	1

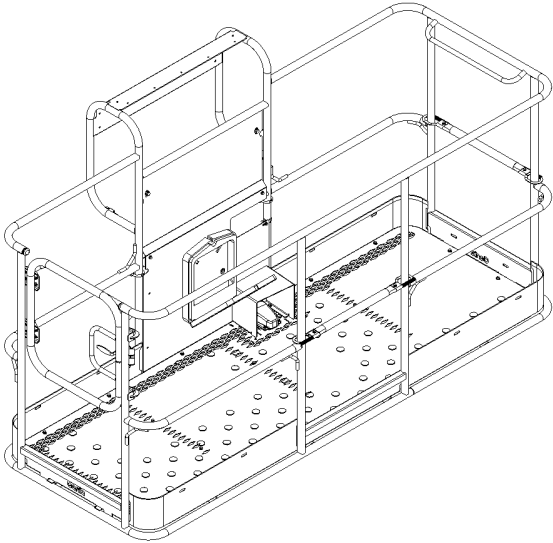


507.1 Jib Boom and Platform Rotator

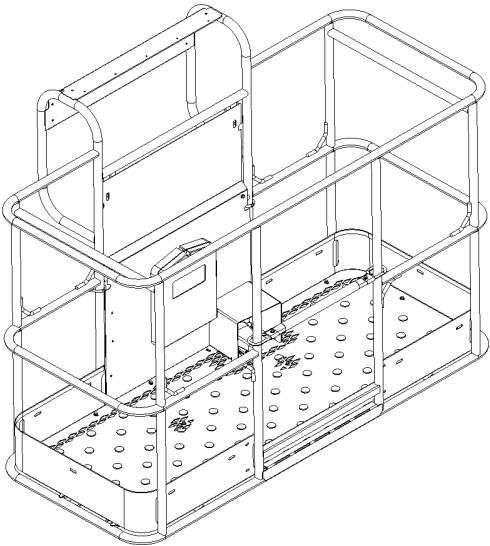


Item	Part No.	Description	Qty.
27	824078GT	SCREW,HHF,1/4-20X.75,8,ZAG	1
28	T108077GT	PIN,1.25DIAX7.00LG,1HOLE	1
29	94397GT	ROTATOR,PLAT JIB,160 DEG***	1
30	824081GT	SCREW,HHF,1/4-20X1.5,8,ZAG	3
31		Ref., Platform Rotate Manifold	1
		refer to 705.1	
32	88516GT	SCREW,BLEEDER,M5X0.8	2
33	30222GT	BEARING,FL,1.25IDX1.41ODX1.50L	4
34	63213GT	CYLINDER,JIB (STICK BOOMS)	1
		includes item 35	
34-	63353GT	SEAL KIT,CYL,S65 (63213)	
34-	33428GT	VALVE,COUNTERBALANCE	
		not shown	
35	25683GT	BEARING,POLYGON,20DU12	4
36	128454GT	COVER, JIB HOSES/CABLES**	1
37	1256180GT	BOLT,CARRIAGE,1/4-20X2.75,5,ZAG	2
38	824551GT	CLAMP,HOSE/CABLE,JIB	2
39	128483GT	BACKING PLATE, HOSE BLOCK, JIB	2
40	T108076GT	PIN,1.25DIAX7.88LG,1HOLE	2
41	128268GT	BEARING,FL, 1.25X1.5X2.13	2
42	824090GT	SCREW,HHF,3/8-16X1,8,ZAG	1
43	108855GT	PIN,1.50DIAX5.25LG,1HOLE	1
44	822631GT	CYLINDER,PLATFORM	1
		includes item 45	
44-	823061GT	SEAL KIT (822631)	1
44-	77303GT	VALVE, CNTRBAL 3500 PSI, ATM VEN	2
45	18396GT	BEARING,1.5IDX1.75ODX1.0L	2

601.1 Platform configurion



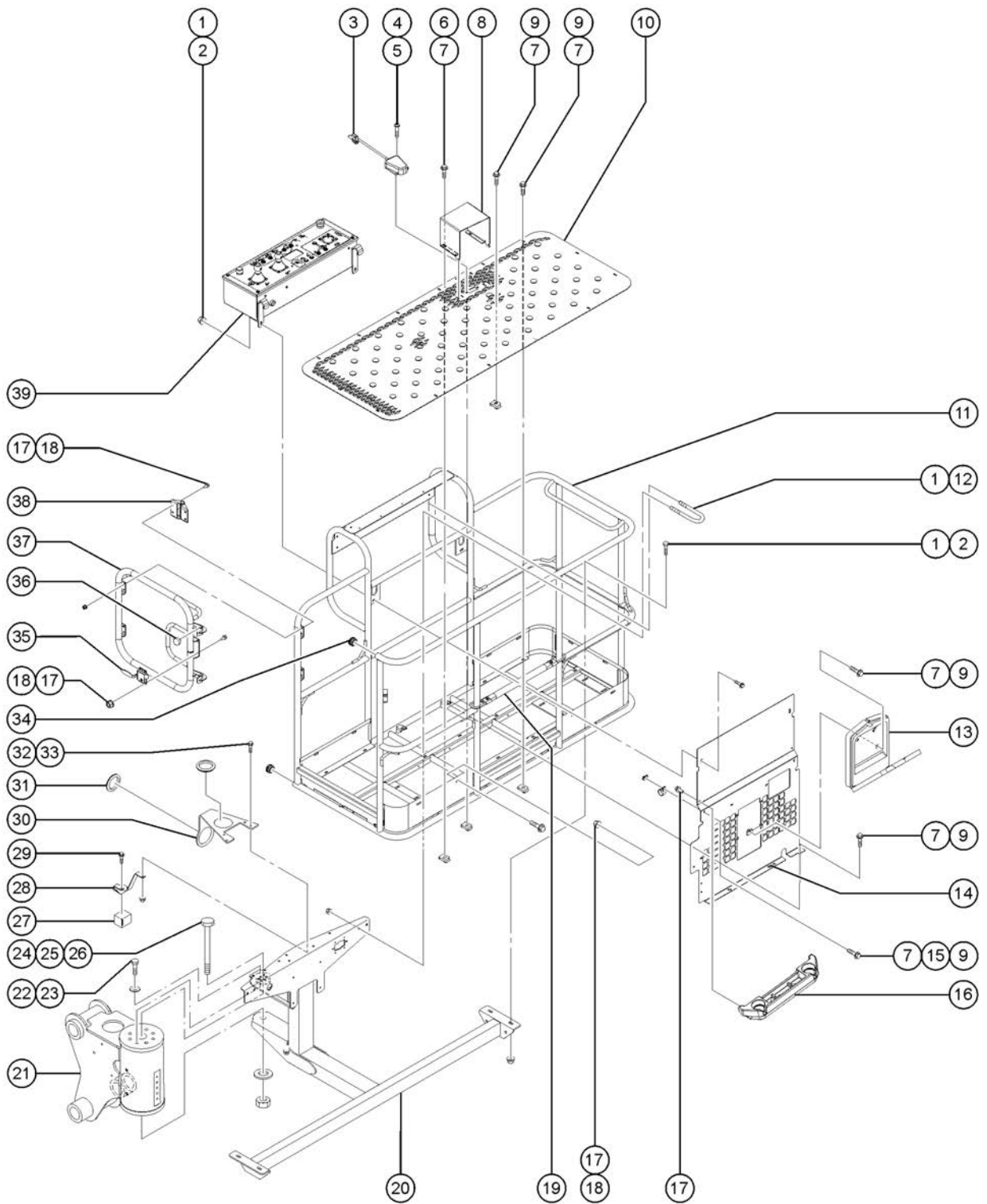
(1) Side Swing Gate Platform



(2) Front Single Entry Platform

Item	Part No.	Description	Qty.
		Complete Platform Assemblies with Decals	
-	1275401GT	PLAT ASSY,6' W/SIDE GATE,Z62,ANSI WORD ANSI WORD USA/Canadian models	
-	1275402GT	PLAT ASSY,6' W/SIDE GATE,Z62,AUS AUS Australian models	
-	1275403GT	PLAT ASSY,6' W/SIDE GATE,Z62,CE CE European models	
-	1275404GT	PLAT ASSY,6' W/SIDE GATE,Z62,ANSI SYM ANSI SYM Asia/South America models	
		Complete Platform Assemblies and Platform Weldments without Decals (refer to section 100 for decals)	
1A	1272303GT	ASSY,6FT PLAT DUAL LG,BLANK W/SIDE SWING GATE W/SIDE SWING GATE	
-	1274858GT	ASSY,6' PLAT WELDMNT W/SIDE GATE flooring and decal plate not included	
1B	1272304GT	ASSY,8FT PLAT TRI LG,BLANK W/SIDE SWING GATE W/SIDE SWING GATE	
-	1274859GT	ASSY,8' PLAT WELDMNT W/SIDE GATE flooring and decal plate not included	
2	160809GT	ASSY,6FT PLATFORM,NO DECALS Single entry	
-	73900GT	WELDMNT,6 FT PLATFORM flooring and decal plate not included	

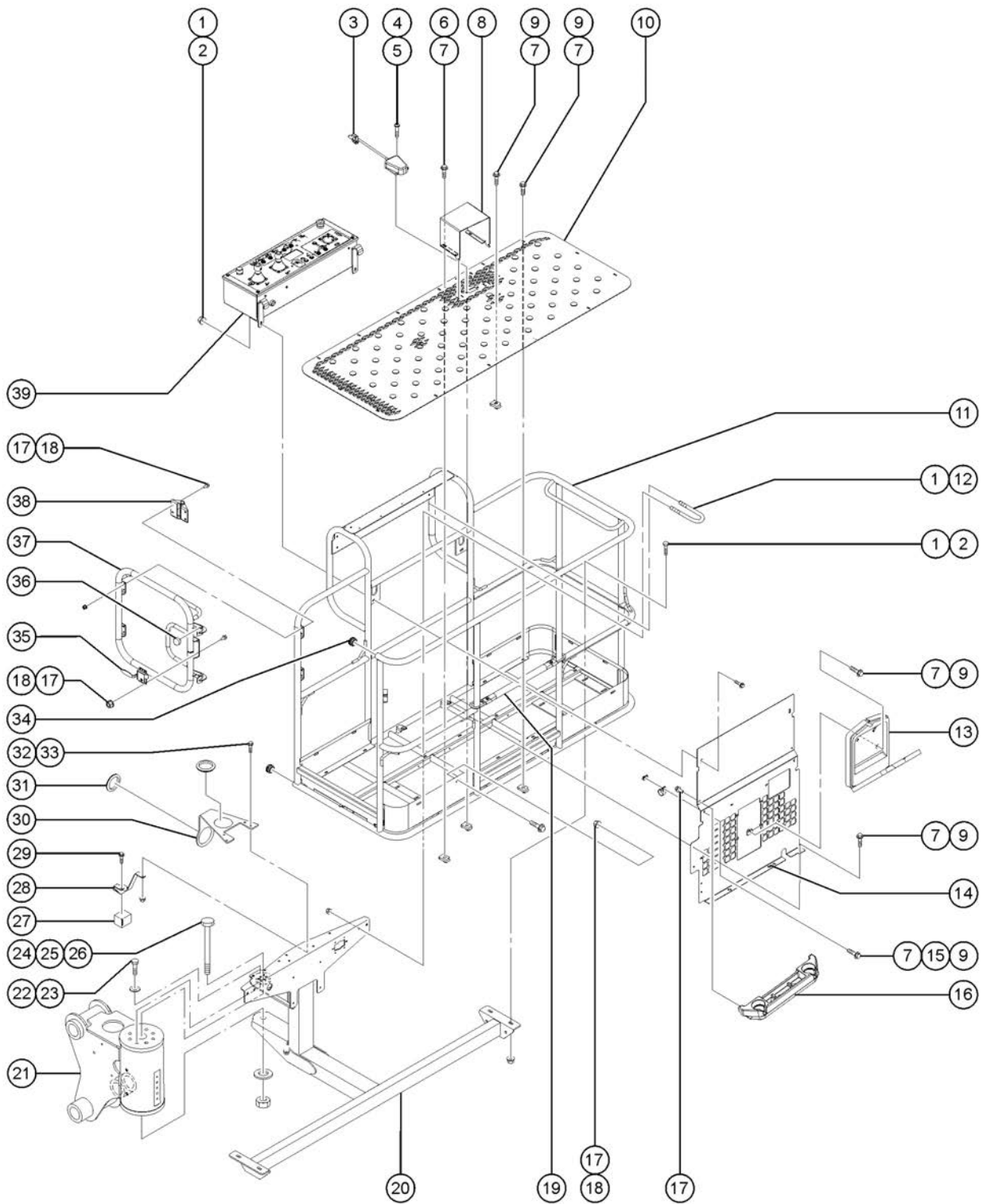
602.1 Platform Components



602.1 Platform Components

Item	Part No.	Description	Qty.
1	824029GT	NUT,TL FLG,3/8-16,G,ZAG	10
2	824091GT	SCREW,HHF,3/8-16X1.25,8,ZAG	6
3	227617GT	ASSEMBLY,FOOT SWITCH	1
3-	119058GT	CONN PLUG 4 WAY ENDCAP DT	
3-	1257248GT	SCREW, SHC, M4-0.7X8, DIN912,	
3-	1257249GT	WASHER, LOCK, M4, SS	
3-	227564GT	FOOT SWITCH,20A IP65	
3-	33576GT	CONN,SQZ,BLK,1/2NPT,,38-50,SM	
4	1256460GT	SCREW,PHPM,10-24X1,ZAG	2
5	73575GT	SPRING CLIP,10-24,ZINC	2
6	824079GT	SCREW,HHF,1/4-20X1,8,ZAG	2
7	56912GT	SPRING CLIP,1/4-20,.025-.15X.5	23
8	147121GT	COVER, FOOT SWITCH, LARGE (decals not included, refer to section 100)	1
9	824078GT	SCREW,HHF,1/4-20X.75,8,ZAG	23
10	1267746GT	FLOORING, 72X30 PLATFORM 6ft Platform (with side swing gate)	1
10B	73477GT	FLOORING, 6 FT PLATFORM 6 ft Platform (with single entry)	1
10C	73478PGT	FLOORING, 8 FT PLATFORM*** all 8 ft Platform	1
11		Ref. Platform Weldment	
		(refer to 601.1)	
12	1251600GT	U-BOLT, FLATTENED, 1.5 X 3/8 (single entry)	2
13	44743GT	MANUAL BOX W/DECALS*** USA/Canada/Australia	1
13B	24514GT	BOX,INSTRUCTION STORAGE Europe/Asia/South America (decals required; refer to Section100)	
14	1275088GT	FORMING, ALUM. DECAL PLATE	1
14B	89337GT	PLATFORM ASSY 8FT W/DECALS ANS (Painted, Steel)	1
15	56424GT	CLAMP,1.25X.5 RUBBER-CUSHION	2
16	1289552GT	KIT, PLATFORM WORK TRAY	1
17	1256855GT	SCREW,HHF,1/4-20X.625,8,ZAG	14
18	824027GT	NUT,TL FLG,1/4-20,G,ZAG	14
19	102992GT	SLIDING MIDRAIL KIT,PTD	1

602.1 Platform Components

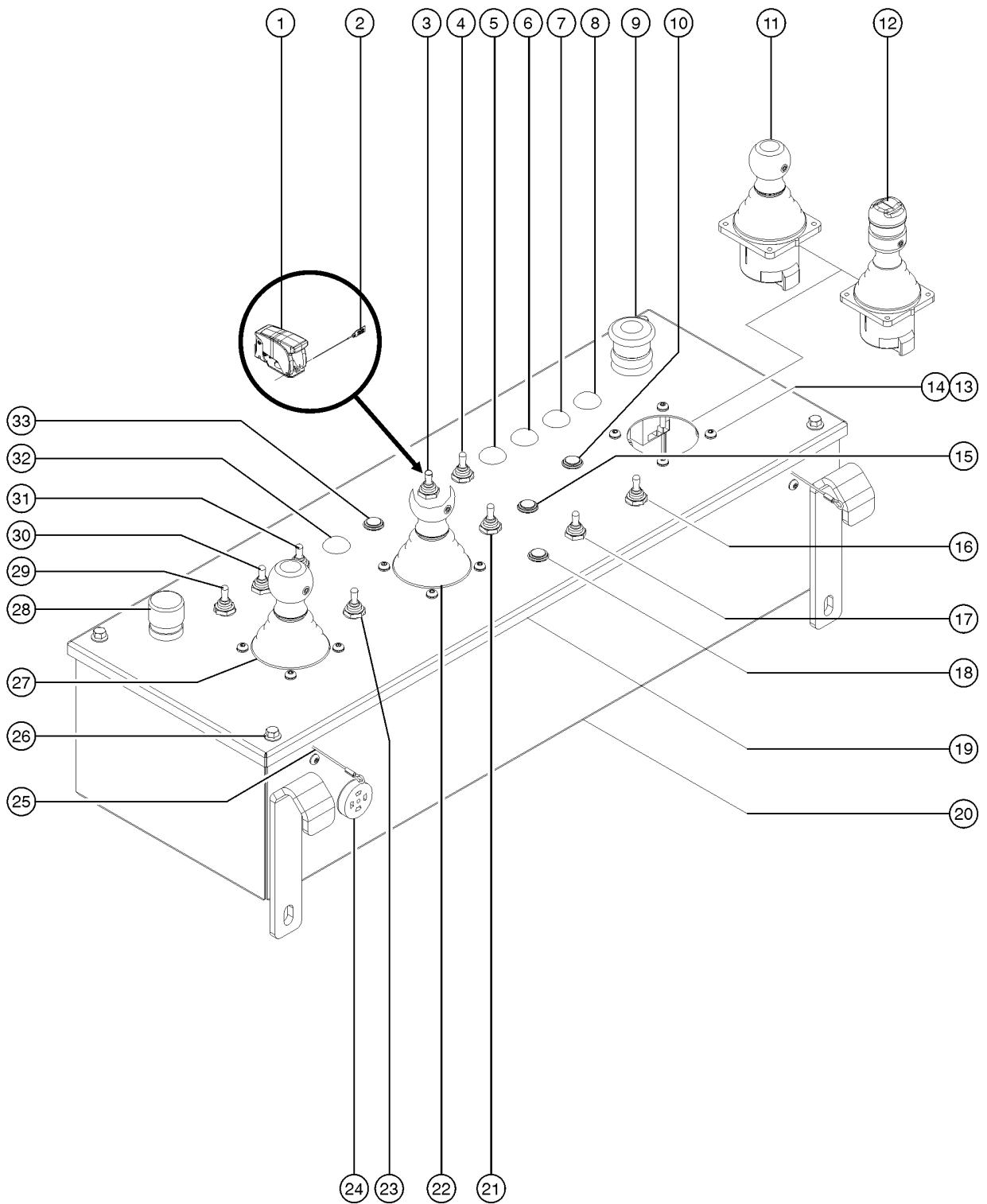


602.1 Platform Components

Item	Part No.	Description	Qty.
19-	102992GT	SLIDING MIDRAIL KIT,PTD	
20	60370-SGT	PLATFORM SUPPORT WELDMNT-SERV*	1
20B		Ref. PLAT LOAD SENSE S60**	1
		(refer to 810.1)	
21		Ref. ROTATOR,PLAT JIB	
		(refer to 507.1)	
22	826791GT	SCREW,HHC,3/8-16X.875,8,ZAG	8
23	826793GT	WASHER,FLAT,3/8,SAE,HRD,ZAG	8
24	826792GT	SCREW,HHC,1-8X11,5,ZAG	
25	824116GT	WASHER,FLAT,1.0,F436,HRD,ZAG	
		to SN Z62H-3664	
26	826794GT	NUT,TL,1-8,C,ZAGRING	
		to SN Z62H-3664	
26B	824031GT	NUT,TL FLG,1-8,G,ZAG	
		from SN Z62H-3665	
27		Ref. PLATE,JIB,ROTATE MANIFOLD	
		(refer to 705.1)	
28	110671GT	PLATE,JIB,ROTATE MANIFOLD	1
29	824077GT	SCREW,HHF,1/4-20X.5,8,ZAG	2
30	106163GT	FORMING,CABLE GUIDE	1
		order 55067 grommet separately	
31	55067GT	GROMMET,RUBBER 3 X .19 X 3.5	2
32	824028GT	NUT,TL FLG,5/16-18,G,ZAG	4
33	824086GT	SCREW,HHF,5/16-18X1,8,ZAG	4
34	55753GT	BUMPER, PLASTIC, 1.25 O.D.	2
35	1267747GT	LATCH, SWING GATE	1
36	43392GT	BUMPER,BATTERY BOX & RAILS***	2
37	1272307GT	ASSY,SIDE SWING GATE	1
38	104804GT	HINGE, SPRING, LONG LEG	2
39		Ref. PLATFORM CONTROL BOX	
		(refer to 603.1)	



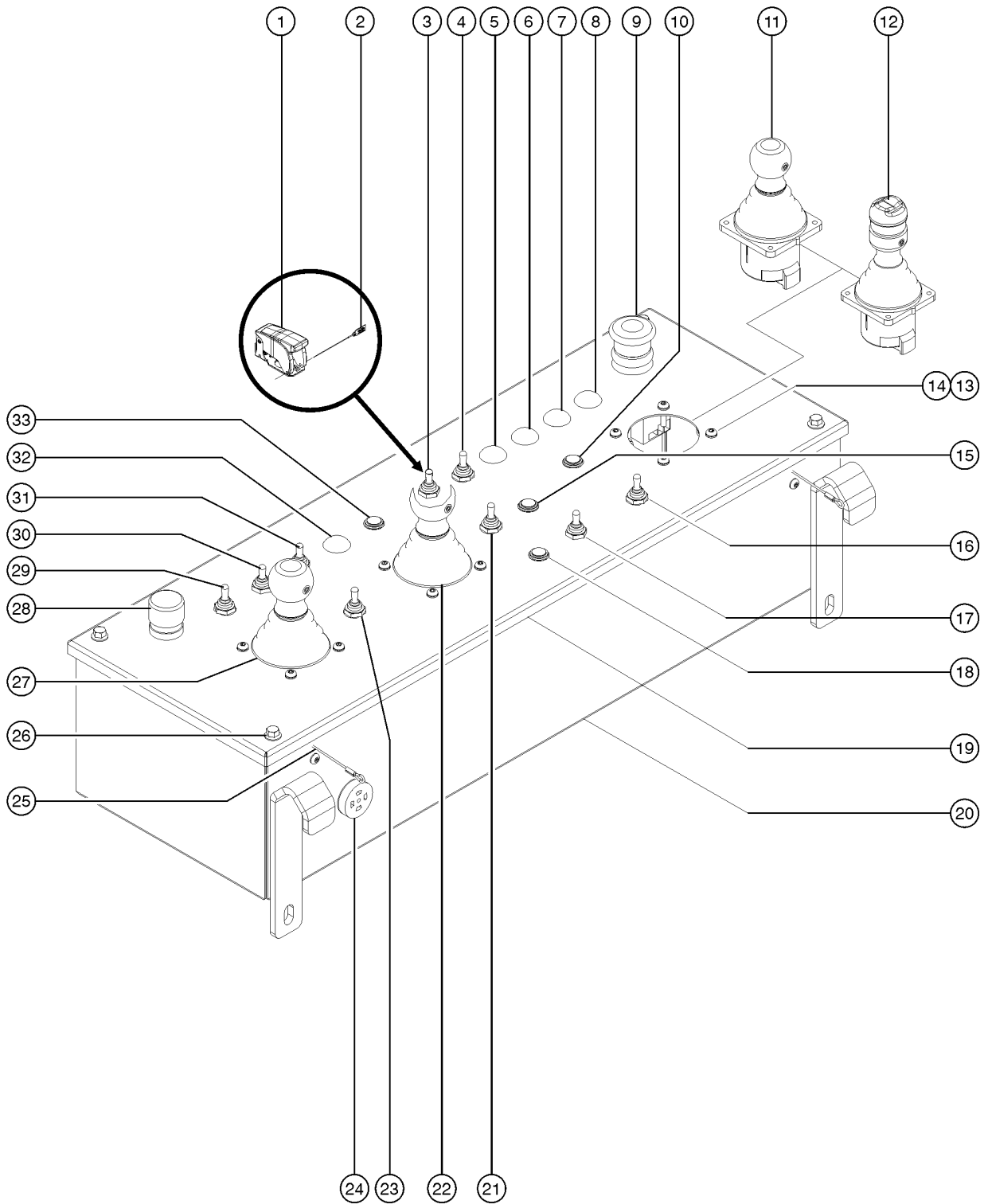
603.1 Platform Control Box, External View



603.1 Platform Control Box, External View

Item	Part No.	Description	Qty.
A		ASSY, TIER 4 PLAT CONTROL BOX Perkins 404F-22 or Deutz D2.9L4	1
B		ASSY, DIESEL T3 PLAT CONT BOX Perkins 404D-22, Deutz D2011L03i, Deutz TD2011L04i	1
C		ASSY, DF FORD PLAT CONT BOX Ford MSG-425	1
D	119613GT	HARN JOYSTICK ADAPTOR JS100 6-pin to 7-pin adapter (for 101174, 101175, 101005)	
1	1261346GT	TOGGLE SWITCH GUARD, RED CE units only	1
2	1261566GT	SECURITY TIE, TOGGLE GUARD CE units only	1
3	128201GT	SWITCH TOGGLE ASSY DPDT 2P MOM emergency lowering switch	1
4	128204GT	SWITCH TOGGLE ASSY SPDT 2P MNT drive speed switch	1
5	229567GT	PLUG,SANTOPRENE .5 BLACK DOME option; platform control box heater	1
6	229567GT	PLUG,SANTOPRENE .5 BLACK DOME option; generator switch	1
7	229567GT	PLUG,SANTOPRENE .5 BLACK DOME option; aircraft protection override switch	1
8A	229567GT	PLUG,SANTOPRENE .5 BLACK DOME models without 4 wheel steer	1
8B	128204GT	SWITCH TOGGLE ASSY SPDT 2P MNT option; 4 wheel steer select	1
9A	66812GT	BUTTON,PUSH,RED MUSHROOM HEAD emergency stop button	1
9A-	146478GT	BOOT(BELLOWS),E-STOP,BLACK emergency stop button	1
9A-	226321GT	BOOT(BELLOWS),E-STOP, RED emergency stop button	1
9B	94506GT	BASE,W/3 NC CONTACTS emergency stop button	1
10	824879GT	LIGHT,LED IND. RED 12V NH drive enable indicator light	1
11	101174GT	JOYSTICK,2 AXIS,DEUTSCH drive/steer	1
12	101005GT	JOYSTICK,1 AXIS ROCKER,DEUTSCH drive/steer	1
13	139338GT	SCREW PH M5-0.8X20 DIN 7500CE drive/steer	
14	56306GT	WASHER,FLAT NYLON #10 drive/steer	
15A	1254804GT	LT.LAMP IND.AMBER 12V NH 1256823 Platform Control Box - Diesel	1
15B	128200GT	SWITCH TOGGLE ASSY SPDT 3P MOM 1260911 Platform Control Box - Diesel	1
15C	229567GT	PLUG,SANTOPRENE .5 BLACK DOME 1260943 Platform Control Box - Ford	1
16	128200GT	SWITCH TOGGLE ASSY SPDT 3P MOM drive enable switch	1
17	128204GT	SWITCH TOGGLE ASSY SPDT 2P MNT engine idle (rpm) select switch	1
18A	824879GT	LIGHT,LED IND. RED 12V NH diesel models; engine shut down light	1

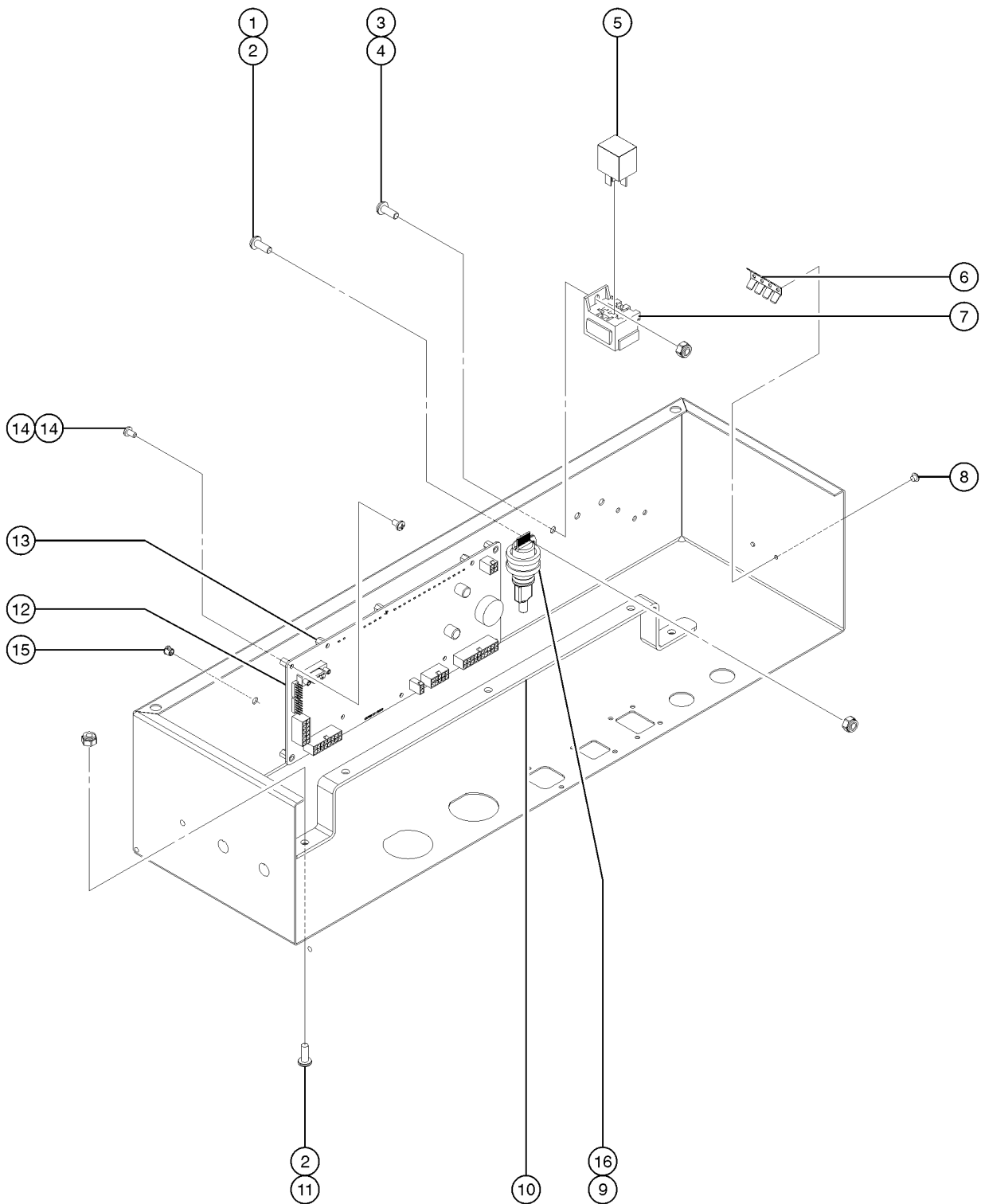
603.1 Platform Control Box, External View



603.1 Platform Control Box, External View

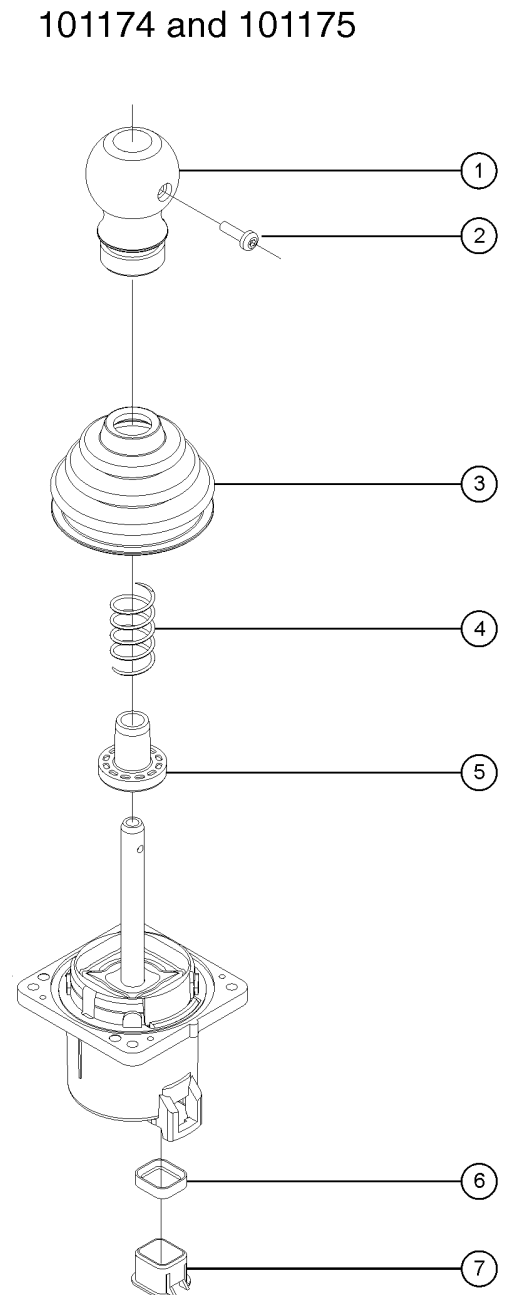
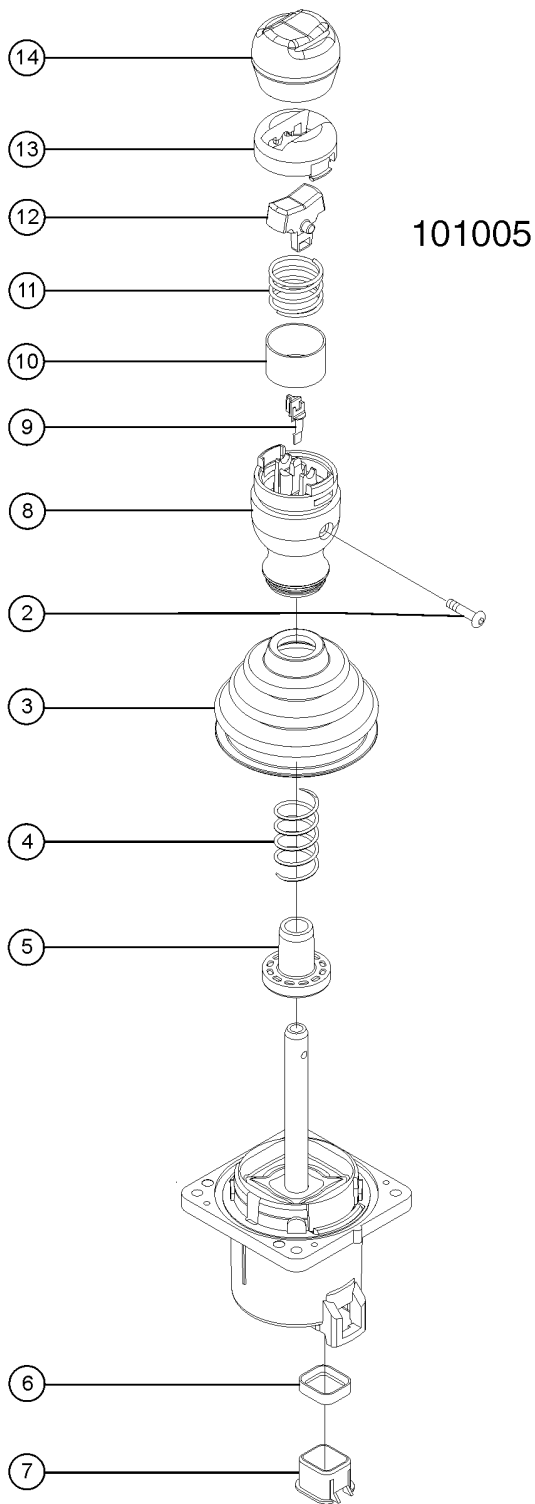
Item	Part No.	Description	Qty.
18B	128204GT	SWITCH TOGGLE ASSY SPDT 2P MNT gas/LPG models; fuel select switch	1
19A	139974GT	LID,PLATFORM CONTROL BOX models with 2 Wheel Steer	1
19B	1264539GT	PLATFORM CONTROL BOX LID,Z62 models with 4 wheel Steer	1
20	1256822GT	WELDMENT,PLATFORM CONTROL BOX bottom enclosure only	1
20-	81488GT	GASKET,PLATFORM CONTROL BOX not included with lid or bottom enclosure	1
21	128200GT	SWITCH TOGGLE ASSY SPDT 3P MOM engine start switch	1
22	101175GT	JOYSTICK,1 AXIS,DEUTSCH secondary boom up/down	1
23	128200GT	SWITCH TOGGLE ASSY SPDT 3P MOM primary boom extend/retract switch	1
24A	45383GT	ALARM,WARBLE TONE 5-30 VDC*** tilt alarm	1
24B	72326GT	NUT,PLASTIC,RING FOR ALARMS for 45383	1
25	77351GT	LANYARD,PLATFORM CONTROL BOX LANYARD,PLATFORM CONTROL BOX	2
26	824078GT	SCREW,HHF,1/4-20X.75,8,ZAG SCREW,HHF,1/4-20X.75,8,ZAG	4
27	101174GT	JOYSTICK,2 AXIS,DEUTSCH boom up/down and turntable rotate	1
28A	66813GT	BUTTON,PUSH,BLACK W/SEAL *** BUTTON,PUSH,BLACK W/SEAL ***	1
28B	66815GT	BASE, W/1 N.O. CONTACTS*** BASE, W/1 N.O. CONTACTS***	1
29	128200GT	SWITCH TOGGLE ASSY SPDT 3P MOM platform level switch	1
30	128202GT	SWITCH TOGGLE ASSY DPDT 3P MOM platform rotate switch	1
31	128202GT	SWITCH TOGGLE ASSY DPDT 3P MOM jib boom up/down switch	1
32	229567GT	PLUG,SANTOPRENE .5 BLACK DOME option; load sense	1
33	824879GT	LIGHT,LED IND. RED 12V NH machine not level indicator light	1

604.1 Platform Control Box, Internal View



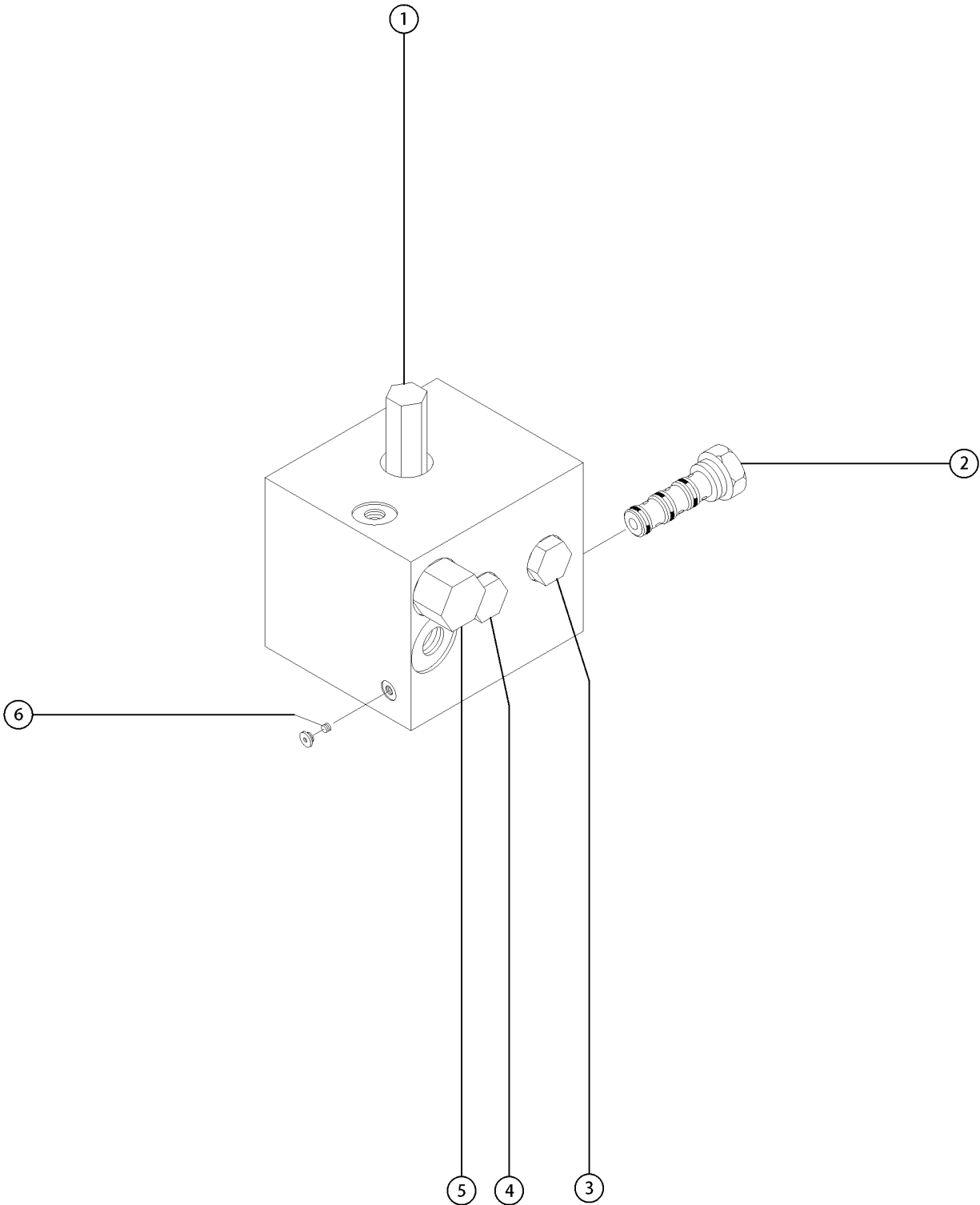
<i>Item</i>	<i>Part No.</i>	<i>Description</i>	<i>Qty.</i>
A	34052GT	RELAY,SPDT,12V(AUTO) PLUG IN**	
B	19274GT	RELAY,SPDT,12V(AUTO)**	
C	89575GT	RESISTOR,7.5 OHM,25 WATT,1PCNT	
D	147253GT	TIME DELAY RELAY,2 SEC,24VDC	
1	54365GT	SCREW,PHIL,PHM,10-32 X .5,SSTL	
2	6178GT	NUT,NYLOCK,10-32	
3	49818GT	SCREW,PHILLIPS,PHM,10-32 X .38	
4	14392GT	NUT,LP NYLOCK,10-32	
5	34052GT	RELAY,SPDT,12V(AUTO) PLUG IN**	2
6	56663GT	TERMINAL STRIP	1
7	34053GT	ASSY,RELAY SOCKET, AUTO	2
8	6272GT	RIVET,STL,STL,P,.125 X .25	2
9	13268GT	CLAMP,0.75,#12 X 1/4,RUB CUSH	3
10	119644GT	BRACKET,PBOX WIRE SUPPORT	1
11	49819GT	SCREW,PHILLIPS,PHM,10-32 X .5	
12	30996GT	PLUG,NYLON .313 BLACK DOMED	
13	81551GT	SCREW,PHIL,PHM,6-32 X 1/4 SS	
14	81550GT	STANDOFF,6-32 X 3/8L X 1/4 HEX	10
15	824665GT	ASSY, PCB ALC500 Z62 V100 1256823 Platform Control Box; Perkins 404F-22 or Deutz D2.9L4 engine	1
16	43181GT	CAPACITOR,TIME DELAY	1

605.1 Joysticks



Item	Part No.	Description	Qty.
A	101005GT	JOYSTICK,1 AXIS ROCKER,DEUTSCH OEM joystick (calibration required after replacement)	
B	101005HGT	JOYSTICK,SINGLE AXIS W/STEER aftermarket joystick (calibration required after replacement)	
C	101174GT	JOYSTICK,2 AXIS,DEUTSCH OEM joystick (calibration required after replacement)	
D	101174HGT	JOYSTICK,DUAL AXIS W/KNOB aftermarket joystick (calibration required after replacement)	
E	101175GT	JOYSTICK,1 AXIS,DEUTSCH OEM joystick (calibration required after replacement)	
F	101175HGT	JOYSTICK,SINGLE AXIS W/KNOB aftermarket joystick (calibration required after replacement)	
G	83098GT	TERM,AMP MTE,SOC,22-26 GA BULK	
H	119613GT	HARN JOYSTICK ADAPTOR JS100 6-pin to 7-pin adapter (for 101174, 101175, 101005)	
Z	1269501GT	KIT, ISOLATION, 3 JOYSTICK	
1	62392GT	KNOB,JOYSTICK, 62390/62391	1
2	T112626GT	SCREW, PHM, #6-32 X .625 ZINC	1
3	139598GT	BOOT,JOYSTICK	1
4		SPRING,JOYSTK CENTR,62390/91 no longer available from supplier	1
5	119915GT	COLLAR,JOYSTICK,CENTER	1
6	128000GT	SEAL, CONNECTOR (DT JOYSTICKS)	1
7	128001GT	SLEEVE,CONNECTOR,DT JOYSTICKS	1
8	75449GT	KNOB,ROCKER JOYSTICK 75565	1
9	75448GT	SUPPORT,SENSOR,JOYSTICK	1
10	75447GT	SWITCH SHIELD,ROCK JOYSTK75565	1
11	75446GT	SPRING,SWITCH CENTERING,75565	1
12	75445GT	ROCKER ASSY.,MAGNETIC 75565	1
13	75444GT	ROCKER,RETAINER, 75565	1
14	75443GT	BOOT, ROCKER JOYSTICK 75565	1

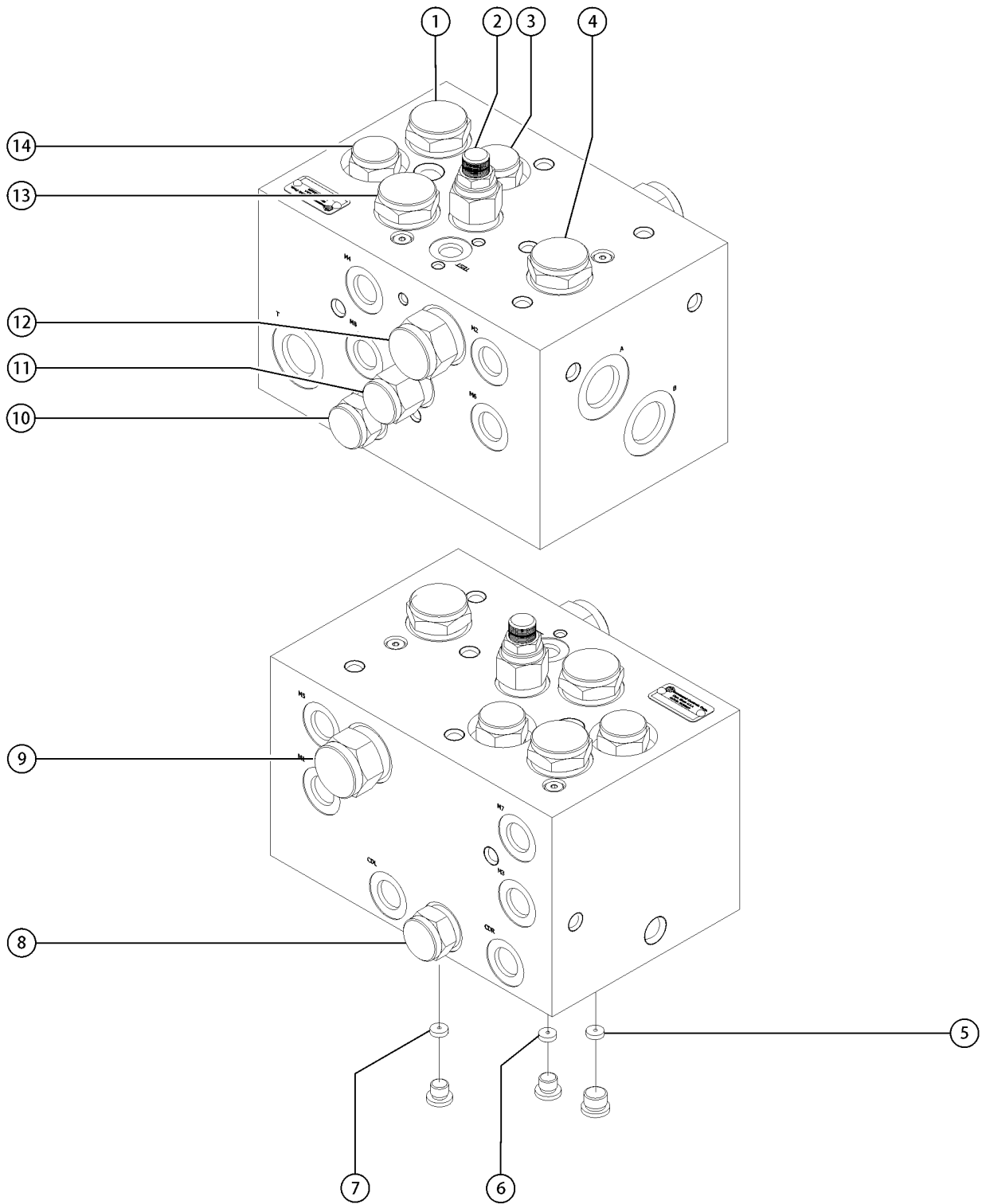
701.1 Traction Manifold - 2WD



701.1 Traction Manifold - 2WD

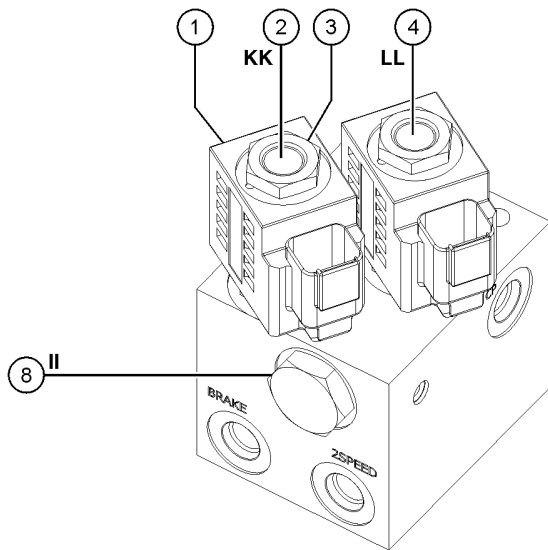
<i>Item</i>	<i>Part No.</i>	<i>Description</i>	<i>Qty.</i>
A	88783GT	MANIFOLD,TRACTION,2WD	
1	94758GT	VALVE,RELIEF,280PSI	1
		Charge Pressure circuit	
1-	110194GT	SEAL KIT, VALVE, #10	
2	52726GT	VALVE,FLOW DIVIDER/COMBINER	1
		Controls flow to drive motors in forward and reverse	
2-	84135GT	SEAL KIT, VALVE	
3	27836GT	VALVE,CHECK,5 PSI	1
		Drive circuit	
3-	110194GT	SEAL KIT, VALVE, #10	
4	27836GT	VALVE,CHECK,5 PSI	1
		Drive circuit	
4-	110194GT	SEAL KIT, VALVE, #10	
5	27761GT	VALVE,SHUTTLE	1
		Charge Pressure circuit that directs hot oil out of low pressure side of drive pump	
5-	84134GT	SEAL KIT, VALVE	
6	101440GT	ORIFICE PLUG, 0.070"	1
		Drive motor circuit	

702.1 Traction Manifold - 4WD

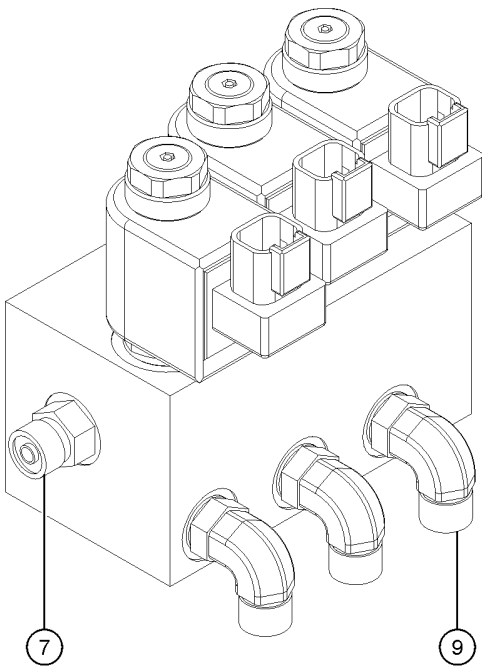
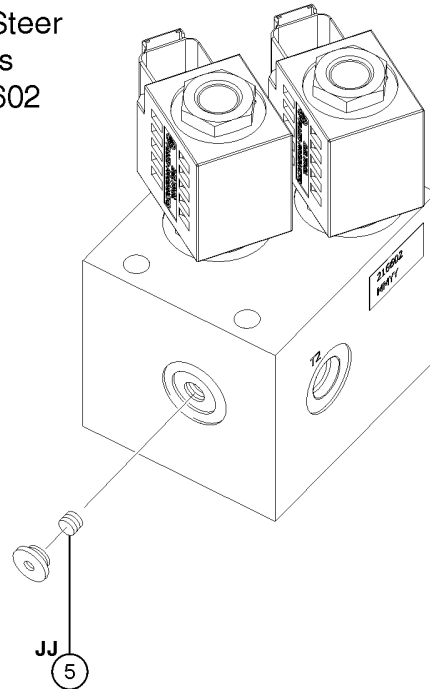


Item	Part No.	Description	Qty.
	139712GT	MANIFOLD,TRACTION,4WD***	
	1287434GT	PLUG,SAE #03 (139712) Plug for ORIFICE, 0.040"	
1	139717GT	VALVE, FLOW DIVIDE/COMB,24GPM (controls flow to non-steer end drive motors in forward and reverse)	1
1-	139512GT	SEAL KIT, VALVE	
2	139718GT	VALVE, RELIEF, 280PSI (charge pressure circuit)	1
2-	139528GT	SEAL KIT, VALVE	
3	139527GT	VALVE, CHECK, 5PSI (steer end drive motor circuit)	1
4	139508GT	VALVE, FLOW DIVIDE/COMBINE 1:1 (controls flow to flow divider/combiner valves 1 and 13)	1
5	139719GT	ORIFICE, 0.040" (equalizes pressure on both sides of flow divider/combiner valve)	1
6	139719GT	ORIFICE, 0.040" (equalizes pressure on both sides of flow divider/combiner valve)	1
7	139527GT	VALVE, CHECK, 5PSI (non-steer end drive motor circuit)	1
8	139716GT	VALVE, CHECK (non-steer end drive motor circuit)	1
8-	139727GT	SEAL KIT, VALVE	
9	139527GT	VALVE, CHECK, 5PSI (steer end drive motor circuit)	1
10	139715GT	VALVE, SHUTTLE, FIXED (steer end drive motor circuit)	1
10-	139512GT	SEAL KIT, VALVE	
11	139716GT	VALVE, CHECK (charge pressure circuit that directs hot oil out of low pressure side of drive pump)	1
12	139719GT	ORIFICE, 0.040" (equalizes pressure on both sides of flow divider/combiner valve)	1
13	139717GT	VALVE, FLOW DIVIDE/COMB,24GPM (controls flow to steer end drive motors in forward and reverse)	1
13-	139512GT	SEAL KIT, VALVE	
14	139527GT	VALVE, CHECK, 5PSI (non-steer end drive motor circuit)	1

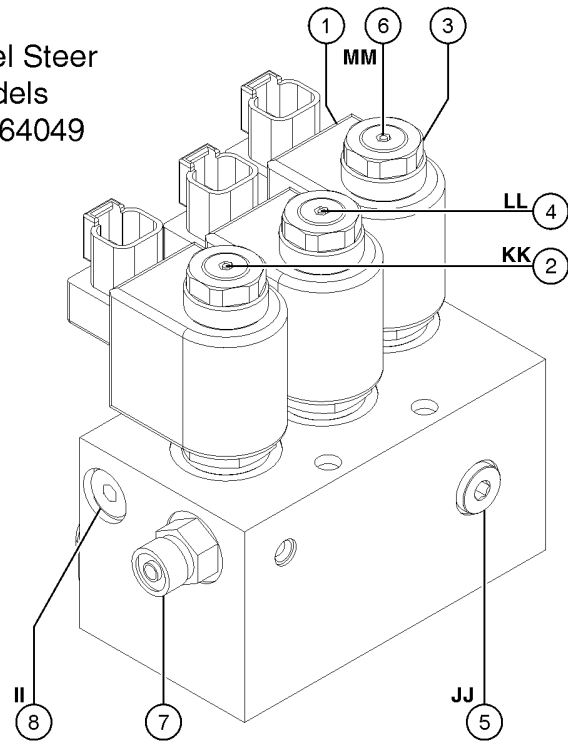
703.1 Brake & 2-Speed Manifold



2 Wheel Steer Models
PN 216602



4 Wheel Steer Models
PN 1264049

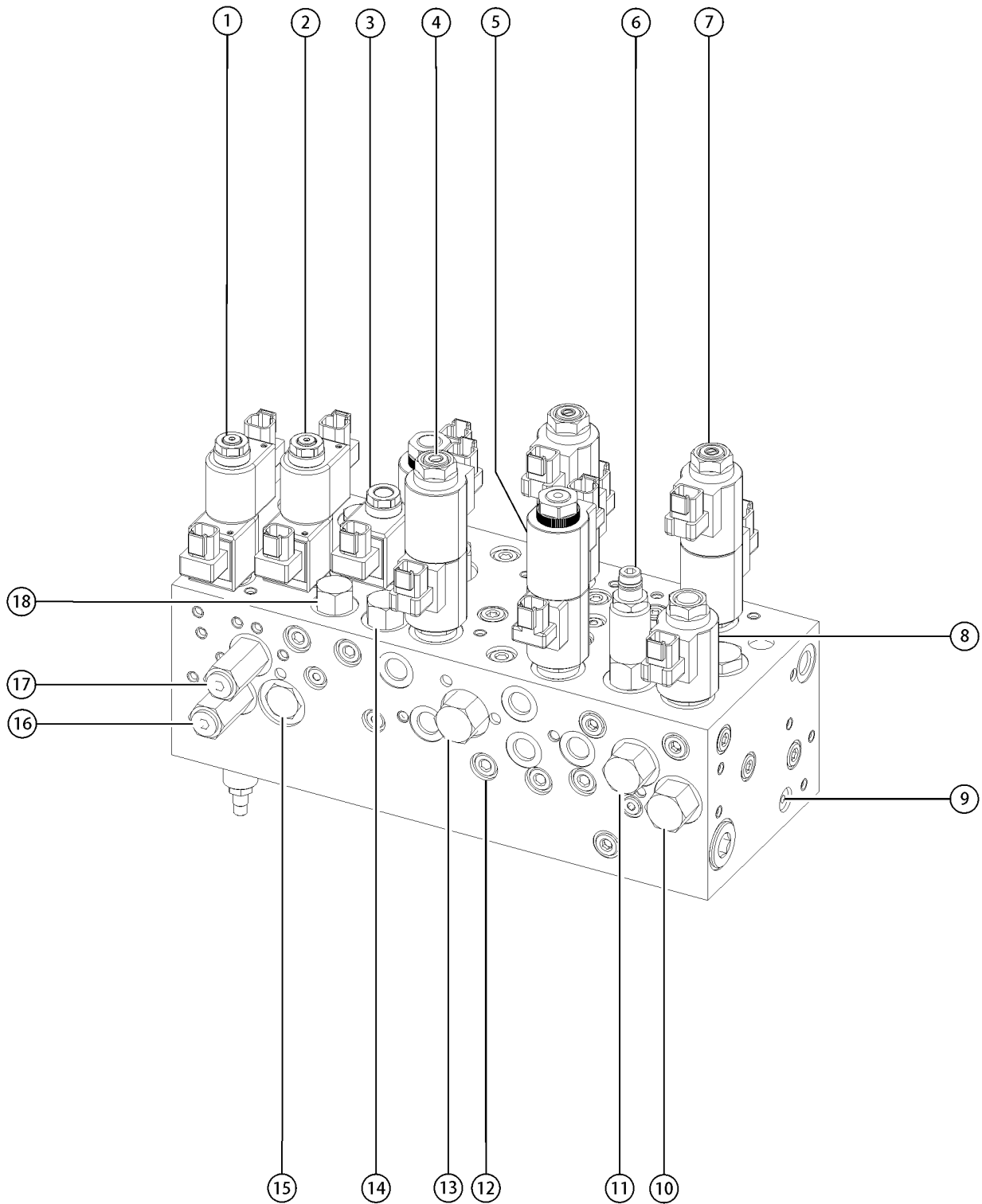


703.1 Brake & 2-Speed Manifold

Item	Part No.	Description	Qty.
A	216602GT	MANIFOLD,BRAKE,2-SPEED (2 wheel steer) (fittings not included)	1
B	1264049GT	MANIFOLD,BRAKE 2-SPEED STEER (4 wheel steer) (fittings not included)	
1	219243GT	COIL, SOLENOID VALVE, 10V	1
2	219247GT	VALVE, SOLENOID Brake Release	2
2-	161144GT	SEAL KIT,SOLENOID VALVE 219247	
3	94759GT	NUT,SOLENOID	5
4	219247GT	VALVE, SOLENOID Two Speed Drive Motor Shift	2
4-	161144GT	SEAL KIT,SOLENOID VALVE 219247	
5	219245GT	ORIFICE PLUG .025 DIA. Brake and 2-Speed Circuit	1
6	219247GT	VALVE, SOLENOID Steer Circuit	
6-	161144GT	SEAL KIT,SOLENOID VALVE 219247	
7	48905GT	CONN,520120-4***	2
8	35726GT	VALVE,HYDRAULIC CHECK Brake Circuit	2
8-	161145GT	SEAL KIT,CHECK VALVE 219246	
9	48904GT	CONN,520120-4***	3



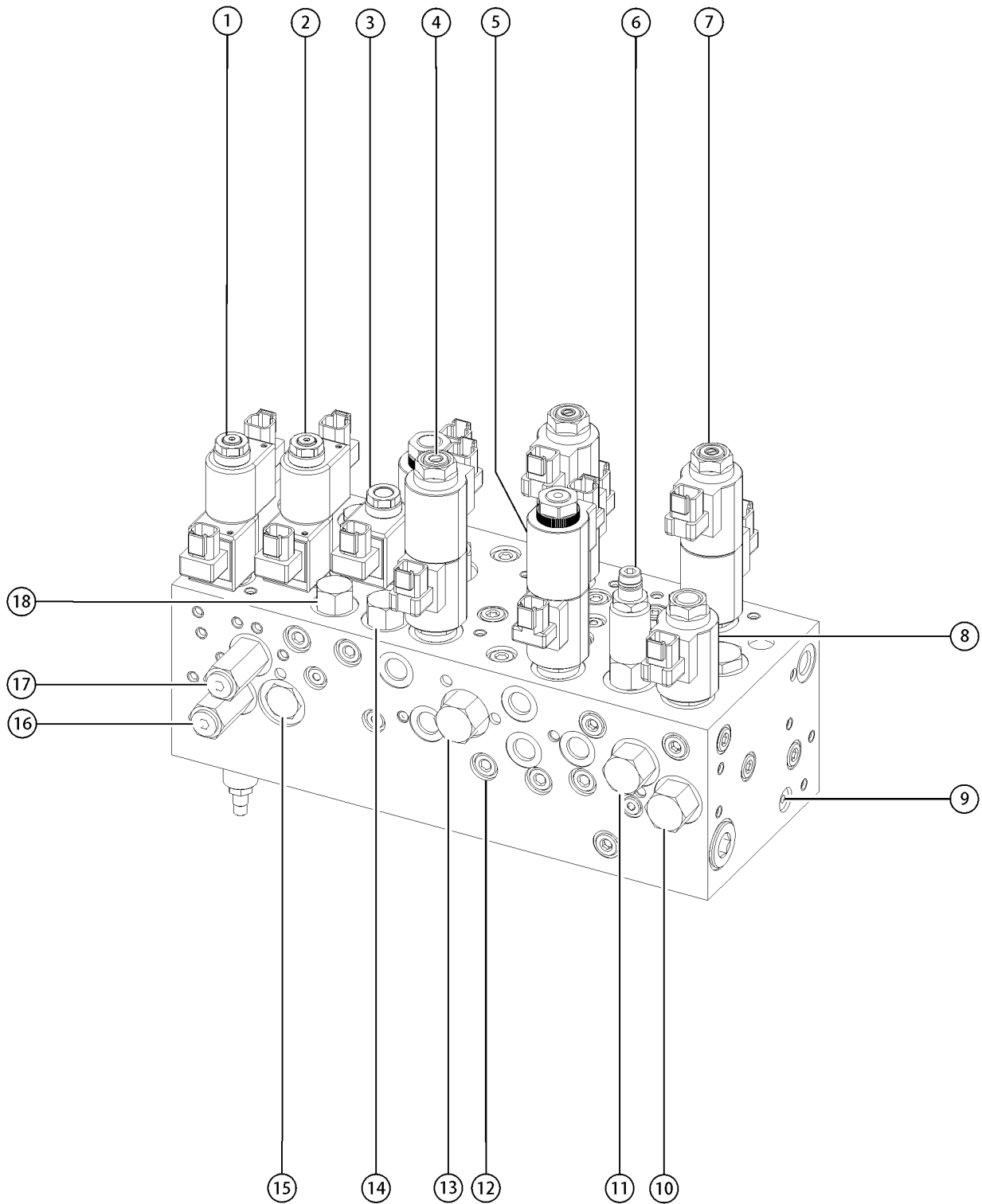
704.1 Function Manifold, View 1



Item	Part No.	Description	Qty.
A	823261GT	MANIFOLD,FUNCTION complete assembly	1
A-	1260128GT	PISTON	1
A-	1260129GT	BACKUP	2
1	122645GT	SOLENOID VALVE,SPOOL TYPE Platform level up/down	2
1-	122120GT	SEAL KIT, SOLENOID VALVE	
2	122645GT	SOLENOID VALVE,SPOOL TYPE Platform rotate left/right and jib boom up/dow	2
2-	122120GT	SEAL KIT, SOLENOID VALVE	
3	1260130GT	VALVE, SOLENOID, 2 POS, 2WAY Primary Boom retract circuit	1
3-	237236GT	SEAL KIT,VALVE	
4	1260136GT	VALVE, PROP DIR SOLENOID, 3P4W Turntable rotate left/right	3
5	111703GT	VALVE,SOLENOID 3 POS,4 WAY*** Steer left/right	1
5-	122657GT	SEAL KIT	
6	1260118GT	VALVE, RELIEF, 3200 PSI System relief	1
6-	110194GT	SEAL KIT, VALVE, #10	
7	1260136GT	VALVE, PROP DIR SOLENOID, 3P4W Secondary boom up/down	3
8	1260133GT	VALVE, SOLENOID, 2 POS, 2WAY Function enable valve	1
9	27807GT	VALVE,CHECK*** Differential sensing circuit, secondary boom	6
9-	110200GT	SEAL KIT, VALVE, #4	
10	1260134GT	VALVE, DIFF SENSING, 190 PSI Differential sensing circuit, meters flow to functions	1
11	1260121GT	VALVE, FLOW REG, 4.1 GPM Differential sensing circuit, secondary boom	1
11-	89310GT	SEAL KIT, SOLENOID VALVE	
12	27807GT	VALVE,CHECK*** Differential sensing circuit, primary boom	6
12-	110200GT	SEAL KIT, VALVE, #4	
13	1260121GT	VALVE, FLOW REG, 4.1 GPM Differential sensing circuit, primary boom	1
13-	89310GT	SEAL KIT, SOLENOID VALVE	
14	77491GT	VALVE,FLOW REGULATOR 2.3 GPM Primary Boom retract circuit	1
15	1260116GT	VALVE, CHECK, 30 PSI Platform rotate left/right and jib boom up/down	3
16	37080GT	VALVE,RELIEF, 2800 PSI Platform level up circuit	2

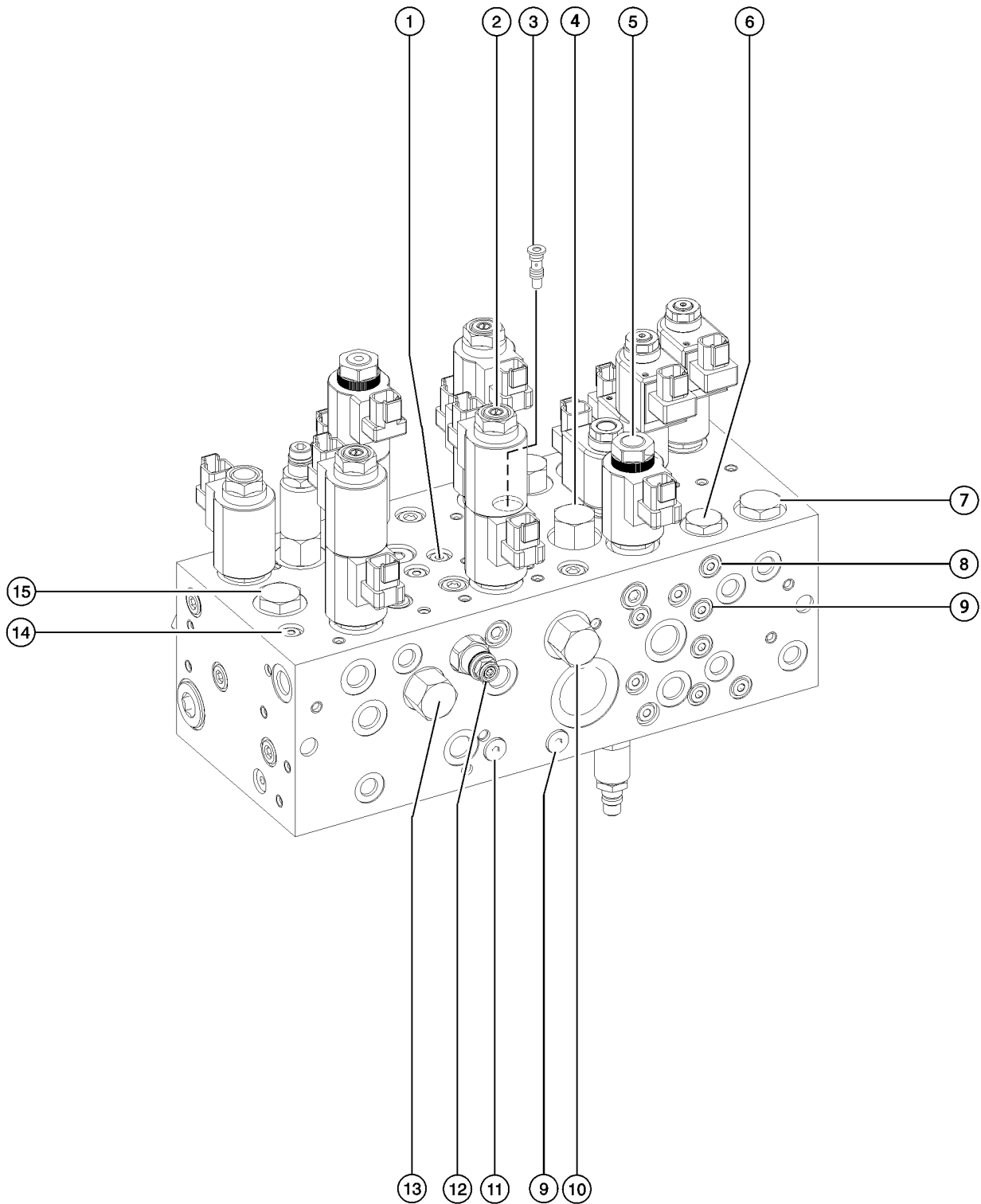


704.1 Function Manifold, View 1



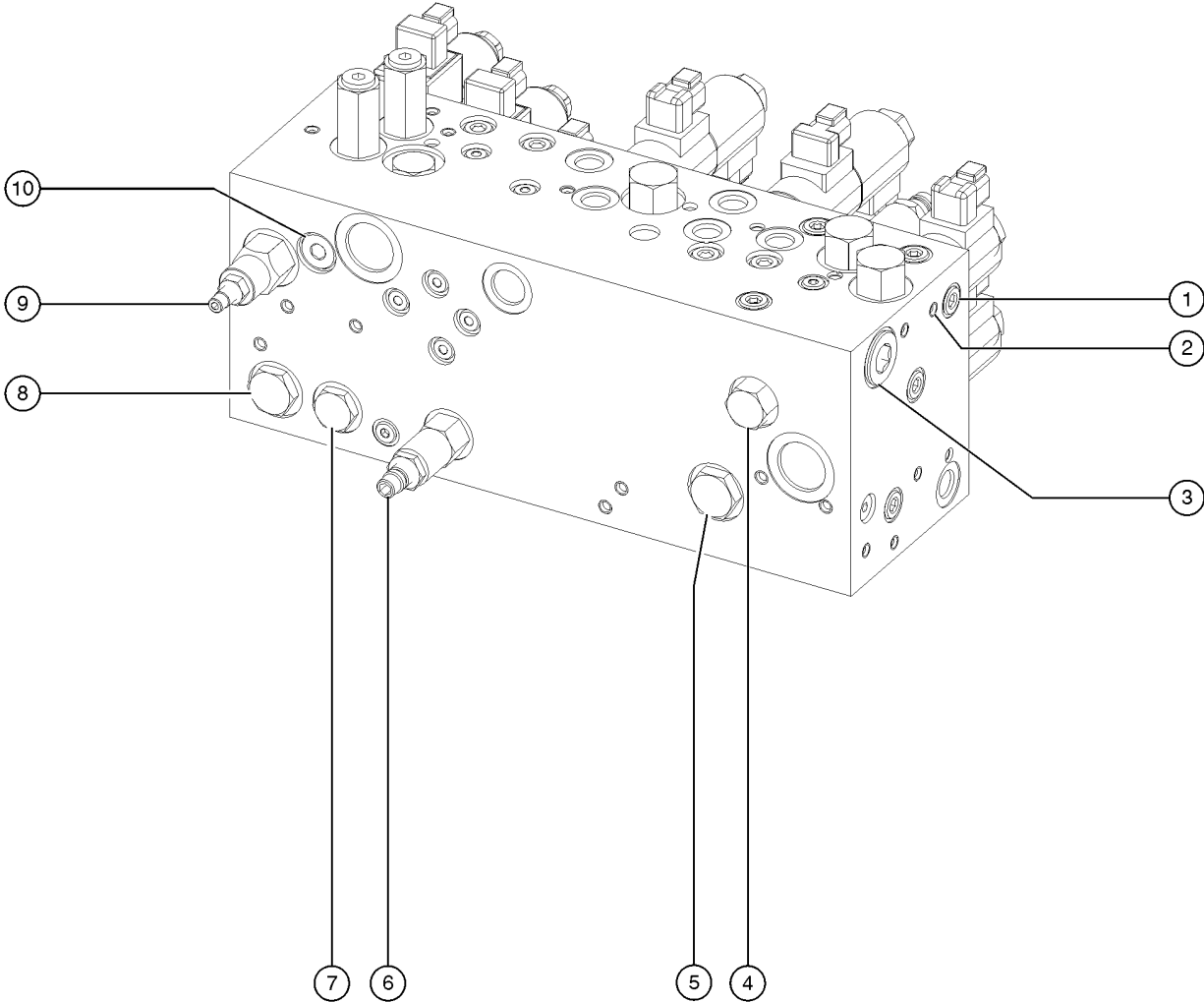
<i>Item</i>	<i>Part No.</i>	<i>Description</i>	<i>Qty.</i>
17	37080GT	VALVE,RELIEF, 2800 PSI Platform level down circuit	2
18	31100GT	VALVE,FLOW REGULATOR 0.6GPM Platform rotate left/right and jib boom up/down	1

704.2 Function Manifold, View 2



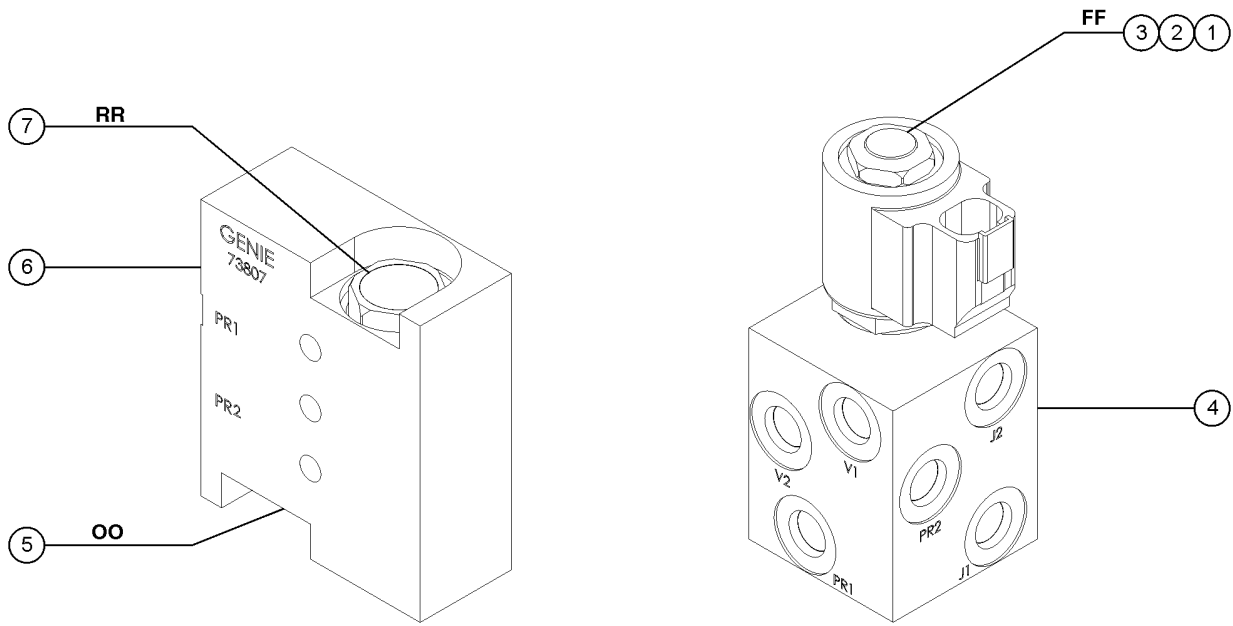
Item	Part No.	Description	Qty.
1	45483GT	VALVE,SHUTTLE*** Differential sensing circuit, primary boom	4
2	1260136GT	VALVE, PROP DIR SOLENOID, 3P4W Primary boom up/down	3
3	45483GT	VALVE,SHUTTLE*** Differential sensing circuit, turntable rotate	4
4	1260120GT	VALVE, FLOW REGULATOR, 4.7 GPM Primary boom extend	1
5	231034GT	SOLENOID VALVE,3-WAY,2-POS Primary boom extend	1
5-	237234GT	SEAL KIT,VALVE	
6	1260116GT	VALVE, CHECK, 30 PSI Differential sensing circuit, platform rotate right and jib boom down	3
7	161538GT	VALVE, CHECK, 65 PSI Platform level down circuit	2
8	69550GT	PLUG,ORB #4	19
9	27807GT	VALVE,CHECK*** Differential sensing circuit, platform level down	6
9-	110200GT	SEAL KIT, VALVE, #4	
10	1260494GT	VALVE, DIFF SENSING, 110 PSI Turntable rotate left/right	2
10-	89310GT	SEAL KIT, SOLENOID VALVE	
11	45483GT	VALVE,SHUTTLE*** Primary boom up and secondary boom down circuit	4
12	89872GT	VALVE,COUNTERBALANCE*** Primary boom retrac	1
13	1260492GT	VALVE, PRIORITY FLOW REGULATOR Steer left/right circuit	1
13-	110202GT	SEAL KIT, VALVE, #10	
14	122646GT	BYPASS VALVE RELIEF Differential sensing circuit, secondary boom	1
14-	110194GT	SEAL KIT, VALVE, #10	
15	45483GT	VALVE,SHUTTLE*** Blocks flow from auxiliary pump to function pump	4

704.3 Function Manifold, View 3



<i>Item</i>	<i>Part No.</i>	<i>Description</i>	<i>Qty.</i>
1	1260124GT	PLUG, 6 SAE, TAPERED, BUNA	19
2	1260127GT	PLUG, EXPANDER (8MM)	47
3	1260126GT	PLUG, 12 SAE, TAPERED, BUNA	2
4	32975GT	VALVE, FLOW REGULATOR 0.1 GPM Bleeds off differential sensing valves to tank	1
5	1260123GT	VALVE, CHECK, 100 PSI Primary boom and secondary boom circuit	1
5-	110194GT	SEAL KIT, VALVE, #10	
6	1260132GT	VALVE, RELIEF, 1250 PSI Primary boom retract	1
7	1260116GT	VALVE, CHECK, 30 PSI Platform rotate left and jib boom up	3
8	161538GT	VALVE, CHECK, 65 PSI Platform level up circuit	2
9	62258GT	VALVE, NEEDLE*** Platform level up/down	1
9-	110194GT	SEAL KIT, VALVE, #10	
10	1260125GT	PLUG, 8 SAE, TAPERED, BUNA	2

705.1 Platform Rotate and Jib Boom/Platform Manifold



Platform Rotate Manifold

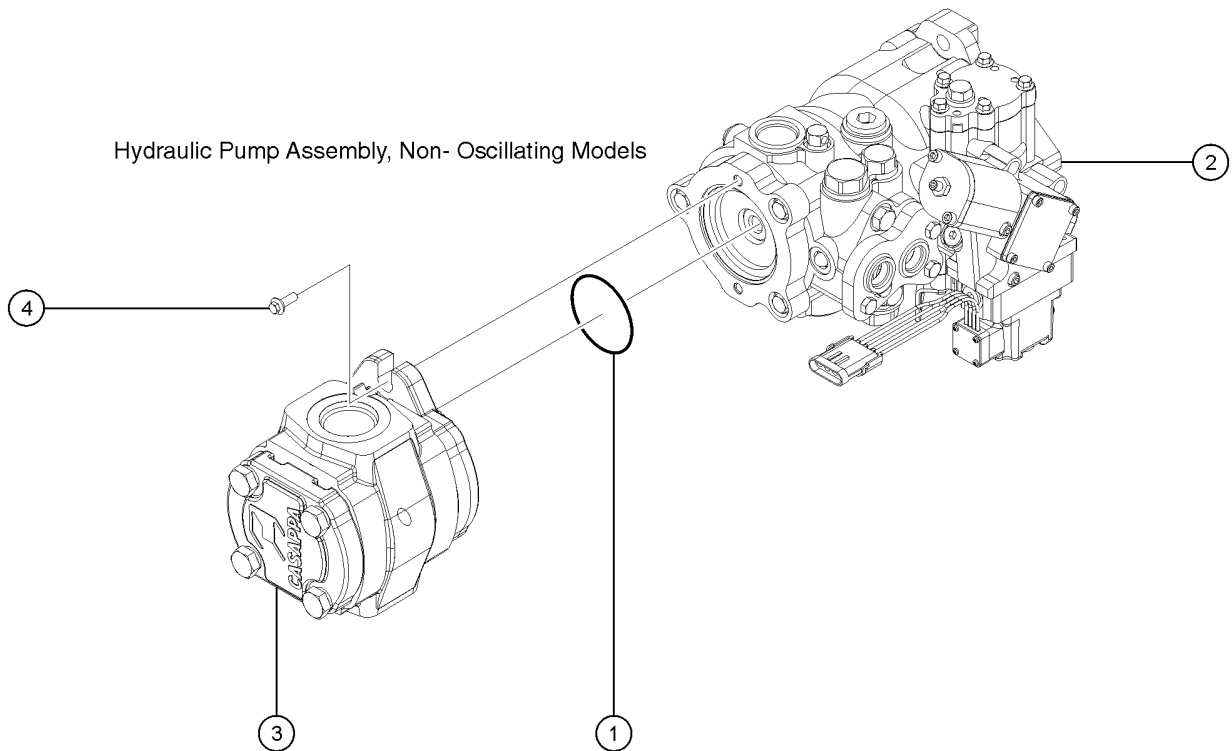
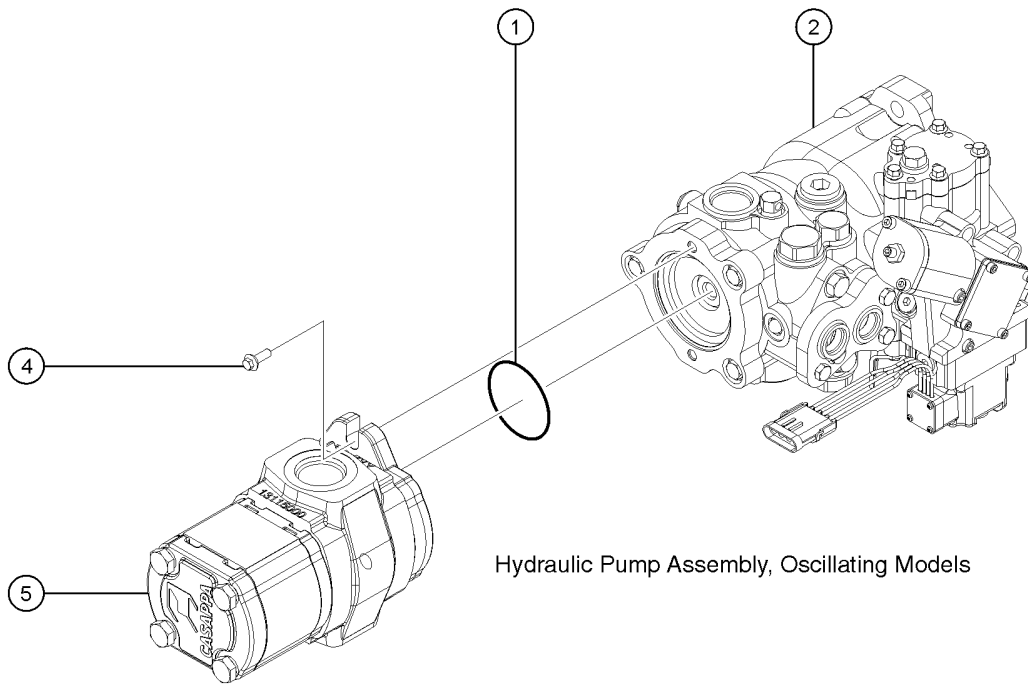
Jib Select Manifold

705.1 Platform Rotate and Jib Boom/Platform Manifold

<i>Item</i>	<i>Part No.</i>	<i>Description</i>	<i>Qty.</i>
1	44174GT	NUT-COIL SHORT	1
2	52897GT	VALVE,SOLENOID, 2POS/3WAY***	1
2-	52371GT	SEAL KIT, VALVE	1
		for 52897	
3	104759GT	COIL,12VDC #8 DTSCH IP69 ECOIL	1
4	1256670GT	MANIFOLD,JIB SELECT W/QD PLUG	1
		include items 1-3	
5	62506GT	VALVE - COUNTERBALANCE**	1
5-	43018GT	SEAL KIT (39345)	
6	73807GT	MANIFOLD,ROTATOR,CB***	1
		include items 5 and 7	
6-	62507GT	O-RING, ROTATOR MANIFOLD	
7	62506GT	VALVE - COUNTERBALANCE**	1
7-	43018GT	SEAL KIT (39345)	



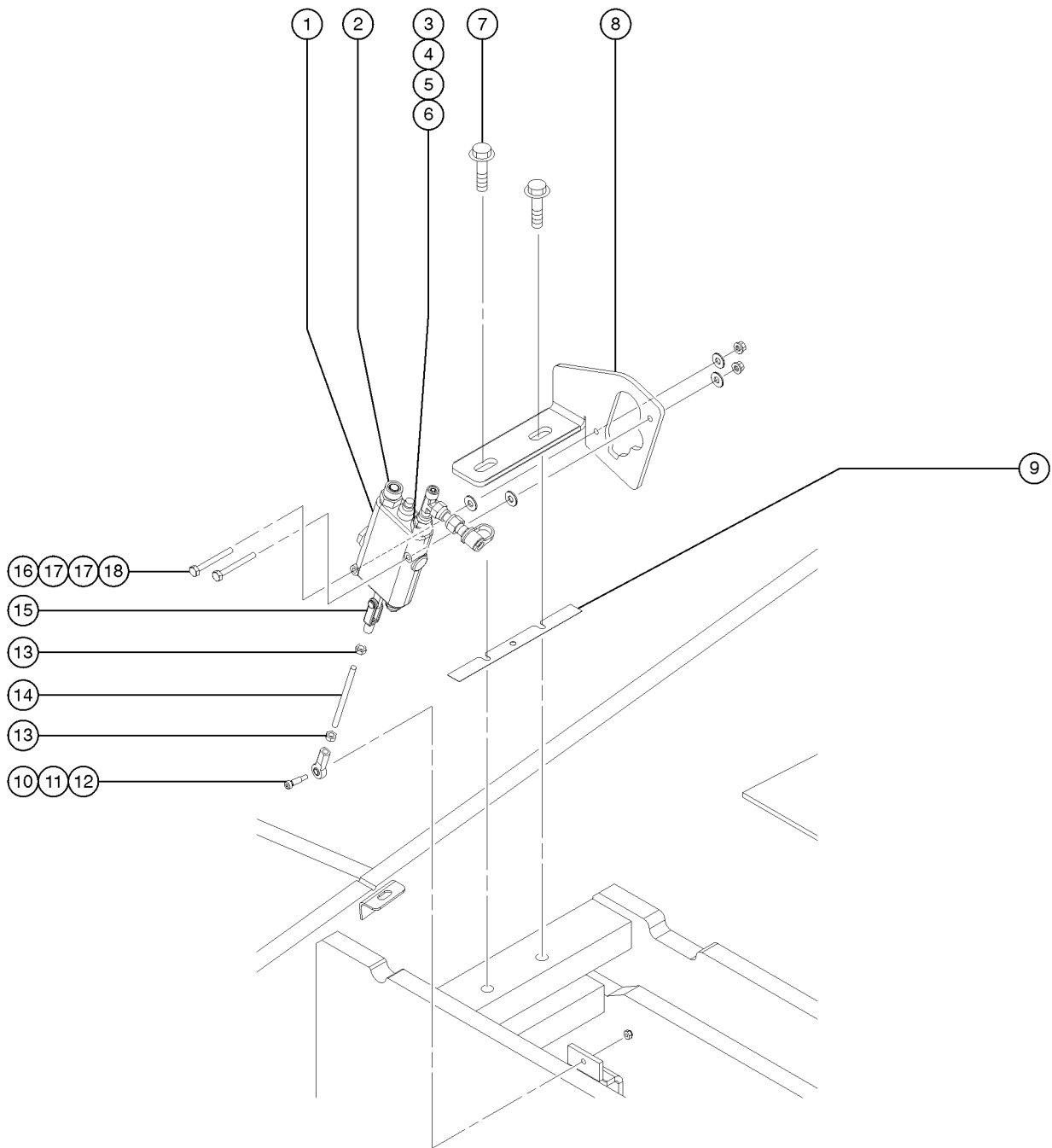
706.1 Hydraulic Pumps



706.1 Hydraulic Pumps

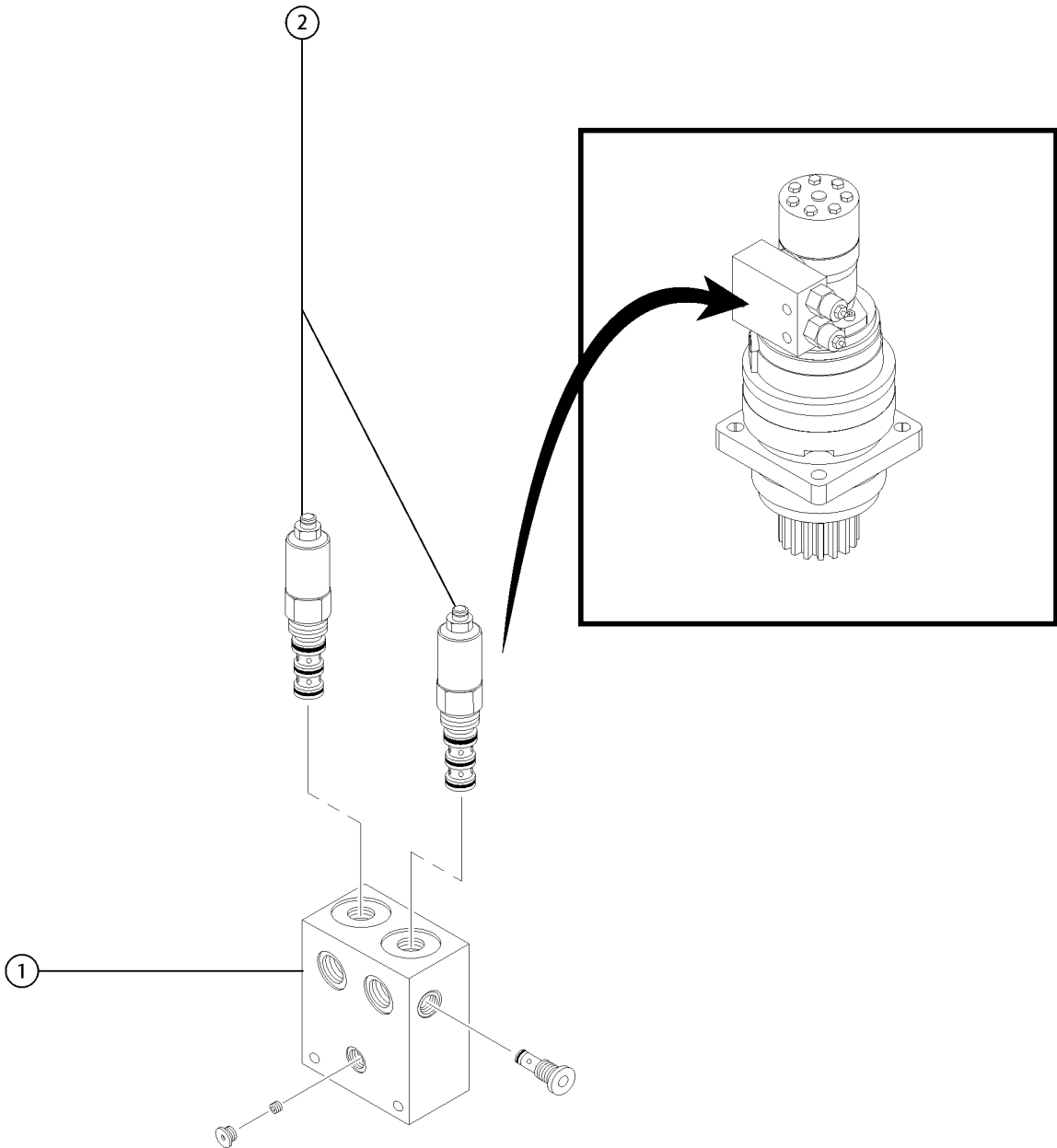
<i>Item</i>	<i>Part No.</i>	<i>Description</i>	<i>Qty.</i>
1	83141GT	O RING	1
2	824516GT	PUMP M46 VAR PISTON 2.8 CIU	1
2-	29739GT	SEAL KIT,SAUER-DANFOSS M46***	
3	139799GT	PUMP,LIFT,1 SECTION	1
		non-oscillate models	
4	824090GT	SCREW,HHF,3/8-16X1,8,ZAG	2
5	139801GT	PUMP,LIFT,2 SECTION***	1
		oscillate models	
5-	147549GT	KIT, SEAL, PUMP, 2 SECTION	

707.1 Oscillate Valve



<i>Item</i>	<i>Part No.</i>	<i>Description</i>	<i>Qty.</i>
1	81552GT	VALVE,MANUAL,W/RELIEF VALVE***	1
1-	32681GT	SEAL KIT,CONTROL VALVE	
		for 81552	
2	48933GT	CONN,520120-8***	1
3	48914GT	CONN,520120-4-8	1
4	48908GT	FITTING,TEE,RUN,SWIVEL520432-4	1
5	49207GT	NIPPLE,DIAGNOSTIC,ORFS,FM,SWIV	1
6	48880GT	CAP,DIAGNOSTIC NIPPLE	1
7	1257862GT	SCREW,HHF,1/2-13X2.75,8,ZAG	2
8	1255712GT	BRACKET, OSCILLATE VALVE	1
9	81610GT	SHIM,AXLE ROTATION STOP,16G	4
10	1257076GT	BOLT,SHS,1/4-28X4,ZAG	1
11	81691GT	ROD END,BALL JOINT 1/4-28	1
12	1256467GT	NUT,TL FLG,10-24,F,ZAG	1
13	824041GT	NUT, 1/4-28, 8, ZAG	2
14	1257077GT	ROD,THREADED,1/4-28X4,ZAG	1
15	21130GT	CLEVIS YOKE-1/4-28,PLTD W/PIN	1
16	824064GT	SCREW, HHC, 1/4-20 X 2.25, 8, ZAG	2
17	824113GT	WASHER,FLAT,1/4,USS,ZAG	4
18	824027GT	NUT,TL FLG,1/4-20,G,ZAG	2

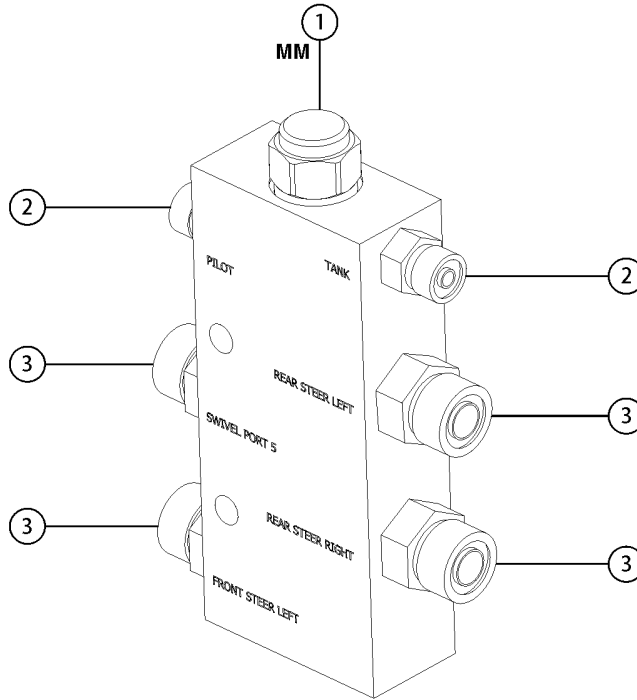
708.1 Turntable Rotate Manifold



708.1 Turntable Rotate Manifold

<i>Item</i>	<i>Part No.</i>	<i>Description</i>	<i>Qty.</i>
1	139309GT	CBV ASSEMBLY***	1
1-	75119GT	SEAL KIT,CB VALVE MANIFOLD***	
2	139323GT	VALVE,COUNTERBAL,CBCA-LIN***	2

709.1 Steer Select Manifold, 4 Wheel Steer

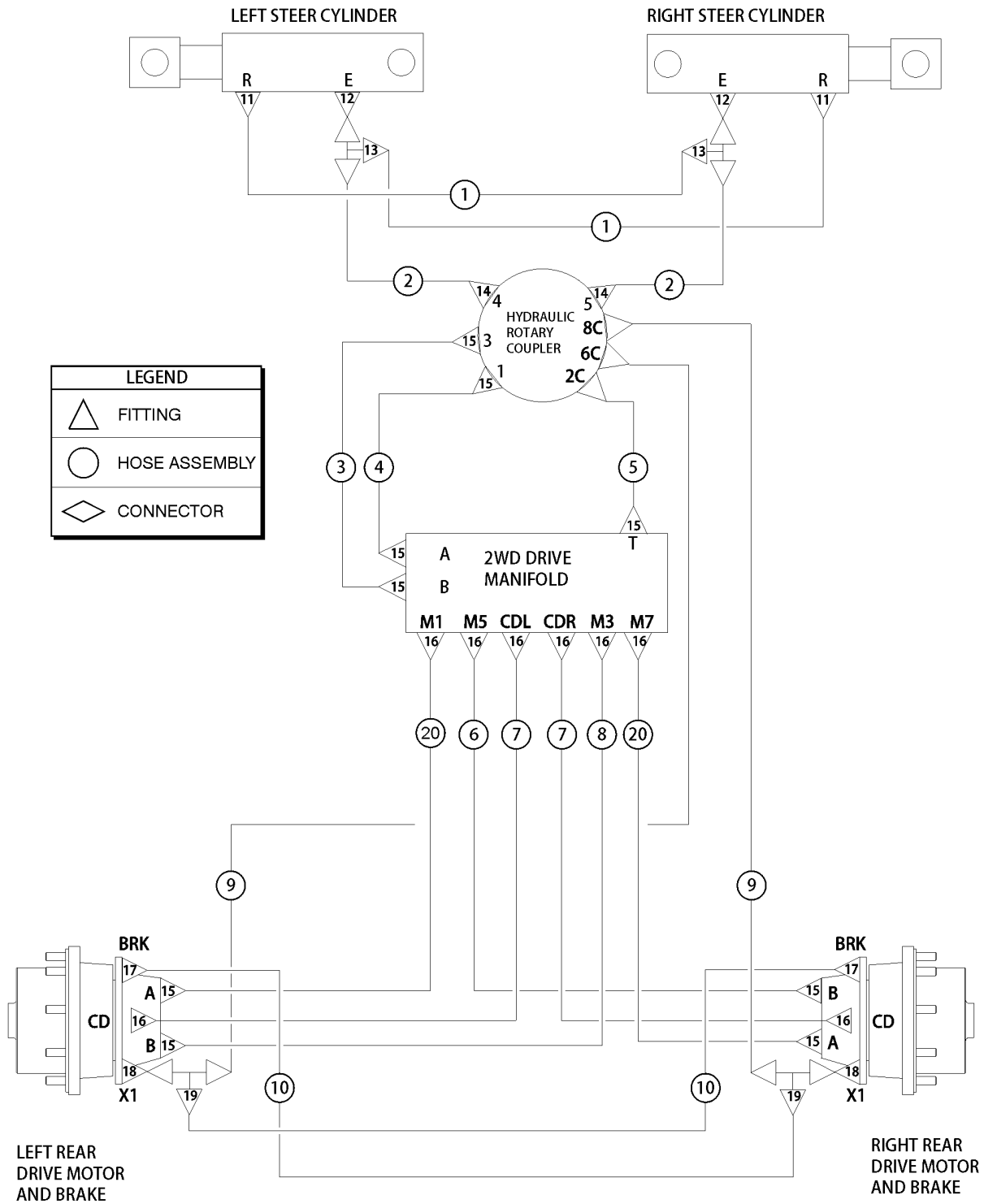


709.1 Steer Select Manifold, 4 Wheel Steer

<i>Item</i>	<i>Part No.</i>	<i>Description</i>	<i>Qty.</i>
A	1264047GT	MANIFOLD, STEER SELECT (includes item 1)	1
1	1264048GT	VALVE, 2POS 4WAY, STR SELECT Steer Circuit	1
2	48905GT	CONN,520120-4***	2
3	48933GT	CONN,520120-8***	3



710.1 Hydraulic Hoses and Fittings - 2WD

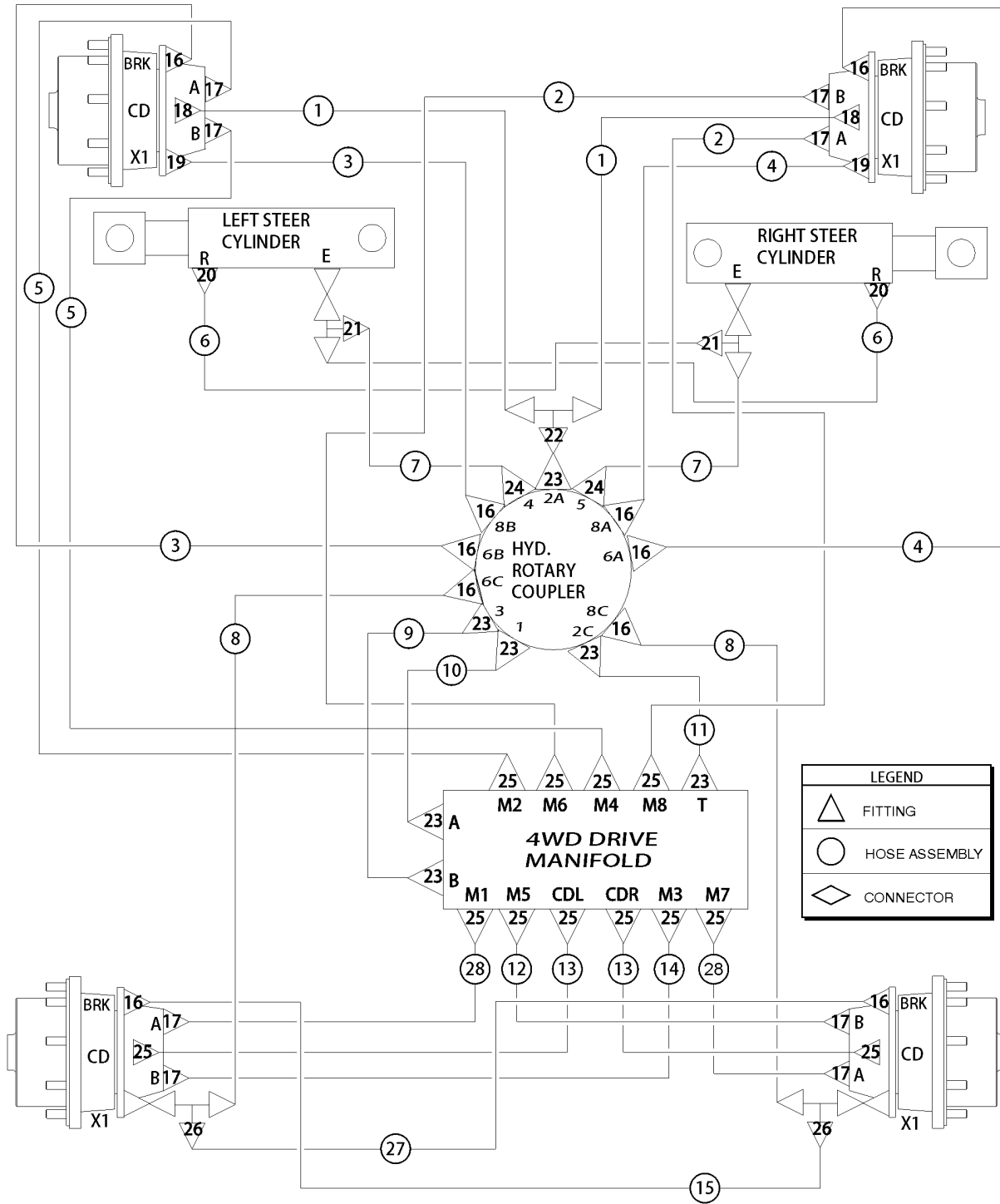




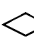
710.1 Hydraulic Hoses and Fittings - 2WD

Item	Part No.	Description	Qty.
1	49130-2482GT	ASSY, HOSE, HYD, 3/8, 3000, STR	2
2	49130-4782GT	HOSE ASSY,3/8,STR FEM,STR FEM	2
3	94374-2430GT	HOSE ASSY,3/4,90 FEM,STR FEM	1
4	94374-2630GT	HOSE ASSY,3/4,90 FEM,STR FEM**	1
5	94466-2336GT	HOSE ASSY,3/4"	1
6	75278-5029GT	HOSE ASSY,1/2,90 FEM,STR FEM	1
7	94464-4986GT	HOSE ASSY,1/2****	2
8	75278-5129GT	HOSE ASSY,1/2,90 FEM,STR FEM**	1
9	49119-7578GT	HOSE ASSY,1/4 STR FEM,STR FEM	2
10	49117-6091GT	HOSE ASSY,1/4,90 FEM,STR FEM**	2
11	48915GT	ELBOW,90D,520220-6	
12	48912GT	CONN,520120-4-6***	
13	48918GT	TEE,RUN,520428-6	
14	48916GT	FITTING,CONN,520120-6	
15	48960GT	FITTING,CONN,520120-12***	
16	48933GT	CONN,520120-8***	
17	48905GT	CONN,520120-4***	
18	48911GT	ELBOW,90D,520220-4-6***	
19	48908GT	FITTING,TEE,RUN,SWIVEL520432-4	
20	75278-5029GT	HOSE ASSY,1/2,90 FEM,STR FEM	2



711.1 Hydraulic Hoses and Fittings - 4WD



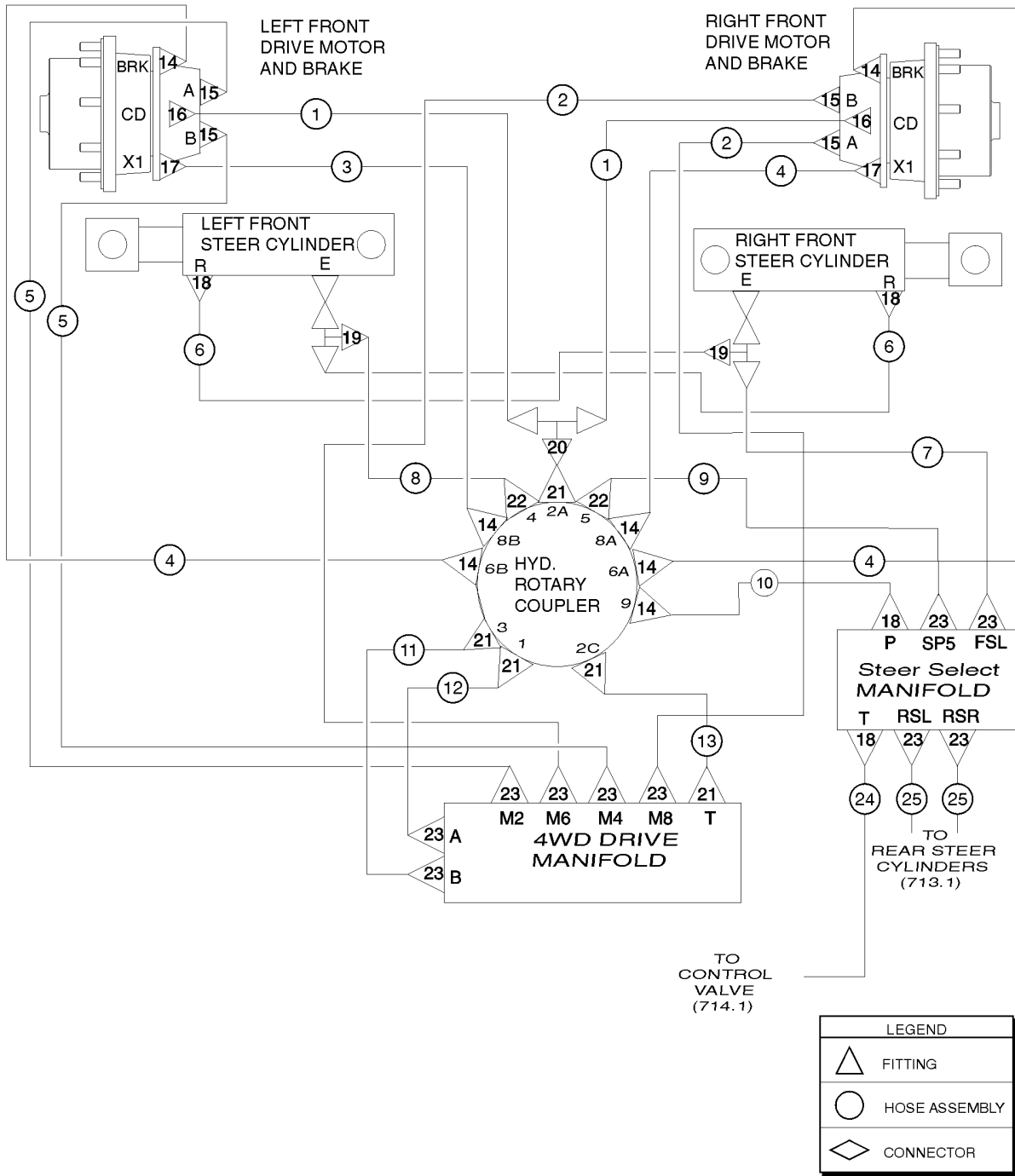
LEGEND	
	FITTING
	HOSE ASSEMBLY
	CONNECTOR

711.1 Hydraulic Hoses and Fittings - 4WD

Item	Part No.	Description	Qty.
1	49131-9603GT	HOSE ASSEMBLY 3/8"	2
2	81812-13292GT	HOSE ASSY,1/2"	2
3	49117-10691GT	HOSE ASSY 1/4,90 FEM STR FEM	2
4	49117-10091GT	HOSE ASSY 1/4.90 FEM STR FEM	2
5	81812-13292GT	HOSE ASSY,1/2"	2
6	49130-2482GT	ASSY, HOSE, HYD, 3/8, 3000, STR	2
7	49130-4782GT	HOSE ASSY,3/8,STR FEM,STR FEM	2
8	49119-7578GT	HOSE ASSY,1/4 STR FEM,STR FEM	2
9	94374-2430GT	HOSE ASSY,3/4,90 FEM,STR FEM	1
10	94374-2630GT	HOSE ASSY,3/4,90 FEM,STR FEM**	1
11	94466-2336GT	HOSE ASSY,3/4"	1
12	75278-5029GT	HOSE ASSY,1/2,90 FEM,STR FEM	1
13	94464-4986GT	HOSE ASSY,1/2"***	2
14	75278-5129GT	HOSE ASSY,1/2,90 FEM,STR FEM**	1
15	49117-6091GT	HOSE ASSY,1/4,90 FEM,STR FEM**	1
16	48905GT	CONN,520120-4***	
17	48948GT	CONN,520120-8-12	
18	48930GT	CONN,520120-6-8	
19	48912GT	CONN,520120-4-6***	
20	48915GT	ELBOW,90D,520220-6	
21	48918GT	TEE,RUN,520428-6	
22	48936GT	TEE,BRANCH,520429-8	
23	48960GT	FITTING,CONN,520120-12***	
24	48916GT	FITTING,CONN,520120-6	
25	48933GT	CONN,520120-8***	
26	48908GT	FITTING,TEE,RUN,SWIVEL520432-4	
27	49117-6091GT	HOSE ASSY,1/4,90 FEM,STR FEM**	1
28	75278-5029GT	HOSE ASSY,1/2,90 FEM,STR FEM	2



712.1 Hydraulic Hoses and Fittings - 4 Wheel Steer, View 1

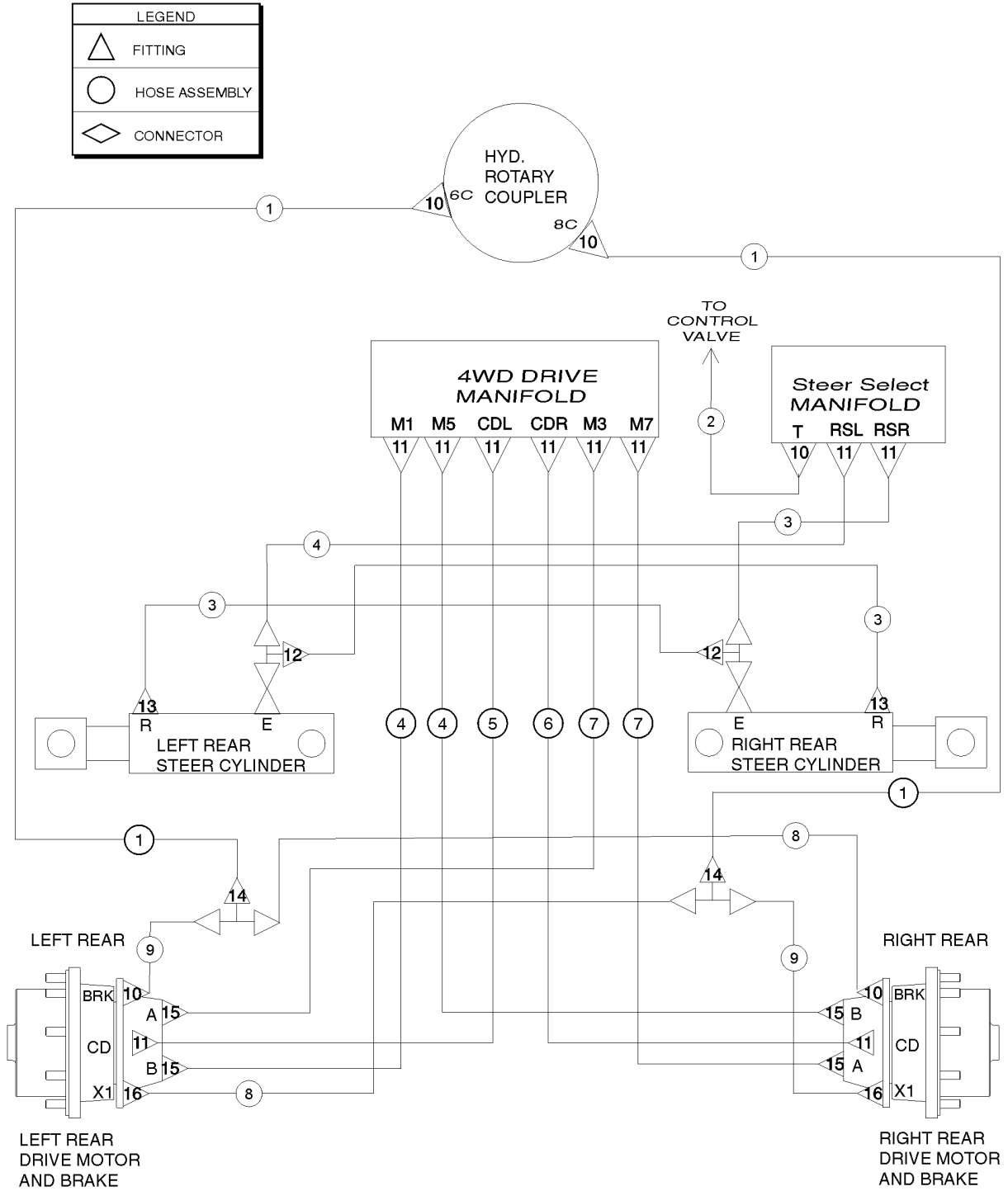


712.1 Hydraulic Hoses and Fittings - 4 Wheel Steer, View 1

Item	Part No.	Description	Qty.
1	49131-9603GT	HOSE ASSEMBLY 3/8"	2
2	81812-13292GT	HOSE ASSY,1/2"	2
3	49117-10691GT	HOSE ASSY 1/4,90 FEM STR FEM	1
4	49117-10091GT	HOSE ASSY 1/4.90 FEM STR FEM	3
5	81812-13292GT	HOSE ASSY,1/2"	2
6	49130-2482GT	ASSY, HOSE, HYD, 3/8, 3000, STR	2
7	101793-5195GT	ASSY, HOSE, HYD, -4, 3250, STR, STR	1
8	49130-4782GT	HOSE ASSY,3/8,STR FEM,STR FEM	2
9	49128-3600GT	HOSE ASSY,3/8,90 FEM,STR FEM	1
10	49117-3600GT	ASSY, HOSE, HYD, -4, 3250, STR, 90	1
11	94374-2430GT	HOSE ASSY,3/4,90 FEM,STR FEM	1
12	94374-2630GT	HOSE ASSY,3/4,90 FEM,STR FEM**	1
13	94466-2336GT	HOSE ASSY,3/4"	1
14	48905GT	CONN,520120-4***	
15	48948GT	CONN,520120-8-12	
16	48930GT	CONN,520120-6-8	
17	48912GT	CONN,520120-4-6***	
18	48915GT	ELBOW,90D,520220-6	
19	48918GT	TEE,RUN,520428-6	
20	48936GT	TEE,BRANCH,520429-8	
21	48960GT	FITTING,CONN,520120-12***	
22	48916GT	FITTING,CONN,520120-6	
23	48933GT	CONN,520120-8***	
24		REF: Hose Assembly	
		(refer to 714.1)	
25		REF: Hose Assembly	
		(refer to 713.1)	



713.1 Hydraulic Hoses and Fittings - 4 Wheel Steer, View 2

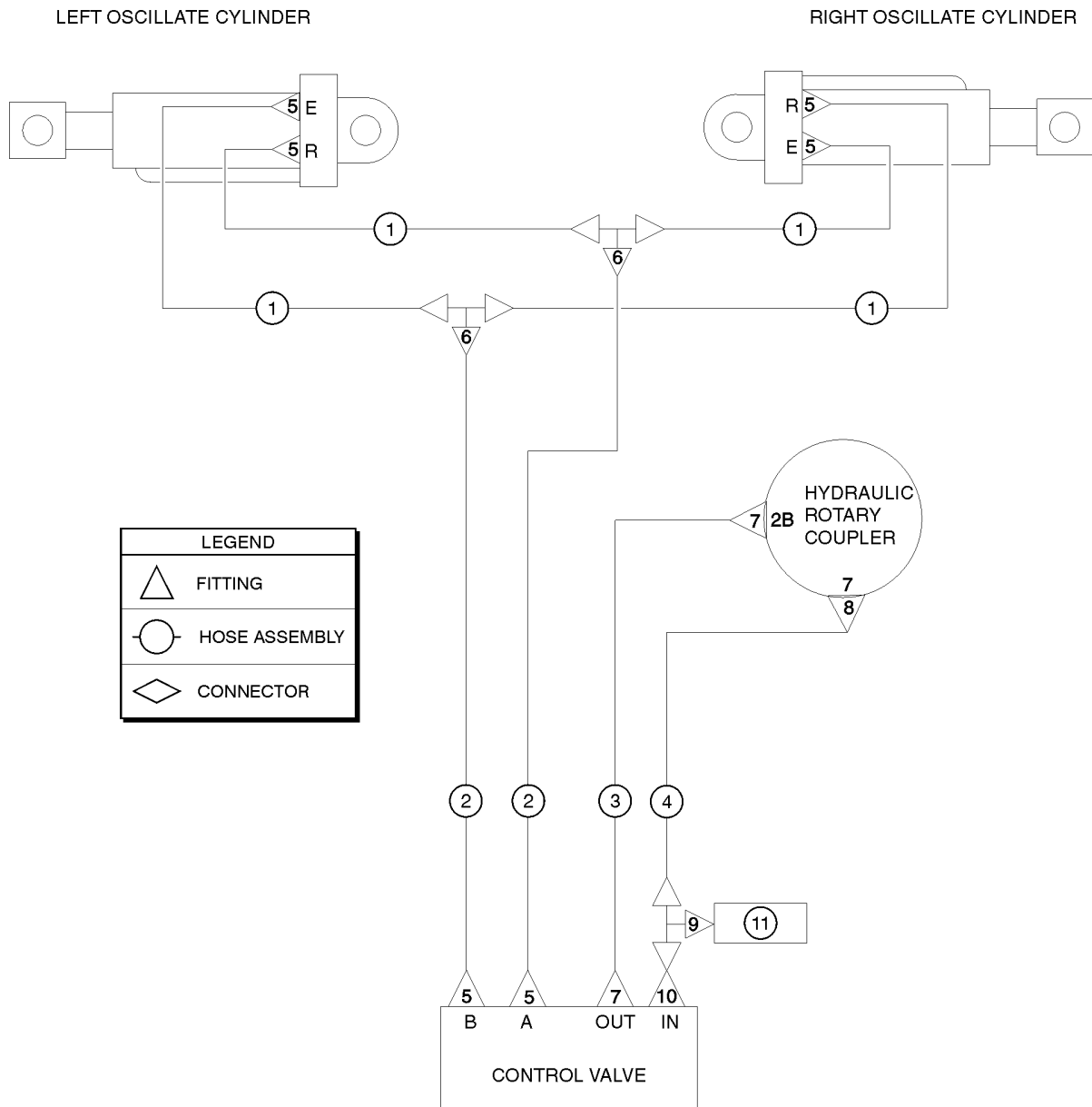


713.1 Hydraulic Hoses and Fittings - 4 Wheel Steer, View 2

Item	Part No.	Description	Qty.
1	101793-5195GT	ASSY, HOSE, HYD, -4, 3250, STR, STR	2
2		REF: Hose Assembly (refer to 714.1)	
3	49130-2482GT	ASSY, HOSE, HYD, 3/8, 3000, STR	3
4	81812-7200GT	ASSY, HOSE, HYD, -8, 4250, STR, STR	2
5	49131-7200GT	ASSY, HOSE, HYD, -6, 3000, STR, STR	1
6	49131-6800GT	ASSY, HOSE, HYD, -6, 3000, STR, STR	2
7	81812-6800GT	ASSY, HOSE, HYD, -8, 4250, STR, STR	2
8	49119-6700GT	ASSY, HOSE, HYD, -4, 3250, STR, STR	2
9	127338GT	HOSE ASSY,1/4X66.00,-4,-4	2
10	48905GT	CONN,520120-4***	
11	48933GT	CONN,520120-8***	
12	48918GT	TEE,RUN,520428-6	
13	48915GT	ELBOW,90D,520220-6	
14	48908GT	FITTING,TEE,RUN,SWIVEL520432-4	
15	48948GT	CONN,520120-8-12	
16	48912GT	CONN,520120-4-6***	



714.1 Hydraulic Hoses and Fittings - Oscillate

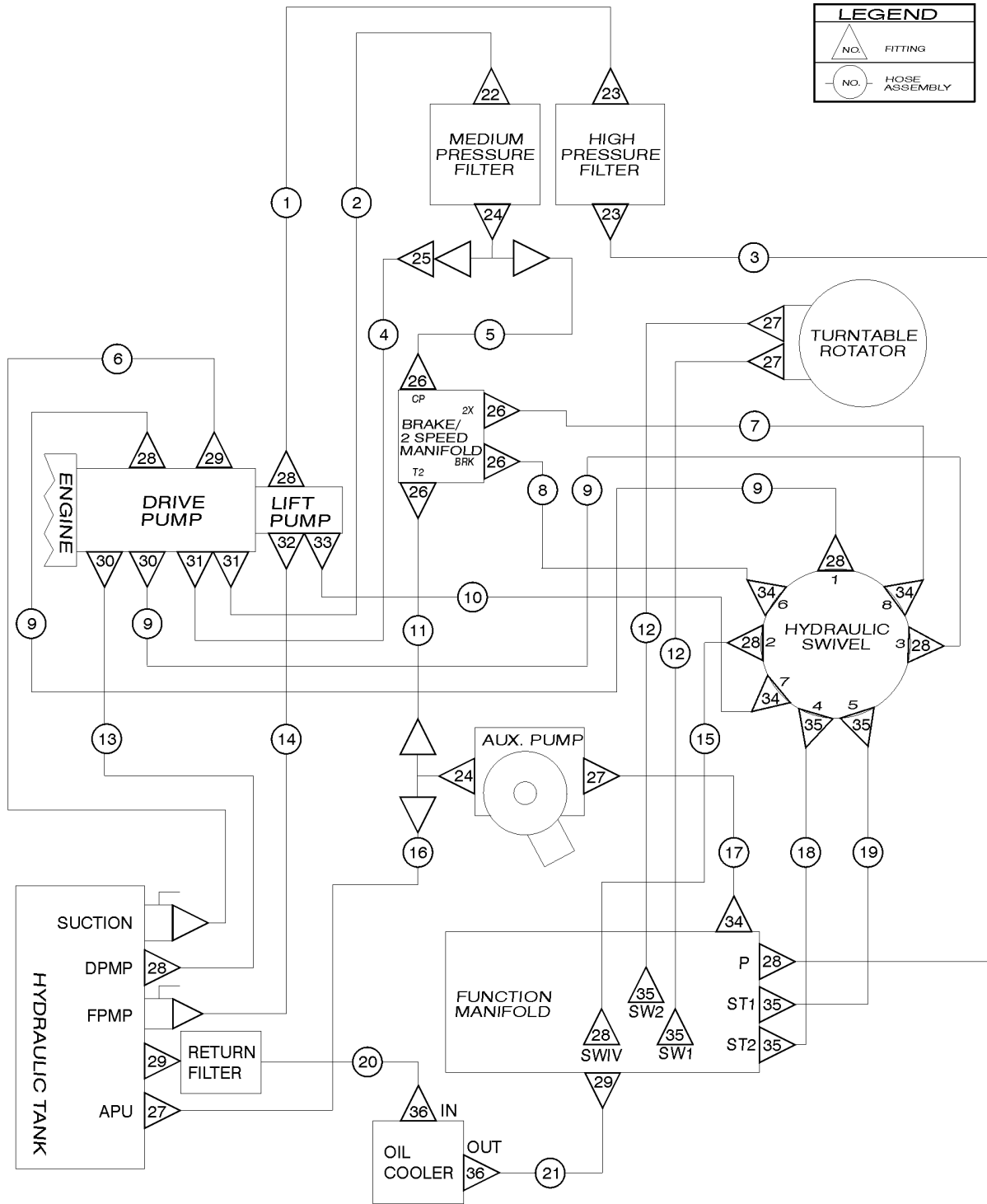


714.1 Hydraulic Hoses and Fittings - Oscillate

<i>Item</i>	<i>Part No.</i>	<i>Description</i>	<i>Qty.</i>
1	49117-3291GT	HOSE ASSY,1/4,90 FEM,STR FEM**	4
2	88636-8573GT	HOSE ASSY 1/4,STR FEM,STR BULK	2
3A	94464-4186GT	HOSE ASSY,1/2"	1
		(4WD models)	
3B	94465-4654GT	ASSY, HOSE, HYD, -8, 300, STR, STR	1
		(4 wheel steer models)	
4A	49117-4691GT	HOSE ASSY,1/4,90 FEM,STR FEM	1
		(4WD models)	
4B	49117-4491GT	HOSE ASSY,1/4,90 FEM,STR FEM	1
		(4 wheel steer models)	
5	48912GT	CONN,520120-4-6***	6
6	48908GT	FITTING,TEE,RUN,SWIVEL520432-4	2
7	48933GT	CONN,520120-8***	2
8	48905GT	CONN,520120-4***	1
9	48914GT	CONN,520120-4-8	1
10	48914GT	CONN,520120-4-8	1
11	49207GT	NIPPLE,DIAGNOSTIC,ORFS,FM,SWIV	1



715.1 Hydraulic Hoses and Fittings - Turntable

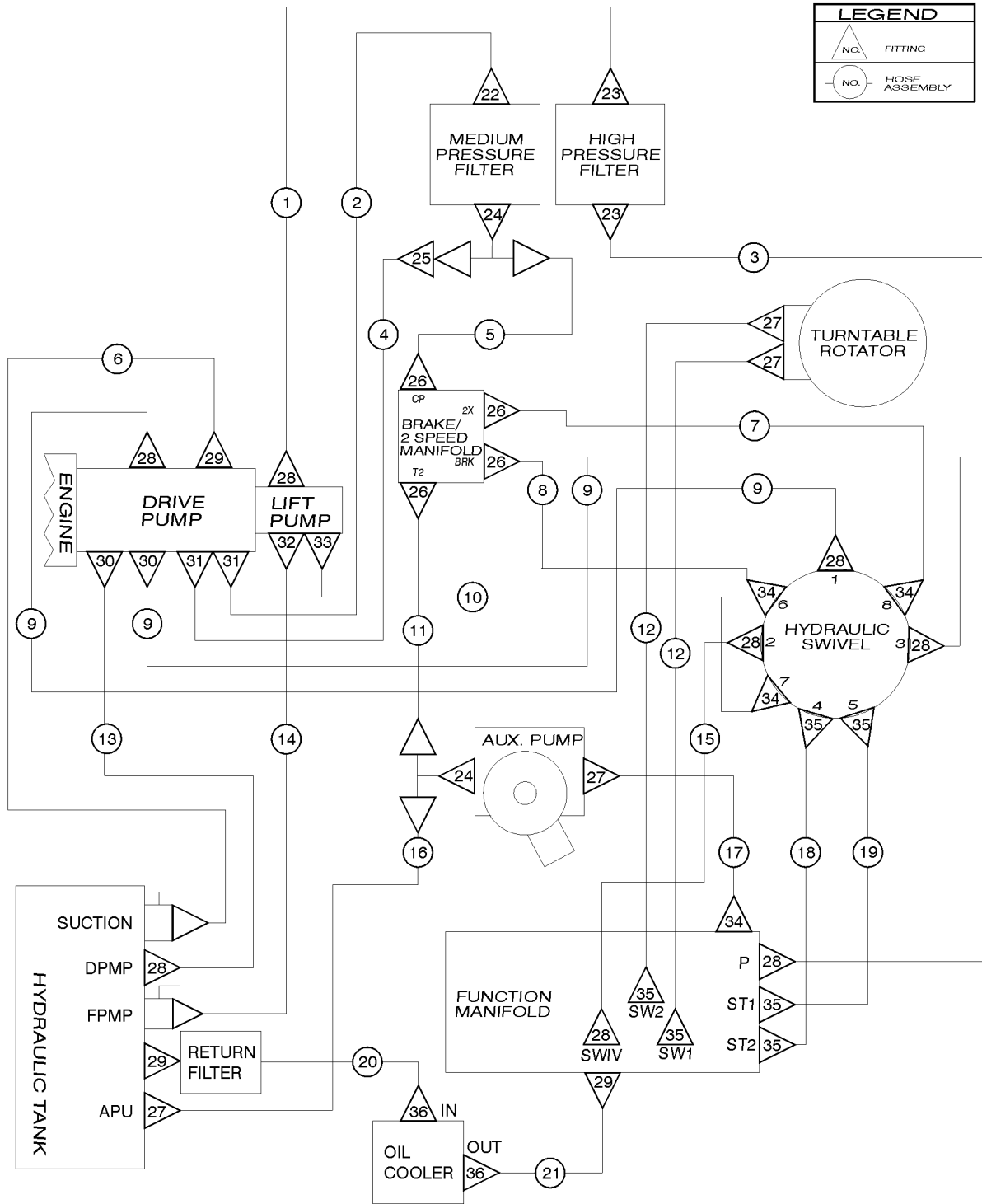


715.1 Hydraulic Hoses and Fittings - Turntable

Item	Part No.	Description	Qty.
1	94374-2710GT	ASSY,HOSE,HYD,-12,4000,STR,90	1
2	49143-3529GT	HOSE ASSY,1/2,90 FEM,STR FEM**	1
3	89871-7148GT	ASSY,HOSE,HYD,-12,4000,STR,STR	1
4	49143-3129GT	HOSE, ASSY, HYD, 1/2, 300, STR, 90	1
5	49117-3141GT	ASSY, HOSE, HYD, -4, 3250, STR, 90	1
6	88942-6638GT	ASSY,HOSE,HYD,-16,250,STR,90	
7	49119-5078GT	HOSE ASSY,1/4,STR FEM,STR FEM*	1
8	49119-5278GT	ASSY, HOSE, HYD, -4, 3250, STR, STR	1
9	94374-6630GT	HOSE ASSY,3/4,90 FEM,STR FEM**	2
10	49117-6841GT	ASSY,HOSE,HYD,-4,3250,STR,90	1
11	49164-3993GT	ASSY,HOSE,HYD,-4,3250,STR,90	1
12	49117-4891GT	HOSE ASSY,1/4,90 FEM,STR FEM	2
13	49150-8980GT	ASSY,HOSE,HYD,-12,1750,STR,90	1
14	88943-6286GT	ASSY,HOSE,HYD,-20,200,STR,90	1
15	49151-7272GT	ASSY,HOSE,HYD,-12,1750,STR,STR	1
16	94465-1550GT	ASSY,HOSE,HYD,-8,300,STR,STR	1
17	49117-2141GT	ASSY,HOSE,HYD,-4,3250,STR,90	1
18	49130-7282GT	ASSY, HOSE, HYD, 3/8, 3000, STR	1
19	49130-7682GT	ASSY,HOSE,HYD,-6,3000,STR,STR	1
20	88942-3154GT	ASSY,HOSE,HYD,-16,250,STR,90	1
21	88949-2528GT	ASSY,HOSE,HYD,-16,250,STR,STR	1
22	48932GT	FITTING,ELBOW,90D,520220-8***	
23	48960GT	FITTING,CONN,520120-12***	
24	48935GT	TEE, RUN, 520428-8	
25	48941GT	REDUCER,520123-8-4	
26	48905GT	CONN,520120-4***	
27	48912GT	CONN,520120-4-6***	
28	48960GT	FITTING,CONN,520120-12***	



715.1 Hydraulic Hoses and Fittings - Turntable

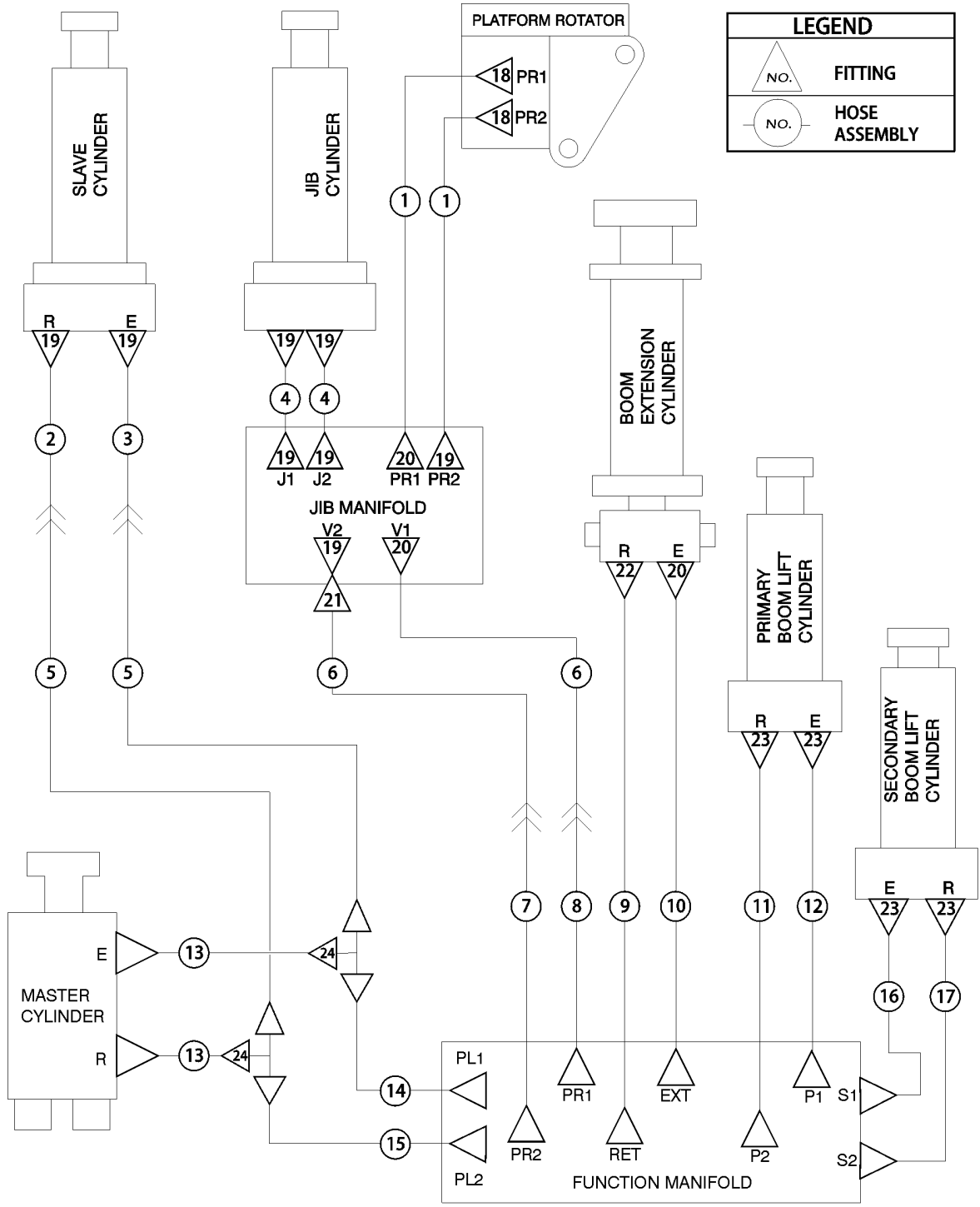


715.1 Hydraulic Hoses and Fittings - Turntable

<i>Item</i>	<i>Part No.</i>	<i>Description</i>	<i>Qty.</i>
29	48984GT	CONN,520120-16	
30	48977GT	CONN,520120-12-16	
31	48946GT	CONN,520120-8-10	
32	88936GT	CONN,520120-20-16	
33	48914GT	CONN,520120-4-8	
34	48904GT	CONN,520120-4***	
35	48916GT	FITTING,CONN,520120-6	
36	49519GT	CONN,520120-16-12	



716.1 Hydraulic Hoses and Fittings - Boom

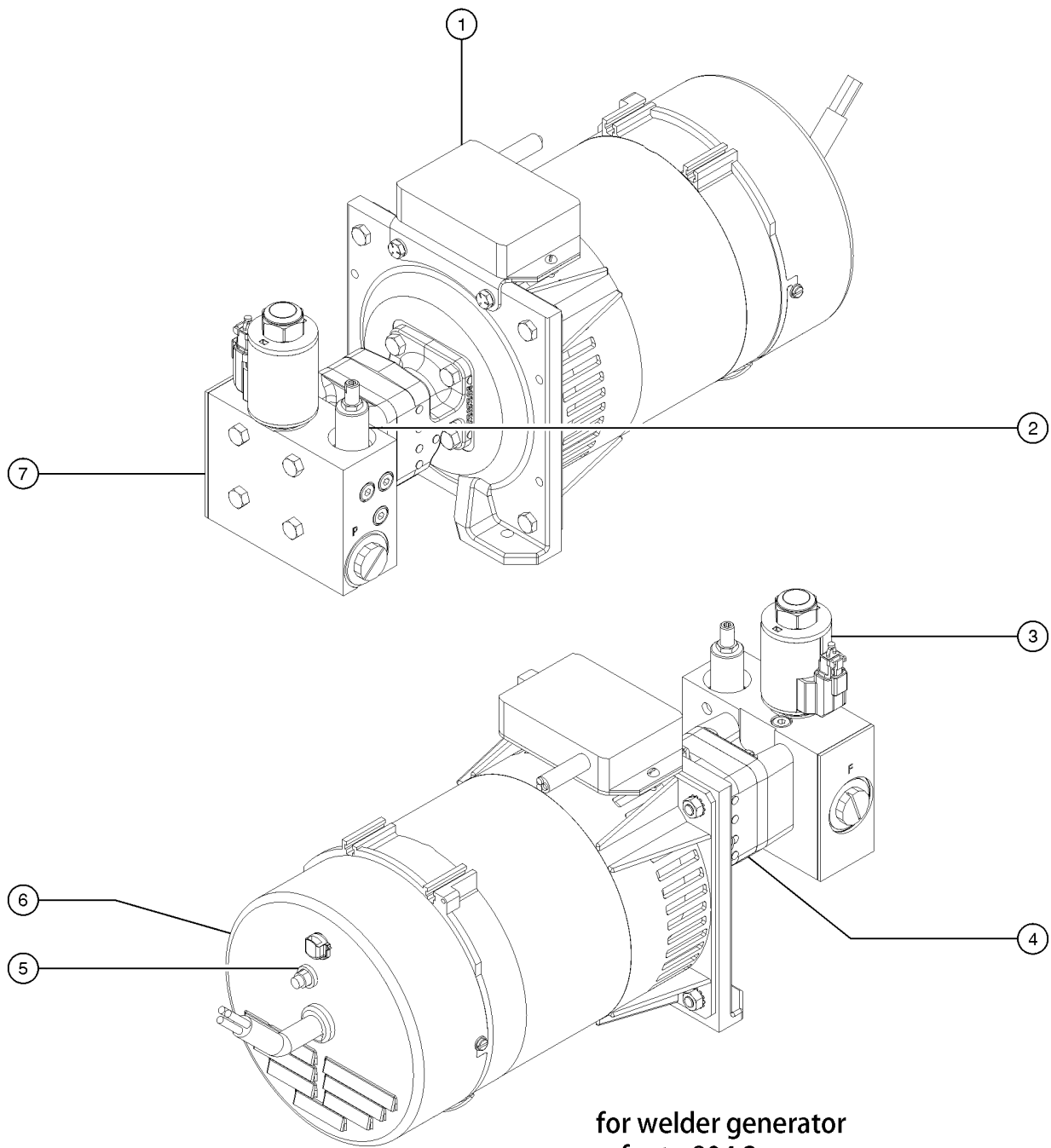


716.1 Hydraulic Hoses and Fittings - Boom

Item	Part No.	Description	Qty.
1	49119-2878GT	ASSY, HOSE, HYD, -4, 3250, STR, STR	2
2	49117-2216GT	ASSY, HOSE, HYD, -4, 3250, STR, 90	1
3	49117-2116GT	ASSY, HOSE, HYD, -4, 3250, STR, 90	1
4	49119-4278GT	ASSY, HOSE, HYD, -4, 3250, STR, STR	2
5	49119-43125GT	ASSY, HOSE, HYD, -4, 3250, STR, STR	2
		routes inside of cable track	
6	49119-51125GT	ASSY, HOSE, HYD, -4, 3250, STR, STR	2
		routes inside of cable track	
7	88636-32673GT	ASSY,HOSE,HYD,-4,3250,STR,STR	1
		nut not included	
7-	75574GT	NUT,BULKHEAD,520118-4	1
		Sold Separately	
8	88636-32923GT	ASSY,HOSE,HYD,-4,3250,STR,STR	1
		nut not included	
8-	75574GT	NUT,BULKHEAD,520118-4	1
		Sold Separately	
9	49130-31432GT	ASSY,HOSE,HYD,-6,3000,STR,STR	1
10	49183-31342GT	ASSY,HOSE,HYD,-8,3000,STR,STR	1
11	49130-30882GT	ASSY,HOSE,HYD,-6,3000,STR,STR	1
12	49130-30682GT	ASSY,HOSE,HYD,-6,3000,STR,STR	1
13	49117-2941GT	ASSY, HOSE, HYD, -4, 3250, STR, 90	2
14	49119-32228GT	ASSY, HOSE, HYD, -4, 3250, STR, STR	1
15	49119-32328GT	ASSY,HOSE,HYD,-4,3250,STR,STR	1
16	49130-21182GT	ASSY,HOSE,HYD,-6,3000,STR,STR	1
17	49130-20882GT	ASSY,HOSE,HYD,-6,3000,STR,STR	1
18	48907GT	48907GT	
19	48905GT	CONN,520120-4***	
20	48904GT	CONN,520120-4***	
21	54132GT	ELBOW,SWIVEL 90D, 520221-4	
22	48915GT	ELBOW,90D,520220-6	
23	48916GT	FITTING,CONN,520120-6	
24	48909GT	TEE,BULKHEAD,RUN,520958-4	2



801.1 Hydraulic Generator





for welder generator
refer to 804.2

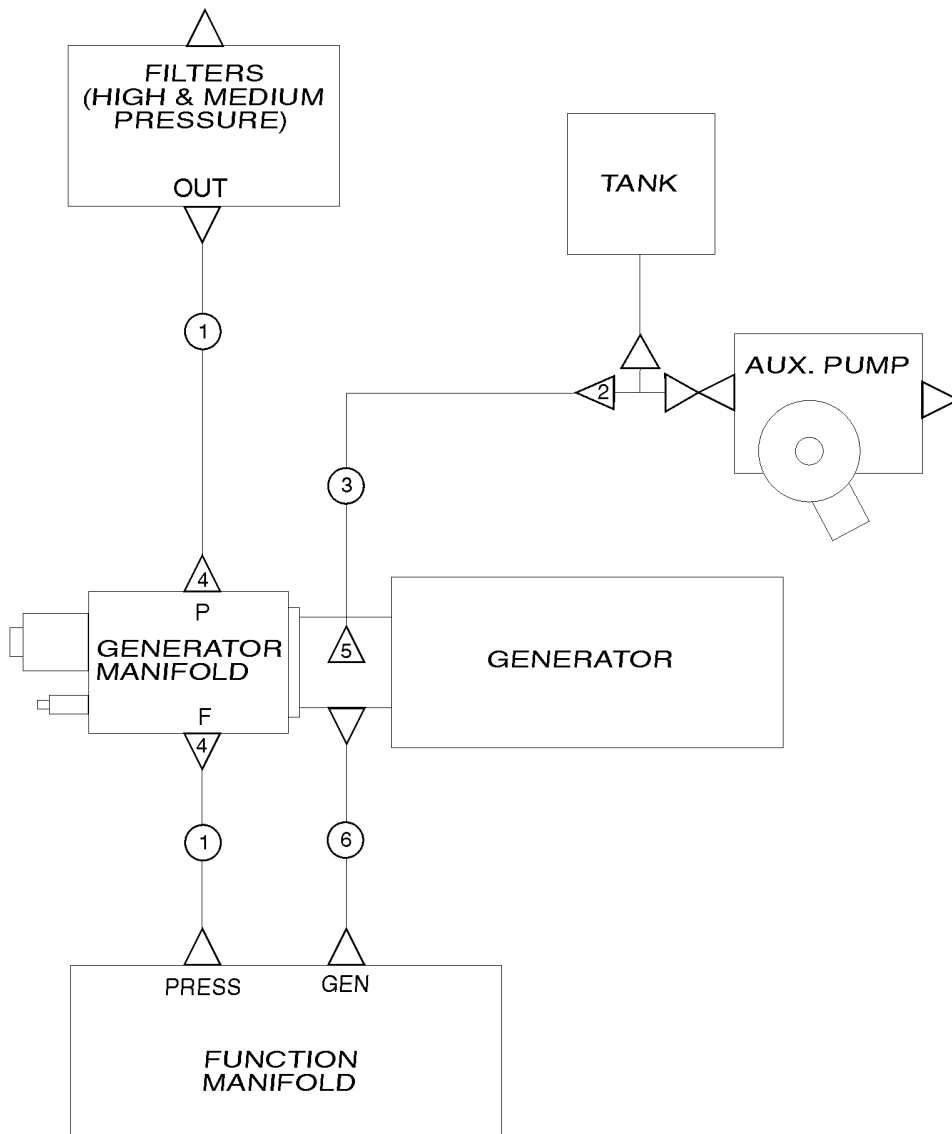
801.1 Hydraulic Generator

<i>Item</i>	<i>Part No.</i>	<i>Description</i>	<i>Qty.</i>
A	139952GT	GENERATOR, 3kW, 120V/50Hz includes items 1A, 2-4, 5A, 6A, and 7	1
B	139953GT	GENERATOR, 3kW, 120V/60Hz includes items 1B, 2-4, 5A, 6A, and 7	1
B-	147240GT	CAPACITOR 16 F, GEN	
B-	147242GT	SCREW, GEN ROTOR	
B-	119067GT	CONN,RECEP 4 WAY ENDCAP DT	
C	139954GT	GENERATOR, 3kW, 240V/50Hz includes items 1A, 2-4, 5B, 6B, and 7	1
1A	1269693GT	CONTROL BOX,2KW,120/240V,50HZ	1
1B	147228GT	CONTROLLER BOX, 120/240V, 60H	1
2	147233GT	VALVE, RELIEF, GEN, 3.0kW	1
3	147232GT	12VDC PROPORTIONAL VALVE	1
4A	147230GT	207 HYD MOTOR ASSY, GEN	1
4A-	147231GT	SEAL KIT, HYD MOTOR, GEN	
5A	147239GT	BREAKER, 25 AMP, GEN	1
5B	147258GT	BREAKER,15 AMP,GEN	1
6A	147241GT	COVER, END, GEN, 120V	1
6B	147262GT	COVER, END, GENERATOR, 240V	1
7	147229GT	MANIFOLD ASSEMBLY, GEN includes items 2 and 3	1



802.1 Hydraulic Generator Option - Hoses and Fittings

LEGEND	
	FITTING
	HOSE ASSEMBLY

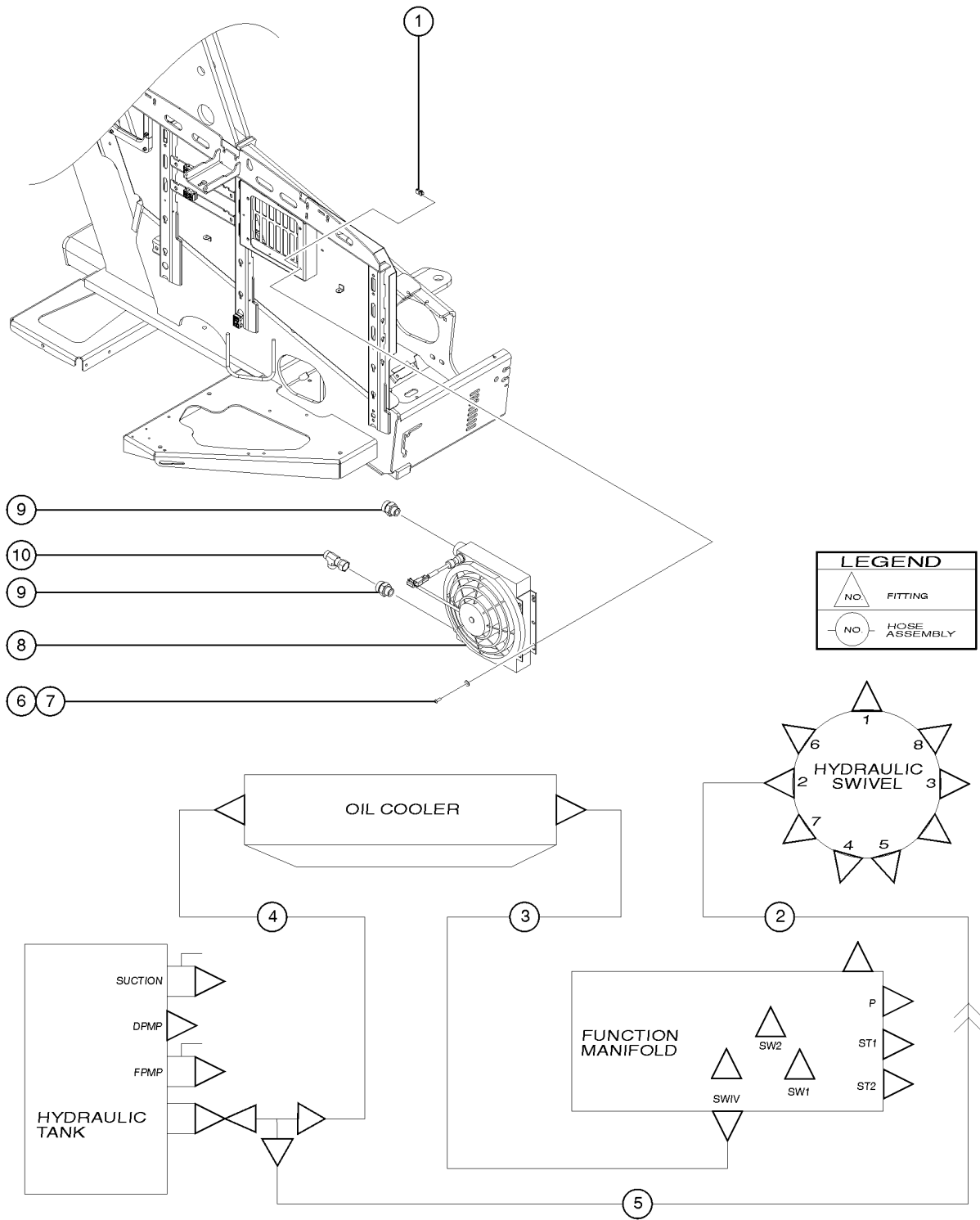


802.1 Hydraulic Generator Option - Hoses and Fittings

<i>Item</i>	<i>Part No.</i>	<i>Description</i>	<i>Qty.</i>
1	1261832GT	HOSE ASSY,3/4X51.0,90-12,-12 (components: 48841, 48846, 94358 @ 51 inches)	2
2	48939GT	TEE,BRANCH,520433-8	1
3	1261834GT	HOSE ASSY,1/4X59.0,90-8,-4 (components: 48800, 48818, 48751 @ 51 inches)	1
4	48960GT	FITTING,CONN,520120-12***	2
5	49861GT	CONN,LONG,520122-4	1
6	1261833GT	HOSE ASSY,1/2X57.0,-8,-8 (components: 48822, 48822, 48756 @ 57 inches)	1



803.1 Hydraulic Oil Cooler - Hoses and Fittings





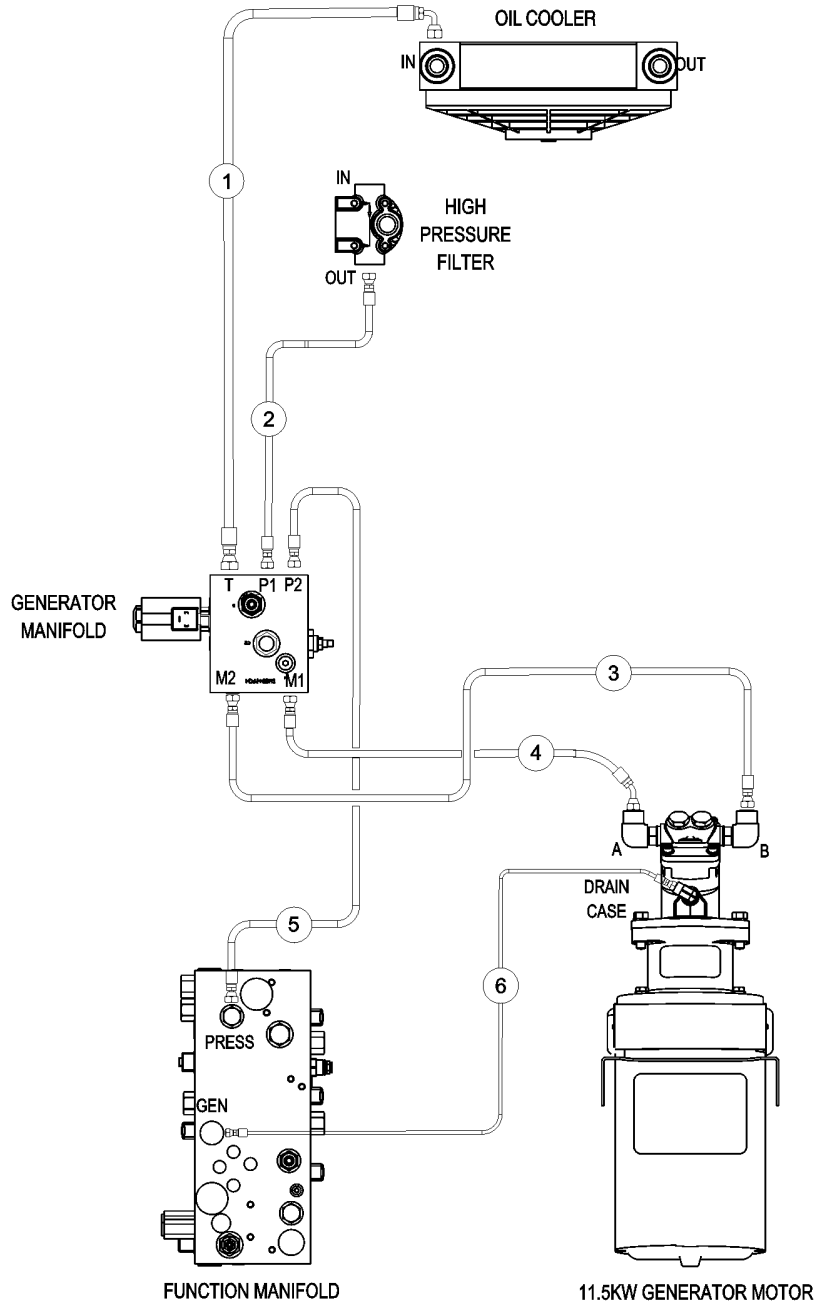
803.1 Hydraulic Oil Cooler - Hoses and Fittings

<i>Item</i>	<i>Part No.</i>	<i>Description</i>	<i>Qty.</i>
1	56912GT	SPRING CLIP,1/4-20,.025-.15X.5	1
2	88949-3828GT	HOSE ASSY 1",STR FEM,STR FEM	1
3	94205-3164GT	HOSE ASSY,3/4,45 FEM,STR MALE	1
4	49150-2855GT	ASSY, HOSE, HYD, -12, 1750, STR, 90	1
5	49151-6248GT	HOSE ASSY,3/4,STR FEM,STR FEM	1
6	1256124GT	SCREW,BHC,1/4-20X.75,F835,ZAG	
7	824113GT	WASHER,FLAT,1/4,USS,ZAG	
8	147816GT	OIL COOLER W/FAN,12VDC	1
9	49519GT	CONN,520120-16-12	2
10A	42787GT	TEE,RUN,SWIVEL,520432-16	
10B	1267653GT	TEE,RUN,SWIVEL,520429	



804.1 Generator - Hose Routing

LEGEND	
 NO.	FITTING
 NO.	HOSE ASSEMBLY

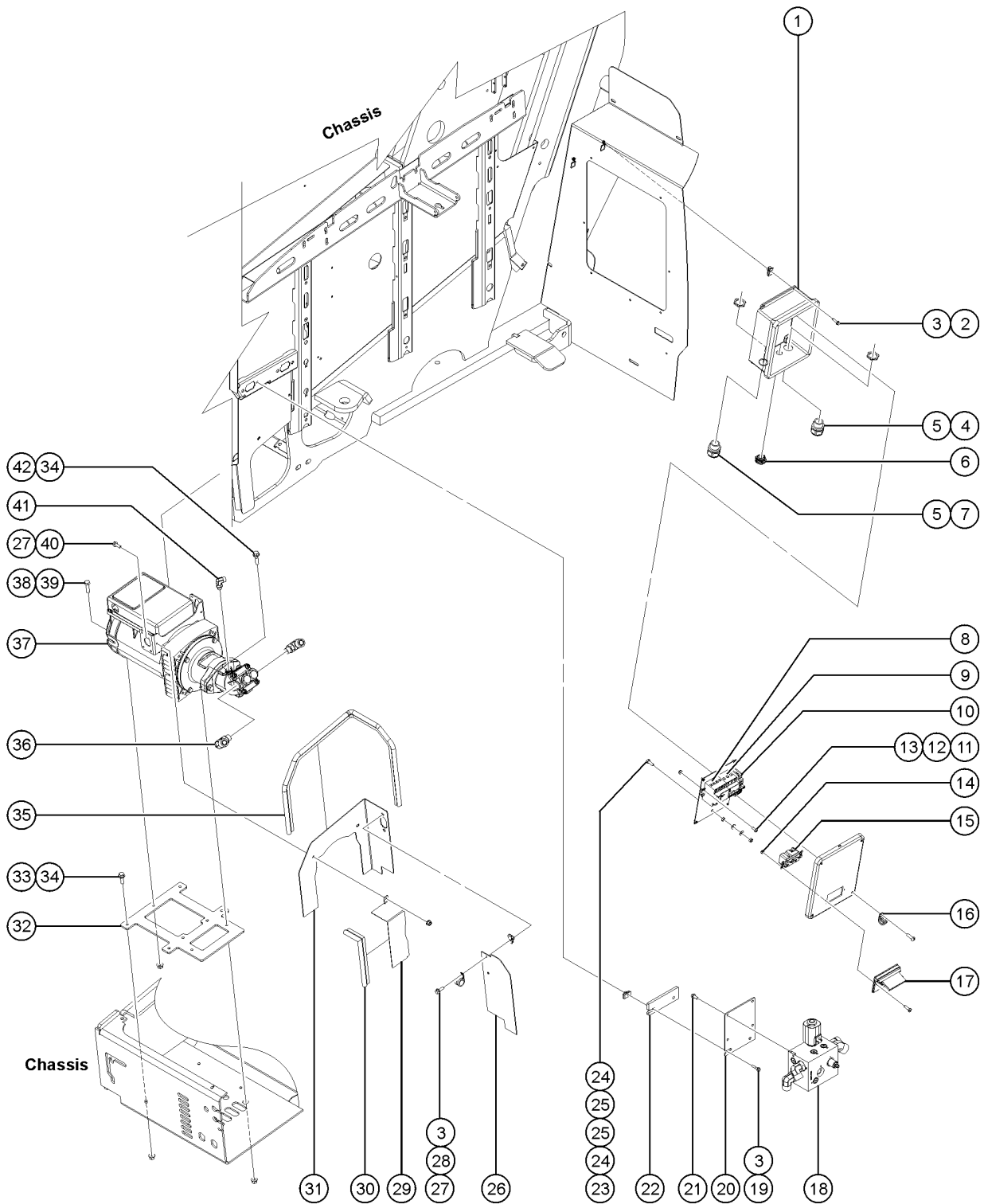


804.1 Generator - Hose Routing

<i>Item</i>	<i>Part No.</i>	<i>Description</i>	<i>Qty.</i>
1	1261852GT	HOSE ASSY,1X85.78,-16,90-16 (components: 88938, 88939, 88940 @ 81.50 inches)	1
2	1261848GT	HOSE ASSY,3/4X37.60,-12,-12 (components: 48841, 48841, 94358 @ 35 inches)	1
3	1261849GT	HOSE ASSY,3/4X22.60,-12,-12 (components: 48841, 48841, 94358 @ 20 inches)	1
4	1265856GT	HOSE ASSY 3/4 X 22.71,45-12-12 (components: 48841, 48845, 94358 @ 20 inches)	1
5		Ref: Hyd. hose assembly refer to 715.1 item 3	
6	1261851GT	HOSE ASSY,3/8X64.38,-6,-8 (components: 48812, 48819, 48753 @ 60 inches)	1



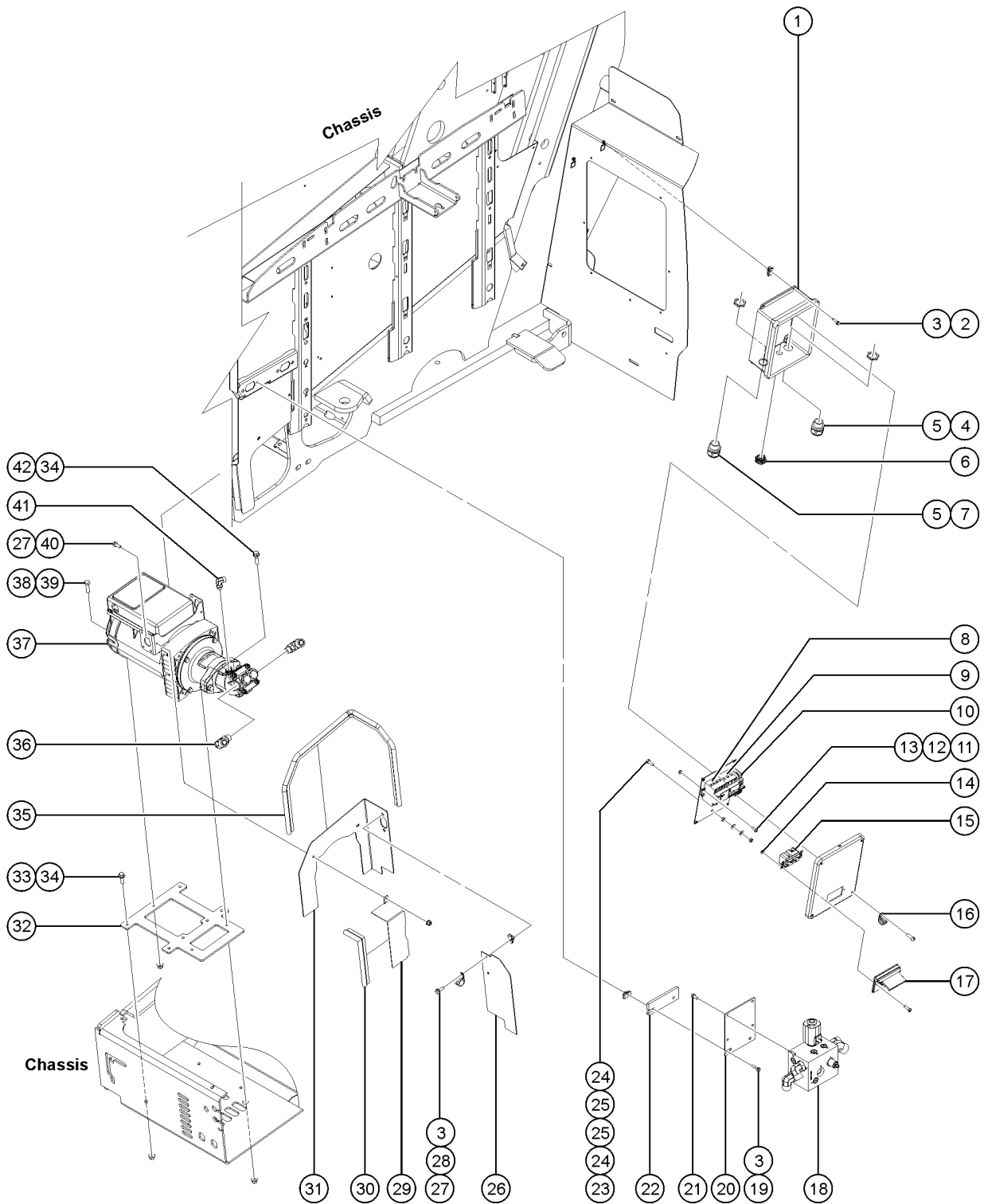
804.2 Welder Option - Chassis Components



804.2 Welder Option - Chassis Components

Item	Part No.	Description	Qty.
	1276988GT	KIT, RETROFIT, WELDGEN, MAGBREAKER Z62 (circuit breaker upgrade kit) (from SN 395)	
1	106206GT	J-BOX,CIRCUIT BREAKERS,8X10***	1
2	824079GT	SCREW,HHF,1/4-20X1,8,ZAG	2
3	56912GT	SPRING CLIP,1/4-20,.025-.15X.5	6
4	20776GT	CABLE SQUEEZE CONN.	2
5	18665GT	LOCKNUT,ELECTRIC,1" NPT	2
6	106495GT	PLUG,1/2" HUBBLE	1
7	106077GT	CABLE SQUEEZE CONN .63-.75	1
8	227424GT	CIRCUIT BREAKER,GFCI 30mA 3PH	1
9	227425GT	CIRCUIT BREAKER, 35A 3PH	1
10	106073GT	CIRCUIT BREAKER,20A,SINGLE PH	1
11	54365GT	SCREW,PHIL,PHM,10-32 X .5,SSTL	2
12	228332GT	DIN RAIL, 6.50"	1
13	6178GT	NUT,NYLOCK,10-32	2
14	12344GT	NUT,NYLOCK,6-32	2
15	80543GT	RECEPTACLE, 120VAC, 20A, GFCI	1
16	13268GT	CLAMP,0.75,#12 X 1/4,RUB CUSH	1
17	74006GT	COVER,GFCI,HORIZONTAL,WEATHER	1
18		Ref. MANIFOLD,FUNC DIVERT,WELDER (refer to 804.4)	1
19	824080GT	SCREW,HHF,1/4-20X1.25,8,ZAG	2
20	1264663GT	PLATE,BRACKET,GEN MANIFOLD	1
21	824085GT	SCREW,HHF,5/16-18X.75,8,ZAG	4
22	1264677GT	SPACER, GENERATOR MANIFOLD	1
23	49379GT	SCREW,HHC,M8 X 1.25 X 25	1
24	22571GT	NUT, HEX, M8 X 1.25	2
25	6638GT	WASHER,FLAT,USS,1/4"Y	2
26	1261187GT	BRKT, WLD GEN PARTITION EXTEND	1
27	824078GT	SCREW,HHF,1/4-20X.75,8,ZAG	4

804.2 Welder Option - Chassis Components

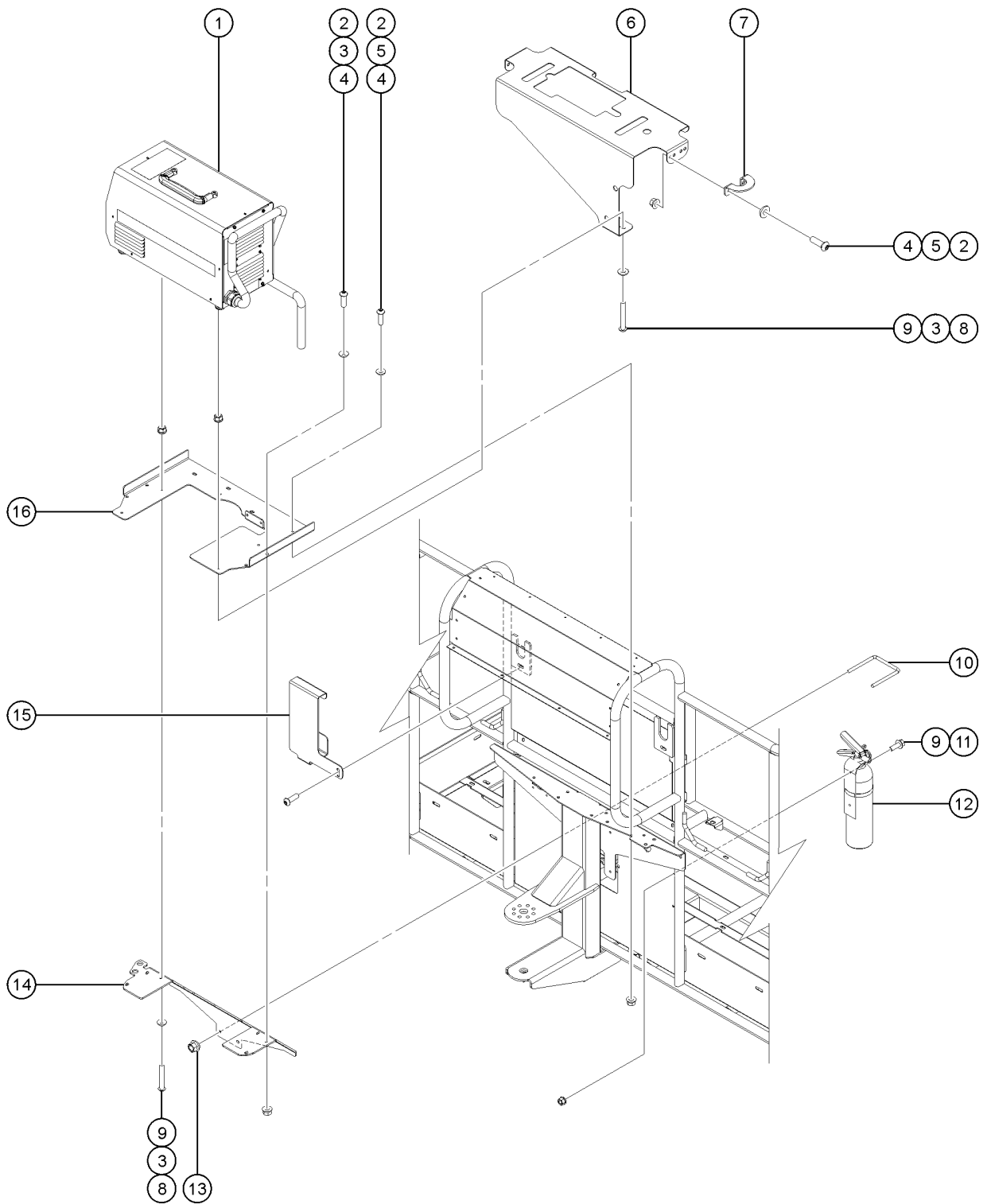


804.2 Welder Option - Chassis Components

<i>Item</i>	<i>Part No.</i>	<i>Description</i>	<i>Qty.</i>
28	18666GT	CLAMP,1.00,#16 X 1/4,RUB CUSH	1
29	1259741GT	FORMING,HOT AIR DUCT,WELD GEN	1
30	121856-1200GT	TRIM,EDGE,1/8X5/8 END BULB	1
31	1261186GT	BRKR, WLD GEN PARTITION	1
32	1260413GT	BRACKET,WELD GENERATOR MOUNT	1
33	824086GT	SCREW,HHF,5/16-18X1,8,ZAG	4
34	824028GT	NUT,TL FLG,5/16-18,G,ZAG	6
35	121856-4500GT	TRIM,EDGE,1/8X5/8 END BULB	1
36	48974GT	ELBOW,90D,520220-12-10	2
37	1255766GT	GEN,HYD,15KVA,208V,60HZ,12CC	1
38	824136GT	SCREW,HHC,M8-1.25X25,DIN933,10	1
39	237832GT	NUT,TL,FLG,M8-1.25,DIN6927,10,	1
40	824027GT	NUT,TL FLG,1/4-20,G,ZAG	2
41	48915GT	ELBOW,90D,520220-6	1
42	824087GT	SCREW, HHF, 5/16-18 X 1.25, 8, ZAG	2



804.3 Welder Option - Platform Components

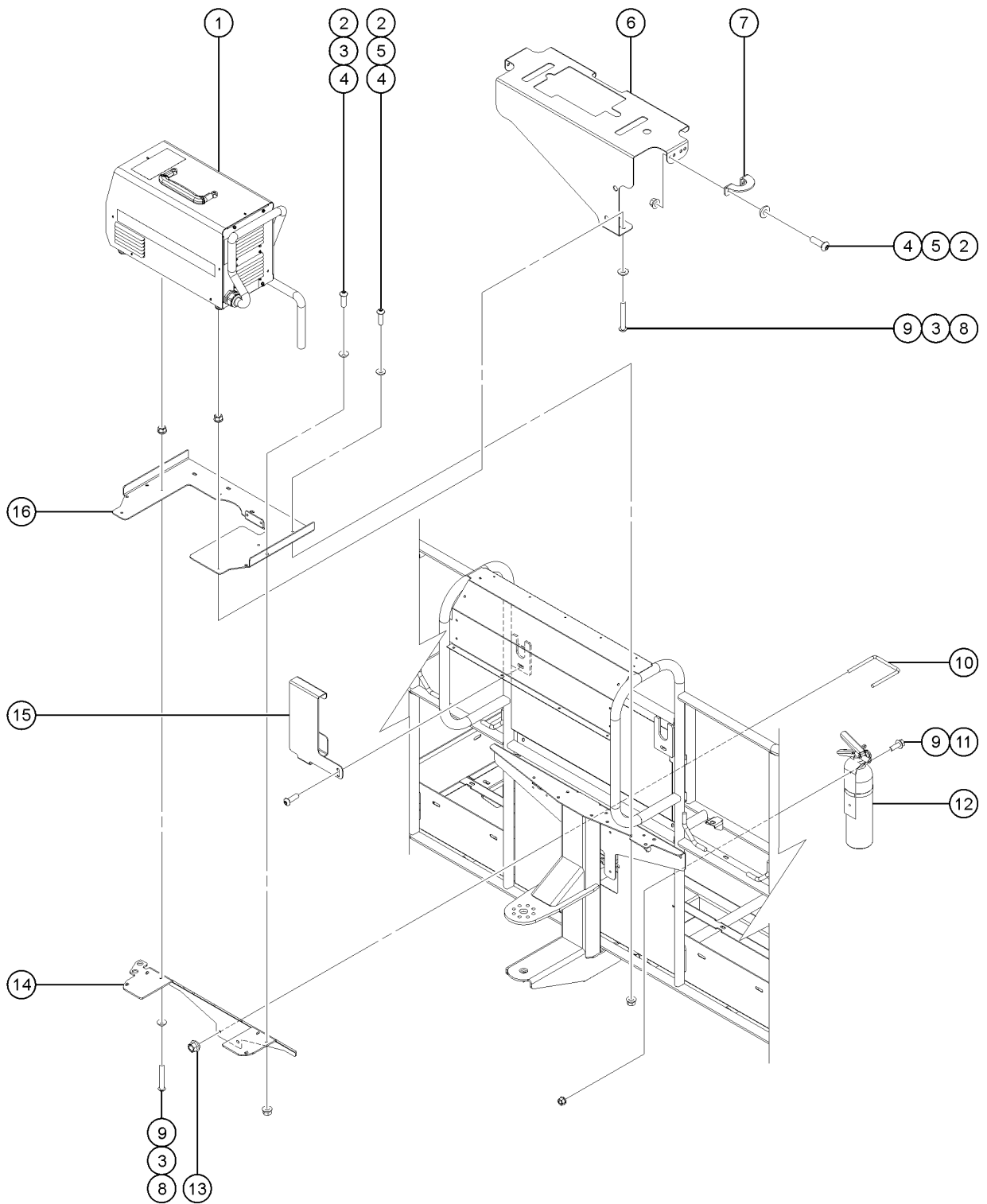


804.3 Welder Option - Platform Components

Item	Part No.	Description	Qty.
A	228320GT	KIT,WIRE,12.5KW WELDER	1
B	228321GT	KIT,WIRE,12.5KW WELDER	1
C	214620GT	SOCKET,3P,30A,4 WIRE, FEM	1
D	214621GT	SOCKET, BOOT, 3P, 30A, 4 WIRE	1
E	214622GT	PLUG, BOOT, 3P, 30A, 4 WIRE	1
F	106607GT	HARNESS,LINCOLN WELDER***	1
G	110276GT	FIRE SLEEVE, 1.25"	16
H	110276GT	FIRE SLEEVE, 1.25"	23
I	110276GT	FIRE SLEEVE, 1.25"	28
1A	101525GT	WELDER,INVERTEC V275-S	1
		Lincon option (shown)	
1A-	106183GT	FUSE,.6AMP,250V,WELDER,V275S	
1A-	106275GT	KIT,WELD LEADS ASSY,V275S	
1A-	214623GT	PLUG, 3P,30A, 4 WIRE, MALE	
1B	214619GT	WELDER, MILLER, CST 280	1
		Miller option (not shown)	
2	128322GT	SCREW,5/16-18X1.00,SECURITY TO	10
2-	128323GT	BIT,TORX SOCKET,SECURITY	
		sold seperately	
3	824113GT	WASHER,FLAT,1/4,USS,ZAG	5
4	824028GT	NUT,TL FLG,5/16-18,G,ZAG	10
5	825358GT	WASHER,FLAT,5/16,USS,ZAG	9
6	101547PGT	BRACKET,WELDER SUPPORT,PNT	1
7	217366GT	BRACKET,WELDER TOP	2
8	106141GT	SCREW,SECURITY,1/4-20 X 1.75LG	4
8-	106273GT	BIT,T-27,TORX SOCKET,SECURITY	
		sold seperately	
9	824027GT	NUT,TL FLG,1/4-20,G,ZAG	6
10	106044GT	U-BOLT,3/8-16X4X4.63X3.00	1
11	824078GT	SCREW,HHF,1/4-20X.75,8,ZAG	2
12	88406GT	FIRE EXTINGUISHER	1
		includes mounting strap	
13	824029GT	NUT,TL FLG,3/8-16,G,ZAG	2



804.3 Welder Option - Platform Components

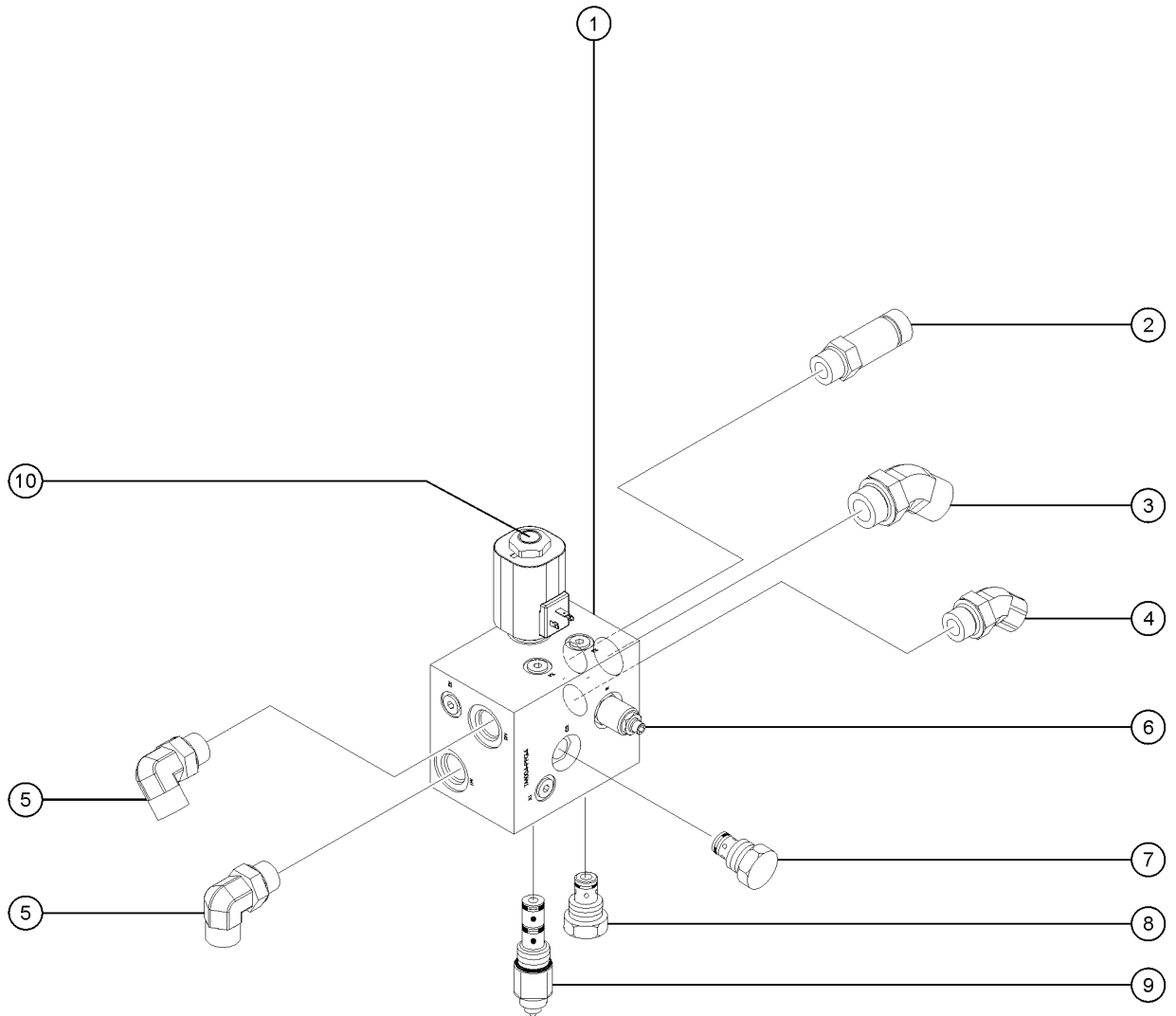


804.3 Welder Option - Platform Components

<i>Item</i>	<i>Part No.</i>	<i>Description</i>	<i>Qty.</i>
14	101701PGT	BRACKET,WELDER MNT SUPPORT,PNT	1
15	106204PGT	BRACKET,V275S WELD LEADS	1
16	106109PGT	BRACKET,WELDER COVER,PNTD	1



804.4 Welder Option - Manifold Components

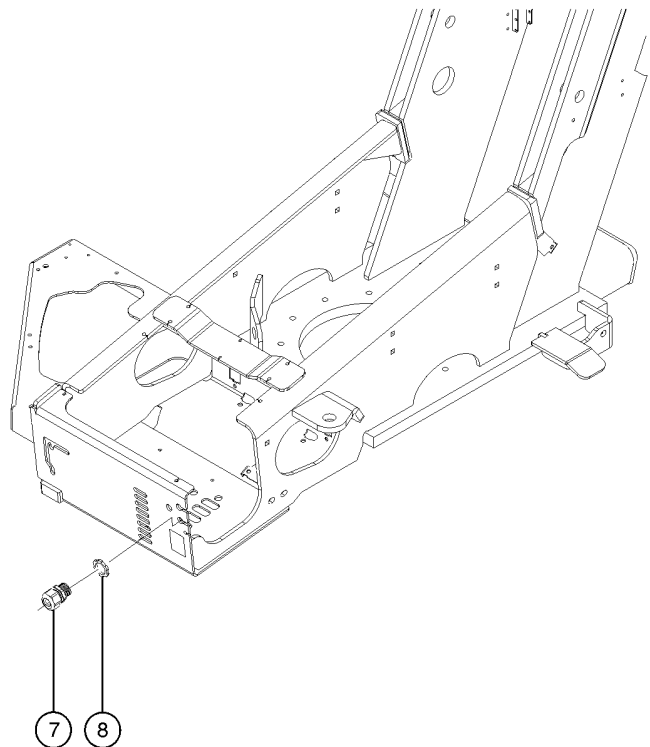
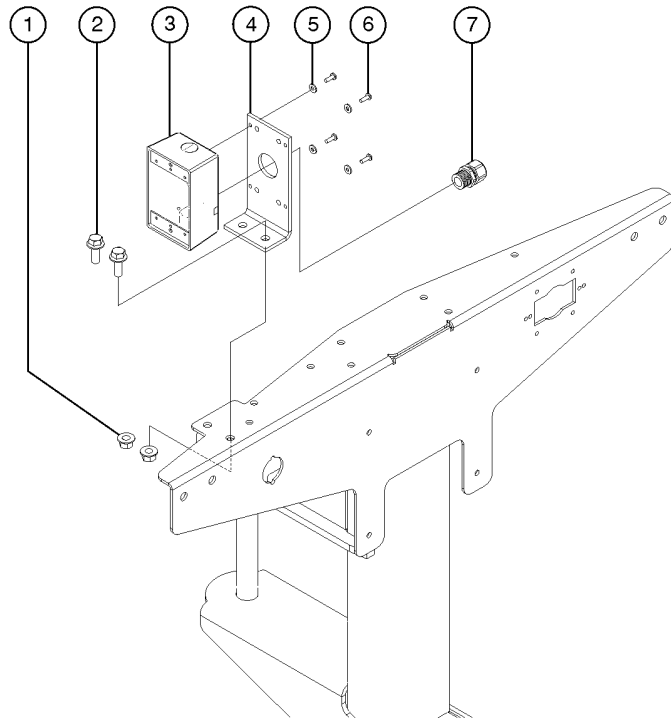
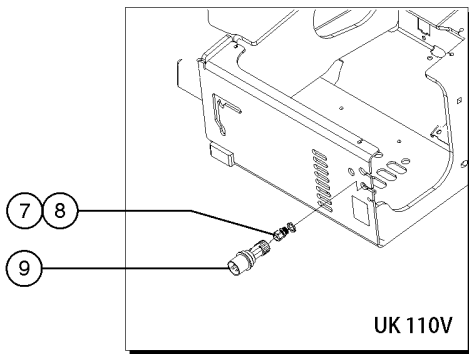
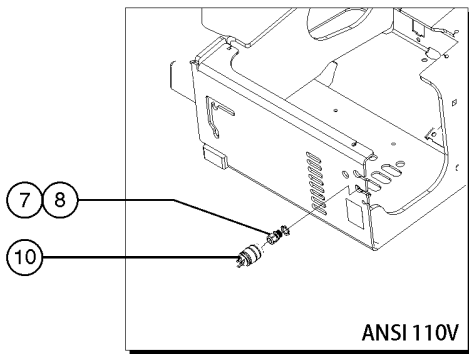
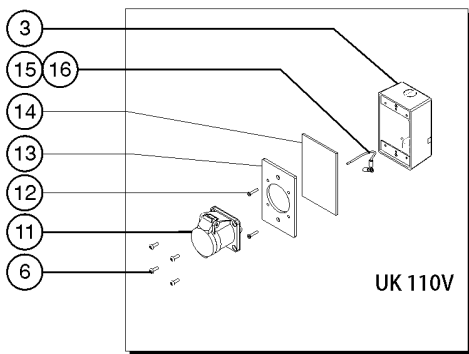
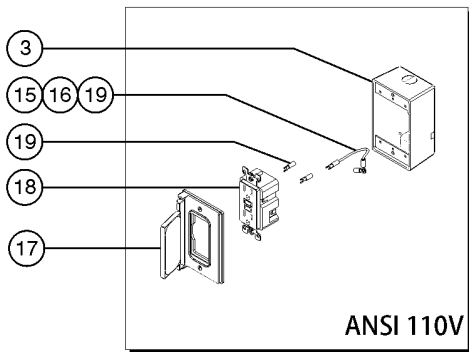


804.4 Welder Option - Manifold Components

<i>Item</i>	<i>Part No.</i>	<i>Description</i>	<i>Qty.</i>
1	1259860GT	MANIFOLD,FUNC DIVERT,WELDER	1
2	61610GT	CONN,LONG,520122-12***	1
3	48985GT	ELBOW,45D,520320-16	1
4	48963GT	FITTING,ELBOW,45D,520320-12***	1
5	48959GT	ELBOW,90D,520220-12	2
6	1274901GT	RELIEF VALVE	1
7	1274903GT	CHECK VALVE	1
8	1274904GT	FLOW CONTROL VALVE	1
9	1274902GT	CHECK VALVE	1
10	1274561GT	VALVE/COIL ASSEMBLY	1



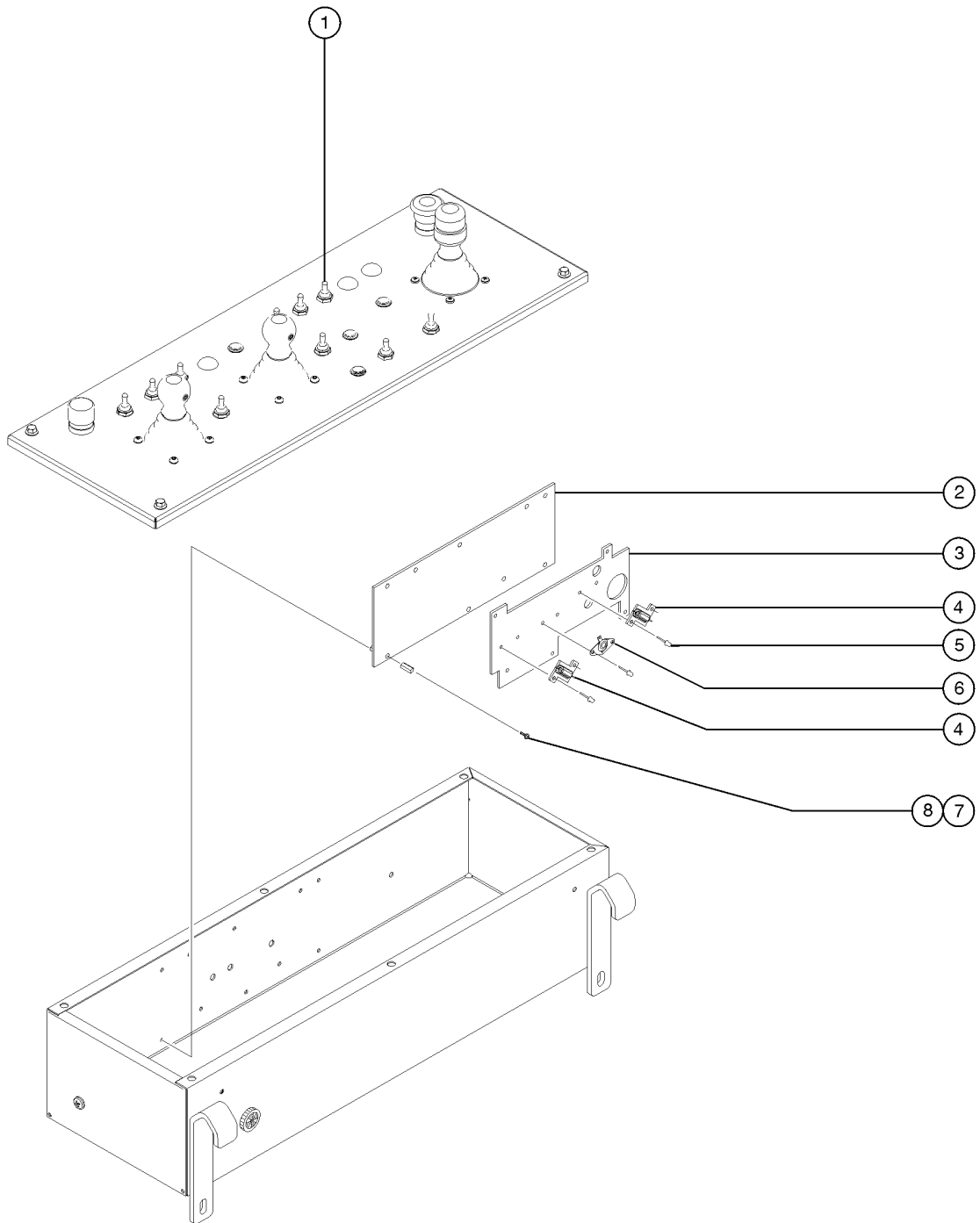
805.1 Power to Platform



Item	Part No.	Description	Qty.
1	824029GT	NUT,TL FLG,3/8-16,G,ZAG	2
2	824090GT	SCREW,HHF,3/8-16X1,8,ZAG	2
3	10775GT	T-BOX,2.75 X 4.5 X 2.0	1
4	81096GT	BRACKET,POWER TO PLAT, DOM	1
5	1257390GT	WASHER,FLAT,#8,SAE,ZAG	4
6	1257296GT	SCREW,PHPM-ST,8.32X.50,TYPE F,	
7	7056GT	CONN,SQUEEZE,1/2NPT .38-.50,SM	2
8	6935GT	LOCKNUT,ELEC,1/2"	1
		power cable not shown	
9	144161GT	PLUG,PWR,UK,16AMP,3PIN,BLK	1
10	119403GT	CONN,PLUG 120 AC/15A DOMESTIC	1
11	T112560GT	RECEPTACLE,UK,110V	1
		Europe	
12	1253489GT	SCREW,FHPM,6-32 X .75,ZAG	2
13	T112561GT	PLATE,UK,POWER TO PLAT	1
14	74052GT	GASKET,COVER,GFCI,WEATHERPROOF	1
15	55089GT	WIRE,14 GA,GREEN/YELLOW,THHN**	6
16	13597GT	TERMINAL,#10 RING,BLUE	2
		crimp one end of 13597 to swing chassis ground wire	
17	74006GT	COVER,GFCI,HORIZONTAL,WEATHER	1
18	13585GT	OUTLET, 110V	1
19	36878GT	TERMINAL,FORK,BLUE (BULK)	3
		connect one each of 36878 to swing chassis positive and negative wires	



806.1 Circuit Board Heater Option

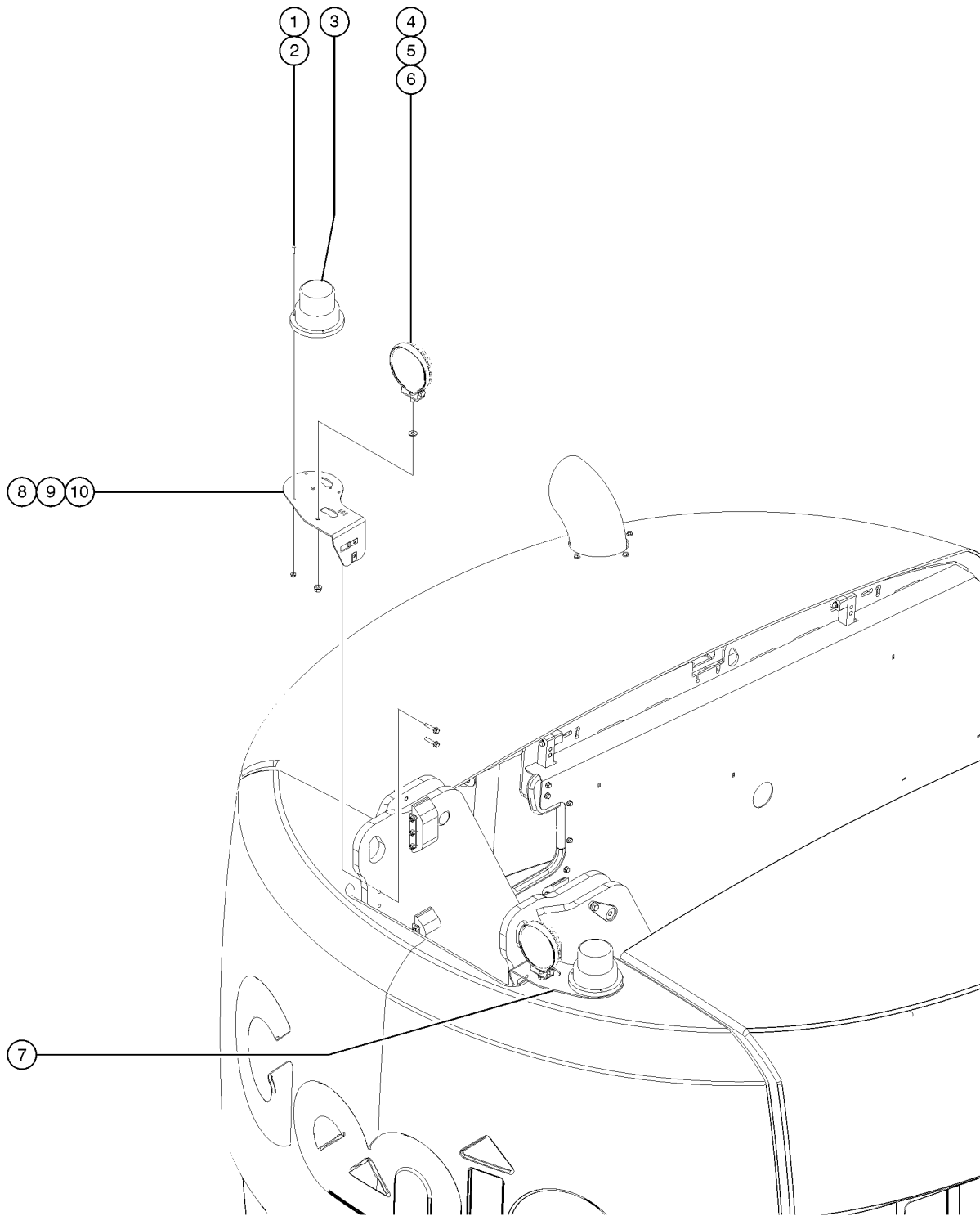


806.1 Circuit Board Heater Option

Item	Part No.	Description	Qty.
A		ACC.PBOX HEATER ALC500 GEN II (no longer available)	
A	119560GT	WIRING KIT,CONTROL BOX HEATER	1
A-	T115352GT	DECAL,OPTION CONTROL BOX HEATR	1
A-	6272GT	RIVET,STL,STL,P,.125 X .25	6
A-	6578GT	CABLE TIE,7 3/8"	16
A-	81551GT	SCREW,PHIL,PHM,6-32 X 1/4 SS	5
1	128204GT	SWITCH TOGGLE ASSY SPDT 2P MNT	1
2		REF: PCB ALC500 Assembly refer to 603.1	
3	147661GT	PLATE,PLAT HEAT,ALC500 GEN II	1
4	27287GT	RESISTOR,10 OHM,25 WATT	2
5	824206GT	RIVET,STL,STL,DOME,1/8X.25,ZAG	6
6	119641GT	SWITCH,THERMOSTAT 85F OPEN	1
7	1257402GT	SCREW,PHPM,6-32X.25,ZAG	5
8	119534GT	STANDOFF,1/4X1/4 M-F 6-32 S/S	5



807.1 Drive Lights and Flashing Beacons

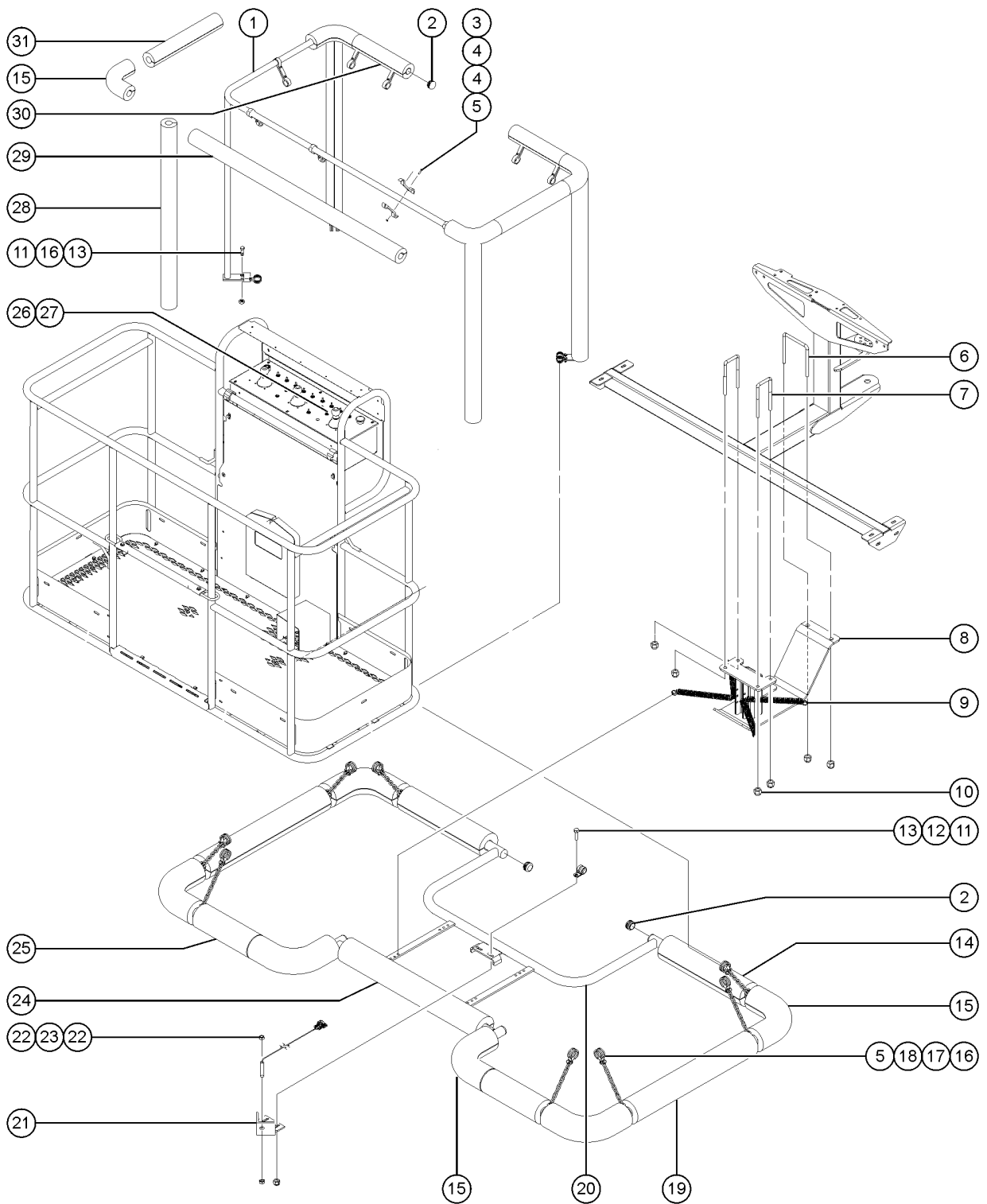


807.1 Drive Lights and Flashing Beacons

<i>Item</i>	<i>Part No.</i>	<i>Description</i>	<i>Qty.</i>
A	1258712GT	ASSEMBLY,DRIVE LIGHTS	
B	1258713GT	ASSEMBLY,BEACON LIGHTS	
1	824215GT	SCREW, PHPM, 10-32 X .75, ZAG	6
2	1264261GT	NUT,SERRATED,10-32,ZAG	
3	1271588GT	ASSEMBLY, AMBER LED BEACON,36l hardware not included	2
4	215481GT	LIGHT, LED WHITE 12V	2
5	824113GT	WASHER,FLAT,1/4,USS,ZAG	2
6	824028GT	NUT,TL FLG,5/16-18,G,ZAG	2
7	1258547GT	FORMING,DRV LIGHT BCN MT. LEFT	1
8	1258548GT	FORMING, DRV LIGHT BCN MT. RT	1
9	56912GT	SPRING CLIP,1/4-20,.025-.15X.5	4
10	824080GT	SCREW,HHF,1/4-20X1.25,8,ZAG	4



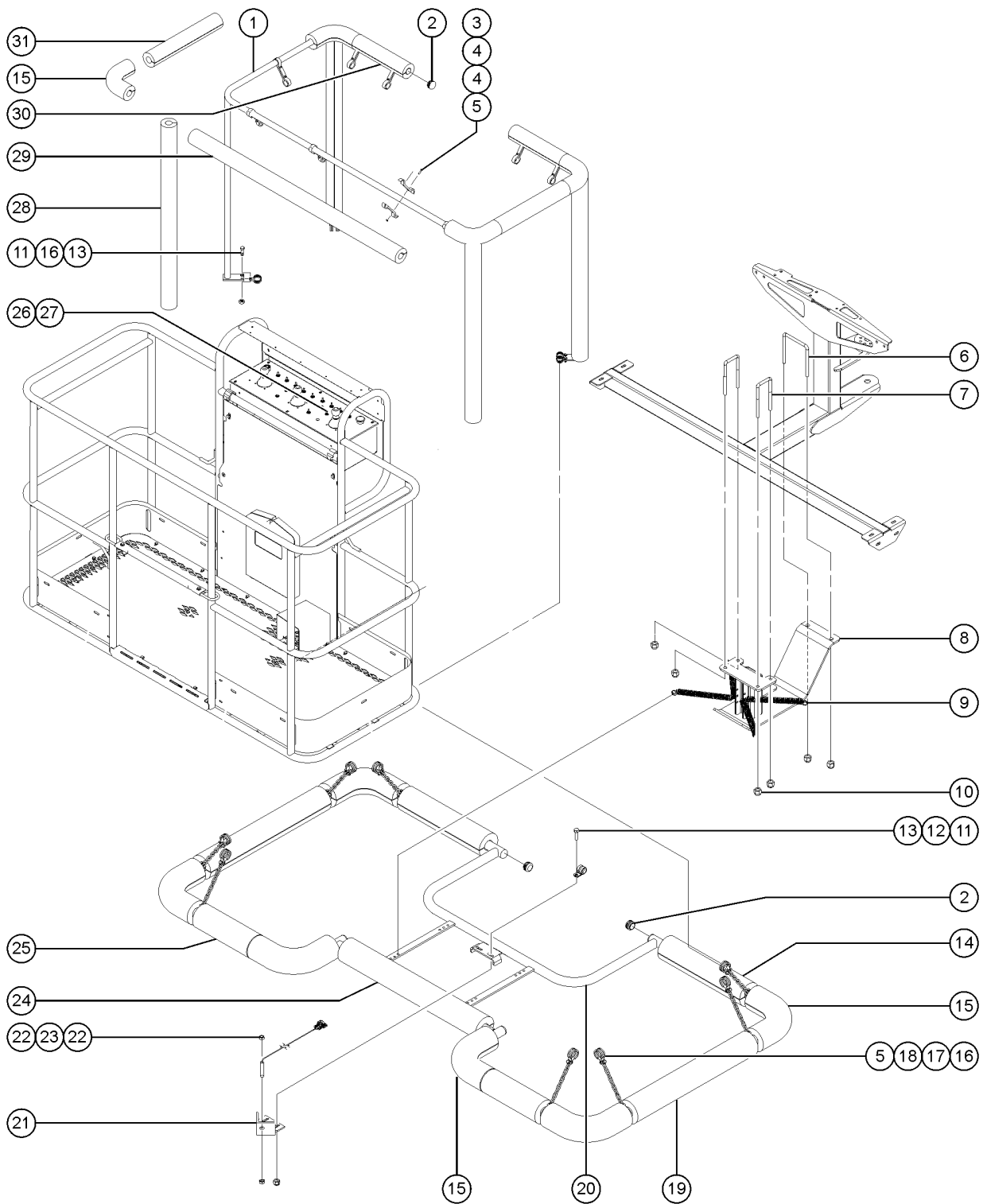
808.1 Aircraft Protection Package



808.1 Aircraft Protection Package

Item	Part No.	Description	Qty.
A	29261GT	MAGNET,NEODYMIUM,.375 X .100 not shown	2
1	46188GT	WELDMENT, AIRCRAFT TOP BUMPER	1
2	55753GT	BUMPER, PLASTIC, 1.25 O.D.	
3	824227GT	SCREW,BHC,1/4-20X1,F835,ZAG	
4	122073GT	SUPPORT, RAILING	20
5	824027GT	NUT,TL FLG,1/4-20,G,ZAG	
6	106044GT	U-BOLT,3/8-16X4X4.63X3.00	
7	66472GT	U-BOLT, SQR, 3/8-16X2X5, PLTD	2
8	822764GT	WDMT,SKID PLATE	
9	822769GT	SPRING,EXTENSION,1.92LB/IN	4
10	824029GT	NUT,TL FLG,3/8-16,G,ZAG	
11	6888GT	SCREW,HHC,1/4-20 X 1	
12	6833GT	CLAMP,0.50,#8 X 1/4,RUB CUSH	1
13	6091GT	NUT,NYLOCK,1/4-20	
14	75617-1550GT	PADDING,FOAM 3.5"OD X 1.50"ID	2
15	75636GT	PADDING,FOAM,3.0"X1.50ID 90DEG	10
16	21618GT	CLAMP,1.13,#18 X 1/4,RUB CUSH	24
17	824078GT	SCREW,HHF,1/4-20X.75,8,ZAG	
18	56426-700GT	CHAIN,NO.2 (11 LINKS)	8
19	75617-2275GT	PADDING,FOAM 3.5"OD X 1.50"ID	2
20	822759GT	WDMT,AIRCRAFT SENSOR BUMPER	1
21	77797GT	WELDMENT, SENSOR MOUNT	1
22	88390GT	NUT,HEX,M8,PLASTIC	
23	228448GT	HARN,PROX KILL+AC BYPASS S60 includes 27391 proximity sensor	1
23-	27391GT	PROXIMITY SENSOR***	1
23-	128580GT	SWITCH TOGGLE SPDT 3P MOM SHDR	
24	822768GT	FOAM,AIRCRAFT PROTECTION	1
25	75617-1025GT	PADDING,FOAM 3.5"OD X 1.50"ID	2

808.1 Aircraft Protection Package

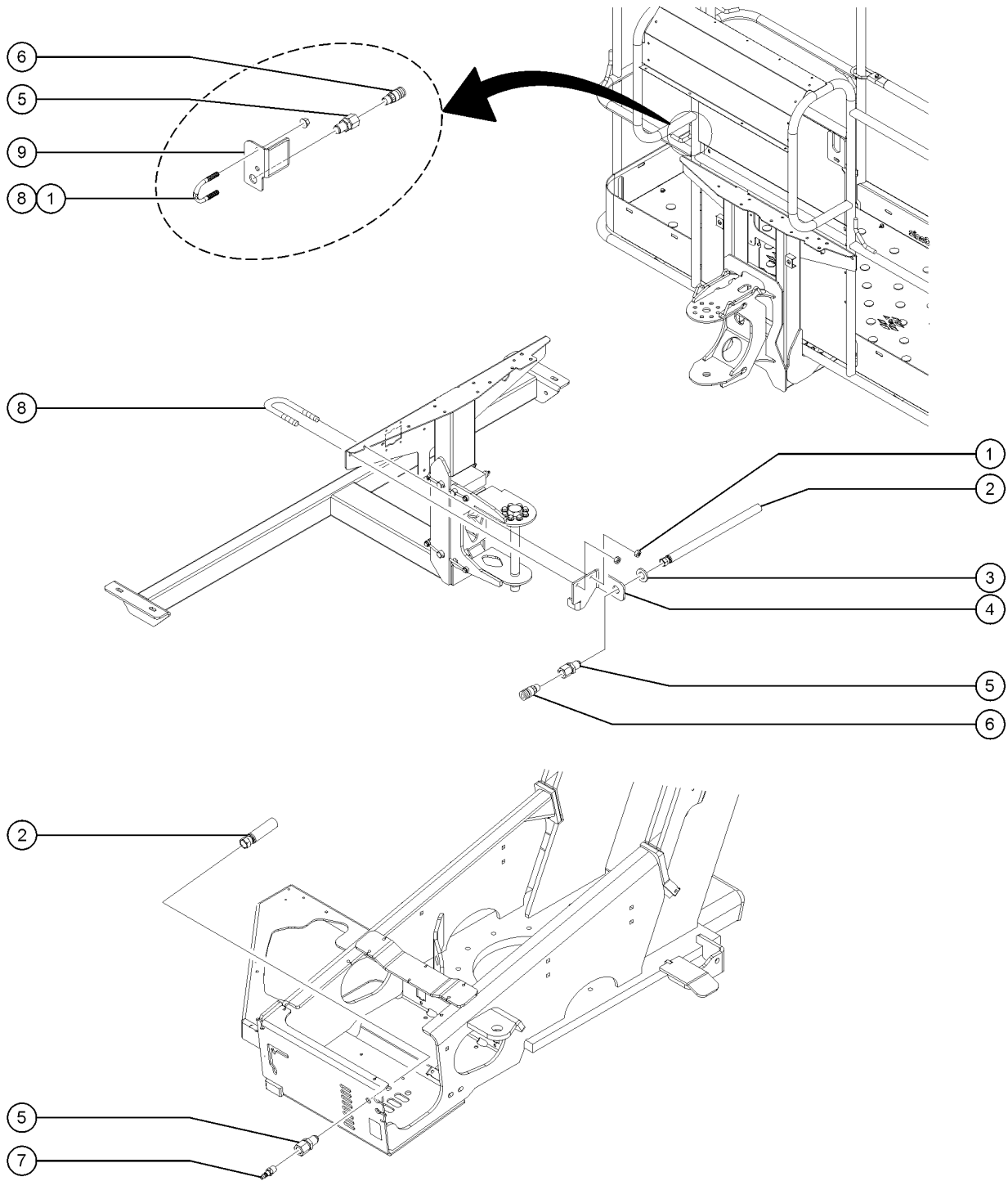


808.1 Aircraft Protection Package

<i>Item</i>	<i>Part No.</i>	<i>Description</i>	<i>Qty.</i>
26	128203GT	SWITCH TOGGLE ASSY SPDT 2P MOM	1
26-	139882GT	HARN, AC PROTECTION BYPASS	1
27	27246GT	BOOT,TOGGLE SWITCH,SHORT*	1
28	1259329GT	PADDING, FOAM, 46.5"	4
29	75617-6275GT	PADDING,FOAM 3.5"OD X 1.50"ID	1
30	1259328GT	PADDING, FOAM, 15.5"	2
31	75617-2075GT	PADDING,FOAM 3.5"OD X 1.50"ID	2



809.1 Air Line to Platform

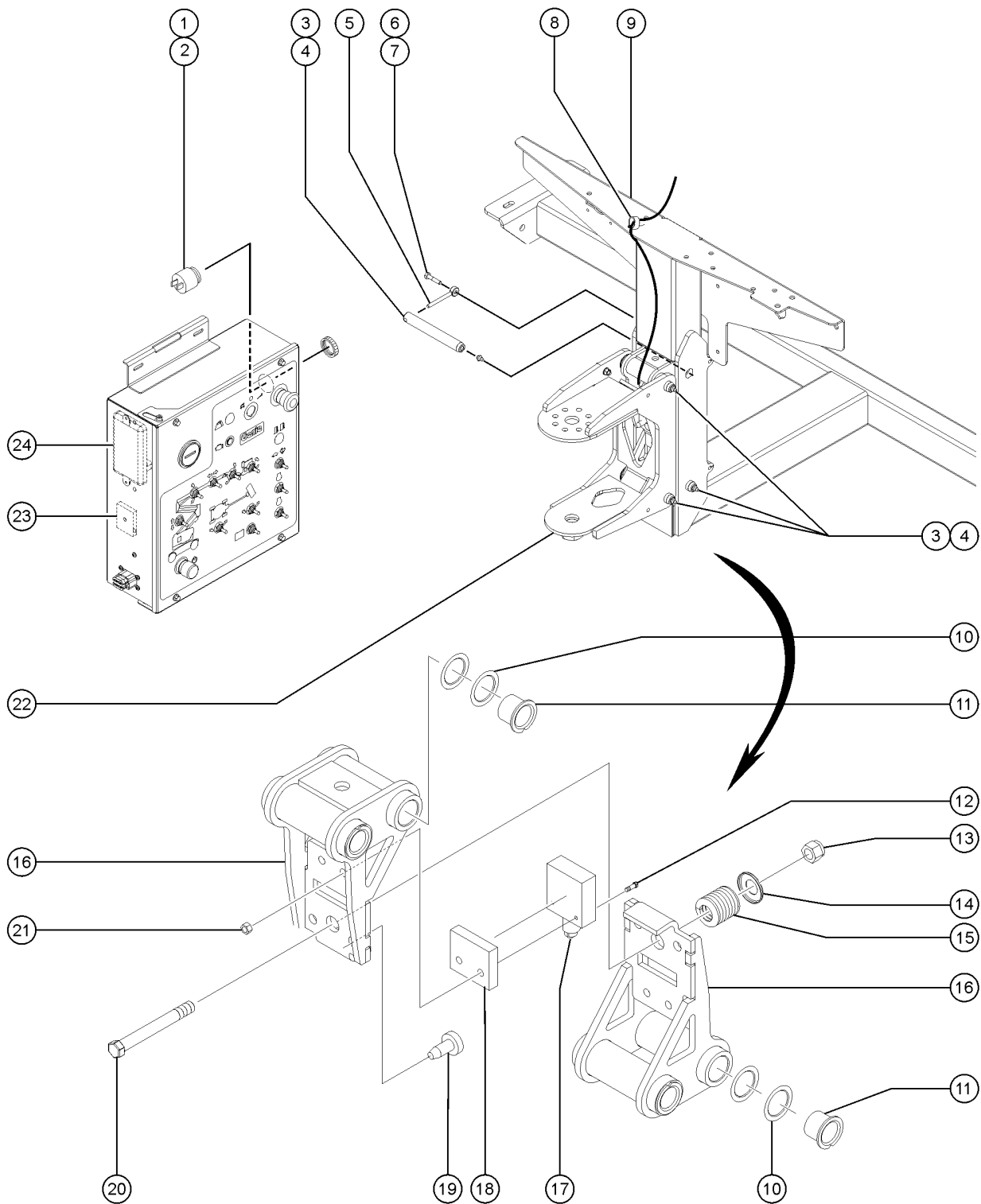


809.1 Air Line to Platform

<i>Item</i>	<i>Part No.</i>	<i>Description</i>	<i>Qty.</i>
1	824029GT	NUT,TL FLG,3/8-16,G,ZAG	
2	1269759GT	HOSE ASSEMBLY, 1/2" AIR,BARB,S	1
-	39888GT	HOSE,1/2,LOW PRESSURE,801-8***	10 00
-	49213GT	HOSE END,BARBED,SWIVEL,JIC,8-8	1
3	1256863GT	WASHER,FLAT,.75,F436,HRD,ZAG	1
4	1275332GT	FORMING, BRACKET, AIR HOSE	1
5	49212GT	FEMALE BULKHEAD CONNECTOR-8	
6	49215GT	MPT,CPLR,1/4"SER,3/8"X18	
7	49214GT	MALE PIPE THD,1/4" SER,3/8"X18	1
8	1251600GT	U-BOLT, FLATTENED, 1.5 X 3/8	
9	1275087GT	FORMING, AIR TO PLAT	



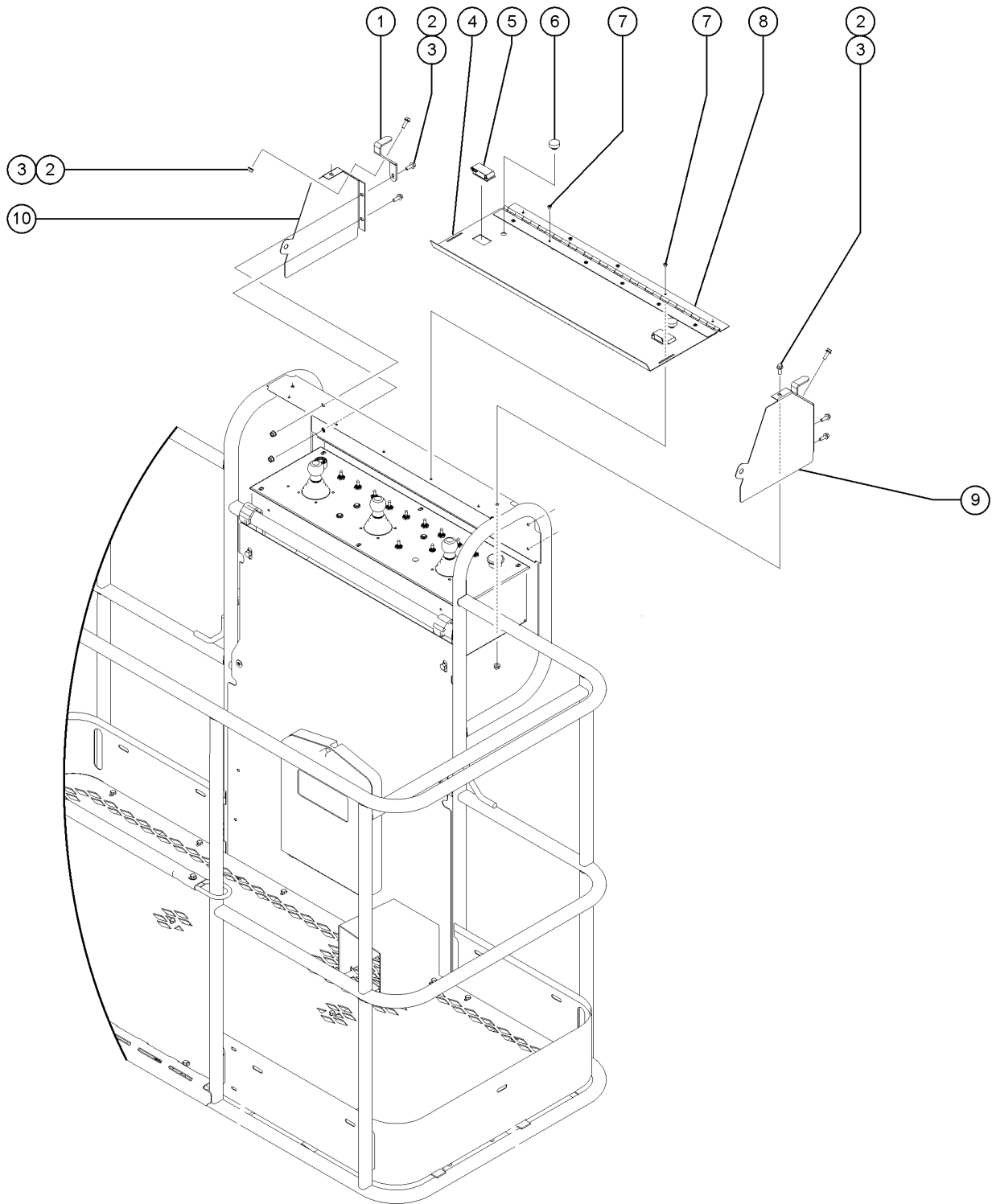
810.1 Platform Overload Option



810.1 Platform Overload Option

Item	Part No.	Description	Qty.
A	94460-SGT	KIT,LOAD SENSE MECHANICAL,LRG includes items 3-16, 18-21	1
A-	119672GT	CE FIELD SHIM KIT LOAD SENSE includes items 9 and 10	1
1	45383GT	ALARM,WARBLE TONE 5-30 VDC***	1
2	72326GT	NUT,PLASTIC,RING FOR ALARMS	1
3	61726GT	PIN,0.75DIAX5.75LG,CHAMFER	4
4	94643GT	ZERK,GREASE,5/16-24,STRAIT	4
5	825020GT	ROD END,.250X2.75,ZAG	4
6	824061GT	SCREW,HHC,1/4-20X1.25,8,ZAG	4
7	824027GT	NUT,TL FLG,1/4-20,G,ZAG	
8	45470GT	CLAMP,0.31,#5 X 1/4,RUB CUSH	1
9	61997GT	WELDMENT,PLATFORM SUPPORT,CE	1
10	110789GT	WASHER,SHIM .0151 THK.	16
11	25685GT	BEARING,GARLOCK,12FDU12	8
12	1257264GT	SCREW,BHC,10-32X1.5,F835,ZAG	2
13	824029GT	NUT,TL FLG,3/8-16,G,ZAG	1
14	61975GT	RETAINER,SPRING,1.21 X .375	1
15	61974GT	SPRING,COMP,1" OD,232 LB/IN	1
16	61809GT	WELDMENT,LOAD SUPPORT	2
17	121848GT	ASSY,LS,LOAD SENSE,38.5 IN includes limit switch	
17-	99183GT	SWITCH, ROLLER PLUNGER LIMIT	1
18	61972GT	MOUNT,SWITCH	1
19	34619GT	BUMPER,RUBBER***	2
20	824095GT	SCREW, HHF, 3/8-16 X 3, 8, ZAG	1
21	824032GT	NUT,TL FLG,10-32,F,ZAG	2
22	61804GT	WELDMENT,ROTATOR SUPPORT	1
23	121846GT	RELAY,TIME DELAY,2 SEC,10A	1
24	128045GT	MODULE,LOAD SENSE 2007	1

811.1 Platform Control Cover Option

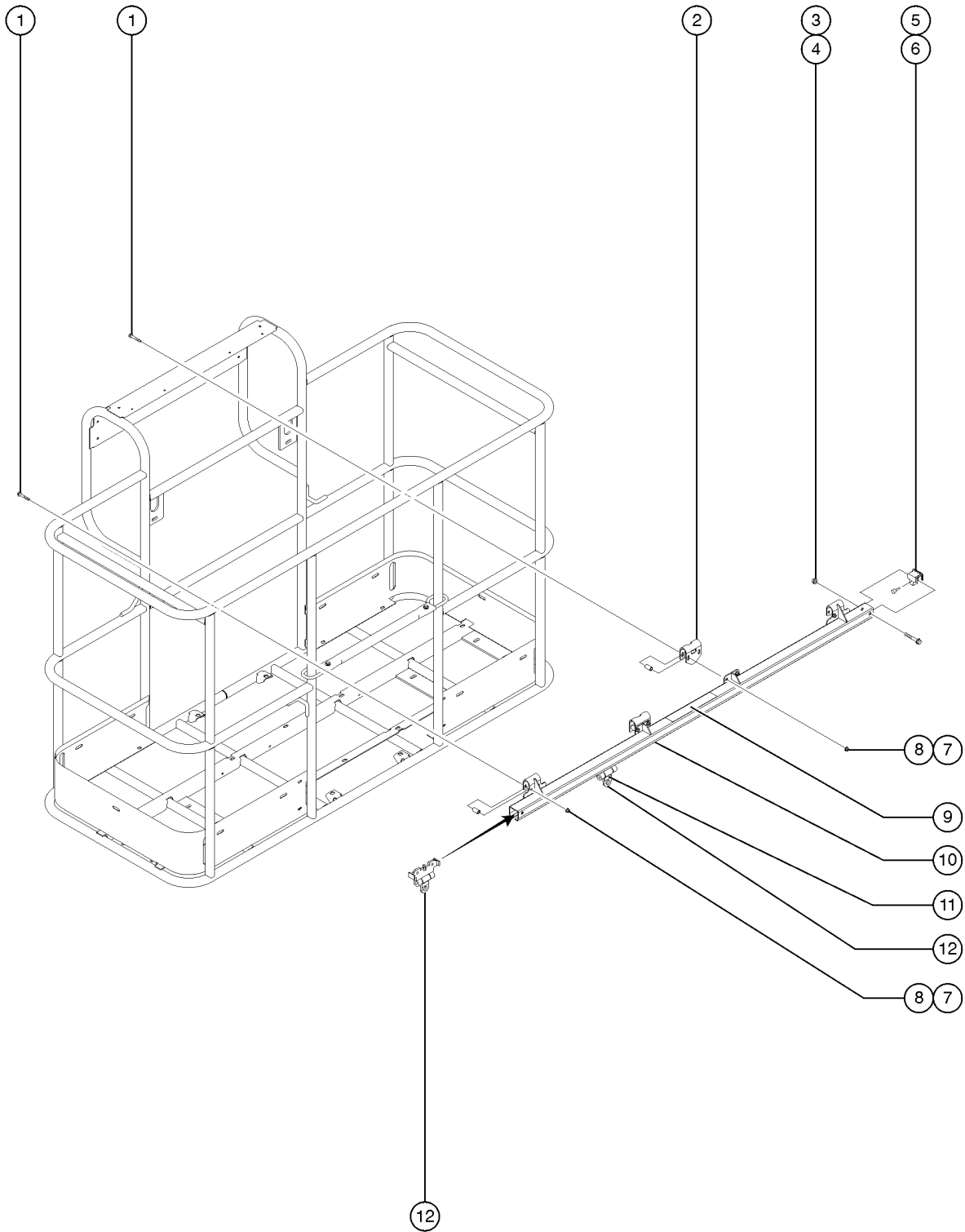


811.1 Platform Control Cover Option

<i>Item</i>	<i>Part No.</i>	<i>Description</i>	<i>Qty.</i>
1	102786PGT	FORMING,LATCH,CTRL BOX LID PTD None	2
2	824078GT	SCREW,HHF,1/4-20X.75,8,ZAG	8
3	824027GT	NUT,TL FLG,1/4-20,G,ZAG	8
4	102785PGT	CONTROL BOX COVER,LID,PTD	1
5	30468GT	LATCH,SLIDE, FLUSH MOUNT STYLE	2
6	43392GT	BUMPER,BATTERY BOX & RAILS***	2
7	87085GT	RIVET,ALUM,P,.188 X .25	11
8	111526GT	HINGE,PLAT CONTROL BOX COVER	1
9	88606PGT	COVER,CONTROL BOX RIGHT SIDE**	1
10	88607PGT	COVER,CONTROL BOX LEFT SIDE***	1



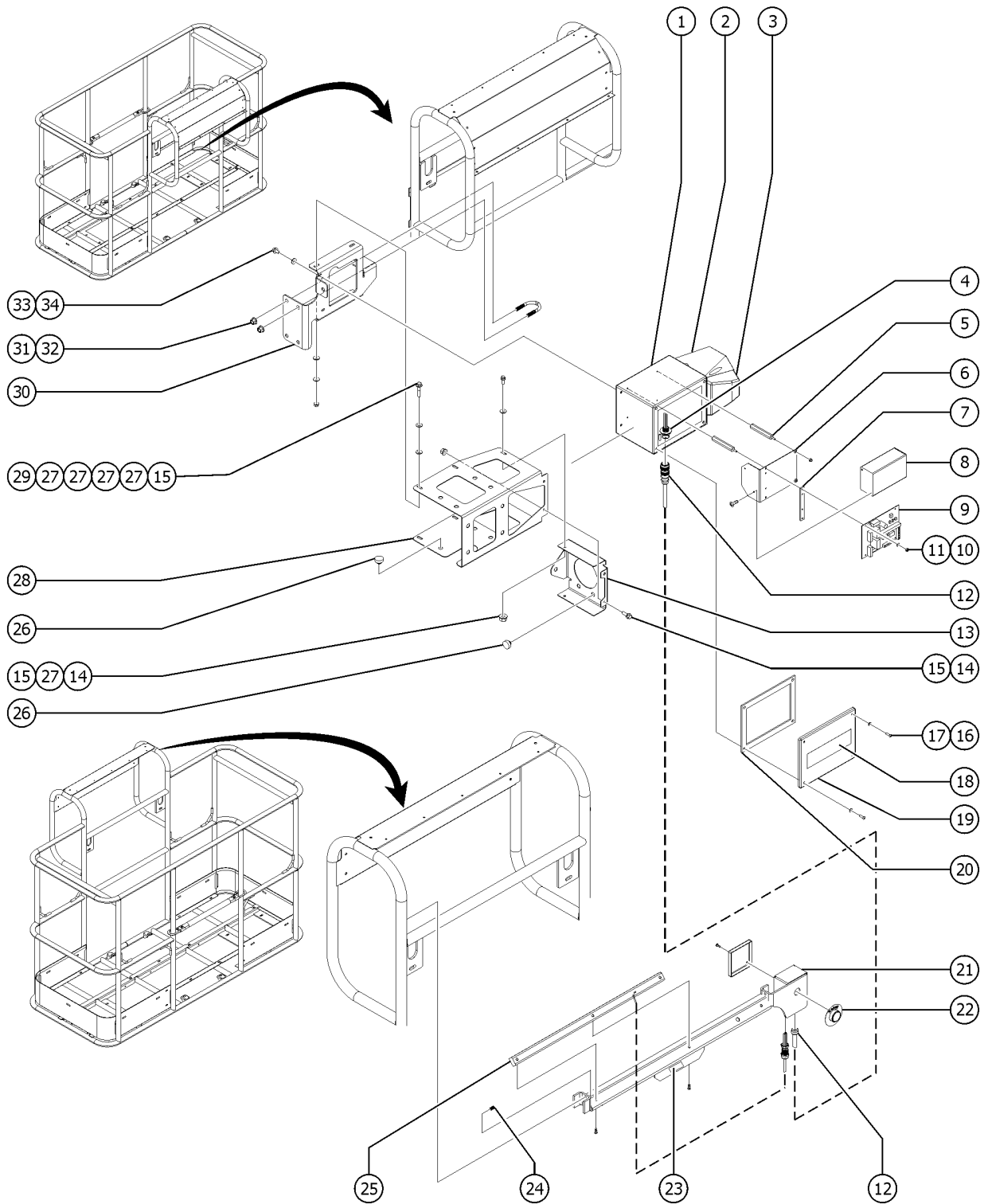
812.1 Fall Arrest Bar



Item	Part No.	Description	Qty.
1	1256856GT	SCREW,HHF,3/8-16X2.5,8,ZAG	4
2	1256389GT	FORMING,INNER HANGER	2
3	1251997GT	NUT,TL FLG,1/2-13,G,ZAG	2
4	1256851GT	SCREW,HHF,1/2-13X3.5,8,ZAG	2
5	1260892GT	END STOP. TFAAS TRACK	2
6	36388GT	BUMPER,RUBBER,.75 X .50H,STUD	2
7	1274322GT	NUT,NYLOCK FLG,3/8-16,G,ZAG	8
8	1256481GT	SPACER, HANGER BRACKET	8
9A	1256400GT	DECAL,TFAAS TRACK,WORD	1
9B	1260910GT	DECAL,TFAAS TRACK,SYMBOL	1
9C	1256400FRGT	DECAL,TFAAS TRACK,WORD FR	1
10A	1256377GT	ACC,TFAAS FALL ARREST,8FT WORD	1
		includes instructions and decals	
10A-	1256379GT	ASSY,TFAAS TRACK,8FT WORD	
		includes decals	
10B	1261022GT	ACC,TFAAS FALL ARREST,8FT SYM	1
		includes instructions and decals	
10B-	1261024GT	ASSY,TFAAS TRACK,8FT SYM	
		includes decals	
10C	1261018GT	ACC,TFAAS FALL ARREST,8FT FR	1
		includes instructions and decals	
10C-	1261020GT	ASSY,TFAAS TRACK,8FT FR	
		includes decals	
10D	1256378GT	ACC,TFAAS FALL ARREST,6FT WORD	1
		includes instructions and decals	
10D-	1256380GT	ASSY,TFAAS TRACK,6FT WORD	
		includes decals	
10E	1261023GT	ACC,TFAAS FALL ARREST,6FT SYM	1
		includes instructions and decals	
10E-	1261025GT	ASSY,TFAAS TRACK,6FT SYM	
		includes decals	
10F	1261019GT	ACC,TFAAS FALL ARREST,6FT FR	1
		includes instructions and decals	
10F-	1261021GT	ASSY,TFAAS TRACK,6FT FR	
		includes decals	
11	40434GT	DECAL,LANYARD ANCHORAGE POINT	1
12	1256439GT	TROLLEY, TFAAS TRACK	1



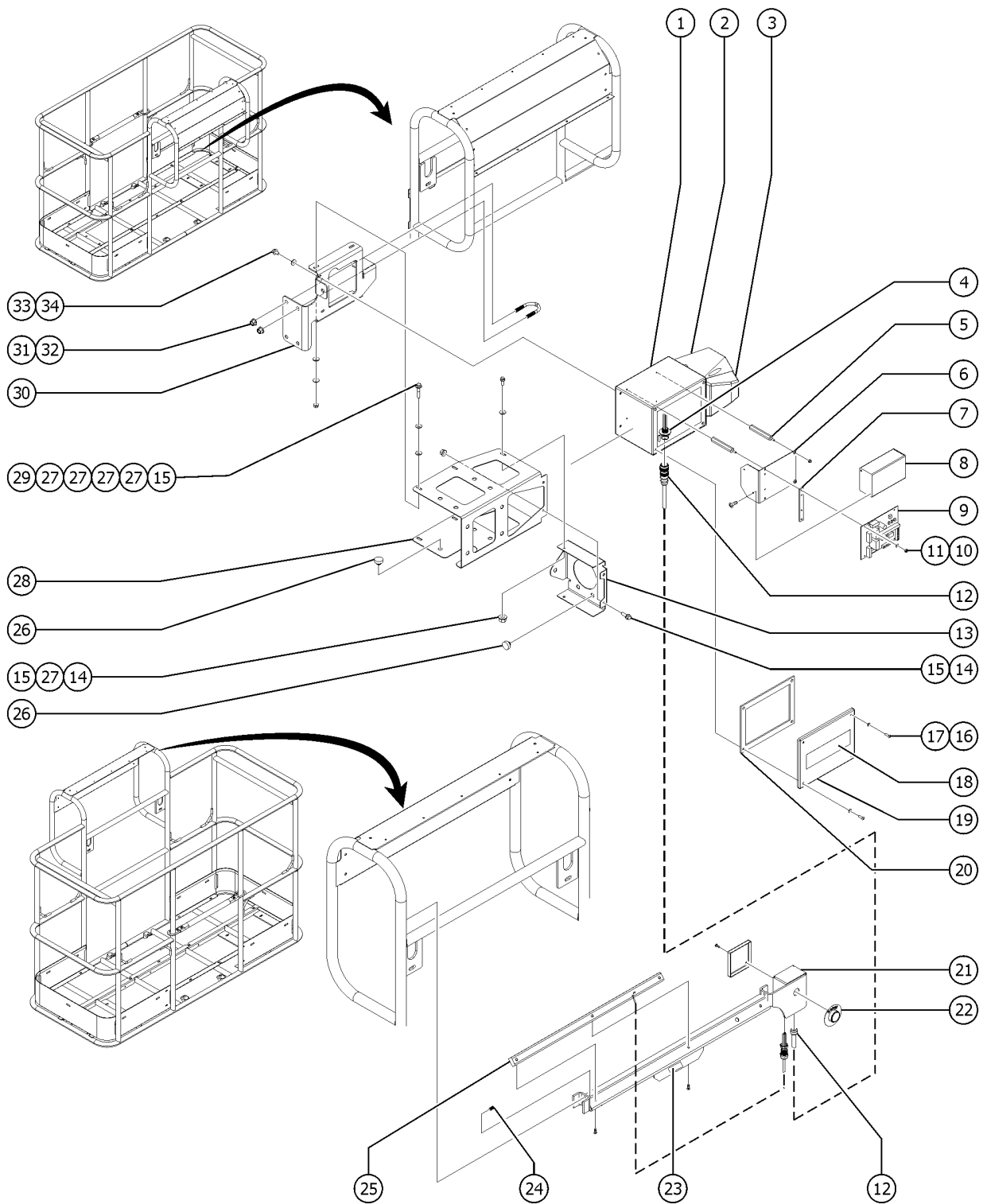
813.1 Operators Protection Alarm (to January 2017)



813.1 Operators Protection Alarm (to January 2017)

<i>Item</i>	<i>Part No.</i>	<i>Description</i>	<i>Qty.</i>
B	1275537GT	ASSEMBLY, OPA PROTECTION CAGE	1
1	1255018GT	BASE ENCLOSURE,RED,OPA	1
2	1255021GT	SOUNDER,MIDI,OPA	1
3A	1255037GT	SOUNDER LENS, OPA, BLUE (standard lens fitted to OPA)	1
3B	1270116GT	SOUNDER LENS, OPA, RED	1
3C	1270117GT	SOUNDER LENS, OPA, AMBER	1
3D	1270118GT	SOUNDER LENS, OPA, CLEAR	1
4	1255033GT	HARN,PIGTAIL,TAPESWITCH,OPA	1
5	1255028GT	STAND OFF,CONTROL UNIT	4
6	1255024GT	BRACKET,CONTROL UNIT	1
7	1255025GT	SPACER,HEAT SINK	1
8	1255023GT	ASSY,MODULE,CONTROL UNIT,OPA	1
9	1255022GT	MODULE,CONTROL UNIT,PCB,OPA	1
10	1255067GT	NUT,M4 NYLOCK	4
11	1255066GT	WASHER,M4 NYLON	4
12	1255035GT	ASSEMBLY,CABLE,TAPESWITCH	1
13	1275539GT	FORMING, OPA CAP	1
14	824078GT	SCREW,HHF,1/4-20X.75,8,ZAG	5
15	824027GT	NUT,TL FLG,1/4-20,G,ZAG	9
16	1255038GT	SCREW,M5X16 BHD	4
17	1255027GT	WASHER,M5 NYLON	4
18	1255890GT	DECAL,COSMETIC,GENIE	1
19	1255020GT	LID ENCLOSURE,RED,OPA	1
20	1255019GT	GASKET,ENCLOSURE	1
21	1255029GT	ASSEMBLY,TAPESWITCH (6/8' platforms) (includes j-box and fasteners)	1
22	1255036GT	ASSEMBLY RESET SWITCH	1
23	1255889GT	DECAL,SYMBOL-READ THE MANUAL	1
24	1255068GT	SCREW,M6X8	2

813.1 Operators Protection Alarm (to January 2017)

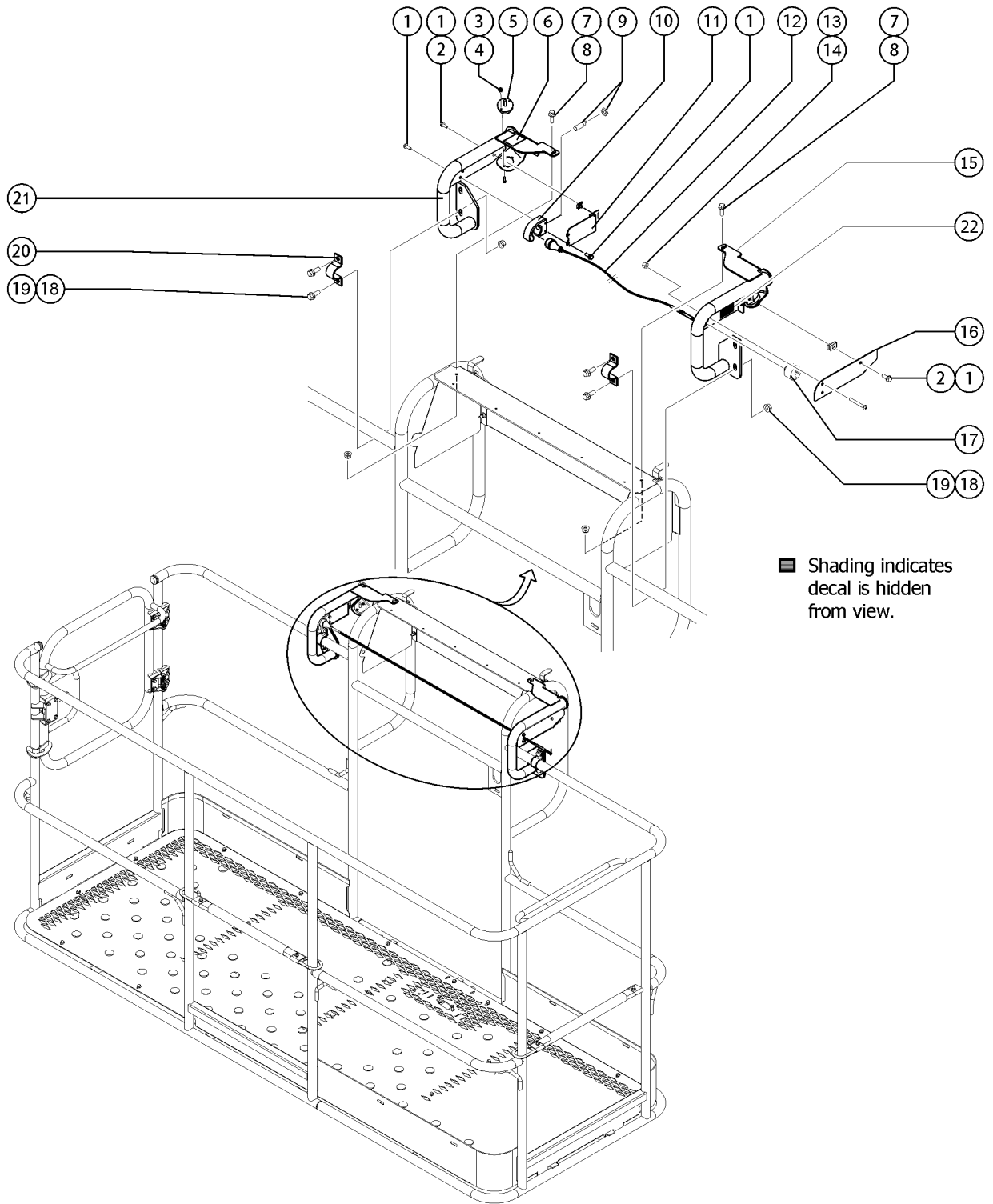


813.1 Operators Protection Alarm (to January 2017)

<i>Item</i>	<i>Part No.</i>	<i>Description</i>	<i>Qty.</i>
25	1255047GT	SENSOR,RUBBER EDGE (6'8' platforms)	1
26	43392GT	BUMPER,BATTERY BOX & RAILS***	17
27	824113GT	WASHER,FLAT,1/4,USS,ZAG	19
28	1275538GT	FORMING, OPA CAGE	1
29	824080GT	SCREW,HHF,1/4-20X1.25,8,ZAG	4
30	1275540GT	FORMING, OPA, BRACKET	1
31	824029GT	NUT,TL FLG,3/8-16,G,ZAG	4
32	1251600GT	U-BOLT, FLATTENED, 1.5 X 3/8	2
33	237238GT	SCREW,HHF,M6-1.0X12,DIN6921,10	2
34	1257389GT	WASHER,FLAT,M6X18X1.6,DIN9021,	2



813.2 Lift Guard Contact Alarm Option (from January 2017)

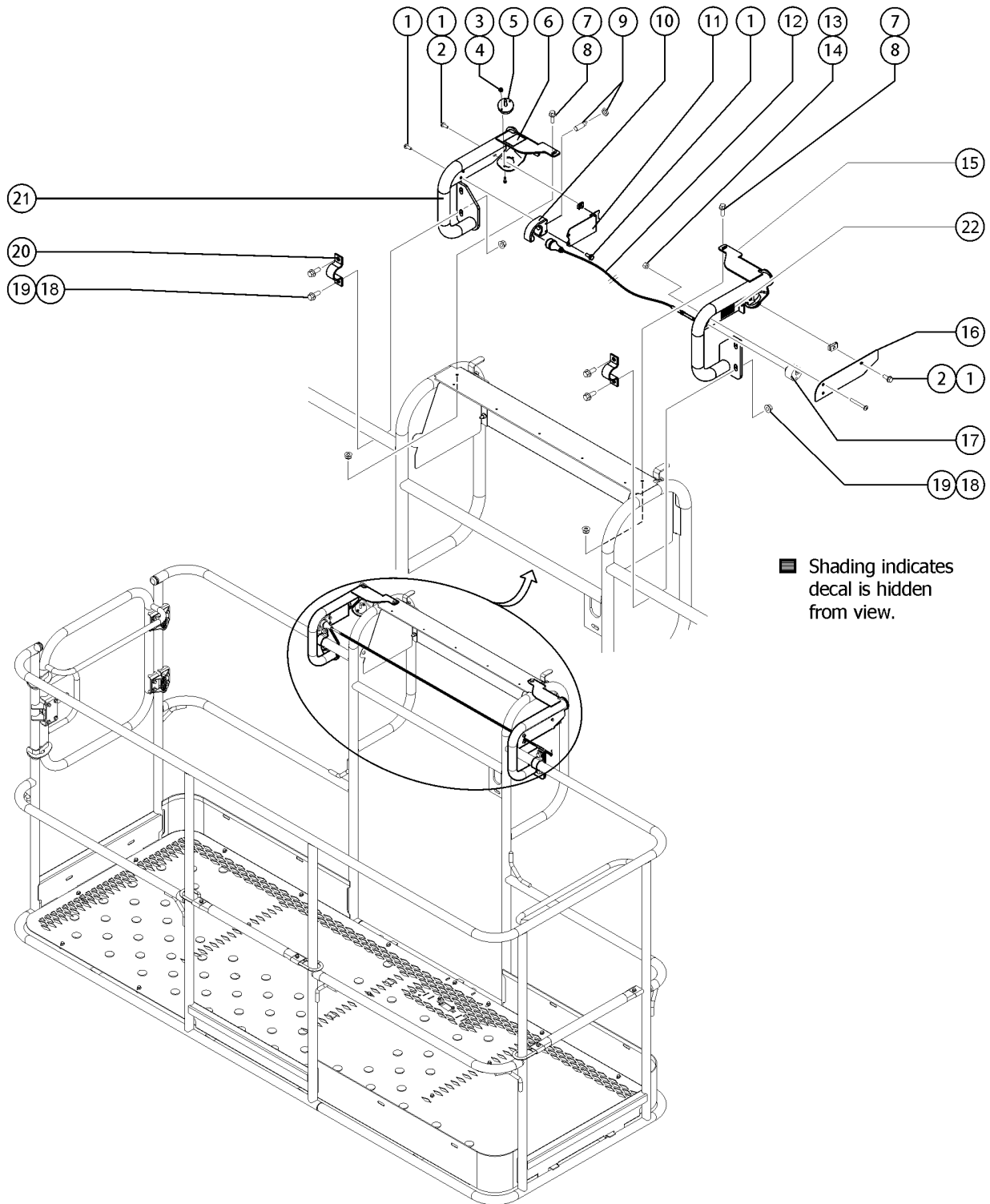


813.2 Lift Guard Contact Alarm Option (from January 2017)

Item	Part No.	Description	Qty.
A-		From January 2017, this option became a standard installation on all models unless the customer specifically request not to have it installed.	...
B-	1279135GT	KIT, LIFT GUARD CONTACT ALARM,6'-8' PLATFORM,NON-ALC1000	
C-	1278126GT	HARNESS, OPA2, Z62	
D-	19274GT	RELAY,SPDT,12V(AUTO)**	
E-	1278121GT	MODULE, PLUS+1, OPA2 located inside the Platform Control Box	
1	1264934GT	SCREW,HHF,10-24X.5	
2	73575GT	SPRING CLIP,10-24,ZINC	
3	12344GT	NUT,NYLOCK,6-32	
4	1256859GT	SCREW,PHPM,6-32X7/8,ZAG	
5	1278111GT	ASSEMBLY, LIGHT, CONTACT ALARM	2
5B	1285850GT	ASSEMBLY,AMBER LIGHTS,CONTACT	
6	1278542GT	DECAL, INSTRUCTION, CONTACT ALARM	
7	824078GT	SCREW,HHF,1/4-20X.75,8,ZAG	
8	1277924GT	NUT,NYLOCK FLG,1/4-20,F,ZAG	
9	1278119GT	ASSEMBLY, SENSOR, PROX, CONTACT ALARM	1
10	1278433GT	ASSY SENSOR W/HOUSING (Includes holder item 1277877 and sensor part 1278119)	
10-	1277877GT	HOLDER, SENSOR	1
11	1277873GT	FORMING, SENSOR HOLDER	1
12	1278416GT	ASSEMBLY,CONTACT ALARM CABLE, LARGE	1
12-	1278124GT	MAGNET, 1/4-20, 15 LB. Part of assembly 1278416	
12-	1278458GT	CONTACT ALARM WIRE ASSY, LARGE Part of assembly 1278416	
12-	1278368GT	GRIP, CABLE Part of assembly 1278416	
12-	1261184GT	NUT,1/4-20,8,ZAG Part of assembly 1278416	
13	1274168GT	NUT,NYLOCK,10-32,A,ZAG	
14	824216GT	SCREW, PHPM, 10-32 X 1.5, ZAG	
15	1278138GT	WELDMENT, RIGHT CONTACT ALARM, LARGE	1
16	1277875GT	PLATE, CABLE AND WIRE COVER	1
17	1277876GT	GUIDE, CABLE	1



813.2 Lift Guard Contact Alarm Option (from January 2017)

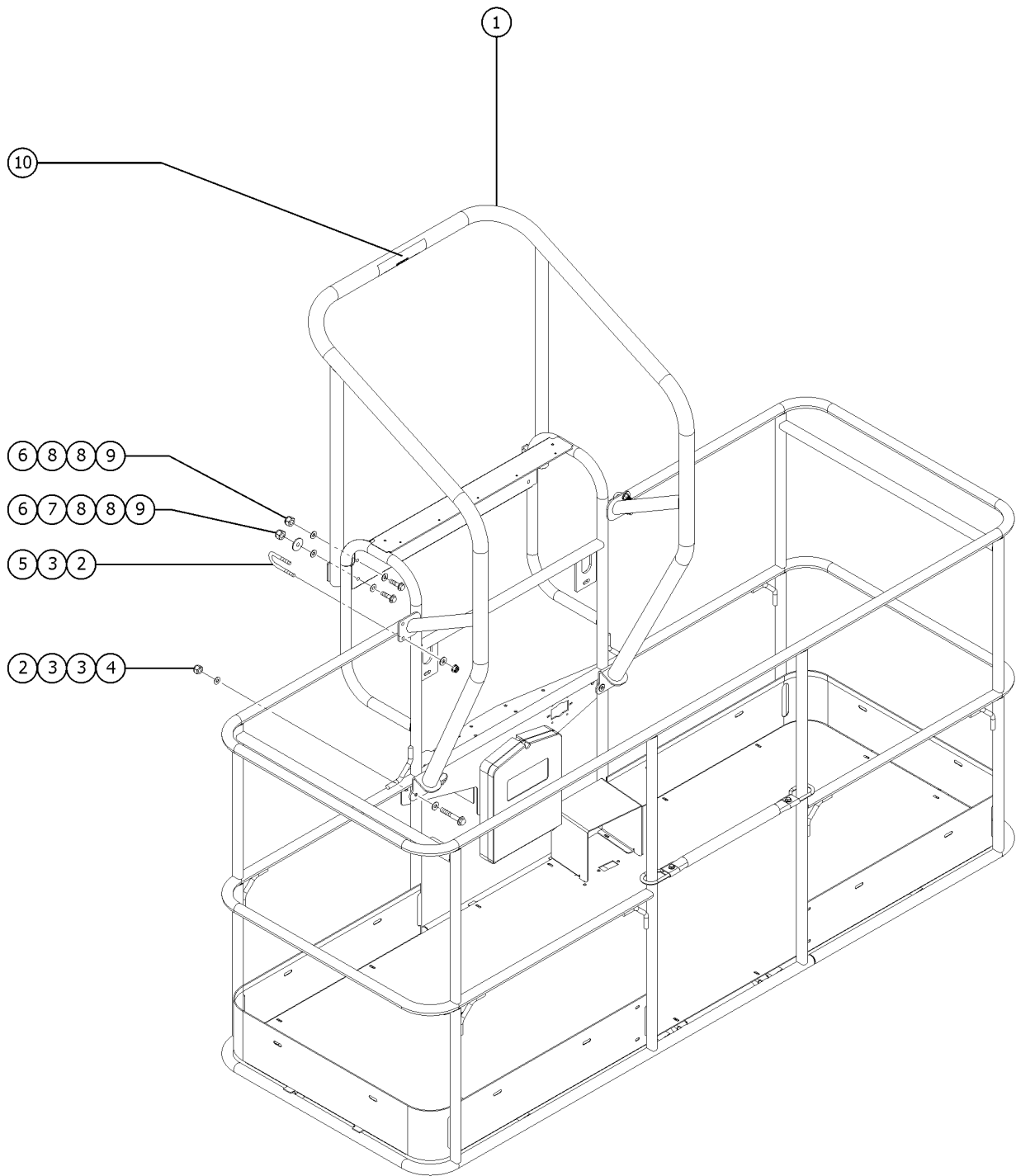


813.2 Lift Guard Contact Alarm Option (from January 2017)

<i>Item</i>	<i>Part No.</i>	<i>Description</i>	<i>Qty.</i>
18	1274322GT	NUT,NYLOCK FLG,3/8-16,G,ZAG	
19	824090GT	SCREW,HHF,3/8-16X1,8,ZAG	
20	1278363GT	CLAMP, 1.25 INCH TUBE	2
21	1278144GT	WELDMENT, LEFT CONTACT ALARM, LARGE	1
22	1278982GT	DECAL, INSTRUCTION, ACTUATOR SWITCH SOCKET	1



814.1 Operator Protective Structure

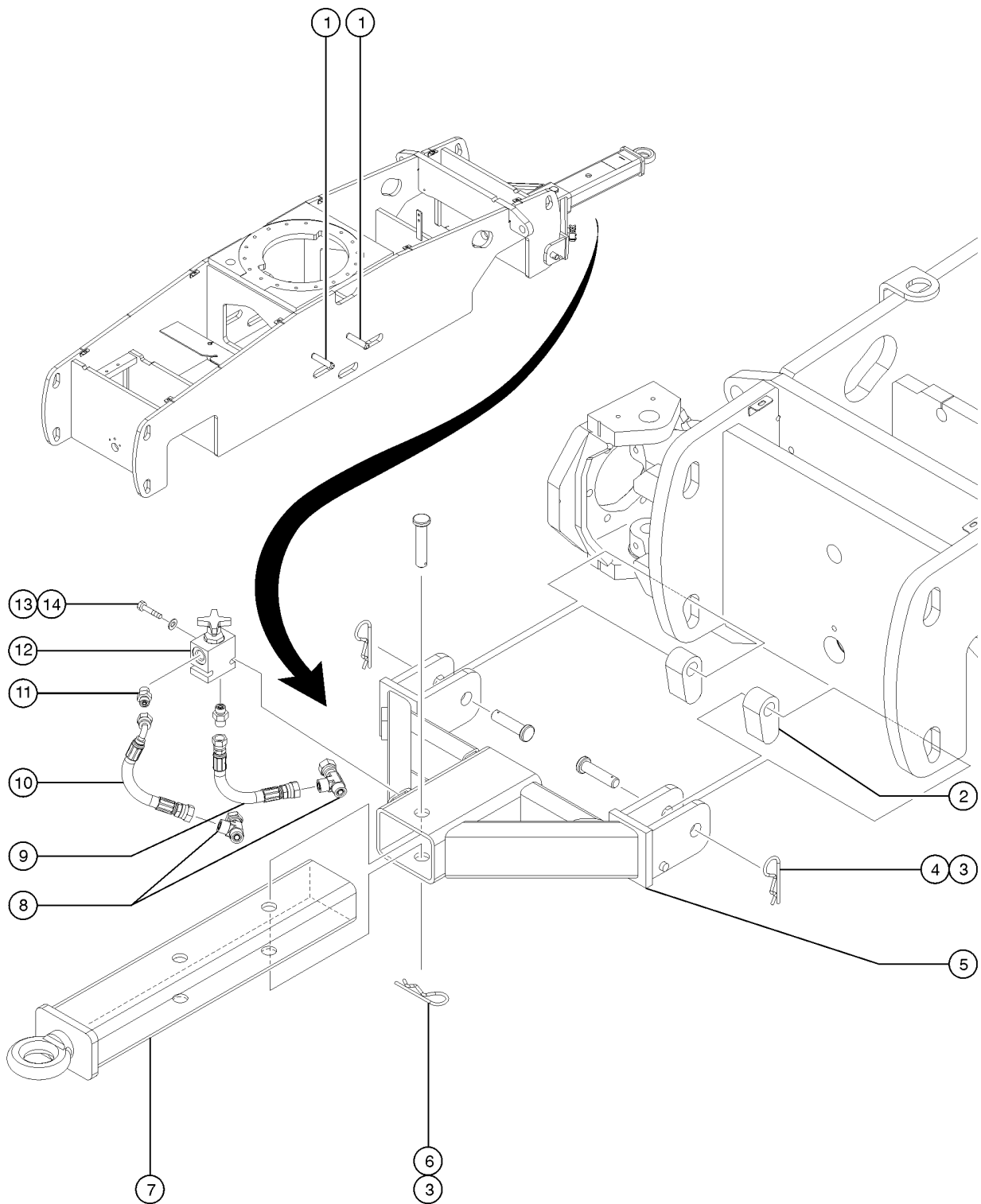


814.1 Operator Protective Structure

Item	Part No.	Description	Qty.
A-		Fits all 6' and 8' Booms	
1	219158GT	ACCESSORY, OPERATOR PROT STRUCT (Complete) includes all fasteners	1
2	1256468GT	NUT, 3/8-16, 8, ZAG	8
3	1255758GT	WASHER, FLAT, 3/8, USS, ZAG	12
4	824069GT	SCREW, HHC, 3/8-16 X 2.5, 8, ZAG	4
5	1251600GT	U-BOLT, FLATTENED, 1.5 X 3/8	4
6	1261184GT	NUT, 1/4-20, 8, ZAG	4
7	824120GT	WASHER, FLAT, .375X1.50X.125, ZAG Use only with the platform control box cover option	2
8	824113GT	WASHER, FLAT, 1/4, USS, ZAG	6
9	824060GT	SCREW, HHC, 1/4-20X1, 8, ZAG	4
10		Ref. Decal, OPS Instructions refer to section 100	1



815.1 Tow Package

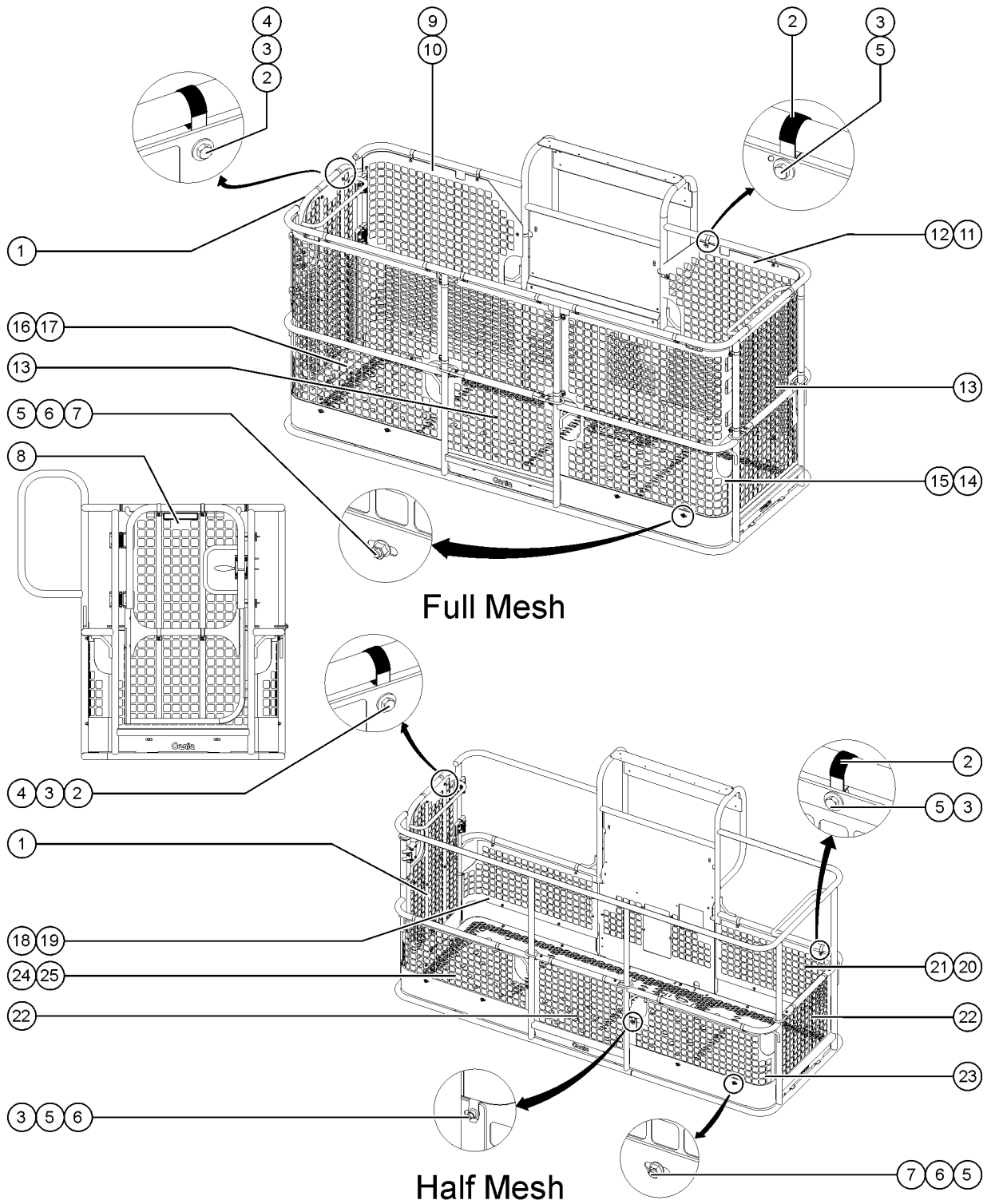


815.1 Tow Package

Item	Part No.	Description	Qty.
1	47025GT	PIN,STORAGE,TOW PACKAGE used to store 94420 WELDMENT,PULL BAR	2
2	1255727GT	PLATE,CHASSIS ATTACHMENT	2
3	233108GT	RUE RING 1.25,ZAG	3
4	1257868GT	PIN,CLEVIS,1.25X5.0,ZAG	2
5	1255728GT	WELDMENT,TOW BAR decal not included, refer to section 100	1
6	1257869GT	PIN,CLEVIS,1.25X6.0,ZAG	1
7	1255726GT	WELDMENT,PULL BAR	1
8	48875GT	TEE,RUN,SWIVEL,520432-6	2
9	49120-7131GT	HOSE ASSEMBLY,1/4" attach to right front steer cylinder	1
10	49163-7144GT	HOSE ASSEMBLY,1/4" includes 90-degree elbow fitting; attach to left steer cylinder	1
11	48912GT	CONN,520120-4-6***	2
12	25282GT	VALVE,NEEDLE,BRAKE RELEASE	1
13	824063GT	SCREW, HHC, 1/4-20 X 1.75, 8, ZAG	2
14	824113GT	WASHER,FLAT,1/4,USS,ZAG	2



816.1 Side Swing Gate 8' and 6'



Full Mesh

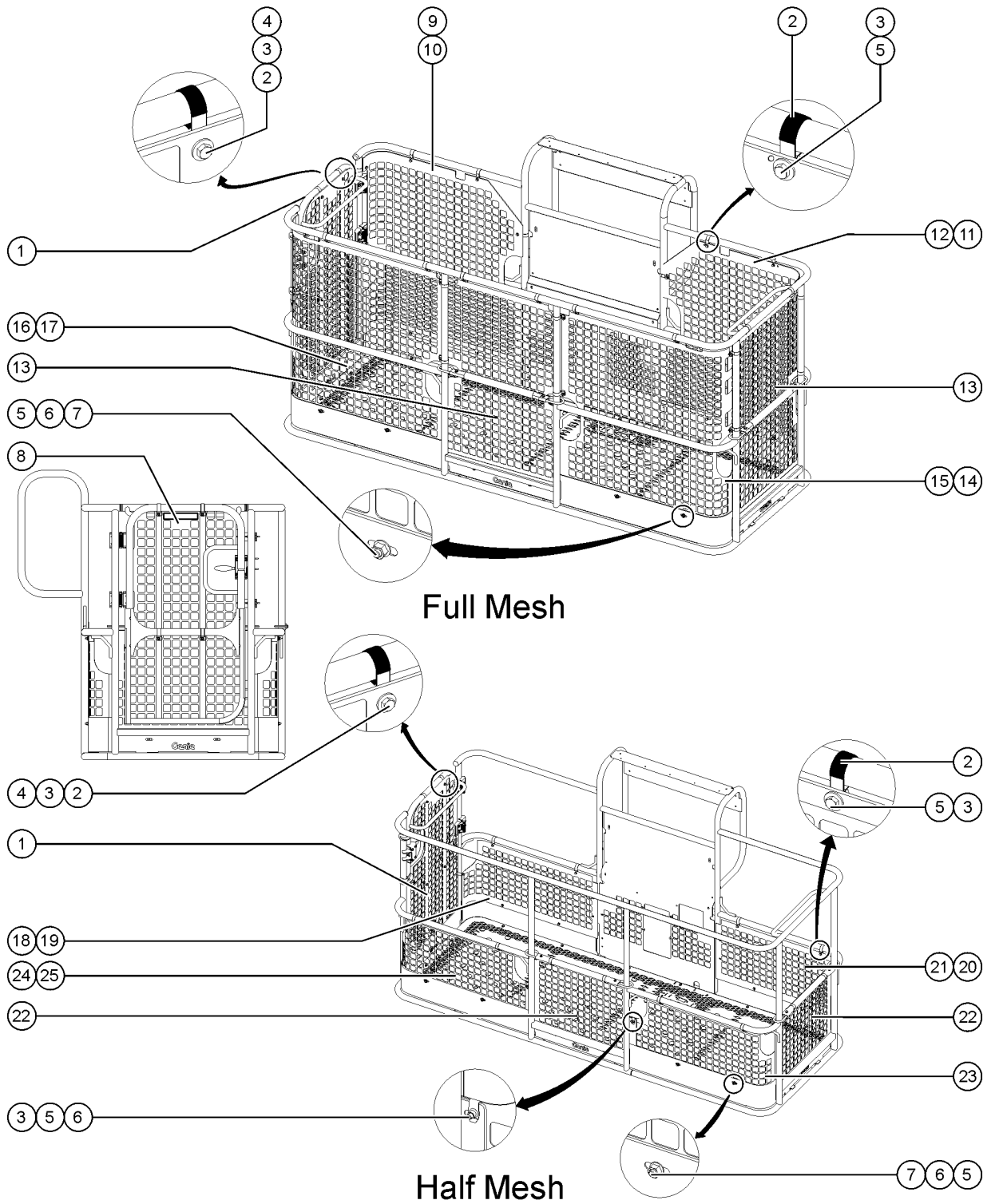
Half Mesh



Item	Part No.	Description	Qty.
-	1286622GT	KIT, 6' FULL MESH,SIDE GATE	
-	1275282GT	KIT, 6' HALF MESH,SIDE GATE	
-	1283049GT	KIT, 8' FULL MESH,SIDE GATE	
-	1275281GT	KIT, 8' HALF MESH,SIDE GATE	
1	1278793GT	WELDMENT,PLATFORM MESH GATE	1
2	56424GT	CLAMP,1.25X.5 RUBBER-CUSHION	
3	56912GT	SPRING CLIP,1/4-20,.025-.15X.5	
4	824079GT	SCREW,HHF,1/4-20X1,8,ZAG	
5	824078GT	SCREW,HHF,1/4-20X.75,8,ZAG	
6	824113GT	WASHER,FLAT,1/4,USS,ZAG	
7	1277924GT	NUT,NYLOCK FLG,1/4-20,F,ZAG	
8	1282390GT	LABEL, LIFT GUARD, PLATFORM MESH	1
A		FULL MESH	
9	1282204GT	MESH, 6' FULL,BACK LEFT	1
		6 feet platform	
10	1278790GT	MESH, 8' FULL,BACK LEFT	1
		8 feet platform	
11	1282205GT	MESH, 6' FULL,BACK RIGHT	1
		6 feet platform	
12	1279243GT	MESH, 8' FULL,BACK RIGHT	1
		8 feet platform	
13	1278792GT	MESH, FULL HEIGHT,ENTRY	1
		6 feet platform (front only)	
13-	1278792GT	MESH, FULL HEIGHT,ENTRY	2
		8 feet platform (side & front)	
14	1282206GT	MESH, 6' FULL,FRONT RIGHT	1
		6 feet platform	
15	1278791GT	MESH, 8' FULL,FRONT RIGHT	1
		8 feet platform	
16	1282207GT	MESH, 6' FULL,FRONT LEFT	1
		6 feet platform	
17	1279244GT	MESH, 8' FULL,FRONT LEFT	1
		8 feet platform	
B		HALF MESH	
18	1270314GT	PANEL, HALF MESH	1
		6 feet platform	
19	1270994GT	PANEL, HALF MESH	1
		8 feet platform	
20	1270313GT	PANEL, HALF MESH	1
		6 feet platform	
21	1271019GT	PANEL, HALF MESH	1
		8 feet platform	



816.1 Side Swing Gate 8' and 6'

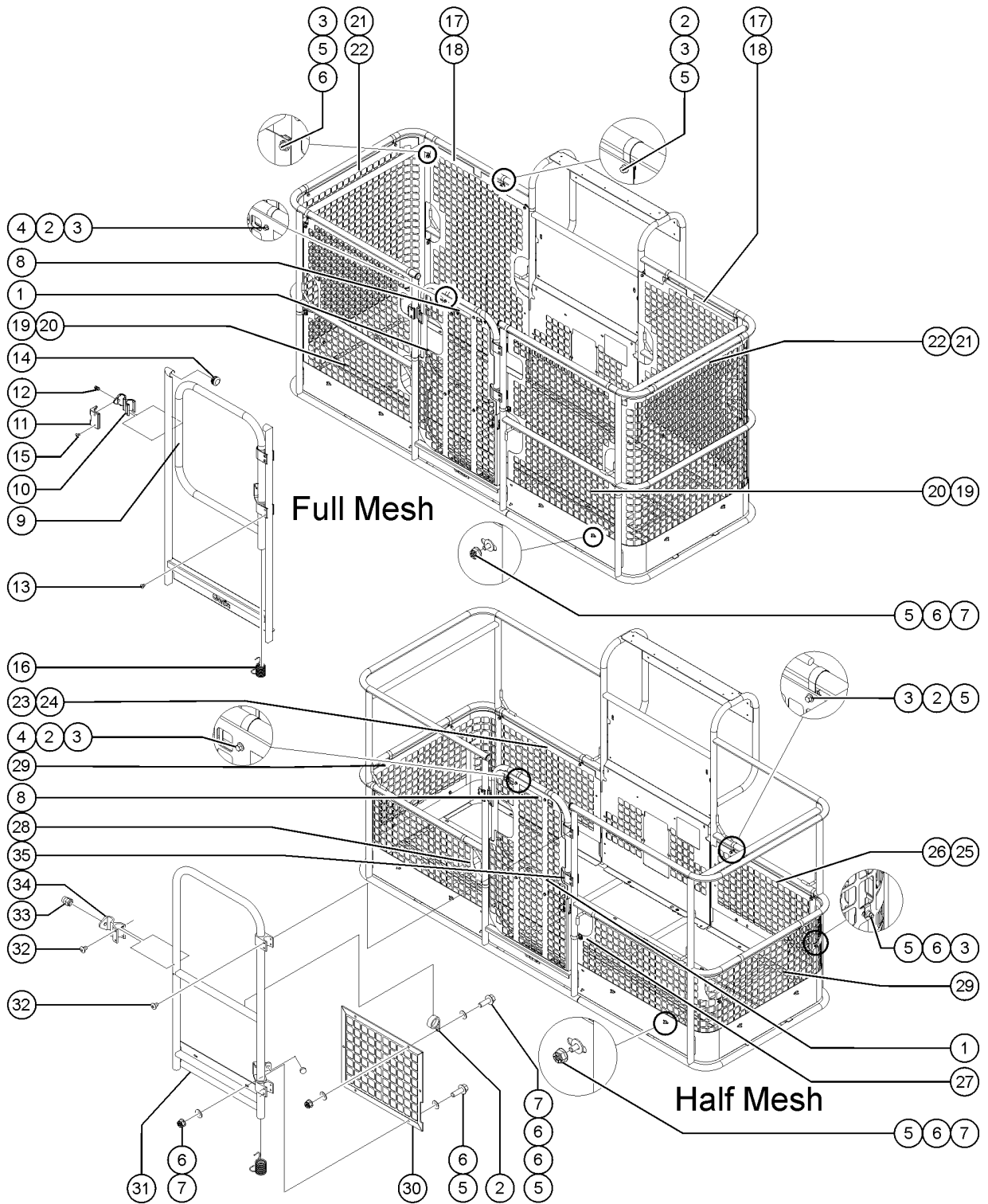


816.1 Side Swing Gate 8' and 6'

<i>Item</i>	<i>Part No.</i>	<i>Description</i>	<i>Qty.</i>
22	1271061GT	PANEL, HALF MESH 6 feet platform (front only)	1
22-	1271061GT	PANEL, HALF MESH 8 feet platform (side & front)	2
23	1271018GT	PANEL, HALF MESH 8 feet platform	1
24	1270316GT	PANEL, HALF MESH 6 feet platform	1
25	1271040GT	PANEL, HALF MESH 8 feet platform	1



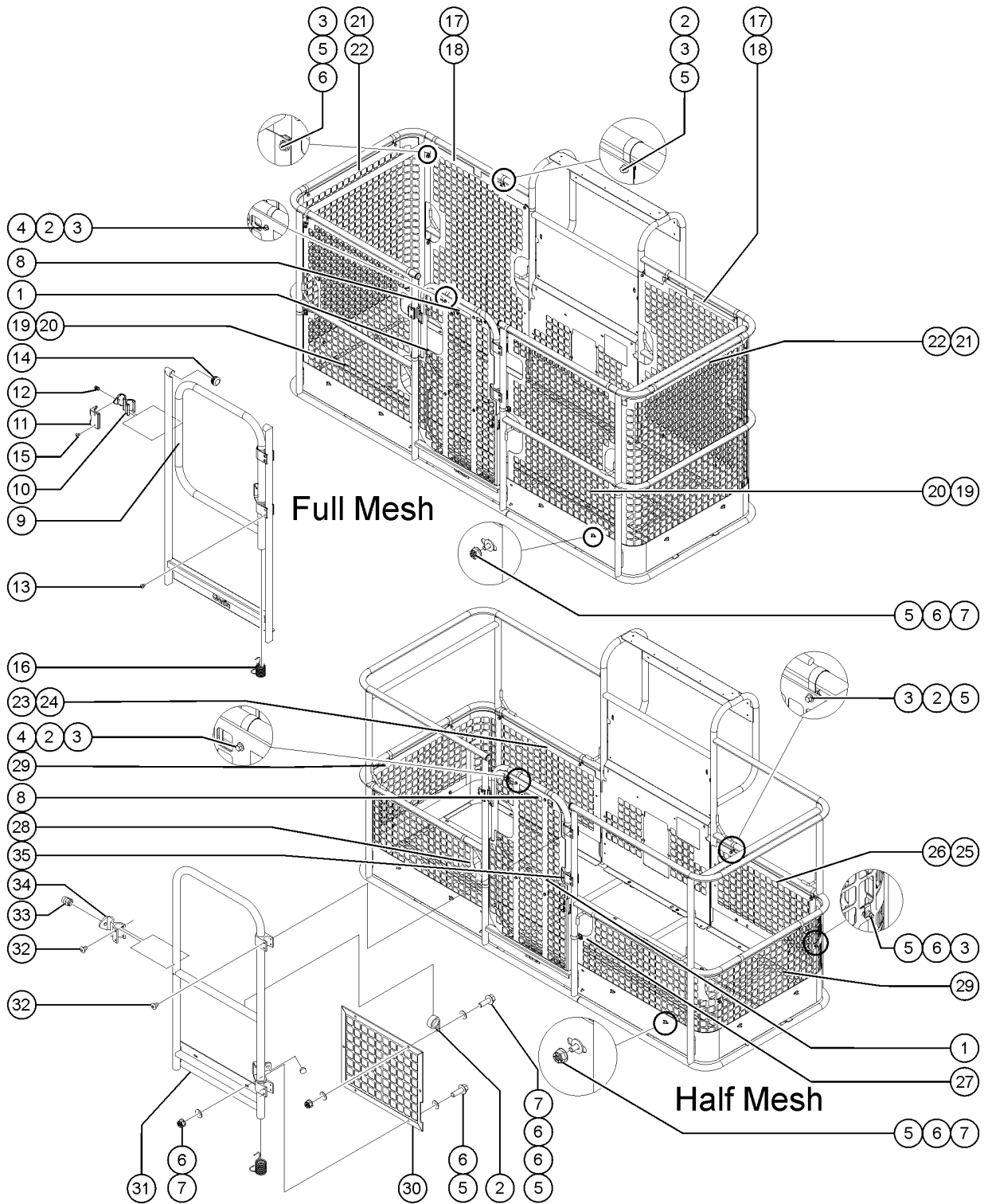
816.2 Front Swing Gate 8' and 6'



Item	Part No.	Description	Qty.
-	1290895GT	KIT, 6' FULL MESH W/FRONT HALF GATE	
-	1290893GT	KIT, 6' HALF MESH W/FRONT HALF GATE	
-	1290896GT	KIT, 8' FULL MESH W/FRONT HALF GATE	
-	1290894GT	KIT, 8' HALF MESH W/FRONT HALF GATE	
-	1290135GT	KIT, HALF FRONT, SWING GATE	
		includes items 9-16	
-	128368GT	KIT, SWING GATE W/SPRING	1
		(Includes items 31) (doesn't include 63311, 1487, and 1488)	
1	1278793GT	WELDMENT, PLATFORM MESH GATE	1
2	56424GT	CLAMP, 1.25X.5 RUBBER-CUSHION	
3	56912GT	SPRING CLIP, 1/4-20, .025-.15X.5	
4	824079GT	SCREW, HHF, 1/4-20X1.8, ZAG	
5	824078GT	SCREW, HHF, 1/4-20X.75, 8, ZAG	
6	824113GT	WASHER, FLAT, 1/4, USS, ZAG	
7	1277924GT	NUT, NYLOCK FLG, 1/4-20, F, ZAG	
8	1282390GT	LABEL, LIFT GUARD, PLATFORM MESH	1
9	1283880GT	WELDMENT, ALUM HALF GATE	1
10	1487GT	GATE LATCH CASTING--DRILLED	1
11	1488GT	RAILING CATCH CASTING--DRILLED	1
12	33674GT	PIN, LOCK, SHORT***	1
13	43392GT	BUMPER, BATTERY BOX & RAILS***	1
14	55753GT	BUMPER, PLASTIC, 1.25 O.D.	3
15	824207GT	RIVET, STL, STL, DOME, 1/4X.375, Z	14
16	42104GT	SPRING, SHORT PLATFORM GATE	1
A		FULL MESH	
17	1291429GT	MESH, FULL 6', BACK PANEL	2
		6 feet platform	
18	1290891GT	8' FULL MESH W/FRONT HALF GATE	2
		8 feet platform	
19	1291430GT	MESH, FULL 6', FRONT PANEL	2
		6 feet platform	
20	1290892GT	8' HALF MESH W/FRONT HALF GATE	2
		8 feet platform	
21	1291428GT	MESH, FULL 6', SIDE PANEL	2
		6 feet platform	



816.2 Front Swing Gate 8' and 6'

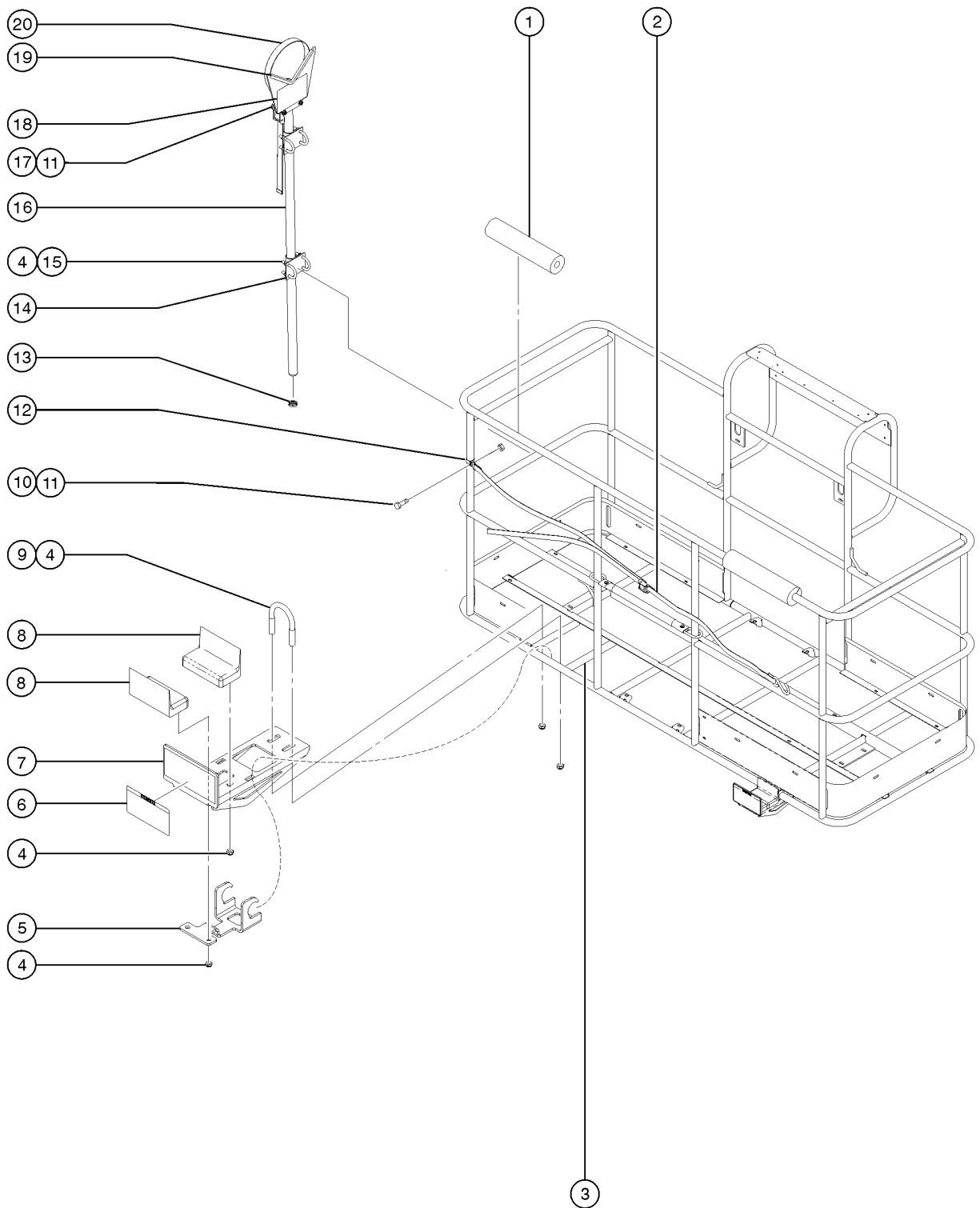


816.2 Front Swing Gate 8' and 6'

Item	Part No.	Description	Qty.
22	1278790GT	MESH, 8' FULL, BACK LEFT 8 feet platform	2
B		HALF MESH	
23	54458GT	MESH, HALF, LH, 6' PLATFORM 6 feet platform	1
24	1270994GT	PANEL, HALF MESH 8 feet platform	1
25	1270313GT	PANEL, HALF MESH 6 feet platform	1
26	1271019GT	PANEL, HALF MESH 8 feet platform	1
27	1271018GT	PANEL, HALF MESH 8 feet platform	1
28	1271040GT	PANEL, HALF MESH 8 feet platform	1
29	1291427GT	MESH, 8' HALF, SIDE PANEL 8 feet platform	2
		FULL GATE	
30	54457GT	MESH, HALF, SWING GATE***	1
31	128374GT	WELDMENT, SWING GATE, ALUMINUM	
31-	42104GT	SPRING, SHORT PLATFORM GATE	
31-	43392GT	BUMPER, BATTERY BOX & RAILS***	
32	824207GT	RIVET, STL, STL, DOME, 1/4X.375, Z	
33	63311GT	SNAP PIN	
34	1487GT	GATE LATCH CASTING--DRILLED	
35	1488GT	RAILING CATCH CASTING--DRILLED	



817.1 Panel Cradle and Pipe Cradle

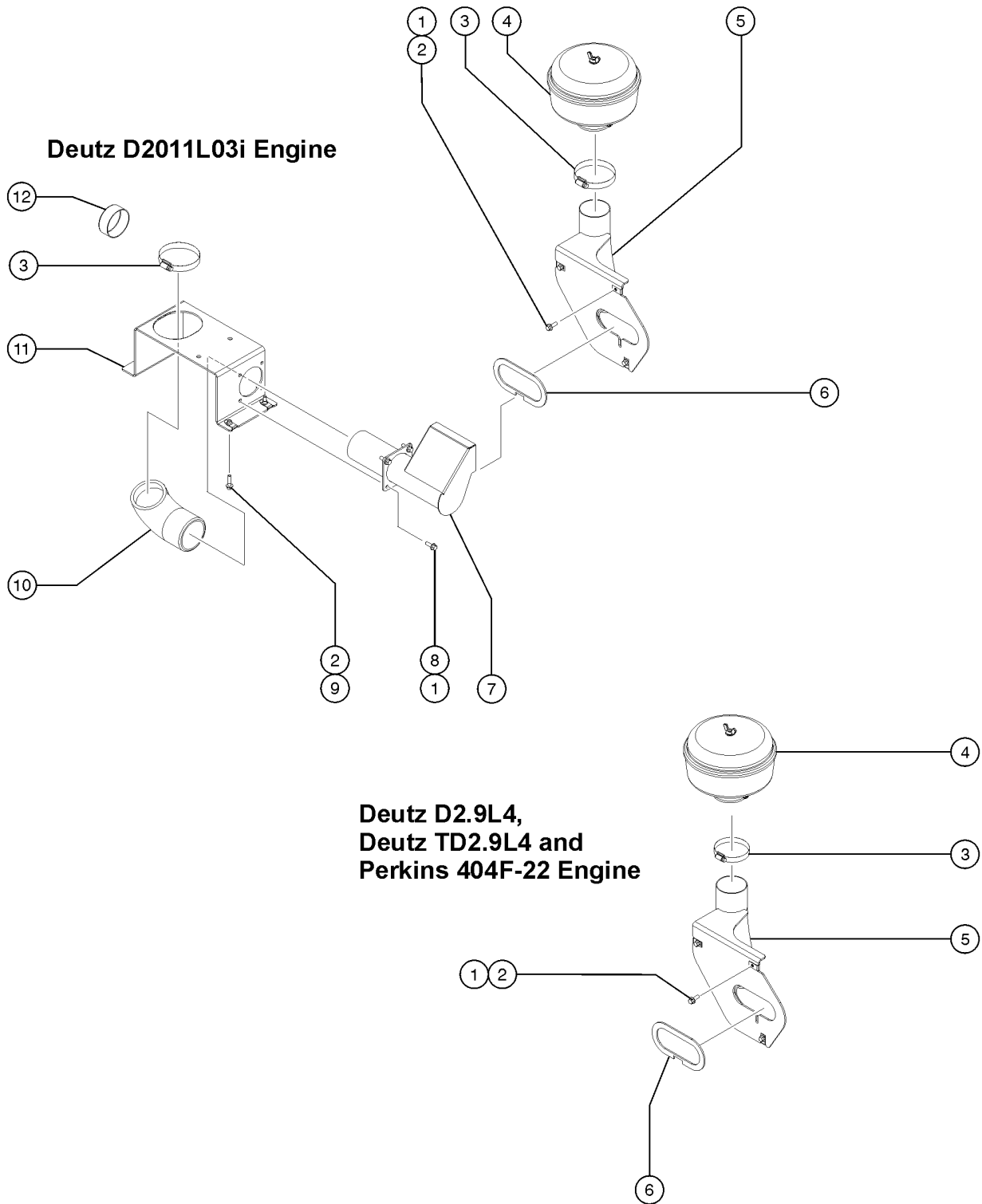


817.1 Panel Cradle and Pipe Cradle

Item	Part No.	Description	Qty.
A	77683GT	ACCESSORY,PANEL CRADLE,ANSI	
A-	82443GT	INSTRUCTIONS,PANEL CRADLE	
B	85300GT	PIPE CRADLE ASSY. SERV (ONE)** (ANSI & CE only) (This is a single assembly. Qty 2 of 85300GT required to complete a set)	
B-	65630GT	INSTRUCTIONS-PIPE CRADLE,BOOMS	
1	88377-1400GT	FOAM PAD***	2
2	77664GT	ADJUSTABLE STRAP ASSY	1
3	73463-1175GT	TUBE,RD,ALUM 1.25 X .083	2
4	1274322GT	NUT,NYLOCK FLG,3/8-16,G,ZAG	
5A	233992GT	KIT,PANEL CRADEL BRACKET,WORD (includes decal, for models with word decals)	2
5B	233993GT	KIT,PANEL CRADLE BRACKET,SYMBL (includes decal, for models with symbol decals)	2
5C	228849GT	FORMING,SECONDARY SUPPORT	2
6	82410GT	DECAL,WARNING,PANEL CRADLE (order seperately)	2
7A	233993GT	KIT,PANEL CRADLE BRACKET,SYMBL (includes decal, for models with word decals)	2
7B	233993GT	KIT,PANEL CRADLE BRACKET,SYMBL (includes decal, for models with symbol decals)	2
7C	228848GT	FORMING PANEL CRADLE (decal not included)	2
8	56934GT	PAD,REST,1"THICK,FLANGED	4
9	122755GT	UBOLT,FLATTENED,1.5DIAX3/8 UNC	2
10	1256855	SCREW,HHF,1/4-20X.625,8,ZAG	1
11	1277924GT	NUT,NYLOCK FLG,1/4-20,F,ZAG	
12	56424GT	CLAMP,1.25X.5 RUBBER-CUSHION	1
13	55753GT	BUMPER, PLASTIC, 1.25 O.D.	4
14	81368GT	WELDMENT,PIPE CRADLE MOUNT	4
15	1251600GT	U-BOLT, FLATTENED, 1.5 X 3/8	8
16	56525GT	WELDMENT, PIPE CRADLE	2
17	824083GT	SCREW,HHF,1/4-20X2.5,8,ZAG	4
18	72875GT	DECAL,WARNING,PIPE CRADLE,BOOM	2
19	19018-1100GT	TRIMLOCK,BLACK,5/32"	1
20	56570GT	STRAP, CONDUIT HOLDER 60****	2



818.1 Hostile Environment Package - View 1

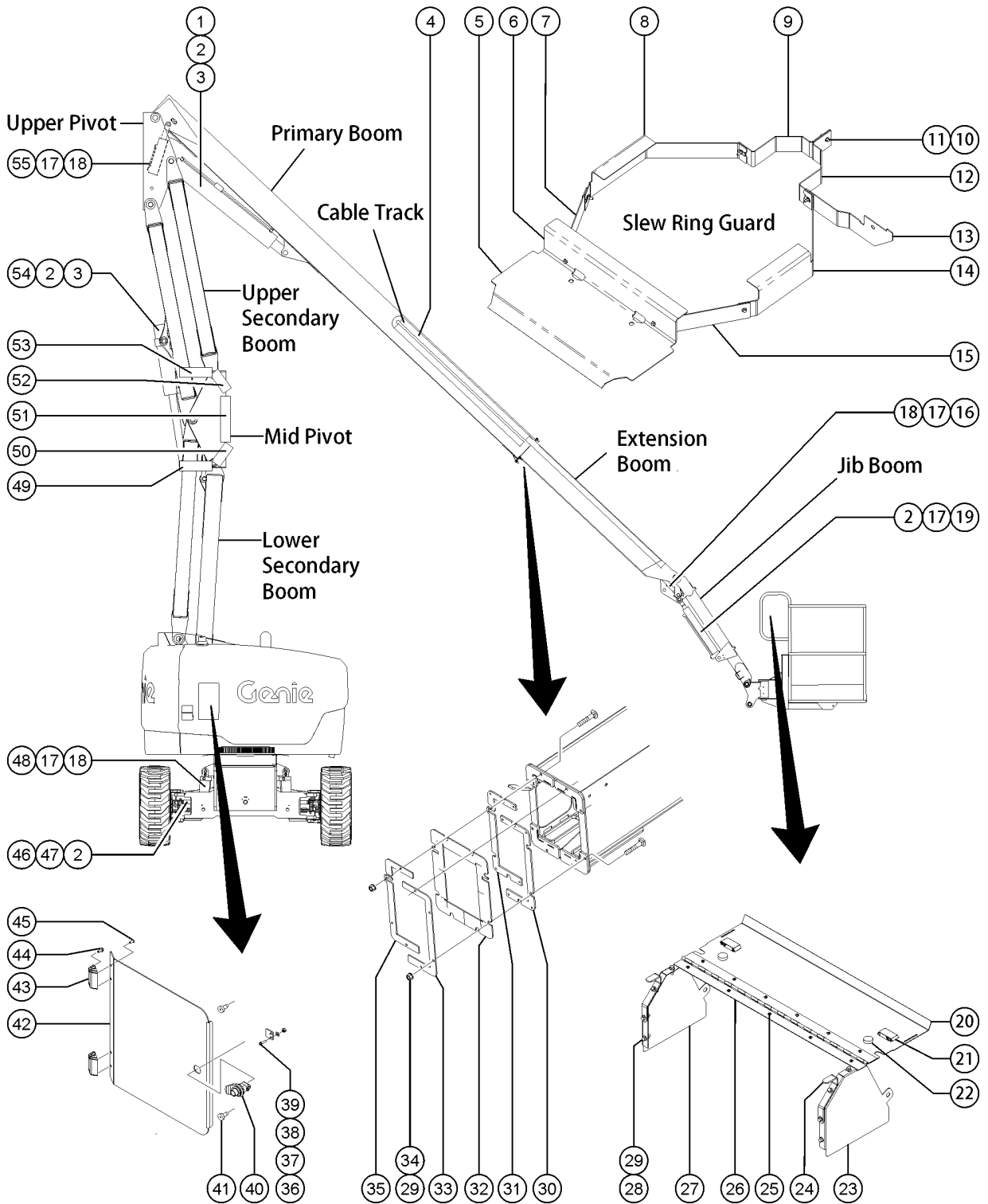


818.1 Hostile Environment Package - View 1

Item	Part No.	Description	Qty.
A	119219GT	TRIM,EDGE,1/8X3/4 END BULB	14.5
1	824078GT	SCREW,HHF,1/4-20X.75,8,ZAG	
2	56912GT	SPRING CLIP,1/4-20,.025-.15X.5	
3	45435GT	CLAMP,HOSE,2.50"	
4	34959GT	PRECLEANER,AIR INTAKE***	1
5	1258927GT	WELDMENT,PRECLEANER MT.	1
6	1258928GT	GASKET,PRECLEANER INTAKE	1
7	1258933GT	WELDMENT, INTAKE ADAPTER	1
		Deutz D2011LO3i models only	
8	824027GT	NUT,TL FLG,1/4-20,G,ZAG	
9	824079GT	SCREW,HHF,1/4-20X1,8,ZAG	
10	34163GT	ELBOW,90 DEGR,RUBBER,MODIFIED*	1
		Deutz D2011LO3i models only	
11	1258934GT	FORMING, AIR CLEANER MOUNT	1
		Deutz D2011LO3i models only	
12	70529GT	CAP,PLASTIC,2.5 ID	1
		Deutz D2011LO3i models only	

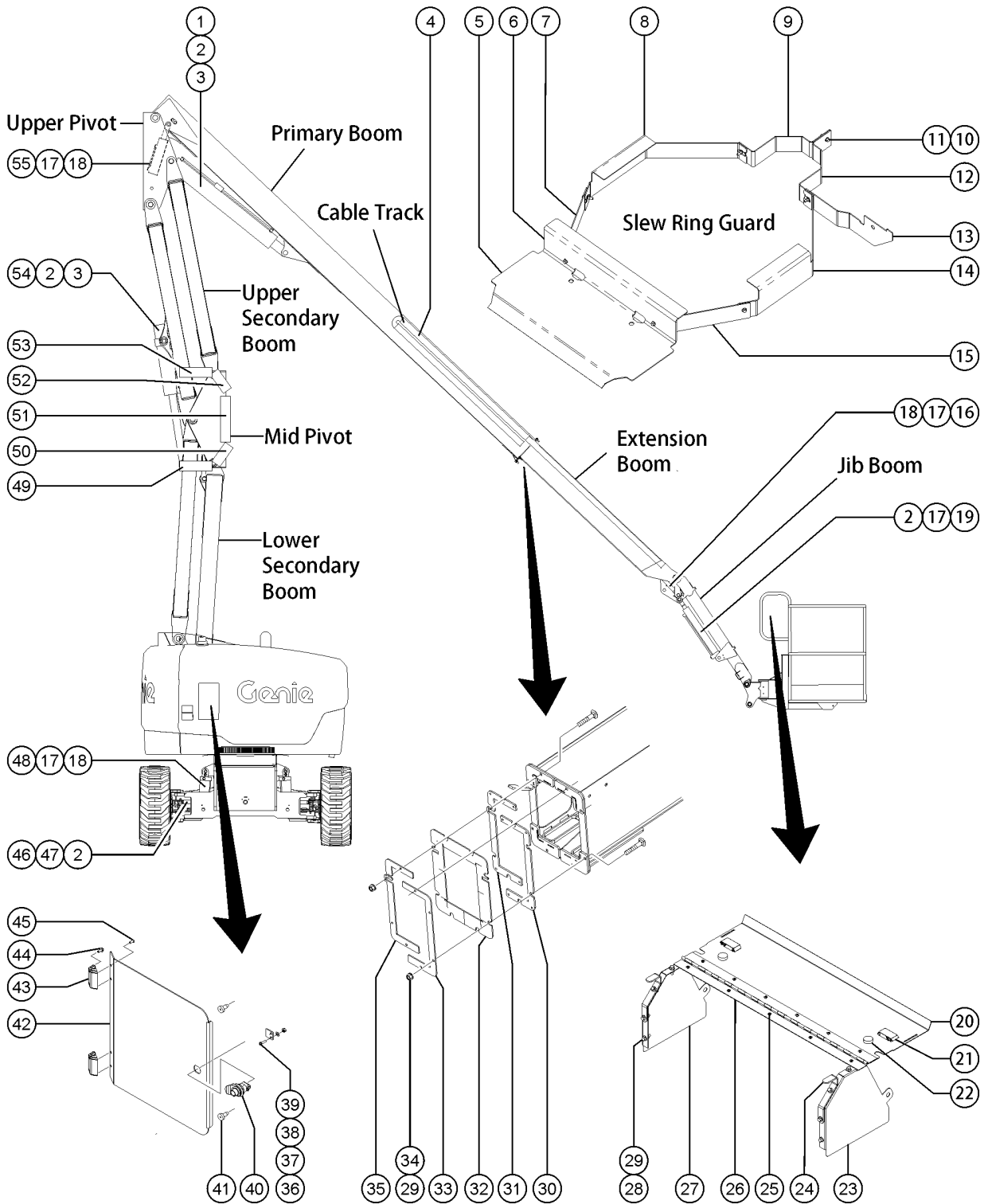


819.1 Hostile Environment Package - View 2



Item	Part No.	Description	Qty.
	822321GT	Z62 DELUXE HOSTILE ENVIRONMENT PKG (includes all items)	
	822320GT	Z62 STD HOSTILE ENVIRONMENT PKG (includes items 1, 16, 19, 20-29, 36-45, 46, 48, 54 and 55)	
	1259585GT	ASSEMBLY,GROUND CONTROL COVER (includes items 36-45)	
	T109328GT	ACC,PLAT CONTROL COVER, SERV (includes items 20-29)	
	1266534GT	ASSY, SLEW RING GUARD Part of Deluxe Hostile option only (includes all fasteners and items 5- 15)	
1	1259227GT	BELLOWS, PLC.,Z62	1
2	30971GT	CLAMP,HOSE,3.00"	5
3	35432GT	CLAMP,HOSE,6.50	2
4	1259326GT	SLEEVE,DLX HOS,CAB TRACK,Z62	1
5	825236GT	FORMING,BOTTOM TRAY,SWING	
6	1259240GT	GUARD,SLEW,REAR,Z62 (not shown)	1
7	1261453GT	GUARD,REAR LEFT,Z62	1
8	1259241GT	GUARD,SLEW,LEFT,Z62	1
9	1259242GT	GUARD,SLEW,LEFT FRONT,Z62	1
10	824079GT	SCREW,HHF,1/4-20X1,8,ZAG	7
11	56912GT	SPRING CLIP,1/4-20,.025-.15X.5	7
12	1259244GT	GUARD,SLEW,RIGHT FRONT,Z62	1
13	1259250GT	MOUNT,GUARD,SLEW,Z62	1
14	1259243GT	GUARD,SLEW,RIGHT,Z62	1
15	1261452GT	GUARD,REAR RIGHT,Z62	1
16	1259231GT	BELLOWS,PLAT LEVEL CYL.,Z62	1
17	22672GT	CLAMP,HOSE,1.75	5
18	34955GT	CLAMP, HOSE, 5.00	4
19	1259226GT	BELLOWS, JIB CYL.,Z62	1
20	102785PGT	CONTROL BOX COVER,LID,PTD	1
21	30468GT	LATCH,SLIDE, FLUSH MOUNT STYLE	2
22	43392GT	BUMPER,BATTERY BOX & RAILS***	2
23	88607PGT	COVER,CONTROL BOX LEFT SIDE***	1

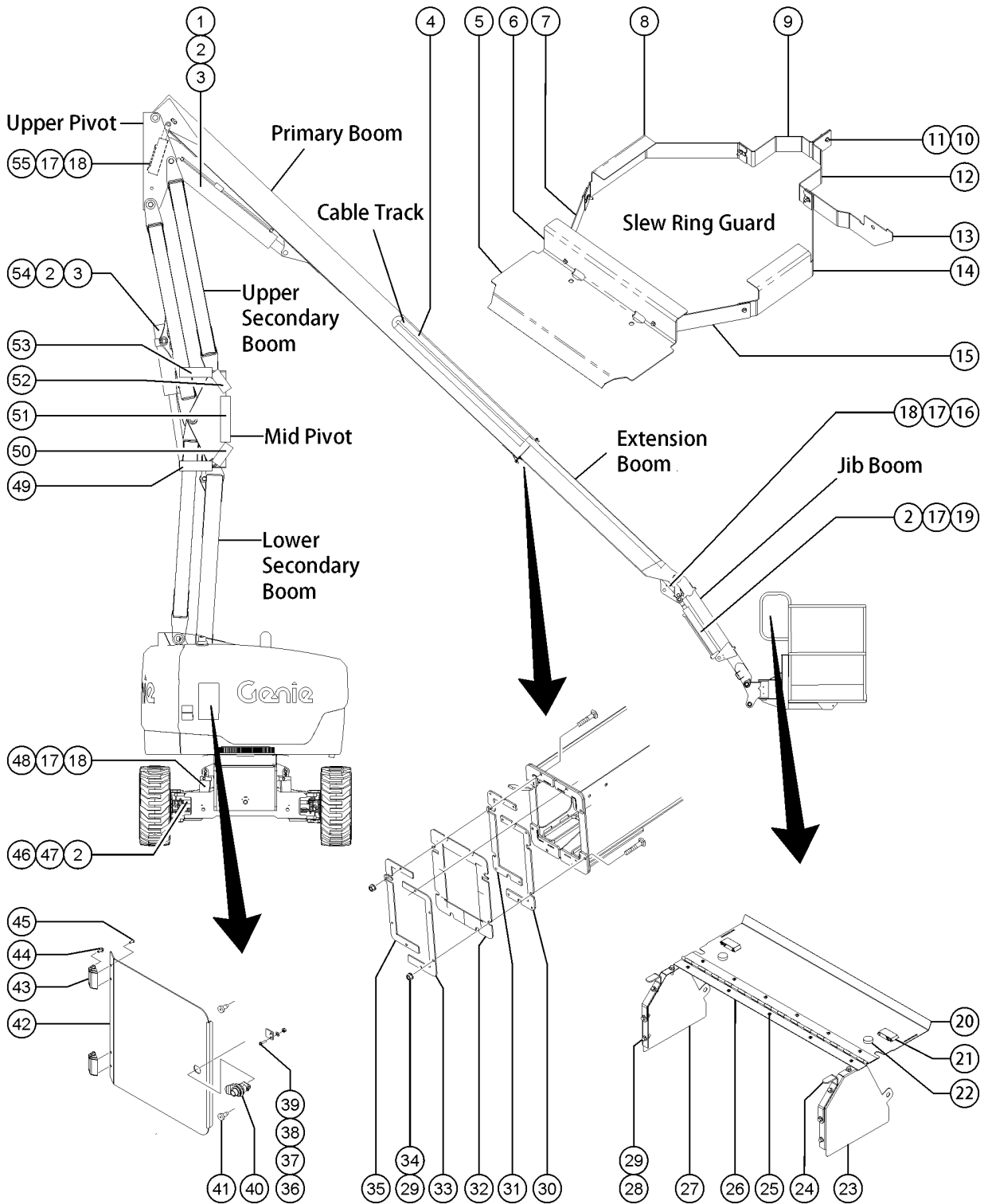
819.1 Hostile Environment Package - View 2



Item	Part No.	Description	Qty.
24	102786PGT	FORMING,LATCH,CTRL BOX LID PTD	2
25	87085GT	RIVET,ALUM,P,.188 X .25	11
26	111526GT	HINGE,PLAT CONTROL BOX COVER	1
27	88606PGT	COVER,CONTROL BOX RIGHT SIDE**	1
28	824078GT	SCREW,HHF,1/4-20X.75,8,ZAG	8
29	824027GT	NUT,TL FLG,1/4-20,G,ZAG	16
30	1256678GT	PLATE,WIPER,SPACER,Z62	1
31	1263164GT	PLATE,WIPER,SPACER,LIM SW,Z62	1
32	1256662GT	WIPER,BOOM,Z62	1
33	1256663GT	PLATE,WIPER,BOOM,Z62	1
34	824081GT	SCREW,HHF,1/4-20X1.5,8,ZAG	8
35	1263163GT	PLATE,WIPER,BOOM,LIM SW,Z62	1
36	824215GT	SCREW, PHPM, 10-32 X .75, ZAG	2
37	823748GT	LATCH STRIKER	1
38	1253185GT	WASHER,FLAT,#10,USS,ZAG	2
39	1256804GT	NUT,10-32,ZAG	2
40	1259583GT	LATCH,PUSH BUTTON	1
41	34619GT	BUMPER,RUBBER***	2
42	823747GT	FORMING,CONTROL COVER	1
43	1259584GT	HINGE,CONSTANT TORQUE	2
44	218457GT	SPACER,GUARD,ALTERNATOR	4
45	229845GT	SCREW,BHSCS,M5X10,SS	4
46	1259229GT	BELLOWS,STEER CYL.,Z62	2
		(2WS models)	
46-	1259229GT	BELLOWS,STEER CYL.,Z62	4
		(4WS models)	
47	36208GT	CLAMP,HOSE,1.25***	2
48	1259230GT	BELLOWS,OSC. CYL.,Z62	2
49A	1261662GT	SLEEVE,LOWER,TANK,Z62	1
		(hydraulic tank side)	
49B	1261666GT	SLEEVE,LOWER,ENGINE,Z62	1
		(engine side)	

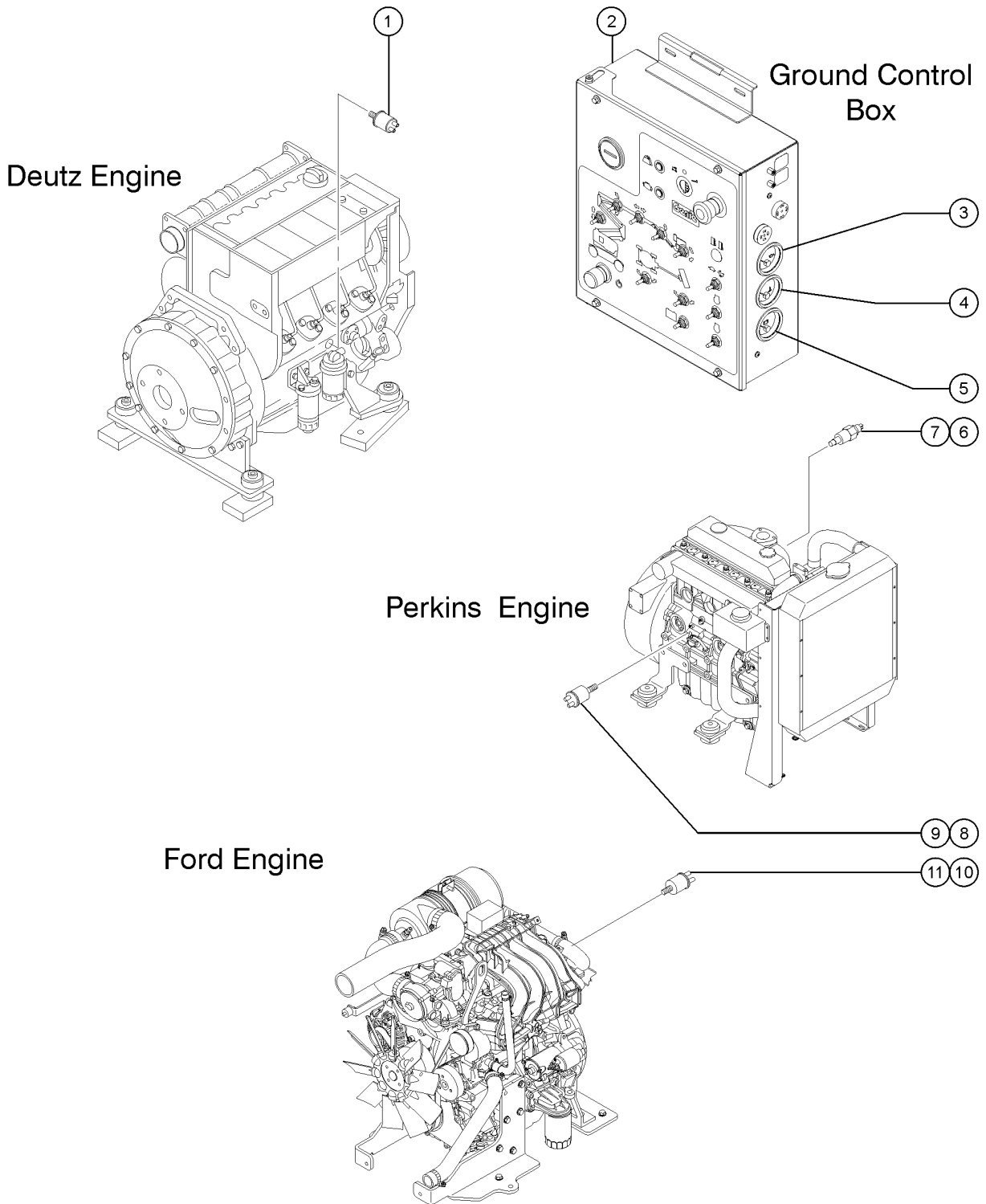


819.1 Hostile Environment Package - View 2



<i>Item</i>	<i>Part No.</i>	<i>Description</i>	<i>Qty.</i>
50A	1261663GT	SLEEVE,CORNER,TANK,Z62 (hydraulic tank side)	1
50B	1261667GT	SLEEVE,LOWER CORNER,ENGINE,Z62 (engine side)	1
51A	1261664GT	SLEEVE,MIDDLE,TANK,Z62 (hydraulic tank side)	1
51B	1261668GT	SLEEVE,MIDDLE,ENGINE,Z62 (engine side)	1
52A	1261663GT	SLEEVE,CORNER,TANK,Z62 (hydraulic tank side)	1
52B	1261669GT	SLEEVE,UPPER CORNER,ENGINE,Z62 (engine side)	1
53A	1261665GT	SLEEVE,UPPER,TANK,Z62 (hydraulic tank side)	1
53B	1261670GT	SLEEVE,UPPER,ENGINE,Z62 (engine side)	1
54	1263401GT	BELLOWS,SLC,Z62	1
55	1259228GT	BELLOWS,MASTER CYL.,Z62	1

820.1 Gauge Options

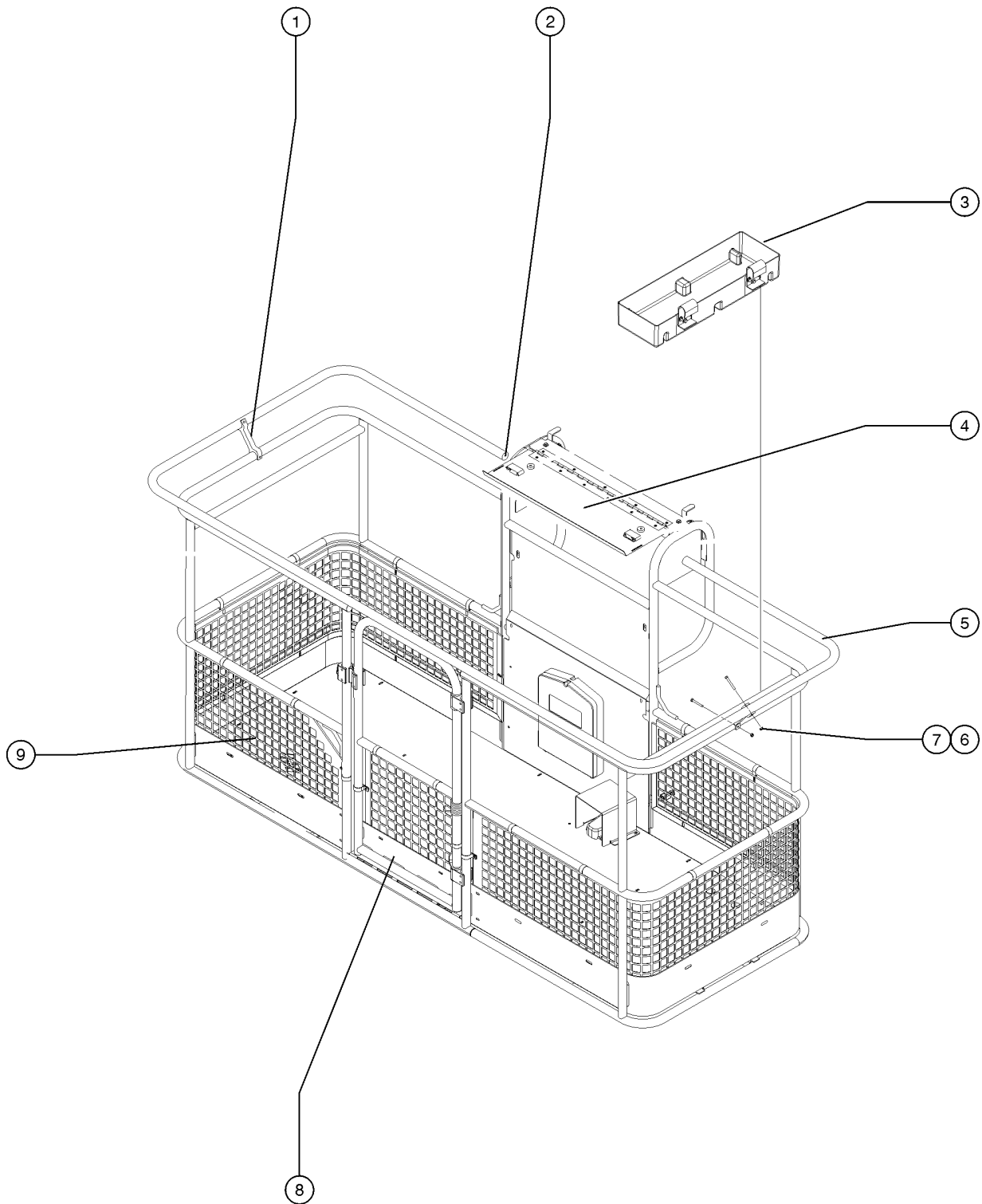


820.1 Gauge Options

<i>Item</i>	<i>Part No.</i>	<i>Description</i>	<i>Qty.</i>
A	T109334GT	ACC,FULL GAUGE,FORD DSG423,SV	
B	T109333GT	ACC,FULL GAUGE,DEUTZ,SERV	
C	T109332GT	ACC,FULL GAUGE,PERKINS,SERV	
1	106033GT	ADAPTER,NPT 6-4	
2A	101232GT	ENCLOSURE BOX,GAUGE OPT,DRILLD bracket not included	1
2B	139878GT	FORMING, GAUGE OPTION BRACKET not included with 101232; order separately	1
3	53758-SGT	GAUGE,OIL PRESSURE W/O SENDER	1
4A	53760-SGT	GAUGE,OIL TEMP	1
		Deutz models	
4B	53759-SGT	GAUGE,WATER TEMP	1
		Perkins and Ford models	
5	53761-SGT	GAUGE,VOLTAGE	1
6	34058GT	SENDING UNIT,TMP,FRD,GM,PRK704	1
7	28607GT	ADAPTER,140139-8-6	1
8	30810GT	SENDING UNIT,OIL PRESSURE*** dual-terminal sender	1
9	71038GT	ADAPTER, 1/8 X 1/4 F3H6-S	1
10	119418GT	ADAPTER,140130-4-4	1
11	119417GT	TEE,RUN,1/4" PIPE	1



821.1 Pinch Guard and Tool Tray - Front Single Entry Platform

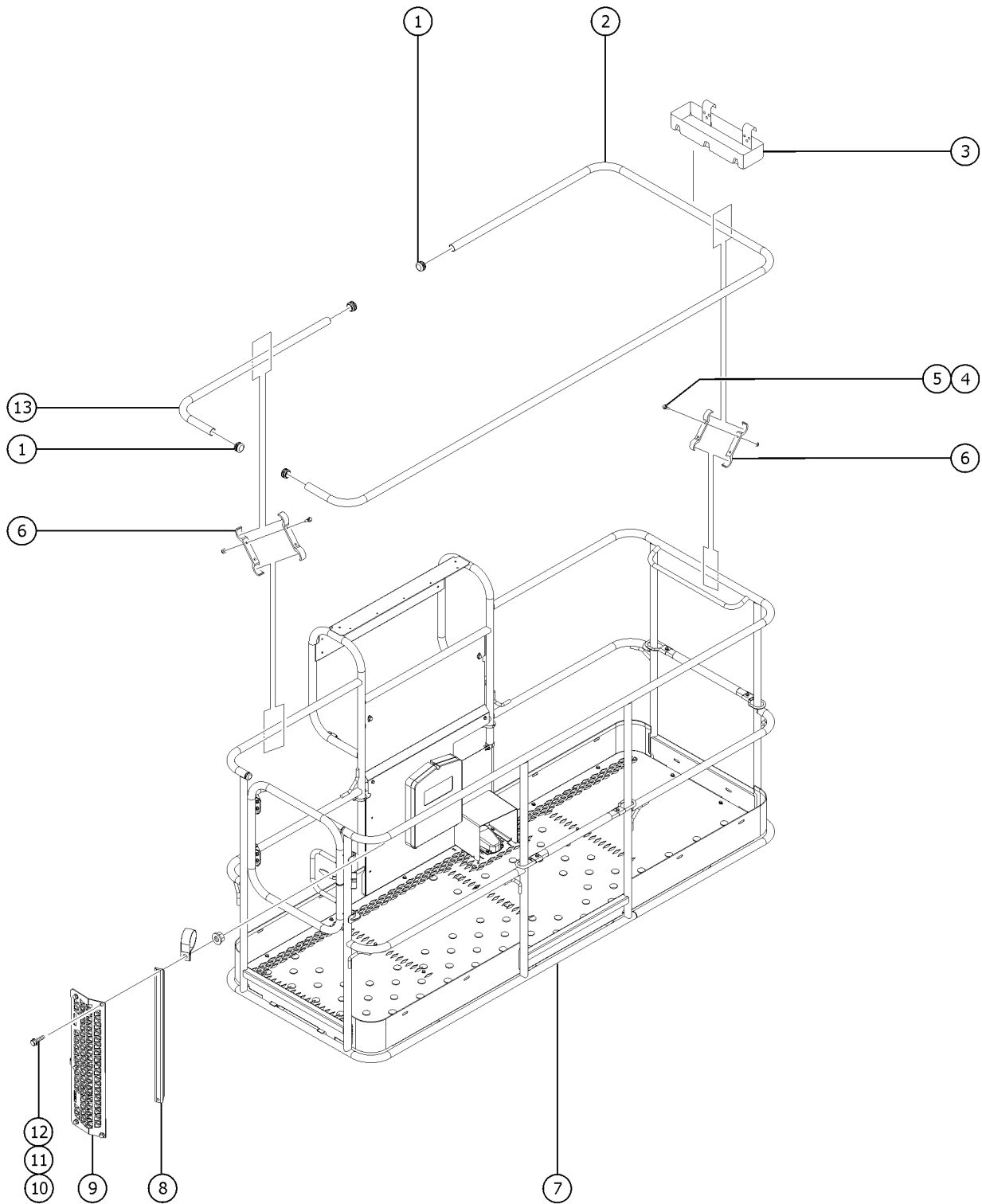


821.1 Pinch Guard and Tool Tray - Front Single Entry Platform

Item	Part No.	Description	Qty.
A	T109328GT	ACC,PLAT CONTROL COVER, SERV includes items 7-12 and 23-25	
B	53808-SGT	AUX TOP RAIL,6'(1.25")SERVICE	
C	53807-SGT	AUX TOP RAIL,8'(1.25")SERVICE	
D	122278GT	AUX TOP RAIL,6',SWG GT, SRV	
E	122279GT	AUX TOP RAIL,8',SWG GT, SRV	
1	139958GT	KIT, AUX TOP RAIL SUPPORT includes 2 supports and hardware	10
1-	122073GT	SUPPORT, RAILING	20
2	55753GT	BUMPER, PLASTIC, 1.25 O.D.	2
3	9599-SGT	TOOL TRAY ACCESSORY***	1
3-	7746GT	BRACKET-TOOL TRAY MOUNTING	1
4		Ref: Control Box Cover refer to 811.1	
5A	1259704GT	PINCH GUARD RAIL,6' PLATFORM includes 55753 bumpers	1
5A-	55753GT	BUMPER, PLASTIC, 1.25 O.D. not included - sold seperately	
5B	52661GT	PINCH GUARD RAIL,8' PLATFORM**	1
5B-	55753GT	BUMPER, PLASTIC, 1.25 O.D.	
5C	111485PGT	AUX TOP RAIL,6FT,PTD for models with swing gate	1
5D	111486PGT	AUX TOP RAIL,8FT,PTD for models with swing gate	1
6	824027GT	NUT,TL FLG,1/4-20,G,ZAG	
7	1259715GT	SCREW,BHTC,1/4-20X1,ZAG	
8		Ref: Swing Gate refer to 816.1	
9		Ref: Half Mesh refer to 816.1	



821.2 Pinch Guard and Tool Tray - Side Swing Gate Platform

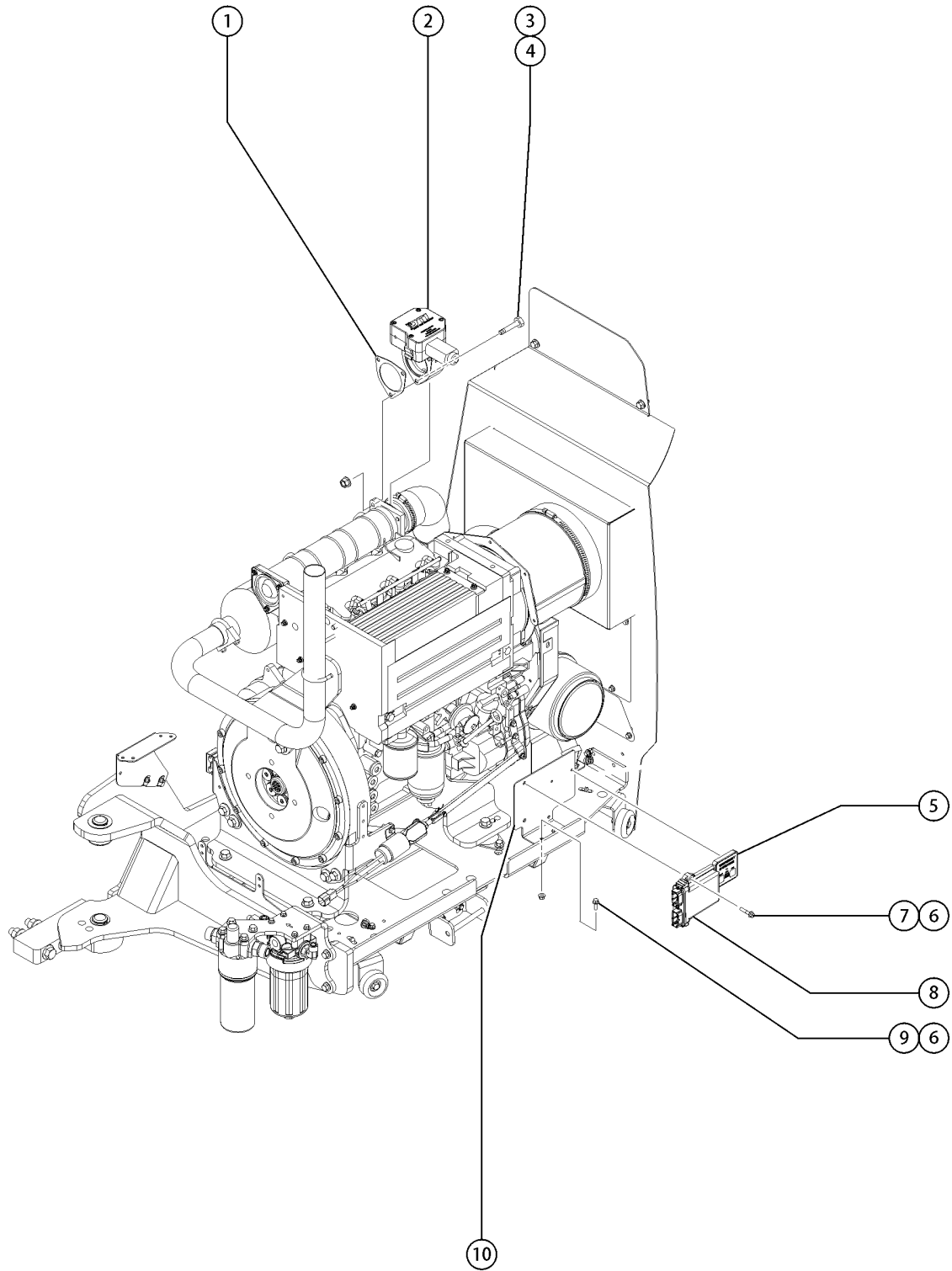


821.2 Pinch Guard and Tool Tray - Side Swing Gate Platform

Item	Part No.	Description	Qty.
A	1279765GT	KIT,LATCH GUARD	1
B	1291495GT	KIT, AUX RAIL, 6' PLAT, SIDE GATE (6 foot platform)	
C	1291496GT	KIT, AUX RAIL, 8' PLAT, SIDE GATE (8 foot platform)	
1	55753GT	BUMPER, PLASTIC, 1.25 O.D.	4
2A	1271077GT	AUX RAIL, 8' PLAT., TRI ENTRY (8 foot Platform)	1
2B	1270570GT	AUX RAIL, 6' PLAT, SIDE ENTRY (6 foot Platform)	1
3	9599-SGT	TOOL TRAY ACCESSORY***	1
4A	824079GT	SCREW,HHF,1/4-20X1,8,ZAG (8 foot Platform)	26
4B	824079GT	SCREW,HHF,1/4-20X1,8,ZAG (6 foot Platform)	22
5A	824027GT	NUT,TL FLG,1/4-20,G,ZAG (8 foot Platform)	26
5B	824027GT	NUT,TL FLG,1/4-20,G,ZAG (6 foot Platform)	22
6A	122073GT	SUPPORT, RAILING (8 foot Platform)	26
6B	122073GT	SUPPORT, RAILING (6 foot Platform)	22
7		Ref.WELDMENT, PLATFORM (refer to 601.1)	1
8	1277966GT	TUBE, SWING GATE GUARD	1
9	1277952GT	GUARD, SWING GATE	1
10	824086GT	SCREW,HHF,5/16-18X1,8,ZAG	5
11	56424GT	CLAMP,1.25X.5 RUBBER-CUSHION	5
12	824028GT	NUT,TL FLG,5/16-18,G,ZAG	5
13A	1271078GT	AUX RAIL, 8' PLAT., TRI ENTRY (8 foot Platform)	1
13B	1270571GT	AUX RAIL, 6' PLAT, SIDE ENTRY (6 foot Platform)	1



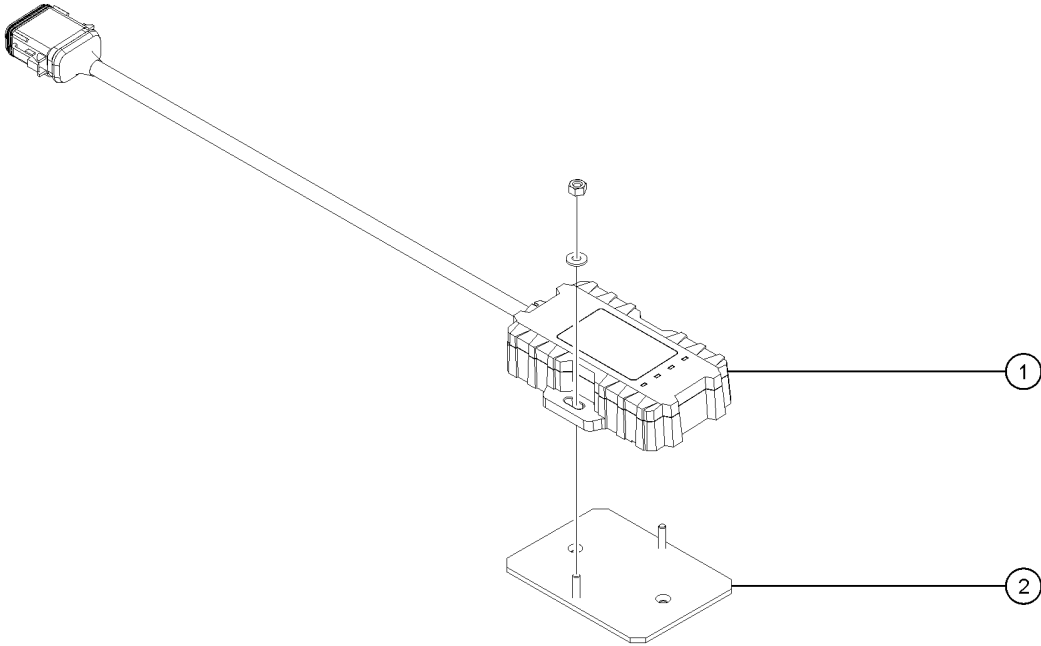
822.1 Positive Air Shutoff



822.1 Positive Air Shutoff

<i>Item</i>	<i>Part No.</i>	<i>Description</i>	<i>Qty.</i>
A	1264282GT	KIT, PAS VALVE, DEUTZ D2011L03	
B	1264293GT	HARNESS, VCU TO VALVE	1
C	1264294GT	HARNESS, VCU TO CONTROLS	1
1	128079GT	GASKET, DEUTZ 2011 INTAKE	1
2	1264497GT	VALVE, PAS, DEUTZ L03I	1
3		FASTENERS, Provided with kit 1264282GT (use existing fasteners)	
4		FASTENERS, Provided with kit 1264282GT (use existing fasteners)	
5	1264499GT	CONTROLLER, DASH, BASIC PLUS	1
6	824080GT	SCREW,HHF,1/4-20X1.25,8,ZAG	
7	1277924GT	NUT,NYLOCK FLG,1/4-20,F,ZAG	
8	1264498GT	CONTROLLER, VCU, DEUTZ L03I	1
9	824078GT	SCREW,HHF,1/4-20X.75,8,ZAG	
10	1264229GT	BRACKET, POSITIVE AIR SHUTOFF	1

823.1 Telematics Option



823.1 Telematics Option

<i>Item</i>	<i>Part No.</i>	<i>Description</i>	<i>Qty.</i>
-	1292198GT	HARNESS, RETROFIT, M7 for first time insulation, must order this Harness with one of the models 1289520GT, 1289521GT, 1289522GT, or 1289523GT	1
1	1289520GT	MODULE, TELEMATICS, ZTR, M7, NORTH AMERICA North America	1
1B	1289521GT	MODULE, TELEMATICS, ZTR, M7, EMEA/APAC EMEA/APAC	
1C	1289522GT	MODULE, TELEMATICS, ZTR, M7, APAC/ANZ APAC/ANZ	
1D	1289523GT	MODULE, TELEMATICS, ZTR, M7, JAPAN Japan	
2	1289561GT	BRACKET, TELEMATICS	1

<u>Part no.</u>	<u>Page Number</u>	<u>Part no.</u>	<u>Page Number</u>	<u>Part no.</u>	<u>Page Number</u>
1268GT	13	18963GT	101, 109	27807GT	283, 287
1484GT	13	19018-1100GT	373	27836GT	277
1487GT	369, 371	19273GT	195	27916GT	13
1488GT	369, 371	19274GT	273, 357	28117GT	65
4828GT	129	19358GT	213	28158GT	19, 31
5365GT	151, 179	19440GT	43, 61	28159GT	19, 31
6021GT	47, 51, 211	19487GT	73	28160GT	19, 31
6033GT	49	19506GT	99	28174GT	23, 29, 35, 41
6090GT	55, 129	19918GT	63	28176GT	29
6091GT	75, 81, 127, 341	20776GT	325	28214GT	129
6146GT	127	21019GT	127	28235GT	23, 29, 35, 41
6175GT	51	21130GT	145, 153, 179, 295	28236GT	29
6178GT	101, 109, 273, 325	21141GT	75, 79	28607GT	383
6272GT	273, 337	21465GT	169	28750GT	13
6578GT	149, 337	21618GT	341	29104GT	23
6584GT	179	22571GT	325	29261GT	341
6638GT	75, 81, 127, 179, 325	22672GT	127, 163, 189, 377	29557GT	151, 159, 185
6653GT	129	22699GT	133, 135	29560GT	13, 151, 177
6833GT	127, 169, 195, 341	22700GT	193, 215	29739GT	293
6888GT	127, 341	22736GT	133, 135	29868GT	73, 79, 83, 87, 195
6935GT	335	24038GT	127, 147, 163, 189, 215	30143GT	85, 87
7056GT	335	24514GT	265	30144GT	83, 87
7746GT	385	25282GT	363	30222GT	261
8177GT	49	25548GT	193	30256GT	73
8915GT	75, 81	25683GT	261	30348GT	165, 169
9599-SGT	385, 387	25685GT	347	30468GT	349, 377
10775GT	335	25817GT	43	30489GT	181, 191
12344GT	99, 107, 325, 357	27010GT	213	30810GT	383
13014GT	127	27067GT	47, 53, 55	30971GT	153, 191, 377
13064GT	51	27089GT	151	30996GT	273
13268GT	101, 109, 273, 325	27204GT	23, 35	31060GT	19, 27
13585GT	335	27205GT	19, 31	31100GT	285
13597GT	335	27206GT	19, 23, 31, 35	31408GT	151
14392GT	273	27207GT	19, 23, 31, 35	31523GT	157
15086GT	129	27246GT	101, 343	31788GT	19
18383GT	47	27287GT	337	32064GT	211
18396GT	245, 249, 261	27391GT	341	32150GT	13
18504GT	251	27581GT	13	32151GT	13
18665GT	325	27584GT	133	32309GT	205
18666GT	327	27697GT	225, 229	32681GT	295
18720GT	227, 229, 231, 233, 245, 247	27698GT	233, 237	32698GT	15, 151
18730GT	55	27761GT	277	32722GT	49, 233, 237

<u>Part no.</u>	<u>Page Number</u>	<u>Part no.</u>	<u>Page Number</u>	<u>Part no.</u>	<u>Page Number</u>
32975GT	289	43181GT	273	48943GT	73
33239GT	157	43392GT	267, 349, 353, 369, 371, 377	48946GT	313
33428GT	261	44174GT	291	48948GT	303, 305, 307
33550GT	29, 41	44743GT	265	48959GT	333
33555GT	113	44981GT	23, 29, 35, 41	48960GT	13, 19, 301, 303, 305, 311...
33576GT	265	45071GT	47, 61, 65, 225, 229	48963GT	333
33674GT	369	45074GT	47, 61	48974GT	327
33994GT	13	45383GT	101, 271, 347	48977GT	313
34052GT	101, 109, 273	45385GT	109	48984GT	73, 79, 313
34053GT	273	45400GT	233	48985GT	333
34058GT	383	45435GT	131, 143, 155, 165, 193, 209...	48996GT	73, 79
34162-300GT	165	45470GT	251, 255, 347	49117-2116GT	315
34163GT	375	45483GT	287	49117-2141GT	311
34344GT	219	45708GT	83, 87	49117-2216GT	315
34619GT	117, 347, 379	45782GT	151	49117-2941GT	315
34955GT	377	46131GT	213	49117-3141GT	311
34959GT	375	46188GT	341	49117-3291GT	309
35432GT	377	47025GT	363	49117-3600GT	305
35434GT	131, 163, 165, 189	47041GT	23	49117-4491GT	309
35498GT	177	48425GT	219, 259	49117-4691GT	309
35586GT	151	48875GT	363	49117-4891GT	311
35675GT	137, 259	48880GT	295	49117-6091GT	301, 303
35726GT	281	48883GT	95	49117-6841GT	311
36208GT	379	48887GT	93	49117-10091GT	303, 305
36388GT	351	48904GT	281, 313, 315	49117-10691GT	303, 305
36878GT	335	48905GT	83, 89, 281, 299, 301, 303...	49119-2878GT	315
37080GT	283, 285	48907GT	315	49119-4278GT	315
37947GT	113	48908GT	293, 301, 303, 307, 309	49119-5078GT	311
38149GT	19	48909GT	315	49119-5278GT	311
38922GT	209	48911GT	301	49119-6700GT	307
39274GT	233, 237	48912GT	43, 19, 301, 303, 305, 307...	49119-7578GT	301, 303
39518GT	129	48914GT	295, 309, 313	49119-32228GT	315
39888GT	345	48915GT	253, 301, 303, 305, 307, 315	49119-32328GT	315
40434GT	29, 41, 351	48916GT	297, 307, 303, 305, 313, 315	49119-43125GT	315
40614GT	103, 111	48918GT	301, 303, 305, 307	49119-51125GT	315
42014GT	49, 53, 59, 67	48930GT	303, 305	49120-7131GT	363
42104GT	369, 371	48932GT	253, 311	49128-3600GT	305
42646GT	103, 111	48933GT	83, 89, 293, 299, 301, 303...	49130-2482GT	301, 303, 305, 307
42662GT	215	48935GT	311	49130-4782GT	301, 303, 305
42781GT	99, 105, 109	48936GT	303, 305	49130-7282GT	311
42787GT	321	48939GT	319	49130-7682GT	311
43018GT	291	48941GT	311	49130-20882GT	315



<u>Part no.</u>	<u>Page Number</u>	<u>Part no.</u>	<u>Page Number</u>	<u>Part no.</u>	<u>Page Number</u>
49130-21182GT	315	52607GT	19	58222GT	219
49130-30682GT	315	52661GT	385	58223GT	219
49130-30882GT	315	52726GT	277	58247GT	209
49130-31432GT	315	52865GT	19	58253GT	121
49131-6800GT	307	52866GT	131, 143, 153, 163, 183, 193	58256GT	151
49131-7200GT	307	52897GT	291	58299GT	177
49131-9603GT	303, 305	52966GT	19, 31	58304GT	91, 93
49143-3129GT	311	52967GT	19, 31	58354GT	141
49143-3529GT	311	53386GT	43	58380GT	221
49150-2855GT	321	53605GT	73	58415GT	131, 143, 155, 165
49150-8980GT	311	53758-SGT	383	58489GT	85, 89
49151-6248GT	321	53759-SGT	383	58566GT	151
49151-7272GT	311	53760-SGT	383	58630GT	177
49163-7144GT	363	53761-SGT	383	58632GT	205
49164-3993GT	311	53807-SGT	385	59460GT	43, 61
49183-31342GT	315	53808-SGT	385	60334GT	219
49189-5438GT	93	53952GT	131, 143, 165, 209	60370-SGT	267
49207GT	295, 309	53952P-SGT	155	60433GT	105
49212GT	345	54132GT	315	60585GT	129
49213GT	345	54156GT	259	60757GT	105
49214GT	345	54324GT	79	60857GT	13, 219
49215GT	345	54365GT	273, 325	61110GT	181, 211
49378GT	211	54457GT	371	61263GT	73, 79
49379GT	325	54458GT	371	61306-SGT	259
49408GT	205	54516GT	103, 111	61602GT	233, 237, 245
49410GT	133	54573GT	133	61610GT	333
49411GT	133	54578GT	127, 143	61726GT	347
49519GT	83, 87, 313, 321	54579GT	127, 145	61745GT	259
49612GT	13	54687GT	133	61794GT	121
49613GT	13	54821GT	153	61804GT	347
49818GT	273	55067GT	267	61809GT	347
49819GT	273	55089GT	335	61972GT	347
49859GT	95	55753GT	267, 341, 369, 373, 385, 387	61974GT	347
49861GT	319	56057GT	101	61975GT	347
49924GT	13, 15, 153, 159, 177, 185	56306GT	269	61997GT	347
50560GT	221	56424GT	203, 303, 309, 373, 387	62258GT	289
50787-SGT	151, 177	56426-700GT	341	62392GT	275
50974GT	115, 219	56525GT	373	62420GT	15, 131, 143, 155, 165
51193GT	219	56570GT	373	62421GT	15, 129, 147
52352GT	151	56663GT	273	62425GT	183, 193
52371GT	291	56912GT	43, 55, 57, 59, 83, 87...	62433GT	15, 129, 131
52475GT	19, 23, 31, 35	56934GT	373	62506GT	291

<u>Part no.</u>	<u>Page Number</u>	<u>Part no.</u>	<u>Page Number</u>	<u>Part no.</u>	<u>Page Number</u>
62507GT	291	71911GT	153, 177, 193	75617-2275GT	341
63213GT	261	72086GT	19, 23, 31, 35	75617-6275GT	343
63311GT	371	72255GT	151	75627GT	91, 93
63353GT	261	72284GT	215	75631GT	205
63463GT	131, 143, 155, 165	72290GT	47, 55	75636GT	341
63468GT	53, 93	72326GT	271, 347	75654GT	73, 79
65278GT	29	72343GT	143, 211	76450GT	243, 245
65473GT	127, 149, 215	72346GT	15	77069GT	83
65630GT	373	72348GT	135, 141	77071GT	83, 89
65636GT	135, 147	72875GT	29, 373	77180GT	235
65638GT	135, 147	72999GT	19	77245GT	153
65810GT	131, 143, 155, 165	73455GT	51	77295GT	15, 209
65849GT	151, 177	73463-1175GT	373	77303GT	261
66399GT	13	73477GT	265	77351GT	271
66472GT	341	73478PGT	265	77353GT	75, 79
66812GT	97, 105, 269	73575GT	265, 357	77354GT	75, 79
66813GT	99, 105, 271	73599GT	213	77365GT	75, 79
66814GT	105	73805GT	105	77399GT	19, 23
66815GT	271	73807GT	291	77402GT	147, 153
66816GT	105	73900GT	263	77410GT	253
66818GT	105	74006GT	325, 335	77477GT	135, 141
69550GT	287	74052GT	335	77482GT	135, 147
69773GT	225	74389GT	43	77483GT	135, 147
70298GT	143	74913GT	101, 109	77491GT	283
70351PGT	155	74917GT	101, 109	77610GT	49
70357GT	143	75020GT	131	77664GT	373
70367GT	127, 141	75119GT	297	77674GT	53, 55, 61
70375GT	155	75278-5029GT	301, 303	77683GT	373
70381GT	165, 181, 193	75278-5129GT	301, 303	77705GT	43
70385GT	129, 143	75443GT	275	77706GT	43
70444GT	177	75444GT	275	77736GT	135, 141
70445GT	177	75445GT	275	77790GT	45
70448PGT	179	75446GT	275	77791GT	45
70449GT	177	75447GT	275	77797GT	341
70452GT	139, 147, 153, 175, 215	75448GT	275	77880GT	49
70454GT	181	75449GT	275	77950GT	51, 59
70455GT	179	75450GT	183, 193	78736GT	115, 143, 153, 191, 233, 237
70460PGT	153	75451GT	183, 193	80391GT	153
70461PGT	155	75574GT	315	80543GT	325
70483GT	179	75617-1025GT	341	81096GT	335
70529GT	375	75617-1550GT	341	81175GT	259
71038GT	383	75617-2075GT	343	81368GT	373



<u>Part no.</u>	<u>Page Number</u>	<u>Part no.</u>	<u>Page Number</u>	<u>Part no.</u>	<u>Page Number</u>
81467GT	181, 193	85124GT	131	88990PGT	127, 145
81468GT	181, 191	85155GT	135, 141	88992GT	147
81488GT	271	85300GT	373	88993GT	143
81522GT	219	87085GT	349, 379	89294GT	43, 65
81550GT	273	87684GT	83	89295GT	49
81551GT	103, 111, 273, 337	87755GT	107	89310GT	283, 287
81552GT	295	88296GT	55	89337GT	265
81578GT	115	88356-11C03GT	251	89571GT	93
81609GT	55	88356-112J5GT	243, 249	89575GT	273
81610GT	55, 295	88356-11105GT	245, 249	89617GT	83, 89
81640GT	259	88377-1400GT	373	89756GT	243, 245
81691GT	295	88390GT	341	89765GT	15, 17, 135
81812-6800GT	307	88406GT	329	89771GT	133, 147
81812-7200GT	307	88451GT	201	89774GT	153
81812-13292GT	303, 305	88452GT	201	89785GT	161, 187
81900GT	101, 109	88516GT	261	89792GT	151
82032GT	251	88606PGT	349, 379	89871-7148GT	311
82161GT	19	88607PGT	349, 377	89872GT	287
82237GT	23, 29	88636-8573GT	309	89953GT	145
82240GT	35	88636-32673GT	315	93500GT	13
82243GT	29	88636-32923GT	315	94077GT	75, 81
82314GT	19	88727GT	43	94205-3164GT	321
82366GT	19	88728GT	43	94221GT	247
82410GT	29, 373	88729GT	43	94332GT	45
82443GT	373	88730GT	43	94374-2430GT	301, 303, 305
82481GT	31	88783GT	277	94374-2630GT	301, 303, 305
82487GT	31, 35, 41	88832GT	123	94374-2710GT	311
82551GT	31, 35	88841GT	143	94374-6630GT	311
82552GT	31, 35	88847GT	143	94397GT	261
82671GT	41	88884GT	47, 53, 55, 59	94439GT	65
82677GT	19, 23	88885GT	55	94460-SGT	347
82678GT	19, 23	88887GT	51, 63	94464-4186GT	309
82862GT	29	88917GT	13, 75, 81	94464-4986GT	301, 303
83093GT	113	88936GT	313	94465-1550GT	311
83098GT	275	88942-3154GT	311	94465-4654GT	309
83129GT	121	88942-6638GT	311	94466-2336GT	301, 303, 305
83131GT	97, 107	88943-6286GT	311	94485GT	151
83141GT	293	88949-2528GT	311	94506GT	269
84134GT	277	88949-3828GT	321	94526GT	75, 79
84135GT	277	88988PGT	137	94534GT	43
85053GT	131	88989GT	143	94535GT	43
85059GT	133	88989PGT	129	94536GT	45

<u>Part no.</u>	<u>Page Number</u>	<u>Part no.</u>	<u>Page Number</u>	<u>Part no.</u>	<u>Page Number</u>
94612GT	73, 79	102119GT	213	106117GT	47, 53, 55
94620GT	91, 93	102121GT	209	106141GT	329
94643GT	93, 347	102126GT	51, 63	106163GT	267
94711GT	143	102131GT	47, 51, 53, 63	106183GT	329
94758GT	277	102155GT	47, 55	106204PGT	331
94759GT	281	102157GT	53	106206GT	325
94762GT	15, 129, 145	102158GT	47, 53, 55, 59	106226-4000GT	143
94888GT	143	102159GT	47, 55	106242GT	123
94889GT	15, 129, 147	102162GT	47, 53, 63	106273GT	329
94890GT	141	102163GT	51	106275GT	329
96008-SGT	97, 107	102166GT	53	106495GT	325
96196GT	233, 237	102167GT	53, 63	106516GT	49, 59
97128GT	243, 245	102237PGT	179	106607GT	329
97473GT	135, 141	102497GT	151	106647GT	45
97548GT	23	102503GT	63	106648GT	45
97579GT	29	102504GT	63	106663GT	131, 141
97602GT	23	102505GT	63	106849GT	61
97757GT	19	102506GT	63	108538GT	161, 187
97815GT	29, 41	102507GT	63	108855GT	261
97865GT	19	102508GT	63	110194GT	277, 283, 287, 289
99183GT	347	102509GT	63	110200GT	283, 287
101005GT	269, 275	102510GT	63	110202GT	287
101005HGT	275	102511GT	63	110221GT	43, 59
101006GT	155	102513GT	63	110276GT	329
101129GT	153	102514GT	63	110304GT	127, 147
101140P-SGT	157	102515GT	63	110345GT	75, 79
101174GT	269, 271, 275	102516GT	47, 53, 63	110382GT	75, 81
101174HGT	275	102517GT	63	110406GT	215
101175GT	271, 275	102587GT	161, 187	110417PGT	215
101175HGT	275	102785PGT	349, 377	110477GT	215
101232GT	383	102786PGT	349, 379	110671GT	267
101440GT	277	102992GT	265, 267	110727GT	45
101491GT	73, 79	104759GT	291	110728GT	45
101494GT	73, 79	104804GT	267	110730GT	45
101525GT	329	105634GT	113	110731GT	45
101547PGT	329	106033GT	383	110733GT	45
101681GT	123	106044GT	329, 341	110789GT	347
101701PGT	331	106069GT	113	110876GT	259
101726GT	79	106073GT	325	110903GT	125
101793-5195GT	305, 307	106077GT	325	110932GT	217
101964GT	117	106098GT	47, 53, 55	111028GT	141
102045GT	179, 181, 199	106109PGT	331	111029GT	143

<u>Part no.</u>	<u>Page Number</u>	<u>Part no.</u>	<u>Page Number</u>	<u>Part no.</u>	<u>Page Number</u>
111155GT	69	119417GT	383	128000GT	275
111363GT	91	119418GT	383	128001GT	275
111445GT	151, 177	119474GT	15, 205	128003GT	133
111485PGT	385	119475GT	201	128004GT	167, 181, 193
111486PGT	385	119477GT	205	128022GT	133
111526GT	349, 379	119534GT	337	128045GT	101, 347
111634GT	209	119536PGT	259	128061GT	133, 135
111703GT	283	119542GT	259	128079GT	389
111748GT	211	119546GT	201	128165GT	201
111817-1025GT	77	119560GT	337	128166GT	201, 203
111817-1925GT	77	119568GT	201	128200GT	97, 101, 105, 269, 271
111817-3425GT	77	119613GT	269, 275	128201GT	99, 105, 269
111817-5625GT	77	119641GT	337	128202GT	97, 105, 271
111817-6725GT	77	119644GT	273	128203GT	343
111818GT	73	119672GT	347	128204GT	97, 105, 269, 271, 337
112375GT	221	119824GT	73, 213	128268GT	261
114236GT	31	119915GT	275	128322GT	329
114248GT	41	119918GT	73	128323GT	329
114249GT	31, 35	119965GT	201	128368GT	369
114251GT	31, 35	119988GT	55	128374GT	371
114252GT	31, 39	121035GT	257	128454GT	261
114258GT	19, 23	121065GT	255, 257	128483GT	261
114390GT	19, 23, 29	121615GT	179	128534GT	259
114397GT	29	121846GT	101, 109, 347	128580GT	101, 341
114425GT	21	121848GT	121, 347	128588GT	131, 147
115431GT	127, 141	121856-1200GT	327	128829GT	101, 109, 179
119051GT	211	121856-4500GT	327	128831GT	141
119052GT	211	122055GT	177	128909GT	69
119053GT	143, 209	122073GT	341, 385, 387	128910GT	69
119055GT	75	122120GT	283	128911GT	71
119058GT	265	122278GT	385	128912GT	69
119060GT	105	122279GT	385	128913GT	69
119067GT	317	122645GT	283	128914GT	69
119073GT	215	122646GT	287	128916GT	71
119139GT	15, 203	122657GT	283	128917GT	69
119140GT	205	122661GT	255, 257	128918GT	69
119168GT	77	122663GT	255, 257	128919GT	71
119170GT	77	122668GT	255, 257	128920GT	69
119219GT	375	122755GT	373	128921GT	69
119344GT	151	123188GT	243	128922GT	69
119394GT	169	125865GT	65	128923GT	69
119403GT	335	127338GT	307	128924GT	71



<u>Part no.</u>	<u>Page Number</u>	<u>Part no.</u>	<u>Page Number</u>	<u>Part no.</u>	<u>Page Number</u>
128925GT	69	139528GT	279	147095GT	111
128926GT	69	139598GT	275	147121GT	265
128927GT	71	139610GT	211	147149GT	65
128928GT	69	139621GT	155	147155GT	69
128955GT	71	139622GT	155	147223GT	75, 79
128984GT	129, 141	139623GT	155	147228GT	317
128985GT	129, 141	139624GT	151, 177	147229GT	317
128986GT	135, 141	139666GT	151	147230GT	317
128987GT	135, 141	139709GT	155, 177	147231GT	317
128991GT	135, 141	139712GT	279	147232GT	317
133067GT	31, 35, 41	139715GT	279	147233GT	317
133205GT	31	139716GT	279	147239GT	317
133238GT	23	139717GT	279	147240GT	317
133250GT	21, 23	139718GT	279	147241GT	317
133263GT	31, 35	139719GT	279	147242GT	317
133278GT	21	139727GT	279	147253GT	273
139000GT	65, 69	139799GT	293	147258GT	317
139001GT	65, 69	139801GT	293	147262GT	317
139002GT	65, 67	139865GT	53	147289GT	85, 89
139120GT	65	139878GT	383	147290GT	85, 89
139121GT	65	139882GT	343	147348GT	141
139122GT	65	139952GT	317	147349GT	141
139125GT	65	139953GT	317	147350GT	141
139140GT	65, 67	139954GT	317	147351GT	141
139179GT	65, 67, 69	139958GT	385	147352GT	141
139262GT	69	139965GT	45, 51	147353GT	141
139308GT	91	139966GT	45, 51	147355GT	135, 141
139309GT	91, 297	139967GT	45, 51	147419GT	73, 79
139310GT	91	139968GT	45, 51	147549GT	293
139311GT	91	139969GT	45, 51	147661GT	337
139312GT	91	139970GT	45, 51	147792GT	21, 23
139313GT	91	139971GT	45, 51	147816GT	321
139314GT	91	139972GT	45, 51	147826GT	147
139315GT	91, 93	139974GT	271	160541GT	209
139321GT	179	139983GT	177	160681GT	125
139322GT	179	144161GT	335	160687GT	151
139323GT	91, 93, 297	146413GT	73	160732GT	233, 237
139338GT	269	146478GT	269	160809GT	263
139455GT	181	146550GT	73	161144GT	281
139508GT	279	147033GT	45, 51	161145GT	281
139512GT	279	147034GT	45, 51	161538GT	287, 289
139527GT	279	147090GT	101, 109	161611GT	137, 145

<u>Part no.</u>	<u>Page Number</u>	<u>Part no.</u>	<u>Page Number</u>	<u>Part no.</u>	<u>Page Number</u>
161717GT	157	215285GT	201	215917GT	127
161938GT	197	215286GT	201	216019GT	215
162206GT	173	215287GT	15, 201	216150GT	131
162207GT	173	215288GT	205	216343GT	155
162208GT	173	215289GT	205	216367GT	209
162209GT	173	215290GT	205	216602GT	281
162283GT	189	215291GT	15, 205	216791GT	101, 109
162284GT	189	215294GT	125	216793GT	101, 109
162466GT	79	215295GT	201	217187GT	131
214218GT	73	215298GT	205	217226GT	145
214221GT	73	215299GT	201	217228GT	149
214228GT	15, 173, 199	215300GT	201	217366GT	329
214237GT	163, 189	215301GT	203	217632GT	231, 237
214238GT	225, 241	215302GT	203	217703GT	131
214335GT	127	215305GT	203	217820GT	201
214446GT	211	215307GT	205	217822GT	207
214619GT	329	215308GT	201	217823GT	203
214620GT	329	215309GT	203	217824GT	205
214621GT	329	215310GT	203	217877GT	163, 189
214622GT	329	215311GT	205	217905GT	145, 155
214623GT	329	215313GT	205	217909GT	145, 155
214682GT	171	215314GT	201	217930GT	165
214683GT	171	215316GT	213	217979GT	69
214685GT	163	215317GT	213	218090GT	103, 111
214686GT	165	215320GT	209	218098GT	173
214795GT	159, 185	215340GT	47, 53, 63	218146GT	145, 155
214846GT	157	215421GT	217	218165GT	97
214934GT	171	215423GT	71	218215GT	145, 155
215254GT	115	215424GT	69	218216GT	155
215269GT	205	215425GT	69	218221GT	145, 155
215273GT	205	215426GT	69	218448GT	255, 257
215274GT	15, 205	215427GT	69	218449GT	99, 107
215275GT	201	215472GT	131	218457GT	117, 379
215276GT	207	215477GT	127	218549GT	29
215277GT	207	215481GT	339	218550GT	29
215278GT	201	215526GT	23, 35	218559GT	29
215279GT	205	215527GT	23	218576GT	211
215280GT	201	215528GT	211	218657GT	121
215281GT	201	215544GT	211	218668GT	209
215282GT	201	215642GT	47, 51, 53, 63	218715GT	169, 195
215283GT	201	215707GT	211	218742GT	209
215284GT	201	215912GT	131	218781GT	121



<u>Part no.</u>	<u>Page Number</u>	<u>Part no.</u>	<u>Page Number</u>	<u>Part no.</u>	<u>Page Number</u>
219158GT	361	227785GT	55, 93	236340GT	213
219160GT	29, 41	227816GT	45	236364GT	215
219179GT	145	227817GT	45	236373GT	207
219181GT	127, 215	227988GT	209	236420GT	215
219243GT	281	228320GT	329	236421GT	217
219245GT	281	228321GT	329	236422GT	213
219247GT	281	228332GT	325	236423GT	213
219437GT	163, 171, 189, 213	228448GT	121, 341	236425GT	213
219477GT	213	228768GT	45	236426GT	141
219485GT	21	228769GT	45	236946GT	153
219486GT	21	228797GT	255	237146GT	209
219487GT	29	228848GT	373	237188GT	159, 163
219621GT	165	228849GT	373	237189GT	173
219670GT	121	228967GT	255	237190GT	173
219672GT	121	229169GT	255, 257	237192GT	163
219718GT	105, 107	229535GT	93	237193GT	163
219953GT	41	229555GT	93	237194GT	163
219954GT	41	229567GT	97, 101, 105, 109, 209, 271	237234GT	287
219956GT	41	229691GT	147	237236GT	283
219958GT	41	229817GT	47, 53	237238GT	355
219976GT	165	229818GT	47, 53	237352GT	195
219992GT	215	229845GT	117, 379	237385GT	145, 215
220229GT	203	229931GT	47, 53	237730GT	185, 189
220230GT	203	231034GT	287	237731GT	119
220231GT	203	231088GT	195	237780GT	213
226321GT	269	231511GT	147	237827GT	231, 235, 245
226325GT	255	231529GT	195, 211	237830GT	211
226940GT	71	231532GT	151, 177	237832GT	213, 327
226941GT	71	231612GT	47, 53, 59	238347GT	179
226942GT	71	232874GT	211, 217	238359GT	203
226943GT	71	233108GT	363	822004GT	23
226944GT	71	233992GT	373	822131GT	23
226945GT	71	233993GT	373	822320GT	377
226946GT	71	235645GT	157	822321GT	377
227306GT	255	235659GT	209	822631GT	261
227308GT	255	235660GT	127, 145, 163, 215	822632GT	253
227309GT	205	236248GT	161, 187	822759GT	341
227424GT	325	236251GT	161, 169, 187	822764GT	341
227425GT	325	236259GT	173, 199	822768GT	341
227492GT	61	236260GT	15, 173, 199	822769GT	341
227564GT	265	236338GT	209	822781GT	159, 185
227617GT	121, 265	236339GT	215	822793GT	137

<u>Part no.</u>	<u>Page Number</u>	<u>Part no.</u>	<u>Page Number</u>	<u>Part no.</u>	<u>Page Number</u>
822846GT	245, 247	823994GT	123	824094GT	211
822966GT	233, 237	823995GT	123	824095GT	49, 59, 347
823060GT	245, 249	823997GT	123	824098GT	221
823061GT	261	823998GT	123	824110GT	49
823062GT	253	824019GT	137	824113GT	43, 53, 59, 83, 87, 231...
823071GT	137	824023GT	137, 159, 185, 191	824116GT	119, 267
823243GT	137	824024GT	85, 87, 213, 239, 257	824120GT	103, 109, 199, 215, 361
823261GT	283	824025GT	115	824123GT	179, 181, 199
823356GT	79	824027GT	13, 83, 93, 113, 131, 137	824125GT	219, 255
823396GT	79	824028GT	83, 87, 113, 181, 191, 203...	824129GT	61
823523GT	169	824029GT	49, 59, 73, 79, 83, 95...	824132GT	163, 189, 195, 213
823524GT	169	824031GT	119, 267	824133GT	169, 215
823649GT	229	824032GT	347	824136GT	327
823650GT	225	824036GT	91, 101, 109, 243, 249	824144GT	145
823689GT	237	824037GT	235	824151GT	219
823690GT	233	824038GT	209, 259	824152GT	93
823747GT	117, 379	824041GT	295	824164GT	93, 219
823748GT	117, 379	824059GT	43, 53, 59, 113, 231, 245...	824206GT	337
823751GT	191	824060GT	361	824207GT	369, 371
823816GT	207	824061GT	235, 347	824212GT	99
823970GT	169	824063GT	363	824214GT	105, 137
823971GT	125	824064GT	295	824215GT	115, 339, 379
823972GT	125	824067GT	49, 221, 229, 231, 233, 243...	824216GT	91, 357
823973GT	123	824069GT	255, 361	824220GT	145, 163, 189, 217
823974GT	125	824071GT	121	824227GT	341
823975GT	123	824072GT	47, 59	824295GT	61
823976GT	123	824077GT	177, 267	824433GT	119
823977GT	121	824078GT	13, 81, 93, 113, 131, 155	824455GT	113
823978GT	121	824079GT	83, 131, 137, 143, 153, 165, 115, 159, 183, 323, 339, 355	824456GT	113
823979GT	121	824080GT	113, 143, 153, 215, 261, 379	824500GT	219
823980GT	123	824081GT	261, 379	824516GT	293
823982GT	125	824082GT	119	824517GT	101, 109
823983GT	123	824083GT	373	824547GT	255
823984GT	125	824084GT	239	824548GT	255
823985GT	125	824085GT	181, 209, 325	824549GT	255
823986GT	125	824086GT	83, 87, 131, 141, 153, 165...	824551GT	261
823988GT	125	824087GT	85, 87, 115, 209, 327	824615GT	23
823989GT	123	824089GT	83, 89, 119, 141, 153, 177	824622GT	225, 229
823990GT	123	824090GT	13, 79, 83, 87, 113, 137	824623GT	225
823991GT	123	824091GT	47, 59, 113, 189, 219, 243...	824624GT	233
823992GT	123	824092GT	95, 173, 199, 215, 259	824626GT	245
823993GT	121, 123	824093GT	219, 235, 243, 247	824627GT	251

<u>Part no.</u>	<u>Page Number</u>	<u>Part no.</u>	<u>Page Number</u>	<u>Part no.</u>	<u>Page Number</u>
824628GT	251	825553GT	209	1251585GT	225, 241
824629GT	259	825579GT	21	1251586GT	225, 241
824631GT	233, 237	825685GT	73	1251600GT	265, 345, 355, 361, 373
824634GT	225, 229	825708GT	161, 185	1251707GT	225, 241
824637GT	225	825759GT	231, 235	1251729GT	87
824639GT	229, 231, 235	825760GT	225, 229	1251731GT	171
824641GT	227, 229	825796GT	59, 255, 259	1251757GT	101, 109
824642GT	233	825938GT	251	1251814GT	135
824645GT	231, 235	825939GT	191	1251850GT	127, 145, 155, 163
824646GT	233, 237, 243, 247	825953GT	219	1251851GT	119, 147, 155, 177
824649GT	233, 237, 245	825954GT	221	1251899GT	179, 181
824650GT	245	825970GT	219	1251983GT	163, 169, 189
824651GT	243, 247	826008GT	165, 193	1251984GT	105
824665GT	273	826171GT	181	1251985GT	105
824673GT	161, 187	826231GT	113	1251997GT	91, 113, 131, 137, 147, 153...
824678GT	259	826234GT	253	1252000GT	119
824828GT	237	826325GT	115	1252684GT	105
824830GT	259	826333GT	73, 79	1252685GT	105, 107
824832GT	253	826345GT	21	1252943GT	135, 147
824879GT	269, 271	826587GT	219	1253011GT	23
824944GT	255	826588GT	115, 219	1253185GT	101, 109, 115, 145, 163, 189...
824990GT	259	826788GT	225, 229, 231	1253201GT	153
825002GT	97, 105	826791GT	267	1253203GT	163
825003GT	97, 105	826792GT	267	1253207GT	119
825018GT	97	826793GT	267	1253208GT	219
825019GT	47, 59, 259	826794GT	267	1253319GT	179, 181, 199, 221
825020GT	347	826795GT	189	1253478GT	49, 79, 225, 229, 231, 239
825055GT	251	826839GT	115	1253485GT	237, 265, 285, 291, 233, 237
825057GT	251	826840GT	115	1253489GT	335
825217GT	87	826846GT	231	1253498GT	59, 165, 193
825219GT	239	826847GT	231	1253608GT	207
825220GT	239	1251491GT	225, 241, 243, 247	1253629GT	21
825230GT	221	1251493GT	225, 241, 243, 247	1253749GT	205
825235GT	85, 87	1251496GT	195	1253750GT	17
825236GT	377	1251508GT	137, 159, 191	1253771GT	165, 191
825351GT	181	1251509GT	137, 159, 191	1253772GT	169, 195
825352GT	103, 109	1251551GT	115	1253773GT	195
825353GT	93	1251552GT	113	1253815GT	231, 235, 245
825355GT	151	1251558GT	113	1253845GT	21, 31
825358GT	85, 87, 105, 111, 215, 259...	1251559GT	115	1253916GT	169, 195
825432GT	125	1251565GT	179, 181, 199, 259	1253917GT	191
825474GT	255	1251567GT	173, 199	1253922GT	169

<u>Part no.</u>	<u>Page Number</u>	<u>Part no.</u>	<u>Page Number</u>	<u>Part no.</u>	<u>Page Number</u>
1254060GT	221, 229, 231, 235, 243, 247	1255028GT	353	1255722GT	91
1254061GT	227, 229, 231, 235, 247	1255029GT	353	1255723GT	91
1254062GT	227, 229, 231, 235	1255030GT	121	1255726GT	363
1254063GT	221, 229, 231, 235, 243, 247	1255033GT	353	1255727GT	363
1254267GT	169	1255035GT	353	1255728GT	363
1254359GT	227, 229	1255036GT	353	1255757GT	83, 115
1254372GT	239, 241	1255037GT	353	1255758GT	213, 233, 361
1254373GT	239	1255038GT	353	1255760GT	137, 213
1254452GT	169	1255047GT	355	1255763GT	191
1254453GT	169	1255066GT	353	1255765GT	203
1254476GT	253	1255067GT	353	1255766GT	327
1254477GT	243, 253	1255068GT	353	1255768GT	91
1254478GT	243, 253	1255271GT	245	1255769GT	93
1254479GT	243, 247	1255272GT	245	1255770GT	93
1254490GT	85	1255273GT	233, 237	1255771GT	93
1254594GT	159, 185	1255349GT	113	1255772GT	93
1254595GT	97	1255383GT	251	1255773GT	93
1254628GT	251	1255385GT	59	1255797GT	237
1254629GT	253	1255451GT	195	1255802GT	55, 59
1254630GT	251	1255452GT	49, 245, 247	1255803GT	251
1254631GT	253	1255469GT	89, 131	1255805GT	113, 131, 147, 153, 163, 165...
1254632GT	153	1255513GT	51	1255806GT	171, 191, 195
1254652GT	101, 109	1255537GT	191, 195	1255826GT	149
1254654GT	159, 185	1255555GT	121	1255829GT	143, 151
1254707GT	121	1255581GT	21, 23, 31, 35	1255831GT	145
1254718GT	93	1255582GT	25, 35	1255832GT	115, 219
1254728GT	93	1255649GT	123	1255889GT	353
1254796GT	83	1255653GT	153	1255890GT	353
1254797GT	83	1255665GT	193	1255894GT	165
1254804GT	269	1255666GT	165, 193	1256054GT	113
1254817GT	239	1255692GT	169	1256106GT	247
1254823GT	169, 197	1255703GT	43	1256111GT	225, 229
1254858GT	115	1255704GT	49, 59	1256124GT	83, 243, 321
1255018GT	353	1255705GT	43, 59	1256127GT	251, 259
1255019GT	353	1255706GT	49, 59	1256131GT	153
1255020GT	353	1255710GT	43, 61	1256132GT	153
1255021GT	353	1255711GT	51	1256144GT	251
1255022GT	353	1255712GT	295	1256160GT	113
1255023GT	353	1255713GT	43	1256161GT	113
1255024GT	353	1255714GT	67	1256165GT	195
1255025GT	353	1255715GT	65	1256168GT	93
1255027GT	353	1255720GT	91	1256169GT	93, 179, 181, 199

<u>Part no.</u>	<u>Page Number</u>	<u>Part no.</u>	<u>Page Number</u>	<u>Part no.</u>	<u>Page Number</u>
1256170GT	91	1256670GT	291	1257862GT	295
1256171GT	103, 111, 255	1256678GT	379	1257865GT	65, 67
1256172GT	91	1256679GT	103, 111	1257867GT	257
1256175GT	85, 87, 115	1256776GT	173, 199	1257868GT	363
1256177GT	243, 247	1256803GT	239	1257869GT	363
1256179GT	113, 247	1256804GT	117, 379	1257957GT	143
1256180GT	261	1256822GT	271	1257958GT	145
1256182GT	59, 91	1256851GT	351	1257961GT	173, 199
1256184GT	231, 237	1256855	99, 105, 179, 373	1258007GT	27, 39
1256267GT	49, 51, 59	1256855GT	265	1258051GT	25, 35
1256283GT	131, 141, 153, 173, 213	1256856GT	351	1258174GT	21, 25, 33, 35
1256291GT	225, 231	1256859GT	357	1258175GT	25, 35
1256347GT	27, 39	1256863GT	345	1258176GT	21, 25, 33, 35
1256377GT	351	1256917GT	239	1258177GT	25, 35
1256378GT	351	1256922GT	243, 249	1258411GT	121
1256379GT	351	1257038GT	103, 111	1258471GT	21, 101, 109
1256380GT	351	1257076GT	151, 295	1258547GT	339
1256389GT	351	1257077GT	295	1258548GT	339
1256392GT	113	1257078GT	47, 59	1258567GT	13
1256393GT	113	1257231GT	171	1258616GT	29
1256394GT	113	1257248GT	265	1258641GT	195
1256400FRGT	351	1257249GT	265	1258681GT	49
1256400GT	351	1257264GT	347	1258712GT	339
1256425GT	35, 41	1257267GT	225, 241	1258713GT	339
1256439GT	351	1257268GT	225	1258730GT	235
1256455GT	145	1257292GT	227, 231, 235	1258768GT	99, 105
1256460GT	265	1257293GT	225, 231, 235	1258771GT	195, 217
1256467GT	173, 199, 295	1257296GT	335	1258809GT	123
1256468GT	361	1257389GT	355	1258810GT	123
1256481GT	351	1257390GT	335	1258811GT	123
1256575GT	143	1257402GT	337	1258824GT	145
1256577GT	143, 147	1257410GT	99, 107	1258913GT	83
1256599GT	171	1257421GT	167	1258914GT	83
1256607GT	113	1257454GT	85	1258915GT	123
1256611GT	115	1257470GT	49	1258927GT	375
1256612GT	115	1257658GT	21, 25, 31, 35	1258928GT	375
1256613GT	115	1257659GT	21, 25, 31, 35	1258933GT	375
1256614GT	85, 87	1257660GT	31	1258934GT	375
1256652GT	119	1257661GT	41	1258955GT	21, 25
1256653GT	119	1257662GT	251	1259102GT	195
1256662GT	379	1257705GT	137, 145	1259226GT	377
1256663GT	379	1257733GT	13	1259227GT	377

<u>Part no.</u>	<u>Page Number</u>	<u>Part no.</u>	<u>Page Number</u>	<u>Part no.</u>	<u>Page Number</u>
1259228GT	381	1260120GT	287	1261392GT	71
1259229GT	379	1260121GT	283	1261393GT	71
1259230GT	379	1260123GT	289	1261394GT	71
1259231GT	377	1260124GT	289	1261452GT	377
1259240GT	377	1260125GT	289	1261453GT	377
1259241GT	377	1260126GT	289	1261554GT	235
1259242GT	377	1260127GT	289	1261563GT	235
1259243GT	377	1260128GT	283	1261566GT	97, 107, 269
1259244GT	377	1260129GT	283	1261606GT	251
1259250GT	377	1260130GT	283	1261662GT	379
1259310GT	105	1260132GT	289	1261663GT	381
1259311GT	105	1260133GT	283	1261664GT	381
1259312GT	97	1260134GT	283	1261665GT	381
1259313GT	97	1260136GT	283, 287	1261666GT	379
1259314GT	97	1260357GT	161, 187	1261667GT	381
1259315GT	97	1260413GT	85, 87, 327	1261668GT	381
1259326GT	377	1260492GT	287	1261669GT	381
1259328GT	343	1260494GT	287	1261670GT	381
1259329GT	343	1260623GT	125	1261725GT	103, 109
1259583GT	117, 379	1260892GT	351	1261787GT	235
1259584GT	117, 379	1260910GT	351	1261788GT	235
1259585GT	377	1261018GT	351	1261832GT	319
1259654GT	159, 185	1261019GT	351	1261833GT	319
1259660GT	161, 187	1261020GT	351	1261834GT	319
1259704GT	385	1261021GT	351	1261840GT	237
1259715GT	385	1261022GT	351	1261841GT	237
1259717GT	159	1261023GT	351	1261848GT	323
1259741GT	327	1261024GT	351	1261849GT	323
1259835GT	225, 241	1261025GT	351	1261851GT	323
1259860GT	333	1261145GT	123	1261852GT	323
1259914GT	97, 125	1261184GT	357, 361	1261920GT	199
1259915GT	97, 125	1261186GT	327	1261921GT	189
1259916GT	97, 125	1261187GT	325	1261925GT	197
1259917GT	97, 125	1261236GT	199	1261926GT	195
1259918GT	125	1261240GT	173, 199	1261928GT	195
1259930GT	241	1261277GT	113	1261984GT	75
1260057GT	179, 181	1261346GT	99, 107, 269	1262027GT	127
1260059GT	83	1261380GT	121	1262082GT	189
1260060GT	215	1261381GT	121	1262264GT	251
1260084GT	45, 51	1261389GT	71	1262265GT	251
1260116GT	283, 287, 289	1261390GT	71	1262319GT	181
1260118GT	283	1261391GT	71	1262407GT	233

<u>Part no.</u>	<u>Page Number</u>	<u>Part no.</u>	<u>Page Number</u>	<u>Part no.</u>	<u>Page Number</u>
1262469GT	135, 141	1263527GT	241	1267747GT	267
1262487GT	127	1263542GT	33, 35	1267807GT	219
1262585GT	135, 143	1263543GT	21, 25	1268010GT	189
1262668GT	177	1264047GT	299	1268013GT	113
1262678GT	91	1264048GT	299	1268151GT	121
1262760GT	189, 193	1264049GT	281	1268229GT	219
1262828GT	193	1264050GT	93	1268482GT	181
1262829GT	191	1264086GT	115	1268654GT	249
1262832GT	199	1264117GT	181	1268658GT	249
1262833GT	199	1264229GT	389	1268753GT	237
1262841GT	189	1264250GT	87	1268906GT	247
1262842GT	177, 191	1264251GT	83	1268909GT	237
1262866GT	15, 127, 161, 187	1264252GT	183	1268912GT	241
1262867GT	15, 127, 161, 187	1264261GT	339	1268938GT	191, 195
1262868GT	161, 185	1264282GT	389	1269001GT	237
1262870GT	159, 185	1264293GT	389	1269060GT	123
1262871GT	159, 185	1264294GT	389	1269351GT	241
1262872GT	159, 185	1264374GT	237	1269501GT	275
1262873GT	161, 187	1264495GT	245, 247	1269644GT	125
1262875GT	159, 185	1264496GT	243, 247	1269693GT	317
1262876GT	161, 187	1264497GT	389	1269759GT	345
1262877GT	161, 187	1264498GT	389	1270110GT	153
1262878GT	161, 187	1264499GT	389	1270116GT	353
1262881GT	161, 187	1264503GT	123	1270117GT	353
1262883GT	161, 187	1264539GT	271	1270118GT	353
1262890GT	159, 185	1264540GT	59	1270141GT	153
1262893GT	161, 187	1264541GT	43	1270149GT	247
1262894GT	161, 187	1264663GT	325	1270204GT	123
1262895GT	161, 187	1264677GT	325	1270206GT	123
1262896GT	159, 185	1264699GT	61	1270313GT	365, 371
1262897GT	159, 185	1264822GT	121	1270314GT	365
1262899GT	161, 187	1264834GT	121	1270316GT	367
1262914GT	183	1264894GT	201	1270346GT	43, 59
1262946GT	181	1264934GT	357	1270347GT	43, 59
1262950GT	181	1264969GT	83, 89	1270348GT	47
1263055GT	121	1265442GT	93	1270349GT	53
1263076GT	177	1265856GT	323	1270350GT	65
1263163GT	379	1266316GT	227, 229	1270351GT	67
1263164GT	379	1266534GT	377	1270570GT	387
1263187GT	75	1267121GT	27	1270571GT	387
1263197GT	177	1267653GT	87, 321	1270572GT	237
1263401GT	381	1267746GT	265	1270883GT	191

<u>Part no.</u>	<u>Page Number</u>	<u>Part no.</u>	<u>Page Number</u>	<u>Part no.</u>	<u>Page Number</u>
1270961GT	137	1274613GT	53, 63	1278368GT	357
1270994GT	365, 371	1274858GT	263	1278416GT	357
1271018GT	367, 371	1274859GT	263	1278433GT	357
1271019GT	365, 371	1274900GT	197	1278458GT	357
1271040GT	367, 371	1274901GT	333	1278542GT	357
1271049GT	113	1274902GT	333	1278708GT	13
1271061GT	367	1274903GT	333	1278709GT	13
1271077GT	387	1274904GT	333	1278790GT	365, 371
1271078GT	387	1275087GT	345	1278791GT	365
1271123GT	193	1275088GT	265	1278792GT	365
1271588GT	339	1275281GT	365	1278793GT	365, 369
1271652GT	15, 77	1275282GT	365	1278982GT	359
1272214GT	245	1275332GT	345	1279135GT	357
1272242GT	25, 37	1275401GT	263	1279243GT	365
1272280GT	29	1275402GT	263	1279244GT	365
1272281GT	19	1275403GT	263	1279271GT	133
1272282GT	29	1275404GT	263	1279631GT	161
1272283GT	19	1275537GT	353	1279653GT	161
1272284GT	41	1275538GT	355	1279765GT	387
1272285GT	31	1275539GT	353	1280402GT	137
1272286GT	41	1275540GT	355	1282204GT	365
1272287GT	31	1276926GT	213	1282205GT	365
1272303GT	263	1276988GT	325	1282206GT	365
1272304GT	263	1277873GT	357	1282207GT	365
1272307GT	267	1277875GT	357	1282390GT	365, 369
1272540GT	257	1277876GT	357	1283049GT	365
1272543GT	255	1277877GT	357	1283178GT	255, 257
1272624GT	159, 185	1277924GT	357, 365, 369, 373, 389	1283571GT	205
1272876GT	21, 25, 33, 37	1277952GT	387	1283572GT	205
1272877GT	27, 39	1277966GT	387	1283573GT	205
1272893GT	25, 37	1277968GT	203	1283574GT	205
1273006GT	125	1277969GT	203	1283575GT	205
1273053GT	227	1277974GT	159, 185	1283776GT	13
1273203GT	257	1277991GT	209	1283880GT	369
1273204GT	257	1278111GT	357	1284723GT	63
1273574GT	29, 41	1278119GT	357	1285420GT	13
1273578GT	29, 41	1278121GT	357	1285689GT	121
1273918GT	191	1278124GT	357	1285811GT	121
1273919GT	189	1278126GT	357	1285850GT	357
1274168GT	357	1278138GT	357	1286622GT	365
1274322GT	351, 359, 373	1278144GT	359	1287236GT	213
1274561GT	333	1278363GT	359	1287434GT	279

<u>Part no.</u>	<u>Page Number</u>	<u>Part no.</u>	<u>Page Number</u>	<u>Part no.</u>	<u>Page Number</u>
1287812GT	69	T112560GT	335		
1287813GT	69	T112561GT	335		
1288561GT	151	T112626GT	275		
1289520GT	391	T112773GT	29, 41		
1289521GT	87, 391	T114678GT	151		
1289522GT	391	T115352GT	337		
1289523GT	391				
1289552GT	265				
1289561GT	87, 391				
1289895GT	159, 185				
1290135GT	369				
1290891GT	369				
1290892GT	369				
1290893GT	369				
1290894GT	369				
1290895GT	369				
1290896GT	369				
1291427GT	371				
1291428GT	369				
1291429GT	369				
1291430GT	369				
1291495GT	387				
1291496GT	387				
1292198GT	391				
1294827GT	213				
1295334GT	131, 141, 153, 173, 213				
1298933GT	13				
1310157GT	57				
1313038GT	201				
1313039GT	201				
1313040GT	201				
1314265GT	143				
T107520GT	97				
T107521GT	97				
T108076GT	261				
T108077GT	261				
T108138GT	245, 249				
T108834GT	251				
T109328GT	377, 385				
T109332GT	383				
T109333GT	383				
T109334GT	383				

California Proposition 65

 **WARNING**

Operating, servicing and maintaining this equipment, passenger vehicle or off-highway motor vehicle can expose you to chemicals including engine exhaust, carbon monoxide, phthalates, and lead, which are known to the State of California to cause cancer and birth defects or other reproductive harm. These chemicals can be emitted from or contained in other various parts and systems, fluids and some component wear by-products. To minimize exposure, avoid breathing exhaust, do not idle the engine except as necessary, service your equipment and vehicle in a well-ventilated area and wear gloves or wash your hands frequently when servicing your equipment or vehicle and after operation. For more information go to www.P65Warnings.ca.gov/passenger-vehicle.

Breathing diesel engine exhaust exposes you to chemicals known to the State of California to cause cancer and birth defects or other reproductive harm.

- Always start and operate the engine in a well-ventilated area.
- If in an enclosed area, vent the exhaust to the outside.
- Do not modify or tamper with the exhaust system.
- Do not idle the engine except as necessary.

For more information go to www.P65warnings.ca.gov/diesel.

www.genielift.com

Distributed By: