



A TEREX BRAND

Parts Manual

Serial Number Range

Z-51/30J

from SN Z5130M-3501

Part No. 1304442GT
Rev: A
July 2020

Technical Publications

Genie has endeavored to deliver the highest degree of accuracy possible. However, continuous improvement of our products is a Genie policy.

Therefore, product specifications are subject to change without notice.

Readers are encouraged to notify Genie of errors and send in suggestions for improvement. All communications will be carefully considered for future printings of this and all other manuals.

Contact Us:

www.genielift.com

e-mail: awp.techpub@terex.com


Find additional Manuals for this Model

Go to <http://www.genielift.com>

Use the links to locate Operator's, Parts, Maintenance, and Service and Repair Manuals.

Copyright © 2020 by Terex Corporation
1304442GT Rev A July 2020
First Edition, First Printing

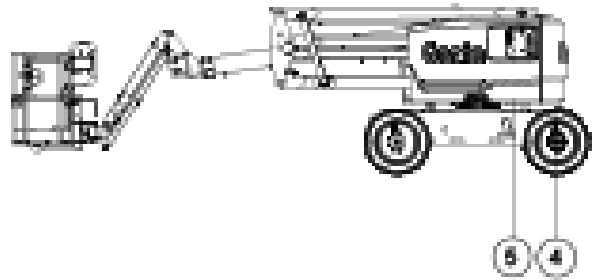
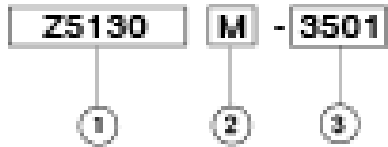
Genie is a registered trademark of Terex South Dakota Inc. in the USA and many other countries.

 Printed on recycled paper

Genie
A TEREX BRAND

Model: Z-51/30J
Serial Number: Z5130M-3501
Year of manufacture: 2020
Electrical Schematic Number: ESxxxx
Machine unladen weight:
Rated work load (including occupants):
Maximum number of platform occupants:
Maximum allowable side force:
Maximum allowable inclination of the chassis:
Maximum wind speed:
Maximum platform height:
Maximum platform reach:
Gradeability:
Country of manufacture: ITALY
This machine complies with:
EN 280

TEREX Global GmbH
Muhlenstrasse 28
8200 Schaffhausen
Switzerland



- 1 Model
- 2 Facility code
- 3 Sequence number

- 4 Serial label (stamped on chassis)
- 5 Serial number (located under cover)

How to Order Parts

Please be prepared with the following information when ordering replacement parts for your Terex or Genie product.

- Machine model number
- Machine serial number
- Part number
- Part description and quantity
- Purchase order number
- "Ship to" address
- Desired method of shipment
- Name and telephone number of the authorized distributor in your area

Use the Service Parts Fax Order Form on the next page and fax your order to our Parts Department.

If you don't know the name of your authorized distributor, or if your area is not currently serviced by an authorized distributor, please call Terex or Genie Industries.

Machine Information

Model

Serial Number

Date of Purchase

Authorized Genie Distributor

Phone Number

North America

Telephone (425)881-1800

Toll Free (800)536-1800 in US and Canada

Fax (425)556-8659

Toll Free fax (888)274-6192

Email AWP.PartsSalesPO@terex.com

<http://genielift.com/en>

EMEAR (Europe, Middle East, Africa and Russia)

Telephone (31)(165)519 313

Fax (31)(165)511 148

<http://genielift.co.uk>

Asia Pacific (Genie Singapore)

Telephone +65 6692 7777

Fax +65 6261 8893

<http://genielift.com.sg/>

Australia

Telephone (61)(7)3456 4444

Fax (61)(7)3456 4466

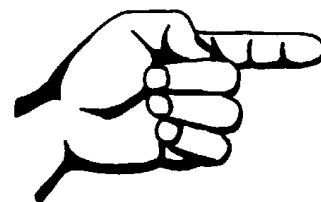
<http://genielift.com.au>

South America

Telephone (55)(11)4082 5600

Fax (55)(11)4082 5630

Please refer to section 001 for the Recommended
Spare Parts List.



This page intentionally left blank.



Service Parts Fax Order Form

Fax to: (425) 556-8659 or Toll Free: 888-274-6192
International: +1-425-556-8659

Please fill out completely

Date _____ Account Number _____
Your Name _____ Your Fax Number _____
_____ Your Phone Number _____
Bill To _____ Ship To _____

Purchase Order Number _____ Ship Via _____

Model(s) _____ Serial No.(s) _____

Optional Equipment _____

Table with 4 columns: Part Number, Description, Quantity, Price. Multiple empty rows for data entry.

All back-ordered parts will be shipped when available via the same ship method as the original order unless Noted below:

- Ship complete order only - No back orders
Ship all available parts and contact customer on disposition of back-ordered parts
Other (please specify)

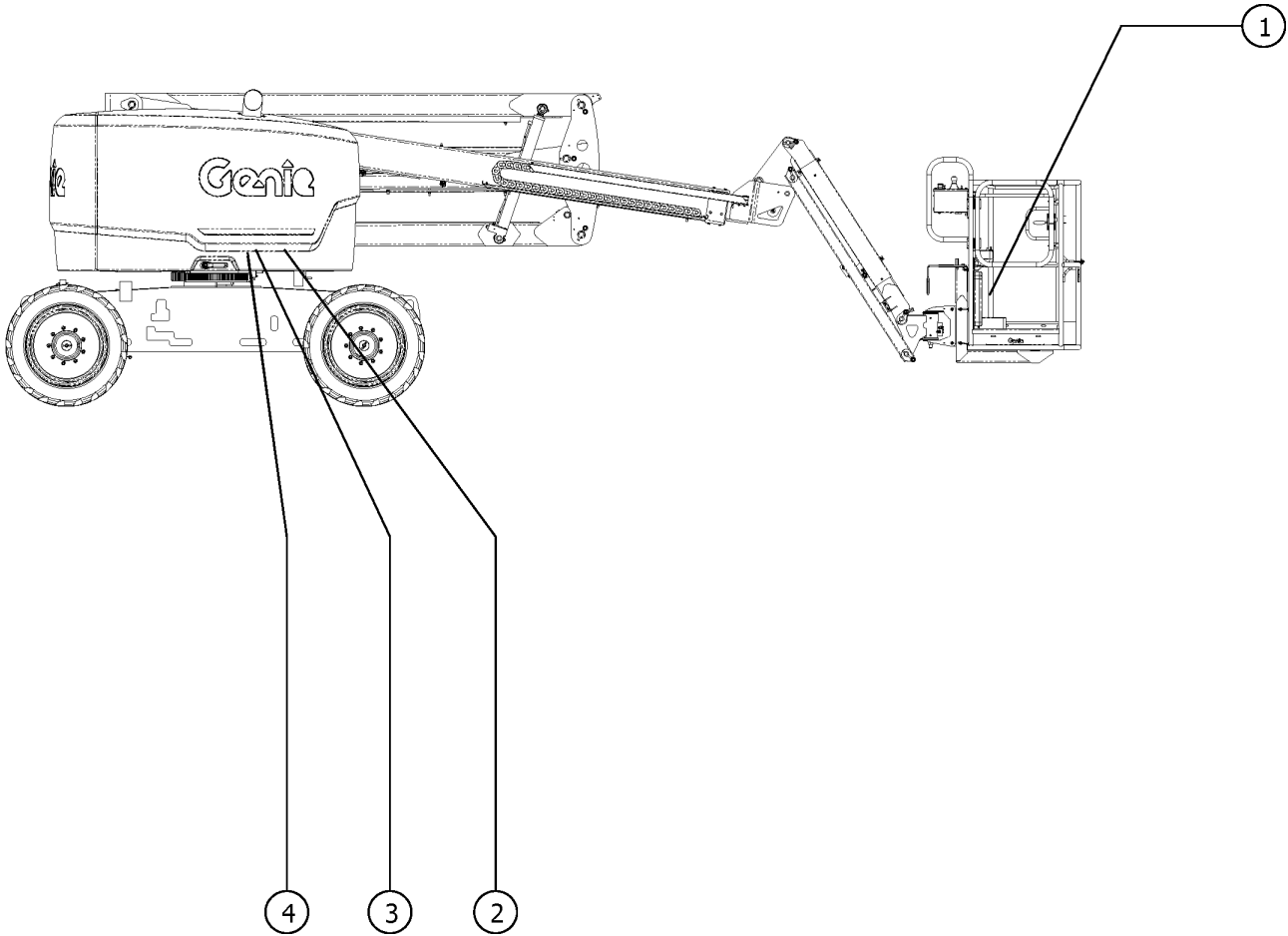


| Description | Page |
|--|-------------|
| 001 Parts Stocking List | 10 |
| 001.1 Parts Stocking List | 10 |
| 100 Decals | 14 |
| 101.1 Decals with Word, Hydraulic Tank Side | 14 |
| 102.1 Decals with Word, Engine Side | 16 |
| 103.1 Decals with Word, Platform | 18 |
| 104.1 Decals with Symbol, Hydraulic Tank Side | 20 |
| 105.1 Decals with Symbol, Engine Side | 24 |
| 106.1 Decals with Symbol, Platform | 26 |
| 200 Drive Chassis Components..... | 28 |
| 201.1 Steer-end Wheels and Hubs | 28 |
| 202.1 Steer Axle Linkage | 32 |
| 203.1 Non-steer End Wheels and Hubs..... | 36 |
| 204.1 Non-steer Axle Installation..... | 38 |
| 205.1 Oscillate Valve Installation | 40 |
| 300 Turntable Components..... | 42 |
| 301.1 Turntable Rotator | 42 |
| 302.1 Fuel and Hydraulic Tank Installation | 44 |
| 303.1 Diesel Fuel Tank | 48 |
| 304.1 Function Manifold and Ground Control Box Installation..... | 50 |
| 305.1 Turntable Cover, Engine Side | 52 |
| 306.1 Turntable Cover, Tank Side | 56 |
| 307.1 Ground Control Box, View 1 (For Deutz D2011L03i)..... | 58 |
| 307.2 Ground Control Box, View 1 (For Deutz TD 2.2 L3) | 62 |
| 308.1 Ground Control Box, View 2 (For Deutz D2011L03i)..... | 66 |
| 308.2 Ground Control Box, View 2 (For Deutz TD 2.2 L3) | 70 |
| 309.1 Turntable Counterweight | 72 |
| 310.1 Wire Harness Diagram | 74 |
| 400 Engine Components | 78 |
| 401.1 Deutz D2011L03i Engine, View 1 | 78 |
| 402.1 Deutz D2011L03i Engine, View 2 | 84 |
| 403.1 Engine, TD 2.2 L3 - View 1 | 88 |
| 404.1 Engine, TD 2.2 L3, DPF - View 2 | 90 |
| 405.1 Engine, TD 2.2 L3 - View 3 | 94 |
| 406.1 Engine, TD 2.2 L3 - View 4 | 96 |
| 407.1 Engine Tray..... | 102 |

Table of Contents

| Description | Page |
|---|-------------|
| 500 Boom Components | 108 |
| 501.1 Boom Pins and Bearings | 108 |
| 502.1 Boom Linkage | 110 |
| 503.1 Upper Pivot Components | 114 |
| 504.1 Primary and Extension Booms | 118 |
| 505.1 Cable Track Installation | 122 |
| 506.1 Jib Boom and Platform Leveling | 124 |
| 507.1 Platform Rotator and Support | 128 |
| 508.1 Platform Overload | 130 |
| 600 Platform Components | 132 |
| 601.1 Platform Components | 132 |
| 602.1 Platform Control Box, View 1 | 136 |
| 602.2 Platform Control Box, View 1 (Deutz TD 2.2 L3 Engine Model) | 142 |
| 603.1 Platform Control Box, View 2 | 146 |
| 603.2 Platform Control Box, View 2 (Deutz TD 2.2 Engine Model) | 148 |
| 604.1 Joystick | 150 |
| 700 Hydraulic Components | 152 |
| 701.1 4WD Traction Manifold | 152 |
| 702.1 Function Manifold | 156 |
| 703.1 Jib and Platform Rotate Manifolds | 162 |
| 704.1 Hydraulic Pumps | 164 |
| 705.1 Chassis and Turntable, View 1 | 168 |
| 706.1 Chassis and Turntable, View 2 | 172 |
| 707.1 Boom and Platform | 174 |
| 708.1 Boom and Platform | 178 |
| 800 Accessories | 180 |
| 801.1 Alarm and Beacon Package | 180 |
| 802.1 Platform Options | 182 |
| 803.1.Traveling Fall Arrest Anchor System | 186 |
| 804.1 Air Line to Platform | 188 |
| 805.1 Lift Guard Contact Alarm | 190 |
| 806.1 Telematics | 194 |
| 807.1 Half Mesh and Swing Gate | 196 |
| 808.1 3K Hydraulic Generator Option | 198 |
| 809.1 Power To Platform RCBO | 202 |
| 811.1 Oil Cooler | 204 |
| Part Number Index | 206 |

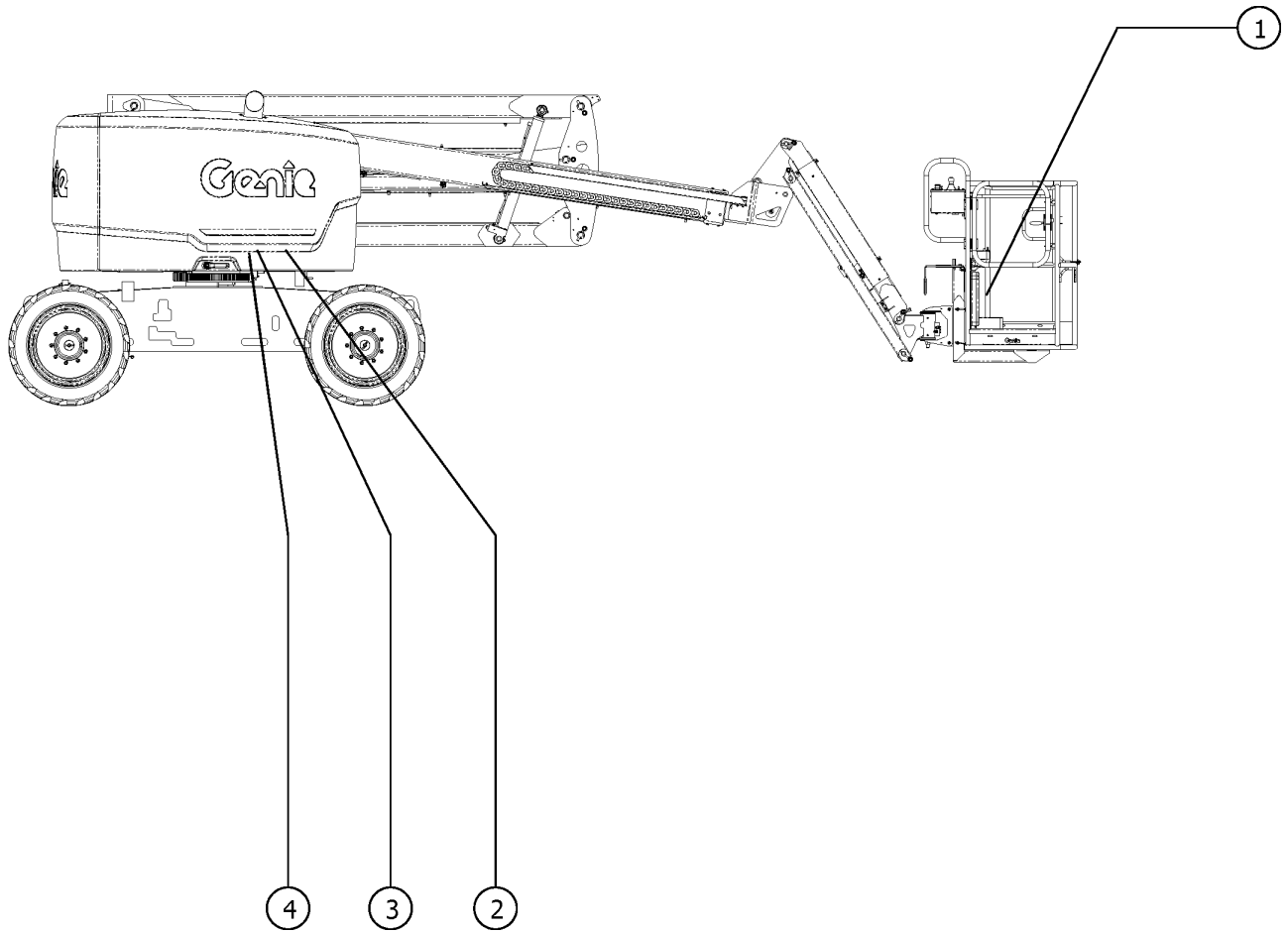
001.1 Parts Stocking List



| Item | Part No. | Description | Qty. |
|------|-----------|---|------|
| A | | — GENERAL SERVICE PARTS — | |
| A- | 1257733GT | PAINT,WET,TRAFFIC BLACK (1 GL)** 1-gallon | |
| A- | 1258567GT | PAINT, AEROSOL, TRAFFIC BLACK 12-ounce spray paint | |
| A- | 1484GT | PAINT,AEROSOL,BRIGHT BLUE*** 12-ounce spray paint | |
| A- | 1268GT | PAINT,AEROSOL,GENIE GRAY*** 12-ounce spray paint | |
| A- | 32150GT | PAINT,WET,GENIE BLUE (1 GL)** 1-gallon | |
| A- | 32151GT | PAINT,WET,GENIE GRAY (1 GL)** 1-gallon | |
| A- | 54627GT | NUT,LUG,5/8-18 X 90 DEGREE,Z45 (refer to 203.1) | |
| A- | 66399GT | GREASE,DIELECTRIC 4 OZ** | |
| A- | 1283776GT | SEAL MARKER,CROSS CHECK,BLUE,TUBE | |
| A- | 93500GT | PARKER DIGITAL PRESSURE GAUGE | |
| A- | 49613GT | PLUG AND CAP KIT-SERVICE,ORFS* Plug and cap kit, ORFS* | |
| 1 | | — MANUALS — | |
| 1- | 27581GT | MANUAL,AEM SAFETY | |
| 1- | 31779GT | MANUAL,RESPON,A92.5 BOOM | |
| 2 | | — HYDRAULIC FILTER — | |
| 2- | 1268229GT | ELEMENT-5 MIC, PAPER, W/BYPASS All Models | |
| 3 | | — DEUTZ D2011L03i PARTS — | |
| 3- | 77353GT | KIT,ELEMENT** (refer to figure 302.1) | |
| 3- | 62420GT | FILTER,AIR*** (refer to figure 401.1) | |
| 3- | 29560GT | FILTER,FUEL/WTR SEP, DTZ 1008 (refer to figure 402.1) | |
| 3- | 49924GT | FILTER,OIL,DEUTZ F4L1011F (refer to figure 402.1) | |
| 4 | | — DEUTZ TD 2.2 L3 PARTS — | |
| 4- | 77353GT | KIT,ELEMENT** (refer to figure 302.1) | |



001.1 Parts Stocking List

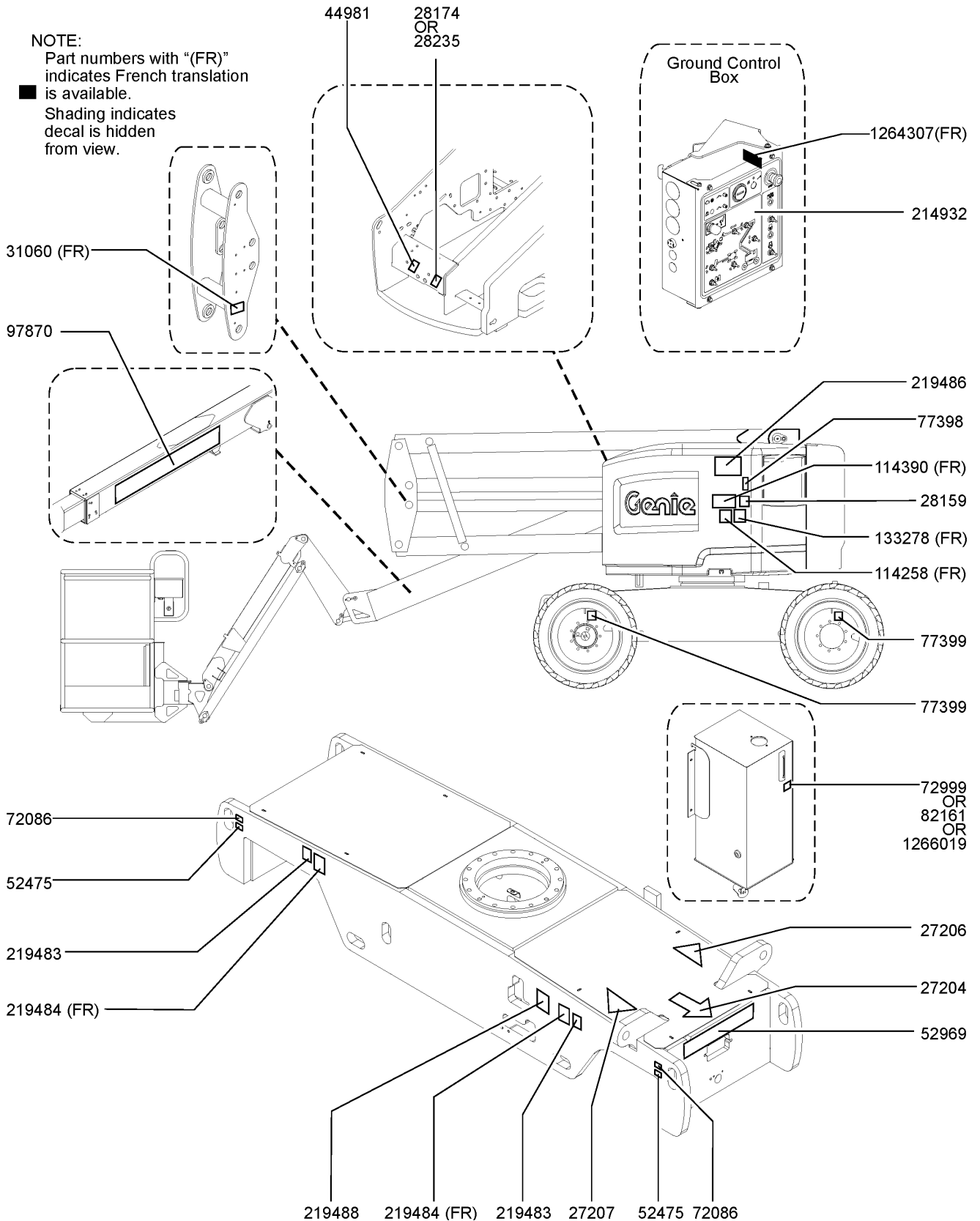


| <i>Item</i> | <i>Part No.</i> | <i>Description</i> | <i>Qty.</i> |
|-------------|-----------------|---|-------------|
| 4- | 62420GT | FILTER,AIR*** (refer to figure 406.1) | |
| 4- | 1261236GT | ASSY,FUEL FILTER,DEUTZ 2.9 (refer to figure 406.1) | |
| 4- | 49924GT | FILTER,OIL,DEUTZ F4L1011F (refer to figure 405.1) | |



101.1 Decals with Word, Hydraulic Tank Side

NOTE:
 Part numbers with "(FR)" indicates French translation is available.
 ■ Shading indicates decal is hidden from view.

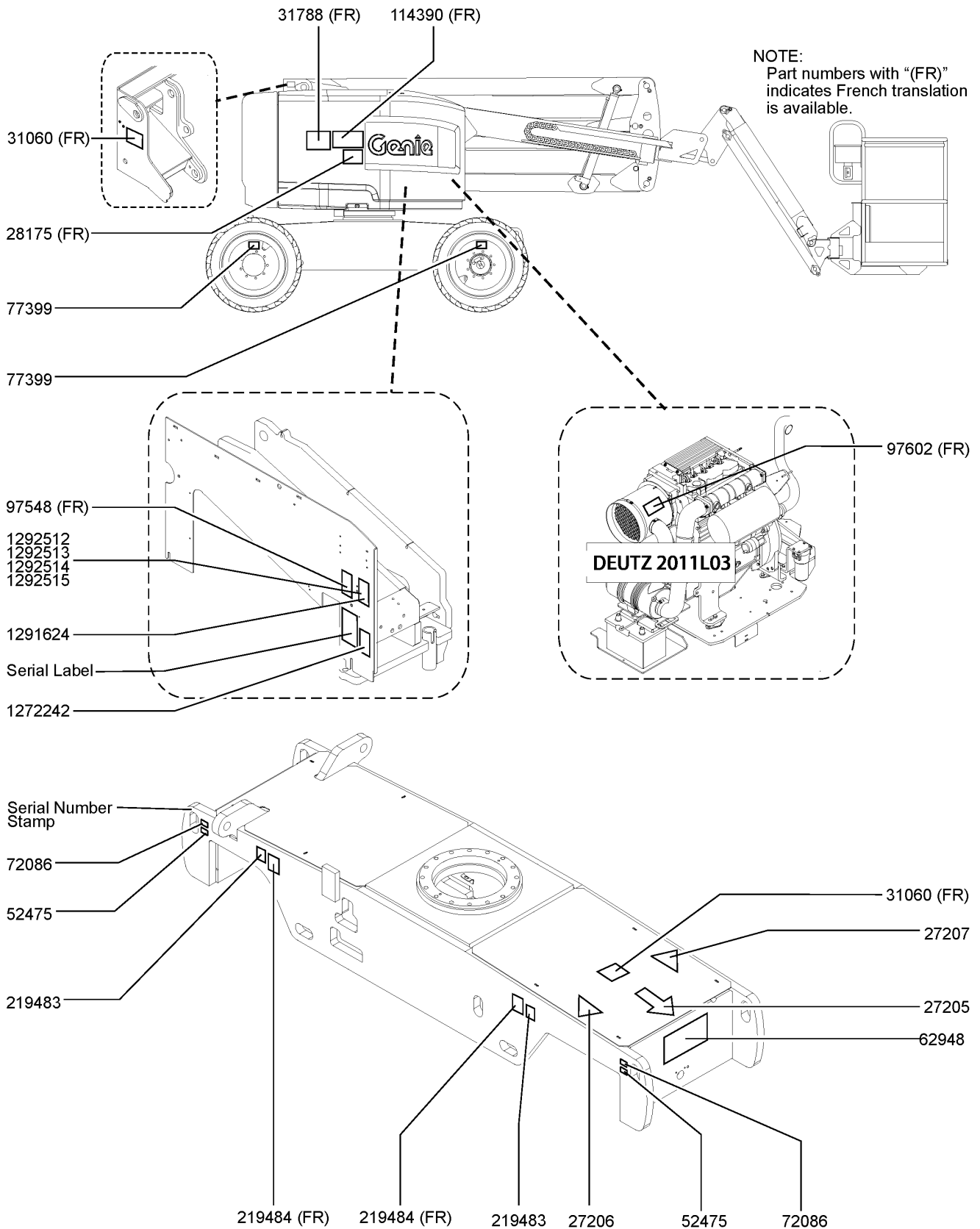


101.1 Decals with Word, Hydraulic Tank Side

| Item | Part No. | Description | Qty. |
|------|-----------|---|------|
| A | 160759GT | DECAL KIT,Z45 COMP,WRD,AUS Complete Decal Kit, AUS | |
| B | 160762GT | DECAL KIT,Z45&Z51 PLAT,WRD,AUS Platform Decal Kit, AUS | |
| 1 | 27204GT | DECAL,ARROW BLUE | 1 |
| 2 | 27206GT | DECAL,TRIANGLE,BLUE | 1 |
| 3 | 27207GT | DECAL,TRIANGLE,YELLOW | 1 |
| 4 | 28159GT | DECAL,LABEL,DIESEL FUEL | 1 |
| 5 | 28174GT | DECAL, POWER TO PLATFORM 230V** | 1 |
| 6 | 28235GT | DECAL, POWER TO PLATFORM 115V** | 1 |
| 7 | 31060GT | DECAL,DANGER DO NOT ALTER SWTC | 1 |
| 8 | 44981GT | DECAL,LABEL,AIR LINE 110 PSI (option) | 1 |
| 9 | 52475GT | DECAL,LABEL,TRANSPORT TIEDOWN* | 2 |
| 10 | 52969GT | DECAL,COSMETIC,GENIE BOOM,HORZ | 1 |
| 11 | 72086GT | DECAL,LABEL,LIFTING EYE | 2 |
| 12 | 72999GT | DECAL,LABEL,PETRO CANADA*** | 1 |
| 13 | 77398GT | DECAL,TIRE SEALANT,3.25 X 7.5 | 1 |
| 14 | 77399GT | DECAL,TIRE SEALANT,1.5 X 1.5 | 2 |
| 15 | 82161GT | DECAL,LABEL,UCON HYDROLUBE | 1 |
| 16 | 1266019GT | DECAL, LABEL, SHELL TELLUS models with Shell Tellus | 1 |
| 17 | 97870GT | DECAL,COSMETIC,GENIE Z-51/30J | 1 |
| 18 | 114258GT | DECAL,DANGER,NO SMOKING | 1 |
| 19 | 114390GT | DECAL,DANGER,ELECT HAZARD*** | 1 |
| 20 | 133278GT | DECAL,LOW/ULTRA LOW SULFR FUEL | 1 |
| 21 | 214932GT | DECAL,GROUND CONTROL PANEL | 1 |
| 22 | 219483GT | DECAL,LABEL,WHEEL LOAD Z-51 | 2 |
| 23 | 219484GT | DECAL,DANGER,TIP,FOAM TIRES | 2 |
| 24 | 219486GT | DECAL,OP INST,GROUND,AUS | 1 |
| 25 | 219488GT | DECAL,TRANSPORT/LIFT DIAGRAM | 1 |
| 26 | 1264307GT | DECAL,LABEL,RELAYS,Z45IC,Z51 | 1 |



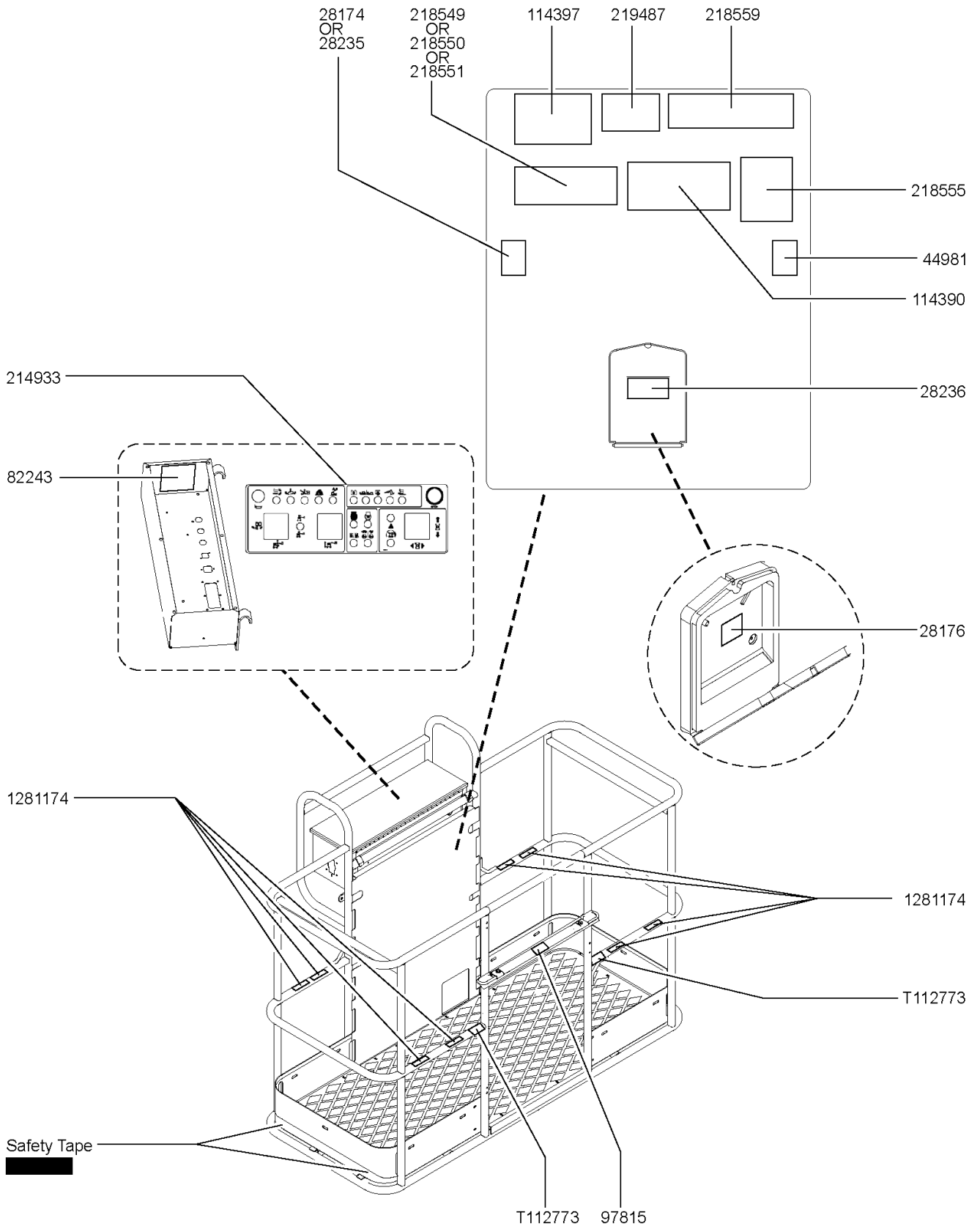
102.1 Decals with Word, Engine Side



| <i>Item</i> | <i>Part No.</i> | <i>Description</i> | <i>Qty.</i> |
|-------------|-----------------|---|-------------|
| 1 | 27205GT | DECAL,ARROW YELLOW LRG 9" | 1 |
| 2 | 27206GT | DECAL,TRIANGLE,BLUE | 1 |
| 3 | 27207GT | DECAL,TRIANGLE,YELLOW | 1 |
| 4 | 28175GT | DECAL,WARNING-COMPART ACCESS | 1 |
| 5 | 31060GT | DECAL,DANGER DO NOT ALTER SWTC | 2 |
| 6 | 31788GT | DECAL,DANGER,BATTERY SAFETY*** | 1 |
| 7 | 52475GT | DECAL,LABEL,TRANSPORT TIEDOWN* | 2 |
| 8 | 62948GT | DECAL,COSMETIC,IC POWER 4 X 4 | 1 |
| 9 | 72086GT | DECAL,LABEL,LIFTING EYE | 2 |
| 10 | 77399GT | DECAL,TIRE SEALANT,1.5 X 1.5 | 2 |
| 11 | 97548GT | DECAL,ENGINE SPEC,DEUTZ 2011 | 1 |
| 12 | 97602GT | DECAL,EXPLOSION HAZARD | 1 |
| 13 | 114390GT | DECAL,DANGER,ELECT HAZARD*** | 1 |
| 14 | 219483GT | DECAL,LABEL,WHEEL LOAD Z-51 | 2 |
| 15 | 219484GT | DECAL,DANGER,TIP,FOAM TIRES | 2 |
| 16 | 1272242GT | DECAL,MACHINE REGISTRATION/OWNER TRANSFER | 1 |
| 17 | 1291624GT | DECAL COSM,GENIE LIFT CONNECT,LEXAN COVER | 1 |
| 18 | 1292512GT | DECAL COSM,GENIE LIFT CONNECT,ESN,SKU4-1 | 1 |
| 19 | 1292513GT | DECAL COSM,GENIE LIFT CONNECT,ESN,SKU4-2 | 1 |
| 20 | 1292514GT | DECAL COSM,GENIE LIFT CONNECT,ESN,SKU4-3 | 1 |
| 21 | 1292515GT | DECAL COSM,GENIE LIFT CONNECT,ESN,SKU4-4 | 1 |



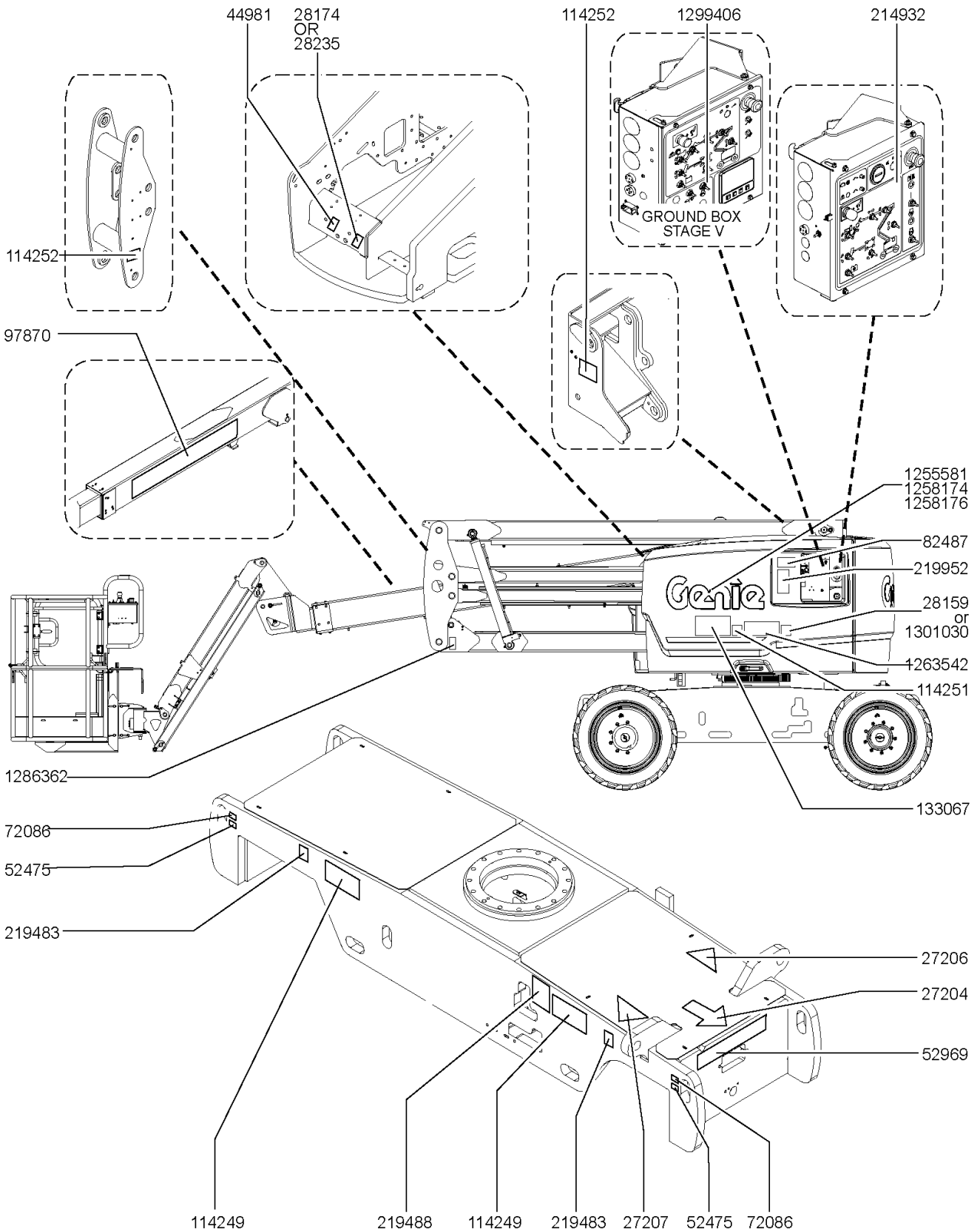
103.1 Decals with Word, Platform



| Item | Part No. | Description | Qty. |
|------|-----------|--|------|
| 1 | 28174GT | DECAL, POWER TO PLATFORM 230V** | 1 |
| 2 | 28176GT | DECAL,LABEL,MANUAL NOT HERE | 1 |
| 3 | 28235GT | DECAL, POWER TO PLATFORM 115V** | 1 |
| 4 | 28236GT | DECAL,WARN,IMPROPER OPERATION | 1 |
| 5 | 33550GT | TAPE,WARNING,BLK/YEL, 50**** (sold by the roll. 648" per roll) (Required to be installed at base of platform toeboard for Australian market) | |
| 6 | 1281174GT | DECAL,LANYARD,FALL ARREST/FALL RESTRAINED | 8 |
| 7 | 44981GT | DECAL,LABEL,AIR LINE 110 PSI | 1 |
| 8 | 82243GT | DECAL FAULT CODE | 1 |
| 9 | 97815GT | DECAL,LABEL,LOWER MIDRAIL | 1 |
| 10 | 114390GT | DECAL,DANGER,ELECT HAZARD*** | 1 |
| 11 | 114397GT | DECAL,DANGER,TILT ALARM | 1 |
| 12 | 214933GT | DECAL,PLATFORM CONTROL PANEL | 1 |
| | | models with round hourmeter | |
| 13 | 218549GT | DECAL,DANGER,CAP,ANSI WORD | |
| 14 | 218550GT | DECAL,DANGER,CAP,AUS WORD | 1 |
| 15 | 218551GT | DECAL,DANGER,CAP,ANSI WORD 440 | |
| | | Option | |
| 16 | 218555GT | DECAL,WARNING,RUNAWAY MACHINE | 1 |
| 17 | 218559GT | DECAL,DANGER/WARNING COMBO | 1 |
| 18 | 219487GT | DECAL,PLATFORM OVERLOAD | 1 |
| 19 | T112773GT | TAPE, PROTECTIVE MASK | 2 |



104.1 Decals with Symbol, Hydraulic Tank Side

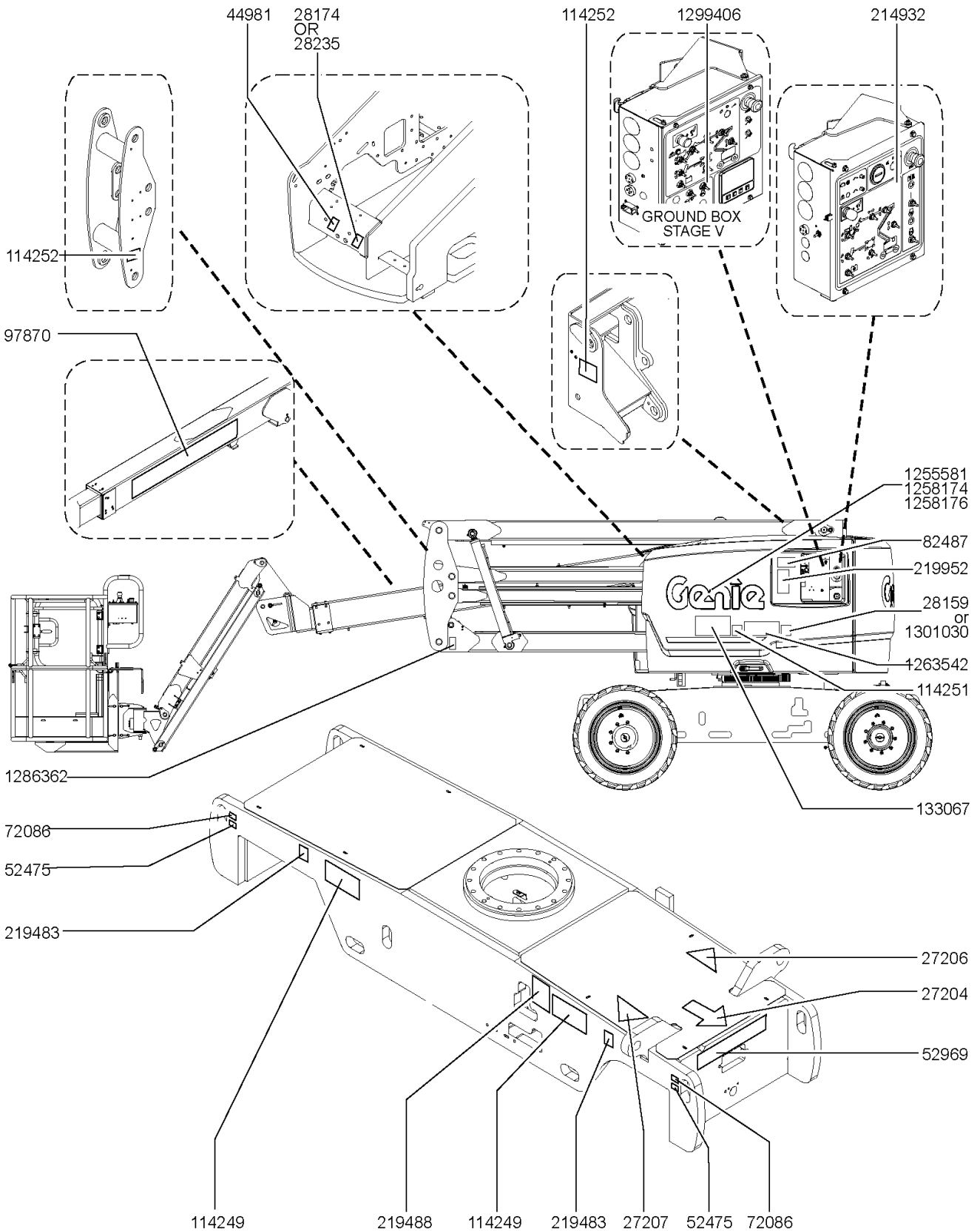


104.1 Decals with Symbol, Hydraulic Tank Side

| Item | Part No. | Description | Qty. |
|------|-----------|---|------|
| A | 160768GT | DECAL KIT,Z45 COMP,SYM,CE Complete Decal Kit, CE | |
| B | 160770GT | DECAL KIT,Z45 PLAT,SYM,CE Platform Decal Kit, CE | |
| 1 | 27204GT | DECAL,ARROW BLUE | 1 |
| 2 | 27206GT | DECAL,TRIANGLE,BLUE | 1 |
| 3 | 27207GT | DECAL,TRIANGLE,YELLOW | 1 |
| 4 | 28159GT | DECAL,LABEL,DIESEL FUEL | 1 |
| 4 | 1301030GT | DECAL, LABEL, ULSD DIESEL FUEL Deutz TD 2.2 L3 | 1 |
| 5 | 28174GT | DECAL, POWER TO PLATFORM 230V** | 1 |
| 6 | 28235GT | DECAL, POWER TO PLATFORM 115V** | 1 |
| 7 | 44981GT | DECAL,LABEL,AIR LINE 110 PSI (option) | 1 |
| 8 | 52475GT | DECAL,LABEL,TRANSPORT TIEDOWN* | 2 |
| 9 | 52969GT | DECAL,COSMETIC,GENIE BOOM,HORZ | 1 |
| 10 | 72086GT | DECAL,LABEL,LIFTING EYE | 2 |
| 11 | 82487GT | DECAL, SYMBOL - READ THE MANUAL | 1 |
| 12 | 97870GT | DECAL,COSMETIC,GENIE Z-51/30J | 1 |
| 13 | 114249GT | DECAL,LABEL,TIPOVER,TIRES,SYMB | 2 |
| 14 | 114251GT | DECAL,LABEL,NO SMOKING,SYMB | 1 |
| 15 | 114252GT | DECAL,LABEL,TIP OVER LMT SWTCH | 2 |
| 16 | 133067GT | DECAL,DANGER,ELEC.HAZ.STAY CLR | 1 |
| 17 | 214932GT | DECAL,GROUND CONTROL PANEL | 1 |
| 18 | 219483GT | DECAL,LABEL,WHEEL LOAD Z-51 | 2 |
| 19 | 219488GT | DECAL,TRANSPORT/LIFT DIAGRAM | 1 |
| 20 | 219952GT | DECAL,EMERGENCY LOWERING | 1 |
| 21 | 1263542GT | DECAL, COMPARTMENT ACCESS | 1 |
| 22 | 1286362GT | DECAL, BOOM SUPPORT, SYMBOL | 1 |
| 23 | 1299406GT | LABEL, GBOX Z45/51 | 1 |
| 24 | 1255581GT | DECAL COSMETIC,10" GENIE BLUE | 1 |
| 24 | 1258174GT | DECAL COSMETIC,10" GENIE WHITE | 1 |



104.1 Decals with Symbol, Hydraulic Tank Side

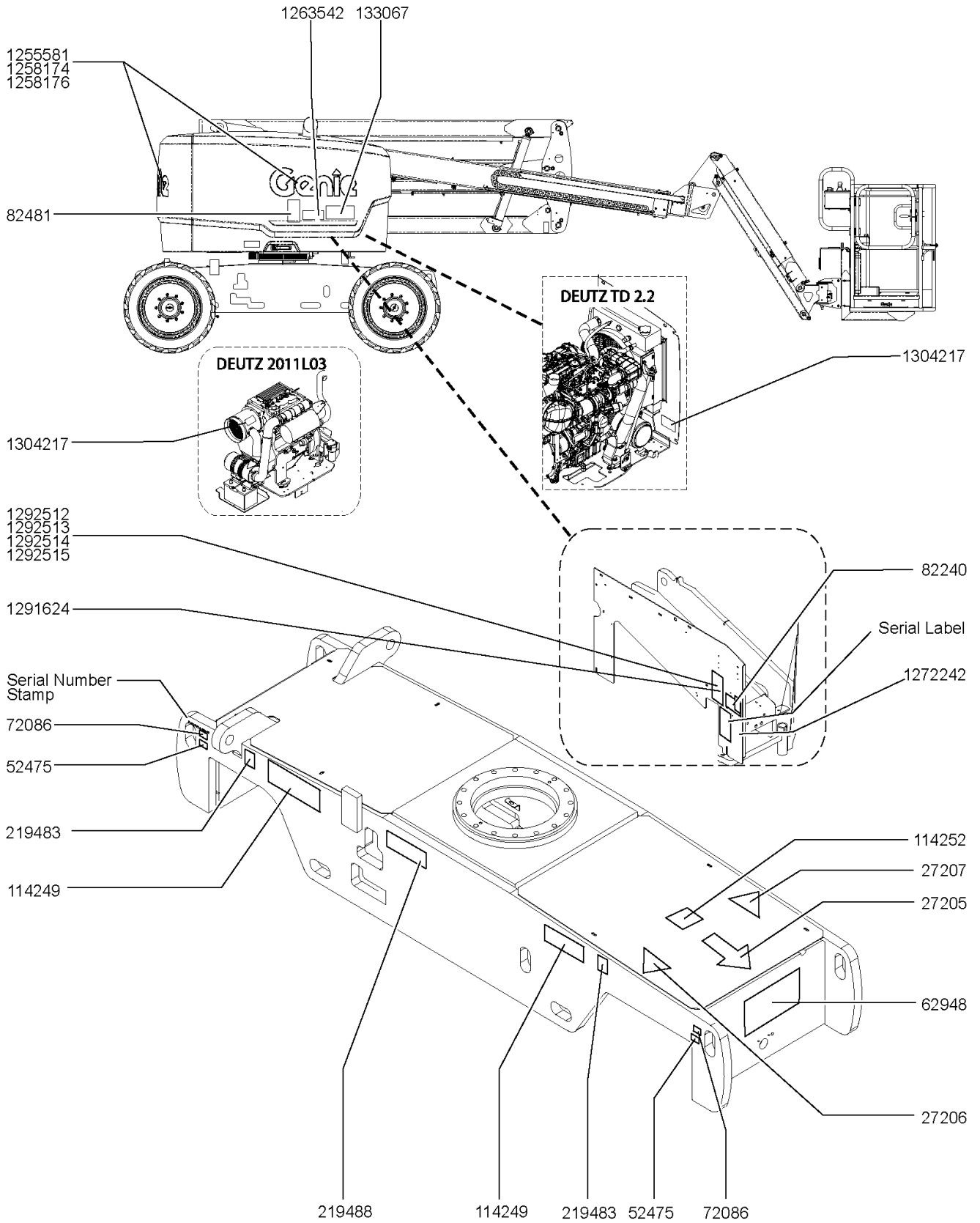


104.1 Decals with Symbol, Hydraulic Tank Side

| <i>Item</i> | <i>Part No.</i> | <i>Description</i> | <i>Qty.</i> |
|-------------|-----------------|--------------------------------------|-------------|
| 24 | 1258176GT | DECAL COSMETIC,10" GENIE BLACK | 1 |



105.1 Decals with Symbol, Engine Side

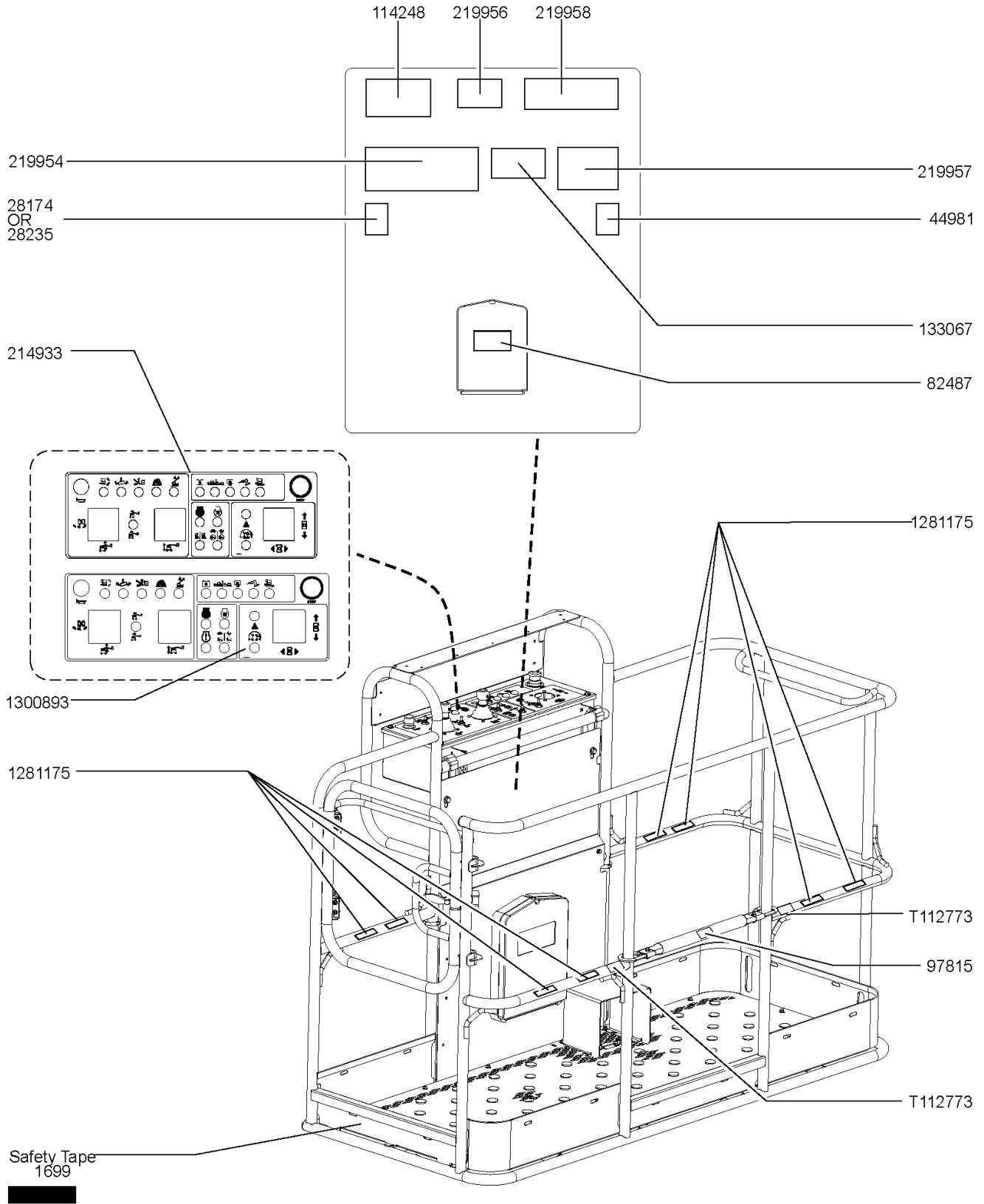


105.1 Decals with Symbol, Engine Side

| <i>Item</i> | <i>Part No.</i> | <i>Description</i> | <i>Qty.</i> |
|-------------|-----------------|---|-------------|
| 1 | 27205GT | DECAL,ARROW YELLOW LRG 9" | 1 |
| 2 | 27206GT | DECAL,TRIANGLE,BLUE | 1 |
| 3 | 27207GT | DECAL,TRIANGLE,YELLOW | 1 |
| 4 | 52475GT | DECAL,LABEL,TRANSPORT TIEDOWN* | 2 |
| 5 | 62948GT | DECAL,COSMETIC,IC POWER 4 X 4 | 1 |
| 6 | 72086GT | DECAL,LABEL,LIFTING EYE | 2 |
| 7 | 82240GT | DECAL,LABEL,105 DB | 1 |
| 8 | 1263542GT | DECAL, COMPARTMENT ACCESS | 1 |
| 9 | 82481GT | DECAL,SYMBOL-BATTERY SAFETY | 1 |
| 10 | 114249GT | DECAL,LABEL,TIPOVER,TIRES,SYMB | 2 |
| 11 | 114252GT | DECAL,LABEL,TIP OVER LMT SWTCH | 1 |
| 12 | 133067GT | DECAL,DANGER,ELEC.HAZ.STAY CLR | 1 |
| 13 | 219483GT | DECAL,LABEL,WHEEL LOAD Z-51 | 2 |
| 14 | 219488GT | DECAL,TRANSPORT/LIFT DIAGRAM | 1 |
| 15 | 1272242GT | DECAL,MACHINE REGISTRATION/OWNER TRANSFER | 1 |
| 16 | 1291624GT | DECAL COSM,GENIE LIFT CONNECT,LEXAN COVER | 1 |
| 17 | 1292512GT | DECAL COSM,GENIE LIFT CONNECT,ESN,SKU4-1 | 1 |
| 18 | 1292513GT | DECAL COSM,GENIE LIFT CONNECT,ESN,SKU4-2 | 1 |
| 19 | 1292514GT | DECAL COSM,GENIE LIFT CONNECT,ESN,SKU4-3 | 1 |
| 20 | 1292515GT | DECAL COSM,GENIE LIFT CONNECT,ESN,SKU4-4 | 1 |
| 21 | 1304217GT | DECAL, EXPLOSION HAZARD | 1 |
| 22 | 1255581GT | DECAL COSMETIC,10" GENIE BLUE | 1 |
| 22 | 1258174GT | DECAL COSMETIC,10" GENIE WHITE | 1 |
| 22 | 1258176GT | DECAL COSMETIC,10" GENIE BLACK | 1 |



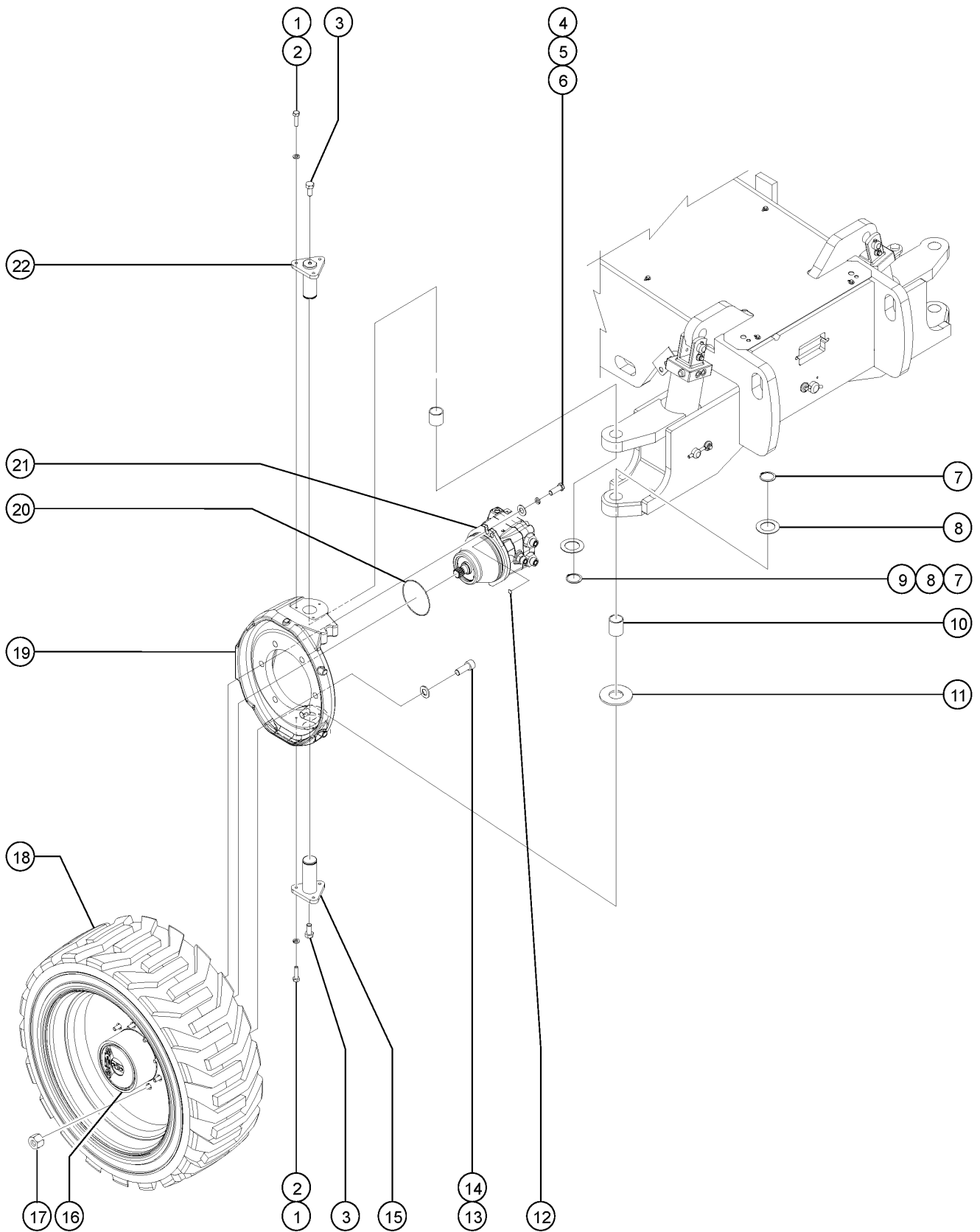
106.1 Decals with Symbol, Platform



| <i>Item</i> | <i>Part No.</i> | <i>Description</i> | <i>Qty.</i> |
|-------------|-----------------|---------------------------------------|-------------|
| 1 | 28174GT | DECAL, POWER TO PLATFORM 230V** | 1 |
| 2 | 28235GT | DECAL, POWER TO PLATFORM 115V** | 1 |
| 3 | 1699GT | TAPE, WARN, BLACK/YELLOW, BULK | |
| 4 | 1281175GT | DECAL,LANYARD,FALL RESTRAINED | 8 |
| 5 | 44981GT | DECAL,LABEL,AIR LINE 110 PSI | 1 |
| | | (option) | |
| 6 | 82487GT | DECAL, SYMBOL - READ THE MANUAL | 1 |
| 7 | 97815GT | DECAL,LABEL,LOWER MIDRAIL | 1 |
| 8 | 114248GT | DECAL,LABEL,TIPOVER,TILT AL SY | 1 |
| 9 | 133067GT | DECAL,DANGER,ELEC.HAZ.STAY CLR | 1 |
| 10 | 214933GT | DECAL,PLATFORM CONTROL PANEL | 1 |
| | | models with round hourmeter | |
| 11 | 219954GT | DECAL,TIP-OVER HAZARD,CE | 1 |
| 12 | 219956GT | DECAL,PLATFORM OVERLOAD | 1 |
| 13 | 219957GT | DECAL,RUNAWAY HAZARD | 1 |
| 14 | 219958GT | DECAL,TIP-OVER,CRUSH | 1 |
| 15 | T112773GT | TAPE, PROTECTIVE MASK | 2 |
| 16 | 1300893GT | LABEL , PBOX, Z51 STAGE V | 1 |



201.1 Steer-end Wheels and Hubs

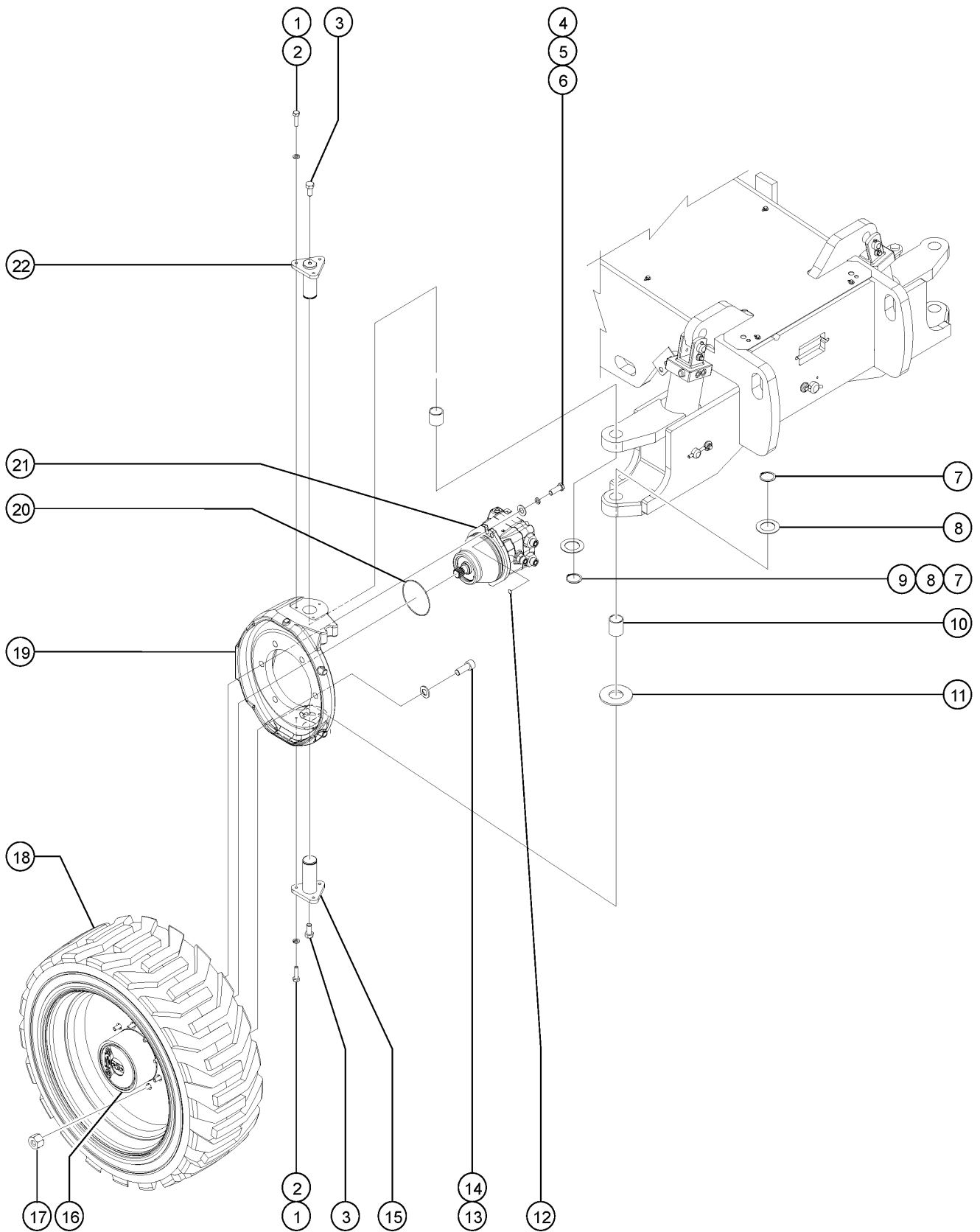


201.1 Steer-end Wheels and Hubs

| Item | Part No. | Description | Qty. |
|------|-----------|---|------|
| 1 | 824060GT | SCREW, HHC, 1/4-20 X 1, 8, ZAG | 12 |
| 2 | 824109GT | WASHER, LOCK, 1/4, ZAG | 12 |
| 3 | 1256857GT | SCREW, HHF, 3/8-16X5/8, 8, ZAG | 4 |
| 4 | 1273207GT | SCREW, HHC, 7/16-14X1.5, 8, ZAG | 4 |
| 5 | 1272129GT | WASHER, LOCK, 7/16, ZAG | 4 |
| 6 | 1257078GT | WASHER, .469 X .768 HRD, ZAG | 4 |
| 7 | 825796GT | SNAP RING, EXTERNAL, 1.50, ZAG | 4 |
| 8 | 1251565GT | WASHER, SHIM, 1.56X2.5X0.061, ZAG | 4 |
| 9 | 119619GT | BEARING, 1.5IDX1.75ODX1.5L, PTFE | 2 |
| 10 | 146264GT | BEARING, 1.5IDX1.75ODX2.00L | 2 |
| 11 | 45074GT | WASHER, THRUST, 1.5 X 3.5 X .187 | 2 |
| 12 | 106117GT | O-RING, 2-010, VITON | 2 |
| 13 | 824104GT | SCREW, SHC, 5/8-11X1.75, A574, ZAG | 12 |
| 14 | 1256182GT | WASHER, FLAT, 5/8, F436, HRD, ZAG | 12 |
| 15 | 237569GT | WELDMENT, PIN, 1.5INX3.6IN LG | 2 |
| 16 | 231613GT | WH DRV, W/BRAKE 57:1 | 2 |
| 16- | 139966GT | ROD, DISCONNECT, OMNI*** for 139330 | |
| 16- | 139967GT | CAP, DISENGAGE, OMNI*** for 139330 | |
| 16- | 139968GT | O-RING, END COVER, OMNI*** for 139330 | |
| 16- | 139969GT | LINING KIT, BRAKE, OMNI*** for 139330 | |
| 16- | 139970GT | SEAL KIT, BRAKE, OMNI*** for 139330 | |
| 16- | 139971GT | BEARING KIT, OMNI*** for 139330 | |
| 16- | 139972GT | SEAL KIT, GEARBOX, OMNI*** for 139330 | |
| 16- | 147033GT | O-RING, PIPE PLUG KIT, OMNI*** for 139330 | |
| 16- | 147034GT | PIPE PLUG KIT, OMNI*** for 139330 | |
| 16- | 230849GT | WHEEL STUD, 5/8-18X67MM for 139330 | |
| 17 | 54627GT | NUT, LUG, 5/8-18 X 90 DEGREE, Z45 | 18 |
| 18 | 237914GT | TIRE/WHEEL ASSY, RT FOAM, LH RT, Foam-filled, left | 2 |



201.1 Steer-end Wheels and Hubs

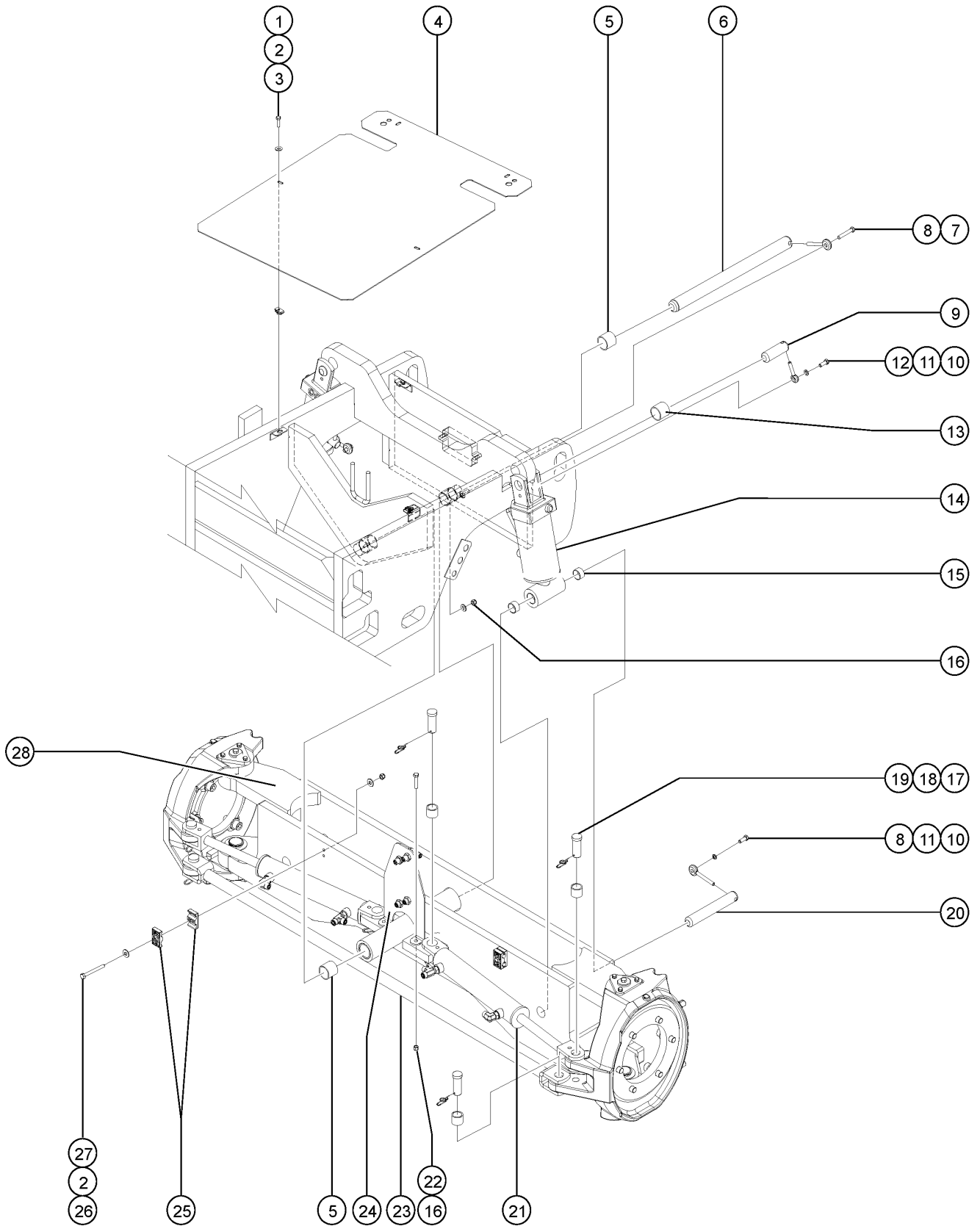


201.1 Steer-end Wheels and Hubs

| <i>Item</i> | <i>Part No.</i> | <i>Description</i> | <i>Qty.</i> |
|-------------|-----------------|---|-------------|
| 18- | 237915GT | TIRE/WHEEL ASSY,RT FOAM,RH RT, Foam-filled, right | 2 |
| 18B | 217192GT | TIRE/WHL ASSY,RT FOAM,NON-MK L RT, Foam-filled, Non-marking, left | 2 |
| 18B- | 217193GT | TIRE/WHL ASSY,RT FOAM,NON-MK R RT, Foam-filled, Non-marking, right | 2 |
| 19 | 1272695GT | MACHINING,YOKE,RH (RH) | 1 |
| 19- | 1272694GT | MACHINING,YOKE,LH (LH) | 1 |
| 20 | 102158GT | O-RING, .103 X 4.737, VITON, 75D | 2 |
| 21 | 101586GT | MOTOR,PISTON,LC25,6.5 DEG,13T | 2 |
| 21- | 106098GT | SEAL KIT,MOTOR,LC/KC*** | |
| 22 | 237568GT | WELDMENT, PIN, 1.5INX3.2IN LG | 2 |



202.1 Steer Axle Linkage

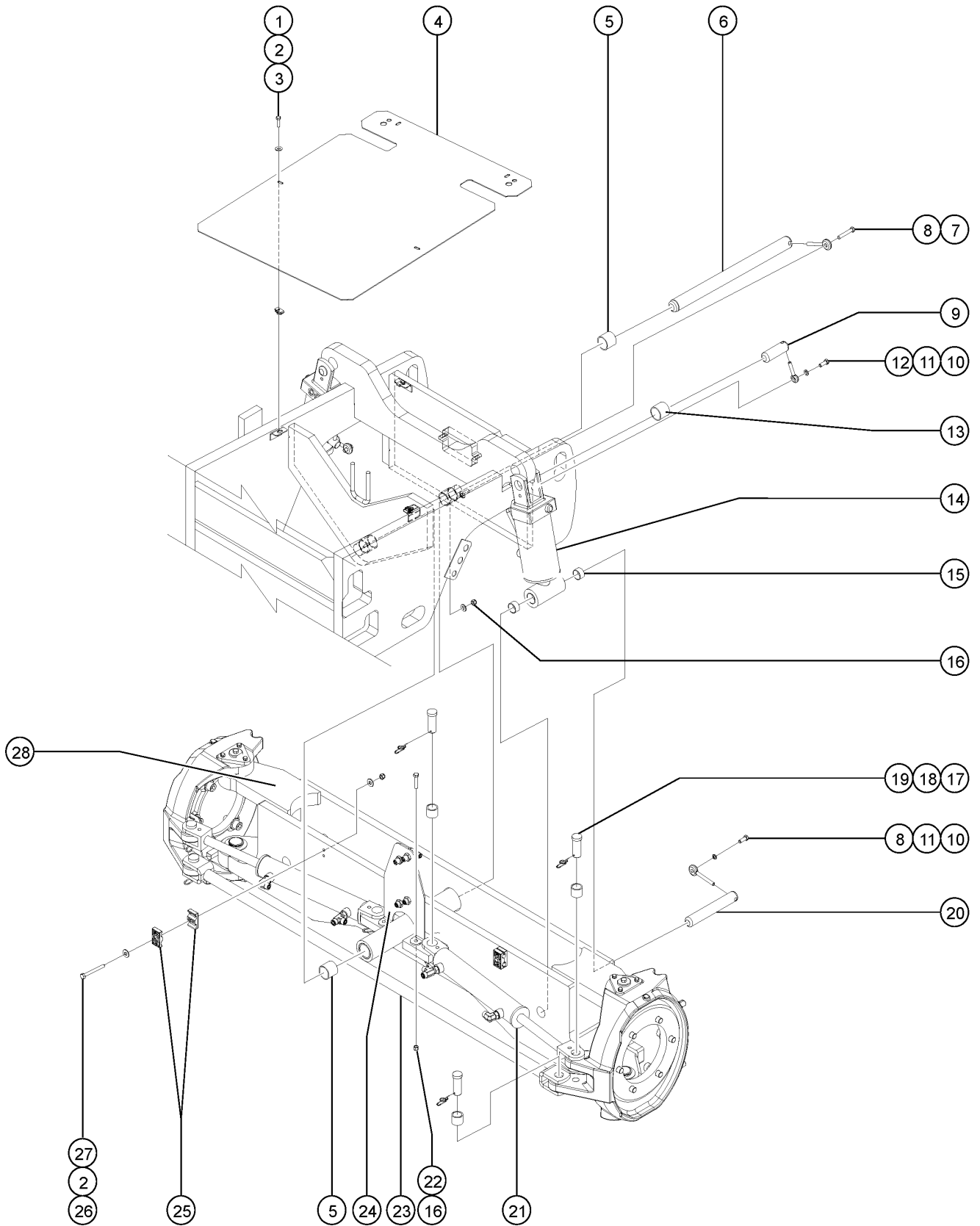


202.1 Steer Axle Linkage

| Item | Part No. | Description | Qty. |
|------|-----------|---|------|
| 1 | 824060GT | SCREW, HHC, 1/4-20 X 1, 8, ZAG | 4 |
| 2 | 824113GT | WASHER, FLAT, USS, 1/4, ZAG | 6 |
| 3 | 56912GT | SPRING CLIP, 1/4-20, .025-.15X.54, ZAG | 4 |
| 4 | 1272699GT | COVER, DRIVE CHASSIS, FRONT | 1 |
| 5 | 119619GT | BEARING, 1.5IDX1.75ODX1.5L, PTFE | 2 |
| 6 | 54542GT | PIN, 1.50DIA X 20.00LG, CHAMFER | 1 |
| 7 | 1256693GT | SCREW, HHF, 3/8-16 X 2.25, 8, ZAG | 1 |
| 8 | 825019GT | ROD END, .375 X 3.69, ZAG | 3 |
| 9 | 50742GT | PIN, 1.25DIA X 3.75LG, 1HOLE | 2 |
| 10 | 824067GT | SCREW, HHC, 3/8-16 X 1, 8, ZAG | 4 |
| 11 | 824110GT | WASHER, LOCK, 3/8, ZAG | 4 |
| 12 | 1255452GT | ROD END, .375 X 2.25, ZAG | 2 |
| 13 | 13009GT | BEARING, 1.25IDX1.50ODX1.50L | 2 |
| 14 | 54567GT | CYLINDER, OSCILLATE, Z45*** includes item 15 | 2 |
| 14- | 65791GT | SEAL KIT, CYL, Z45 (54567) | |
| 15 | 1262635GT | BUSHING, POLYGON, BM2024-12 | 4 |
| 16 | 1274322GT | NUT, NYLOCK FLG, 3/8-16, F, ZAG | 3 |
| 17 | 824127GT | PIN, CLEVIS, 1.0 X 2.41, SAE, ZAG | 6 |
| 18 | 824129GT | RUE RING, 1.0, ZAG | 6 |
| 19 | 25817GT | BEARING, 1.00IDX1.25ODX1.00L | 6 |
| 20 | 36198GT | PIN, 1.25DIA X 8.12LG, 1HOLE | 2 |
| 21 | 89065GT | CYLINDER, STEER*** | 2 |
| 21- | 89066GT | SEAL KIT, STEER CYL (89065) | |
| 22 | 824093GT | SCREW, HHF, 3/8-16 X 1.75, 8, ZAG | 2 |
| 23 | 1272708GT | TIE ROD WELDMENT*** | 1 |
| 24 | 1272692GT | FORMING, FRONT AXLE BRK | 1 |
| 25 | 78736GT | CLAMP, 2 HOSE, PLASTIC | 4 |
| 26 | 824083GT | SCREW, HHF, 1/4-20 X 2.5, 8, ZAG | 2 |



202.1 Steer Axle Linkage

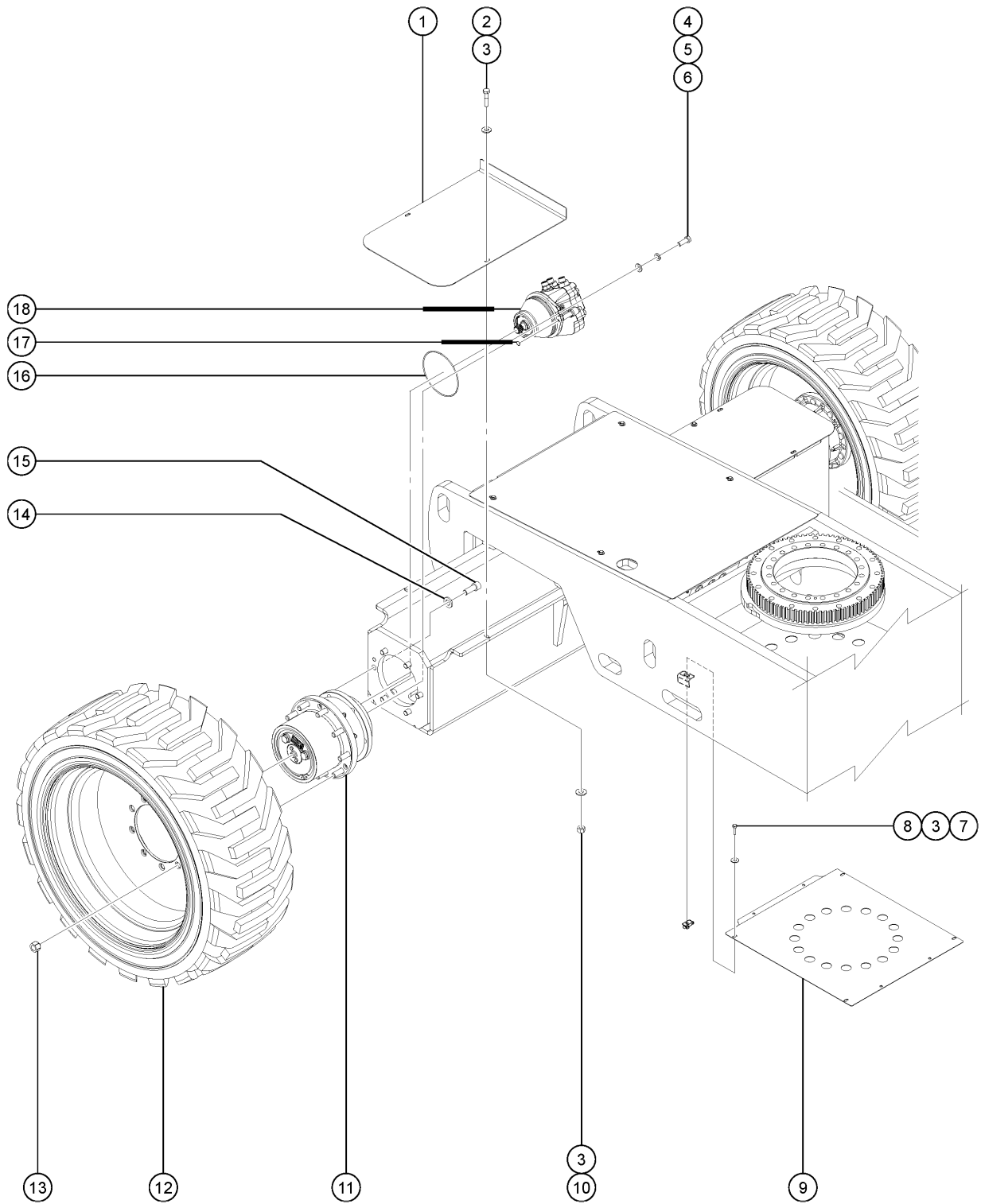


202.1 Steer Axle Linkage

| <i>Item</i> | <i>Part No.</i> | <i>Description</i> | <i>Qty.</i> |
|-------------|-----------------|-----------------------------------|-------------|
| 27 | 1277924GT | NUT,NYLOCK FLG,1/4-20,F,ZAG | 2 |
| 28 | 1272693GT | WELDMENT,FRONT AXLE Z45 | 1 |



203.1 Non-steer End Wheels and Hubs

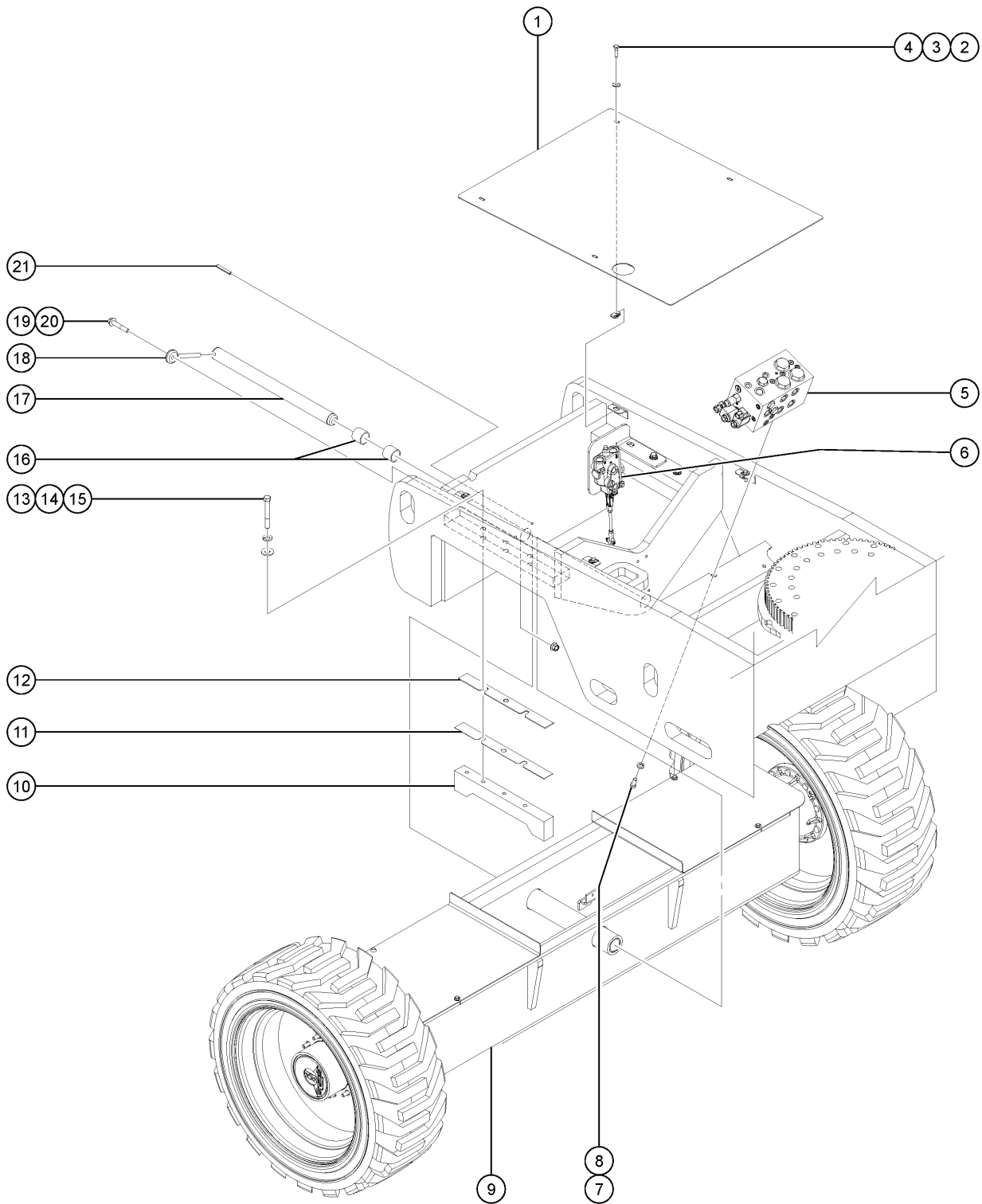


203.1 Non-steer End Wheels and Hubs

| Item | Part No. | Description | Qty. |
|------|-----------|---|------|
| 1 | 1272696GT | COVER, REAR AXLE, METRIC Z45 | 2 |
| 2 | 824061GT | SCREW,HHC,1/4-20X1.25,8,ZAG | 4 |
| 3 | 824113GT | WASHER,FLAT,USS,1/4,ZAG | 12 |
| 4 | 1273207GT | SCREW,HHC,7/16-14X1.5,8,ZAG | 4 |
| 5 | 1272129GT | WASHER,LOCK,7/16,ZAG | 4 |
| 6 | 1257078GT | WASHER, .469 X .768 HRD, ZAG | 4 |
| 7 | 824060GT | SCREW, HHC, 1/4-20 X 1, 8, ZAG | 4 |
| 8 | 56912GT | SPRING CLIP,1/4-20,.025-.15X.54,ZAG | 4 |
| 9 | 1272703GT | FORMING,BELLY PAN | 1 |
| 10 | 1274165GT | NUT,NYLOCK,1/4-20,C,ZAG | 4 |
| 11 | | REF. WHEEL DRIVE | 2 |
| | | (refer to 201.1) | |
| 12 | | Ref.WHEEL & TIRE ASSY | 2 |
| | | (refer to 201.1) | |
| 13 | 54627GT | NUT,LUG,5/8-18 X 90 DEGREE,Z45 | 18 |
| | | (qty 36 for entire machine) | |
| 14 | 1256182GT | WASHER,FLAT,5/8,F436,HRD,ZAG | 12 |
| 15 | 1268368GT | SCREW,SHC,5/8-11X1.62,A574,ZAG | 12 |
| 16 | 102158GT | O-RING,.103 X 4.737,VITON, 75D | 2 |
| 17 | 106117GT | O-RING,2-010,VITON | 2 |
| 18 | | Ref. MOTOR,PISTON,LC25,6.5 DEG,13T | 2 |
| | | (refer to 201.1) | |



204.1 Non-steer Axle Installation

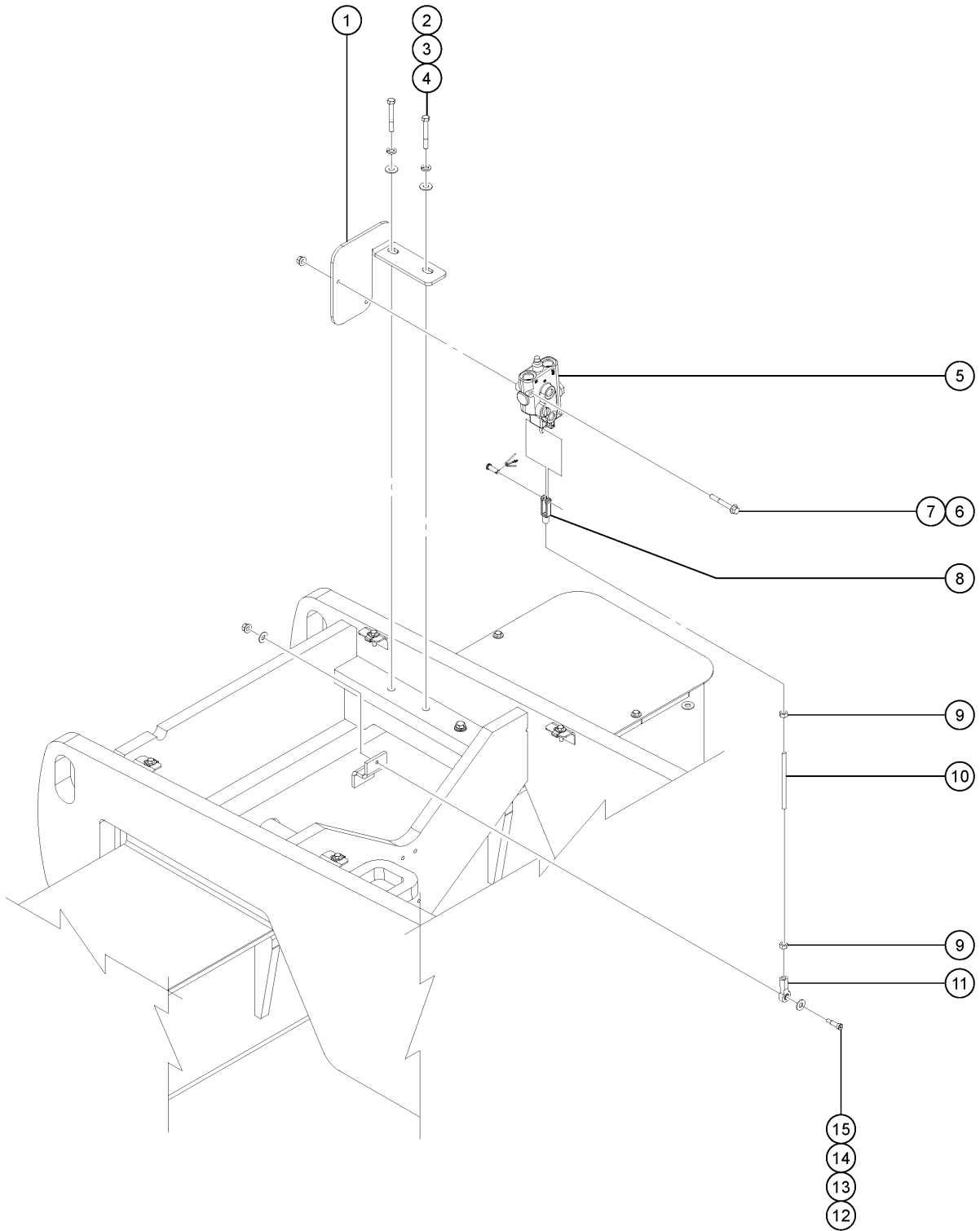


204.1 Non-steer Axle Installation

| Item | Part No. | Description | Qty. |
|------|-----------|--|------|
| 1 | 1272702GT | COVER, DRIVE CHASSIS, REAR | 1 |
| 2 | 824060GT | SCREW, HHC, 1/4-20 X 1, 8, ZAG | 4 |
| 3 | 824113GT | WASHER, FLAT, USS, 1/4, ZAG | 4 |
| 4 | 56912GT | SPRING CLIP, 1/4-20, .025-.15X.54, ZAG | 4 |
| 5 | | Ref. Traction Manifold | |
| | | (refer to 701.1) | |
| 6 | | Ref. Oscillate Valve | |
| | | (refer to 205.1) | |
| 7 | 1256843GT | SCREW, HHC, 1/2-13X1.25, 8, ZAG | 3 |
| 8 | 824111GT | WASHER, LOCK, 1/2, ZAG | 3 |
| 9 | 1272697GT | WELDMENT, FORMED REAR AXLE | 1 |
| 10 | 1272698GT | BAR, AXLE ROTATION STOP | 2 |
| 11 | 119209GT | SHIM, AXLE ROTATION STOP, 22GA | 2 |
| 12 | 119210GT | SHIM, AXLE ROTATION STOP, 12GA | 2 |
| 13 | 824069GT | SCREW, HHC, 3/8-16 X 2.5, 8, ZAG | 4 |
| 14 | 824110GT | WASHER, LOCK, 3/8, ZAG | 4 |
| 15 | 1255758GT | WASHER, FLAT, 3/8, USS, ZAG | 4 |
| 16 | 119619GT | BEARING, 1.5IDX1.75ODX1.5L, PTFE | 2 |
| 17 | 54542GT | PIN, 1.50DIA X 20.00LG, CHAMFER | 1 |
| 18 | 825019GT | ROD END, .375X3.69, ZAG | 1 |
| 19 | 1256693GT | SCREW, HHF, 3/8-16X2.25, 8, ZAG | 1 |
| 20 | 1274322GT | NUT, NYLOCK FLG, 3/8-16, F, ZAG | 1 |
| 21 | 107843GT | PIN, ROLL, 25X1.75 | 8 |



205.1 Oscillate Valve Installation

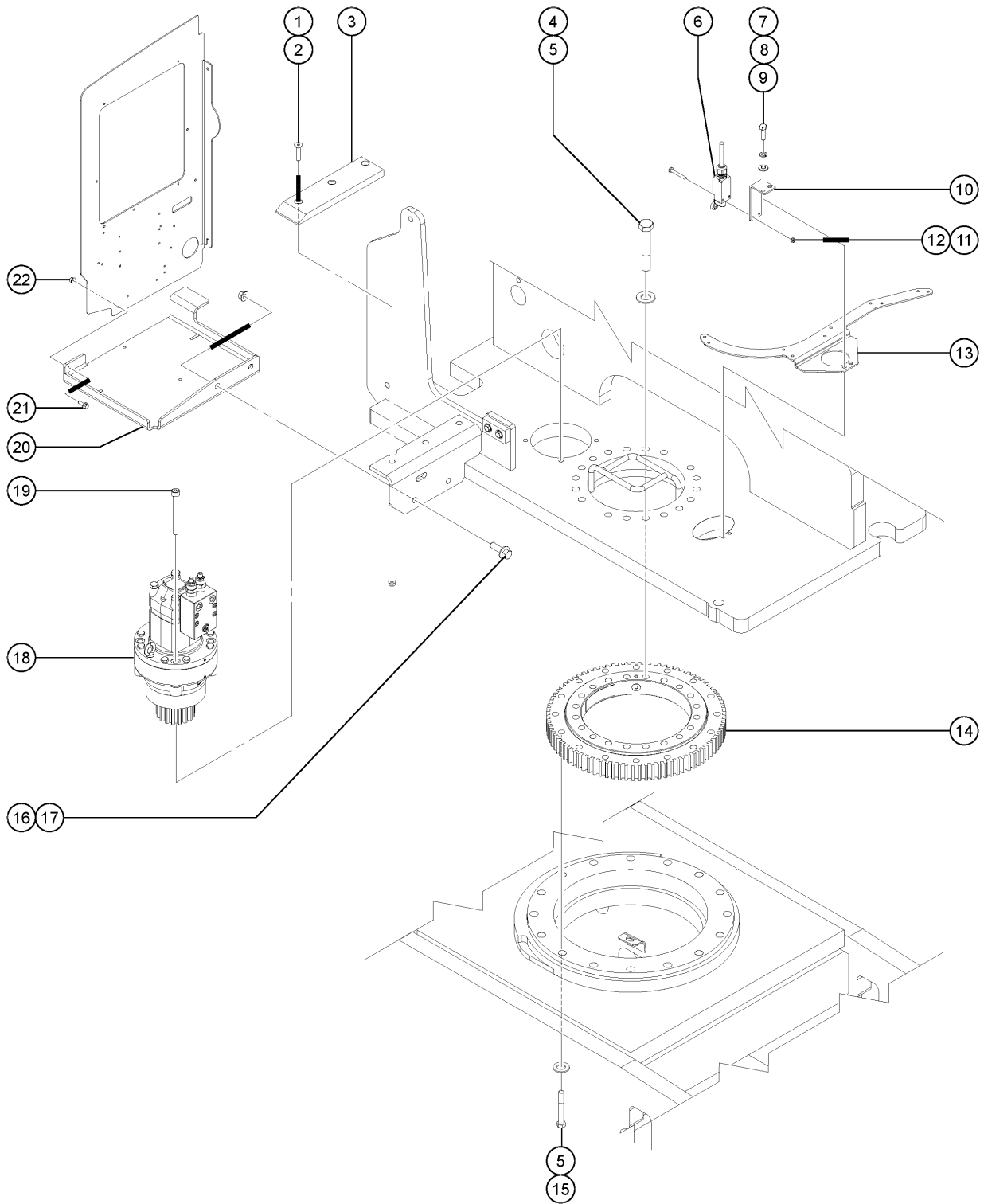


205.1 Oscillate Valve Installation

| <i>Item</i> | <i>Part No.</i> | <i>Description</i> | <i>Qty.</i> |
|-------------|-----------------|--------------------------------------|-------------|
| 1 | 1272700GT | FORMING,BRACKET, OSC VALVE | 1 |
| 2 | 1256848GT | SCREW,HHC,3/8-16X2.75,8,ZAG | 2 |
| 3 | 824110GT | WASHER,LOCK,3/8,ZAG | 2 |
| 4 | 1255758GT | WASHER,FLAT,3/8,USS,ZAG | 2 |
| 5 | 49768GT | VLV,MAN,3 POS/4 WAY,CLOSE CTR* | 1 |
| 5- | 32681GT | SEAL KIT,CONTROL VALVE | |
| | | for 49768 | |
| 6 | 1253485GT | SCREW,HHF,1/4-20X2,8,ZAG | 2 |
| 7 | 1277924GT | NUT,NYLOCK FLG,1/4-20,F,ZAG | 2 |
| 8 | 21130GT | CLEVIS YOKE-1/4-28,PLTD W/PIN | 1 |
| 9 | 824041GT | NUT, 1/4-28, 8, ZAG | 2 |
| 10 | 1257077GT | ROD,THREADED,1/4-28X4,ZAG | 1 |
| 11 | 81691GT | ROD END,BALL JOINT 1/4-28 | 1 |
| 12 | 1257076GT | BOLT,SHS,1/4-28X4,ZAG | 1 |
| 13 | 1253185GT | WASHER,FLAT,#10,USS,ZAG | 1 |
| 14 | 1257390GT | WASHER,FLAT,#8,SAE,ZAG | 1 |
| 15 | 1283004GT | NUT,NYLOCK FLG,10-24,A,ZAG | 1 |



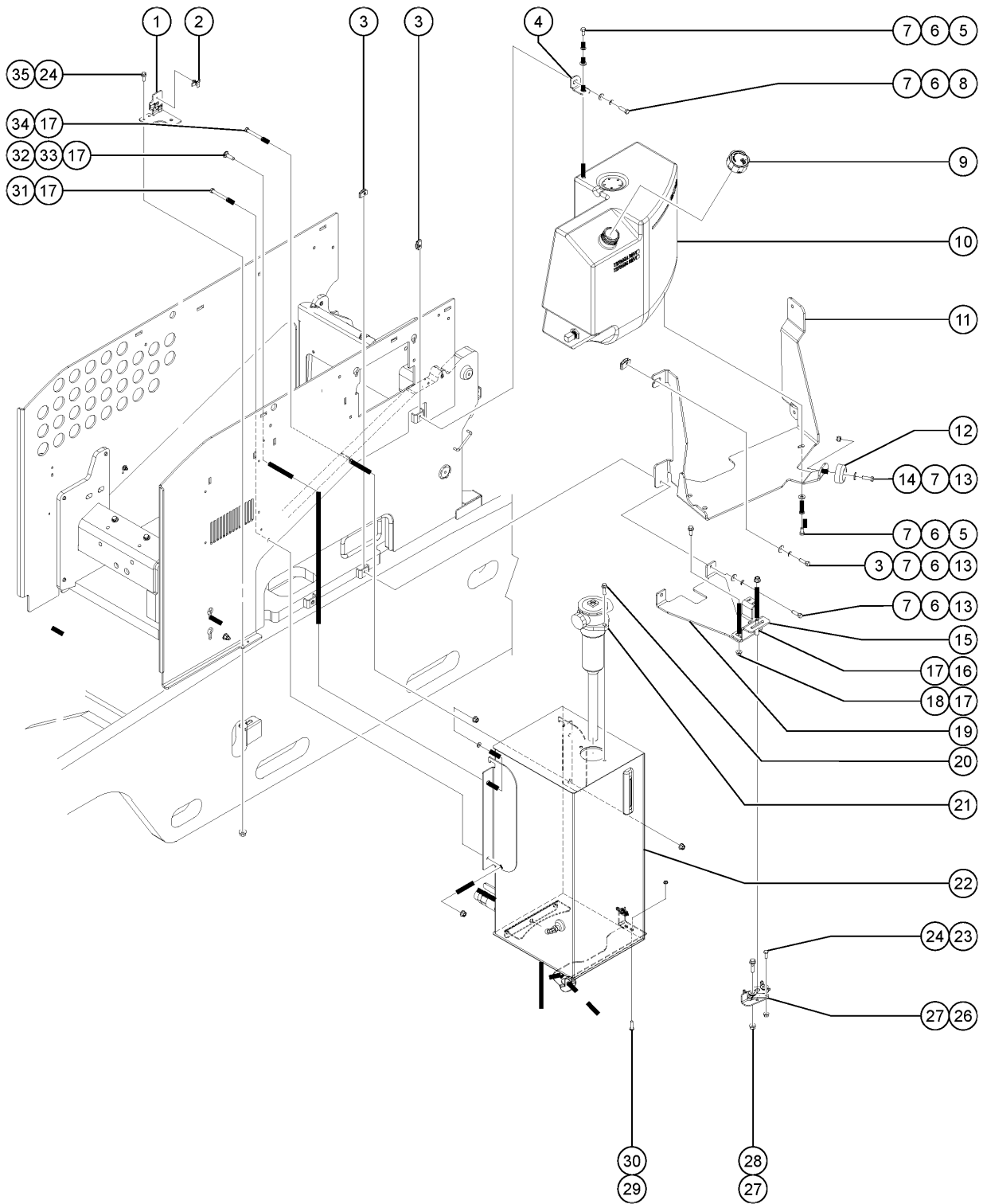
301.1 Turntable Rotator



| Item | Part No. | Description | Qty. |
|------|---------------|--|------|
| 1 | 1259857GT | SCREW,FHS,3/8-16X1.75,F835,ZAG | 3 |
| 2 | 1257628GT | NUT,SERRATED,3/8-16,ZAG | 3 |
| 3 | 50519GT | LOAD PAD,ENGINE TRAY SUPPORT | 1 |
| 4 | 1256170GT | SCREW,HHC,5/8-11X4,8,ZAG | 18 |
| 5 | 1256182GT | WASHER,FLAT,5/8,F436,HRD,ZAG | 34 |
| 6 | 88356-11103GT | SWITCH,LIMIT,W/RLR ARM,NO/NC** | 1 |
| 6- | 89756GT | NECK/HEAD-LIMIT SWITCH (88356) | |
| 6- | 97128GT | ROLLER ARM,LIMIT SWITCH*** | |
| 7 | 824067GT | SCREW,HHC,3/8-16X1,8,ZAG | 2 |
| 8 | 6021GT | WASHER,LOCK,.375 | 2 |
| 9 | 5397GT | WASHER,FLAT,USS,5/16",Y | 2 |
| 10 | 237790GT | BRACKET,DRIVE SENSOR,ENABLE | 1 |
| 11 | 1264261GT | NUT,SERRATED,10-32,ZAG | 2 |
| 12 | 824216GT | SCREW,PHPM,10-32X1.5,ZAG | 2 |
| 13 | 217430GT | FORMING, AUXILARY CABLE MT. | 1 |
| 14 | 101815GT | BEARING,SWING CHASSIS | 1 |
| 15 | 1263142GT | SCREW,HHC,5/8-11,4.5,8,ZAG | 16 |
| 16 | 1253498GT | SCREW,HHF,1/2-13X1.5,8,ZAG | 2 |
| 17 | 1251997GT | NUT,TL FLG,1/2-13,G,ZAG | 2 |
| 18 | 824050GT | SWING DRIVE ASSEMBLY | 1 |
| 18- | 824051GT | SEAL KIT, SWING DRIVE for 824050 | |
| 18- | 824052GT | VALVE BLOCK, SWING DRIVE for 824050 | |
| 19 | 1263232GT | SCREW,SHC,1/2-13X4.5,A574,ZAG | 4 |
| 20 | 147067GT | BRACKET,BATTERY MOUNT | 1 |
| 21 | 824079GT | SCREW,HHF,1/4-20X1,8,ZAG | 1 |
| 22 | 1277924GT | NUT,NYLOCK FLG,1/4-20,F,ZAG | 1 |



302.1 Fuel and Hydraulic Tank Installation

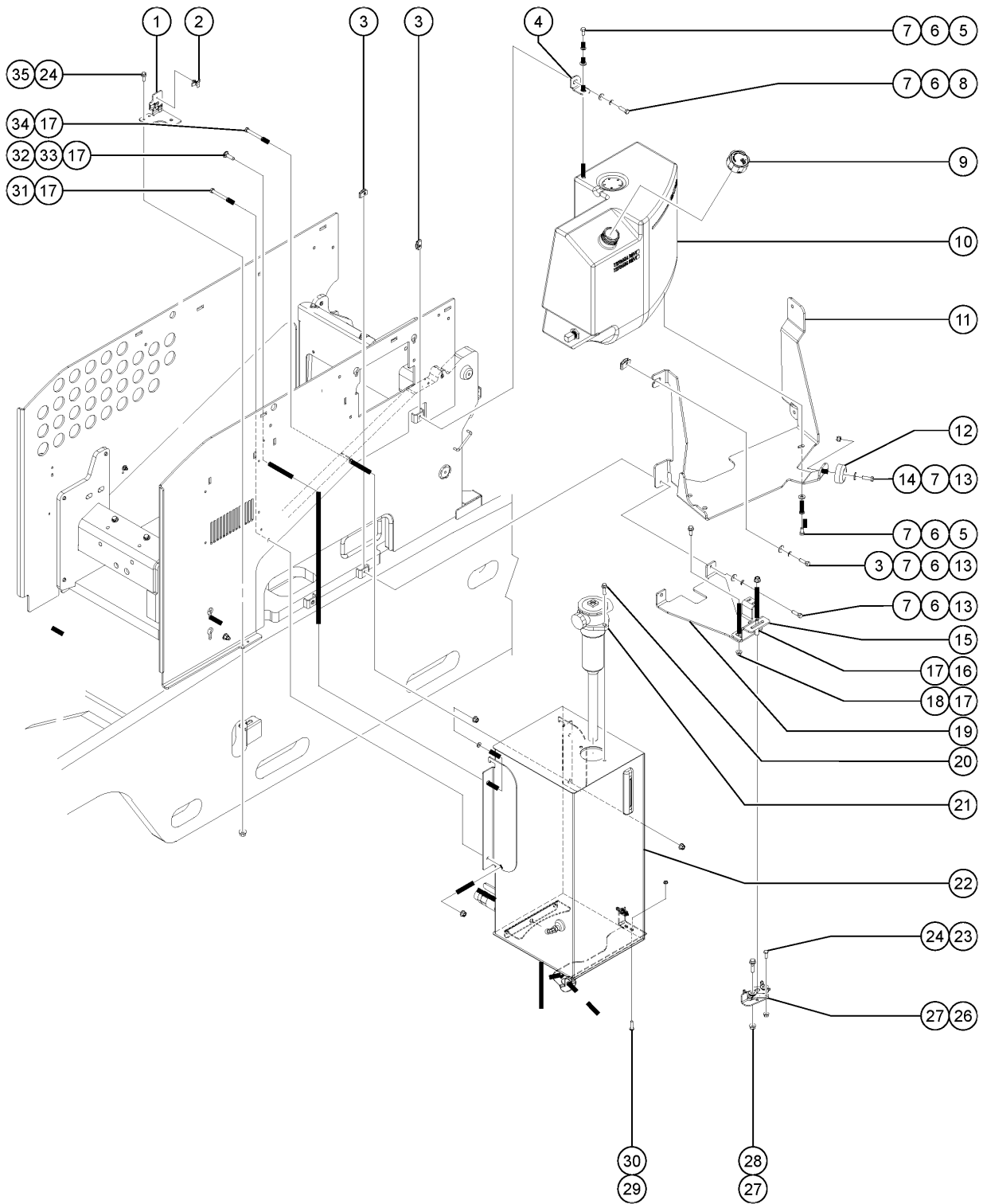


302.1 Fuel and Hydraulic Tank Installation

| Item | Part No. | Description | Qty. |
|------|-----------|--|------|
| 1 | 219350GT | FORMING, AUX. CABLE , HOSE BRK | 1 |
| 2 | 105214GT | CABLE TIE MOUNT, WINGED | 4 |
| 3 | 29868GT | SPRING CLIP,3/8-16,.05-.20X.73,ZAG | 5 |
| 4 | 1270433GT | FORMING, UPPER FUEL TANK BRK | 1 |
| 5 | 1256109GT | SCREW,HHC,3/8-16X.75,8,ZAG | 4 |
| 6 | 824110GT | WASHER,LOCK,3/8,ZAG | 9 |
| 7 | 1255758GT | WASHER,FLAT,3/8,USS,ZAG | 9 |
| 8 | 824067GT | SCREW,HHC,3/8-16X1,8,ZAG | 1 |
| 9 | 101726GT | CAP,FUEL,DIESEL,1/8"VENT(GRN) | 1 |
| 10 | | REF. DIESEL FUEL TANK | 1 |
| | | (refer to 303.1) | |
| 11 | 1272705GT | MOUNT, FUEL TANK | 1 |
| 12 | 50974GT | BUMPER,RUBBER,COVERS | 1 |
| 13 | 824068GT | SCREW, HHC, 3/8-16 X 1.25, 8, ZAG | 6 |
| 14 | 1274166GT | NUT,NYLOCK,3/8-16,C,ZAG | 1 |
| 15 | 1272714GT | FORMING, MOUNT, STIKER | 1 |
| 16 | 1270546GT | STRIKER, LATCH | 1 |
| 17 | 1274322GT | NUT,NYLOCK FLG,3/8-16,F,ZAG | 7 |
| 18 | 824090GT | SCREW,HHF,3/8-16X1,8,ZAG | 2 |
| 19 | 1272713GT | MOUNT, HANDLE | 1 |
| 20 | 824091GT | SCREW, HHF, 3/8-16 X 1.25, 8, ZAG | 2 |
| 21 | 110345GT | FILTER ASSY,INTANK | 1 |
| 21A- | 147223GT | SEAL,FILTER LID | |
| 21A- | 77353GT | KIT,ELEMENT** | |
| 21A- | 77354GT | FILTER LID,RFM165 | |
| 21A- | 77365GT | BREATHER CAP,RFM165 | |
| 21A- | 88917GT | FILTER,ELEMENT,BETA(10)=200 | |
| 21A- | 94526GT | GASKET,RETURN FILTER-77353 | |
| 22 | 139960GT | ASSEMBLY,HYDRAULIC TANK | 1 |



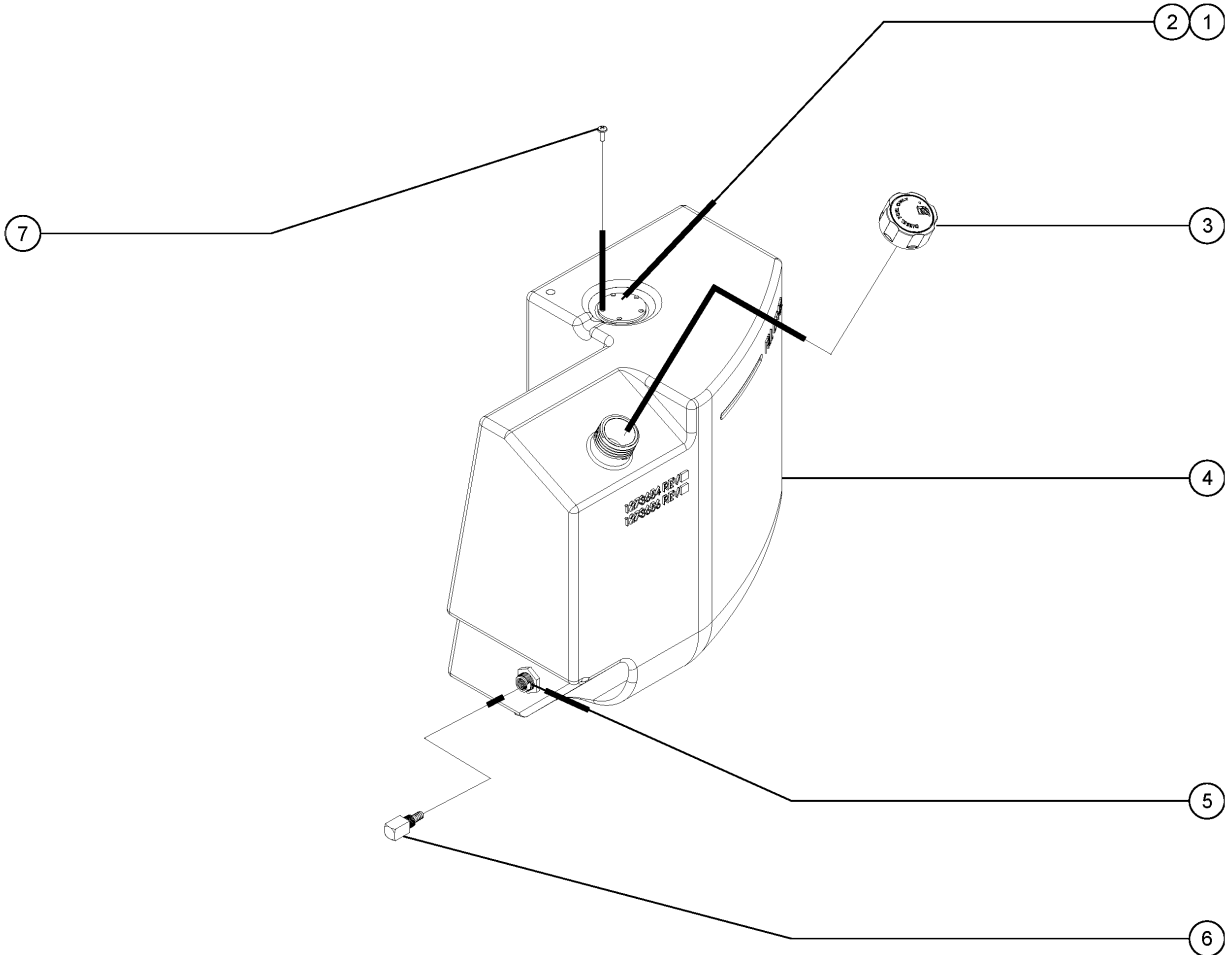
302.1 Fuel and Hydraulic Tank Installation



| <i>Item</i> | <i>Part No.</i> | <i>Description</i> | <i>Qty.</i> |
|-------------|-----------------|---|-------------|
| 22- | 101490GT | STRAINER,16 SAE F/24 SAE M | |
| 22- | 21141GT | GAUGE-SIGHT,LHA-LGTB*** | |
| 22- | 48996GT | VALVE,BALL,16 MSAE-16 FSAE*** | |
| 22- | 94612GT | PLUG,MAGNETIC,SAE-6*** | |
| 23 | 824059GT | SCREW,HHC,1/4-20X.75,8,ZAG | 2 |
| 24 | 1277924GT | NUT,NYLOCK FLG,1/4-20,F,ZAG | 4 |
| 25 | 215254GT | LATCH,ROTARY,ENGINE COVER | 1 |
| 26 | 1272733GT | FORMING, LATCH TRIGGER, ES | 1 |
| 27 | 1274167GT | NUT,NYLOCK FLG,5/16-18,F,ZAG | 2 |
| 28 | 824087GT | SCREW,HHF,5/16-18X1.25,8,ZAG | 2 |
| 29 | 824215GT | SCREW,PHPM,10-32X.75,ZAG | 2 |
| 30 | 1264261GT | NUT,SERRATED,10-32,ZAG | 2 |
| 31 | 824094GT | SCREW, HHF, 3/8-16 X 2.75, 8, ZAG | 1 |
| 32 | 105092GT | BOLT,CARRIAGE,3/8-16X1.25,GR5 | 2 |
| 33 | 87684GT | PUSHRETAINER FOR 3/8"THRD SCREW | 2 |
| 34 | 824095GT | SCREW,HHF,3/8-16X3,8,ZAG | 1 |
| 35 | 824079GT | SCREW,HHF,1/4-20X1,8,ZAG | 2 |



303.1 Diesel Fuel Tank

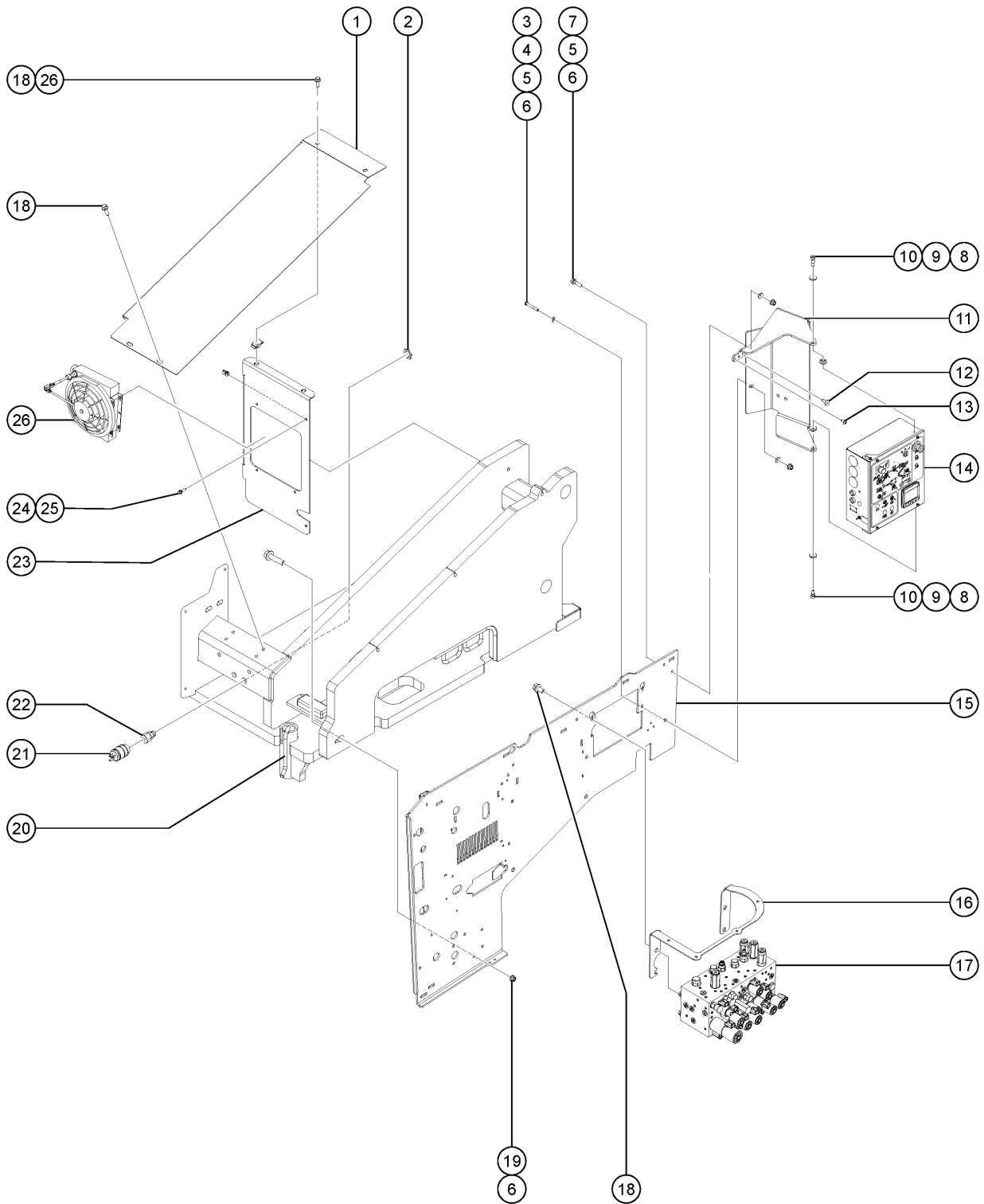


303.1 Diesel Fuel Tank

| <i>Item</i> | <i>Part No.</i> | <i>Description</i> | <i>Qty.</i> |
|-------------|-----------------|--------------------------------------|-------------|
| 1 | 1271772GT | CAP, TANK, FUEL SENSOR | 1 |
| 2 | 1271773GT | GASKET, TANK, FUEL SENSOR | 1 |
| 3 | 101726GT | CAP,FUEL,DIESEL,1/8"VENT(GRN) | 1 |
| 4 | 1273654GT | ASSEMBLY, FUEL TANK, 17 GAL, P | 1 |
| | | includes item 5 | |
| 4- | 823395GT | TANK, 17 GAL, PLASTIC | |
| 5 | 54324GT | FITTING,BULKHEAD,3/8NPT,FUELTK | 1 |
| 6 | 120417GT | ASSY,TUBE,FUEL PICKUP | 1 |
| 6- | 120415GT | ELBOW,90D,1/4X3/8NPT,W/BARB..... | |
| 6- | 120416GT | TUBE,FUEL PICKUP | |
| 7 | 1251757GT | SCREW,PHPM,10-32X.50,ZAG | 5 |



304.1 Function Manifold and Ground Control Box Installation

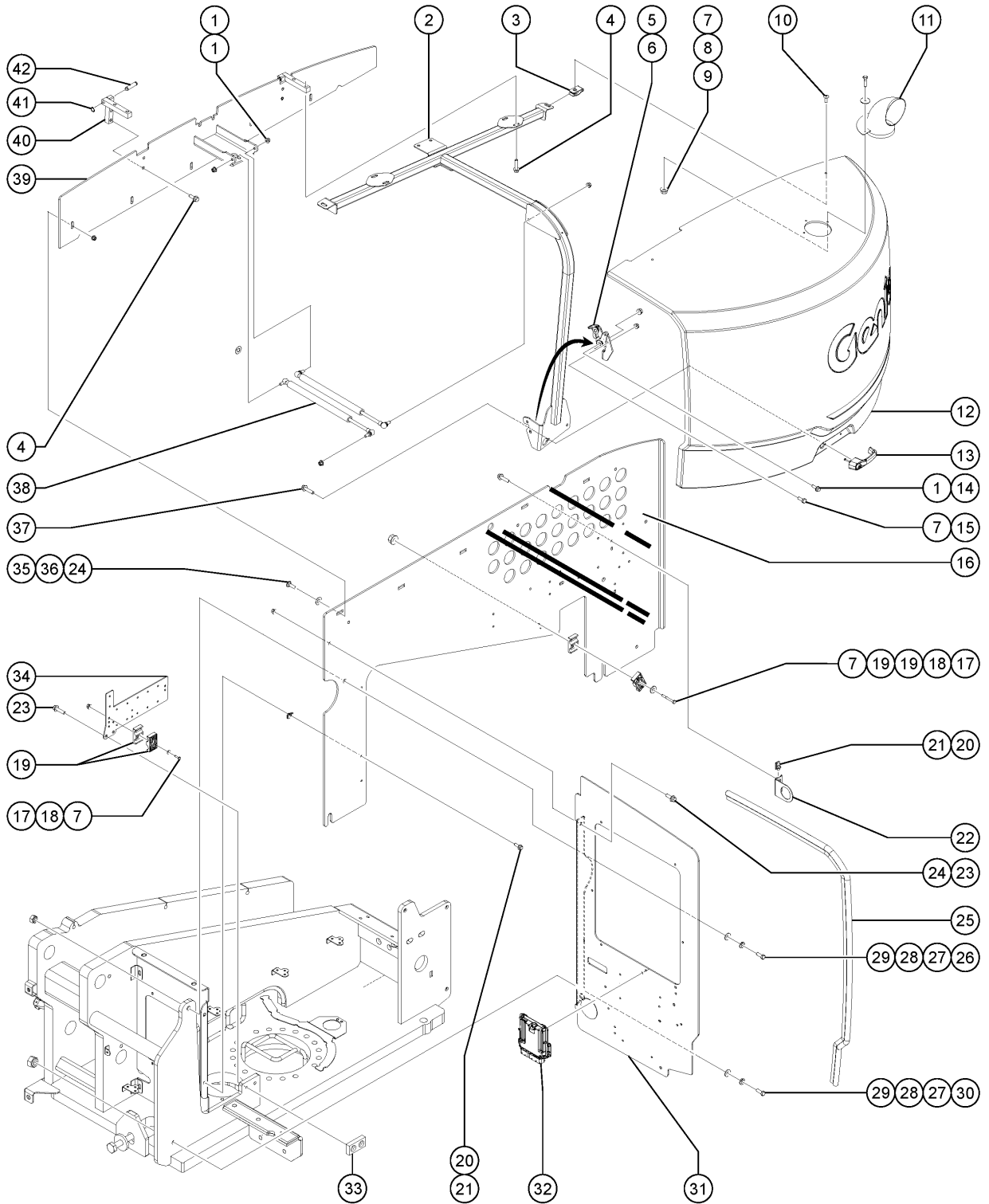


304.1 Function Manifold and Ground Control Box Installation

| Item | Part No. | Description | Qty. |
|------|-----------|--|------|
| 1 | 1303597GT | COVER,CENTER SWING CHASSIS | 1 |
| 2 | 6935GT | LOCKNUT,ELEC,1/2" | 1 |
| 3 | 1256848GT | SCREW,HHC,3/8-16X2.75,8,ZAG | 2 |
| 4 | 1255758GT | WASHER,FLAT,3/8,USS,ZAG | 2 |
| 5 | 87684GT | PUSHRETAINER FOR 3/8"THR D SCREW | 2 |
| 6 | 1274322GT | NUT,NYLOCK FLG,3/8-16,F,ZAG | 3 |
| 7 | 824091GT | SCREW, HHF, 3/8-16 X 1.25, 8, ZAG | 1 |
| 8 | 218466GT | SCREW,SHS,1/4-20 X .5 ZINC | 2 |
| 9 | 824113GT | WASHER,FLAT,USS,1/4,ZAG | 2 |
| 10 | 218449GT | WASHER,SHOULDER,NYLON | 2 |
| 11 | 1272704GT | BRACKET,CONTROL BOX MOUNTING | 1 |
| 11- | 105214GT | CABLE TIE MOUNT, WINGED | |
| 12 | 34619GT | BUMPER,RUBBER*** | 1 |
| 13 | 1256479GT | SCREW,PHPM,10-24X.50,ZAG | 1 |
| 14 | | Ref. GROUND CONTROL BOX (refer to 307.1, 307.2, 308.1 or 308.2) | |
| 15 | 1285401GT | WELDMENT,BULKHEAD ASSY,TANK SIDE | 1 |
| 16 | 216653GT | BRACKET,MANIFOLD HARNESS | 1 |
| 17 | 219436GT | MANIFOLD,FUNCTION,IC | 1 |
| 18 | 824089GT | SCREW, HHF, 3/8-16 X .75, 8, ZAG | 6 |
| 19 | 824094GT | SCREW, HHF, 3/8-16 X 2.75, 8, ZAG | 1 |
| 20 | 81834GT | WELDMENT,TRANSPORT LOCK | 1 |
| 21 | 119403GT | CONN,PLUG 120 AC/15A DOMESTIC | 1 |
| 22 | 7057GT | CONN. SQZ,1/2NPT .39-.56 MED. | 1 |
| 23 | 231562GT | FORMING,OIL COOLER BAFFLE | 1 |
| 24 | 824079GT | SCREW,HHF,1/4-20X1,8,ZAG | 6 |
| 25 | 56912GT | SPRING CLIP,1/4-20,.025-.15X.54,ZAG | 6 |
| 26 | 71259GT | OIL COOLER W/FAN, 12VDC | 1 |
| 27 | 29868GT | SPRING CLIP,3/8-16,.05-.20X.73,ZAG | 2 |



305.1 Turntable Cover, Engine Side

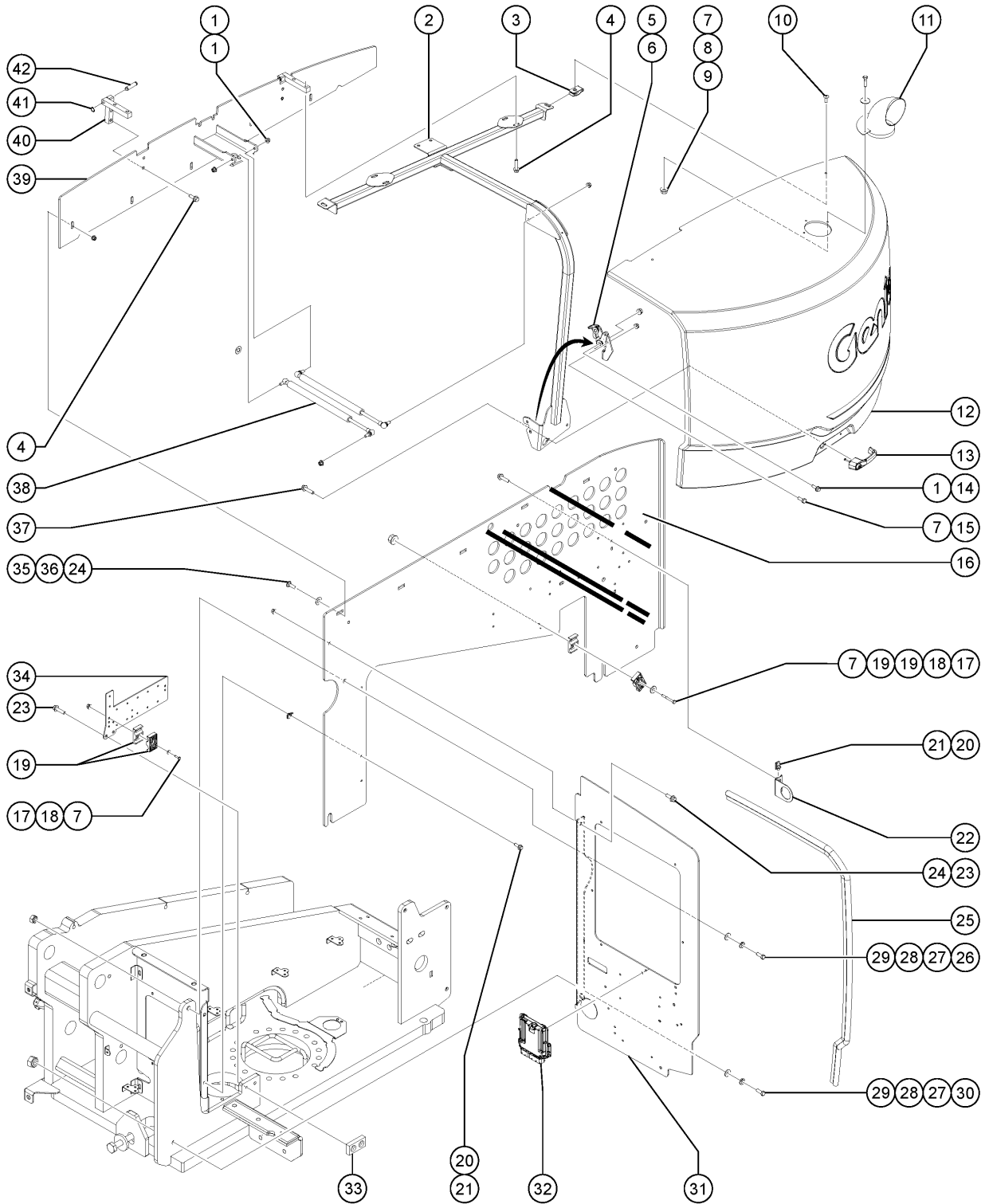


305.1 Turntable Cover, Engine Side

| <i>Item</i> | <i>Part No.</i> | <i>Description</i> | <i>Qty.</i> |
|-------------|-----------------|---|-------------|
| 1 | 1274167GT | NUT,NYLOCK FLG,5/16-18,F,ZAG | 6 |
| 2 | 1285158GT | WELDMENT,COVER SUPPORT, ENGINE SIDE | 1 |
| 3 | 29868GT | SPRING CLIP,3/8-16,.05-.20X.73,ZAG | 2 |
| 4 | 824090GT | SCREW,HHF,3/8-16X1,8,ZAG | 8 |
| 5 | 215254GT | LATCH,ROTARY,ENGINE COVER | 1 |
| 6 | 1267498GT | FORMING, LATCH TRIGGER, ES | 1 |
| 7 | 1277924GT | NUT,NYLOCK FLG,1/4-20,F,ZAG | 8 |
| 8 | 824119GT | WASHER,FLAT,.25X1.25X.062,ZAG | 3 |
| 9 | 824060GT | SCREW, HHC, 1/4-20 X 1, 8, ZAG | 3 |
| 10 | 1261836GT | SCREW, THM, TORX, 3/8-16X1,SS | 2 |
| 11 | 101964GT | WELDMENT,EXHAUST TUBE | 1 |
| 12 | 1284538GT | COVER,ENGINE SIDE,Z45XC | 1 |
| 13 | 1256054GT | HANDLE,YELLOW LOCKING,CODE 455 | 1 |
| 14 | 824087GT | SCREW,HHF,5/16-18X1.25,8,ZAG | 2 |
| 15 | 824059GT | SCREW,HHC,1/4-20X.75,8,ZAG | 2 |
| 16 | 1285404GT | FORMING,BULKHEAD,ENGINE SIDE | 1 |
| 16- | 139261-3030GT | TRIM EDGE,3/16X3/4 BULB | |
| 17 | 824062GT | SCREW, HHC, 1/4-20 X 1.5, 8, ZAG | 3 |
| 18 | 824113GT | WASHER,FLAT,USS,1/4,ZAG | 3 |
| 19 | 78736GT | CLAMP,2 HOSE,PLASTIC | 6 |
| 20 | 56912GT | SPRING CLIP,1/4-20,.025-.15X.54,ZAG | 4 |
| 21 | 824079GT | SCREW,HHF,1/4-20X1,8,ZAG | 4 |
| 22 | 216344GT | BRACKET,SWING ENGINE CONNECTOR | 1 |
| 23 | 824091GT | SCREW, HHF, 3/8-16 X 1.25, 8, ZAG | 3 |
| 24 | 1274322GT | NUT,NYLOCK FLG,3/8-16,F,ZAG | 6 |
| 25 | 139261-6000GT | TRIM,EDGE,3/16X3/4 BULB | 1 |
| 26 | 1256118GT | SCREW,HHC,3/8-16X1.5,8,ZAG | 4 |
| 27 | 824110GT | WASHER,LOCK,3/8,ZAG | 5 |



305.1 Turntable Cover, Engine Side

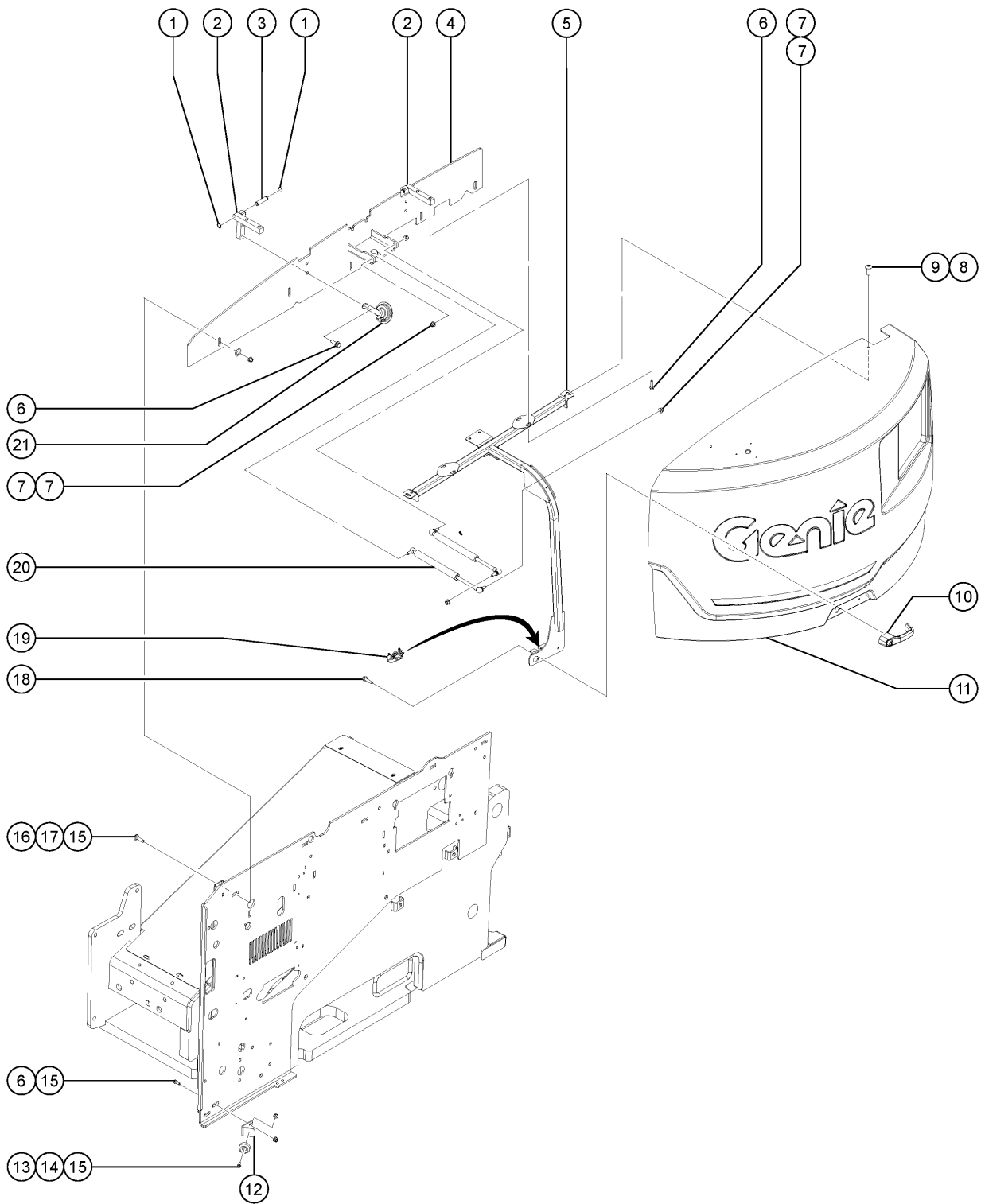


305.1 Turntable Cover, Engine Side

| Item | Part No. | Description | Qty. |
|------|-----------|--|------|
| 28 | 1255758GT | WASHER,FLAT,3/8,USS,ZAG | 5 |
| 29 | 39328GT | NUT, WELD, 3/8-16, BLACK | 5 |
| 30 | 1256847GT | SCREW,HHC,3/8-16X1.75,8,ZAG | 1 |
| 31 | 1272691GT | BULKHEAD, COOLING AIR | 1 |
| 32 | | Ref. ECU this part is serialized, contact Genie Parts Sales with full model and SN of both the machine and the engine | 1 |
| 32 | 1301055GT | ECM, DEUTZ TD 2.2L3, 49 hp For Deutz TD2.2 L3 engine model (must contact service parts to order, SN information is required) | 1 |
| 33 | 81640GT | WEAR PAD,3 X 1.5 X.625 W/NUTS | 1 |
| 34 | 217518GT | BRACKET,BATTERY CABLE | 1 |
| 35 | 1255757GT | BOLT,CARRIAGE,3/8-16X1.25,5,ZAG | 5 |
| 36 | 87684GT | PUSHRETAINER FOR 3/8"THRD SCREW | 5 |
| 37 | 231532GT | SCREW,HHF,M6-1.0X20,DIN6921,10.9,ZAB..... | 2 |
| 38 | 106069GT | STRUT,GAS,200 LB*** | 2 |
| 38- | 33555GT | BALL STUD** | |
| 39 | 1285075GT | WLDMT, BULKHEAD HINGE MNT, ES | 1 |
| 40 | 1272685GT | HINGE, 3/8-16 HOLES, 0.5 PIN | 2 |
| | | includes item 41 and 42 | |
| 40- | 1272709GT | MACHINED,HINGE,20X20X134,0.5 PIN | |
| 40- | 1272710GT | MACHINED,HINGE,20X20X108,0.5 PIN | |
| 41 | 1256607GT | SNAP RING,EXTERNAL,1/2,ZAG | 4 |
| 42 | 1272707GT | PIN,HINGE,0.5 X 2.08LG,2 RING | 2 |



306.1 Turntable Cover, Tank Side

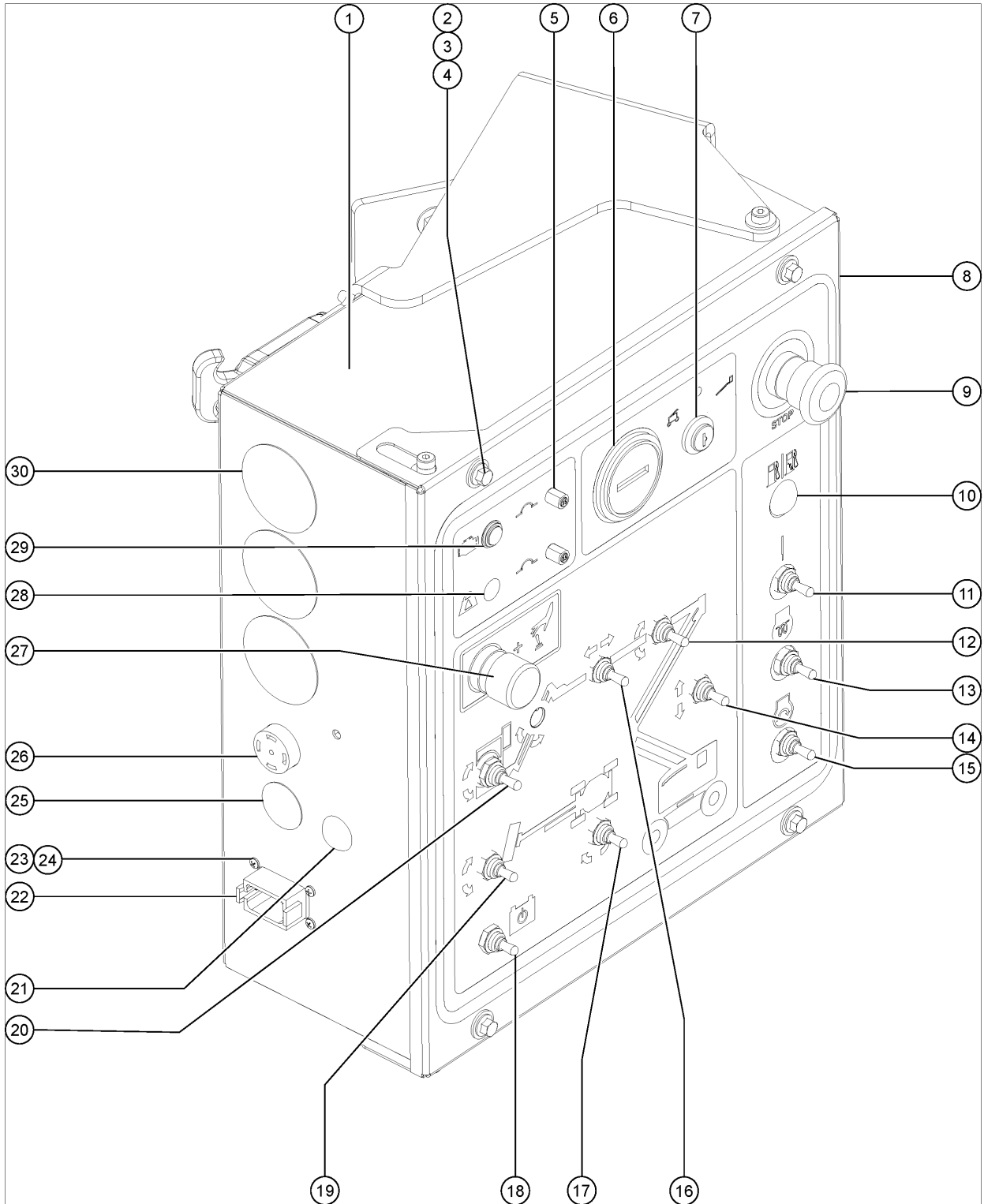


306.1 Turntable Cover, Tank Side

| Item | Part No. | Description | Qty. |
|------|-----------|--|------|
| 1 | 1256607GT | SNAP RING,EXTERNAL,1/2,ZAG | 4 |
| 2 | 1272685GT | HINGE, 3/8-16 HOLES, 0.5 PIN | 2 |
| 2- | 1272709GT | MACHINED,HINGE,20X20X134,0.5 PIN | |
| 2- | 1272710GT | MACHINED,HINGE,20X20X108,0.5 PIN | |
| 3 | 1272707GT | PIN,HINGE,0.5 X 2.08LG,2 RING | 2 |
| 4 | 1285399GT | WLDMT,BULKHEAD HINGE MNT,TS | 1 |
| 5 | 1285157GT | WELDMENT, COVER SUPPORT, TANK SIDE | 1 |
| 6 | 824090GT | SCREW,HHF,3/8-16X1,8,ZAG | 10 |
| 7 | 1274167GT | NUT,NYLOCK FLG,5/16-18,F,ZAG | 4 |
| 8 | 1261836GT | SCREW, THM, TORX, 3/8-16X1,SS | 2 |
| 9 | 29868GT | SPRING CLIP,3/8-16,.05-.20X.73,ZAG | 2 |
| 10 | 1256054GT | HANDLE,YELLOW LOCKING,CODE 455 | 1 |
| 11 | 1284539GT | COVER,TANK SIDE,Z45XC For Track Unit ME501 Option buy p/n 1295715GT | 1 |
| 12 | 1270434GT | BUMPER SUPPORT | 1 |
| 13 | 824091GT | SCREW, HHF, 3/8-16 X 1.25, 8, ZAG | 1 |
| 14 | 50974GT | BUMPER,RUBBER,COVERS | 1 |
| 15 | 1274322GT | NUT,NYLOCK FLG,3/8-16,F,ZAG | 8 |
| 16 | 1255757GT | BOLT,CARRIAGE,3/8-16X1.25,5,ZAG | 5 |
| 17 | 87684GT | PUSHRETAINER FOR 3/8"THRD SCREW | 5 |
| 18 | 231532GT | SCREW,HHF,M6-1.0X20,DIN6921,10.9,ZAB | 2 |
| 19 | | REF. LATCH,ROTARY,ENGINE COVER | 1 |
| | | (refer to 302.1) | |
| 20 | 139241GT | STRUT,GAS,14",200LBS. | 2 |
| 20- | 33555GT | BALL STUD** | |
| 21 | 81578GT | HORN,12VDC,SPADE TERMINALS*** | 1 |



307.1 Ground Control Box, View 1 (For Deutz D2011L03i)

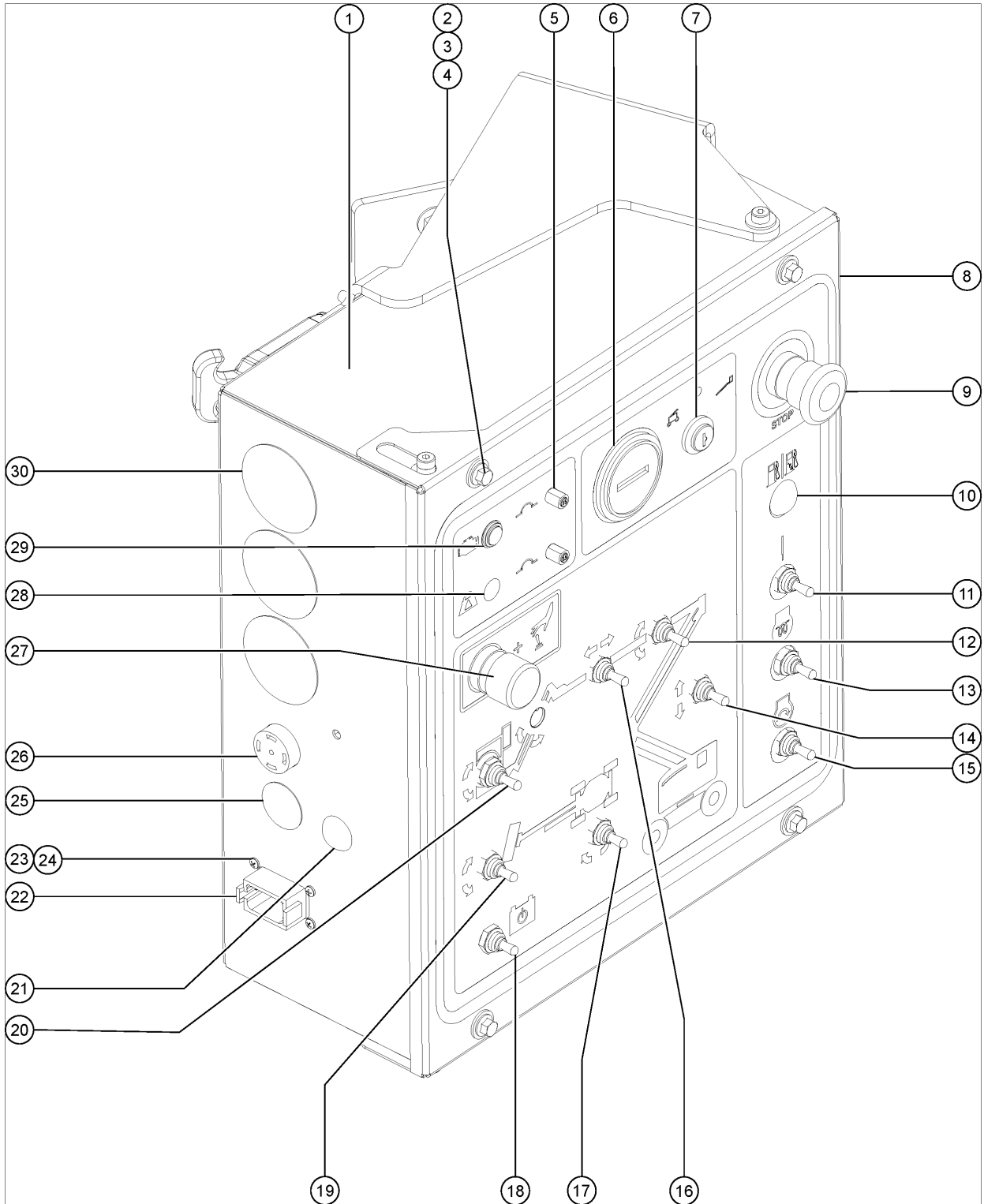


307.1 Ground Control Box, View 1 (For Deutz D2011L03i)

| Item | Part No. | Description | Qty. |
|------|-----------|--------------------------------------|------|
| - | 162361GT | ASSEMBLY,GBOX,Z45 DIESEL | 1 |
| - | 218090GT | GASKET,GROUND CONTROL BOX | 1 |
| - | 1261298GT | HARNES ASSY,GCON,PLAT PRTY | 1 |
| 1 | 218759GT | GROUND CONTROL BOX | 1 |
| | | includes item 4 | |
| 2 | 1256855GT | SCREW,HHF,1/4-20X.625,8,ZAG | 4 |
| 3 | 824113GT | WASHER,FLAT,USS,1/4,ZAG | 4 |
| 4 | T107520GT | NUTSERT,LP KNURLED,1/4-20X.165 | 4 |
| 5 | 147090GT | CIRCUIT BREAKER, 15A | 2 |
| 6 | 19506GT | HOUR METER, 10-80 VOLTS*** | 1 |
| 7 | 96008-SGT | KEYSWITCH,3 POS. W/KEYS*** | 1 |
| 8 | 1298601GT | WELDMENT, GROUND CONTROL BOX | 1 |
| 9 | 66812GT | BUTTON,PUSH,RED MUSHROOM HEAD | 1 |
| 9- | 73805GT | BASE,W/2 NC CONTACTS*** | |
| 10 | 229567GT | PLUG, SANTOPRENE .5 BLACK DOME | 1 |
| 11 | 128200GT | SWITCH TOGGLE ASSY SPDT 3P MOM | 1 |
| | | [engine idle (rpm) select switch] | |
| 12 | 128200GT | SWITCH TOGGLE ASSY SPDT 3P MOM | 1 |
| 13 | 128200GT | SWITCH TOGGLE ASSY SPDT 3P MOM | 1 |
| 14 | 128200GT | SWITCH TOGGLE ASSY SPDT 3P MOM | 1 |
| 15 | 128200GT | SWITCH TOGGLE ASSY SPDT 3P MOM | 1 |
| | | (engine start switch) | |
| 16 | 128200GT | SWITCH TOGGLE ASSY SPDT 3P MOM | 1 |
| | | (primary boom extend/retract) | |
| 17 | 128204GT | SWITCH TOGGLE ASSY SPDT 2P MNT | 1 |
| | | (turntable rotate switch) | |
| 18 | 128201GT | SWITCH TOGGLE ASSY DPDT 2P MOM | 1 |
| 19 | 128202GT | SWITCH TOGGLE ASSY DPDT 3P MOM | 1 |
| 20 | 128200GT | SWITCH TOGGLE ASSY SPDT 3P MOM | 1 |
| | | (platform level switch) | |
| 21 | 229567GT | PLUG, SANTOPRENE .5 BLACK DOME | 1 |
| 22 | 73730GT | CONN,RECEP 12 WAY,GRY FLANGE | 1 |
| 23 | 824214GT | SCREW,PHPM,6-32X.5,ZAG | 4 |
| 24 | 1274164GT | NUT,NYLOCK,6-32,A,ZAG | 4 |



307.1 Ground Control Box, View 1 (For Deutz D2011L03i)

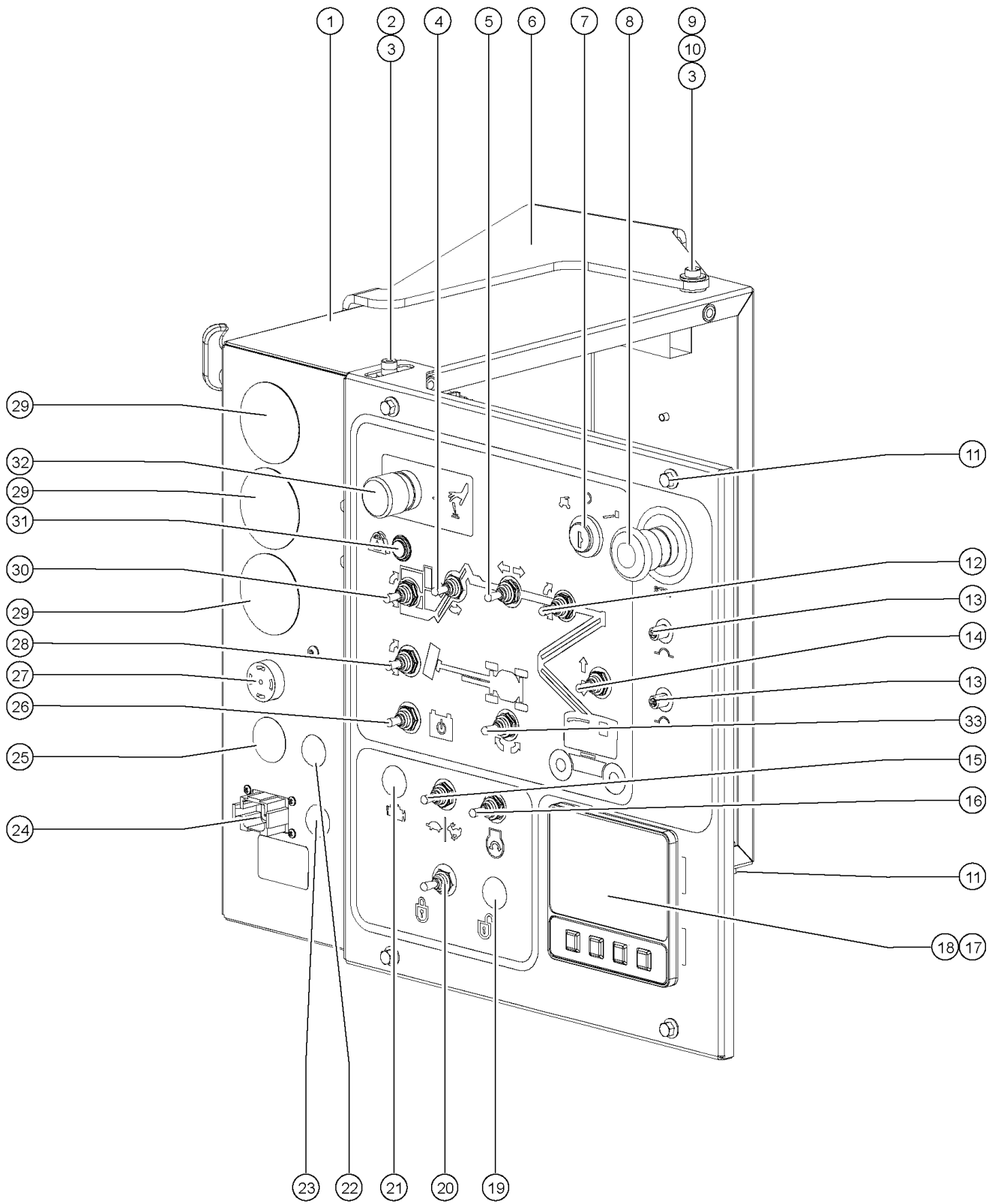


307.1 Ground Control Box, View 1 (For Deutz D2011L03i)

| <i>Item</i> | <i>Part No.</i> | <i>Description</i> | <i>Qty.</i> |
|-------------|-----------------|-------------------------------------|-------------|
| 25 | 45385GT | PLUG,NYLON 1.12 BLACK DOMED | 1 |
| 26 | 39540GT | ALARM, STEADY TONE*** | 1 |
| 27 | 66813GT | BUTTON,PUSH,BLACK W/SEAL *** | 1 |
| 27- | 66814GT | BASE,WITH 2 N.O. CONTACTS*** | |
| 28 | 45384GT | PLUG,NYLON .50 BLACK DOMED | 1 |
| 29 | 218165GT | LIGHT,INDICATOR,RED 12V H-BRI | 1 |
| | | (oil pressure light) | |
| 30 | 81900GT | PLUG,NYLON 2.093 BLACK DOMED | 3 |



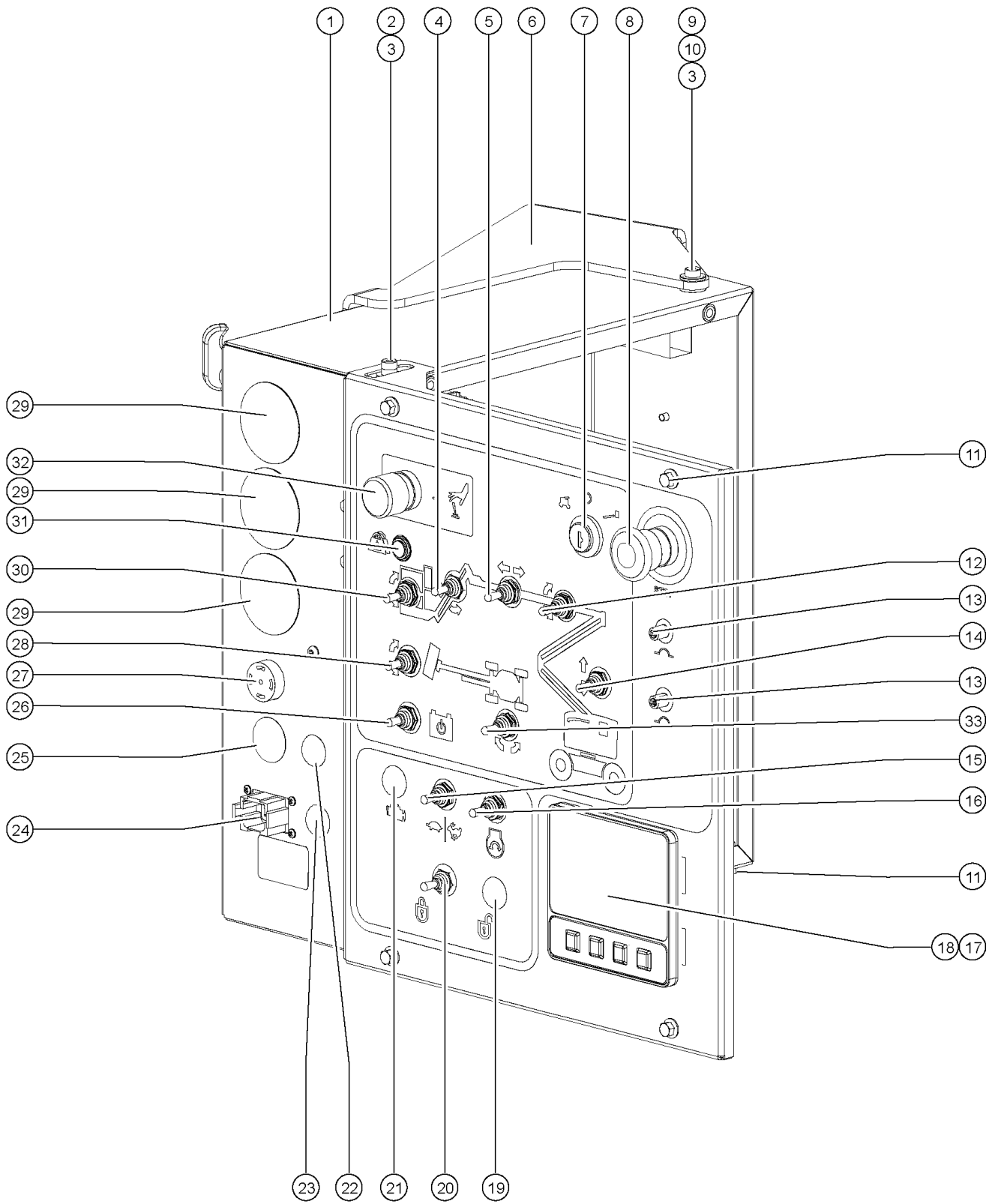
307.2 Ground Control Box, View 1 (For Deutz TD 2.2 L3)



| Item | Part No. | Description | Qty. |
|------|-----------|--|------|
| - | 1303896GT | DECAL, Z51 RELAYS | 1 |
| 1 | 1300898GT | ASSEMBLY, GBOX, Z51 STG V | 1 |
| 2 | 88315GT | SCREW,SHS,1/4-20 X .25 ZINC | 2 |
| 3 | 218449GT | WASHER,SHOULDER,NYLON | 4 |
| 4 | 128200GT | SWITCH TOGGLE ASSY SPDT 3P MOM | 1 |
| 5 | 128200GT | SWITCH TOGGLE ASSY SPDT 3P MOM | 1 |
| 6 | 1272704GT | BRACKET,CONTROL BOX MOUNTING | 1 |
| 7 | 96008GT | KEYSWITCH,3 POS. W/KEYS*** | 1 |
| 8 | 66812GT | BUTTON,PUSH,RED MUSHROOM HEAD | 1 |
| 9 | 6638GT | WASHER,FLAT,USS,1/4"Y | 2 |
| 10 | 218466GT | SCREW,SHS,1/4-20 X .5 ZINC | 2 |
| 11 | 1256855GT | SCREW,HHF,1/4-20X.625,8,ZAG | 5 |
| 12 | 128200GT | SWITCH TOGGLE ASSY SPDT 3P MOM | 1 |
| 13 | 147090GT | CIRCUIT BREAKER, 15A | 2 |
| 14 | 128202GT | SWITCH TOGGLE ASSY DPDT 3P MOM | 1 |
| 15 | 128204GT | SWITCH TOGGLE ASSY SPDT 2P MNT | 1 |
| 16 | 128200GT | SWITCH TOGGLE ASSY SPDT 3P MOM | 1 |
| 17 | 1299398GT | ASSY DISPLAY, DM430 DEUTZ TD 2.2 | 1 |
| 18 | 1298022GT | KIT PANEL MOUNTING, DM430E | 1 |
| 19 | 229567GT | PLUG, SANTOPRENE .5 BLACK DOME | 1 |
| 20 | 128204GT | SWITCH TOGGLE ASSY SPDT 2P MNT | 1 |
| 21 | 229567GT | PLUG, SANTOPRENE .5 BLACK DOME | 1 |
| 22 | 229567GT | PLUG, SANTOPRENE .5 BLACK DOME | 1 |
| 23 | 229567GT | PLUG, SANTOPRENE .5 BLACK DOME | 1 |
| 24 | 87755GT | CONN,RECEP 8 WAY 14-18GA,FL | 1 |
| 25 | 45385GT | PLUG,NYLON 1.12 BLACK DOMED | 1 |
| 26 | 128201GT | SWITCH TOGGLE ASSY DPDT 2P MOM | 1 |
| 27 | 18963GT | ALARM.INTERMITTENT TONE.24V | 1 |



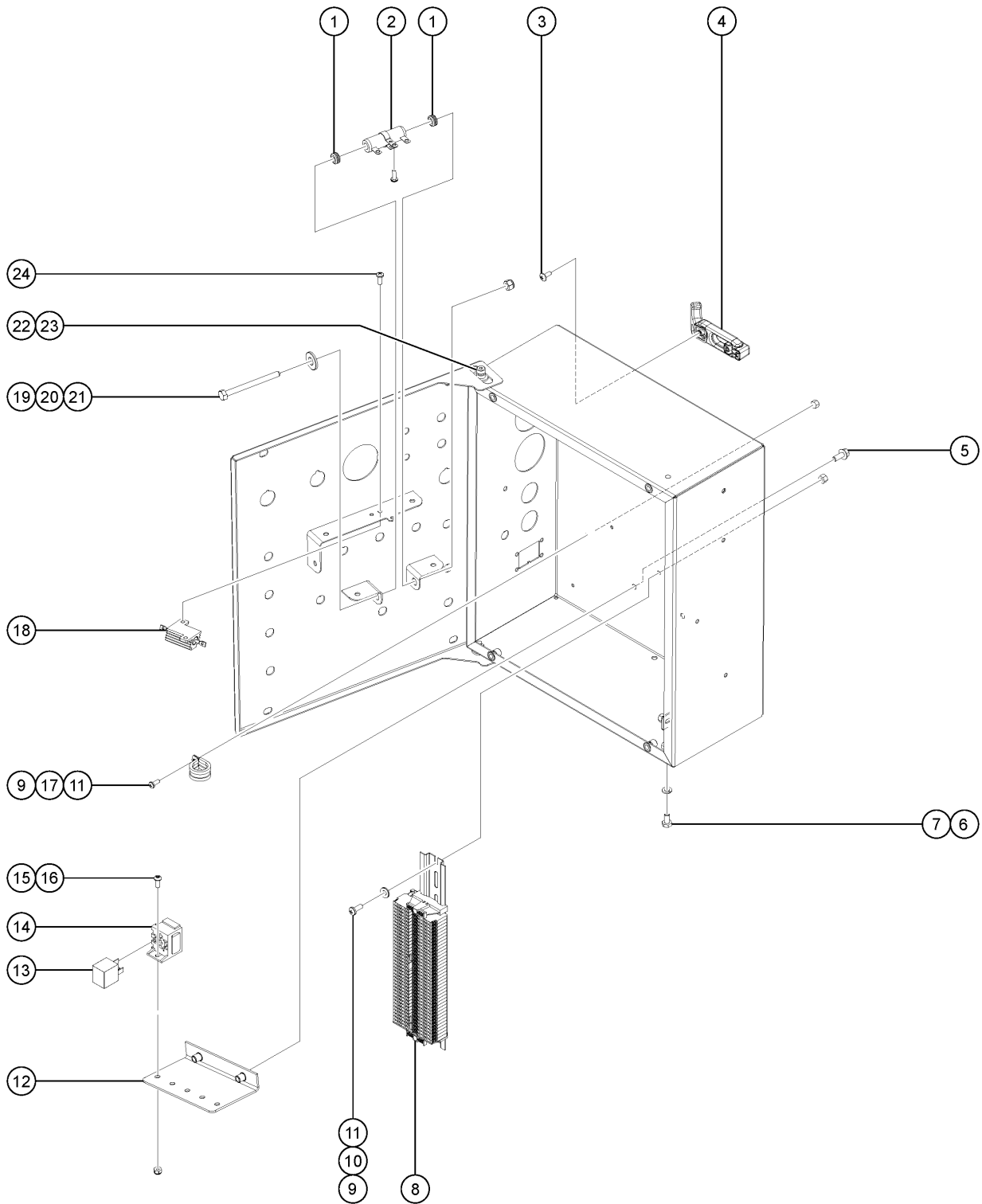
307.2 Ground Control Box, View 1 (For Deutz TD 2.2 L3)



| <i>Item</i> | <i>Part No.</i> | <i>Description</i> | <i>Qty.</i> |
|-------------|-----------------|--------------------------------------|-------------|
| 28 | 128202GT | SWITCH TOGGLE ASSY DPDT 3P MOM | 1 |
| 29 | 81900GT | PLUG,NYLON 2.093 BLACK DOMED | 3 |
| 30 | 128200GT | SWITCH TOGGLE ASSY SPDT 3P MOM | 1 |
| 31 | 218165GT | LIGHT,INDICATOR,RED 12V H-BRI | 1 |
| 32 | 66813GT | BUTTON,PUSH,BLACK W/SEAL *** | 1 |
| 33 | 128200GT | SWITCH TOGGLE ASSY SPDT 3P MOM | 1 |



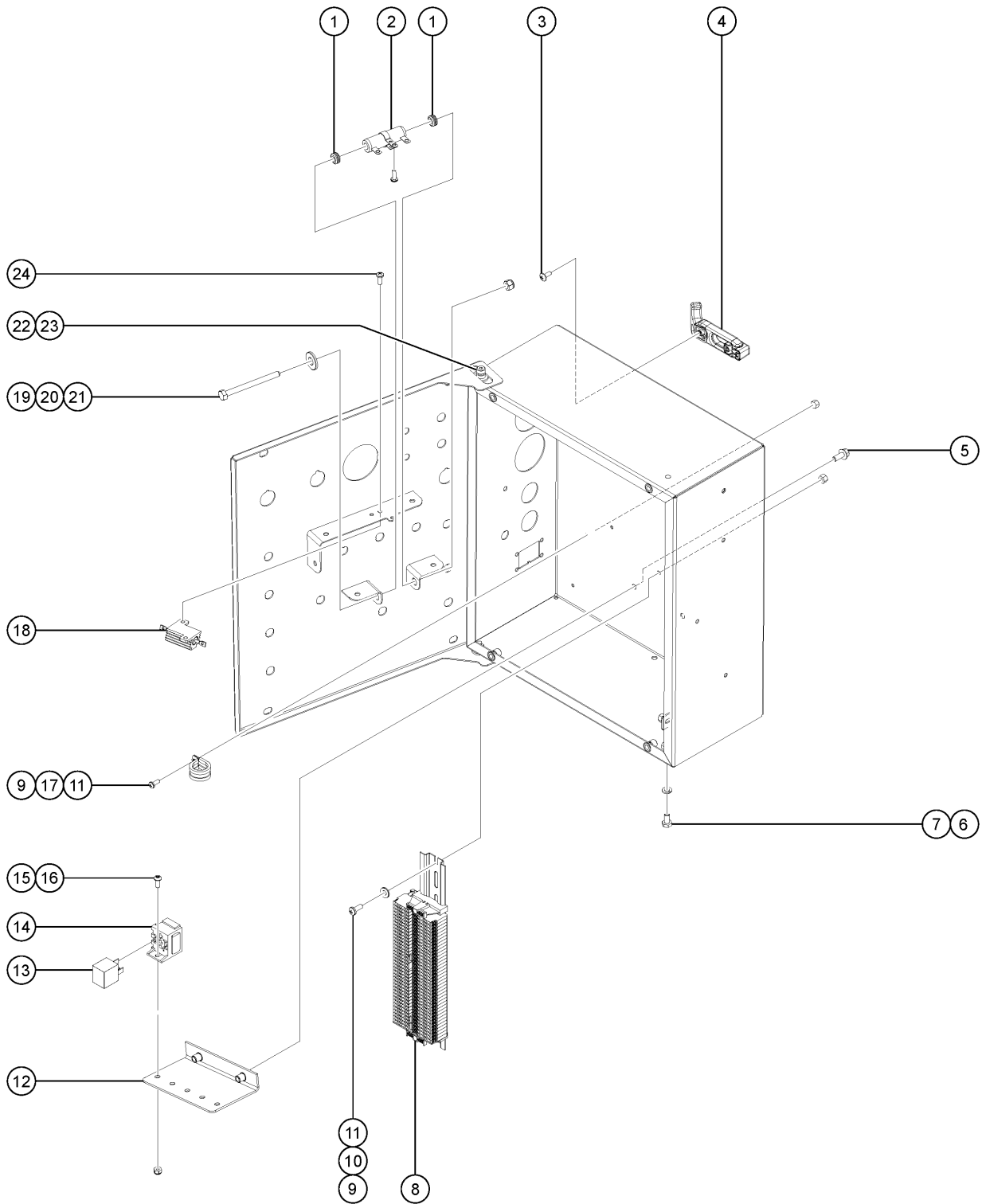
308.1 Ground Control Box, View 2 (For Deutz D2011L03i)



| Item | Part No. | Description | Qty. |
|------|-----------|--------------------------------------|------|
| - | 56057GT | MODULE,IGNITION/START,12/24V | 1 |
| - | 1261347GT | TOGGLE SWITCH W/GUARD ASSY | 1 |
| 1 | 42646GT | GROMMET,RUBBER .25 X .50"OD | 2 |
| 2 | 101010GT | RESISTOR,20 OHMS,25W,ADJ*** | 1 |
| 3 | 1256479GT | SCREW,PHPM,10-24X.50,ZAG | 3 |
| 4 | 56053GT | LATCH,FLEXIBLE DRAW | 1 |
| 5 | 824078GT | SCREW,HHF,1/4-20X.75,8,ZAG | 2 |
| 6 | 1268953GT | SCREW,HHC,1/4-20X.50,8,ZAG | 1 |
| 7 | 824109GT | WASHER,LOCK,1/4,ZAG | 1 |
| 8 | 217812GT | ASSY,TERMINAL RAIL,Z45IC | 1 |
| 8- | 216791GT | TERMINAL BLOCK,WIELAND | |
| 8- | 216793GT | TERMINAL BLOCK END PLATE | |
| 8- | 56994GT | DIN RAIL,11.25" | |
| 8- | 74913GT | END STOP, DIN RAIL,SCREW CLAMP | |
| 8- | 74917GT | JUMPER COMB, 2-WAY,WIELAND | |
| 9 | 1251757GT | SCREW,PHPM,10-32X.50,ZAG | 3 |
| 10 | 1253185GT | WASHER,FLAT,#10,USS,ZAG | 2 |
| 11 | 824036GT | NUT, TL, 10-32, A, ZAG | 2 |
| 12 | T106699GT | BRACKET,RELAY MOUNT W/INSERTS | 1 |
| 13 | 34052GT | RELAY,SPDT,12V(AUTO) PLUG IN** | 5 |
| 14 | 34053GT | ASSY,RELAY SOCKET, AUTO | 5 |
| 15 | 54365GT | SCREW,PHIL,PHM,10-32 X .5,SSTL | 2 |
| 16 | 1283005GT | NUT,NYLOCK FLG,10-32,A,ZAG | 2 |
| 17 | 13268GT | CLAMP,0.75,#12 X 1/4,RUB CUSH | 1 |
| 18 | 89575GT | RESISTOR,7.5 OHM,25 WATT,1PCNT | 1 |
| 19 | 12343GT | SCREW,HHC,1/4-20 X 3 | 1 |
| 20 | 5397GT | WASHER,FLAT,USS,5/16",Y | 2 |
| 21 | 6091GT | NUT,NYLOCK,1/4-20 | 1 |



308.1 Ground Control Box, View 2 (For Deutz D2011L03i)

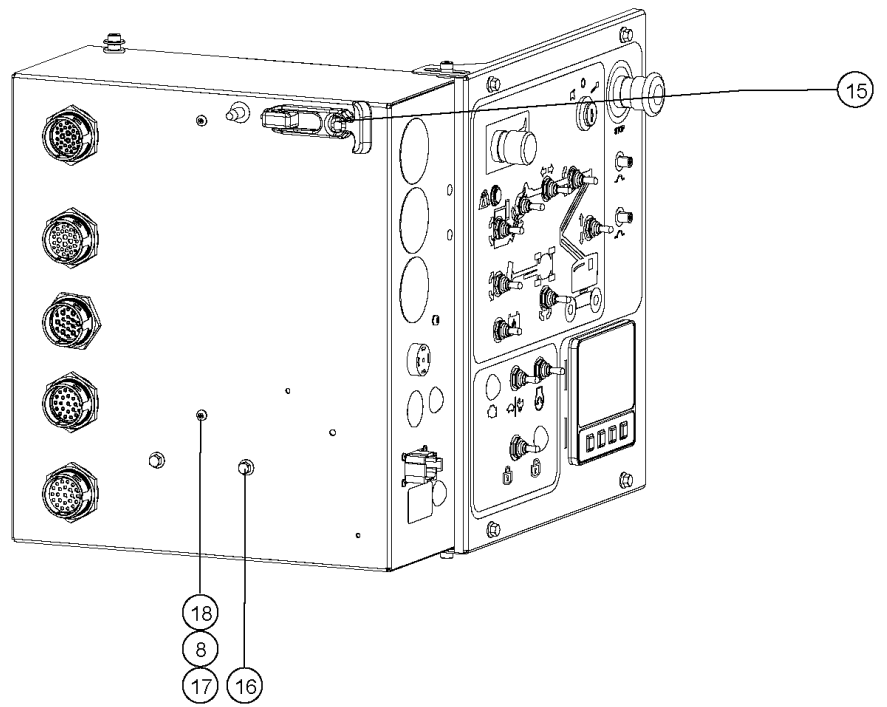
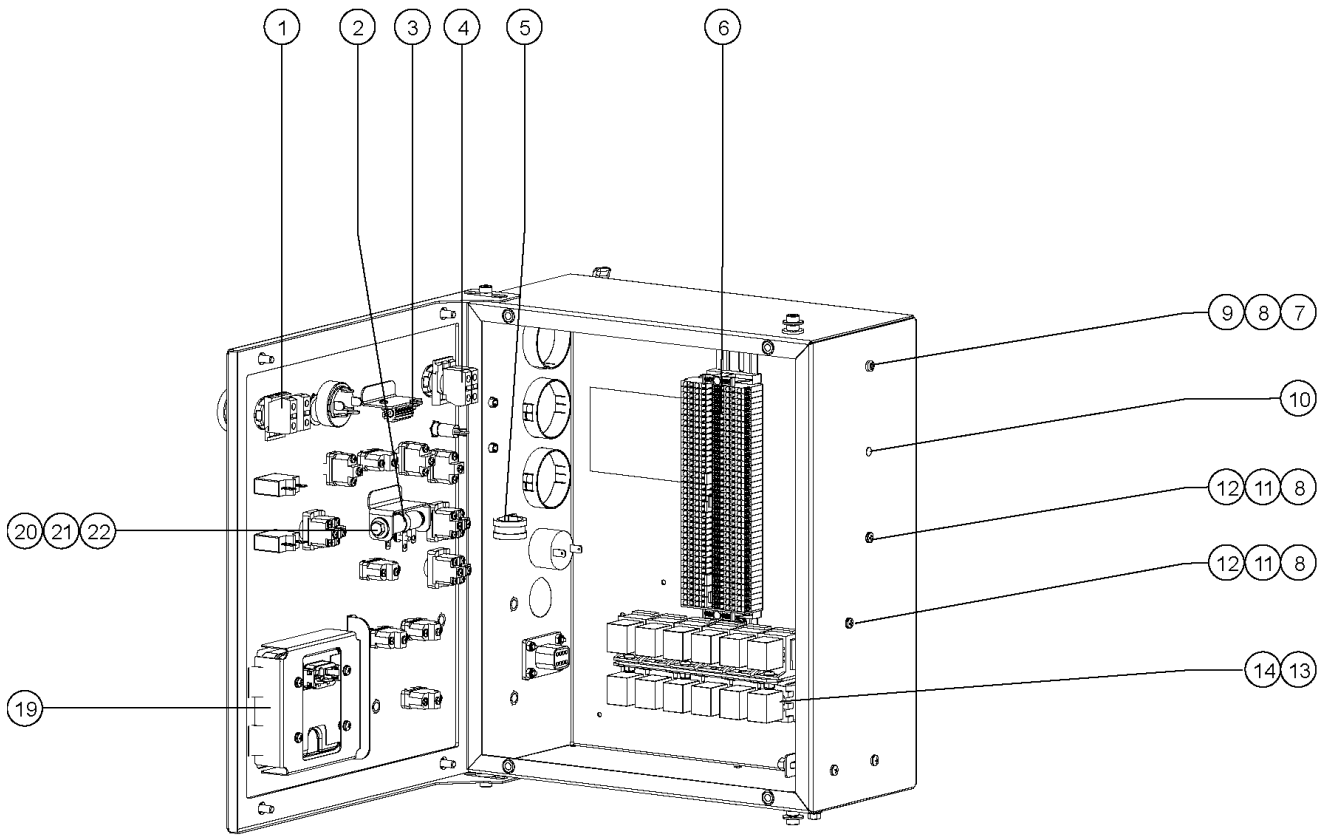


308.1 Ground Control Box, View 2 (For Deutz D2011L03i)

| <i>Item</i> | <i>Part No.</i> | <i>Description</i> | <i>Qty.</i> |
|-------------|-----------------|------------------------------------|-------------|
| 22 | 1257410GT | BOLT,SHS,5/16X.375X1/4-20,ZA | 2 |
| 23 | 218449GT | WASHER,SHOULDER,NYLON | 2 |
| 24 | 824214GT | SCREW,PHPM,6-32X.5,ZAG | 2 |



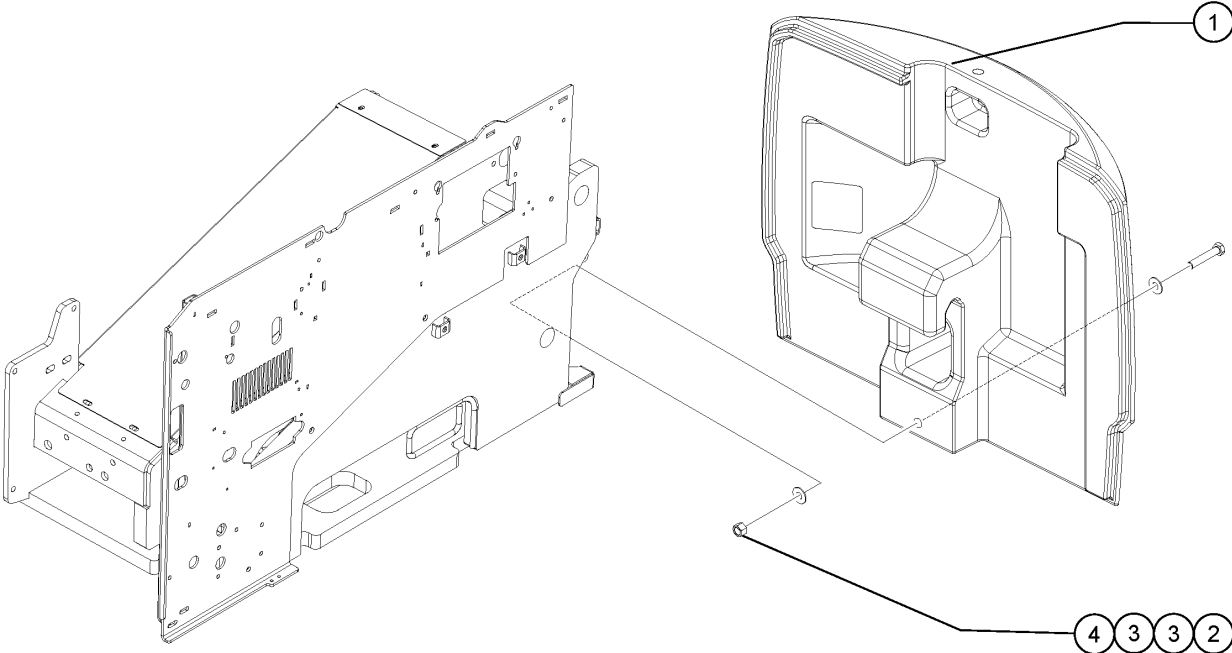
308.2 Ground Control Box, View 2 (For Deutz TD 2.2 L3)



| <i>Item</i> | <i>Part No.</i> | <i>Description</i> | <i>Qty.</i> |
|-------------|-----------------|--------------------------------------|-------------|
| 1 | 73805GT | BASE,W/2 NC CONTACTS*** | 1 |
| 2 | 101010GT | RESISTOR,20 OHMS,25W,ADJ*** | 1 |
| 3 | 89575GT | RESISTOR,7.5 OHM,25 WATT,1PCNT | 1 |
| 4 | T107725GT | BASE, W/2 NO CONTACTS | 1 |
| 5 | 13268GT | CLAMP,0.75,#12 X 1/4,RUB CUSH | 1 |
| 6 | 1283997GT | ASSY, TERMINAL RAIL, Z45XC, T4 | 1 |
| 7 | 49817GT | SCREW,PHILLIPS,PHM,10-32 X1.25 | 1 |
| 8 | 6178GT | NUT,NYLOCK,10-32 | 5 |
| 9 | 121846GT | RELAY,TIME DELAY,2 SEC,10A | 1 |
| 10 | 42781GT | PLUG, NYLON .250 BLACK DOMED | 1 |
| 11 | 49819GT | SCREW,PHILLIPS,PHM,10-32 X .5 | 2 |
| 12 | 128829GT | CIRCUIT BRKR 15A TYPE 2 METAL | 2 |
| 13 | 34052GT | RELAY,SPDT,12V(AUTO) PLUG IN** | 12 |
| 14 | 34053GT | ASSY,RELAY SOCKET, AUTO | 12 |
| 15 | 56053GT | LATCH,FLEXIBLE DRAW | 1 |
| 16 | 1256855GT | SCREW,HHF,1/4-20X.625,8,ZAG | 2 |
| 17 | 54365GT | SCREW,PHIL,PHM,10-32 X .5,SSTL | 2 |
| 18 | 6146GT | WASHER,FLAT,MS,#10,Y | 2 |
| 19 | 1299413GT | CUSTOM BRACKET, DISPLAY DM430 | 1 |
| 20 | 12343GT | SCREW,HHC,1/4-20 X 3 | 1 |
| 21 | 6638GT | WASHER,FLAT,USS,1/4"Y | 2 |
| 22 | 6091GT | NUT,NYLOCK,1/4-20 | 1 |



309.1 Turntable Counterweight

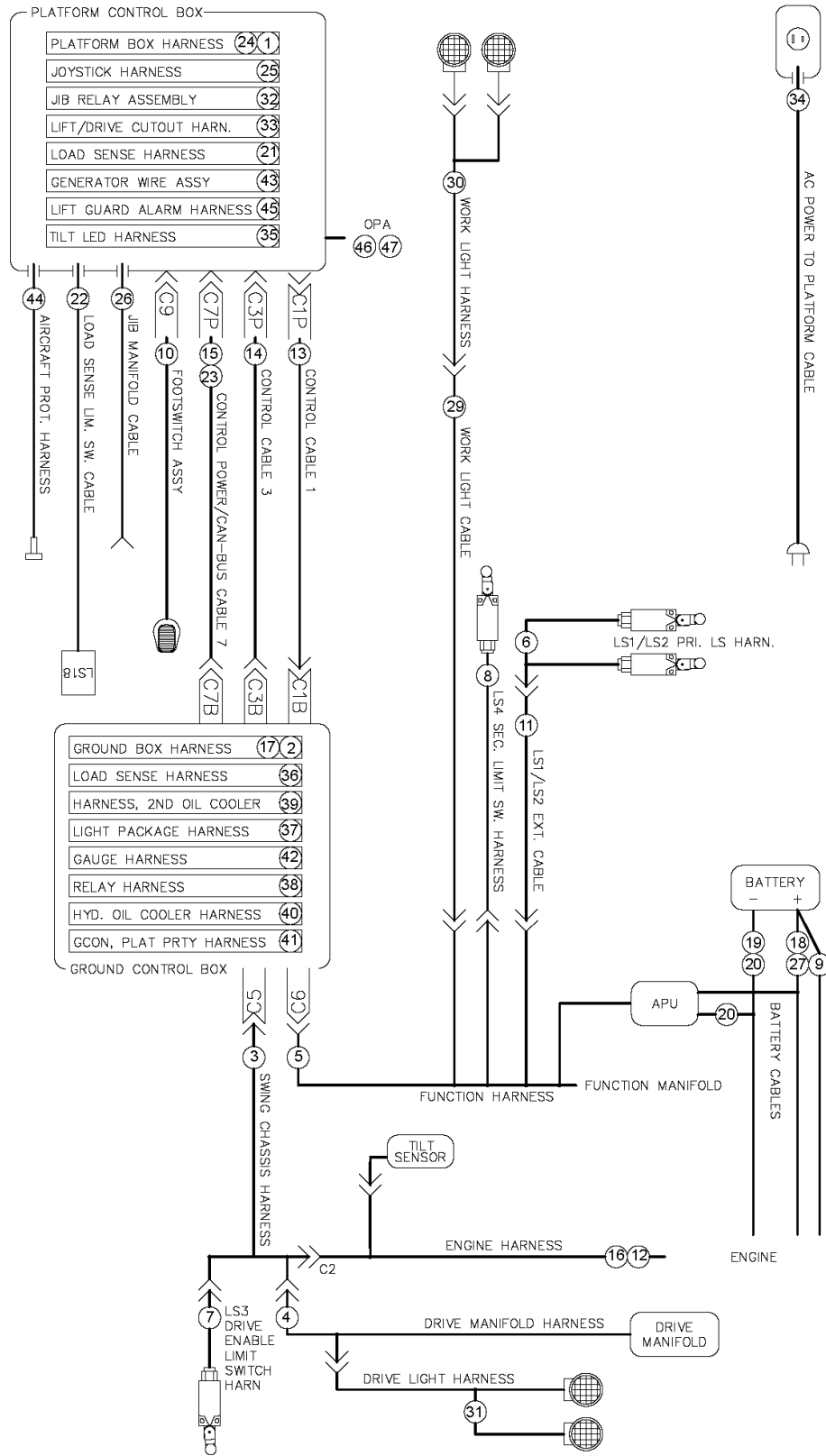


309.1 Turntable Counterweight

| <i>Item</i> | <i>Part No.</i> | <i>Description</i> | <i>Qty.</i> |
|-------------|-----------------|-------------------------------|-------------|
| 1 | 1286570GT | COUNTERWEIGHT, Z51 NDL | 1 |
| 2 | 123143GT | NUT,NYLOCK,1-8,GR8 | 1 |
| 3 | 1256469GT | WASHER,FLAT,1.0,USS,ZAG | 2 |
| 4 | 237731GT | SCREW,HHC,1-8X5,5,ZAG | 1 |



310.1 Wire Harness Diagram

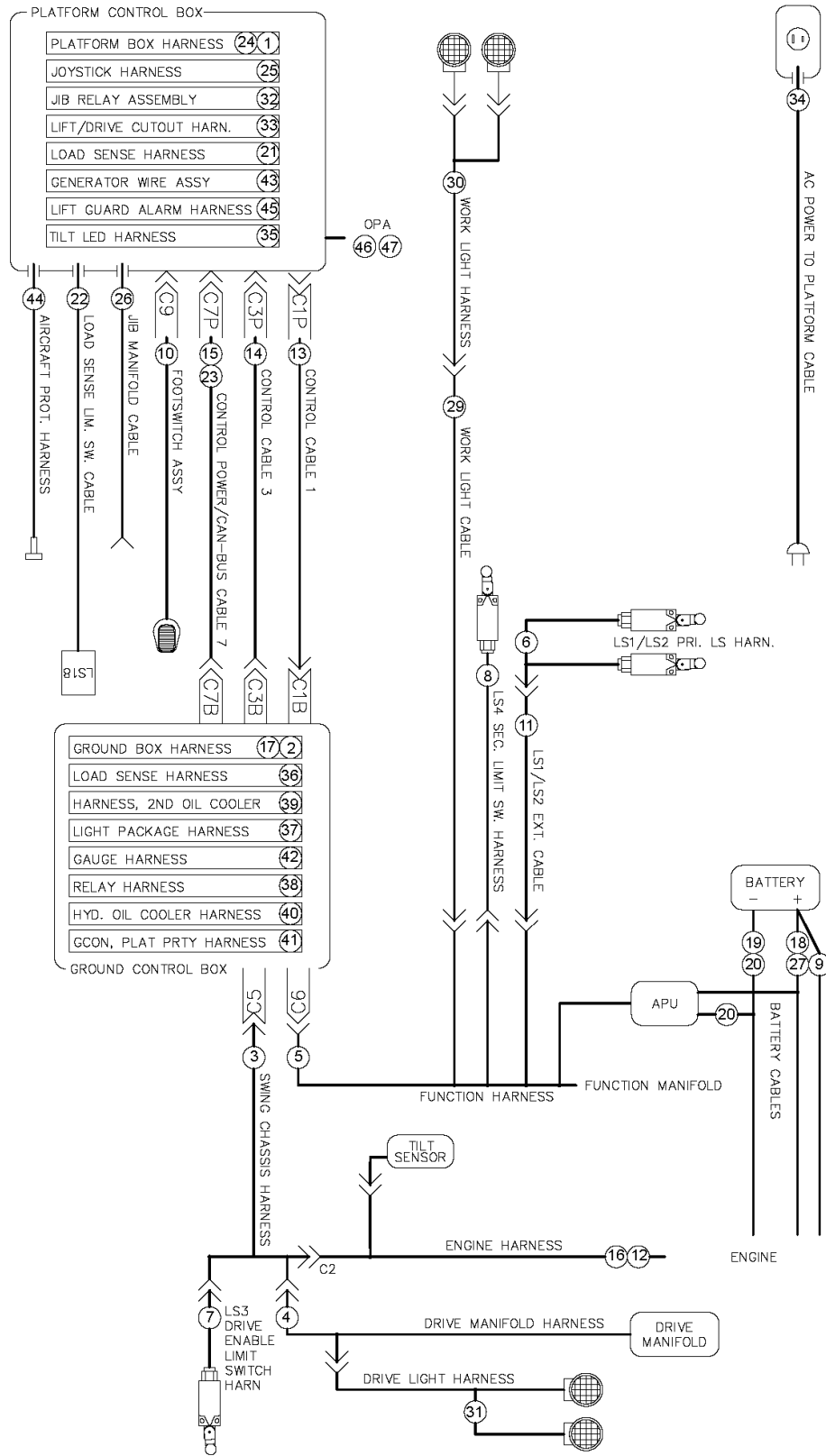


310.1 Wire Harness Diagram

| <i>Item</i> | <i>Part No.</i> | <i>Description</i> | <i>Qty.</i> |
|-------------|-----------------|---|-------------|
| 1 | 1303871GT | HARNESS, PBOX, Z51 STAGE V (For Deutz TD 2.2 L3) | 1 |
| 2 | 1303872GT | HARNESS,GBOX,Z51,DEUTZ 2.2 STAGE V (For Deutz TD 2.2 L3) | 1 |
| 3 | 1299445GT | HARN, SWING CHASSIS, Z45XC/Z51 | 1 |
| 4 | 217904GT | HARN BRAKE-MS ADAPTER CABLE | 1 |
| 5 | 217957GT | HARN, FUNCTION MANIFOLD,Z45IC | 1 |
| 6 | 88725GT | HARNESS,LS,PRIM/EXT | 1 |
| 7 | 110160GT | HARNESS,LS,D.E. Z45 | 1 |
| 8 | 218684GT | HARNESS,LS SEC UP/DOWN | 1 |
| 9 | 1303873GT | CABLE, RELAY GLOW PLUG | 1 |
| 10 | 227617GT | ASSEMBLY,FOOT SWITCH | 1 |
| 11 | 1299430GT | HARNESS, LS EXTEND PIGTAIL | 1 |
| 12 | 1291291GT | HARNESS, DEUTZ 2.2 STAGE V, Z45 XC | 1 |
| 13 | 1303866GT | HARNESS,CONTROL CABLE 1, Z51IC | 1 |
| 14 | 1303867GT | HARNESS, CONTROL CABLE 3, Z51IC | 1 |
| 15 | 1303868GT | HARN, POWER&J1939, CAN CABLE, Z51IC | 1 |
| 16 | 1275333GT | HARNESS, DEUTZ ENGINE, Z45XC | 1 |
| 17 | 1294568GT | HARNESS, GBOX | 1 |
| 18 | 1303600GT | BATTERY CABLE,POSITIVE,RED | 1 |
| 19 | 1303601GT | BATTERY CABLE,NEGATIVE,BLK | 1 |
| 20 | 1283973GT | BATTERY CABLE, NEGATIVE, BLK | 1 |
| 21 | 1261296GT | HARNESS ASSY,PCON,LOAD SENSE | 1 |
| 22 | 121848GT | ASSY,LS,LOAD SENSE,38.5 IN | 1 |
| 23 | 1302512GT | HARN 12/3 CABLE2 Z51 PWR/PLAT | 1 |
| 24 | 1262313GT | HARNESS, PBOX | 1 |
| 25 | 218781GT | HARNESS,JOYSTICK | 1 |
| 26 | 101080GT | HARNESS,JIB SELECT MANIFOLD | 1 |
| 27 | 1283972GT | BATTERY CABLE, POSITIVE, RED | 1 |
| 28 | 218455GT | BATTERY CABLE,NEGATIVE,BLACK | 1 |



310.1 Wire Harness Diagram

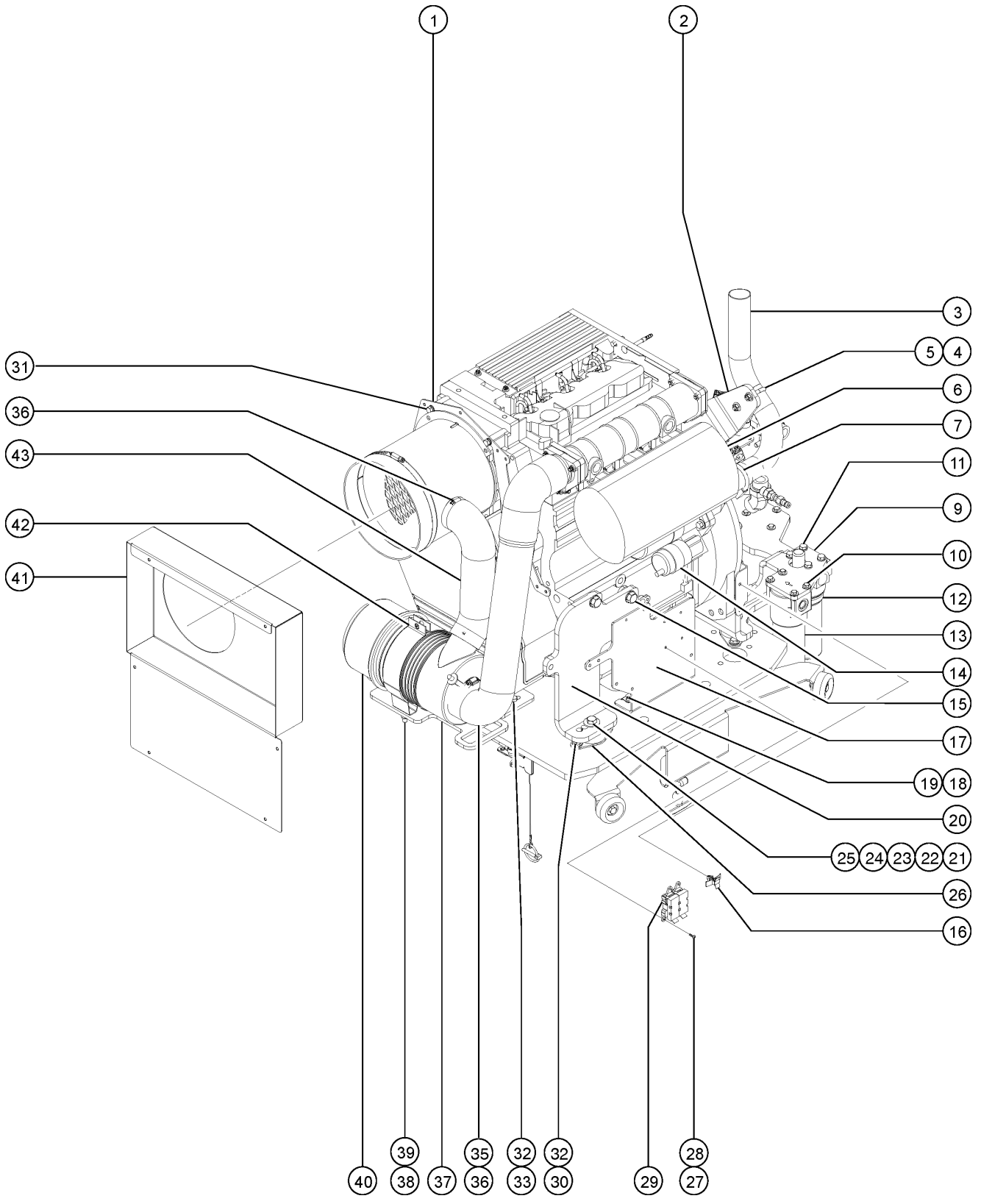


310.1 Wire Harness Diagram

| <i>Item</i> | <i>Part No.</i> | <i>Description</i> | <i>Qty.</i> |
|-------------|-----------------|--------------------------------------|-------------|
| 29 | 1302513GT | HARN,CABLE,WORK LIGHTS,Z51 | 1 |
| 30 | T114627GT | HARNESS,12V WORK LIGHTS | 1 |
| 31 | 219684GT | HARN,DRIVE LIGHTS,Z45/Z51 | 1 |
| 32 | 1262643GT | HARNESS, JIB OPTION | 1 |
| 33 | 1262315GT | HARNESS, PBOX, LIFT/DRIVE | 1 |
| 34 | 30794GT | WIRE,12/3 SJEOW,BK-WH-GR/YL | 856 |
| 35 | 1262316GT | HARNESS, PBOX, TILT LED | 1 |
| 36 | 219305GT | HARNESS,JUMPER,LOAD SENSE,GBOX | 1 |
| 37 | 219685GT | HARNESS,RELAY,LIGHT PKG,Z45/51 | 1 |
| 38 | 1255780GT | HARNESS,RELAY,GBOX,Z45IC | 1 |
| 39 | 1290773GT | HARNESS, 2ND OIL COOLER RELAY | 1 |
| 40 | 220234GT | HARNESS,RELAY,OIL COOLER | 1 |
| 41 | 1261298GT | HARNESS ASSY,GCON,PLAT PRTY | 1 |
| 42 | 219673GT | HARNESS,GAUGE,Z45/51 | 1 |
| 43 | 219672GT | HARNESS,GENERATOR,PBOX,Z45/51 | 1 |
| 44 | 1262314GT | HARNESS, PBOX, PROX KILL | 1 |
| 45 | 1278455GT | HARNESS, OPA2 | 1 |
| 46 | 1255555GT | HARN,PBOX,OPA,HW,12V | 1 |
| 47 | 1255030GT | PLUG,BLANKING | 1 |



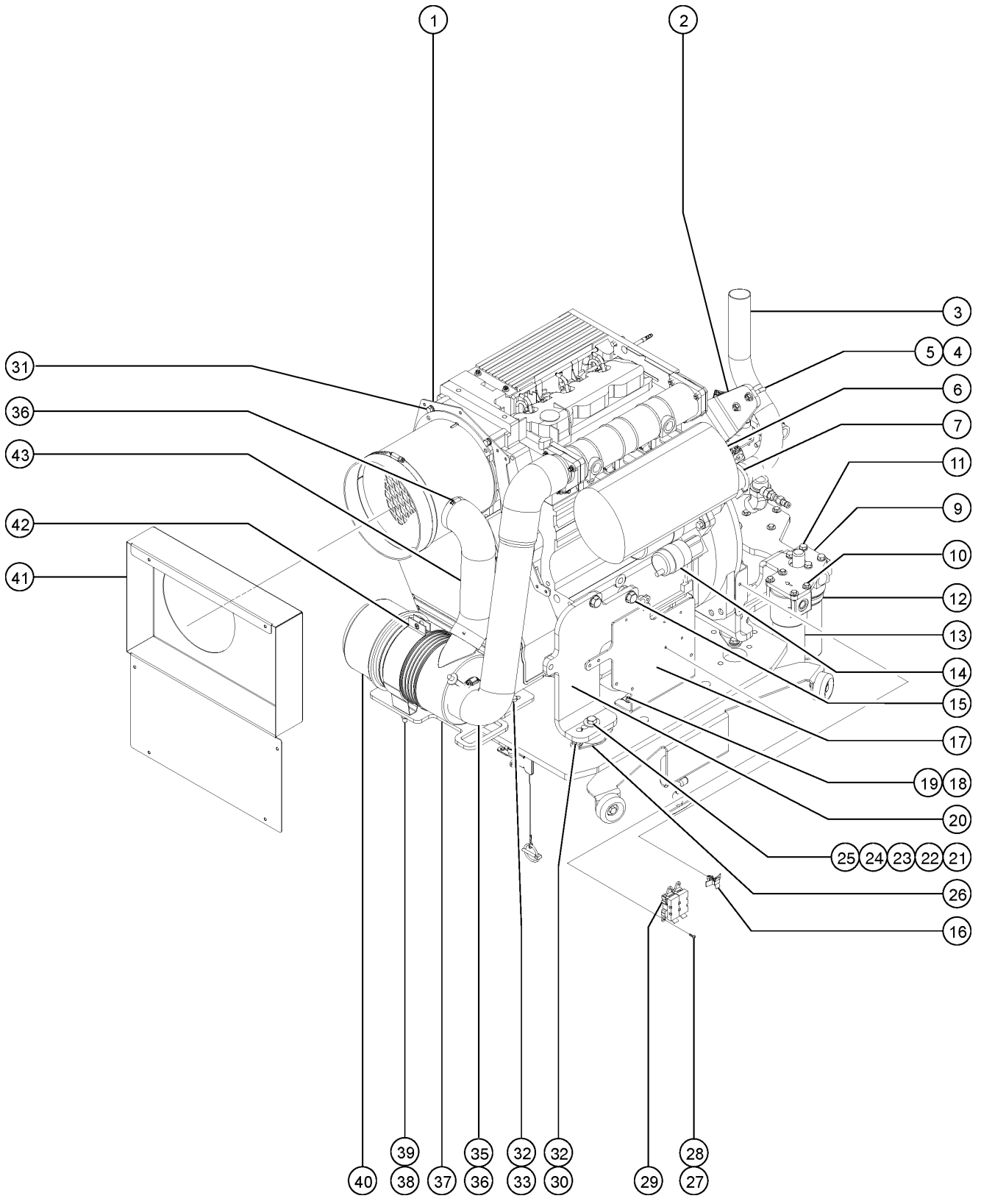
401.1 Deutz D2011L03i Engine, View 1



| Item | Part No. | Description | Qty. |
|------|-----------|---|------|
| A- | | Verify Engine Make and Model Before Ordering | |
| B- | 35499GT | GUIDE RING,STANDARD | |
| C- | 139624GT | SWITCH, OIL PRESSURE 1.5 BAR | |
| D- | 111445GT | SENDING UNIT,OIL TEMP SWCH,DTZ | |
| E- | 65849GT | CONNECTOR KIT, DEUTZ** | |
| E- | 1259374GT | PIN, DEUTZ (FOR PN 65849) for 65849 | |
| E- | 1259375GT | PLUG, DEUTZ (FOR PN 65849) for 65849 | |
| 1 | 216340GT | MOUNTING BRKT,FRONT HARNESS | 1 |
| 2 | 101138GT | BRACKET,MUFFLER,DEUTZ 3 CYL*** | 1 |
| 3 | 219668GT | EXHAUST PIPE, DEUTZ 3 CYL DSL | 1 |
| 4 | 80391GT | U-BOLT,5/16 -18 X 2IN** | |
| 5 | 1255805GT | NUT,SERRATED,5/16-18,8,ZAG | |
| 6 | 32695GT | MUFFLER,DEUTZ | 1 |
| 6- | 29559GT | GASKET,EXHAUST | |
| 7 | 70385GT | CLAMP,EXHAUST,2.00 PLATED | 1 |
| 9 | 235654GT | FORMING,OIL FILTER BRACKET | 1 |
| 10 | 824078GT | SCREW,HHF,1/4-20X.75,8,ZAG | 4 |
| 11 | 824089GT | SCREW, HHF, 3/8-16 X .75, 8, ZAG | 4 |
| 12 | 60334GT | FILTER ASSY,HIGH PRESS SAE-12* | 1 |
| 12- | 60857GT | FILTER,ELEMENT,BETA(5)=1000 | |
| 12- | 58222GT | O-RING,FILTER ASSY (60334)*** | |
| 12- | 58223GT | SEAL,FILTER ASSY (60334)*** | |
| 12- | 58380GT | FILTER INDICATOR-(60334) | |
| 13 | 77139GT | FILTER ASY,M PRESS,SAE8,WOIND* | 1 |
| 13- | 60857GT | FILTER,ELEMENT,BETA(5)=1000 | |
| 13A- | 1268229GT | ELEMENT-5 MIC, PAPER, W/BYPASS for 1267807 | |
| 14 | 139709GT | STARTER, 12V | 1 |
| 14- | 139622GT | HEAT SHIELD,DEUTZ STARTER | |



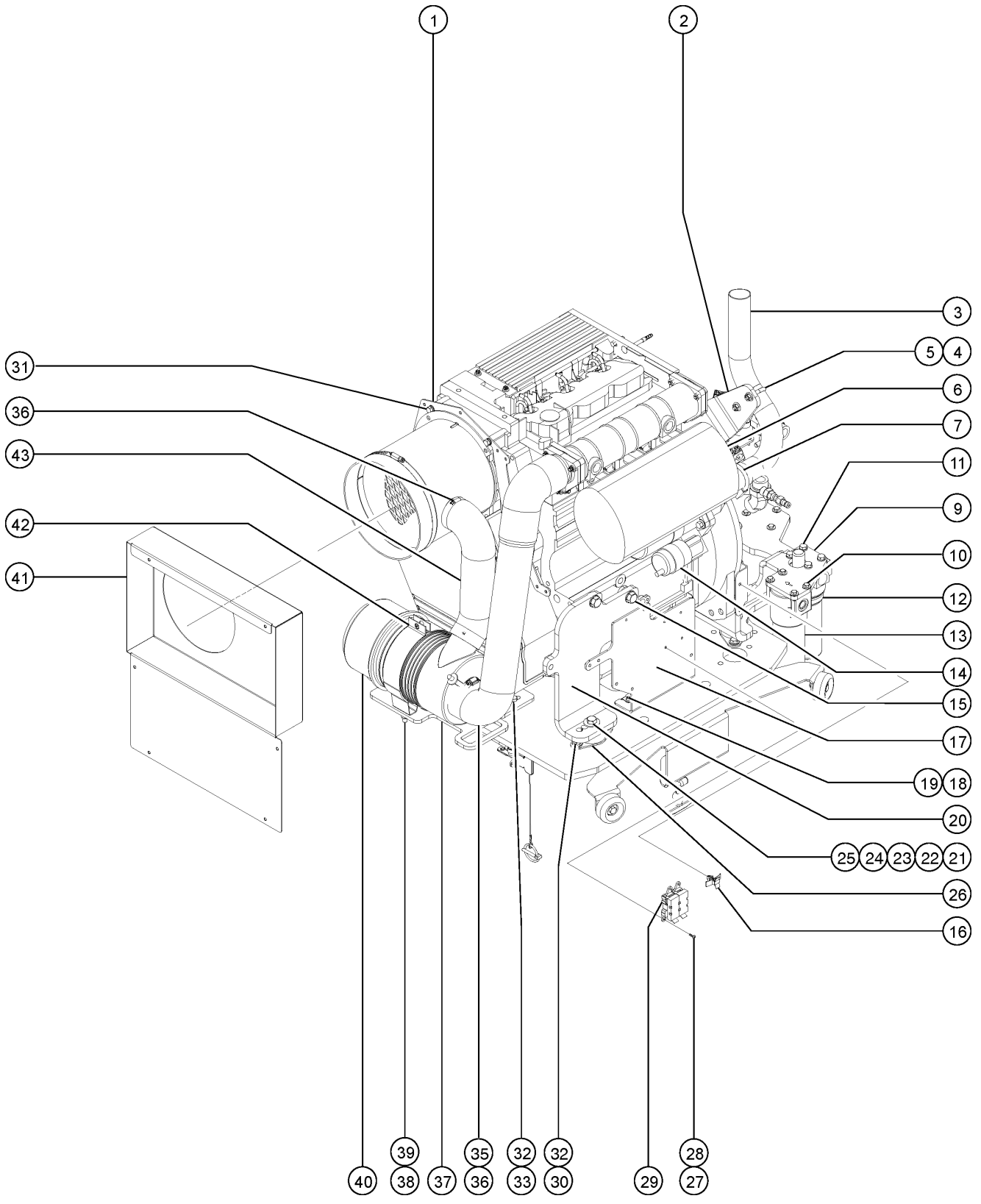
401.1 Deutz D2011L03i Engine, View 1



| Item | Part No. | Description | Qty. |
|------|-----------|---|------|
| 14- | 70376GT | STARTER,DEUTZ,F4L1011F/F3L1011 | |
| 15 | 1256776GT | SCREW,HHF,M14-2.0X35,DIN6921,1 | 9 |
| 16 | 105214GT | CABLE TIE MOUNT, WINGED | 1 |
| 17 | 216343GT | MOUNTING BRKT,ELECTRICAL PANEL | 1 |
| 18 | 56912GT | SPRING CLIP,1/4-20,.025-.15X.54,ZAG | 2 |
| 19 | 824080GT | SCREW,HHF,1/4-20X1.25,8,ZAG | |
| 20 | 70461GT | FORMING,ENGINE MOUNT,FL *** | 1 |
| 21 | 1256851GT | SCREW,HHF,1/2-13X3.5,8,ZAG | |
| 22 | 219991GT | SPACER,19.1 ODX13.5 IDX15.9 | |
| 23 | 101729GT | WASHER,VIBRATION ISOLATING | |
| 24 | 1256283GT | WASHER,FLAT,.5X2.25X.188,ZAG | |
| 25 | 1256106GT | NUT,TL,1/2-13,C,ZAG | |
| 26 | 70452GT | ISOLATOR,ENGINE VIBRATION | 4 |
| 27 | 1253490GT | SCREW,PHPM,8-32 X .75,ZAG | |
| 28 | 1263070GT | NUT,SERRATED,8-32,ZAG | |
| 29 | 218221GT | ASSY,FUSE BLOCK,LMI,1 POLE | 1 |
| 30 | 824091GT | SCREW, HHF, 3/8-16 X 1.25, 8, ZAG | |
| 31 | 1251983GT | SCREW,HHF,M8-1.25X16,DIN6921,10.9,ZAB | |
| 32 | 824029GT | NUT, TL FLG, 3/8-16, G, ZAG | |
| 33 | 824092GT | SCREW, HHF, 3/8-16 X 1.5, 8, ZAG | 3 |
| 35 | 70375GT | HOSE,AIR CLEANER | 1 |
| 36 | 30971GT | CLAMP,HOSE,3.00" | 4 |
| 37 | 120240GT | WELDMENT,AIR CLEANER BRACKET | 1 |
| 38 | 1264101GT | SCREW,HHC,5/16-18X1,8,ZAG | |
| 39 | 824028GT | NUT,TL FLG,5/16-18,G,ZAG | |
| 40 | 63463GT | AIR CLEANER,NELSON*** | 1 |
| 40- | 62420GT | FILTER,AIR*** | |
| 40- | 58415GT | CLIP,AIR CLEANER END CAP*** | |

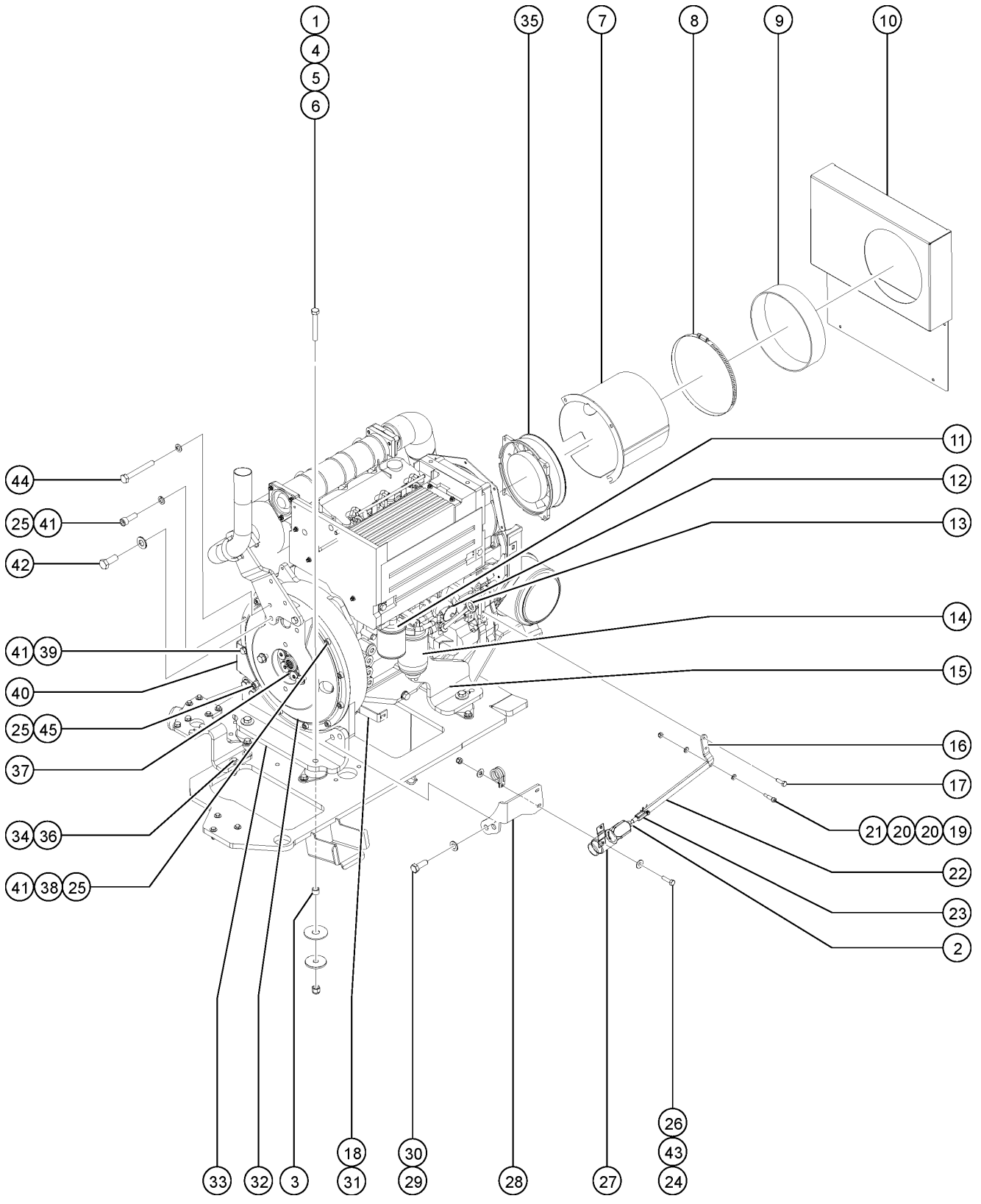


401.1 Deutz D2011L03i Engine, View 1



| <i>Item</i> | <i>Part No.</i> | <i>Description</i> | <i>Qty.</i> |
|-------------|-----------------|--------------------------------------|-------------|
| 40- | 53952GT | BRKT,AIR CLEANER ORIENTATION** | |
| 40- | 65810GT | BAFFLE, AIR CLEANER (27915)** | |
| 40- | 52866GT | EVACUATOR VALVE-AIR CLEANER | |
| 41 | 235645GT | FORM,DEUTZ AIR INTAKE BAFFLE | 1 |
| 42 | 53952GT | BRKT,AIR CLEANER ORIENTATION** | 1 |
| 43 | 101006GT | TUBE,AIR CLEANER INLET | 1 |

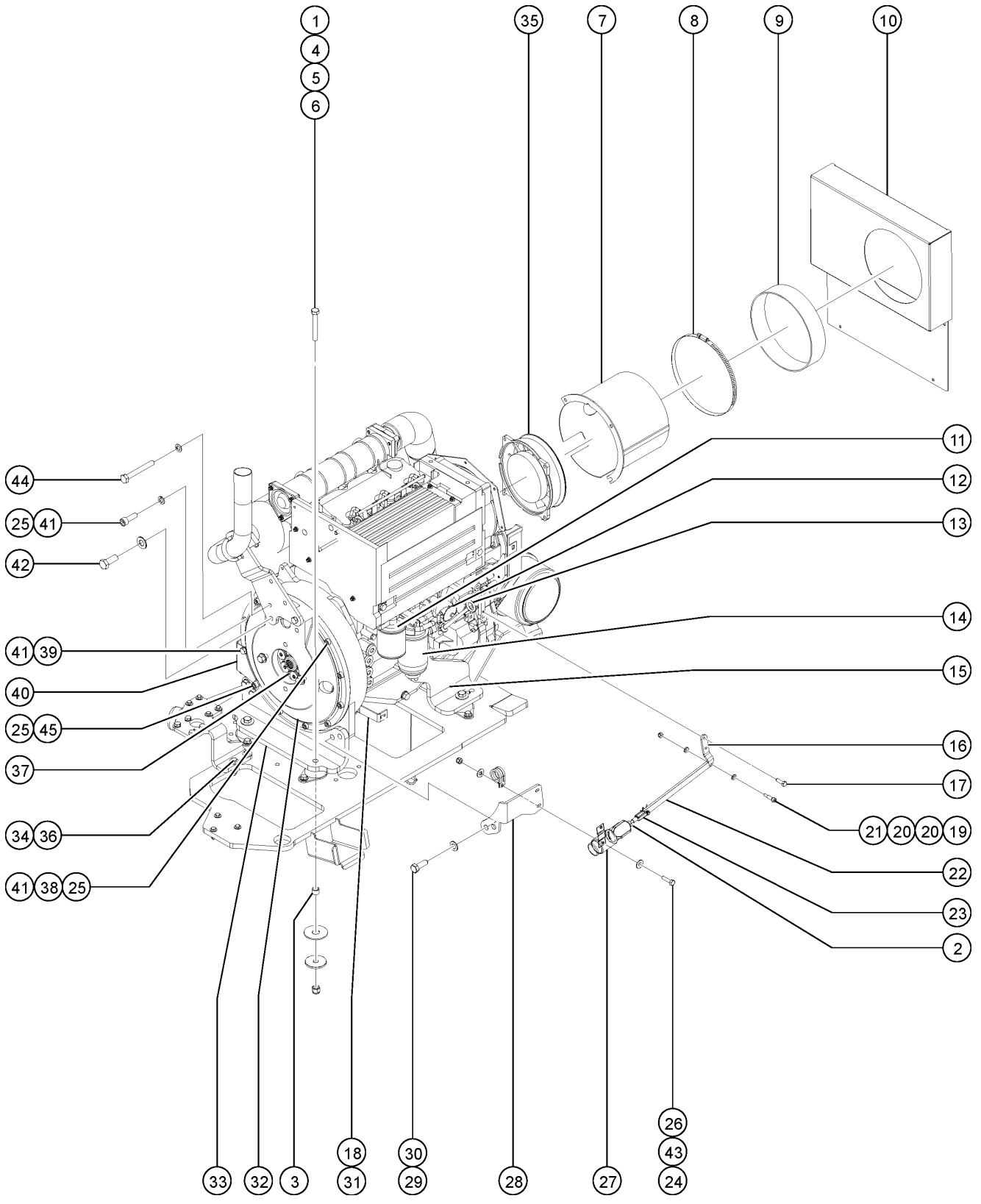
402.1 Deutz D2011L03i Engine, View 2



| Item | Part No. | Description | Qty. |
|------|-----------|--|------|
| - | | Verify Engine Make and Model Before Ordering | |
| 1 | 1256851GT | SCREW,HHF,1/2-13X3.5,8,ZAG | |
| 2 | 21496GT | NUT,HEX,1/4-28 | |
| 3 | 219991GT | SPACER,19.1 ODX13.5 IDX15.9 | 4 |
| 4 | 101729GT | WASHER,VIBRATION ISOLATING | |
| 5 | 1256283GT | WASHER,FLAT,.5X2.25X.188,ZAG | |
| 6 | 1256106GT | NUT,TL,1/2-13,C,ZAG | |
| 7 | 101140GT | WELDMENT,AIR INTAKE TUBE | 1 |
| 8 | 31523GT | CLAMP,HOSE,8.50 DIA*** | 1 |
| 9 | 33239GT | SHEET,RUBBER,AIR INTAKE | 1 |
| 10 | 235645GT | FORM,DEUTZ AIR INTAKE BAFFLE | 1 |
| 11 | 49924GT | FILTER,OIL,DEUTZ F4L1011F Genie Genuine Part. See PN 1255653 for compatible aftermarket replacement. | 1 |
| 11- | 1255653GT | FILTER,OIL,DEUTZ,REPLACEMENT Genie Aftermarket Part. Compatible with Genie Genuine Part 49924. | 1 |
| 12 | 111668GT | PUMP,FUEL 2011 DEUTZ *** | 1 |
| 13 | 89781GT | DIPSTICK, OIL (DEUTZ 2011F)*** | 1 |
| 14 | 29560GT | FILTER,FUEL/WTR SEP, DTZ 1008 Genie Genuine Part. See PN 1254826 for compatible aftermarket replacement. | 1 |
| 14- | 1254826GT | FUEL FILTER W/SEP,DEUTZ,1008 Genie Aftermarket Part. Filter for Deutz F3L 1011F Engine. | 1 |
| 15 | 70460GT | FORMING,ENGINE MOUNT,FR*** | 1 |
| 16 | 50787GT | LEVER,GOVERNOR ACTUATOR** | 1 |
| 17 | 237238GT | SCREW,HHF,M6-1.0X12,DIN6921,10 | |
| 18 | 1256450GT | SCREW,HHC,M6-1.0X20,DIN933,10.9,ZAB | |
| 19 | 1257076GT | BOLT,SHS,1/4-28X4,ZAG | |
| 20 | 25926GT | WASHER,FLAT,M6 PLTD. | |
| 21 | 825355GT | WASHER,FLAT,M6,DIN125,ZAB | |
| 22 | 94485GT | THROTTLE LINKAGE,DIESEL*** | 1 |
| 23 | 21130GT | CLEVIS YOKE-1/4-28,PLTD W/PIN includes clevis pin and cotter pin | 1 |
| 24 | 824079GT | SCREW,HHF,1/4-20X1,8,ZAG | |
| 25 | 1255666GT | SCREW,SHC,M10-1.50X30,DIN912,12.9,ZAB | |



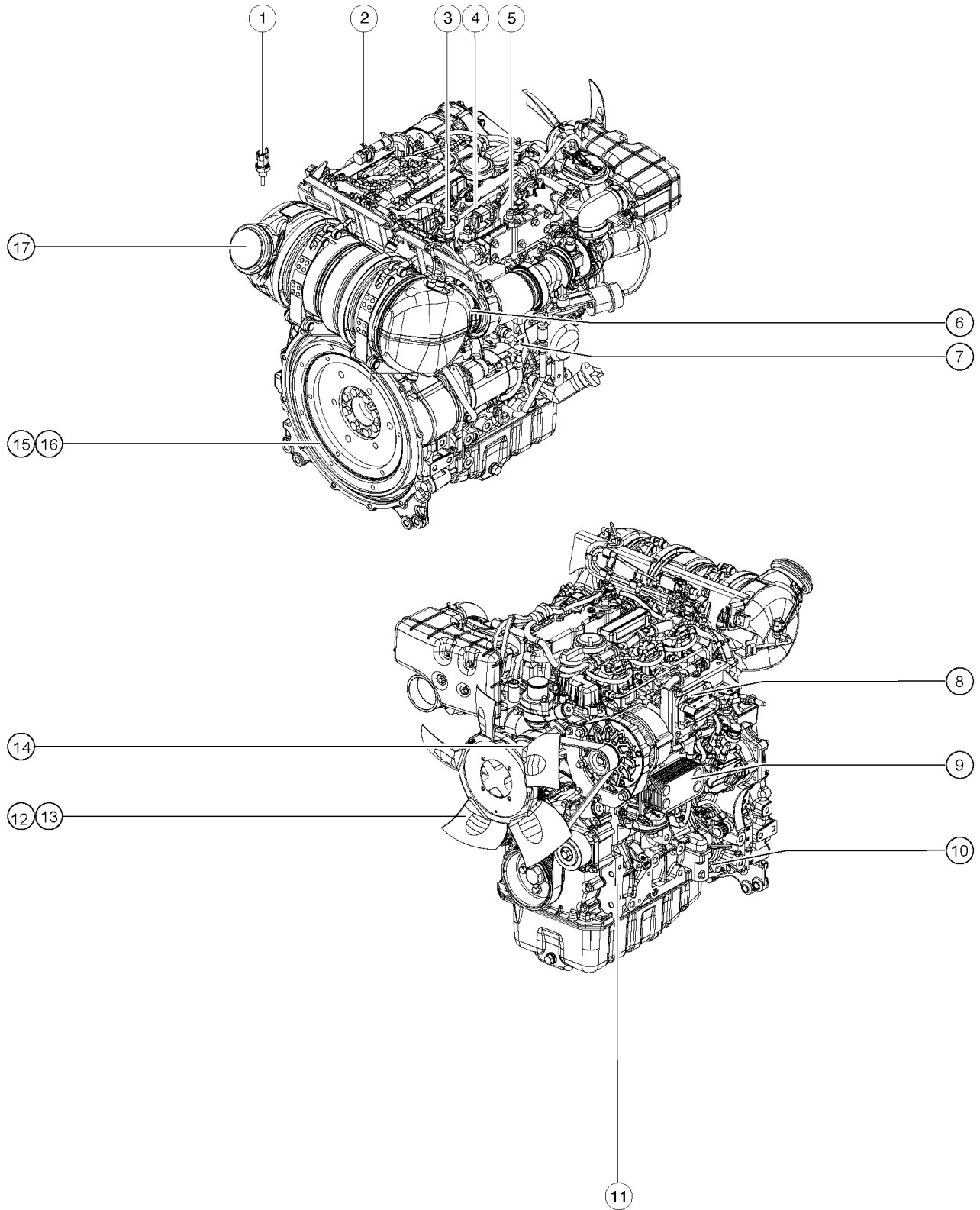
402.1 Deutz D2011L03i Engine, View 2



| Item | Part No. | Description | Qty. |
|------|-----------|---|------|
| 26 | 1256679GT | NUT,SERRATED,1/4-20,8,ZAG | |
| 27 | 77402GT | SOLENOID,THROTTLE ACTUATOR DSL assy 161087 | 1 |
| 28 | 101129GT | BRACKET,SOLENOID MOUNT | 1 |
| 29 | 22558GT | SCREW,HHC,M14 X 40MM,GR 8.8 | 9 |
| 30 | 49411GT | WASHER,FLAT,M14 | |
| 31 | 77245GT | BRACKET,SOLENOID MOUNT BRACE** | 1 |
| 31- | 1256457GT | WASHER,LOCK, M6,ZAB | |
| 32 | 70381GT | COVER,FLYWHEEL CASTING | 1 |
| 33 | 214846GT | FORMING,REAR ENGINE MOUNT | 2 |
| 34 | 824093GT | SCREW,HHF,3/8-16X1.75,8,ZAG | 2 |
| 35 | 35586GT | ALTERNATOR, DEUTZ F3L10/F4L10* | 1 |
| 36 | 824029GT | NUT, TL FLG, 3/8-16, G, ZAG | |
| 37 | 128004GT | COUPLER,15 TOOTH,FBA,SAE8*** | 1 |
| 37- | 1257421GT | SCREW,HHC,M10-1.5X16,DIN933,10.9,ZAB | |
| 38 | 45454GT | CLAMP,RUB CUSH,0.75,#12 X 3/8* | 1 |
| 39 | 22699GT | WASHER,FLAT,M10,ZINC PLTD. | |
| 40 | 216341GT | MOUNT BRKT,POS.BATTERY CABLE | 1 |
| 41 | 824142GT | WASHER,LOCK,M10,ZAB | 1 |
| 42 | 1255469GT | SCREW,HHF,1/2-13X1.25,8,ZAG | |
| 43 | 13268GT | CLAMP,0.75,#12 X 1/4,RUB CUSH | 1 |
| 44 | 826008GT | SCREW,HHF,M10-1.5X75,DIN6921,10.9,ZAB | 2 |
| 45 | 22700GT | WASHER,LOCK,M10 | 2 |



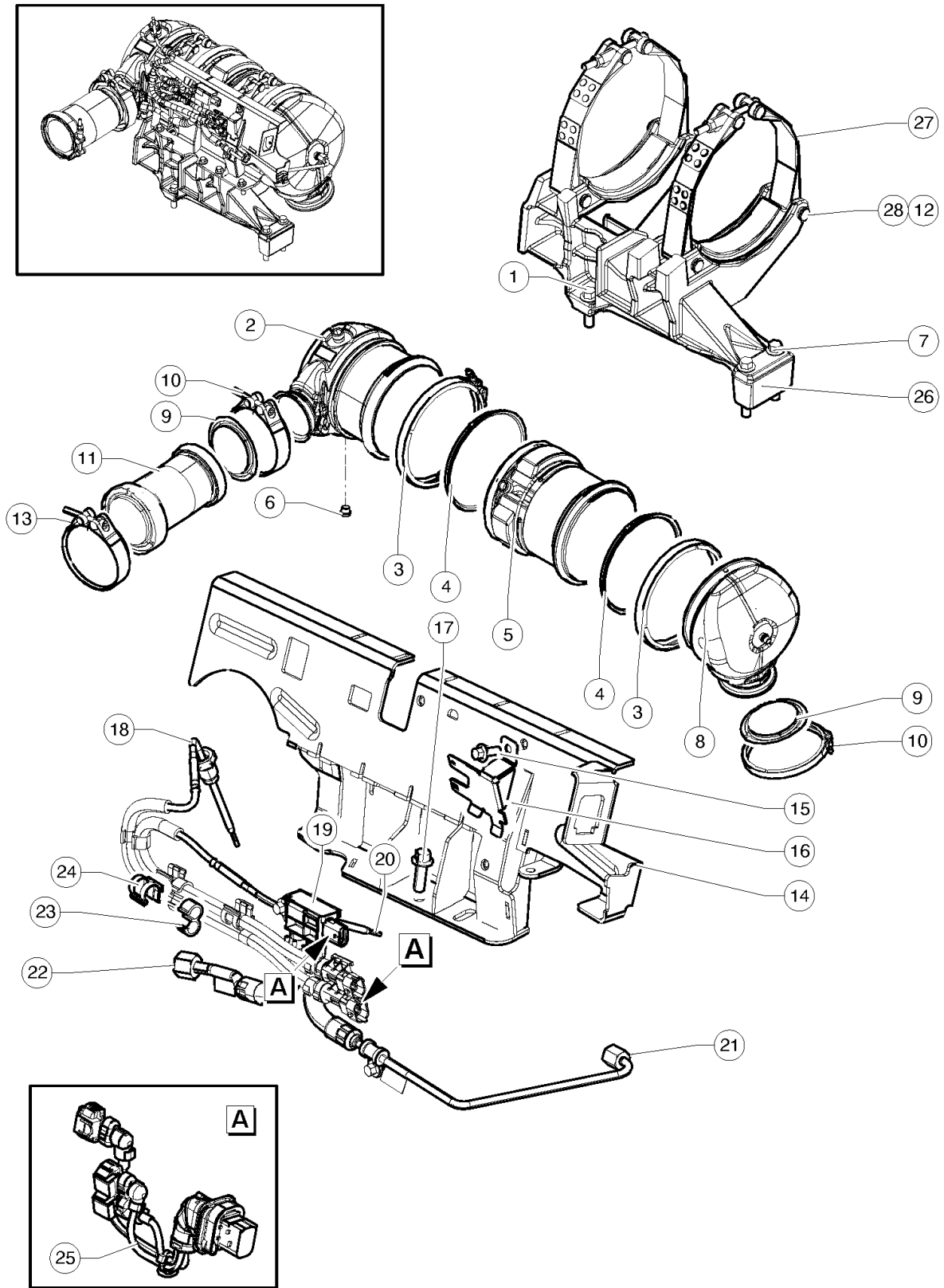
403.1 Engine, TD 2.2 L3 - View 1



| Item | Part No. | Description | Qty. |
|------|----------------|---|------|
| A | 1287486GT | ENGINE KIT, DEUTZ TD2.2 L3, 49HP, STG5, AWP Due to Stage V regulations, many engine replacement parts require the engine serial number at time of order placement. When ordering engine parts please have both machine and engine serial numbers available. For internal engine parts, contact engine dealer | |
| 1 | 825693GT | COOLANT TEMP SENSOR,TD2.9 | 1 |
| 2 | 1261237GT | SENSOR,FUEL PRESSURE | 1 |
| 2- | 1262893GT | O-RING, OIL PRESSURE SENSOR | 1 |
| 3 | 1300709GT | PRESSURE SENSOR | 1 |
| 3- | 1300710GT | O-RING | 1 |
| 4 | 1262896GT | SENSOR,INTAKE AIR PRESSURE | 1 |
| 4- | 1262897GT | O-RING, INTAKE AIR PRESSURE SENSOR | 1 |
| 5 | 1294085GT | TEMPERATURE TRANSMITTER | 1 |
| 5- | 1300705GT | O-SEAL | 1 |
| 6 | 1300704GT | STARTER | 1 |
| 7 | 825708GT | DIPSTICK,TD2.9 | 1 |
| 8 | 1300711GT | CABLE HARNESS | 1 |
| 9 | 07.0501.0051GT | ALTERNATOR | 1 |
| 10 | 1300707GT | OIL COOLER | 1 |
| 11 | 1293934GT | Belt | 1 |
| 12 | 1294969GT | FAN, 380MM | 1 |
| 13 | 1294091GT | HEXAGON BOLT | 1 |
| 14 | 1300712GT | ADAPTER | 1 |
| 15 | 89785GT | RING GEAR,DEUTZ F3L2011F (please verify ring gear thickness) 0.6 inches | 1 |
| 16 | 1262873GT | BOLT, DEUTZ FLYWHEEL | 1 |
| 17 | | REF. DPF (Ref. 404.1) | 1 |



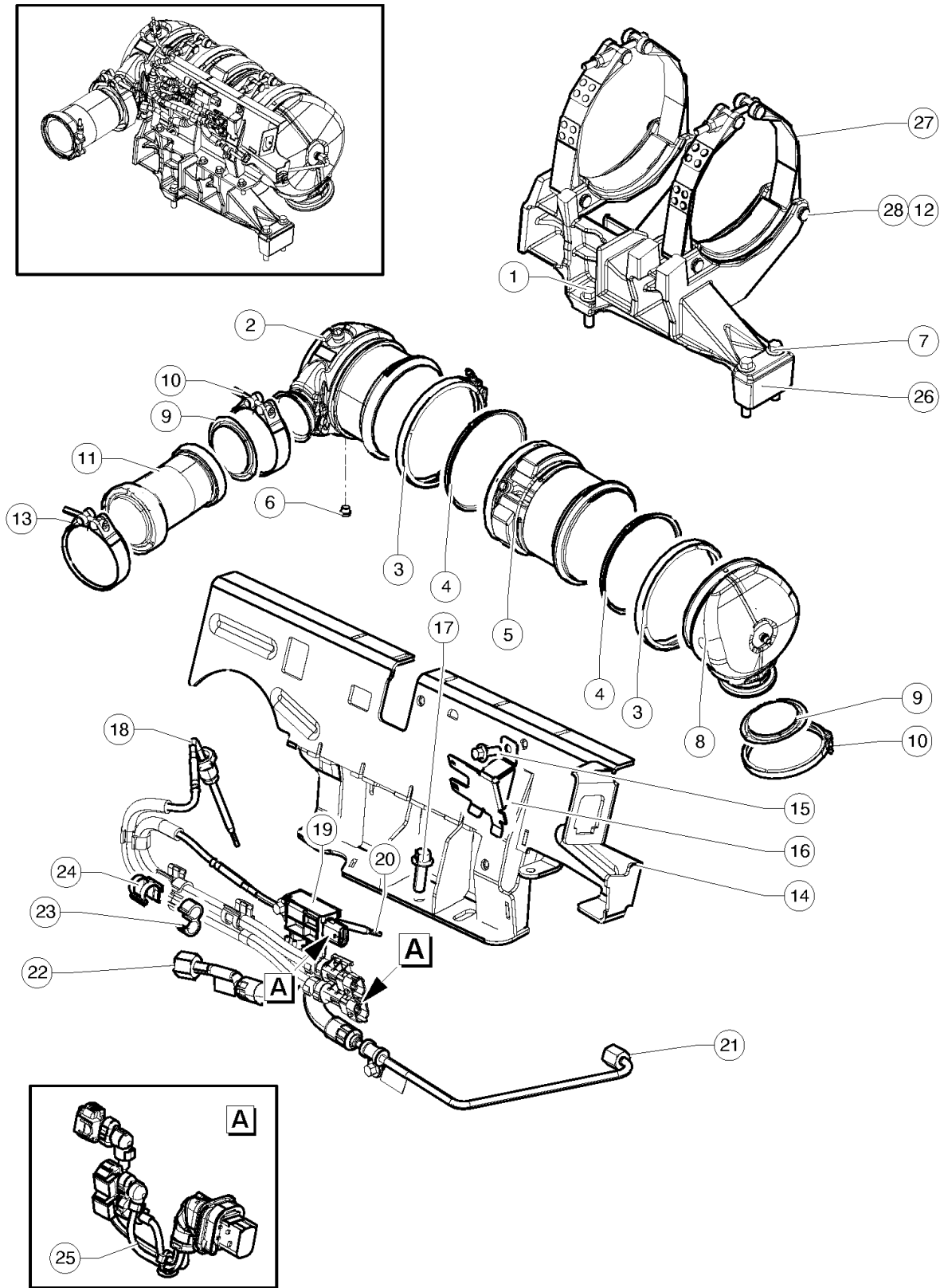
404.1 Engine, TD 2.2 L3, DPF - View 2



| Item | Part No. | Description | Qty. |
|------|----------------|--|------|
| A- | | Due to Stage V regulations, many engine replacement parts require the engine serial number at time of order placement. When ordering engine parts please have both machine and engine serial numbers available. For internal engine parts, contact engine dealer | |
| 1 | 1297249GT | SCREW M10x38 | 2 |
| 2 | 1297260GT | DPF INLET | 1 |
| 3 | 1297261GT | CLIP | 2 |
| 4 | 1297262GT | GASKET | 2 |
| 5 | 1297263GT | PARTICULATE FILTER | 1 |
| 6 | 1297258GT | PLUG | 1 |
| 7 | 1297251GT | SCREW M10x65 | 2 |
| 8 | 1297264GT | DPF OUTLET | 1 |
| 9 | 825014GT | GASKET, T4 TCD3.6 DOC | 2 |
| 10 | 825015GT | CLAMP, 50MM V | 1 |
| 11 | 1300708GT | COMPENSATOR | 1 |
| 12 | 1297245GT | CIRCLIP | 8 |
| 13 | 824775GT | CLAMP,TURBO OUTLET-TURBO PIPE, | 1 |
| 14 | 1297256GT | SHEET / PLATE | 1 |
| 15 | 1297255GT | SCREW M6x12 | 1 |
| 16 | 1297257GT | RETAINING PLATE | 1 |
| 17 | 07.4501.0376GT | SCREW | 3 |
| 18 | 07.4501.0251GT | Temperature Sensor | 1 |
| 19 | 1297253GT | PRESSURE SENSOR | 1 |
| 20 | 07.4501.0252GT | TEMPERATURE SENSOR | 1 |
| 21 | 1297252GT | TUBE | 1 |
| 22 | 1297247GT | TUBE | 1 |
| 23 | 1297248GT | HOSE CLIP | 2 |
| 24 | 1297254GT | CLAMP | 4 |
| 25 | 1297243GT | INTERCONNECTING PIPE | 1 |
| 26 | 1297250GT | BRACKET | 1 |



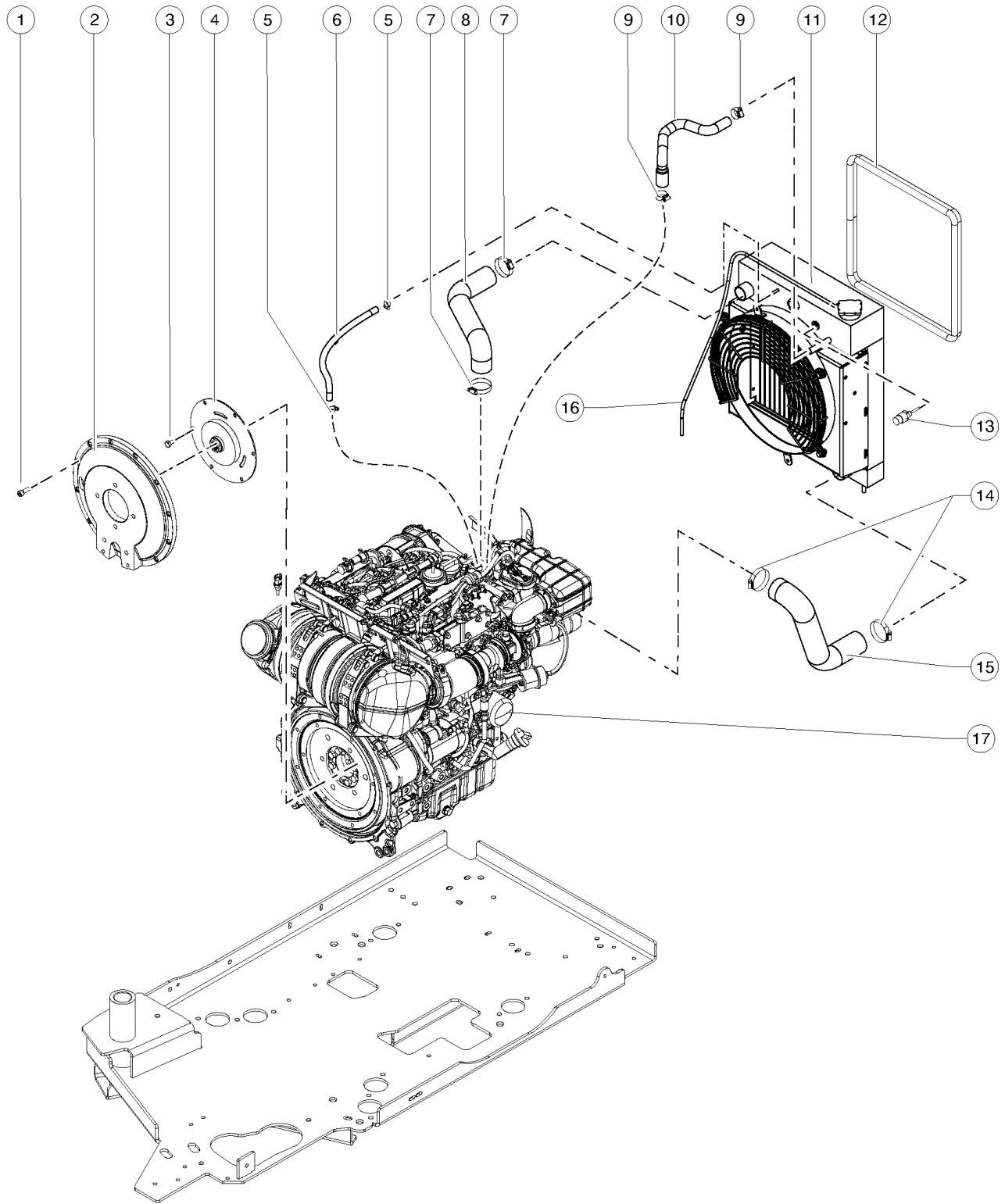
404.1 Engine, TD 2.2 L3, DPF - View 2



| <i>Item</i> | <i>Part No.</i> | <i>Description</i> | <i>Qty.</i> |
|-------------|-----------------|---------------------|-------------|
| 27 | 1297244GT | STRAP W/SCREW | 2 |
| 28 | 1297246GT | CLEVIS PIN | 4 |



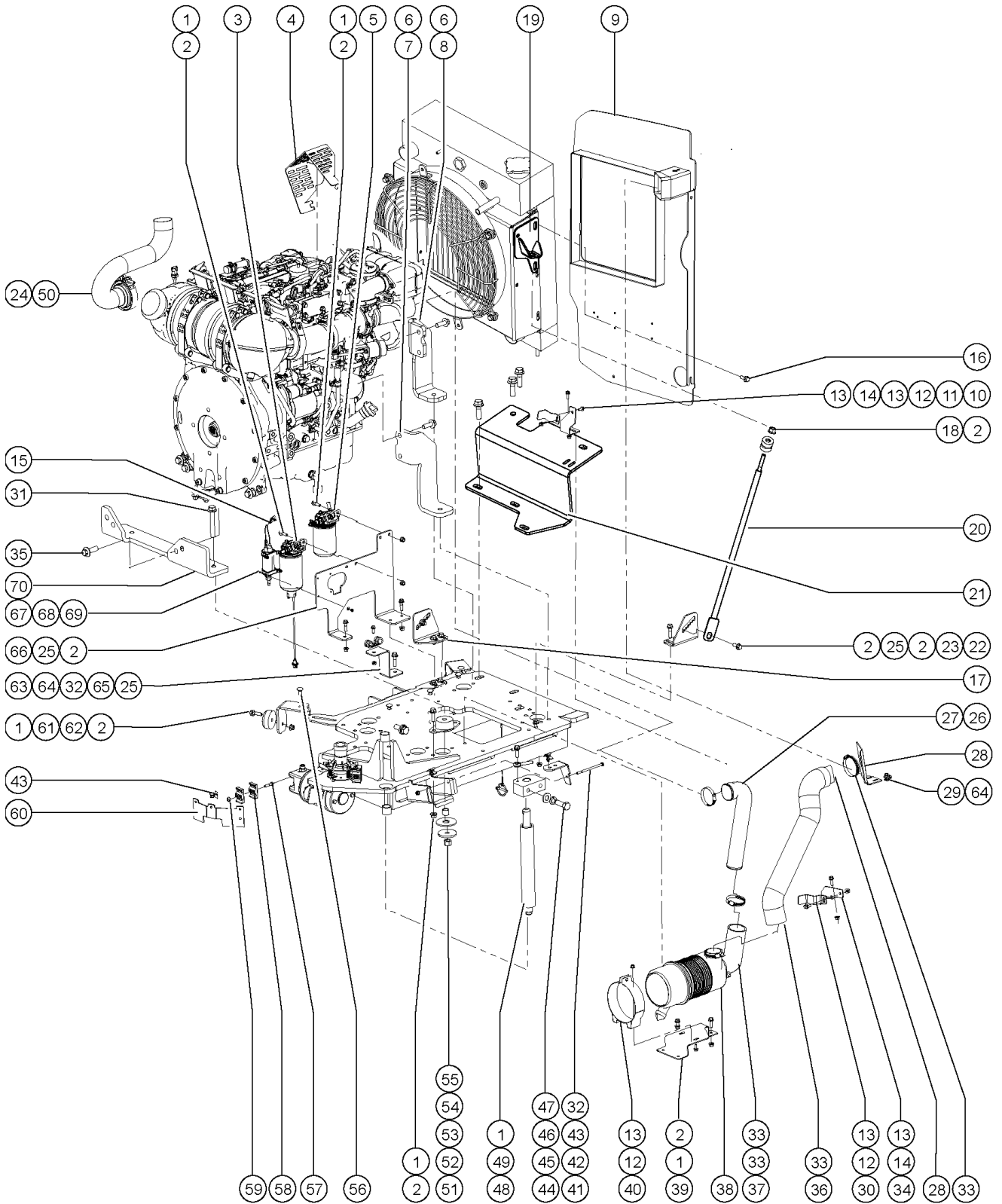
405.1 Engine, TD 2.2 L3 - View 3



| Item | Part No. | Description | Qty. |
|------|---------------|--|------|
| A- | | Due to Stage V regulations, many engine replacement parts require the engine serial number at time of order placement. When ordering engine parts please have both machine and engine serial numbers available. For internal engine parts, contact engine dealer | |
| 1 | 1257837GT | SCREW,HHC,M10-1.5X65,DIN931,10.9,ZAB | 1 |
| 2 | 70381GT | COVER,FLYWHEEL CASTING | |
| 3 | 825351GT | SCREW,HHC,M10-1.5X20,DIN933,10.9,ZAB | |
| 4 | 128004GT | COUPLER,15 TOOTH,FBA,SAE8*** | 1 |
| 5 | 21465GT | CLAMP,HOSE,.25" - .63" X .3125 | 2 |
| 6 | 824600GT | HOSE,HEATER,1/4" | 15 |
| 7 | 22672GT | CLAMP,HOSE,1.75 | 2 |
| 8 | 1289228GT | HOSE, UPPER RADIATOR, TD 2.2 | 1 |
| 9 | 30348GT | CLAMP,HOSE,1.00 | 2 |
| 10 | 1289231GT | HOSE, EXPANSION TNK,TD 2.2 | 1 |
| 11 | 1291703GT | ASSEMBLY, RADIATOR AND SHROUD, TD 2.2 | 1 |
| 12 | 119219GT | TRIM,EDGE,1/8X3/4 END BULB | 67 |
| 13 | 218715GT | COOLANT LEVEL SNSR, DEUTZ TCD3.6 | 1 |
| 14 | 35434GT | CLAMP,HOSE,2.00*** | 2 |
| 15 | 1289229GT | HOSE, LOWER RADIATOR, TD 2.2 | 1 |
| 16 | 822606-5000GT | TUBING,VINYL,3/8" CLEAR, 50" | 1 |
| 17 | 49924GT | FILTER,OIL,DEUTZ F4L1011F | 1 |



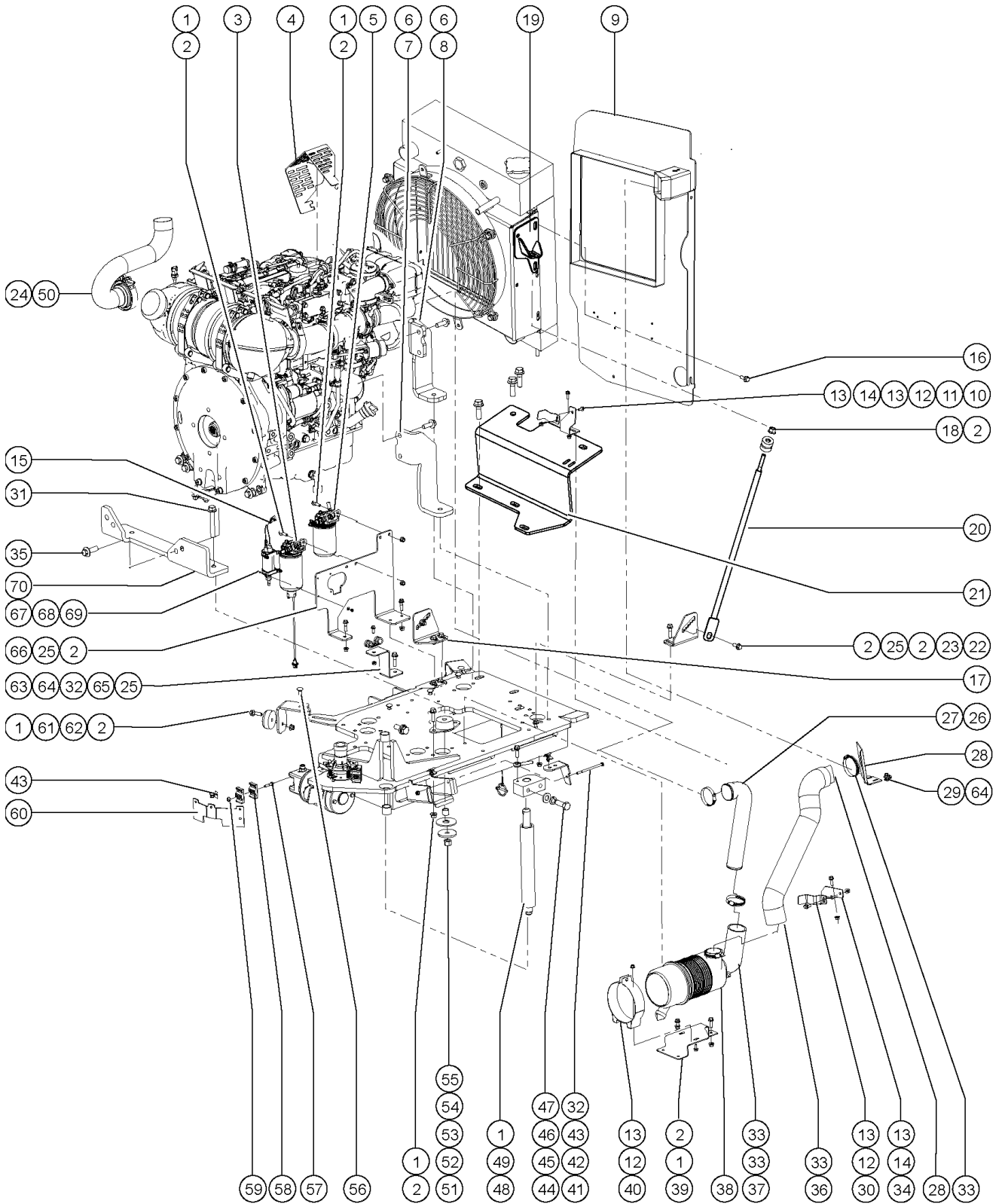
406.1 Engine, TD 2.2 L3 - View 4



| Item | Part No. | Description | Qty. |
|------|-----------|--|------|
| A- | | Due to Stage V regulations, many engine replacement parts require the engine serial number at time of order placement. When ordering engine parts please have both machine and engine serial numbers available. For internal engine parts, contact engine dealer | |
| 1 | 824091GT | SCREW, HHF, 3/8-16 X 1.25, 8, ZAG | 18 |
| 2 | 1274322GT | NUT,NYLOCK FLG,3/8-16,F,ZAG | 27 |
| 3 | 236260GT | FILTER, FUEL PRE-FILTER, SPIN-ON, DEUTZ | 1 |
| 4 | 1298371GT | FORMING, ALTERNATOR GUARD, TD 2.2, Z45XC | 1 |
| 5 | 1261236GT | ASSY,FUEL FILTER,DEUTZ 2.9 | 1 |
| 6 | 231511GT | SCREW,HHF,M12-1.75X35,DIN6921,10.9,ZAB | 4 |
| 7 | 1293168GT | FORMING, ENGINE MOUNT, LEFT | 1 |
| 8 | 1293167GT | FORMING, ENGINE MOUNT, RIGHT | 1 |
| 9 | 1302429GT | WELDMENT, BAFFLE PLATE | 1 |
| 10 | 1294920GT | FORMING, CLAMP, AIR INTAKE PIPE | 1 |
| 11 | 1293292GT | FORMING, AIR INTAKE CLAMP, TD 2.2L | 1 |
| 12 | 824085GT | SCREW, HHF, 5/16-18 X .75, 8, ZAG | 4 |
| 13 | 1274167GT | NUT,NYLOCK FLG,5/16-18,F,ZAG | 8 |
| 14 | 824086GT | SCREW, HHF, 5/16-18 X 1, 8, ZAG | 4 |
| 15 | 214691GT | FUEL LIFT PUMP, DEUTZ D 2.9 | 1 |
| 16 | 824089GT | SCREW, HHF, 3/8-16 X .75, 8, ZAG | 2 |
| 17 | 1293179GT | FORMING,FAN SHROUD STRUT MOUNT RH | 1 |
| 18 | 1301742GT | ISOLATOR, RADIATOR, 80 LB | 1 |
| 19 | 1302905GT | WELDMENT, STAGE V, STRUT BRACKET | 1 |
| 20 | 1302911GT | WELDMENT, STRUT, BENT ROD, STAGE V | 2 |
| 21 | 1293172GT | FORMING, RADIATOR MOUNT | 1 |
| 22 | 824090GT | SCREW,HHF,3/8-16X1,8,ZAG | 2 |
| 23 | 1300562GT | FORMING, FAN SHROUD STRUT MOUNT LH | 1 |
| 24 | 1293187GT | PIPE, EXHAUST Z45XC, TD 2.2L | 1 |
| 25 | 824092GT | SCREW, HHF, 3/8-16 X 1.5, 8, ZAG | 7 |
| 26 | 1300306GT | PIPE, AIR INTAKE TO TURBO | 1 |



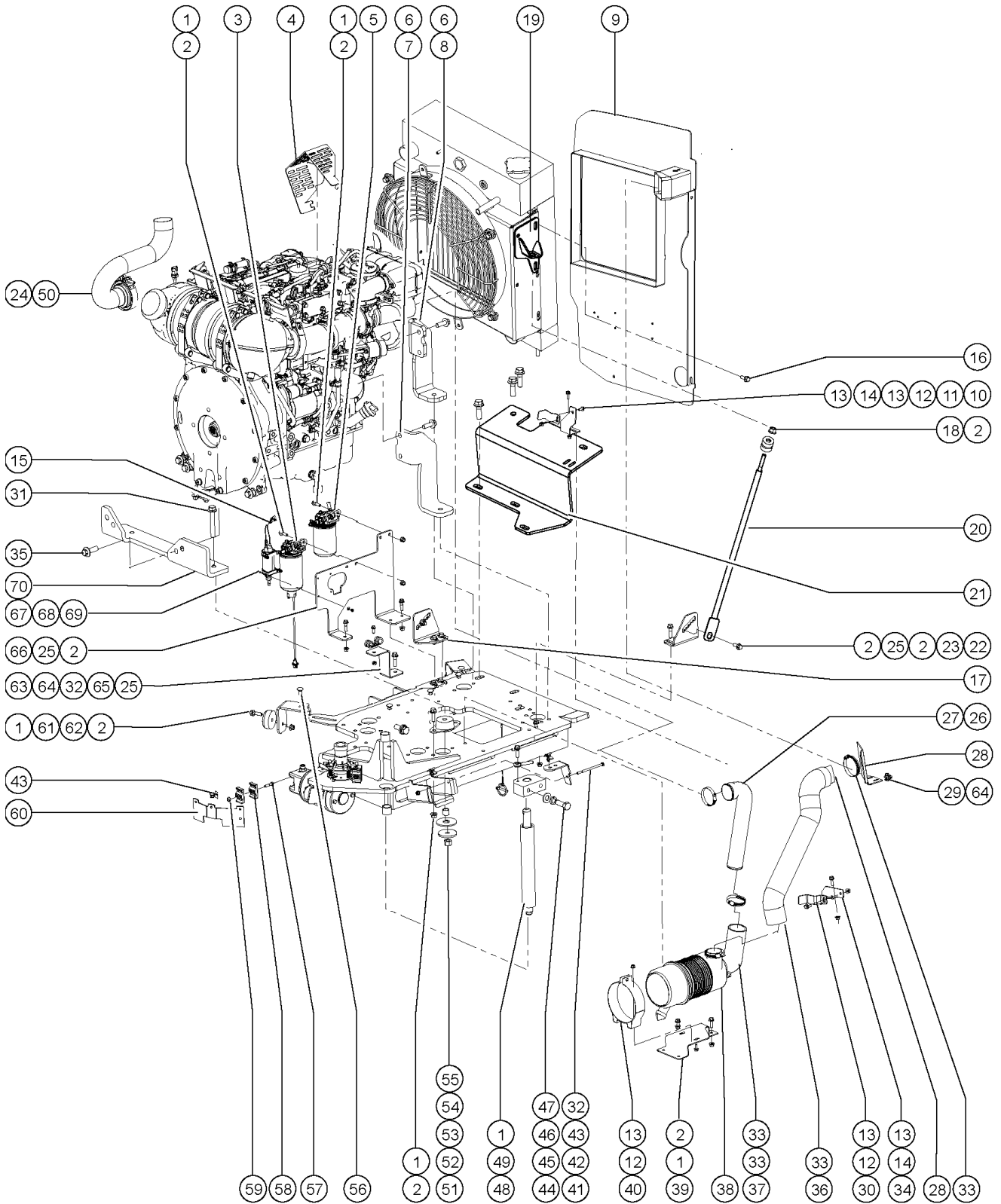
406.1 Engine, TD 2.2 L3 - View 4



| Item | Part No. | Description | Qty. |
|------|-----------|---|------|
| 27 | 30971GT | CLAMP,HOSE,3.00" | 1 |
| 28 | 1302432GT | WELDMENT, AIR INTAKE | 1 |
| 29 | 1279829GT | SPRING CLIP,1/4-20,.13-.25X.53,ZAG | 1 |
| 30 | 1300307GT | FORMING, CLAMP, AIR INTAKE PIPE | 2 |
| 31 | 1256851GT | SCREW,HHF,1/2-13X3.5,8,ZAG | 4 |
| 32 | 1277924GT | NUT,NYLOCK FLG,1/4-20,F,ZAG | 3 |
| 33 | 45435GT | CLAMP,HOSE,2.50" | 4 |
| 34 | 1300304GT | FORMING, AIR INTAKE CLAMP | 1 |
| 35 | 1251899GT | SCREW,HHF,M14-2.0 X 40,DIN 692 | 4 |
| 36 | 1300300GT | HOSE, RAW AIR INTAKE | 1 |
| 37 | 1300301GT | ELBOW, COUPLER, RUBBER, 2.50" ID | 1 |
| 38 | 63463GT | AIR CLEANER,NELSON*** | 1 |
| 38- | 58415GT | CLIP,AIR CLEANER END CAP*** end cap not available separately | |
| 38- | 62420GT | FILTER,AIR*** | |
| 38- | 65810GT | BAFFLE, AIR CLEANER (27915)** | |
| 38- | 52866GT | EVACUATOR VALVE-AIR CLEANER | |
| 39 | 1293180GT | FORMING,AIR CLEANER BRACKET | 1 |
| 40 | 53952GT | BRKT,AIR CLEANER ORIENTATION** | 1 |
| 41 | 1256853GT | SCREW,HHF,1/4-20X4.5,8,ZAG | 1 |
| 42 | 219353GT | FORMING, FUEL LINE BRACKET | 1 |
| 43 | 105214GT | CABLE TIE MOUNT, WINGED | 4 |
| 44 | 1260372GT | SCREW,HHC,5/8-11X1.75,8,ZAG | 2 |
| 45 | 1257229GT | WASHER,LOCK,5/8,ZAG | 2 |
| 46 | 1256182GT | WASHER,FLAT,5/8,F436,HRD,ZAG | 2 |
| 47 | 107805GT | EAR, ENGINE TRAY PIVOT | 1 |
| 48 | 107803GT | PIN,1.00DIAX15.56LG,CHAMFER | 1 |
| 49 | 1255452GT | ROD END,.375 X 2.25,ZAG | 1 |
| 50 | 237730GT | ENGINE KIT, DEUTZ TD 2.9 | 1 |



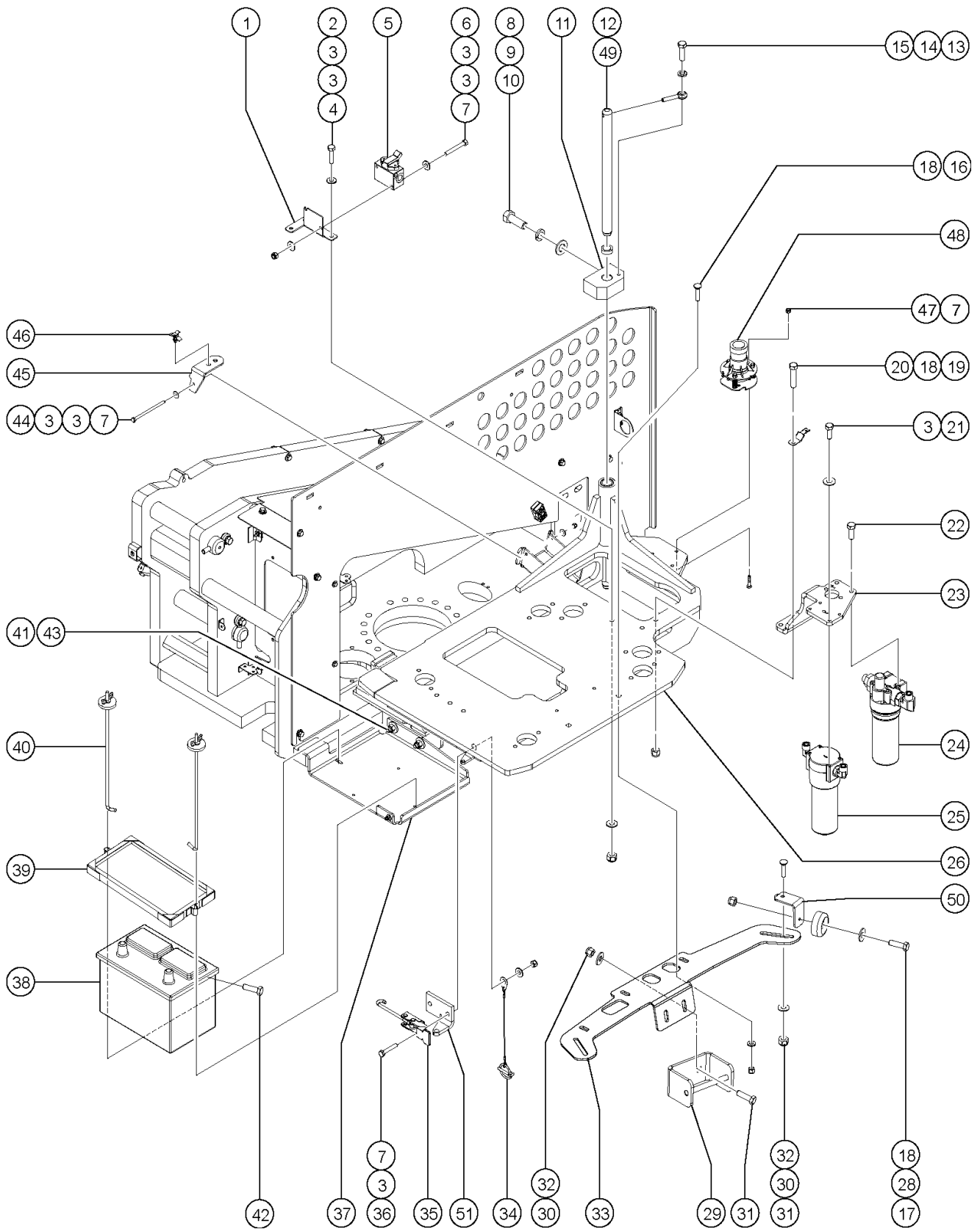
406.1 Engine, TD 2.2 L3 - View 4



| <i>Item</i> | <i>Part No.</i> | <i>Description</i> | <i>Qty.</i> |
|-------------|-----------------|---------------------------------------|-------------|
| 51 | 1274320GT | NUT,NYLOCK,1/2-13,C,ZAG | 4 |
| 52 | 1256283GT | WASHER,FLAT,.5X2.25X.188,ZAG | 4 |
| 53 | 101729GT | WASHER,VIBRATION ISOLATING | 4 |
| 54 | 219991GT | SPACER,19.1 ODX13.5 IDX15.9 | 4 |
| 55 | 70452GT | ISOLATOR,ENGINE VIBRATION | 4 |
| 56 | 1255757GT | BOLT,CARRIAGE,3/8-16X1.25,5,ZAG | 2 |
| 57 | 824061GT | SCREW,HHC,1/4-20X1.25,8,ZAG | 2 |
| 58 | 78736GT | CLAMP,2 HOSE,PLASTIC | 4 |
| 59 | 1256679GT | NUT,SERRATED,1/4-20,8,ZAG | 2 |
| 60 | 1280867GT | FORMING, CABLE MOUNT, ENG.TRAY | 2 |
| 61 | 50974GT | BUMPER,RUBBER,COVERS | 2 |
| 62 | 1272711GT | FORMING, ENGINE SIDE BUMP MOUNT | 2 |
| 63 | 822111GT | FORMING,FUEL LINE BRACKET,D2.9 | 1 |
| 64 | 824078GT | SCREW,HHF,1/4-20X.75,8,ZAG | 3 |
| 65 | 45454GT | CLAMP,RUB CUSH,0.75,#12 X 3/8* | 2 |
| 66 | 1293188GT | FORMING,FUEL FILTER BRACKET | 1 |
| 67 | 824215GT | SCREW,PHPM,10-32X.75,ZAG | 4 |
| 68 | 1253185GT | WASHER,FLAT,#10,USS,ZAG | 8 |
| 69 | 6178GT | NUT,NYLOCK,10-32 | 4 |
| 70 | 1293169GT | FORMING, ENGINE MOUNT, REAR | 1 |



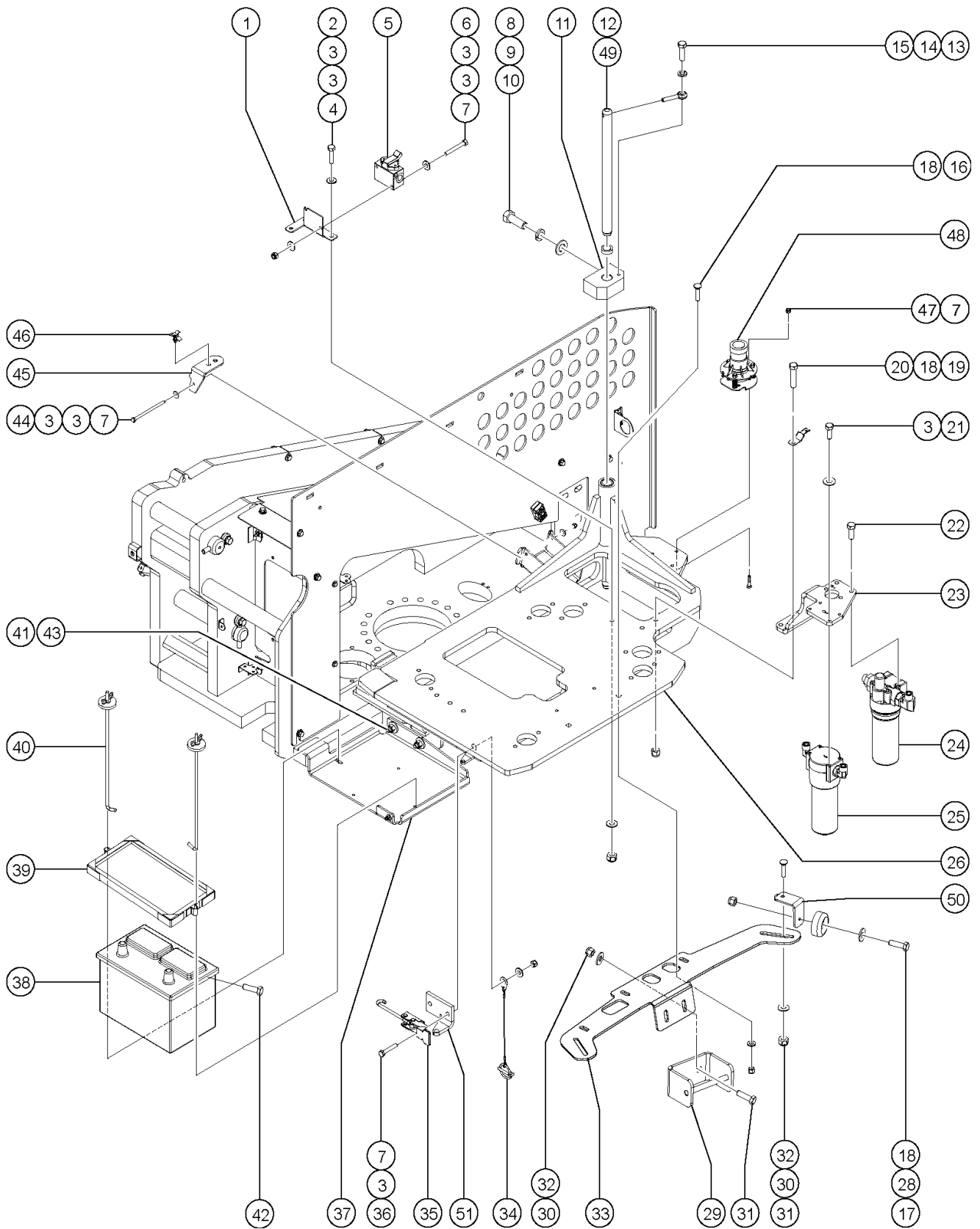
407.1 Engine Tray



| Item | Part No. | Description | Qty. |
|------|-----------|---|------|
| 31 | 1255757GT | BOLT,CARRIAGE,3/8-16X1.25,5,ZAG | 4 |
| 1 | 111699GT | FORMING,FUEL PRES.REG MNT | 1 |
| 2 | 13000GT | SCREW,HHC,5/16-18 X 1.25 | |
| 3 | 824113GT | WASHER,FLAT,USS,1/4,ZAG | |
| 4 | 6782GT | NUT,NYLOCK,5/16-18 | |
| 5 | 122246GT | REGULATOR,FUEL PRESS,TME27'07 | 1 |
| 6 | 4266GT | SCREW,HHC,1/4-20 X 2 | |
| 7 | 824027GT | NUT,TL FLG,1/4-20,G,ZAG | |
| 8 | 1260372GT | SCREW,HHC,5/8-11X1.75,8,ZAG | 2 |
| 9 | 1256182GT | WASHER,FLAT,5/8,F436,HRD,ZAG | |
| 10 | 1257229GT | WASHER,LOCK,5/8,ZAG | |
| 11 | 107805GT | EAR, ENGINE TRAY PIVOT | 1 |
| 12 | 107803GT | PIN,1.00DIAX15.56LG,CHAMFER | 1 |
| 13 | 824068GT | SCREW, HHC, 3/8-16 X 1.25, 8, ZAG | |
| 14 | 824110GT | WASHER,LOCK,3/8,ZAG | |
| 15 | 1255452GT | ROD END,.375 X 2.25,ZAG | 1 |
| 16 | 824092GT | SCREW, HHF, 3/8-16 X 1.5, 8, ZAG | |
| 17 | 824091GT | SCREW, HHF, 3/8-16 X 1.25, 8, ZAG | |
| 18 | 824029GT | NUT, TL FLG, 3/8-16, G, ZAG | |
| 19 | 824093GT | SCREW,HHF,3/8-16X1.75,8,ZAG | 2 |
| 20 | 99346GT | CLIP, METAL MOUNTING | 1 |
| 21 | 824078GT | SCREW,HHF,1/4-20X.75,8,ZAG | 4 |
| 22 | 824089GT | SCREW, HHF, 3/8-16 X .75, 8, ZAG | 4 |
| 23 | 235654GT | FORMING,OIL FILTER BRACKET | 1 |
| 24 | 60334GT | FILTER ASSY,HIGH PRESS SAE-12* | 1 |
| 24- | 58222GT | O-RING,FILTER ASSY (60334)*** | |
| 24- | 58223GT | SEAL,FILTER ASSY (60334)*** | |
| 24- | 58380GT | FILTER INDICATOR-(60334) | |



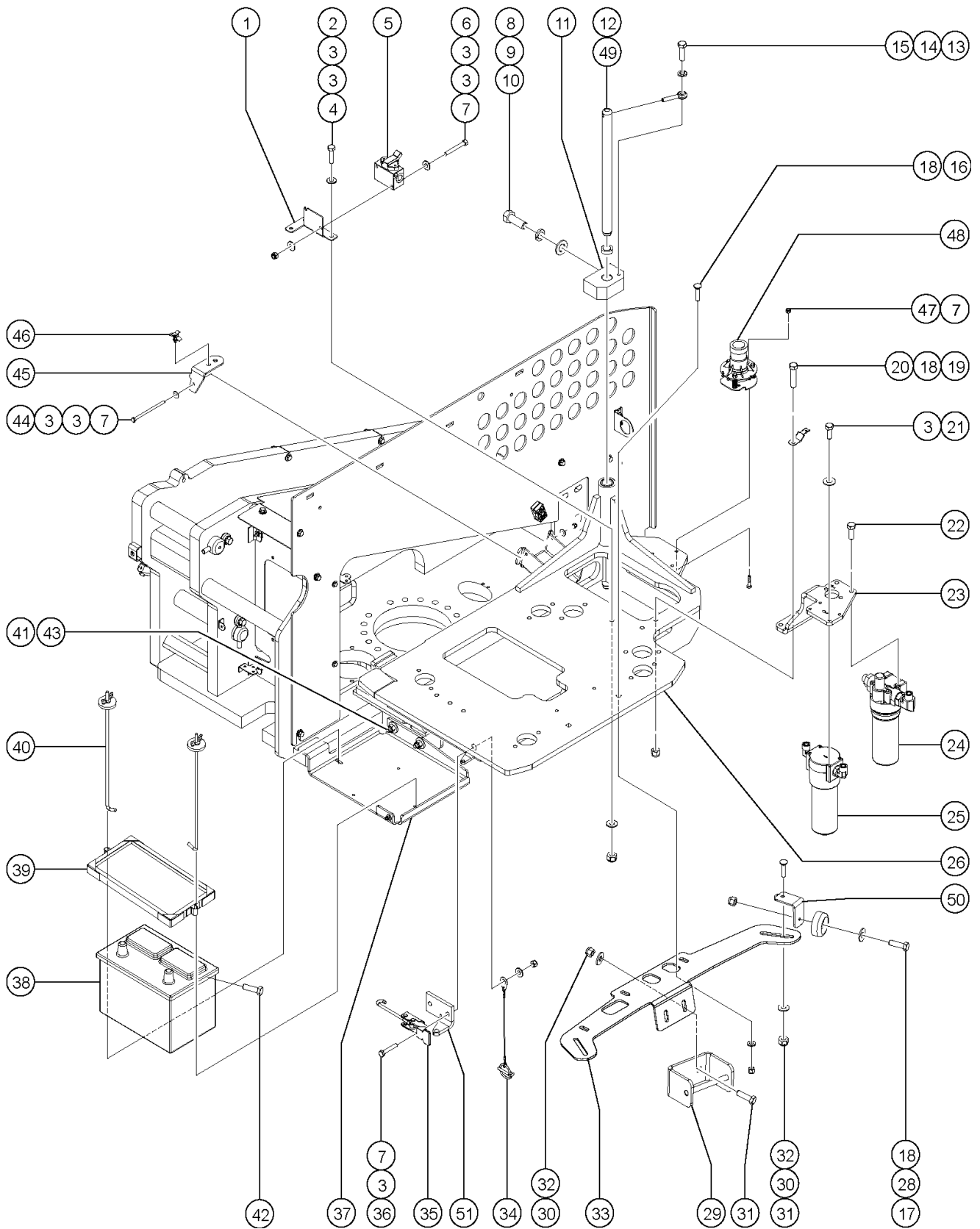
407.1 Engine Tray



| Item | Part No. | Description | Qty. |
|------|-----------|---|------|
| 24- | 60857GT | FILTER,ELEMENT,BETA(5)=1000 | |
| 25 | | FILTER ASY,M PRESS,SAE8,WOIND* (77139) component no longer available | 1 |
| 25- | 60857GT | FILTER,ELEMENT,BETA(5)=1000 for 77139 | |
| 25A | 1267807GT | ASSEMBLY, MED. PRESS. FILTER, SAE8 | |
| 25A- | 1268229GT | ELEMENT-5 MIC, PAPER, W/BYPASS for 1267807 | |
| 26 | 1280865GT | WELDMENT, ENGINE TRAY | 1 |
| 28 | 50974GT | BUMPER,RUBBER,COVERS | 2 |
| 29 | 1270059GT | WELDMENT, LATCH STRIKER | 1 |
| 30 | 1274166GT | NUT,NYLOCK,3/8-16,C,ZAG | |
| 32 | 1255758GT | WASHER,FLAT,3/8,USS,ZAG | |
| 33 | 1272706GT | FORMING, ENGINE COVER LATCH | 1 |
| 34 | 54432GT | LANYARD,LYNCH PIN ASSY | 1 |
| 35 | 27126GT | LATCH,DRAW,ADJUSTABLE | 1 |
| 36 | 824062GT | SCREW, HHC, 1/4-20 X 1.5, 8, ZAG | |
| 37 | 147067GT | BRACKET,BATTERY MOUNT | 1 |
| 38 | 30143GT | BATTERY,12V,1000 CCA GRP 31 | 1 |
| 39 | 30144GT | BATTERY HOLD DOWN,GROUP 31 | 1 |
| 40 | 45708GT | HOOK,BATT HOLD DOWN,10" | 2 |
| 41 | 1253498GT | SCREW,HHF,1/2-13X1.5,8,ZAG | |
| 42 | 824228GT | SCREW,THUMB,A-REG,3/8-16X1,ZAG | 4 |
| 43 | 1251997GT | NUT,TL FLG,1/2-13,G,ZAG | |
| 44 | 1256853GT | SCREW,HHF,1/4-20X4.5,8,ZAG | |
| 45 | 219353GT | FORMING, FUEL LINE BRACKET | 1 |
| 46 | 105214GT | CABLE TIE MOUNT, WINGED | 2 |
| 47 | 824080GT | SCREW,HHF,1/4-20X1.25,8,ZAG | |
| 48B | 1263181GT | OPT,LEVEL SENSOR, 4.5 DEG,WHITE | |
| 48D | 1263182GT | OPT,LEVEL SENSOR,2.5 DEG,YEL | |
| 49 | 25817GT | BEARING,1.00IDX1.25ODX1.00L | 2 |

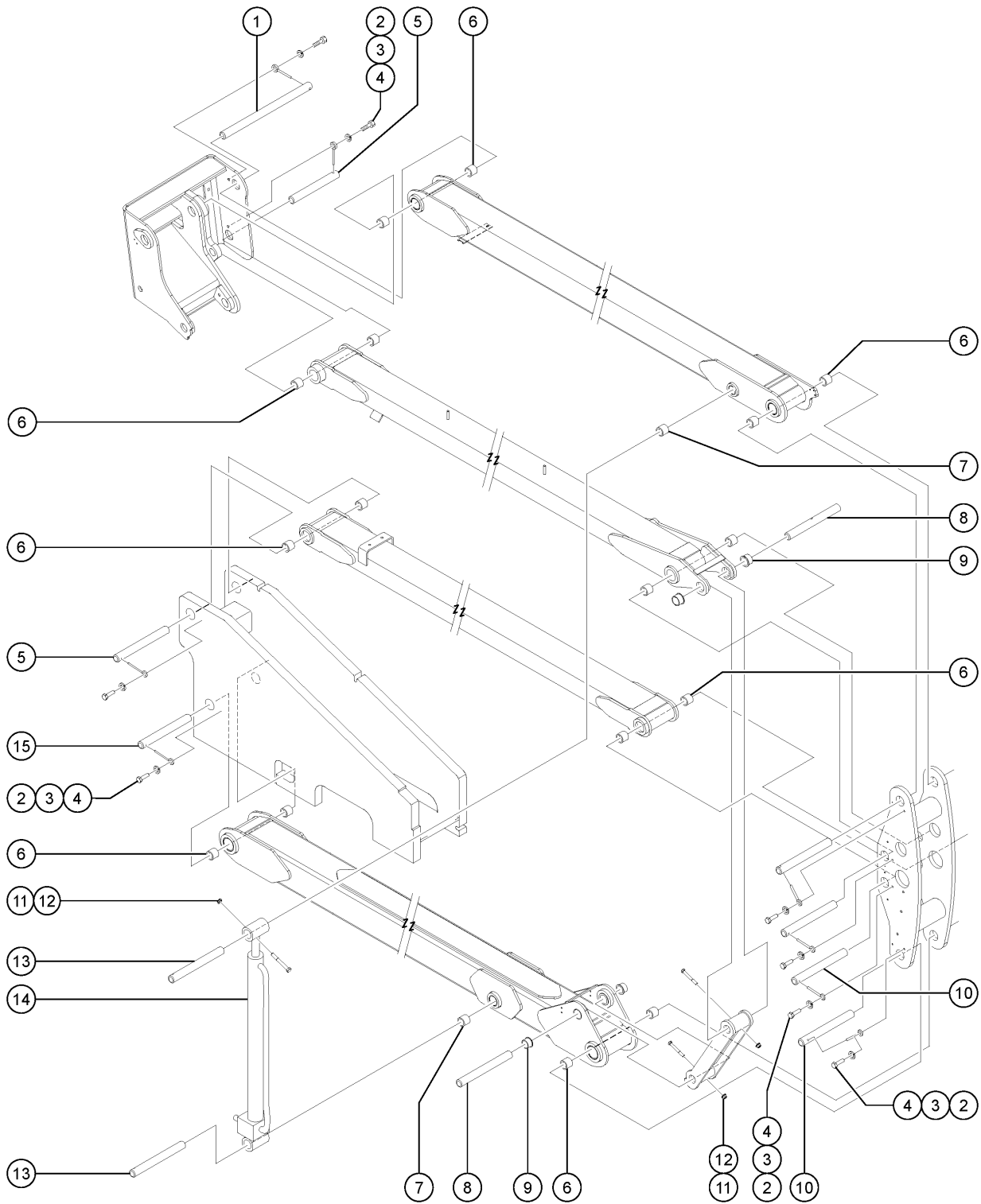


407.1 Engine Tray



| <i>Item</i> | <i>Part No.</i> | <i>Description</i> | <i>Qty.</i> |
|-------------|-----------------|---------------------------------------|-------------|
| 50 | 1272711GT | FORMING, ENGINE SIDE BUMP MOUNT | 2 |
| 51 | 54244GT | BRACKET,LATCH MOUNT,RH*** | 1 |

501.1 Boom Pins and Bearings

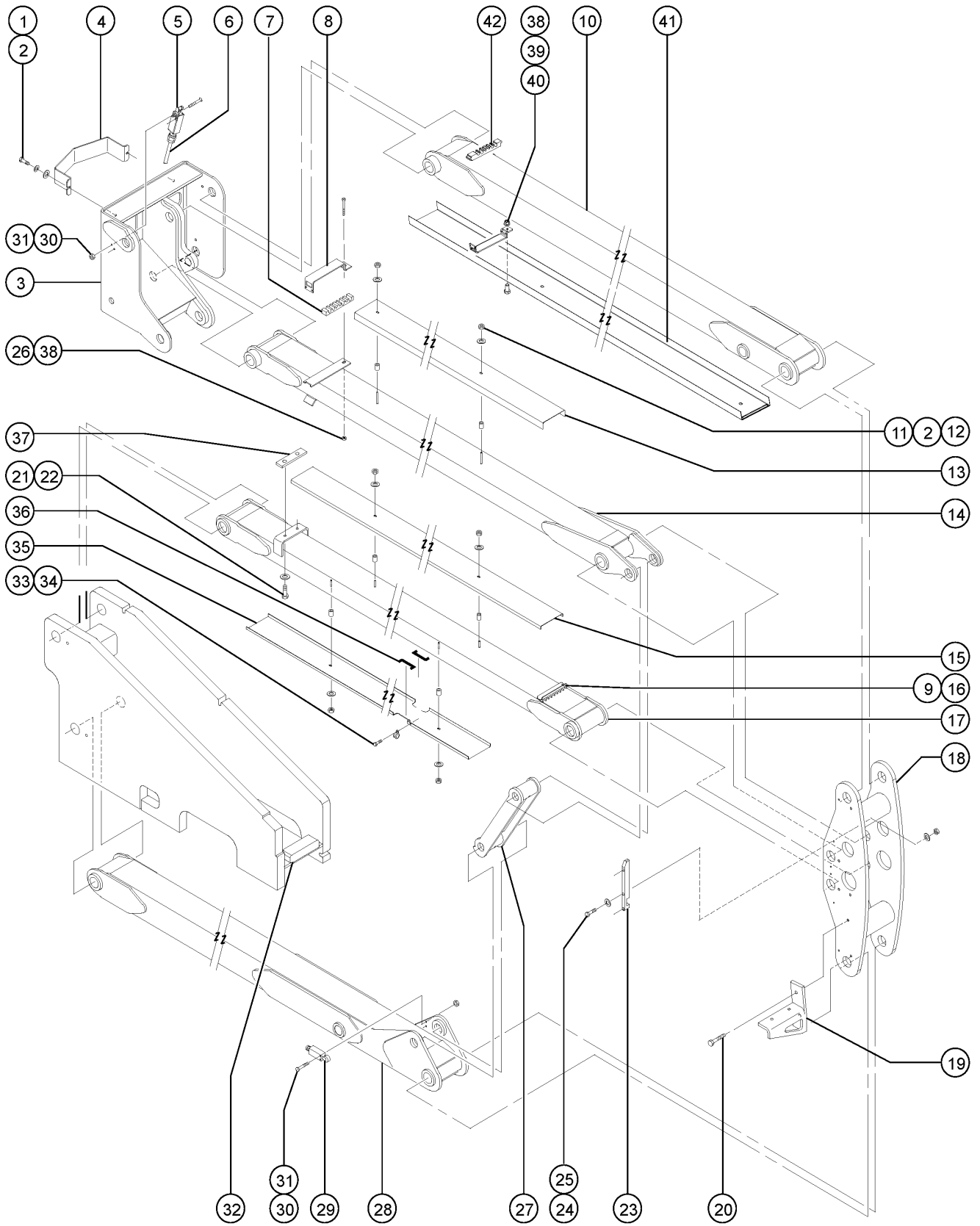


501.1 Boom Pins and Bearings

| <i>Item</i> | <i>Part No.</i> | <i>Description</i> | <i>Qty.</i> |
|-------------|-----------------|--------------------------------|-------------|
| 1 | 88676GT | PIN,2.00DIAX24.00LG,CHAMFER*** | 1 |
| 2 | 1256844GT | SCREW,HHC,1/2-13X1.5,8,ZAG | 8 |
| 3 | 824111GT | WASHER,LOCK,1/2,ZAG | 8 |
| 4 | 1256267GT | ROD END,.5 X 3.75,ZAG | 8 |
| 5 | 107859GT | PIN,2.00DIAX12.88LG,CHAMFER*** | 2 |
| 6 | 18720GT | BEARING,2.0IDX2.25ODX1.50L | 16 |
| 7 | 45071GT | BEARING,1.5IDX1.75ODX1.5L | 4 |
| 8 | 107727GT | PIN,1.50DIAX7.50LG,1HOLE*** | 2 |
| 9 | 54156GT | BEARING,FL,1.5IDX1.75ODX1.10LG | 4 |
| 10 | 107588GT | PIN,2.00DIAX10.88LG,CHAMFER | 4 |
| 11 | 1274322GT | NUT,NYLOCK FLG,3/8-16,F,ZAG | 6 |
| 12 | 1260940GT | SCREW,HHC,3/8-16X3,8,ZAG | 6 |
| 13 | 50455GT | PIN,1.50DIAX13.88LG,2HOLE | 2 |
| 14 | 88203GT | CYLINDER,ELEVATE,Z45/25*** | 2 |
| 15 | 107590GT | PIN,2.00DIAX12.88LG,CHAMFER*** | 1 |



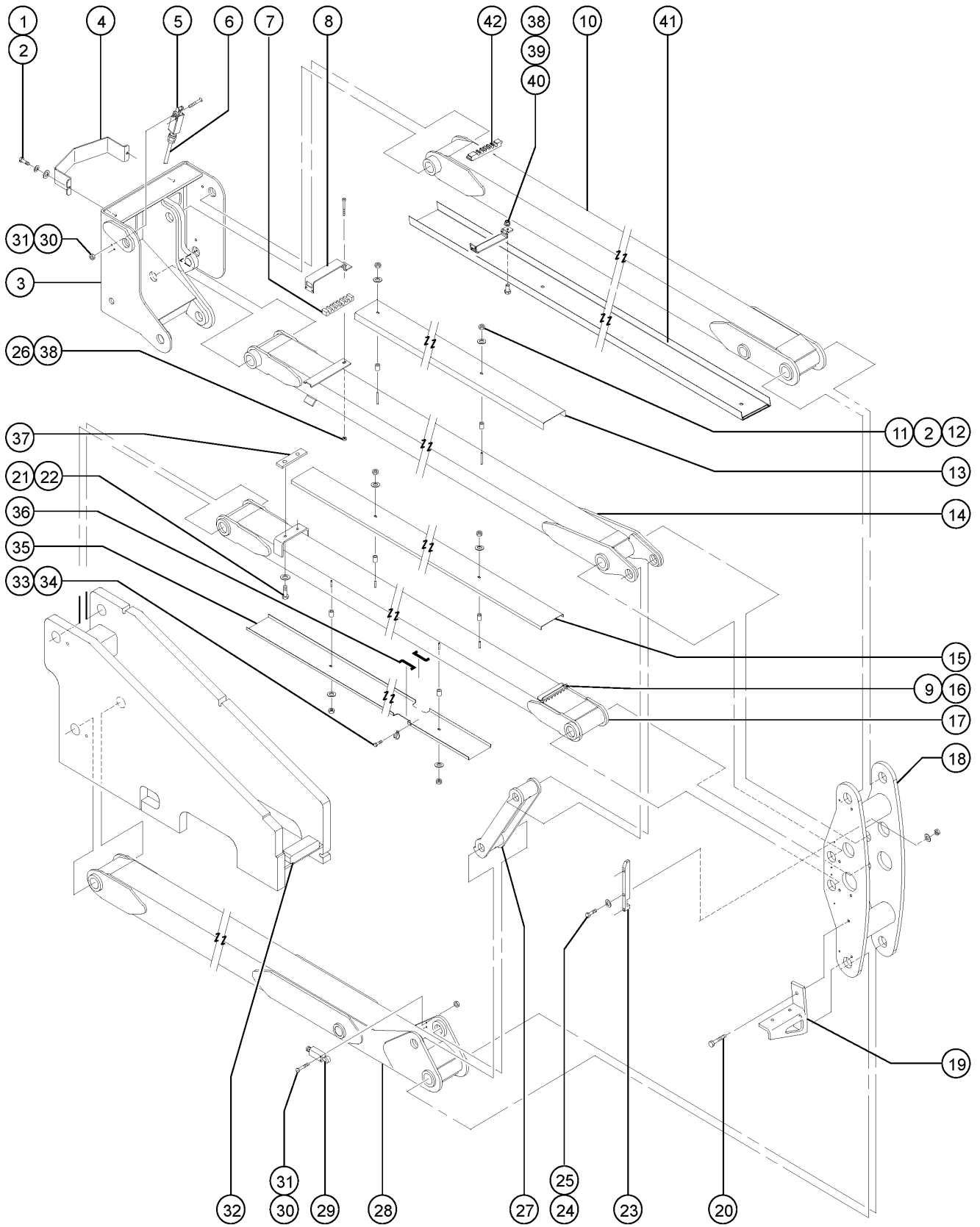
502.1 Boom Linkage



| Item | Part No. | Description | Qty. |
|------|---------------|--|------------------------|
| 1 | 824092GT | SCREW, HHF, 3/8-16 X 1.5, 8, ZAG | |
| 2 | 824029GT | NUT, TL FLG, 3/8-16, G, ZAG | |
| 3 | | Ref. Upper Pivot Assembly | |
| | | (refer to 503.1) | |
| 4 | 237688GT | COVER, UPPER PIVOT | 1 |
| 5 | 88356-11163GT | SWITCH,LIMIT,W/RLLR ARM,NO/NC* | 1 |
| 5- | 106427GT | LS ROT.HEAD W/O LEVER (ZCE01) | |
| 5- | 97128GT | ROLLER ARM,LIMIT SWITCH*** | |
| 6 | 43960GT | WIRE CABLE,16/4 CON.TPE JKT | 39 6-i nc hes |
| 7 | 1300902GT | HOSE, CLAMPING BLOCK, Z45/51 | 1 |
| 8 | 1285356GT | BRACKET, HOSE/CABLE CLAMP | 1 |
| 9 | 1285590GT | CLAMPING BLOCK, HOSE | 1 |
| 10 | 1292858GT | UPPER SECONDARY ARM SERVICE ASSY | 1 |
| | | includes bearings and items 40, 41 and 42 | |
| 10- | 1292857GT | WELDMENT, UPPER SECONDARY | |
| | | secondary arm with bearings | |
| 11 | 42941-75GT | HOSE,3/8",FUEL,30R7 | 1 |
| 12 | 54719GT | ARC STUD 3/8-16 X 1.63",SS | |
| 13 | 88370PGT | HOSE COVER,UPPER ARM,PAINTED | |
| 14 | 1272735GT | UPPER LEVEL ARM ASSY | |
| | | includes bearings | |
| 15 | 50517-SGT | HOSE COVER,LOWER LEVEL,TOP,PAI | 1 |
| 16 | 70685PGT | FORMING, HOSE CLAMP, PAINTED | 1 |
| 17 | 1287148GT | LOWER LEVER ARM SERVICE ASSY | |
| | | includes bearings | |
| 18 | 106972GT | WELDMENT,MID PIVOT,MACHINED*** | |
| | | (decal not included, refer to section 100) | |
| 19 | 50952-SGT | BOOM REST WELDMENT | 1 |
| 20 | 1256844GT | SCREW,HHC,1/2-13X1.5,8,ZAG | |
| 21 | 1256109GT | SCREW,HHC,3/8-16X.75,8,ZAG | |
| 22 | 824110GT | WASHER,LOCK,3/8,ZAG | |
| 23 | 107881GT | WEAR PAD,MID PIVOT*** | 1 |
| 24 | 824082GT | SCREW,HHF,1/4-20X1.75,8,ZAG | |



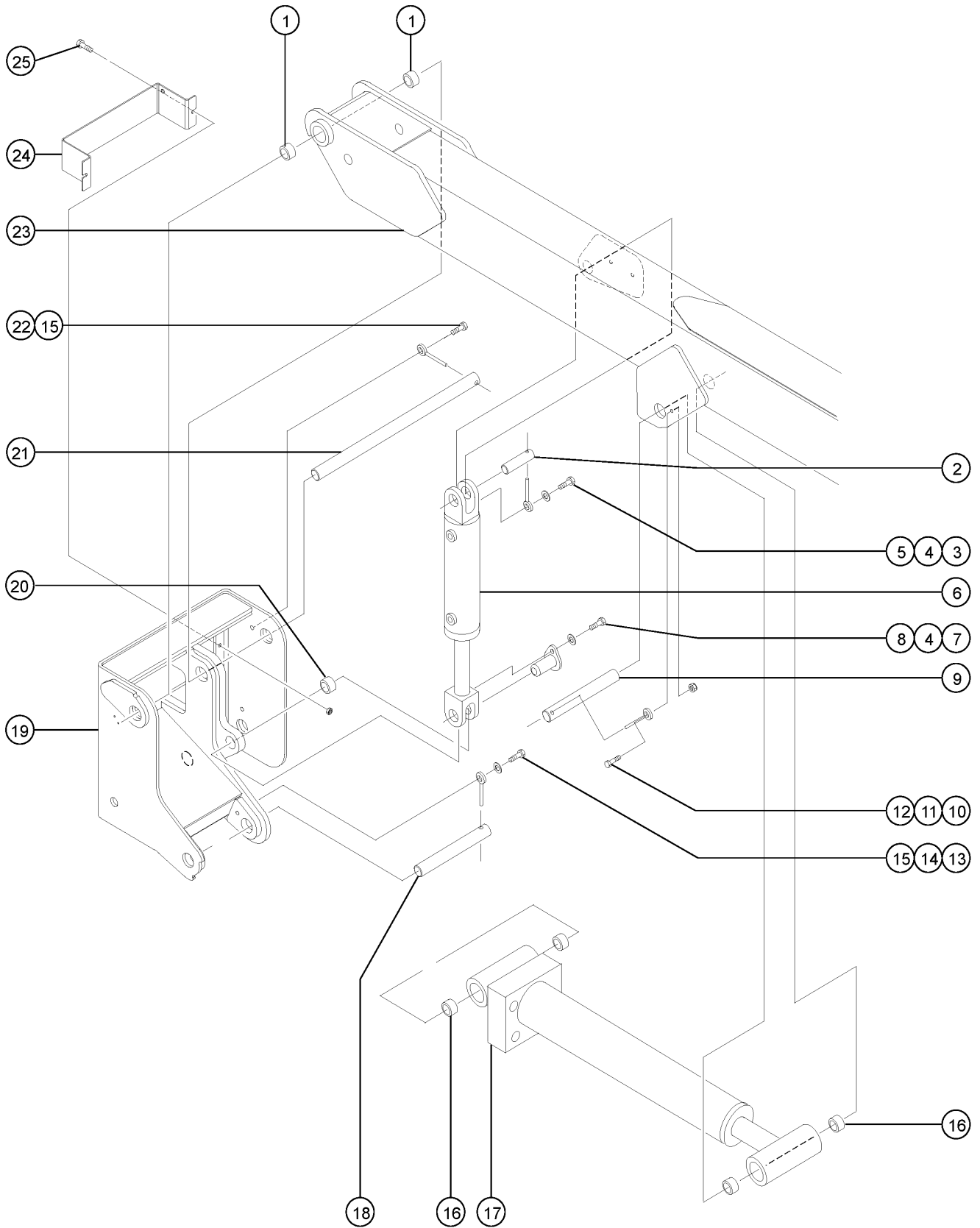
502.1 Boom Linkage



| <i>Item</i> | <i>Part No.</i> | <i>Description</i> | <i>Qty.</i> |
|-------------|-----------------|--------------------------------------|-------------|
| 25 | 824111GT | WASHER,LOCK,1/2,ZAG | |
| 26 | 824027GT | NUT,TL FLG,1/4-20,G,ZAG | |
| 27 | 50479-SGT | CONNECTING LINK, Z45/25 | 1 |
| 28 | 1270442GT | LOWER SECONDARY ARM ASSY | |
| | | includes bearings | |
| 29 | 88356-11205GT | SWITCH,LIMIT,W/RLLR ARM NO/NC | 1 |
| 29- | 89756GT | NECK/HEAD-LIMIT SWITCH (88356) | |
| 29- | 97128GT | ROLLER ARM,LIMIT SWITCH*** | |
| 30 | 1256177GT | SCREW,PHPM,10-32X1.75,ZAG | |
| 31 | 6178GT | NUT,NYLOCK,10-32 | |
| 32 | 56849GT | PAD,REST,1"THICK,W/STUDS* | 1 |
| 33 | 1256855GT | SCREW,HHF,1/4-20X.625,8,ZAG | |
| 34 | 6833GT | CLAMP,0.50,#8 X 1/4,RUB CUSH | |
| 35 | 50548PGT | HOSE COVER,LOWER LEVEL,BOT,PAI | 1 |
| 36 | 1697-400GT | TRIMLOCK,BLACK,3/16 X 4 INCHES | 2 |
| 37 | 49772GT | WEAR PAD,6 X 1.5 X.50,W/INSERT | |
| 38 | 824078GT | SCREW,HHF,1/4-20X.75,8,ZAG | |
| 39 | 1277924GT | NUT,NYLOCK FLG,1/4-20,F,ZAG | 1 |
| 40 | 1300900GT | BRACKET, CABLE CLAMP, Z45/51 | 1 |
| 41 | 1280877GT | HOSE COVER, UPPER ARM, BTM | 1 |
| 42 | 1300899GT | CABLE, CLAMPING BLOCK, Z45/51 | 1 |



503.1 Upper Pivot Components

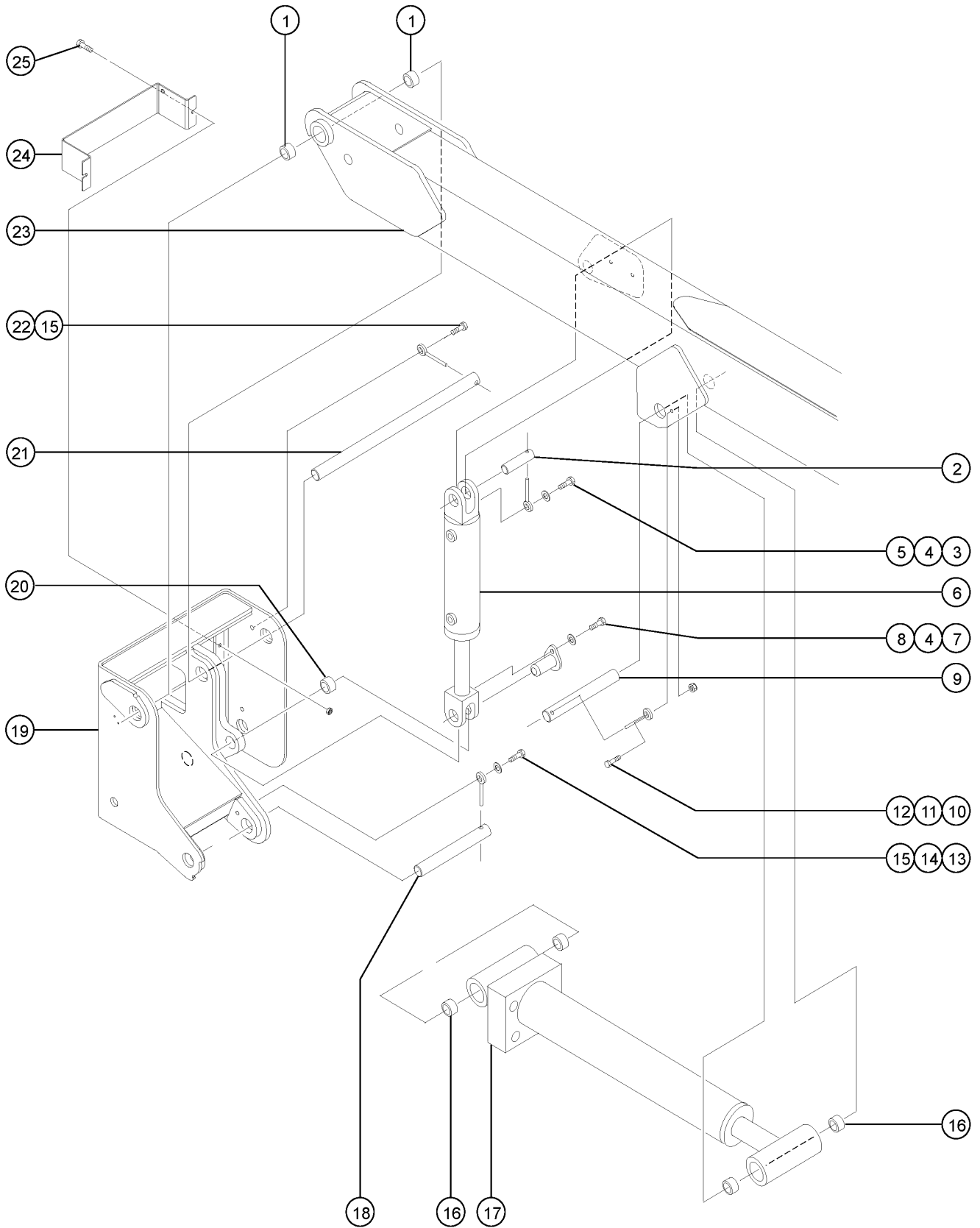


503.1 Upper Pivot Components

| Item | Part No. | Description | Qty. |
|------|-----------|---|------|
| 1 | 18720GT | BEARING,2.0IDX2.25ODX1.50L | 2 |
| 2 | 34276GT | PIN,1.25DIAX3.37LG,1HOLE | 1 |
| 3 | 824067GT | SCREW,HHC,3/8-16X1,8,ZAG | |
| 4 | 824110GT | WASHER,LOCK,3/8,ZAG | |
| 5 | 1255452GT | ROD END,.375 X 2.25,ZAG | 1 |
| 6 | 77362GT | CYLINDER,MASTER,Z45*** | 1 |
| 6- | 77364GT | SEAL KIT,MASTER & SLAVE CYL for 77362 | |
| 7 | 1256109GT | SCREW,HHC,3/8-16X.75,8,ZAG | |
| 8 | 70671GT | PIN,1.25 DIA X 3.19 LG, PLATE | 1 |
| 9 | 50542GT | PIN,1.75DIAX9.25LG,1HOLE | 1 |
| 10 | 1253478GT | SCREW,HHF,3/8-16X2,8,ZAG | |
| 11 | 825019GT | ROD END,.375X3.69,ZAG | 1 |
| 12 | 824029GT | NUT, TL FLG, 3/8-16, G, ZAG | |
| 13 | 1256844GT | SCREW,HHC,1/2-13X1.5,8,ZAG | |
| 14 | 824111GT | WASHER,LOCK,1/2,ZAG | |
| 15 | 1256267GT | ROD END,.5 X 3.75,ZAG | 2 |
| 16 | 1262633GT | BEARING,POLYGON,BM5120 | 4 |
| 17 | 1266972GT | CYLINDER,PRIMARY LIFT | 1 |
| | | (includes item 16) | |
| 17- | 77189GT | SEAL KIT,CYL,Z45 (77187&77188) 1266972 | |
| 17- | 77014GT | VALVE,COUNTERBALANCE,3800 PSI | |
| 18 | 70534GT | PIN,1.75DIAX11.88LG,CHAMFER | 1 |
| 19 | 110309GT | UPPER PIVOT W/BEARING-Z45/25** | 1 |
| 19- | 55753GT | BUMPER, PLASTIC, 1.25 O.D. | |
| 20 | 30370GT | BEARING,1.25IDX1.5ODX1.00L | 1 |
| 21 | 88676GT | PIN,2.00DIAX24.00LG,CHAMFER*** | 1 |
| 22 | 1256844GT | SCREW,HHC,1/2-13X1.5,8,ZAG | |
| 23 | | Ref. Primary and Extension Booms | |
| | | (refer to 504.1) | |
| 24 | 237688GT | COVER, UPPER PIVOT | 1 |



503.1 Upper Pivot Components

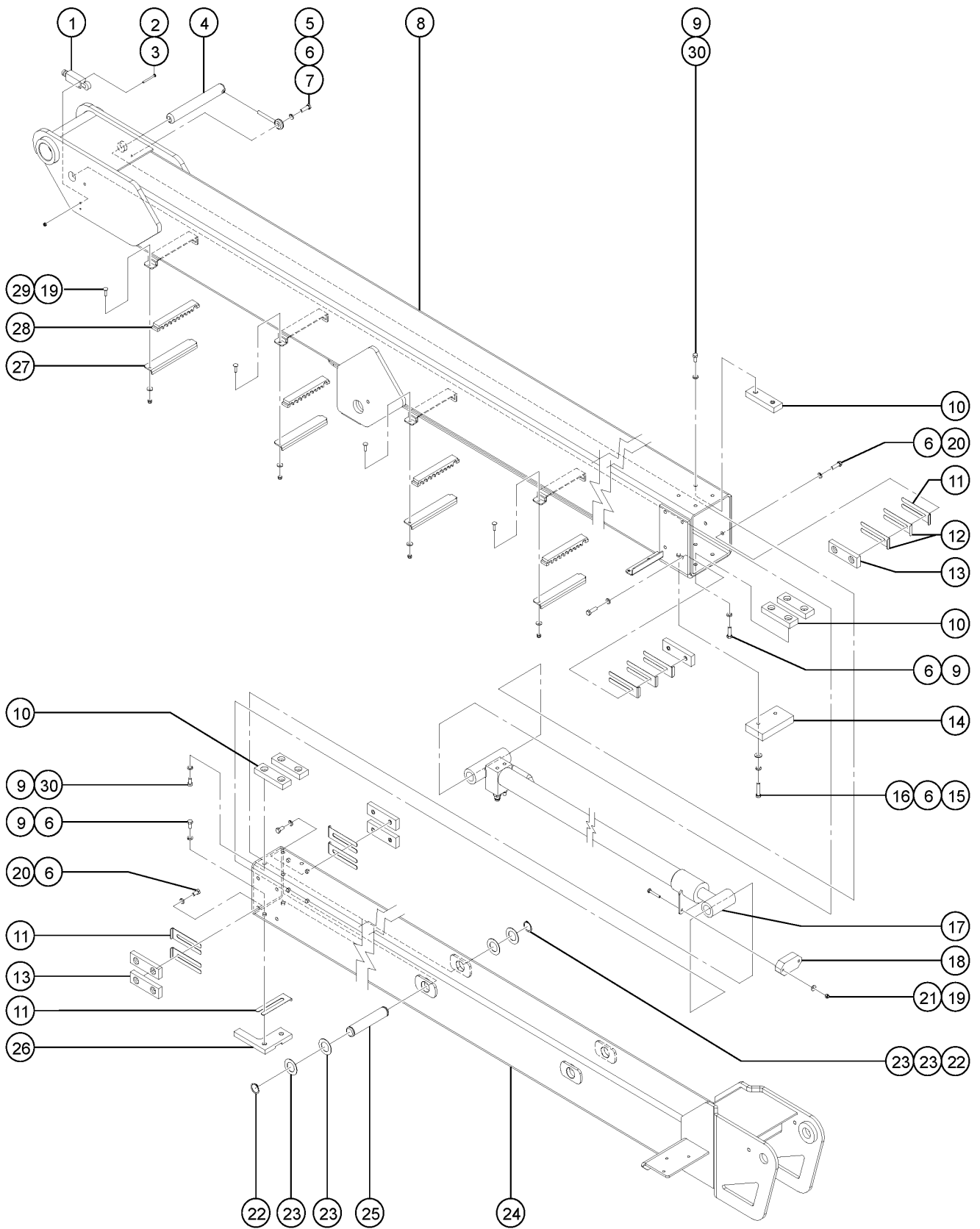


503.1 Upper Pivot Components

| <i>Item</i> | <i>Part No.</i> | <i>Description</i> | <i>Qty.</i> |
|-------------|-----------------|--|-------------|
| 25 | 824092GT | SCREW, HHF, 3/8-16 X 1.5, 8, ZAG | |



504.1 Primary and Extension Booms

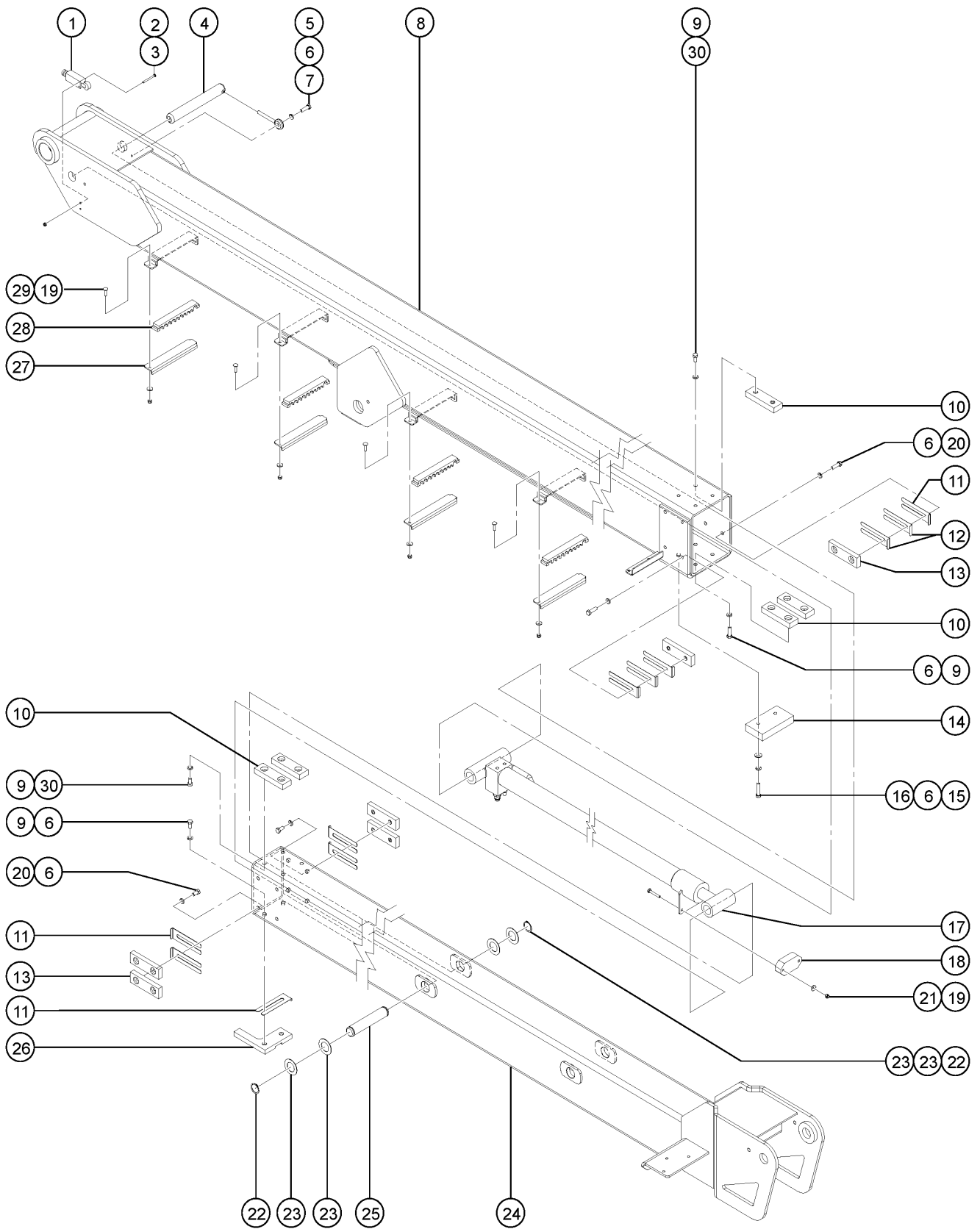


504.1 Primary and Extension Booms

| Item | Part No. | Description | Qty. |
|------|---------------|--|------|
| 1 | 88356-11205GT | SWITCH,LIMIT,W/RLLR ARM NO/NC | 1 |
| 1- | 19491GT | CONTACTOR,LIMIT SWITCH | |
| 1- | 97128GT | ROLLER ARM,LIMIT SWITCH*** | |
| 1- | 76450GT | CONN.SQZ,PG 11,..23-30,W/ORING | |
| 2 | 1265481GT | SCREW,PHPM,10-32X2,ZAG | 2 |
| 3 | 6178GT | NUT,NYLOCK,10-32 | 2 |
| 4 | 50584GT | PIN,1.25DIAX9.38LG,THREADED | 1 |
| 5 | 824067GT | SCREW,HHC,3/8-16X1,8,ZAG | |
| 6 | 824110GT | WASHER,LOCK,3/8,ZAG | |
| 7 | 825019GT | ROD END,.375X3.69,ZAG | 1 |
| 8 | 128590GT | WELDMENT,PRIMARY BOOM,Z51 JIB | 1 |
| 9 | 1256109GT | SCREW,HHC,3/8-16X.75,8,ZAG | |
| 10 | 34125GT | WEAR PAD,5 X 1.5 X .75 W/NUTS | 6 |
| 11 | 29080GT | SHIM,WEAR PAD,5X 1.5 16GA | 9 |
| 12 | 42502GT | SHIM,SIDE PAD 22GA. | 8 |
| 13 | 30138GT | WEAR PAD,5 X 1.5 X .625 W/NUTS | 8 |
| 14 | 54157GT | WEAR PAD,PRIMARY BOOM,JIB 5.5X3X1 | 1 |
| 15 | 1256119GT | WASHER,SHIM,1.01X1.63X.062,ZAG | 2 |
| 16 | 825358GT | WASHER,FLAT,5/16,USS,ZAG | |
| 17 | 101523GT | CYLINDER,PRIMARY EXTENSION | 1 |
| 17- | 54063GT | VALVE,CB.CBBC-LHN@1000*** for 101523 | |
| 17- | 77410GT | VALVE,COUNTERBALNCE,1500 PSI** for 101523 | |
| 17- | 101213GT | SEAL KIT (101523)*** for 101523 | |
| 18 | 50698GT | WEAR PAD,EXTENSION CYLINDER | 1 |
| 19 | 824027GT | NUT,TL FLG,1/4-20,G,ZAG | |
| 20 | 824068GT | SCREW, HHC, 3/8-16 X 1.25, 8, ZAG | |
| 21 | 824082GT | SCREW,HHF,1/4-20X1.75,8,ZAG | |
| 22 | 824164GT | SNAP RING,EXTERNAL,1.25,ZAG | 2 |



504.1 Primary and Extension Booms

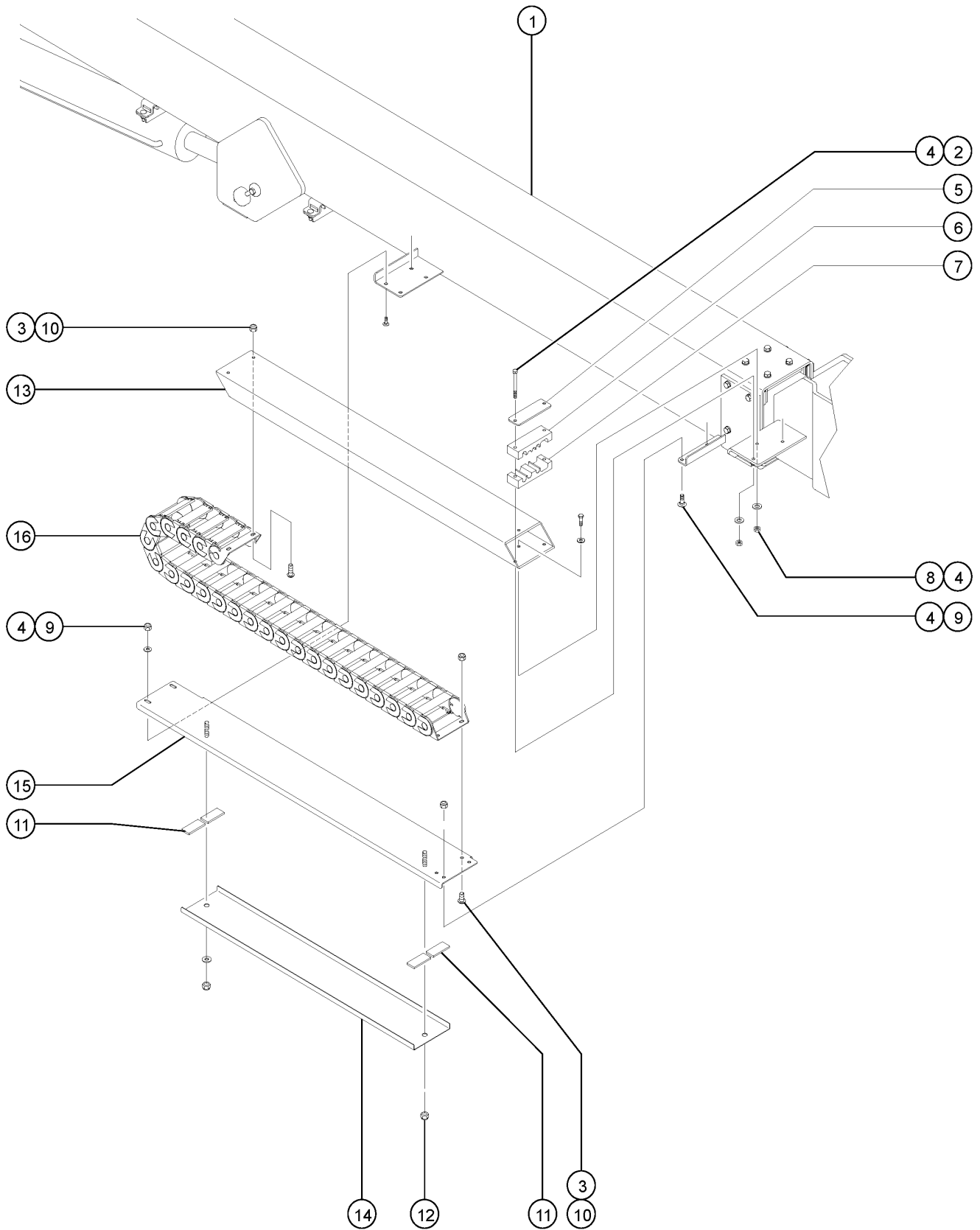


504.1 Primary and Extension Booms

| <i>Item</i> | <i>Part No.</i> | <i>Description</i> | <i>Qty.</i> |
|-------------|-----------------|--------------------------------------|-------------|
| 23 | 824151GT | WASHER,SHIM,1.270X2.130X.062,Z | 4 |
| 24 | 128592GT | WELDMENT,EXT. BOOM,Z51 JIB | 1 |
| 25 | 50546GT | PIN,1.25DIAX6.36LG,2RING | 1 |
| 26 | 50552GT | WEAR PAD,EXTENSION BOOM | 1 |
| 27 | 128995GT | FORMING, HOSE CLAMP RETAINER | 4 |
| 28 | 128601GT | CLAMP, PRI, HOSE/CABLE, Z45/51 | 4 |
| 29 | 1256127GT | BOLT,CARRIAGE,1/4-20X1,5,ZAG | 4 |
| 30 | 824113GT | WASHER,FLAT,USS,1/4,ZAG | |



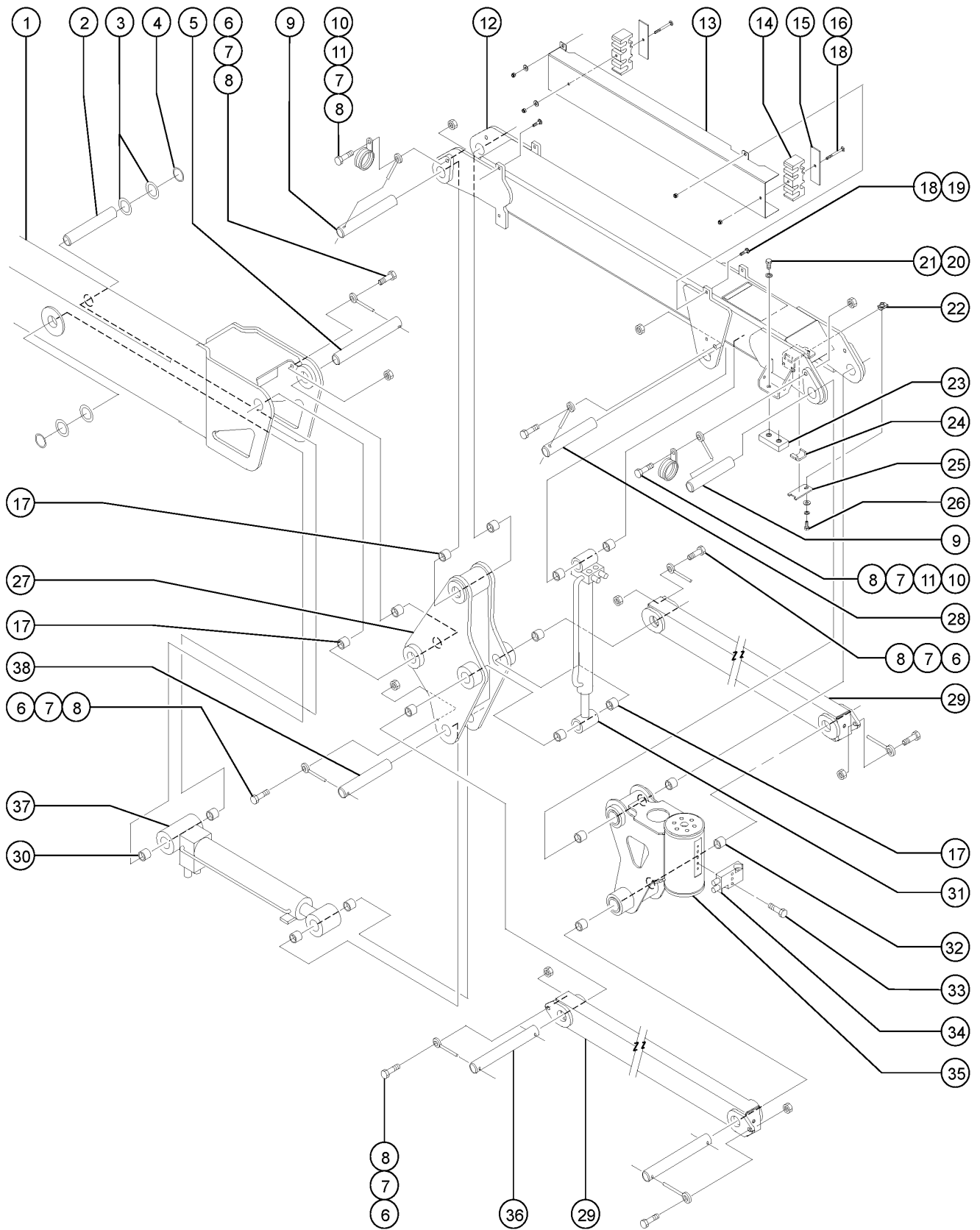
505.1 Cable Track Installation



| Item | Part No. | Description | Qty. |
|------|-----------|--|------|
| 1 | | Ref. Primary and Extension Booms (refer to 504.1) | |
| 2 | 1256803GT | SCREW,HHC,1/4-20X2.75,8,ZAG | |
| 3 | 1277924GT | NUT,NYLOCK FLG,1/4-20,F,ZAG | |
| 4 | 824027GT | NUT,TL FLG,1/4-20,G,ZAG | |
| 5 | 128862GT | BACKING PLATE, PULLTUBE | 1 |
| 6 | 1304185GT | CLAMP, ROUTING | 1 |
| 7 | 1304186GT | CLAMP, ROUTING | 1 |
| 8 | 824078GT | SCREW,HHF,1/4-20X.75,8,ZAG | |
| 9 | 824124GT | BOLT,CARRIAGE,1/4-20X.75,5,ZAG | |
| 10 | 1256124GT | SCREW,BHC,1/4-20X.75,F835,ZAG | |
| 11 | 54271GT | SPACER,HOSE CLAMP,RUBBER | 4 |
| 12 | 1274322GT | NUT,NYLOCK FLG,3/8-16,F,ZAG | |
| 13 | 128597GT | TUBE, CABLETRACK ARM, Z51 | 1 |
| 14 | 128596GT | COVER, CABLETRACK TRAY, Z51 | 1 |
| 15 | 139779GT | WELDMENT, CABLETRACK TRAY | 1 |
| 16 | 139701GT | CABLE TRACK, NP400, 31 LINK | 1 |
| 16- | 111051GT | REPAIR LINK,7 LINKS NP400-7*** for 139701 | |
| 16- | 111052GT | REPAIR LINK,NP400-7*** for 139701 | |
| 16- | 111053GT | REPAIR END BRKT SET,NP400-7*** for 139701 | |



506.1 Jib Boom and Platform Leveling

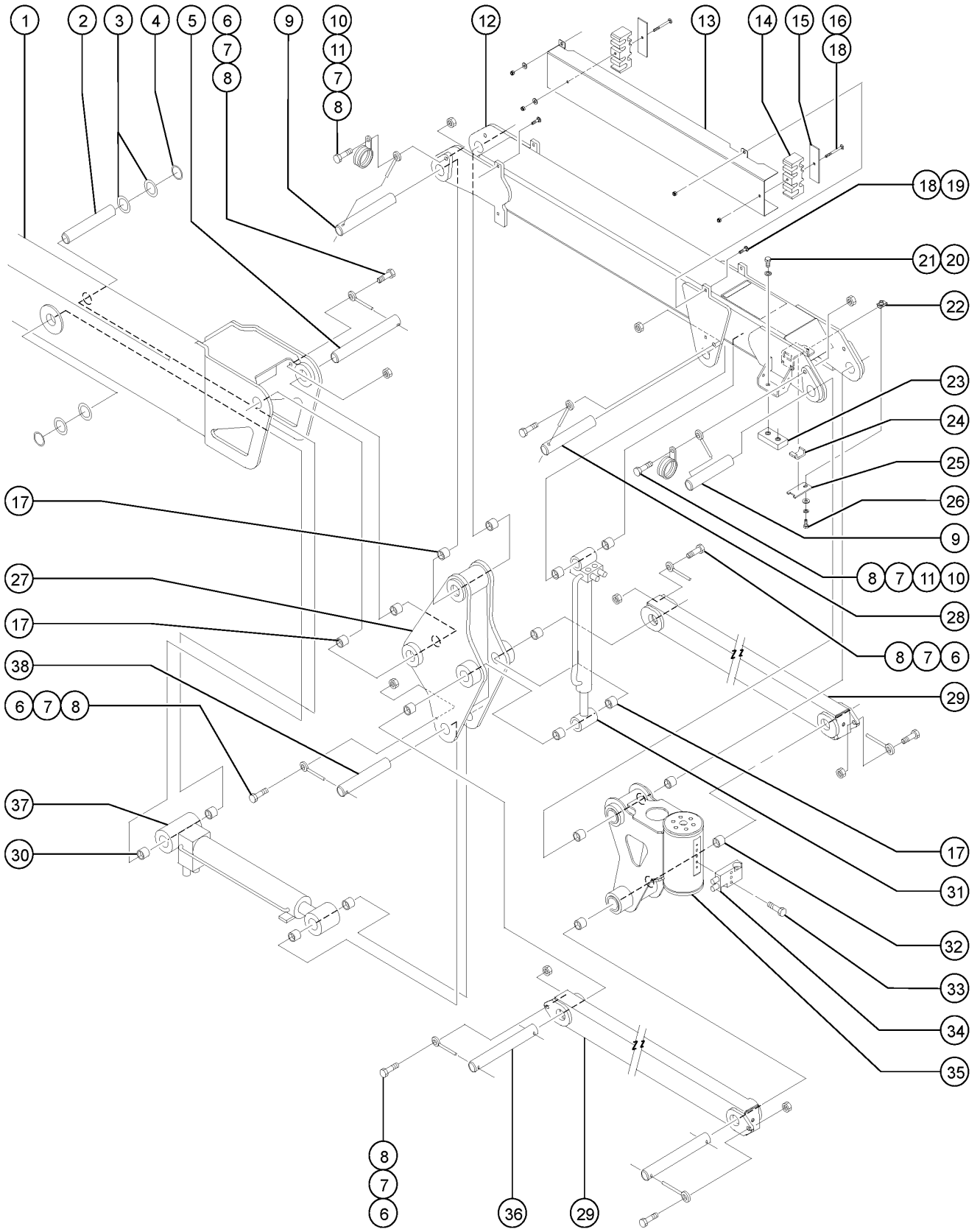


506.1 Jib Boom and Platform Leveling

| Item | Part No. | Description | Qty. |
|------|-----------|--|------|
| 1 | | Ref. Primary and Extension Booms (refer to 504.1) | |
| 2 | 50546GT | PIN,1.25DIAX6.36LG,2RING | 1 |
| 3 | 824151GT | WASHER,SHIM,1.270X2.130X.062,Z | |
| 4 | 824164GT | SNAP RING,EXTERNAL,1.25,ZAG | |
| 5 | 50543GT | PIN,1.25DIAX8.88LG,1HOLE | 1 |
| 6 | 824092GT | SCREW, HHF, 3/8-16 X 1.5, 8, ZAG | |
| 7 | 825019GT | ROD END,.375X3.69,ZAG | |
| 8 | 824029GT | NUT, TL FLG, 3/8-16, G, ZAG | |
| 9 | T107883GT | PIN,1.25DIAX7.88LG,1HOLE | 2 |
| 10 | 1253478GT | SCREW,HHF,3/8-16X2,8,ZAG | |
| 11 | 77181GT | CLAMP,1.63,#26 X 3/8,RUB CUSH | 2 |
| 12 | 128534GT | JIB BOOM ASSY W/WORD DECAL | 1 |
| 13 | 128454PGT | COVER, JIB HOSES/CABLES | 1 |
| 14 | 128510GT | CLAMP,JIB HOSE/CABLE,Z45/51 | 2 |
| 15 | 128483GT | BACKING PLATE, HOSE BLOCK, JIB | 2 |
| 16 | 1256180GT | BOLT,CARRIAGE,1/4-20X2.75,5,ZAG | |
| 17 | 35675GT | BEARING,FL,1.25IDX1.5ODX1.25L | 6 |
| 18 | 824027GT | NUT,TL FLG,1/4-20,G,ZAG | |
| 19 | 1256127GT | BOLT,CARRIAGE,1/4-20X1,5,ZAG | |
| 20 | 1256109GT | SCREW,HHC,3/8-16X.75,8,ZAG | |
| 21 | 826793GT | WASHER,FLAT,3/8,SAE,HRD,ZAG | |
| 22 | 56912GT | SPRING CLIP,1/4-20,.025-.15X.54,ZAG | |
| 23 | 81640GT | WEAR PAD,3 X 1.5 X.625 W/NUTS | 1 |
| 24 | 119542GT | CLAMP,TWO HOSE | 1 |
| 25 | 1265717 | BRACKET,HOSE CLAMP | 1 |
| 26 | 824078GT | SCREW,HHF,1/4-20X.75,8,ZAG | |
| 27 | 50466GT | WELDMENT,JIB BELL CRANK,MACH | 1 |
| 28 | T107884GT | PIN,1.25DIAX7.00LG,1HOLE | 1 |



506.1 Jib Boom and Platform Leveling

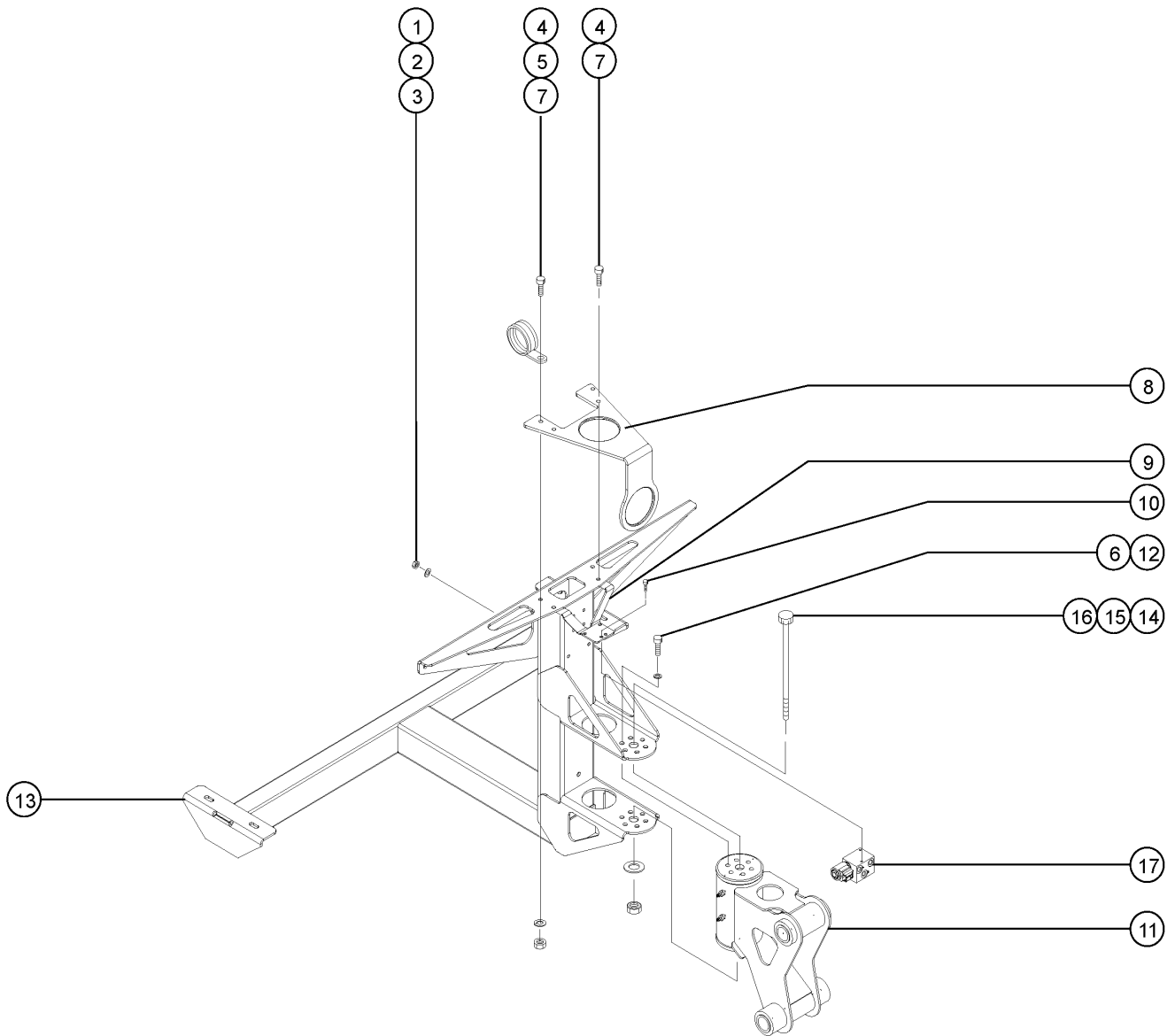


506.1 Jib Boom and Platform Leveling

| Item | Part No. | Description | Qty. |
|------|-----------|---|------|
| 29 | 1274511GT | MACHINING, COMPRESSION LINK | 2 |
| 30 | 1262635GT | BUSHING,POLYGON,BM2024-12 | 4 |
| 31 | 54994GT | CYLINDER,JIB,Z45,#4 PORTS*** | 1 |
| 31- | 65789GT | SEAL KIT (54994) for 54994 | |
| 31- | 50480GT | VALVE,COUNTERBALANCE,3800 PSI* for 54994 | 2 |
| 31- | 43018GT | SEAL KIT (39345) for 50480 and 54065 | |
| 32 | 30222GT | BEARING,FL,1.25IDX1.41ODX1.50L | |
| 33 | 824081GT | SCREW, HHF, 1/4-20 X 1.5, 8, ZAG | 4 |
| 34 | | Ref. Rotator Manifold (refer to 703.1) | |
| 35 | | Ref. Platform Rotator (refer to 507.1) | 1 |
| 36 | 81175GT | PIN,1.25DIAX14.45LG,2HOLE | 2 |
| 37 | 77363GT | CYLINDER,SLAVE,Z45*** | 1 |
| 37- | 77364GT | SEAL KIT,MASTER & SLAVE CYL for 77363 | |
| 37- | 54065GT | VALVE,COUNTERBALANCE,3500*** for 77363 | 2 |
| 37- | 43018GT | SEAL KIT (39345) for 50480 and 54065 | |
| 38 | T108075GT | PIN,1.25DIAX5.25LG,1HOLE | 1 |



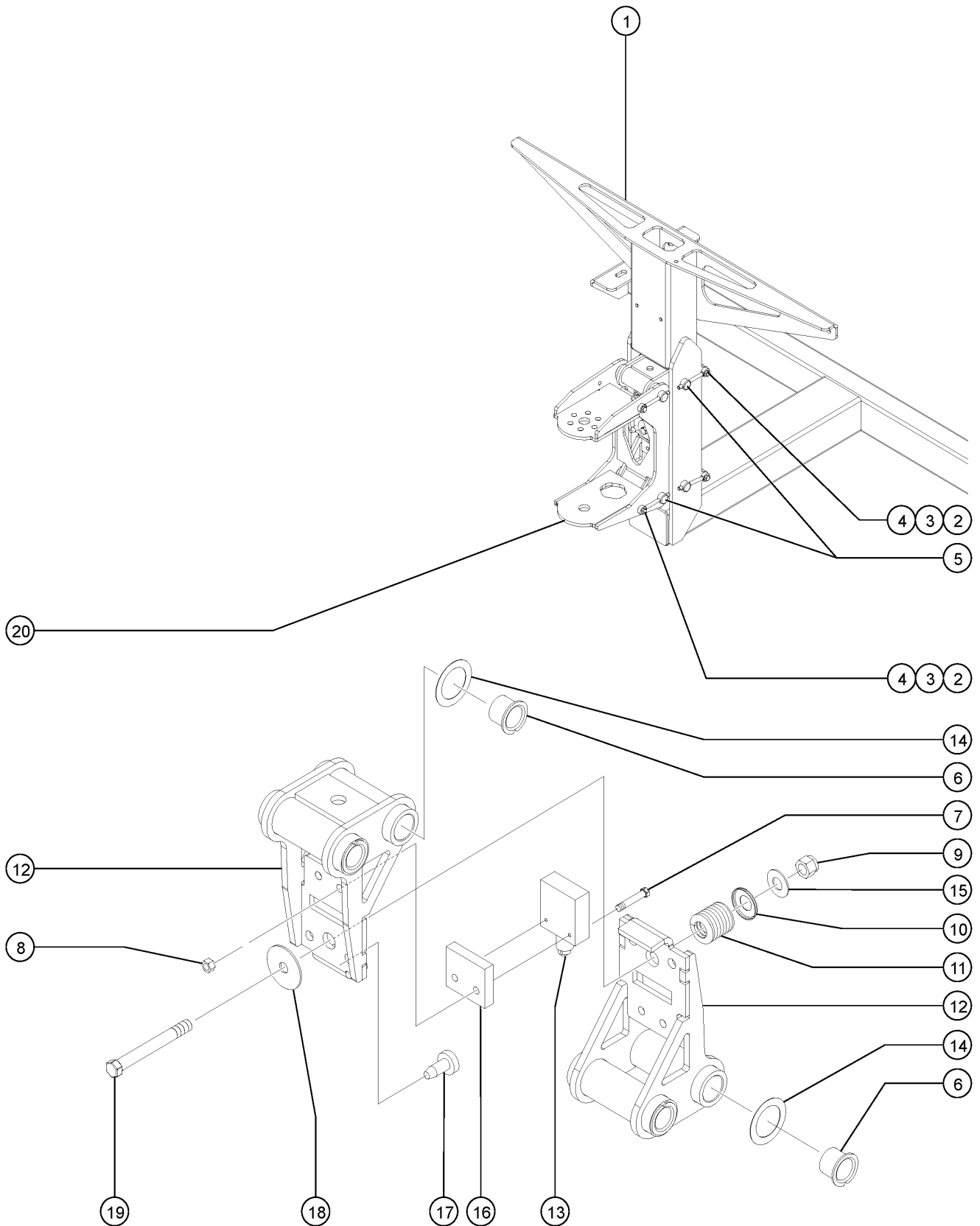
507.1 Platform Rotator and Support



| Item | Part No. | Description | Qty. |
|------|-----------|---|------|
| 1 | 6091GT | NUT,NYLOCK,1/4-20 | |
| 2 | 6638GT | WASHER,FLAT,USS,1/4"Y | |
| 3 | 36294GT | SCREW,HHC,1/4-20 X 2.75 | |
| 4 | 824087GT | SCREW,HHF,5/16-18X1.25,8,ZAG | 4 |
| 5 | 77181GT | CLAMP,1.63,#26 X 3/8,RUB CUSH | 1 |
| 6 | 826793GT | WASHER,FLAT,3/8,SAE,HRD,ZAG | |
| 7 | 824028GT | NUT,TL FLG,5/16-18,G,ZAG | |
| 8 | 106163GT | FORMING,CABLE GUIDE | 1 |
| | | Grommet not included | |
| 8- | 55067GT | GROMMET,RUBBER 3 X .19 X 3.5 | 2 |
| | | order seperately | |
| 9 | 110671GT | PLATE,JIB,ROTATE MANIFOLD | 1 |
| 10 | 824077GT | SCREW, HHF, 1/4-20 X .5, 8, ZAG | |
| 11 | 233715GT | ROTATOR,PLAT,Z45J/Z51J | |
| 11- | 233745GT | SEAL AND BRG KIT,4.5K ROTATOR | |
| | | for 233715 | |
| 11- | 30222GT | BEARING,FL,1.25IDX1.41ODX1.50L | |
| | | for 233715 | |
| 11- | 88516GT | SCREW,BLEEDER,M5X0.8 | |
| | | for 233715 | |
| 12 | 1256109GT | SCREW,HHC,3/8-16X.75,8,ZAG | 6 |
| 13 | 54510-SGT | WELDMENT,PLATFORM SUPPORT | 1 |
| | | for models with the Platform Overload option refer to 508.1 | |
| 13- | 61998PGT | WELDMENT,PLATFORM SUPPORT | |
| | | jib models with platform overload option | |
| 14 | 1273205GT | SCREW,HHC,3/4-10X9.5,8,ZAG | 1 |
| 15 | 1256863GT | WASHER,FLAT,.75,SAE,HRD,ZAG | |
| 16 | 1257458GT | NUT,TL,3/4-10,C,ZAG | 1 |
| 17 | | Ref. Jib Manifold | |
| | | (refer to 703.1) | |



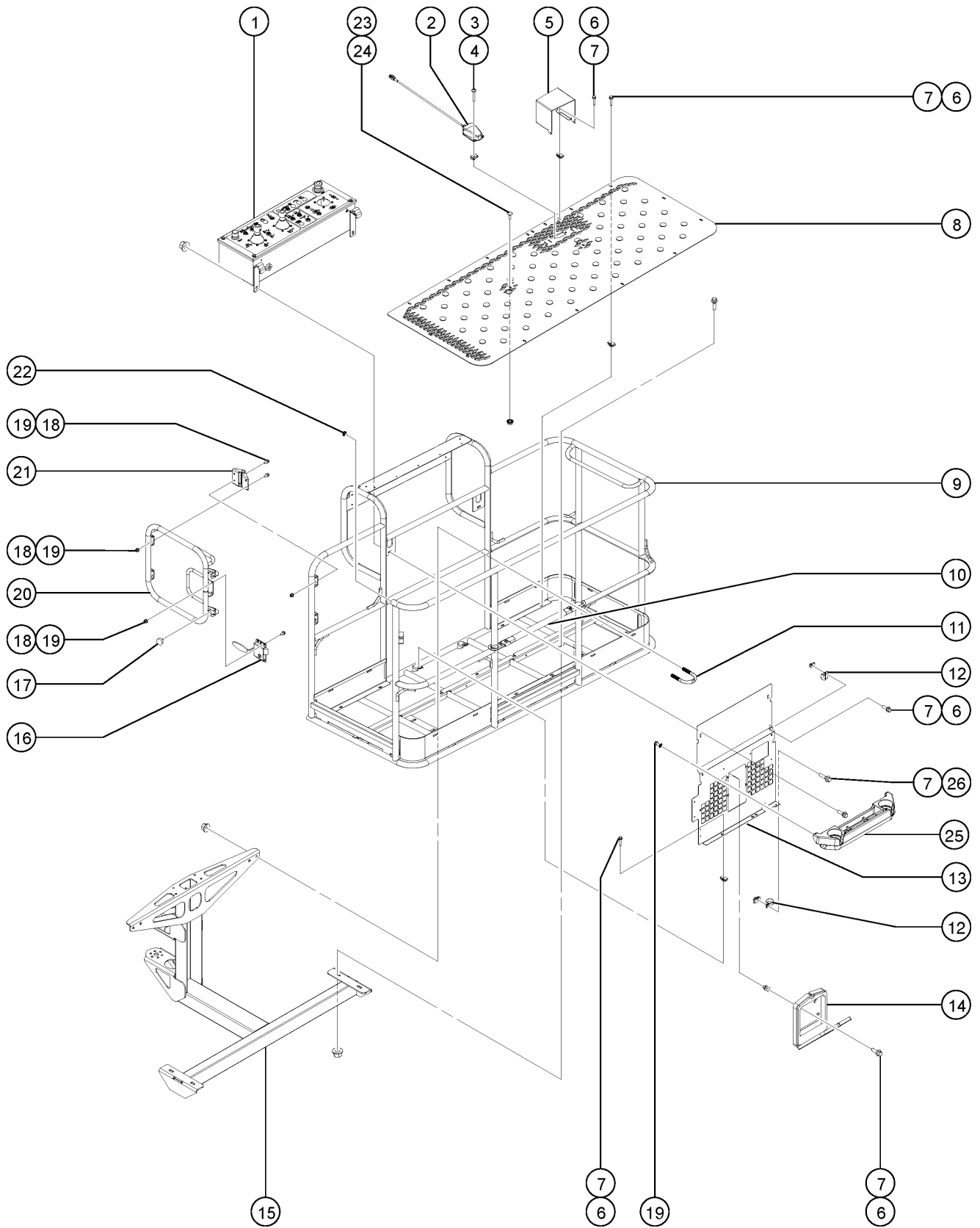
508.1 Platform Overload



| Item | Part No. | Description | Qty. |
|------|-----------|---|------|
| A- | 147513GT | KIT,LOAD SENSE MECH,Z45 JIB | |
| B- | 128045GT | MODULE,LOAD SENSE 2007 | |
| 1 | 61998PGT | WELDMENT,PLATFORM SUPPORT | 1 |
| 2 | 824079GT | SCREW,HHF,1/4-20X1,8,ZAG | |
| 3 | 825020GT | ROD END, .25 X 2.75, ZAG | |
| 4 | 824027GT | NUT,TL FLG,1/4-20,G,ZAG | |
| 5 | 61726GT | PIN,0.75DIAX5.75LG,CHAMFER | 4 |
| 5- | 94643GT | ZERK,GREASE,5/16-24,STRAIT | |
| 6 | 25685GT | BEARING,GARLOCK,12FDU12 | 2 |
| 7 | 824216GT | SCREW,PHPM,10-32X1.5,ZAG | |
| 8 | 1264261GT | NUT,SERRATED,10-32,ZAG | |
| 9 | 824025GT | NUT,TL,3/8-16,C,ZAG | |
| 10 | 61975GT | RETAINER,SPRING,1.21 X .375 | 1 |
| 11 | 61974GT | SPRING,COMP,1" OD,232 LB/IN | 1 |
| 12 | 101512GT | LOAD SUPPORT WITH BEARINGS | 2 |
| | | includes item 6 | |
| 13 | 121848GT | ASSY,LS,LOAD SENSE,38.5 IN | |
| 14 | 110789GT | WASHER,SHIM .0151 THK. | |
| 15 | 1255758GT | WASHER,FLAT,3/8,USS,ZAG | |
| 16 | 61972GT | MOUNT,SWITCH | 1 |
| 17 | 34619GT | BUMPER,RUBBER*** | 1 |
| 18 | 824122GT | WASHER, FLAT, .375 X 1.25 X .062, ZAG | |
| 19 | 824070GT | SCREW,HHC,3/8-16X3.25,8,ZAG | |
| 20 | 61987GT | WELDMENT,ROTATOR MOUNT | 1 |



601.1 Platform Components

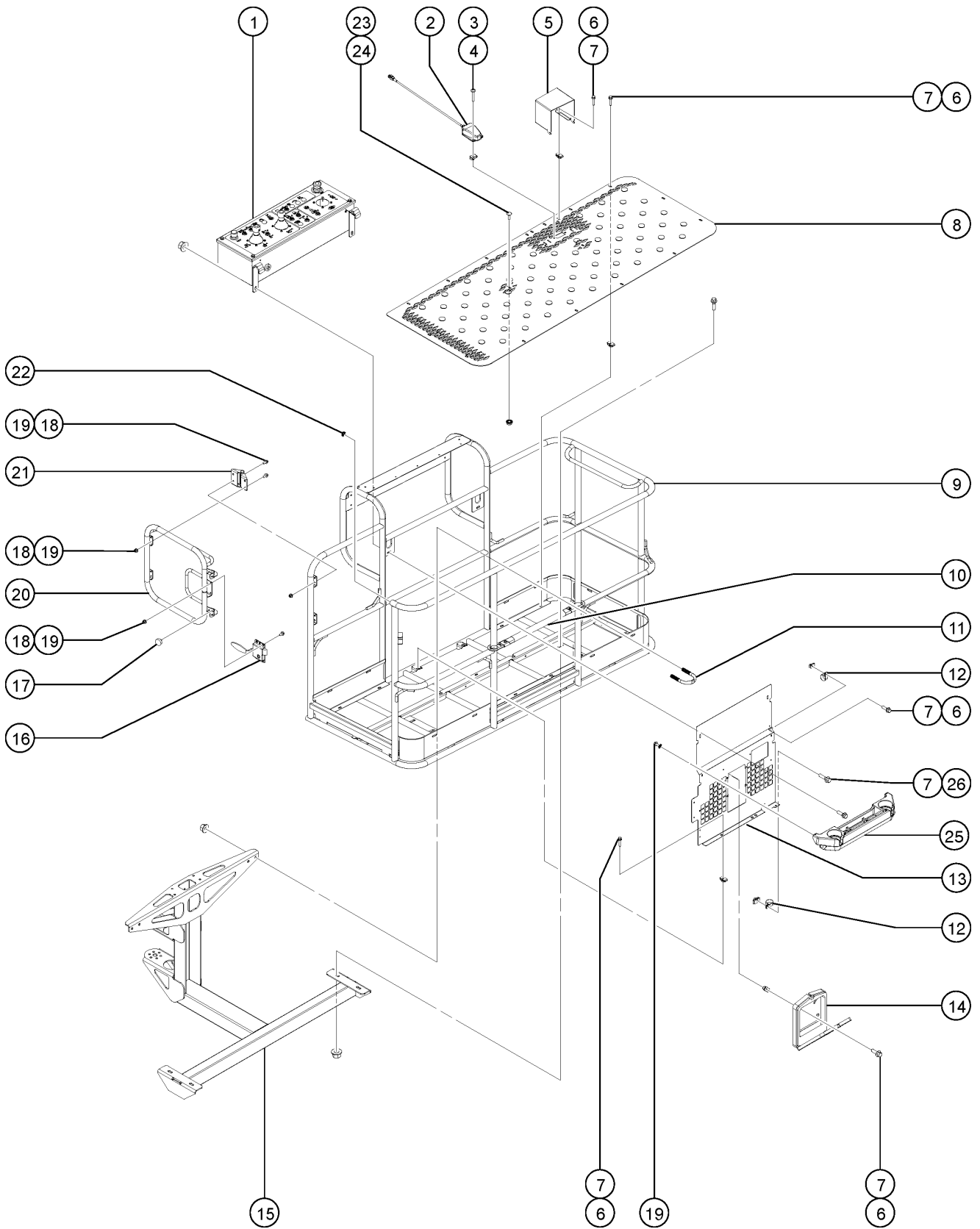


601.1 Platform Components

| Item | Part No. | Description | Qty. |
|------|--------------|--|------|
| 1 | | REF. PLATFORM CONTROL BOX | 1 |
| 2 | 227617GT | ASSEMBLY,FOOT SWITCH | 1 |
| 2- | 119058GT | CONN PLUG 4 WAY ENDCAP DT | |
| 2- | 227564GT | FOOT SWITCH,20A IP65 | |
| 2- | 43960-6950GT | WIRE CABLE,16GA/4 CON.TPE JKT* | |
| 2- | 73739GT | BOOT,PLUG 4 WAY | |
| 2A | 1257248GT | SCREW, SHC, M4-0.7X8, DIN912, | 1 |
| 2A | 1257249GT | WASHER, LOCK, M4, SS | 1 |
| 3 | 1256460GT | SCREW,PHPM,10-24X1,ZAG | 2 |
| 4 | 73575GT | SPRING CLIP,10-24,.025-.125X.468,ZAG | 2 |
| 5 | 147121GT | COVER, FOOT SWITCH, LARGE | 1 |
| 6 | 824078GT | SCREW,HHF,1/4-20X.75,8,ZAG | 23 |
| 7 | 56912GT | SPRING CLIP,1/4-20,.025-.15X.54,ZAG | 23 |
| 8 | 1267746GT | FLOORING, 72X30 PLATFORM | 1 |
| 9 | 1265826GT | WELDMENT, SIDE-ENTRY PLATFORM, 6' | 1 |
| 10 | 102992GT | SLIDING MIDRAIL KIT,PTD | 1 |
| 11 | 1251600GT | U-BOLT, FLATTENED, 1.5 X 3/8 | 2 |
| 12 | 56424GT | CLAMP,1.25X.5 RUBBER-CUSHION | 2 |
| 13 | 1275088GT | FORMING, ALUM. DECAL PLATE | 1 |
| 14 | 24514GT | BOX,INSTRUCTION STORAGE | 1 |
| 15 | | REF. PLATFORM SUPPORT | 1 |
| 16 | 1267747GT | LATCH, SWING GATE | 1 |
| 17 | 43392GT | BUMPER,BATTERY BOX & RAILS | 2 |
| 18 | 824027GT | NUT,TL FLG,1/4-20,G,ZAG | 12 |
| 19 | 1256855GT | SCREW,HHF,1/4-20X.625,8,ZAG | 12 |
| 20 | 1265397GT | WELDMENT, SWING GATE | 1 |
| 21 | 104804GT | HINGE, SPRING, LONG LEG | 1 |
| 22 | 55753GT | BUMPER, PLASTIC, 1.25 O.D. | 2 |



601.1 Platform Components

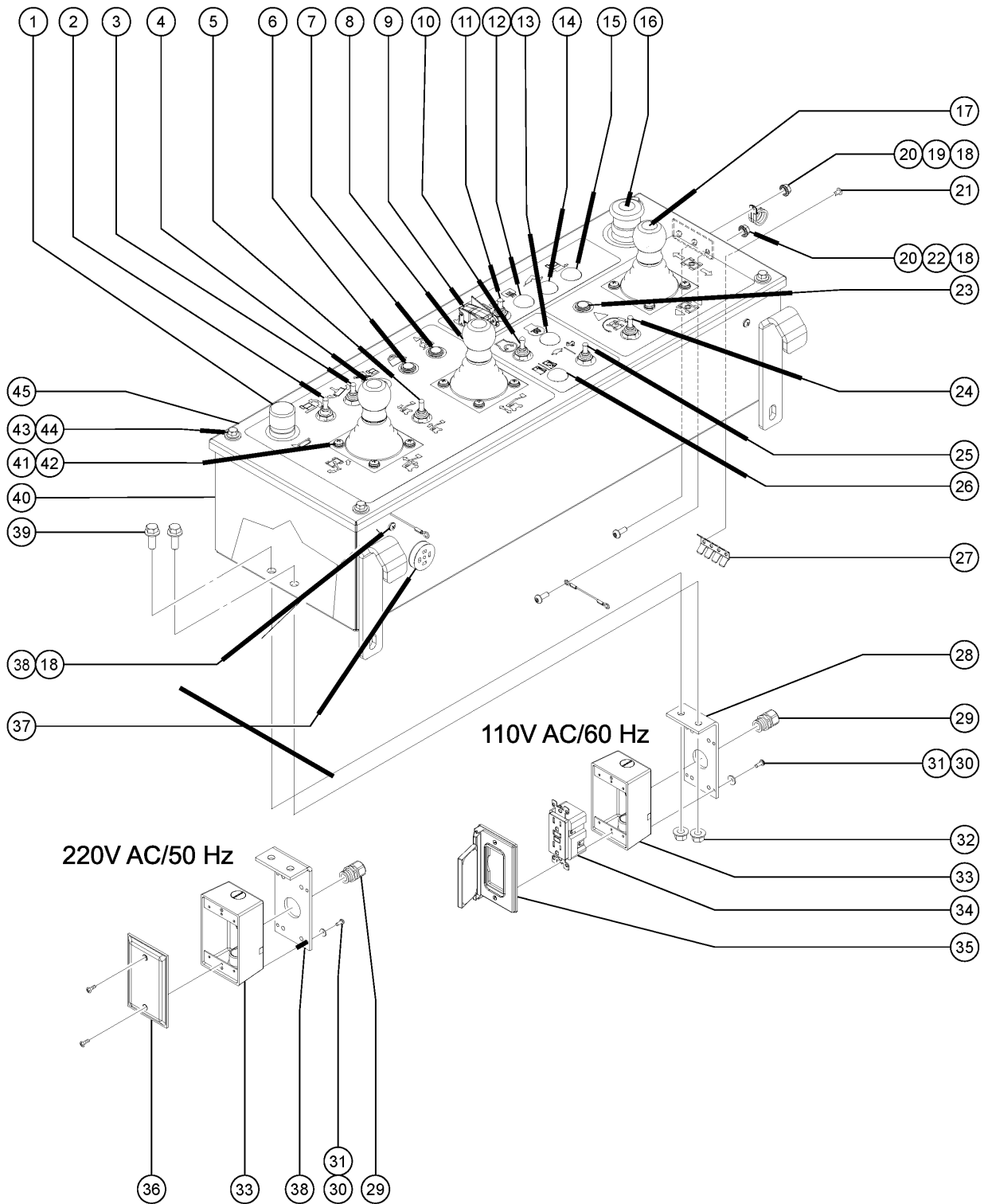


601.1 Platform Components

| <i>Item</i> | <i>Part No.</i> | <i>Description</i> | <i>Qty.</i> |
|-------------|-----------------|--------------------------------------|-------------|
| 23 | 824124GT | BOLT,CARRIAGE,1/4-20X.75,5,ZAG | 2 |
| 24 | 1256679GT | NUT,SERRATED,1/4-20,8,ZAG | 2 |
| 25 | 1275089GT | PLATFORM WORK TRAY | 1 |
| 26 | 824079GT | SCREW,HHF,1/4-20X1,8,ZAG | 3 |



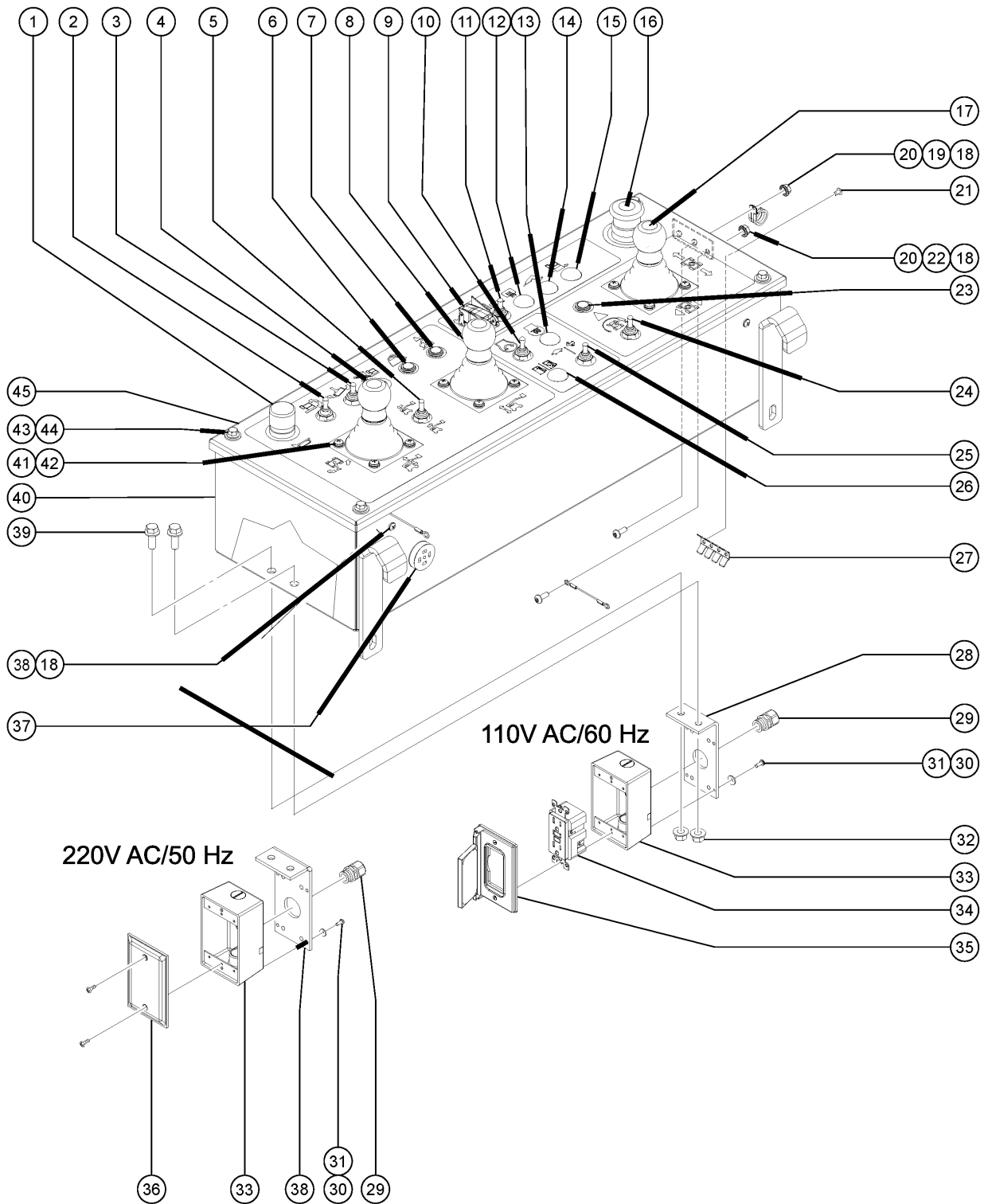
602.1 Platform Control Box, View 1



| Item | Part No. | Description | Qty. |
|------|-----------|--|------|
| - | 162360GT | ASSEMBLY,PBOX,Z45 DIESEL | 1 |
| - | 162521GT | ASSEMBLY,PLATFORM CONTROL BOX | 1 |
| 1 | 66813GT | BUTTON,PUSH,BLACK W/SEAL *** | 1 |
| 1- | 66816GT | CONTACT,N.O | |
| 1- | 66821GT | BASE,WITHOUT CONTACTS | |
| 2 | 128200GT | SWITCH TOGGLE ASSY SPDT 3P MOM (platform Level; includes boot and hardware) | 1 |
| 3 | 128202GT | SWITCH TOGGLE ASSY DPDT 3P MOM (platform Rotate; includes boot and hardware) | 1 |
| 4 | | REF. JOYSTICK, 2 AXIS, BLUE | 1 |
| | | (refer to 604.1) | |
| 4- | 1269497GT | GASKET, ISOLATION, JOYSTICK | |
| 5 | 128200GT | SWITCH TOGGLE ASSY SPDT 3P MOM (primary Boom Ext/Ret; includes boot and hardware) | 1 |
| 6 | 218165GT | LIGHT,INDICATOR,RED 12V H-BRI (platform overload) | 1 |
| 7 | 218165GT | LIGHT,INDICATOR,RED 12V H-BRI (platform overload) | 1 |
| 8 | | REF. JOYSTICK, 1 AXIS, BLUE | |
| | | (refer to 604.1) | |
| 8- | 1269497GT | GASKET, ISOLATION, JOYSTICK | |
| 9 | 1261347GT | TOGGLE SWITCH W/GUARD ASSY | 1 |
| 10 | 128200GT | SWITCH TOGGLE ASSY SPDT 3P MOM (engine Start; includes boot and hardware) | |
| 11 | 128204GT | SWITCH TOGGLE ASSY SPDT 2P MNT (emergency Lowering; includes boot and hardware) | 1 |
| 12 | 229567GT | PLUG, SANTOPRENE .5 BLACK DOME | 1 |
| 13 | 229567GT | PLUG, SANTOPRENE .5 BLACK DOME | 1 |
| 14 | 229567GT | PLUG, SANTOPRENE .5 BLACK DOME | 1 |
| 15 | 229567GT | PLUG, SANTOPRENE .5 BLACK DOME | 1 |
| 16 | 66812GT | BUTTON,PUSH,RED MUSHROOM HEAD | 1 |
| 16- | 146478GT | BOOT(BELLOWS),E-STOP,BLACK | |
| 16- | 66818GT | CONTACT,NC | |
| 16- | 66821GT | BASE,WITHOUT CONTACTS | |
| 17 | | REF. JOYSTICK, 1 AXIS, BLUE | |
| | | (refer to 604.1) | |
| 17- | 1269497GT | GASKET, ISOLATION, JOYSTICK | |
| 18 | 1264261GT | NUT,SERRATED,10-32,ZAG | 5 |



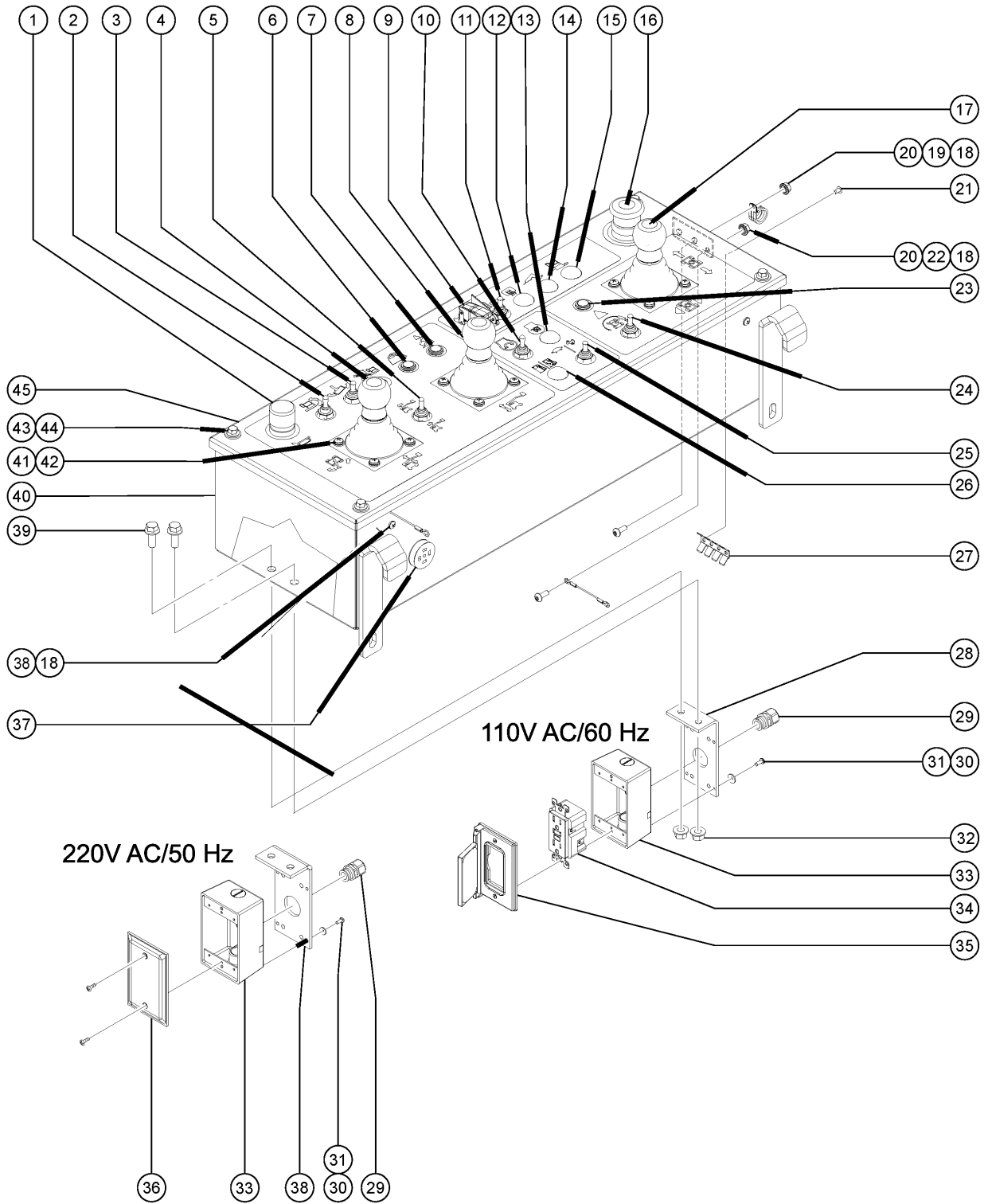
602.1 Platform Control Box, View 1



| Item | Part No. | Description | Qty. |
|------|-----------|---|------|
| 19 | 13268GT | CLAMP,0.75,#12 X 1/4,RUB CUSH | 1 |
| 20 | 54365GT | SCREW,PHIL,PHM,10-32 X .5,SSTL | 4 |
| 21 | 824206GT | RIVET,STL,STL,DOME,1/8X.25,ZAG | 2 |
| 22 | 77351GT | LANYARD,PLATFORM CONTROL BOX | 2 |
| 23 | 218165GT | LIGHT,INDICATOR,RED 12V H-BRI | 1 |
| | | (drive enable indicator light) | |
| 24 | 128200GT | SWITCH TOGGLE ASSY SPDT 3P MOM | 1 |
| | | (drive enable; includes boot and hardware) | |
| 25 | 128204GT | SWITCH TOGGLE ASSY SPDT 2P MNT | 1 |
| | | (engine idle (rpm) select switch; includes boot and hardware) | |
| 26 | 229567GT | PLUG, SANTOPRENE .5 BLACK DOME | 1 |
| 27 | 56663GT | TERMINAL STRIP | 1 |
| 28 | 81096GT | BRACKET,POWER TO PLAT, DOM. | 1 |
| 29 | 7057GT | CONN. SQZ,1/2NPT .39-.56 MED. | 1 |
| 30 | 1257296GT | SCREW,PHPM-ST,8-32X.50,TYPE F,ZAG | 4 |
| 31 | 1257390GT | WASHER,FLAT,#8,SAE,ZAG | 4 |
| 32 | 824029GT | NUT, TL FLG, 3/8-16, G, ZAG | 2 |
| 33 | 10775GT | T-BOX,2.75 X 4.5 X 2.0 | 1 |
| 34 | 13585GT | OUTLET, 110V | 1 |
| 35 | 74006GT | COVER,GFCI,HORIZONTAL,WEATHER | 1 |
| 36 | 10777GT | COVER,BLANK | 1 |
| | | (includes fasteners) | |
| 37 | 45383GT | ALARM,WARBLE TONE 5-30 VDC*** | 1 |
| | | (Does not include 72326 nut) | |
| 37- | 72326GT | NUT - PLASTIC, RING FOR ALARMS | |
| 38 | 1251757GT | SCREW,PHPM,10-32X.50,ZAG | 2 |
| 39 | 824090GT | SCREW,HHF,3/8-16X1,8,ZAG | 2 |
| 40 | 216786GT | WELDMENT, PLATFORM CONTROL BOX | 1 |
| 41 | 1257404GT | SCREW,PHPM-ST,M5-0.8X20,DIN750 | 12 |
| 42 | 1269498GT | SHOULDER WASHER, NYLON | 12 |
| 43 | 1256855GT | SCREW,HHF,1/4-20X.625,8,ZAG | 4 |
| 44 | 824113GT | WASHER,FLAT,USS,1/4,ZAG | 4 |
| 45 | 1283800GT | LID, PLATFORM CONTROL BOX | 1 |



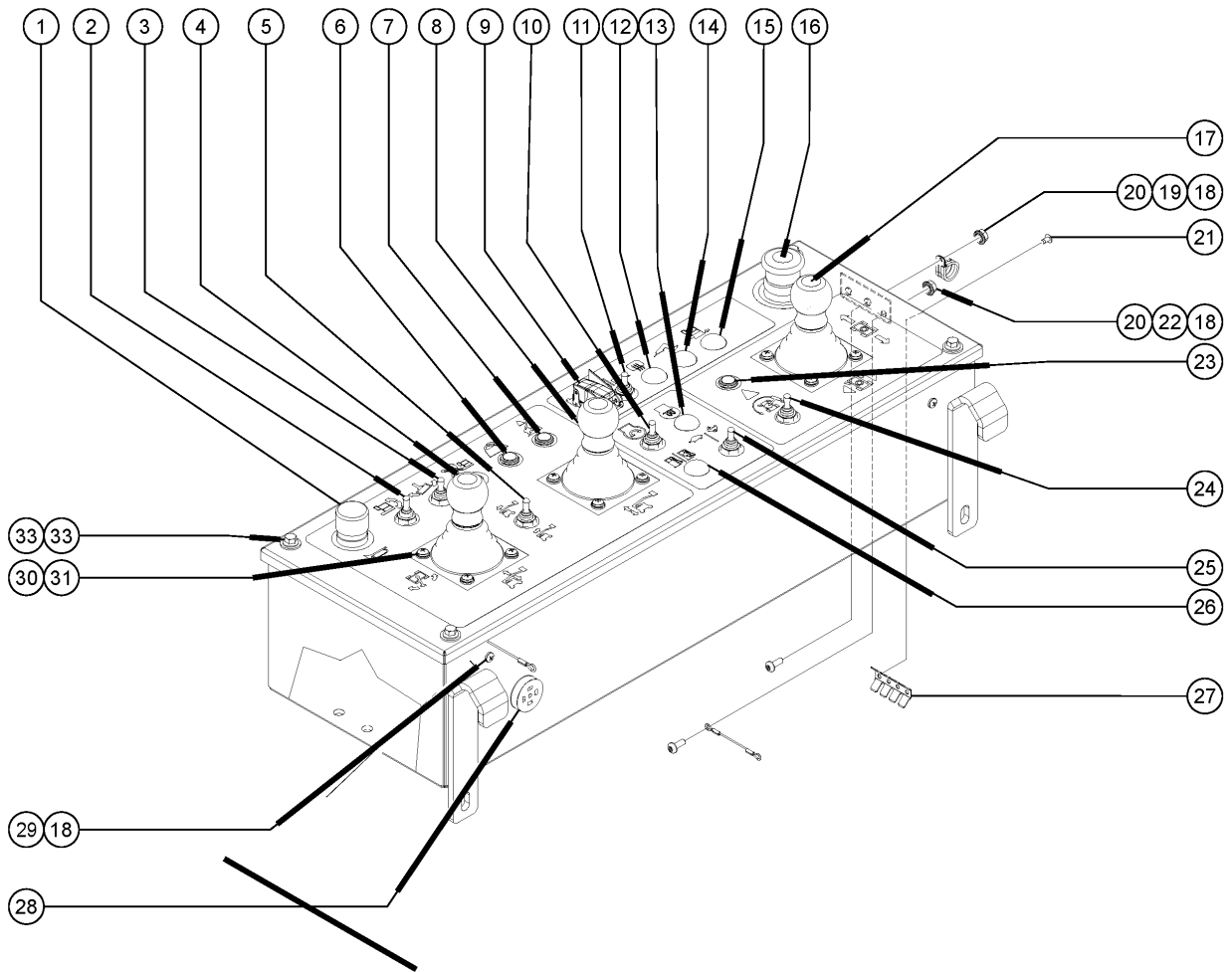
602.1 Platform Control Box, View 1



| <i>Item</i> | <i>Part No.</i> | <i>Description</i> | <i>Qty.</i> |
|-------------|-----------------|-----------------------------------|-------------|
| 45- | 81488GT | GASKET,PLATFORM CONTROL BOX | |



602.2 Platform Control Box, View 1 (Deutz TD 2.2 L3 Engine Model)

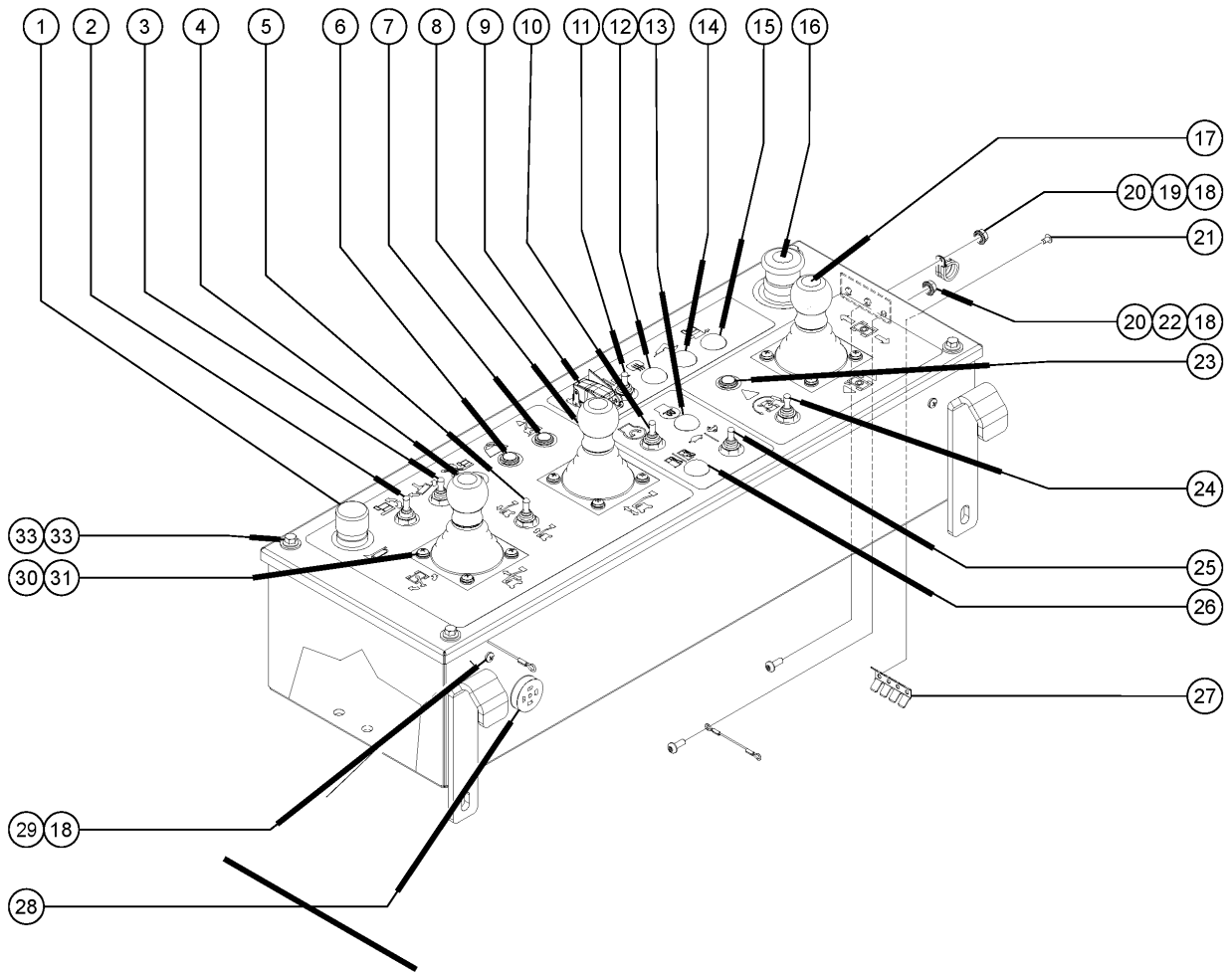


602.2 Platform Control Box, View 1 (Deutz TD 2.2 L3 Engine Model)

| Item | Part No. | Description | Qty. |
|------|-----------|--|------|
| - | 1300894GT | PLATFORM BOX, Z51 STAGE V | 1 |
| - | 1303894GT | ASSEMBLY, PBOX, Z51, STAGE V Includes PN 1300894, item 13 and 26 | 1 |
| 1 | 66813GT | BUTTON,PUSH,BLACK W/SEAL *** | 1 |
| 1- | 66816GT | CONTACT,N.O | |
| 1- | 66821GT | BASE,WITHOUT CONTACTS | |
| 2 | 128200GT | SWITCH TOGGLE ASSY SPDT 3P MOM (platform Level; includes boot and hardware) | 1 |
| 3 | 128202GT | SWITCH TOGGLE ASSY DPDT 3P MOM (platform Rotate; includes boot and hardware) | 1 |
| 4 | | REF. JOYSTICK, 2 AXIS, BLUE | 1 |
| | | (refer to 604.1) | |
| 4- | 1269497GT | GASKET, ISOLATION, JOYSTICK | |
| 5 | 128200GT | SWITCH TOGGLE ASSY SPDT 3P MOM (primary Boom Ext/Ret; includes boot and hardware) | 1 |
| 6 | 218165GT | LIGHT,INDICATOR,RED 12V H-BRI (platform overload) | 1 |
| 7 | 218165GT | LIGHT,INDICATOR,RED 12V H-BRI (platform overload) | 1 |
| 8 | | REF. JOYSTICK, 1 AXIS, BLUE | |
| | | (refer to 604.1) | |
| 8- | 1269497GT | GASKET, ISOLATION, JOYSTICK | |
| 9 | 1261347GT | TOGGLE SWITCH W/GUARD ASSY | 1 |
| 10 | 128200GT | SWITCH TOGGLE ASSY SPDT 3P MOM (engine Start; includes boot and hardware) | |
| 11 | 128204GT | SWITCH TOGGLE ASSY SPDT 2P MNT (emergency Lowering; includes boot and hardware) | 1 |
| 12 | 229567GT | PLUG, SANTOPRENE .5 BLACK DOME | 1 |
| 13 | 1301024GT | LIGHT, YELLOW, 12V, LED, NO GLOW | 1 |
| 14 | 229567GT | PLUG, SANTOPRENE .5 BLACK DOME | 1 |
| 15 | 229567GT | PLUG, SANTOPRENE .5 BLACK DOME | 1 |
| 16 | 66812GT | BUTTON,PUSH,RED MUSHROOM HEAD | 1 |
| 16- | 146478GT | BOOT(BELLOWS),E-STOP,BLACK | |
| 16- | 66818GT | CONTACT,NC | |
| 16- | 66821GT | BASE,WITHOUT CONTACTS | |
| 17 | | REF. JOYSTICK, 1 AXIS, BLUE | |
| | | (refer to 604.1) | |
| 17- | 1269497GT | GASKET, ISOLATION, JOYSTICK | |
| 18 | 1264261GT | NUT,SERRATED,10-32,ZAG | 5 |



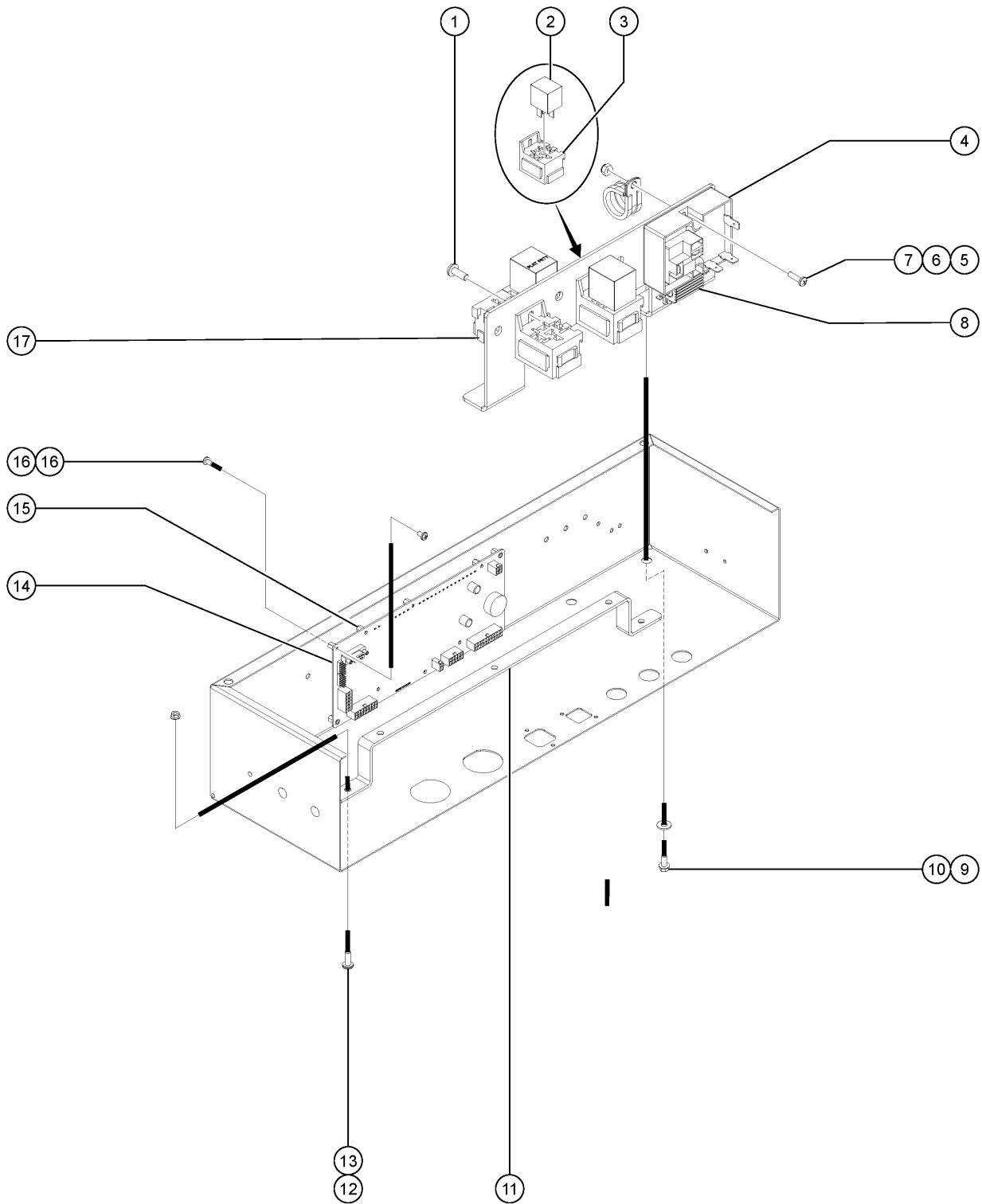
602.2 Platform Control Box, View 1 (Deutz TD 2.2 L3 Engine Model)



602.2 Platform Control Box, View 1 (Deutz TD 2.2 L3 Engine Model)

| <i>Item</i> | <i>Part No.</i> | <i>Description</i> | <i>Qty.</i> |
|-------------|-----------------|---|-------------|
| 19 | 13268GT | CLAMP,0.75,#12 X 1/4,RUB CUSH | 1 |
| 20 | 54365GT | SCREW,PHIL,PHM,10-32 X .5,SSTL | 4 |
| 21 | 824206GT | RIVET,STL,STL,DOME,1/8X.25,ZAG | 2 |
| 22 | 77351GT | LANYARD,PLATFORM CONTROL BOX | 2 |
| 23 | 218165GT | LIGHT,INDICATOR,RED 12V H-BRI | 1 |
| | | (drive enable indicator light) | |
| 24 | 128200GT | SWITCH TOGGLE ASSY SPDT 3P MOM | 1 |
| | | (drive enable; includes boot and hardware) | |
| 25 | 128204GT | SWITCH TOGGLE ASSY SPDT 2P MNT | 1 |
| | | (engine idle (rpm) select switch; includes boot and hardware) | |
| 26 | 1299638GT | LIGHT, RED, 12V, LED, NO GLOW | 1 |
| 27 | 56663GT | TERMINAL STRIP | 1 |
| 28 | 45383GT | ALARM,WARBLE TONE 5-30 VDC*** | 1 |
| | | (Does not include 72326 nut) | |
| 28- | 72326GT | NUT - PLASTIC, RING FOR ALARMS | |
| 29 | 1251757GT | SCREW,PHPM,10-32X.50,ZAG | 2 |
| 30 | 1257404GT | SCREW,PHPM-ST,M5-0.8X20,DIN750 | 12 |
| 31 | 1269498GT | SHOULDER WASHER, NYLON | 12 |
| 32 | 1256855GT | SCREW,HHF,1/4-20X.625,8,ZAG | 4 |
| 33 | 824113GT | WASHER,FLAT,USS,1/4,ZAG | 4 |

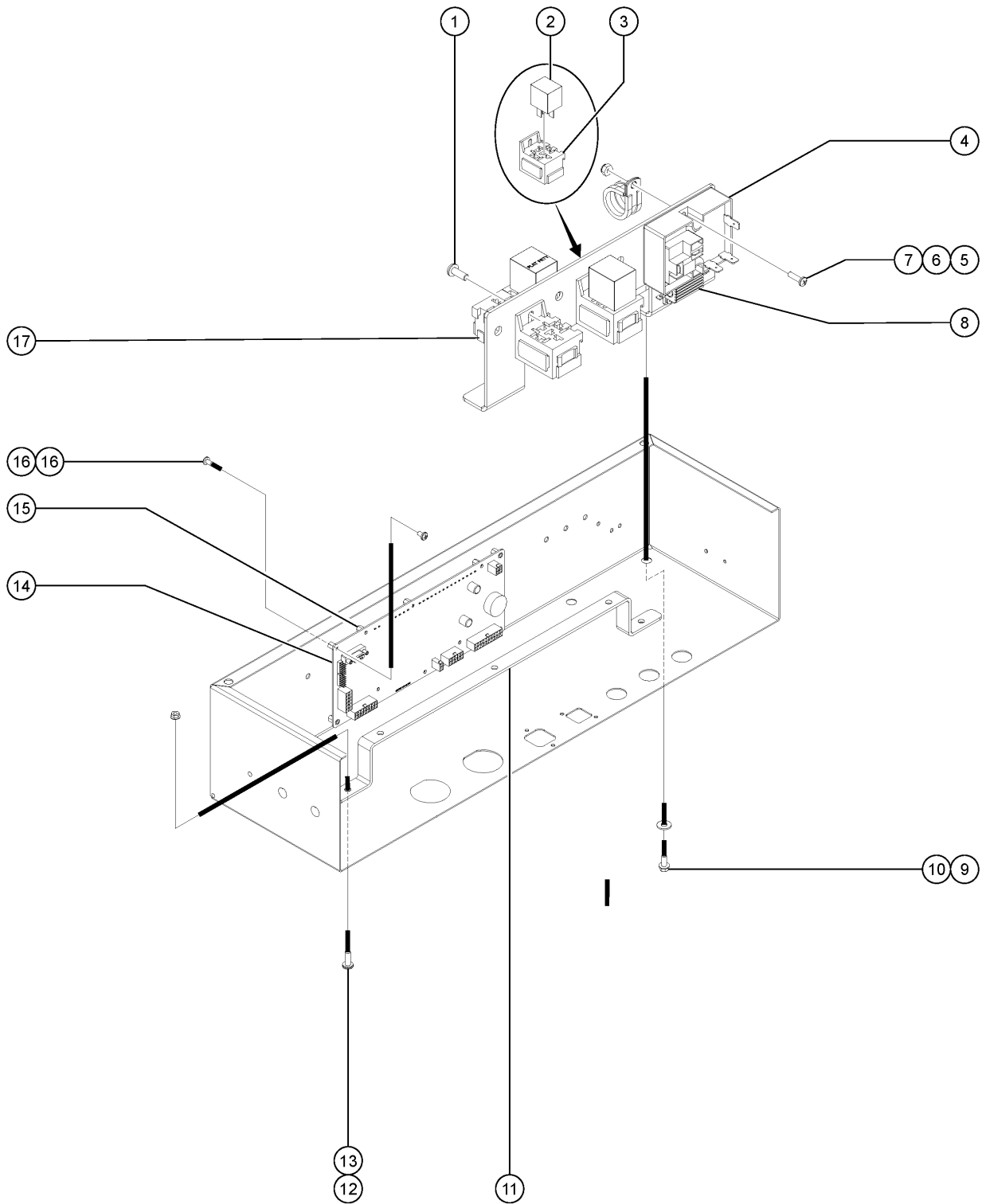
603.1 Platform Control Box, View 2



| <i>Item</i> | <i>Part No.</i> | <i>Description</i> | <i>Qty.</i> |
|-------------|-----------------|--------------------------------------|-------------|
| - | 87754GT | PANEL WASHER SHELL SIZE 24 | |
| - | 87753GT | NUT,PANEL,SIZE 24 PLASTIC | |
| 1 | 54365GT | SCREW,PHIL,PHM,10-32 X .5,SSTL | 1 |
| 2 | 34052GT | RELAY,SPDT,12V(AUTO) PLUG IN** | 2 |
| 3 | 34053GT | ASSY,RELAY SOCKET, AUTO | 4 |
| 4 | 121847GT | RELAY,TIME DELAY,2 SEC,30A | 1 |
| 5 | 824214GT | SCREW,PHPM,6-32X.5,ZAG | 4 |
| 6 | 13268GT | CLAMP,0.75,#12 X 1/4,RUB CUSH | 1 |
| 7 | 12344GT | NUT,NYLOCK,6-32 | 4 |
| 8 | 121843GT | RESISTOR,4.7K OHM,25 WATT | 1 |
| 9 | 1256855GT | SCREW,HHF,1/4-20X.625,8,ZAG | 2 |
| 10 | 824109GT | WASHER,LOCK,1/4,ZAG | 2 |
| 11 | 119644GT | BRACKET,PBOX WIRE SUPPORT | 1 |
| 12 | 1251757GT | SCREW,PHPM,10-32X.50,ZAG | 2 |
| 13 | 1264261GT | NUT,SERRATED,10-32,ZAG | 2 |
| 14 | 218530GT | ASSY,PCB ALC500 Z45-2012 V100 | 1 |
| 15 | 81550GT | STANDOFF,6-32 X 3/8L X 1/4 HEX | 10 |
| 16 | 1257402GT | SCREW,PHPM,6-32X.25,ZAG | 20 |
| 17 | 1260194GT | ASSY,BRKT, RELAYW/NUTSERTS | 1 |



603.2 Platform Control Box, View 2 (Deutz TD 2.2 Engine Model)

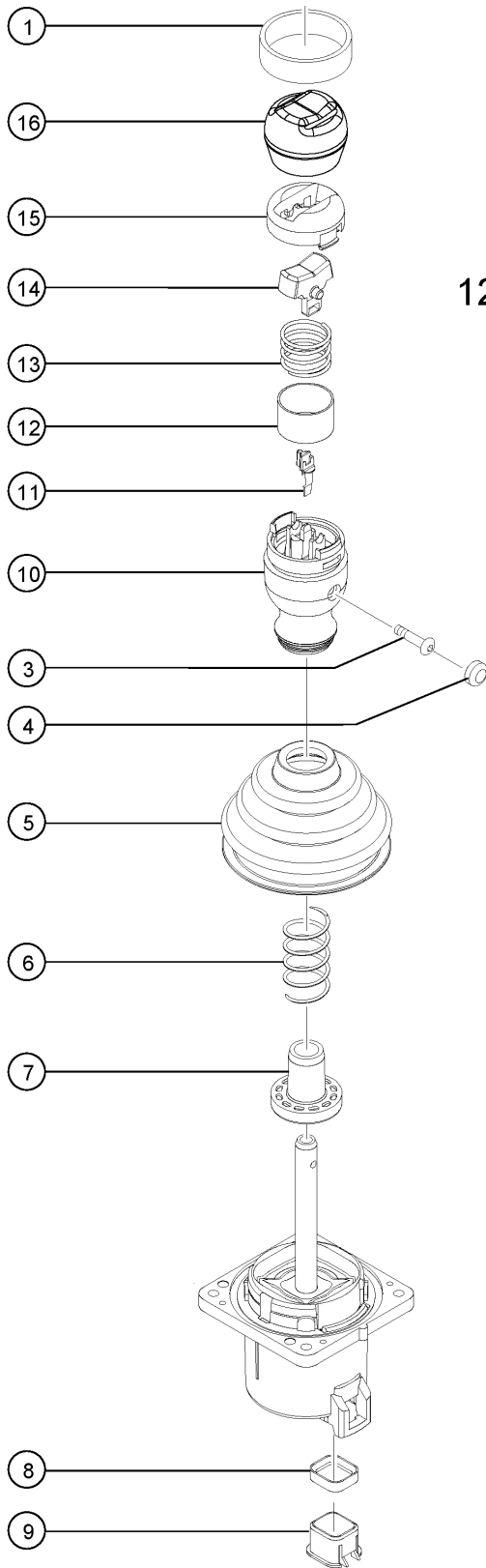


603.2 Platform Control Box, View 2 (Deutz TD 2.2 Engine Model)

| <i>Item</i> | <i>Part No.</i> | <i>Description</i> | <i>Qty.</i> |
|-------------|-----------------|--------------------------------------|-------------|
| - | 87754GT | PANEL WASHER SHELL SIZE 24 | |
| - | 87753GT | NUT,PANEL,SIZE 24 PLASTIC | |
| 1 | 54365GT | SCREW,PHIL,PHM,10-32 X .5,SSTL | 1 |
| 2 | 34052GT | RELAY,SPDT,12V(AUTO) PLUG IN** | 2 |
| 3 | 34053GT | ASSY,RELAY SOCKET, AUTO | 4 |
| 4 | 121847GT | RELAY,TIME DELAY,2 SEC,30A | 1 |
| 5 | 824214GT | SCREW,PHPM,6-32X.5,ZAG | 4 |
| 6 | 13268GT | CLAMP,0.75,#12 X 1/4,RUB CUSH | 1 |
| 7 | 12344GT | NUT,NYLOCK,6-32 | 4 |
| 8 | 121843GT | RESISTOR,4.7K OHM,25 WATT | 1 |
| 9 | 1256855GT | SCREW,HHF,1/4-20X.625,8,ZAG | 2 |
| 10 | 824109GT | WASHER,LOCK,1/4,ZAG | 2 |
| 11 | 119644GT | BRACKET,PBOX WIRE SUPPORT | 1 |
| 12 | 1251757GT | SCREW,PHPM,10-32X.50,ZAG | 2 |
| 13 | 1264261GT | NUT,SERRATED,10-32,ZAG | 2 |
| 14 | 218530GT | ASSY,PCB ALC500 Z45-2012 V100 | 1 |
| 15 | 81550GT | STANDOFF,6-32 X 3/8L X 1/4 HEX | 10 |
| 16 | 1257402GT | SCREW,PHPM,6-32X.25,ZAG | 20 |
| 17 | 1260194GT | ASSY,BRKT, RELAYW/NUTSERTS | 1 |

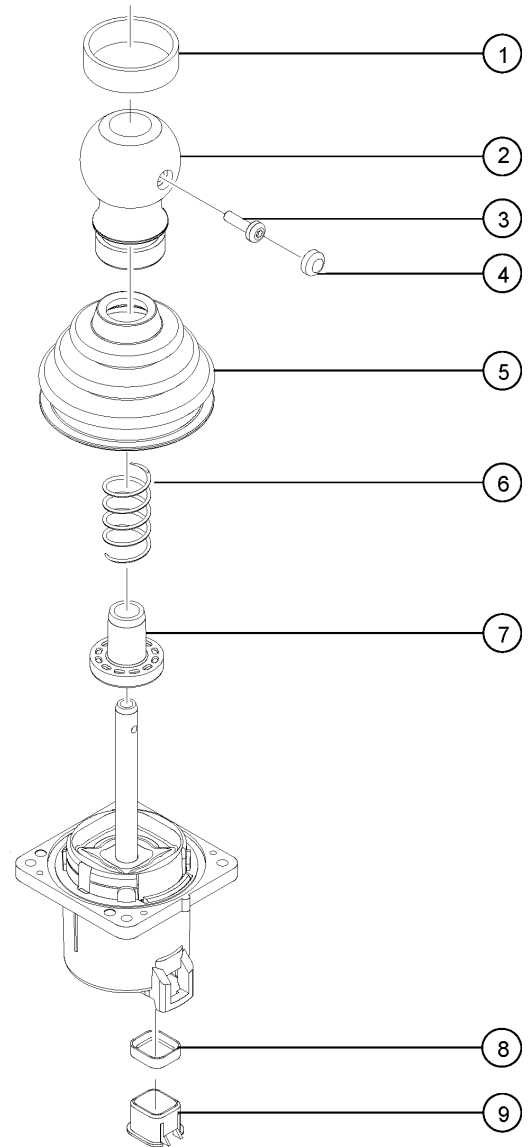


604.1 Joystick



1274969

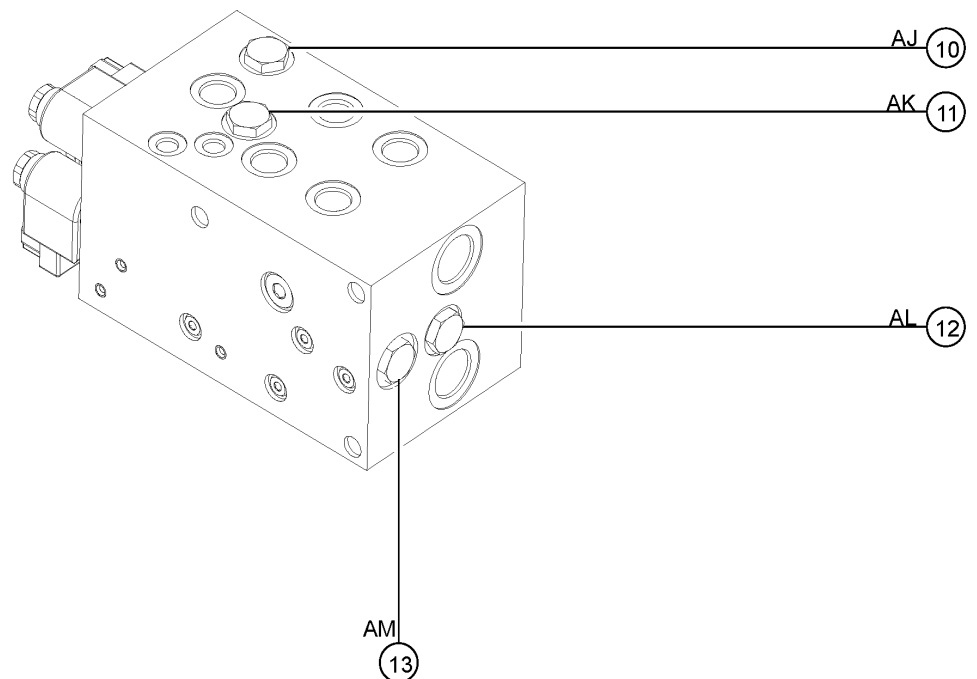
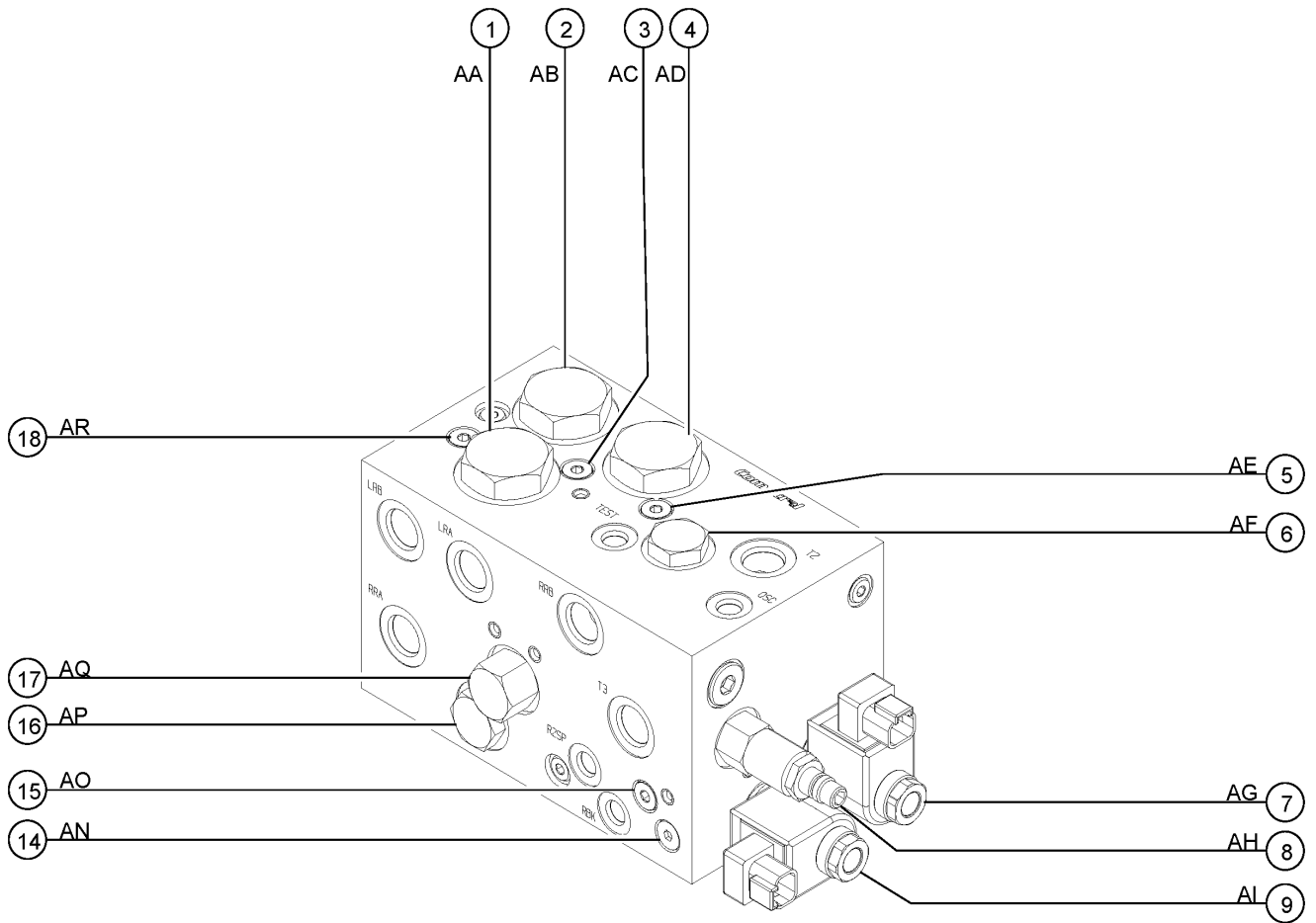
1274971 and 1274972



| Item | Part No. | Description | Qty. |
|------|-----------|---|------|
| A | 1274969GT | JOYSTICK, 1 AXIS ROCKER, BLUE (drive/steer) (OEM joystick) (calibration required after replacement) | |
| B | 1274971GT | JOYSTICK, 2 AXIS, BLUE (drive/steer) (OEM joystick) (calibration required after replacement) | |
| C | 1274972GT | JOYSTICK, 1 AXIS, BLUE (primary boom up/down and turntable rotate) (OEM joystick) (calibration required after replacement) | |
| D- | 83098GT | TERM,AMP MTE,SOC,22-26 GA BULK | |
| 1 | 1271713GT | SHRINK TUBE,BLU,3:1,40MM | 2 |
| 2 | 62392GT | KNOB,JOYSTICK, 62390/62391 | 1 |
| 3 | T112626GT | SCREW, PHM, #6-32 X .625 ZINC | 1 |
| 4 | 1269499GT | PLUG, JOYSTICK HANDLE | 2 |
| 5 | 139598GT | BOOT,JOYSTICK | 1 |
| 6 | | SPRING,JOYSTK CENTR,62390/91 no longer available from supplier | |
| 7 | 119915GT | COLLAR,JOYSTICK,CENTER | 1 |
| 8 | 128000GT | SEAL, CONNECTOR (DT JOYSTICKS) | 1 |
| 9 | 128001GT | SLEEVE,CONNECTOR,DT JOYSTICKS | 1 |
| 10 | 75449GT | KNOB,ROCKER JOYSTICK 75565 | 1 |
| 11 | 75448GT | SUPPORT,SENSOR,JOYSTICK | 1 |
| 12 | 75447GT | SWITCH SHIELD,ROCK JOYSTK75565 | 1 |
| 13 | 75446GT | SPRING,SWITCH CENTERING,75565 | 1 |
| 14 | 75445GT | ROCKER ASSY.,MAGNETIC 75565 | 1 |
| 15 | 75444GT | ROCKER,RETAINER, 75565 | 1 |
| 16 | 75443GT | BOOT, ROCKER JOYSTICK 75565 | 1 |



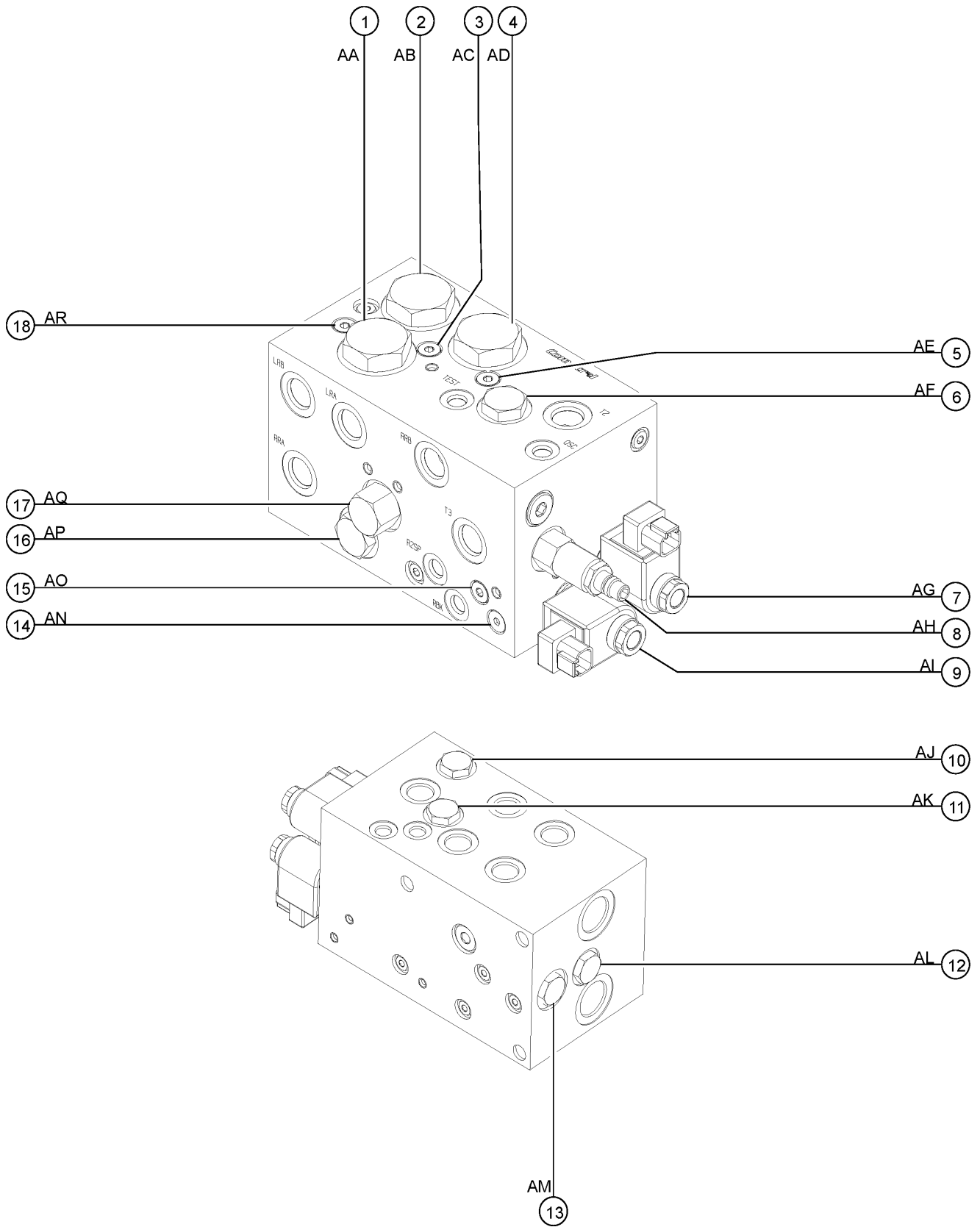
701.1 4WD Traction Manifold



| Item | Part No. | Description | Qty. |
|------|----------|--|------|
| A- | 236278GT | MANIFOLD, TRACTION, 4WD Complete | |
| 1 | 52726GT | VALVE, FLOW DIVIDER/COMBINER AA, Controls flow to flow divider/combiner valves 2 and 4 | 1 |
| 1- | 84135GT | SEAL KIT, VALVE for 52726 | |
| 2 | 62252GT | VALVE, FLOW DIVIDER COMBINER AB, Controls flow to non-steer end drive motors in forward | 1 |
| 2- | 84135GT | SEAL KIT, VALVE for 62252 | |
| 3 | 219425GT | ORIFICE, PLUG, 1.2MM (.047IN) AC, Drive circuit | 1 |
| 4 | 62252GT | VALVE, FLOW DIVIDER COMBINER AD, Controls flow to steer end drive motors in forward and reverse | 1 |
| 4- | 84135GT | SEAL KIT, VALVE for 62252 | |
| 5 | 77186GT | PLUG, ORIFICE, 1.00MM (.039IN) AE, Drive circuit | 1 |
| 6 | 27836GT | VALVE, CHECK, 5 PSI AF, Non-steer end drive motor circuit | 1 |
| 6- | 110194GT | SEAL KIT, VALVE, #10 for 27836 | |
| 7 | 161534GT | VALVE, SOLENOID, 2 POS 3 WAY AG, Braking | 1 |
| 8 | 218121GT | RELIEF VALVE, 250 PSI AH, Charge pressure circuit | 1 |
| 8- | 110194GT | SEAL KIT, VALVE, #10 for 218121 | |
| 9 | 161534GT | VALVE, SOLENOID, 2 POS 3 WAY AI, 2-speed motor shift | 1 |
| 9- | 237236GT | SEAL KIT, VALVE for 218125 | |
| 9- | 237235GT | NUT KIT W/COIL ORINGS for 218125 | |
| 9- | 122148GT | COIL, SOLENOID VALVE, 20W for 218125 | |
| 10 | 231037GT | CHECK VALVE, BALL TYPE, NORMAL AJ, Steer end drive motor circuit | 1 |
| 10- | 74902GT | SEAL KIT, VALVE for 231037 | |
| 11 | 231037GT | CHECK VALVE, BALL TYPE, NORMAL AK, Steer end drive motor circuit | 1 |
| 11- | 74902GT | SEAL KIT, VALVE for 231037 | |
| 12 | 231037GT | CHECK VALVE, BALL TYPE, NORMAL AL, Non-steer end drive motor circuit | 1 |
| 12- | 74902GT | SEAL KIT, VALVE for 231037 | |
| 13 | 231037GT | CHECK VALVE, BALL TYPE, NORMAL AM, Non-steer end drive motor circuit | 1 |
| 13- | 74902GT | SEAL KIT, VALVE for 231037 | |
| 14 | 27807GT | VALVE, CHECK*** AN, 2 speed motor shift circuit | 1 |
| 14- | 110200GT | SEAL KIT, VALVE, #4 for 27807 | |



701.1 4WD Traction Manifold

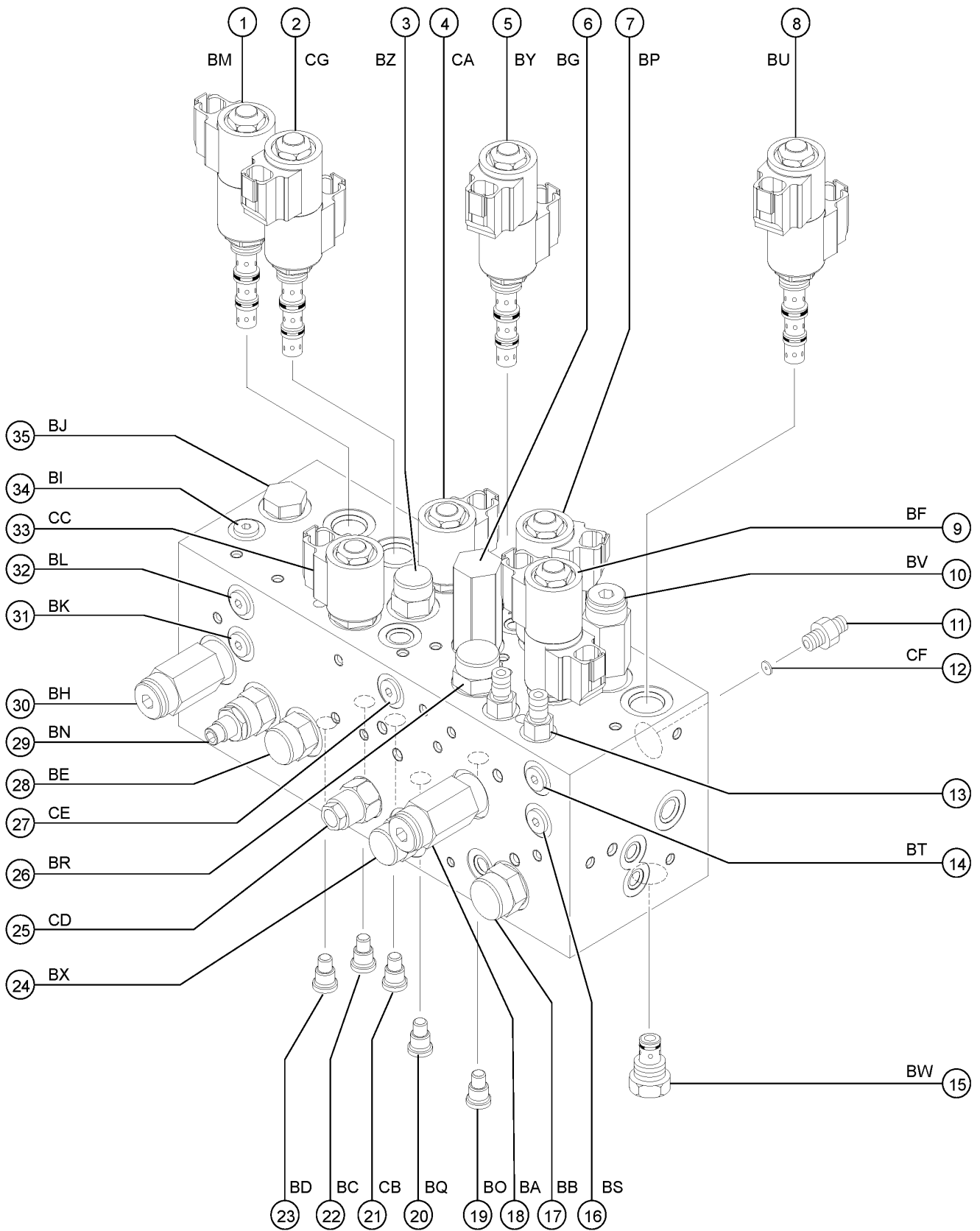


701.1 4WD Traction Manifold

| <i>Item</i> | <i>Part No.</i> | <i>Description</i> | <i>Qty.</i> |
|-------------|-----------------|--|-------------|
| 15 | 77162GT | PLUG-ORIFICE 0.031 INCH AO, Brake circuit | 1 |
| 16 | 27836GT | VALVE,CHECK,5 PSI AP, Steer end drive motor circuit | 1 |
| 16- | 110194GT | SEAL KIT, VALVE, #10 for 27836 | |
| 17 | 218127GT | SHUTTLE VALVE, HOT OIL AQ, Charge pressure circuit that directs hot oil out of low pressure side of drive pump and allows low pressure flow path for brake release and 2-speed motor shift | 1 |
| 17- | 84137GT | SEAL KIT, VALVE 84129 for 218127 | |
| 18 | 77186GT | PLUG,ORIFICE,1.00MM(.039IN) AR, Drive circuit | 1 |



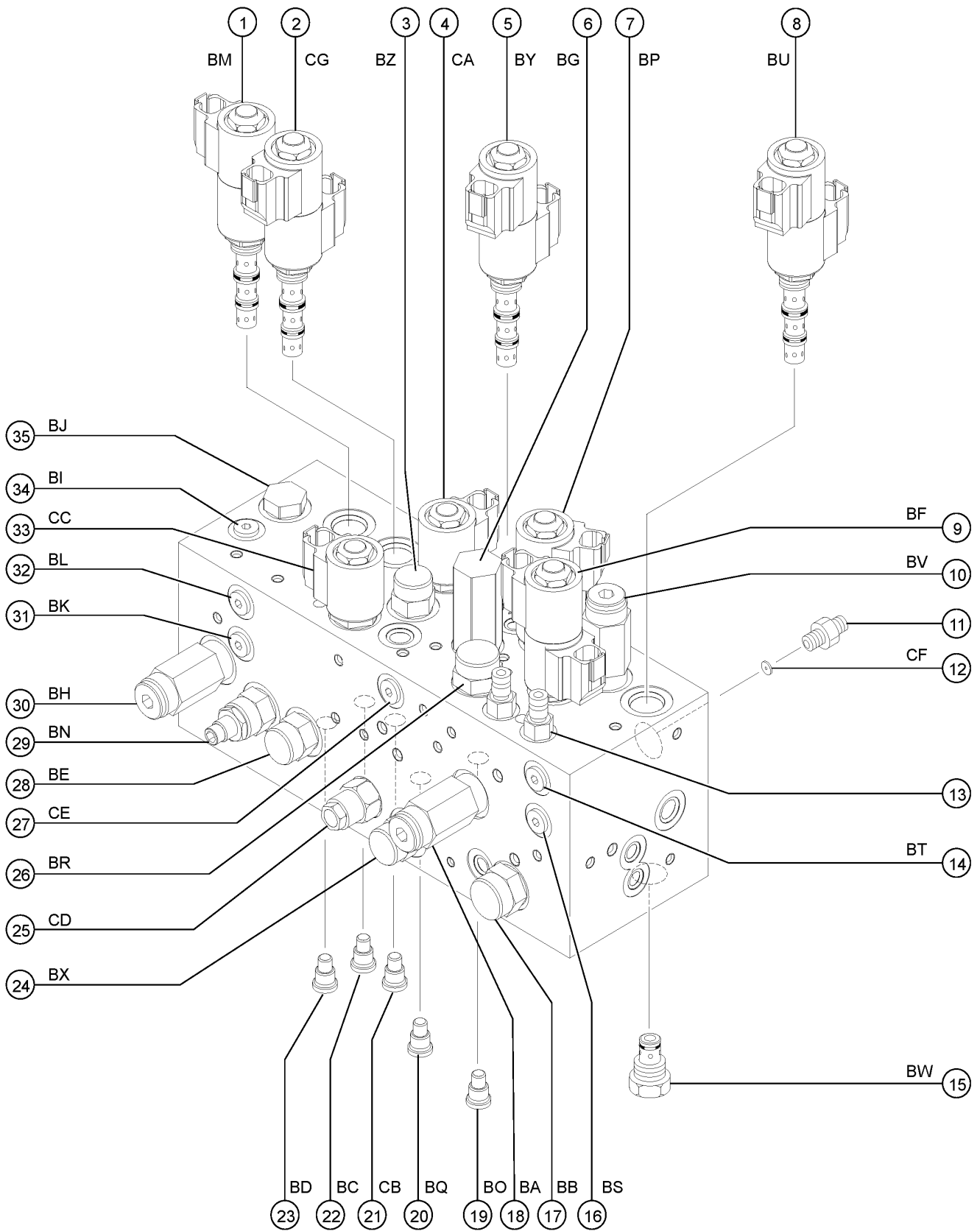
702.1 Function Manifold



| Item | Part No. | Description | Qty. |
|------|----------|---|------|
| - | 219436GT | MANIFOLD,FUNCTION,IC Complete | |
| - | 48880GT | CAP,DIAGNOSTIC NIPPLE 2 | 2 |
| - | 48905GT | CONN,520120-4*** 13 | 13 |
| - | 48933GT | CONN,520120-8*** 2 | 2 |
| - | 824089GT | SCREW, HHF, 3/8-16 X .75, 8, ZAG 4 | 4 |
| 1 | 39346GT | VALVE,SOLENOID 3 POS.4 WAY*** 1 BM, Platform level up/down (valve with nut and spacer only) | 1 |
| 1- | 44229GT | SEAL KIT, VALVE 1 | |
| 1- | 89863GT | COIL,10V DC,DEUTCH W/DIODE*** 1 (coil sold separately) | 1 |
| 2 | 39346GT | VALVE,SOLENOID 3 POS.4 WAY*** 1 CG, Platform rotate left/right and jib boom up/down (valve with nut and spacer only) | 1 |
| 2- | 44229GT | SEAL KIT, VALVE 1 | |
| 2- | 89863GT | COIL,10V DC,DEUTCH W/DIODE*** 1 (coil sold separately) | 1 |
| 3 | 62346GT | VALVE,FLOW REGULATOR, 2.0 GPM* 1 BZ, Primary boom extension circuit | 1 |
| 3- | 44228GT | SEAL KIT, VALVE 1 | |
| 4 | 62815GT | VALVE,SOLENOID,2POS 3 WAY*** 1 CA, Primary boom extend (valve with nut and spacer only) | 1 |
| 4- | 52371GT | SEAL KIT, VALVE 1 | |
| 4- | 89863GT | COIL,10V DC,DEUTCH W/DIODE*** 1 (coil sold separately) | 1 |
| 5 | 94614GT | VALVE,PROP,3 POS,4-WAY*** 1 BY, Primary boom up/down (valve with nut and spacer only) | 1 |
| 5- | 44229GT | SEAL KIT, VALVE 1 | |
| 5- | 89863GT | COIL,10V DC,DEUTCH W/DIODE*** 1 (coil sold separately) | 1 |
| 6 | 94616GT | VALVE,DIFF SENSING,160 PSI 1 BG, Meters flow to functions | 1 |
| 6- | 62337GT | SEAL KIT, VALVE 1 | |
| 7 | 107816GT | VALVE,PROPORTIONAL 3 POS 4 WY* 1 BP, Turntable rotate left/right (valve with nut and spacer only) | 1 |
| 7- | 44229GT | SEAL KIT, VALVE 1 | |
| 7- | 89863GT | COIL,10V DC,DEUTCH W/DIODE*** 1 (coil sold separately) | 1 |
| 8 | 94614GT | VALVE,PROP,3 POS,4-WAY*** 1 BU, Secondary boom up/down (valve with nut and spacer only) | 1 |
| 8- | 44229GT | SEAL KIT, VALVE 1 | |
| 8- | 89863GT | COIL,10V DC,DEUTCH W/DIODE*** 1 (coil sold separately) | 1 |
| 9 | 44168GT | VALVE,SOLENOID,3POS 4WAY 1 BF, Steer left/right (valve with nut and spacer only) | 1 |



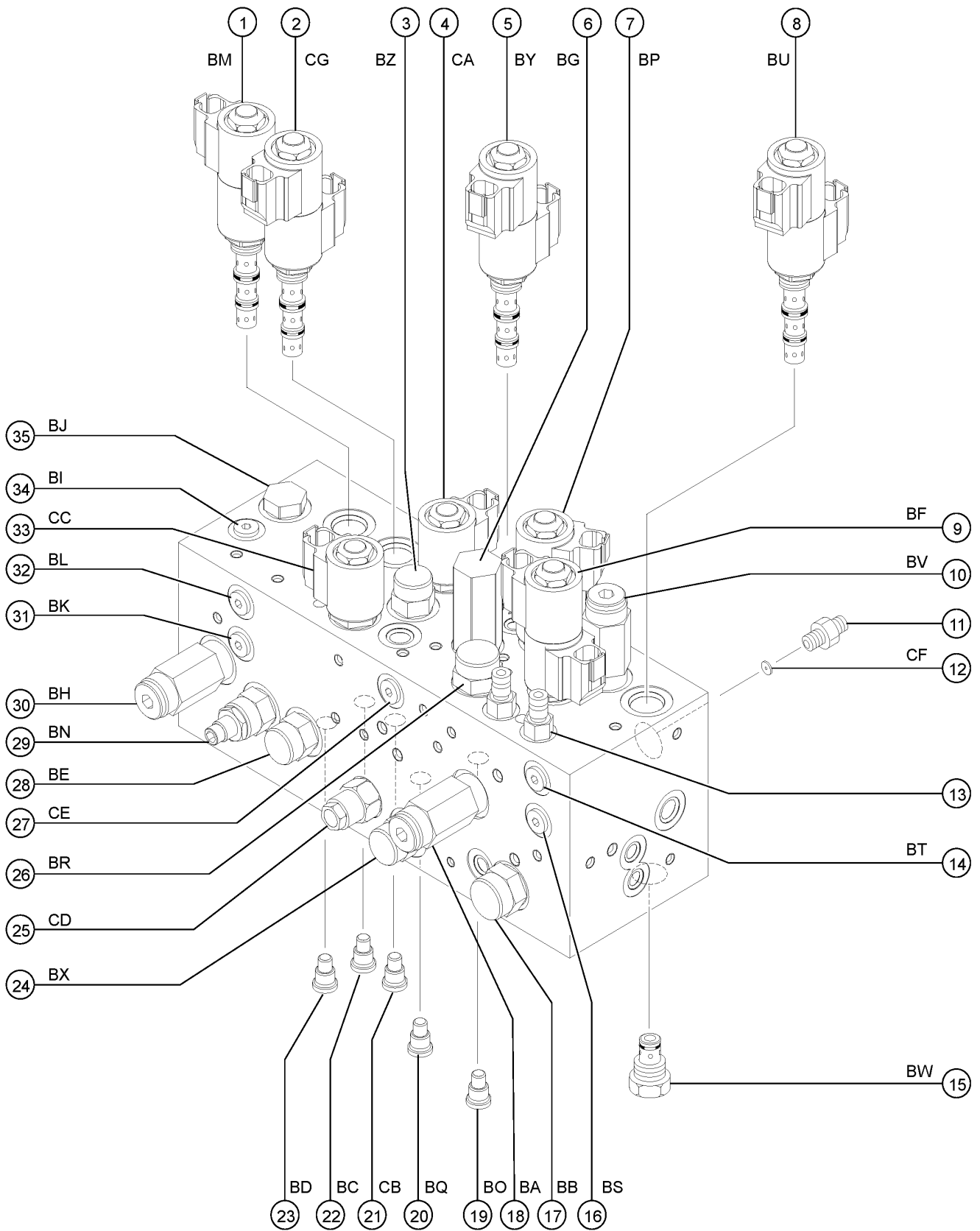
702.1 Function Manifold



| Item | Part No. | Description | Qty. |
|------|----------|---|------|
| 9- | 44229GT | SEAL KIT, VALVE | |
| 9- | 89863GT | COIL,10V DC,DEUTCH W/DIODE*** (coil sold separately) | 1 |
| 10 | 101277GT | VALVE,RELIEF,2100 PSI*** BV, Secondary boom down | 1 |
| 10- | 44227GT | SEAL KIT, VALVE | |
| 11 | 48912GT | CONN,520120-4-6*** | 1 |
| 12 | 47092GT | ORIFICE DISC,.046",GREEN CF, Secondary boom down circuit (located under fitting) | 1 |
| 13 | 48997GT | NIPPLE,DIAGNOSTIC,#4 Testing | 2 |
| 13- | 20224GT | DIAGNOSTIC FEMALE Q-DSCNT | |
| 14 | 52907GT | VALVE-CHECK, #4 SAE, 5 PSI* BT, Differential sensing circuit,secondary boom down | 1 |
| 14- | 62341GT | SEAL KIT,52907,SIZE 4, 2 WAY | |
| 15 | 44178GT | VALVE,CHECK,5 PSI** BW, Secondary boom circuit | 1 |
| 15- | 44224GT | SEAL KIT, VALVE | |
| 16 | 52907GT | VALVE-CHECK, #4 SAE, 5 PSI* BS, Differential sensing circuit, secondary boom up | 1 |
| 16- | 62341GT | SEAL KIT,52907,SIZE 4, 2 WAY | |
| 17 | 52369GT | VALVE,FLOW REG., 2.0 GPM,GS68 BB, Steer circuit | 1 |
| 17- | 44225GT | SEAL KIT, VALVE | |
| 18 | 52906GT | VALVE-RELIEF,3200 PSI BA, System relief | 1 |
| 18- | 44225GT | SEAL KIT, VALVE | |
| 19 | 826779GT | VALVE,SHUTTLE BO, Turntable rotate circuit | 3 |
| 20 | 52907GT | VALVE-CHECK, #4 SAE, 5 PSI* BQ, Differential sensing circuit, turntable rotate | 1 |
| 20- | 62341GT | SEAL KIT,52907,SIZE 4, 2 WAY | |
| 21 | 52907GT | VALVE-CHECK, #4 SAE, 5 PSI* CB, Differential sensing circuit,primary boom retract | 1 |
| 21- | 62341GT | SEAL KIT,52907,SIZE 4, 2 WAY | |
| 22 | 52907GT | VALVE-CHECK, #4 SAE, 5 PSI* BC, Differential sensing circuit, platform rotate left / jib boom up | 1 |
| 22- | 62341GT | SEAL KIT,52907,SIZE 4, 2 WAY | |
| 23 | 52907GT | VALVE-CHECK, #4 SAE, 5 PSI* BD, Differential sensing circuit,platform rotate right / jib boom down | 1 |
| 23- | 62341GT | SEAL KIT,52907,SIZE 4, 2 WAY | |
| 24 | 62324GT | VALVE,FLOW CONTROL, 0.1GPM* BX, Differential sensing circuit,primary boom up/down | 1 |



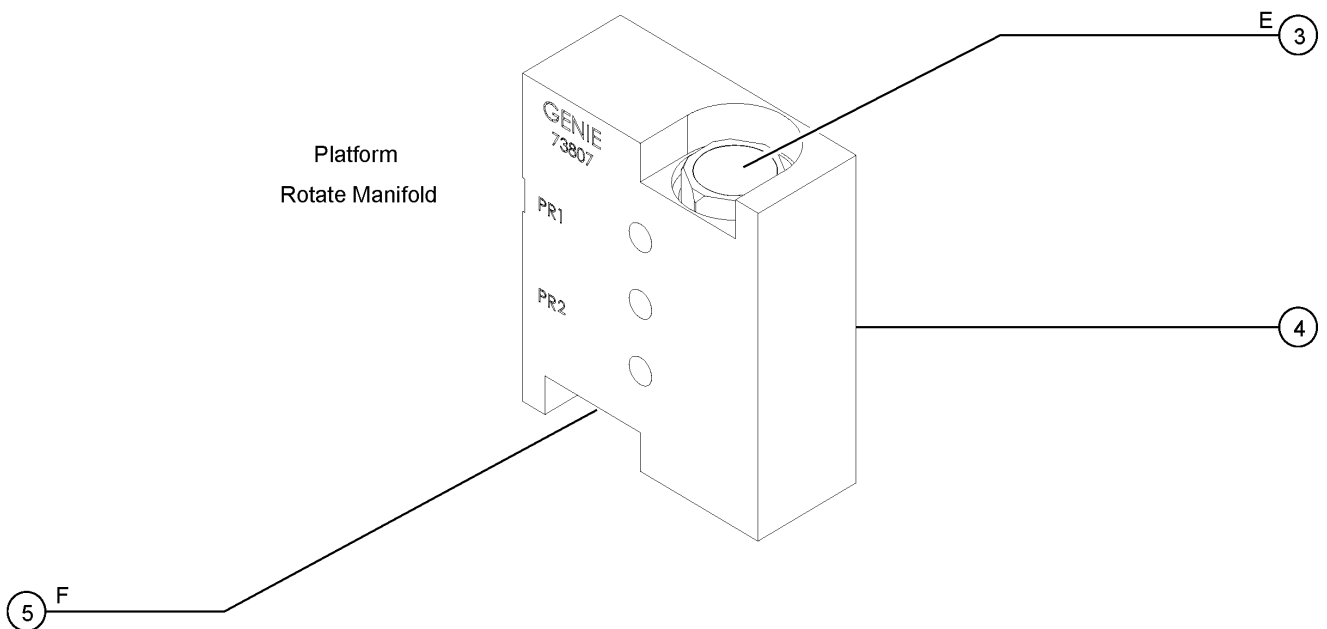
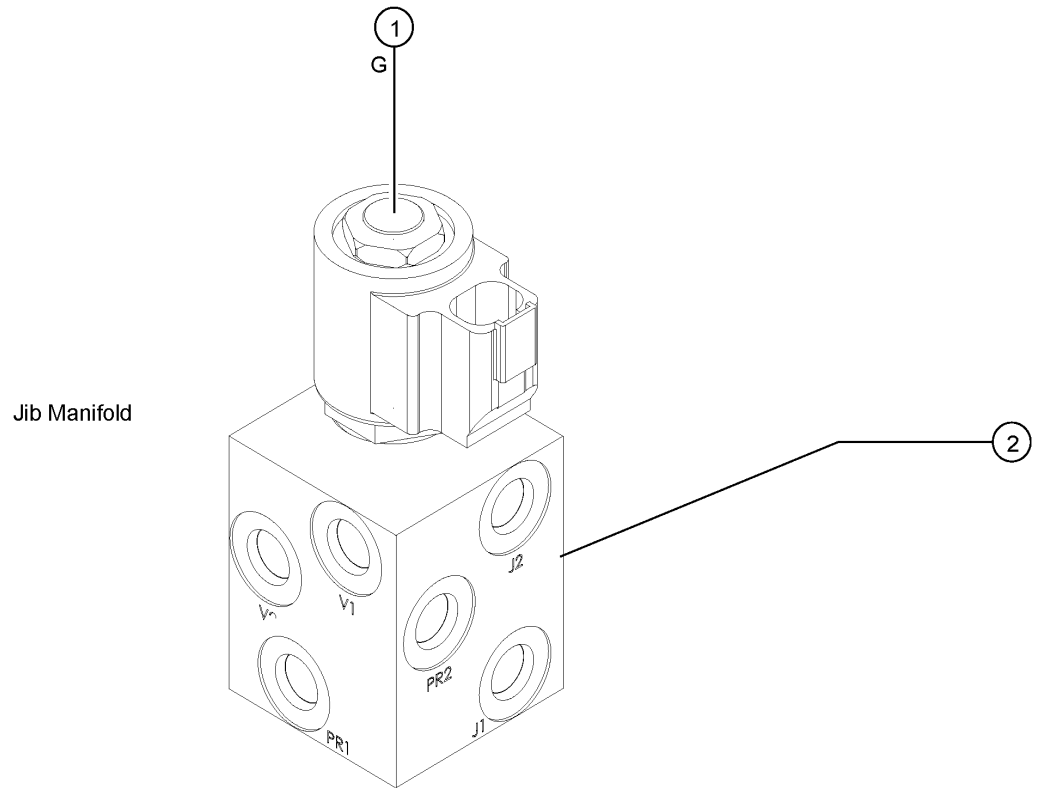
702.1 Function Manifold



| Item | Part No. | Description | Qty. |
|------|----------|--|------|
| 24- | 44228GT | SEAL KIT, VALVE | |
| 25 | 54063GT | VALVE,CB.CBBC-LHN@1000*** CD, Primary boom down circuit | 1 |
| 25- | 43018GT | SEAL KIT (39345) | |
| 26 | 110180GT | VALVE, COMPENSATOR, 80 PSI | 1 |
| | | BR, Turntable rotate circuit | |
| 26- | 44225GT | SEAL KIT, VALVE | |
| 27 | 44216GT | VALVE,SHUTTLE | |
| | | CE, Differential sensing circuit,primary boom up/down | |
| 27- | 44235GT | SEAL KIT-FOR PN.44216 & 826779 | |
| 28 | 94618GT | VALVE,FLOW CONTROL,.4 GPM | 1 |
| | | BE, Platform rotate / jib boom circuit primary boom up/down | |
| 28- | 44228GT | SEAL KIT, VALVE | |
| 29 | 101055GT | VALVE,NEEDLE,FINE ADJUSTMENT** | 1 |
| | | BN, Platform level circuit | |
| 29- | 44228GT | SEAL KIT, VALVE | |
| 30 | 52374GT | VALVE,RELIEF,3000PSI,GS68PUMP1 | 1 |
| | | BH, Platform level circuit | |
| 30- | 44227GT | SEAL KIT, VALVE | |
| 31 | 52907GT | VALVE-CHECK, #4 SAE, 5 PSI* | 1 |
| | | BK, Differential sensing circuit,platform level up | |
| 31- | 62341GT | SEAL KIT,52907,SIZE 4, 2 WAY | |
| 32 | 52907GT | VALVE-CHECK, #4 SAE, 5 PSI* | 1 |
| | | BL, Differential sensing circuit,platform level down | |
| 32- | 62341GT | SEAL KIT,52907,SIZE 4, 2 WAY | |
| 33 | 62815GT | VALVE,SOLENOID,2POS 3 WAY*** | 1 |
| | | CC, Primary boom retract (valve with nut and spacer only) | |
| 33- | 52371GT | SEAL KIT, VALVE | |
| 33- | 89863GT | COIL,10V DC,DEUTCH W/DIODE*** | 1 |
| | | (coil sold separately) | |
| 34 | 44216GT | VALVE,SHUTTLE | |
| | | BI, Platform level circuit | |
| 34- | 44235GT | SEAL KIT-FOR PN.44216 & 826779 | |
| 35 | 101958GT | VALVE,CHECK,DUAL PILOT,135 PSI | 1 |
| | | BJ, Platform level circuit | |
| 35- | 44229GT | SEAL KIT, VALVE | |



703.1 Jib and Platform Rotate Manifolds

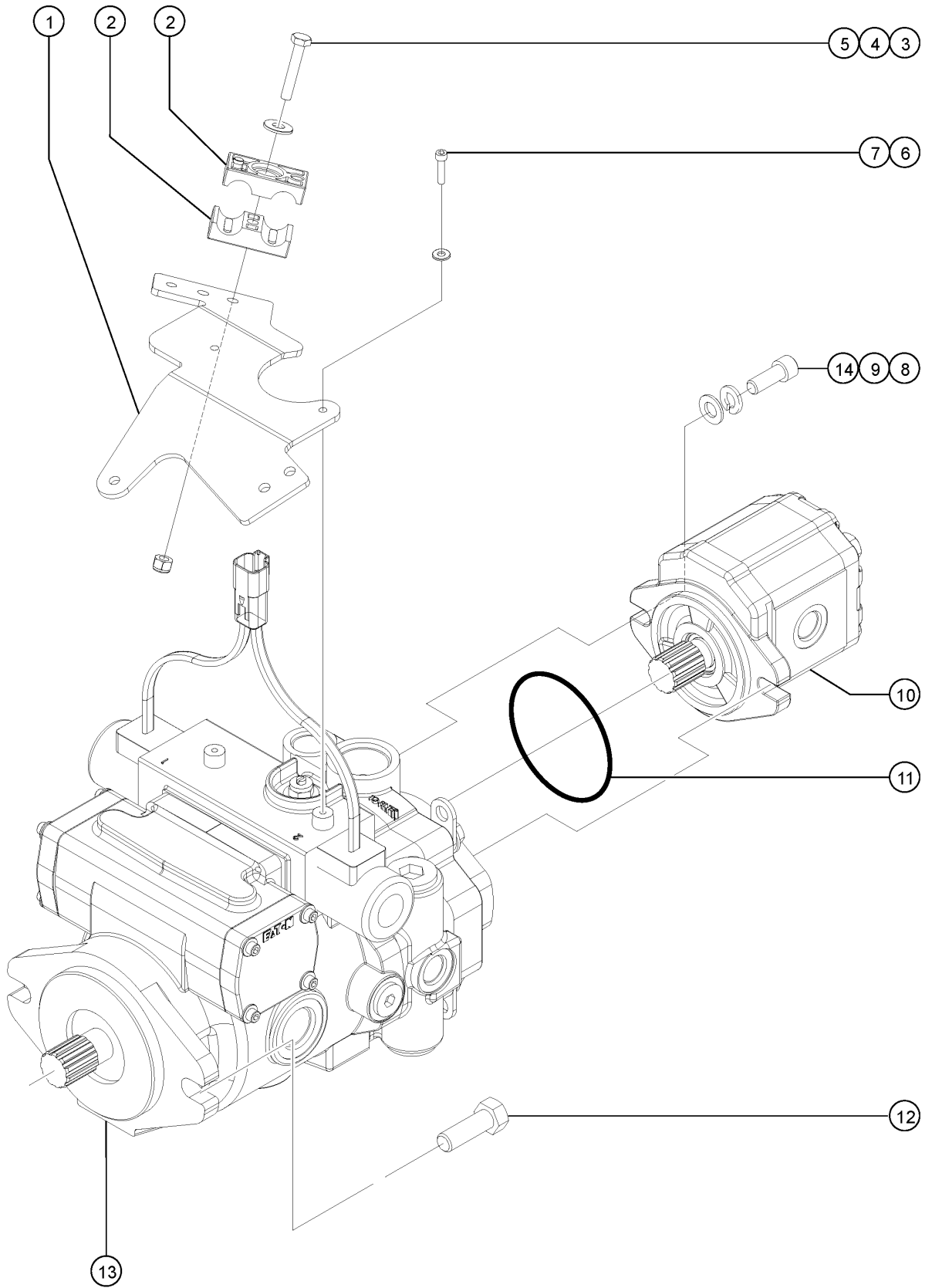


703.1 Jib and Platform Rotate Manifolds

| Item | Part No. | Description | Qty. |
|------|-----------|--|------|
| 1A | 89862GT | VALVE-SOLENOID,2POS 3WAY,JIB** G, Platform rotate left/right and jib boom up/down, for 88786, does not include the coil or nut, 104759 or 44174 | 1 |
| 1A- | 89864GT | SEAL KIT,SOLENOID VALVE, SV07 | |
| 1A- | 104759GT | COIL,12VDC #8 DTSCH IP69 ECOIL | |
| 1A- | 44174GT | NUT-COIL SHORT | |
| 1B | 52897GT | VALVE,SOLENOID, 2POS/3WAY*** G, Platform rotate left/right and jib boom up/down, for 1256670, does not include the coil or nut, 104759 or 44174 | 1 |
| 1B- | 52371GT | SEAL KIT, VALVE | |
| 1B- | 104759GT | COIL,12VDC #8 DTSCH IP69 ECOIL | |
| 1B- | 44174GT | NUT-COIL SHORT | |
| 2 | 1256670GT | MANIFOLD,JIB SELECT W/QD PLUG includes item 1, replaced 88786 | 1 |
| 2- | 52897GT | VALVE,SOLENOID, 2POS/3WAY*** | |
| 2- | 104759GT | COIL,12VDC #8 DTSCH IP69 ECOIL | |
| 2- | 44174GT | NUT-COIL SHORT | |
| 2- | 52371GT | SEAL KIT, VALVE for 52897 | |
| 3 | 62506GT | VALVE - COUNTERBALANCE** E and F, Platform rotate circuit | 1 |
| 3- | 43018GT | SEAL KIT (39345) for 62506 | |
| 4 | 73807GT | MANIFOLD,ROTATOR,CB*** includes item 3 | 1 |
| 4- | 62507GT | O-RING, ROTATOR MANIFOLD for 62507 | |
| 4- | 62507GT | O-RING, ROTATOR MANIFOLD | |
| 4- | 43018GT | SEAL KIT (39345) | |
| 5 | 62506GT | VALVE - COUNTERBALANCE** | |
| 5- | 46018GT | BRACKET,BOX | |



704.1 Hydraulic Pumps

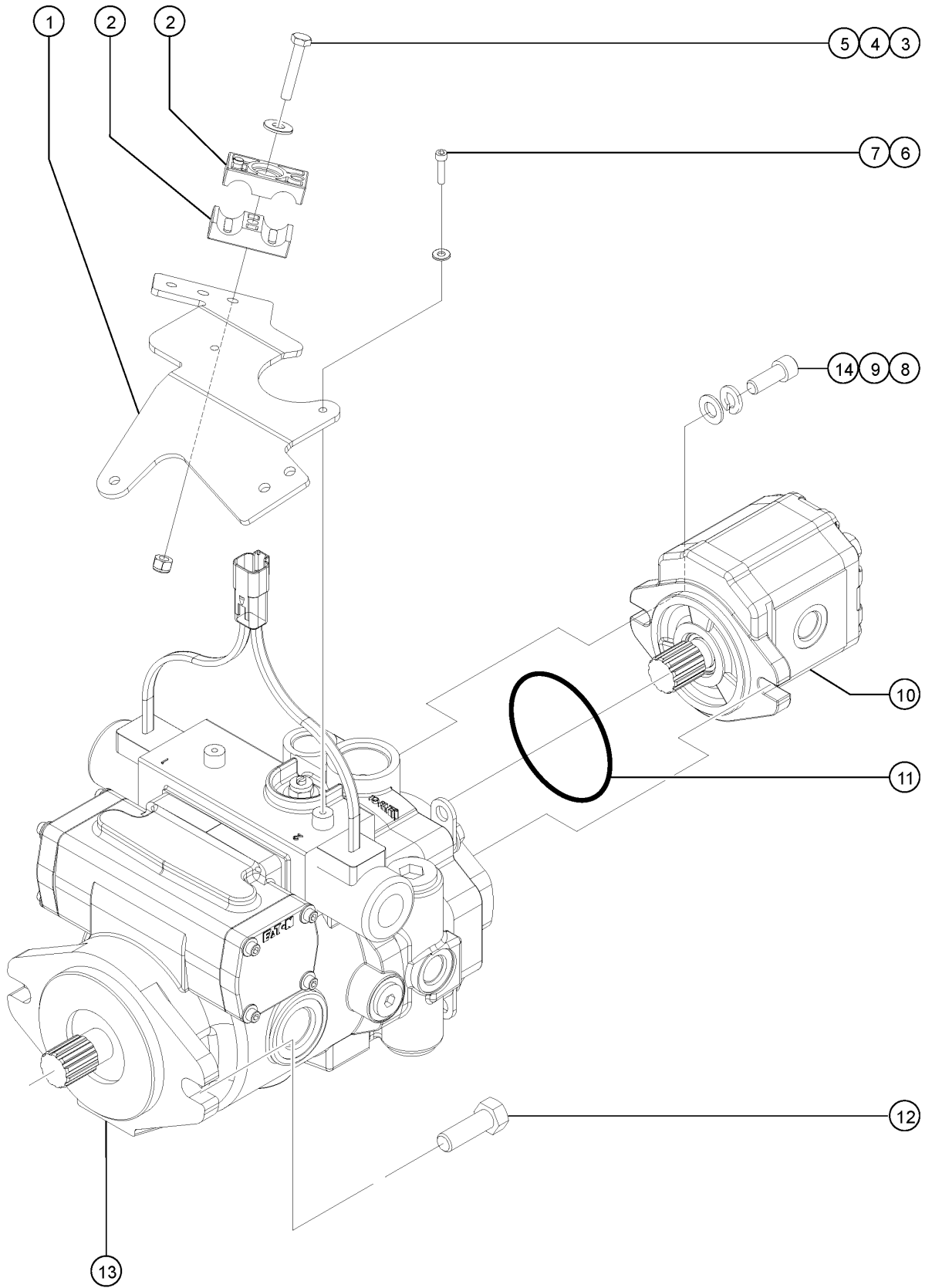


704.1 Hydraulic Pumps

| Item | Part No. | Description | Qty. |
|------|-----------|---|------|
| 1 | 216342GT | BRACKET,PUMP MOUNTING | 1 |
| 2 | 78736GT | CLAMP,2 HOSE,PLASTIC | 4 |
| 3 | 824063GT | SCREW,HHC,1/4-20X1.75,8,ZAG | |
| 4 | 824113GT | WASHER,FLAT,USS,1/4,ZAG | |
| 5 | 824027GT | NUT,TL FLG,1/4-20,G,ZAG | |
| 6 | 1251567GT | SCREW,PHPM SEMS ET,10-24X.75,ZAG | 2 |
| 7 | 1253185GT | WASHER,FLAT,#10,USS,ZAG | 2 |
| 8 | 824067GT | SCREW,HHC,3/8-16X1,8,ZAG | 2 |
| 9 | 824110GT | WASHER,LOCK,3/8,ZAG | 2 |
| 10 | 81013GT | PUMP,PIGGBACK,11CC,11 TOOTH*** | 1 |
| 10- | 81669GT | SEAL KIT,11 TOOTH PUMP*** for 81013 | |
| 11 | 43683GT | O-RING,2-042 N674-70*** | 1 |
| 12 | 1255469GT | SCREW,HHF,1/2-13X1.25,8,ZAG | 2 |
| 13 | 77788GT | PUMP,PISTON,49CC*** | 1 |
| 13- | 43683GT | O-RING,2-042 N674-70*** | |
| 13- | 58431GT | SEAL KIT,PUMP SHAFT (EATON)*** check pump date code, if after 031505, must also order 107813 qty 1 | |
| 13- | 82431GT | HOSE ASM-JCAF310-06-41 | |
| 13- | 1285505GT | KIT,SOLENOID CONTROL SERVICE | |
| | | includes two coils | |
| 13- | 1285506GT | SEAL RING,SOLENOID CONTROL | |
| | | (for 1285505GT) | |
| 13- | 101294GT | KIT,CHARGE PUMP | |
| 13- | 106835GT | CONTROLLER W/O COILS (77788) | |
| | | (first time replacement requires 1285505GT) | |
| 13- | 106836GT | O-RING,STEM,EATON | |
| 13- | 106837GT | NUT,STEM,EATON*** | |
| 13- | 107813GT | SPACER,EATON PUMP SHAFT SEAL** | |
| | | check pump date code, for pumps after 031505 | |
| 13- | 107814GT | SEAL,SHAFT,EATON PUMP*** | |
| 13- | 107815GT | SNAP RING,PUMP SHAFT SEAL*** | |
| 13- | 107842GT | KIT,PUMP SHAFT SEAL W/INST*** | |
| | | includes PNs 107812, 107813, 107814, 107815 | |
| 13- | 128423GT | KIT,CHARGE PUMP HOUSING | |



704.1 Hydraulic Pumps

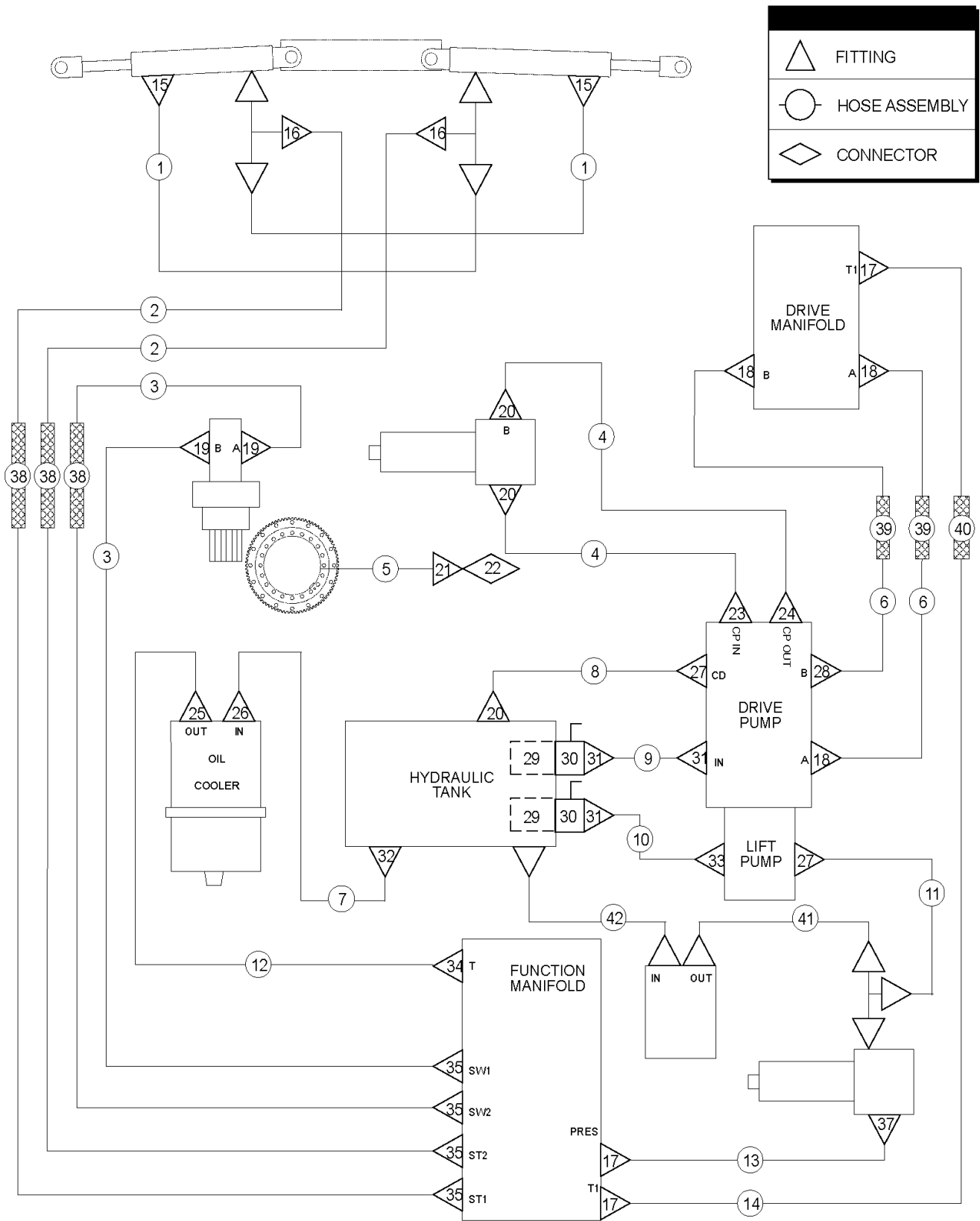


704.1 Hydraulic Pumps

| <i>Item</i> | <i>Part No.</i> | <i>Description</i> | <i>Qty.</i> |
|-------------|-----------------|-----------------------------------|-------------|
| 14 | 826793GT | WASHER,FLAT,3/8,SAE,HRD,ZAG | 2 |



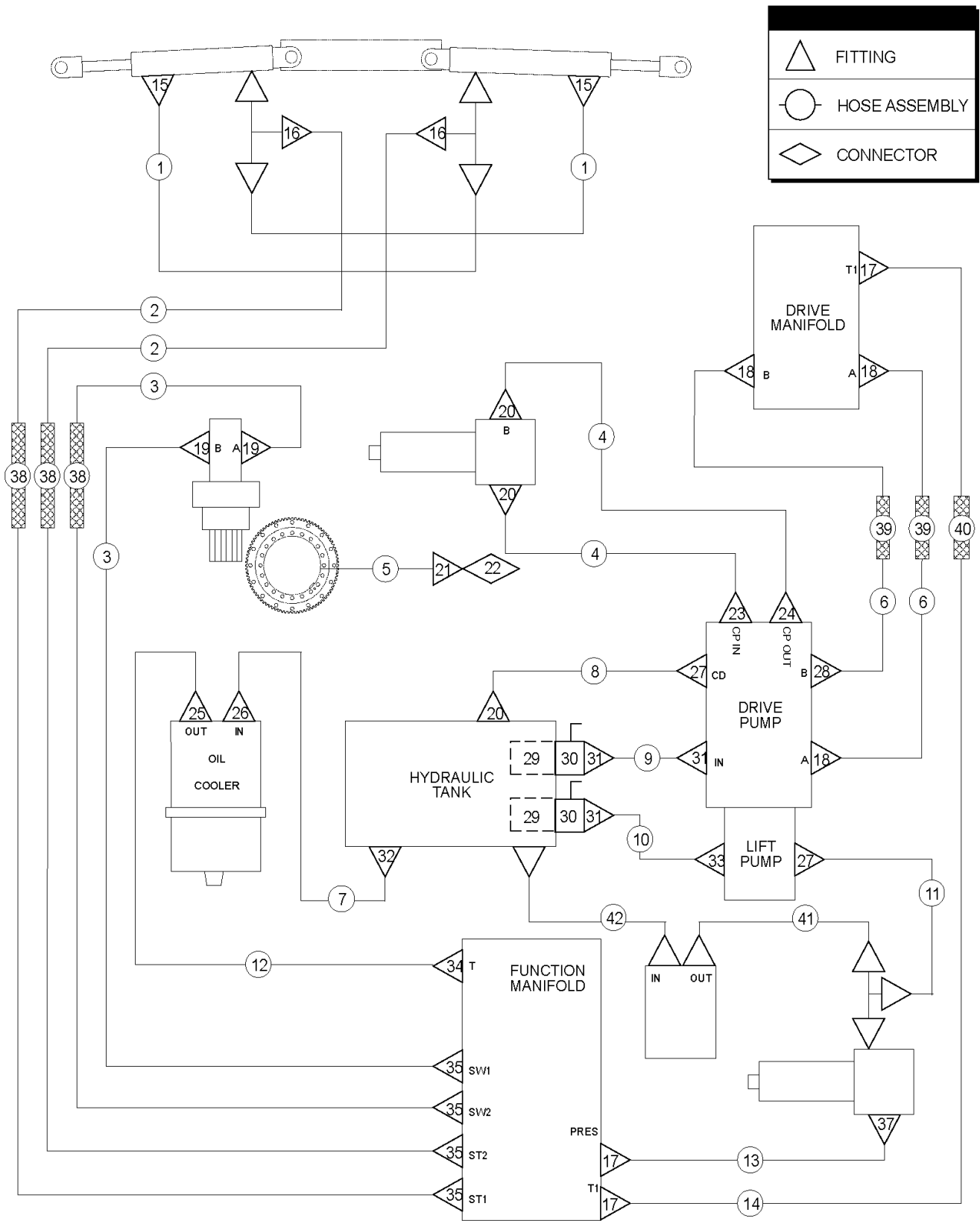
705.1 Chassis and Turntable, View 1



| Item | Part No. | Description | Qty. |
|------|----------------|--|------|
| 1 | 49118-2508GT | HOSE ASSY,1/4,90 FEM,STR FEM | 2 |
| 2 | 49120-13081GT | HOSE ASSEMBLY,1/4" | 2 |
| 3 | 49119-4878GT | HOSE ASSY,1/4,STR FEM,STR FEM | 2 |
| 4 | 49141-2463GT | HOSE ASSY,1/2,45 FEM,STR FEM** | 2 |
| 5 | 88635-3724GT | HOSE ASSY 1/4,STR FEM,PIPETHRE | 1 |
| 6 | 94374-10330GT | HOSE ASSY,3/4,90 FEM,STR FEM | 2 |
| 7 | 49150-7630GT | HOSE ASSY,3/4,90 FEM,STR FEM | 1 |
| 8 | 49141-6763GT | HOSE ASSY,1/2,45 FEM,STR FEM | 1 |
| 9 | 1290343-4750GT | ASSY, HOSE, HYD, -16, 250, STR, STR | 1 |
| 9B | 28678-4650GT | SLEEVE,NYLON,2.00 ID for 1290343-4750GT | 1 |
| 10 | 1290343-4750GT | ASSY, HOSE, HYD, -16, 250, STR, STR | 1 |
| 10B | 28678-4650GT | SLEEVE,NYLON,2.00 ID for 1290343-4750GT | 1 |
| 11 | 75278-2629GT | HOSE ASSY,1/2,90 FEM,STR FEM** | 1 |
| 12 | 49151-6348GT | HOSE ASSY,3/4,STR FEM,STR FEM | 1 |
| 13 | 61143-8063GT | HOSE ASSY,1/4,45 FEM,STR FEM** | 1 |
| 14 | 49183-11492GT | HOSE ASSY,1/2,STR FEM,STR FEM | 1 |
| 15 | 48911GT | ELBOW,90D,520220-4-6*** | 2 |
| 16 | 48918GT | TEE,RUN,520428-6 | 2 |
| 17 | 48933GT | CONN,520120-8*** | 3 |
| 18 | 48906GT | TEE,RUN,520428-4 | 2 |
| 19 | 48904GT | ELBOW,90D,520220-4-4 | 2 |
| 20 | 48932GT | FITTING,ELBOW,90D,520220-8*** | 4 |
| 21 | 48885GT | CONNECTOR,BULKHEAD,FEMALE-4 | 1 |
| 22 | 94643GT | ZERK,GREASE,5/16-24,STRAIT | 1 |
| 23 | 48949GT | CONN,520120-8-16 | 1 |
| 24 | 48946GT | CONN,520120-8-10 | 1 |
| 25 | 48912GT | CONN,520120-4-6*** | 1 |
| 26 | 48916GT | CONN, 520120-6 | 1 |



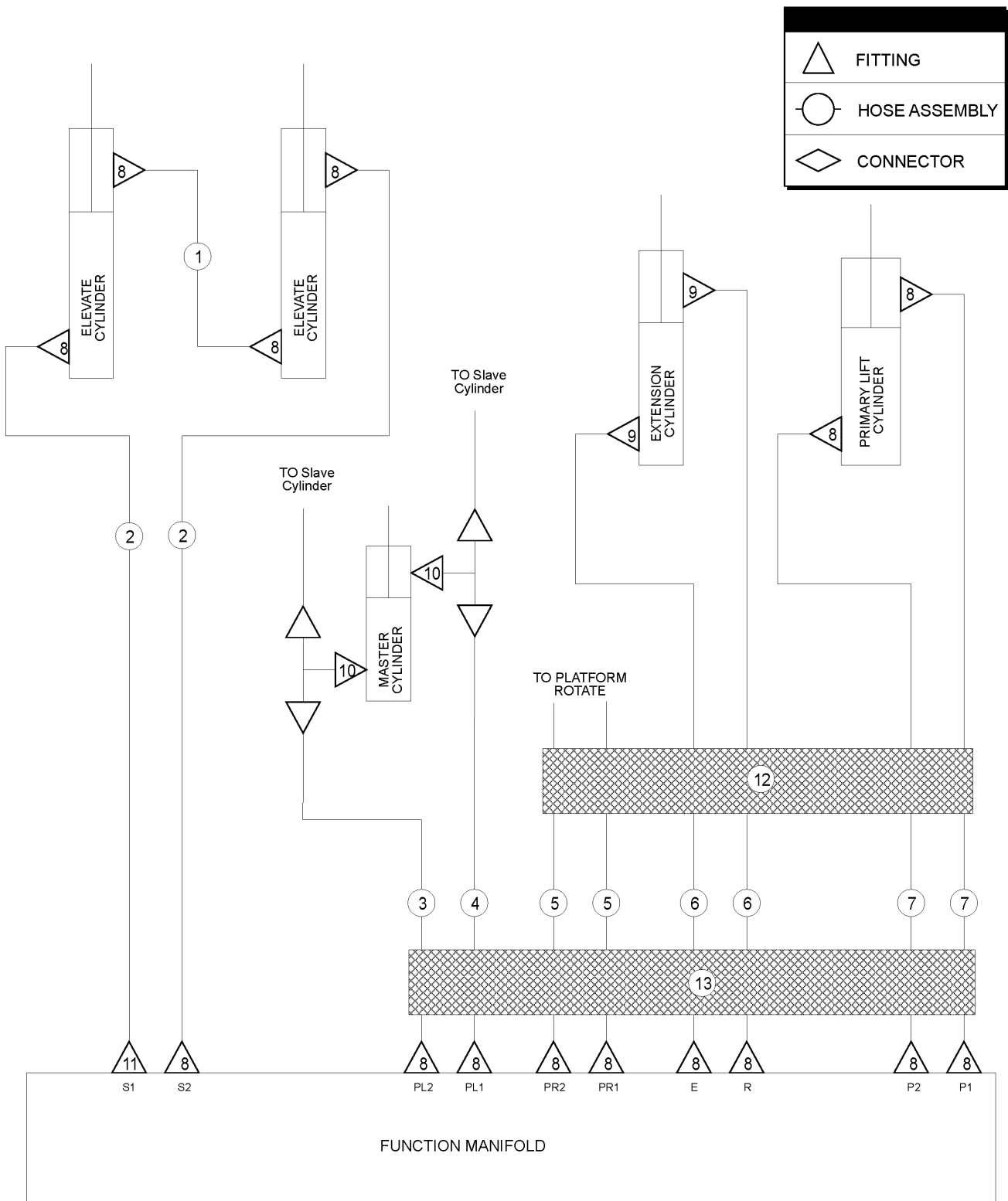
705.1 Chassis and Turntable, View 1



| <i>Item</i> | <i>Part No.</i> | <i>Description</i> | <i>Qty.</i> |
|-------------|-----------------|---|-------------|
| 27 | 48999GT | VALVE,CHK,#8PORT-#8MALEORFS | 1 |
| 28 | 48978GT | ELBOW,45D,520320-12-16 | 2 |
| 29 | 147419GT | KIT,STRAINER REPLACEMENT | 2 |
| 30 | 48996GT | VALVE,BALL,16 MSAE-16 FSAE*** | 2 |
| 31 | 48984GT | CONN,520120-16 | 3 |
| 32 | 48977GT | CONN,520120-12-16 | 1 |
| 33 | 48983GT | ELBOW,90D,520220-16 | 1 |
| 34 | 48960GT | FITTING,CONN,520120-12 | 1 |
| 35 | 48905GT | CONN,520120-4*** | 5 |
| 36 | 48947GT | ELBOW,90D,520220-8-12 | 1 |
| 37 | 48948GT | CONN,520120-8-12 | 1 |
| 38 | 48773-2800GT | SLEEVE,NYLON,.86 ID | 2 |
| 39 | 48767-2000GT | SLEEVE,NYLON,1.42 ID | 2 |
| 40 | 48773-2000GT | SLEEVE,NYLON,.86 ID | 1 |
| 41 | 49129-2200GT | 49129-2200GT | 1 |
| 42 | 1292998-7500GT | ASSY, HOSE, AIR, -8, 300, STR, 90 | 1 |



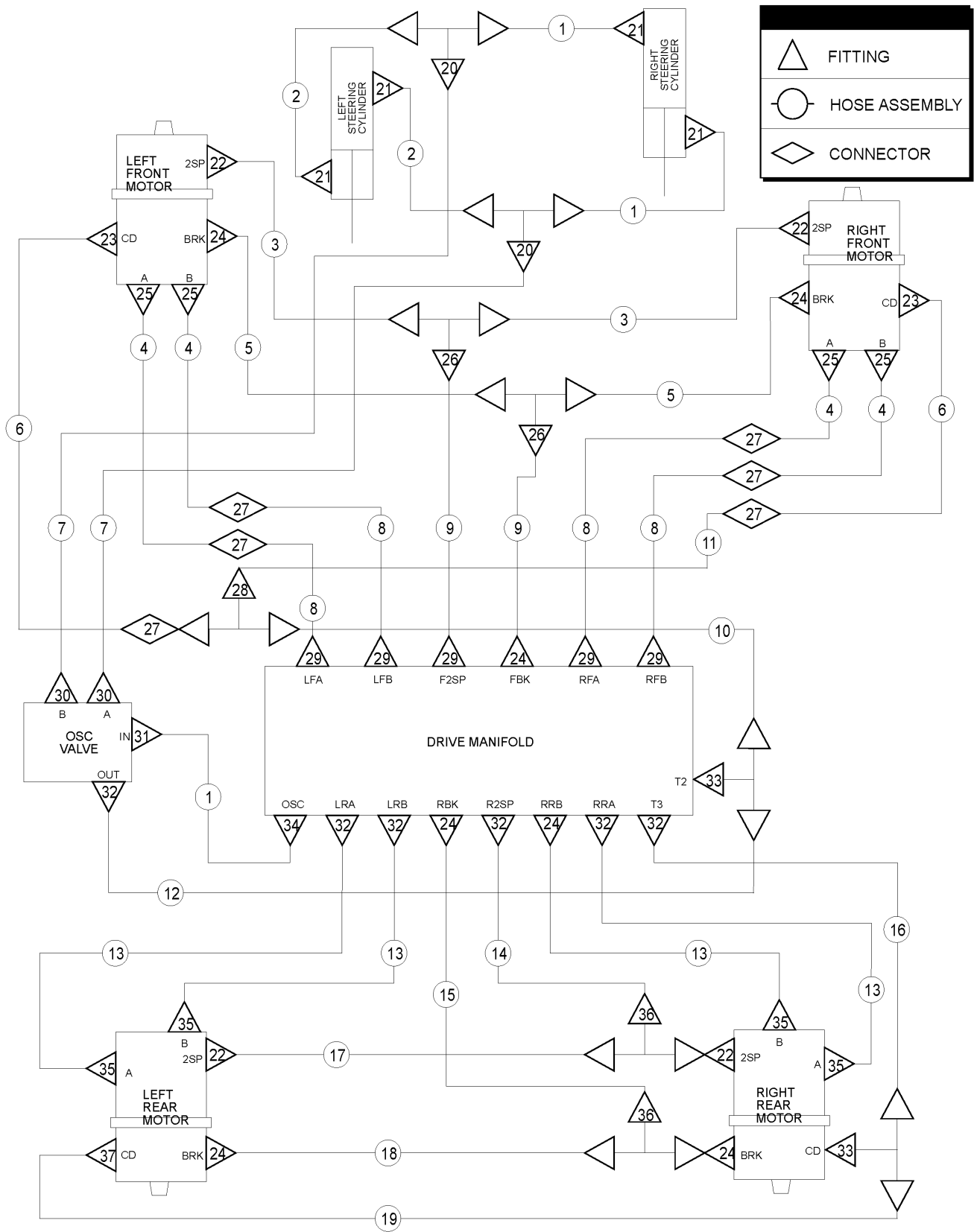
706.1 Chassis and Turntable, View 2



| <i>Item</i> | <i>Part No.</i> | <i>Description</i> | <i>Qty.</i> |
|-------------|-----------------|--------------------------------------|-------------|
| 1 | 49119-2178GT | HOSE ASSY,1/4,STR FEM,STR FEM | 2 |
| 2 | 49119-16178GT | HOSE ASSY,1/4,STR FEM,STR FEM | 2 |
| 3 | 49119-36178GT | HOSE ASSY,1/4,STR FEM,STR FEM | 1 |
| 4 | 49119-37678GT | HOSE ASSY,1/4,STR FEM,STR FEM | 1 |
| 5 | 49119-39378GT | HOSE ASSY,1/4,STR FEM,STR FEM | 2 |
| 6 | 49120-35381GT | HOSE ASSY 1/4, STR FEM,STR FEM | 2 |
| 7 | 49119-38578GT | HOSE ASSY,1/4,STR FEM,STR FEM | 2 |
| 8 | 48905GT | CONN,520120-4*** | 15 |
| 9 | 48917GT | CONN,LONG,520122-6 | 2 |
| 10 | 48890GT | FITTING,TEE,BRANCH,520429-4*** | 2 |
| 11 | 48912GT | CONN,520120-4-6*** | 1 |
| 12 | 77103-3600GT | SLEEVE,NYLON,3.13 ID | 1 |
| 13 | 77103-4800GT | SLEEVE,NYLON,3.13 ID | 1 |



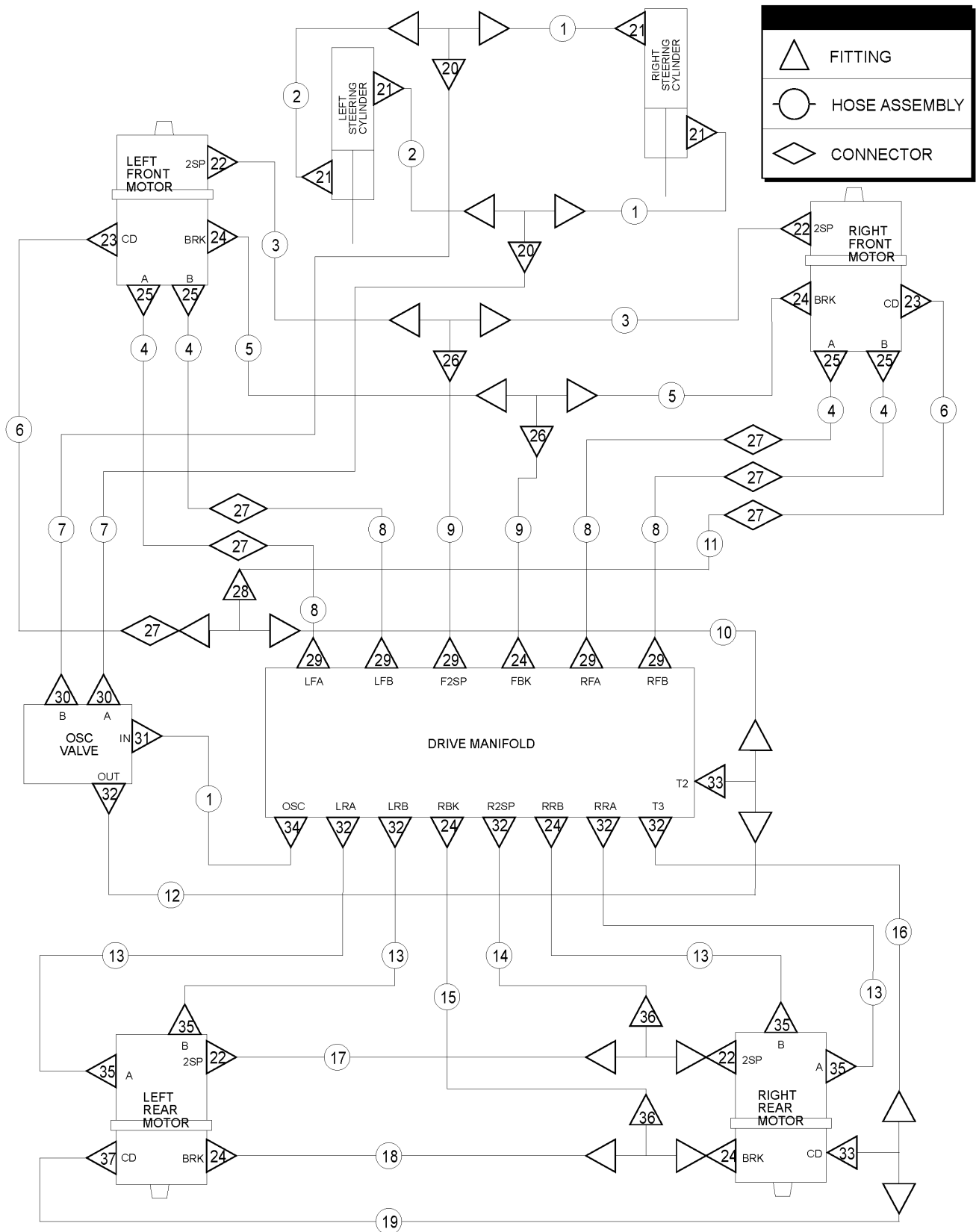
707.1 Boom and Platform



| Item | Part No. | Description | Qty. |
|------|--------------|--------------------------------------|------|
| 1 | 49117-2591GT | HOSE ASSY,1/4,90 FEM,STR FEM** | 3 |
| 2 | 49117-2191GT | HOSE ASSY,1/4,90 FEM,STR FEM | 2 |
| 3 | 49119-5578GT | HOSE ASSY,1/4,STR FEM,STR FEM | 2 |
| 4 | 61143-3263GT | HOSE ASSY,1/4,45 FEM,STR FEM | 4 |
| 5 | 49117-5591GT | HOSE ASSY,1/4,90 FEM,STR FEM** | 2 |
| 6 | 49126-3433GT | HOSE ASSY,3/8,45 FEM,STR FEM | 2 |
| 7 | 49116-8737GT | HOSE ASSY,1/4,45 FEM,STR FEM | 2 |
| 8 | 77311-7156GT | HOSE ASSY,1/2,STR FEM,STR BLKH | 4 |
| 9 | 49119-6278GT | HOSE ASSY,1/4,STR FEM,STR FEM | 2 |
| 10 | 218045GT | HOSE ASSY,3/8,83.28" | 1 |
| 11 | 89554-2913GT | HOSE ASSY, 3/8" STR M,90 FM*** | 1 |
| 12 | 94464-2786GT | HOSE ASSY,1/2,90 FEM,STR FEM | 1 |
| 13 | 81812-4892GT | HOSE ASSY,1/2,STR FEM,STR FEM | 4 |
| 14 | 49117-4991GT | HOSE ASSY,1/4,90 FEM,STR FEM** | 1 |
| 15 | 49117-5191GT | HOSE ASSY,1/4,90 FEM,STR FEM** | 1 |
| 16 | 218044GT | HOSE ASSY,1/2,58.28" | 1 |
| 17 | 49119-5478GT | HOSE ASSY,1/4,STR FEM,STR FEM | 1 |
| 18 | 49119-6078GT | HOSE ASSY,1/4,STR FEM,STR FEM | 1 |
| 19 | 49119-7078GT | HOSE ASSY,1/4,STR FEM,STR FEM | 1 |
| 20 | 48909GT | TEE,BULKHEAD,RUN,520958-4 | 2 |
| 21 | 48912GT | CONN,520120-4-6*** | 4 |
| 22 | 48911GT | ELBOW,90D,520220-4-6*** | 4 |
| 23 | 48930GT | CONN,520120-6-8 | 2 |
| 24 | 48905GT | CONN,520120-4*** | 5 |
| 25 | 48948GT | CONN,520120-8-12 | 4 |
| 26 | 219993GT | TEE,BULKHEAD,04MFS-04MFS-04MFS | 2 |
| 27 | 75574GT | NUT,BULKHEAD,520118-4 | 4 |
| 28 | 227614GT | TEE,BULKHEAD,RUN,520120-6 | 1 |



707.1 Boom and Platform

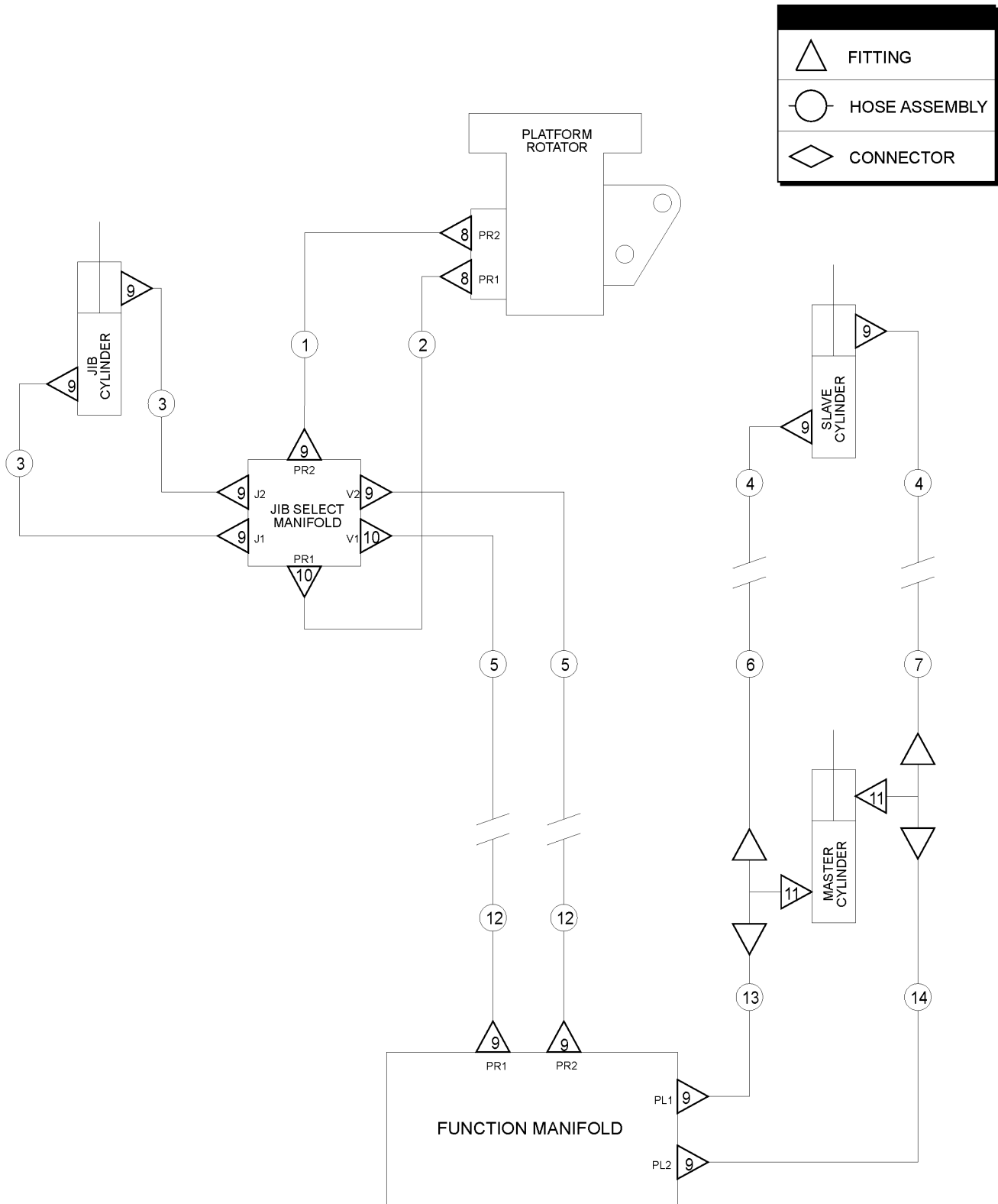


707.1 Boom and Platform

| <i>Item</i> | <i>Part No.</i> | <i>Description</i> | <i>Qty.</i> |
|-------------|-----------------|--------------------------------------|-------------|
| 29 | 48937GT | ELBOW,45D,520320-8 | 5 |
| 30 | 49418GT | FITTING,ELBOW,45D,520320-4-6** | 2 |
| 31 | 48914GT | CONN,520120-4-8 | 1 |
| 32 | 48933GT | CONN,520120-8*** | 6 |
| 33 | 48936GT | TEE,BRANCH,520429-8 | 2 |
| 34 | 48904GT | ELBOW,90D,520220-4-4 | 1 |
| 35 | 48947GT | ELBOW,90D,520220-8-12 | 4 |
| 36 | 48908GT | FITTING,TEE,RUN,SWIVEL520432-4 | 2 |
| 37 | 48932GT | FITTING,ELBOW,90D,520220-8*** | 1 |



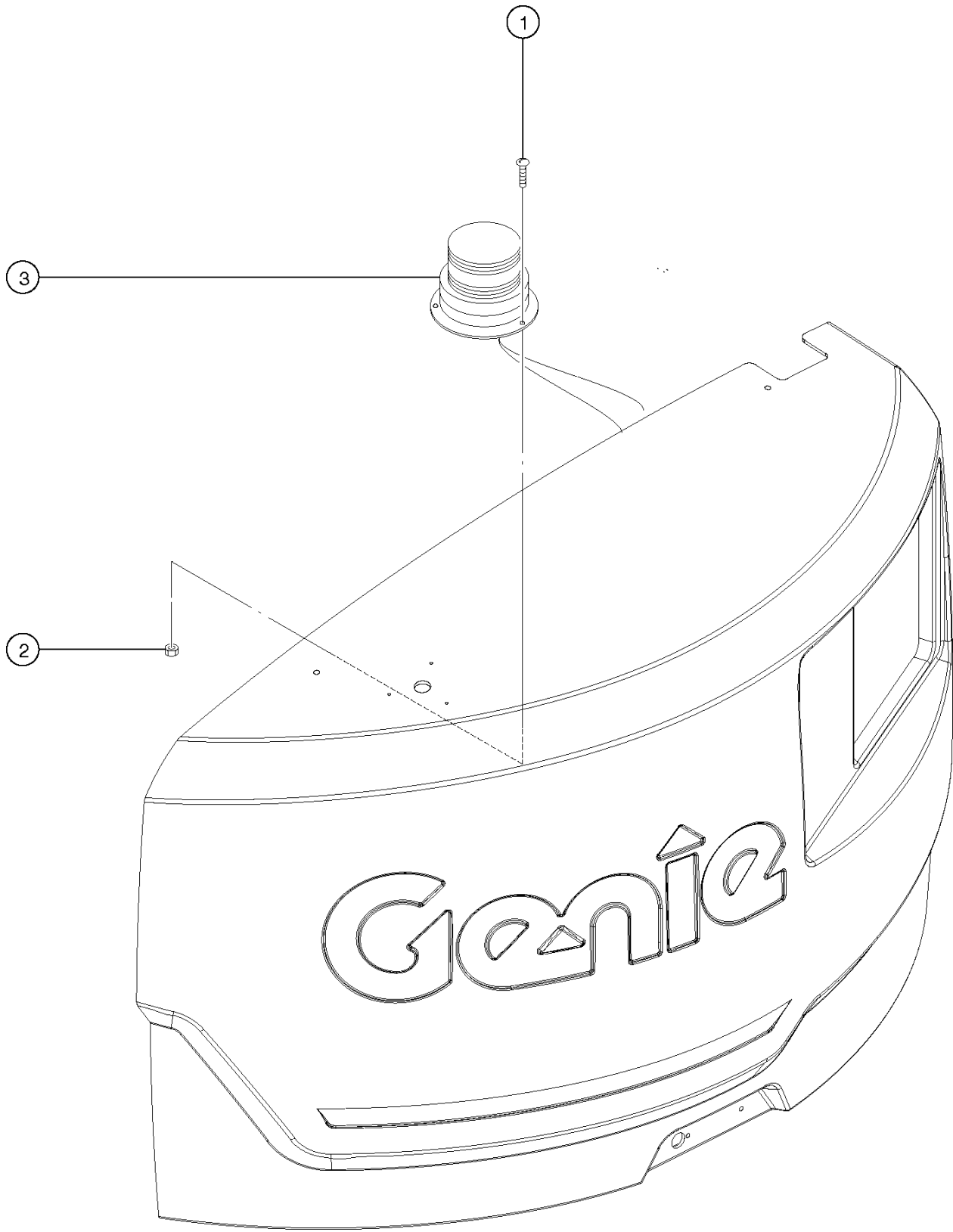
708.1 Boom and Platform



| <i>Item</i> | <i>Part No.</i> | <i>Description</i> | <i>Qty.</i> |
|-------------|-----------------|---|-------------|
| A- | 28678-2250GT | SLEEVE,NYLON, 2" ID for item 4 (22.5 inches) | 1 |
| B- | 48767-700GT | SLEEVE,NYLON,1.42 ID for item 6 and 7 (7 inches) | 1 |
| 1 | 139099GT | HOSE ASSY, 1/4", 22.00 | 1 |
| 2 | 232575GT | HOSE ASSY, 1/4", 21.24" | 1 |
| 3 | 49119-4178GT | HOSE ASSY,1/4,STR FEM,STR FEM | 2 |
| 4 | 49121-2088GT | HOSE ASSY 1/4,STR FEM,STR MALE | 2 |
| 5 | 49121-27788GT | HOSE ASSY 1/4,STR FEM,STR MALE | 2 |
| 6 | 49119-21878GT | HOSE ASSY,1/4,STR FEM,STR FEM | 1 |
| 7 | 49119-20578GT | HOSE ASSY,1/4,STR FEM,STR FEM | 1 |
| 8 | 48907GT | ELBOW,45D,520320-4 | 2 |
| 9 | 48905GT | CONN,520120-4*** | 8 |
| 10 | 48904GT | ELBOW,90D,520220-4-4 | 2 |
| 11 | 48890GT | FITTING,TEE,BRANCH,520429-4*** | 2 |
| 12 | | REF: Hydraulic Hose Assembly refer to 706.1 | 2 |
| 13 | | REF: Hydraulic Hose Assembly refer to 706.1 | 1 |
| 14 | | REF: Hydraulic Hose Assembly refer to 706.1 | 1 |



801.1 Alarm and Beacon Package

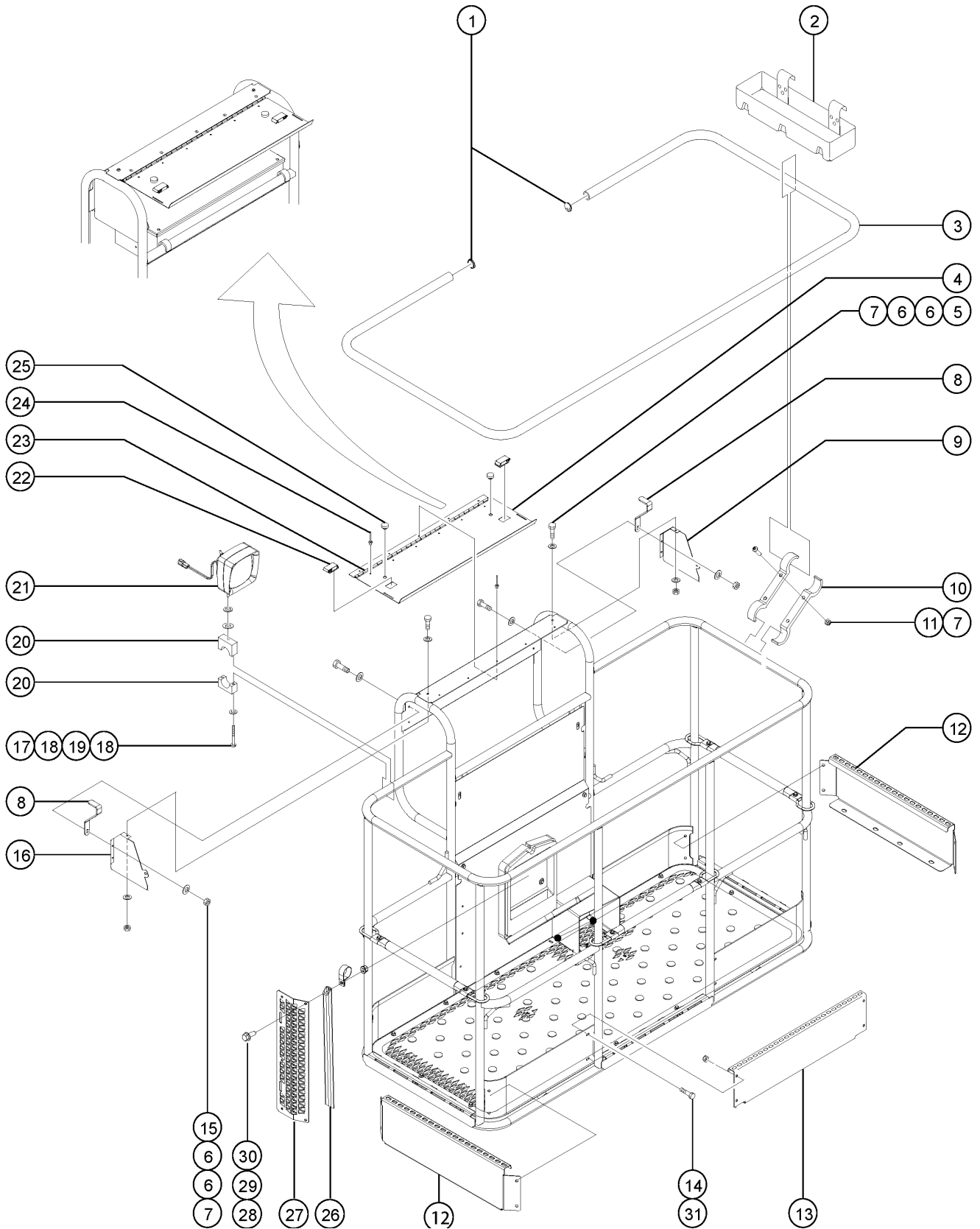


801.1 Alarm and Beacon Package

| <i>Item</i> | <i>Part No.</i> | <i>Description</i> | <i>Qty.</i> |
|-------------|-----------------|--------------------------------------|-------------|
| 1 | 825352GT | SCREW,PHPM,10-32X1.25,ZAG | 3 |
| 2 | 1264261GT | NUT,SERRATED,10-32,ZAG | 3 |
| 3 | 56704GT | STROBE,FIREBOLT,12-80VDC,AMB** | 1 |
| 3- | 122019GT | FLASHTUBE,U SHAPED,360DEG,BULB | |
| 3- | 226393GT | FLASHTUBE,STRAIGHT,360DEG,BULB | |
| 3- | 72282GT | LENS,AMBER,STROBE,FIREBOLT | |



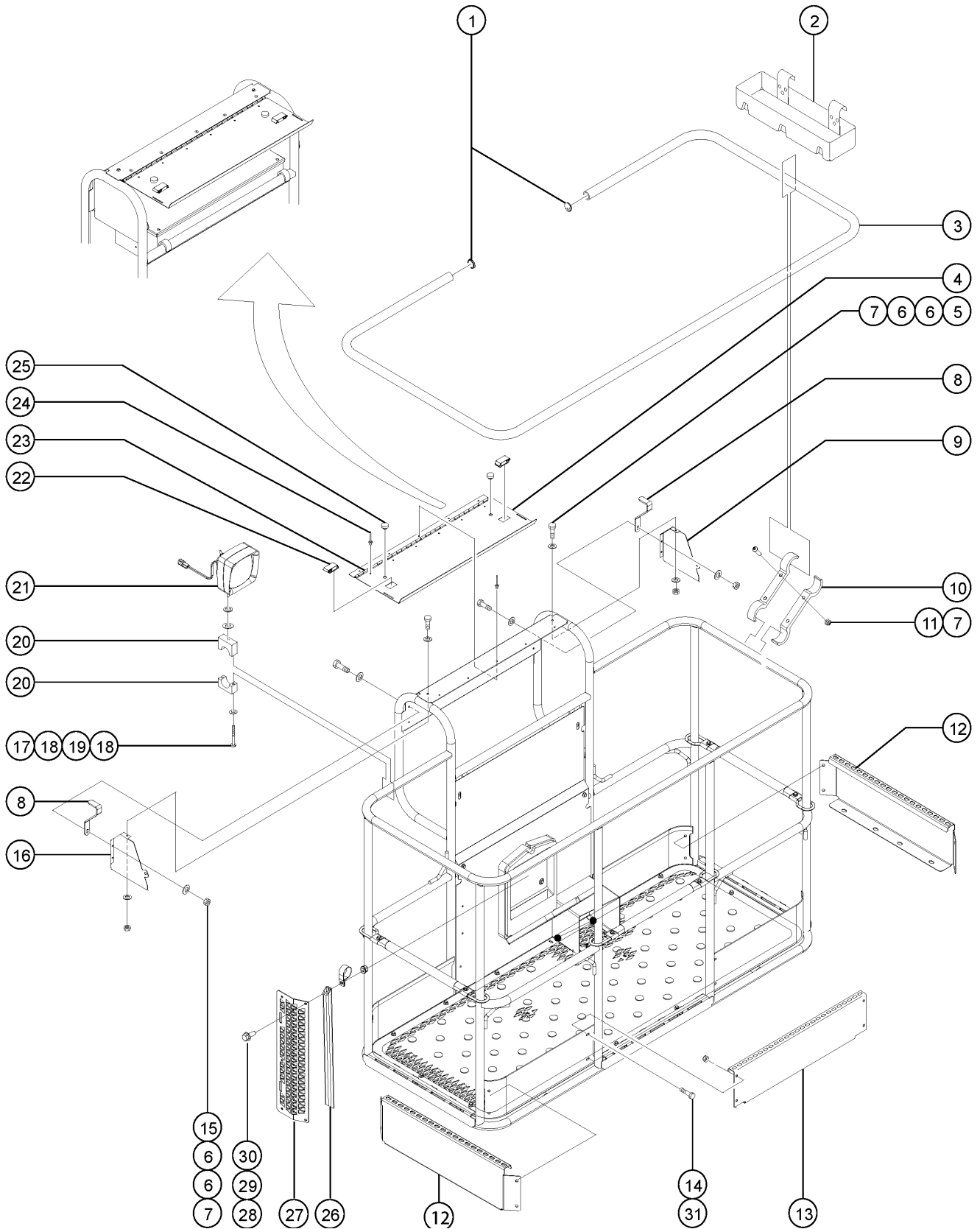
802.1 Platform Options



| Item | Part No. | Description | Qty. |
|------|-----------|--------------------------------------|------|
| A | 219684GT | HARN,DRIVE LIGHTS,Z45/Z51 | |
| 1 | 55753GT | BUMPER, PLASTIC, 1.25 O.D. | 2 |
| 2 | 9599-SGT | TOOL TRAY ACCESSORY*** | 1 |
| 2- | 7746PGT | TOOL TRAY BRACKET (GRAY) ** | |
| 3A | 1259704GT | PINCH GUARD RAIL,6' PLATFORM | 1 |
| | | includes 55753 bumpers | |
| 3B | 111485PGT | AUX TOP RAIL,6FT,PTD | 1 |
| | | models with swing gate | |
| 4 | 102785PGT | CONTROL BOX COVER,LID,PTD | 1 |
| 5 | 6090GT | SCREW,HHC,1/4-20 X .75 | |
| 6 | 6638GT | WASHER,FLAT,USS,1/4"Y | |
| 7 | 824027GT | NUT,TL FLG,1/4-20,G,ZAG | |
| 8 | 102786PGT | FORMING,LATCH,CTRL BOX LID PTD | 2 |
| 9 | 88606PGT | COVER,CONTROL BOX RIGHT SIDE** | 1 |
| 10 | 122073GT | SUPPORT, RAILING | 20 |
| 11 | 824079GT | SCREW,HHF,1/4-20X1,8,ZAG | |
| 12 | 139438GT | TOEBOARD, TRI ENTRY 6', EURO | 2 |
| 13 | 94745PGT | TOEBOARD,ENTRY EUROPEAN PNTD** | 1 |
| 14 | 824027GT | NUT,TL FLG,1/4-20,G,ZAG | |
| 15 | 6888GT | SCREW,HHC,1/4-20 X 1 | |
| 16 | 88607PGT | COVER,CONTROL BOX LEFT SIDE*** | 1 |
| 17 | 6145GT | SCREW,HHC,1/4-20 X 1.5 | |
| 18 | 6356GT | WASHER,LOCK,.25 | |
| 19 | 5397GT | WASHER,FLAT,USS,5/16",Y | |
| 20 | 35956GT | BRACKET,WORK LIGHT MOUNT 5/16" | 2 |
| 21 | 71498GT | WORKLIGHT, 12V, DEUTSCH RECEPT | 2 |
| 21- | T114627GT | HARNESS,12V WORK LIGHTS | |
| 21- | 160554GT | HARN,CABLE,WORK LIGHTS,Z45 | |
| 21- | 219685GT | HARNESS,RELAY,LIGHT PKG,Z45/51 | |
| 21- | 53517GT | GROMMET,RUBBER .5 X .014 X .75 | |



802.1 Platform Options

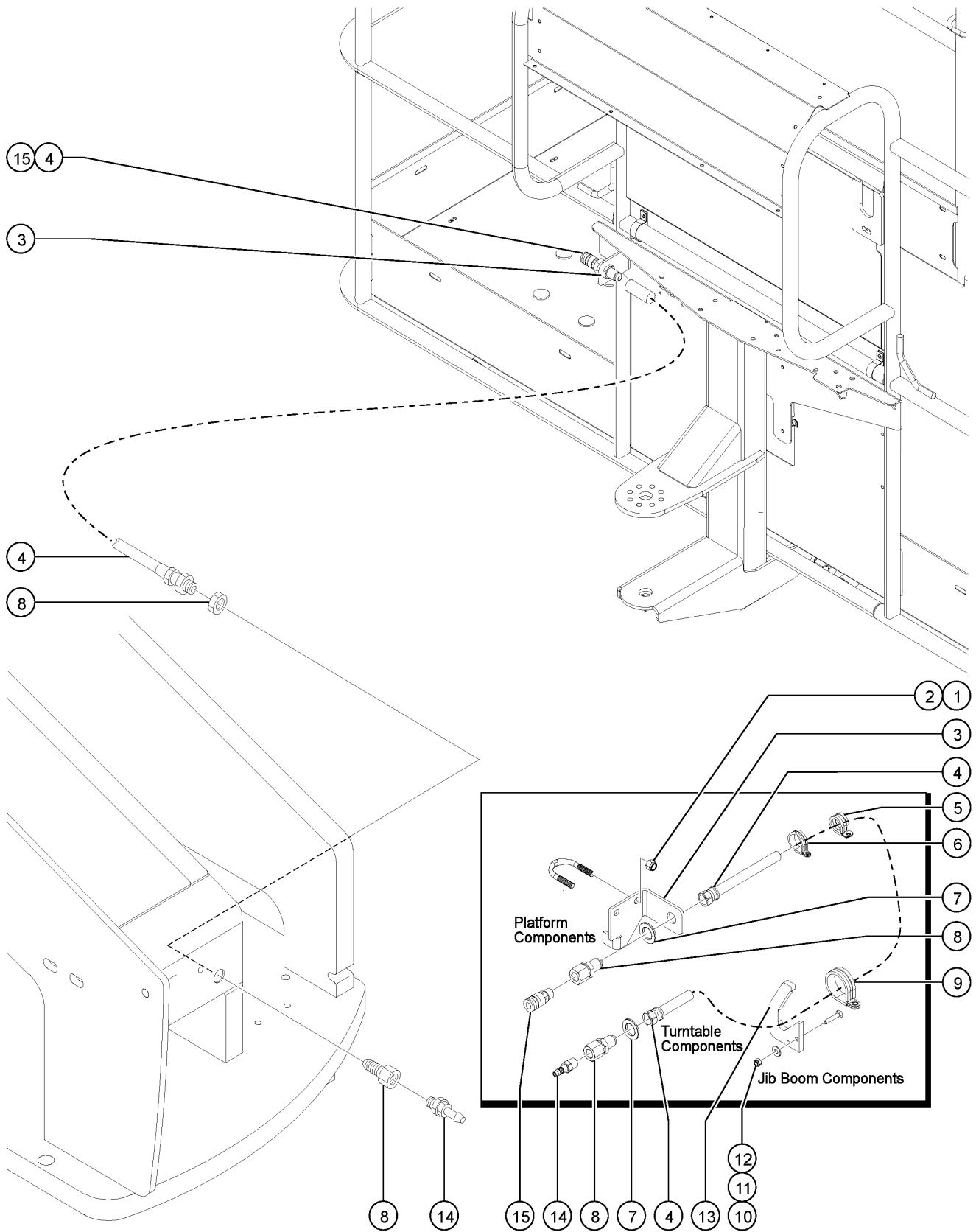


802.1 Platform Options

| <i>Item</i> | <i>Part No.</i> | <i>Description</i> | <i>Qty.</i> |
|-------------|-----------------|---------------------------------------|-------------|
| 21- | 10107GT | SCREW,HHC,5/16-18 X .75 | 2 |
| 22 | 30468GT | LATCH,SLIDE, FLUSH MOUNT STYLE | 2 |
| 23 | 111526GT | HINGE,PLAT CONTROL BOX COVER | 1 |
| 24 | 54486GT | RIVET,ALUM,ALUM,3/16BUTTONHEAD | |
| 25 | 43392GT | BUMPER,BATTERY BOX & RAILS | 2 |
| 26 | 1277966GT | TUBE, SWING GATE GUARD | 1 |
| 27 | 1277952GT | GUARD, SWING GATE | 1 |
| 28 | 824086GT | SCREW, HHF, 5/16-18 X 1, 8, ZAG | 5 |
| 29 | 56424GT | CLAMP,1.25X.5 RUBBER-CUSHION | 5 |
| 30 | 824028GT | NUT,TL FLG,5/16-18,G,ZAG | 5 |
| 31 | 824078GT | SCREW,HHF,1/4-20X.75,8,ZAG | |



803.1.Traveling Fall Arrest Anchor System

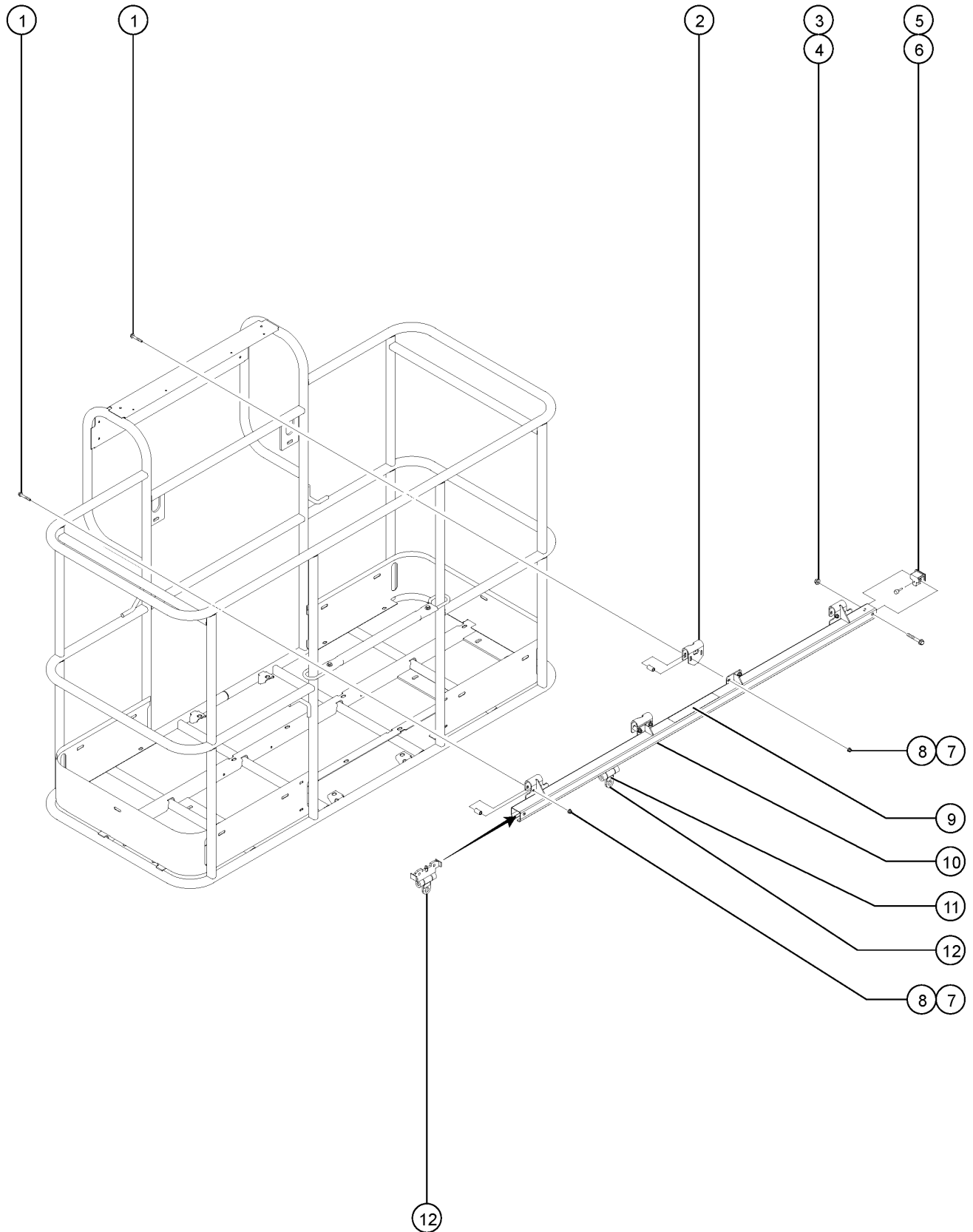


803.1.Traveling Fall Arrest Anchor System

| Item | Part No. | Description | Qty. |
|------|-------------|--|------|
| 1 | 1256856GT | SCREW,HHF,3/8-16X2.5,8,ZAG | 4 |
| 2 | 1256389GT | FORMING,INNER HANGER | 2 |
| 3 | 1251997GT | NUT,TL FLG,1/2-13,G,ZAG | 2 |
| 4 | 1256851GT | SCREW,HHF,1/2-13X3.5,8,ZAG | 2 |
| 5 | 1260892GT | END STOP,TFAAS TRACK | 2 |
| 6 | 36388GT | BUMPER,RUBBER,.75 X .50H,STUD | 2 |
| 7 | 1274322GT | NUT,NYLOCK FLG,3/8-16,F,ZAG | 8 |
| 8 | 1256481GT | SPACER, HANGER BRACKET | 8 |
| 9A | 1256400GT | DECAL,TFAAS TRACK,WORD | 1 |
| 9B | 1260910GT | DECAL,TFAAS TRACK,SYMBOL | 1 |
| 9C | 1256400FRGT | DECAL,TFAAS TRACK,WORD FR | 1 |
| 10A | 1256378GT | ACC,TFAAS FALL ARREST,6FT WORD includes instructions and decals | 1 |
| 10A- | 1256380GT | ASSY,TFAAS TRACK,6FT WORD includes decals | |
| 10B | 1261023GT | ACC,TFAAS FALL ARREST,6FT SYM includes instructions and decals | 1 |
| 10B- | 1261025GT | ASSY,TFAAS TRACK,6FT SYM includes decals | |
| 10C | 1261019GT | ACC,TFAAS FALL ARREST,6FT FR includes instructions and decals | 1 |
| 10C- | 1261021GT | ASSY,TFAAS TRACK,6FT FR includes decals | |
| 11 | 40434GT | DECAL,LANYARD ANCHORAGE POINT | 1 |
| 12 | 1256439GT | TROLLEY, TFAAS TRACK | 1 |



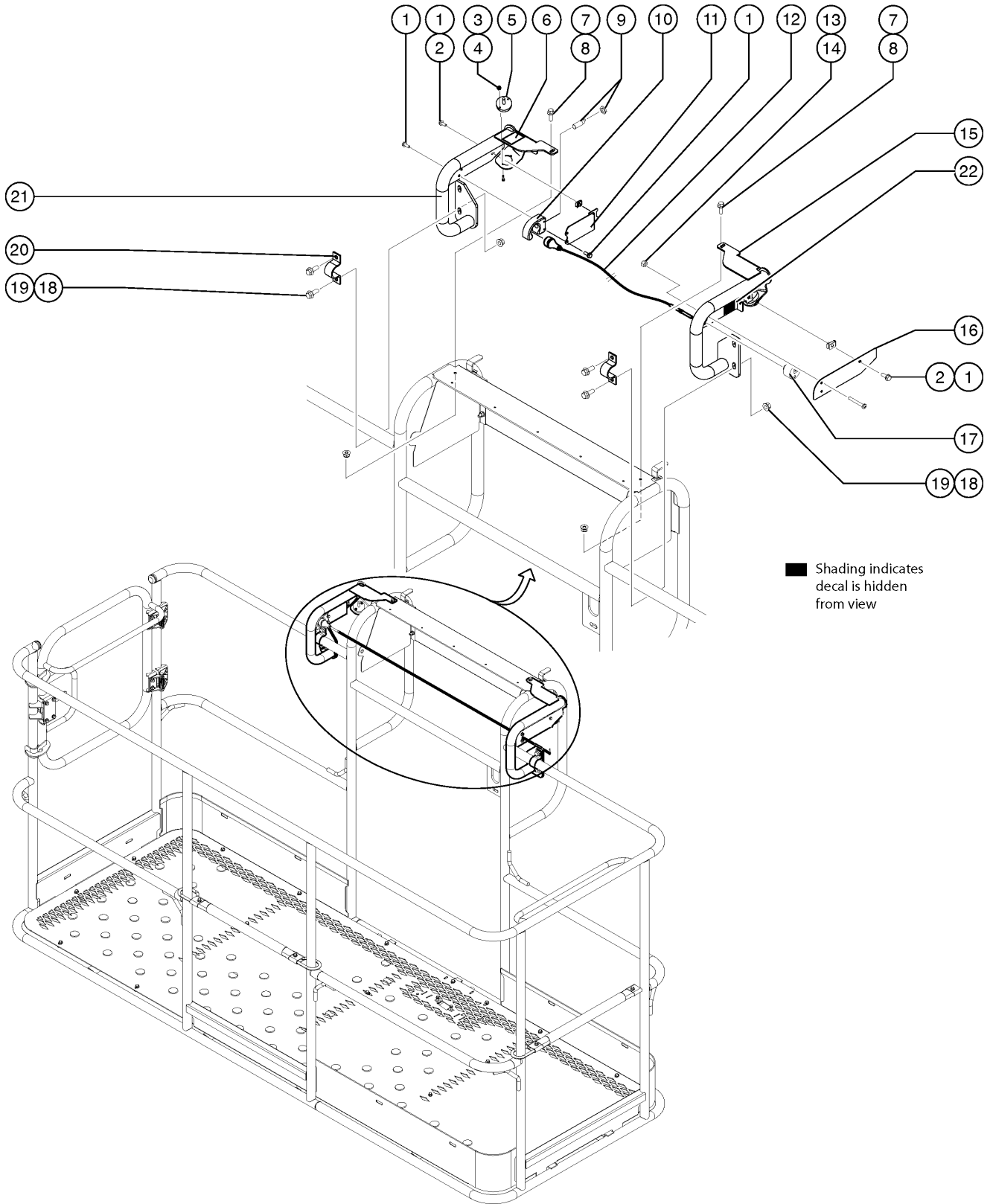
804.1 Air Line to Platform



| Item | Part No. | Description | Qty. |
|------|---------------|---|------|
| A- | | DECAL,LABEL,AIRLINE 110 PSI refer to 101.1 | |
| B- | 110149GT | CABLE TIE,DFT MOUNT,BLK,6.5" | 4 |
| 1 | 4828GT | NUT,NYLOCK,3/8-16 | |
| 2 | 122755GT | UBOLT,FLATTENED,1.5DIA X 3/8 UNC | 1 |
| 3 | 70642PGT | BRACKET,AIR HOSE TO PLAT PAINT | 1 |
| 4 | 70644-75792GT | HOSE ASSY,3/8 STR FEM STR FEM* | 1 |
| 4- | 16073GT | CLAMP,0.63,#10 X 1/4,RUB CUSH | |
| 5 | 13268GT | CLAMP,0.75,#12 X 1/4,RUB CUSH | 6 |
| 6 | 45454GT | CLAMP,RUB CUSH,0.75,#12 X 3/8* | 6 |
| 7 | 33278GT | WASHER,FLAT,.75 HARDENED | 2 |
| 8 | 49212GT | FEMALE BULKHEAD CONNECTOR-8 | 2 |
| 9 | 66031GT | CLAMP,1.88,#30 X 3/8,RUB CUSH | 2 |
| | | Jib models only | |
| 10 | 6091GT | NUT,NYLOCK,1/4-20 | |
| | | Jib models only | |
| 11 | 6638GT | WASHER,FLAT,USS,1/4"Y | |
| | | Jib models only | |
| 12 | 8915GT | SCREW,HHC,1/4-20 X 1.25 | |
| | | Jib models only | |
| 13 | 128482GT | HOSE GUIDE, JIB | 1 |
| | | Jib models only | |
| 14 | 49214GT | MALE PIPE THD,1/4" SER,3/8"X18 | 1 |
| 15 | 49215GT | MPT,CPLR,1/4"SER,3/8"X18 | 1 |



805.1 Lift Guard Contact Alarm

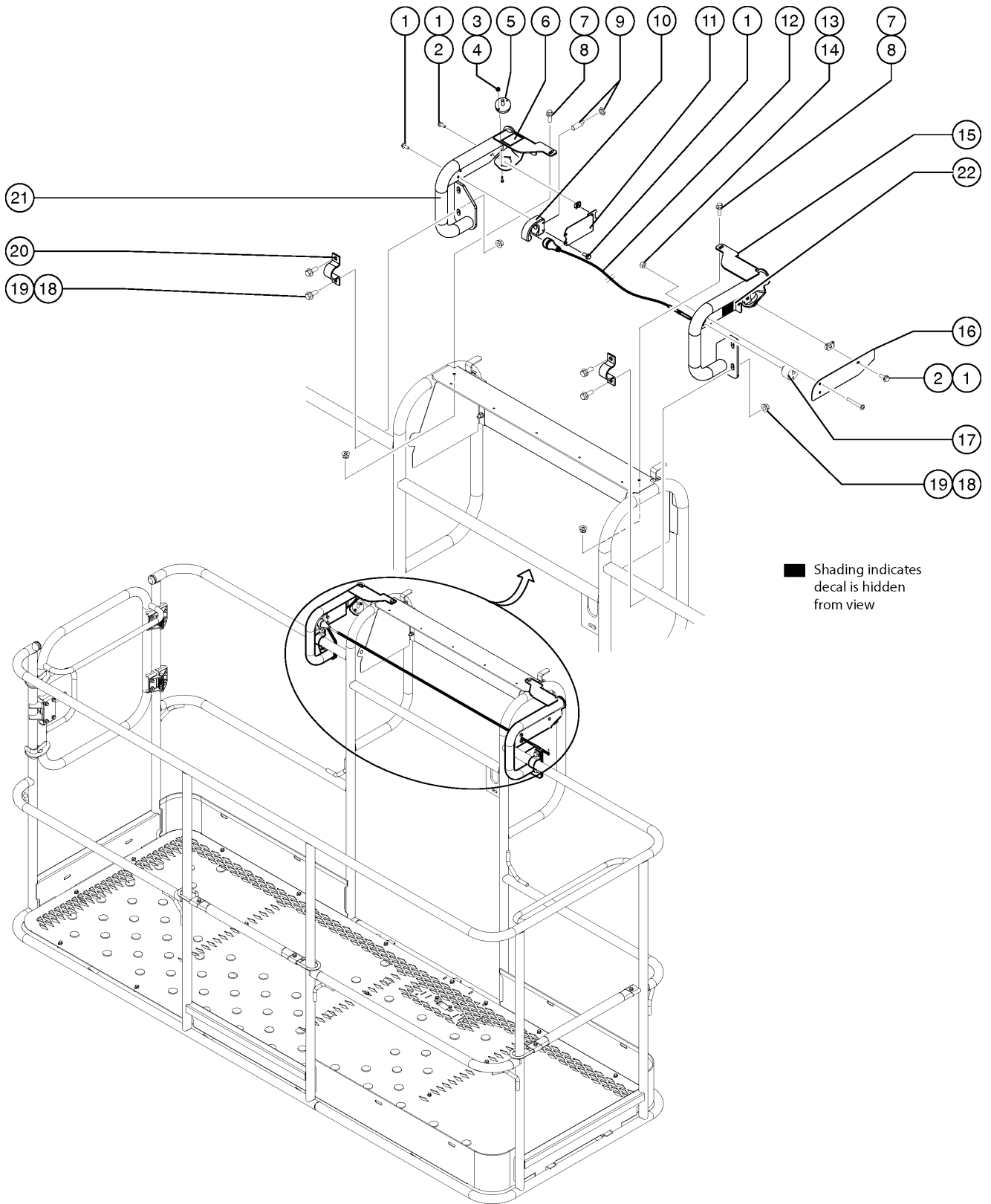


805.1 Lift Guard Contact Alarm

| Item | Part No. | Description | Qty. |
|------|-----------|---|-------|
| A- | | From April 2017, this option became a standard installation on all models unless the customer specifically request not to have it installed | |
| B- | 1279135GT | KIT, LIFT GUARD CONTACT ALARM,6'-8' PLATFORM,NON-ALC1000 measure platform before ordering - for 5', 6', and 8' platforms only. | |
| C- | 1278455GT | HARNESS, OPA2 | |
| D- | 19274GT | RELAY,SPDT,12V(AUTO)** | |
| E- | 1278121GT | MODULE, PLUS+1, OPA2 | |
| 1 | 1264934GT | SCREW,HHF,10-24X. 5 | |
| 2 | 73575GT | SPRING CLIP,10-24,.025-.125X.468,ZAG | |
| 3 | 12344GT | NUT,NYLOCK,6-32 | |
| 4 | 1256859GT | SCREW,PHPM,6-32X.875,ZAG | |
| 5 | 1278111GT | ASSEMBLY, LIGHT, OPA2 | 2 |
| 6 | 1278542GT | DECAL, INSTRUCTION, CREW ALARM | |
| 7 | 824078GT | SCREW,HHF,1/4-20X.75,8,ZAG | |
| 8 | 1277924GT | NUT,NYLOCK FLG,1/4-20,F,ZAG | |
| 9 | 1278119GT | ASSEMBLY, SENSOR, PROX, OPA2 | 1 |
| 10 | 1278433GT | ASSY, SENSOR W/ HOUSING (Includes holder item 1277877 and sensor part 1278119) | |
| 10- | 1277877GT | HOLDER, SENSOR | 1 |
| 11 | 1277873GT | PLATE, SENSOR HOLDER | 1 |
| 12 | 1278416GT | ASSEMBLY, OPA CABLE, LARGE | 1 |
| 12- | 1278124GT | MAGNET, 1/4-20, 15 LB. Part of assembly 1278416 | |
| 12- | 1278458GT | OPA WIRE ASSY, LARGE Part of assembly 1278416 | |
| 12- | 1278368GT | GRIP, CABLE Part of assembly 1278416 | |
| 12- | 1261184GT | NUT,1/4-20,8,ZAG Part of assembly 1278416 | |
| 13 | 825352GT | SCREW,PHPM,10-32X1.25,ZAG | |
| 14 | 1264261GT | NUT,SERRATED,10-32,ZAG | |
| 15 | 1278138GT | WELDMENT, RIGHT OPA, LARGE | 1 |
| 16 | 1277875GT | PLATE, CABLE AND WIRE COVER | 1 |
| 17 | 1277876GT | GUIDE, CABLE | 1 |
| 18 | 1274322GT | NUT,NYLOCK FLG,3/8-16,F,ZAG | |



805.1 Lift Guard Contact Alarm

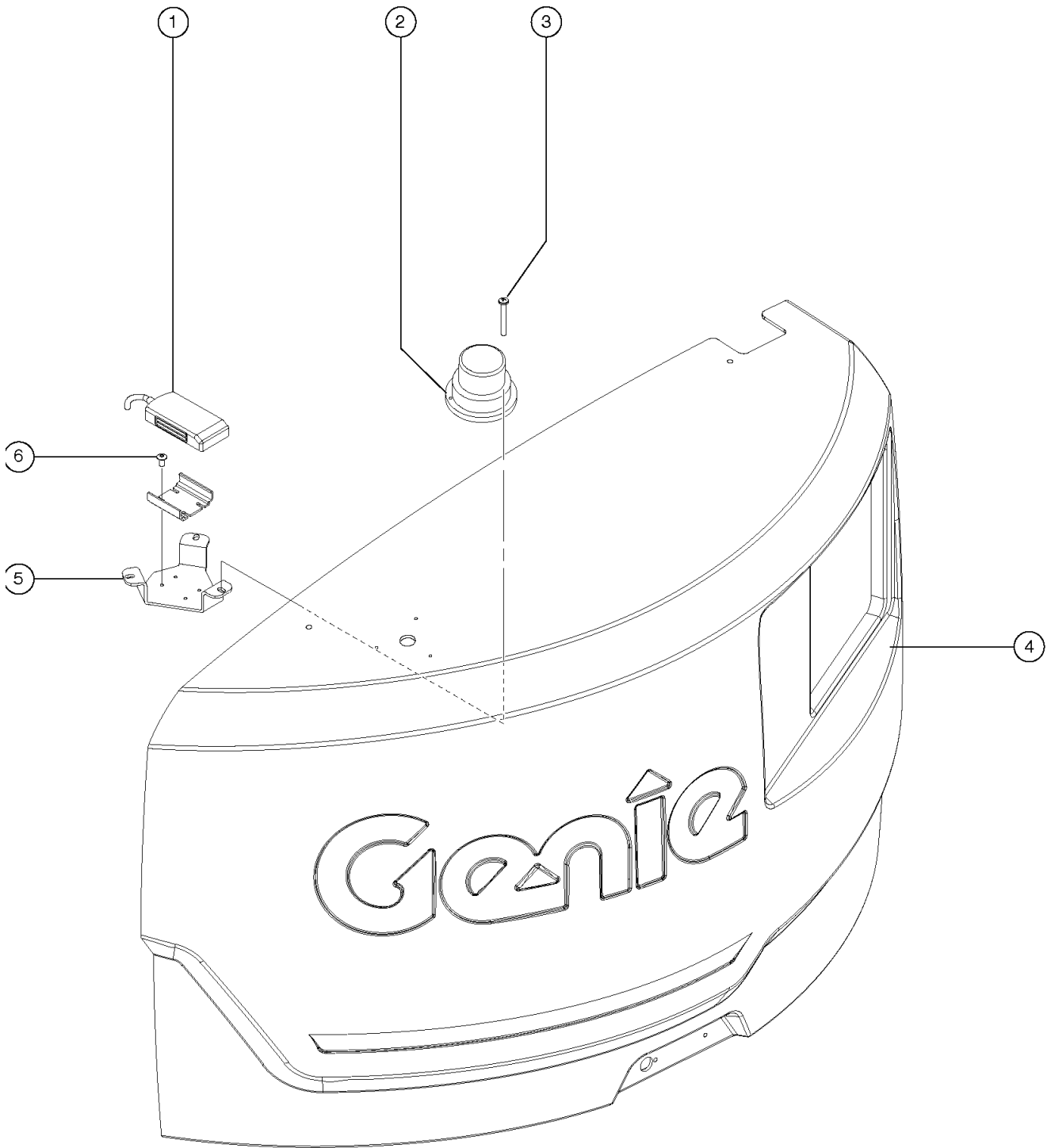


805.1 Lift Guard Contact Alarm

| <i>Item</i> | <i>Part No.</i> | <i>Description</i> | <i>Qty.</i> |
|-------------|-----------------|--|-------------|
| 19 | 824090GT | SCREW,HHF,3/8-16X1,8,ZAG | |
| 20 | 1278363GT | CLAMP, 1.25 INCH TUBE | 2 |
| 21 | 1278144GT | WELDMENT, LEFT OPA, LARGE | 1 |
| 22 | 1278982GT | DECAL,INSTRUCTION,ACTUATOR SWITCH SOCKET | 1 |



806.1 Telematics



806.1 Telematics

| <i>Item</i> | <i>Part No.</i> | <i>Description</i> | <i>Qty.</i> |
|-------------|-----------------|--|-------------|
| 1 | 231864GT | MODULE, TELEMATICS, ME401-2, STANDARD | 1 |
| 2 | | Ref. TROBE,FIREBOLT,12-80VDC,AMB** | |
| | | (refer to 801.1) | |
| 3 | 824216GT | SCREW,PHPM,10-32X1.5,ZAG | 3 |
| 4 | | Ref. COVER, TANK SIDE | |
| | | (refer to 306.1) | |
| 5 | 823174GT | FORMING, TELEMATICS, ME401-2, STANDARD, BEACON | 1 |
| 6 | 824206GT | RIVET,STL,STL,DOME,1/8X.25,ZAG | 4 |

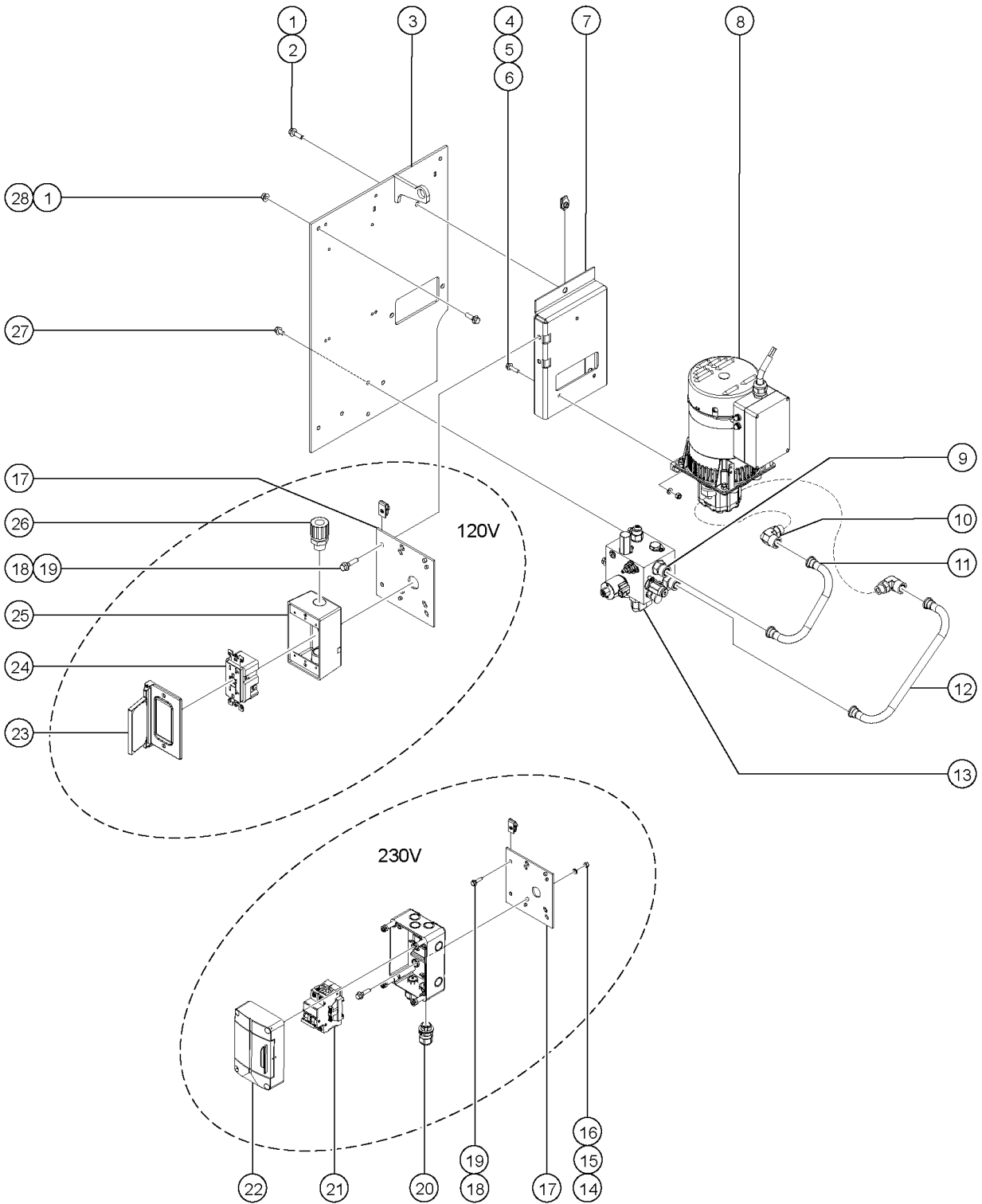


807.1 Half Mesh and Swing Gate

| Item | Part No. | Description | Qty. |
|------|-----------|--|------|
| 1 | 1264101GT | SCREW,HHC,5/16-18X1,8,ZAG | 20 |
| 2 | 824028GT | NUT,TL FLG,5/16-18,G,ZAG | 29 |
| 3 | 825358GT | WASHER,FLAT,5/16,USS,ZAG | 21 |
| 4 | 1270313GT | PANEL, HALF MESH | 1 |
| 5 | 56424GT | CLAMP,1.25X.5 RUBBER-CUSHION | 20 |
| 6 | 1270314GT | PANEL, HALF MESH | 1 |
| 7 | | Ref. Platform Assembly (refer to 601.1) | |
| 8 | 1271061GT | PANEL, HALF MESH | 1 |
| 9 | 1270316GT | PANEL, HALF MESH | 1 |
| 10 | 55753GT | BUMPER, PLASTIC, 1.25 O.D. | 2 |
| 11 | 824207GT | RIVET,STL,STL,DOME,1/4X.375,Z | 8 |
| 12 | 1285700GT | WELDMENT,SWING GATE PANEL | 1 |
| 13 | 1265397GT | WELDMENT, SWING GATE | 1 |
| 14 | 1267747GT | LATCH, SWING GATE | 1 |
| 15 | 824027GT | NUT,TL FLG,1/4-20,G,ZAG | 12 |
| 16 | 1256855GT | SCREW,HHF,1/4-20X.625,8,ZAG | 12 |
| 17 | 43392GT | BUMPER,BATTERY BOX & RAILS | 2 |
| 18 | 104804GT | HINGE, SPRING, LONG LEG | 2 |
| 19 | 73901GT | DECAL PLATE,MESH | 1 |



808.1 3K Hydraulic Generator Option

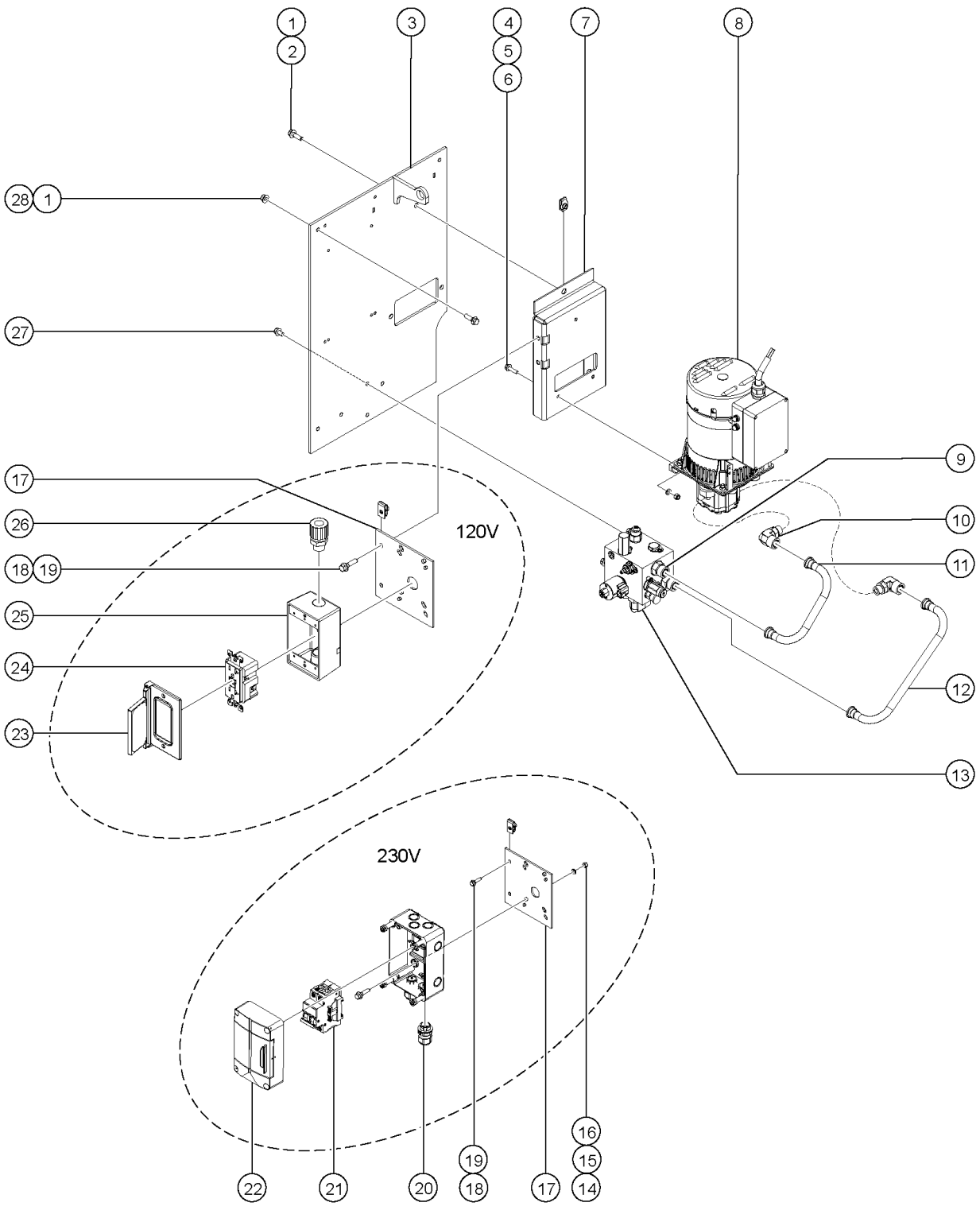


808.1 3K Hydraulic Generator Option

| Item | Part No. | Description | Qty. |
|------|-----------|--|------|
| 1 | 824091GT | SCREW, HHF, 3/8-16 X 1.25, 8, ZAG | 7 |
| 2 | 29868GT | SPRING CLIP, 3/8-16, .05-.20X.73, ZAG | 3 |
| 3 | 1284937GT | WELDMENT, GENERATOR BRACKET | 1 |
| 4 | 1255537GT | SCREW, HHF, M8-1.25X30, DIN6921, 1 | 3 |
| 5 | 824144GT | WASHER, FLAT, M8, DIN125, ZAB | 2 |
| 6 | 1283022GT | NUT, NYLOCK, M8-1.25, DIN985, 10, ZAB | 3 |
| 7 | 1290706GT | FORMING, 3K GENERATOR | 1 |
| 8 | 1279869GT | GEN, 3.0 kW, 50Hz, DUAL VOLTAGE | 1 |
| 8B | 1272433GT | GEN, 3.0 KW, 120V/60HZ | 1 |
| 9 | 48960GT | FITTING, CONN, 520120-12 | 2 |
| 10 | 48974GT | ELBOW, 90D, 520220-12-10 | 2 |
| 11 | 1290704GT | ASSY, TUBE, HYDRAULIC, Z45 3K LIFTPOWER | 1 |
| 12 | 1290705GT | ASSY, TUBE, HYDRAULIC, Z45 3K LIFTPOWER | 1 |
| 13 | | REF. MANIFOLD, HYD, LIFT POWER, WELDER GENERATOR | |
| | | refer to 702.1 | |
| 14 | 826214GT | NUT, TL, M5-0.8, DIN980, 10, ZAB | 4 |
| 15 | 826215GT | WASHER, FLAT, M5, DIN125, ZAB | 4 |
| 16 | 218458GT | SCREW, HHF, M5-0.8X20, DIN6921, 10.9, ZAB | 4 |
| 17 | 1290707GT | PLATE, OUTLET BOX | 1 |
| 18 | 824079GT | SCREW, HHF, 1/4-20X1, 8, ZAG | 2 |
| 19 | 56912GT | SPRING CLIP, 1/4-20, .025-.15X.54, ZAG | 2 |
| 20 | 1287081GT | CORD GRIP, CLICK 20, BLACK, 0.276-0.512 | 2 |
| 21 | 1261795GT | RCBO, 10A, 30MA, TYPE B, 240V, 50HZ | 1 |
| 21- | 74913GT | END STOP, DIN RAIL, SCREW CLAMP | |
| 22 | 1269086GT | ENCLOSURE, FUSE, MODULAR, 150X | 1 |
| 23 | 74006GT | COVER, GFCI, HORIZONTAL, WEATHER | 1 |
| 24 | 231868GT | RCBO, 16A, 30MA, 6KA 110/230VAC | 1 |
| 25 | 1269086GT | ENCLOSURE, FUSE, MODULAR, 150X | 1 |
| 26 | 1293851GT | CABLE SQUEEZE CONN | 1 |



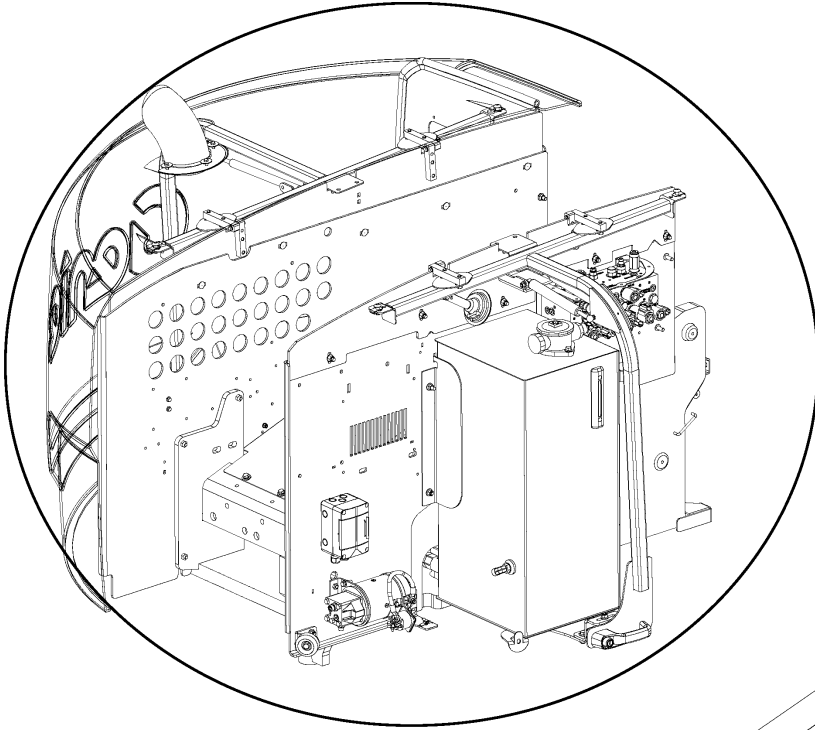
808.1 3K Hydraulic Generator Option



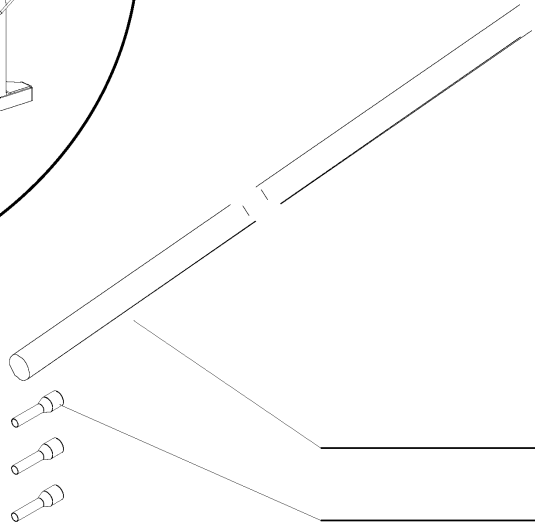
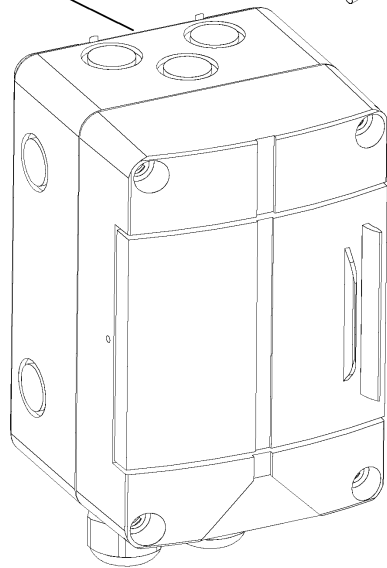
| <i>Item</i> | <i>Part No.</i> | <i>Description</i> | <i>Qty.</i> |
|-------------|-----------------|-----------------------------------|-------------|
| 27 | 1256857GT | SCREW,HHF,3/8-16X5/8,8,ZAG | 3 |
| 28 | 1274322GT | NUT,NYLOCK FLG,3/8-16,F,ZAG | 4 |



809.1 Power To Platform RCBO



1



3

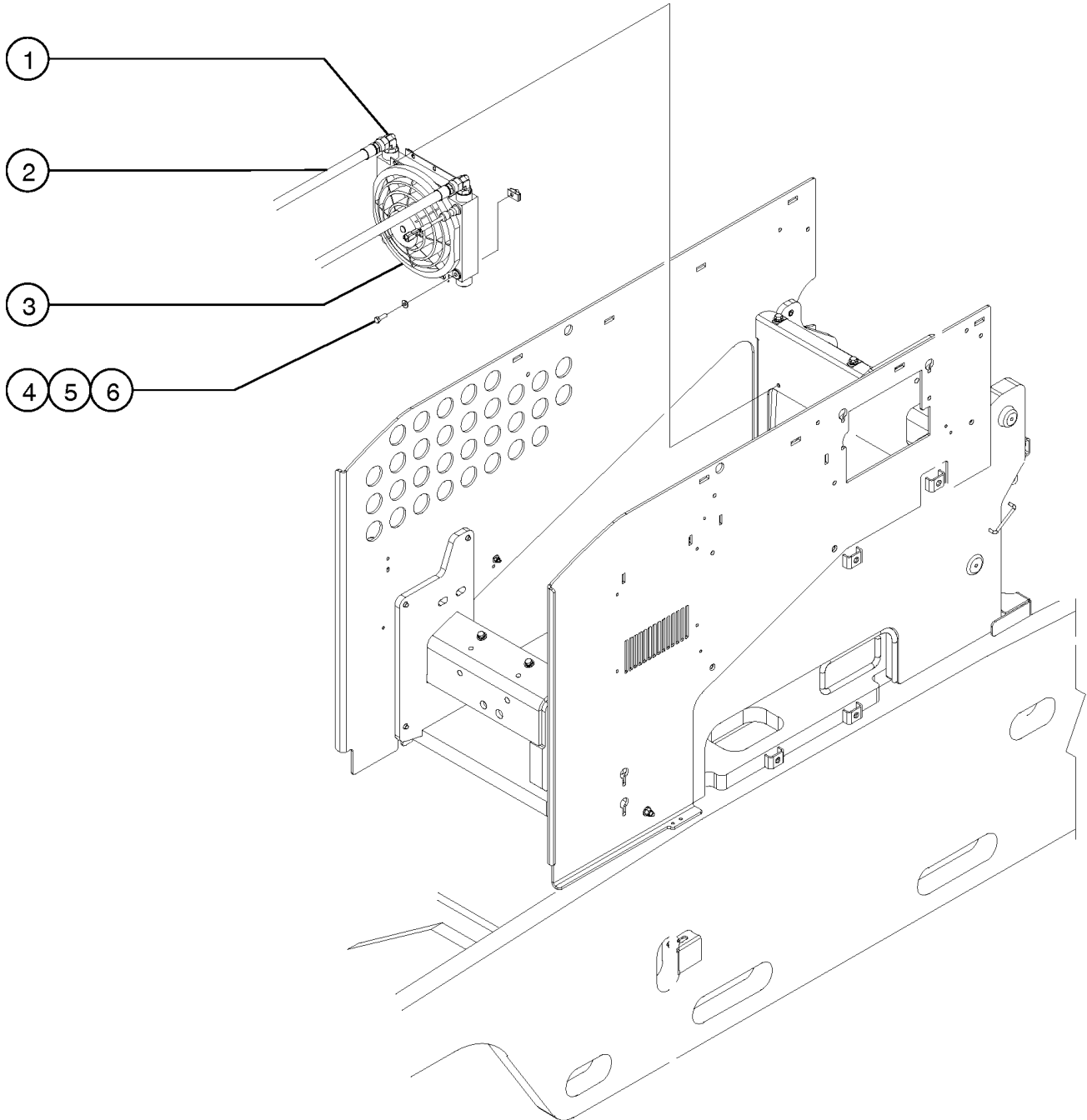
2

809.1 Power To Platform RCBO

| <i>Item</i> | <i>Part No.</i> | <i>Description</i> | <i>Qty.</i> |
|-------------|-----------------|---|-------------|
| 1 | 1287634GT | ASSEMBLY, RCBO, 16A, 30MA, 50HZ, IP65 | 1 |
| 2 | 1261689GT | SLEEVE, CABLE-END, 12AWG, 4MM | 8 |
| 3 | 30794GT | WIRE,12/3 SJEOW,BK-WH-GR/YL..... | 78 |



811.1 Oil Cooler



811.1 Oil Cooler

| <i>Item</i> | <i>Part No.</i> | <i>Description</i> | <i>Qty.</i> |
|-------------|-----------------|---|-------------|
| A- | 220234GT | HARNESS,RELAY,OIL COOLER | 1 |
| 1 | 48959GT | FITTING,ELBOW,90D,520220-12 | 2 |
| 2A | 49150-7630GT | HOSE ASSY,3/4,90 FEM,STR FEM | 1 |
| 2B | 49151-6348GT | HOSE ASSY,3/4,STR FEM,STR FEM | 1 |
| 3 | 71259GT | OIL COOLER W/FAN, 12VDC | 1 |
| 4 | 6888GT | SCREW,HHC,1/4-20 X 1 | 4 |
| 5 | 6638GT | WASHER,FLAT,USS,1/4"Y | 4 |
| 6 | 56912GT | SPRING CLIP,1/4-20,.025-.15X.54,ZAG | 4 |



| <u>Part no.</u> | <u>Page Number</u> | <u>Part no.</u> | <u>Page Number</u> | <u>Part no.</u> | <u>Page Number</u> |
|-----------------|-------------------------------|-----------------|---------------------|-----------------|--------------------|
| 07.0501.0051GT | 89 | 20224GT | 159 | 31060GT | 15, 17 |
| 07.4501.0251GT | 91 | 21130GT | 41, 85 | 31523GT | 85 |
| 07.4501.0252GT | 91 | 21141GT | 47 | 31779GT | 11 |
| 07.4501.0376GT | 91 | 21465GT | 95 | 31788GT | 17 |
| 1268GT | 11 | 21496GT | 85 | 32150GT | 11 |
| 1484GT | 11 | 22558GT | 87 | 32151GT | 11 |
| 1697-400GT | 113 | 22672GT | 95 | 32681GT | 41 |
| 1699GT | 27 | 22699GT | 87 | 32695GT | 79 |
| 4266GT | 103 | 22700GT | 87 | 33239GT | 85 |
| 4828GT | 189 | 24514GT | 133 | 33278GT | 189 |
| 5397GT | 43, 67, 183 | 25685GT | 131 | 33550GT | 19 |
| 6021GT | 43 | 25817GT | 33, 105 | 33555GT | 55, 57 |
| 6090GT | 183 | 25926GT | 85 | 34052GT | 67, 71, 147, 149 |
| 6091GT | 67, 71, 129, 189 | 27126GT | 105 | 34053GT | 67, 71, 147, 149 |
| 6145GT | 183 | 27204GT | 15, 21 | 34125GT | 119 |
| 6146GT | 71 | 27205GT | 17, 25 | 34276GT | 115 |
| 6178GT | 71, 101, 113, 119 | 27206GT | 15, 17, 21, 25 | 34619GT | 51, 131 |
| 6356GT | 183 | 27207GT | 15, 17, 21, 25 | 35434GT | 95 |
| 6638GT | 63, 71, 129, 183, 189, 205 | 27581GT | 11 | 35499GT | 79 |
| 6782GT | 103 | 27807GT | 153 | 35586GT | 87 |
| 6833GT | 113 | 27836GT | 153, 155 | 35675GT | 125 |
| 6888GT | 183, 205 | 28159GT | 15, 21 | 35956GT | 183 |
| 6935GT | 51 | 28174GT | 15, 19, 21, 27 | 36198GT | 33 |
| 7057GT | 51, 139 | 28175GT | 17 | 36294GT | 129 |
| 7746PGT | 183 | 28176GT | 19 | 36388GT | 187 |
| 8915GT | 189 | 28235GT | 15, 19, 21, 27 | 39328GT | 55 |
| 9599-SGT | 183 | 28236GT | 19 | 39346GT | 157 |
| 10107GT | 185 | 28678-2250GT | 179 | 39540GT | 61 |
| 10775GT | 139 | 28678-4650GT | 169 | 40434GT | 187 |
| 10777GT | 139 | 29080GT | 119 | 42502GT | 119 |
| 12343GT | 67, 71 | 29559GT | 79 | 42646GT | 67 |
| 12344GT | 147, 149, 191 | 29560GT | 11, 85 | 42781GT | 71 |
| 13000GT | 103 | 29868GT | 45, 51, 53, 57, 199 | 42941-75GT | 111 |
| 13009GT | 33 | 30138GT | 119 | 43018GT | 127, 161, 163 |
| 13268GT | 67, 71, 87, 139, 145, 147 | 30143GT | 105 | 43392GT | 133, 185, 197 |
| 13585GT | 139 | 30144GT | 105 | 43683GT | 165 |
| 16073GT | 189 | 30222GT | 127, 129 | 43960-6950GT | 133 |
| 18720GT | 109, 115 | 30348GT | 95 | 43960GT | 111 |
| 18963GT | 63 | 30370GT | 115 | 44168GT | 157 |
| 19274GT | 191 | 30468GT | 185 | 44174GT | 163 |
| 19491GT | 119 | 30794GT | 77, 203 | 44178GT | 159 |
| 19506GT | 59 | 30971GT | 81, 99 | 44216GT | 161 |

| <u>Part no.</u> | <u>Page Number</u> | <u>Part no.</u> | <u>Page Number</u> | <u>Part no.</u> | <u>Page Number</u> |
|-----------------|-------------------------|-----------------|--------------------|-----------------|--------------------|
| 44224GT | 159 | 48947GT | 171, 177 | 49141-6763GT | 169 |
| 44225GT | 159, 161 | 48948GT | 171, 175 | 49150-7630GT | 169, 205 |
| 44227GT | 159, 161 | 48949GT | 169 | 49151-6348GT | 169, 205 |
| 44228GT | 157, 161 | 48959GT | 205 | 49183-11492GT | 169 |
| 44229GT | 157, 159, 161 | 48960GT | 171, 199 | 49212GT | 189 |
| 44235GT | 161 | 48974GT | 199 | 49214GT | 189 |
| 44981GT | 15, 19, 21, 27 | 48977GT | 171 | 49215GT | 189 |
| 45071GT | 109 | 48978GT | 171 | 49411GT | 87 |
| 45074GT | 29 | 48983GT | 171 | 49418GT | 177 |
| 45383GT | 139, 145 | 48984GT | 171 | 49613GT | 11 |
| 45384GT | 61 | 48996GT | 47, 171 | 49768GT | 41 |
| 45385GT | 61, 63 | 48997GT | 159 | 49772GT | 113 |
| 45435GT | 99 | 48999GT | 171 | 49817GT | 71 |
| 45454GT | 87, 101, 189 | 49116-8737GT | 175 | 49819GT | 71 |
| 45708GT | 105 | 49117-2191GT | 175 | 49924GT | 11, 13, 85, 95 |
| 46018GT | 163 | 49117-2591GT | 175 | 50455GT | 109 |
| 47092GT | 159 | 49117-4991GT | 175 | 50466GT | 125 |
| 48767-700GT | 179 | 49117-5191GT | 175 | 50479-SGT | 113 |
| 48767-2000GT | 171 | 49117-5591GT | 175 | 50480GT | 127 |
| 48773-2000GT | 171 | 49118-2508GT | 169 | 50517-SGT | 111 |
| 48773-2800GT | 171 | 49119-2178GT | 173 | 50519GT | 43 |
| 48880GT | 157 | 49119-4178GT | 179 | 50542GT | 115 |
| 48885GT | 169 | 49119-4878GT | 169 | 50543GT | 125 |
| 48890GT | 173, 179 | 49119-5478GT | 175 | 50546GT | 121, 125 |
| 48904GT | 169, 177, 179 | 49119-5578GT | 175 | 50548PGT | 113 |
| 48905GT | 157, 171, 173, 175, 179 | 49119-6078GT | 175 | 50552GT | 121 |
| 48906GT | 169 | 49119-6278GT | 175 | 50584GT | 119 |
| 48907GT | 179 | 49119-7078GT | 175 | 50698GT | 119 |
| 48908GT | 177 | 49119-16178GT | 173 | 50742GT | 33 |
| 48909GT | 175 | 49119-20578GT | 179 | 50787GT | 85 |
| 48911GT | 169, 175 | 49119-21878GT | 179 | 50952-SGT | 111 |
| 48912GT | 159, 169, 173, 175 | 49119-36178GT | 173 | 50974GT | 45, 57, 101, 105 |
| 48914GT | 177 | 49119-37678GT | 173 | 52369GT | 159 |
| 48916GT | 169 | 49119-38578GT | 173 | 52371GT | 157, 161, 163 |
| 48917GT | 173 | 49119-39378GT | 173 | 52374GT | 161 |
| 48918GT | 169 | 49120-13081GT | 169 | 52475GT | 15, 17, 21, 25 |
| 48930GT | 175 | 49120-35381GT | 173 | 52726GT | 153 |
| 48932GT | 169, 177 | 49121-2088GT | 179 | 52866GT | 83, 99 |
| 48933GT | 157, 169, 177 | 49121-27788GT | 179 | 52897GT | 163 |
| 48936GT | 177 | 49126-3433GT | 175 | 52906GT | 159 |
| 48937GT | 177 | 49129-2200GT | 171 | 52907GT | 159, 161 |
| 48946GT | 169 | 49141-2463GT | 169 | 52969GT | 15, 21 |



| <u>Part no.</u> | <u>Page Number</u> | <u>Part no.</u> | <u>Page Number</u> | <u>Part no.</u> | <u>Page Number</u> |
|-----------------|-------------------------------|-----------------|--------------------|-----------------|--------------------|
| 53517GT | 183 | 61998PGT | 129, 131 | 72999GT | 15 |
| 53952GT | 83, 99 | 62252GT | 153 | 73575GT | 133, 191 |
| 54063GT | 119, 161 | 62324GT | 159 | 73730GT | 59 |
| 54065GT | 127 | 62337GT | 157 | 73739GT | 133 |
| 54156GT | 109 | 62341GT | 159, 161 | 73805GT | 59, 71 |
| 54157GT | 119 | 62346GT | 157 | 73807GT | 163 |
| 54244GT | 107 | 62392GT | 151 | 73901GT | 197 |
| 54271GT | 123 | 62420GT | 11, 13, 81, 99 | 74006GT | 139, 199 |
| 54324GT | 49 | 62506GT | 163 | 74902GT | 153 |
| 54365GT | 67, 71, 139, 145, 147, 149 | 62507GT | 163 | 74913GT | 67, 199 |
| 54432GT | 105 | 62815GT | 157, 161 | 74917GT | 67 |
| 54486GT | 185 | 62948GT | 17, 25 | 75278-2629GT | 169 |
| 54510-SGT | 129 | 63463GT | 81, 99 | 75443GT | 151 |
| 54542GT | 33, 39 | 65789GT | 127 | 75444GT | 151 |
| 54567GT | 33 | 65791GT | 33 | 75445GT | 151 |
| 54627GT | 11, 29, 37 | 65810GT | 83, 99 | 75446GT | 151 |
| 54719GT | 111 | 65849GT | 79 | 75447GT | 151 |
| 54994GT | 127 | 66031GT | 189 | 75448GT | 151 |
| 55067GT | 129 | 66399GT | 11 | 75449GT | 151 |
| 55753GT | 115, 133, 183, 197 | 66812GT | 59, 63, 137, 143 | 75574GT | 175 |
| 56053GT | 67, 71 | 66813GT | 61, 65, 137, 143 | 76450GT | 119 |
| 56057GT | 67 | 66814GT | 61 | 77014GT | 115 |
| 56424GT | 133, 185, 197 | 66816GT | 137, 143 | 77103-3600GT | 173 |
| 56663GT | 139, 145 | 66818GT | 137, 143 | 77103-4800GT | 173 |
| 56704GT | 181 | 66821GT | 137, 143 | 77139GT | 79 |
| 56849GT | 113 | 70375GT | 81 | 77162GT | 155 |
| 56912GT | 33, 37, 39, 51, 53, 81... | 70376GT | 81 | 77181GT | 125, 129 |
| 56994GT | 67 | 70381GT | 87, 95 | 77186GT | 153, 155 |
| 58222GT | 79, 103 | 70385GT | 79 | 77189GT | 115 |
| 58223GT | 79, 103 | 70452GT | 81, 101 | 77245GT | 87 |
| 58380GT | 79, 103 | 70460GT | 85 | 77311-7156GT | 175 |
| 58415GT | 81, 99 | 70461GT | 81 | 77351GT | 139, 145 |
| 58431GT | 165 | 70534GT | 115 | 77353GT | 11, 45 |
| 60334GT | 79, 103 | 70642PGT | 189 | 77354GT | 45 |
| 60857GT | 79, 105 | 70644-75792GT | 189 | 77362GT | 115 |
| 61143-3263GT | 175 | 70671GT | 115 | 77363GT | 127 |
| 61143-8063GT | 169 | 70685PGT | 111 | 77364GT | 115, 127 |
| 61726GT | 131 | 71259GT | 51, 205 | 77365GT | 45 |
| 61972GT | 131 | 71498GT | 183 | 77398GT | 15 |
| 61974GT | 131 | 72086GT | 15, 17, 21, 25 | 77399GT | 15, 17 |
| 61975GT | 131 | 72282GT | 181 | 77402GT | 87 |
| 61987GT | 131 | 72326GT | 139, 145 | 77410GT | 119 |

| <u>Part no.</u> | <u>Page Number</u> | <u>Part no.</u> | <u>Page Number</u> | <u>Part no.</u> | <u>Page Number</u> |
|-----------------|--------------------|-----------------|--------------------|-----------------|---------------------|
| 77788GT | 165 | 89066GT | 33 | 101726GT | 45, 49 |
| 78736GT | 33, 53, 101, 165 | 89554-2913GT | 175 | 101729GT | 81, 85, 101 |
| 80391GT | 79 | 89575GT | 67, 71 | 101815GT | 43 |
| 81013GT | 165 | 89756GT | 43, 113 | 101958GT | 161 |
| 81096GT | 139 | 89781GT | 85 | 101964GT | 53 |
| 81175GT | 127 | 89785GT | 89 | 102158GT | 31, 37 |
| 81488GT | 141 | 89862GT | 163 | 102785PGT | 183 |
| 81550GT | 147, 149 | 89863GT | 157, 159, 161 | 102786PGT | 183 |
| 81578GT | 57 | 89864GT | 163 | 102992GT | 133 |
| 81640GT | 55, 125 | 93500GT | 11 | 104759GT | 163 |
| 81669GT | 165 | 94374-10330GT | 169 | 104804GT | 133, 197 |
| 81691GT | 41 | 94464-2786GT | 175 | 105092GT | 47 |
| 81812-4892GT | 175 | 94485GT | 85 | 105214GT | 45, 51, 81, 99, 105 |
| 81834GT | 51 | 94526GT | 45 | 106069GT | 55 |
| 81900GT | 61, 65 | 94612GT | 47 | 106098GT | 31 |
| 82161GT | 15 | 94614GT | 157 | 106117GT | 29, 37 |
| 82240GT | 25 | 94616GT | 157 | 106163GT | 129 |
| 82243GT | 19 | 94618GT | 161 | 106427GT | 111 |
| 82431GT | 165 | 94643GT | 131, 169 | 106835GT | 165 |
| 82481GT | 25 | 94745PGT | 183 | 106836GT | 165 |
| 82487GT | 21, 27 | 96008GT | 63 | 106837GT | 165 |
| 83098GT | 151 | 96008-SGT | 59 | 106972GT | 111 |
| 84135GT | 153 | 97128GT | 43, 111, 113, 119 | 107588GT | 109 |
| 84137GT | 155 | 97548GT | 17 | 107590GT | 109 |
| 87684GT | 47, 51, 55, 57 | 97602GT | 17 | 107727GT | 109 |
| 87753GT | 147, 149 | 97815GT | 19, 27 | 107803GT | 99, 103 |
| 87754GT | 147, 149 | 97870GT | 15, 21 | 107805GT | 99, 103 |
| 87755GT | 63 | 99346GT | 103 | 107813GT | 165 |
| 88203GT | 109 | 101006GT | 83 | 107814GT | 165 |
| 88315GT | 63 | 101010GT | 67, 71 | 107815GT | 165 |
| 88356-11103GT | 43 | 101055GT | 161 | 107816GT | 157 |
| 88356-11163GT | 111 | 101080GT | 75 | 107842GT | 165 |
| 88356-11205GT | 113, 119 | 101129GT | 87 | 107843GT | 39 |
| 88370PGT | 111 | 101138GT | 79 | 107859GT | 109 |
| 88516GT | 129 | 101140GT | 85 | 107881GT | 111 |
| 88606PGT | 183 | 101213GT | 119 | 110149GT | 189 |
| 88607PGT | 183 | 101277GT | 159 | 110160GT | 75 |
| 88635-3724GT | 169 | 101294GT | 165 | 110180GT | 161 |
| 88676GT | 109, 115 | 101490GT | 47 | 110194GT | 153, 155 |
| 88725GT | 75 | 101512GT | 131 | 110200GT | 153 |
| 88917GT | 45 | 101523GT | 119 | 110309GT | 115 |
| 89065GT | 33 | 101586GT | 31 | 110345GT | 45 |

| <u>Part no.</u> | <u>Page Number</u> | <u>Part no.</u> | <u>Page Number</u> | <u>Part no.</u> | <u>Page Number</u> |
|-----------------|--------------------|-----------------|-------------------------------|-----------------|--------------------|
| 110671GT | 129 | 128004GT | 87, 95 | 146478GT | 137, 143 |
| 110789GT | 131 | 128045GT | 131 | 147033GT | 29 |
| 111051GT | 123 | 128200GT | 59, 63, 65, 137, 139, 142 | 147034GT | 29 |
| 111052GT | 123 | 128201GT | 59, 63 | 147067GT | 43, 105 |
| 111053GT | 123 | 128202GT | 59, 63, 65, 137, 143 | 147090GT | 59, 63 |
| 111445GT | 79 | 128204GT | 59, 63, 137, 139, 143, 145 | 147121GT | 133 |
| 111485PGT | 183 | 128423GT | 165 | 147223GT | 45 |
| 111526GT | 185 | 128454PGT | 125 | 147419GT | 171 |
| 111668GT | 85 | 128482GT | 189 | 147513GT | 131 |
| 111699GT | 103 | 128483GT | 125 | 160554GT | 183 |
| 114248GT | 27 | 128510GT | 125 | 160759GT | 15 |
| 114249GT | 21, 25 | 128534GT | 125 | 160762GT | 15 |
| 114251GT | 21 | 128590GT | 119 | 160768GT | 21 |
| 114252GT | 21, 25 | 128592GT | 121 | 160770GT | 21 |
| 114258GT | 15 | 128596GT | 123 | 161534GT | 153 |
| 114390GT | 15, 17, 19 | 128597GT | 123 | 162360GT | 137 |
| 114397GT | 19 | 128601GT | 121 | 162361GT | 59 |
| 119058GT | 133 | 128829GT | 71 | 162521GT | 137 |
| 119209GT | 39 | 128862GT | 123 | 214691GT | 97 |
| 119210GT | 39 | 128995GT | 121 | 214846GT | 87 |
| 119219GT | 95 | 133067GT | 21, 25, 27 | 214932GT | 15, 21 |
| 119403GT | 51 | 133278GT | 15 | 214933GT | 19, 27 |
| 119542GT | 125 | 139099GT | 179 | 215254GT | 47, 53 |
| 119619GT | 29, 33, 39 | 139241GT | 57 | 216340GT | 79 |
| 119644GT | 147, 149 | 139261-3030GT | 53 | 216341GT | 87 |
| 119915GT | 151 | 139261-6000GT | 53 | 216342GT | 165 |
| 120240GT | 81 | 139438GT | 183 | 216343GT | 81 |
| 120415GT | 49 | 139598GT | 151 | 216344GT | 53 |
| 120416GT | 49 | 139622GT | 79 | 216653GT | 51 |
| 120417GT | 49 | 139624GT | 79 | 216786GT | 139 |
| 121843GT | 147, 149 | 139701GT | 123 | 216791GT | 67 |
| 121846GT | 71 | 139709GT | 79 | 216793GT | 67 |
| 121847GT | 147, 149 | 139779GT | 123 | 217192GT | 31 |
| 121848GT | 75, 131 | 139960GT | 45 | 217193GT | 31 |
| 122019GT | 181 | 139966GT | 29 | 217430GT | 43 |
| 122073GT | 183 | 139967GT | 29 | 217518GT | 55 |
| 122148GT | 153 | 139968GT | 29 | 217812GT | 67 |
| 122246GT | 103 | 139969GT | 29 | 217904GT | 75 |
| 122755GT | 189 | 139970GT | 29 | 217957GT | 75 |
| 123143GT | 73 | 139971GT | 29 | 218044GT | 175 |
| 128000GT | 151 | 139972GT | 29 | 218045GT | 175 |
| 128001GT | 151 | 146264GT | 29 | 218090GT | 59 |

| <u>Part no.</u> | <u>Page Number</u> | <u>Part no.</u> | <u>Page Number</u> | <u>Part no.</u> | <u>Page Number</u> |
|-----------------|----------------------------|-----------------|------------------------------|-----------------|----------------------------|
| 218121GT | 153 | 227564GT | 133 | 824052GT | 43 |
| 218127GT | 155 | 227614GT | 175 | 824059GT | 47, 53 |
| 218165GT | 61, 65, 137, 139, 143, 145 | 227617GT | 75, 133 | 824060GT | 29, 33, 37, 39, 53 |
| 218221GT | 81 | 229567GT | 59, 63, 137, 139, 143 | 824061GT | 37, 101 |
| 218449GT | 51, 63, 69 | 230849GT | 29 | 824062GT | 53, 105 |
| 218455GT | 75 | 231037GT | 153 | 824063GT | 165 |
| 218458GT | 199 | 231511GT | 97 | 824067GT | 33, 43, 45, 115, 119, 165 |
| 218466GT | 51, 63 | 231532GT | 55, 57 | 824068GT | 45, 103, 119 |
| 218530GT | 147, 149 | 231562GT | 51 | 824069GT | 39 |
| 218549GT | 19 | 231613GT | 29 | 824070GT | 131 |
| 218550GT | 19 | 231864GT | 195 | 824077GT | 129 |
| 218551GT | 19 | 231868GT | 199 | 824078GT | 67, 79, 101, 103, 113, 133 |
| 218555GT | 19 | 232575GT | 179 | 824079GT | 43, 47, 51, 53, 85, 131 |
| 218559GT | 19 | 233715GT | 129 | 824080GT | 81, 105 |
| 218684GT | 75 | 233745GT | 129 | 824081GT | 127 |
| 218715GT | 95 | 235645GT | 83, 85 | 824082GT | 111, 119 |
| 218759GT | 59 | 235654GT | 79, 103 | 824083GT | 33 |
| 218781GT | 75 | 236260GT | 97 | 824085GT | 97 |
| 219305GT | 77 | 236278GT | 153 | 824086GT | 97, 185 |
| 219350GT | 45 | 237235GT | 153 | 824087GT | 47, 53, 129 |
| 219353GT | 99, 105 | 237236GT | 153 | 824089GT | 51, 79, 97, 103, 157 |
| 219425GT | 153 | 237238GT | 85 | 824090GT | 45, 53, 57, 97, 139, 193 |
| 219436GT | 51, 157 | 237568GT | 31 | 824091GT | 45, 51, 53, 57, 81, 97... |
| 219483GT | 15, 17, 21, 25 | 237569GT | 29 | 824092GT | 81, 97, 103, 111, 117, 125 |
| 219484GT | 15, 17 | 237688GT | 111, 115 | 824093GT | 33, 87, 103 |
| 219486GT | 15 | 237730GT | 99 | 824094GT | 47, 51 |
| 219487GT | 19 | 237731GT | 73 | 824095GT | 47 |
| 219488GT | 15, 21, 25 | 237790GT | 43 | 824104GT | 29 |
| 219668GT | 79 | 237914GT | 29 | 824109GT | 29, 67, 147, 149 |
| 219672GT | 77 | 237915GT | 31 | 824110GT | 33, 39, 41, 45, 53, 103 |
| 219673GT | 77 | 822111GT | 101 | 824111GT | 39, 109, 113, 115 |
| 219684GT | 77, 183 | 822606-5000GT | 95 | 824113GT | 33, 37, 39, 51, 53, 59... |
| 219685GT | 77, 183 | 823174GT | 195 | 824119GT | 53 |
| 219952GT | 21 | 823395GT | 49 | 824122GT | 131 |
| 219954GT | 27 | 824025GT | 131 | 824124GT | 123, 135 |
| 219956GT | 27 | 824027GT | 103, 113, 119, 123, 125, 131 | 824127GT | 33 |
| 219957GT | 27 | 824028GT | 81, 129, 185, 197 | 824129GT | 33 |
| 219958GT | 27 | 824029GT | 81, 87, 103, 111, 115, 125 | 824142GT | 87 |
| 219991GT | 81, 85, 101 | 824036GT | 67 | 824144GT | 199 |
| 219993GT | 175 | 824041GT | 41 | 824151GT | 121, 125 |
| 220234GT | 77, 205 | 824050GT | 43 | 824164GT | 119, 125 |
| 226393GT | 181 | 824051GT | 43 | 824206GT | 139, 145, 195 |

| <u>Part no.</u> | <u>Page Number</u> | <u>Part no.</u> | <u>Page Number</u> | <u>Part no.</u> | <u>Page Number</u> |
|-----------------|----------------------------|-----------------|-----------------------------|-----------------|---------------------------|
| 824207GT | 197 | 1255653GT | 85 | 1256853GT | 99, 105 |
| 824214GT | 59, 69, 147, 149 | 1255666GT | 85 | 1256855GT | 59, 63, /1, 113, 133, 139 |
| 824215GT | 47, 101 | 1255757GT | 55, 57, 101, 103 | 1256856GT | 187 |
| 824216GT | 43, 131, 195 | 1255758GT | 39, 41, 45, 51, 55, 105 | 1256857GT | 29, 201 |
| 824228GT | 105 | 1255780GT | 77 | 1256859GT | 191 |
| 824600GT | 95 | 1255805GT | 79 | 1256863GT | 129 |
| 824775GT | 91 | 1256054GT | 53, 57 | 1257076GT | 41, 85 |
| 825014GT | 91 | 1256106GT | 81, 85 | 1257077GT | 41 |
| 825015GT | 91 | 1256109GT | 45, 111, 115, 119, 125, 129 | 1257078GT | 29, 37 |
| 825019GT | 33, 39, 115, 119, 125 | 1256118GT | 53 | 1257229GT | 99, 103 |
| 825020GT | 131 | 1256119GT | 119 | 1257248GT | 133 |
| 825351GT | 95 | 1256124GT | 123 | 1257249GT | 133 |
| 825352GT | 181, 191 | 1256127GT | 121, 125 | 1257296GT | 139 |
| 825355GT | 85 | 1256170GT | 43 | 1257390GT | 41, 139 |
| 825358GT | 119, 197 | 1256177GT | 113 | 1257402GT | 147, 149 |
| 825693GT | 89 | 1256180GT | 125 | 1257404GT | 139, 145 |
| 825708GT | 89 | 1256182GT | 29, 37, 43, 99, 103 | 1257410GT | 69 |
| 825796GT | 29 | 1256267GT | 109, 115 | 1257421GT | 87 |
| 826008GT | 87 | 1256283GT | 81, 85, 101 | 1257458GT | 129 |
| 826214GT | 199 | 1256378GT | 187 | 1257628GT | 43 |
| 826215GT | 199 | 1256380GT | 187 | 1257733GT | 11 |
| 826779GT | 159 | 1256389GT | 187 | 1257837GT | 95 |
| 826793GT | 125, 129, 167 | 1256400FRGT | 187 | 1258174GT | 21, 25 |
| 1251565GT | 29 | 1256400GT | 187 | 1258176GT | 23, 25 |
| 1251567GT | 165 | 1256439GT | 187 | 1258567GT | 11 |
| 1251600GT | 133 | 1256450GT | 85 | 1259374GT | 79 |
| 1251757GT | 49, 67, 139, 145, 147, 149 | 1256457GT | 87 | 1259375GT | 79 |
| 1251899GT | 99 | 1256460GT | 133 | 1259704GT | 183 |
| 1251983GT | 81 | 1256469GT | 73 | 1259857GT | 43 |
| 1251997GT | 43, 105, 187 | 1256479GT | 51, 67 | 1260194GT | 147, 149 |
| 1253185GT | 41, 67, 101, 165 | 1256481GT | 187 | 1260372GT | 99, 103 |
| 1253478GT | 115, 125 | 1256607GT | 55, 57 | 1260892GT | 187 |
| 1253485GT | 41 | 1256670GT | 163 | 1260910GT | 187 |
| 1253490GT | 81 | 1256679GT | 87, 101, 135 | 1260940GT | 109 |
| 1253498GT | 43, 105 | 1256693GT | 33, 39 | 1261019GT | 187 |
| 1254826GT | 85 | 1256776GT | 81 | 1261021GT | 187 |
| 1255030GT | 77 | 1256803GT | 123 | 1261023GT | 187 |
| 1255452GT | 33, 99, 103, 115 | 1256843GT | 39 | 1261025GT | 187 |
| 1255469GT | 87, 165 | 1256844GT | 109, 111, 115 | 1261184GT | 191 |
| 1255537GT | 199 | 1256847GT | 55 | 1261236GT | 13, 97 |
| 1255555GT | 77 | 1256848GT | 41, 51 | 1261237GT | 89 |
| 1255581GT | 21, 25 | 1256851GT | 81, 85, 99, 187 | 1261296GT | 75 |

| <u>Part no.</u> | <u>Page Number</u> | <u>Part no.</u> | <u>Page Number</u> | <u>Part no.</u> | <u>Page Number</u> |
|-----------------|-------------------------------|-----------------|--------------------|-----------------|---------------------------|
| 1261298GT | 59, 77 | 1269499GT | 151 | 1273207GT | 29, 37 |
| 1261347GT | 67, 137, 143 | 1270059GT | 105 | 1273654GT | 49 |
| 1261689GT | 203 | 1270313GT | 197 | 1274164GT | 59 |
| 1261795GT | 199 | 1270314GT | 197 | 1274165GT | 37 |
| 1261836GT | 53, 57 | 1270316GT | 197 | 1274166GT | 45, 105 |
| 1262313GT | 75 | 1270433GT | 45 | 1274167GT | 47, 53, 57, 97 |
| 1262314GT | 77 | 1270434GT | 57 | 1274320GT | 101 |
| 1262315GT | 77 | 1270442GT | 113 | 1274322GT | 33, 39, 45, 51, 53, 57... |
| 1262316GT | 77 | 1270546GT | 45 | 1274511GT | 127 |
| 1262633GT | 115 | 1271061GT | 197 | 1274969GT | 151 |
| 1262635GT | 33, 127 | 1271713GT | 151 | 1274971GT | 151 |
| 1262643GT | 77 | 1271772GT | 49 | 1274972GT | 151 |
| 1262873GT | 89 | 1271773GT | 49 | 1275088GT | 133 |
| 1262893GT | 89 | 1272129GT | 29, 37 | 1275089GT | 135 |
| 1262896GT | 89 | 1272242GT | 17, 25 | 1275333GT | 75 |
| 1262897GT | 89 | 1272433GT | 199 | 1277873GT | 191 |
| 1263070GT | 81 | 1272685GT | 55, 57 | 1277875GT | 191 |
| 1263142GT | 43 | 1272691GT | 55 | 1277876GT | 191 |
| 1263181GT | 105 | 1272692GT | 33 | 1277877GT | 191 |
| 1263182GT | 105 | 1272693GT | 35 | 1277924GT | 35, 41, 43, 47, 53, 99... |
| 1263232GT | 43 | 1272694GT | 31 | 1277952GT | 185 |
| 1263542GT | 21, 25 | 1272695GT | 31 | 1277966GT | 185 |
| 1264101GT | 81, 197 | 1272696GT | 37 | 1278111GT | 191 |
| 1264261GT | 43, 47, 131, 137, 143, 147 | 1272697GT | 39 | 1278119GT | 191 |
| 1264307GT | 15 | 1272698GT | 39 | 1278121GT | 191 |
| 1264934GT | 191 | 1272699GT | 33 | 1278124GT | 191 |
| 1265397GT | 133, 197 | 1272700GT | 41 | 1278138GT | 191 |
| 1265481GT | 119 | 1272702GT | 39 | 1278144GT | 193 |
| 1265717 | 125 | 1272703GT | 37 | 1278363GT | 193 |
| 1265826GT | 133 | 1272704GT | 51, 63 | 1278368GT | 191 |
| 1266019GT | 15 | 1272705GT | 45 | 1278416GT | 191 |
| 1266972GT | 115 | 1272706GT | 105 | 1278433GT | 191 |
| 1267498GT | 53 | 1272707GT | 55, 57 | 1278455GT | 77, 191 |
| 1267746GT | 133 | 1272708GT | 33 | 1278458GT | 191 |
| 1267747GT | 133, 197 | 1272709GT | 55, 57 | 1278542GT | 191 |
| 1267807GT | 105 | 1272710GT | 55, 57 | 1278982GT | 193 |
| 1268229GT | 11, 79, 105 | 1272711GT | 101, 107 | 1279135GT | 191 |
| 1268368GT | 37 | 1272713GT | 45 | 1279829GT | 99 |
| 1268953GT | 67 | 1272714GT | 45 | 1279869GT | 199 |
| 1269086GT | 199 | 1272733GT | 47 | 1280865GT | 105 |
| 1269497GT | 137, 143 | 1272735GT | 111 | 1280867GT | 101 |
| 1269498GT | 139, 145 | 1273205GT | 129 | 1280877GT | 113 |

| <u>Part no.</u> | <u>Page Number</u> | <u>Part no.</u> | <u>Page Number</u> | <u>Part no.</u> | <u>Page Number</u> |
|-----------------|--------------------|-----------------|--------------------|-----------------|--------------------|
| 1281174GT | 19 | 1292512GT | 17, 25 | 1297263GT | 91 |
| 1281175GT | 27 | 1292513GT | 17, 25 | 1297264GT | 91 |
| 1283004GT | 41 | 1292514GT | 17, 25 | 1298022GT | 63 |
| 1283005GT | 67 | 1292515GT | 17, 25 | 1298371GT | 97 |
| 1283022GT | 199 | 1292857GT | 111 | 1298601GT | 59 |
| 1283776GT | 11 | 1292858GT | 111 | 1299398GT | 63 |
| 1283800GT | 139 | 1292998-7500GT | 171 | 1299406GT | 21 |
| 1283972GT | 75 | 1293167GT | 97 | 1299413GT | 71 |
| 1283973GT | 75 | 1293168GT | 97 | 1299430GT | 75 |
| 1283997GT | 71 | 1293169GT | 101 | 1299445GT | 75 |
| 1284538GT | 53 | 1293172GT | 97 | 1299638GT | 145 |
| 1284539GT | 57 | 1293179GT | 97 | 1300300GT | 99 |
| 1284937GT | 199 | 1293180GT | 99 | 1300301GT | 99 |
| 1285075GT | 55 | 1293187GT | 97 | 1300304GT | 99 |
| 1285157GT | 57 | 1293188GT | 101 | 1300306GT | 97 |
| 1285158GT | 53 | 1293292GT | 97 | 1300307GT | 99 |
| 1285356GT | 111 | 1293851GT | 199 | 1300562GT | 97 |
| 1285399GT | 57 | 1293934GT | 89 | 1300704GT | 89 |
| 1285401GT | 51 | 1294085GT | 89 | 1300705GT | 89 |
| 1285404GT | 53 | 1294091GT | 89 | 1300707GT | 89 |
| 1285505GT | 165 | 1294568GT | 75 | 1300708GT | 91 |
| 1285506GT | 165 | 1294920GT | 97 | 1300709GT | 89 |
| 1285590GT | 111 | 1294969GT | 89 | 1300710GT | 89 |
| 1285700GT | 197 | 1297243GT | 91 | 1300711GT | 89 |
| 1286362GT | 21 | 1297244GT | 93 | 1300712GT | 89 |
| 1286570GT | 73 | 1297245GT | 91 | 1300893GT | 27 |
| 1287081GT | 199 | 1297246GT | 93 | 1300894GT | 143 |
| 1287148GT | 111 | 1297247GT | 91 | 1300898GT | 63 |
| 1287486GT | 89 | 1297248GT | 91 | 1300899GT | 113 |
| 1287634GT | 203 | 1297249GT | 91 | 1300900GT | 113 |
| 1289228GT | 95 | 1297250GT | 91 | 1300902GT | 111 |
| 1289229GT | 95 | 1297251GT | 91 | 1301024GT | 143 |
| 1289231GT | 95 | 1297252GT | 91 | 1301030GT | 21 |
| 1290343-4750GT | 169 | 1297253GT | 91 | 1301055GT | 55 |
| 1290704GT | 199 | 1297254GT | 91 | 1301742GT | 97 |
| 1290705GT | 199 | 1297255GT | 91 | 1302429GT | 97 |
| 1290706GT | 199 | 1297256GT | 91 | 1302432GT | 99 |
| 1290707GT | 199 | 1297257GT | 91 | 1302512GT | 75 |
| 1290773GT | 77 | 1297258GT | 91 | 1302513GT | 77 |
| 1291291GT | 75 | 1297260GT | 91 | 1302905GT | 97 |
| 1291624GT | 17, 25 | 1297261GT | 91 | 1302911GT | 97 |
| 1291703GT | 95 | 1297262GT | 91 | 1303597GT | 51 |

| <u>Part no.</u> | <u>Page Number</u> | <u>Part no.</u> | <u>Page Number</u> | <u>Part no.</u> | <u>Page Number</u> |
|-----------------|--------------------|-----------------|--------------------|-----------------|--------------------|
| 1303600GT | 75 | | | | |
| 1303601GT | 75 | | | | |
| 1303866GT | 75 | | | | |
| 1303867GT | 75 | | | | |
| 1303868GT | 75 | | | | |
| 1303871GT | 75 | | | | |
| 1303872GT | 75 | | | | |
| 1303873GT | 75 | | | | |
| 1303894GT | 143 | | | | |
| 1303896GT | 63 | | | | |
| 1304185GT | 123 | | | | |
| 1304186GT | 123 | | | | |
| 1304217GT | 25 | | | | |
| T106699GT | 67 | | | | |
| T107520GT | 59 | | | | |
| T107725GT | 71 | | | | |
| T107883GT | 125 | | | | |
| T107884GT | 125 | | | | |
| T108075GT | 127 | | | | |
| T112626GT | 151 | | | | |
| T112773GT | 19, 27 | | | | |
| T114627GT | 77, 183 | | | | |

California Proposition 65



Operating, servicing and maintaining this equipment, passenger vehicle or off-highway motor vehicle can expose you to chemicals including engine exhaust, carbon monoxide, phthalates, and lead, which are known to the State of California to cause cancer and birth defects or other reproductive harm. These chemicals can be emitted from or contained in other various parts and systems, fluids and some component wear by-products. To minimize exposure, avoid breathing exhaust, do not idle the engine except as necessary, service your equipment and vehicle in a well-ventilated area and wear gloves or wash your hands frequently when servicing your equipment or vehicle and after operation. For more information go to www.P65Warnings.ca.gov/passenger-vehicle.

Breathing diesel engine exhaust exposes you to chemicals known to the State of California to cause cancer and birth defects or other reproductive harm.

- Always start and operate the engine in a well-ventilated area.
- If in an enclosed area, vent the exhaust to the outside.
- Do not modify or tamper with the exhaust system.
- Do not idle the engine except as necessary.

For more information go to www.P65warnings.ca.gov/diesel.

www.genielift.com

Distributed By:

Parts Manual
Z-51/30J

from SN Z5130M-3501

Part No.
1304442GT

Rev A

Genie
A TEREX BRAND