



Parts Manual Supplement

Serial Number Range

Self Propelled
Servicing Platform

from UAFSP06-102

This manual applies to
Z45/25J Bi-Energy
with an EE rating and
manufactured for the USAF.

Part No. 110935

Rev C1

December 2012


Contact Us:

<http://www.genieindustries.com>
e-mail: techsup@genieind.com

Copyright © 2004 by Genie Industries

110935 Rev C September 2009
First Edition, Third Printing

"Genie" and "Z" are registered trademarks of
Genie Industries in the USA and many other
countries.

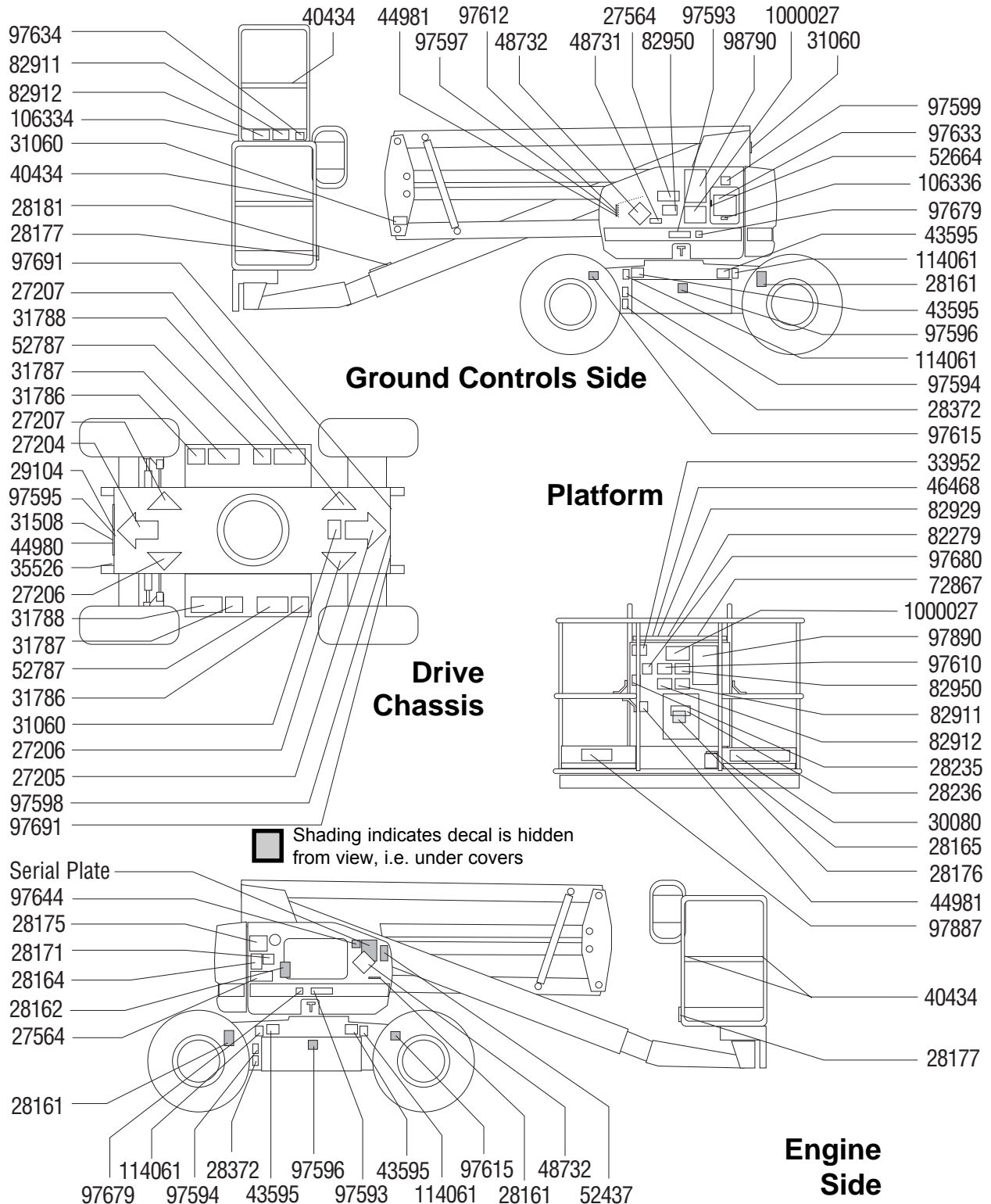
 Printed on recycled paper

Printed in U.S.A.

Table of Contents

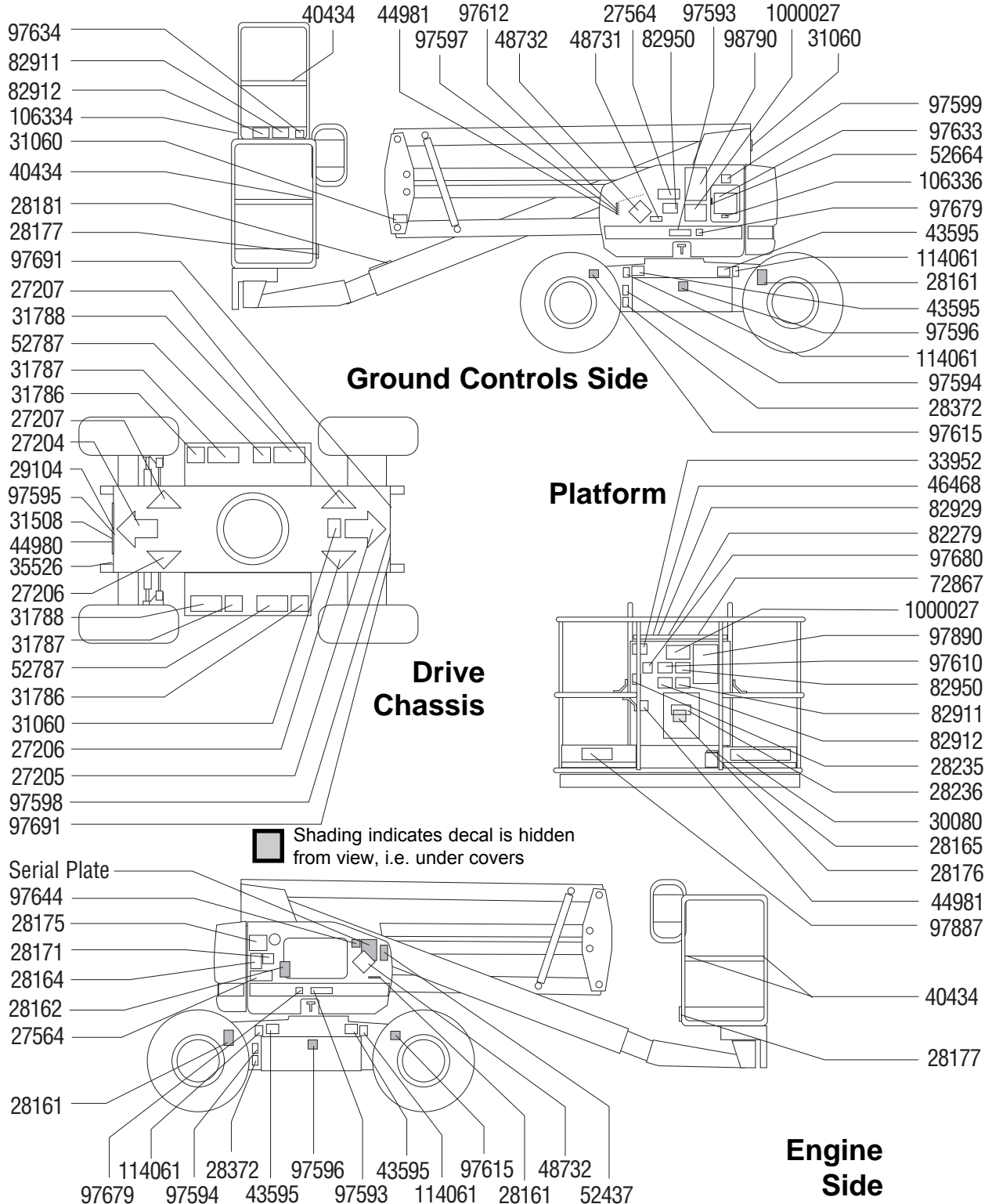
Decals	4
Drive Chassis - Counterweight	8
Drive Chassis - Steer End	10
Battery Packs	12
Drive Chassis, Non-steer End	14
Turntable	16
Power Cables (before serial number 132)	18
Power Cables (after serial number 131)	20
Elevate Components	22
Auxiliary Platform Installation	24
Platform Components	26
Auxiliary Platform Components	28
Platform Control Box	30

Figure	Rev	Description
100	A	Decals



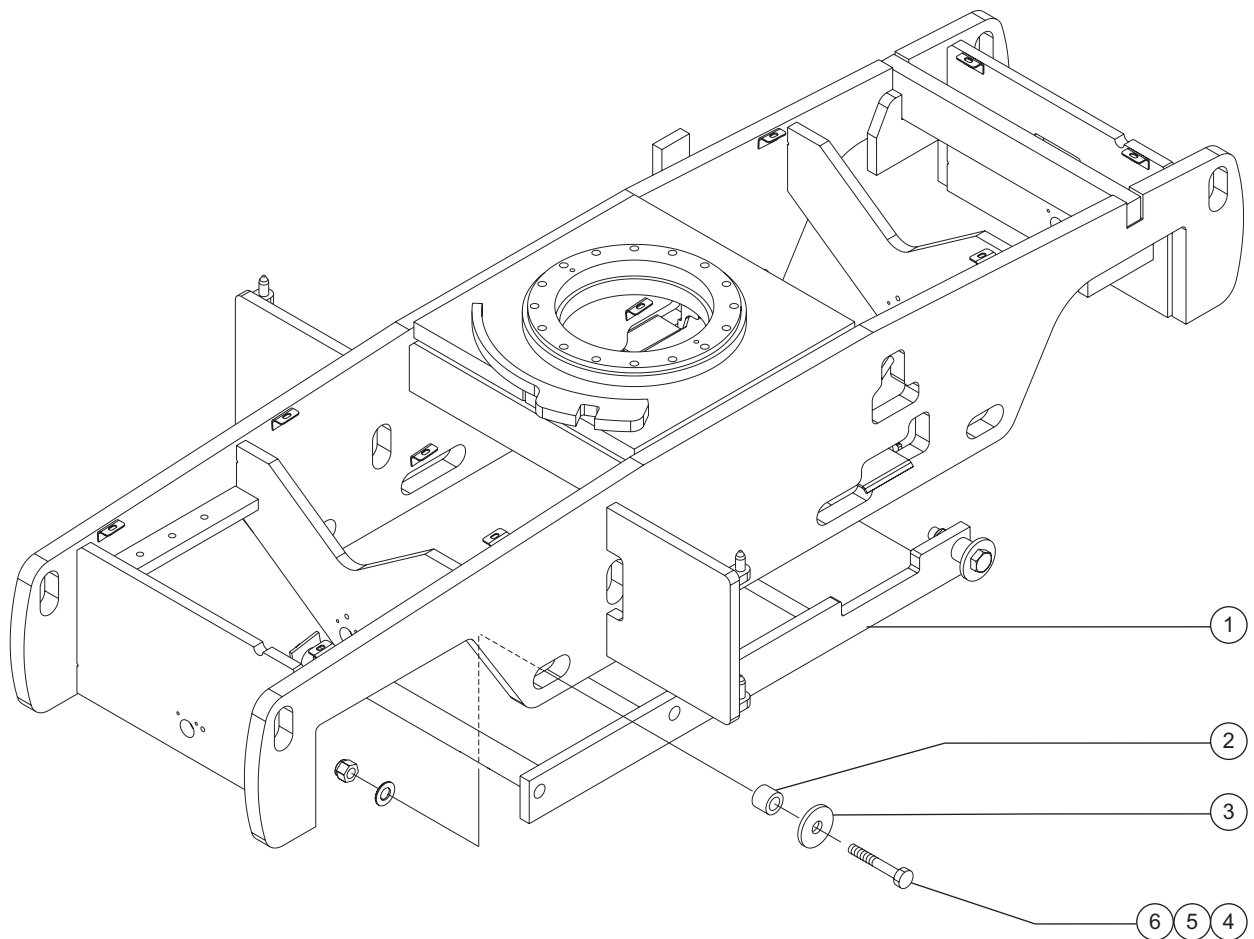
Item	Part No.	Description	Qty.	Item	Part No.	Description	Qty.
1	114054	Decal Kit	—	31	44980	Label - Power to Charger, 115V ..	1
2	27204	Arrow - Blue	1	32	44981	Label - Air Line to Platform	2
3	27205	Arrow - Yellow	1	33	46468	Label - Function Override	1
4	27206	Triangle- Blue	2	34	48731	Label - FMRC Approval	1
5	27207	Triangle - Yellow	2	35	48732	Label - EE Approval	2
6	27564	Danger - Electrocutation Hazard	2	36	52437	Notice - Kubota Diesel Engine Specs	1
7	28159	Label - Diesel	1	37	52664	Label - Controller Status Indicator Light	1
8	28161	Warning - Crushing Hazard	3	38	52787	Notice - Charger Operating Instructions	2
9	28162	Warning - Crushing Hazard	1	39	72867	Label - Driving Lights	1
10	28164	Notice - Hazardous Materials	1	40	82279	Platform Control Panel	1
11	28165	Notice - Foot Switch	1	41	82911	Danger - Auxiliary Platform Safety	2
12	28171	Label - No Smoking	1	42	82912	Danger - Max Capacity, Aux Platform	2
13	28175	Caution - Compartment Access ...	1	43	82950	Danger - Hazardous Locations	2
14	28176	Notice - Missing Manuals	1	44	97593	Warning - Explosion Hazard, Covers	2
15	28177	Warning - Platform Rotate	2	45	97594	Warning - Explosion Hazard, Battery	2
16	28181	Warning - No Step or Ride	1	46	97595	Warning - Explosion Hazard, Plugs	1
17	28235	Label - Power to Platform, 115V ..	2	47	97596	Warning - Explosion Hazard, Battery Box	2
18	28236	Warning - Failure To Read . . .	1	48	97597	Warning - Explosion Hazard, Switches	1
19	28372	Caution - Quick Disconnect	2	49	97598	Label - Ramp Storage	1
20	29104	Danger - Towing Safety/Instructions	1	This parts list continues on next page.			
21	30080	Notice - Maximum Load, 500 lbs / 227 kg	1				
22	31060	Danger - Tip-over Hazard, Interlock	3				
23	31508	Notice - Power to Charger	1				
24	114117	Notice - Connection Diagram	2				
25	31787	Danger - Tip-over Hazard	2				
26	31788	Danger - Battery Safety	2				
27	33952	Danger - Tilt-Alarm	1				
28	35526	Caution - Towing Speed	1				
29	40434	Label - Lanyard Anchorage	3				
30	43595	Danger - Tip-over Hazard, Tires ..	4				

Figure	Rev	Description
100	A	Decals



Item	Part No.	Description	Qty.
50	97599	Warning - Explosion Hazard, Temp	1
51	97610	Caution - Collision Hazard	1
52	97612	Warning, Explosion Hazards, Plugs	1
53	97615	Notice - Remove Ramps	2
54	97633	Ground Control Panel	1
55	97634	Label - Auxiliary Platform ID Numbers	1
56	97644	Label - Machine ID Numbers	1
57	97679	Label - CG	2
58	97680	Warning - Explosion Hazard, Inclines	1
59	97691	Label - Traction Ramp ID Numbers	2
60	97887	Notice - Max Side Force, 150 lbs / 667N	1
61	97890	Danger - General Safety	2
62	106334	UID Plate, Auxiliary Platform	1
63	106336	UID Plate	1
64	114061	Label - Wheel Load	4
65	1000027	Notice - Operations Instructions ...	2

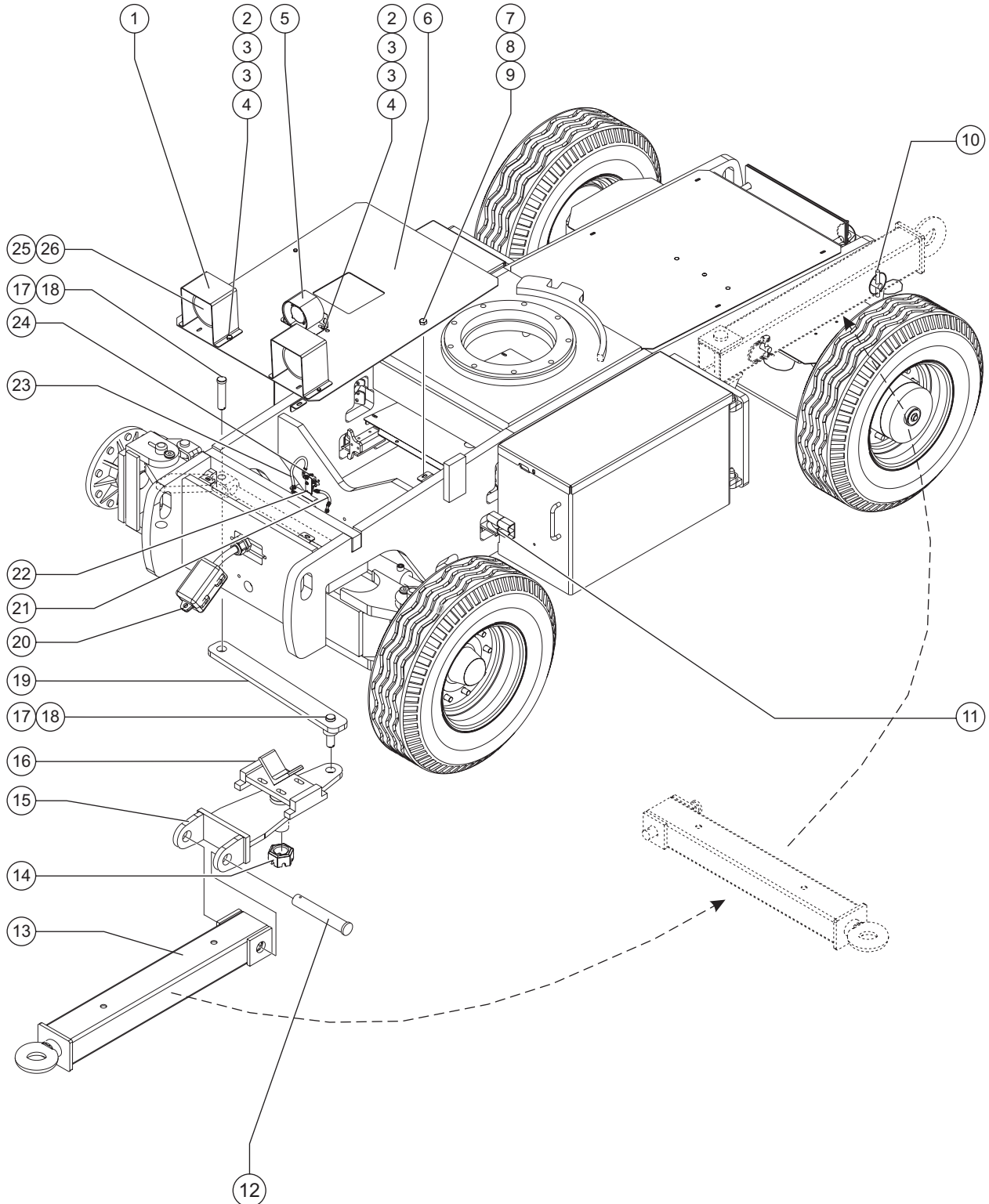
Figure	Rev	Description
101	B	Drive Chassis - Counterweight



Item	Part No.	Description	Qty.
1	70687	Counterweight, 401lbs.	1
2	107574P	Tube Spacer	4
3	119815P	Retaining Plate Washer	4
4	36128	Screw - HHC, 1 -8 x 5 inches, GR 2	
5	13775	Flat Washer, 1.063 x 2 x 0.134 inch	
6	29764	Nylock Nut, 1 -8	

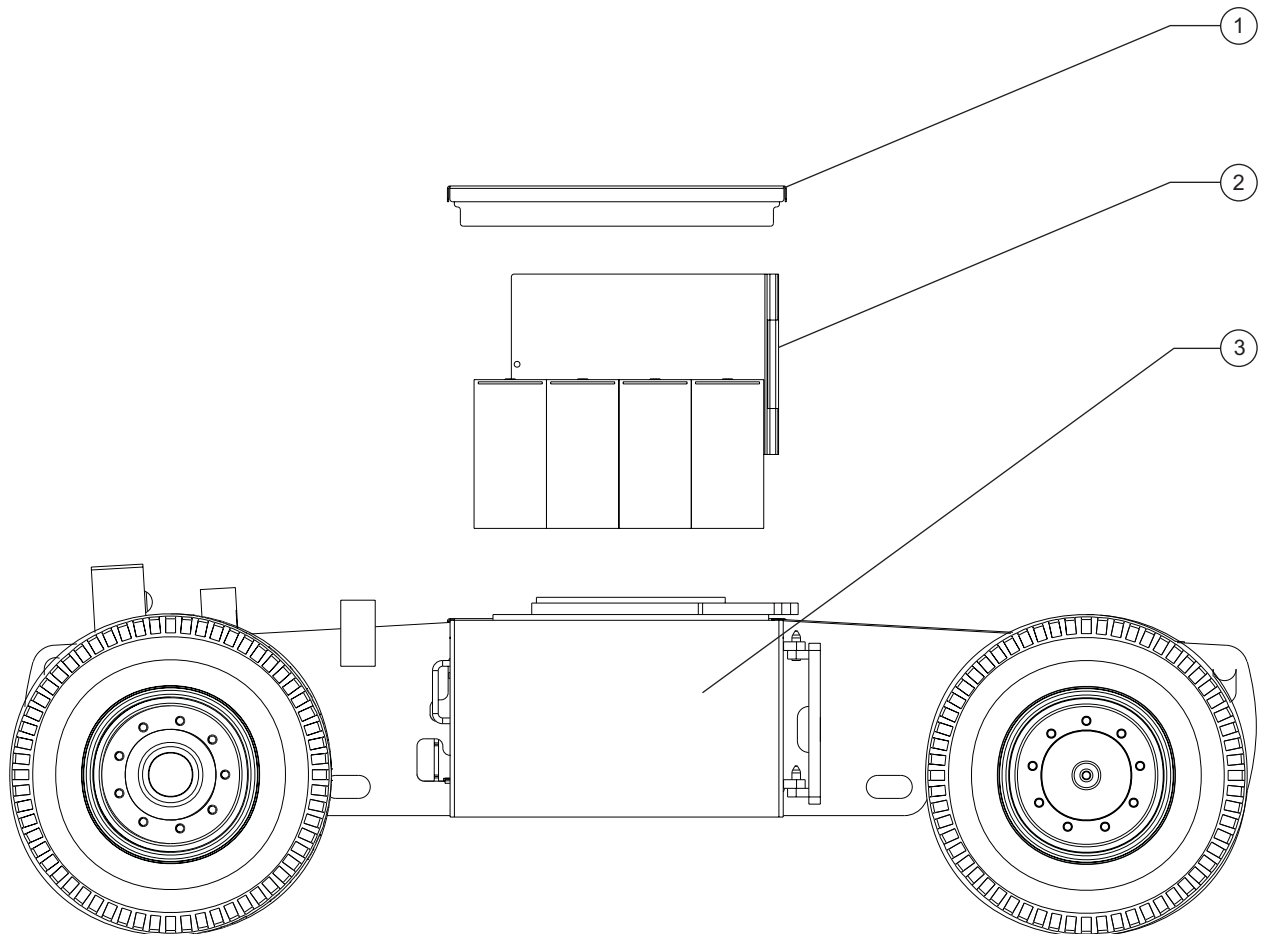


Figure	Rev	Description
102	B	Drive Chassis - Steer End



Item	Part No.	Description	Qty.	Item	Part No.	Description	Qty.
1	106235P	Drive Light Shear Guard	2	24	25282	Needle Valve	1
—	53517	Rubber Grommet		—	48912	Connector, 4-6 F5OLO-S	
2	8914	Screw - HHC, 1/4 -20 x 0.625 inch, GR 5		25	106234	Wire Lens Guard	2
3	6638	Flat Washer, 1/4 inch		26	35958	Drive Light Housing	2
4	6091	Nylock Nut, 1/4 inch		—	35959	Lamp, 48V DC	
5	70690	Auto Adjust Alarm Assembly	1	—	106332	Wire Harness - Drive Light	
—	101856	Auto Adjust Alarm					
—	106310	Wire Harness - Alarm					
—	53517	Rubber Grommet					
6	106318	Chassis Cover with Decals	1				
7	6888	Screw - HHC, 1/4 -20 x 1 inch, GR 5					
8	6356	Lock Washer, 1/4 inch					
9	56912	Spring Clip, 1/4 -20					
10	54432	Hitch Pin with Lanyard	4				
11	106243	Quick Disconnect Plug Lanyard ..	2				
12	106339	Tow Hitch Pin, 1.5 x 8.25 inches ..	1				
—	54432	Retaining Pin with Lanyard					
13	54786	Tow Hitch Tongue	1				
14	54789	Castle Nut, 2 -4 ¹ / ₂	1				
—	77087	Cotter Pin, 0.25 x 3.0 inches					
15	70638	Tow Hitch	1				
—	18720	Bearing, 2.0 x 2.25 x 1.5 inches					
16	70632	Tow Cradle	1				
—	54757	Bearing, 2.75 x 0.5 x 2 inches	2				
17	70634	Clevis Pin, 1 x 3.5 inches	2				
18	74389	Self Locking Cotter Pin	2				
19	54793	Drag Link	1				
—	51474	Bearing, 1 x 1.25 x 0.75 inch	2				
20	70688	Plug Guard	1				
21	49119-1128	Hose Assembly, 11.28 inches	1				
22	70635P	Needle Valve Bracket	1				
23	49117-1266	Hose Assembly, 12.66 inches	1				
—	48908	Run Tee, Swivel					

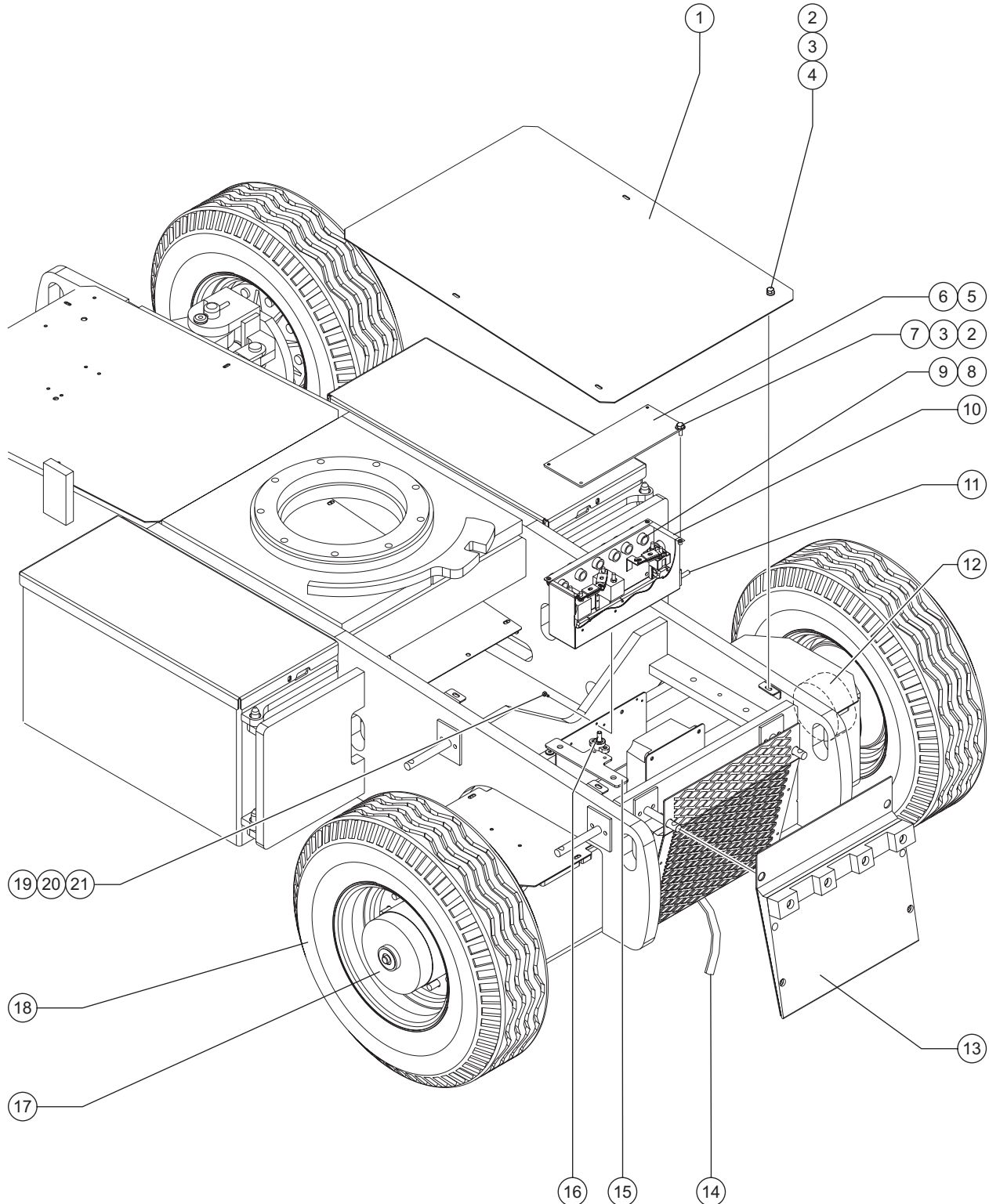
Figure	Rev	Description
200	A	Battery Packs



Item	Part No.	Description	Qty.
1	94001	Battery Box Lid with Decals	2
—	106241	Battery Box Lid Insulation	—
2	106320	Battery Spacer with Decals	2
3	101427	Battery Box with Decals, Engine Side	1
—	101428	Battery Box with Decals, Ground Controls Side	1

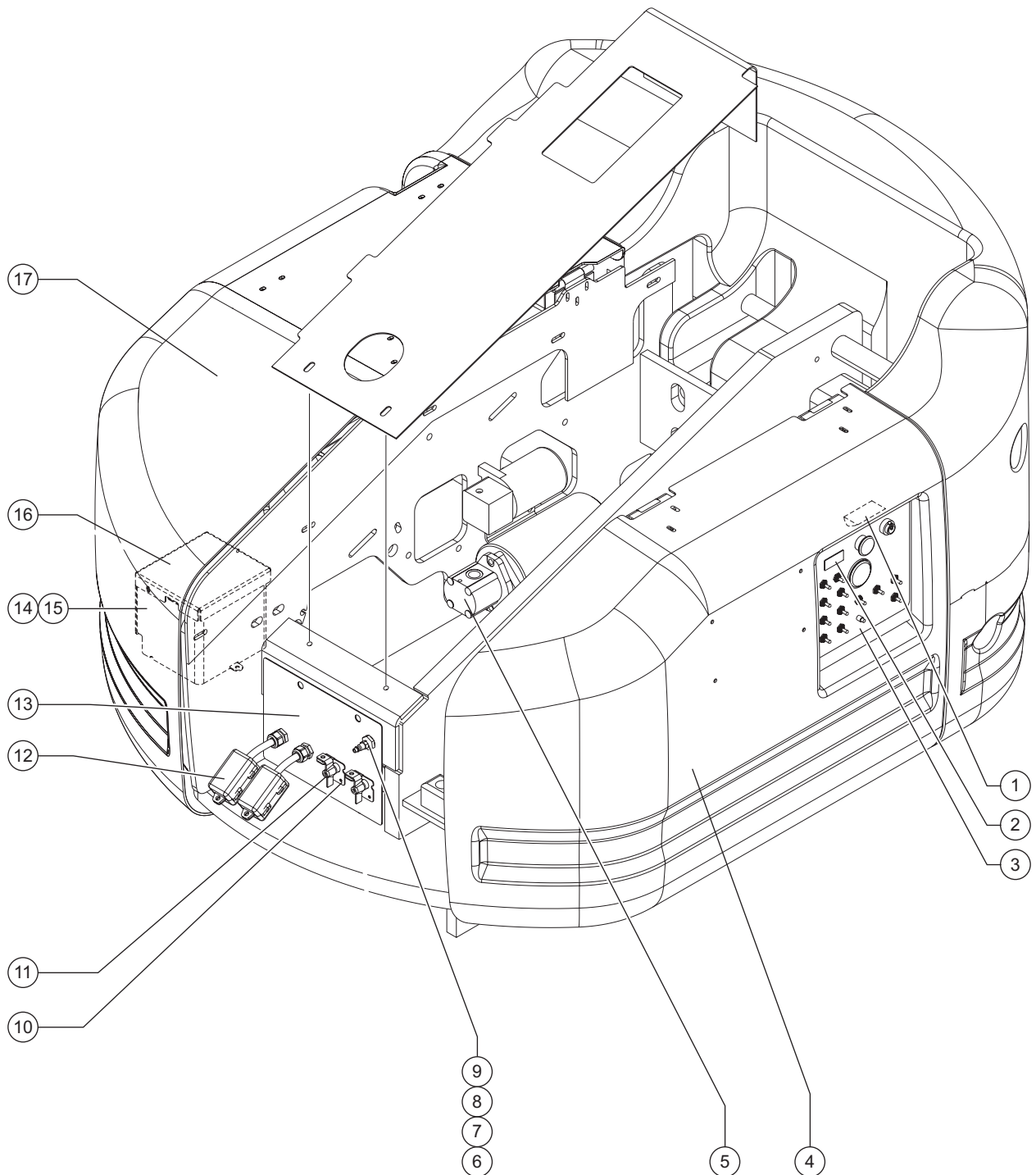


Figure	Rev	Description
300	B	Drive Chassis, Non-steer End



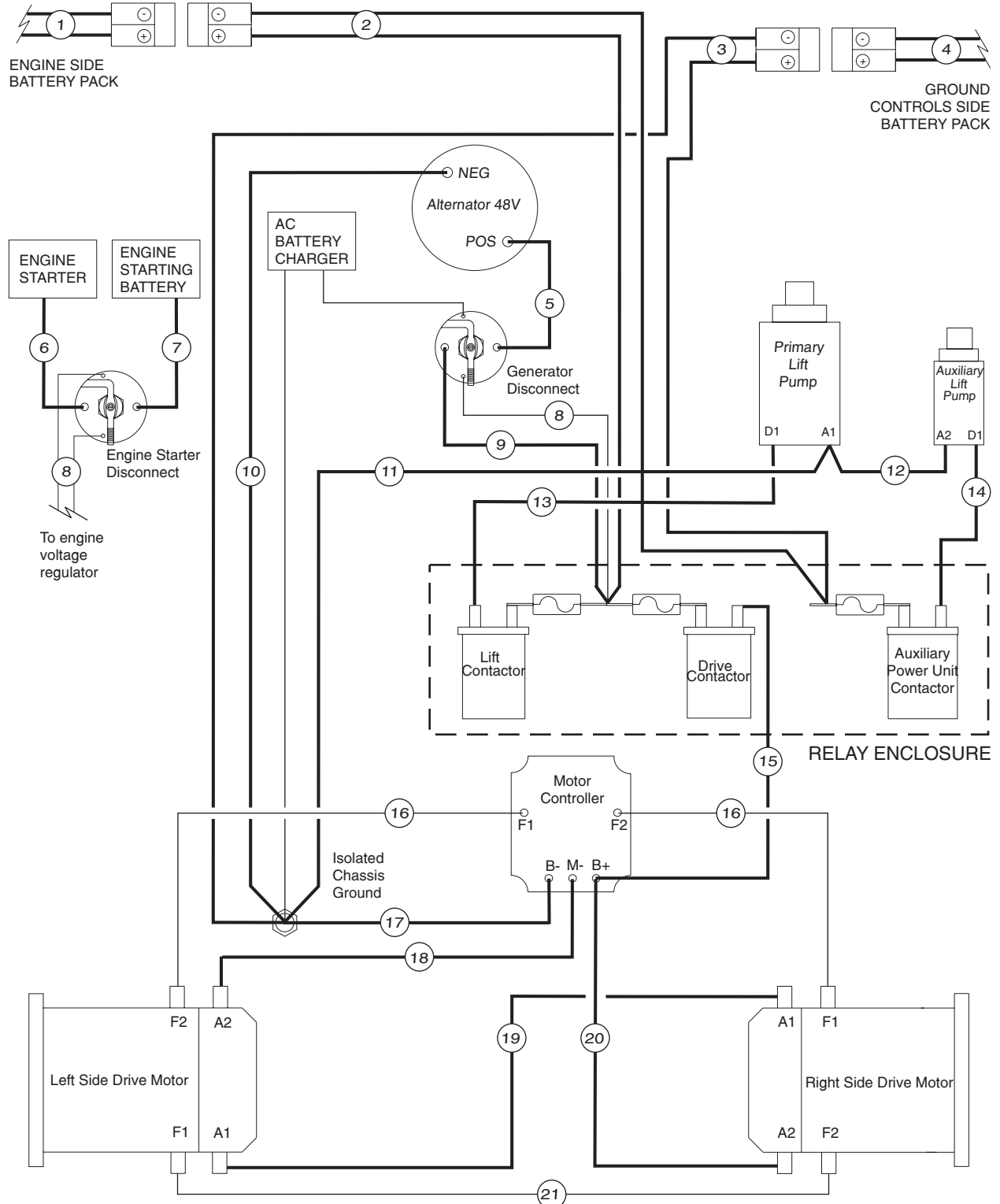
Item	Part No.	Description	Qty.
	128337	Controller, Sep-es, Z45DC/BE	
1	52707-S	Chassis Cover with Decals	1
2	6090	Screw - HHC, 1/4 -20 x 0.75 inch, GR 5	
3	6638	Flat Washer, 1/4 inch	
4	56912	Spring Clip, 1/4 inch	
5	106297	Relay Enclosure Lid	1
6	106295	Relay Enclosure Gasket	1
7	23404	Nutsert, 1/4 -20	
8	70684	Squeeze Connector, 3/4 inch	7
9	14041	Electrical Locknut	7
10	106300	Contact/Fuse Enclosure (includes items 8 and 9)	1
11	106321	Wire Harness - Relay Enclosure (before serial number 132)	1
—	147288	Wire Harness - Relay Enclosure (after serial number 131)	
12	101966	Brake	2
—	94878	Seal Kit	
—	94879	Bearing Kit	
—	94880	Lining Kit	
13	106247	Traction Ramp	2
—	106306	Red Warning Flag	—
14	39541	Ground Strap	1
15	70677P	Drive Plate Standoff Mount	1
16	94982	Standoff	1
17	107712	Drive Hub, 64:1	2
—	21149	Stud, 5/8 -18	
—	94912	Bearing Kit	
—	106121	Disconnect Rod	
—	106122	Disengage Cap	
—	106123	End Cover O-ring	
—	106508	Seal Kit	
18	54141	Foam-filled Tire and Wheel Assembly	4
19	49819	Screw, 10-32 x 0.5 inch	
20	44936	Lock Washer, #10	
21	6146	Flat Washer, #10	

Figure	Rev	Description
400	C	Turntable



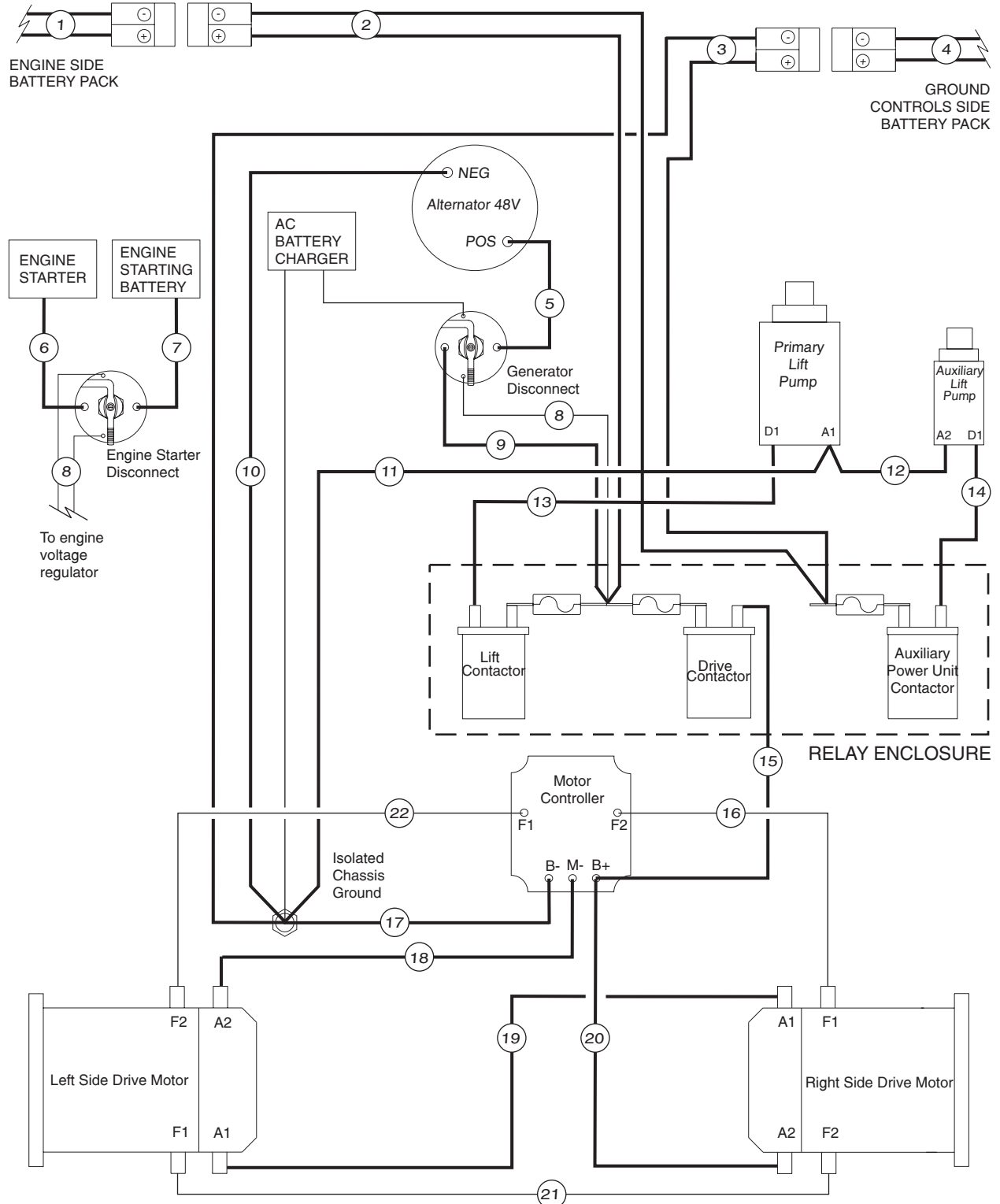
Item	Part No.	Description	Qty.
—	110898	Wire Harness - Function (before serial number 132)	
—	139933	Wire Harness - Function (after serial number 131)	
—	139934	Wire Harness - Drive (after serial number 131)	
—	56445	Diode, 6A	
1	106228	Panel Light, 24V DC	1
—	106372	Shade, Panel Light	
2	58359	Digital Thermometer	1
—	106255	Type K Thermocouple	
—	22672	Pipe Clamp	
3	106322	Base Control Box with Decal	1
—	106404	Ground Stand-off	
4	106323	Cover with Decals, Ground Controls Side	1
—	106288	T-Handle Lock	
5	106245	Lift Pump, 2cc	1
—	106326	Seal Kit	
6	49214	Quick Connect, 1/4 inch	1
7	106293	Bulkhead Fitting, 1/4 inch NPT	1
8	70641	Barbed Fitting, 1/4 NPT x 3/8 Barb	1
9	27903	Hose, 3/8 inch	756 inches
10	106287	Switch Lock Plate	2
—	49826	Screw - PHMS, 10-32 x 0.625 inch	4
—	49816	Low Profile Nylock Nut, 10-32	4
11	106242	Cutout Switch	2
12	70689	Plug Cover	2
13	70613P	Cover Plate	1
14	101990	Battery Box	1
15	106304	Deluxe Cold Start Package	1
—	28853	Battery Blanket, 110V AC, 60 Hz	
—	70683	Freeze Plug Heater, 110V AC, 60 Hz	
17	101994P	Battery Box Lid	1
—	106384	Battery Box Lid Insulation	
17	106324	Cover with Decals, Engine Side ...	1
—	106288	T-Handle Lock	

Figure **Rev** **Description**
 401 B Power Cables (before serial number 132)



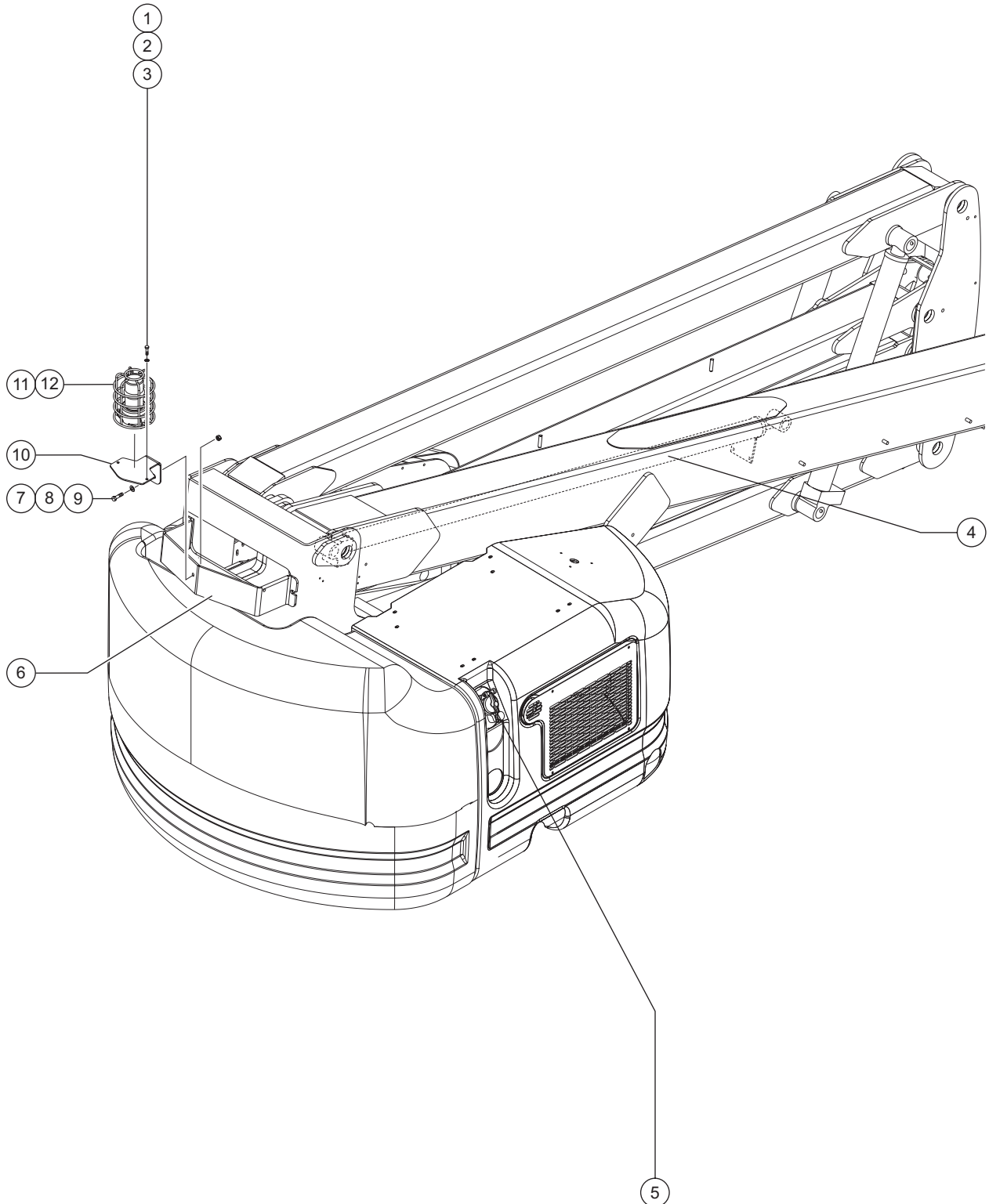
Item	Part No.	Description	Qty.
1	77720	Battery Pack Cable Connector Assembly	1
2	77722	Battery Pack Cable Connector Assembly	1
3	77721	Battery Pack Cable Connector Assembly	1
4	77719	Battery Pack Cable Connector Assembly	1
5	106459	Cable Assembly, 38 inches	1
6	106466	Cable Assembly, 48 inches	1
7	29203	Battery Cable, Positive	1
8	106465	Harness Assembly	1
9	106464	Cable Assembly, 96 inches	1
10	110896	Cable Assembly, 96 inches	1
11	139052	Cable Assembly, 97.4 inches	1
12	62091	Cable Assembly, 12 inches	1
13	110897	Cable Assembly, 97.4 inches	1
14	54471	Cable Assembly, 78 inches	1
15	106468	Cable Assembly, 22 inches	1
16	54477	Wire Assembly, 16 inches	2
17	110894	Cable Assembly, 15 inches	1
18	62100	Cable Assembly, 19.4 inches	1
19	62102	Cable Assembly, 32.4 inches	1
20	62101	Cable Assembly, 15.4 inches	1
21	54476	Wire Assembly, 33 inches	1

Figure 402 **Rev** A **Description** Power Cables (after serial number 131)



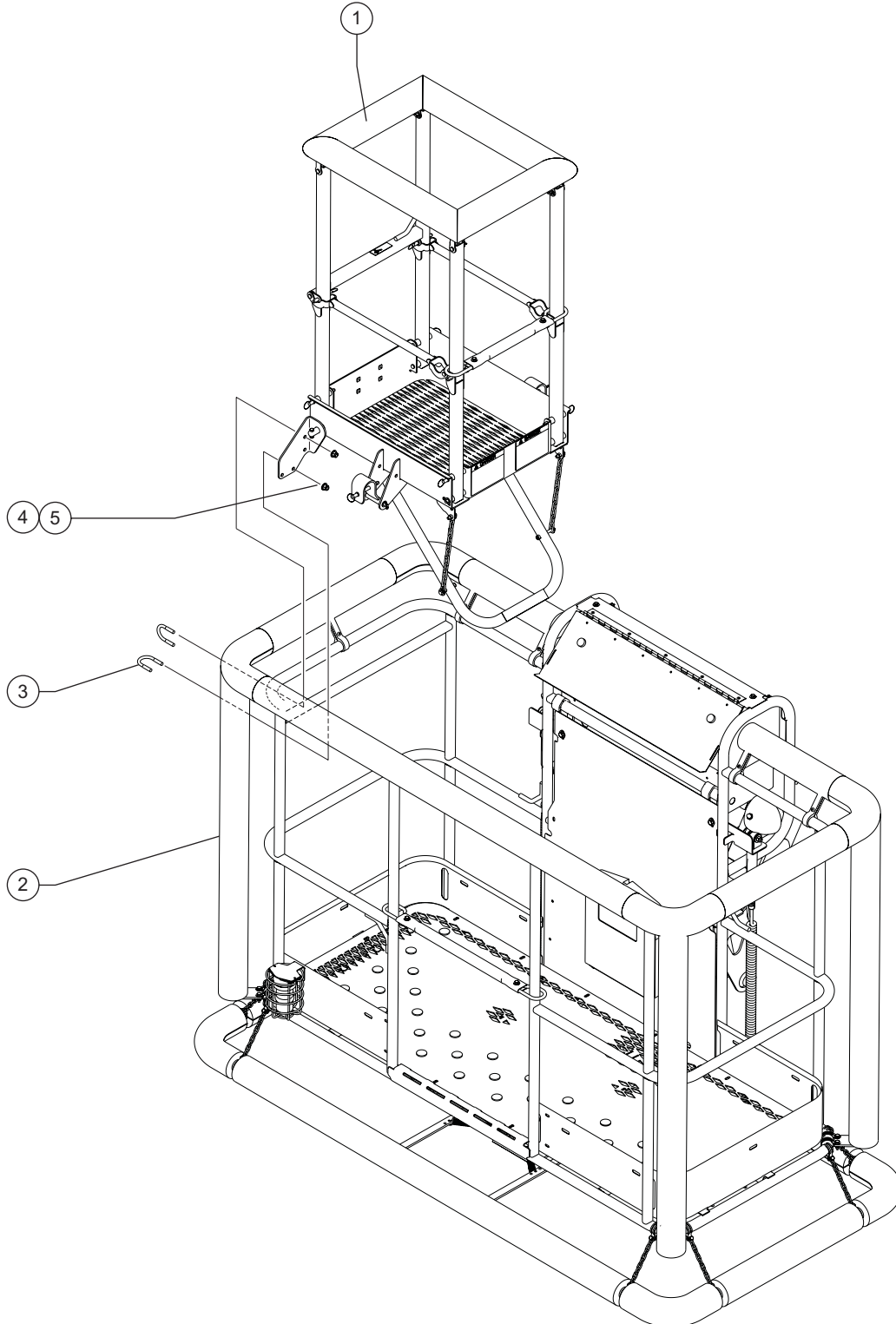
Item	Part No.	Description	Qty.
1	139041	Battery Pack Cable Connector Assembly	1
2	139062	Battery Pack Cable Connector Assembly	1
3	139047	Battery Pack Cable Connector Assembly	1
4	139011	Battery Pack Cable Connector Assembly	1
5	106459	Cable Assembly, 38 inches	1
6	106466	Cable Assembly, 48 inches	1
7	29203	Battery Cable, Positive	1
8	106465	Harness Assembly	1
9	106464	Cable Assembly, 96 inches	1
10	139063	Cable Assembly, 96 inches	1
11	139052	Cable Assembly, 97.4 inches	1
12	139049	Cable Assembly, 12 inches	1
13	139057	Cable Assembly, 97.4 inches	1
14	139058	Cable Assembly, 78 inches	1
15	106468	Cable Assembly, 22 inches	1
16	139059	Wire Assembly, 16 inches	1
17	139050	Cable Assembly, 15 inches	1
18	139055	Cable Assembly, 19.4 inches	1
19	139056	Cable Assembly, 32.4 inches	1
20	139051	Cable Assembly, 15.4 inches	1
21	139060	Wire Assembly, 33 inches	1
22	139020	Wire Assembly, 18 inches	1

Figure	Rev	Description
500	B	Elevate Components



Item	Part No.	Description	Qty.
1	49826	Screw - PHM, 10-32 x 0.625 inch	
2	6146	Flat Washer, #10	
3	6178	Nylock Nut, 10-32	1
4	101399	Extend Cylinder	1
—	106461	Seal Kit	
5	106227	Self-closing Fuel Lid	1
6	70598P	Upper Pivot Bracket	1
7	8914	Screw - HHC, 1/4 -20 x 0.625 inch, GR 5	
8	6638	Flat Washer, 1/4 inch	
9	6091	Nylock Nut, 1/4 inch	
10	94440P	Beacon Mounting Bracket	1
11	106230	Beacon Guard	1
12	106265	Flashing Beacon	1

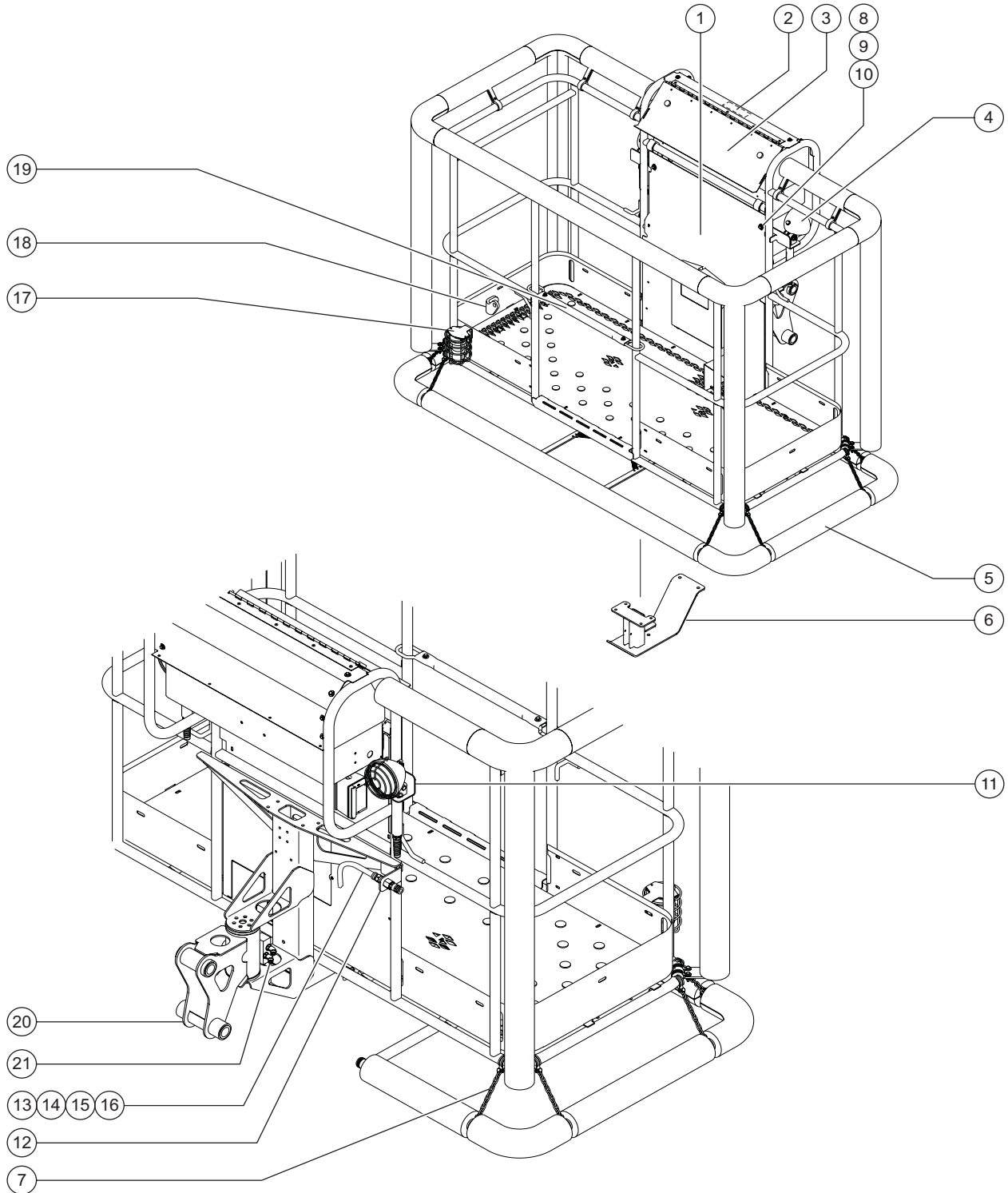
Figure	Rev	Description
600	B	Auxiliary Platform Installation



Item	Part No.	Description	Qty.
1	Ref.	Auxiliary Platform (refer to figure 800)	
2	Ref.	Platform (refer to figure 700)	
3	6550	U-Bolt, $\frac{3}{8}$ -16 x 1.25 inches	4
4	5397	Flat Washer, $\frac{5}{16}$ inch	8
5	4828	Nylock Nut, $\frac{3}{8}$ inch	8

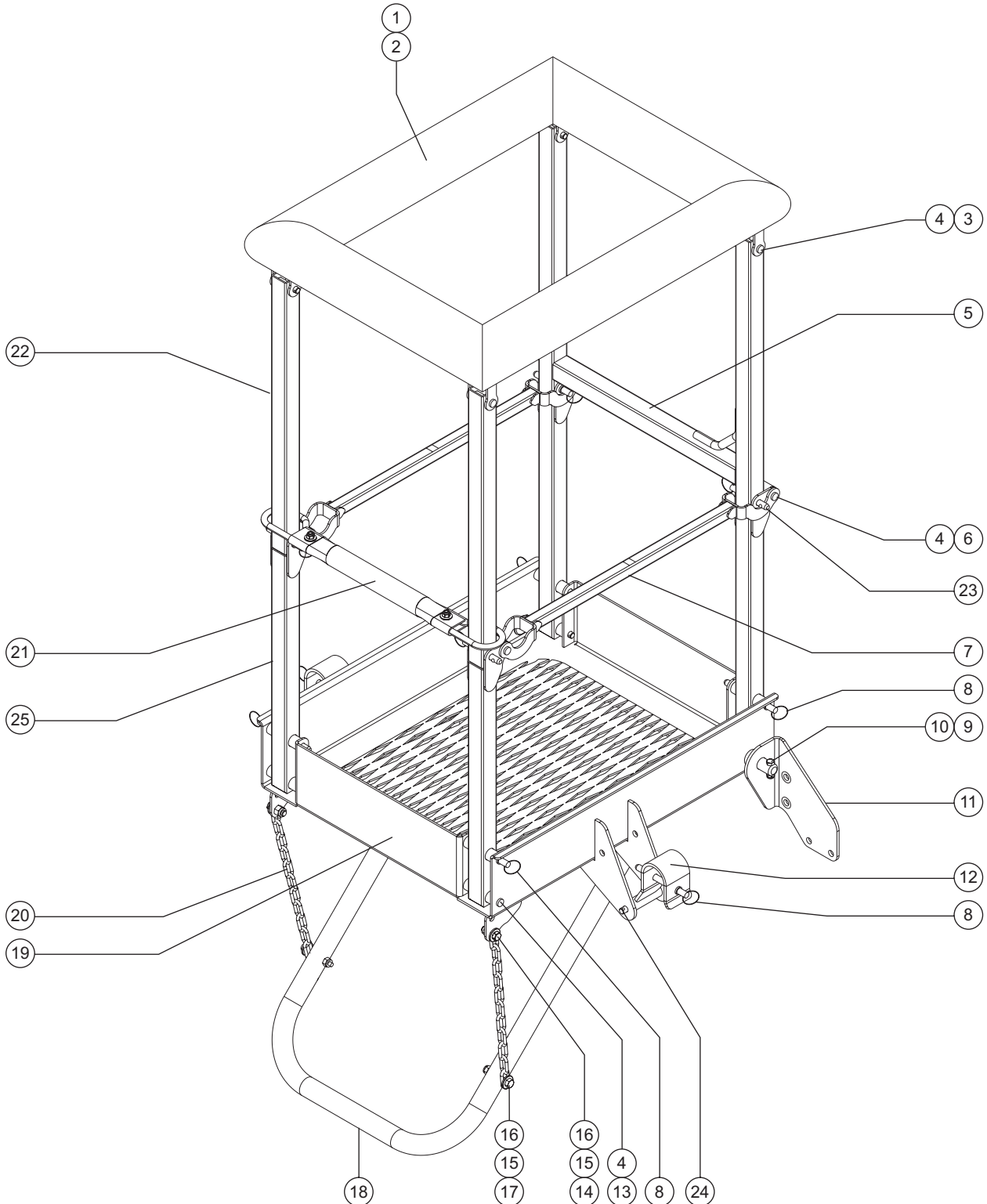


Figure	Rev	Description
700	C	Platform Components



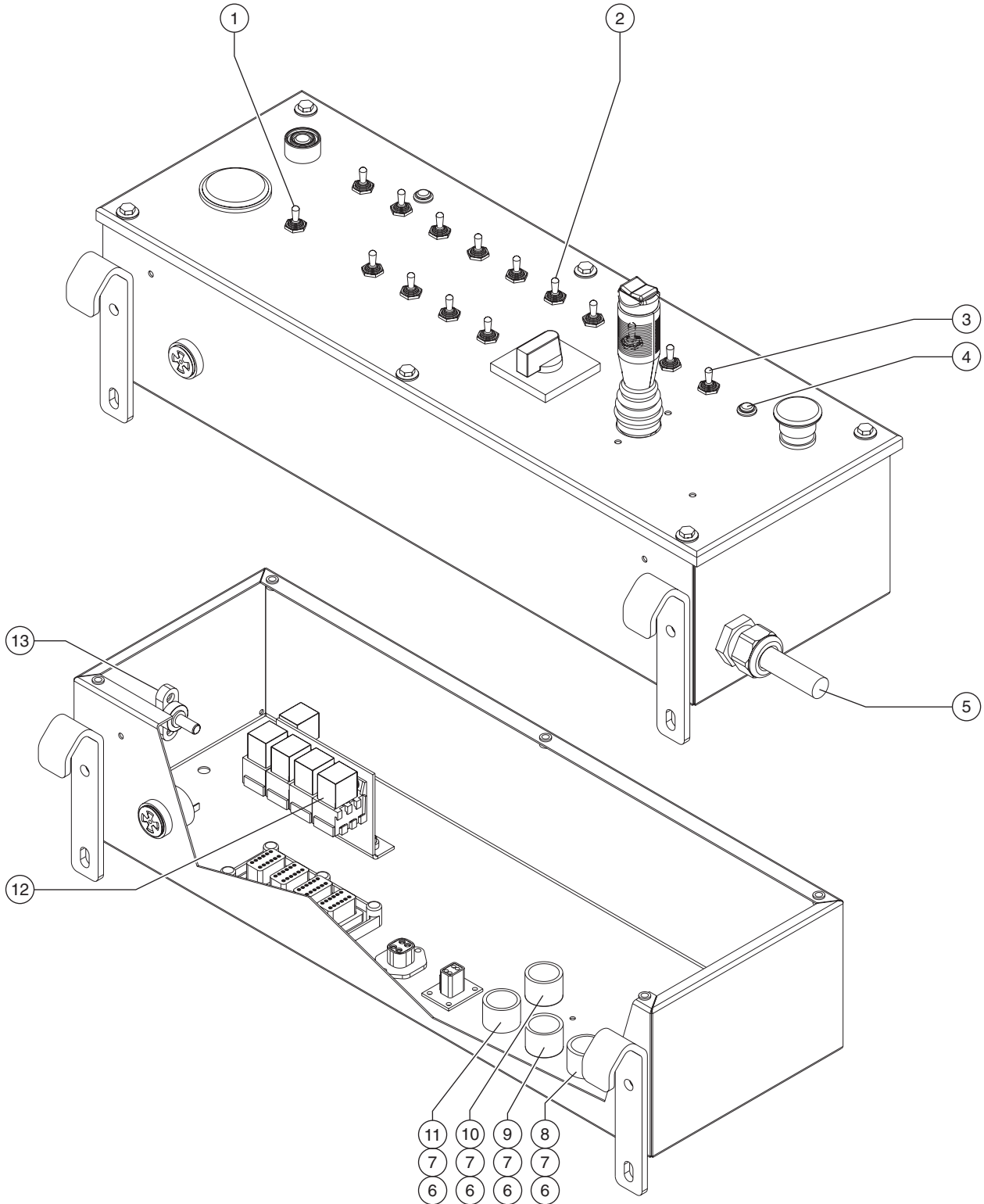
Item	Part No.	Description	Qty.	Item	Part No.	Description	Qty.
1	106325	Decal Plate with Decals	1	16	27903	Hose, 3/8 inch	756 inches
2	106228	Panel Light, 24V DC	1	17	106230	Beacon Guard	1
—	106372	Shade, Panel Light		—	106265	Flashing Beacon	
3	88609	Control Box Cover	1	—	94440P	Beacon Mounting Bracket	
4	106338	Removable Worklight Assembly, Complete	2	—	106335	Wire Harness - Beacon	
—	35959	Lamp		18	94445	Storage Lock, Aux. Platform	1
—	106234	Wire Lens Guard		—	6175	Screw - HHC, 3/8 -16 x 1 inch, GR 5	
—	94470	Coil Cord - Work Light, 24 inches		—	4828	Nylock Nut, 3/8 -16	
—	94471	Micro Switch		19	102992	Sliding Mid-rail Assembly	1
—	94472	Boot - Micro Switch		20	107674	Platform Rotator	1
5	106259	Deluxe Aircraft Protection Package, Complete		—	107675	Seal Kit	
—	27391	Proximity Switch		21	139997	45 Degree Fitting with Orifice	2
—	106238-1538	Grey Foam Padding, 15.375 inches	2				
—	106238-1675	Grey Foam Padding, 16.75 inches	2				
—	106238-2075	Grey Foam Padding, 20.75 inches	2				
—	106238-2275	Grey Foam Padding, 22.75 inches	2				
—	106238-4788	Grey Foam Padding, 47.875 inches	4				
—	106238-6275	Grey Foam Padding, 62.75 inches	1				
—	106238-6475	Grey Foam Padding, 64.75 inches	1				
—	106457	Grey Foam Padding, 90 Degree Elbow	8				
6	139904	Skid Plate	1				
7	54626-700	Chain, 2/0	6				
8	8516	Screw - HHC, 3/8 -16 x 1.5 inches, GR 5	2				
9	5397	Flat Washer, 5/16 inch	4				
10	4828	Nylock Nut, 3/8 inch	4				
11	139896	Support Bracket, LH	1				
—	139897	Support Bracket, RH	1				
12	70642P	Airline to Platform Bracket	1				
13	49215	Quick Connect, 1/4 inch	1				
14	49212	Bulkhead Fitting, 1/4 inch NPT	1				
15	70641	Barbed Fitting, 1/4 NPT x 3/8 Barb	1				

Figure	Rev	Description
800	B	Auxiliary Platform Components



Item	Part No.	Description	Qty.
1	94383P	Top Rail	1
2	70682-2025	Grey Foam Padding, 20.25 inches	2
—	70682-2625	Grey Foam Padding, 26.25 inches	2
3	106365	Clevis Pin, 2 inches	6
4	106383	Cotter Pin, ³ / ₄ inch	16
5	94388P	Lanyard Attachment	1
6	106364	Clevis Pin, 2.125 inches	4
7	94385P	Pivoting Mid-rail	2
8	106371	Quick Release Pin, 4.25 inches ...	6
9	6888	Screw - HHC, ¹ / ₄ -20 x 1 inch, GR 5	
10	6889	Low Profile Nylock Nut	
11	94363P	Mounting Bracket, RH	1
—	94364P	Mounting Bracket, LH	
12	94370P	Hook Assembly	2
13	106363	Clevis Pin	4
14	13002	Screw - HHC, ⁵ / ₁₆ -18 x 1 inch, GR 5	
15	5397	Flat Washer, ⁵ / ₁₆ inch	
16	6782	Nylock Nut, ⁵ / ₁₆ -18	
17	50793	Screw - HHC, ⁵ / ₁₆ -18 x 2 inches, GR 5	
18	94384P	Step Tube	1
—	32358-700	Non-Slip Tape, 7 inches	
—	45385	Plug, 1.12 inches	
19	106328	Auxiliary Platform Base with Decals	1
20	88378-1400	Chain, 2/0, 14 inches	2
21	94424P	Sliding Mid-rail Assembly	1
22	94382P	Upper Tube	1
23	106370	Quick Release Pin, 3.05 inches ...	4
24	106366	Quick Release Pin, 3.5 inches	2
25	94387P	Lower Tube	4

Figure	Rev	Description
900	B	Platform Control Box



Item	Part No.	Description	Qty.
1	128204	Toggle Switch Assembly, SPDT, 2 Position, Maintained (includes boot and hardware) (beacons)	1
—	128584	Toggle Switch (switch only)	
—	27246	Boot	
—	128578	Screw - PHM, 6-32 x .025 inch	
2	128200	Toggle Switch Assembly, SPDT, 3 Position, Momentary (includes boot and hardware) (function override)	1
—	128580	Toggle Switch (switch only)	
—	27246	Boot	
—	128578	Screw - PHM, 6-32 x .025 inch	
—	139882	Wire Harness, Aircraft Protection Bypass	
3	128495	Toggle Switch Assembly, SPDT, 3 Position, Maintained (includes boot and hardware) (drive lights).....	1
—	128579	Toggle Switch (switch only)	
—	27246	Boot	
—	128578	Screw - PHM, 6-32 x .025 inch	
4	824878	Red Indicator Light, 24V DC	2
5	106338	Removable Worklight Assembly ..	2
—	70679	Worklight Housing	
—	35959	Lamp, 48V DC	
6	7057	Squeeze Connector, 1/2 inch	6
7	6935	Electrical Locknut, 1/2 inch	6
8	160335	Platform Beacon Cable Assembly	1
9	81532	Aircraft Protection Cable Assembly	1
10	106309	Elevate Beacon Cable Assembly	1
11	54122	Jib Select Cable Assembly	1
12	56302	Relay - SPDT, 24V DC, 30/40A, Sealed	5
13	94982	Standoff	1

California Proposition 65

Warning

The exhaust from this product contains chemicals known to the State of California to cause cancer, birth defects or other reproductive harm.

Genie North America

Phone 425.881.1800
Toll Free USA and Canada
800.536.1800
Fax 425.883.3475

Genie Australia Pty Ltd.

Phone +61 7 3375 1660
Fax +61 7 3375 1002

Genie China

Phone +86 21 53852570
Fax +86 21 53852569

Genie Malaysia

Phone +65 98 480 775
Fax +65 67 533 544

Genie Japan

Phone +81 3 3453 6082
Fax +81 3 3453 6083

Genie Korea

Phone +82 25 587 267
Fax +82 25 583 910

Genie Brasil

Phone +55 11 41 665 755
Fax +55 11 41 665 754

Genie Holland

Phone +31 183 581 102
Fax +31 183 581 566

Genie Scandinavia

Phone +46 31 575100
Fax +46 31 579020

Genie France

Phone +33 (0)2 37 26 09 99
Fax +33 (0)2 37 26 09 98

Genie Iberica

Phone +34 93 579 5042
Fax +34 93 579 5059

Genie Germany

Phone +49 (0)4202 88520
Fax +49 (0)4202 8852-20

Genie U.K.

Phone +44 (0)1476 584333
Fax +44 (0)1476 584334

Genie Mexico City

Phone +52 55 5666 5242
Fax +52 55 5666 3241

Distributed By: