



A TEREX BRAND

# Parts Manual

## Serial Number Range

### **TZ-50**

from SN TZ5004-001

to TZ5016-1363

from SN TZ5016J-1364

to TZ5016J-2899

from SN TZ50J-2900

Part No. 84576  
Rev: D4  
January 2020

---

## Technical Publications

Genie has endeavored to deliver the highest degree of accuracy possible. However, continuous improvement of our products is a Genie policy. Therefore, product specifications are subject to change without notice.

Readers are encouraged to notify Genie of errors and send in suggestions for improvement. All communications will be carefully considered for future printings of this and all other manuals.

---

## Contact Us:

Internet: [www.genielift.com](http://www.genielift.com)  
e-mail: [awp.techpub@terex.com](mailto:awp.techpub@terex.com)

---

## Find a Manual for this Model

Go to <http://www.genielift.com>


Use the links to locate Operator's, Parts, Maintenance, and Service and Repair Manuals.

---

Copyright © 2011 by Terex Corporation

84576 Rev D April 2016  
First Edition, Fourth Printing

Genie and "TZ" are registered trademarks of Terex USA, LLC. in the USA and many other countries.

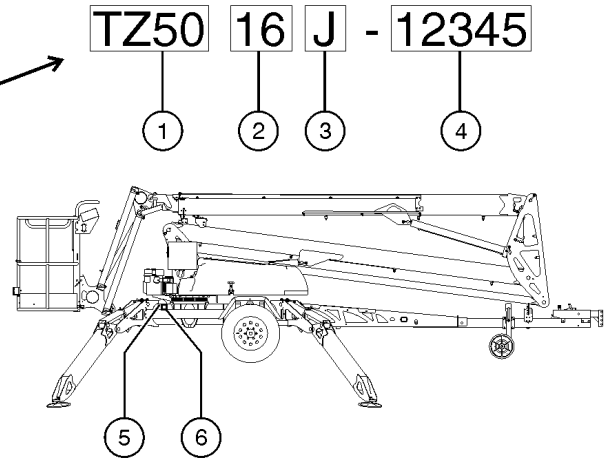
 Printed on recycled paper

To August 31, 2016

**Genie**  
A TEREX BRAND

Model:  
Serial number: TZ5016J-12345  
Manufacture date: 1/2/16  
Electrical schematic number:  
Machine unladen weight:  
Rated work load (including occupants):  
Maximum number of platform occupants:  
Maximum allowable side force:  
Maximum allowable inclination of the chassis:

Model year: 2016



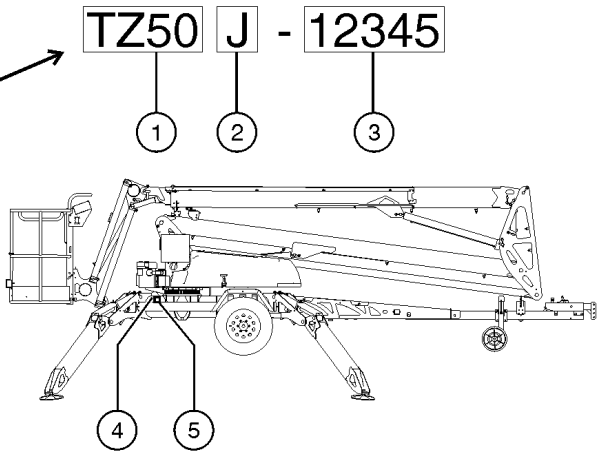
- 1 Model
- 2 Model year
- 3 Facility code

- 4 Sequence number
- 5 Serial number (stamped on chassis)
- 6 Serial label

From September 1, 2016

**Genie**  
A TEREX BRAND

Model:  
Serial number: TZ50J-12345  
Year of manufacture: 2016  
Electrical schematic number:  
Machine unladen weight:  
Rated work load (including occupants):  
Maximum number of platform occupants:  
Maximum allowable side force:  
Maximum allowable inclination of the chassis:



- 1 Model
- 2 Facility code
- 3 Sequence number

- 4 Serial number (stamped on chassis)
- 5 Serial label

## How to Order Parts

Please be prepared with the following information when ordering replacement parts for your Terex or Genie product.

- Machine model number
- Machine serial number
- Part number
- Part description and quantity
- Purchase order number
- "Ship to" address
- Desired method of shipment
- Name and telephone number of the authorized distributor in your area

Use the Service Parts Fax Order Form on the next page and fax your order to our Parts Department.

If you don't know the name of your authorized distributor, or if your area is not currently serviced by an authorized distributor, please call Terex or Genie Industries.

## Machine Information

\_\_\_\_\_

Model

\_\_\_\_\_

Serial Number

\_\_\_\_\_

Date of Purchase

\_\_\_\_\_

Authorized Genie Distributor

\_\_\_\_\_

Phone Number

### North America

Telephone (425)881-1800  
 Toll Free (800)536-1800 in US and Canada  
 Fax (425)556-8659  
 Toll Free fax (888)274-6192  
 Email [AWP.PartsSalesPO@terex.com](mailto:AWP.PartsSalesPO@terex.com)  
<http://genielift.com/en>

### EMEAR (Europe, Middle East, Africa and Russia)

Telephone (31)(165)519 313  
 Fax (31)(165)511 148  
<http://genielift.co.uk>

### Asia Pacific (Genie Singapore)

Telephone +65 6692 7777  
 Fax +65 6261 8893  
<http://genielift.com.sg/>

### Australia

Telephone (61)(7)3456 4444  
 Fax (61)(7)3456 4466  
<http://genielift.com.au>

### South America

Telephone (55)(11)4082 5600  
 Fax (55)(11)4082 5630



## Required Parts

The following parts are required to perform maintenance procedures as outlined in the Genie TZ-50/30 Service Manual.

Description	Part No.
Element - Hydraulic Return Filter .....	44788
Demco Model 91 Owner / Operator Manual.....	84592
Dexter Axle Operation Service Maintenance Manual .....	84376
Knott Axle Service Manual .....	84443
Honda GX160 Owner's Manual.....	97228
Honda GX160 Service Manual .....	97229
Spark Plug - Honda GX160 Engine.....	84660

## Recommended Parts

Description	Part No.
Genie Blue Paint, 1 Gallon .....	32150
Genie Blue Paint, 12 Ounce Aerosol.....	1484
Genie Gray Paint, 1 Gallon.....	32151
Genie Gray Paint, 12 Ounce Aerosol .....	1268
Dielectric Grease .....	66399

## Manuals

Genie Industries offers the following support documents for these models:

Title	Part No.
EMI Safety Manual .....	27581
Manual of Responsibilities ANSI A92.5 .....	31779
Honda GX160 Parts Manual.....	97230



<b>Description</b>	<b>Page</b>
<b>001 Parts Stocking List .....</b>	<b>12</b>
001.1 Parts Stocking List .....	12
<b>100 Decals .....</b>	<b>16</b>
101.1 Decals with Words (to serial number TZ5006-510) .....	16
101.2 Decals with Words (from serial number TZ5006-511) .....	20
101.3 Decals with Words (from serial number TZ5006-511) .....	24
101.4 Decals with Words (from serial number TZ5006-511) .....	28
102.1 Decals with Symbols (to serial number TZ5006-510) .....	32
102.2 Decals with Symbols (from serial number TZ5006-511) .....	36
102.3 Decals with Symbols (from serial number TZ5006-511) .....	40
102.4 Decals with Symbols (from serial number TZ5006-511) .....	44
<b>200 Chassis Components .....</b>	<b>48</b>
201.1 Parking Brake - Models without Drive .....	48
201.2 Parking Brake - Models without Drive .....	54
201.3 Parking Brake - Models without Drive .....	60
201.4 Parking Brake - Models without Drive .....	66
201.5 Parking Brake - Models without Drive .....	72
202.1 Parking Brake - Models with Drive .....	78
203.1 Hitch Components - ANSI and CSA Models .....	84
204.1 Hitch Components - CE Models .....	88
204.2 Hitch Components - CE Models .....	90
204.3 Hitch Components - CE Models .....	92
204.4 Hitch Components - CE Models .....	94
205.1 Chassis Components - View 1 .....	96
205.2 Chassis Components - View 1 .....	100
205.3 Chassis Components - View 1 .....	104
206.1 Chassis Components - View 2 (to SN TZ5005-318) .....	108
206.2 Chassis Components - View 2 (from SN TZ5005-319) .....	112
207.1 Chassis Components - Under Run Protection Assembly - CE Models .....	116
208.1 Brake Components - ANSI and CSA Models (to SN TZ5007-189) .....	118
208.2 Brake Components - ANSI and CSA Models (from SN TZ5007-190) .....	122
208.3 Electric Brake Components, AUS Models .....	126
209.1 Brake Components - CE Models .....	128
209.2 Brake Components - CE Models .....	130
209.3 Brake Components - CE Models .....	132
210.1 Power Wheel Assist (to SN TZ5006-510) .....	134
210.2 Power Wheel Assist (from SN TZ5006-511) .....	136
<b>300 Turntable Components .....</b>	<b>140</b>

Table of Contents

<b>Description</b>	<b>Page</b>
301.1 Turntable Components - View 1 (to SN TZ5011-404) .....	140
301.2 Turntable Components - View 1 (to SN TZ5011-404) .....	146
301.3 Turntable Components - View 1 (to SN TZ5011-404) .....	152
301.4 Turntable Components - View 1 (to SN TZ5011-404) .....	158
301.5 Turntable Components - View 1 (to SN TZ5011-404) .....	164
301.2 Turntable Components - View 1 (from SN TZ5012-101) .....	170
302.1 Turntable Components - View 2 .....	176
302.2 Turntable Components - View 2 .....	182
302.3 Turntable Components - View 2 .....	188
302.4 Turntable Components - View 2 .....	194
302.5 Turntable Components - View 2 .....	200
302.6 Turntable Components - View 2 .....	206
302.7 Turntable Components - View 2 .....	212
303.1 Engine Components - View 1 .....	218
303.2 Engine Components - View 1 .....	222
303.3 Engine Components - View 1 .....	226
304.1 Engine Components - View 2 .....	230
304.2 Engine Components - View 2 .....	232
304.3 Engine Components - View 2 .....	234
305.1 Engine Components - View 3 (to SN TZ5011-131) .....	236
305.2 Engine Components - View 3 (from SN TZ5011-132 to TZ5013-613) .....	240
305.3 Engine Components - View 3 (from SN TZ5013-613) .....	244
306.1 Battery Charger .....	248
306.2 Battery Charger .....	250
306.3 Battery Charger .....	252
306.4 Battery Charger .....	254
306.5 Battery Charger .....	256
307.1 Power Unit .....	258
307.2 Power Unit .....	260
307.3 Power Unit .....	262
307.4 Power Unit .....	264
307.5 Power Unit .....	266
308.1 Electrical Diagram and Power Cables (to SN TZ5011-310) .....	268
308.2 Electrical Diagram and Power Cables (to SN TZ5011-310) .....	270
308.3 Electrical Diagram and Power Cables (to SN TZ5011-310) .....	274
308.4 Electrical Diagram and Power Cables (from SN TZ5011-311 to TZ5011-404) .....	276
308.5 Electrical Diagram and Power Cables (from SN TZ5012-101) .....	280
309.1 Electrical Diagram, Lights (to SN TZ5012-215) .....	282
309.2 Electrical Diagram, Lights (to SN TZ5012-215) .....	284
309.3 Electrical Diagram, Lights (to SN TZ5012-215) .....	286
309.4 Electrical Diagram, Lights (to SN TZ5012-215) .....	288
309.5 Electrical Diagram, Lights (from SN TZ5012-216) .....	290

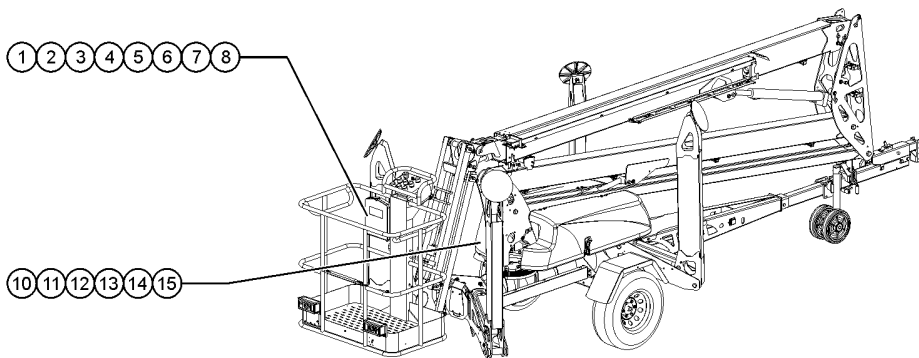
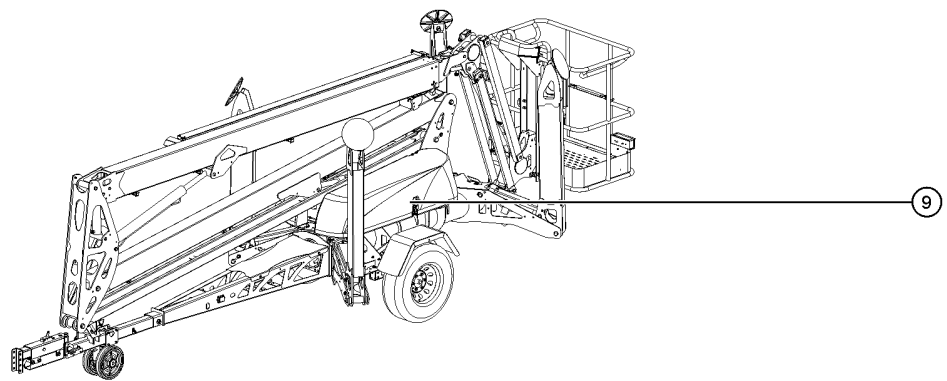
<b>Description</b>	<b>Page</b>
310.1 Ground Controls .....	292
310.2 Ground Controls .....	298
310.3 Ground Controls .....	304
310.4 Ground Control Box - ANSI, CSA and CE Models with no Load Sense .....	310
310.5 Ground Control Box - ANSI, CSA and CE Models with Load Sense .....	314
310.6 Ground Control Box - Australia Models with no Drive .....	318
310.7 Ground Control Box - ANSI, CSA and CE Models with no Load Sense and Drive .....	322
310.8 Ground Control Box - ANSI, CSA and CE Models with Load Sense and Drive .....	326
310.9 Ground Control Box - Australia Models with Drive .....	330
 <b>400 Lift Components .....</b>	 <b>334</b>
401.1 Lift Structure - View 1 .....	334
401.2 Lift Structure - View 1 .....	340
401.3 Lift Structure - View 1 .....	346
401.4 Lift Structure - View 1 .....	352
402.1 Lift Structure - View 2 .....	356
403.1 Cable Track .....	362
404.1 Drive Controls .....	364
 <b>500 Platform Components .....</b>	 <b>368</b>
501.1 Platform Installation - ANSI and CSA Models without Platform Overload Option .....	368
501.2 Platform Installation - ANSI and CSA Models without Platform Overload Option .....	372
502.1 Platform Installation - CE, AUSTRALIA, ANSI and CSA Models with Platform Overload Option (models without platform rotator option) .....	376
503.1 Platform Installation - CE, AUSTRALIA, ANSI and CSA Models with Platform Overload Option (models with platform rotate) .....	378
504.1 Platform Components - ANSI and CSA Models .....	380
505.1 Platform Components - CE and Australia Models .....	384
505.2 Platform Components - CE and Australia Models .....	390
505.3 Platform Components - CE and Australia Models .....	396
506.1 Platform Controls (2004) .....	400
506.2 Platform Controls (2005 through 2007) .....	406
506.3 Platform Controls (2008 through 2010) .....	412
506.4 Platform Controls (2011) .....	418
506.5 Platform Controls (from 2012) .....	424
506.6 Platform Controls - ANSI, CSA and CE Models with no Load Sense .....	430
506.7 Platform Controls - ANSI, CSA and CE Models with Load Sense .....	434
506.8 Platform Controls - Australia Models .....	438
 <b>600 Hydraulic Components .....</b>	 <b>442</b>
601.1 Function Manifold .....	442
601.2 Function Manifold .....	448
601.3 Function Manifold .....	454

Table of Contents

<b>Description</b>	<b>Page</b>
601.4 Function Manifold .....	460
601.5 Function Manifold .....	466
602.1 Drive Manifold - Models with Drive Option .....	472
603.1 Jib and Platform Rotate Manifolds .....	476
604.1 Hydraulic Cylinders .....	480
604.2 Hydraulic Cylinders .....	486
604.3 Hydraulic Cylinders .....	494
605.1 Hydraulic Hoses and Fittings - Chassis .....	500
605.2 Hydraulic Hoses and Fittings - Chassis .....	504
605.3 Hydraulic Hoses and Fittings - Chassis .....	508
606.1 Hydraulic Hoses and Fittings - Boom System - ANSI Models .....	512
606.2 Hydraulic Hoses and Fittings - Boom System - ANSI Models .....	514
606.3 Hydraulic Hoses and Fittings - Boom System - ANSI Models .....	516
606.4 Hydraulic Hoses and Fittings - Boom System - ANSI Models .....	518
606.5 Hydraulic Hoses and Fittings - Boom System - CE Models .....	520
606.6 Hydraulic Hoses and Fittings - Boom System - CE Models .....	522
606.7 Hydraulic Hoses and Fittings - Boom System - CE Models .....	524
606.8 Hydraulic Hoses and Fittings - Boom System - CE Models .....	526
<b>700 Accessories .....</b>	<b>528</b>
701.1 Accessories .....	528
<b>Part Number Index .....</b>	<b>532</b>



001.1 Parts Stocking List

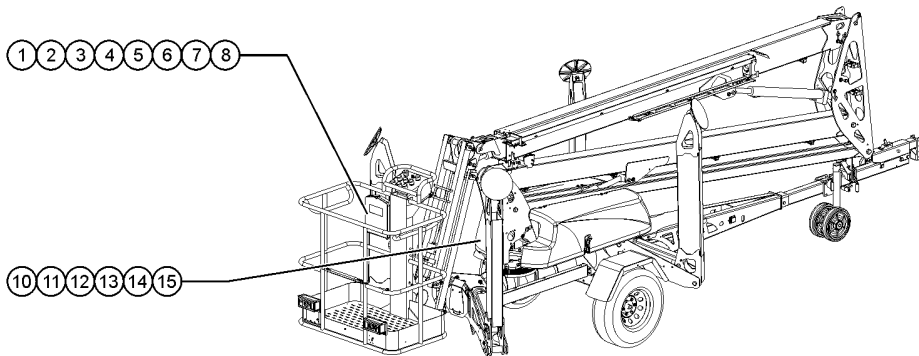
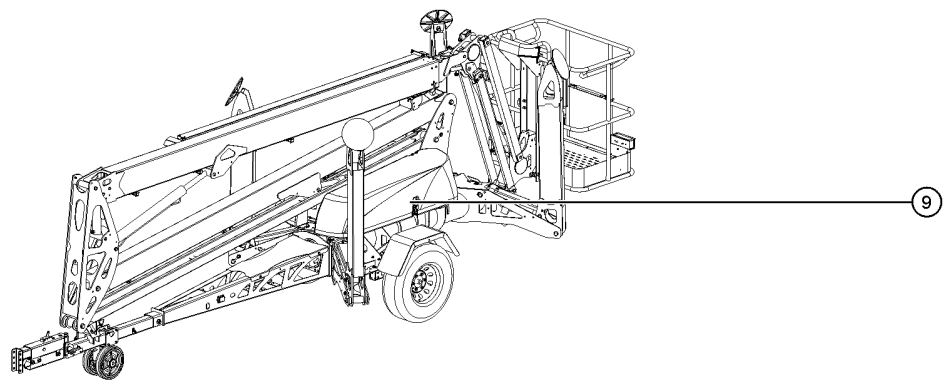




Item	Part No.	Description	Qty.
A		— GENERAL SERVICE PARTS —	
A-	1484GT	PAINT,AEROSOL,BRIGHT BLUE*** 12-ounce spray paint	
A-	1268GT	PAINT,AEROSOL,GENIE GRAY*** 12-ounce spray paint	
A-	1258567GT	PAINT, AEROSOL, TRAFFIC BLACK 12-ounce spray paint	
A-	32150GT	PAINT,WET,GENIE BLUE (1 GL)** 1-gallon	
A-	32151GT	PAINT,WET,GENIE GRAY (1 GL)** 1-gallon	
A-	66399GT	GREASE,DIELECTRIC 4 OZ**	
A-	1283776GT	SEAL MARKER,CROSS CHECK,BLUE,TUBE	
A-	93500GT	PARKER DIGITAL PRESSURE GAUGE	
A-	49612GT	O-RING KIT (ORFS FITTINGS) O-ring kit, ORFS	
A-	49613GT	PLUG AND CAP KIT-SERVICE,ORFS* Plug and cap kit, ORFS	
A-	28750GT	O-RING KIT,FIELD SVC,ALL PROD* O-ring kit, SAE	
A-	33994GT	PLUG AND CAP KIT-SERVICE,37 ** Plug and cap kit, SAE	
A-	84966GT	FUSE, 5A (refer to 303.1)	
A-	55726GT	FUSE,50 AMP (refer to 305.2 and 305.3)	
		— MANUALS —	
1	27581GT	MANUAL,AEM SAFETY	
2-	31779GT	MANUAL,RESPON,A92.5 BOOM	
3-	84592GT	MANUAL,OWNER,DEMCO 91 HITCH	
4-	84376GT	MANUAL,DEXTER AXLE AND BRAKE	
5-	84443GT	KNOTT AXLE,SERVICE MANUAL	
6-	97228GT	MANUAL,OWNERS,HONDA GX160	
7-	97229GT	MANUAL,SHOP,HONDA GX160	
8-	97230GT	MANUAL,PARTS,HONDA GX160	
		— FILTERS —	
9	44788GT	FILTER ELEMENT,10MICRON,PAPER*	

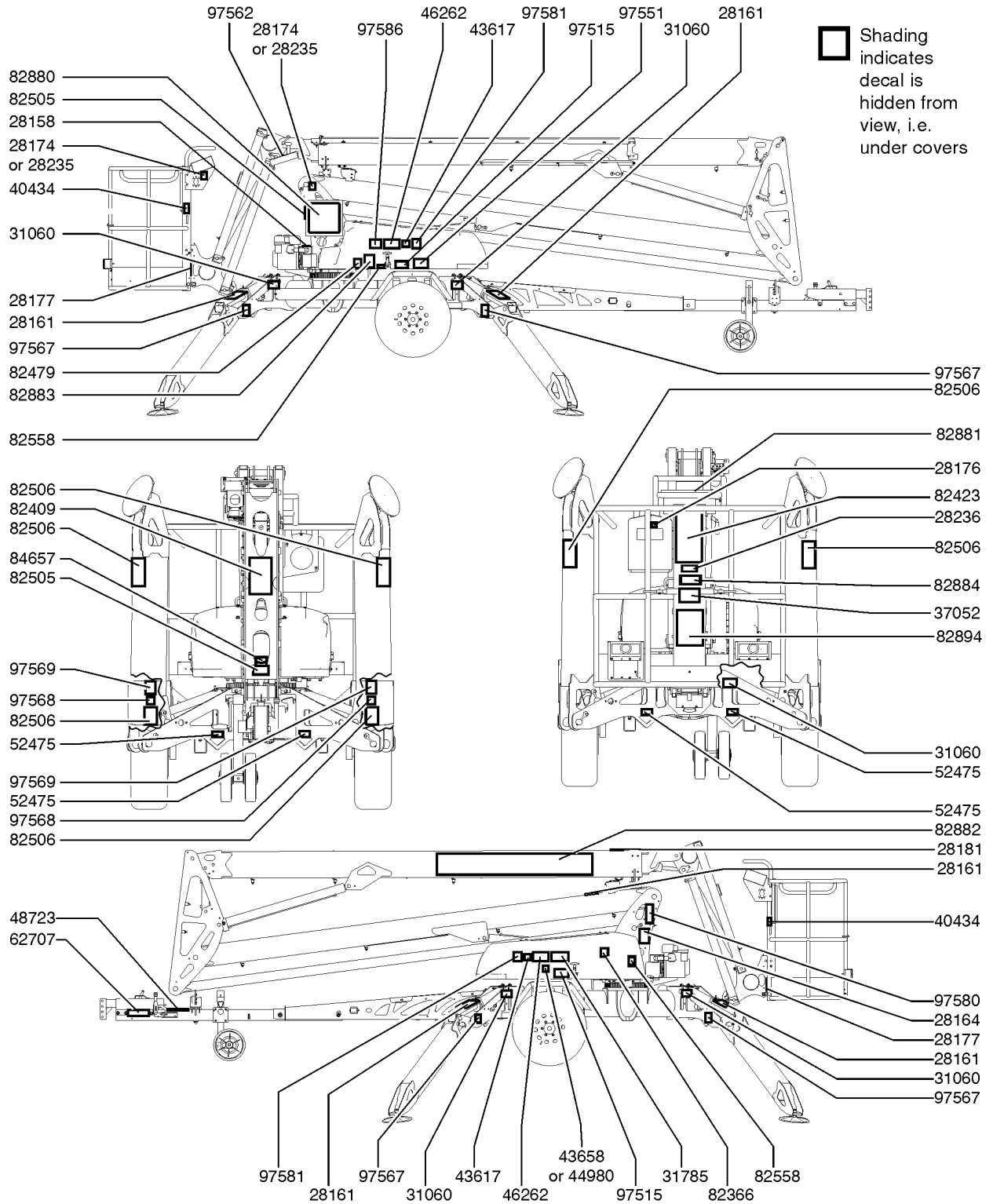


001.1 Parts Stocking List



<i>Item</i>	<i>Part No.</i>	<i>Description</i>	<i>Qty.</i>
		.....	
		— ENGINE — .....	
10	99785GT	ENGINE,SI,5.5 HP HONDA .....	
11	84660GT	SPARK PLUG,TZ-50 .....	
12	84901GT	SPARK PLUG .....	
13	84892GT	AIR CLEANER ELEMENT .....	
14	84893GT	FILTER .....	
15	104815GT	BELT,3VX-250*** .....	

101.1 Decals with Words (to serial number TZ5006-510)

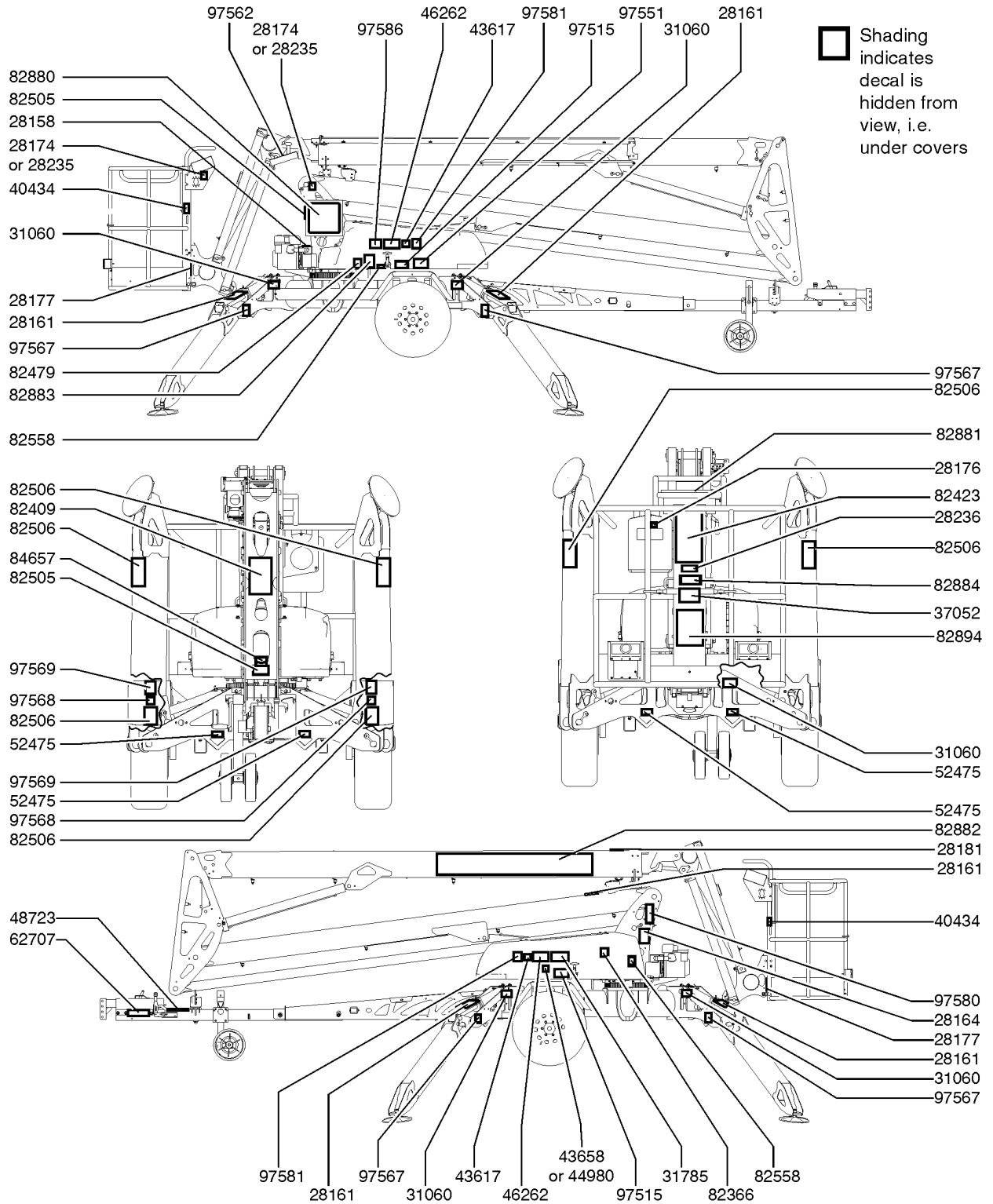


101.1 Decals with Words (to serial number TZ5006-510)

Item	Part No.	Description	Qty.
	150113GT	DECAL KIT,INSTRUC,TZ50,WRDS includes items 2, 3, 5, 7, 9, 10, 11, 13, 14, 17-29, 31, 32, 36, 37, 39, 40, and 41	
1	28158GT	DECAL,LABEL,UNLEADED GAS ONLY models with engines	1
2	28161GT	DECAL,WARN,CRUSH HAZARD HAND	5
3	28164GT	DECAL,NOTICE,HAZARDOUS MAT'LS*	1
4	28174GT	DECAL, POWER TO PLATFORM 230V**	2
5	28176GT	DECAL,LABEL,MANUAL NOT HERE	1
6	28177GT	DECAL,WARN,CRUSH HAZARD PLAT	2
7	28181GT	DECAL,WARN,FALL HAZARD	1
8	28235GT	DECAL,POWER TO PLATFORM 115V	2
9	28236GT	DECAL,WARN,IMPROPER OPERATION	1
10	31060GT	DECAL,DANGER DO NOT ALTER SWTC	5
11	31785GT	DECAL,NOTICE,CHARGER INSTRUC	1
11	31785JAGT	DECAL,NOTICE,CHARGER INSTRUC (japanese)	
12	37052GT	DECAL,NOTICE,MAX LOAD 500 LBS	1
13	40434GT	DECAL,LANYARD ANCHORAGE POINT	2
14	43617GT	DECAL,DANGER,TIP-OVER,BATTERY	2
15	43658GT	DECAL,LABEL,PWR TO CHARGR 230V	1
16	44980GT	DECAL,LABEL,PWR TO CHARGR 115V	1
17	46262GT	DECAL,DANGER,BATTERY SAFETY	2
18	48723GT	DECAL,LABEL,PARKING BRAKE,ANSI	1
19	52475GT	DECAL,LABEL,TRANSPORT TIEDOWN*	4
20	62707GT	DECAL,WARNING,MAX TOWING SPEED	1
21	82366GT	DECAL,CHEVRON RANDO HD	1
22	82409GT	DECAL,WARNING,TRANSPORT INST	1
23	82423GT	DECAL,DANGER,GEN SAFE,TZ34,50	1
24	82479GT	DECAL,DANGER,GENERAL SAFETY	1
25	82505GT	DECAL,DANGER,CRUSHING HAZARD	2
26	82506GT	DECAL,WARNING-FOOT CRUSHING	6



101.1 Decals with Words (to serial number TZ5006-510)

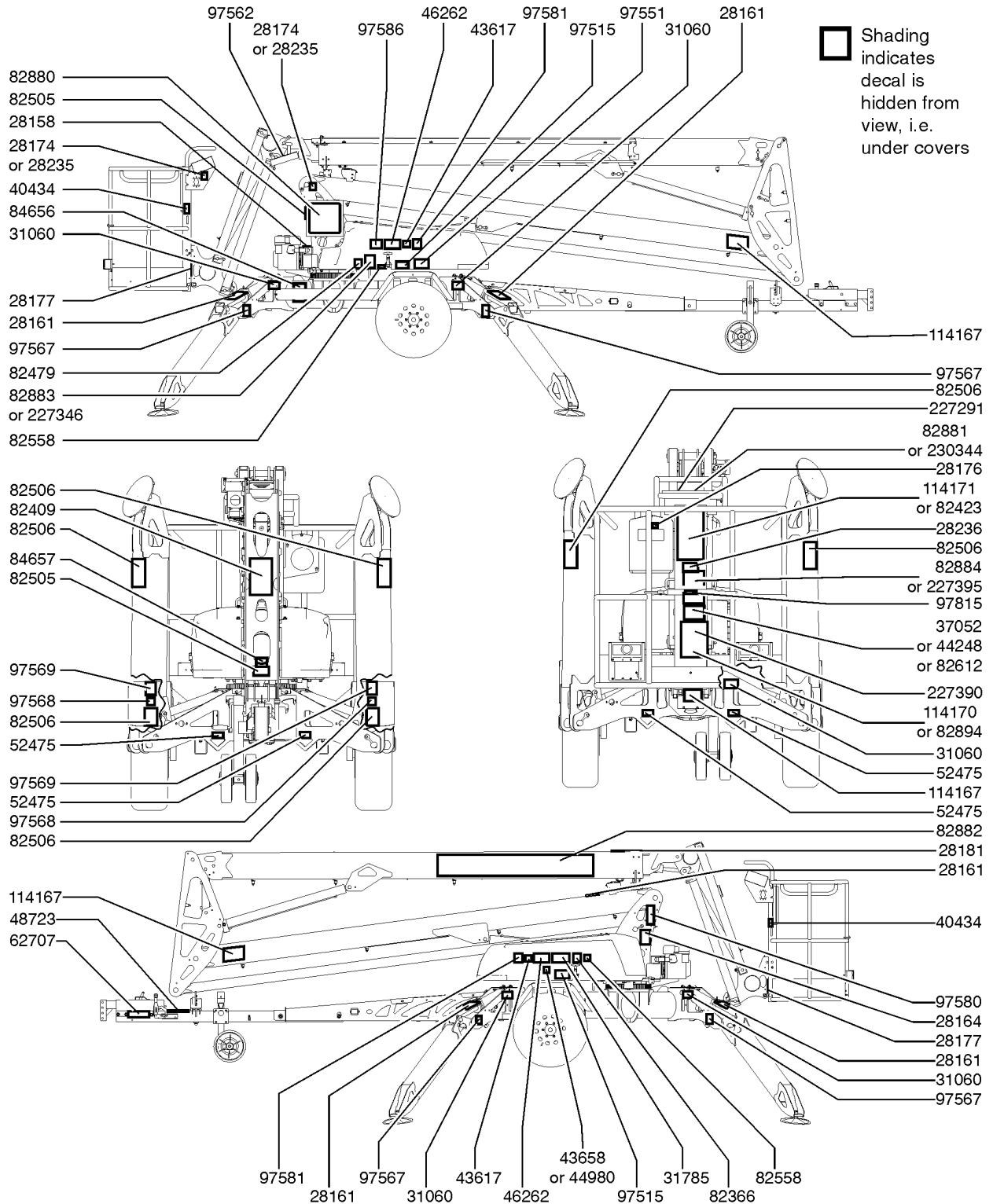


101.1 Decals with Words (to serial number TZ5006-510)

<i>Item</i>	<i>Part No.</i>	<i>Description</i>	<i>Qty.</i>
27	82558GT	DECAL,WARN,SKIN INJECTION HAZ* .....	2
28	82880GT	DECAL,GROUND CNTRL PANEL,TZ50 .....	1
29	82881GT	DECAL,PLAT CNTRL PANEL,TZ50 .....	1
30	82882GT	DECAL,COSMETIC,TZ-50 .....	1
31	82883GT	DECAL,NOTICE,OPER INSTR,GROUND .....	1
32	82884GT	DECAL,NOTICE,OPER INST,PLATFOR .....	1
33	82894GT	DECAL,WARNING,DRIVE SYSTEM .....	1
34	84656GT	SERIAL # LABEL,TZ50 .....	1
35	84657GT	NHTSA LABEL,TZ50 .....	1
		ANSI models	
36	97515GT	DECAL,DANGER,ELEC HAZ STAY CLR .....	2
37	97551GT	DECAL,CAUTION,COMPART.ACCESS .....	1
38	97562GT	DECAL,DRIVE CONTROL PANEL,TZ50 .....	1
39	97567GT	DECAL,LABEL,OUTRIGGER LOADTZ50 .....	4
40	97568GT	97569,LABEL,WHEEL LOAD,TZ50 .....	2
41	97569GT	.ECAL,NOTICE,TIRE SPECS,TZ50 .....	2
42	97580GT	DECAL,NOTICE,ENGINE SPEC,TZ50 .....	1
		models with engines	
43	97581GT	DECAL,NOTICE,BATTERY CONN,TZ50 .....	2
44	97586GT	DECAL,NOTICE,MANUAL OPER,TZ50 .....	1



101.2 Decals with Words (from serial number TZ5006-511)



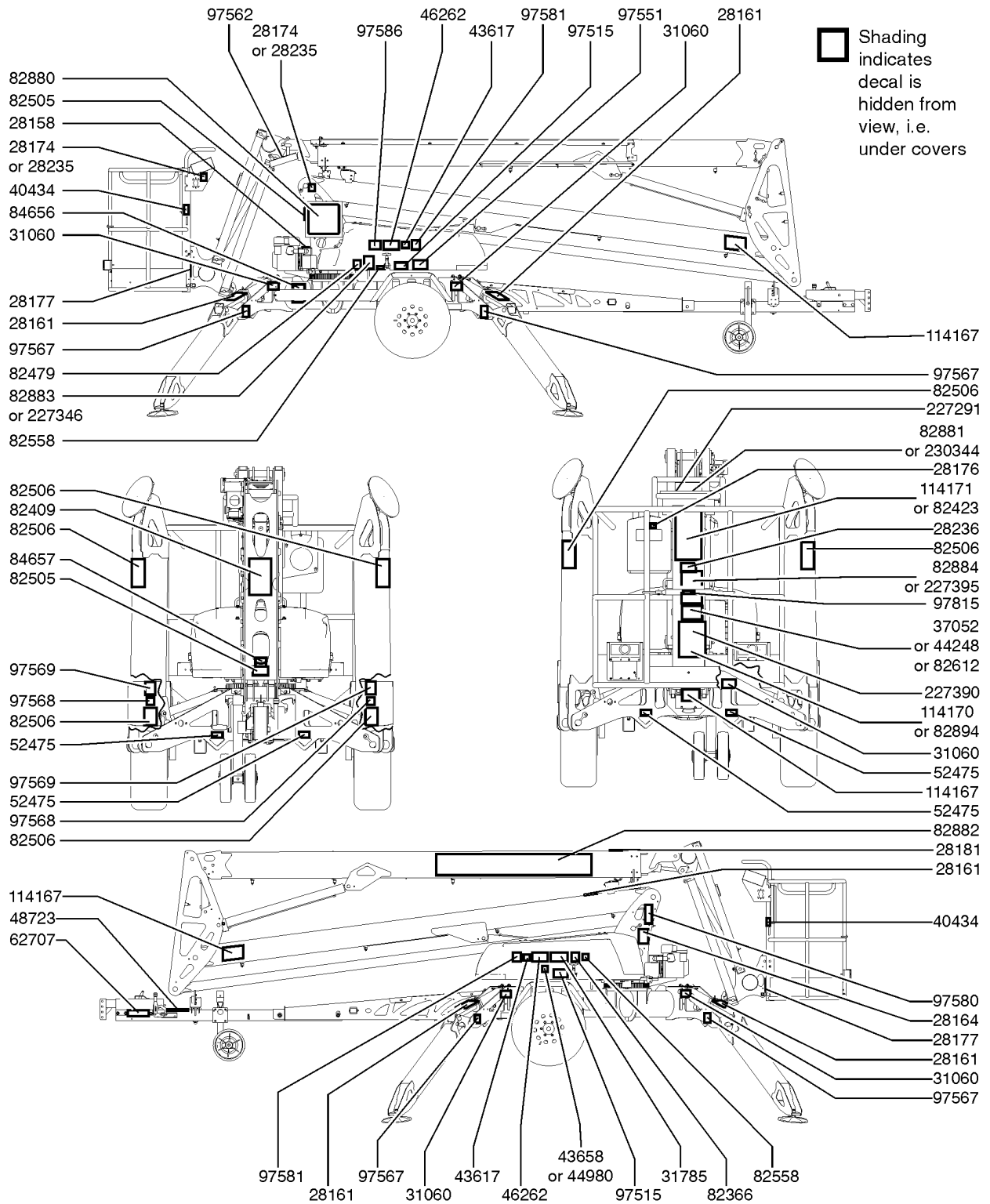


101.2 Decals with Words (from serial number TZ5006-511)

Item	Part No.	Description	Qty.
	115088GT	DECAL KIT,INSTRUC,TZ50,WRDS (to SN TZ5011-207) (includes items 2, 3, 5, 7, 9-11, 13, 14,17-22 ,24-29 ,31, 32, 36, 37, ... 39-41, 43, 44, 48, 49 and 51)	
1	28158GT	DECAL,LABEL,UNLEADED GAS ONLY .....	1
2	28161GT	DECAL,WARN,CRUSH HAZARD HAND .....	5
3	28164GT	DECAL,NOTICE,HAZARDOUS MAT'LS* .....	1
4	28174GT	DECAL, POWER TO PLATFORM 230V** .....	2
5	28176GT	DECAL,LABEL,MANUAL NOT HERE .....	1
6	28177GT	DECAL,WARN,CRUSH HAZARD PLAT .....	2
7	28181GT	DECAL,WARN,FALL HAZARD .....	1
8	28235GT	DECAL,POWER TO PLATFORM 115V .....	2
9	28236GT	DECAL,WARN,IMPROPER OPERATION .....	1
10	31060GT	DECAL,DANGER DO NOT ALTER SWTC .....	5
11	31785GT	DECAL,NOTICE,CHARGER INSTRUC .....	1
12	37052GT	DECAL,NOTICE,MAX LOAD 500 LBS .....	1
13	40434GT	DECAL,LANYARD ANCHORAGE POINT .....	2
14	43617GT	DECAL,DANGER,TIP-OVER,BATTERY .....	2
15	43658GT	DECAL,LABEL,PWR TO CHARGR 230V .....	1
16	44980GT	DECAL,LABEL,PWR TO CHARGR 115V .....	1
17	46262GT	DECAL,DANGER,BATTERY SAFETY .....	2
18	48723GT	DECAL,LABEL,PARKING BRAKE,ANSI .....	1
19	52475GT	DECAL,LABEL,TRANSPORT TIEDOWN* .....	4
20	62707GT	DECAL,WARNING,MAX TOWING SPEED .....	1
21	82366GT	DECAL,CHEVRON RANDO HD .....	1
22	82409GT	DECAL,WARNING,TRANSPORT INST .....	1
24	82479GT	DECAL,DANGER,GENERAL SAFETY .....	1
25	82505GT	DECAL,DANGER,CRUSHING HAZARD .....	2
26	82506GT	DECAL,WARNING-FOOT CRUSHING .....	6
27	82558GT	DECAL,WARN,SKIN INJECTION HAZ* .....	2
28	82880GT	DECAL,GROUND CONTL PANEL,TZ50 .....	1



101.2 Decals with Words (from serial number TZ5006-511)

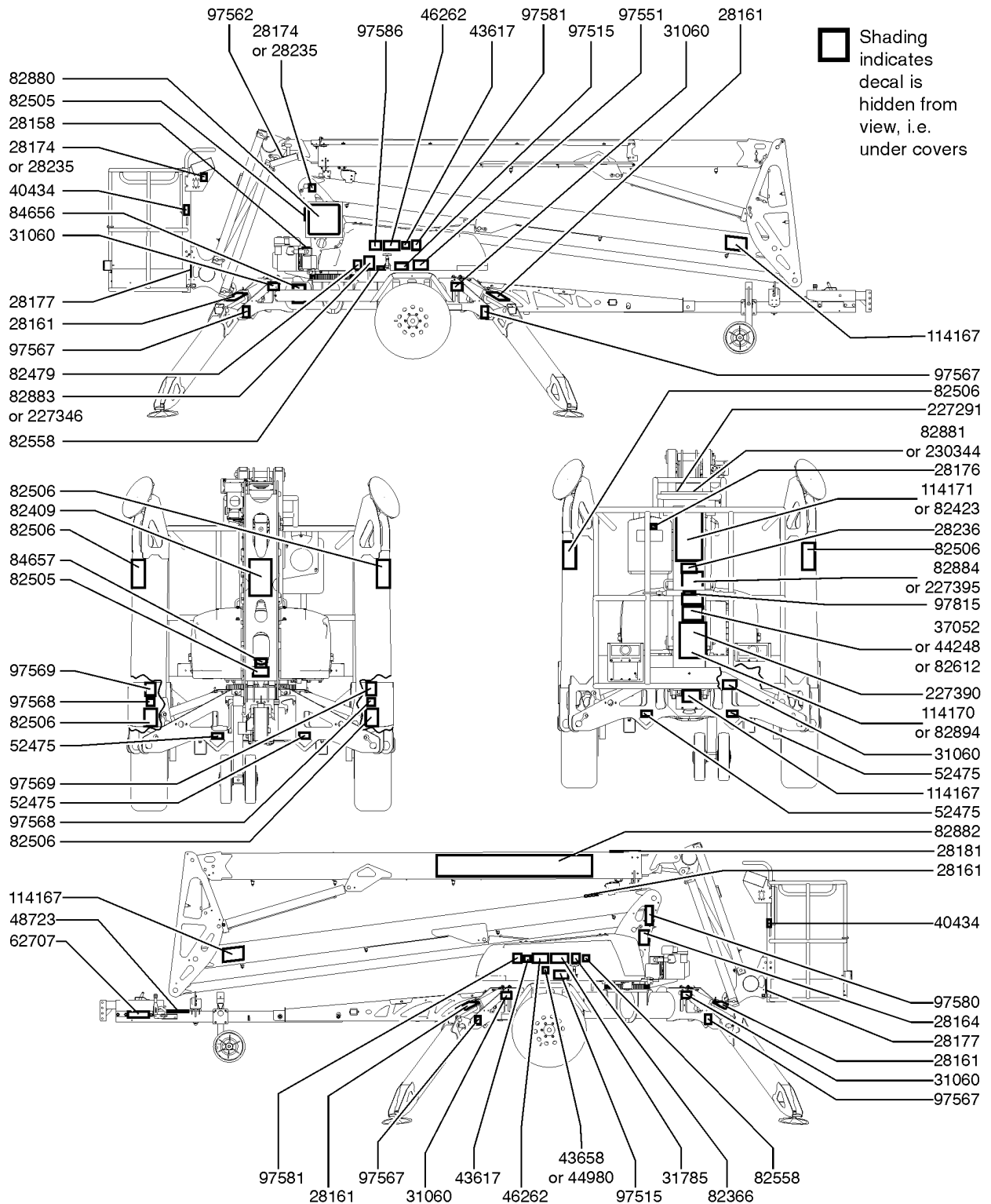


101.2 Decals with Words (from serial number TZ5006-511)

Item	Part No.	Description	Qty.
29	82881GT	DECAL,PLAT CNTRL PANEL,TZ50 ..... (to SN TZ5011-207)	1
30	82882GT	DECAL,COSMETIC,TZ-50 .....	1
31	82883GT	DECAL,NOTICE,OPER INSTR,GROUND .....	1
32	82884GT	DECAL,NOTICE,OPER INST,PLATFOR .....	1
34	84656GT	SERIAL # LABEL,TZ50 .....	1
35	84657GT	NHTSA LABEL,TZ50 ..... (ANSI models)	1
36	97515GT	DECAL,DANGER,ELEC HAZ STAY CLR .....	2
37	97551GT	DECAL,CAUTION,COMPART.ACCESS .....	1
38	97562GT	DECAL,DRIVE CONTROL PANEL,TZ50 .....	1
39	97567GT	DECAL,LABEL,OUTRIGGER LOADTZ50 .....	4
40	97568GT	97569,LABEL,WHEEL LOAD,TZ50 .....	2
41	97569GT	.ECAL,NOTICE,TIRE SPECS,TZ50 .....	2
42	97580GT	DECAL,NOTICE,ENGINE SPEC,TZ50 ..... (models with engines)	1
43	97581GT	DECAL,NOTICE,BATTERY CONN,TZ50 .....	2
44	97586GT	DECAL,NOTICE,MANUAL OPER,TZ50 .....	1
47	44248GT	DECAL,NOTICE,MAX CAP 440 LBS ..... (Australia models)	1
47A	82612GT	DECAL,DANGER,MAX CAP,200KG ..... (CE models)	1
48	97815GT	DECAL,LABEL,LOWER MIDRAIL .....	1
49	114167GT	DECAL,LABEL,TRANSPORT DIAGRAM .....	3
50	114170GT	DECAL,WARNING,DRIVE SYSTEM .....	1
51	114171GT	DANGER DECAL .....	1
52	227291GT	TZ-50 OP AUTOMOBILE HORN ..... (Australia models) (from SN TZ5011-184)	1
53	227346GT	DCL,NOTICE,OP INS,GND,TZ50,AUS ..... (Australia models) (from SN TZ5011-184)	1
54	227390GT	DECAL,MANUAL FORCE,ANSI,400N ..... (Australia models) (from SN TZ5011-184)	1
55	227395GT	DCL,NOTICE,OP INS,PLT,TZ50,AUS ..... (Australia models) (from SN TZ5011-184)	1
56	230344GT	DECAL,PLAT CNTRL PANEL,TZ50 ..... (from SN TZ5011-208)	



101.3 Decals with Words (from serial number TZ5006-511)

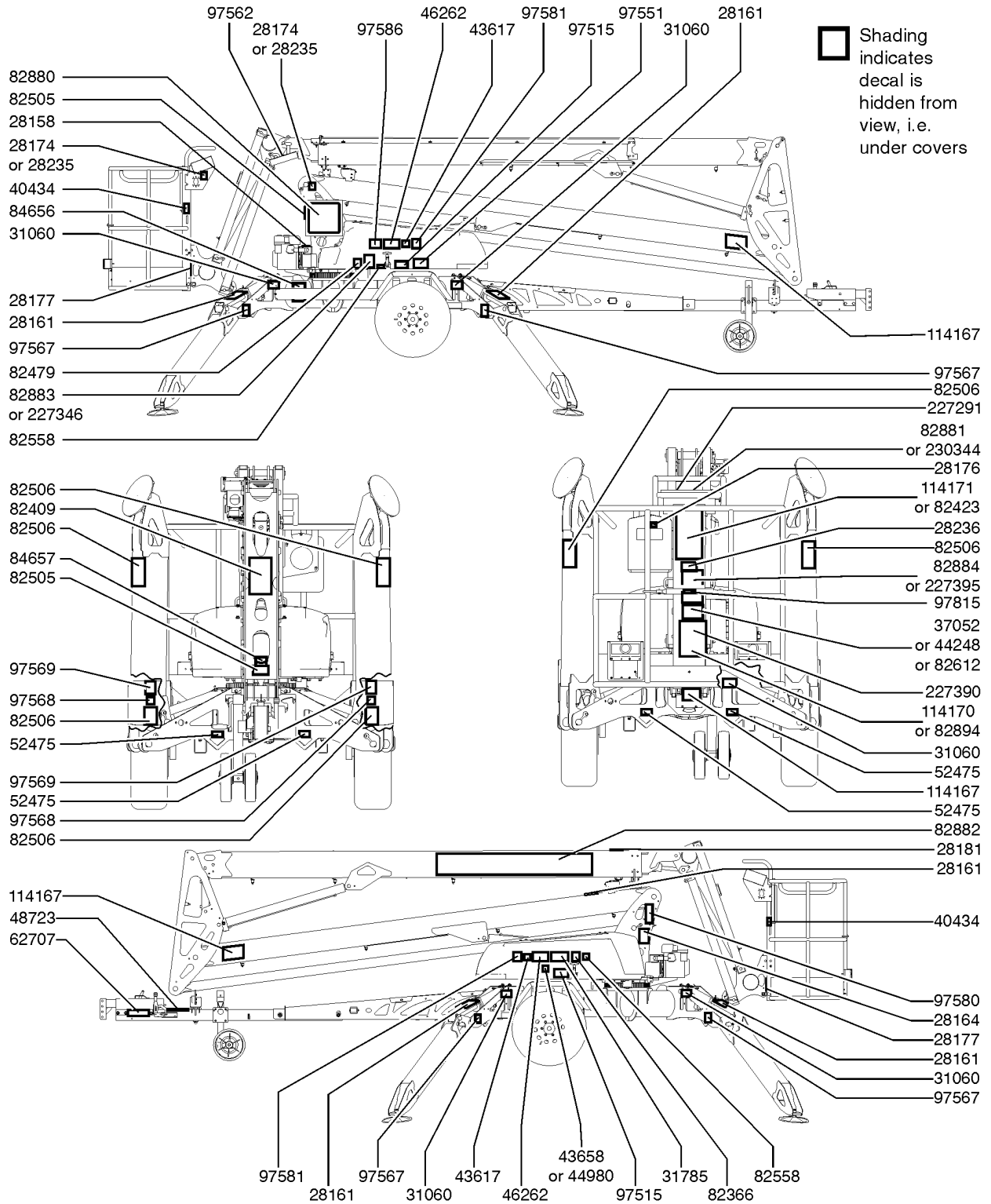


101.3 Decals with Words (from serial number TZ5006-511)

Item	Part No.	Description	Qty.
	115088GT	DECAL KIT,INSTRUC,TZ50,WRDS (to SN TZ5011-207) (includes items 2, 3, 5, 7, 9-11, 13, 14,17-22 ,24-29 ,31, 32, 36, 37, ... 39-41, 43, 44, 48, 49 and 51)	
	237573GT	DECAL KIT,INSTRUCTS,TZ50,WORDS (from SN TZ5011-208) (includes items 2, 3, 5, 7, 9-11, 13, 14, 17-22, 24-28, 31, 32, 36, 37, 39-41, 43, 44, and 48)	
1	28158GT	DECAL,LABEL,UNLEADED GAS ONLY ..... (models with engines)	1
2	28161GT	DECAL,WARN,CRUSH HAZARD HAND .....	5
3	28164GT	DECAL,NOTICE,HAZARDOUS MAT'LS* .....	1
4	28174GT	DECAL, POWER TO PLATFORM 230V** .....	2
5	28176GT	DECAL,LABEL,MANUAL NOT HERE .....	1
6	28177GT	DECAL,WARN,CRUSH HAZARD PLAT .....	2
7	28181GT	DECAL,WARN,FALL HAZARD .....	1
8	28235GT	DECAL,POWER TO PLATFORM 115V .....	2
9	28236GT	DECAL,WARN,IMPROPER OPERATION .....	1
10	31060GT	DECAL,DANGER DO NOT ALTER SWTC .....	5
11	31785GT	DECAL,NOTICE,CHARGER INSTRUC .....	1
12	37052GT	DECAL,NOTICE,MAX LOAD 500 LBS .....	1
13	40434GT	DECAL,LANYARD ANCHORAGE POINT .....	2
14	43617GT	DECAL,DANGER,TIP-OVER,BATTERY .....	2
15	43658GT	DECAL,LABEL,PWR TO CHARGR 230V .....	1
16	44980GT	DECAL,LABEL,PWR TO CHARGR 115V .....	1
17	46262GT	DECAL,DANGER,BATTERY SAFETY .....	2
18	48723GT	DECAL,LABEL,PARKING BRAKE,ANSI .....	1
19	52475GT	DECAL,LABEL,TRANSPORT TIEDOWN* .....	4
20	62707GT	DECAL,WARNING,MAX TOWING SPEED .....	1
21	82366GT	DECAL,CHEVRON RANDO HD .....	1
22	82409GT	DECAL,WARNING,TRANSPORT INST .....	1
24	82479GT	DECAL,DANGER,GENERAL SAFETY .....	1
25	82505GT	DECAL,DANGER,CRUSHING HAZARD .....	2
26	82506GT	DECAL,WARNING-FOOT CRUSHING .....	6



101.3 Decals with Words (from serial number TZ5006-511)



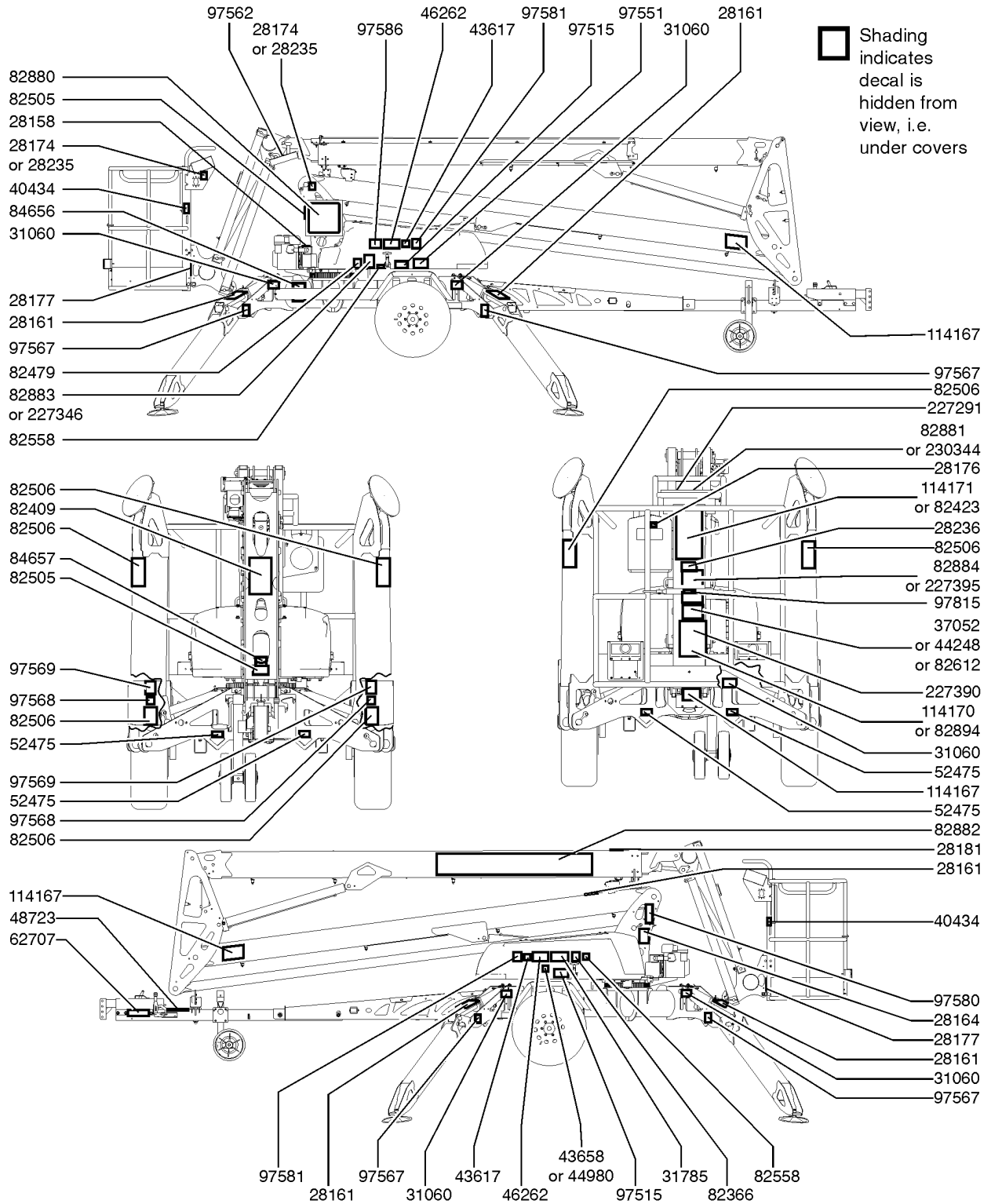
101.3 Decals with Words (from serial number TZ5006-511)

Item	Part No.	Description	Qty.
27	82558GT	DECAL,WARN,SKIN INJECTION HAZ*	2
28	82880GT	DECAL,GROUND CNTRL PANEL,TZ50	1
29	82881GT	DECAL,PLAT CNTRL PANEL,TZ50 (to SN TZ5011-207)	1
30	82882GT	DECAL,COSMETIC,TZ-50	1
31	82883GT	DECAL,NOTICE,OPER INSTR,GROUND	1
32	82884GT	DECAL,NOTICE,OPER INST,PLATFOR	1
34	84656GT	SERIAL # LABEL,TZ50	1
35	84657GT	NHTSA LABEL,TZ50 (ANSI models)	1
36	97515GT	DECAL,DANGER,ELEC HAZ STAY CLR	2
37	97551GT	DECAL,CAUTION,COMPART.ACCESS	1
38	97562GT	DECAL,DRIVE CONTROL PANEL,TZ50	1
39	97567GT	DECAL,LABEL,OUTRIGGER LOADTZ50	4
40	97568GT	97569,LABEL,WHEEL LOAD,TZ50	2
41	97569GT	DECAL,NOTICE,TIRE SPECS,TZ50	2
42	97580GT	DECAL,NOTICE,ENGINE SPEC,TZ50 (models with engines)	1
43	97581GT	DECAL,NOTICE,BATTERY CONN,TZ50	2
44	97586GT	DECAL,NOTICE,MANUAL OPER,TZ50	1
47	44248GT	DECAL,NOTICE,MAX CAP 440 LBS (Australia models)	1
47A	82612GT	DECAL,DANGER,MAX CAP,200KG (CE models)	1
48	97815GT	DECAL,LABEL,LOWER MIDRAIL	1
49	114167GT	DECAL,LABEL,TRANSPORT DIAGRAM	3
50	114170GT	DECAL,WARNING,DRIVE SYSTEM	1
51	114171GT	DANGER DECAL	1
52	227291GT	TZ-50 OP AUTOMOBILE HORN (Australia models) (from SN TZ5011-184)	1
53	227346GT	DCL,NOTICE,OP INS,GND,TZ50,AUS (Australia models) (from SN TZ5011-184)	1
54	227390GT	DECAL,MANUAL FORCE,ANSI,400N (Australia models) (from SN TZ5011-184)	1
55	227395GT	DCL,NOTICE,OP INS,PLT,TZ50,AUS (Australia models) (from SN TZ5011-184)	1
56	230344GT	DECAL,PLAT CNTRL PANEL,TZ50 (from SN TZ5011-208)	





101.4 Decals with Words (from serial number TZ5006-511)



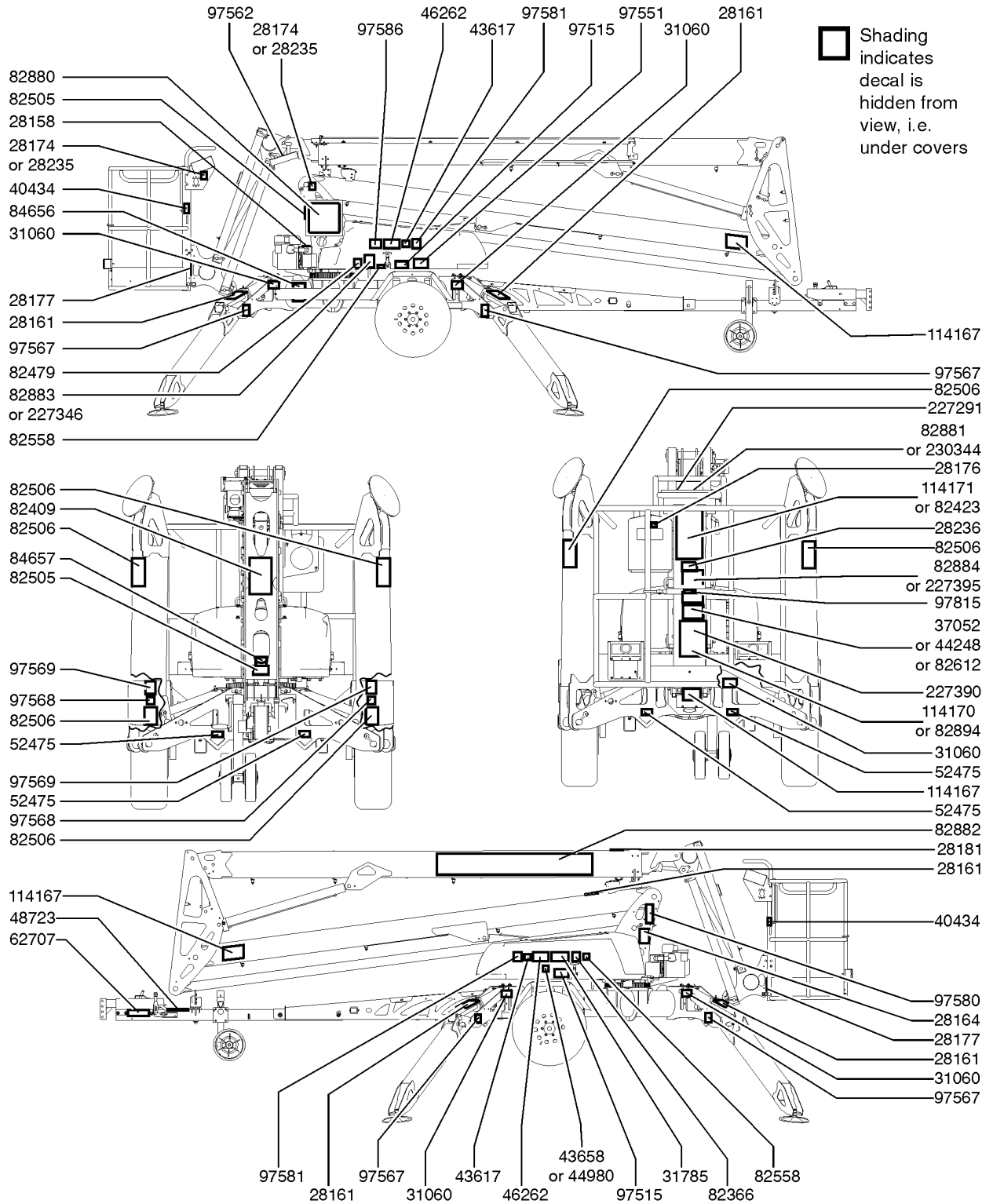


101.4 Decals with Words (from serial number TZ5006-511)

Item	Part No.	Description	Qty.
	237573GT	DECAL KIT,INSTRUCTS,TZ50,WORDS (from SN TZ5011-208) (includes items 2, 3, 5, 7, 9-11, 13, 14, 17-22, 24-28, 31, 32, 36, 37, 39-41, 43, 44, 48, 49, 51 and 56)	
1	28158GT	DECAL,LABEL,UNLEADED GAS ONLY .....	1
2	28161GT	DECAL,WARN,CRUSH HAZARD HAND .....	5
3	28164GT	DECAL,NOTICE,HAZARDOUS MAT'LS* .....	1
4	28174GT	DECAL, POWER TO PLATFORM 230V** .....	2
5	28176GT	DECAL,LABEL,MANUAL NOT HERE .....	1
6	28177GT	DECAL,WARN,CRUSH HAZARD PLAT .....	2
7	28181GT	DECAL,WARN,FALL HAZARD .....	1
8	28235GT	DECAL,POWER TO PLATFORM 115V .....	2
9	28236GT	DECAL,WARN,IMPROPER OPERATION .....	1
10	31060GT	DECAL,DANGER DO NOT ALTER SWTC .....	5
11	31785GT	DECAL,NOTICE,CHARGER INSTRUC .....	1
11	31785JAGT	DECAL,NOTICE,CHARGER INSTRUC (japanese)	
12	37052GT	DECAL,NOTICE,MAX LOAD 500 LBS .....	1
13	40434GT	DECAL,LANYARD ANCHORAGE POINT .....	2
14	43617GT	DECAL,DANGER,TIP-OVER,BATTERY .....	2
15	43658GT	DECAL,LABEL,PWR TO CHARGR 230V .....	1
16	44980GT	DECAL,LABEL,PWR TO CHARGR 115V .....	1
17	46262GT	DECAL,DANGER,BATTERY SAFETY .....	2
18	48723GT	DECAL,LABEL,PARKING BRAKE,ANSI .....	1
19	52475GT	DECAL,LABEL,TRANSPORT TIEDOWN* .....	4
20	62707GT	DECAL,WARNING,MAX TOWING SPEED .....	1
21	82366GT	DECAL,CHEVRON RANDO HD .....	1
22	82409GT	DECAL,WARNING,TRANSPORT INST .....	1
24	82479GT	DECAL,DANGER,GENERAL SAFETY .....	1
25	82505GT	DECAL,DANGER,CRUSHING HAZARD .....	2
26	82506GT	DECAL,WARNING-FOOT CRUSHING .....	6
27	82558GT	DECAL,WARN,SKIN INJECTION HAZ* .....	2



101.4 Decals with Words (from serial number TZ5006-511)

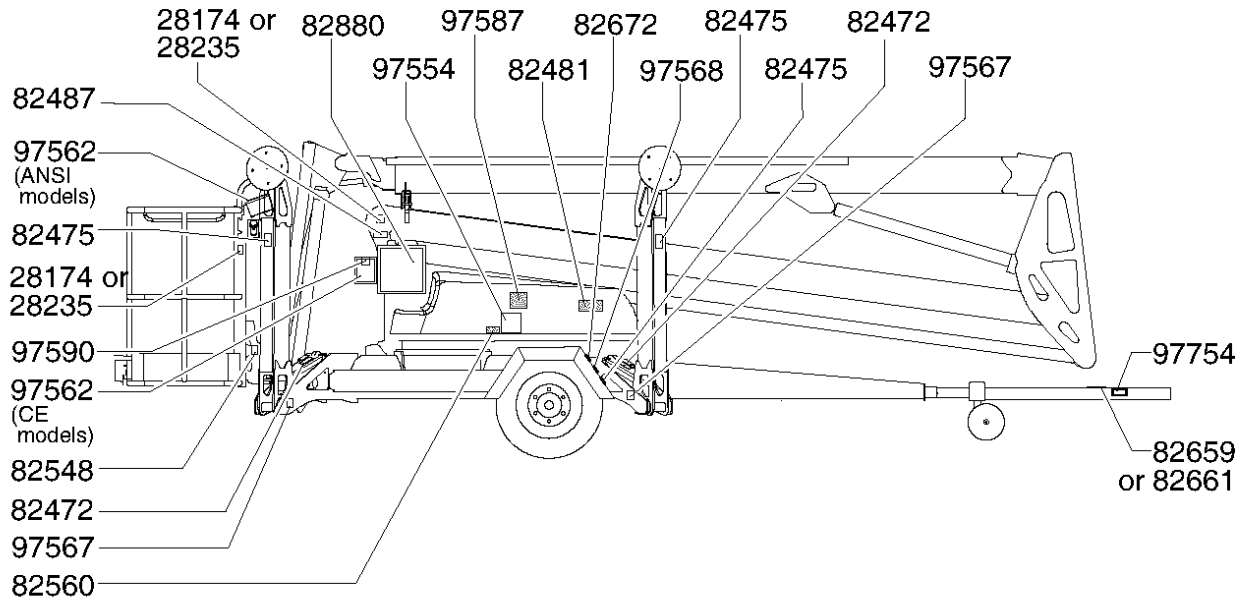



101.4 Decals with Words (from serial number TZ5006-511)

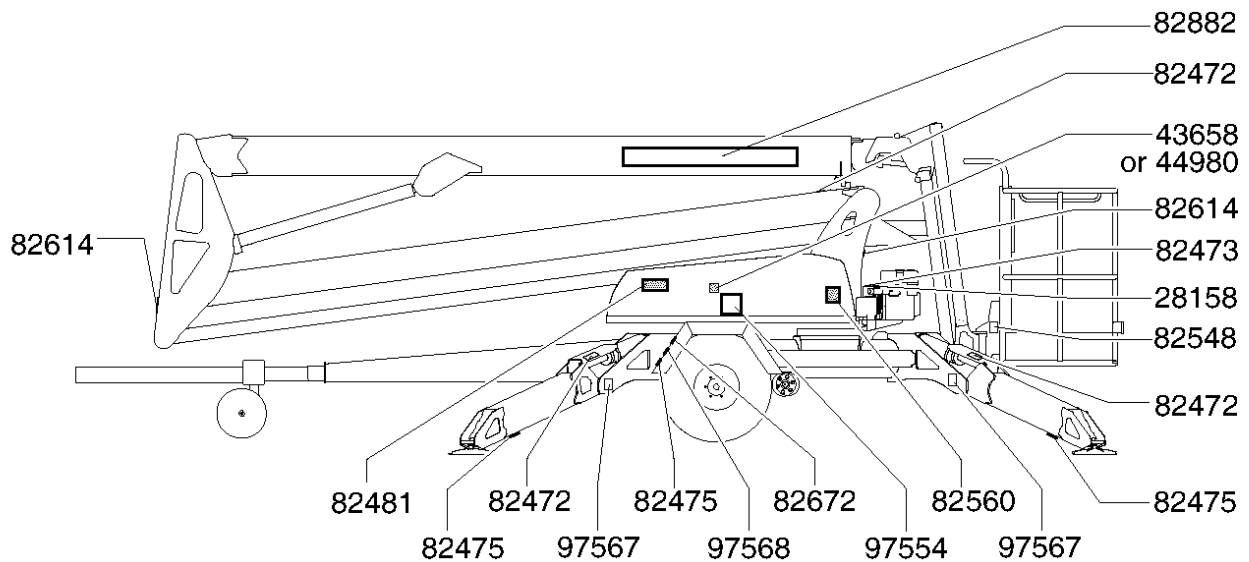
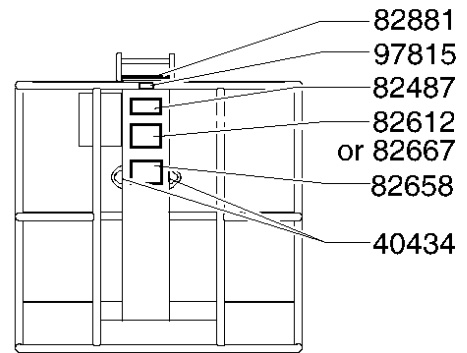
Item	Part No.	Description	Qty.
28	82880GT	DECAL,GROUND CNTRL PANEL,TZ50 .....	1
29	82881GT	DECAL,PLAT CNTRL PANEL,TZ50 .....	1
		(to SN TZ5011-207)	
30	82882GT	DECAL,COSMETIC,TZ-50 .....	1
31	82883GT	DECAL,NOTICE,OPER INSTR,GROUND .....	1
32	82884GT	DECAL,NOTICE,OPER INST,PLATFOR .....	1
34	84656GT	SERIAL # LABEL,TZ50 .....	1
35	84657GT	NHTSA LABEL,TZ50 .....	1
		(ANSI models)	
36	97515GT	DECAL,DANGER,ELEC HAZ STAY CLR .....	2
37	97551GT	DECAL,CAUTION,COMPART.ACCESS .....	1
38	97562GT	DECAL,DRIVE CONTROL PANEL,TZ50 .....	1
39	97567GT	DECAL,LABEL,OUTRIGGER LOADTZ50 .....	4
40	97568GT	97569,LABEL,WHEEL LOAD,TZ50 .....	2
41	97569GT	.ECAL,NOTICE,TIRE SPECS,TZ50 .....	2
42	97580GT	DECAL,NOTICE,ENGINE SPEC,TZ50 .....	1
		(models with engines)	
43	97581GT	DECAL,NOTICE,BATTERY CONN,TZ50 .....	2
44	97586GT	DECAL,NOTICE,MANUAL OPER,TZ50 .....	1
47	44248GT	DECAL,NOTICE,MAX CAP 440 LBS .....	1
		(Australia models)	
47A	82612GT	DECAL,DANGER,MAX CAP,200KG .....	1
		(CE models)	
48	97815GT	DECAL,LABEL,LOWER MIDRAIL .....	1
49	114167GT	DECAL,LABEL,TRANSPORT DIAGRAM .....	3
50	114170GT	DECAL,WARNING,DRIVE SYSTEM .....	1
51	114171GT	DANGER DECAL .....	1
52	227291GT	TZ-50 OP AUTOMOBILE HORN .....	1
		(Australia models) (from SN TZ5011-184)	
53	227346GT	DCL,NOTICE,OP INS,GND,TZ50,AUS .....	1
		(Australia models) (from SN TZ5011-184)	
54	227390GT	DECAL,MANUAL FORCE,ANSI,400N .....	1
		(Australia models) (from SN TZ5011-184)	
55	227395GT	DCL,NOTICE,OP INS,PLT,TZ50,AUS .....	1
		(Australia models) (from SN TZ5011-184)	
56	230344GT	DECAL,PLAT CNTRL PANEL,TZ50 .....	
		(from SN TZ5011-208)	



102.1 Decals with Symbols (to serial number TZ5006-510)



 Shading indicates that the decal is hidden from view.

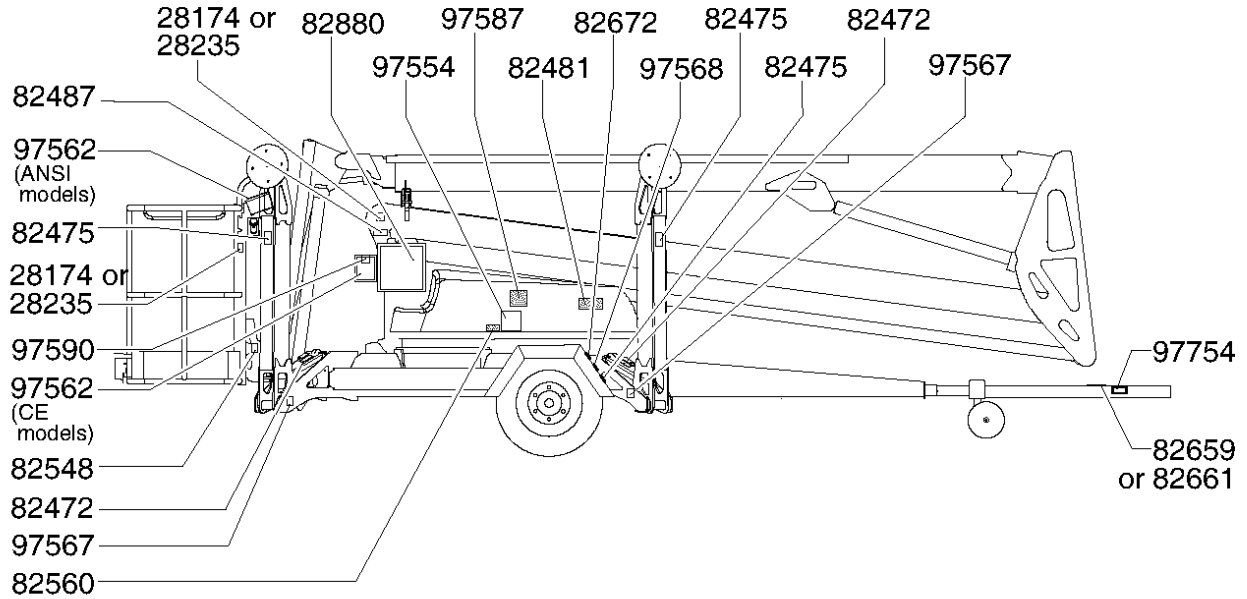


102.1 Decals with Symbols (to serial number TZ5006-510)

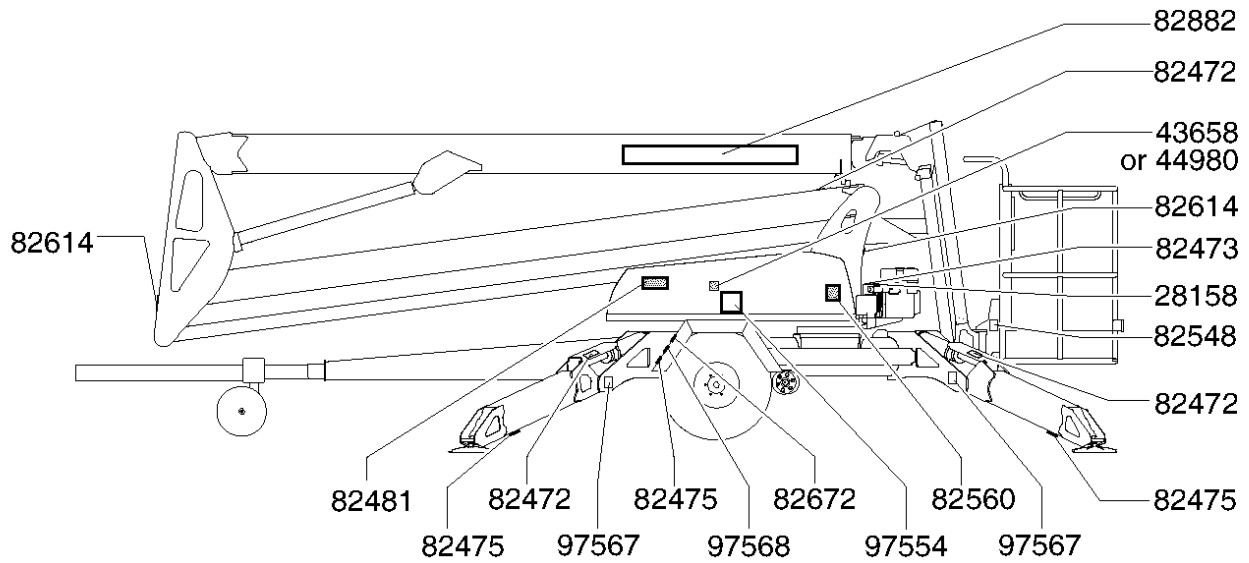
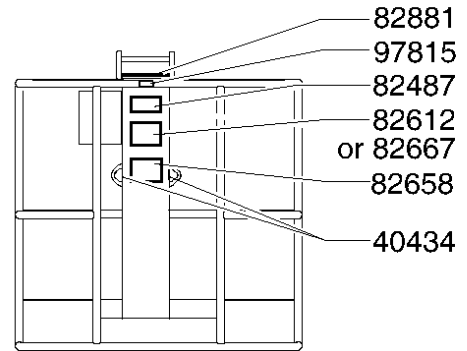
Item	Part No.	Description	Qty.
	150117GT	DECAL KIT,INSTRUC,TZ50,SYMB includes items 4, 7, 8, 10, 11, 12, 14, 16, 21, 22, 23, 27, 29, 30 and 31	
1	28158GT	DECAL,LABEL,UNLEADED GAS ONLY models with engines	1
2	28174GT	DECAL, POWER TO PLATFORM 230V**	2
3	28235GT	DECAL,POWER TO PLATFORM 115V	2
4	40434GT	DECAL,LANYARD ANCHORAGE POINT	2
5	43658GT	DECAL,LABEL,PWR TO CHARGR 230V	1
6	44980GT	DECAL,LABEL,PWR TO CHARGR 115V	1
7	52475GT	DECAL,LABEL,TRANSPORT TIEDOWN*	4
8	82472GT	DECAL,WARNING,CRUSHING HAZARD	5
9	82473GT	DECAL SYMBOL COMP ACCESS models with engines	1
10	82475GT	DECAL,SYMBOL-FOOT CRUSHING	6
11	82481GT	DECAL,SYMBOL-BATTERY SAFETY	2
12	82487GT	DECAL,SYMBOL-READ THE MANUAL	2
13	82548GT	DECAL,WARN,CRUSH HAZARD PLAT	2
14	82560GT	DECAL,SYMBOL-SKIN INJECT HAZRD	2
15	82612GT	DECAL,DANGER,MAX CAP,200KG CE models	1
16	82614GT	DECAL,DANGER,COLLISION HAZARD	2
17	82658GT	DECAL,DANGER,MANUAL FORCE,400N CE models	1
18	82659GT	DECAL,LABEL,PARKING BRAKE,CE CE models	1
19	82661GT	DECAL,LABEL,PARKING BRAKE,ANSI ANSI models	1
20	82667GT	DECAL,DANGER,MAX CAP,227KG ANSI & CSA models	1
21	82672GT	DECAL,LABEL,TIRE PRESSURE,CE CE models	2
22	82880GT	DECAL,GROUND CONTL PANEL,TZ50	1
23	82881GT	DECAL,PLAT CNTRL PANEL,TZ50	1
24	82882GT	DECAL,COSMETIC,TZ-50	1
25	84656GT	SERIAL # LABEL,TZ50	1
26	84657GT	NHTSA LABEL,TZ50 ANSI models	1
27	97554GT	DECAL,DANGER,ELECTROCUTION HAZ	2



102.1 Decals with Symbols (to serial number TZ5006-510)



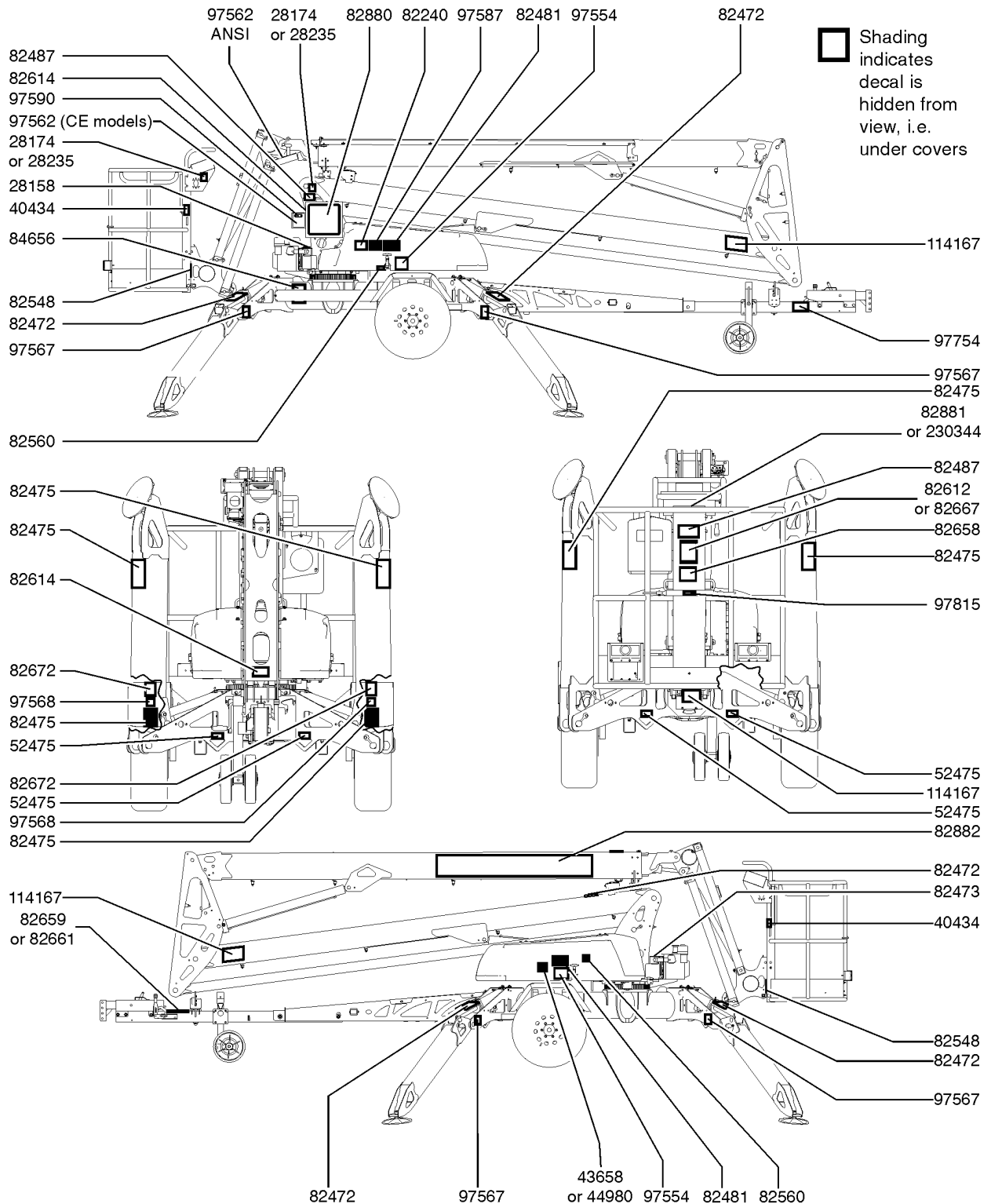
Shading indicates that the decal is hidden from view.



102.1 Decals with Symbols (to serial number TZ5006-510)

<i>Item</i>	<i>Part No.</i>	<i>Description</i>	<i>Qty.</i>
28	97562GT	DECAL,DRIVE CONTROL PANEL,TZ50 ..... models with drive system option	1
29	97567GT	DECAL,LABEL,OUTRIGGER LOADTZ50 .....	4
30	97568GT	97569,LABEL,WHEEL LOAD,TZ50 .....	2
31	97587GT	DECAL,NOTICE,MANUAL OPER,TZ50 .....	1
32	97590GT	DECAL,DANGER,DRIVE CONT SAFETY .....	1
33	97754GT	DECAL,LABEL,DRAWBAR CERT,TZ50 .....	1
34	97815GT	DECAL,LABEL,LOWER MIDRAIL .....	1

102.2 Decals with Symbols (from serial number TZ5006-511)



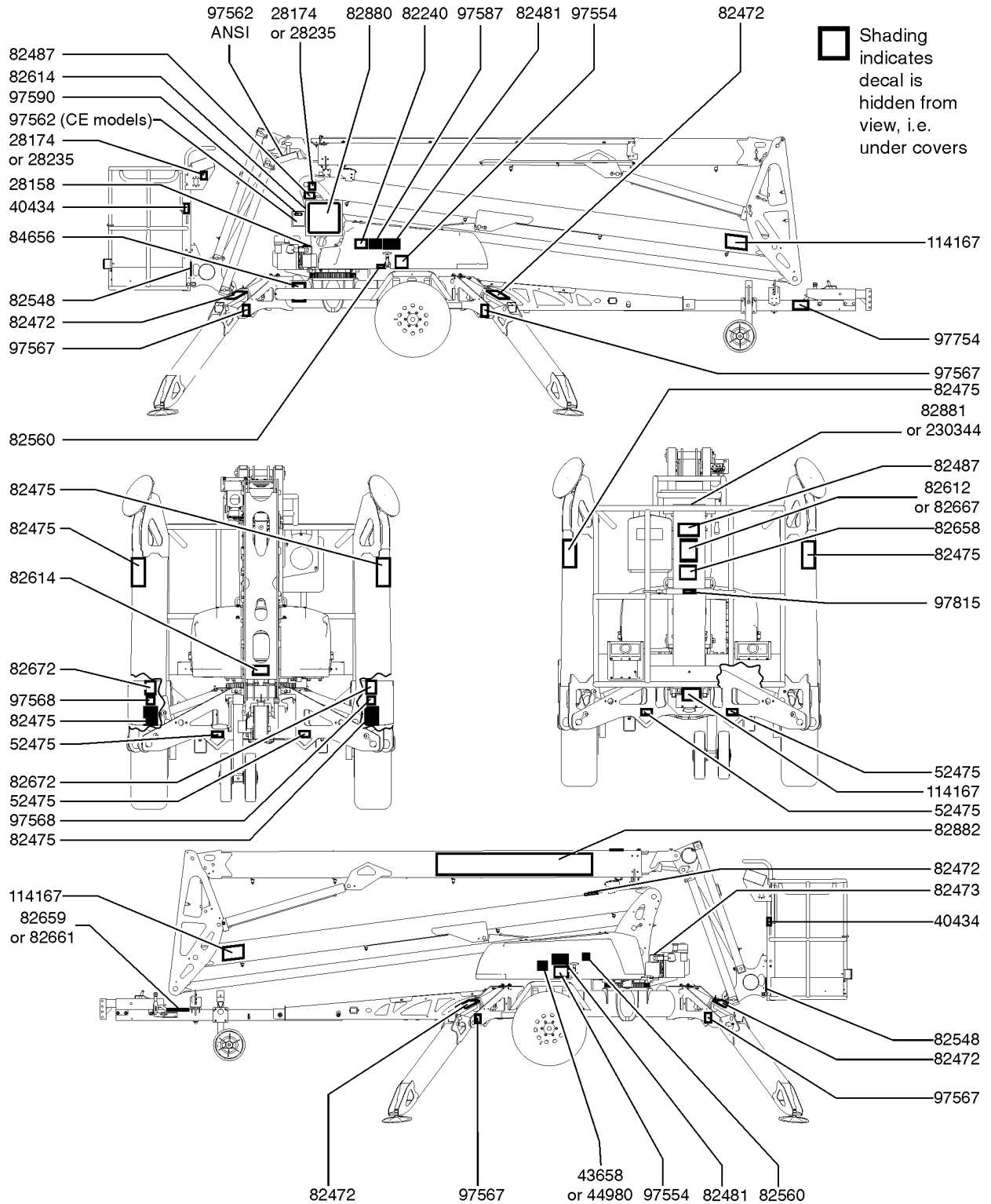


102.2 Decals with Symbols (from serial number TZ5006-511)

Item	Part No.	Description	Qty.
	115090GT	DECAL KIT,INSTRUC,TZ50,SYMB (includes items 4, 7, 9, 11-13, 15, 17, 22-24, 28, 30-32 and 35) (to SN TZ5011-207)	.....
1	28158GT	DECAL,LABEL,UNLEADED GAS ONLY models with engines	1
2	28174GT	DECAL, POWER TO PLATFORM 230V**	2
3	28235GT	DECAL,POWER TO PLATFORM 115V	2
4	40434GT	DECAL,LANYARD ANCHORAGE POINT	2
5	43658GT	DECAL,LABEL,PWR TO CHARGR 230V	1
6	44980GT	DECAL,LABEL,PWR TO CHARGR 115V	1
7	52475GT	DECAL,LABEL,TRANSPORT TIEDOWN*	4
8	82240GT	DECAL,LABEL,105 DB	1
9	82472GT	DECAL,WARNING,CRUSHING HAZARD	5
10	82473GT	DECAL SYMBOL COMP ACCESS models with engines	1
11	82475GT	DECAL,SYMBOL-FOOT CRUSHING	6
12	82481GT	DECAL,SYMBOL-BATTERY SAFETY	2
13	82487GT	DECAL,SYMBOL-READ THE MANUAL	2
14	82548GT	DECAL,WARN,CRUSH HAZARD PLAT	2
15	82560GT	DECAL,SYMBOL-SKIN INJECT HAZRD	2
16	82612GT	DECAL,DANGER,MAX CAP,200KG CE models	1
17	82614GT	DECAL,DANGER,COLLISION HAZARD	2
18	82658GT	DECAL,DANGER,MANUAL FORCE,400N CE models	1
19	82659GT	DECAL,LABEL,PARKING BRAKE,CE CE models	1
20	82661GT	DECAL,LABEL,PARKING BRAKE,ANSI ANSI models	1
21	82667GT	DECAL,DANGER,MAX CAP,227KG ANSI & CSA models	1
22	82672GT	DECAL,LABEL,TIRE PRESSURE,CE CE models	2
23	82880GT	DECAL,GROUND CONTL PANEL,TZ50	1
24	82881GT	DECAL,PLAT CNTRL PANEL,TZ50 (to SN TZ5011-207)	1
25	82882GT	DECAL,COSMETIC,TZ-50	1
26	84656GT	SERIAL # LABEL,TZ50	1
27	84657GT	NHTSA LABEL,TZ50 ANSI models	1



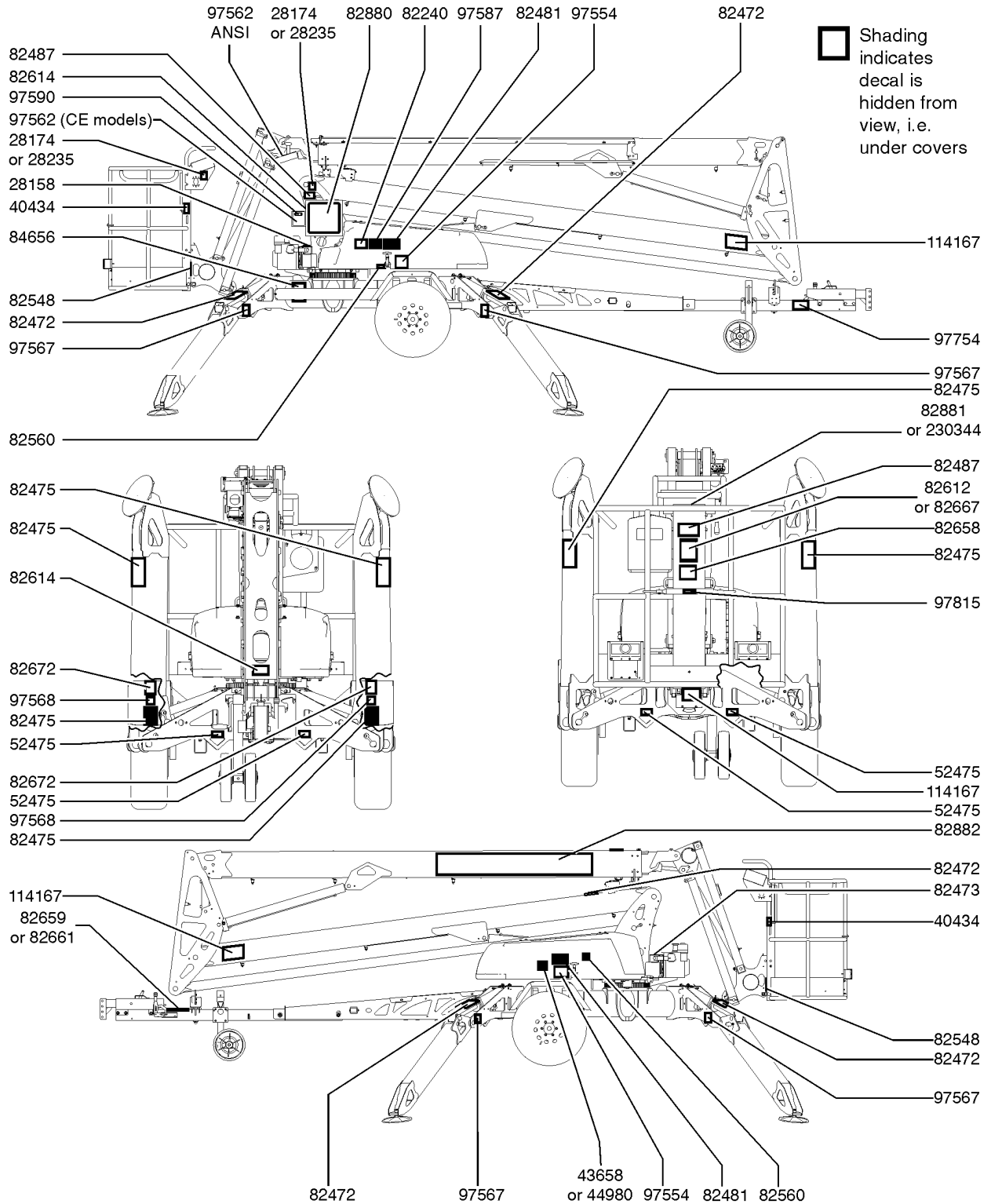
102.2 Decals with Symbols (from serial number TZ5006-511)



102.2 Decals with Symbols (from serial number TZ5006-511)

<i>Item</i>	<i>Part No.</i>	<i>Description</i>	<i>Qty.</i>
28	97554GT	DECAL,DANGER,ELECTROCUTION HAZ .....	2
29	97562GT	DECAL,DRIVE CONTROL PANEL,TZ50 .....	1
		models with drive system option	
30	97567GT	DECAL,LABEL,OUTRIGGER LOADTZ50 .....	4
31	97568GT	97569,LABEL,WHEEL LOAD,TZ50 .....	2
32	97587GT	DECAL,NOTICE,MANUAL OPER,TZ50 .....	1
33	97590GT	DECAL,DANGER,DRIVE CONT SAFETY .....	1
34	97754GT	DECAL,LABEL,DRAWBAR CERT,TZ50 .....	1
35	97815GT	DECAL,LABEL,LOWER MIDRAIL .....	1
36	114167GT	DECAL,LABEL,TRANSPORT DIAGRAM .....	3

102.3 Decals with Symbols (from serial number TZ5006-511)

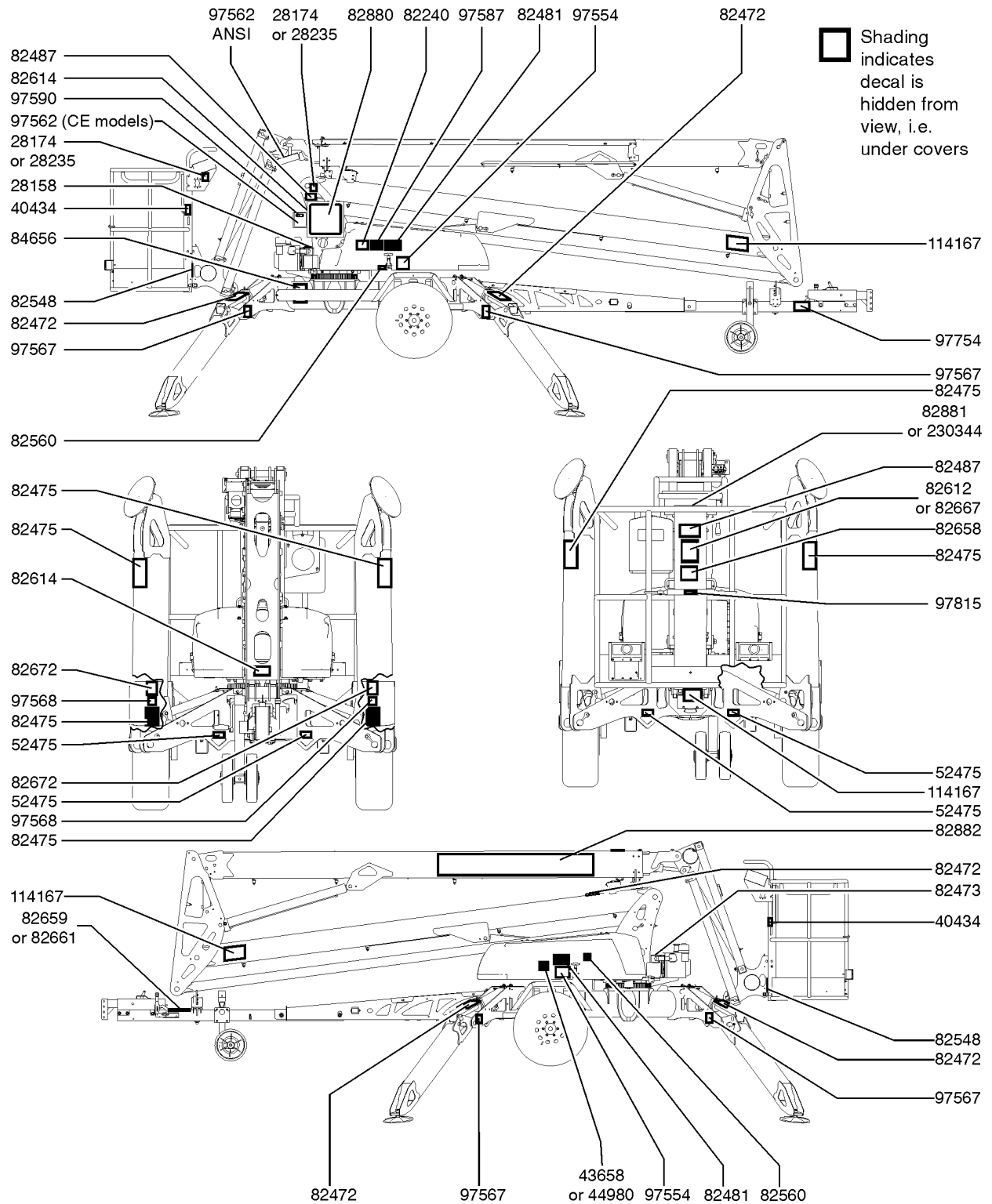


102.3 Decals with Symbols (from serial number TZ5006-511)

Item	Part No.	Description	Qty.
	115090GT	DECAL KIT,INSTRUC,TZ50,SYMB (includes items 4, 7, 9, 11-13, 15, 17, 22-24, 28, 30-32 and 35) (to SN TZ2011-207)	.....
	237574GT	DECAL KIT,INSTRUCS,TZ50,SYMBL (includes items 4, 7-9, 11-13, 15, 17, 22, 23, 28, 31-32 and 35) (from SN TZ5011-208)	.....
1	28158GT	DECAL,LABEL,UNLEADED GAS ONLY models with engines	1
2	28174GT	DECAL, POWER TO PLATFORM 230V**	2
3	28235GT	DECAL,POWER TO PLATFORM 115V	2
4	40434GT	DECAL,LANYARD ANCHORAGE POINT	2
5	43658GT	DECAL,LABEL,PWR TO CHARGR 230V	1
6	44980GT	DECAL,LABEL,PWR TO CHARGR 115V	1
7	52475GT	DECAL,LABEL,TRANSPORT TIEDOWN*	4
8	82240GT	DECAL,LABEL,105 DB	1
9	82472GT	DECAL,WARNING,CRUSHING HAZARD	5
10	82473GT	DECAL SYMBOL COMP ACCESS models with engines	1
11	82475GT	DECAL,SYMBOL-FOOT CRUSHING	6
12	82481GT	DECAL,SYMBOL-BATTERY SAFETY	2
13	82487GT	DECAL,SYMBOL-READ THE MANUAL	2
14	82548GT	DECAL,WARN,CRUSH HAZARD PLAT	2
15	82560GT	DECAL,SYMBOL-SKIN INJECT HAZRD	2
16	82612GT	DECAL,DANGER,MAX CAP,200KG CE models	1
17	82614GT	DECAL,DANGER,COLLISION HAZARD	2
18	82658GT	DECAL,DANGER,MANUAL FORCE,400N CE models	1
19	82659GT	DECAL,LABEL,PARKING BRAKE,CE CE models	1
20	82661GT	DECAL,LABEL,PARKING BRAKE,ANSI ANSI models	1
21	82667GT	DECAL,DANGER,MAX CAP,227KG ANSI & CSA models	1
22	82672GT	DECAL,LABEL,TIRE PRESSURE,CE CE models	2
23	82880GT	DECAL,GROUND CONTL PANEL,TZ50	1
24	82881GT	DECAL,PLAT CNTRL PANEL,TZ50 (to SN TZ5011-207)	1
25	82882GT	DECAL,COSMETIC,TZ-50	1
26	84656GT	SERIAL # LABEL,TZ50	1



102.3 Decals with Symbols (from serial number TZ5006-511)

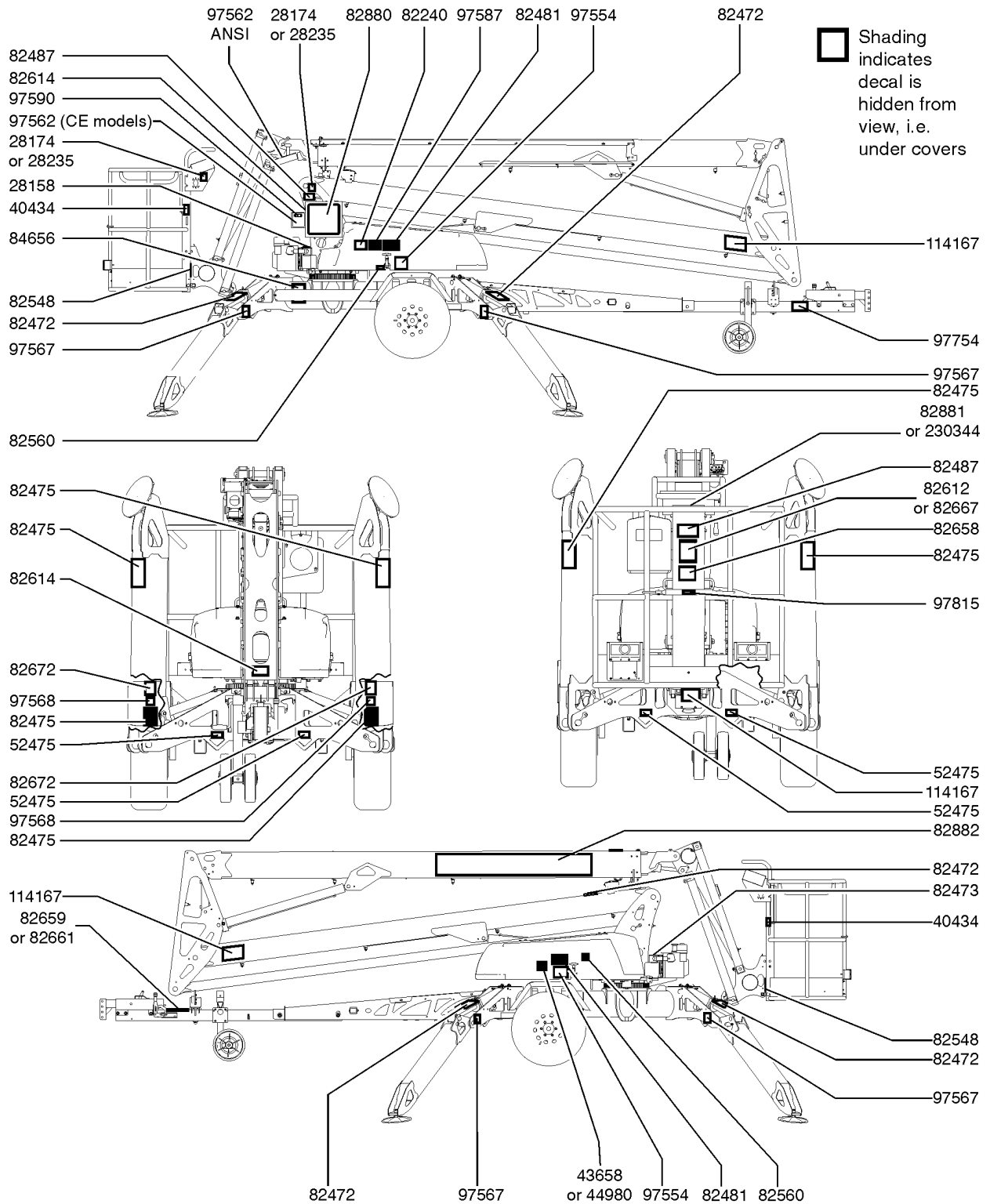


102.3 Decals with Symbols (from serial number TZ5006-511)

<i>Item</i>	<i>Part No.</i>	<i>Description</i>	<i>Qty.</i>
27	84657GT	NHTSA LABEL,TZ50 ..... ANSI models	1
28	97554GT	DECAL,DANGER,ELECTROCUTION HAZ .....	2
29	97562GT	DECAL,DRIVE CONTROL PANEL,TZ50 ..... models with drive system option	1
30	97567GT	DECAL,LABEL,OUTRIGGER LOADTZ50 .....	4
31	97568GT	97569,LABEL,WHEEL LOAD,TZ50 .....	2
32	97587GT	DECAL,NOTICE,MANUAL OPER,TZ50 .....	1
33	97590GT	DECAL,DANGER,DRIVE CONT SAFETY .....	1
34	97754GT	DECAL,LABEL,DRAWBAR CERT,TZ50 .....	1
35	97815GT	DECAL,LABEL,LOWER MIDRAIL .....	1
36	114167GT	DECAL,LABEL,TRANSPORT DIAGRAM .....	3
37	230344GT	DECAL,PLAT CNTRL PANEL,TZ50 ..... (from SN TZ5011-208)	1



102.4 Decals with Symbols (from serial number TZ5006-511)



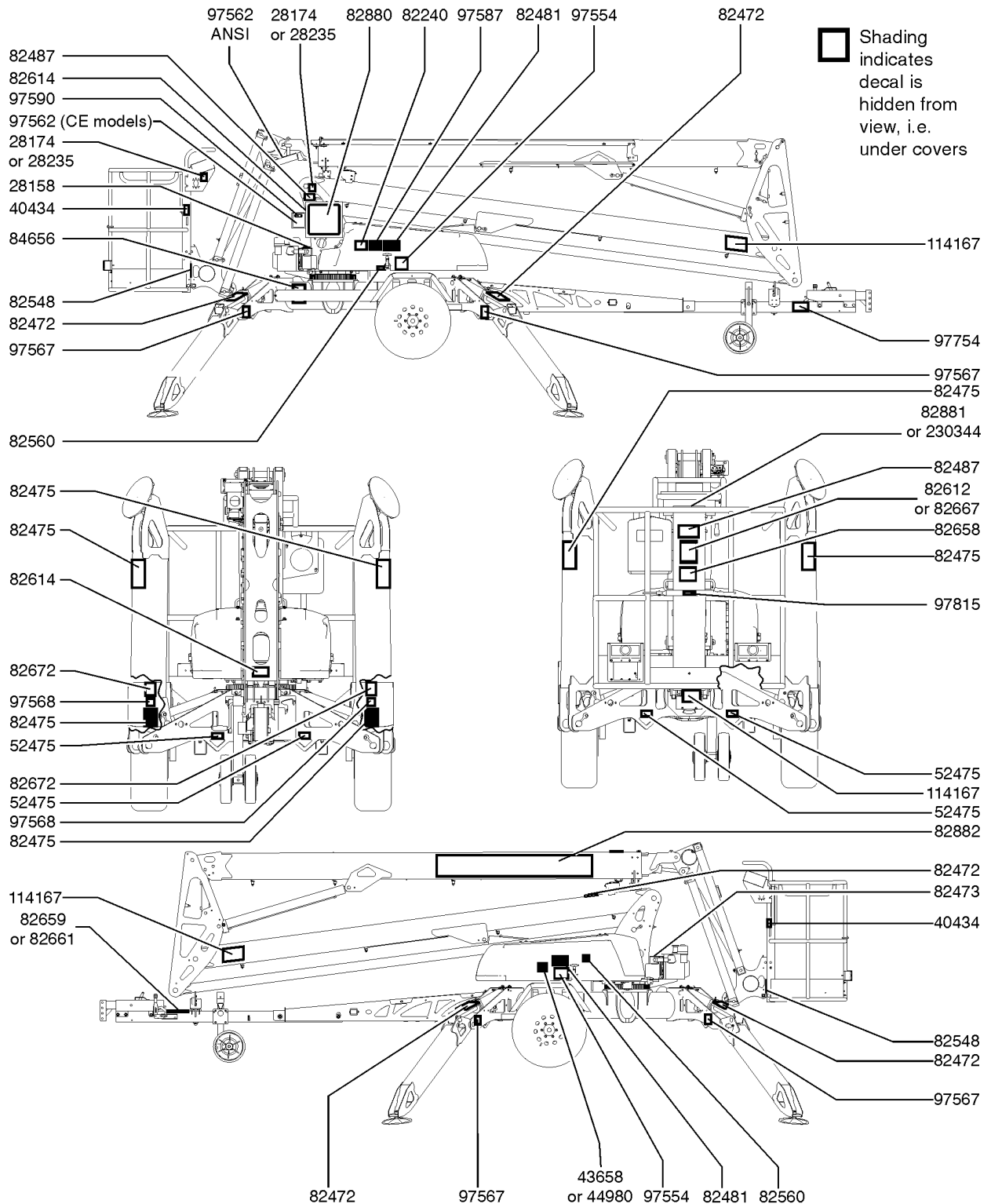


102.4 Decals with Symbols (from serial number TZ5006-511)

Item	Part No.	Description	Qty.
	237574GT	DECAL KIT,INSTRUCTS,TZ50,SYMBL (includes items 4, 7-9, 11-13, 15, 17, 22, 23, 28, 31-32 and 35) (from SN TZ5011-208)	.....
1	28158GT	DECAL,LABEL,UNLEADED GAS ONLY models with engines	1
2	28174GT	DECAL, POWER TO PLATFORM 230V**	2
3	28235GT	DECAL,POWER TO PLATFORM 115V	2
4	40434GT	DECAL,LANYARD ANCHORAGE POINT	2
5	43658GT	DECAL,LABEL,PWR TO CHARGR 230V	1
6	44980GT	DECAL,LABEL,PWR TO CHARGR 115V	1
7	52475GT	DECAL,LABEL,TRANSPORT TIEDOWN*	4
8	82240GT	DECAL,LABEL,105 DB	1
9	82472GT	DECAL,WARNING,CRUSHING HAZARD	5
10	82473GT	DECAL SYMBOL COMP ACCESS models with engines	1
11	82475GT	DECAL,SYMBOL-FOOT CRUSHING	6
12	82481GT	DECAL,SYMBOL-BATTERY SAFETY	2
13	82487GT	DECAL,SYMBOL-READ THE MANUAL	2
14	82548GT	DECAL,WARN,CRUSH HAZARD PLAT	2
15	82560GT	DECAL,SYMBOL-SKIN INJECT HAZRD	2
16	82612GT	DECAL,DANGER,MAX CAP,200KG CE models	1
17	82614GT	DECAL,DANGER,COLLISION HAZARD	2
18	82658GT	DECAL,DANGER,MANUAL FORCE,400N CE models	1
19	82659GT	DECAL,LABEL,PARKING BRAKE,CE CE models	1
20	82661GT	DECAL,LABEL,PARKING BRAKE,ANSI ANSI models	1
21	82667GT	DECAL,DANGER,MAX CAP,227KG ANSI & CSA models	1
22	82672GT	DECAL,LABEL,TIRE PRESSURE,CE CE models	2
23	82880GT	DECAL,GROUND CONTL PANEL,TZ50	1
24	82881GT	DECAL,PLAT CNTRL PANEL,TZ50 (to SN TZ5011-207)	1
25	82882GT	DECAL,COSMETIC,TZ-50	1
26	84656GT	SERIAL # LABEL,TZ50	1
27	84657GT	NHTSA LABEL,TZ50 ANSI models	1



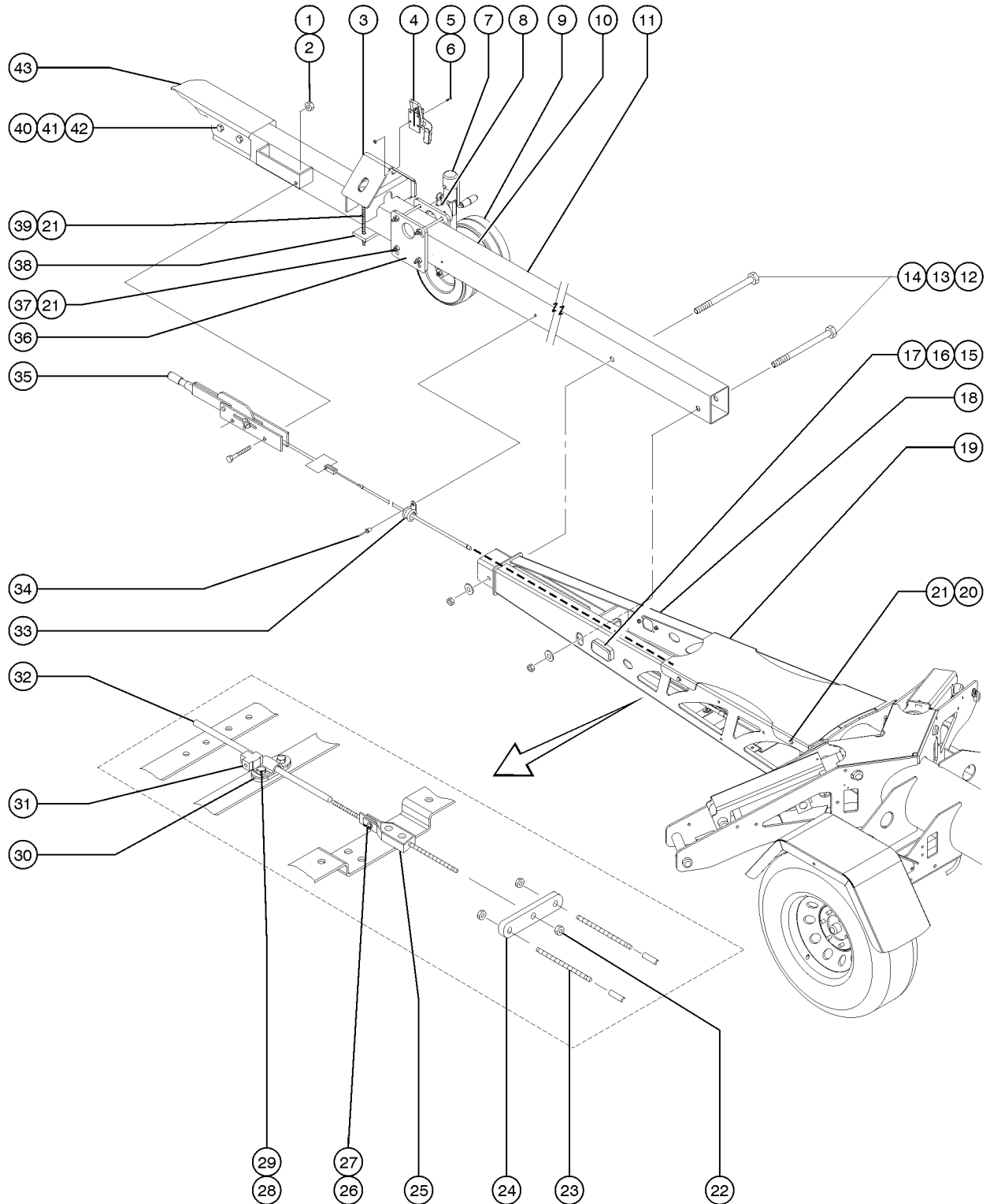
102.4 Decals with Symbols (from serial number TZ5006-511)



102.4 Decals with Symbols (from serial number TZ5006-511)

<i>Item</i>	<i>Part No.</i>	<i>Description</i>	<i>Qty.</i>
28	97554GT	DECAL,DANGER,ELECTROCUTION HAZ .....	2
29	97562GT	DECAL,DRIVE CONTROL PANEL,TZ50 .....	1
		models with drive system option	
30	97567GT	DECAL,LABEL,OUTRIGGER LOADTZ50 .....	4
31	97568GT	97569,LABEL,WHEEL LOAD,TZ50 .....	2
32	97587GT	DECAL,NOTICE,MANUAL OPER,TZ50 .....	1
33	97590GT	DECAL,DANGER,DRIVE CONT SAFETY .....	1
34	97754GT	DECAL,LABEL,DRAWBAR CERT,TZ50 .....	1
35	97815GT	DECAL,LABEL,LOWER MIDRAIL .....	1
36	114167GT	DECAL,LABEL,TRANSPORT DIAGRAM .....	3
37	230344GT	DECAL,PLAT CNTRL PANEL,TZ50 .....	1
		(from SN TZ5011-208)	

201.1 Parking Brake - Models without Drive

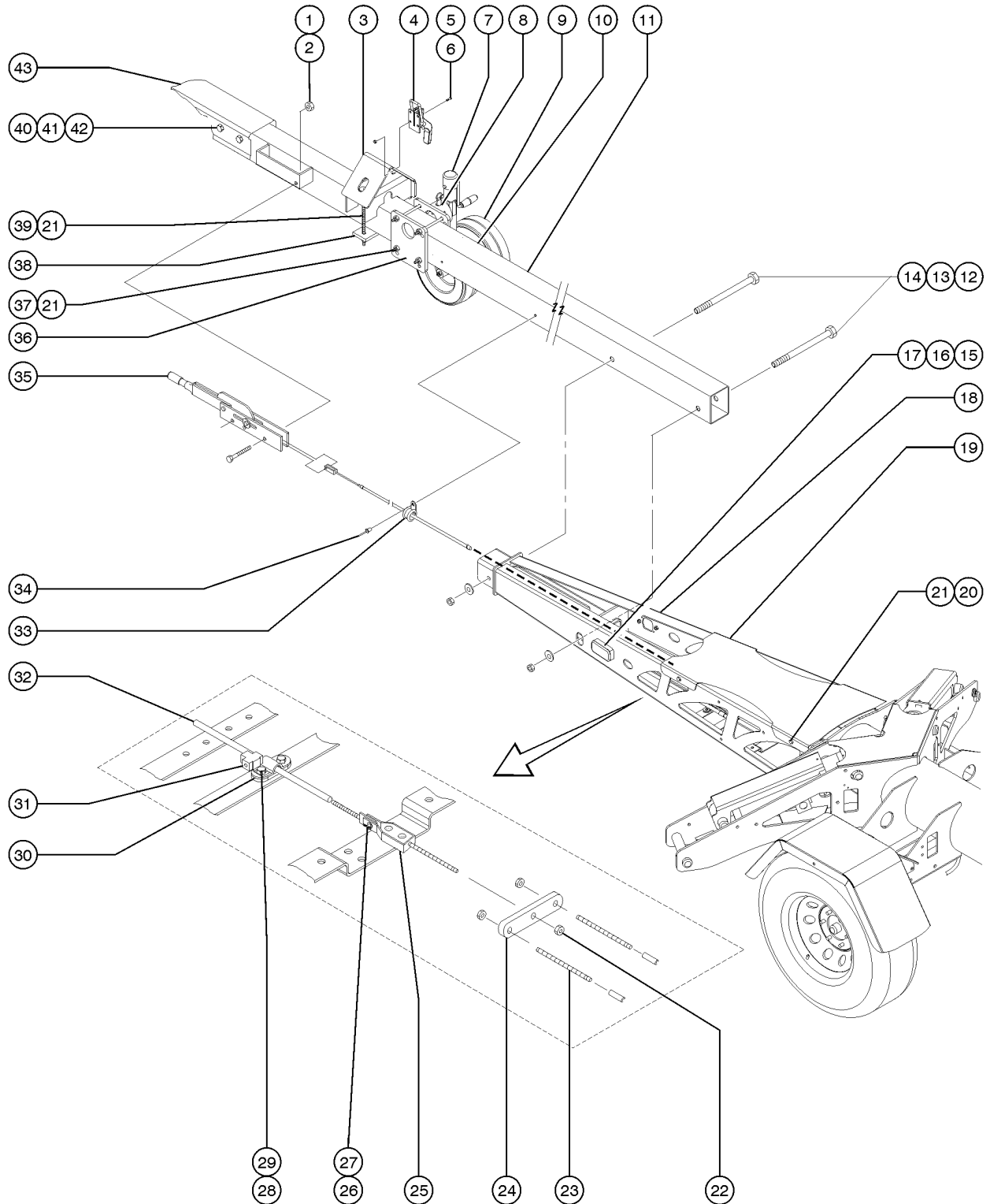


201.1 Parking Brake - Models without Drive

Item	Part No.	Description	Qty.
1	6782GT	NUT,NYLOCK,5/16-18 .....	
2	14723GT	SCREW,HHC,5/16-18 X 1.75 .....	
3	99770GT	WELDMENT,MAST CRADLE .....	1
4	43456GT	CLAMP,TOGGLE,MAST HOLD DOWN .....	1
5	13002GT	SCREW,HHC,5/16-18 X 1 GR5 .....	
6	6782GT	NUT,NYLOCK,5/16-18 .....	
7	1294952GT	SCREW JACK, TONGUE, TZ (ANSI and CSA models) .....	
7A-	72315GT	CAP, PLASTIC (67412) .....	
7B	104559GT	KIT, TMZ/TZ 50 TONGUE JACK ASSY (includes 104789 wheel, axle components and item 10) .....	
7B-	72315GT	CAP, PLASTIC (67412) .....	
8	104160GT	WELDMENT,SCREW JACK MOUNT .....	1
9A	104172GT	WHEEL ASSY,12.0 X 3.5 X .75*** (to SN TZ5005-204) (check wheel size before ordering) .....	2
9A-	14018GT	SCREW,(TZ AXLE)HHC,3/4-10 X 11 .....	1
		axle (sold separately)	
9A-	10258GT	NUT,NYLOCK,3/4-10,GRD.2 .....	1
		axle nut (sold separately)	
9A-	6564GT	WASHER, SHIM,.765 X 1.312 X .093 .....	2
		for axle	
10	104225GT	WELDMENT,CASTER,TZ-50 .....	1
10-	6732GT	SCREW,HHC,1/2-13 X 3.25 .....	
10-	6198GT	NUT,NYLOCK,1/2-13 .....	
11A	97418GT	TZ50 ANSI TONGUE ASSY W/DECALS .....	1
		ANSI models	
11B	104812GT	TZ50 CE DRAWBAR ASSY .....	
		CE models	
12	19705GT	SCREW,HHC,5/8-11 X 5.5 .....	
13	6035GT	WASHER,FLAT,USS,5/8",Y .....	
14	6024GT	NUT,NYLOCK,5/8-11 .....	
15A	76710GT	KIT, SIDE MARKER LIGHT W/ CONN .....	2
		ANSI models; to SN TZ5005-395	
15A-	65206GT	LENS,SIDE LIGHT,AMBER .....	
15A-	65231GT	BULB,SIDE LIGHT ASSY,14V(52135 .....	
15C	67875GT	LIGHT,SIDE MARKER,EURO TMZ/TZ* .....	6
		CE models; to SN TZ5005-303	
15C-	72107GT	LENS,MARKER LIGHT ASSY (67875) .....	



201.1 Parking Brake - Models without Drive

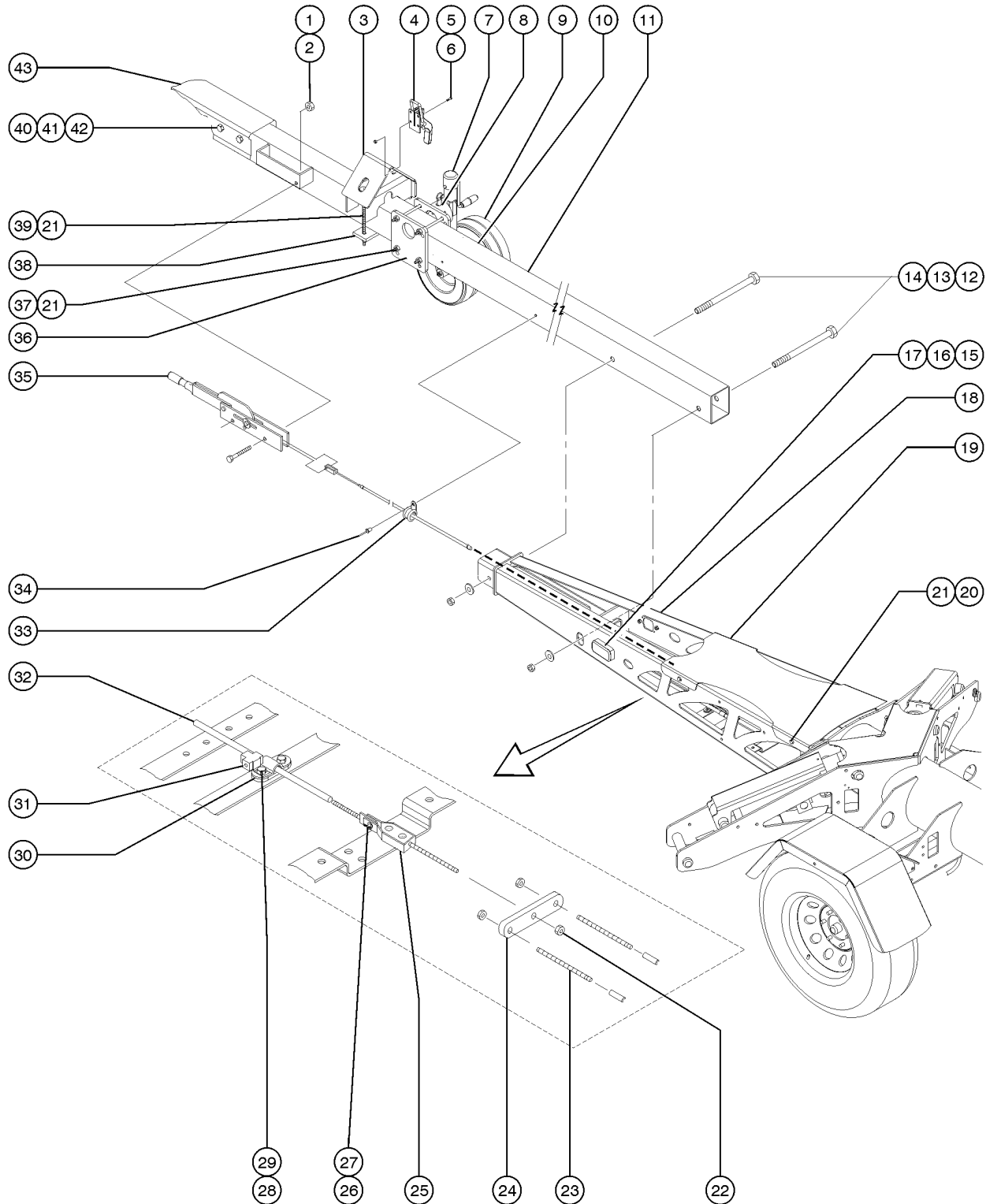


201.1 Parking Brake - Models without Drive

Item	Part No.	Description	Qty.
15C-	72108GT	BULB,12V DC (67875) .....	
16	54830GT	SCREW,BHSC,1/4-20 X .88,Y/ZINC .....	
17	18605GT	NUT,NYLOCK,8-32 .....	
18	99563GT	WELDMENT,DRAW BAR MOUNT,TZ50 .....	1
19	99577GT	FORMING,TONGUE BOX COVER .....	1
20	6175GT	SCREW,HHC,3/8-16 X 1 .....	
21	4828GT	NUT,NYLOCK,3/8-16 .....	
22	104455GT	NUT,HEX,9/16-12*** .....	
23A	99336GT	PRKG BRK CBL - CHASSIS (ANSI) includes item 22; ANSI and CSA models .....	2
23B	97227GT	BRK CABL-CHASSIS (CE) includes item 22; CE models .....	
23C	105521GT	PRKG BRK CABLE,ELEC AXLE (includes item 22) .....	
24	99775GT	PLATE,BRAKE EQUALIZER .....	1
25A	48218GT	THREADED ROD, M8 X 10" LG TMZ .....	1
25A-	22571GT	NUT,HEX,M8 X 1.25 .....	
25A-	52185GT	LINK SPACER, PARKING BRAKE,TMZ .....	
25B	67908GT	THREADED ROD, M8 X 356MM TMZ ANSI and CSA models .....	
25B-	22571GT	NUT,HEX,M8 X 1.25 .....	
25B-	52185GT	LINK SPACER, PARKING BRAKE,TMZ .....	
25C	76764GT	THREADED ROD,M8 X 1.25 X 16" CE models .....	
25C-	22571GT	NUT,HEX,M8 X 1.25 .....	
25C-	52185GT	LINK SPACER, PARKING BRAKE,TMZ .....	
26	13002GT	SCREW,HHC,5/16-18 X 1 GR5 .....	
27	67784GT	NUT,ACORN,OPEN M8 X 1.25 .....	
28	8915GT	SCREW,HHC,1/4-20 X 1.25 .....	
29	6091GT	NUT,NYLOCK,1/4-20 .....	
30	52185GT	LINK SPACER, PARKING BRAKE,TMZ .....	1
30-	52186GT	CABLE CLAMP,PARKING BRAKE, TMZ .....	
31		Ref. KIT, HYDRAULIC BRAKE (refer to 207.1) .....	



201.1 Parking Brake - Models without Drive

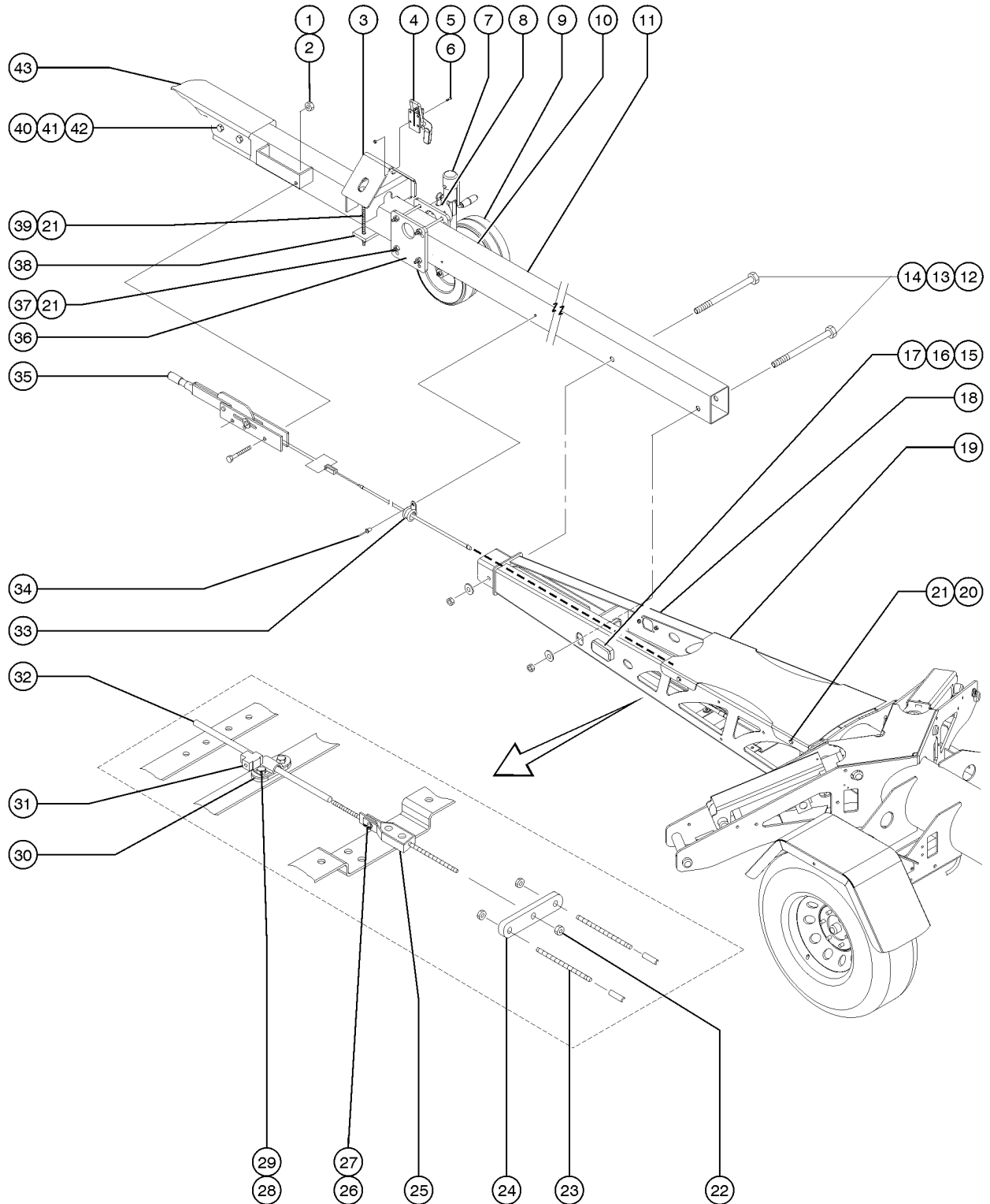




201.1 Parking Brake - Models without Drive

Item	Part No.	Description	Qty.
32A	67413GT	PRKG BRK CBL-TONGUE (ANSI) ..... ANSI models	1
32B	99777GT	BRK CABLE - TONGUE (CE)105" ..... CE models	
33	49863GT	CLAMP,1.13,#18 X 3/8,RUB CUSH* ..... 1	
34	7265GT	RIVET,STEEL,P, .25 X .375 ..... 1	
35	48104GT	BRAKE LEVER           TMZ50 ..... ANSI and CSA models	1
36	104226PGT	PLATE,JACK MOUNT ..... 1	
37	12981GT	SCREW,HHC,3/8-16 X 4.5 ..... 1	
38	99771GT	PLATE,MAST CRADLE CLAMP ..... 1	
39	87530GT	BOLT,CARRIAGE,3/8-16 X 4.00,G2 ..... 1	
40	13854GT	SCREW,HHC,1/2-13 X 4.5,GRD.8 ..... 3	
41	6095GT	WASHER,FLAT,USS,1/2",Y ..... 1	
42	6198GT	NUT,NYLOCK,1/2-13 ..... 1	
43		Ref. HITCH ACTUATOR ..... (refer to 203.1)	

201.2 Parking Brake - Models without Drive

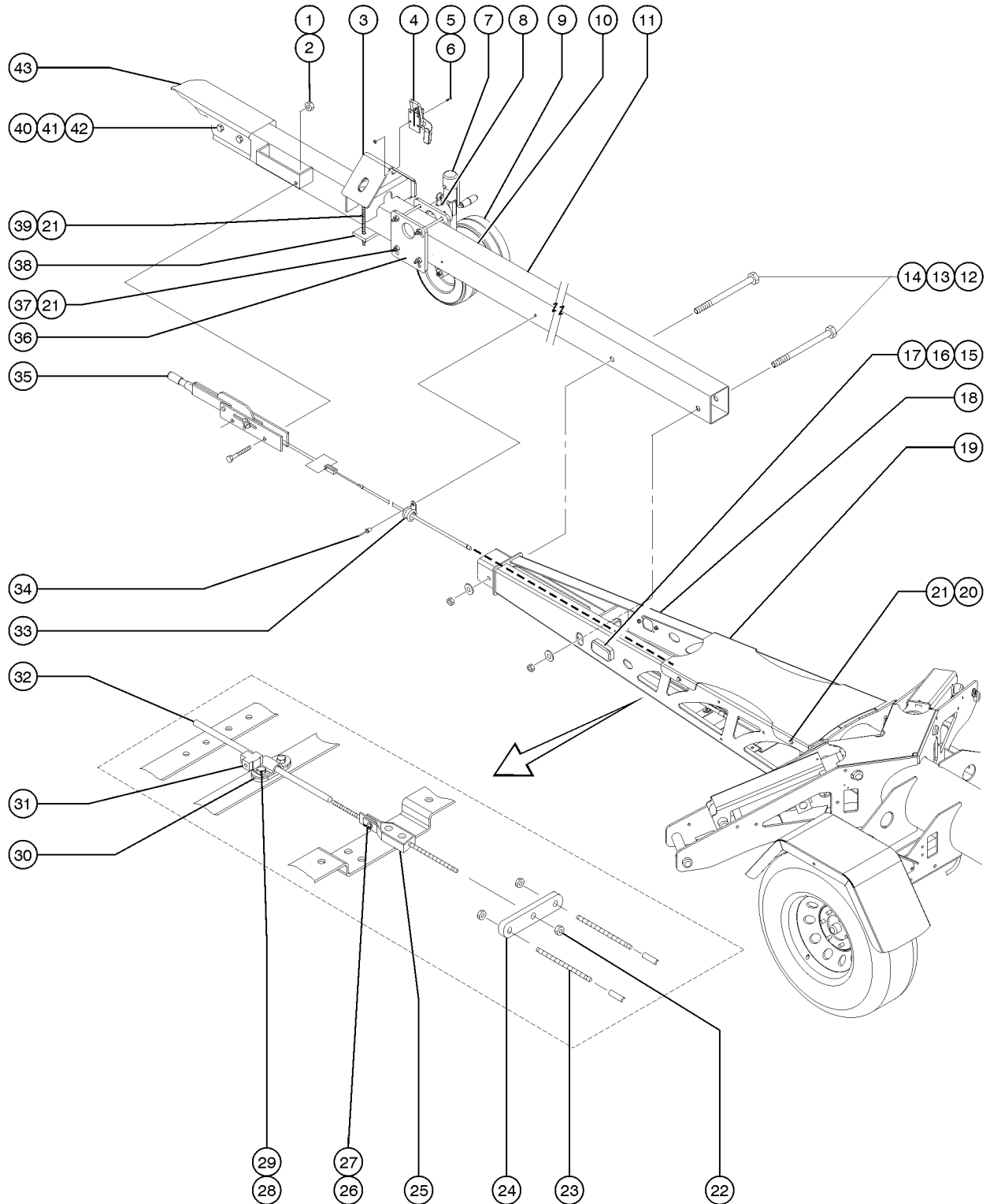


201.2 Parking Brake - Models without Drive

Item	Part No.	Description	Qty.
1	6782GT	NUT,NYLOCK,5/16-18 .....	
2	14723GT	SCREW,HHC,5/16-18 X 1.75 .....	
3	99770GT	WELDMENT,MAST CRADLE .....	1
4	43456GT	CLAMP,TOGGLE,MAST HOLD DOWN .....	1
5	13002GT	SCREW,HHC,5/16-18 X 1 GR5 .....	
6	6782GT	NUT,NYLOCK,5/16-18 .....	
7	1294952GT	SCREW JACK, TONGUE, TZ (ANSI and CSA models) .....	
7A-	72315GT	CAP, PLASTIC (67412) .....	
7B	104559GT	KIT,TMZ/TZ 50 TONGUE JACK ASSY (includes 104789 wheel, axle components and item 10) .....	
7B-	72315GT	CAP, PLASTIC (67412) .....	
8	104160GT	WELDMENT,SCREW JACK MOUNT .....	1
9	104172GT	WHEEL ASSY,12.0 X 3.5 X .75*** (to SN TZ5005-204) (check wheel size before ordering) .....	2
9A-	14018GT	SCREW,(TZ AXLE)HHC,3/4-10 X 11 .....	1
		axle (sold separately)	
9A-	10258GT	NUT,NYLOCK,3/4-10,GRD.2 .....	1
		axle nut (sold separately)	
9A-	6564GT	WASHER, SHIM,.765 X 1.312 X .093 .....	2
		for axle	
9B	104789GT	WHEEL ASSY,10.0 X 3.00 X .75** (from SN TZ5005-205) (check wheel size before ordering) .....	
9B-	14018GT	SCREW,(TZ AXLE)HHC,3/4-10 X 11 .....	1
		axle (sold separately)	
9B-	10258GT	NUT,NYLOCK,3/4-10,GRD.2 .....	1
		axle nut (sold separately)	
9B-	6564GT	WASHER, SHIM,.765 X 1.312 X .093 .....	2
		for axle	
10	104225GT	WELDMENT,CASTER,TZ-50 .....	1
10-	6732GT	SCREW,HHC,1/2-13 X 3.25 .....	
10-	6198GT	NUT,NYLOCK,1/2-13 .....	
11	97418GT	TZ50 ANSI TONGUE ASSY W/DECALS .....	1
		ANSI models	
11B	104812GT	TZ50 CE DRAWBAR ASSY .....	
		CE models	
12	19705GT	SCREW,HHC,5/8-11 X 5.5 .....	
13	6035GT	WASHER,FLAT,USS,5/8",Y .....	
14	6024GT	NUT,NYLOCK,5/8-11 .....	
15	76710GT	KIT, SIDE MARKER LIGHT W/ CONN .....	2
		ANSI models; to SN TZ5005-395	



201.2 Parking Brake - Models without Drive

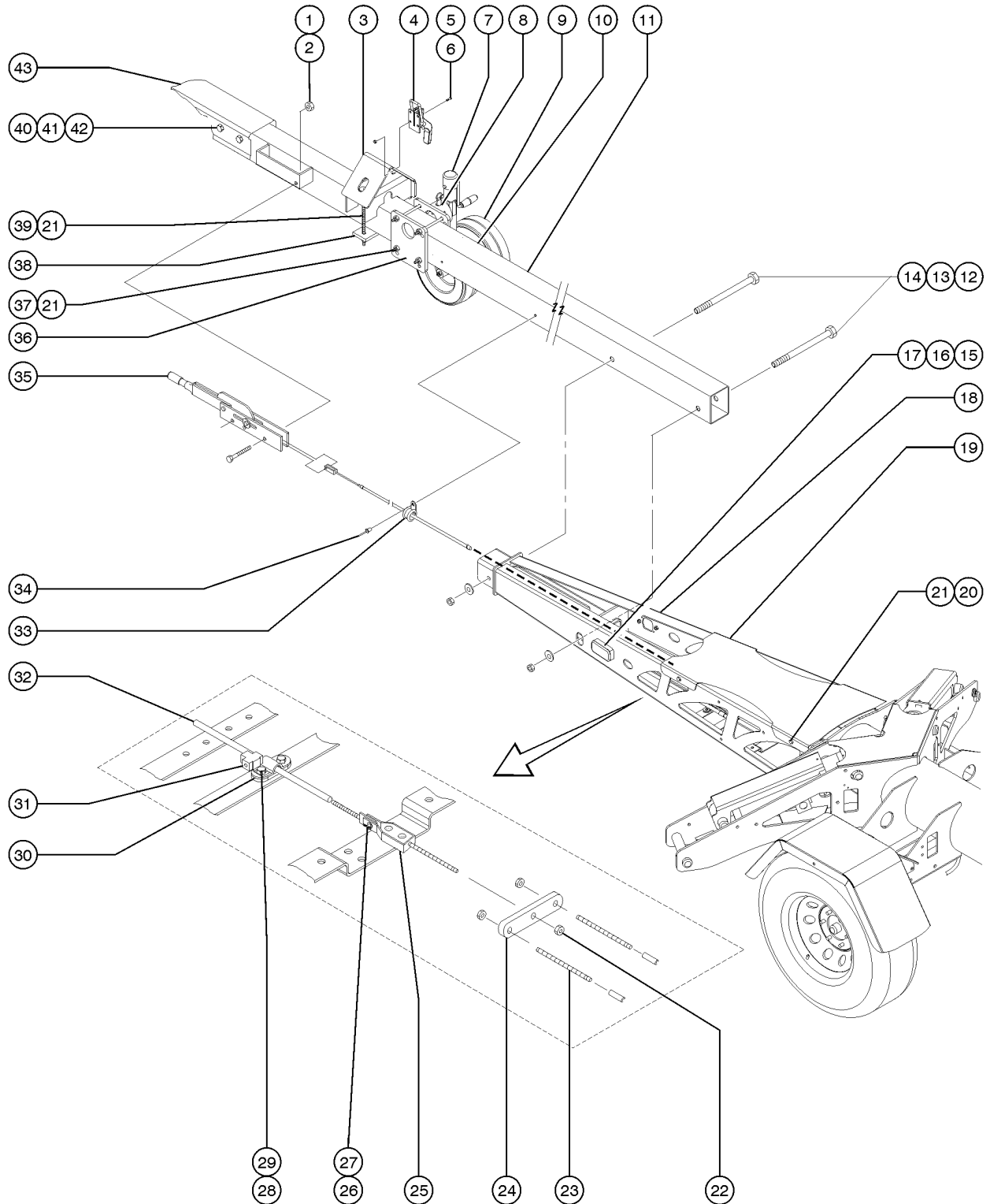


201.2 Parking Brake - Models without Drive

Item	Part No.	Description	Qty.
15A-	65206GT	LENS,SIDE LIGHT,AMBER .....	
15A-	65231GT	BULB,SIDE LIGHT ASSY,14V(52135 .....	
15B	76709GT	SIDE MARKER SUB ASSEMBLY .....	
		ANSI models; from SN TZ5005-396	
15B-	65206GT	LENS,SIDE LIGHT,AMBER .....	
15B-	65231GT	BULB,SIDE LIGHT ASSY,14V(52135 .....	
15C	67875GT	LIGHT,SIDE MARKER,EURO TMZ/TZ* .....	6
		CE models; to SN TZ5005-303	
15C-	72107GT	LENS,MARKER LIGHT ASSY (67875) .....	
15C-	72108GT	BULB,12V DC (67875) .....	
15D	76602GT	LIGHT,SIDEMARKER ECE*** .....	
		CE models; from SN TZ5005-304 to TZ5011-352	
15D-	72107GT	LENS,MARKER LIGHT ASSY (67875) .....	
15D-	72108GT	BULB,12V DC (67875) .....	
16	54830GT	SCREW,BHSC,1/4-20 X .88,Y/ZINC .....	
17	18605GT	NUT,NYLOCK,8-32 .....	
18	99563GT	WELDMENT,DRAW BAR MOUNT,TZ50 .....	1
19	99577GT	FORMING,TONGUE BOX COVER .....	1
20	6175GT	SCREW,HHC,3/8-16 X 1 .....	
21	4828GT	NUT,NYLOCK,3/8-16 .....	
22	104455GT	NUT,HEX,9/16-12*** .....	
23	99336GT	PRKG BRK CBL - CHASSIS (ANSI) .....	2
		includes item 22; ANSI and CSA models	
23B	97227GT	BRK CABL-CHASSIS (CE) .....	
		includes item 22; CE models	
23C	105521GT	PRKG BRK CABLE,ELEC AXLE .....	
		(includes item 22)	
24	99775GT	PLATE,BRAKE EQUALIZER .....	1
25	48218GT	THREADED ROD, M8 X 10" LG TMZ .....	1
25A-	22571GT	NUT,HEX,M8 X 1.25 .....	
25A-	52185GT	LINK SPACER, PARKING BRAKE,TMZ .....	
25B	67908GT	THREADED ROD, M8 X 356MM TMZ .....	
		ANSI and CSA models	
25B-	22571GT	NUT,HEX,M8 X 1.25 .....	
25B-	52185GT	LINK SPACER, PARKING BRAKE,TMZ .....	



201.2 Parking Brake - Models without Drive

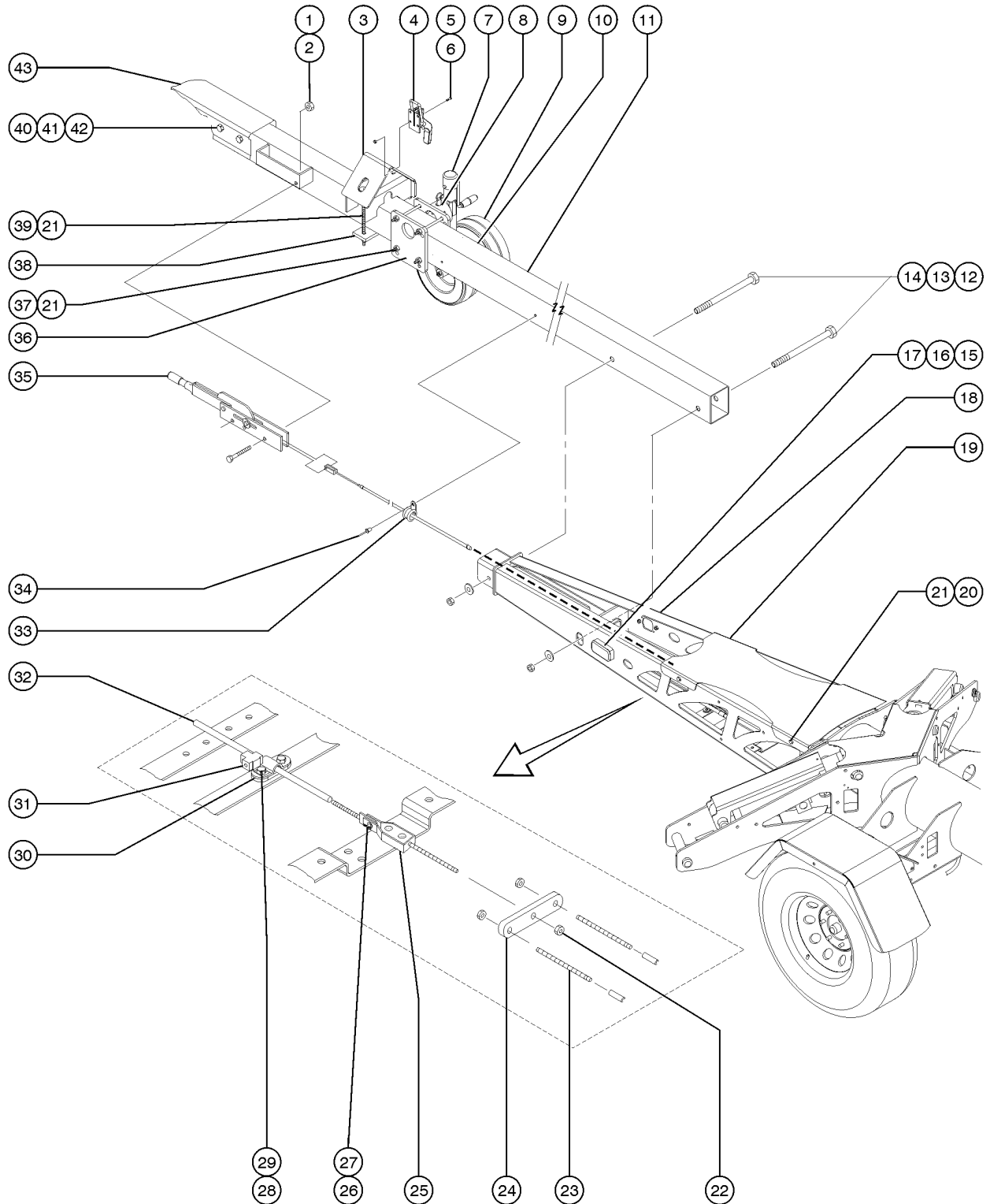


201.2 Parking Brake - Models without Drive

Item	Part No.	Description	Qty.
25C	76764GT	THREADED ROD,M8 X 1.25 X 16" ..... CE models	
25C-	22571GT	NUT,HEX,M8 X 1.25 .....	
25C-	52185GT	LINK SPACER, PARKING BRAKE,TMZ .....	
26	13002GT	SCREW,HHC,5/16-18 X 1 GR5 .....	
27	67784GT	NUT,ACORN,OPEN M8 X 1.25 .....	
28	8915GT	SCREW,HHC,1/4-20 X 1.25 .....	
29	6091GT	NUT,NYLOCK,1/4-20 .....	
30	52185GT	LINK SPACER, PARKING BRAKE,TMZ .....	1
30-	52186GT	CABLE CLAMP,PARKING BRAKE, TMZ .....	
31		Ref. KIT, HYDRAULIC BRAKE ..... (refer to 207.1)	
32	67413GT	PRKG BRK CBL-TONGUE (ANSI) ..... ANSI models	1
32B	99777GT	BRK CABLE - TONGUE (CE)105" ..... CE models	
33	49863GT	CLAMP,1.13,#18 X 3/8,RUB CUSH* .....	1
34	7265GT	RIVET,STEEL,P, .25 X .375 .....	
35	48104GT	BRAKE LEVER TMZ50 ..... ANSI and CSA models	1
36	104226PGT	PLATE,JACK MOUNT .....	1
37	12981GT	SCREW,HHC,3/8-16 X 4.5 .....	
38	99771GT	PLATE,MAST CRADLE CLAMP .....	1
39	87530GT	BOLT,CARRIAGE,3/8-16 X 4.00,G2 .....	
40	13854GT	SCREW,HHC,1/2-13 X 4.5,GRD.8 .....	3
41	6095GT	WASHER,FLAT,USS,1/2",Y .....	
42	6198GT	NUT,NYLOCK,1/2-13 .....	
43		Ref. HITCH ACTUATOR ..... (refer to 203.1)	



201.3 Parking Brake - Models without Drive



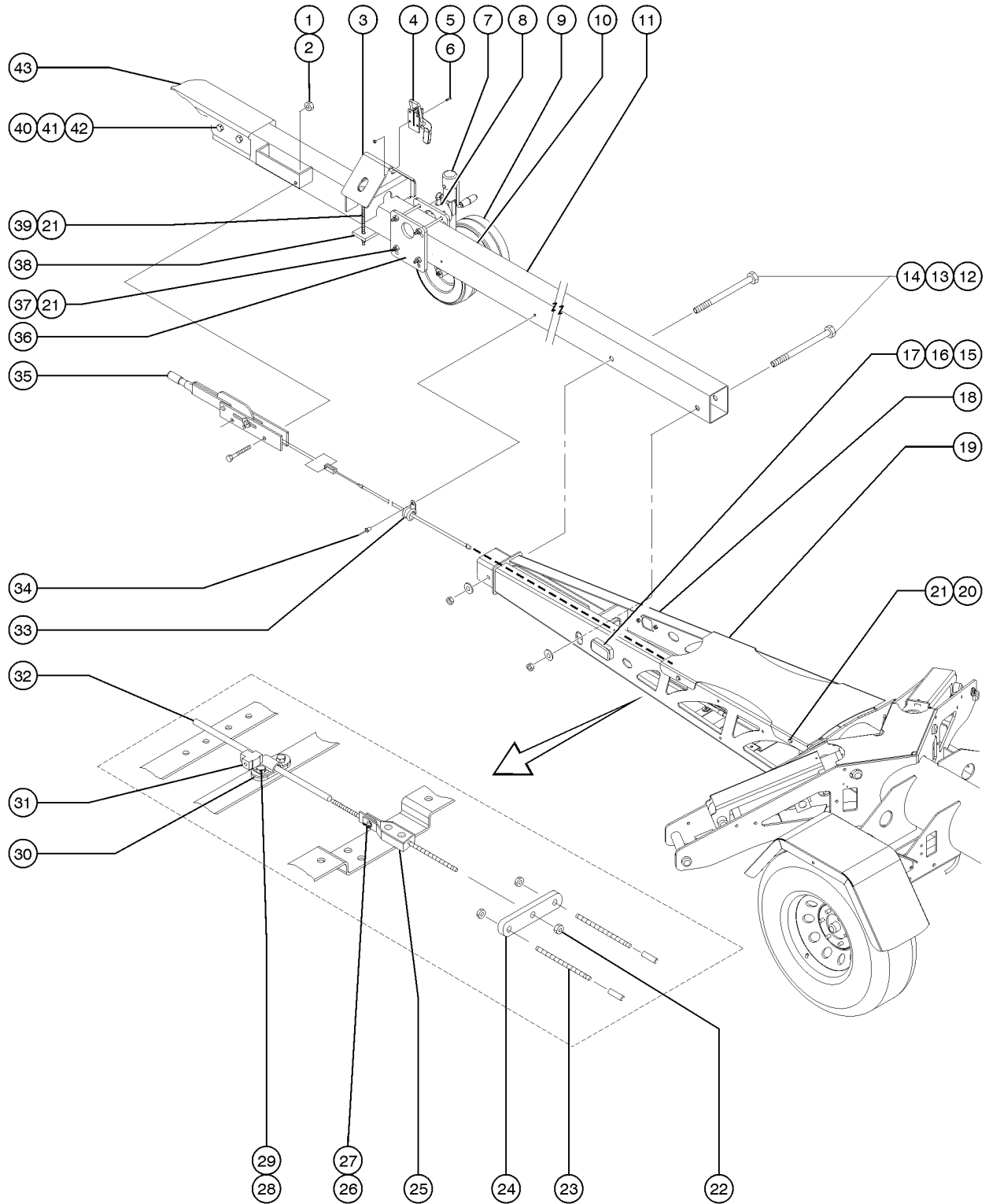


201.3 Parking Brake - Models without Drive

Item	Part No.	Description	Qty.
1	6782GT	NUT,NYLOCK,5/16-18 .....	
2	14723GT	SCREW,HHC,5/16-18 X 1.75 .....	
3	99770GT	WELDMENT,MAST CRADLE .....	1
4	43456GT	CLAMP,TOGGLE,MAST HOLD DOWN .....	1
5	13002GT	SCREW,HHC,5/16-18 X 1 GR5 .....	
6	6782GT	NUT,NYLOCK,5/16-18 .....	
7	1294952GT	SCREW JACK, TONGUE, TZ (ANSI and CSA models) .....	
7A-	72315GT	CAP, PLASTIC (67412) .....	
7B	104559GT	KIT,TMZ/TZ 50 TONGUE JACK ASSY (includes 104789 wheel, axle components and item 10) .....	
7B-	72315GT	CAP, PLASTIC (67412) .....	
8	104160GT	WELDMENT,SCREW JACK MOUNT .....	1
9	104172GT	WHEEL ASSY,12.0 X 3.5 X .75*** (to SN TZ5005-204) (check wheel size before ordering) .....	2
9A-	14018GT	SCREW,(TZ AXLE)HHC,3/4-10 X 11 axle (sold separately) .....	1
9A-	10258GT	NUT,NYLOCK,3/4-10,GRD.2 axle nut (sold separately) .....	1
9A-	6564GT	WASHER, SHIM,.765 X 1.312 X .093 for axle .....	2
9B	104789GT	WHEEL ASSY,10.0 X 3.00 X .75** (from SN TZ5005-205) (check wheel size before ordering) .....	
9B-	14018GT	SCREW,(TZ AXLE)HHC,3/4-10 X 11 axle (sold separately) .....	1
9B-	10258GT	NUT,NYLOCK,3/4-10,GRD.2 axle nut (sold separately) .....	1
9B-	6564GT	WASHER, SHIM,.765 X 1.312 X .093 for axle .....	2
10	104225GT	WELDMENT,CASTER,TZ-50 .....	1
10-	6732GT	SCREW,HHC,1/2-13 X 3.25 .....	
10-	6198GT	NUT,NYLOCK,1/2-13 .....	
11	97418GT	TZ50 ANSI TONGUE ASSY W/DECALS ANSI models .....	1
11B	104812GT	TZ50 CE DRAWBAR ASSY CE models .....	
12	19705GT	SCREW,HHC,5/8-11 X 5.5 .....	
13	6035GT	WASHER,FLAT,USS,5/8",Y .....	
14	6024GT	NUT,NYLOCK,5/8-11 .....	
15	76709GT	SIDE MARKER SUB ASSEMBLY ANSI models; from SN TZ5005-396 .....	



201.3 Parking Brake - Models without Drive

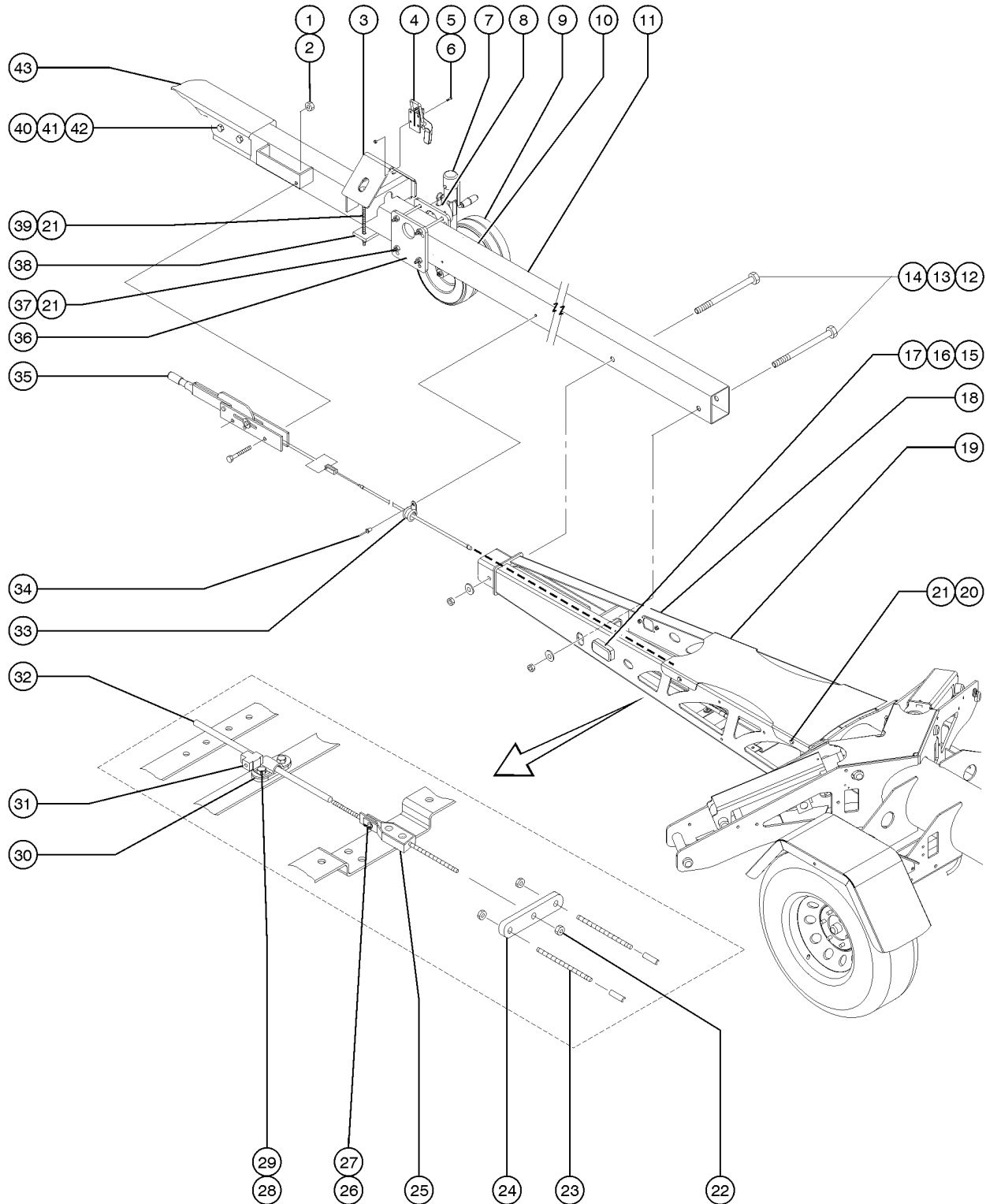


201.3 Parking Brake - Models without Drive

Item	Part No.	Description	Qty.
15B-	65206GT	LENS,SIDE LIGHT,AMBER .....	
15B-	65231GT	BULB,SIDE LIGHT ASSY,14V(52135 .....	
15D	76602GT	LIGHT,SIDEMARKER ECE*** CE models; from SN TZ5005-304 to TZ5011-352 .....	
15D-	72107GT	LENS,MARKER LIGHT ASSY (67875) .....	
15D-	72108GT	BULB,12V DC (67875) .....	
16	54830GT	SCREW,BHSC,1/4-20 X .88,Y/ZINC .....	
17	18605GT	NUT,NYLOCK,8-32 .....	
18	99563GT	WELDMENT,DRAW BAR MOUNT,TZ50 .....	1
19	99577GT	FORMING,TONGUE BOX COVER .....	1
20	6175GT	SCREW,HHC,3/8-16 X 1 .....	
21	4828GT	NUT,NYLOCK,3/8-16 .....	
22	104455GT	NUT,HEX,9/16-12*** .....	
23	99336GT	PRKG BRK CBL - CHASSIS (ANSI) includes item 22; ANSI and CSA models .....	2
23B	97227GT	BRK CABL-CHASSIS (CE) includes item 22; CE models .....	
23C	105521GT	PRKG BRK CABLE,ELEC AXLE (includes item 22) .....	
24	99775GT	PLATE,BRAKE EQUALIZER .....	1
25	48218GT	THREADED ROD, M8 X 10" LG TMZ .....	1
25A-	22571GT	NUT,HEX,M8 X 1.25 .....	
25A-	52185GT	LINK SPACER, PARKING BRAKE,TMZ .....	
25B	67908GT	THREADED ROD, M8 X 356MM TMZ ANSI and CSA models .....	
25B-	22571GT	NUT,HEX,M8 X 1.25 .....	
25B-	52185GT	LINK SPACER, PARKING BRAKE,TMZ .....	
25C	76764GT	THREADED ROD,M8 X 1.25 X 16" CE models .....	
25C-	22571GT	NUT,HEX,M8 X 1.25 .....	
25C-	52185GT	LINK SPACER, PARKING BRAKE,TMZ .....	
26	13002GT	SCREW,HHC,5/16-18 X 1 GR5 .....	
27	67784GT	NUT,ACORN,OPEN M8 X 1.25 .....	
28	8915GT	SCREW,HHC,1/4-20 X 1.25 .....	



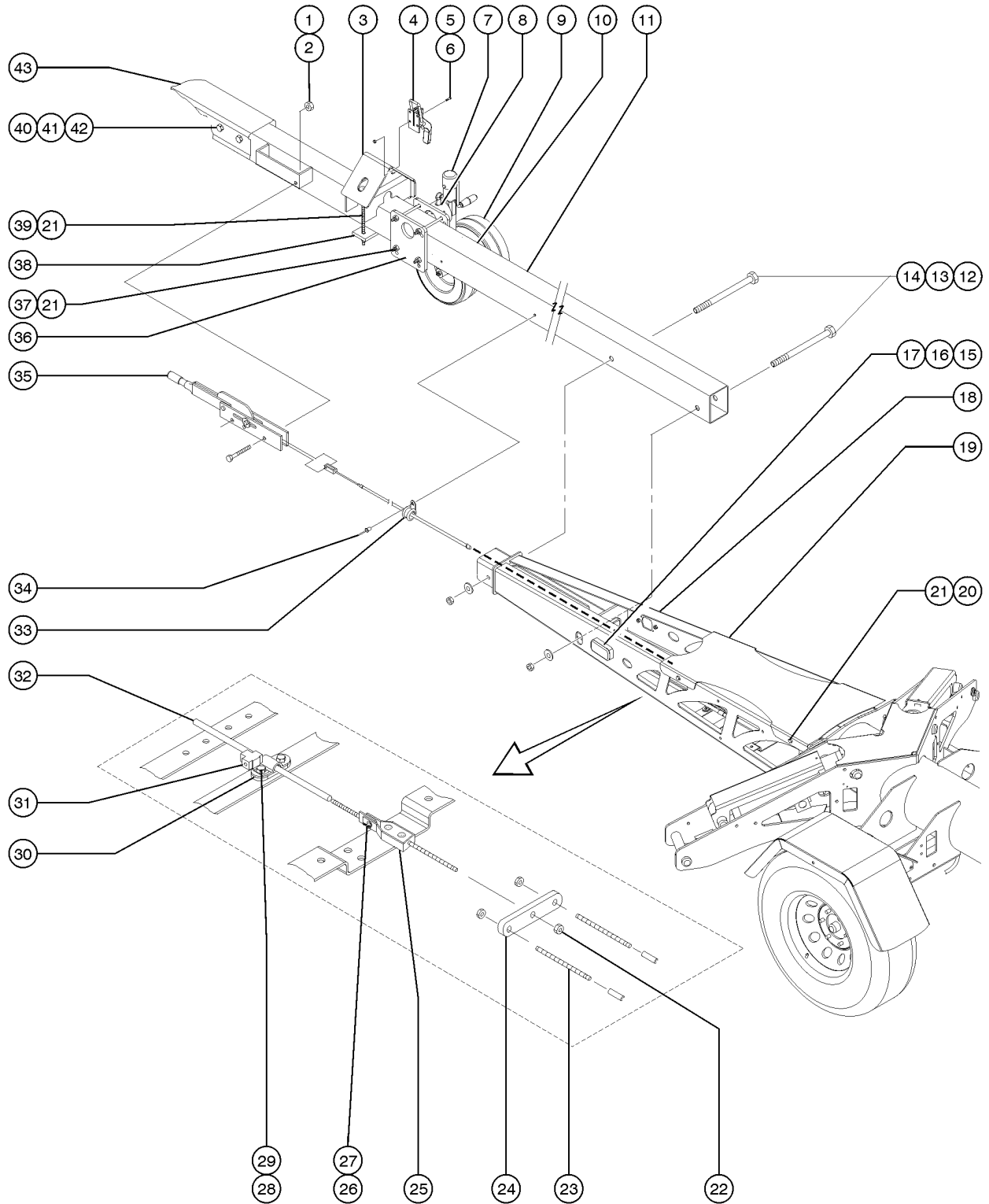
201.3 Parking Brake - Models without Drive



201.3 Parking Brake - Models without Drive

Item	Part No.	Description	Qty.
29	6091GT	NUT,NYLOCK,1/4-20 .....	
30	52185GT	LINK SPACER, PARKING BRAKE,TMZ .....	1
30-	52186GT	CABLE CLAMP,PARKING BRAKE, TMZ .....	
31		Ref. KIT, HYDRAULIC BRAKE .....	
		(refer to 207.1)	
32	67413GT	PRKG BRK CBL-TONGUE (ANSI) .....	1
		ANSI models	
32B	99777GT	BRK CABLE - TONGUE (CE)105" .....	
		CE models	
33	49863GT	CLAMP,1.13,#18 X 3/8,RUB CUSH* .....	1
34	7265GT	RIVET,STEEL,P, .25 X .375 .....	
35	48104GT	BRAKE LEVER TMZ50 .....	1
		ANSI and CSA models	
36	104226PGT	PLATE,JACK MOUNT .....	1
37	12981GT	SCREW,HHC,3/8-16 X 4.5 .....	
38	99771GT	PLATE,MAST CRADLE CLAMP .....	1
39	104534GT	BOLT,CARRIAGE,3/8-16 X 7.00,G2 .....	
40	13854GT	SCREW,HHC,1/2-13 X 4.5,GRD.8 .....	3
41	6095GT	WASHER,FLAT,USS,1/2",Y .....	
42	6198GT	NUT,NYLOCK,1/2-13 .....	
43		Ref. HITCH ACTUATOR .....	
		(refer to 203.1)	

201.4 Parking Brake - Models without Drive

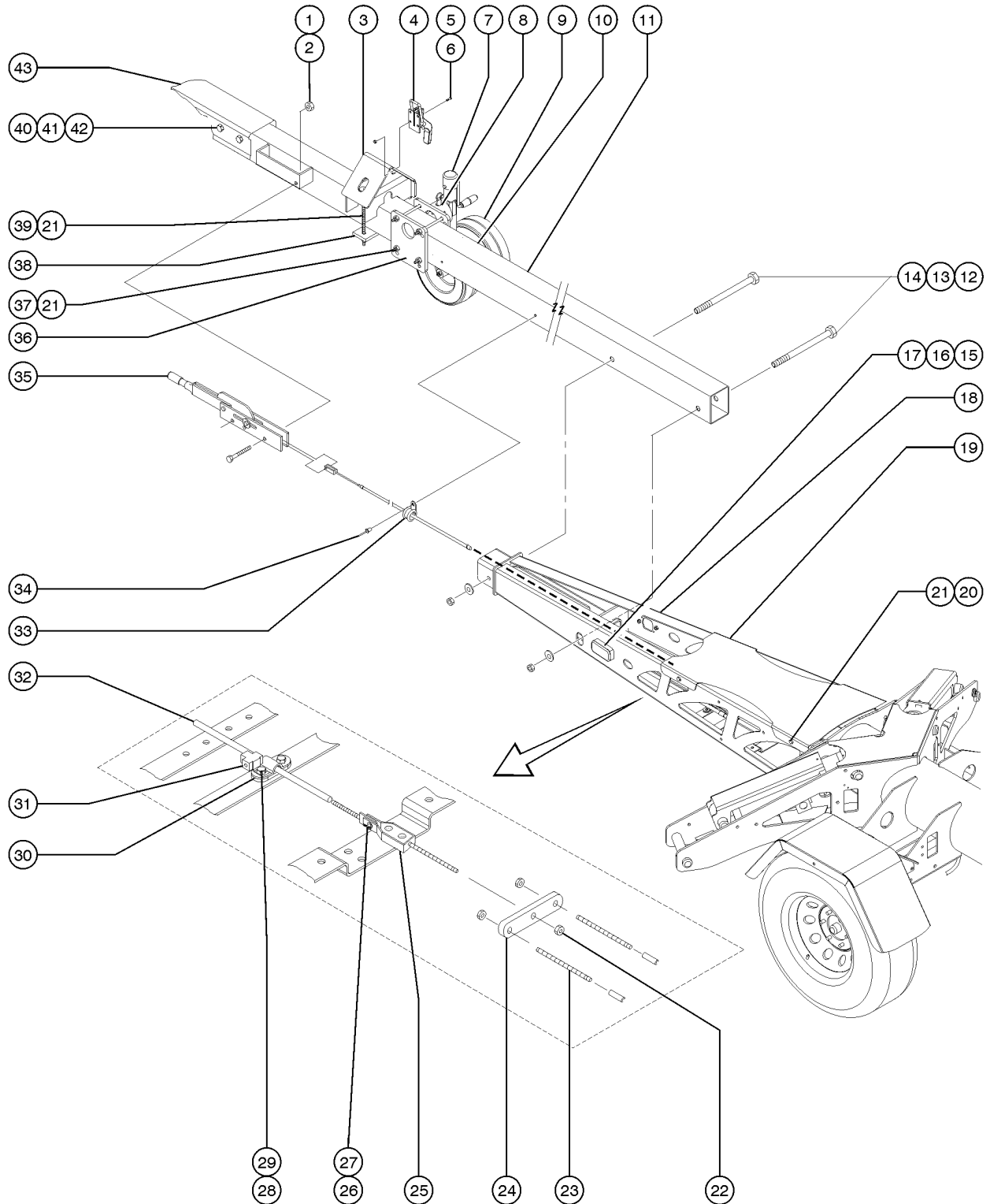


201.4 Parking Brake - Models without Drive

Item	Part No.	Description	Qty.
1	6782GT	NUT,NYLOCK,5/16-18 .....	
2	14723GT	SCREW,HHC,5/16-18 X 1.75 .....	
3	99770GT	WELDMENT,MAST CRADLE .....	1
4	43456GT	CLAMP,TOGGLE,MAST HOLD DOWN .....	1
5	13002GT	SCREW,HHC,5/16-18 X 1 GR5 .....	
6	6782GT	NUT,NYLOCK,5/16-18 .....	
7	1294952GT	SCREW JACK, TONGUE, TZ (ANSI and CSA models) .....	
7A-	72315GT	CAP, PLASTIC (67412) .....	
7B	104559GT	KIT,TMZ/TZ 50 TONGUE JACK ASSY (includes 104789 wheel, axle components and item 10) .....	
7B-	72315GT	CAP, PLASTIC (67412) .....	
8	104160GT	WELDMENT,SCREW JACK MOUNT .....	1
9	104172GT	WHEEL ASSY,12.0 X 3.5 X .75*** (to SN TZ5005-204) (check wheel size before ordering) .....	2
9A-	14018GT	SCREW,(TZ AXLE)HHC,3/4-10 X 11 axle (sold separately) .....	1
9A-	10258GT	NUT,NYLOCK,3/4-10,GRD.2 axle nut (sold separately) .....	1
9A-	6564GT	WASHER, SHIM,.765 X 1.312 X .093 for axle .....	2
9B	104789GT	WHEEL ASSY,10.0 X 3.00 X .75** (from SN TZ5005-205) (check wheel size before ordering) .....	
9B-	14018GT	SCREW,(TZ AXLE)HHC,3/4-10 X 11 axle (sold separately) .....	1
9B-	10258GT	NUT,NYLOCK,3/4-10,GRD.2 axle nut (sold separately) .....	1
9B-	6564GT	WASHER, SHIM,.765 X 1.312 X .093 for axle .....	2
10	104225GT	WELDMENT,CASTER,TZ-50 .....	1
10-	6732GT	SCREW,HHC,1/2-13 X 3.25 .....	
10-	6198GT	NUT,NYLOCK,1/2-13 .....	
11	97418GT	TZ50 ANSI TONGUE ASSY W/DECALS ANSI models .....	1
11B	104812GT	TZ50 CE DRAWBAR ASSY CE models .....	
12	19705GT	SCREW,HHC,5/8-11 X 5.5 .....	
13	6035GT	WASHER,FLAT,USS,5/8",Y .....	
14	6024GT	NUT,NYLOCK,5/8-11 .....	
15	76709GT	SIDE MARKER SUB ASSEMBLY ANSI models; from SN TZ5005-396 .....	



201.4 Parking Brake - Models without Drive



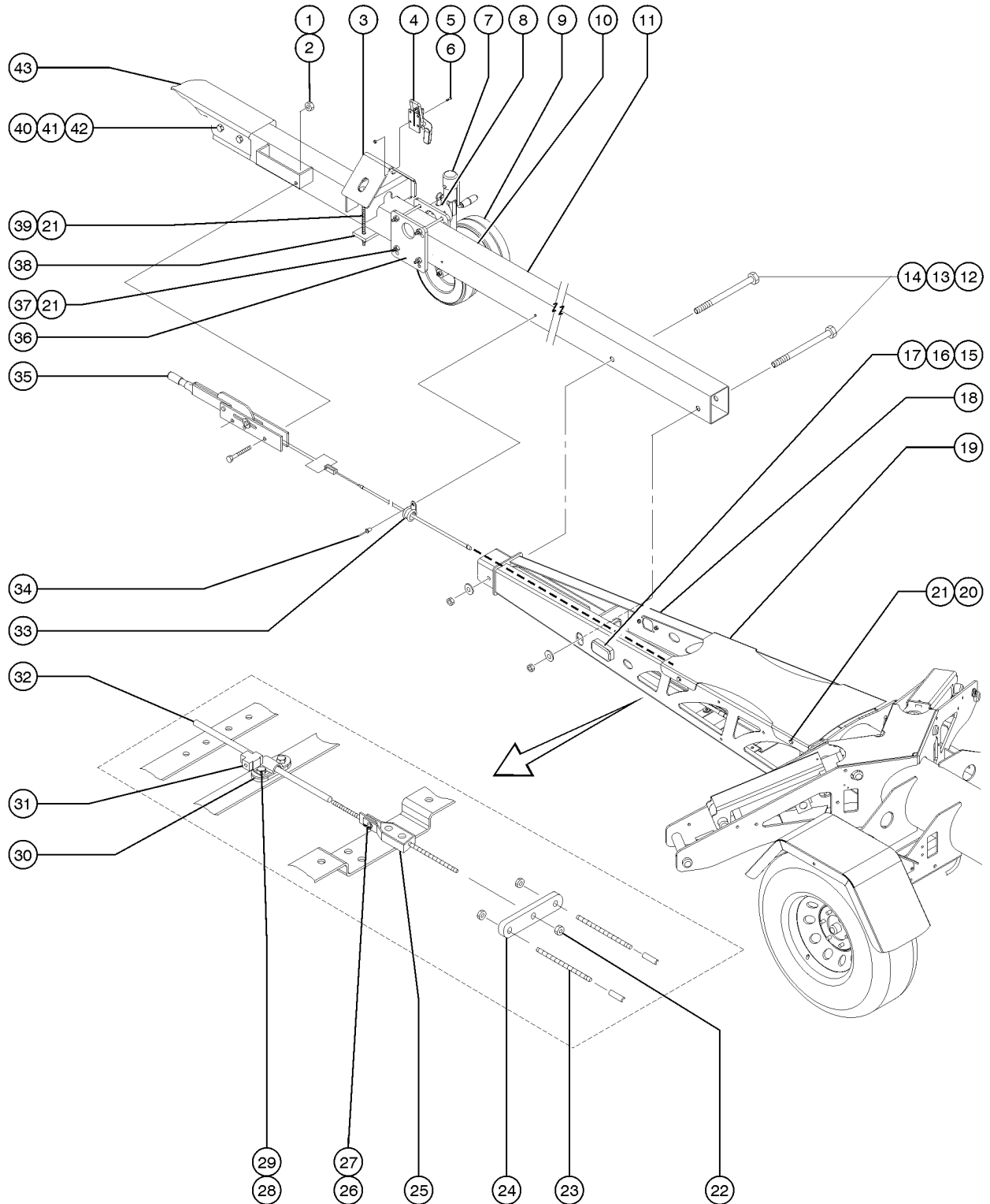


201.4 Parking Brake - Models without Drive

Item	Part No.	Description	Qty.
15B-	65206GT	LENS,SIDE LIGHT,AMBER .....	
15B-	65231GT	BULB,SIDE LIGHT ASSY,14V(52135 .....	
15D	76602GT	LIGHT,SIDEMARKER ECE*** CE models; from SN TZ5005-304 to TZ5011-352 .....	
15D-	72107GT	LENS,MARKER LIGHT ASSY (67875) .....	
15D-	72108GT	BULB,12V DC (67875) .....	
15E	129013GT	HRNS,SIDEMARKER,AUS CE models; from SN TZ5011-353 .....	
15E-	72107GT	LENS,MARKER LIGHT ASSY (67875) .....	
15E-	72108GT	BULB,12V DC (67875) .....	
16	54830GT	SCREW,BHSC,1/4-20 X .88,Y/ZINC .....	
17	18605GT	NUT,NYLOCK,8-32 .....	
18	99563GT	WELDMENT,DRAW BAR MOUNT,TZ50 .....	1
19	99577GT	FORMING,TONGUE BOX COVER .....	1
20	6175GT	SCREW,HHC,3/8-16 X 1 .....	
21	4828GT	NUT,NYLOCK,3/8-16 .....	
22	104455GT	NUT,HEX,9/16-12*** .....	
23	99336GT	PRKG BRK CBL - CHASSIS (ANSI) includes item 22; ANSI and CSA models .....	2
23B	97227GT	BRK CABL-CHASSIS (CE) includes item 22; CE models .....	
23C	105521GT	PRKG BRK CABLE,ELEC AXLE (includes item 22) .....	
24	99775GT	PLATE,BRAKE EQUALIZER .....	1
25	48218GT	THREADED ROD, M8 X 10" LG TMZ .....	1
25A-	22571GT	NUT,HEX,M8 X 1.25 .....	
25A-	52185GT	LINK SPACER, PARKING BRAKE,TMZ .....	
25B	67908GT	THREADED ROD, M8 X 356MM TMZ ANSI and CSA models .....	
25B-	22571GT	NUT,HEX,M8 X 1.25 .....	
25B-	52185GT	LINK SPACER, PARKING BRAKE,TMZ .....	
25C	76764GT	THREADED ROD,M8 X 1.25 X 16" CE models .....	
25C-	22571GT	NUT,HEX,M8 X 1.25 .....	
25C-	52185GT	LINK SPACER, PARKING BRAKE,TMZ .....	



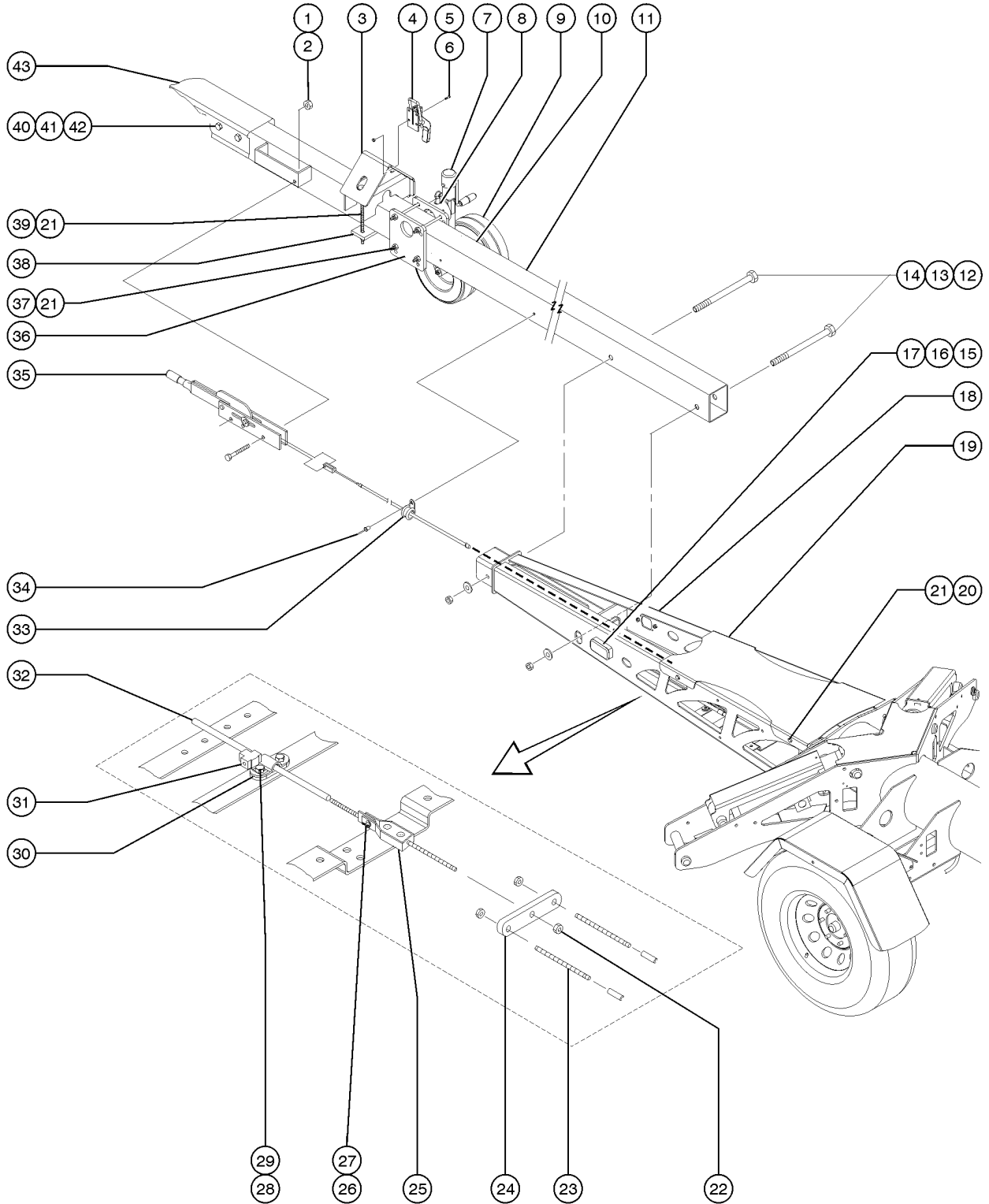
201.4 Parking Brake - Models without Drive



201.4 Parking Brake - Models without Drive

Item	Part No.	Description	Qty.
26	13002GT	SCREW,HHC,5/16-18 X 1 GR5 .....	
27	67784GT	NUT,ACORN,OPEN M8 X 1.25 .....	
28	8915GT	SCREW,HHC,1/4-20 X 1.25 .....	
29	6091GT	NUT,NYLOCK,1/4-20 .....	
30	52185GT	LINK SPACER, PARKING BRAKE,TMZ .....	1
30-	52186GT	CABLE CLAMP,PARKING BRAKE, TMZ .....	
31		Ref. KIT, HYDRAULIC BRAKE .....	
		(refer to 207.1)	
32	67413GT	PRKG BRK CBL-TONGUE (ANSI) .....	1
		ANSI models	
32B	99777GT	BRK CABLE - TONGUE (CE)105" .....	
		CE models	
33	49863GT	CLAMP,1.13,#18 X 3/8,RUB CUSH* .....	1
34	7265GT	RIVET,STEEL,P, .25 X .375 .....	
35	48104GT	BRAKE LEVER TMZ50 .....	1
		ANSI and CSA models	
36	104226PGT	PLATE,JACK MOUNT .....	1
37	12981GT	SCREW,HHC,3/8-16 X 4.5 .....	
38	99771GT	PLATE,MAST CRADLE CLAMP .....	1
39	87530GT	BOLT,CARRIAGE,3/8-16 X 4.00,G2 .....	
40	13854GT	SCREW,HHC,1/2-13 X 4.5,GRD.8 .....	3
41	6095GT	WASHER,FLAT,USS,1/2",Y .....	
42	6198GT	NUT,NYLOCK,1/2-13 .....	
43		Ref. HITCH ACTUATOR .....	
		(refer to 203.1)	

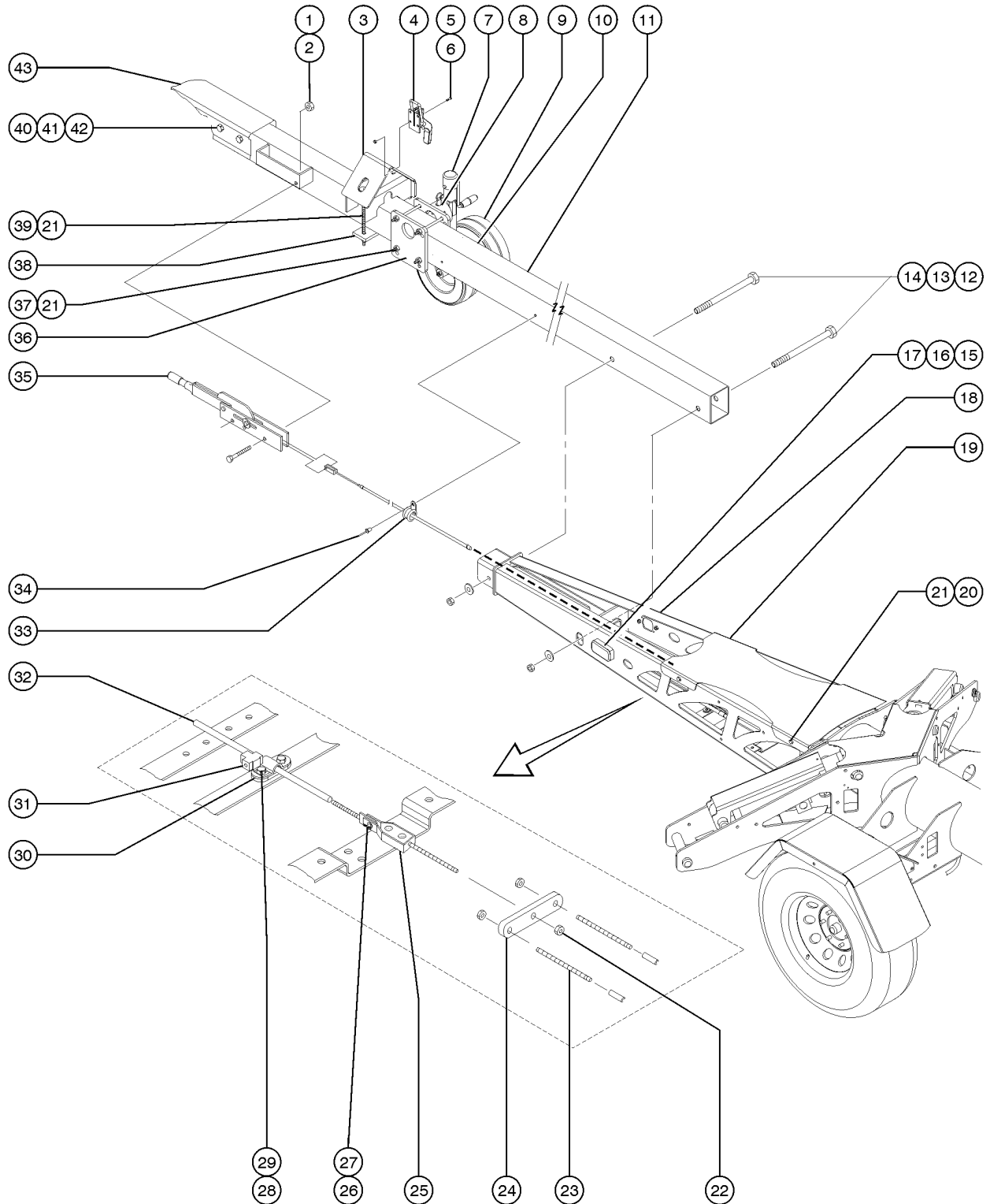
201.5 Parking Brake - Models without Drive



Item	Part No.	Description	Qty.
1	6782GT	NUT,NYLOCK,5/16-18 .....	
2	14723GT	SCREW,HHC,5/16-18 X 1.75 .....	
3	99770GT	WELDMENT,MAST CRADLE .....	1
4	43456GT	CLAMP,TOGGLE,MAST HOLD DOWN .....	1
5	13002GT	SCREW,HHC,5/16-18 X 1 GR5 .....	
6	6782GT	NUT,NYLOCK,5/16-18 .....	
7	1294952GT	SCREW JACK, TONGUE, TZ (ANSI and CSA models) .....	1
7A-	72315GT	CAP, PLASTIC (67412) .....	
7B	104559GT	KIT, TMZ/TZ 50 TONGUE JACK ASSY (includes 104789 wheel, axle components and item 10) .....	
7B-	72315GT	CAP, PLASTIC (67412) .....	
8	104160GT	WELDMENT,SCREW JACK MOUNT .....	1
9	104789GT	WHEEL ASSY,10.0 X 3.00 X .75** (from SN TZ5005-205) (check wheel size before ordering) .....	
9B-	14018GT	SCREW,(TZ AXLE)HHC,3/4-10 X 11 .....	1
		axle (sold separately)	
9B-	10258GT	NUT,NYLOCK,3/4-10,GRD.2 .....	1
		axle nut (sold separately)	
9B-	6564GT	WASHER, SHIM,.765 X 1.312 X .093 .....	2
		for axle	
10	104225GT	WELDMENT,CASTER,TZ-50 .....	1
10-	6732GT	SCREW,HHC,1/2-13 X 3.25 .....	
10-	6198GT	NUT,NYLOCK,1/2-13 .....	
11	97418GT	TZ50 ANSI TONGUE ASSY W/DECALS .....	1
		ANSI models	
11B	104812GT	TZ50 CE DRAWBAR ASSY .....	
		CE models	
12	19705GT	SCREW,HHC,5/8-11 X 5.5 .....	
13	6035GT	WASHER,FLAT,USS,5/8",Y .....	
14	6024GT	NUT,NYLOCK,5/8-11 .....	
15	76709GT	SIDE MARKER SUB ASSEMBLY .....	
		ANSI models; from SN TZ5005-396	
15B-	65206GT	LENS,SIDE LIGHT,AMBER .....	
15B-	65231GT	BULB,SIDE LIGHT ASSY,14V(52135 .....	
15E	129013GT	HRNS,SIDEMARKER,AUS .....	
		CE models; from SN TZ5011-353	
15E-	72107GT	LENS,MARKER LIGHT ASSY (67875) .....	



201.5 Parking Brake - Models without Drive

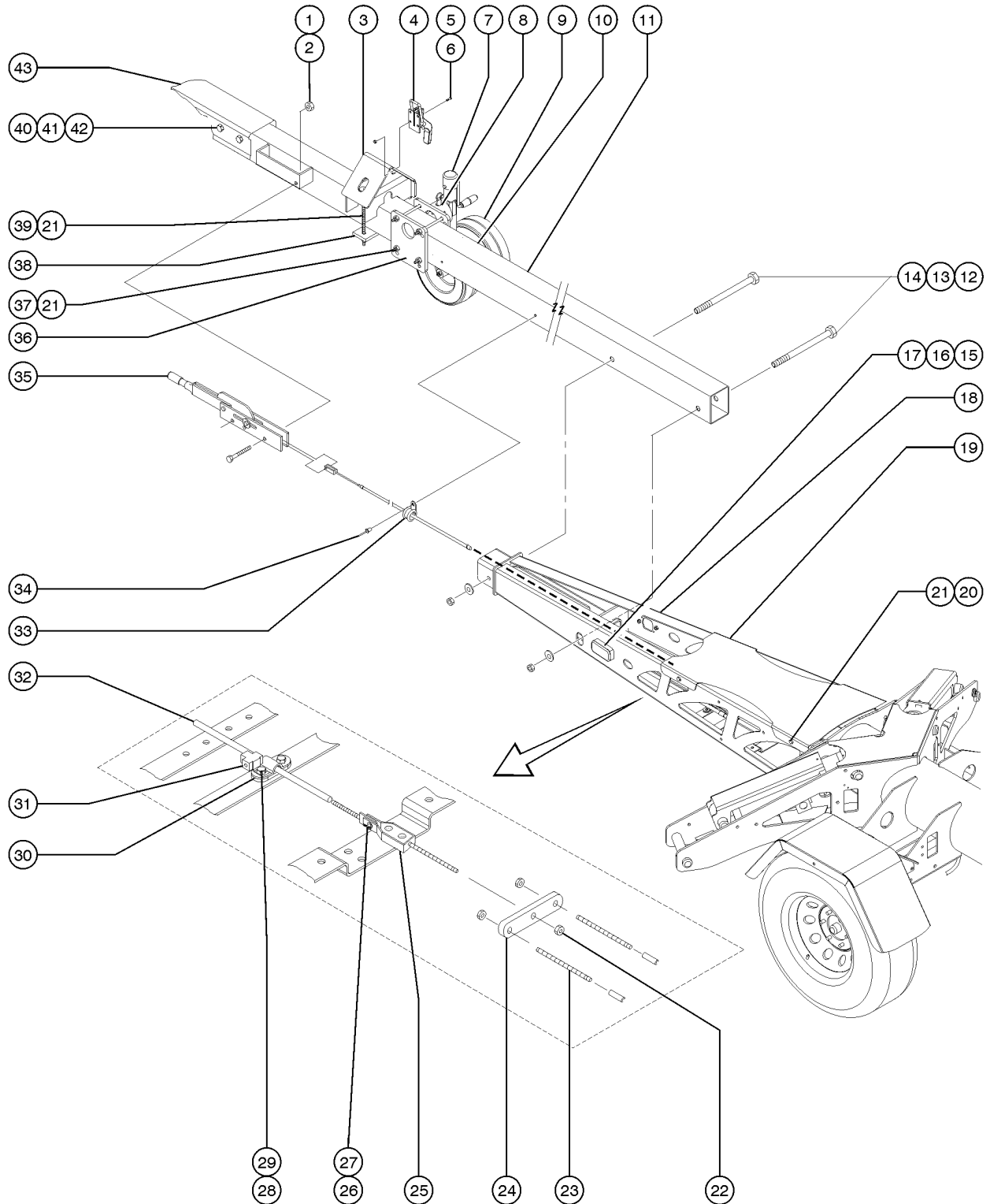


201.5 Parking Brake - Models without Drive

Item	Part No.	Description	Qty.
15E-	72108GT	BULB,12V DC (67875) .....	
16	54830GT	SCREW,BHSC,1/4-20 X .88,Y/ZINC .....	
17	18605GT	NUT,NYLOCK,8-32 .....	
18	99563GT	WELDMENT,DRAW BAR MOUNT,TZ50 .....	1
19	99577GT	FORMING,TONGUE BOX COVER .....	1
20	6175GT	SCREW,HHC,3/8-16 X 1 .....	
21	4828GT	NUT,NYLOCK,3/8-16 .....	
22	104455GT	NUT,HEX,9/16-12*** .....	
23	99336GT	PRKG BRK CBL - CHASSIS (ANSI) includes item 22; ANSI and CSA models .....	2
23B	97227GT	BRK CABL-CHASSIS (CE) includes item 22; CE models .....	
23C	105521GT	PRKG BRK CABLE,ELEC AXLE (includes item 22) .....	
24	99775GT	PLATE,BRAKE EQUALIZER .....	1
25	48218GT	THREADED ROD, M8 X 10" LG TMZ .....	1
25A-	22571GT	NUT,HEX,M8 X 1.25 .....	
25A-	52185GT	LINK SPACER, PARKING BRAKE,TMZ .....	
25B	67908GT	THREADED ROD, M8 X 356MM TMZ ANSI and CSA models .....	
25B-	22571GT	NUT,HEX,M8 X 1.25 .....	
25B-	52185GT	LINK SPACER, PARKING BRAKE,TMZ .....	
25C	76764GT	THREADED ROD,M8 X 1.25 X 16" CE models .....	
25C-	22571GT	NUT,HEX,M8 X 1.25 .....	
25C-	52185GT	LINK SPACER, PARKING BRAKE,TMZ .....	
26	13002GT	SCREW,HHC,5/16-18 X 1 GR5 .....	
27	67784GT	NUT,ACORN,OPEN M8 X 1.25 .....	
28	8915GT	SCREW,HHC,1/4-20 X 1.25 .....	
29	6091GT	NUT,NYLOCK,1/4-20 .....	
30	52185GT	LINK SPACER, PARKING BRAKE,TMZ .....	1
30-	52186GT	CABLE CLAMP,PARKING BRAKE, TMZ .....	
31		Ref. KIT, HYDRAULIC BRAKE (refer to 207.1) .....	



201.5 Parking Brake - Models without Drive

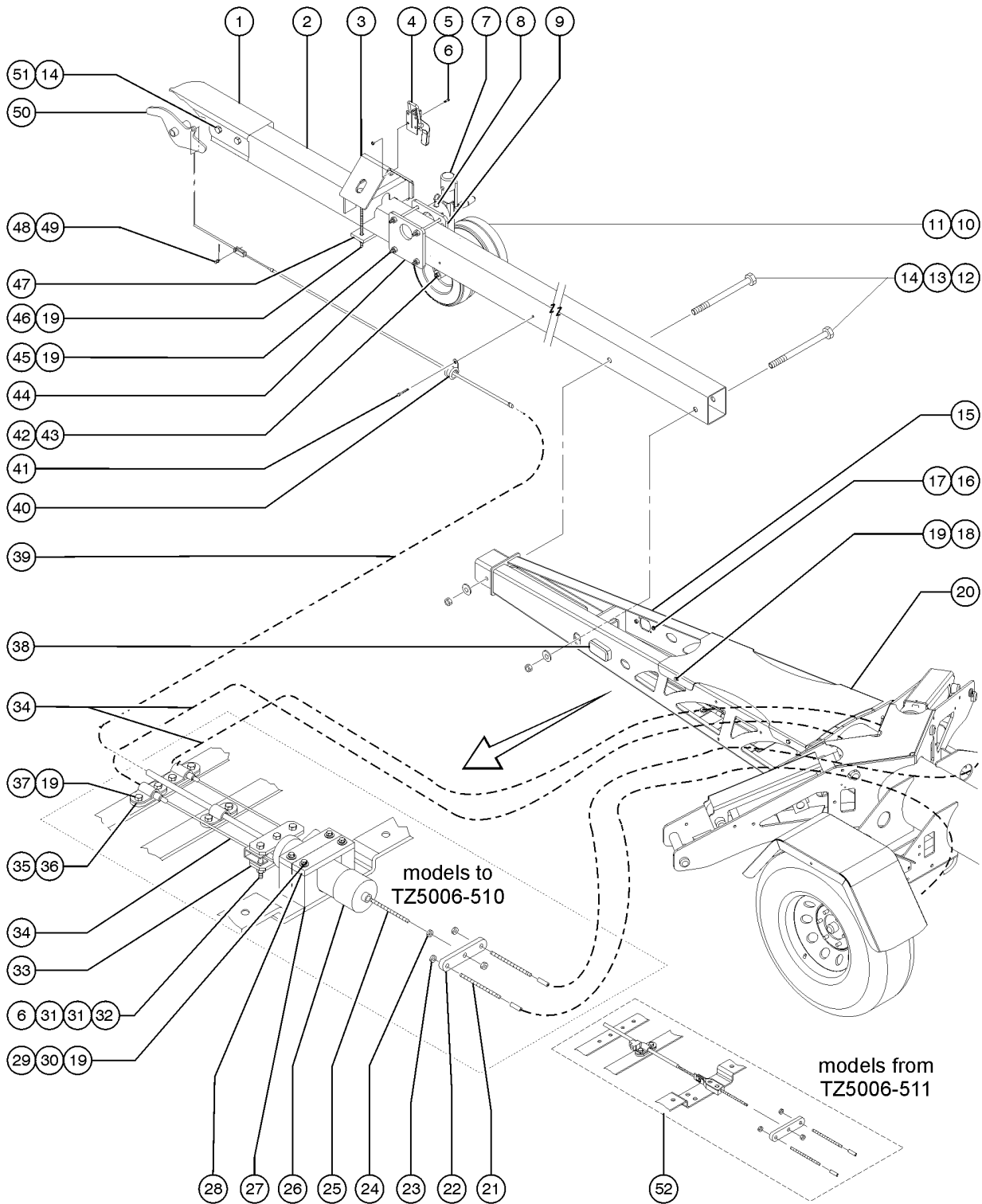




201.5 Parking Brake - Models without Drive

Item	Part No.	Description	Qty.
32	67413GT	PRKG BRK CBL-TONGUE (ANSI) ..... ANSI models	1
32B	99777GT	BRK CABLE - TONGUE (CE)105" ..... CE models	
33	49863GT	CLAMP,1.13,#18 X 3/8,RUB CUSH* ..... 1	1
34	7265GT	RIVET,STEEL,P, .25 X .375 ..... 1	
35	48104GT	BRAKE LEVER            TMZ50 ..... 1 ANSI and CSA models	1
36	104226PGT	PLATE,JACK MOUNT ..... 1	1
37	12981GT	SCREW,HHC,3/8-16 X 4.5 ..... 1	
38	99771GT	PLATE,MAST CRADLE CLAMP ..... 1	1
39	104534GT	BOLT,CARRIAGE,3/8-16 X 7.00,G2 ..... 1	
40	13854GT	SCREW,HHC,1/2-13 X 4.5,GRD.8 ..... 3	3
41	6095GT	WASHER,FLAT,USS,1/2",Y ..... 1	
42	6198GT	NUT,NYLOCK,1/2-13 ..... 1	
43		Ref. HITCH ACTUATOR ..... (refer to 203.1)	

202.1 Parking Brake - Models with Drive

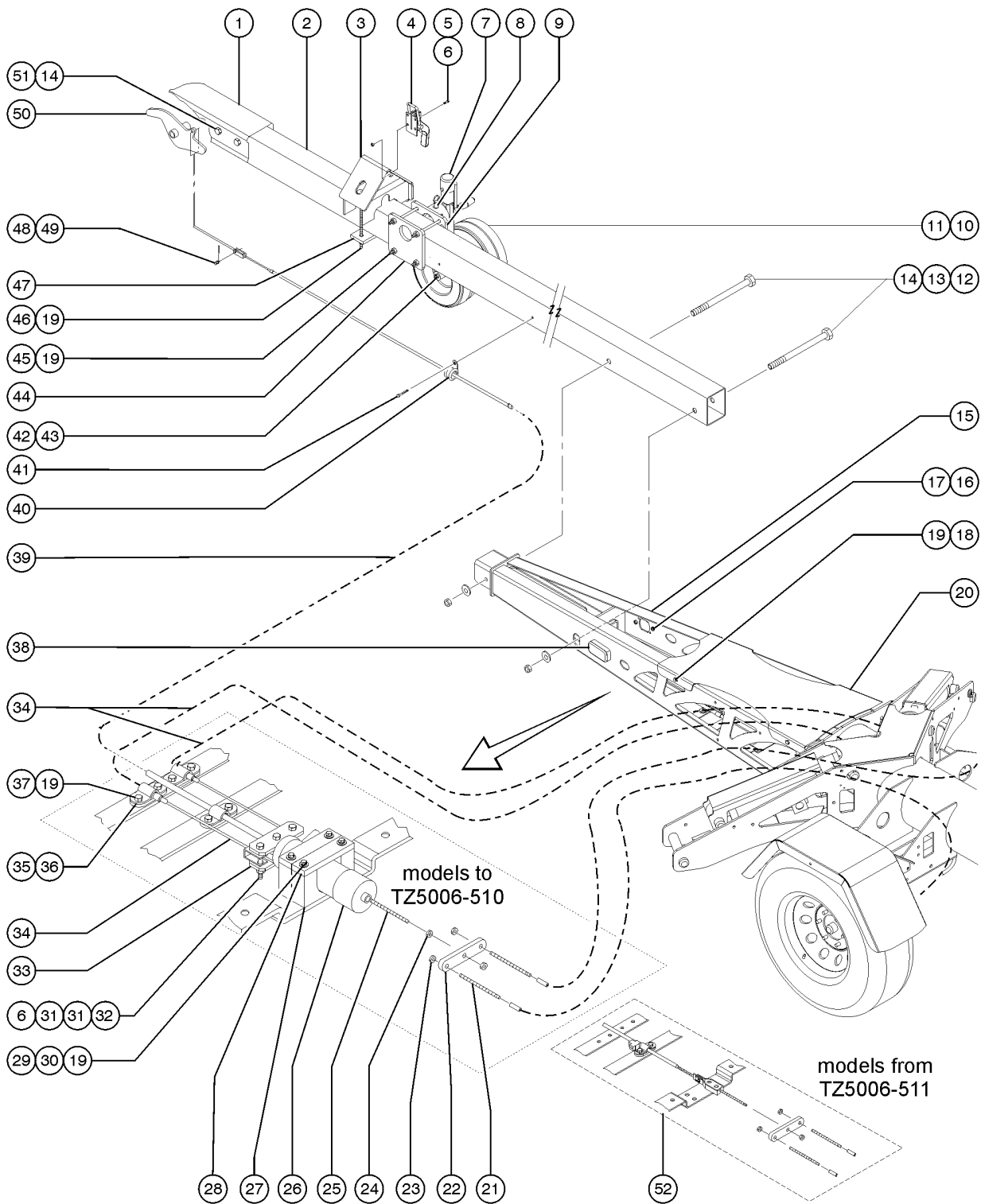


202.1 Parking Brake - Models with Drive

Item	Part No.	Description	Qty.
1		Ref. Hitch (refer to 204.1)	
2		Ref. Tongue Assembly (refer to 202.1)	
3	99770GT	WELDMENT,MAST CRADLE	1
4	43456GT	CLAMP,TOGGLE,MAST HOLD DOWN	1
5	13002GT	SCREW,HHC,5/16-18 X 1 GR5	
6	6782GT	NUT,NYLOCK,5/16-18	
7	1294952GT	SCREW JACK, TONGUE, TZ (jack only)	1
7B	104559GT	KIT,TMZ/TZ 50 TONGUE JACK ASSY (includes items 10 and 11)	
8	99246GT	PIN,LOCK,.625 W/LANYARD	1
9	104160GT	WELDMENT,SCREW JACK MOUNT	2
10		Ref. Wheel Assembly (refer to 201.1)	
11	104225GT	WELDMENT,CASTER,TZ-50	1
12	19705GT	SCREW,HHC,5/8-11 X 5.5	
13	6035GT	WASHER,FLAT,USS,5/8",Y	
14	7263GT	NUT,HEX,5/8-11	
15	99563GT	WELDMENT,DRAW BAR MOUNT,TZ50	1
16	49417GT	SCREW,PHILLIPS,PHM,M5X.8X16	
17	54830GT	SCREW,BHSC,1/4-20 X .88,Y/ZINC	
18	18605GT	NUT,NYLOCK,8-32	
19	4828GT	NUT,NYLOCK,3/8-16	
20	99577GT	FORMING,TONGUE BOX COVER	1
21		Ref. Chassis - Brake Cable (refer to 201.1)	
22	99775GT	PLATE,BRAKE EQUALIZER CE models	
23	104455GT	NUT,HEX,9/16-12*** CE models	
24	22571GT	NUT,HEX,M8 X 1.25	
25	67908GT	THREADED ROD, M8 X 356MM TMZ (ANSI and CSA models)	1
25A-	72315GT	CAP, PLASTIC (67412)	
25B	99579GT	THREADED ROD,M8 X 1.25 X 10.00	1



202.1 Parking Brake - Models with Drive

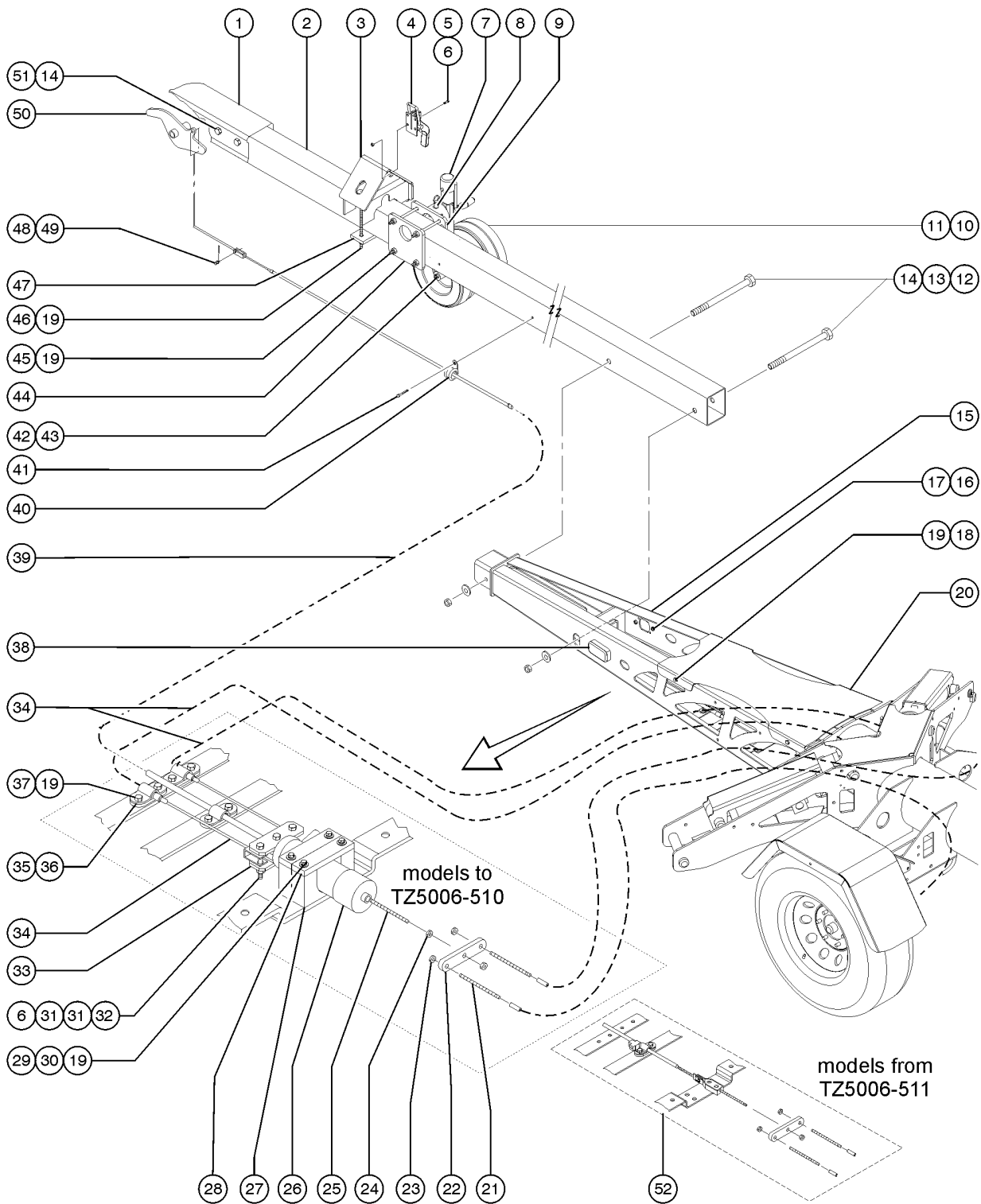


202.1 Parking Brake - Models with Drive

Item	Part No.	Description	Qty.
25B-	72315GT	CAP, PLASTIC (67412) .....	
25C	76764GT	THREADED ROD,M8 X 1.25 X 16" (CE models) .....	
25C-	72315GT	CAP, PLASTIC (67412) .....	
26	67706GT	CYLINDER, PARKING BRK TMZ50*** .....	1
27	99765GT	SLIDE,CYL DRIVE OPTION .....	2
28	99954GT	PLATE,DRIVE CYL SLIDE 2 .....	2
29	21604GT	SCREW,HHC,3/8-16 X 3.25 .....	
30	6097GT	WASHER,FLAT,USS,3/8",Y .....	
31	5397GT	WASHER,FLAT,USS,5/16",Y .....	
32	14723GT	SCREW,HHC,5/16-18 X 1.75 .....	
33	104238GT	PLATE,DRIVE CYL BRK CLVS .....	2
34	99997GT	BRAKE CABLE,1500 LB,92.82IN .....	2
35	52186GT	CABLE CLAMP,PARKING BRAKE, TMZ .....	3
36	52185GT	LINK SPACER, PARKING BRAKE,TMZ .....	3
37	8915GT	SCREW,HHC,1/4-20 X 1.25 .....	
38		Ref. Side Light Assembly (refer to 201.1) .....	
39		Ref. Parking Brake Cable (refer to 201.1) .....	
40	13268GT	CLAMP,0.75,#12 X 1/4,RUB CUSH .....	
41	80635GT	SCREW,HWH 12X6, B/S TEKS3 .....	
42	9145GT	SCREW,HHC,1/2-13 X 2.5,GR5 .....	
43	6198GT	NUT,NYLOCK,1/2-13 .....	1
44	104226PGT	PLATE,JACK MOUNT .....	1
45	12981GT	SCREW,HHC,3/8-16 X 4.5 .....	
46	87530GT	BOLT,CARRIAGE,3/8-16 X 4.00,G2 .....	
47	99771GT	PLATE,MAST CRADLE CLAMP .....	1
48	99211GT	PIN,CLEVIS,.375 X 1.00 ZINC PL CE models .....	
49	6094GT	PIN,COTTER,.125 X 1 .....	
50		Ref. Internal Lever Assembly (CE models) (includes items 10 and 11) (refer to 204.1) .....	



202.1 Parking Brake - Models with Drive



202.1 Parking Brake - Models with Drive

<i>Item</i>	<i>Part No.</i>	<i>Description</i>	<i>Qty.</i>
51	53909GT	SCREW,HHC,5/8-11 X 4.0 GR8 .....	2

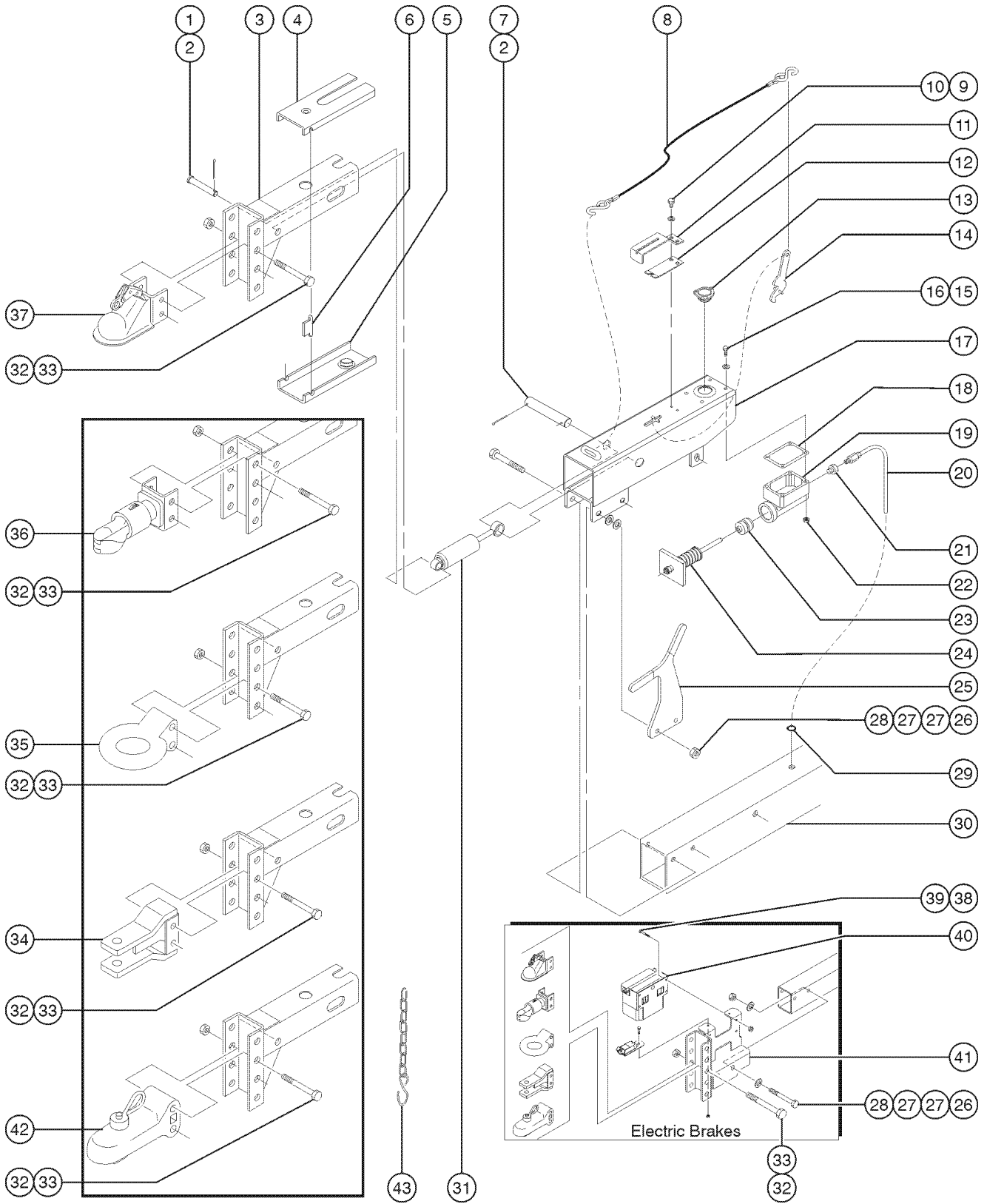




203.1 Hitch Components - ANSI and CSA Models

Item	Part No.	Description	Qty.
	59582GT	HITCH ACTUATOR, COMBO TMZ includes items 1 through 19, 21-24, and 31	
	62769GT	KIT, LEVER REPLACEMENT TMZ includes items 8, 12 and 14	
	62770GT	KIT, MASTER CYLINDER REPAIR TMZ	
	62771GT	KIT, COUPLER REPAIR (59582) TMZ	
	1264803GT	KIT, SURGE BRAKE LOCKOUT, DEMCO #5939 DEMCO DA91 LOCKOUT SERVICE KIT ; will replace items 1 and 2	
1	62765GT	PIN, FRONT SHOCK, HITCH ASSY TMZ	1
2	62866GT	PIN, COTTER, 0.156 X 1.5 TMZ50	
3	62766GT	CHANNEL, CLEVIS, HITCH ASSY TMZ	1
4	97455GT	SLIDER, UPPER	1
5	97456GT	SLIDER, LOWER	1
6	97457GT	SPACER, SIDE	2
7	75866GT	PIN, CONNECTING	1
8	62870GT	CABLE ASSY, HITCH, W/HOOKS 3/32 includes hooks	1
8-	62772GT	HOOKS, CABLE ASSY TMZ50	
9	62871GT	SCREW, HHC, 5/16-18 X 5/8, GR5	
10	62864GT	WASHER, LOCK, EXTRNL TOOTH, 5/16	
11	62872GT	GUIDE, ACTUATOR LEVER	1
12	62873GT	EMERGENCY LEVER SPRING TMZ50	1
13	62874GT	CAP, MASTER CYLINDER TMZ50 **	1
13-	62773GT	O-RING, MASTR CYLNDR(62768)TMZ	
14	62877GT	LEVER, EMERGENCY, HITCH ASSY T50	1
15	75868GT	SCREW, HHC, 1/4-20 X 2	
16	75869GT	WASHER, LOCK, 1/4 INCH	
17	97458GT	ACTUATOR CASE, 3 BOLT MOUNT	1
18	75871GT	GASKET, MASTER CYLINDER (75873)	1
19	75873GT	CYLINDER, MASTER includes item 18	1
20	67304GT	BRAKE LINE, LONG 149.5" TMZ50	1
21	62761GT	CONNECTOR, ORIFICE, .018 TMZ	1

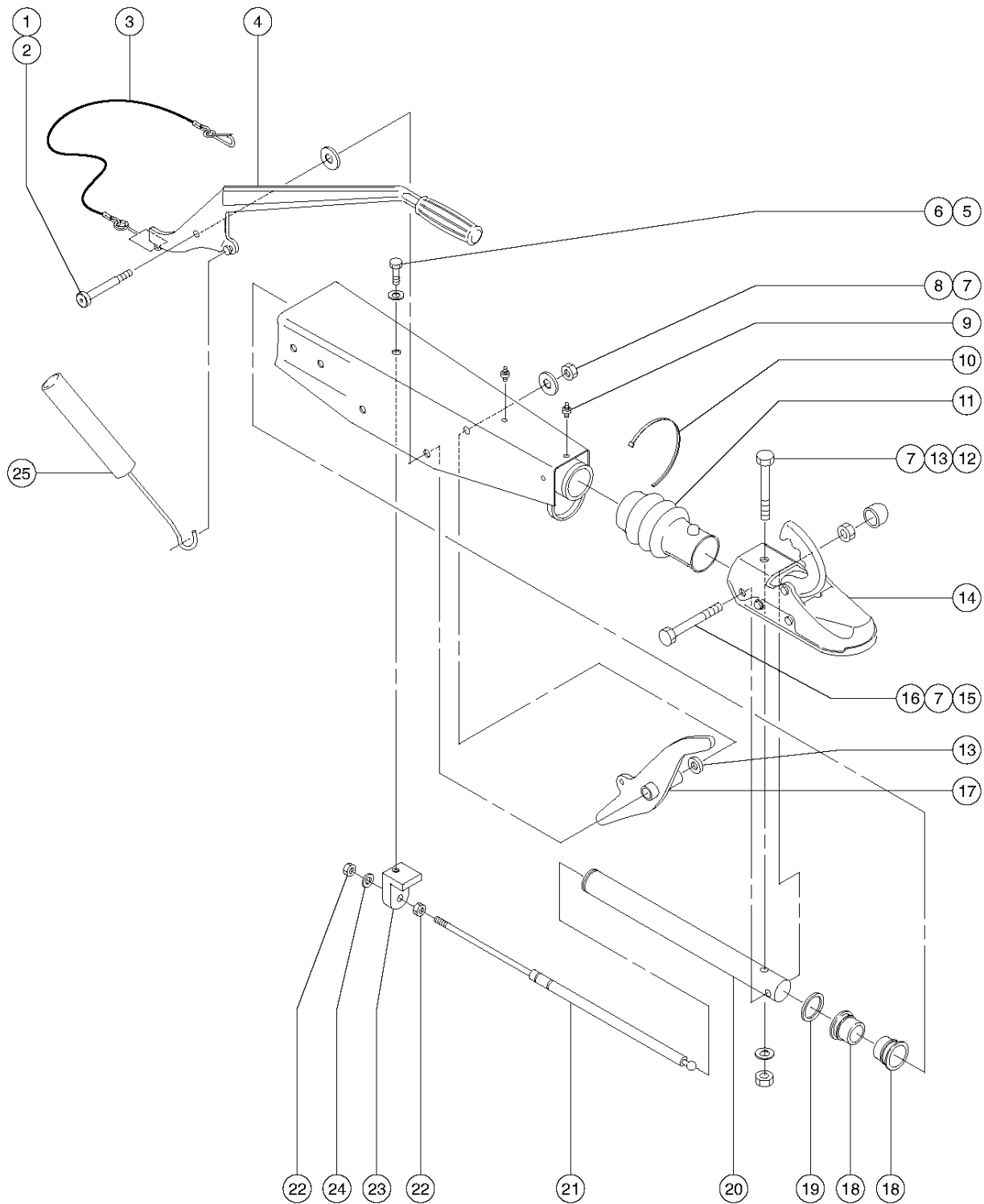
203.1 Hitch Components - ANSI and CSA Models



203.1 Hitch Components - ANSI and CSA Models

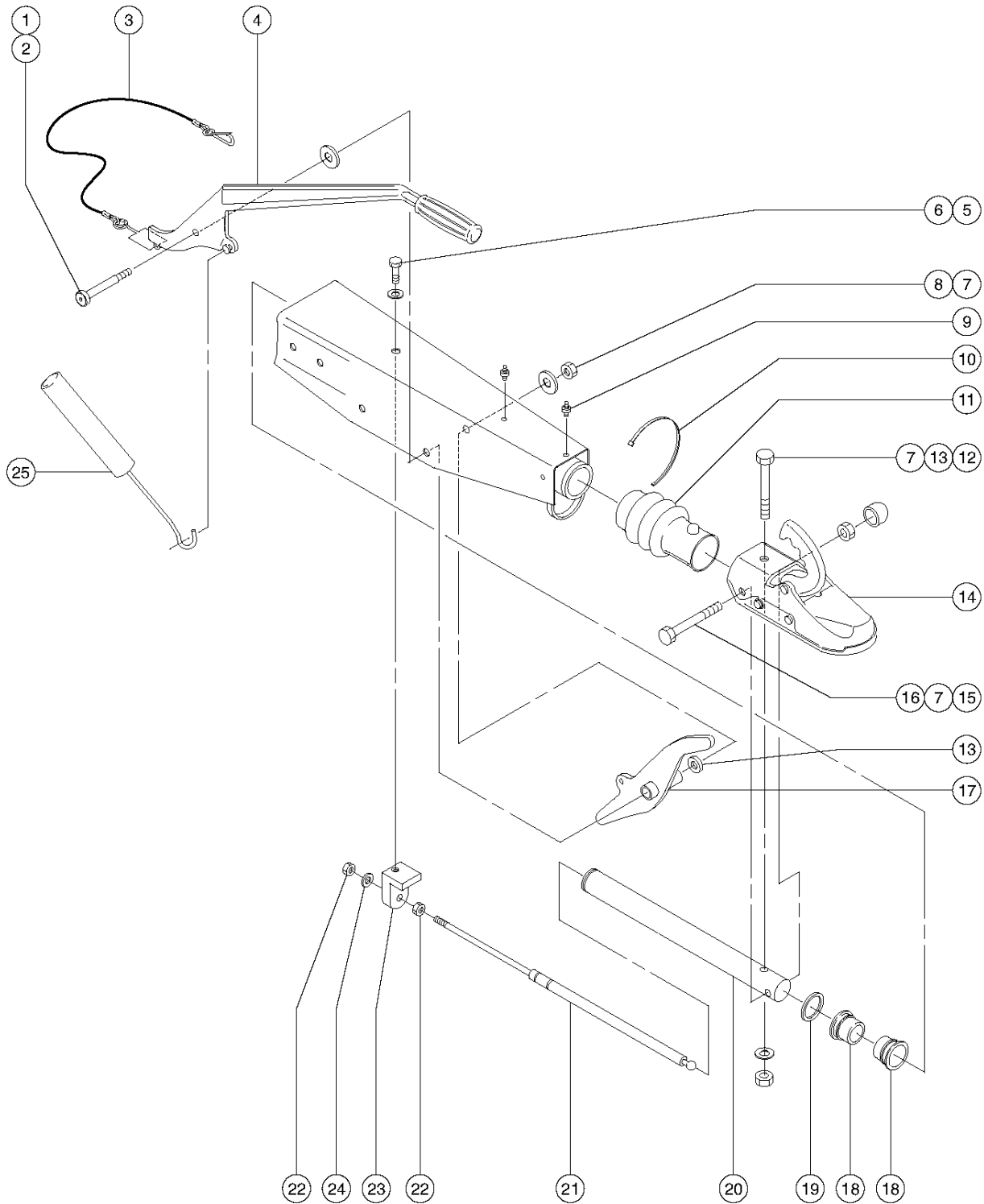
Item	Part No.	Description	Qty.
22	75872GT	NUT,HEX,1/4-20 .....	
23	75874GT	BOOT,CYLINDER MASTER .....	1
24	62879GT	PUSH ROD ASSEMBLY TMZ50 .....	1
25	72032-SGT	TONGUE HANDLE ASSY T3400 .....	1
		includes plastic covers	
26	6198GT	NUT,NYLOCK,1/2-13 .....	
27	67722GT	WASHER,FLAT,M12 HARDENED .....	
28	13854GT	SCREW,HHC,1/2-13 X 4.5,GRD.8 .....	3
29	24647GT	GROMMET,RUBBER .38 X .13 X .63 .....	1
30		Ref. Tongue Assembly (refer to 201.1) .....	
31	62764GT	DAMPER,SHOCK, HITCH ASSY TMZ .....	1
32	47186GT	SCREW,HHC,5/8-11 X 4.5 .....	
33	6024GT	NUT,NYLOCK,5/8-11 .....	
34	59753GT	COUPLER CLEVIS,TMZ .....	1
35	59720GT	COUPLER, PINTLE RING .....	1
36	67230GT	COUPLER 2" BALL BULLDOG TMZ .....	1
36A	67231GT	COUPLER 2-5/16" BALL BULLDOG T .....	
37	59752-SGT	COUPLER 2-5/16" BALL .....	1
37B	67535GT	COUPLER 2" BALL LEVER LOCK .....	
38	8914GT	SCREW,HHC,1/4-20 X .625 .....	
39	824024GT	NUT,TL,1/4-20,C,ZAG .....	
40	105511GT	ELEC BRAKE,TEK.BREAKWAY KIT .....	1
41	105475GT	ELEC BRAKE,MULT-HITCH WLDMNT .....	1
41	220258GT	SPACER, ELECTRIC BRAKE .....	
		(if needed, quantities vary)	
42	67229GT	COUPLER,BALL,2"(50MM) TWST LK* .....	
		twist lock	
42B	67535GT	COUPLER 2" BALL LEVER LOCK .....	
		lever lock	
43	162160GT	CHAIN, SAFETY, SNAP HOOK .....	2

204.1 Hitch Components - CE Models



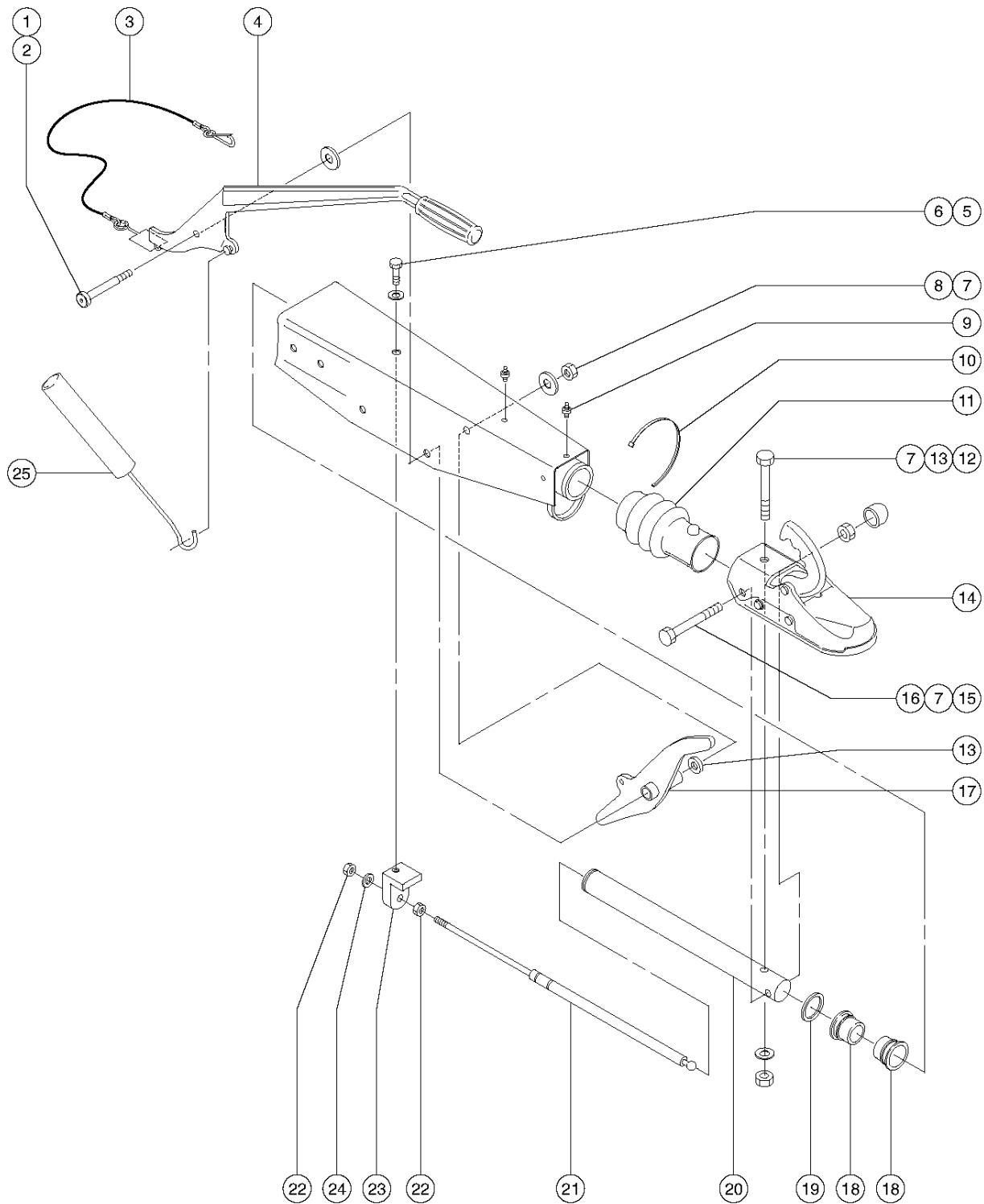
Item	Part No.	Description	Qty.
	99773GT	HITCH,MECH BRAKE TZ50 ..... includes items 1-18, 20-25	
1	84871GT	SCREW WITH TREADED PIN, M12 .....	
2	65352GT	WASHER,FLAT,M12 .....	
3	84872GT	BREAK-AWAY CABLE (TZ50) ..... includes eye and snap ring	1
4	84873GT	BRAKE LEVER ASSEMBLY ..... includes item 3	1
5	65351GT	SCREW,HHC,M12 X 1.75 X 25 .....	
6	65355GT	WASHER,LOCK,M12 .....	
7	84874GT	BEVELED NUT, M12 .....	
8	84875GT	DISK WASHER, M12 .....	
9	84876GT	GREASE ZERK .....	2
10	28443GT	CABLE TIE,11.5" BLACK .....	1
11	65339GT	BELLOWS,MECH HITCH ASSY (55053) .....	1
12	49382GT	SCREW,HHC,M12 X 70 .....	
13	65355GT	WASHER,LOCK,M12 .....	
14	84877GT	COUPLER .....	1
15	59971GT	SCREW,HHC,M12 X 80 .....	
16	65346GT	COVER,HITCH BOLT ASSY(55053) .....	1
17	84878GT	INTERNAL LEVER ASSY. .... includes clevis pin and cotter pin	1
18	84879GT	SHAFT BEARING .....	2
19	65345GT	STOP RING (55053) TMZ34 .....	1
20	84880GT	SHAFT .....	1
21	84881GT	SHOCK ABSORBER .....	1
22	84882GT	NUT .....	
23	84883GT	SHOCK ABSORBER BRACKET .....	1
24	84884GT	LOCK WASHER .....	
25	84885GT	SPRING SLEEVE .....	1

204.2 Hitch Components - CE Models



Item	Part No.	Description	Qty.
	99773GT	HITCH,MECH BRAKE TZ50 ..... includes items 1-18, 20-25	
1	84871GT	SCREW WITH TREADED PIN, M12 .....	
2	65352GT	WASHER,FLAT,M12 .....	
3	84872GT	BREAK-AWAY CABLE (TZ50) ..... includes eye and snap ring	1
4	84873GT	BRAKE LEVER ASSEMBLY ..... includes item 3	1
5	65351GT	SCREW,HHC,M12 X 1.75 X 25 .....	
6	65355GT	WASHER,LOCK,M12 .....	
7	84874GT	BEVELED NUT, M12 .....	
8	84875GT	DISK WASHER, M12 .....	
9	84876GT	GREASE ZERK .....	2
10	28443GT	CABLE TIE,11.5" BLACK .....	1
11	65339GT	BELLOWS,MECH HITCH ASSY (55053) .....	1
12	49382GT	SCREW,HHC,M12 X 70 .....	
13	65355GT	WASHER,LOCK,M12 .....	
14	84877GT	COUPLER .....	1
15	59971GT	SCREW,HHC,M12 X 80 .....	
16	65346GT	COVER,HITCH BOLT ASSY(55053) .....	1
17	84878GT	INTERNAL LEVER ASSY. .... includes clevis pin and cotter pin	1
18	84879GT	SHAFT BEARING .....	2
19	65345GT	STOP RING (55053) TMZ34 .....	1
20	84880GT	SHAFT .....	1
21	84881GT	SHOCK ABSORBER .....	1
22	84882GT	NUT .....	
23	84883GT	SHOCK ABSORBER BRACKET .....	1
24	84884GT	LOCK WASHER .....	
25	84885GT	SPRING SLEEVE .....	1

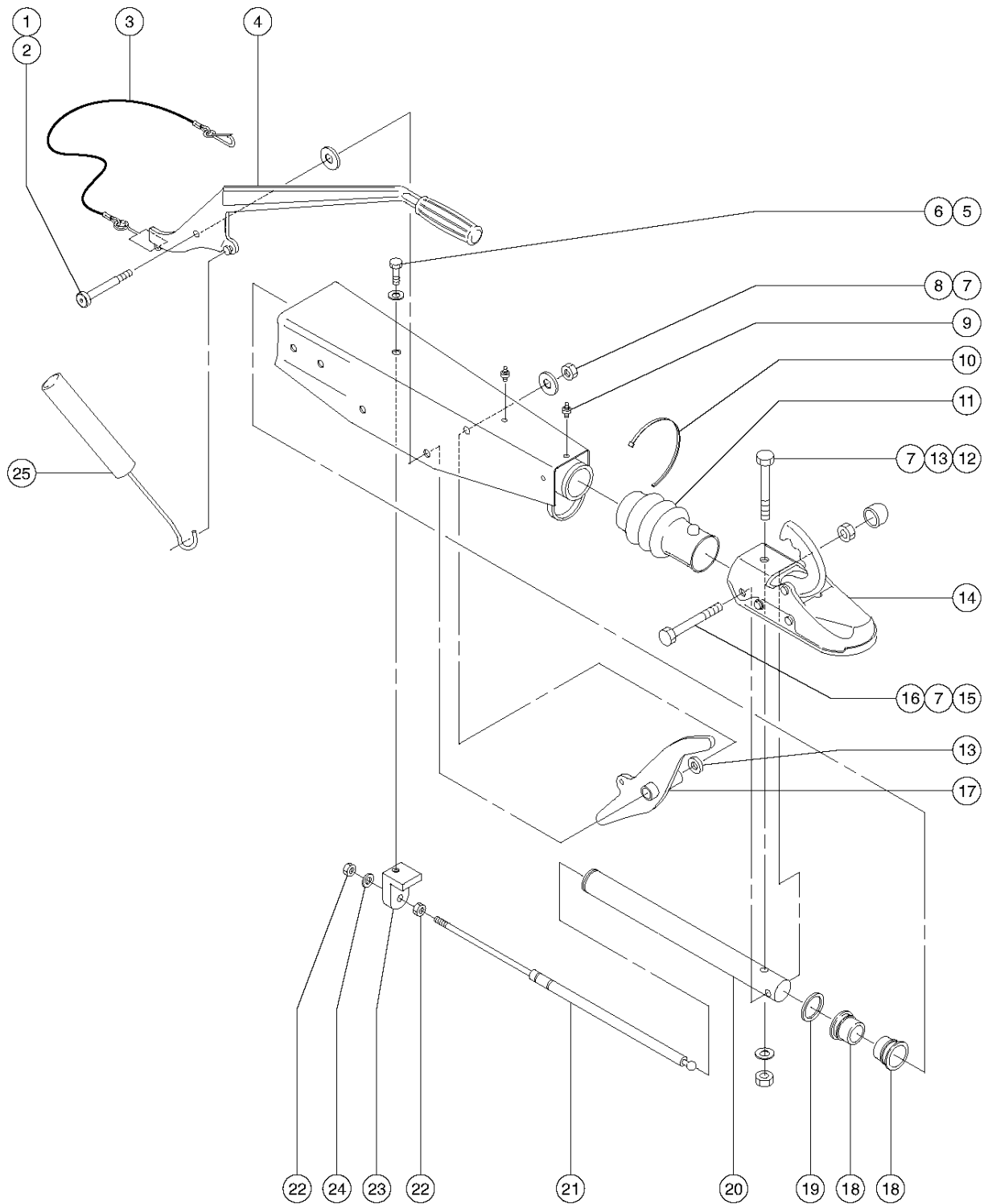
204.3 Hitch Components - CE Models





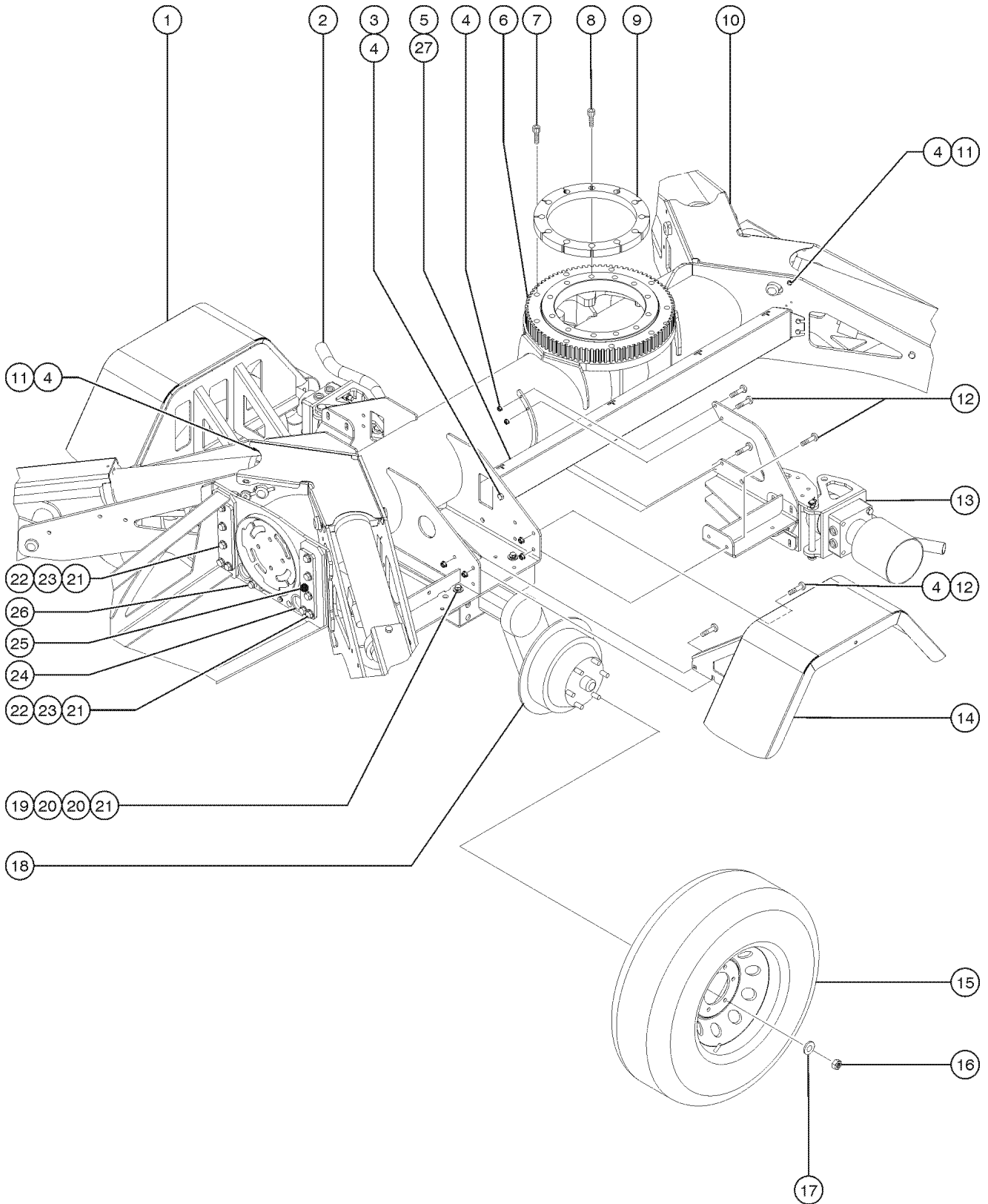
Item	Part No.	Description	Qty.
	99773GT	HITCH,MECH BRAKE TZ50 ..... includes items 1-18, 20-25	
1	84871GT	SCREW WITH TREADED PIN, M12 .....	
2	65352GT	WASHER,FLAT,M12 .....	
3	84872GT	BREAK-AWAY CABLE (TZ50) ..... includes eye and snap ring	1
4	84873GT	BRAKE LEVER ASSEMBLY ..... includes item 3	1
5	65351GT	SCREW,HHC,M12 X 1.75 X 25 .....	
6	65355GT	WASHER,LOCK,M12 .....	
7	84874GT	BEVELED NUT, M12 .....	
8	84875GT	DISK WASHER, M12 .....	
9	84876GT	GREASE ZERK .....	2
10	13469GT	CABLE TIE,11.375" .....	1
11	65339GT	BELLOWS,MECH HITCH ASSY (55053) .....	1
12	49382GT	SCREW,HHC,M12 X 70 .....	
13	65355GT	WASHER,LOCK,M12 .....	
14	84877GT	COUPLER .....	1
15	59971GT	SCREW,HHC,M12 X 80 .....	
16	65346GT	COVER,HITCH BOLT ASSY(55053) .....	1
17	84878GT	INTERNAL LEVER ASSY. .... includes clevis pin and cotter pin	1
18	84879GT	SHAFT BEARING .....	2
19	65345GT	STOP RING (55053) TMZ34 .....	1
20	84880GT	SHAFT .....	1
21	84881GT	SHOCK ABSORBER .....	1
22	84882GT	NUT .....	
23	84883GT	SHOCK ABSORBER BRACKET .....	1
24	84884GT	LOCK WASHER .....	
25	84885GT	SPRING SLEEVE .....	1

204.4 Hitch Components - CE Models



Item	Part No.	Description	Qty.
	99773GT	HITCH,MECH BRAKE TZ50 ..... includes items 1-18, 20-25	
1	84871GT	SCREW WITH TREADED PIN, M12 .....	
2	65352GT	WASHER,FLAT,M12 .....	
3	84872GT	BREAK-AWAY CABLE (TZ50) ..... includes eye and snap ring	1
4	84873GT	BRAKE LEVER ASSEMBLY ..... includes item 3	1
5	65351GT	SCREW,HHC,M12 X 1.75 X 25 .....	
6	65355GT	WASHER,LOCK,M12 .....	
7	84874GT	BEVELED NUT, M12 .....	
8	84875GT	DISK WASHER, M12 .....	
9	84876GT	GREASE ZERK .....	2
10	13469GT	CABLE TIE,11.375" .....	1
11	65339GT	BELLOWS,MECH HITCH ASSY (55053) .....	1
12	49382GT	SCREW,HHC,M12 X 70 .....	
13	65355GT	WASHER,LOCK,M12 .....	
14	84877GT	COUPLER .....	1
15	59971GT	SCREW,HHC,M12 X 80 .....	
16	65346GT	COVER,HITCH BOLT ASSY(55053) .....	1
17	84878GT	INTERNAL LEVER ASSY. .... includes clevis pin and cotter pin	1
18	84879GT	SHAFT BEARING .....	2
19	65345GT	STOP RING (55053) TMZ34 .....	1
20	84880GT	SHAFT .....	1
21	84881GT	SHOCK ABSORBER .....	1
22	84882GT	NUT .....	
23	84883GT	SHOCK ABSORBER BRACKET .....	1
24	84884GT	LOCK WASHER .....	
25	84885GT	SPRING SLEEVE .....	1

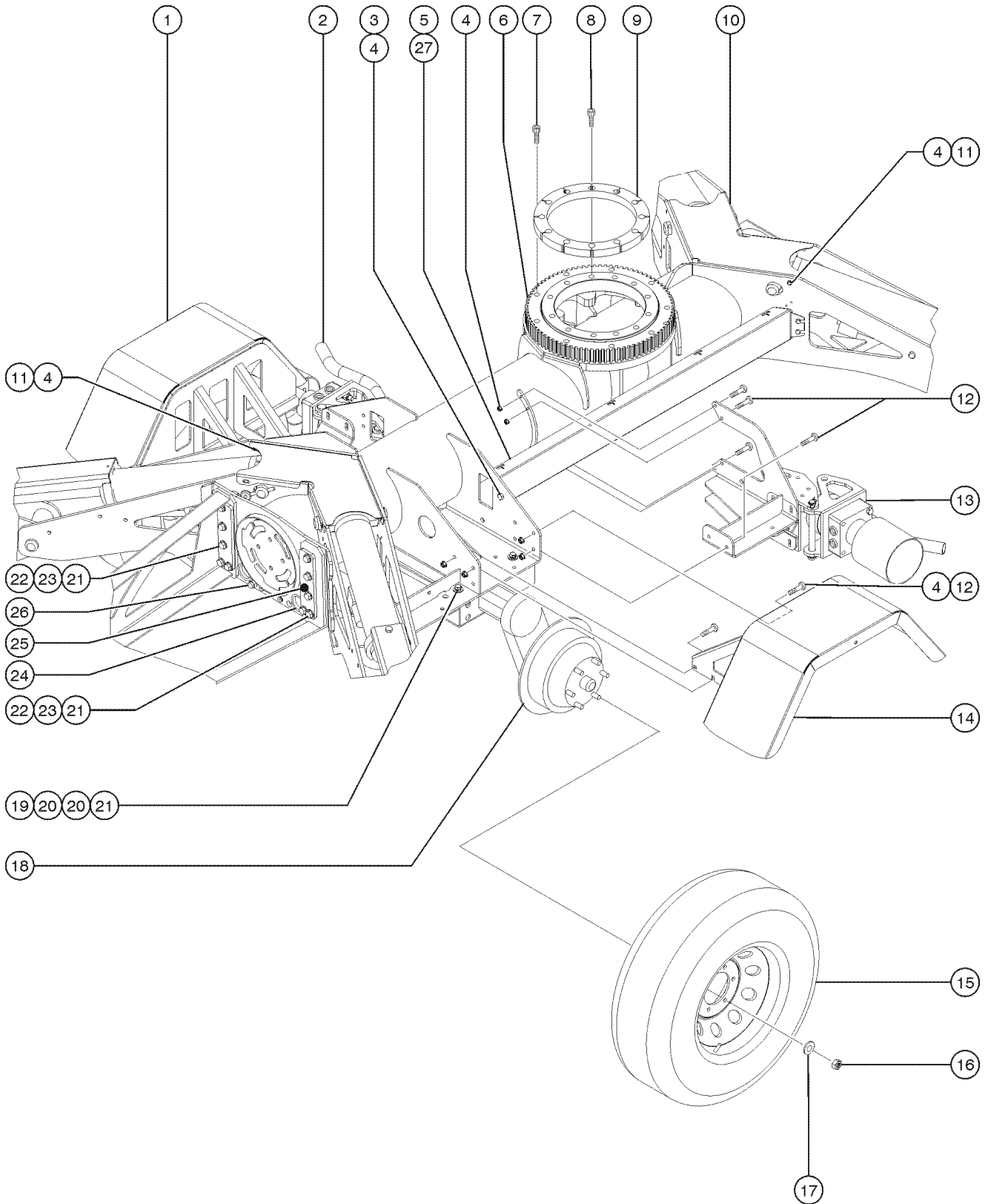
205.1 Chassis Components - View 1



Item	Part No.	Description	Qty.
1	97323GT	RIGHT FENDER ASSY. W. WORD D. .... ANSI and CSA models	1
1B	97324GT	RIGHT FENDER ASSY. W. SYMB. D. .... CE models	
2		Ref. Manifold Side Drive Motor ..... (refer to 209.1)	1
3	96905GT	BOLT,CARRIAGE,1/4-20 X 2.5,G2 .....	
4	6091GT	NUT,NYLOCK,1/4-20 .....	
5	99596GT	WELDMENT,CHASSIS CABLE CHANNEL ..... to SN TZ5006-510	1
6	99581GT	SWING BEARING .....	1
7	74712GT	SCREW,SHC,5/8-11 X 2.75,A574 .....	9
8	74712GT	SCREW,SHC,5/8-11 X 2.75,A574 .....	12
9	99580GT	PLATE,SWING SPACER .....	1
10	99911GT	FORMING,LIMIT SWITCH COVER .....	2
11	8516GT	SCREW, HCC, 3/8-16 X 1.50 .....	
12	6019GT	SCREW,HHC,3/8-16 X 1.25 GRD 5 .....	
13		Ref. Hydraulic Tank Side Drive Motor ..... (refer to 209.1 and 209.2)	
14	97325GT	LEFT FENDER ASSY. W. WORD D. .... ANSI and CSA models	1
14B	97326GT	LEFT FENDER ASSY. W. SYMB. D. .... CE models	
15	99586GT	TIRE/WHEEL ASSY,ANSI,TZ50 ..... ANSI and CSA models (this is a steel belted radial tire and wheel assembly, must order a set of 2 if the unit is equipped with bias tires)(bias tires were used from TZ5007-300 to TZ5010-248)	2
15A-	84982GT	TIRE, ANSI MODELS ..... (this is a steel belted radial tire, must order a set of 2 if the unit is equipped with bias tires)(bias tires were used from TZ5007-300 to TZ5010-248)	
15A-	84983GT	WHEEL, ANSI MODELS .....	
15B	99589GT	TIRE/WHEEL ASSY,EURO,TZ50**** ..... CE models	2
15B-	97343GT	TIRE (CE MODELS) .....	
15B-	84888GT	WHEEL, TZ-50/30 CE MODELS .....	
16	46717GT	NUT,1/2-20,ACORN,TMZ34 ..... ANSI and CSA models	12
16B	104242GT	NUT,LUG NUT,M18 X 1.5 ..... CE models	10
17	104393GT	WASHER,LOCK,M18,LUG ..... CE models	10
18		Ref. Axle ..... (refer to 207.1 or 208.1)	
19	54177GT	SCREW,HHC,1/2-13 X 1.5 GRD 8 ..... ANSI and CSA models	2

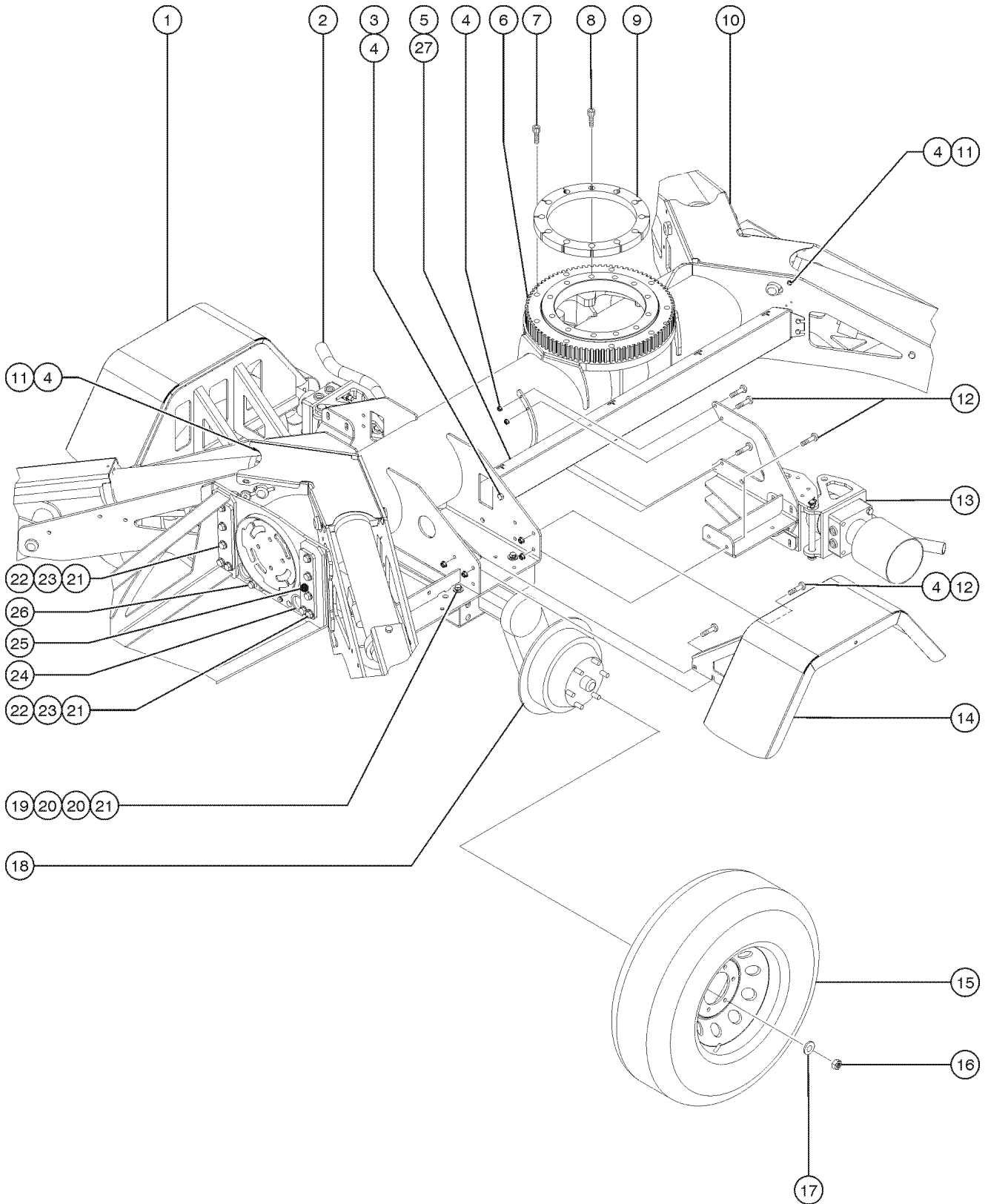


205.1 Chassis Components - View 1



<i>Item</i>	<i>Part No.</i>	<i>Description</i>	<i>Qty.</i>
19B	29883GT	SCREW,HHC,5/8-11 X 1.75 GRD.8 CE models	
20	6095GT	WASHER,FLAT,USS,1/2",Y ANSI and CSA models	4
20B	13064GT	WASHER,FLAT,.625 HARDENED CE models	
21	6198GT	NUT,NYLOCK,1/2-13 ANSI and CSA models	2
21B	6024GT	NUT,NYLOCK,5/8-11 CE models	
22	104235GT	SCREW,HHC,1/2-13X2.25 GRD 8	8
23	13066GT	WASHER,FLAT,.5 HARDENED	
24	47238GT	GROMMET,RUBBER 1.5 ID	2
25	104234GT	PLATE,SPACER,TONGUE MOUNT	2
26		Ref. Kit - Hydraulic Brake (refer to 207.1)	2
27	76763GT	BLOCK,7 HOSE 2 CABLE CLAMP	1

205.2 Chassis Components - View 1

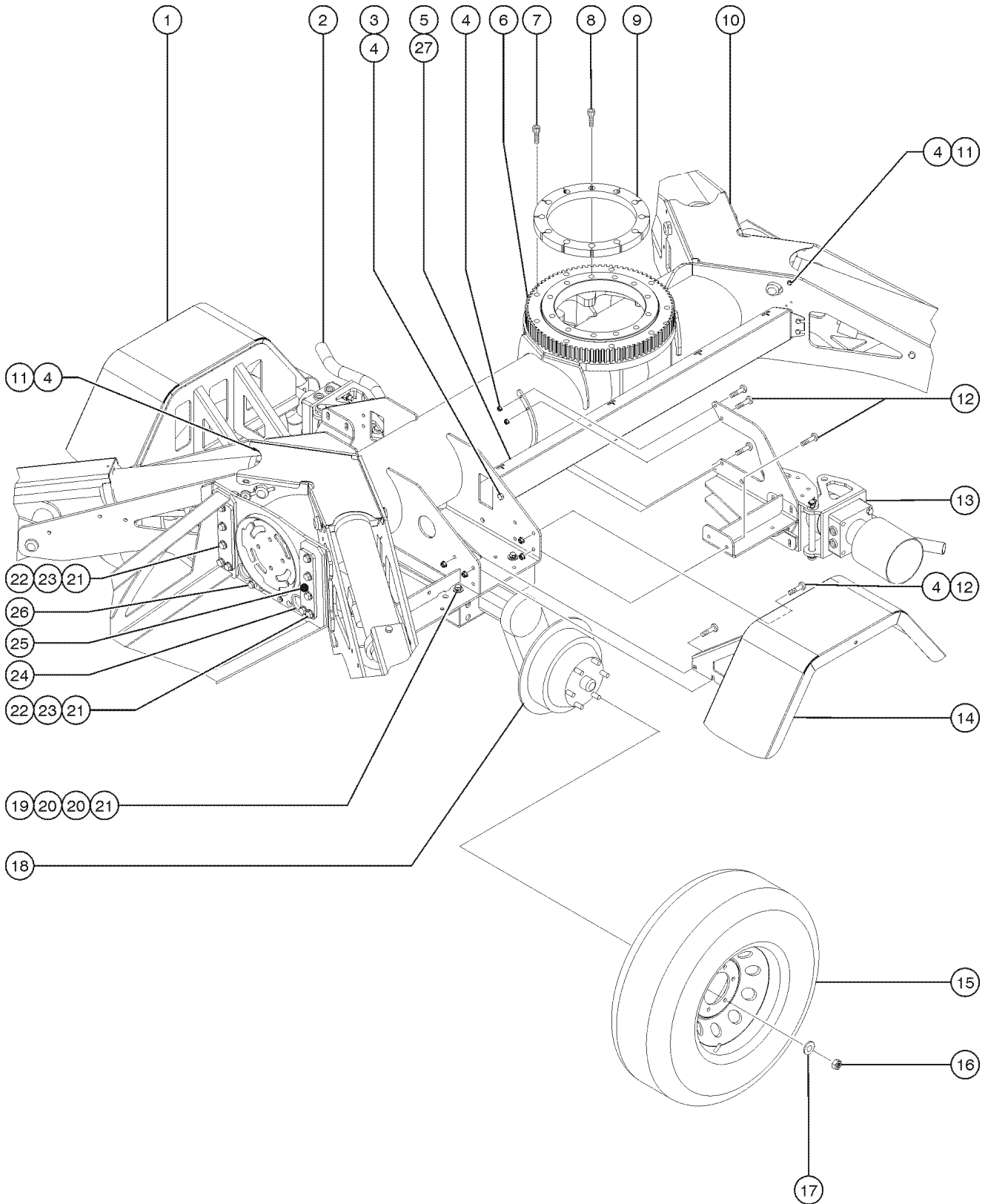




Item	Part No.	Description	Qty.
1	97323GT	RIGHT FENDER ASSY. W. WORD D. .... ANSI and CSA models	1
1B	97324GT	RIGHT FENDER ASSY. W. SYMB. D. .... CE models	
2		Ref. Manifold Side Drive Motor .....	1
3	96905GT	BOLT,CARRIAGE,1/4-20 X 2.5,G2 .....	
4	6091GT	NUT,NYLOCK,1/4-20 .....	
5	99596GT	WELDMENT,CHASSIS CABLE CHANNEL .....	1
		to SN TZ5006-510	
5B	76762GT	FORMING,CHASSIS CABLE CHNL .....	
		from SN TZ5006-511	
6	99581GT	SWING BEARING .....	1
7	74712GT	SCREW,SHC,5/8-11 X 2.75,A574 .....	9
8	74712GT	SCREW,SHC,5/8-11 X 2.75,A574 .....	12
9	99580GT	PLATE,SWING SPACER .....	1
10	99911GT	FORMING,LIMIT SWITCH COVER .....	2
11	8516GT	SCREW, HCC, 3/8-16 X 1.50 .....	
12	6019GT	SCREW,HHC,3/8-16 X 1.25 GRD 5 .....	
13		Ref. Hydraulic Tank Side Drive Motor .....	
		(refer to 209.1 and 209.2)	
14	97325GT	LEFT FENDER ASSY. W. WORD D. ....	1
		ANSI and CSA models	
14B	97326GT	LEFT FENDER ASSY. W. SYMB. D. ....	
		CE models	
15	99586GT	TIRE/WHEEL ASSY,ANSI,TZ50 .....	2
		ANSI and CSA models (this is a steel belted radial tire and wheel assembly, must order a set of 2 if the unit is equipped with bias tires)(bias tires were used from TZ5007-300 to TZ5010-248)	
15A-	84982GT	TIRE, ANSI MODELS .....	
		(this is a steel belted radial tire, must order a set of 2 if the unit is equipped with bias tires)	
15A-	84983GT	WHEEL, ANSI MODELS .....	
15B	99589GT	TIRE/WHEEL ASSY,EURO,TZ50*** .....	2
		CE models	
15B-	97343GT	TIRE (CE MODELS) .....	
15C-	84888GT	WHEEL, TZ-50/30 CE MODELS .....	
16	46717GT	NUT,1/2-20,ACORN,TMZ34 .....	12
		ANSI and CSA models	
16B	104242GT	NUT,LUG NUT,M18 X 1.5 .....	10
		CE models	
17	104393GT	WASHER,LOCK,M18,LUG .....	10
		CE models	
18		Ref. Axle .....	
		(refer to 207.1 or 208.1)	

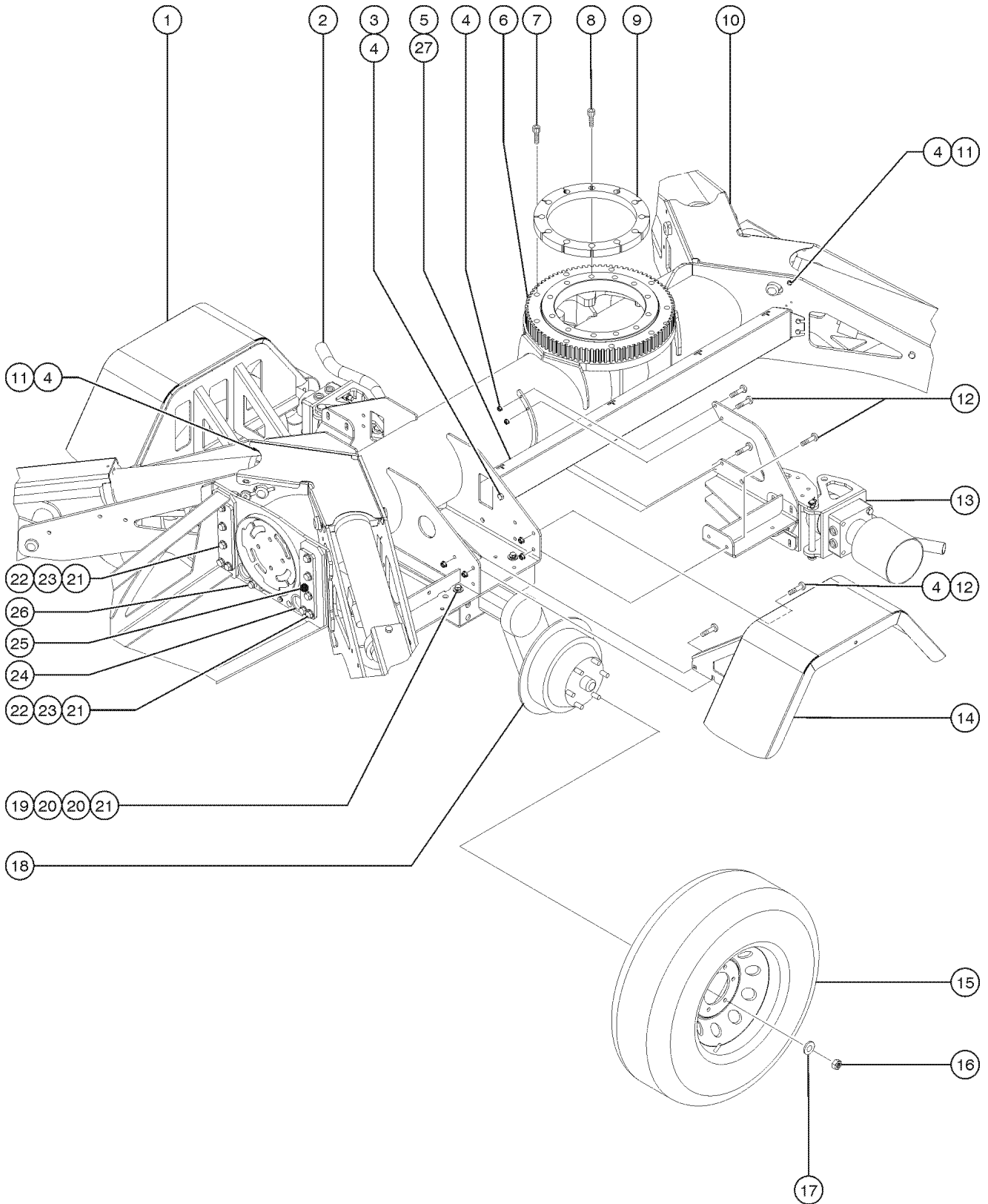


205.2 Chassis Components - View 1



<i>Item</i>	<i>Part No.</i>	<i>Description</i>	<i>Qty.</i>
19	54177GT	SCREW,HHC,1/2-13 X 1.5 GRD 8 ..... ANSI and CSA models	2
19B	29883GT	SCREW,HHC,5/8-11 X 1.75 GRD.8 ..... CE models	
20	6095GT	WASHER,FLAT,USS,1/2",Y ..... ANSI and CSA models	4
20B	13064GT	WASHER,FLAT,.625 HARDENED ..... CE models	
21	6198GT	NUT,NYLOCK,1/2-13 ..... ANSI and CSA models	2
21B	6024GT	NUT,NYLOCK,5/8-11 ..... CE models	
22	104235GT	SCREW,HHC,1/2-13X2.25 GRD 8 ..... ANSI and CSA models	8
23	13066GT	WASHER,FLAT,.5 HARDENED ..... CE models	
24	47238GT	GROMMET,RUBBER 1.5 ID ..... CE models	2
25	104234GT	PLATE,SPACER,TONGUE MOUNT ..... CE models	2
26		Ref. Kit - Hydraulic Brake ..... (refer to 207.1)	2
27	76763GT	BLOCK,7 HOSE 2 CABLE CLAMP ..... CE models	1

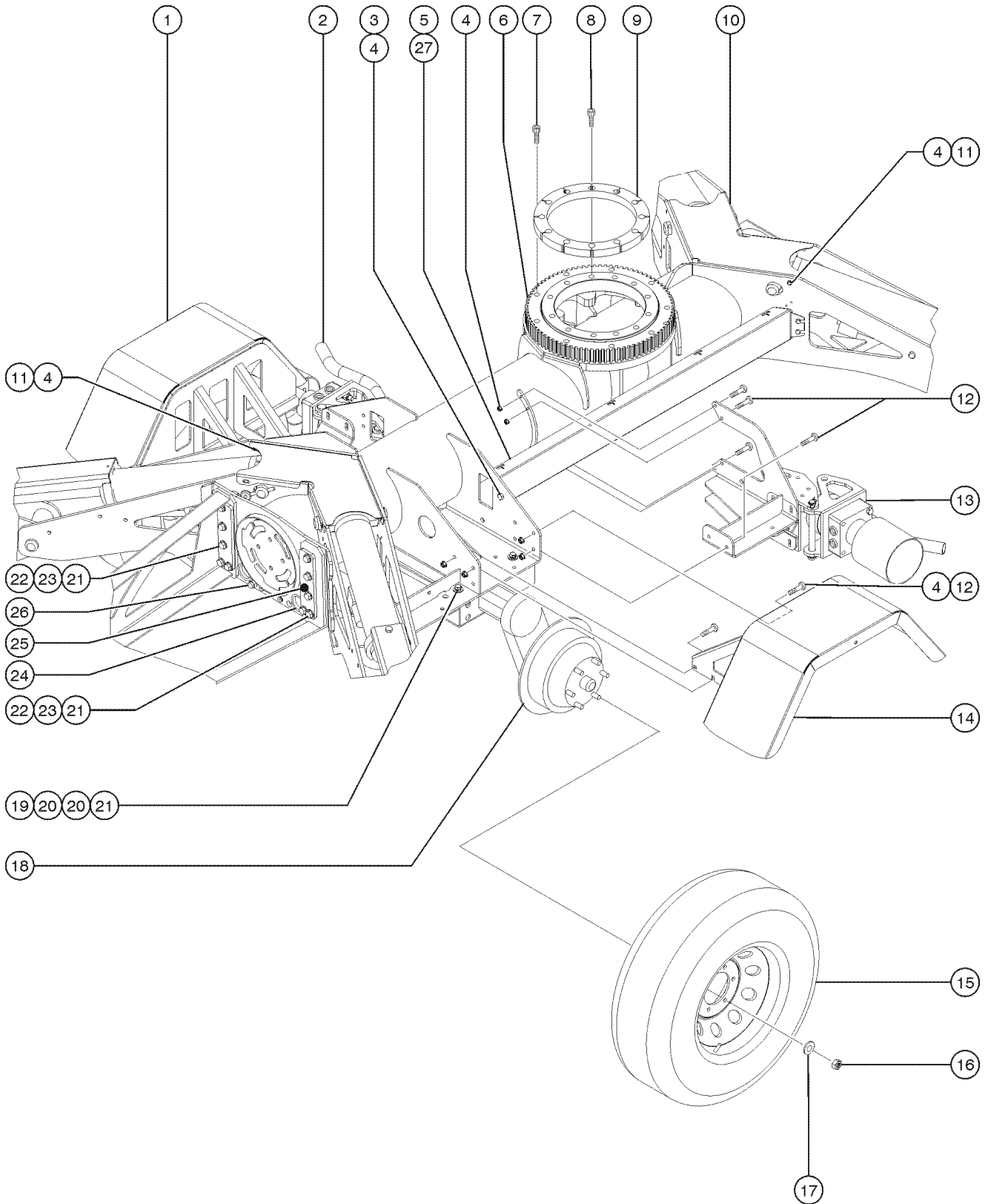
205.3 Chassis Components - View 1



Item	Part No.	Description	Qty.
1	97323GT	RIGHT FENDER ASSY. W. WORD D. .... ANSI and CSA models	1
1B	97324GT	RIGHT FENDER ASSY. W. SYMB. D. .... CE models	
2		Ref. Manifold Side Drive Motor ..... (refer to 209.1)	1
3	96905GT	BOLT,CARRIAGE,1/4-20 X 2.5,G2 .....	
4	6091GT	NUT,NYLOCK,1/4-20 .....	
5	76762GT	FORMING,CHASSIS CABLE CHNL ..... from SN TZ5006-511	
6	99581GT	SWING BEARING .....	1
7	74712GT	SCREW,SHC,5/8-11 X 2.75,A574 .....	9
8	74712GT	SCREW,SHC,5/8-11 X 2.75,A574 .....	12
9	99580GT	PLATE,SWING SPACER .....	1
10	99911GT	FORMING,LIMIT SWITCH COVER .....	2
11	8516GT	SCREW, HCC, 3/8-16 X 1.50 .....	
12	6019GT	SCREW,HHC,3/8-16 X 1.25 GRD 5 .....	
13		Ref. Hydraulic Tank Side Drive Motor ..... (refer to 209.1 and 209.2)	
14	97325GT	LEFT FENDER ASSY. W. WORD D. .... ANSI and CSA models	1
14B	99322GT	LEFT FENDER ASSY. W. SYMB. D. .... CE models	
15	99586GT	TIRE/WHEEL ASSY,ANSI,TZ50 ..... ANSI and CSA models (this is a steel belted radial tire and wheel assembly, must order a set of 2 if the unit is equipped with bias tires)(bias tires were used from TZ5007-300 to TZ5010-248)	2
15A-	84982GT	TIRE, ANSI MODELS ..... (this is a steel belted radial tire, must order a set of 2 if the unit is equipped with bias tires)(bias tires were used from TZ5007-300 to TZ5010-248)	
15A-	84983GT	WHEEL, ANSI MODELS .....	
15B	99589GT	TIRE/WHEEL ASSY,EURO,TZ50**** ..... CE models	2
15B-	97343GT	TIRE (CE MODELS) .....	
15B-	84888GT	WHEEL, TZ-50/30 CE MODELS .....	
16	46717GT	NUT,1/2-20,ACORN,TMZ34 ..... ANSI and CSA models	12
16B	104242GT	NUT,LUG NUT,M18 X 1.5 ..... CE models	10
17	104393GT	WASHER,LOCK,M18,LUG ..... CE models	10
18		Ref. Axle ..... (refer to 207.1 or 208.1)	
19	54177GT	SCREW,HHC,1/2-13 X 1.5 GRD 8 ..... ANSI and CSA models	2

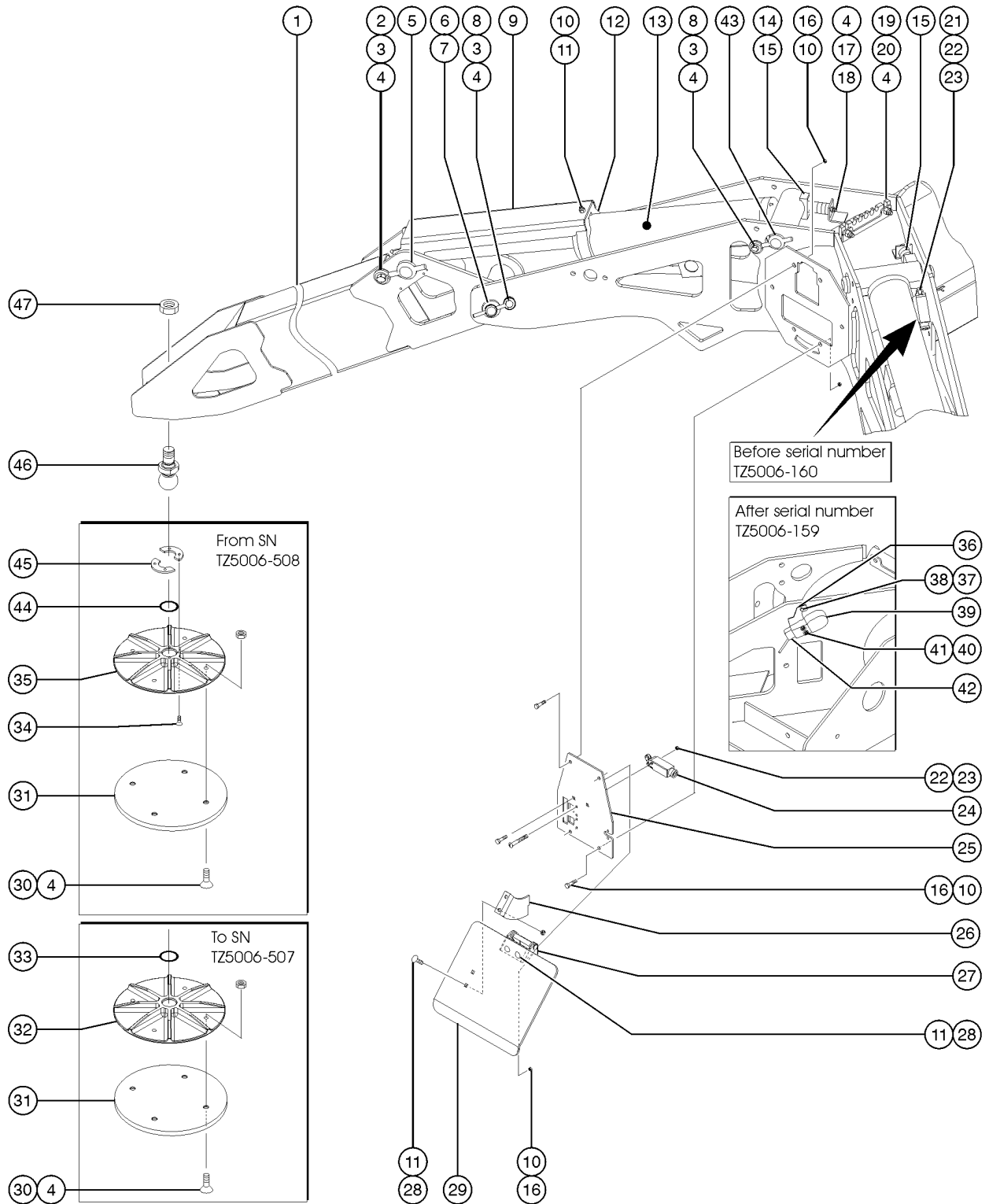


205.3 Chassis Components - View 1



<i>Item</i>	<i>Part No.</i>	<i>Description</i>	<i>Qty.</i>
19B	29883GT	SCREW,HHC,5/8-11 X 1.75 GRD.8 CE models	
20	6095GT	WASHER,FLAT,USS,1/2",Y ANSI and CSA models	4
20B	13064GT	WASHER,FLAT,.625 HARDENED CE models	
21	6198GT	NUT,NYLOCK,1/2-13 ANSI and CSA models	2
21B	6024GT	NUT,NYLOCK,5/8-11 CE models	
22	104235GT	SCREW,HHC,1/2-13X2.25 GRD 8	8
23	13066GT	WASHER,FLAT,.5 HARDENED	
24	47238GT	GROMMET,RUBBER 1.5 ID	2
25	104234GT	PLATE,SPACER,TONGUE MOUNT	2
26		Ref. Kit - Hydraulic Brake (refer to 207.1)	2
27	76763GT	BLOCK,7 HOSE 2 CABLE CLAMP	1

206.1 Chassis Components - View 2 (to SN TZ5005-318)

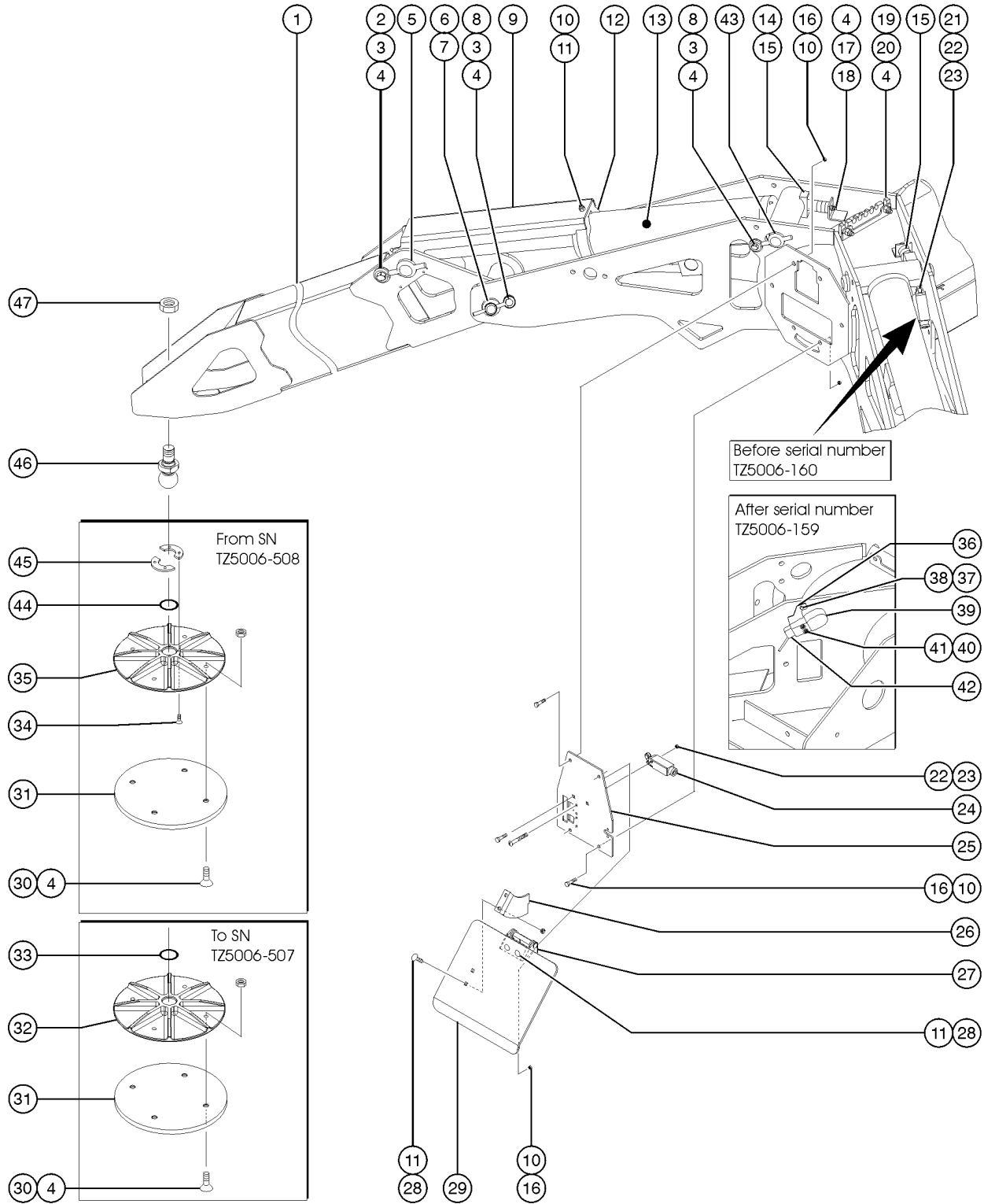




Item	Part No.	Description	Qty.
1A	97327GT	OUTRIGGER ASSY.W. WORD D. .... ANSI and CSA models	1
1B	97328GT	OUTRIGGER ASSY.W. SYMBOL D. .... CE models	
2	22832GT	SCREW,HHC,3/8-16 X 6 .....	
3	825019GT	ROD END,.375X3.69,ZAG .....	3
4	4828GT	NUT,NYLOCK,3/8-16 .....	
5	60205GT	PIN,1.50DIA X 5.88LG,1HOLE .....	1
6	18396GT	BEARING,1.5IDX1.75ODX1.0L .....	2
7B	76695GT	PIN,1.50 DIA X 8.75"LG,1HOLE .....	1
		from SN TZ5006-160	
8	8516GT	SCREW, HCC, 3/8-16 X 1.50 .....	
9	99767GT	FORMING,OUTRIGGER CYL COVER .....	1
10	6090GT	SCREW,HHC,1/4-20 X .75 .....	
11	6091GT	NUT,NYLOCK,1/4-20 .....	
12	99766GT	SLIDE,OUTRIGGER CYLINDER COVER .....	1
13		Ref. CYLINDER,OUTRIGGER .....	1
		(99591 replaced by T108048, refer to 604.1)	
14	104047GT	HOLDER,CYL SPRING,HDPE .....	1
15	61976GT	SPRING,COMP,1-1/4"OD 352 LB/IN .....	1
16	56912GT	SPRING CLIP,1/4-20,.025-.15X.5 .....	
17	15086GT	WASHER,FLAT,.375 X 1.5 X .125 .....	
18	6605GT	SCREW,HHC,3/8-16 X 3.5,GR5 .....	
19	104049GT	PLATE,UHMW,CHASSY ROUTING .....	1
20	6019GT	SCREW,HHC,3/8-16 X 1.25 GRD 5 .....	
21	88356-246R1GT	SWITCH,LIMIT,TABULATED,BLUE .....	4
		to SN TZ5006-159	
21-	97231GT	CONTACTOR,LIMIT SWITCH** .....	
		for 88356-246R1	
22	51063GT	SCREW,PHILLIPS,RHM,10-32 X 1.5 .....	
23	6178GT	NUT, NYLOCK, 10-32 .....	
24	88356-146R1GT	SWITCH,LIMIT,TABULATED,BLUE** .....	2
		to SN TZ5006-159	
24-	19491GT	CONTACTOR,LIMIT SWITCH .....	
		for 88356-146R1	
25	104632GT	FORMING,COVER*** .....	1
		from SN TZ5005-192 to TZ5005-318	



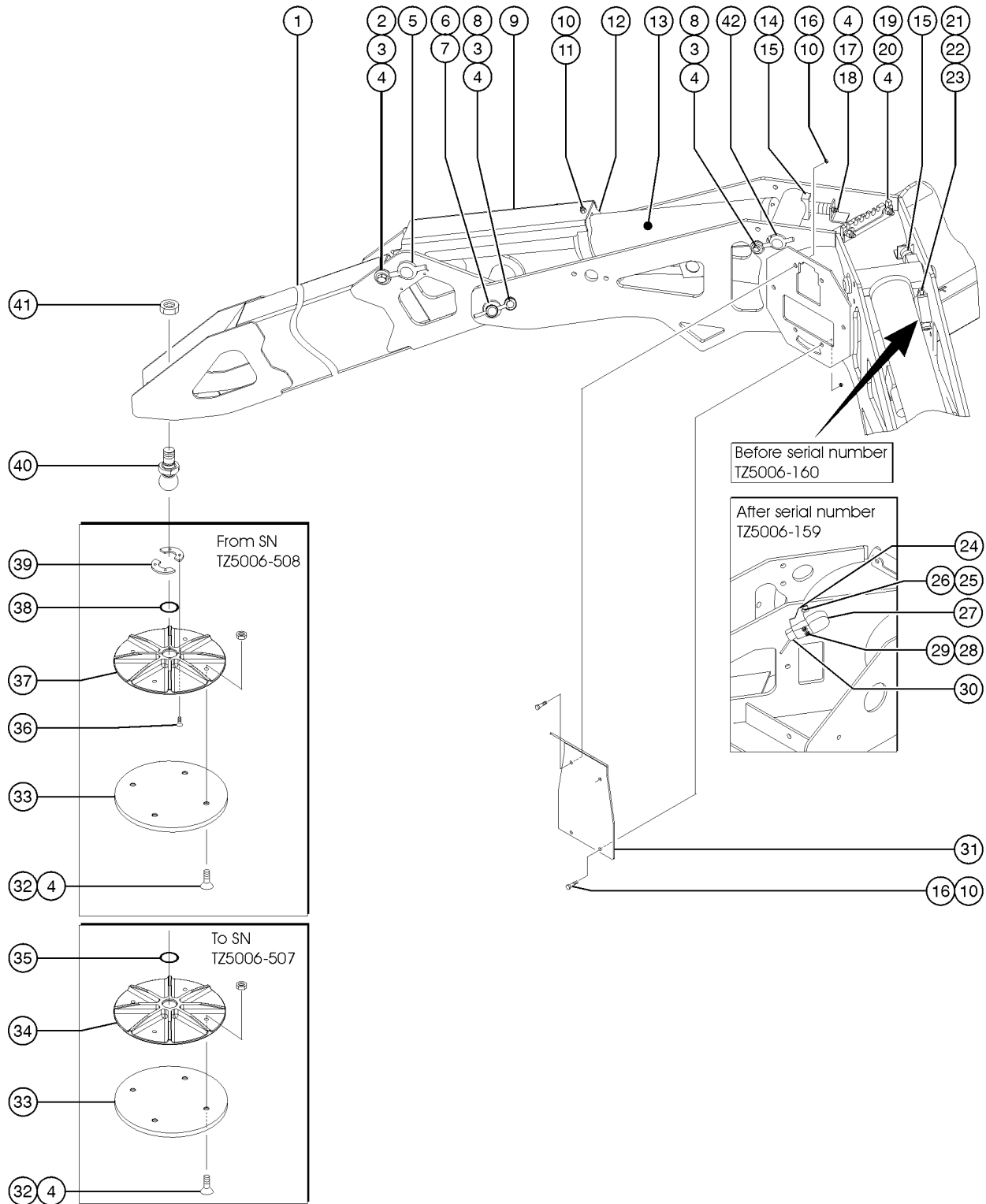
206.1 Chassis Components - View 2 (to SN TZ5005-318)



Item	Part No.	Description	Qty.
26	104631GT	FORMING,LIMITSWITCH PLUNGER ..... from SN TZ5005-192 to TZ5005-318	1
27	104804GT	HINGE, SPRING, LONG LEG ..... from SN TZ5005-192 to TZ5005-318	1
28	6878GT	BOLT,CARRIAGE,1/4-20 X .75,G2 ..... from SN TZ5005-192 to TZ5005-318	
29	104630GT	FORMING,PLEAT,LIMIT SW ACTUAT ..... from SN TZ5005-192 to TZ5005-318	1
30	69843GT	SCREW,FHS,3/8-16 X 1.25, ZN .....	16
31	99774GT	WEARPAD,OUTRIGGER .....	4
31-	99520-SGT	TZ-50 NON MARK FOOTPAD KIT (4) ..... (includes all 4 footpads, nuts and screws)	
32	76731GT	KIT, FOOTPAD RETROFIT ..... (to SN TZ5006-507)	1
33	43394GT	O-STYLE RETAINING RING ..... (to SN TZ5006-507)	1
34	109931GT	SCREW,FHS,1/4-20X1.38,NP ..... (from TZ5006-508)	16
35	76717GT	CASTING,FOOTPAD,ALUMINUM ..... (from TZ5006-508)	4
44	109898GT	O-RING, 0.094 X 1.31 X 1.5 ..... (from TZ5006-508)	4
45	109897GT	PLATE,FT RETAINER ..... (from TZ5006-508)	8
46	87451GT	POST,FOOTPAD .....	4
47	87722GT	NUT,NYLOCK,7/8-9 .....	
36A	76707GT	ASSY,TZ50 L/S MTG PLATE TYPE A ..... Left Rear and Right Front (from SN TZ5006-160)	
36B	76708GT	ASSY,TZ50 L/S MTG PLATE TYPE B ..... Right Rear and Left Front (from SN TZ5006-160)	
37	51063GT	SCREW,PHILLIPS,RHM,10-32 X 1.5 .....	
38	6178GT	NUT, NYLOCK, 10-32 .....	
39	76682GT	COVER, LIMIT SWITCH ..... from SN TZ5006-160	
40	35461GT	WASHER,FLAT,MS,#8,Y .....	
41	18605GT	NUT,NYLOCK,8-32 .....	
42	76700GT	LIMIT SWITCH ASSY, W/CONNECTOR ..... from SN TZ5006-160	
42-	76694GT	SWITCH,LIMIT, BOOTED PLUNGER .....	
42-	60442GT	CONN,RECEP 4 WAY, 14-18GA .....	
42-	60443GT	LOCK,RECEP 4 WAY,14-18GA .....	
42-	73713GT	TERM,NI PIN,S&F,16-18GA,REEL .....	
43	76695GT	PIN,1.50 DIA X 8.75"LG,1HOLE ..... from SN TZ5006-160	



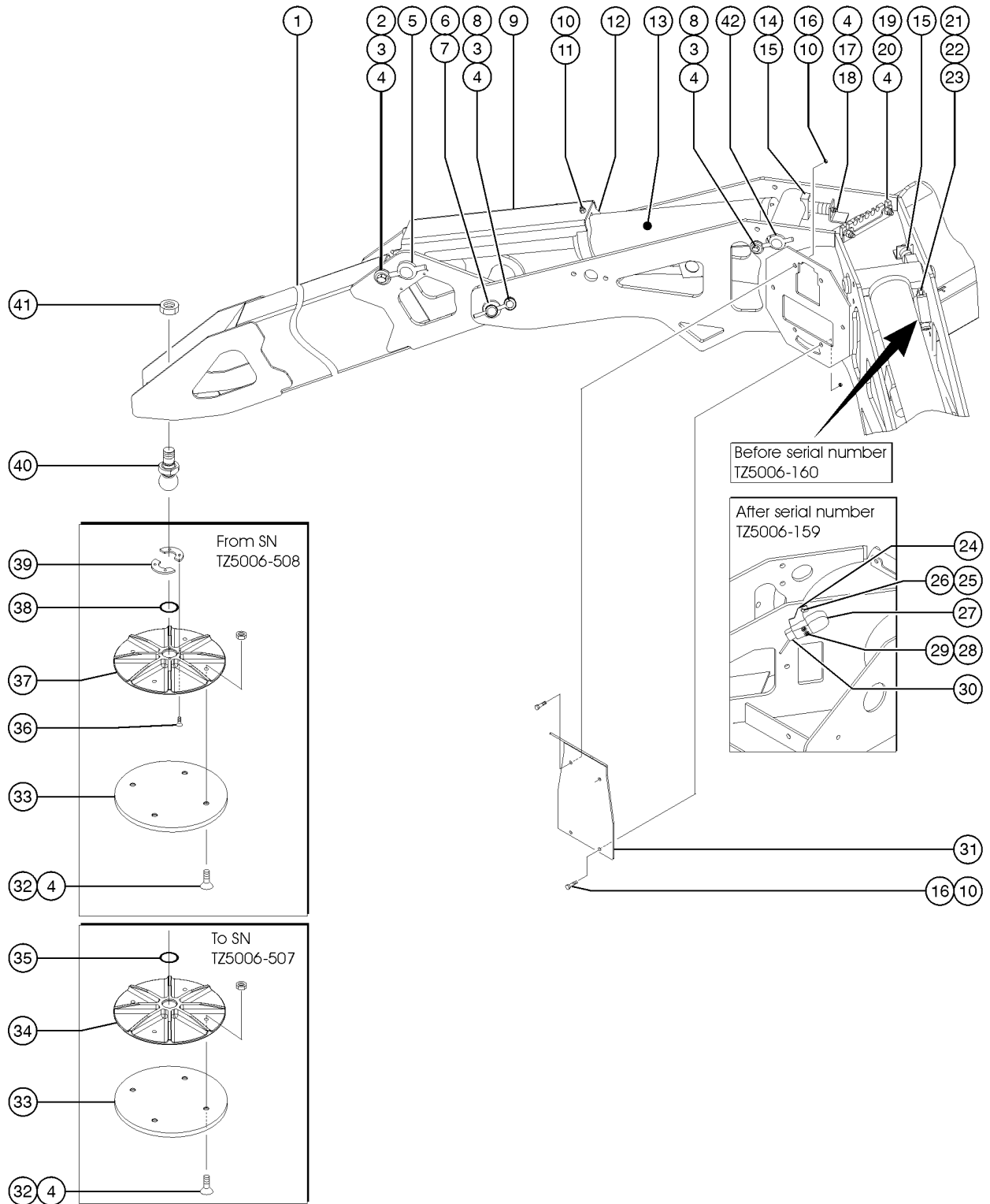
206.2 Chassis Components - View 2 (from SN TZ5005-319)



Item	Part No.	Description	Qty.
1A	97327GT	OUTRIGGER ASSY.W. WORD D. .... ANSI and CSA models	1
1B	97328GT	OUTRIGGER ASSY.W. SYMBOL D. .... CE models	
2	22832GT	SCREW,HHC,3/8-16 X 6 .....	
3	825019GT	ROD END,.375X3.69,ZAG .....	3
4	4828GT	NUT,NYLOCK,3/8-16 .....	
5	60205GT	PIN,1.50DIA X 5.88LG,1HOLE .....	1
6	18396GT	BEARING,1.5IDX1.75ODX1.0L .....	2
7B	76695GT	PIN,1.50 DIA X 8.75"LG,1HOLE .....	1
		from SN TZ5006-160	
8	8516GT	SCREW, HCC, 3/8-16 X 1.50 .....	
9	99767GT	FORMING,OUTRIGGER CYL COVER .....	1
10	6090GT	SCREW,HHC,1/4-20 X .75 .....	
11	6091GT	NUT,NYLOCK,1/4-20 .....	
12	99766GT	SLIDE,OUTRIGGER CYLINDER COVER .....	1
13		Ref. CYLINDER,OUTRIGGER .....	1
		(99591 replaced by T108048, refer to 604.1)	
14	104047GT	HOLDER,CYL SPRING,HDPE .....	1
15	61976GT	SPRING,COMP,1-1/4"OD 352 LB/IN .....	1
16	56912GT	SPRING CLIP,1/4-20,.025-.15X.5 .....	
17	15086GT	WASHER,FLAT,.375 X 1.5 X .125 .....	
18	6605GT	SCREW,HHC,3/8-16 X 3.5,GR5 .....	
19	104049GT	PLATE,UHMW,CHASSY ROUTING .....	1
20	6019GT	SCREW,HHC,3/8-16 X 1.25 GRD 5 .....	
21	88356-246R1GT	SWITCH,LIMIT,TABULATED,BLUE .....	4
		to SN TZ5006-159	
21-	97231GT	CONTACTOR,LIMIT SWITCH** .....	
		for 88356-246R1	
22	51063GT	SCREW,PHILLIPS,RHM,10-32 X 1.5 .....	
23	6178GT	NUT, NYLOCK, 10-32 .....	
24A	76707GT	ASSY,TZ50 L/S MTG PLATE TYPE A .....	
		Left Rear and Right Front (from SN TZ5006-160)	
24B	76708GT	ASSY,TZ50 L/S MTG PLATE TYPE B .....	
		Right Rear and Left Front (from SN TZ5006-160)	
25	51063GT	SCREW,PHILLIPS,RHM,10-32 X 1.5 .....	

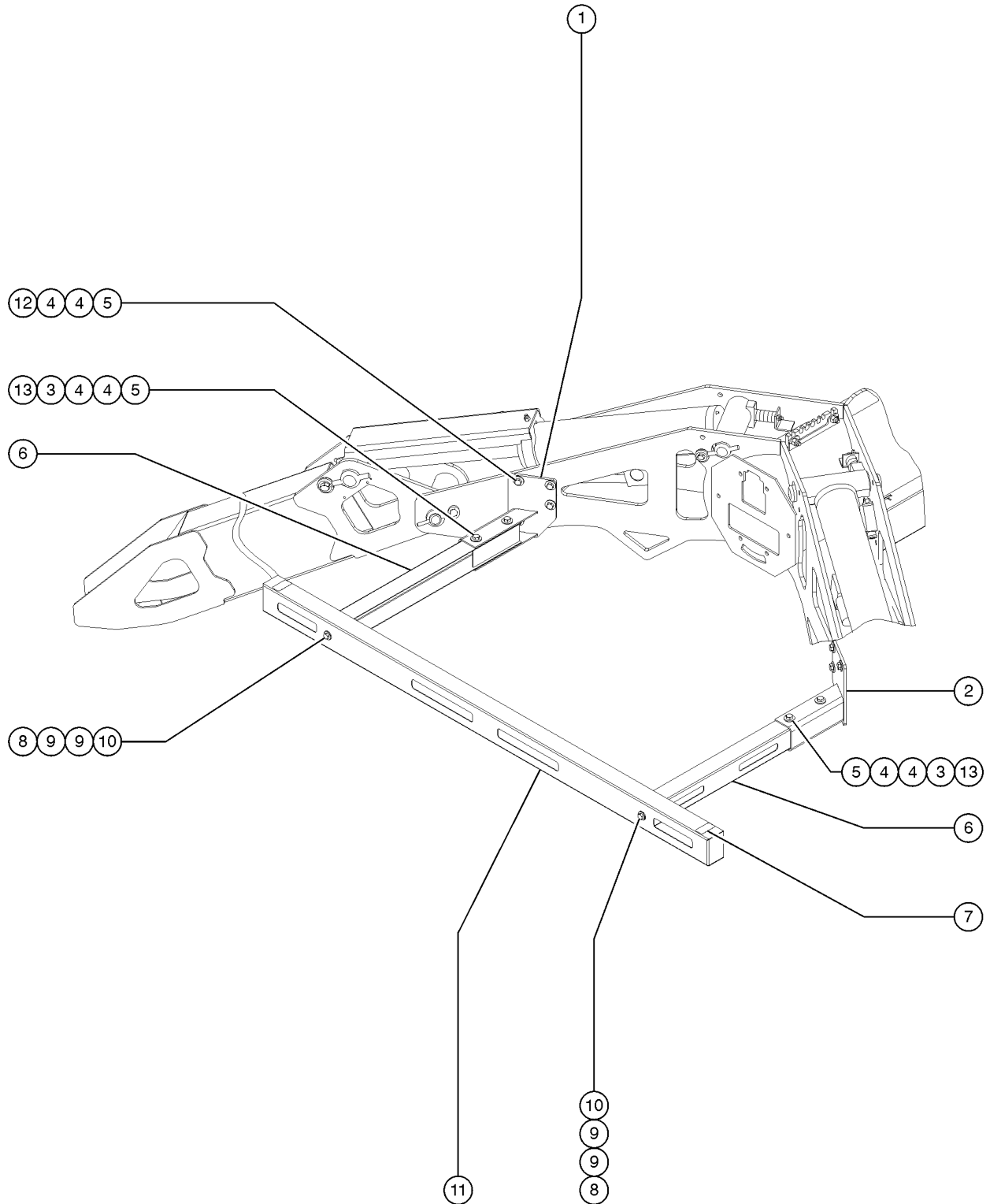


206.2 Chassis Components - View 2 (from SN TZ5005-319)



Item	Part No.	Description	Qty.
26	6178GT	NUT, NYLOCK, 10-32 .....	
27	76682GT	COVER, LIMIT SWITCH ..... from SN TZ5006-160	
28	35461GT	WASHER, FLAT, MS, #8, Y .....	
29	18605GT	NUT, NYLOCK, 8-32 .....	
30	76700GT	LIMIT SWITCH ASSY, W/CONNECTOR ..... from SN TZ5006-160	
30-	76694GT	SWITCH, LIMIT, BOOTED PLUNGER .....	
30-	60442GT	CONN, RECEP 4 WAY, 14-18GA .....	
30-	60443GT	LOCK, RECEP 4 WAY, 14-18GA .....	
30-	73713GT	TERM, NI PIN, S&F, 16-18GA, REEL .....	
31	105272GT	FORMING COVER*** ..... from SN TZ5005-319	1
32	69843GT	SCREW, FHS, 3/8-16 X 1.25, ZN .....	16
33	99774GT	WEARPAD, OUTRIGGER .....	4
33-	99520-SGT	TZ-50 NON MARK FOOTPAD KIT (4) ..... (includes all 4 footpads, nuts and screws)	
34	76731GT	KIT, FOOTPAD RETROFIT ..... (to SN TZ5006-507)	1
35	43394GT	O-STYLE RETAINING RING ..... (to SN TZ5006-507)	1
36	109931GT	SCREW, FHS, 1/4-20X1.38, NP ..... (from TZ5006-508)	16
37	76717GT	CASTING, FOOTPAD, ALUMINUM ..... (from TZ5006-508)	4
38	109898GT	O-RING, 0.094 X 1.31 X 1.5 ..... (from TZ5006-508)	4
39	109897GT	PLATE, FT RETAINER ..... (from TZ5006-508)	8
40	87451GT	POST, FOOTPAD .....	4
41	87722GT	NUT, NYLOCK, 7/8-9 .....	
42	76695GT	PIN, 1.50 DIA X 8.75" LG, 1 HOLE ..... from SN TZ5006-160	

207.1 Chassis Components - Under Run Protection Assembly - CE Models



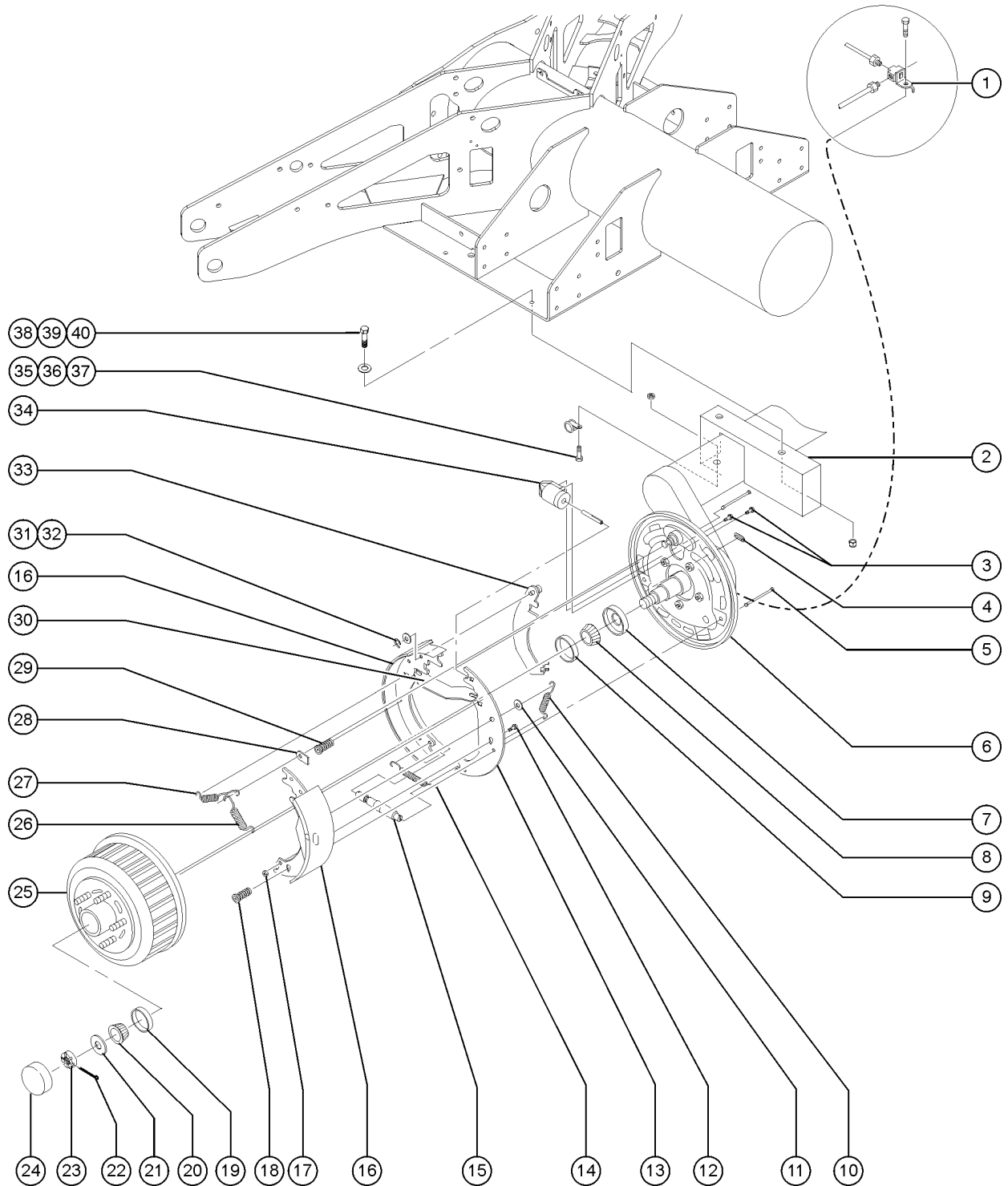


207.1 Chassis Components - Under Run Protection Assembly - CE Models

<i>Item</i>	<i>Part No.</i>	<i>Description</i>	<i>Qty.</i>
1	218416GT	WELDMENT, MOUNT, LEFT, UNDER .....	1
2	218417GT	WELDMENT, MOUNT, RIGHT, UNDER .....	1
3	21604GT	SCREW,HHC,3/8-16 X 3.25 .....	4
4	6097GT	WASHER,FLAT,USS,3/8",Y .....	24
5	7713GT	NUT, LP NYLOCK, 3/8-16 .....	12
6	218408GT	WELDMENT, UNDER RUN CONNECTOR .....	2
7	97533GT	DECAL, WARNING, NO STEP SYMB .....	2
8	13002GT	SCREW,HHC,5/16-18 X 1 GR5 .....	2
9	5397GT	WASHER,FLAT,USS,5/16",Y .....	4
10	6782GT	NUT,NYLOCK,5/16-18 .....	2
11	218413GT	CHANNEL, BUMPER, UNDER RUN PRO .....	1
12	13918GT	SCREW,HHC,3/8-16 X 1.75,GRD.8 .....	6
13	1252496GT	SHIM, MOUNT, BUMPER .....	2



208.1 Brake Components - ANSI and CSA Models (to SN TZ5007-189)

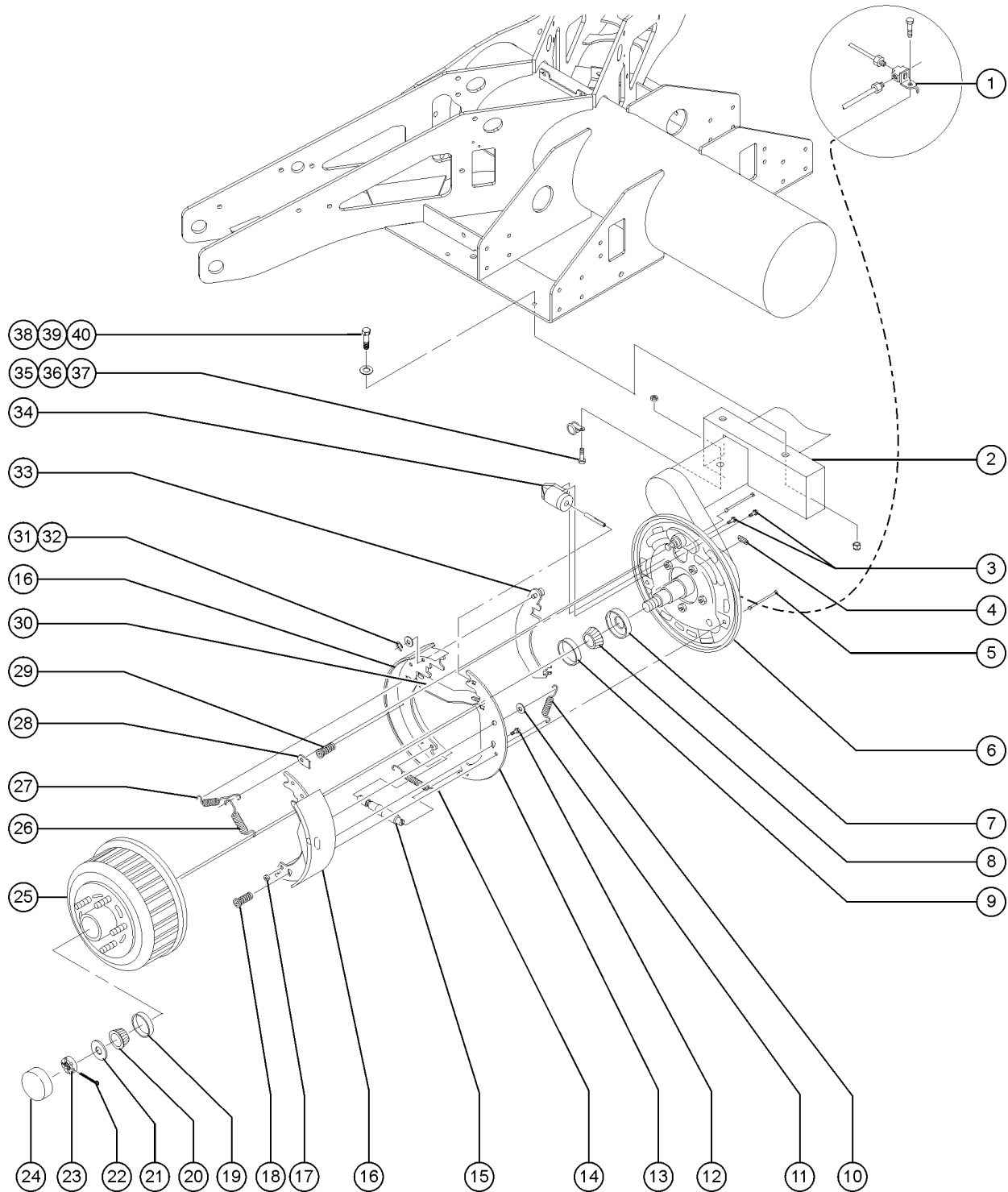


208.1 Brake Components - ANSI and CSA Models (to SN TZ5007-189)

Item	Part No.	Description	Qty.
A	65817GT	BRAKE/COMPL ASSY, RH(59944)** Complete brake assembly with backing plate (Right)	
A	65816GT	BRAKE/COMPL ASSY, LH,(59944)** Complete brake assembly with backing plate (Left)	
1	99382GT	KIT,BRAKE LINE,TZ50 (includes 99329, 99330, 99033, 104456, 104457, and 48309)	1
1-	99329GT	HARDLINE, LONG, HYD BRAKE	
1-	99330GT	HARDLINE, SHORT, HYD BRAKE	2
1-	99033GT	HOSE, HYD BRAKE, 48 IN	2
1-	104456GT	WASHER, STAR, INTERNAL, .625	
1-	104457GT	NUT, HEX, LP, 5/8-18	
1-	48309GT	FITTING, TEE, BRAKE LINE	1
2		Ref., AXLE refer to 207.2	1
3	75816GT	SCREW, HEX STAR WASHER GT10	
4	75817GT	COVER, HOLE RUBBER GT10	1
5	89292GT	PIN, SHOE HOLD DOWN PRIMARY	1
5	89293GT	PIN, SHOE HOLD DOWN SECONDARY	
6A		RIGHT BACKING PLATE ASSEMBLY (84948) Component no longer available; order 65817, above.	1
6B		LEFT BACKING PLATE ASSEMBLY (84949) Component no longer available; order 65816, above.	
7	84950GT	GREASE SEAL	1
8	65208GT	INNER BEARING CONE(48056)T50**	1
9	65209GT	INNER BEARING CUP(48056)T50***	1
10	75828GT	SPRING, SHOE RETURN	1
11	89289GT	WASHER, SPRING RETURN	1
12	75827GT	SCREW, HHC, 5/16 X 18 GT10	
13	84953GT	SHOE LEVER	1
14	65238GT	SPRING, SCREW ADJUSTING(59944)	1
15	65239GT	ADJUSTER, BRAKES, HYD(59944)	1
16A	62148GT	BRAKE/LINING, LH, HYD(59944)*** includes items 5, 18, 29	1
16B	65427GT	BRAKE/LINING, HYD, RH(59944)** includes items 5, 18, 29	
17	75826GT	NUT, HEX 5/16X18 GT10	



208.1 Brake Components - ANSI and CSA Models (to SN TZ5007-189)

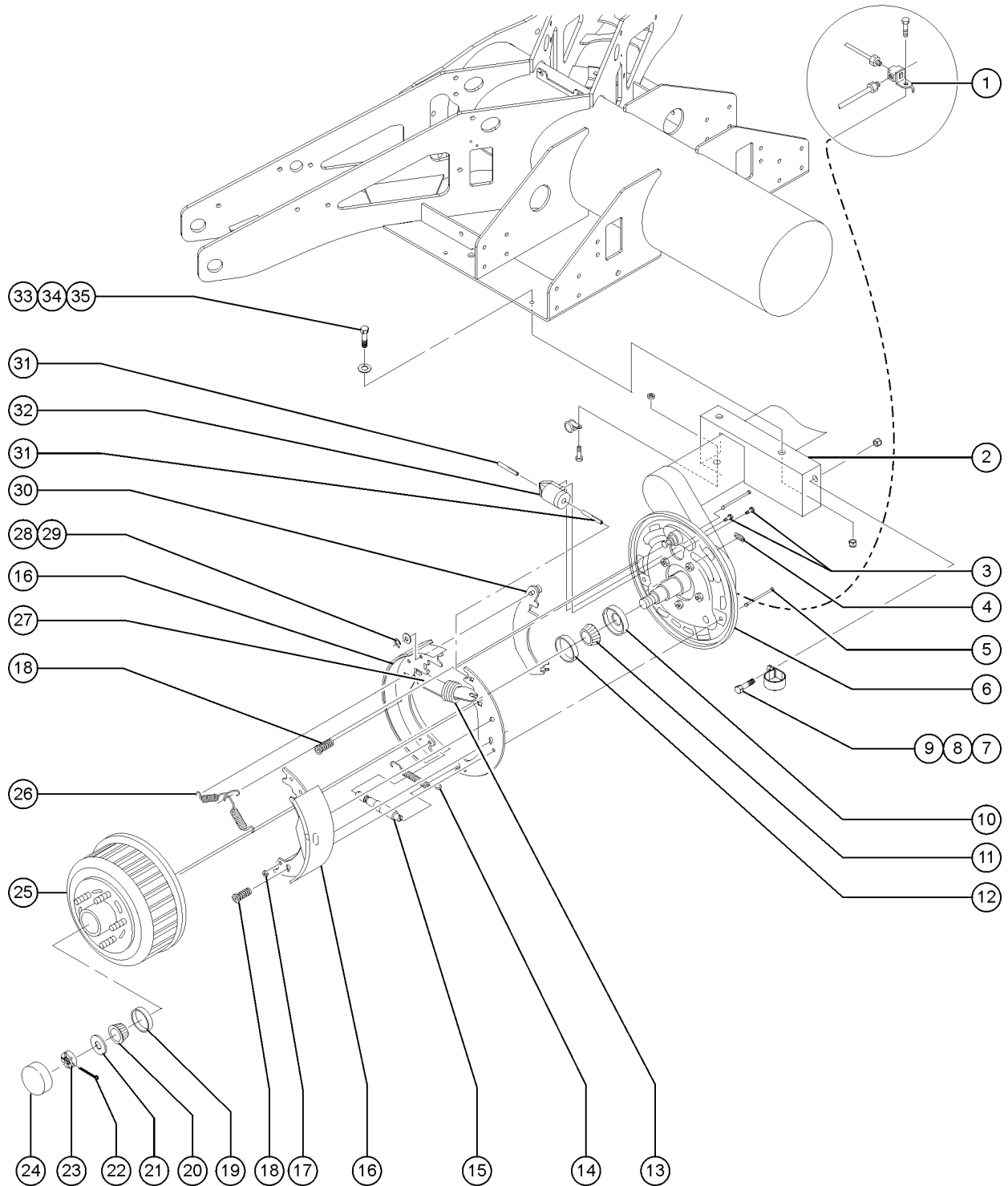


208.1 Brake Components - ANSI and CSA Models (to SN TZ5007-189)

Item	Part No.	Description	Qty.
18	89281GT	SPRING, SHOE HOLD DOWN .....	2
18	97358GT	SHOE HOLD DOWN CUP-PRIMARY,ANS .....	
19	84956GT	OUTER BEARING CUP .....	1
20	84957GT	OUTER BEARING CONE*** .....	1
21	52258GT	WASHER - SPINDLE .....	
22	84707GT	COTTER PIN .....	1
23	52259GT	NUT, SPINDLE, 6-1%%** .....	1
24	65215GT	CAP,GREASE (48056) TMZ50*** .....	1
25	65211GT	HUB,12 X 2 INCHES (48056)**** .....	1
26	75838GT	SPRING, LEVER GT10 .....	1
27	65237GT	RETRACTOR SPRING-HYD.BRK59944* .....	1
28	75842GT	TRAVEL LINK GT10 .....	1
29	75815GT	SPRING, SHOE HOLD DOWN GT10 .....	1
30	84958GT	PARKING BRAKE STRUT .....	1
31	84711GT	RETAINER .....	1
32	84961GT	WASHER .....	
33A	84962GT	PARKING LEVER ASSEMBLY, LEFT .....	1
33B	84963GT	PARKING LEVER ASSEMBLY, RIGHT .....	
34A	80237GT	WHEEL CYLINDER,LH (80235) .....	1
		push rod required; order separately	
34A-	80238GT	PUSH ROD,WHEEL CYL(80234,80235 .....	2
34B	80236GT	WHEEL CYLINDER,RH (80234) .....	1
		push rod required; order separately	
34B-	80238GT	PUSH ROD,WHEEL CYL(80234,80235 .....	2
		for 80236, 80237	
35	6090GT	SCREW,HHC,1/4-20 X .75 .....	
36	16073GT	CLAMP,0.63,#10 X 1/4,RUB CUSH .....	2
37	6091GT	NUT,NYLOCK,1/4-20 .....	
38	54177GT	SCREW,HHC,1/2-13 X 1.5 GRD 8 .....	
39	6095GT	WASHER,FLAT,USS,1/2",Y .....	
40	6198GT	NUT,NYLOCK,1/2-13 .....	



208.2 Brake Components - ANSI and CSA Models (from SN TZ5007-190)

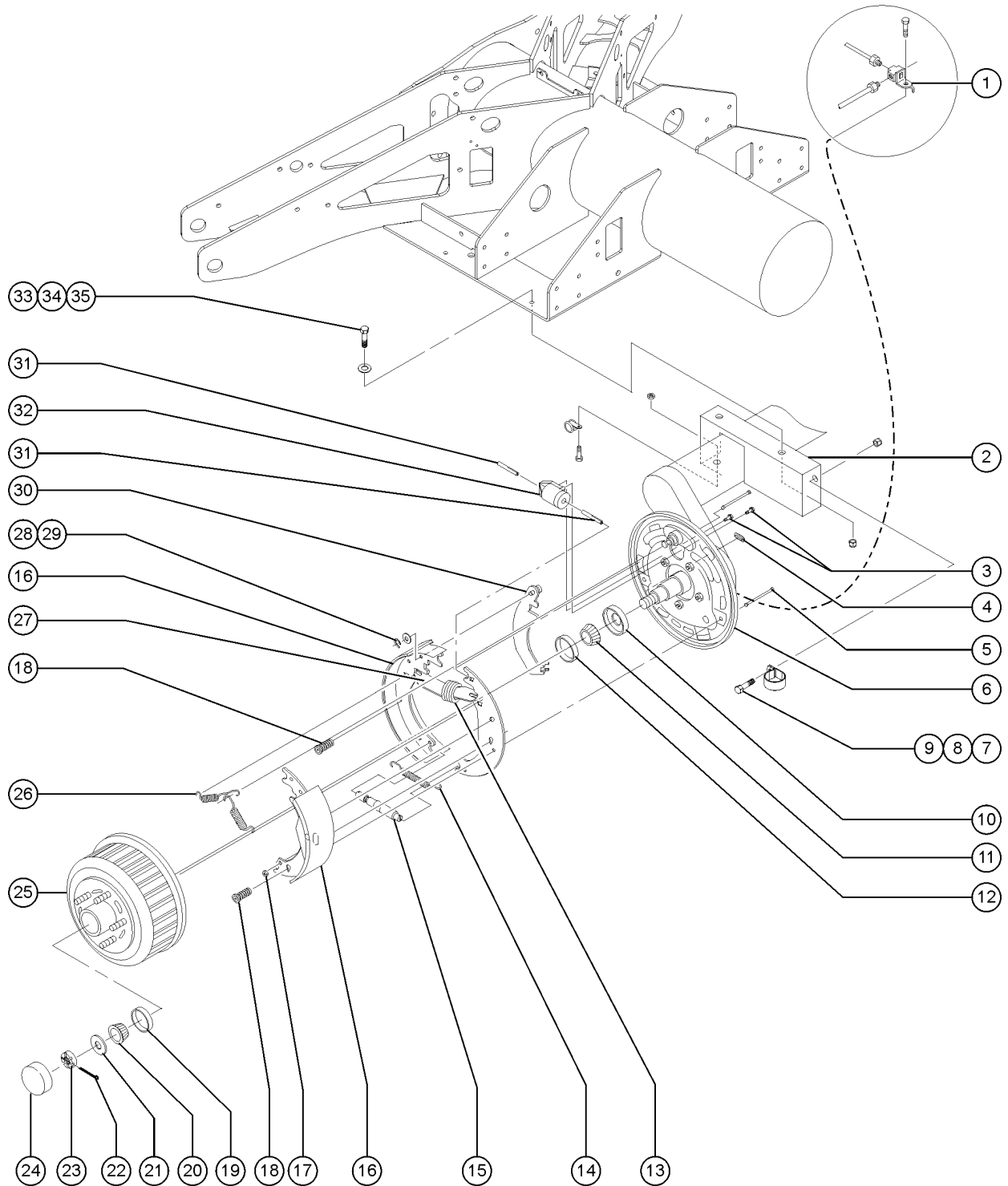


208.2 Brake Components - ANSI and CSA Models (from SN TZ5007-190)

Item	Part No.	Description	Qty.
-	T106819GT	ASSEMBLY, HYD BRAKE, LH TZ50 .....	
-	T106820GT	ASSEMBLY, HYD BRAKE, RH TZ50 .....	
1	99382GT	KIT,BRAKE LINE,TZ50 .....	1
1-	99329GT	HARDLINE, LONG, HYD BRAKE .....	2
1-	99330GT	HARDLINE, SHORT, HYD BRAKE .....	2
1-	99033GT	HOSE, HYD BRAKE, 48 IN .....	2
1-	104456GT	WASHER, STAR, INTERNAL, .625 .....	
1-	104457GT	NUT, HEX, LP, 5/8-18 .....	
1-	48309GT	FITTING, TEE, BRAKE LINE .....	1
2	105594GT	TZ50, HYD AXLE, DEXTER .....	1
2A	105515GT	TZ-50 ELEC AXLE ASSY .....	1
3	75816GT	SCREW, HEX STAR WASHER GT10 .....	
4	75817GT	COVER, HOLE RUBBER GT10 .....	1
5	75813GT	PIN, SHOE HOLD DOWN SRRING GT1 .....	2
6	T106822GT	BACKING PLATE, HYD, RH .....	1
6A	T106821GT	BACKING PLATE, HYD, LH .....	1
7	6090GT	SCREW, HHC, 1/4-20 X .75 .....	1
8	16073GT	CLAMP, 0.63, #10 X 1/4, RUB CUSH .....	2
9	6091GT	NUT, NYLOCK, 1/4-20 .....	2
10	84950GT	GREASE SEAL .....	1
11	65208GT	INNER BEARING CONE(48056)T50** .....	1
12	65209GT	INNER BEARING CUP(48056)T50*** .....	1
13	84709GT	PARKING STRUT SPRING .....	1
14	75829GT	SPRING, ADJUSTING SCREW GT10 .....	1
15	89290GT	SCREW, ADJUSTING ASSEMBLY .....	1
16	89291GT	KIT, SHOE AND LINING one kit required for each side of axle .....	1
17	75826GT	NUT, HEX 5/16X18 GT10 .....	2
18	75815GT	SPRING, SHOE HOLD DOWN GT10 .....	2



208.2 Brake Components - ANSI and CSA Models (from SN TZ5007-190)

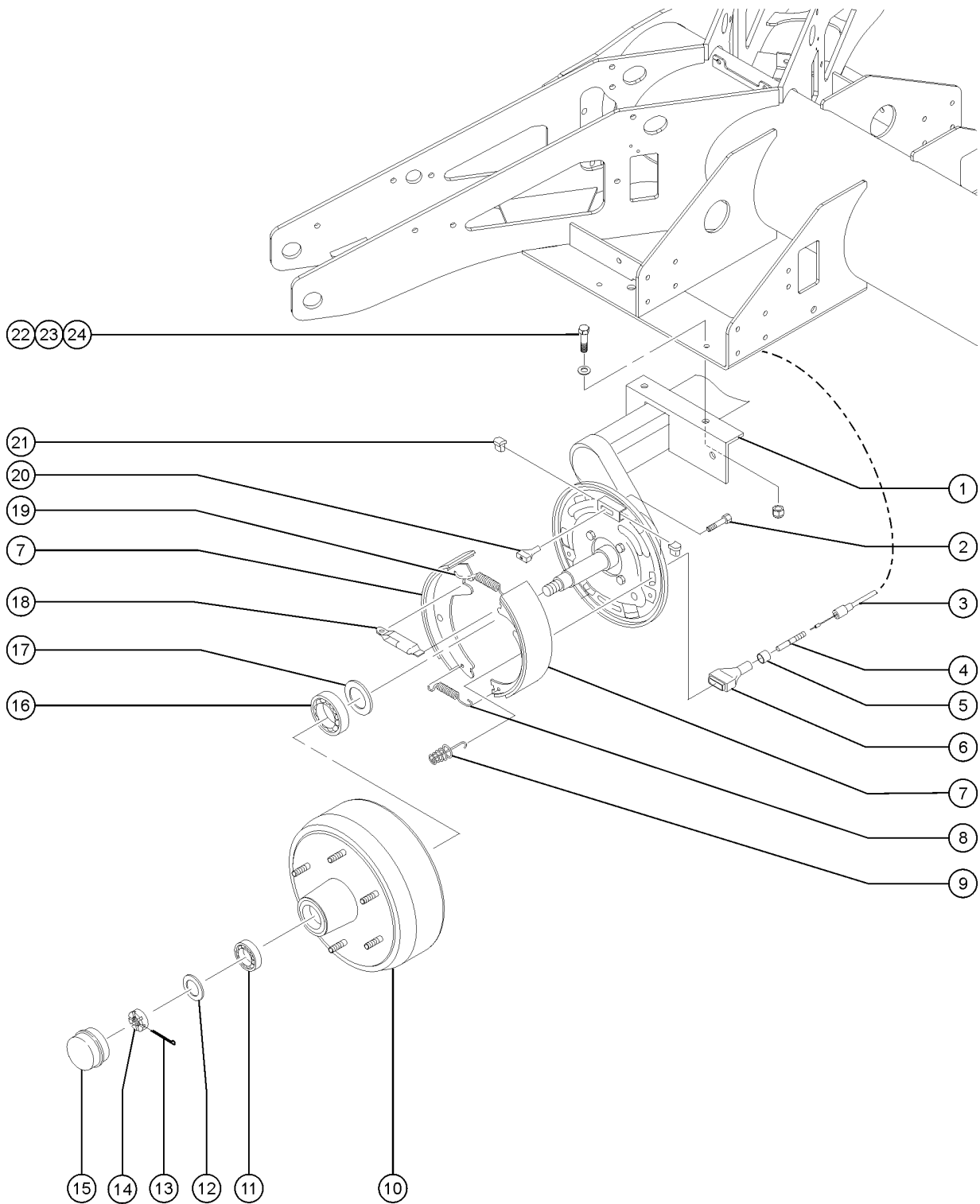




208.2 Brake Components - ANSI and CSA Models (from SN TZ5007-190)

Item	Part No.	Description	Qty.
19	84956GT	OUTER BEARING CUP .....	1
20	84957GT	OUTER BEARING CONE*** .....	1
21	52258GT	WASHER - SPINDLE .....	
22	84707GT	COTTER PIN .....	1
23	84708GT	SPINDLE NUT .....	1
24	65215GT	CAP,GREASE (48056) TMZ50*** .....	1
25	65211GT	HUB,12 X 2 INCHES (48056)**** .....	1
26	65237GT	RETRACTOR SPRING-HYD.BRK59944* .....	2
26	62147GT	PAD-ANCHOR POST,HYD BRK-59944* not shown .....	2
27	T106823GT	STRUT, PARKING BRAKE .....	1
28	84711GT	RETAINER .....	1
29	84961GT	WASHER .....	1
30	84962GT	PARKING LEVER ASSEMBLY, LEFT .....	1
30A	84963GT	PARKING LEVER ASSEMBLY, RIGHT .....	
31	62149GT	ROD-PUSH;HYD BRAKE (59944)** .....	2
32	80237GT	WHEEL CYLINDER,LH (80235) .....	1
32A	75844GT	BRAKE, CYLINDER RIGHT GT10 .....	1
33	54177GT	SCREW,HHC,1/2-13 X 1.5 GRD 8 .....	
34	6095GT	WASHER,FLAT,USS,1/2",Y .....	
35	6198GT	NUT,NYLOCK,1/2-13 .....	

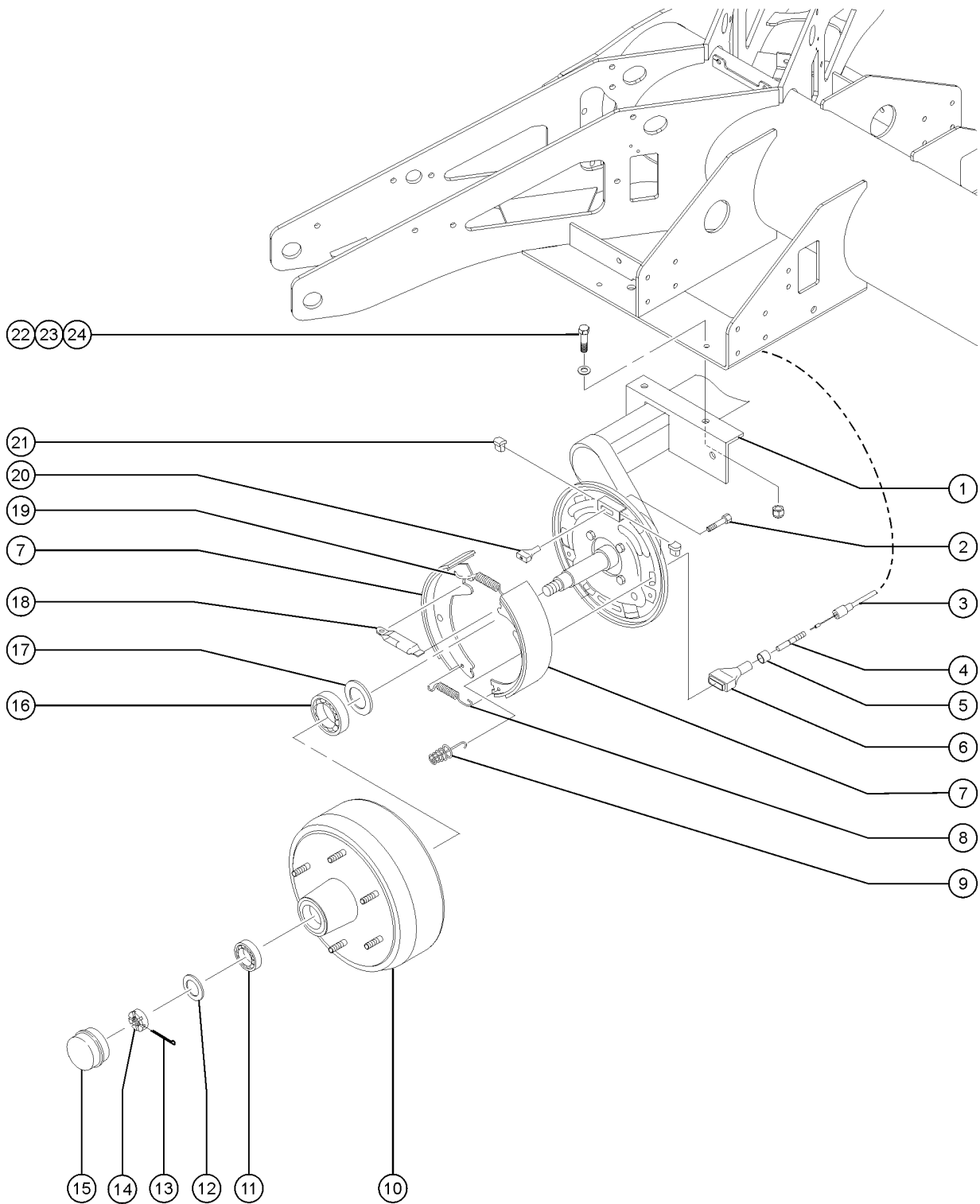
208.3 Electric Brake Components, AUS Models



208.3 Electric Brake Components, AUS Models

<i>Item</i>	<i>Part No.</i>	<i>Description</i>	<i>Qty.</i>
1	99588GT	AXLE ASSY,MECH. BRAKE .....	1
2	97222GT	BOLT .....	1
3	97227GT	BRK CABL-CHASSIS (CE) .....	1
4	97225GT	EYELET .....	1
5	97226GT	COVER-PROTECTION .....	1
6	97224GT	COVER-CABLE .....	1
7	97356GT	BRAKE SHOE KIT,CE one kit required for each side of axle .....	1
8	97215GT	SPRING-TENSION .....	1
9	97217GT	SPRING-COMPRESSION .....	1
10	97193GT	HUB-BRAKE DRUM .....	1
11	84886GT	OUTER BEARING .....	1
12	97194GT	WASHER-SPINDLE .....	1
13	97191GT	PIN-CUTTER .....	1
14	84887GT	NUT .....	1
15	104734GT	COVER, AXLE DUST, TZ50 .....	1
16	97196GT	RACE-INNER BEARING .....	1
17	97209GT	WASHER-GUIDE .....	1
18	97219GT	BRAKE CYLINDER .....	1
19	97216GT	SPRING-TENSION .....	1
20	97221GT	NUT-WEDGE ADJUSTMENT .....	1
21	97220GT	PAD-ADJUSTMENT .....	2
22	29883GT	SCREW,HHC,5/8-11 X 1.75 GRD.8 .....	4
23	13064GT	WASHER,FLAT, .625 HARDENED .....	
24	6024GT	NUT,NYLOCK,5/8-11 .....	

209.1 Brake Components - CE Models

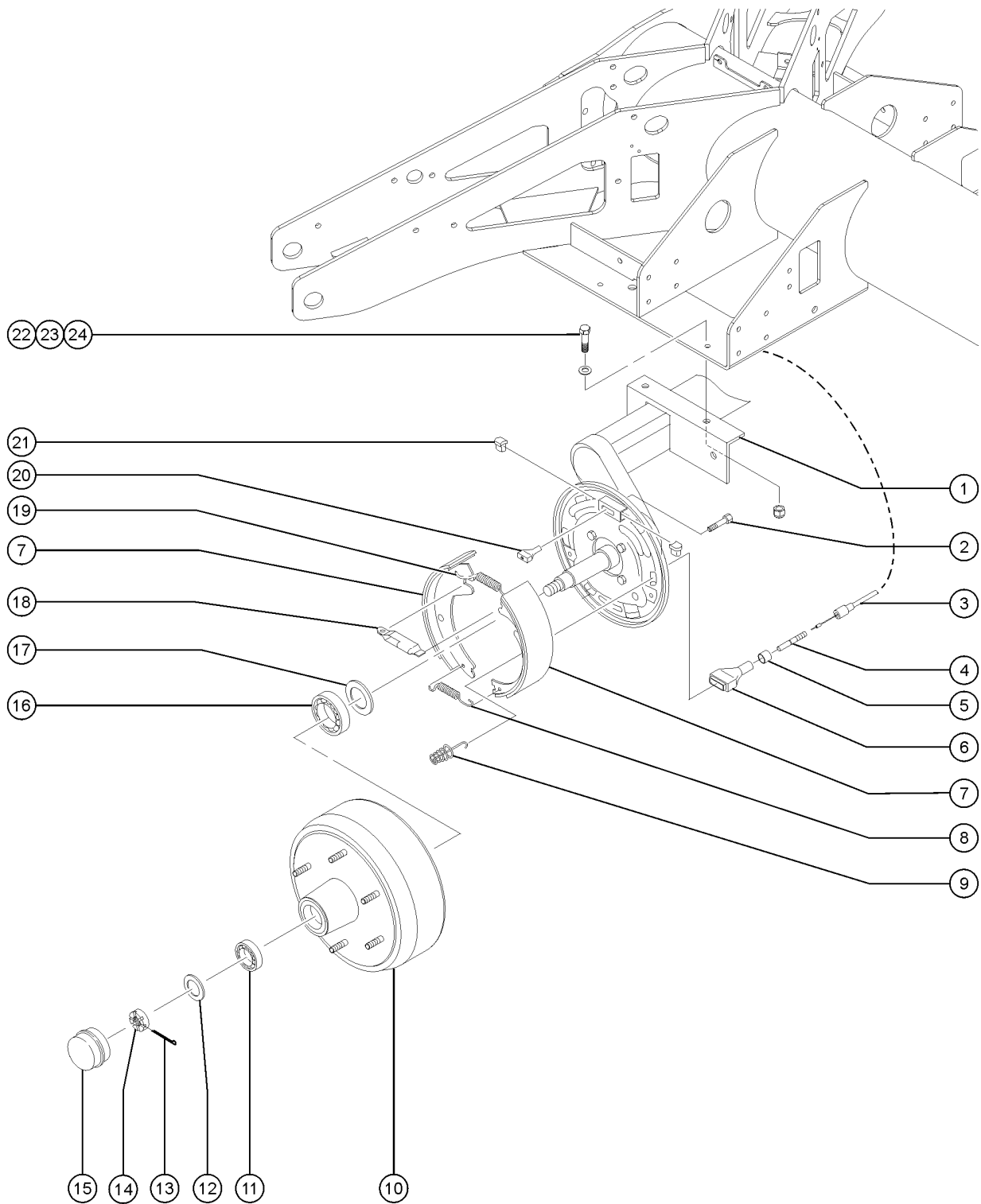


209.1 Brake Components - CE Models

Item	Part No.	Description	Qty.
1	99588GT	AXLE ASSY,MECH. BRAKE .....	1
2	97222GT	BOLT .....	1
3	97227GT	BRK CABL-CHASSIS (CE) .....	1
4	97225GT	EYELET .....	1
5	97226GT	COVER-PROTECTION .....	1
6	97224GT	COVER-CABLE .....	1
7	97356GT	BRAKE SHOE KIT,CE one kit required for each side of axle .....	1
8	97215GT	SPRING-TENSION .....	1
9	97217GT	SPRING-COMPRESSION .....	1
10	97193GT	HUB-BRAKE DRUM .....	1
11	84886GT	OUTER BEARING .....	1
12	97194GT	WASHER-SPINDLE .....	1
13	97191GT	PIN-CUTTER .....	1
14	84887GT	NUT .....	1
15	104734GT	COVER, AXLE DUST, TZ50 .....	1
16	97196GT	RACE-INNER BEARING .....	1
17	97209GT	WASHER-GUIDE .....	1
18	97219GT	BRAKE CYLINDER .....	1
19	97216GT	SPRING-TENSION .....	1
20	97221GT	NUT-WEDGE ADJUSTMENT .....	1
21	97220GT	PAD-ADJUSTMENT .....	2
22	29883GT	SCREW,HHC,5/8-11 X 1.75 GRD.8 .....	4
23	13064GT	WASHER,FLAT,.625 HARDENED .....	
24	6024GT	NUT,NYLOCK,5/8-11 .....	



209.2 Brake Components - CE Models

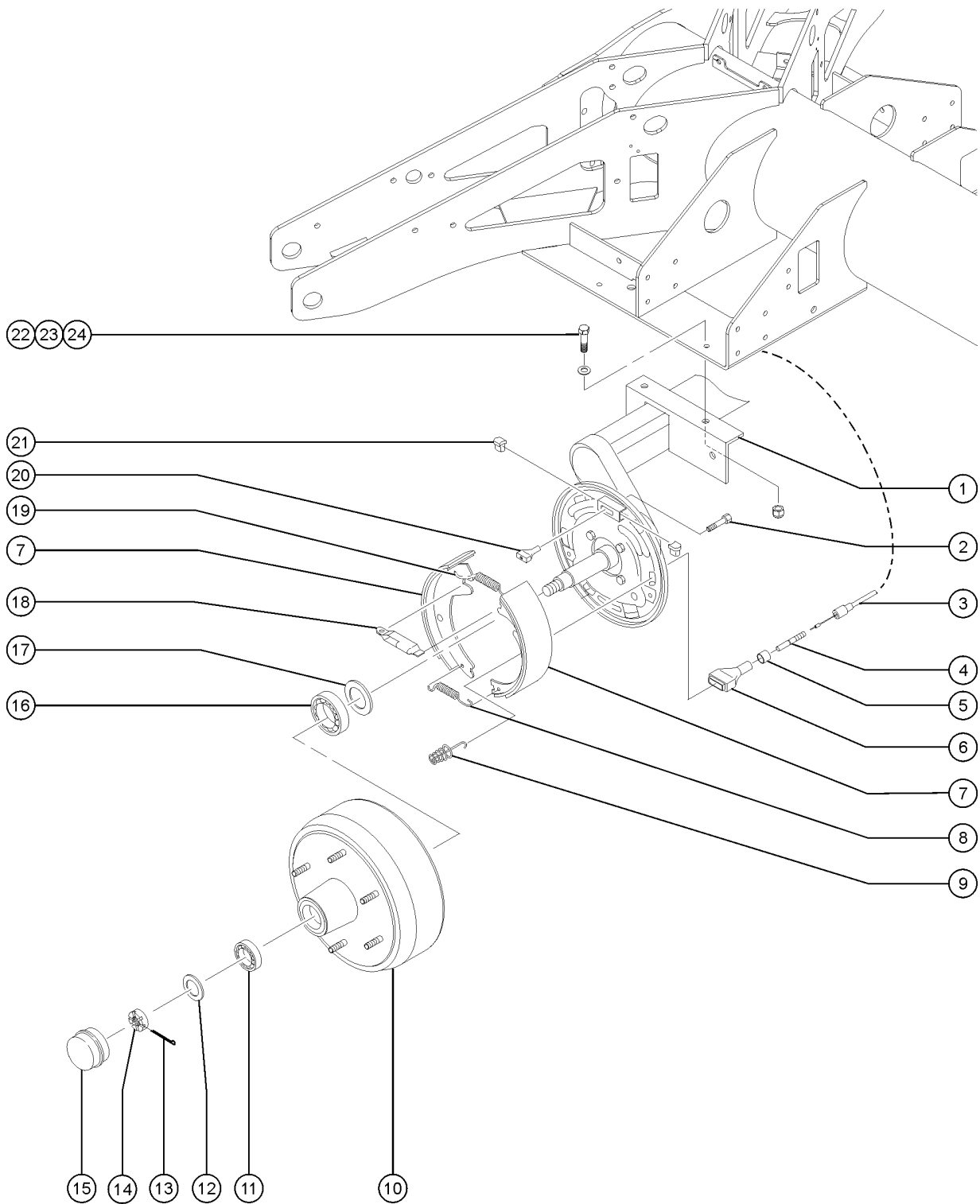


209.2 Brake Components - CE Models

Item	Part No.	Description	Qty.
1	99588GT	AXLE ASSY,MECH. BRAKE .....	1
2	97222GT	BOLT .....	1
3	97227GT	BRK CABL-CHASSIS (CE) .....	1
4	97225GT	EYELET .....	1
5	97226GT	COVER-PROTECTION .....	1
6	97224GT	COVER-CABLE .....	1
7	97356GT	BRAKE SHOE KIT,CE one kit required for each side of axle .....	1
8	97215GT	SPRING-TENSION .....	1
9	97217GT	SPRING-COMPRESSION .....	1
10	97193GT	HUB-BRAKE DRUM .....	1
11	84886GT	OUTER BEARING .....	1
12	97194GT	WASHER-SPINDLE .....	1
13	97191GT	PIN-CUTTER .....	1
14	84887GT	NUT .....	1
15	104734GT	COVER, AXLE DUST, TZ50 .....	1
16	97196GT	RACE-INNER BEARING .....	1
17	97209GT	WASHER-GUIDE .....	1
18	97219GT	BRAKE CYLINDER .....	1
19	97216GT	SPRING-TENSION .....	1
20	97221GT	NUT-WEDGE ADJUSTMENT .....	1
21	97220GT	PAD-ADJUSTMENT .....	2
22	29883GT	SCREW,HHC,5/8-11 X 1.75 GRD.8 .....	4
23	13064GT	WASHER,FLAT,.625 HARDENED .....	
24	6024GT	NUT,NYLOCK,5/8-11 .....	



209.3 Brake Components - CE Models



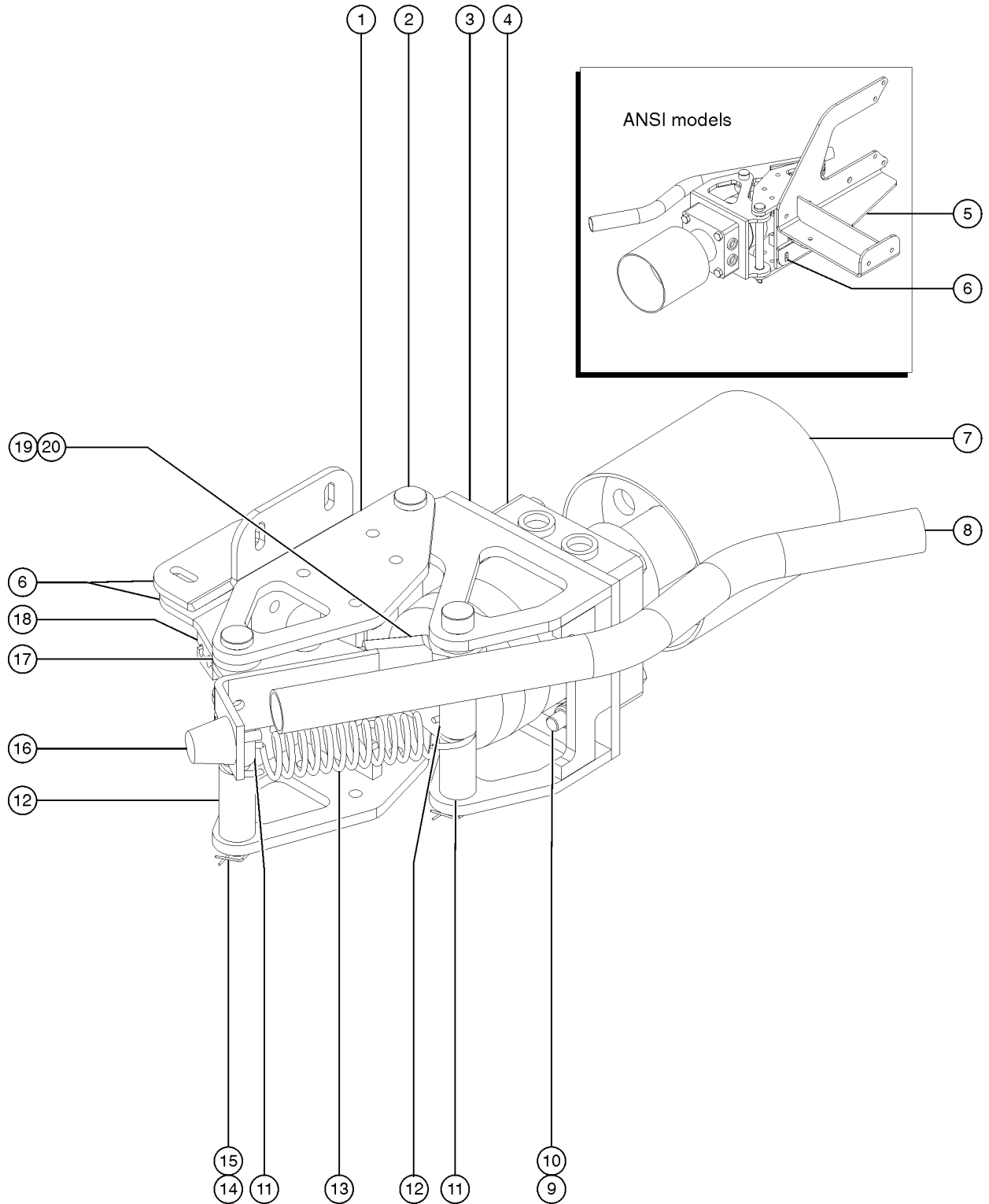


209.3 Brake Components - CE Models

Item	Part No.	Description	Qty.
1	99588GT	AXLE ASSY,MECH. BRAKE .....	1
2	97222GT	BOLT .....	1
3	97227GT	BRK CABL-CHASSIS (CE) .....	1
4	97225GT	EYELET .....	1
5	97226GT	COVER-PROTECTION .....	1
6	97224GT	COVER-CABLE .....	1
7	97356GT	BRAKE SHOE KIT,CE one kit required for each side of axle .....	1
8	97215GT	SPRING-TENSION .....	1
9	97217GT	SPRING-COMPRESSION .....	1
10	97193GT	HUB-BRAKE DRUM .....	1
11	84886GT	OUTER BEARING .....	1
12	97194GT	WASHER-SPINDLE .....	1
13	97191GT	PIN-CUTTER .....	1
14	84887GT	NUT .....	1
15	104734GT	COVER, AXLE DUST, TZ50 .....	1
16	97196GT	RACE-INNER BEARING .....	1
17	97209GT	WASHER-GUIDE .....	1
18	97219GT	BRAKE CYLINDER .....	1
19	97216GT	SPRING-TENSION .....	1
20	97221GT	NUT-WEDGE ADJUSTMENT .....	1
21	97220GT	PAD-ADJUSTMENT .....	2
22	29883GT	SCREW,HHC,5/8-11 X 1.75 GRD.8 .....	4
23	13064GT	WASHER,FLAT,.625 HARDENED .....	
24	6024GT	NUT,NYLOCK,5/8-11 .....	



210.1 Power Wheel Assist (to SN TZ5006-510)

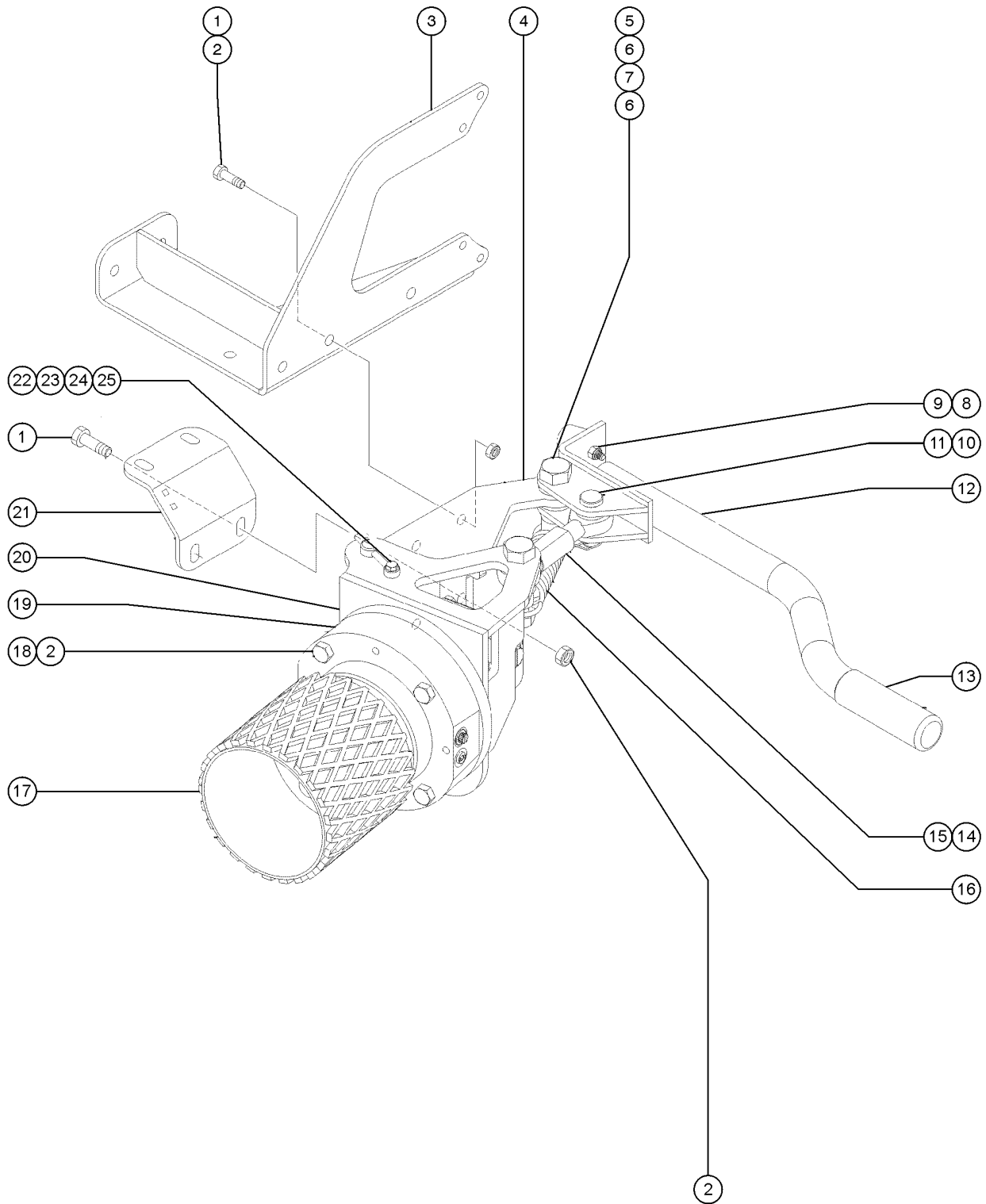


210.1 Power Wheel Assist (to SN TZ5006-510)

Item	Part No.	Description	Qty.
1	99740GT	WELDMENT,MOUNT,DRIVE .....	1
2	76727GT	PIN,0.75 DIA X 9.25 LG CHAMFER .....	3
3	99735GT	WELDMENT,PIVOT,DRIVE OPTION .....	1
4	99998GT	MOTOR,HYD,DRIVE,9.9 CID/REV .....	1
		(to SN TZ5006-510)	
4-	96419GT	SEAL KIT,RC SERIES DR MOTOR*** .....	
5	104231GT	WELDMENT,DRIVE MOUNT, RT,ANSI .....	1
		ANSI and CSA models	
5B	104232GT	WELDMENT,DRIVE MOUNT,LT,ANSI .....	
		ANSI and CSA models	
6	99958GT	FORMING,GUSSET,DRIVE OPTION .....	2
		ANSI and CSA models	
6B	99958GT	FORMING,GUSSET,DRIVE OPTION .....	4
		CE models	
7	48098-SGT	WELDMENT, WHEEL, SELF DRIVE .....	1
		Straight shaft	
8	99945GT	WELDMENT,DRIVE LEVER,CE .....	1
8	51415GT	GRIP,HANDLE EXT PLATFORM LOCK .....	
9	8357GT	SCREW,HHC,1/2-13 X 3.5 .....	
10	6198GT	NUT,NYLOCK,1/2-13 .....	
11	104115GT	SPACER,.75 ID, 2.25 LG .....	2
12	104116GT	SPACER,.75 ID, 4.80 LG .....	2
13	48096GT	SPRING, DRIVE OPTION .....	1
14	96423GT	RUE RING,3/4 PIN .....	3
15	6563GT	WASHER,SHIM,.75 X 1.125 X.030 .....	
16	30973GT	BUMPER,RUBBER-1 X 1.25 .....	1
17	55355GT	SPACER SLAB STEERING .....	1
18	78736GT	CLAMP,2 HOSE,PLASTIC,5/8 .....	1
19	99950GT	ROD END,MALE 3/4" .....	1
20	99951GT	ROD END,FEMALE 3/4" .....	1



210.2 Power Wheel Assist (from SN TZ5006-511)

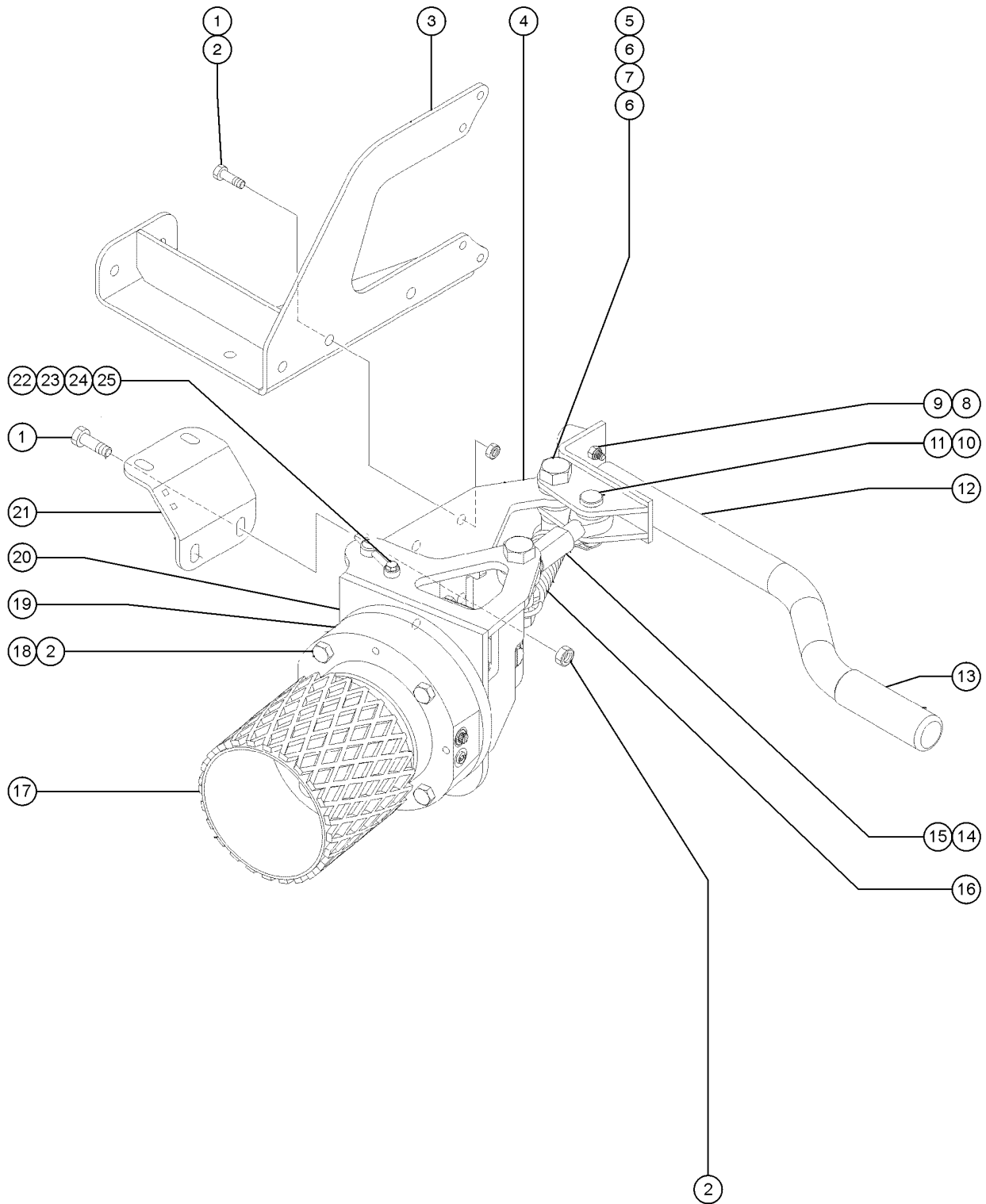


210.2 Power Wheel Assist (from SN TZ5006-511)

Item	Part No.	Description	Qty.
1	54177GT	SCREW,HHC,1/2-13 X 1.5 GRD 8 .....	
2	6198GT	NUT,NYLOCK,1/2-13 .....	
3	104231GT	WELDMENT,DRIVE MOUNT, RT,ANSI .....	1
		ANSI and CSA models, manifold side	
3B	104232GT	WELDMENT,DRIVE MOUNT,LT,ANSI .....	
		ANSI and CSA models, tank side	
3C	99958GT	FORMING,GUSSET,DRIVE OPTION .....	1
		CE models	
4	76770GT	DRIVE MOUNT ASSY,RH .....	1
		manifold side	
4A-	39580GT	BEARING,0.75IDX1.00ODX0.38L .....	
4B-	76355GT	BUSHING, FLANGE,3/4X7/8X1/2 .....	
4B	76771GT	DRIVE MOUNT ASSY,LH .....	1
		tank side	
4B-	39580GT	BEARING,0.75IDX1.00ODX0.38L .....	2
4B-	76355GT	BUSHING, FLANGE,3/4X7/8X1/2 .....	2
5	55602GT	SCREW,HHC,3/4-10 X 3.25 GR5 .....	
6	8538GT	NUT,LP NYLOCK,3/4-10 .....	
7	76743GT	SPACER,.75 ID, .59 LG .....	2
8	6782GT	NUT,NYLOCK,5/16-18 .....	
9	30973GT	BUMPER,RUBBER-1 X 1.25 .....	1
10	6545GT	PIN,CLEVIS,.75 X 2 .....	1
11	96423GT	RUE RING,3/4 PIN .....	1
12	76758GT	WELDMENT,DRIVE LEVER .....	1
13	48767GT	SLEEVE,NYLON,1.42 ID .....	1
14	99950GT	ROD END,MALE 3/4" .....	1
15	99951GT	ROD END,FEMALE 3/4" .....	1
16	48096GT	SPRING, DRIVE OPTION .....	1
17	76728GT	WELDMENT,WHEEL,DRIVE OPTION .....	1
		Tapered shaft	
18	8357GT	SCREW,HHC,1/2-13 X 3.5 .....	
19	76736GT	MOTOR,HYD W/BRK,10.0 CID/REV** .....	1
		(from SN TZ5006-511)	
19-	147681GT	SEAL KIT, HYD. MOTOR .....	
20	76751GT	WELDMENT,PIVOT,DRIVE LH .....	1
		manifold side	



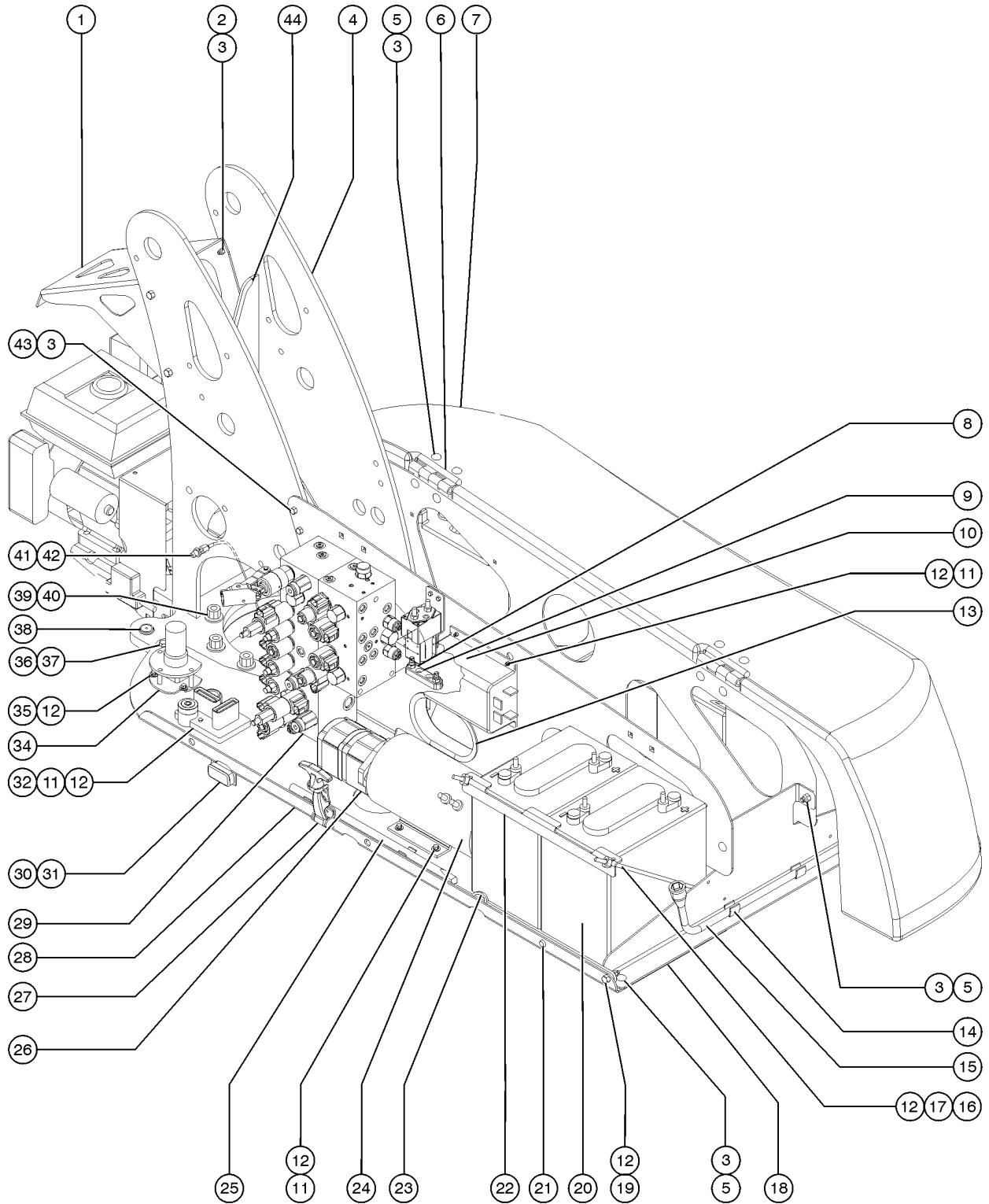
210.2 Power Wheel Assist (from SN TZ5006-511)



210.2 Power Wheel Assist (from SN TZ5006-511)

<i>Item</i>	<i>Part No.</i>	<i>Description</i>	<i>Qty.</i>
20B	76721GT	WELDMENT,PIVOT,DRIVE OPTION ..... tank side	
21	99958GT	FORMING,GUSSET,DRIVE OPTION ..... 1	
22	8915GT	SCREW,HHC,1/4-20 X 1.25 ..... 1	
23	45748GT	ROD END,.250 X 2.75 LG ..... 1	
24	6091GT	NUT,NYLOCK,1/4-20 ..... 1	
25	76727GT	PIN,0.75 DIA X 9.25 LG CHAMFER ..... 1	

301.1 Turntable Components - View 1 (to SN TZ5011-404)

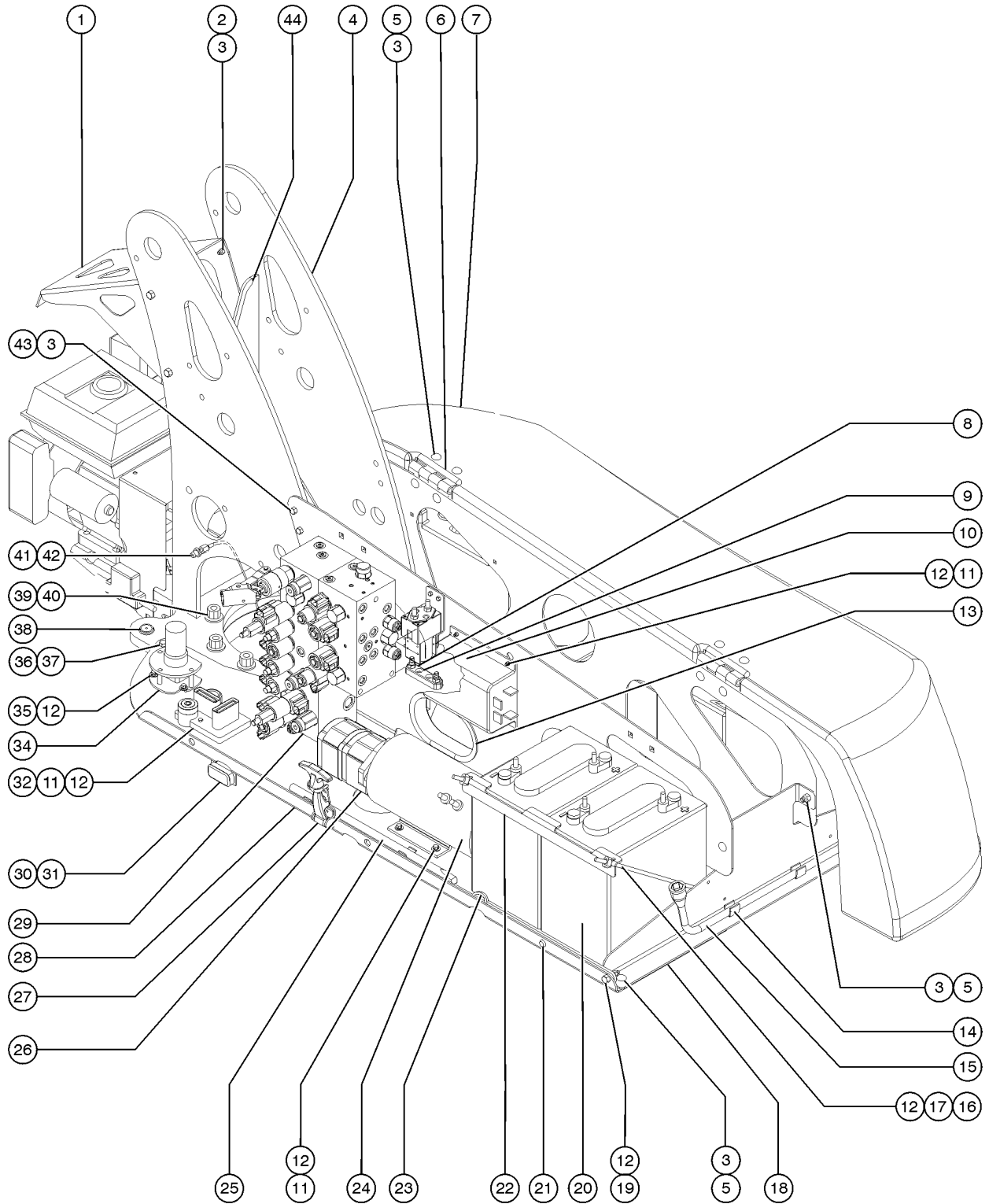




Item	Part No.	Description	Qty.
1	104090GT	FORMING,ENGINE GUARD	1
2A	6175GT	SCREW,HHC,3/8-16 X 1 models without drive option	
2B	6019GT	SCREW,HHC,3/8-16 X 1.25 GRD 5 models with drive option	
3	4828GT	NUT,NYLOCK,3/8-16	
4		Ref. Turntable (refer to 401.1)	
5	73466GT	BOLT,CARRIAGE,3/8-16 X 1.00,G2	
6	55517GT	HINGE, GSRT90 BOX	2
7A	84600GT	TURNTABLE COVER ASSY W/WORD,LT ANSI, CSA and Australia	1
7B	84601GT	TURNTABLE COVER ASSY W/SYM,LT CE, Asia and South America	
7C	97331GT	LEFT BRACKET ASSY. W. WORD D. ANSI, CSA and Australia	
7D	97332GT	LEFT BRACKET ASSY. W. SYMB. D. CE, Asia and South America	
8	66717GT	FUSE BLOCK, ANN & ANL FUSE	1
8-	40833GT	FUSE,275 AMP,VERY FAST ACTING	
9	39579GT	RIVET,STL,STL,.188 X .45	
10A	823408GT	MOTOR CONTROLLER, DC,24V,300A motor controllers sold separately only in cases where upgrade kits are N/A or an upgrade kit has been previously installed	1
10B	1261671GT	KIT,MTR CONTRLR REPLACEMENT TZ (Includes controller and wire harnesses)	
10B-	47124GT	INDUCTOR,47 MH,2.5AMP,.034OHM	
11	6878GT	BOLT,CARRIAGE,1/4-20 X .75,G2	
12	6091GT	NUT,NYLOCK,1/4-20	
13	53386GT	GUARD, HOSE PROTECTOR	1
14	67966GT	CLIP,LUG WRENCH HOLDER, EURO	3
15	46722GT	WRENCH, LUG,13/16 Component no longer available. Limited inventory available.	1
16	99829GT	HOOK,BATTERY HOLD DOWN 12.75"	2
17	6638GT	WASHER,FLAT,USS,1/4"Y	
18	99727GT	FORMING,SWING TRAY FRONT	1
19	6145GT	SCREW,HHC,1/4-20 X 1.5	
20A	76502GT	BATTERY,T105 W/LPT,3 CAP,DRY** models without drive option	4
2B	76503GT	BATTERY,T145 W/LPT,3 CAP,DRY** models with drive options	



301.1 Turntable Components - View 1 (to SN TZ5011-404)

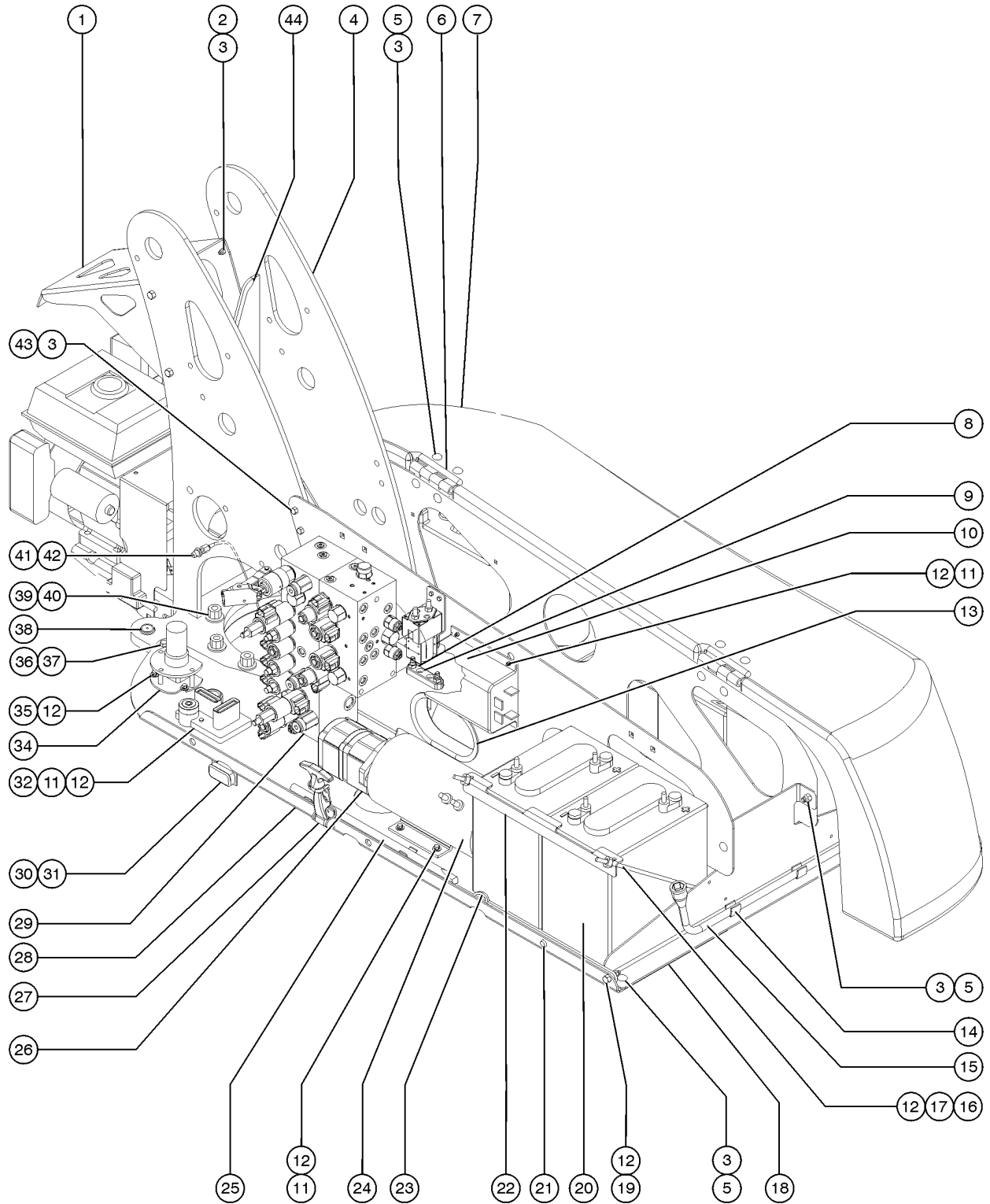


301.1 Turntable Components - View 1 (to SN TZ5011-404)

Item	Part No.	Description	Qty.
21	43392GT	BUMPER,BATTERY BOX & RAILS .....	3
22	99729GT	FORMING,BATTERY HOLD DOWN .....	1
23	104119GT	PLATE,SWING COVER PROP .....	1
24		Ref. Motor, 24V DC .....	1
		(refer to 307.1)	
25	105412GT	TUBE,RD,STL,.840 X .10 X 23.0 .....	1
25-	67966GT	CLIP,LUG WRENCH HOLDER, EURO .....	2
26		Ref. Hydraulic Pump .....	
		(refer to 307.1)	
27	45363GT	LATCH,FLEXIBLE .....	1
27-	75877GT	LATCH,FLEXIBLE DRAW .....	
27-	39579GT	RIVET,STL,STL,.188 X .45 .....	
28	99825GT	RIGHT TRAY,SUB-ASSY .....	1
29		Ref. Function Manifold .....	
		(refer to 601.1)	
30A	67875GT	LIGHT,SIDE MARKER,EURO TMZ/TZ* .....	1
		CE models (to SN TZ5005-304)	
30A-	72107GT	LENS,MARKER LIGHT ASSY (67875) .....	
30A-	72108GT	BULB,12V DC (67875) .....	
31	104100GT	BRACKET,CE SIDE LIGHT MOUNT .....	1
32A	104740GT	KIT,TZ50 AUTOLEVEL REPLACEMNT .....	1
		(to SN TZ5005-210)	
34	87445GT	SENSOR,LEVEL,2.5 DEGREE .....	1
35	9116GT	BOLT, CARRIAGE, 1/4-20 X 1.25, G2 .....	
36	54177GT	SCREW,HHC,1/2-13 X 1.5 GRD 8 .....	
37	6198GT	NUT,NYLOCK,1/2-13 .....	
38	6714GT	LEVEL,BUBBLE .....	1
39	19418GT	SCREW,SHC,5/8-11 X 1.75 .....	12
40	13066GT	WASHER,FLAT,.5 HARDENED .....	
41	28646GT	ZERK,GREASE,1/8 NPT .....	1
41-	48845GT	HOSE END,FEMSW,45D,ORFS,-12-12 .....	
42	30886GT	HOSE ASSEMBLY,19" .....	1
42-	49520GT	FITTING,070302-4 .....	



301.1 Turntable Components - View 1 (to SN TZ5011-404)

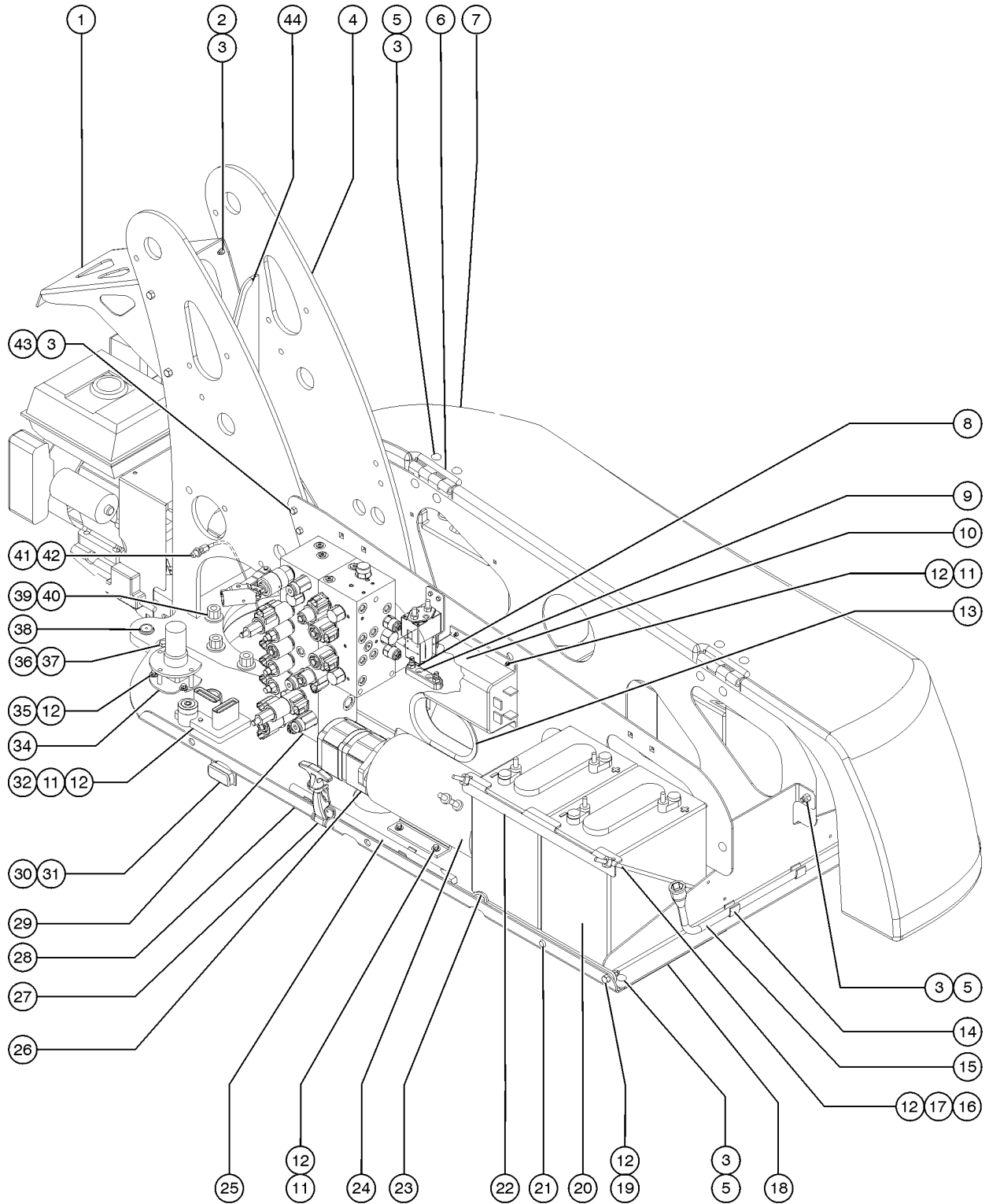


301.1 Turntable Components - View 1 (to SN TZ5011-404)

<i>Item</i>	<i>Part No.</i>	<i>Description</i>	<i>Qty.</i>
43	8516GT	SCREW, HCC, 3/8-16 X 1.50 .....	
44	76414GT	TRIMLOCK,BLACK,1/4" .....	12



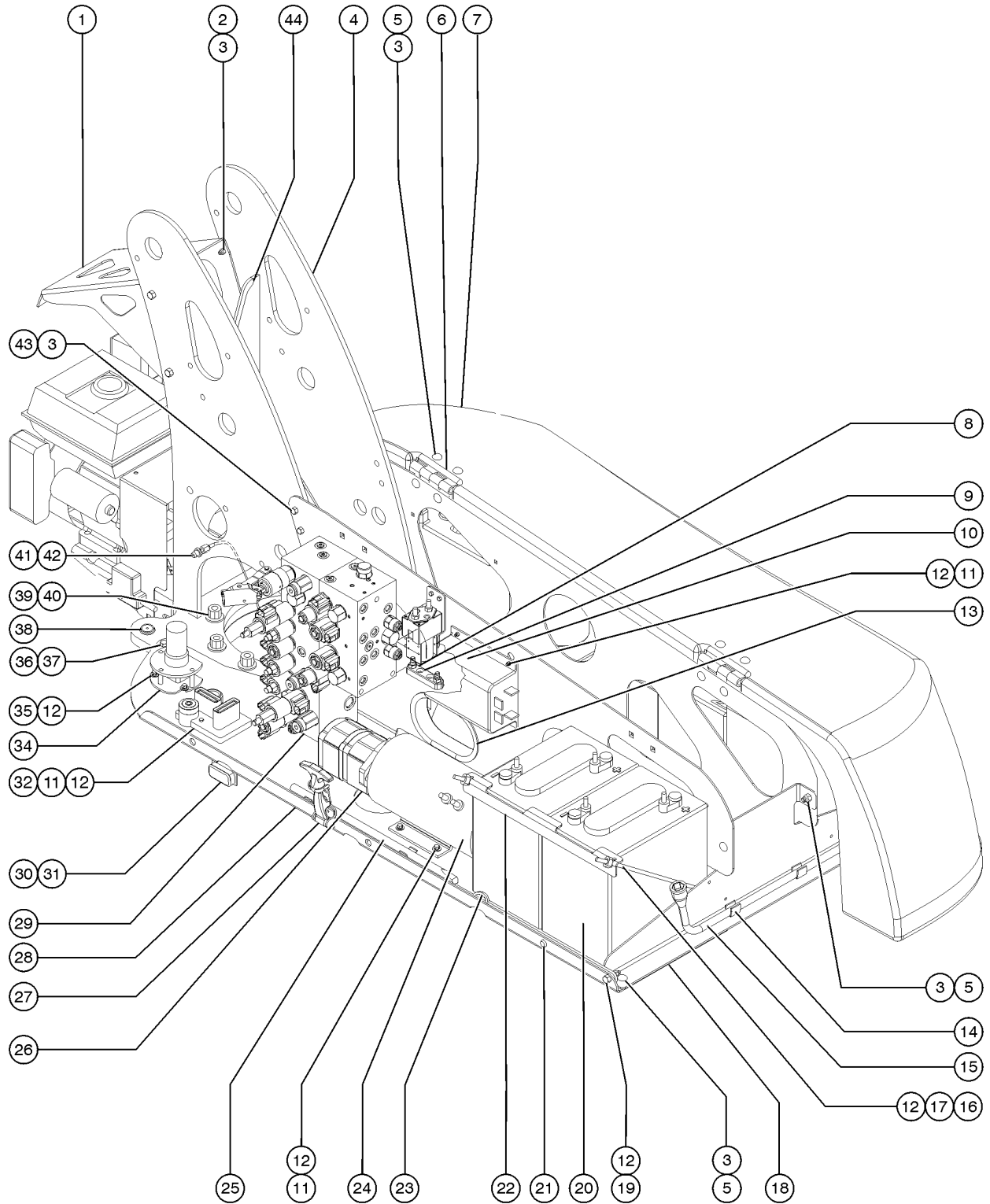
301.2 Turntable Components - View 1 (to SN TZ5011-404)



Item	Part No.	Description	Qty.
1	104090GT	FORMING,ENGINE GUARD	1
2A	6175GT	SCREW,HHC,3/8-16 X 1 models without drive option	
2B	6019GT	SCREW,HHC,3/8-16 X 1.25 GRD 5 models with drive option	
3	4828GT	NUT,NYLOCK,3/8-16	
4		Ref. Turntable (refer to 401.1)	
5	73466GT	BOLT,CARRIAGE,3/8-16 X 1.00,G2	
6	55517GT	HINGE, GSRT90 BOX	2
7A	84600GT	TURNTABLE COVER ASSY W/WORD,LT ANSI, CSA and Australia	1
7B	84601GT	TURNTABLE COVER ASSY W/SYM,LT CE, Asia and South America	
7C	97331GT	LEFT BRACKET ASSY. W. WORD D. ANSI, CSA and Australia	
7D	97332GT	LEFT BRACKET ASSY. W. SYMB. D. CE, Asia and South America	
8	66717GT	FUSE BLOCK, ANN & ANL FUSE	1
8-	40833GT	FUSE,275 AMP,VERY FAST ACTING	
9	39579GT	RIVET,STL,STL,.188 X .45	
10A	823408GT	MOTOR CONTROLLER, DC,24V,300A motor controllers sold separately only in cases where upgrade kits are N/A or an upgrade kit has been previously installed	1
10B	1261671GT	KIT,MTR CONTRLR REPLACEMENT TZ (Includes controller and wire harnesses)	
10B-	47124GT	INDUCTOR,47 MH,2.5AMP,.034OHM	
11	6878GT	BOLT,CARRIAGE,1/4-20 X .75,G2	
12	6091GT	NUT,NYLOCK,1/4-20	
13	53386GT	GUARD, HOSE PROTECTOR	1
14	67966GT	CLIP,LUG WRENCH HOLDER, EURO	3
15	46722GT	WRENCH, LUG,13/16 Component no longer available. Limited inventory available.	1
16	99829GT	HOOK,BATTERY HOLD DOWN 12.75"	2
17	6638GT	WASHER,FLAT,USS,1/4"Y	
18	99727GT	FORMING,SWING TRAY FRONT	1
19	6145GT	SCREW,HHC,1/4-20 X 1.5	
20A	76502GT	BATTERY,T105 W/LPT,3 CAP,DRY** models without drive option	4



301.2 Turntable Components - View 1 (to SN TZ5011-404)

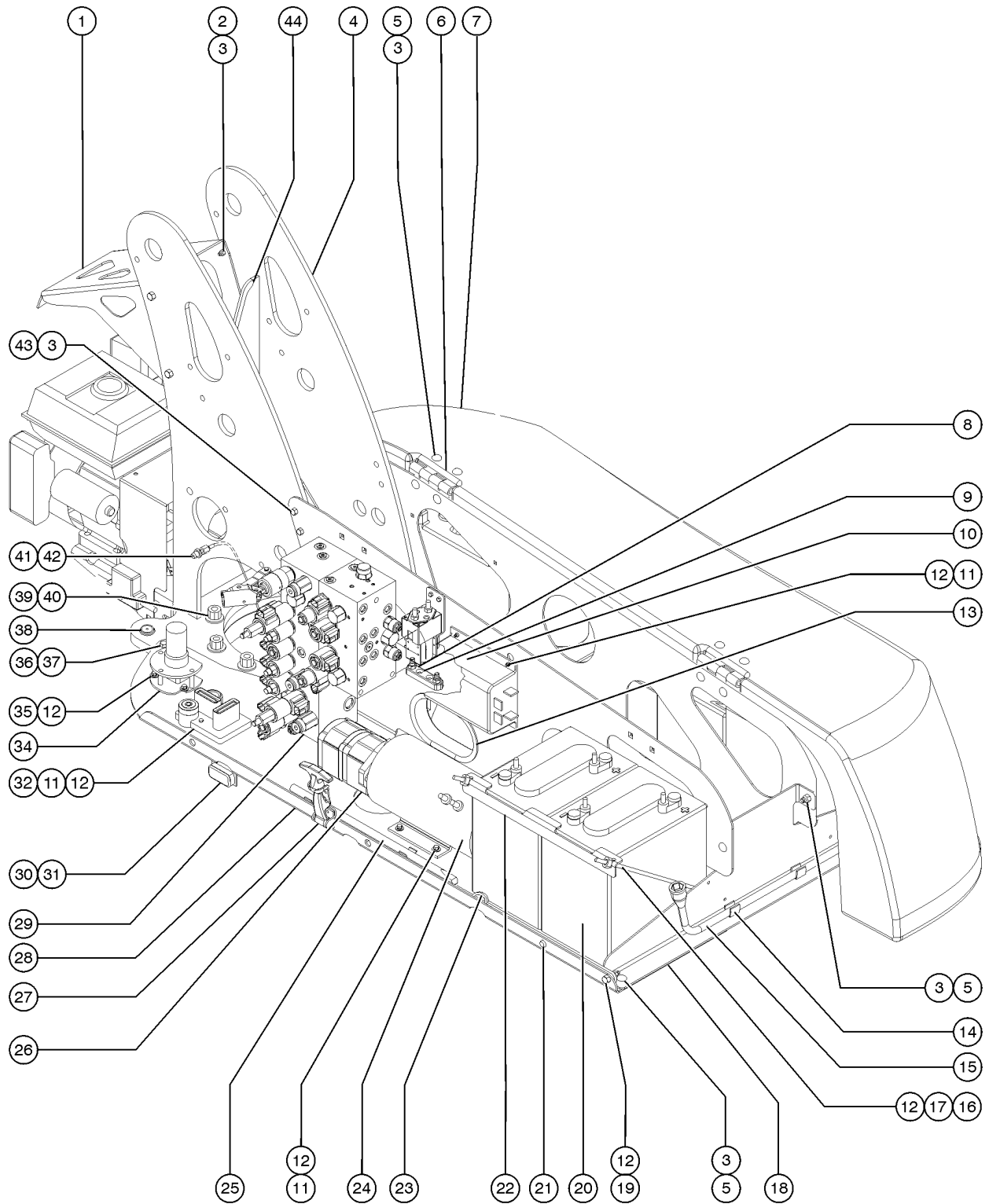




Item	Part No.	Description	Qty.
20B	76503GT	BATTERY,T145 W/LPT,3 CAP,DRY** models with drive options	
21	43392GT	BUMPER,BATTERY BOX & RAILS	3
22	99729GT	FORMING,BATTERY HOLD DOWN	1
23	104119GT	PLATE,SWING COVER PROP	1
24		Ref. Motor, 24V DC (refer to 307.1)	1
25	105412GT	TUBE,RD,STL,.840 X .10 X 23.0	1
25-	67966GT	CLIP,LUG WRENCH HOLDER, EURO	2
26		Ref. Hydraulic Pump (refer to 307.1)	
27	45363GT	LATCH,FLEXIBLE	1
27-	75877GT	LATCH,FLEXIBLE DRAW	
27-	39579GT	RIVET,STL,STL,.188 X .45	
28	99825GT	RIGHT TRAY,SUB-ASSY	1
29		Ref. Function Manifold (refer to 601.1)	
30A	67875GT	LIGHT,SIDE MARKER,EURO TMZ/TZ* CE models (to SN TZ505-304)	1
30A-	72107GT	LENS,MARKER LIGHT ASSY (67875)	
30A-	72108GT	BULB,12V DC (67875)	
30B	76602GT	LIGHT,SIDEMARKER ECE*** CE Models (from TZ5005-305 to TZ5011-352)	
30B-	72107GT	LENS,MARKER LIGHT ASSY (67875)	
30B-	72108GT	BULB,12V DC (67875)	
31	104100GT	BRACKET,CE SIDE LIGHT MOUNT	1
32A	104740GT	KIT,TZ50 AUTOLEVEL REPLACEMNT (to SN TZ5005-210)	1
32B	104653GT	CONTROL MODULE,AUTOLEVEL (from SN TZ5005_211)	
34	87445GT	SENSOR,LEVEL,2.5 DEGREE	1
35	9116GT	BOLT, CARRIAGE, 1/4-20 X 1.25, G2	
36	54177GT	SCREW,HHC,1/2-13 X 1.5 GRD 8	
37	6198GT	NUT,NYLOCK,1/2-13	
38	6714GT	LEVEL,BUBBLE	1
39	19418GT	SCREW,SHC,5/8-11 X 1.75	12

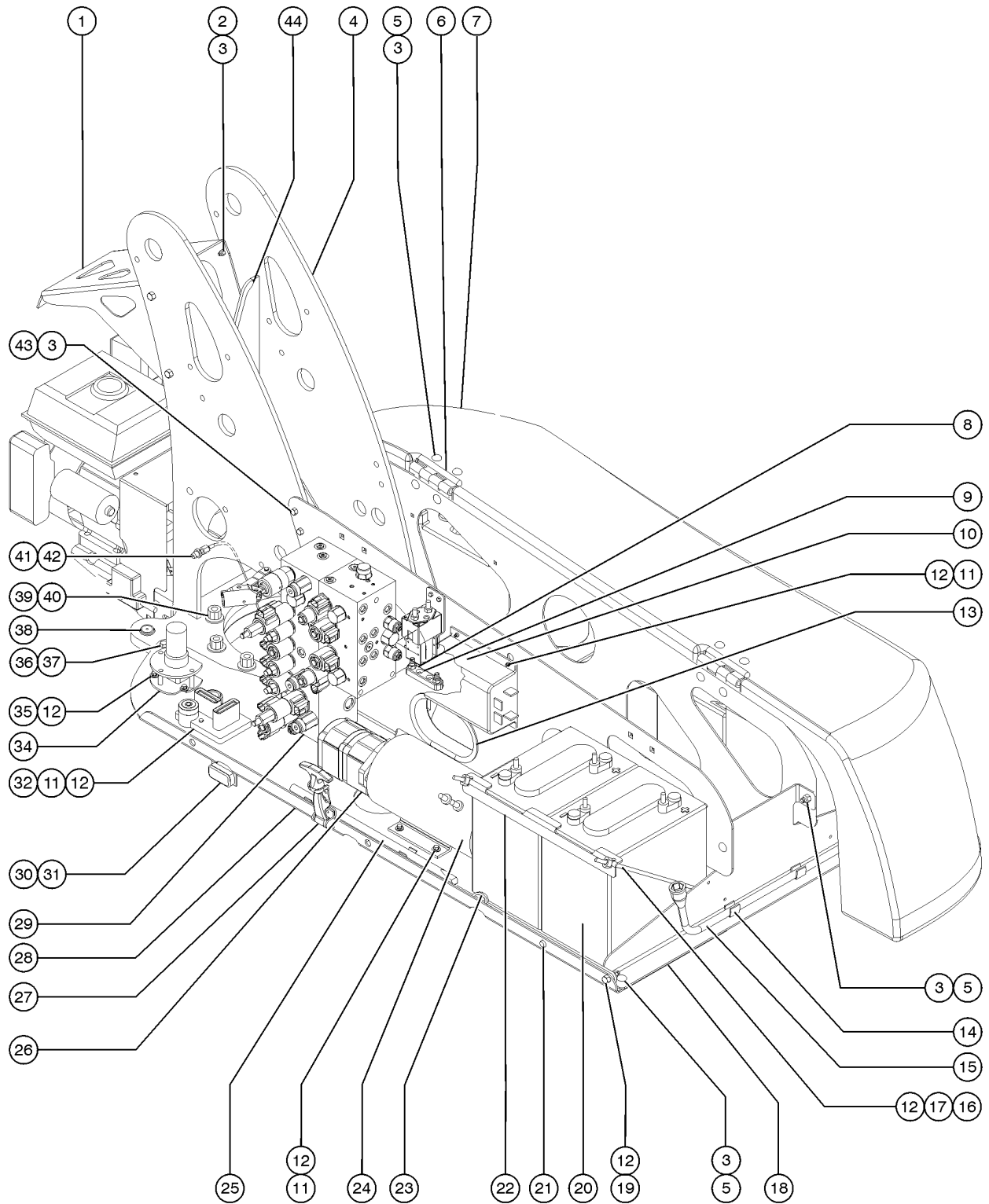


301.2 Turntable Components - View 1 (to SN TZ5011-404)



<i>Item</i>	<i>Part No.</i>	<i>Description</i>	<i>Qty.</i>
40	13066GT	WASHER,FLAT,.5 HARDENED .....	
41	28646GT	ZERK,GREASE,1/8 NPT .....	1
41-	48845GT	HOSE END,FEMSW,45D,ORFS,-12-12 .....	
42	30886GT	HOSE ASSEMBLY,19" .....	1
42-	49520GT	FITTING,070302-4 .....	
43	8516GT	SCREW, HCC, 3/8-16 X 1.50 .....	
44	76414GT	TRIMLOCK,BLACK,1/4" .....	12

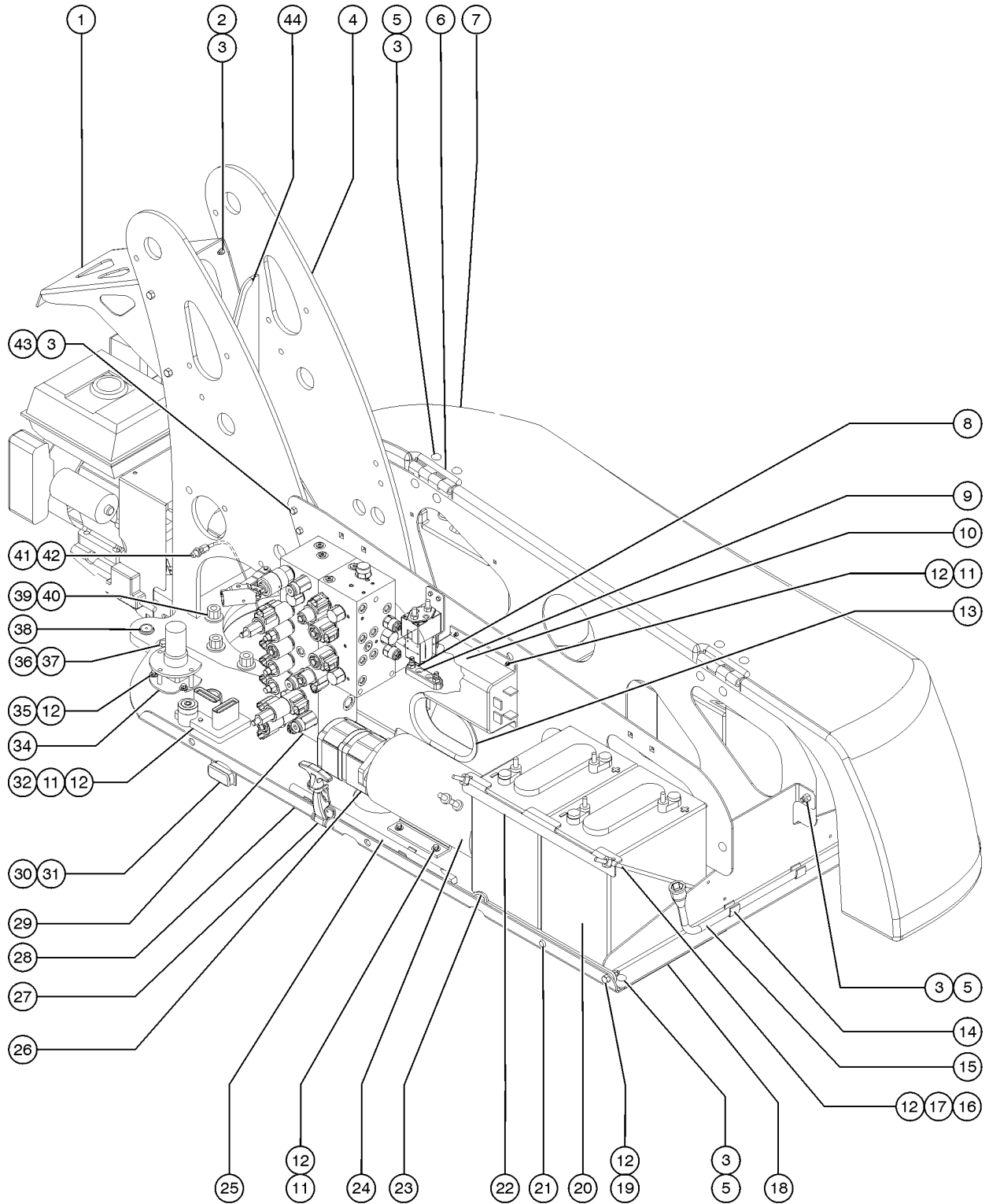
301.3 Turntable Components - View 1 (to SN TZ5011-404)



Item	Part No.	Description	Qty.
1	104090GT	FORMING,ENGINE GUARD	1
2A	6175GT	SCREW,HHC,3/8-16 X 1 models without drive option	
2B	6019GT	SCREW,HHC,3/8-16 X 1.25 GRD 5 models with drive option	
3	4828GT	NUT,NYLOCK,3/8-16	
4		Ref. Turntable (refer to 401.1)	
5	73466GT	BOLT,CARRIAGE,3/8-16 X 1.00,G2	
6	55517GT	HINGE, GSRT90 BOX	2
7A	84600GT	TURNTABLE COVER ASSY W/WORD,LT ANSI, CSA and Australia	1
7B	84601GT	TURNTABLE COVER ASSY W/SYM,LT CE, Asia and South America	
7C	97331GT	LEFT BRACKET ASSY. W. WORD D. ANSI, CSA and Australia	
7D	97332GT	LEFT BRACKET ASSY. W. SYMB. D. CE, Asia and South America	
8	66717GT	FUSE BLOCK, ANN & ANL FUSE	1
8-	40833GT	FUSE,275 AMP,VERY FAST ACTING	
9	39579GT	RIVET,STL,STL,.188 X .45	
10A	823408GT	MOTOR CONTROLLER, DC,24V,300A motor controllers sold separately only in cases where upgrade kits are N/A or an upgrade kit has been previously installed	1
10B	1261671GT	KIT,MTR CONTRLR REPLACEMENT TZ (Includes controller and wire harnesses)	
10B-	47124GT	INDUCTOR,47 MH,2.5AMP,.034OHM	
11	6878GT	BOLT,CARRIAGE,1/4-20 X .75,G2	
12	6091GT	NUT,NYLOCK,1/4-20	
13	53386GT	GUARD, HOSE PROTECTOR	1
14	67966GT	CLIP,LUG WRENCH HOLDER, EURO	3
15	46722GT	WRENCH, LUG,13/16 Component no longer available. Limited inventory available.	1
16	99829GT	HOOK,BATTERY HOLD DOWN 12.75"	2
17	6638GT	WASHER,FLAT,USS,1/4"Y	
18	99727GT	FORMING,SWING TRAY FRONT	1
19	6145GT	SCREW,HHC,1/4-20 X 1.5	
20A	76502GT	BATTERY,T105 W/LPT,3 CAP,DRY** models without drive option	4
20B	76503GT	BATTERY,T145 W/LPT,3 CAP,DRY** models with drive options	



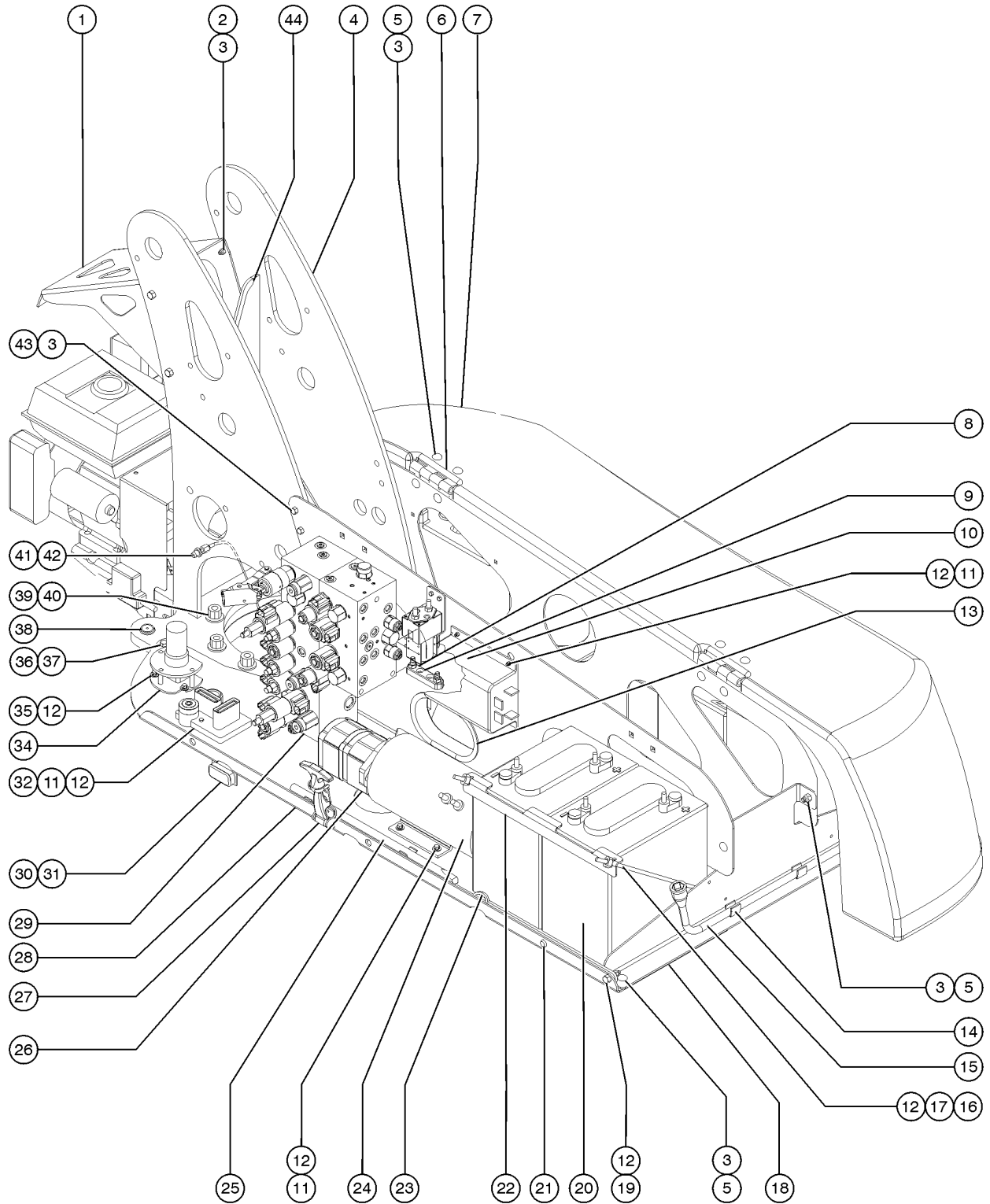
301.3 Turntable Components - View 1 (to SN TZ5011-404)



Item	Part No.	Description	Qty.
21	43392GT	BUMPER,BATTERY BOX & RAILS .....	3
22	99729GT	FORMING,BATTERY HOLD DOWN .....	1
23	104119GT	PLATE,SWING COVER PROP .....	1
24		Ref. Motor, 24V DC .....	1
		(refer to 307.1)	
25	105412GT	TUBE,RD,STL,.840 X .10 X 23.0 .....	1
25-	67966GT	CLIP,LUG WRENCH HOLDER, EURO .....	
26		Ref. Hydraulic Pump (refer to 307.1) .....	
27	45363GT	LATCH,FLEXIBLE .....	1
27-	75877GT	LATCH,FLEXIBLE DRAW .....	
27-	39579GT	RIVET,STL,STL,.188 X .45 .....	
28	99825GT	RIGHT TRAY,SUB-ASSY .....	1
29		Ref. Function Manifold .....	
		(refer to 601.1)	
30B	76602GT	LIGHT,SIDEMARKER ECE*** .....	
		(from TZ5005-305 to TZ5011-352)	
30B-	72107GT	LENS,MARKER LIGHT ASSY (67875) .....	
30B-	72108GT	BULB,12V DC (67875) .....	
31	104100GT	BRACKET,CE SIDE LIGHT MOUNT .....	1
32B	104653GT	CONTROL MODULE,AUTOLEVEL .....	
		(from SN TZ5005-211)	
34	87445GT	SENSOR,LEVEL,2.5 DEGREE .....	1
35	9116GT	BOLT, CARRIAGE, 1/4-20 X 1.25, G2 .....	
36	54177GT	SCREW,HHC,1/2-13 X 1.5 GRD 8 .....	
37	6198GT	NUT,NYLOCK,1/2-13 .....	
38	6714GT	LEVEL,BUBBLE .....	1
39	19418GT	SCREW,SHC,5/8-11 X 1.75 .....	12
40	13066GT	WASHER,FLAT,.5 HARDENED .....	
41	28646GT	ZERK,GREASE,1/8 NPT .....	1
41-	48845GT	HOSE END,FEMSW,45D,ORFS,-12-12 .....	
42	30886GT	HOSE ASSEMBLY,19" .....	1
42-	49520GT	FITTING,070302-4 .....	



301.3 Turntable Components - View 1 (to SN TZ5011-404)



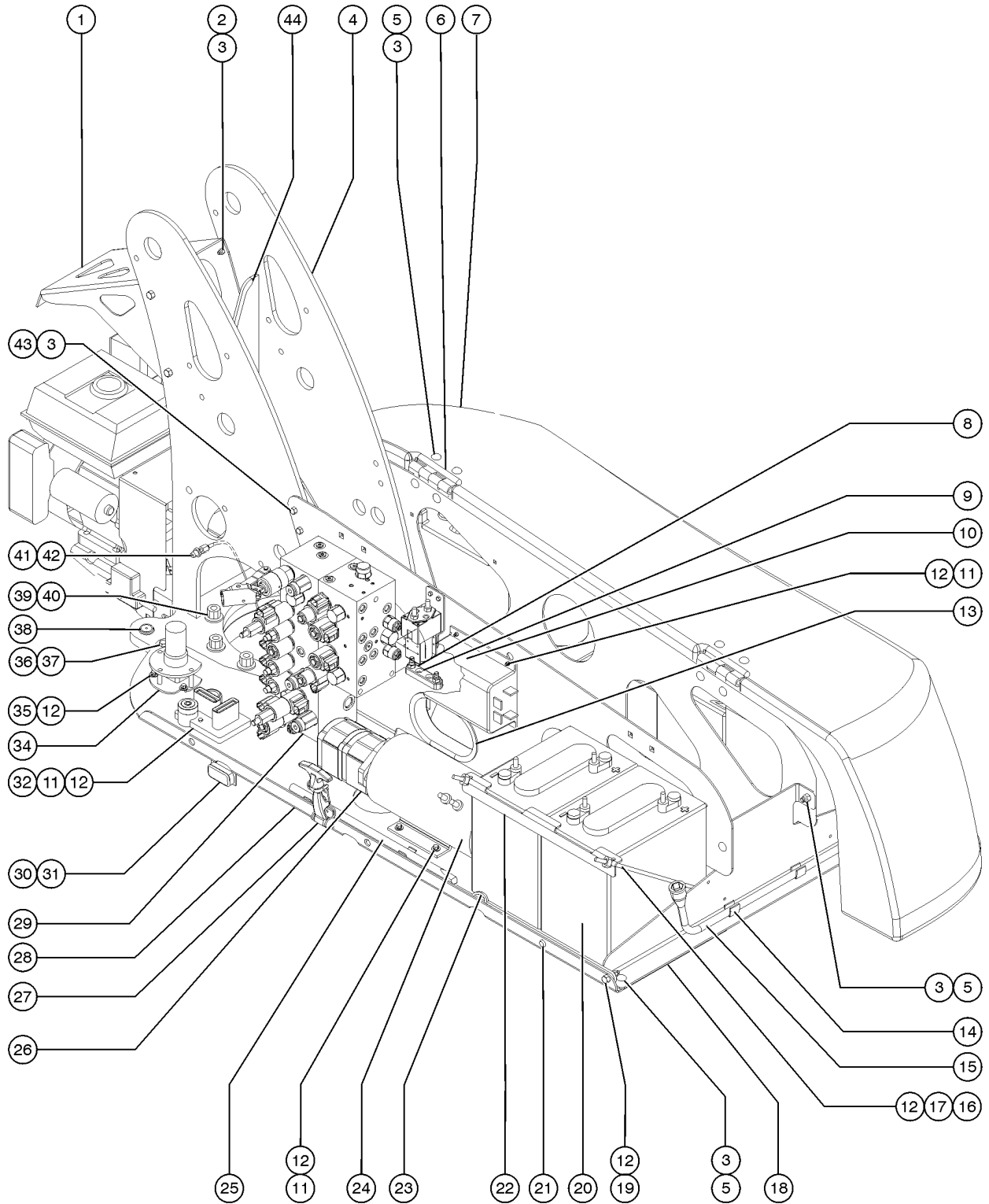


301.3 Turntable Components - View 1 (to SN TZ5011-404)

<i>Item</i>	<i>Part No.</i>	<i>Description</i>	<i>Qty.</i>
43	8516GT	SCREW, HCC, 3/8-16 X 1.50 .....	
44	76414GT	TRIMLOCK,BLACK,1/4" .....	12



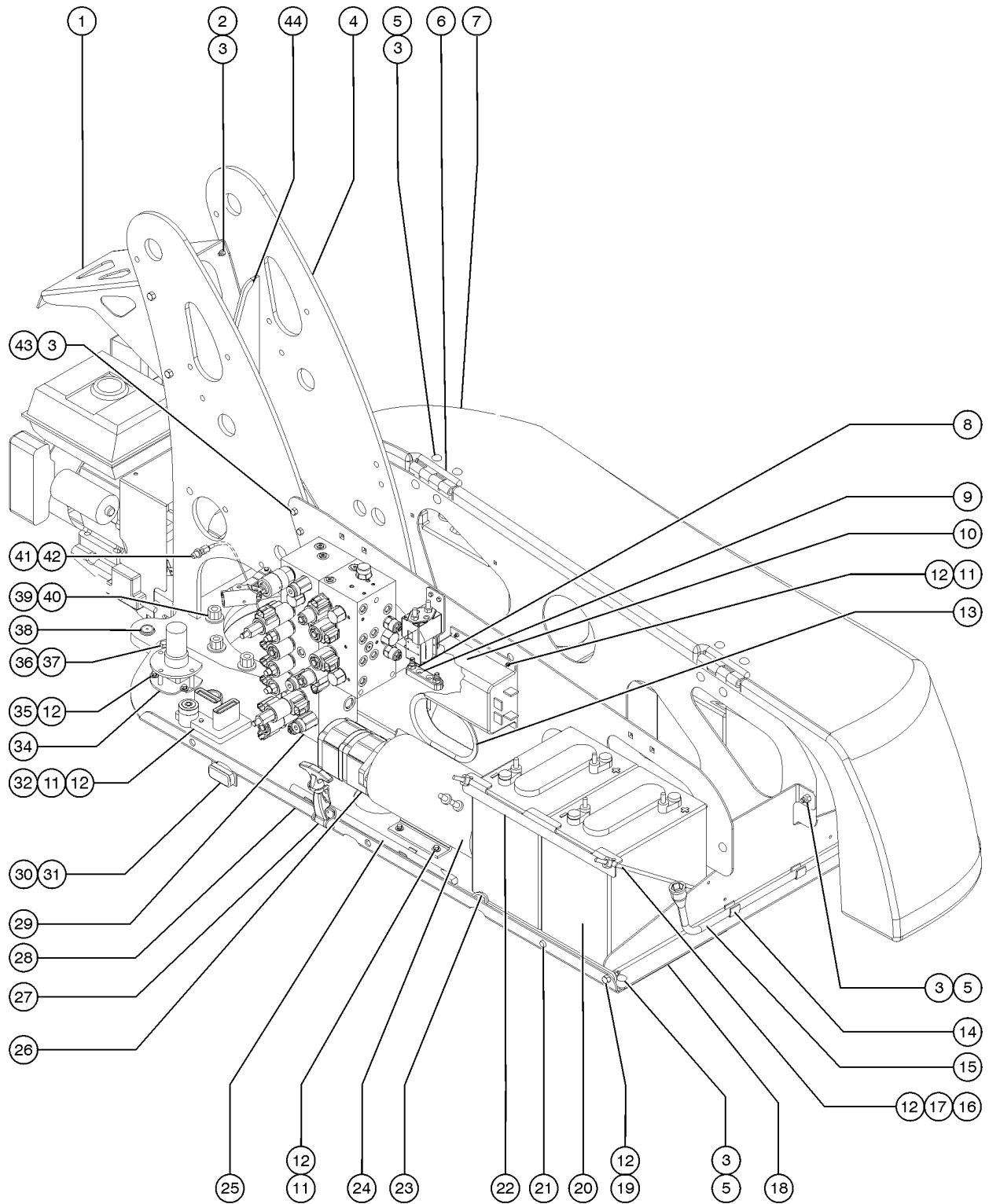
301.4 Turntable Components - View 1 (to SN TZ5011-404)



Item	Part No.	Description	Qty.
1	104090GT	FORMING,ENGINE GUARD	1
2A	6175GT	SCREW,HHC,3/8-16 X 1 models without drive option	
2B	6019GT	SCREW,HHC,3/8-16 X 1.25 GRD 5 models with drive option	
3	4828GT	NUT,NYLOCK,3/8-16	
4		Ref. Turntable (refer to 401.1)	
5	73466GT	BOLT,CARRIAGE,3/8-16 X 1.00,G2	
6	55517GT	HINGE, GSRT90 BOX	2
7A	84600GT	TURNTABLE COVER ASSY W/WORD,LT ANSI, CSA and Australia	1
7B	84601GT	TURNTABLE COVER ASSY W/SYM,LT CE, Asia and South America	
7C	97331GT	LEFT BRACKET ASSY. W. WORD D. ANSI, CSA and Australia	
7D	97332GT	LEFT BRACKET ASSY. W. SYMB. D. CE, Asia and South America	
8	66717GT	FUSE BLOCK, ANN & ANL FUSE	1
8-	40833GT	FUSE,275 AMP,VERY FAST ACTING	
9	39579GT	RIVET,STL,STL,.188 X .45	
10A	823408GT	MOTOR CONTROLLER, DC,24V,300A motor controllers sold separately only in cases where upgrade kits are N/A or an upgrade kit has been previously installed	1
10B	1261671GT	KIT,MTR CONTRLR REPLACEMENT TZ (Includes controller and wire harnesses)	
10B-	47124GT	INDUCTOR,47 MH,2.5AMP,.034OHM	
11	6878GT	BOLT,CARRIAGE,1/4-20 X .75,G2	
12	6091GT	NUT,NYLOCK,1/4-20	
13	53386GT	GUARD, HOSE PROTECTOR	1
14	67966GT	CLIP,LUG WRENCH HOLDER, EURO	3
15	46722GT	WRENCH, LUG,13/16 Component no longer available. Limited inventory available.	1
16	99829GT	HOOK,BATTERY HOLD DOWN 12.75"	2
17	6638GT	WASHER,FLAT,USS,1/4"Y	
18	99727GT	FORMING,SWING TRAY FRONT	1
19	6145GT	SCREW,HHC,1/4-20 X 1.5	
20A	76502GT	BATTERY,T105 W/LPT,3 CAP,DRY** models without drive option	4
20B	76503GT	BATTERY,T145 W/LPT,3 CAP,DRY** high capacity battery option and drive option	



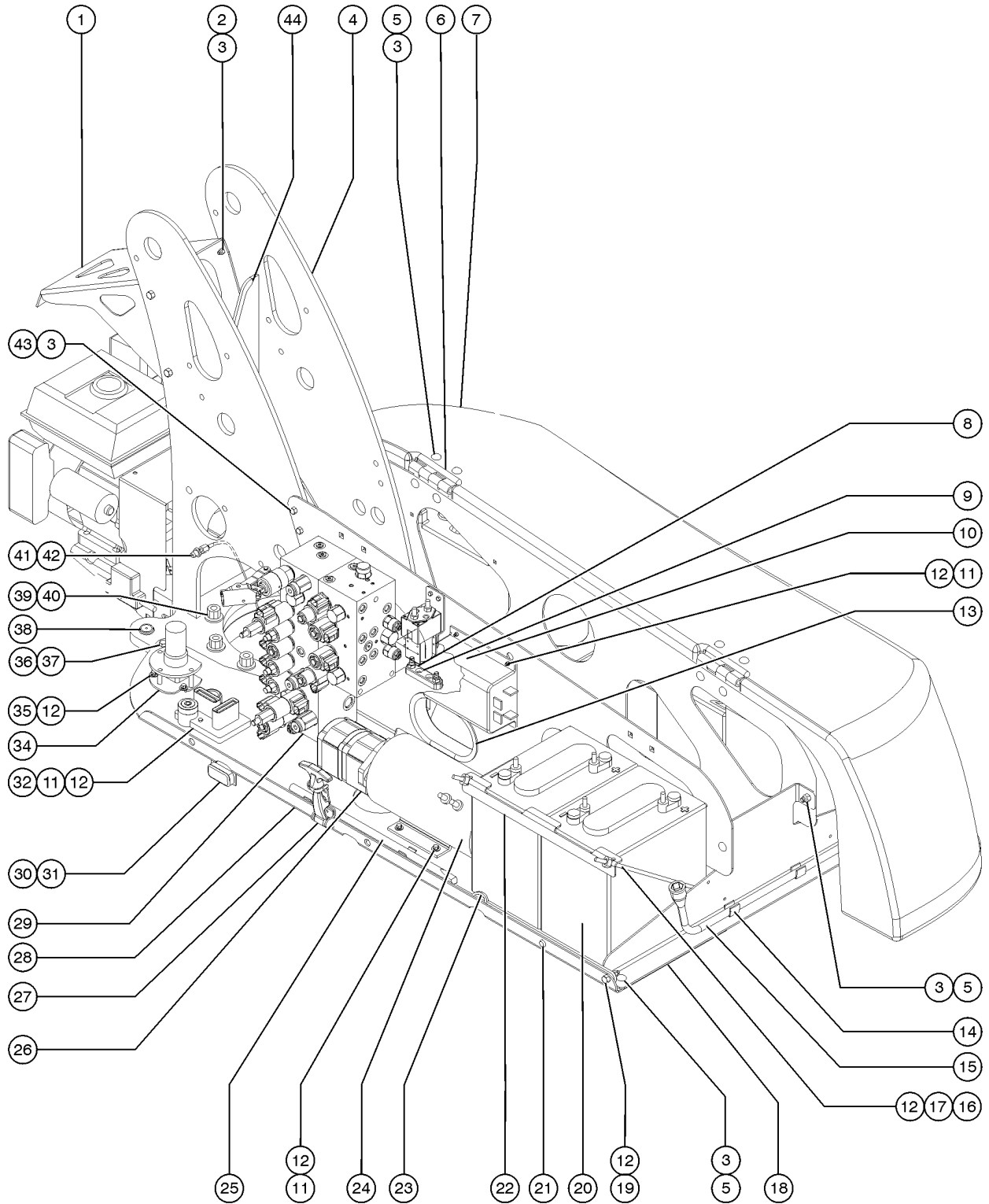
301.4 Turntable Components - View 1 (to SN TZ5011-404)



Item	Part No.	Description	Qty.
21	43392GT	BUMPER,BATTERY BOX & RAILS .....	3
22	99729GT	FORMING,BATTERY HOLD DOWN .....	1
23	104119GT	PLATE,SWING COVER PROP .....	1
24		Ref. Motor, 24V DC .....	1
		(refer to 307.1)	
25	105412GT	TUBE,RD,STL,.840 X .10 X 23.0 .....	1
25-	67966GT	CLIP,LUG WRENCH HOLDER, EURO .....	2
26		Ref. Hydraulic Pump (refer to 307.1) .....	
27	45363GT	LATCH,FLEXIBLE .....	1
27-	75877GT	LATCH,FLEXIBLE DRAW .....	
27-	39579GT	RIVET,STL,STL,.188 X .45 .....	
28	99825GT	RIGHT TRAY,SUB-ASSY .....	1
29		Ref. Function Manifold .....	
		(refer to 601.1)	
30B	76602GT	LIGHT,SIDEMARKER ECE*** .....	
		(from TZ5005-305 to TZ5011-352)	
30B-	72107GT	LENS,MARKER LIGHT ASSY (67875) .....	
30B-	72108GT	BULB,12V DC (67875) .....	
31	104100GT	BRACKET,CE SIDE LIGHT MOUNT .....	1
32B	104653GT	CONTROL MODULE,AUTOLEVEL .....	
34	87445GT	SENSOR,LEVEL,2.5 DEGREE .....	1
35	9116GT	BOLT, CARRIAGE, 1/4-20 X 1.25, G2 .....	
36	54177GT	SCREW,HHC,1/2-13 X 1.5 GRD 8 .....	
37	6198GT	NUT,NYLOCK,1/2-13 .....	
38	6714GT	LEVEL,BUBBLE .....	1
39	19418GT	SCREW,SHC,5/8-11 X 1.75 .....	12
40	13066GT	WASHER,FLAT,.5 HARDENED .....	
41	28646GT	ZERK,GREASE,1/8 NPT .....	1
41-	48845GT	HOSE END,FEMSW,45D,ORFS,-12-12 .....	
42	30886GT	HOSE ASSEMBLY,19" .....	1
42-	49520GT	FITTING,070302-4 .....	



301.4 Turntable Components - View 1 (to SN TZ5011-404)

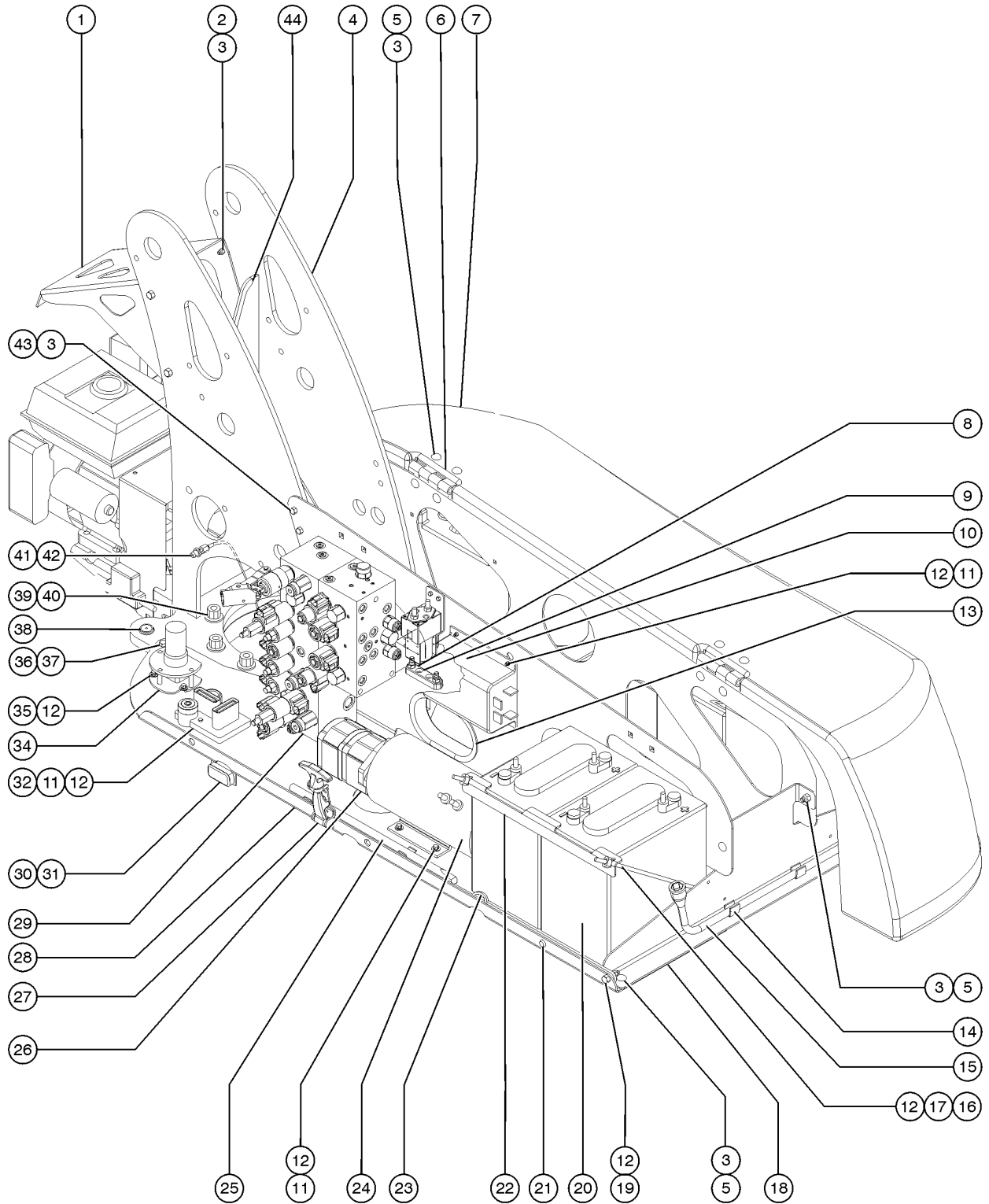


301.4 Turntable Components - View 1 (to SN TZ5011-404)

<i>Item</i>	<i>Part No.</i>	<i>Description</i>	<i>Qty.</i>
43	8516GT	SCREW, HCC, 3/8-16 X 1.50 .....	
44	76414GT	TRIMLOCK,BLACK,1/4" .....	12



301.5 Turntable Components - View 1 (to SN TZ5011-404)

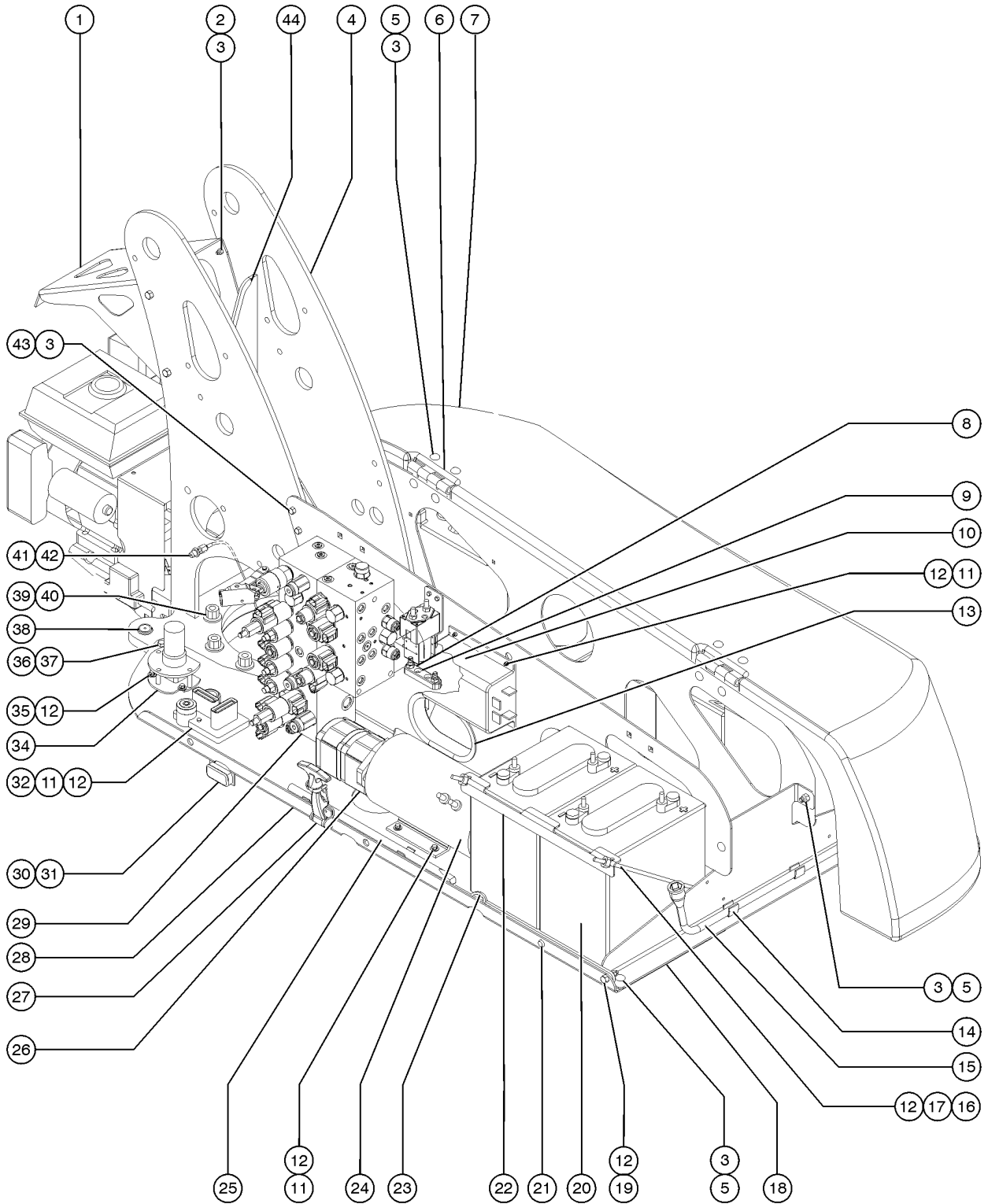




Item	Part No.	Description	Qty.
1	104090GT	FORMING,ENGINE GUARD .....	1
2A	6175GT	SCREW,HHC,3/8-16 X 1 models without drive option .....	
2B	6019GT	SCREW,HHC,3/8-16 X 1.25 GRD 5 models with drive option .....	
3	4828GT	NUT,NYLOCK,3/8-16 .....	
4		Ref. Turntable ((refer to 401.1) .....	
5	73466GT	BOLT,CARRIAGE,3/8-16 X 1.00,G2 .....	
6	55517GT	HINGE, GSRT90 BOX .....	2
7A	84600GT	TURNTABLE COVER ASSY W/WORD,LT ANSI, CSA and Australia .....	1
7B	84601GT	TURNTABLE COVER ASSY W/SYM,LT CE, Asia and South America .....	
7C	97331GT	LEFT BRACKET ASSY. W. WORD D. ANSI, CSA and Australia .....	
7D	97332GT	LEFT BRACKET ASSY. W. SYMB. D. CE, Asia and South America .....	
8	66717GT	FUSE BLOCK, ANN & ANL FUSE Fuse block moved at TZ5011-256 .....	1
8-	40833GT	FUSE,275 AMP,VERY FAST ACTING .....	
9	39579GT	RIVET,STL,STL,.188 X .45 .....	
10A	823408GT	MOTOR CONTROLLER, DC,24V,300A motor controllers sold separately only in cases where upgrade kits are N/A or an upgrade kit has been previously installed .....	1
10B	1261671GT	KIT,MTR CONTRLR REPLACEMENT TZ (Includes controller and wire harnesses) .....	
10B-	47124GT	INDUCTOR,47 MH,2.5AMP,.034OHM .....	
11	6878GT	BOLT,CARRIAGE,1/4-20 X .75,G2 .....	
12	6091GT	NUT,NYLOCK,1/4-20 .....	
13	53386GT	GUARD, HOSE PROTECTOR .....	1
14	67966GT	CLIP,LUG WRENCH HOLDER, EURO .....	3
15	46722GT	WRENCH, LUG,13/16 Component no longer available. Limited inventory available. ....	1
16	99829GT	HOOK,BATTERY HOLD DOWN 12.75" .....	2
17	6638GT	WASHER,FLAT,USS,1/4"Y .....	
18	99727GT	FORMING,SWING TRAY FRONT .....	1
19	6145GT	SCREW,HHC,1/4-20 X 1.5 .....	
20A	76502GT	BATTERY,T105 W/LPT,3 CAP,DRY** models without drive option .....	4
20B	76503GT	BATTERY,T145 W/LPT,3 CAP,DRY** high capacity battery option and drive option .....	

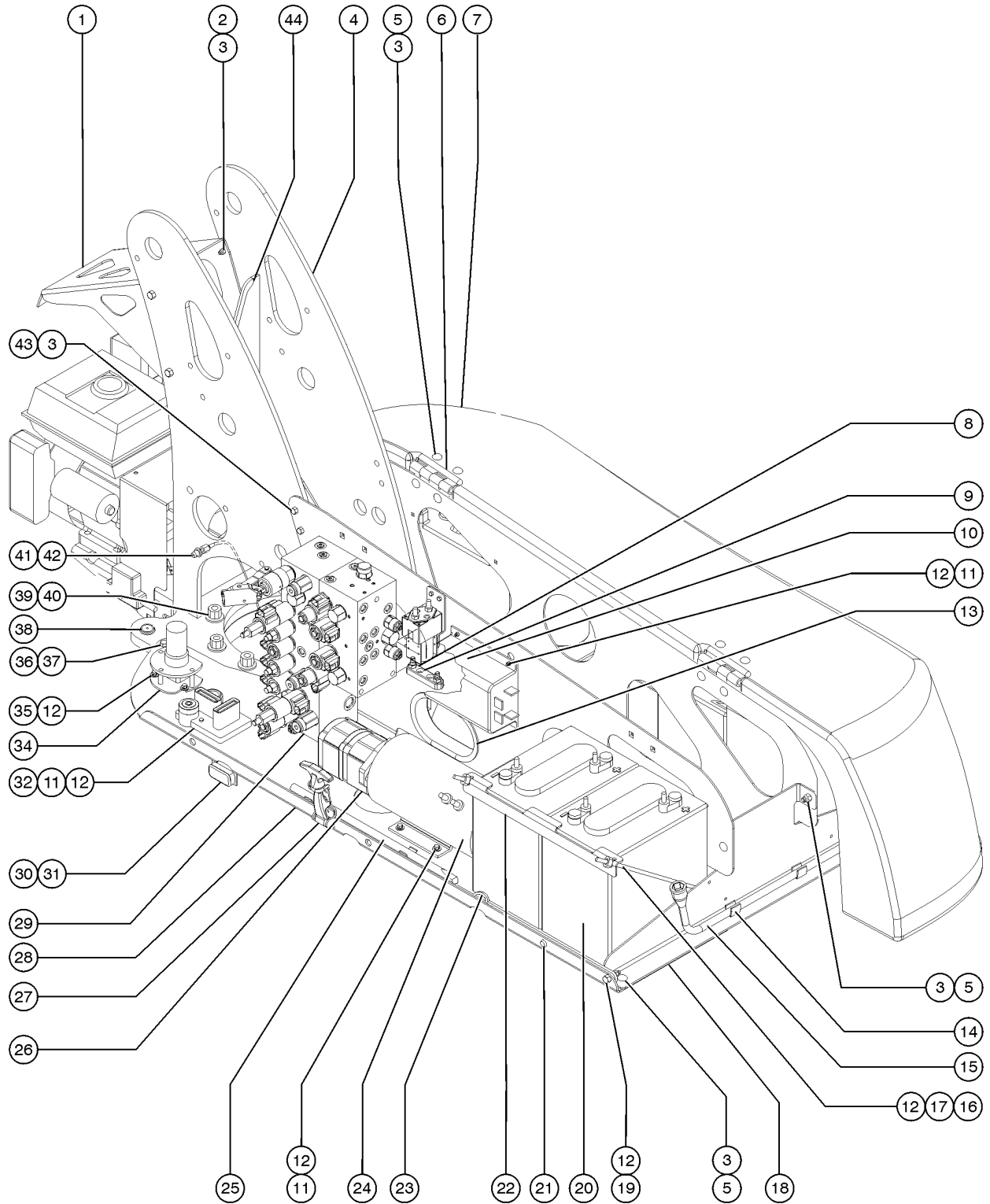


301.5 Turntable Components - View 1 (to SN TZ5011-404)



Item	Part No.	Description	Qty.
21	43392GT	BUMPER,BATTERY BOX & RAILS .....	3
22	99729GT	FORMING,BATTERY HOLD DOWN .....	1
23	104119GT	PLATE,SWING COVER PROP .....	1
24		Ref. Motor, 24V DC .....	1
		(refer to 307.1)	
25	105412GT	TUBE,RD,STL,.840 X .10 X 23.0 .....	1
25-	67966GT	CLIP,LUG WRENCH HOLDER, EURO .....	2
26		Ref. Hydraulic Pump (refer to 307.1) .....	
27	45363GT	LATCH,FLEXIBLE .....	1
27-	75877GT	LATCH,FLEXIBLE DRAW .....	
27-	39579GT	RIVET,STL,STL,.188 X .45 .....	
28	99825GT	RIGHT TRAY,SUB-ASSY .....	1
29		Ref. Function Manifold .....	
		(refer to 601.1)	
30B	76602GT	LIGHT,SIDEMARKER ECE*** .....	
		CE (from TZ5005-305 to TZ5011-352)	
30B-	72107GT	LENS,MARKER LIGHT ASSY (67875) .....	
30B-	72108GT	BULB,12V DC (67875) .....	
30C	129013GT	HRNS,SIDEMARKER,AUS .....	
		CE models from SN TZ5011-353	
30C-	72107GT	LENS,MARKER LIGHT ASSY (67875) .....	
30C-	72108GT	BULB,12V DC (67875) .....	
31	104100GT	BRACKET,CE SIDE LIGHT MOUNT .....	1
32B	104653GT	CONTROL MODULE,AUTOLEVEL .....	
34	87445GT	SENSOR,LEVEL,2.5 DEGREE .....	1
35	9116GT	BOLT, CARRIAGE, 1/4-20 X 1.25, G2 .....	
36	54177GT	SCREW,HHC,1/2-13 X 1.5 GRD 8 .....	
37	6198GT	NUT,NYLOCK,1/2-13 .....	
38	6714GT	LEVEL,BUBBLE .....	1
39	19418GT	SCREW,SHC,5/8-11 X 1.75 .....	12
40	13066GT	WASHER,FLAT,.5 HARDENED .....	
41	28646GT	ZERK,GREASE,1/8 NPT .....	1

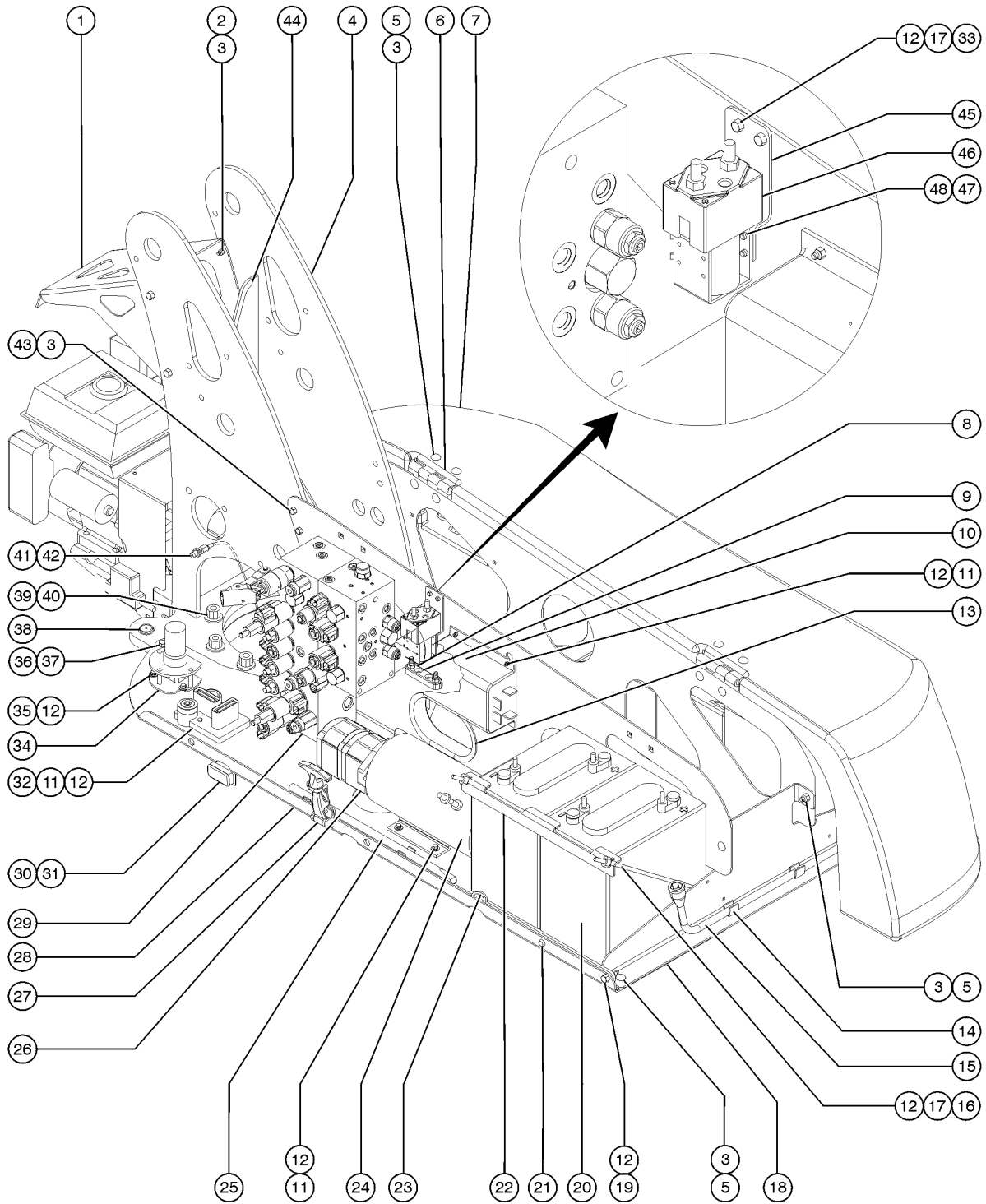
301.5 Turntable Components - View 1 (to SN TZ5011-404)



301.5 Turntable Components - View 1 (to SN TZ5011-404)

<i>Item</i>	<i>Part No.</i>	<i>Description</i>	<i>Qty.</i>
41-	48845GT	HOSE END,FEMSW,45D,ORFS,-12-12 .....	
42	30886GT	HOSE ASSEMBLY,19" .....	1
42-	49520GT	FITTING,070302-4 .....	
43	8516GT	SCREW, HCC, 3/8-16 X 1.50 .....	
44	76414GT	TRIMLOCK,BLACK,1/4" .....	12

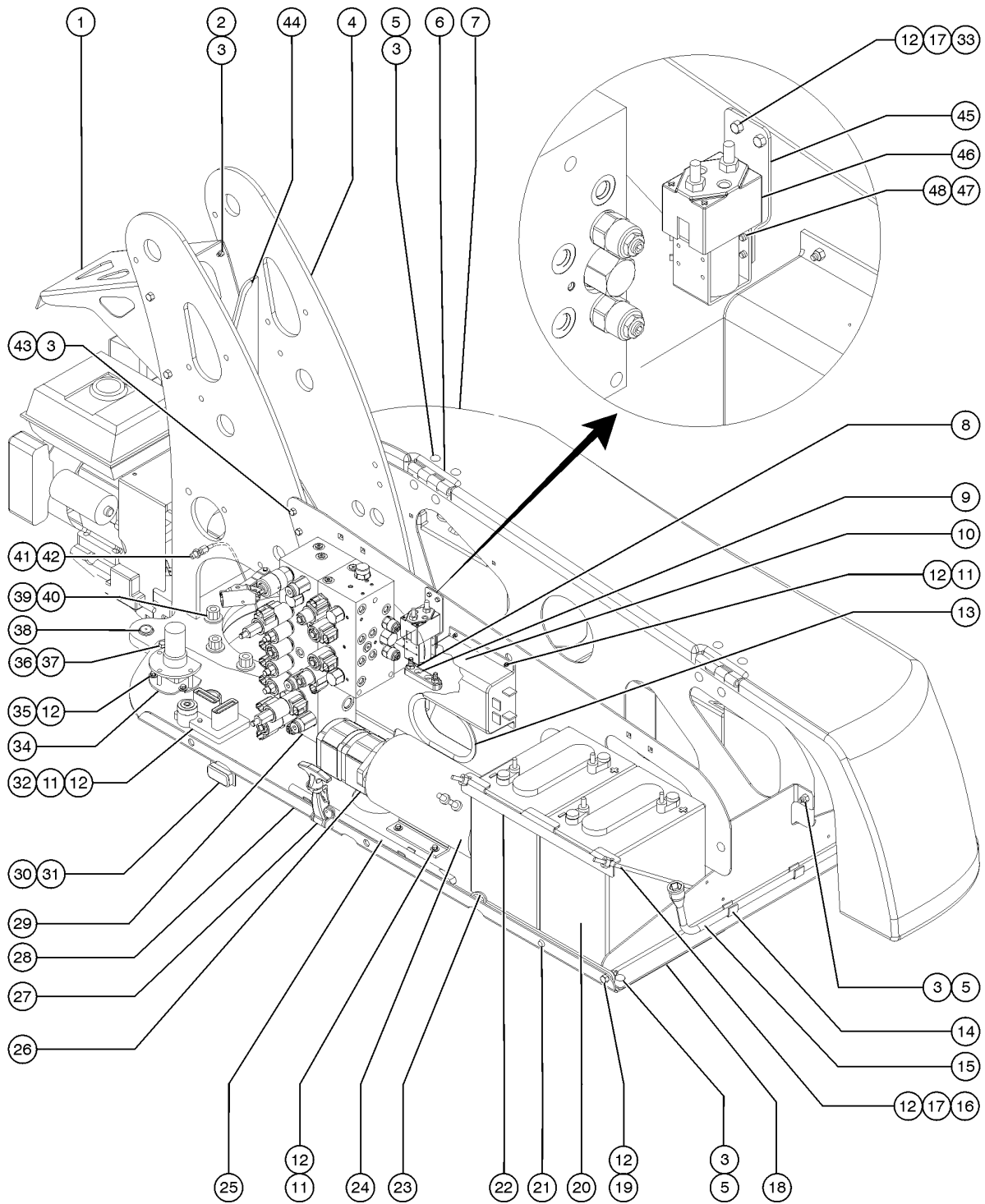
301.2 Turntable Components - View 1 (from SN TZ5012-101)



Item	Part No.	Description	Qty.
1	104090GT	FORMING,ENGINE GUARD	1
2A	6175GT	SCREW,HHC,3/8-16 X 1 models without drive option	
2B	6019GT	SCREW,HHC,3/8-16 X 1.25 GRD 5 models with drive option	
3	4828GT	NUT,NYLOCK,3/8-16	
4		Ref. Turntable (refer to 401.1)	
5	73466GT	BOLT,CARRIAGE,3/8-16 X 1.00,G2	
6	55517GT	HINGE, GSRT90 BOX	2
7A	84600GT	TURNTABLE COVER ASSY W/WORD,LT ANSI, CSA and Australia	1
7B	84601GT	TURNTABLE COVER ASSY W/SYM,LT CE, Asia and South America	
7C	97331GT	LEFT BRACKET ASSY. W. WORD D. ANSI, CSA and Australia	
7D	97332GT	LEFT BRACKET ASSY. W. SYMB. D. CE, Asia and South America	
8	66717GT	FUSE BLOCK, ANN & ANL FUSE Fuse block moved at TZ5011-256	1
8-	40833GT	FUSE,275 AMP,VERY FAST ACTING	
9	39579GT	RIVET,STL,STL,.188 X .45	
10A	823408GT	MOTOR CONTROLLER, DC,24V,300A motor controllers sold separately only in cases where upgrade kits are N/A or an upgrade kit has been previously installed	1
10B	1261671GT	KIT,MTR CONTRLR REPLACEMENT TZ (Includes controller and wire harnesses)	
10B-	47124GT	INDUCTOR,47 MH,2.5AMP,.034OHM	
11	6878GT	BOLT,CARRIAGE,1/4-20 X .75,G2	
12	6091GT	NUT,NYLOCK,1/4-20	
13	53386GT	GUARD, HOSE PROTECTOR	1
14	67966GT	CLIP,LUG WRENCH HOLDER, EURO	3
15	46722GT	WRENCH, LUG,13/16 Component no longer available. Limited inventory available.	1
16	99829GT	HOOK,BATTERY HOLD DOWN 12.75"	2
17	6638GT	WASHER,FLAT,USS,1/4"Y	
18	99727GT	FORMING,SWING TRAY FRONT	1
19	6145GT	SCREW,HHC,1/4-20 X 1.5	
20A	76502GT	BATTERY,T105 W/LPT,3 CAP,DRY** models without drive option	4
20B	76503GT	BATTERY,T145 W/LPT,3 CAP,DRY** high capacity battery option and drive option	



301.2 Turntable Components - View 1 (from SN TZ5012-101)



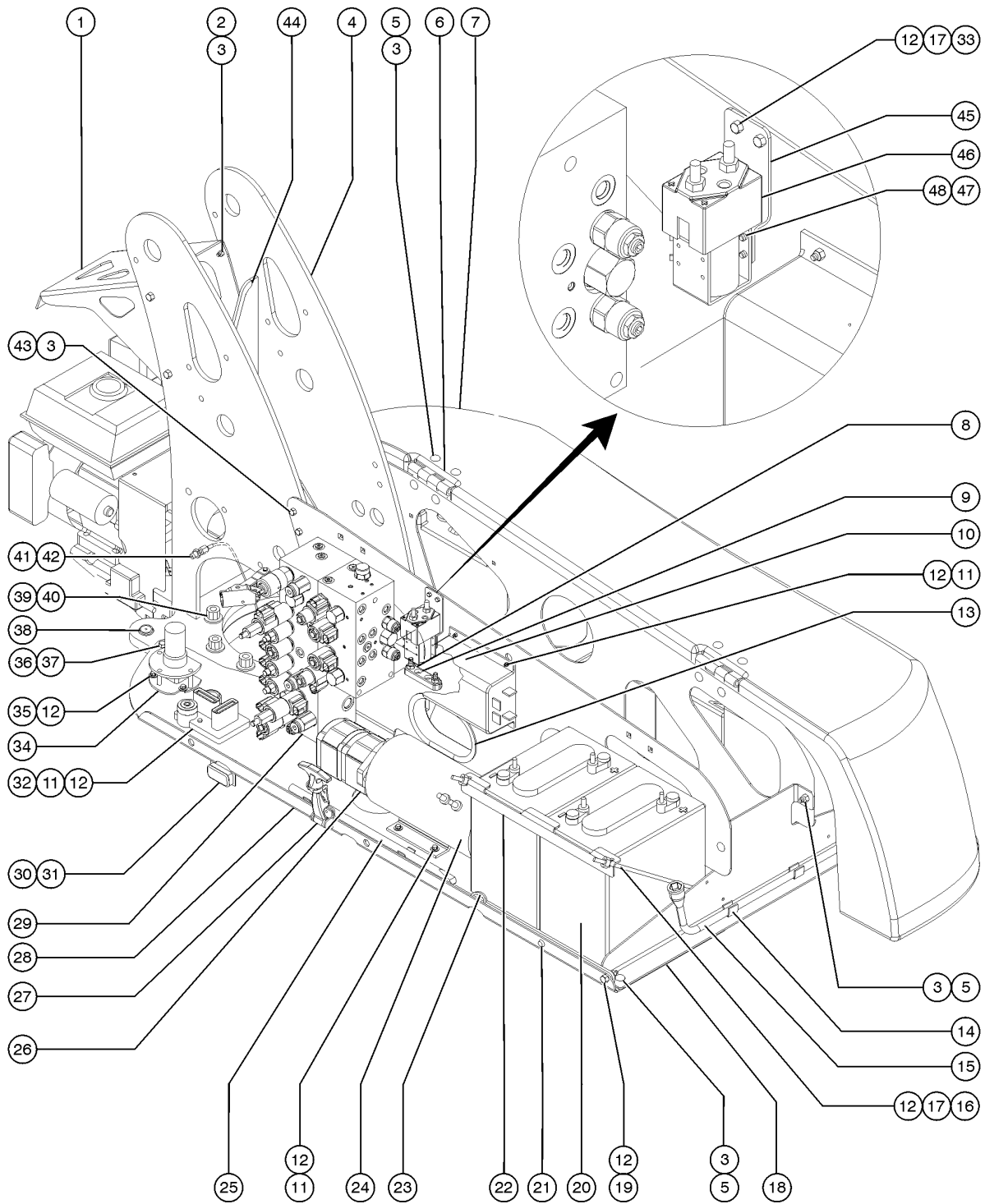


301.2 Turntable Components - View 1 (from SN TZ5012-101)

Item	Part No.	Description	Qty.
21	43392GT	BUMPER,BATTERY BOX & RAILS .....	3
22	99729GT	FORMING,BATTERY HOLD DOWN .....	1
23	104119GT	PLATE,SWING COVER PROP .....	1
24		Ref. Motor, 24V DC .....	1
		(refer to 307.1)	
25	105412GT	TUBE,RD,STL,.840 X .10 X 23.0 .....	1
25-	67966GT	CLIP,LUG WRENCH HOLDER, EURO .....	2
26		Ref. Hydraulic Pump (refer to 307.1) .....	
27	45363GT	LATCH,FLEXIBLE .....	1
27-	75877GT	LATCH,FLEXIBLE DRAW .....	
27-	39579GT	RIVET,STL,STL,.188 X .45 .....	
28	99825GT	RIGHT TRAY,SUB-ASSY .....	1
29		Ref. Function Manifold .....	
		(refer to 601.1)	
30B	76602GT	LIGHT,SIDEMARKER ECE*** .....	
		CE (from TZ5005-305 to TZ5011-352)	
30B-	72107GT	LENS,MARKER LIGHT ASSY (67875) .....	
30B-	72108GT	BULB,12V DC (67875) .....	
30C	129013GT	HRNS,SIDEMARKER,AUS .....	
		CE models from SN TZ5011-353	
30C-	72107GT	LENS,MARKER LIGHT ASSY (67875) .....	
30C-	72108GT	BULB,12V DC (67875) .....	
31	104100GT	BRACKET,CE SIDE LIGHT MOUNT .....	1
32B	104653GT	CONTROL MODULE,AUTOLEVEL .....	
33	6090GT	SCREW,HHC,1/4-20 X .75 .....	
34	87445GT	SENSOR,LEVEL,2.5 DEGREE .....	1
35	9116GT	BOLT, CARRIAGE, 1/4-20 X 1.25, G2 .....	
36	54177GT	SCREW,HHC,1/2-13 X 1.5 GRD 8 .....	
37	6198GT	NUT,NYLOCK,1/2-13 .....	
38	6714GT	LEVEL,BUBBLE .....	1
39	19418GT	SCREW,SHC,5/8-11 X 1.75 .....	12
40	13066GT	WASHER,FLAT,.5 HARDENED .....	



301.2 Turntable Components - View 1 (from SN TZ5012-101)

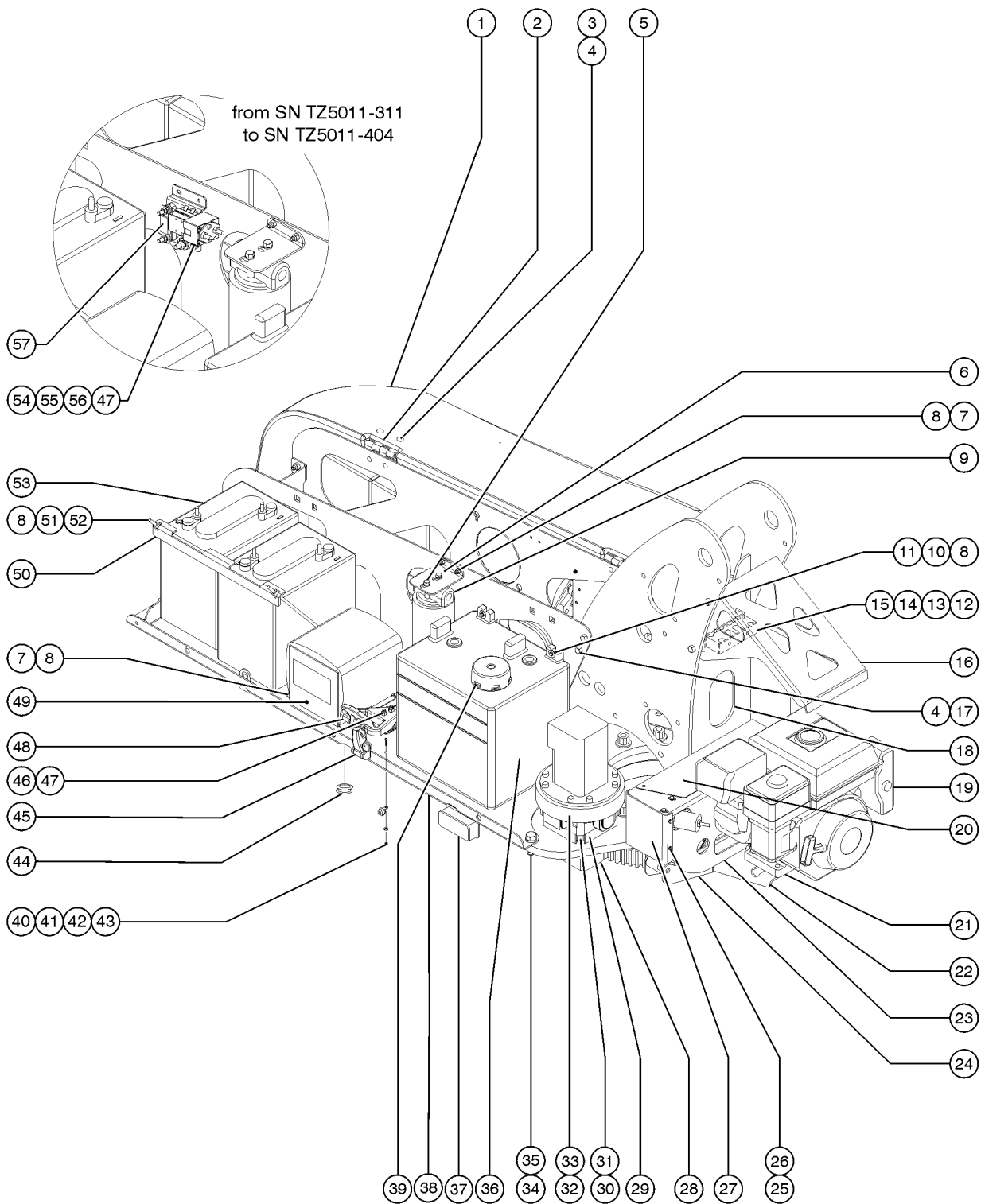


<i>Item</i>	<i>Part No.</i>	<i>Description</i>	<i>Qty.</i>
41	28646GT	ZERK,GREASE,1/8 NPT .....	1
41-	48845GT	HOSE END,FEMSW,45D,ORFS,-12-12 .....	
42	30886GT	HOSE ASSEMBLY,19" .....	1
42-	49520GT	FITTING,070302-4 .....	
43	8516GT	SCREW, HCC, 3/8-16 X 1.50 .....	
44	76414GT	TRIMLOCK,BLACK,1/4" .....	12
45	236016GT	BRKT,CONTACTOR MOUNT, TZ50 .....	
46	1270456GT	CONTACTOR,DRIVE,24V,180A .....	
47	49818GT	SCREW,PHILLIPS,PHM,10-32 X .38 .....	
48	6607GT	WASHER,LOCK,#10 PLTD .....	



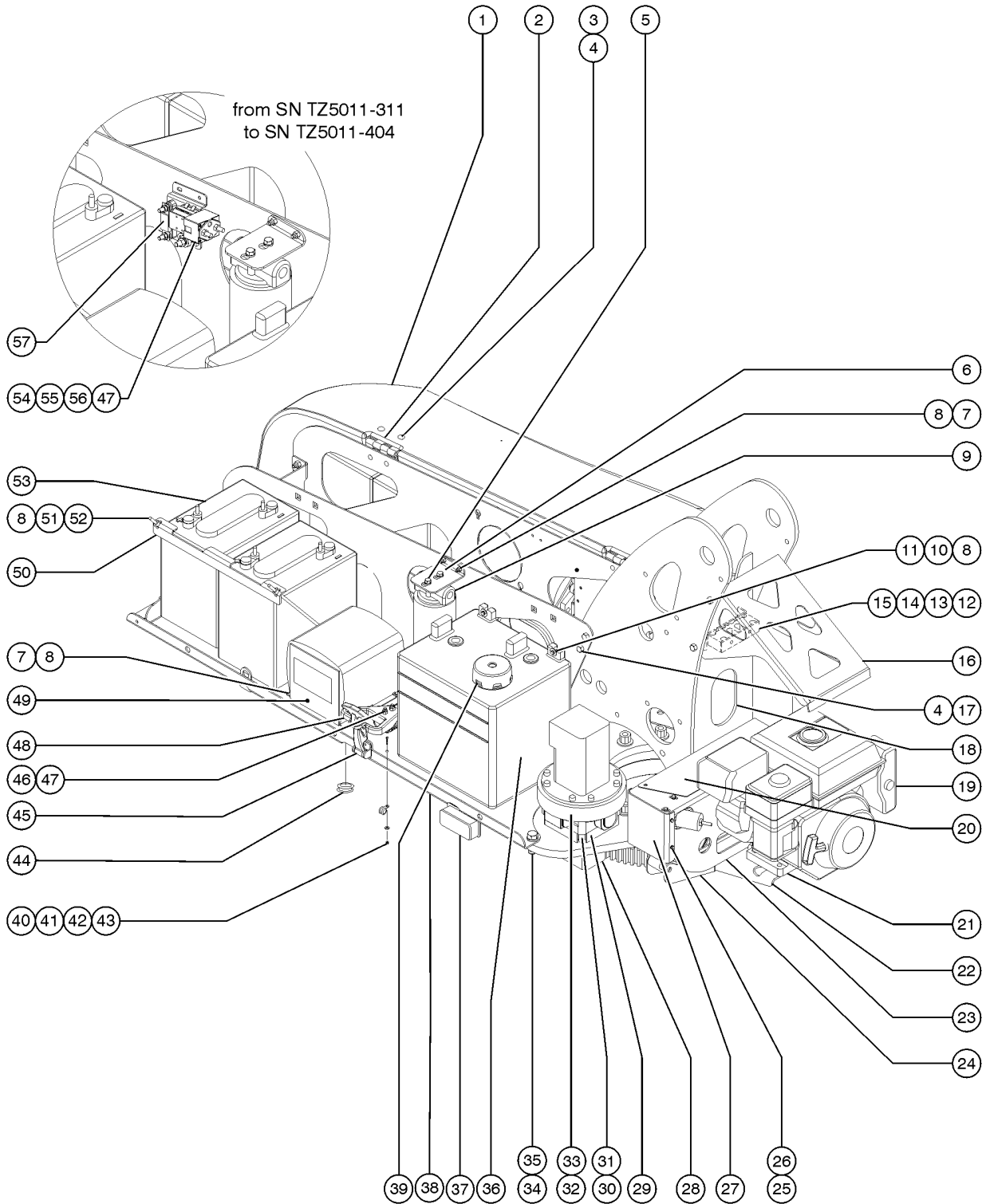
Item	Part No.	Description	Qty.
A	1289561GT	BRACKET, TELEMATICS .....	
A	1289520GT	MODULE, TELEMATICS, ZTR, M7, NORTH AMERICA .....	
1	84602GT	TURNTABLE COVER ASSY W/WORD,RH ANSI, CSA and Australia .....	1
1B	84603GT	TURNTABLE COVER ASSY W/WORD,RT CE, Asia and South America .....	
1C	97329GT	RIGHT BRACKET ASSY. W. WORD D. ANSI, CSA and Australia .....	
1D	97330GT	RIGHT BRACKET ASSY. W. SYM. D. CE, Asia and South America .....	
2	55517GT	HINGE, GSRT90 BOX .....	2
3	73466GT	BOLT,CARRIAGE,3/8-16 X 1.00,G2 .....	
4	4828GT	NUT,NYLOCK,3/8-16 .....	
5	7339GT	SCREW,HHC,1/4-20 X .5 .....	
6	99728GT	FORMING,FILTER MOUNT .....	1
7	6878GT	BOLT,CARRIAGE,1/4-20 X .75,G2 .....	
8	6091GT	NUT,NYLOCK,1/4-20 .....	
9	78622GT	FILTER ASSY,SAE8,10 MIC,PAPR** .....	1
9-	44788GT	FILTER ELEMENT,10MICRON,PAPER* .....	
10	12906GT	WASHER,FENDER,.25 X 1.25 X.062 .....	
11	9116GT	BOLT, CARRIAGE, 1/4-20 X 1.25, G2 .....	
14	96905GT	BOLT,CARRIAGE,1/4-20 X 2.5,G2 .....	
15	6357GT	NUT,HEX,1/4-20 .....	
16	104090GT	FORMING,ENGINE GUARD .....	1
17	8516GT	SCREW, HCC, 3/8-16 X 1.50 .....	
19		Ref. Engine (refer to 303.1, 304.1 and 305.1) .....	
20		Ref. Pulley Cover .....	
		(refer to 305.1)	
21		Ref. Isolator .....	
		(refer to 305.1)	
22	99832GT	FORMING,ENGINE MOUNT .....	1
23	104733GT	ALTERNATOR COVER SUPPORT .....	1
		(replaced 104149)	
24	99833GT	FORMING,ALTERNATOR MOUNT .....	1
		(to SN TZ5005-172)	
25	6090GT	SCREW,HHC,1/4-20 X .75 .....	

302.1 Turntable Components - View 2



Item	Part No.	Description	Qty.
26	56912GT	SPRING CLIP,1/4-20,.025-.15X.5 .....	
27		Ref. Alternator Cover .....	
		(refer to 305.1)	
28	104127GT	FORMING,PINION GUARD .....	1
29	99730GT	PLATE,SLEW MOTOR SPACER .....	1
30	104328GT	NUT,HEX,1/2-13 GRD 8 .....	4
31	6033GT	WASHER,LOCK,0.5" .....	
32	104236GT	MOTOR,TURNTABLE ROT,W/BRAKE .....	1
32-	104482GT	SEAL KIT,MOTOR/BRAKE,104236*** .....	
33	48143GT	GEAR,PINION,TMZ50 *SHOP .....	1
34	6198GT	NUT,NYLOCK,1/2-13 .....	
35	54177GT	SCREW,HHC,1/2-13 X 1.5 GRD 8 .....	
36	99784GT	TANK,HYDRAULIC,4.75 GAL .....	1
36	104570GT	GROMMET,RUBBER .688 X .25 X 1 .....	2
36	56022GT	PLUG,3/4 MAGNETIC PIPE SQ.DRV .....	
37		Ref. Side Light Assembly .....	
		(refer to 301.1)	
38	99724GT	FORMING,SWING CHASSIS TRAY,LT .....	1
39	42019GT	TANK BREATHER,NYLON ** .....	1
40	6606GT	SCREW,RHM,10-32 X .75 .....	
41	45470GT	CLAMP,0.31,#5 X 1/4,RUB CUSH .....	1
42	6178GT	NUT, NYLOCK, 10-32 .....	
43	6146GT	WASHER,FLAT,MS,#10,Y .....	
44	24649GT	GROMMET,RUBBER 1.5 X .25 X 2 .....	1
45	45363GT	LATCH,FLEXIBLE .....	1
		(does not include keeper latch and rivets)	
45	75076GT	KEEPER,LATCH (45363) .....	
45	39579GT	RIVET,STL,STL,.188 X .45 .....	
46	6145GT	SCREW,HHC,1/4-20 X 1.5 .....	
48	66397GT	QUICK DISCONNECT CASING,BATT** .....	1
49		Ref. Battery Charger (refer to 306.1) .....	

302.1 Turntable Components - View 2



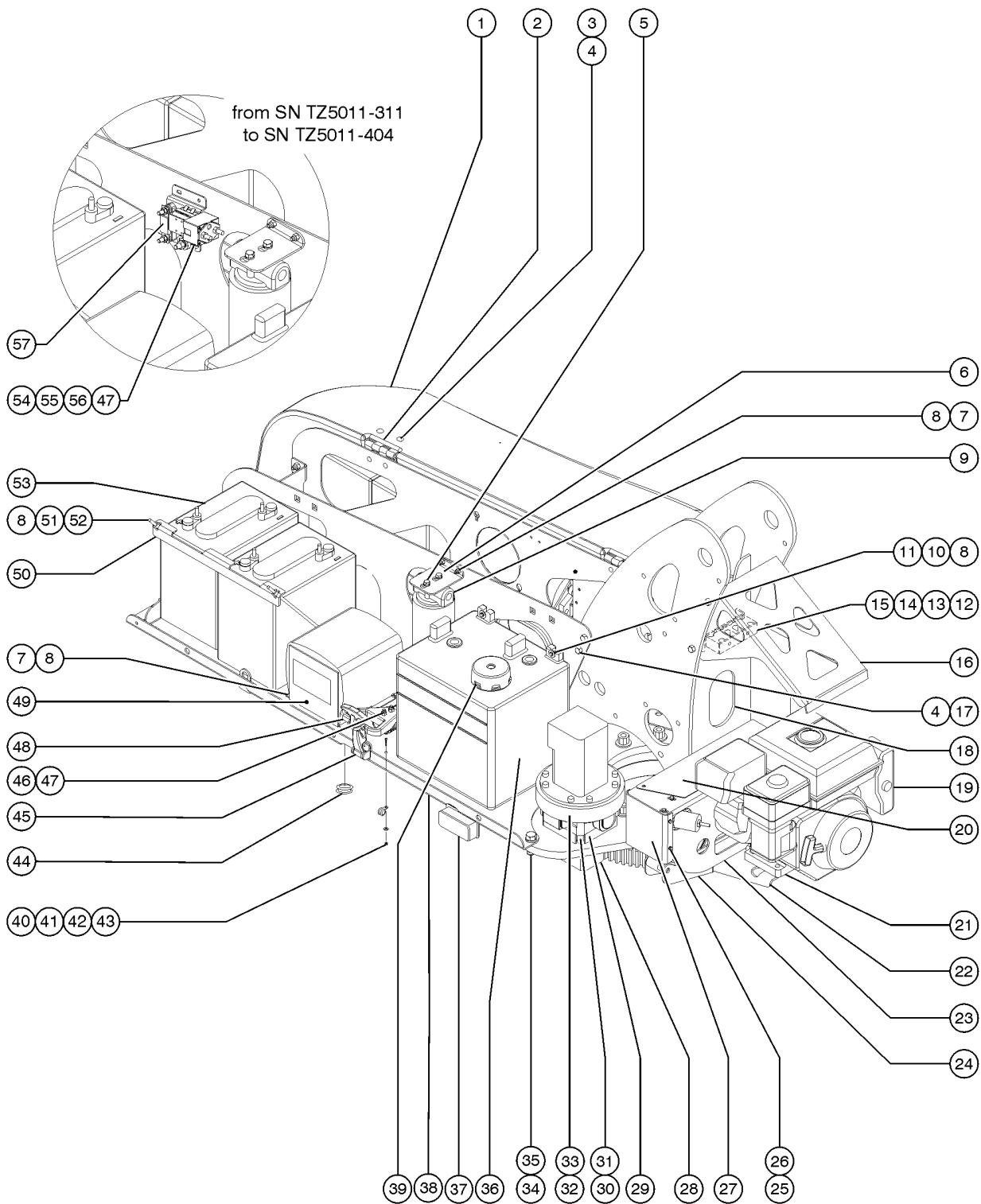


<i>Item</i>	<i>Part No.</i>	<i>Description</i>	<i>Qty.</i>
50	99729GT	FORMING,BATTERY HOLD DOWN .....	1
51	6638GT	WASHER,FLAT,USS,1/4"Y .....	
52	99829GT	HOOK,BATTERY HOLD DOWN 12.75" .....	2
53		Ref. Battery (refer to 301.1) .....	



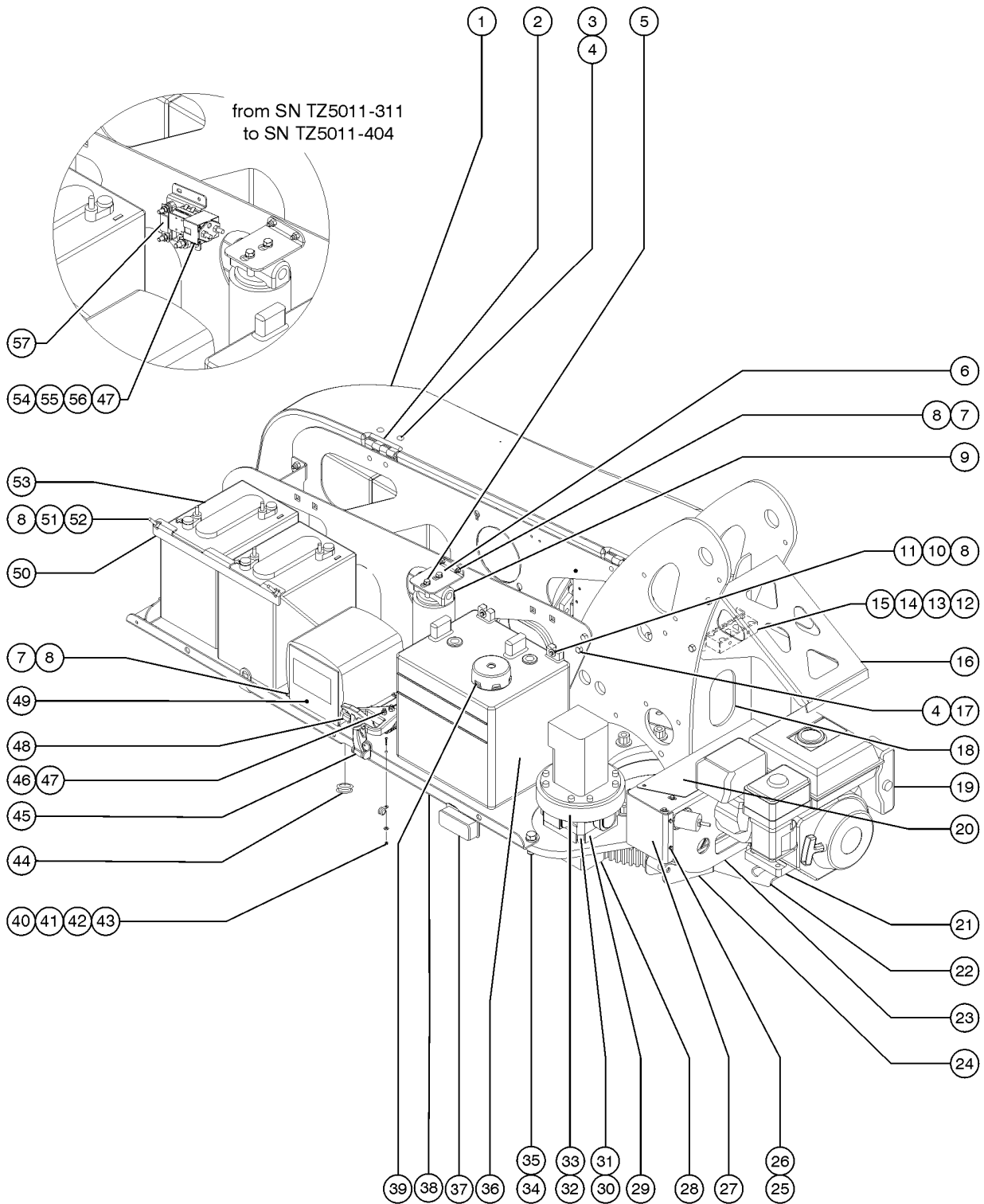
Item	Part No.	Description	Qty.
A	1289561GT	BRACKET, TELEMATICS .....	
A	1289520GT	MODULE, TELEMATICS, ZTR, M7, NORTH AMERICA .....	
1	84602GT	TURNTABLE COVER ASSY W/WORD,RH ANSI, CSA and Australia .....	1
1B	84603GT	TURNTABLE COVER ASSY W/WORD,RT CE, Asia and South America .....	
1C	97329GT	RIGHT BRACKET ASSY. W. WORD D. ANSI, CSA and Australia .....	
1D	97330GT	RIGHT BRACKET ASSY. W. SYM. D. CE, Asia and South America .....	
2	55517GT	HINGE, GSRT90 BOX .....	2
3	73466GT	BOLT,CARRIAGE,3/8-16 X 1.00,G2 .....	
4	4828GT	NUT,NYLOCK,3/8-16 .....	
5	7339GT	SCREW,HHC,1/4-20 X .5 .....	
6	99728GT	FORMING,FILTER MOUNT .....	1
7	6878GT	BOLT,CARRIAGE,1/4-20 X .75,G2 .....	
8	6091GT	NUT,NYLOCK,1/4-20 .....	
9	78622GT	FILTER ASSY,SAE8,10 MIC,PAPR** .....	1
9-	44788GT	FILTER ELEMENT,10MICRON,PAPER* .....	
10	12906GT	WASHER,FENDER,.25 X 1.25 X.062 .....	
11	9116GT	BOLT, CARRIAGE, 1/4-20 X 1.25, G2 .....	
12	104671GT	BLOCK,6 HOSE,5 CABLE CLAMP (from SN TZ5005-214) .....	1
13	104672GT	PLATE,HOSE CLAMP (from SN TZ5005-214) .....	1
14	96905GT	BOLT,CARRIAGE,1/4-20 X 2.5,G2 .....	
15	6357GT	NUT,HEX,1/4-20 .....	
16	104090GT	FORMING,ENGINE GUARD .....	1
17	8516GT	SCREW, HCC, 3/8-16 X 1.50 .....	
18	104677GT	GROMMET,4X.25X4.625 (from SN TZ5005-214) .....	1
19		Ref. Engine (refer to 303.1, 304.1 and 305.1) .....	
20		Ref. Pulley Cover (refer to 305.1) .....	
21		Ref. Isolator (refer to 305.1) .....	
22	99832GT	FORMING,ENGINE MOUNT .....	1

302.2 Turntable Components - View 2



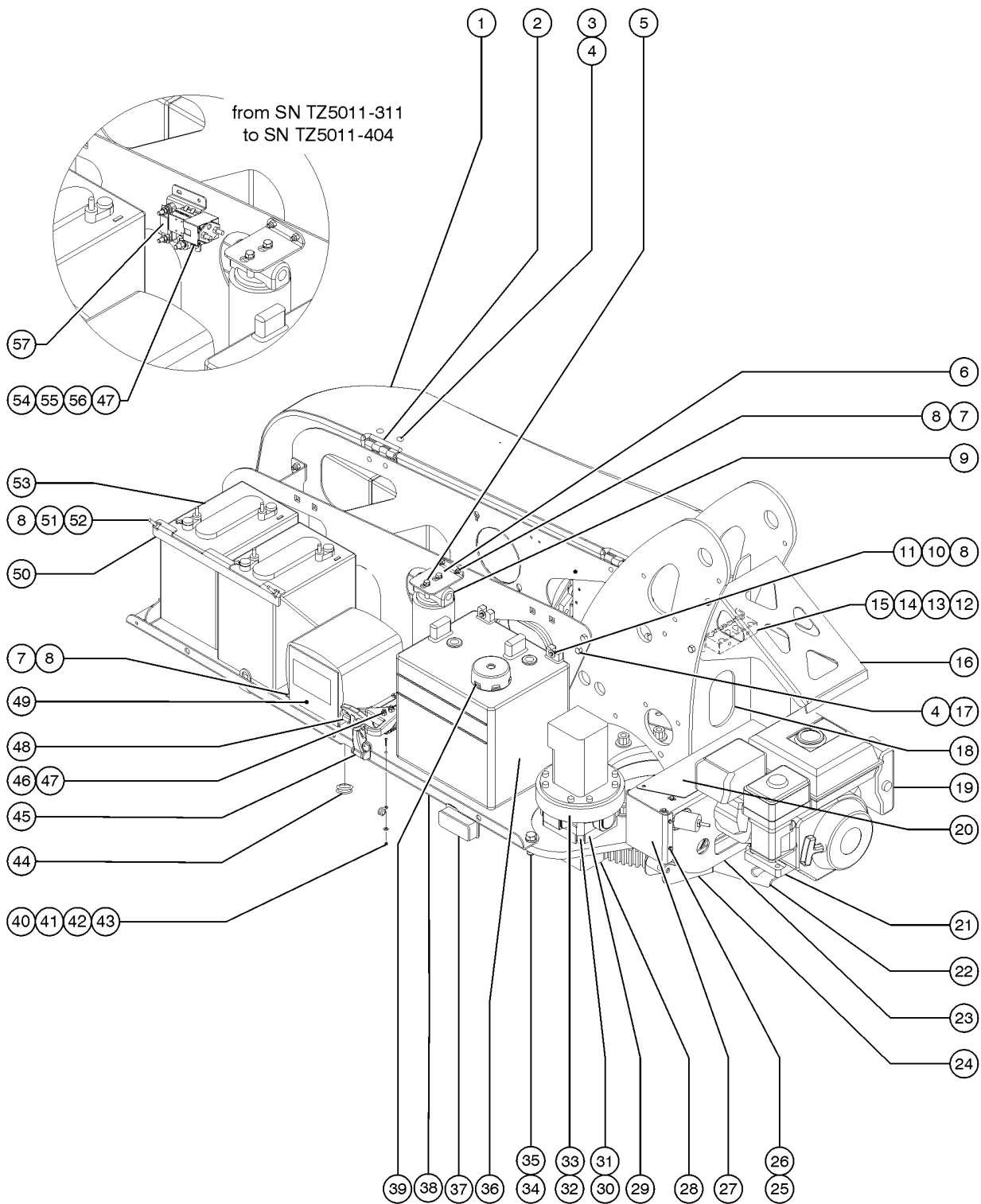
Item	Part No.	Description	Qty.
23	104733GT	ALTERNATOR COVER SUPPORT ..... (replaced 104149)	1
24	99833GT	FORMING,ALTERNATOR MOUNT ..... (to SN TZ5005-172)	
24B	104729GT	BRACKET,ALTERNATOR MOUNT ..... (from SN TZ5005-173)	1
25	6090GT	SCREW,HHC,1/4-20 X .75 .....	
26	56912GT	SPRING CLIP,1/4-20,.025-.15X.5 .....	
27		Ref. Alternator Cover (refer to 305.1) .....	
28	104127GT	FORMING,PINION GUARD .....	1
29	99730GT	PLATE,SLEW MOTOR SPACER .....	1
30	104328GT	NUT,HEX,1/2-13 GRD 8 .....	4
31	6033GT	WASHER,LOCK,0.5" .....	
32	104236GT	MOTOR,TURNTABLE ROT,W/BRAKE .....	1
32-	104482GT	SEAL KIT,MOTOR/BRAKE,104236*** .....	
33	48143GT	GEAR,PINION,TMZ50 *SHOP .....	1
34	6198GT	NUT,NYLOCK,1/2-13 .....	
35	54177GT	SCREW,HHC,1/2-13 X 1.5 GRD 8 .....	
36	99784GT	TANK,HYDRAULIC,4.75 GAL .....	1
36	104570GT	GROMMET,RUBBER .688 X .25 X 1 .....	2
36	56022GT	PLUG,3/4 MAGNETIC PIPE SQ.DRV .....	
37		Ref. Side Light Assembly ..... (refer to 301.1)	
38	99724GT	FORMING,SWING CHASSIS TRAY,LT .....	1
39	42019GT	TANK BREATHER,NYLON ** .....	1
40	6606GT	SCREW,RHM,10-32 X .75 .....	
41	45470GT	CLAMP,0.31,#5 X 1/4,RUB CUSH .....	1
42	6178GT	NUT, NYLOCK, 10-32 .....	
43	6146GT	WASHER,FLAT,MS,#10,Y .....	
44	24649GT	GROMMET,RUBBER 1.5 X .25 X 2 .....	1
45	45363GT	LATCH,FLEXIBLE ..... (does not include keeper latch and rivets)	1
45	75076GT	KEEPER,LATCH (45363) .....	

302.2 Turntable Components - View 2



<i>Item</i>	<i>Part No.</i>	<i>Description</i>	<i>Qty.</i>
45	39579GT	RIVET,STL,STL,.188 X .45 .....	
46	6145GT	SCREW,HHC,1/4-20 X 1.5 .....	
47	6091GT	NUT,NYLOCK,1/4-20 .....	
48	66397GT	QUICK DISCONNECT CASING,BATT** .....	1
49		(refer to 306.1) .....	
50	99729GT	FORMING,BATTERY HOLD DOWN .....	1
51	6638GT	WASHER,FLAT,USS,1/4"Y .....	

302.3 Turntable Components - View 2

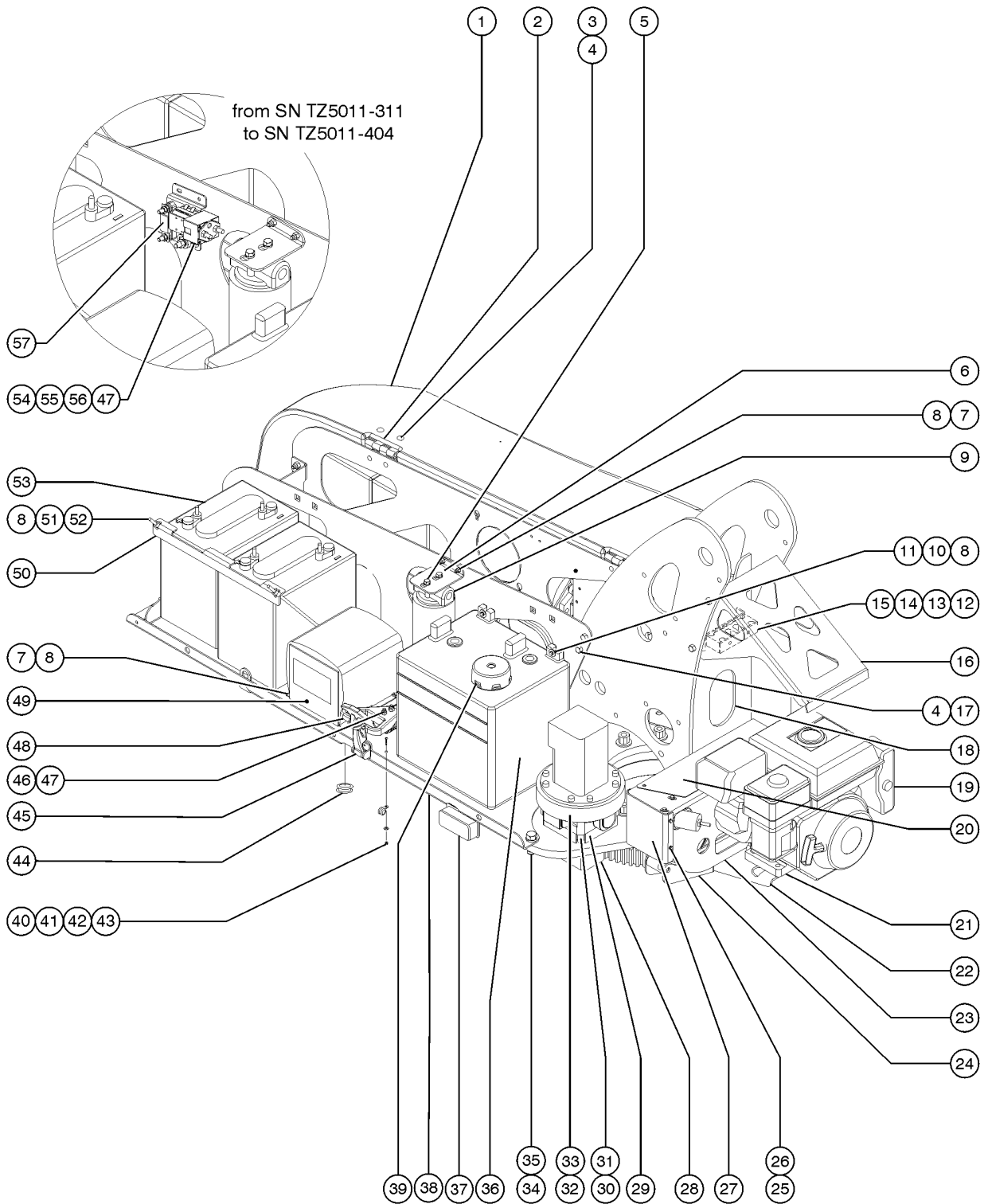




Item	Part No.	Description	Qty.
A	1289561GT	BRACKET, TELEMATICS .....	
A	1289520GT	MODULE, TELEMATICS, ZTR, M7, NORTH AMERICA .....	
1	84602GT	TURNTABLE COVER ASSY W/WORD,RH ANSI, CSA and Australia .....	1
1B	84603GT	TURNTABLE COVER ASSY W/WORD,RT CE, Asia and South America .....	
1C	97329GT	RIGHT BRACKET ASSY. W. WORD D. ANSI, CSA and Australia .....	
1D	97330GT	RIGHT BRACKET ASSY. W. SYM. D. CE, Asia and South America .....	
2	55517GT	HINGE, GSRT90 BOX .....	2
3	73466GT	BOLT,CARRIAGE,3/8-16 X 1.00,G2 .....	
4	4828GT	NUT,NYLOCK,3/8-16 .....	
5	7339GT	SCREW,HHC,1/4-20 X .5 .....	
6	99728GT	FORMING,FILTER MOUNT .....	1
7	6878GT	BOLT,CARRIAGE,1/4-20 X .75,G2 .....	
8	6091GT	NUT,NYLOCK,1/4-20 .....	
9	78622GT	FILTER ASSY,SAE8,10 MIC,PAPR** .....	1
9-	44788GT	FILTER ELEMENT,10MICRON,PAPER* .....	
10	12906GT	WASHER,FENDER,.25 X 1.25 X.062 .....	
11	9116GT	BOLT, CARRIAGE, 1/4-20 X 1.25, G2 .....	
12	104671GT	BLOCK,6 HOSE,5 CABLE CLAMP .....	
13	104672GT	PLATE,HOSE CLAMP .....	
14	96905GT	BOLT,CARRIAGE,1/4-20 X 2.5,G2 .....	
15	6357GT	NUT,HEX,1/4-20 .....	
16	104090GT	FORMING,ENGINE GUARD .....	1
17	8516GT	SCREW, HCC, 3/8-16 X 1.50 .....	
18	104677GT	GROMMET,4X.25X4.625 .....	
19		Ref. Engine (refer to 303.1, 304.1 and 305.1) .....	
20		Ref. Pulley Cover (refer to 305.1) .....	
21		Ref. Isolator (refer to 305.1) .....	
22	99832GT	FORMING,ENGINE MOUNT .....	1

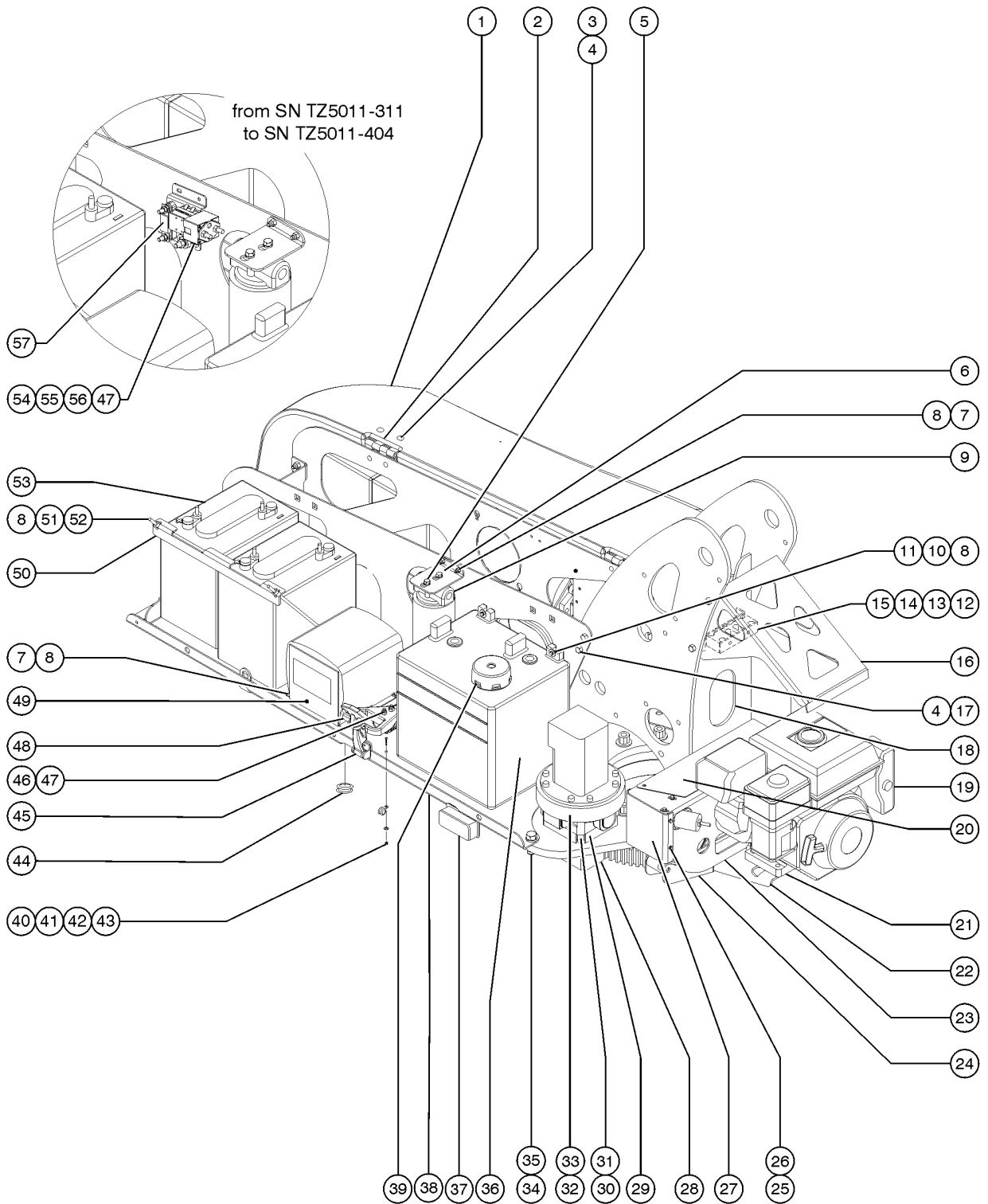


302.3 Turntable Components - View 2



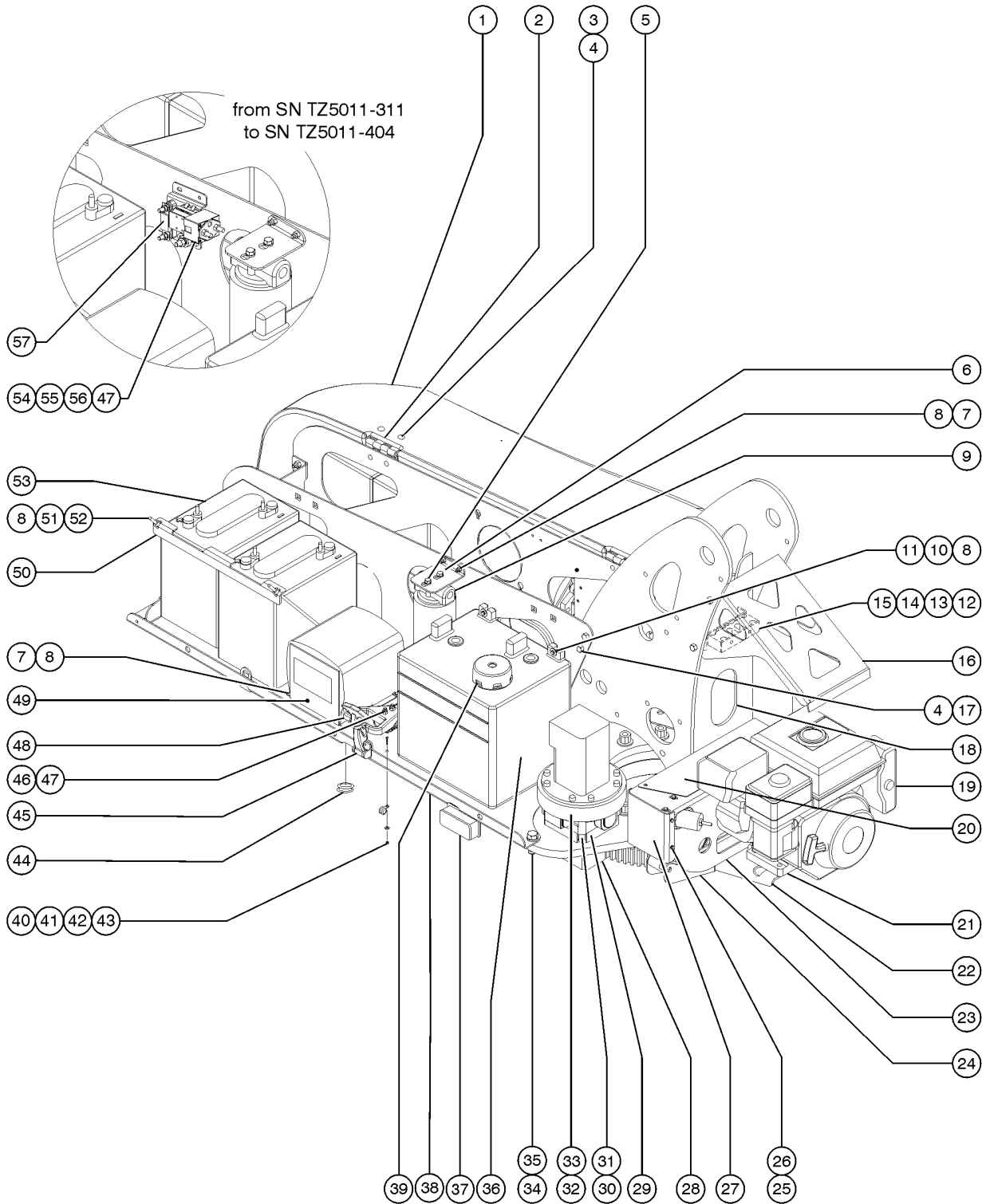
Item	Part No.	Description	Qty.
23	104733GT	ALTERNATOR COVER SUPPORT ..... (replaced 104149)	1
24	99833GT	FORMING,ALTERNATOR MOUNT ..... (to SN TZ5005-172)	
24B	104729GT	BRACKET,ALTERNATOR MOUNT ..... (from SN TZ5005-173)	1
25	6090GT	SCREW,HHC,1/4-20 X .75 .....	
26	56912GT	SPRING CLIP,1/4-20,.025-.15X.5 .....	
27		Ref. Alternator Cover ..... (refer to 305.1)	
28	104127GT	FORMING,PINION GUARD .....	1
29	99730GT	PLATE,SLEW MOTOR SPACER .....	1
30	104328GT	NUT,HEX,1/2-13 GRD 8 .....	4
31	6033GT	WASHER,LOCK,0.5" .....	
32	104236GT	MOTOR,TURNTABLE ROT,W/BRAKE .....	1
32-	104482GT	SEAL KIT,MOTOR/BRAKE,104236*** .....	
33	48143GT	GEAR,PINION,TMZ50 *SHOP .....	1
34	6198GT	NUT,NYLOCK,1/2-13 .....	
35	54177GT	SCREW,HHC,1/2-13 X 1.5 GRD 8 .....	
36	99784GT	TANK,HYDRAULIC,4.75 GAL .....	1
36	104570GT	GROMMET,RUBBER .688 X .25 X 1 .....	2
36	56022GT	PLUG,3/4 MAGNETIC PIPE SQ.DRV .....	
37		Ref. Side Light Assembly ..... (refer to 301.1)	
38	99724GT	FORMING,SWING CHASSIS TRAY,LT .....	1
39	42019GT	TANK BREATHER,NYLON ** .....	1
40	6606GT	SCREW,RHM,10-32 X .75 .....	
41	45470GT	CLAMP,0.31,#5 X 1/4,RUB CUSH .....	1
42	6178GT	NUT, NYLOCK, 10-32 .....	
43	6146GT	WASHER,FLAT,MS,#10,Y .....	
44	24649GT	GROMMET,RUBBER 1.5 X .25 X 2 .....	1
45	45363GT	LATCH,FLEXIBLE ..... (does not include keeper latch and rivets)	1
45	75076GT	KEEPER,LATCH (45363) .....	

302.3 Turntable Components - View 2



<i>Item</i>	<i>Part No.</i>	<i>Description</i>	<i>Qty.</i>
45	39579GT	RIVET,STL,STL,.188 X .45 .....	
46	6145GT	SCREW,HHC,1/4-20 X 1.5 .....	
47	6091GT	NUT,NYLOCK,1/4-20 .....	
48	66397GT	QUICK DISCONNECT CASING,BATT** .....	1
49		Ref. Battery Charger .....	
		(refer to 306.1)	
50	99729GT	FORMING,BATTERY HOLD DOWN .....	1
51	6638GT	WASHER,FLAT,USS,1/4"Y .....	
52	99829GT	HOOK,BATTERY HOLD DOWN 12.75" .....	2
53		Ref. Battery .....	
		(refer to 301.1)	

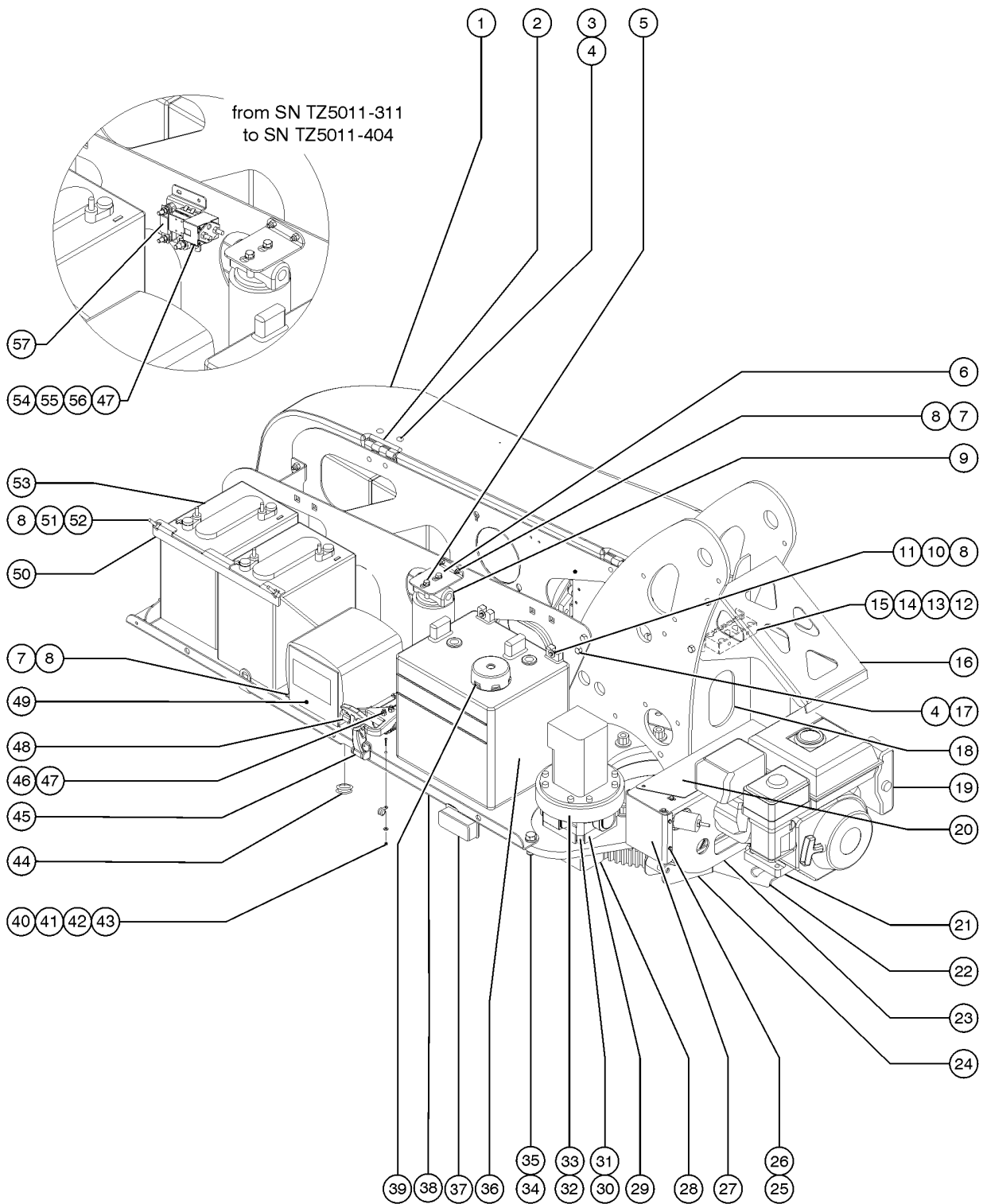
302.4 Turntable Components - View 2



Item	Part No.	Description	Qty.
A	1289561GT	BRACKET, TELEMATICS .....	
A	1289520GT	MODULE, TELEMATICS, ZTR, M7, NORTH AMERICA .....	
1	84602GT	TURNTABLE COVER ASSY W/WORD,RH ANSI, CSA and Australia .....	1
1B	84603GT	TURNTABLE COVER ASSY W/WORD,RT CE, Asia and South America .....	
1C	97329GT	RIGHT BRACKET ASSY. W. WORD D. ANSI, CSA and Australia .....	
1D	97330GT	RIGHT BRACKET ASSY. W. SYM. D. CE, Asia and South America .....	
2	55517GT	HINGE, GSRT90 BOX .....	2
3	73466GT	BOLT,CARRIAGE,3/8-16 X 1.00,G2 .....	
4	4828GT	NUT,NYLOCK,3/8-16 .....	
5	7339GT	SCREW,HHC,1/4-20 X .5 .....	
6	99728GT	FORMING,FILTER MOUNT .....	1
7	6878GT	BOLT,CARRIAGE,1/4-20 X .75,G2 .....	
8	6091GT	NUT,NYLOCK,1/4-20 .....	
9	78622GT	FILTER ASSY,SAE8,10 MIC,PAPR** .....	1
9-	44788GT	FILTER ELEMENT,10MICRON,PAPER* .....	
10	12906GT	WASHER,FENDER,.25 X 1.25 X.062 .....	
11	9116GT	BOLT, CARRIAGE, 1/4-20 X 1.25, G2 .....	
12	104671GT	BLOCK,6 HOSE,5 CABLE CLAMP .....	
13	104672GT	PLATE,HOSE CLAMP .....	
14	96905GT	BOLT,CARRIAGE,1/4-20 X 2.5,G2 .....	
15	6357GT	NUT,HEX,1/4-20 .....	
16	104090GT	FORMING,ENGINE GUARD .....	1
17	8516GT	SCREW, HCC, 3/8-16 X 1.50 .....	
18	104677GT	GROMMET,4X.25X4.625 .....	
19		Ref. Engine (refer to 303.1, 304.1 and 305.1) .....	
20		Ref. Pulley Cover (refer to 305.1) .....	
21		Ref. Isolator (refer to 305.1) .....	
22	99832GT	FORMING,ENGINE MOUNT .....	1



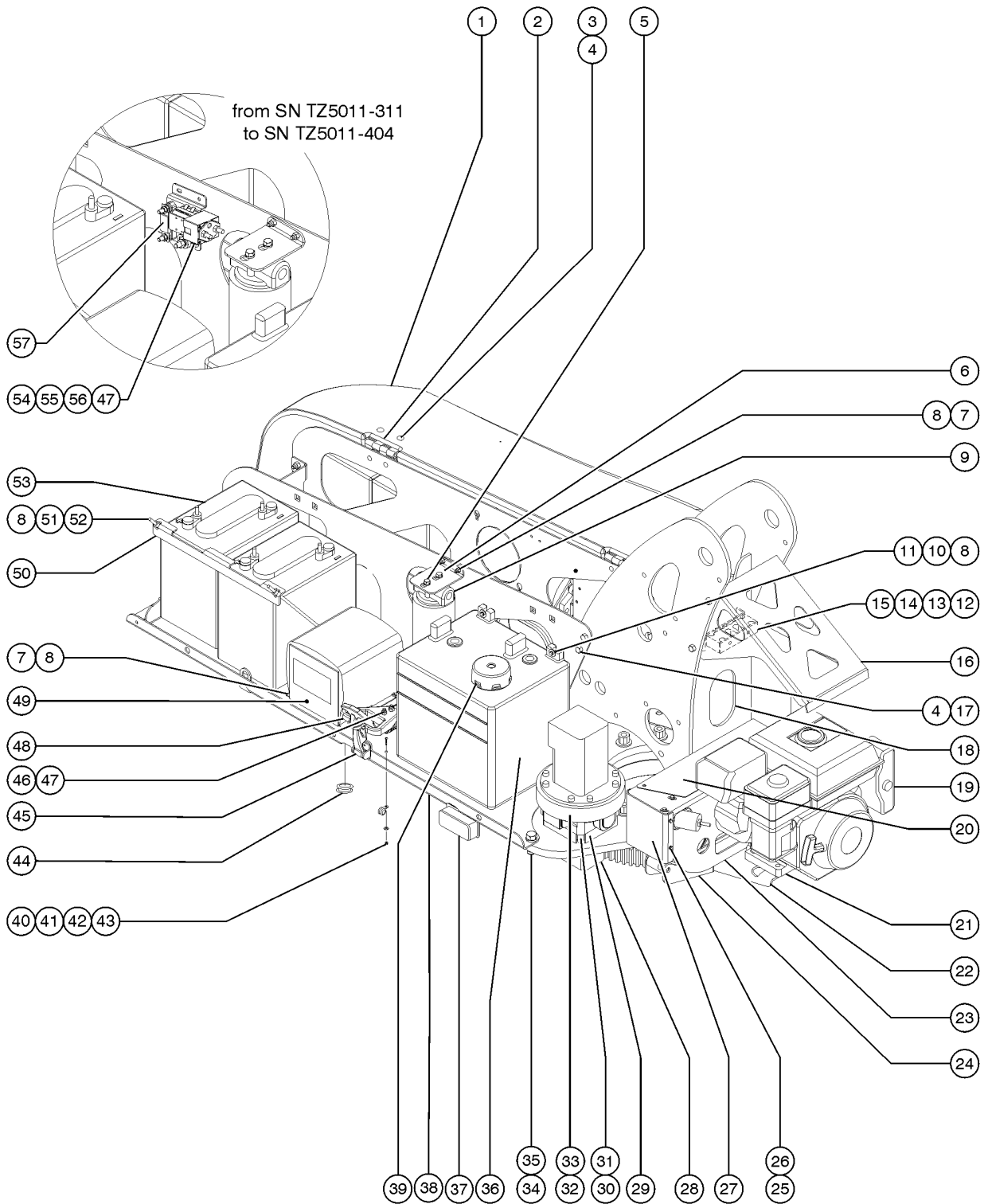
302.4 Turntable Components - View 2





Item	Part No.	Description	Qty.
23	104733GT	ALTERNATOR COVER SUPPORT ..... (replaced 104149)	1
24	99833GT	FORMING,ALTERNATOR MOUNT ..... (to SN TZ5005-172)	
24B	104729GT	BRACKET,ALTERNATOR MOUNT ..... (from SN TZ5005-173)	1
25	6090GT	SCREW,HHC,1/4-20 X .75 .....	
26	56912GT	SPRING CLIP,1/4-20,.025-.15X.5 .....	
27		Ref. Alternator Cover ..... (refer to 305.1)	
28	104127GT	FORMING,PINION GUARD .....	1
29	99730GT	PLATE,SLEW MOTOR SPACER .....	1
30	104328GT	NUT,HEX,1/2-13 GRD 8 .....	4
31	6033GT	WASHER,LOCK,0.5" .....	
32	104236GT	MOTOR,TURNTABLE ROT,W/BRAKE .....	1
32-	104482GT	SEAL KIT,MOTOR/BRAKE,104236*** .....	
33	48143GT	GEAR,PINION,TMZ50 *SHOP .....	1
34	6198GT	NUT,NYLOCK,1/2-13 .....	
35	54177GT	SCREW,HHC,1/2-13 X 1.5 GRD 8 .....	
36	99784GT	TANK,HYDRAULIC,4.75 GAL .....	1
36	104570GT	GROMMET,RUBBER .688 X .25 X 1 .....	2
36	56022GT	PLUG,3/4 MAGNETIC PIPE SQ.DRV .....	
37		Ref. Side Light Assembly ..... (refer to 301.1)	
38	99724GT	FORMING,SWING CHASSIS TRAY,LT .....	1
39	42019GT	TANK BREATHER,NYLON ** .....	1
40	6606GT	SCREW,RHM,10-32 X .75 .....	
41	45470GT	CLAMP,0.31,#5 X 1/4,RUB CUSH .....	1
42	6178GT	NUT, NYLOCK, 10-32 .....	
43	6146GT	WASHER,FLAT,MS,#10,Y .....	
44	24649GT	GROMMET,RUBBER 1.5 X .25 X 2 .....	1
45	45363GT	LATCH,FLEXIBLE ..... (does not include keeper latch and rivets)	1
45	75076GT	KEEPER,LATCH (45363) .....	

302.4 Turntable Components - View 2



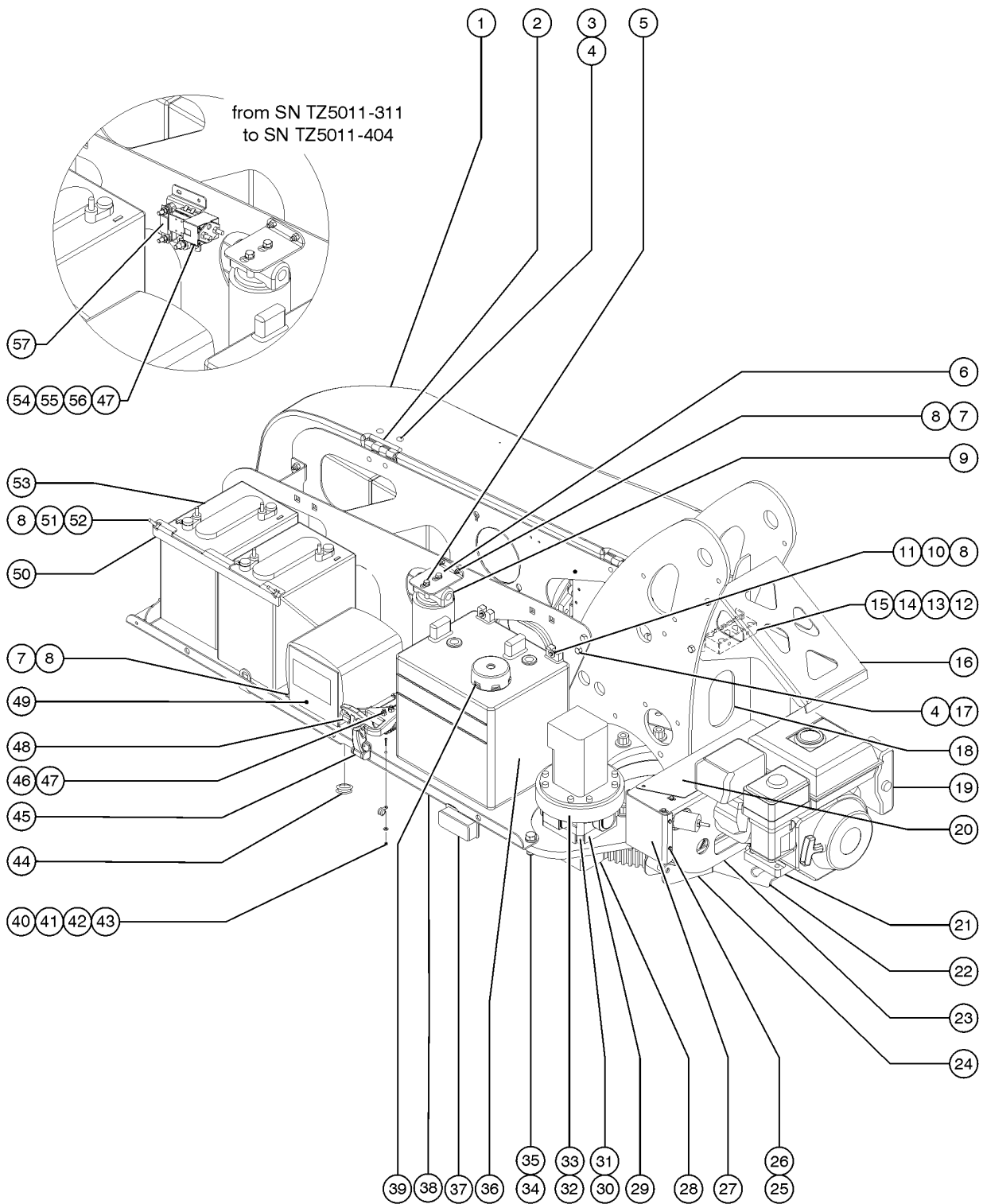
<i>Item</i>	<i>Part No.</i>	<i>Description</i>	<i>Qty.</i>
45	39579GT	RIVET,STL,STL,.188 X .45 .....	
46	6145GT	SCREW,HHC,1/4-20 X 1.5 .....	
47	6091GT	NUT,NYLOCK,1/4-20 .....	
48	66397GT	QUICK DISCONNECT CASING,BATT** .....	1
49		Ref. Battery Charger .....	
		(refer to 306.1)	
50	99729GT	FORMING,BATTERY HOLD DOWN .....	1
51	6638GT	WASHER,FLAT,USS,1/4"Y .....	
52	99829GT	HOOK,BATTERY HOLD DOWN 12.75" .....	2
53		Ref. Battery .....	
		(refer to 301.1)	



Item	Part No.	Description	Qty.
A	1289561GT	BRACKET, TELEMATICS .....	
A	1289520GT	MODULE, TELEMATICS, ZTR, M7, NORTH AMERICA .....	
1	84602GT	TURNTABLE COVER ASSY W/WORD,RH ANSI, CSA and Australia .....	1
1B	84603GT	TURNTABLE COVER ASSY W/WORD,RT CE, Asia and South America .....	
1C	97329GT	RIGHT BRACKET ASSY. W. WORD D. ANSI, CSA and Australia .....	
1D	97330GT	RIGHT BRACKET ASSY. W. SYM. D. CE, Asia and South America .....	
2	55517GT	HINGE, GSRT90 BOX .....	2
3	73466GT	BOLT,CARRIAGE,3/8-16 X 1.00,G2 .....	
4	4828GT	NUT,NYLOCK,3/8-16 .....	
5	7339GT	SCREW,HHC,1/4-20 X .5 .....	
6	99728GT	FORMING,FILTER MOUNT .....	1
7	6878GT	BOLT,CARRIAGE,1/4-20 X .75,G2 .....	
8	6091GT	NUT,NYLOCK,1/4-20 .....	
9	78622GT	FILTER ASSY,SAE8,10 MIC,PAPR** .....	1
9-	44788GT	FILTER ELEMENT,10MICRON,PAPER* .....	
10	12906GT	WASHER,FENDER,.25 X 1.25 X.062 .....	
11	9116GT	BOLT, CARRIAGE, 1/4-20 X 1.25, G2 .....	
12	104671GT	BLOCK,6 HOSE,5 CABLE CLAMP .....	
13	104672GT	PLATE,HOSE CLAMP .....	
14	96905GT	BOLT,CARRIAGE,1/4-20 X 2.5,G2 .....	
15	6357GT	NUT,HEX,1/4-20 .....	
16	104090GT	FORMING,ENGINE GUARD .....	1
17	8516GT	SCREW, HCC, 3/8-16 X 1.50 .....	
18	104677GT	GROMMET,4X.25X4.625 .....	
19		Ref. Engine (refer to 303.1, 304.1 and 305.1) .....	
20		Ref. Pulley Cover (refer to 305.1) .....	
21		Ref. Isolator (refer to 305.1) .....	
22	99832GT	FORMING,ENGINE MOUNT .....	1

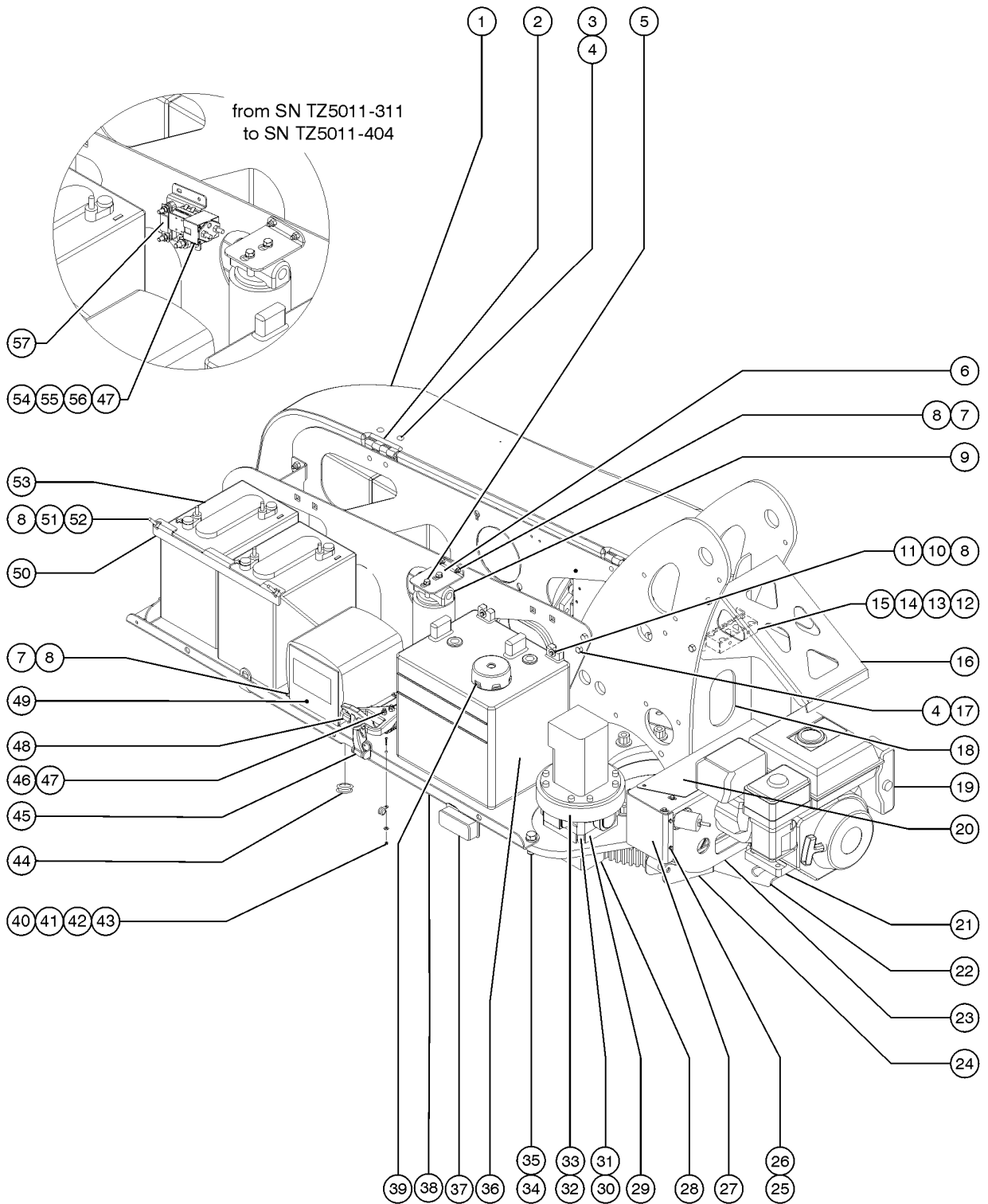


302.5 Turntable Components - View 2



Item	Part No.	Description	Qty.
23	104733GT	ALTERNATOR COVER SUPPORT ..... (replaced 104149)	1
24	99833GT	FORMING,ALTERNATOR MOUNT ..... (to SN TZ5005-172)	1
24B	104729GT	BRACKET,ALTERNATOR MOUNT ..... (from SN TZ5005-173)	
25	6090GT	SCREW,HHC,1/4-20 X .75 .....	
26	56912GT	SPRING CLIP,1/4-20,.025-.15X.5 .....	
27		Ref. Alternator Cover ..... (refer to 305.1)	
28	104127GT	FORMING,PINION GUARD .....	1
29	99730GT	PLATE,SLEW MOTOR SPACER .....	1
30	104328GT	NUT,HEX,1/2-13 GRD 8 .....	4
31	6033GT	WASHER,LOCK,0.5" .....	
32	104236GT	MOTOR,TURNTABLE ROT,W/BRAKE .....	1
32-	104482GT	SEAL KIT,MOTOR/BRAKE,104236*** .....	
33	48143GT	GEAR,PINION,TMZ50 *SHOP .....	1
34	6198GT	NUT,NYLOCK,1/2-13 .....	
35	54177GT	SCREW,HHC,1/2-13 X 1.5 GRD 8 .....	
36	99784GT	TANK,HYDRAULIC,4.75 GAL .....	1
36	104570GT	GROMMET,RUBBER .688 X .25 X 1 .....	2
36	56022GT	PLUG,3/4 MAGNETIC PIPE SQ.DRV .....	
37		Ref. Side Light Assembly ..... (refer to 301.1)	
38	99724GT	FORMING,SWING CHASSIS TRAY,LT .....	1
39	42019GT	TANK BREATHER,NYLON ** .....	1
40	6606GT	SCREW,RHM,10-32 X .75 .....	
41	45470GT	CLAMP,0.31,#5 X 1/4,RUB CUSH .....	1
42	6178GT	NUT, NYLOCK, 10-32 .....	
43	6146GT	WASHER,FLAT,MS,#10,Y .....	
44	24649GT	GROMMET,RUBBER 1.5 X .25 X 2 .....	1
45	45363GT	LATCH,FLEXIBLE ..... (does not include keeper latch and rivets)	1
45	75076GT	KEEPER,LATCH (45363) .....	

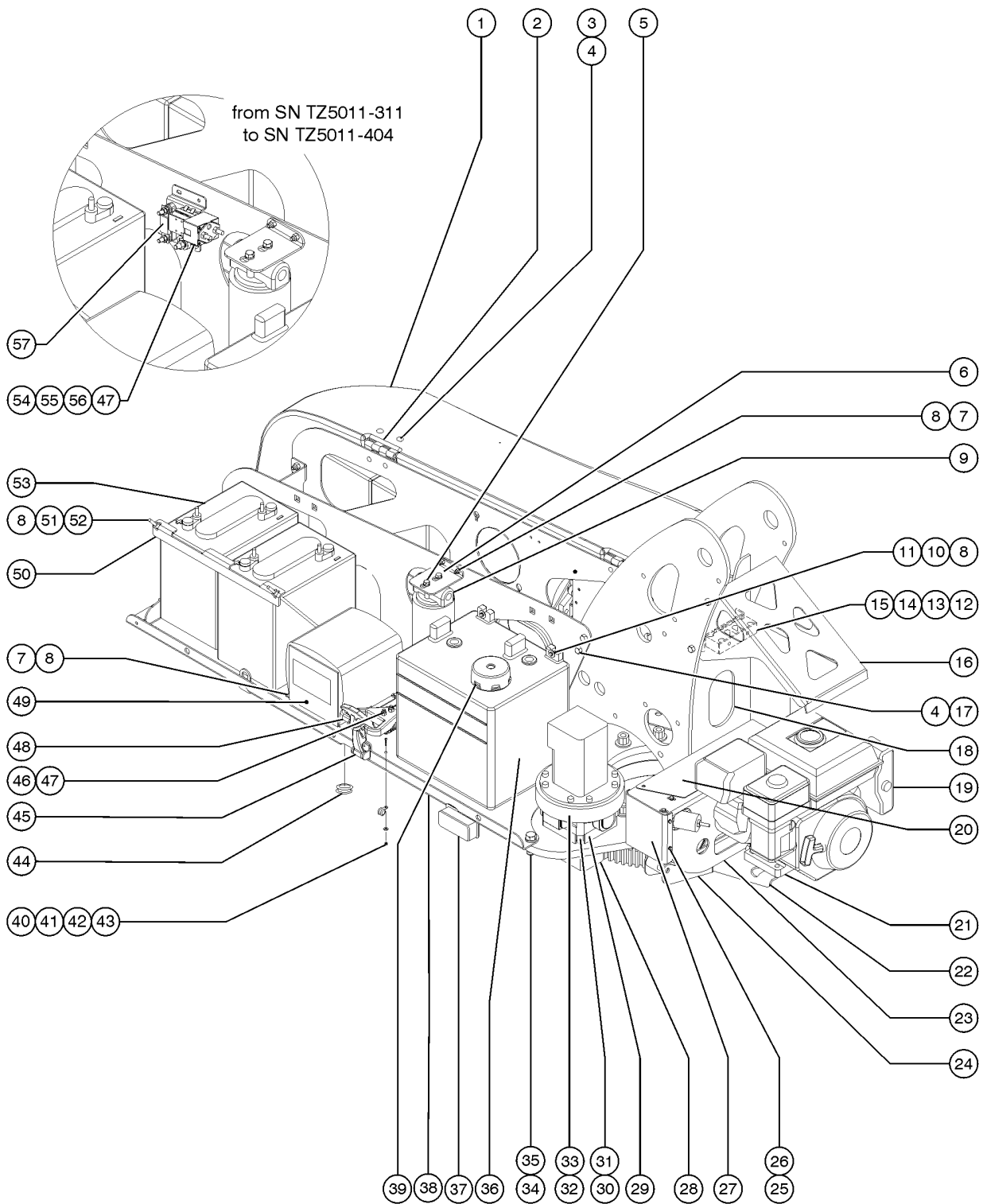
302.5 Turntable Components - View 2





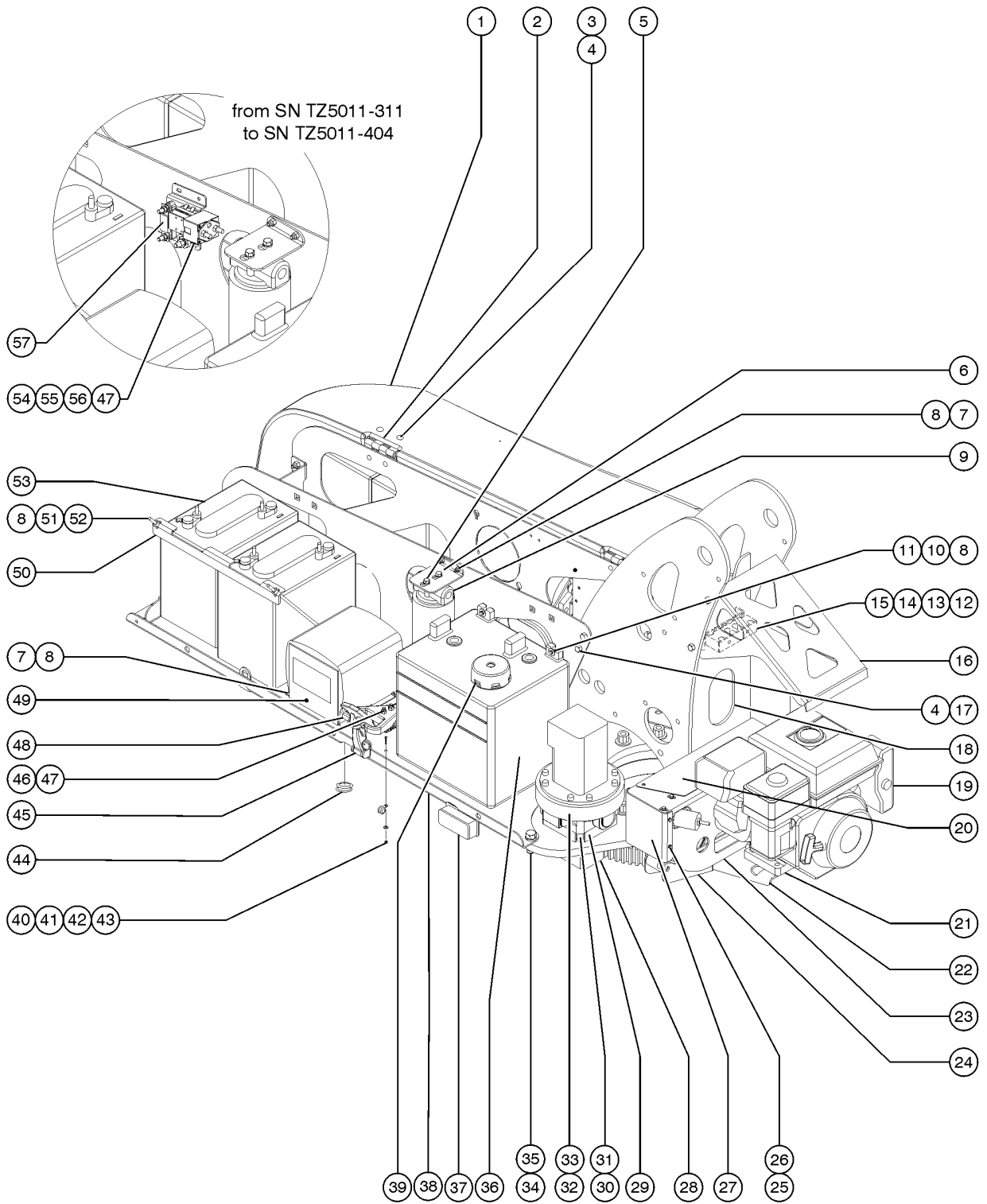
<i>Item</i>	<i>Part No.</i>	<i>Description</i>	<i>Qty.</i>
45	39579GT	RIVET,STL,STL,.188 X .45 .....	
46	6145GT	SCREW,HHC,1/4-20 X 1.5 .....	
47	6091GT	NUT,NYLOCK,1/4-20 .....	
48	66397GT	QUICK DISCONNECT CASING,BATT** .....	1
49		Ref. Battery Charger .....	
		(refer to 306.1)	
50	99729GT	FORMING,BATTERY HOLD DOWN .....	1
51	6638GT	WASHER,FLAT,USS,1/4"Y .....	
52	99829GT	HOOK,BATTERY HOLD DOWN 12.75" .....	2
53		Ref. Battery .....	
		(refer to 301.1)	

302.61 Turntable Components - View 2



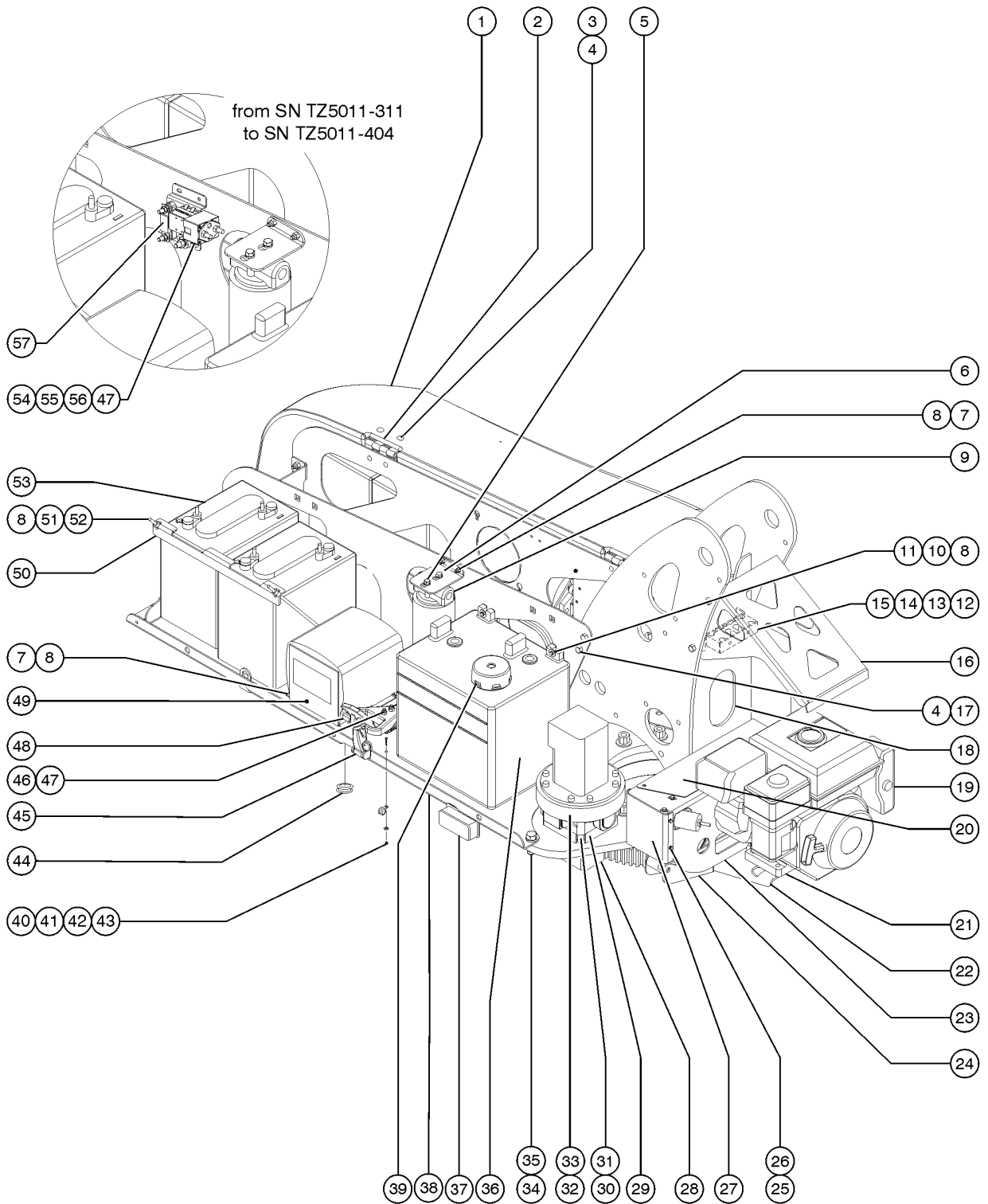
Item	Part No.	Description	Qty.
A	1289561GT	BRACKET, TELEMATICS .....	
A	1289520GT	MODULE, TELEMATICS, ZTR, M7, NORTH AMERICA .....	
1	84602GT	TURNTABLE COVER ASSY W/WORD,RH ANSI, CSA and Australia .....	1
1B	84603GT	TURNTABLE COVER ASSY W/WORD,RT CE, Asia and South America .....	
1C	97329GT	RIGHT BRACKET ASSY. W. WORD D. ANSI, CSA and Australia .....	
1D	97330GT	RIGHT BRACKET ASSY. W. SYM. D. CE, Asia and South America .....	
2	55517GT	HINGE, GSRT90 BOX .....	2
3	73466GT	BOLT,CARRIAGE,3/8-16 X 1.00,G2 .....	
4	4828GT	NUT,NYLOCK,3/8-16 .....	
5	7339GT	SCREW,HHC,1/4-20 X .5 .....	
6	99728GT	FORMING,FILTER MOUNT .....	1
7	6878GT	BOLT,CARRIAGE,1/4-20 X .75,G2 .....	
8	6091GT	NUT,NYLOCK,1/4-20 .....	
9	78622GT	FILTER ASSY,SAE8,10 MIC,PAPR** .....	1
9-	44788GT	FILTER ELEMENT,10MICRON,PAPER* .....	
10	12906GT	WASHER,FENDER,.25 X 1.25 X.062 .....	
11	9116GT	BOLT, CARRIAGE, 1/4-20 X 1.25, G2 .....	
12	104671GT	BLOCK,6 HOSE,5 CABLE CLAMP .....	
13	104672GT	PLATE,HOSE CLAMP .....	
14	96905GT	BOLT,CARRIAGE,1/4-20 X 2.5,G2 .....	
15	6357GT	NUT,HEX,1/4-20 .....	
16	104090GT	FORMING,ENGINE GUARD .....	1
17	8516GT	SCREW, HCC, 3/8-16 X 1.50 .....	
18	104677GT	GROMMET,4X.25X4.625 .....	
19		Ref. Engine (refer to 303.1, 304.1 and 305.1) .....	
20		Ref. Pulley Cover (refer to 305.1) .....	
21		Ref. Isolator (refer to 305.1) .....	
22	99832GT	FORMING,ENGINE MOUNT .....	1

302.61 Turntable Components - View 2



Item	Part No.	Description	Qty.
23	104733GT	ALTERNATOR COVER SUPPORT ..... (replaced 104149)	1
24	99833GT	FORMING,ALTERNATOR MOUNT ..... (to SN TZ5005-172)	1
24B	104729GT	BRACKET,ALTERNATOR MOUNT ..... (from SN TZ5005-173)	
25	6090GT	SCREW,HHC,1/4-20 X .75 .....	
26	56912GT	SPRING CLIP,1/4-20,.025-.15X.5 .....	
27		Ref. Alternator Cover ..... (refer to 305.1)	
28	104127GT	FORMING,PINION GUARD .....	1
29	99730GT	PLATE,SLEW MOTOR SPACER .....	1
30	104328GT	NUT,HEX,1/2-13 GRD 8 .....	4
31	6033GT	WASHER,LOCK,0.5" .....	
32	104236GT	MOTOR,TURNTABLE ROT,W/BRAKE .....	1
32-	104482GT	SEAL KIT,MOTOR/BRAKE,104236*** .....	
33	48143GT	GEAR,PINION,TMZ50 *SHOP .....	1
34	6198GT	NUT,NYLOCK,1/2-13 .....	
35	54177GT	SCREW,HHC,1/2-13 X 1.5 GRD 8 .....	
36	99784GT	TANK,HYDRAULIC,4.75 GAL .....	1
36	104570GT	GROMMET,RUBBER .688 X .25 X 1 .....	2
36	56022GT	PLUG,3/4 MAGNETIC PIPE SQ.DRV .....	
37		Ref. Side Light Assembly ..... (refer to 301.1)	
38	99724GT	FORMING,SWING CHASSIS TRAY,LT .....	1
39	42019GT	TANK BREATHER,NYLON ** .....	1
40	6606GT	SCREW,RHM,10-32 X .75 .....	
41	45470GT	CLAMP,0.31,#5 X 1/4,RUB CUSH .....	1
42	6178GT	NUT, NYLOCK, 10-32 .....	
43	6146GT	WASHER,FLAT,MS,#10,Y .....	
44	24649GT	GROMMET,RUBBER 1.5 X .25 X 2 .....	1
45	45363GT	LATCH,FLEXIBLE ..... (does not include keeper latch and rivets)	1
45	75076GT	KEEPER,LATCH (45363) .....	

302.61 Turntable Components - View 2



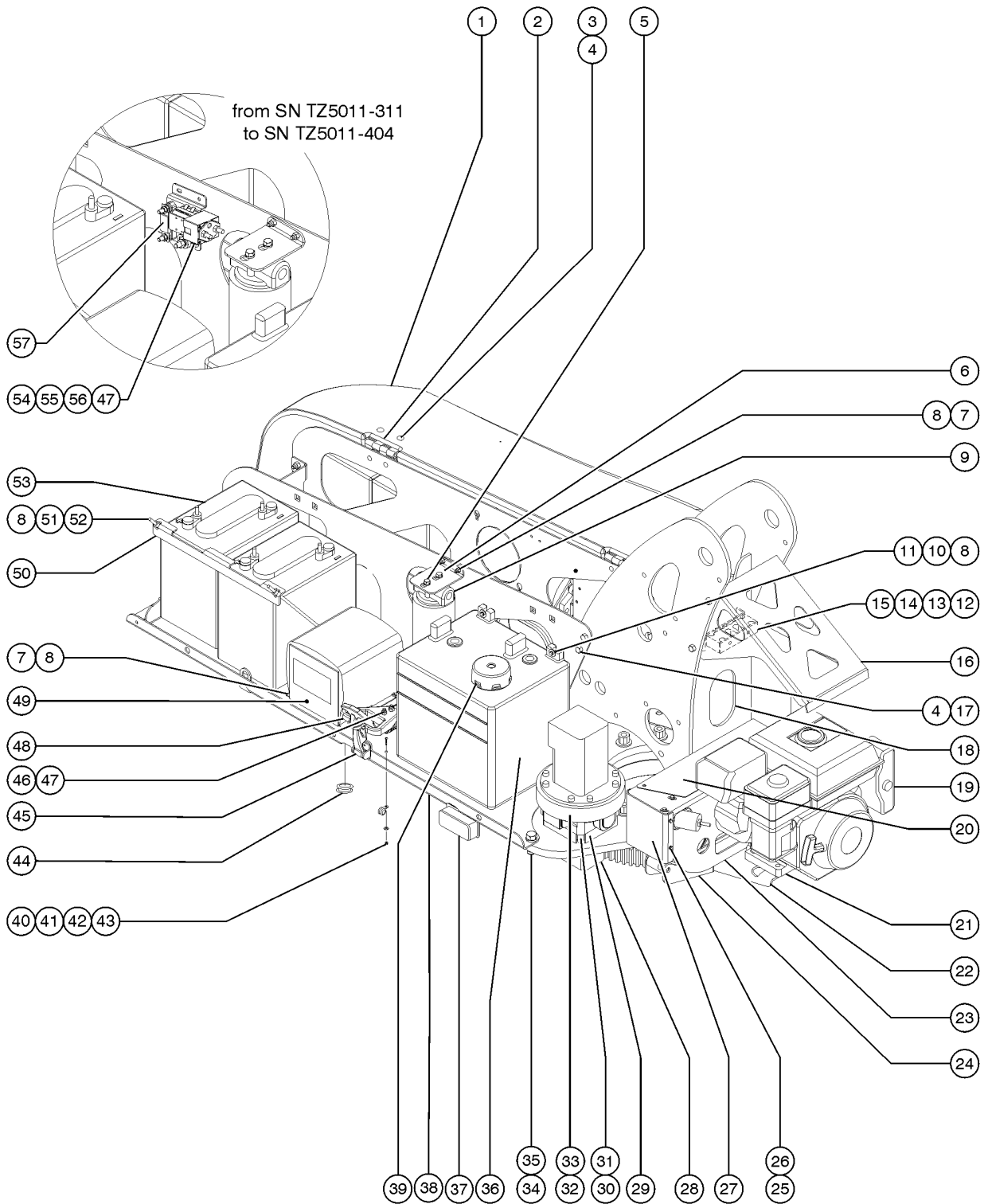
Item	Part No.	Description	Qty.
45	39579GT	RIVET,STL,STL,.188 X .45 .....	
46	6145GT	SCREW,HHC,1/4-20 X 1.5 .....	
47	6091GT	NUT,NYLOCK,1/4-20 .....	
48	66397GT	QUICK DISCONNECT CASING,BATT** .....	1
49		Ref. Battery Charger .....	
		(refer to 306.1)	
50	99729GT	FORMING,BATTERY HOLD DOWN .....	1
51	6638GT	WASHER,FLAT,USS,1/4"Y .....	
52	99829GT	HOOK,BATTERY HOLD DOWN 12.75" .....	2
53		Ref. Battery .....	
		(refer to 301.1)	
54	232567GT	CONTACTOR ASSEMBLY .....	
		(from SN TZ5011-311 to TZ5011-404)	
54-	232452GT	BRACKET, CONTACTOR MOUNT .....	
		(from SN TZ5011-311 to TZ5011-404)	
54-	66717GT	FUSE BLOCK, ANN & ANL FUSE .....	
		(from SN TZ5011-311 to TZ5011-404)	
54-	74267GT	CONTACTOR,DRIVE,24V,180A*** .....	
		(from SN TZ5011-311 to TZ5011-404)	
54-	94981GT	STUD,POWER 3/8" RED .....	
		(from SN TZ5011-311 to TZ5011-404)	
55	6888GT	SCREW,HHC,1/4-20 X 1 .....	
		(from SN TZ5011-311 to TZ5011-404)	
56	6638GT	WASHER,FLAT,USS,1/4"Y .....	
		(from SN TZ5011-311 to TZ5011-404)	
57	40833GT	FUSE,275 AMP,VERY FAST ACTING .....	
		(from SN TZ5011-311 to TZ5011-404)	





Item	Part No.	Description	Qty.
A	1289561GT	BRACKET, TELEMATICS .....	
A	1289520GT	MODULE, TELEMATICS, ZTR, M7, NORTH AMERICA .....	
1	84602GT	TURNTABLE COVER ASSY W/WORD,RH ANSI, CSA and Australia .....	1
1B	84603GT	TURNTABLE COVER ASSY W/WORD,RT CE, Asia and South America .....	
1C	97329GT	RIGHT BRACKET ASSY. W. WORD D. ANSI, CSA and Australia .....	
1D	97330GT	RIGHT BRACKET ASSY. W. SYM. D. CE, Asia and South America .....	
2	55517GT	HINGE, GSRT90 BOX .....	2
3	73466GT	BOLT,CARRIAGE,3/8-16 X 1.00,G2 .....	
4	4828GT	NUT,NYLOCK,3/8-16 .....	
5	7339GT	SCREW,HHC,1/4-20 X .5 .....	
6	99728GT	FORMING,FILTER MOUNT .....	1
7	6878GT	BOLT,CARRIAGE,1/4-20 X .75,G2 .....	
8	6091GT	NUT,NYLOCK,1/4-20 .....	
9	78622GT	FILTER ASSY,SAE8,10 MIC,PAPR** .....	1
9-	44788GT	FILTER ELEMENT,10MICRON,PAPER* .....	
10	12906GT	WASHER,FENDER,.25 X 1.25 X.062 .....	
11	9116GT	BOLT, CARRIAGE, 1/4-20 X 1.25, G2 .....	
12	104671GT	BLOCK,6 HOSE,5 CABLE CLAMP .....	
13	104672GT	PLATE,HOSE CLAMP .....	
14	96905GT	BOLT,CARRIAGE,1/4-20 X 2.5,G2 .....	
15	824024GT	NUT,TL,1/4-20,C,ZAG .....	
16	104090GT	FORMING,ENGINE GUARD .....	1
17	8516GT	SCREW, HCC, 3/8-16 X 1.50 .....	
18	104677GT	GROMMET,4X.25X4.625 .....	
19		Ref. Engine (refer to 303.1, 304.1 and 305.1) .....	
20		Ref. Pulley Cover (refer to 305.1) .....	
21		Ref. Isolator (refer to 305.1) .....	
22	99832GT	FORMING,ENGINE MOUNT .....	1

302.7 Turntable Components - View 2

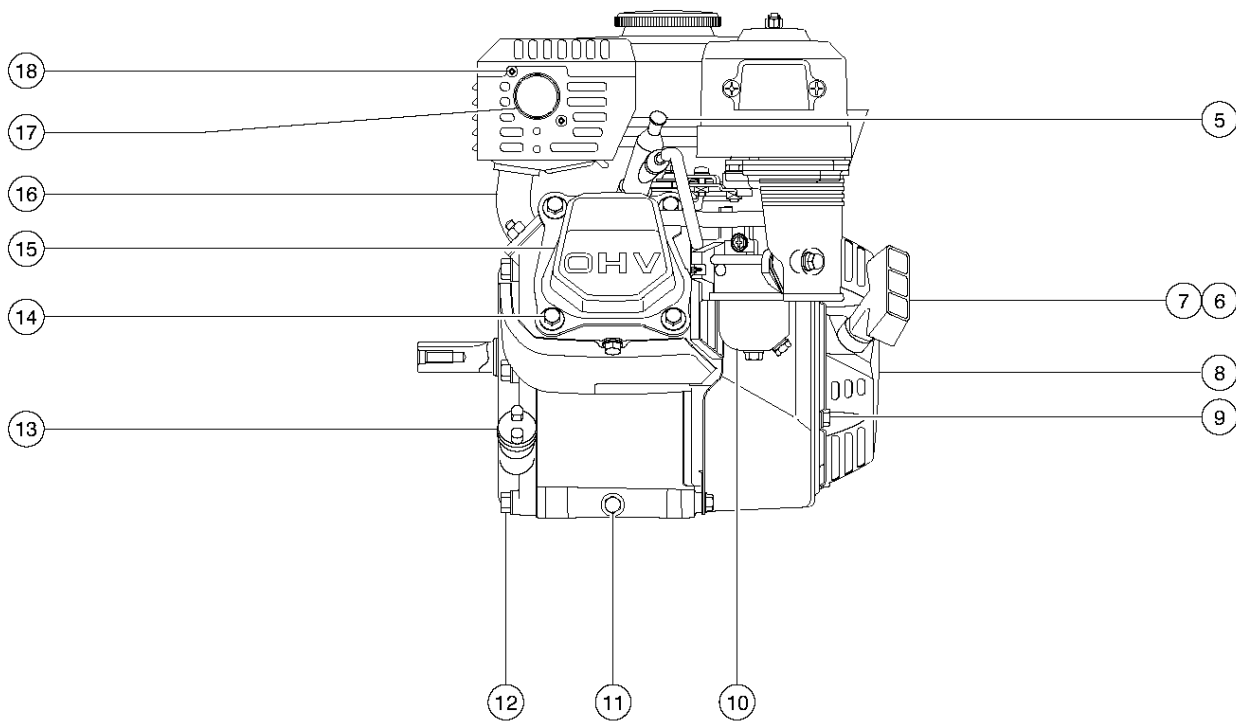
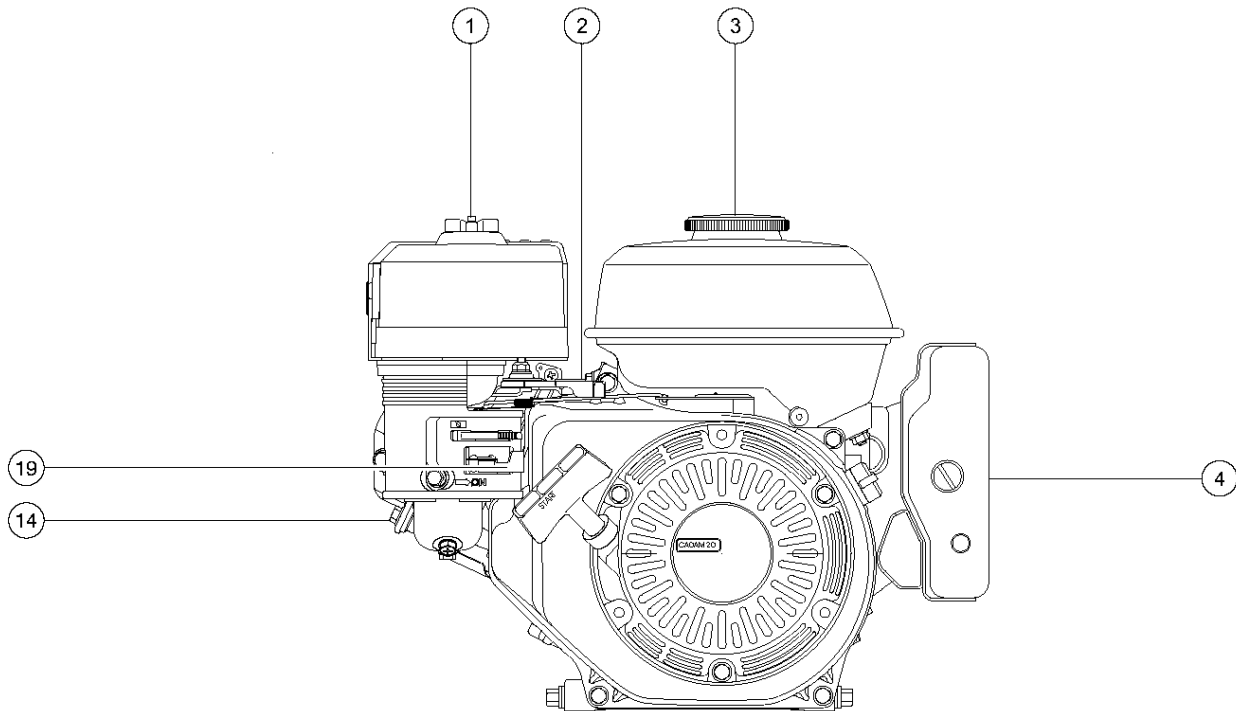


Item	Part No.	Description	Qty.
23	104733GT	ALTERNATOR COVER SUPPORT ..... (replaced 104149)	1
24	99833GT	FORMING,ALTERNATOR MOUNT ..... (to SN TZ5005-172)	1
24B	104729GT	BRACKET,ALTERNATOR MOUNT ..... (from SN TZ5005-173)	
25	6090GT	SCREW,HHC,1/4-20 X .75 .....	
26	56912GT	SPRING CLIP,1/4-20,.025-.15X.5 .....	
27		Ref. Alternator Cover ..... (refer to 305.1)	
28	104127GT	FORMING,PINION GUARD .....	1
29	99730GT	PLATE,SLEW MOTOR SPACER .....	1
30	104328GT	NUT,HEX,1/2-13 GRD 8 .....	4
31	6033GT	WASHER,LOCK,0.5" .....	
32	104236GT	MOTOR,TURNTABLE ROT,W/BRAKE .....	1
32-	104482GT	SEAL KIT,MOTOR/BRAKE,104236*** .....	
33	48143GT	GEAR,PINION,TMZ50 *SHOP .....	1
34	6198GT	NUT,NYLOCK,1/2-13 .....	
35	54177GT	SCREW,HHC,1/2-13 X 1.5 GRD 8 .....	
36	99784GT	TANK,HYDRAULIC,4.75 GAL .....	1
36	104570GT	GROMMET,RUBBER .688 X .25 X 1 .....	2
36	56022GT	PLUG,3/4 MAGNETIC PIPE SQ.DRV .....	
37		Ref. Side Light Assembly ..... (refer to 301.1)	
38	99724GT	FORMING,SWING CHASSIS TRAY,LT .....	1
39	42019GT	TANK BREATHER,NYLON ** .....	1
40	6606GT	SCREW,RHM,10-32 X .75 .....	
41	45470GT	CLAMP,0.31,#5 X 1/4,RUB CUSH .....	1
42	6178GT	NUT, NYLOCK, 10-32 .....	
43	6146GT	WASHER,FLAT,MS,#10,Y .....	
44	24649GT	GROMMET,RUBBER 1.5 X .25 X 2 .....	1
45	45363GT	LATCH,FLEXIBLE ..... (does not include keeper latch and rivets)	1
45	75076GT	KEEPER,LATCH (45363) .....	



Item	Part No.	Description	Qty.
45	39579GT	RIVET,STL,STL,.188 X .45 .....	
46	6145GT	SCREW,HHC,1/4-20 X 1.5 .....	
47	6091GT	NUT,NYLOCK,1/4-20 .....	
48	66397GT	QUICK DISCONNECT CASING,BATT** .....	1
49		Ref. Battery Charger .....	
		(refer to 306.1)	
50	99729GT	FORMING,BATTERY HOLD DOWN .....	1
51	6638GT	WASHER,FLAT,USS,1/4"Y .....	
52	99829GT	HOOK,BATTERY HOLD DOWN 12.75" .....	2
53		Ref. Battery .....	
		(refer to 301.1)	
54	232567GT	CONTACTOR ASSEMBLY .....	
		(from SN TZ5011-311 to TZ5011-404)	
54-	232452GT	BRACKET, CONTACTOR MOUNT .....	
		(from SN TZ5011-311 to TZ5011-404)	
54-	66717GT	FUSE BLOCK, ANN & ANL FUSE .....	
		(from SN TZ5011-311 to TZ5011-404)	
54-	74267GT	CONTACTOR,DRIVE,24V,180A*** .....	
		(from SN TZ5011-311 to TZ5011-404)	
54-	94981GT	STUD,POWER 3/8" RED .....	
		(from SN TZ5011-311 to TZ5011-404)	
55	824060GT	SCREW, HHC, 1/4-20 X 1, 8, ZAG .....	
		(from SN TZ5011-311 to TZ5011-404)	
56	6638GT	WASHER,FLAT,USS,1/4"Y .....	
		(from SN TZ5011-311 to TZ5011-404)	
57	40833GT	FUSE,275 AMP,VERY FAST ACTING .....	
		(from SN TZ5011-311 to TZ5011-404)	

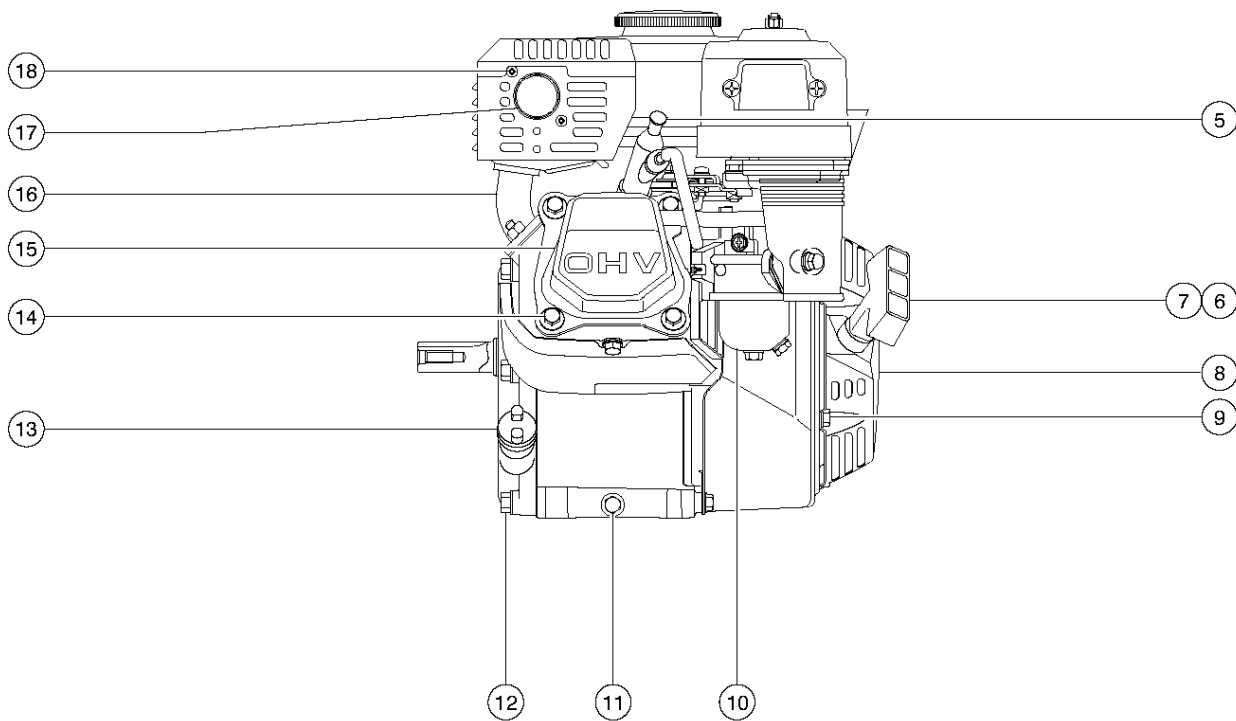
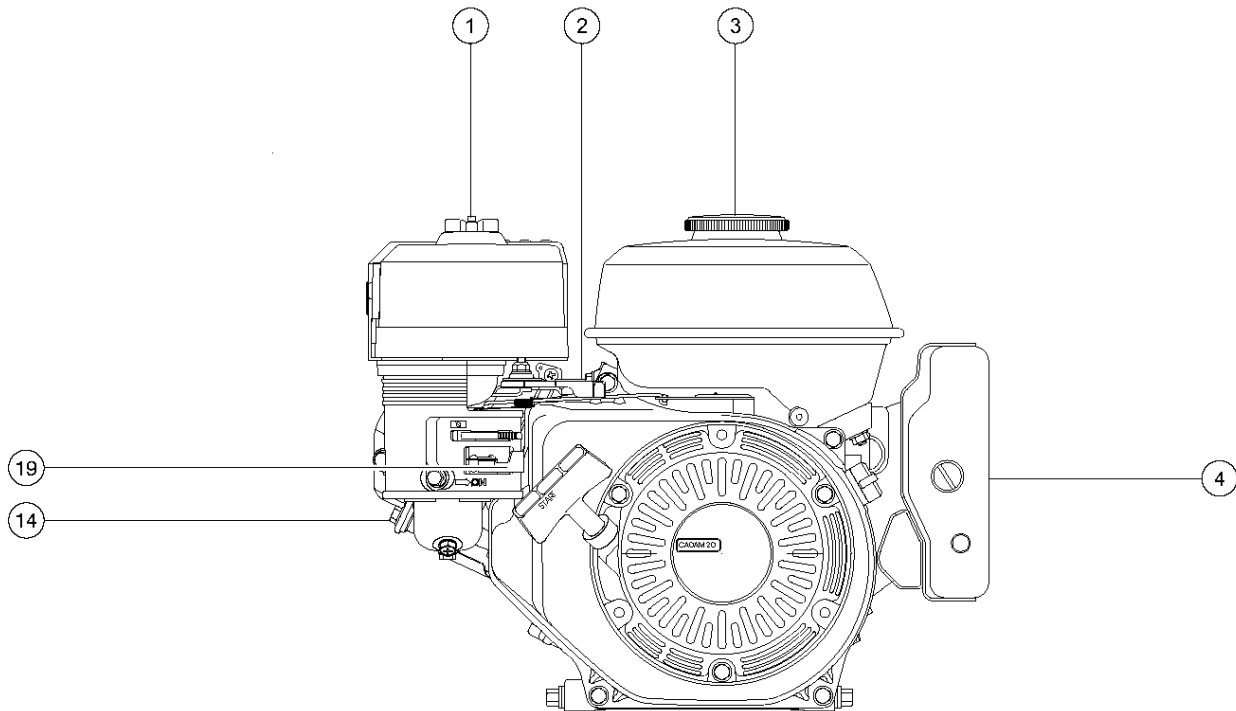
303.1 Engine Components - View 1



Item	Part No.	Description	Qty.
	99785GT	ENGINE,SI,5.5 HP HONDA .....	
1	84938GT	AIR CLEANER ASSEMBLY .....	
1-	84889GT	AIR CLEANER COVER .....	1
1-	84890GT	AIR CLEANER COVER NUT .....	
1-	65113GT	WING-NUT(AIR CLEANER (65114) .....	
1-	84891GT	GROMMET .....	
1-	84892GT	AIR CLEANER ELEMENT .....	
1-	84893GT	FILTER .....	
1-	84937GT	ELBOW GASKET .....	1
2	84894GT	CONTROL ASSEMBLY .....	1
2-	84895GT	CABLE RETURN SPRING .....	
2-	84896GT	CONTROL BASE COMPONENT .....	
3	84897GT	FUEL TANK CAP ASSEMBLY .....	1
3-	84898GT	FUEL TANK ADAPTER .....	
3-	84899GT	O-RING .....	
3-	84900GT	FUEL HOSE .....	
3-	65117GT	CLAMP-HOSE,FUEL TANK (65110) .....	
4	84964GT	CONTROL BOX ASSEMBLY .....	1
4-	84965GT	SWITCH ASSEMBLY .....	
4-	84966GT	FUSE, 5A .....	
4-	84967GT	OIL ALERT UNIT .....	
4-	84968GT	RECTIFIER ASSEMBLY .....	
4-	84969GT	CONTROL BOX PANEL .....	
4-	84970GT	REAR CONTROL CASE .....	
4-	84971GT	FRONT CONTROL CASE .....	
4-	97336GT	KEY - KEYSWITCH .....	
5	84901GT	SPARK PLUG .....	1
6	84902GT	KNOB .....	1



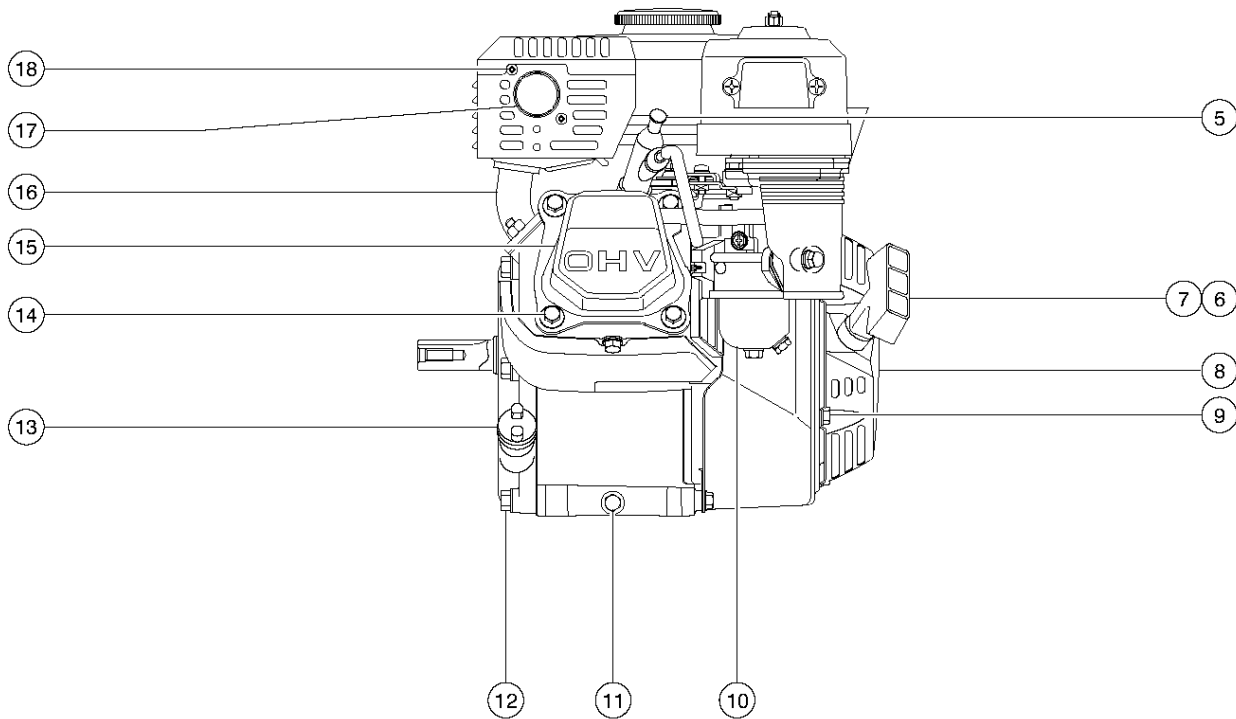
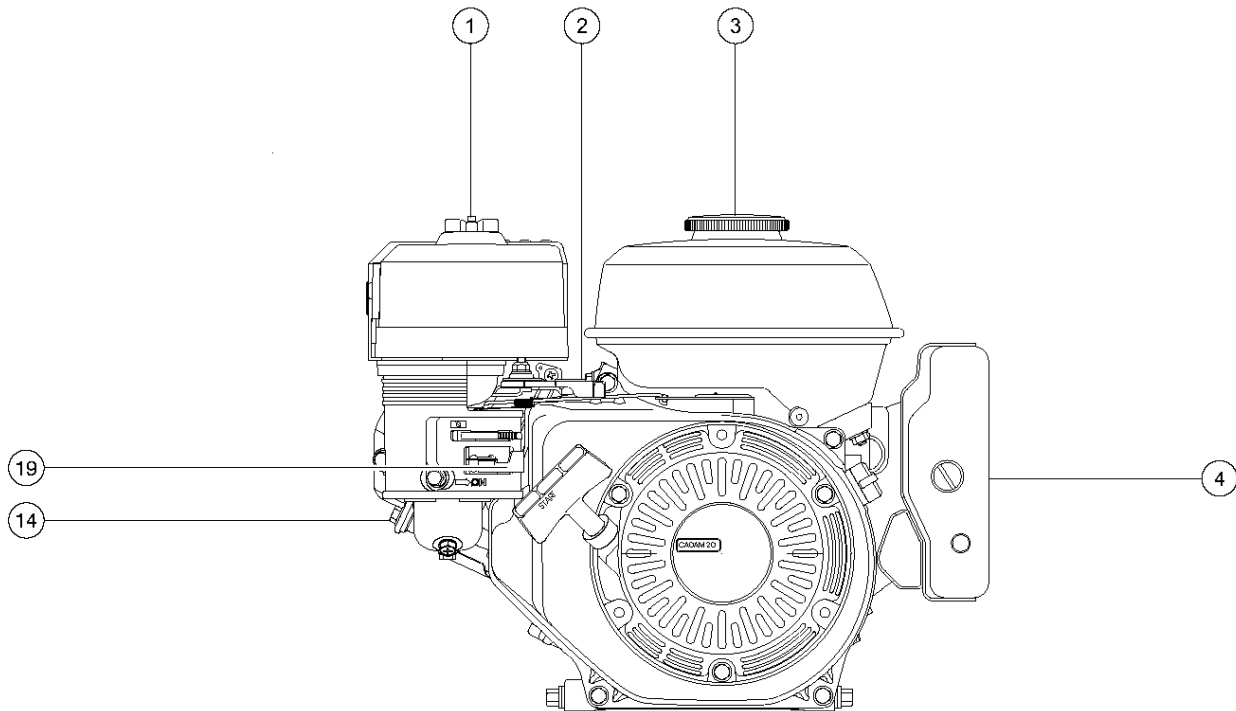
303.1 Engine Components - View 1





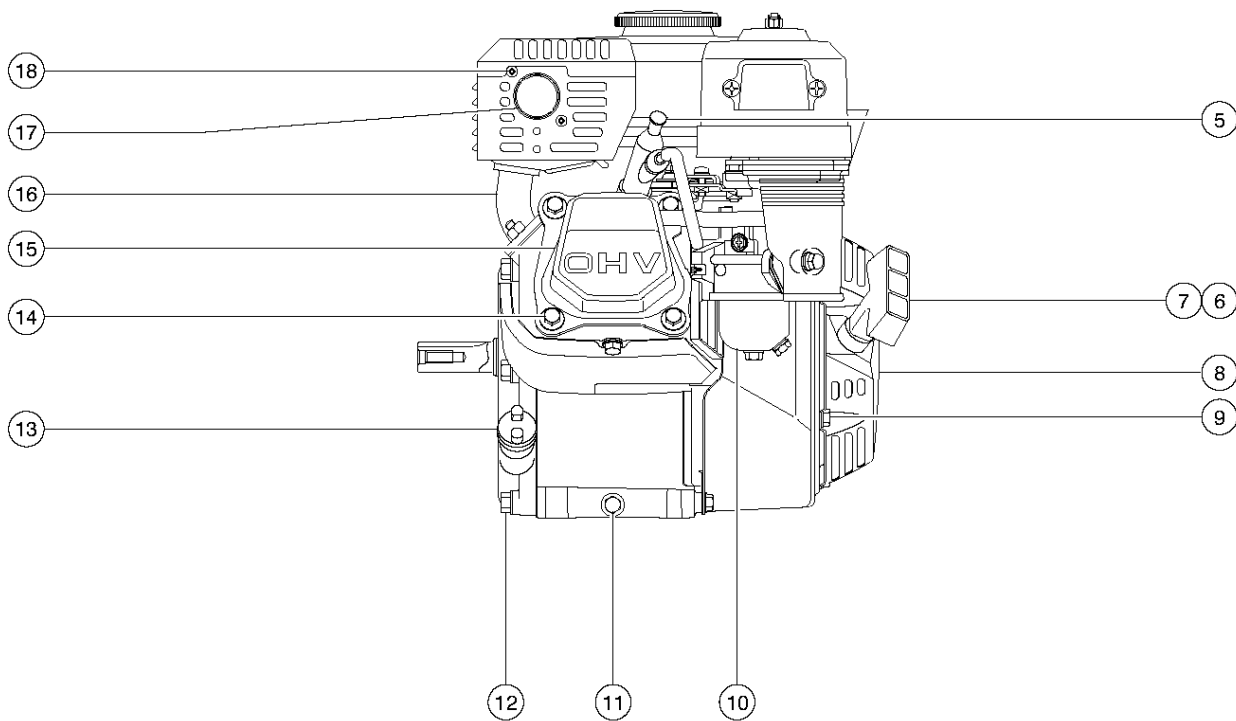
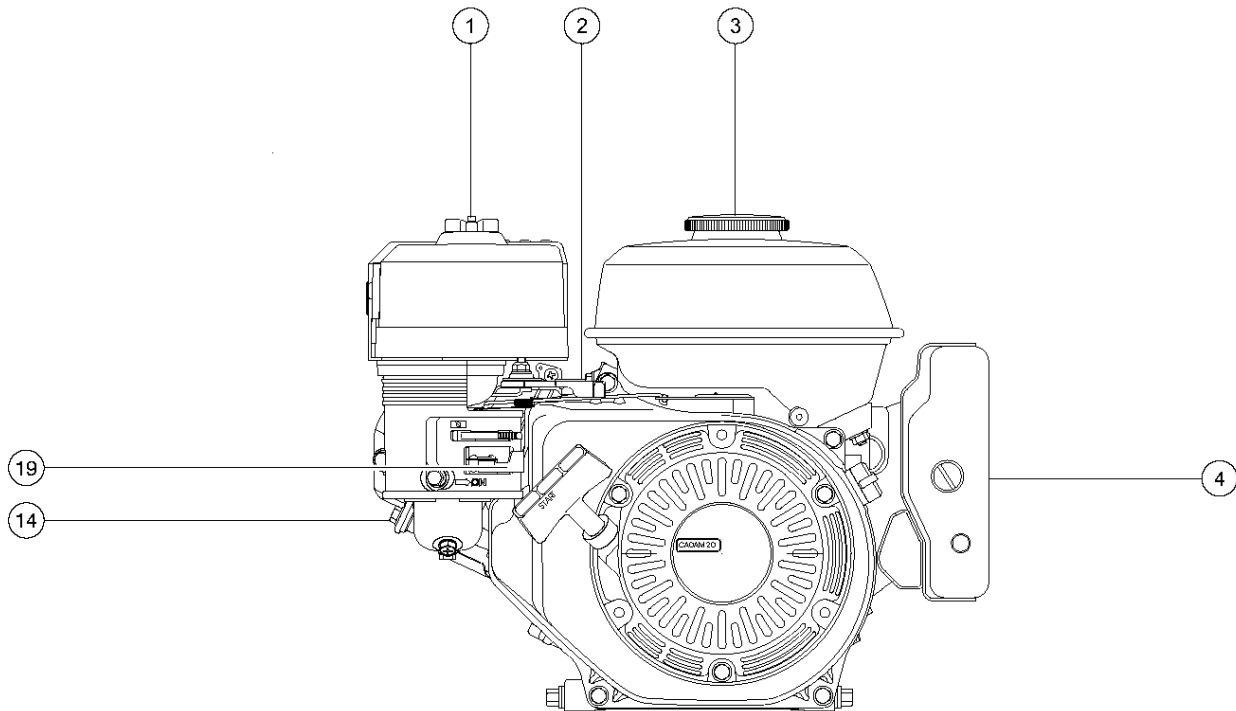
<i>Item</i>	<i>Part No.</i>	<i>Description</i>	<i>Qty.</i>
7	84903GT	ROPE .....	1
8	84904GT	STARTER ASSEMBLY .....	1
8-	84905GT	RECOIL STARTER SPRING .....	
8-	84906GT	PULLEY .....	
8-	84935GT	STARTER PULLEY .....	1
8-	84936GT	COOLING FAN .....	
9	84907GT	FLANGED BOLT, 6 X 10 .....	
10	84908GT	CARBURETOR,HONDA TZ50 .....	1
10	84909GT	SPACER CARBURETOR .....	
10	84910GT	CARBURETOR INSULATOR .....	
10	84911GT	CARBURETOR GASKET .....	
10	65125GT	LEVER-CHOKE,CARBURETOR(65127) .....	
10	84912GT	LEVER, FUEL SHUT OFF .....	
11	84913GT	OIL DRAIN PLUG .....	1
12	84914GT	FLANGE BOLT, 8 X 32 .....	
13	84915GT	OIL FILLER CAP .....	1
14	84916GT	FLANGED BOLT .....	1
15	84917GT	HEAD COVER .....	1
15	84918GT	HEAD COVER GASKET .....	
15	84919GT	BREATHER TUBE .....	
15	84920GT	FLANGED BOLT, 8 X 60 .....	4
16	84921GT	MUFFLER .....	1
17	84922GT	MUFFLER GASKET .....	1
18	22571GT	NUT,HEX,M8 X 1.25 .....	
19	84923GT	LEVER CONTROL .....	1

303.2 Engine Components - View 1



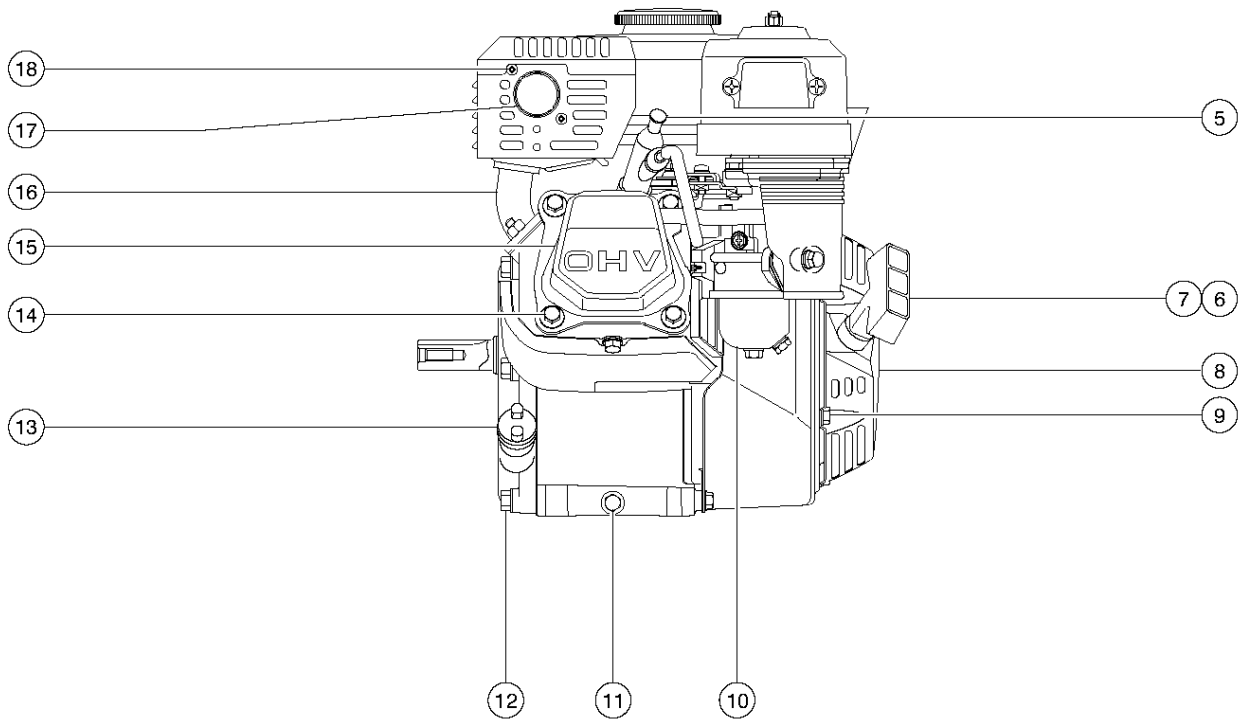
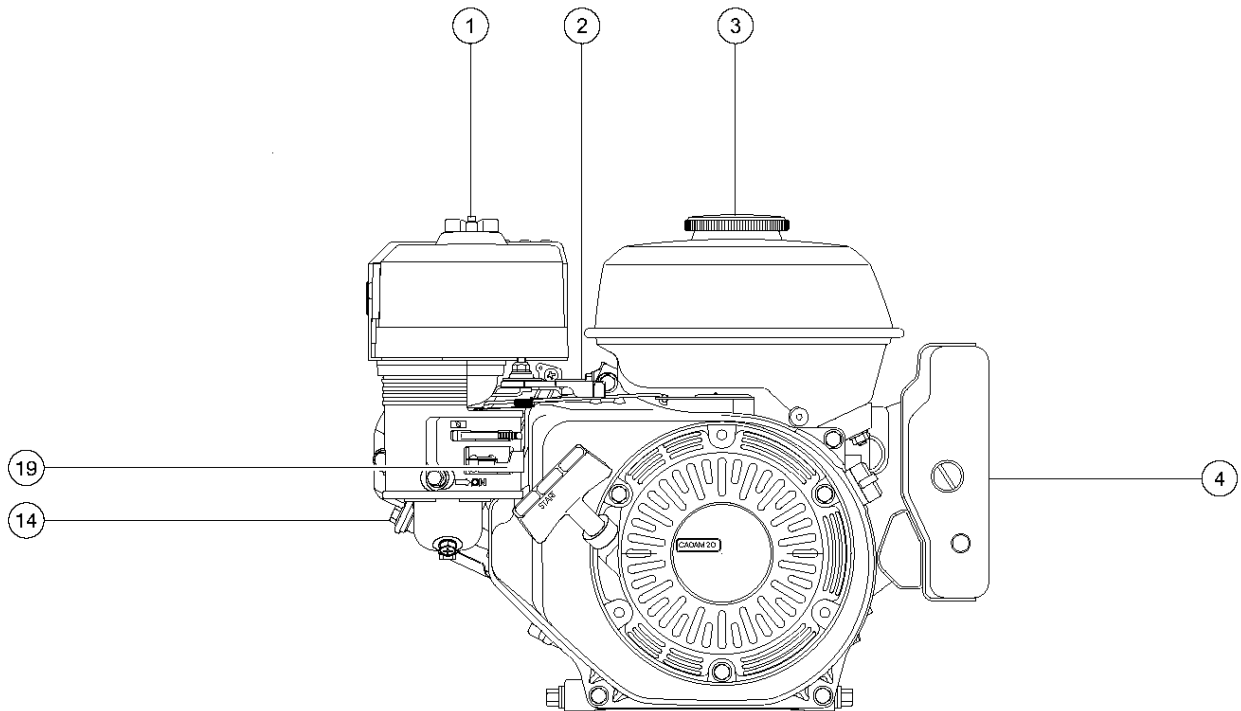
Item	Part No.	Description	Qty.
	99785GT	ENGINE,SI,5.5 HP HONDA .....	
1	84938GT	AIR CLEANER ASSEMBLY .....	
1-	84889GT	AIR CLEANER COVER .....	1
1-	84890GT	AIR CLEANER COVER NUT .....	
1-	65113GT	WING-NUT(AIR CLEANER (65114) .....	
1-	84891GT	GROMMET .....	
1-	84892GT	AIR CLEANER ELEMENT .....	
1-	84893GT	FILTER .....	
1-	84937GT	ELBOW GASKET .....	1
2	84894GT	CONTROL ASSEMBLY .....	1
2-	84895GT	CABLE RETURN SPRING .....	
2-	84896GT	CONTROL BASE COMPONENT .....	
3	84897GT	FUEL TANK CAP ASSEMBLY .....	1
3-	84898GT	FUEL TANK ADAPTER .....	
3-	84899GT	O-RING .....	
3-	84900GT	FUEL HOSE .....	
3-	65117GT	CLAMP-HOSE,FUEL TANK (65110) .....	
4	84964GT	CONTROL BOX ASSEMBLY .....	1
4-	84965GT	SWITCH ASSEMBLY .....	
4-	84966GT	FUSE, 5A .....	
4-	84967GT	OIL ALERT UNIT .....	
4-	84968GT	RECTIFIER ASSEMBLY .....	
4-	84969GT	CONTROL BOX PANEL .....	
4-	84970GT	REAR CONTROL CASE .....	
4-	84971GT	FRONT CONTROL CASE .....	
4-	97336GT	KEY - KEYSWITCH .....	
5	84901GT	SPARK PLUG .....	1
6	84902GT	KNOB .....	1

303.2 Engine Components - View 1



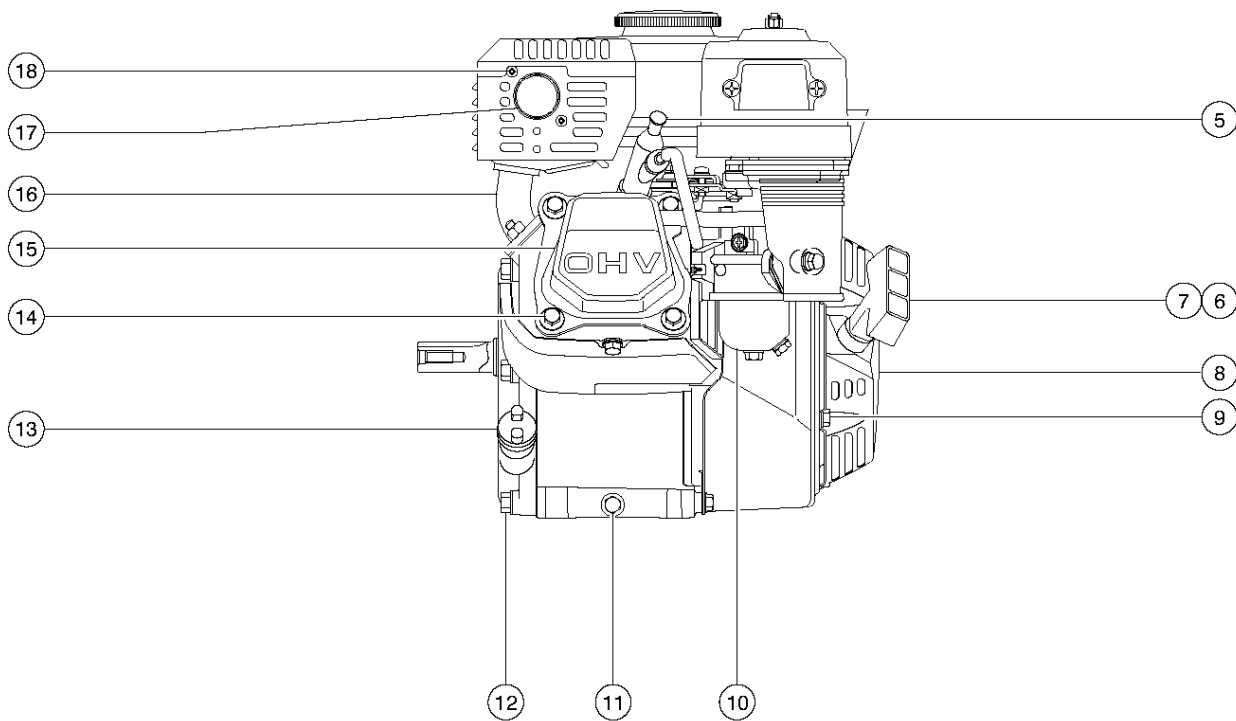
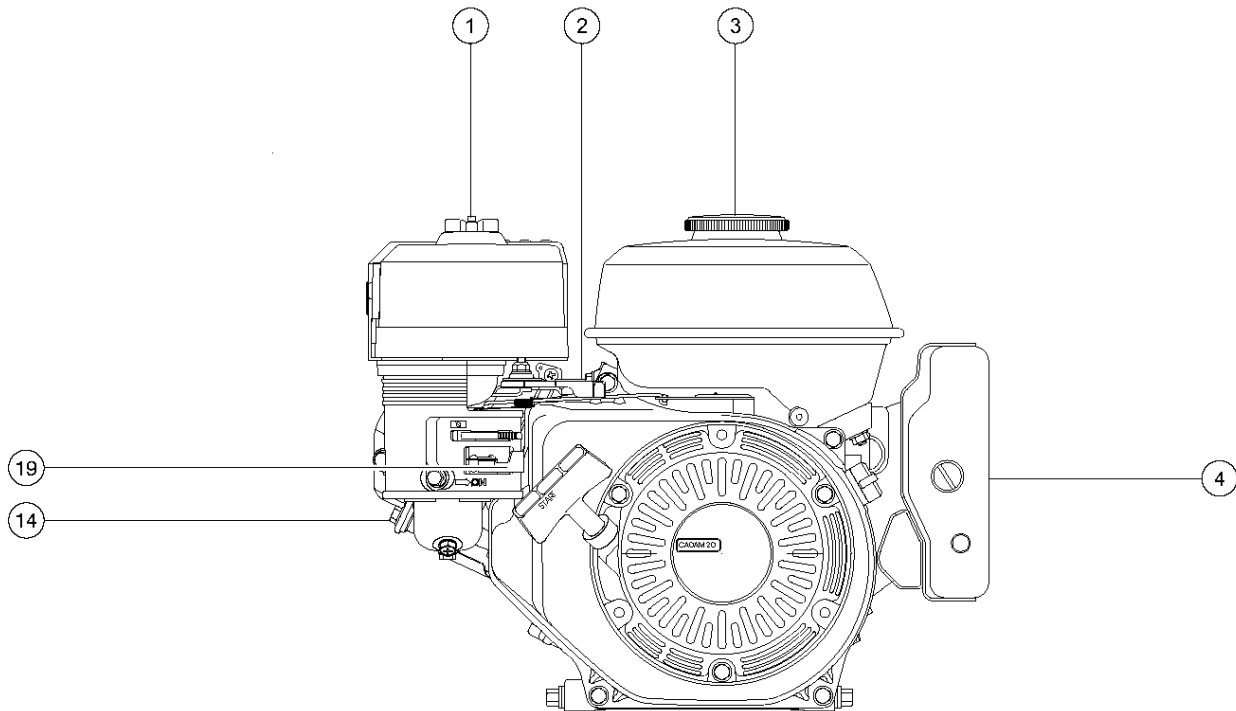
<i>Item</i>	<i>Part No.</i>	<i>Description</i>	<i>Qty.</i>
7	84903GT	ROPE .....	1
8	84904GT	STARTER ASSEMBLY .....	1
8-	84905GT	RECOIL STARTER SPRING .....	
8-	84906GT	PULLEY .....	
8-	84935GT	STARTER PULLEY .....	1
8-	84936GT	COOLING FAN .....	
9	84907GT	FLANGED BOLT, 6 X 10 .....	
10	84908GT	CARBURETOR,HONDA TZ50 .....	1
10	84909GT	SPACER CARBURETOR .....	
10	84910GT	CARBURETOR INSULATOR .....	
10	84911GT	CARBURETOR GASKET .....	
10	65125GT	LEVER-CHOKE,CARBURETOR(65127) .....	
10	84912GT	LEVER, FUEL SHUT OFF .....	
11	84913GT	OIL DRAIN PLUG .....	1
12	84914GT	FLANGE BOLT, 8 X 32 .....	
13	84915GT	OIL FILLER CAP .....	1
14	84916GT	FLANGED BOLT .....	1
15	84917GT	HEAD COVER .....	1
15	84918GT	HEAD COVER GASKET .....	
15	84919GT	BREATHER TUBE .....	
15	84920GT	FLANGED BOLT, 8 X 60 .....	4
16	84921GT	MUFFLER .....	1
17	84922GT	MUFFLER GASKET .....	1
18	22571GT	NUT,HEX,M8 X 1.25 .....	
19	84923GT	LEVER CONTROL .....	1

303.3 Engine Components - View 1



Item	Part No.	Description	Qty.
	99785GT	ENGINE,SI,5.5 HP HONDA .....	
1	84938GT	AIR CLEANER ASSEMBLY .....	
1-	84889GT	AIR CLEANER COVER .....	1
1-	84890GT	AIR CLEANER COVER NUT .....	
1-	65113GT	WING-NUT(AIR CLEANER (65114) .....	
1-	84891GT	GROMMET .....	
1-	84892GT	AIR CLEANER ELEMENT .....	
1-	84893GT	FILTER .....	
1-	84937GT	ELBOW GASKET .....	1
2	84894GT	CONTROL ASSEMBLY .....	1
2-	84895GT	CABLE RETURN SPRING .....	
2-	84896GT	CONTROL BASE COMPONENT .....	
3	84897GT	FUEL TANK CAP ASSEMBLY .....	1
3-	84898GT	FUEL TANK ADAPTER .....	
3-	84899GT	O-RING .....	
3-	84900GT	FUEL HOSE .....	
3-	65117GT	CLAMP-HOSE,FUEL TANK (65110) .....	
4	84964GT	CONTROL BOX ASSEMBLY .....	1
4-	84965GT	SWITCH ASSEMBLY .....	
4-	84966GT	FUSE, 5A .....	
4-	84967GT	OIL ALERT UNIT .....	
4-	84968GT	RECTIFIER ASSEMBLY .....	
4-	84969GT	CONTROL BOX PANEL .....	
4-	84970GT	REAR CONTROL CASE .....	
4-	84971GT	FRONT CONTROL CASE .....	
4-	97336GT	KEY - KEYSWITCH .....	
5	84901GT	SPARK PLUG .....	1
6	84902GT	KNOB .....	1

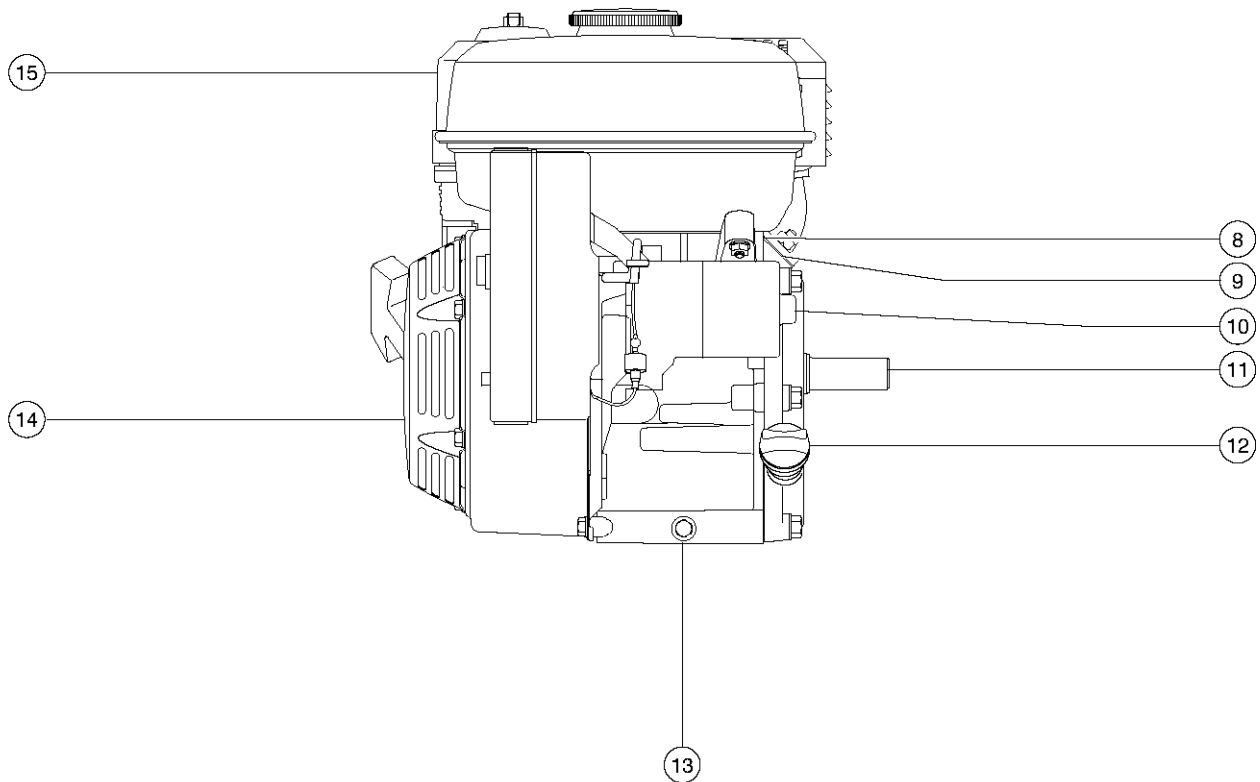
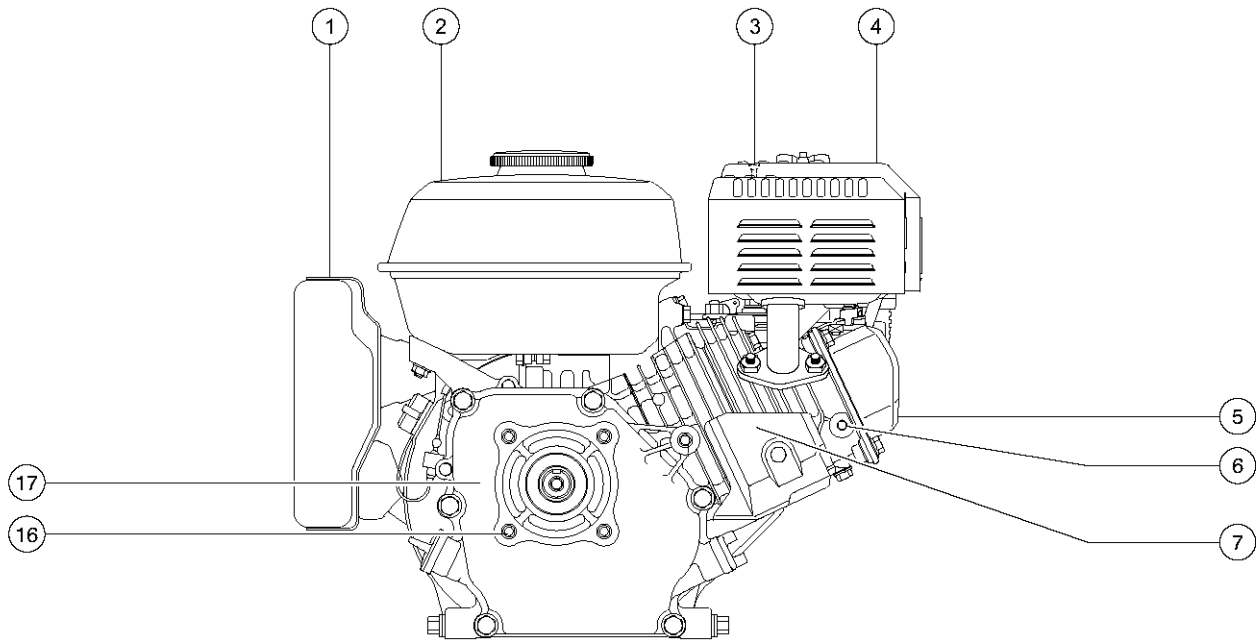
303.3 Engine Components - View 1





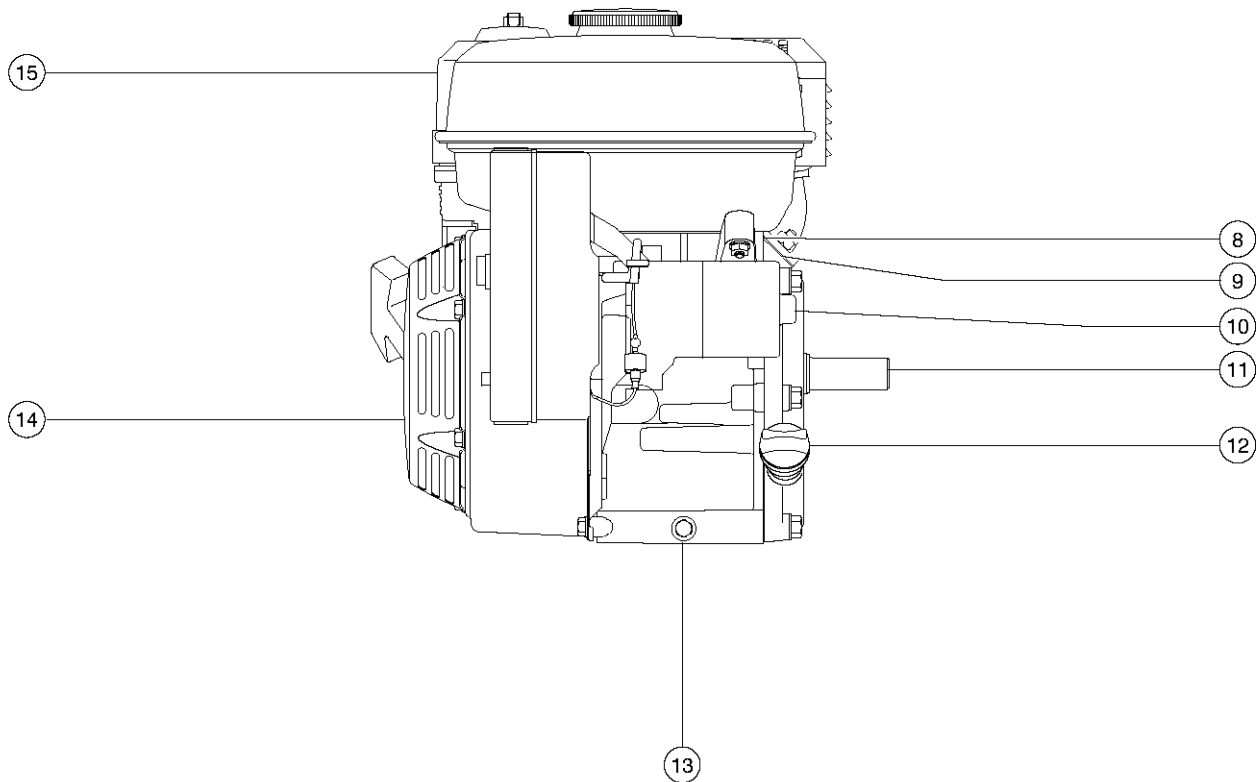
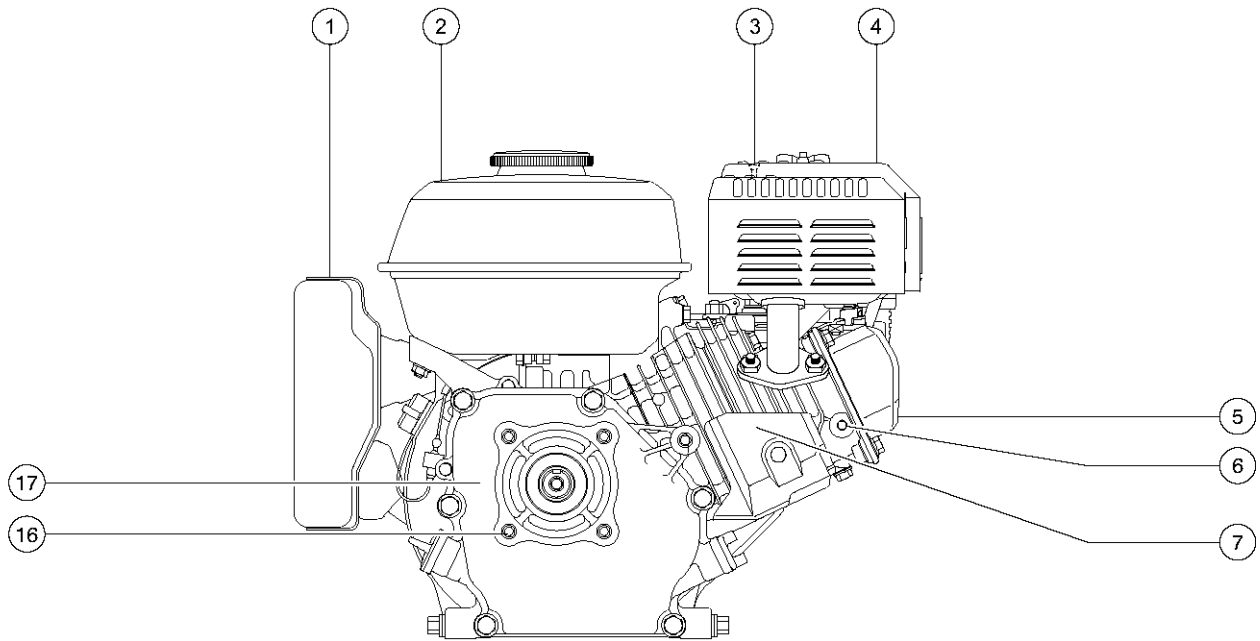
Item	Part No.	Description	Qty.
7	84903GT	ROPE .....	1
8	84904GT	STARTER ASSEMBLY .....	1
8-	84905GT	RECOIL STARTER SPRING .....	
8-	84906GT	PULLEY .....	
8-	84935GT	STARTER PULLEY .....	1
8-	84936GT	COOLING FAN .....	
9	84907GT	FLANGED BOLT, 6 X 10 .....	
10	84908GT	CARBURETOR,HONDA TZ50 .....	1
10	84909GT	SPACER CARBURETOR .....	
10	84910GT	CARBURETOR INSULATOR .....	
10	84911GT	CARBURETOR GASKET .....	
10	65125GT	LEVER-CHOKE,CARBURETOR(65127) .....	
10	84912GT	LEVER, FUEL SHUT OFF .....	
11	84913GT	OIL DRAIN PLUG .....	1
12	84914GT	FLANGE BOLT, 8 X 32 .....	
13	84915GT	OIL FILLER CAP .....	1
14	84916GT	FLANGED BOLT .....	1
15	84917GT	HEAD COVER .....	1
15	84918GT	HEAD COVER GASKET .....	
15	84919GT	BREATHER TUBE .....	
15	84920GT	FLANGED BOLT, 8 X 60 .....	4
16	84921GT	MUFFLER .....	1
17	84922GT	MUFFLER GASKET .....	1
18	22571GT	NUT,HEX,M8 X 1.25 .....	
19	84923GT	LEVER CONTROL .....	1

304.1 Engine Components - View 2



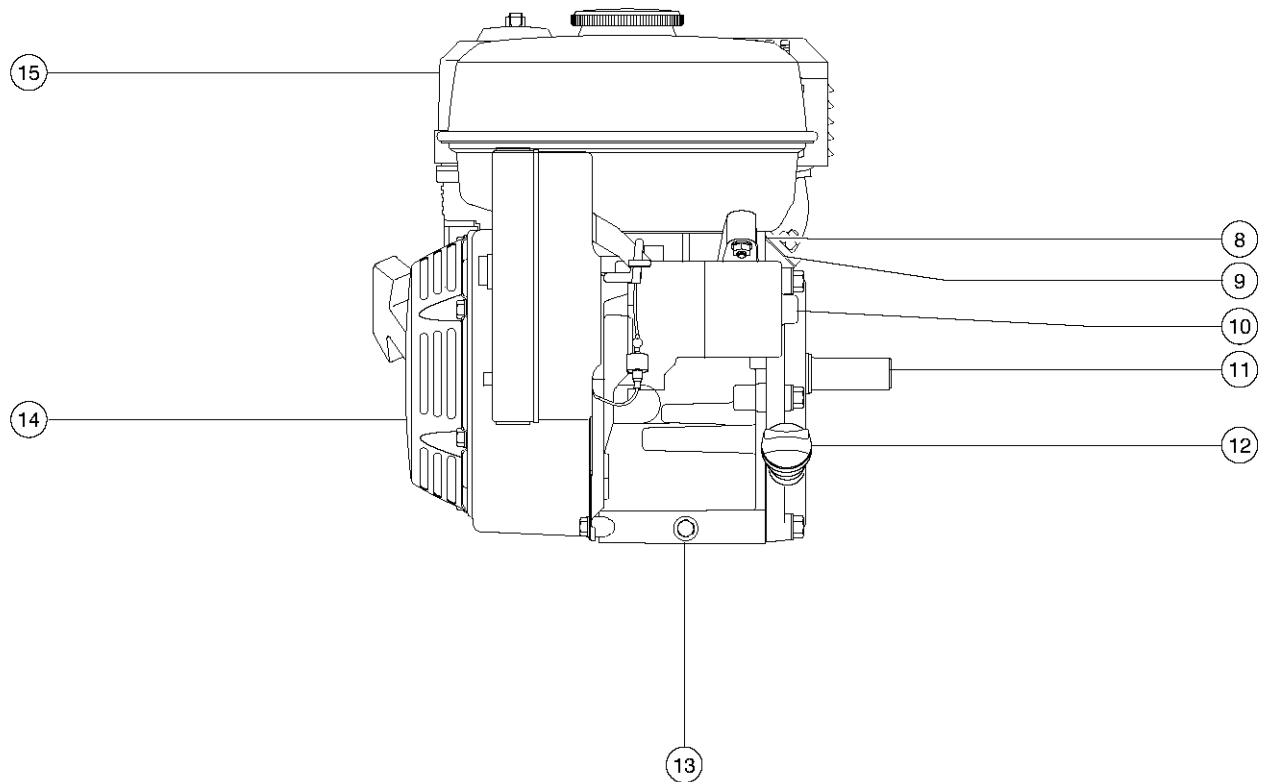
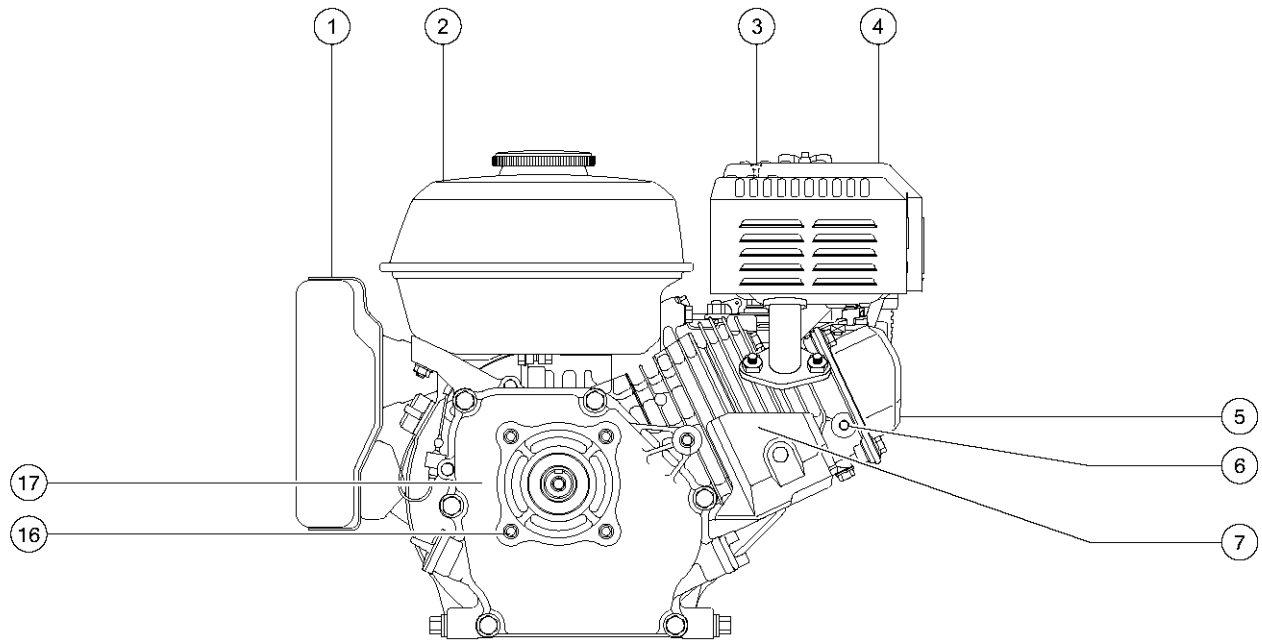
Item	Part No.	Description	Qty.
	84924GT	GASKET KIT .....	
1		Ref. Control Box (refer to 303.1) .....	
2	84925GT	FUEL TANK .....	
3	62841GT	SCREW,SELF TAPPING (62842) .....	4
4	84926GT	MUFFLER COVER .....	1
5	84927GT	CYLINDER HEAD ASSEMBLY .....	1
6	84928GT	STUD BOLT, 6 X 112 .....	
6	84929GT	STUD BOLT, 8 X 32 .....	
7	84930GT	CYLINDER BARREL ASSEMBLY .....	1
8	84931GT	OIL LEVEL SWITCH ASSEMBLY .....	1
9	84932GT	GOVERNOR KIT .....	1
10	84972GT	STARTER,HONDA,TZ50 .....	1
10-	58258GT	STARTER,SOL.ENG.SI,5.5 HONDA .....	
10-	84973GT	MAGNET SWITCH CORD .....	
11	84933GT	CRANKSHAFT .....	1
12	84934GT	OIL FILLER CAP WITH DIPSTICK .....	1
13		Ref. Oil Drain Plug (refer to 303.1) .....	
14		Ref. Starter Assembly (refer to 303.1) .....	
15		Ref. Air Cleaner (refer to 303.1) .....	
16	84939GT	FLANGED BOLT, 8 X 32 .....	
17	84940GT	CRANKCASE COVER ASSEMBLY .....	1
17	84941GT	CASE COVER GASKET .....	

304.2 Engine Components - View 2



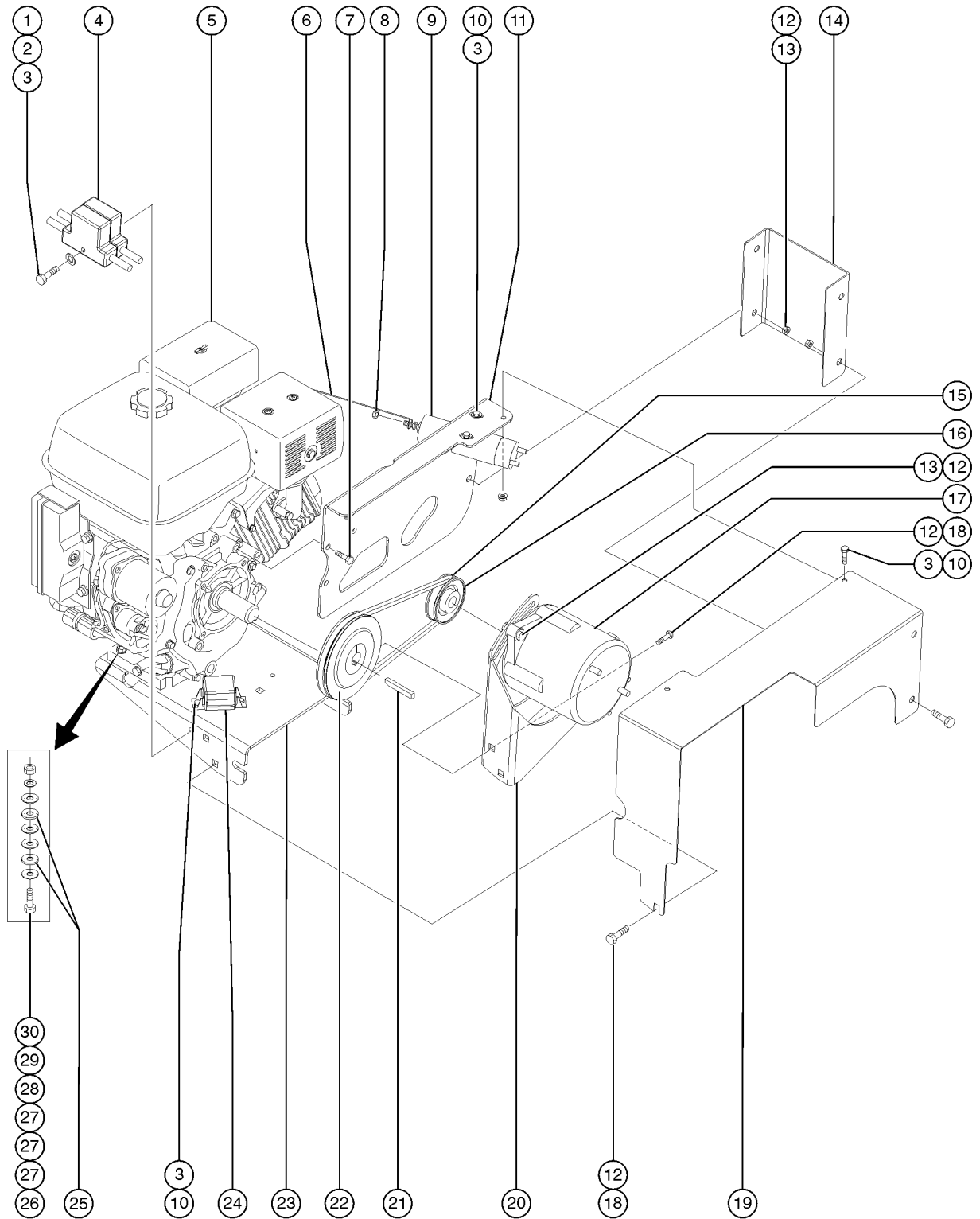
<i>Item</i>	<i>Part No.</i>	<i>Description</i>	<i>Qty.</i>
	84924GT	GASKET KIT .....	
1		Ref. Control Box (refer to 303.1) .....	
2	84925GT	FUEL TANK .....	
3	62841GT	SCREW,SELF TAPPING (62842) .....	4
4	84926GT	MUFFLER COVER .....	1
5	84927GT	CYLINDER HEAD ASSEMBLY .....	1
6	84928GT	STUD BOLT, 6 X 112 .....	
6	84929GT	STUD BOLT, 8 X 32 .....	
7	84930GT	CYLINDER BARREL ASSEMBLY .....	1
8	84931GT	OIL LEVEL SWITCH ASSEMBLY .....	1
9	84932GT	GOVERNOR KIT .....	1
10	84972GT	STARTER,HONDA,TZ50 .....	1
10-	58258GT	STARTER,SOL.ENG.SI,5.5 HONDA .....	
10-	84973GT	MAGNET SWITCH CORD .....	
11	84933GT	CRANKSHAFT .....	1
12	84934GT	OIL FILLER CAP WITH DIPSTICK .....	1
13		Ref. Oil Drain Plug (refer to 303.1) .....	
14		Ref. Starter Assembly (refer to 303.1) .....	
15		Ref. Air Cleaner (refer to 303.1) .....	
16	84939GT	FLANGED BOLT, 8 X 32 .....	
17	84940GT	CRANKCASE COVER ASSEMBLY .....	1
17	84941GT	CASE COVER GASKET .....	

304.3 Engine Components - View 2



Item	Part No.	Description	Qty.
	84924GT	GASKET KIT .....	
1		Ref. Control Box (refer to 303.1) .....	
2	84925GT	FUEL TANK .....	
3	62841GT	SCREW,SELF TAPPING (62842) .....	4
4	84926GT	MUFFLER COVER .....	1
5	84927GT	CYLINDER HEAD ASSEMBLY .....	1
6	84928GT	STUD BOLT, 6 X 112 .....	
6	84929GT	STUD BOLT, 8 X 32 .....	
7	84930GT	CYLINDER BARREL ASSEMBLY .....	1
8	84931GT	OIL LEVEL SWITCH ASSEMBLY .....	1
9	84932GT	GOVERNOR KIT .....	1
10	84972GT	STARTER,HONDA,TZ50 .....	1
10-	58258GT	STARTER,SOL.ENG.SI,5.5 HONDA .....	
10-	84973GT	MAGNET SWITCH CORD .....	
11	84933GT	CRANKSHAFT .....	1
12	84934GT	OIL FILLER CAP WITH DIPSTICK .....	1
13		Ref. Oil Drain Plug (refer to 303.1) .....	
14		Ref. Starter Assembly (refer to 303.1) .....	
15		Ref. Air Cleaner (refer to 303.1) .....	
16	84939GT	FLANGED BOLT, 8 X 32 .....	
17	84940GT	CRANKCASE COVER ASSEMBLY .....	1
17	84941GT	CASE COVER GASKET .....	

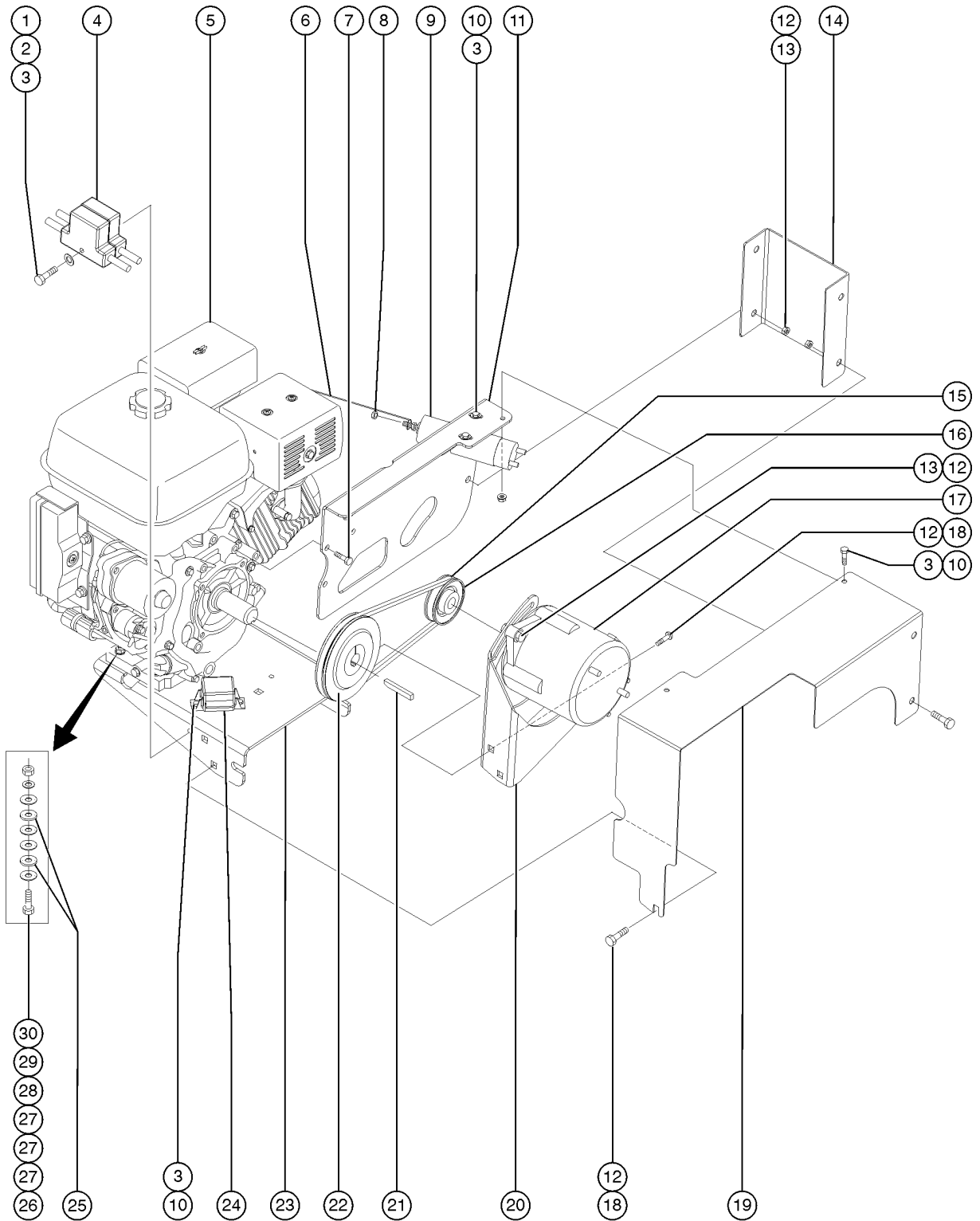
305.1 Engine Components - View 3 (to SN TZ5011-131)





Item	Part No.	Description	Qty.
	105535GT	KIT,BI-ENERGY,HONDA .....	
1	35713GT	SCREW,FHS,1/4-20 X 2.75 .....	
2	6638GT	WASHER,FLAT,USS,1/4"Y .....	
3	6091GT	NUT,NYLOCK,1/4-20 .....	
4	55747GT	FUSE HOLDER,INLINE,GS .....	2
4-	55726GT	FUSE,50 AMP .....	1
5		Ref. Engine (refer to 303.1 or 304.1) .....	
6	104214GT	ROD,CHOKE .....	1
7	104194GT	SCREW,HHC,5/16-24,UNF,GSD 5 .....	
8	21496GT	NUT,HEX,1/4-28 .....	
9	51745GT	SOLENOID,1"STRKE,12V,SYNCR*** .....	1
9-	52514GT	BOOT,THROTTLE SOLENOID .....	1
9-	22446GT	SPRING, COMPRESSION .835 X 2 .....	
10	6090GT	SCREW,HHC,1/4-20 X .75 .....	
11	104733GT	ALTERNATOR COVER SUPPORT .....	1
12	4828GT	NUT,NYLOCK,3/8-16 .....	
13	6019GT	SCREW,HHC,3/8-16 X 1.25 GRD 5 .....	
14	104394GT	FORMING,ALTERNATOR COVER* .....	1
15	104815GT	BELT,3VX-250*** .....	1
16	104188GT	PULLEY,ALTERNATOR,2.75 X .375 .....	1
17	99786GT	ALTERNATOR,24V 45A **SEE NOTES (includes item 16) .....	1
17-	227139GT	KIT,TIMER RELAY & HARNESS,TZ50 (to SN TZ5011-132) .....	
18	64154GT	BOLT,CARRIAGE,3/8-16 X1.00,G5 .....	
19	104730GT	WELDMENT,ALTERNATOR COVER .....	1
20	99833GT	FORMING,ALTERNATOR MOUNT .....	1
21	84947GT	KEY,PULLEY,HONDA .....	1
22	104813GT	SHEAVE, 3V335JA .....	1
22-	104814GT	BUSHING, JA3/4 .....	

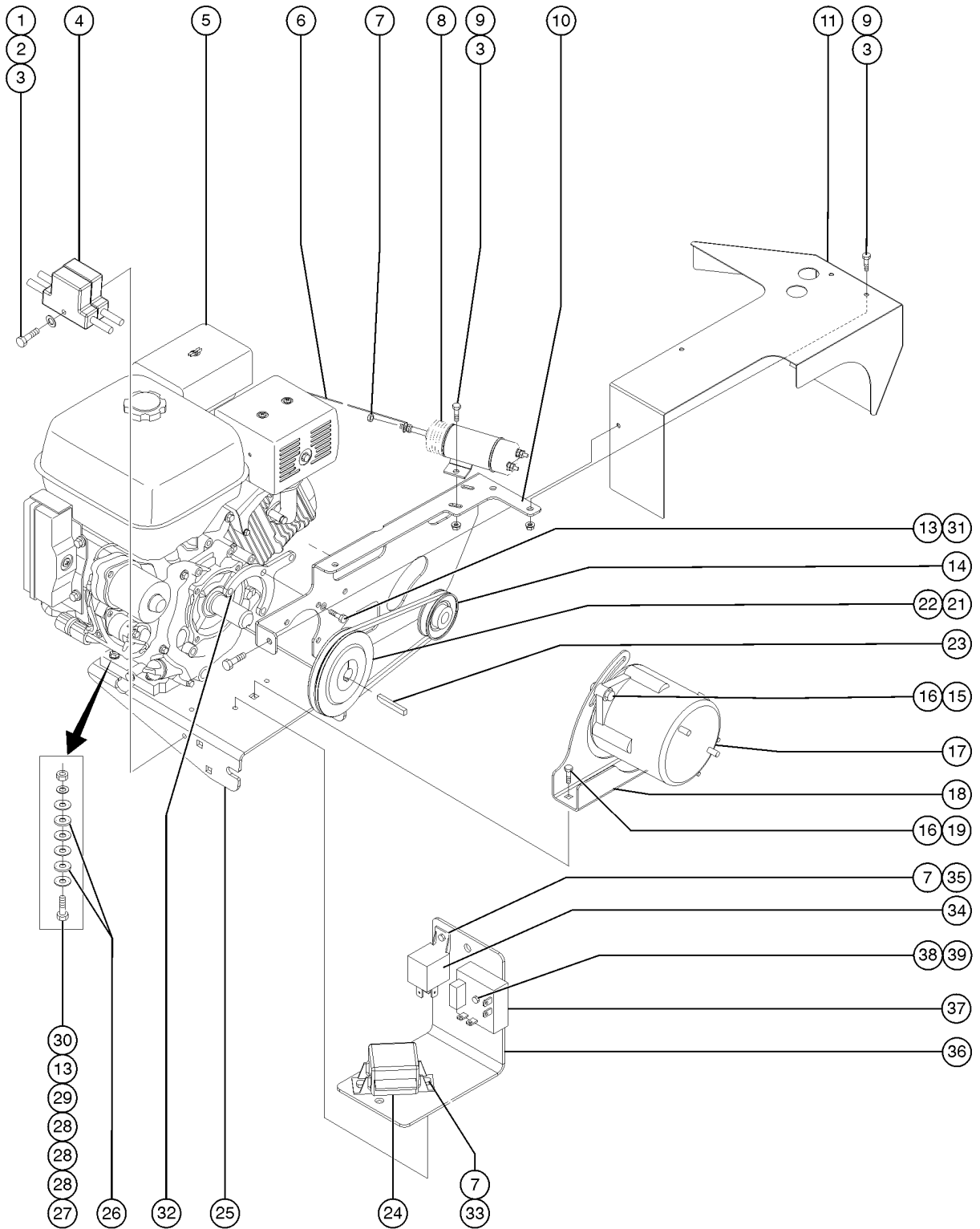
305.1 Engine Components - View 3 (to SN TZ5011-131)



305.1 Engine Components - View 3 (to SN TZ5011-131)

<i>Item</i>	<i>Part No.</i>	<i>Description</i>	<i>Qty.</i>
23	99832GT	FORMING,ENGINE MOUNT .....	1
24	56099GT	RELAY,SPST,24V,50A .....	1
25	80601GT	ISOLATOR,140# AXIAL,1.31 O.D** .....	4
26	37218GT	SCREW,HHC,5/16-18 X 3.00 .....	
27	15086GT	WASHER,FLAT,.375 X 1.5 X .125 .....	
28	33278GT	WASHER,FLAT,.75 HARDENED .....	
29	5397GT	WASHER,FLAT,USS,5/16",Y .....	
30	6782GT	NUT,NYLOCK,5/16-18 .....	

305.2 Engine Components - View 3 (from SN TZ5011-132 to TZ5013-613)

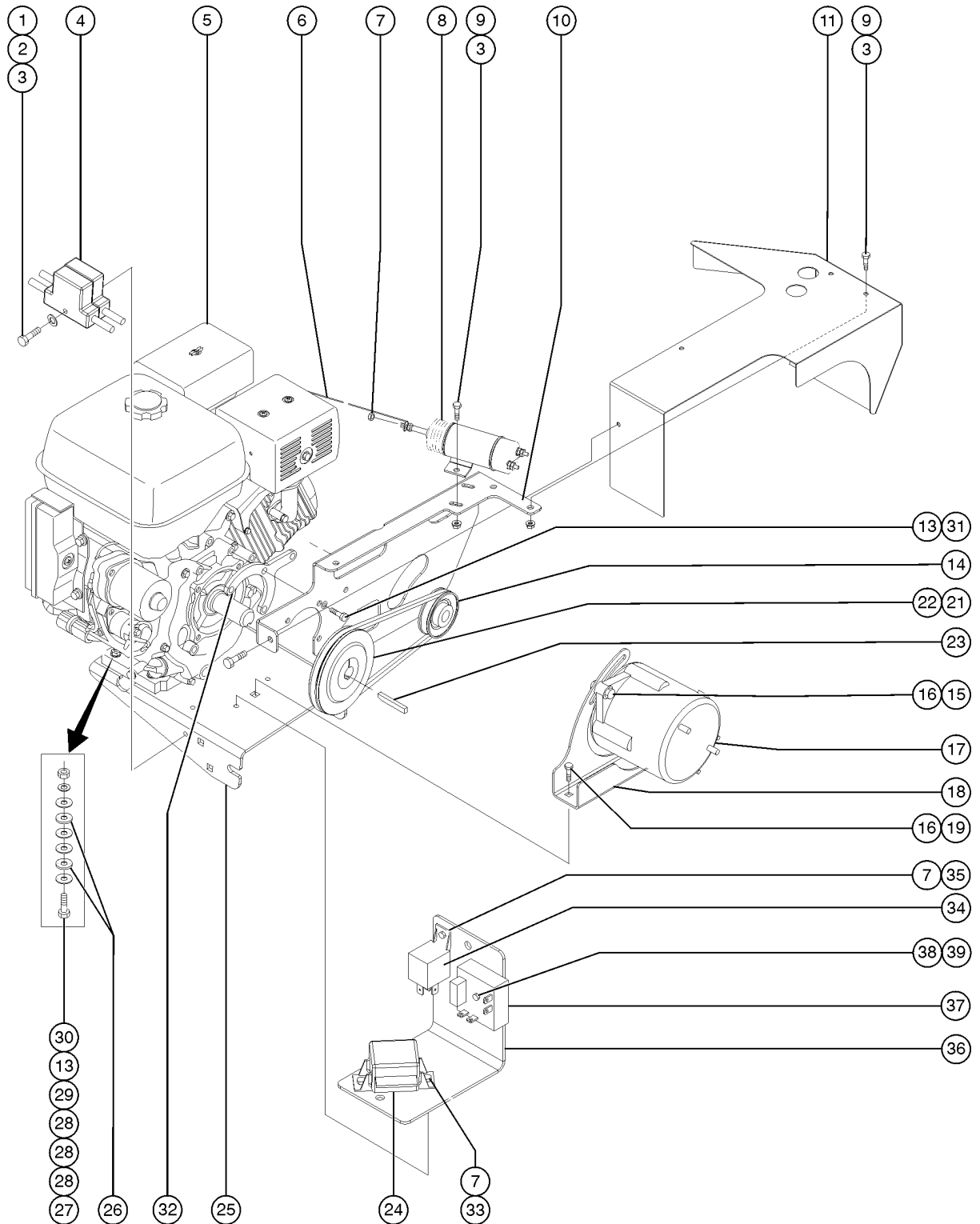


305.2 Engine Components - View 3 (from SN TZ5011-132 to TZ5013-613)

Item	Part No.	Description	Qty.
	105535GT	KIT,BI-ENERGY,HONDA .....	
1	35713GT	SCREW,FHS,1/4-20 X 2.75 .....	
2	6638GT	WASHER,FLAT,USS,1/4"Y .....	
3	6091GT	NUT,NYLOCK,1/4-20 .....	
4	55747GT	FUSE HOLDER,INLINE,GS .....	2
4-	55726GT	FUSE,50 AMP .....	
5		Ref. Engine (refer to 303.1 and 304.1) .....	
6	104214GT	ROD,CHOKE .....	1
7	21496GT	NUT,HEX,1/4-28 .....	
8	51745GT	SOLENOID,1"STRKE,12V,SYNCR*** .....	1
8-	52514GT	BOOT,THROTTLE SOLENOID .....	
8-	22446GT	SPRING, COMPRESSION .835 X 2 .....	
9	6090GT	SCREW,HHC,1/4-20 X .75 .....	
10	104733GT	ALTERNATOR COVER SUPPORT .....	1
11	104730GT	WELDMENT,ALTERNATOR COVER .....	1
13	5397GT	WASHER,FLAT,USS,5/16",Y .....	
14	104188GT	PULLEY,ALTERNATOR,2.75 X .375 .....	1
14-	104815GT	BELT,3VX-250*** .....	
15	6019GT	SCREW,HHC,3/8-16 X 1.25 GRD 5 .....	
16	4828GT	NUT,NYLOCK,3/8-16 .....	
17	99786GT	ALTERNATOR,24V 45A **SEE NOTES (includes item 14) (models to SN TZ5013-611, use kit 826441) .....	1
17	826441GT	KIT,BI-ENERGY CHARGING,TZ-50 (required for models to SN TZ5013-611) .....	
18	104729GT	BRACKET,ALTERNATOR MOUNT .....	1
19	64154GT	BOLT,CARRIAGE,3/8-16 X1.00,G5 .....	
21	104813GT	SHEAVE, 3V335JA .....	1
22	104814GT	BUSHING, JA3/4 .....	1
23	84947GT	KEY,PULLEY,HONDA .....	1
24	56099GT	RELAY,SPST,24V,50A .....	1



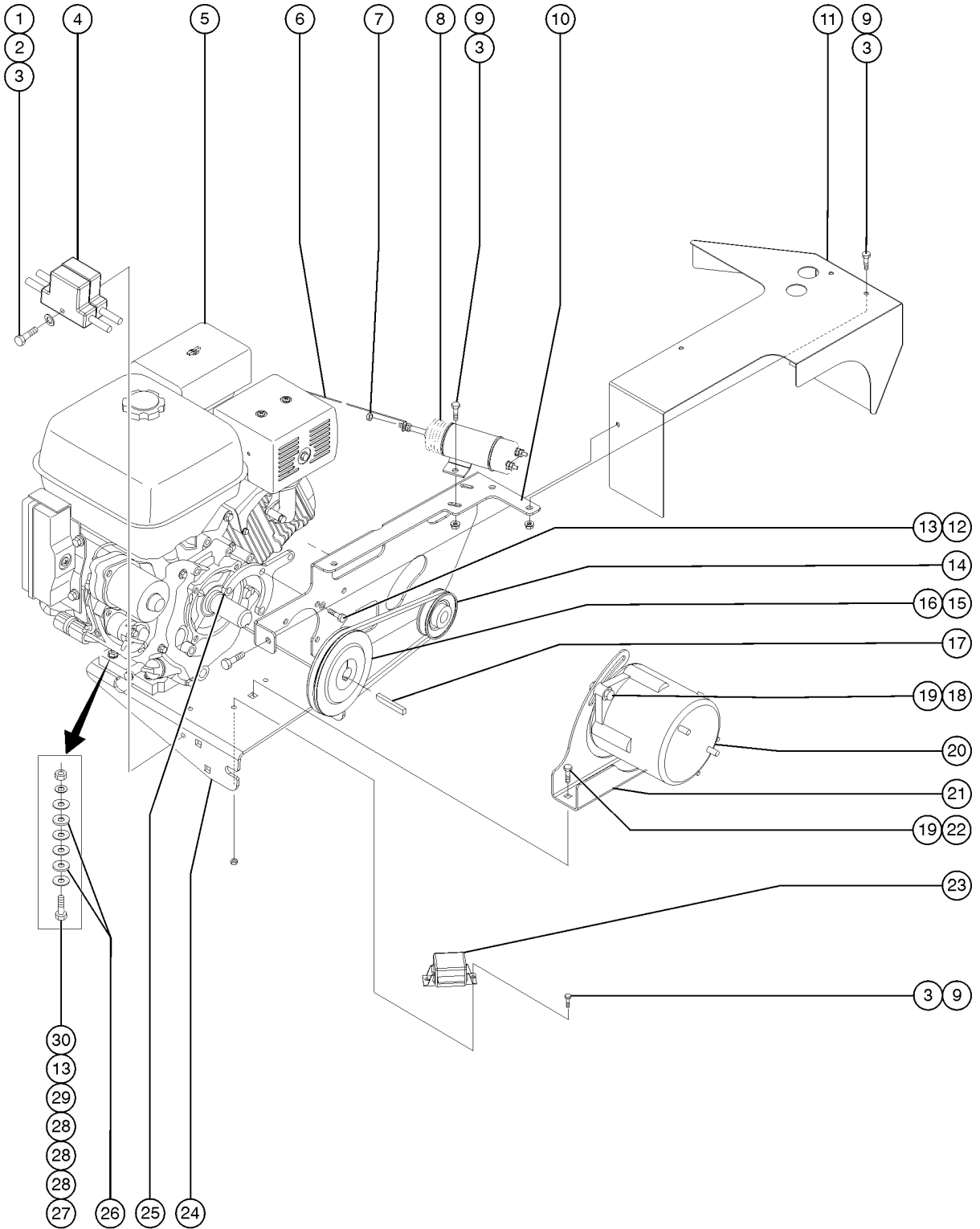
305.2 Engine Components - View 3 (from SN TZ5011-132 to TZ5013-613)



305.2 Engine Components - View 3 (from SN TZ5011-132 to TZ5013-613)

<i>Item</i>	<i>Part No.</i>	<i>Description</i>	<i>Qty.</i>
25	99832GT	FORMING,ENGINE MOUNT .....	1
26	80601GT	ISOLATOR,140# AXIAL,1.31 O.D** .....	4
27	37218GT	SCREW,HHC,5/16-18 X 3.00 .....	
28	15086GT	WASHER,FLAT,.375 X 1.5 X .125 .....	
29	33278GT	WASHER,FLAT,.75 HARDENED .....	
30	6782GT	NUT,NYLOCK,5/16-18 .....	
31	229846GT	BOLT, 5/16-24 X 1.0, SAEJ429 G .....	4
32	229629GT	SPACER, COVER MOUNT .....	1
33	824060GT	SCREW, HHC, 1/4-20 X 1, 8, ZAG .....	
34	R661490GT	RELAY 12V DC 30A NO OR .....	1
35	8915GT	SCREW,HHC,1/4-20 X 1.25 .....	1
36	226952GT	BRACKET,ENGINE RELAY .....	1
37	226951GT	RELAY,OFF DELAY TIMER,12V .....	1
38	6146GT	WASHER,FLAT,MS,#10,Y .....	
39	49819GT	SCREW,PHILLIPS,PHM,10-32 X .5 .....	1

305.3 Engine Components - View 3 (from SN TZ5013-613)

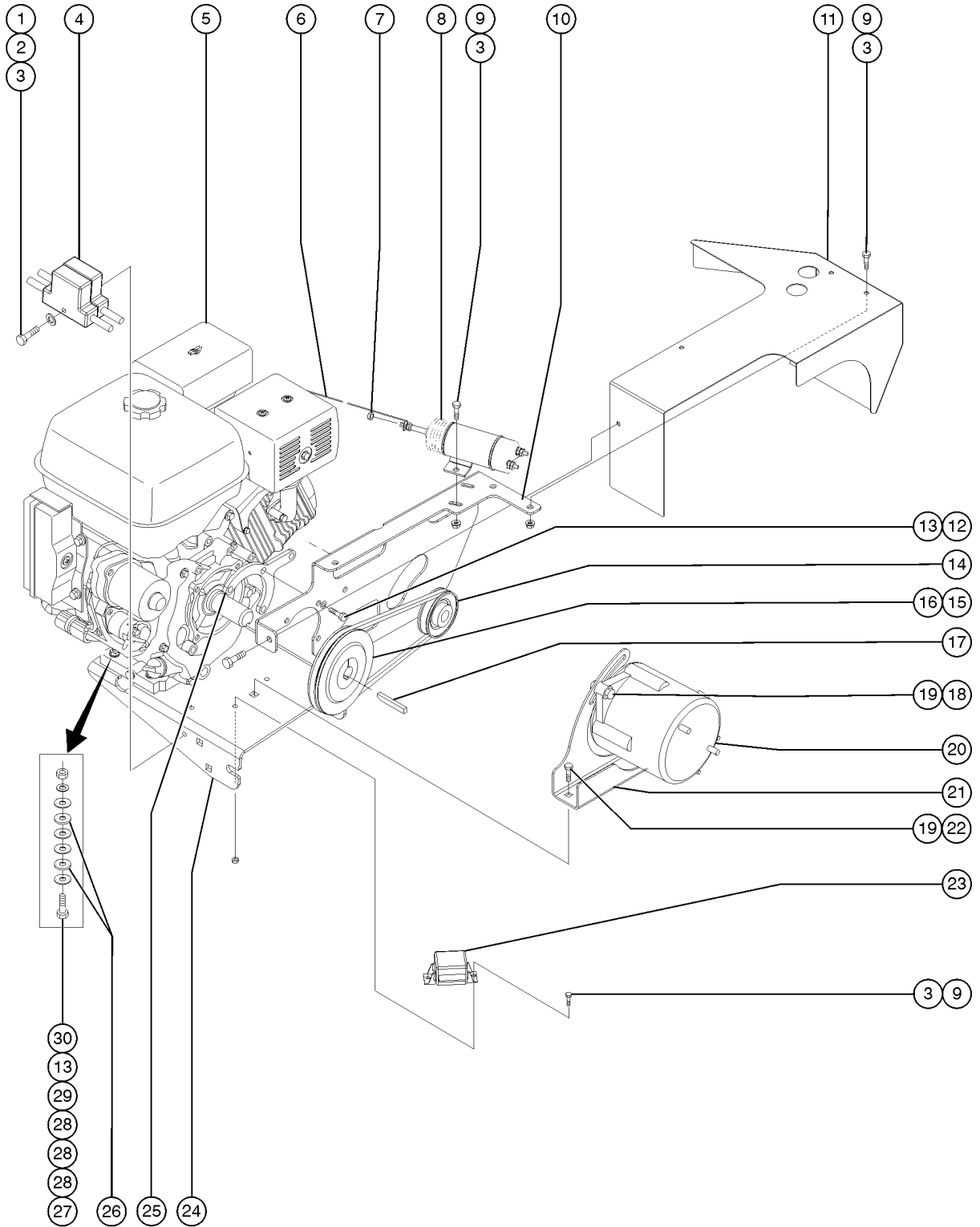




Item	Part No.	Description	Qty.
	105535GT	KIT,BI-ENERGY,HONDA .....	
1	35713GT	SCREW,FHS,1/4-20 X 2.75 .....	
2	6638GT	WASHER,FLAT,USS,1/4"Y .....	
3	6091GT	NUT,NYLOCK,1/4-20 .....	
4	55747GT	FUSE HOLDER,INLINE,GS .....	2
4-	55726GT	FUSE,50 AMP .....	
5		Ref. Engine (refer to 303.1 and 304.1) .....	
6	104214GT	ROD,CHOKE .....	1
7	21496GT	NUT,HEX,1/4-28 .....	
8	51745GT	SOLENOID,1"STRKE,12V,SYNCR*** .....	1
8-	52514GT	BOOT,THROTTLE SOLENOID .....	
8-	22446GT	SPRING, COMPRESSION .835 X 2 .....	
9	6090GT	SCREW,HHC,1/4-20 X .75 .....	
10	104733GT	ALTERNATOR COVER SUPPORT .....	1
11	104730GT	WELDMENT,ALTERNATOR COVER .....	1
12	229846GT	BOLT, 5/16-24 X 1.0, SAEJ429 G .....	4
13	5397GT	WASHER,FLAT,USS,5/16",Y .....	
14	104188GT	PULLEY,ALTERNATOR,2.75 X .375 .....	1
14-	104815GT	BELT,3VX-250*** .....	
15	104813GT	SHEAVE, 3V335JA .....	1
16	104814GT	BUSHING, JA3/4 .....	1
17	84947GT	KEY,PULLEY,HONDA .....	1
18	6019GT	SCREW,HHC,3/8-16 X 1.25 GRD 5 .....	
19	4828GT	NUT,NYLOCK,3/8-16 .....	
20	99786GT	ALTERNATOR,24V 45A **SEE NOTES (includes item 14) (models to SN TZ5013-611, use kit 826441) .....	1
20	826441GT	KIT,BI-ENERGY CHARGING,TZ-50 (required for models to SN TZ5013-311) .....	
21	104729GT	BRACKET,ALTERNATOR MOUNT .....	1
22	64154GT	BOLT,CARRIAGE,3/8-16 X1.00,G5 .....	

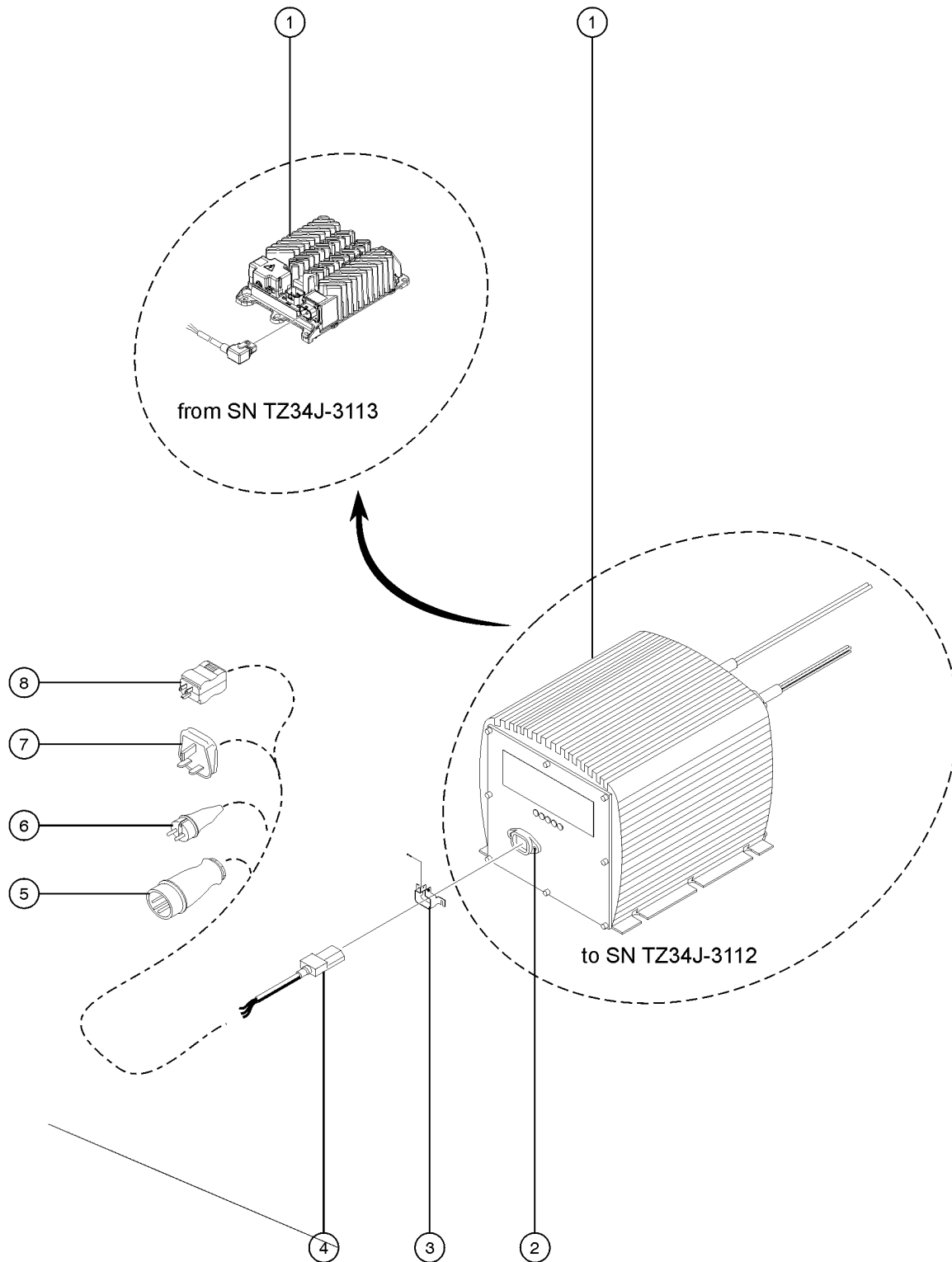


305.3 Engine Components - View 3 (from SN TZ5013-613)



<i>Item</i>	<i>Part No.</i>	<i>Description</i>	<i>Qty.</i>
23	56099GT	RELAY,SPST,24V,50A .....	1
24	99832GT	FORMING,ENGINE MOUNT .....	1
25	229629GT	SPACER, COVER MOUNT .....	1
26	80601GT	ISOLATOR,140# AXIAL,1.31 O.D** .....	4
27	37218GT	SCREW,HHC,5/16-18 X 3.00 .....	
28	15086GT	WASHER,FLAT,.375 X 1.5 X .125 .....	
29	33278GT	WASHER,FLAT,.75 HARDENED .....	
30	6782GT	NUT,NYLOCK,5/16-18 .....	

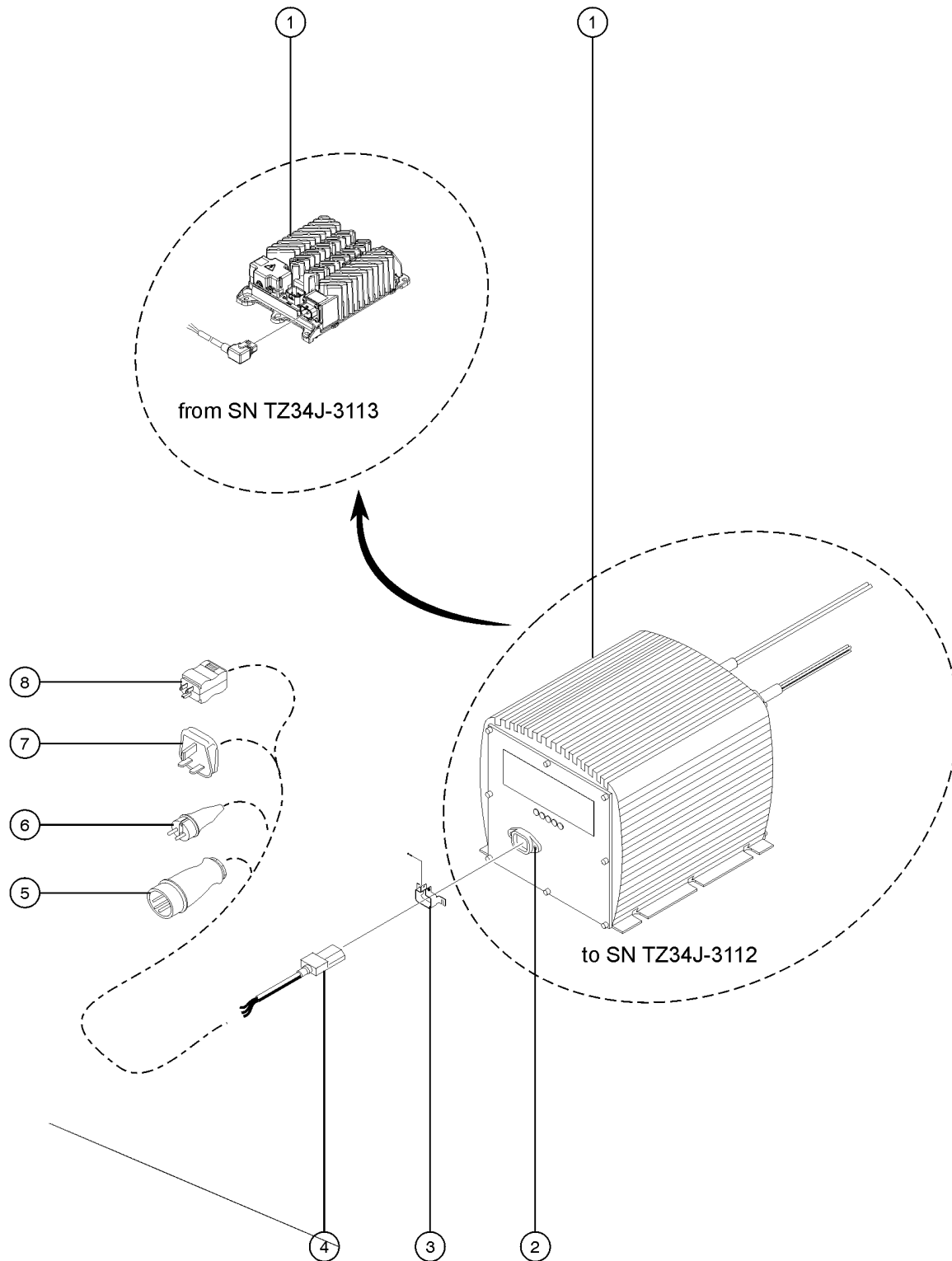
306.1 Battery Charger



306.1 Battery Charger

<i>Item</i>	<i>Part No.</i>	<i>Description</i>	<i>Qty.</i>
-	97059GT	FUSE,BATTERY CHARGER*** for 5-LED battery charger	
-	105334GT	CONNECTOR, IEC CHARGER CORD for 5-LED battery charger	
1	105739GT	CHARGER,BAT,24VDC,H/LO GEN2	1
1-	144180GT	MANUAL,OWNERS,CHARGER,105739	
3	55010GT	LOCK, CONNECTOR includes fasteners	1
4	105278GT	KIT,POWER CORD UPDATE***	1
5	69475GT	POWER CORD,CHARGER,110VAC,UK includes item 4	1
6	85377GT	POWER CORD,CHARGER,220 EU*** includes item 4	1
7	85376GT	POWER CORD,CHARGER,220,UK/AUS* includes item 4	1
8	85375GT	POWER CORD,CHARGER,110 US*** includes item 4	1

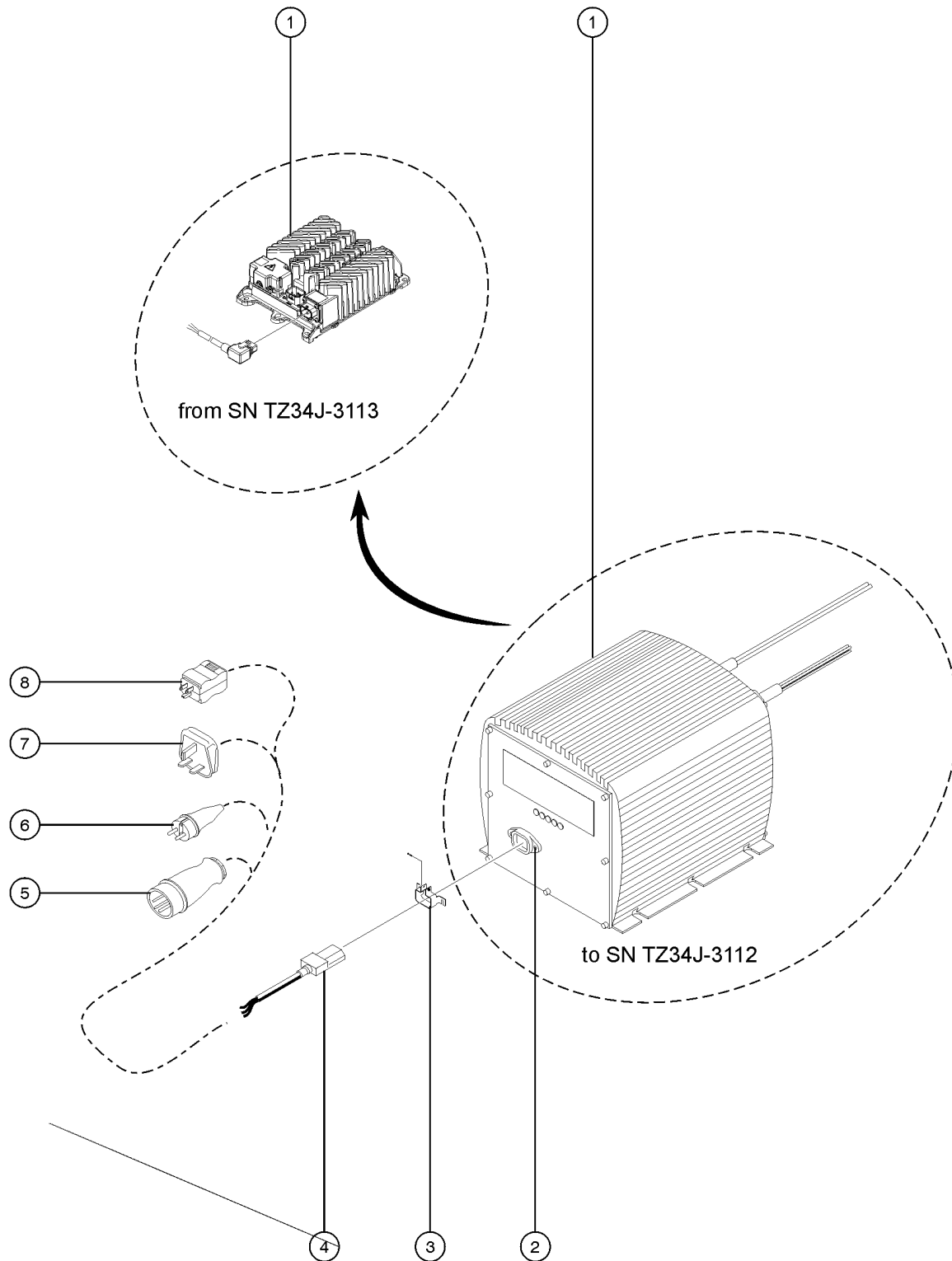
306.2 Battery Charger



306.2 Battery Charger

<i>Item</i>	<i>Part No.</i>	<i>Description</i>	<i>Qty.</i>
-	97059GT	FUSE,BATTERY CHARGER*** for 5-LED battery charger	
-	105334GT	CONNECTOR, IEC CHARGER CORD for 5-LED battery charger	
1	105739GT	CHARGER,BAT,24VDC,H/LO GEN2	1
1-	144180GT	MANUAL,OWNERS,CHARGER,105739	
3	55010GT	LOCK, CONNECTOR includes fasteners	1
4	105278GT	KIT,POWER CORD UPDATE***	1
4	105277GT	POWER CORD,21 IN***	
5	69475GT	POWER CORD,CHARGER,110VAC,UK includes item 4	1
6	85377GT	POWER CORD,CHARGER,220 EU*** includes item 4	1
7	85376GT	POWER CORD,CHARGER,220,UK/AUS* includes item 4	1
8	85375GT	POWER CORD,CHARGER,110 US*** includes item 4	1

306.3 Battery Charger

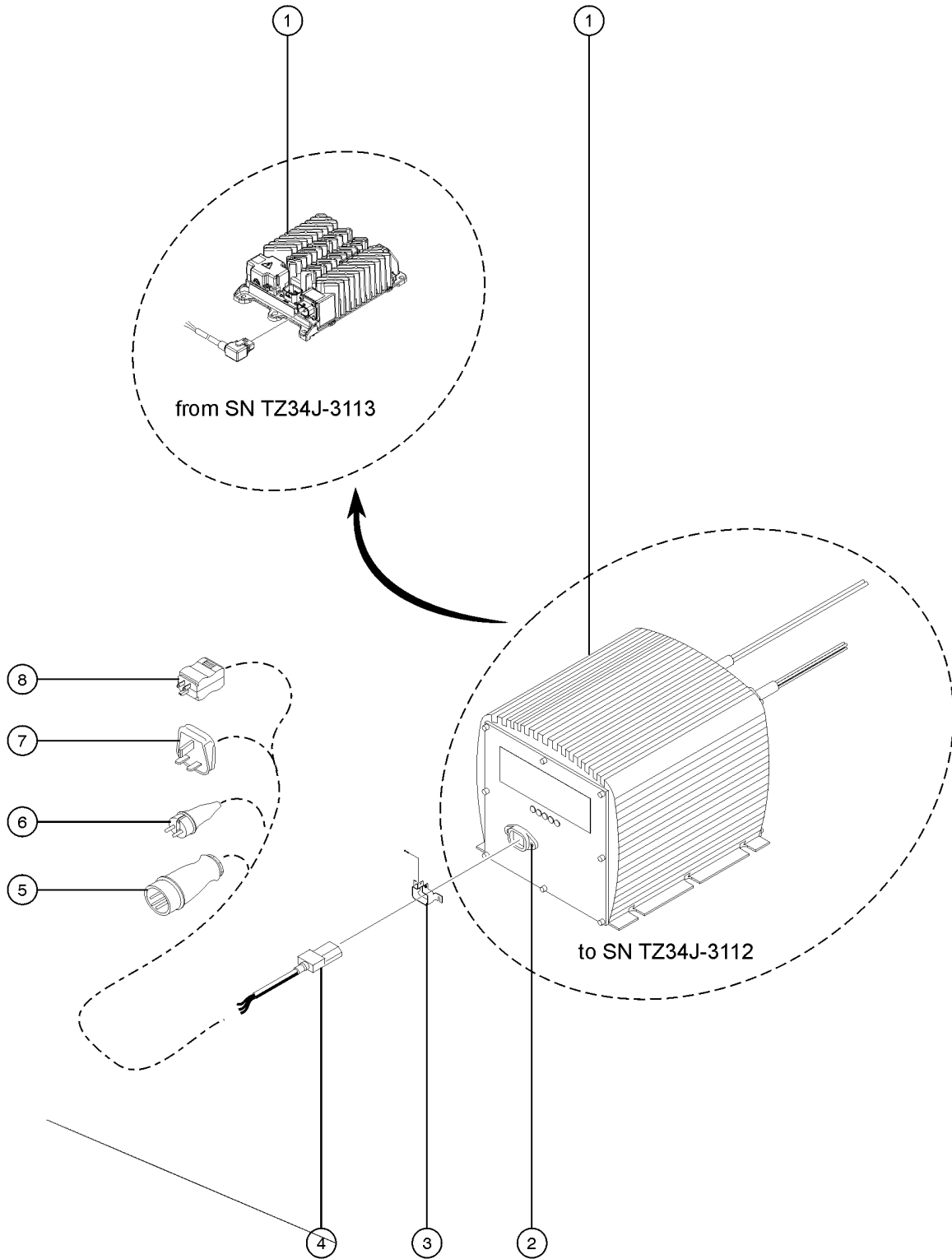




306.3 Battery Charger

<i>Item</i>	<i>Part No.</i>	<i>Description</i>	<i>Qty.</i>
-	97059GT	FUSE,BATTERY CHARGER*** for 5-LED battery charger	
-	105334GT	CONNECTOR, IEC CHARGER CORD for 5-LED battery charger	
1	105739GT	CHARGER,BAT,24VDC,H/LO GEN2	1
1-	144180GT	MANUAL,OWNERS,CHARGER,105739	
3	55010GT	LOCK, CONNECTOR includes fasteners	1
4	105277GT	POWER CORD,21 IN***	
5	69475GT	POWER CORD,CHARGER,110VAC,UK includes item 4	1
6	85377GT	POWER CORD,CHARGER,220 EU*** includes item 4	1
7	85376GT	POWER CORD,CHARGER,220,UK/AUS* includes item 4	1
8	85375GT	POWER CORD,CHARGER,110 US*** includes item 4	1

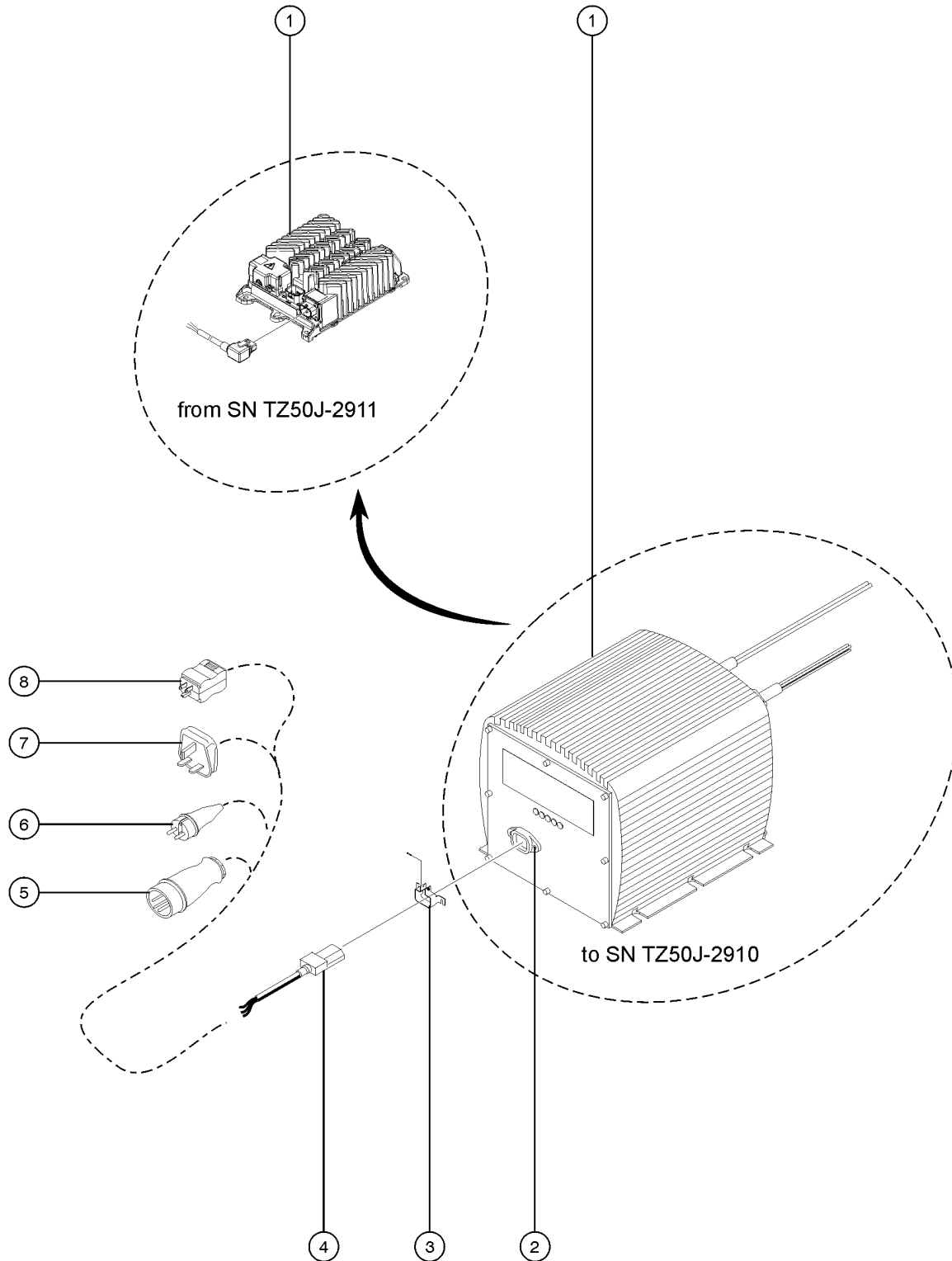
306.4 Battery Charger



306.4 Battery Charger

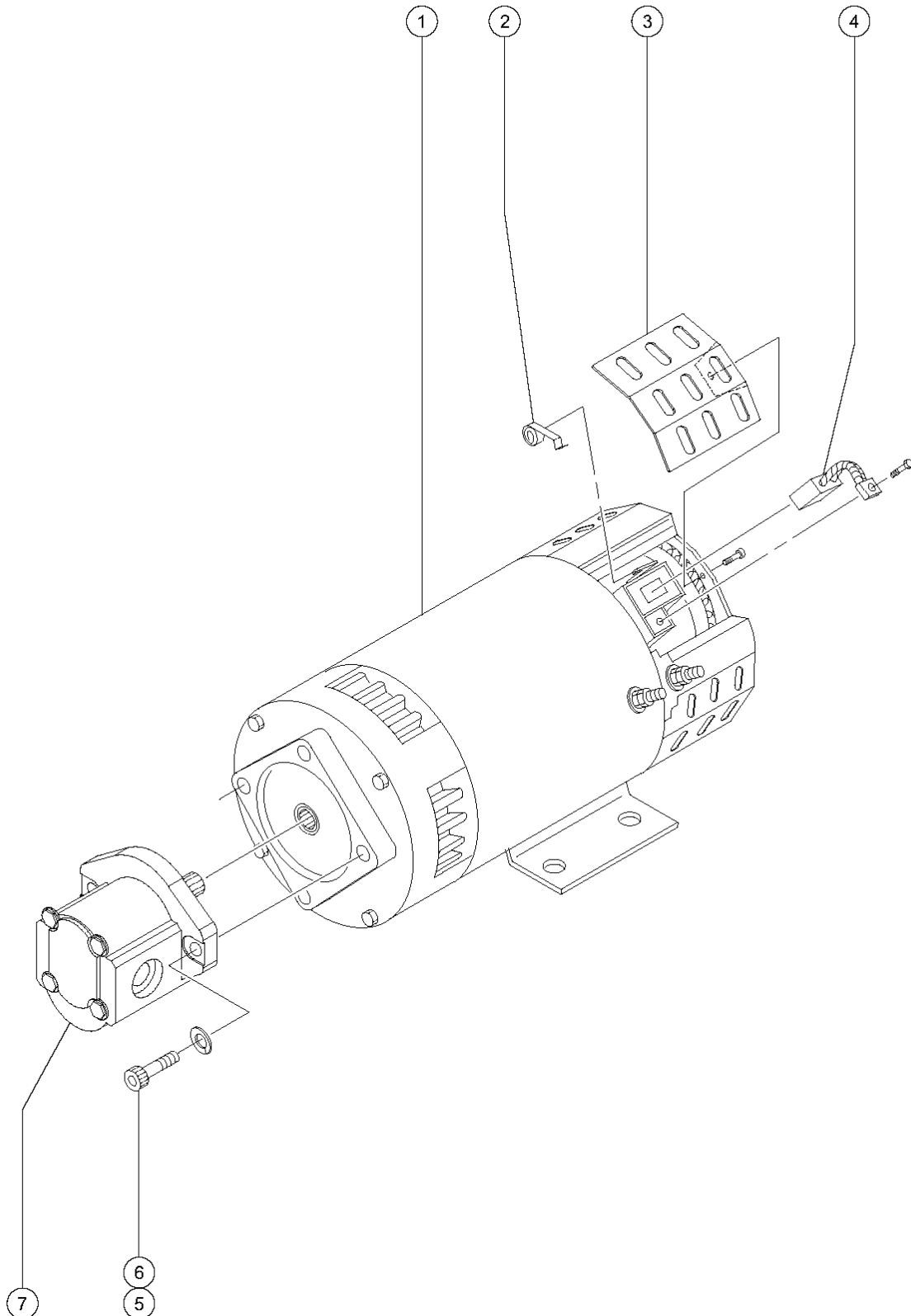
<i>Item</i>	<i>Part No.</i>	<i>Description</i>	<i>Qty.</i>
-	97059GT	FUSE,BATTERY CHARGER*** for 5-LED battery charger	
-	105334GT	CONNECTOR, IEC CHARGER CORD for 5-LED battery charger	
1	105739GT	CHARGER,BAT,24VDC,H/LO GEN2	1
1-	144180GT	MANUAL,OWNERS,CHARGER,105739	
3	55010GT	LOCK, CONNECTOR includes fasteners	1
4	105277GT	POWER CORD,21 IN***	
5	69475GT	POWER CORD,CHARGER,110VAC,UK includes item 4	1
6	85377GT	POWER CORD,CHARGER,220 EU*** includes item 4	1
7	85376GT	POWER CORD,CHARGER,220,UK/AUS* includes item 4	1
8	85375GT	POWER CORD,CHARGER,110 US*** includes item 4	1

306.5 Battery Charger



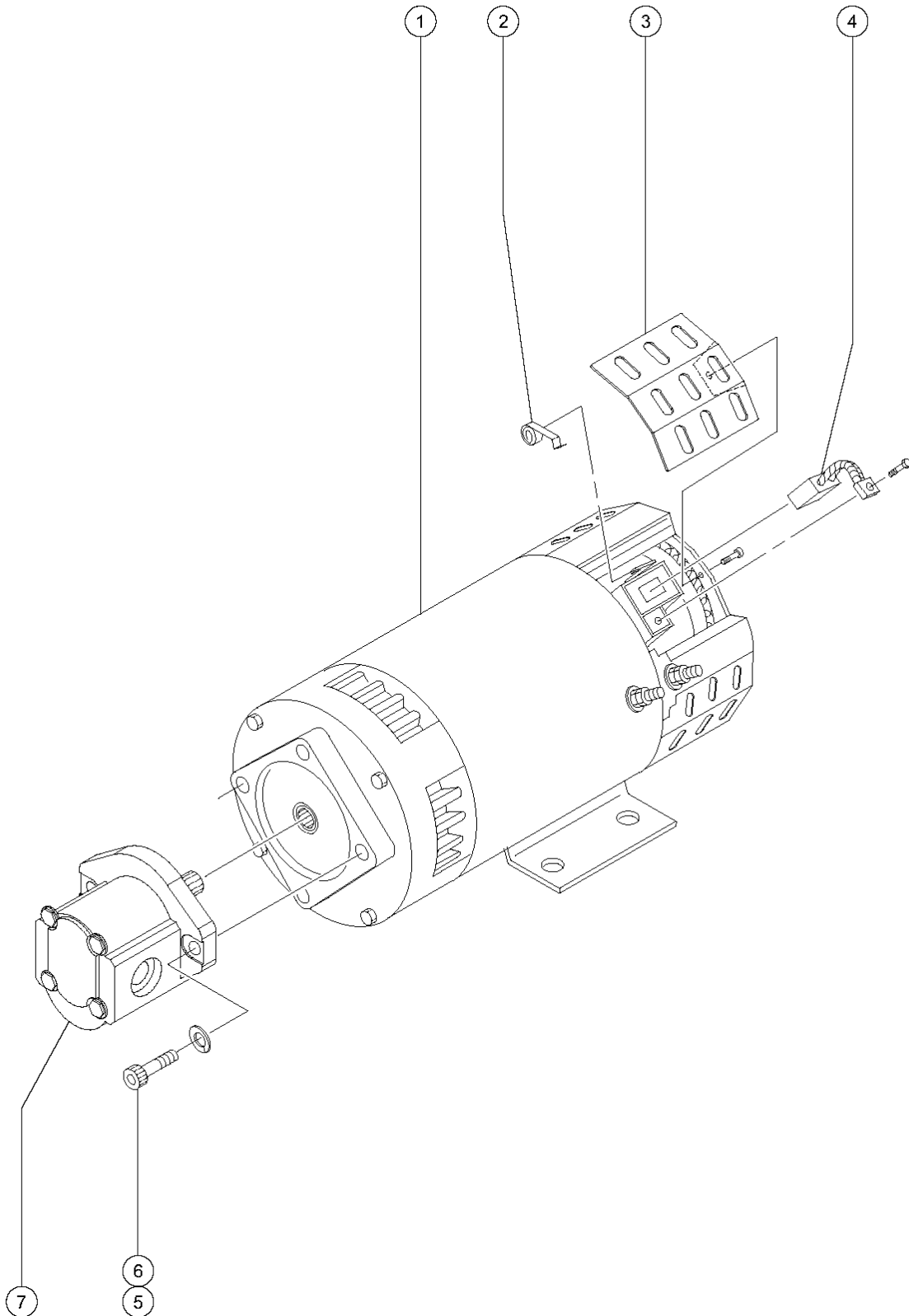
Item	Part No.	Description	Qty.
-	97059GT	FUSE,BATTERY CHARGER*** for 5-LED battery charger	
-	105334GT	CONNECTOR, IEC CHARGER CORD for 5-LED battery charger	
1A	1264372GT	CHARGER,24V,650W,USB from SN TZ34J-3113	
1B	1277780GT	KIT,CHARGER,BATTERY,DELTA-Q,TZ-34	
1C	105739GT	CHARGER,BAT,24VDC,H/LO GEN2 to SN TZ34J-3112	1
1C-	105334GT	CONNECTOR, IEC CHARGER CORD	1
1C-	144180GT	MANUAL,OWNERS,CHARGER,105739	
2	46440GT	CONNECTOR,IEC 320 INLET for 5-LED battery charger	
2-	46441GT	PIN,CONNECTOR,IEC320 for 5-LED battery charger	
3	55010GT	LOCK, CONNECTOR includes fasteners	2
4	105277GT	POWER CORD,21 IN***	1
5	69475GT	POWER CORD,CHARGER,110VAC,UK includes item 4	1
6	85377GT	POWER CORD,CHARGER,220 EU*** includes item 4	1
7	85376GT	POWER CORD,CHARGER,220,UK/AUS* includes item 4	1
8	85375GT	POWER CORD,CHARGER,110 US*** includes item 4	1

307.1 Power Unit



Item	Part No.	Description	Qty.
1A	40844GT	MOTOR, ELECTRIC, 24VDC (to SN TZ5006-313)	1
1B-	44777GT	BEARING,MOTOR (to SN TZ5006-313) (40844)	
1B-	44778GT	BEARING,MOTOR,36843,BRUSH END* (to SN TZ5006-313) (40844)	
1B-	43685GT	SEAL KIT,LIFT PUMP,BARNES** (to SN TZ5006-313) (40844)	
2	44750GT	SPRING-BRUSH,40844, SCISSORS	1
3	44752GT	COVER-BRUSH INSPEC.40844,SCISS	1
4	44751GT	BRUSH,PWR UNIT (40844)**	1
5	55921GT	SCREW,SHC,3/8-24 X 1.25"	2
6	6021GT	WASHER,LOCK, .375	2
7A	76553GT	PUMP,HYD,8CC,CCW,BOSCH*** models with drive option	2
7A-	84461GT	SEAL KIT,PUMP (76553/76554)*** for 76553	
7B	96193GT	PUMP,4CC GEAR,CCW*** models without drive option	1
7B-	85197GT	SEAL KIT,BOSCH PUMP*** for 96193 w/Bosch PN 9510090001	
7B-	233641GT	SEAL KIT,BOSCH PUMP for 96193 w/Bosch PN 9510290001	
7B-	62857GT	SEAL KIT,REXROTH (67335,55920) for 55920 (pump no longer available)	

307.2 Power Unit



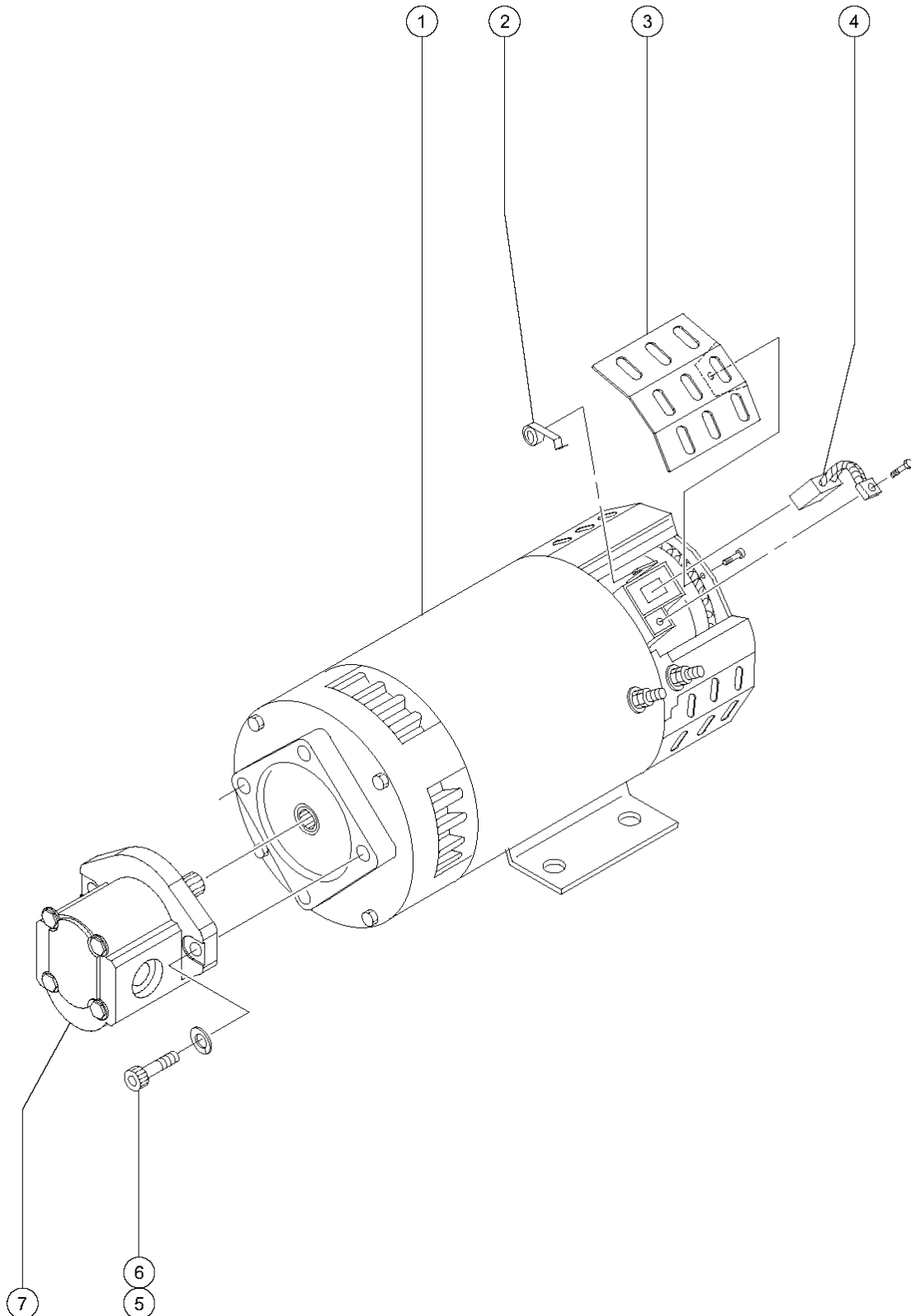


Item	Part No.	Description	Qty.
1A	40844GT	MOTOR, ELECTRIC, 24VDC (to SN TZ5006-313)	1
1B	105387GT	MOTOR, 24DC, ADV (from SN TZ5006-314)	
1B-	44777GT	BEARING, MOTOR (to SN TZ5006-313) (40844)	
1B-	44778GT	BEARING, MOTOR, 36843, BRUSH END* (to SN TZ5006-313) (40844)	
1B-	43685GT	SEAL KIT, LIFT PUMP, BARNES** (to SN TZ5006-313) (40844)	
2	44750GT	SPRING-BRUSH, 40844, SCISSORS	1
3	44752GT	COVER-BRUSH INSPEC. 40844, SCISS	1
4	44751GT	BRUSH, PWR UNIT (40844)**	1
5	55921GT	SCREW, SHC, 3/8-24 X 1.25"	2
6	6021GT	WASHER, LOCK, .375	2
7A	76553GT	PUMP, HYD, 8CC, CCW, BOSCH*** models with drive option	2
7A-	84461GT	SEAL KIT, PUMP (76553/76554)*** for 76553	
7B	96193GT	PUMP, 4CC GEAR, CCW*** models without drive option	1
7B-	85197GT	SEAL KIT, BOSCH PUMP*** for 96193 w/Bosch PN 9510090001	
7B-	233641GT	SEAL KIT, BOSCH PUMP for 96193 w/Bosch PN 9510290001	
7B-	62857GT	SEAL KIT, REXROTH (67335, 55920) for 55920 (pump no longer available)	



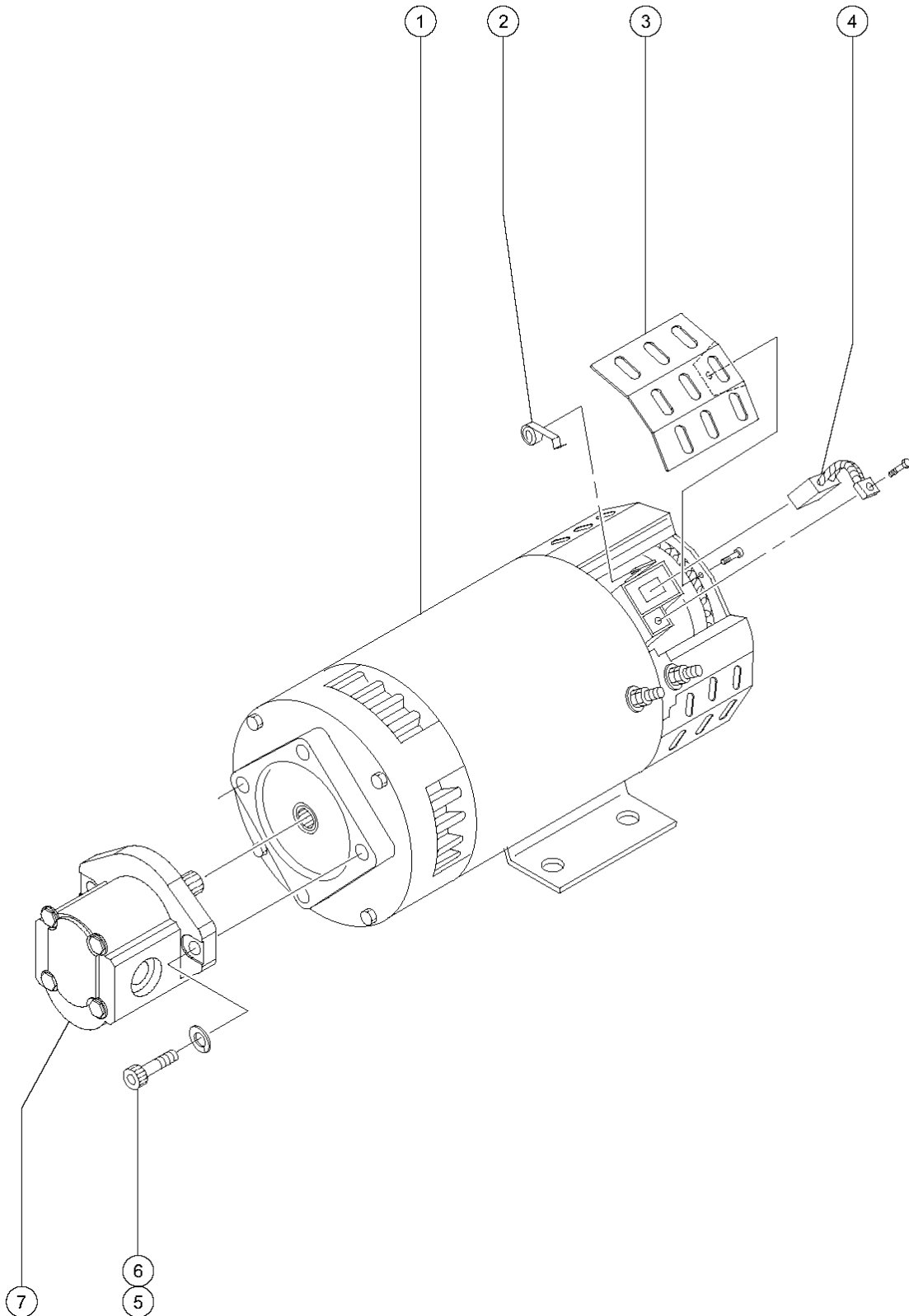
Item	Part No.	Description	Qty.
1B	105387GT	MOTOR,24DC,ADV (from SN TZ5006-314)	
1B-	44777GT	BEARING,MOTOR (to SN TZ5006-313) (40844)	
1B-	44778GT	BEARING,MOTOR,36843,BRUSH END* (to SN TZ5006-313) (40844)	
1B-	43685GT	SEAL KIT,LIFT PUMP,BARNES** (to SN TZ5006-313) (40844)	
2	44750GT	SPRING-BRUSH,40844, SCISSORS	1
3	44752GT	COVER-BRUSH INSPEC.40844,SCISS	1
4	44751GT	BRUSH,PWR UNIT (40844)**	1
5	55921GT	SCREW,SHC,3/8-24 X 1.25"	2
6	6021GT	WASHER,LOCK, .375	2
7A	76553GT	PUMP,HYD,8CC,CCW,BOSCH*** models with drive option	2
7A-	84461GT	SEAL KIT,PUMP (76553/76554)*** for 76553	
7B	96193GT	PUMP,4CC GEAR,CCW*** models without drive option	1
7B-	85197GT	SEAL KIT,BOSCH PUMP*** for 96193 w/Bosch PN 9510090001	
7B-	233641GT	SEAL KIT,BOSCH PUMP for 96193 w/Bosch PN 9510290001	
7B-	62857GT	SEAL KIT,REXROTH (67335,55920) for 55920 (pump no longer available)	

307.4 Power Unit



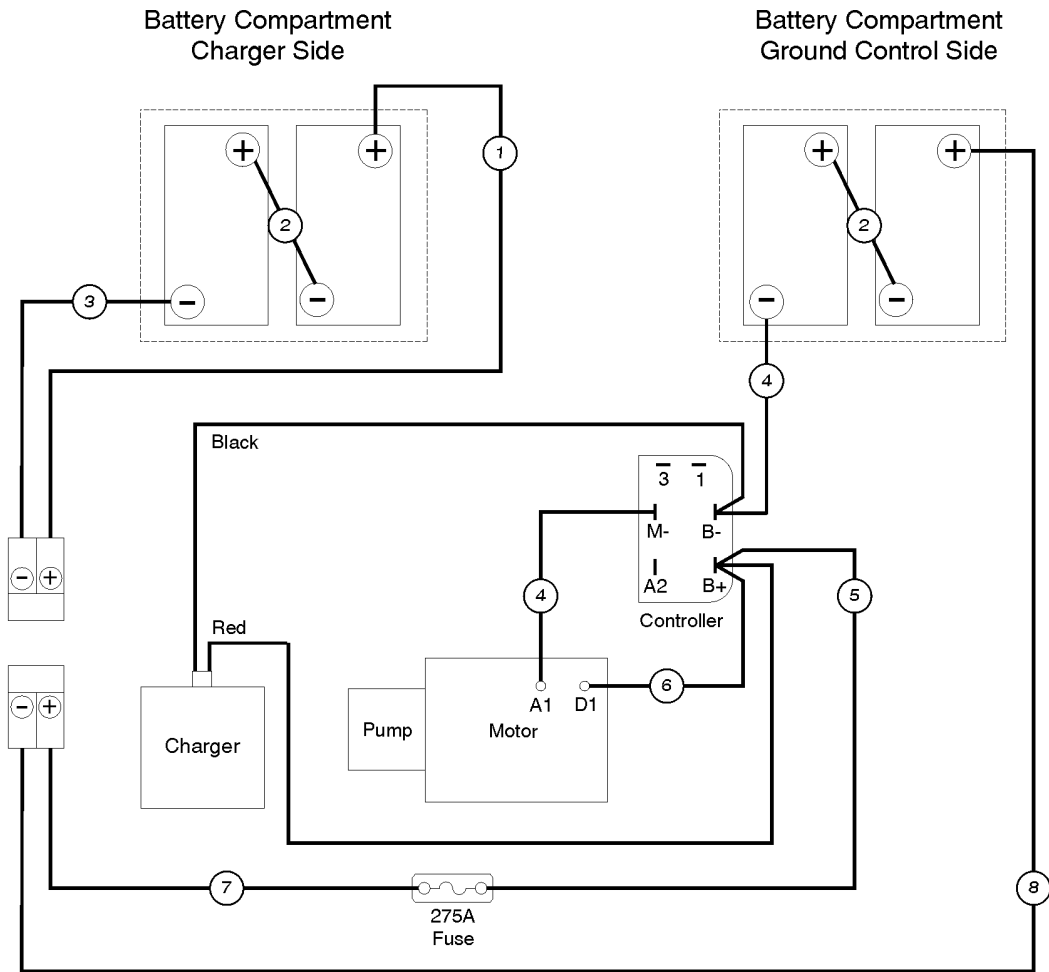
Item	Part No.	Description	Qty.
1A	40844GT	MOTOR, ELECTRIC, 24VDC (to SN TZ5006-313)	1
1B	105387GT	MOTOR, 24DC, ADV (from SN TZ5006-314)	
1B-	44777GT	BEARING, MOTOR (to SN TZ5006-313) (40844)	
1B-	44778GT	BEARING, MOTOR, 36843, BRUSH END* (to SN TZ5006-313) (40844)	
1B-	43685GT	SEAL KIT, LIFT PUMP, BARNES** (to SN TZ5006-313) (40844)	
2	44750GT	SPRING-BRUSH, 40844, SCISSORS	1
3	44752GT	COVER-BRUSH INSPEC. 40844, SCISS	1
4	44751GT	BRUSH, PWR UNIT (40844)**	1
5	55921GT	SCREW, SHC, 3/8-24 X 1.25"	2
6	6021GT	WASHER, LOCK, .375	2
7A	76553GT	PUMP, HYD, 8CC, CCW, BOSCH*** models with drive option	2
7A-	84461GT	SEAL KIT, PUMP (76553/76554)*** for 76553	
7B	96193GT	PUMP, 4CC GEAR, CCW*** models without drive option	1
7B-	85197GT	SEAL KIT, BOSCH PUMP*** for 96193 w/Bosch PN 9510090001	
7B-	233641GT	SEAL KIT, BOSCH PUMP for 96193 w/Bosch PN 9510290001	
7B-	62857GT	SEAL KIT, REXROTH (67335, 55920) for 55920 (pump no longer available)	

307.5 Power Unit



Item	Part No.	Description	Qty.
1A	40844GT	MOTOR, ELECTRIC, 24VDC (to SN TZ5006-313)	1
1B	105387GT	MOTOR, 24DC, ADV (from SN TZ5006-314)	
1B-	44777GT	BEARING, MOTOR (to SN TZ5006-313) (40844)	
1B-	44778GT	BEARING, MOTOR, 36843, BRUSH END* (to SN TZ5006-313) (40844)	
1B-	43685GT	SEAL KIT, LIFT PUMP, BARNES** (to SN TZ5006-313) (40844)	
2	44750GT	SPRING-BRUSH, 40844, SCISSORS	1
3	44752GT	COVER-BRUSH INSPEC. 40844, SCISS	1
4	44751GT	BRUSH, PWR UNIT (40844)**	1
5	55921GT	SCREW, SHC, 3/8-24 X 1.25"	2
6	6021GT	WASHER, LOCK, .375	2
7A	76553GT	PUMP, HYD, 8CC, CCW, BOSCH*** models with drive option	2
7A-	84461GT	SEAL KIT, PUMP (76553/76554)*** for 76553	
7B	96193GT	PUMP, 4CC GEAR, CCW*** models without drive option	1
7B-	85197GT	SEAL KIT, BOSCH PUMP*** for 96193 w/Bosch PN 9510090001	
7B-	233641GT	SEAL KIT, BOSCH PUMP for 96193 w/Bosch PN 9510290001	
7B-	62857GT	SEAL KIT, REXROTH (67335, 55920) for 55920 (pump no longer available)	

308.1 Electrical Diagram and Power Cables (to SN TZ5011-310)



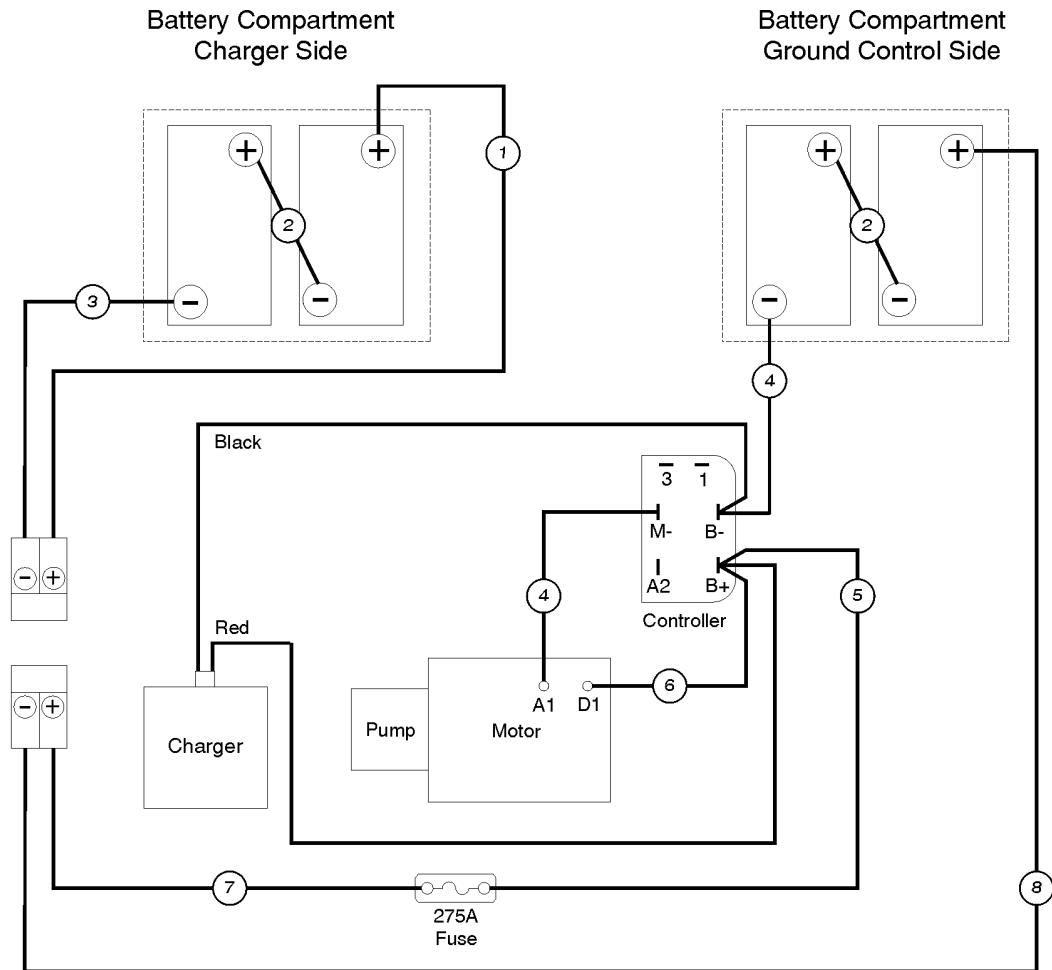


308.1 Electrical Diagram and Power Cables (to SN TZ5011-310)

Item	Part No.	Description	Qty.
	58253GT	KIT,REPAIR,DEUTSCH PLUG,W/TUBE ..... (6 wire connector kit)	
	83129GT	KIT,REPAIR,DEUTSH CONNECTORS** ..... (universal connector kit)	
A-	104377GT	HARNESS,ENGINE TZ50 .....	
B-	104103GT	HARNESS,SWING CHASSIS TZ50 .....	
C-	99753GT	HARNESS,DRIVE CHASSIS*** ..... (to SN TZ505-318)	
E-	99754GT	HARNESS,BASE CONTROL TO PLAT .....	
F-	104139GT	HARNESS,BASE TO PLAT POWER .....	
G-	104117GT	HARNESS,JIB,TZ50 .....	
H-	104138GT	LIMIT SWITCH,DUAL WITH HARNESS ..... (to SN TZ505-318)	
J-	88356GT	SWITCH,LIMIT,TABULATED,BLUE*** .....	
K-	105450GT	HRNS,DRIVE CTRL BX .....	
L-	99089GT	CAPACITOR,4700MFD 25V ..... (to SN TZ5005-382)	
M-		Ref. Fuse, 275A ..... (refer to 301.1)	
N-	104140GT	HARNESS,DRIVE OPTION .....	
O-	104583GT	HARNESS,LIGHTS,CE,TZ50 CHASSIS .....	
P-	105473GT	HARNESS, LIGHT,CE MAST TZ50 .....	
Q-	105524GT	TZ50 OP LIGHT ELEC BRK PACKAGE .....	
R-	43956GT	WIRE CABLE,14/3 CON.TPE JKT* ..... AC power-to-platform option	718
S-	76697GT	HARNESS,DRIVE CHASSIS .....	
1	104379GT	CABLE ASSY, 38" RED, TZ50 .....	1
2	104380GT	CABLE ASSY, 6" RED, TZ50 .....	2
3	104381GT	CABLE ASSY, 21" BLK, TZ50 .....	1
4	104382GT	CABLE ASSY, 10" BLK, TZ50 .....	2
5	104383GT	CABLE ASSY, 14" RED, TZ50 .....	1
6	104384GT	CABLE ASSY, 10" RED, TZ50 .....	1
7	104385GT	CABLE ASSY, 36" RED, TZ50 .....	1
8	104386GT	CABLE, ASSY, 54" BLK, TZ50 .....	1



308.2 Electrical Diagram and Power Cables (to SN TZ5011-310)



308.2 Electrical Diagram and Power Cables (to SN TZ5011-310)

Item	Part No.	Description	Qty.
	58253GT	KIT,REPAIR,DEUTSCH PLUG,W/TUBE ..... (6 wire connector kit)	
	83129GT	KIT,REPAIR,DEUTSH CONNECTORS** ..... (universal connector kit)	
A-	104377GT	HARNESS,ENGINE TZ50 .....	
B-	104103GT	HARNESS,SWING CHASSIS TZ50 .....	
C-	99753GT	HARNESS,DRIVE CHASSIS*** ..... (to SN TZ505-318)	
D-	105256GT	HARNESS,DRIVE CHASSIS*** ..... (from SN TZ5005-319)	
E-	99754GT	HARNESS,BASE CONTROL TO PLAT .....	
F-	104139GT	HARNESS,BASE TO PLAT POWER .....	
G-	104117GT	HARNESS,JIB,TZ50 .....	
H-	104138GT	LIMIT SWITCH,DUAL WITH HARNESS ..... (to SN TZ505-318)	
I-	105257GT	LIMIT SWITCH,DUAL W/HARNESS*** ..... (from SN TZ5005-319)	
J-	88356GT	SWITCH,LIMIT,TABULATED,BLUE*** ..... (to SN TZ5005-318) (call Genie Service to order)	
K-	105450GT	HRNS,DRIVE CTRL BX .....	
L-	99089GT	CAPACITOR,4700MFD 25V ..... (to SN TZ5005-382)	
M-		Ref. Fuse, 275A (refer to 301.1) .....	
N-	104140GT	HARNESS,DRIVE OPTION .....	
O-	104583GT	HARNESS,LIGHTS,CE,TZ50 CHASSIS ..... CE models	
P-	105473GT	HARNESS, LIGHT,CE MAST TZ50 ..... CE models	
Q-	105524GT	TZ50 OP LIGHT ELEC BRK PACKAGE .....	
R-	43956GT	WIRE CABLE,14/3 CON.TPE JKT* ..... AC power-to-platform option	718
S-	76697GT	HARNESS,DRIVE CHASSIS .....	
1	104379GT	CABLE ASSY, 38" RED, TZ50 .....	1
2	104380GT	CABLE ASSY, 6" RED, TZ50 .....	2
3	104381GT	CABLE ASSY, 21" BLK, TZ50 .....	1
4	104382GT	CABLE ASSY, 10" BLK, TZ50 .....	2
5	104383GT	CABLE ASSY, 14" RED, TZ50 .....	1
6	104384GT	CABLE ASSY, 10" RED, TZ50 .....	1
7	104385GT	CABLE ASSY, 36" RED, TZ50 .....	1





308.2 Electrical Diagram and Power Cables (to SN TZ5011-310)

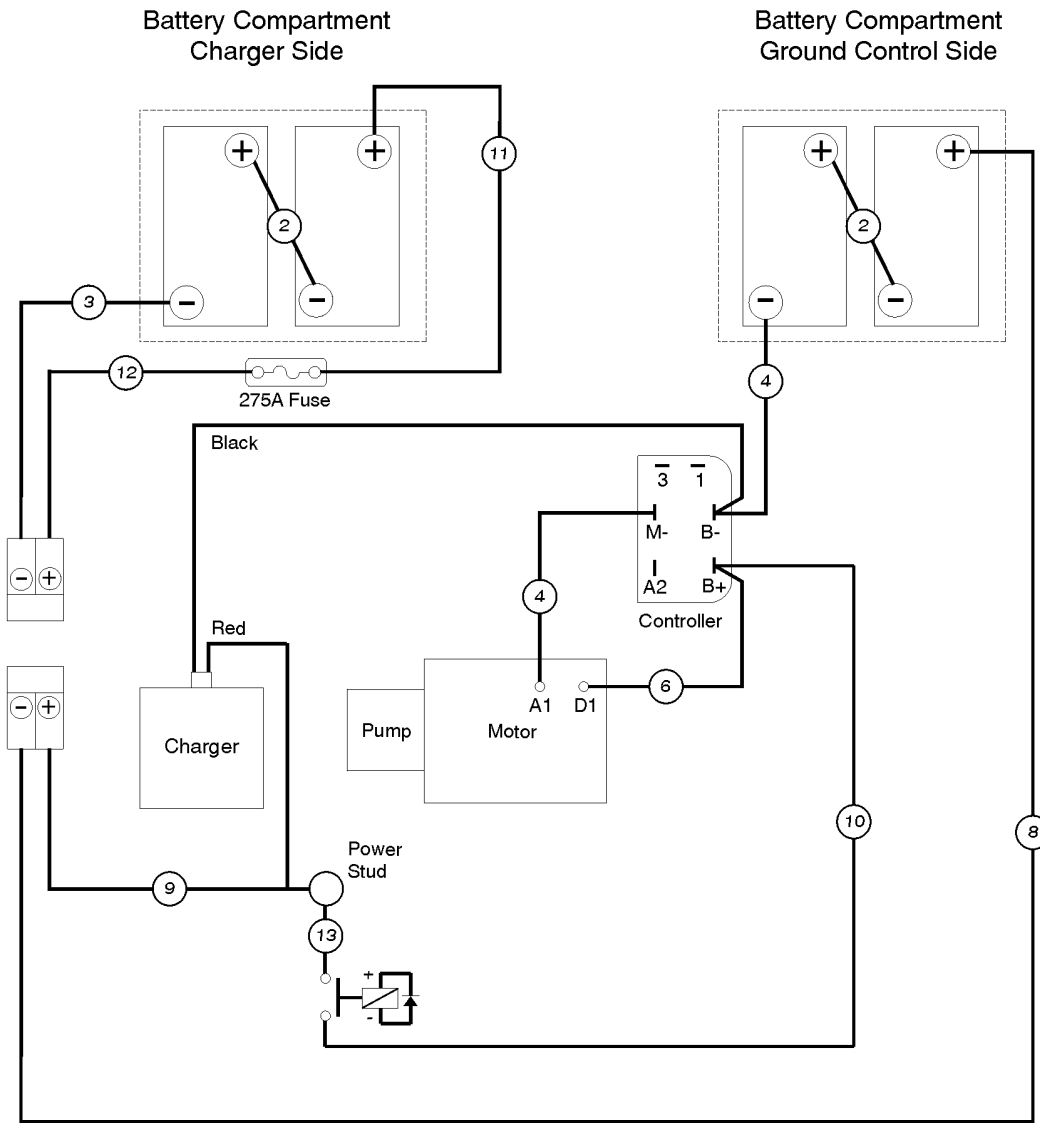
<i>Item</i>	<i>Part No.</i>	<i>Description</i>	<i>Qty.</i>
8	104386GT	CABLE, ASSY, 54" BLK, TZ50 .....	1



308.3 Electrical Diagram and Power Cables (to SN TZ5011-310)

Item	Part No.	Description	Qty.
	58253GT	KIT,REPAIR,DEUTSCH PLUG,W/TUBE ..... (6 wire connector kit)	
	83129GT	KIT,REPAIR,DEUTSH CONNECTORS** ..... (universal connector kit)	
A-	104377GT	HARNESS,ENGINE TZ50 .....	
B-	104103GT	HARNESS,SWING CHASSIS TZ50 .....	
D-	105256GT	HARNESS,DRIVE CHASSIS*** .....	
E-	99754GT	HARNESS,BASE CONTROL TO PLAT .....	
F-	104139GT	HARNESS,BASE TO PLAT POWER .....	
G-	104117GT	HARNESS,JIB,TZ50 .....	
I-	105257GT	LIMIT SWITCH,DUAL W/HARNESS*** ..... (from SN TZ5005-319)	
K-	105450GT	HRNS,DRIVE CTRL BX .....	
M-		Ref. Fuse, 275A ..... (refer to 301.1)	
N-	104140GT	HARNESS,DRIVE OPTION .....	
P-	105473GT	HARNESS, LIGHT,CE MAST TZ50 ..... CE models	
Q-	105524GT	TZ50 OP LIGHT ELEC BRK PACKAGE ..... CE models	
R-	43956GT	WIRE CABLE,14/3 CON.TPE JKT* ..... AC power-to-platform option	718
S-	76697GT	HARNESS,DRIVE CHASSIS .....	
1	104379GT	CABLE ASSY, 38" RED, TZ50 .....	1
2	104380GT	CABLE ASSY, 6" RED, TZ50 .....	2
3	104381GT	CABLE ASSY, 21" BLK, TZ50 .....	1
4	104382GT	CABLE ASSY, 10" BLK, TZ50 .....	2
5	104383GT	CABLE ASSY, 14" RED, TZ50 .....	1
6	104384GT	CABLE ASSY, 10" RED, TZ50 .....	1
7	104385GT	CABLE ASSY, 36" RED, TZ50 .....	1
8	104386GT	CABLE, ASSY, 54" BLK, TZ50 .....	1

308.4 Electrical Diagram and Power Cables (from SN TZ5011-311 to TZ5011-404)



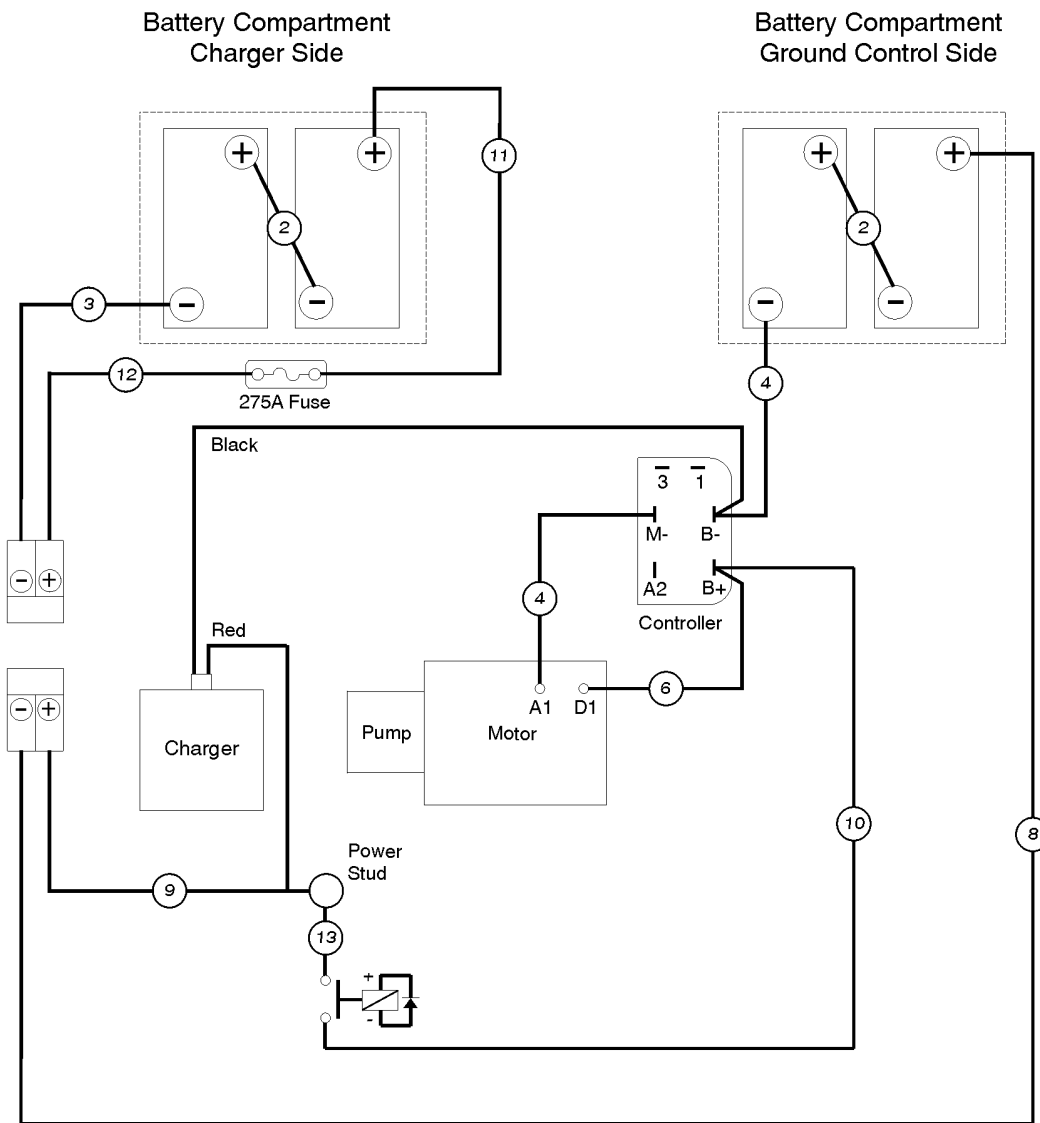


308.4 Electrical Diagram and Power Cables (from SN TZ5011-311 to  
TZ5011-404)  
Qty.

Item	Part No.	Description	Qty.
A-	58253GT	KIT,REPAIR,DEUTSCH PLUG,W/TUBE ..... (6 wire connector kit)	
B-	83129GT	KIT,REPAIR,DEUTSH CONNECTORS** ..... (universal connector kit)	
C-		Ref. Fuse, 275A ..... (refer to 301.1)	
D-	104377GT	HARNESS,ENGINE TZ50 ..... (to SN TZ5011-131)	
E-	227441GT	HARNESS,ENGINE TZ50 ..... (from SN TZ5011-132)	
F-	104103GT	HARNESS,SWING CHASSIS TZ50 .....	
G-	76697GT	HARNESS,DRIVE CHASSIS .....	
H-	104140GT	HARNESS,DRIVE OPTION .....	
I-	99754GT	HARNESS,BASE CONTROL TO PLAT .....	
J-	104139GT	HARNESS,BASE TO PLAT POWER .....	
K-	104117GT	HARNESS,JIB,TZ50 .....	
L-	105257GT	LIMIT SWITCH,DUAL W/HARNESS*** ..... (from SN TZ5005-319)	
N-	105450GT	HRNS,DRIVE CTRL BX .....	
O-	105524GT	TZ50 OP LIGHT ELEC BRK PACKAGE ..... CE models	
P-	99521GT	TZ-50 OP PWR TO PLAT USANSICSA .....	
Q-	43956GT	WIRE CABLE,14/3 CON.TPE JKT* ..... AC power-to-platform option	718
R-	232693GT	RESISTOR, HARNESS, GROUND BOX .....	
S-	232692GT	RESISTOR HARNESS .....	
T-	232546GT	CONTACTOR HARNESS .....	
U-	232545GT	HARNESS, 10 GA, 12" .....	
V-	232544GT	HARNESS, 12 GA, 12" .....	
2	104380GT	CABLE ASSY, 6" RED, TZ50 .....	2
3	104381GT	CABLE ASSY, 21" BLK, TZ50 .....	1
4	104382GT	CABLE ASSY, 10" BLK, TZ50 .....	2
6	104384GT	CABLE ASSY, 10" RED, TZ50 .....	1
8	104386GT	CABLE, ASSY, 54" BLK, TZ50 .....	1
9	232540GT	CABLE ASSY, 28" RED, TZ50 .....	
10	232543GT	CABLE ASSY,#2 X 46.5" LG .....	



308.4 Electrical Diagram and Power Cables (from SN TZ5011-311 to TZ5011-404)

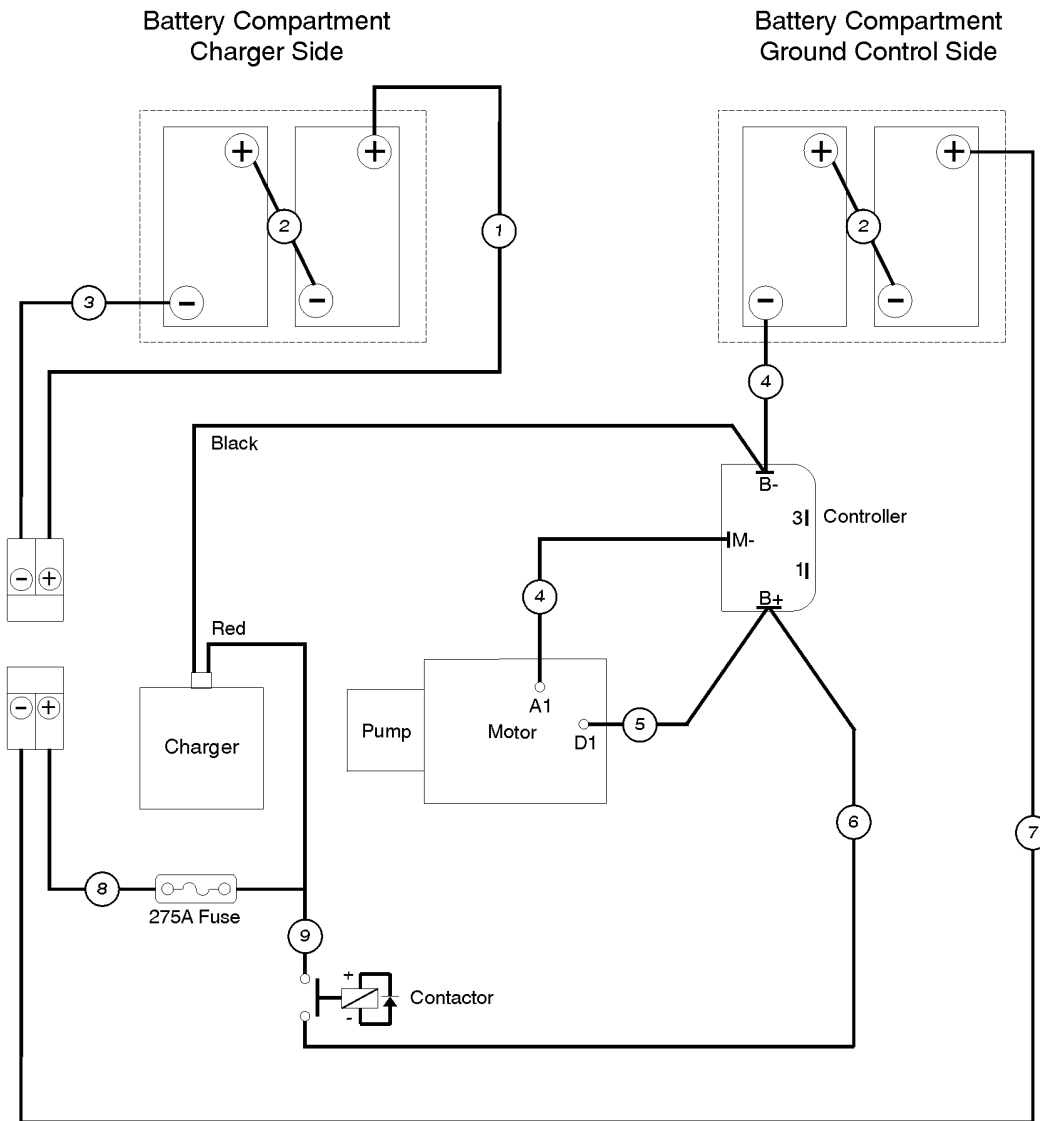


308.4 Electrical Diagram and Power Cables (from SN TZ5011-311 to  
TZ5011-404)  
Qty.

<i>Item</i>	<i>Part No.</i>	<i>Description</i>	
11	232539GT	CABLE ASSY, 21.5" RED, TZ50 .....	
12	232541GT	CABLE ASSY, 21.5" RED, TZ50 .....	
13	232542GT	CABLE ASSY, 7.75" RED, TZ50 .....	



308.5 Electrical Diagram and Power Cables (from SN TZ5012-101)

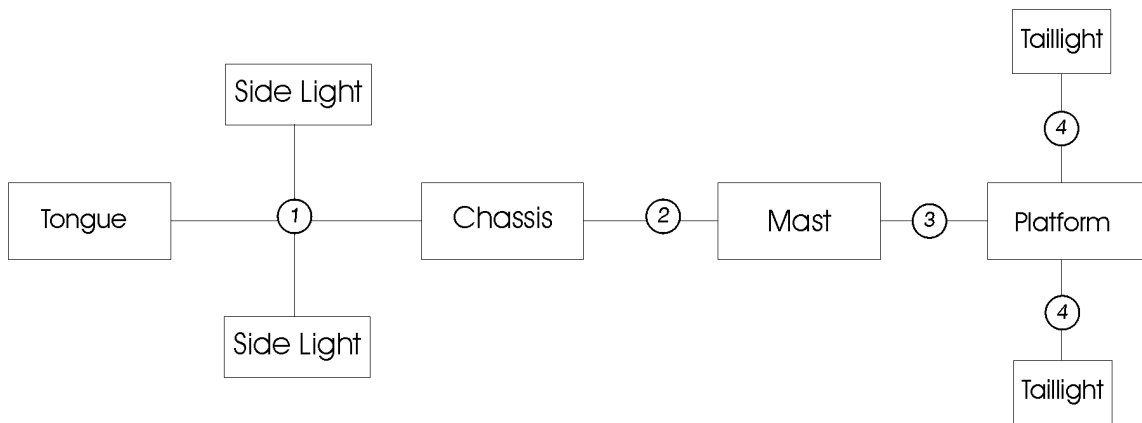
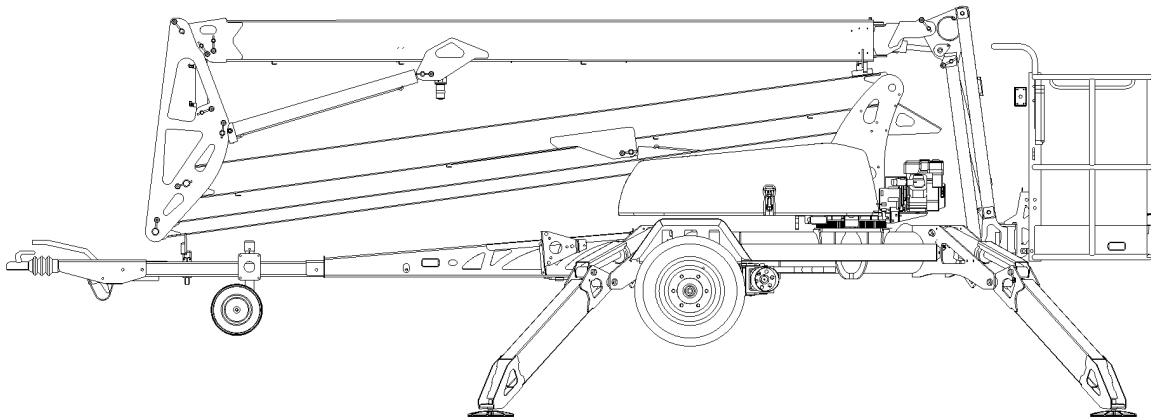


308.5 Electrical Diagram and Power Cables (from SN TZ5012-101)

Item	Part No.	Description	Qty.
A-	58253GT	KIT,REPAIR,DEUTSCH PLUG,W/TUBE ..... (6 wire connector kit)	
B-	83129GT	KIT,REPAIR,DEUTSH CONNECTORS** ..... (universal connector kit)	
C-	227441GT	HARNESS,ENGINE TZ50 ..... (from SN TZ5011-132 to TZ5013-612)	
D-	825850GT	HARNESS,ENGINEER, TZ50 ..... (from SN TZ5013-613)	
E-	236769GT	HARNESS,SWING CHASSIS,TZ50 .....	
F-	76697GT	HARNESS,DRIVE CHASSIS .....	
G-	99754GT	HARNESS,BASE CONTROL TO PLAT .....	
H-	104139GT	HARNESS,BASE TO PLAT POWER .....	
I-	104117GT	HARNESS,JIB,TZ50 .....	
J-	105257GT	LIMIT SWITCH,DUAL W/HARNESS*** ..... (from SN TZ5005-319)	
L-	105450GT	HRNS,DRIVE CTRL BX .....	
M-		Ref. Fuse, 275A ..... (refer to 301.1)	
N-	104140GT	HARNESS,DRIVE OPTION .....	
O-	105524GT	TZ50 OP LIGHT ELEC BRK PACKAGE ..... CE models	
P-	99521GT	TZ-50 OP PWR TO PLAT USANSICSA .....	
Q-	43956GT	WIRE CABLE,14/3 CON.TPE JKT* ..... AC power-to-platform option	718
R-	219214GT	HARNESS, Y, 2-WAY, TZ-50 .....	
S-	161218GT	HARNESS, Y, 2-WAY, F-M-F .....	
1	104379GT	CABLE ASSY, 38" RED, TZ50 .....	
2	104380GT	CABLE ASSY, 6" RED, TZ50 .....	
3	104381GT	CABLE ASSY, 21" BLK, TZ50 .....	
4	104382GT	CABLE ASSY, 10" BLK, TZ50 .....	
5	104384GT	CABLE ASSY, 10" RED, TZ50 .....	
6	232543GT	CABLE ASSY,#2 X 46.5" LG .....	
7	104386GT	CABLE, ASSY, 54" BLK, TZ50 .....	
8	236770GT	CABLE ASSY, 32" RED, TZ50 .....	
9	233373GT	CABLE ASSY, 8" RED, TZ50 .....	



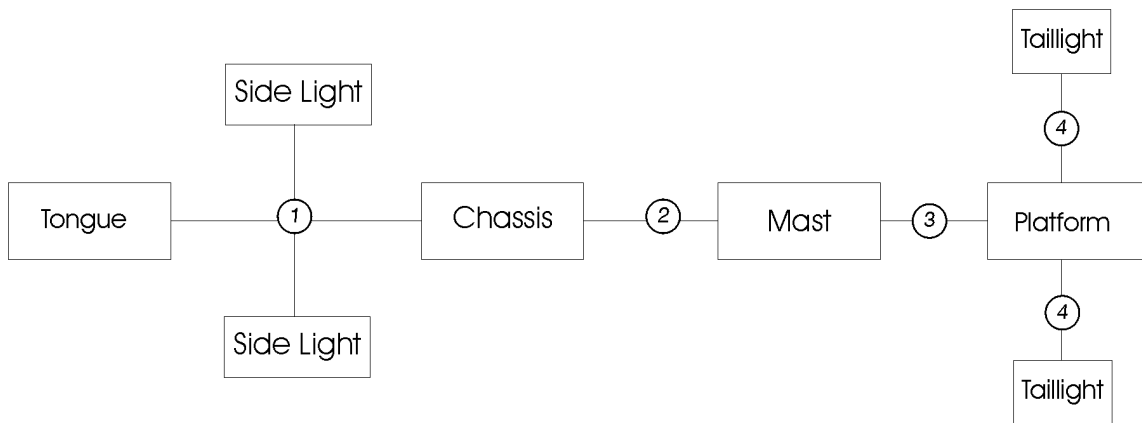
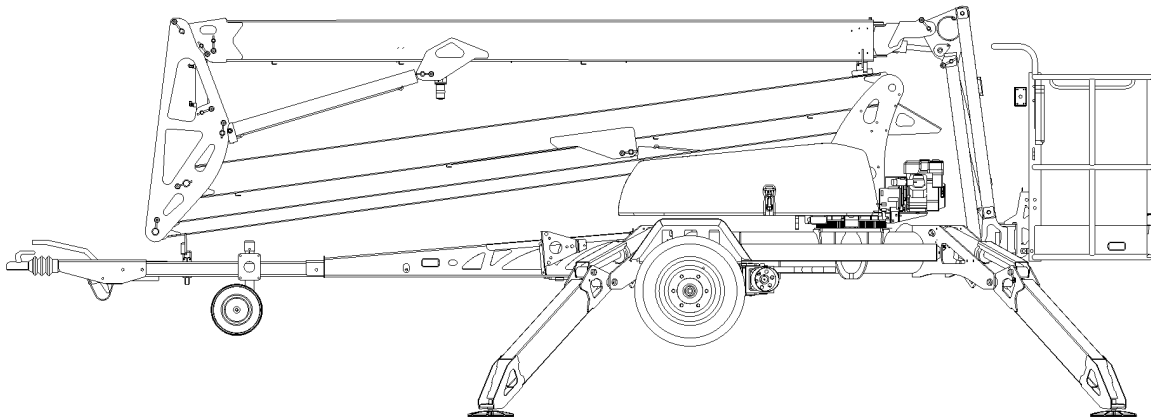
309.1 Electrical Diagram, Lights (to SN TZ5012-215)



309.1 Electrical Diagram, Lights (to SN TZ5012-215)

<i>Item</i>	<i>Part No.</i>	<i>Description</i>	<i>Qty.</i>
A-	58253GT	KIT,REPAIR,DEUTSCH PLUG,W/TUBE ..... (6 wire connector kit)	1
B-	83129GT	KIT,REPAIR,DEUTSH CONNECTORS** ..... (universal connector kit)	1
C-	76698GT	HARNESS,LIGHT ANSI TZ50 ..... (to SN TZ5005-395) (ANSI, CSA)	1
1	104361GT	HARNESS,LIGHT,TONGUE,US ..... (to SN TZ5005-395) (ANSI, CSA)	1
2	105432GT	HARNESS,LIGHT,CE CHASS TZ50 ..... (CE, AUS)	1
2B	129003GT	HRNS,TZ50,CHASSIS,AUS ..... (AUS electric brake)	1
3	104362GT	HARNESS,LIGHT,MAST,US ..... (to SN TZ5005-395)	1
3C	229150GT	HARNESS, LIGHT, CE MAST TZ50 ..... (CE, AUS)	1
4	105430GT	HARNESS,LIGHT,ANSI PLAT TZ50 ..... (ANSI, CSA)	1
4B	105433GT	HARNESS,LIGHT,CE PLAT TZ50 ..... (CE, AUS)	1

309.2 Electrical Diagram, Lights (to SN TZ5012-215)

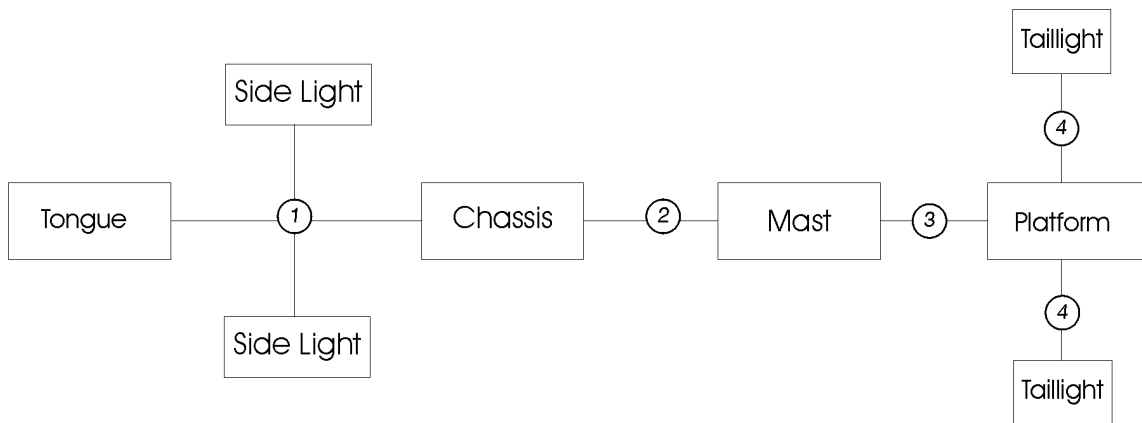
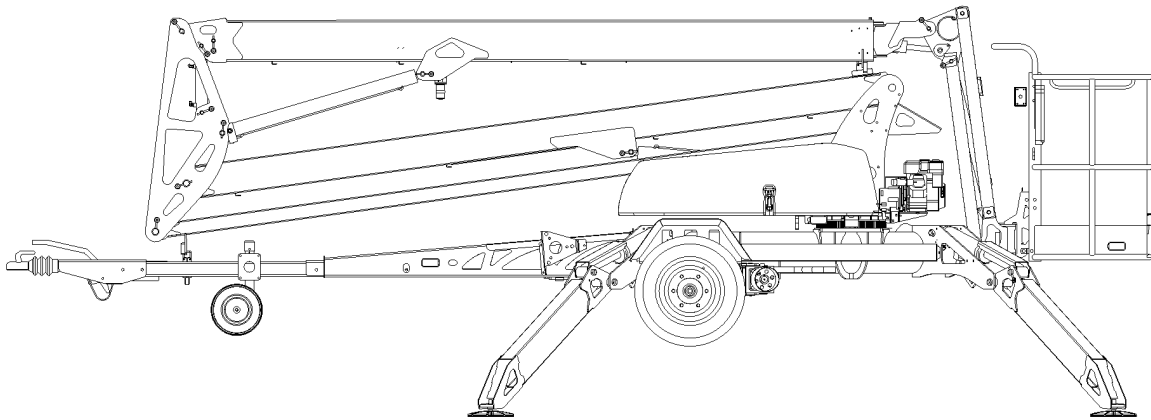




309.2 Electrical Diagram, Lights (to SN TZ5012-215)

Item	Part No.	Description	Qty.
A-	58253GT	KIT,REPAIR,DEUTSCH PLUG,W/TUBE ..... (6 wire connector kit)	1
B-	83129GT	KIT,REPAIR,DEUTSH CONNECTORS** ..... (universal connector kit)	1
C-	76698GT	HARNESS,LIGHT ANSI TZ50 ..... (to SN TZ5005-395)	1
D-	105428GT	HARNESS,LIGHT ANSI TZ50 ..... (from SN TZ5005-396)	1
1	104361GT	HARNESS,LIGHT,TONGUE,US ..... (to SN TZ5005-395) (ANSI, CSA)	1
2	105432GT	HARNESS,LIGHT,CE CHASS TZ50 ..... (CE, AUS)	1
2B	129003GT	HRNS,TZ50,CHASSIS,AUS ..... (AUS electric brake)	1
3B	105429GT	HARNESS,LIGHT,MAST US TZ50 ..... (from SN TZ5005-396)	1
3	104362GT	HARNESS,LIGHT,MAST,US ..... (to SN TZ5005-395)	1
3C	229150GT	HARNESS, LIGHT, CE MAST TZ50 ..... (CE, AUS)	1
4	105430GT	HARNESS,LIGHT,ANSI PLAT TZ50 ..... (ANSI, CSA)	1
4B	105433GT	HARNESS,LIGHT,CE PLAT TZ50 ..... (CE, AUS)	1

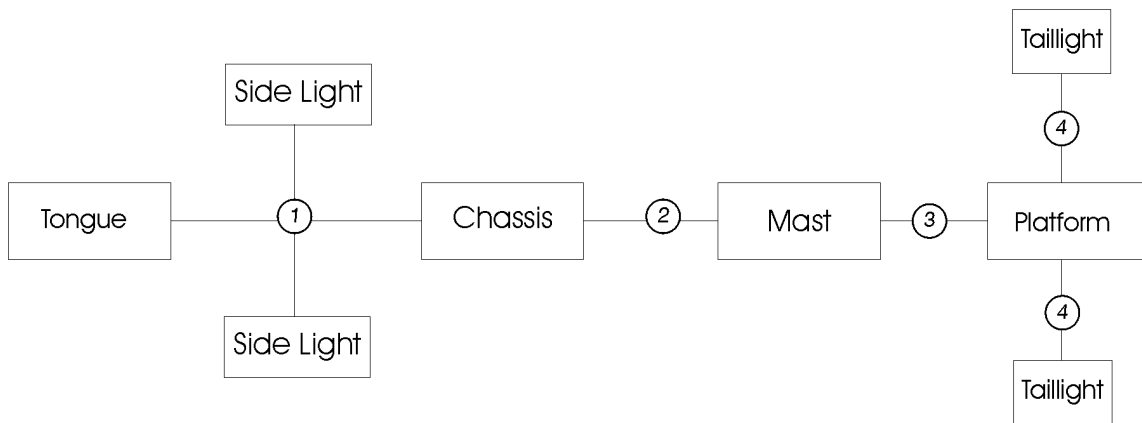
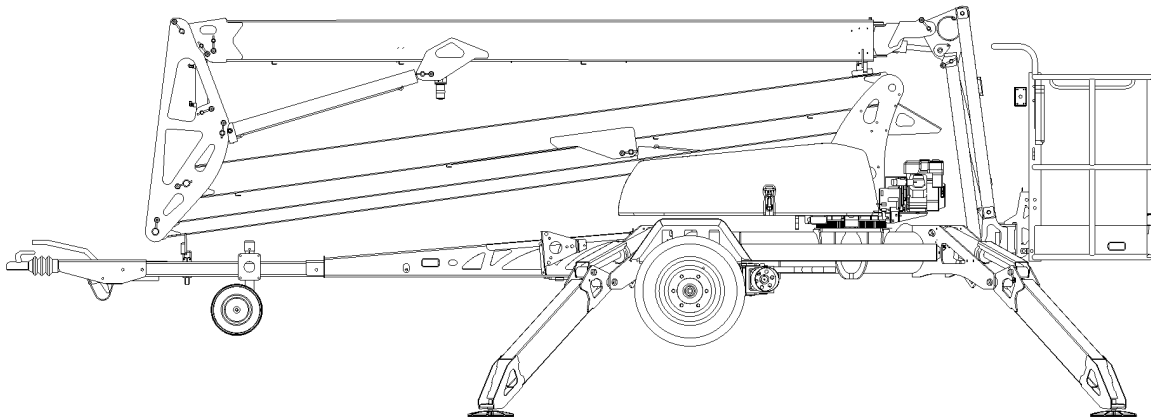
309.3 Electrical Diagram, Lights (to SN TZ5012-215)



309.3 Electrical Diagram, Lights (to SN TZ5012-215)

<i>Item</i>	<i>Part No.</i>	<i>Description</i>	<i>Qty.</i>
A-	58253GT	KIT,REPAIR,DEUTSCH PLUG,W/TUBE ..... (6 wire connector kit)	1
B-	83129GT	KIT,REPAIR,DEUTSH CONNECTORS** ..... (universal connector kit)	1
D-	105428GT	HARNESS,LIGHT ANSI TZ50 ..... (from SN TZ5005-396)	1
2	105432GT	HARNESS,LIGHT,CE CHASS TZ50 ..... (CE, AUS)	1
2B	129003GT	HRNS,TZ50,CHASSIS,AUS ..... (AUS electric brake)	1
3	105429GT	HARNESS,LIGHT,MAST US TZ50 ..... (from SN TZ5005-396)	1
3C	229150GT	HARNESS, LIGHT, CE MAST TZ50 ..... (CE, AUS)	1
4	105430GT	HARNESS,LIGHT,ANSI PLAT TZ50 ..... (ANSI, CSA)	1
4B	105433GT	HARNESS,LIGHT,CE PLAT TZ50 ..... (CE, AUS)	1

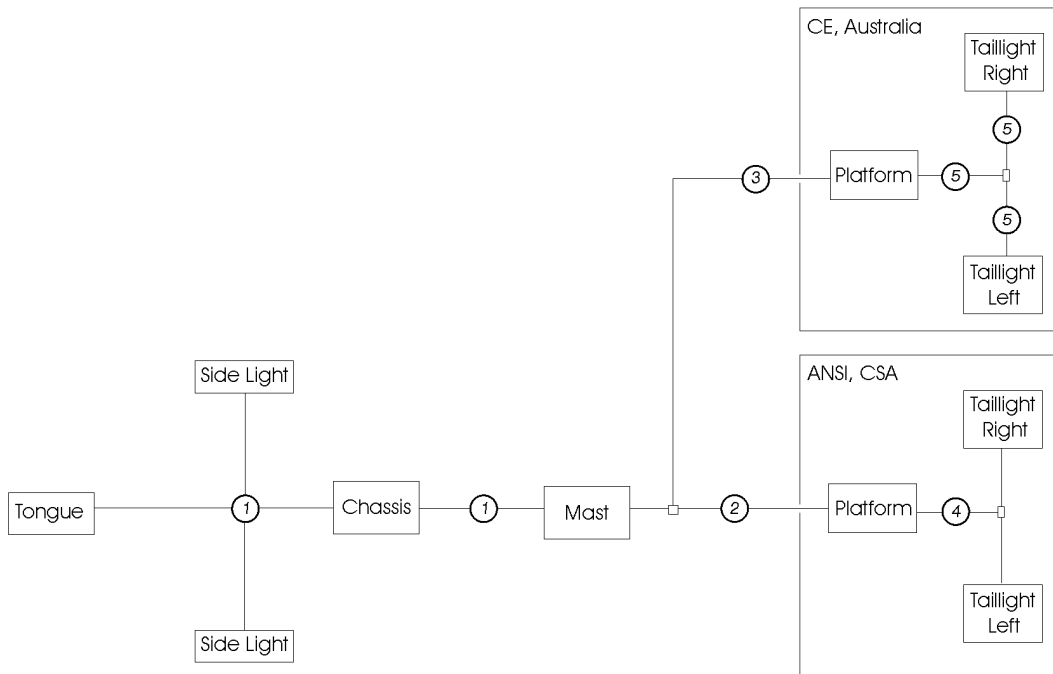
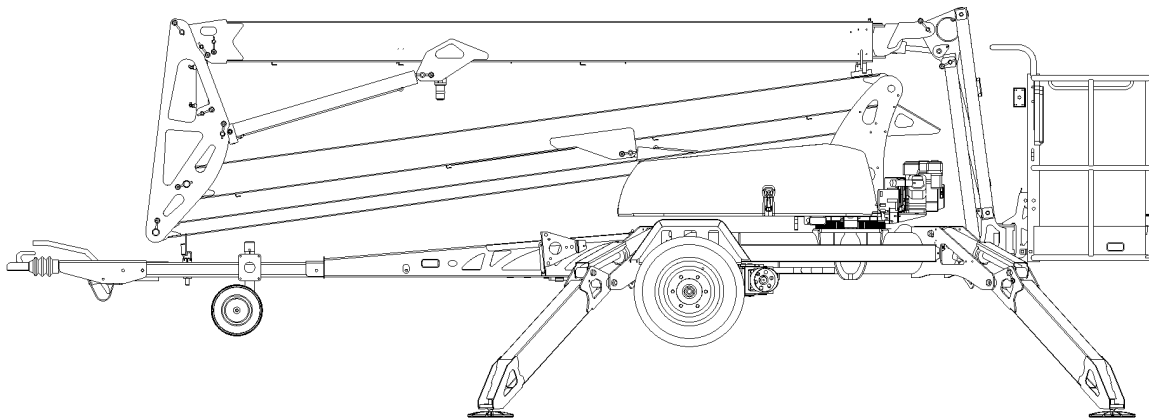
309.4 Electrical Diagram, Lights (to SN TZ5012-215)



309.4 Electrical Diagram, Lights (to SN TZ5012-215)

<i>Item</i>	<i>Part No.</i>	<i>Description</i>	<i>Qty.</i>
A-	58253GT	KIT,REPAIR,DEUTSCH PLUG,W/TUBE ..... (6 wire connector kit)	1
B-	83129GT	KIT,REPAIR,DEUTSH CONNECTORS** ..... (universal connector kit)	1
D-	105428GT	HARNESS,LIGHT ANSI TZ50 ..... (from SN TZ5005-396)	1
2	105432GT	HARNESS,LIGHT,CE CHASS TZ50 ..... (CE, AUS)	1
2B	129003GT	HRNS,TZ50,CHASSIS,AUS ..... (AUS electric brake)	1
3	105429GT	HARNESS,LIGHT,MAST US TZ50 ..... (from SN TZ5005-396)	1
3C	229150GT	HARNESS, LIGHT, CE MAST TZ50 ..... (CE, AUS)	1
4	105430GT	HARNESS,LIGHT,ANSI PLAT TZ50 ..... (ANSI, CSA)	1
4B	105433GT	HARNESS,LIGHT,CE PLAT TZ50 ..... (CE, AUS)	1

309.5 Electrical Diagram, Lights (from SN TZ5012-216)

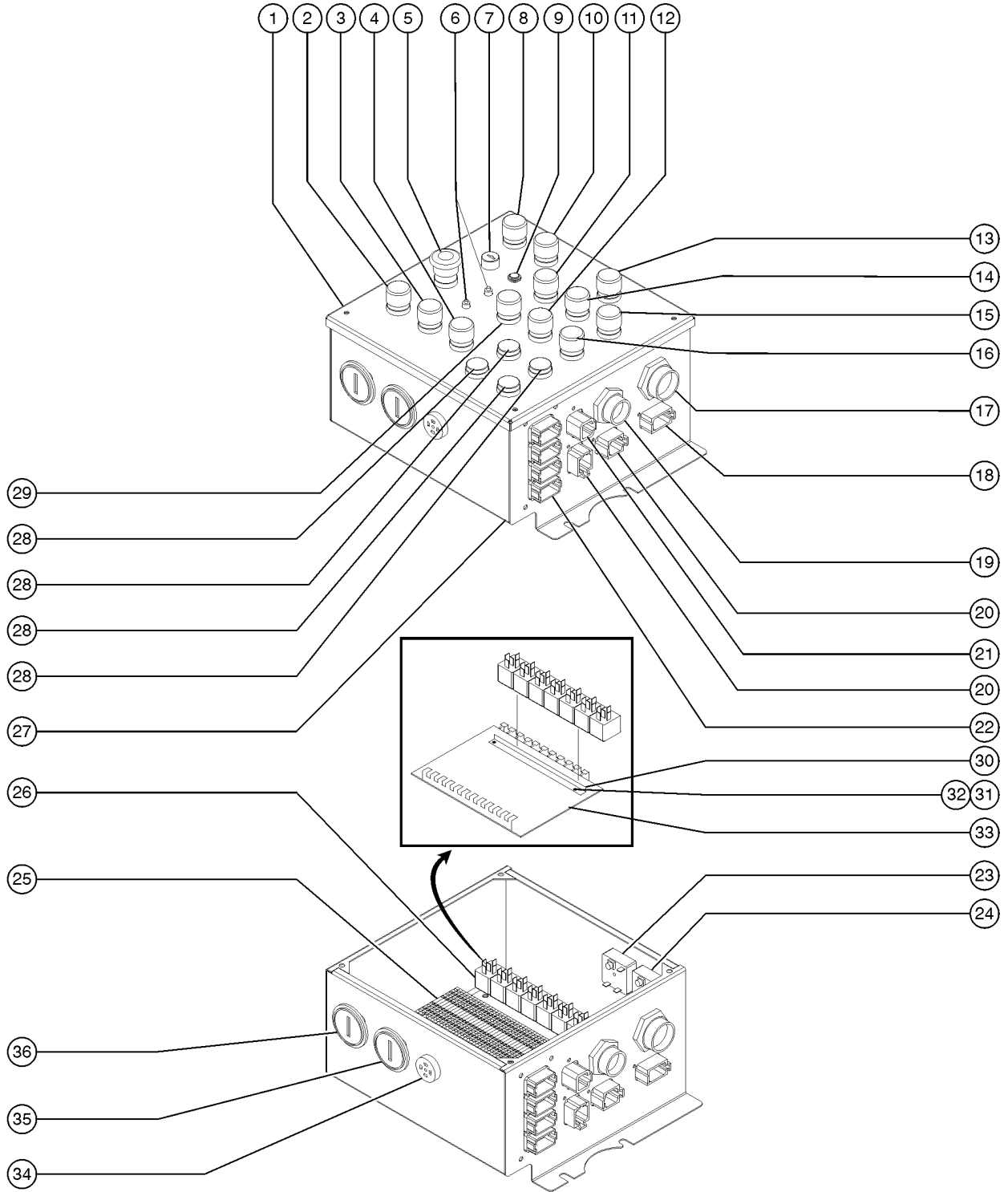


309.5 Electrical Diagram, Lights (from SN TZ5012-216)

Item	Part No.	Description	Qty.
A-	58253GT	KIT,REPAIR,DEUTSCH PLUG,W/TUBE ..... (6 wire connector kit)	1
B-	83129GT	KIT,REPAIR,DEUTSH CONNECTORS** ..... (universal connector kit)	1
C-	105428GT	HARNESS,LIGHT ANSI TZ50 ..... (from SN TZ5005-396) (ANSI, CSA)	1
D-	219307GT	HARNESS ASSY, LIGHT, TZ-50 CE .....	1
1A	229149GT	HARNESS, TZ50 CE CHASSIS .....	1
1B	129003GT	HRNS,TZ50,CHASSIS,AUS ..... (electric brake)	1
2	105429GT	HARNESS,LIGHT,MAST US TZ50 ..... (ANSI, CSA)	1
3A	229150GT	HARNESS, LIGHT, CE MAST TZ50 .....	1
3B	129010GT	HRNS,MAST,AUS ..... (electric brake)	1
4	104406GT	HARNESS,LIGHT, ANSI PLAT TZ50 ..... (ANSI, CSA)	1
5A	229151GT	HARNESS, LIGHT, CE PLAT TZ50 .....	1
5A-	229056GT	HARNESS, TAIL LIGHT CE RIGHT .....	1
5A-	229057GT	HARNESS, TAIL LIGHT CE LEFT .....	1
5B	214590GT	HARNESS,LIGHT,AUS PLATFORM TZ- ..... (electric brake)	1



310.1 Ground Controls

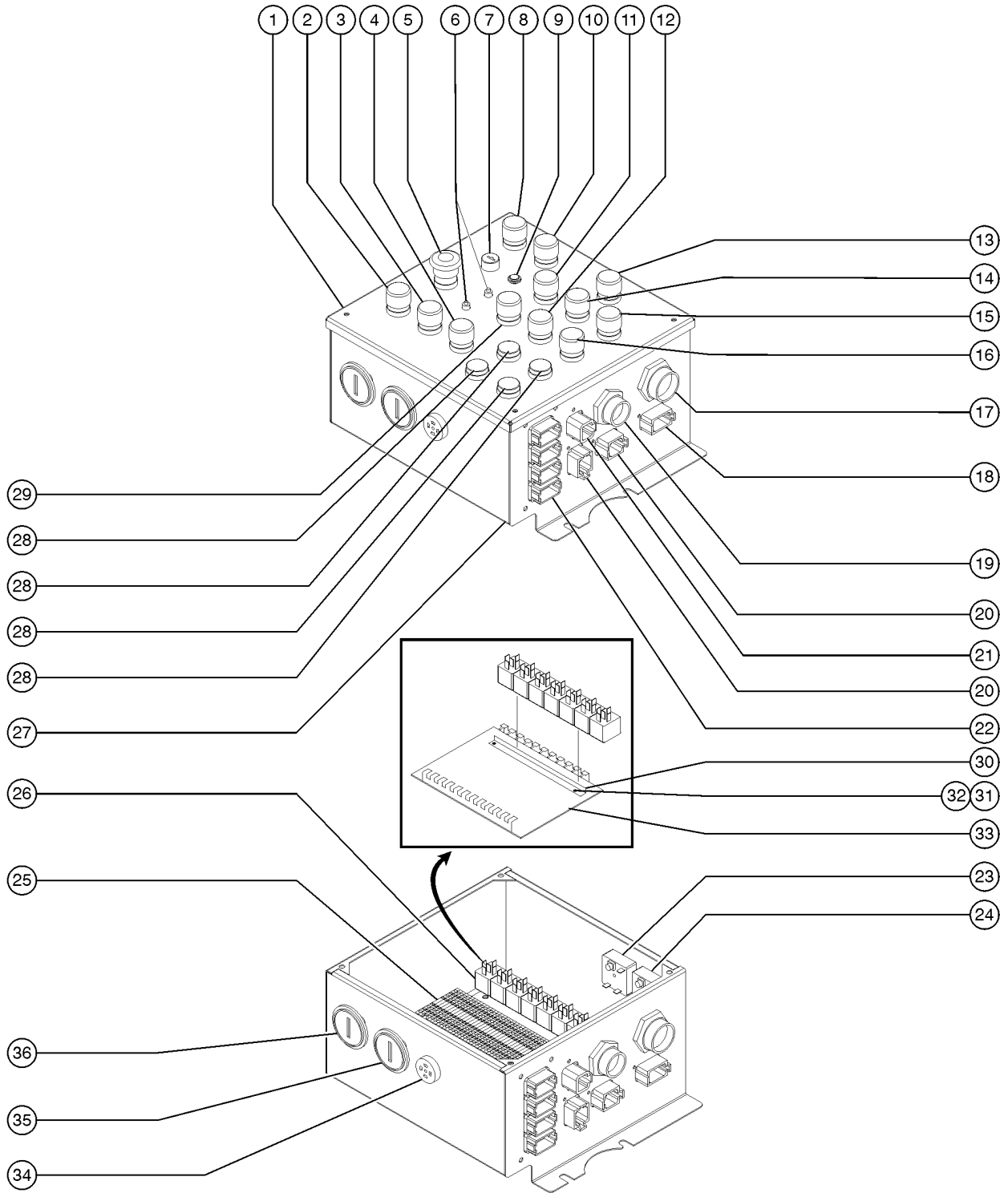




Item	Part No.	Description	Qty.
-		GRND CNTRL BOX,ASSY (complete, models with drive option) (to SN TZ5011-207); Previous Control Box 105552GT is no longer available. For appropriate replacement (refer to 303.4, 303.5 and 303.6)	
-		GRND CNTRL BOX,ASSY (complete, models w/o drive option); Previous Control Box 231169GT is no longer available. For appropriate replacement (refer to 303.4, 303.5, 303.6, 303.7, 303.8 and 303.9 )	
1	84631GT	GROUND CNTRL BOX LID ASSY,TZ50	
2	226320GT	ASM, BUTTON & BOOT, BLK	1
2-	66814GT	BASE,WITH 2 N.O. CONTACTS***	
3	226320GT	ASM, BUTTON & BOOT, BLK	1
3-	66815GT	BASE, W/1 N.O. CONTACTS***	
3-	66816GT	CONTACT,N.O	
4	226320GT	ASM, BUTTON & BOOT, BLK	1
4-	66814GT	BASE,WITH 2 N.O. CONTACTS***	
5	226322GT	ASM, E-STOP & BOOT	1
5-	66817GT	BASE WITH 1 NC CONTACT, E-STOP	
5-	66818GT	CONTACT,NC	
6	1277226GT	ASSEMBLY,CIRCUIT BREAKER,15AMP	
6-	1277226GT	ASSEMBLY,CIRCUIT BREAKER,15AMP	
6-	21858GT	PLUG,NYLON .38 BLACK DOMED DC models	1
7	96008-SGT	KEYSWITCH,3 POS. W/KEYS*** includes 1 pair of keys	1
7-	83093GT	KEY SINGLE***	
7-	37947GT	KEYS,10 PACK***	
8	226320GT	ASM, BUTTON & BOOT, BLK Bi-fuel and Engine models	1
8-	15243GT	PLUG,NYLON .875 BLACK DOMED DC models	1
8-	66815GT	BASE, W/1 N.O. CONTACTS***	
8-	66816GT	CONTACT,N.O	
9	99088GT	LED,RED 24V FLASHING CE models	1
9-	21858GT	PLUG,NYLON .38 BLACK DOMED ANSI and CSA models	
10	226320GT	ASM, BUTTON & BOOT, BLK Bi-fuel and Engine models	1
10-	15243GT	PLUG,NYLON .875 BLACK DOMED DC models	1



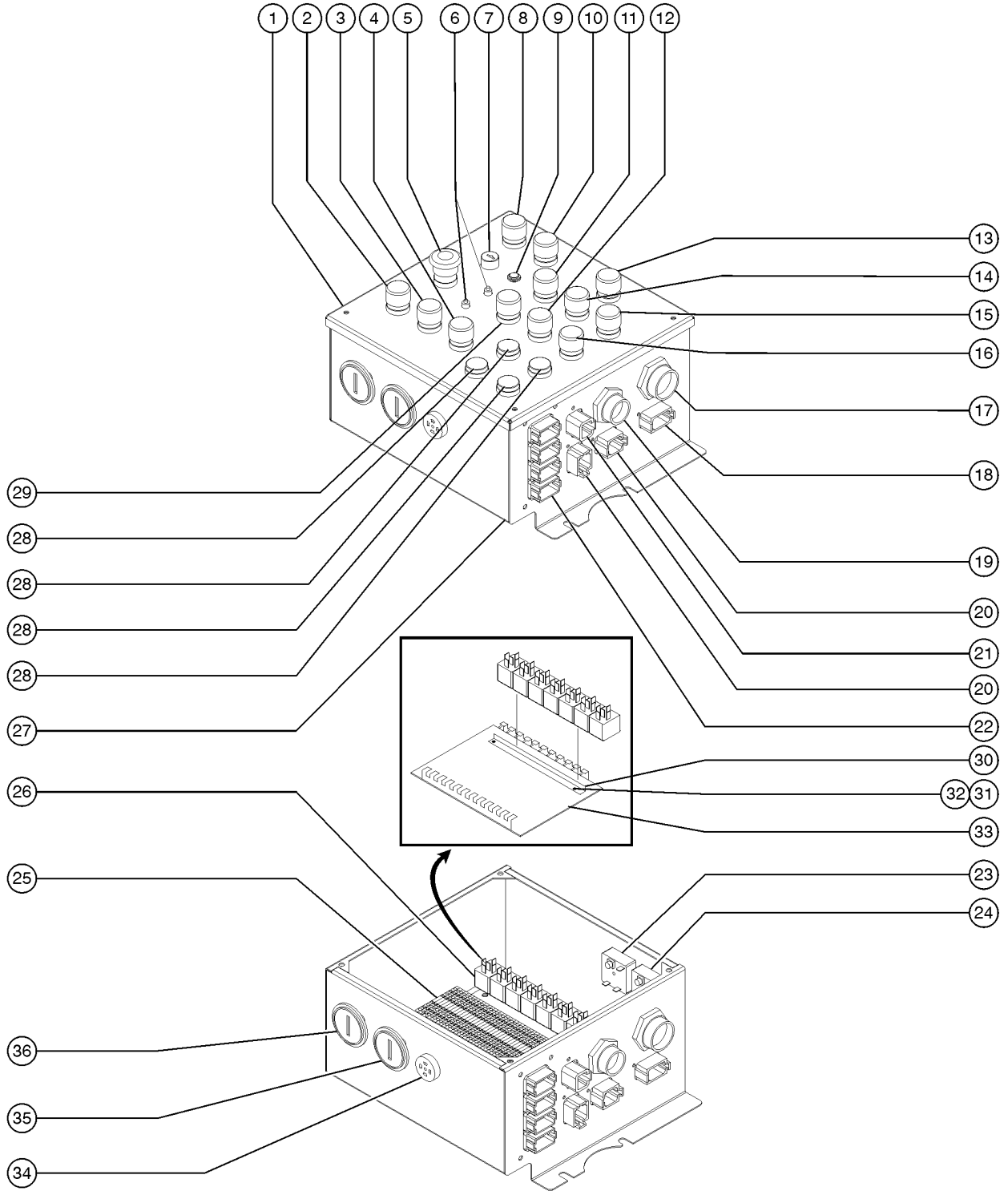
310.1 Ground Controls



Item	Part No.	Description	Qty.
10-	66815GT	BASE, W/1 N.O. CONTACTS***	
10-	66816GT	CONTACT,N.O	
11	226320GT	ASM, BUTTON & BOOT, BLK	1
11-	66815GT	BASE, W/1 N.O. CONTACTS***	
11-	66816GT	CONTACT,N.O	
12	226320GT	ASM, BUTTON & BOOT, BLK	1
12-	66815GT	BASE, W/1 N.O. CONTACTS***	
12-	66816GT	CONTACT,N.O	
12-	15243GT	PLUG,NYLON .875 BLACK DOMED	1
13	226320GT	ASM, BUTTON & BOOT, BLK	1
13-	66815GT	BASE, W/1 N.O. CONTACTS***	
13-	66816GT	CONTACT,N.O	
14	226320GT	ASM, BUTTON & BOOT, BLK	1
14-	66815GT	BASE, W/1 N.O. CONTACTS***	
14-	66816GT	CONTACT,N.O	
15	226320GT	ASM, BUTTON & BOOT, BLK	1
15-	66815GT	BASE, W/1 N.O. CONTACTS***	
15-	66816GT	CONTACT,N.O	
16	226320GT	ASM, BUTTON & BOOT, BLK	1
16-	66815GT	BASE, W/1 N.O. CONTACTS***	
16-	66816GT	CONTACT,N.O	
17	104094GT	CONN,RECEP 21 WAY	1
18	73733GT	CONN,RECEP 12 WAY,BLK FLANGE	1
19	87748GT	CONN,RECEP 14 WAY	1
20	87755GT	CONN,RECEP 8 WAY 14-18GA,FL	1
21	73717GT	CONN,RECEP 4 WAY,12-14GA FL***	1
22	73736GT	CONN,RECEP 48 WAY,4 X 12	1
23	104099GT	MODULE,TIME DELAY Bi-fuel and Engine models	1

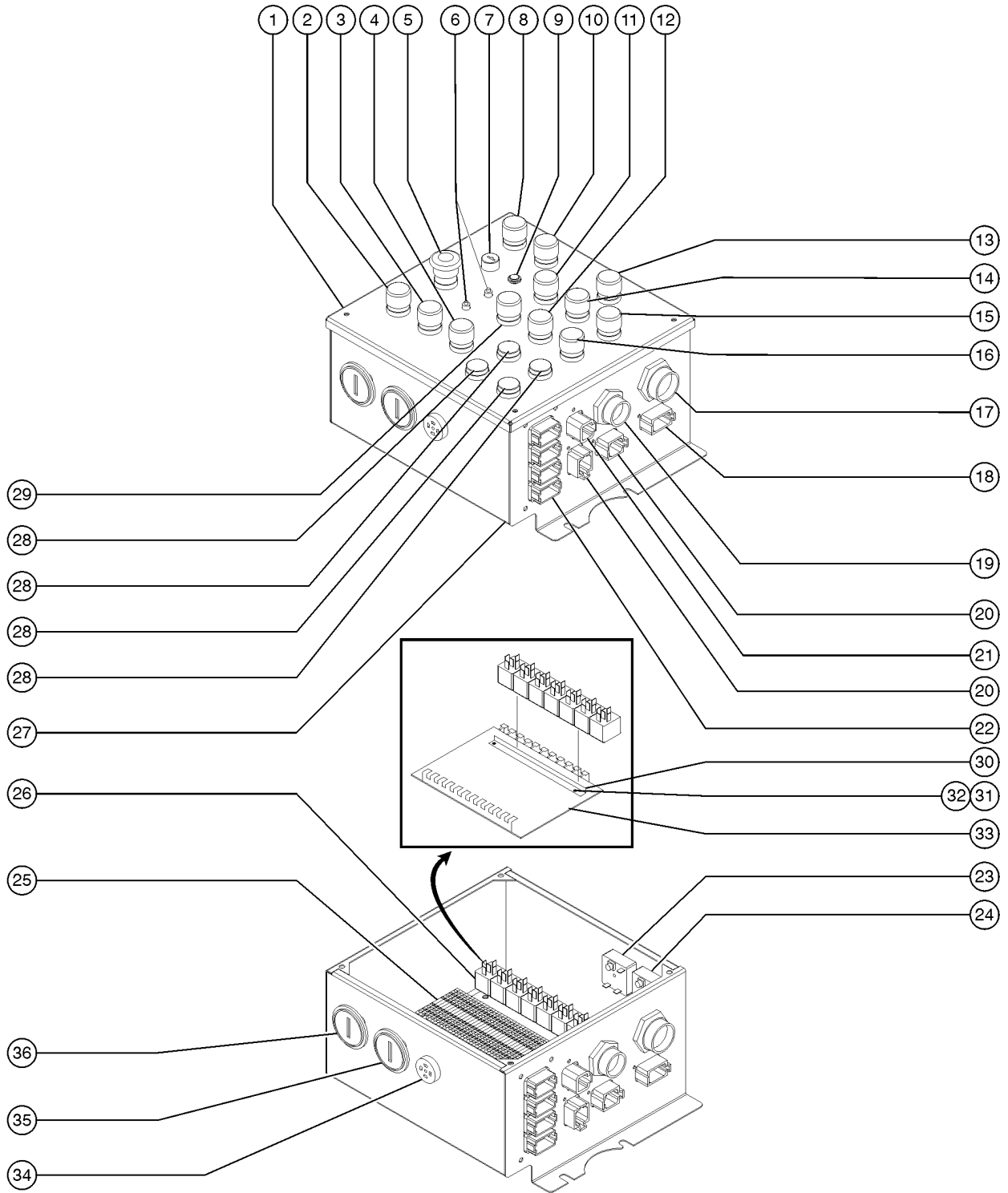


310.1 Ground Controls



Item	Part No.	Description	Qty.
24	99084GT	MODULE, TIME DELAY .....	1
25	104093GT	TERMINAL RAIL .....	1
25-	74913GT	END STOP, DIN RAIL,SCREW CLAMP .....	
25-	216793GT	TERMINAL BLOCK END PLATE .....	1
25-	74911GT	TERMINAL BLOCK, WIELAND*** .....	
25-	74917GT	JUMPER COMB, 2-WAY,WIELAND .....	
25-	104095GT	JUMPER COMB,5 WAY .....	
25-	104096GT	DIN RAIL 11.00" LG .....	
26A	56302GT	RELAY,24VDC,40/30A,SEALED*** engine models .....	17
26B	56302GT	RELAY,24VDC,40/30A,SEALED*** DC models .....	14
27A	99311GT	WELDMENT,BASE CONTROL BOX (to SN TZ5011-207) .....	1
27B	230350GT	WELDMENT,BASE CONTROL BOX (from SN TZ5011-208) .....	
28	109804GT	BUTTON,PUSH,GREEN,ASSEMBLY*** .....	1
28-	109803GT	COVER,PUSH BUTTON outrigger, raise/lower and indicator light .....	
28-	104092GT	BASE,W/1N.O.,W/GREEN LED (includes 1 each N.O. contact) .....	
29	66813GT	BUTTON,PUSH,BLACK W/SEAL*** .....	
29-	66815GT	BASE, W/1 N.O. CONTACTS*** .....	
29-	66816GT	CONTACT,N.O .....	
30	104707GT	FORMING, RELAY MOUNT TZ50 LWR .....	2
31	49818GT	SCREW,PHILLIPS,PHM,10-32 X .38 .....	
32	23405GT	NUTSERT,10-32 STEEL CAD PLTD .....	1
33	104487GT	FORMING, RELAY MOUNT TZ50 LWR .....	1
34	45383GT	ALARM,WARBLE TONE 5-30 VDC*** Does not include 72326 nut .....	1
34-	72326GT	NUT - PLASTIC, RING FOR ALARMS .....	
35A	23134GT	BATTERY CHARGE INDICATOR*** .....	1
35B	45840GT	PLUG,NYLON 2.00 BLACK DOMED (models without BCI) .....	1
36	19506GT	HOUR METER,10-80 VOLTS*** .....	1

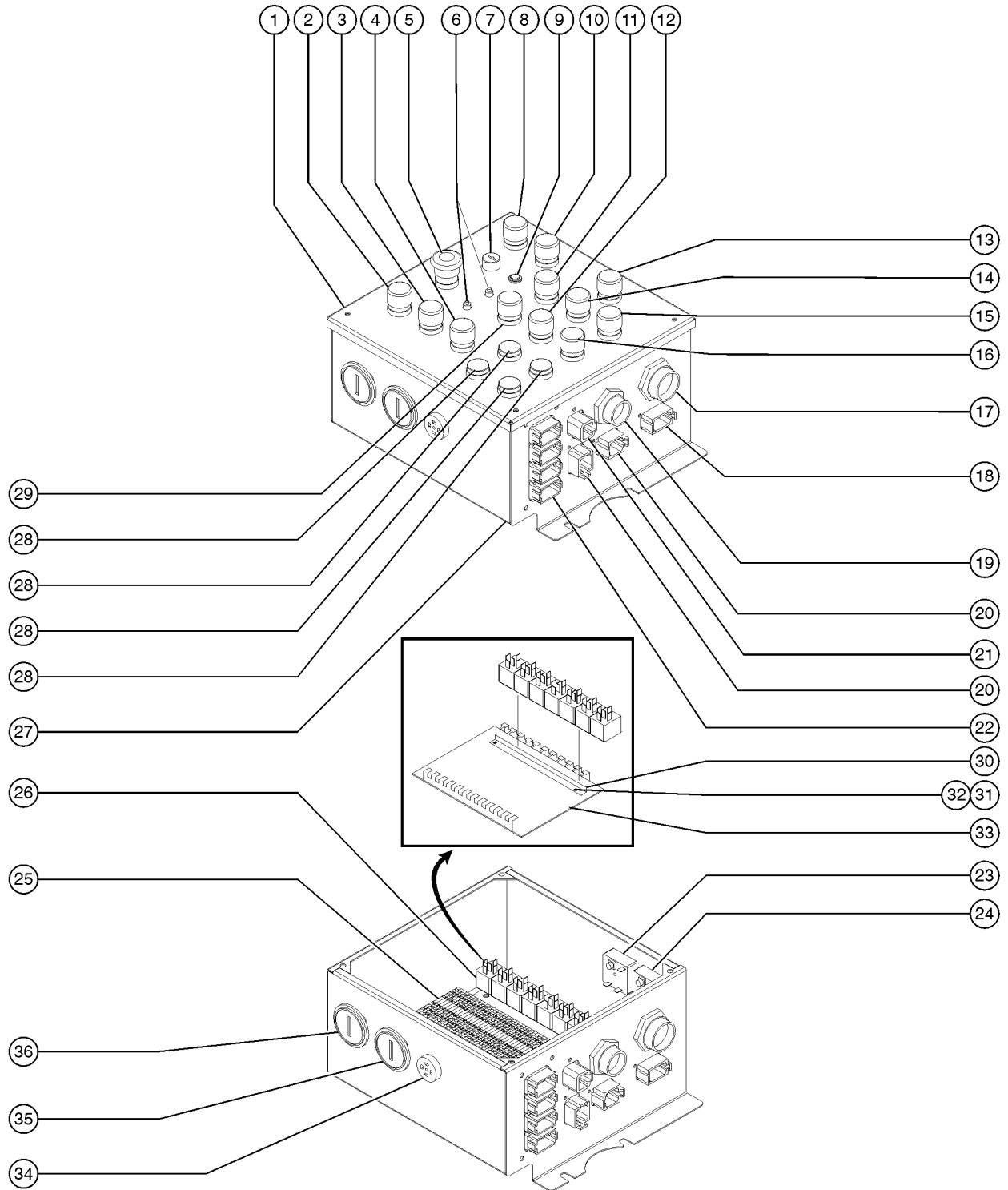
310.2 Ground Controls



Item	Part No.	Description	Qty.
-		GRND CNTRL BOX,ASSY (complete, models with drive option) (to SN TZ5011-207); Previous Control Box 105552GT is no longer available. For appropriate replacement (refer to 303.4, 303.5 and 303.6)	
-		GRND CNTRL BOX,ASSY (complete, models w/o drive option); Previous Control Box 231169GT is no longer available. For appropriate replacement (refer to 303.4, 303.5, 303.6, 303.7, 303.8 and 303.9)	
-		GROUND CONTROL BOX ASSEMBLY (complete, models with drive option) (from SN TZ5011-208); Previous Control Box 231435GT is no longer available. For appropriate replacement (refer to 303.7, 303.8 and 303.9)	
1	84631GT	GROUND CNTRL BOX LID ASSY,TZ50	
2	226320GT	ASM, BUTTON & BOOT, BLK	1
2-	66814GT	BASE,WITH 2 N.O. CONTACTS***	
3	226320GT	ASM, BUTTON & BOOT, BLK	1
3-	66815GT	BASE, W/1 N.O. CONTACTS***	
3-	66816GT	CONTACT,N.O	
4	226320GT	ASM, BUTTON & BOOT, BLK	1
4-	66814GT	BASE,WITH 2 N.O. CONTACTS***	
5	226322GT	ASM, E-STOP & BOOT	1
5-	66817GT	BASE WITH 1 NC CONTACT, E-STOP	
5-	66818GT	CONTACT,NC	
6	1277226GT	ASSEMBLY,CIRCUIT BREAKER,15AMP	
6-	21858GT	PLUG,NYLON .38 BLACK DOMED DC models	1
7	96008-SGT	KEYSWITCH,3 POS. W/KEYS*** includes 1 pair of keys	1
7-	83093GT	KEY SINGLE***	
7-	37947GT	KEYS,10 PACK***	
8	226320GT	ASM, BUTTON & BOOT, BLK Bi-fuel and Engine models	1
8-	15243GT	PLUG,NYLON .875 BLACK DOMED DC models	1
8-	66815GT	BASE, W/1 N.O. CONTACTS***	
8-	66816GT	CONTACT,N.O	
9	99088GT	LED,RED 24V FLASHING CE models	1
9-	21858GT	PLUG,NYLON .38 BLACK DOMED ANSI and CSA models	
10	226320GT	ASM, BUTTON & BOOT, BLK Bi-fuel and Engine models	1



310.2 Ground Controls

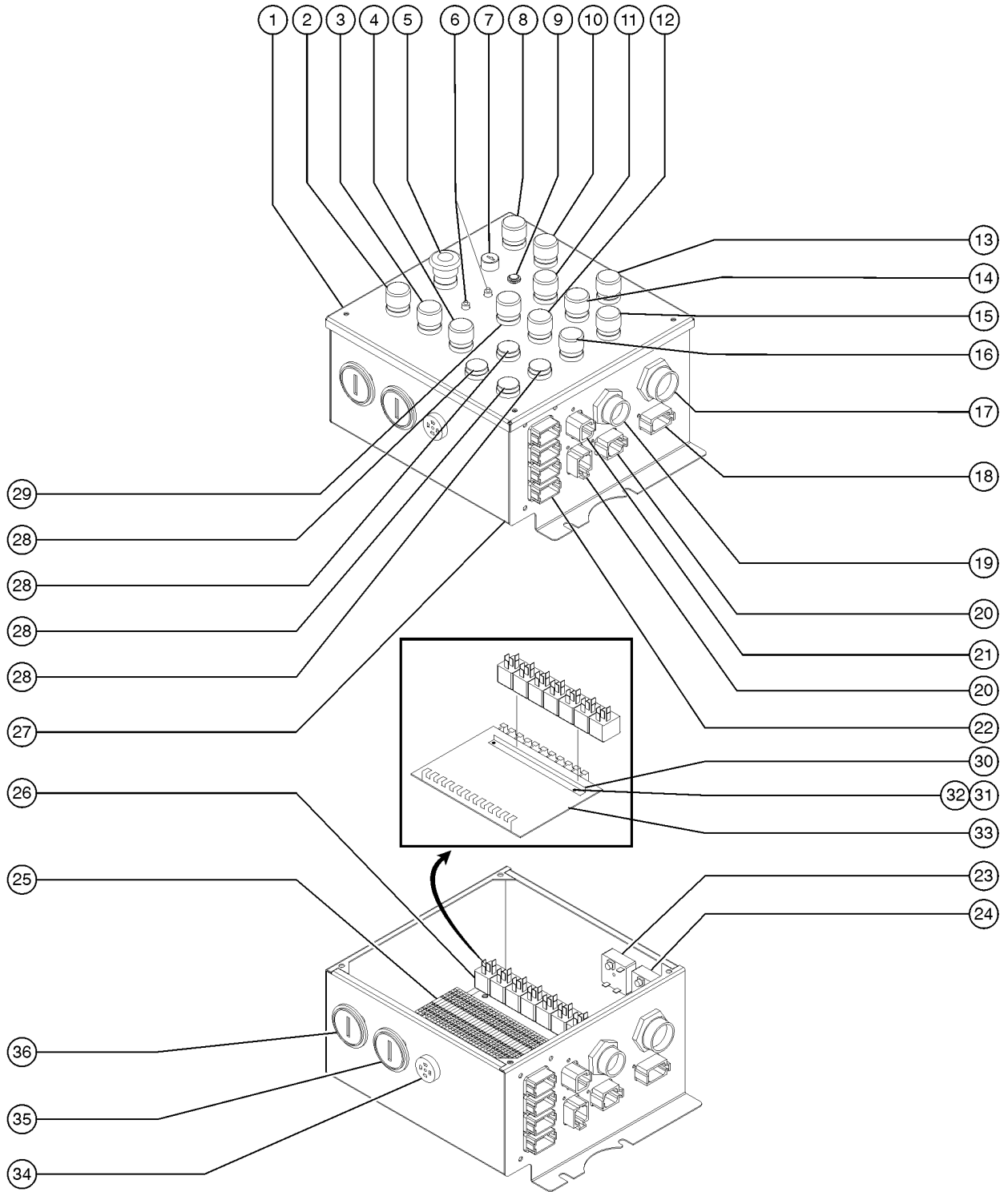




Item	Part No.	Description	Qty.
10-	15243GT	PLUG,NYLON .875 BLACK DOMED ..... DC models	1
10-	66815GT	BASE, W/1 N.O. CONTACTS*** .....	
10-	66816GT	CONTACT,N.O .....	
11	226320GT	ASM, BUTTON & BOOT, BLK .....	1
11-	66815GT	BASE, W/1 N.O. CONTACTS*** .....	
11-	66816GT	CONTACT,N.O .....	
12	226320GT	ASM, BUTTON & BOOT, BLK .....	1
12-	66815GT	BASE, W/1 N.O. CONTACTS*** .....	
12-	66816GT	CONTACT,N.O .....	
12-	15243GT	PLUG,NYLON .875 BLACK DOMED ..... DC models	1
13	226320GT	ASM, BUTTON & BOOT, BLK .....	1
13-	66815GT	BASE, W/1 N.O. CONTACTS*** .....	
13-	66816GT	CONTACT,N.O .....	
14	226320GT	ASM, BUTTON & BOOT, BLK .....	1
14-	66815GT	BASE, W/1 N.O. CONTACTS*** .....	
14-	66816GT	CONTACT,N.O .....	
15	226320GT	ASM, BUTTON & BOOT, BLK .....	1
15-	66815GT	BASE, W/1 N.O. CONTACTS*** .....	
15-	66816GT	CONTACT,N.O .....	
16	226320GT	ASM, BUTTON & BOOT, BLK .....	1
16-	66815GT	BASE, W/1 N.O. CONTACTS*** .....	
16-	66816GT	CONTACT,N.O .....	
17	104094GT	CONN,RECEP 21 WAY .....	1
18	73733GT	CONN,RECEP 12 WAY,BLK FLANGE .....	1
19	87748GT	CONN,RECEP 14 WAY .....	1
20	87755GT	CONN,RECEP 8 WAY 14-18GA,FL .....	1
21	73717GT	CONN,RECEP 4 WAY,12-14GA FL*** .....	1
22	73736GT	CONN,RECEP 48 WAY,4 X 12 .....	1



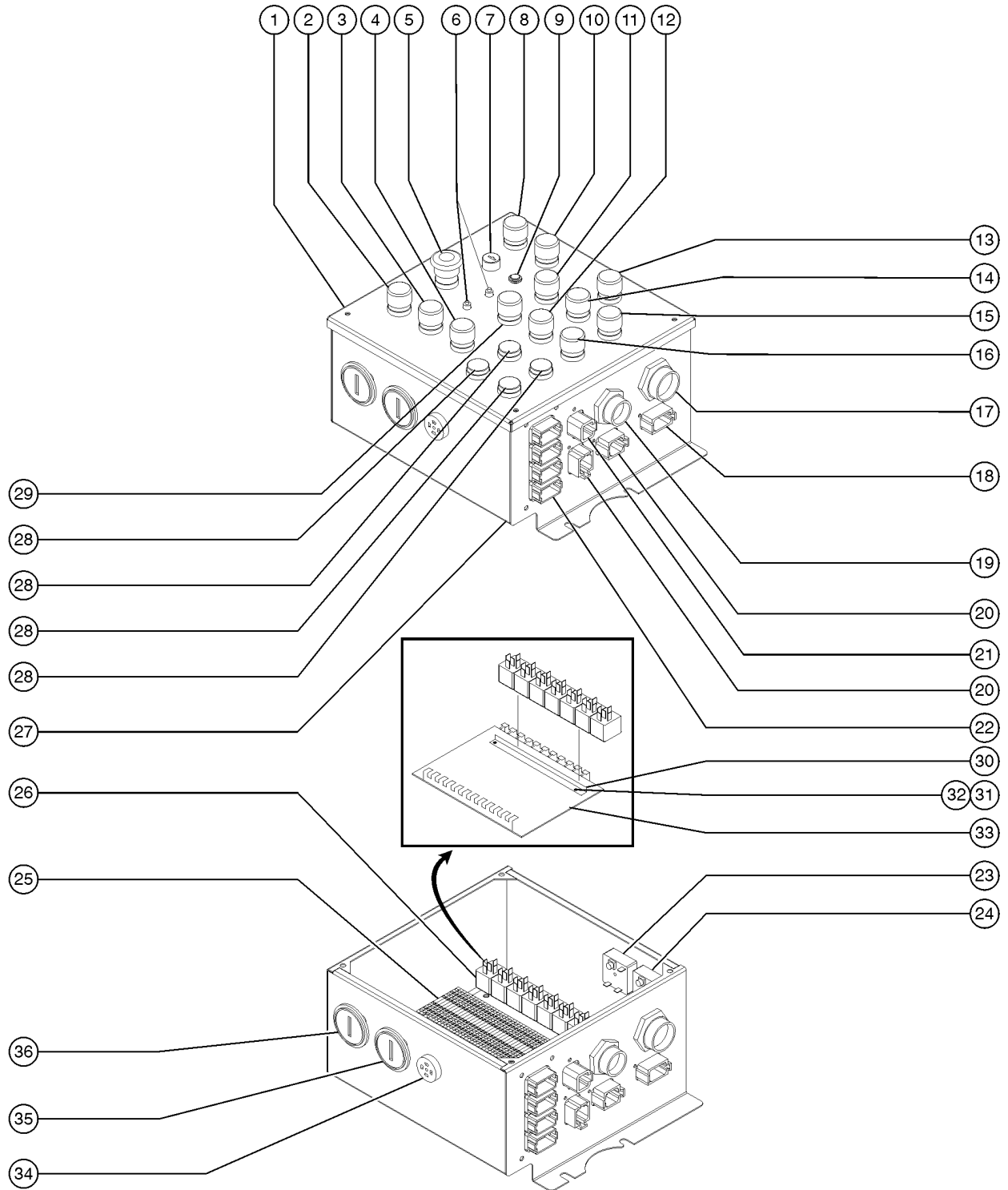
310.2 Ground Controls



Item	Part No.	Description	Qty.
23	104099GT	MODULE, TIME DELAY ..... Bi-fuel and Engine models	1
24	99084GT	MODULE, TIME DELAY .....	1
25	104093GT	TERMINAL RAIL .....	1
25-	74913GT	END STOP, DIN RAIL, SCREW CLAMP .....	
25-	216793GT	TERMINAL BLOCK END PLATE .....	1
25-	74911GT	TERMINAL BLOCK, WIELAND*** .....	
25-	74917GT	JUMPER COMB, 2-WAY, WIELAND .....	
25-	104095GT	JUMPER COMB, 5 WAY .....	
25-	104096GT	DIN RAIL 11.00" LG .....	
26	56302GT	RELAY, 24VDC, 40/30A, SEALED*** ..... engine models	17
26B	56302GT	RELAY, 24VDC, 40/30A, SEALED*** ..... DC models	14
27	99311GT	WELDMNT, BASE CONTROL BOX ..... (to SN TZ5011-207)	1
27B	230350GT	WELDMNT, BASE CONTROL BOX ..... (from SN TZ5011-208)	
28	109804GT	BUTTON, PUSH, GREEN, ASSEMBLY*** .....	1
28-	109803GT	COVER, PUSH BUTTON ..... outrigger, raise/lower and indicator light	
28-	104092GT	BASE, W/1N.O., W/GREEN LED ..... (includes 1 each N.O. contact)	
29	66813GT	BUTTON, PUSH, BLACK W/SEAL *** .....	
29-	66815GT	BASE, W/1 N.O. CONTACTS*** .....	
29-	66816GT	CONTACT, N.O .....	
30	104707GT	FORMING, RELAY MOUNT TZ50 LWR .....	2
31	49818GT	SCREW, PHILLIPS, PHM, 10-32 X .38 .....	
32	23405GT	NUTSERT, 10-32 STEEL CAD PLTD .....	1
33	104704GT	FORMING, RELAY MOUNT TZ50 LWR .....	1
34	45383GT	ALARM, WARBLE TONE 5-30 VDC*** ..... Does not include 72326 nut	1
34-	72326GT	NUT - PLASTIC, RING FOR ALARMS .....	
35	23134GT	BATTERY CHARGE INDICATOR*** .....	1
35B	45840GT	PLUG, NYLON 2.00 BLACK DOMED ..... (models without BCI)	1
36	19506GT	HOUR METER, 10-80 VOLTS*** .....	1



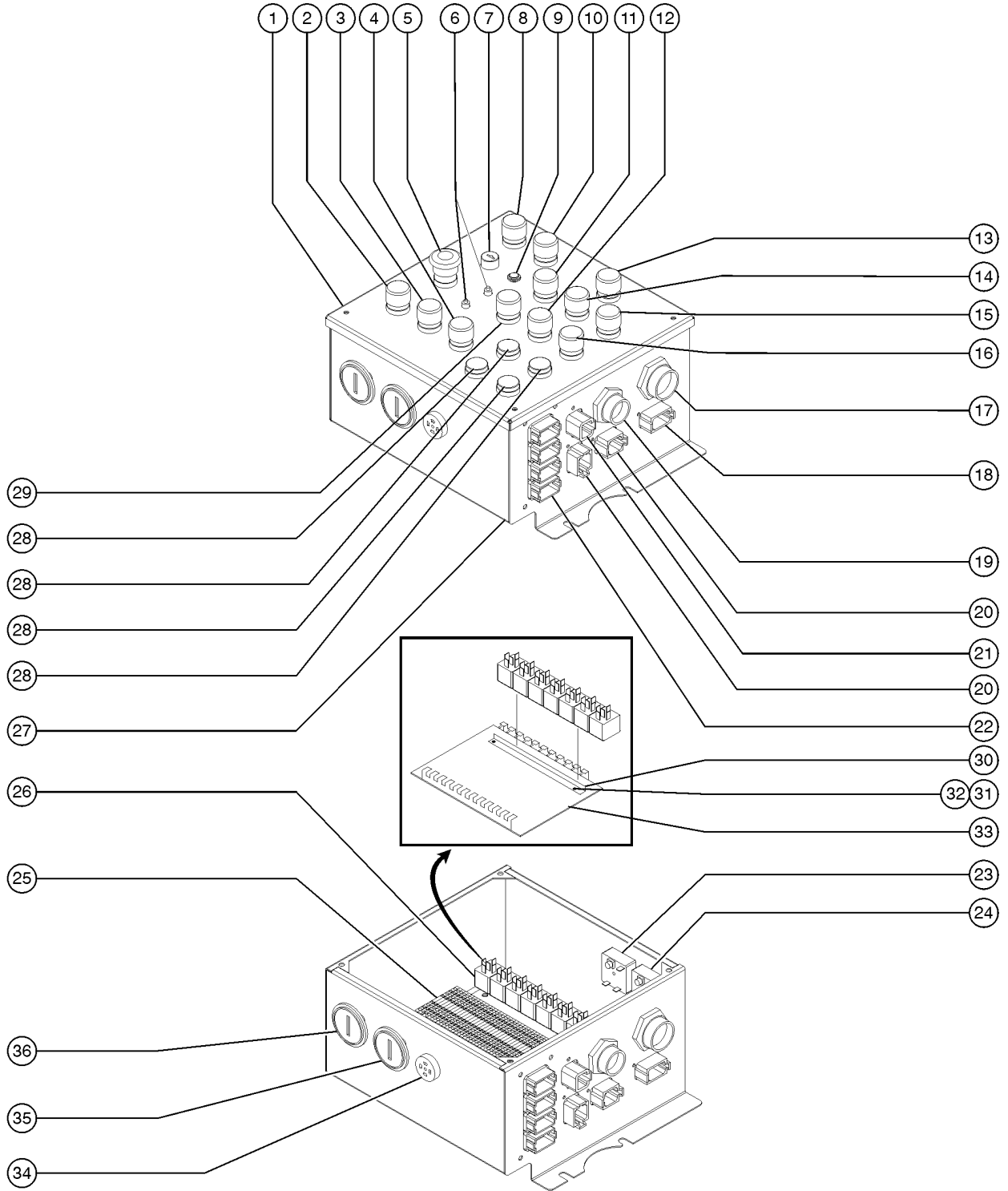
310.3 Ground Controls



Item	Part No.	Description	Qty.
-		GRND CNTRL BOX,ASSY (complete, models w/o drive option); Previous Control Box 231169GT is no longer available. For appropriate replacement (refer to 303.4, 303.5, 303.6, 303.7, 303.8 and 303.9)	
-		GROUND CONTROL BOX ASSEMBLY (complete, models with drive option) (from SN TZ5011-208); Previous Control Box 231435GT is no longer available. For appropriate replacement (refer to 303.7, 303.8 and 303.9)	..
1	84631GT	GROUND CNTRL BOX LID ASSY,TZ50 .....	
2	226320GT	ASM, BUTTON & BOOT, BLK .....	1
2-	66814GT	BASE,WITH 2 N.O. CONTACTS*** .....	
3	226320GT	ASM, BUTTON & BOOT, BLK .....	1
3-	66815GT	BASE, W/1 N.O. CONTACTS*** .....	
3-	66816GT	CONTACT,N.O .....	
4	226320GT	ASM, BUTTON & BOOT, BLK .....	1
4-	66814GT	BASE,WITH 2 N.O. CONTACTS*** .....	
5	226322GT	ASM, E-STOP & BOOT .....	1
5-	66817GT	BASE WITH 1 NC CONTACT, E-STOP .....	
5-	66818GT	CONTACT,NC .....	
6	1277226GT	ASSEMBLY,CIRCUIT BREAKER,15AMP .....	
6-	21858GT	PLUG,NYLON .38 BLACK DOMED .....	1
		DC models	
7	96008-SGT	KEYSWITCH,3 POS. W/KEYS*** .....	1
		includes 1 pair of keys	
7-	83093GT	KEY SINGLE*** .....	
7-	37947GT	KEYS,10 PACK*** .....	
8	226320GT	ASM, BUTTON & BOOT, BLK .....	1
		Bi-fuel and Engine models	
8-	15243GT	PLUG,NYLON .875 BLACK DOMED .....	1
		DC models	
8-	66815GT	BASE, W/1 N.O. CONTACTS*** .....	
8-	66816GT	CONTACT,N.O .....	
9	99088GT	LED,RED 24V FLASHING .....	1
		CE models	
9-	21858GT	PLUG,NYLON .38 BLACK DOMED .....	
		ANSI and CSA models	
10	226320GT	ASM, BUTTON & BOOT, BLK .....	1
		Bi-fuel and Engine models	
10-	15243GT	PLUG,NYLON .875 BLACK DOMED .....	1
		DC models	
10-	66815GT	BASE, W/1 N.O. CONTACTS*** .....	



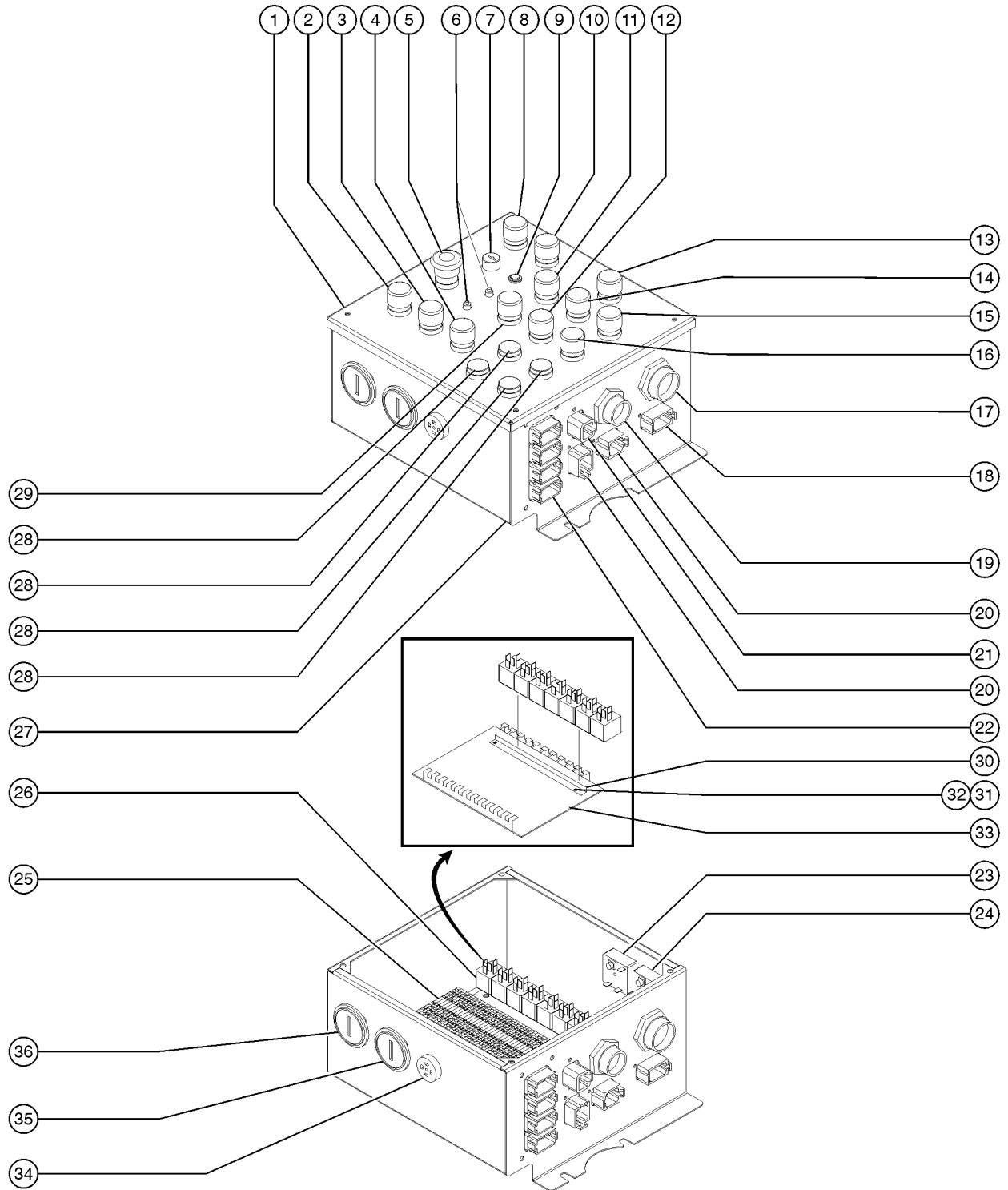
310.3 Ground Controls



<i>Item</i>	<i>Part No.</i>	<i>Description</i>	<i>Qty.</i>
10-	66816GT	CONTACT,N.O .....	
11	226320GT	ASM, BUTTON & BOOT, BLK .....	1
11-	66815GT	BASE, W/1 N.O. CONTACTS*** .....	
11-	66816GT	CONTACT,N.O .....	
12	226320GT	ASM, BUTTON & BOOT, BLK .....	1
12-	66815GT	BASE, W/1 N.O. CONTACTS*** .....	
12-	66816GT	CONTACT,N.O .....	
12-	15243GT	PLUG,NYLON .875 BLACK DOMED .....	1
13	226320GT	ASM, BUTTON & BOOT, BLK .....	1
13-	66815GT	BASE, W/1 N.O. CONTACTS*** .....	
13-	66816GT	CONTACT,N.O .....	
14	226320GT	ASM, BUTTON & BOOT, BLK .....	1
14-	66815GT	BASE, W/1 N.O. CONTACTS*** .....	
14-	66816GT	CONTACT,N.O .....	
15	226320GT	ASM, BUTTON & BOOT, BLK .....	1
15-	66815GT	BASE, W/1 N.O. CONTACTS*** .....	
15-	66816GT	CONTACT,N.O .....	
16	226320GT	ASM, BUTTON & BOOT, BLK .....	1
16-	66815GT	BASE, W/1 N.O. CONTACTS*** .....	
16-	66816GT	CONTACT,N.O .....	
17	104094GT	CONN,RECEP 21 WAY .....	1
18	73733GT	CONN,RECEP 12 WAY,BLK FLANGE .....	1
19	87748GT	CONN,RECEP 14 WAY .....	1
20	87755GT	CONN,RECEP 8 WAY 14-18GA,FL .....	2
21	73717GT	CONN,RECEP 4 WAY,12-14GA FL*** .....	1
22	73736GT	CONN,RECEP 48 WAY,4 X 12 .....	1
23	104099GT	MODULE,TIME DELAY Bi-fuel and Engine models .....	1
24	99084GT	MODULE, TIME DELAY .....	1



310.3 Ground Controls

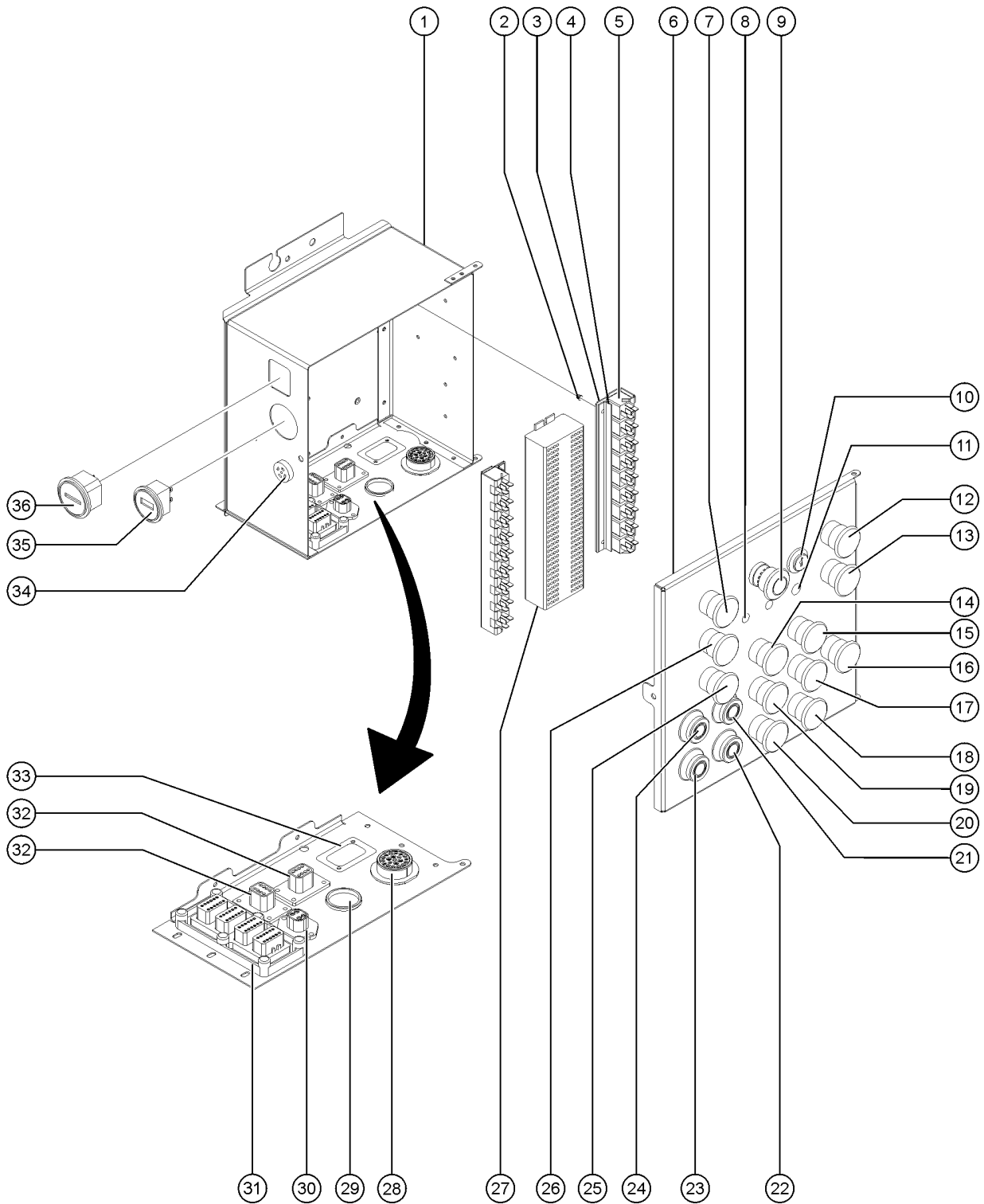




Item	Part No.	Description	Qty.
25	104093GT	TERMINAL RAIL .....	1
25-	74913GT	END STOP, DIN RAIL,SCREW CLAMP .....	
25-	216793GT	TERMINAL BLOCK END PLATE .....	1
25-	74911GT	TERMINAL BLOCK, WIELAND*** .....	
25-	74917GT	JUMPER COMB, 2-WAY,WIELAND .....	
25-	104095GT	JUMPER COMB,5 WAY .....	
25-	104096GT	DIN RAIL 11.00" LG .....	
26	56302GT	RELAY,24VDC,40/30A,SEALED*** .....	17
		engine models	
26B	56302GT	RELAY,24VDC,40/30A,SEALED*** .....	14
		DC models	
27	99311GT	WELDMENT,BASE CONTROL BOX .....	1
		(to SN TZ5011-207)	
27B	230350GT	WELDMENT,BASE CONTROL BOX .....	
		(from SN TZ5011-208)	
28	109804GT	BUTTON,PUSH,GREEN,ASSEMBLY*** .....	1
28-	109803GT	COVER,PUSH BUTTON .....	
		outrigger, raise/lower and indicator light	
28-	104092GT	BASE,W/1N.O.,W/GREEN LED .....	
		(includes 1 each N.O. contact)	
29	66813GT	BUTTON,PUSH,BLACK W/SEAL*** .....	
29-	66815GT	BASE, W/1 N.O. CONTACTS*** .....	
29-	66816GT	CONTACT,N.O .....	
30	104707GT	FORMING, RELAY MOUNT TZ50 LWR .....	2
31	49818GT	SCREW,PHILLIPS,PHM,10-32 X .38 .....	
32	23405GT	NUTSERT,10-32 STEEL CAD PLTD .....	1
33	104704GT	FORMING, RELAY MOUNT TZ50 LWR .....	1
34	45383GT	ALARM,WARBLE TONE 5-30 VDC*** .....	1
		Does not include 72326 nut	
34-	72326GT	NUT - PLASTIC, RING FOR ALARMS .....	
35	23134GT	BATTERY CHARGE INDICATOR*** .....	1
35B	45840GT	PLUG,NYLON 2.00 BLACK DOMED .....	1
		(models without BCI)	
36	19506GT	HOUR METER,10-80 VOLTS*** .....	1
37-	13083GT	DIODE, 3 AMP .....	1



310.4 Ground Control Box - ANSI, CSA and CE Models with no Load Sense

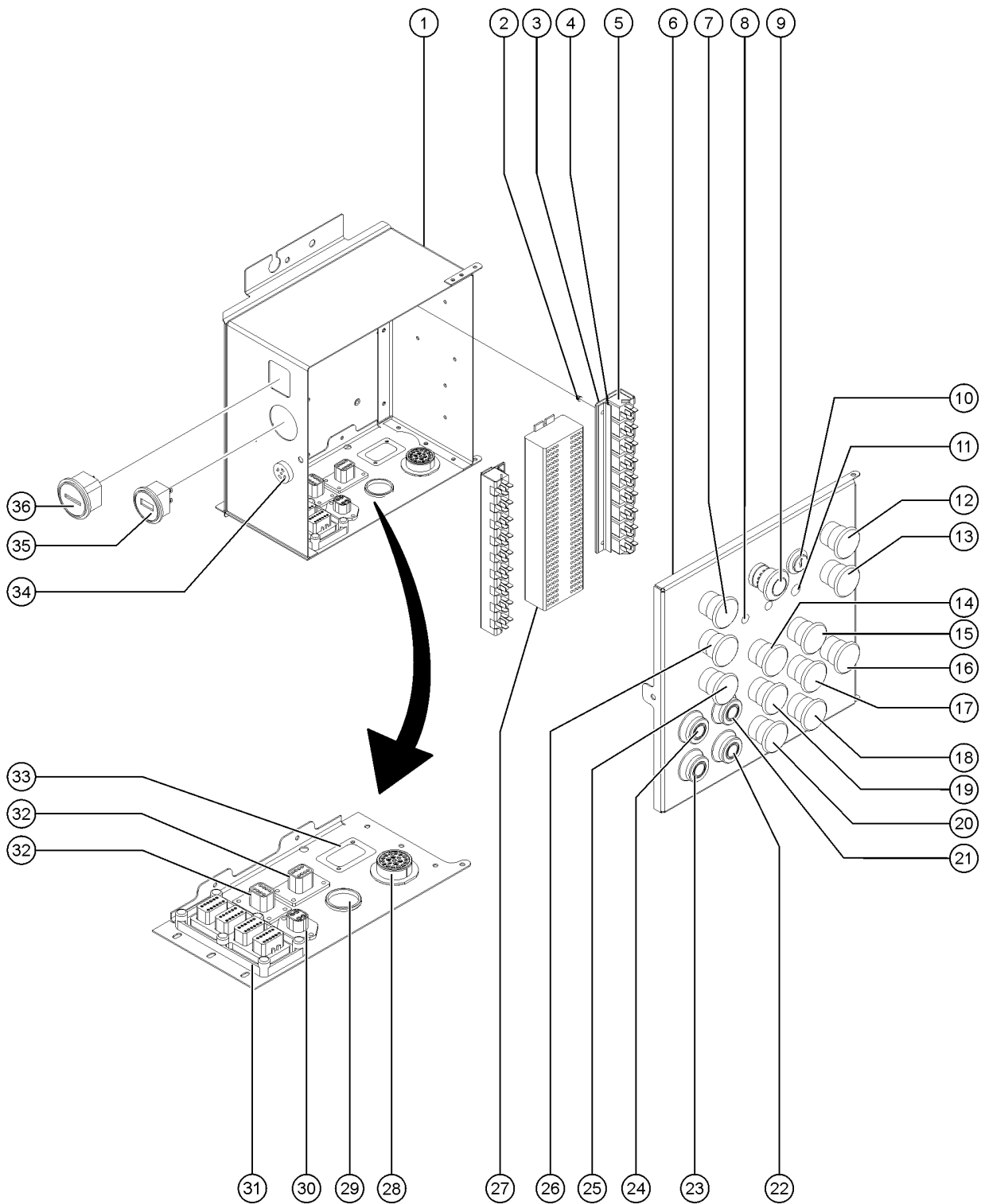


310.4 Ground Control Box - ANSI, CSA and CE Models with no Load Sense

Item	Part No.	Description	Qty.
-	1287098GT	CONTROL BOX, TZ50,LOWER,NO LOADSENSE (complete)	1
1	1289868GT	CONTROL BOX,LOWER,METALTZ50 (includes items 2-4 and 6)	1
2	23405GT	NUTSERT,10-32 STEEL CAD PLTD (part of item 1)	4
3	1274353GT	MOUNT,RELAY,TZ CTRL BOX, LOWER (part of item 1)	2
4	1275647GT	FORMING,RELAY HOLDER,SLOTTED,TZ50,LWR (part of item 1)	2
5	56302GT	RELAY,24VDC,40/30A,SEALED***	18
6	1271707GT	PLATE, FORMED, CONTROL BOX, LID (part of item 1)	1
6B	824059GT	SCREW,HHC,1/4-20X.75,8,ZAG to secure the lid closed	1
6B	824109GT	WASHER,LOCK,1/4,ZAG for 824059	1
6B	824113GT	WASHER,FLAT,1/4,USS,ZAG for 824059	1
6B	56912GT	SPRING CLIP,1/4-20,.025-.15X.5 for 824059	1
7	226320GT	ASM, BUTTON & BOOT, BLK	1
8	21858GT	PLUG,NYLON .38 BLACK DOMED	2
9	226322GT	ASM, E-STOP & BOOT	1
10	96008GT	KEYSWITCH,3 POS. W/KEYS***	1
11	45384GT	PLUG,NYLON .50 BLACK DOMED	1
12	226320GT	ASM, BUTTON & BOOT, BLK	1
12A-	66815GT	BASE, W/1 N.O. CONTACTS***	
12B	15243GT	PLUG,NYLON .875 BLACK DOMED	1
13	226320GT	ASM, BUTTON & BOOT, BLK	1
13A-	66815GT	BASE, W/1 N.O. CONTACTS***	
13B	15243GT	PLUG,NYLON .875 BLACK DOMED	1
14	226320GT	ASM, BUTTON & BOOT, BLK	1
15	226320GT	ASM, BUTTON & BOOT, BLK	1
16	226320GT	ASM, BUTTON & BOOT, BLK	1
17	226320GT	ASM, BUTTON & BOOT, BLK	1
18	226320GT	ASM, BUTTON & BOOT, BLK	1
19	226320GT	ASM, BUTTON & BOOT, BLK	1



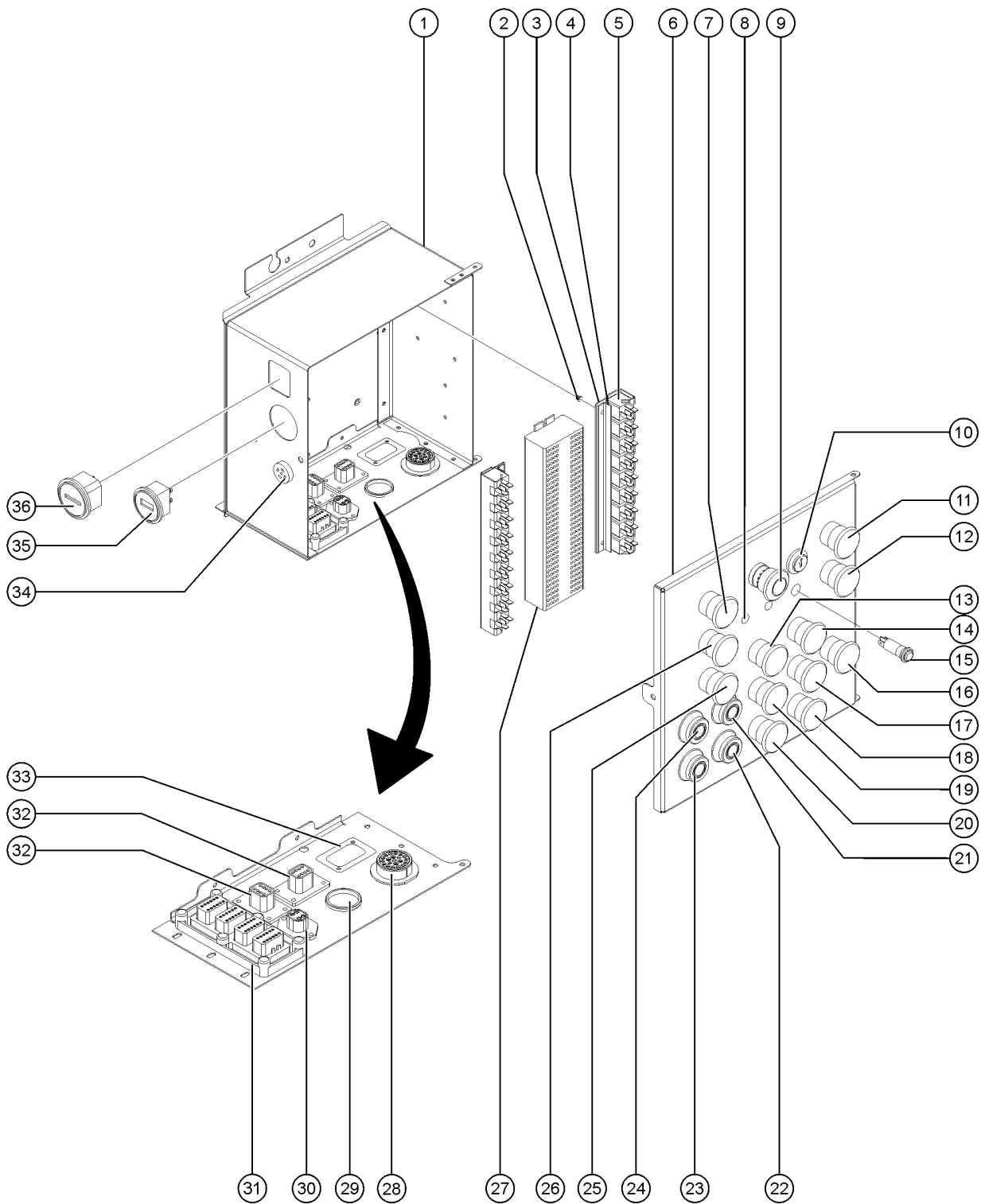
310.4 Ground Control Box - ANSI, CSA and CE Models with no Load Sense



310.4 Ground Control Box - ANSI, CSA and CE Models with no Load Sense

Item	Part No.	Description	Qty.
19A-	66815GT	BASE, W/1 N.O. CONTACTS***	
19B	15243GT	PLUG,NYLON .875 BLACK DOMED	1
20	226320GT	ASM, BUTTON & BOOT, BLK	1
21	109804GT	BUTTON,PUSH,GREEN,ASSEMBLY***	1
22	109804GT	BUTTON,PUSH,GREEN,ASSEMBLY***	1
23	109804GT	BUTTON,PUSH,GREEN,ASSEMBLY***	1
24	109804GT	BUTTON,PUSH,GREEN,ASSEMBLY***	1
25	226320GT	ASM, BUTTON & BOOT, BLK	1
26	226320GT	ASM, BUTTON & BOOT, BLK	1
27	104093GT	TERMINAL RAIL	1
28	104101GT	CONNECTOR,PLUG 21 WAY	1
29	94520GT	PLUG,NYLON,1.5,BLCK DOMED	1
30	73717GT	CONN,RECEP 4 WAY,12-14GA FL***	1
31	73736GT	CONN,RECEP 48 WAY,4 X 12	1
32	87755GT	CONN,RECEP 8 WAY 14-18GA,FL	2
33	104531GT	PLATE,PLUG COVER,8-12 WAY	1
34	45383GT	ALARM,WARBLE TONE 5-30 VDC***	1
35	76647GT	INDICATOR, BATTERY DISCHARGE	1
35B	45840GT	PLUG,NYLON 2.00 BLACK DOMED	1
36	19506GT	HOUR METER,10-80 VOLTS***	1

310.5 Ground Control Box - ANSI, CSA and CE Models with Load Sense

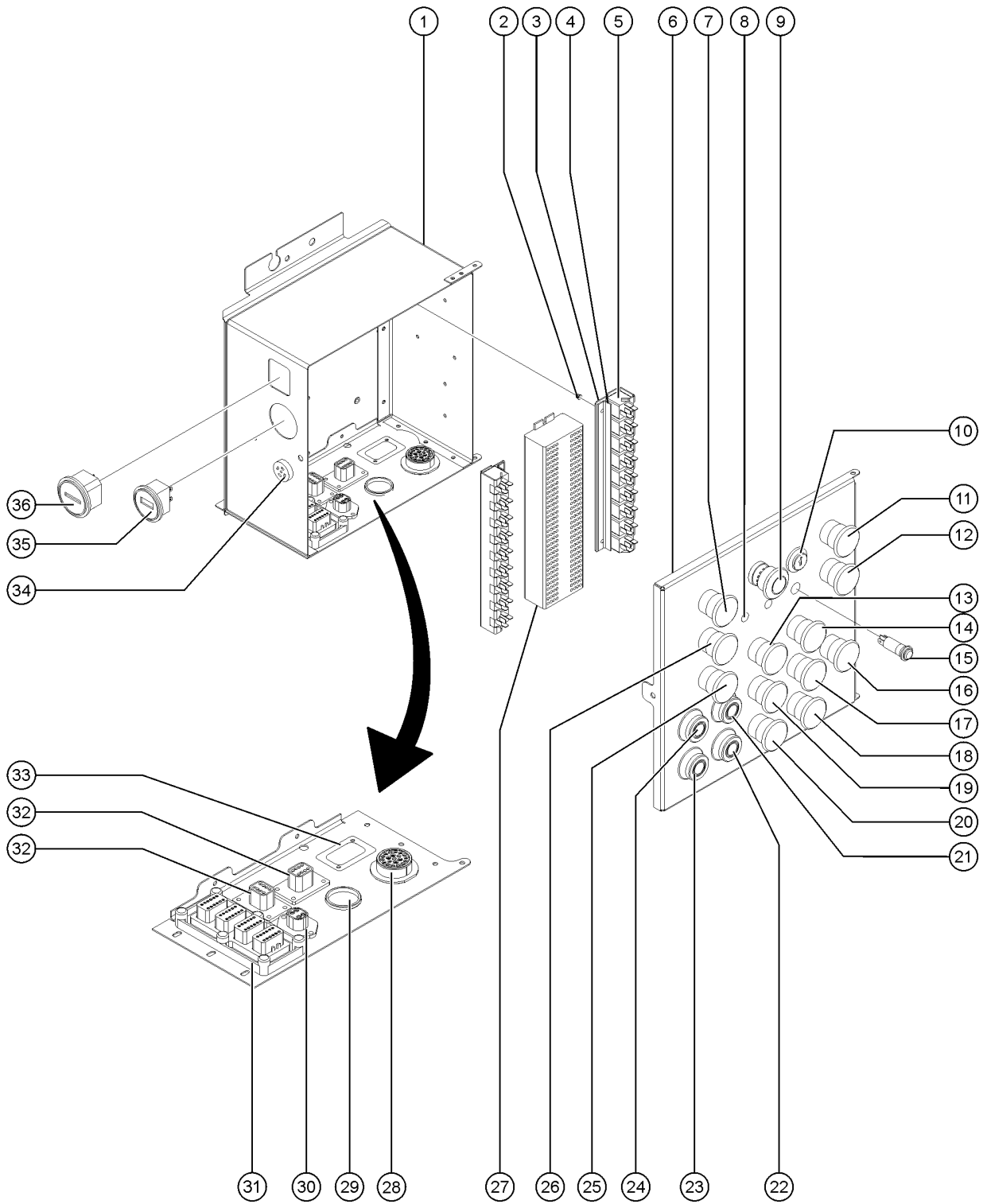


310.5 Ground Control Box - ANSI, CSA and CE Models with Load Sense

Item	Part No.	Description	Qty.
-	1287099GT	CONTROL BOX, TZ50,LOWER,LOADSENSE ..... (complete)	1
1	1289868GT	CONTROL BOX,LOWER,METALTZ50 ..... (includes items 2-4 and 6)	1
2	23405GT	NUTSERT,10-32 STEEL CAD PLTD ..... (part of item 1)	4
3	1274353GT	MOUNT,RELAY,TZ CTRL BOX, LOWER ..... (part of item 1)	2
4	1275647GT	FORMING,RELAY HOLDER,SLOTTED,TZ50,LWR ..... (part of item 1)	2
5	56302GT	RELAY,24VDC,40/30A,SEALED***	18
6	1271707GT	PLATE, FORMED, CONTROL BOX, LID ..... (part of item 1)	1
6B	824059GT	SCREW,HHC,1/4-20X.75,8,ZAG ..... to secure the lid closed	1
6B	824109GT	WASHER,LOCK,1/4,ZAG ..... for 824059	1
6B	824113GT	WASHER,FLAT,1/4,USS,ZAG ..... for 824059	1
	56912GT	SPRING CLIP,1/4-20,.025-.15X.5 ..... for 824059	1
7	226320GT	ASM, BUTTON & BOOT, BLK	1
8	21858GT	PLUG,NYLON .38 BLACK DOMED	2
9	226322GT	ASM, E-STOP & BOOT	1
10	96008GT	KEYSWITCH,3 POS. W/KEYS***	1
11	226320GT	ASM, BUTTON & BOOT, BLK	1
11A-	66815GT	BASE, W/1 N.O. CONTACTS***	
11B	15243GT	PLUG,NYLON .875 BLACK DOMED	1
12	226320GT	ASM, BUTTON & BOOT, BLK	1
12A-	66815GT	BASE, W/1 N.O. CONTACTS***	
12B	15243GT	PLUG,NYLON .875 BLACK DOMED	1
13	226320GT	ASM, BUTTON & BOOT, BLK	1
14	226320GT	ASM, BUTTON & BOOT, BLK	1
15	99088GT	LED,RED 24V FLASHING	1
15B	45384GT	PLUG,NYLON .50 BLACK DOMED	1
16	226320GT	ASM, BUTTON & BOOT, BLK	1
17	226320GT	ASM, BUTTON & BOOT, BLK	1
18	226320GT	ASM, BUTTON & BOOT, BLK	1



310.5 Ground Control Box - ANSI, CSA and CE Models with Load Sense

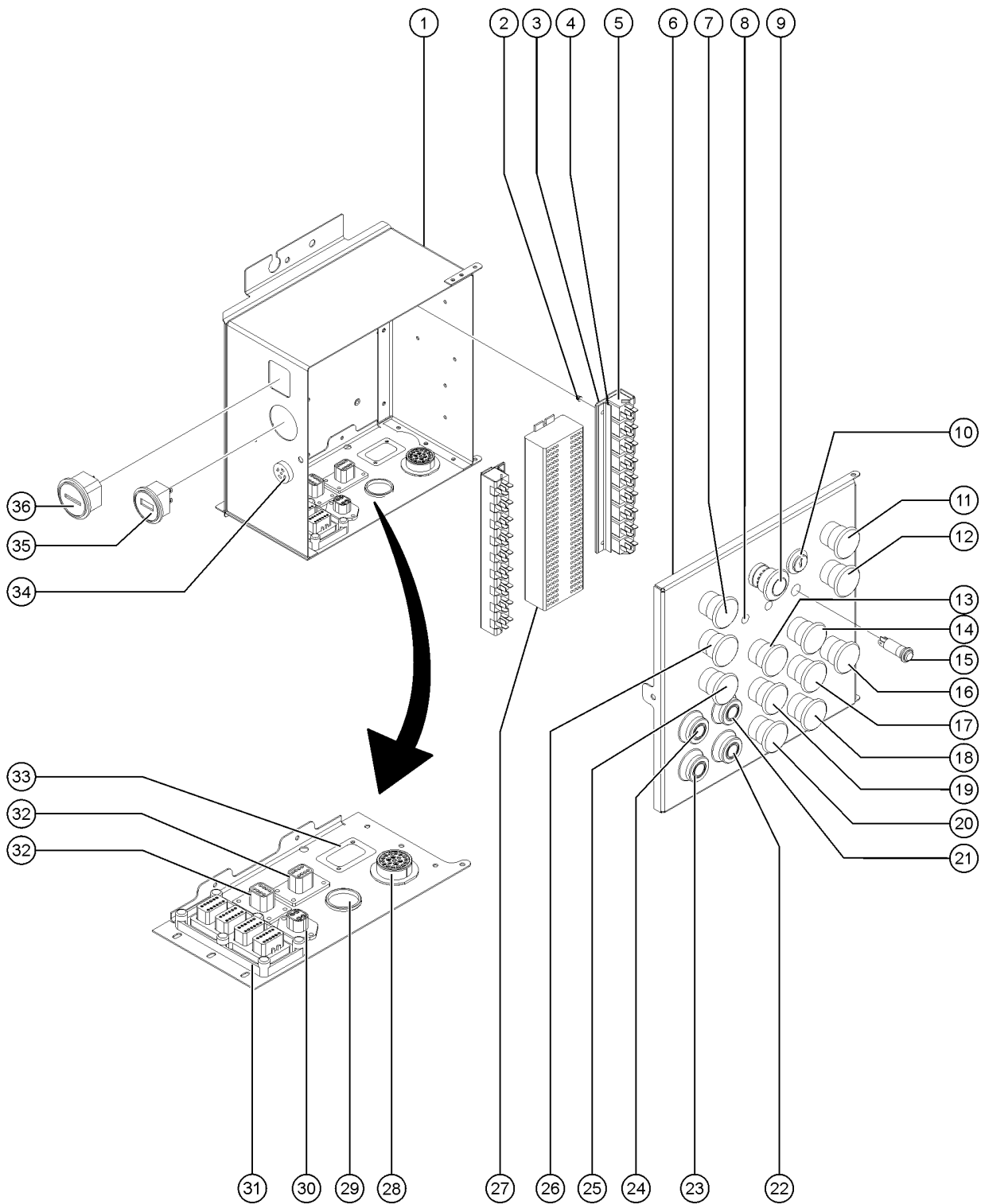




310.5 Ground Control Box - ANSI, CSA and CE Models with Load Sense

<i>Item</i>	<i>Part No.</i>	<i>Description</i>	<i>Qty.</i>
19	226320GT	ASM, BUTTON & BOOT, BLK .....	1
19A-	66815GT	BASE, W/1 N.O. CONTACTS*** .....	
19B	15243GT	PLUG,NYLON .875 BLACK DOMED .....	1
20	226320GT	ASM, BUTTON & BOOT, BLK .....	1
21	109804GT	BUTTON,PUSH,GREEN,ASSEMBLY*** .....	1
22	109804GT	BUTTON,PUSH,GREEN,ASSEMBLY*** .....	1
23	109804GT	BUTTON,PUSH,GREEN,ASSEMBLY*** .....	1
24	109804GT	BUTTON,PUSH,GREEN,ASSEMBLY*** .....	1
25	226320GT	ASM, BUTTON & BOOT, BLK .....	1
26	226320GT	ASM, BUTTON & BOOT, BLK .....	1
27	104093GT	TERMINAL RAIL .....	1
28	104101GT	CONNECTOR,PLUG 21 WAY .....	1
29	94520GT	PLUG,NYLON,1.5,BLCK DOMED .....	1
30	73717GT	CONN,RECEP 4 WAY,12-14GA FL*** .....	1
31	73736GT	CONN,RECEP 48 WAY,4 X 12 .....	1
32	87755GT	CONN,RECEP 8 WAY 14-18GA,FL .....	2
33	104531GT	PLATE,PLUG COVER,8-12 WAY .....	1
34	45383GT	ALARM,WARBLE TONE 5-30 VDC*** .....	1
35	76647GT	INDICATOR, BATTERY DISCHARGE .....	1
35B	45840GT	PLUG,NYLON 2.00 BLACK DOMED .....	1
36	19506GT	HOUR METER,10-80 VOLTS*** .....	1

310.6 Ground Control Box - Australia Models with no Drive

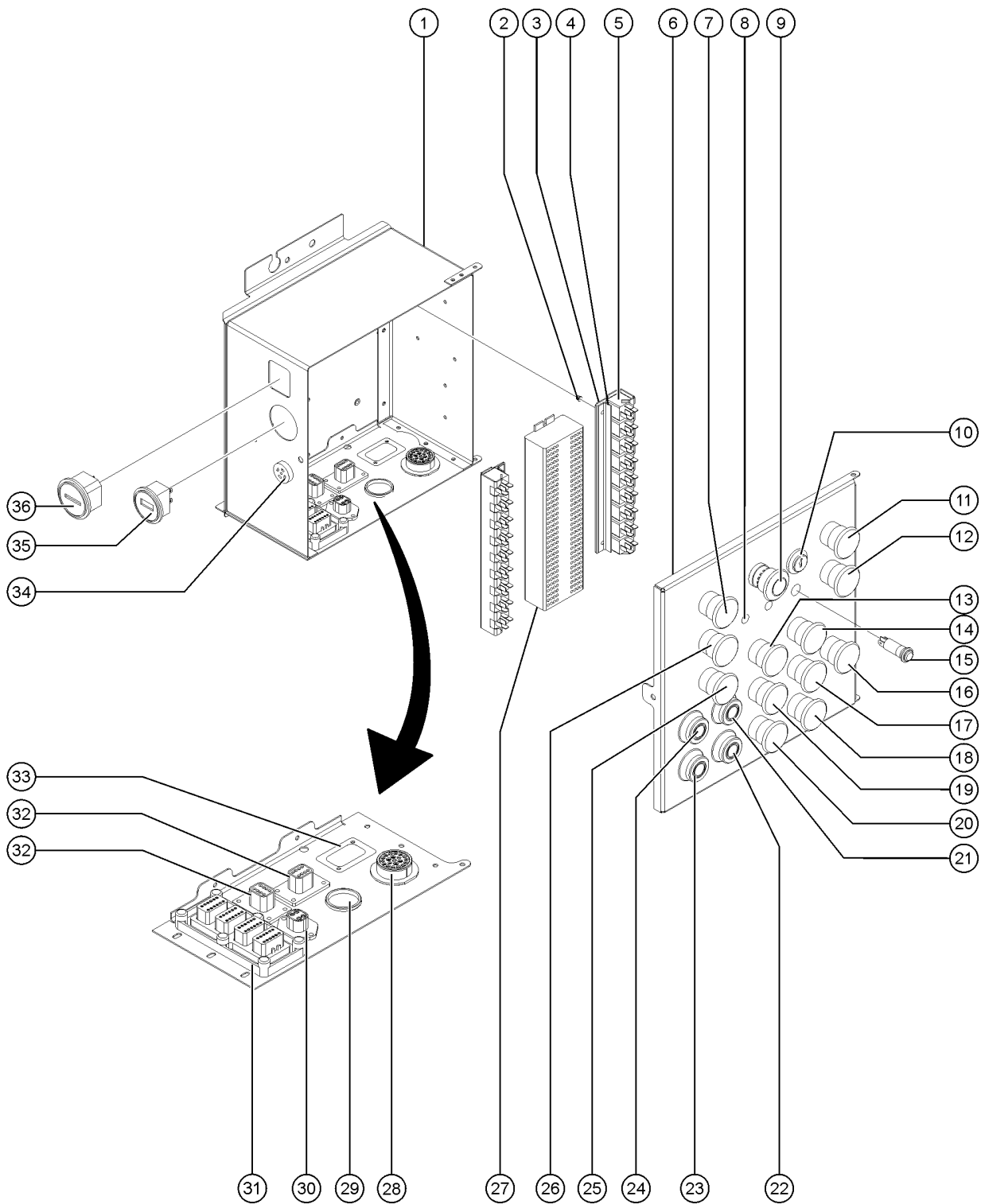


310.6 Ground Control Box - Australia Models with no Drive

Item	Part No.	Description	Qty.
-	1290564GT	CONTROL BOX, TZ50,LOWER,LOAD RECOVER ..... (complete)	1
1	1289868GT	CONTROL BOX,LOWER,METALTZ50 ..... (includes items 2-4 and 6)	1
2	23405GT	NUTSERT,10-32 STEEL CAD PLTD ..... (part of item 1)	4
3	1274353GT	MOUNT,RELAY,TZ CTRL BOX, LOWER ..... (part of item 1)	2
4	1275647GT	FORMING,RELAY HOLDER,SLOTTED,TZ50,LWR ..... (part of item 1)	2
5	56302GT	RELAY,24VDC,40/30A,SEALED***	18
6	1271707GT	PLATE, FORMED, CONTROL BOX, LID ..... (part of item 1)	1
6B	824059GT	SCREW,HHC,1/4-20X.75,8,ZAG ..... to secure the lid closed	1
6B	824109GT	WASHER,LOCK,1/4,ZAG ..... for 824059	1
6B	824113GT	WASHER,FLAT,1/4,USS,ZAG ..... for 824059	1
6B	56912GT	SPRING CLIP,1/4-20,.025-.15X.5 ..... for 824059	1
7	226320GT	ASM, BUTTON & BOOT, BLK	1
8	21858GT	PLUG,NYLON .38 BLACK DOMED	2
9	226322GT	ASM, E-STOP & BOOT	1
10	96008GT	KEYSWITCH,3 POS. W/KEYS***	1
11	226320GT	ASM, BUTTON & BOOT, BLK	1
11A-	66815GT	BASE, W/1 N.O. CONTACTS***	
11B	15243GT	PLUG,NYLON .875 BLACK DOMED	1
12	226320GT	ASM, BUTTON & BOOT, BLK	1
12A-	66815GT	BASE, W/1 N.O. CONTACTS***	
12B	15243GT	PLUG,NYLON .875 BLACK DOMED	1
13	226320GT	ASM, BUTTON & BOOT, BLK	1
14	226320GT	ASM, BUTTON & BOOT, BLK	1
15	99088GT	LED,RED 24V FLASHING	1
15B	45384GT	PLUG,NYLON .50 BLACK DOMED	1
16	226320GT	ASM, BUTTON & BOOT, BLK	1
17	226320GT	ASM, BUTTON & BOOT, BLK	1
18	226320GT	ASM, BUTTON & BOOT, BLK	1



310.6 Ground Control Box - Australia Models with no Drive

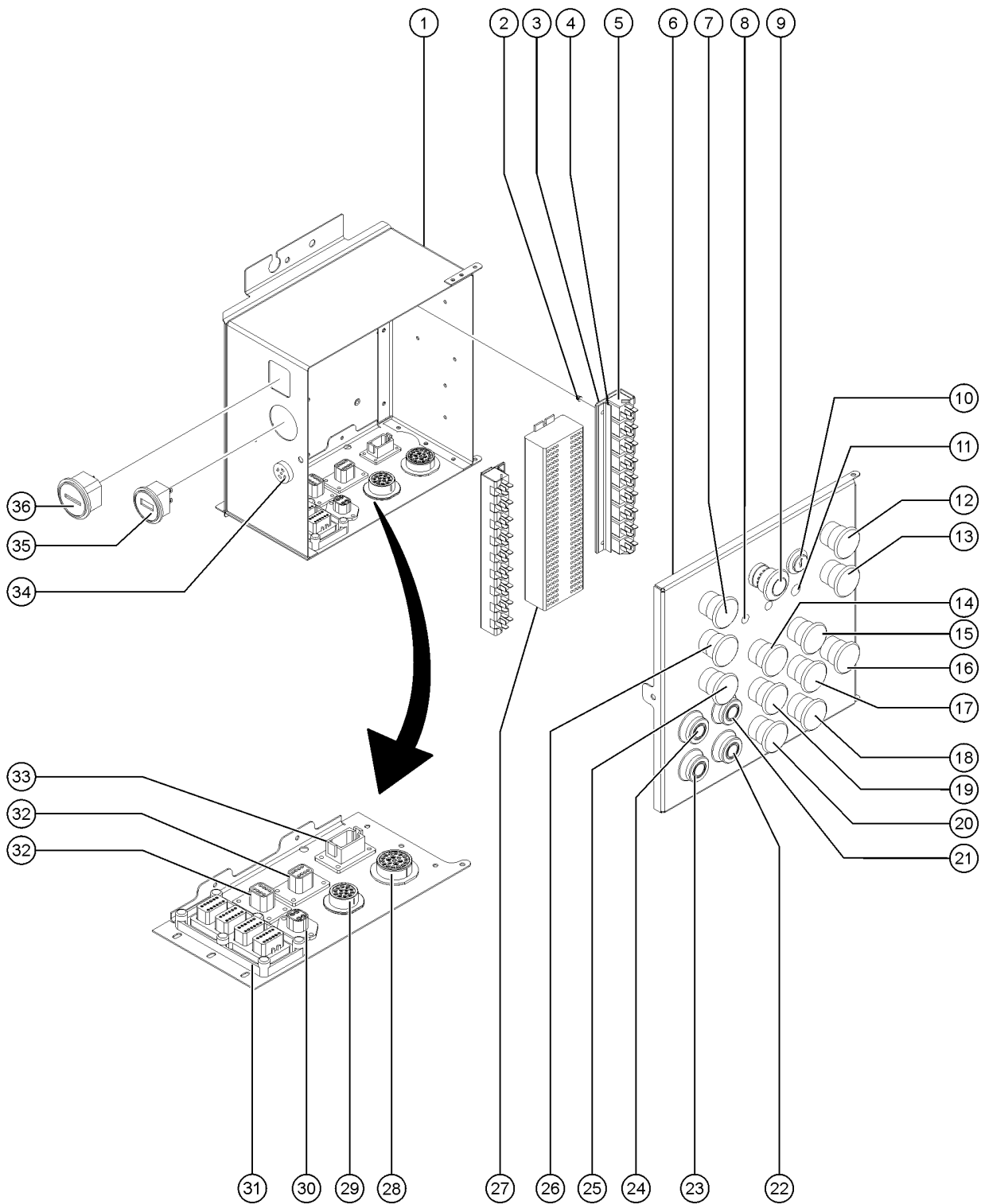


310.6 Ground Control Box - Australia Models with no Drive

<i>Item</i>	<i>Part No.</i>	<i>Description</i>	<i>Qty.</i>
19	226320GT	ASM, BUTTON & BOOT, BLK .....	1
19A-	66815GT	BASE, W/1 N.O. CONTACTS*** .....	
19B	15243GT	PLUG,NYLON .875 BLACK DOMED .....	1
20	226320GT	ASM, BUTTON & BOOT, BLK .....	1
21	109804GT	BUTTON,PUSH,GREEN,ASSEMBLY*** .....	1
22	109804GT	BUTTON,PUSH,GREEN,ASSEMBLY*** .....	1
23	109804GT	BUTTON,PUSH,GREEN,ASSEMBLY*** .....	1
24	109804GT	BUTTON,PUSH,GREEN,ASSEMBLY*** .....	1
25	226320GT	ASM, BUTTON & BOOT, BLK .....	1
26	226320GT	ASM, BUTTON & BOOT, BLK .....	1
27	104093GT	TERMINAL RAIL .....	1
28	104101GT	CONNECTOR,PLUG 21 WAY .....	1
29	94520GT	PLUG,NYLON,1.5,BLCK DOMED .....	1
30	73717GT	CONN,RECEP 4 WAY,12-14GA FL*** .....	1
31	73736GT	CONN,RECEP 48 WAY,4 X 12 .....	1
32	87755GT	CONN,RECEP 8 WAY 14-18GA,FL .....	2
33	104531GT	PLATE,PLUG COVER,8-12 WAY .....	1
34	45383GT	ALARM,WARBLE TONE 5-30 VDC*** .....	1
35	76647GT	INDICATOR, BATTERY DISCHARGE .....	1
35B	45840GT	PLUG,NYLON 2.00 BLACK DOMED .....	1
36	19506GT	HOUR METER,10-80 VOLTS*** .....	1



310.7 Ground Control Box - ANSI, CSA and CE Models with no Load Sense and Drive

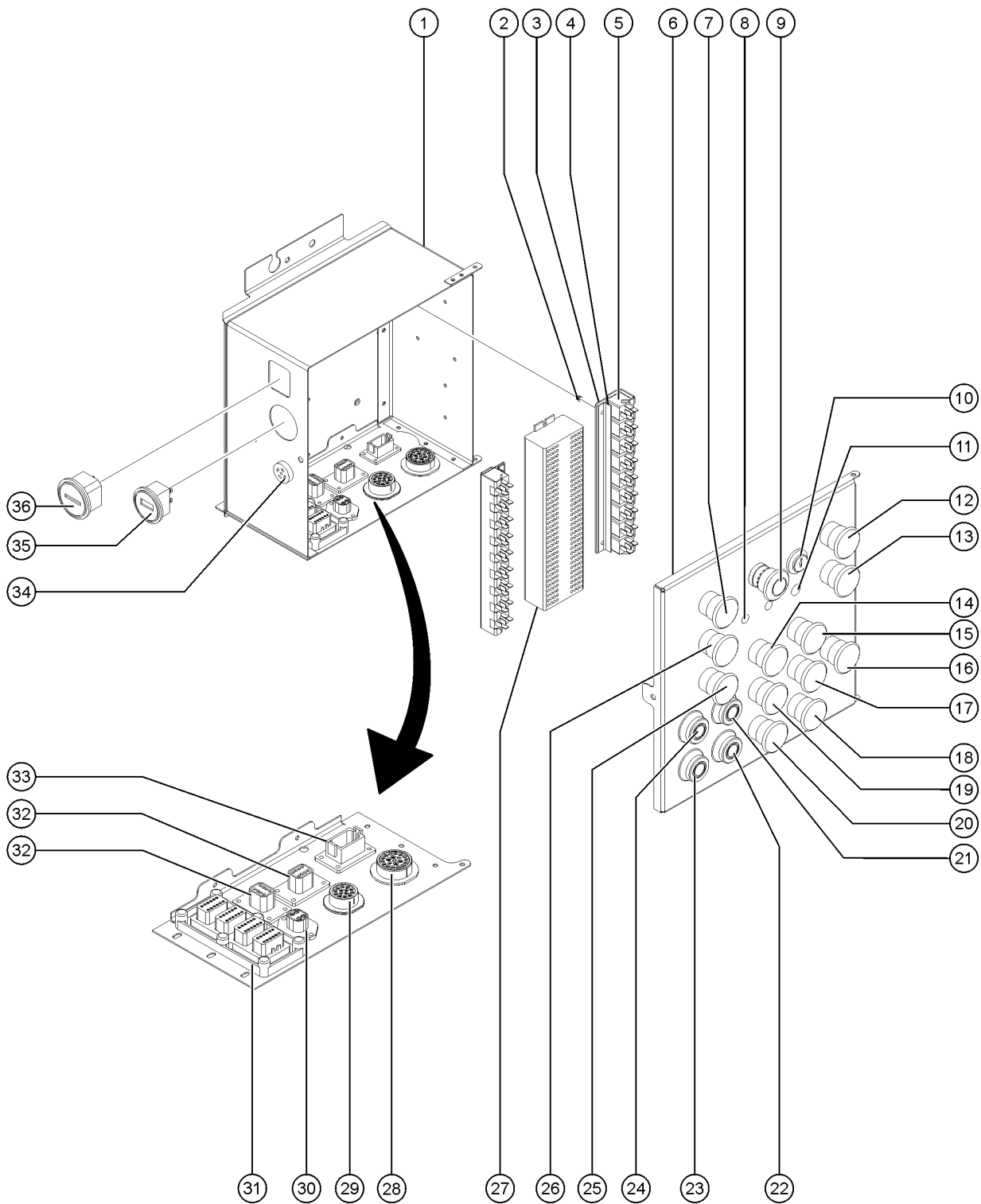


310.7 Ground Control Box - ANSI, CSA and CE Models with no Load Sense and Drive

Item	Part No.	Description	Qty.
-	1290565GT	CONTROL BOX, TZ50,LOWER,NO LOAD DRIVE (complete)	1
1	1289868GT	CONTROL BOX,LOWER,METALTZ50 (includes items 2-4 and 6)	1
2	23405GT	NUTSERT,10-32 STEEL CAD PLTD (part of item 1)	4
3	1274353GT	MOUNT,RELAY,TZ CTRL BOX, LOWER (part of item 1)	2
4	1275647GT	FORMING,RELAY HOLDER,SLOTTED,TZ50,LWR (part of item 1)	2
5	56302GT	RELAY,24VDC,40/30A,SEALED***	18
6	1271707GT	PLATE, FORMED, CONTROL BOX, LID (part of item 1)	1
6B	824059GT	SCREW,HHC,1/4-20X.75,8,ZAG to secure the lid closed	1
6B	824109GT	WASHER,LOCK,1/4,ZAG for 824059	1
6B	824113GT	WASHER,FLAT,1/4,USS,ZAG for 824059	1
6B	56912GT	SPRING CLIP,1/4-20,.025-.15X.5 for 824059	1
7	226320GT	ASM, BUTTON & BOOT, BLK	1
8	21858GT	PLUG,NYLON .38 BLACK DOMED	2
9	226322GT	ASM, E-STOP & BOOT	1
10	96008GT	KEYSWITCH,3 POS. W/KEYS***	1
11	45384GT	PLUG,NYLON .50 BLACK DOMED	1
12	226320GT	ASM, BUTTON & BOOT, BLK	1
12A-	66815GT	BASE, W/1 N.O. CONTACTS***	
12B	15243GT	PLUG,NYLON .875 BLACK DOMED	1
13	226320GT	ASM, BUTTON & BOOT, BLK	1
13A-	66815GT	BASE, W/1 N.O. CONTACTS***	
13B	15243GT	PLUG,NYLON .875 BLACK DOMED	1
14	226320GT	ASM, BUTTON & BOOT, BLK	1
15	226320GT	ASM, BUTTON & BOOT, BLK	1
16	226320GT	ASM, BUTTON & BOOT, BLK	1
17	226320GT	ASM, BUTTON & BOOT, BLK	1
18	226320GT	ASM, BUTTON & BOOT, BLK	1
19	226320GT	ASM, BUTTON & BOOT, BLK	1



310.7 Ground Control Box - ANSI, CSA and CE Models with no Load Sense and Drive



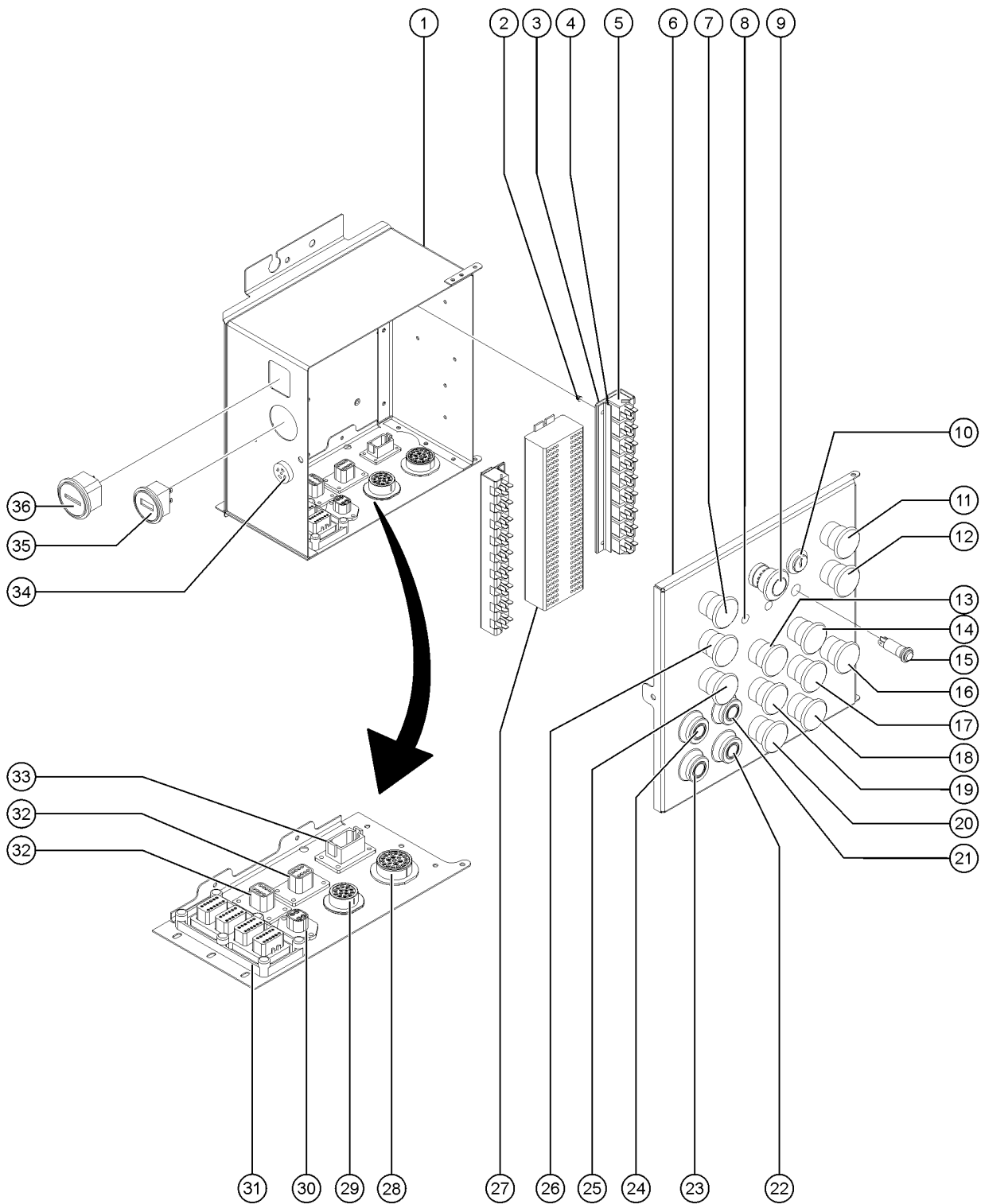


310.7 Ground Control Box - ANSI, CSA and CE Models with no Load Sense and Drive Qty.

Item	Part No.	Description	Qty.
19A-	66815GT	BASE, W/1 N.O. CONTACTS***	
19B	15243GT	PLUG,NYLON .875 BLACK DOMED	1
20	226320GT	ASM, BUTTON & BOOT, BLK	1
21	109804GT	BUTTON,PUSH,GREEN,ASSEMBLY***	1
22	109804GT	BUTTON,PUSH,GREEN,ASSEMBLY***	1
23	109804GT	BUTTON,PUSH,GREEN,ASSEMBLY***	1
24	109804GT	BUTTON,PUSH,GREEN,ASSEMBLY***	1
25	226320GT	ASM, BUTTON & BOOT, BLK	1
26	226320GT	ASM, BUTTON & BOOT, BLK	1
27	104093GT	TERMINAL RAIL	1
28	104101GT	CONNECTOR,PLUG 21 WAY	1
29	87748GT	CONN,RECEP 14 WAY	1
29B	94520GT	PLUG,NYLON,1.5,BLCK DOMED	1
30	73717GT	CONN,RECEP 4 WAY,12-14GA FL***	1
31	73736GT	CONN,RECEP 48 WAY,4 X 12	1
32	87755GT	CONN,RECEP 8 WAY 14-18GA,FL	2
33	73733GT	CONN,RECEP 12 WAY,BLK FLANGE	1
33B	104531GT	PLATE,PLUG COVER,8-12 WAY	1
34	45383GT	ALARM,WARBLE TONE 5-30 VDC***	1
35	76647GT	INDICATOR, BATTERY DISCHARGE	1
35B	45840GT	PLUG,NYLON 2.00 BLACK DOMED	1
36	19506GT	HOUR METER,10-80 VOLTS***	1



310.8 Ground Control Box - ANSI, CSA and CE Models with Load Sense and Drive

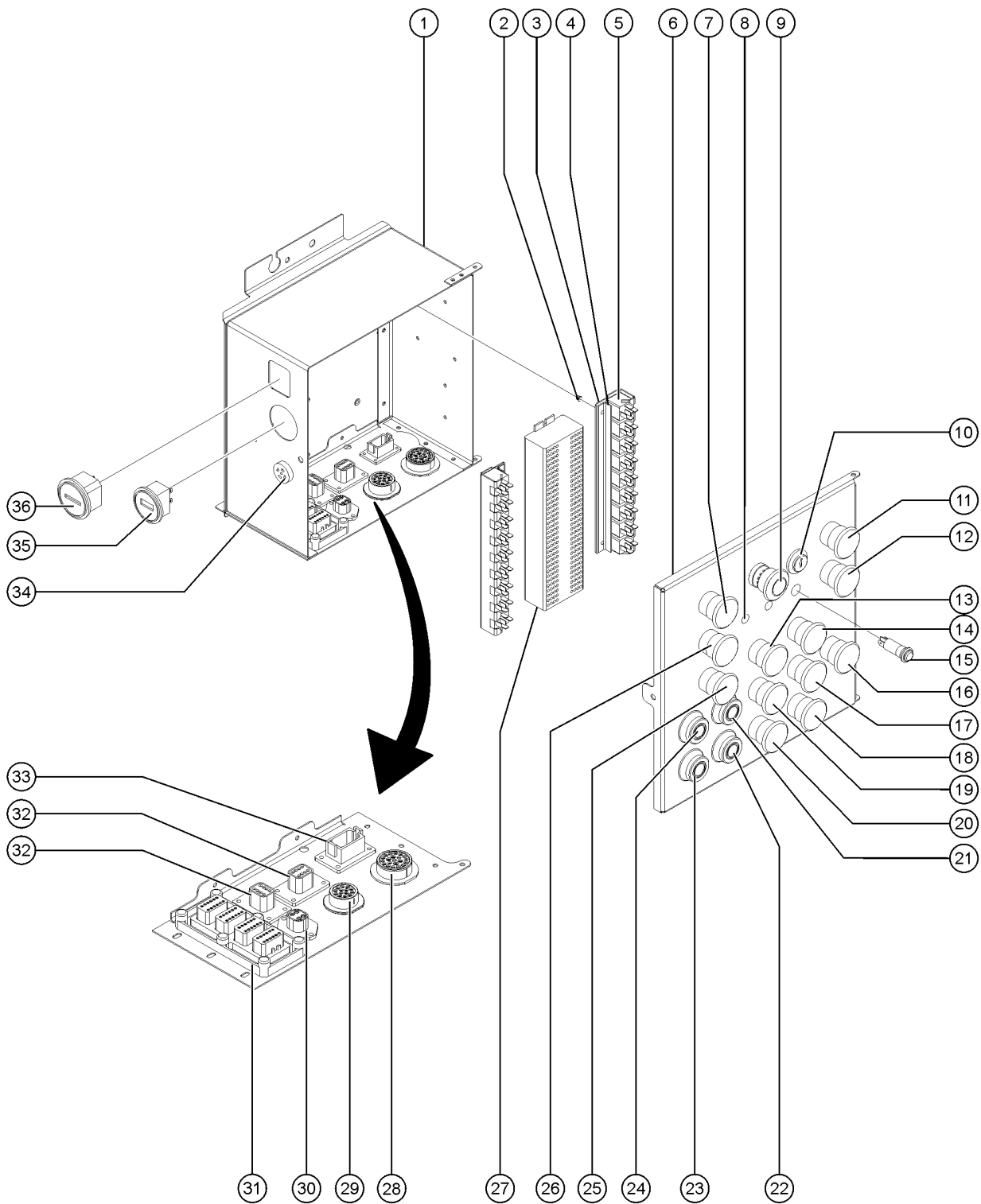


310.8 Ground Control Box - ANSI, CSA and CE Models with Load Sense and Drive

Item	Part No.	Description	Qty.
-	1290566GT	CONTROL BOX, TZ50,LOWER,LOAD DRIVE ..... (complete)	1
1	1289868GT	CONTROL BOX,LOWER,METALTZ50 ..... (includes items 2-4 and 6)	1
2	23405GT	NUTSERT,10-32 STEEL CAD PLTD ..... (part of item 1)	4
3	1274353GT	MOUNT,RELAY,TZ CTRL BOX, LOWER ..... (part of item 1)	2
4	1275647GT	FORMING,RELAY HOLDER,SLOTTED,TZ50,LWR ..... (part of item 1)	2
5	56302GT	RELAY,24VDC,40/30A,SEALED***	18
6	1271707GT	PLATE, FORMED, CONTROL BOX, LID ..... (part of item 1)	1
6B	824059GT	SCREW,HHC,1/4-20X.75,8,ZAG ..... to secure the lid closed	1
6B	824109GT	WASHER,LOCK,1/4,ZAG ..... for 824059	1
6B	824113GT	WASHER,FLAT,1/4,USS,ZAG ..... for 824059	1
6B	56912GT	SPRING CLIP,1/4-20,.025-.15X.5 ..... for 824059	1
7	226320GT	ASM, BUTTON & BOOT, BLK	1
8	21858GT	PLUG,NYLON .38 BLACK DOMED	2
9	226322GT	ASM, E-STOP & BOOT	1
10	96008GT	KEYSWITCH,3 POS. W/KEYS***	1
11	226320GT	ASM, BUTTON & BOOT, BLK	1
11A-	66815GT	BASE, W/1 N.O. CONTACTS***	
11B	15243GT	PLUG,NYLON .875 BLACK DOMED	1
12	226320GT	ASM, BUTTON & BOOT, BLK	1
12A-	66815GT	BASE, W/1 N.O. CONTACTS***	
12B	15243GT	PLUG,NYLON .875 BLACK DOMED	1
13	226320GT	ASM, BUTTON & BOOT, BLK	1
14	226320GT	ASM, BUTTON & BOOT, BLK	1
15	99088GT	LED,RED 24V FLASHING	1
15B	45384GT	PLUG,NYLON .50 BLACK DOMED	1
16	226320GT	ASM, BUTTON & BOOT, BLK	1
17	226320GT	ASM, BUTTON & BOOT, BLK	1
18	226320GT	ASM, BUTTON & BOOT, BLK	1



310.8 Ground Control Box - ANSI, CSA and CE Models with Load Sense and Drive

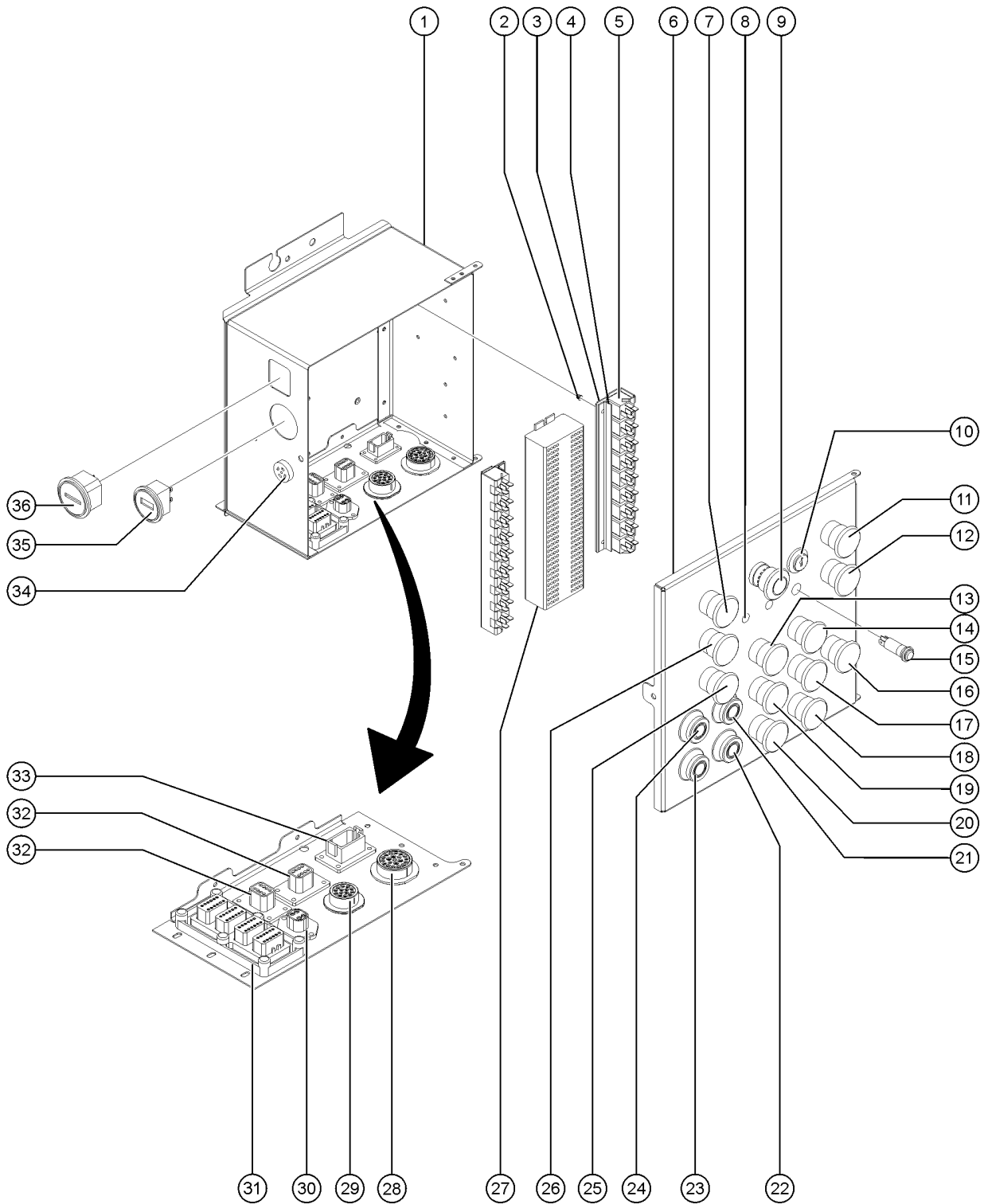


310.8 Ground Control Box - ANSI, CSA and CE Models with Load Sense and Drive

Item	Part No.	Description	Qty.
19	226320GT	ASM, BUTTON & BOOT, BLK .....	1
19A-	66815GT	BASE, W/1 N.O. CONTACTS*** .....	
19B	15243GT	PLUG,NYLON .875 BLACK DOMED .....	1
20	226320GT	ASM, BUTTON & BOOT, BLK .....	1
21	109804GT	BUTTON,PUSH,GREEN,ASSEMBLY*** .....	1
22	109804GT	BUTTON,PUSH,GREEN,ASSEMBLY*** .....	1
23	109804GT	BUTTON,PUSH,GREEN,ASSEMBLY*** .....	1
24	109804GT	BUTTON,PUSH,GREEN,ASSEMBLY*** .....	1
25	226320GT	ASM, BUTTON & BOOT, BLK .....	1
26	226320GT	ASM, BUTTON & BOOT, BLK .....	1
27	104093GT	TERMINAL RAIL .....	1
28	104101GT	CONNECTOR,PLUG 21 WAY .....	1
29	87748GT	CONN,RECEP 14 WAY .....	1
29B	94520GT	PLUG,NYLON,1.5,BLCK DOMED .....	1
30	73717GT	CONN,RECEP 4 WAY,12-14GA FL*** .....	1
31	73736GT	CONN,RECEP 48 WAY,4 X 12 .....	1
32	87755GT	CONN,RECEP 8 WAY 14-18GA,FL .....	2
33	73733GT	CONN,RECEP 12 WAY,BLK FLANGE .....	1
33B	104531GT	PLATE,PLUG COVER,8-12 WAY .....	1
34	45383GT	ALARM,WARBLE TONE 5-30 VDC*** .....	1
35	76647GT	INDICATOR, BATTERY DISCHARGE .....	1
35B	45840GT	PLUG,NYLON 2.00 BLACK DOMED .....	1
36	19506GT	HOUR METER,10-80 VOLTS*** .....	1



310.9 Ground Control Box - Australia Models with Drive

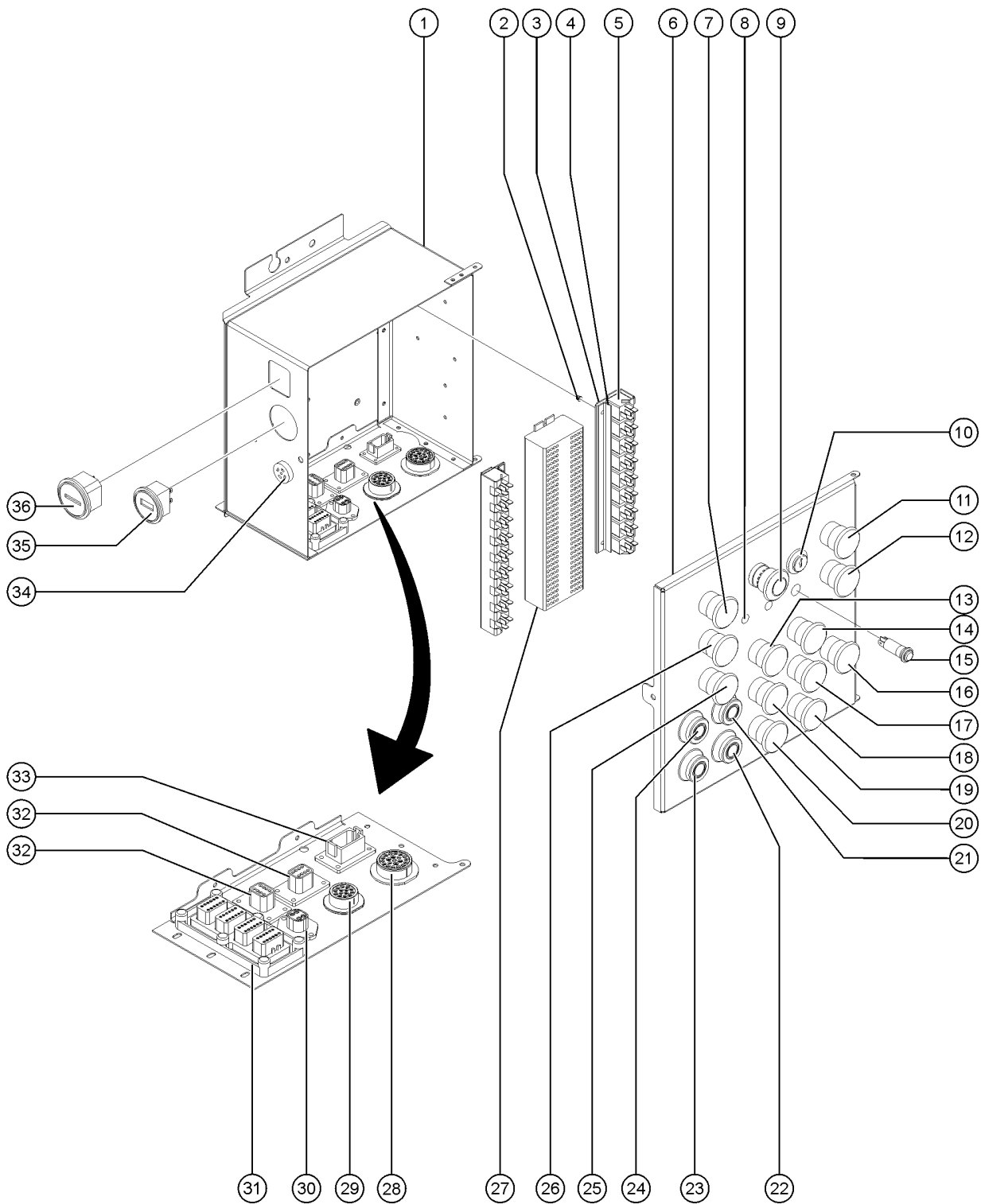


310.9 Ground Control Box - Australia Models with Drive

Item	Part No.	Description	Qty.
-	1290567GT	CONTROL BOX, TZ50,LOWER,LOAD RECOVER DRIVE ..... (complete)	1
1	1289868GT	CONTROL BOX,LOWER,METALTZ50 ..... (includes items 2-4 and 6)	1
2	23405GT	NUTSERT,10-32 STEEL CAD PLTD ..... (part of item 1)	4
3	1274353GT	MOUNT,RELAY,TZ CTRL BOX, LOWER ..... (part of item 1)	2
4	1275647GT	FORMING,RELAY HOLDER,SLOTTED,TZ50,LWR ..... (part of item 1)	2
5	56302GT	RELAY,24VDC,40/30A,SEALED***	18
6	1271707GT	PLATE, FORMED, CONTROL BOX, LID ..... (part of item 1)	1
6B	824059GT	SCREW,HHC,1/4-20X.75,8,ZAG ..... to secure the lid closed	1
6B	824109GT	WASHER,LOCK,1/4,ZAG ..... for 824059	1
6B	824113GT	WASHER,FLAT,1/4,USS,ZAG ..... for 824059	1
6B	56912GT	SPRING CLIP,1/4-20,.025-.15X.5 ..... for 824059	1
7	226320GT	ASM, BUTTON & BOOT, BLK	1
8	21858GT	PLUG,NYLON .38 BLACK DOMED	2
9	226322GT	ASM, E-STOP & BOOT	1
10	96008GT	KEYSWITCH,3 POS. W/KEYS***	1
11	226320GT	ASM, BUTTON & BOOT, BLK	1
11A-	66815GT	BASE, W/1 N.O. CONTACTS***	
11B	15243GT	PLUG,NYLON .875 BLACK DOMED	1
12	226320GT	ASM, BUTTON & BOOT, BLK	1
12A-	66815GT	BASE, W/1 N.O. CONTACTS***	
12B	15243GT	PLUG,NYLON .875 BLACK DOMED	1
13	226320GT	ASM, BUTTON & BOOT, BLK	1
14	226320GT	ASM, BUTTON & BOOT, BLK	1
15	99088GT	LED,RED 24V FLASHING	1
15B	45384GT	PLUG,NYLON .50 BLACK DOMED	1
16	226320GT	ASM, BUTTON & BOOT, BLK	1
17	226320GT	ASM, BUTTON & BOOT, BLK	1
18	226320GT	ASM, BUTTON & BOOT, BLK	1



310.9 Ground Control Box - Australia Models with Drive

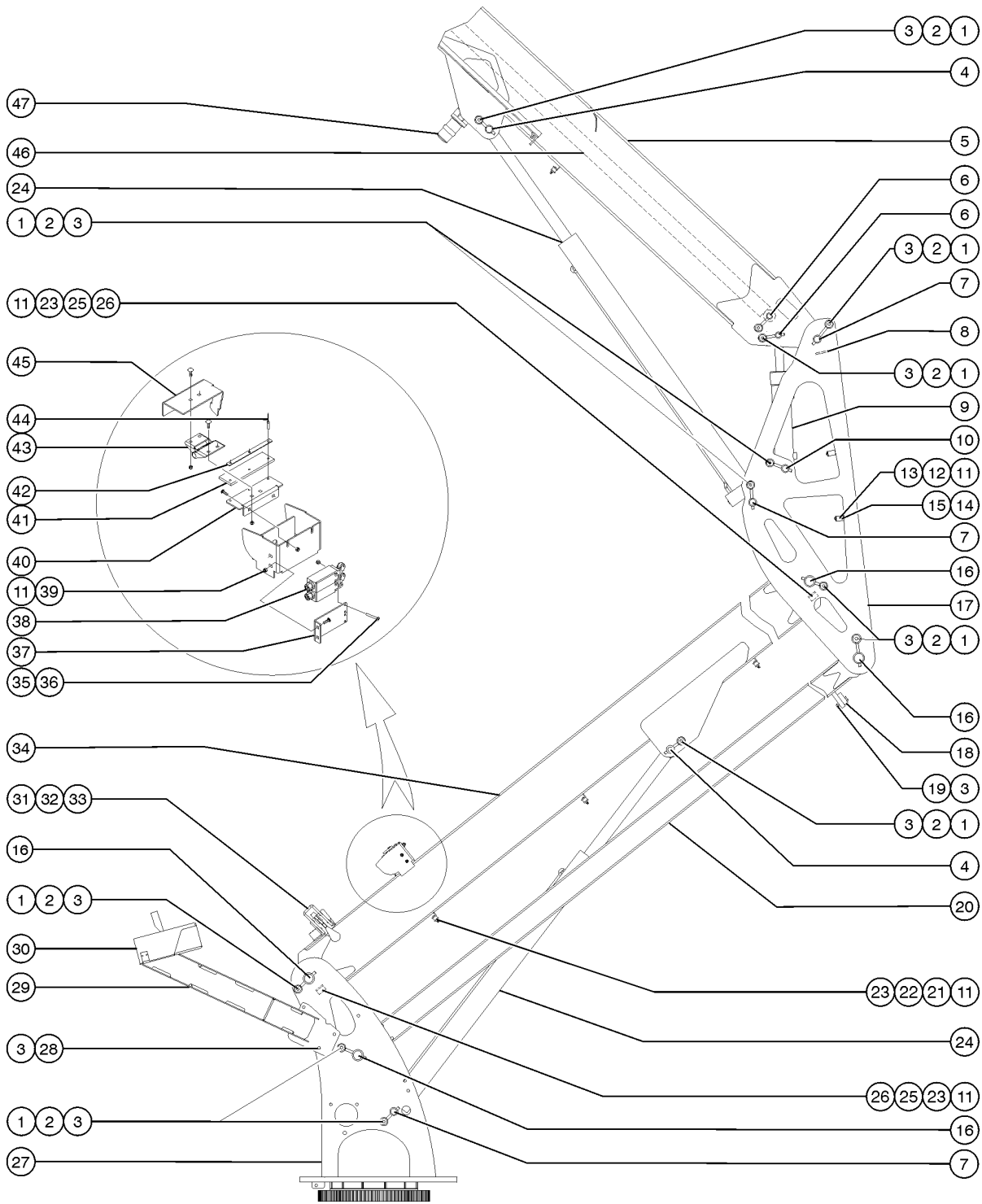




310.9 Ground Control Box - Australia Models with Drive

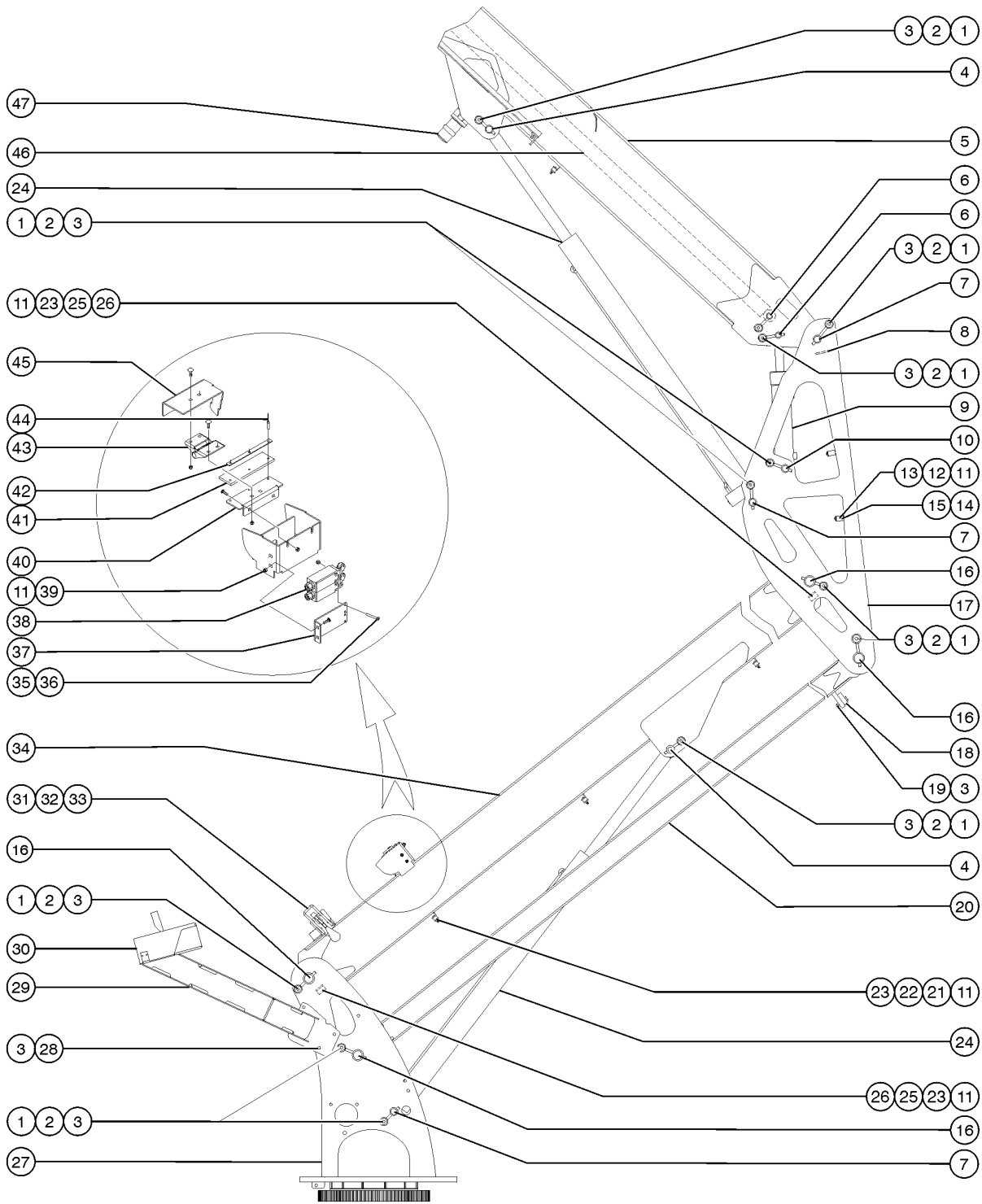
<i>Item</i>	<i>Part No.</i>	<i>Description</i>	<i>Qty.</i>
19	226320GT	ASM, BUTTON & BOOT, BLK .....	1
19A-	66815GT	BASE, W/1 N.O. CONTACTS*** .....	
19B	15243GT	PLUG,NYLON .875 BLACK DOMED .....	1
20	226320GT	ASM, BUTTON & BOOT, BLK .....	1
21	109804GT	BUTTON,PUSH,GREEN,ASSEMBLY*** .....	1
22	109804GT	BUTTON,PUSH,GREEN,ASSEMBLY*** .....	1
23	109804GT	BUTTON,PUSH,GREEN,ASSEMBLY*** .....	1
24	109804GT	BUTTON,PUSH,GREEN,ASSEMBLY*** .....	1
25	226320GT	ASM, BUTTON & BOOT, BLK .....	1
26	226320GT	ASM, BUTTON & BOOT, BLK .....	1
27	104093GT	TERMINAL RAIL .....	1
28	104101GT	CONNECTOR,PLUG 21 WAY .....	1
29	87748GT	CONN,RECEP 14 WAY .....	1
29B	94520GT	PLUG,NYLON,1.5,BLCK DOMED .....	1
30	73717GT	CONN,RECEP 4 WAY,12-14GA FL*** .....	1
31	73736GT	CONN,RECEP 48 WAY,4 X 12 .....	1
32	87755GT	CONN,RECEP 8 WAY 14-18GA,FL .....	2
33	73733GT	CONN,RECEP 12 WAY,BLK FLANGE .....	1
33B	104531GT	PLATE,PLUG COVER,8-12 WAY .....	1
34	45383GT	ALARM,WARBLE TONE 5-30 VDC*** .....	1
35	76647GT	INDICATOR, BATTERY DISCHARGE .....	1
35B	45840GT	PLUG,NYLON 2.00 BLACK DOMED .....	1
36	19506GT	HOUR METER,10-80 VOLTS*** .....	1

401.1 Lift Structure - View 1



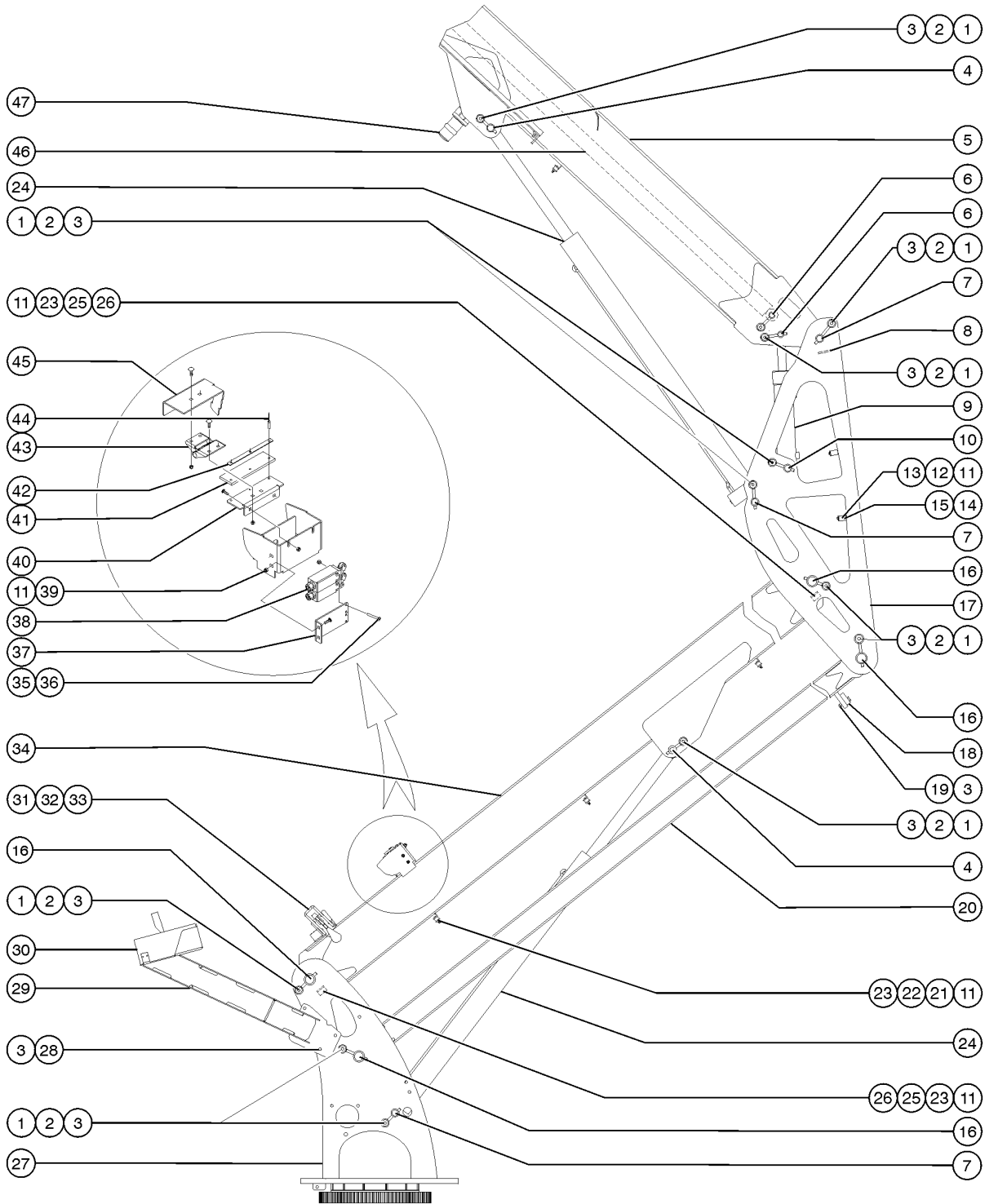
Item	Part No.	Description	Qty.
1	8516GT	SCREW, HCC, 3/8-16 X 1.50	
2	825019GT	ROD END,.375X3.69,ZAG	10
3	4828GT	NUT,NYLOCK,3/8-16	
4	236646GT	PIN, 1.25 DIA X 8.00LG, 1 HOLE	2
5	97410GT	PRIMARY BOOM ASSEMBLY W/ DECAL (to SN TZ5005-318)	1
5A	34245GT	BEARING,1.25IDX1.50X1.25L	
6	104607GT	PIN,1.00DIA X 7.70LG,1HOLE	2
7	104609GT	PIN,1.25DIA X 9.86LG,CHAMFER	4
8	87073GT	GROMMET,RUBBER 3 X .25 X 3.5	1
9		Ref. Platform Level Master Cylinder (refer to 604.1)	
10	104610GT	PIN,1.00DIA X 9.45LG,1 HOLE	1
11	6091GT	NUT,NYLOCK,1/4-20	
12A	104164GT	CLAMP,2 HOSE (to SN TZ5005-213)	1
12B	104165GT	CLAMP,4 HOSE,6 CABLE (to SN TZ5005-213)	2
12C	104671GT	BLOCK,6 HOSE,5 CABLE CLAMP (from SN TZ5005-214)	2
13	104672GT	PLATE,HOSE CLAMP (from SN TZ5005-214)	2
14A	73464GT	BOLT,CARRIAGE,1/4-20 X 1.75,G2 (to SN TZ5005-213)	
14B	96903GT	BOLT,CARRIAGE,1/4-20 X 3.50,G2 (to SN TZ5005-213)	
14C	96905GT	BOLT,CARRIAGE,1/4-20 X 2.5,G2 (from SN TZ5005-214)	
15	6357GT	NUT,HEX,1/4-20	
16	104606GT	PIN,1.75DIA X 9.86LG,CHAMFER	3
17A	97337GT	MID-PIVOT ASSY. W. WORD DECAL USA, Canada and Australia	1
17B	97338GT	MID-PIVOT ASSY. W. SYM. DECAL Europe, Asia and South America	
18A	99626GT	BLOCK,MAST REST (to SN TZ5005-213)	1
18B	48219GT	WEARPAD,EXTENSION CYLINDER TMZ (from SN TZ5005-214)	2
19	13918GT	SCREW,HHC,3/8-16 X 1.75,GRD.8	2
20	104341GT	TENSION BAR ASSEMBLY includes items 3, 18 and 19	1
20-	55761GT	BEARING,1.75IDX2.00ODX2.25L	4

401.1 Lift Structure - View 1



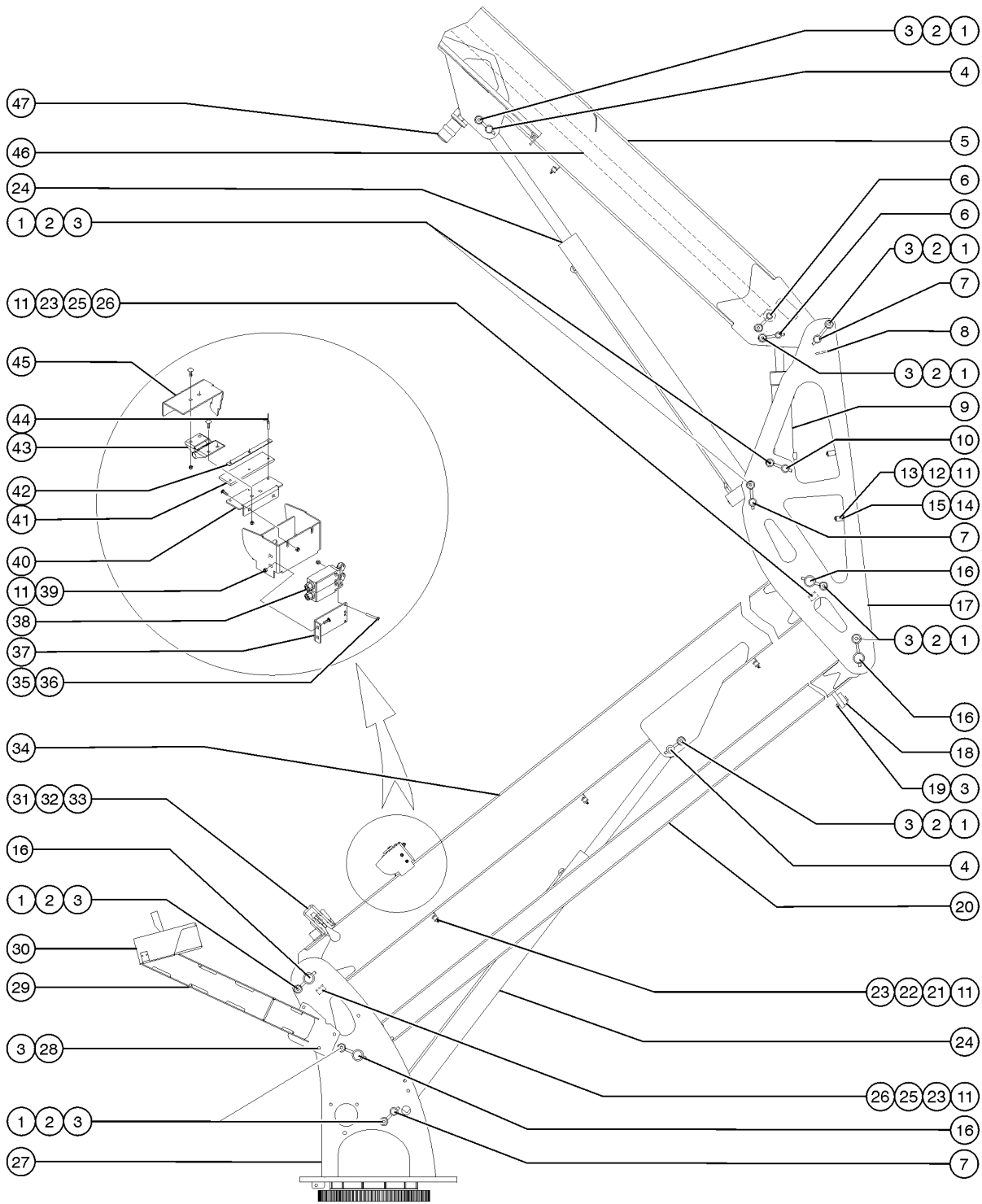
Item	Part No.	Description	Qty.
21	99940GT	PLATE,TUBE AND HOSE CLAMP .....	4
22A	99938GT	BLOCK,6 TUBE,4 WIRE CLAMP .....	3
		(to SN TZ5005-213)	
22B	104660GT	BLOCK,6 TUBE CLAMP .....	4
		(from SN TZ5005-214)	
23A	73464GT	BOLT,CARRIAGE,1/4-20 X 1.75,G2 .....	
		(to SN TZ5005-213)	
23B	9116GT	BOLT, CARRIAGE, 1/4-20 X 1.25, G2 .....	
		(from SN TZ5005-214)	
24		Ref. Lift Cylinder .....	
		(refer to 604.1)	
25	104661GT	BLOCK,6 CABLE CLAMP .....	2
		(to SN TZ5005-213)	
26	104662GT	PLATE,CLAMP .....	2
		(from SN TZ5005-214)	
27A	97339GT	TURNTABLE ASSY. W. WORD DECAL .....	1
		USA, Canada and Australia	
27B	97340GT	TURNTABLE ASSY. W. SYM. DECAL .....	
		Europe, Asia and South America	
28	6019GT	SCREW,HHC,3/8-16 X 1.25 GRD 5 .....	
		models with drive option	
29A	104727GT	WELDMENT, DRIVE BOX MOUNT*** .....	1
		models with drive option	
29B	104319GT	FORMING,DRIVE MOUNT CE .....	1
30		Ref. Drive Controls .....	
		(refer to 403.1)	
31	13002GT	SCREW,HHC,5/16-18 X 1 GR5 .....	
32	6782GT	NUT,NYLOCK,5/16-18 .....	
33	43456GT	CLAMP,TOGGLE,MAST HOLD DOWN .....	1
34A	97411GT	SEC. BOOM ASSY W/WORD DECAL .....	1
		USA, Canada and Australia (from SN TZ5005-319)	
34A-	97412GT	SEC. BOOM ASSY W/SYM DECAL .....	
		Europe, Asia and South America (from SN TZ5005-319)	
34B	97341GT	SEC. BOOM ASSY W/WORD DECAL .....	1
		USA, Canada and Australia (to SN TZ5005-318)	
34B-	97342GT	SEC. BOOM ASSY W/SYM DECAL .....	
		Europe, Asia and South America (to SN TZ5005-318)	
35	51063GT	SCREW,PHILLIPS,RHM,10-32 X 1.5 .....	
36	6178GT	NUT, NYLOCK, 10-32 .....	
37	105235-SGT	FORMING,LIMIT SWITCH MOUNT .....	1
38	105257GT	LIMIT SWITCH,DUAL W/HARNESS*** .....	1
38-	88356-146R1GT	SWITCH,LIMIT,TABULATED,BLUE** .....	
38-	19491GT	CONTACTOR,LIMIT SWITCH .....	1
39	6878GT	BOLT,CARRIAGE,1/4-20 X .75,G2 .....	

401.1 Lift Structure - View 1



<i>Item</i>	<i>Part No.</i>	<i>Description</i>	<i>Qty.</i>
40	105249-SGT	FORMING,HINGE MOUNT .....	1
41	105274GT	COVER,DUST,RUBBER,NEOPRENE .....	1
42	105276-SGT	PLATE,COVER MOUNT (RETRO) .....	1
43	104804GT	HINGE, SPRING, LONG LEG .....	1
44	41695GT	RIVET,STL,STL,..188 X .50 .....	3
45	105236-SGT	FORMING,LIMIT SWITCH ACTUATOR .....	1
46		Ref. Extension Cylinder .....	
		(refer to 604.1)	
47		Ref. Flashing Beacon .....	
		(refer to 701.1)	

401.2 Lift Structure - View 1

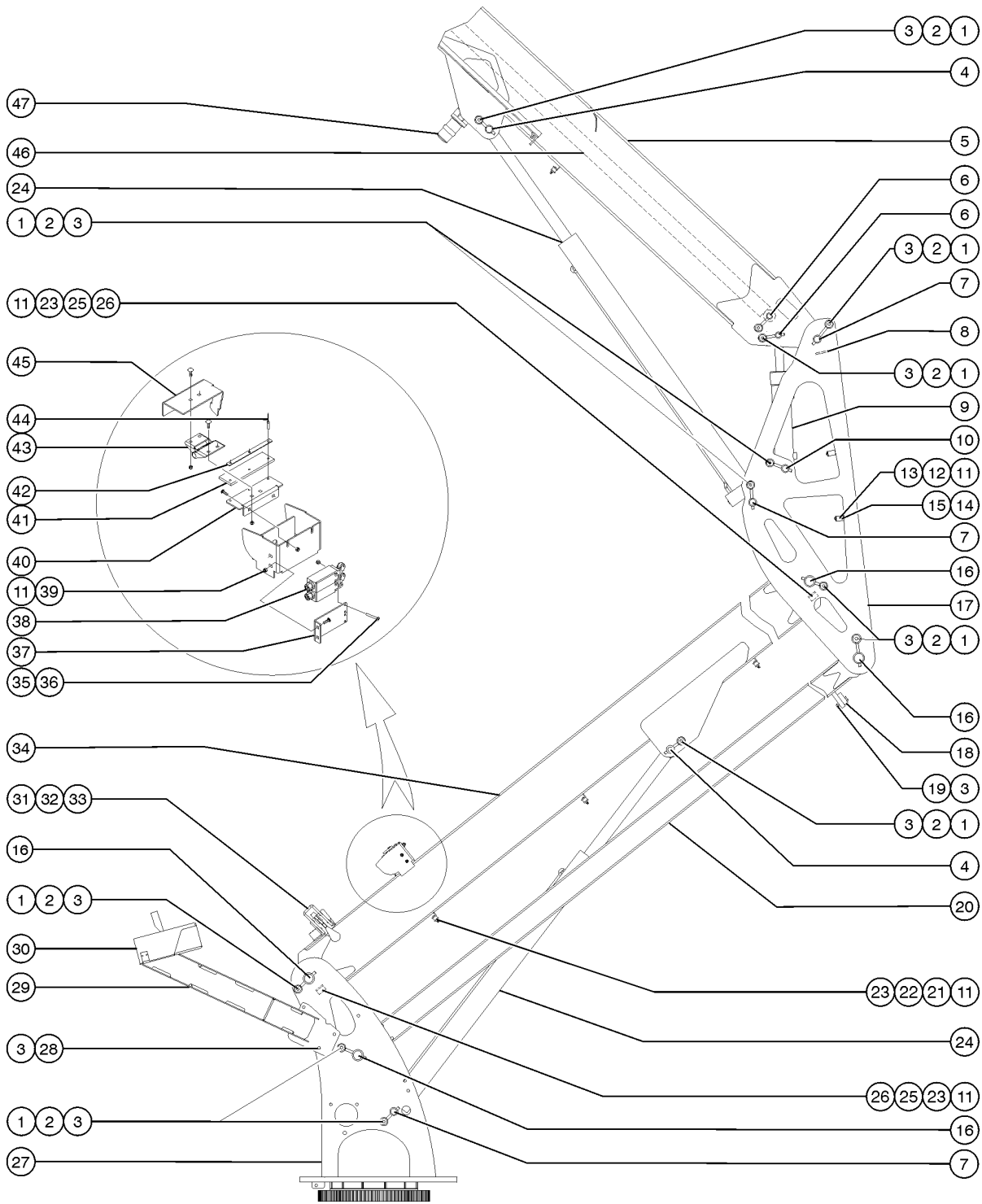




Item	Part No.	Description	Qty.
1	8516GT	SCREW, HCC, 3/8-16 X 1.50	
2	825019GT	ROD END,.375X3.69,ZAG	10
3	4828GT	NUT,NYLOCK,3/8-16	
4	236646GT	PIN, 1.25 DIA X 8.00LG, 1 HOLE	2
5A	97410GT	PRIMARY BOOM ASSEMBLY W/ DECAL (to SN TZ5005-318)	1
5B	97413GT	PRIMARY BOOM ASSEMBLY W/ DECAL (from TZ5005-319 to TZ5006-361)	
6	104607GT	PIN,1.00DIA X 7.70LG,1HOLE	2
7	104609GT	PIN,1.25DIA X 9.86LG,CHAMFER	4
8	87073GT	GROMMET,RUBBER 3 X .25 X 3.5	1
9		Ref. Platform Level Master Cylinder (refer to 604.1)	
10	104610GT	PIN,1.00DIA X 9.45LG,1 HOLE	1
11	6091GT	NUT,NYLOCK,1/4-20	
12A	104164GT	CLAMP,2 HOSE (to SN TZ5005-213)	1
12B	104165GT	CLAMP,4 HOSE,6 CABLE (to SN TZ5005-213)	2
12C	104671GT	BLOCK,6 HOSE,5 CABLE CLAMP (from SN TZ5005-214)	2
13	104672GT	PLATE,HOSE CLAMP (from SN TZ5005-214)	2
14A	73464GT	BOLT,CARRIAGE,1/4-20 X 1.75,G2 (to SN TZ5005-213)	
14B	96903GT	BOLT,CARRIAGE,1/4-20 X 3.50,G2 (to SN TZ5005-213)	
14C	96905GT	BOLT,CARRIAGE,1/4-20 X 2.5,G2 (from SN TZ5005-214)	
15	6357GT	NUT,HEX,1/4-20	
16	104606GT	PIN,1.75DIA X 9.86LG,CHAMFER	3
17A	97337GT	MID-PIVOT ASSY. W. WORD DECAL USA, Canada and Australia	1
17B	97338GT	MID-PIVOT ASSY. W. SYM. DECAL Europe, Asia and South America	
18A	99626GT	BLOCK,MAST REST (to SN TZ5005-213)	1
18B	48219GT	WEARPAD,EXTENSION CYLINDER TMZ (from SN TZ5005-214)	2
19	13918GT	SCREW,HHC,3/8-16 X 1.75,GRD.8	2
20	104341GT	TENSION BAR ASSEMBLY includes items 3, 18 and 19	1
20-	55761GT	BEARING,1.75ID X 2.00OD X 2.25L	4

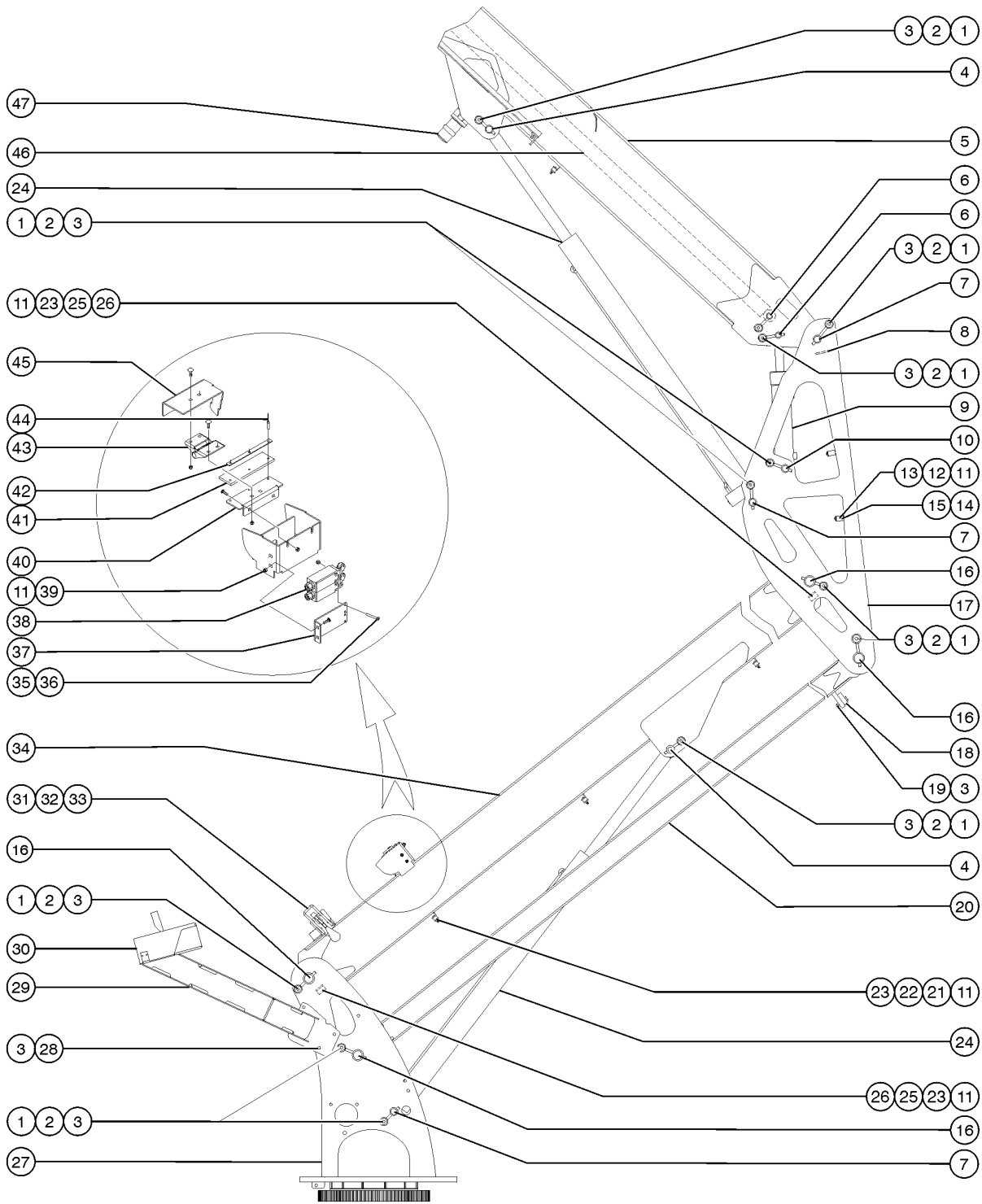


401.2 Lift Structure - View 1



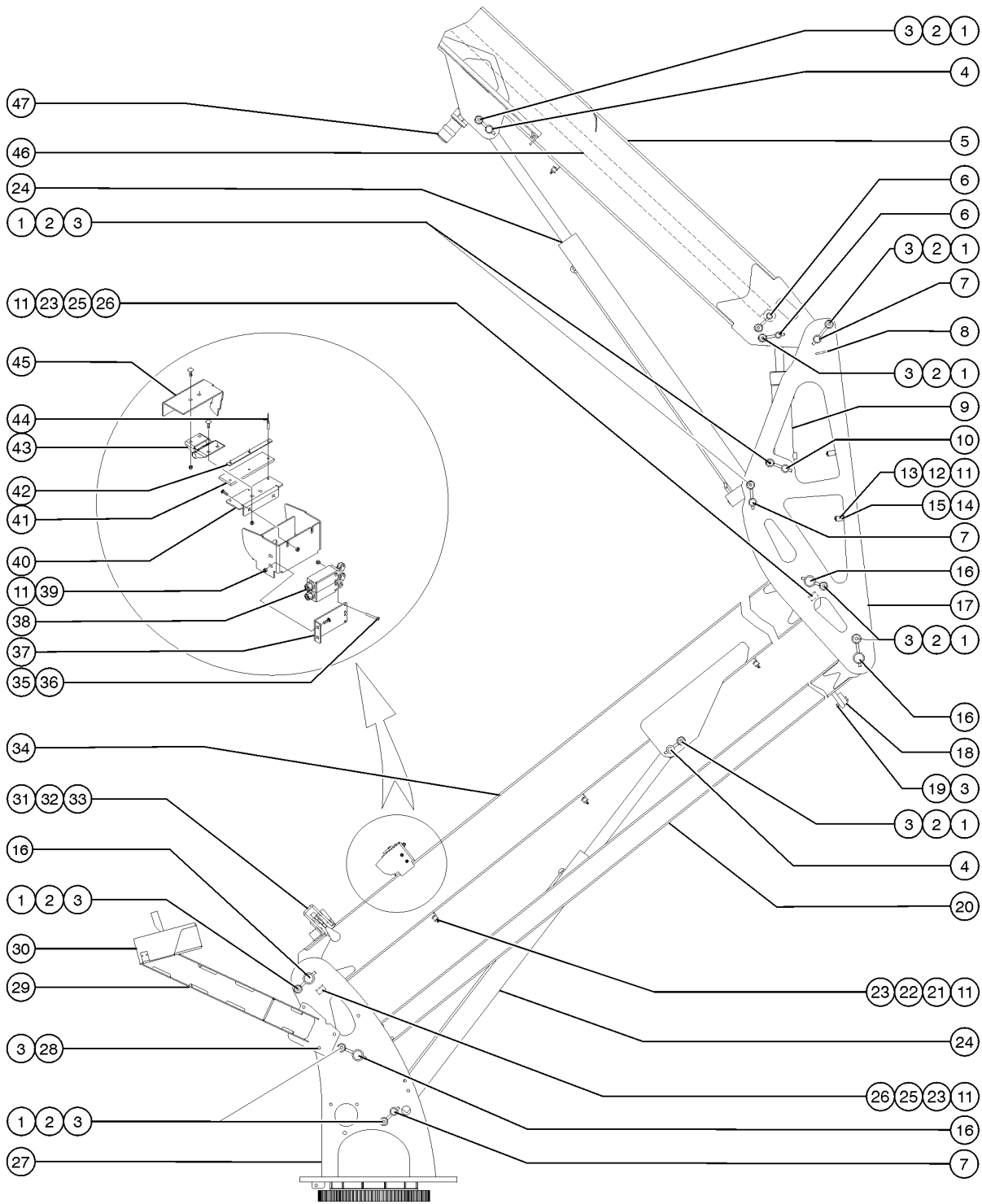
Item	Part No.	Description	Qty.
21	99940GT	PLATE,TUBE AND HOSE CLAMP .....	4
22A	99938GT	BLOCK,6 TUBE,4 WIRE CLAMP .....	3
		(to SN TZ5005-213)	
22B	104660GT	BLOCK,6 TUBE CLAMP .....	4
		(from SN TZ5005-214)	
23A	73464GT	BOLT,CARRIAGE,1/4-20 X 1.75,G2 .....	
		(to SN TZ5005-213)	
23B	9116GT	BOLT, CARRIAGE, 1/4-20 X 1.25, G2 .....	
		(from SN TZ5005-214)	
24		Ref. Lift Cylinder .....	
		(refer to 604.1)	
25	104661GT	BLOCK,6 CABLE CLAMP .....	2
		(to SN TZ5005-213)	
26	104662GT	PLATE,CLAMP .....	2
		(from SN TZ5005-214)	
27A	97339GT	TURNTABLE ASSY. W. WORD DECAL .....	1
		USA, Canada and Australia	
27B	97340GT	TURNTABLE ASSY. W. SYM. DECAL .....	
		Europe, Asia and South America	
28	6019GT	SCREW,HHC,3/8-16 X 1.25 GRD 5 .....	
		models with drive option	
29A	104727GT	WELDMENT, DRIVE BOX MOUNT*** .....	1
		models with drive option	
29B	104319GT	FORMING,DRIVE MOUNT CE .....	1
30		Ref. Drive Controls .....	
		(refer to 403.1)	
31	13002GT	SCREW,HHC,5/16-18 X 1 GR5 .....	
32	6782GT	NUT,NYLOCK,5/16-18 .....	
33	43456GT	CLAMP,TOGGLE,MAST HOLD DOWN .....	1
34A	97411GT	SEC. BOOM ASSY W/WORD DECAL .....	1
		USA, Canada and Australia (from SN TZ5005-319)	
34A-	97412GT	SEC. BOOM ASSY W/SYM DECAL .....	
		Europe, Asia and South America (from SN TZ5005-319)	
34B	97341GT	SEC. BOOM ASSY W/WORD DECAL .....	1
		USA, Canada and Australia (to SN TZ5005-318)	
34B-	97342GT	SEC. BOOM ASSY W/SYM DECAL .....	
		Europe, Asia and South America (to SN TZ5005-318)	
35	51063GT	SCREW,PHILLIPS,RHM,10-32 X 1.5 .....	
36	6178GT	NUT, NYLOCK, 10-32 .....	
37	105235-SGT	FORMING,LIMIT SWITCH MOUNT .....	1
38	105257GT	LIMIT SWITCH,DUAL W/HARNESS*** .....	1
38-	88356-146R1GT	SWITCH,LIMIT,TABULATED,BLUE** .....	
38-	19491GT	CONTACTOR,LIMIT SWITCH .....	1
39	6878GT	BOLT,CARRIAGE,1/4-20 X .75,G2 .....	

401.2 Lift Structure - View 1



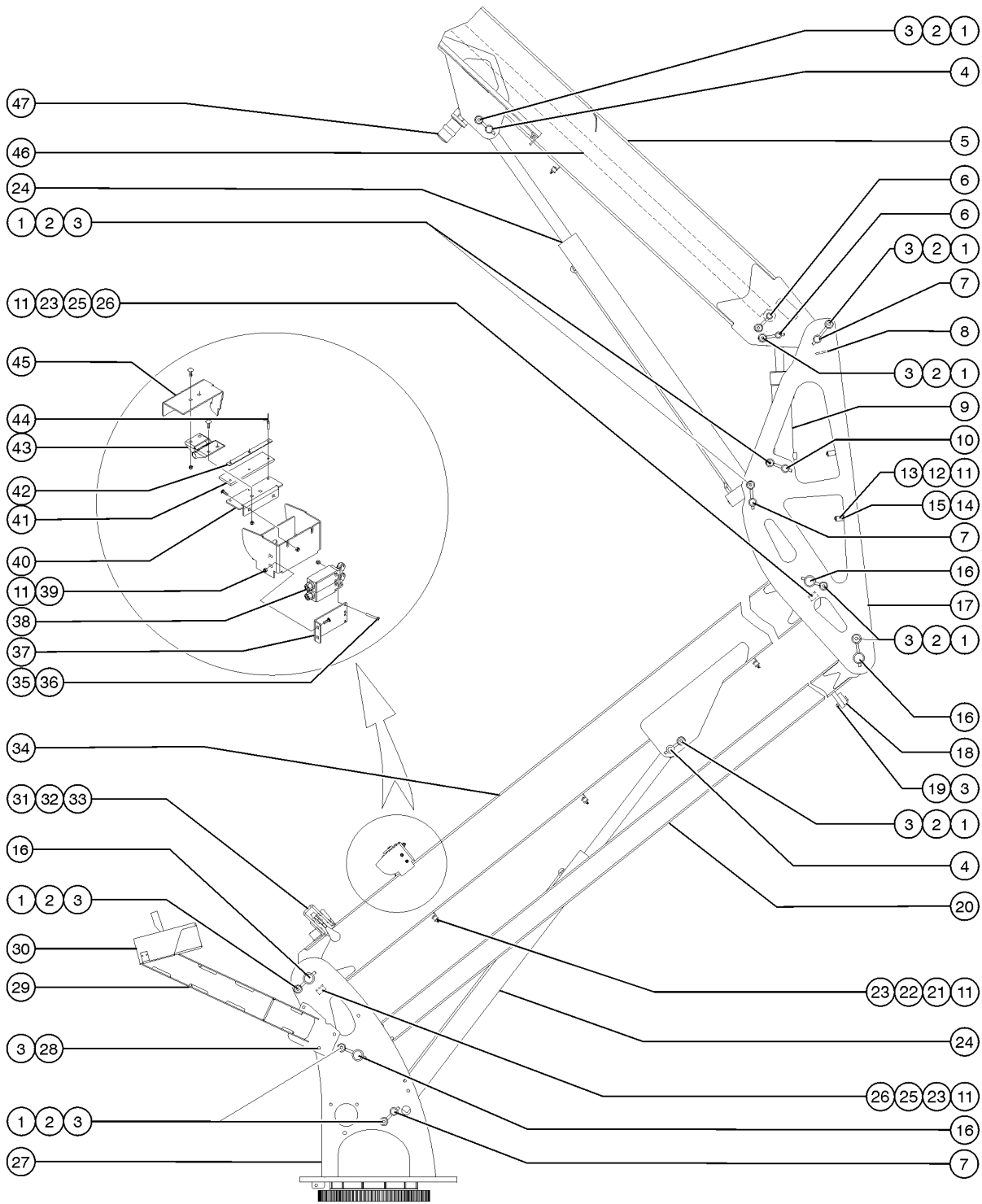
<i>Item</i>	<i>Part No.</i>	<i>Description</i>	<i>Qty.</i>
40	105249-SGT	FORMING,HINGE MOUNT .....	1
41	105274GT	COVER,DUST,RUBBER,NEOPRENE .....	1
42	105276-SGT	PLATE,COVER MOUNT (RETRO) .....	1
43	104804GT	HINGE, SPRING, LONG LEG .....	1
44	41695GT	RIVET,STL,STL,..188 X .50 .....	3
45	105236-SGT	FORMING,LIMIT SWITCH ACTUATOR .....	1
46		Ref. Extension Cylinder .....	
		(refer to 604.1)	
47		Ref. Flashing Beacon .....	
		(refer to 701.1)	

401.3 Lift Structure - View 1



Item	Part No.	Description	Qty.
1	8516GT	SCREW, HCC, 3/8-16 X 1.50	
2	825019GT	ROD END,.375X3.69,ZAG	10
3	4828GT	NUT,NYLOCK,3/8-16	
4	236646GT	PIN, 1.25 DIA X 8.00LG, 1 HOLE	2
5B	97413GT	PRIMARY BOOM ASSEMBLY W/ DECAL (from TZ5005-319 to TZ5006-361)	
5C	109705GT	WELDMENT, PRIMARY BOOM (from TZ5006-362) (does not include decals, refer to section 1)	1
6	104607GT	PIN,1.00DIA X 7.70LG,1HOLE	2
7	104609GT	PIN,1.25DIA X 9.86LG,CHAMFER	4
8	87073GT	GROMMET,RUBBER 3 X .25 X 3.5	1
9		Ref. Platform Level Master Cylinder (refer to 604.1)	
10	104610GT	PIN,1.00DIA X 9.45LG,1 HOLE	1
11	6091GT	NUT,NYLOCK,1/4-20	
12A	104164GT	CLAMP,2 HOSE (to SN TZ5005-213)	1
12B	104165GT	CLAMP,4 HOSE,6 CABLE (to SN TZ5005-213)	2
12C	104671GT	BLOCK,6 HOSE,5 CABLE CLAMP (from SN TZ5005-214)	2
13	104672GT	PLATE,HOSE CLAMP (from SN TZ5005-214)	2
14A	73464GT	BOLT,CARRIAGE,1/4-20 X 1.75,G2 (to SN TZ5005-213)	
14B	96903GT	BOLT,CARRIAGE,1/4-20 X 3.50,G2 (to SN TZ5005-213)	
14C	96905GT	BOLT,CARRIAGE,1/4-20 X 2.5,G2 (from SN TZ5005-214)	
15	6357GT	NUT,HEX,1/4-20	
16	104606GT	PIN,1.75DIA X 9.86LG,CHAMFER	3
17A	97337GT	MID-PIVOT ASSY. W. WORD DECAL USA, Canada and Australia	1
17B	97338GT	MID-PIVOT ASSY. W. SYM. DECAL Europe, Asia and South America	
18A	99626GT	BLOCK,MAST REST (to SN TZ5005-213)	1
18B	48219GT	WEARPAD,EXTENSION CYLINDER TMZ (from SN TZ5005-214)	2
19	13918GT	SCREW,HHC,3/8-16 X 1.75,GRD.8	2
20	104341GT	TENSION BAR ASSEMBLY includes items 3, 18 and 19	1
20-	55761GT	BEARING,1.75ID X 2.00OD X 2.25L	4

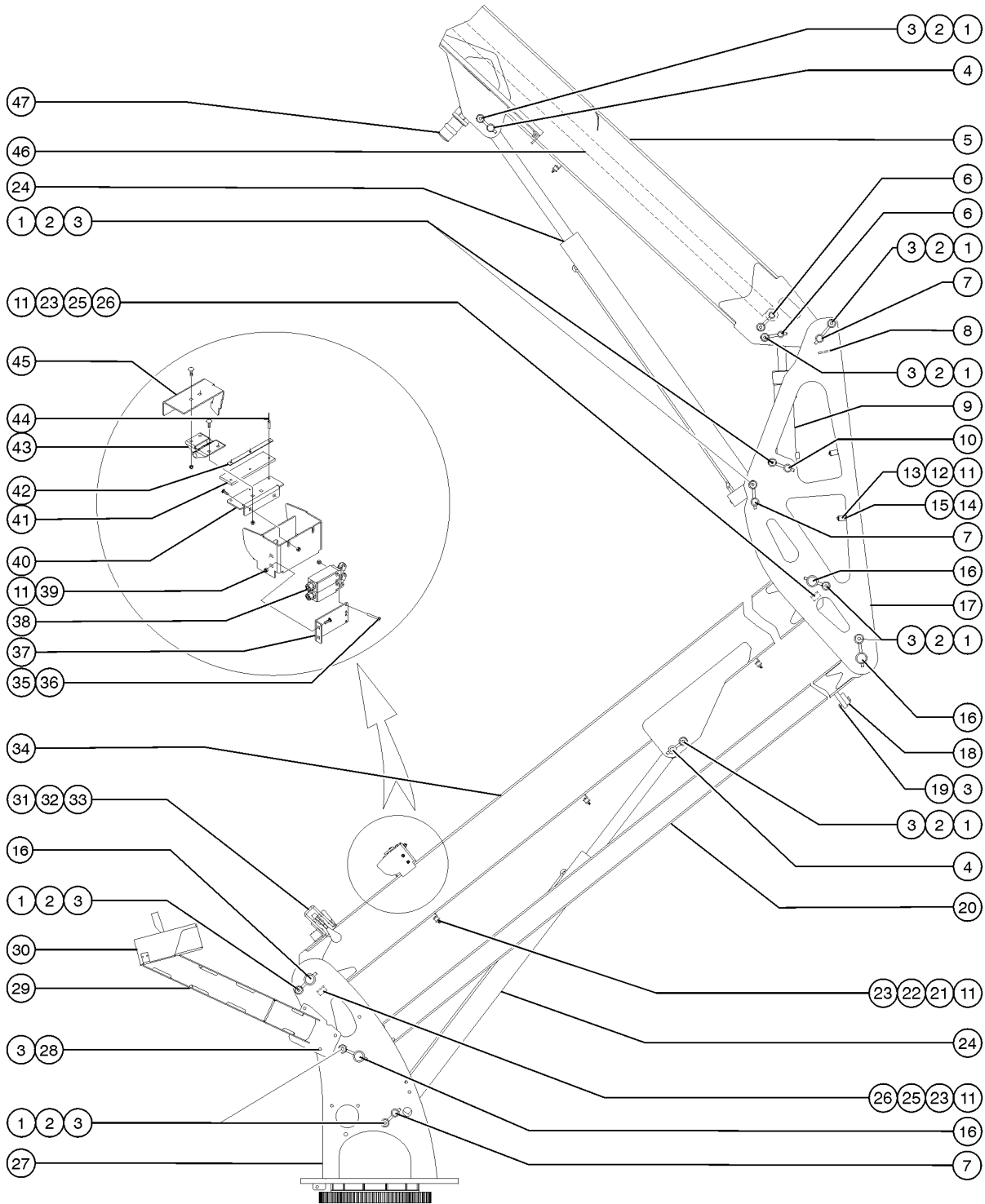
401.3 Lift Structure - View 1





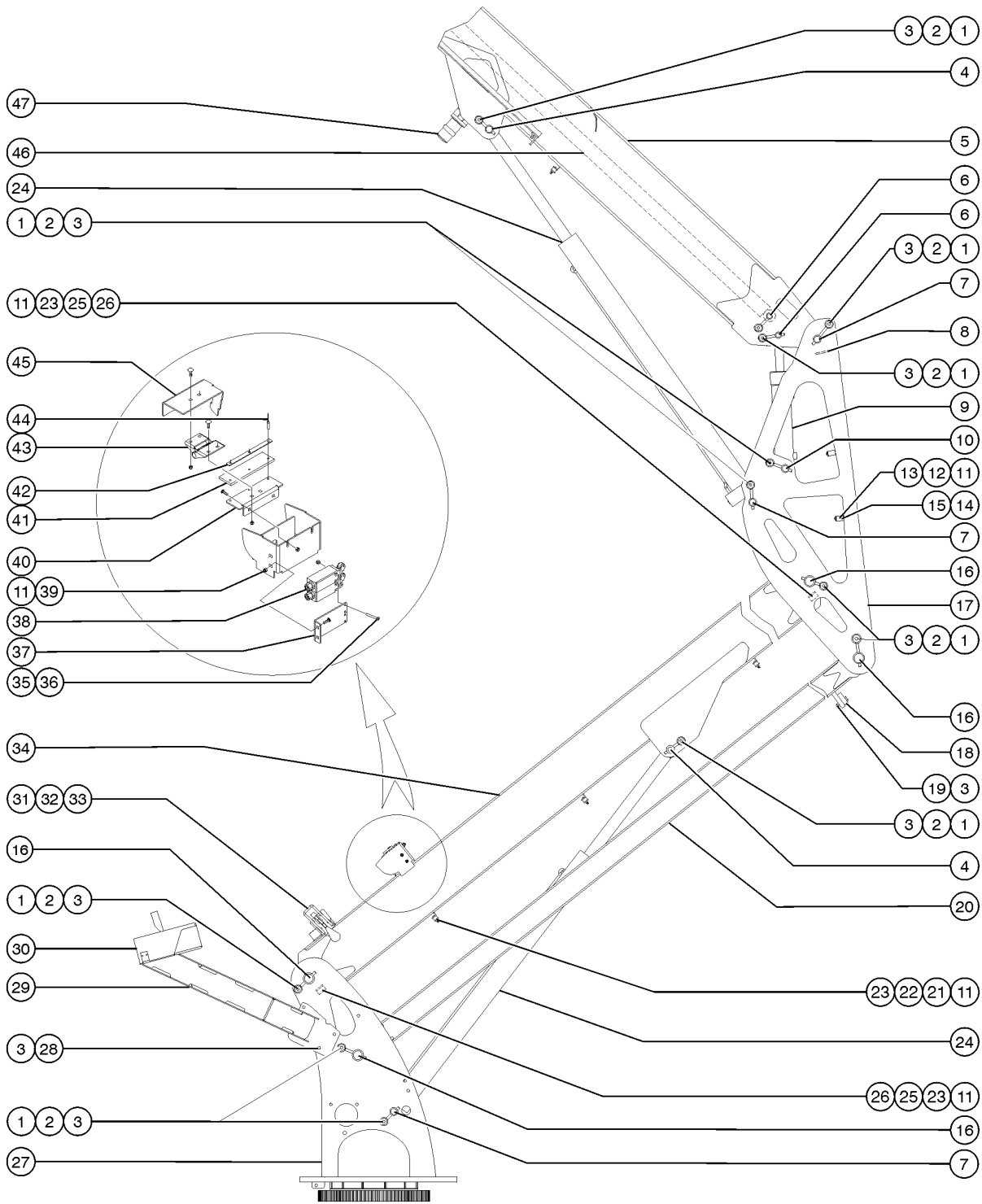
Item	Part No.	Description	Qty.
21	99940GT	PLATE,TUBE AND HOSE CLAMP .....	4
22A	99938GT	BLOCK,6 TUBE,4 WIRE CLAMP .....	3
		(to SN TZ5005-213)	
22B	104660GT	BLOCK,6 TUBE CLAMP .....	4
		(from SN TZ5005-214)	
23A	73464GT	BOLT,CARRIAGE,1/4-20 X 1.75,G2 .....	
		(to SN TZ5005-213)	
23B	9116GT	BOLT, CARRIAGE, 1/4-20 X 1.25, G2 .....	
		(from SN TZ5005-214)	
24		Ref. Lift Cylinder .....	
		(refer to 604.1)	
25	104661GT	BLOCK,6 CABLE CLAMP .....	2
		(to SN TZ5005-213)	
26	104662GT	PLATE,CLAMP .....	2
		(from SN TZ5005-214)	
27A	97339GT	TURNTABLE ASSY. W. WORD DECAL .....	1
		USA, Canada and Australia	
27B	97340GT	TURNTABLE ASSY. W. SYM. DECAL .....	
		Europe, Asia and South America	
28	6019GT	SCREW,HHC,3/8-16 X 1.25 GRD 5 .....	
		models with drive option	
29A	104727GT	WELDMENT, DRIVE BOX MOUNT*** .....	1
		models with drive option	
29B	104319GT	FORMING,DRIVE MOUNT CE .....	1
30		Ref. Drive Controls .....	
		(refer to 403.1)	
31	13002GT	SCREW,HHC,5/16-18 X 1 GR5 .....	
32	6782GT	NUT,NYLOCK,5/16-18 .....	
33	43456GT	CLAMP,TOGGLE,MAST HOLD DOWN .....	1
34A	97411GT	SEC. BOOM ASSY W/WORD DECAL .....	1
		USA, Canada and Australia (from SN TZ5005-319)	
34A-	97412GT	SEC. BOOM ASSY W/SYM DECAL .....	
		Europe, Asia and South America (from SN TZ5005-319)	
34B	97341GT	SEC. BOOM ASSY W/WORD DECAL .....	1
		USA, Canada and Australia (to SN TZ5005-318)	
34B-	97342GT	SEC. BOOM ASSY W/SYM DECAL .....	
		Europe, Asia and South America (to SN TZ5005-318)	
35	51063GT	SCREW,PHILLIPS,RHM,10-32 X 1.5 .....	
36	6178GT	NUT, NYLOCK, 10-32 .....	
37	105235-SGT	FORMING,LIMIT SWITCH MOUNT .....	1
38	105257GT	LIMIT SWITCH,DUAL W/HARNESS*** .....	1
38-	88356-146R1GT	SWITCH,LIMIT,TABULATED,BLUE** .....	
38-	19491GT	CONTACTOR,LIMIT SWITCH .....	1
39	6878GT	BOLT,CARRIAGE,1/4-20 X .75,G2 .....	

401.3 Lift Structure - View 1



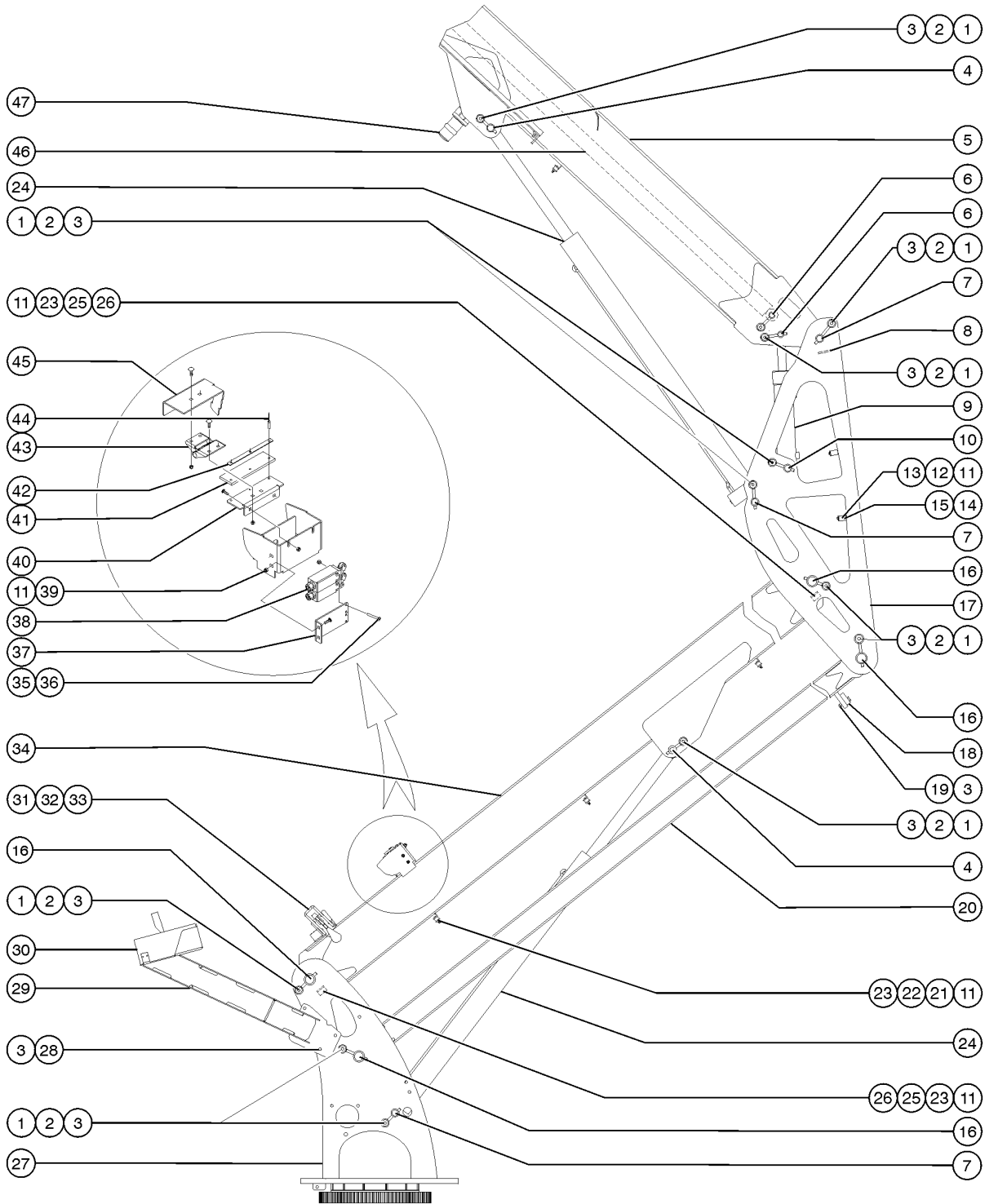
<i>Item</i>	<i>Part No.</i>	<i>Description</i>	<i>Qty.</i>
40	105249-SGT	FORMING,HINGE MOUNT .....	1
41	105274GT	COVER,DUST,RUBBER,NEOPRENE .....	1
42	105276-SGT	PLATE,COVER MOUNT (RETRO) .....	1
43	104804GT	HINGE, SPRING, LONG LEG .....	1
44	41695GT	RIVET,STL,STL,..188 X .50 .....	3
45	105236-SGT	FORMING,LIMIT SWITCH ACTUATOR .....	1
46		Ref. Extension Cylinder .....	
		(refer to 604.1)	
47		Ref. Flashing Beacon .....	
		(refer to 701.1)	

401.4 Lift Structure - View 1



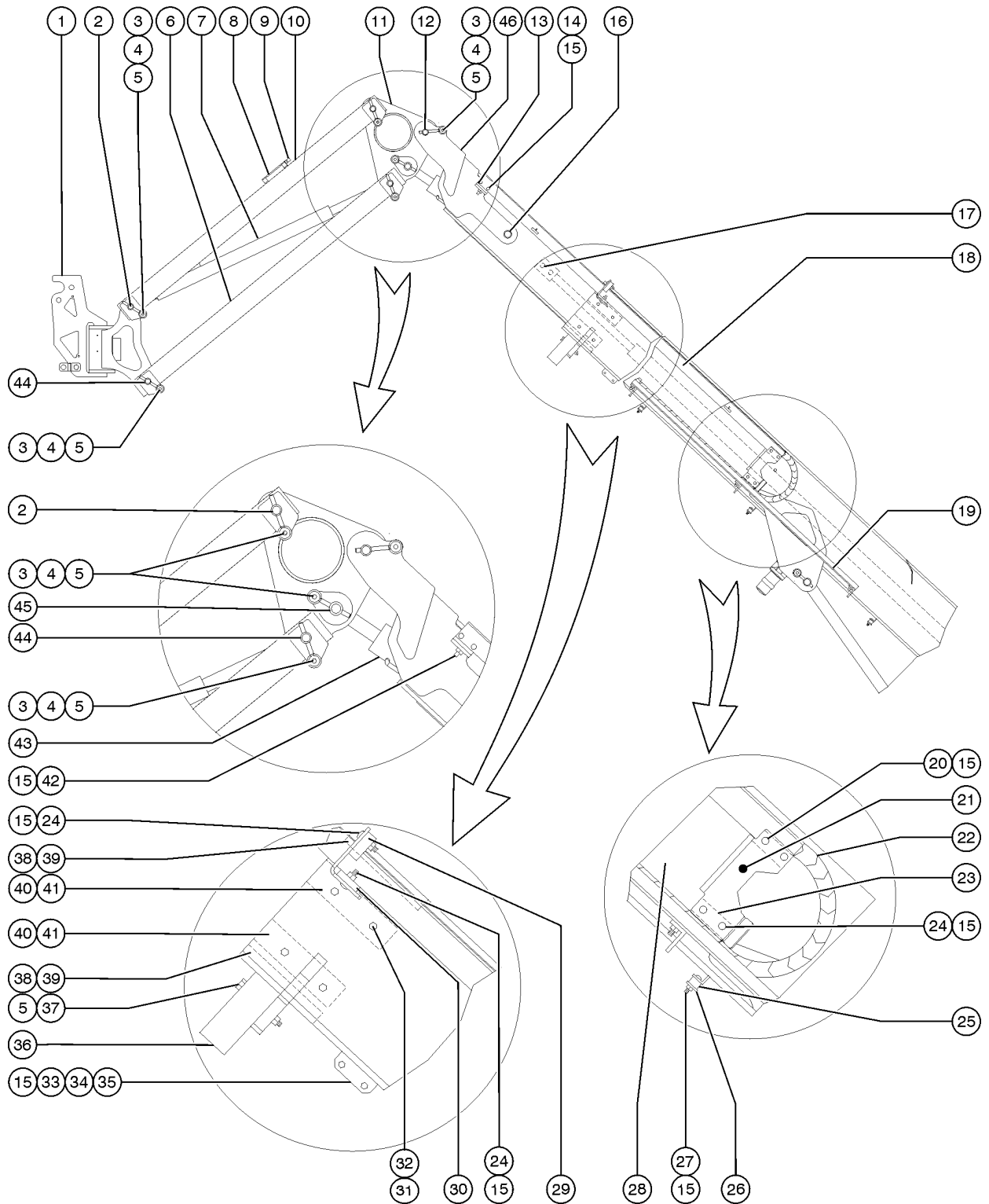
Item	Part No.	Description	Qty.
1	8516GT	SCREW, HCC, 3/8-16 X 1.50	
2	825019GT	ROD END,.375X3.69,ZAG	10
3	4828GT	NUT,NYLOCK,3/8-16	
4	236646GT	PIN, 1.25 DIA X 8.00LG, 1 HOLE	2
5	T115610GT	SERV KIT,PRI BOOM WELD,WORD (from TZ5006-362)	1
5D	T115610GT	SERV KIT,PRI BOOM WELD,WORD (from TZ5006-362)	1
6	104607GT	PIN,1.00DIA X 7.70LG,1HOLE	2
7	104609GT	PIN,1.25DIA X 9.86LG,CHAMFER	4
8	87073GT	GROMMET,RUBBER 3 X .25 X 3.5	1
9		Ref. Platform Level Master Cylinder (refer to 604.1)	
10	104610GT	PIN,1.00DIA X 9.45LG,1 HOLE	1
11	6091GT	NUT,NYLOCK,1/4-20	
12C	104671GT	BLOCK,6 HOSE,5 CABLE CLAMP (from SN TZ5005-214)	2
13	104672GT	PLATE,HOSE CLAMP (from SN TZ5005-214)	2
14C	96905GT	BOLT,CARRIAGE,1/4-20 X 2.5,G2 (from SN TZ5005-214)	
15	824024GT	NUT,TL,1/4-20,C,ZAG	
16	104606GT	PIN,1.75DIA X 9.86LG,CHAMFER	3
17A	97337GT	MID-PIVOT ASSY. W. WORD DECAL USA, Canada and Australia	1
17B	97338GT	MID-PIVOT ASSY. W. SYM. DECAL Europe, Asia and South America	
18B	48219GT	WEARPAD,EXTENSION CYLINDER TMZ (from SN TZ5005-214)	2
19	13918GT	SCREW,HHC,3/8-16 X 1.75,GRD.8	2
20	104341GT	TENSION BAR ASSEMBLY includes items 3, 18 and 19	1
20-	55761GT	BEARING,1.75IDX2.00ODX2.25L	4
21	99940GT	PLATE,TUBE AND HOSE CLAMP	4
22A	99938GT	BLOCK,6 TUBE,4 WIRE CLAMP	3
22B	104660GT	BLOCK,6 TUBE CLAMP	4
23A	73464GT	BOLT,CARRIAGE,1/4-20 X 1.75,G2	
23B	9116GT	BOLT, CARRIAGE, 1/4-20 X 1.25, G2	

401.4 Lift Structure - View 1



Item	Part No.	Description	Qty.
24		Ref. Lift Cylinder ..... (refer to 604.1)	
26	104662GT	PLATE,CLAMP ..... (from SN TZ5005-214)	2
27A	97339GT	TURNTABLE ASSY. W. WORD DECAL ..... USA, Canada and Australia	1
27B	97340GT	TURNTABLE ASSY. W. SYM. DECAL ..... Europe, Asia and South America	
28	6019GT	SCREW,HHC,3/8-16 X 1.25 GRD 5 ..... models with drive option	
29A	104727GT	WELDMENT, DRIVE BOX MOUNT*** ..... models with drive option	1
29B	104319GT	FORMING,DRIVE MOUNT CE ..... models with drive option	1
30		Ref. Drive Controls ..... (refer to 403.1)	
31	13002GT	SCREW,HHC,5/16-18 X 1 GR5 ..... models with drive option	
32	6782GT	NUT,NYLOCK,5/16-18 ..... models with drive option	
33	43456GT	CLAMP,TOGGLE,MAST HOLD DOWN ..... models with drive option	1
34	97411GT	SEC. BOOM ASSY W/WORD DECAL ..... USA, Canada and Australia (from SN TZ5005-319)	
34B-	97412GT	SEC. BOOM ASSY W/SYM DECAL ..... Europe, Asia and South America (from SN TZ5005-319)	
35	51063GT	SCREW,PHILLIPS,RHM,10-32 X 1.5 ..... models with drive option	
36	6178GT	NUT, NYLOCK, 10-32 ..... models with drive option	
37	105235-SGT	FORMING,LIMIT SWITCH MOUNT ..... models with drive option	1
38	105257GT	LIMIT SWITCH,DUAL W/HARNESS*** ..... models with drive option	1
38-	88356-146R1GT	SWITCH,LIMIT,TABULATED,BLUE** ..... models with drive option	
38-	19491GT	CONTACTOR,LIMIT SWITCH ..... models with drive option	1
39	6878GT	BOLT,CARRIAGE,1/4-20 X .75,G2 ..... models with drive option	
40	105249-SGT	FORMING,HINGE MOUNT ..... models with drive option	1
41	105274GT	COVER,DUST,RUBBER,NEOPRENE ..... models with drive option	1
42	105276-SGT	PLATE,COVER MOUNT (RETRO) ..... models with drive option	1
43	104804GT	HINGE, SPRING, LONG LEG ..... models with drive option	1
44	41695GT	RIVET,STL,STL,.188 X .50 ..... models with drive option	3
45	105236-SGT	FORMING,LIMIT SWITCH ACTUATOR ..... models with drive option	1
46		Ref. Extension Cylinder ..... (refer to 604.1)	
47		Ref. Flashing Beacon ..... (refer to 701.1)	

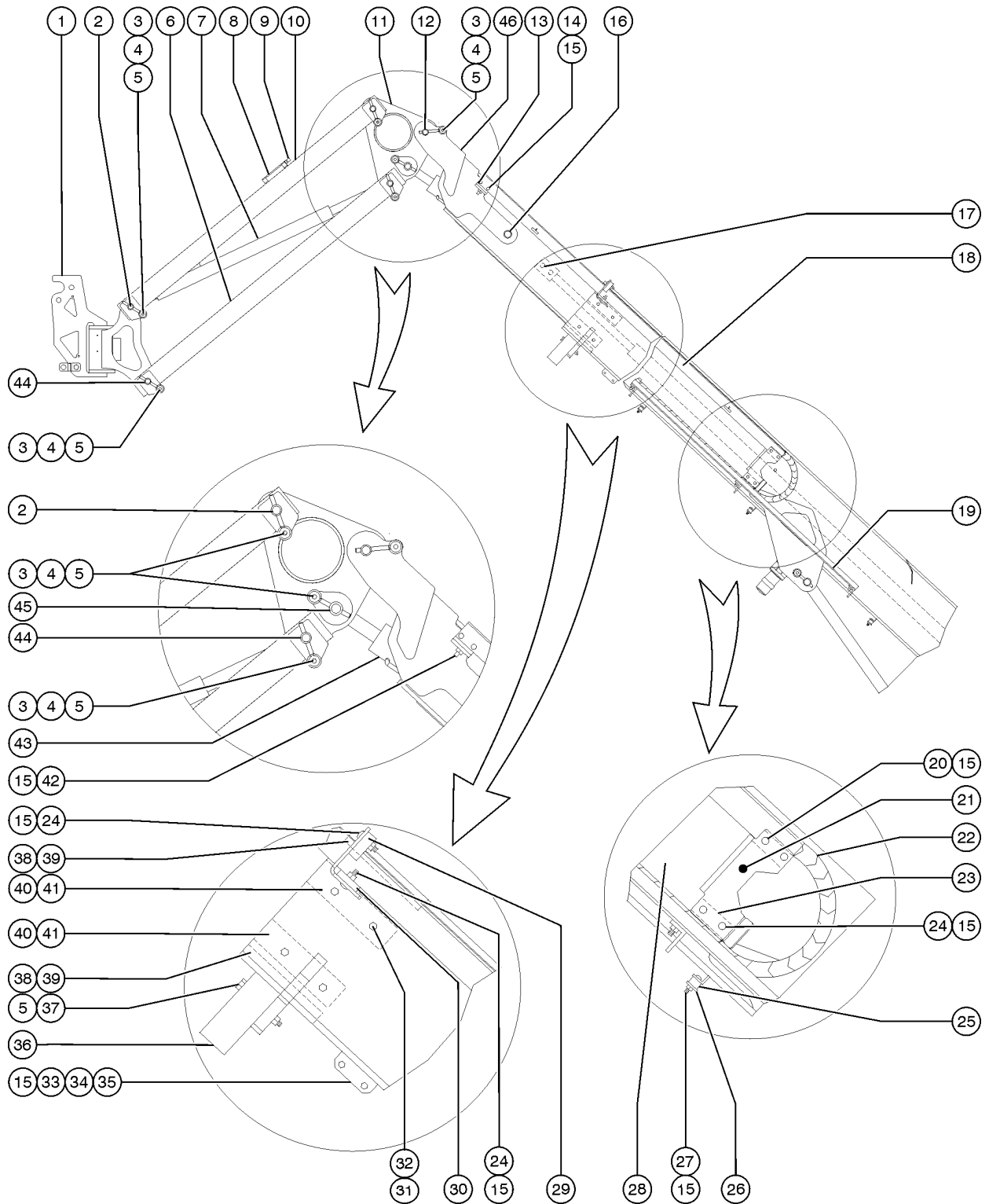
402.1 Lift Structure - View 2





Item	Part No.	Description	Qty.
1		Ref. Platform Pivot Assembly (refer to 501.1, 502.1 or 503.1)	
2	99618GT	PIN,1.00DIAX12.50LG,1HOLE	1
3	8516GT	SCREW, HCC, 3/8-16 X 1.50	
4	825019GT	ROD END,.375X3.69,ZAG	6
5	4828GT	NUT,NYLOCK,3/8-16	
6	99665GT	WELDMENT,JIB COMP MEMBER	2
7		Ref. Jib Cylinder (refer to 604.1)	
8		Ref. Jib Manifold (refer to 603.1)	
9	105226GT	VALVE,NEEDLE,INBODY FINE ADJ	1
10	99660GT	WELDMENT,JIB TENSION MEMBER	1
11	1258808GT	ASSEMBLY,JIB PIVOT includes bearings	1
11-	25817GT	BEARING,1.00IDX1.25ODX1.00L	
11-	36245GT	BEARING,FL,1.00IDX1.25ODX0.84L	
11-	51474GT	BEARING,1.00IDX1.25ODX0.75L	
12	104608GT	PIN,1.00DIA.X6.45LG,1HOLE	1
13	109719GT	FORMING,CABLE BRIDGE MOUNT***	1
14	87645GT	BOLT,CARRIAGE,1/4-20 X .63,G2	
15	6091GT	NUT,NYLOCK,1/4-20	
16	99619GT	PIN,1.25DIAX5.30LG,2RING	1
16-	30217GT	SNAP RING,EXTERNAL,1.25 DIA.**	2
17	79585GT	PIN,0.75DIAX4.51LG,2RING	2
17-	10262GT	SNAP RING,EXTERNAL,.75 DIA.	4
18	109707GT	KIT,ANSI CABLE TRK SUPT UPDATE	1
18-	109806GT	KIT,CE CABLE TRK SUPRT UPDATE	1
19		Ref. FORMING,CABLE TRACK TRAY (refer to 403.1)	1
20	87645GT	BOLT,CARRIAGE,1/4-20 X .63,G2	
21	109707GT	KIT,ANSI CABLE TRK SUPT UPDATE	1
21-	109809T	FORMING,CABLE TRACK JOINT, CE	1

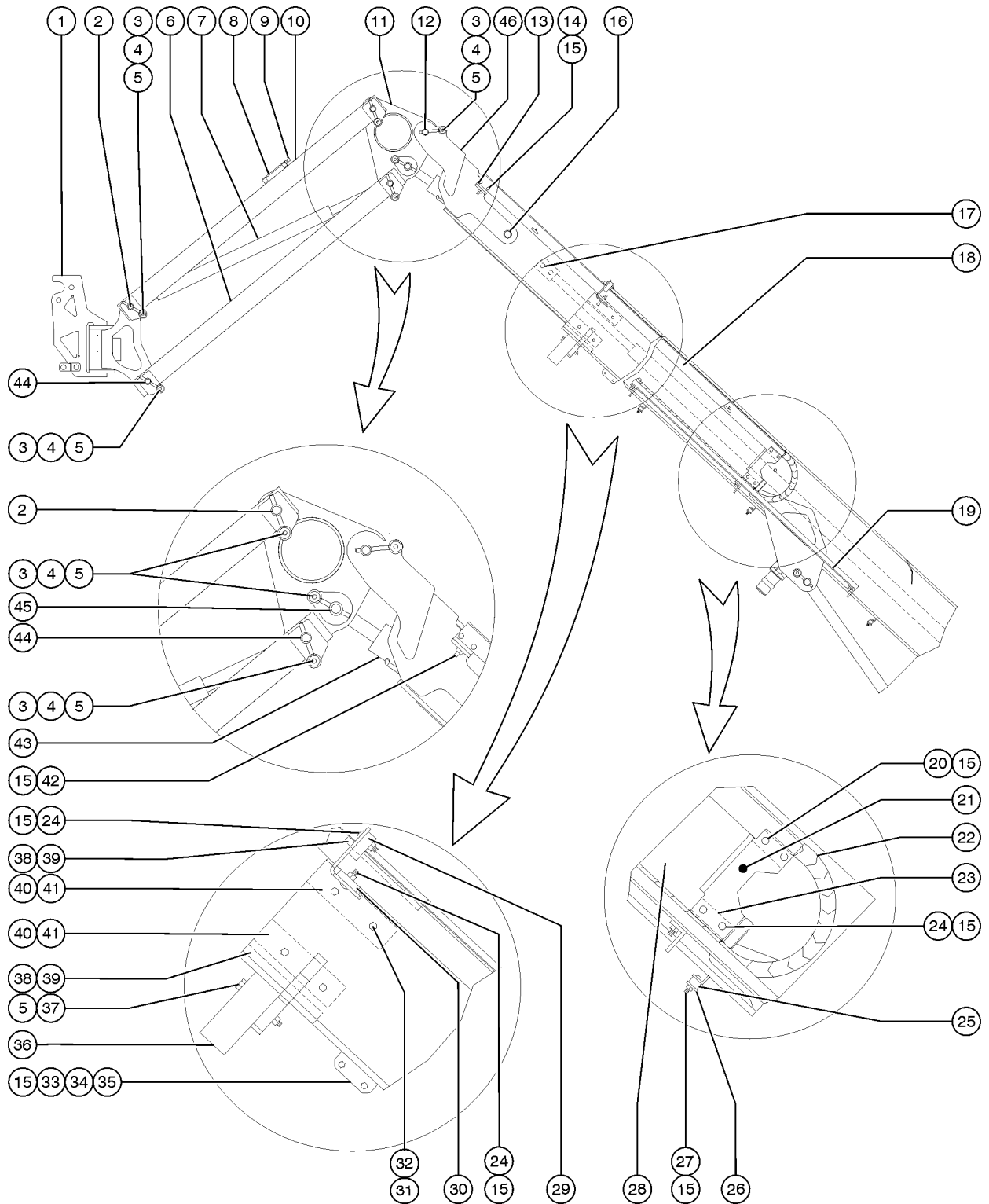
402.1 Lift Structure - View 2



Item	Part No.	Description	Qty.
22	99639GT	CABLE TRACK,TZ50, 38 LINKS .....	1
22-	58980GT	REPAIR,7 LINKS,3"IDX3.5"OD .....	
22-	84448GT	HINGE BAR,CABLE TRACK (79633)* .....	
22-	62862GT	REPAIR LINK,END SET (48182)* End set .....	
23	109707GT	KIT,ANSI CABLE TRK SUPT UPDATE .....	2
23-	109806GT	KIT,CE CABLE TRK SUPRT UPDATE .....	2
24	9116GT	BOLT, CARRIAGE, 1/4-20 X 1.25, G2 .....	
25	99938GT	BLOCK,6 TUBE,4 WIRE CLAMP .....	3
26	99940GT	PLATE,TUBE AND HOSE CLAMP .....	3
27	73464GT	BOLT,CARRIAGE,1/4-20 X 1.75,G2 .....	
28		Ref. Primary Boom Assembly with Decals (refer to 401.1) .....	
29	109708GT	BLOCK, CABLE BRIDGE GUIDE .....	1
29-	109806GT	KIT,CE CABLE TRK SUPRT UPDATE .....	1
30	99625GT	WEARPAD,CABLE BRIDGE .....	1
31	6090GT	SCREW,HHC,1/4-20 X .75 .....	
32	6356GT	WASHER,LOCK,.25 .....	
33A	100171GT	SHIM,CARRIAGE,HDPE,POLYPROPYLE .....	1
33B	124010GT	SHIM,CARRIAGE .....	1
34	8915GT	SCREW,HHC,1/4-20 X 1.25 .....	
35	6638GT	WASHER,FLAT,USS,1/4"Y .....	
36	99626GT	BLOCK,MAST REST .....	1
37	13918GT	SCREW,HHC,3/8-16 X 1.75,GRD.8 .....	2
38	129100GT	WEAR PAD,4X4X.75 W/INSERT .....	2
39A	87868GT	SHIM,TOP&BOT,SHORT,.03 THK .....	
39B	87869GT	SHIM,TOP&BOT,SHORT,.06 THK .....	
40	104741GT	WEAR PAD,3.75 X 1.50 X .63 .....	4
41A	29080GT	SHIM,WEAR PAD,5X 1.5 16GA .....	
41B	42502GT	SHIM,SIDE PAD 22GA. ....	

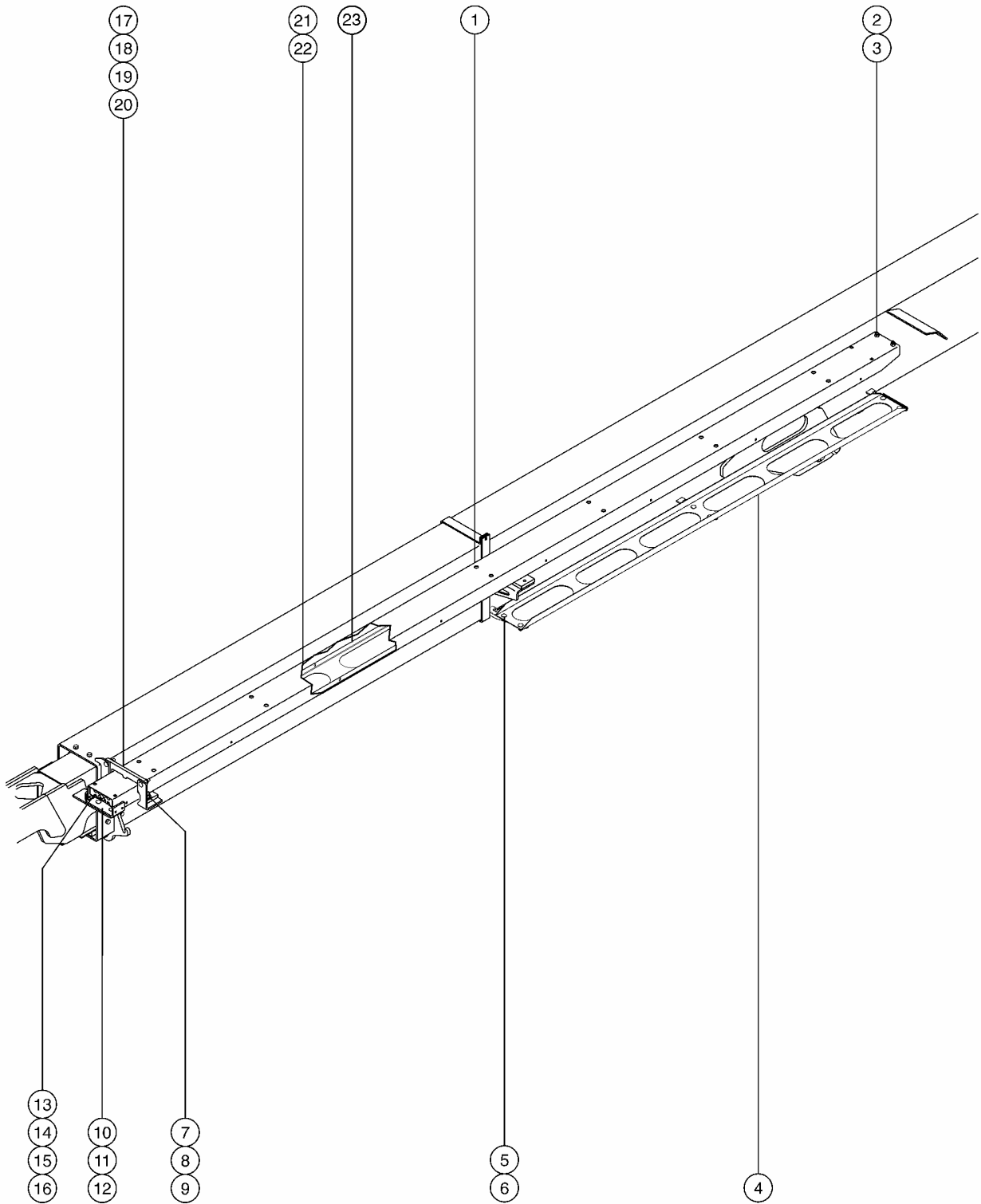


402.1 Lift Structure - View 2



<i>Item</i>	<i>Part No.</i>	<i>Description</i>	<i>Qty.</i>
42	6878GT	BOLT,CARRIAGE,1/4-20 X .75,G2 .....	
43		Ref. Platform Level Slave Cylinder .....	
		(refer to 604.1)	
44	99617GT	PIN,1.00DIA X 11.00LG,2HOLE .....	1
45	99616GT	PIN,1.25 DIA X 5.88 LG,1 HOLE .....	1
46	99640GT	WELDMENT,EXTENSION*** .....	1

403.1 Cable Track

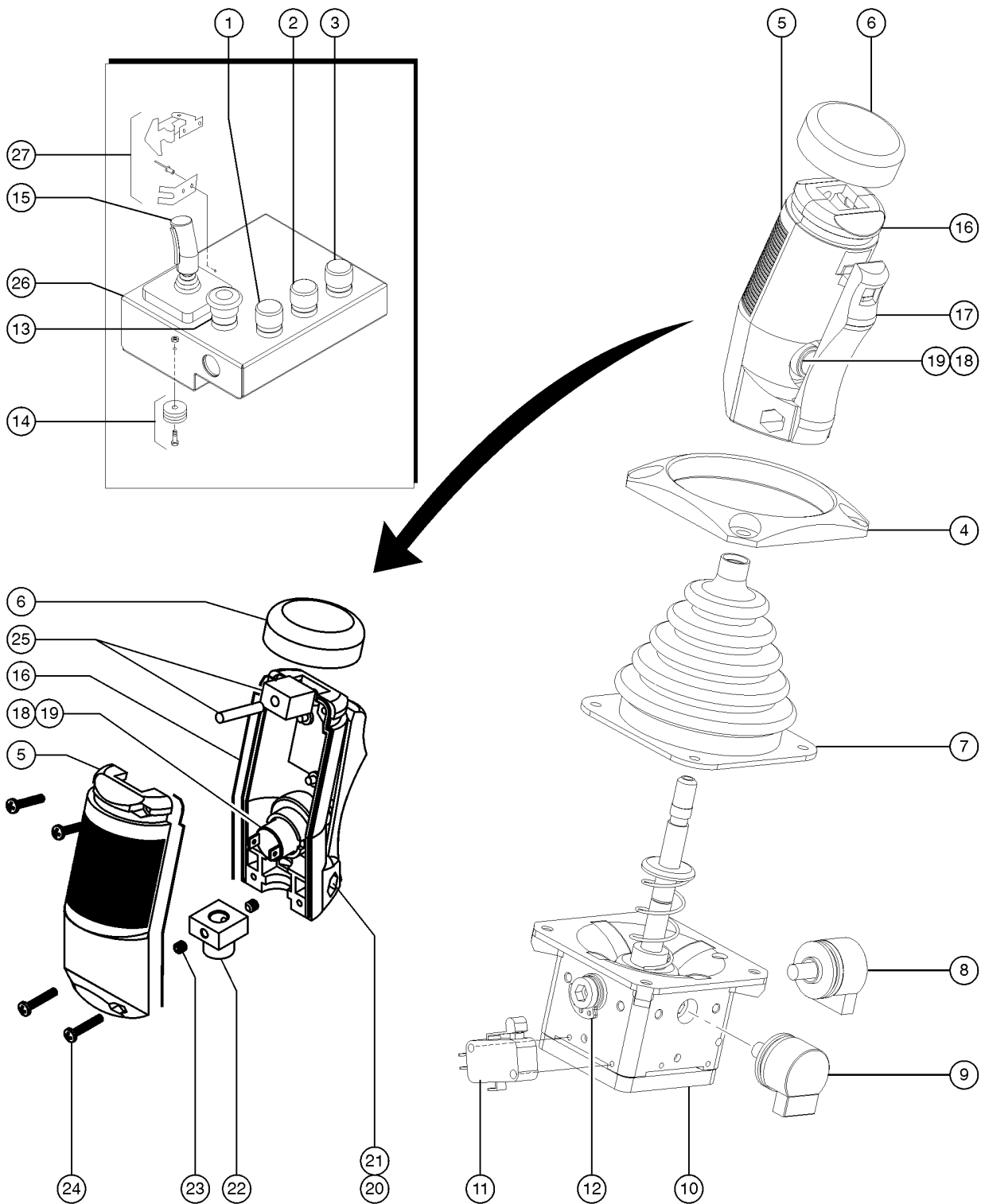


403.1 Cable Track

Item	Part No.	Description	Qty.
-	109707GT	KIT,ANSI CABLE TRK SUPT UPDATE for units built before serial number TZ5006-362	
-	109806GT	KIT,CE CABLE TRK SUPRT UPDATE for units built before serial number TZ5006-362	
-	99639GT	CABLE TRACK,TZ50, 38 LINKS (refer to 402.1 Lift Structure - View 2)	
1	109671-SGT	FORMING, CABLE BRIDGE	1
2	73464GT	BOLT,CARRIAGE,1/4-20 X 1.75,G2	2
3	6091GT	NUT,NYLOCK,1/4-20	2
4	99648-SGT	FORMING,CABLE TRACK TRAY	1
5	87645GT	BOLT,CARRIAGE,1/4-20 X .63,G2	1
6	6091GT	NUT,NYLOCK,1/4-20	6
7	99625GT	WEARPAD,CABLE BRIDGE	2
8	9116GT	BOLT, CARRIAGE, 1/4-20 X 1.25, G2	6
9	6091GT	NUT,NYLOCK,1/4-20	4
10	109719GT	FORMING,CABLE BRIDGE MOUNT***	1
11	9116GT	BOLT, CARRIAGE, 1/4-20 X 1.25, G2	2
12	6091GT	NUT,NYLOCK,1/4-20	2
13	109686GT	PLATE, CABLE AND HOSE CLAMP	2
14	1253209GT	CABLE AND HOSE CLAMP	2
15	73464GT	BOLT,CARRIAGE,1/4-20 X 1.75,G2	2
16	6091GT	NUT,NYLOCK,1/4-20	2
17	109708GT	BLOCK, CABLE BRIDGE GUIDE	1
18	9116GT	BOLT, CARRIAGE, 1/4-20 X 1.25, G2	2
19	6091GT	NUT,NYLOCK,1/4-20	2
20	6638GT	WASHER,FLAT,USS,1/4"Y	2
21	39579GT	RIVET,STL,STL,.188 X .45	20
22	109671-SGT	FORMING, CABLE BRIDGE	1
23	109668-SGT	FORMING, CABLE BRIDGE	1



404.1 Drive Controls

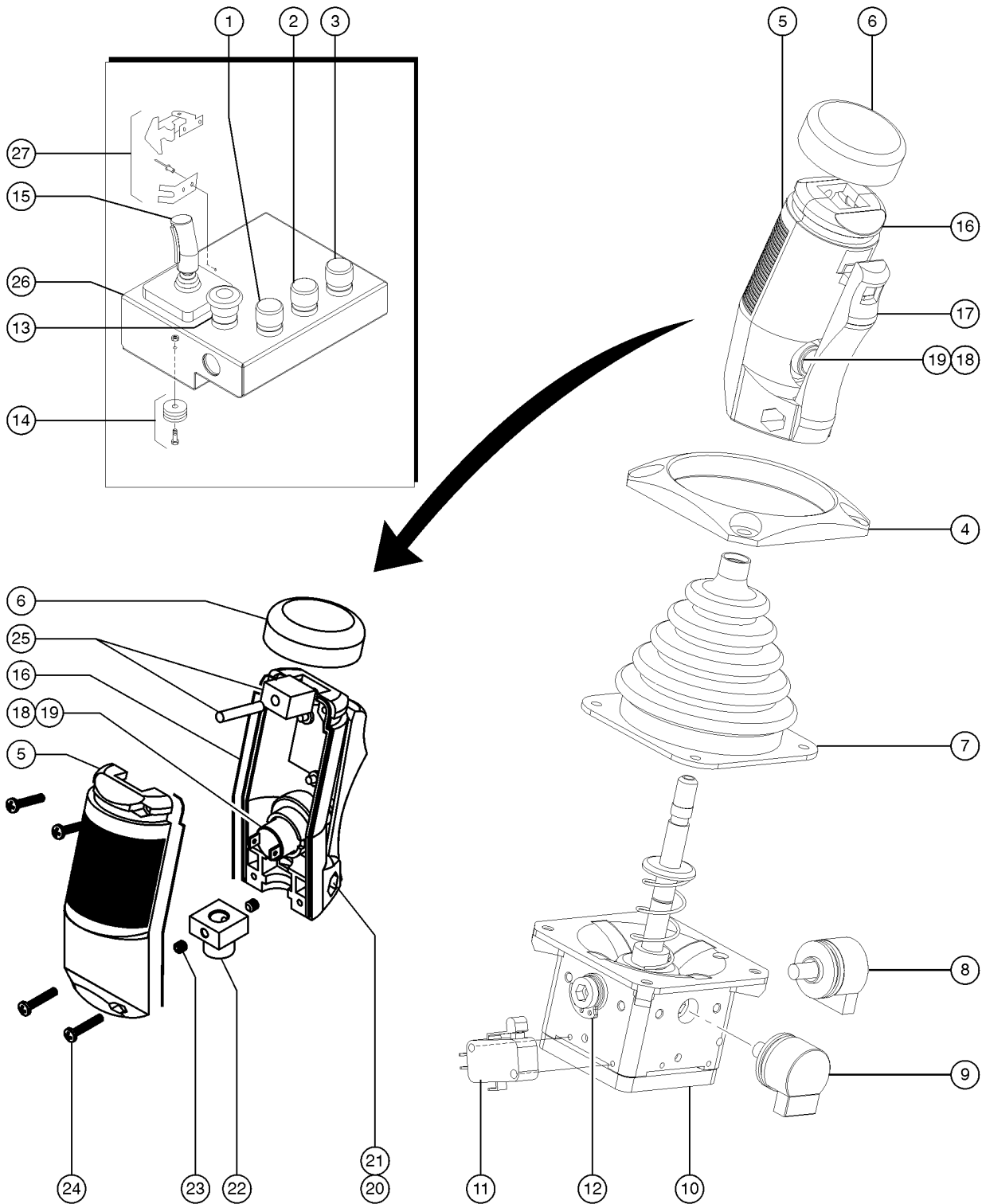




Item	Part No.	Description	Qty.
	104378GT	DRIVE BOX ASSEMBLY,ANSI ..... ANSI and CSA models	
	104390GT	DRIVE BOX ASSEMBLY,CE ..... CE models	
		Ref. Harness Drive Control Box ..... (refer to 308.1)	
	115042GT	PCB, JOYSTICK, TZ50 .....	
1	226320GT	ASM, BUTTON & BOOT, BLK ..... ANSI and CSA models	1
1A-	66814GT	BASE,WITH 2 N.O. CONTACTS*** ..... includes 2 each N.O. contact	
1A-	66816GT	CONTACT,N.O .....	
1B	15243GT	PLUG,NYLON .875 BLACK DOMED ..... CE models	1
2	226320GT	ASM, BUTTON & BOOT, BLK ..... ANSI and CSA models	1
2A-	66814GT	BASE,WITH 2 N.O. CONTACTS*** ..... includes 2 each N.O. contact	
2A-	66816GT	CONTACT,N.O .....	
2B	15243GT	PLUG,NYLON .875 BLACK DOMED ..... CE models	1
3	226320GT	ASM, BUTTON & BOOT, BLK ..... ANSI and CSA models	1
3A-	66814GT	BASE,WITH 2 N.O. CONTACTS*** ..... includes 2 each N.O. contact	
3A-	66816GT	CONTACT,N.O .....	
3B	15243GT	PLUG,NYLON .875 BLACK DOMED ..... CE models	1
4	115032GT	JOYSTICK BOOT BRACKET, TZ50 .....	1
5	52041GT	HANDLE HALF-BACKSIDE,GS JYSTK* .....	1
6	115034GT	THUMB CAP, JOYSTICK, TZ50 .....	1
7	115035GT	JOYSTICK ROBBER BOOT, TZ50 .....	1
8	115036GT	POTENTIOMETER W/ADAPTOR TZ50 ..... (for use with models to SN TZ5009-202 also equipped with items 11-12	1
8B	129189GT	POTENTIOMETER ..... (for use with models from TZ5009-203)	
8B-	129190GT	POTENTIOMETER MOUNTING ASSY ..... for 129189	
9	115037GT	POTENTIOMETER W/ADAPTOR TZ50 ..... (for use with models to SN TZ5009-202, models also equipped with items 11-12	1
9B	129189GT	POTENTIOMETER ..... (for use with models from TZ5009-203)	
9B-	129190GT	POTENTIOMETER MOUNTING ASSY ..... for 129189	
10	115038GT	MECHANICAL ASSY,JOYSTICK,TZ50 .....	1
11	115039GT	DIRECTION SWITCH,JOYSTICK,TZ50 ..... (to SN TZ5009-202)	1

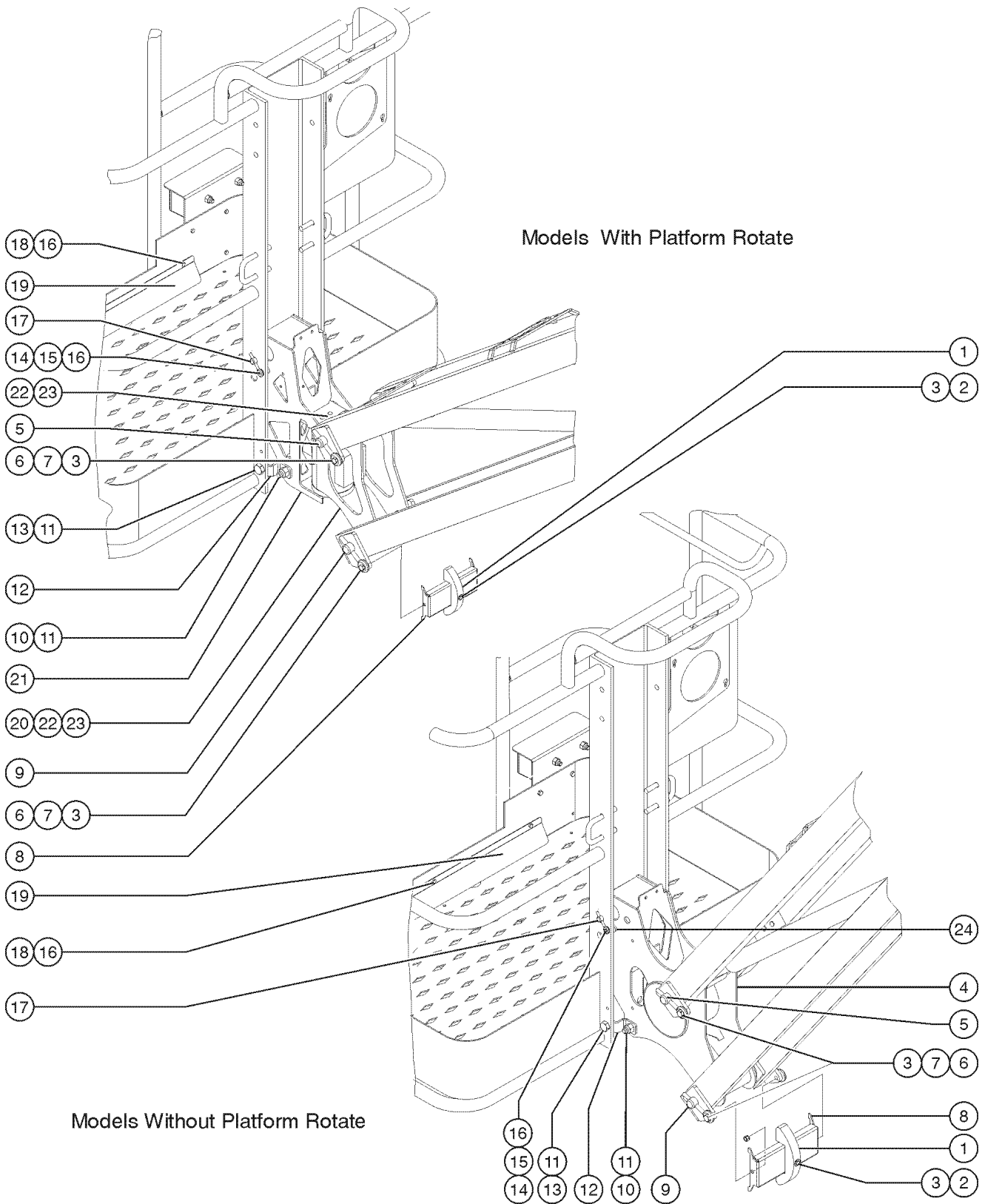


404.1 Drive Controls



Item	Part No.	Description	Qty.
12	115040GT	CAM ASSY,JOYSTICK, TZ50 ..... (to SN TZ5009-202)	1
13	226322GT	ASM, E-STOP & BOOT .....	1
13-	66817GT	BASE WITH 1 NC CONTACT, E-STOP ..... includes 1 each N.C. contact	
13-	66818GT	CONTACT,NC .....	
14	6090GT	SCREW,HHC,1/4-20 X .75 ..... for 66866	
14-	824024GT	NUT,TL,1/4-20,C,ZAG ..... for 66866	
14-	66866GT	BUTTON,JOYSTICK MOUNT,BRASS*** ..... for 66866	
15A	129080GT	DRIVE CONTROLLER (C-TECH) ..... to SN 08-532; includes items 4-10 and 16-25	1
15B	99999GT	DRIVE CONTROLLER (C-TECH) ..... from SN 08-533; includes items 4-10 and 16-25	
16	52040GT	HANDLE HALF,ENABLE SW.SIDE-GS* .....	1
17	52042GT	LEVER,FUNC ENABLE SWITCH,RGE** .....	1
18	129193GT	SWITCH,HANDLE .....	1
19	46271GT	NUT-MOUNTING,PUSH BUTTON-44988 .....	1
20	65544GT	NUT-ENABLE SWITCH LEVER(57890) .....	1
21	65545GT	SCREW-ENABLE SWTCH LEVER/57890 .....	1
22	52043GT	NUT,JOYSTICK,44988, RGE .....	1
23	58985GT	SCREW,HANDLE42032,40612,36867 .....	1
24	129192GT	ASSEMBLY SCREWS, HANDLE ..... set of 4	1
25	65178GT	ROCKER ASSY W/ROLLPIN*** .....	1
26	23405GT	NUTSERT,10-32 STEEL CAD PLTD .....	
26	84633GT	DRIVE CNTRL BOX LID ASSY,TZ50 .....	
26	99746GT	FORMING,DRIVE BOX BASE .....	
27	57881GT	LATCH, RUBBER, 3-13/32 X 1-7/8 .....	
27	69620-SGT	STOPPER, COVER LATCH .....	
27	99688GT	RIVET,STL, .125 X .125 .....	

501.1 Platform Installation - ANSI and CSA Models without Platform Overload Option

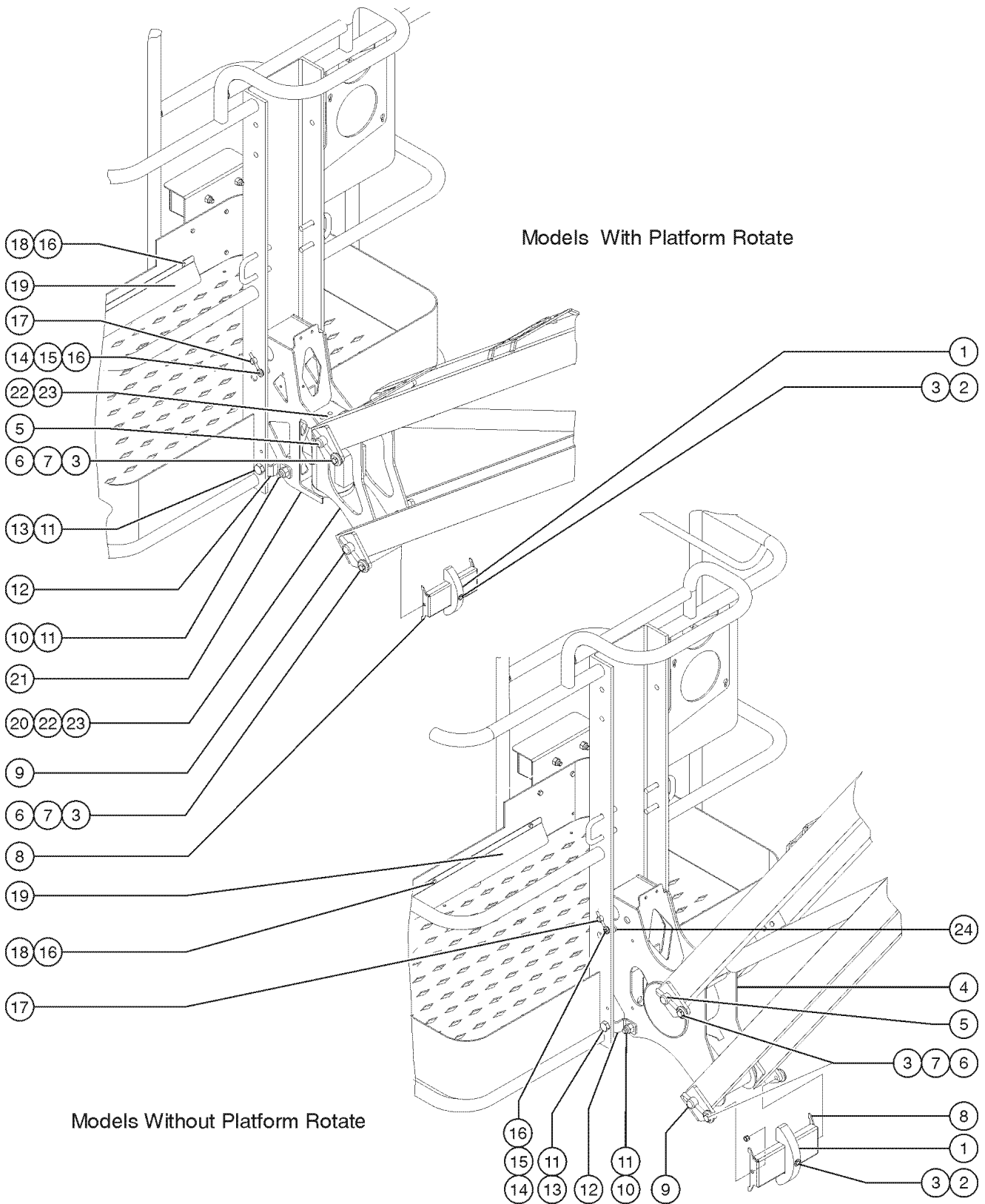


501.1 Platform Installation - ANSI and CSA Models without Platform Overload Option

Item	Part No.	Description	Qty.
1	84942GT	LIMIT SWTCH ACTUATOR BUMPR KIT from SN TZ5004-1 to TZ5004-182 (includes items 2, 3, 6 and 8)	1
1B	104500GT	BUMPER,LIMIT SWITCH ACTUATOR from SN TZ5004-183	
2	6610GT	SCREW,FHS,3/8-16 X 2 GRD.8	1
3	4828GT	NUT,NYLOCK,3/8-16	
4	1258807GT	ASSEMBLY,PLAT MOUNT,NR ANSI and CSA models (includes bearings)	1
5	99618GT	PIN,1.00DIA X 12.50 LG,1HOLE	2
6	8516GT	SCREW, HCC, 3/8-16 X 1.50	
7	825019GT	ROD END,.375 X 3.69,ZAG	4
8	104499GT	FORMING, GLIDE PAD	
9	99617GT	PIN,1.00DIA X 11.00 LG,2HOLE	2
10	8538GT	NUT,LP NYLOCK,3/4-10	
11	38509GT	SCREW,HHC,3/4-10 X 6	
12	99677GT	FORMING,LWR PLAT MNT,ANSI	2
13	94439GT	SCREW,HHC,3/4-10 X 1.5	
14	6888GT	SCREW,HHC,1/4-20 X 1	
15	45748GT	ROD END,.250 X 2.75 LG	2
16	6091GT	NUT,NYLOCK,1/4-20	
17	78976GT	PIN,.75 DIA X 8.75 LG,GES 1380	2
18	6090GT	SCREW,HHC,1/4-20 X .75	
19	99707GT	FORMING,CABLE GUARD	1
20	237173GT	ASSEMBLY,PLATORM ROTATOR	1
20A-	233718GT	PLATFORM ROTATOR, TZ-50	
20A-	233745GT	SEAL AND BRG KIT,4.5K ROTATOR	
20A-		Ref. Rotator Manifold (refer to 603.1)	
20B	62509GT	SEAL KIT,ROTATOR*** (for 99689)	
20B	83042GT	BEARING KIT,ROTATOR,4.5K*** (for 99689)	
21	99680GT	WELDMNT,PLAT MOUNT ROTATE	1
22	10255GT	SCREW,HHC,3/4-10 X 10	



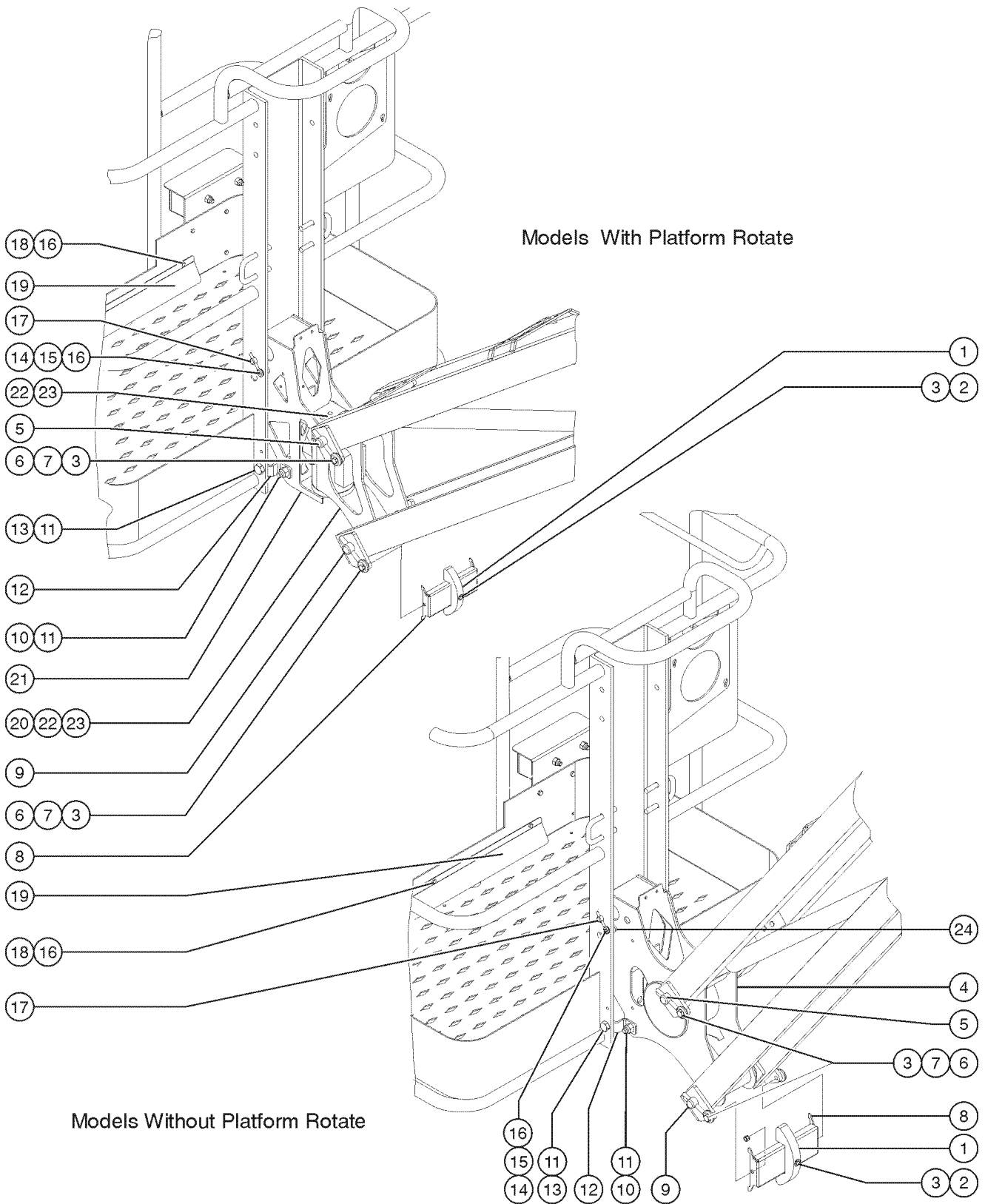
501.1 Platform Installation - ANSI and CSA Models without Platform Overload Option



501.1 Platform Installation - ANSI and CSA Models without Platform  
Overload Option

<i>Item</i>	<i>Part No.</i>	<i>Description</i>	<i>Qty.</i>
23	10258GT	NUT,NYLOCK,3/4-10,GRD.2 .....	
24	47775GT	SPACER,ROUND ENGINE TRAY .....	2

501.2 Platform Installation - ANSI and CSA Models without Platform Overload Option



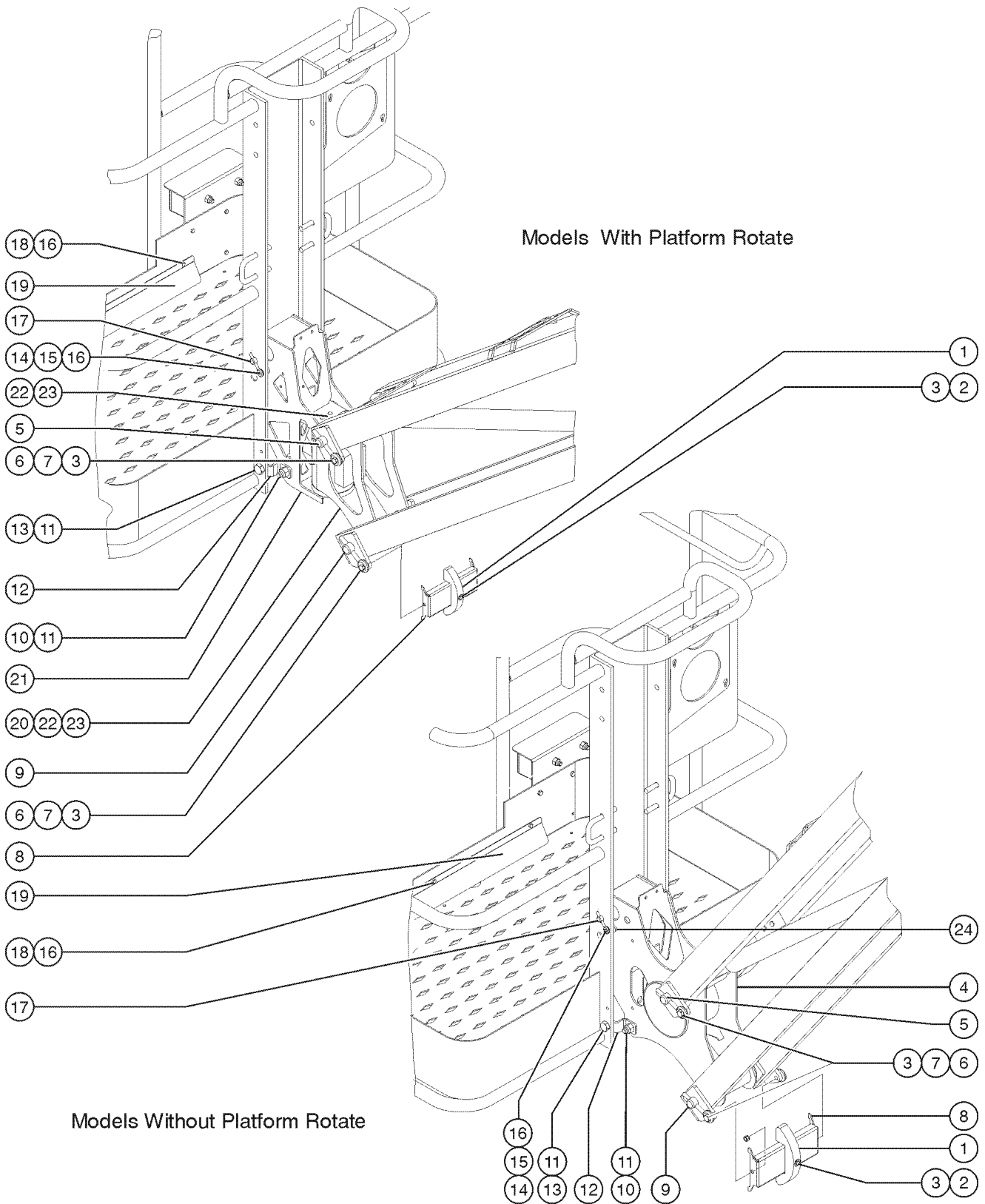


501.2 Platform Installation - ANSI and CSA Models without Platform Overload Option

Item	Part No.	Description	Qty.
1	104500GT	BUMPER,LIMIT SWITCH ACTUATOR ..... from SN TZ5004-183	
2	6610GT	SCREW,FHS,3/8-16 X 2 GRD.8 .....	1
3	4828GT	NUT,NYLOCK,3/8-16 .....	
4	1258807GT	ASSEMBLY,PLAT MOUNT,NR ..... ANSI and CSA models (includes bearings)	1
5	99618GT	PIN,1.00DIA X 12.50LG,1HOLE .....	2
6	8516GT	SCREW, HCC, 3/8-16 X 1.50 .....	
7	825019GT	ROD END,.375X3.69,ZAG .....	4
8	104499GT	FORMING, GLIDE PAD .....	
9	99617GT	PIN,1.00DIA X 11.00LG,2HOLE .....	2
10	8538GT	NUT,LP NYLOCK,3/4-10 .....	
11	38509GT	SCREW,HHC,3/4-10 X 6 .....	
12	99677GT	FORMING,LWR PLAT MNT,ANSI .....	2
13	94439GT	SCREW,HHC,3/4-10 X 1.5 .....	
14	6888GT	SCREW,HHC,1/4-20 X 1 .....	
15	45748GT	ROD END,.250 X 2.75 LG .....	2
16	6091GT	NUT,NYLOCK,1/4-20 .....	
17	78976GT	PIN,.75 DIA X 8.75 LG,GES 1380 .....	2
18	6090GT	SCREW,HHC,1/4-20 X .75 .....	
19	99707GT	FORMING,CABLE GUARD .....	1
20A	237173GT	ASSEMBLY,PLATORM ROTATOR .....	1
20A-	233718GT	PLATFORM ROTATOR, TZ-50 .....	
20A-	233745GT	SEAL AND BRG KIT,4.5K ROTATOR .....	
20A-		Ref. Rotator Manifold ..... (refer to 603.1)	
20B	62509GT	SEAL KIT,ROTATOR*** ..... (for 99689)	
20B	83042GT	BEARING KIT,ROTATOR,4.5K*** ..... (for 99689)	
21	99680GT	WELDMENT,PLAT MOUNT ROTATE .....	1
22	10255GT	SCREW,HHC,3/4-10 X 10 .....	
23	10258GT	NUT,NYLOCK,3/4-10,GRD.2 .....	



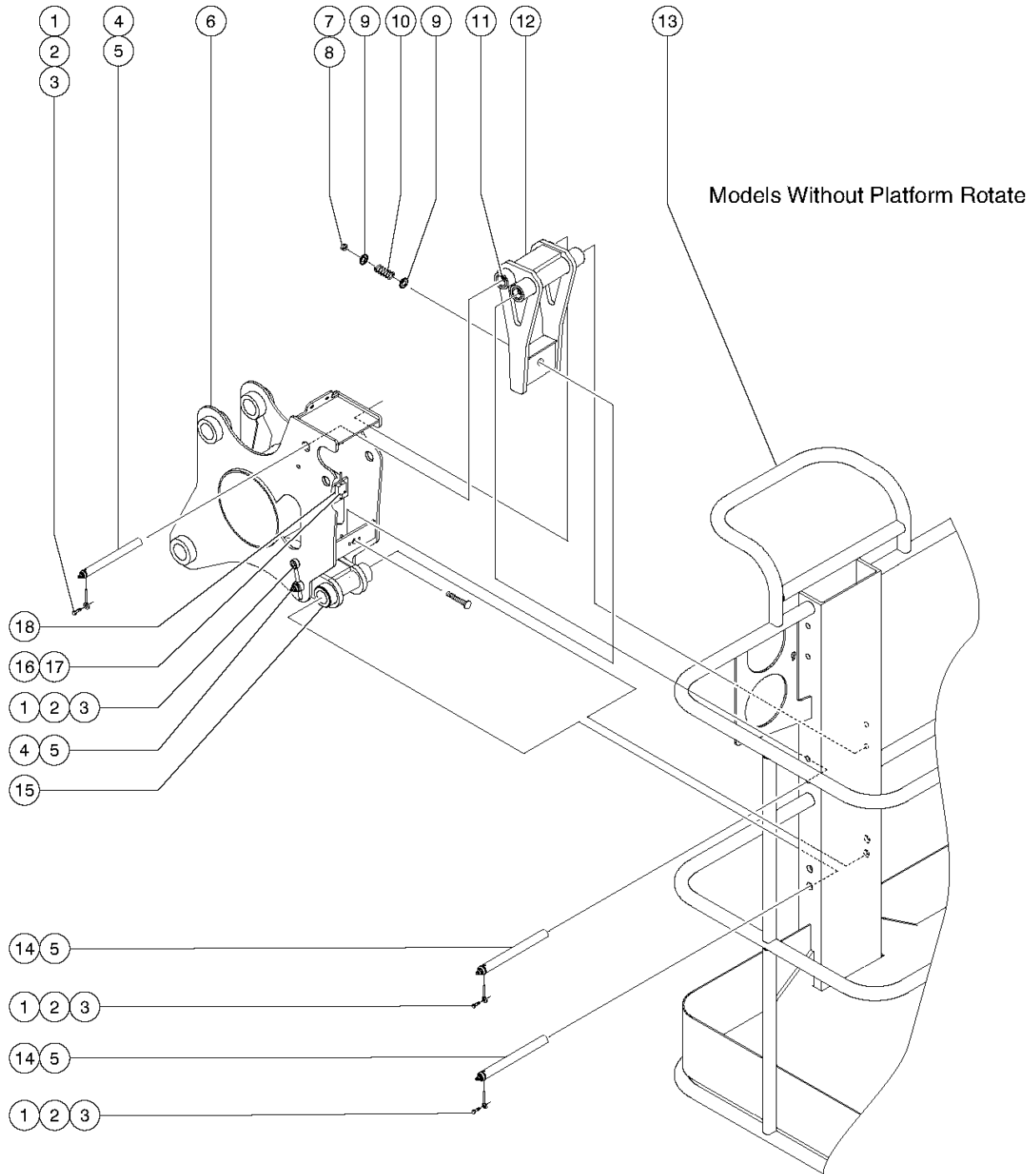
501.2 Platform Installation - ANSI and CSA Models without Platform Overload Option



501.2 Platform Installation - ANSI and CSA Models without Platform  
Overload Option  
Qty.

<i>Item</i>	<i>Part No.</i>	<i>Description</i>	
24	47775GT	SPACER,ROUND ENGINE TRAY .....	2

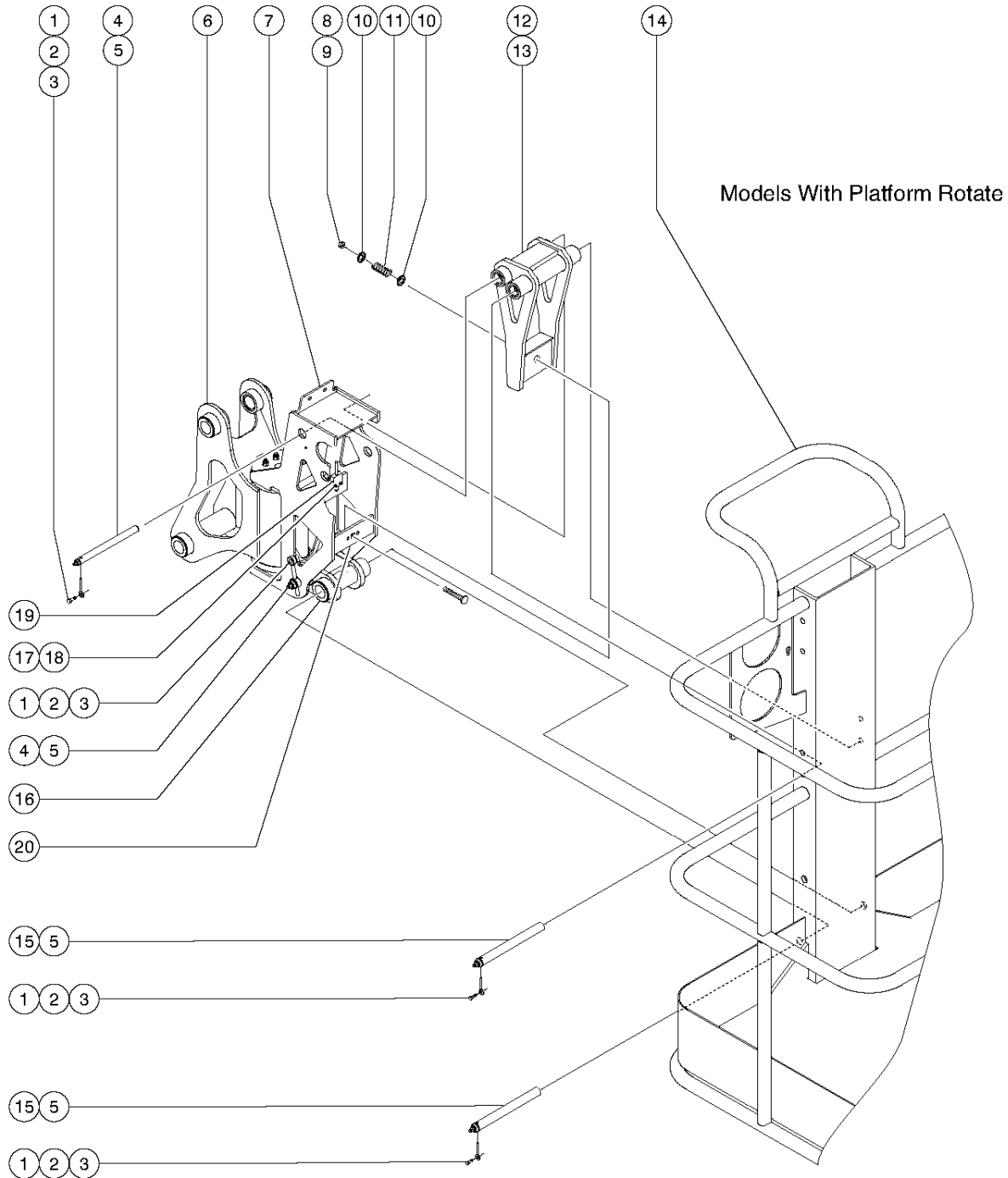
502.1 Platform Installation - CE, AUSTRALIA, ANSI and CSA Models with Platform Overload Option (models without platform rotator option)



502.1 Platform Installation - CE, AUSTRALIA, ANSI and CSA Models with Platform Overload Option (models without platform rotator option)

Item	Part No.	Description	Qty.
1	824060GT	SCREW, HHC, 1/4-20 X 1, 8, ZAG .....	
2	45748GT	ROD END,.250 X 2.75 LG .....	4
3	6091GT	NUT,NYLOCK,1/4-20 .....	
4	124680GT	PIN,0.75DIAX5.13LG,CHAMFER .....	2
5	94643GT	ZERK,GREASE,5/16-24,STRAIT .....	4
6	1258807GT	ASSEMBLY,PLAT MOUNT,NR .....	1
		(includes bearings)	
6-	36245GT	BEARING,FL,1.00IDX1.25ODX0.84L .....	2
6-	56901GT	BEARING,FL,1.00IDX1.25ODX1.50L .....	2
7	4828GT	NUT,NYLOCK,3/8-16 .....	
8	5387GT	SCREW,HHC,3/8-16 X 4 .....	
9	61975GT	RETAINER,SPRING,1.21 X .375 .....	2
10	61974GT	SPRING,COMP,1" OD,232 LB/IN .....	1
11	39581GT	BEARING,0.75IDX1.00ODX0.50L .....	4
12	99690GT	WELDMENT,PIVOT LINK,TOP .....	1
13		Ref. Platform Assembly .....	
		(refer to 504.1 or 505.1)	
14	99174GT	PIN,0.75DIAX8.75LG,CHAMFER .....	2
15	99695GT	WELDMENT,PIVOT LINK,BOTTOM .....	1
		(does not include bearing)	
15-	39581GT	BEARING,0.75IDX1.00ODX0.50L .....	
16	6147GT	SCREW,RHM,10-32 X 1 .....	
17	6178GT	NUT, NYLOCK, 10-32 .....	
18	99194GT	SWITCH,LIMIT W/CONNECTOR .....	1
18-	60428GT	CONN,PLUG 4 WAY,14-18GA .....	

503.1 Platform Installation - CE, AUSTRALIA, ANSI and CSA Models with Platform Overload Option (models with platform rotate)

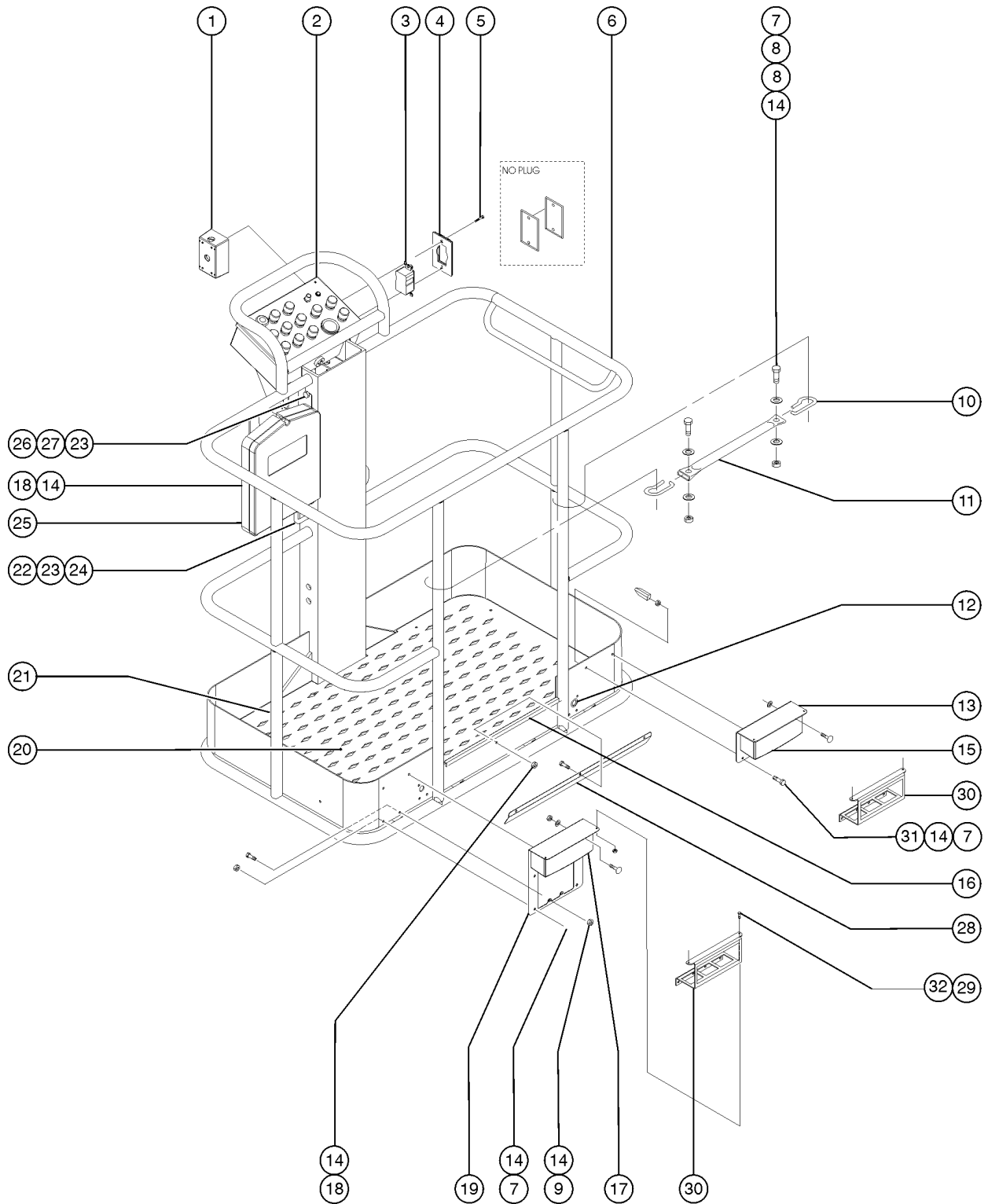


503.1 Platform Installation - CE, AUSTRALIA, ANSI and CSA Models with Platform Overload Option (models with platform rotate)

Item	Part No.	Description	Qty.
1	824060GT	SCREW, HHC, 1/4-20 X 1, 8, ZAG	
2	45748GT	ROD END,.250 X 2.75 LG	4
3	6091GT	NUT,NYLOCK,1/4-20	
4	124680GT	PIN,0.75DIA X 5.13LG,CHAMFER	2
5	94643GT	ZERK,GREASE,5/16-24,STRAIT	4
6A	237173GT	ASSEMBLY,PLATORM ROTATOR (replaced 99689)	1
6A-	233718GT	PLATFORM ROTATOR, TZ-50	
6A-	233745GT	SEAL AND BRG KIT,4.5K ROTATOR	
6B	62509GT	SEAL KIT,ROTATOR*** (for 99689)	
6B	83042GT	BEARING KIT,ROTATOR,4.5K*** (for 99689)	
7	99680GT	WELDMENT,PLAT MOUNT ROTATE	1
7-	36245GT	BEARING,FL,1.00IDX1.25ODX0.84L	2
7-	56901GT	BEARING,FL,1.00IDX1.25ODX1.50L	
8	4828GT	NUT,NYLOCK,3/8-16	
9	5387GT	SCREW,HHC,3/8-16 X 4	
10	61975GT	RETAINER,SPRING,1.21 X .375	2
11	61974GT	SPRING,COMP,1" OD,232 LB/IN	1
12	99690GT	WELDMENT,PIVOT LINK,TOP	1
13	39581GT	BEARING,0.75IDX1.00ODX0.50L	4
14		Ref. Platform Assembly (refer to 504.1 or 505.1)	
15	99174GT	PIN,0.75DIA X 8.75LG,CHAMFER	2
16	99695GT	WELDMENT,PIVOT LINK,BOTTOM	1
16-	39581GT	BEARING,0.75IDX1.00ODX0.50L	
17	6147GT	SCREW,RHM,10-32 X 1	
18	6178GT	NUT, NYLOCK, 10-32	
19	99194GT	SWITCH,LIMIT W/CONNECTOR	1
19	60428GT	CONN,PLUG 4 WAY,14-18GA	
20	104037GT	PLATE,CE BOLT RETAINER	1



504.1 Platform Components - ANSI and CSA Models



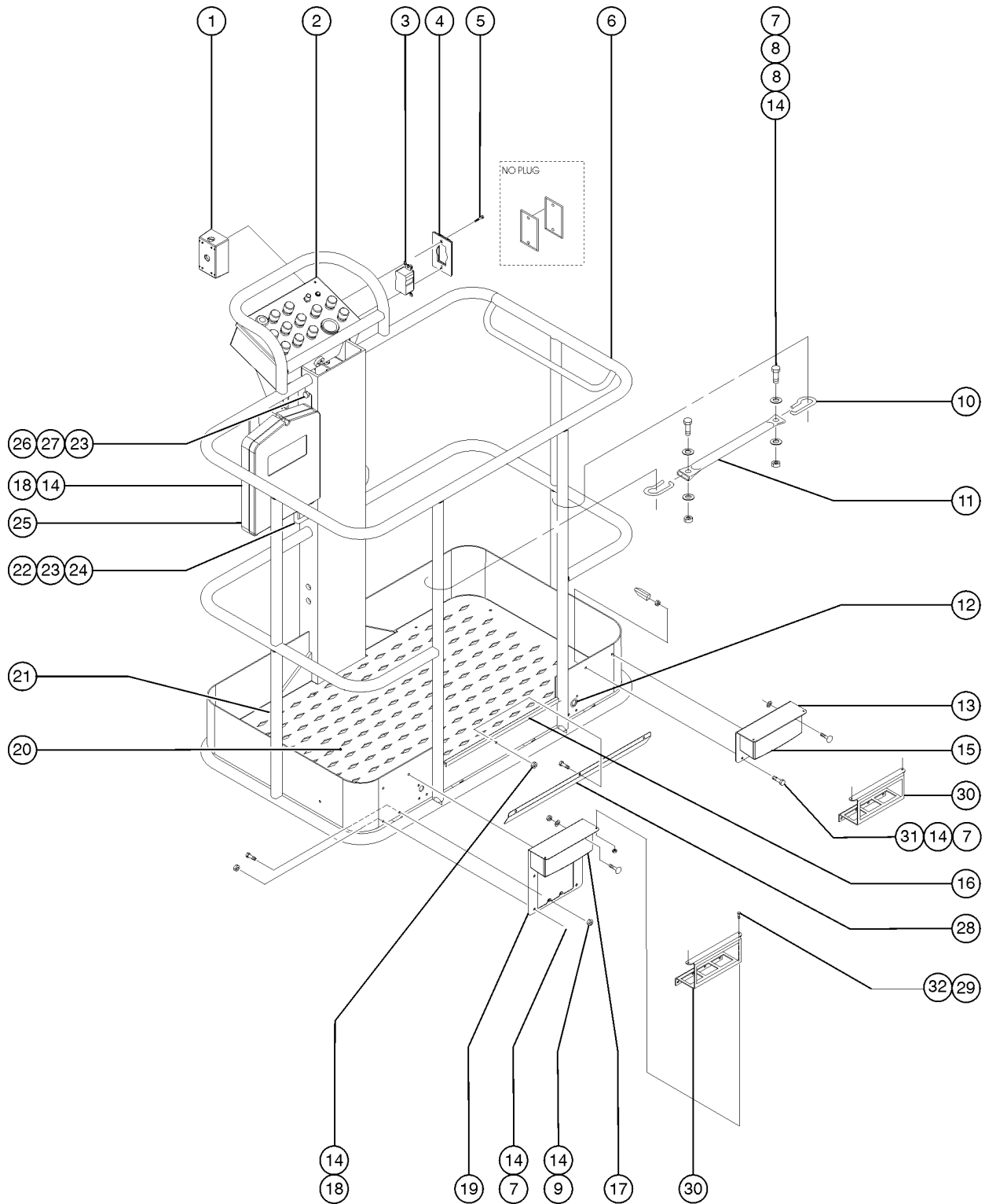


504.1 Platform Components - ANSI and CSA Models

Item	Part No.	Description	Qty.
	105300GT	KIT, TAIL LIGHT COVER ..... includes items 29 and 30 Ref. Wire Harness Assembly, Light (Tongue) ..... (refer to 308.1) Ref. Wire Harness Assembly, Light (Mast) ..... (refer to 308.1) Ref. Wire Harness Assembly, Light (Platform) ..... (refer to 308.1)	
1	10775GT	T-BOX,2.75 X 4.5 X 2.0 .....	1
1	6935GT	LOCKNUT,ELEC,1/2" .....	2
1	7056GT	CONN,SQUEEZE,1/2NPT .38-.50,SM .....	
1	6595GT	PLUG,ELECTRICAL,DOMESTIC .....	
2		Ref. Platform Controls ..... (refer to 506.1)	
3	13585GT	OUTLET, 110V .....	1
4	45437GT	COVER,GFCI,WEATHERPROOF ..... includes gasket and mounting fasteners	1
4	10777GT	COVER,BLANK .....	
5	33759GT	SCREW,PHILLIPS,PHM,8-32 X.375 .....	2
6A	97348GT	PLAT ASSY,WRD,TZ50,ANSI,W/DR ..... ANSI models with drive option (word decals); floor included	1
6A	97349GT	PLAT ASSY,WRD,TZ50,W/O DR&ROT ..... ANSI models without drive option (word decals); floor included	
6A	115093GT	PLAT ASSY,WRD,TZ50,ANS,W/ROT ..... ANSI models with rotate option (word decals); floor included	
6A	115091GT	PLAT ASSY,WRD,TZ50,ANS,W/DR&RO ..... ANSI models with drive and rotate options (word decals); floor included	
6B	97351GT	PLAT ASSY,SYM,TZ50,ANSI,W/O RO ..... ANSI models without rotate option (symbol decals); floor included	
6B	115107GT	PLAT ASSY,SYM,TZ50,ANSI,W/ROT ..... ANSI models with rotate option (symbol decals); floor included	
7	824060GT	SCREW, HHC, 1/4-20 X 1, 8, ZAG .....	
8	6638GT	WASHER,FLAT,USS,1/4"Y .....	
9	6090GT	SCREW,HHC,1/4-20 X .75 .....	
10	41292GT	MID-RAIL GUIDE WITH LOOM .....	2
11	40712GT	TUBE,STD.SLIDING MIDRAIL-16.75 .....	1
12	24647GT	GROMMET,RUBBER .38 X .13 X .63 .....	2
13	104348GT	FORMING,TAIL LIGHT,RT*** .....	1
14	6091GT	NUT,NYLOCK,1/4-20 .....	
15	105307GT	TAILLIGHT,RIGHT W/HARDWARE*** ..... to SN TZ5015-1088	1



504.1 Platform Components - ANSI and CSA Models

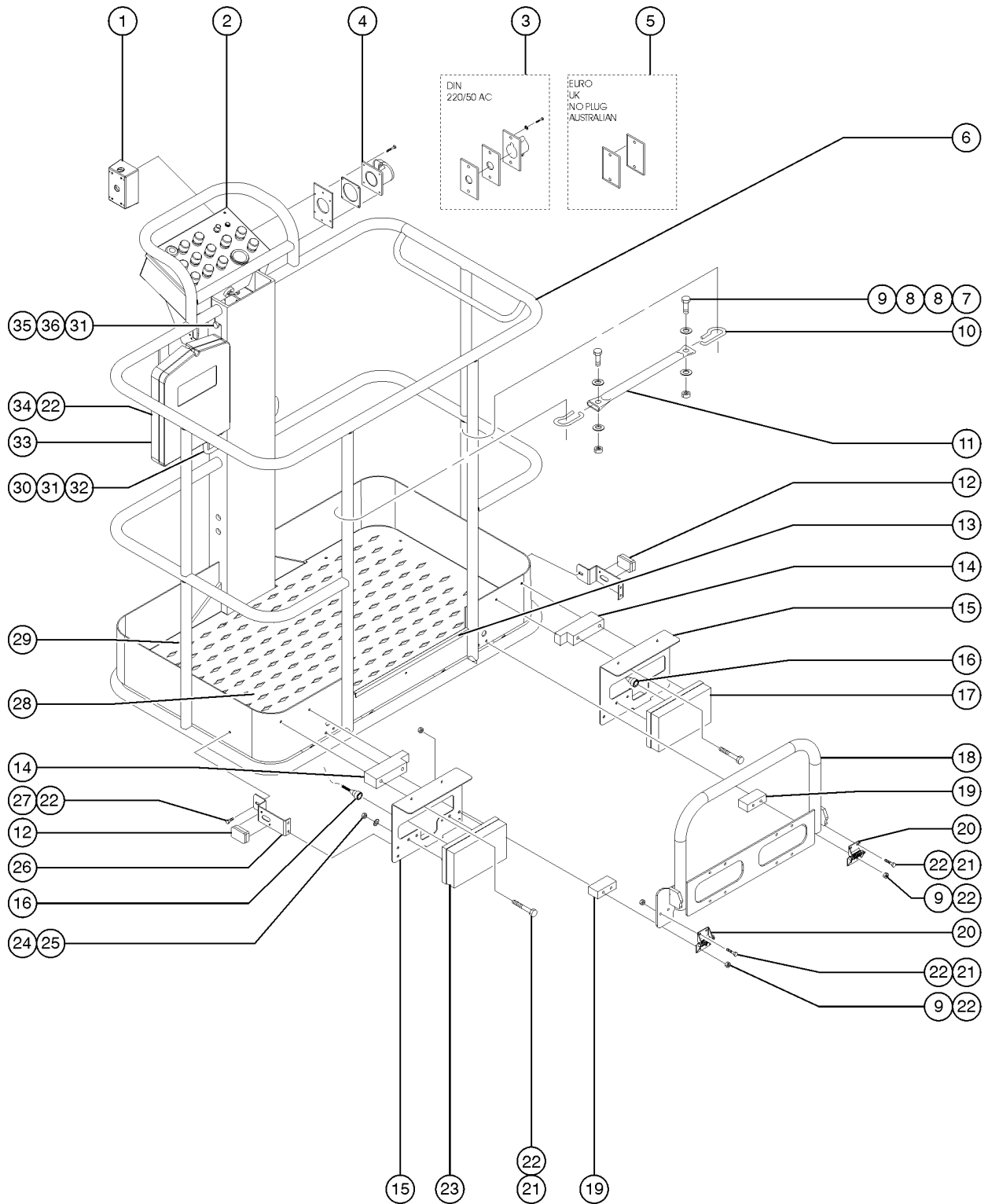


504.1 Platform Components - ANSI and CSA Models

Item	Part No.	Description	Qty.
15B	129083GT	TAILLIGHT,LED, RIGHT W/HARDWARE*** from SN TZ5015-1089	1
15-	52276GT	LENS, TMZ-TZ TAILLIGHT LH/RH	
16	1697GT	TRIMLOCK,BLACK,3/16	30
17	105306GT	TAILLIGHT,LEFT W/HARDWARE*** to SN TZ5015-1088	1
17B	129082GT	TAILLIGHT,LED, LEFT W/HARDWARE*** from SN TZ5015-1089	1
17-	52276GT	LENS, TMZ-TZ TAILLIGHT LH/RH	
18	8914GT	SCREW,HHC,1/4-20 X .625	
19	104347GT	FORMING,TAIL LIGHT,LT***	1
20	99705GT	FLOORING,45X27 DIAMOND PLATE	1
21	71315GT	RIVET,DRIVE, .25 X .25	
22	66778GT	U-BOLT,SQ BEND, 1/2-13	2
23	6198GT	NUT,NYLOCK,1/2-13	
24	6034GT	NUT,HEX,JAM,1/2-13	
25	44743GT	MANUAL BOX W/DECALS***	1
26	6096GT	SCREW,HHC,1/2-13 X 2 GR5	
27	6095GT	WASHER,FLAT,USS,1/2",Y	
28	99707GT	FORMING,CABLE GUARD	1
29	49819GT	SCREW,PHILLIPS,PHM,10-32 X .5	2
30	105287GT	FORMING, TAIL LIGHT COVER	2
31	76744GT	CAP,VINYL .224ID X .5	4
32	6178GT	NUT, NYLOCK, 10-32	2



505.1 Platform Components - CE and Australia Models

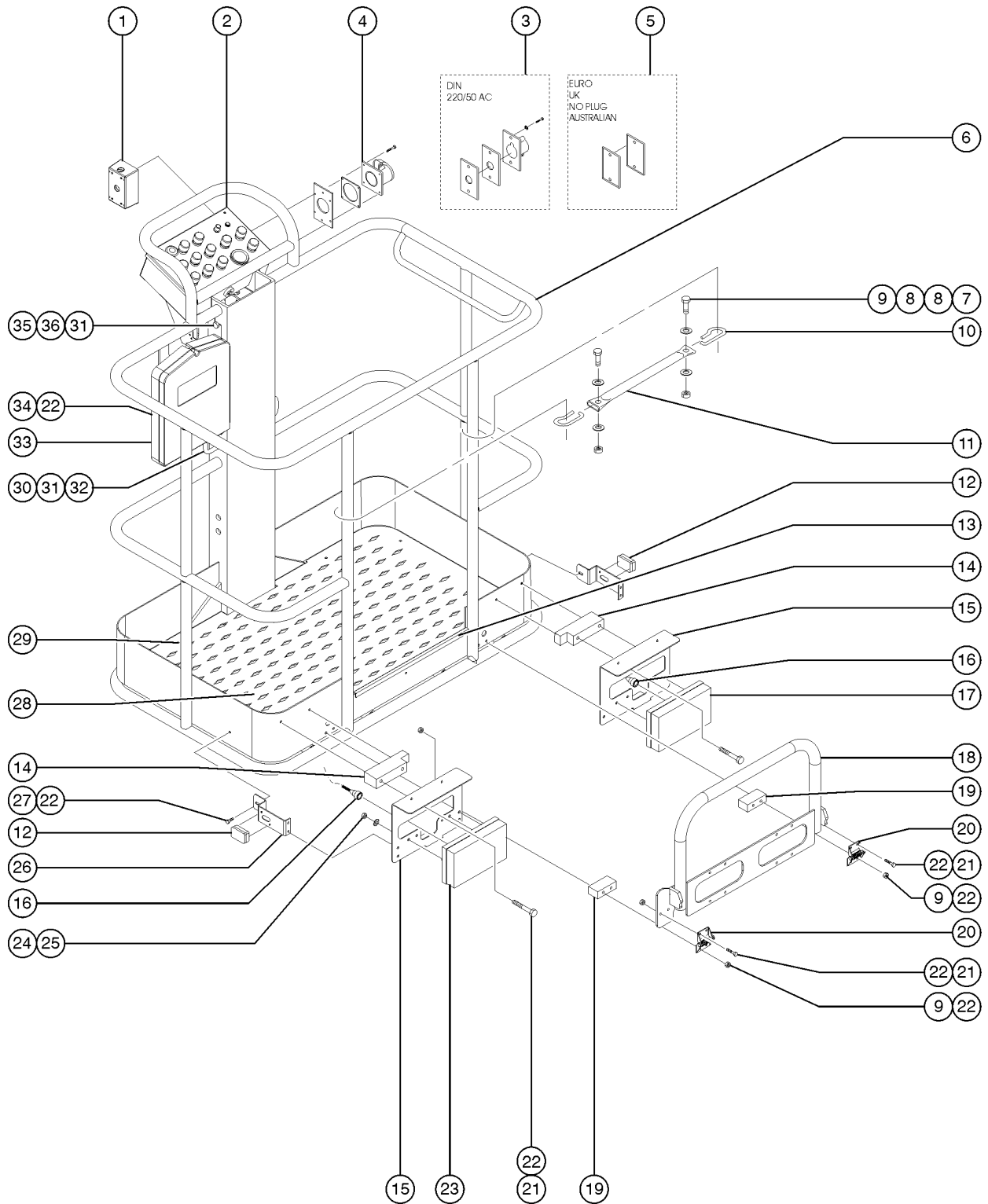


505.1 Platform Components - CE and Australia Models

Item	Part No.	Description	Qty.
-	97350GT	PLAT ASSY,SYM,TZ50,CE,W/O ROT floor included: Australia models; includes items 6, 28 and 29	
1	10775GT	T-BOX,2.75 X 4.5 X 2.0	1
1	6935GT	LOCKNUT,ELEC,1/2"	2
1	7056GT	CONN,SQUEEZE,1/2NPT .38-.50,SM	
1	6595GT	PLUG,ELECTRICAL,DOMESTIC	
2		Ref. Platform Controls (refer to 506.1)	
3	66353GT	RECEPTACLE, DIN, 220V 50A	1
3-	96236GT	PLATE,AC ADAPTER,DIN/UK***	1
3-	66355GT	GASKET, UK & DIN PWR. TO PLAT	1
3-	63375GT	SCREW,FHM,6-32 X .75	
4A	T112563GT	SVC KIT,UK RECEPT.REPLACEMENT (to SN TZ5011-305)	1
4A-	96236GT	PLATE,AC ADAPTER,DIN/UK*** (to SN TZ5011-305)	1
4A-	66355GT	GASKET, UK & DIN PWR. TO PLAT (to SN TZ5011-305)	
5	10777GT	COVER,BLANK	
5-	96236GT	PLATE,AC ADAPTER,DIN/UK***	
5-	66355GT	GASKET, UK & DIN PWR. TO PLAT	
5-	63375GT	SCREW,FHM,6-32 X .75	
6A	97350GT	PLAT ASSY,SYM,TZ50,CE,W/O ROT CE models without rotate option (symbol decals)	1
6B	115105GT	PLAT ASSY,SYM,TZ50,CE,W/ROT CE models with rotate option (symbol decals)	
6C	227295GT	PLT ASM,WRD,ST,LS TZ50, AUS Australia models with drive option (word decals)	
6D	227296GT	PLT ASM,WRD,ROT,LS TZ50, AUS Australia models with rotate option (word decals)	
7	6888GT	SCREW,HHC,1/4-20 X 1	
8	6638GT	WASHER,FLAT,USS,1/4"Y	
9	6090GT	SCREW,HHC,1/4-20 X .75	
10	41292GT	MID-RAIL GUIDE WITH LOOM	2
11	40712GT	TUBE,STD.SLIDING MIDRAIL-16.75	1
12	76602GT	LIGHT,SIDEMARKER ECE*** CE models to SN TZ5011-352	2
12-	72107GT	LENS,MARKER LIGHT ASSY (67875) for 76602	



505.1 Platform Components - CE and Australia Models

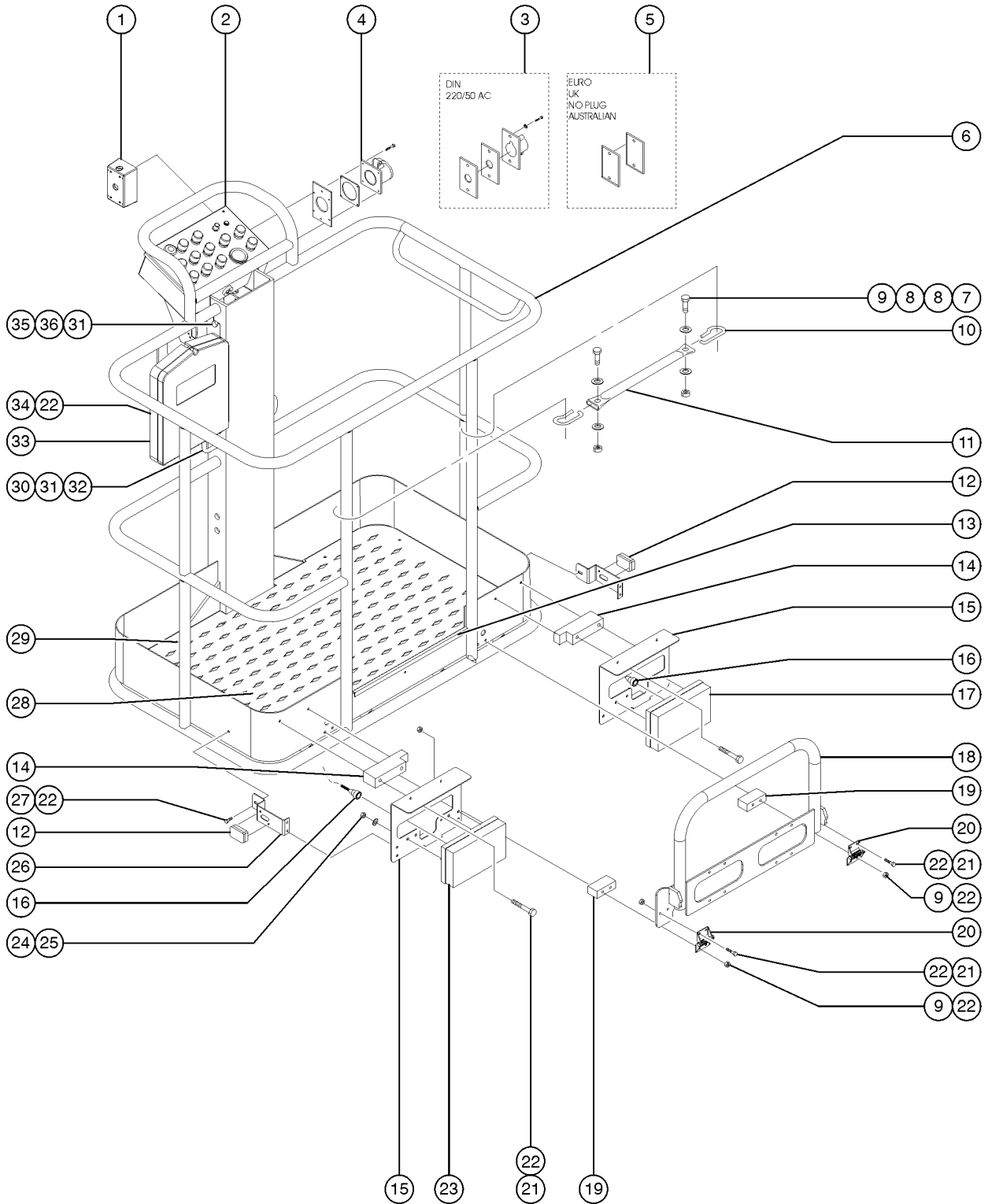


505.1 Platform Components - CE and Australia Models

Item	Part No.	Description	Qty.
12-	72108GT	BULB,12V DC (67875) ..... for 76602	
12B	129013GT	HRNS,SIDEMARKER,AUS ..... Australia models	
12B-	72107GT	LENS,MARKER LIGHT ASSY (67875) ..... for 129013	
12B-	72108GT	BULB,12V DC (67875) ..... for 129013	
13	1697GT	TRIMLOCK,BLACK,3/16 .....	30
14	99432GT	SPACER,CE TAIL LIGHT*** .....	2
15	99709GT	FORMING,CE LIGHT BRACKET .....	2
16		Ref. Wire Harness Assembly ..... (refer to 308.1)	
17	229165GT	LIGHT, COMBO, RIGHT, CE .....	1
18	99496GT	WELDMENT,LADDER .....	1
19	99710GT	BLOCK, LADDER HINGE MOUNT .....	2
20	104804GT	HINGE, SPRING, LONG LEG .....	2
21	36294GT	SCREW,HHC,1/4-20 X 2.75 .....	
22	6091GT	NUT,NYLOCK,1/4-20 .....	
23	229166GT	LIGHT, COMBO, LEFT, CE .....	1
24	55017GT	NUT,HEX, M6 .....	
25	49407GT	WASHER,LOCK,M6 .....	
26	99708GT	FORMING,CE SIDE LIGHT BRACKET .....	2
27	8915GT	SCREW,HHC,1/4-20 X 1.25 .....	
28	99705GT	FLOORING,45X27 DIAMOND PLATE .....	1
29	71315GT	RIVET,DRIVE, .25 X .25 .....	
30	66778GT	U-BOLT,SQ BEND, 1/2-13 .....	2
31	6198GT	NUT,NYLOCK,1/2-13 .....	
32	6034GT	NUT,HEX,JAM,1/2-13 .....	
33A	44743GT	MANUAL BOX W/DECALS*** ..... USA/Canada/Australia	1
33B	24514GT	BOX,INSTRUCTION STORAGE ..... Europe/Asia/South America (decal required; refer to Section100)	
34	8914GT	SCREW,HHC,1/4-20 X .625 .....	
35	6096GT	SCREW,HHC,1/2-13 X 2 GR5 .....	



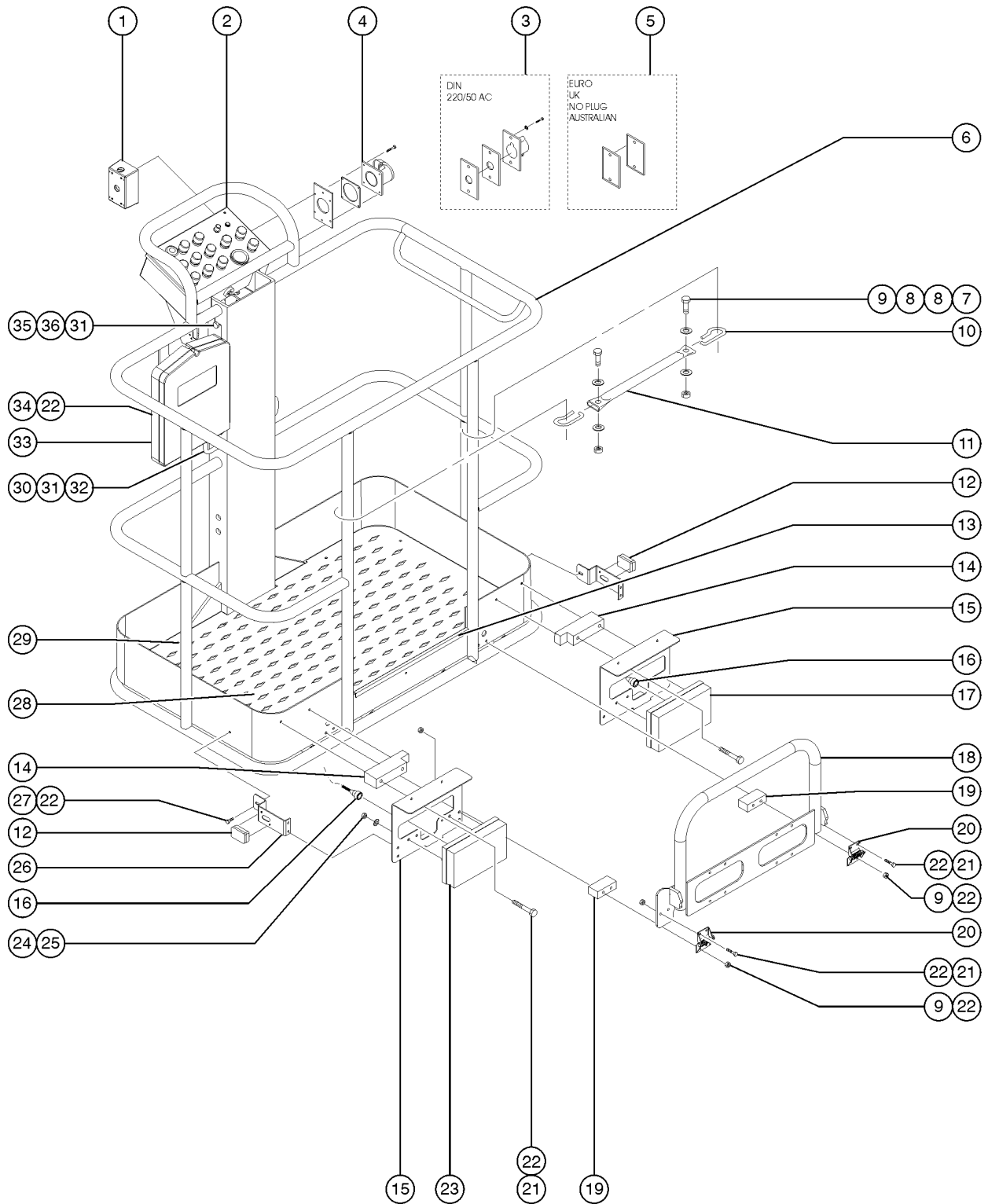
505.1 Platform Components - CE and Australia Models





<i>Item</i>	<i>Part No.</i>	<i>Description</i>	<i>Qty.</i>
36	6095GT	WASHER,FLAT,USS,1/2",Y .....	

505.2 Platform Components - CE and Australia Models

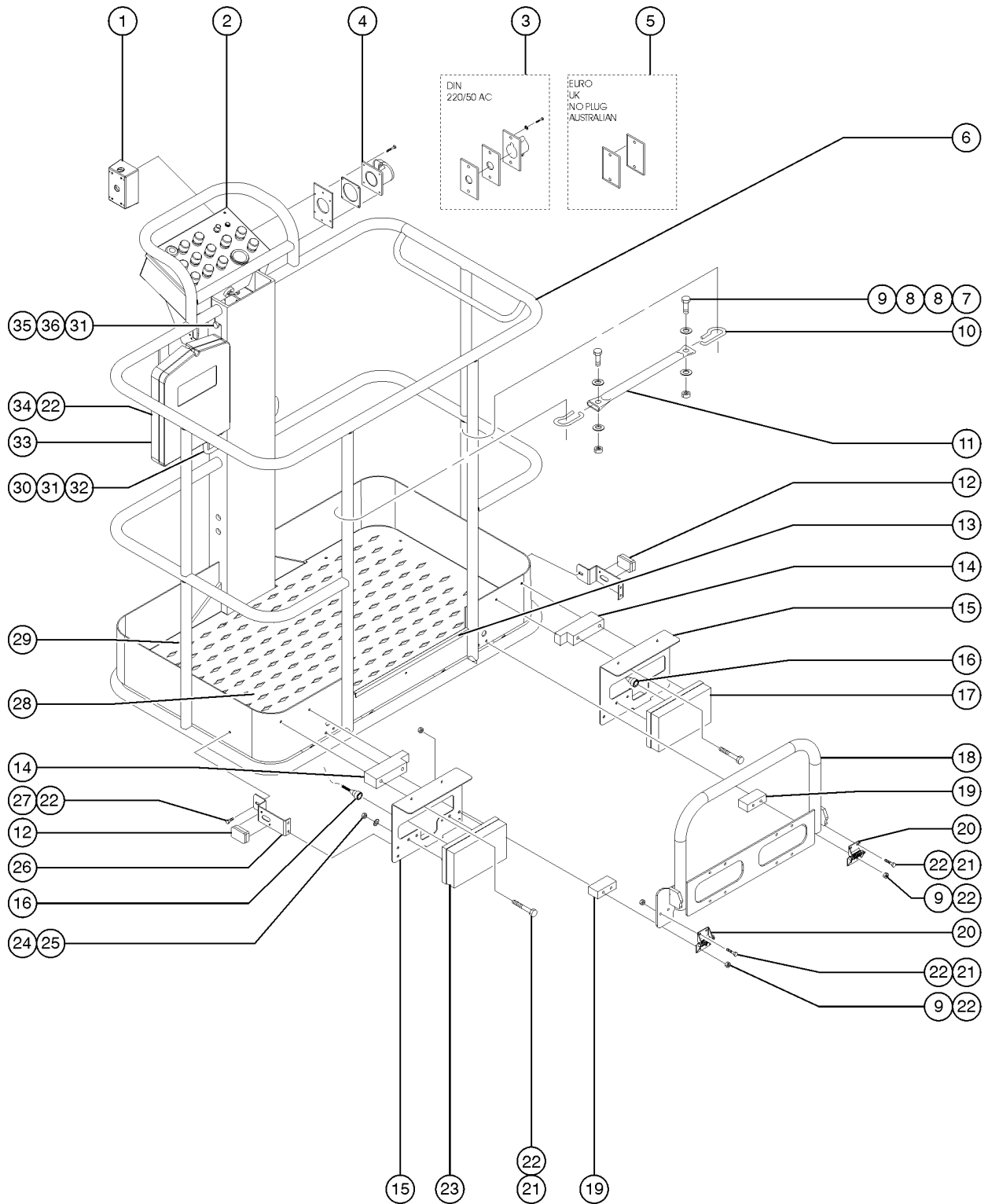


505.2 Platform Components - CE and Australia Models

Item	Part No.	Description	Qty.
-	97350GT	PLAT ASSY,SYM,TZ50,CE,W/O ROT floor included: Australia models; includes items 6, 28 and 29	
1	10775GT	T-BOX,2.75 X 4.5 X 2.0	1
1	6935GT	LOCKNUT,ELEC,1/2"	2
1	7056GT	CONN,SQUEEZE,1/2NPT .38-.50,SM	
1	6595GT	PLUG,ELECTRICAL,DOMESTIC	
2		Ref. Platform Controls (refer to 506.1)	
3	66353GT	RECEPTACLE, DIN, 220V 50A	1
3-	96236GT	PLATE,AC ADAPTER,DIN/UK***	1
3-	66355GT	GASKET, UK & DIN PWR. TO PLAT	1
3-	63375GT	SCREW,FHM,6-32 X .75	
4A	T112563GT	SVC KIT,UK RECEPT.REPLACEMENT (to SN TZ5011-305)	1
4A-	96236GT	PLATE,AC ADAPTER,DIN/UK*** (to SN TZ5011-305)	1
4A-	66355GT	GASKET, UK & DIN PWR. TO PLAT (to SN TZ5011-305)	
4B	T112560GT	RECEPTACLE,UK,110V (from SN TZ5011-306)	
4B-	T112561GT	PLATE,UK,POWER TO PLAT (from SN TZ5011-306)	
4B-	66355GT	GASKET, UK & DIN PWR. TO PLAT (from SN TZ5011-306)	
4B-	63375GT	SCREW,FHM,6-32 X .75 (from SN TZ5011-306)	
5	10777GT	COVER,BLANK	
5-	96236GT	PLATE,AC ADAPTER,DIN/UK***	
5-	66355GT	GASKET, UK & DIN PWR. TO PLAT	
5-	63375GT	SCREW,FHM,6-32 X .75	
6A	97350GT	PLAT ASSY,SYM,TZ50,CE,W/O ROT CE models without rotate option (symbol decals)	1
6B	115105GT	PLAT ASSY,SYM,TZ50,CE,W/ROT CE models with rotate option (symbol decals)	
6C	227295GT	PLT ASM,WRD,ST,LS TZ50, AUS Australia models with drive option (word decals)	
6D	227296GT	PLT ASM,WRD,ROT,LS TZ50, AUS Australia models with rotate option (word decals)	
7	6888GT	SCREW,HHC,1/4-20 X 1	
8	6638GT	WASHER,FLAT,USS,1/4"Y	
9	6090GT	SCREW,HHC,1/4-20 X .75	



505.2 Platform Components - CE and Australia Models

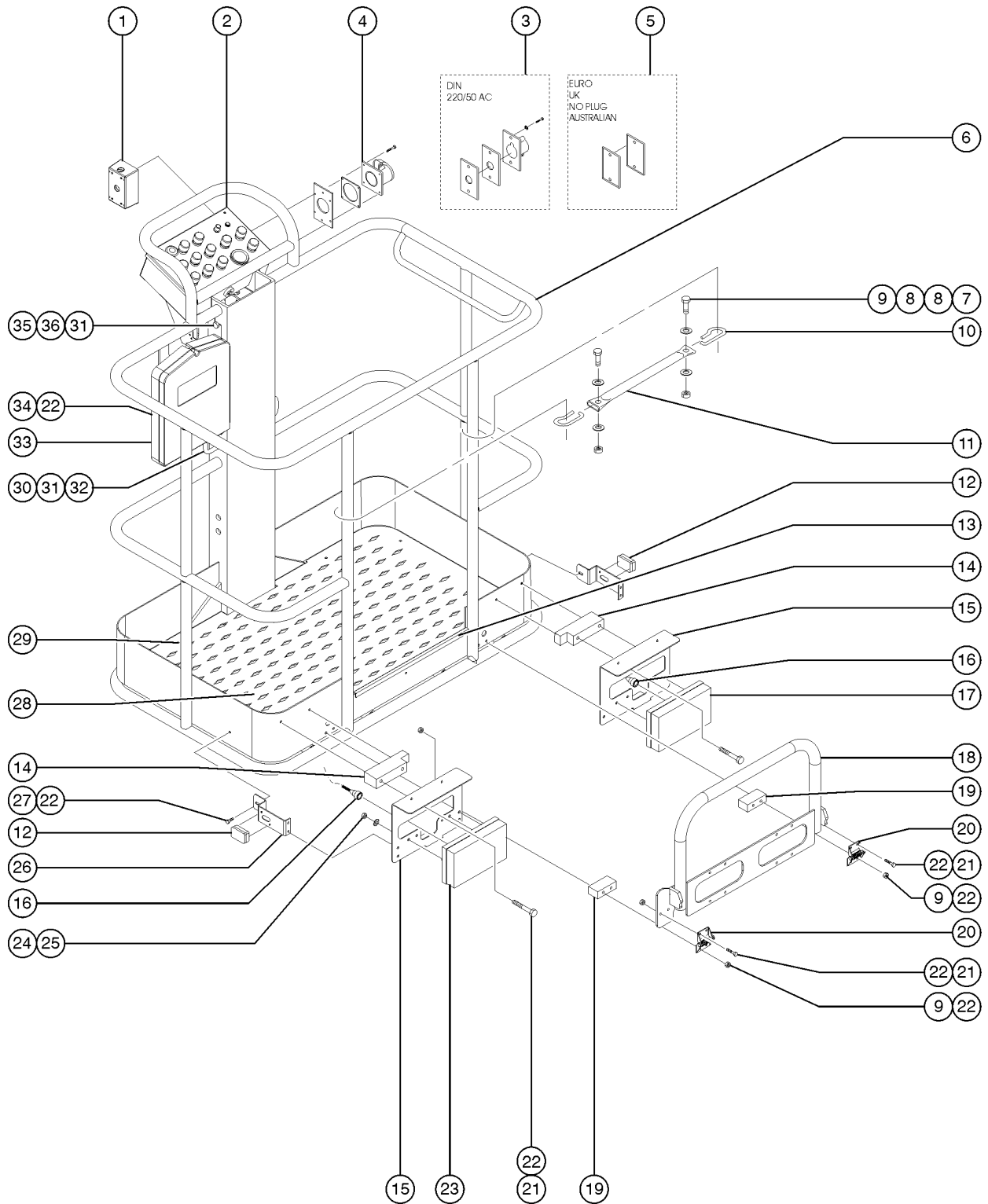


505.2 Platform Components - CE and Australia Models

Item	Part No.	Description	Qty.
10	41292GT	MID-RAIL GUIDE WITH LOOM .....	2
11	40712GT	TUBE,STD.SLIDING MIDRAIL-16.75 .....	1
12	76602GT	LIGHT,SIDEMARKER ECE*** CE models to SN TZ5011-352 .....	2
12-	72107GT	LENS,MARKER LIGHT ASSY (67875) for 76602 .....	
12-	72108GT	BULB,12V DC (67875) for 76602 .....	
12A	129013GT	HRNS,SIDEMARKER,AUS CE models from SN TZ5011-353 .....	
12B	129013GT	HRNS,SIDEMARKER,AUS Australia models .....	
12B-	72107GT	LENS,MARKER LIGHT ASSY (67875) for 129013 .....	
12B-	72108GT	BULB,12V DC (67875) for 129013 .....	
13	1697GT	TRIMLOCK,BLACK,3/16 .....	30
14	99432GT	SPACER,CE TAIL LIGHT*** .....	2
15	99709GT	FORMING,CE LIGHT BRACKET .....	2
16		Ref. Wire Harness Assembly (refer to 308.1) .....	
17	229165GT	LIGHT, COMBO, RIGHT, CE .....	1
18	99496GT	WELDMENT,LADDER .....	1
19	99710GT	BLOCK, LADDER HINGE MOUNT .....	2
20	104804GT	HINGE, SPRING, LONG LEG .....	2
21	36294GT	SCREW,HHC,1/4-20 X 2.75 .....	
22	6091GT	NUT,NYLOCK,1/4-20 .....	
23	229166GT	LIGHT, COMBO, LEFT, CE .....	1
24	55017GT	NUT,HEX, M6 .....	
25	49407GT	WASHER,LOCK,M6 .....	
26	99708GT	FORMING,CE SIDE LIGHT BRACKET .....	2
27	8915GT	SCREW,HHC,1/4-20 X 1.25 .....	
28	99705GT	FLOORING,45X27 DIAMOND PLATE .....	1
29	71315GT	RIVET,DRIVE, .25 X .25 .....	
30	66778GT	U-BOLT,SQ BEND, 1/2-13 .....	2
31	6198GT	NUT,NYLOCK,1/2-13 .....	



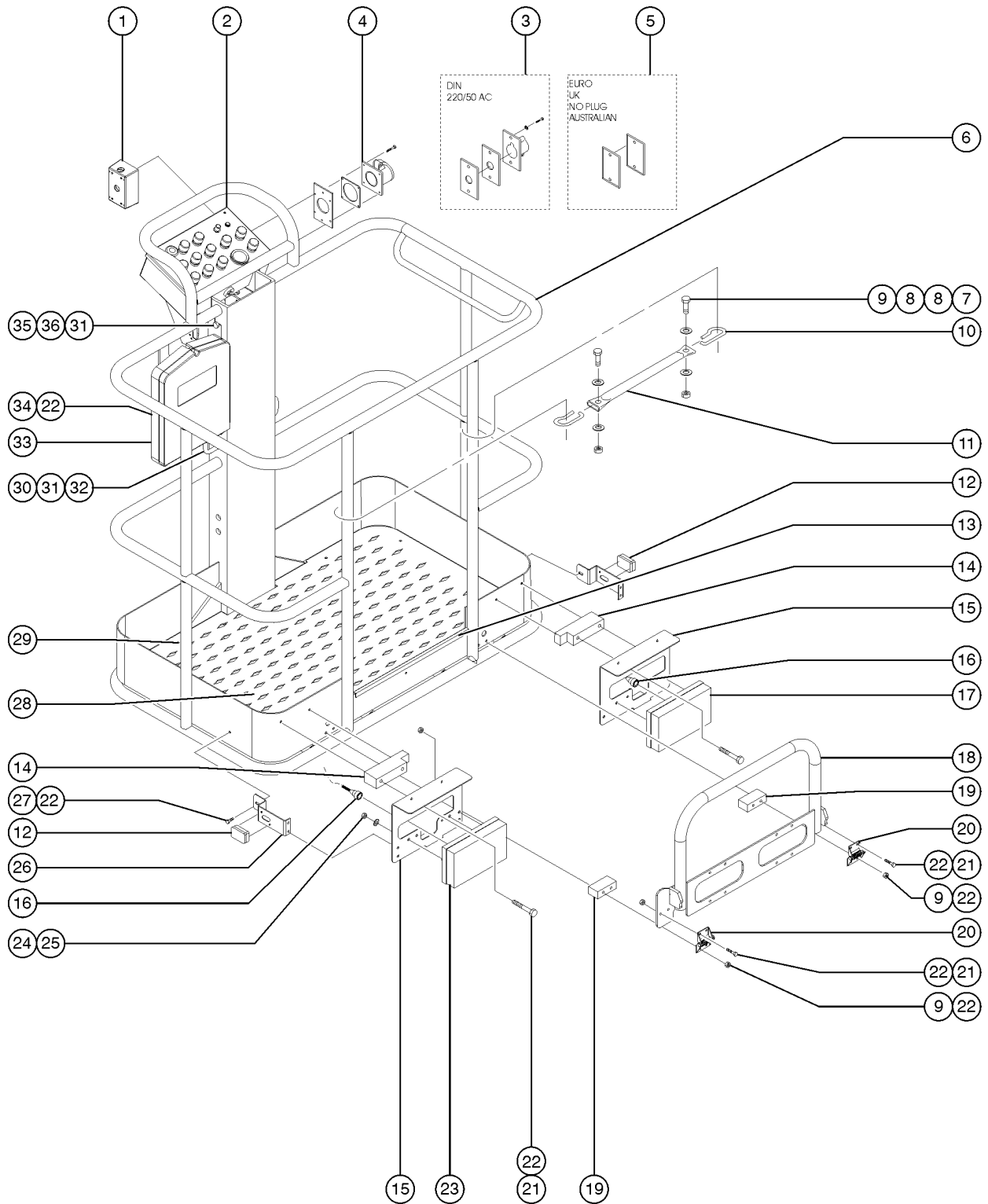
505.2 Platform Components - CE and Australia Models



505.2 Platform Components - CE and Australia Models

<i>Item</i>	<i>Part No.</i>	<i>Description</i>	<i>Qty.</i>
32	6034GT	NUT,HEX,JAM,1/2-13 .....	
33	44743GT	MANUAL BOX W/DECALS*** USA/Canada/Australia .....	1
33B	24514GT	BOX,INSTRUCTION STORAGE Europe/Asia/South America (decal required; refer to Section100) .....	
34	8914GT	SCREW,HHC,1/4-20 X .625 .....	
35	6096GT	SCREW,HHC,1/2-13 X 2 GR5 .....	
36	6095GT	WASHER,FLAT,USS,1/2",Y .....	

505.3 Platform Components - CE and Australia Models



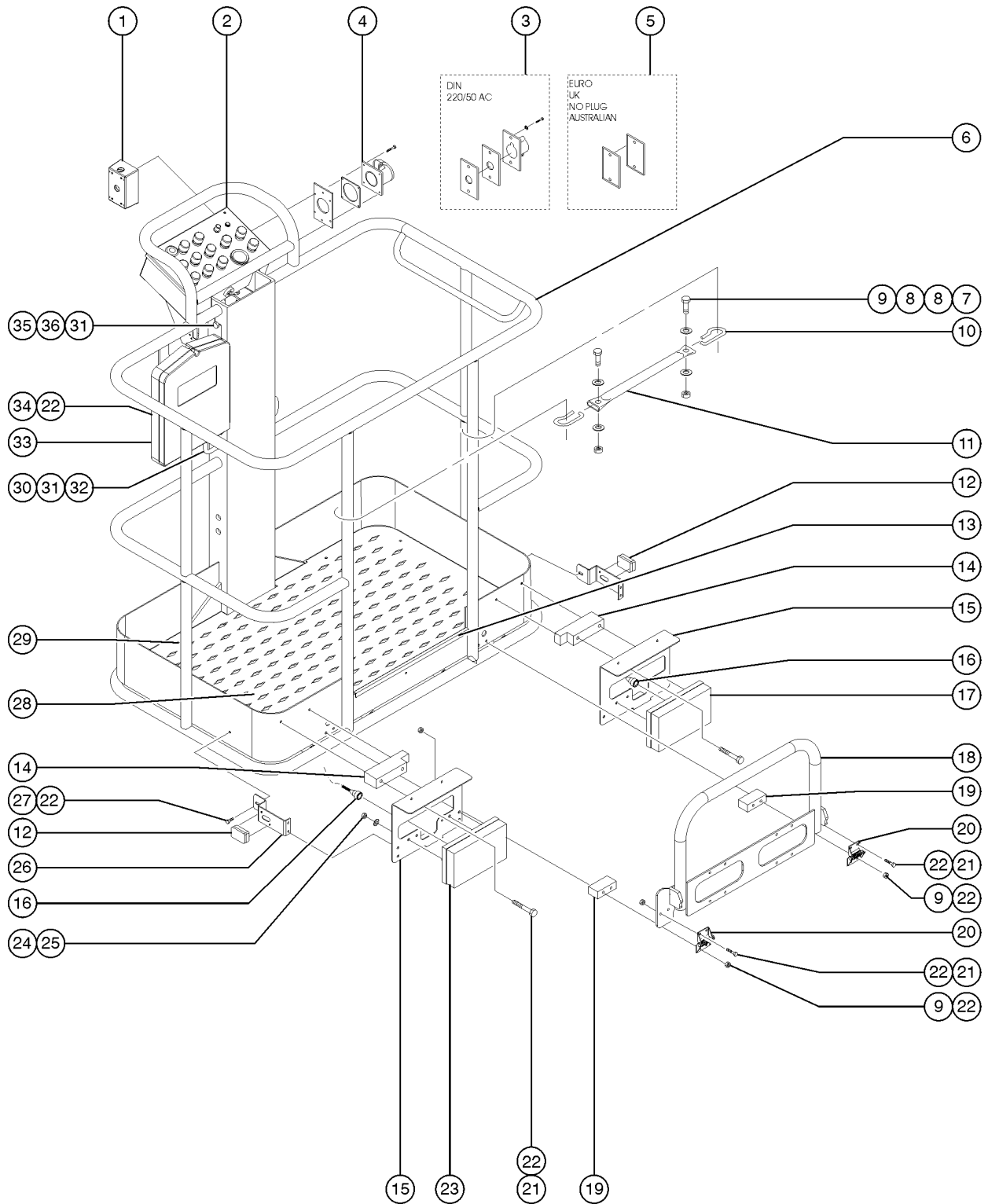


505.3 Platform Components - CE and Australia Models

Item	Part No.	Description	Qty.
-	97350GT	PLAT ASSY,SYM,TZ50,CE,W/O ROT floor included: Australia models; includes items 6, 28 and 29	
1	10775GT	T-BOX,2.75 X 4.5 X 2.0	1
1	6935GT	LOCKNUT,ELEC,1/2"	2
1	7056GT	CONN,SQUEEZE,1/2NPT .38-.50,SM	
1	6595GT	PLUG,ELECTRICAL,DOMESTIC	
2		Ref. Platform Controls (refer to 506.1)	
3	66353GT	RECEPTACLE, DIN, 220V 50A	1
3-	96236GT	PLATE,AC ADAPTER,DIN/UK***	1
3-	66355GT	GASKET, UK & DIN PWR. TO PLAT	1
3-	63375GT	SCREW,FHM,6-32 X .75	
4B	T112560GT	RECEPTACLE,UK,110V (from SN TZ5011-306)	
4B-	T112561GT	PLATE,UK,POWER TO PLAT (from SN TZ5011-306)	
4B-	66355GT	GASKET, UK & DIN PWR. TO PLAT (from SN TZ5011-306)	
4B-	63375GT	SCREW,FHM,6-32 X .75 (from SN TZ5011-306)	
5	10777GT	COVER,BLANK	
5-	96236GT	PLATE,AC ADAPTER,DIN/UK***	
5-	66355GT	GASKET, UK & DIN PWR. TO PLAT	
5-	63375GT	SCREW,FHM,6-32 X .75	
6A	97350GT	PLAT ASSY,SYM,TZ50,CE,W/O ROT CE models without rotate option (symbol decals)	1
6B	115105GT	PLAT ASSY,SYM,TZ50,CE,W/ROT CE models with rotate option (symbol decals)	
6C	227295GT	PLT ASM,WRD,ST,LS TZ50, AUS Australia models with drive option (word decals)	
6D	227296GT	PLT ASM,WRD,ROT,LS TZ50, AUS Australia models with rotate option (word decals)	
7	824060GT	SCREW, HHC, 1/4-20 X 1, 8, ZAG	
8	6638GT	WASHER,FLAT,USS,1/4"Y	
9	6090GT	SCREW,HHC,1/4-20 X .75	
10	41292GT	MID-RAIL GUIDE WITH LOOM	2
11	40712GT	TUBE,STD.SLIDING MIDRAIL-16.75	1
12B	129013GT	HRNS,SIDEMARKER,AUS Australia models	



505.3 Platform Components - CE and Australia Models

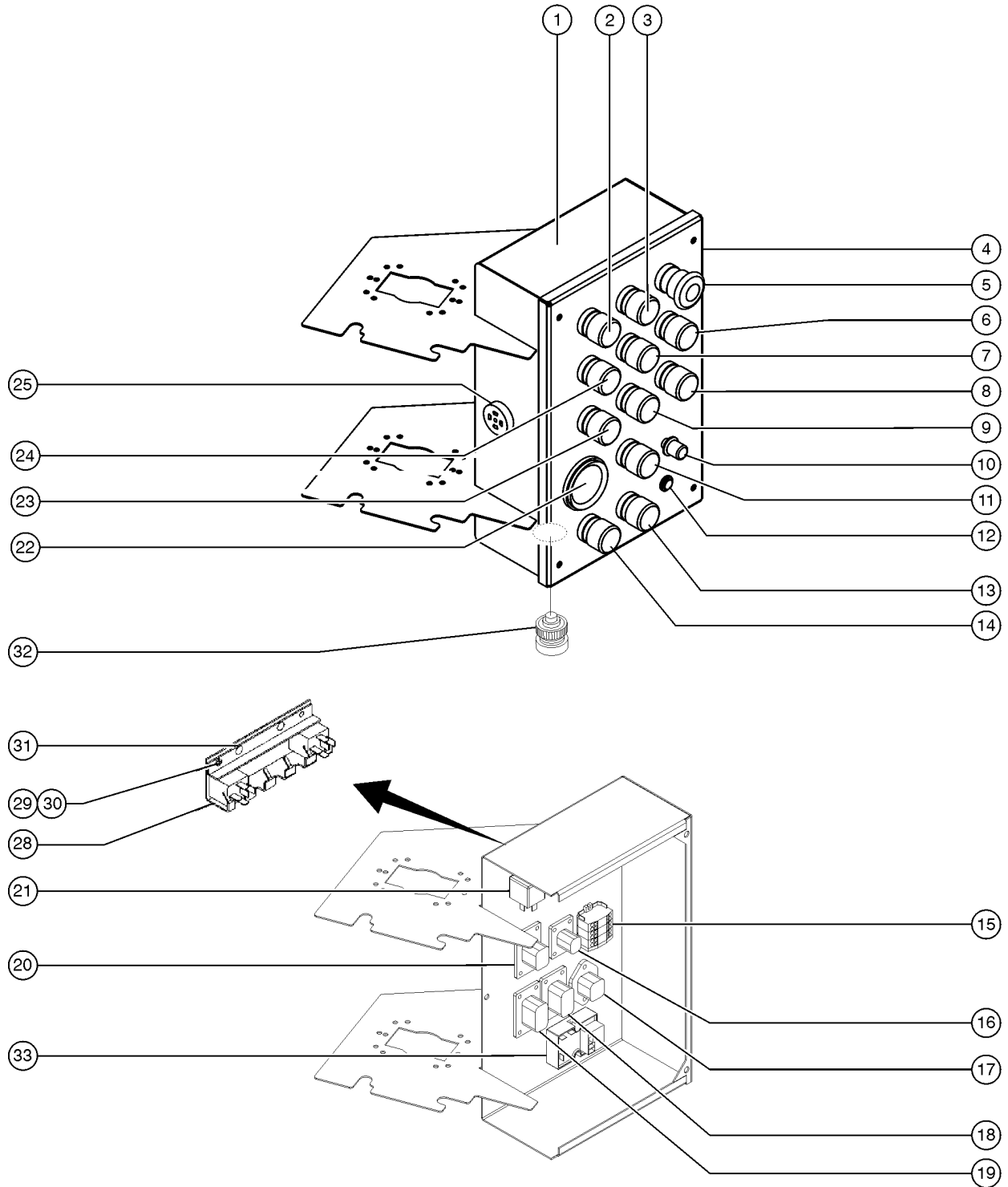


505.3 Platform Components - CE and Australia Models

Item	Part No.	Description	Qty.
12B-	72107GT	LENS,MARKER LIGHT ASSY (67875) ..... for 129013	
12B-	72108GT	BULB,12V DC (67875) ..... for 129013	
13	1697GT	TRIMLOCK,BLACK,3/16 .....	30
14	99432GT	SPACER,CE TAIL LIGHT*** .....	2
15	99709GT	FORMING,CE LIGHT BRACKET .....	2
16		Ref. Wire Harness Assembly ..... (refer to 308.1)	
17	229165GT	LIGHT, COMBO, RIGHT, CE .....	1
18	99496GT	WELDMENT,LADDER .....	1
19	99710GT	BLOCK, LADDER HINGE MOUNT .....	2
20	104804GT	HINGE, SPRING, LONG LEG .....	2
21	36294GT	SCREW,HHC,1/4-20 X 2.75 .....	
22	6091GT	NUT,NYLOCK,1/4-20 .....	
23	229166GT	LIGHT, COMBO, LEFT, CE .....	1
24	55017GT	NUT,HEX, M6 .....	
25	49407GT	WASHER,LOCK,M6 .....	
26	99708GT	FORMING,CE SIDE LIGHT BRACKET .....	2
27	8915GT	SCREW,HHC,1/4-20 X 1.25 .....	
28	99705GT	FLOORING,45X27 DIAMOND PLATE .....	1
29	71315GT	RIVET,DRIVE, .25 X .25 .....	
30	66778GT	U-BOLT,SQ BEND, 1/2-13 .....	2
31	6198GT	NUT,NYLOCK,1/2-13 .....	
32	6034GT	NUT,HEX,JAM,1/2-13 .....	
33	44743GT	MANUAL BOX W/DECALS*** ..... USA/Canada/Australia	1
33B	24514GT	BOX,INSTRUCTION STORAGE ..... Europe/Asia/South America (decals required; refer to Section100)	
34	8914GT	SCREW,HHC,1/4-20 X .625 .....	
35	6096GT	SCREW,HHC,1/2-13 X 2 GR5 .....	
36	6095GT	WASHER,FLAT,USS,1/2",Y .....	

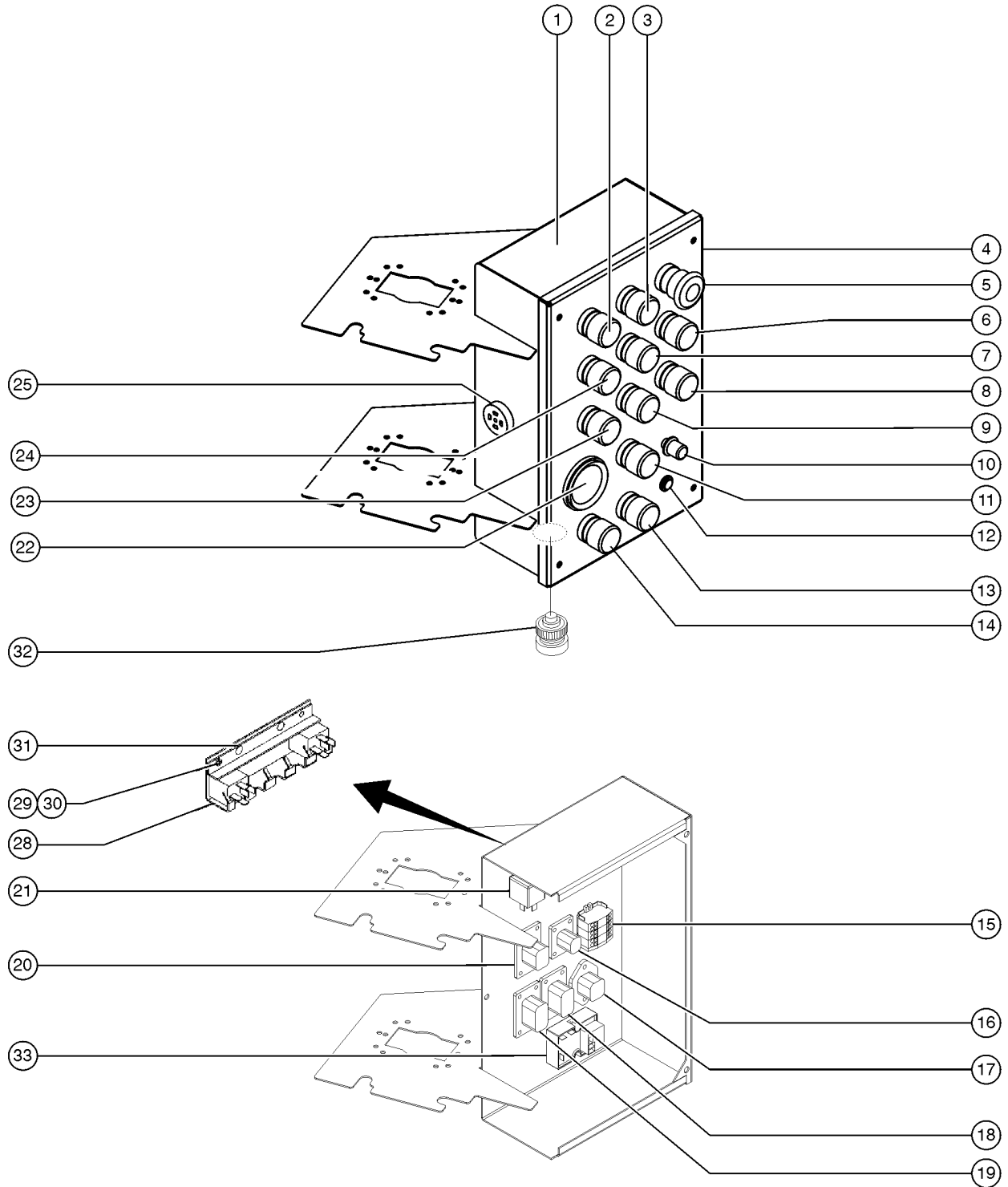


506.1 Platform Controls (2004)



Item	Part No.	Description	Qty.
A-		PLTFRM CNTRL BOX,ASSY (to SN TZ5011-207); Previous Control Box 105551GT is no longer available. For appropriate replacement (refer to 506.5, 506.3 and 506.7)	
B-	231168GT	CONTROL BOX ASSY, UPPER (to SN TZ5011-207) (models with engine option)	
C-	1287138GT	RESISTOR,4.7K OHM,25 WATT,SPADE	
D-	1294571GT	KIT, UPPER CONTROL BOX GUARD, TZ-50 includes installation instructions	
1A	99317GT	WELDMENT,UPPER CONTROL BOX (to SN TZ5011-207)	1
1C	1277801GT	BRACKET,MOUNT,UPPER CONTROL BOX,RHS,TZ-50	
1C	1277802GT	BRACKET,MOUNT,UPPER CONTROL BOX,LHS,TZ-50	
2	226320GT	ASM, BUTTON & BOOT, BLK function enable	1
2-	66814GT	BASE,WITH 2 N.O. CONTACTS***	
3	226320GT	ASM, BUTTON & BOOT, BLK function enable	1
3-	66814GT	BASE,WITH 2 N.O. CONTACTS***	
4A	84632GT	PLAT CONTOL BOX LID ASSY,TZ50 (to SN TZ5011-207)	1
5	226322GT	ASM, E-STOP & BOOT E-stop	1
5-	66817GT	BASE WITH 1 NC CONTACT, E-STOP includes 1 each N.C. Contact	
5-	66818GT	CONTACT,NC	
6	226320GT	ASM, BUTTON & BOOT, BLK platform level	1
6-	66815GT	BASE, W/1 N.O. CONTACTS***	
6-	66816GT	CONTACT,N.O	
7A	226320GT	ASM, BUTTON & BOOT, BLK platform rotate, if equipped	1
7A-	66815GT	BASE, W/1 N.O. CONTACTS***	
7A-	66816GT	CONTACT,N.O	
7B	15243GT	PLUG,NYLON .875 BLACK DOMED (models without platform rotate)	1
8	226320GT	ASM, BUTTON & BOOT, BLK primary boom, extend/retract	
8-	66815GT	BASE, W/1 N.O. CONTACTS***	
8-	66816GT	CONTACT,N.O	
9	226320GT	ASM, BUTTON & BOOT, BLK primary boom, up/down	
9-	66815GT	BASE, W/1 N.O. CONTACTS***	
9-	66816GT	CONTACT,N.O	

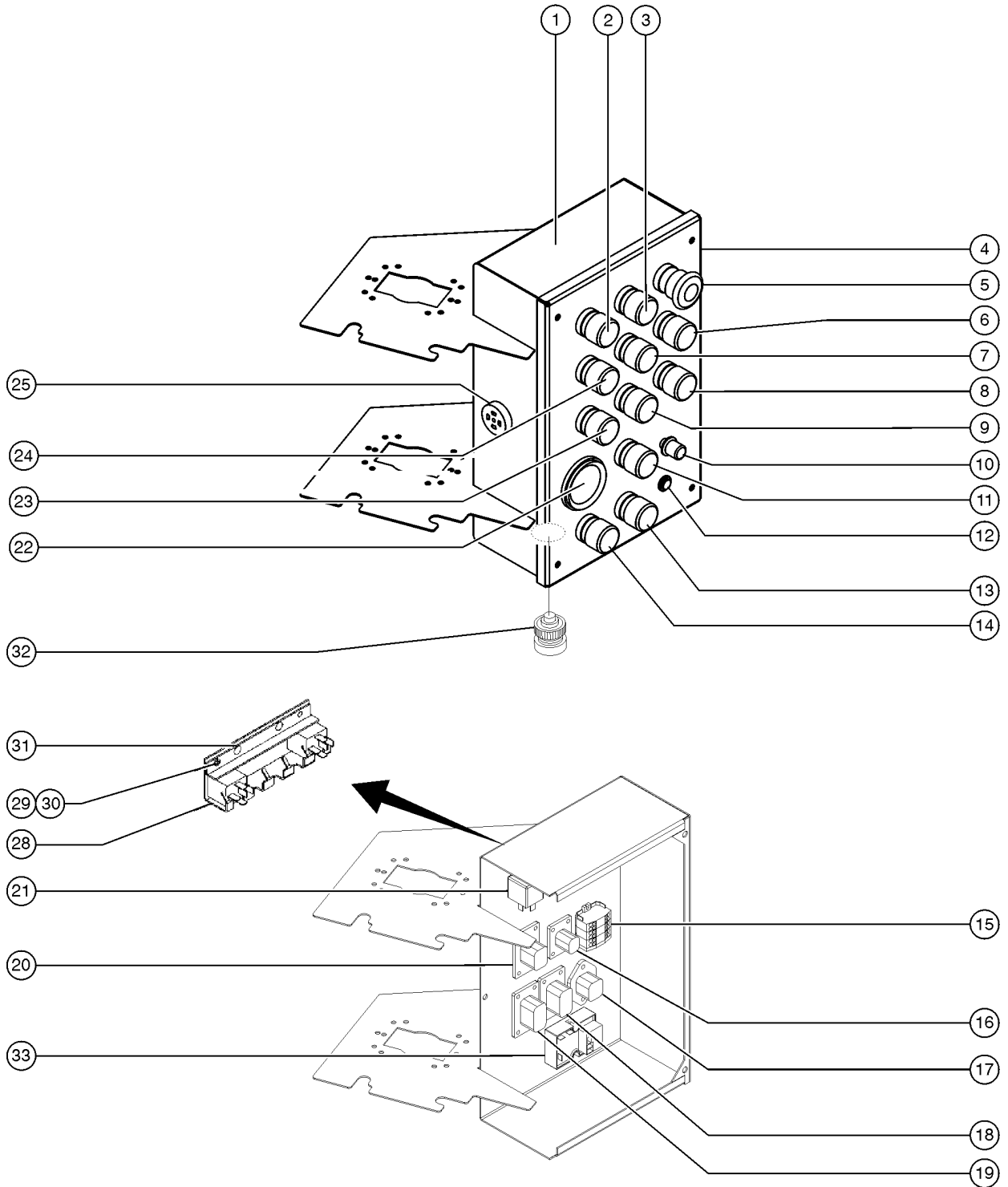
506.1 Platform Controls (2004)



Item	Part No.	Description	Qty.
10	104327GT	POTENTIOMETER ASSY 1-10K .....	1
10-	44992GT	KNOB,POTENTIOMETER, 42427 .....	
		for 104327	
11	226320GT	ASM, BUTTON & BOOT, BLK .....	
		jib boom, up/down	
11-	66815GT	BASE, W/1 N.O. CONTACTS*** .....	
11-	66816GT	CONTACT,N.O .....	
12A	99088GT	LED,RED 24V FLASHING .....	1
		CE models; platform overload indicator	
12B	21858GT	PLUG,NYLON .38 BLACK DOMED .....	
		ANSI and CSA models	
13A	226320GT	ASM, BUTTON & BOOT, BLK .....	1
		Bi-fuel and Engine models; engine start	
13A-	66815GT	BASE, W/1 N.O. CONTACTS*** .....	
13A-	66816GT	CONTACT,N.O .....	
13B	15243GT	PLUG,NYLON .875 BLACK DOMED .....	1
		DC models	
14A	226320GT	ASM, BUTTON & BOOT, BLK .....	1
		Bi-fuel and Engine models; engine chock	
14A-	66815GT	BASE, W/1 N.O. CONTACTS*** .....	
14A-	66816GT	CONTACT,N.O .....	
14B	15243GT	PLUG,NYLON .875 BLACK DOMED .....	1
		DC models	
15	76481GT	TERMINAL BLK,END,4-PORT .....	1
15	76478GT	TERMINAL BLK,INLINE,4-PORT .....	2
15-	76480GT	TERMINAL BLK,END .....	1
16A	73723GT	CONN RECEPT,FLANGED .....	1
		models with load sense option	
17	73717GT	CONN,RECEP 4 WAY,12-14GA FL*** .....	1
18	73730GT	CONN,RECEP 12 WAY,GRY FLANGE .....	1
19	73733GT	CONN,RECEP 12 WAY,BLK FLANGE .....	1
20	87755GT	CONN,RECEP 8 WAY 14-18GA,FL .....	1
21A	78098GT	RELAY,24VDC,40/30A,SLD W/BRKT* .....	5
		(to SN TZ5004-124)	
21B	56302GT	RELAY,24VDC,40/30A,SEALED*** .....	5
		(from SN TZ5004-125 to SN TZ5004-181)	
21C	56302GT	RELAY,24VDC,40/30A,SEALED*** .....	4
		(from SN TZ5004-182)	
22A	76647GT	INDICATOR, BATTERY DISCHARGE .....	1
		(to SN TZ5011-207)	
22B	45840GT	PLUG,NYLON 2.00 BLACK DOMED .....	
		models with no Battery Charge Indicator option	



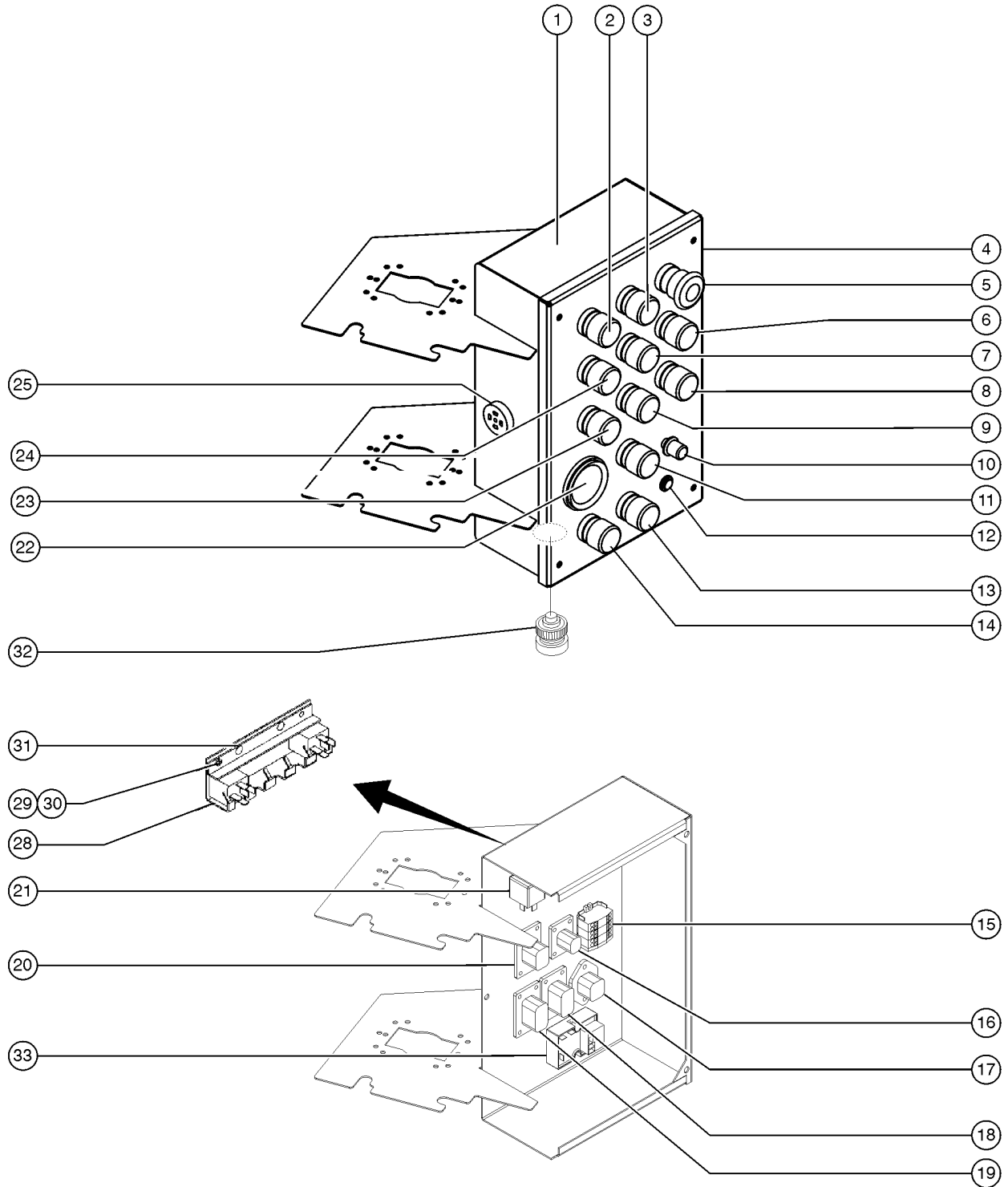
506.1 Platform Controls (2004)





<i>Item</i>	<i>Part No.</i>	<i>Description</i>	<i>Qty.</i>
23	226320GT	ASM, BUTTON & BOOT, BLK .....	
23-	66815GT	BASE, W/1 N.O. CONTACTS*** .....	
23-	66816GT	CONTACT,N.O .....	
24	226320GT	ASM, BUTTON & BOOT, BLK .....	
24-	66815GT	BASE, W/1 N.O. CONTACTS*** .....	
24-	66816GT	CONTACT,N.O .....	
25	45383GT	ALARM,WARBLE TONE 5-30 VDC*** Does not include 72326 nut .....	1
25-	72326GT	NUT - PLASTIC, RING FOR ALARMS .....	
28	104708GT	FORMING, RELAY MOUNT TZ50 UPR (from SN TZ5004-125) .....	
29	49818GT	SCREW,PHILLIPS,PHM,10-32 X .38 (from SN TZ5004-125) .....	
30	23405GT	NUTSERT,10-32 STEEL CAD PLTD (from SN TZ5004-125) .....	
31	104491GT	FORMING,RELAY HOLDER TZ50 UPR (from SN TZ5004-125) .....	
32B	15243GT	PLUG,NYLON .875 BLACK DOMED (models without horn option) (not shown) .....	
33	147253GT	TIME DELAY RELAY,2 SEC,24VDC CE models .....	1

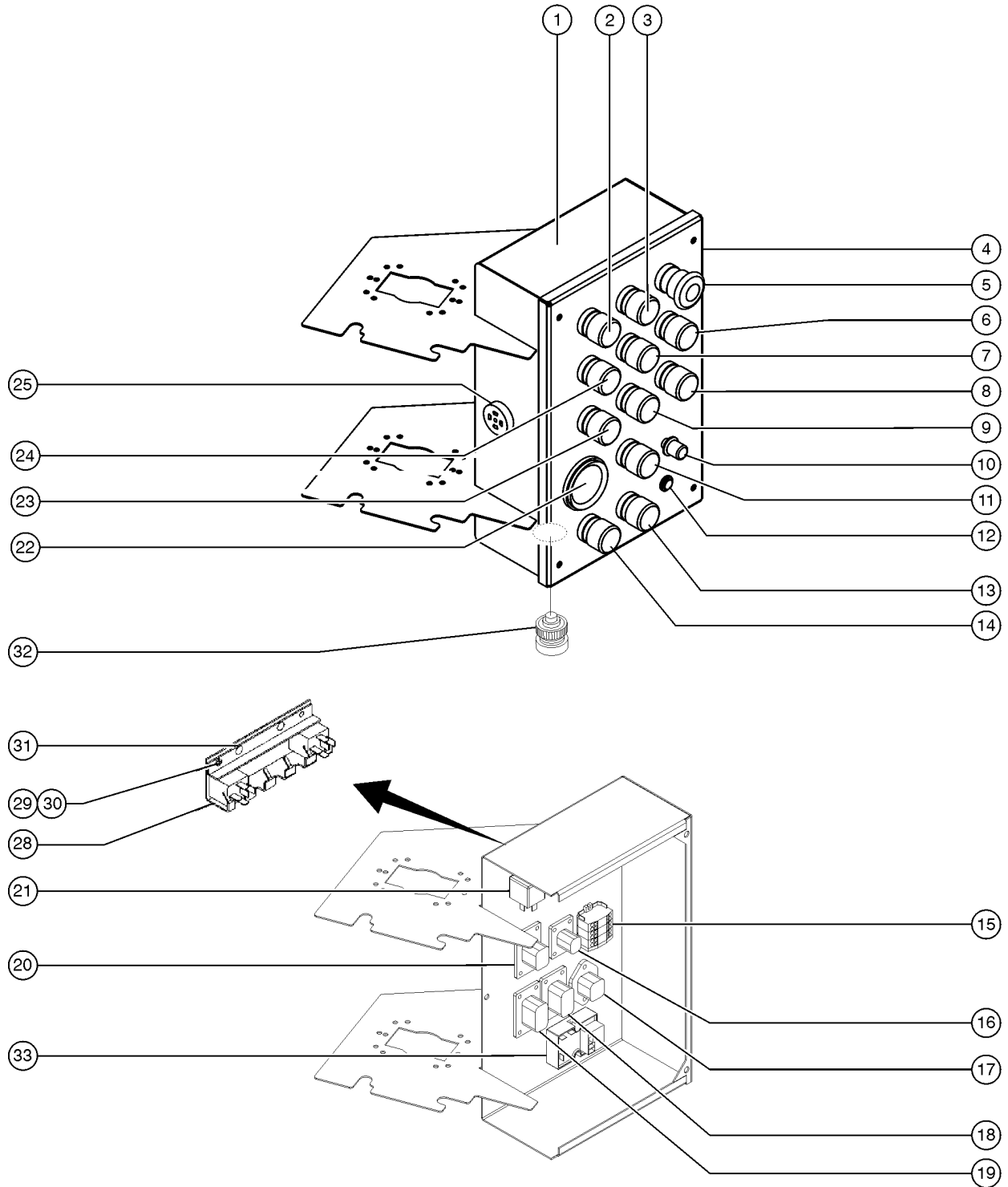
506.2 Platform Controls (2005 through 2007)



Item	Part No.	Description	Qty.
A-		PLTFRM CNTRL BOX,ASSY (to SN TZ5011-207); Previous Control Box 105551GT is no longer available. For appropriate replacement (refer to 506.5, 506.3 and 506.7)	
B-	231168GT	CONTROL BOX ASSY, UPPER (to SN TZ5011-207) (models with engine option)	
C-	1287138GT	RESISTOR,4.7K OHM,25 WATT,SPADE	
D-	1294571GT	KIT, UPPER CONTROL BOX GUARD, TZ-50 includes installation instructions	
1	99317GT	WELDMENT,UPPER CONTROL BOX (to SN TZ5011-207)	1
1C	1277801GT	BRACKET,MOUNT,UPPER CONTROL BOX,RHS,TZ-50	
1C	1277802GT	BRACKET,MOUNT,UPPER CONTROL BOX,LHS,TZ-50	
2	226320GT	ASM, BUTTON & BOOT, BLK function enable	1
2-	66814GT	BASE,WITH 2 N.O. CONTACTS***	
3	226320GT	ASM, BUTTON & BOOT, BLK function enable	1
3-	66814GT	BASE,WITH 2 N.O. CONTACTS***	
4A	84632GT	PLAT CONTOL BOX LID ASSY,TZ50 (to SN TZ5011-207)	1
5	226322GT	ASM, E-STOP & BOOT E-stop	1
5-	66817GT	BASE WITH 1 NC CONTACT, E-STOP includes 1 each N.C. Contact	
5-	66818GT	CONTACT,NC	
6	226320GT	ASM, BUTTON & BOOT, BLK platform level	1
6-	66815GT	BASE, W/1 N.O. CONTACTS***	
6-	66816GT	CONTACT,N.O	
7A	226320GT	ASM, BUTTON & BOOT, BLK platform rotate, if equipped	1
7A-	66815GT	BASE, W/1 N.O. CONTACTS***	
7A-	66816GT	CONTACT,N.O	
7B	15243GT	PLUG,NYLON .875 BLACK DOMED	1
8	226320GT	ASM, BUTTON & BOOT, BLK primary boom extend/retract	
8-	66815GT	BASE, W/1 N.O. CONTACTS***	
8-	66816GT	CONTACT,N.O	
9	226320GT	ASM, BUTTON & BOOT, BLK primary boom up/down	
9-	66815GT	BASE, W/1 N.O. CONTACTS***	
9-	66816GT	CONTACT,N.O	



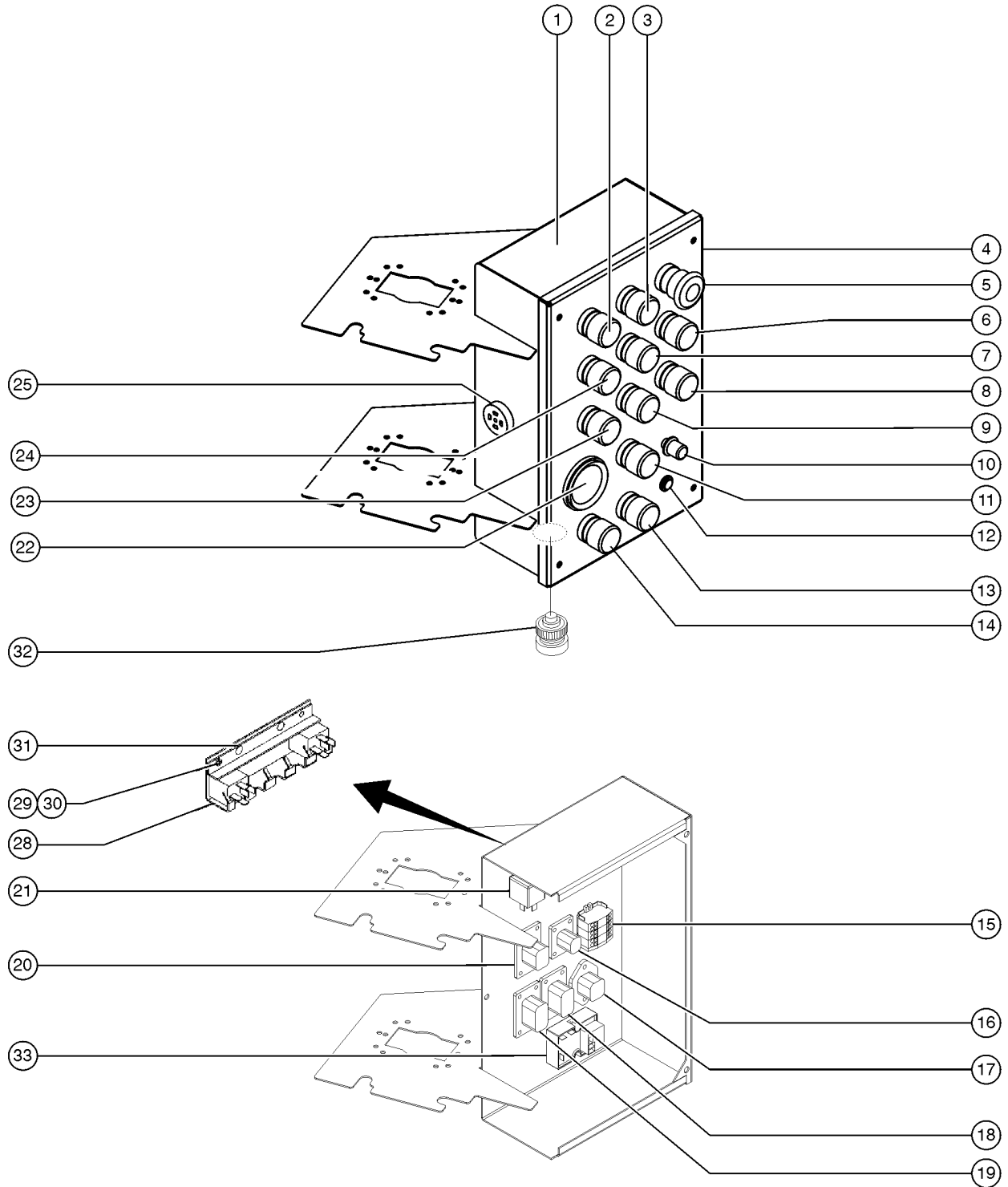
506.2 Platform Controls (2005 through 2007)



Item	Part No.	Description	Qty.
10	104327GT	POTENTIOMETER ASSY 1-10K .....	1
10-	44992GT	KNOB,POTENTIOMETER, 42427 ..... for 104327	
11	226320GT	ASM, BUTTON & BOOT, BLK ..... jib boom up/down	
11-	66815GT	BASE, W/1 N.O. CONTACTS*** .....	
11-	66816GT	CONTACT,N.O .....	
12A	99088GT	LED,RED 24V FLASHING ..... CE models; platfrom overload indicator	1
12B	21858GT	PLUG,NYLON .38 BLACK DOMED ..... ANSI and CSA models	
13A	226320GT	ASM, BUTTON & BOOT, BLK ..... Bi-fuel and Engine models: engine start	1
13A-	66815GT	BASE, W/1 N.O. CONTACTS*** .....	
13A-	66816GT	CONTACT,N.O .....	
13B	15243GT	PLUG,NYLON .875 BLACK DOMED ..... DC models	1
14A	226320GT	ASM, BUTTON & BOOT, BLK ..... Bi-fuel and Engine models; engine chock	1
14A-	66815GT	BASE, W/1 N.O. CONTACTS*** .....	
14A-	66816GT	CONTACT,N.O .....	
14B	15243GT	PLUG,NYLON .875 BLACK DOMED ..... DC models	1
15	76481GT	TERMINAL BLK,END,4-PORT .....	1
15	76478GT	TERMINAL BLK,INLINE,4-PORT .....	8
15	76480GT	TERMINAL BLK,END .....	1
16A	73723GT	CONN RECEP,FLANGED ..... models with load sense option	1
17	73717GT	CONN,RECEP 4 WAY,12-14GA FL*** .....	1
18	73730GT	CONN,RECEP 12 WAY,GRY FLANGE .....	1
19	73733GT	CONN,RECEP 12 WAY,BLK FLANGE .....	1
20	87755GT	CONN,RECEP 8 WAY 14-18GA,FL .....	1
21C	56302GT	RELAY,24VDC,40/30A,SEALED*** .....	4
22A	76647GT	INDICATOR, BATTERY DISCHARGE ..... (to SN TZ5011-207)	1
22B	45840GT	PLUG,NYLON 2.00 BLACK DOMED ..... models with no Battery Charge Indicator option	
23	226320GT	ASM, BUTTON & BOOT, BLK .....	
23-	66815GT	BASE, W/1 N.O. CONTACTS*** .....	

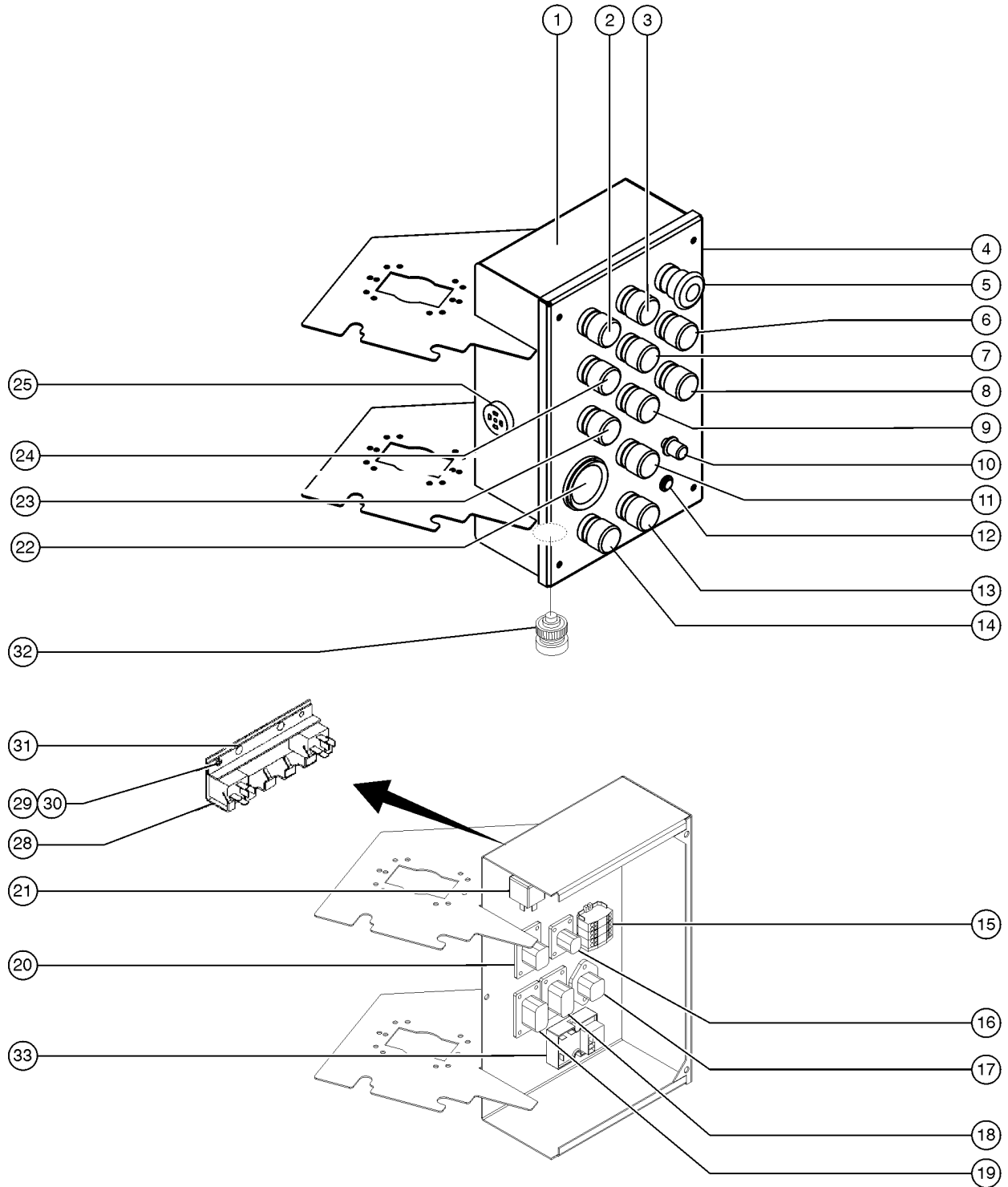


506.2 Platform Controls (2005 through 2007)



<i>Item</i>	<i>Part No.</i>	<i>Description</i>	<i>Qty.</i>
23-	66816GT	CONTACT,N.O .....	
24	226320GT	ASM, BUTTON & BOOT, BLK .....	
24-	66815GT	BASE, W/1 N.O. CONTACTS*** .....	
24-	66816GT	CONTACT,N.O .....	
25	45383GT	ALARM,WARBLE TONE 5-30 VDC*** Does not include 72326 nut .....	1
25-	72326GT	NUT - PLASTIC, RING FOR ALARMS .....	
28	104708GT	FORMING, RELAY MOUNT TZ50 UPR (from SN TZ5004-125) .....	
29	49818GT	SCREW,PHILLIPS,PHM,10-32 X .38 (from SN TZ5004-125) .....	
30	23405GT	NUTSERT,10-32 STEEL CAD PLTD (from SN TZ5004-125) .....	
31	104491GT	FORMING,RELAY HOLDER TZ50 UPR (from SN TZ5004-125) .....	
32B	15243GT	PLUG,NYLON .875 BLACK DOMED (models without horn option) .....	
33	147253GT	TIME DELAY RELAY,2 SEC,24VDC CE models .....	1

506.3 Platform Controls (2008 through 2010)



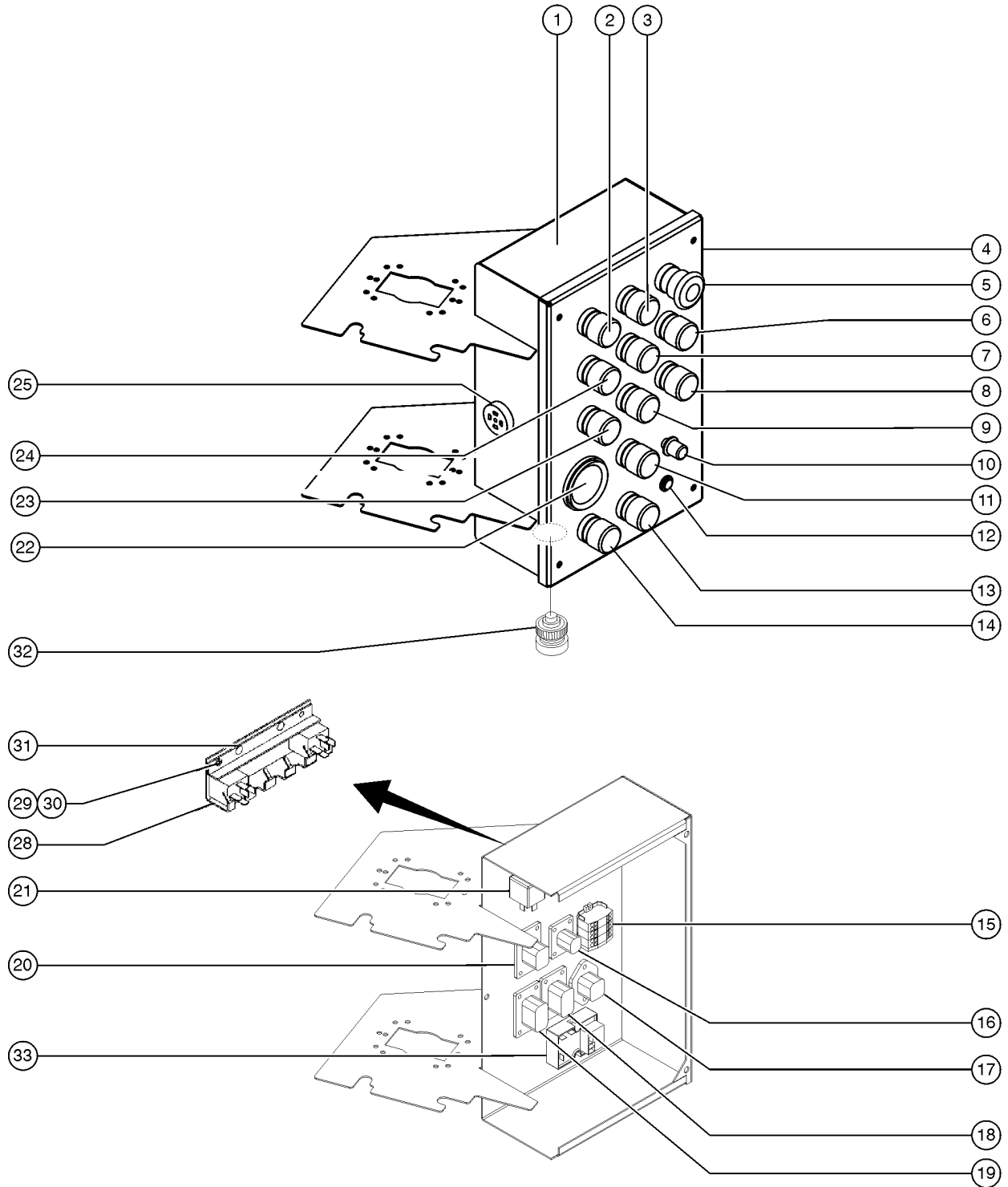


506.3 Platform Controls (2008 through 2010)

Item	Part No.	Description	Qty.
A-		PLTFRM CNTRL BOX,ASSY (to SN TZ5011-207); Previous Control Box 10551GT is no longer available. For appropriate replacement (refer to 506.5, 506.3 and 506.7)	
B-	231168GT	CONTROL BOX ASSY, UPPER (to SN TZ5011-207) (models with engine option)	
C-	1287138GT	RESISTOR,4.7K OHM,25 WATT,SPADE	1
D-	1294571GT	KIT, UPPER CONTROL BOX GUARD, TZ-50 includes installation instructions	
1	230348GT	WELDMENT,UPPER CONTROL BOX (from SN TZ5011-208)	
1C	1277801GT	BRACKET,MOUNT,UPPER CONTROL BOX,RHS,TZ-50	
1C	1277802GT	BRACKET,MOUNT,UPPER CONTROL BOX,LHS,TZ-50	
2	226320GT	ASM, BUTTON & BOOT, BLK function enable	1
2-	66814GT	BASE,WITH 2 N.O. CONTACTS***	
3	226320GT	ASM, BUTTON & BOOT, BLK function enable	1
3-	66814GT	BASE,WITH 2 N.O. CONTACTS***	
4A	84632GT	PLAT CONTOL BOX LID ASSY,TZ50 (to SN TZ5011-207)	1
4B	237575GT	PLATFORM CONTROL BOX LID ASSY (from SN TZ5011-208) (lid)	
5	226322GT	ASM, E-STOP & BOOT E-stop	1
5-	66817GT	BASE WITH 1 NC CONTACT, E-STOP includes 1 each N.C. Contact	
5-	66818GT	CONTACT,NC	
6	226320GT	ASM, BUTTON & BOOT, BLK platform level	1
6-	66815GT	BASE, W/1 N.O. CONTACTS***	
6-	66816GT	CONTACT,N.O	
7A	226320GT	ASM, BUTTON & BOOT, BLK platform rotate, if equipped	1
7A-	66815GT	BASE, W/1 N.O. CONTACTS***	
7A-	66816GT	CONTACT,N.O	
7B	15243GT	PLUG,NYLON .875 BLACK DOMED	1
8	226320GT	ASM, BUTTON & BOOT, BLK primary boom extend/retract	
8-	66815GT	BASE, W/1 N.O. CONTACTS***	
8-	66816GT	CONTACT,N.O	
9	226320GT	ASM, BUTTON & BOOT, BLK primary boom up/down	
9-	66815GT	BASE, W/1 N.O. CONTACTS***	



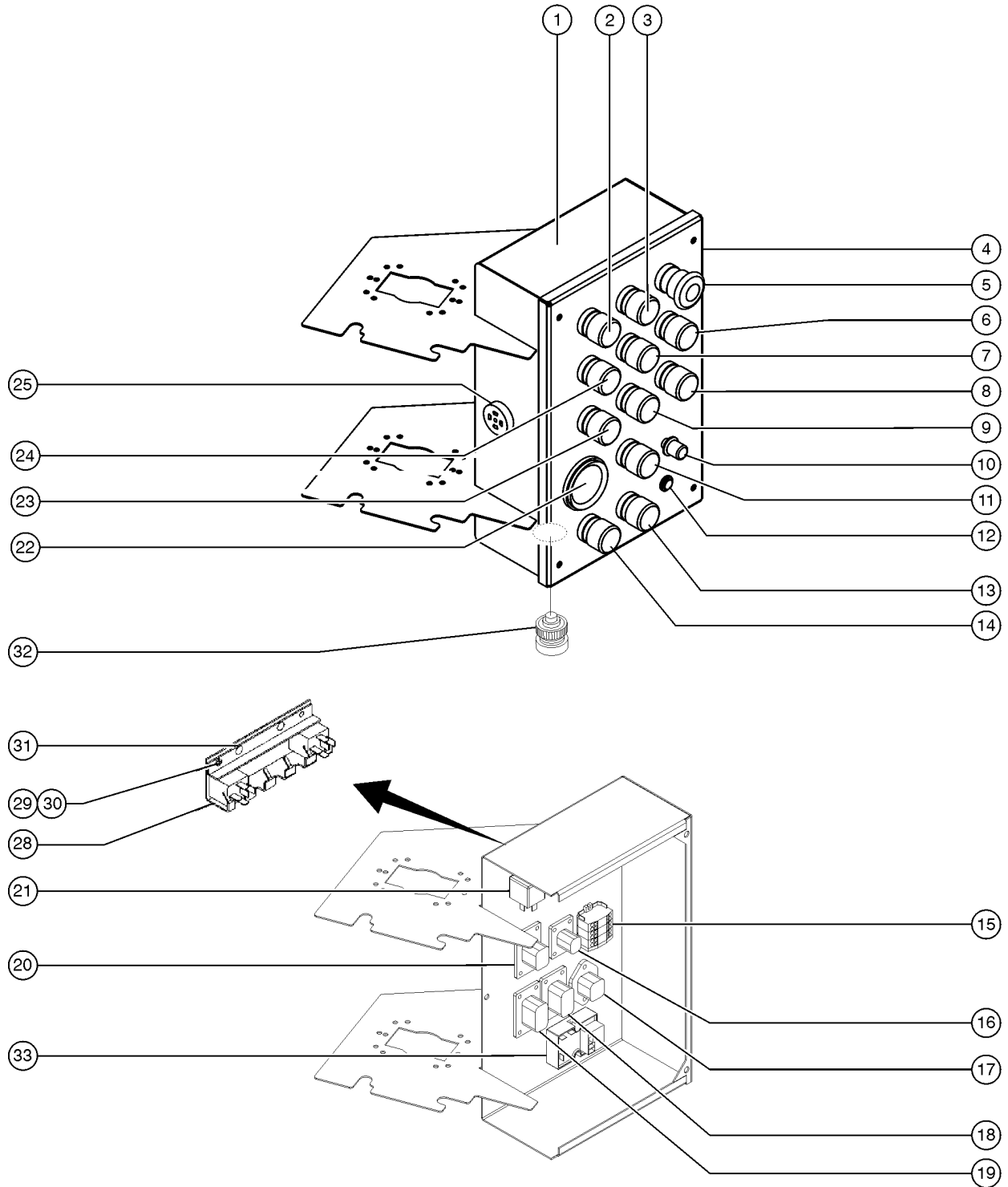
506.3 Platform Controls (2008 through 2010)



Item	Part No.	Description	Qty.
9-	66816GT	CONTACT,N.O .....	
10	104327GT	POTENTIOMETER ASSY 1-10K .....	1
10-	44992GT	KNOB,POTENTIOMETER, 42427 .....	
		for 104327	
11	226320GT	ASM, BUTTON & BOOT, BLK .....	
		jib boom up/down	
11-	66815GT	BASE, W/1 N.O. CONTACTS*** .....	
11-	66816GT	CONTACT,N.O .....	
12A	99088GT	LED,RED 24V FLASHING .....	1
		CE models; platfrom overload indicator	
12B	21858GT	PLUG,NYLON .38 BLACK DOMED .....	
		ANSI and CSA models	
13A	226320GT	ASM, BUTTON & BOOT, BLK .....	1
		Bi-fuel and Engine models: engine start	
13A-	66815GT	BASE, W/1 N.O. CONTACTS*** .....	
13A-	66816GT	CONTACT,N.O .....	
13B	15243GT	PLUG,NYLON .875 BLACK DOMED .....	1
		DC models	
14A	226320GT	ASM, BUTTON & BOOT, BLK .....	1
		Bi-fuel and Engine models; engine chock	
14A-	66815GT	BASE, W/1 N.O. CONTACTS*** .....	
14A-	66816GT	CONTACT,N.O .....	
14B	15243GT	PLUG,NYLON .875 BLACK DOMED .....	1
		DC models	
15	76481GT	TERMINAL BLK,END,4-PORT .....	1
15	76478GT	TERMINAL BLK,INLINE,4-PORT .....	8
15	76480GT	TERMINAL BLK,END .....	1
16A	73723GT	CONN RECEP,FLANGED .....	1
		models with load sense option	
16B	99885GT	PLATE, PLUG COVER, 4 WAY .....	1
		models without load sense option	
17	73717GT	CONN,RECEP 4 WAY,12-14GA FL*** .....	1
18	73730GT	CONN,RECEP 12 WAY,GRY FLANGE .....	1
19	73733GT	CONN,RECEP 12 WAY,BLK FLANGE .....	1
20	87755GT	CONN,RECEP 8 WAY 14-18GA,FL .....	1
21C	56302GT	RELAY,24VDC,40/30A,SEALED*** .....	4
22A	76647GT	INDICATOR, BATTERY DISCHARGE .....	1
22B	45840GT	PLUG,NYLON 2.00 BLACK DOMED .....	
		models with no Battery Charge Indicator option	

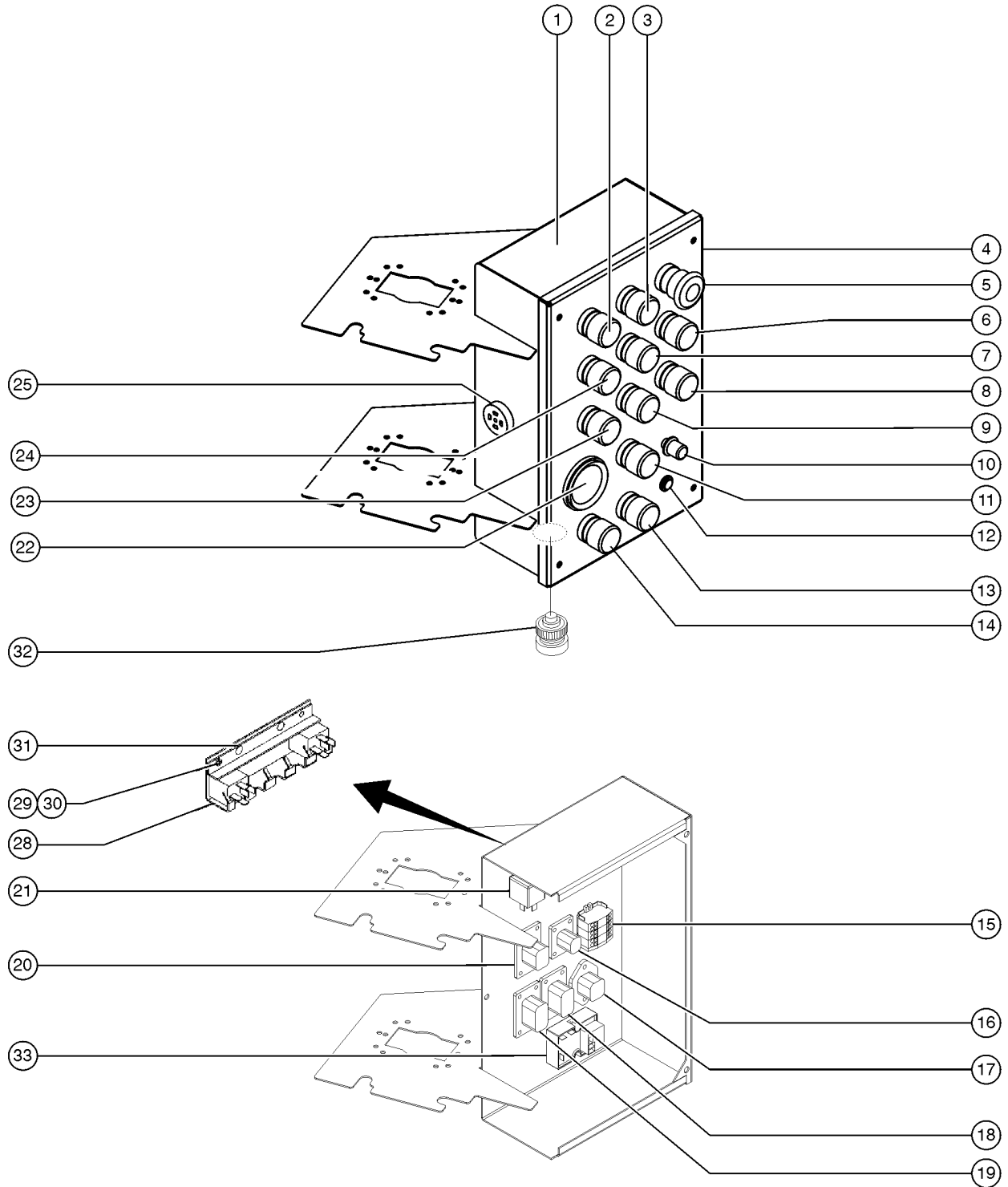


506.3 Platform Controls (2008 through 2010)



Item	Part No.	Description	Qty.
23	226320GT	ASM, BUTTON & BOOT, BLK .....	
23-	66815GT	BASE, W/1 N.O. CONTACTS*** .....	
23-	66816GT	CONTACT,N.O .....	
24	226320GT	ASM, BUTTON & BOOT, BLK .....	
24-	66815GT	BASE, W/1 N.O. CONTACTS*** .....	
24-	66816GT	CONTACT,N.O .....	
25	45383GT	ALARM,WARBLE TONE 5-30 VDC*** does not include retainer nut .....	1
25-	72326GT	NUT - PLASTIC, RING FOR ALARMS .....	
28	104708GT	FORMING, RELAY MOUNT TZ50 UPR .....	1
29	49818GT	SCREW,PHILLIPS,PHM,10-32 X .38 .....	
30	23405GT	NUTSERT,10-32 STEEL CAD PLTD .....	
31	104491GT	FORMING,RELAY HOLDER TZ50 UPR .....	1
32A	226320GT	ASM, BUTTON & BOOT, BLK .....	
		(models with horn option)	
32A-	66815GT	BASE, W/1 N.O. CONTACTS*** .....	
		(models with horn option)	
32A-	66816GT	CONTACT,N.O .....	
		(models with horn option)	
32B	15243GT	PLUG,NYLON .875 BLACK DOMED .....	
		(models without horn option)	
33	147253GT	TIME DELAY RELAY,2 SEC,24VDC .....	1
		CE models	

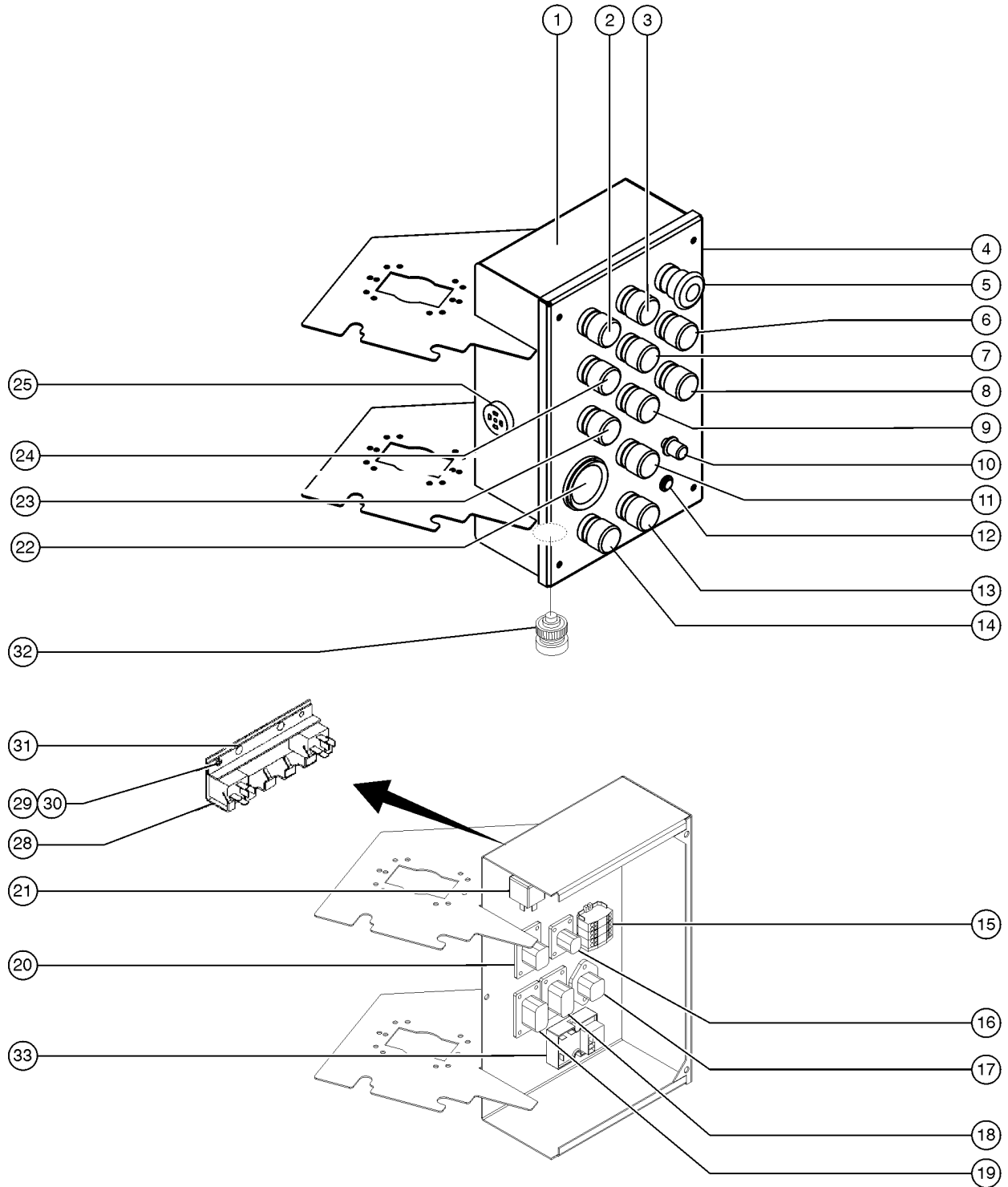
506.4 Platform Controls (2011)



Item	Part No.	Description	Qty.
A-		PLTFRM CNTRL BOX,ASSY (to SN TZ5011-207); Previous Control Box 105551GT is no longer available. For appropriate replacement (refer to 506.5, 506.3 and 506.7)	
A-	231434GT	PLATFORM CONTROL BOX ASSEMBLY (from SN TZ5011-208)	
B-	231168GT	CONTROL BOX ASSY, UPPER (to SN TZ5011-207) (models with engine option)	
C-	1287138GT	RESISTOR,4.7K OHM,25 WATT,SPADE	1
D-	1294571GT	KIT, UPPER CONTROL BOX GUARD, TZ-50 includes installation instructions	
1	99317GT	WELDMENT,UPPER CONTROL BOX (to SN TZ5011-207)	1
1B	230348GT	WELDMENT,UPPER CONTROL BOX (from SN TZ5011-208)	
1C	1277801GT	BRACKET,MOUNT,UPPER CONTROL BOX,RHS,TZ-50	
1B	1277802GT	BRACKET,MOUNT,UPPER CONTROL BOX,LHS,TZ-50	
2	226320GT	ASM, BUTTON & BOOT, BLK function enable	1
2-	66814GT	BASE,WITH 2 N.O. CONTACTS***	
3	226320GT	ASM, BUTTON & BOOT, BLK function enable	1
3-	66814GT	BASE,WITH 2 N.O. CONTACTS***	
4A	84632GT	PLAT CONTOL BOX LID ASSY,TZ50 (to SN TZ5011-207)	1
4B	237575GT	PLATFORM CONTROL BOX LID ASSY (from SN TZ5011-208) (lid)	
5	226322GT	ASM, E-STOP & BOOT E-stop	1
5-	66817GT	BASE WITH 1 NC CONTACT, E-STOP includes 1 each N.C. Contact	
5-	66818GT	CONTACT,NC	
6	226320GT	ASM, BUTTON & BOOT, BLK platform level	1
6-	66815GT	BASE, W/1 N.O. CONTACTS***	
6-	66816GT	CONTACT,N.O	
7A	226320GT	ASM, BUTTON & BOOT, BLK platform rotate, if equipped	1
7A-	66815GT	BASE, W/1 N.O. CONTACTS***	
7A-	66816GT	CONTACT,N.O	
7B	15243GT	PLUG,NYLON .875 BLACK DOMED	1
8	226320GT	ASM, BUTTON & BOOT, BLK primary boom extend/retract	
8-	66815GT	BASE, W/1 N.O. CONTACTS***	
8-	66816GT	CONTACT,N.O	



506.4 Platform Controls (2011)

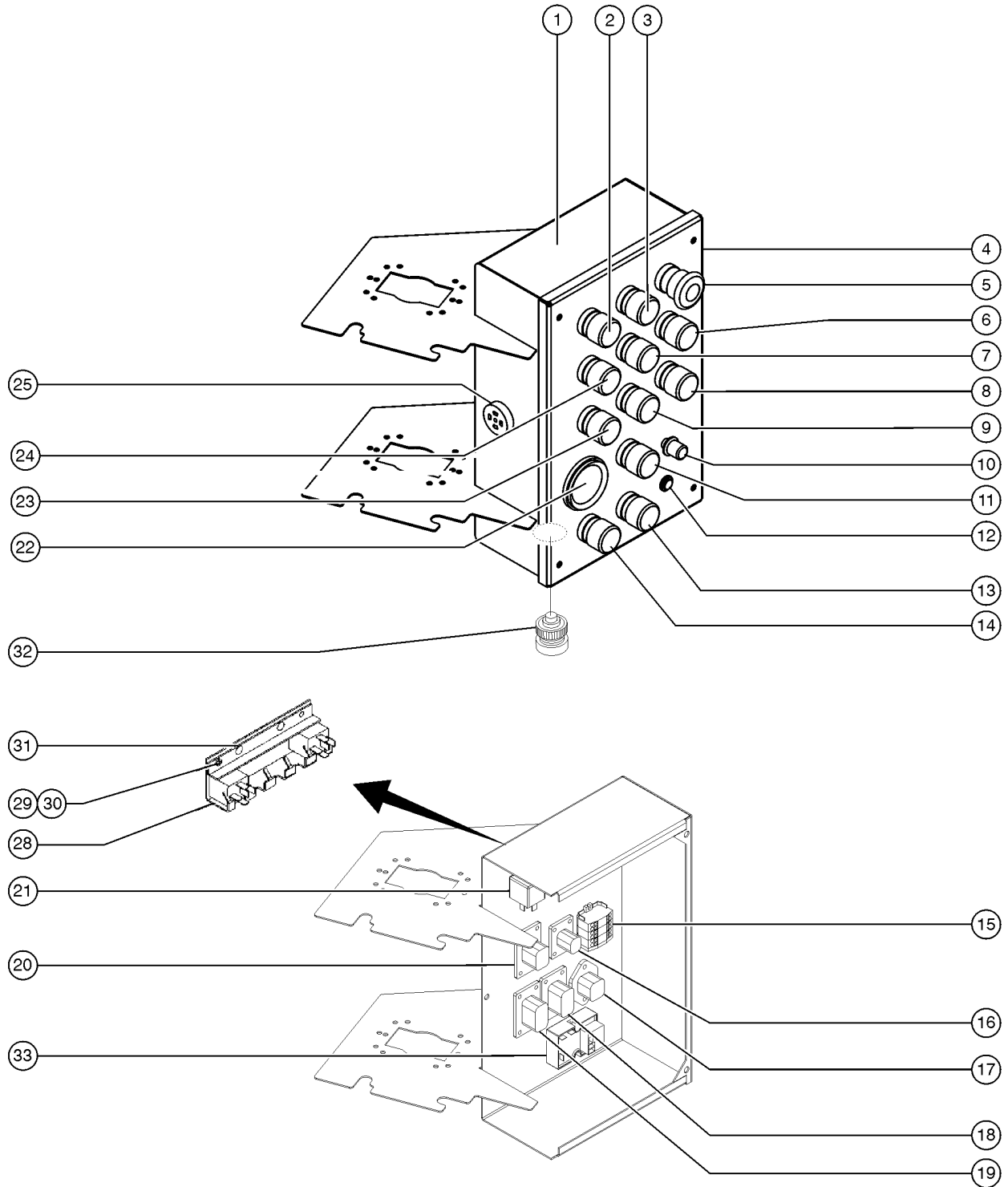




Item	Part No.	Description	Qty.
9	226320GT	ASM, BUTTON & BOOT, BLK ..... primary boom up/down	
9-	66815GT	BASE, W/1 N.O. CONTACTS*** .....	
9-	66816GT	CONTACT,N.O .....	
10	104327GT	POTENTIOMETER ASSY 1-10K .....	1
10-	44992GT	KNOB,POTENTIOMETER, 42427 ..... for 104327	
11	226320GT	ASM, BUTTON & BOOT, BLK ..... jib boom up/down	
11-	66815GT	BASE, W/1 N.O. CONTACTS*** .....	
11-	66816GT	CONTACT,N.O .....	
12A	99088GT	LED,RED 24V FLASHING ..... CE models; platfrom overload indicator	1
12B	21858GT	PLUG,NYLON .38 BLACK DOMED ..... ANSI and CSA models	
13A	226320GT	ASM, BUTTON & BOOT, BLK ..... Bi-fuel and Engine models: engine start	1
13A-	66815GT	BASE, W/1 N.O. CONTACTS*** .....	
13A-	66816GT	CONTACT,N.O .....	
13B	15243GT	PLUG,NYLON .875 BLACK DOMED ..... DC models	1
14A	226320GT	ASM, BUTTON & BOOT, BLK ..... Bi-fuel and Engine models; engine chock	1
14A-	66815GT	BASE, W/1 N.O. CONTACTS*** .....	
14A-	66816GT	CONTACT,N.O .....	
14B	15243GT	PLUG,NYLON .875 BLACK DOMED ..... DC models	1
15	76481GT	TERMINAL BLK,END,4-PORT .....	1
15	76478GT	TERMINAL BLK,INLINE,4-PORT .....	8
15	76480GT	TERMINAL BLK,END .....	1
16A	73723GT	CONN RECEP,FLANGED ..... models with load sense option	1
16B	99885GT	PLATE, PLUG COVER, 4 WAY ..... models without load sense option	1
17	73717GT	CONN,RECEP 4 WAY,12-14GA FL*** .....	1
18	73730GT	CONN,RECEP 12 WAY,GRY FLANGE .....	1
19	73733GT	CONN,RECEP 12 WAY,BLK FLANGE .....	1
20	87755GT	CONN,RECEP 8 WAY 14-18GA,FL .....	1
21C	56302GT	RELAY,24VDC,40/30A,SEALED*** .....	4

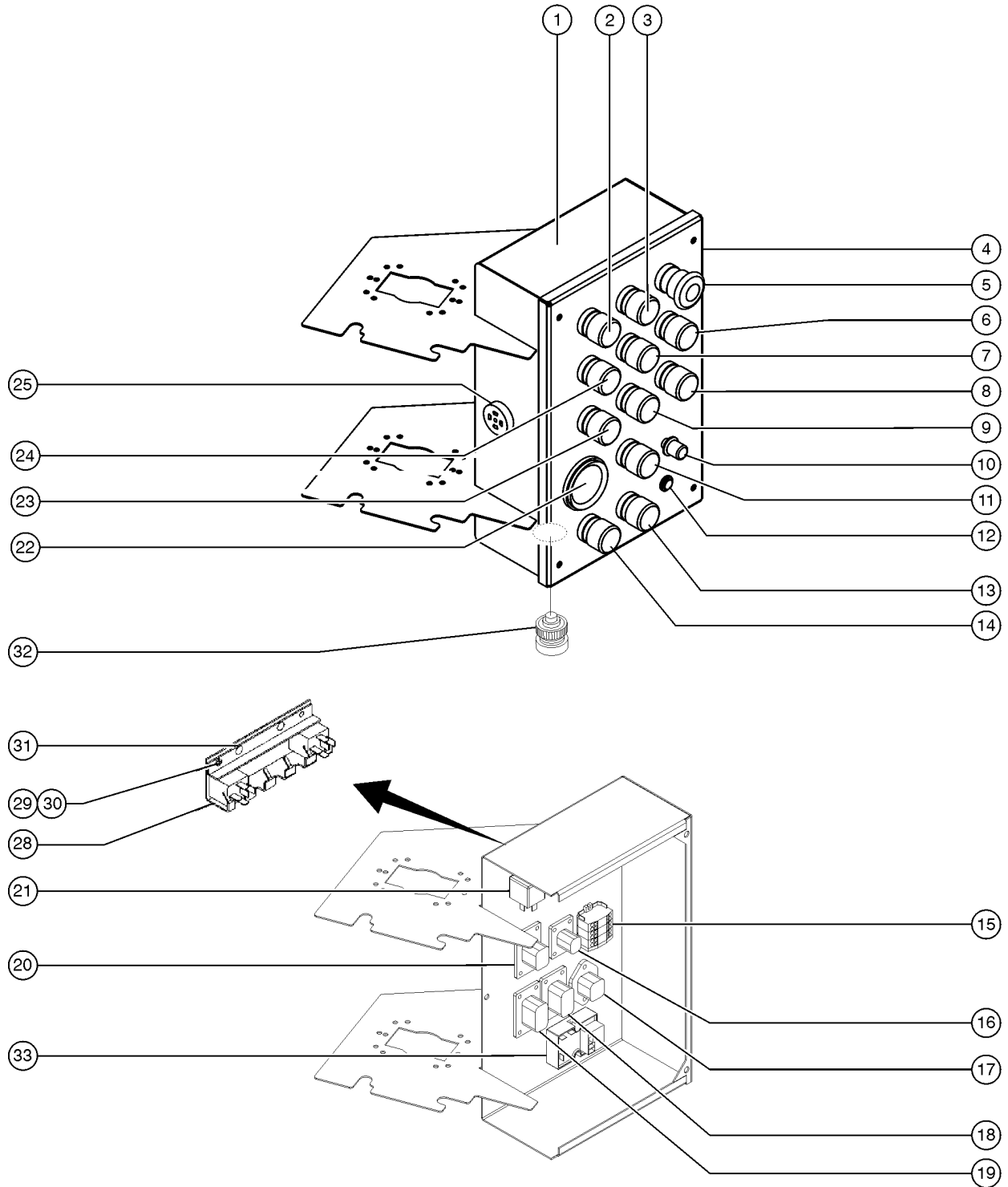


506.4 Platform Controls (2011)



Item	Part No.	Description	Qty.
22A	76647GT	INDICATOR, BATTERY DISCHARGE ..... (to SN TZ5011-207)	1
22B	45840GT	PLUG,NYLON 2.00 BLACK DOMED ..... models with no Battery Charge Indicator option	
23	226320GT	ASM, BUTTON & BOOT, BLK .....	
23-	66815GT	BASE, W/1 N.O. CONTACTS*** .....	
23-	66816GT	CONTACT,N.O .....	
24	226320GT	ASM, BUTTON & BOOT, BLK .....	
24-	66815GT	BASE, W/1 N.O. CONTACTS*** .....	
24-	66816GT	CONTACT,N.O .....	
25	45383GT	ALARM,WARBLE TONE 5-30 VDC*** ..... does not include retainer nut	1
25-	72326GT	NUT - PLASTIC, RING FOR ALARMS .....	
28	104708GT	FORMING, RELAY MOUNT TZ50 UPR .....	1
29	49818GT	SCREW,PHILLIPS,PHM,10-32 X .38 .....	
30	23405GT	NUTSERT,10-32 STEEL CAD PLTD .....	
31	104491GT	FORMING,RELAY HOLDER TZ50 UPR .....	1
32A	226320GT	ASM, BUTTON & BOOT, BLK ..... (models with horn option)	
32A-	66815GT	BASE, W/1 N.O. CONTACTS*** ..... (models with horn option)	
32A-	66816GT	CONTACT,N.O ..... (models with horn option)	
32B	15243GT	PLUG,NYLON .875 BLACK DOMED ..... (models without horn option)	
33	147253GT	TIME DELAY RELAY,2 SEC,24VDC ..... CE models	1

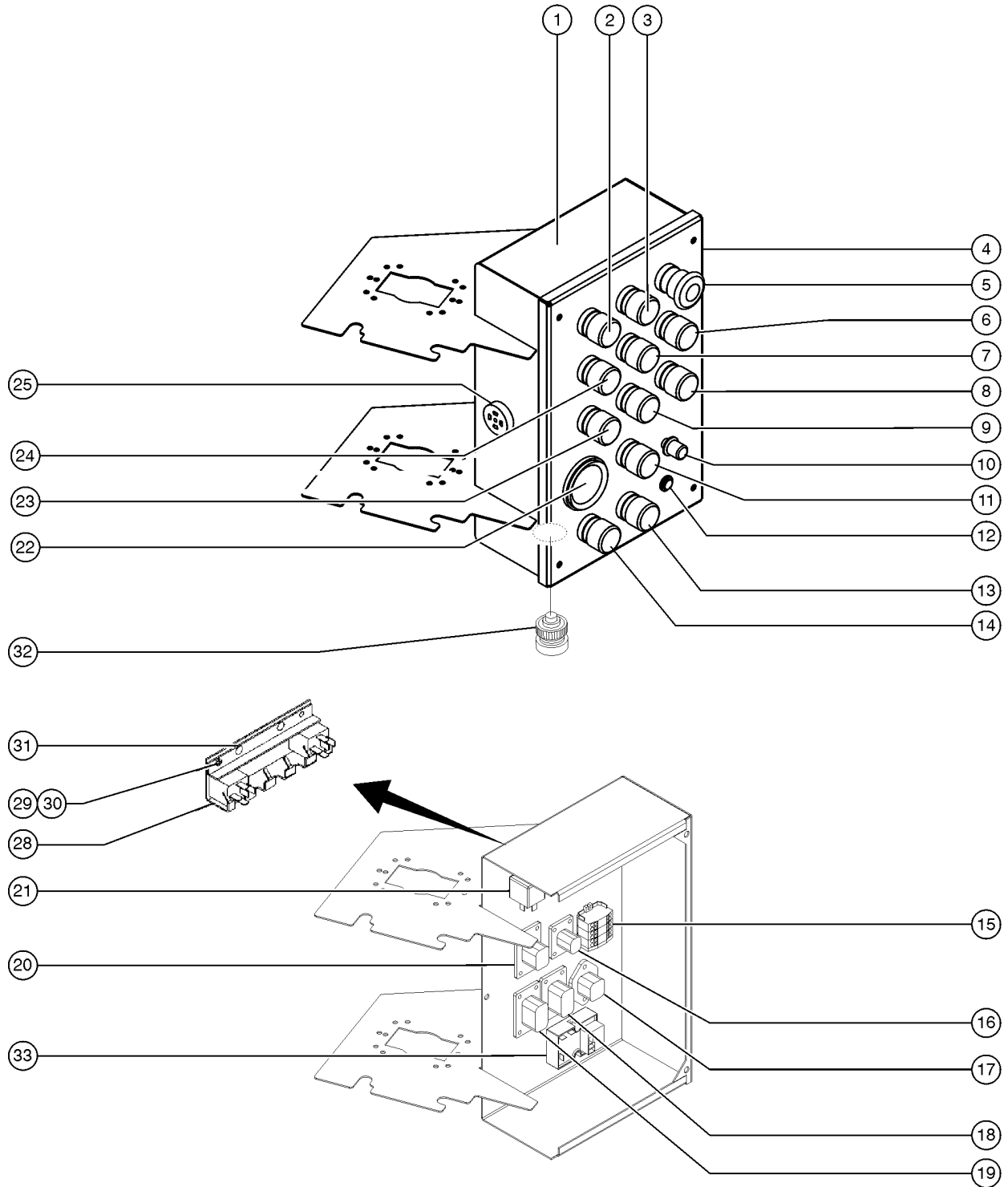
506.5 Platform Controls (from 2012)



Item	Part No.	Description	Qty.
C-	231434GT	PLATFORM CONTROL BOX ASSEMBLY (from SN TZ5011-208); Previous Control Box 231434GT is no longer available. For appropriate replacement (refer to 506.5, 506.3 and 506.7)	.....
D-	1294571GT	KIT, UPPER CONTROL BOX GUARD, TZ-50 includes installation instructions	.....
1	230348GT	WELDMENT,UPPER CONTROL BOX (from SN TZ5011-208)	.....
1C	1277801GT	BRACKET,MOUNT,UPPER CONTROL BOX,RHS,TZ-50	.....
1C	1277802GT	BRACKET,MOUNT,UPPER CONTROL BOX,LHS,TZ-50	.....
2	226320GT	ASM, BUTTON & BOOT, BLK function enable	1
2-	66814GT	BASE,WITH 2 N.O. CONTACTS***	.....
3	226320GT	ASM, BUTTON & BOOT, BLK function enable	1
3-	66814GT	BASE,WITH 2 N.O. CONTACTS***	.....
4	237575GT	PLATFORM CONTROL BOX LID ASSY (from SN TZ5011-208) (lid)	.....
5	226322GT	ASM, E-STOP & BOOT E-stop	1
5-	66817GT	BASE WITH 1 NC CONTACT, E-STOP includes 1 each N.C. Contact	.....
5-	66818GT	CONTACT,NC	.....
6	226320GT	ASM, BUTTON & BOOT, BLK platform level	1
6-	66815GT	BASE, W/1 N.O. CONTACTS***	.....
6-	66816GT	CONTACT,N.O	.....
7A	226320GT	ASM, BUTTON & BOOT, BLK platform rotate, if equipped	1
7A-	66815GT	BASE, W/1 N.O. CONTACTS***	.....
7A-	66816GT	CONTACT,N.O	.....
7B	15243GT	PLUG,NYLON .875 BLACK DOMED	1
8	226320GT	ASM, BUTTON & BOOT, BLK primary boom extend/retract	.....
8-	66815GT	BASE, W/1 N.O. CONTACTS***	.....
8-	66816GT	CONTACT,N.O	.....
9	226320GT	ASM, BUTTON & BOOT, BLK primary boom up/down	.....
9-	66815GT	BASE, W/1 N.O. CONTACTS***	.....
9-	66816GT	CONTACT,N.O	.....
10	104327GT	POTENTIOMETER ASSY 1-10K	1
10-	44992GT	KNOB,POTENTIOMETER, 42427 for 104327	.....



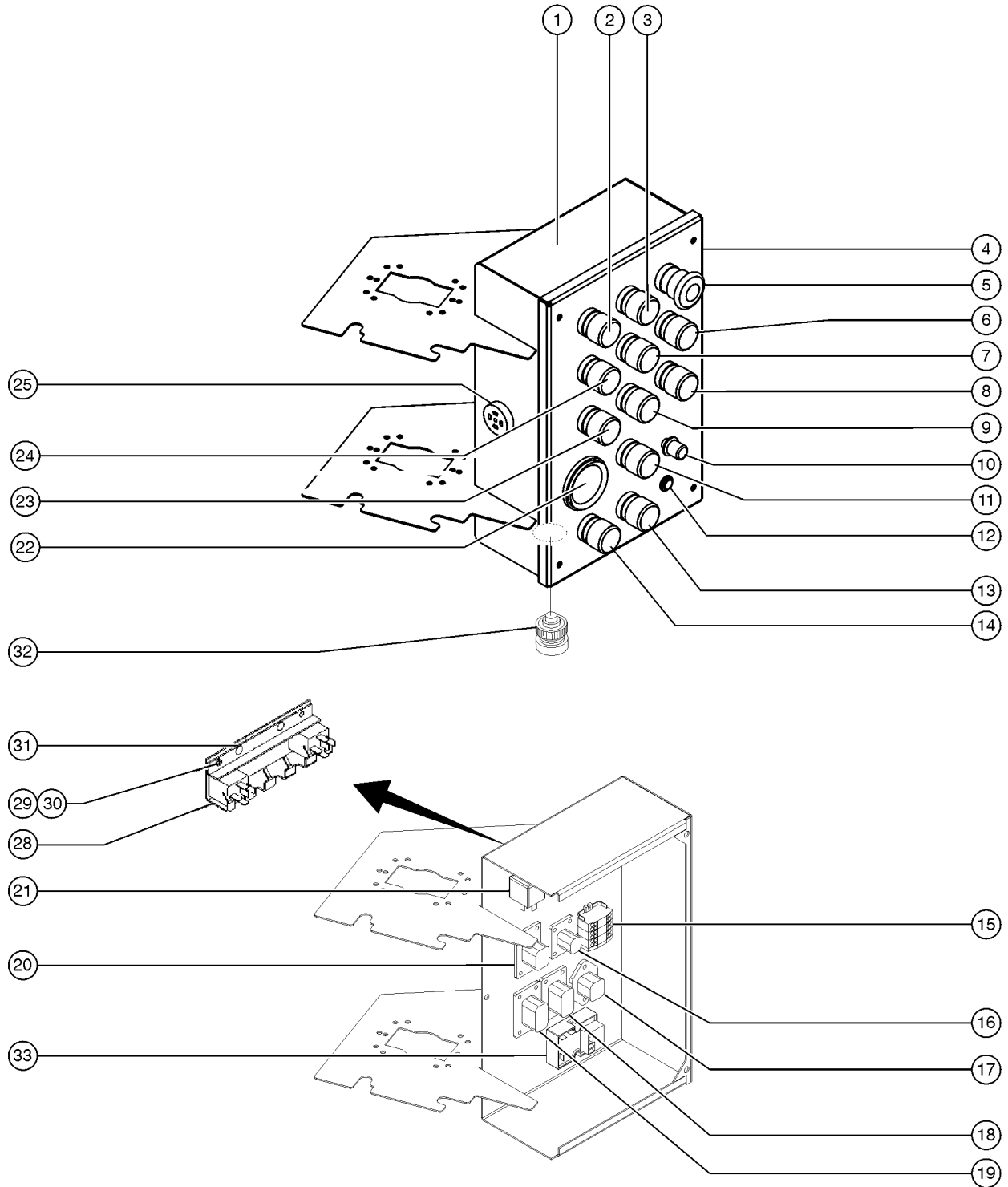
506.5 Platform Controls (from 2012)



Item	Part No.	Description	Qty.
11	226320GT	ASM, BUTTON & BOOT, BLK ..... jib boom up/down	
11-	66815GT	BASE, W/1 N.O. CONTACTS*** .....	
11-	66816GT	CONTACT,N.O .....	
12A	99088GT	LED,RED 24V FLASHING ..... CE models; platfrom overload indicator	1
12B	21858GT	PLUG,NYLON .38 BLACK DOMED ..... ANSI and CSA models	
13A	226320GT	ASM, BUTTON & BOOT, BLK ..... Bi-fuel and Engine models: engine start	1
13A-	66815GT	BASE, W/1 N.O. CONTACTS*** .....	
13A-	66816GT	CONTACT,N.O .....	
13B	15243GT	PLUG,NYLON .875 BLACK DOMED ..... DC models	1
14A	226320GT	ASM, BUTTON & BOOT, BLK ..... Bi-fuel and Engine models; engine chock	1
14A-	66815GT	BASE, W/1 N.O. CONTACTS*** .....	
14A-	66816GT	CONTACT,N.O .....	
14B	15243GT	PLUG,NYLON .875 BLACK DOMED ..... DC models	1
15	76481GT	TERMINAL BLK,END,4-PORT .....	1
15	76478GT	TERMINAL BLK,INLINE,4-PORT .....	8
15	76480GT	TERMINAL BLK,END .....	1
16A	73723GT	CONN RECEP,FLANGED ..... models with load sense option	1
16B	99885GT	PLATE, PLUG COVER, 4 WAY ..... models without load sense option	1
17	73717GT	CONN,RECEP 4 WAY,12-14GA FL*** .....	1
18	73730GT	CONN,RECEP 12 WAY,GRY FLANGE .....	1
19	73733GT	CONN,RECEP 12 WAY,BLK FLANGE .....	1
20	87755GT	CONN,RECEP 8 WAY 14-18GA,FL .....	1
21C	56302GT	RELAY,24VDC,40/30A,SEALED*** .....	4
22A	76647GT	INDICATOR, BATTERY DISCHARGE .....	1
22B	45840GT	PLUG,NYLON 2.00 BLACK DOMED ..... models with no Battery Charge Indicator option	
23	226320GT	ASM, BUTTON & BOOT, BLK .....	
23-	66815GT	BASE, W/1 N.O. CONTACTS*** .....	
23-	66816GT	CONTACT,N.O .....	



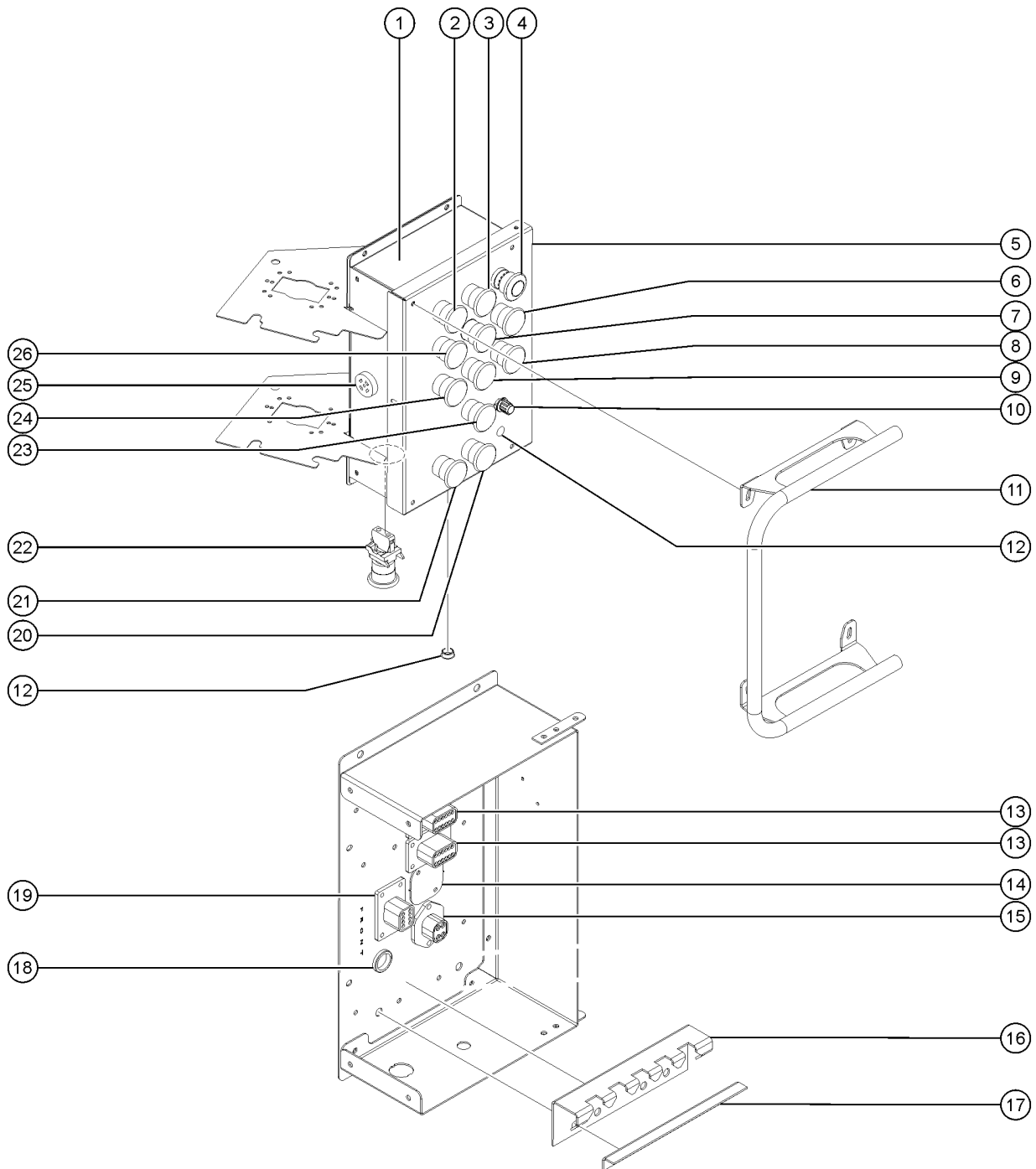
506.5 Platform Controls (from 2012)





Item	Part No.	Description	Qty.
24	226320GT	ASM, BUTTON & BOOT, BLK .....	
24-	66815GT	BASE, W/1 N.O. CONTACTS*** .....	
24-	66816GT	CONTACT,N.O .....	
25	45383GT	ALARM,WARBLE TONE 5-30 VDC*** does not include retainer nut .....	1
25-	72326GT	NUT - PLASTIC, RING FOR ALARMS .....	
28	104708GT	FORMING, RELAY MOUNT TZ50 UPR .....	1
29	49818GT	SCREW,PHILLIPS,PHM,10-32 X .38 .....	
30	23405GT	NUTSERT,10-32 STEEL CAD PLTD .....	
31	104491GT	FORMING,RELAY HOLDER TZ50 UPR .....	1
32A	226320GT	ASM, BUTTON & BOOT, BLK .....	
		(models with horn option)	
32A-	66815GT	BASE, W/1 N.O. CONTACTS*** .....	
		(models with horn option)	
32A-	66816GT	CONTACT,N.O .....	
		(models with horn option)	
32B	15243GT	PLUG,NYLON .875 BLACK DOMED .....	
		(models without horn option)	
33	147253GT	TIME DELAY RELAY,2 SEC,24VDC .....	1
		CE models	
34-	13083GT	DIODE, 3 AMP .....	1

506.6 Platform Controls - ANSI, CSA and CE Models with no Load Sense

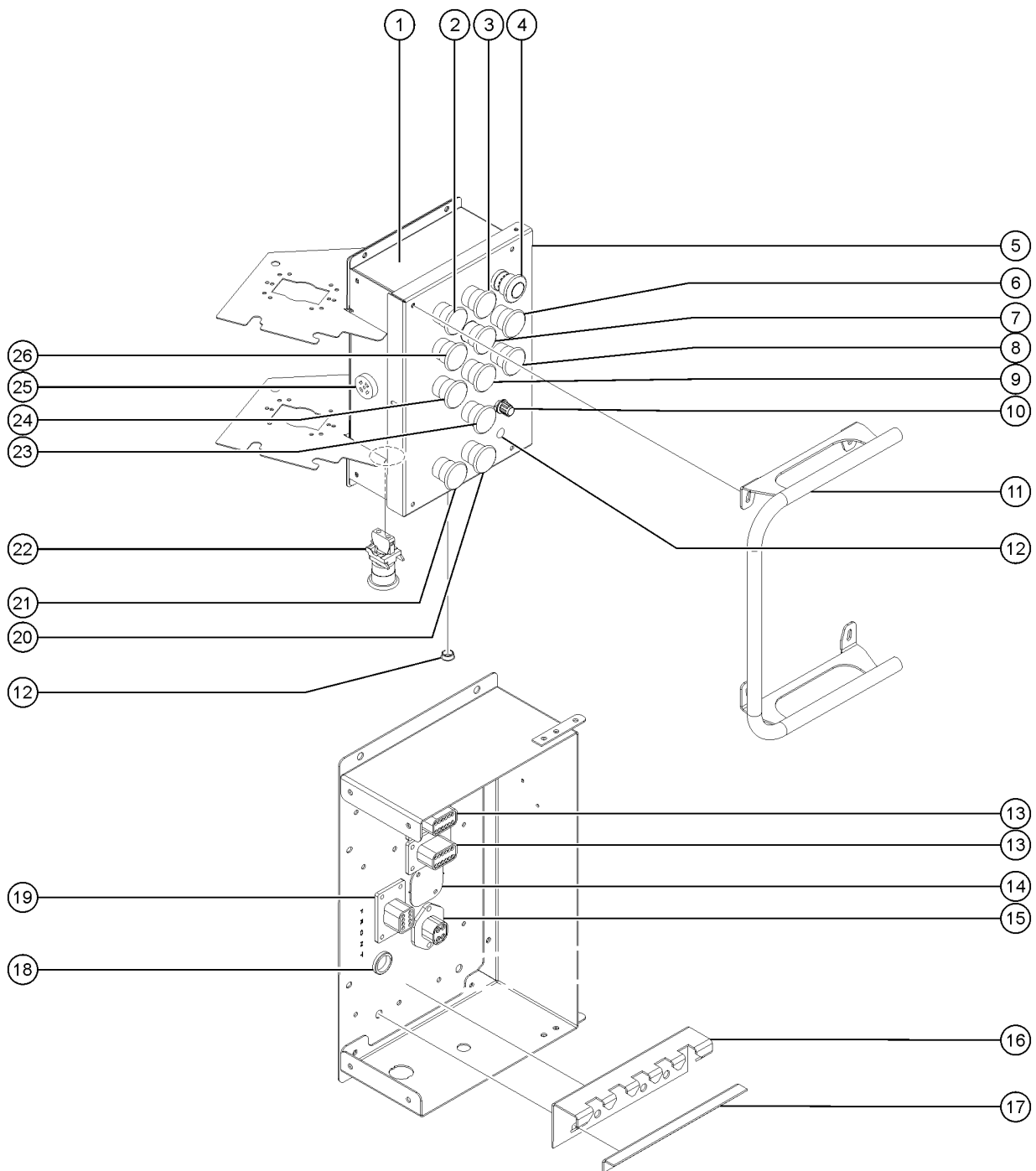


506.6 Platform Controls - ANSI, CSA and CE Models with no Load Sense

Item	Part No.	Description	Qty.
-	1287095GT	CONTROL BOX, TZ50,UPPER,NO LOADSENSE ..... (complete)	1
1	1289870GT	CONTROL BOX,UPPER,METALTZ50 ..... (includes items 5, 11, 16 and 17)	1
1C	1277801GT	BRACKET,MOUNT,UPPER CONTROL BOX,RHS,TZ-50 .....	
1C	1277802GT	BRACKET,MOUNT,UPPER CONTROL BOX,LHS,TZ-50 .....	
2	226320GT	ASM, BUTTON & BOOT, BLK .....	1
3	226320GT	ASM, BUTTON & BOOT, BLK .....	1
4	226322GT	ASM, E-STOP & BOOT .....	1
5	1274938GT	FORMING,TZ,UPR,CTRL,LID ..... (part of item 1)	1
6	226320GT	ASM, BUTTON & BOOT, BLK .....	1
7	226320GT	ASM, BUTTON & BOOT, BLK .....	1
7A-	66815GT	BASE, W/1 N.O. CONTACTS*** .....	
7B	15243GT	PLUG,NYLON .875 BLACK DOMED .....	1
8	226320GT	ASM, BUTTON & BOOT, BLK .....	1
9	226320GT	ASM, BUTTON & BOOT, BLK .....	1
10	104327GT	POTENTIOMETER ASSY 1-10K .....	1
11	1275924GT	WELDMENT, UPPER CTRL BOX GUARD, TZ34 ..... (part of item 1)	1
12	45384GT	PLUG,NYLON .50 BLACK DOMED .....	2
13	73730GT	CONN,RECEP 12 WAY,GRY FLANGE .....	2
14	99885GT	PLATE, PLUG COVER, 4 WAY .....	1
15	73717GT	CONN,RECEP 4 WAY,12-14GA FL*** .....	1
16	104708GT	FORMING, RELAY MOUNT TZ50 UPR ..... (part of item 1)	1
17	104491GT	FORMING,RELAY HOLDER TZ50 UPR ..... (part of item 1)	1
18	15243GT	PLUG,NYLON .875 BLACK DOMED .....	1
19	87755GT	CONN,RECEP 8 WAY 14-18GA,FL .....	1
20	226320GT	ASM, BUTTON & BOOT, BLK .....	1
20-	66815GT	BASE, W/1 N.O. CONTACTS*** .....	
21	226320GT	ASM, BUTTON & BOOT, BLK .....	1
21-	66815GT	BASE, W/1 N.O. CONTACTS*** .....	



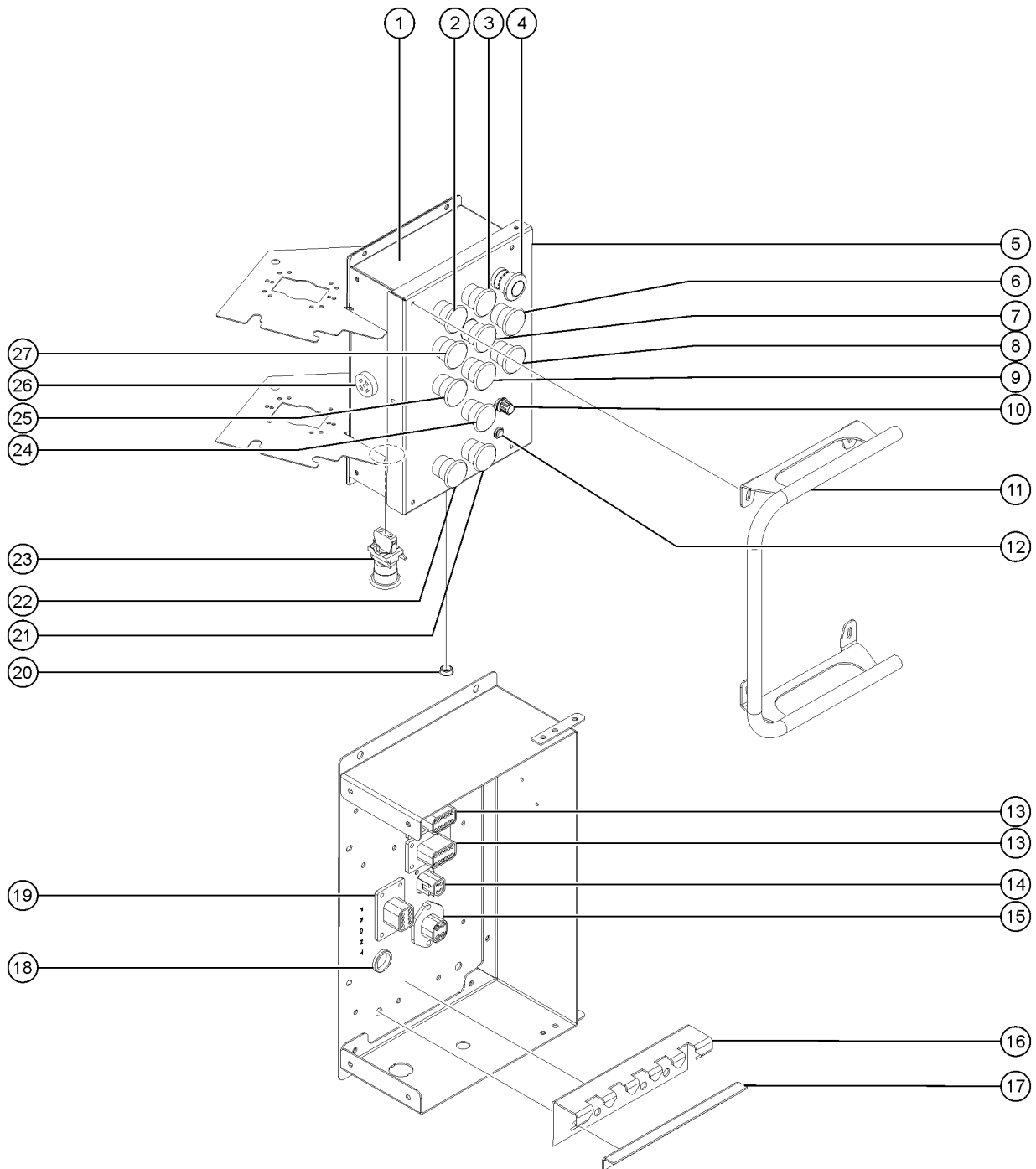
506.6 Platform Controls - ANSI, CSA and CE Models with no Load Sense



506.6 Platform Controls - ANSI, CSA and CE Models with no Load Sense

<i>Item</i>	<i>Part No.</i>	<i>Description</i>	<i>Qty.</i>
22	226320GT	ASM, BUTTON & BOOT, BLK .....	1
22A-	66815GT	BASE, W/1 N.O. CONTACTS*** .....	
22B	15243GT	PLUG,NYLON .875 BLACK DOMED .....	1
23	226320GT	ASM, BUTTON & BOOT, BLK .....	1
24	226320GT	ASM, BUTTON & BOOT, BLK .....	1
25	45383GT	ALARM,WARBLE TONE 5-30 VDC*** .....	1
26	226320GT	ASM, BUTTON & BOOT, BLK .....	1

506.7 Platform Controls - ANSI, CSA and CE Models with Load Sense

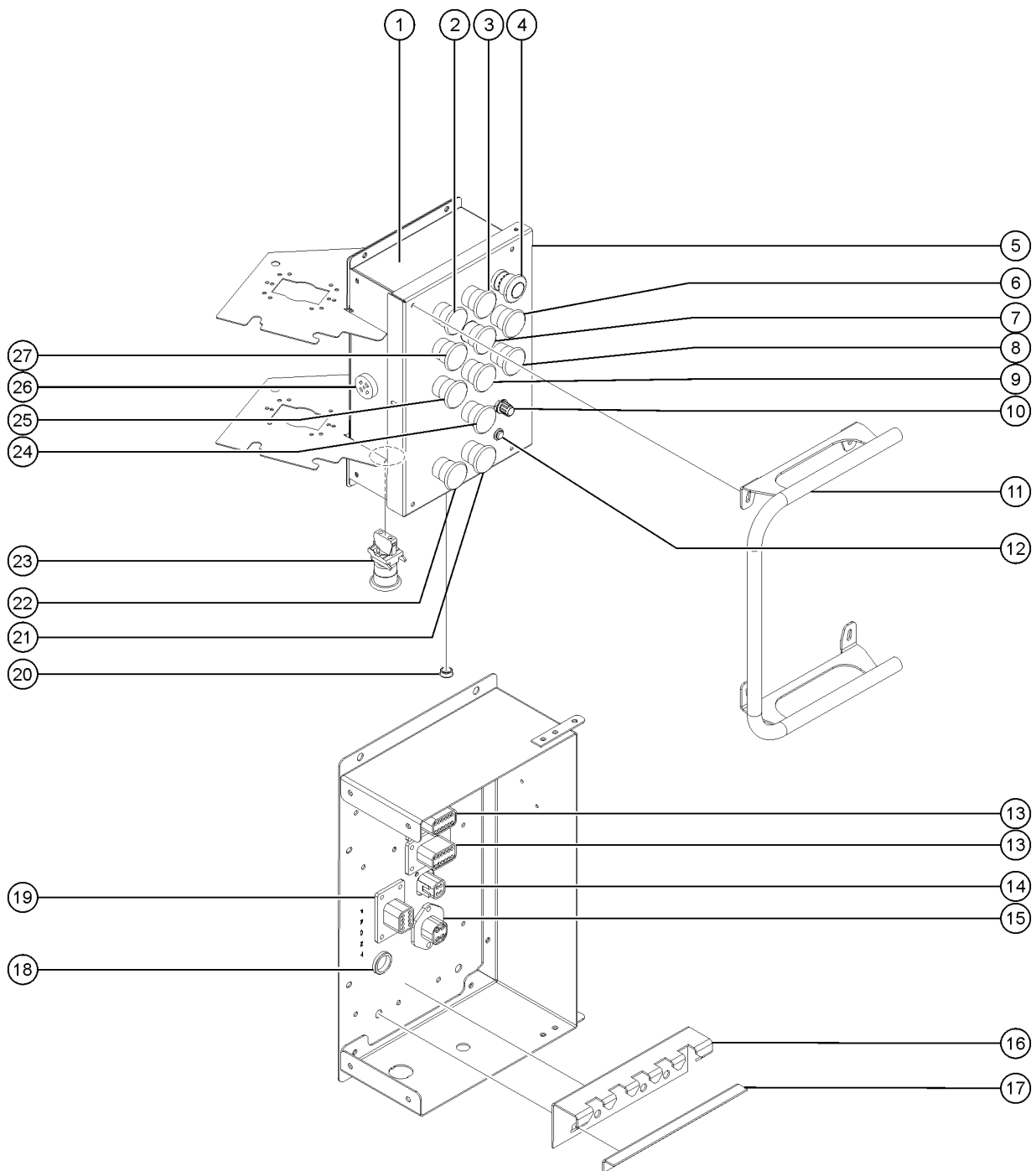


506.7 Platform Controls - ANSI, CSA and CE Models with Load Sense

Item	Part No.	Description	Qty.
-	1287096GT	CONTROL BOX, TZ50,UPPER,LOADSENSE ..... (complete)	1
-	1286186GT	CONTROL, LOAD SENSE ..... (includes item 12A and 14A)	1
1	1289870GT	CONTROL BOX,UPPER,METALTZ50 ..... (includes items 5, 11, 16 and 17)	1
1C	1277801GT	BRACKET,MOUNT,UPPER CONTROL BOX,RHS,TZ-50 .....	
1C	1277802GT	BRACKET,MOUNT,UPPER CONTROL BOX,LHS,TZ-50 .....	
2	226320GT	ASM, BUTTON & BOOT, BLK .....	1
3	226320GT	ASM, BUTTON & BOOT, BLK .....	1
4	226322GT	ASM, E-STOP & BOOT .....	1
5	1274938GT	FORMING,TZ,UPR,CTRL,LID ..... (part of item 1)	1
6	226320GT	ASM, BUTTON & BOOT, BLK .....	1
7	226320GT	ASM, BUTTON & BOOT, BLK .....	1
7A-	66815GT	BASE, W/1 N.O. CONTACTS*** .....	
7B	15243GT	PLUG,NYLON .875 BLACK DOMED .....	1
8	226320GT	ASM, BUTTON & BOOT, BLK .....	1
9	226320GT	ASM, BUTTON & BOOT, BLK .....	1
10	104327GT	POTENTIOMETER ASSY 1-10K .....	1
11	1275924GT	WELDMENT, UPPER CTRL BOX GUARD, TZ34 ..... (part of item 1)	1
12	99088GT	LED,RED 24V FLASHING .....	1
12B	45384GT	PLUG,NYLON .50 BLACK DOMED .....	1
13	73730GT	CONN,RECEP 12 WAY,GRY FLANGE .....	2
14	73723GT	CONN RECEPT,FLANGED .....	1
14B	99885GT	PLATE, PLUG COVER, 4 WAY .....	1
15	73717GT	CONN,RECEP 4 WAY,12-14GA FL*** .....	1
16	104708GT	FORMING, RELAY MOUNT TZ50 UPR ..... (part of item 1)	1
17	104491GT	FORMING,RELAY HOLDER TZ50 UPR ..... (part of item 1)	1
18	15243GT	PLUG,NYLON .875 BLACK DOMED .....	1
19	87755GT	CONN,RECEP 8 WAY 14-18GA,FL .....	1
20	45384GT	PLUG,NYLON .50 BLACK DOMED .....	1



506.7 Platform Controls - ANSI, CSA and CE Models with Load Sense



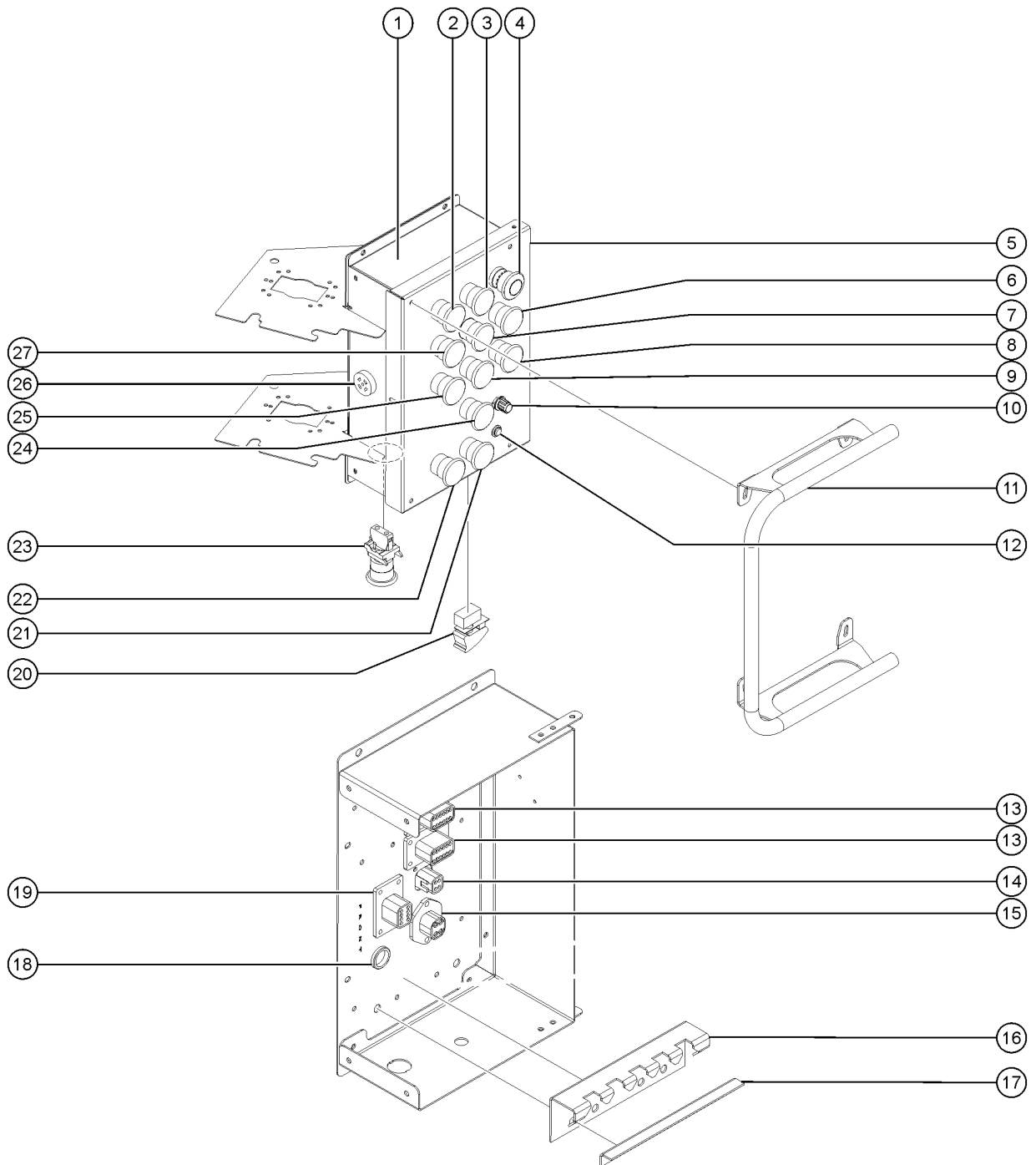


506.7 Platform Controls - ANSI, CSA and CE Models with Load Sense

<i>Item</i>	<i>Part No.</i>	<i>Description</i>	<i>Qty.</i>
21	226320GT	ASM, BUTTON & BOOT, BLK .....	1
21A-	66815GT	BASE, W/1 N.O. CONTACTS*** .....	
21B	15243GT	PLUG,NYLON .875 BLACK DOMED .....	1
22	226320GT	ASM, BUTTON & BOOT, BLK .....	1
22A-	66815GT	BASE, W/1 N.O. CONTACTS*** .....	
22B	15243GT	PLUG,NYLON .875 BLACK DOMED .....	1
23	226320GT	ASM, BUTTON & BOOT, BLK .....	1
23A-	66815GT	BASE, W/1 N.O. CONTACTS*** .....	
23B	15243GT	PLUG,NYLON .875 BLACK DOMED .....	1
24	226320GT	ASM, BUTTON & BOOT, BLK .....	1
25	226320GT	ASM, BUTTON & BOOT, BLK .....	1
26	45383GT	ALARM,WARBLE TONE 5-30 VDC*** .....	1
27	226320GT	ASM, BUTTON & BOOT, BLK .....	1

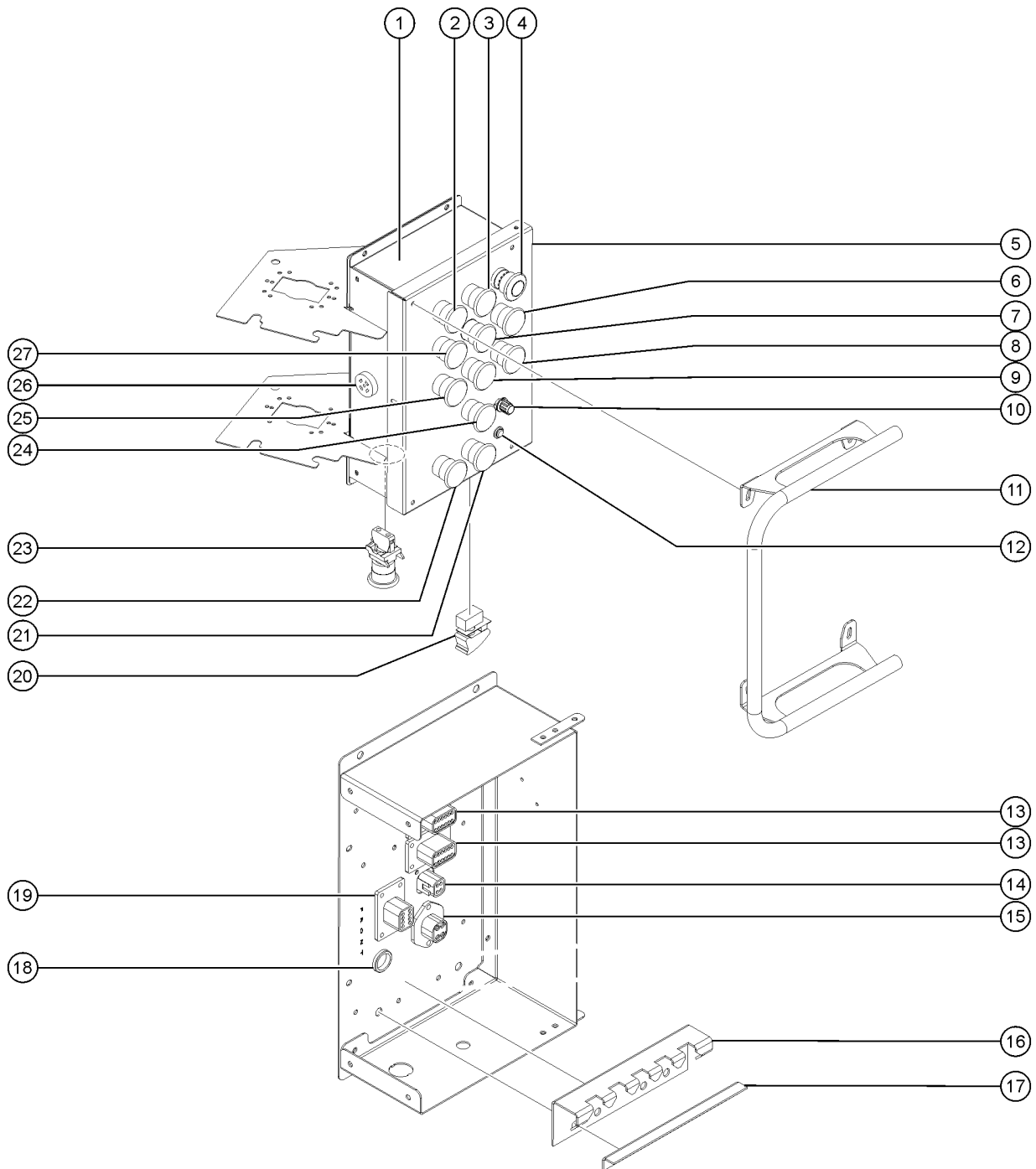


506.8 Platform Controls - Australia Models



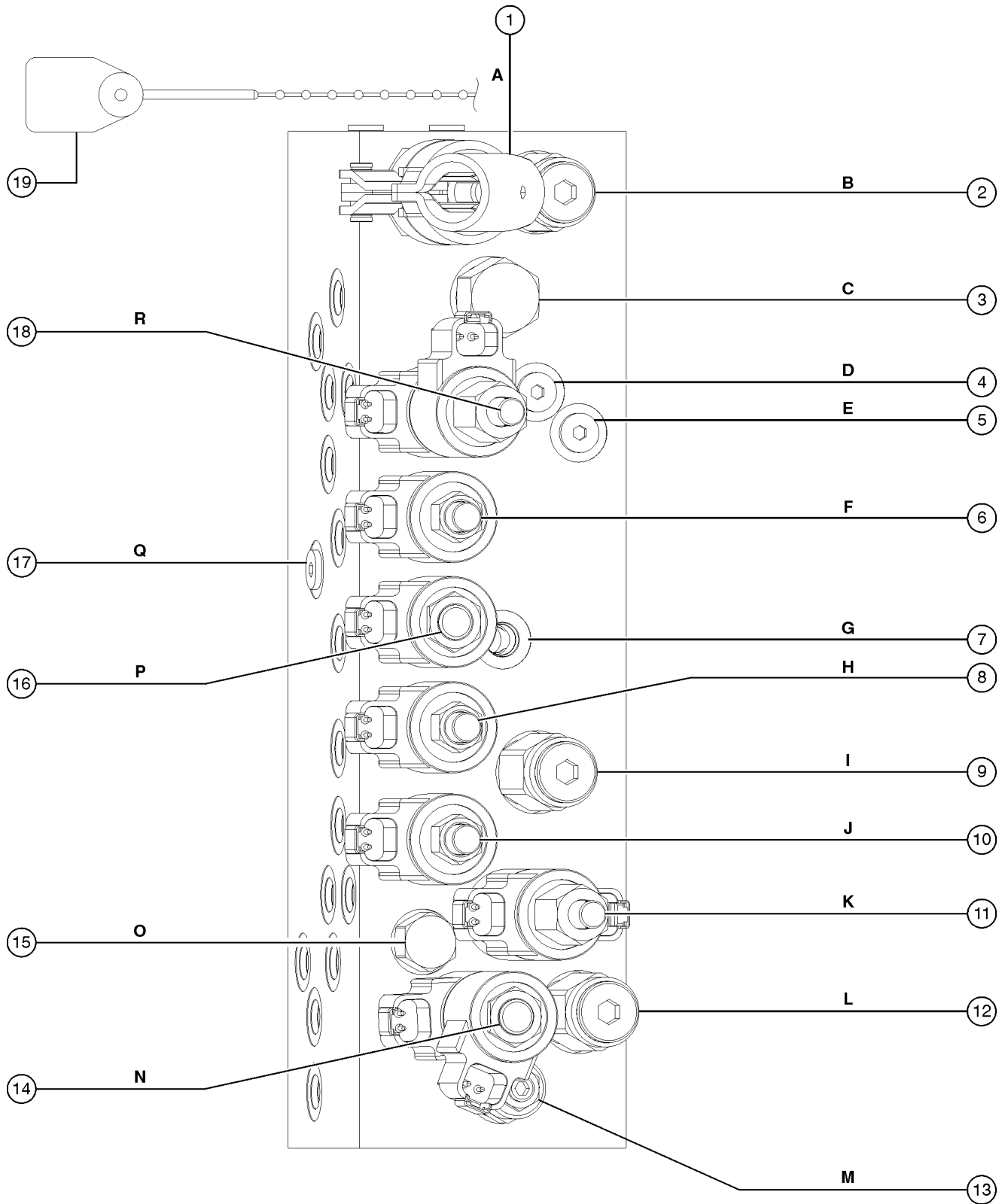
Item	Part No.	Description	Qty.
-	1287097GT	CONTROL BOX, TZ50,UPPER,LOAD RECOVER ..... (complete)	1
-	1286186GT	CONTROL, LOAD SENSE ..... (includes item 12A and 14A)	1
1	1289870GT	CONTROL BOX,UPPER,METALTZ50 ..... (includes items 5, 11, 16 and 17)	1
1C	1277801GT	BRACKET,MOUNT,UPPER CONTROL BOX,RHS,TZ-50 .....	
1C	1277802GT	BRACKET,MOUNT,UPPER CONTROL BOX,LHS,TZ-50 .....	
2	226320GT	ASM, BUTTON & BOOT, BLK .....	1
3	226320GT	ASM, BUTTON & BOOT, BLK .....	1
4	226322GT	ASM, E-STOP & BOOT .....	1
5	1274938GT	FORMING,TZ,UPR,CTRL,LID ..... (part of item 1)	1
6	226320GT	ASM, BUTTON & BOOT, BLK .....	1
7	226320GT	ASM, BUTTON & BOOT, BLK .....	1
7A-	66815GT	BASE, W/1 N.O. CONTACTS*** .....	
7B	15243GT	PLUG,NYLON .875 BLACK DOMED .....	1
8	226320GT	ASM, BUTTON & BOOT, BLK .....	1
9	226320GT	ASM, BUTTON & BOOT, BLK .....	1
10	104327GT	POTENTIOMETER ASSY 1-10K .....	1
11	1275924GT	WELDMENT, UPPER CTRL BOX GUARD, TZ34 ..... (part of item 1)	1
12	99088GT	LED,RED 24V FLASHING .....	1
12B	45384GT	PLUG,NYLON .50 BLACK DOMED .....	1
13	73730GT	CONN,RECEP 12 WAY,GRY FLANGE .....	2
14	73723GT	CONN RECEPT,FLANGED .....	1
14B	99885GT	PLATE, PLUG COVER, 4 WAY .....	1
15	73717GT	CONN,RECEP 4 WAY,12-14GA FL*** .....	1
16	104708GT	FORMING, RELAY MOUNT TZ50 UPR ..... (part of item 1)	1
17	104491GT	FORMING,RELAY HOLDER TZ50 UPR ..... (part of item 1)	1
18	15243GT	PLUG,NYLON .875 BLACK DOMED .....	1
19	87755GT	CONN,RECEP 8 WAY 14-18GA,FL .....	1
20	1278692GT	CONTROL,BUMP LOAD RECOVERY .....	1

506.8 Platform Controls - Australia Models



<i>Item</i>	<i>Part No.</i>	<i>Description</i>	<i>Qty.</i>
20B	45384GT	PLUG,NYLON .50 BLACK DOMED .....	1
21	226320GT	ASM, BUTTON & BOOT, BLK .....	1
21-	66815GT	BASE, W/1 N.O. CONTACTS*** .....	
22	226320GT	ASM, BUTTON & BOOT, BLK .....	1
22-	66815GT	BASE, W/1 N.O. CONTACTS*** .....	
23	226320GT	ASM, BUTTON & BOOT, BLK .....	1
23A-	66815GT	BASE, W/1 N.O. CONTACTS*** .....	
23B	15243GT	PLUG,NYLON .875 BLACK DOMED .....	1
24	226320GT	ASM, BUTTON & BOOT, BLK .....	1
25	226320GT	ASM, BUTTON & BOOT, BLK .....	1
26	45383GT	ALARM,WARBLE TONE 5-30 VDC*** .....	1
27	226320GT	ASM, BUTTON & BOOT, BLK .....	1

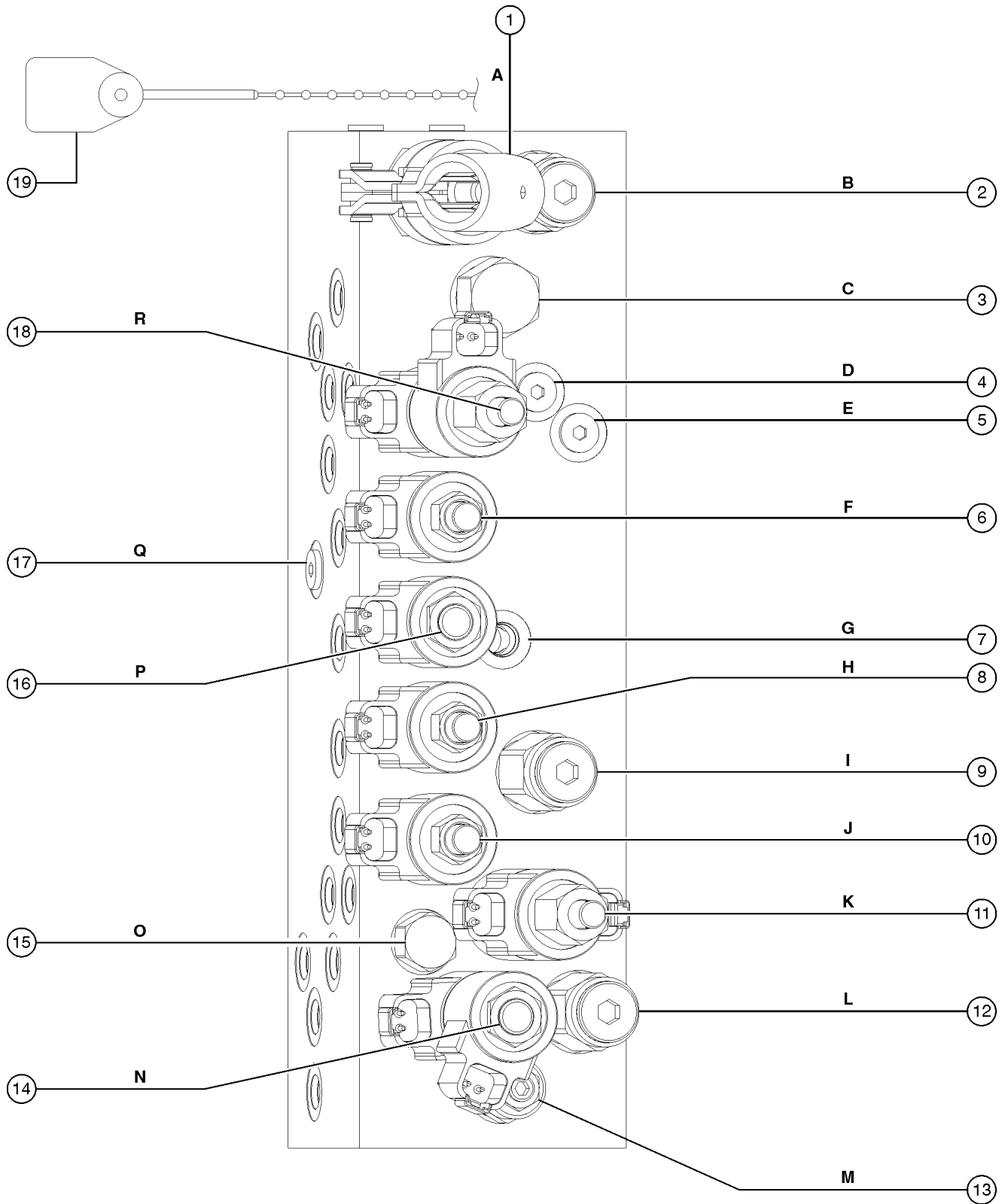
601.1 Function Manifold



Item	Part No.	Description	Qty.
	99756GT	MANIFOLD, HYDRAULIC, FUNCTION ..... ANSI, CSA and CE models	
	49612GT	O-RING KIT (ORFS FITTINGS) .....	
	33994GT	PLUG AND CAP KIT-SERVICE, 37 ** .....	
	49613GT	PLUG AND CAP KIT-SERVICE, ORFS* .....	
1	97206GT	VALVE-HAND PUMP ..... A, Auxiliary down	
1-	44224GT	SEAL KIT, VALVE .....	
2	97204GT	VALVE-RELIEF, 600PSI ..... B, Turntable rotate circuit	
3	97205GT	VALVE-DIFFERENTIAL, DIRECTIONAL ..... C, Returns extra hydraulic fluid to tank when operating turntable rotate function	
3-	62337GT	SEAL KIT, VALVE .....	
4	44216GT	VALVE, SHUTTLE ..... D, Turntable rotate circuit	
4-	44235GT	SEAL KIT-FOR PN.44216 & 826779 .....	
4-	97187GT	PLUG .....	
5	62336GT	ORIFICE PLUG, 0.040 ..... E, Restricts turntable rotate fluid flow	
5-	97187GT	PLUG .....	
6	62817GT	VALVE-SOLENOID, 2 POS 3 WAY*** ..... F, Secondary boom down	
6-	52371GT	SEAL KIT, VALVE .....	
6-	77709GT	COIL, #8 20VDC, DEUTSCH W/DIOD .....	
6-	65082GT	NUT-VALVE .....	
7	48997GT	NIPPLE, DIAGNOSTIC, #4 ..... G, Testing	
7-	48880GT	CAP, DIAGNOSTIC NIPPLE .....	
8	62817GT	VALVE-SOLENOID, 2 POS 3 WAY*** ..... H, Primary boom down	
8-	52371GT	SEAL KIT, VALVE .....	
8-	77709GT	COIL, #8 20VDC, DEUTSCH W/DIOD .....	
8-	65082GT	NUT-VALVE .....	
9	97203GT	VALVE-RELIEF, 1600PSI ..... I, Primary boom circuit	
10	62817GT	VALVE-SOLENOID, 2 POS 3 WAY*** ..... J, Primary boom up	
10-	52371GT	SEAL KIT, VALVE .....	
10-	77709GT	COIL, #8 20VDC, DEUTSCH W/DIOD .....	



601.1 Function Manifold

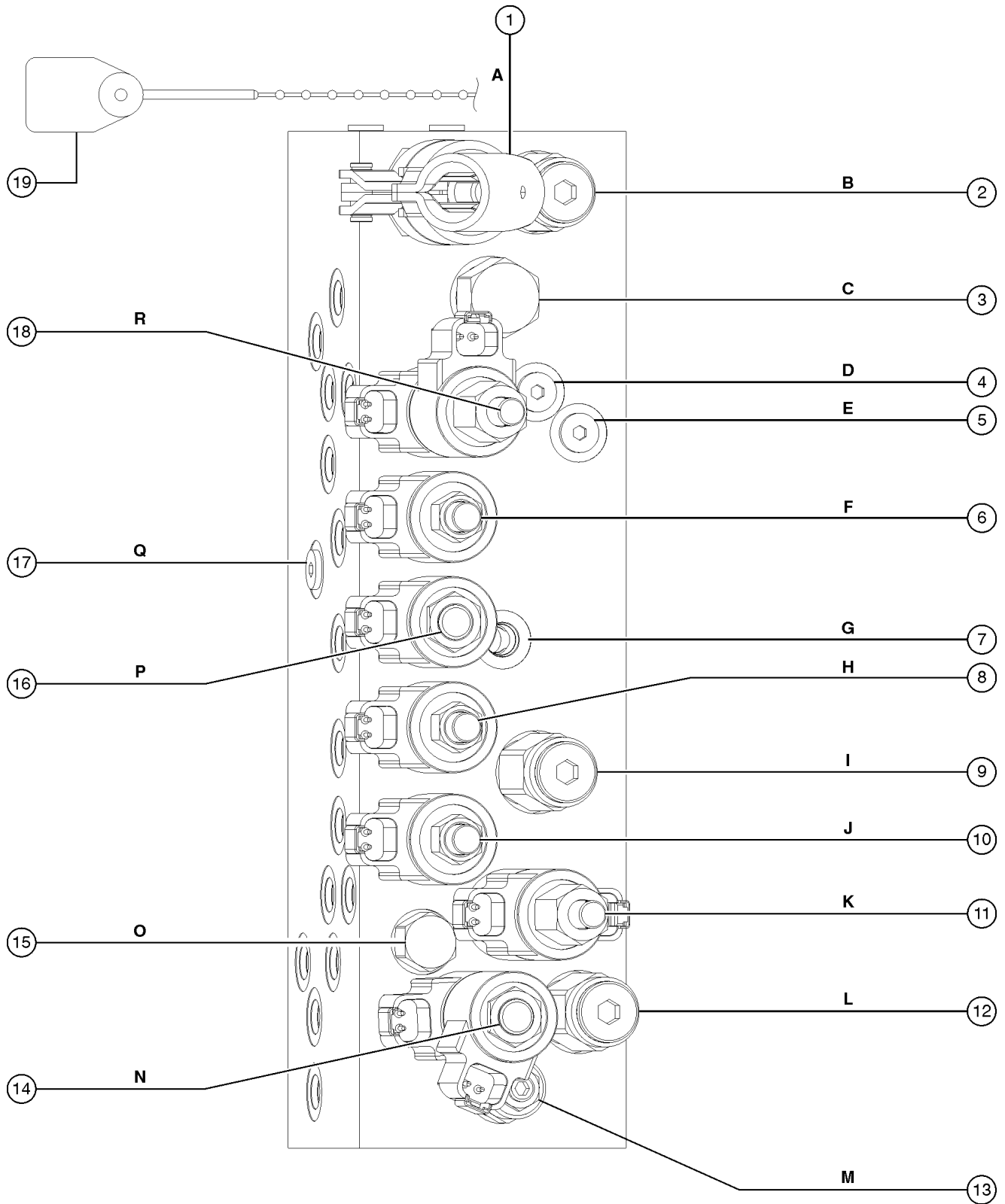




Item	Part No.	Description	Qty.
10-	65082GT	NUT-VALVE .....	
11	62816GT	VALVE-SOLENOID, 3POS 4 WAY*** ANSI, CSA and CE models; K, Boom extend retract .....	
11A-	44229GT	SEAL KIT, VALVE .....	
11A-	77709GT	COIL,#8 20VDC,DEUTSCH W/DIOD .....	
11A-	44236GT	SPACER-DUAL COIL,#8*** .....	
11A-	84608GT	NUT-VALVE .....	
11B	104590GT	VALVE W/OVERRIDE 3POS 4 WAY .....	
		Australia models	
12	52374GT	VALVE,RELIEF,3000PSI,GS68PUMP1 .....	
		L, System relief	
12-	44227GT	SEAL KIT, VALVE .....	
13	62506GT	VALVE - COUNTERBALANCE** .....	
		M, Outrigger retract circuit	
13-	43018GT	SEAL KIT (39345) .....	
14	52912GT	VALVE,3POSITION,4WAY* .....	
		N, Outrigger extend/retract	
14-	44229GT	SEAL KIT, VALVE .....	
14-	77709GT	COIL,#8 20VDC,DEUTSCH W/DIOD .....	
14-	44236GT	SPACER-DUAL COIL,#8*** .....	
14-	84608GT	NUT-VALVE .....	
15	74508GT	VALVE,CHECK,COBA-X*N 200PSI PO .....	
		O, Outrigger retract circuit	
15-	44233GT	SEAL KIT-FOR PN. 44217 .....	
16	62815GT	VALVE,SOLENOID,2POS 3 WAY*** .....	
		P, Secondary boom up (does not include a coil)	
16-	52371GT	SEAL KIT, VALVE .....	
16-	77709GT	COIL,#8 20VDC,DEUTSCH W/DIOD .....	
		(not a component of PN 62815)	
16-	84608GT	NUT-VALVE .....	
17	97210GT	ORIFICE,0.080 INCH .....	
		Q, Restricts platform down fluid flow	
17-	97187GT	PLUG .....	
18	97200GT	VALVE-SOLENOID, 3POS 4WAY .....	
		ANSI, CSA and CE models; R, Turntable rotate left/right	
18	104589GT	VALVE W/OVERRIDE, 3 POS, 4WAY .....	
		Australia models	
18-	44229GT	SEAL KIT, VALVE .....	
18-	77709GT	COIL,#8 20VDC,DEUTSCH W/DIOD .....	

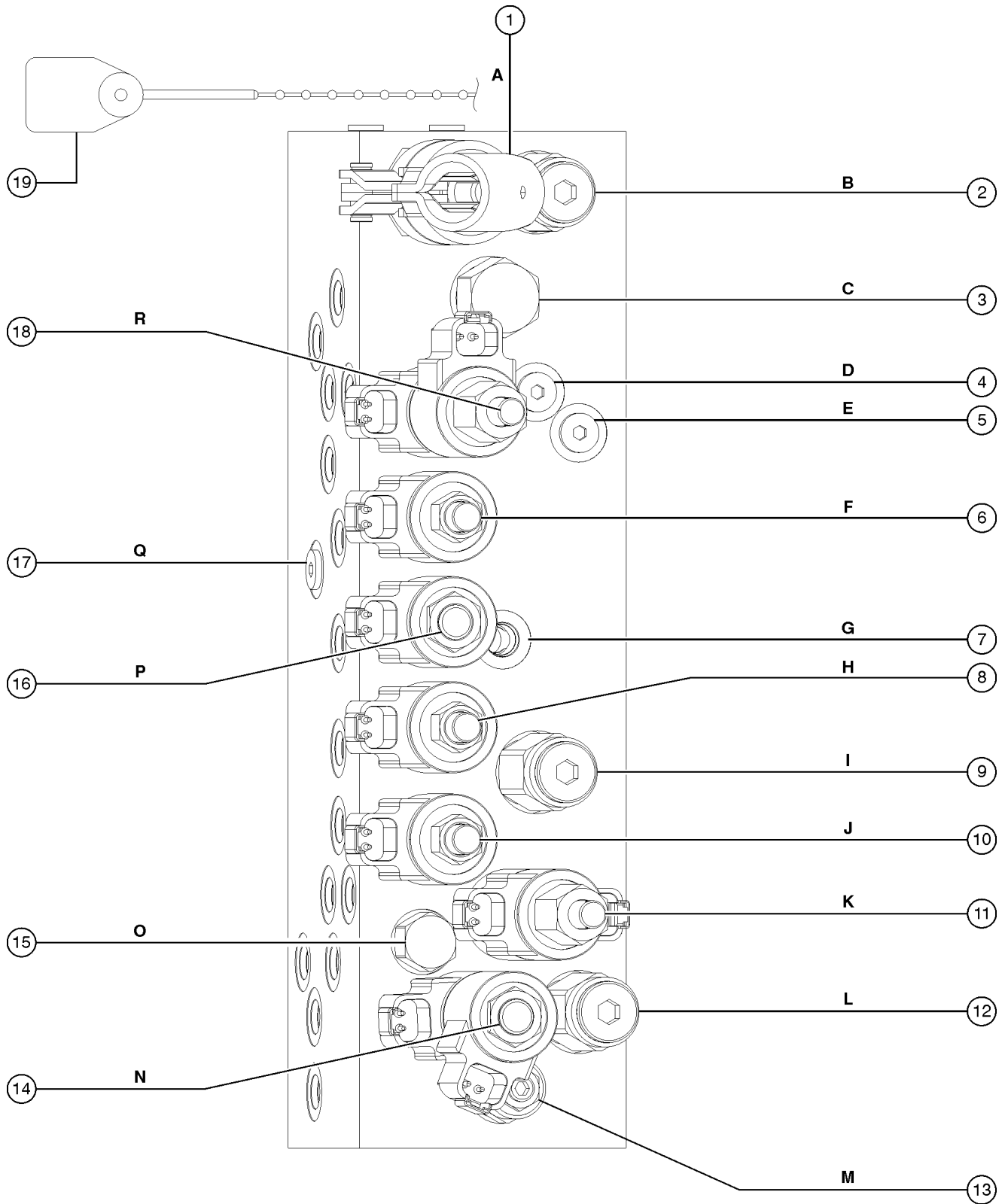


601.1 Function Manifold



<i>Item</i>	<i>Part No.</i>	<i>Description</i>	<i>Qty.</i>
18-	44236GT	SPACER-DUAL COIL,#8*** .....	
18-	84608GT	NUT-VALVE .....	

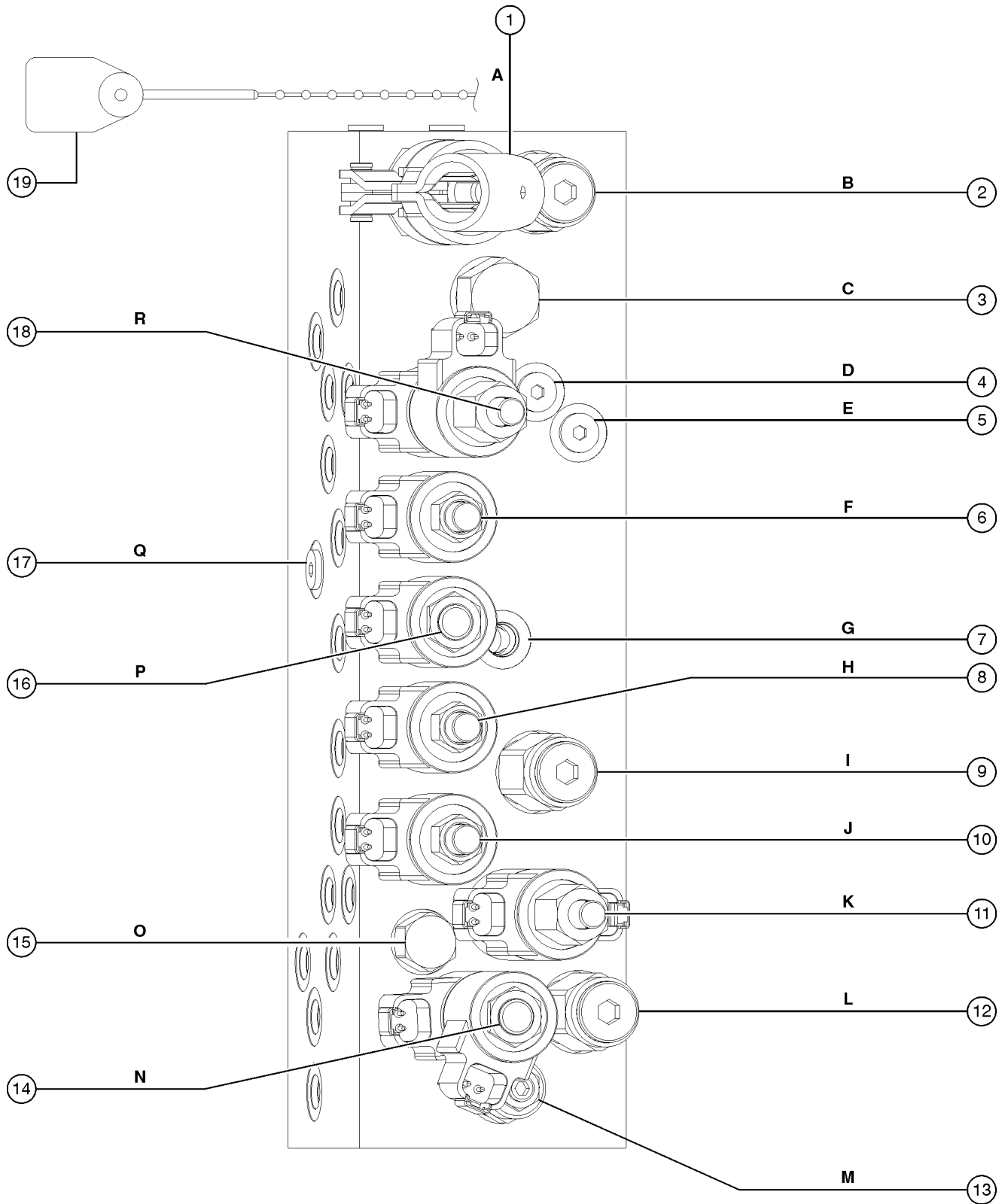
601.2 Function Manifold



Item	Part No.	Description	Qty.
	99756GT	MANIFOLD, HYDRAULIC, FUNCTION ..... ANSI, CSA and CE models	
	49612GT	O-RING KIT (ORFS FITTINGS) .....	
	33994GT	PLUG AND CAP KIT-SERVICE, 37 ** .....	
	49613GT	PLUG AND CAP KIT-SERVICE, ORFS* .....	
1	97206GT	VALVE-HAND PUMP ..... A, Auxiliary down	
1-	44224GT	SEAL KIT, VALVE .....	
2	97204GT	VALVE-RELIEF, 600PSI ..... B, Turntable rotate circuit	
3	97205GT	VALVE-DIFFERENTIAL, DIRECTIONAL ..... C, Returns extra hydraulic fluid to tank when operating turntable rotate function	
3-	62337GT	SEAL KIT, VALVE .....	
4	44216GT	VALVE, SHUTTLE ..... D, Turntable rotate circuit	
4-	44235GT	SEAL KIT-FOR PN.44216 & 826779 .....	
4-	97187GT	PLUG .....	
5	62336GT	ORIFICE PLUG, 0.040 ..... E, Restricts turntable rotate fluid flow	
5-	97187GT	PLUG .....	
6	62817GT	VALVE-SOLENOID, 2 POS 3 WAY*** ..... F, Secondary boom down	
6-	52371GT	SEAL KIT, VALVE .....	
6-	77709GT	COIL, #8 20VDC, DEUTSCH W/DIOD .....	
6-	65082GT	NUT-VALVE .....	
7	48997GT	NIPPLE, DIAGNOSTIC, #4 ..... G, Testing	
7-	48880GT	CAP, DIAGNOSTIC NIPPLE .....	
8	62817GT	VALVE-SOLENOID, 2 POS 3 WAY*** ..... H, Primary boom down	
8-	52371GT	SEAL KIT, VALVE .....	
8-	77709GT	COIL, #8 20VDC, DEUTSCH W/DIOD .....	
8-	65082GT	NUT-VALVE .....	
9	97203GT	VALVE-RELIEF, 1600PSI ..... I, Primary boom circuit	
10	62817GT	VALVE-SOLENOID, 2 POS 3 WAY*** ..... J, Primary boom up	
10-	52371GT	SEAL KIT, VALVE .....	
10-	77709GT	COIL, #8 20VDC, DEUTSCH W/DIOD .....	



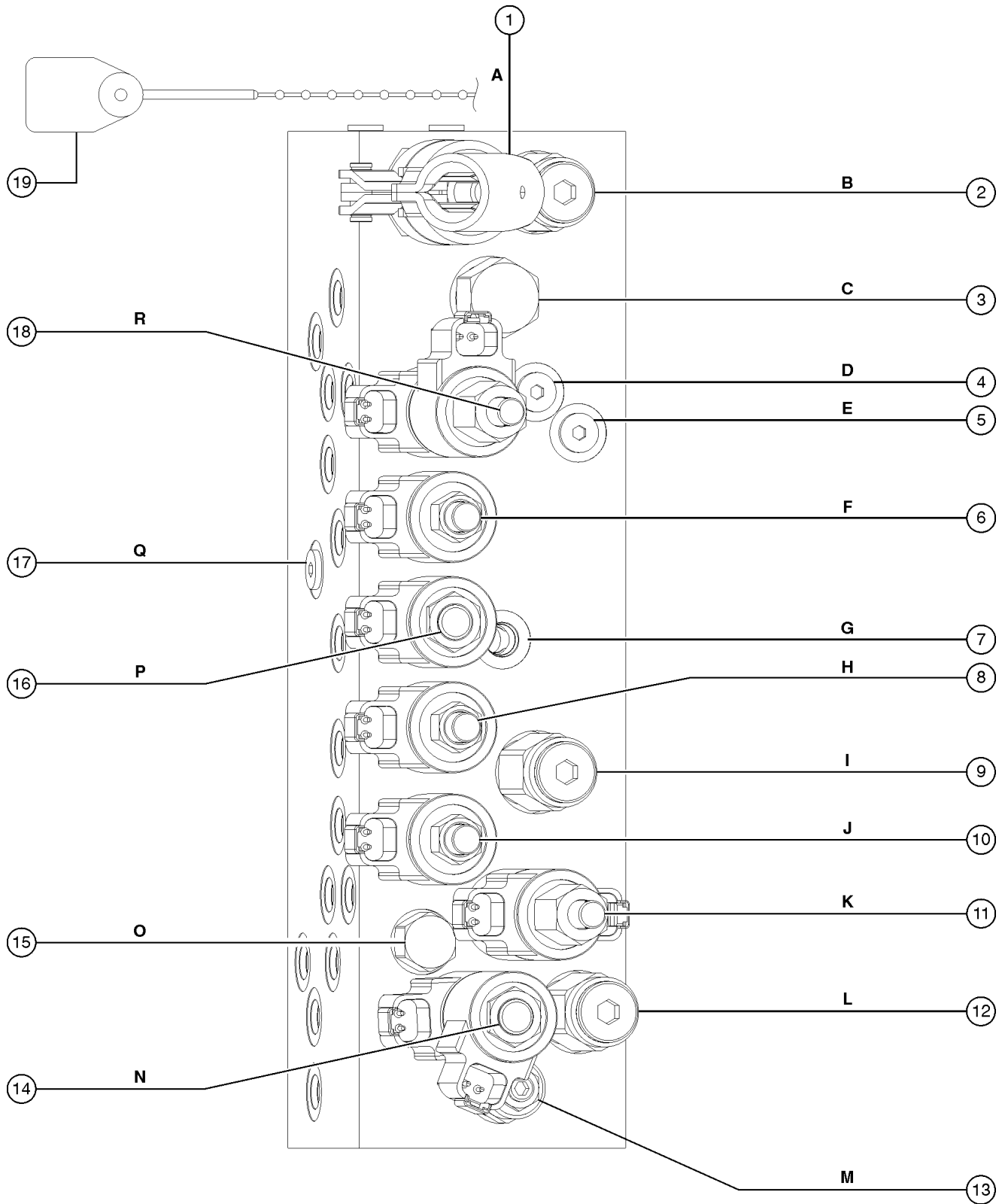
601.2 Function Manifold



Item	Part No.	Description	Qty.
10-	65082GT	NUT-VALVE .....	
11	62816GT	VALVE-SOLENOID, 3POS 4 WAY*** ANSI, CSA and CE models; K, Boom extend retract .....	
11A-	44229GT	SEAL KIT, VALVE .....	
11A-	77709GT	COIL,#8 20VDC,DEUTSCH W/DIOD .....	
11A-	44236GT	SPACER-DUAL COIL,#8*** .....	
11A-	84608GT	NUT-VALVE .....	
11B	104590GT	VALVE W/OVERRIDE 3POS 4 WAY .....	
		Australia models	
12	52374GT	VALVE,RELIEF,3000PSI,GS68PUMP1 .....	
		L, System relief	
12-	44227GT	SEAL KIT, VALVE .....	
13	62506GT	VALVE - COUNTERBALANCE** .....	
		M, Outrigger retract circuit	
13-	43018GT	SEAL KIT (39345) .....	
14	52912GT	VALVE,3POSITION,4WAY* .....	
		N, Outrigger extend/retract	
14-	44229GT	SEAL KIT, VALVE .....	
14-	77709GT	COIL,#8 20VDC,DEUTSCH W/DIOD .....	
14-	44236GT	SPACER-DUAL COIL,#8*** .....	
14-	84608GT	NUT-VALVE .....	
15	74508GT	VALVE,CHECK,COBA-X*N 200PSI PO .....	
		O, Outrigger retract circuit	
15-	44233GT	SEAL KIT-FOR PN. 44217 .....	
16	62815GT	VALVE,SOLENOID,2POS 3 WAY*** .....	
		P, Secondary boom up (does not include a coil)	
16-	52371GT	SEAL KIT, VALVE .....	
16-	77709GT	COIL,#8 20VDC,DEUTSCH W/DIOD .....	
		(not a component of 62815)	
16-	84608GT	NUT-VALVE .....	
16-	76618GT	ORIFICE, CUSTOM .046 .....	
		from SN 05-274	
17	97210GT	ORIFICE,0.080 INCH .....	
		Q, Restricts platform down fluid flow	
17-	97187GT	PLUG .....	
18	97200GT	VALVE-SOLENOID, 3POS 4WAY .....	
		ANSI, CSA and CE models; R, Turntable rotate left/right	
18	104589GT	VALVE W/OVERRIDE, 3 POS, 4WAY .....	
		Australia models	
18-	44229GT	SEAL KIT, VALVE .....	



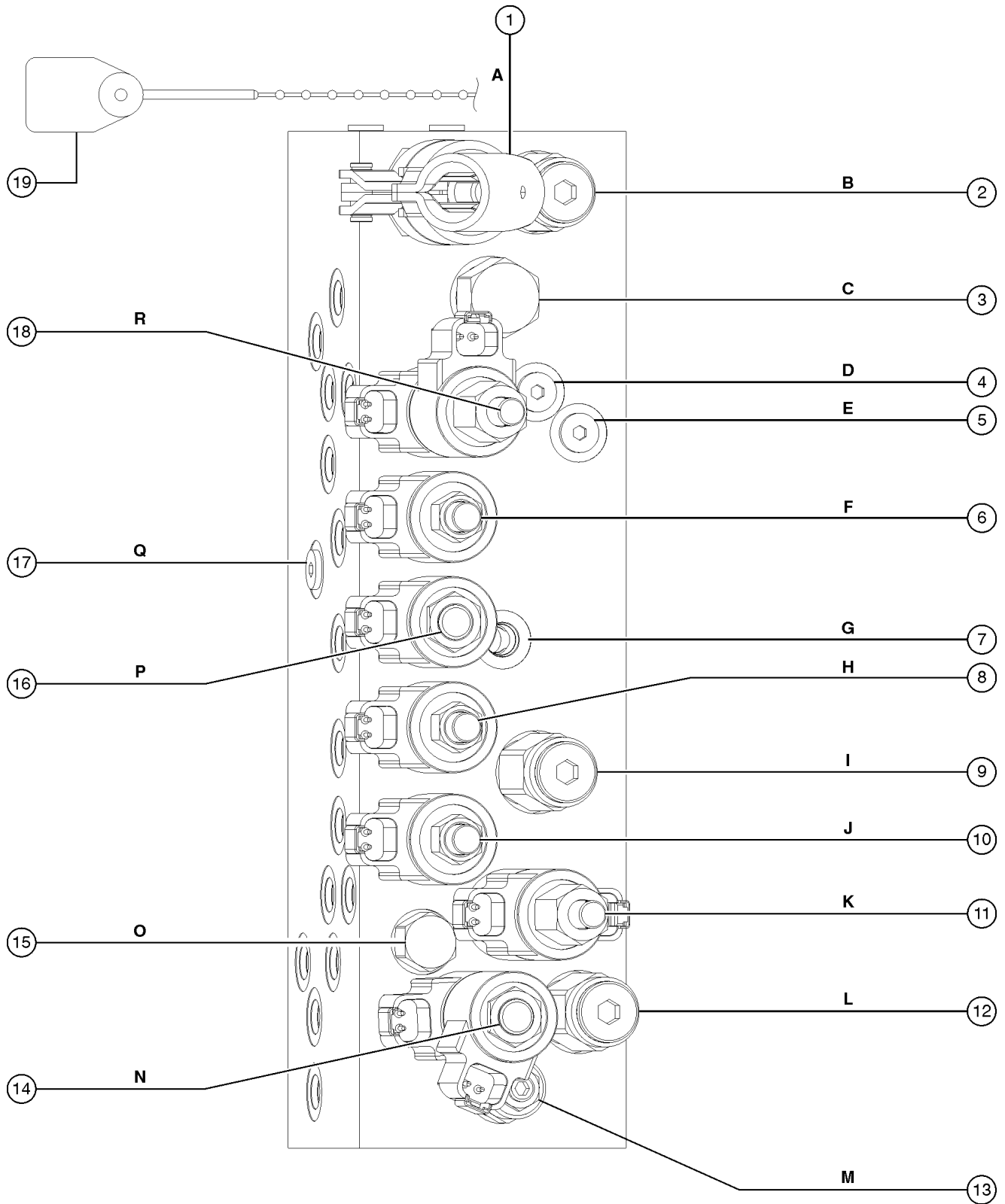
601.2 Function Manifold





<i>Item</i>	<i>Part No.</i>	<i>Description</i>	<i>Qty.</i>
18-	77709GT	COIL,#8 20VDC,DEUTSCH W/DIOD .....	
18-	44236GT	SPACER-DUAL COIL,#8*** .....	
18-	84608GT	NUT-VALVE .....	
18-	105357GT	ORIFICE DISC, 0.035" .....	
		from SN 05-430	

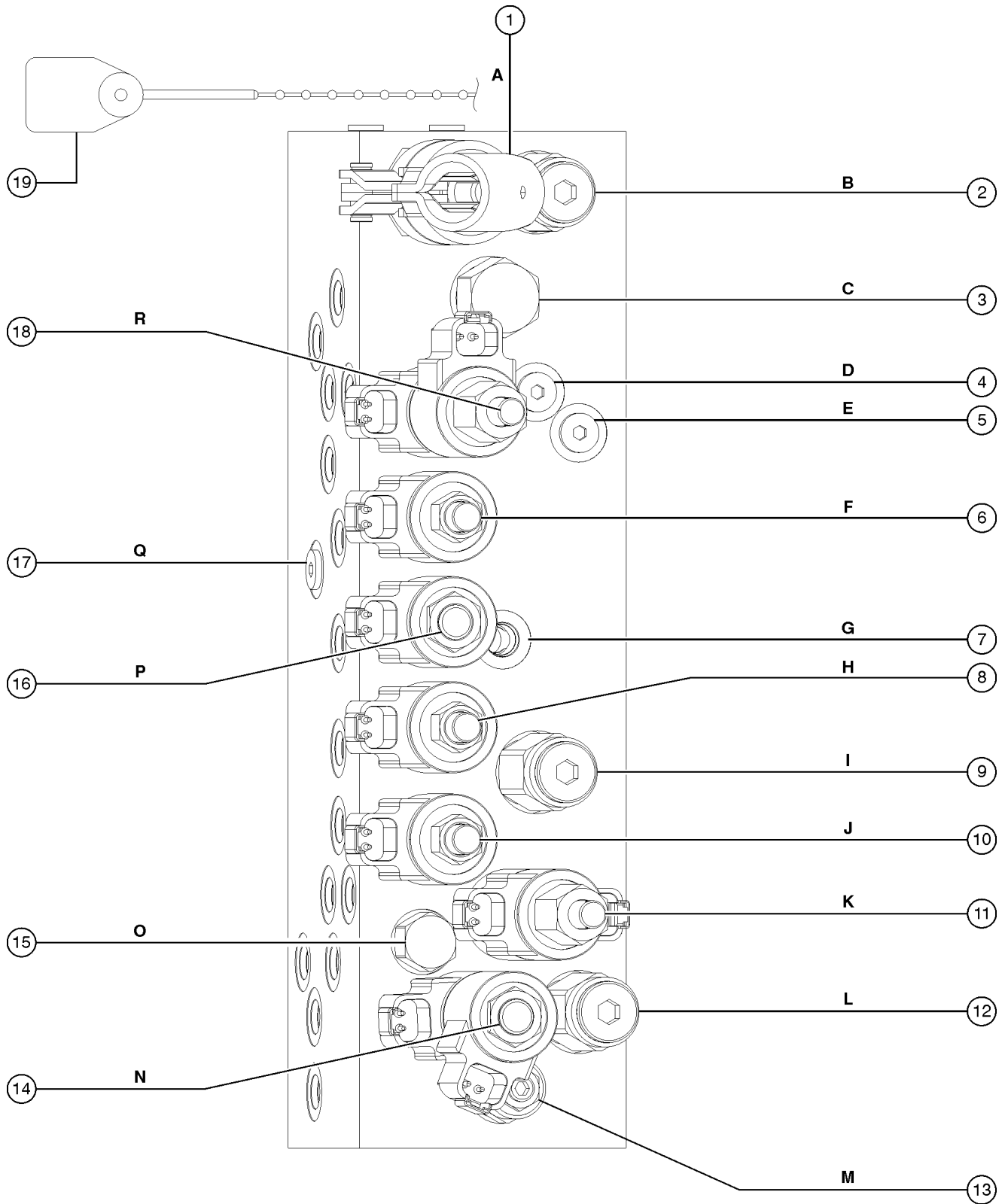
601.3 Function Manifold



Item	Part No.	Description	Qty.
	99756GT	MANIFOLD, HYDRAULIC, FUNCTION ..... ANSI, CSA and CE models	
	49612GT	O-RING KIT (ORFS FITTINGS) .....	
	33994GT	PLUG AND CAP KIT-SERVICE, 37 ** .....	
	49613GT	PLUG AND CAP KIT-SERVICE, ORFS* .....	
1	97206GT	VALVE-HAND PUMP ..... A, Auxiliary down	
1-	44224GT	SEAL KIT, VALVE .....	
2	97204GT	VALVE-RELIEF, 600PSI ..... B, Turntable rotate circuit	
3	97205GT	VALVE-DIFFERENTIAL, DIRECTIONAL ..... C, Returns extra hydraulic fluid to tank when operating turntable rotate function	
3-	62337GT	SEAL KIT, VALVE .....	
4	44216GT	VALVE, SHUTTLE ..... D, Turntable rotate circuit	
4-	44235GT	SEAL KIT-FOR PN.44216 & 826779 .....	
4-	97187GT	PLUG .....	
5	62336GT	ORIFICE PLUG, 0.040 ..... E, Restricts turntable rotate fluid flow	
5-	97187GT	PLUG .....	
6	62817GT	VALVE-SOLENOID, 2 POS 3 WAY*** ..... F, Secondary boom down	
6-	52371GT	SEAL KIT, VALVE .....	
6-	77709GT	COIL, #8 20VDC, DEUTSCH W/DIOD .....	
6-	65082GT	NUT-VALVE .....	
7	48997GT	NIPPLE, DIAGNOSTIC, #4 ..... G, Testing	
7-	48880GT	CAP, DIAGNOSTIC NIPPLE .....	
8	62817GT	VALVE-SOLENOID, 2 POS 3 WAY*** ..... H, Primary boom down	
8-	52371GT	SEAL KIT, VALVE .....	
8-	77709GT	COIL, #8 20VDC, DEUTSCH W/DIOD .....	
8-	65082GT	NUT-VALVE .....	
9	97203GT	VALVE-RELIEF, 1600PSI ..... I, Primary boom circuit	
10	62817GT	VALVE-SOLENOID, 2 POS 3 WAY*** ..... J, Primary boom up	
10-	52371GT	SEAL KIT, VALVE .....	
10-	77709GT	COIL, #8 20VDC, DEUTSCH W/DIOD .....	



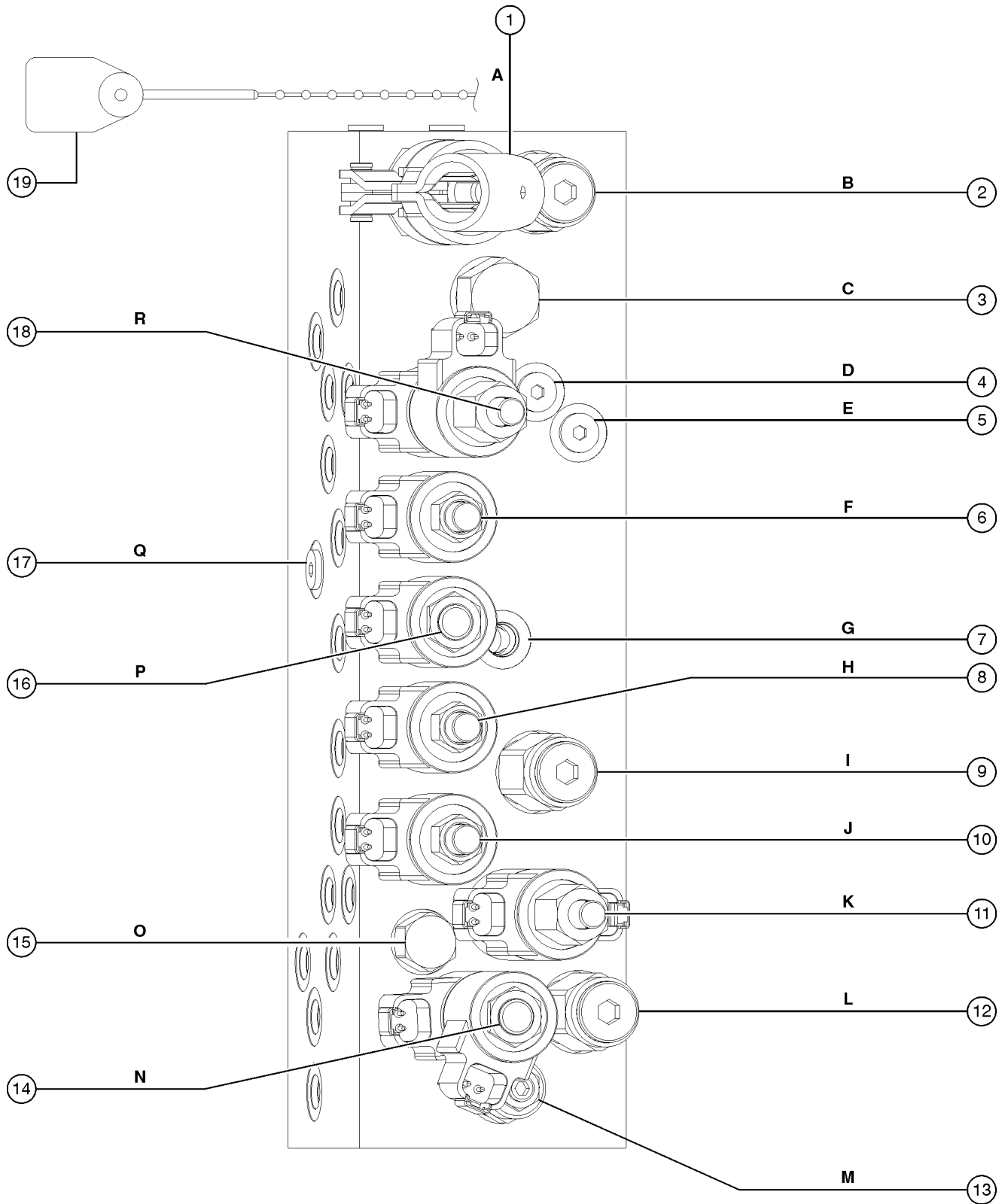
601.3 Function Manifold



Item	Part No.	Description	Qty.
10-	65082GT	NUT-VALVE .....	
11	62816GT	VALVE-SOLENOID, 3POS 4 WAY*** ANSI, CSA and CE models; K, Boom extend retract .....	
11A-	44229GT	SEAL KIT, VALVE .....	
11A-	77709GT	COIL,#8 20VDC,DEUTSCH W/DIOD .....	
11A-	44236GT	SPACER-DUAL COIL,#8*** .....	
11A-	84608GT	NUT-VALVE .....	
11B	104590GT	VALVE W/OVERRIDE 3POS 4 WAY .....	
		Australia models	
12	52374GT	VALVE,RELIEF,3000PSI,GS68PUMP1 .....	
		L, System relief	
12-	44227GT	SEAL KIT, VALVE .....	
13	62506GT	VALVE - COUNTERBALANCE** .....	
		M, Outrigger retract circuit	
13-	43018GT	SEAL KIT (39345) .....	
14	52912GT	VALVE,3POSITION,4WAY* .....	
		N, Outrigger extend/retract	
14-	44229GT	SEAL KIT, VALVE .....	
14-	77709GT	COIL,#8 20VDC,DEUTSCH W/DIOD .....	
14-	44236GT	SPACER-DUAL COIL,#8*** .....	
14-	84608GT	NUT-VALVE .....	
15	74508GT	VALVE,CHECK,COBA-X*N 200PSI PO .....	
		O, Outrigger retract circuit	
15-	44233GT	SEAL KIT-FOR PN. 44217 .....	
16	62815GT	VALVE,SOLENOID,2POS 3 WAY*** .....	
		P, Secondary boom up (does not include a coil)	
16-	52371GT	SEAL KIT, VALVE .....	
16-	77709GT	COIL,#8 20VDC,DEUTSCH W/DIOD .....	
		(not a component of 62815)	
16-	84608GT	NUT-VALVE .....	
16-	76618GT	ORIFICE, CUSTOM .046 .....	
		from SN 05-274	
17	97210GT	ORIFICE,0.080 INCH .....	
		Q, Restricts platform down fluid flow	
17-	97187GT	PLUG .....	
18	97200GT	VALVE-SOLENOID, 3POS 4WAY .....	
		ANSI, CSA and CE models; R, Turntable rotate left/right	
18	104589GT	VALVE W/OVERRIDE, 3 POS, 4WAY .....	
		Australia models	
18-	44229GT	SEAL KIT, VALVE .....	

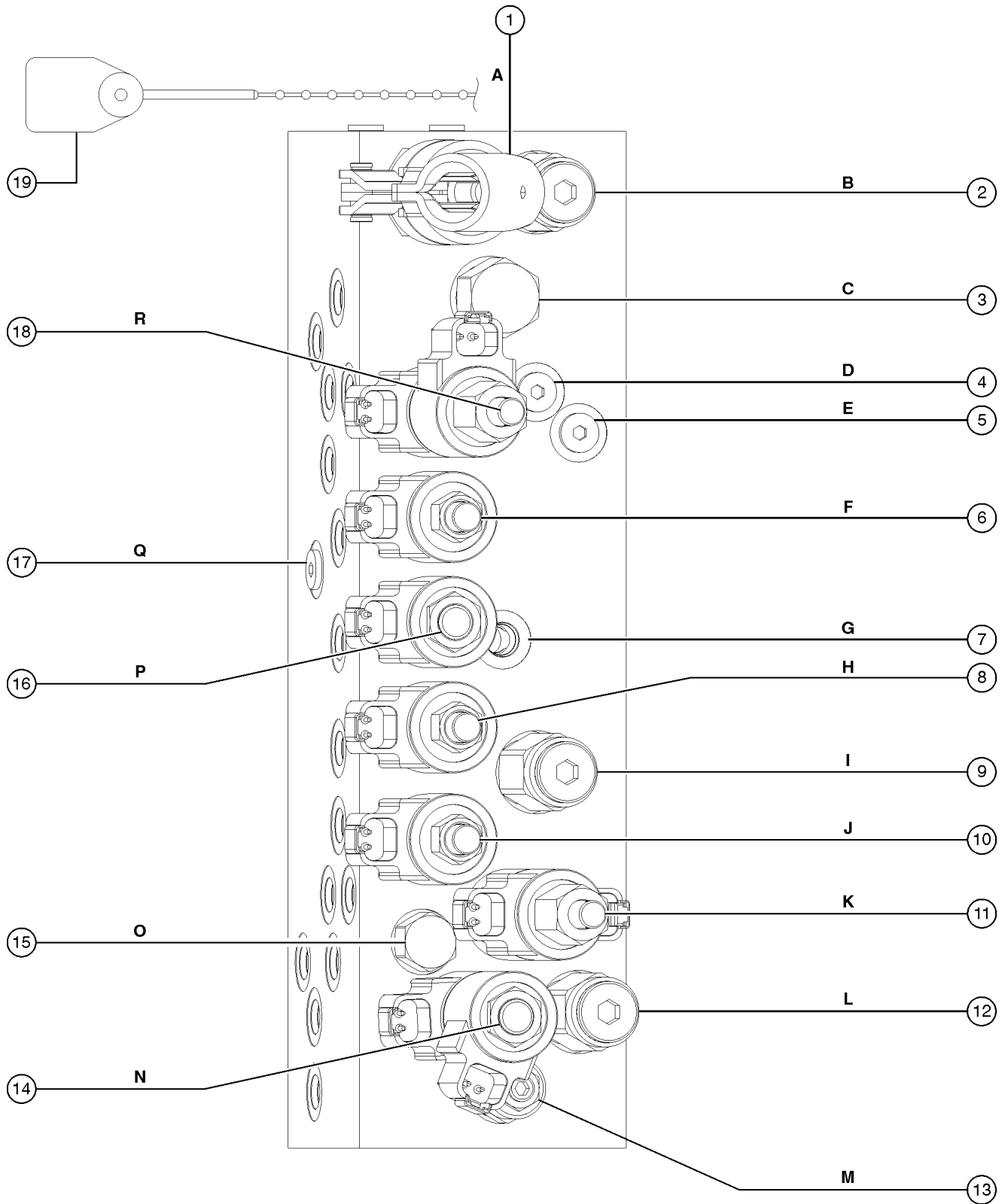


601.3 Function Manifold



<i>Item</i>	<i>Part No.</i>	<i>Description</i>	<i>Qty.</i>
18-	77709GT	COIL,#8 20VDC,DEUTSCH W/DIOD .....	
18-	44236GT	SPACER-DUAL COIL,#8*** .....	
18-	84608GT	NUT-VALVE .....	
18-	105357GT	ORIFICE DISC, 0.035" ..... from SN 05-430	

601.4 Function Manifold

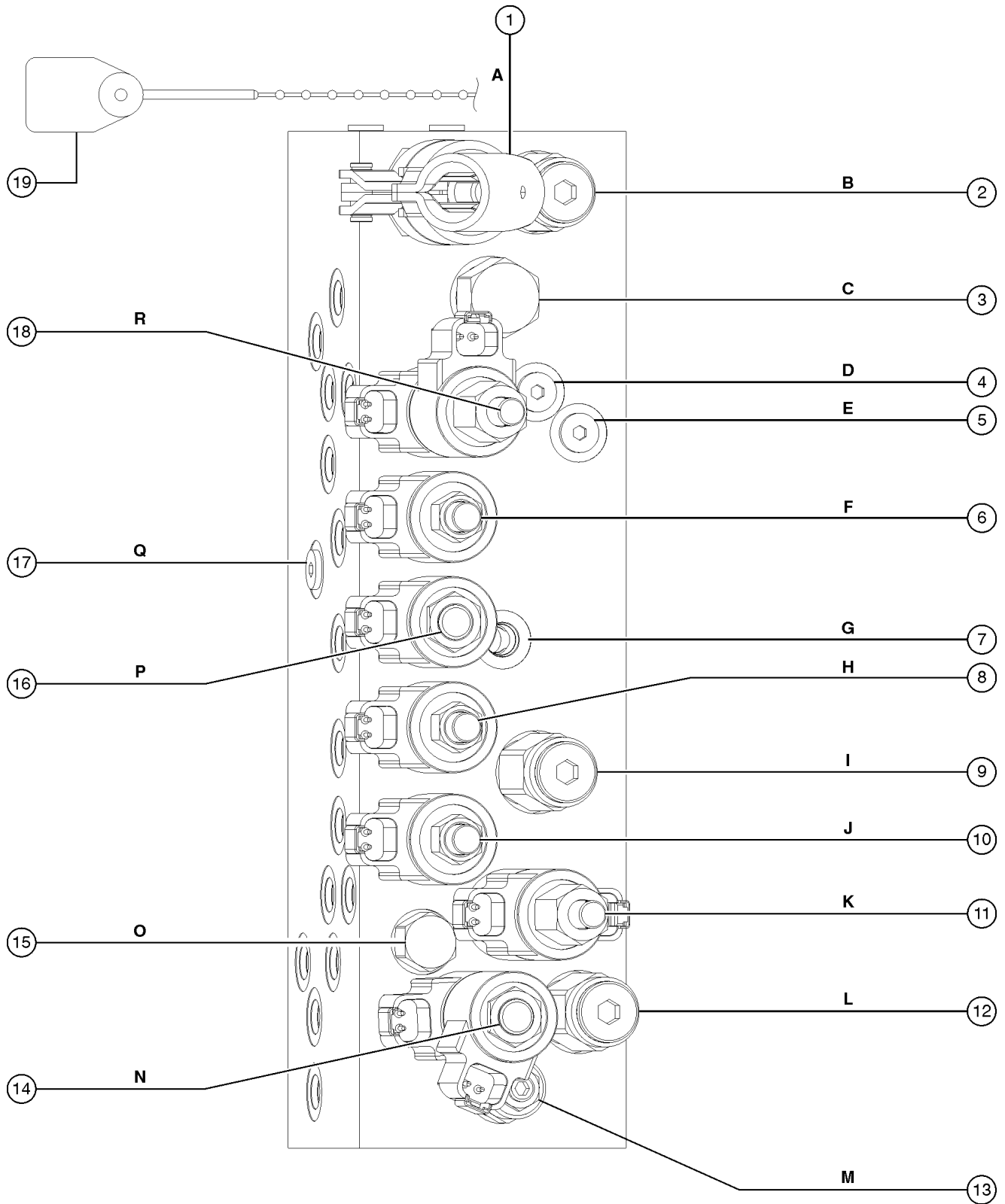




Item	Part No.	Description	Qty.
	99756GT	MANIFOLD, HYDRAULIC, FUNCTION ..... ANSI, CSA and CE models	
	49612GT	O-RING KIT (ORFS FITTINGS) .....	
	33994GT	PLUG AND CAP KIT-SERVICE, 37 ** .....	
	49613GT	PLUG AND CAP KIT-SERVICE, ORFS* .....	
1	97206GT	VALVE-HAND PUMP ..... A, Auxiliary down	
1-	44224GT	SEAL KIT, VALVE .....	
2	97204GT	VALVE-RELIEF, 600PSI ..... B, Turntable rotate circuit	
3	97205GT	VALVE-DIFFERENTIAL, DIRECTIONAL ..... C, Returns extra hydraulic fluid to tank when operating turntable rotate function	
3-	62337GT	SEAL KIT, VALVE .....	
4	44216GT	VALVE, SHUTTLE ..... D, Turntable rotate circuit	
4-	44235GT	SEAL KIT-FOR PN.44216 & 826779 .....	
4-	97187GT	PLUG .....	
5	62336GT	ORIFICE PLUG, 0.040 ..... E, Restricts turntable rotate fluid flow	
5-	97187GT	PLUG .....	
6	62817GT	VALVE-SOLENOID, 2 POS 3 WAY*** ..... F, Secondary boom down	
6-	52371GT	SEAL KIT, VALVE .....	
6-	77709GT	COIL, #8 20VDC, DEUTSCH W/DIOD .....	
6-	65082GT	NUT-VALVE .....	
7	48997GT	NIPPLE, DIAGNOSTIC, #4 ..... G, Testing	
7-	48880GT	CAP, DIAGNOSTIC NIPPLE .....	
8	62817GT	VALVE-SOLENOID, 2 POS 3 WAY*** ..... H, Primary boom down	
8-	52371GT	SEAL KIT, VALVE .....	
8-	77709GT	COIL, #8 20VDC, DEUTSCH W/DIOD .....	
8-	65082GT	NUT-VALVE .....	
9	97203GT	VALVE-RELIEF, 1600PSI ..... I, Primary boom circuit	
10	62817GT	VALVE-SOLENOID, 2 POS 3 WAY*** ..... J, Primary boom up	
10-	52371GT	SEAL KIT, VALVE .....	
10-	77709GT	COIL, #8 20VDC, DEUTSCH W/DIOD .....	



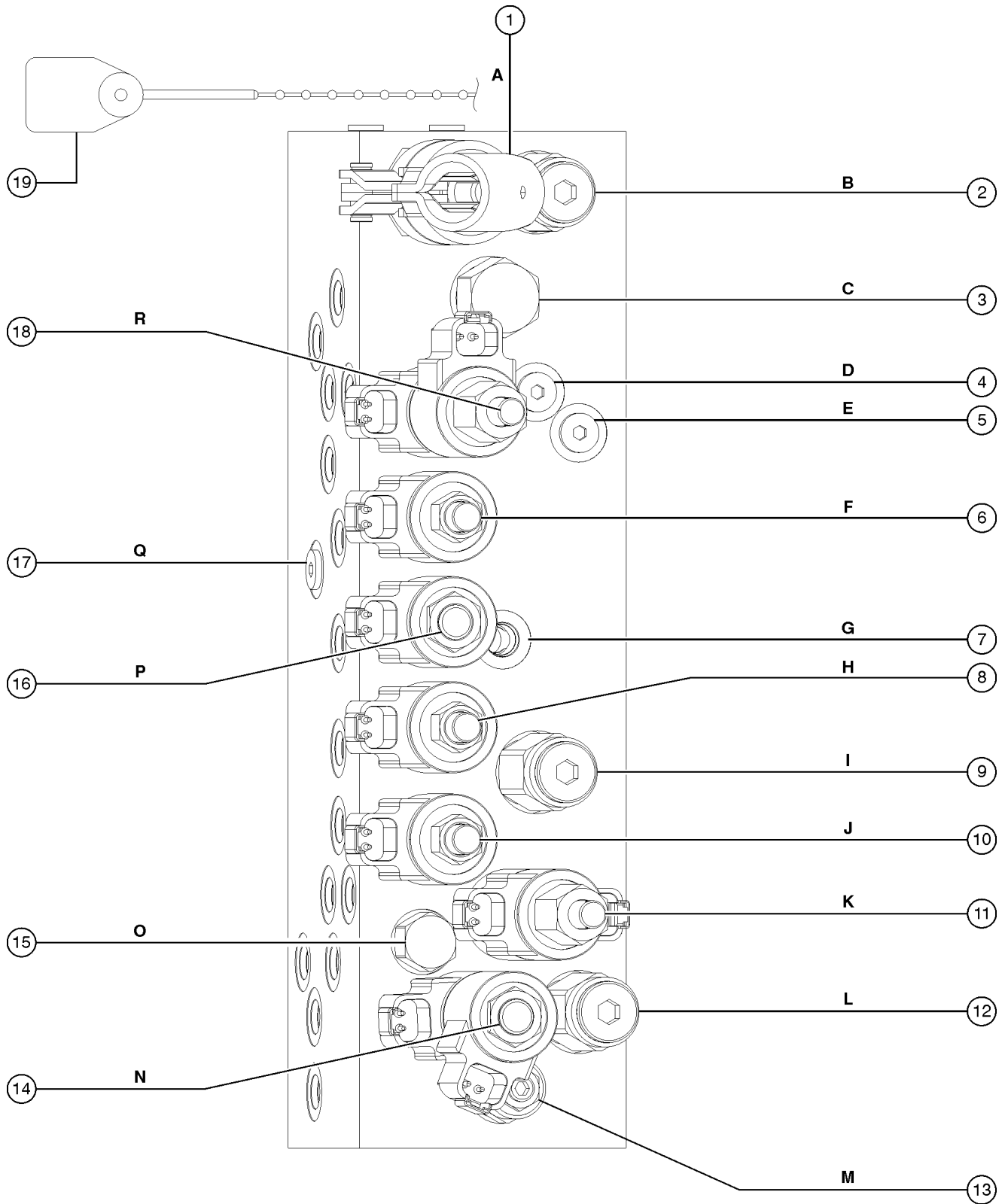
601.4 Function Manifold



Item	Part No.	Description	Qty.
10-	65082GT	NUT-VALVE .....	
11A	62816GT	VALVE-SOLENOID, 3POS 4 WAY*** ANSI, CSA and CE models; K, Boom extend retract .....	
11A-	44229GT	SEAL KIT, VALVE .....	
11A-	77709GT	COIL,#8 20VDC,DEUTSCH W/DIOD .....	
11A-	44236GT	SPACER-DUAL COIL,#8*** .....	
11A-	84608GT	NUT-VALVE .....	
11B	104590GT	VALVE W/OVERRIDE 3POS 4 WAY .....	
		Australia models	
12	52374GT	VALVE,RELIEF,3000PSI,GS68PUMP1 .....	
		L, System relief	
12-	44227GT	SEAL KIT, VALVE .....	
13	62506GT	VALVE - COUNTERBALANCE** .....	
		M, Outrigger retract circuit	
13-	43018GT	SEAL KIT (39345) .....	
14	52912GT	VALVE,3POSITION,4WAY* .....	
		N, Outrigger extend/retract	
14-	44229GT	SEAL KIT, VALVE .....	
14-	77709GT	COIL,#8 20VDC,DEUTSCH W/DIOD .....	
14-	44236GT	SPACER-DUAL COIL,#8*** .....	
14-	84608GT	NUT-VALVE .....	
15	74508GT	VALVE,CHECK,COBA-X*N 200PSI PO .....	
		O, Outrigger retract circuit	
15-	44233GT	SEAL KIT-FOR PN. 44217 .....	
16	62815GT	VALVE,SOLENOID,2POS 3 WAY*** .....	
		P, Secondary boom up (does not include a coil)	
16-	52371GT	SEAL KIT, VALVE .....	
16-	77709GT	COIL,#8 20VDC,DEUTSCH W/DIOD .....	
		(not a component of 62815)	
16-	84608GT	NUT-VALVE .....	
16-	76618GT	ORIFICE, CUSTOM .046 .....	
		from SN 05-274	
17	97210GT	ORIFICE,0.080 INCH .....	
		Q, Restricts platform down fluid flow	
17-	97187GT	PLUG .....	
18	97200GT	VALVE-SOLENOID, 3POS 4WAY .....	
		ANSI, CSA and CE models; R, Turntable rotate left/right	
18	104589GT	VALVE W/OVERRIDE, 3 POS, 4WAY .....	
		Australia models	
18-	44229GT	SEAL KIT, VALVE .....	

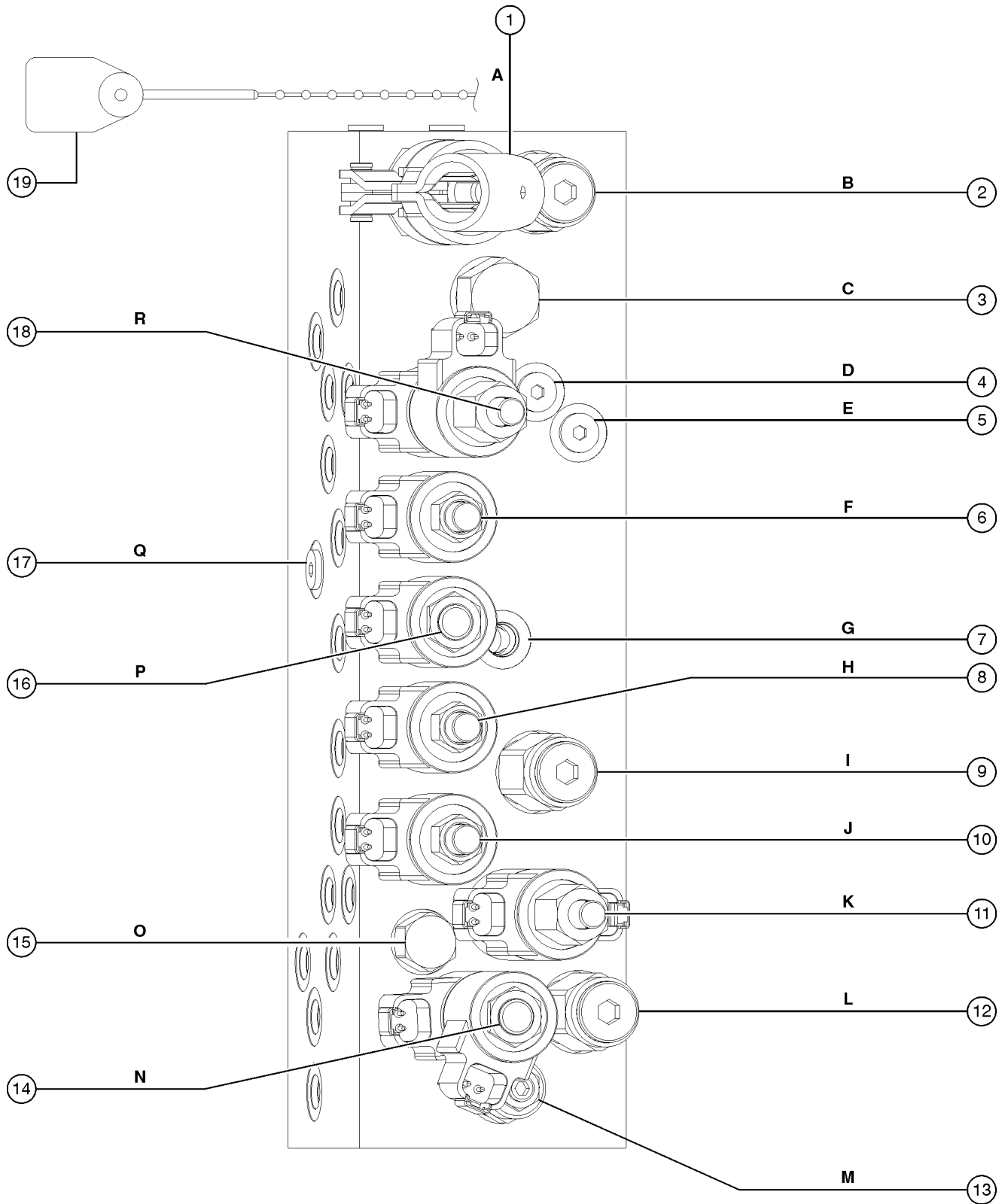


601.4 Function Manifold



<i>Item</i>	<i>Part No.</i>	<i>Description</i>	<i>Qty.</i>
18-	77709GT	COIL,#8 20VDC,DEUTSCH W/DIOD .....	
18-	44236GT	SPACER-DUAL COIL,#8*** .....	
18-	84608GT	NUT-VALVE .....	
18-	105357GT	ORIFICE DISC, 0.035" .....	
		from SN 05-430	

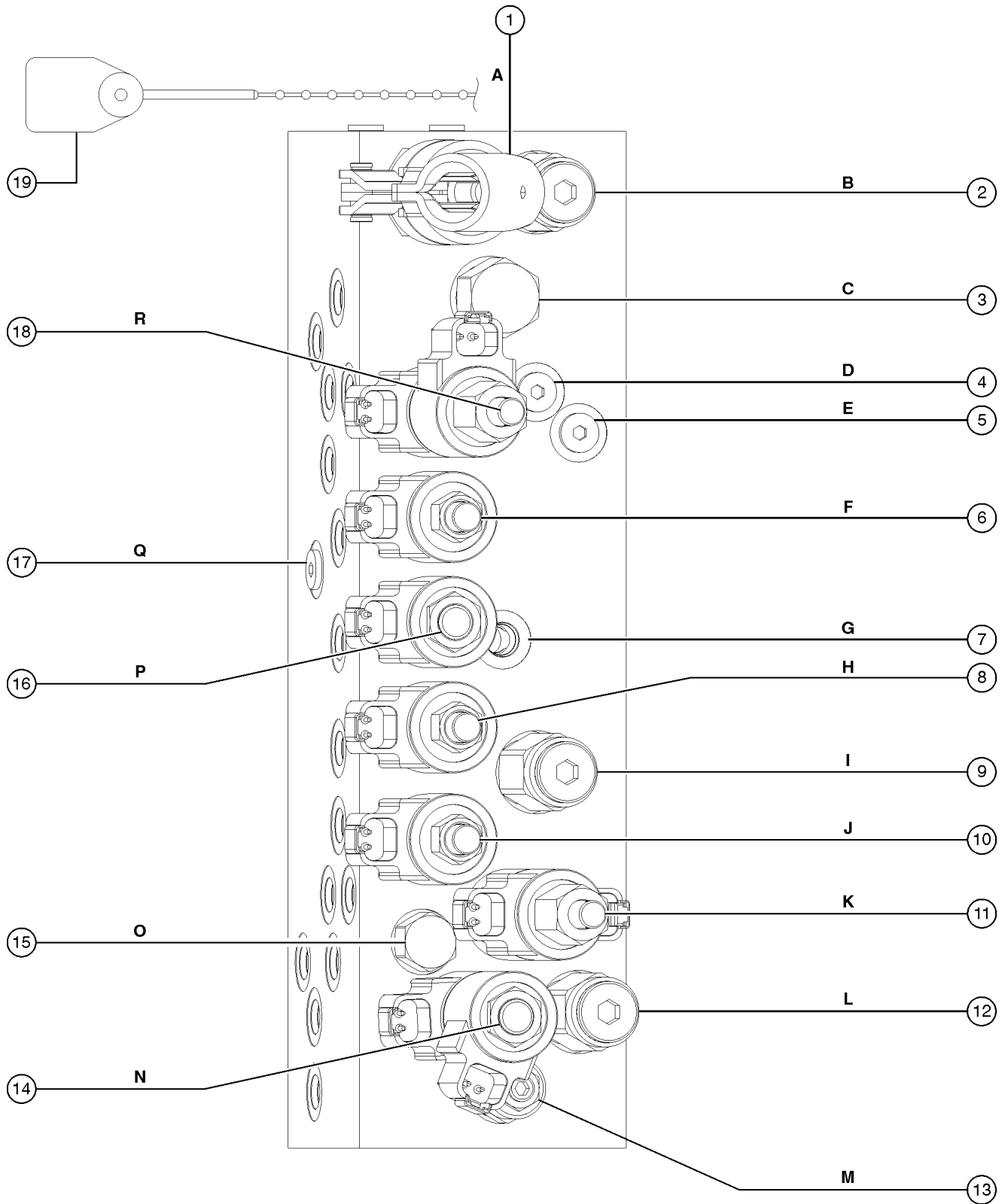
601.5 Function Manifold



Item	Part No.	Description	Qty.
	99756GT	MANIFOLD, HYDRAULIC, FUNCTION ..... ANSI, CSA and CE models	
	49612GT	O-RING KIT (ORFS FITTINGS) .....	
	33994GT	PLUG AND CAP KIT-SERVICE, 37 ** .....	
	49613GT	PLUG AND CAP KIT-SERVICE, ORFS* .....	
1	97206GT	VALVE-HAND PUMP ..... A, Auxiliary down	
1-	44224GT	SEAL KIT, VALVE .....	
2	97204GT	VALVE-RELIEF, 600PSI ..... B, Turntable rotate circuit	
3	97205GT	VALVE-DIFFERENTIAL, DIRECTIONAL ..... C, Returns extra hydraulic fluid to tank when operating turntable rotate function	
3-	62337GT	SEAL KIT, VALVE .....	
4	826779GT	VALVE, SHUTTLE ..... D, Turntable rotate circuit	
4-	44235GT	SEAL KIT-FOR PN.44216 & 826779 .....	
4-	97187GT	PLUG .....	
5	62336GT	ORIFICE PLUG, 0.040 ..... E, Restricts turntable rotate fluid flow	
5-	97187GT	PLUG .....	
6	62817GT	VALVE-SOLENOID, 2 POS 3 WAY*** ..... F, Secondary boom down	
6-	52371GT	SEAL KIT, VALVE .....	
6-	77709GT	COIL, #8 20VDC, DEUTSCH W/DIOD .....	
6-	65082GT	NUT-VALVE .....	
7	48997GT	NIPPLE, DIAGNOSTIC, #4 ..... G, Testing	
7-	45643GT	CAP, DUST, DIAGNOSTIC NIPPLE*** .....	
8	62817GT	VALVE-SOLENOID, 2 POS 3 WAY*** ..... H, Primary boom down	
8-	52371GT	SEAL KIT, VALVE .....	
8-	77709GT	COIL, #8 20VDC, DEUTSCH W/DIOD .....	
8-	65082GT	NUT-VALVE .....	
9	97203GT	VALVE-RELIEF, 1600PSI ..... I, Primary boom circuit	
10	62817GT	VALVE-SOLENOID, 2 POS 3 WAY*** ..... J, Primary boom up	
10-	52371GT	SEAL KIT, VALVE .....	
10-	77709GT	COIL, #8 20VDC, DEUTSCH W/DIOD .....	



601.5 Function Manifold

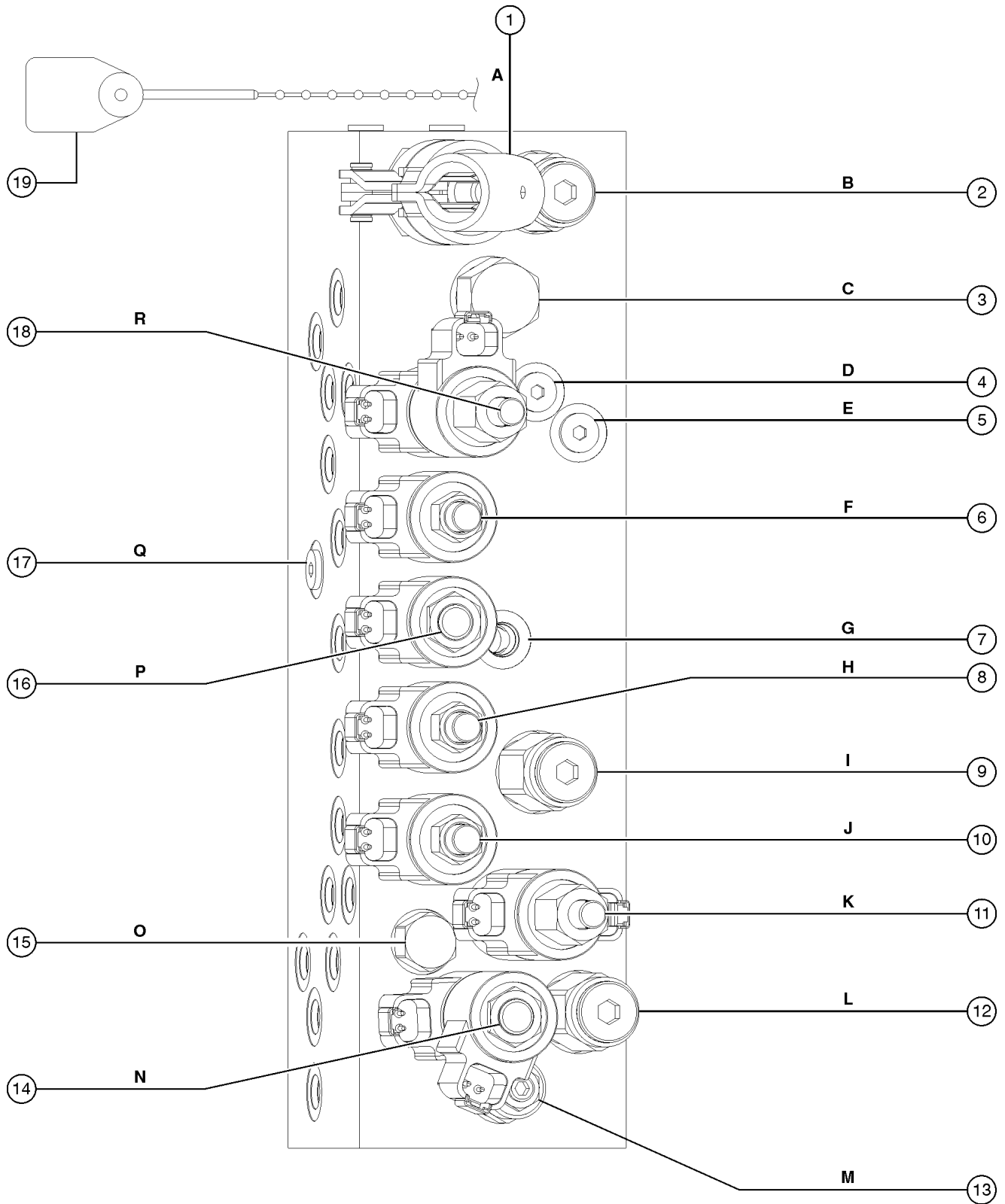




Item	Part No.	Description	Qty.
10-	65082GT	NUT-VALVE .....	
11A	62816GT	VALVE-SOLENOID, 3POS 4 WAY*** ANSI, CSA and CE models; K, Boom extend retract .....	
11A-	44229GT	SEAL KIT, VALVE .....	
11A-	77709GT	COIL,#8 20VDC,DEUTSCH W/DIOD .....	
11A-	44236GT	SPACER-DUAL COIL,#8*** .....	
11A-	84608GT	NUT-VALVE .....	
11B	104590GT	VALVE W/OVERRIDE 3POS 4 WAY .....	
		Australia models	
12	52374GT	VALVE,RELIEF,3000PSI,GS68PUMP1 .....	
		L, System relief	
12-	44227GT	SEAL KIT, VALVE .....	
13	62506GT	VALVE - COUNTERBALANCE** .....	
		M, Outrigger retract circuit	
13-	43018GT	SEAL KIT (39345) .....	
14	52912GT	VALVE,3POSITION,4WAY* .....	
		N, Outrigger extend/retract	
14-	44229GT	SEAL KIT, VALVE .....	
14-	77709GT	COIL,#8 20VDC,DEUTSCH W/DIOD .....	
14-	44236GT	SPACER-DUAL COIL,#8*** .....	
14-	77709GT	COIL,#8 20VDC,DEUTSCH W/DIOD .....	
14-	84608GT	NUT-VALVE .....	
15	74508GT	VALVE,CHECK,COBA-X*N 200PSI PO .....	
		O, Outrigger retract circuit	
15-	44233GT	SEAL KIT-FOR PN. 44217 .....	
16	62815GT	VALVE,SOLENOID,2POS 3 WAY*** .....	
		P, Secondary boom up (does not include a coil)	
16-	52371GT	SEAL KIT, VALVE .....	
16-	77709GT	COIL,#8 20VDC,DEUTSCH W/DIOD .....	
		(not a component of 62815)	
16-	84608GT	NUT-VALVE .....	
16-	76618GT	ORIFICE, CUSTOM .046 .....	
		from SN 05-274	
17	97210GT	ORIFICE,0.080 INCH .....	
		Q, Restricts platform down fluid flow	
17-	97187GT	PLUG .....	
18	97200GT	VALVE-SOLENOID, 3POS 4WAY .....	
		ANSI, CSA and CE models; R, Turntable rotate left/right	
18	104589GT	VALVE W/OVERRIDE, 3 POS, 4WAY .....	
		Australia models	

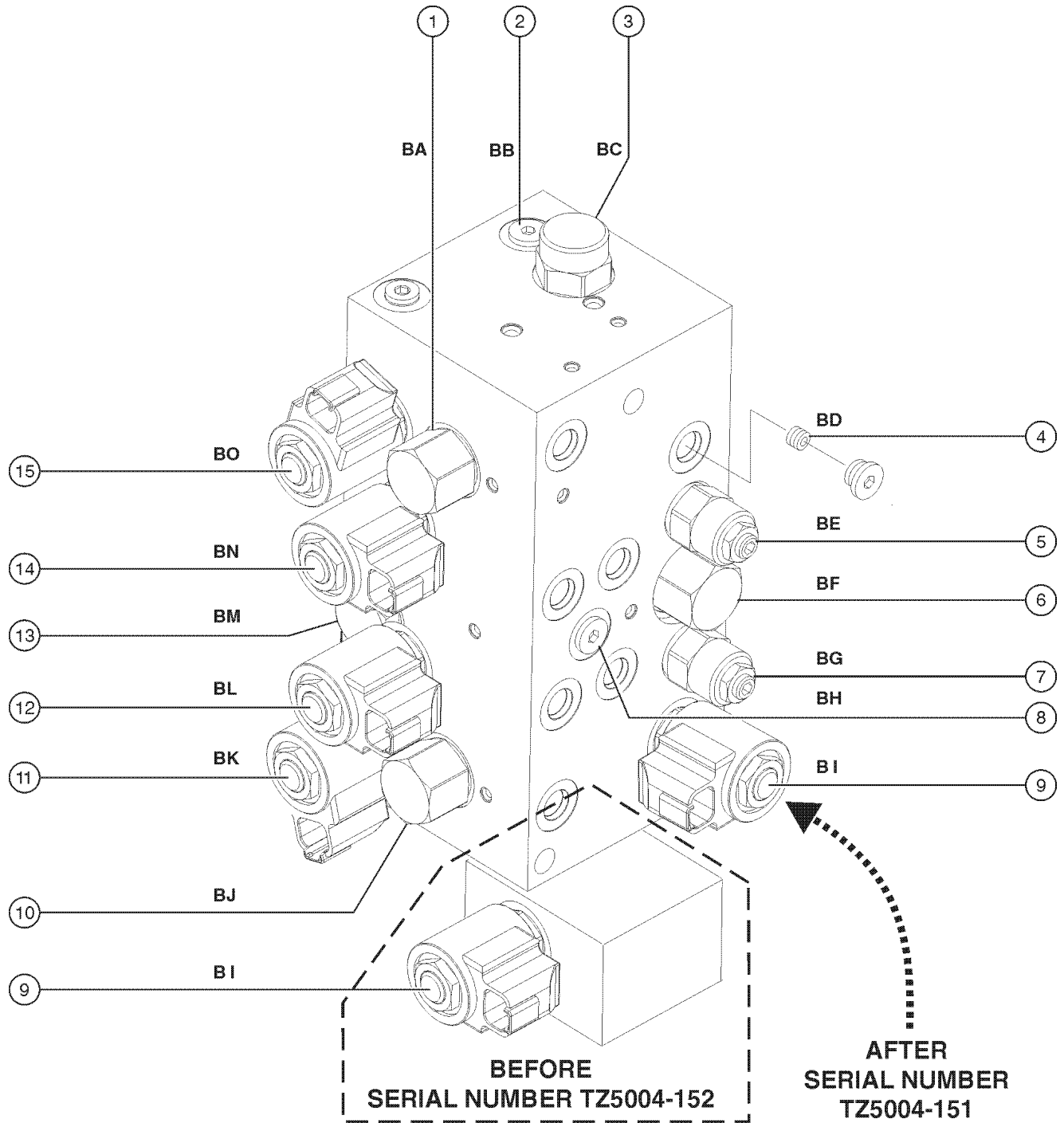


601.5 Function Manifold



<i>Item</i>	<i>Part No.</i>	<i>Description</i>	<i>Qty.</i>
18-	44229GT	SEAL KIT, VALVE .....	
18-	77709GT	COIL,#8 20VDC,DEUTSCH W/DIOD .....	
18-	44236GT	SPACER-DUAL COIL,#8*** .....	
18-	84608GT	NUT-VALVE .....	
18-	105357GT	ORIFICE DISC, 0.035" .....	
		from SN 05-430	
19	1261459GT	TIE, RED BEADED SECURITY .....	

602.1 Drive Manifold - Models with Drive Option

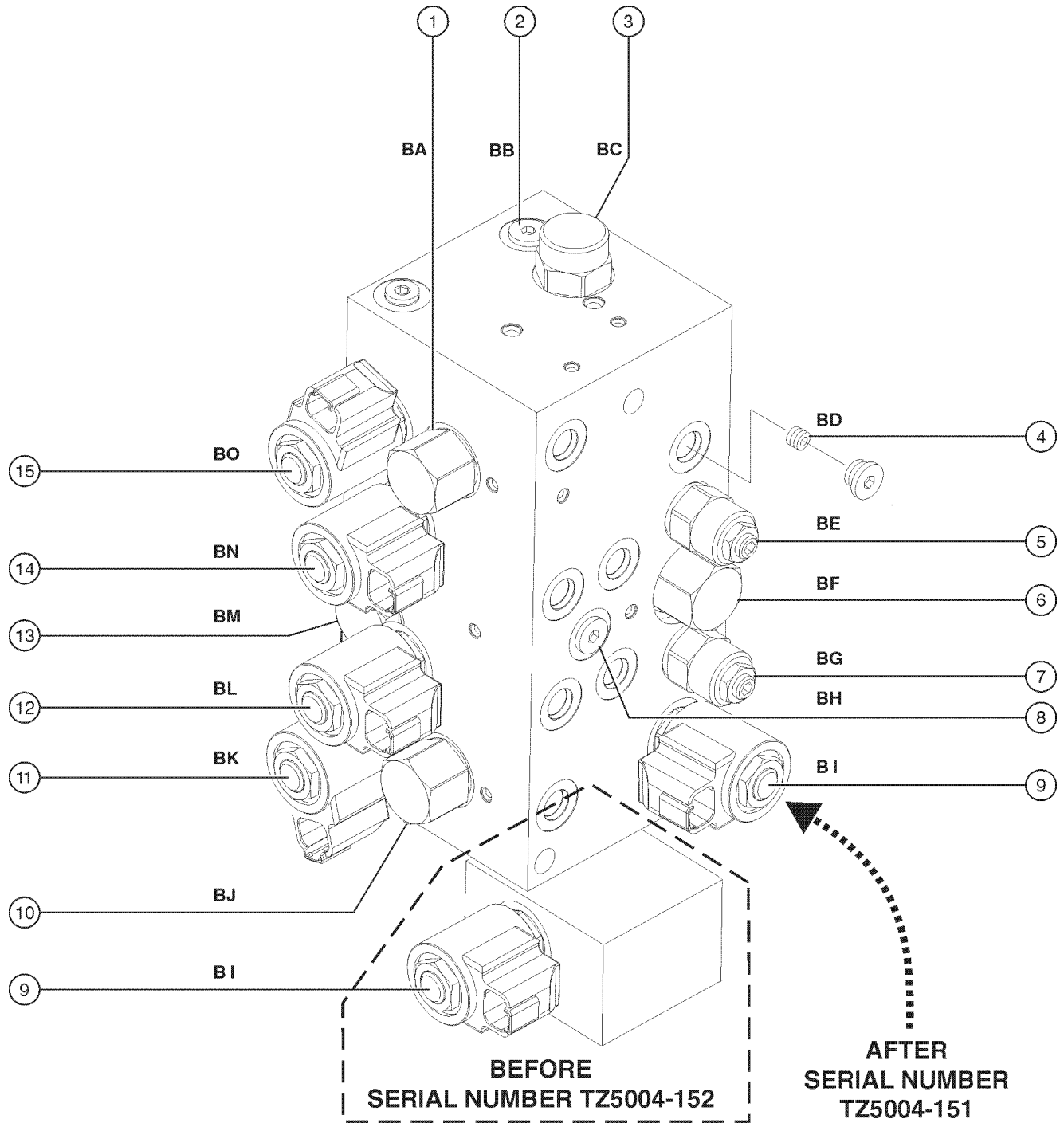


602.1 Drive Manifold - Models with Drive Option

Item	Part No.	Description	Qty.
	76761GT	MANIFOLD,HYDRAULIC,DRIVE .....	
	49612GT	O-RING KIT (ORFS FITTINGS) .....	
	33994GT	PLUG AND CAP KIT-SERVICE,37 ** .....	
	49613GT	PLUG AND CAP KIT-SERVICE,ORFS* .....	
1	97179GT	VALVE-DIFFERENTIAL,DIRECTIONAL .....	
		BA, Maintains traction equal to BJ	
1-	62337GT	SEAL KIT, VALVE .....	
2	97185GT	ORIFICE,0.090 INCH .....	
		BB, Drive circuit	
2-	97187GT	PLUG .....	
3	97178GT	VALVE-DIFFERENTIAL,SENSING .....	
		BC, Maintains torque while driving	
3-	44225GT	SEAL KIT, VALVE .....	
4	97185GT	ORIFICE,0.090 INCH .....	
		BD, Pump 2 circuit	
4-	97187GT	PLUG .....	
5	33549GT	VALVE,COUNTERBAL.CBCH-LJN .....	
		BE, Drive circuit, left side	
5-	43018GT	SEAL KIT (39345) .....	
6	97205GT	VALVE-DIFFERENTIAL,DIRECTIONAL .....	
		BF, Returns pump 2 hydraulic fluid to tank when not driving	
6-	62337GT	SEAL KIT, VALVE .....	
7	33549GT	VALVE,COUNTERBAL.CBCH-LJN .....	
		BG, Drive circuit, right side	
7-	43018GT	SEAL KIT (39345) .....	
8	826779GT	VALVE,SHUTTLE .....	
		BH, Drive circuit	
8-	44235GT	SEAL KIT-FOR PN.44216 & 826779 .....	
8-	97187GT	PLUG .....	
9	97171GT	VALVE-SOLENOID, 2POS 3WAY .....	
		BI, Brake release	
9-	89864GT	SEAL KIT,SOLENOID VALVE, SV07 .....	
9-	77709GT	COIL,#8 20VDC,DEUTSCH W/DIODE .....	
9-	44174GT	NUT-COIL SHORT .....	
10	97179GT	VALVE-DIFFERENTIAL,DIRECTIONAL .....	
		BJ, Maintains traction equal to BA	
10-	62337GT	SEAL KIT, VALVE .....	
11	97181GT	VALVE-SOLENOID, 2POS 3WAY .....	
		BK, Drive circuit, right side	



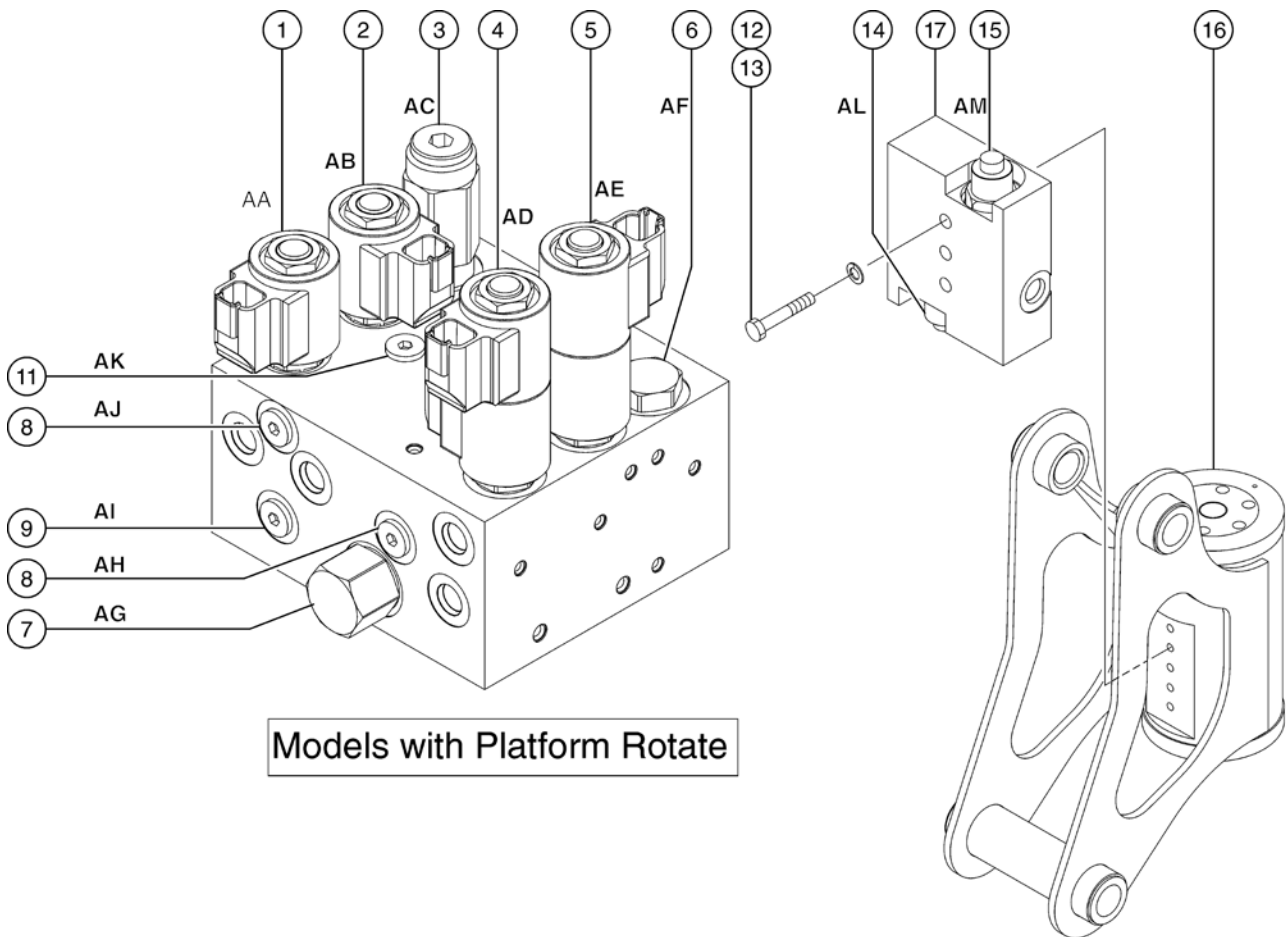
602.1 Drive Manifold - Models with Drive Option



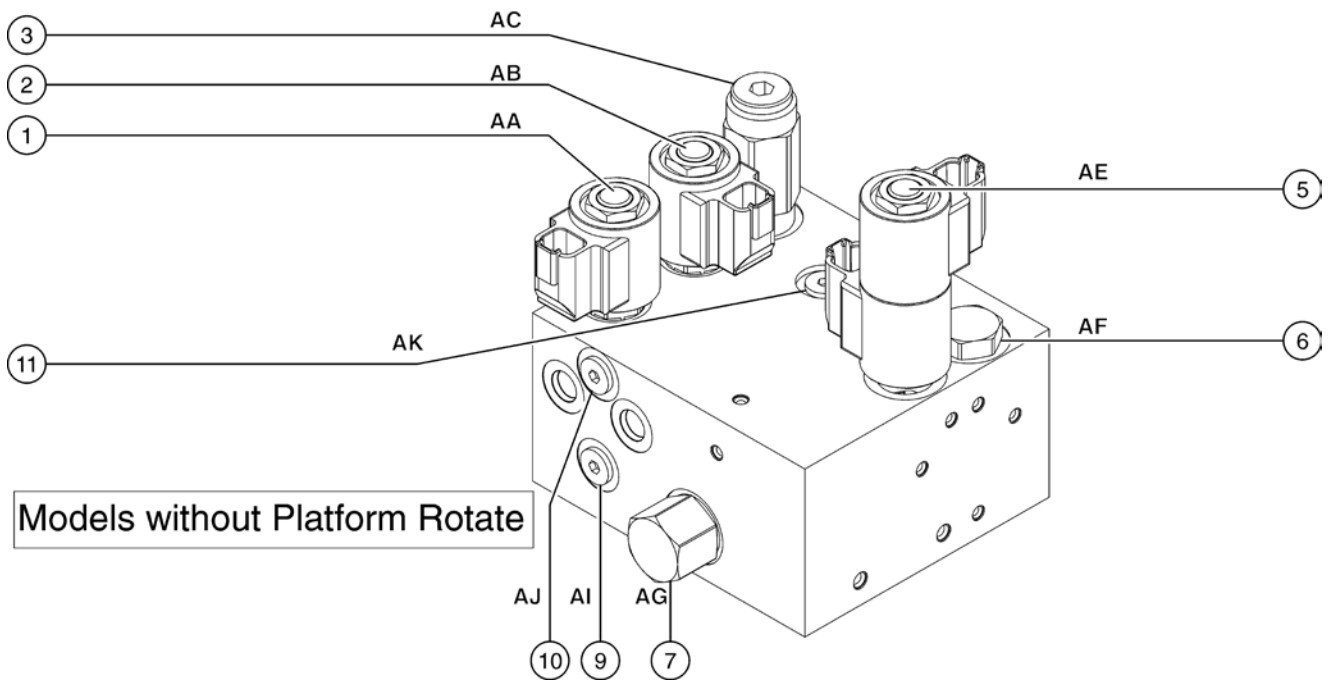
602.1 Drive Manifold - Models with Drive Option

Item	Part No.	Description	Qty.
11-	44227GT	SEAL KIT, VALVE .....	
11-	77709GT	COIL,#8 20VDC,DEUTSCH W/DIOD .....	
11-	44174GT	NUT-COIL SHORT .....	
12	97183GT	VALVE, SOLENOID, 2 POS 4 WAY .....	
		BL, Drive circuit, right side	
12-	43019GT	SEAL KIT-FOR #39346 VALVE** .....	
12-	77709GT	COIL,#8 20VDC,DEUTSCH W/DIOD .....	
12-	44174GT	NUT-COIL SHORT .....	
13	46216GT	VALVE,CHECK,IWP-S/CWP PWR ASSI .....	
		BM, Pump 2 circuit	
13-	44227GT	SEAL KIT, VALVE .....	
14	97183GT	VALVE, SOLENOID, 2 POS 4 WAY .....	
		BN, Drive circuit, left side	
14-	43019GT	SEAL KIT-FOR #39346 VALVE** .....	
14-	77709GT	COIL,#8 20VDC,DEUTSCH W/DIOD .....	
14-	44174GT	NUT-COIL SHORT .....	
15	97181GT	VALVE-SOLENOID, 2POS 3WAY .....	
		BO, Drive circuit, left side	
15-	44227GT	SEAL KIT, VALVE .....	
15-	77709GT	COIL,#8 20VDC,DEUTSCH W/DIOD .....	
15-	44174GT	NUT-COIL SHORT .....	

603.1 Jib and Platform Rotate Manifolds



Models with Platform Rotate



Models without Platform Rotate

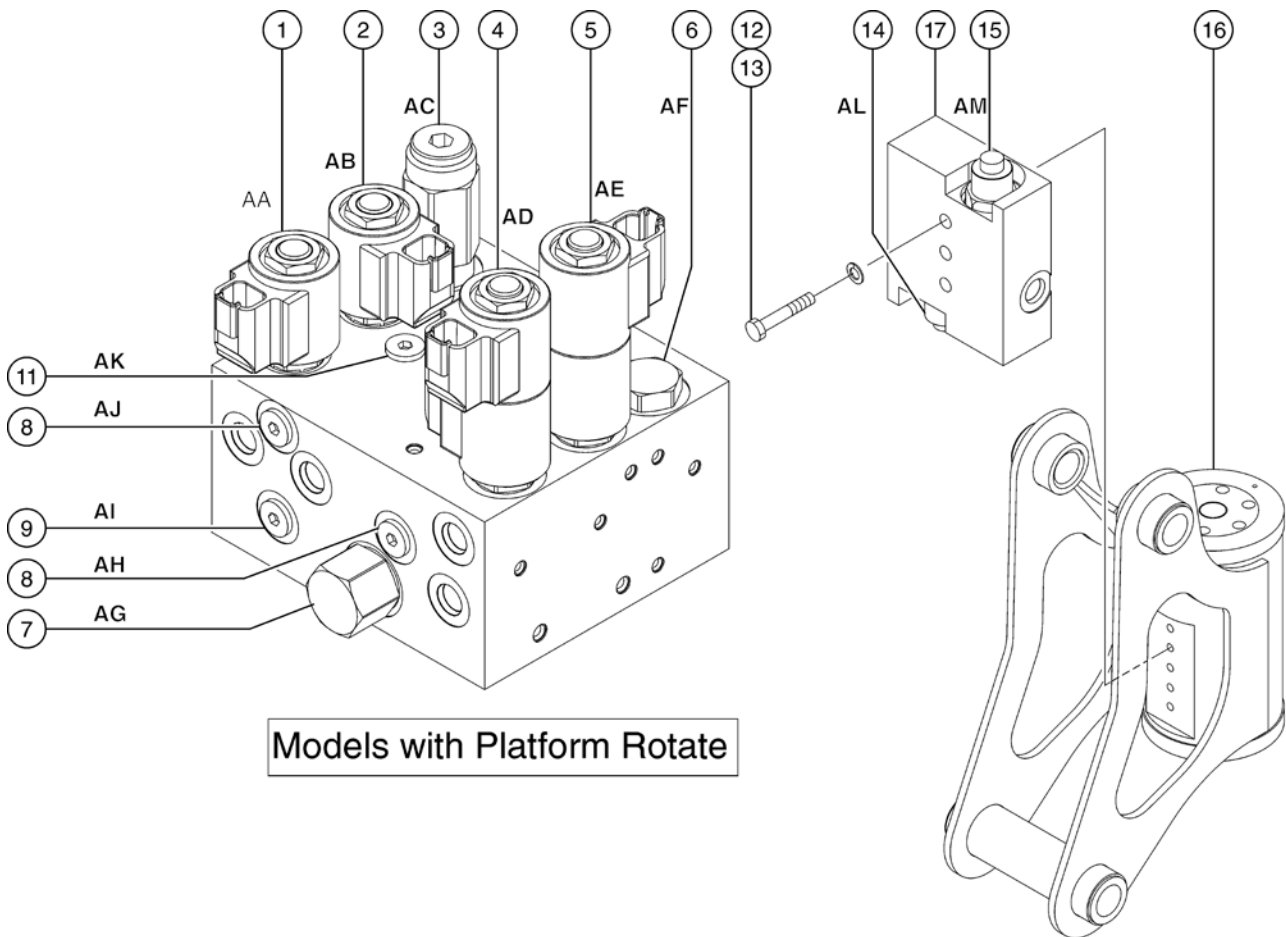


603.1 Jib and Platform Rotate Manifolds

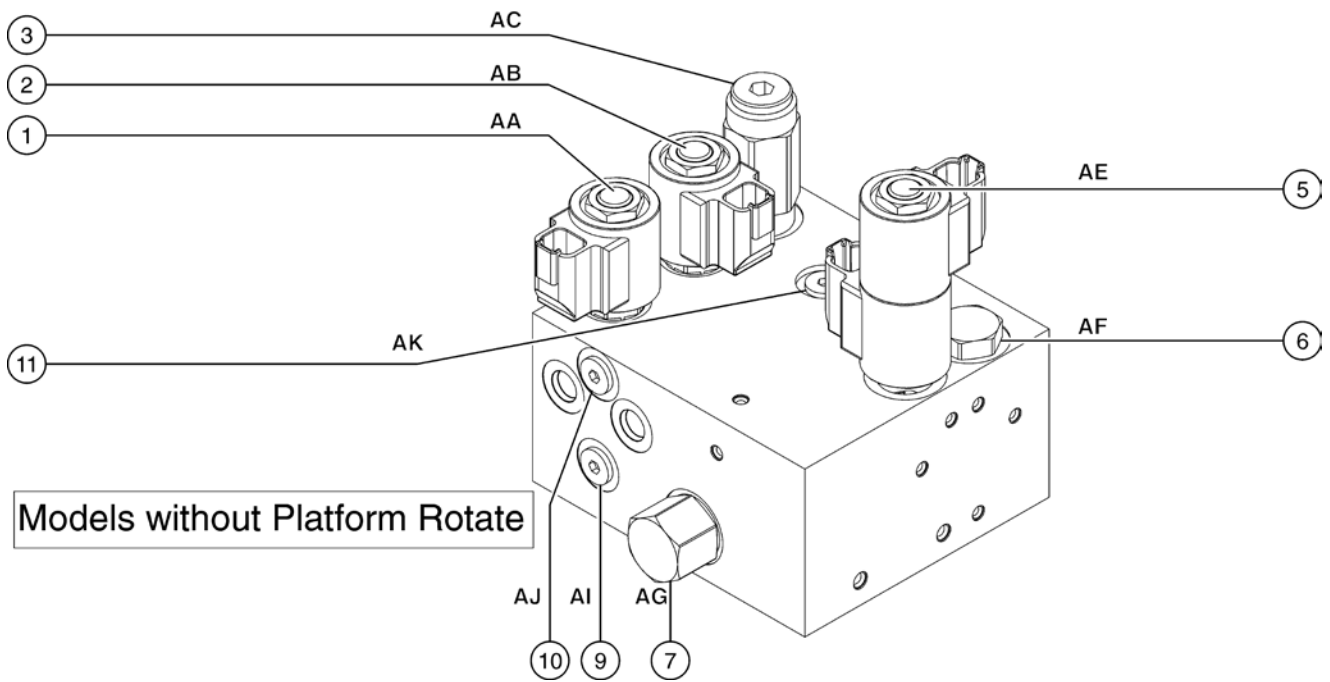
Item	Part No.	Description	Qty.
	104126GT	MANIFOLD, HYDRAULIC, JIB models without platform rotate	
	99787GT	MANIFOLD, HYDRAULIC, JIB W/PR models with platform rotate	
	56929GT	MANIFOLD, ROTATOR, 180 DEG. *** models with platform rotate	
	62507GT	O-RING, ROTATOR MANIFOLD	
	49612GT	O-RING KIT (ORFS FITTINGS)	
	33994GT	PLUG AND CAP KIT-SERVICE, 37 **	
	49613GT	PLUG AND CAP KIT-SERVICE, ORFS*	
1	97171GT	VALVE-SOLENOID, 2POS 3WAY AA, Jib boom up	1
1-	89864GT	SEAL KIT, SOLENOID VALVE, SV07	
1-	77709GT	COIL, #8 20VDC, DEUTSCH W/DIOD	
1-	44174GT	NUT-COIL SHORT	
2	97171GT	VALVE-SOLENOID, 2POS 3WAY AB, Jib boom down	1
2-	89864GT	SEAL KIT, SOLENOID VALVE, SV07	
2-	77709GT	COIL, #8 20VDC, DEUTSCH W/DIOD	
2-	44174GT	NUT-COIL SHORT	
3	52376GT	VALVE, RELIEF, 3500PSI *** AC, Platform level circuit	1
3-	44227GT	SEAL KIT, VALVE	
4	39346GT	VALVE, SOLENOID 3 POS. 4 WAY *** AD, Platform rotate left/right	1
4-	44229GT	SEAL KIT, VALVE	
4-	77709GT	COIL, #8 20VDC, DEUTSCH W/DIOD	
4-	44236GT	SPACER-DUAL COIL, #8 ***	
4-	77709GT	COIL, #8 20VDC, DEUTSCH W/DIOD	
4-	44174GT	NUT-COIL SHORT	
5	39346GT	VALVE, SOLENOID 3 POS. 4 WAY *** AE, Platform up/down	1
5-	44229GT	SEAL KIT, VALVE	
5-	77709GT	COIL, #8 20VDC, DEUTSCH W/DIOD	
5-	44236GT	SPACER-DUAL COIL, #8 ***	
5-	77709GT	COIL, #8 20VDC, DEUTSCH W/DIOD	



603.1 Jib and Platform Rotate Manifolds



Models with Platform Rotate



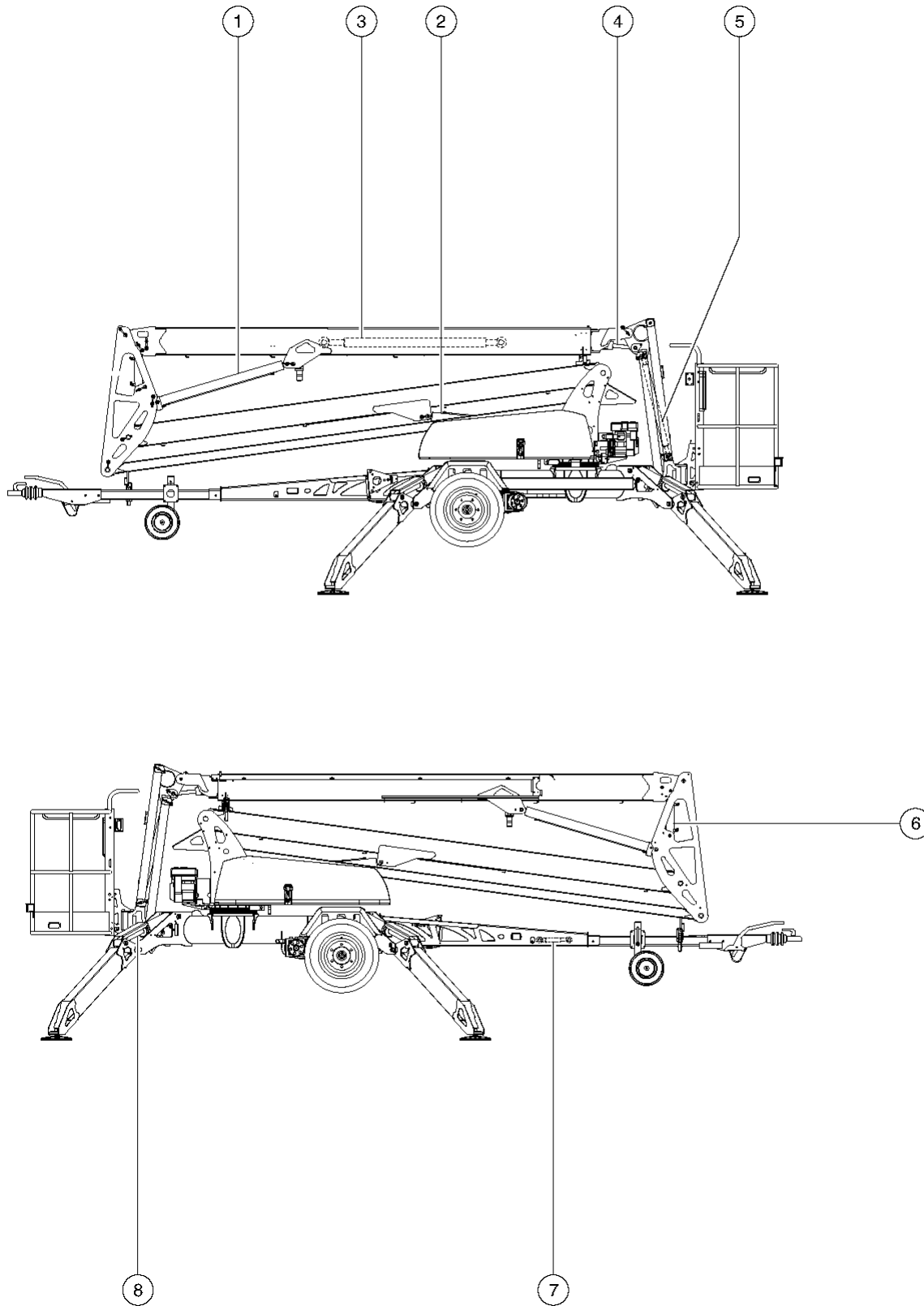
Models without Platform Rotate

603.1 Jib and Platform Rotate Manifolds

Item	Part No.	Description	Qty.
5-	44174GT	NUT-COIL SHORT .....	
6	101958GT	VALVE,CHECK,DUAL PILOT,135 PSI .....	1
6-	44229GT	SEAL KIT, VALVE .....	
7	97205GT	VALVE-DIFFERENTIAL,DIRECTIONAL AG, Maintains fluid flow to jib boom, platform level and platform rotate functions .....	1
7-	62337GT	SEAL KIT, VALVE .....	
8	62336GT	ORIFICE PLUG, 0.040 AH, Platform rotate circuit .....	2
8-	97187GT	PLUG .....	
9	79496GT	ORIFICE-PLUG, 0.055 INCH AI, Jib boom up circuit .....	1
9-	97187GT	PLUG .....	
10	62336GT	ORIFICE PLUG, 0.040 AJ, Jib boom down circuit .....	1
10-	97187GT	PLUG .....	
11	826779GT	VALVE,SHUTTLE AK, Platform level circuit .....	1
11-	44235GT	SEAL KIT-FOR PN.44216 & 826779 .....	
11-	97187GT	PLUG .....	
12	6145GT	SCREW,HHC,1/4-20 X 1.5 .....	
13	6356GT	WASHER,LOCK,.25 .....	
14	62506GT	VALVE - COUNTERBALANCE** AL, Platform rotate left .....	1
14-	43018GT	SEAL KIT (39345) .....	
15	62506GT	VALVE - COUNTERBALANCE** AM, Platform rotate right .....	1
15-	43018GT	SEAL KIT (39345) .....	
16		ref. Platform Rotator (refer to 501.1) .....	
17	56929GT	MANIFOLD,ROTATOR,180 DEG.*** .....	1



604.1 Hydraulic Cylinders

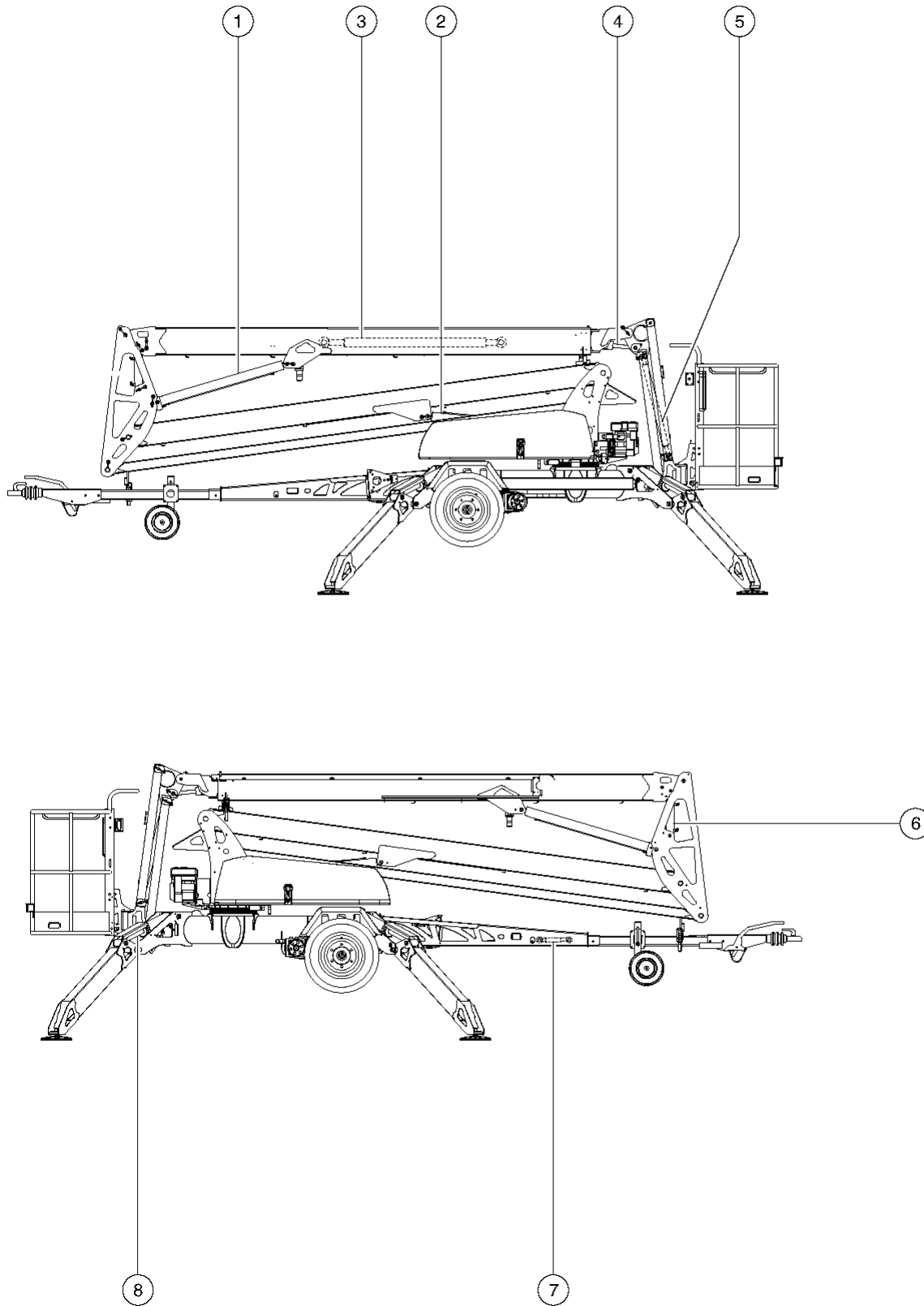


604.1 Hydraulic Cylinders

Item	Part No.	Description	Qty.
1B	T108049GT	CYLINDER, PRIMARY LIFT .....	1
1B-	84594GT	SEAL KIT(99609),TZ-50 for 99609 .....	
1B-	T108062GT	SEAL KIT, CYLINDER T108049 for T108049 .....	
1B-	30370GT	BEARING,1.25IDX1.5ODX1.00L .....	
1B-	48905GT	CONN,520120-4*** .....	
2B	T108047GT	CYLINDER, SECONDARY LIFT .....	1
2B-	84594GT	SEAL KIT(99609),TZ-50 for 76619 .....	
2B-	T108060GT	SEAL KIT, CYL T108047 for T108047 .....	
2B-	74872GT	VALVE,COUNTERBALANCE 3000 PSI* .....	
2B-	43018GT	SEAL KIT (39345) .....	
2B-	30370GT	BEARING,1.25IDX1.5ODX1.00L .....	
2B-	48905GT	CONN,520120-4*** .....	
3B	T108051GT	CYLINDER, EXTENSION .....	1
3B-	84595GT	SEAL KIT(99649),TZ-50 for 99649 .....	
3B-	T108064GT	SEAL KIT, CYLINDER T108051 for T108051 .....	
3B-	54063GT	VALVE,CB.CBBC-LHN@1000*** .....	
3B-	43018GT	SEAL KIT (39345) for 54063 .....	
3B-	74509GT	VALVE,CHECK,CXAD-XCN,30PSI .....	
3B-	74508GT	VALVE,CHECK,COBA-X*N 200PSI PO .....	
3B-	25817GT	BEARING,1.00IDX1.25ODX1.00L .....	
3B-	48905GT	CONN,520120-4*** .....	
3B-	48659GT	VALVE,CHECK*** .....	
4B	T108052GT	CYLINDER, SLAVE .....	1
4B-	72297GT	SEAL KIT,SLAVE CYL(67520) for 99659 .....	
4B-	T108065GT	SEAL KIT, CYL T108052 for T108052 .....	
4B-	33428GT	VALVE,COUNTERBALANCE for 99659 .....	
4B-	43018GT	SEAL KIT (39345) .....	
4B-	30370GT	BEARING,1.25IDX1.5ODX1.00L .....	



604.1 Hydraulic Cylinders

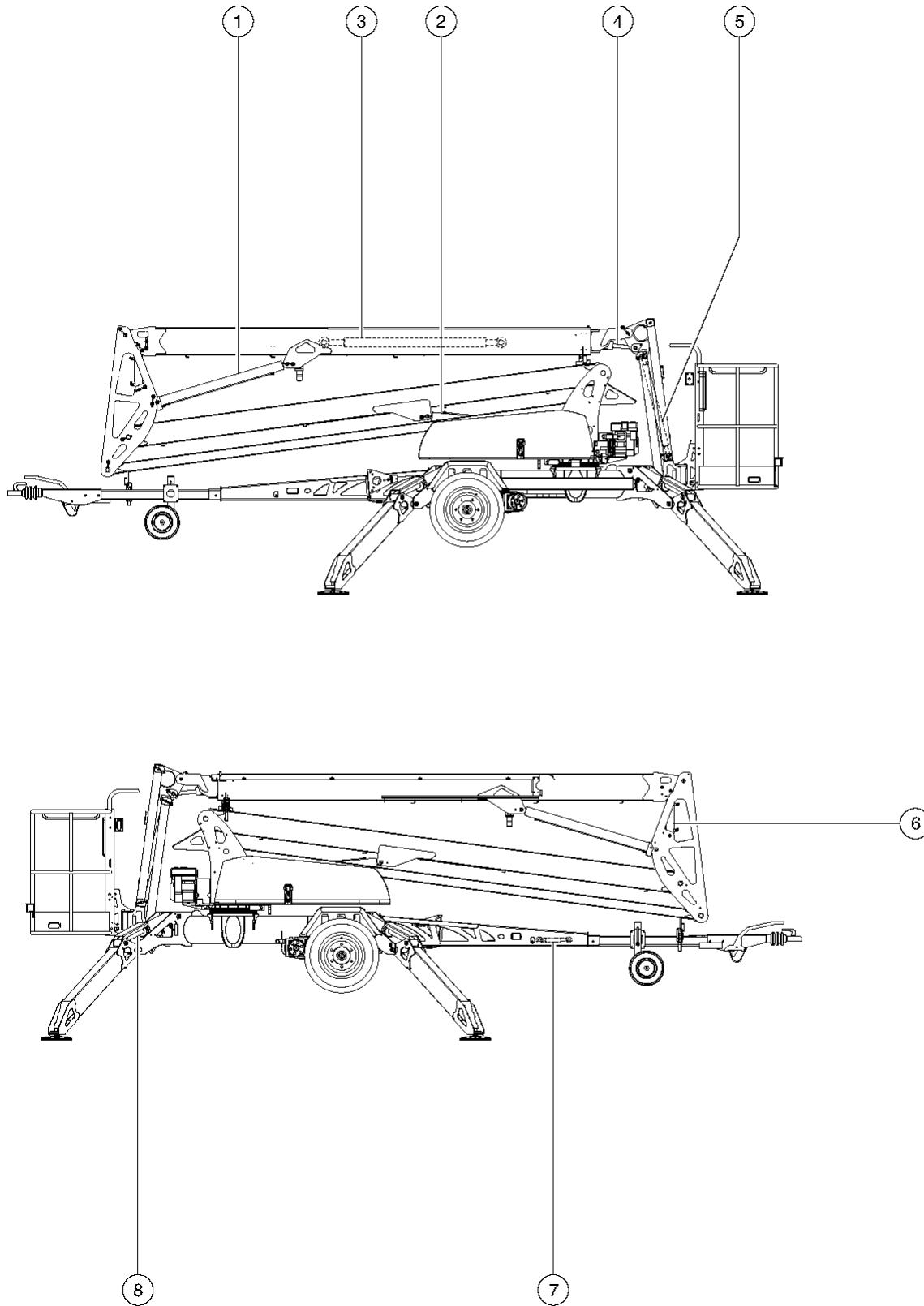


604.1 Hydraulic Cylinders

Item	Part No.	Description	Qty.
4B-	48904GT	ELBOW,90D,520220-4-4	
5A	T108053GT	CYLINDER, JIB (replaced 99669)	1
5A-	T108066GT	SEAL KIT, CYL T108053	
5A-	31106GT	VALVE,CNTERBAL,CBBB-LHN@3000** to SN 3821	2
5A-	1288173GT	VALVE,CNTERBAL,CBAB-LHN@3000 from SN 3822	2
5A-	43018GT	SEAL KIT (39345)	
5A-	25817GT	BEARING,1.00IDX1.25ODX1.00L	
5A-	48905GT	CONN,520120-4***	
5C	84596GT	SEAL KIT(99669),TZ-50 (for cylinder 99669)	
5C-	31106GT	VALVE,CNTERBAL,CBBB-LHN@3000**	
5C-	43018GT	SEAL KIT (39345) (for 31106)	
5C-	25817GT	BEARING,1.00IDX1.25ODX1.00L (for cylinders T108053, 161146 and 99669)	
5C-	48905GT	CONN,520120-4*** (for cylinders T108053, 161146 and 99669)	
6B	T108050GT	CYLINDER, MASTER	1
6B-	72297GT	SEAL KIT,SLAVE CYL(67520) for 99629	
6B-	T108063GT	SEAL KIT, CYL T108050 for T108050	
6B-	25817GT	BEARING,1.00IDX1.25ODX1.00L	
6B-	48904GT	ELBOW,90D,520220-4-4	
6B-	48907GT	ELBOW,45D,520320-4	
7A	67706GT	CYLINDER, PARKING BRK TMZ50*** (models with drive option)	1
7A-	84638GT	SEAL KIT(67706) (for cylinder 67706)	
8B	T108048GT	CYLINDER, OUTRIGGER (99591, was replaced by T108048 from SN TZ5012-223)	4
8B-	104481GT	SEAL KIT,CYL,O/R 99591 for 99591	
8B-	T108061GT	SEAL KIT, CYLINDER T108048 for T108048	
8B-	87463GT	VALVE,PO CHECK (for 99591 and T108048)	
8B-	67933GT	VALVE,NC,BI-DI,CART*** (for 99591 and T108048, does not include coil 87456)	
8B-	72098GT	SEAL KIT, SOLENOID VALVE (for 67933)	
8B-	87456GT	COIL,24VDC, DEUTZ CONN,SOLE (for 67933, order separately)	



604.1 Hydraulic Cylinders

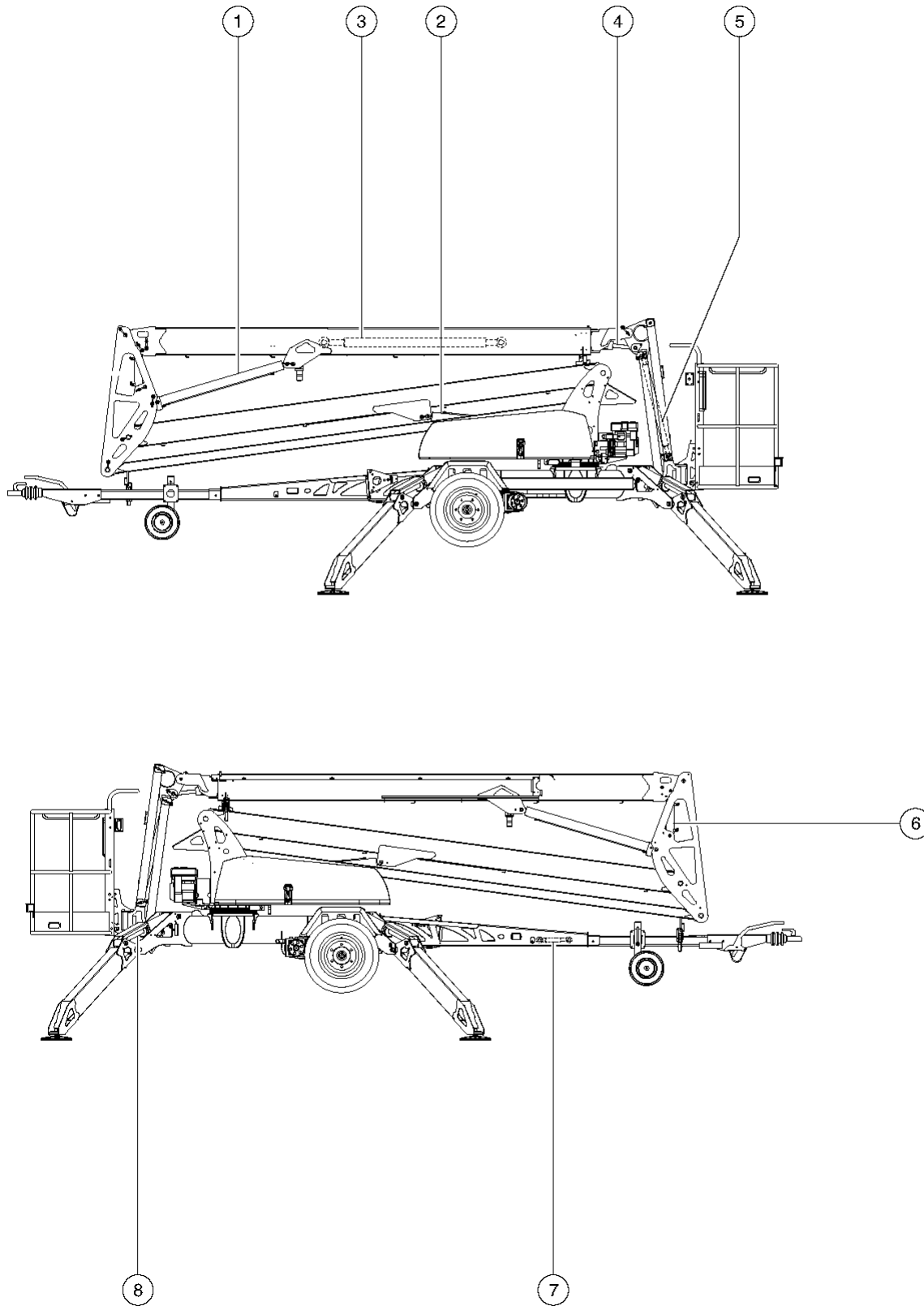




604.1 Hydraulic Cylinders

<i>Item</i>	<i>Part No.</i>	<i>Description</i>	<i>Qty.</i>
8B-	67926GT	COIL,24VDC,SOLENOID VALVE** ..... (for 67933, order separately)	
8B-	67934GT	COIL,12VDC,SOLENOID VALVE* ..... (for 67933, order separately)	
8B-	55558GT	ORIFICE, LONG, .037*** ..... (to SN TZ5012-222; for cylinder 99591)	
8B-	48905GT	CONN,520120-4*** .....	
8B-	48912GT	CONN,520120-4-6*** .....	
8B-	76529GT	SCREW,BLEEDER,5/16,TMZ*** For use with outrigger cylinder p/n 76527GT, 76528GT, 87376GT & 99591GT. For outrigger cylinder p/n T108058GT use p/n 1284227GT.	

604.2 Hydraulic Cylinders

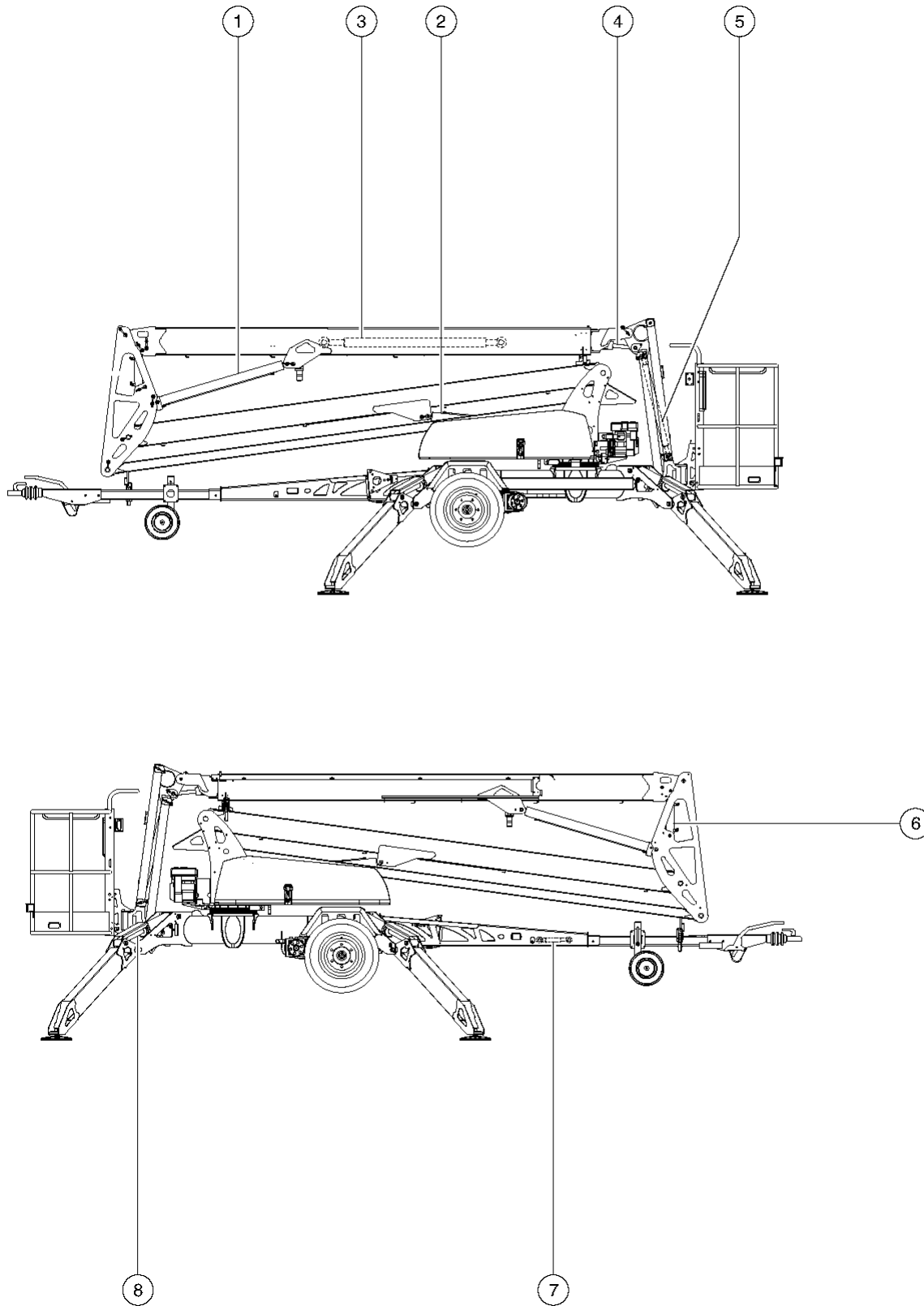


604.2 Hydraulic Cylinders

Item	Part No.	Description	Qty.
1A	T108049GT	CYLINDER, PRIMARY LIFT (replaced 99609)	1
1A-	T108062GT	SEAL KIT, CYLINDER T108049 (from SN TZ5012-235; for cylinder T108049)	
1A-	31106GT	VALVE,CNTERBAL,CBBB-LHN@3000**	
1A-	43018GT	SEAL KIT (39345) (for 31106)	
1A-	30370GT	BEARING,1.25IDX1.5ODX1.00L	
1A-	48905GT	CONN,520120-4***	
1B		CYLINDER, PRIMARY LIFT (99609, was replaced by T108049 from SN TZ5012-235)	1
1B-	84594GT	SEAL KIT(99609),TZ-50 (to SN TZ5012-234; for cylinder 99609)	
1B-	30370GT	BEARING,1.25IDX1.5ODX1.00L	
1B-	48905GT	CONN,520120-4***	
2A	T108047GT	CYLINDER, SECONDARY LIFT (replaced 76619 from SN TZ5012-235)	1
2A-	T108060GT	SEAL KIT, CYL T108047 (from SN TZ5012-235; for cylinder T108047)	
2A-	74872GT	VALVE,COUNTERBALANCE 3000 PSI*	
2A-	43018GT	SEAL KIT (39345) (for 74872)	
2A-	30370GT	BEARING,1.25IDX1.5ODX1.00L	
2A-	48905GT	CONN,520120-4***	
2B		CYLINDER, SECONDARY LIFT (76619, was replaced by T108047 from SN TZ5012-235)	1
2B-	84594GT	SEAL KIT(99609),TZ-50 (to SN TZ5012-234; for cylinder 76619)	
2B-	74872GT	VALVE,COUNTERBALANCE 3000 PSI*	
2B-	43018GT	SEAL KIT (39345) (for 74872)	
2B-	30370GT	BEARING,1.25IDX1.5ODX1.00L	
2B-	48905GT	CONN,520120-4***	
3A	T108051GT	CYLINDER, EXTENSION (replaced 99649 from SN TZ5012-223)	1
3A-	T108064GT	SEAL KIT, CYLINDER T108051 (from SN TZ5012-223 for cylinder T108051)	
3A-	54063GT	VALVE,CB.CBBC-LHN@1000***	
3A-	43018GT	SEAL KIT (39345) (for 54063)	
3A-	74509GT	VALVE,CHECK,CXAD-XCN,30PSI	
3A-	74508GT	VALVE,CHECK,COBA-X*N 200PSI PO	



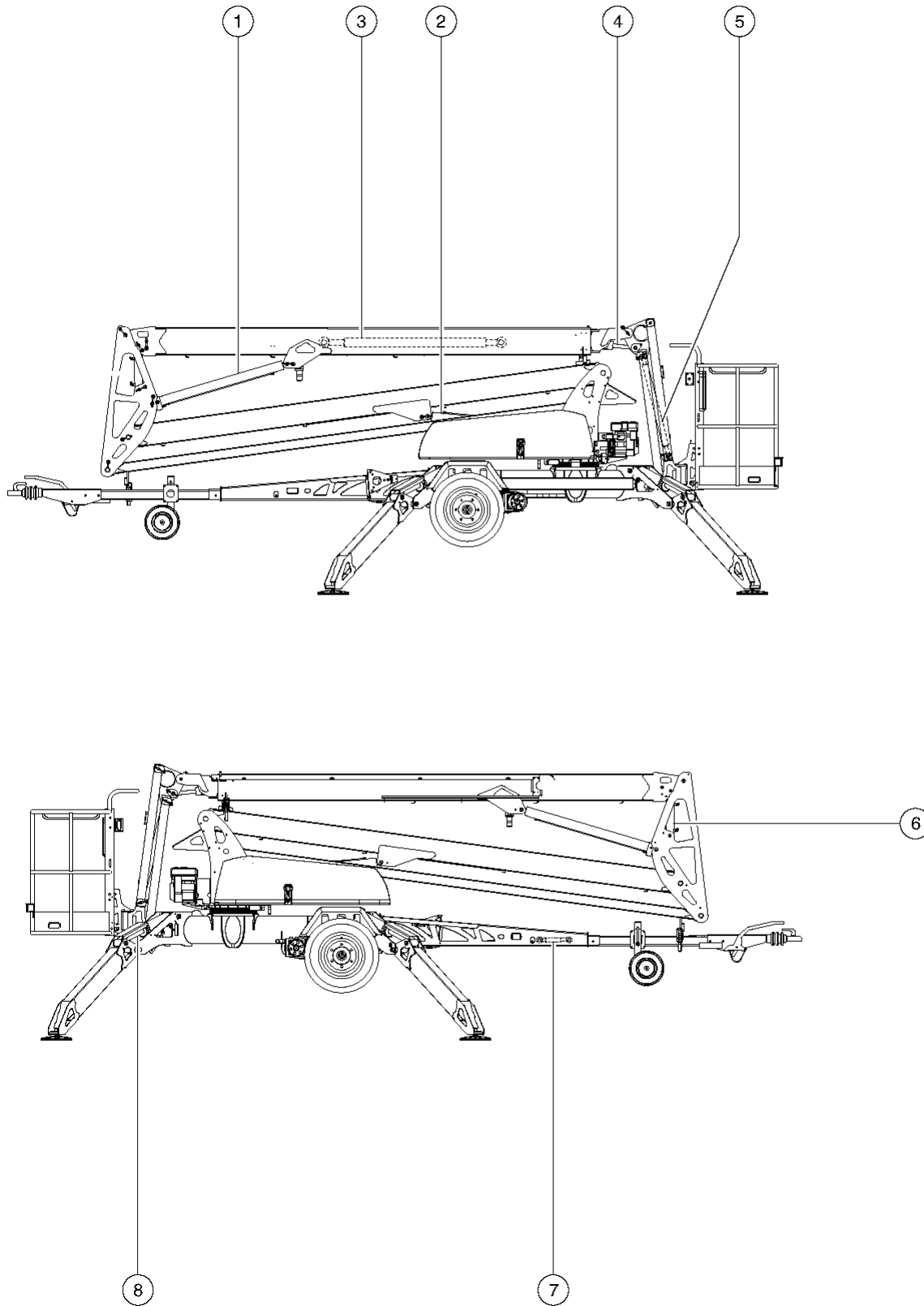
604.2 Hydraulic Cylinders



Item	Part No.	Description	Qty.
3A-	25817GT	BEARING,1.00IDX1.25ODX1.00L .....	
3A-	48905GT	CONN,520120-4*** .....	
3A-	48659GT	VALVE,CHECK*** .....	
3B		CYLINDER, EXTENSION (99649, was replaced by T108051 from SN TZ5012-223) .....	1
3B-	84595GT	SEAL KIT(99649),TZ-50 (to SN TZ5012-222; for cylinder 99649) .....	
3B-	54063GT	VALVE,CB.CBBC-LHN@1000*** .....	
3B-	43018GT	SEAL KIT (39345) .....	
		(for 54063)	
3B-	74509GT	VALVE,CHECK,CXAD-XCN,30PSI .....	
3B-	74508GT	VALVE,CHECK,COBA-X*N 200PSI PO .....	
3B-	25817GT	BEARING,1.00IDX1.25ODX1.00L .....	
3B-	48905GT	CONN,520120-4*** .....	
3B-	48659GT	VALVE,CHECK*** .....	
4A	T108052GT	CYLINDER, SLAVE (replaced 99659 from SN TZ5012-210) .....	1
4A-	T108065GT	SEAL KIT, CYL T108052 (from SN TZ5012-210; for cylinder T108052) .....	
4A-	33428GT	VALVE,COUNTERBALANCE (from SN TZ5012-210; for cylinder T108052) .....	
4A-	43018GT	SEAL KIT (39345) .....	
		(for 33428)	
4A-	30370GT	BEARING,1.25IDX1.5ODX1.00L .....	
4A-	48904GT	ELBOW,90D,520220-4-4 .....	
4B		CYLINDER, SLAVE (99659, replaced by T108052 from SN TZ5012-210 ) .....	1
4B-	72297GT	SEAL KIT,SLAVE CYL(67520) (to SN TZ5012-209; for cylinder 99659) .....	
4B-	33428GT	VALVE,COUNTERBALANCE (to SN TZ5012-209; for cylinder 99659) .....	
4B-	43018GT	SEAL KIT (39345) .....	
		(for 33428)	
4B-	30370GT	BEARING,1.25IDX1.5ODX1.00L .....	
4B-	48904GT	ELBOW,90D,520220-4-4 .....	
5A	T108053GT	CYLINDER, JIB (replaced 99669) .....	1
5A-	T108066GT	SEAL KIT, CYL T108053 .....	
5A-	31106GT	VALVE,CNTERBAL,CBBB-LHN@3000** to SN 3821 .....	2
5A-	1288173GT	VALVE,CNTERBAL,CBAB-LHN@3000 from SN 3822 .....	2



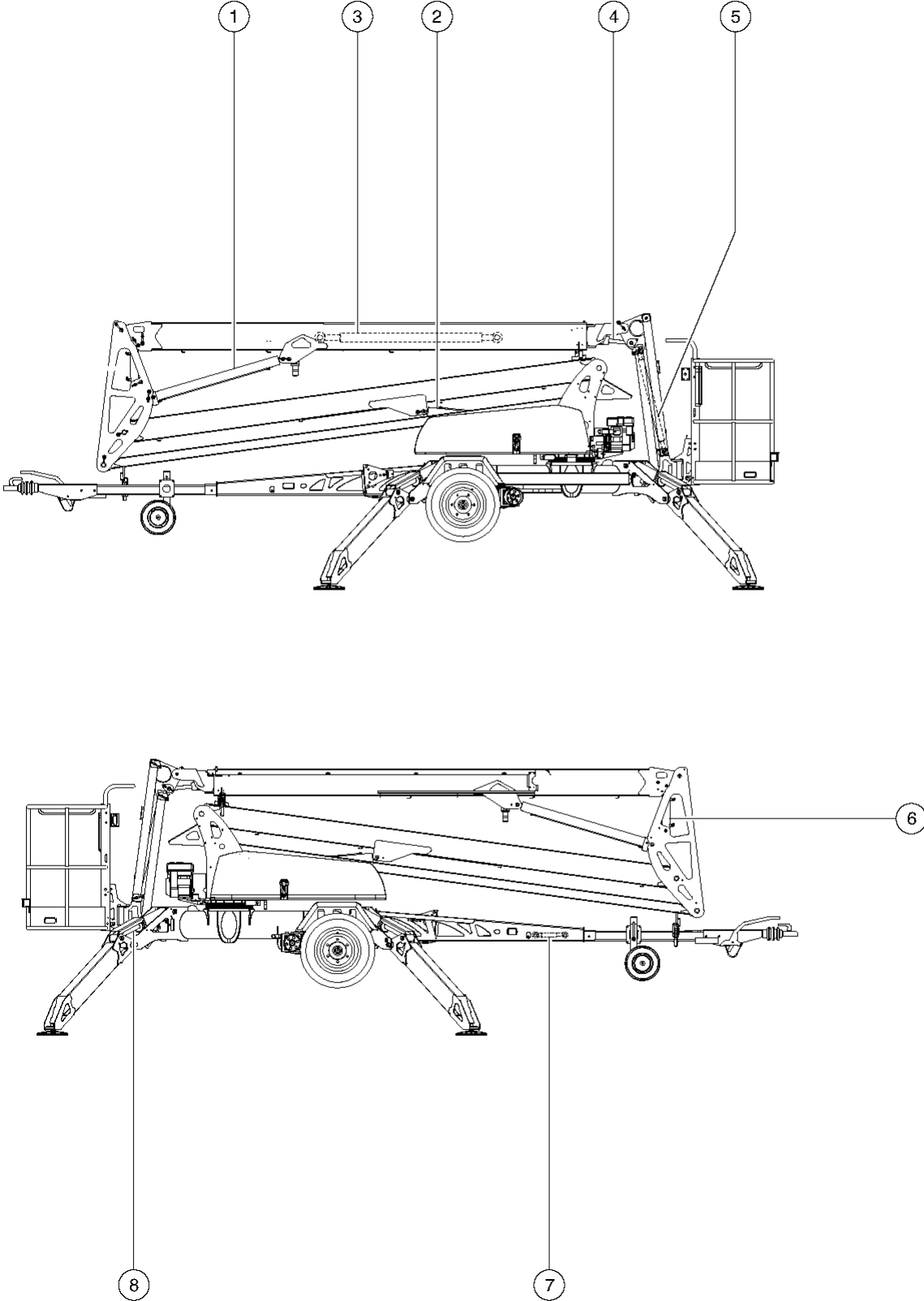
604.2 Hydraulic Cylinders



Item	Part No.	Description	Qty.
5A-	43018GT	SEAL KIT (39345) .....	
5A-	25817GT	BEARING,1.00IDX1.25ODX1.00L .....	
5A-	48905GT	CONN,520120-4*** .....	
5B	161146GT	CYLINDER W/TEST PORTS, JIB (for Australian models) (from SN TZ5012-222) .....	
5B-	T108066GT	SEAL KIT, CYL T108053 (for cylinders T108053 and 161146) .....	
5B-	31106GT	VALVE,CNTERBAL,CBBB-LHN@3000** to SN 3821 .....	2
5B-	1288173GT	VALVE,CNTERBAL,CBAB-LHN@3000 from SN 3822 .....	2
5B-	43018GT	SEAL KIT (39345) .....	
5B-	25817GT	BEARING,1.00IDX1.25ODX1.00L .....	
5B-	48905GT	CONN,520120-4*** .....	
5C	84596GT	SEAL KIT(99669),TZ-50 (for cylinder 99669) .....	
5C-	31106GT	VALVE,CNTERBAL,CBBB-LHN@3000** .....	
5C-	43018GT	SEAL KIT (39345) .....	
5C-	25817GT	BEARING,1.00IDX1.25ODX1.00L (for cylinders T108053, 161146 and 99669) .....	
5C-	48905GT	CONN,520120-4*** (for cylinders T108053, 161146 and 99669) .....	
6A	T108050GT	CYLINDER, MASTER (replaced 99629 from TZ5012-236) .....	1
6A-	T108063GT	SEAL KIT, CYL T108050 (from SN TZ5012-236; for cylinder T108050) .....	
6A-	25817GT	BEARING,1.00IDX1.25ODX1.00L .....	
6A-	48904GT	ELBOW,90D,520220-4-4 .....	
6A-	48907GT	ELBOW,45D,520320-4 .....	
6B		CYLINDER, MASTER (99629, was replaced by T108050 from SN TZ5012-236) .....	1
6B-	72297GT	SEAL KIT,SLAVE CYL(67520) (to SN TZ5012-235; for cylinder 99629) .....	
6B-	25817GT	BEARING,1.00IDX1.25ODX1.00L .....	
6B-	48904GT	ELBOW,90D,520220-4-4 .....	
6B-	48907GT	ELBOW,45D,520320-4 .....	
7A	67706GT	CYLINDER, PARKING BRK TMZ50*** (models with drive option) .....	1
7A-	84638GT	SEAL KIT(67706) (for cylinder 67706) .....	
8A	T108048GT	CYLINDER, OUTRIGGER (replaced 99591 from SN TZ5012-223) .....	4



604.2 Hydraulic Cylinders

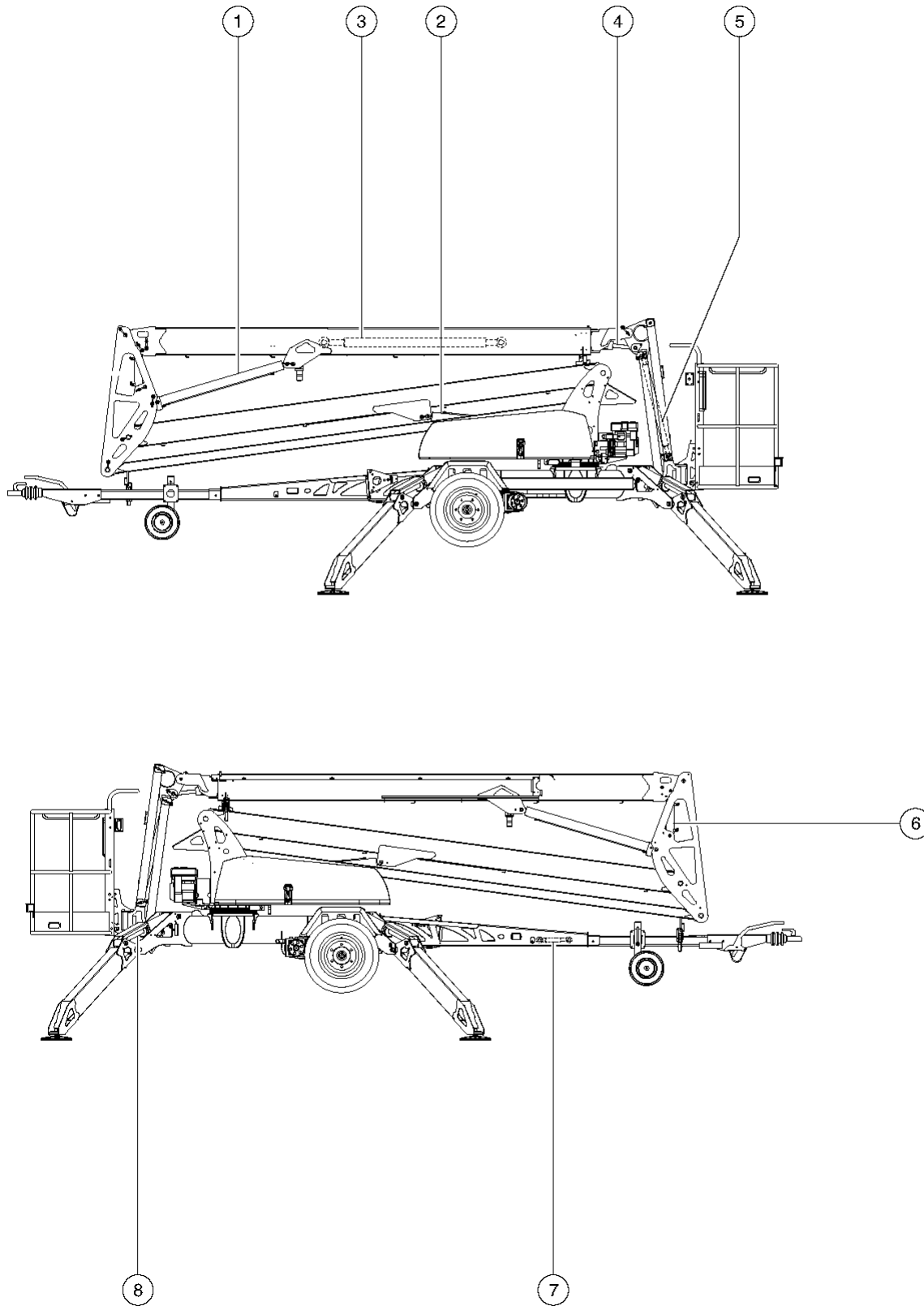




Item	Part No.	Description	Qty.
8A-	T108061GT	SEAL KIT, CYLINDER T108048 (from SN TZ5012-223; for cylinder T108048)	
8A-	48905GT	CONN,520120-4***	
8A-	48912GT	CONN,520120-4-6***	
8A-	67744GT	ORIFICE,SHORT, 0.037 INCH	
8A-	67933GT	VALVE,NC,BI-DI,CART*** (for 99591 and T108048, does not include coil 87456)	
8A-	72098GT	SEAL KIT, SOLENOID VALVE for 67933 solenoid valve)	
8A-	76529GT	SCREW,BLEEDER,5/16,TMZ*** For use with outrigger cylinder p/n 76527GT, 76528GT, 87376GT & 99591GT. For outrigger cylinder p/n T108058GT use p/n 1284227GT.	
8A-	87456GT	COIL,24VDC, DEUTZ CONN,SOLE (for 67933 solenoid valve with deutz connector, order separately)	
8A-	67926GT	COIL,24VDC,SOLENOID VALVE** (for 67933, solenoid valve, order separately)	
8A-	67934GT	COIL,12VDC,SOLENOID VALVE* (for 67933, solenoid valve, order separately)	
8A-	87463GT	VALVE,PO CHECK (for 99591 and T108048)	
8B		CYLINDER, OUTRIGGER (99591, was replaced by T108048 from SN TZ5012-223)	4
8B-	104481GT	SEAL KIT,CYL,O/R 99591 (to SN TZ5012-222; for cylinder 99591)	
8B-	87463GT	VALVE,PO CHECK (for 99591 and T108048)	
8B-	67933GT	VALVE,NC,BI-DI,CART*** (for 99591 and T108048, does not include coil 87456)	
8B-	72098GT	SEAL KIT, SOLENOID VALVE (for 67933)	
8B-	87456GT	COIL,24VDC, DEUTZ CONN,SOLE (for 67933, order separately)	
8B-	67926GT	COIL,24VDC,SOLENOID VALVE** (for 67933, order separately)	
8B-	67934GT	COIL,12VDC,SOLENOID VALVE* (for 67933, order separately)	
8B-	55558GT	ORIFICE,LONG, .037*** (to SN TZ5012-222; for cylinder 99591)	
8B-	48905GT	CONN,520120-4***	
8B-	48912GT	CONN,520120-4-6***	
8B-	76529GT	SCREW,BLEEDER,5/16,TMZ*** For use with outrigger cylinder p/n 76527GT, 76528GT, 87376GT & 99591GT. For outrigger cylinder p/n T108058GT use p/n 1284227GT.	



604.3 Hydraulic Cylinders

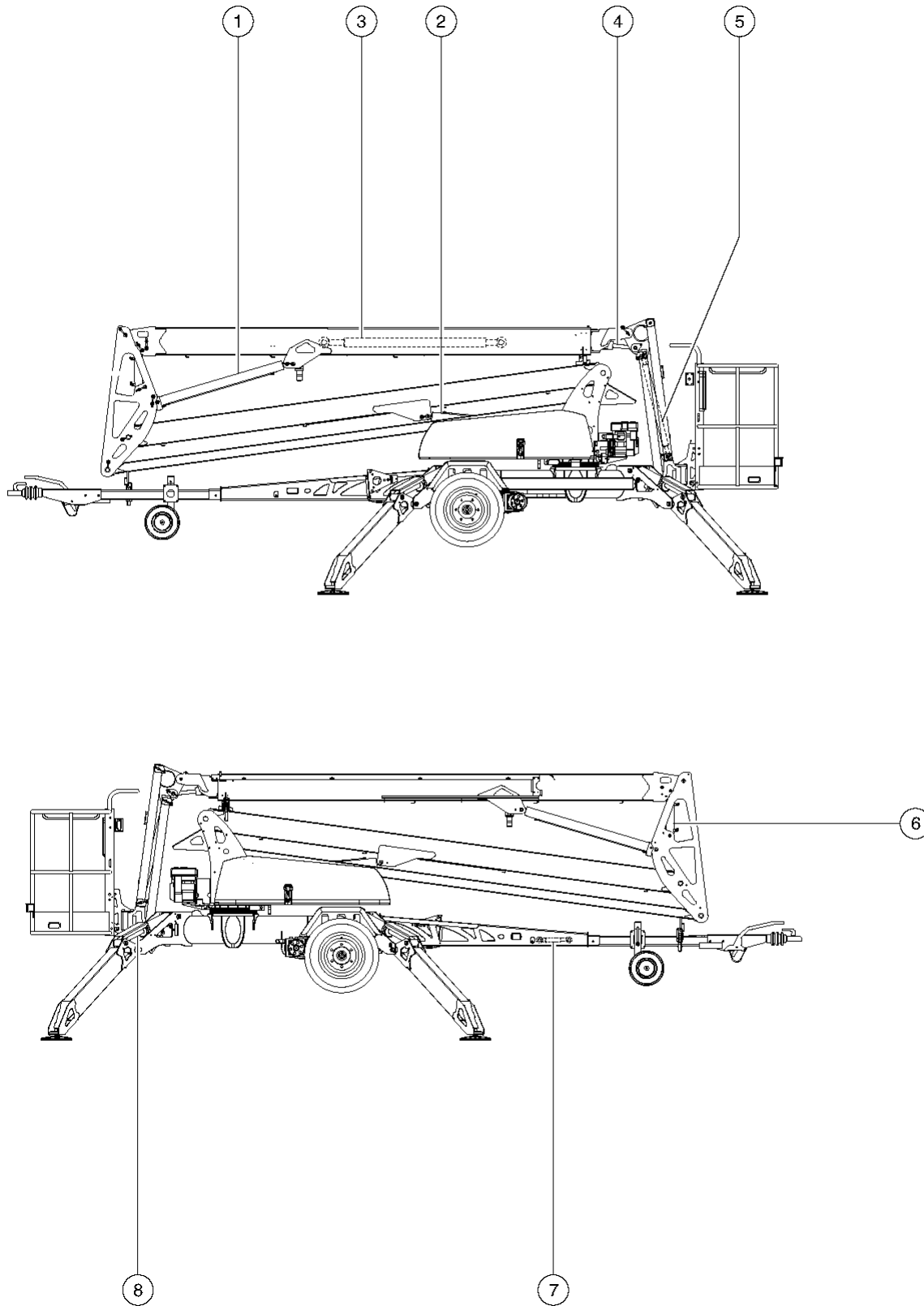


604.3 Hydraulic Cylinders

Item	Part No.	Description	Qty.
1A	T108049GT	CYLINDER, PRIMARY LIFT (replaced 99609)	1
1A-	T108062GT	SEAL KIT, CYLINDER T108049 (from SN TZ5012-235; for cylinder T108049)	
1A-	31106GT	VALVE,CNTERBAL,CBBB-LHN@3000**	
1A-	43018GT	SEAL KIT (39345) (for 31106)	
1A-	30370GT	BEARING,1.25IDX1.5ODX1.00L	
1A-	48905GT	CONN,520120-4***	
2A	T108047GT	CYLINDER, SECONDARY LIFT (replaced 76619 from SN TZ5012-235)	1
2A-	T108060GT	SEAL KIT, CYL T108047 (from SN TZ5012-235; for cylinder T108047)	
2A-	74872GT	VALVE,COUNTERBALANCE 3000 PSI*	
2A-	43018GT	SEAL KIT (39345) (for 74872)	
2A-	30370GT	BEARING,1.25IDX1.5ODX1.00L	
2A-	48905GT	CONN,520120-4***	
3A	T108051GT	CYLINDER, EXTENSION (replaced 99649 from SN TZ5012-223)	1
3A-	T108064GT	SEAL KIT, CYLINDER T108051 (from SN TZ5012-223 for cylinder T108051)	
3A-	54063GT	VALVE,CB.CBBC-LHN@1000***	
3A-	43018GT	SEAL KIT (39345) (for 54063)	
3A-	74509GT	VALVE,CHECK,CXAD-XCN,30PSI	
3A-	74508GT	VALVE,CHECK,COBA-X*N 200PSI PO	
3A-	25817GT	BEARING,1.00IDX1.25ODX1.00L	
3A-	48905GT	CONN,520120-4***	
3A-	48659GT	VALVE,CHECK***	
4A	T108052GT	CYLINDER, SLAVE (replaced 99659 from SN TZ5012-210)	1
4A-	T108065GT	SEAL KIT, CYL T108052 (from SN TZ5012-210; for cylinder T108052)	
4A-	33428GT	VALVE,COUNTERBALANCE (from SN TZ5012-210; for cylinder T108052)	
4A-	43018GT	SEAL KIT (39345) (for 33428)	
4A-	30370GT	BEARING,1.25IDX1.5ODX1.00L	
4A-	48904GT	ELBOW,90D,520220-4-4	
5A	T108053GT	CYLINDER, JIB (replaced 99669)	1



604.3 Hydraulic Cylinders

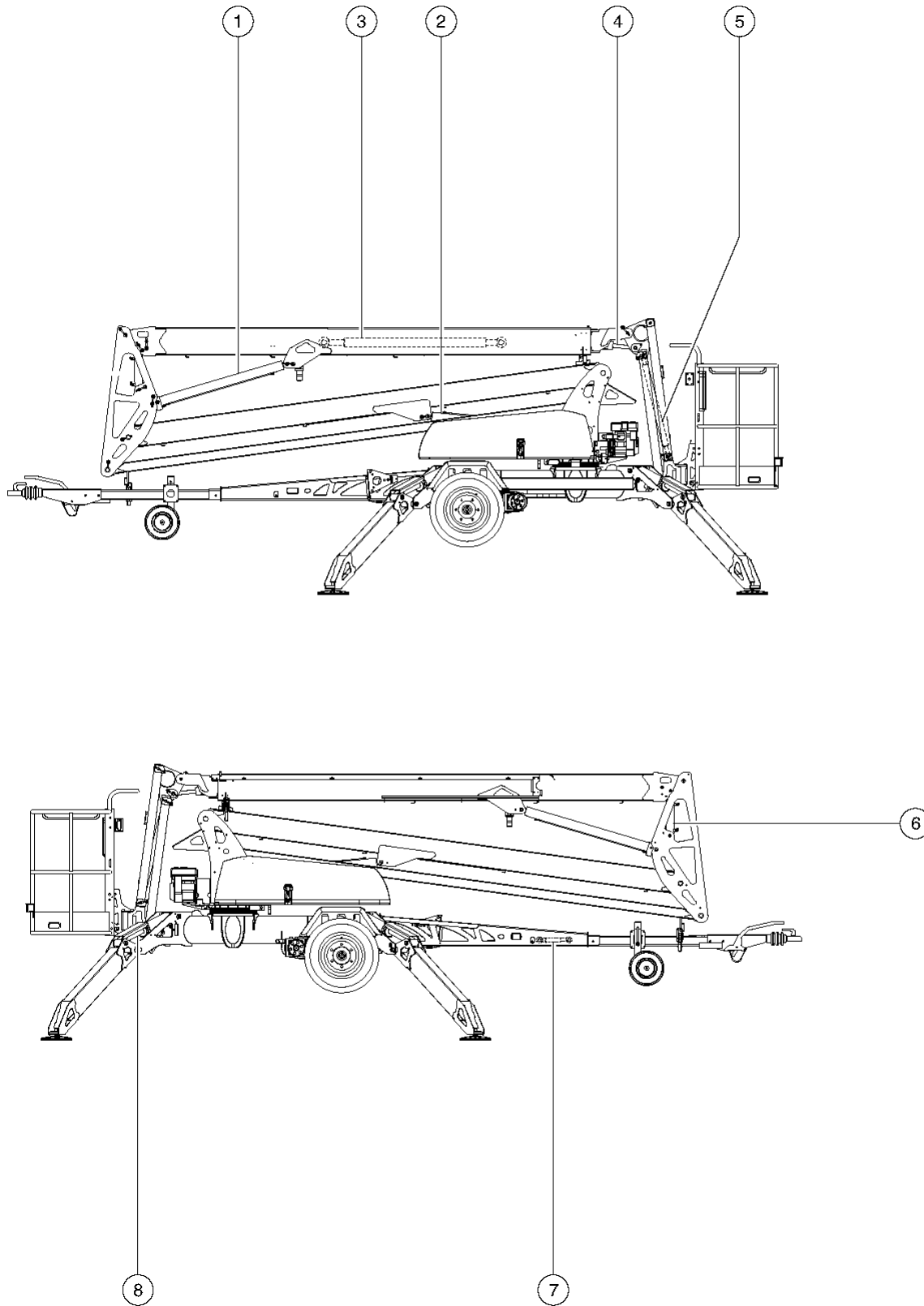


604.3 Hydraulic Cylinders

Item	Part No.	Description	Qty.
5A-	T108066GT	SEAL KIT, CYL T108053 .....	
5A-	31106GT	VALVE,CNTERBAL,CBBB-LHN@3000** to SN 3821 .....	2
5A-	1288173GT	VALVE,CNTERBAL,CBAB-LHN@3000 from SN 3822 .....	2
5A-	43018GT	SEAL KIT (39345) .....	
5A-	25817GT	BEARING,1.00IDX1.25ODX1.00L .....	
5A-	48905GT	CONN,520120-4*** .....	
5B	161146GT	CYLINDER W/TEST PORTS, JIB (for Australian models) (from SN TZ5012-222) .....	
5B-	T108066GT	SEAL KIT, CYL T108053 (for cylinders T108053 and 161146) .....	
5B-	31106GT	VALVE,CNTERBAL,CBBB-LHN@3000** .....	
5B-	43018GT	SEAL KIT (39345) .....	
5B-	25817GT	BEARING,1.00IDX1.25ODX1.00L .....	
5B-	48905GT	CONN,520120-4*** .....	
5C	84596GT	SEAL KIT(99669),TZ-50 (for cylinder 99669) .....	
5C-	31106GT	VALVE,CNTERBAL,CBBB-LHN@3000** .....	
5C-	43018GT	SEAL KIT (39345) (for 31106) .....	
5C-	25817GT	BEARING,1.00IDX1.25ODX1.00L (for cylinders T108053, 161146 and 99669) .....	
5C-	48905GT	CONN,520120-4*** (for cylinders T108053, 161146 and 99669) .....	
6A	T108050GT	CYLINDER, MASTER (replaced 99629 from TZ5012-236) .....	1
6A-	T108063GT	SEAL KIT, CYL T108050 (from SN TZ5012-236; for cylinder T108050) .....	
6A-	25817GT	BEARING,1.00IDX1.25ODX1.00L .....	
6A-	48904GT	ELBOW,90D,520220-4-4 .....	
6A-	48907GT	ELBOW,45D,520320-4 .....	
6B-	25817GT	BEARING,1.00IDX1.25ODX1.00L .....	
6B-	48904GT	ELBOW,90D,520220-4-4 .....	
6B-	48907GT	ELBOW,45D,520320-4 .....	
7A	67706GT	CYLINDER, PARKING BRK TMZ50*** (models with drive option) .....	1
7A-	84638GT	SEAL KIT(67706) (for cylinder 67706) .....	
8A	T108048GT	CYLINDER, OUTRIGGER (replaced 99591 from SN TZ5012-223) .....	4

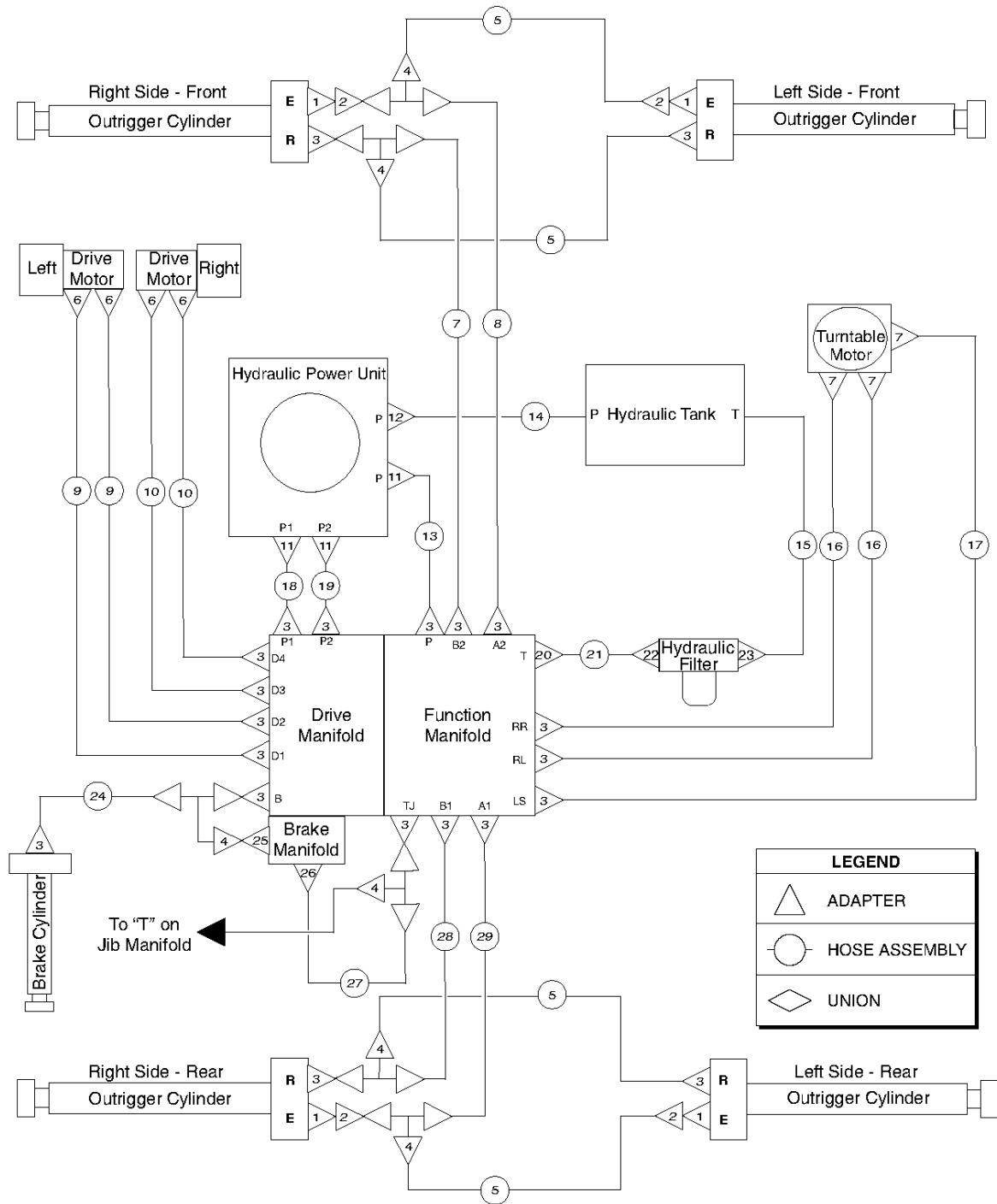


604.3 Hydraulic Cylinders



Item	Part No.	Description	Qty.
8A-	T108061GT	SEAL KIT, CYLINDER T108048 (from SN TZ5012-223; for cylinder T108048)	
8A-	48905GT	CONN,520120-4***	
8A-	48912GT	CONN,520120-4-6***	
8A-	67744GT	ORIFICE,SHORT, 0.037 INCH	
8A-	67933GT	VALVE,NC,BI-DI,CART*** (for 99591 and T108048, does not include coil 87456)	
8A-	72098GT	SEAL KIT, SOLENOID VALVE for 67933 solenoid valve)	
8A-	76529GT	SCREW,BLEEDER,5/16,TMZ*** For use with outrigger cylinder p/n 76527GT, 76528GT, 87376GT & 99591GT. For outrigger cylinder p/n T108058GT use p/n 1284227GT.	
8A-	87456GT	COIL,24VDC, DEUTZ CONN,SOLE (for 67933 solenoid valve with deutz connector, order separately)	
8A-	67926GT	COIL,24VDC,SOLENOID VALVE** (for 67933, solenoid valve, order separately)	
8A-	67934GT	COIL,12VDC,SOLENOID VALVE* (for 67933, solenoid valve, order separately)	
8A-	87463GT	VALVE,PO CHECK (for 99591 and T108048)	
8B	104481GT	SEAL KIT,CYL,O/R 99591 (for 99591 cylinder)	

605.1 Hydraulic Hoses and Fittings - Chassis



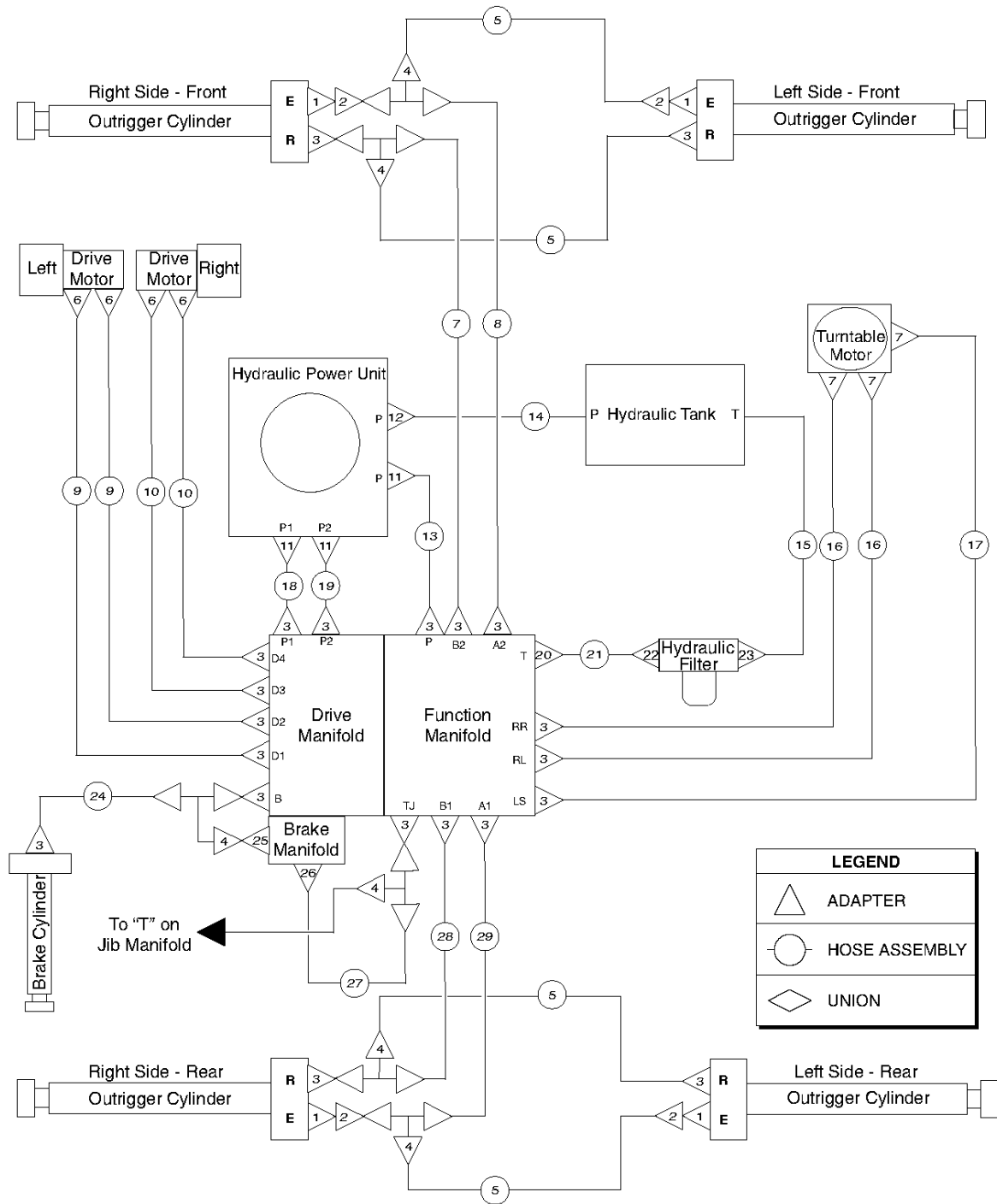


605.1 Hydraulic Hoses and Fittings - Chassis

Item	Part No.	Description	Qty.
1	48912GT	CONN,520120-4-6***	4
2	55558GT	ORIFICE, LONG, .037***	4
3	48905GT	CONN,520120-4***	20
4	48906GT	TEE,RUN,520428-4	6
5	84609GT	HSE ASSY,LT SIDE OTRG CYL-"T" Components: 48800, 48802, 48751 @ 31 inches	4
6	48931GT	CONN,520120-6-10 models with drive option	4
7	84611GT	HOSE ASSY,OTRG FRT RETRACT-B2 Components: 48800, 48800, 48751 @ 85 inches	1
8	84612GT	HOSE ASSY,OTRG FRONT EXTEND-A2 Components: 48800, 48800, 48751 @ 83 inches	1
9	84613GT	HOSE ASSY,DR MOTOR-DR MANIF,CE Models with drive option; Components: 48800, 42762, 48751 @ 116 inches	2
9B	84614GT	HOSE ASSY,DR MOTOR-DR MANIFOLD ANSI; models with drive option; Components: 48800, 48800, 48751 @ 85 inches	
10	76715GT	HOSE ASSY,DR MOTOR-DR MANIF,CE Models with drive option; Components: 48800, 42762, 48751 @ 108 inches	2
10B	76716GT	HOSE ASSY,DR MOTOR-DR MANIFOLD ANSI; models with drive option; Components: 48800, 42762, 48751 @ 88 inches	
11	74136GT	VALVE,CHK,#8PORT-#6MALEORFS*** models without drive option	1
11	74136GT	VALVE,CHK,#8PORT-#6MALEORFS*** models with drive option	2
12	48960GT	FITTING,CONN,520120-12	1
13	84610GT	HOSE ASSY,HYD POWER UNIT-MANIF Models without drive option; Components: 48800, 48810, 48751 @ 11.5 inches	1
14	104136GT	TUBE ASSY,SUCTION	1
15	104137GT	TUBE ASSY,RETURN	1
16	84619GT	HOSE ASSY,SWING MOTOR-FUNC MAN Components: 48800, 48811, 48751 @ 29 inches	2
17	84621GT	HOSE ASSY,SWING MOTOR-FUNC MAN Components: 48800, 48800, 48751 @ 22 inches	1
18	84620GT	HOSE ASSY,HYD POWER UNIT-DR MN Models with drive option; Components: 48800, 48810, 48751 @ 15 inches	1
19	84618GT	HOSE ASSY,HYD POWER UNIT-DR MN Models with drive option; Components: 48810, 48801, 48751 @ 15 inches	1
20	80502GT	CONN,070120-8-8	1
21	84622GT	HOSE ASSY,MANIFOLD-FILTER	1
22	45357GT	ELBOW,070220-8-8***	1
23	51579GT	CONN,520120-12-8	1
24	84623GT	HOSE ASSY,BRAKE CYL-DRIVE MAN Models with drive option; Components: 48800, 48800, 48751 @ 124 inches	1
25	99425GT	ELBOW,ORFS-4 SWIVEL/STRAIGHT** models with drive option	1



605.1 Hydraulic Hoses and Fittings - Chassis

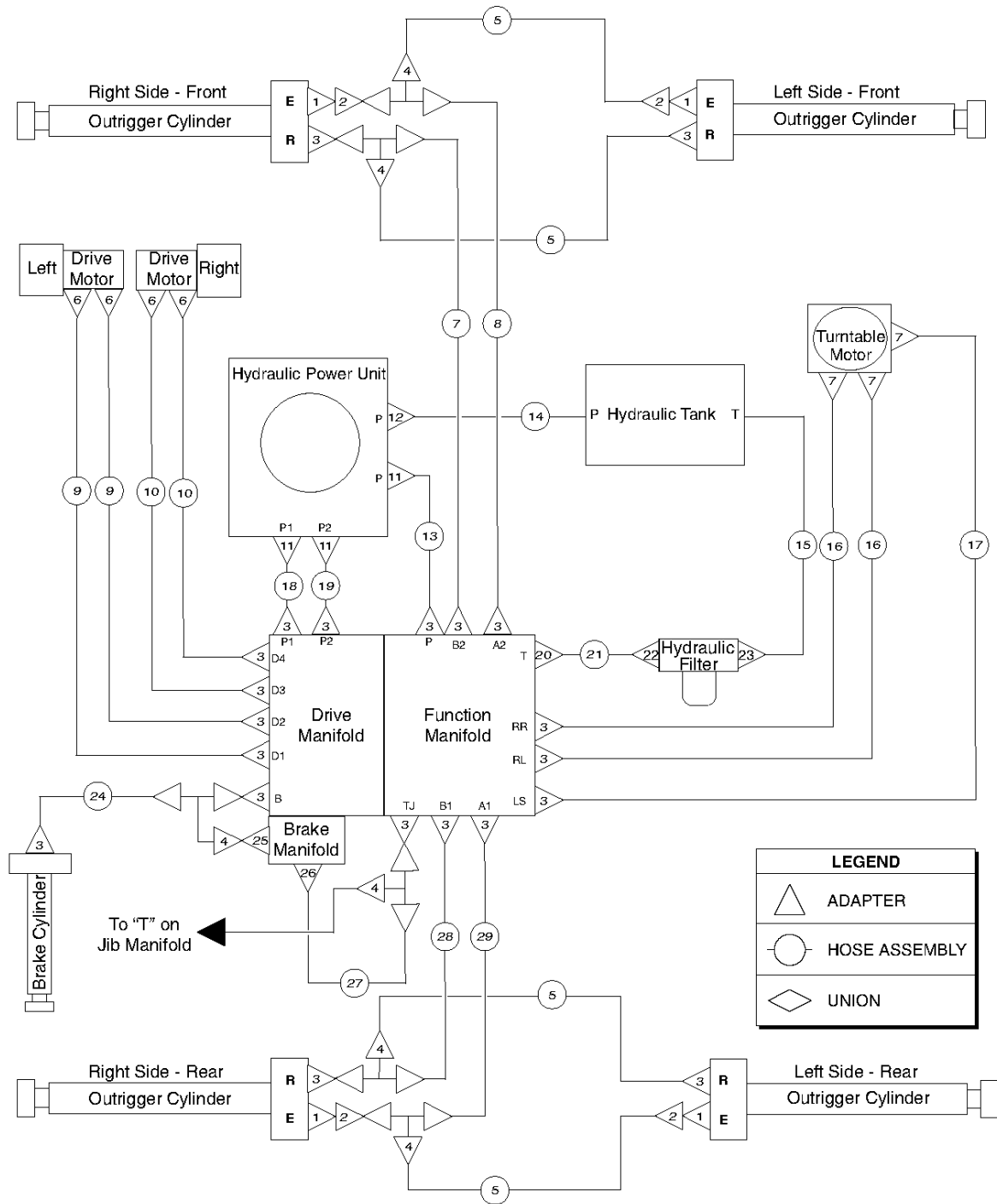



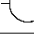

LEGEND	
	ADAPTER
	HOSE ASSEMBLY
	UNION

605.1 Hydraulic Hoses and Fittings - Chassis

<i>Item</i>	<i>Part No.</i>	<i>Description</i>	<i>Qty.</i>
26	48907GT	ELBOW,45D,520320-4 ..... models with drive option	1
27	84617GT	HOSE ASSY,BRAKE MAN-JIB TANK ..... Models with drive option; Components: 48800, 48000, 48751 @ 30 inches	1
28	84626GT	HOSE ASSY,OTRG REAR RETRACT-B1 ..... Components: 48800, 48800, 48751 @ 58 inches	1
29	84627GT	HOSE ASSY,OTRG REAR EXTEND-A1 ..... Components: 48800, 48800, 48751 @ 60 inches	1

605.2 Hydraulic Hoses and Fittings - Chassis



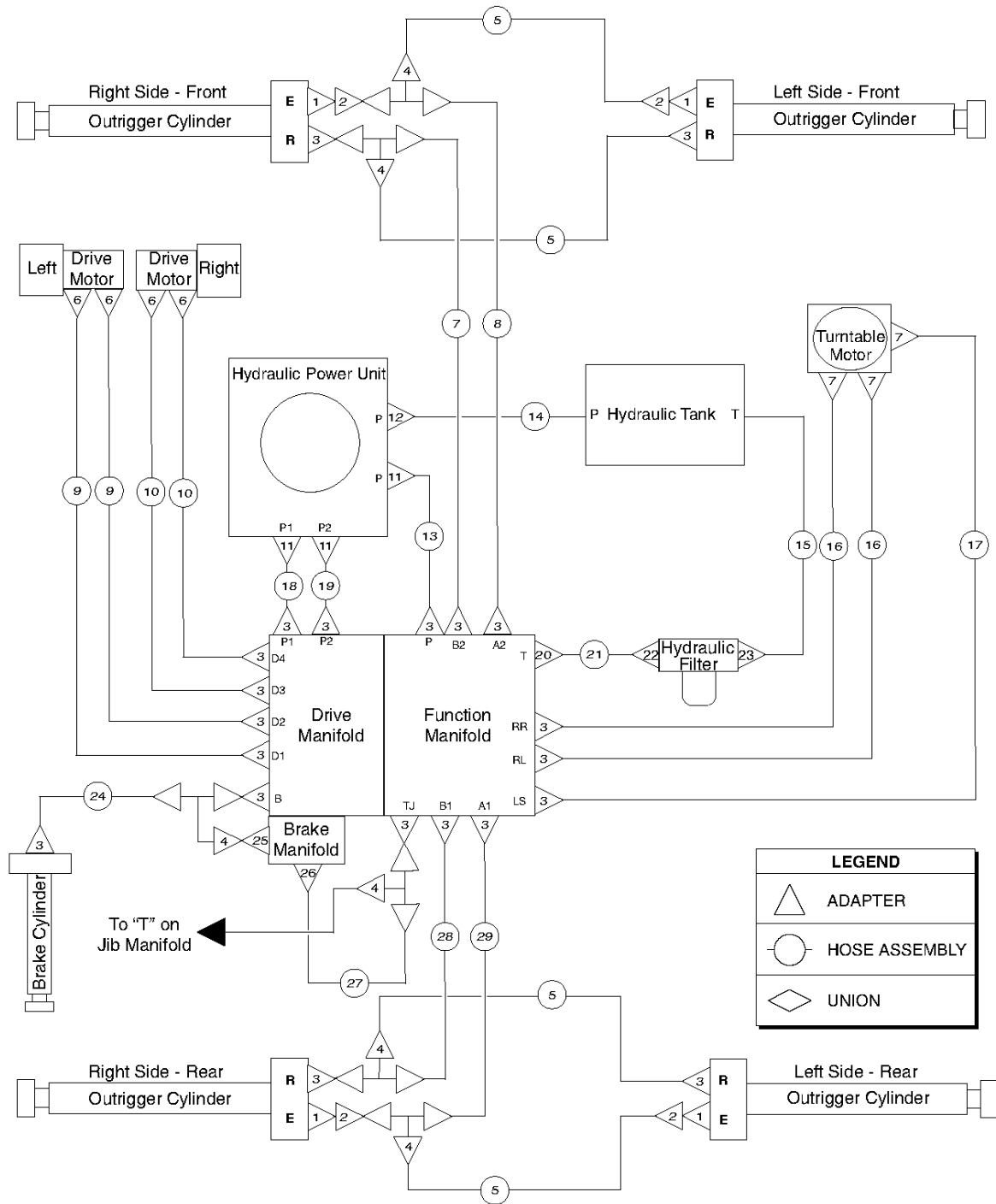
LEGEND	
	ADAPTER
	HOSE ASSEMBLY
	UNION

605.2 Hydraulic Hoses and Fittings - Chassis

Item	Part No.	Description	Qty.
1	48912GT	CONN,520120-4-6***	4
2	55558GT	ORIFICE, LONG, .037***	4
3	48905GT	CONN,520120-4***	20
4	48906GT	TEE,RUN,520428-4	6
5	84609GT	HSE ASSY,LT SIDE OTRG CYL-"T" Components: 48800, 48802, 48751 @ 31 inches	4
6	48931GT	CONN,520120-6-10 models with drive option	4
7	84611GT	HOSE ASSY,OTRG FRT RETRACT-B2 Components: 48800, 48800, 48751 @ 85 inches	1
8	84612GT	HOSE ASSY,OTRG FRONT EXTEND-A2 Components: 48800, 48800, 48751 @ 83 inches	1
9A	84613GT	HOSE ASSY,DR MOTOR-DR MANIF,CE Models with drive option; Components: 48800, 42762, 48751 @ 116 inches	2
9B	84614GT	HOSE ASSY,DR MOTOR-DR MANIFOLD ANSI; models with drive option; Components: 48800, 48800, 48751 @ 85 inches	2
10A	76715GT	HOSE ASSY,DR MOTOR-DR MANIF,CE Models with drive option; Components: 48800, 42762, 48751 @ 108 inches	2
10B	76716GT	HOSE ASSY,DR MOTOR-DR MANIFOLD ANSI; models with drive option; Components: 48800, 42762, 48751 @ 88 inches	2
11	74136GT	VALVE,CHK,#8PORT-#6MALEORFS*** models without drive option	1
11	74136GT	VALVE,CHK,#8PORT-#6MALEORFS*** models with drive option	2
12	48960GT	FITTING,CONN,520120-12	1
13	84610GT	HOSE ASSY,HYD POWER UNIT-MANIF Models without drive option; Components: 48800, 48810, 48751 @ 11.5 inches	1
14	104136GT	TUBE ASSY,SUCTION	1
15	104137GT	TUBE ASSY,RETURN	1
16	84619GT	HOSE ASSY,SWING MOTOR-FUNC MAN Components: 48800, 48811, 48751 @ 29 inches	2
17	84621GT	HOSE ASSY,SWING MOTOR-FUNC MAN Components: 48800, 48800, 48751 @ 22 inches	1
18	84620GT	HOSE ASSY,HYD POWER UNIT-DR MN Models with drive option; Components: 48800, 48810, 48751 @ 15 inches	1
19	84618GT	HOSE ASSY,HYD POWER UNIT-DR MN Models with drive option; Components: 48810, 48801, 48751 @ 15 inches	1
20	80502GT	CONN,070120-8-8	1
21	84622GT	HOSE ASSY,MANIFOLD-FILTER	1
22	45357GT	ELBOW,070220-8-8***	1
23	51579GT	CONN,520120-12-8	1
24	84623GT	HOSE ASSY,BRAKE CYL-DRIVE MAN Models with drive option; Components: 48800, 48800, 48751 @ 124 inches	1
25	99425GT	ELBOW,ORFS-4 SWIVEL/STRAIGHT** models with drive option	1



605.2 Hydraulic Hoses and Fittings - Chassis

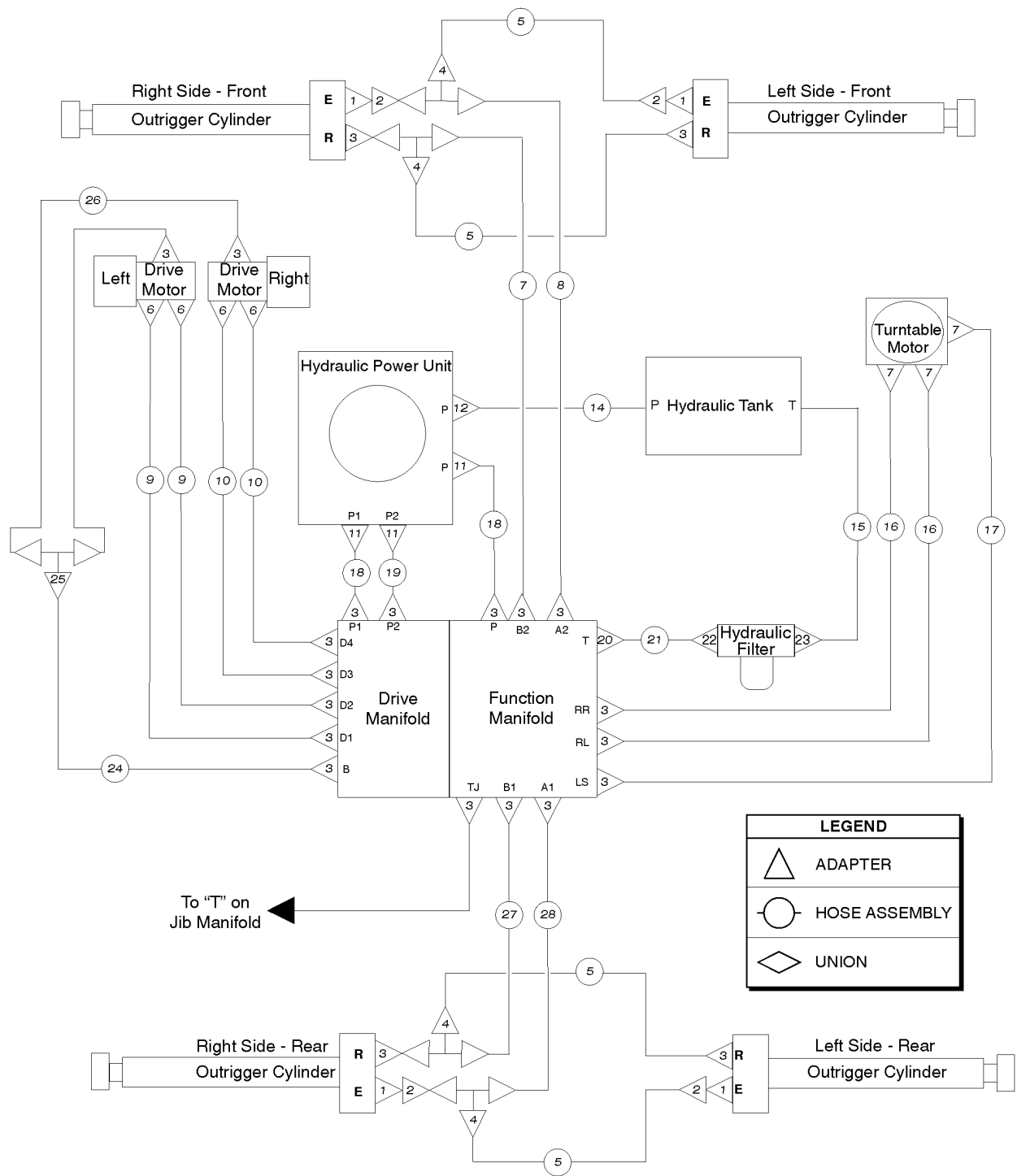


LEGEND	
	ADAPTER
	HOSE ASSEMBLY
	UNION

605.2 Hydraulic Hoses and Fittings - Chassis

<i>Item</i>	<i>Part No.</i>	<i>Description</i>	<i>Qty.</i>
28	84626GT	HOSE ASSY,OTRG REAR RETRACT-B1 Components: 48800, 48800, 48751 @ 58 inches	1
29	84627GT	HOSE ASSY,OTRG REAR EXTEND-A1 Components: 48800, 48800, 48751 @ 60 inches	1

605.3 Hydraulic Hoses and Fittings - Chassis



LEGEND	
	ADAPTER
	HOSE ASSEMBLY
	UNION

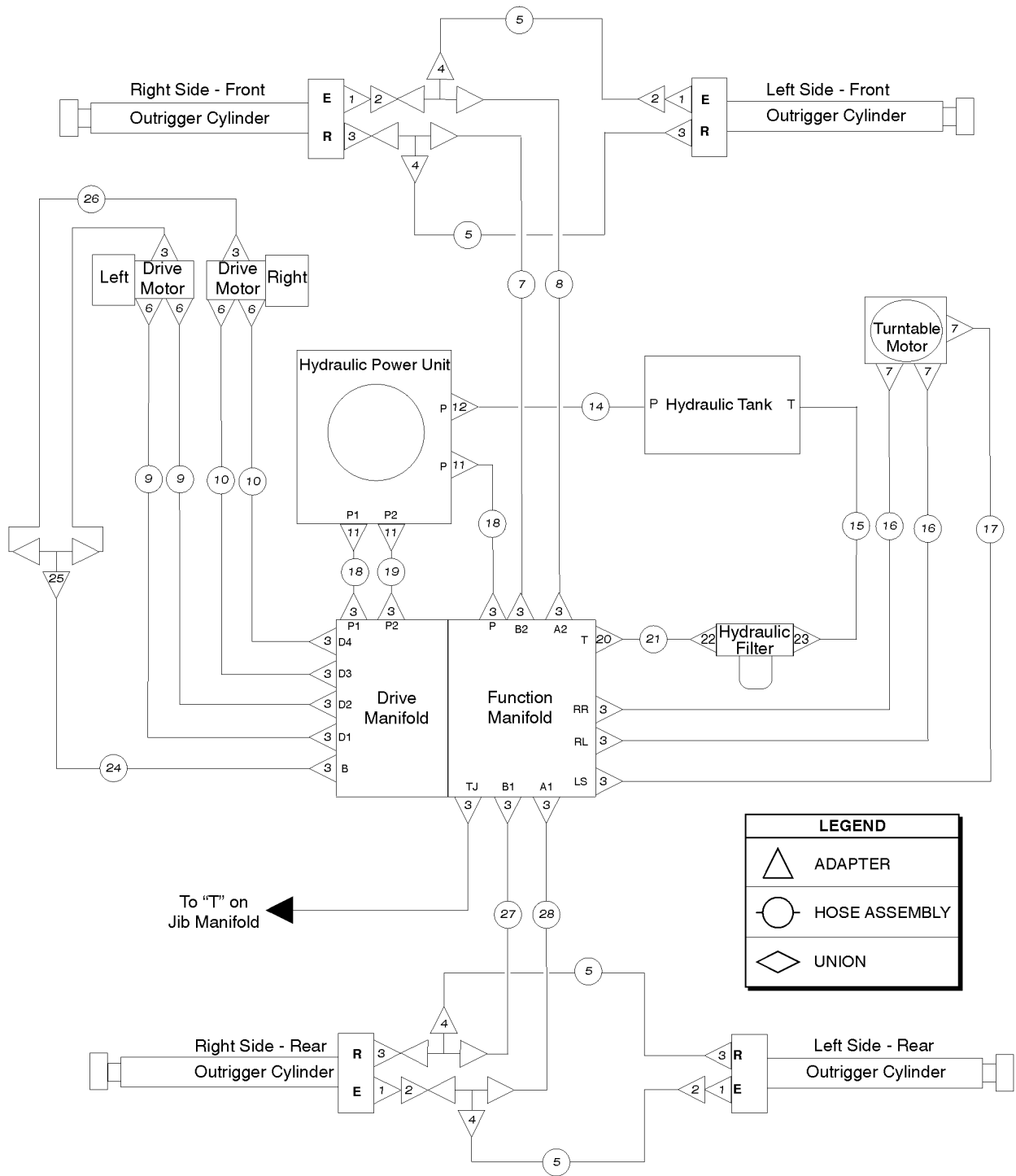


605.3 Hydraulic Hoses and Fittings - Chassis

Item	Part No.	Description	Qty.
1	48912GT	CONN,520120-4-6***	4
2	55558GT	ORIFICE, LONG, .037***	4
3	48905GT	CONN,520120-4***	20
4	48906GT	TEE,RUN,520428-4	6
5	84609GT	HSE ASSY,LT SIDE OTRG CYL-"T" Components: 48800, 48802, 48751 @ 31 inches	4
6	48931GT	CONN,520120-6-10 models with drive option	4
7	84611GT	HOSE ASSY,OTRG FRT RETRACT-B2 Components: 48800, 48800, 48751 @ 85 inches	1
8	84612GT	HOSE ASSY,OTRG FRONT EXTEND-A2 Components: 48800, 48800, 48751 @ 83 inches	1
9A	76740GT	HOSE ASSY,DR MOTOR-DR MANIFOLD Components: 48800, 48811, 48751 @ 120 inches, CE models, models with drive option	2
9B	76742GT	HOSE ASSY,DR MOTOR-DR MANIFOLD Components: 48800, 48811, 48751 @ 132 inches, ANSI models, models with drive option	2
10A	76739GT	HOSE ASSY,DR MOTOR-DR MANIFOLD Components: 48800, 48811, 48751 @ 108 inches, CE models, models with drive option	2
10B	76740GT	HOSE ASSY,DR MOTOR-DR MANIFOLD Components: 48800, 48811, 48751 @ 120 inches, ANSI models, models with drive option	2
11	74136GT	VALVE,CHK,#8PORT-#6MALEORFS*** models without drive option quantity one, models with drive option quantity two	1
12	48960GT	FITTING,CONN,520120-12	1
14	104136GT	TUBE ASSY,SUCTION	1
15	104137GT	TUBE ASSY,RETURN	1
16	84619GT	HOSE ASSY,SWING MOTOR-FUNC MAN Components: 48800, 48811, 48751 @ 29 inches	2
17	84621GT	HOSE ASSY,SWING MOTOR-FUNC MAN Components: 48800, 48800, 48751 @ 22 inches	1
18	84620GT	HOSE ASSY,HYD POWER UNIT-DR MN Models with drive option; Components: 48800, 48811, 48751 @ 15 inches	1
19	84618GT	HOSE ASSY,HYD POWER UNIT-DR MN Models with drive option; Components: 48810, 48811, 48751 @ 15 inches	1
20	80502GT	CONN,070120-8-8	1
21	84622GT	HOSE ASSY,MANIFOLD-FILTER Components: 39894, 39894, 39888 @ 26.25 inches	1
22	45357GT	ELBOW,070220-8-8***	1
23	104346GT	CONNECTOR,520120 12-8	1
24A	76737GT	HOSE ASSY,BRAKE "T"-DRIVE MAN Models with drive option; Components: 48800, 48800, 48751 @ 96 inches, CE models	1
24B	76741GT	HOSE ASSY,BRAKE "T"-DRIVE MAN Components: 48800, 48800,48751 @ 108 inches, ANSI and CSA models, models with drive options	1
25	42758GT	TEE,UNION,520401-4 models with drive option	1
26	76738GT	HOSE ASSY,BRAKE "T"-MOTOR BRK Components: 48800, 48800, 48751 @ 24 inches	2



605.3 Hydraulic Hoses and Fittings - Chassis

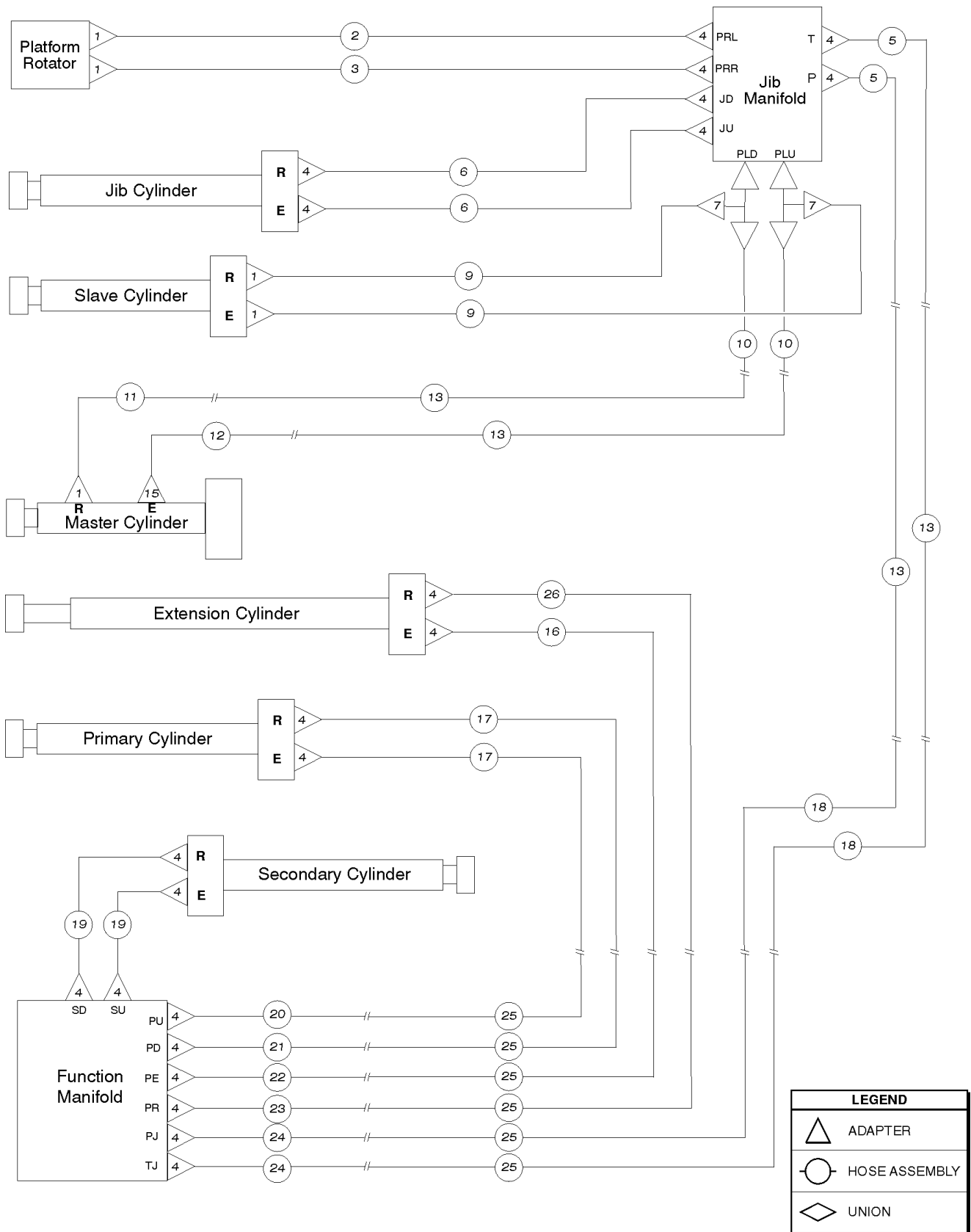


LEGEND	
	ADAPTER
	HOSE ASSEMBLY
	UNION

605.3 Hydraulic Hoses and Fittings - Chassis

<i>Item</i>	<i>Part No.</i>	<i>Description</i>	<i>Qty.</i>
27	84626GT	HOSE ASSY,OTRG REAR RETRACT-B1 Components: 48800, 48800, 48751 @ 58 inches	1
28	84627GT	HOSE ASSY,OTRG REAR EXTEND-A1 Components: 48800, 48800, 48751 @ 60 inches	1

606.1 Hydraulic Hoses and Fittings - Boom System - ANSI Models

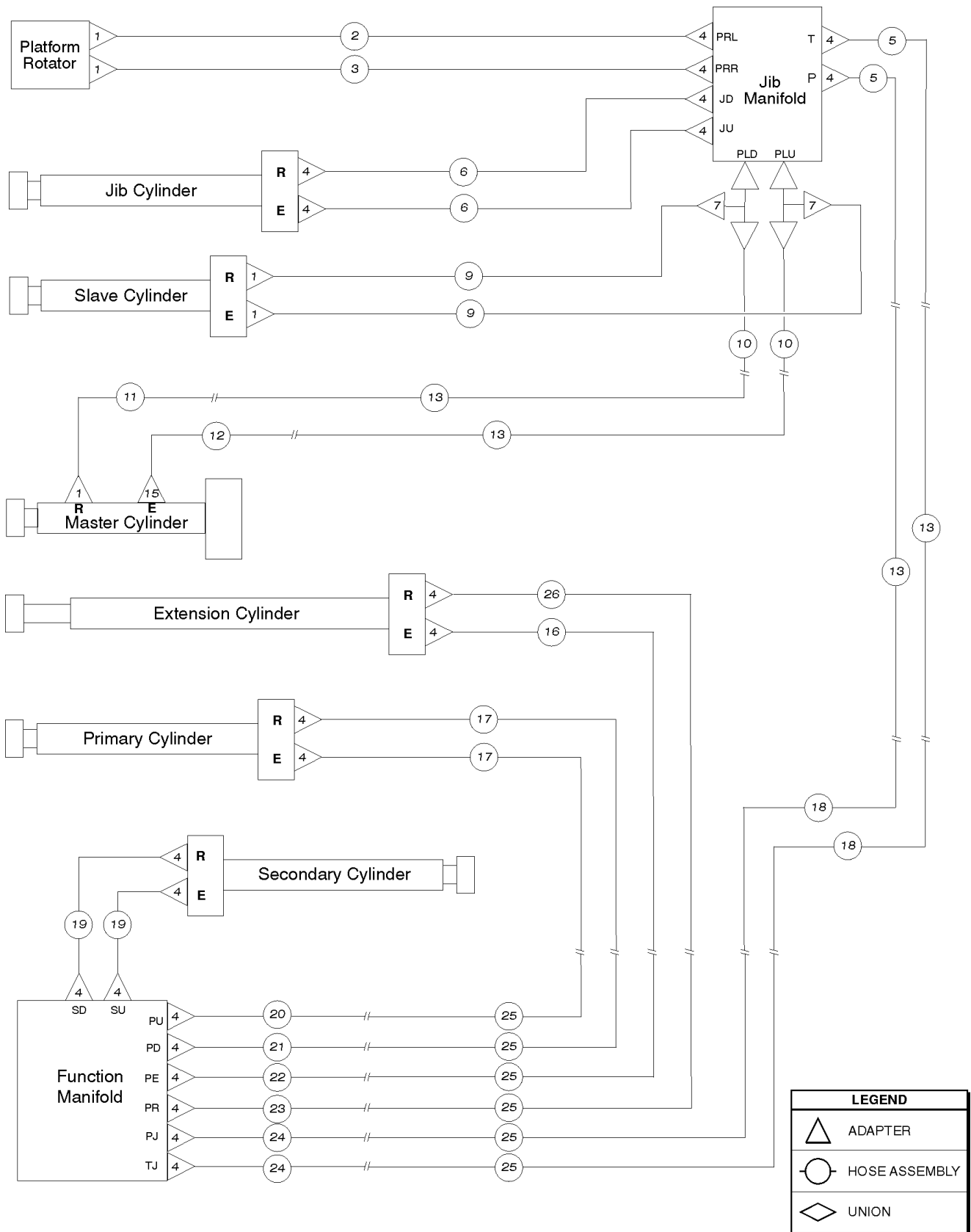


606.1 Hydraulic Hoses and Fittings - Boom System - ANSI Models

Item	Part No.	Description	Qty.
1	48904GT	ELBOW,90D,520220-4-4 .....	5
2	84624GT	HOSE ASSY,JIB MAN-PLAT ROT,LT (models with platform rotate option; Components: 48800, 48802, and 48751 @ 38 inches)	1
3	84625GT	HOSE ASSY,JIB MAN-PLAT ROT,RT (models with platform rotate option; Components: 48800, 48802, and 48751 @ 40 inches)	1
4	48905GT	CONN,520120-4*** .....	22
5	825606GT	HOSE ASSY, JIB MANIFOLD (Components: 87681, 48810, 48800, 87681 and 48751 @ 247 inches)	2
6	84629GT	HOSE ASSY,JIB MAN-JIB CYLINDER (Components: 48800, 48800, and 48751 @ 14 inches)	2
7	48906GT	TEE,RUN,520428-4 .....	2
9	84639GT	HOSE ASSY,SLAVE CYL-JIB MANIF (Components: 48800, 48800, and 48751 @ 46 inches)	2
10	825606GT	HOSE ASSY, JIB MANIFOLD (Components: 87681, 48810, 48800, 87681 and 48751 @ 247 inches)	2
11	825617GT	HOSE ASSY,MASTER CYL,RET-HYD L (Components: 87681, 48802, 48800, and 48751 @ 34 inches)	1
12	825618GT	HOSE ASSY,MASTER CYL,RET-HYD R (Components: 87681, 48800, 48810, and 48751 @ 42 inches)	1
13	84644GT	HYD LINE ASSY,PRIMARY BOOM (Components: 87679, 87679, 87681, 87681 and 87680 @ 90 inches)	4
15	48907GT	ELBOW,45D,520320-4 .....	1
16	825608GT	HOSE ASSY,EXT CYL-HYD LINE (Components: 87681, 48800, 48810, 87681, and 48751 @ 65 inches)	2
17	825607GT	HOSE ASSY,PRIMARY CYL-HYD LINE (Components: 87681, 48800, 48810, and 48751 @ 47 inches)	2
18	825609GT	HOSE ASSY,HYD LINE-HYD LINE (Components: 48810, 48810, 87681 and 48751 @ 80.5 inches)	2
19	84648GT	HOSE ASSY,SEC CYL-FUNCTION MAN (Components: 48800, 48800, and 48751 @ 23 inches)	2
20	825610GT	HOSE ASSY,FUNC MAN-HYD LINE (Components: 48800, 48810, 87681 and 48751 @ 51 inches)	2
21	825611GT	HOSE ASSY,FUNC MAN-HYD LINE (Components: 48800, 48810, 87681 and 48751 @ 48 inches)	2
22	825614GT	HOSE ASSY,FUNC MAN-HYD LINE (Components: 48800, 48810, and 48751 @ 48 inches)	2
23	825612GT	HOSE ASSY,FUNC MAN-HYD LINE (Components: 48800, 48810, 87681 and 48751 @ 50 inches)	2
24	825613GT	HOSE ASSY,FUNC MAN-HYD LINE (Components: 48800, 48810, 87681 and 48751 @ 48.5 inches)	2
25	84652GT	HYD LINE ASSY,SECONDARY BOOM (Components: 87679, 87679, 87681, 87681 and 87680 @ 150 inches)	6
26	825652GT	HOSE ASSY,EXT CYL-HYD LINE (Components: 48800, 48810, and 48751 @ 63 inches)	



606.2 Hydraulic Hoses and Fittings - Boom System - ANSI Models

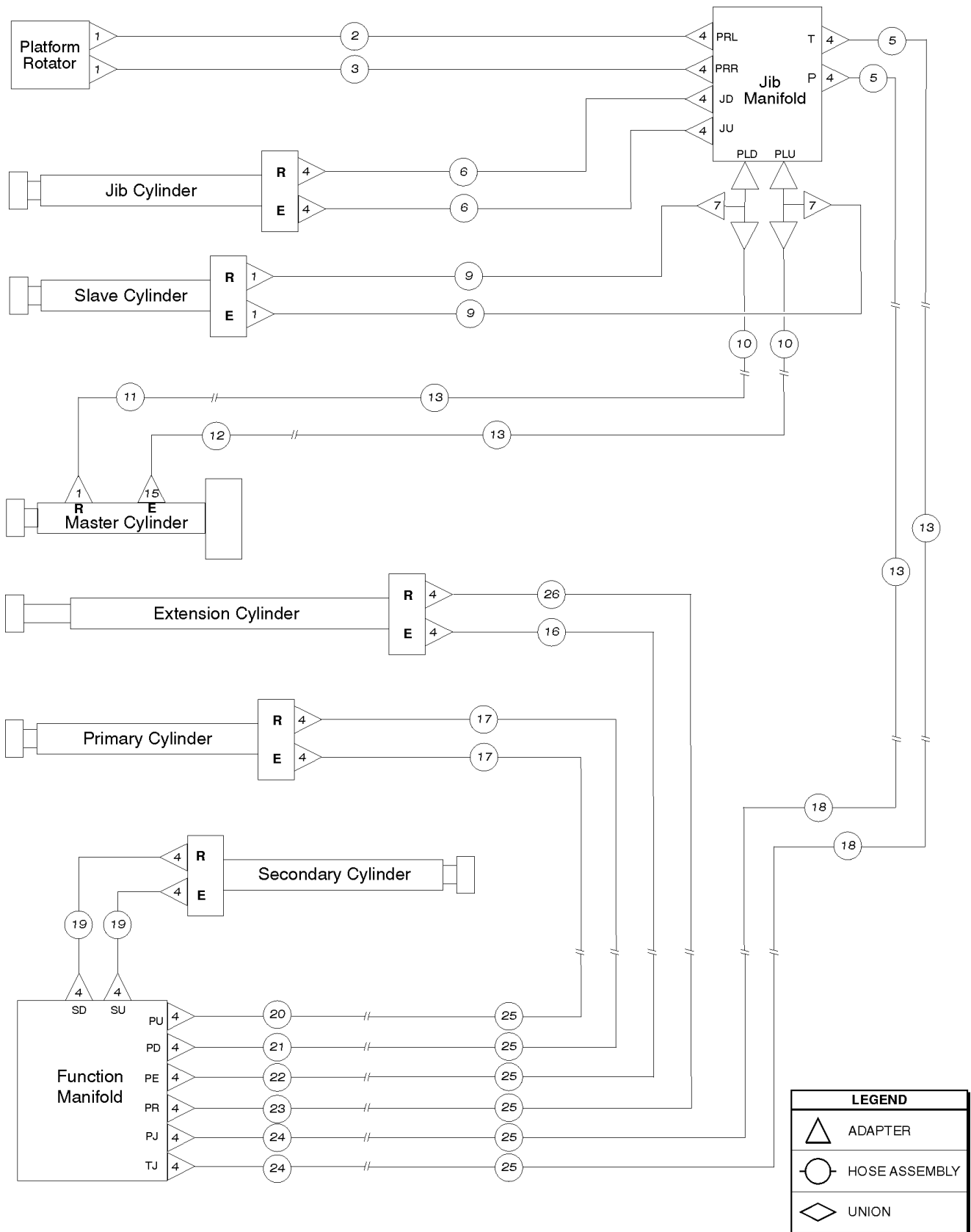


606.2 Hydraulic Hoses and Fittings - Boom System - ANSI Models

Item	Part No.	Description	Qty.
1	48904GT	ELBOW,90D,520220-4-4 .....	5
2	84624GT	HOSE ASSY,JIB MAN-PLAT ROT,LT (models with platform rotate option; Components: 48800, 48802, and 48751 @ 38 inches)	1
3	84625GT	HOSE ASSY,JIB MAN-PLAT ROT,RT (models with platform rotate option; Components: 48800, 48802, and 48751 @ 40 inches)	1
4	48905GT	CONN,520120-4*** .....	22
5	825606GT	HOSE ASSY, JIB MANIFOLD (Components: 87681, 48810, 48800, 87681 and 48751 @ 247 inches)	2
6	84629GT	HOSE ASSY,JIB MAN-JIB CYLINDER (Components: 48800, 48800, and 48751 @ 14 inches)	2
7	48906GT	TEE,RUN,520428-4 .....	2
9	84639GT	HOSE ASSY,SLAVE CYL-JIB MANIF (Components: 48800, 48800, and 48751 @ 46 inches)	2
10	825606GT	HOSE ASSY, JIB MANIFOLD (Components: 87681, 48810, 48800, 87681 and 48751 @ 247 inches)	2
11	825617GT	HOSE ASSY,MASTER CYL,RET-HYD L (Components: 87681, 48802, 48800, and 48751 @ 34 inches)	1
12	825618GT	HOSE ASSY,MASTER CYL,RET-HYD R (Components: 87681, 48800, 48810, and 48751 @ 42 inches)	1
13	84644GT	HYD LINE ASSY,PRIMARY BOOM (Components: 87679, 87679, 87681, 87681 and 87680 @ 90 inches)	4
15	48907GT	ELBOW,45D,520320-4 .....	1
16	825608GT	HOSE ASSY,EXT CYL-HYD LINE (Components: 87681, 48800, 48810, 87681, and 48751 @ 65 inches)	2
17	825607GT	HOSE ASSY,PRIMARY CYL-HYD LINE (Components: 87681, 48800, 48810, and 48751 @ 47 inches)	2
18	825609GT	HOSE ASSY,HYD LINE-HYD LINE (Components: 48810, 48810, 87681 and 48751 @ 80.5 inches)	2
19	84648GT	HOSE ASSY,SEC CYL-FUNCTION MAN (Components: 48800, 48800, and 48751 @ 23 inches)	2
20	825610GT	HOSE ASSY,FUNC MAN-HYD LINE (Components: 48800, 48810, 87681 and 48751 @ 51 inches)	2
21	825611GT	HOSE ASSY,FUNC MAN-HYD LINE (Components: 48800, 48810, 87681 and 48751 @ 48 inches)	2
22	825614GT	HOSE ASSY,FUNC MAN-HYD LINE (Components: 48800, 48810, and 48751 @ 48 inches)	2
23	825612GT	HOSE ASSY,FUNC MAN-HYD LINE (Components: 48800, 48810, 87681 and 48751 @ 50 inches)	2
24	825613GT	HOSE ASSY,FUNC MAN-HYD LINE (Components: 48800, 48810, 87681 and 48751 @ 48.5 inches)	2
25	84652GT	HYD LINE ASSY,SECONDARY BOOM (Components: 87679, 87679, 87681, 87681 and 87680 @ 150 inches)	6
26	825652GT	HOSE ASSY,EXT CYL-HYD LINE (Components: 48800, 48810, and 48751 @ 63 inches)	



606.3 Hydraulic Hoses and Fittings - Boom System - ANSI Models



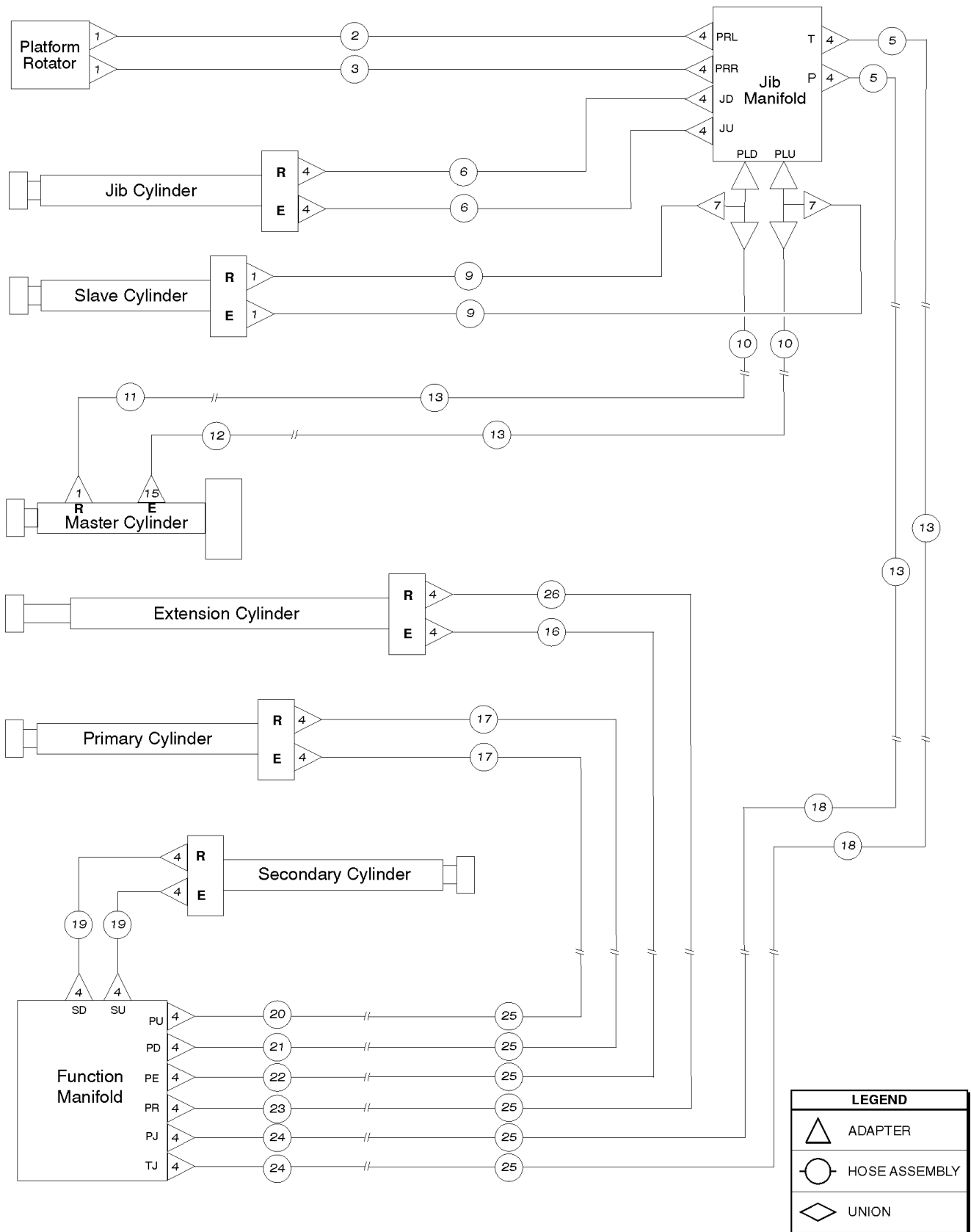


606.3 Hydraulic Hoses and Fittings - Boom System - ANSI Models

Item	Part No.	Description	Qty.
1	48904GT	ELBOW,90D,520220-4-4 .....	5
2	84624GT	HOSE ASSY,JIB MAN-PLAT ROT,LT (models with platform rotate option; Components: 48800, 48802, and 48751 @ 38 inches)	1
3	84625GT	HOSE ASSY,JIB MAN-PLAT ROT,RT (models with platform rotate option; Components: 48800, 48802, and 48751 @ 40 inches)	1
4	48905GT	CONN,520120-4*** .....	22
5	825606GT	HOSE ASSY, JIB MANIFOLD (Components: 87681, 48810, 48800, 87681 and 48751 @ 247 inches)	2
6	84629GT	HOSE ASSY,JIB MAN-JIB CYLINDER (Components: 48800, 48800, and 48751 @ 14 inches)	2
7	48906GT	TEE,RUN,520428-4 .....	2
9	84639GT	HOSE ASSY,SLAVE CYL-JIB MANIF (Components: 48800, 48800, and 48751 @ 46 inches)	2
10	825606GT	HOSE ASSY, JIB MANIFOLD (Components: 87681, 48810, 48800, 87681 and 48751 @ 247 inches)	2
11	825617GT	HOSE ASSY,MASTER CYL,RET-HYD L (Components: 87681, 48802, 48800, and 48751 @ 34 inches)	1
12	825618GT	HOSE ASSY,MASTER CYL,RET-HYD R (Components: 87681, 48800, 48810, and 48751 @ 42 inches)	1
13	84644GT	HYD LINE ASSY,PRIMARY BOOM (Components: 87679, 87679, 87681, 87681 and 87680 @ 90 inches)	4
15	48907GT	ELBOW,45D,520320-4 .....	1
16	825608GT	HOSE ASSY,EXT CYL-HYD LINE (Components: 87681, 48800, 48810, 87681, and 48751 @ 65 inches)	2
17	825607GT	HOSE ASSY,PRIMARY CYL-HYD LINE (Components: 87681, 48800, 48810, and 48751 @ 47 inches)	2
18	825609GT	HOSE ASSY,HYD LINE-HYD LINE (Components: 48810, 48810, 87681 and 48751 @ 80.5 inches)	2
19	84648GT	HOSE ASSY,SEC CYL-FUNCTION MAN (Components: 48800, 48800, and 48751 @ 23 inches)	2
20	825610GT	HOSE ASSY,FUNC MAN-HYD LINE (Components: 48800, 48810, 87681 and 48751 @ 51 inches)	2
21	825611GT	HOSE ASSY,FUNC MAN-HYD LINE (Components: 48800, 48810, 87681 and 48751 @ 48 inches)	2
22	825614GT	HOSE ASSY,FUNC MAN-HYD LINE (Components: 48800, 48810, and 48751 @ 48 inches)	2
23	825612GT	HOSE ASSY,FUNC MAN-HYD LINE (Components: 48800, 48810, 87681 and 48751 @ 50 inches)	2
24	825613GT	HOSE ASSY,FUNC MAN-HYD LINE (Components: 48800, 48810, 87681 and 48751 @ 48.5 inches)	2
25	84652GT	HYD LINE ASSY,SECONDARY BOOM (Components: 87679, 87679, 87681, 87681 and 87680 @ 150 inches)	6
26	825652GT	HOSE ASSY,EXT CYL-HYD LINE (Components: 48800, 48810, and 48751 @ 63 inches)	



606.4 Hydraulic Hoses and Fittings - Boom System - ANSI Models

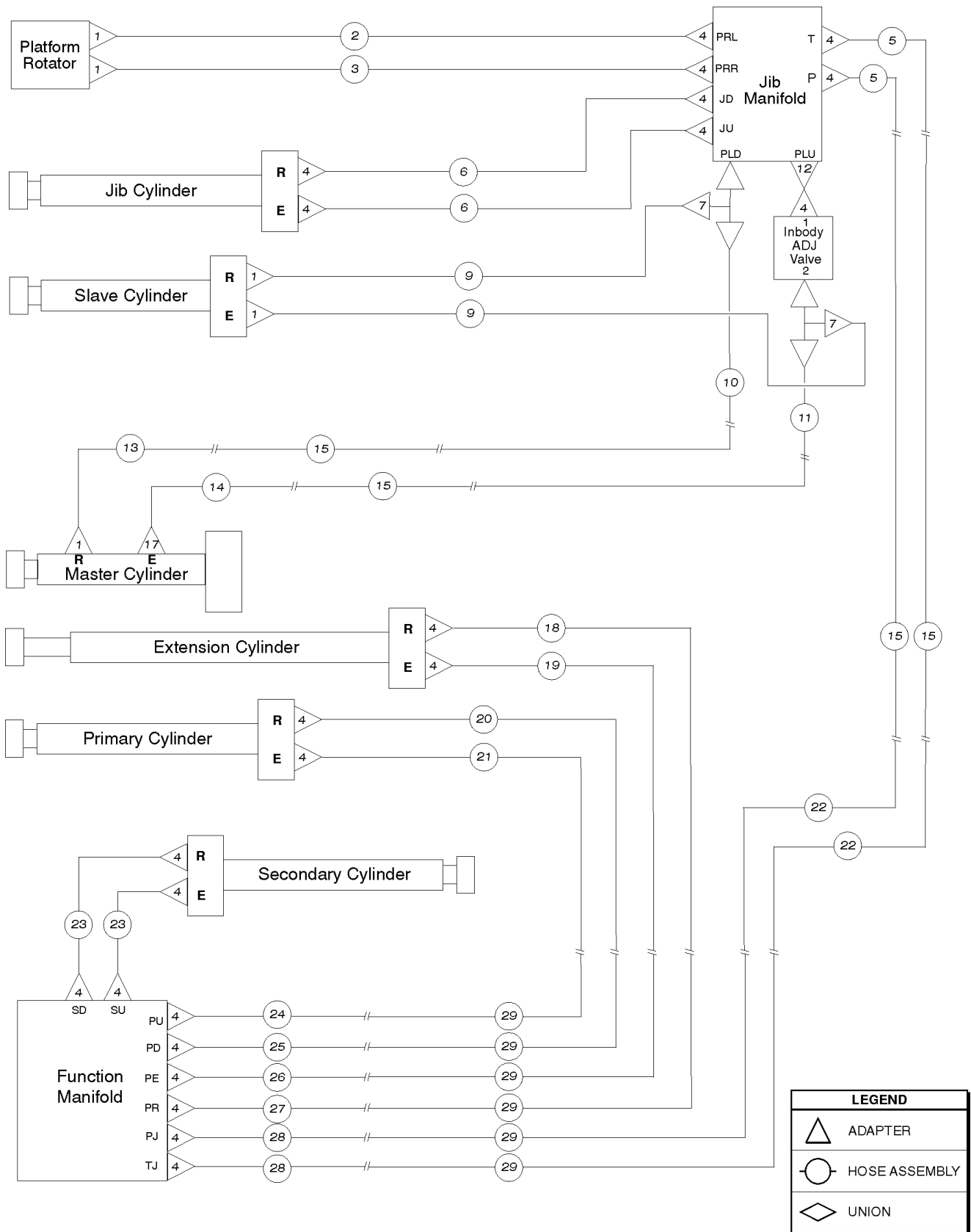


606.4 Hydraulic Hoses and Fittings - Boom System - ANSI Models

Item	Part No.	Description	Qty.
1	48904GT	ELBOW,90D,520220-4-4 .....	5
2	84624GT	HOSE ASSY,JIB MAN-PLAT ROT,LT (models with platform rotate option; Components: 48800, 48802, and 48751 @ 38 inches)	1
3	84625GT	HOSE ASSY,JIB MAN-PLAT ROT,RT (models with platform rotate option; Components: 48800, 48802, and 48751 @ 40 inches)	1
4	48905GT	CONN,520120-4*** .....	22
5	825606GT	HOSE ASSY, JIB MANIFOLD (Components: 87681, 48810, 48800, 87681 and 48751 @ 247 inches)	2
6	84629GT	HOSE ASSY,JIB MAN-JIB CYLINDER (Components: 48800, 48800, and 48751 @ 14 inches)	2
7	48906GT	TEE,RUN,520428-4 .....	2
9	84639GT	HOSE ASSY,SLAVE CYL-JIB MANIF (Components: 48800, 48800, and 48751 @ 46 inches)	2
10	825615GT	HOSE ASSY,JIB MANIF-HARDLINE (Components: 87681, 48810, 48800, 87681 and 48751 @ 247 inches)	2
11	825617GT	HOSE ASSY,MASTER CYL,RET-HYD L (Components: 87681, 48802, 48800, and 48751 @ 34 inches)	1
12	825618GT	HOSE ASSY,MASTER CYL,RET-HYD R (Components: 87681, 48800, 48810, and 48751 @ 42 inches)	1
13	84644GT	HYD LINE ASSY,PRIMARY BOOM (Components: 87679, 87679, 87681, 87681 and 87680 @ 90 inches)	4
15	48907GT	ELBOW,45D,520320-4 .....	1
16	825608GT	HOSE ASSY,EXT CYL-HYD LINE (Components: 87681, 48800, 48810, 87681, and 48751 @ 65 inches)	2
17	825607GT	HOSE ASSY,PRIMARY CYL-HYD LINE (Components: 87681, 48800, 48810, and 48751 @ 47 inches)	2
18	825609GT	HOSE ASSY,HYD LINE-HYD LINE (Components: 48810, 48810, 87681 and 48751 @ 80.5 inches)	2
19	84648GT	HOSE ASSY,SEC CYL-FUNCTION MAN (Components: 48800, 48800, and 48751 @ 23 inches)	2
20	825610GT	HOSE ASSY,FUNC MAN-HYD LINE (Components: 48800, 48810, 87681 and 48751 @ 51 inches)	2
21	825611GT	HOSE ASSY,FUNC MAN-HYD LINE (Components: 48800, 48810, 87681 and 48751 @ 48 inches)	2
22	825614GT	HOSE ASSY,FUNC MAN-HYD LINE (Components: 48800, 48810, and 48751 @ 48 inches)	2
23	825612GT	HOSE ASSY,FUNC MAN-HYD LINE (Components: 48800, 48810, 87681 and 48751 @ 50 inches)	2
24	825613GT	HOSE ASSY,FUNC MAN-HYD LINE (Components: 48800, 48810, 87681 and 48751 @ 48.5 inches)	2
25	84652GT	HYD LINE ASSY,SECONDARY BOOM (Components: 87679, 87679, 87681, 87681 and 87680 @ 150 inches)	6
26	825652GT	HOSE ASSY,EXT CYL-HYD LINE (Components: 48800, 48810, and 48751 @ 63 inches)	



606.5 Hydraulic Hoses and Fittings - Boom System - CE Models

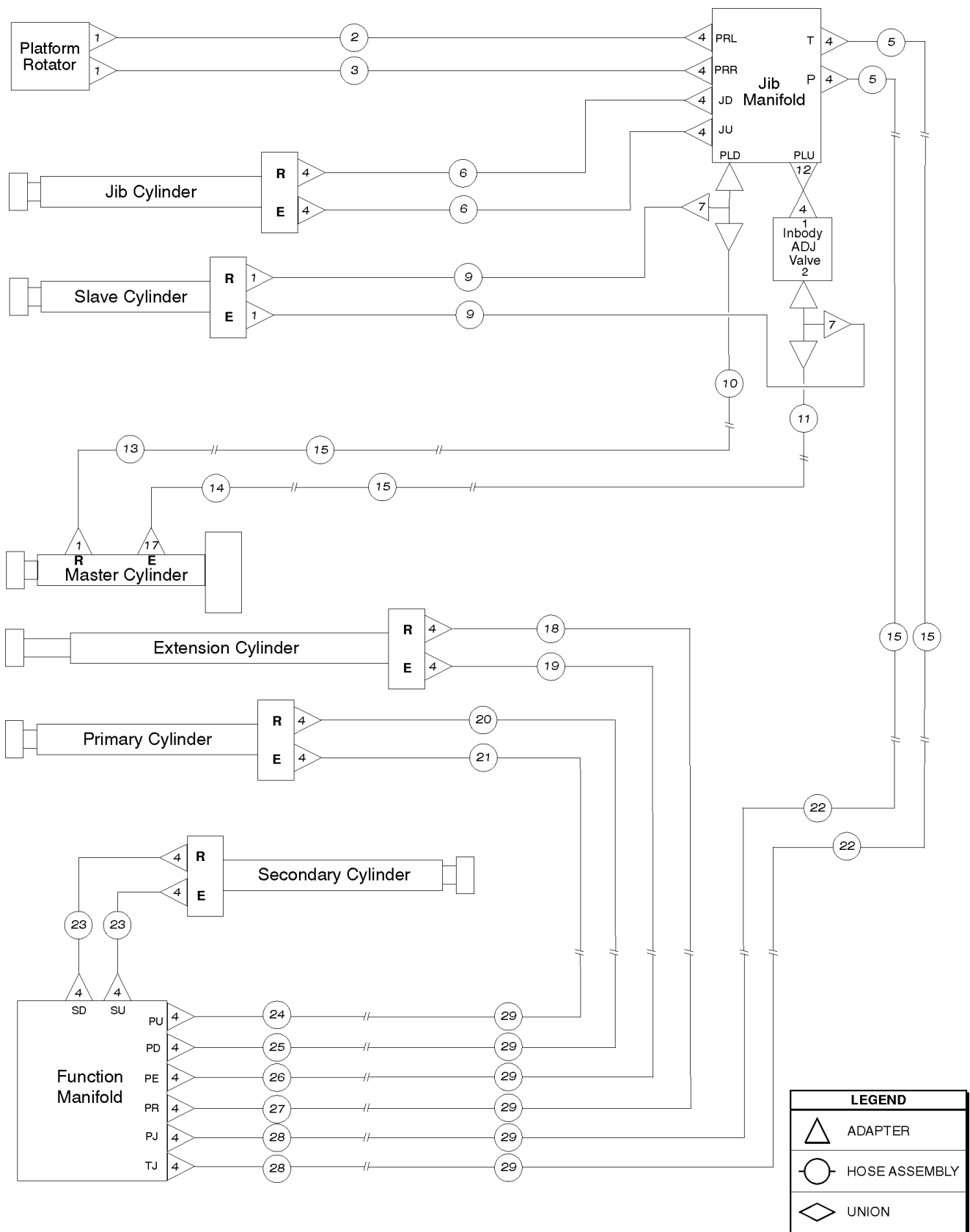


606.5 Hydraulic Hoses and Fittings - Boom System - CE Models

Item	Part No.	Description	Qty.
1	48904GT	ELBOW,90D,520220-4-4 .....	5
2	84624GT	HOSE ASSY,JIB MAN-PLAT ROT,LT (models with platform rotate option; Components: 48800, 48802, and 48751 @ 38 inches)	1
3	84625GT	HOSE ASSY,JIB MAN-PLAT ROT,RT (models with platform rotate option; Components: 48800, 48802, and 48751 @ 40 inches)	1
4	48905GT	CONN,520120-4*** .....	22
5	825606GT	HOSE ASSY, JIB MANIFOLD (Components: 48810, 48800, 87681 and 48751 @ 247 inches) .....	2
6	84629GT	HOSE ASSY,JIB MAN-JIB CYLINDER (Components: 48800, 48800, and 48751 @ 14 inches) .....	2
7	48906GT	TEE,RUN,520428-4 .....	2
9	84639GT	HOSE ASSY,SLAVE CYL-JIB MANIF (Components: 48800, 48800, and 48751 @ 46 inches) .....	2
10	825615GT	HOSE ASSY,JIB MANIF-HARDLINE (Components: 48802, 48810, 87681 and 48751 @ 242.50 inches) .....	2
11	825616GT	HOSE ASSY,JIB MANIF-HARDLINE (Components: 48802, 48810, 87681 and 48751 @ 247 inches) .....	1
12	105230GT	CONN, 520181-4 .....	1
13	825617GT	HOSE ASSY,MASTER CYL,RET-HYD L (Components: 48800, 48810, 87681, 87681 and 48751 @ 34 inches) .....	4
14	825618GT	HOSE ASSY,MASTER CYL,RET-HYD R (Components: 48800, 48810, 87681 and 48751 @ 42 inches) .....	1
15	84644GT	HYD LINE ASSY,PRIMARY BOOM (Components: 87679, 87681 and 87680 @ 90.00 inches) .....	1
17	48907GT	ELBOW,45D,520320-4 .....	1
18	825652GT	HOSE ASSY,EXT CYL-HYD LINE (Components: 87681, 48810, 48800, and 48751 @ 64 inches) .....	
19	825608GT	HOSE ASSY,EXT CYL-HYD LINE (Components: 48810, 48800, 87681 and 48751 @ 63 inches) .....	
20	825607GT	HOSE ASSY,PRIMARY CYL-HYD LINE (Components: 48800, 48810, and 48751 @ 47 inches) .....	1
21	825653GT	HOSE ASSY,PRIM CYL-HYD LINE CE (Components: 87681, 48800, 48810, and 48751 @ 48 inches) .....	1
22	825609GT	HOSE ASSY,HYD LINE-HYD LINE (Components: 48810, 48810, 87681 and 48751 @ 80.5 inches) .....	2
23	84648GT	HOSE ASSY,SEC CYL-FUNCTION MAN (Components: 48800, 48800, and 48751 @ 23 inches) .....	2
24	825610GT	HOSE ASSY,FUNC MAN-HYD LINE (Components: 48800, 48810, 87681 and 48751 @ 51 inches) .....	2
25	825611GT	HOSE ASSY,FUNC MAN-HYD LINE (Components: 48800, 48810, 87681 and 48751 @ 48 inches) .....	2
26	825614GT	HOSE ASSY,FUNC MAN-HYD LINE (Components: 87681, 48800, 48810, and 48751 @ 48 inches) .....	2
27	825612GT	HOSE ASSY,FUNC MAN-HYD LINE (Components: 48800, 48810, 87681 and 48751 @ 50 inches) .....	2
28	825613GT	HOSE ASSY,FUNC MAN-HYD LINE (Components: 48800, 48810, 87681 and 48751 @ 48.5 inches) .....	2
29	84652GT	HYD LINE ASSY,SECONDARY BOOM (Components: 87679, 87679, 87681, 87681 and 87680 @ 150 inches) .....	6



606.6 Hydraulic Hoses and Fittings - Boom System - CE Models

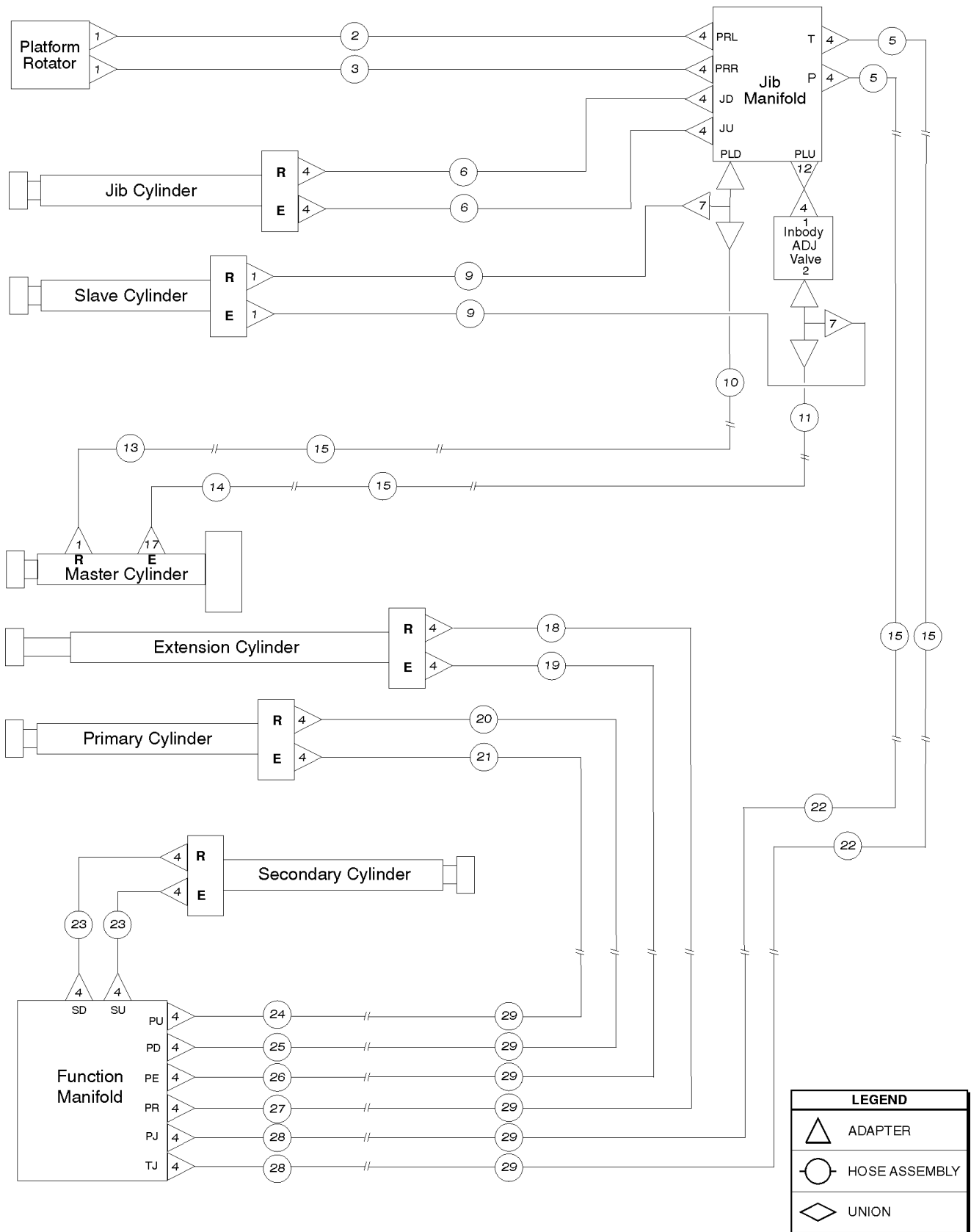


606.6 Hydraulic Hoses and Fittings - Boom System - CE Models

Item	Part No.	Description	Qty.
1	48904GT	ELBOW,90D,520220-4-4 .....	5
2	84624GT	HOSE ASSY,JIB MAN-PLAT ROT,LT (models with platform rotate option; Components: 48800, 48802, and 48751 @ 38 inches)	1
3	84625GT	HOSE ASSY,JIB MAN-PLAT ROT,RT (models with platform rotate option; Components: 48800, 48802, and 48751 @ 40 inches)	1
4	48905GT	CONN,520120-4*** .....	22
5	825606GT	HOSE ASSY, JIB MANIFOLD (Components: 48810, 48800, 87681 and 48751 @ 247 inches)	2
6	84629GT	HOSE ASSY,JIB MAN-JIB CYLINDER (Components: 48800, 48800, and 48751 @ 14 inches)	2
7	48906GT	TEE,RUN,520428-4 .....	2
9	84639GT	HOSE ASSY,SLAVE CYL-JIB MANIF (Components: 48800, 48800, and 48751 @ 46 inches)	2
10	825615GT	HOSE ASSY,JIB MANIF-HARDLINE (Components: 48802, 48810, 87681 and 48751 @ 242.50 inches)	2
11	825616GT	HOSE ASSY,JIB MANIF-HARDLINE (Components: 48802, 48810, 87681 and 48751 @ 247 inches)	1
12	105230GT	CONN, 520181-4 .....	1
13	825617GT	HOSE ASSY,MASTER CYL,RET-HYD L (Components: 48800, 48810, 87681, 87681 and 48751 @ 34 inches)	4
14	825618GT	HOSE ASSY,MASTER CYL,RET-HYD R (Components: 48800, 48810, 87681 and 48751 @ 42 inches)	1
15	84644GT	HYD LINE ASSY,PRIMARY BOOM (Components: 87679, 87681 and 87680 @ 90.00 inches)	1
17	48907GT	ELBOW,45D,520320-4 .....	1
18	825652GT	HOSE ASSY,EXT CYL-HYD LINE (Components: 87681, 48810, 48800, and 48751 @ 64 inches)	
19	825608GT	HOSE ASSY,EXT CYL-HYD LINE (Components: 48810, 48800, 87681 and 48751 @ 63 inches)	
20	825607GT	HOSE ASSY,PRIMARY CYL-HYD LINE (Components: 48800, 48810, and 48751 @ 47 inches)	1
21	825653GT	HOSE ASSY,PRIM CYL-HYD LINE CE (Components: 87681, 48800, 48810, and 48751 @ 48 inches)	1
22	825609GT	HOSE ASSY,HYD LINE-HYD LINE (Components: 48810, 48810, 87681 and 48751 @ 80.5 inches)	2
23	84648GT	HOSE ASSY,SEC CYL-FUNCTION MAN (Components: 48800, 48800, and 48751 @ 23 inches)	2
24	825610GT	HOSE ASSY,FUNC MAN-HYD LINE (Components: 48800, 48810, 87681 and 48751 @ 51 inches)	2
25	825611GT	HOSE ASSY,FUNC MAN-HYD LINE (Components: 48800, 48810, 87681 and 48751 @ 48 inches)	2
26	825614GT	HOSE ASSY,FUNC MAN-HYD LINE (Components: 87681, 48800, 48810, and 48751 @ 48 inches)	2
27	825612GT	HOSE ASSY,FUNC MAN-HYD LINE (Components: 48800, 48810, 87681 and 48751 @ 50 inches)	2
28	825613GT	HOSE ASSY,FUNC MAN-HYD LINE (Components: 48800, 48810, 87681 and 48751 @ 48.5 inches)	2
29	84652GT	HYD LINE ASSY,SECONDARY BOOM (Components: 87679, 87679, 87681, 87681 and 87680 @ 150 inches)	6



606.7 Hydraulic Hoses and Fittings - Boom System - CE Models



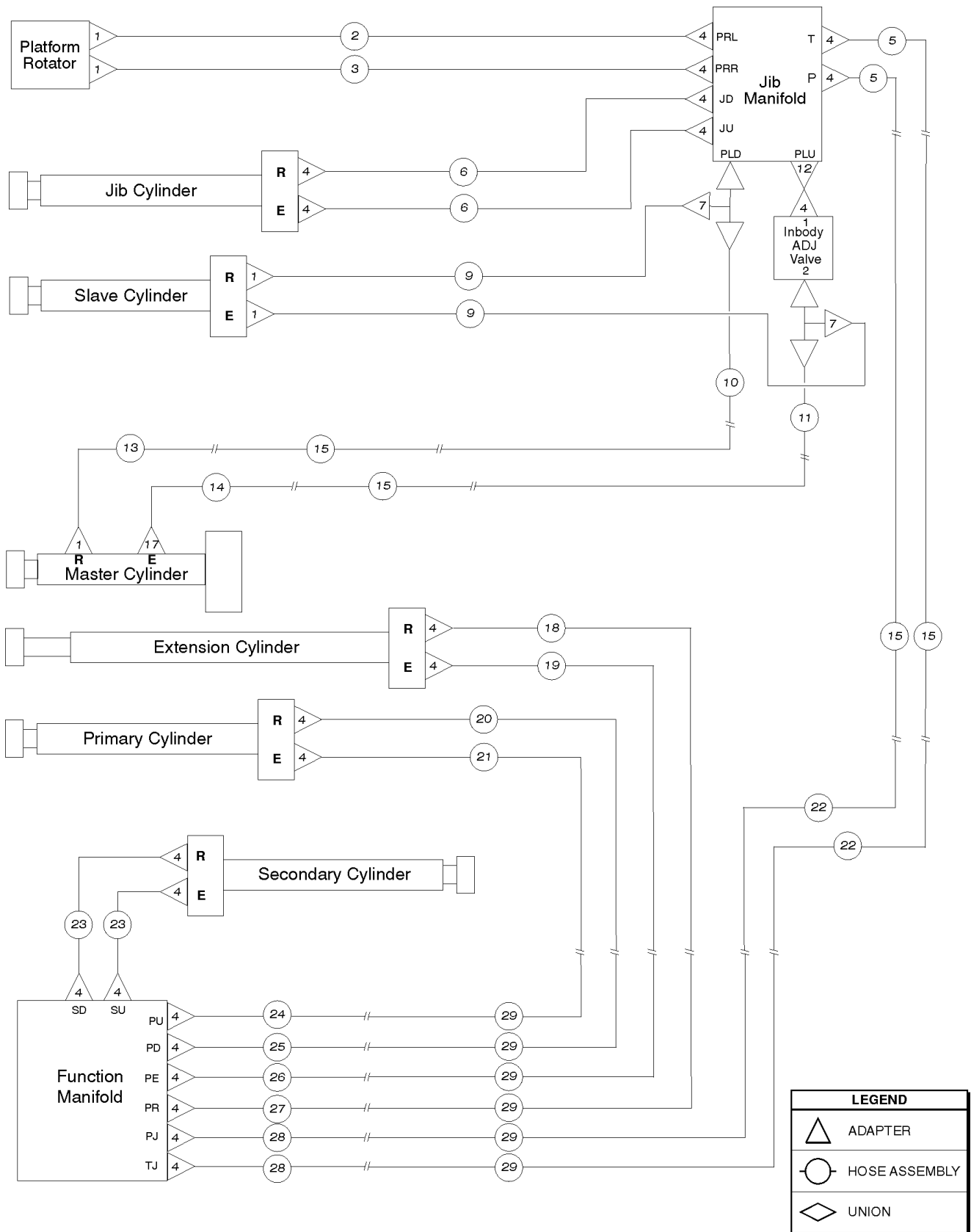


606.7 Hydraulic Hoses and Fittings - Boom System - CE Models

Item	Part No.	Description	Qty.
1	48904GT	ELBOW,90D,520220-4-4 .....	5
2	84624GT	HOSE ASSY,JIB MAN-PLAT ROT,LT (models with platform rotate option; Components: 48800, 48802, and 48751 @ 38 inches)	1
3	84625GT	HOSE ASSY,JIB MAN-PLAT ROT,RT (models with platform rotate option; Components: 48800, 48802, and 48751 @ 40 inches)	1
4	48905GT	CONN,520120-4*** .....	22
5	825606GT	HOSE ASSY, JIB MANIFOLD (Components: 48810, 48800, 87681 and 48751 @ 247 inches) .....	2
6	84629GT	HOSE ASSY,JIB MAN-JIB CYLINDER (Components: 48800, 48800, and 48751 @ 14 inches) .....	2
7	48906GT	TEE,RUN,520428-4 .....	2
9	84639GT	HOSE ASSY,SLAVE CYL-JIB MANIF (Components: 48800, 48800, and 48751 @ 46 inches) .....	2
10	825615GT	HOSE ASSY,JIB MANIF-HARDLINE (Components: 48802, 48810, 87681 and 48751 @ 242.50 inches) .....	2
11	825616GT	HOSE ASSY,JIB MANIF-HARDLINE (Components: 48802, 48810, 87681 and 48751 @ 247 inches) .....	1
12	105230GT	CONN, 520181-4 .....	1
13	825617GT	HOSE ASSY,MASTER CYL,RET-HYD L (Components: 48800, 48810, 87681, 87681 and 48751 @ 34 inches) .....	4
14	825618GT	HOSE ASSY,MASTER CYL,RET-HYD R (Components: 48800, 48810, 87681 and 48751 @ 42 inches) .....	1
15	84644GT	HYD LINE ASSY,PRIMARY BOOM (Components: 87679, 87681 and 87680 @ 90.00 inches) .....	1
17	48907GT	ELBOW,45D,520320-4 .....	1
18	825652GT	HOSE ASSY,EXT CYL-HYD LINE (Components: 87681, 48810, 48800, and 48751 @ 64 inches) .....	
19	825608GT	HOSE ASSY,EXT CYL-HYD LINE (Components: 48810, 48800, 87681 and 48751 @ 63 inches) .....	
20	825607GT	HOSE ASSY,PRIMARY CYL-HYD LINE (Components: 48800, 48810, and 48751 @ 47 inches) .....	1
21	825653GT	HOSE ASSY,PRIM CYL-HYD LINE CE (Components: 87681, 48800, 48810, and 48751 @ 48 inches) .....	1
22	825609GT	HOSE ASSY,HYD LINE-HYD LINE (Components: 48810, 48810, 87681 and 48751 @ 80.5 inches) .....	2
23	84648GT	HOSE ASSY,SEC CYL-FUNCTION MAN (Components: 48800, 48800, and 48751 @ 23 inches) .....	2
24	825610GT	HOSE ASSY,FUNC MAN-HYD LINE (Components: 48800, 48810, 87681 and 48751 @ 51 inches) .....	2
25	825611GT	HOSE ASSY,FUNC MAN-HYD LINE (Components: 48800, 48810, 87681 and 48751 @ 48 inches) .....	2
26	825614GT	HOSE ASSY,FUNC MAN-HYD LINE (Components: 87681, 48800, 48810, and 48751 @ 48 inches) .....	2
27	825612GT	HOSE ASSY,FUNC MAN-HYD LINE (Components: 48800, 48810, 87681 and 48751 @ 50 inches) .....	2
28	825613GT	HOSE ASSY,FUNC MAN-HYD LINE (Components: 48800, 48810, 87681 and 48751 @ 48.5 inches) .....	2
29	84652GT	HYD LINE ASSY,SECONDARY BOOM (Components: 87679, 87679, 87681, 87681 and 87680 @ 150 inches) .....	6



606.8 Hydraulic Hoses and Fittings - Boom System - CE Models

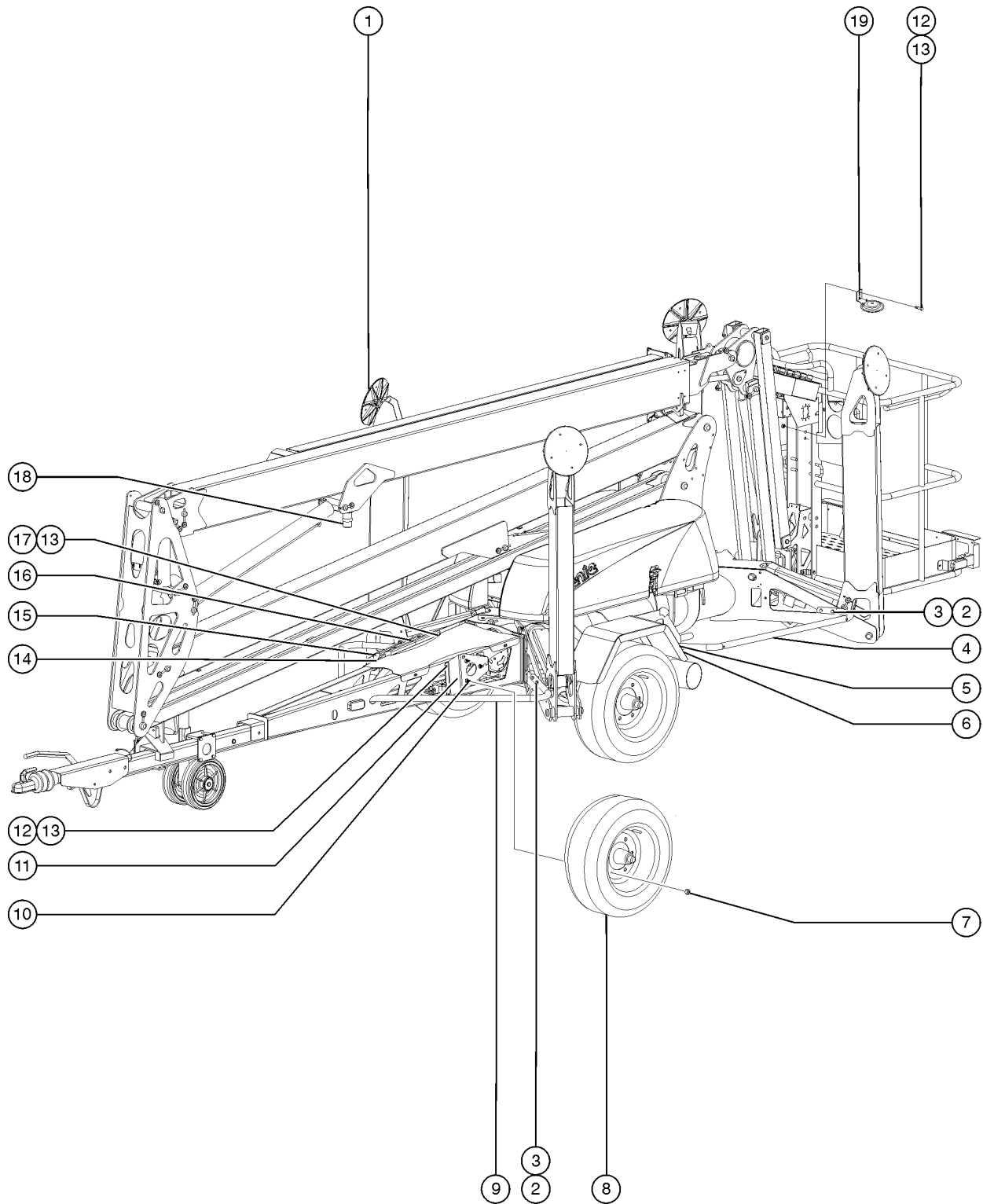


606.8 Hydraulic Hoses and Fittings - Boom System - CE Models

Item	Part No.	Description	Qty.
1	48904GT	ELBOW,90D,520220-4-4 .....	5
2	84624GT	HOSE ASSY,JIB MAN-PLAT ROT,LT (models with platform rotate option; Components: 48800, 48802, and 48751 @ 38 inches)	1
3	84625GT	HOSE ASSY,JIB MAN-PLAT ROT,RT (models with platform rotate option; Components: 48800, 48802, and 48751 @ 40 inches)	1
4	48905GT	CONN,520120-4*** .....	22
5	825606GT	HOSE ASSY, JIB MANIFOLD (Components: 48810, 48800, 87681 and 48751 @ 247 inches) .....	2
6	84629GT	HOSE ASSY,JIB MAN-JIB CYLINDER (Components: 48800, 48800, and 48751 @ 14 inches) .....	2
7	48906GT	TEE,RUN,520428-4 .....	2
9	84639GT	HOSE ASSY,SLAVE CYL-JIB MANIF (Components: 48800, 48800, and 48751 @ 46 inches) .....	2
10	825615GT	HOSE ASSY,JIB MANIF-HARDLINE (Components: 48802, 48810, 87681 and 48751 @ 242.50 inches) .....	2
11	825616GT	HOSE ASSY,JIB MANIF-HARDLINE (Components: 48802, 48810, 87681 and 48751 @ 247 inches) .....	1
12	105230GT	CONN, 520181-4 .....	1
13	825617GT	HOSE ASSY,MASTER CYL,RET-HYD L (Components: 48800, 48810, 87681, 87681 and 48751 @ 34 inches) .....	4
14	825618GT	HOSE ASSY,MASTER CYL,RET-HYD R (Components: 48800, 48810, 87681 and 48751 @ 42 inches) .....	1
15	84644GT	HYD LINE ASSY,PRIMARY BOOM (Components: 87679, 87681 and 87680 @ 90.00 inches) .....	1
17	48907GT	ELBOW,45D,520320-4 .....	1
18	825652GT	HOSE ASSY,EXT CYL-HYD LINE (Components: 87681, 48810, 48800, and 48751 @ 64 inches) .....	
19	825608GT	HOSE ASSY,EXT CYL-HYD LINE (Components: 48810, 48800, 87681 and 48751 @ 63 inches) .....	
20	825607GT	HOSE ASSY,PRIMARY CYL-HYD LINE (Components: 48800, 48810, and 48751 @ 47 inches) .....	1
21	825653GT	HOSE ASSY,PRIM CYL-HYD LINE CE (Components: 87681, 48800, 48810, and 48751 @ 48 inches) .....	1
22	825609GT	HOSE ASSY,HYD LINE-HYD LINE (Components: 48810, 48810, 87681 and 48751 @ 80.5 inches) .....	2
23	84648GT	HOSE ASSY,SEC CYL-FUNCTION MAN (Components: 48800, 48800, and 48751 @ 23 inches) .....	2
24	825610GT	HOSE ASSY,FUNC MAN-HYD LINE (Components: 48800, 48810, 87681 and 48751 @ 51 inches) .....	2
25	825611GT	HOSE ASSY,FUNC MAN-HYD LINE (Components: 48800, 48810, 87681 and 48751 @ 48 inches) .....	2
26	825614GT	HOSE ASSY,FUNC MAN-HYD LINE (Components: 87681, 48800, 48810, and 48751 @ 48 inches) .....	2
27	825612GT	HOSE ASSY,FUNC MAN-HYD LINE (Components: 48800, 48810, 87681 and 48751 @ 50 inches) .....	2
28	825613GT	HOSE ASSY,FUNC MAN-HYD LINE (Components: 48800, 48810, 87681 and 48751 @ 48.5 inches) .....	2
29	84652GT	HYD LINE ASSY,SECONDARY BOOM (Components: 87679, 87679, 87681, 87681 and 87680 @ 150 inches) .....	6



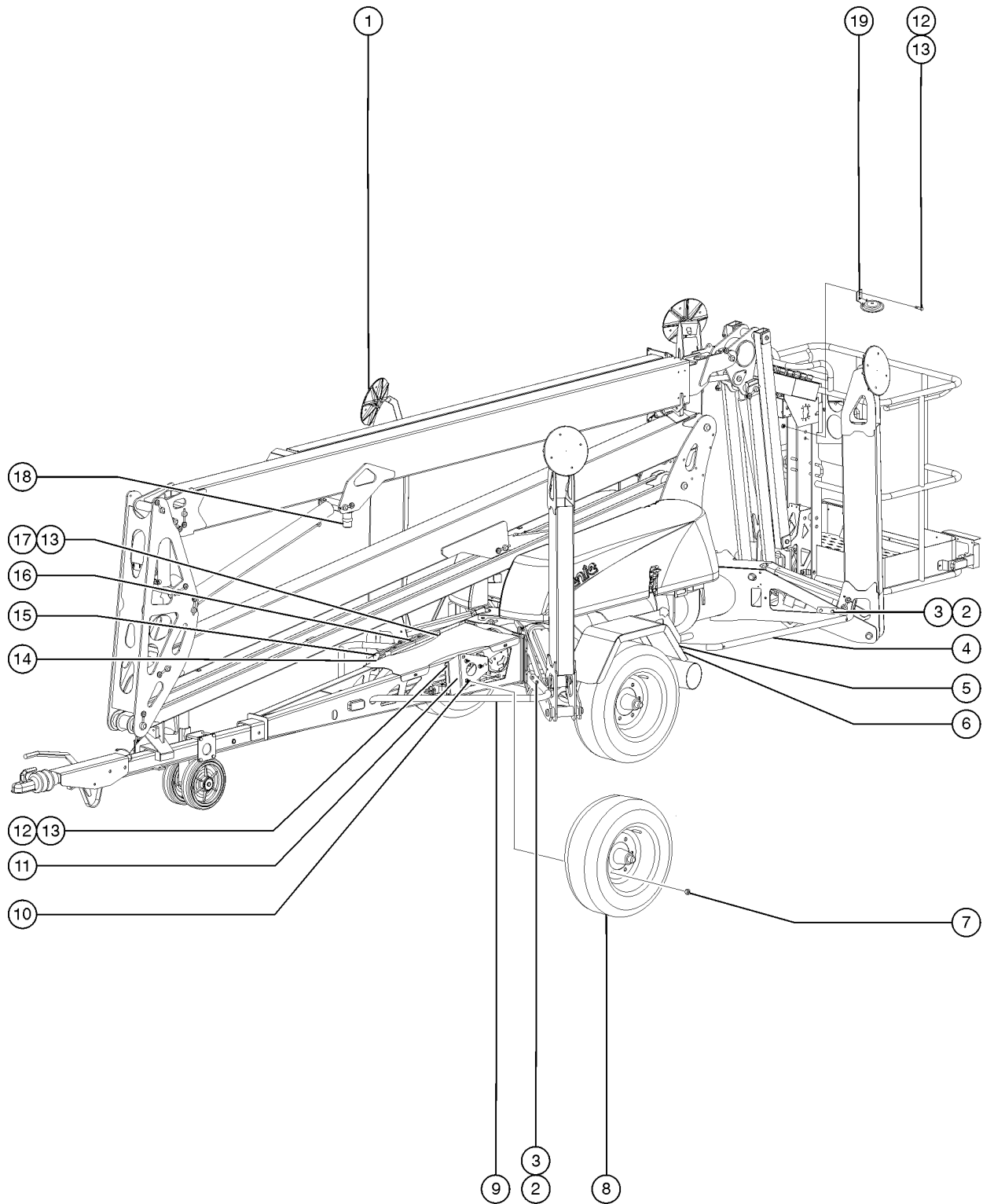
701.1 Accessories



Item	Part No.	Description	Qty.
	84943GT	BICYCLE GUARD KIT .....	
	99520-SGT	TZ-50 NON MARK FOOTPAD KIT (4) .....	
	84944GT	SPARE TIRE KIT (ANSI AND CSA) .....	
		ANSI and CSA models	
	84945GT	SPARE TIRE KIT (CE MODELS) .....	
		CE models	
	84946GT	CHOCK WHEEL KIT .....	
	104143-SGT	TZ-50 AC LADDER .....	
1		Ref. Non-Marking Footpad .....	
		(refer to 206.1)	
2	8178GT	SCREW,HHC,3/8-16 X 2.5 .....	
3	6097GT	WASHER,FLAT,USS,3/8",Y .....	
4	99796GT	TUBE,BIKE GUARD,REAR .....	2
5	99797GT	FORMING,BIKE GUARD BRKT .....	2
6	8516GT	SCREW, HCC, 3/8-16 X 1.50 .....	
7A	46717GT	NUT,1/2-20,ACORN,TMZ34 .....	3
		ANSI and CSA models	
7B	49362GT	NUT,NYLOCK,M16X2.00 .....	
		CE models	
8A	99586GT	TIRE/WHEEL ASSY,ANSI,TZ50 .....	1
		ANSI and CSA models	
8B	99589GT	TIRE/WHEEL ASSY,EURO,TZ50*** .....	
		CE models	
9	99795GT	TUBE,BIKE GUARD,FRONT .....	2
10A	59570GT	NUT,NYLOCK,1/2-20 .....	
		ANSI and CSA models	
10B	59672GT	WASHER,STAR,INTERNAL .....	
10C	59569GT	SCREW,SHC,1/2-20 X 2,FULL THRD .....	
10D	49362GT	NUT,NYLOCK,M16X2.00 .....	
		CE models	
10E	75015GT	WASHER,FLAT M16 .....	
10F	104450GT	WASHER,STAR,INTERNAL,M16 .....	
10G	60865GT	SCREW,SHC,M16 X 60MM,BLACK .....	
11	104208GT	FORMING,SPARE TIRE MOUNT .....	1
12	6175GT	SCREW,HHC,3/8-16 X 1 .....	
13	4828GT	NUT,NYLOCK,3/8-16 .....	
14	104402GT	FORMING,WHEEL CHOCK HOLDER .....	1



701.1 Accessories



701.1 Accessories

<i>Item</i>	<i>Part No.</i>	<i>Description</i>	<i>Qty.</i>
15	99216GT	CHOCK,WHEEL,1750 LBS .....	2
16	104401GT	STRAP,RUBBER,21.00W/S HOOKS .....	1
17	6175GT	SCREW,HHC,3/8-16 X 1 .....	
18A	231931GT	STROBE,BEACON, AC COMP 12-80V .....	
		from SN TZ5006-334	
18A-	105557GT	BULB,FLASHING BEACON .....	
		for 231931	
18A-	105556GT	LENS,FLASHING BEACON .....	
		for 231931	
18A-	49819GT	SCREW,PHILLIPS,PHM,10-32 X .5 .....	
18A-	6178GT	NUT, NYLOCK, 10-32 .....	
19	81579GT	HORN,24VDC,SPADE TERMINALS*** .....	1

<u>Part no.</u>	<u>Page Number</u>	<u>Part no.</u>	<u>Page Number</u>	<u>Part no.</u>	<u>Page Number</u>
1268GT	13	7263GT	79	22446GT	237, 241, 245
1484GT	13	7265GT	53, 59, 65, 71, 77	22571GT	51, 57, 59, 63, 69, 75...
1697GT	383, 387, 393, 399	7339GT	111, 183, 189, 195, 201, 207...	22832GT	109, 113
4828GT	51, 57, 63, 69, 75, 79...	7713GT	117	23134GT	297, 303, 309
5387GT	377, 379	8178GT	529	23405GT	291, 303, 309, 311, 315, 319...
5397GT	81, 117, 239, 241, 245	8357GT	135, 137	24514GT	387, 395, 399
6019GT	91, 101, 105, 109, 113, 141...	8516GT	91, 101, 105, 109, 113, 145...	24647GT	87, 381
6021GT	259, 261, 265, 267, 267	8538GT	137, 369, 373	24649GT	119, 183, 191, 197, 203, 209...
6024GT	49, 55, 61, 67, 73, 87...	8914GT	87, 383, 387, 395, 399	25817GT	357, 481, 483, 489, 491, 495...
6033GT	119, 183, 191, 197, 203, 209...	8915GT	51, 59, 63, 71, 75, 81...	27581GT	13
6034GT	383, 387, 395, 399	9116GT	143, 149, 153, 161, 167, 173...	28158GT	17, 21, 25, 29, 33, 37...
6035GT	49, 55, 61, 67, 73, 79	9145GT	81	28161GT	17, 21, 25, 29
6090GT	109, 113, 121, 123, 173, 177...	10255GT	369, 373	28164GT	17, 21, 25, 29
6091GT	51, 59, 65, 71, 75, 97...	10258GT	49, 53, 61, 67, 73, 371...	28174GT	17, 21, 25, 29, 33, 37...
6094GT	81	10262GT	357	28176GT	17, 21, 25, 29
6095GT	53, 59, 65, 71, 77, 99...	10775GT	381, 385, 391, 397	28177GT	17, 21, 25, 29
6096GT	383, 387, 395, 399	10777GT	381, 385, 391, 397	28181GT	17, 21, 25, 29
6097GT	81, 117, 529	12906GT	111, 183, 189, 195, 201, 207...	28235GT	17, 21, 25, 29, 33, 37...
6145GT	141, 147, 153, 159, 165, 171...	12981GT	53, 59, 65, 71, 77, 81	28236GT	17, 21, 25, 29
6146GT	179, 183, 191, 197, 203, 209...	13002GT	49, 51, 55, 59, 61, 63...	28443GT	89, 91
6147GT	377, 379	13064GT	99, 103, 107, 121, 129, 131...	28646GT	143, 151, 153, 161, 167, 175
6175GT	51, 57, 63, 69, 73, 141...	13066GT	99, 103, 107, 143, 151, 155...	28750GT	13
6178GT	109, 111, 113, 115, 179, 185...	13083GT	309, 429	29080GT	359
6198GT	49, 53, 55, 59, 61, 65...	13268GT	81	29883GT	99, 103, 107, 121, 129, 131...
6356GT	359, 479	13469GT	93, 95	30217GT	357
6357GT	111, 183, 189, 195, 201, 207...	13585GT	381	30370GT	481, 487, 489, 495
6545GT	137	13854GT	53, 59, 65, 71, 77, 87	30886GT	143, 151, 153, 161, 169, 175
6563GT	135	13918GT	111, 333, 341, 347, 353, 359	30973GT	135, 137
6564GT	49, 55, 61, 67, 73	14018GT	49, 55, 61, 67, 73	31060GT	17, 21, 25, 29
6595GT	381, 385, 391, 397	14723GT	49, 55, 61, 67, 73, 81	31106GT	483, 487, 489, 491, 495, 497
6605GT	109, 113	15086GT	109, 113, 239, 243, 247...	31779GT	13
6606GT	119, 183, 191, 197, 203, 209...	15243GT	293, 297, 299, 301, 305, 307...	31785GT	17, 21, 25, 29
6607GT	175	16073GT	121, 123	31785JAGT	17, 29
6610GT	369, 373	18396GT	109, 113	32150GT	13
6638GT	141, 147, 153, 159, 165, 171...	18605GT	51, 57, 63, 69, 75, 79...	32151GT	13
6714GT	143, 149, 153, 161, 167, 173	19418GT	143, 149, 153, 161, 167, 173	33278GT	239, 243, 247
6732GT	49, 55, 61, 67, 73	19491GT	109, 337, 343, 349, 355	33428GT	481, 489, 495
6782GT	49, 55, 61, 67, 73, 79...	19506GT	297, 303, 309, 313, 317, 321...	33549GT	473
6878GT	111, 141, 147, 153, 159, 165...	19705GT	49, 55, 61, 67, 73, 79	33759GT	381
6888GT	211, 369, 373, 383, 391	21496GT	237, 241, 245	33994GT	13, 443, 449, 453, 461, 467...
6935GT	381, 385, 391, 397	21604GT	81, 117	34245GT	335
7056GT	381, 385, 391, 397	21858GT	293, 299, 303, 311, 315, 319...	35461GT	111, 115



<u>Part no.</u>	<u>Page Number</u>	<u>Part no.</u>	<u>Page Number</u>	<u>Part no.</u>	<u>Page Number</u>
35713GT	237, 241, 245	44752GT	203, 204, 205, 206, 267	48912GT	483, 493, 499, 501, 505, 509
36245GT	357, 377, 379	44777GT	267, 269, 281, 283, 285, 287	48931GT	501, 505, 509
36294GT	387, 393, 399	44778GT	267, 269, 281, 283, 285, 287	48960GT	501, 505, 509
37052GT	17, 21, 25, 29	44788GT	267, 13, 111, 183, 189, 195, 201...	48997GT	443, 449, 455, 461, 467
37218GT	239, 243, 247	44980GT	17, 21, 25, 29, 33, 37...	49362GT	529
37947GT	293, 299, 305	44992GT	403, 409, 415, 421, 425	49382GT	89, 91, 93, 95
38509GT	369, 373	45357GT	501, 505, 509	49407GT	387, 393, 399
39346GT	477	45363GT	143, 149, 155, 161, 167, 173	49417GT	79
39579GT	141, 143, 147, 149, 153, 155...	45383GT	297, 303, 309, 313, 317, 321	49520GT	143, 151, 155, 161, 169, 175
39580GT	137	45384GT	311, 315, 319, 323, 327, 331...	49612GT	13, 443, 449, 455, 461, 467
39581GT	377, 379	45437GT	381	49613GT	13, 443, 449, 455, 461, 467
40434GT	17, 21, 25, 29, 33, 37...	45470GT	179, 185, 191, 197, 203, 209...	49818GT	175, 297, 303, 309, 405, 411...
40712GT	381, 385, 393, 397	45643GT	467	49819GT	243, 383, 531
40833GT	141, 147, 153, 159, 165, 171...	45748GT	159, 303, 313, 317, 379	49863GT	53, 59, 65, 71, 77
40844GT	259, 261, 265, 267	45840GT	297, 303, 309, 313, 317, 321...	51063GT	109, 111, 113, 337, 343, 349...
41292GT	381, 385, 393, 397	46216GT	475	51415GT	135
41695GT	339, 345, 351, 355	46262GT	17, 21, 25, 29	51474GT	357
42019GT	179, 185, 191, 197, 203, 209...	46271GT	367	51579GT	501, 505
42502GT	359	46440GT	257	51745GT	237, 241, 245
42758GT	509	46441GT	257	52040GT	367
43018GT	443, 451, 457, 463, 469, 473...	46717GT	97, 101, 105, 529	52041GT	365
43019GT	475	46722GT	141, 147, 153, 159, 165, 171	52042GT	367
43392GT	143, 149, 155, 161, 167, 173	47124GT	141, 147, 153, 159, 165, 171	52043GT	367
43394GT	111, 115	47186GT	87	52185GT	51, 57, 59, 63, 65, 69...
43456GT	49, 55, 61, 67, 73, 79...	47238GT	99, 103, 107	52186GT	51, 59, 65, 71, 75, 81
43617GT	17, 21, 25, 29	47775GT	371, 375	52258GT	121, 125
43658GT	17, 21, 25, 29, 33, 37...	48096GT	135, 137	52259GT	121
43685GT	203, 204, 205, 206, 267	48098-SGT	135	52276GT	383
43956GT	281	48104GT	53, 59, 65, 71, 77	52371GT	443, 449, 455, 461, 467
44174GT	473, 475, 477, 479	48143GT	179, 185, 191, 197, 203, 209...	52374GT	443, 451, 457, 463, 469
44216GT	443, 449, 455, 461	48218GT	51, 57, 63, 69, 75	52376GT	477
44224GT	443, 449, 455, 461, 467	48219GT	335, 341, 347, 353	52475GT	17, 21, 25, 29, 33, 37...
44225GT	473	48309GT	119, 123	52514GT	237, 241, 245
44227GT	443, 451, 457, 463, 469, 475...	48659GT	481, 489, 495	52912GT	443, 451, 457, 463, 469
44229GT	443, 451, 457, 463, 469, 475...	48723GT	17, 21, 25, 29	53386GT	141, 147, 153, 159, 165, 171
44233GT	443, 451, 457, 463, 469, 475...	48767GT	137	53909GT	83
44235GT	443, 449, 455, 461, 467, 473...	48845GT	143, 151, 155, 161, 169, 175	54063GT	481, 487, 489, 495
44236GT	443, 449, 455, 461, 467, 473...	48880GT	443, 449, 455, 461, 483, 489, 491, 497	54177GT	97, 103, 105, 121, 123, 137...
44248GT	457, 459...	48904GT	497, 513	54830GT	51, 57, 63, 69, 75, 79
44248GT	23, 27, 31	48905GT	481, 483, 485, 487, 489, 491	55010GT	249, 251, 253, 255, 257
44743GT	383, 387, 395, 399	48906GT	301, 305, 309, 313, 315, 317...	55017GT	387, 393, 399
44750GT	203, 204, 205, 206, 267	48907GT	513, 515...	55355GT	135
44751GT	267				

<u>Part no.</u>	<u>Page Number</u>	<u>Part no.</u>	<u>Page Number</u>	<u>Part no.</u>	<u>Page Number</u>
55517GT	141, 147, 153, 157, 165, 171	62707GT	17, 21, 25, 29	65345GT	89, 91, 93, 95
55558GT	483, 493, 501, 505, 509	62761GT	85	65346GT	89, 91, 93, 95
55602GT	137	62764GT	87	65351GT	89, 91, 93, 95
55726GT	13, 237, 241, 245	62765GT	85	65352GT	89, 91, 93, 95
55747GT	237, 241, 245	62766GT	85	65355GT	89, 91, 93, 95
55761GT	335, 341, 347, 353	62769GT	85	65427GT	119
55921GT	209, 215, 225, 235, 267	62770GT	85	65544GT	367
56022GT	179, 185, 191, 197, 203, 209...	62771GT	85	65545GT	367
56099GT	239, 241, 247	62772GT	85	65816GT	119
56302GT	297, 303, 309, 311, 315, 319...	62773GT	85	65817GT	119
56901GT	377, 379	62815GT	443, 451, 457, 463, 469	66353GT	385, 391, 397
56912GT	109, 113, 179, 183, 191, 197...	62816GT	443, 451, 457, 463, 469	66355GT	385, 391, 397
56929GT	477, 479	62817GT	443, 449, 455, 461, 467	66397GT	179, 187, 193, 199, 205, 211...
57881GT	367	62841GT	231, 233, 235	66399GT	13
58253GT	209, 211, 215, 217, 281, 283...	62857GT	259, 261, 263, 265, 267	66717GT	141, 147, 153, 157, 165, 171...
58258GT	231, 233, 235	62862GT	359	66778GT	383, 387, 393, 399
58980GT	359	62864GT	85	66813GT	297, 303, 309
58985GT	367	62866GT	85	66814GT	293, 299, 305, 311, 401, 407...
59569GT	529	62870GT	85	66815GT	293, 299, 305, 311, 301, 303...
59570GT	529	62871GT	85	66816GT	293, 299, 305, 311, 301, 303...
59582GT	85	62872GT	85	66817GT	293, 299, 305, 311, 301, 303...
59672GT	529	62873GT	85	66818GT	293, 299, 305, 311, 401, 407...
59720GT	87	62874GT	85	66866GT	401, 407...
59752-SGT	87	62877GT	85	67229GT	367
59753GT	87	62879GT	87	67229GT	87
59971GT	89, 91, 93, 95	63375GT	385, 391, 397	67230GT	87
60205GT	109, 113	64154GT	237, 241, 245	67231GT	87
60428GT	377, 379	65082GT	443, 449, 455, 461, 455, 457...	67304GT	85
60442GT	111, 115	65113GT	219, 223, 227	67413GT	53, 59, 65, 71, 77
60443GT	111, 115	65117GT	219, 223, 227	67535GT	87
60865GT	529	65125GT	221, 225, 229	67706GT	81, 483, 491, 497
61974GT	377, 379	65178GT	367	67722GT	87
61975GT	377, 379	65206GT	49, 57, 63, 69, 73	67744GT	493, 499
61976GT	109, 113	65208GT	119, 123	67784GT	51, 59, 63, 71, 75
62147GT	125	65209GT	119, 123	67875GT	49, 57, 143, 149
62148GT	119	65211GT	121, 125	67908GT	51, 57, 63, 69, 75, 79
62149GT	125	65215GT	121, 125	67926GT	485, 493, 499
62336GT	443, 449, 455, 461, 467, 479	65231GT	49, 57, 63, 69, 73	67933GT	483, 493, 499
62337GT	443, 449, 455, 461, 467, 479	65237GT	121, 125	67934GT	485, 493, 499
62506GT	443, 451, 457, 463, 469, 479	65238GT	119	67966GT	141, 143, 147, 149, 153, 155...
62507GT	477	65239GT	119	69475GT	249, 251, 253, 255, 257
62509GT	369, 373, 379	65339GT	89, 91, 93, 95	69620-SGT	367
				69843GT	111, 115

<u>Part no.</u>	<u>Page Number</u>	<u>Part no.</u>	<u>Page Number</u>	<u>Part no.</u>	<u>Page Number</u>
71315GT	383, 387, 393, 399	75872GT	87	76751GT	137
72032-SGT	87	75873GT	85	76758GT	137
72098GT	483, 493, 499	75874GT	87	76761GT	473
72107GT	49, 51, 63, 69, 13, 143	75877GT	143, 149, 153, 161, 167, 173	76762GT	101, 105
72108GT	51, 57, 63, 69, 13, 143...	76355GT	137	76763GT	99, 103, 107
72297GT	481, 483, 489, 491	76414GT	143, 151, 157, 163, 169, 175	76764GT	51, 59, 63, 69, 75, 81
72315GT	49, 55, 61, 67, 73, 79...	76478GT	403, 409, 413, 421, 427	76770GT	137
72326GT	297, 303, 309, 403, 411, 417	76480GT	403, 409, 413, 421, 427	76771GT	137
73464GT	333, 337, 341, 343, 347, 349	76481GT	403, 409, 413, 421, 427	77709GT	443, 443, 449, 451, 453, 455...
73466GT	141, 147, 153, 159, 165, 171...	76502GT	141, 147, 153, 159, 165, 171	78098GT	403
73713GT	111, 115	76503GT	141, 149, 153, 159, 165, 171	78622GT	177, 183, 189, 193, 201, 207...
73717GT	293, 301, 307, 313, 317, 321	76529GT	485, 493, 499	78736GT	135
73723GT	403, 409, 413, 421, 427, 433	76553GT	293, 301, 307, 313, 317, 321	78976GT	369, 373
73730GT	403, 409, 413, 421, 427, 431	76602GT	37, 63, 69, 149, 153, 161...	79496GT	479
73733GT	293, 301, 307, 313, 317, 321	76618GT	451, 457, 463, 469	79585GT	357
73736GT	293, 301, 307, 313, 317, 321...	76647GT	313, 317, 321, 323, 329, 333...	80236GT	121
74136GT	501, 505, 509	76682GT	111, 115	80237GT	121, 125
74267GT	211, 217	76694GT	111, 115	80238GT	121
74508GT	443, 443, 449, 451, 463, 469, 481...	76695GT	109, 111, 113, 115	80502GT	501, 505, 509
74509GT	481, 487, 489, 495	76697GT	209, 211, 213, 217, 281	80601GT	239, 243, 247
74712GT	97, 101, 105	76698GT	283, 285	80635GT	81
74872GT	481, 487, 495	76700GT	111, 115	81579GT	531
74911GT	297, 303, 309	76707GT	111, 113	82240GT	37, 41, 45
74913GT	297, 303, 309	76708GT	111, 113	82366GT	17, 21, 25, 29
74917GT	297, 303, 309	76709GT	57, 61, 67, 73	82409GT	17, 21, 25, 29
75015GT	529	76710GT	49, 55	82423GT	17
75076GT	179, 183, 191, 197, 203, 209...	76715GT	501, 505	82472GT	33, 37, 41, 45
75813GT	123	76716GT	501, 505	82473GT	33, 37, 41, 45
75815GT	121, 123	76717GT	111, 115	82475GT	33, 37, 41, 45
75816GT	119, 123	76721GT	139	82479GT	17, 21, 25, 29
75817GT	119, 123	76727GT	135, 139	82481GT	33, 37, 41, 45
75826GT	119, 123	76728GT	137	82487GT	33, 37, 41, 45
75827GT	119	76731GT	111, 115	82505GT	17, 21, 25, 29
75828GT	119	76736GT	137	82506GT	17, 21, 25, 29
75829GT	123	76737GT	509	82548GT	33, 37, 41, 45
75838GT	121	76738GT	509	82558GT	19, 21, 27, 29
75842GT	121	76739GT	509	82560GT	33, 37, 41, 45
75844GT	125	76740GT	509	82612GT	23, 27, 31, 33, 37, 41...
75866GT	85	76741GT	509	82614GT	33, 37, 41, 45
75868GT	85	76742GT	509	82658GT	33, 37, 41, 45
75869GT	85	76743GT	137	82659GT	33, 37, 41, 45
75871GT	85	76744GT	383	82661GT	33, 37, 41, 45

<u>Part no.</u>	<u>Page Number</u>	<u>Part no.</u>	<u>Page Number</u>	<u>Part no.</u>	<u>Page Number</u>
82667GT	33, 37, 41, 45	84631GT	293, 299, 305	84898GT	219, 223, 227
82672GT	33, 37, 41, 45	84632GT	401, 407, 413, 419	84899GT	219, 223, 227
82880GT	19, 21, 27, 31, 33, 37...	84633GT	367	84900GT	219, 223, 227
82881GT	19, 23, 27, 31, 33, 37...	84638GT	483, 491, 497	84901GT	15, 219, 223, 227
82882GT	19, 23, 27, 31, 33, 37...	84639GT	521, 523, 513; 513; 517, 519,	84902GT	219, 223, 227
82883GT	19, 23, 27, 31	84644GT	521, 523, 513; 513; 517, 519,	84903GT	221, 225, 229
82884GT	19, 23, 27, 31	84648GT	521, 523, 513; 513; 517, 519,	84904GT	221, 225, 229
82894GT	19	84652GT	521, 523...	84905GT	221, 225, 229
83042GT	369, 373, 379	84656GT	19, 23, 27, 31, 33, 37...	84906GT	221, 225, 229
83093GT	293, 299, 305	84657GT	19, 23, 27, 31, 33, 37...	84907GT	221, 225, 229
83129GT	209, 211, 215, 217, 281, 283...	84660GT	15	84908GT	221, 225, 229
84376GT	13	84707GT	121, 125	84909GT	221, 225, 229
84443GT	13	84708GT	125	84910GT	221, 225, 229
84448GT	359	84709GT	123	84911GT	221, 225, 229
84461GT	267	84711GT	121, 125	84912GT	221, 225, 229
84592GT	13	84871GT	89, 91, 93, 95	84913GT	221, 225, 229
84594GT	481, 487	84872GT	89, 91, 93, 95	84914GT	221, 225, 229
84595GT	481, 489	84873GT	89, 91, 93, 95	84915GT	221, 225, 229
84596GT	483, 491, 497	84874GT	89, 91, 93, 95	84916GT	221, 225, 229
84600GT	141, 147, 155, 159, 165, 171, 141; 147, 155, 159,	84875GT	89, 91, 93, 95	84917GT	221, 225, 229
84601GT	165, 171, 177; 183, 189, 195,	84876GT	89, 91, 93, 95	84918GT	221, 225, 229
84602GT	201, 207, 177; 183; 189, 195,	84877GT	89, 91, 93, 95	84919GT	221, 225, 229
84603GT	201, 207, 445; 447; 451, 455,	84878GT	89, 91, 93, 95	84920GT	221, 225, 229
84608GT	457, 459...	84879GT	89, 91, 93, 95	84921GT	221, 225, 229
84609GT	501, 505, 509	84880GT	89, 91, 93, 95	84922GT	221, 225, 229
84610GT	501, 505	84881GT	89, 91, 93, 95	84923GT	221, 225, 229
84611GT	501, 505, 509	84882GT	89, 91, 93, 95	84924GT	231, 233, 235
84612GT	501, 505, 509	84883GT	89, 91, 93, 95	84925GT	231, 233, 235
84613GT	501, 505	84884GT	89, 91, 93, 95	84926GT	231, 233, 235
84614GT	501, 505	84885GT	89, 91, 93, 95	84927GT	231, 233, 235
84617GT	503	84886GT	127, 129, 131, 133	84928GT	231, 233, 235
84618GT	501, 505, 509	84887GT	127, 129, 131, 133	84929GT	231, 233, 235
84619GT	501, 505, 509	84888GT	97, 101, 105	84930GT	231, 233, 235
84620GT	501, 505, 509	84889GT	219, 223, 227	84931GT	231, 233, 235
84621GT	501, 505, 509	84890GT	219, 223, 227	84932GT	231, 233, 235
84622GT	501, 505, 509	84891GT	219, 223, 227	84933GT	231, 233, 235
84623GT	501, 505	84892GT	15, 219, 223, 227	84934GT	231, 233, 235
84624GT	513, 513, 517, 519, 521, 523, 513; 513; 517, 519,	84893GT	15, 219, 223, 227	84935GT	221, 225, 229
84625GT	521, 523...	84894GT	219, 223, 227	84936GT	221, 225, 229
84626GT	503, 507, 511	84895GT	219, 223, 227	84937GT	219, 223, 227
84627GT	503, 507, 511	84896GT	219, 223, 227	84938GT	219, 223, 227
84629GT	513, 513, 517, 519, 521, 523...	84897GT	219, 223, 227	84939GT	231, 233, 235

<u>Part no.</u>	<u>Page Number</u>	<u>Part no.</u>	<u>Page Number</u>	<u>Part no.</u>	<u>Page Number</u>
84940GT	231, 233, 235	87868GT	359	97209GT	127, 129, 131, 133
84941GT	231, 233, 235	87869GT	359	97210GT	443, 451, 457, 463, 469
84942GT	369	88356-146R1GT	109, 557, 543, 549, 355	97215GT	127, 129, 131, 133
84943GT	529	88356-246R1GT	109, 113	97216GT	127, 129, 131, 133
84944GT	529	88356GT	269, 271	97217GT	127, 129, 131, 133
84945GT	529	89281GT	121	97219GT	127, 129, 131, 133
84946GT	529	89289GT	119	97220GT	127, 129, 131, 133
84947GT	237, 241, 245	89290GT	123	97221GT	127, 129, 131, 133
84950GT	119, 123	89291GT	123	97222GT	127, 129, 131, 133
84953GT	119	89292GT	119	97224GT	127, 129, 131, 133
84956GT	121, 125	89293GT	119	97225GT	127, 129, 131, 133
84957GT	121, 125	89864GT	473, 477	97226GT	127, 129, 131, 133
84958GT	121	93500GT	13	97227GT	127, 129, 131, 133
84961GT	121, 125	94439GT	369, 373	97228GT	13
84962GT	121, 125	94520GT	313, 317, 321, 323, 329, 333	97229GT	13
84963GT	121, 125	94643GT	377, 379	97230GT	13
84964GT	219, 223, 227	94981GT	211, 217	97231GT	109, 113
84965GT	219, 223, 227	96008GT	311, 313, 319, 323, 327, 331	97323GT	97, 101, 105
84966GT	13, 219, 223, 227	96008-SGT	293, 299, 305	97324GT	97, 101, 105
84967GT	219, 223, 227	96193GT	259, 261, 263, 267	97325GT	97, 101, 105
84968GT	219, 223, 227	96236GT	385, 391, 397	97326GT	97, 101
84969GT	219, 223, 227	96419GT	135	97327GT	109, 113
84970GT	219, 223, 227	96423GT	135, 137	97328GT	109, 113
84971GT	219, 223, 227	96903GT	335, 341, 347	97329GT	177, 183, 189, 195, 201, 207
84972GT	231, 233, 235	96905GT	189, 197, 101, 103, 177, 183, 189, 195, 201, 207	97330GT	141, 147, 153, 159, 165, 171
84973GT	231, 233, 235	97059GT	249, 251, 253, 257	97331GT	141, 147, 153, 159, 165, 171
84982GT	97, 101, 105	97171GT	473, 477	97332GT	165, 171
84983GT	97, 101, 105	97178GT	473	97336GT	219, 223, 227
85197GT	267, 249, 251, 253, 257	97179GT	473	97337GT	335, 341, 347, 353
85375GT	257, 249, 251, 253, 257	97181GT	473, 475	97338GT	335, 341, 347, 353
85376GT	257, 249, 251, 253, 257	97183GT	475	97339GT	337, 343, 349, 355
85377GT	257	97185GT	473	97340GT	337, 343, 349, 355
87073GT	335, 341, 347, 353	97187GT	443, 445, 449, 451, 455, 457...	97341GT	337, 343, 349
87445GT	143, 149, 155, 161, 167, 173	97191GT	127, 129, 131, 133	97342GT	337, 343, 349
87451GT	111, 115	97193GT	127, 129, 131, 133	97343GT	97, 101, 105
87456GT	483, 493, 499	97194GT	127, 129, 131, 133	97348GT	381
87463GT	483, 493, 499	97196GT	127, 129, 131, 133	97349GT	381
87530GT	53, 59, 71, 81	97200GT	443, 445, 449, 451, 453, 449, 453, 457, 461, 467	97350GT	385, 391, 397
87645GT	357, 363	97203GT	443, 449, 453, 457, 461, 467	97351GT	381
87722GT	111, 115	97204GT	443, 449, 453, 457, 461, 467	97356GT	127, 129, 131, 133
87748GT	299, 301, 307, 313, 329, 333	97205GT	443, 449, 453, 457, 461, 467, 473	97358GT	121
87755GT	299, 301, 307, 313, 317, 321...	97206GT	443, 449, 453, 457, 461, 467	97410GT	335, 341

<u>Part no.</u>	<u>Page Number</u>	<u>Part no.</u>	<u>Page Number</u>	<u>Part no.</u>	<u>Page Number</u>
97411GT	337, 343, 349, 355	99520-SGT	111, 115, 529	99756GT	443, 449, 455, 461, 467
97412GT	337, 343, 349, 355	99521GT	277, 281	99765GT	81
97413GT	341, 347	99563GT	51, 57, 63, 69, 75, 79	99766GT	109, 113
97418GT	49, 55, 61, 67, 73	99577GT	51, 57, 63, 69, 75, 79	99767GT	109, 113
97455GT	85	99579GT	79	99770GT	49, 55, 61, 67, 73, 79
97456GT	85	99580GT	97, 101, 105	99771GT	53, 59, 65, 71, 77, 81
97457GT	85	99581GT	97, 101, 105	99773GT	89, 91, 93, 95
97458GT	85	99586GT	97, 101, 105, 529	99774GT	111, 115
97515GT	19, 23, 27, 31	99588GT	127, 129, 131, 133	99775GT	51, 57, 63, 69, 75, 79
97533GT	117	99589GT	97, 101, 105, 529	99777GT	53, 59, 65, 71, 77
97551GT	19, 23, 27, 31	99596GT	97, 101	99784GT	179, 183, 191, 197, 203, 209...
97554GT	33, 39, 43, 47	99616GT	361	99785GT	15, 219, 223, 227
97562GT	19, 23, 27, 31, 35, 39...	99617GT	361, 369, 373	99786GT	237, 241, 245
97567GT	19, 23, 27, 31, 35, 39...	99618GT	357, 369, 373	99787GT	477
97568GT	19, 23, 27, 31, 35, 39...	99619GT	357	99795GT	529
97569GT	19, 23, 27, 31	99625GT	359, 363	99796GT	529
97580GT	19, 23, 27, 31	99626GT	335, 341, 347, 359	99797GT	529
97581GT	19, 23, 27, 31	99639GT	359, 363	99825GT	143, 149, 155, 161, 167, 173
97586GT	19, 23, 27, 31	99640GT	361	99829GT	141, 147, 153, 159, 165, 171
97587GT	35, 39, 43, 47	99648-SGT	363	99832GT	177, 183, 189, 195, 201, 207
97590GT	35, 39, 43, 47	99660GT	357	99833GT	177, 183, 191, 197, 203, 209...
97754GT	35, 39, 43, 47	99665GT	357	99885GT	413, 421, 427, 431, 435, 439
97815GT	23, 27, 31, 35, 39, 43...	99677GT	369, 373	99911GT	97, 101, 105
99033GT	119, 123	99680GT	369, 373, 379	99938GT	337, 343, 349, 353, 359
99084GT	297, 303, 307	99688GT	367	99940GT	337, 343, 349, 353, 359
99088GT	293, 299, 305, 311, 319, 327...	99690GT	377, 379	99945GT	135
99089GT	269, 271	99695GT	377, 379	99950GT	135, 137
99174GT	377, 379	99705GT	383, 387, 393, 399	99951GT	135, 137
99194GT	377, 379	99707GT	369, 373, 383	99954GT	81
99211GT	81	99708GT	387, 393, 399	99958GT	135, 137, 139
99216GT	531	99709GT	387, 393, 399	99997GT	81
99246GT	79	99710GT	387, 393, 399	99998GT	135
99311GT	297, 303, 309	99724GT	179, 183, 191, 197, 203, 209	99999GT	367
99317GT	401, 407, 419	99727GT	141, 147, 153, 159, 165, 171	100171GT	359
99322GT	105	99728GT	177, 183, 189, 195, 201, 207	101958GT	479
99329GT	119, 123	99729GT	143, 149, 155, 161, 167, 173	104037GT	379
99330GT	119, 123	99730GT	179, 183, 191, 197, 203, 209...	104047GT	109, 113
99336GT	51, 57, 63, 69, 75	99735GT	135	104049GT	109, 113
99382GT	119, 123	99740GT	135	104090GT	141, 147, 153, 159, 165, 171...
99425GT	501, 505	99746GT	367	104092GT	297, 303, 309
99432GT	387, 393, 399	99753GT	269, 271	104093GT	297, 303, 309, 313, 317, 321...
99496GT	387, 393, 399	99754GT	269, 271, 281, 287, 293, 299	104094GT	295, 301, 307

<u>Part no.</u>	<u>Page Number</u>	<u>Part no.</u>	<u>Page Number</u>	<u>Part no.</u>	<u>Page Number</u>
104095GT	297, 303, 309	104361GT	283, 285	104632GT	109
104096GT	297, 303, 309	104362GT	283, 285	104653GT	149, 155, 161, 167, 173
104099GT	295, 303, 307	104377GT	269, 271, 275, 277	104660GT	337, 343, 349, 353
104100GT	143, 149, 155, 161, 167, 173	104378GT	365	104661GT	337, 343, 349
104101GT	167, 173, 321, 325, 329, 333	104379GT	269, 271, 275, 281	104662GT	337, 343, 349, 355
104103GT	269, 271, 275, 277	104380GT	269, 271, 275, 281	104671GT	183, 189, 195, 201, 207, 213, 219, 225, 231, 237, 243, 249, 255, 261, 267, 273, 279, 285, 291, 297, 303, 309, 315, 321, 327, 333, 339, 345, 351, 357, 363, 369, 375, 381, 387, 393, 399, 405, 411, 417, 423, 429, 435, 441, 447, 453, 459, 465, 471, 477, 483, 489, 495, 501, 507, 513, 519, 525, 531, 537, 543, 549, 555, 561, 567, 573, 579, 585, 591, 597, 603, 609, 615, 621, 627, 633, 639, 645, 651, 657, 663, 669, 675, 681, 687, 693, 699, 705, 711, 717, 723, 729, 735, 741, 747, 753, 759, 765, 771, 777, 783, 789, 795, 801, 807, 813, 819, 825, 831, 837, 843, 849, 855, 861, 867, 873, 879, 885, 891, 897, 903, 909, 915, 921, 927, 933, 939, 945, 951, 957, 963, 969, 975, 981, 987, 993, 999
104115GT	135	104381GT	281	104672GT	207, 213, 219, 225, 231, 237, 243, 249, 255, 261, 267, 273, 279, 285, 291, 297, 303, 309, 315, 321, 327, 333, 339, 345, 351, 357, 363, 369, 375, 381, 387, 393, 399, 405, 411, 417, 423, 429, 435, 441, 447, 453, 459, 465, 471, 477, 483, 489, 495, 501, 507, 513, 519, 525, 531, 537, 543, 549, 555, 561, 567, 573, 579, 585, 591, 597, 603, 609, 615, 621, 627, 633, 639, 645, 651, 657, 663, 669, 675, 681, 687, 693, 699, 705, 711, 717, 723, 729, 735, 741, 747, 753, 759, 765, 771, 777, 783, 789, 795, 801, 807, 813, 819, 825, 831, 837, 843, 849, 855, 861, 867, 873, 879, 885, 891, 897, 903, 909, 915, 921, 927, 933, 939, 945, 951, 957, 963, 969, 975, 981, 987, 993, 999
104116GT	135	104382GT	281	104677GT	207, 213
104117GT	281	104383GT	269, 271, 275	104704GT	303, 309
104119GT	143, 149, 155, 161, 167, 173	104384GT	269, 271, 275	104707GT	297, 303, 309
104126GT	477	104385GT	269, 271, 275	104708GT	405, 411, 417, 423, 429, 431...
104127GT	179, 185, 191, 197, 203, 209...	104386GT	269, 271, 275	104727GT	337, 343, 349, 355
104136GT	501, 505, 509	104390GT	281	104729GT	183, 189, 195, 201, 209, 215...
104137GT	501, 505, 509	104393GT	365	104730GT	237, 241, 245
104138GT	269, 271	104394GT	97, 101, 105	104733GT	177, 183, 189, 195, 203, 209...
104139GT	269, 271	104401GT	237	104734GT	127, 129, 131, 133
104140GT	281	104402GT	531	104740GT	143, 149
104143-SGT	529	104406GT	529	104741GT	359
104160GT	49, 55, 61, 67, 73, 79	104450GT	291	104789GT	55, 61, 67, 73
104164GT	335, 341, 347	104455GT	529	104804GT	111, 117, 123, 129, 135, 141, 147, 153, 159, 165, 171, 177, 183, 189, 195, 201, 207, 213, 219, 225, 231, 237, 243, 249, 255, 261, 267, 273, 279, 285, 291, 297, 303, 309, 315, 321, 327, 333, 339, 345, 351, 357, 363, 369, 375, 381, 387, 393, 399, 405, 411, 417, 423, 429, 435, 441, 447, 453, 459, 465, 471, 477, 483, 489, 495, 501, 507, 513, 519, 525, 531, 537, 543, 549, 555, 561, 567, 573, 579, 585, 591, 597, 603, 609, 615, 621, 627, 633, 639, 645, 651, 657, 663, 669, 675, 681, 687, 693, 699, 705, 711, 717, 723, 729, 735, 741, 747, 753, 759, 765, 771, 777, 783, 789, 795, 801, 807, 813, 819, 825, 831, 837, 843, 849, 855, 861, 867, 873, 879, 885, 891, 897, 903, 909, 915, 921, 927, 933, 939, 945, 951, 957, 963, 969, 975, 981, 987, 993, 999
104165GT	335, 341, 347	104456GT	51, 57, 63, 69, 75, 79	104812GT	355, 387...
104172GT	335, 341, 347	104456GT	119, 123	104813GT	49, 55, 61, 67, 73
104172GT	49, 55, 61, 67	104457GT	119, 123	104813GT	237, 241, 245
104188GT	49, 55, 61, 67	104481GT	483, 493, 499	104814GT	237, 241, 245
104188GT	237, 241, 245	104482GT	179, 185, 191, 197, 203, 209...	104815GT	15, 237, 241, 245
104194GT	237	104487GT	297	105226GT	357
104208GT	529	104491GT	405, 411, 417, 423, 429, 431...	105230GT	521, 523, 525, 527
104214GT	529	104499GT	429, 431...	105235-SGT	337, 343, 349, 355
104214GT	237, 241, 245	104500GT	369, 373	105236-SGT	339, 345, 351, 355
104225GT	49, 55, 61, 67, 73, 79	104500GT	369, 373	105249-SGT	339, 345, 351, 355
104226PGT	53, 59, 65, 71, 77, 81	104531GT	369, 373	105256GT	271, 275
104231GT	53, 59, 65, 71, 77, 81	104534GT	315, 317, 321, 325, 329, 333	105257GT	271, 275
104231GT	135, 137	104534GT	65, 77	105272GT	115
104232GT	135, 137	104559GT	49, 55, 61, 67, 73, 79	105274GT	339, 345, 351, 355
104234GT	99, 103, 107	104570GT	49, 55, 61, 67, 73, 79	105276-SGT	339, 345, 351, 355
104235GT	99, 103, 107	104583GT	179, 185, 191, 197, 203, 209...	105277GT	251, 253, 255, 257
104236GT	179, 185, 191, 197, 203, 209...	104589GT	269, 271	105278GT	249, 251
104238GT	81	104590GT	445, 451, 457, 463, 469	105287GT	383
104242GT	97, 101, 105	104606GT	445, 451, 457, 463, 469	105300GT	381
104319GT	337, 343, 349, 355	104607GT	335, 341, 347, 353	105306GT	383
104327GT	405, 409, 415, 421, 425, 431, 437, 443, 449, 455, 461, 467, 473, 479, 485, 491, 497, 503, 509, 515, 521, 527, 533, 539, 545, 551, 557, 563, 569, 575, 581, 587, 593, 599, 605, 611, 617, 623, 629, 635, 641, 647, 653, 659, 665, 671, 677, 683, 689, 695, 701, 707, 713, 719, 725, 731, 737, 743, 749, 755, 761, 767, 773, 779, 785, 791, 797, 803, 809, 815, 821, 827, 833, 839, 845, 851, 857, 863, 869, 875, 881, 887, 893, 899, 905, 911, 917, 923, 929, 935, 941, 947, 953, 959, 965, 971, 977, 983, 989, 995				
104328GT	425, 431, 437, 443, 449, 455, 461, 467, 473, 479, 485, 491, 497, 503, 509, 515, 521, 527, 533, 539, 545, 551, 557, 563, 569, 575, 581, 587, 593, 599, 605, 611, 617, 623, 629, 635, 641, 647, 653, 659, 665, 671, 677, 683, 689, 695, 701, 707, 713, 719, 725, 731, 737, 743, 749, 755, 761, 767, 773, 779, 785, 791, 797, 803, 809, 815, 821, 827, 833, 839, 845, 851, 857, 863, 869, 875, 881, 887, 893, 899, 905, 911, 917, 923, 929, 935, 941, 947, 953, 959, 965, 971, 977, 983, 989, 995				
104341GT	203, 209...	104608GT	335, 341, 347, 353	105307GT	381
104341GT	335, 341, 347, 353	104609GT	357	105334GT	449, 455, 461, 467, 473, 479, 485, 491, 497, 503, 509, 515, 521, 527, 533, 539, 545, 551, 557, 563, 569, 575, 581, 587, 593, 599, 605, 611, 617, 623, 629, 635, 641, 647, 653, 659, 665, 671, 677, 683, 689, 695, 701, 707, 713, 719, 725, 731, 737, 743, 749, 755, 761, 767, 773, 779, 785, 791, 797, 803, 809, 815, 821, 827, 833, 839, 845, 851, 857, 863, 869, 875, 881, 887, 893, 899, 905, 911, 917, 923, 929, 935, 941, 947, 953, 959, 965, 971, 977, 983, 989, 995
104346GT	335, 341, 347, 353	104610GT	335, 341, 347, 353	105357GT	453, 459, 465, 471
104346GT	509	104630GT	111		
104347GT	383	104631GT	111		
104348GT	381				



<u>Part no.</u>	<u>Page Number</u>	<u>Part no.</u>	<u>Page Number</u>	<u>Part no.</u>	<u>Page Number</u>
105387GT	261, 263, 265, 267	115039GT	365	226952GT	243
105412GT	143, 149, 155, 161, 167, 173	115040GT	367	227139GT	237
105428GT	285, 287, 289, 291	115042GT	365	227291GT	23, 27, 31
105429GT	285, 287, 289, 291	115088GT	21, 25	227295GT	385, 391, 397
105430GT	283, 285, 287, 289	115090GT	37, 41	227296GT	385, 391, 397
105432GT	283, 285, 287, 289	115091GT	381	227346GT	23, 27, 31
105433GT	283, 285, 287, 289	115093GT	381	227390GT	23, 27, 31
105450GT	209, 211, 215, 211, 281	115105GT	385, 391, 397	227395GT	23, 27, 31
105473GT	269, 271, 275	115107GT	381	227441GT	277, 281
105475GT	87	124010GT	359	229056GT	291
105511GT	87	124680GT	377, 379	229057GT	291
105515GT	123	129003GT	285, 285, 281, 289, 291	229149GT	291
105521GT	51, 57, 63, 69, 75	129010GT	291	229150GT	285, 285, 281, 289, 291
105524GT	209, 211, 215, 211, 281	129013GT	89, 15, 101, 115, 381, 393...	229151GT	291
105535GT	237, 241, 245	129080GT	367	229165GT	387, 393, 399
105556GT	531	129082GT	383	229166GT	387, 393, 399
105557GT	531	129083GT	383	229629GT	243, 247
105594GT	123	129100GT	359	229846GT	243, 245
105739GT	249, 251, 255, 255, 257	129189GT	365	230344GT	23, 27, 31, 43, 47
109668-SGT	363	129190GT	365	230348GT	413, 419, 425
109671-SGT	363	129192GT	367	230350GT	297, 303, 309
109686GT	363	129193GT	367	231168GT	401, 407, 413, 419
109705GT	347	144180GT	249, 251, 255, 255, 257	231434GT	419, 425
109707GT	357, 359, 363	147253GT	405, 411, 411, 423, 429	231931GT	531
109708GT	359, 363	147681GT	137	232452GT	211, 217
109719GT	357, 363	150113GT	17	232539GT	279
109803GT	297, 303, 309	150117GT	33	232540GT	277
109804GT	291, 305, 309, 315, 317, 321...	161146GT	491, 497	232541GT	279
109806GT	357, 359, 363	161218GT	281	232542GT	279
109809T	357	162160GT	87	232543GT	277, 281
109897GT	111, 115	214590GT	291	232544GT	277
109898GT	111, 115	216793GT	297, 303, 309	232545GT	277
109931GT	111, 115	218408GT	117	232546GT	277
114167GT	23, 27, 31, 39, 43, 47	218413GT	117	232567GT	211, 217
114170GT	23, 27, 31	218416GT	117	232692GT	277
114171GT	23, 27, 31	218417GT	117	232693GT	277
115032GT	365	219214GT	281	233373GT	281
115034GT	365	219307GT	291	233641GT	259, 261, 265, 265, 267
115035GT	365	220258GT	87	233718GT	369, 373, 379
115036GT	365	226320GT	295, 295, 299, 301, 305, 307	233745GT	369, 373, 379
115037GT	365	226322GT	293, 295, 305, 311, 315, 319...	236016GT	175
115038GT	365	226951GT	243	236646GT	335, 341, 347, 353



<u>Part no.</u>	<u>Page Number</u>	<u>Part no.</u>	<u>Page Number</u>	<u>Part no.</u>	<u>Page Number</u>
236769GT	281	1274353GT	511, 515, 519, 525, 327, 331	T108061GT	483, 493, 499
236770GT	281	1274938GT	431, 435, 439	T108062GT	481, 487, 495
237173GT	369, 373, 379	1275647GT	511, 515, 519, 525, 327, 331	T108063GT	483, 491, 497
237573GT	25, 29	1275924GT	431, 435, 439	T108064GT	481, 487, 495
237574GT	41, 45	1277226GT	293, 299, 305	T108065GT	481, 489, 495
237575GT	413, 419, 425	1277780GT	257	T108066GT	483, 489, 491, 497
823408GT	141, 147, 155, 159, 165, 171	1277801GT	401, 407, 413, 419, 425, 431	T112560GT	391, 397
824024GT	87, 213, 353, 367	1277802GT	401, 407, 413, 419, 425, 431...	T112561GT	391, 397
824059GT	511, 515, 519, 525, 327, 331	1278692GT	439	T112563GT	385, 391
824060GT	217, 243, 311, 319, 381, 397	1283776GT	13	T115610GT	353
824109GT	311, 315, 319, 325, 327, 331	1286186GT	435, 439		
824113GT	311, 315, 319, 325, 327, 331	1287095GT	431		
825019GT	109, 113, 355, 341, 347, 353	1287096GT	435		
825606GT	313, 317, 319, 521, 523	1287097GT	439		
825607GT	513, 517, 519, 521, 523	1287098GT	311		
825608GT	313, 317, 319, 521, 523	1287099GT	315		
825609GT	313, 317, 319, 521, 523	1287138GT	401, 407, 413, 419		
825610GT	313, 317, 319, 521, 523	1288173GT	483, 489, 491, 497		
825611GT	313, 317, 319, 521, 523	1289520GT	177, 183, 189, 195, 201, 207		
825612GT	313, 317, 319, 521, 523	1289561GT	177, 183, 189, 195, 201, 207		
825613GT	313, 317, 319, 521, 523	1289868GT	311, 315, 319, 325, 327, 331		
825614GT	313, 317, 319, 521, 523	1289870GT	431, 435, 439		
825615GT	319, 321, 325, 329, 527	1290564GT	319		
825616GT	521, 523, 525, 527	1290565GT	323		
825617GT	313, 317, 319, 521, 523	1290566GT	327		
825618GT	313, 317, 319, 521, 523	1290567GT	331		
825652GT	313, 317, 319, 521, 523...	1294571GT	401, 407, 413, 419, 425		
825653GT	521, 523, 525, 527	1294952GT	49, 55, 61, 67, 73, 79		
825850GT	281	R661490GT	243		
826441GT	241, 245	T106819GT	123		
826779GT	467, 473, 479	T106820GT	123		
1252496GT	117	T106821GT	123		
1253209GT	363	T106822GT	123		
1258567GT	13	T106823GT	125		
1258807GT	369, 373, 377	T108047GT	481, 487, 495		
1258808GT	357	T108048GT	483, 491, 497		
1261459GT	471	T108049GT	481, 487, 495		
1261671GT	141, 147, 155, 159, 165, 171	T108050GT	483, 491, 497		
1264372GT	257	T108051GT	481, 487, 495		
1264803GT	85	T108052GT	481, 489, 495		
1270456GT	175	T108053GT	483, 489, 495		
1271707GT	511, 515, 519, 525, 327, 331	T108060GT	481, 487, 495		

California Proposition 65

 **WARNING**

Operating, servicing and maintaining this equipment, passenger vehicle or off-highway motor vehicle can expose you to chemicals including engine exhaust, carbon monoxide, phthalates, and lead, which are known to the State of California to cause cancer and birth defects or other reproductive harm. These chemicals can be emitted from or contained in other various parts and systems, fluids and some component wear by-products. To minimize exposure, avoid breathing exhaust, do not idle the engine except as necessary, service your equipment and vehicle in a well-ventilated area and wear gloves or wash your hands frequently when servicing your equipment or vehicle and after operation. For more information go to [www.P65Warnings.ca.gov/passenger-vehicle](http://www.P65Warnings.ca.gov/passenger-vehicle).

Breathing diesel engine exhaust exposes you to chemicals known to the State of California to cause cancer and birth defects or other reproductive harm.

- Always start and operate the engine in a well-ventilated area.
- If in an enclosed area, vent the exhaust to the outside.
- Do not modify or tamper with the exhaust system.
- Do not idle the engine except as necessary.

For more information go to [www.P65warnings.ca.gov/diesel](http://www.P65warnings.ca.gov/diesel).

[www.genielift.com](http://www.genielift.com)

Distributed By: