



A TEREX BRAND

Parts Manual

Serial Number Range

S-65XC

from SN S65XCD-101

Part No. 1303193GT
Rev: A4
January 2022

Technical Publications

Genie has endeavored to deliver the highest degree of accuracy possible. However, continuous improvement of our products is a Genie policy. Therefore, product specifications are subject to change without notice.

Readers are encouraged to notify Genie of errors and send in suggestions for improvement. All communications will be carefully considered for future printings of this and all other manuals.

Contact Us:

Internet: www.genielift.com
e-mail: awp.techpub@terex.com

Find a Manual for this Model


Go to <http://www.genielift.com>

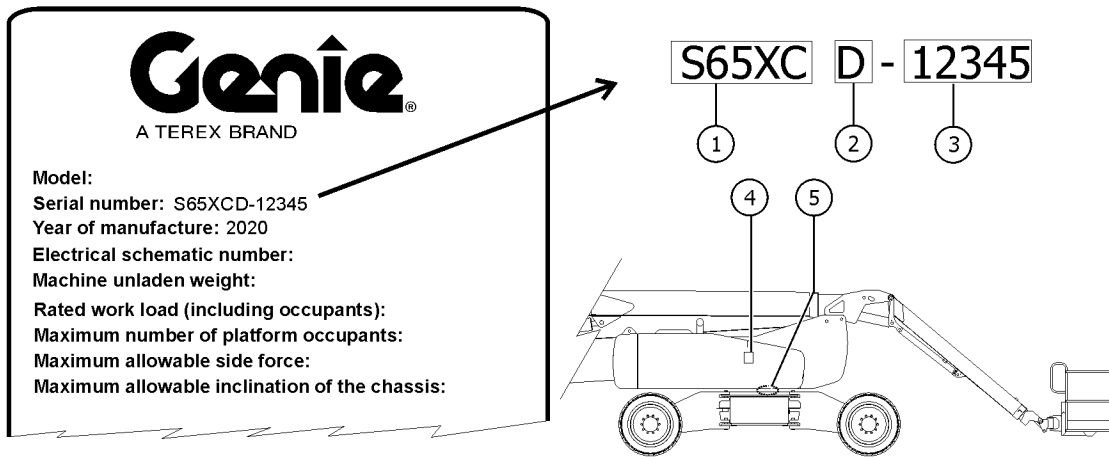
Use the links to locate Operator's, Parts, Maintenance, and Service and Repair Manuals.

Copyright © 2020 Terex Corporation

1303193GT Rev A4 January 2022
First Edition, Fifth Printing

Genie is a registered trademark of Terex South Dakota, Inc. in the USA and many other countries. "S" is a trademark of Terex South Dakota, Inc.

 Printed on recycled paper



- 1 Model
- 2 Facility code
- 3 Sequence number
- 4 Serial label (located under cover)
- 5 Serial number (stamped on chassis)

How to Order Parts

Please be prepared with the following information when ordering replacement parts for your Terex or Genie product.

- Machine model number
- Machine serial number
- Part number
- Part description and quantity
- Purchase order number
- "Ship to" address
- Desired method of shipment
- Name and telephone number of the authorized distributor in your area

Use the Service Parts Fax Order Form on the next page and fax your order to our Parts Department.

If you don't know the name of your authorized distributor, or if your area is not currently serviced by an authorized distributor, please call Terex or Genie Industries.

Machine Information

Model

Serial Number

Date of Purchase

Authorized Genie Distributor

Phone Number

North America

Telephone (425)881-1800
 Toll Free (800)536-1800 in US and Canada
 Fax (425)556-8659
 Toll Free fax (888)274-6192
 Email AWP.PartsSalesPO@terex.com
<http://genielift.com/en>

EMEAR (Europe, Middle East, Africa and Russia)

Telephone (31)(165)519 313
 Fax (31)(165)511 148
<http://genielift.co.uk>

Asia Pacific (Genie Singapore)

Telephone +65 6692 7777
 Fax +65 6261 8893
<http://genielift.com.sg/>

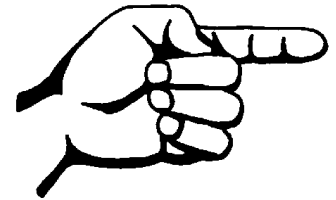
Australia

Telephone (61)(7)3456 4444
 Fax (61)(7)3456 4466
<http://genielift.com.au>

South America

Telephone (55)(11)4082 5600
 Fax (55)(11)4082 5630

Please refer to section 001 for the Recommended Spare Parts List.



This page intentionally left blank.

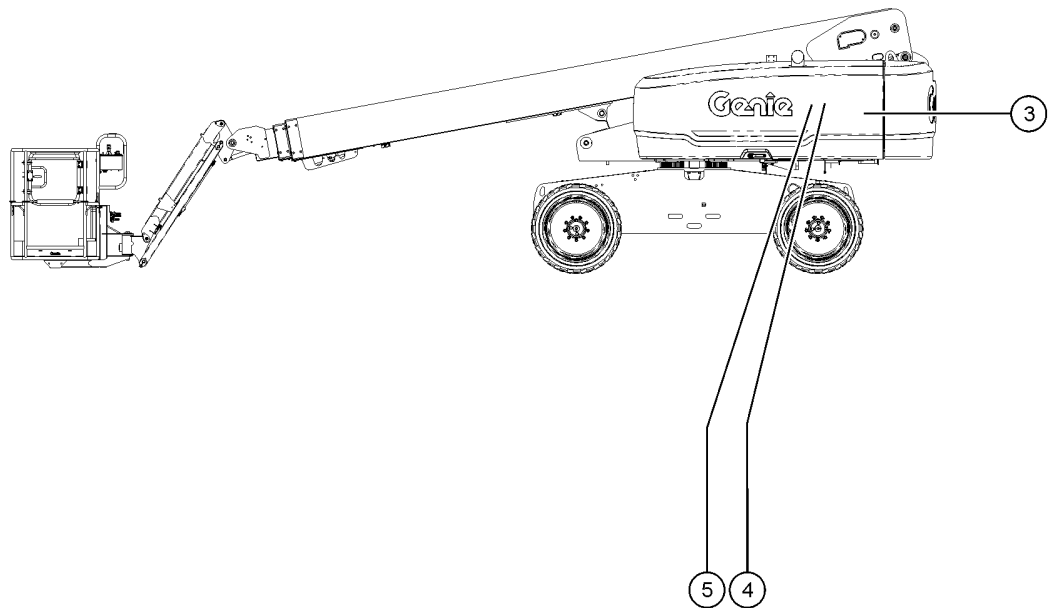
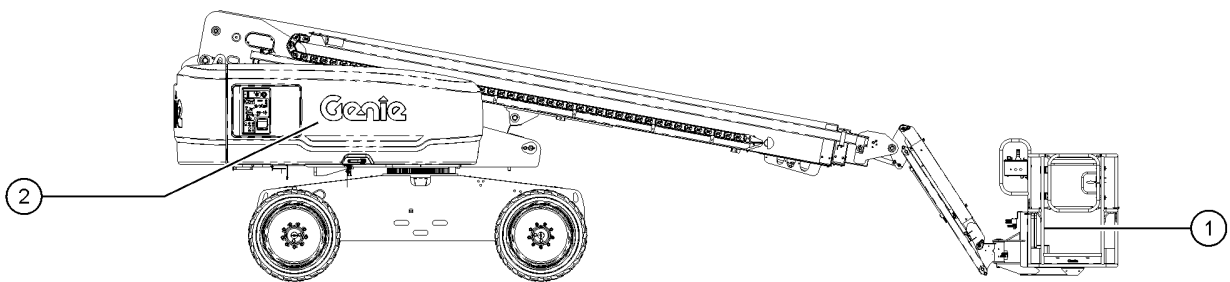
Description	Page
001 Parts Stocking List	10
001.1 Parts Stocking List	10
100 Decals	14
101.1 Decals with Words, Hydraulic Tank Side	14
102.1 Decals with Words, Chassis	18
103.1 Decals with Words, Engine Side	20
104.1 Decals with Words, Boom	22
105.1 Decals with Words, Platform	24
106.1 Decals with Symbols, Hydraulic Tank Side	26
107.1 Decals with Symbols, Chassis	28
108.1 Decals with Symbols, Engine Side	30
109.1 Decals with Symbols, Boom	32
110.1 Decals with Symbols, Platform	34
200 Drive Chassis Components.....	36
201.1 Steer End	36
202.1 Non-steer End	42
203.1 Oscillate Valve	46
204.1 TraX Option Steer End	48
205.1 TraX Option Non-steer End	50
206.1 TraX Option Components	52
300 Turntable Components.....	56
301.1 Tank Side - View 1	56
302.1 Tank Side - View 2	60
303.1 Tank Side - Diesel Fuel Tank Installation	64
304.1 Ground Control Box - External	66
305.1 Ground Control Box - Internal	68
306.1 Turntable Components and Swivel Drive Assembly	72
307.1 Turntable Covers - Hydraulic Tank Side	76
308.1_Turntable Covers - Engine Side	80
309.1 Wire Harness Diagram	84
400 Manifolds and Pumps	88
401.1 Function Manifold	88
402.1 Traction Manifold	94
403.1 Pumps	98
404.1 Platform Rotate and Jib Boom/Platform Rotate Manifold	100
405.1 Generator Manifold	102

Table of Contents

Description	Page
500 Engine Components	104
501.1 Deutz D2011L03i, View 1	104
502.1 Deutz D2011L03i, View 2	108
503.1 Deutz D436 (China III) engine, View 1	112
504.1 Deutz D436 (China III) engine, View 2	116
505.1 Engine Tray	120
506.1 Deutz D2.9L4, View 1	124
507.1 Deutz D2.9L4, View 2	128
508.1 Deutz D2.9L4, View 3	130
509.1 Deutz D2.9L4, View 4	134
510.1 Deutz D2.9L4, View 5	138
511.1 Deutz TD2011L04i, View 1	142
512.1 Deutz TD2011L04i, View 2	146
513.1 Deutz TD2011L04i, View 3	148
514.1 Deutz TD2011L04i, View 4	150
600 Bomm Structure Components	152
601.1 Linkage Assembly - View 1	152
602.1 Linkage Assembly - View 2	156
603.1 Boom Components - View 1	160
604.1 Boom Components - View 2	166
605.1 Boom Components - View 3	168
606.1 Boom End Components (To S65XCD-154)	172
606.2 Boom End Components (From S65XCD-155)	176
607.1 Boom End Components, Load Sense	180
608.1 Cable Track	182
700 Platform Components	186
701.1 Platform Configuration	186
702.1 Platform Installation	188
702.2 Platform Installation, China Option	192
703.1 Platform Control Box	196
704.1 Joysticks	200
800 Hydraulic Hose Routing and Fittings	202
801.1 Boom	202
802.1 Turntable Components	204
803.1 4WD Drive and Steer System	210
804.1 Oscillate System	214
900 Accessories	216

Description	Page
901.1 Drive Lights, Alarm and Beacon Packages	216
902.1 Hostile Environment, Boom Wipers	218
903.1 Hostile Environment, Turntable Components	220
904.1 Hostile Environment, Cylinder Bellows and Cable Track	222
905.1 Hostile Environment, Ground and Platform Box Covers	224
906.1 Generator, Hoses and Fittings	226
907.1 Oil Cooler Components	228
908.1 Lift Guard Contact Alarm	230
909.1 Telematics	234
910.1 Welder Option, Chassis Components (7.5KW)	236
911.1 Welder Option, Chassis Components (12.5KW)	240
912.1 Welder Option, Platform Components	244
913.1 Access Manager Option	248
914.1 Half Mesh Option	250
Part Number Index	252

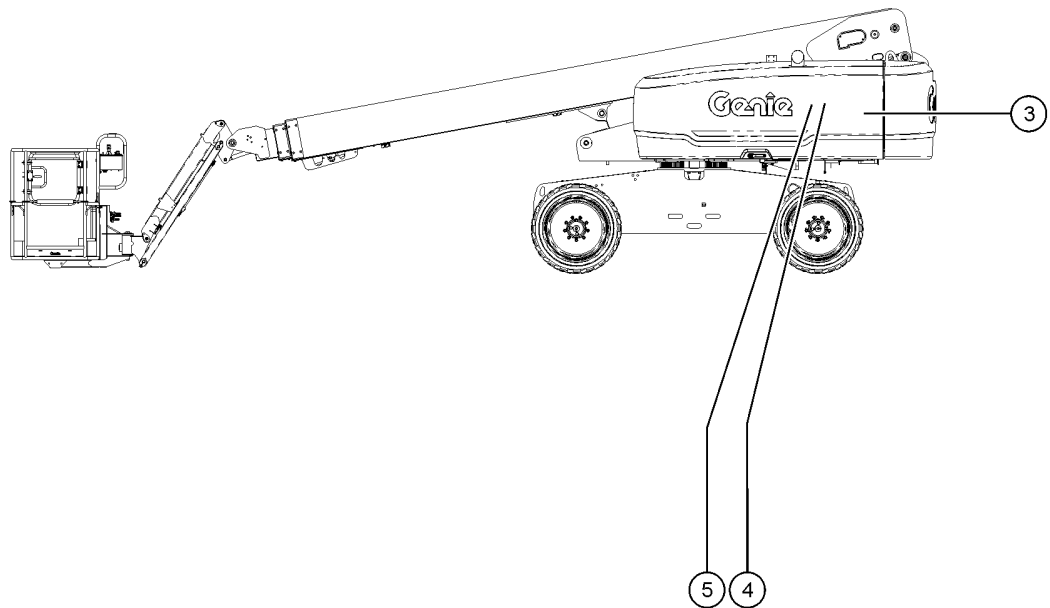
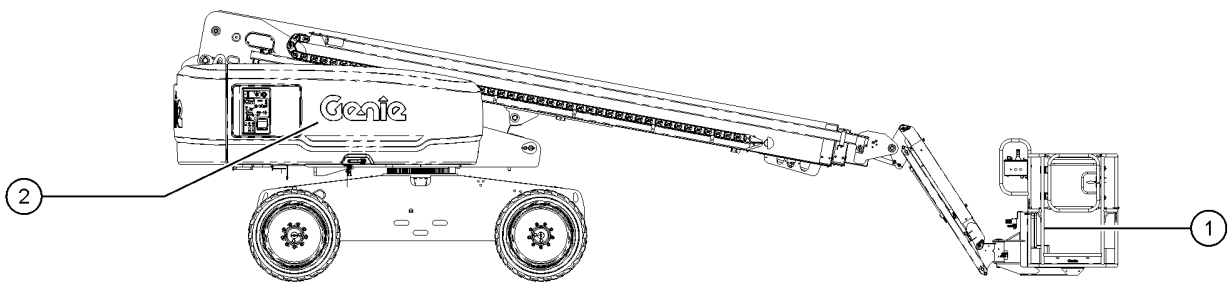
001.1 Parts Stocking List



Item	Part No.	Description	Qty.
A		—Inspection Service Kits—	
--	1278708GT	KIT,ENGINE SERVICE,500 HOUR,DEUTZ D2.9,,Z45/S40/S60/Z62/RT90 models with Deutz D2.9L4 engine	
B		—General Service Parts—	
--	1257733GT	PAINT, WET, TRAFFIC BLACK(1 GL)** 1-gallon	
--	1258567GT	PAINT, AEROSOL, TRAFFIC BLACK 12-ounce spray paint	
--	1268GT	PAINT, AEROSOL, GENIE GRAY*** 12-ounce spray paint	
--	1283776GT	SEAL MARKER,CROSS CHECK,BLUE,TUBE CHECK,BLUE,TUBE	
--	1484GT	PAINT, AEROSOL, BRIGHT BLUE*** 12-ounce spray paint	
--	28750GT	O-RING KIT,FIELD SVC,ALL PROD* O-ring kit, SAE	
--	32150GT	PAINT, WET, GENIE BLUE (1 GL)** 1-gallon	
--	32151GT	PAINT, WET, GENIE GRAY (1GL)** 1-gallon	
--	33994GT	PLUG AND CAP KIT-SERVICE,37 ** Plug and cap kit, SAE	
--	49612GT	O-RING KIT (ORFS FITTINGS) O-ring kit, Parker	
--	66399GT	GREASE, DIELECTRIC 4 OZ**	
--	93500GT	PARKER DIGITAL PRESSURE GAUGE	
1		—MANUALS—	
1-	27581GT	MANUAL, SAFTY MANNAL	
1-	1298933GT	MANUAL, SAIA MANUAL OF RESPONSIBILITIES, MEWP	
2	60857GT	FILTER,ELEMENT,BETA(5)=1000 (refer to figure 308.1)	
3	88917GT	FILTER,ELEMENT,BETA(10)=200 (refer to figure 301.1)	
3-	1282117GT	FILTER,ELEMENT,HYD TANK,RETURN (refer to figure 301.1)	
4		—Deutz TD2011-L03i Models—	
4-	29560GT	FILTER,FUEL/WTR SEP, DTZ 1008 Deutz TD2011-L03i Models	
4-	32698GT	BELT,V, DEUTZ DIESEL ENGINE Deutz TD2011-L03i Models	
4-	49924GT	FILTER,OIL,DEUTZ F4L1011F Deutz TD2011-L03i Models	
4-	62420GT	FILTER,AIR*** Deutz TD2011-L03i Models	
5		—Deutz D2.9L4 Models—	
5-	1262487GT	BELT,AIR PUMP,PERKINES 404F-22T Deutz D2.9L4 Models	



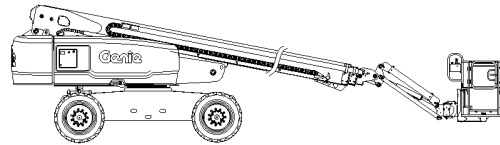
001.1 Parts Stocking List



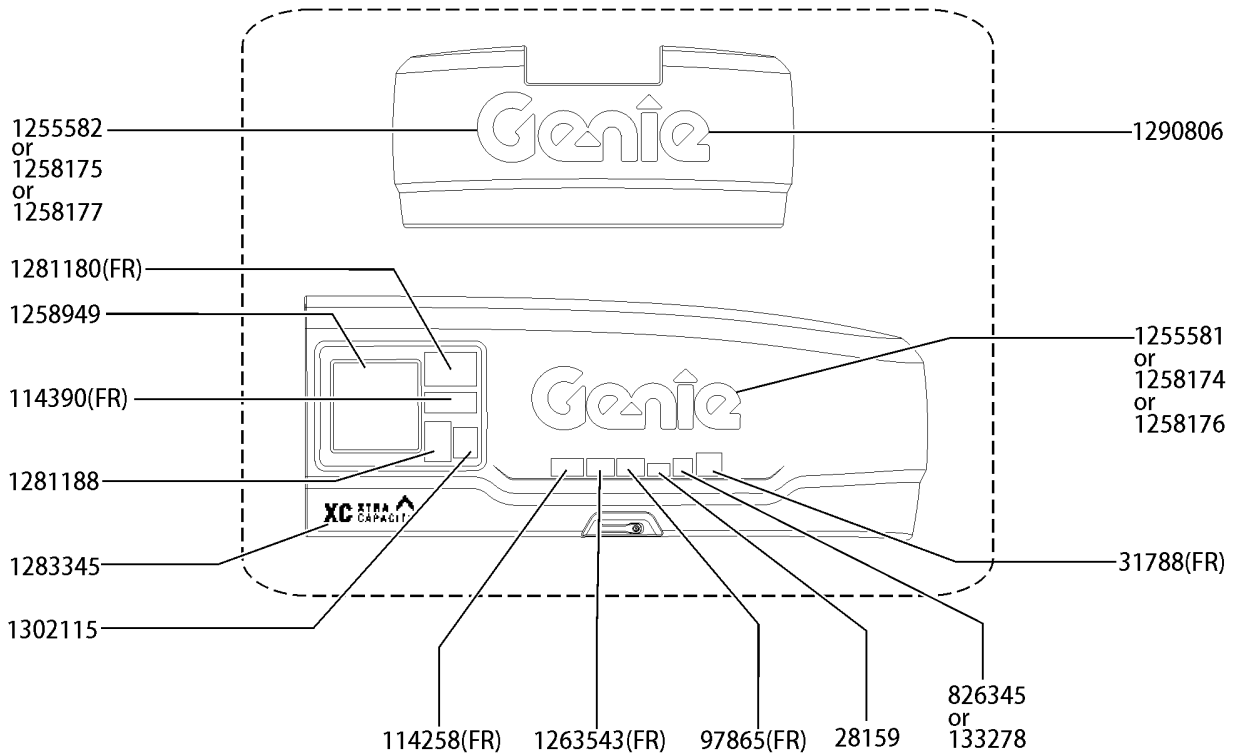
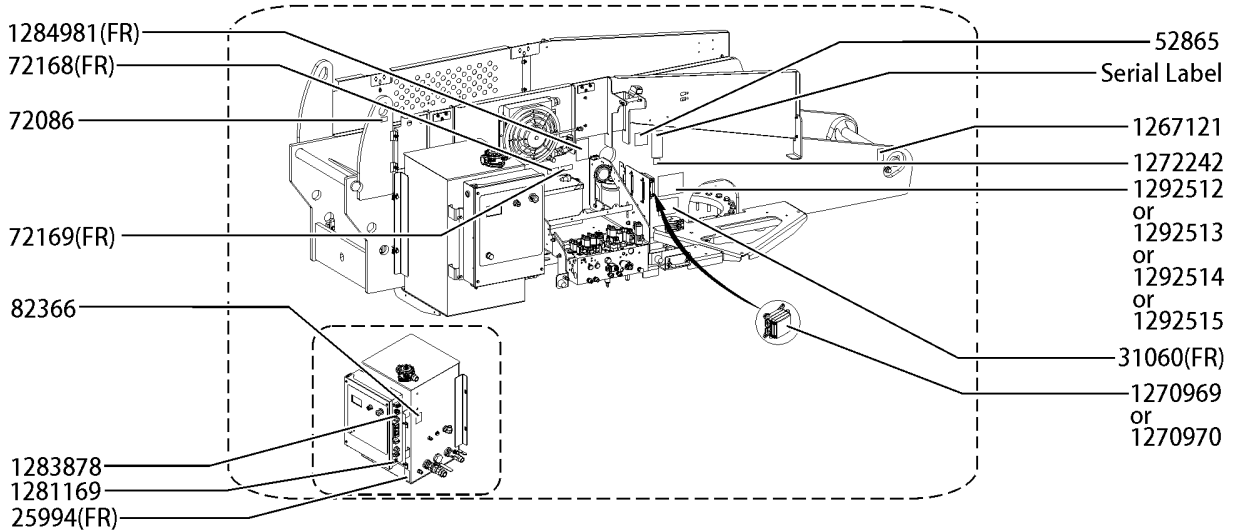
<i>Item</i>	<i>Part No.</i>	<i>Description</i>	<i>Qty.</i>
5-	1262866GT	FAN BELT, ALTERANTOR Deutz D2.9L4 Models	
5-	214228GT	FILTER, DEUTZ 2.9, FUEL Deutz D2.9L4 Models	
5-	236260GT	FILTER, FUEL PRE-FILTER, SPIN-ON, DEUTZ Deutz D2.9L4 Models	
5-	49924GT	FILTER,OIL,DEUTZ F4L1011F Deutz D2.9L4 Models	
5-	62420GT	FILTER,AIR*** Deutz D2.9L4 Models	



101.1 Decals with Words, Hydraulic Tank Side



NOTE:
Part numbers with "(FR)" indicates French translation is available

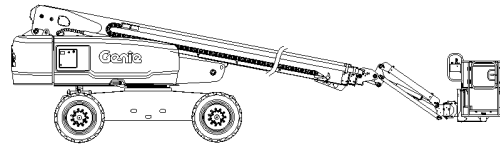


101.1 Decals with Words, Hydraulic Tank Side

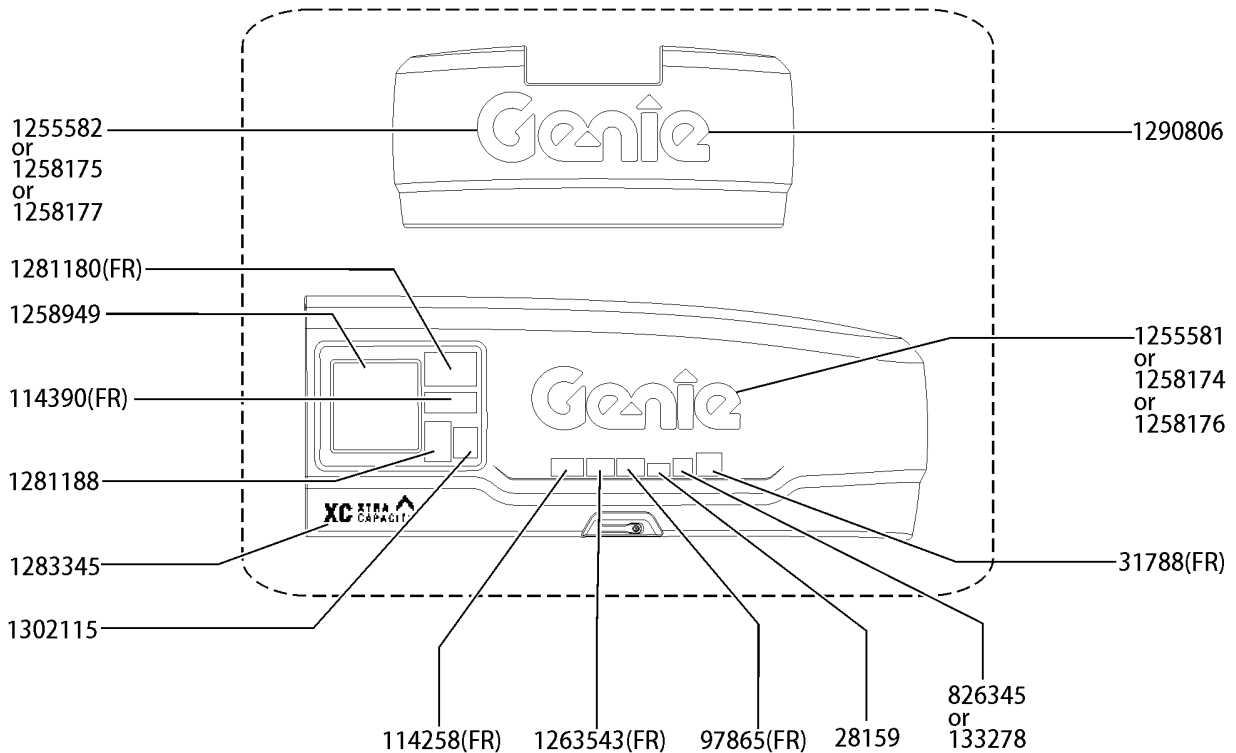
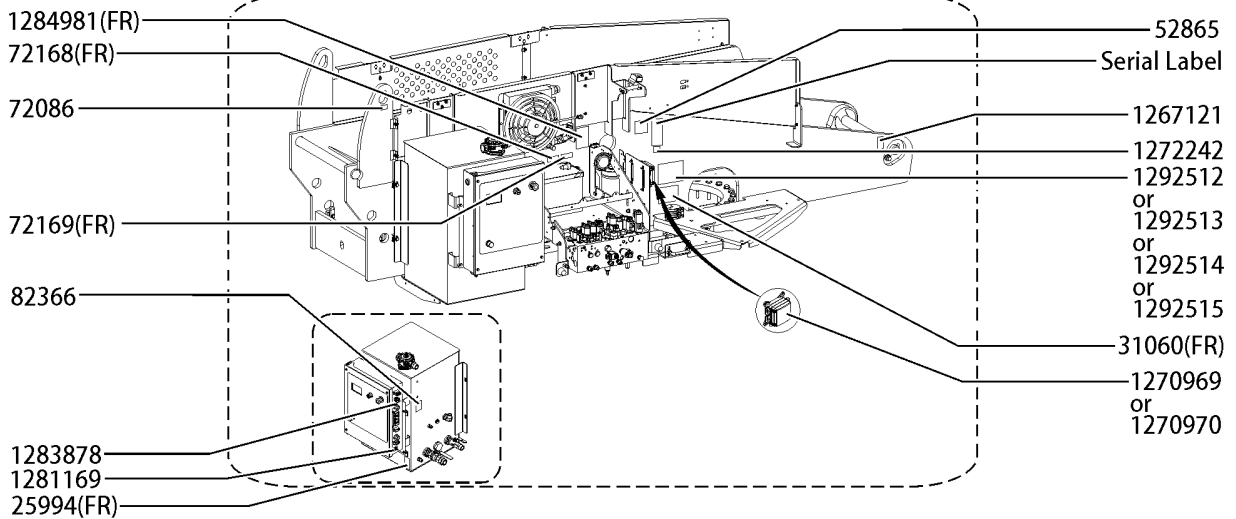
Item	Part No.	Description	Qty.
1	25994GT	DECAL,NOTICE,SHUTOFF VALVES	1
2	28159GT	DECAL,LABEL,DIESEL FUEL	1
		Option, fuel	
3	31060GT	DECAL,DANGER DO NOT ALTER SWTC	1
4	31788GT	DECAL,DANGER,BATTERY SAFETY***	1
5	52865GT	DECAL,ANNUAL INSP***	1
6	72086GT	DECAL,LABEL,LIFTING EYE	1
7	72168GT	DECAL,LABEL,STARTER BATTERY	1
8	72169GT	DECAL,LABEL,CONTROLS BATTERY	1
9	82366GT	DECAL,CHEVRON RANDO HD	1
		Option, hydraulic oil	
10	97865GT	DECAL,WARN,ELECTRO HAZARD	1
11	114258GT	DECAL,DANGER,NO SMOKING	1
12	114390GT	DECAL,DANGER,ELECT HAZARD***	1
13	133278GT	DECAL,LOW/ULTRA LOW SULFUR FUEL	1
		diesel models only	
14	826345GT	DECAL,ULS DIESEL ONLY,TIER 4	1
		Tier 4	
15	1255581GT	DECAL,COSMETIC, 10" GENIE BLUE	1
16	1255582GT	DECAL COSMETIC,15" GENIE BLUE	1
17	1258174GT	DECAL COSMETIC,10" GENIE WHITE	1
18	1258175GT	DECAL COSMETIC,15" GENIE WHITE	1
19	1258176GT	DECAL,COSMETIC,10" GENIE BLACK	1
20	1258177GT	DECAL COSMETIC,15" GENIE BLACK	1
21	1258949GT	OVERLAY GROUND CONTROLS S-BOOM JIB	1
22	1263543GT	DECAL,COMPARTMENT ACCESS	1
23	1267121GT	DECAL, BOOM SUPPORT	1
24	1270969GT	DECAL, VEC, DEUTZ2.9T, S80	1
		Deutz 2.9	
25	1270970GT	DECAL, VEC, DEUTZ2011T, S80	1
		Deutz 2011	
26	1272242GT	DECAL,MACHINE REGISTRATION/OWN	1
27	1281169GT	DECAL,RECOVERY SWITCH	1
28	1281180GT	DECAL,OPERATING INSTRUCTIONS	1



101.1 Decals with Words, Hydraulic Tank Side



NOTE:
Part numbers with "(FR)" indicates French translation is available



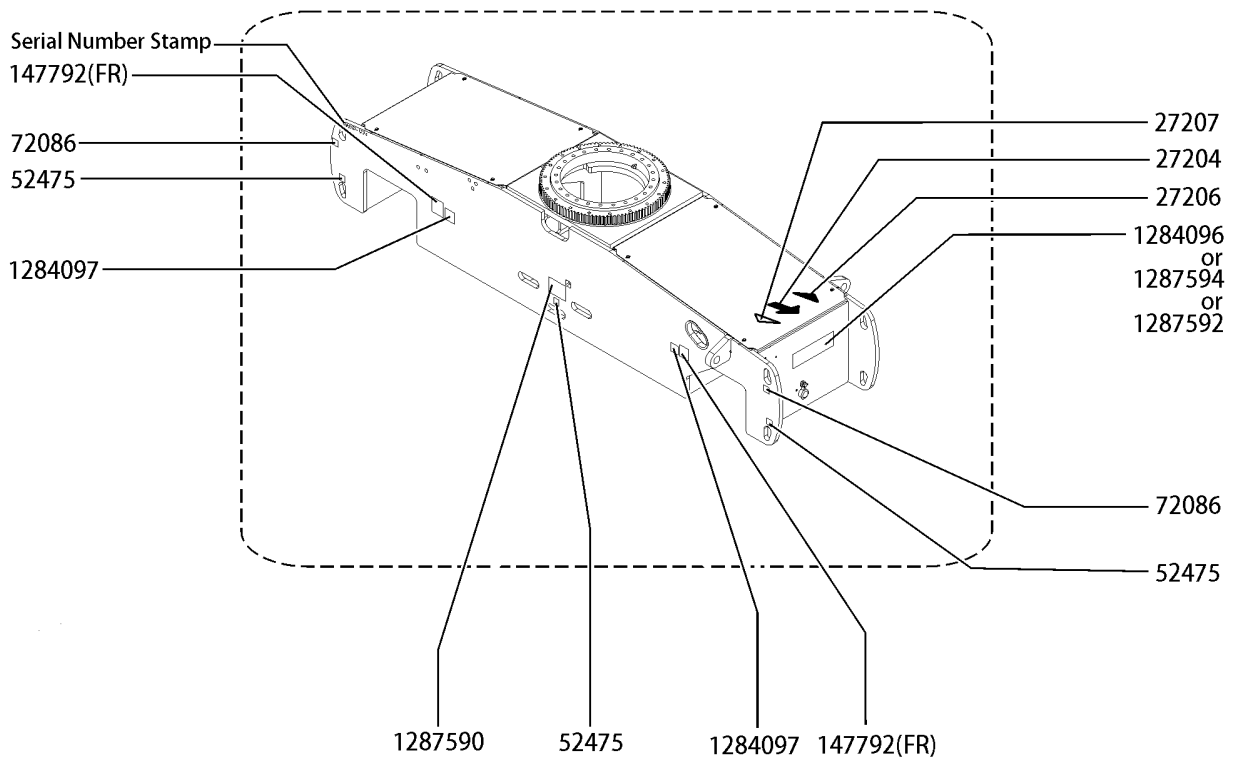
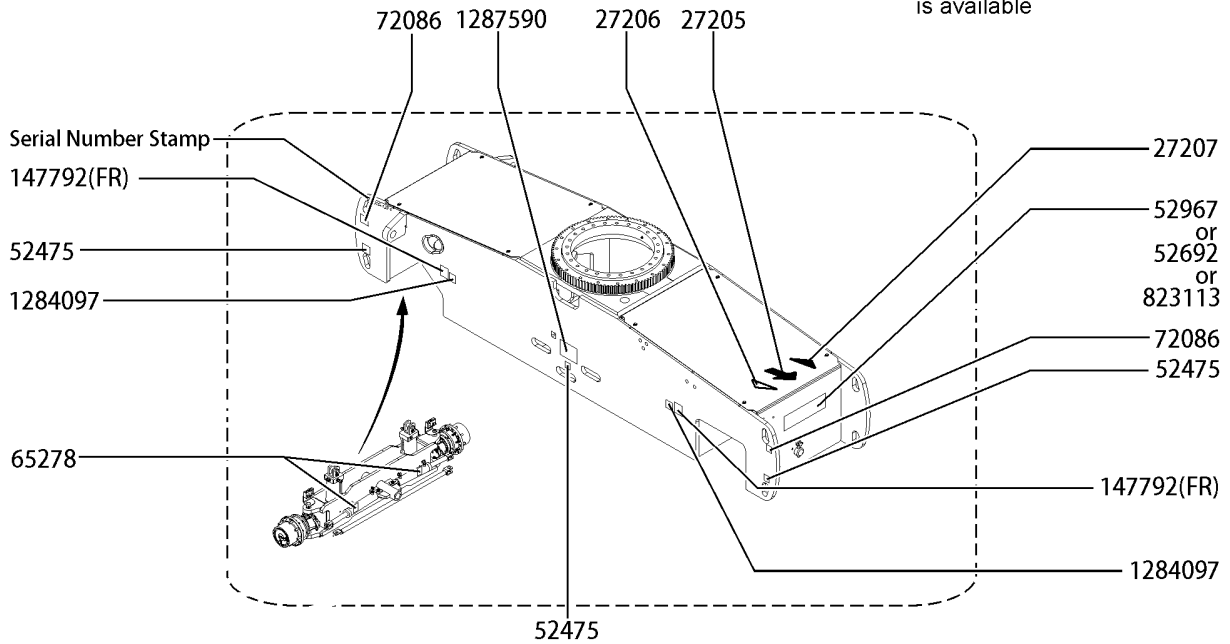
101.1 Decals with Words, Hydraulic Tank Side

<i>Item</i>	<i>Part No.</i>	<i>Description</i>	<i>Qty.</i>
29	1281188GT	DECAL,EMERGENCY LOWERING	1
30	1283345GT	DECAL, COVER, XC XTRA CAPACITY	1
31	1283878GT	DECAL,TECH PRO LINK	1
32	1284981GT	DECAL,ACCUMULATOR EXPLOSION HAZARD,WORD	1
33	1292512GT	DECAL COSM,GENIE LIFT CONNECT,ESN,SKU4-1	1
34	1292513GT	DECAL COSM,GENIE LIFT CONNECT,ESN,SKU4-2	1
35	1292514GT	DECAL COSM,GENIE LIFT CONNECT,ESN,SKU4-3	1
36	1292515GT	DECAL COSM,GENIE LIFT CONNECT,ESN,SKU4-4	1
37	1290806GT	DECAL,COSMETIC,13.5" GENIE, BLUE	1
38	1302115GT	QRCode Genie AWP (Chinese Market)	1



102.1 Decals with Words, Chassis

NOTE:
Part numbers with "(FR)"
indicates French translation
is available

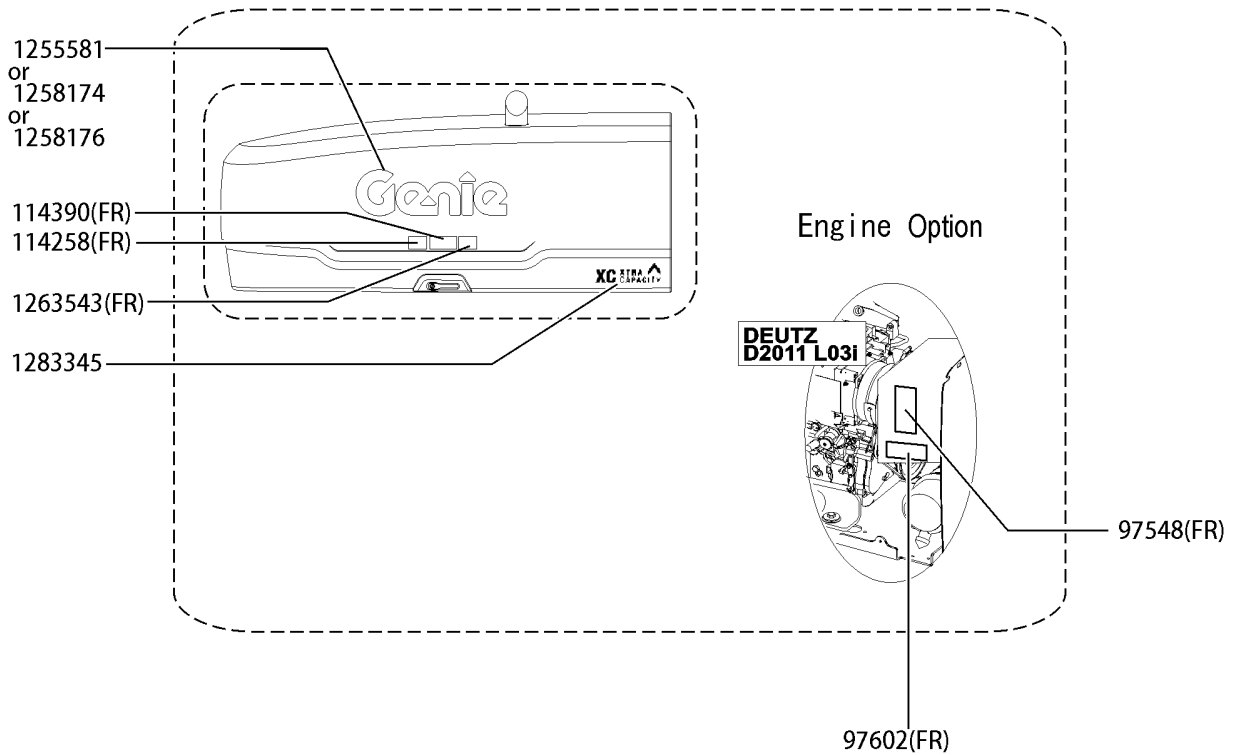
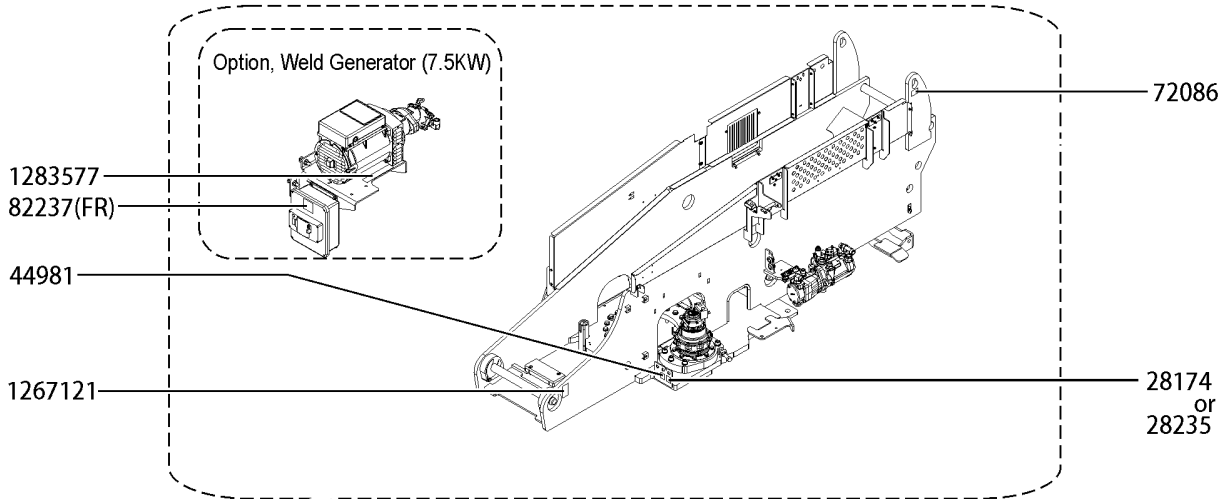
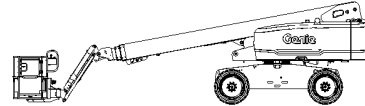


<i>Item</i>	<i>Part No.</i>	<i>Description</i>	<i>Qty.</i>
1	27204GT	DECAL,ARROW BLUE	1
2	27205GT	DECAL,ARROW YELLOW LRG 9"	1
3	27206GT	DECAL,TRIANGLE,BLUE	2
4	27207GT	DECAL,TRIANGLE,YELLOW	2
5	52475GT	DECAL LABEL TRANSPORT TIE DOWN*	6
6	52692GT	DECAL,COSMETIC,4X4 BLUE	1
7	52967GT	DECAL,COSMETIC,4 X 4	1
8	65278GT	DECAL,CAUTION,NO STEP	2
9	72086GT	DECAL,LABEL,LIFTING EYE	4
10	147792GT	DANGER,TIPOVR,TIRES FF ONLY	4
11	823113GT	DECAL,COSM,4X4,BLACK	1
12	1284096GT	DECAL, CHASSIS, S-65 XC	1
13	1284097GT	DECAL,LABEL,WHEEL LOAD S65 XC	4
14	1287590GT	DECAL, TRANSPORT/LIFTING, S-60/65XC	2
15	1287592GT	DECAL, CHASSIS, S-65 XC, BLK	1
16	1287594GT	DECAL, CHASSIS, S-65 XC, BLUE	1



103.1 Decals with Words, Engine Side

NOTE:
Part numbers with "(FR)"
indicates French translation
is available



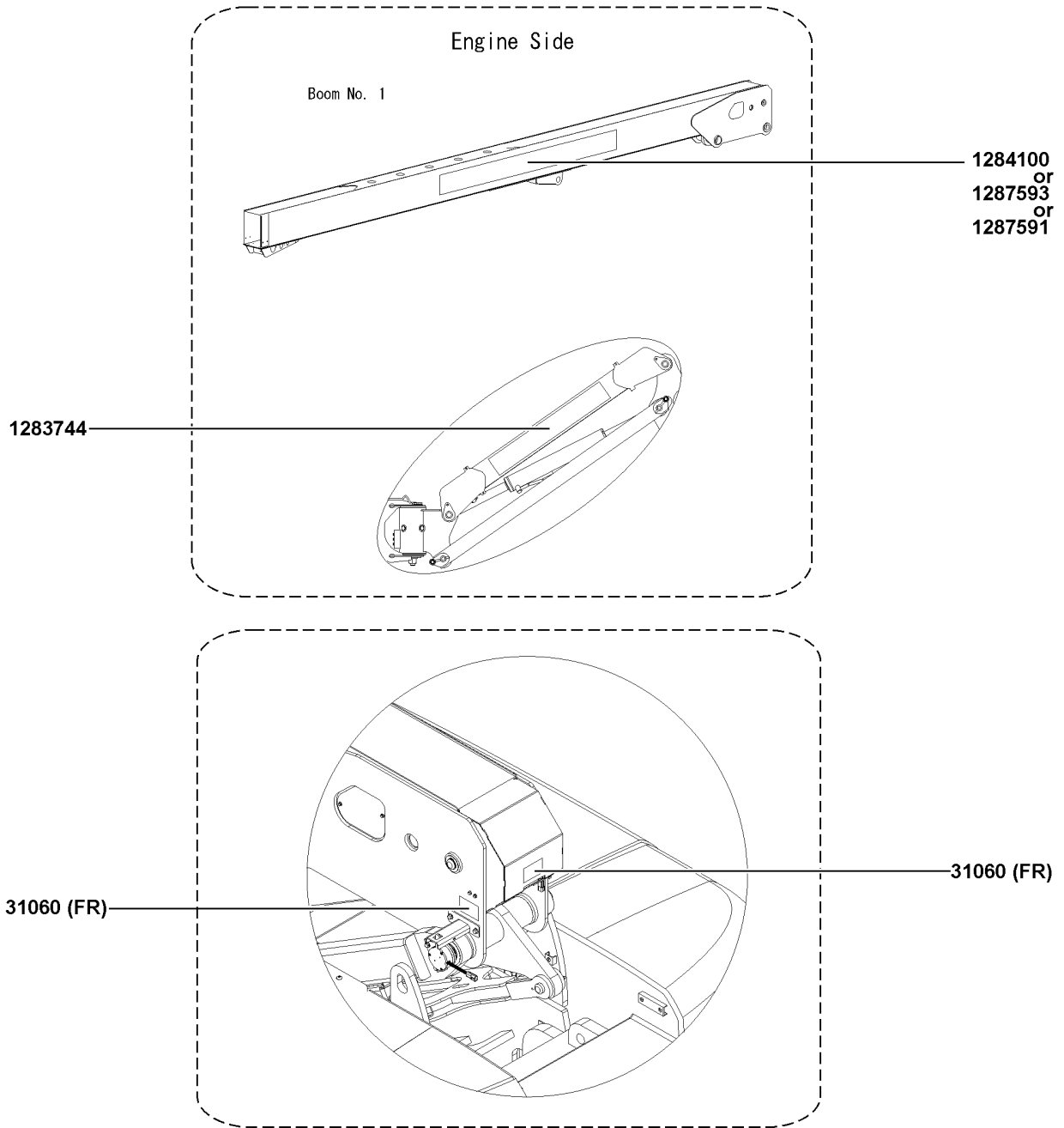
103.1 Decals with Words, Engine Side

<i>Item</i>	<i>Part No.</i>	<i>Description</i>	<i>Qty.</i>
1	28174GT	DECAL,POWER TO PLATFORM 230V	1
2	28235GT	DECAL,POWER TO PLATFORM 115V	1
3	44981GT	DECAL LABEL AIRLINE 110PSI	1
		Option, airline to plat	
4	72086GT	DECAL,LABEL,LIFTING EYE	1
5	82237GT	DECAL,DANGER,HIGH VOLTAGE	1
		Option, Weld Generator	
6	97548GT	DECAL,ENGINE SPEC,DEUTZ 2011	1
		Deutz D2011L03i	
7	97602GT	DECAL,EXPLOSION HAZARD	1
8	114258GT	DECAL,DANGER,NO SMOKING	1
9	114390GT	DECAL,DANGER,ELECT HAZARD***	1
10	1255581GT	DECAL,COSMETIC, 10" GENIE BLUE	1
11	1258174GT	DECAL COSMETIC,10" GENIE WHITE	1
12	1258176GT	DECAL,COSMETIC,10" GENIE BLACK	1
13	1263543GT	DECAL,COMPARTMENT ACCESS	1
14	1267121GT	DECAL, BOOM SUPPORT	1
15	1283345GT	DECAL, COVER, XC XTRA CAPACITY	1
16	1283577GT	DECAL, LIFT^POWER, 1X7 INCH	1
		Option, welder	



104.1 Decals with Words, Boom

NOTE:
Part numbers with "(FR)"
indicates French translation
is available

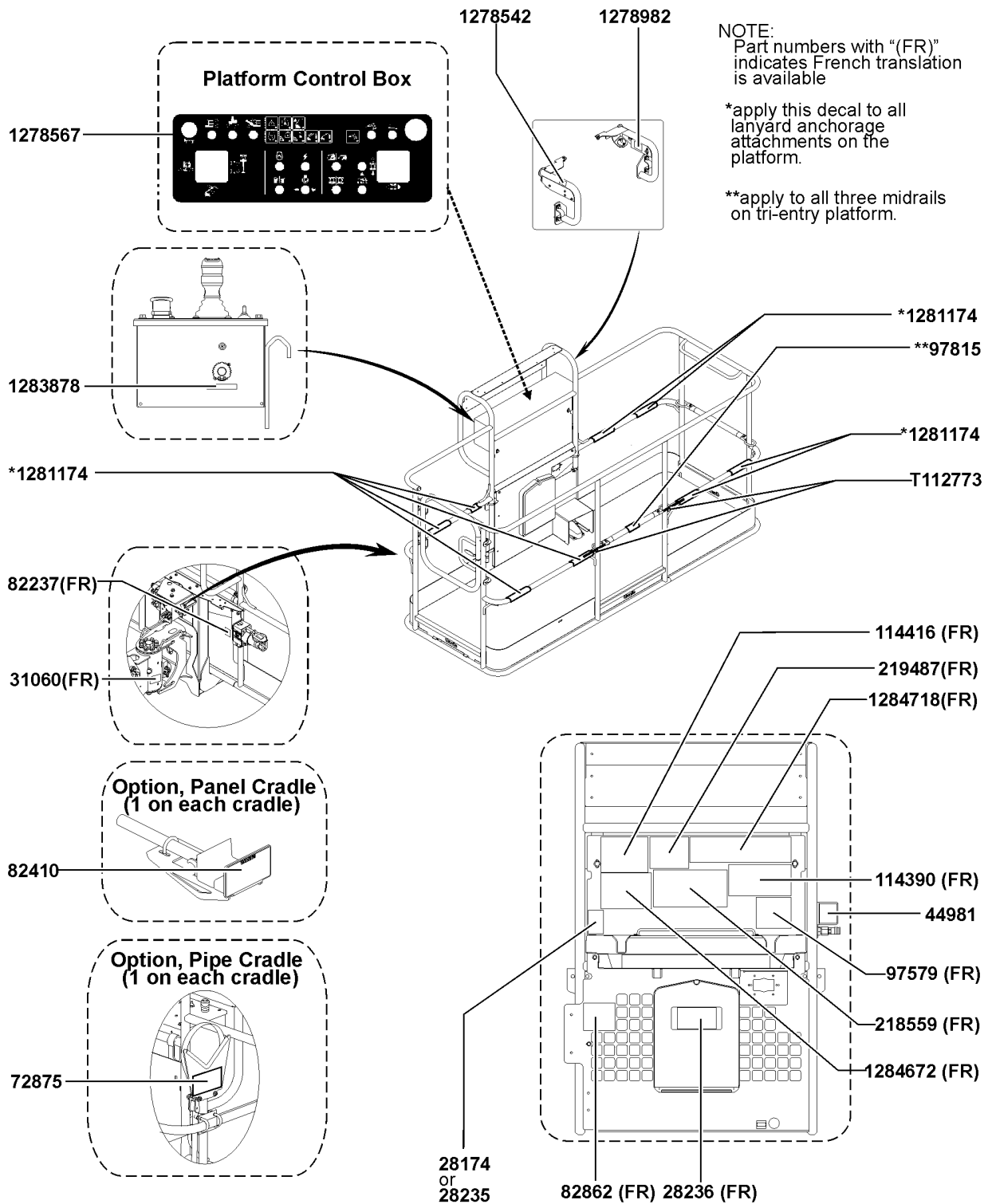


104.1 Decals with Words, Boom

<i>Item</i>	<i>Part No.</i>	<i>Description</i>	<i>Qty.</i>
1	31060GT	DECAL,DANGER DO NOT ALTER SWTC	2
2	1283744GT	DECAL, LIFT^POWER Option, Lift Power	1
3	1284100GT	DECAL, BOOM, GENIE S-65 XC	1
4	1287591GT	DECAL, BOOM, GENIE S-65 XC, BLK	1
5	1287593GT	DECAL, BOOM, GENIE S-65 XC, BLUE	1



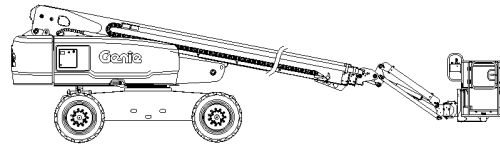
105.1 Decals with Words, Platform



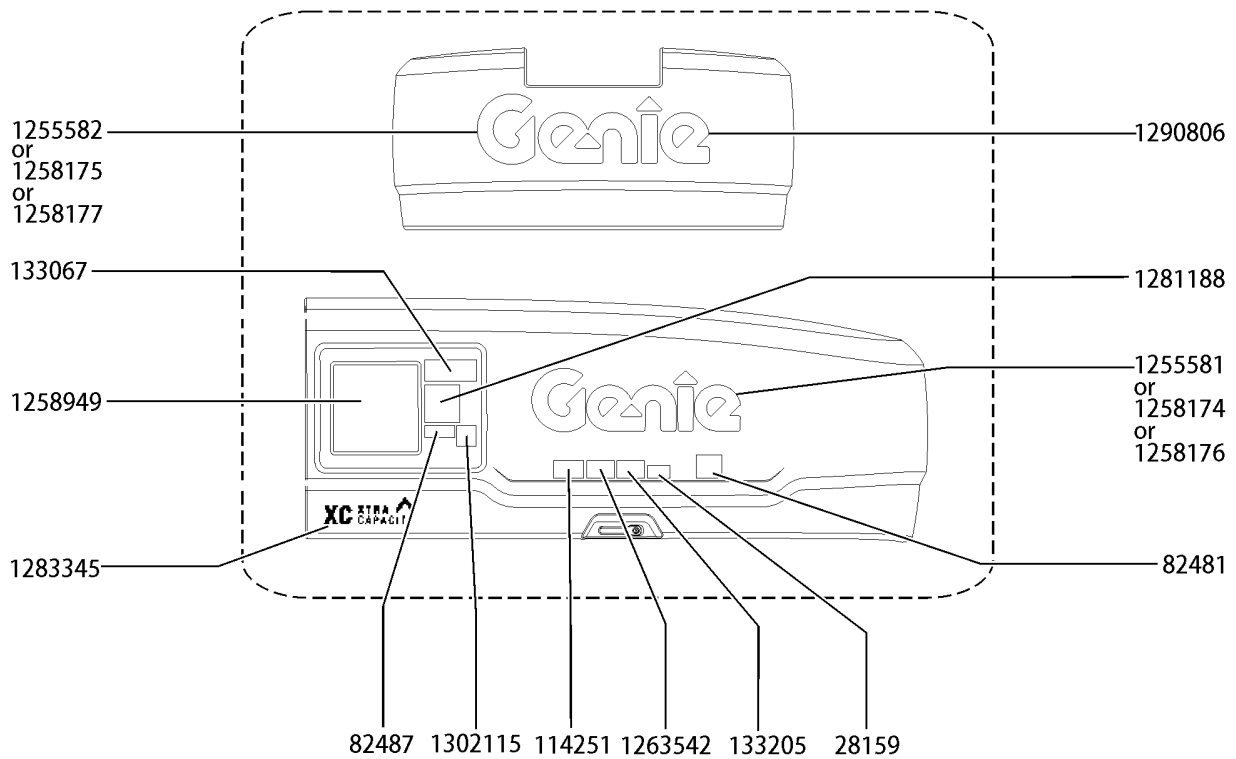
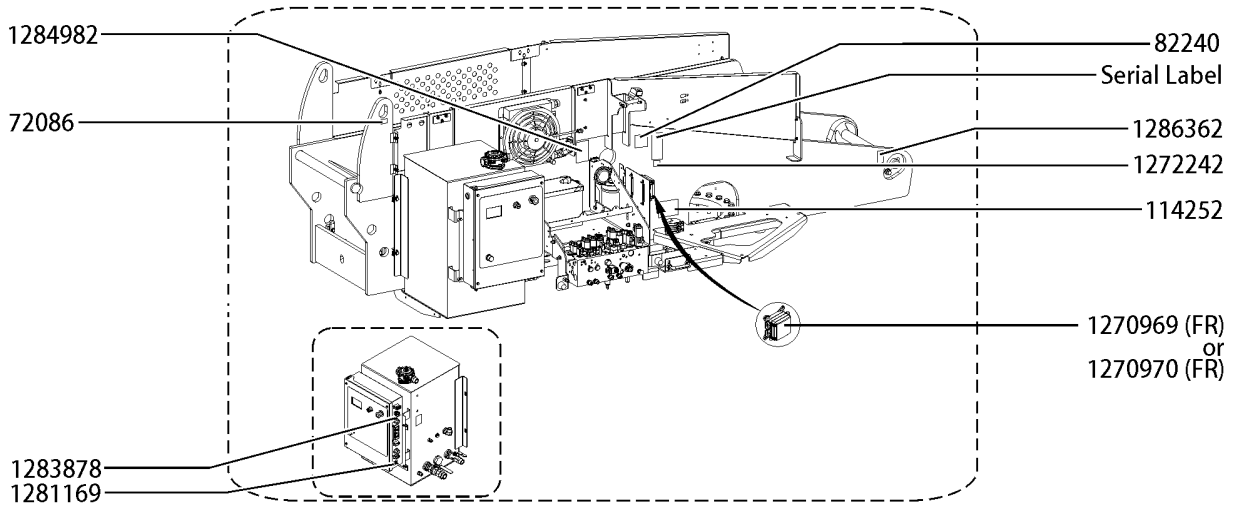
Item	Part No.	Description	Qty.
1	28174GT	DECAL,POWER TO PLATFORM 230V	1
2	28235GT	DECAL,POWER TO PLATFORM 115V	1
3	28236GT	DECAL,WARN,IMPROPER OPERATION	1
4	31060GT	DECAL,DANGER DO NOT ALTER SWTC	1
5	44981GT	DECAL LABEL AIRLINE 110PSI	1
		Option, airline to plat	
6	72875GT	DECAL,WARNING,PIPE CRADLE,BOOM	2
		Option, pipe cradle	
7	82237GT	DECAL,DANGER,HIGH VOLTAGE	1
		Option, welder	
8	82410GT	DECAL,WARNING,PANEL CRADLE	2
		Option, panel cradle	
9	82862GT	DECAL,FIRE EXTINGUISHER	1
		Option, welder	
10	97579GT	DECAL,DANGER,TIP-OVER,WELDER**	1
		Option, welder	
11	97815GT	DECAL,LABEL,LOWER MIDRAIL	1
12	114390GT	DECAL,DANGER,ELECT HAZARD***	1
13	114416GT	DECAL,DANGER,TIPOVER,TILT	1
14	218559GT	DECAL,DANGER/WARNING COMBO	1
15	219487GT	DECAL,PLATFORM OVERLOAD	1
16	1278542GT	DECAL, INSTRUCTION, CONTACT ALARM	1
17	1278567GT	OVERLAY PLATFORM CONTROLS S-BOOM XC	1
18	1278982GT	DECAL, INSTRUCTION, ACTUATOR SWITCH SOCKET	1
19	1281174GT	DECAL,LANYARD,FALL ARREST/FALL RESTRAINED	8
20	1283878GT	DECAL,TECH PRO LINK	1
21	1284672GT	DECAL, WARNING, RUNAWAY MACHINE, S-60/65 XC WORD	1
22	1284718GT	DECAL, DANGER, CAPACITY S-65 XC, ANSI WORD	1
23	T112773GT	TAPE, PROTECTIVE MASK	2



106.1 Decals with Symbols, Hydraulic Tank Side



NOTE:
Part numbers with "(FR)"
indicates French translation
is available

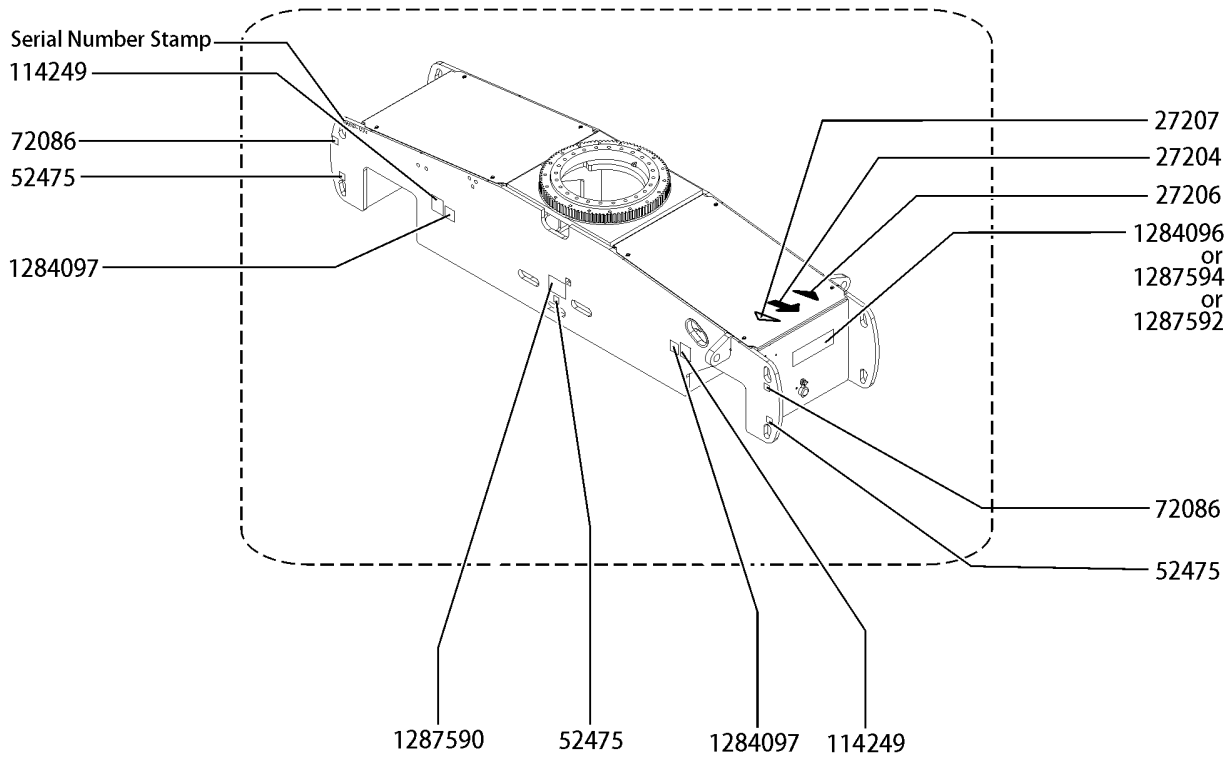
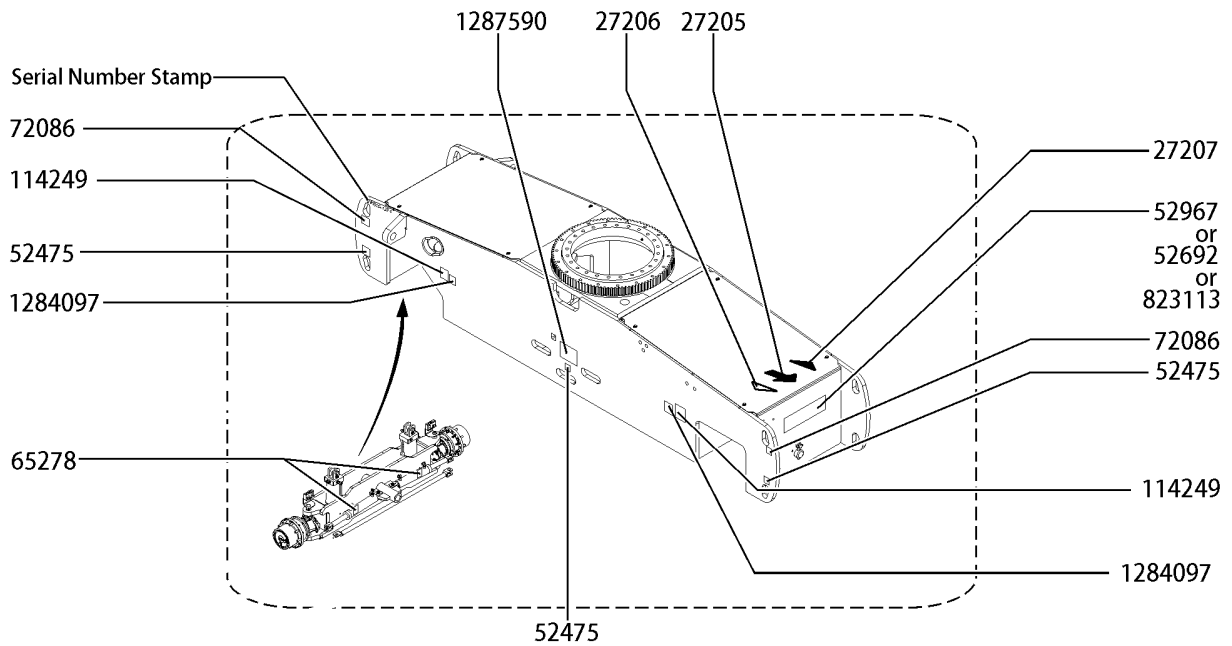


106.1 Decals with Symbols, Hydraulic Tank Side

Item	Part No.	Description	Qty.
1	28159GT	DECAL,LABEL,DIESEL FUEL Option, fuel	1
2	72086GT	DECAL,LABEL,LIFTING EYE	1
3	82240GT	DECAL,LABEL,105 DB CE Only	1
4	82481GT	DECAL,SYMBOL-BATTERY SAFETY	1
5	82487GT	DECAL,SYMBOL-READ THE MANUAL	1
6	114251GT	DECAL,LABEL,NO SMOKING,SYMB	1
7	114252GT	DECAL,LABEL,TIP OVER LMT SWTCH	1
8	133067GT	DECAL,DANGER,ELEC.HAZ.STAY CLR	1
9	133205GT	DECAL,LABEL, ELECTRO HAZARD	1
10	1255581GT	DECAL,COSMETIC, 10" GENIE BLUE	1
11	1255582GT	DECAL COSMETIC,15" GENIE BLUE	1
12	1258174GT	DECAL COSMETIC,10" GENIE WHITE	1
13	1258175GT	DECAL COSMETIC,15" GENIE WHITE	1
14	1258176GT	DECAL,COSMETIC,10" GENIE BLACK	1
15	1258177GT	DECAL COSMETIC,15" GENIE BLACK	1
16	1258949GT	OVERLAY GROUND CONTROLS S-BOOM JIB	1
17	1263542GT	DECAL,IMPROPER OPERATION,SYMBOL	1
18	1270969GT	DECAL, VEC, DEUTZ2.9T, S80 Deutz 2.9	1
19	1270970GT	DECAL, VEC, DEUTZ2011T, S80 Deutz 2011	1
20	1272242GT	DECAL,MACHINE REGISTRATION/OWN	1
21	1281169GT	DECAL,RECOVERY SWITCH	1
22	1281188GT	DECAL,EMERGENCY LOWERING	1
23	1283345GT	DECAL, COVER, XC XTRA CAPACITY	1
24	1283878GT	DECAL,TECH PRO LINK	1
25	1284982GT	DECAL,ACCUMULATOR EXPLOSION HAZARD,SYMBOL	1
26	1286362GT	DECAL, BOOM SUPPORT, SYMBOL	1
27	1290806GT	DECAL,COSMETIC,13.5" GENIE, BLUE	1
28	1302115GT	QRCode Genie AWP (Chinese market)	1

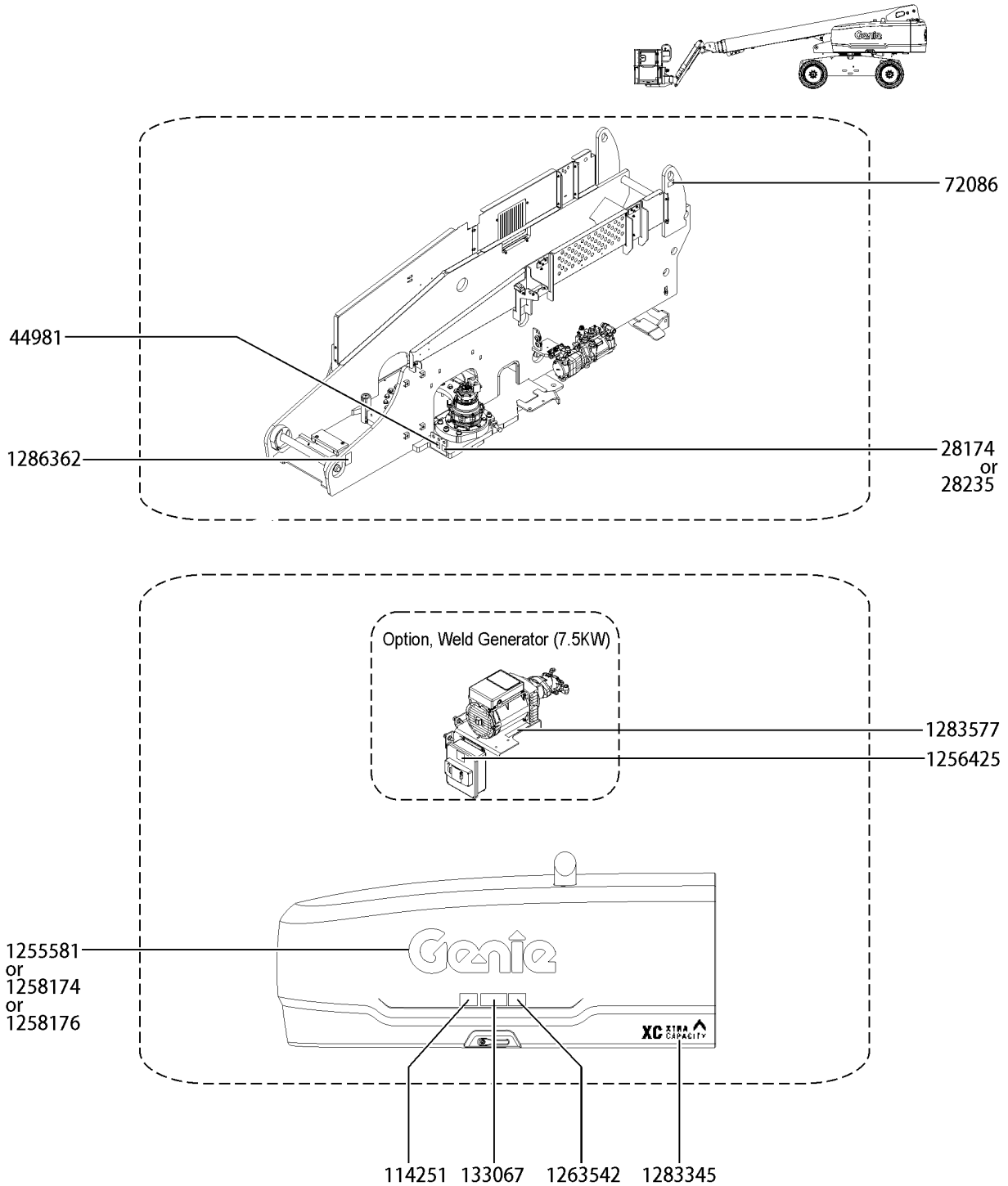


107.1 Decals with Symbols, Chassis



<i>Item</i>	<i>Part No.</i>	<i>Description</i>	<i>Qty.</i>
1	27204GT	DECAL,ARROW BLUE	1
2	27205GT	DECAL,ARROW YELLOW LRG 9"	1
3	27206GT	DECAL,TRIANGLE,BLUE	2
4	27207GT	DECAL,TRIANGLE,YELLOW	2
5	52475GT	DECAL LABEL TRANSPORT TIE DOWN*	6
6	52692GT	DECAL,COSMETIC,4X4 BLUE	1
7	52967GT	DECAL,COSMETIC,4 X 4	1
8	65278GT	DECAL,CAUTION,NO STEP	2
9	72086GT	DECAL,LABEL,LIFTING EYE	2
10	114249GT	DECAL,LABEL,TIPOVER,TIRES,SYMB	4
11	823113GT	DECAL,COSM,4X4,BLACK	1
12	1284096GT	DECAL, CHASSIS, S-65 XC	1
13	1284097GT	DECAL,LABEL,WHEEL LOAD S65 XC	4
14	1287590GT	DECAL, TRANSPORT/LIFTING, S-60/65XC	2
15	1287592GT	DECAL, CHASSIS, S-65 XC, BLK	1
16	1287594GT	DECAL, CHASSIS, S-65 XC, BLUE	1

108.1 Decals with Symbols, Engine Side

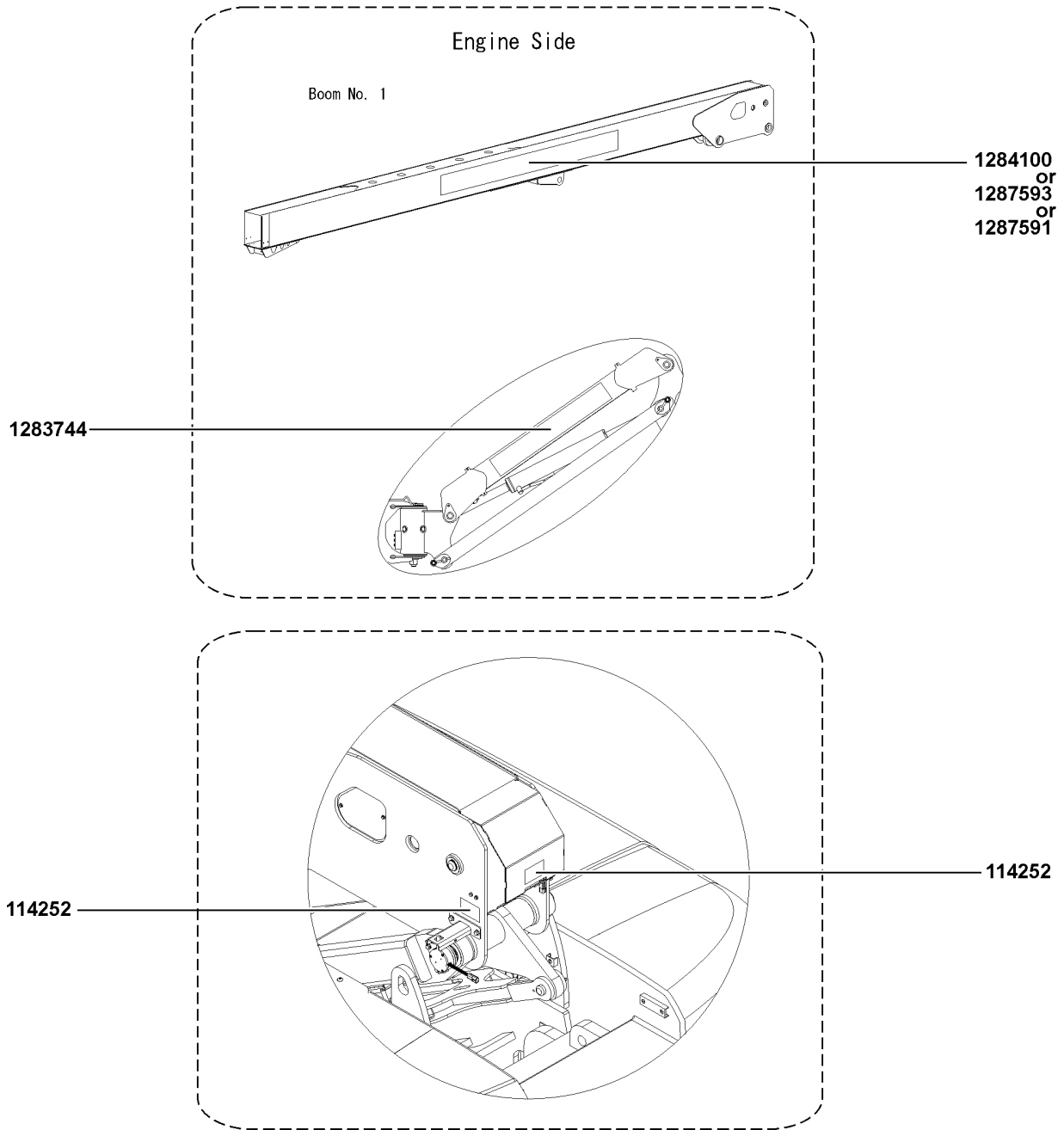


108.1 Decals with Symbols, Engine Side

<i>Item</i>	<i>Part No.</i>	<i>Description</i>	<i>Qty.</i>
1	28174GT	DECAL,POWER TO PLATFORM 230V	1
2	28235GT	DECAL,POWER TO PLATFORM 115V	1
3	44981GT	DECAL LABEL AIRLINE 110PSI	1
		Option, airline to plat	
4	72086GT	DECAL,LABEL,LIFTING EYE	1
5	114251GT	DECAL,LABEL,NO SMOKING,SYMB	1
6	133067GT	DECAL,DANGER,ELEC.HAZ.STAY CLR	1
7	1255581GT	DECAL,COSMETIC, 10" GENIE BLUE	1
8	1258174GT	DECAL COSMETIC,10" GENIE WHITE	1
9	1258176GT	DECAL,COSMETIC,10" GENIE BLACK	1
10	1263542GT	DECAL,IMPROPER OPERATION,SYMBOL	1
11	1283345GT	DECAL, COVER, XC XTRA CAPACITY	1
12	1283577GT	DECAL, LIFT^POWER, 1X7 INCH	1
		Option, welder	
13	1286362GT	DECAL, BOOM SUPPORT, SYMBOL	1
14	1256425GT	DECAL, DANGER, ELECTROCUTION HAZARD, SYMBOL	1



109.1 Decals with Symbols, Boom

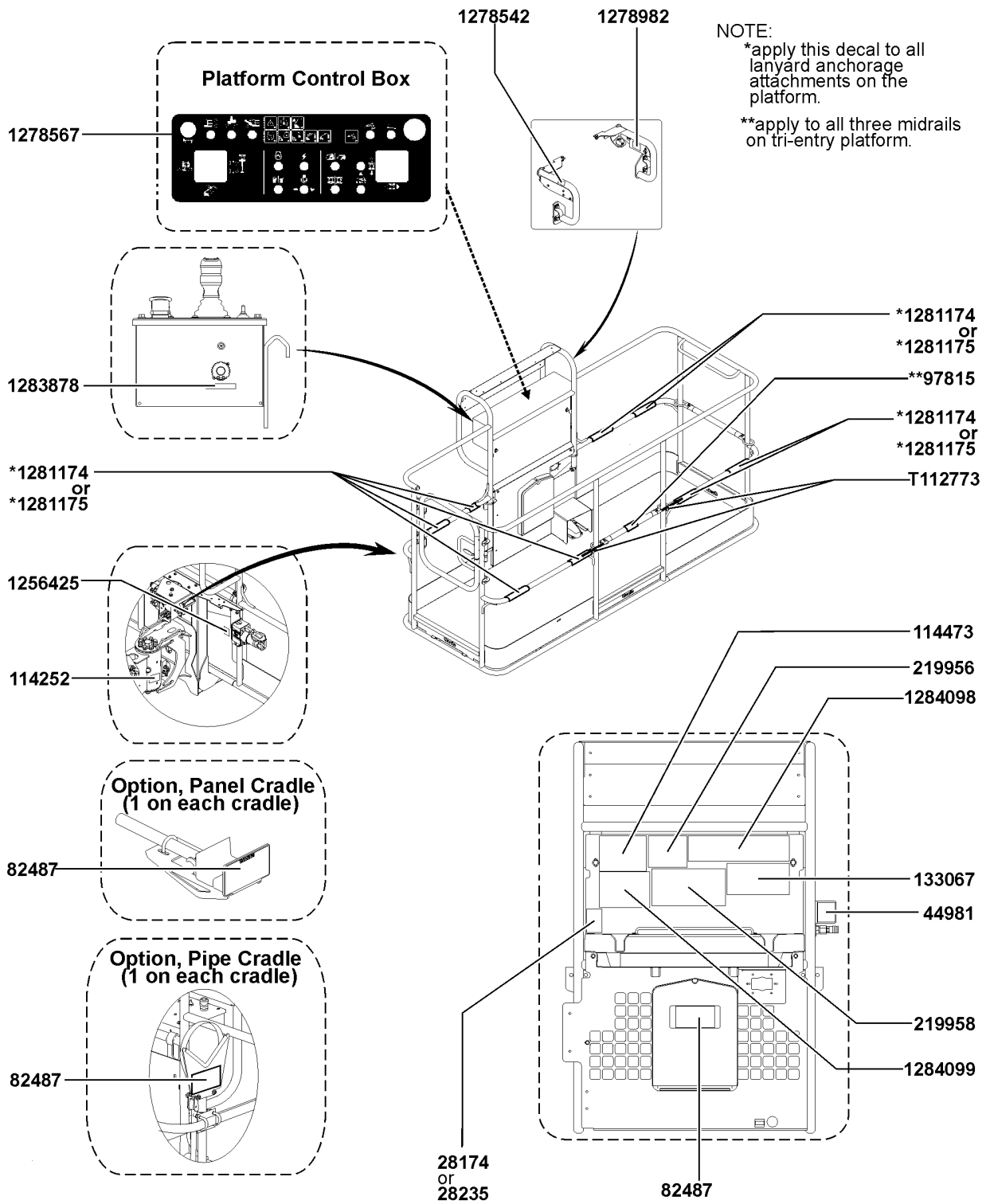


109.1 Decals with Symbols, Boom

<i>Item</i>	<i>Part No.</i>	<i>Description</i>	<i>Qty.</i>
1	114252GT	DECAL,LABEL,TIP OVER LMT SWTCH	2
2	1283744GT	DECAL, LIFT^POWER Option, Lift Power	1
3	1284100GT	DECAL, BOOM, GENIE S-65 XC	1
4	1287591GT	DECAL, BOOM, GENIE S-65 XC, BLK	1
5	1287593GT	DECAL, BOOM, GENIE S-65 XC, BLUE	1



110.1 Decals with Symbols, Platform

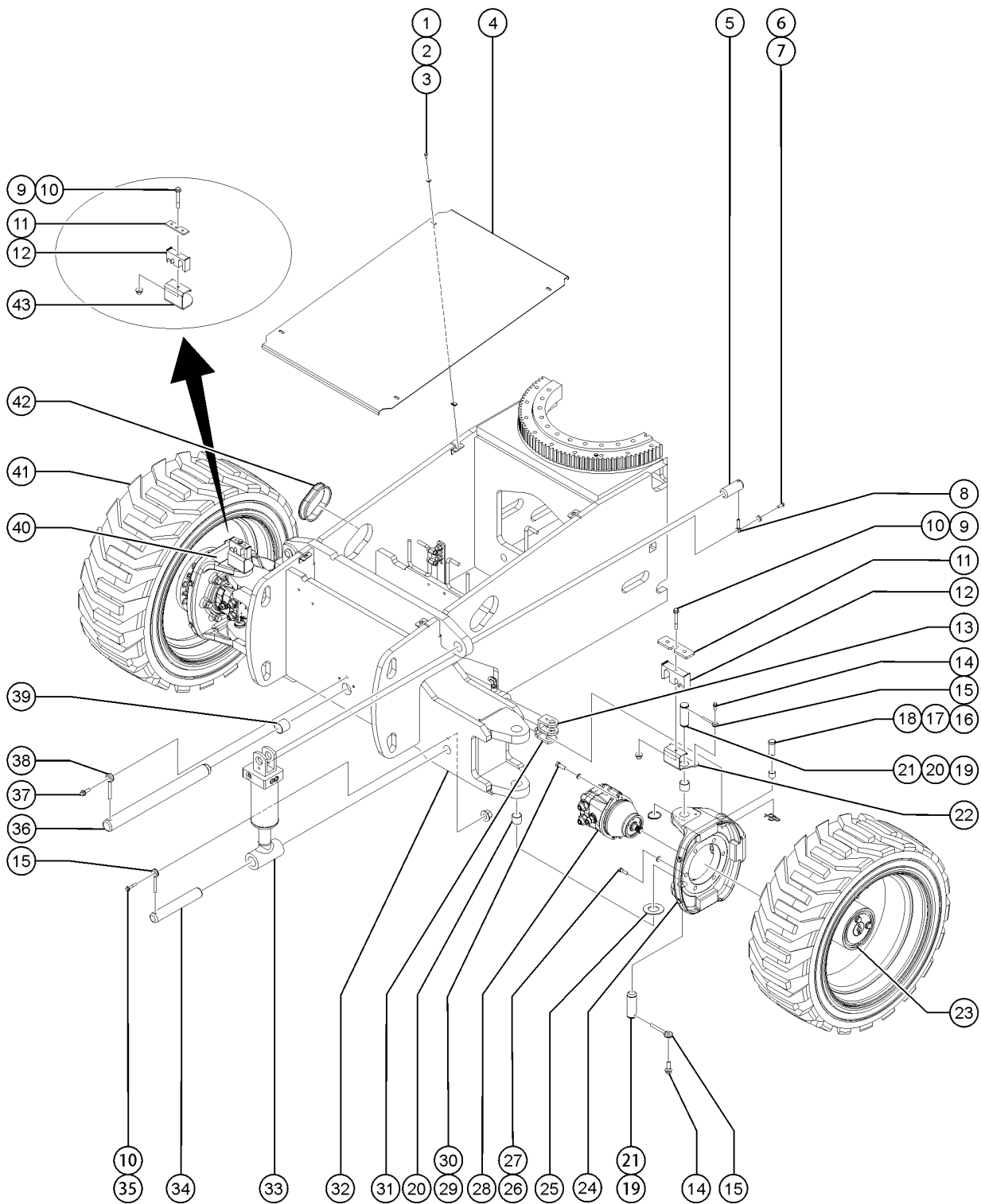


110.1 Decals with Symbols, Platform

Item	Part No.	Description	Qty.
1	28174GT	DECAL,POWER TO PLATFORM 230V	1
2	28235GT	DECAL,POWER TO PLATFORM 115V	1
3	44981GT	DECAL LABEL AIRLINE 110PSI	1
		Option, airline to plat	
4	82487GT	DECAL,SYMBOL-READ THE MANUAL	1
5	97815GT	DECAL,LABEL,LOWER MIDRAIL	1
6	114252GT	DECAL,LABEL,TIP OVER LMT SWTCH	1
7	114473GT	DECAL,DANGER,ELEC.HAZ.STAY CLR	1
8	133067GT	DECAL,DANGER,ELEC.HAZ.STAY CLR	1
9	219956GT	DECAL,PLATFORM OVERLOAD	1
10	219958GT	DECAL,TIP-OVER,CRUSH	1
11	1256425GT	DECAL, DANGER, ELECTROCUTION HAZARD, SYMBOL	1
		Option, Welder	
12	1278542GT	DECAL, INSTRUCTION, CONTACT ALARM	1
13	1278567GT	OVERLAY PLATFORM CONTROLS S-BOOM XC	1
14	1278982GT	DECAL, INSTRUCTION, ACTUATOR SWITCH SOCKET	1
15	1281174GT	DECAL,LANYARD,FALL ARREST/FALL RESTRAINED	8
		ANSI	
16	1281175GT	DECAL,LANYARD,FALL RESTRAINED	8
		CE	
17	1283878GT	DECAL,TECH PRO LINK	1
18	1284098GT	DECAL, DANGER, CAPICITY S-65 XC, SYMBOL	1
19	1284099GT	DECAL, WARNING, RUNAWAY MACHINE, S-60/65 XC, SYMBOL	1
20	T112773GT	TAPE, PROTECTIVE MASK	2



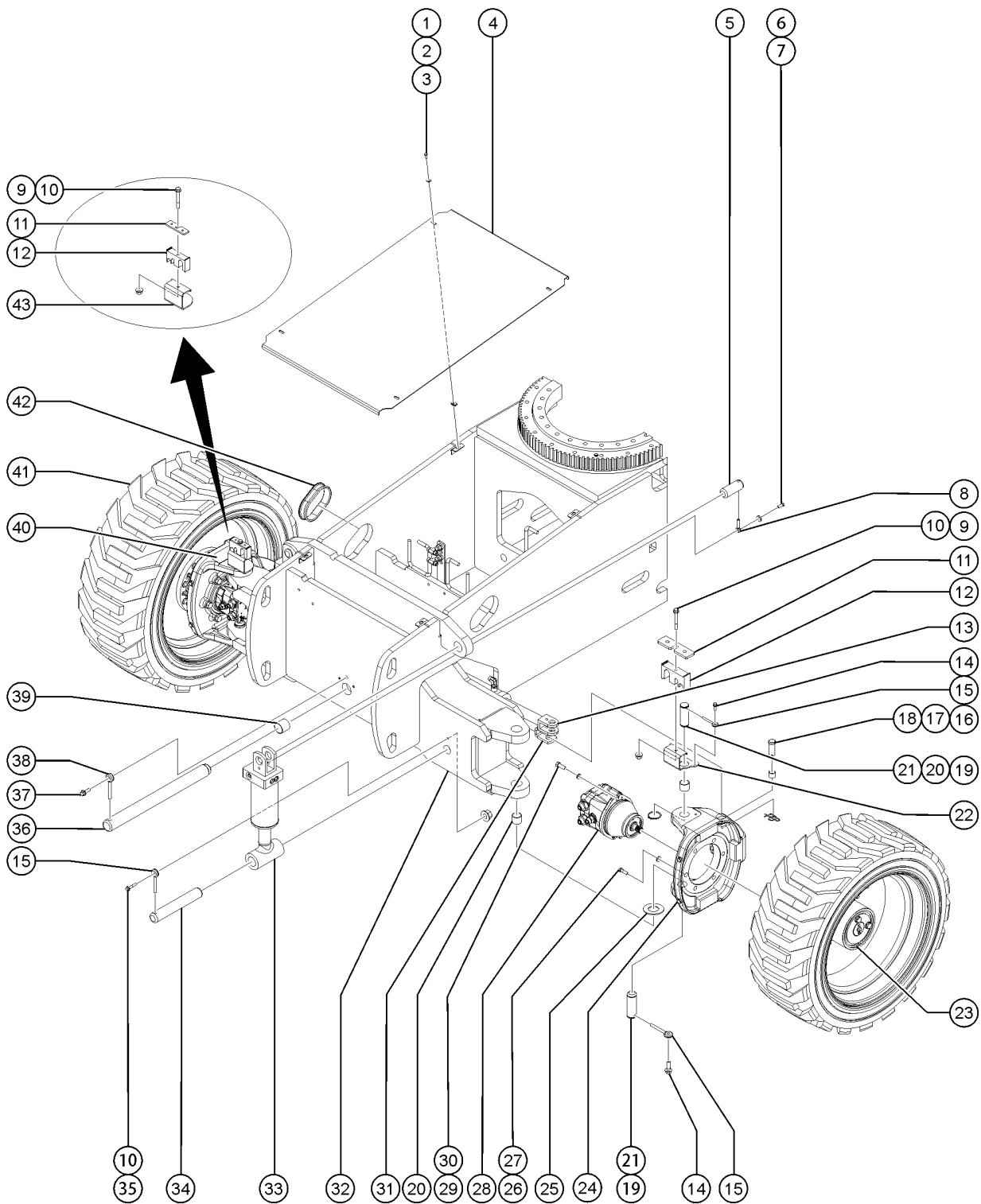
201.1 Steer End



Item	Part No.	Description	Qty.
1	824059GT	SCREW,HHC,1/4-20X.75,8,ZAG	4
2	824113GT	WASHER,FLAT,1/4,USS,ZAG	4
3	56912GT	SPRING CLIP,1/4-20,.025-.15X.5	4
4	1255703GT	COVER,DRIVE CHASSIS	1
4-	217480-3800GT	TAPE,FOAM EPDM,RIBBED,.187X.375	2
5	94221GT	PIN,1.50DIA X 3.75LG,1HOLE	2
6	824067GT	SCREW, HHC, 3/8-16 X 1, 8, ZAG	2
7	824110GT	WASHER,LOCK,3/8,ZAG	2
8	1255452GT	ROD END,.375 X 2.25,ZAG	2
9	824095GT	SCREW, HHF, 3/8-16 X 3, 8, ZAG	2
10	1274322GT	NUT,NYLOCK FLG,3/8-16,G,ZAG	4
11	1255706GT	CLAMP TOP,HOSE ROUTING***	2
12	106516GT	CLAMP,HOSE,2X4,1X6,2X8*** to S65XCD-312	2
12B	1302046GT	CLAMP,HOSE,2X4,1X6,2X8*** from S65XCD-313	2
13	59460GT	CYLINDER,STEERING*** (4WD models)	2
13-	89294GT	SEAL KIT CYLINDER (59460)	
13B	125865GT	CYLINDER, STEER (Trax)	2
14	824091GT	SCREW,HHF,3/8-16X1.25,8,ZAG	4
15	825019GT	ROD END,.375X3.69,ZAG	6
16	824127GT	PIN, CLEVIS, SAE 1.0 X 2.41, ZAG	6
17	25817GT	BEARING,1.00IDX1.25ODX1.00L	6
18	824129GT	RUE RING, 1.0, ZAG	6
19	110221GT	PIN,GROOVE/HOLE,1.50 DIA X 4.475	4
20	119619GT	BEARING,1.5 ID X 1.75 ODX1.5L	4
21	825796GT	SNAP RING,EXTERNAL,1.50,ZAG	4
22	1255705GT	BRACKET,HOSE ROUTING,AXLE LH	1
23		WHEEL DRIVE 57.5:1 4WD PN 231612 REPLACED OMNIGEAR WHEEL DRIVE PN 229702	2
23-	1260084GT	END CAP, WHEEL DRIVE for 229702	



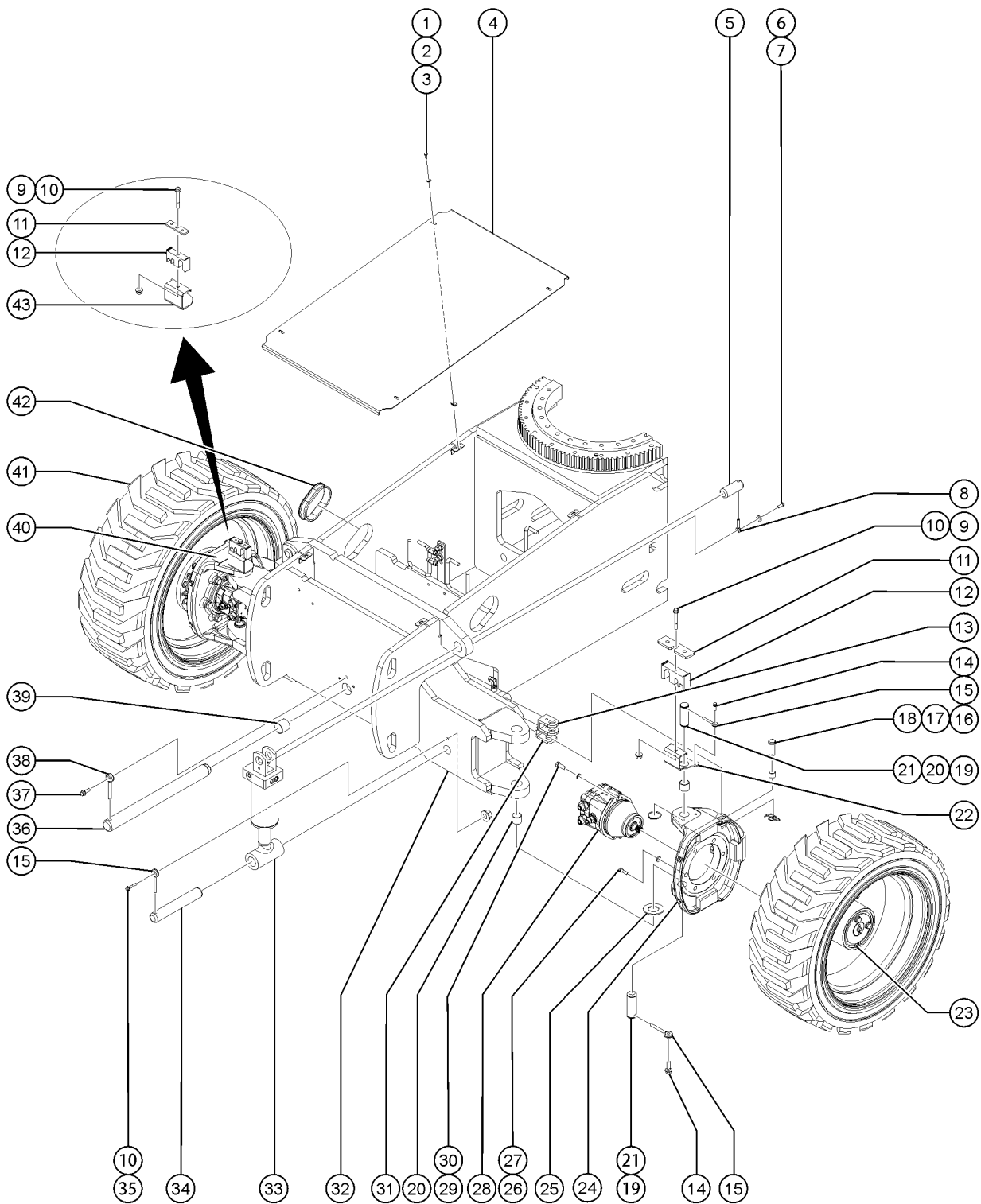
201.1 Steer End



Item	Part No.	Description	Qty.
23-	139965GT	WHEEL STUD,5/8-18,OMNI*** for 229702	
23-	139966GT	ROD,DISCONNECT,OMNI*** for 229702	
23-	139967GT	CAP,DISENGAGE,OMNI*** for 229702	
23-	139968GT	O-RING,END COVER,OMNI*** for 229702	
23-	139969GT	LINING KIT,BRAKE,OMNI*** for 229702	
23-	139970GT	SEAL KIT,BRAKE,OMNI*** for 229702	
23-	139971GT	BEARING KIT,OMNI*** for 229702	
23-	139972GT	SEAL KIT,GEARBOX,OMNI*** for 229702	
23-	147033GT	O-RING,PIPE PLUG KIT,OMNI*** for 229702	
23-	147034GT	PIPE PLUG KIT,OMNI*** for 229702	
23A	231612GT	WHEEL DRIVE,W/BRAKE 4WD	2
23A-	102158GT	O-RING,.103 X 4.737,VITON, 75D	
23A-	106117GT	O-RING,2-010,VITON	
24	1255700GT	YOKE,CASTING,LH,MACHINED**	1
25	45074GT	WASHER,THRUST,1.5 X 3.5 X .187	2
26	1255385GT	SCREW,HHC,5/8-11X2.25,8,ZAG	12
27	1256182GT	WASHER,FLAT,5/8,F436,HRD,ZAG	12
28	88884GT	MOTOR,PISTON,30CC,4WD*** (4WD models)	2
28-	102158GT	O-RING,.103 X 4.737,VITON, 75D for 88884	
28-	106117GT	O-RING,2-010,VITON for 88884	
28-	102155GT	BEARING,BALL DRIVE SHAFT for 88884	
28-	102159GT	SHAFT,15 TOOTH for 88884	
28-	106098GT	SEAL KIT,MOTOR,LC/KC*** for 88884	
28-	27067GT	SEAL,SHAFT-SUNDSTRAND*** for 88884	
28-	72290GT	SNAP RING(M46 UNITS)* for 88884	
29	824072GT	SCREW,HHC,7/16-14X1.25,8,ZAG	4
30	1257078GT	WASHER,.469 X .768 HRD, ZAG	4
31	1255710GT	WELDMENT, TIE ROD (4WD models)	1



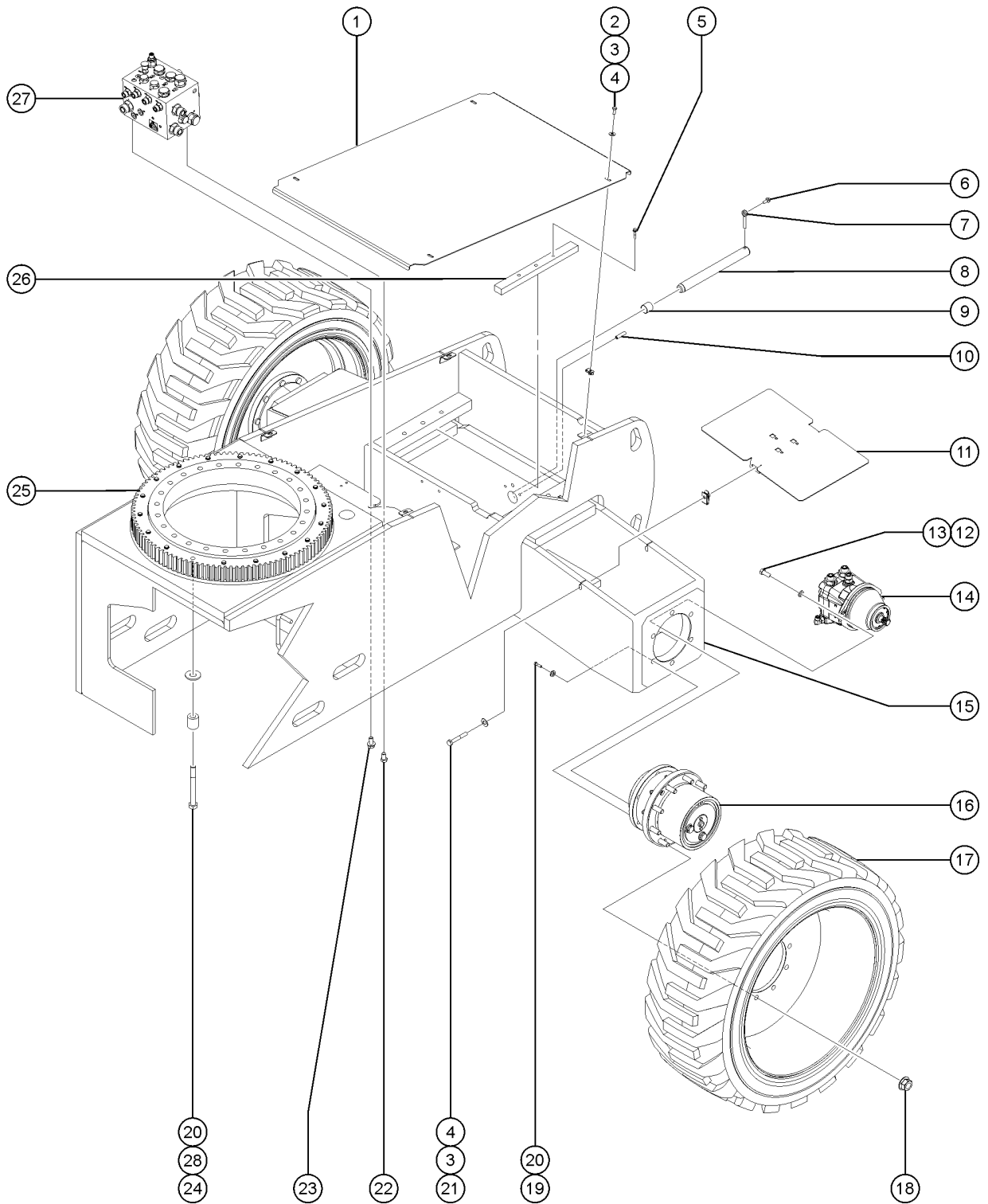
201.1 Steer End



Item	Part No.	Description	Qty.
31B	1283847GT	WELDMENT, TIE ROD, TRAX, 400MM (15.75 IN) WIDE TRACK (Trax)	1
32	1255708GT	WELDMENT,FRONT AXLE	1
32B	1283785GT	WELDMENT,FRONT AXLE, TRAX, 400MM (15.75 IN) WIDE TRACK	1
33	1283511GT	CYLINDER, OSCILLATE S65XC	2
33-	89295GT	SEAL KIT,CYLINDER (63189)	
33-	1287506GT	VALVE, CB. CBCH-LJN@4000	
33-	74735GT	VALVE,COUNTERBALANCE	
34	77880GT	PIN,1.50DIAX9.38LG,1HOLE	2
35	1253478GT	SCREW,HHF,3/8-16X2,8,ZAG	2
36	77610GT	PIN,2.00DIAX23.13LG,CHAMFER	1
37	1253498GT	SCREW,HHF,1/2-13X1.5,8,ZAG	1
38	1256267GT	ROD END,.5 X 3.75,ZAG	1
39	42014GT	BEARING,2.00IDX2.25ODX2.00L	2
40	1255699GT	YOKE,CASTING,RH,MACHINED**	1
41	77790GT	TIRE & WHEEL ASSY, RH, 355/55D625, FF FOAM, RH, OTR	2
41B	77791GT	TIRE & WHEEL ASSY, LH, 355/55D625, FF FOAM, LH, OTR	2
41C	1279698GT	TIRE & WHEEL ASSY,LH,NM,FOAM FOAM NM, LH, EXMILE	2
41D	1279699GT	TIRE & WHEEL ASSY,RH,NM,FOAM FOAM NM, RH, EXMILE	2
41E	1283128GT	TIRE & WHEEL ASSY, LH, FOAM FOAM, LH, EXMILE	2
41F	1283129GT	TIRE & WHEEL ASSY, RH, FOAM FOAM, RH, EXMILE	2
42	53386GT	GUARD, HOSE PROTECTOR	2
43	1255704GT	BRACKET,HOSE ROUTING,AXLE RH	1



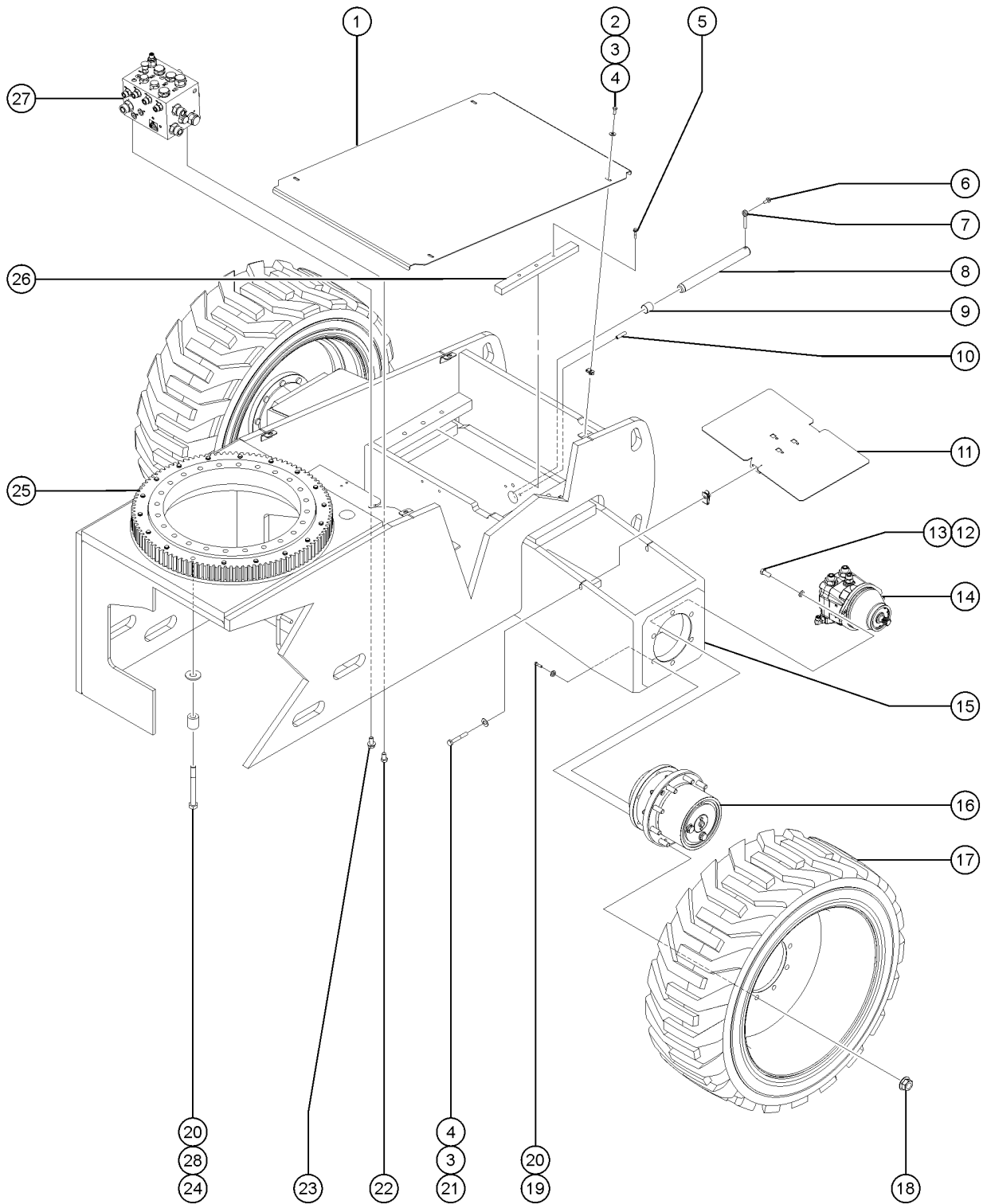
202.1 Non-steer End



Item	Part No.	Description	Qty.
1	1255703GT	COVER,DRIVE CHASSIS does not include decals, refer to section 1	1
1-	217480-3800GT	TAPE,FOAM EPDM,RIBBED,.187X.375	2
2	824059GT	SCREW,HHC,1/4-20X.75,8,ZAG	4
3	824113GT	WASHER,FLAT,1/4,USS,ZAG	8
4	56912GT	SPRING CLIP,1/4-20,.025-.15X.5	8
5	1255802GT	SCREW,HHF,1/2-13X2.5,8,ZAG	3
6	1253498GT	SCREW,HHF,1/2-13X1.5,8,ZAG	1
7	1256267GT	ROD END,.5 X 3.75,ZAG	1
8	77950GT	PIN,2.00DIA X 20.88LG,CHAMFER	1
9	42014GT	BEARING,2.00ID X 2.25OD X 2.00L	2
10	128049GT	PIN, ROLL, .375 X 1.5***	8
11	1255711GT	COVER,REAR AXLE	2
12	824072GT	SCREW,HHC,7/16-14X1.25,8,ZAG	4
13	1257078GT	WASHER, .469 X .768 HRD, ZAG	4
14	88884GT	MOTOR,PISTON,30CC,4WD***	2
14-	102158GT	O-RING,.103 X 4.737,VITON, 75D for 88884	
14-	106117GT	O-RING,2-010,VITON for 88884	
14-	102155GT	BEARING,BALL DRIVE SHAFT for 88884	
14-	102159GT	SHAFT,15 TOOTH for 88884	
14-	106098GT	SEAL KIT,MOTOR,LC/KC*** for 88884	
14-	27067GT	SEAL,SHAFT-SUNDSTRAND*** for 88884	
14-	72290GT	SNAP RING(M46 UNITS)* for 88884	
15	1283533GT	WELDMENT, REAR AXLE	1
15B	1283783GT	WELDMENT,REAR AXLE,TRAX, 400MM (15.75 IN) WIDE TRACK	1
16	231612GT	WHEEL DRIVE,W/BRAKE 4WD	2
17	77790GT	TIRE & WHEEL ASSY, RH, 355/55D625, FF FOAM, RH, OTR	2
17B	77791GT	TIRE & WHEEL ASSY, LH, 355/55D625, FF FOAM, LH, OTR	2
17C	1279698GT	TIRE & WHEEL ASSY,LH,NM,FOAM FOAM NM, LH, EXMILE	2

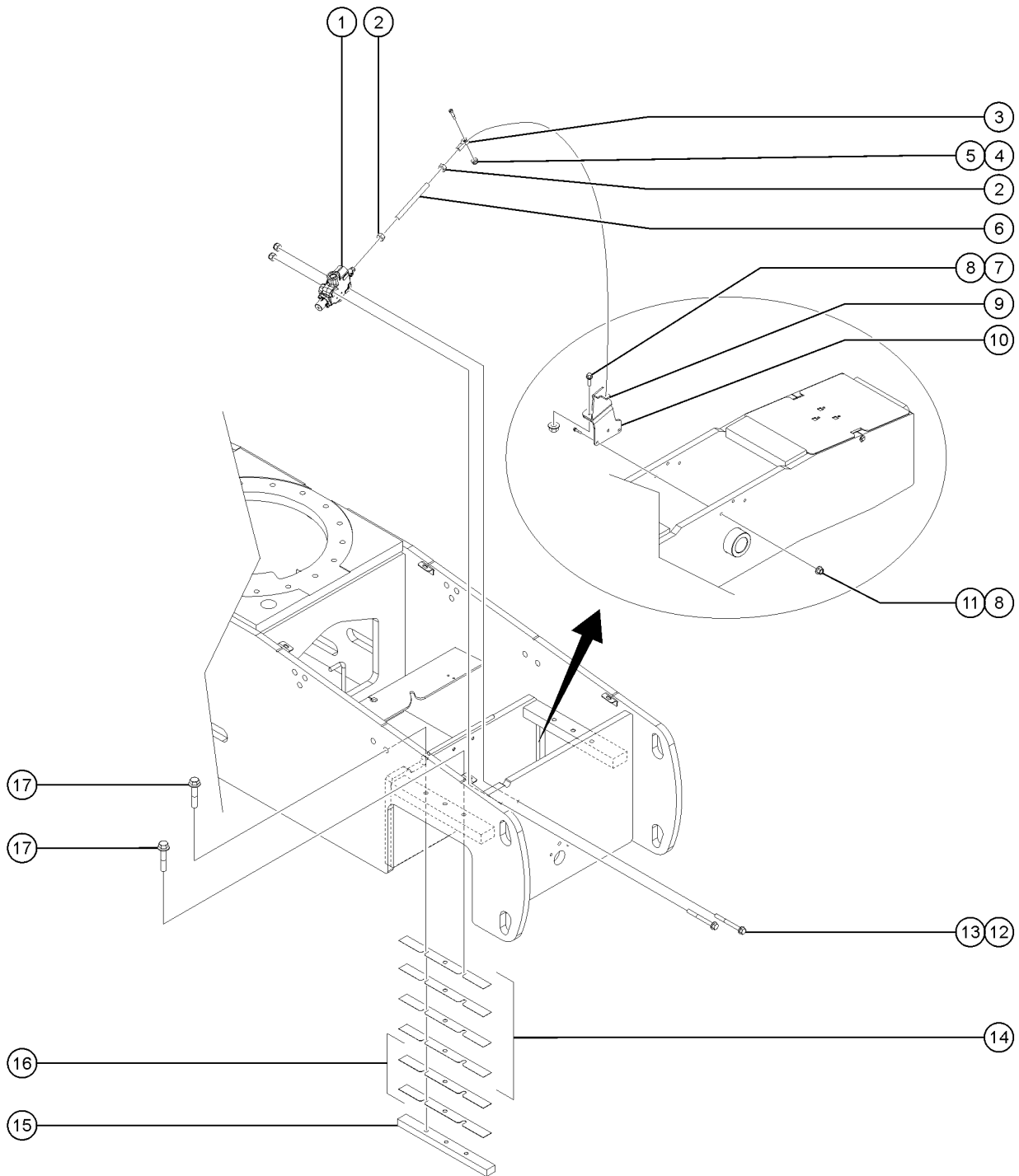


202.1 Non-steer End



Item	Part No.	Description	Qty.
17D	1279699GT	TIRE & WHEEL ASSY,RH,NM,FOAM FOAM NM, RH, EXMILE	2
17E	1283128GT	TIRE & WHEEL ASSY, LH, FOAM FOAM, LH, EXMILE	2
17F	1283129GT	TIRE & WHEEL ASSY, RH, FOAM FOAM, RH, EXMILE	2
18	77674GT	NUT,HEX,FLANGE 5/8-18,GRD 8 ZI	36
19	1255385GT	SCREW,HHC,5/8-11X2.25,8,ZAG	12
20	1256182GT	WASHER,FLAT,5/8,F436,HRD,ZAG	30
21	824063GT	SCREW, HHC, 1/4-20 X 1.75, 8, ZAG	4
22	1257453GT	SCREW,HHC,1/2-13X.875,8,ZAG	1
23	237830GT	SCREW,HHF,1/2-13X1,8,ZAG	1
24	1263141GT	SCREW,HHC,5/8-11X5.5,8,ZAG	18
25	63468GT	BEARING,TURNTABLE ROTATION	1
25-	227785GT	BEARING TURNTABLE SEAL ***	
26	1310157GT	ASSY, BAR,AXLE ROTATION STOP, TRAFFIC BLACK	2
27		REF. MANIFOLD, TRACTION (refer to 402.1)	1
28	1282181GT	SPACER,1.313ODX5/8IDX1.5L	18

203.1 Oscillate Valve

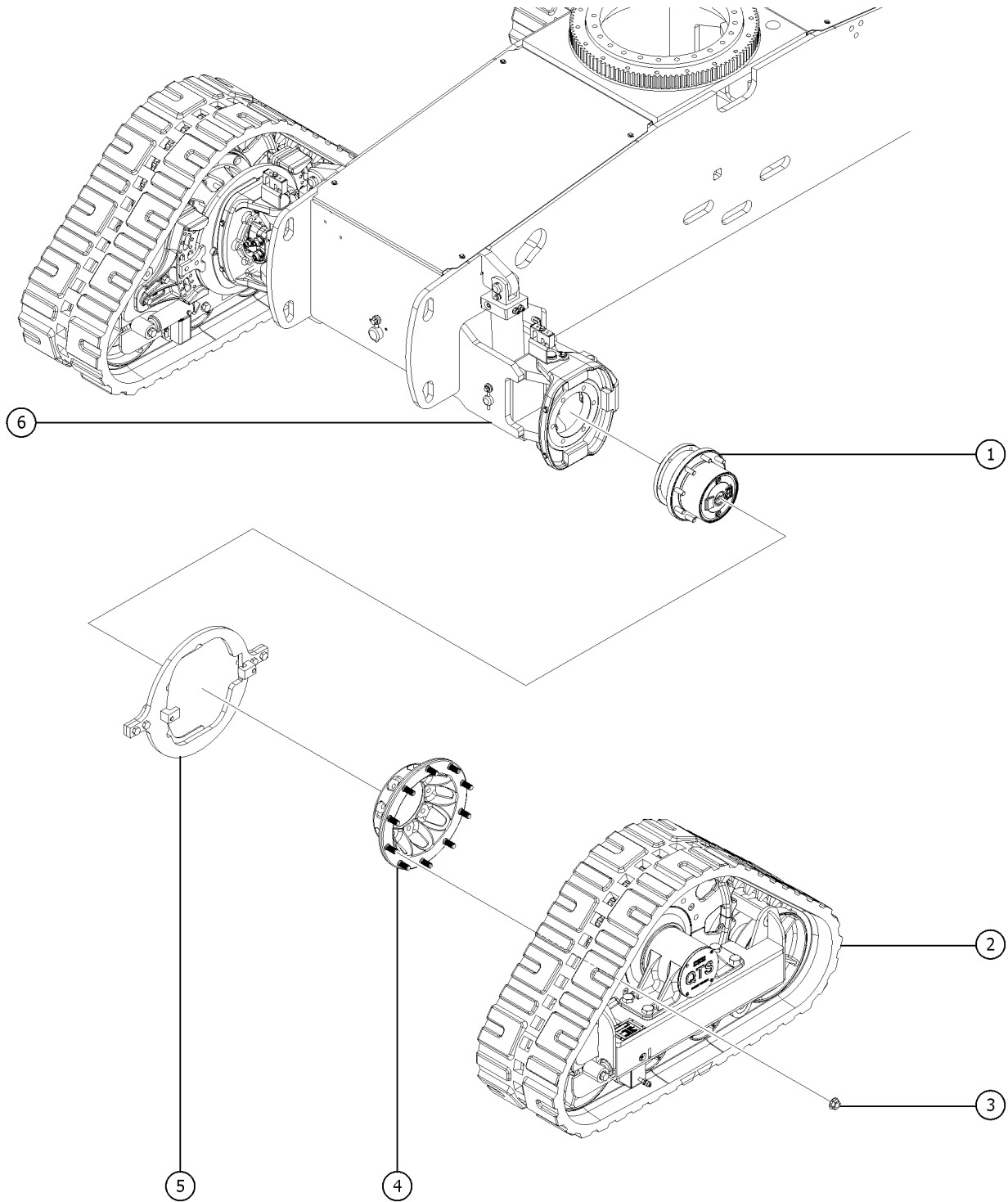


203.1 Oscillate Valve

<i>Item</i>	<i>Part No.</i>	<i>Description</i>	<i>Qty.</i>
1	1288398GT	VALVE, MOTOR SPOOL, 3 POS 4 WAY	1
2	824041GT	NUT, 1/4-28, 8, ZAG	2
3	81691GT	ROD END,BALL JOINT 1/4-28	1
4	1283004GT	NUT,NYLOCK FLG,10-24,A,ZAG	1
5	1257076GT	BOLT,SHS,1/4-28X4,ZAG	1
6	1283537GT	ROD, THREADED, 1/4X28X2.25	1
7	824091GT	SCREW,HHF,3/8-16X1.25,8,ZAG	2
8	1274322GT	NUT,NYLOCK FLG,3/8-16,G,ZAG	5
9	1288372GT	FORMING, TOP, OSCILLATE VALVE BRACKET	1
10	1288373GT	FORMING, BOTTOM, OSCILLATE VALVE BRACKET	1
11	1253478GT	SCREW,HHF,3/8-16X2,8,ZAG	3
12	1257419GT	SCREW,HHF,M8-1.25X80,DIN6921,10.9,ZAB	2
13	1283022GT	NUT,NYLOCK,M8-1.25,DIN985,10,ZAB	2
14	81609GT	SHIM,AXLE ROTATION STOP,22G	4
15	1255702GT	BAR,AXLE ROTATION STOP,OSC.	1
16	81610GT	SHIM,AXLE ROTATION STOP,16G	2
17	1255802GT	SCREW,HHF,1/2-13X2.5,8,ZAG	3



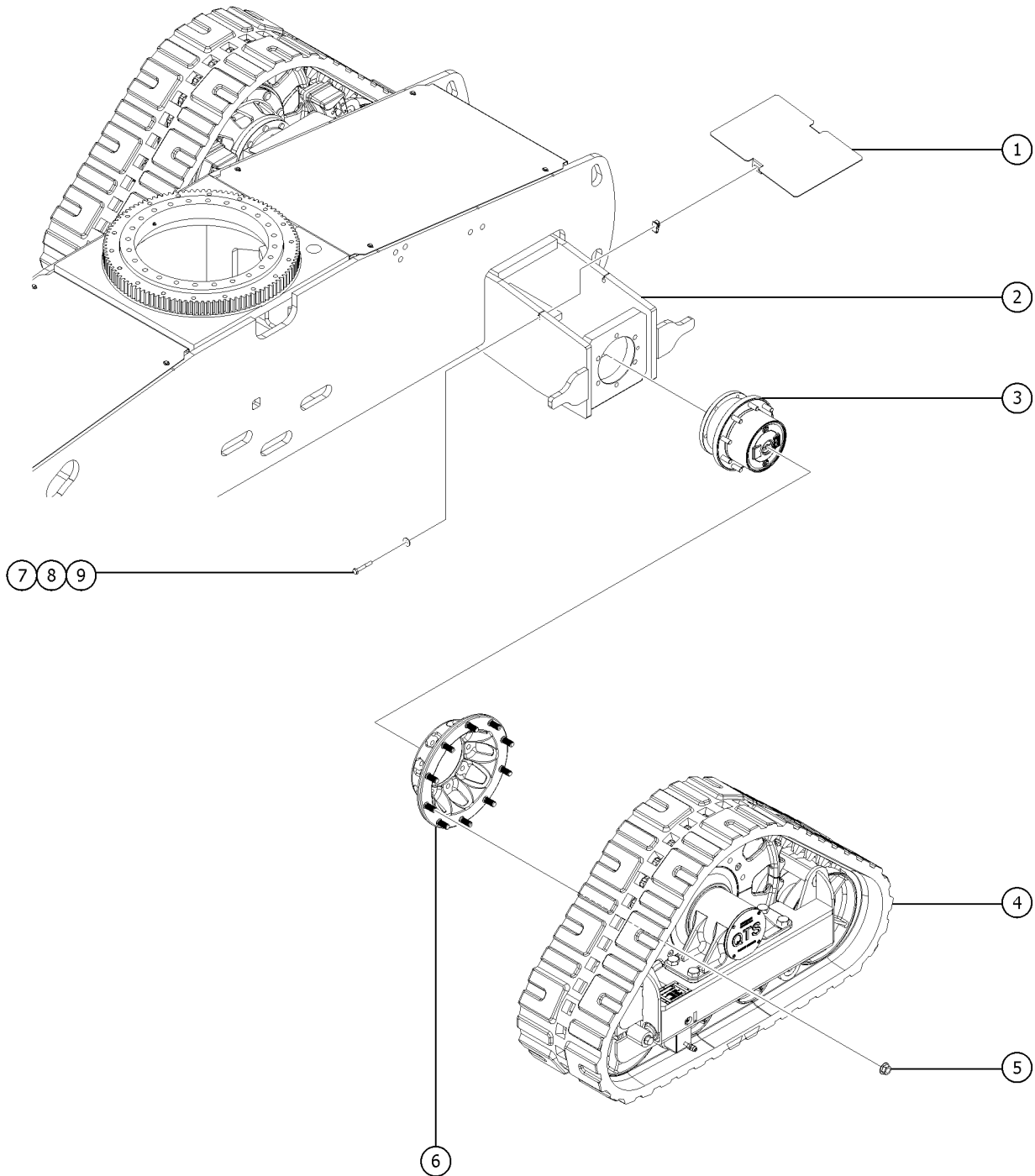
204.1 TraX Option Steer End



Item	Part No.	Description	Qty.
1	229817GT	WHEEL DRIVE 56:1	2
1-	102157GT	O-RING,.070 X .239,VITON 75D	
1-	102162GT	LUG,STUD/WHEEL (88887)	
1-	102131GT	DISCONNECT KIT (88887)	
1-	229818GT	SEAL KIT, DRIVE HUB	
1-	215340GT	LOCKRING, RR***	
1-	102516GT	RING,RETAINING,INTERNAL	
1-	215642GT	BRAKE KIT (88886)***	
1-	229931GT	SEAL,LIP	
1-	102158GT	O-RING,.103 X 4.737,VITON, 75D	
1-	102166GT	VALVE,CHECK,30 PSI	
1-	102167GT	SHAFT,INPUT DRIVE HUB	
1-	106098GT	SEAL KIT,MOTOR,LC/KC***	
1-	27067GT	SEAL,SHAFT-SUNDSTRAND***	
1-	77674GT	NUT,HEX,FLANGE 5/8-18,GRD 8 ZI	
1-	88884GT	MOTOR,PISTON,30CC,4WD***	
2	1287241GT	ASSEMBLY,TRAX UNIT,LEFT,400MM (15.75 IN) WIDE TRACK (Left)	1
2B	1287240GT	ASSEMBLY,TRAX UNIT,RIGHT,400MM (15.75 IN) WIDE TRACK (Right)	1
3	77674GT	NUT,HEX,FLANGE 5/8-18,GRD 8 ZI	20
4	139002GT	SPACER, 9 BOLT	2
4-	139140GT	STUD, 3/4-16 UNF X 2-1/2 LG for 139002	
5	139001GT	ROTATIONAL LIMITER FRONT LEFT (Left)	1
5B	139000GT	ROTATIONAL LIMITER FRONT RIGHT (Right)	1
6	1283785GT	WELDMENT,FRONT AXLE, TRAX, 400MM (15.75 IN) WIDE TRACK	1



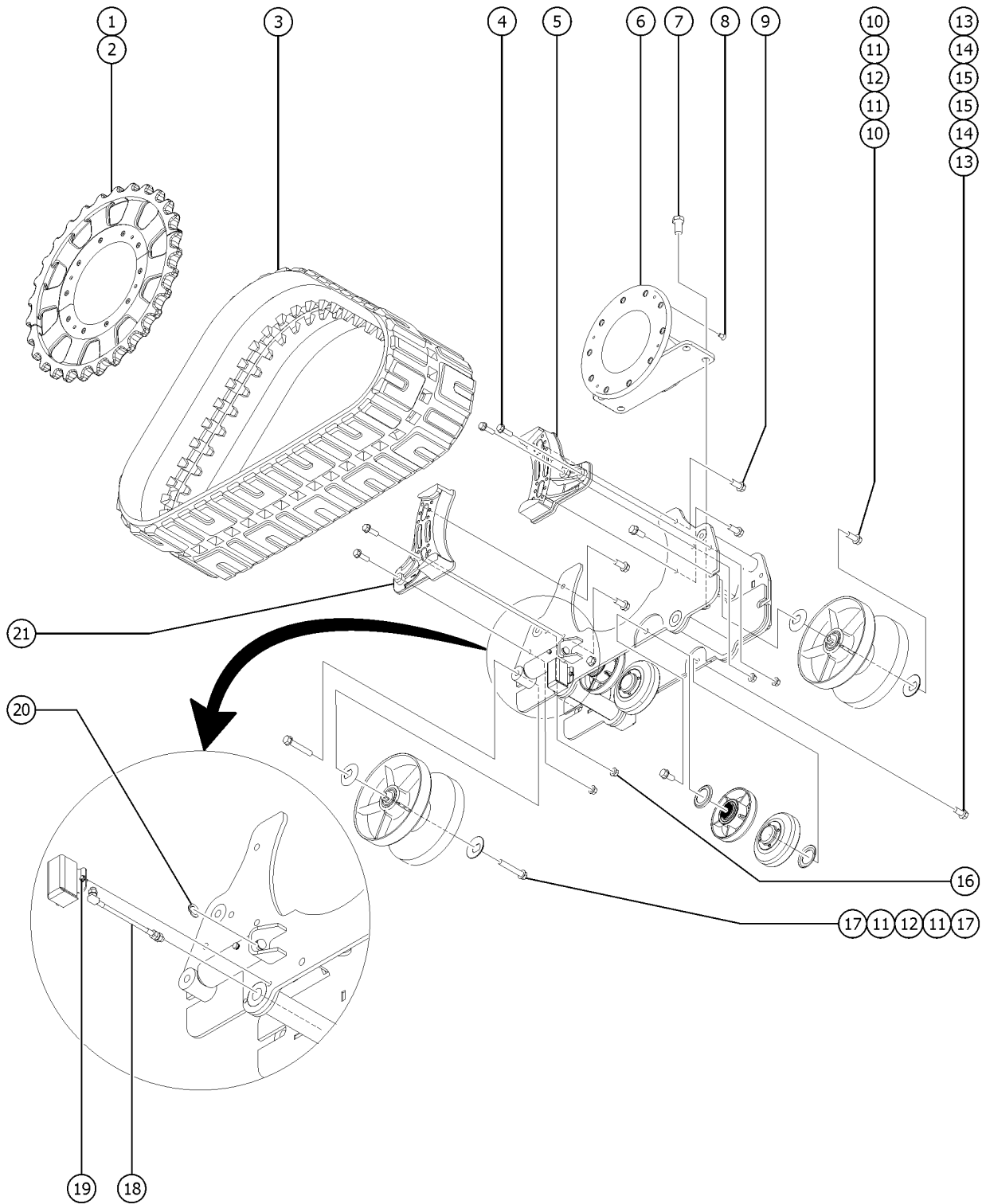
205.1 TraX Option Non-steer End



Item	Part No.	Description	Qty.
1	1255714GT	COVER, REAR AXLE	2
2	1283783GT	WELDMENT,REAR AXLE,TRAX, 400MM (15.75 IN) WIDE TRACK	1
3	229817GT	WHEEL DRIVE 56:1	2
3-	102157GT	O-RING,.070 X .239,VITON 75D	
3-	102162GT	LUG,STUD/WHEEL (88887)	
3-	102131GT	DISCONNECT KIT (88887)	
3-	229818GT	SEAL KIT, DRIVE HUB	
3-	215340GT	LOCKRING, RR***	
3-	102516GT	RING,RETAINING,INTERNAL	
3-	215642GT	BRAKE KIT (88886)***	
3-	229931GT	SEAL,LIP	
3-	102158GT	O-RING,.103 X 4.737,VITON, 75D	
3-	102166GT	VALVE,CHECK,30 PSI	
3-	102167GT	SHAFT,INPUT DRIVE HUB	
3-	106098GT	SEAL KIT,MOTOR,LC/KC***	
3-	27067GT	SEAL,SHAFT-SUNDSTRAND***	
3-	77674GT	NUT,HEX,FLANGE 5/8-18,GRD 8 ZI	
3-	88884GT	MOTOR,PISTON,30CC,4WD***	
4	1287241GT	ASSEMBLY,TRAX UNIT,LEFT,400MM (15.75 IN) WIDE TRACK	1
		(left)	
4B	1287240GT	ASSEMBLY,TRAX UNIT,RIGHT,400MM (15.75 IN) WIDE TRACK	1
		(right)	
5	77674GT	NUT,HEX,FLANGE 5/8-18,GRD 8 ZI	20
6	139002GT	SPACER, 9 BOLT	2
6-	139140GT	STUD, 3/4-16 UNF X 2-1/2 LG	
		for 139002	
7	1255642GT	SCREW,HHC,5/16-18X1.75,8,ZAG	
8	825358GT	WASHER,FLAT,5/16,USS,ZAG	
9	36456GT	SPRING CLIP,5/16-18,.025-.15X	



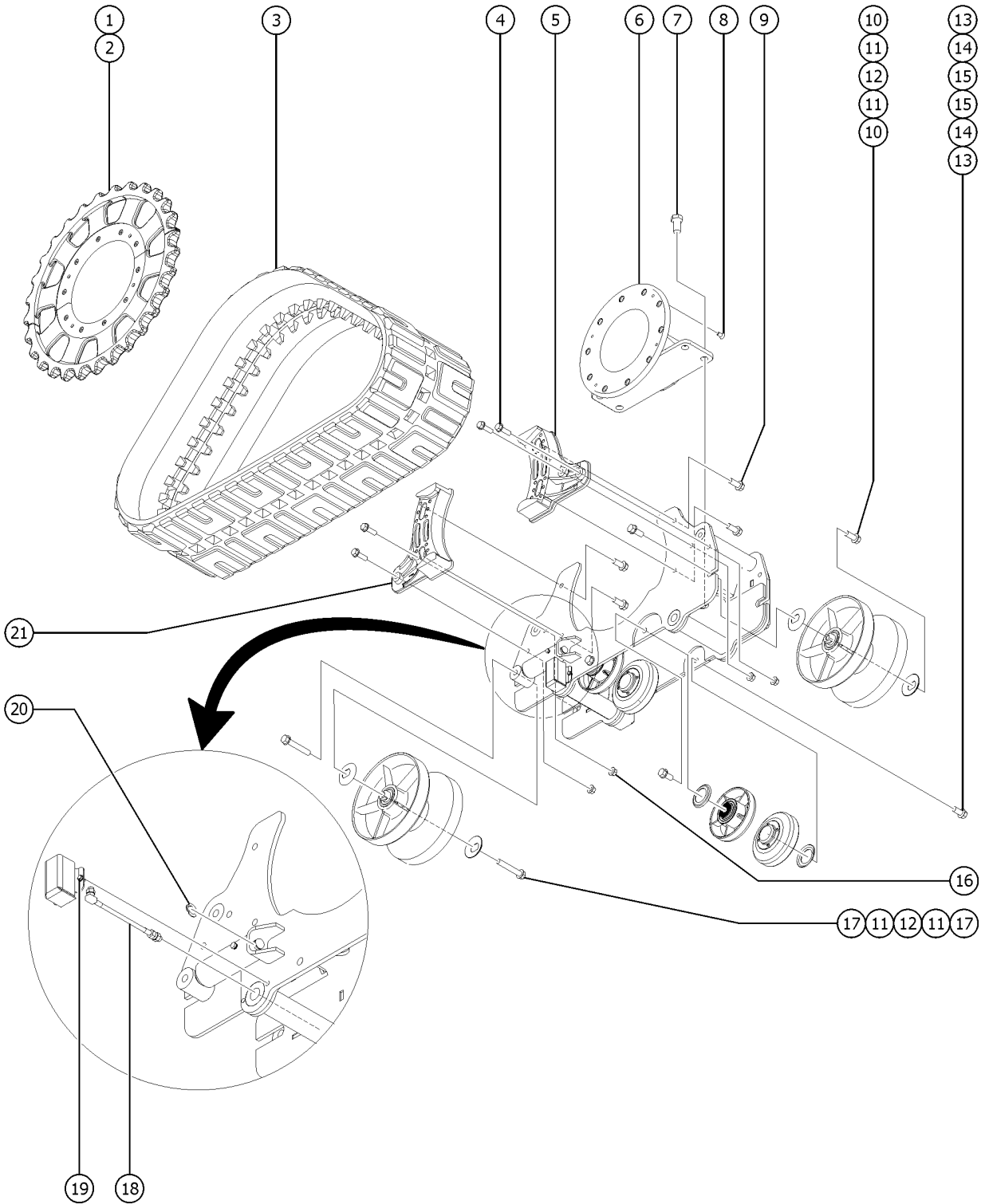
206.1 TraX Option Components



Item	Part No.	Description	Qty.
A	1287241GT	ASSEMBLY,TRAX UNIT,LEFT,400MM (15.75 IN) WIDE TRACK	
B	1287240GT	ASSEMBLY,TRAX UNIT,RIGHT,400MM (15.75 IN) WIDE TRACK	
C	128949GT	FITTING, 1/4"NPT STR ZERK	1
1	128922GT	SPROCKET, MACH. HALF RIGHT	1
2	128923GT	SPROCKET, MACH. HALF LEFT	1
3	1287242GT	TRACK,RUBBER,400MM (15.75 IN) WIDE	1
4	111155GT	SCREW,FLANGE,HHC,5/8-11X2,GR8	4
5	128925GT	CAST, LIMITER STOP BRKT R	1
6	128928GT	HUB ASSEMBLY	1
6-	1313693GT	SPINDLE, MAIN	1
6-	1313694GT	BEARING, TAPERED ROLLER	1
6-	1313695GT	HUB, MAIN CAST	1
6-	1313696GT	NUT, SPANNER	1
6-	1313697GT	SEAL, HUB	1
6-	1313698GT	COVER, DUST, AWP	1
6-	1313699GT	O-RING	1
6-	1313700GT	SNAP RING	1
6-	1313701GT	PIN, PLUNGER	1
6-	1313702GT	SPRING, COMPRESSION, .53ID X 1.94 LONG	1
6-	1313703GT	PIN, SPRING 3/16 DIA X .625 LONG	2
6-	1313704GT	O-RING .484 ID X .139 CROSS SECTION	2
6-	1313705GT	COVER, BRAKE RELEASE	1
6-	1313706GT	O-RING, 1.00 DIA X .094 CROSS SECTION	1
6-	1313707GT	SPACER, RUBBER	1
6-	1313708GT	SCREW, HFS, 1/4-20 X .38, GR8, YZ	2
6-	1313709GT	SCREW, SHCS, 5/16-18 X .75, GR8, YZ	4
7	128913GT	BOLT,HHC,1-14X2.0"GR8 PLT	4
8	128914GT	SCREW, FHSC, 1/2-13X1.00	4

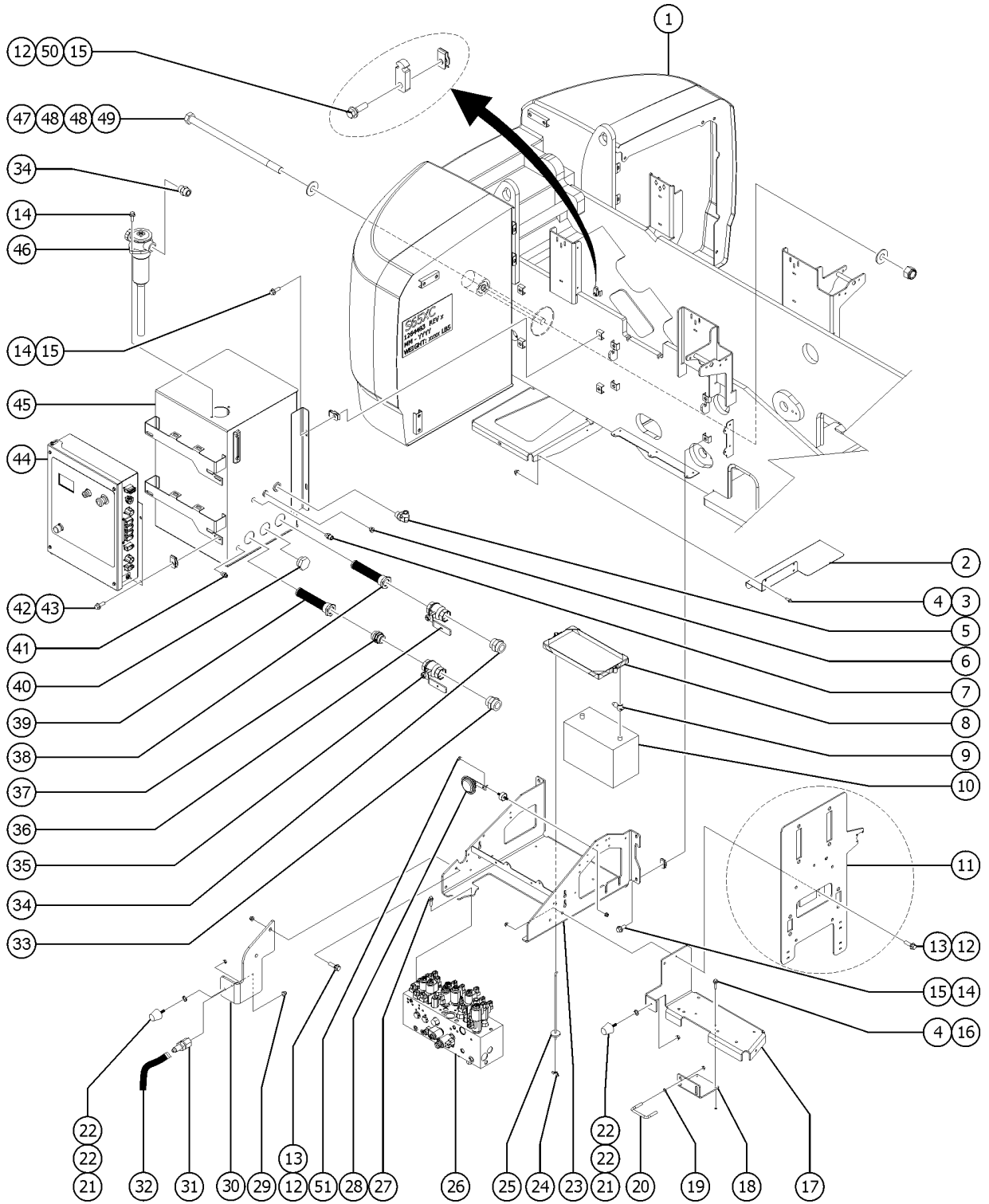


206.1 TraX Option Components



<i>Item</i>	<i>Part No.</i>	<i>Description</i>	<i>Qty.</i>
9	128912GT	BOLT,FLANGE,5/8-11X1.5"GR8 PLT	4
10	128910GT	BOLT,FLANGE,3/4-10X1.75GR8 PLT	2
11	128920GT	COVER, DUST	4
12	128917GT	END BOGEY	2
13	128909GT	BOLT,FLANGE,3/4-10X1.5"GR8 PLT	4
14	128921GT	GUARD, SEAL	4
15	128918GT	SPLIT BOGEY	4
16	128916GT	NUT,FLANGE,LOCK,5/8-11GR8 PLT	4
17	128911GT	BOLT,FLANGE,3/4-10X4.5"GR8 PLT	2
18	128927GT	HYD. HOSE ASSEMBLY 3000 PSI	1
19	128955GT	BOLT,FLANGE,5/16-18X.50 GR5	4
20	128919GT	SNAP RING	2
21	128924GT	CAST, LIMITER STOP BRKT L	1

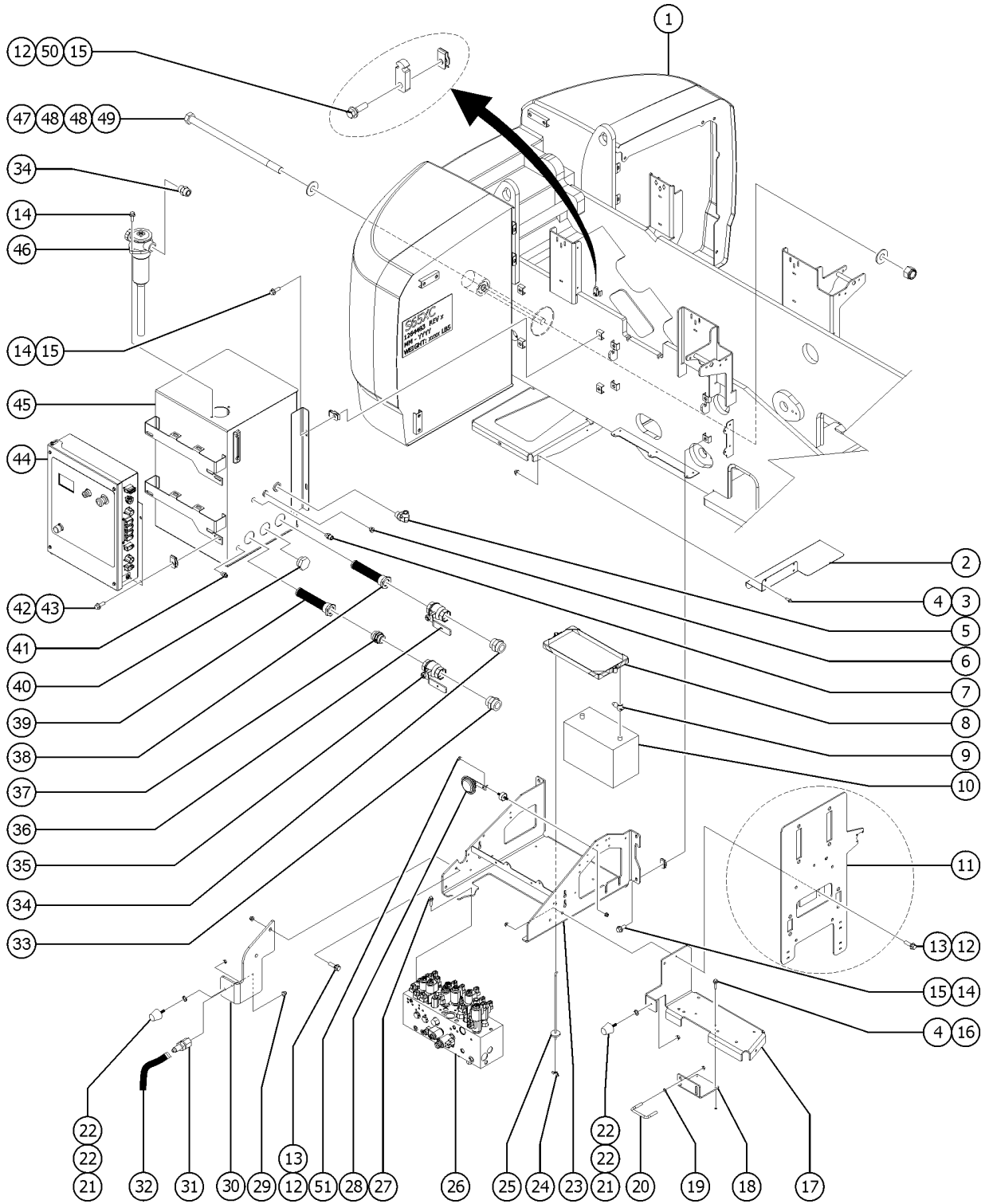
301.1 Tank Side - View 1



Item	Part No.	Description	Qty.
1	1264483GT	COUNTERWEIGHT, S65XC	1
2	1283547GT	FORMING, HARNESS SUPPORT, S60/65XC	1
3	824078GT	SCREW,HHF,1/4-20X.75,8,ZAG	2
4	1277924GT	NUT,NYLOCK FLG,1/4-20,F,ZAG	4
5	48878GT	ELBOW,90D,520220-16-12	1
6	59371GT	PLUG, HEX SOCKET, 090109B-8*	1
7	48912GT	CONN,520120-4-6***	1
8	30144GT	BATTERY HOLD DOWN,GROUP 31	1
9	8910GT	BOOT,CABLE TERM,MED.RED,4/0	1
10	1306670GT	START BATTERY,12V,1000CCA	1
11		Ref. ECU BRACKET	
		(refer to 302.1)	
12	824091GT	SCREW,HHF,3/8-16X1.25,8,ZAG	7
13	1274322GT	NUT,NYLOCK FLG,3/8-16,G,ZAG	5
14	824090GT	SCREW,HHF,3/8-16X1,8,ZAG	10
15	29868GT	SPRING CLIP,3/8-16,.05-.20X.73	10
16	824079GT	SCREW,HHF,1/4-20X1,8,ZAG	2
		(to SN S65XCD-106)	
17	1260112GT	FORMING, MOUNT, LATCH	1
		(to SN S65XCD-106)	
17B	1299532GT	FORMING,MOUNT,LATCH	1
		(from SN S65XCD-107)	
18	1260113GT	FORMING, BRACKET, LATCH	1
		(to SN S65XCD-106)	
19	1261724GT	BATTERY HOLD DOWN	4
20	1259855GT	UBOLT, 0.4724 IN D X 4.0 IN L	1
21	1261277GT	RUBBER BUMPER, 1.25 X 1.25 IN	2
22	1274167GT	NUT,NYLOCK FLG,5/16-18,F,ZAG	4
23	1283545GT	WELDMENT, BATT/MANIF TRAY, S60/65XC	1
24	8170GT	NUT,WING,1/4-20	2
25	45708GT	HOOK,BATT HOLD DOWN,10"	2
26		Ref. FUNCTION MANIFOLD	
		(refer to 401.1)	
27	1253498GT	SCREW,HHF,1/2-13X1.5,8,ZAG	2



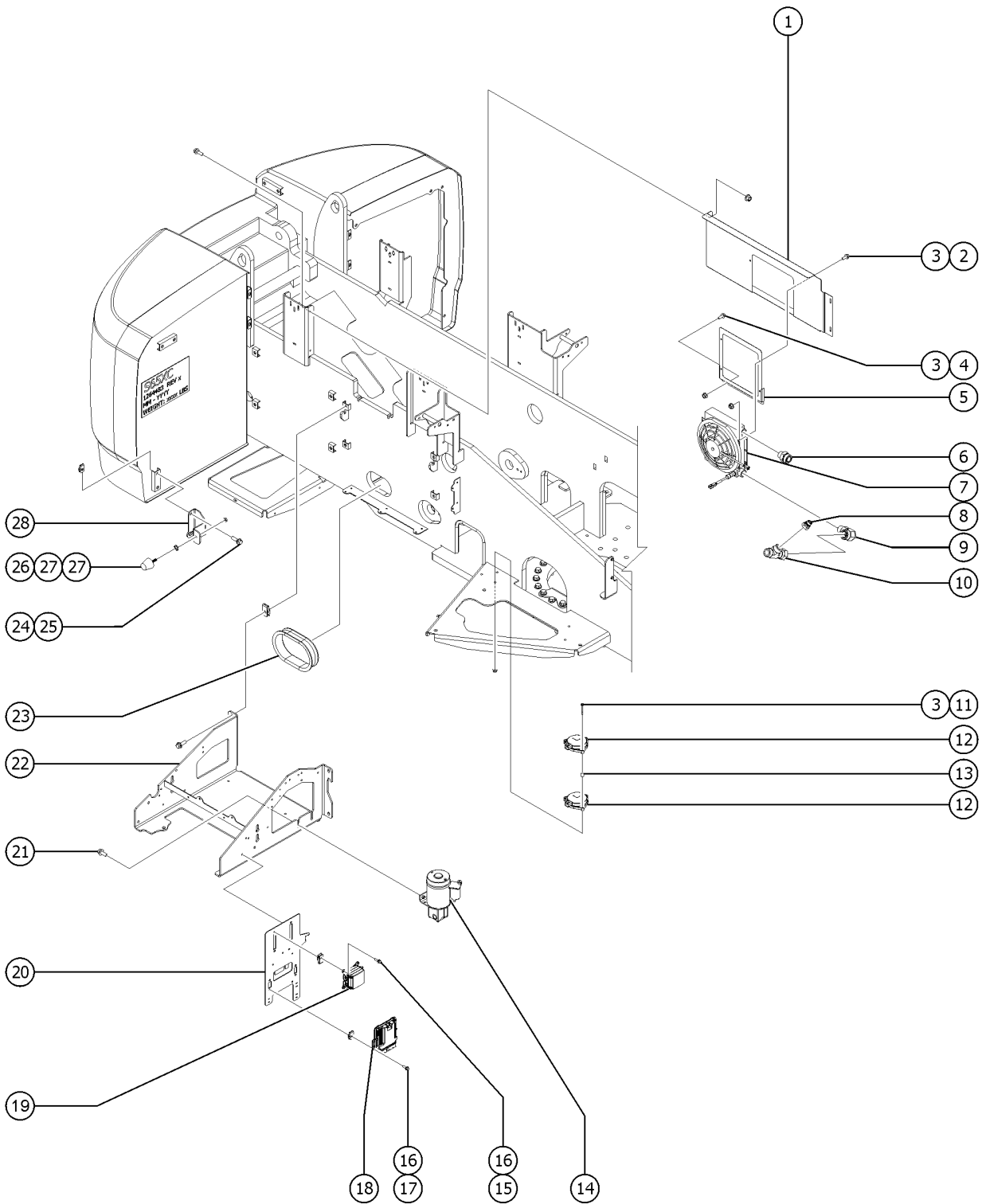
301.1 Tank Side - View 1



Item	Part No.	Description	Qty.
28	81578GT	HORN,12VDC,SPADE TERMINALS***	1
29	94643GT	ZERK,GREASE,5/16-24,STRAIT	1
30	1253825GT	FORMING, BRACKET, COVER STOP	1
31	48885GT	CONNECTOR,BULKHEAD,FEMALE-4	1
32	49176-8638GT	HOSE ASSY,-4,STR FEM,90 FEM (grease hose)	1
33	75654GT	CONN,520120-20	1
34	48984GT	CONN,520120-16	2
35	101494GT	VALVE,BALL,FSAE-20,FSAE-20	1
36	48996GT	VALVE,BALL,16 MSAE-16 FSAE***	1
37	61263GT	UNION,STR.THREAD 20	1
38	101490GT	STRAINER,16 SAE F/24 SAE M	1
39	101491GT	STRAINER,20 SAE F/24 SAE M***	1
40	1282197GT	PLUG,SAE-24,EXTERNAL HEX	1
41	48943GT	FITTING,CONN,520120-8-6	1
42	1256855GT	SCREW,HHF,1/4-20X.625,8,ZAG	4
43	56912GT	SPRING CLIP,1/4-20,.025-.15X.5	4
44		Ref.GROUND CONTROL BOX (refer to 304.1 and 305.1)	1
45	1308105GT	ASSY,HYDRAULIC TANK,S60/65XC (includes items 5-7, 14 and 33-46)	1
45-	1308057GT	TANK, HYDRAULIC 40 GAL	
46	1281808GT	FILTER ASSY, INTANK, 49GPM	1
46-	1282117GT	FILTER,ELEMENT,HYD TANK,RETURN	
46-	1283103GT	KIT, FILTER ELEMENT, HYD TANK RETURN	
47	1268832GT	SCREW,HHC,1-8X19.5,2,ZAG	1
48	1256469GT	WASHER,FLAT,1.0,USS,ZAG	2
49	1283024GT	NUT,NYLOCK,1-8,8,ZAG	1
50	822692GT	CLAMP, WIRE, 16/2	2
51	1313046GT	SHOCK ABSORBER, BOLT, M6 (From S65XCD-1033)	1



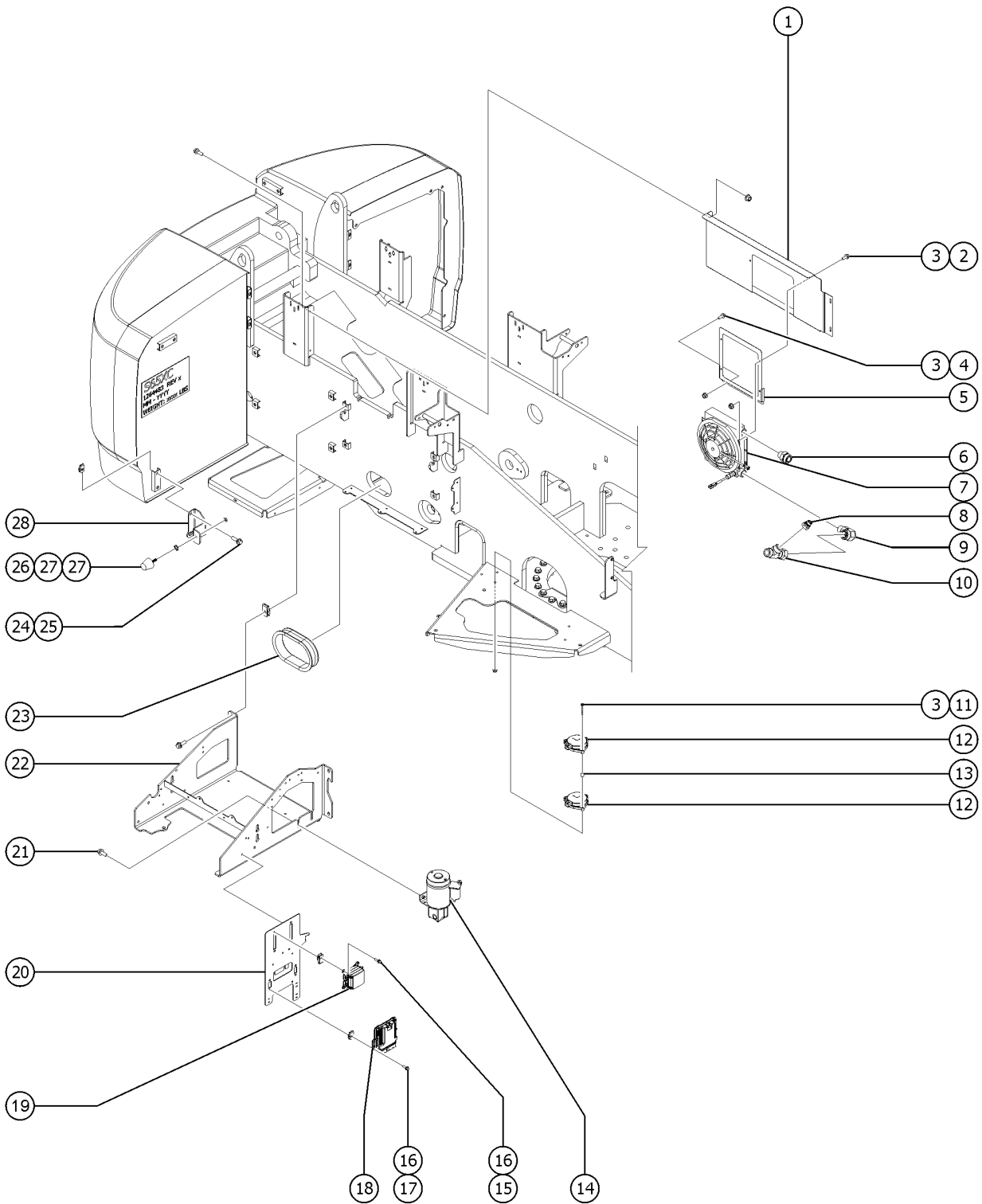
302.1 Tank Side - View 2



Item	Part No.	Description	Qty.
1		Ref. FORMING, BULKHEAD, S60 TS FRON (refer to 307.1)	
2	824078GT	SCREW,HHF,1/4-20X.75,8,ZAG	4
3	1277924GT	NUT,NYLOCK FLG,1/4-20,F,ZAG	9
4	824081GT	SCREW,HHF,1/4-20X1.5,8,ZAG	2
5	77693GT	FORMING,OIL COOLER MOUNT	1
6	49519GT	CONN,520120-16-12	1
7	71259GT	OIL COOLER W/FAN, 12VDC	1
7-	75854GT	FAN - VENTED	
7-	75855GT	THERMOSTAT -OIL COOLER (71259)	
8	101293GT	REDUCER,520123-16-12	1
9	48878GT	ELBOW,90D,520220-16-12	1
10	42787GT	TEE,RUN,SWIVEL,520432-16	1
11	824083GT	SCREW,HHF,1/4-20X2.5,8,ZAG	3
12	823368GT	SENSOR,LEVEL,UNIVERSAL	2
13	8149GT	SPACER,NYLON .257 X .5 X .75"	3
14	146180GT	ASSEMBLY, AUX POWER UNIT, 12VDC to SN S65XCD-250	1
14-	1264969GT	MOTOR, 12VDC, I-TERMINAL to SN S65XCD-250	
14-	146181GT	SOLENOID, APU to SN S65XCD-250	
14-	146182GT	GROUND WIRE,SOLENOID to SN S65XCD-250	
14-	37187GT	SEAL KIT, 37185 PUMP to SN S65XCD-250	
14-	37192GT	COUPLER, PUMP / MOTOR (36179) to SN S65XCD-250	
14-	58489GT	PUMP ASSY,AUX.POWER UNIT 89617 to SN S65XCD-250	
14-	62414GT	SEAL, SHAFT, 60511 APU to SN S65XCD-250	
14B	1307439GT	ASSY,AUX POWER UNIT,2.1CC,12VDC from SN S65XCD-251	1
14B-	1307579GT	MOTOR, 12V, 2.0KW from SN S65XCD-251	
14B-	1307580GT	PUMP ASSY, 2.1CC from SN S65XCD-251	
14B-	1307581GT	VALVE BLOCK, 2.1CC PUMP from SN S65XCD-251	
14B-	1307582GT	SOLENOID, 12V, 150A from SN S65XCD-251	

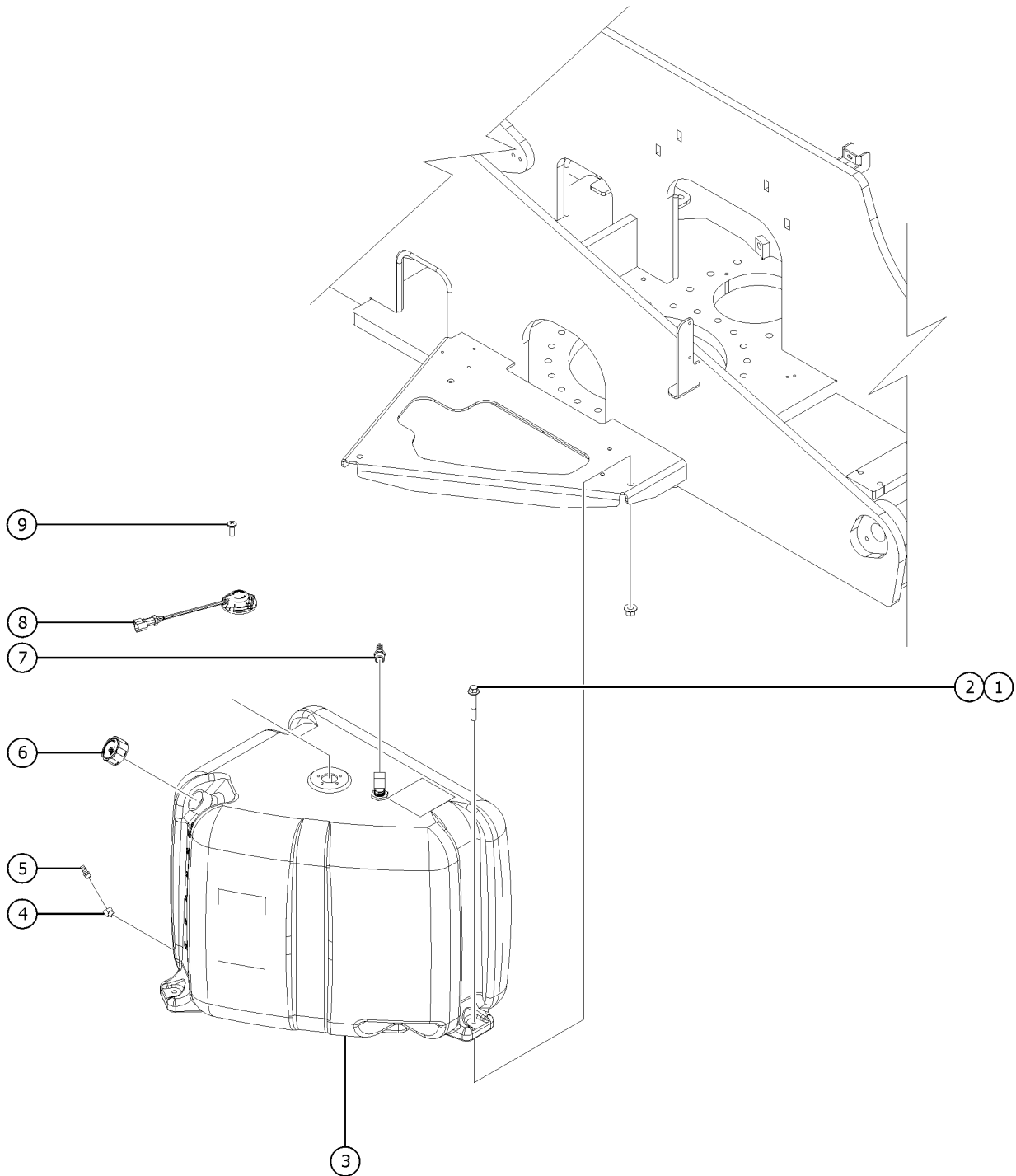


302.1 Tank Side - View 2



Item	Part No.	Description	Qty.
15	824079GT	SCREW,HHF,1/4-20X1,8,ZAG	4
16	56912GT	SPRING CLIP,1/4-20,.025-.15X.5	8
17	824080GT	SCREW,HHF,1/4-20X1.25,8,ZAG	4
18	214795GT	ECM, DEUTZ (must contact service parts to order, SN information is required)	1
19	1269738GT	MODULE, VEC, ALC600	1
20	823074GT	WELDMENT,ECU MOUNT,DEUTZ D2.9	1
20-	1253477GT	SCREW,PHPM,4-40X.5,ZAG	
20-	1259338GT	WASHER,LOCK,#4,ZAG	
20-	1259339GT	NUT,4-40,ZAG	
21	824090GT	SCREW,HHF,3/8-16X1,8,ZAG	2
		to SN S65XCD-607	
21B	231088GT	SCREW,HHF,M10-1.5X20,DIN6921,1 (fro 1307439 APU), from SN S65XCD-608	2
22		Ref. WELDMENT, BATT/MANIF TRAY, S60/65XC (refer to 301.1)	
23	53386GT	GUARD, HOSE PROTECTOR	2
24	824089GT	SCREW,HHF,3/8-16X.75,8,ZAG	2
25	29868GT	SPRING CLIP,3/8-16,.05-.20X.73	2
26	1261277GT	RUBBER BUMPER, 1.25 X 1.25 IN	1
27	1255805GT	NUT,SERRATED,5/16-18,8,ZAG	2
28	1259002GT	FORMING, TS COVER BUMPER	1

303.1 Tank Side - Diesel Fuel Tank Installation

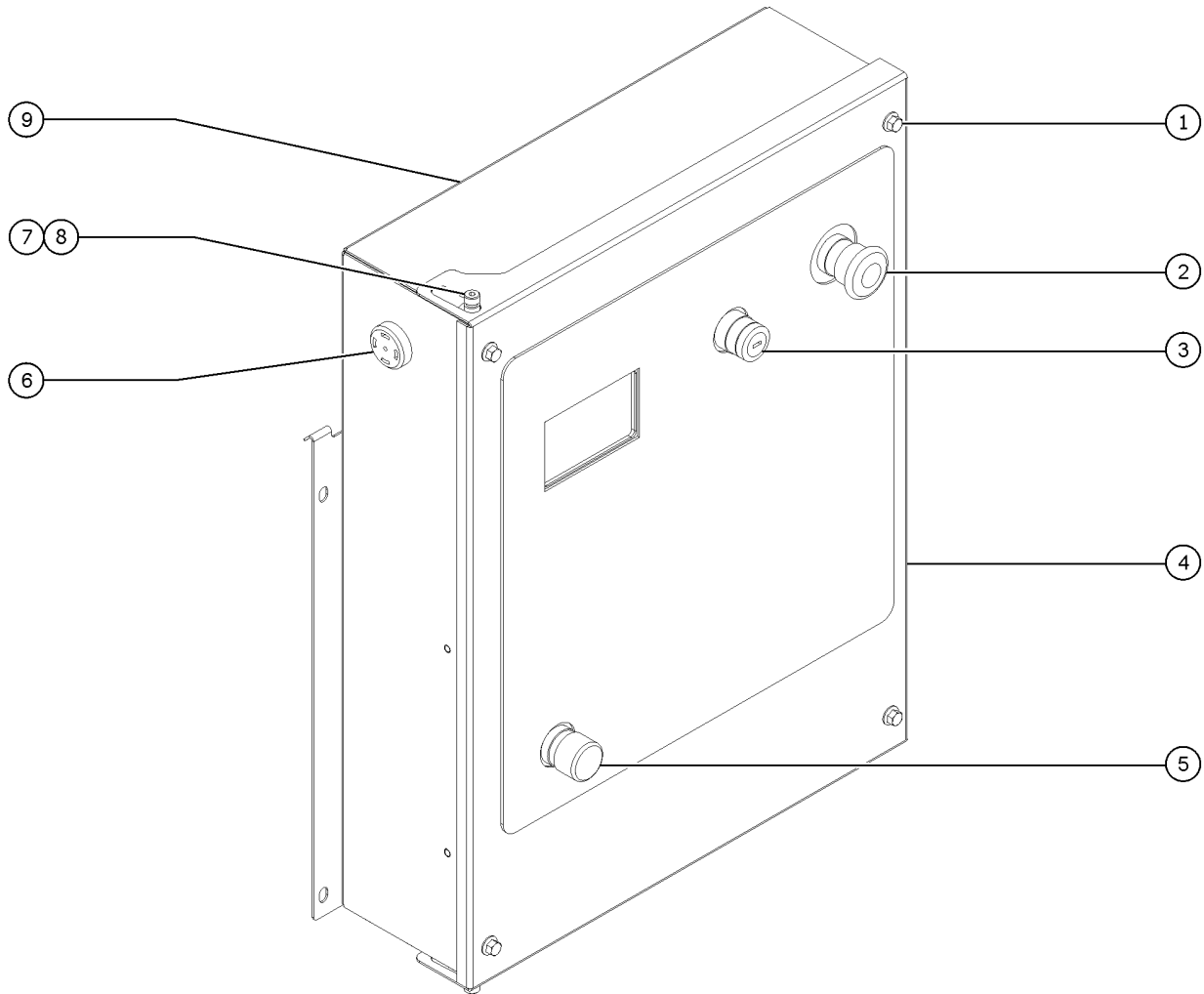


303.1 Tank Side - Diesel Fuel Tank Installation

Item	Part No.	Description	Qty.
1	1253478GT	SCREW,HHF,3/8-16X2,8,ZAG	3
2	824029GT	NUT,TL FLG,3/8-16,G,ZAG	3
3	1255643GT	TANK, FUEL, Z80 35 GAL	1
3-	54324GT	FITTING,BULKHEAD,3/8NPT,FUELTK	
3-	823356GT	TUBE,FUEL RETURN,3/8X3/8X23.5	
4	22348GT	ELBOW,130339-6-6	1
5	824471GT	FITTING,3/8 NPT TO 1/2 BARB	1
		(Deutz D 2.9)	
5B	54124GT	HOSE END, BARB, 3/8 MNPT X 5/16	1
		(Deutz D2011L03i)	
6	101726GT	CAP,FUEL,DIESEL,1/8"VENT(GRN)	1
7	27901GT	HOSE END,BARBED,RIGID,-6-6	1
		(Deutz D 2.9)	
7B	34940GT	HOSE END .375 MPT X .25 HOSE	1
		(Deutz D2011L03i), (Deutz D436)	
8	1271770GT	SENSOR, FUEL LEVEL, 30" DIESEL	1
9	824215GT	SCREW, PHPM, 10-32 X .75, ZAG	5

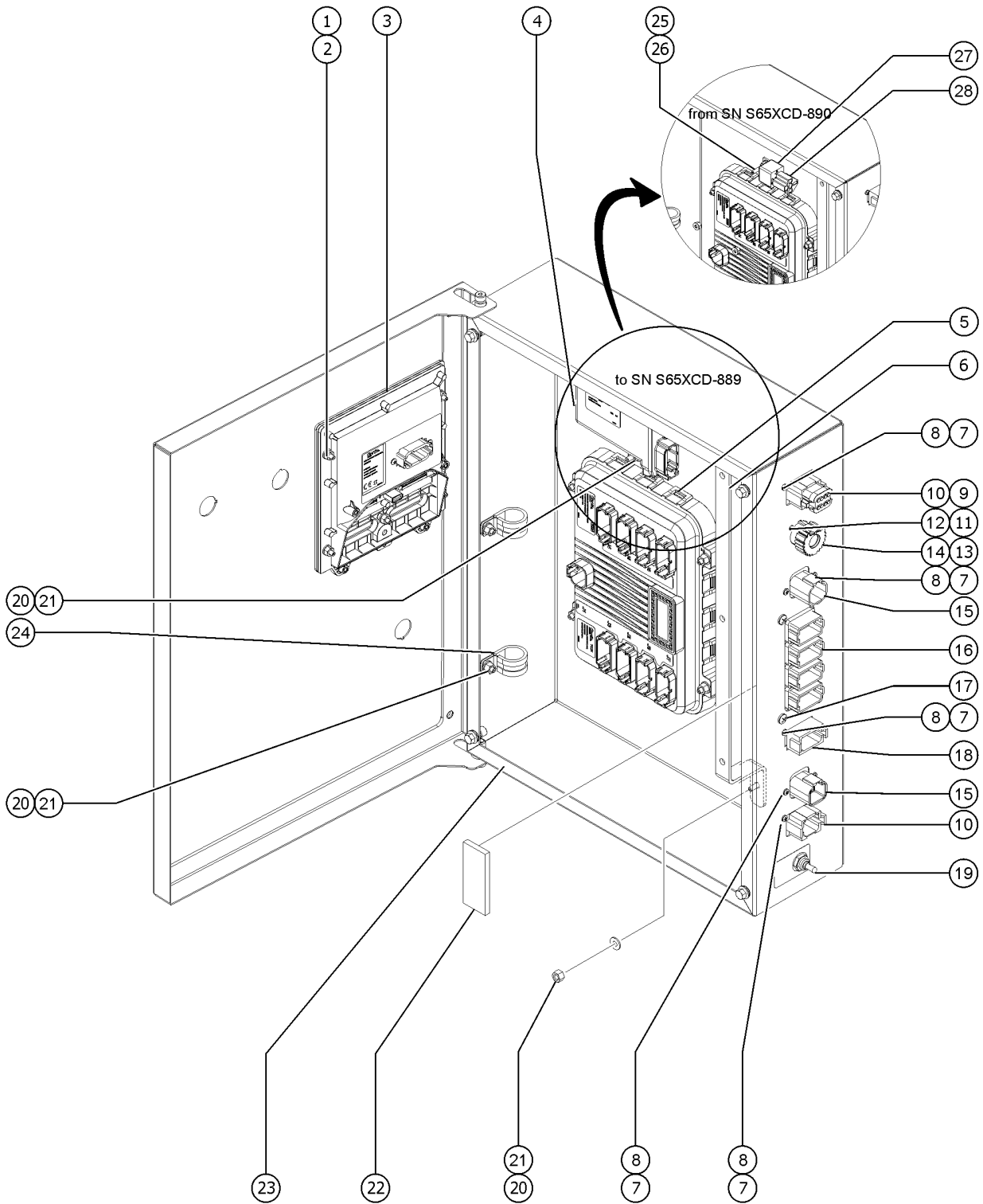


304.1 Ground Control Box - External



Item	Part No.	Description	Qty.
A	1290460GT	ASSEMBLY, GBOX, S-BOOM, JIB, ALC600, TELEMATICS 2.0	1
1	1256855GT	SCREW,HHF,1/4-20X.625,8,ZAG	4
2	66812GT	BUTTON,PUSH,RED MUSHROOM HEAD	1
2-	66817GT	BASE WITH 1 NC CONTACT, E-STOP	
2-	66818GT	CONTACT,NC	
3	66811GT	KEYSWITCH,3POS.MNTND.DR WKEY**	1
3-	66816GT	CONTACT,N.O.	
3-	66817GT	BASE WITH 1 NC CONTACT, E-STOP	
3-	66818GT	CONTACT,NC	
4	1275937GT	WELDMENT LID TCON ALC600	1
5	66813GT	BUTTON,PUSH,BLACK W/SEAL***	1
5-	66816GT	CONTACT,N.O.	
5-	66821GT	BASE,WITHOUT CONTACTS	
6	39540GT	ALARM,STEADY TONE*** (does not include ring nut, 72326)	1
6B	72326GT	NUT,PLASTIC,RING FOR ALARMS	
7	1257410GT	WASHER,SHOULDER,NYLON	2
8	218449GT	WASHER,SHOULDER,NYLON	2
9	1290450GT	WELDMENT, BOX, TCON, ALC600, TELEMATICS 2.0	1
9-	30996GT	PLUG,NYLON .313 BLACK DOMED	

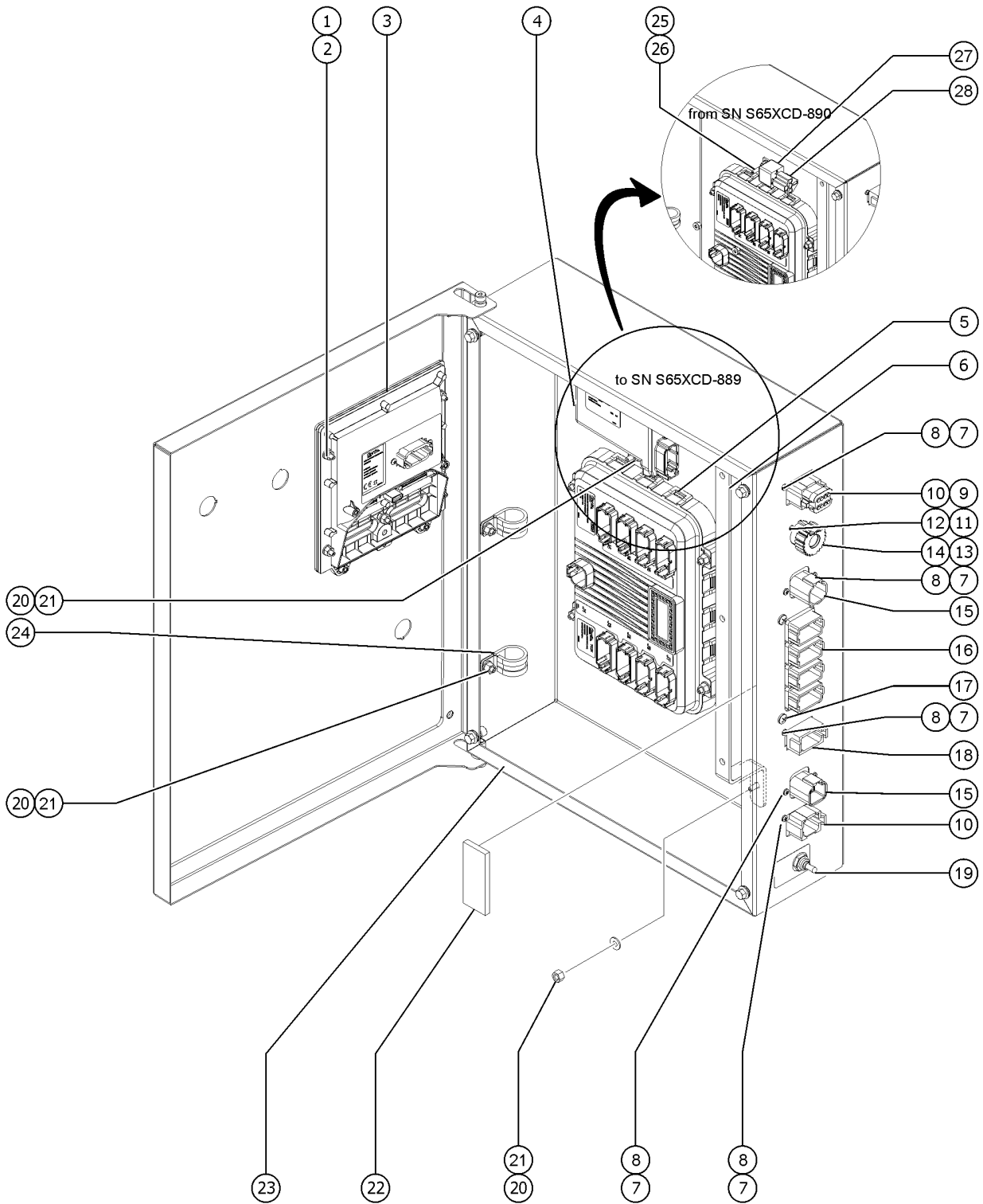
305.1 Ground Control Box - Internal



Item	Part No.	Description	Qty.
1	1271081GT	NUT,NYLOCK,8-32,8,ZAG	5
2	1257390GT	WASHER,FLAT,#8,SAE,ZAG	5
3	1284522GT	ECU, DISPLAY CONTROLLER, PROGRAMMED	1
3-	1268322GT	GASKET, RIBBON, DISCON	
3-	1268327GT	ECU, DISPLAY CONTROLLER	
3-	1268651GT	CABLE, FLAT FLEX, 30 POS 1MMX3"	
4	1280589GT	MODULE, RECOVERY (to SN S65XCD-889)	1
5	1284523GT	ECU, TURNTABLE, S-XC, PROGRAMMED	1
6	119644GT	BRACKET,PBOX WIRE SUPPORT	1
7	824214GT	SCREW,PHPM,6-32X.5,ZAG	10
8	1274164GT	NUT,NYLOCK,6-32,A,ZAG	10
9	119061GT	CONN PLUG 12 WAY ENDCAP DT GY	1
10	87755GT	CONN,RECEP 8 WAY 14-18GA,FL (UPPER PORT FOR TELEMATICS)(LOWER PORT FOR BOOM CABLE)	1
11	1253477GT	SCREW,PHPM,4-40X.5,ZAG	2
12	1283012GT	NUT,NYLOCK,4-40,2,ZAG	2
13	1272123GT	DUST CAP, RECEPTACLE, 5 WAY, C	1
14	1272122GT	CONNECTOR, RECEPTACLE, 5 WAY,	1
15	73717GT	CONN,RECEP 4 WAY,12-14GA FL*** (UPPER PORT FOR POWER) (LOWER PORT FOR BOOM CABLE)	2
16	73736GT	CONN,RECEP 48 WAY,4 X 12 (ENGINE AND FUNCTION MANIFOLD)	1
17	824226GT	SCREW,PHPSH,#12-11X.75,ZAG	4
18	73730GT	CONN,RECEP 12 WAY,GRY FLANGE (SENSORS)	2
19	128203GT	SWITCH TOGGLE ASSY SPDT 2P MOM (RECOVERY SWITCH)	1
20	1274168GT	NUT,NYLOCK,10-32,A,ZAG	10
21	1253185GT	WASHER,FLAT,#10,USS,ZAG	10
22	30997GT	CORROSION INHIBITOR,FOAM	1
23	1277169GT	GASKET GBOX ALC600	1
24	18666GT	CLAMP,1.00,#16 X 1/4,RUB CUSH	2
25	1280702GT	PEMSTUD 10-32X1.25 FH032-20 (from SN S65XCD-890)	2



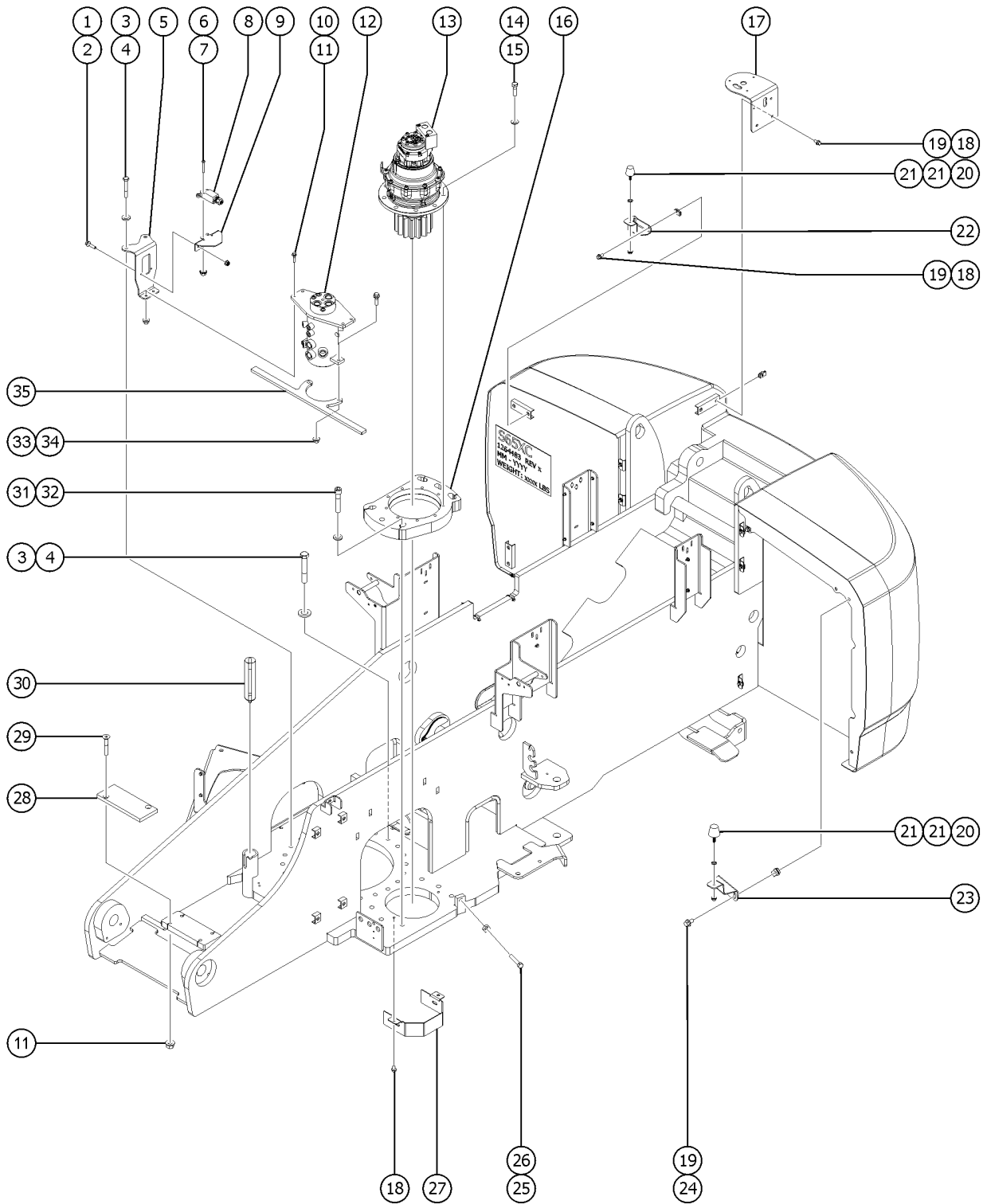
305.1 Ground Control Box - Internal



305.1 Ground Control Box - Internal

<i>Item</i>	<i>Part No.</i>	<i>Description</i>	<i>Qty.</i>
26	1274168GT	NUT,NYLOCK,10-32,A,ZAG (from SN S65XCD-890)	2
27	19274GT	RELAY,SPDT,12V(AUTO)** (from SN S65XCD-890)	2
28	1310252GT	CONNECTOR,RELAY SOCKET,5PIN (from SN S65XCD-890)	2

306.1 Turntable Components and Swivel Drive Assembly

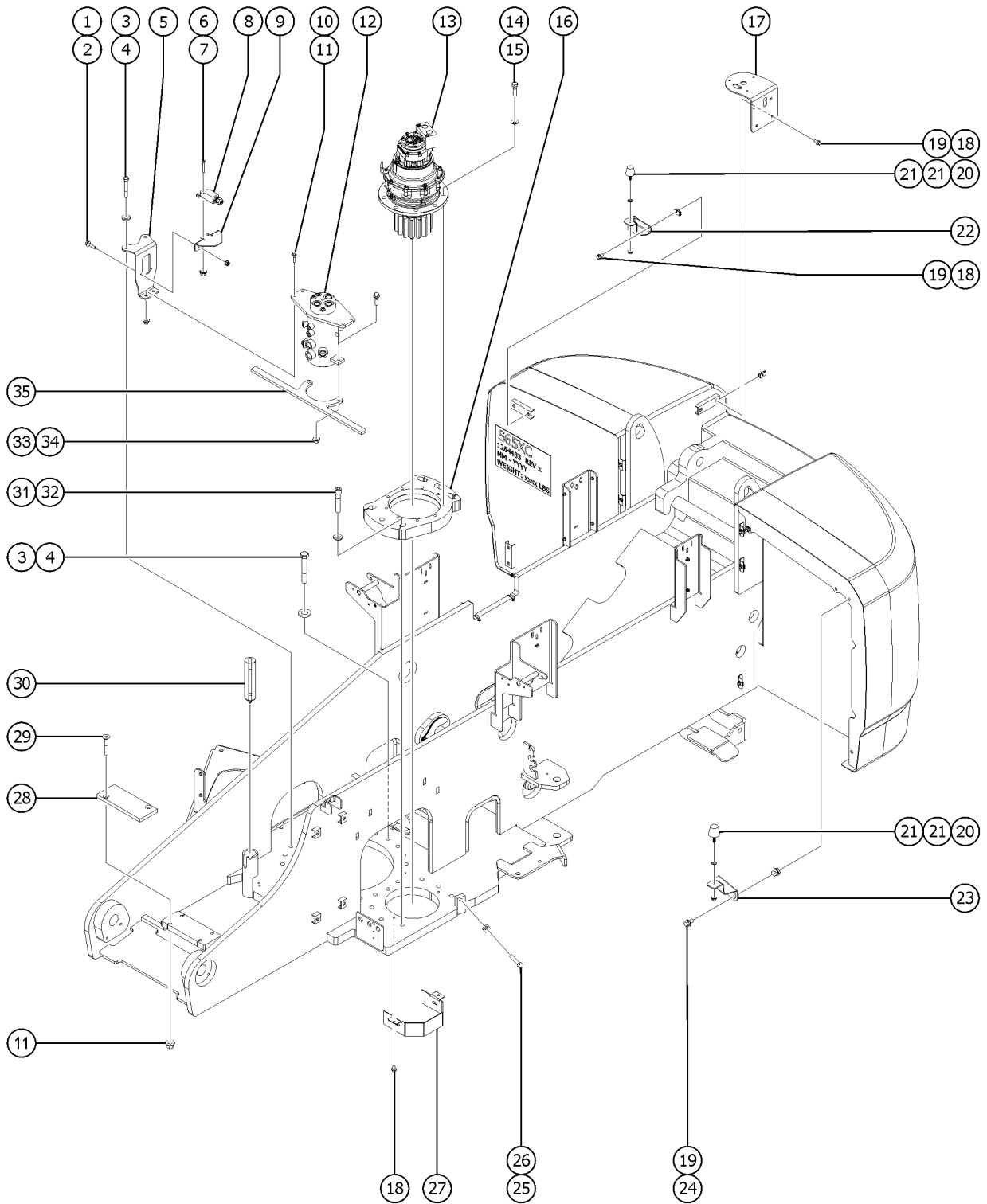


306.1 Turntable Components and Swivel Drive Assembly

Item	Part No.	Description	Qty.
1	824079GT	SCREW,HHF,1/4-20X1,8,ZAG	2
2	1277924GT	NUT,NYLOCK FLG,1/4-20,F,ZAG	2
3	1256170GT	NUT,SERRATED,8-32,ZAG	24
4	1256182GT	WASHER,FLAT,5/8,F436,HRD,ZAG	24
5	1255720GT	FORMING,HYD SWIVEL BRACKET	2
6	824216GT	SCREW, PHPM, 10-32 X 1.5, ZAG	2
7	1264261GT	NUT,SERRATED,10-32,ZAG	2
8	88356-13103GT	SWITCH,LIMIT,W/RLLR ARM,NO/NC	1
8-	119067GT	CONN,RECEP 4 WAY ENDCAP DT	
8-	60443GT	LOCK,RECEP 4 WAY,14-18GA	
8-	73713GT	TERM,NI PIN,S&F,16-18GA,REEL	
8-	73725GT	BOOT,DTSCH,DTP4-BT	
8-	19491GT	CONTACTOR,LIMIT SWITCH	
8-	97128GT	ROLLER ARM,LIMIT SWITCH***	
9	1255722GT	FORMING,DRIVE ENABLE LIMIT SW	1
10	824092GT	SCREW, HHF, 3/8-16 X 1.5, 8, ZAG	4
11	1274322GT	NUT,NYLOCK FLG,3/8-16,G,ZAG	6
12	1280390GT	SWIVEL, HYD 8 PORT	
		(to SN S65XCD-140)	
12-	94937GT	SEAL KIT,8-PORT SWIVEL	
12-	T106954GT	SEAL, O-RING LIP	
12-	T106955GT	SEAL, POLY, CHAMFER	
12-	T106957GT	SEAL, CAP, NOTCHED	
12-	T106961GT	SEAL, O-RING ENERGIZER	
12-	T106962GT	SEAL, CAP, NOTCHED	
12B	1306175GT	SWIVEL HYD 8 PORT	
		from SN S65XCD-141)	
12B-	1308160GT	SEAL KIT, 8-PORT SWIVEL 1306175	
12B-	1308161GT	SEAL, ROTARY RING, 85×96×4.2	
12B-	1308162GT	SEAL, O-RING, 84.6×5.7	



306.1 Turntable Components and Swivel Drive Assembly

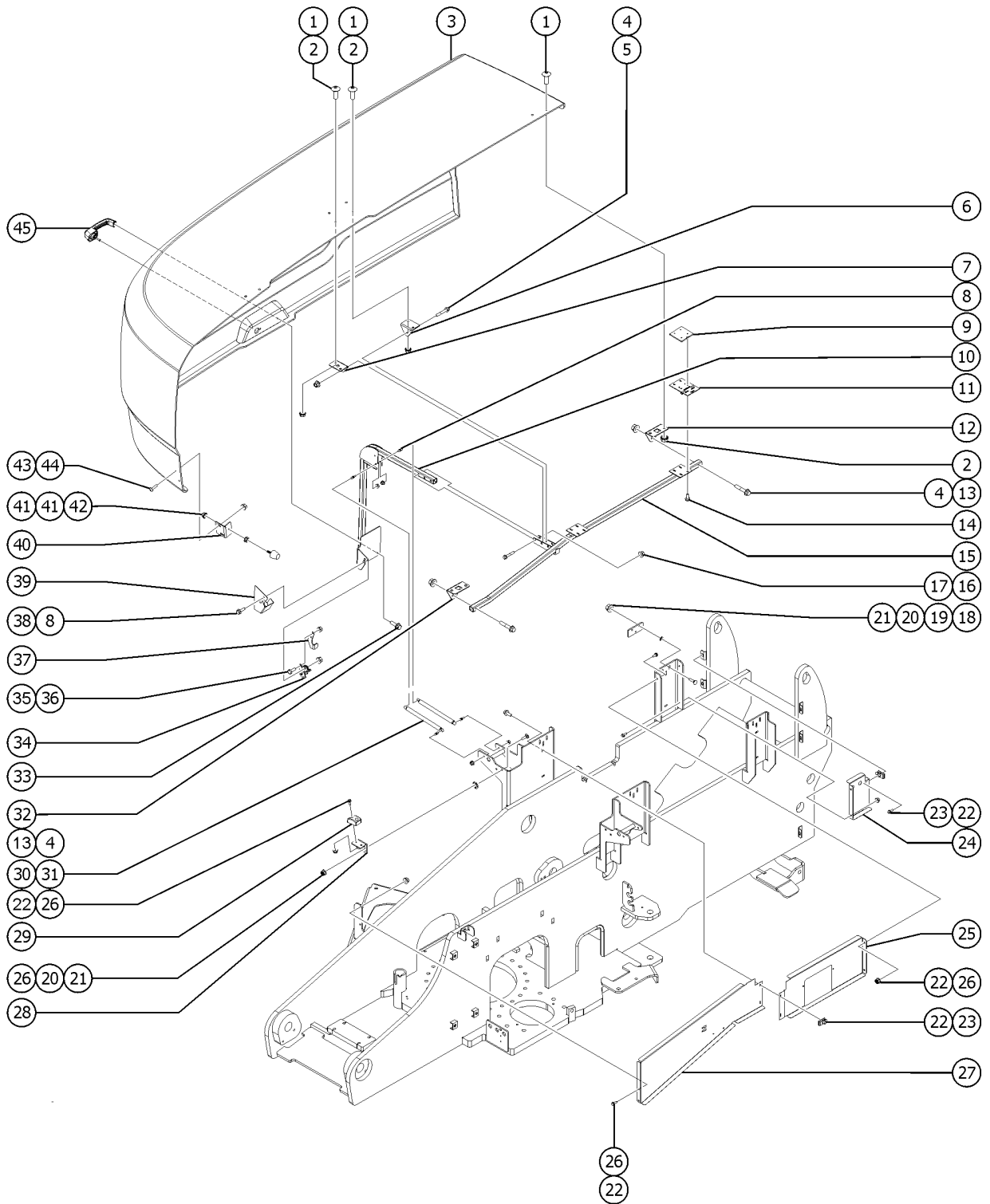


306.1 Turntable Components and Swivel Drive Assembly

Item	Part No.	Description	Qty.
12B-	1308163GT	SEAL, O-RING, 139.6×5.7	
12B-	1308164GT	SEAL, O-RING, 104.6×5.7	
12B-	1308172GT	SEAL, WEARING RING, 85×90×10	
12B-	1308173GT	SEAL, SUPPORT RING, 85×105×3	
13	1255768GT	SWING DRIVE ASSEMBLY	1
14	1256168GT	SCREW,HHC,1/2-13X1.75,8,ZAG	9
15	825353GT	WASHER,FLAT,1/2,SAE,HRD,ZAG	9
16	77671GT	PLATE,BACKLASH ADJUSTMENT MACH	1
17	1310192GT	FORMING, LIGHT/BEACON BRKT,LH	1
17B	1310191GT	FORMING, LIGHT/BEACON BRKT,RH	1
18	824089GT	SCREW,HHF,3/8-16X.75,8,ZAG	8
19	29868GT	SPRING CLIP,3/8-16,.05-.20X.73	10
20	1261277GT	RUBBER BUMPER, 1.25 X 1.25 IN	2
21	1255805GT	NUT,SERRATED,5/16-18,8,ZAG	4
22	1259002GT	FORMING, TS COVER BUMPER	1
23	1259001GT	FORMING, ES COVER BUMPER	1
24	824090GT	SCREW,HHF,3/8-16X1,8,ZAG	4
25	1256846GT	SCREW,HEX TAP,3/4-10X4,8,ZAG	1
26	1256837GT	NUT,JAM,3/4-10,A, ZAG	1
27	77879GT	FORMING,PINION GUARD	1
28	161607GT	WEAPAD, BOOM REST	1
29	1256842GT	SCREW,FHS,3/8-16X2.25,F835,ZAG	2
30	81834GT	WELDMENT,TRANSPORT LOCK	1
31	1257223GT	SCREW,SHC,3/4-10X3.75,A574,ZAG	6
32	1256863GT	WASHER,FLAT,.75,F436,HRD,ZAG	6
33	1274172GT	NUT,NYLOCK FLG,1/2-13,G,ZAG	2
34	826171GT	SCREW,HHF,1/2-13X1.75,8,ZAG	2
35	1270151GT	HYDRAULIC SWIVEL SUPPORT	1



307.1 Turntable Covers - Hydraulic Tank Side

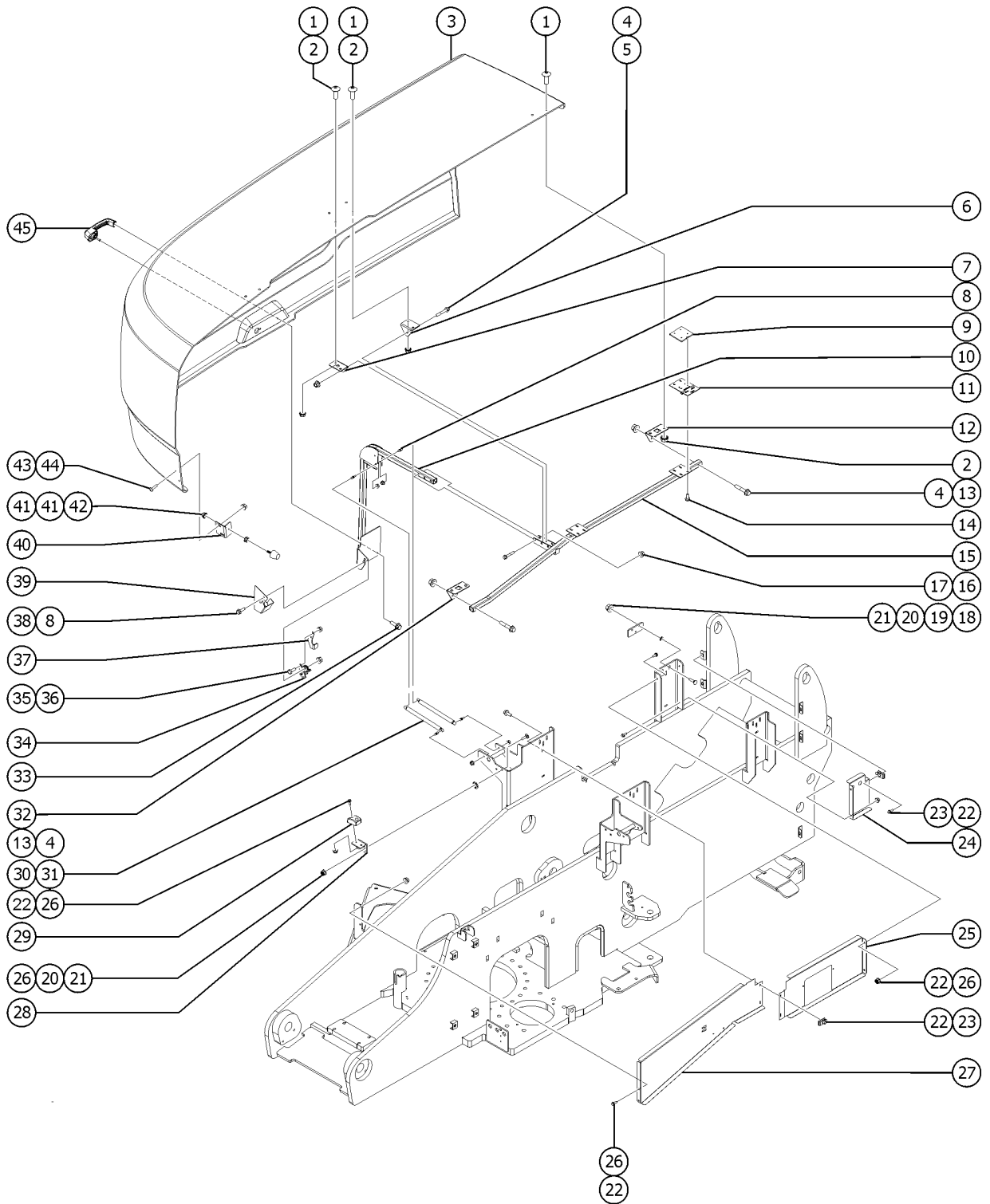


307.1 Turntable Covers - Hydraulic Tank Side

Item	Part No.	Description	Qty.
1	1261836GT	SCREW,THM,TORX,3/8-16X1,SS	8
2	1257628GT	NUT,SERRATED,3/8-16,ZAG	8
3	1281974GT	ASSY, TS SWING CHASSIS COVER S65XC (includes items 1, 2, 3-, 4-7, 10, 12-16, 31, 33, 34 and 41-46)	
3-	1265999GT	COVER, SWING CHASSIS, TANK SIDE	1
4	1274322GT	NUT,NYLOCK FLG,3/8-16,G,ZAG	3
5	1256856GT	SCREW,HHF,3/8-16X2.5,8,ZAG	1
6	1253831GT	MOUNT, COVER SUPPORT CTR 93DEG	1
7	1253830GT	MOUNT, COVER SUPPORT CTR 86DEG	1
8	824028GT	NUT,TL FLG,5/16-18,G,ZAG	4
9	1258724GT	SUPPORT, TAPPED HINGE	2
10	1255986GT	WLDMT, TS LOWER COVER SUPPORT	1
11	1278912GT	HINGE,.375X.120THK.,SLOTTED	2
12	1258723GT	MOUNT, COVER SUPPORT FRONT	1
13	1253478GT	SCREW,HHF,3/8-16X2,8,ZAG	2
14	1256855	SCREW,HHF,1/4-20X.625,8,ZAG	8
15	1256767GT	WLDMT, TS UPPER COVER SUPPORT	1
16	824029GT	NUT,TL FLG,3/8-16,G,ZAG	2
17	1256693GT	SCREW,HHF,3/8-16X2.25,8,ZAG	2
18	1256679GT	NUT,SERRATED,1/4-20,8,ZAG	6
19	77778GT	PLATE,HINGE SUPPORT,BLUE PAINT	2
20	238135GT	PUSHNUT RETAINER, 1/4" X 1/2"O	8
21	1256127GT	BOLT,CARRIAGE,1/4-20X1,5,ZAG	8
22	824078GT	SCREW,HHF,1/4-20X.75,8,ZAG	12
23	56912GT	SPRING CLIP,1/4-20,.025-.15X.5	4
24	1253819GT	FORMING, BULKHEAD, TS FRONT	1
25	1273343GT	FORMING, BULKHEAD, S60 TS FRONT	1
26	1277924GT	NUT,NYLOCK FLG,1/4-20,F,ZAG	10
27	1273342GT	FORMING, BULKHEAD, S60 TS REAR	1



307.1 Turntable Covers - Hydraulic Tank Side

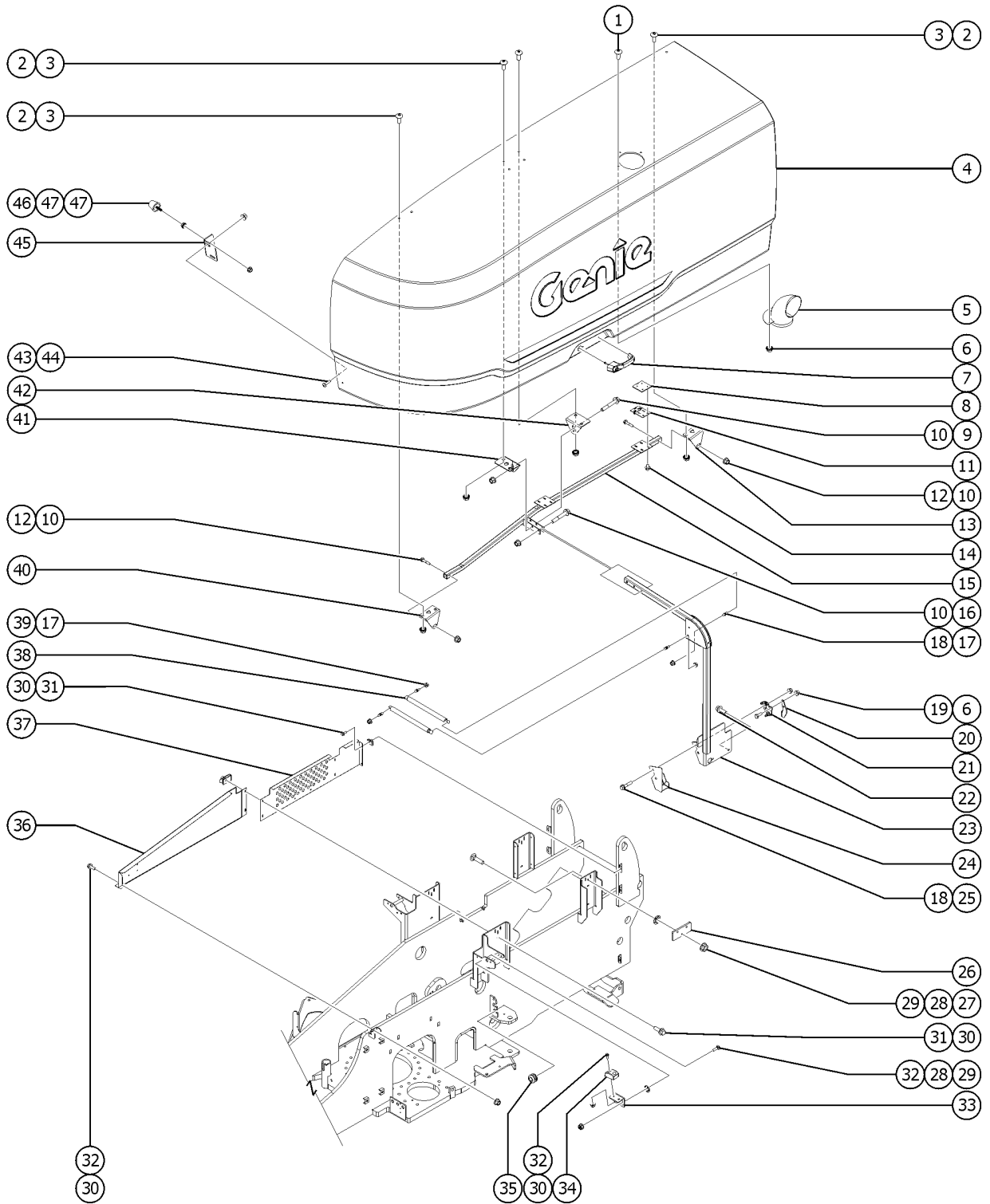


307.1 Turntable Covers - Hydraulic Tank Side

Item	Part No.	Description	Qty.
28	1260162GT	FORMING, TS COVER CONTACT	1
29	1261266GT	BUMPER, COVER SUPPORT	1
30	28301GT	GAS STRUT,250 LBS FORCE***	2
31	1274167GT	NUT,NYLOCK FLG,5/16-18,F,ZAG	2
32	1258722GT	MOUNT, COVER SUPPORT REAR	1
33	231532GT	SCREW,HHF,M6X20,DIN6921,10.9,Y	2
34	215254GT	LATCH,ROTARY,ENGINE COVER	1
35	824059GT	SCREW,HHC,1/4-20X.75,8,ZAG	2
36	824027GT	NUT,TL FLG,1/4-20,G,ZAG	2
37	1262210GT	FORMING, LATCH TRIGGER, TS	1
38	1255763GT	SCREW,HHF,5/16-18X1.5,8,ZAG	2
39	1261244GT	FORMING,LATCH GUARD,TS	1
40	1254625GT	BRACKET, BUMPER	1
41	1255805GT	NUT,SERRATED,5/16-18,8,ZAG	2
42	1261277GT	RUBBER BUMPER, 1.25 X 1.25 IN	1
43	1261837GT	SCREW, THM, TORX, M6X25, ZAB	2
44	1283013GT	NUT,NYLOCK FLG,M6-1.0,DIN6926,10,ZAB	2
45	1256054GT	HANDLE,YELLOW LOCKING,CODE 455 (includes item 34)	1
45B	83093GT	KEY SINGLE*** (sold separately)	
45C	37947GT	KEYS,10 PACK*** (sold separately)	



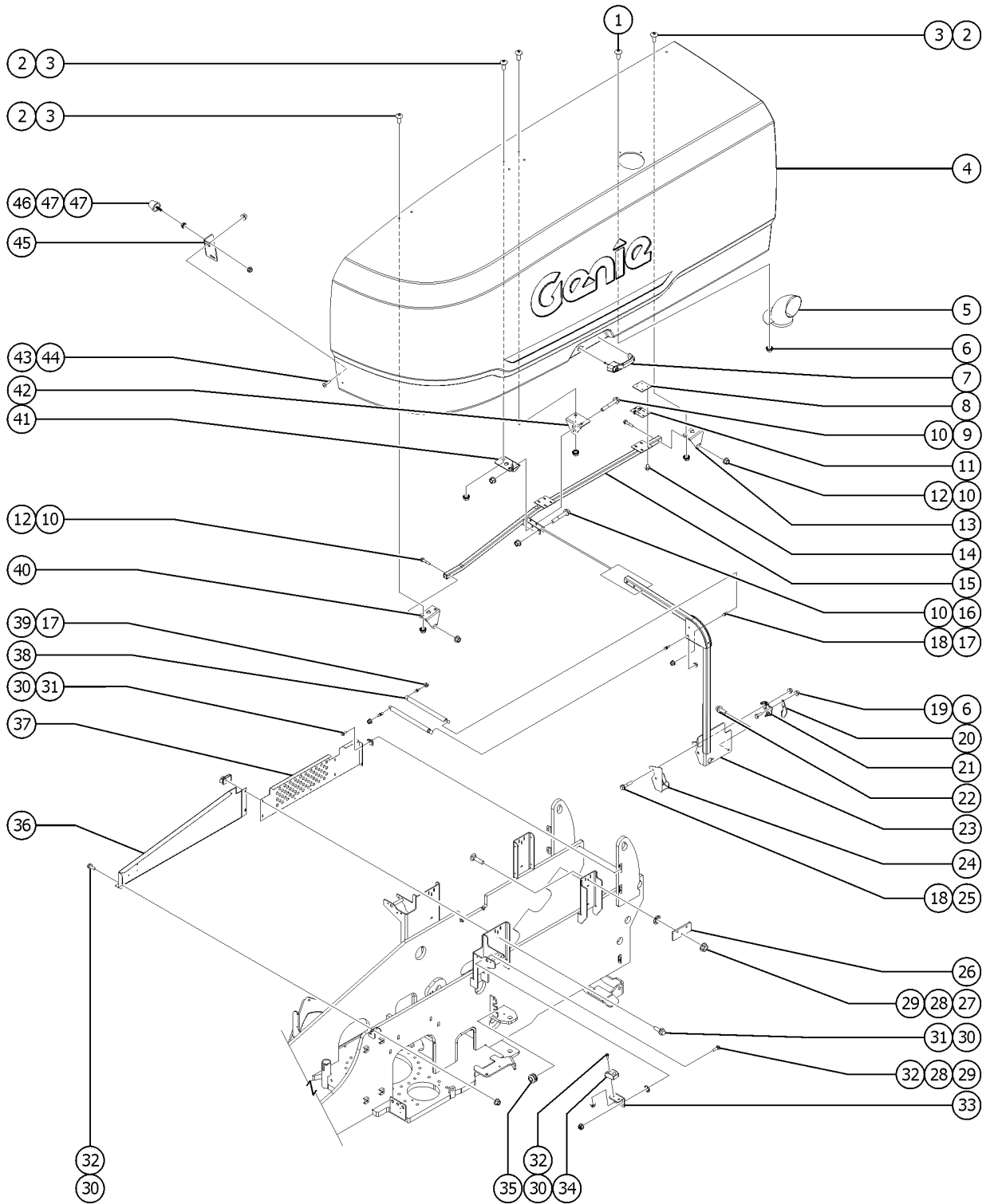
308.1_Turntable Covers - Engine Side



Item	Part No.	Description	Qty.
1	1261835GT	SCREW, THM, TORX, 1/4-20X1,SS	3
2	1261836GT	SCREW,THM,TORX,3/8-16X1,SS	8
3	1257628GT	NUT,SERRATED,3/8-16,ZAG	8
4	1253271GT	ASSY ES SWING CHASSIS COVER	1
		(includes items 1-15, 22, 38, 40-47)	
4-	1253264GT	COVER, SWING CHASSIS, ES	
5	101964GT	WELDMENT,EXHAUST TUBE	1
6	824027GT	NUT,TL FLG,1/4-20,G,ZAG	5
7	1256054GT	HANDLE,YELLOW LOCKING,CODE 455	1
		(includes 231532)	
7A	231532GT	SCREW,HHF,M6X20,DIN6921,10.9,Y	
7B	83093GT	KEY SINGLE***	
		(sold separately)	
7C	37947GT	KEYS,10 PACK***	
		(sold separately)	
8	1258724GT	SUPPORT, TAPPED HINGE	2
9	1256856GT	SCREW,HHF,3/8-16X2.5,8,ZAG	1
10	824029GT	NUT,TL FLG,3/8-16,G,ZAG	5
11	1278912GT	HINGE,,375X.120THK.,SLOTTED	2
12	1253478GT	SCREW,HHF,3/8-16X2,8,ZAG	2
13	1258723GT	MOUNT, COVER SUPPORT FRONT	1
14	824077GT	SCREW,HHF,1/4-20X.5,8,ZAG	8
15	1256771GT	WLDMT, ES UPPER COVER SUPPORT	1
16	1256693GT	SCREW,HHF,3/8-16X2.25,8,ZAG	2
17	33555GT	BALL STUD**	4
18	824028GT	NUT,TL FLG,5/16-18,G,ZAG	4
19	824059GT	SCREW,HHC,1/4-20X.75,8,ZAG	2
20	1262211GT	FORMING, LATCH TRIGGER, ES	1
21	215254GT	LATCH,ROTARY,ENGINE COVER	1
22	231532GT	SCREW,HHF,M6X20,DIN6921,10.9,Y	2
23	1255987GT	WLDMT, ES LOWER COVER SUPPORT	1
24	1261245GT	FORMING,LATCH GUARD,ES	1



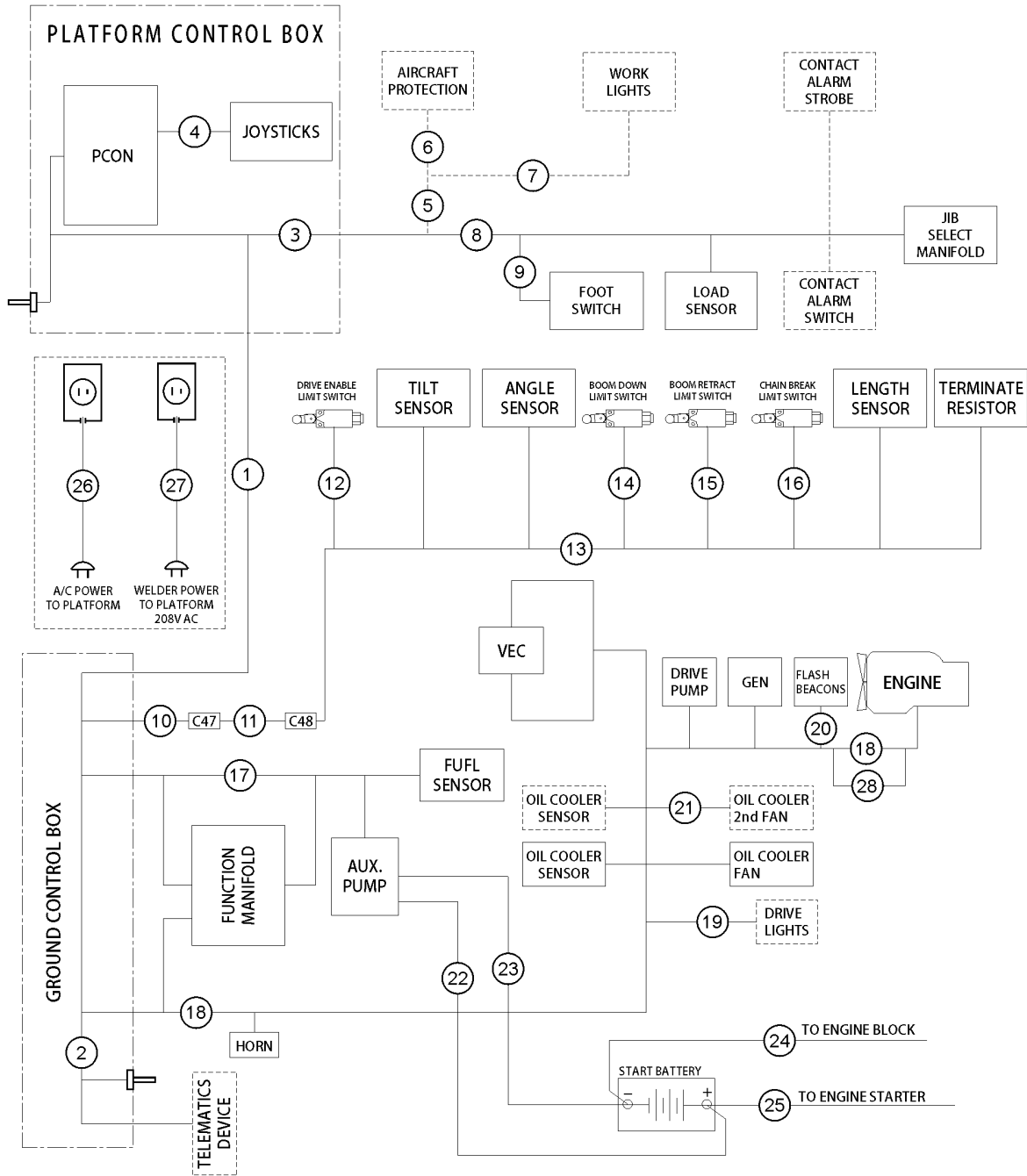
308.1_Turntable Covers - Engine Side



308.1_Turntable Covers - Engine Side

<i>Item</i>	<i>Part No.</i>	<i>Description</i>	<i>Qty.</i>
25	1255763GT	SCREW,HHF,5/16-18X1.5,8,ZAG	2
26	77778GT	PLATE,HINGE SUPPORT,BLUE PAINT	2
27	1256679GT	NUT,SERRATED,1/4-20,8,ZAG	6
28	238135GT	PUSHNUT RETAINER, 1/4" X 1/2"O	8
29	1256127GT	BOLT,CARRIAGE,1/4-20X1.5,ZAG	8
30	824078GT	SCREW,HHF,1/4-20X.75,8,ZAG	9
31	56912GT	SPRING CLIP,1/4-20,.025-.15X.5	4
32	1277924GT	NUT,NYLOCK FLG,1/4-20,F,ZAG	7
33	1260163GT	FORMING, ES COVER CONTACT	1
34	1261266GT	BUMPER, COVER SUPPORT	1
35	61189GT	GROMMET,RUBBER .75 X .38 X1.13	2
36	1273345GT	FORMING, BULKHEAD, S60 ES REAR	1
37	1273344GT	FORMING, BULKHEAD, S60 ES FRONT	1
38	28301GT	GAS STRUT,250 LBS FORCE***	2
39	1274167GT	NUT,NYLOCK FLG,5/16-18,F,ZAG	2
40	1258722GT	MOUNT, COVER SUPPORT REAR	1
41	1253830GT	MOUNT, COVER SUPPORT CTR 86DEG	1
42	1253831GT	MOUNT, COVER SUPPORT CTR 93DEG	1
43	1261837GT	SCREW, THM, TORX, M6X25, ZAB	2
44	231513GT	NUT,TL FLG,M6-1.0,DIN6927,10,Z	2
45	1254625GT	BRACKET, BUMPER	1
46	1261277GT	RUBBER BUMPER, 1.25 X 1.25 IN	1
47	1255805GT	NUT,SERRATED,5/16-18,8,ZAG	2

309.1 Wire Harness Diagram

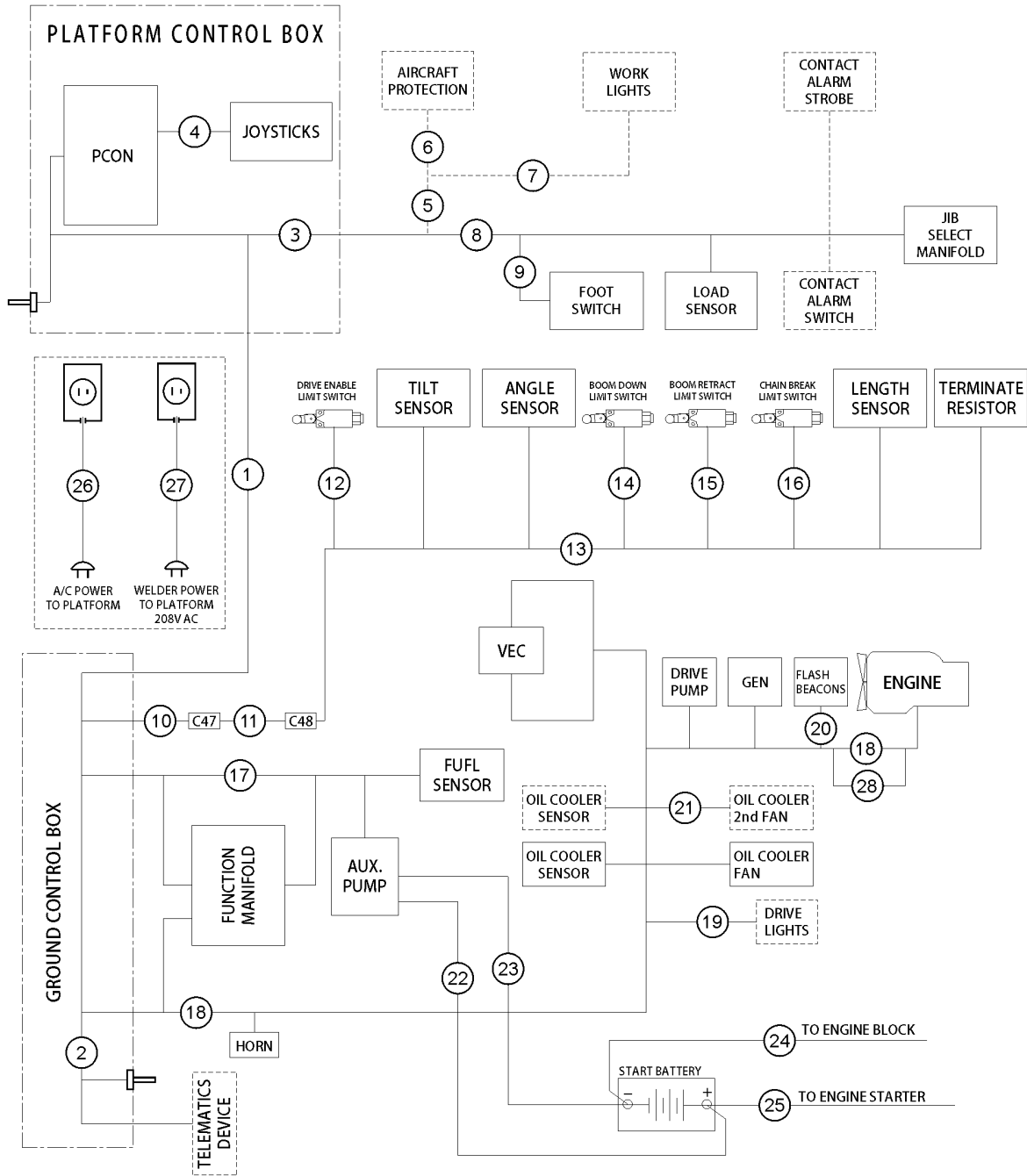


309.1 Wire Harness Diagram

Item	Part No.	Description	Qty.
A	1269735GT	HARNESS, ENCLOSURE, WELDERHARNESS, ENCLOSURE, WELDER	1
1	1278879GT	CABLE BOOM S65XC	1
2	1290501GT	HARNESS,GBOX,ALC600, TELEMATICS 2.0	1
		(to SN S65XCD-889)	
2B	1309207GT	HARNESS GBOX, ALC600, TELEMATIC 2, HW	1
		(from SN S65XCD-890)	
3	1274448GT	HARNESS PCON ALC600	1
3-	1269732GT	HARNESS, SWITCH, PROX, PCON	1
4	1269719GT	HARNESS JOYSTICK ALC600	1
5	1269734GT	HARNESS, PROX, MANIFOLD, PLAT	1
6	1269721GT	HARNESS, PROX SENSOR,ACP	1
7	1269720GT	HARNESS, LIGHTS, WORK	1
8	1277951GT	HARNESS, JIB SELECT	1
9	227618GT	ASSEMBLY,FOOTSWITCH	1
10	1287629GT	HARNESS, BOOM SENSORS, GBOX SD	1
11	1287630GT	HARNESS, BOOM SENSORS,LINK	1
12	1280871GT	HARNESS, LST10, DRIVE ENABLE LIMIT SWITCH	1
13	1287631GT	HARNESS, BOOM SENSORS,BOOM SD	1
14	1280872GT	HARNESS, LST3S, BOOM DOWN LIMIT SWITCH	1
15	1269714GT	HARNESS, LSB1RS, S80/85	1
16	1269717GT	HARNESS, LSB2S, S80/85	1
17	1278863GT	HARNESS S60/65XC FUNCTION, MANIFOLD	1
18	1278859GT	HARNESS S60/65XC DEUTZ 2.9	1
		(For Deutz 2.9T engine)	
18B	1294547GT	HARNESS S60/65XC ENGINE DEUTZ TD 2011	1
		(For Deutz D2011 engine)	
18C	1299222GT	HARNESS, DEUTZ ENGINE CN3, S65XC	1
		(For Deutz D436 engine)	
18D	1311131GT	HARNESS DEUTZ 2011L04i	1
		(For Deutz TD2011 engine)	
19	1269724GT	HARNESS, LIGHTS, DRIVE	1
20	1269729GT	HARNESS,BEACONS,FLASHING	1
21	1283555GT	HARNESS,OIL COOLER,LIFTPOWER	1
22	121619GT	HARNESS,BATT2 TO APU(+),S80	1



309.1 Wire Harness Diagram

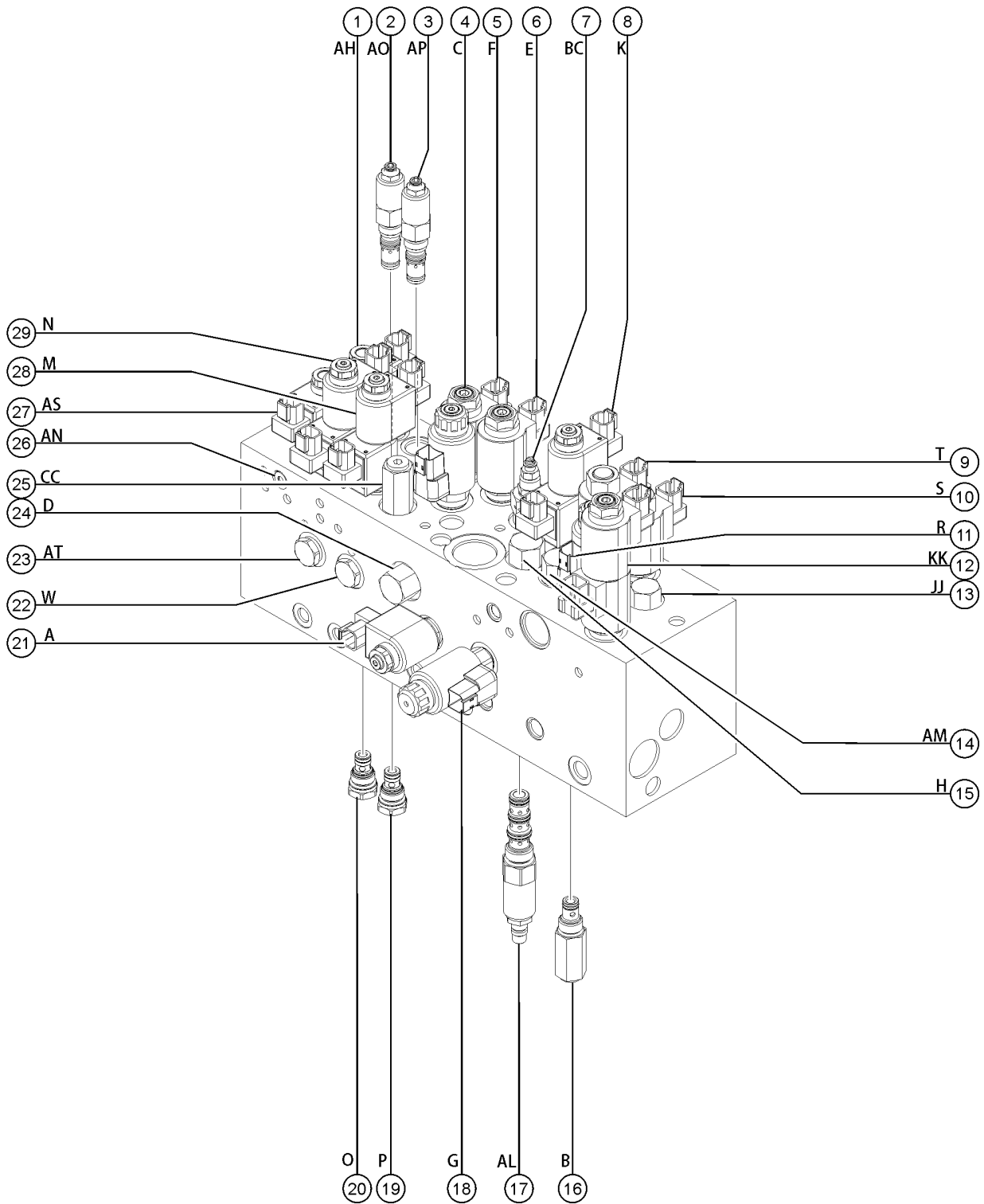


309.1 Wire Harness Diagram

<i>Item</i>	<i>Part No.</i>	<i>Description</i>	<i>Qty.</i>
23	121622GT	HARNESS,BATT2 TO APU(-),S80	1
24	1291410GT	CABLE, BATTERY, NEG, S60/65	1
24-	1291411GT	CABLE, JUMPER, GROUND, ENG	1
25	88801GT	BATTERY CABLE,POSITIVE,RED	1
26	139731GT	HARNESS,AC POWER TO PLAT JIB	1
27	106115GT	WIRE CABLE 8 GA/4 CON.SO	1
28	1301309GT	HARNESS,D436 ENGINE SIDE	1
		(For Deutz D436 engine)	



401.1 Function Manifold

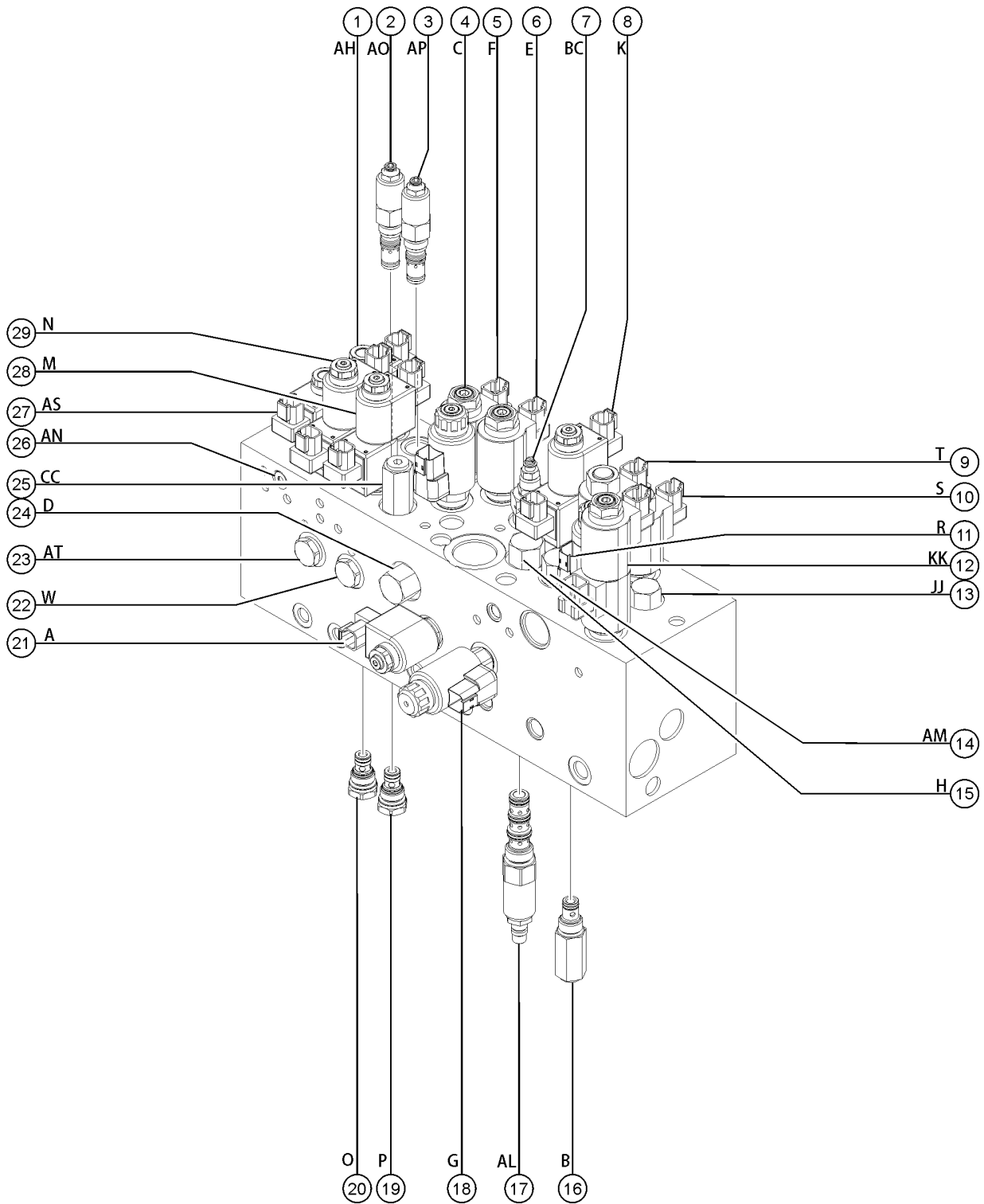


401.1 Function Manifold

Item	Part No.	Description	Qty.
A	1288400GT	MANIFOLD, FUNCTION, S60/65XC; E.58 H15 (complete)	1
1	1288377GT	SOLENOID VALVE,3-WAY,2-POS	1
2	48647GT	VALVE,COUNTERBALANCE,3500 PSI*	1
2-	58994GT	SEAL KIT,VALVE (48647)	
3	48647GT	VALVE,COUNTERBALANCE,3500 PSI* AP, Platform level down circuit	1
3-	58994GT	SEAL KIT,VALVE (48647)	
4	1288379GT	PROPORTIONAL VALVE C, Boom extend proportional	1
4-	89737GT	COIL, PROPORTIONAL VALVE***	
5	122649GT	VALVE,SOLENOID,NO,POPPET F, Boom Extend	1
5-	1274870GT	SEAL KIT, VALVE	
5-	111778GT	COIL,10V DC(D10,26 WATT)	
5-	119116GT	NUT,COIL (107745)	
6	122649GT	VALVE,SOLENOID,NO,POPPET E, Boom retract	1
6-	1274870GT	SEAL KIT, VALVE	
6-	111778GT	COIL,10V DC(D10,26 WATT)	
6-	119116GT	NUT,COIL (107745)	
7	1288381GT	VALVE, RELIEVING BC, Oscillate pressure control	1
8	122645GT	SOLENOID VALVE,SPOOL TYPE K, Turntable rotate	1
8-	122120GT	SEAL KIT, SOLENOID VALVE	
8-	89733GT	COIL SOLENOID VALVE***	
8-	102940GT	NUT,SOLENOID VALVE	
9	231034GT	SOLENOID VALVE,3-WAY,2-POS T, Boom down	1
9-	237234GT	SEAL KIT,VALVE	
9-	111778GT	COIL,10V DC(D10,26 WATT)	
9-	119116GT	NUT,COIL (107745)	
10	231034GT	SOLENOID VALVE,3-WAY,2-POS S, Boom up	1
10-	237234GT	SEAL KIT,VALVE	
10-	111778GT	COIL,10V DC(D10,26 WATT)	



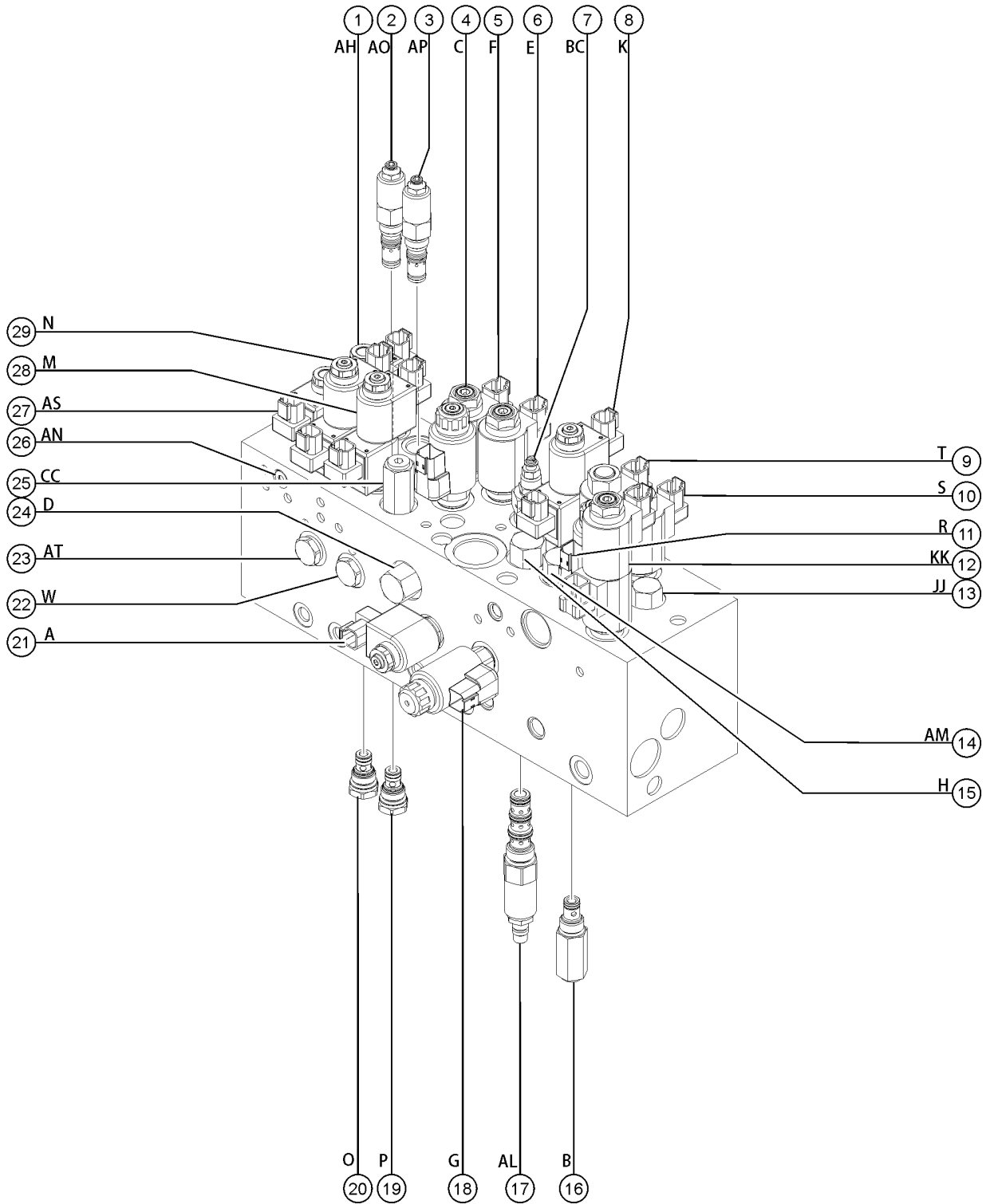
401.1 Function Manifold



Item	Part No.	Description	Qty.
10-	119116GT	NUT,COIL (107745)	
11	1288383GT	VALVE,PROPORTIONAL*** R, Boom up/down proportional	1
11-	89737GT	COIL, PROPORTIONAL VALVE***	
12	122647GT	SOLENOID VALVE SPOOL TYPE	1
		KK, Steering directional	
12-	122657GT	SEAL KIT	
12-	111778GT	COIL,10V DC(D10,26 WATT)	
12-	119115GT	NUT, COIL (107746)	
13	122641GT	VALVE,FLOW REGULATOR	1
		JJ, Steering flow control	
13-	74902GT	SEAL KIT, VALVE	
14	27802GT	VALVE,DIFFERENTIAL SENSING***	1
		AM, Primary lift	
14-	110197GT	SEAL KIT, VALVE, #10	
15	94599GT	VALVE,DIFFERENTIAL SENSING,110	1
		H, Turntable rotate	
15-	110197GT	SEAL KIT, VALVE, #10	
16	52715GT	VALVE,RELIEF 3200 PSI	1
		B, System relief	
16-	74902GT	SEAL KIT, VALVE	
17	1288382GT	VALVE, PILOT OPERATED	1
		AL, Oscillate control circuit	
18	102528GT	VALVE,PROPORTIONAL	1
		G, Turntable proportional	
18-	89312GT	SEAL KIT, SOLENOID VALVE	
18-	89737GT	COIL, PROPORTIONAL VALVE***	
19	1260116GT	VALVE, CHECK, 30 PSI	1
		P, Platform level down circuit	
19-	74902GT	SEAL KIT, VALVE	
20	1260116GT	VALVE, CHECK, 30 PSI	1
		O, Platform level up circuit	
20-	74902GT	SEAL KIT, VALVE	
21	161533GT	VALVE, SOLENOID, 2 POS 2 WAY	1
		A, Differential sensing, turntable rotate	
21-	89733GT	COIL SOLENOID VALVE***	
22	1260116GT	VALVE, CHECK, 30 PSI	1
		W, Platform rotate tank line	
22-	74902GT	SEAL KIT, VALVE	
23	1260116GT	VALVE, CHECK, 30 PSI	1
		AT, Platform level circuit	

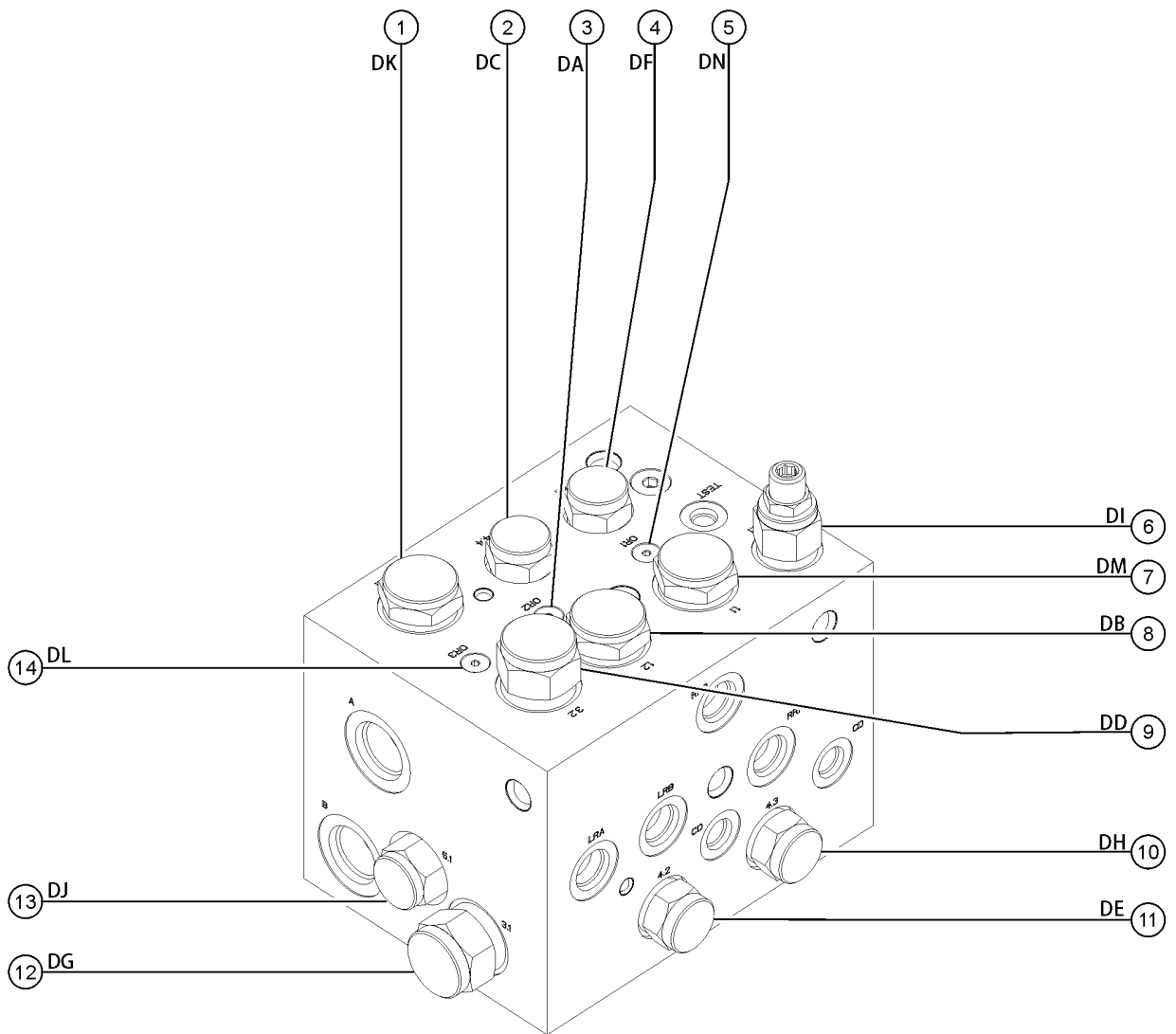


401.1 Function Manifold



<i>Item</i>	<i>Part No.</i>	<i>Description</i>	<i>Qty.</i>
23-	74902GT	SEAL KIT, VALVE	
24	1288380GT	VALVE,DIFFERENTIAL SENSING D, Boom extend	1
25	33998GT	VALVE,RELIEF*** CC, Boom extend relief	1
25-	74902GT	SEAL KIT, VALVE	
26	27807GT	VALVE,CHECK*** AN, Brake release circuit	1
27	1288377GT	SOLENOID VALVE,3-WAY,2-POS AS, Brake release	1
28	1288376GT	SOLENOID VALVE,4-WAY,3 POS M, Pitaform rotate CW/CCW	1
29	1288376GT	SOLENOID VALVE,4-WAY,3 POS N, Platfrom level up/down	1

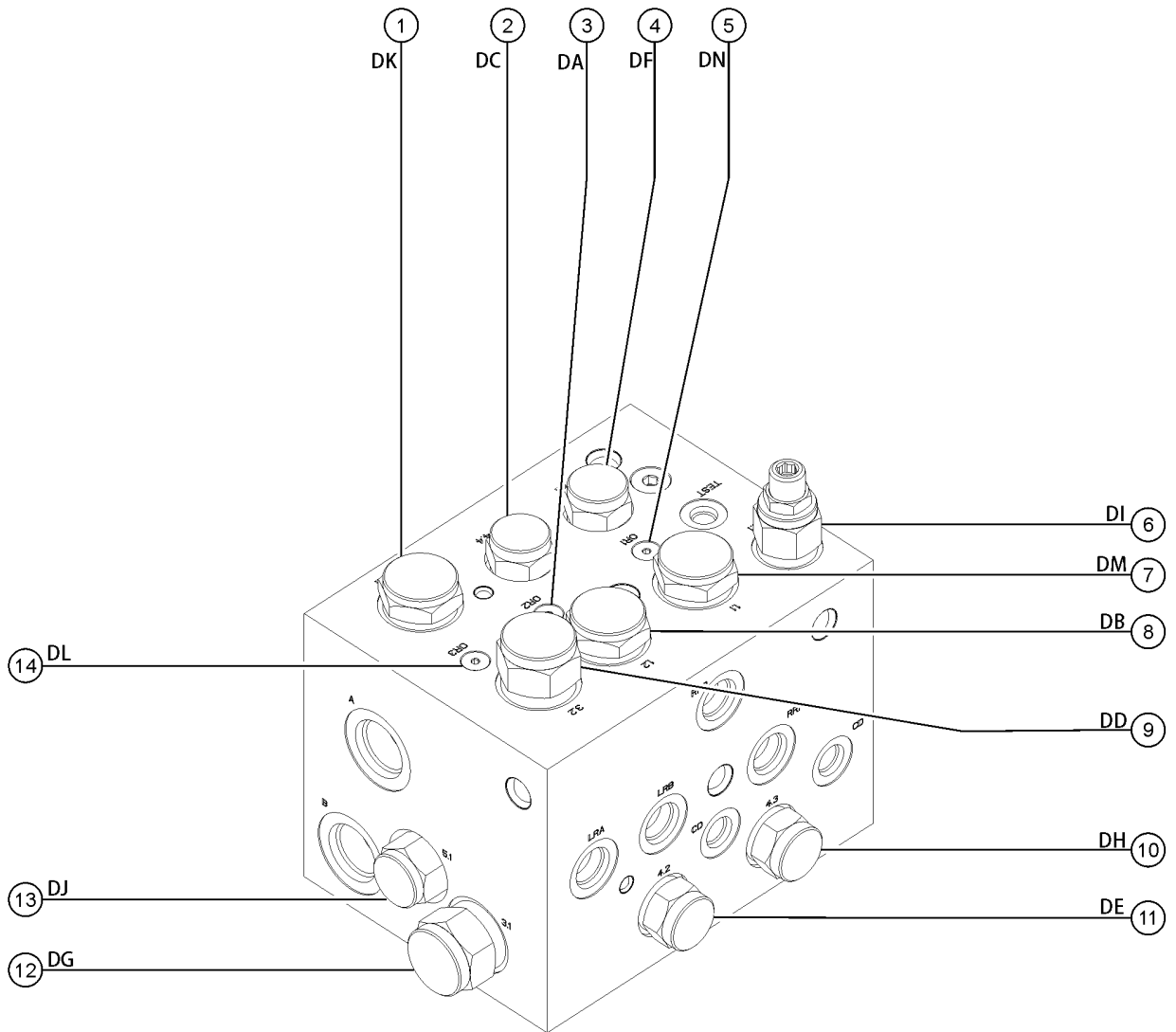
402.1 Traction Manifold



Item	Part No.	Description	Qty.
A	1276750GT	MANIFOLD, TRACTION, 4WD	
B	28750GT	O-RING KIT, FIELD SVC, ALL PROD*	
C	49612GT	O-RING KIT (ORFS FITTINGS)	
D	33994GT	PLUG AND CAP KIT-SERVICE, 37 **	
E	49613GT	PLUG AND CAP KIT-SERVICE, ORFS*	
1	139508GT	VALVE, FLOW DIVIDE/COMBINE 1:1 DK, Divides flow between diagonal pairs of motors	1
1-	139512GT	SEAL KIT, VALVE	
2	139527GT	VALVE, CHECK, 5PSI DC, Prevents cavitation in LF motor	1
2-	139515GT	SEAL KIT, VALVE	
3	139719GT	ORIFICE, 0.040" DA, Prevents scrub at high steer angles by allowing some bypass flow around the left flow divider	1
4	139527GT	VALVE, CHECK, 5PSI DF, Prevent cavitation in RF motor	1
4-	139515GT	SEAL KIT, VALVE	
5	139719GT	ORIFICE, 0.040" DN, Prevents scrub at high steer angles by allowing some bypass flow around the right flow divider	1
6	139718GT	VALVE, RELIEF, 280PSI DI, Hot oil shuttle relief	1
6-	139528GT	SEAL KIT, VALVE	
7	139717GT	VALVE, FLOW DIVIDE/COMB, 24GPM DM, Combines return flow from RF and RR motors	1
7-	139512GT	SEAL KIT, VALVE	
8	139717GT	VALVE, FLOW DIVIDE/COMB, 24GPM DB, Combines return flow from LF and LR motors	1
8-	139512GT	SEAL KIT, VALVE	
9	139716GT	VALVE, CHECK DD, Prevent cavitation in LF and RR motors	1
9-	139727GT	SEAL KIT, VALVE	
10	139527GT	VALVE, CHECK, 5PSI DH, Prevent cavitation in RR motor	1
10-	139515GT	SEAL KIT, VALVE	
11	139527GT	VALVE, CHECK, 5PSI DE, Prevent cavitation in LR motor	1
11-	139515GT	SEAL KIT, VALVE	
12	139716GT	VALVE, CHECK DG, Prevent cavitation in RF and LR motors	1
12-	139727GT	SEAL KIT, VALVE	



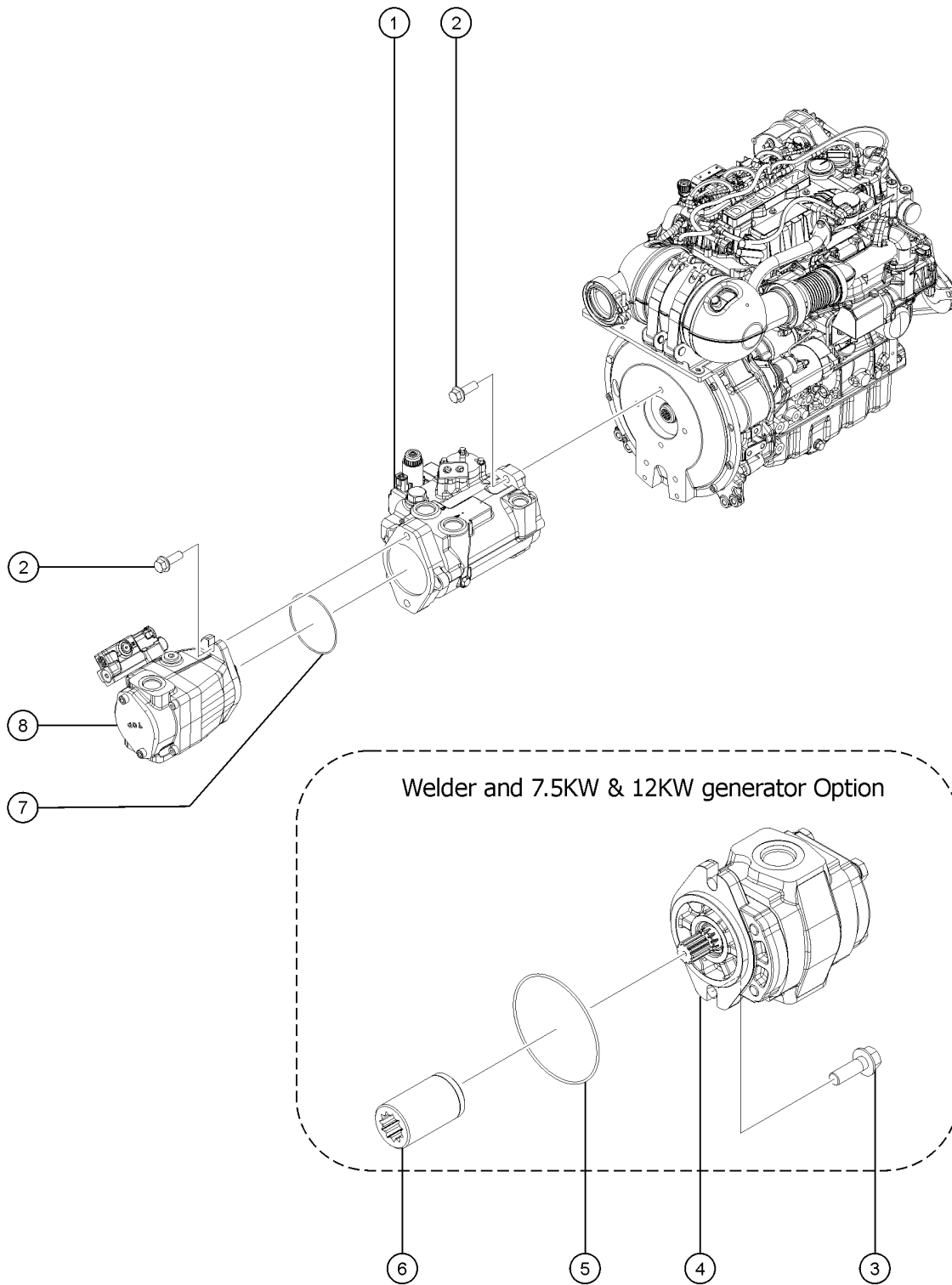
402.1 Traction Manifold



402.1 Traction Manifold

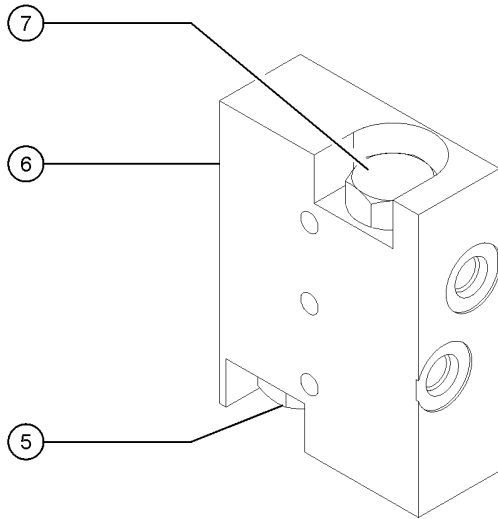
<i>Item</i>	<i>Part No.</i>	<i>Description</i>	<i>Qty.</i>
13	139715GT	VALVE, SHUTTLE, FIXED DJ, Directs oil from low pressure side to hot oil Relief Valve.	1
13-	139726GT	SEAL KIT, VALVE	
14	139719GT	ORIFICE, 0.040" DL, Prevents scrub at high steer angles by allowing some bypass flow around the right flow divider	1

403.1 Pumps

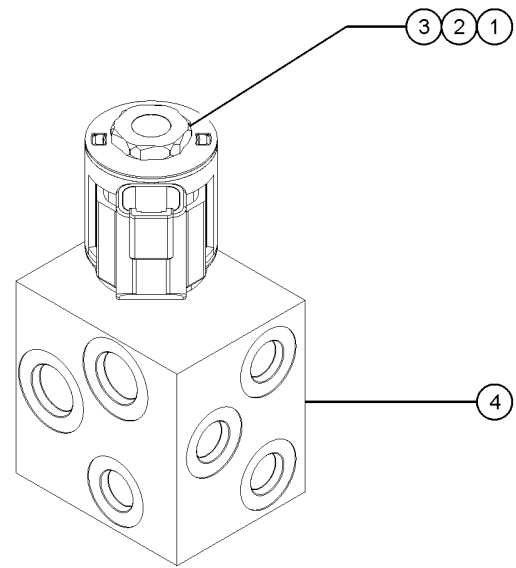


<i>Item</i>	<i>Part No.</i>	<i>Description</i>	<i>Qty.</i>
1	1270946GT	PUMP, DRIVE, M46 HC	1
1-	1274336GT	SEAL KIT, HIGH CURRENT M46 PUMP	
2	1253498GT	SCREW,HHF,1/2-13X1.5,8,ZAG	4
3	231530GT	SCREW,HHF,M10-1.5X25,DIN6921,0.9,ZAB	2
4	139799GT	PUMP,LIFT,1 SECTION	1
4-	147550GT	KIT, SEAL, PUMP, 1 SECTION	
5	83141GT	O RING	1
6	1284023GT	GEN PUMP DRIVE LINK	1
7	43683GT	O-RING,2-042 N674-70***	1
8	1282175GT	PUMP, FUNCTION, 25CC, LS (1284023, drive link not included)	1

404.1 Platform Rotate and Jib Boom/Platform Rotate Manifold



Platform Rotate Manifold



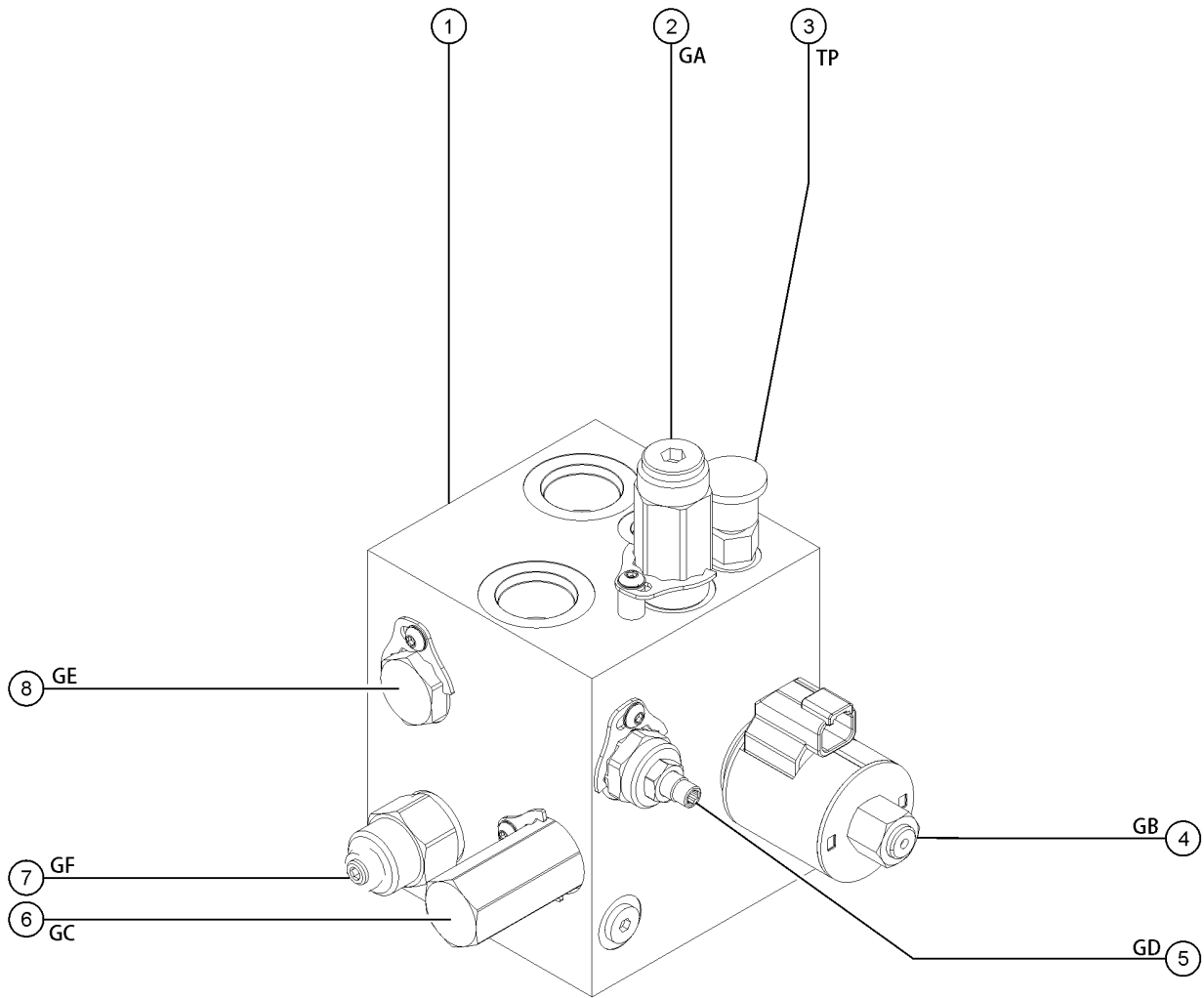
Jib Select Manifold

404.1 Platform Rotate and Jib Boom/Platform Rotate Manifold

<i>Item</i>	<i>Part No.</i>	<i>Description</i>	<i>Qty.</i>
1	44174GT	NUT-COIL SHORT	1
2	52897GT	VALVE,SOLENOID, 2POS/3WAY***	1
2-	52371GT	SEAL KIT, VALVE	1
3	104759GT	COIL,12VDC #8 DTSCH IP69 ECOIL	1
4	1281250GT	MANIFOLD, JIB SELECT W/6 PORTS	1
		(includes items 1-3)	
5	62506GT	VALVE - COUNTERBALANCE**	1
		(Platform rotate left)	
5-	43018GT	SEAL KIT (39345)	
6	1270810GT	MANIFOLD, ROTATOR, CB	1
6-	62507GT	O-RING, ROTATOR MANIFOLD	2
7	62506GT	VALVE - COUNTERBALANCE**	1
		(Platform rotate right)	
7-	43018GT	SEAL KIT (39345)	



405.1 Generator Manifold

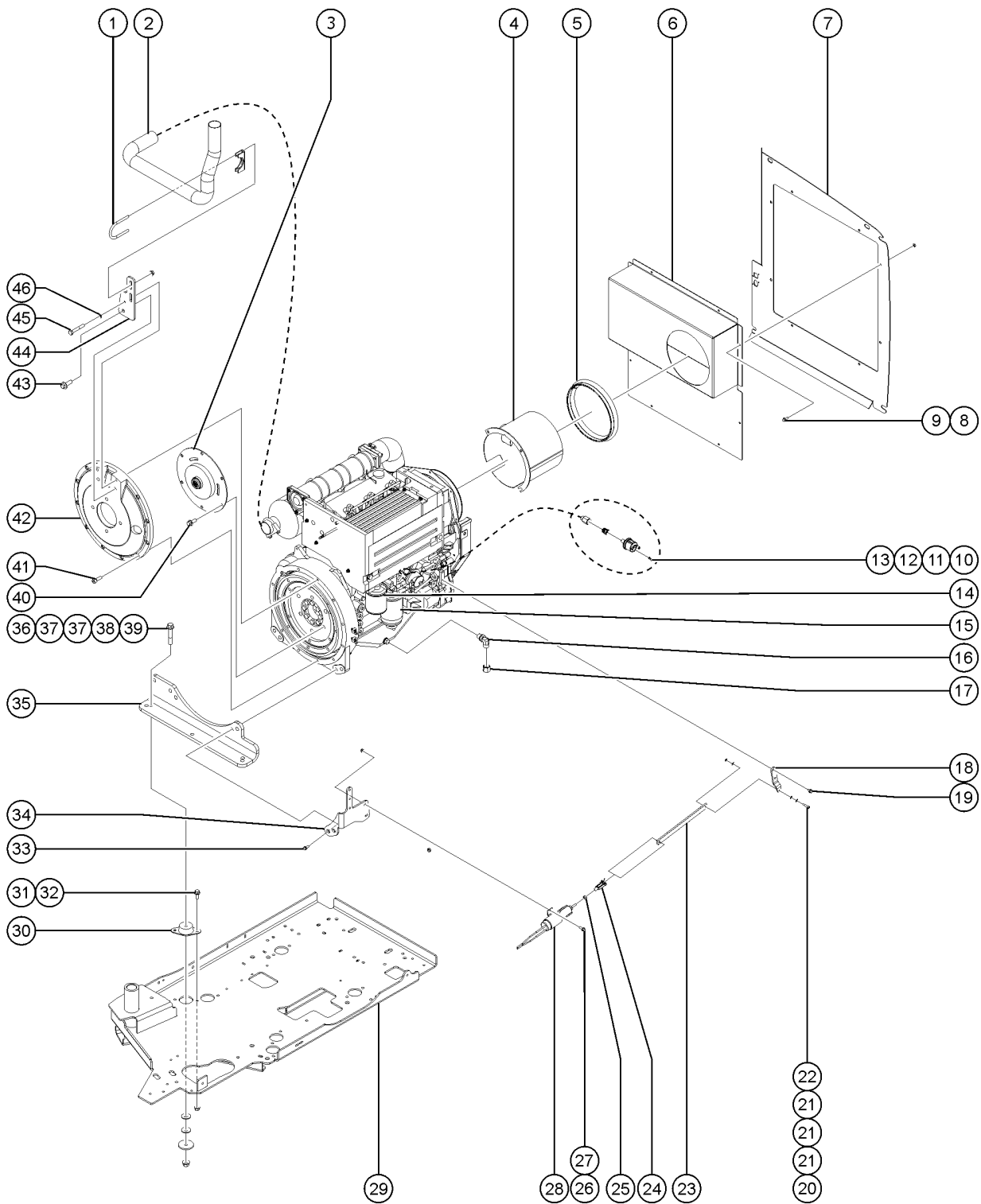


405.1 Generator Manifold

Item	Part No.	Description	Qty.
A	115048GT	#6 PLUG	3
A	1285147GT	PLUG, PORT, SAE4, 6103004	1
1	1281789GT	MANIFOLD, HYD, LIFT POWER, WELDER GENERATOR (Complete)	1
2	1285141GT	VALVE, RELIEF, RV50-26H-0-P-50/36	1
		GA, Generator relief valve	
2-	1285145GT	KIT, LOCKDOWN, HYD VALVE, 5965000.1000M	
3	48997GT	NIPPLE,DIAGNOSTIC,#4	1
		TP, Test port	
3-	48880GT	CAP,DIAGNOSTIC NIPPLE	
4	1285143GT	VALVE, SOLENOID, HSV10-21-0-U-0	1
		GB, Charge pressure circuit	
4-	97469GT	COIL#10 E-COIL,10V ZENER DIODE	
4-	1285144GT	KIT, LOCKDOWN, HYD VALVE, 5965000.1063	
5	1285142GT	VALVE, NEEDLE, NV10-22A-0-N	1
		GD, Charge pressure circuit	
5-	1285146GT	KIT, LOCKDOWN, HYD VALVE, 5965000.1000	
6	75462GT	VALVE,DIFFERENTIAL SENSE230PSI	1
		GC, Pilot valve to diverter valve	
6-	62337GT	SEAL KIT, VALVE	
6-	1285146GT	KIT, LOCKDOWN, HYD VALVE, 5965000.1000	
7	1284399GT	VALVE, COUNTERBALANCE, 3:1 1000PSI, CBEA-LIN	1
		GF, Adds backpressure to generator circuit	
8	62127GT	VALVE-CHECK,SIZE 10(59599)	1
		GE, Prevents oil to generator	
8-	1285146GT	KIT, LOCKDOWN, HYD VALVE, 5965000.1000	



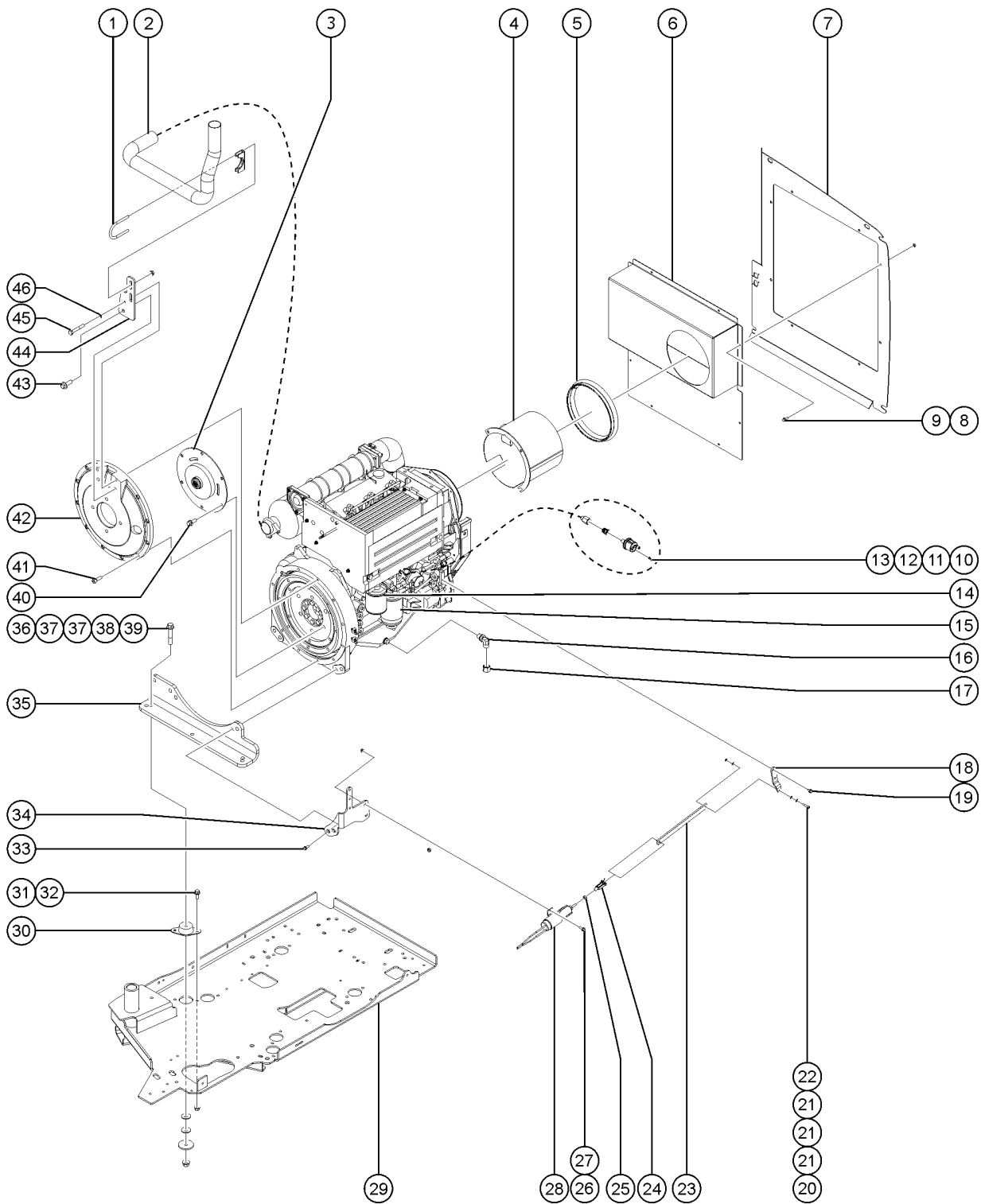
501.1 Deutz D2011L03i, View 1



Item	Part No.	Description	Qty.
A	160687GT	ENGINE,DEUTZ,D2011L03i TPEM	1
1	70385GT	CLAMP,EXHAUST,2.00 PLATED	1
2	822693GT	TAILPIPE, DEUTZ, TPEM & ROW	1
3	128004GT	COUPLER, 15 TOOTH, FBA, SAE 8	1
4	101140GT	WELDMENT, AIR INTAKE TUBE	1
5	33239GT	SHEET,RUBBER,AIR INTAKE	1
5-	31523GT	CLAMP, FAN GUARD, DEUTZ F4L1011	1
6	1267235GT	FORMING,DEUTZ AIR INTAKE BAFFL	1
7	106172GT	BAFFLE,AIR INTAKE***	1
8	1256855GT	SCREW,HHF,1/4-20X.625,8,ZAG	8
9	824027GT	NUT,TL FLG,1/4-20,G,ZAG	8
10	13597GT	TERMINAL,#10 RING,BLUE	1
11	30810GT	SENDING UNIT,OIL PRESSURE***	1
12	106033GT	ADAPTER,NPT 6-4	1
13	106034GT	ADAPTER,M18	1
14	49924GT	FILTER,OIL,DEUTZ F4L1011F (Genie Genuine Part. See PN 1255653 for compatible aftermarket replacement)	1
15	29560GT	FILTER,FUEL/WTR SEP, DTZ 1008 (Genie Genuine Part. See PN 1255653 for compatible aftermarket replacement)	1
16	54428GT	FITTING,HYDRAULIC,90DEG,O-RING	1
17	69775GT	CAP,520112-8	1
18	1267237GT	LEVER,GOVERNOR ACTUATOR**	1
19	237238GT	SCREW,HHF,M6-1.0X12,DIN6921,10	2
20	1257076GT	BOLT,SHS,1/4-28X4,ZAG	1
21	825355GT	WASHER,FLAT,M6,DIN125,ZAB	3
22	5365GT	NUT,NYLOCK,10-24	1
23	94485GT	THROTTLE LINKAGE,DIESEL ***	1
24	21130GT	CLEVIS YOKE-1/4-28,PLTD W/PIN	1
25	824041GT	NUT, 1/4-28, 8, ZAG	1
26	824078GT	SCREW,HHF,1/4-20X.75,8,ZAG	2

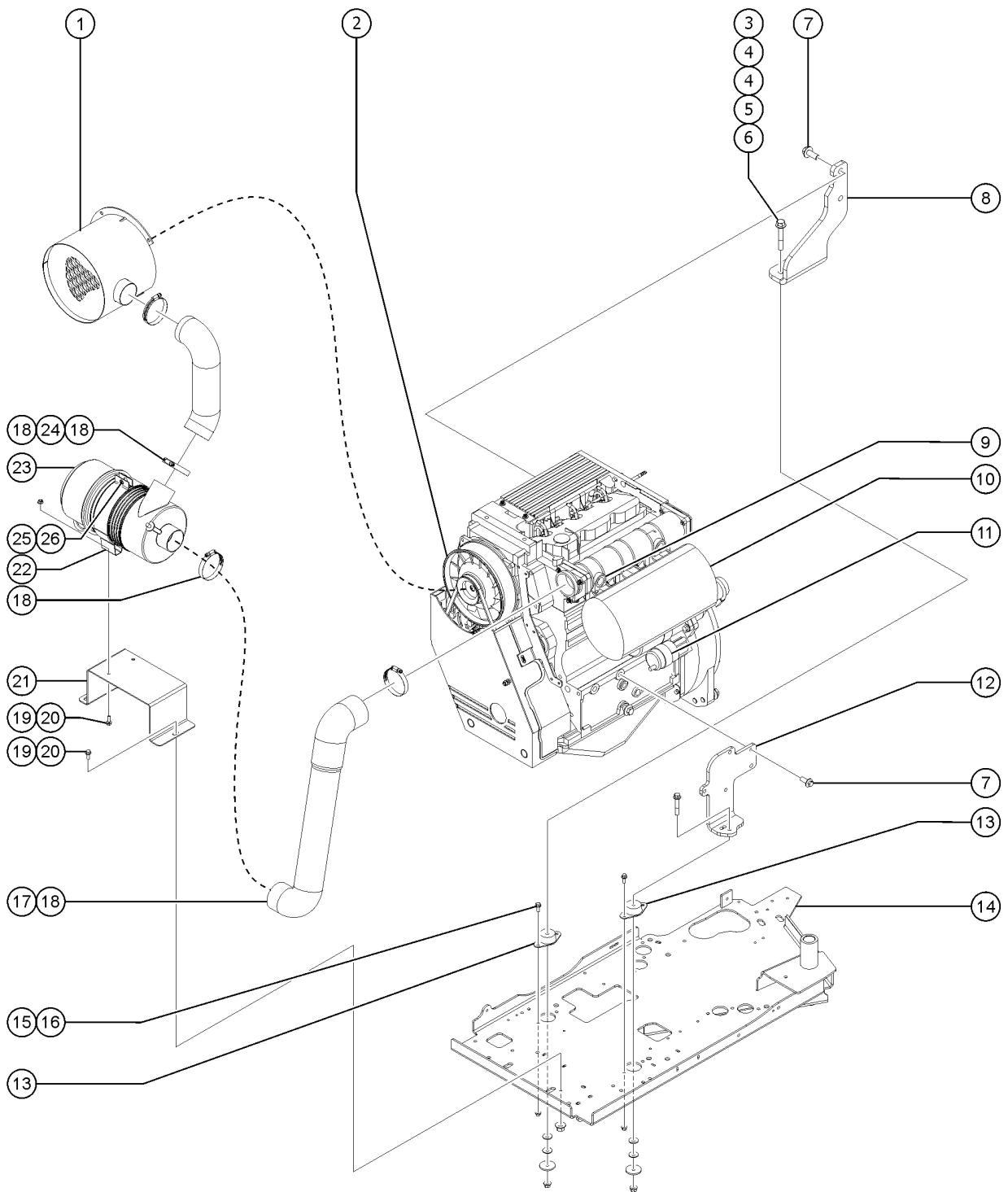


501.1 Deutz D2011L03i, View 1



<i>Item</i>	<i>Part No.</i>	<i>Description</i>	<i>Qty.</i>
27	1277924GT	NUT,NYLOCK FLG,1/4-20,F,ZAG	2
28	77402GT	SOLENOID,THROTTLE ACTUATOR DSL	1
29		REF. WELDMENT, ENGINE TRAY WITH BEARINGS	1
		(refer to 505.1)	
30	70452GT	NUT,NYLOCK FLG,3/8-16,F,ZAG	2
31	824090GT	SCREW,HHF,3/8-16X1,8,ZAG	4
32	1274322GT	NUT,NYLOCK FLG,3/8-16,G,ZAG	4
33	1251899GT	SCREW,HHF,M14-2.0 X 40,DIN6921,10.9,ZAB	4
34	1270141GT	MNT BRKT, POS BATT CABL, SOLND	1
34-	110149GT	CABLE TIE,DFT MOUNT,BLK,6.5"	2
35	1267238GT	FORMING,REAR ENGINE MOUNT***	1
36	1251994GT	FORMING, ENGINE TRAY BAFFLE	2
37	1255760GT	WASHER,FLAT,1/2,USS,ZAG	4
38	1256283GT	FORMING, SWING FUEL MOUNT	2
39	1274172GT	NUT,NYLOCK FLG,1/2-13,G,ZAG	2
40	825351GT	SCREW,HHC,M10-1.5X20,DIN933,10.9,ZAB	6
41	1255666GT	SCREW,SHC,M10-1.5X30,DIN912,12.9,ZAB	9
42	70381GT	COVER, FLYWHEEL CASTING	1
43	1255469GT	SCREW,HHF,1/2-13X1.25,8,ZAG	1
44	1267239GT	FORMING,SOLENOID MOUNT	1
45	1257837GT	SCREW,HHC,M10-1.5X65,DIN931,10.9,ZAB	1
46	824142GT	SCREW, HHF, 3/8-16 X 1.25, 8, ZAG	2

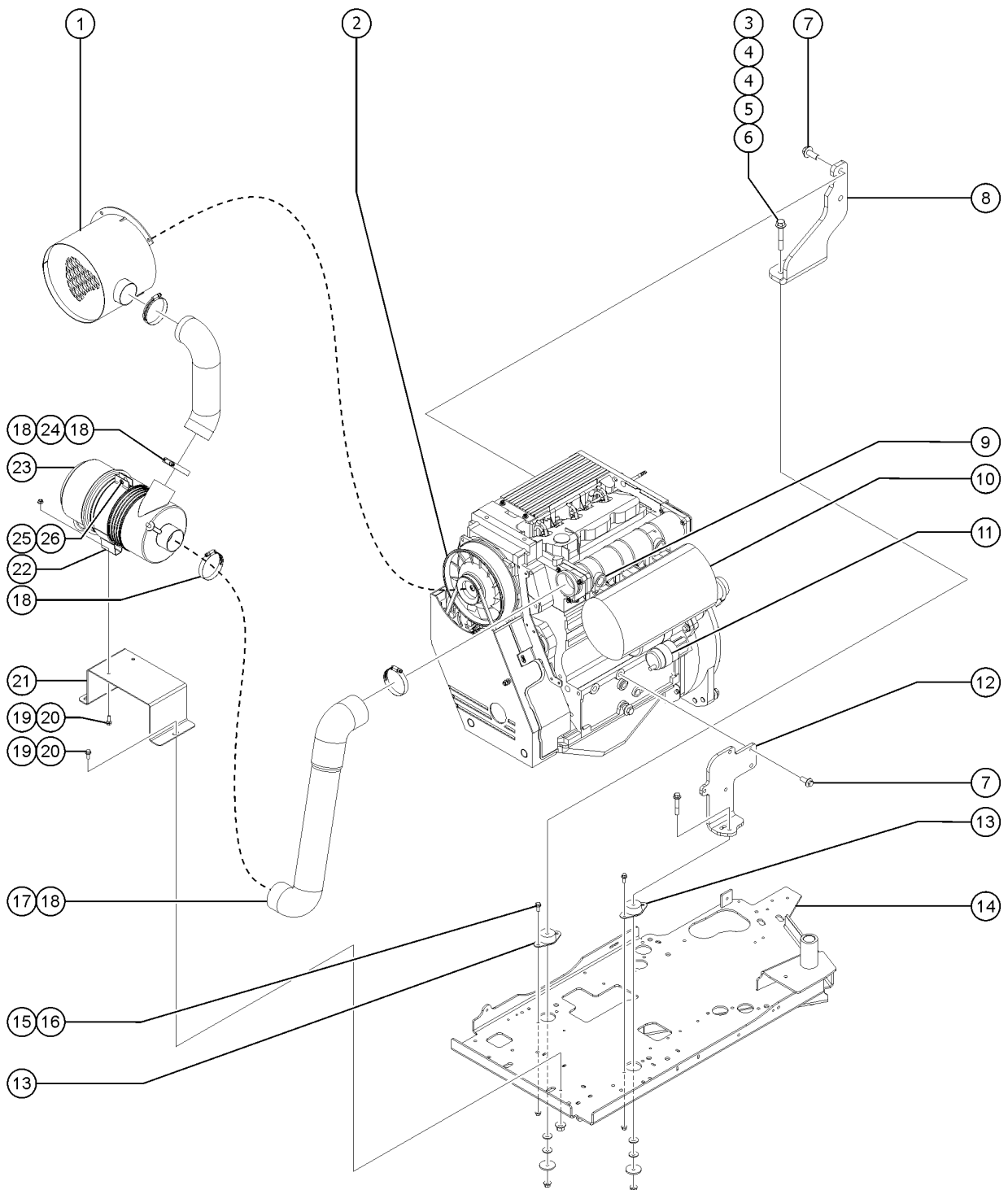
502.1 Deutz D2011L03i, View 2



Item	Part No.	Description	Qty.
1		Ref. WELDMENT, AIR INTAKE TUBE (refer to 501.1)	
2	35586GT	ALTERNATOR, DEUTZ F3L10/F4L10*	1
3	1251994GT	FORMING, ENGINE TRAY BAFFLE	2
4	1255760GT	WASHER,FLAT,1/2,USS,ZAG	4
5	1256283GT	FORMING, SWING FUEL MOUNT	2
6	1274172GT	NUT,NYLOCK FLG,1/2-13,G,ZAG	2
7	1256776GT	SCREW,HHF,M14-2.0X35,DIN6921,10.9,ZAB	5
8	120258GT	FORMING,ENGINE MOUNT,FR***	1
9	31408GT	GLOW PLUG,L1011	1
10	89774GT	MUFFLER, DEUTZ F3L 2011F	1
11	139709GT	STARTER, 12V (with solenoid)	1
12	120259GT	FORMING,ENGINE MOUNT,FL	1
13	70452GT	NUT,NYLOCK FLG,3/8-16,F,ZAG	2
14		Ref. WELDMENT, ENGINE TRAY (refer to 505.1)	1
15	824090GT	SCREW,HHF,3/8-16X1,8,ZAG	4
16	1274322GT	NUT,NYLOCK FLG,3/8-16,G,ZAG	4
17	70375GT	HOSE,AIR CLEANER	1
18	30971GT	CLAMP,HOSE,3.00"	4
19	824085GT	SCREW,HHF,5/16-18X.75,8,ZAG	5
20	1255805GT	NUT,SERRATED,5/16-18,8,ZAG	5
21	1267236GT	FORMING,AIR CLEANER MOUNT	1
22	53952GT	BRKT,AIR CLEANER ORIENTATION** (to S65XCD-299)	1
22B	1309604GT	BRKT,AIR CLEANER,DONALDSON (from S65XCD-300)	1
23	63463GT	AIR CLEANER,NELSON (to S65XCD-299)	1
23-	52866GT	EVACUATOR VALVE-AIR CLEANER	
23-	5397GT	WASHER,FLAT,USS,5/16",Y	
23-	58415GT	CLIP,AIR CLEANER END CAP***	
23-	62420GT	FILTER,AIR***	

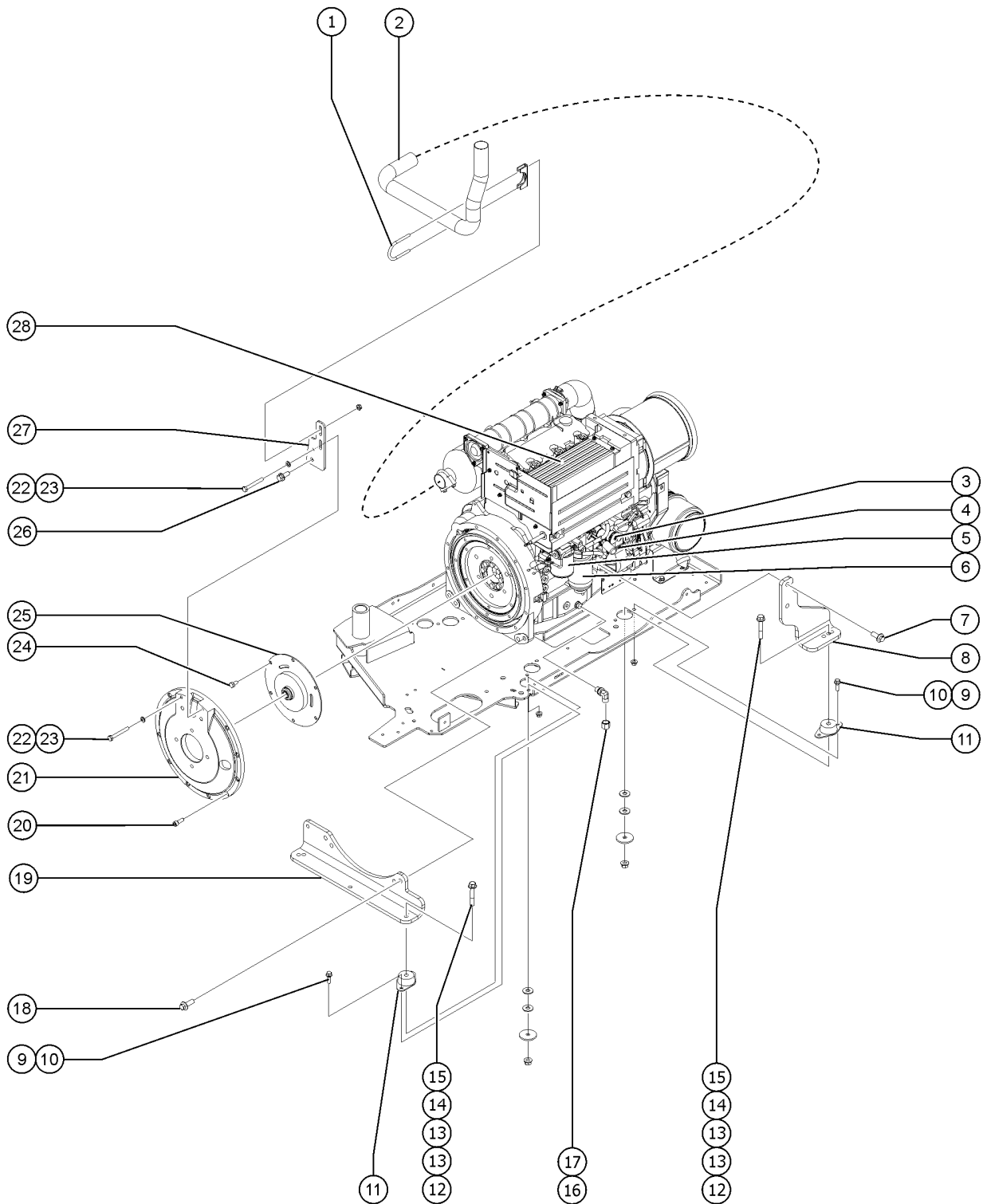


502.1 Deutz D2011L03i, View 2



<i>Item</i>	<i>Part No.</i>	<i>Description</i>	<i>Qty.</i>
23-	65810GT	BAFFLE, AIR CLEANER (27915)**	
23-	6782GT	NUT, NYLOCK, 5/16-18	
23-	6888GT	SCREW,HHC,1/4-20 X 1	
23B	1309603GT	AIR CLEANER,DONALDSON,G068664	1
		(from S65XCD-300)	
24	101006GT	TUBE,AIR CLEANER INLET	1
25	1255763GT	SCREW,HHF,5/16-18X1.5,8,ZAG	1
		(from S65XCD-300)	
26	1274167GT	NUT,NYLOCK FLG,5/16-18,F,ZAG	1
		(from S65XCD-300)	

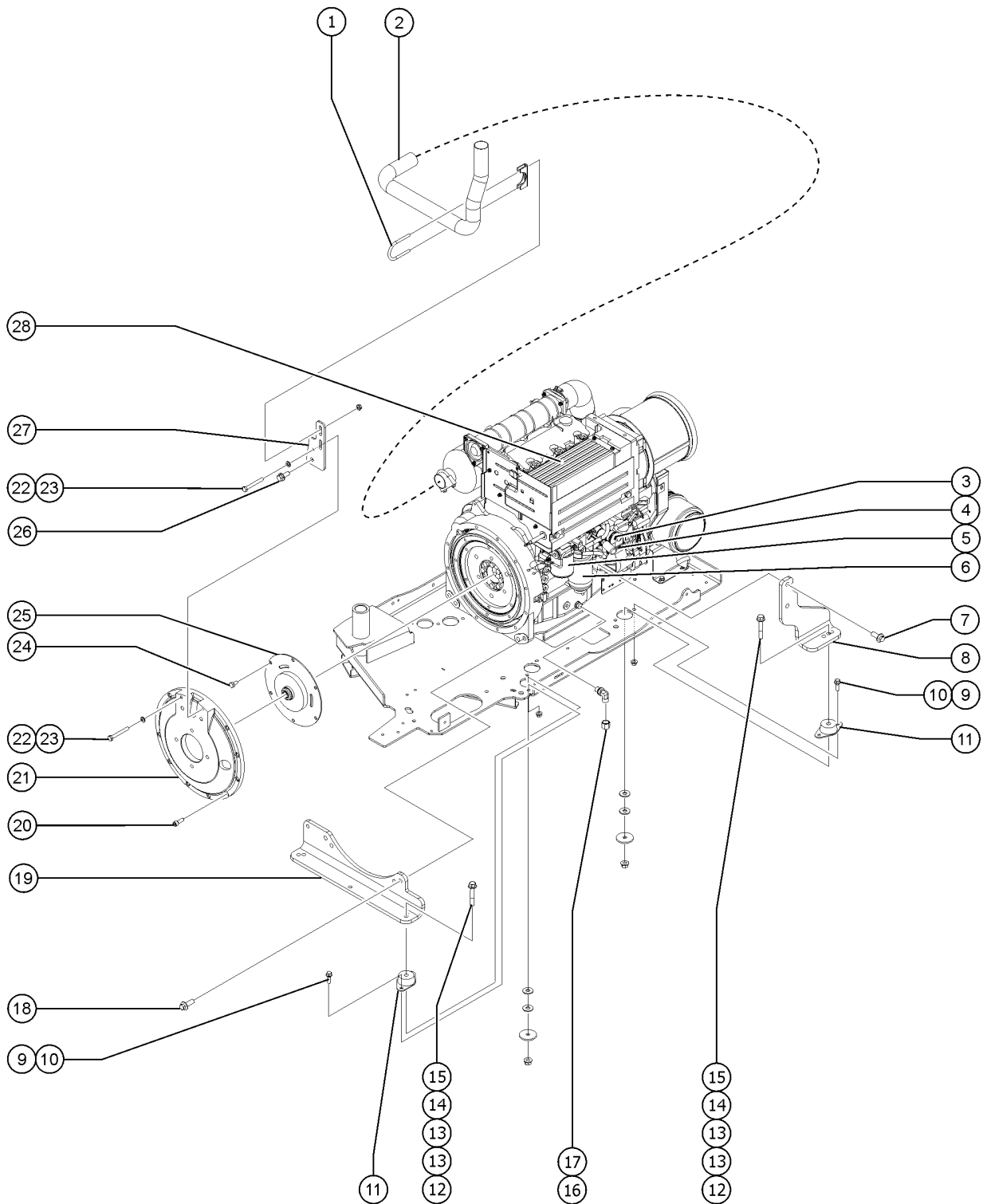
503.1 Deutz D436 (China III) engine, View 1



Item	Part No.	Description	Qty.
1	70385GT	CLAMP,EXHAUST,2.00 PLATED	1
2	822693GT	TAILPIPE, DEUTZ, TPEM & ROW	1
3	111668GT	PUMP,FUEL 2011 DEUTZ ***	1
3-	119344GT	KIT,PRIMER BULB	
3-	27089GT	HOSE,5/16 FUEL,SAE 30R7	11 6i nc hes
4	147243GT	DIPSTICK, OIL, D2011	1
5	49924GT	FILTER,OIL,DEUTZ F4L1011F	1
5-	1255653GT	FILTER,OIL,DEUTZ,REPLACEMENT	1
6	29560GT	FILTER,FUEL/WTR SEP, DTZ 1008	1
6-	1254826GT	FUEL FILTER W/SEP,DEUTZ,1008	1
6-	58566GT	FILTER HEAD (29560)	
7	1256776GT	SCREW,HHF,M14-2.0X35,DIN6921,10.9,ZAB	2
8	70460GT	FORMING,ENGINE MOUNT,FR***	1
9	824090GT	SCREW,HHF,3/8-16X1,8,ZAG	4
10	1274322GT	NUT,NYLOCK FLG,3/8-16,G,ZAG	4
11	70452GT	NUT,NYLOCK FLG,3/8-16,F,ZAG	2
12	1251994GT	FORMING, ENGINE TRAY BAFFLE	2
13	1255760GT	WASHER,FLAT,1/2,USS,ZAG	4
14	1256283GT	FORMING, SWING FUEL MOUNT	2
15	1274172GT	NUT,NYLOCK FLG,1/2-13,G,ZAG	2
16	69775GT	CAP,520112-8	1
17	54428GT	FITTING,HYDRAULIC,90DEG,O-RING	1
18	1251899GT	SCREW,HHF,M14-2.0 X 40,DIN6921,10.9,ZAB	4
19	70459GT	FORMING,REAR ENGINE MOUNT PNT*	1
20	1255666GT	SCREW,SHC,M10-1.5X30,DIN912,12.9,ZAB	9
21	70381GT	COVER, FLYWHEEL CASTING	1
22	67631GT	SCREW,HHC,M10 X 80 GR 8.8	2



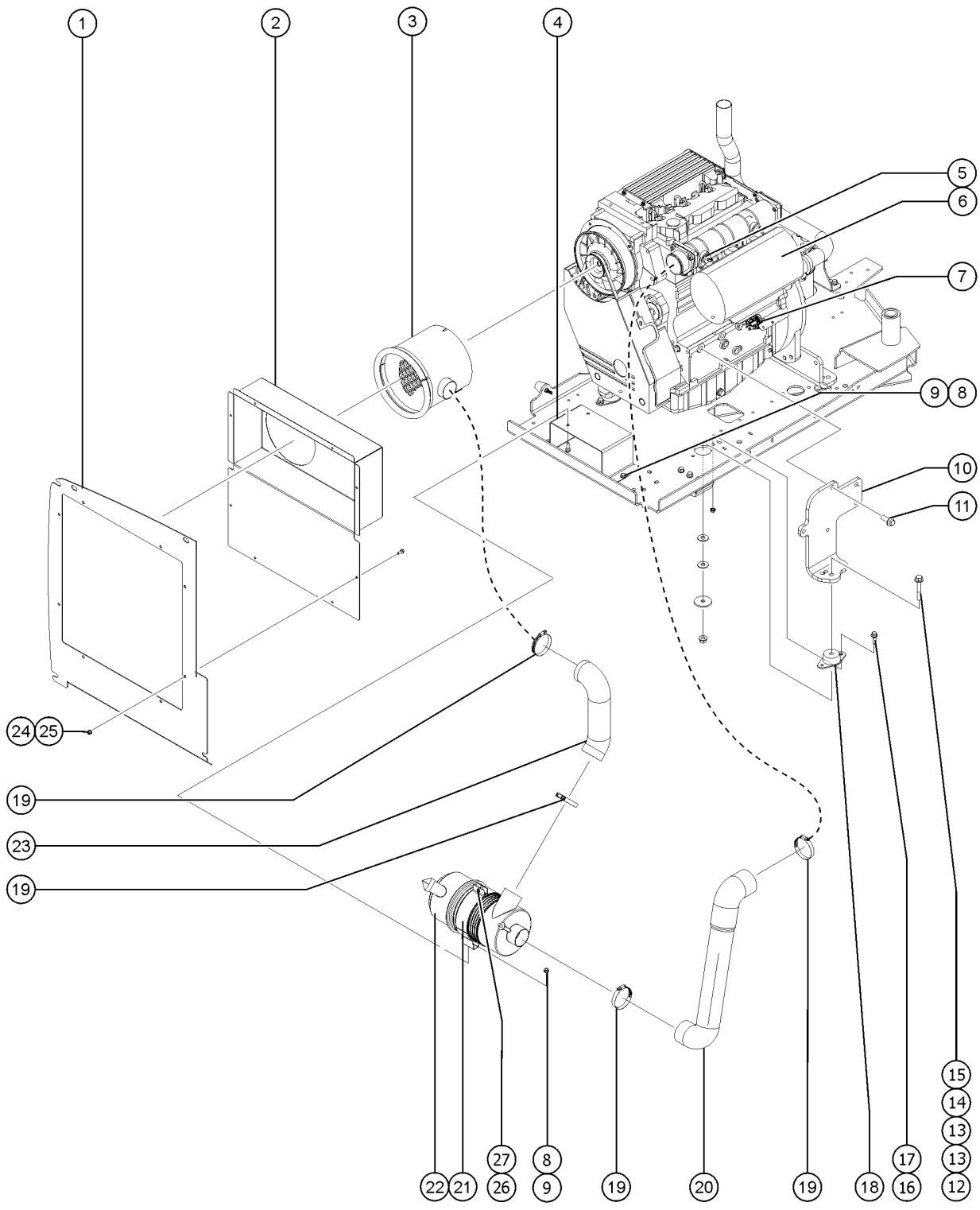
503.1 Deutz D436 (China III) engine, View 1



503.1 Deutz D436 (China III) engine, View

<i>Item</i>	<i>Part No.</i>	<i>Description</i>	<i>Qty.</i>
23	22699GT	WASHER,FLAT,M10,ZINC PLTD.	2
24	825351GT	SCREW,HHC,M10-1.5X20,DIN933,10.9,ZAB	6
25	128004GT	COUPLER, 15 TOOTH, FBA, SAE 8	1
26	1255469GT	SCREW,HHF,1/2-13X1.25,8,ZAG	1
27	70472GT	FORMING,SOLENOID MOUNT PAINT	1
28	1308976GT	ENGINE KIT,D436,CHINA III,W/O,ALTITUDE COMP	1

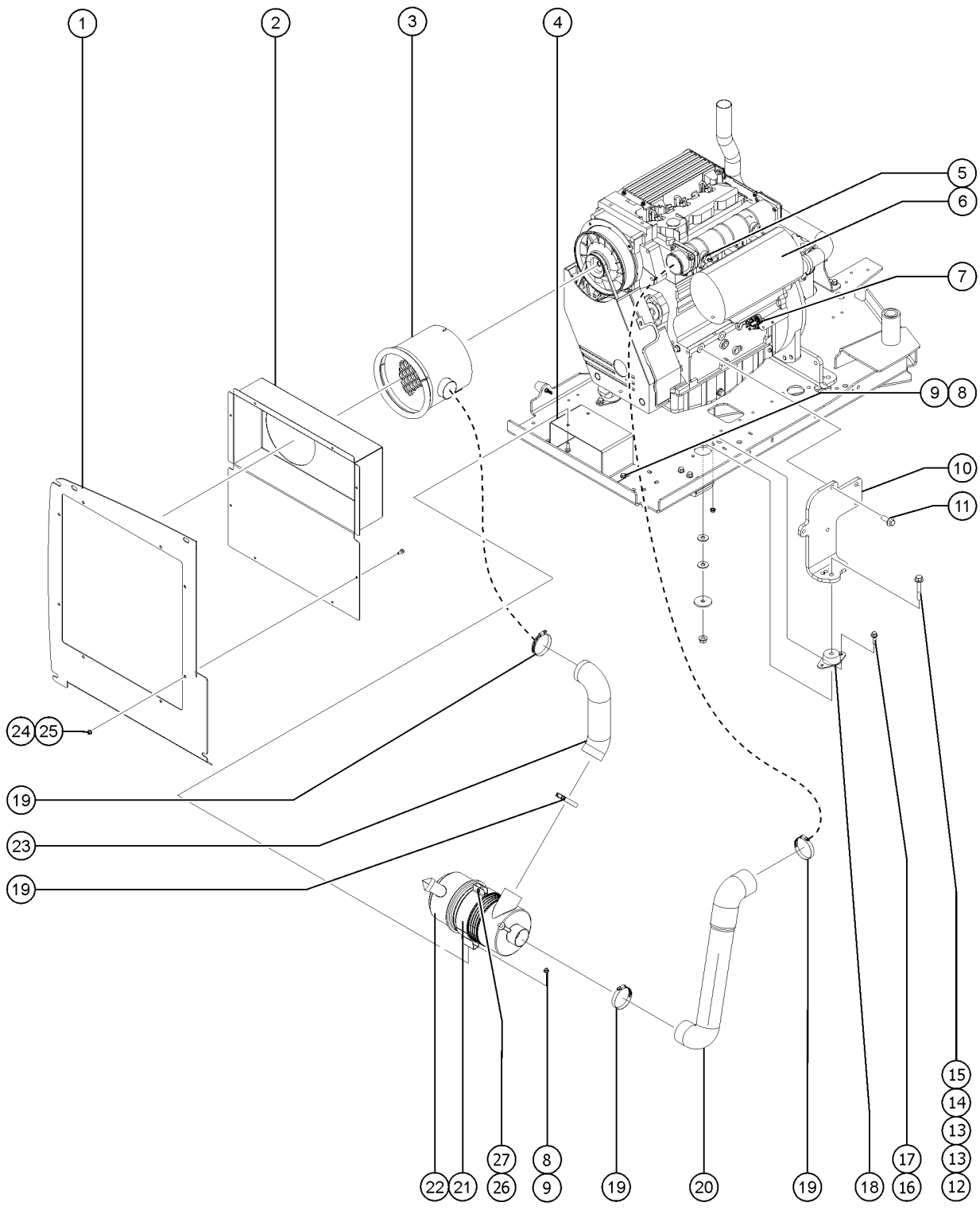
504.1 Deutz D436 (China III) engine, View 2



Item	Part No.	Description	Qty.
1	106172GT	BAFFLE,AIR INTAKE***	1
2	1267235GT	FORMING,DEUTZ AIR INTAKE BAFFL	1
3	101140GT	WELDMENT, AIR INTAKE TUBE	1
4	70351GT	FORMING,AIR CLEANER MOUNT	1
5	31408GT	GLOW PLUG,L1011	1
6	32695GT	MUFFLER,DEUTZ	1
7	139709GT	STARTER, 12V	1
7-	139621GT	KIT, HEAT GUARD, DEUTZ STARTER	
7-	139622GT	HEAT SHIELD,DEUTZ STARTER	
7-	139623GT	BOLT, GUARD, DEUTZ STARTER	
8	824086GT	SCREW,HHF,5/16-18X1,8,ZAG	4
9	1255805GT	NUT,SERRATED,5/16-18,8,ZAG	4
10	70461GT	FORMING,ENGINE MOUNT,FL***	1
11	1256776GT	SCREW,HHF,M14-2.0X35,DIN6921,10.9,ZAB	3
12	1251994GT	FORMING, ENGINE TRAY BAFFLE	2
13	1255760GT	WASHER,FLAT,1/2,USS,ZAG	4
14	1256283GT	FORMING, SWING FUEL MOUNT	2
15	1274172GT	NUT,NYLOCK FLG,1/2-13,G,ZAG	2
16	824090GT	SCREW,HHF,3/8-16X1,8,ZAG	4
17	1274322GT	NUT,NYLOCK FLG,3/8-16,G,ZAG	4
18	70452GT	NUT,NYLOCK FLG,3/8-16,F,ZAG	2
19	30971GT	CLAMP,HOSE,3.00"	4
20	70375GT	HOSE,AIR CLEANER	1
21	53952GT	BRKT,AIR CLEANER ORIENTATION** (to S65XCD-299)	1
21B	1309604GT	BRKT,AIR CLEANER,DONALDSON (from S65XCD-300)	1
22	63463GT	AIR CLEANER,NELSON (to S65XCD-299)	1
22B	1309603GT	AIR CLEANER,DONALDSON,G068664 (from S65XCD-300)	1
23	101006GT	TUBE,AIR CLEANER INLET	1



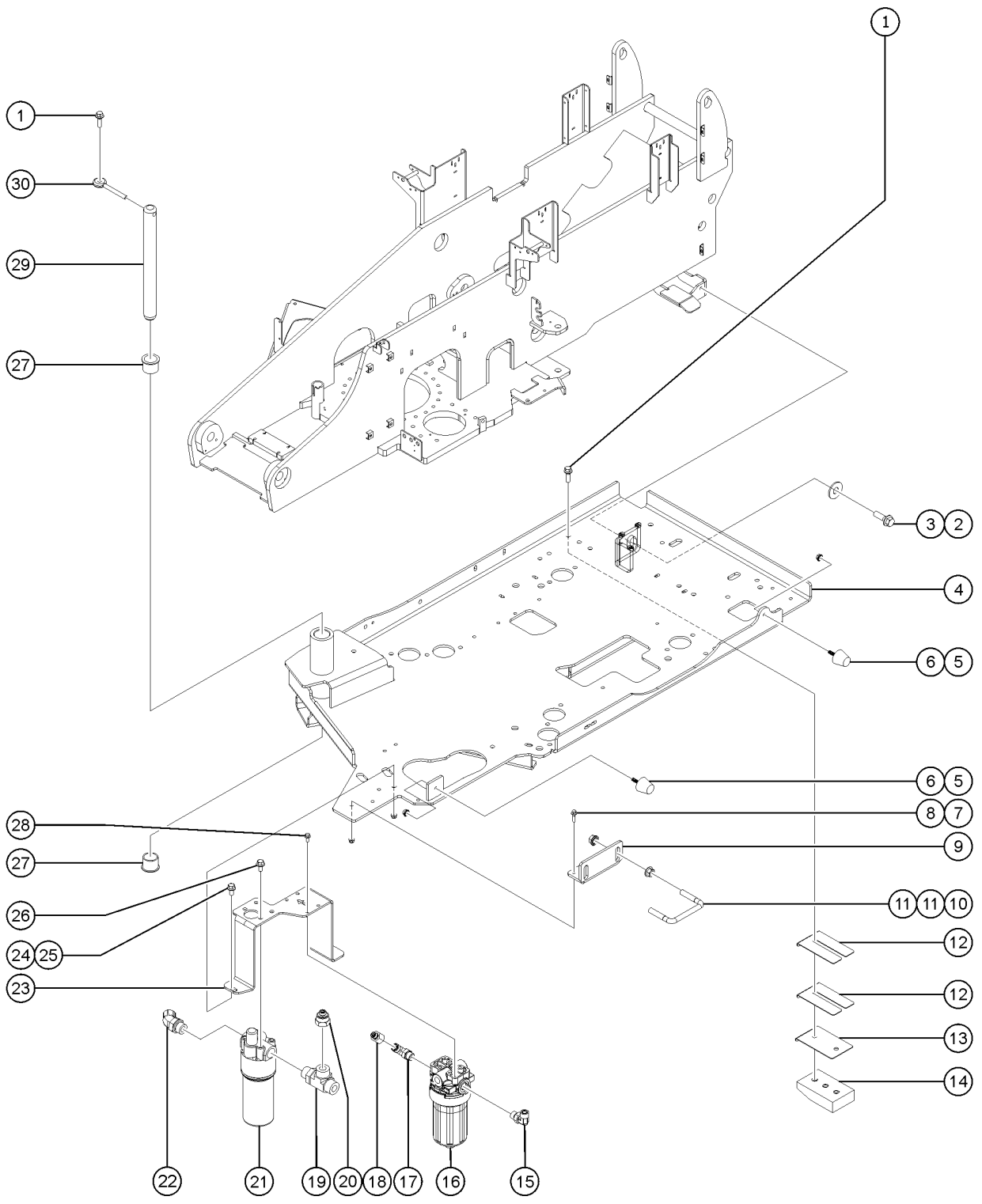
504.1 Deutz D436 (China III) engine, View 2



504.1 Deutz D436 (China III) engine, View

<i>Item</i>	<i>Part No.</i>	<i>Description</i>	<i>Qty.</i>
24	824027GT	NUT,TL FLG,1/4-20,G,ZAG	8
25	1256855GT	SCREW,HHF,1/4-20X.625,8,ZAG	8
26	1255763GT	SCREW,HHF,5/16-18X1.5,8,ZAG	1
		(from S65XCD-300)	
27	1274167GT	NUT,NYLOCK FLG,5/16-18,F,ZAG	1
		(from S65XCD-300)	

505.1 Engine Tray

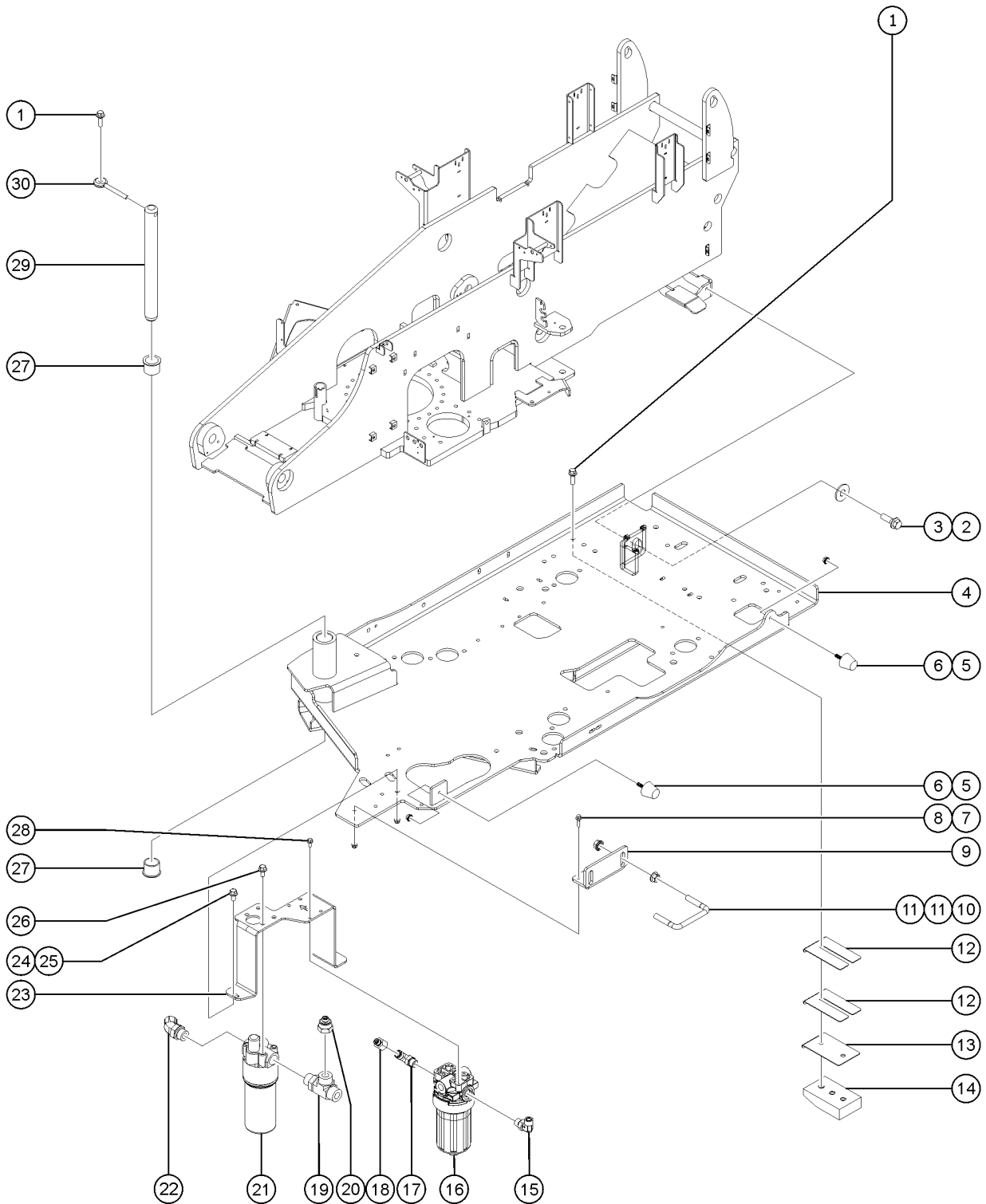


505.1 Engine Tray

Item	Part No.	Description	Qty.
1	824091GT	SCREW,HHF,3/8-16X1.25,8,ZAG	4
2	1256126GT	SCREW,HHF,5/8-11X2,8,ZAG	1
3	824115GT	WASHER,FLAT,5/8,USS,ZAG	1
4	1283145GT	WELDMENT, ENGINE TRAY WITH BEARINGS	1
5	1261277GT	RUBBER BUMPER, 1.25 X 1.25 IN	2
6	1255805GT	NUT,SERRATED,5/16-18,8,ZAG	3
7	824079GT	SCREW,HHF,1/4-20X1,8,ZAG	3
8	1277924GT	NUT,NYLOCK FLG,1/4-20,F,ZAG	3
9	1260174GT	FORMING, ENGINE TRAY LATCH	1
10	1259855GT	UBOLT, 0.4724 IN D X 4.0 IN L	1
11	1261724GT	BATTERY HOLD DOWN	4
12	34344GT	SHIM,SIDE PAD 16GA. 3 X 5	2
13	38621GT	SHIM,PAD,5 X 3	1
14	81522GT	WEAR PAD,ENGINE TRAY	
14-	48425GT	NUT,FLG-LRG,3/8-16,YZ	1
15	48932GT	FITTING,ELBOW,90D,520220-8***	1
16	1267807GT	ASSEMBLY, MED. PRESS. FILTER,	1
16-	1268229GT	ELEMENT-5 MIC, PAPER, W/ BYPASS	
17	48936GT	TEE,BRANCH,520429-8	1
18	48941GT	REDUCER,520123-8-4	1
19	48961GT	TEE,RUN,520428-12	1
20	87033GT	REDUCER,520123-12-6	1
21	60334GT	FILTER ASSY,HIGH PRESS SAE-12*	1
21-	1279465GT	BACKUP RING,71.60X67.20X1.40PTFE(60334)	
21-	1279466GT	O-RING,67.95X2.62-NBR-70SH(HF2P)(60334)	
21-	58380GT	FILTER INDICATOR-(60334)	
21-	60857GT	FILTER,ELEMENT,BETA(5)=1000	
22	48963GT	FITTING,ELBOW,45D,520320-12***	1



505.1 Engine Tray

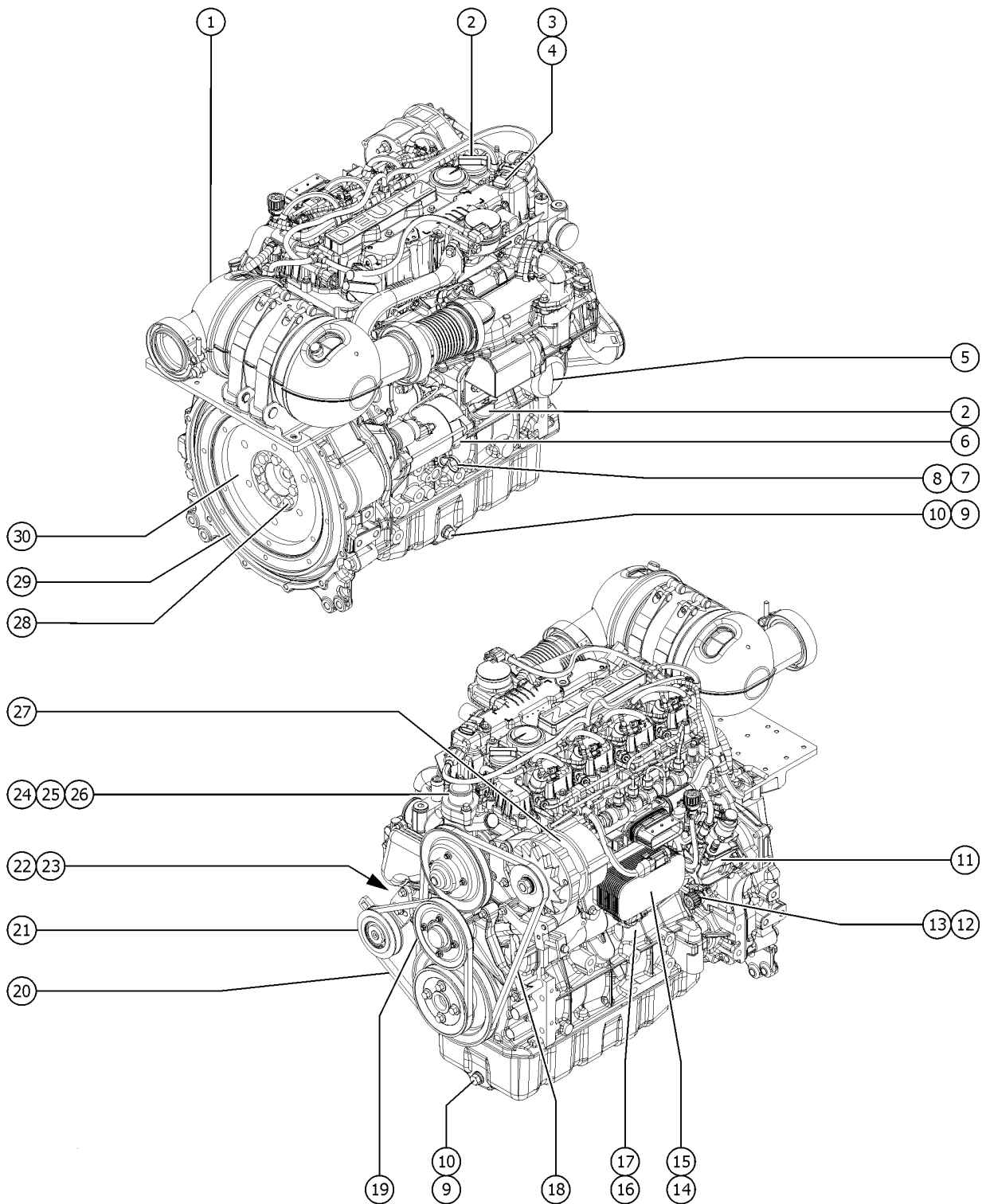


505.1 Engine Tray

<i>Item</i>	<i>Part No.</i>	<i>Description</i>	<i>Qty.</i>
23	1280862GT	FORMING, BRACKET, FILTER MOUNT	1
24	824090GT	SCREW,HHF,3/8-16X1,8,ZAG	2
25	1274322GT	NUT,NYLOCK FLG,3/8-16,G,ZAG	2
26	824089GT	SCREW,HHF,3/8-16X.75,8,ZAG	4
27	35675GT	BEARING,FL,1.25IDX1.5ODX1.25L	2
28	1256855GT	SCREW,HHF,1/4-20X.625,8,ZAG	4
29	81724GT	PIN,1.25 X 13.25 IN,CHAMFER	1
30	825019GT	ROD END,.375X3.69,ZAG	1



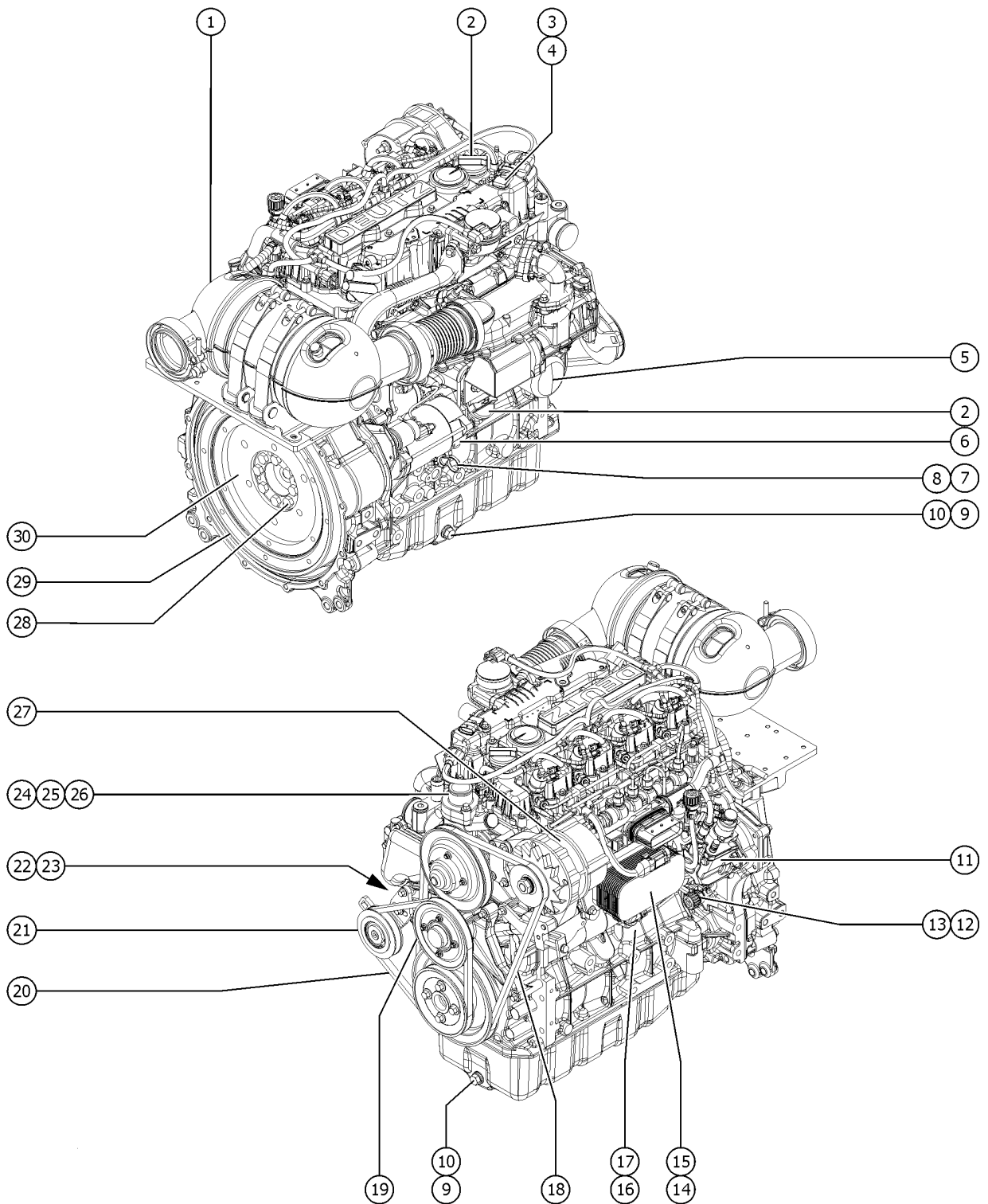
506.1 Deutz D2.9L4, View 1



Item	Part No.	Description	Qty.
A	1259717GT	MANUAL, DEUTZ D2.9 ENGINE	1
B	1262870GT	GLOW PLUG, DEUTZ	4
C	1262871GT	SEAL, FRONT ENGINE,DEUTZ	1
D	1262872GT	SEAL, REAR ENGINE,DEUTZ	1
E	1272624GT	KIT,WATER PUMP 2.9 L4 includes fasteners and 1262874 pump	1
F	1262875GT	O-RING, WATER PUMP	1
F-	1259654GT	INTAKE BREATHER	1
G	1259899GT	HARNESS, ENGINE, DEUTZ TD2.9	1
H	1277974GT	PINS,CONNECTOR,INJ HARNESS,D2.9	
1		OXIDATION CATALYST,DEUTZ (DEUTZ OXIDATION CATALYST/MUFFLER)(contact Genie Parts; engine serial number required)	
2	29557GT	CAP,OIL FILLER,DEUTZ,DIESEL ***	2
3	1262896GT	SENSOR,INTAKE AIR PRESSURE	1
4	1262897GT	O-RING, INTAKE AIR PRESSURE SENSOR	1
5	49924GT	FILTER,OIL,DEUTZ F4L1011F Genie Genuine Part. See PN 1255653 for compatible aftermarket replacement.	1
5B	1255653GT	FILTER,OIL,DEUTZ,REPLACEMENT Genie Aftermarket Part. Compatible with Genie Genuine Part 49924.	
6	1254594GT	STARTER,3.2KW,DEUTZ D2.9	1
6-	1262868GT	BOLT, DEUTZ STARTER not included sold seperately	
6B	825939GT	FORMING, CLAMP, BATTERY CABLE	
6B-	78736GT	CLAMP, 2 HOSE,PLASTIC,5/8 for 825939	
7	825708GT	DIPSTICK,TD2.9	1
8	1262881GT	ORING, OIL DIP STICK	1
9	102587GT	PLUG,ENGINE OIL,DEUTZ F4L2011	2
10	108538GT	RING / SEALING	2
11	1279653GT	PUMP,FUEL,HI PRESS,DEUTZ TD2.9	1
12	1262894GT	SENSOR,CAM/CRANKSHAFT POSITION (crankshaft)	1
13	1262895GT	O-RING, CRANKSHAFT POSITION SENSOR	1
14	1260357GT	OIL COOLER,TD2.9	1
15	1262883GT	GASKET, OIL COOLER, DEUTZ	1

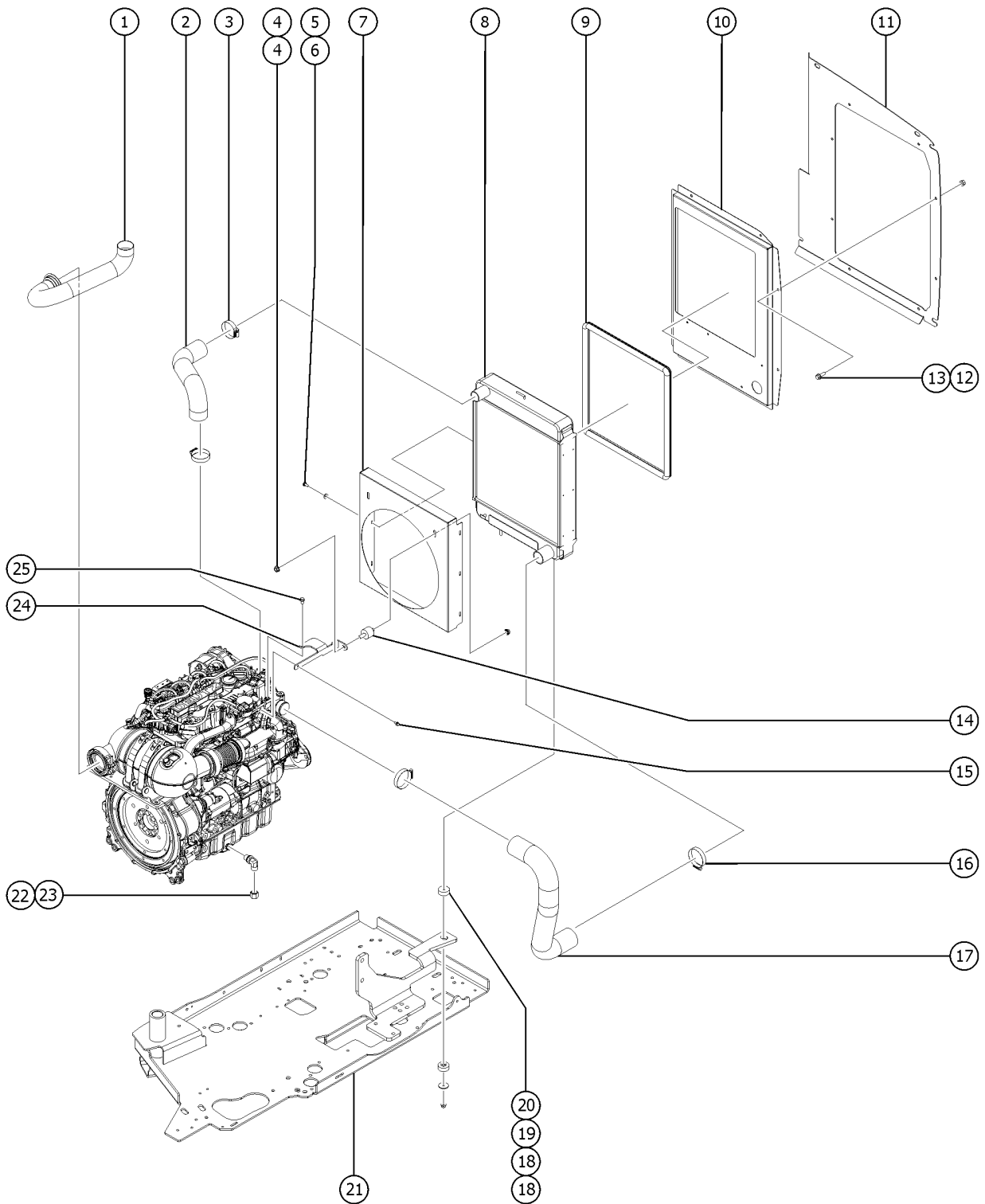


506.1 Deutz D2.9L4, View 1



Item	Part No.	Description	Qty.
16	824673GT	SENSOR, PRESSURE,DEUTZ 2.9 (oil pressure sensor)	1
17	1262893GT	O-RING, OIL PRESSURE SENSOR	1
18	1262866GT	FAN BELT, ALTERANTOR	1
19	236248GT	PULLEY ASSEMBLY,ALTERNATOR,TCD	1
20	1262867GT	V-BELT, DEUTZ	1
21	1279631GT	PULLEY,BELT TENSIONER,D2.9L4	1
22	1262894GT	SENSOR,CAM/CRANKSHAFT POSITION	1
		hidden from view (camshaft)	
23	1262899GT	O-RING, CAMSHAFT POSITION SENSOR	1
		hidden from view	
24	1262877GT	THERMOSTAT HOUSING	1
25	1262876GT	THERMOSTAT,DEUTZ	1
26	1262878GT	GASKET, THERMOSTAT HOUSING	1
27	236251GT	ALTERNATOR,95 AMP,DEUTZ TCD3.6	1
28	1262873GT	BOLT, DEUTZ FLYWHEEL	8
29	89785GT	RING GEAR,DEUTZ F3L2011F	1
30	1259660GT	FLYWHEEL, SAE 8/10	1
		order with item #28, PN 1262873, qty 8	

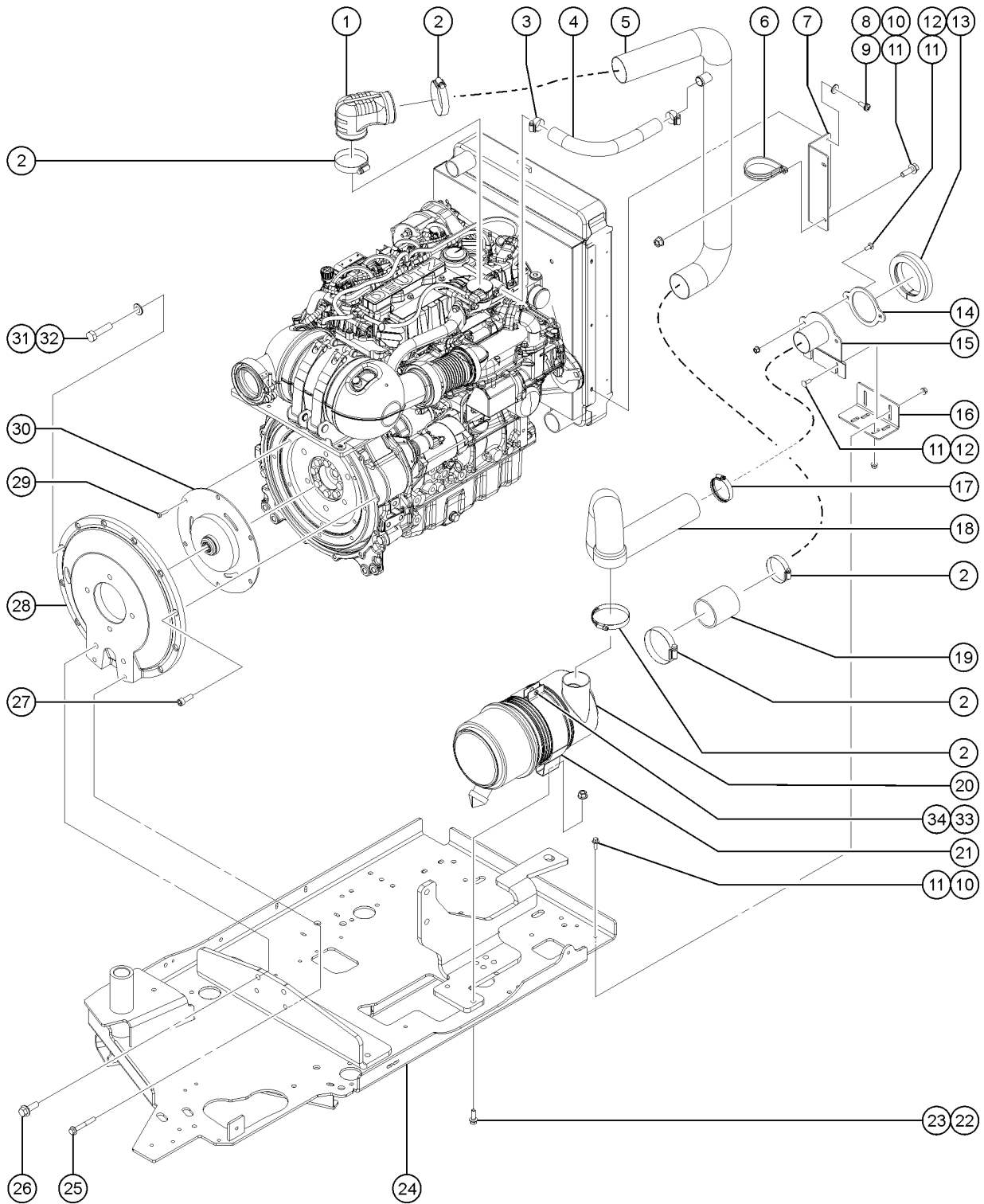
507.1 Deutz D2.9L4, View 2



Item	Part No.	Description	Qty.
1	822694GT	WDMT, TAILPIPE, DEUTZ D2.9 T4	1
2	237193GT	HOSE, UPPER RADIATOR, DEUTZ D2.9	1
3	22672GT	CLAMP, HOSE, 1.75	2
4	1256679GT	NUT, SERRATED, 1/4-20, 8, ZAG	2
5	824220GT	SCREW, PHPM SEMS ET, 10-24X.5, ZA	6
6	1253185GT	WASHER, FLAT, #10, USS, ZAG	6
7	237192GT	FAN SHROUD, DEUTZ D2.9	1
8	214685GT	RADIATOR, CAPLESS, DEUTZ D 2.9	1
9	1257424GT	TRIM SEAL, RADIATOR, DEUTZ D2.9	1
10	822696GT	SHROUD, RADIATOR, DEUTZ 2.9	1
11	822695GT	BAFFLE, AIR INTAKE, S60	1
12	824078GT	SCREW, HHF, 1/4-20X.75, 8, ZAG	8
13	824027GT	NUT, TL FLG, 1/4-20, G, ZAG	8
14	219437GT	ISOLATOR, VIBRATION	1
15	237238GT	SCREW, HHF, M6-1.0X12, DIN6921, 10	1
16	35434GT	CLAMP, HOSE, 2.00***	2
17	237194GT	HOSE, LOWER RADIATOR, DEUTZ D2.9	1
18	24038GT	SCREW, HHF, 3/8-16 X .75, 8, ZAG	4
19	824120GT	WASHER, FLAT, .375X1.50X.125, ZAG	2
20	824029GT	NUT, TL FLG, 3/8-16, G, ZAG	2
21		Ref. WELDMENT, ENGINE TRAY	
		refer to 505.1	
22	69775GT	CAP, 520112-8	1
23	54428GT	FITTING, HYDRAULIC, 90DEG, O-RING	1
24	214237GT	FORMING, RAD BRACE, DEUTZ D2.9	1
25	1251983GT	SCREW, HHF, M8-1.25X16, DIN6921, 1	1



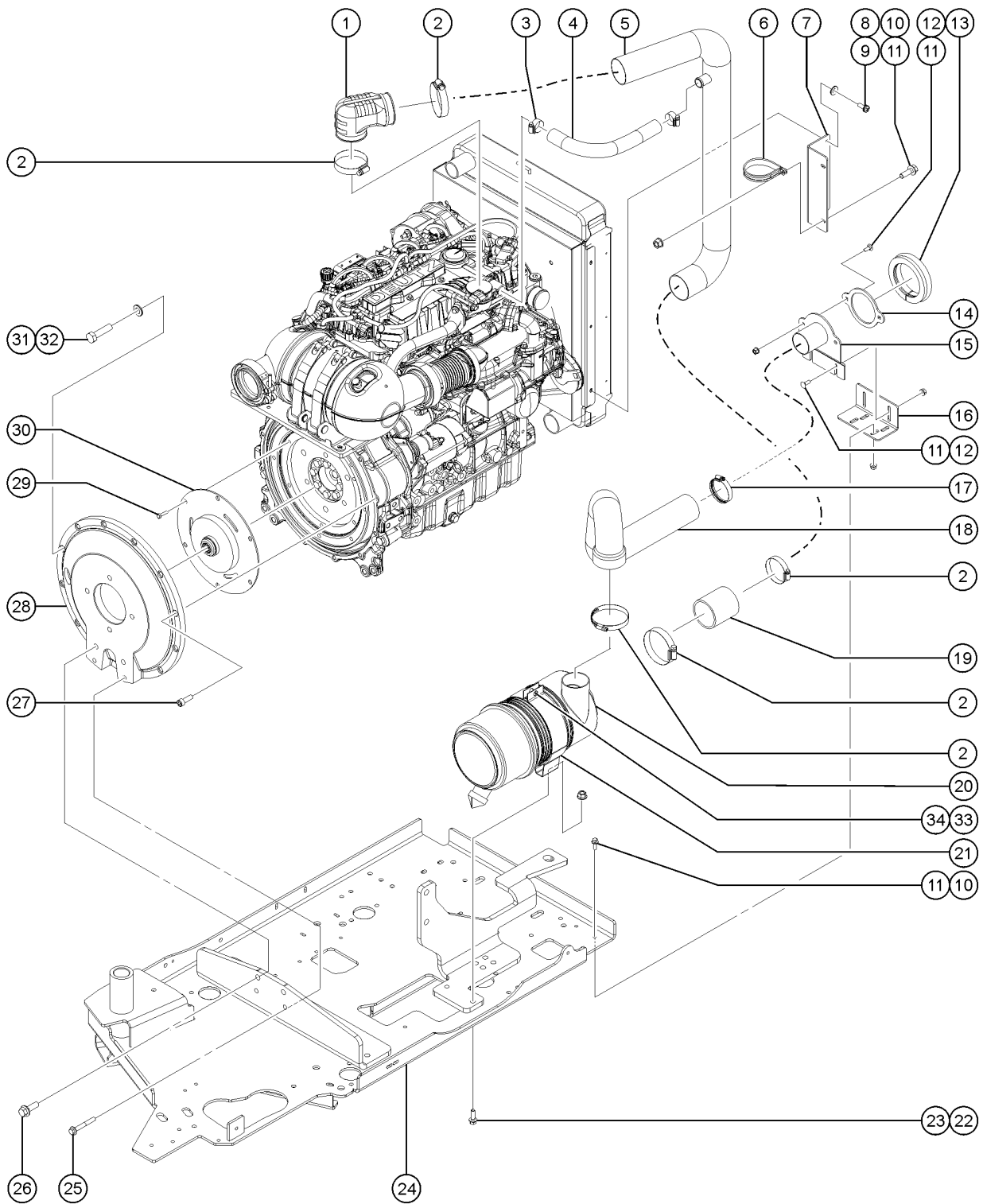
508.1 Deutz D2.9L4, View 3



Item	Part No.	Description	Qty.
A	237188GT	ENGINE KIT, DEUTZ D2.9L4 Due to Tier 4 regulations, many engine replacement parts require the engine serial number at time of order placement. When ordering engine parts please have both machine and engine serial numbers available. For internal engine parts, contact engine dealer	
1	214686GT	AIR INTAKE ELBOW,90 DEGREE	1
2	45435GT	CLAMP,HOSE,2.50"	5
3	30348GT	CLAMP,HOSE,1.00	2
4	1255894GT	HOSE,PCV,DEUTZ D2.9	1
5	219976GT	WELDMENT,STEEL INTAKE TUBE	1
6	45455GT	CLAMP,2.75,#44 X 1/4,RUB CUSH*	2
7	217877GT	FORMING,CLEAN AIR BRACKET	1
8	824220GT	SCREW,PHPM SEMS ET,10-24X.5,ZA	3
9	1253185GT	WASHER,FLAT,#10,USS,ZAG	3
10	824078GT	SCREW,HHF,1/4-20X.75,8,ZAG	4
11	824027GT	NUT,TL FLG,1/4-20,G,ZAG	8
12	824124GT	BOLT, CARRIAGE, 1/4-20 X .75, 5, ZAG	4
13	1262842GT	SEAL,AIR INTAKE ADAPTER,LOWER	1
14	1273081GT	SHEET,AIR SEAL BACKING	1
15	1272965GT	WELDMENT, ADAPTER, INTAKE	1
16	1272967GT	FORMING, ADAPTER, INTAKE	1
17	35434GT	CLAMP,HOSE,2.00***	1
18	217930GT	HOSE,RAW AIR,DEUTZ D2.9	1
19	34162-300GT	HOSE,AIR INTAKE 2.50" ID	1
20	63463GT	AIR CLEANER,NELSON this is the all plastic housing type, for the metal type housing air filter assembly see PN27915 (to S65XCD-299)	1
20-	52866GT	EVACUATOR VALVE-AIR CLEANER	
20-	58415GT	CLIP,AIR CLEANER END CAP***	
20-	62420GT	FILTER,AIR***	
20-	65810GT	BAFFLE, AIR CLEANER (27915)** dust cap	
20B	1309603GT	AIR CLEANER,DONALDSON,G068664 (from S65XCD-300)	1
21	53952GT	BRKT,AIR CLEANER ORIENTATION** (to S65XCD-299)	1

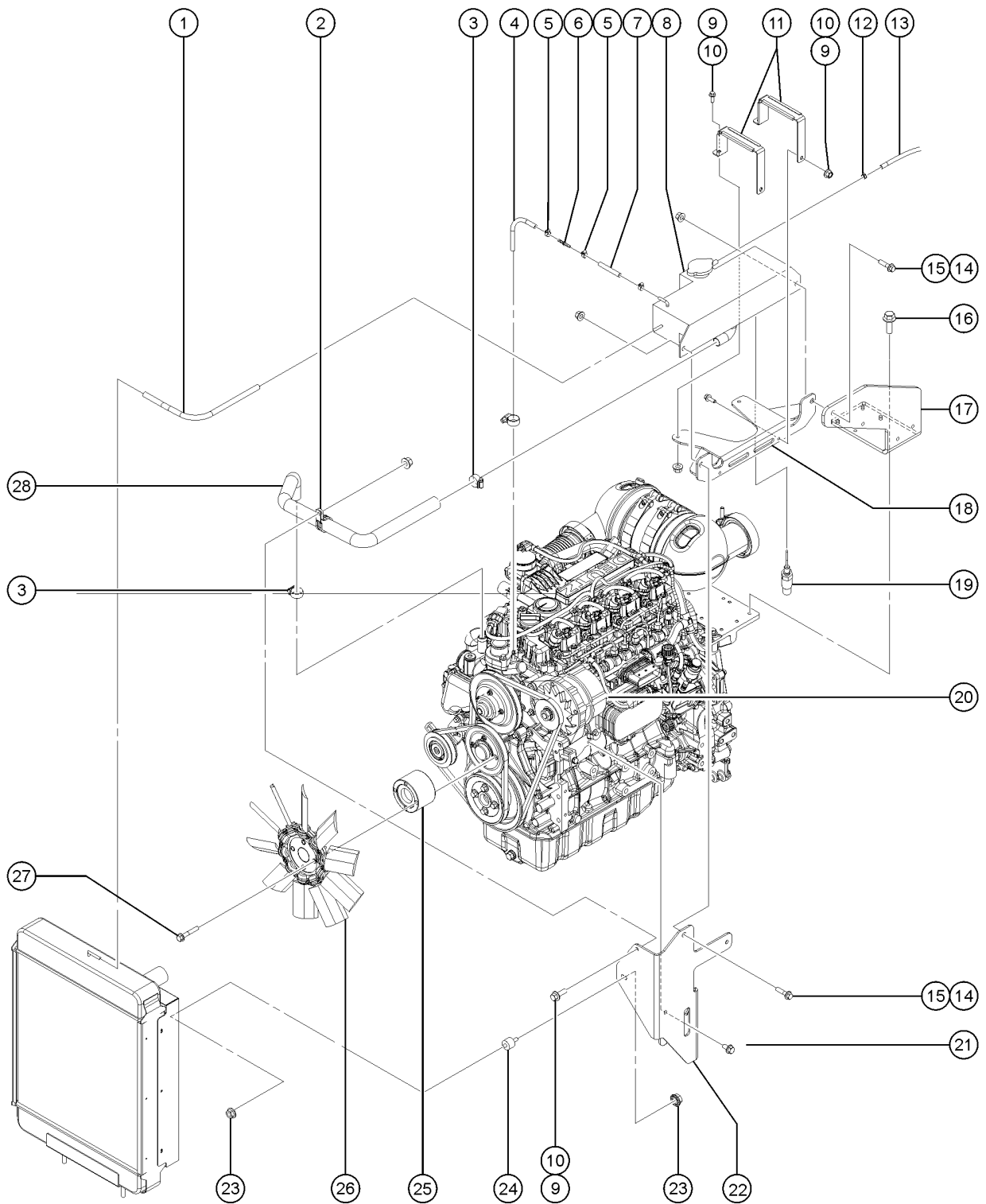


508.1 Deutz D2.9L4, View 3



<i>Item</i>	<i>Part No.</i>	<i>Description</i>	<i>Qty.</i>
21B	1309604GT	BRKT,AIR CLEANER,DONALDSON (from S65XCD-300)	1
22	824086GT	SCREW,HHF,5/16-18X1,8,ZAG	2
23	824028GT	NUT,TL FLG,5/16-18,G,ZAG	2
24		Ref. ENGINE TRAY (refer to 528.1)	
25	826008GT	SCREW,HHF,M10-1.5X75,DIN6921,10.9,ZAB	2
26	1253498GT	SCREW,HHF,1/2-13X1.5,8,ZAG	2
27	1255666GT	SCREW,SHC,M10-1.5X30,DIN912,12.9,ZAB	9
28	70381GT	COVER, FLYWHEEL CASTING	1
29	1257421GT	SCREW,HHC,M10-1.5X16,DIN933,10	6
30	128004GT	COUPLER, 15 TOOTH, FBA, SAE 8 includes 8 bolts	1
31	25548GT	SCREW,HHC,M10 X 40MM,GRD8	1
32	22699GT	WASHER,FLAT,M10,ZINC PLTD.	1
33	1255763GT	SCREW,HHF,5/16-18X1.5,8,ZAG (from S65XCD-300)	1
34	1274167GT	NUT,NYLOCK FLG,5/16-18,F,ZAG (from S65XCD-300)	1

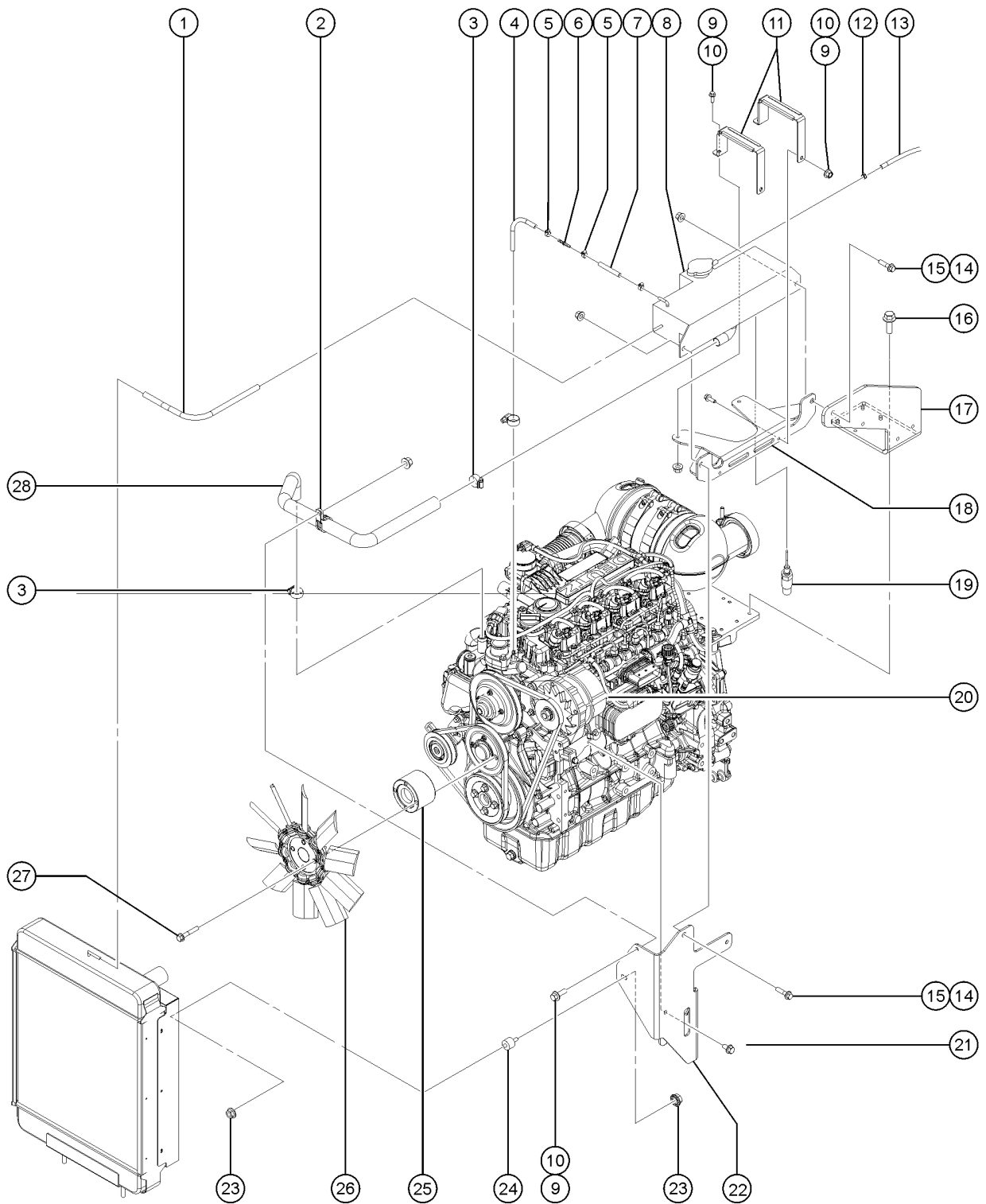
509.1 Deutz D2.9L4, View 4



Item	Part No.	Description	Qty.
1	823523GT	HOSE,RADIATOR VENT,DEUTZ D2.9	1
2	119394GT	CLAMP,1.38,#212X3/8,RUB CUSH	1
3	30348GT	CLAMP,HOSE,1.00	2
4	824600-850GT	HOSE,HEATER,1/4", 8.5"	1
5	21465GT	CLAMP,HOSE,SIZE .25 TO .63	4
6	1282119GT	2MM ORIFICE UNION, 1/4" HOSE	1
7	824600-350GT	HOSE,HEATER,1/4", 3.5"	1
8	161938GT	EXPANSION TANK,METAL,D2.9	1
8-	1274900GT	SIGHT GLASS for 161938	
8-	1254823GT	CAP,RADIATOR,PERKINS (94232) for 161938	
9	824078GT	SCREW,HHF,1/4-20X.75,8,ZAG	5
10	824027GT	NUT,TL FLG,1/4-20,G,ZAG	5
11	1253922GT	FORMING,EXP TANK BAND,D2.9	2
11-	1254452GT	EXTRUSION,RUBBER STRIP,LG,D2.9 (for 1253922)	
11-	1254453GT	EXTRUSION,RUBBER STRIP,SM,D2.9 (for 1253922)	
12	31983GT	CLAMP,HOSE,1 EAR, 9/16	1
13	1259441GT	HOSE,OVERFLOW,DEUTZ D2.9	1
14	824092GT	SCREW, HHF, 3/8-16 X 1.5, 8, ZAG	2
15	824029GT	NUT,TL FLG,3/8-16,G,ZAG	2
16	824133GT	SCREW,HHF,M8-1.25X25,DIN6921,1	4
17	1255692GT	FORMING,EXPANSION TANK SUPT	1
18	1254267GT	WDMT,EXPANSION TANK SUPT	1
19	218715GT	COOLANT LEVEL SNSR, DEUTZ TCD3.6	1
20	236251GT	ALTERNATOR,95 AMP,DEUTZ TCD3.6	1
21	1251983GT	SCREW,HHF,M8-1.25X16,DIN6921,1	2
22	214934GT	FORMING,RAD EXPSN TANK SUPT	1
23	1256679GT	NUT,SERRATED,1/4-20,8,ZAG	2
24	219437GT	ISOLATOR,VIBRATION	1

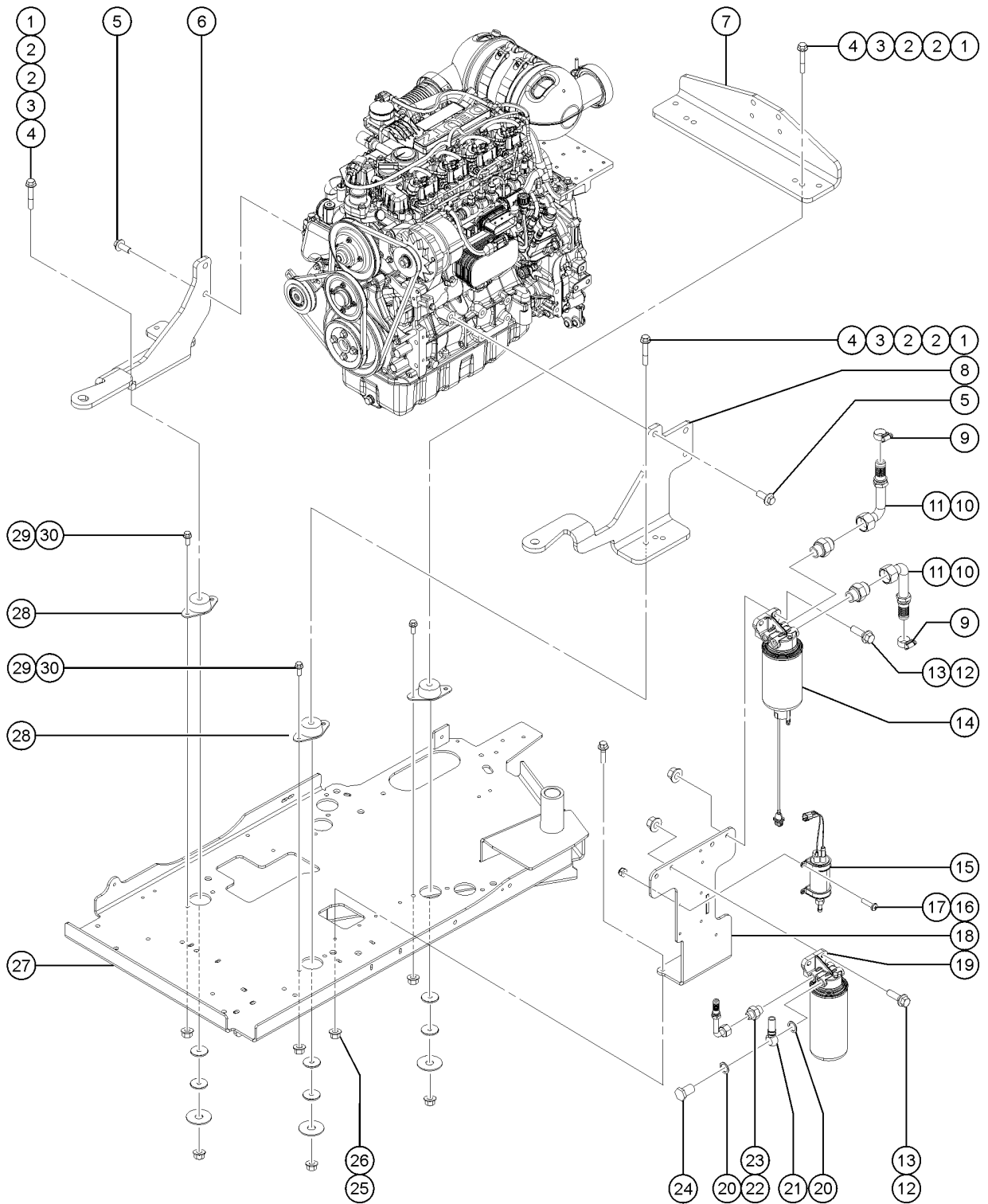


509.1 Deutz D2.9L4, View 4



<i>Item</i>	<i>Part No.</i>	<i>Description</i>	<i>Qty.</i>
25	1256599GT	SPACER, FAN, DEUTZ, 29.5MM LNG	1
26	214682GT	FAN, 10 BLADE, 15"	1
27	1257231GT	SCREW,HHF,M8-1.25X50,DIN6921,1	4
28	1251731GT	HOSE,EXPANSION TANK,D2.9	1

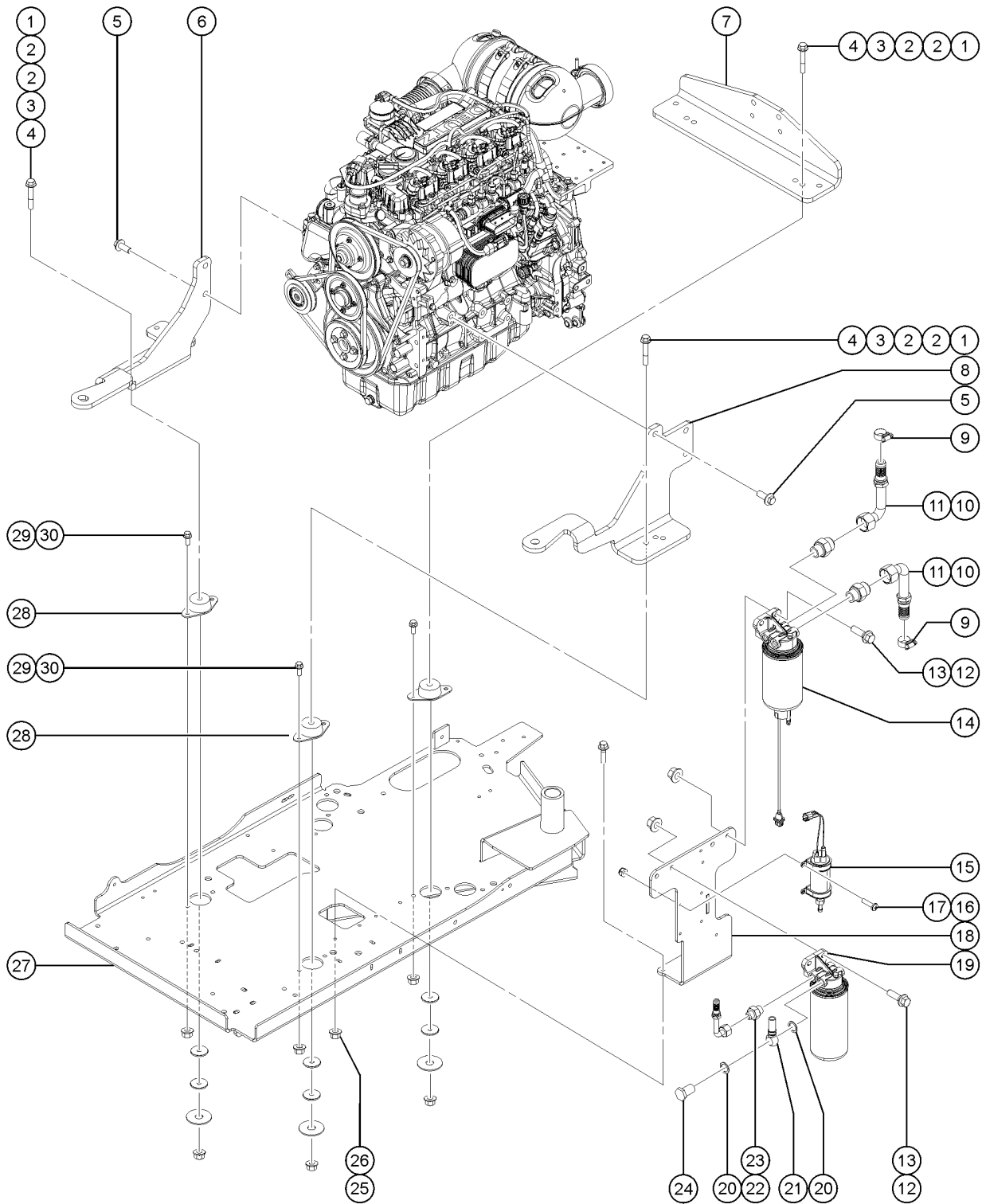
510.1 Deutz D2.9L4, View 5



Item	Part No.	Description	Qty.
1	1251994GT	FORMING, ENGINE TRAY BAFFLE	4
2	1255760GT	WASHER,FLAT,1/2,USS,ZAG	8
3	1256283GT	FORMING, SWING FUEL MOUNT	4
4	1274172GT	NUT,NYLOCK FLG,1/2-13,G,ZAG	4
5	1256776GT	SCREW,HHF,M14-2.0X35,DIN6921,10.9,ZAB	5
6	237190GT	FORMING, RIGHT ENGINE MOUNT	1
7	237191GT	FORMING, REAR ENGINE MOUNT	1
8	237189GT	FORMING, LEFT ENGINE MOUNT	1
9	46131GT	CLAMP,HOSE,.63" - 1.0" X .5"	2
10	162207GT	FITTING,ELBOW,8GS-8FJX90S	2
11	162209GT	FITTING,CONN,16MM-8MJ	2
12	824091GT	SCREW,HHF,3/8-16X1.25,8,ZAG	4
13	824029GT	NUT,TL FLG,3/8-16,G,ZAG	4
14	1261239GT	ASSY,FUEL PREFILTER,DEUTZ 2.9 includes head, filter and sensor cable	1
14-	1261240GT	CABLE,WIF SENSOR,DEUTZ 2.9	
14-	236260GT	FILTER, FUEL PRE-FILTER, SPIN-ON, DEUTZ	
14-	1261241GT	SEAL,WIF SENSOR,DEUTZ 2.9	
15	236259GT	LIFT PUMP,FUEL,DEUTZ	
15-	21465GT	CLAMP,HOSE,SIZE .25 TO .63	1
15-	46131GT	CLAMP,HOSE,.63" - 1.0" X .5"	1
16	824215GT	SCREW, PHPM, 10-32 X .75, ZAG	4
17	6178GT	NUT,NYLOCK,10-32	4
18	1257961GT	WELDMENT, FUEL FILTER BRACKET	1
19	1261236GT	ASSY,FUEL FILTER,DEUTZ 2.9	1
19-	214228GT	FILTER, DEUTZ 2.9, FUEL	
20	1255400GT	WASHER,COPPER,DEUTZ,QC	2
21	1255396GT	FITTING,FUEL,1/2,D2.9,QC	1
22	162208GT	FITTING,CONN,16MM-6MJ	1

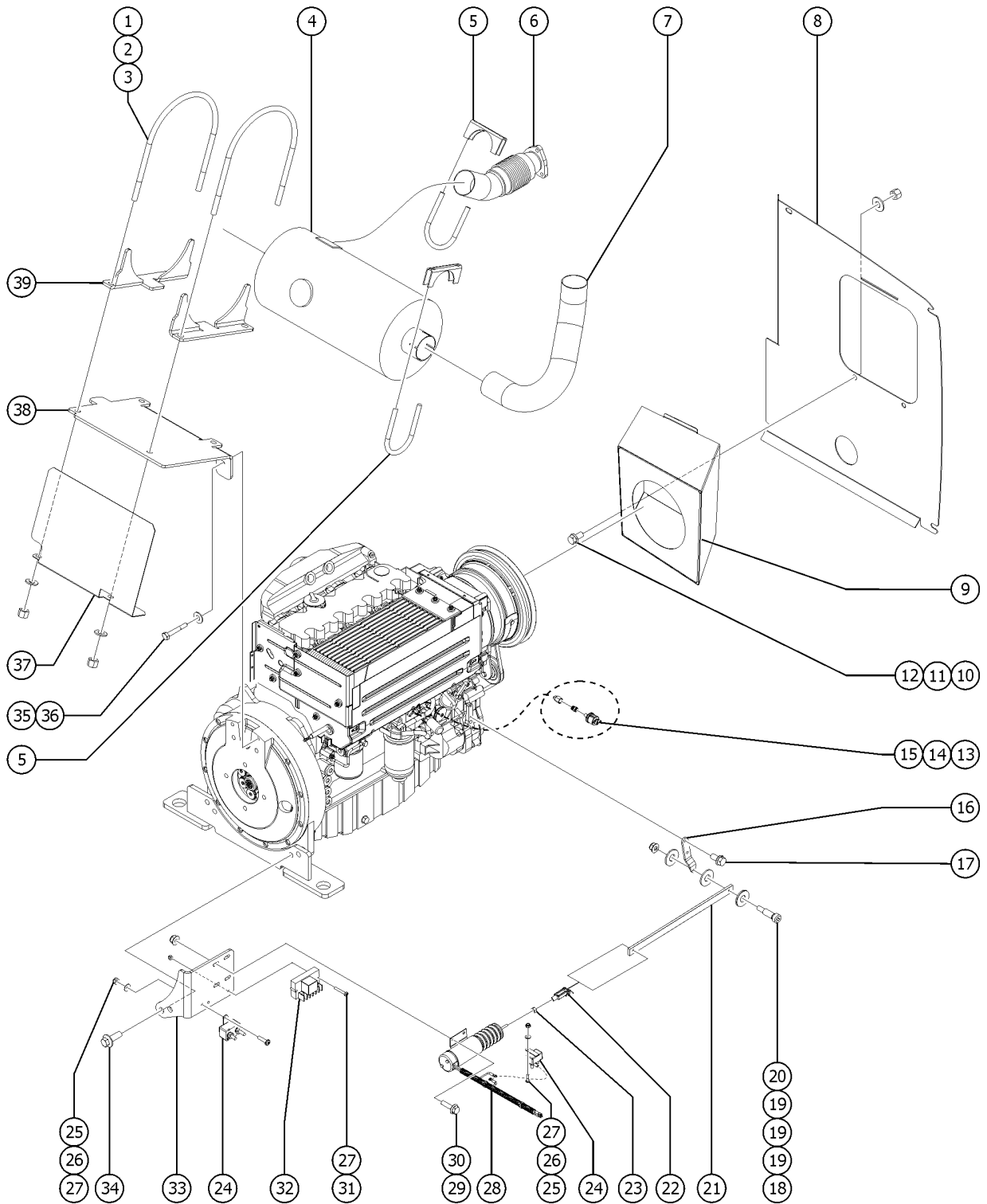


510.1 Deutz D2.9L4, View 5



<i>Item</i>	<i>Part No.</i>	<i>Description</i>	<i>Qty.</i>
23	162206GT	FITTING,ELBOW,6GS-6FJX90S	1
23-	21465GT	CLAMP,HOSE,SIZE .25 TO .63	1
24	1255399GT	BOLT,BANJO,DEUTZ,QC	1
25	824027GT	NUT,TL FLG,1/4-20,G,ZAG	2
26	824079GT	SCREW,HHF,1/4-20X1,8,ZAG	2
27		Ref. WELDMENT, ENGINE TRAY	1
		refer to 505.1	
28	70452GT	NUT,NYLOCK FLG,3/8-16,F,ZAG	4
29	824090GT	SCREW,HHF,3/8-16X1,8,ZAG	8
30	1274322GT	NUT,NYLOCK FLG,3/8-16,G,ZAG	8

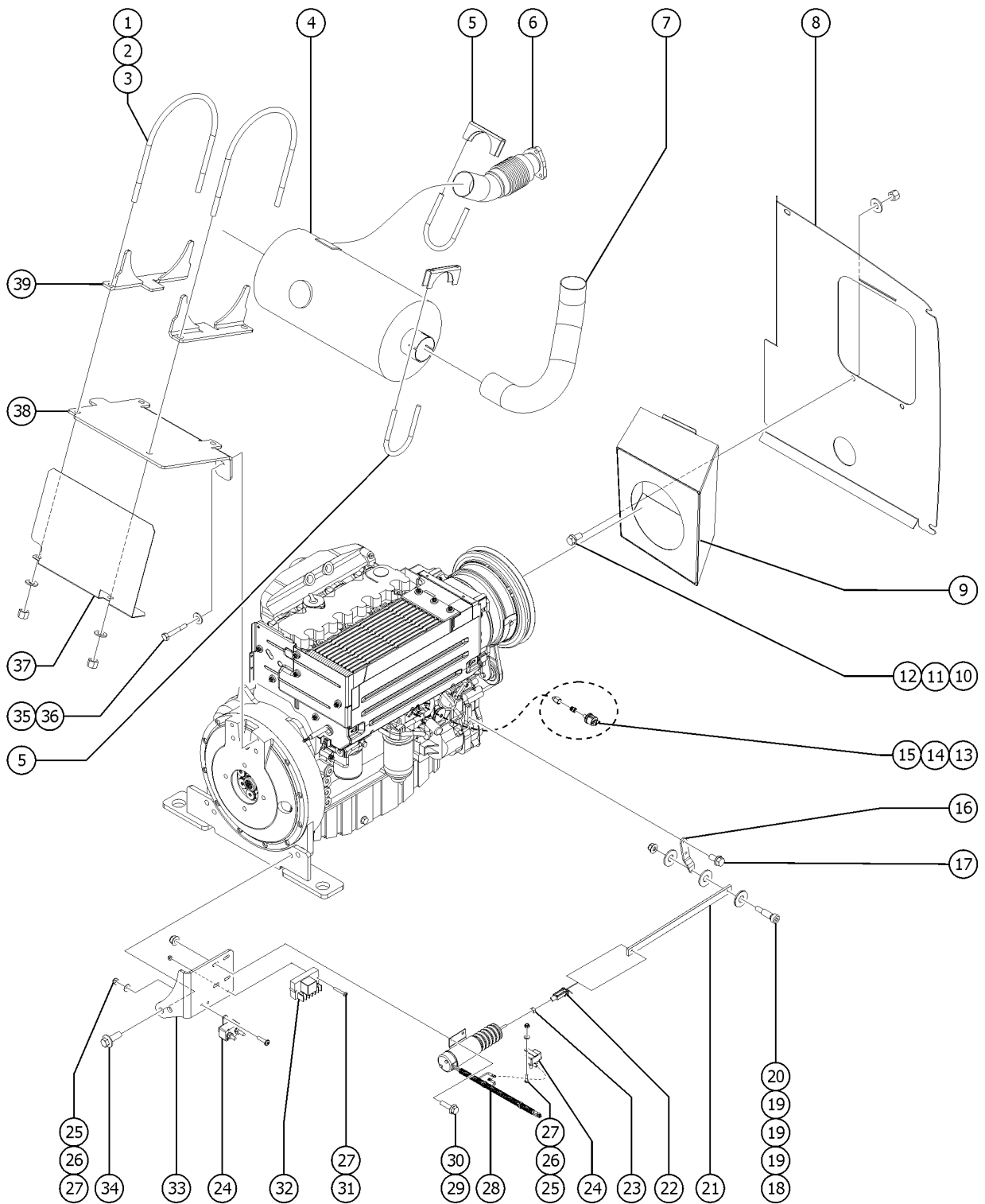
511.1 Deutz TD2011L04i, View 1



Item	Part No.	Description	Qty.
A		Ref. ENGINE,DEUTZ, TD2011L04i TPEM	
1	70449GT	U-BOLT,1/2-13 X 8.5	2
2	825353GT	WASHER,FLAT,1/2,SAE,HRD,ZAG	4
3	1274320GT	NUT,NYLOCK,1/2-13,C,ZAG	4
4	70444GT	MUFFLER,2.5"INLET/OUTLET	1
5	71911GT	CLAMP,MUFFLER, 2.50 INCH	2
6	70445GT	FLEX PIPE,EXHAUST,2.5" DIA	1
7	822514GT	TAILPIPE, DEUTZ,TPEM & ROW	1
8	110183GT	BAFFLE,AIR INTAKE S60***	1
9	128896GT	WELDMENT, AIR INTAKE BOX	1
10	824089GT	SCREW,HHF,3/8-16X.75,8,ZAG	2
11	1255758GT	WASHER,FLAT,3/8,USS,ZAG	2
12	824025GT	NUT,TL,3/8-16,C,ZAG	2
13	30810GT	SENDING UNIT,OIL PRESSURE***	1
14	106033GT	ADAPTER,NPT 6-4	1
15	106034GT	ADAPTER,M18	1
16	50787GT	LEVER,GOVERNOR ACTUATOR**	1
17	237238GT	SCREW,HHF,M6-1.0X12,DIN6921,10	2
18	1257076GT	BOLT,SHS,1/4-28X4,ZAG	1
19	824113GT	WASHER,FLAT,1/4,USS,ZAG	3
20	1283004GT	NUT,NYLOCK FLG,10-24,A,ZAG	1
21	139322GT	THROTTLE LINKAGE, DSL	1
22	21130GT	CLEVIS YOKE-1/4-28,PLTD W/PIN	1
23	824041GT	NUT, 1/4-28, 8, ZAG	1
24	128829GT	CIRCUIT BRKR 15A TYPE 2 METAL	2
25	49816GT	SCREW,PHILLIPS,PHM,10-32 X .75	2
26	6146GT	WASHER,FLAT,MS,#10,Y	2
27	6178GT	NUT,NYLOCK,10-32	4

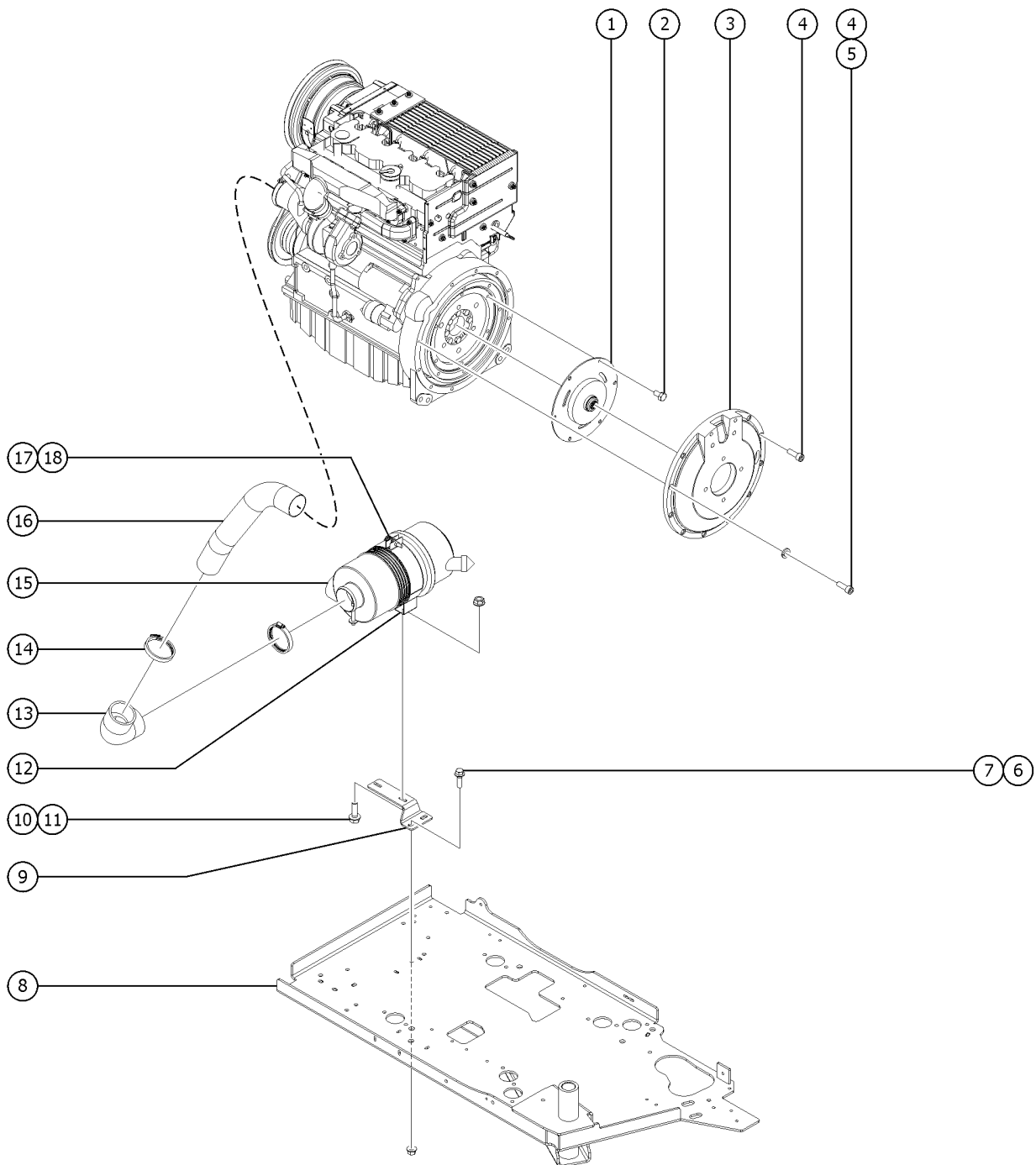


511.1 Deutz TD2011L04i, View 1



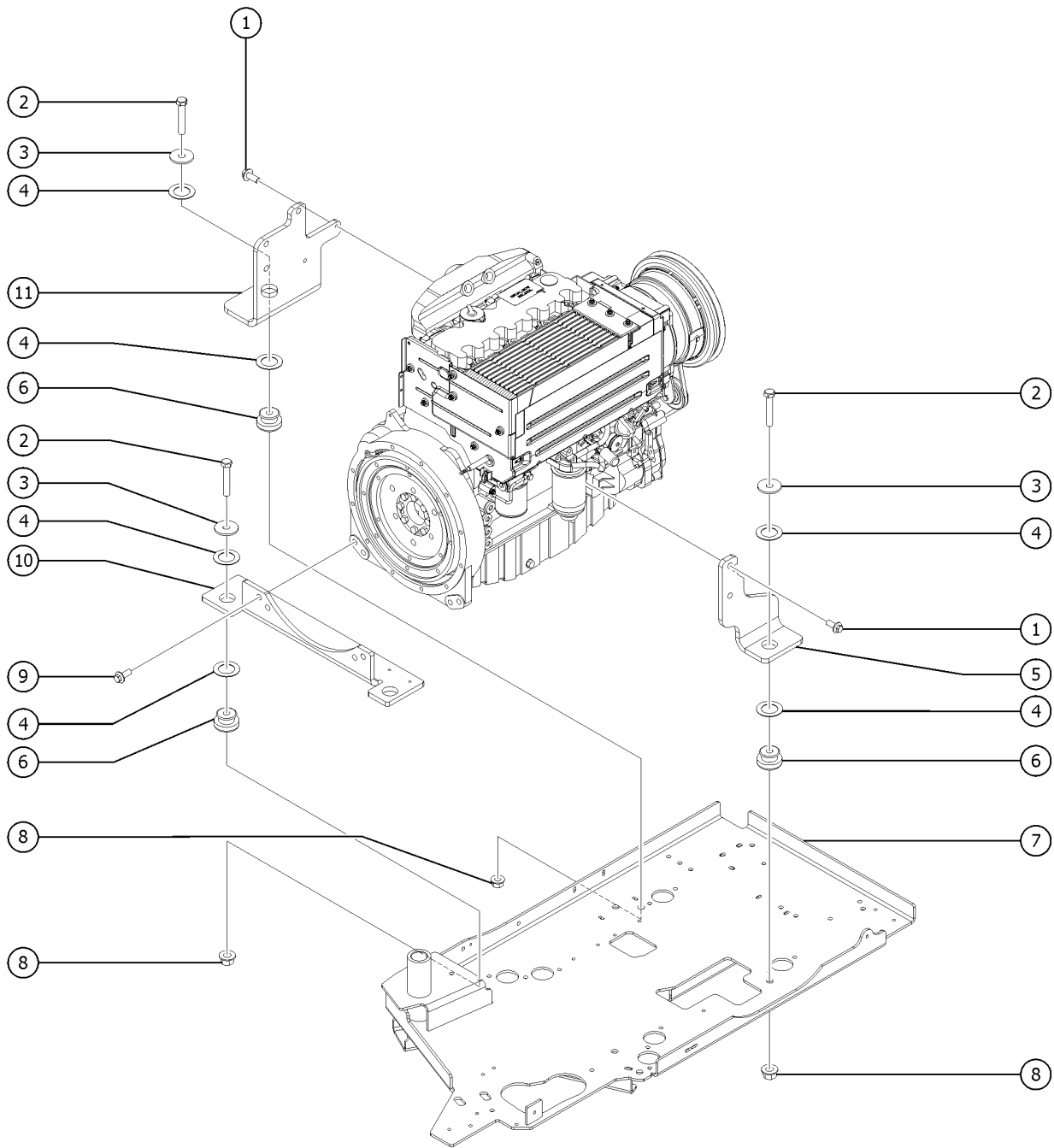
<i>Item</i>	<i>Part No.</i>	<i>Description</i>	<i>Qty.</i>
28	121615GT	THROTTLE SOLENOID ASSY, TROMB.	
28-	89998GT	KIT,SERVICE,SOLENOID MODULE	1
29	824078GT	SCREW,HHF,1/4-20X.75,8,ZAG	4
30	1277924GT	NUT,NYLOCK FLG,1/4-20,F,ZAG	4
31	49817GT	SCREW,PHILLIPS,PHM,10-32 X1.25	2
32	89997GT	RELAY MODULE(89996,89998)	1
33	139321GT	FORMING, SOLENOID MOUNT***	1
34	1251899GT	SCREW,HHF,M14-2.0 X 40,DIN6921,10.9,ZAB	2
35	1257706GT	SCREW,HHC,M10-1.5X70,DIN931,10	2
36	824145GT	WASHER, FLAT, .375 X 1.50 X .125, ZAG	2
37	102237PGT	FORMING,HEAT SHIELD,MUFFLER	1
38	70448GT	FORMING,MUFFLER MOUNT***	1
39	70483GT	FORMING,8.5' MUFFLER MOUNT	2

512.1 Deutz TD2011L04i, View 2



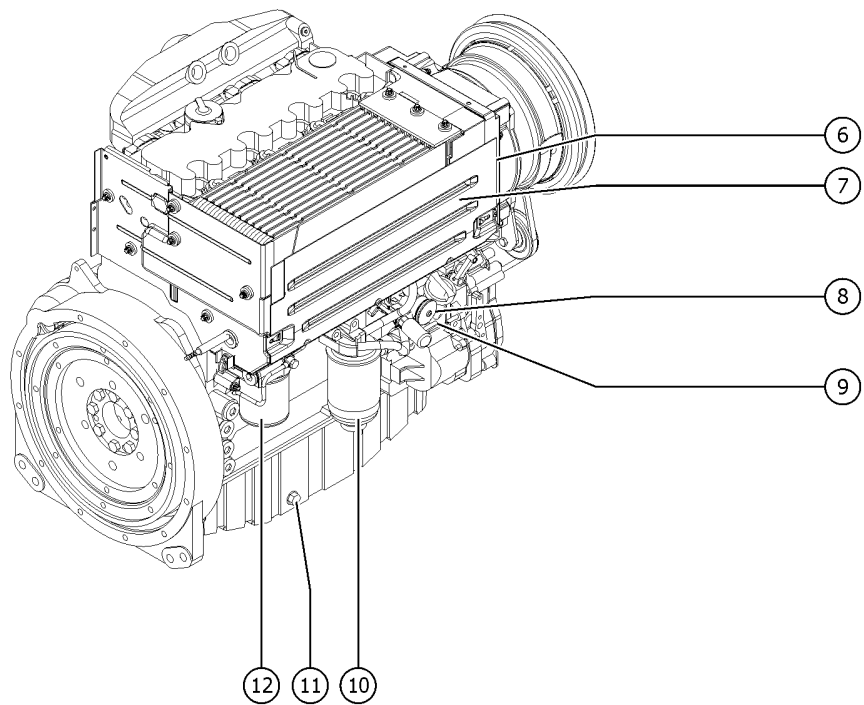
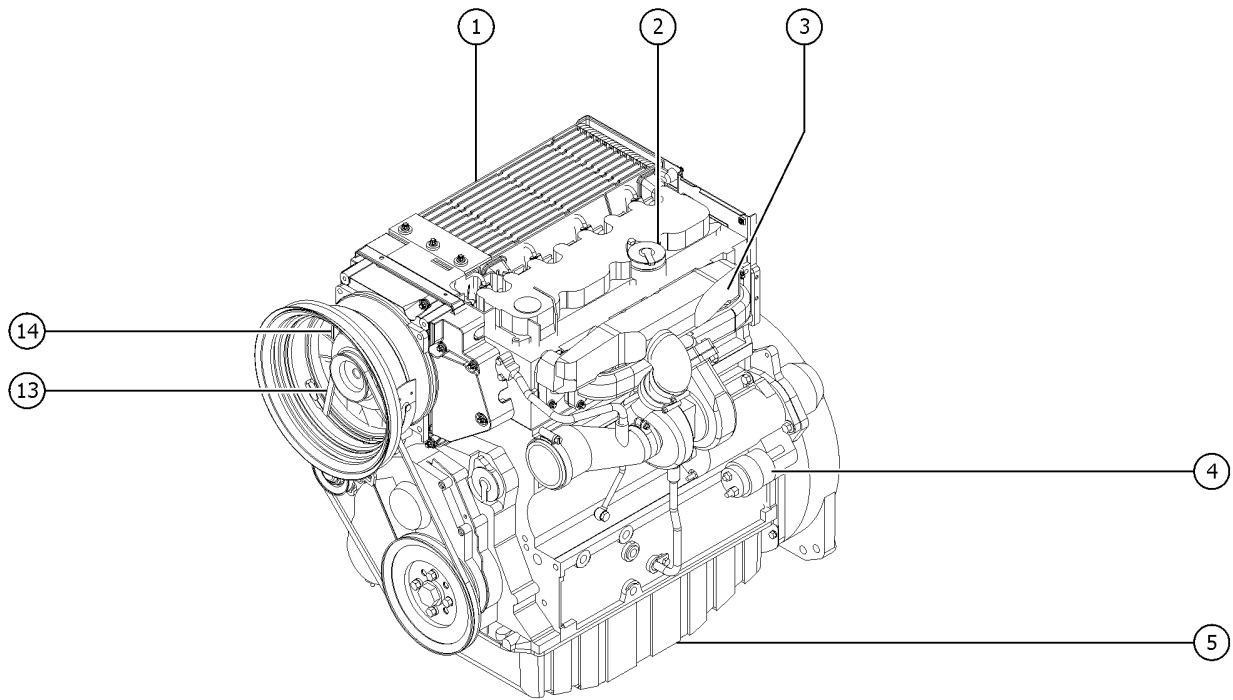
Item	Part No.	Description	Qty.
1	128004GT	COUPLER, 15 TOOTH, FBA, SAE 8	1
2	825351GT	SCREW,HHC,M10-1.5X20,DIN933,10.9,ZAB	6
3	70381GT	COVER, FLYWHEEL CASTING	1
4	1255666GT	SCREW,SHC,M10-1.5X30,DIN912,12.9,ZAB	9
5	824142GT	SCREW, HHF, 3/8-16 X 1.25, 8, ZAG	1
6	824091GT	SCREW,HHF,3/8-16X1.25,8,ZAG	2
7	824029GT	NUT,TL FLG,3/8-16,G,ZAG	2
8		REF. WELDMENT, ENGINE TRAY	
		(Refer to 505.1)	
9	102209GT	FORMING,AIR CLEANER MOUNT**	1
10	824086GT	SCREW,HHF,5/16-18X1,8,ZAG	2
11	1255805GT	NUT,SERRATED,5/16-18,8,ZAG	2
12	81468GT	MOUNTING BAND,AIR CLEANER	1
		(to S65XCD-412)	
12B	1309605GT	BRKT,AIR CLEANER,DONALDSON,S-BOOM	1
		(from S65XCD-413)	
13	139455GT	ELBOW,AIR INTAKE,RUBBER	1
14	30489GT	CLAMP,HOSE,3.50	2
15	81467GT	AIR CLEANER,NELSON	1
		(to S65XCD-412)	
15-	52866GT	EVACUATOR VALVE-AIR CLEANER	
		(for 81467)	
15-	62425GT	FILTER,AIR CLEANER, SUPERBOOM	
		(for 81467)	
15-	75450GT	AIR CLEANER CLIPS, SUPERBOOM	
		(for 81467)	
15-	75451GT	AIR CLEANER COVER, SUPERBOOM*	
		(for 81467)	
15B	1309573GT	AIR CLEANER, DONADSON,G070017	1
		(from S65XCD-413)	
16	102227GT	TUBE,AIR INTAKE	1
17	1255763GT	SCREW,HHF,5/16-18X1.5,8,ZAG	1
		(from S65XCD-413)	
18	1274167GT	NUT,NYLOCK FLG,5/16-18,F,ZAG	1
		(from S65XCD-413)	

513.1 Deutz TD2011L04i, View 3



<i>Item</i>	<i>Part No.</i>	<i>Description</i>	<i>Qty.</i>
1	1256776GT	SCREW,HHF,M14-2.0X35,DIN6921,10.9,ZAB	5
2	1256169GT	SCREW,HHC,5/8-11X3.5,8,ZAG	4
3	824123GT	WASHER,FLAT,.625X2.25X.188,ZAG	4
4	824151GT	WASHER,SHIM,1.270X2.130X.062,Z	8
5	70455GT	FORMING,ENGINE MOUNT	1
6	102045GT	ISOLATOR,ENGINE VIBRATION	4
7		REF. WELDMENT, ENGINE TRAY	1
		(refer to 505.1)	
8	1283007GT	NUT,NYLOCK FLG,5/8-11,F,ZAG	4
9	1251899GT	SCREW,HHF,M14-2.0 X 40,DIN6921,10.9,ZAB	4
10	160517GT	FORMING,ENGINE MOUNT,DEUTZ	1
11	70454GT	FORMING,ENGINE MOUNT	1

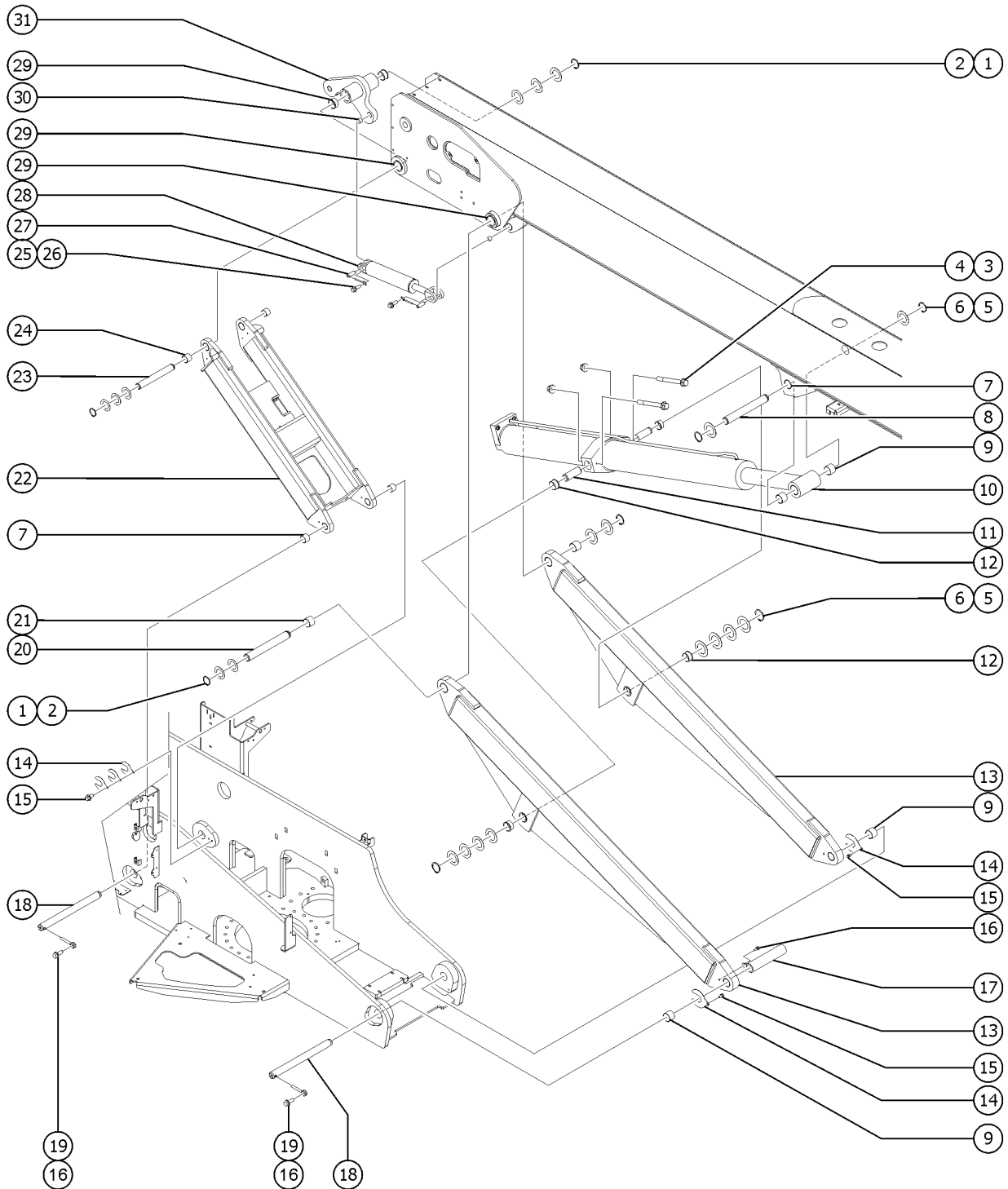
514.1 Deutz TD2011L04i, View 4



Item	Part No.	Description	Qty.
1		Ref. ENGINE,DEUTZ, TD2011L04i TPEM	1
2	29557GT	CAP,OIL FILLER,DEUTZ,DIESEL ***	1
3	102590GT	EXHAUST MANIFOLD, DEUTZ F4L201	1
3-	29559GT	GASKET,EXHAUST	
4	49915GT	SOLENOID-STARTR DEUTZF4L1011F*	1
5	102586GT	OIL PAN,DEUTZ F4L2011	1
6	1289103GT	COVER,ENGINE,TD2011 L04I	1
7	111445GT	SENDING UNIT,OIL TEMP SWCH,DTZ	1
8	30810GT	SENDING UNIT,OIL PRESSURE***	
8-	106033GT	ADAPTER,NPT 6-4	
8-	106034GT	ADAPTER,M18	
9	52352GT	DIPSTICK-F3L1011F (DEUTZ)	
10	29560GT	FILTER,FUEL/WTR SEP, DTZ 1008 Genie Genuine Part. See PN 1254826 for compatible aftermarket replacement.	1
10A-	58566GT	FILTER HEAD (29560)	
10B	1254826GT	FUEL FILTER W/SEP,DEUTZ,1008 Genie Aftermarket Part.	1
11	102587GT	PLUG,ENGINE OIL,DEUTZ F4L2011	
12	49924GT	FILTER,OIL,DEUTZ F4L1011F Genie Genuine Part. See PN 1255653 for compatible aftermarket replacement.	
12B	1255653GT	FILTER,OIL,DEUTZ,REPLACEMENT Genie Aftermarket Part. Compatible with Genie Genuine Part 49924.	
13	58630GT	V-BELT, DEUTZ TD2011LOAI	
14	58249GT	ALTERNATOR, DEUTZ,BF4L2011***	



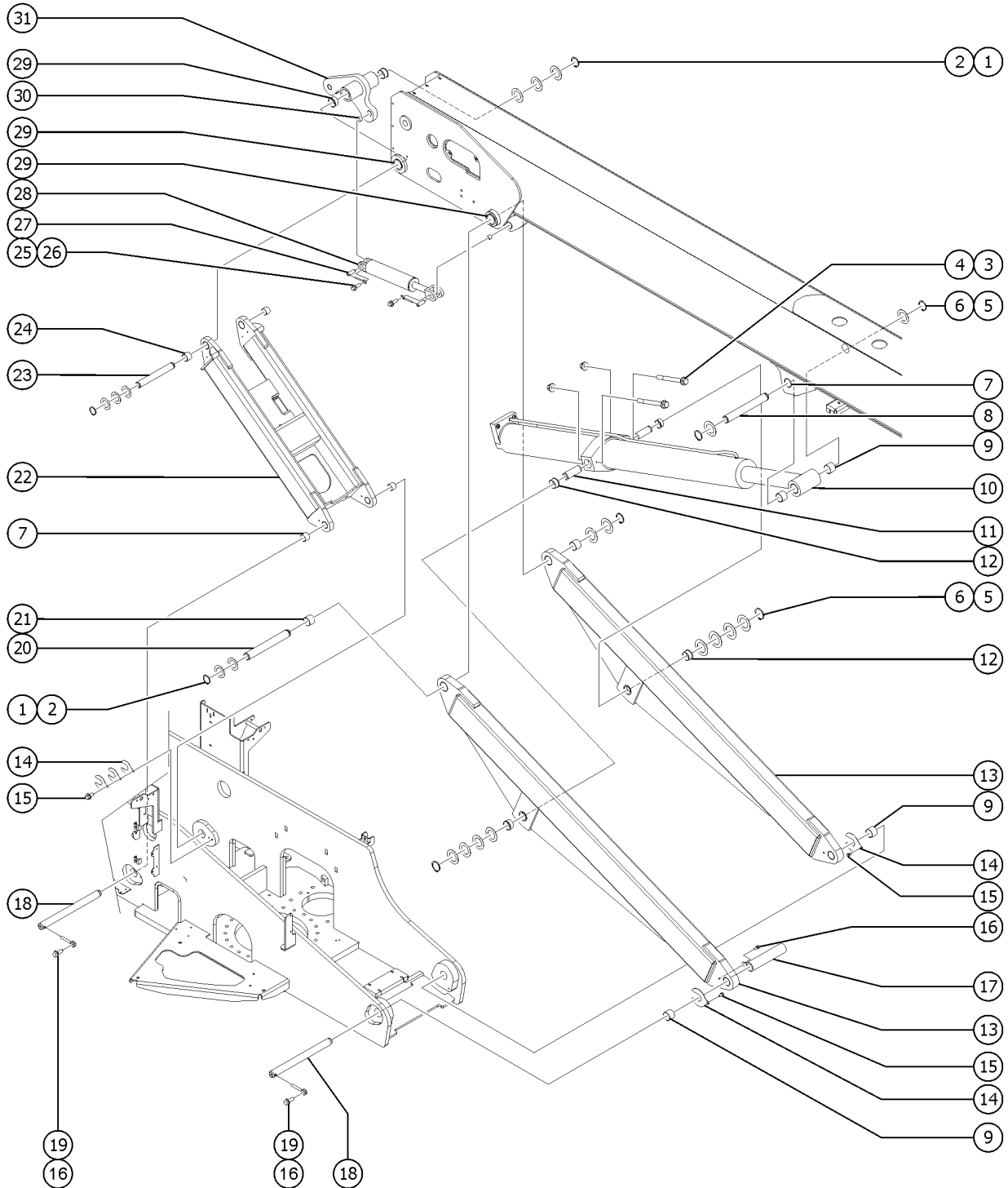
601.1 Linkage Assembly - View 1



Item	Part No.	Description	Qty.
1	1254639GT	SNAP RING,EXTERNAL,2.25,ZAG	4
2	1257080GT	WASHER,FLAT,2.27X3.5X.06,ZAG	10
3	1256107GT	SCREW,HHC,1/2-13X4.5,8,ZAG	2
4	1274172GT	NUT,NYLOCK FLG,1/2-13,G,ZAG	2
5	1253815GT	SNAP RING,EXTERNAL,2.00,ZAG	4
6	1256864GT	WASHER,FLAT,2.01X3.5X.06,ZAG	10
7	18720GT	BEARING,2.0IDX2.25ODX1.50L	4
8	88872GT	PIN,2.00DIA X 11.26LG,2RING	1
9	42014GT	BEARING,2.00IDX2.25ODX2.00L	4
10	1276386GT	CYLINDER, LIFT, S60/65XC (includes item 9)	1
10-	1281936GT	SEAL KIT, CYLINDER LIFT	
10-	1273414GT	VALVE,COUNTERBALANCE,CBCB-LHN 3500 V1, (Extend)	
10-	75064GT	VALVE, COUNTERBALANCE, CWCG-LGN.5000 V2, (Extend)	
10-	60984GT	VALVE COUNTERBAL.CBBB-LJN@5000 V3, (Retract)	
10-	42014GT	BEARING,2.00IDX2.25ODX2.00L	2
11	1276428GT	PIN, LIFT CYL, 2.00DIA X 5.1LG, 1 RING, 2 HOLES	2
12	1276424GT	BEARING,FL,2.00IDX2.25ODX.84L	4
13	1276504GT	ASSY,WELDMENT LONG LINK WITH BEARINGS S60/65-XC (includes items 9, 12 and 22)	2
13-	42014GT	BEARING,2.00IDX2.25ODX2.00L	
13-	1276424GT	BEARING,FL,2.00IDX2.25ODX.84L	
13-	106042GT	BEARING,2.25IDX2.50ODX2.00L	
14	1262688GT	SHIM, HORSESHOE, 2.00	9
15	824089GT	SCREW,HHF,3/8-16X.75,8,ZAG	4
16	1253498GT	SCREW,HHF,1/2-13X1.5,8,ZAG	3
17	1276505GT	WELDMENT, LONG LINK SPACER S60/65-XC	1
18	88676GT	PIN,2.00DIA X 24.00LG,CHAMFER***	2
19	1256267GT	ROD END,.5 X 3.75,ZAG	2
20	1276426GT	PIN,2.25 X 19.50LG, 2 RING	1

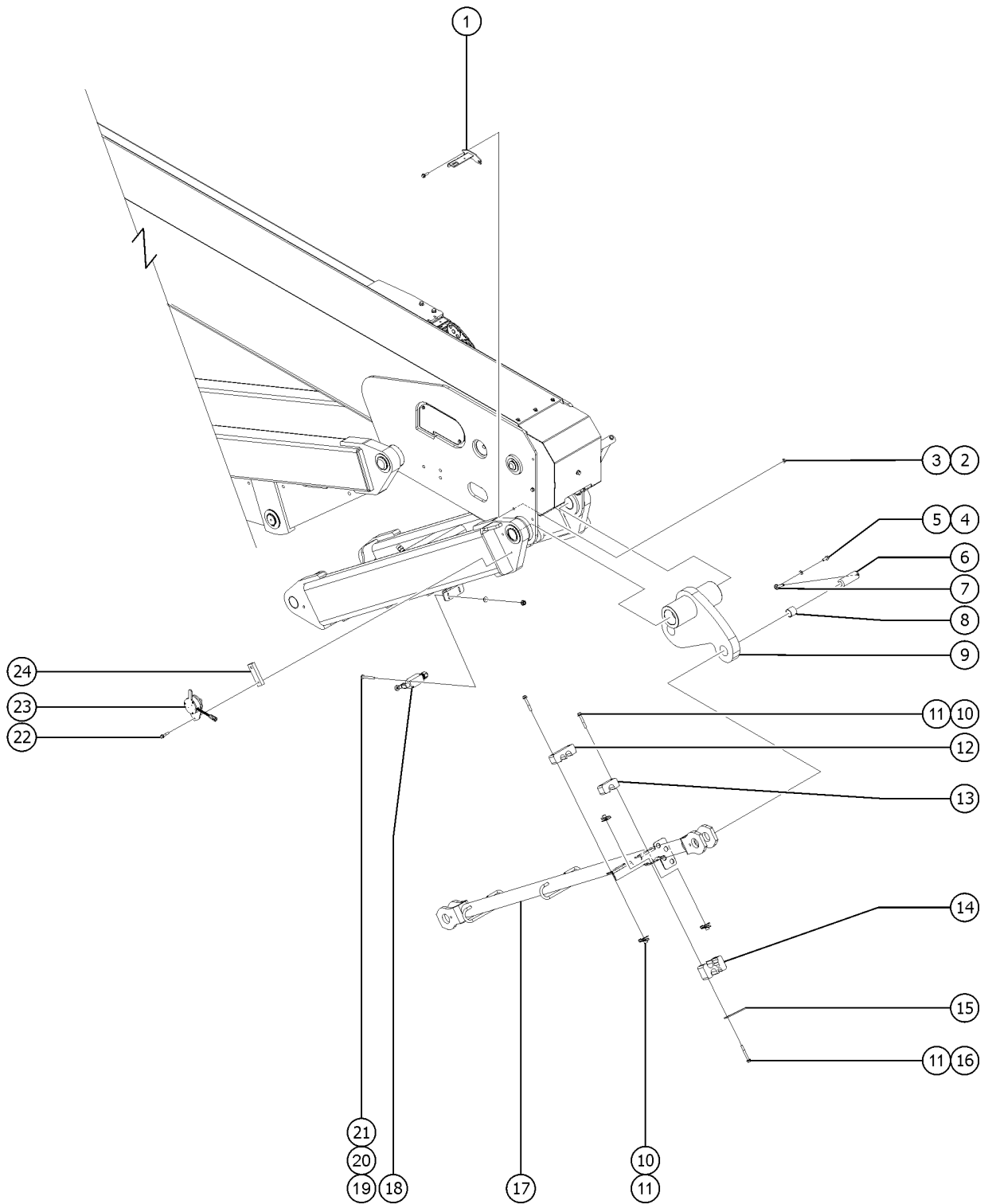


601.1 Linkage Assembly - View 1



Item	Part No.	Description	Qty.
21	106042GT	BEARING,2.25IDX2.50ODX2.00L	2
22	1276503GT	ASSY,WELDMENT SHORT LINK WITH BEARINGS, S60/65-XC	1
		(includes items 7 and 25)	
22-	18720GT	BEARING,2.0IDX2.25ODX1.50L	
22-	18722GT	BEARING,2.25IDX2.50ODX1.50L***	
23	1276425GT	PIN,2.250 X 18.0,2 RINGS,2 HOLE	1
24	18722GT	BEARING,2.25IDX2.50ODX1.50L***	2
25	824090GT	SCREW,HHF,3/8-16X1,8,ZAG	2
26	1255452GT	ROD END,.375 X 2.25,ZAG	2
27	81599GT	PIN, 1.5DIA X 4.38LG,1HOLE	2
28	1272976GT	CYLINDER, MASTER	1
28-	1279050GT	SEAL KIT, CYLINDER, MASTER	
29	88919GT	BEARING,FL,2.25IDX2.50ODX1.63L	6
30	119619GT	BEARING,1.5 ID X 1.75 ODX1.5L	2
31	1276495GT	ASSY,WELDMENT TIMING LINK CAM WITH BEARINGS	1
		(includes items 30 and 31)	
31-	88919GT	BEARING,FL,2.25IDX2.50ODX1.63L	
31-	119619GT	BEARING,1.5 ID X 1.75 ODX1.5L	

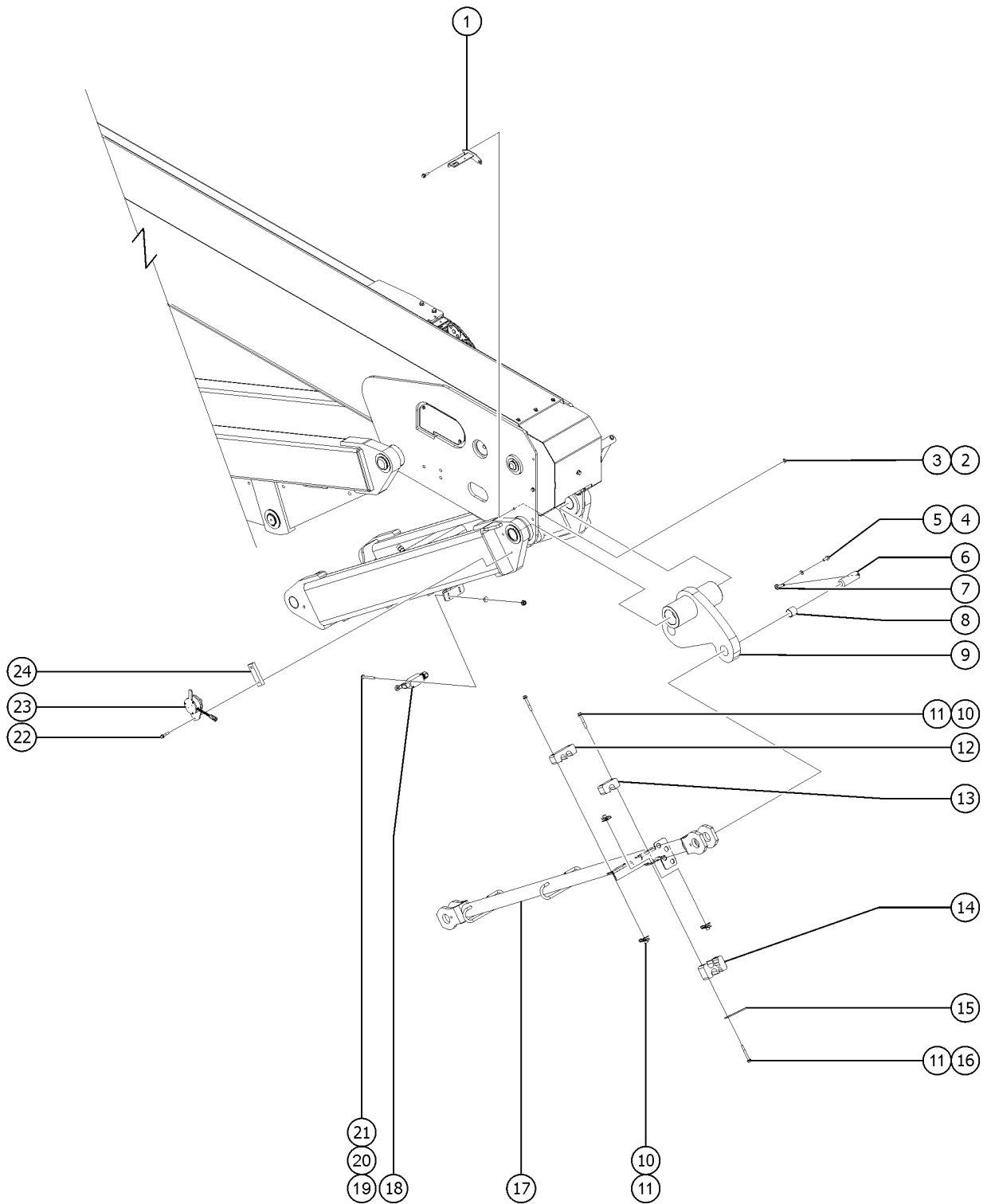
602.1 Linkage Assembly - View 2



Item	Part No.	Description	Qty.
1	1276510GT	WELDMENT,SENSOR RETAINER,PRIMARY	1
2	1274322GT	NUT,NYLOCK FLG,3/8-16,G,ZAG	2
3	824091GT	SCREW,HHF,3/8-16X1.25,8,ZAG	2
4	824090GT	SCREW,HHF,3/8-16X1,8,ZAG	2
5	826793GT	WASHER,FLAT,3/8,SAE,HRD,ZAG	2
6	81599GT	PIN, 1.5DIA X 4.38LG,1HOLE	2
7	1255452GT	ROD END,.375 X 2.25,ZAG	2
8	119619GT	BEARING,1.5 ID X 1.75 ODX1.5L	2
9		Ref: WELDMENT, TIMING LINK CAM S65-XC, Linkage Assembly (refer to 601.1)	
10	824082GT	SCREW,HHF,1/4-20X1.75,8,ZAG	4
11	56912GT	SPRING CLIP,1/4-20,.025-.15X.5	6
12	1276454GT	CLAMP, TIMINGLINK, RH to S65XCD-222	1
12B	1308751GT	CLAMP, TIMINGLINK, RH from S65XCD-223	1
13	1276455GT	CLAMP, TIMINGLINK, LH to S65XCD-222	1
13B	1308752GT	CLAMP, TIMINGLINK, LH from S65XCD-223	1
14	1280841GT	CLAMP, TIMINGLINK, LH	1
15	1276464GT	BAR CLAMP TIMINGLINK	1
16	1257866GT	SCREW,HHF,1/4-20X2.25,8,ZAG	2
17	1276507GT	WELDMENT,MASTER LINK S65-XC	1
18		Ref. HARNESS, LST3S, BOOM DOWN LIMIT SWITCH (refer to 309.1)	1
18-	88356-11103GT	SWITCH,LIMIT,W/RLR ARM,NO/NC	
18-	19491GT	CONTACTOR,LIMIT SWITCH	
18-	97128GT	ROLLER ARM,LIMIT SWITCH***	
18-	110650GT	CONN. SQZ PG11 .30-.40 W/ORING	
19	1256177GT	SCREW,PHPM,10-32X1.75,ZAG	2
20	1253185GT	WASHER,FLAT,#10,USS,ZAG	2
21	1283005GT	NUT,NYLOCK FLG,10-32,A,ZAG	2
22	824093GT	SCREW,HHF,3/8-16X1.75,8,ZAG	2

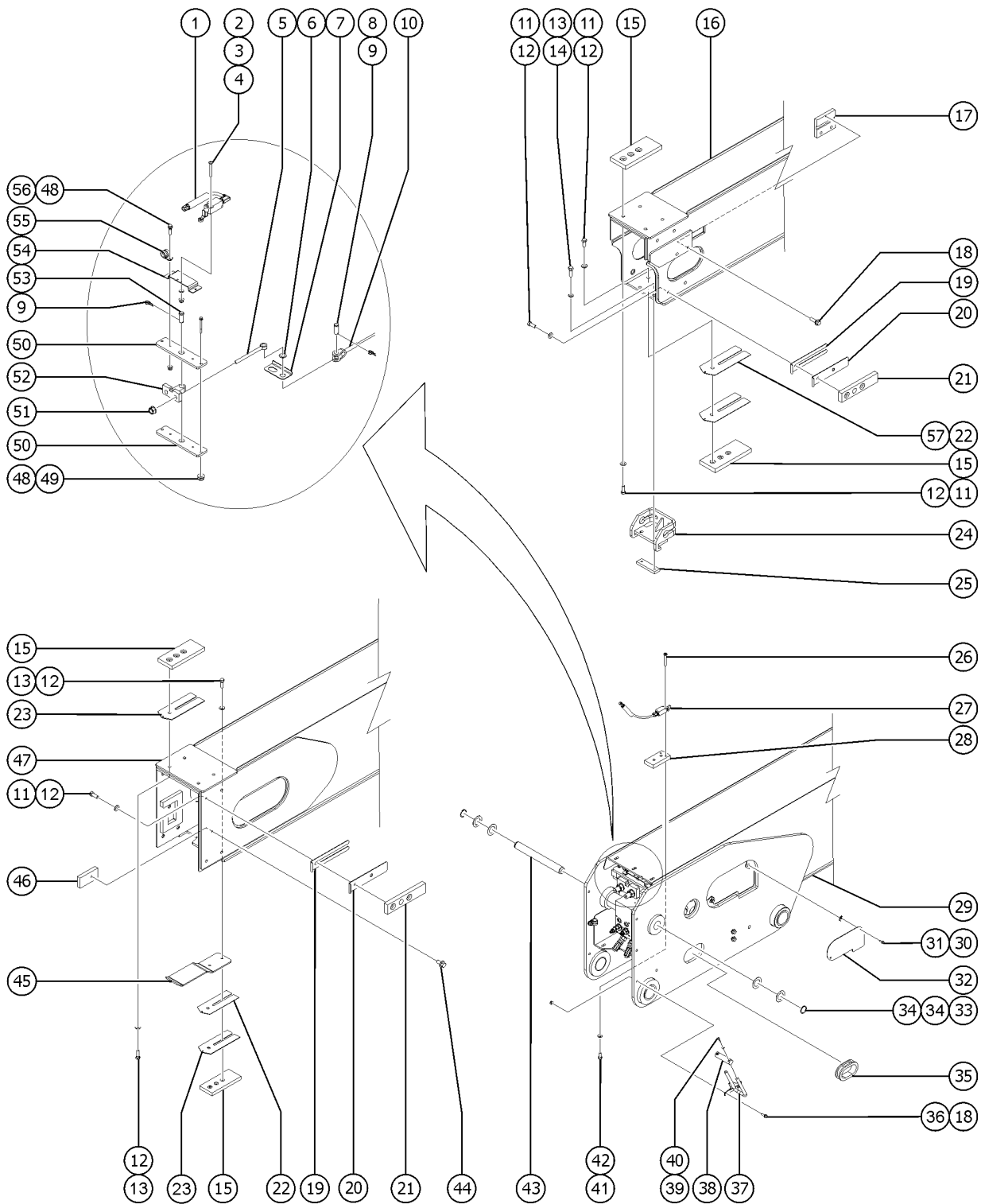


602.1 Linkage Assembly - View 2



<i>Item</i>	<i>Part No.</i>	<i>Description</i>	<i>Qty.</i>
23	1276511GT	ASSEMBLY,ROTARY SENSOR,BOOM ANGLE S60/65-XC Includes 22 & 24	1
23-	1275625GT	CARRIER,SENSOR,PRIMARY	
23-		HOUSING, SENSOR, PRIMARY	
23-	1253815GT	SNAP RING,EXTERNAL,2.00,ZAG	
23-	1286642GT	KIT,BOOM ANGLE SENSOR	
23-	1276444GT	PLATE,SENSOR MAG RETAINER	
23-	1277776GT	PIN,GUIDE,SENSOR MOUNT	
24	1276445GT	PLATE,SPACER,SENSOR MAG RETAINER	1

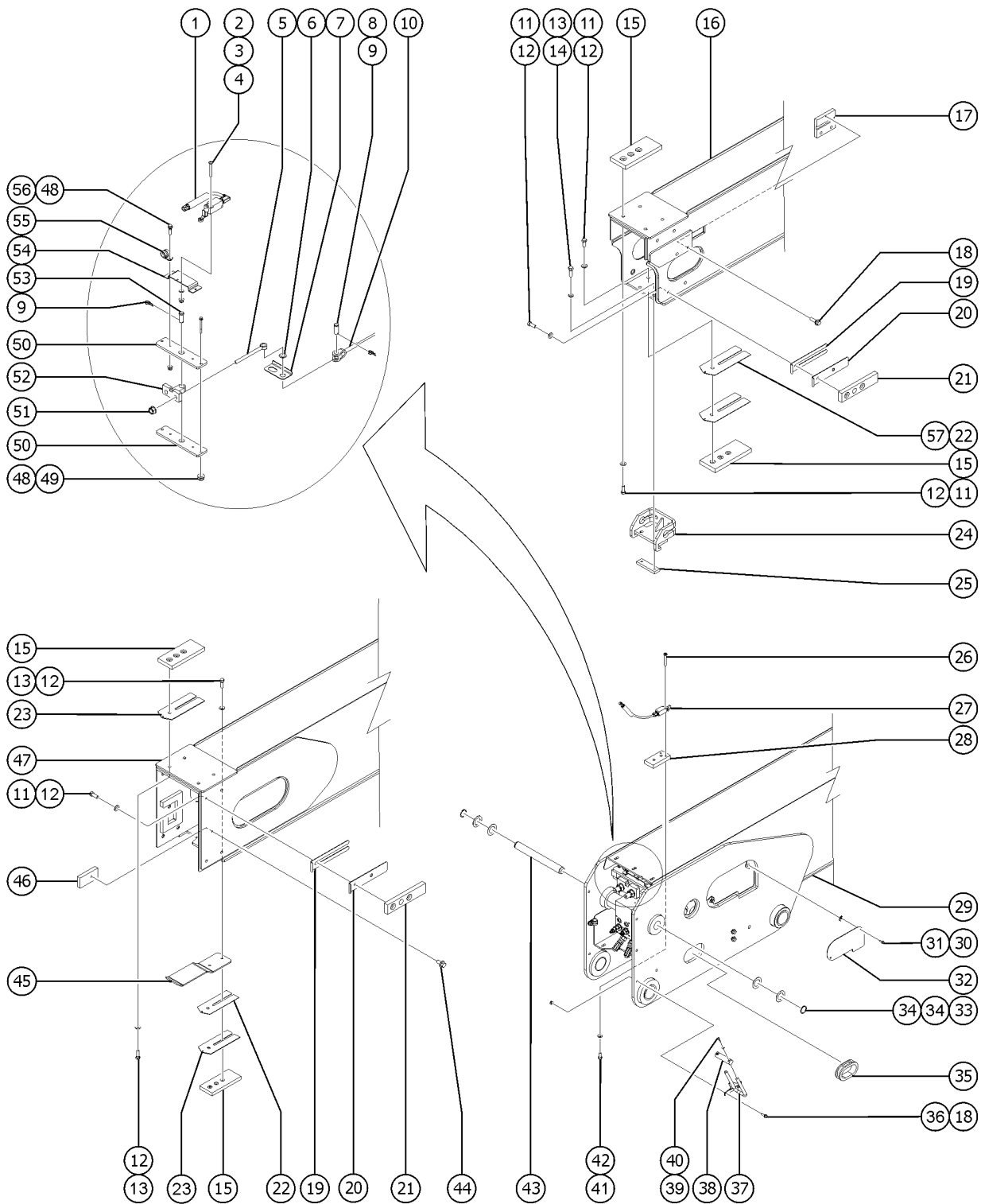
603.1 Boom Components - View 1



Item	Part No.	Description	Qty.
1		Ref : HARNESS, LSB2S, S80/85 (refer to 309.1)	
1-	88356-13107GT	SWITCH,LIMIT,TABULATE,BLUE	
1-	119065GT	CONN, RECEP, 2 WAY, DEUTSCH, DT	
1-	97128GT	ROLLER ARM,LIMIT SWITCH***	
2	824216GT	SCREW, PHPM, 10-32 X 1.5, ZAG	2
3	1253185GT	WASHER,FLAT,#10,USS,ZAG	2
4	6178GT	NUT,NYLOCK,10-32	2
5	77656GT	ROD END,CABLE	2
6	1256119GT	WASHER,SHIM,1.01X1.63X.062,ZAG	2
7	77618GT	PLATE,ANTIROTATION	1
8	824127GT	PIN, CLEVIS, SAE 1.0 X 2.41, ZAG	2
9	824129GT	RUE RING, 1.0, ZAG	3
10	88569GT	CABLE ASSEMBLY,EXTEND***	2
11	824067GT	SCREW, HHC, 3/8-16 X 1, 8, ZAG	24
12	826793GT	WASHER,FLAT,3/8,SAE,HRD,ZAG	32
13	824068GT	SCREW,HHC,3/8-16X1.25,8,ZAG	8
14	824110GT	WASHER,LOCK,3/8,ZAG	2
15	1276021GT	WEAR PAD,7 X 3 X .625 W/INSERT	7
16	1276514GT	ASSEMBLY, WELDMENT #3 WITH BEARINGS, S65-XC	1
16-	1276490GT	WELDMENT.BOOM SECTION # 3	
17	77616GT	PLATE,BOTTOM BLOCK	2
18	824091GT	SCREW,HHF,3/8-16X1.25,8,ZAG	6
19	1276017GT	SHIM,WEAR PAD,7 X 1.5,16GA	8
20	1276018GT	SHIM,WEAR PAD,7 X 1.5,14GA	8
21	1276019GT	WEAR PAD,7 X 1.5 X .625 W/INSERT	8
22	60840GT	SHIM,WEAR PAD,7 X 3,16GA	3
23	60304GT	SHIM,WEAR PAD,7 X 3,12GA	4
24	77688GT	WELDMENT,EXTENSION BRACKET	1



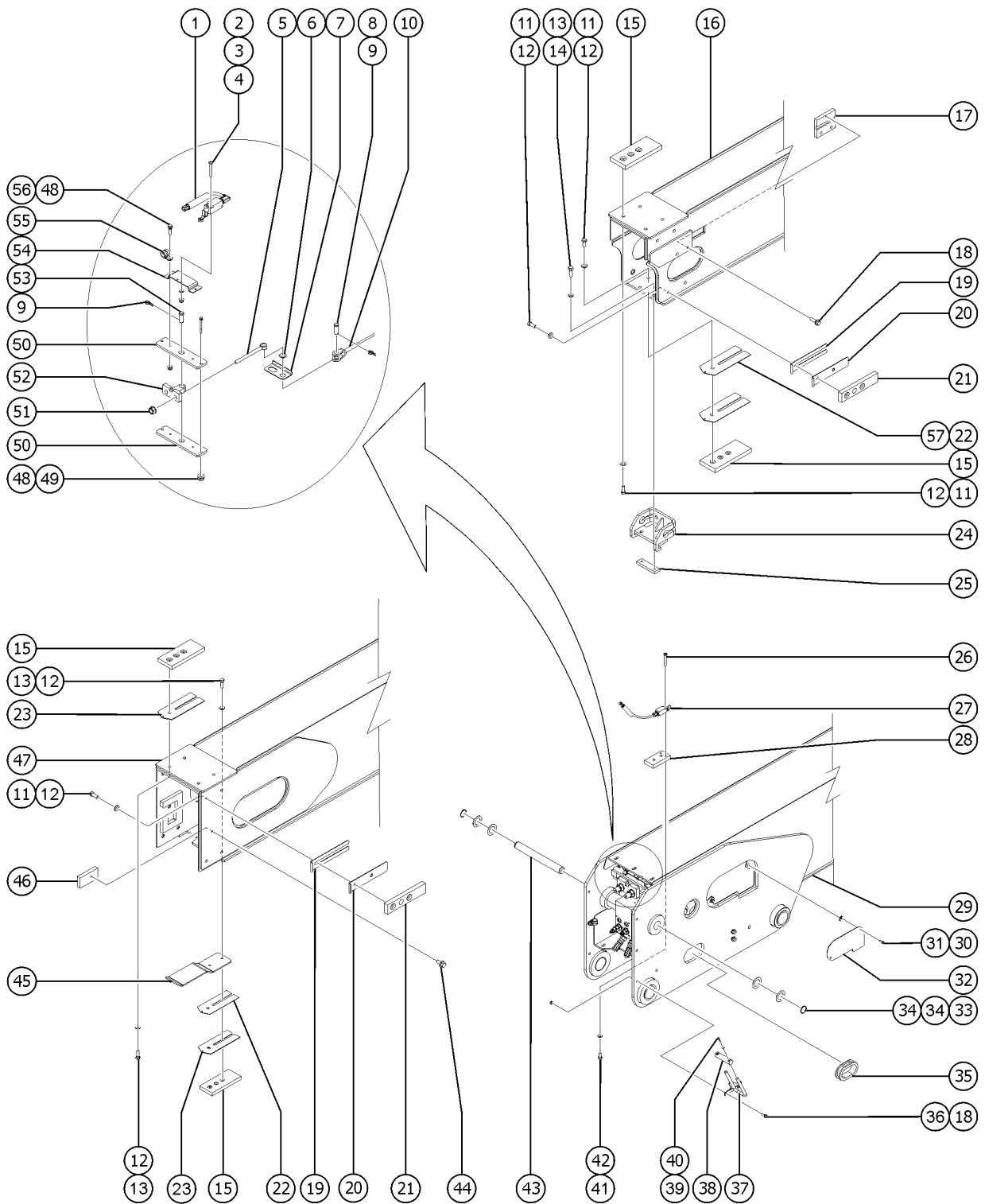
603.1 Boom Components - View 1



Item	Part No.	Description	Qty.
25	1310240GT	PLATE,TAP BLOCK	1
26	51063GT	SCREW,PHILLIPS,RHM,10-32 X 1.5	2
27		REF. HARNESS, LSB1RS, S80/85	1
		(refer to 309.1)	
27-	88356-32163GT	SWITCH,LIMIT,TABULATED,BLUE	
27-	97232GT	CONTACTOR-LIMIT SWITCH**	
27-	97128GT	ROLLER ARM,LIMIT SWITCH***	
27-	110650GT	CONN. SQZ PG11 .30-.40 W/ORING	
28	1283538GT	TAP BLOCK, LIMIT SWITCH	1
29	1276513GT	ASSEMBLY, WELDMENT #1 WITH BEARINGS, S65-XC	1
29-	18720GT	BEARING,2.0IDX2.25ODX1.50L	2
29-	88919GT	BEARING,FL,2.25IDX2.50ODX1.63L	4
29-	119619GT	BEARING,1.5 ID X 1.75 ODX1.5L	1
30	824078GT	SCREW,HHF,1/4-20X.75,8,ZAG	4
31	56912GT	SPRING CLIP,1/4-20,.025-.15X.5	4
32	77882GT	COVER,RH,BOOM SECTION #1	2
33	825796GT	SNAP RING,EXTERNAL,1.50,ZAG	2
34	1251565GT	WASHER,SHIM,1.56X2.5X.061,ZAG	4
35	71768GT	GROMMET,4.00 GRV. X .75 THK.	1
36	1274322GT	NUT,NYLOCK FLG,3/8-16,G,ZAG	2
37	1276468GT	WELDMENT, BOOM HOSES AND CABLES GUIDE, S65XC	1
38	1276482GT	ROLLER, BOOM HOSES & CABLES GUIDE, S65XC	1
39	824062GT	SCREW,HHC,1/4-20X1.5,8,ZAG	2
40	824113GT	WASHER,FLAT,1/4,USS,ZAG	2
41	1256464GT	SCREW,HHC,5/16-18X.75,8,ZAG	2
42	825358GT	WASHER,FLAT,5/16,USS,ZAG	2
43	81856GT	PIN,1.50DIA X 13.43LG,2RING	1
44	824089GT	SCREW,HHF,3/8-16X.75,8,ZAG	2
45	1276453GT	FORMING,LS RAMP	1

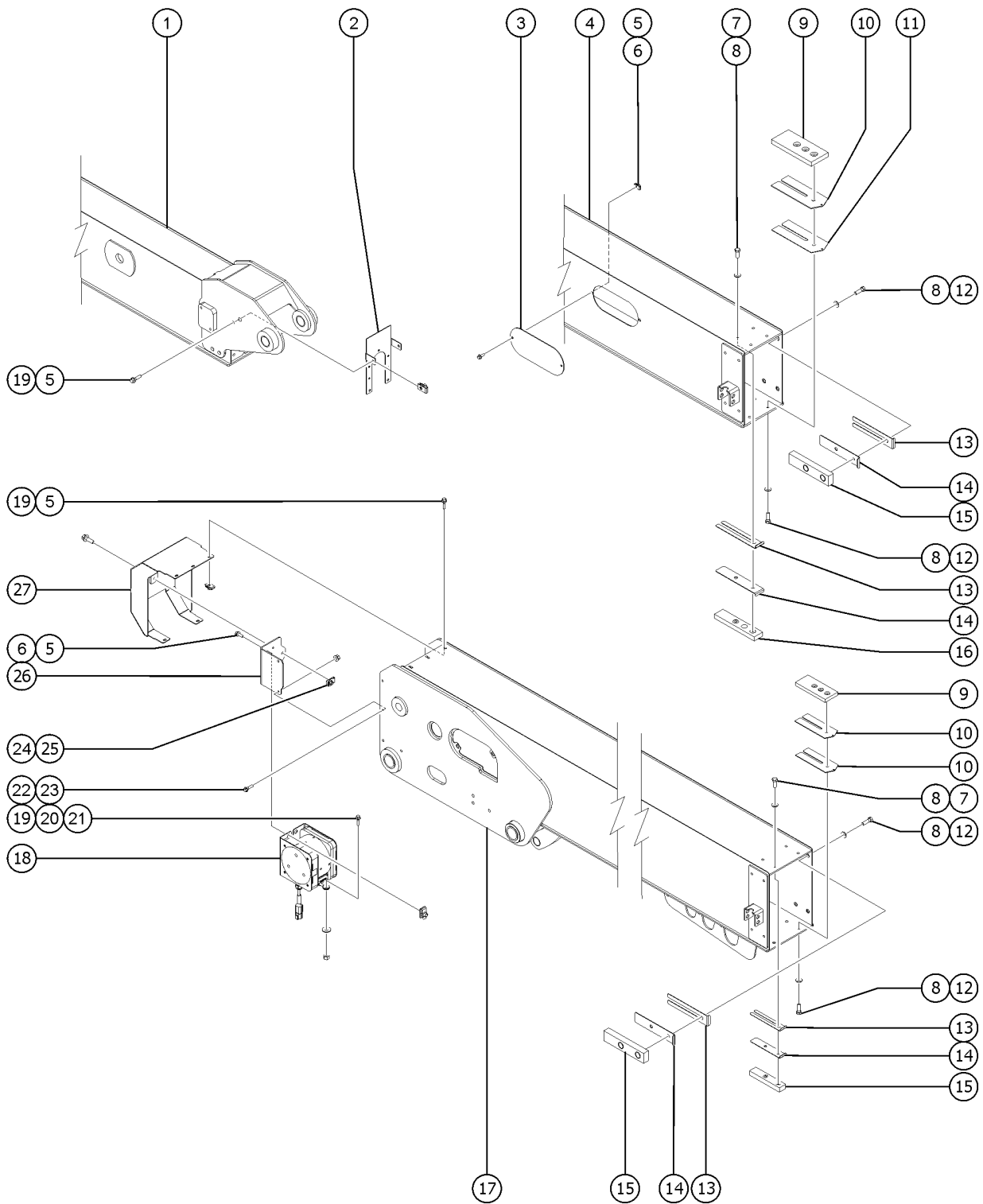


603.1 Boom Components - View 1



<i>Item</i>	<i>Part No.</i>	<i>Description</i>	<i>Qty.</i>
46	88795GT	CAP,EXTENSION	2
47	1276491GT	WELDMENT.BOOM SECTION # 2***	1
48	1277924GT	NUT,NYLOCK FLG,1/4-20,F,ZAG	4
49	824083GT	SCREW,HHF,1/4-20X2.5,8,ZAG	2
50	77654GT	PLATE,ROCKER	2
51	77051GT	NUT,NYLOCK,3/4-10,GRD.8	2
52	77795GT	MACHINED PIVOT PLATE WELDMENT	1
53	826379GT	PIN,CLEVIS,1X2.250,ZAG	1
54	77653GT	FORMING,LIMIT SWITCH BRACKET	1
55	6833GT	CLAMP,0.50,#8 X 1/4,RUB CUSH	1
56	824079GT	SCREW,HHF,1/4-20X1,8,ZAG	2
57	60304GT	SHIM,WEAR PAD,7 X 3,12GA	2

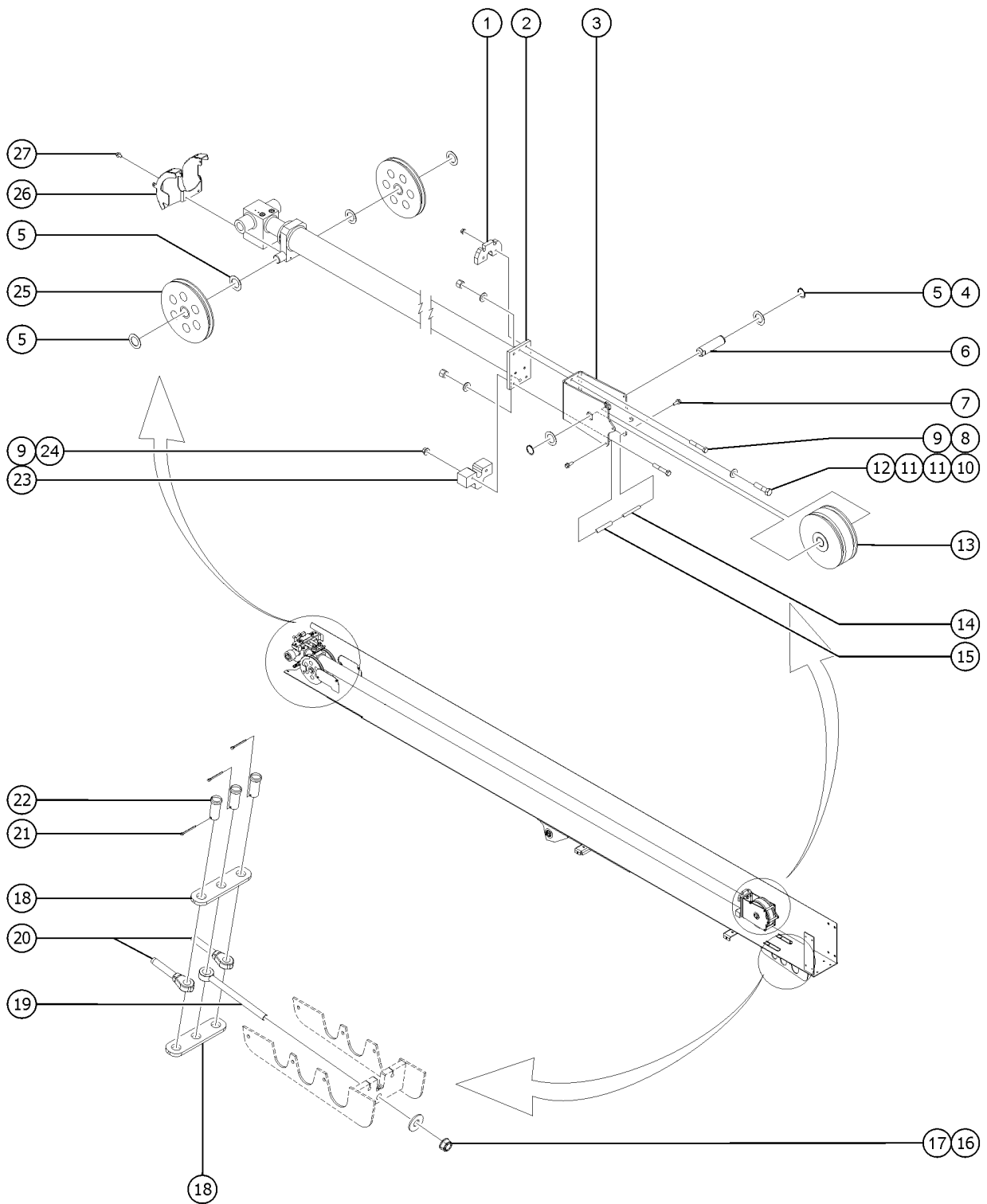
604.1 Boom Components - View 2



Item	Part No.	Description	Qty.
1		Ref : WELDMENT.BOOM SECTION # 3 (refer to 603.1)	1
2	1276396GT	COVER.DEBRIS #3 BOOM	1
3	77884GT	COVER,BOOM SECTION #2	2
4		Ref : WELDMENT.BOOM SECTION # 2*** (refer to 603.1)	1
5	56912GT	SPRING CLIP,1/4-20,.025-.15X.5	17
6	824078GT	SCREW,HHF,1/4-20X.75,8,ZAG	8
7	824067GT	SCREW, HHC, 3/8-16 X 1, 8, ZAG	8
8	826793GT	WASHER,FLAT,3/8,SAE,HRD,ZAG	32
9	1276021GT	WEAR PAD,7 X 3 X .625 W/INSERT	4
10	60304GT	SHIM,WEAR PAD,7 X 3,12GA	6
11	60840GT	SHIM,WEAR PAD,7 X 3,16GA	4
12	824068GT	SCREW,HHC,3/8-16X1.25,8,ZAG	24
13	1276017GT	SHIM,WEAR PAD,7 X 1.5,16GA	12
14	1276018GT	SHIM,WEAR PAD,7 X 1.5,14GA	12
15	1273674GT	WEAR PAD,7 X 1.5 X .875 W/INSERT	10
16	1276019GT	WEAR PAD,7 X 1.5 X .625 W/INSERT	2
17		Ref : WELDMENT.BOOM SECTION # 1*** (refer to 603.1)	1
18	1278666GT	LENGTH TRANSDUCER, 400 IN, CAN ID 47	1
19	824079GT	SCREW,HHF,1/4-20X1,8,ZAG	10
20	824113GT	WASHER,FLAT,1/4,USS,ZAG	1
21	1274165GT	NUT,NYLOCK,1/4-20,C,ZAG	1
22	824087GT	SCREW, HHF, 5/16-18 X 1.25, 8, ZAG	2
23	1274167GT	NUT,NYLOCK FLG,5/16-18,F,ZAG	2
24	29868GT	SPRING CLIP,3/8-16,.05-.20X.73	1
25	824091GT	SCREW,HHF,3/8-16X1.25,8,ZAG	1
26	1276509GT	WELDMENT,STRING POT MOUNT S60/65-XC	1
27	1276508GT	WELDMENT, COVER, PRIMARY BOOM, S60/65-XC	1



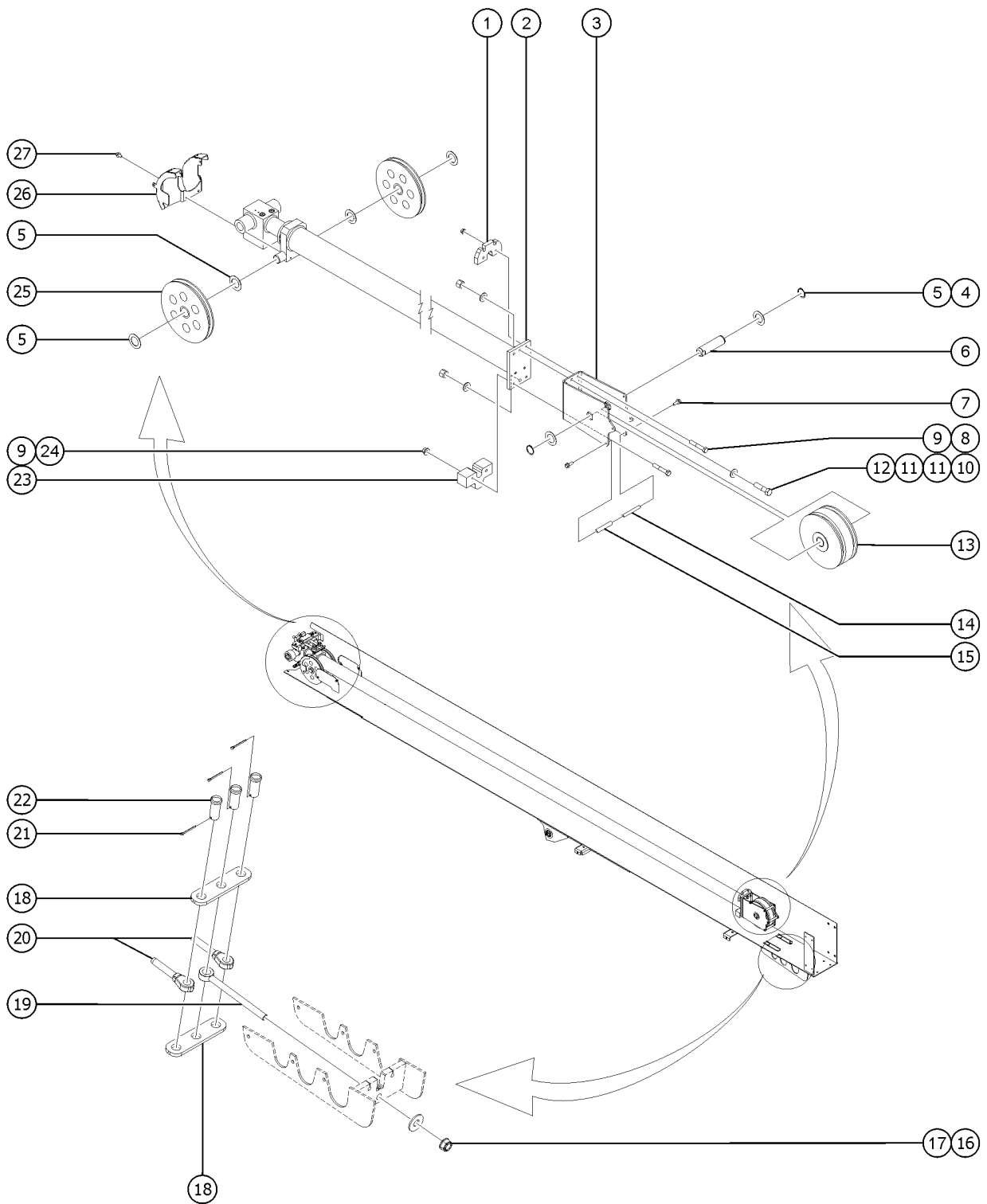
605.1 Boom Components - View 3



Item	Part No.	Description	Qty.
1	139385GT	GUIDE, EXT CABLE, TOP	1
2	1276413GT	CYLINDER, PRIMARY EXTENSION, S-65 XC	1
2-	1284093GT	SEAL KIT, CYLINDER PRIMARY EXTENSION	
2-	1281963GT	VALVE, COUNTERBALANCE, CACA-LHN-1500	
		V1, (Extend)	
2-	1274315GT	VALVE, COUNTERBALANCE, CABG-LHN@1200 4.5:1	
		V2, (Retract)	
3	139384GT	BRACKET, EXTEND SHEAVE	1
4	825796GT	SNAP RING,EXTERNAL,1.50,ZAG	2
5	1251565GT	WASHER,SHIM,1.56X2.5X.061,ZAG	6
6	88793GT	PIN,1.5 X 5.50 LG	1
7	824078GT	SCREW,HHF,1/4-20X.75,8,ZAG	6
8	1252978GT	SCREW,HHC,3/8-16X2.25,8,ZAG	2
9	1274322GT	NUT,NYLOCK FLG,3/8-16,G,ZAG	4
10	1255782GT	SCREW,HHC,1/2-13X2.0,8,ZAG	2
11	825353GT	WASHER,FLAT,1/2,SAE,HRD,ZAG	4
12	1274320GT	NUT,NYLOCK,1/2-13,C,ZAG	2
13	88567GT	SHEAVE,EXTENSION CABLE(LARGER)	1
14	77649GT	ROLLER,1/2" ALUMINUM	3
15	77648GT	ROLLER,1/2" PVC	3
16	77051GT	NUT,NYLOCK,3/4-10,GRD.8	1
17	1255761GT	WASHER,FLAT,3/4,USS,HRD,ZAG	1
18	88796GT	PLATE,RETRACTION CABLE EQUALIZ	2
19	77656GT	ROD END,CABLE	1
20	88570GT	CABLE ASSEMBLY,RETRACT***	2
21	13635-10GT	PIN,COTTER,.156 X 1.75	3
22	826379GT	PIN,CLEVIS,1X2.250,ZAG	3
23	139288GT	GUIDE, EXT. CABLE, BOTTOM	1
24	1258892GT	SCREW,HHC,3/8-16X3.5,8,ZAG	2
25	88568GT	SHEAVE,RETRACT CABLE(SMALLER)	2

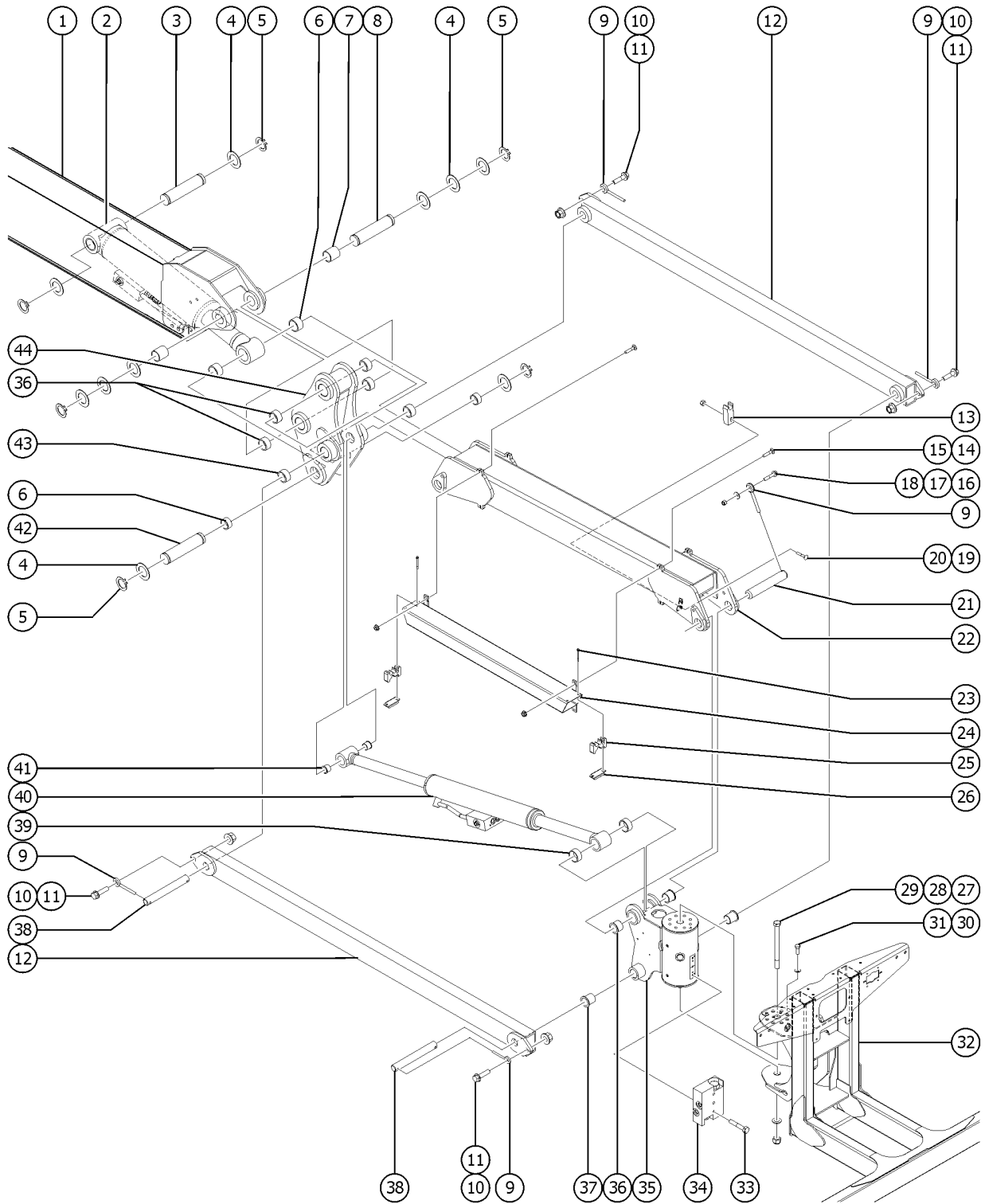


605.1 Boom Components - View 3



<i>Item</i>	<i>Part No.</i>	<i>Description</i>	<i>Qty.</i>
26	1276437GT	WELDMENT,RETRACT SHEAVE COVER	1
27	824077GT	SCREW,HHF,1/4-20X.5,8,ZAG	2

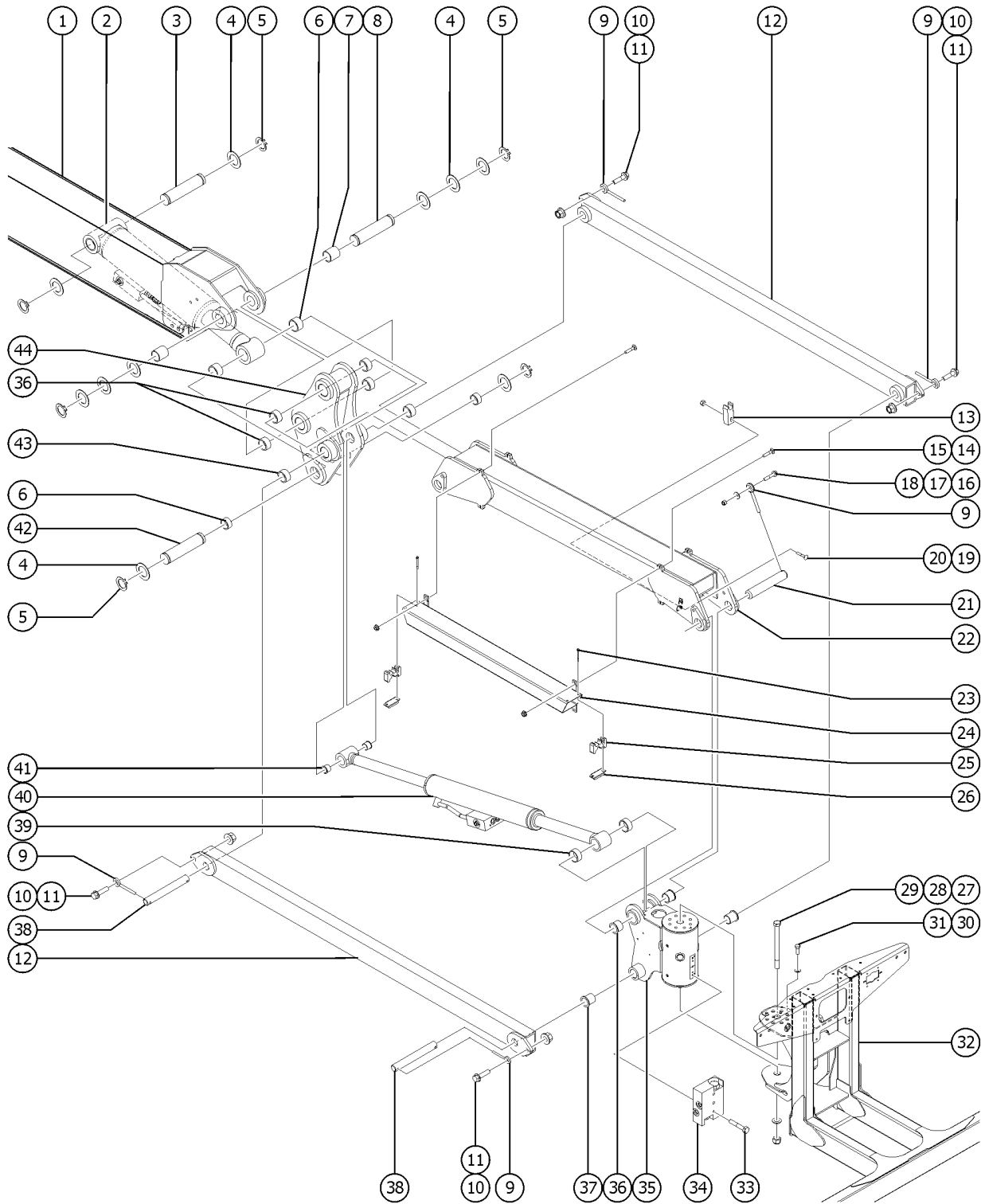
606.1 Boom End Components (To S65XCD-154)



Item	Part No.	Description	Qty.
1		Ref : WELDMENT.BOOM SECTION # 3 (refer to 603.1)	
2	1273589GT	CYLINDER, PLATFORM LEVEL	1
2-	1279049GT	SEAL KIT, CYLINDER, LEVEL	
2-	77303GT	VALVE, CNTRBAL 3500 PSI, ATM VEN	2
3	1276427GT	PIN,1.50DIA.X7.47LG,2RING	1
4	1251565GT	WASHER,SHIM,1.56X2.5X.061,ZAG	10
5	825796GT	SNAP RING,EXTERNAL,1.50,ZAG	6
6	18396GT	BEARING,1.5IDX1.75ODX1.0L	6
7	1273706GT	BEARING,1.5IDX1.75ODX1.825L	2
8	1274335GT	PIN,1.50DIA.X10.0LG,2RING	1
9	825019GT	ROD END,.375X3.69,ZAG	6
10	824092GT	SCREW, HHF, 3/8-16 X 1.5, 8, ZAG	4
11	1274322GT	NUT,NYLOCK FLG,3/8-16,G,ZAG	4
12	1274511GT	MACHINING, COMPRESSION LINK	2
13	1269642GT	CLAMP, HOSE	2
14	1256463GT	BOLT,CARRIAGE,1/4-20X1.25,5,ZAG	4
15	1256679GT	NUT,SERRATED,1/4-20,8,ZAG	4
16	5224GT	SCREW,HHC,3/8-16 X 2	2
17	6097GT	WASHER,FLAT,USS,3/8",Y	2
18	7713GT	NUT, LP NYLOCK, 3/8-16	2
19	1255756GT	BOLT,CARRIAGE,1/4-20X1.5,5,ZAG	2
20	1274165GT	NUT,NYLOCK,1/4-20,C,ZAG	2
21	76695GT	PIN,1.50 DIA X 8.75"LG,1HOLE	2
22	1269424GT	MACHINING, JIB ARM, 5 FT	1
23	824084GT	SCREW, HHF, 1/4-20 X 3, 8, ZAG	4
24	1280124GT	WELDMENT,COVER,JIB	1
25	1279429GT	CLAMP BLOCK, S40/45XC	2
26	1279306GT	ASSY, CLAMP PLATE	2



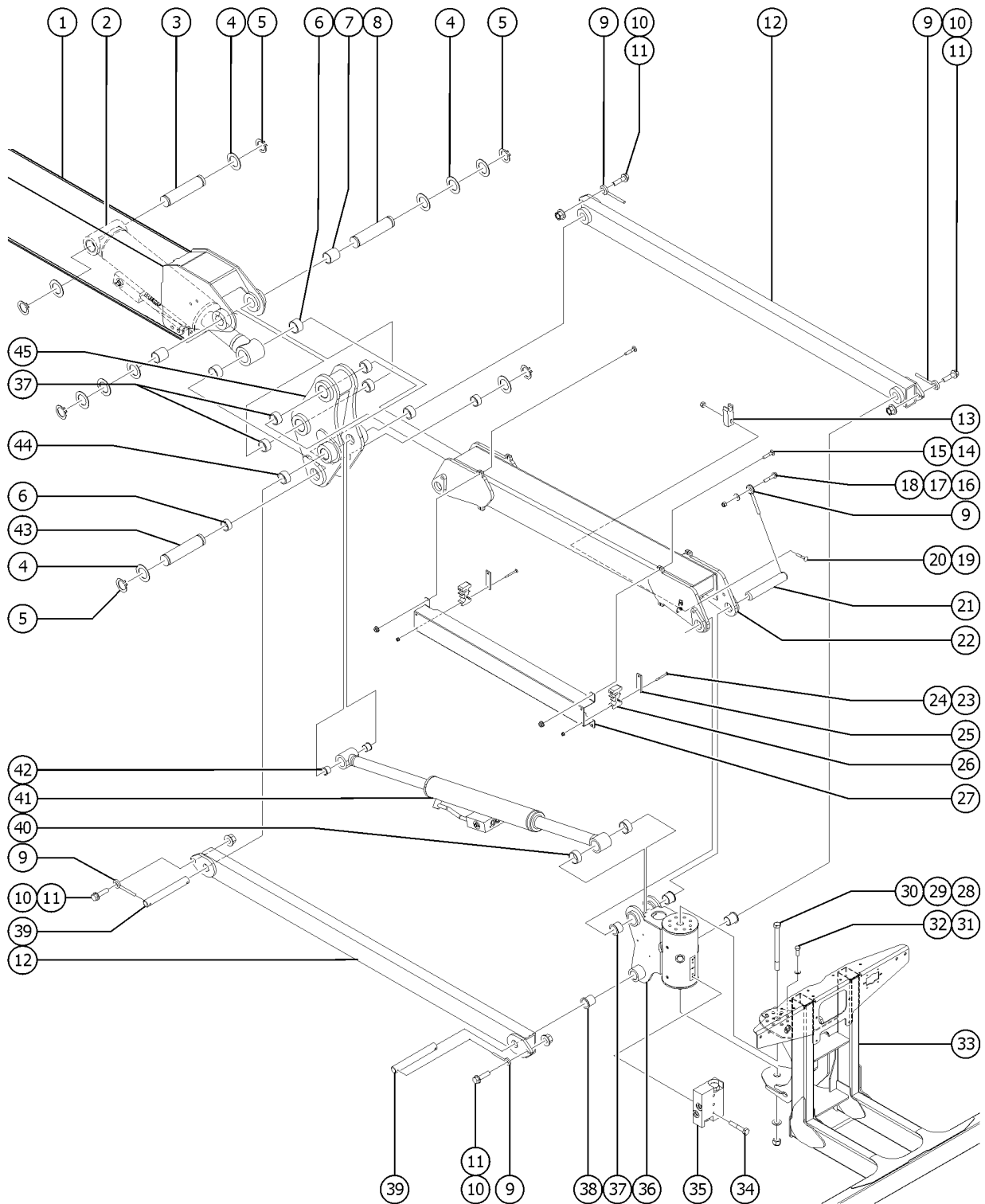
606.1 Boom End Components (To S65XCD-154)



Item	Part No.	Description	Qty.
27	824075GT	SCREW, HHC, 1-8 X 12.75, 5, ZAG	1
28	824116GT	WASHER, FLAT, 1.0, F436, HRD, ZAG	1
29	1283024GT	NUT, NYLOCK, 1-8, 8, ZAG	1
30	1256843GT	SCREW, HHC, 1/2-13X1.25, 8, ZAG	8
31	825353GT	WASHER, FLAT, 1/2, SAE, HRD, ZAG	8
32		Ref : Platform support (refer to 607.1)	1
33	824081GT	SCREW, HHF, 1/4-20X1.5, 8, ZAG	3
34		Ref : MANIFOLD, ROTATOR, CB (refer to 404.1)	
35	214225GT	ROTATOR, PLATFORM, 15K, JIB	1
35-	226542GT	SEAL KIT, 15K ROTATOR	
35-	88516GT	SCREW, BLEEDER, M5X0.8	
36	214226GT	BEARING, FL, 1.75ID X 2.00OD X 1.61L	6
37	30222GT	BEARING, FL, 1.25ID X 1.41OD X 1.50L	2
38	81175GT	PIN, 1.25DIA X 14.45LG, 2HOLE	2
39	88280GT	BEARING, 1.5ID X 1.75OD X 0.75L	2
40	1276820GT	CYLINDER, JIB	1
40-	33428GT	VALVE, COUNTERBALANCE	2
40-	1276822GT	SEAL KIT FOR JIB CYLINDER	
41	30220GT	BEARING, 1.25ID X 1.5OD X 0.69L	2
42	1276484GT	PIN, 1.50X5.625, 2 RING	1
43	128268GT	BEARING, FL, 1.25X1.5X2.13	2
44	1288386GT	ASSY, JIB BELLCRANK WITH BEARINGS	1

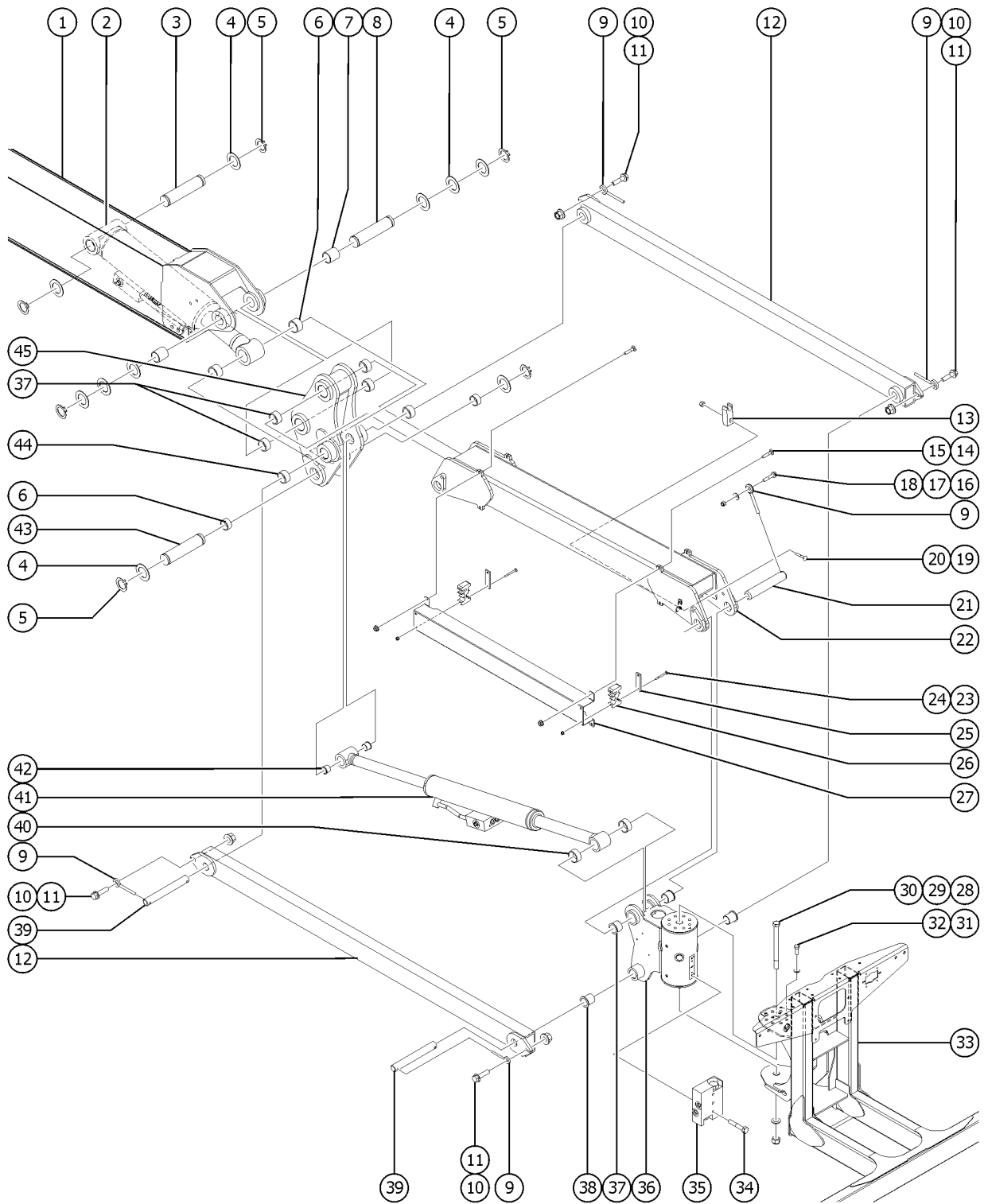


606.2 Boom End Components (From S65XCD-155)



Item	Part No.	Description	Qty.
1		Ref : WELDMENT.BOOM SECTION # 3 (refer to 603.1)	
2	1273589GT	CYLINDER, PLATFORM LEVEL	1
2-	1279049GT	SEAL KIT, CYLINDER, LEVEL	
2-	77303GT	VALVE, CNTRBAL 3500 PSI, ATM VEN	2
3	1276427GT	PIN,1.50DIA.X7.47LG,2RING	1
4	1251565GT	WASHER,SHIM,1.56X2.5X.061,ZAG	10
5	825796GT	SNAP RING,EXTERNAL,1.50,ZAG	6
6	18396GT	BEARING,1.5IDX1.75ODX1.0L	6
7	1273706GT	BEARING,1.5IDX1.75ODX1.825L	2
8	1274335GT	PIN,1.50DIA.X10.0LG,2RING	1
9	825019GT	ROD END,.375X3.69,ZAG	6
10	824092GT	SCREW, HHF, 3/8-16 X 1.5, 8, ZAG	4
11	1274322GT	NUT,NYLOCK FLG,3/8-16,G,ZAG	4
12	1274511GT	MACHINING, COMPRESSION LINK	2
13	1269642GT	CLAMP, HOSE	2
14	1256463GT	BOLT,CARRIAGE,1/4-20X1.25,5,ZAG	4
15	1256679GT	NUT,SERRATED,1/4-20,8,ZAG	4
16	5224GT	SCREW,HHC,3/8-16 X 2	2
17	6097GT	WASHER,FLAT,USS,3/8",Y	2
18	7713GT	NUT, LP NYLOCK, 3/8-16	2
19	1255756GT	BOLT,CARRIAGE,1/4-20X1.5,5,ZAG	2
20	1274165GT	NUT,NYLOCK,1/4-20,C,ZAG	2
21	76695GT	PIN,1.50 DIA X 8.75"LG,1HOLE	2
22	1269424GT	MACHINING, JIB ARM, 5 FT	1
23	1256180GT	BOLT,CARRIAGE,1/4-20X2.75,5,ZAG	4
24	1277924GT	NUT,NYLOCK FLG,1/4-20,F,ZAG	4
25	1307265GT	BACKING PLATE, HOSE BLOCK, JIB	2
26	1279429GT	CLAMP BLOCK, S40/45XC	2

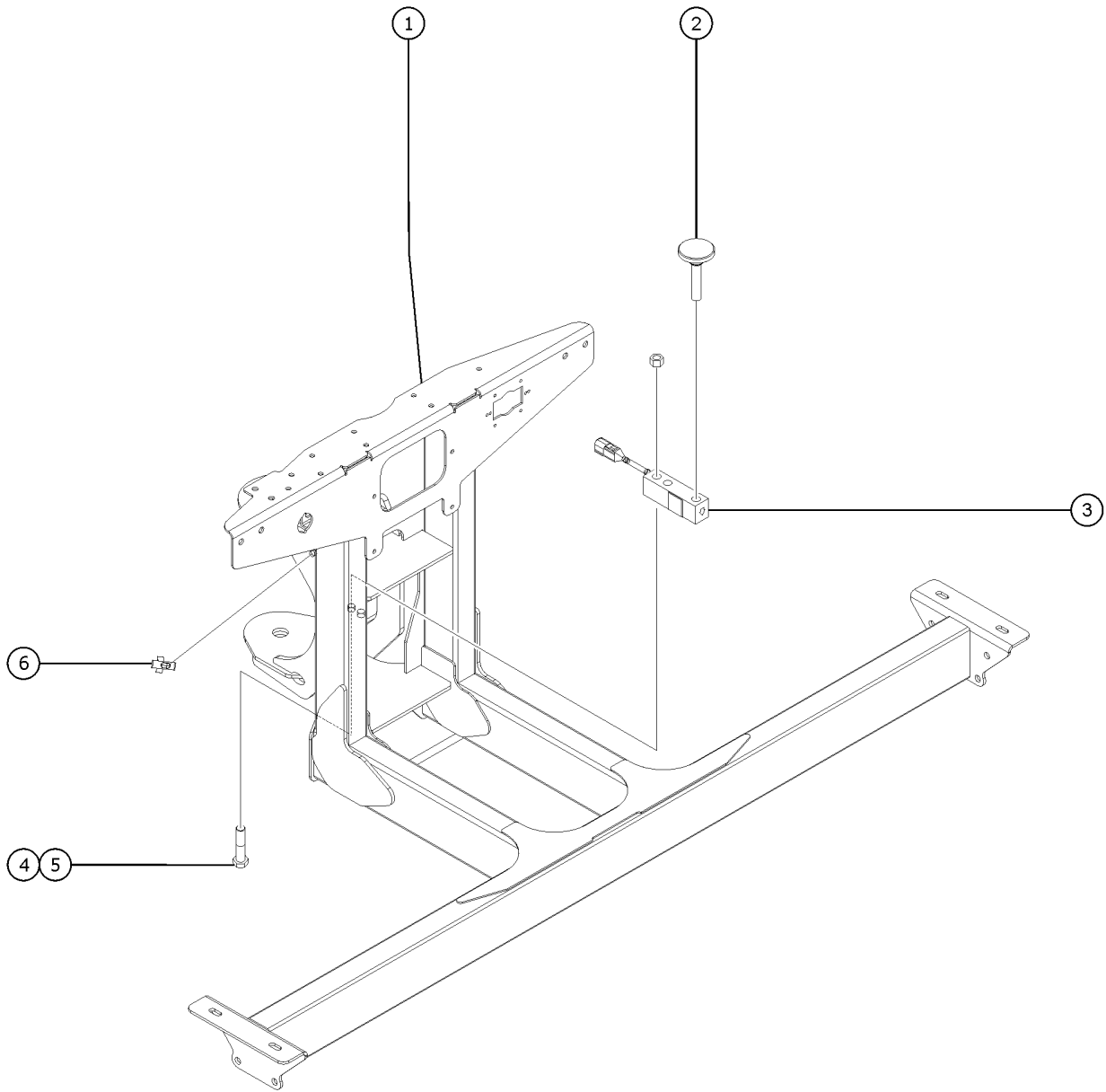
606.2 Boom End Components (From S65XCD-155)



Item	Part No.	Description	Qty.
27	1307323GT	COVER, JIB HOSES	1
28	824075GT	SCREW, HHC, 1-8 X 12.75, 5, ZAG	1
29	824116GT	WASHER, FLAT, 1.0, F436, HRD, ZAG	1
30	1283024GT	NUT, NYLOCK, 1-8, 8, ZAG	1
31	1256843GT	SCREW, HHC, 1/2-13X1.25, 8, ZAG	8
32	825353GT	WASHER, FLAT, 1/2, SAE, HRD, ZAG	8
33		Ref : Platform support (refer to 607.1)	1
34	824081GT	SCREW, HHF, 1/4-20X1.5, 8, ZAG	3
35		Ref : MANIFOLD, ROTATOR, CB (refer to 404.1)	
36	214225GT	ROTATOR, PLATFORM, 15K, JIB	1
36-	226542GT	SEAL KIT, 15K ROTATOR	
36-	88516GT	SCREW, BLEEDER, M5X0.8	
37	214226GT	BEARING, FL, 1.75ID X 2.00OD X 1.61L	6
38	30222GT	BEARING, FL, 1.25ID X 1.41OD X 1.50L	2
39	81175GT	PIN, 1.25DIAX14.45LG, 2HOLE	2
40	88280GT	BEARING, 1.5ID X 1.75OD X 0.75L	2
41	1276820GT	CYLINDER, JIB	1
41-	33428GT	VALVE, COUNTERBALANCE	2
41-	1276822GT	SEAL KIT FOR JIB CYLINDER	
42	30220GT	BEARING, 1.25ID X 1.5OD X 0.69L	2
43	1276484GT	PIN, 1.50X5.625, 2 RING	1
44	128268GT	BEARING, FL, 1.25X1.5X2.13	2
45	1288386GT	ASSY, JIB BELLCRANK WITH BEARINGS	1



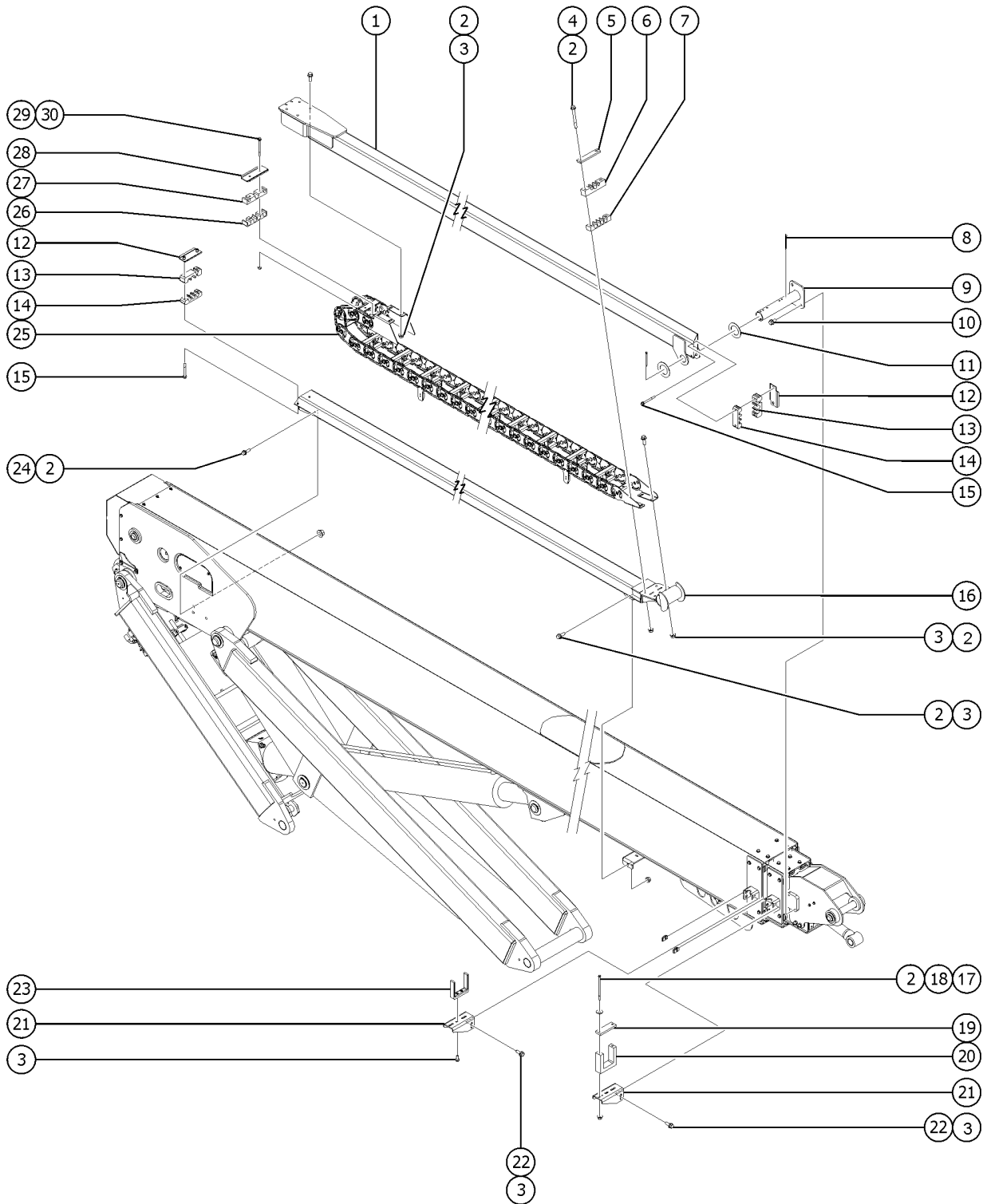
607.1 Boom End Components, Load Sense



607.1 Boom End Components, Load Sense

<i>Item</i>	<i>Part No.</i>	<i>Description</i>	<i>Qty.</i>
1	1273876GT	WELDMENT, PLAT SUPPORT, 15K, METRIC	1
2	1270337GT	LEVELING MOUNT, SWIVEL, 1/2-20	1
3	1270278GT	LOAD CELL, J1939, 650KG/1433LB NOTE: install with arrows pointing downwards (Calibration required after replacement)	1
4	1257464GT	SCREW, HHC, 1/2-13X2.5, 8, ZAG	2
5	1259106GT	NUT, 1/2-13, 8, ZAG	2
6	105214GT	CABLE TIE MOUNT, WINGED	2

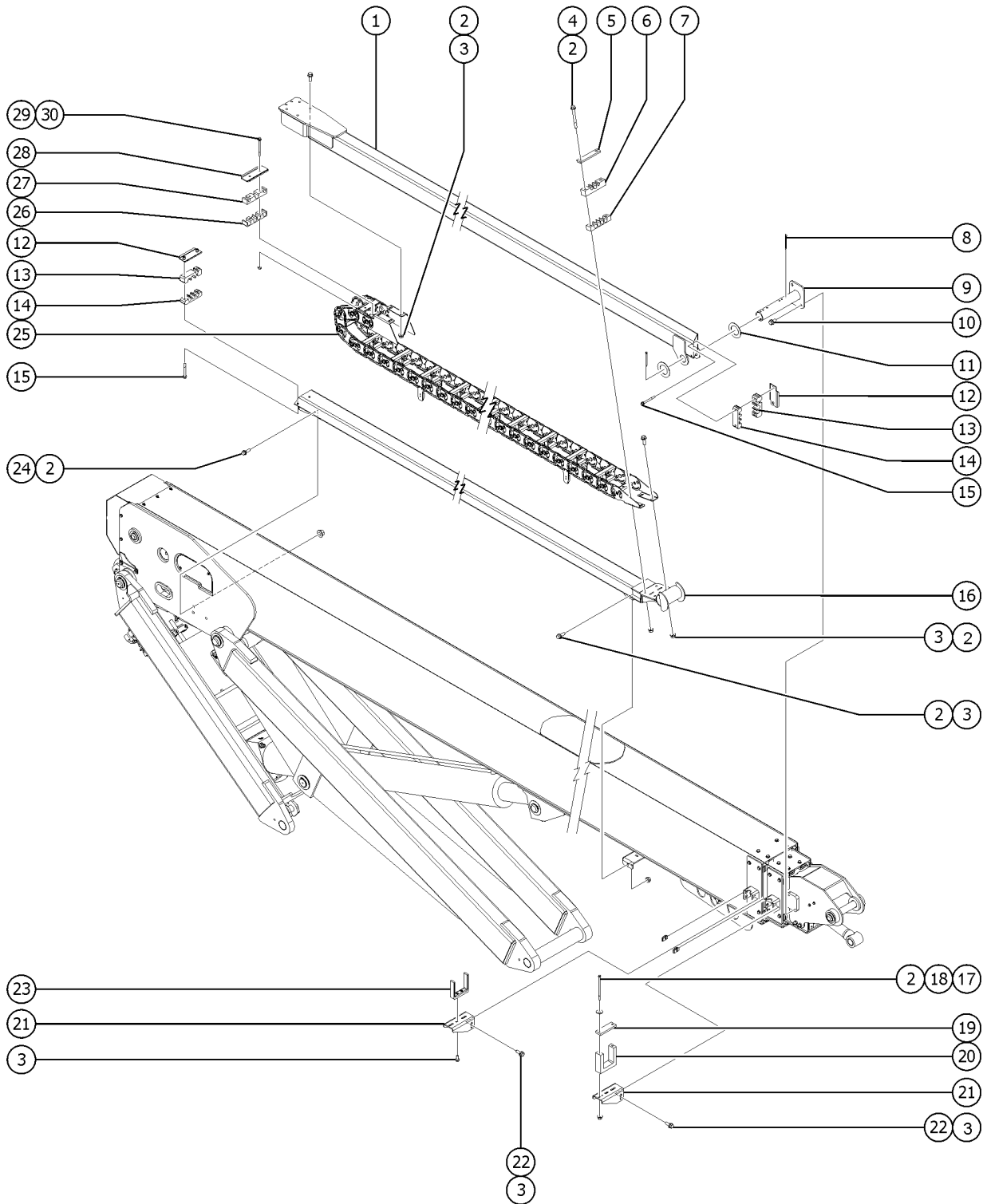
608.1 Cable Track



Item	Part No.	Description	Qty.
1	1276521GT	WELDMENT, UPPER CABLE TRACK TUBE, S65XC	1
2	1274322GT	NUT,NYLOCK FLG,3/8-16,G,ZAG	16
3	824090GT	SCREW,HHF,3/8-16X1,8,ZAG	20
4	824096GT	SCREW, HHF, 3/8-16 X 3.5, 8, ZAG	2
4B	1258395GT	SCREW, HHF, 3/8-16, 4, 8, ZAG (air to platform and welder option)	2
4B-	228796GT	CLAMP,OPTIONS,CABLE TRACK (air to platform and welder option)	
5	228797GT	BAR, CLAMP, CABLE TRACK	1
6	1276450GT	CLAMP,CABLES	1
7	1280839GT	CLAMP, HOSE	1
8	42079GT	PIN,COTTER,.156 X 2.5	2
9	81347GT	WELDMENT,TRACK PULL TUBE PIVOT	1
10	824089GT	SCREW,HHF,3/8-16X.75,8,ZAG	2
11	1251565GT	WASHER,SHIM,1.56X2.5X.061,ZAG	2
12	1279306GT	ASSY, CLAMP PLATE	2
13	1276449GT	CLAMP,CABLES	2
14	1280837GT	CLAMP, HOSE	2
15	824083GT	SCREW,HHF,1/4-20X2.5,8,ZAG	4
15B	1257867GT	SCREW,HHF,1/4-20X3.5,8,ZAG (air to platform and welder option)	4
15B-	1280838GT	CLAMP BLOCK, OPTIONS (air to platform and welder option)	
16	1276520GT	WELDMENT, LOWER CABLE TRACK TRAY, S65XC	1
17	1255391GT	SCREW,HHC,3/8-16X7,8,ZAG	2
18	1255758GT	WASHER,FLAT,3/8,USS,ZAG	2
19	81342GT	WEAR PAD,5.5 X 1.75 X .5	1
20	81341GT	WEAR PAD,CABLE TRACK PULL TUBE	1
21	1276432GT	FORMING PLATE, S60/65-XC	2
22	29868GT	SPRING CLIP,3/8-16,.05-.20X.73	8
23	81340GT	WEAR PAD ASSEMBLY,CABLE TRACK	1
24	824091GT	SCREW,HHF,3/8-16X1.25,8,ZAG	2



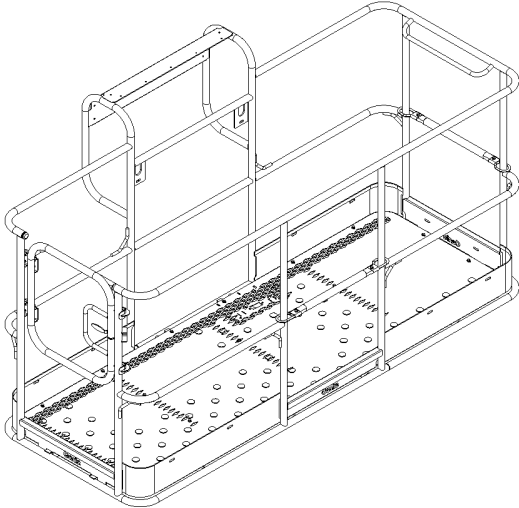
608.1 Cable Track



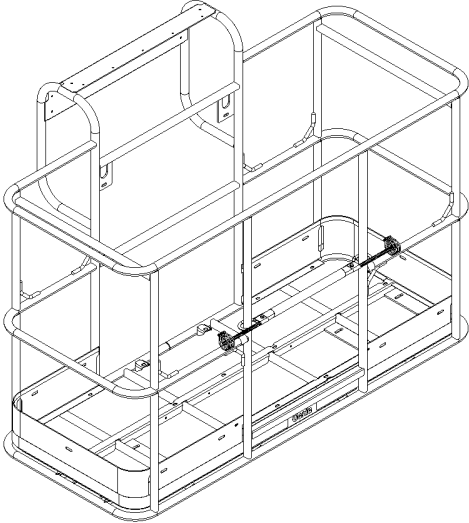
Item	Part No.	Description	Qty.
25	1283516GT	CABLE TRACK, SX, 50 LINK, S65XC (to SN S65XCD-158)	1
25-	122663GT	END BRACKET, FIXED END (to SN S65XCD-158)	
25-	229169GT	FLATBAR, CLAMPS, CABLE TRACK (to SN S65XCD-158)	
25-	122668GT	GUIDE FINGER, PLASTIC (to SN S65XCD-158)	12
25-	218448GT	FINGER, GUIDE, CABLE TRACK On 4th link both sides, (to SN S65XCD-158)	
25-	122662GT	END BRACKET, MOVING END (to SN S65XCD-158)	
25-	121065GT	FORMING, CLAMP, TOP, CABLE TRACK (to SN S65XCD-158)	
25-	122661GT	REPAIR KIT, 4 LINK, W/GUIDE	1
25B	1308957GT	S65XC CABLE TRACK, CDKS095, 54 LINK (from SN S65XCD-159)	1
25B-	1311783GT	LINK, STEEL, CDKS0910, CABLE TRACK (from SN S65XCD-159)	
25B-	1311790GT	PIN, CDKS0911 (from SN S65XCD-159)	
25B-	1311791GT	RETAINER, CDKS0912 (from SN S65XCD-159)	
25B-	1311793GT	CROSS BAR, CDKS0950 (from SN S65XCD-159)	
25B-	1311813GT	BRACKET SET, CDKS 0963 (from SN S65XCD-159)	
25B-	1311839GT	CLAMP PLATE, CDKS 0970 (from SN S65XCD-159)	
25B-	1311843GT	GUIDE FINGER, CDKS 0914 (from SN S65XCD-159)	
25B-	1311845GT	GUIDE PLATE, CDKS 0915 (from SN S65XCD-159)	
25B-	1311847GT	SEPARATOR, CDKS 0916 (from SN S65XCD-159)	
26	1280840GT	CLAMP, HOSE, CABLE TRACK	1
27	1276451GT	CLAMP, CABLES	1
28	121065GT	FORMING, CLAMP, TOP, CABLE TRACK	1
29	824084GT	SCREW, HHF, 1/4-20 X 3, 8, ZAG	2
29B	1257867GT	SCREW, HHF, 1/4-20X3.5, 8, ZAG	2
29B-	228969GT	CLAMP, OPTIONS, CABLE TRACK (air to platform and welder option)	
30	1277924GT	NUT, NYLOCK FLG, 1/4-20, F, ZAG	2



701.1 Platform Configuration



(1) Side Swing Gate Platform

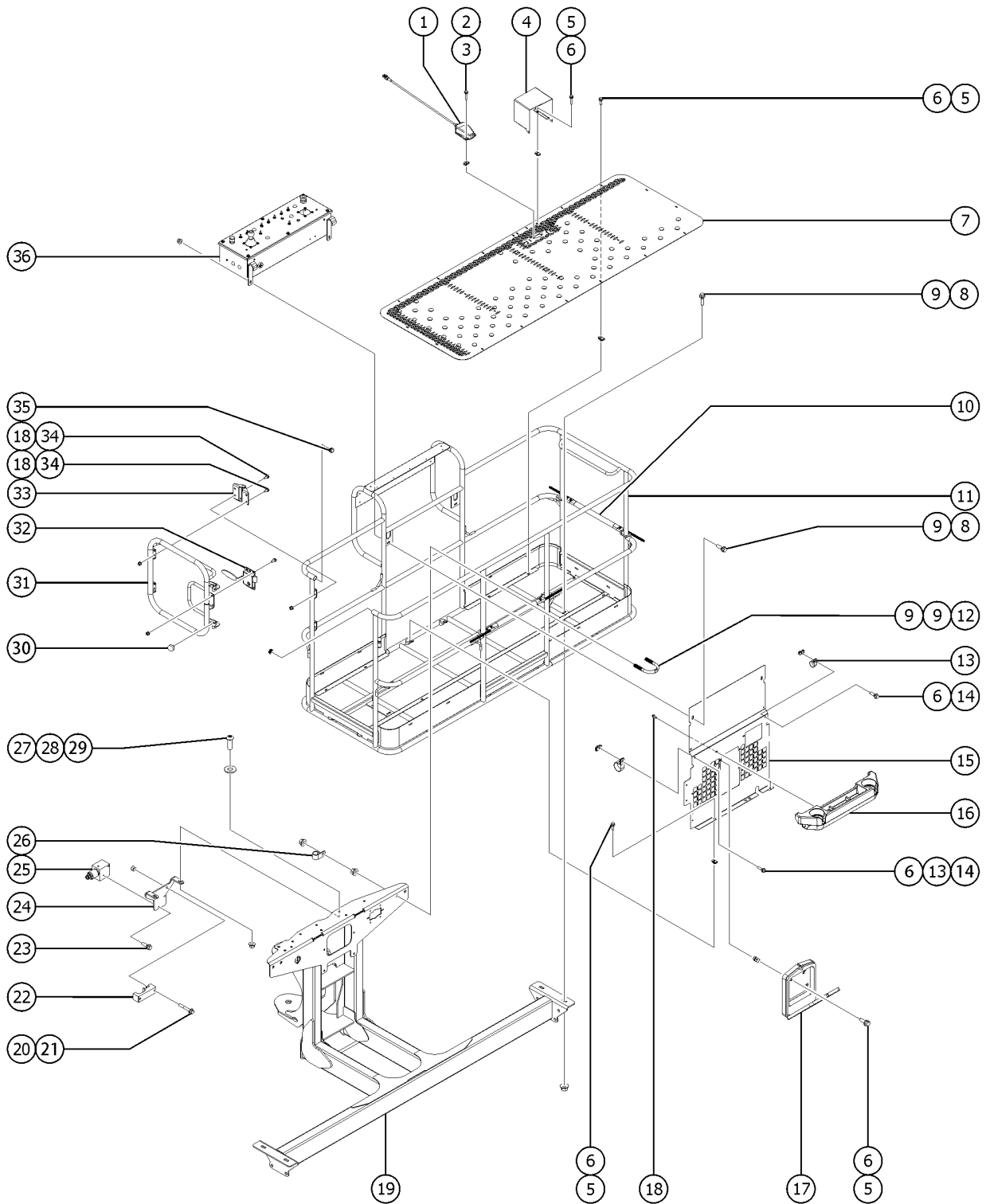


(2) Front Single Entry Platform

Item	Part No.	Description	Qty.
-		Complete Platform Assemblies with Decals	
A-		PLAT ASSY,8' W/SIDE GATE,S80/85 XC ANSI WORD USA and Canadian models	
B-		PLAT ASSY,8' W/SIDE GATE,S80/85 XC CE European models	
C-		PLAT ASSY,8' W/SIDE GATE,S80/85 XC AUS Australian models	
D-		PLAT ASSY,8' W/SIDE GATE,S80/85 XC ANSI SYM Asia and South America models	
E-		Complete Platform Assemblies and Platform Weldments without Decals (Warning tape & decals not included, refer to section 100 for decals)	
1	1272304GT	ASSY,8FT PLAT TRI LG,BLANK front and side entry	
1-	1274859GT	ASSY,8' PLAT WELDMNT W/SIDE flooring and decal plate not included	
1B	1272303GT	ASSY,6FT PLAT DUAL LG,BLANK front and side entry	
1B-	1274858GT	ASSY,6' PLAT WELDMNT W/SIDE flooring and decal plate not included	
2	160809GT	ASSY,6FT PLATFORM,NO DECALS single entry	
2-	73900GT	WELDMNT,6 FT PLATFORM flooring and decal plate not included	



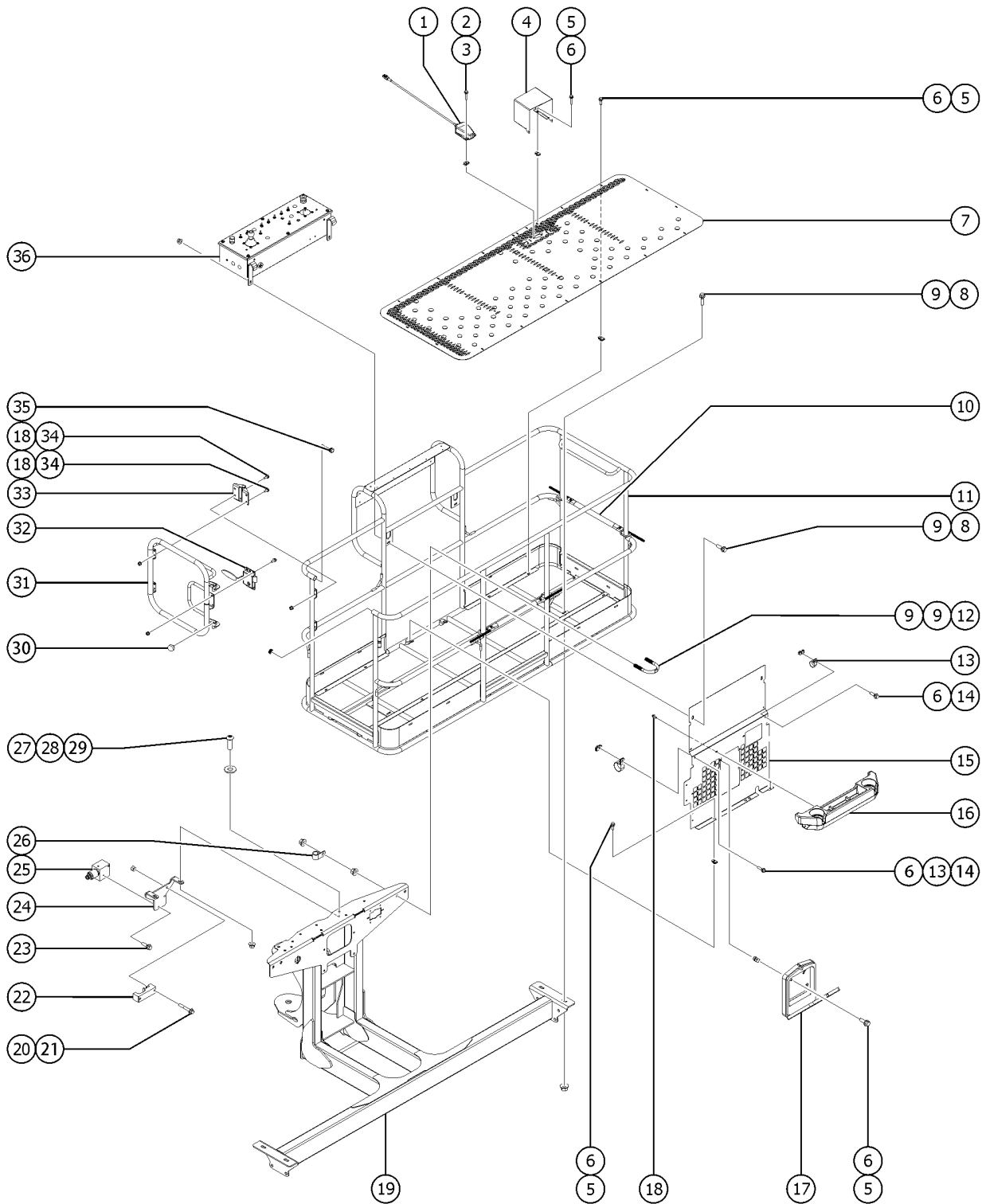
702.1 Platform Installation



Item	Part No.	Description	Qty.
1	227618GT	ASSEMBLY,FOOTSWITCH	1
2	1269641GT	SCREW,HHF,10-24X1,ZAG	2
3	73575GT	SPRING CLIP,10-24,ZINC	2
4	147121GT	COVER, FOOT SWITCH, LARGE	1
5	824078GT	SCREW,HHF,1/4-20X.75,8,ZAG	
6	56912GT	SPRING CLIP,1/4-20,.025-.15X.5	
7	73478GT	FLOORING, 8 FT PLATFORM*** for 8' platform	1
7B	1267746GT	FLOORING, 72X30 PLATFORM for 6' platform	1
8	824091GT	SCREW,HHF,3/8-16X1.25,8,ZAG	7
9	1274322GT	NUT,NYLOCK FLG,3/8-16,G,ZAG	11
10	12448GT	SLIDING MID-RAIL ASSY. for 8' platform	2
10B	12448GT	SLIDING MID-RAIL ASSY. for 6' platform	1
11	1274859GT	ASSY,8' PLAT WELDMENT W/SIDE for 8' platform (includes item 10)	1
11B	1274858GT	ASSY,6' PLAT WELDMENT W/SIDE for 6' platform (includes item 10)	1
12	1251600GT	U-BOLT, FLATTENED, 1.5 X 3/8	2
13	56424GT	CLAMP,1.25X.5 RUBBER-CUSHION	3
14	824079GT	SCREW,HHF,1/4-20X1,8,ZAG	3
15	1275088GT	FORMING, ALUM. DECAL PLATE	1
16	1289552GT	KIT, PLATFORM WORK TRAY	1
16-	824225GT	SCREW,FHPM,10-32X.75,ZAG	
17	24514GT	BOX,INSTRUCTION STORAGE	1
18	1256855	SCREW,HHF,1/4-20X.625,8,ZAG	16
19	1273734GT	WELDMENT, PLATFORM SUPPORT, 15	1
20	824082GT	SCREW,HHF,1/4-20X1.75,8,ZAG	2
21	1274165GT	NUT,NYLOCK,1/4-20,C,ZAG	2
22	121582GT	CLAMP,CABLE STRAIN RELIEF	1
23	824077GT	SCREW,HHF,1/4-20X.5,8,ZAG	2
24	1296077GT	PLATE, JIB/ROTATE MANIFOLD	1

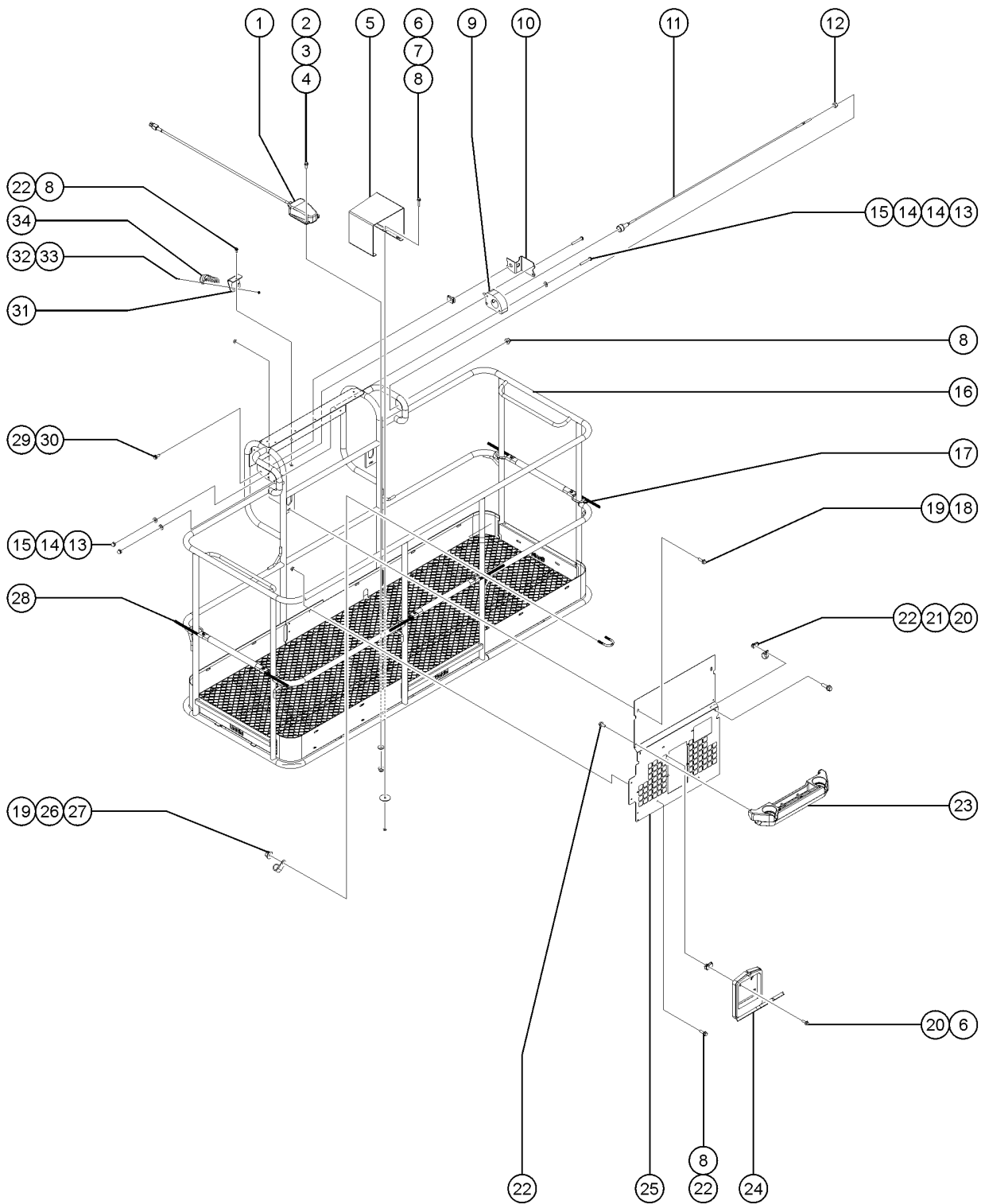


702.1 Platform Installation



Item	Part No.	Description	Qty.
25		Ref.MANIFOLD,JIB SELECT W/QD PLUG (refer to 404.1)	
26	67897GT	CLAMP,0.56,#9 X 3/8,RUB CUSH	1
27	128322GT	SCREW,5/16-18X1.00,SECURITY TO	4
28	825358GT	WASHER,FLAT,5/16,USS,ZAG	4
29	824028GT	NUT,TL FLG,5/16-18,G,ZAG	4
30	43392GT	BUMPER,BATTERY BOX & RAILS***	2
31	1265397GT	WELDMENT, SWING GATE	1
32	1267747GT	LATCH, SWING GATE	1
33	104804GT	HINGE, SPRING, LONG LEG	2
34	1277924GT	NUT,NYLOCK FLG,1/4-20,F,ZAG	12
35	55753GT	BUMPER, PLASTIC, 1.25 O.D.	
36		Ref. PLATFORM CONTROL BOX ASSEMBLY (refer to 703.1)	

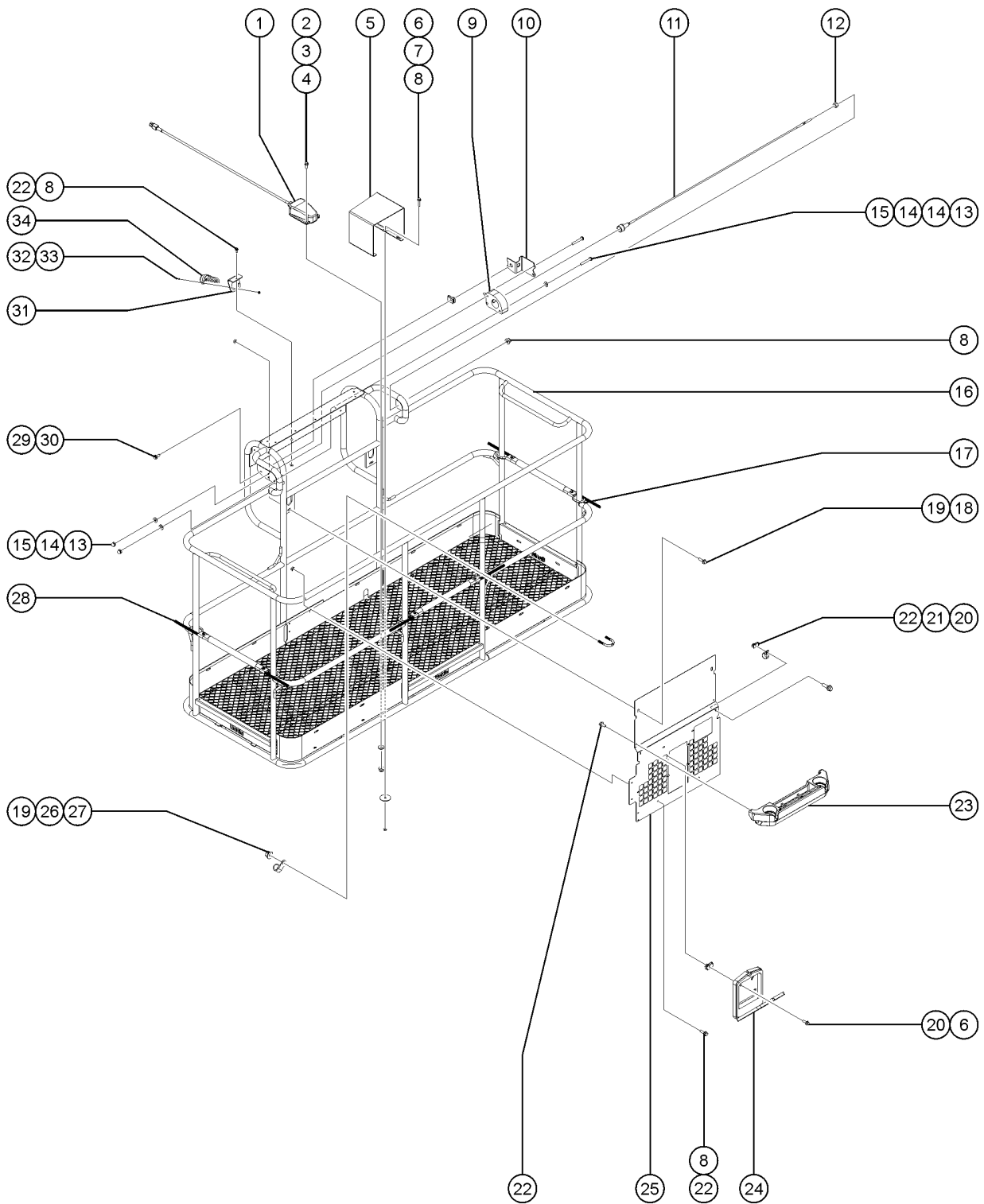
702.2 Platform Installation, China Option



Item	Part No.	Description	Qty.
1	227618GT	ASSEMBLY,FOOTSWITCH	1
2	1269641GT	SCREW,HHF,10-24X1,ZAG	2
3	1307740GT	WASHER,FLAT,#10,ZINC	2
4	1283004GT	NUT,NYLOCK FLG,10-24,A,ZAG	2
5	1306706GT	COVER, FOOT SWITCH, LARGE	1
6	824078GT	SCREW,HHF,1/4-20X.75,8,ZAG	8
7	824113GT	WASHER,FLAT,1/4,USS,ZAG	4
8	1277924GT	NUT,NYLOCK FLG,1/4-20,F,ZAG	8
9	1307644GT	ASSY, SENSOR W/ HOUSING	1
10	1306254GT	FORMING, SENSOR HOLDER	1
11	1306900GT	ASSEMBLY, CONTACT ALARM CABLE, LARGE	1
12	1261184GT	NUT,1/4-20,8,ZAG	1
13	1280278GT	SCREW,PHPM,10-24X1.375,ZAG	3
14	1253185GT	WASHER,FLAT,#10,USS,ZAG	4
15	1307739GT	Nut,#10-24 Nickel Plated Acorn	3
16	1306251GT	WELDMENT, SIDE-ENTRY PLATFORM, 8' (8 foot platform)	1
16B	1306354GT	WELDMNT,6 FT PLATFORM (6 foot platform)	1
17	T112773GT	TAPE, PROTECTIVE MASK	6
18	824091GT	SCREW,HHF,3/8-16X1.25,8,ZAG	2
19	1274322GT	NUT,NYLOCK FLG,3/8-16,G,ZAG	6
20	56912GT	SPRING CLIP,1/4-20,.025-.15X.5	6
21	56424GT	CLAMP,1.25X.5 RUBBER-CUSHION	2
22	1256855GT	SCREW,HHF,1/4-20X.625,8,ZAG	9
23	1275089GT	PLATFORM WORK TRAY	1
24	24514GT	BOX,INSTRUCTION STORAGE	1
25	1306707GT	FORMING, ALUM. DECAL PLATE	1
26	67897GT	CLAMP,0.56,#9 X 3/8,RUB CUSH	1
27	1251600GT	U-BOLT, FLATTENED, 1.5 X 3/8	2

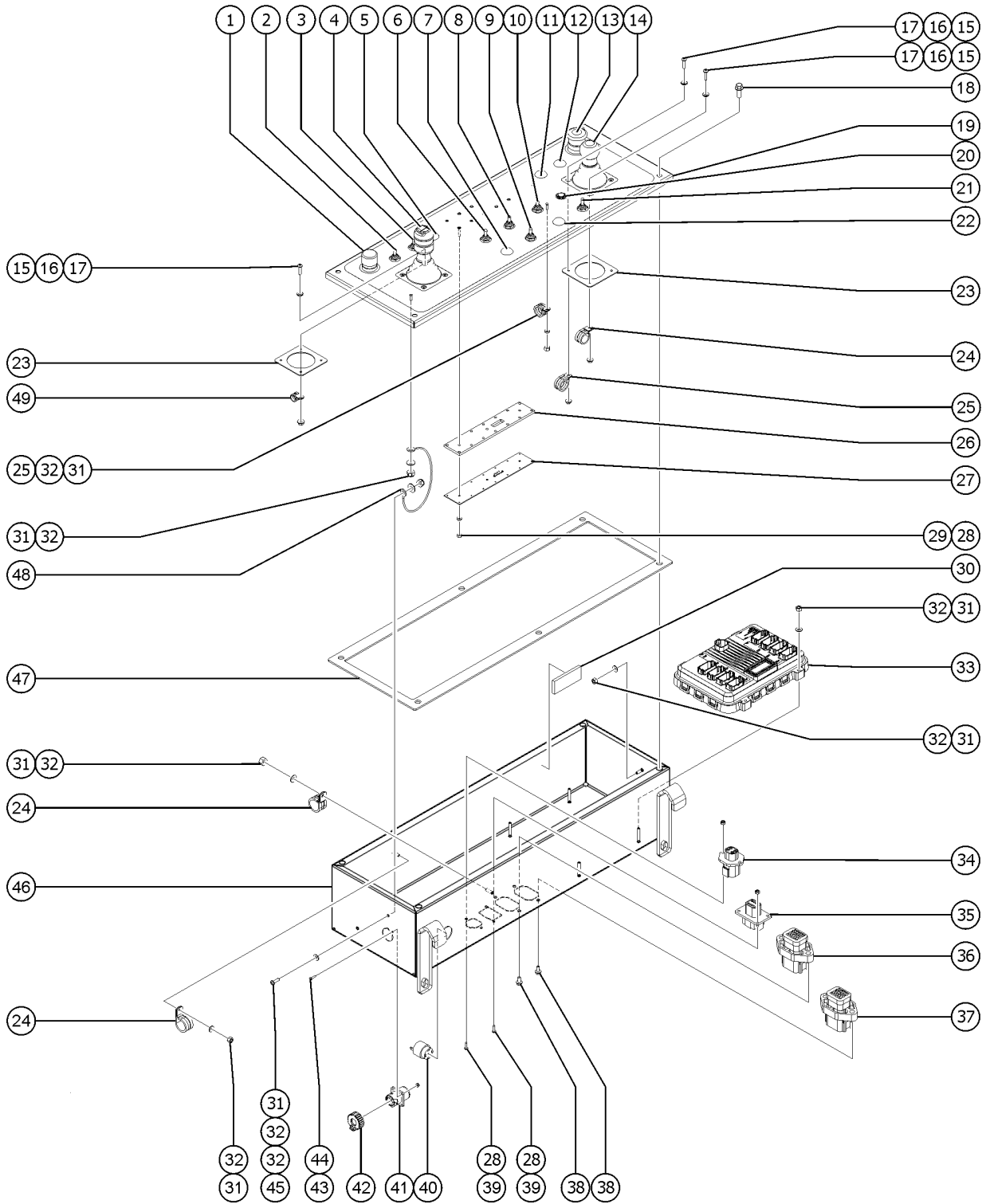


702.2 Platform Installation, China Option



<i>Item</i>	<i>Part No.</i>	<i>Description</i>	<i>Qty.</i>
28	53471-750GT	WIRE LOOM,3/8 NYLON,SLIT	6
29	1264934GT	SCREW,HHF,10-24X.5	1
30	73575GT	SPRING CLIP,10-24,ZINC	1
31	1306957GT	FORMING,LIGHT BRKT	1
32	1259259GT	SCREW,PHPM,6-32X.75,ZAG	2
33	12344GT	NUT,NYLOCK,6-32	2
34	1307643GT	ASSEMBLY, LIGHT, CONTACT ALARM	2

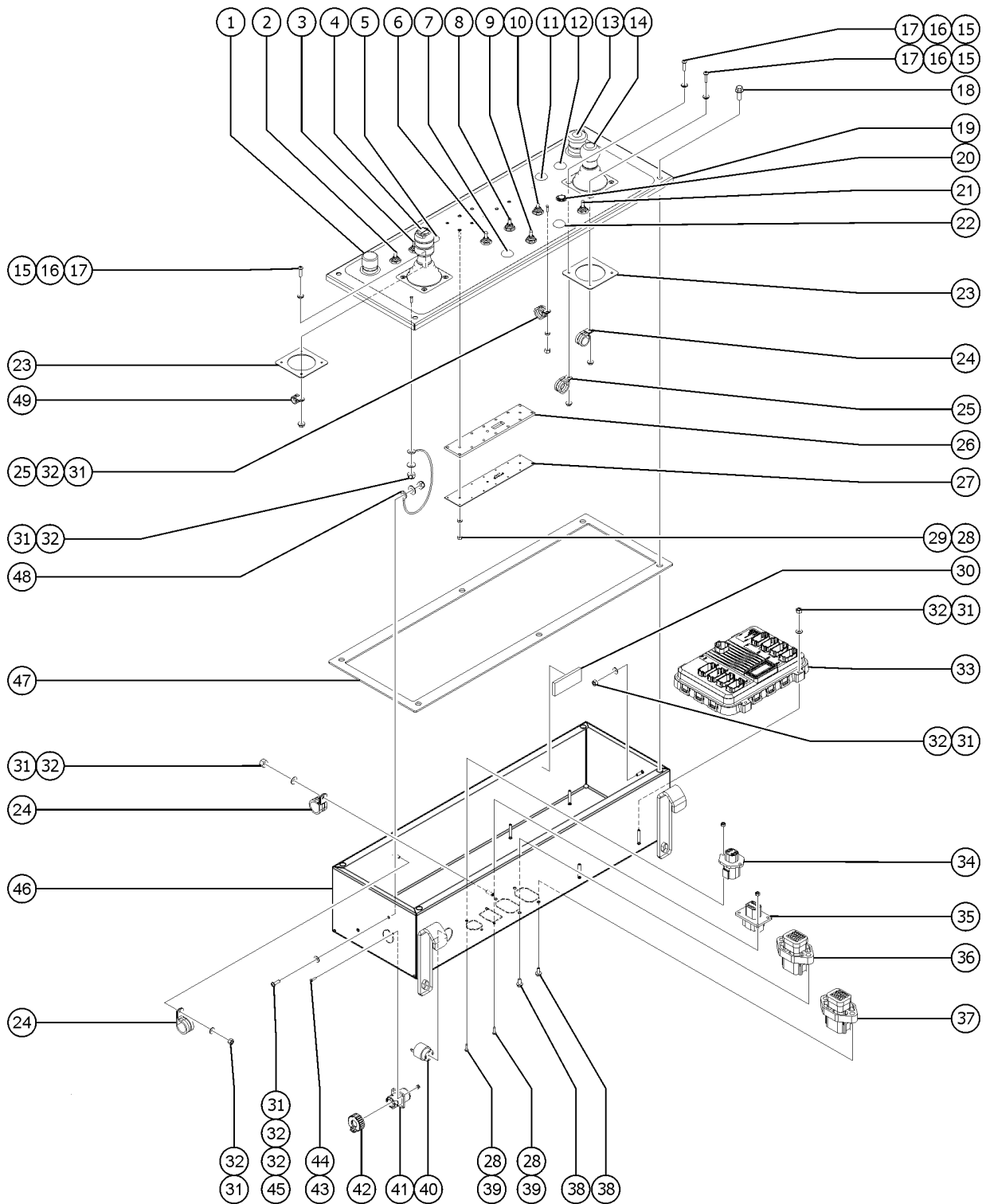
703.1 Platform Control Box



Item	Part No.	Description	Qty.
A	1280669GT	ASSEMBLY, PBOX, S-BOOM, XC	1
1	66813GT	BUTTON,PUSH,BLACK W/SEAL *** horn	1
1-	66815GT	BASE, W/1 N.O. CONTACTS***	
2	128200GT	SWITCH TOGGLE ASSY SPDT 3P MOM (platform level)	1
3	128200GT	SWITCH TOGGLE ASSY SPDT 3P MOM (platform rotate)	1
4		REF. JOYSTICK	
		(refer to 704.1)	
5	128200GT	SWITCH TOGGLE ASSY SPDT 3P MOM (jib up/down)	1
6	128200GT	SWITCH TOGGLE ASSY SPDT 3P MOM (engine start)	1
7	128584-SGT	SWITCH TOGGLE SPDT 2P MNT SHDR (fuel select GAS/LPG models)	
7B	229567GT	PLUG,SANTOPRENE .5 BLACK DOME (diesel models)	1
8	128203GT	SWITCH TOGGLE ASSY SPDT 2P MOM (emergency power)	1
9	128204GT	SWITCH TOGGLE ASSY SPDT 2P MNT (engine RPM)	1
10	128204GT	SWITCH TOGGLE ASSY SPDT 2P MNT (drive select)	1
11	229567GT	PLUG,SANTOPRENE .5 BLACK DOME generator switch (if equipped)	1
12	229567GT	PLUG,SANTOPRENE .5 BLACK DOME aircraft protection (if equipped)	1
13	66812GT	BUTTON,PUSH,RED MUSHROOM HEAD emergency stop switch	1
13-	146478GT	BOOT(BELLOWS),E-STOP,BLACK	
13-	66817GT	BASE WITH 1 NC CONTACT, E-STOP	
14		REF. JOYSTICK Drive joystick needs to be ordered separately; (refer to 704.1)	
15	139338GT	SCREW PH M5-0.8X20 DIN 7500CE	8
16	1269498GT	SHOULDER WASHER, NYLON	8
17	1255753GT	NUT,FLG,M5-0.8,DIN6923,8,ZAB	3
18	824078GT	SCREW,HHF,1/4-20X.75,8,ZAG	4
19	1282472GT	WELDMENT, LID, CONTROLS, PLATFORM	1
20	218165GT	LIGHT,INDICATOR,RED 12V H-BRI (drive enable indicator light)	1
21	128200GT	SWITCH TOGGLE ASSY SPDT 3P MOM (drive enable indicator switch)	1
22	229567GT	PLUG,SANTOPRENE .5 BLACK DOME	1
23	1269497GT	GASKET, ISOLATION, JOYSTICK	2



703.1 Platform Control Box

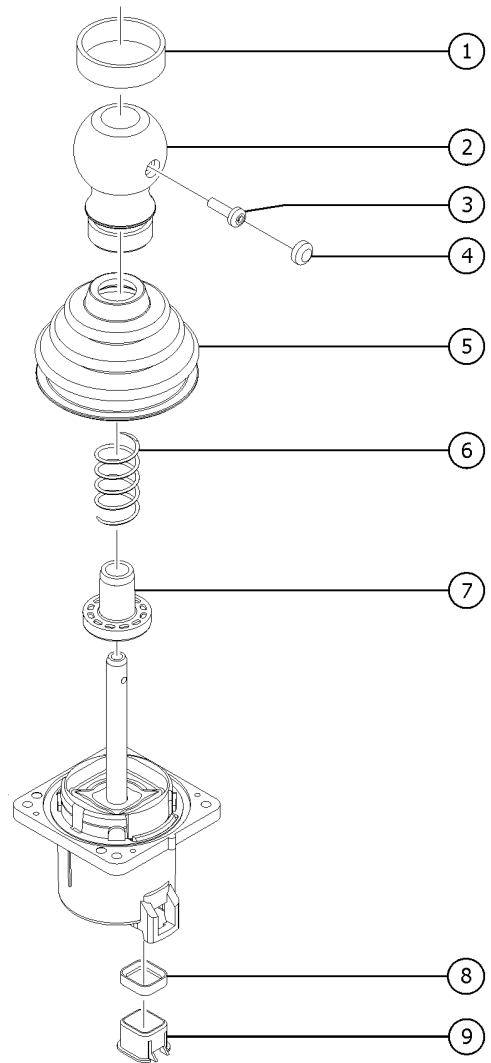
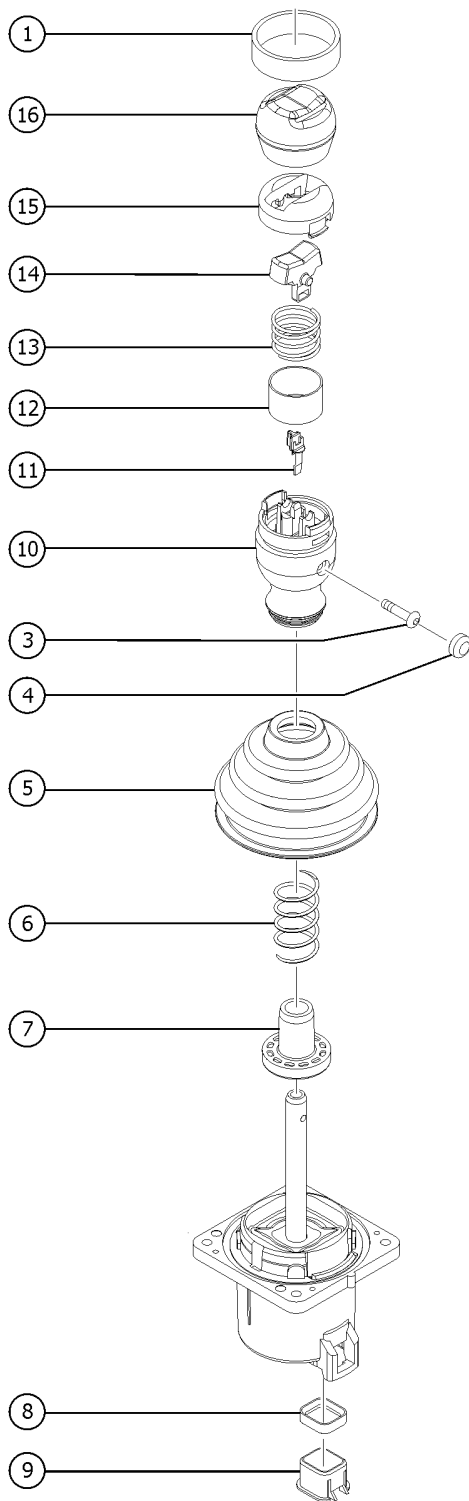


703.1 Platform Control Box

Item	Part No.	Description	Qty.
24	18666GT	CLAMP,1.00,#16 X 1/4,RUB CUSH	3
25	13268GT	CLAMP,0.75,#12 X 1/4,RUB CUSH	2
26	1278613GT	SPACER, XC PLATFORM INDICATORS	1
27	1278612GT	PCBA, XC PLATFORM INDICATORS	1
28	1274164GT	NUT,NYLOCK,6-32,A,ZAG	7
29	822224GT	WASHER, NYLON #10, 0.093	3
30	30997GT	CORROSION INHIBITOR,FOAM	1
31	1274168GT	NUT,NYLOCK,10-32,A,ZAG	12
32	1253185GT	WASHER,FLAT,#10,USS,ZAG	13
33	1284524GT	ECU, PLATFORM, S-XC, PROGRAMMED	1
34	73717GT	CONN,RECEP 4 WAY,12-14GA FL***	1
35	87755GT	CONN,RECEP 8 WAY 14-18GA,FL	1
36	1265862GT	CONN, RECEP, 18WAY, 14-18GA, F	1
37	226948GT	CONN, RECEP, 18 WAY, 14-18GA,	1
38	218457GT	SPACER,GUARD,ALTERNATOR	4
39	824214GT	SCREW,PHPM,6-32X.5,ZAG	4
40	39540GT	ALARM,STEADY TONE***	1
41	1272122GT	CONNECTOR, RECEPTACLE, 5 WAY,	1
42	1272123GT	DUST CAP, RECEPTACLE, 5 WAY, C	1
43	1253477GT	SCREW,PHPM,4-40X.5,ZAG	2
44	40766GT	NUT,NYLOCK,4-40	2
45	1257227GT	SCREW,PHPM,10-32X.625,ZAG	1
46	1279851GT	WELDMENT,BOX,PLATFORM CONTROL,XC	1
47	81488GT	GASKET,PLATFORM CONTROL BOX	1
48	1258952GT	LANYARD, BOX, CONTROL, PLATFORM	2
49	6833GT	CLAMP,0.50,#8 X 1/4,RUB CUSH	1



704.1 Joysticks

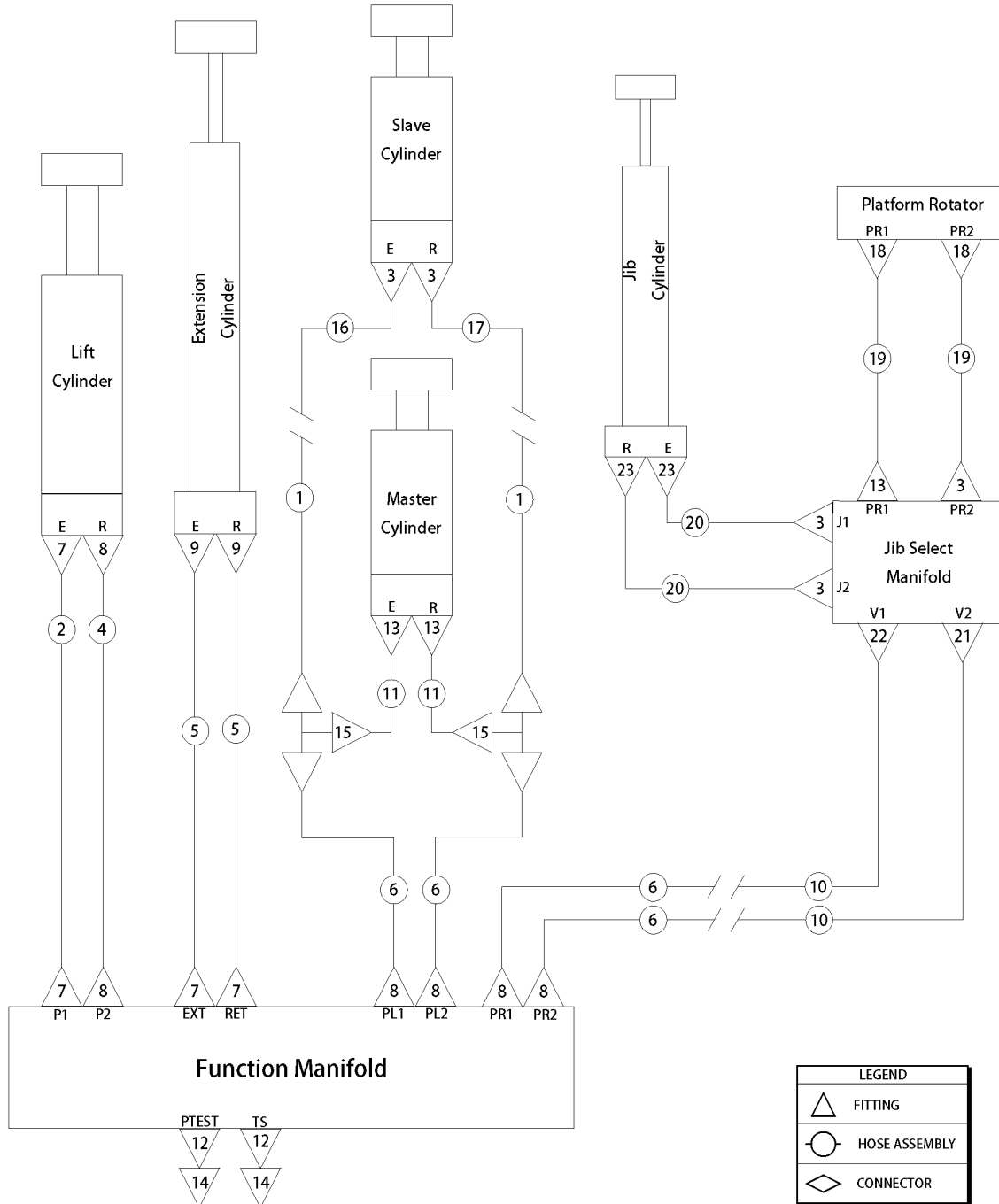


704.1 Joysticks

Item	Part No.	Description	Qty.
A-	1275259GT	JOYSTICK, ISOLATED, 2 AXIS ROCKER OEM joystick (calibration required after replacement)	1
B-	1275248GT	JOYSTICK, ISOLATED, 2 AXIS OEM joystick (calibration required after replacement)	1
C-	1275258GT	JOYSTICK, ISOLATED, 1 AXIS ROCKER OEM joystick (calibration required after replacement)	1
D-	83098GT	TERM,AMP MTE,SOC,22-26 GA BULK	1
1	1271713GT	SHRINK TUBE,BLU,3:1,40MM	2
2	62392GT	KNOB,JOYSTICK, 62390/62391	1
3	T112626GT	SCREW, PHM, #6-32 X .625 ZINC	1
4	1269499GT	PLUG, JOYSTICK HANDLE	2
5	139598GT	BOOT,JOYSTICK	1
6		SPRING,JOYSTK CENTR,62390/91 (no longer available from supplier)	
7	119915GT	COLLAR,JOYSTICK,CENTER	1
8	128000GT	SEAL, CONNECTOR (DT JOYSTICKS)	1
9	128001GT	SLEEVE,CONNECTOR,DT JOYSTICKS	1
10	75449GT	KNOB,ROCKER JOYSTICK 75565	1
11	75448GT	SUPPORT,SENSOR,JOYSTICK	1
12	75447GT	SWITCH SHIELD,ROCK JOYSTK75565	1
13	75446GT	SPRING,SWITCH CENTERING,75565	1
14	75445GT	ROCKER ASSY.,MAGNETIC 75565	1
15	75444GT	ROCKER,RETAINER, 75565	1
16	75443GT	BOOT, ROCKER JOYSTICK 75565	1



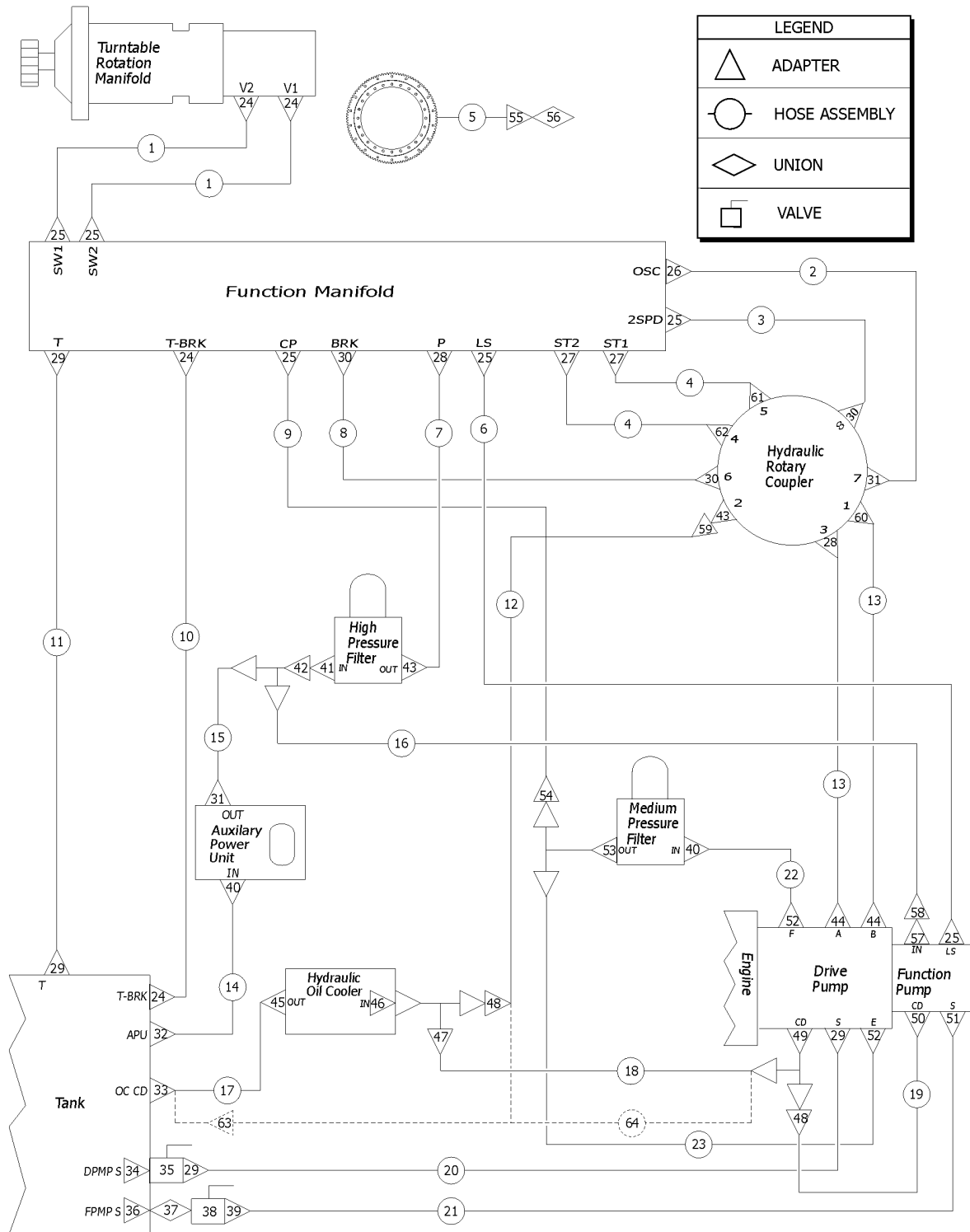
801.1 Boom



Item	Part No.	Description	Qty.
A		The hose lengths below reflect the length of the hose only. Refer to the 'Fittings Cross Reference' to match Genie part numbers to Parker part numbers.	
B	48767GT	SLEEVE,NYLON,1.42 ID protective hose sleeve, 1.42" diameter (near platform rotator)	
C	49219GT	SLEEVE,NYLON,2.19 ID,BULK protective hose sleeve, 2.19" diameter (near platform rotator)	
-	1297451GT	FITTING, ORFS, STR, 125 MICRON SCREEN, SAE -6 service part	1
1	1288893-73424GT	HOSE ASSY,-6,STR FEM,STR FEM 4	2
2	49143-12329GT	HOSE ASSY,1/2,90 FEM,STR FEM	1
3	48905GT	CONN,520120-4***	5
4	49128-12309GT	HOSE ASSY,3/8,STR FEM,STR,90D	1
5	49183-13492GT	HOSE ASSY,1/2,STR FEM,STR FEM	2
6	1288890-10630GT	HOSE ASSY,-6,STR FEM,BULKHEAD	4
7	48933GT	CONN,520120-8***	4
8	48916GT	FITTING,CONN,520120-6	6
9	48937GT	ELBOW,45D,520320-8	2
10	49130-83385GT	HOSE ASSY,-6,STR FEM,STR FEM	2
11	1288892-6102GT	HOSE ASSY,-6,90 FEM,STR FEM 4	2
12	48997GT	NIPPLE,DIAGNOSTIC,#4	4
13	48904GT	CONN,520120-4***	3
14	48880GT	CAP,DIAGNOSTIC NIPPLE	4
15	48875GT	TEE,RUN,SWIVEL,520432-6	2
16	77310-1693GT	HOSE ASSY,-4,STR FEM,BULKHEAD	1
17	77310-1575GT	HOSE ASSY,-4,STR FEM,BULKHEAD	1
18	48907GT	48907GT	2
19	49119-2878GT	ASSY, HOSE, HYD, -4, 3250, STR, STR	2
20	49119-4878GT	HOSE ASSY,1/4,STR FEM,STR FEM	2
21	56003GT	ELBOW,90D,LONG,521520-6	1
22	48915GT	ELBOW,90D,520220-6	1
23	48927GT	CONN,520120-6-4	2



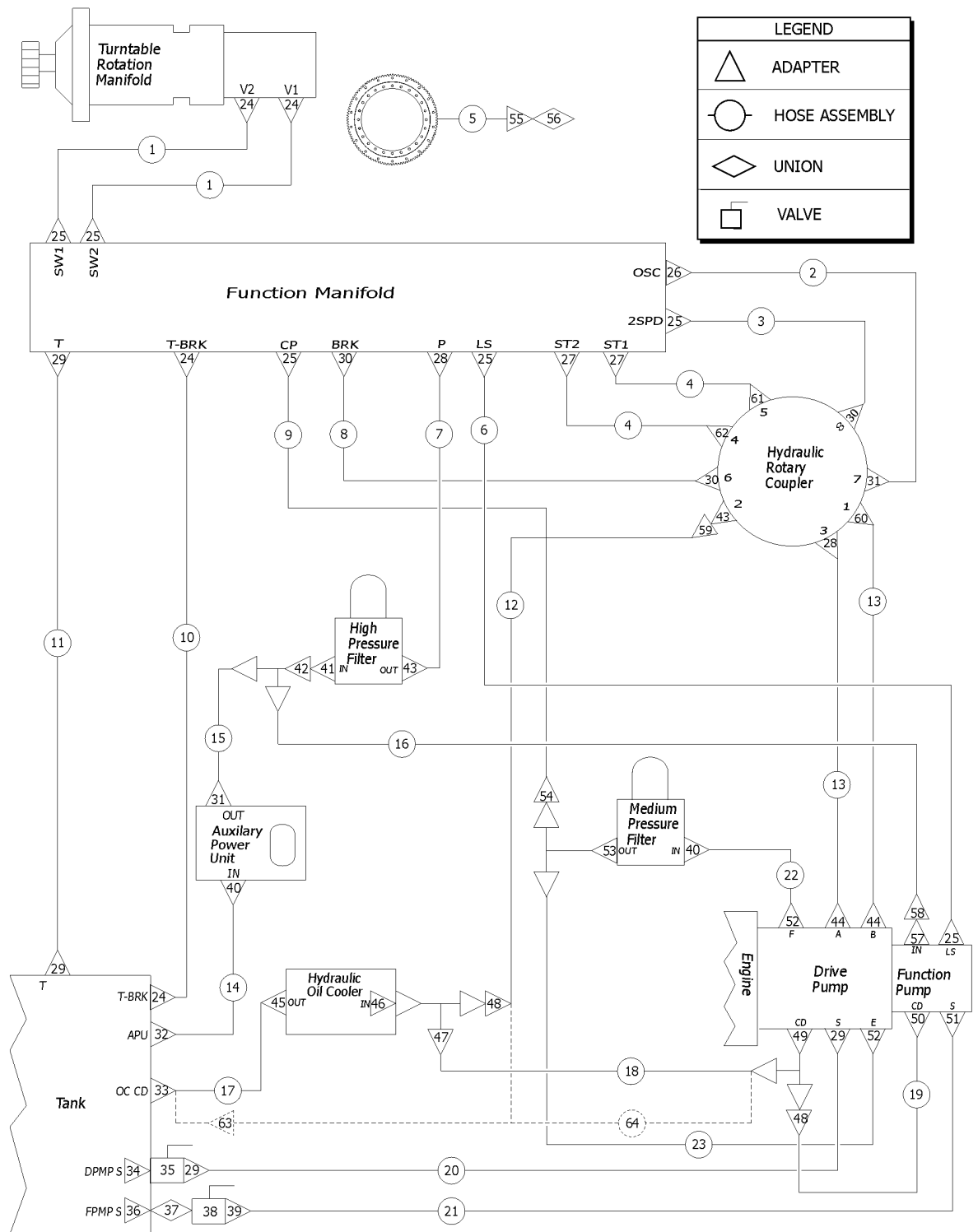
802.1 Turntable Components



Item	Part No.	Description	Qty.
A		The hose lengths below reflect the length of the hose only. Refer to the 'Fittings Cross Reference' to match Genie part numbers to Parker part numbers.	
1	49117-7480GT	HOSE ASSY,-4,STR FEM,90 FEM	2
2	49130-5906GT	HOSE ASSY,-6,STR FEM,STR FEM	1
3	49119-6890GT	HOSE ASSY,-4,STR FEM,STR FEM	1
4	49130-5782GT	HOSE ASSY 3/8, STR FEM,STR FEM	2
5	49189-8638GT	HOSE ASSY,1/4",STR FEM,STR F**	1
6	49119-7283GT	HOSE ASSY,-4,STR FEM,STR FEM	1
7	61074-7254GT	HOSE ASSY,-12,STR FEM,90 FEM	1
8	49119-7480GT	HOSE ASSY,1/4,STR FEM,STR FEM, 74.80	1
9	49117-8858GT	HOSE ASSY,-4,STR FEM,90 FEM	1
10	49117-2913GT	HOSE ASSY,-4,STR FEM,90 FEM	1
11	88949-3828GT	HOSE ASSY 1",STR FEM,STR FEM	1
12	49150-7283GT	HOSE ASSY,-12,STR FEM,STR FEM	1
12B	49150-7230GT	HOSE ASSY,3/4,90 FEM,STR FEM (no oil cooler option only)	1
13	94374-6421GT	HOSE ASSY,-12,STR FEM,90 FEM	2
14	94465-3650GT	HOSE ASSY,1/2"	1
15	49128-6299GT	HOSE ASSY,-6,90 FEM,STR FEM	1
16	61073-3330GT	HOSE ASSY,3/4,90 FEM,STR FEM	1
17	88942-4331GT	HOSE ASSY,-16,STR FEM,90 FEM	1
18	88942-10827GT	HOSE ASSY,-16,STR FEM,90 FEM	1
19	49150-2756GT	HOSE ASSY,-12,STR FEM,90 FEM	1
20	88942-8354GT	HOSE ASSY,1",90 FEM,STR FEM	1
21	1288891-8268GT	HOSE ASSY,-20,STR FEM,90 FEM	1
22	49143-3629GT	HOSE ASSY,1/2,90 FEM,STR FEM	1
23	49143-3429GT	HOSE ASSY,1/2,90 FEM,STR FEM	1
24	48912GT	CONN,520120-4-6***	4
25	48905GT	CONN,520120-4***	6
26	48930GT	CONN,520120-6-8	1



802.1 Turntable Components

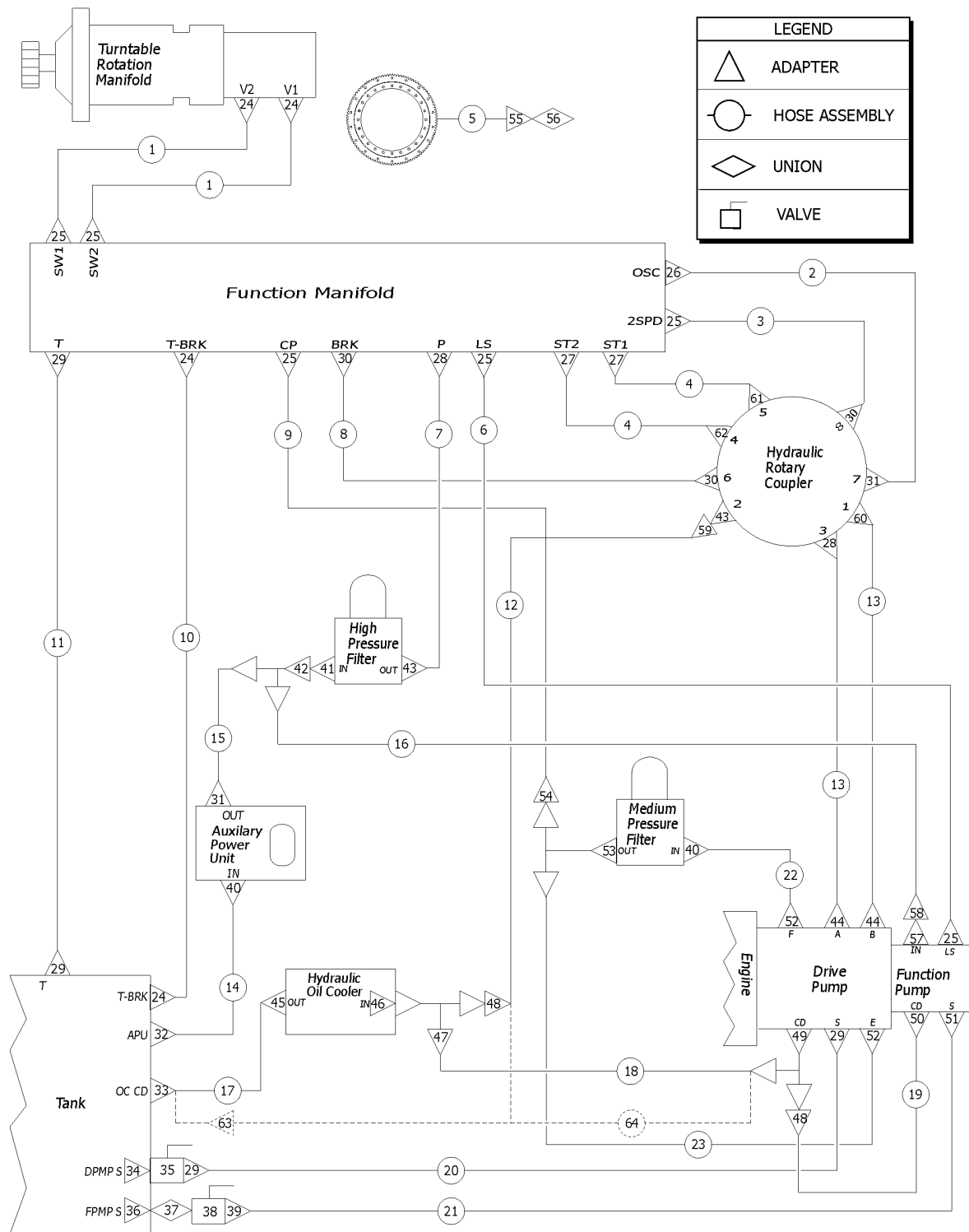


802.1 Turntable Components

Item	Part No.	Description	Qty.
27	48916GT	FITTING,CONN,520120-6	4
28	48960GT	FITTING,CONN,520120-12***	4
29	48984GT	CONN,520120-16	4
30	48904GT	CONN,520120-4***	3
31	48915GT	ELBOW,90D,520220-6	2
32	48943GT	FITTING,CONN,520120-8-6	1
33	48959GT	ELBOW,90D,520220-12	1
34	101490GT	STRAINER,16 SAE F/24 SAE M	1
35	48996GT	VALVE,BALL,16 MSAE-16 FSAE***	1
36	101491GT	STRAINER,20 SAE F/24 SAE M***	1
37	61263GT	UNION,STR.THREAD 20	1
38	101494GT	VALVE,BALL,FSAE-20,FSAE-20	1
39	75654GT	CONN,520120-20	1
40	48932GT	FITTING,ELBOW,90D,520220-8***	2
41	48961GT	TEE,RUN,520428-12	1
42	87033GT	REDUCER,520123-12-6	1
43	48963GT	FITTING,ELBOW,45D,520320-12***	1
44	48977GT	CONN,520120-12-16	2
45	49519GT	CONN,520120-16-12	1
46	48878GT	ELBOW,90D,520220-16-12	1
47	42787GT	TEE,RUN,SWIVEL,520432-16	1
48	101293GT	REDUCER,520123-16-12	2
49	1283576GT	TEE, BRANCH, -16M-16F-16M, ORFS	1
50	48975GT	CONN,520120-12-10	1
51	1276485GT	CONN.520120-20-24	1
52	48946GT	CONN,520120-8-10	2
53	48936GT	TEE,BRANCH,520429-8	1
54	48941GT	REDUCER,520123-8-4	1



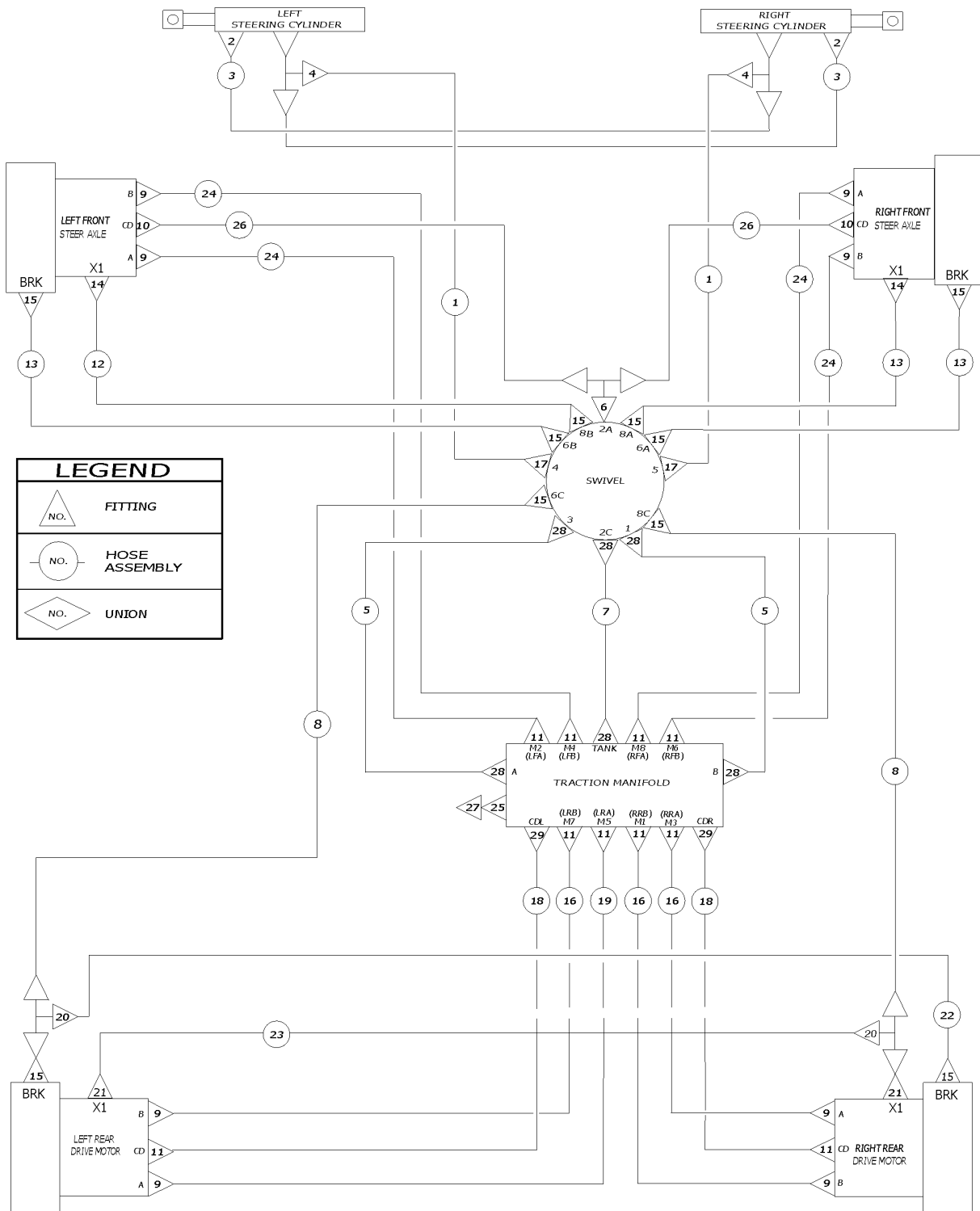
802.1 Turntable Components



802.1 Turntable Components

<i>Item</i>	<i>Part No.</i>	<i>Description</i>	<i>Qty.</i>
55	48885GT	CONNECTOR,BULKHEAD,FEMALE-4	1
56	94643GT	ZERK,GREASE,5/16-24,STRAIT	1
57	48898GT	VALVE,CHK,#12PORT-#12MALEORFS	1
58	1305366GT	CONN,520120-12-6	1
59	1264689GT	CONN,520221-12,45D	1
60	61610GT	CONN,LONG,520122-12***	1
61	48920GT	ELBOW,45D,520320-6	1
62	48917GT	CONN,LONG,520122-6	1
63	1283576GT	TEE, BRANCH, -16M-16F-16M, ORFS	1
		(no oil cooler option only)	
64	88942-13954GT	HOSE,ASSY,1",90 FEM,STR FEM	1
		(no oil cooler option only)	

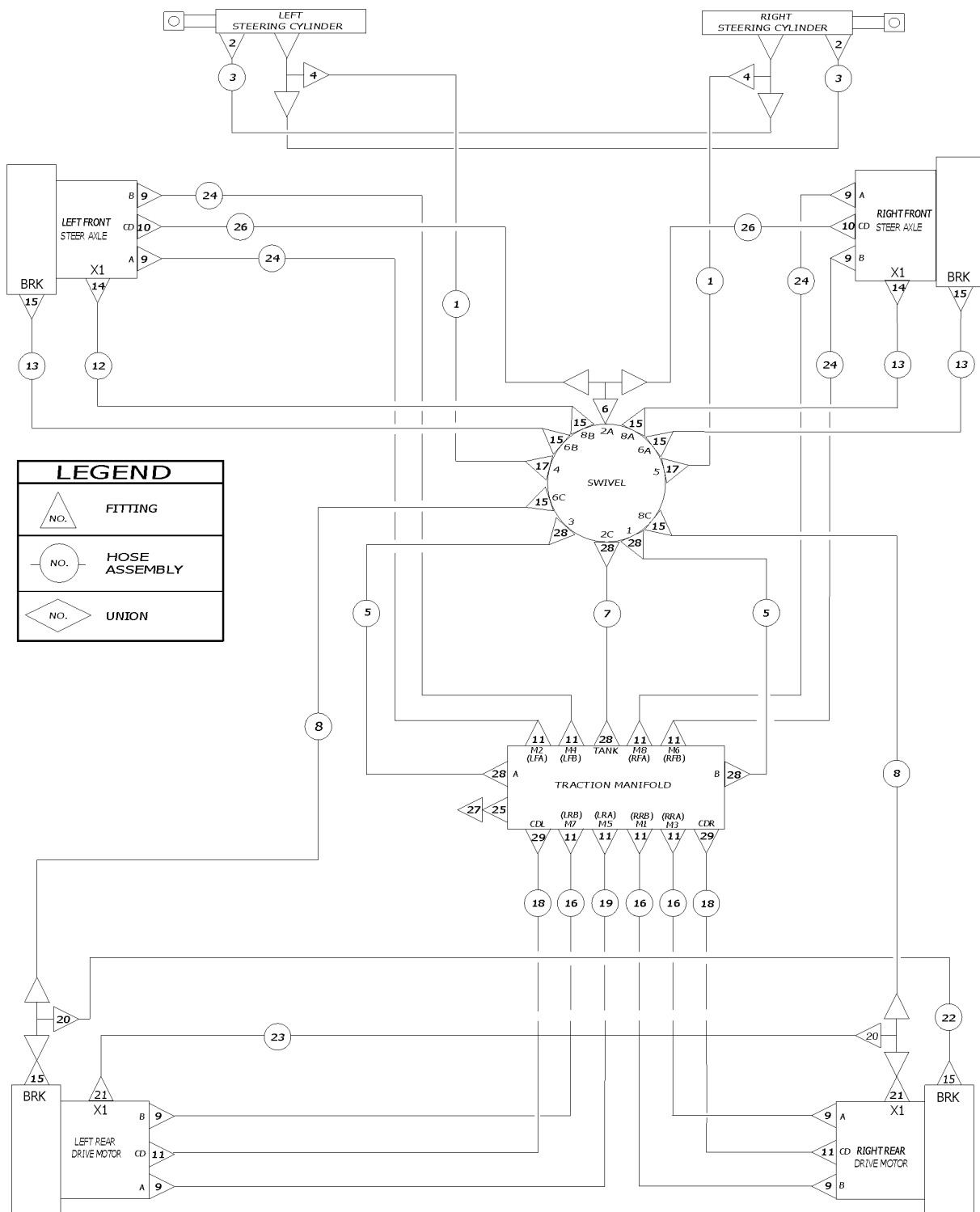
803.1 4WD Drive and Steer System



Item	Part No.	Description	Qty.
1	49130-5118GT	HOSE ASSEMBLY - 3/8" STR FEM, STR FEM	2
2	48915GT	ELBOW,90D,520220-6	2
3	49130-2482GT	ASSY, HOSE, HYD, 3/8, 3000, STR	2
4	48918GT	TEE,RUN,520428-6	2
5	89871-2430GT	ASSY,HOSE,HYD,-12,4000,STR,STR	2
6	48936GT	TEE,BRANCH,520429-8	1
7	94466-2336GT	HOSE ASSY,3/4"	1
8	49119-7578GT	HOSE ASSY,1/4 STR FEM,STR FEM	2
9	48948GT	CONN,520120-8-12	8
10	48930GT	CONN,520120-6-8	2
11	48933GT	CONN,520120-8***	10
12	49117-10691GT	HOSE ASSY 1/4,90 FEM STR FEM	1
13	49117-10091GT	HOSE ASSY 1/4.90 FEM STR FEM	3
14	48912GT	CONN,520120-4-6***	2
15	48905GT	CONN,520120-4***	10
16	75278-5029GT	HOSE ASSY,1/2,90 FEM,STR FEM	3
17	48916GT	FITTING,CONN,520120-6	2
18	94464-4986GT	HOSE ASSY,1/2"***	2
19	75278-5129GT	HOSE ASSY,1/2,90 FEM,STR FEM**	1
20	48908GT	FITTING,TEE,RUN,SWIVEL520432-4	2
21	48911GT	ELBOW,90D,520220-4-6***	2
22	49117-6291GT	HOSE ASSY,1/4,90 FEM,STR FEM	1
23	49117-6091GT	HOSE ASSY,1/4,90 FEM,STR FEM**	1
24	81812-13292GT	HOSE ASSY,1/2"	4
25	48997GT	NIPPLE,DIAGNOSTIC,#4	1
26	49131-9603GT	HOSE ASSEMBLY 3/8"	2
27	48880GT	CAP,DIAGNOSTIC NIPPLE	1
28	48960GT	FITTING,CONN,520120-12***	6

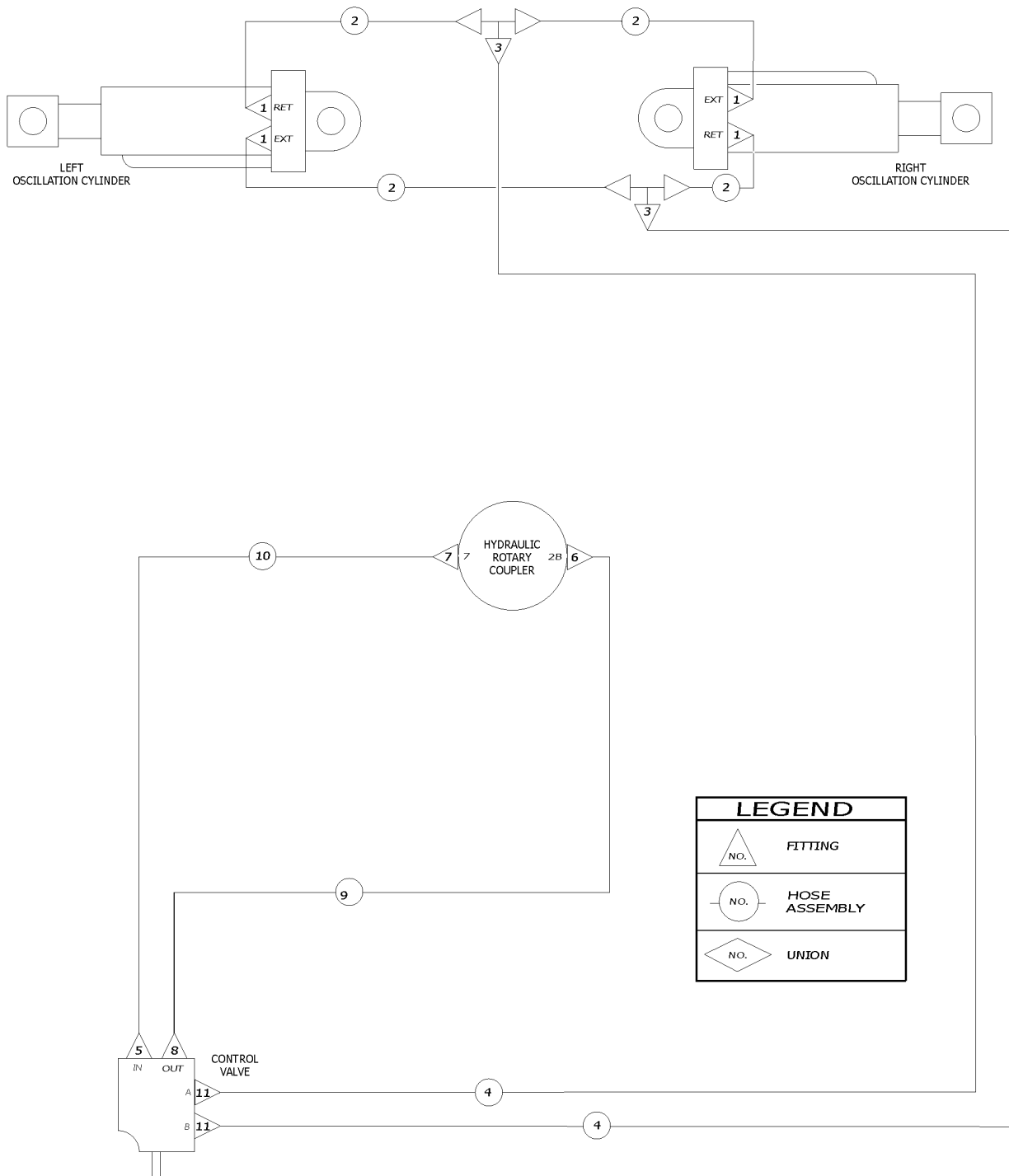


803.1 4WD Drive and Steer System



<i>Item</i>	<i>Part No.</i>	<i>Description</i>	<i>Qty.</i>
29	48943GT	FITTING,CONN,520120-8-6	2

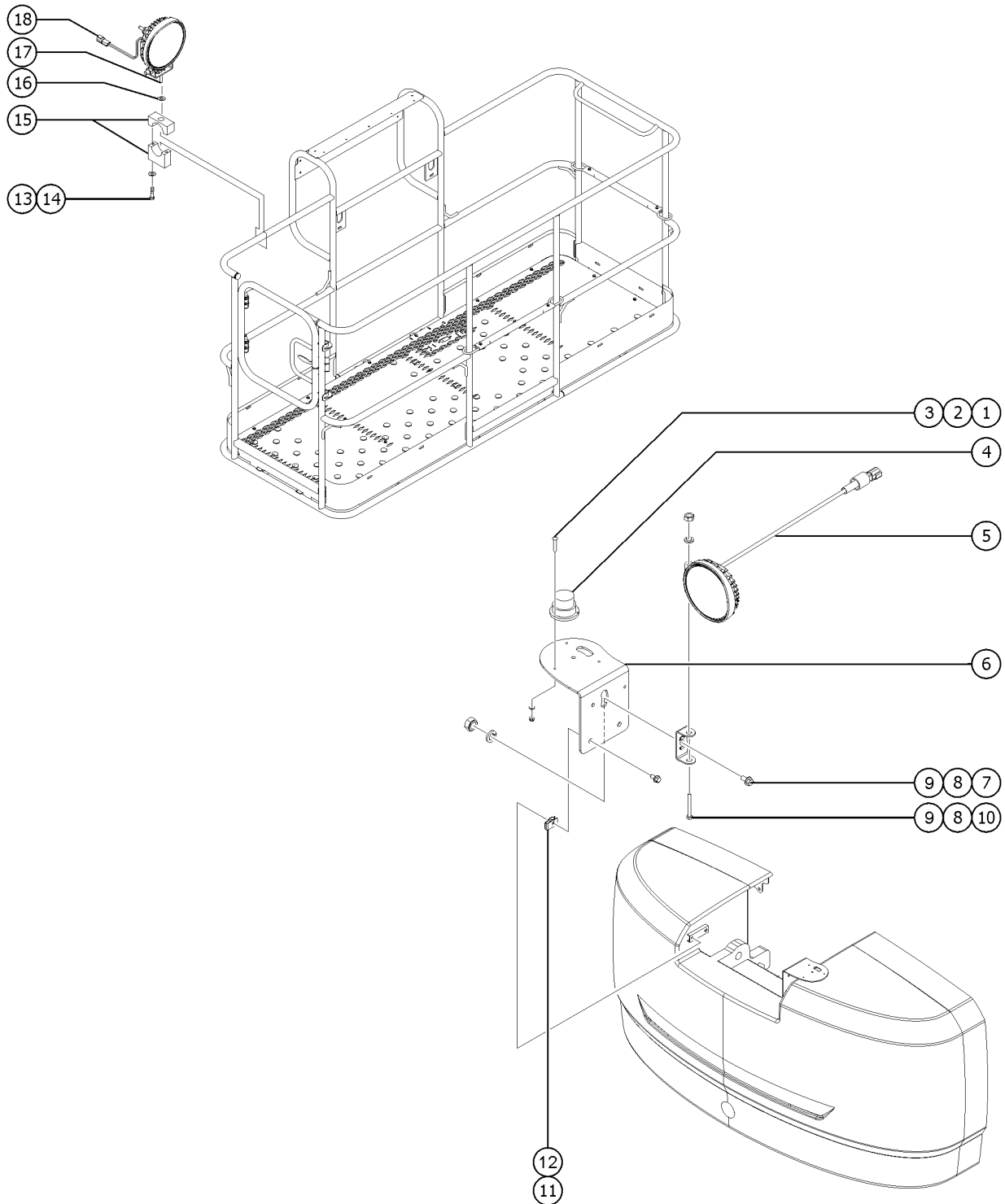
804.1 Oscillate System



<i>Item</i>	<i>Part No.</i>	<i>Description</i>	<i>Qty.</i>
1	48915GT	ELBOW,90D,520220-6	4
2	49128-3291GT	HOSE ASSY,-6,STR FEM,90 FEM	4
3	48918GT	TEE,RUN,520428-6	2
4	1288890-9948GT	HOSE ASSY,-6,STR FEM,BULKHEAD	2
5	48929GT	FITTING,ELBOW,90D,520220-6-8	1
6	48933GT	CONN,520120-8***	1
7	48916GT	FITTING,CONN,520120-6	1
8	48932GT	FITTING,ELBOW,90D,520220-8***	1
9	94465-5566GT	HOSE ASSY,-8,STR FEM,STR FEM	1
10	49130-5591GT	HOSE ASSY,-6,STR FEM,STR FEM	1
11	1287507GT	CONN, 520120-6- 0.067	2



901.1 Drive Lights, Alarm and Beacon Packages

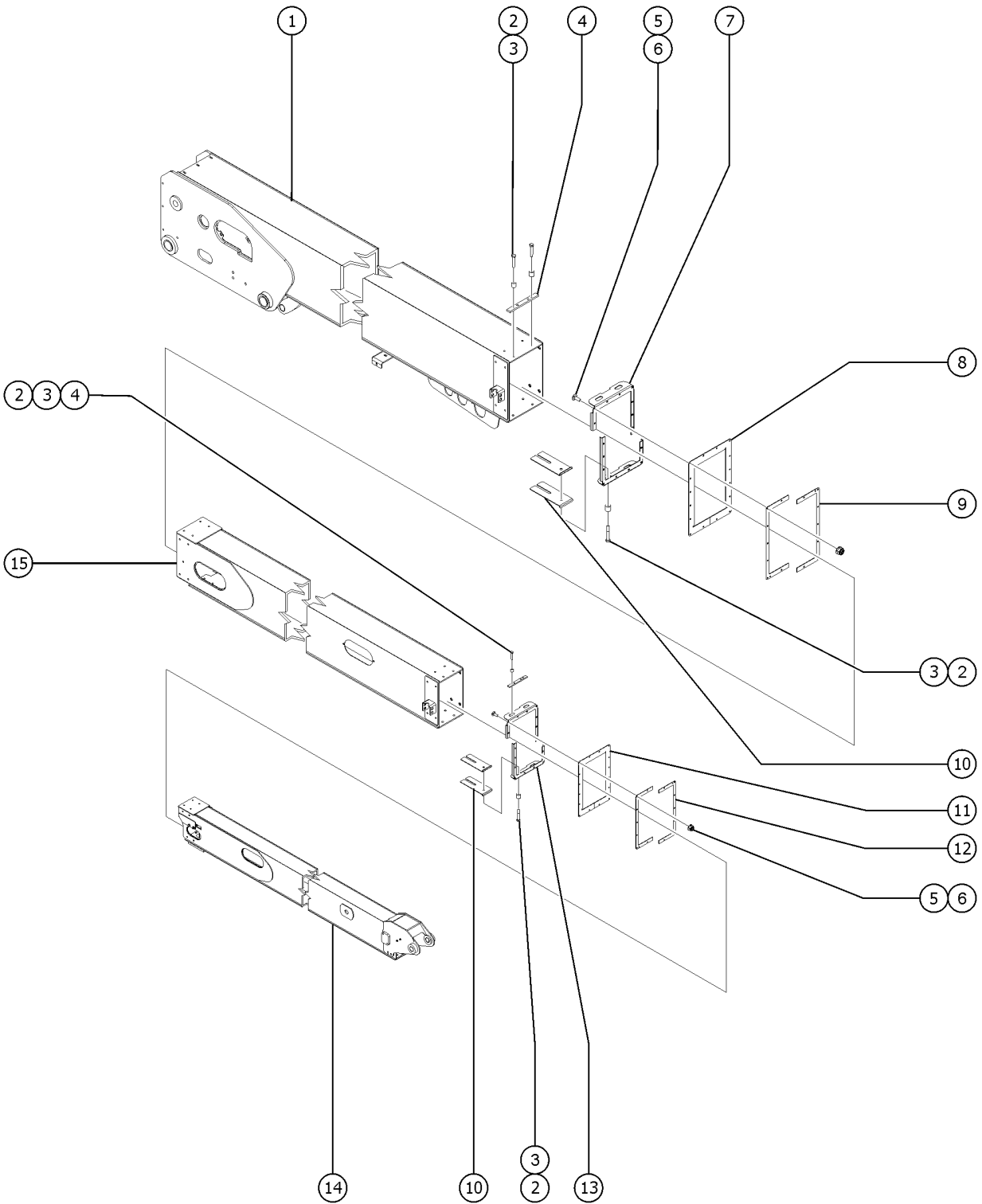


901.1 Drive Lights, Alarm and Beacon Packages

Item	Part No.	Description	Qty.
1	825352GT	SCREW,PHPM,10-32X1.25,ZAG	6
2	1253185GT	WASHER,FLAT,#10,USS,ZAG	6
3	1283005GT	NUT,NYLOCK FLG,10-32,A,ZAG	6
4	121804GT	ASSY,FLASHING BEACON 2008	2
5	1306812GT	ASSY,DRIVE LIGHT,12V LED	2
6		Ref.LIGHT/BEACON BRKT	
		(refer to 306.1)	
7	49379GT	SCREW,HHC,M8 X 1.25 X 25	1
8	49408GT	WASHER, LOCK, M8	2
9	22571GT	NUT, HEX, M8 X 1.25	1
10	75185GT	SCREW,HHC,M8X1.25X 70MM,GR8.8	1
11	29868GT	SPRING CLIP,3/8-16,.05-.20X.73	4
12	824089GT	SCREW,HHF,3/8-16X.75,8,ZAG	4
13	6145GT	SCREW,HHC,1/4-20 X 1.5	2
14	6356GT	WASHER,LOCK,.25	2
15	35956GT	BRACKET,WORK LIGHT MOUNT 5/16"	2
16	6036GT	WASHER,LOCK,.625 PLTD	1
17	824085GT	SCREW,HHF,5/16-18X.75,8,ZAG	1
18	1305837GT	ASSY,WORK LIGHT,LED 12V,45W	2



902.1 Hostile Environment, Boom Wipers

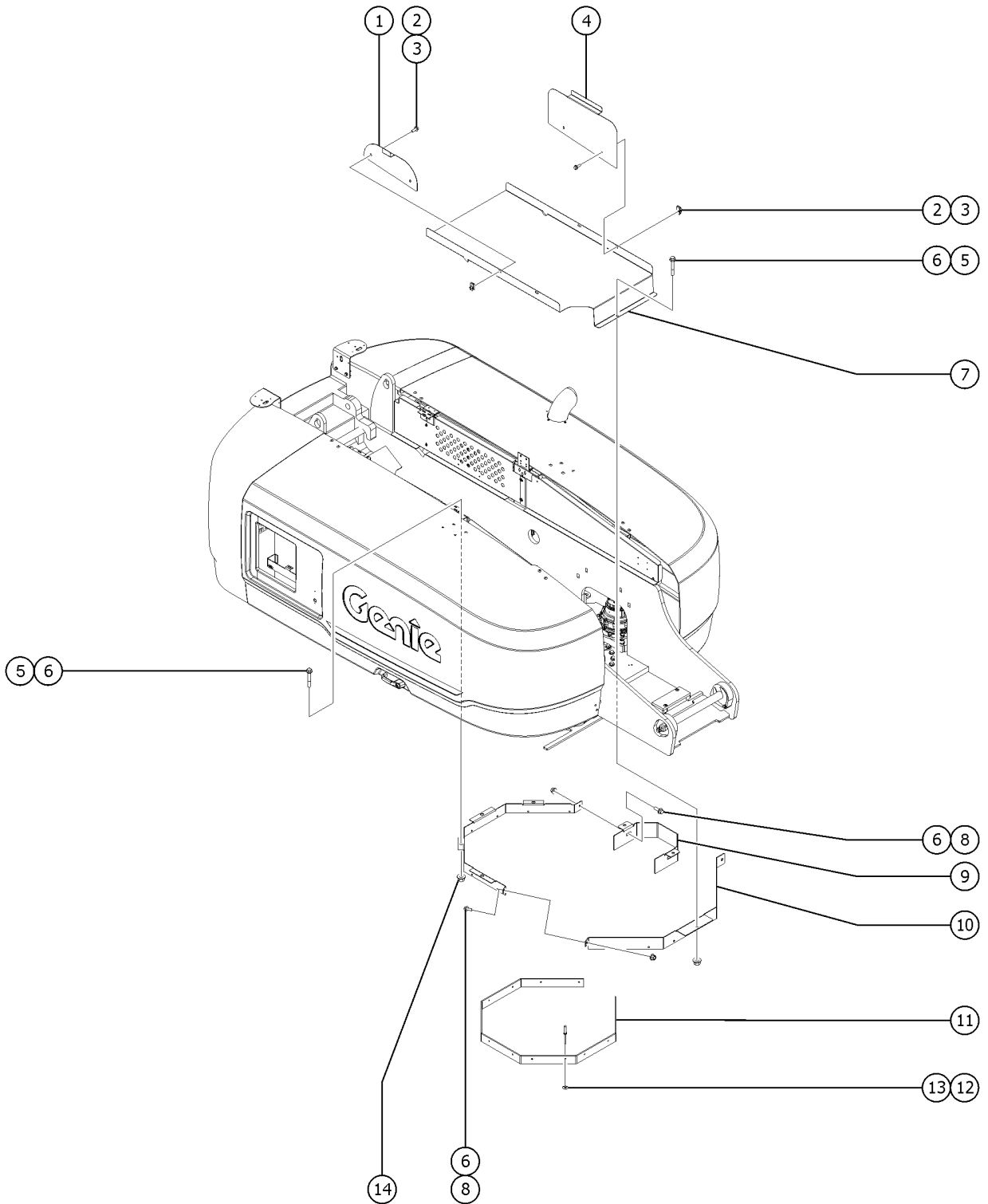


902.1 Hostile Environment, Boom Wipers

Item	Part No.	Description	Qty.
1		Ref. BOOM TUBE 1 (refer to 603.1)	
2	1253478GT	SCREW,HHF,3/8-16X2,8,ZAG	8
3	101932GT	TUBE, RD., STL., DOM .75 X .437 X .78	8
4	1287510GT	SPACER, BOOM WIPER TOP	2
5	824124GT	BOLT, CARRIAGE, 1/4-20 X .75, 5, ZAG	28
6	1277924GT	NUT,NYLOCK FLG,1/4-20,F,ZAG	28
7	1287509GT	FORMING, BRKT, WIPER 1 TO 2	2
8	119086GT	WIPER RUBBER, 1 TO 2	1
9	119085GT	PLATE BACKING, WIPER 1 TO 2	2
10	1287511GT	SHIM,WEAR PAD,7X3,12GA	8
11	119089GT	WIPER RUBBER, 2 TO 3	1
12	119088GT	PLATE BACKING, WIPER 2 TO 3	2
13	1287508GT	FORMING, BRKT, WIPER 2 TO 3	2
14		Ref. BOOM TUBE 3 (refer to 603.1)	
15		Ref. BOOM TUBE 2 (refer to 603.1)	



903.1 Hostile Environment, Turntable Components

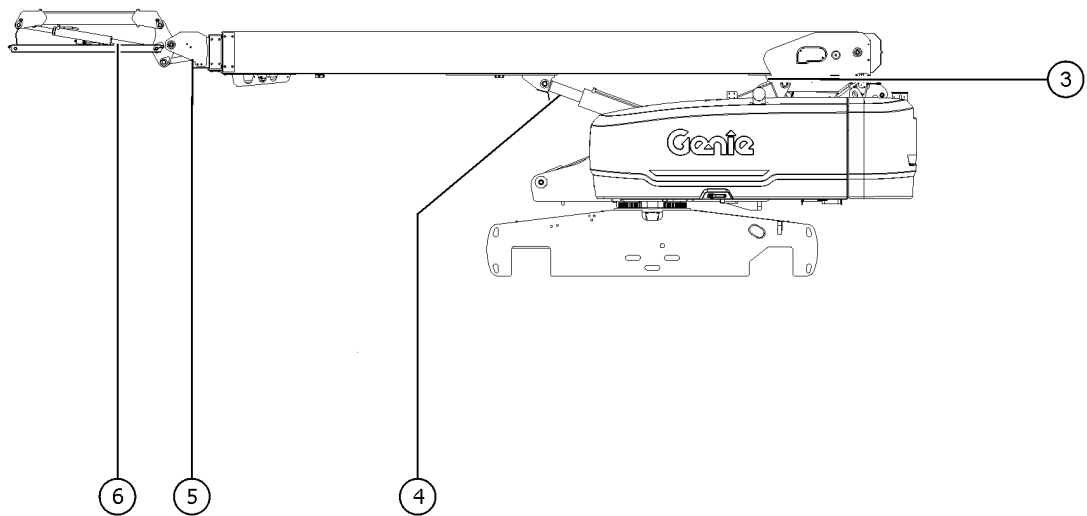
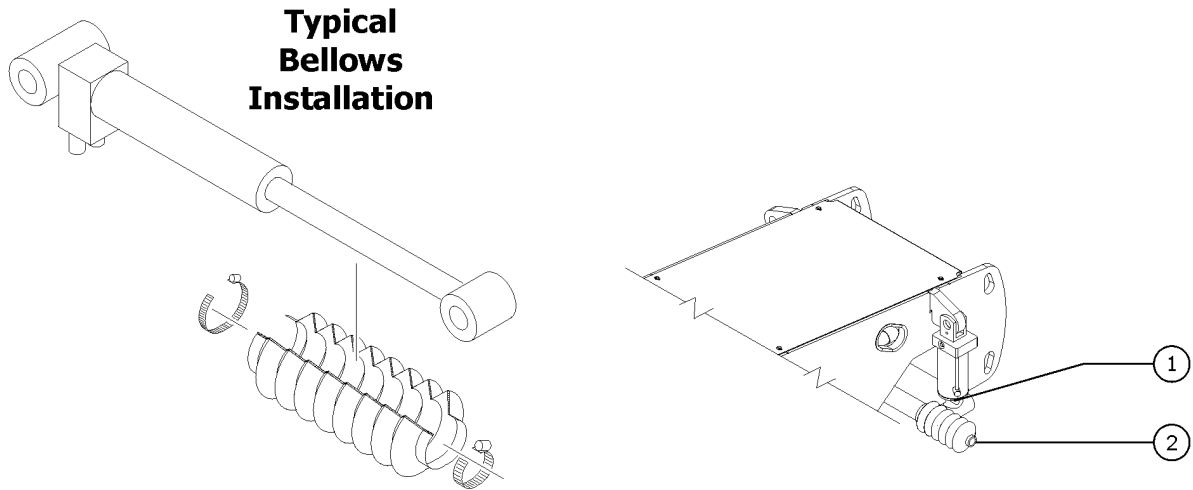


903.1 Hostile Environment, Turntable Components

<i>Item</i>	<i>Part No.</i>	<i>Description</i>	<i>Qty.</i>
1	1296971GT	FORMING, TT LH SIDE COVER	1
2	824078GT	SCREW,HHF,1/4-20X.75,8,ZAG	4
3	56912GT	SPRING CLIP,1/4-20,.025-.15X.5	4
4	77998GT	FORMING,TT RH SIDE COVER	1
5	1256856GT	SCREW,HHF,3/8-16X2.5,8,ZAG	4
6	824029GT	NUT,TL FLG,3/8-16,G,ZAG	7
7	77996GT	FORMING,TURNTABLE CENTER COVER	1
8	824090GT	SCREW,HHF,3/8-16X1,8,ZAG	3
9		REF. FORMING,PINION GUARD	1
		(refer to 306.1)	
10	70318GT	FORMING, SLEW RING COVER	1
11	70319GT	WIPER,RING GEAR GUARD	1
12	824113GT	WASHER,FLAT,1/4,USS,ZAG	14
13	81167GT	RIVET,ALUM,P,.25X.625	14
14	70317GT	FORMING, WIPER GUARD LT	1



904.1 Hostile Environment, Cylinder Bellows and Cable Track

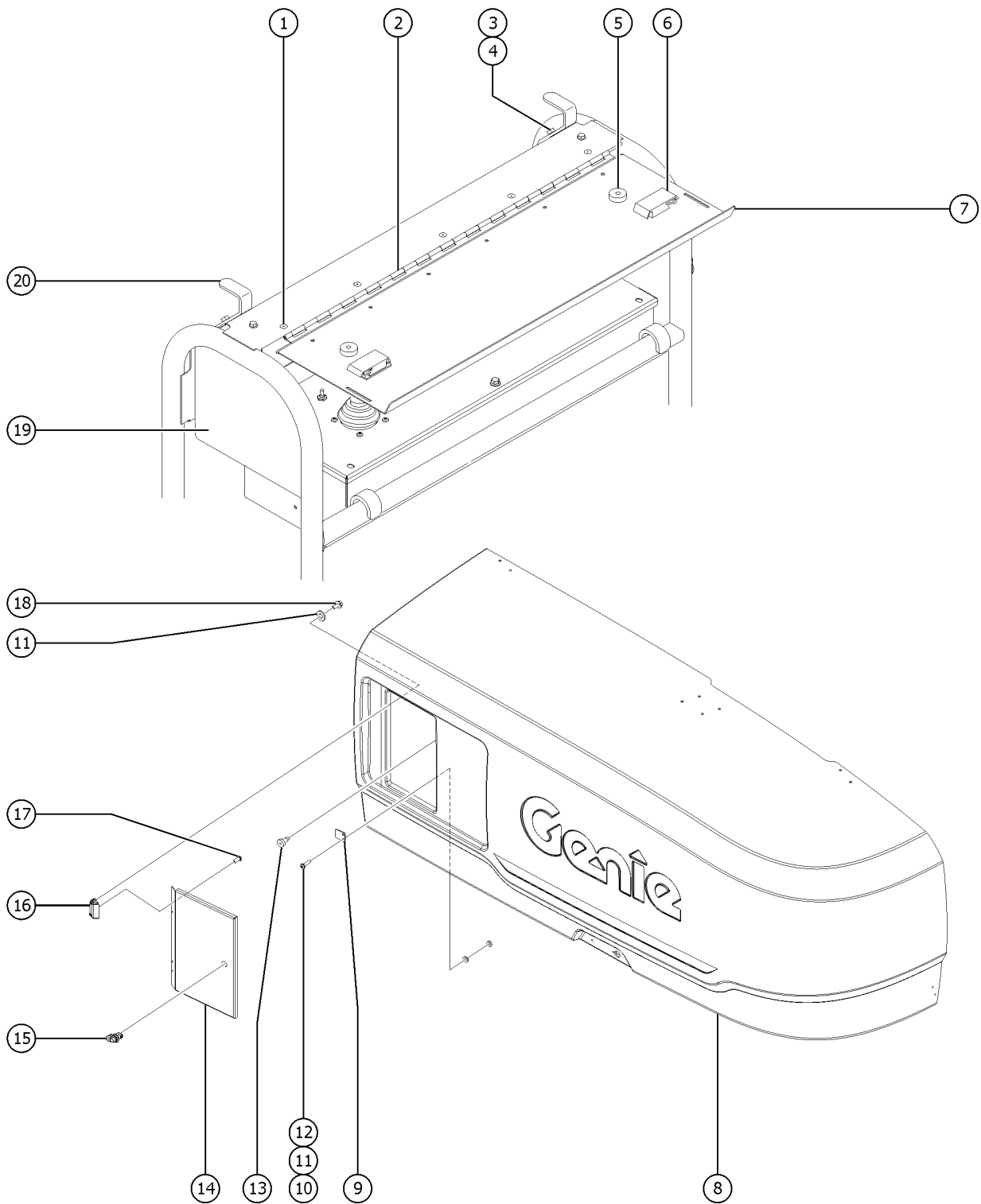


904.1 Hostile Environment, Cylinder Bellows and Cable Track

Item	Part No.	Description	Qty.
A	106099GT	COVER,CABLE TRACK	1
1	63727GT	COVER, PROTECTIVE, OSCILLATE	2
1-	22672GT	CLAMP,HOSE,1.75	
1-	34955GT	CLAMP, HOSE, 5.00	
2	34922GT	COVER,PROTECTIVE,STEERING	2
2-	22672GT	CLAMP,HOSE,1.75	
2-	34955GT	CLAMP, HOSE, 5.00	
3	1279800GT	BELLOWS, MASTER CYLINDER	1
3-	34955GT	CLAMP, HOSE, 5.00	
4	1287490GT	BELLOWS, CYLINDER LIFT	1
4-	1288402GT	CLAMP, HOSE, 8.00"	
4-	34955GT	CLAMP, HOSE, 5.00	
5	1291159GT	BELLOWS, PLATFORM LEVEL CYLINDER	1
5-	30971GT	CLAMP,HOSE,3.00"	
5-	1280080GT	PLATE, BACKING BELLOWS, S-80/85 XC	
5-	1251757GT	SCREW,PHPM,10-32X.50,ZAG	
5-	1256312GT	WASHER,LOCK,#10,ZAG	
5-	23405GT	10-32 NUTSERT	
6	1279801GT	BELLOWS, JIB CYLINDER	1
6-	35434GT	CLAMP,HOSE,2.00***	
6-	34955GT	CLAMP, HOSE, 5.00	



905.1 Hostile Environment, Ground and Platform Box Covers

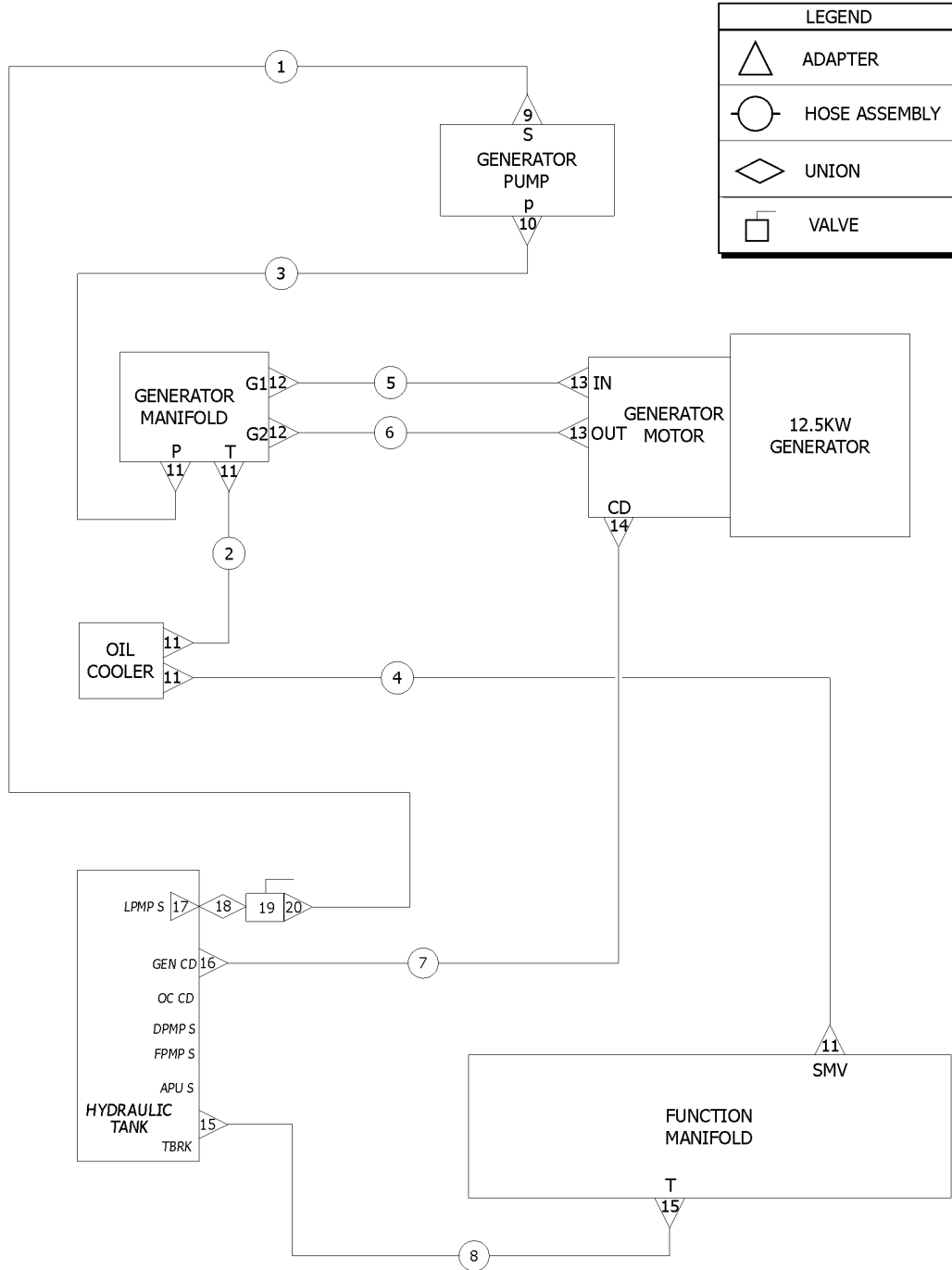


905.1 Hostile Environment, Ground and Platform Box Covers

Item	Part No.	Description	Qty.
1	54486GT	RIVET,ALUM,ALUM,3/16BUTTONHEAD	11
2	111526GT	HINGE,PLAT CONTROL BOX COVER	1
3	824078GT	SCREW,HHF,1/4-20X.75,8,ZAG	8
4	1277924GT	NUT,NYLOCK FLG,1/4-20,F,ZAG	8
5	43392GT	BUMPER,BATTERY BOX & RAILS***	2
6	30468GT	LATCH,SLIDE, FLUSH MOUNT STYLE	2
7	102785GT	CONTROL BOX COVER,LID	1
8		REF. COVER, TANK-SIDE, S60/65XC	
		(refer to 307.1)	
9	1261001GT	STRIKER, LATCH	1
10	824215GT	SCREW, PHPM, 10-32 X .75, ZAG	2
10B	81329GT	PLUG,ALARM BEACON HOLE	2
		(for no gate option)	
11	1253185GT	WASHER,FLAT,#10,USS,ZAG	6
12	1256804GT	NUT,10-32,ZAG	2
13	34619GT	BUMPER,RUBBER***	2
13B	81197GT	PLUG,ENGINE COVER	2
		(for no gate option)	
14	1284272GT	FORMING,CONTROL BOX COVER,ALC600	1
15	1259583GT	LATCH,PUSH BUTTON	1
16	1259584GT	HINGE,CONSTANT TORQUE	2
17	825349GT	SCREW,PHPM,10-32X.38,ZAG	4
18	1257227GT	SCREW,PHPM,10-32X.625,ZAG	4
18B	81329GT	PLUG,ALARM BEACON HOLE	4
		(for no gate option)	
19	88607GT	COVER,CONTROL BOX LEFT SIDE***	1
19B	88606GT	COVER,CONTROL BOX RIGHT SIDE**	1
20	102786GT	FORMING,LATCH,CTRL BOX LID**	2



906.1 Generator, Hoses and Fittings

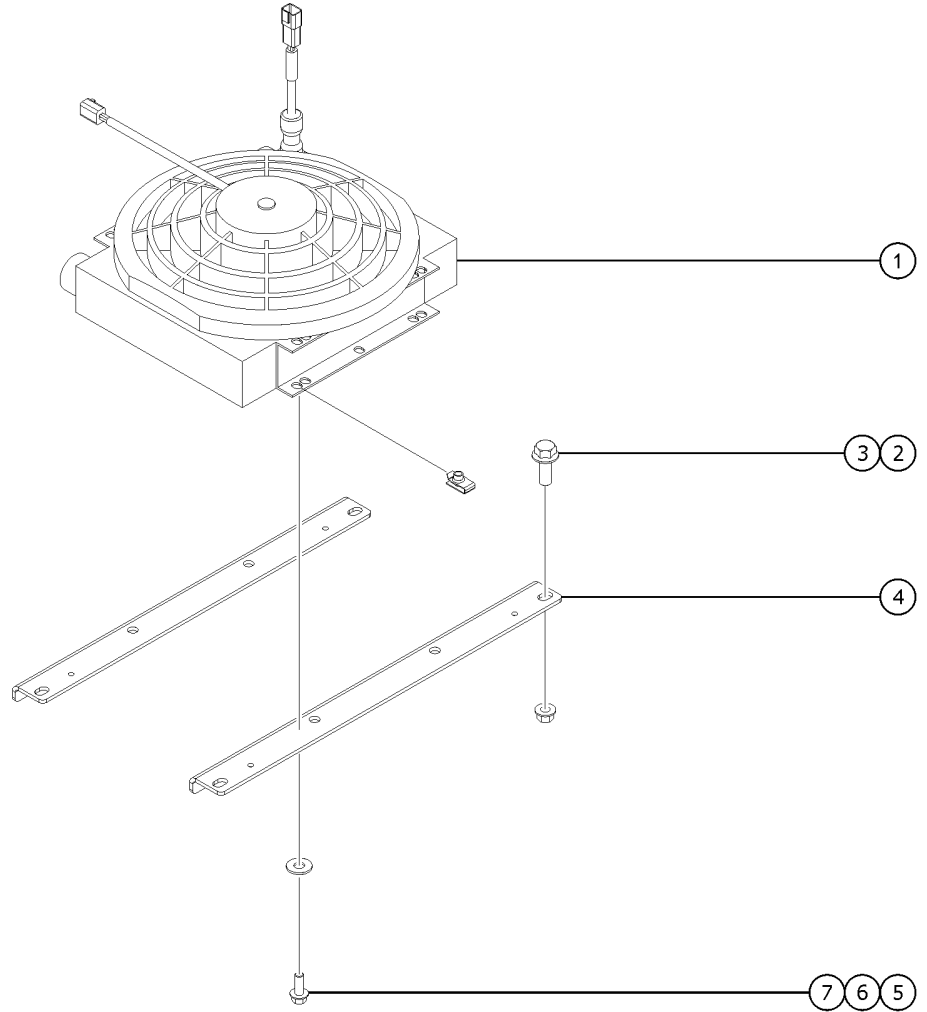


906.1 Generator, Hoses and Fittings

Item	Part No.	Description	Qty.
1	1288891-7874GT	HOSE ASSY,1"	1
2	61074-9646GT	HOSE ASSY,1,STR FEM,45 FEM	1
3	61074-5710GT	HOSE ASSY,1,STR FEM,90 FEM	1
4	61074-5710GT	HOSE ASSY,1,STR FEM,90 FEM	1
5	61073-2697GT	HOSE ASSY,3/4,STR FEM,90 FEM	1
6	61073-3012GT	HOSE ASSY,3/4,STR FEM,90 FEM	1
7	49130-9843GT	HOSE ASSY,3/8,STR FEM,STR FEM	1
8	88949-3828GT	HOSE ASSY 1",STR FEM,STR FEM	1
9	88936GT	CONN,520120-20-16	1
10	48959GT	ELBOW,90D,520220-12	1
11	48960GT	FITTING,CONN,520120-12***	5
12	61610GT	CONN,LONG,520122-12***	2
13	48974GT	ELBOW,90D,520220-12-10	2
14	48915GT	ELBOW,90D,520220-6	1
15	48984GT	CONN,520120-16	2
16	48929GT	FITTING,ELBOW,90D,520220-6-8	1
17	101491GT	STRAINER,20 SAE F/24 SAE M***	1
18	61263GT	UNION,STR.THREAD 20	1
19	101494GT	VALVE,BALL,FSAE-20,FSAE-20	1
20	75654GT	CONN,520120-20	1



907.1 Oil Cooler Components

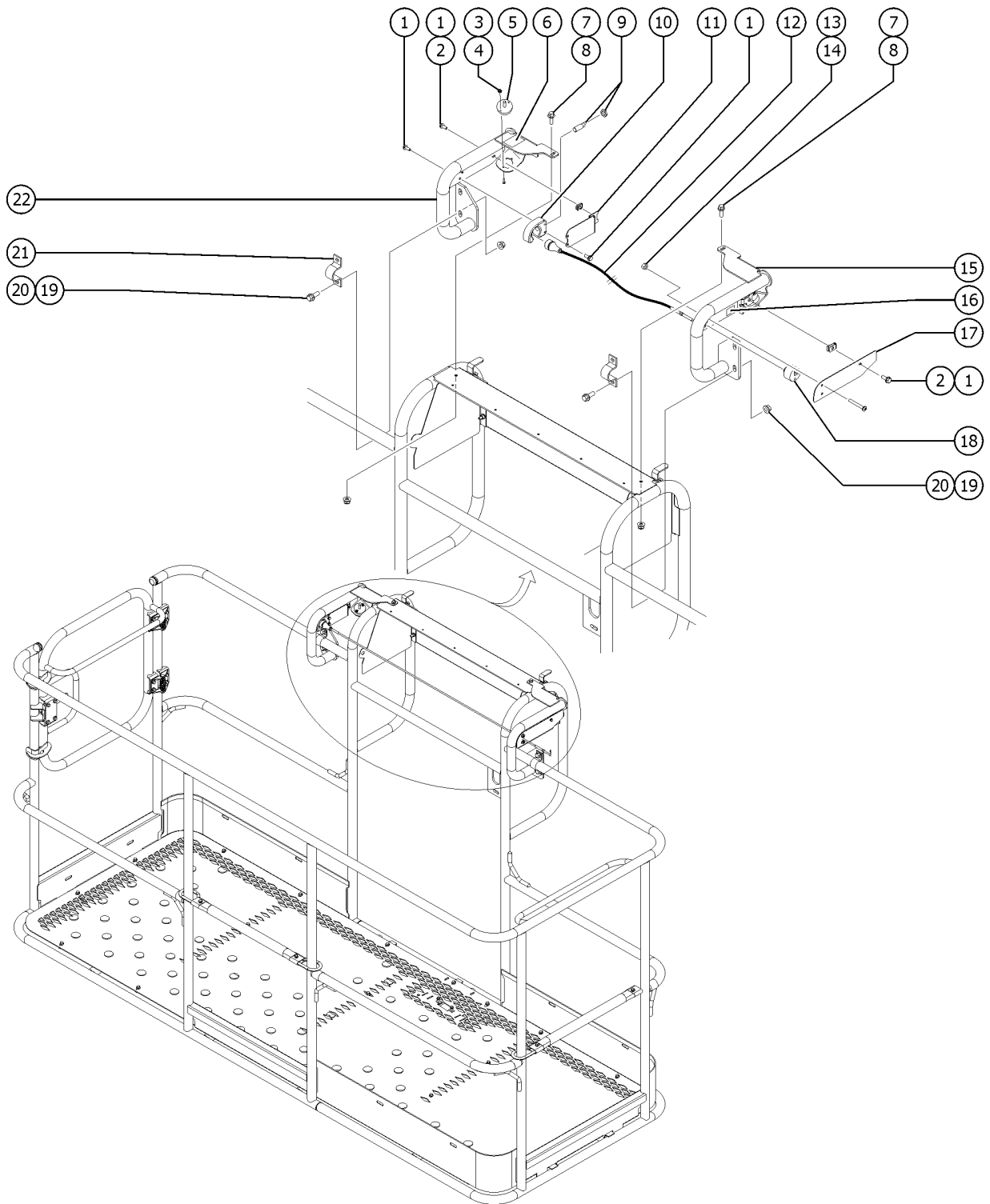


907.1 Oil Cooler Components

<i>Item</i>	<i>Part No.</i>	<i>Description</i>	<i>Qty.</i>
1	71259GT	OIL COOLER W/FAN, 12VDC	1
2	824090GT	SCREW,HHF,3/8-16X1,8,ZAG	4
3	1274322GT	NUT,NYLOCK FLG,3/8-16,G,ZAG	4
4	1283549GT	FORMING, OIL COOLER SUPPORT, S65XC	2
5	824079GT	SCREW,HHF,1/4-20X1,8,ZAG	4
6	824113GT	WASHER,FLAT,1/4,USS,ZAG	4
7	56912GT	SPRING CLIP,1/4-20,.025-.15X.5	4



908.1 Lift Guard Contact Alarm

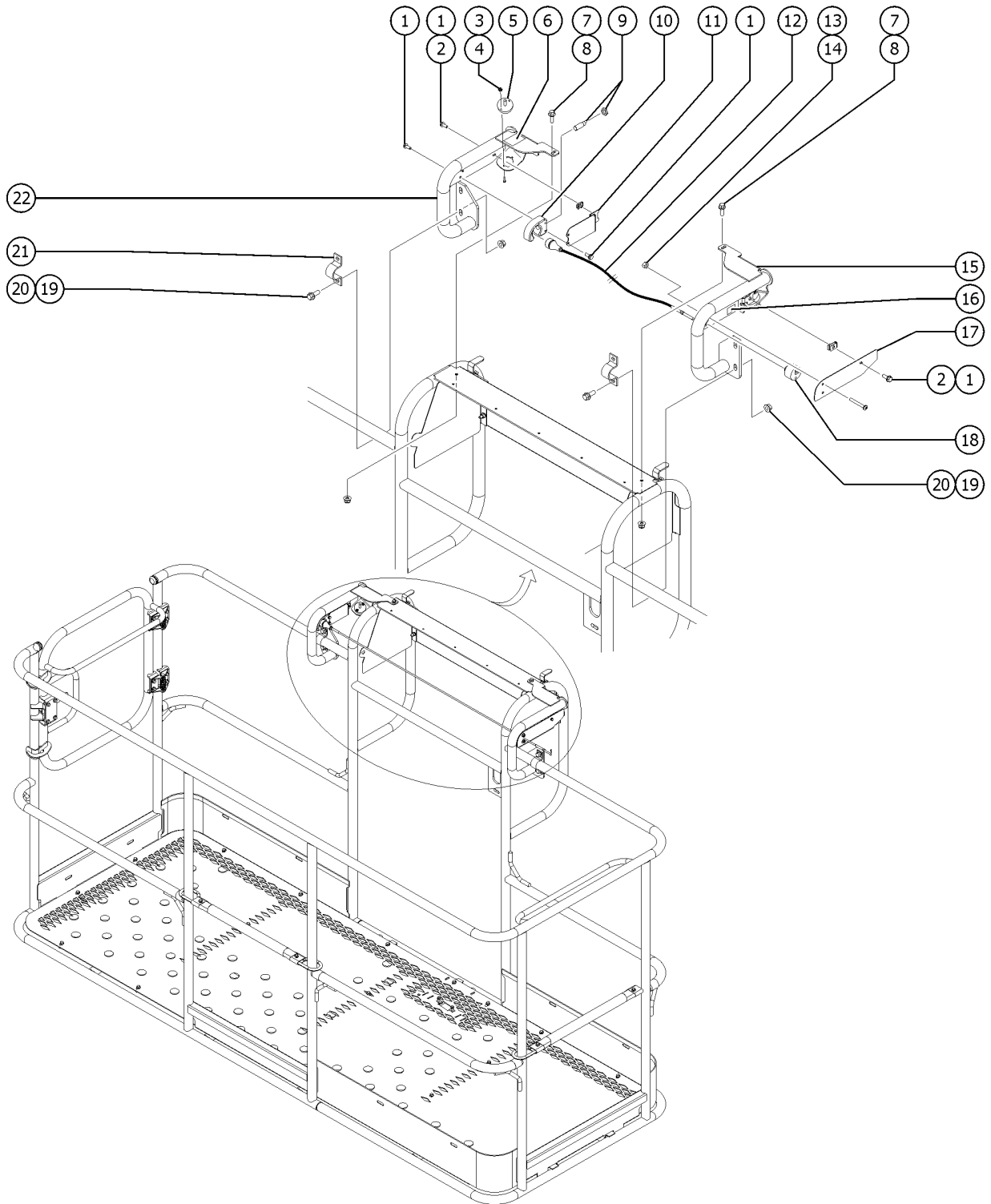


908.1 Lift Guard Contact Alarm

Item	Part No.	Description	Qty.
A	1278108GT	HARNESS, CONTACT ALARM, S40,S60,S80	
B	19274GT	RELAY,SPDT,12V(AUTO)**	
C	1278121GT	MODULE, PLUS+1, OPA2	
C-	824083GT	SCREW,HHF,1/4-20X2.5,8,ZAG	
C-	1277924GT	NUT,NYLOCK FLG,1/4-20,F,ZAG	
1	1264934GT	SCREW,HHF,10-24X.5	7
2	73575GT	SPRING CLIP,10-24,ZINC	2
3	12344GT	NUT,NYLOCK,6-32	4
4	1256859GT	SCREW,PHPM,6-32X7/8,ZAG	4
5	1278111GT	ASSEMBLY, LIGHT, CONTACT ALARM	2
5B	1285850GT	ASSEMBLY,AMBER LIGHTS,CONTACT	
6	1278542GT	DECAL, INSTRUCTION, CONTACT ALARM	
7	824078GT	SCREW,HHF,1/4-20X.75,8,ZAG	2
8	1277924GT	NUT,NYLOCK FLG,1/4-20,F,ZAG	2
9	1278119GT	ASSEMBLY, SENSOR, PROX, CONTACT ALARM	1
10	1278433GT	ASSY SENSOR W/HOUSING (Includes holder item 1277877 and sensor part 1278119)	1
10-	1277877GT	HOLDER, SENSOR	
11	1277873GT	FORMING, SENSOR HOLDER	1
12	1278416GT	ASSEMBLY,CONTACT ALARM CABLE, LARGE	1
12-	1261184GT	NUT,1/4-20,8,ZAG Part of assembly 1278416	
12-	1278124GT	MAGNET, 1/4-20, 15 LB. Part of assembly 1278416	
12-	1278368GT	GRIP, CABLE Part of assembly 1278416	
12-	1278458GT	CONTACT ALARM WIRE ASSY, LARGE Part of assembly 1278416	
13	1274168GT	NUT,NYLOCK,10-32,A,ZAG	2
14	824216GT	SCREW, PHPM, 10-32 X 1.5, ZAG	2
15	1278138GT	WELDMENT, RIGHT CONTACT ALARM, LARGE	1
15-	824037GT	NUT, HH JAM, 1/4-20, A, ZAG	
15-	1277924GT	NUT,NYLOCK FLG,1/4-20,F,ZAG	

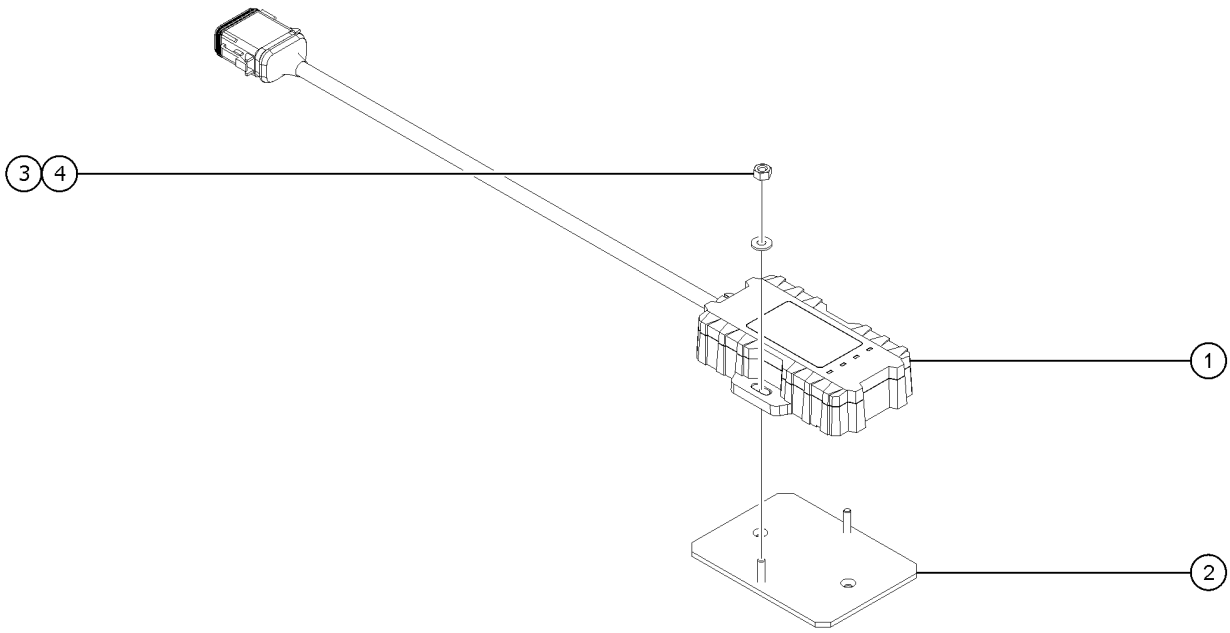


908.1 Lift Guard Contact Alarm



908.1 Lift Guard Contact Alarm

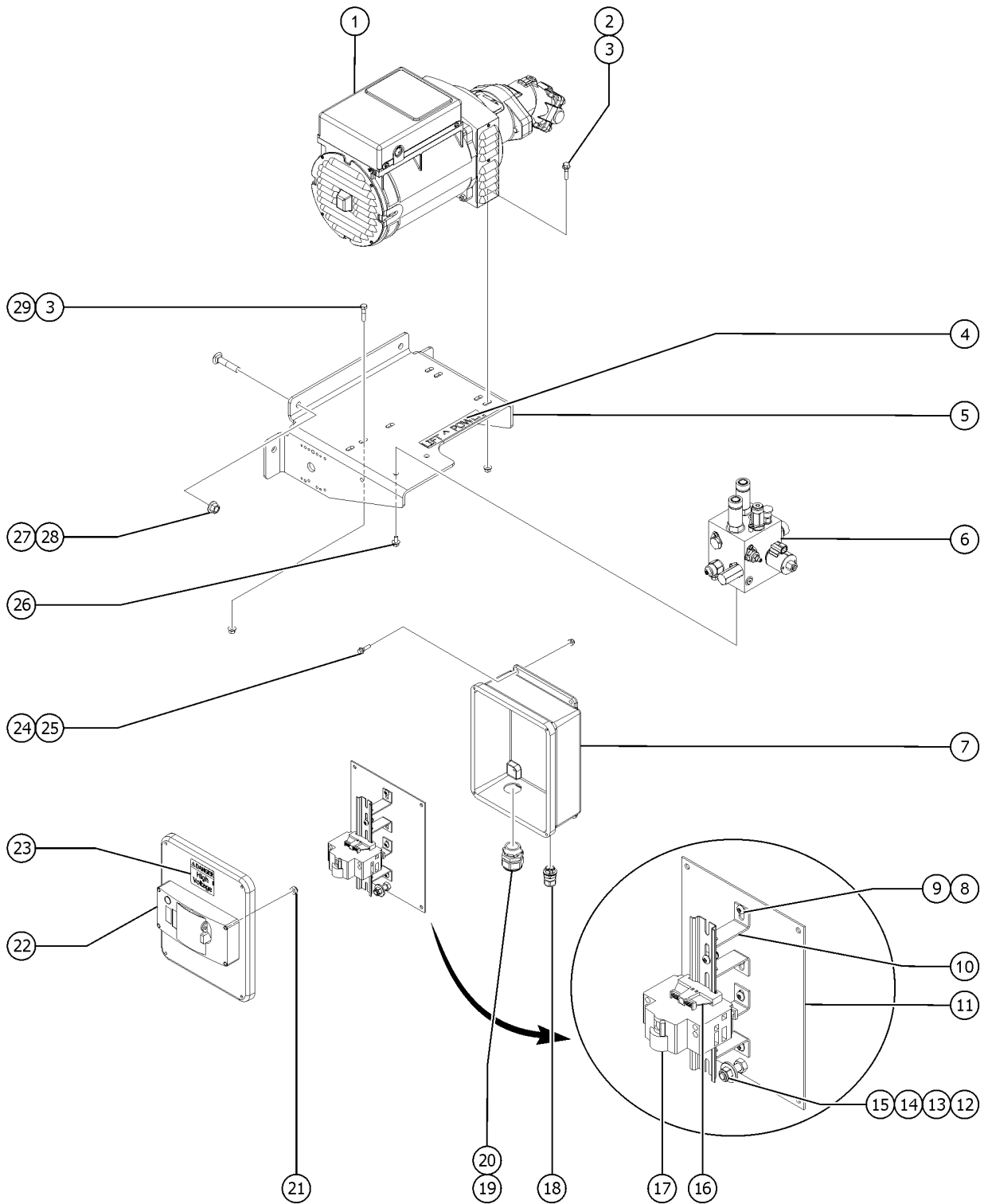
<i>Item</i>	<i>Part No.</i>	<i>Description</i>	<i>Qty.</i>
16	1278982GT	DECAL, INSTRUCTION, ACTUATOR SWITCH SOCKET	1
17	1277875GT	PLATE, CABLE AND WIRE COVER	1
18	1277876GT	GUIDE, CABLE	1
19	1274322GT	NUT,NYLOCK FLG,3/8-16,G,ZAG	4
20	824090GT	SCREW,HHF,3/8-16X1,8,ZAG	4
21	1278363GT	CLAMP, 1.25 INCH TUBE	2
22	1278144GT	WELDMENT, LEFT CONTACT ALARM, LARGE	1



909.1 Telematics

<i>Item</i>	<i>Part No.</i>	<i>Description</i>	<i>Qty.</i>
1	1289520GT	MODULE,TELEMATICS,ZTR,M7,NORTH AMERICA North America	1
1B	1289521GT	MODULE, TELEMATICS, ZTR, M7, EMEA/APAC EMEA/APAC	1
1C	1289522GT	MODULE,TELEMATICS,ZTR,M7,APAC/ANZ APAC/ANZ	1
1D	1289523GT	MODULE,TELEMATICS,ZTR,M7,JAPAN Japan	1
2	1307200GT	BRACKET, TELEMATICS	1
3	1271081GT	NUT,NYLOCK,8-32,8,ZAG	2
4	1257390GT	WASHER,FLAT,#8,SAE,ZAG	2

910.1 Welder Option, Chassis Components (7.5KW)

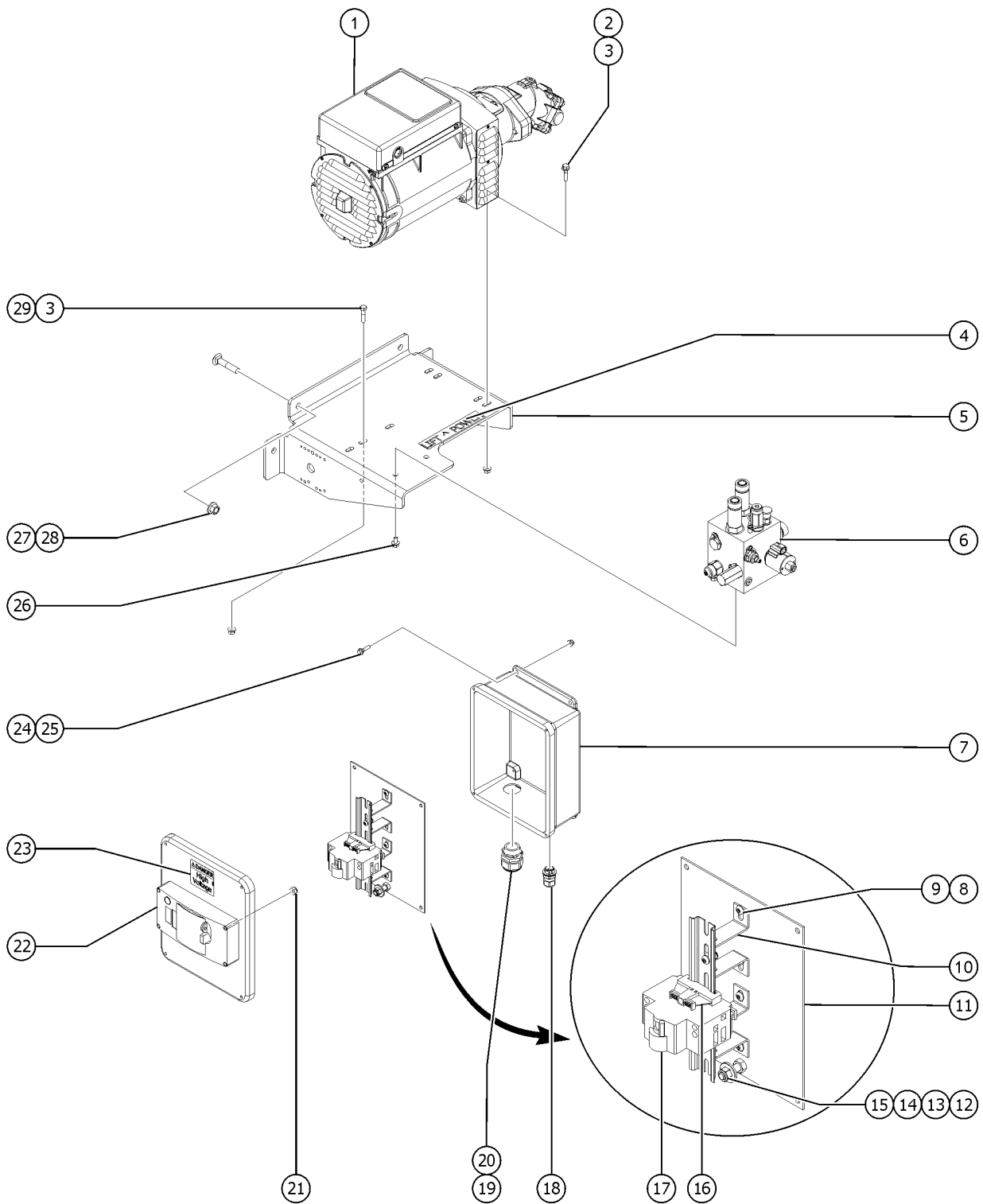


910.1 Welder Option, Chassis Components (7.5KW)

Item	Part No.	Description	Qty.
1	1279871GT	GEN,7.5kW,230VAC,1PH,50HZ,AUS,S80	1
2	824087GT	SCREW, HHF, 5/16-18 X 1.25, 8, ZAG	2
3	1274167GT	NUT,NYLOCK FLG,5/16-18,F,ZAG	3
4	1283577GT	DECAL, LIFT^POWER, 1X7 INCH	1
5	1283513GT	BRACKET, GENERATOR 13 kW	1
6		REF. MANIFOLD, HYD, LIFT POWER, WELDER GENERATOR	1
		(refer to 405.1)	
7	1289554GT	BOX, AUS JBOX, CIRCUIT BREAKER	1
8	54365GT	SCREW,PHIL,PHM,10-32 X .5,SSTL	6
9	6178GT	NUT,NYLOCK,10-32	6
10	1258689GT	BRACKET,DIN RAIL SUPPORT	2
11	1258688GT	PANEL,AUSSY ENCLOSURE BACK	1
12	6782GT	NUT, NYLOCK, 5/16-18	1
13	5397GT	WASHER,FLAT,USS,5/16",Y	1
14	6037GT	NUT,HEX,5/16-18,GR5	1
15	13000GT	SCREW,HHC,5/16-18 X 1.25	1
16	74913GT	END STOP, DIN RAIL,SCREW CLAMP	2
17	1258674GT	RCBO, 16A/30MA TRIP, 1P	1
18	1287081GT	CORD GRIP	1
19	20776GT	CABLE SQUEEZE CONN.	1
19-	106104GT	O-RING,SEAL RING,1" NPT (PKG)	
20	18665GT	LOCKNUT,ELECTRIC,1" NPT	1
21	12344GT	NUT,NYLOCK,6-32	6
22	1258687GT	MOUNTING COVER KIT WITH NEON	1
23	82237GT	DECAL,DANGER,HIGH VOLTAGE	2
24	824079GT	SCREW,HHF,1/4-20X1,8,ZAG	2
25	1277924GT	NUT,NYLOCK FLG,1/4-20,F,ZAG	2
26	824089GT	SCREW,HHF,3/8-16X.75,8,ZAG	2
27	1274172GT	NUT,NYLOCK FLG,1/2-13,G,ZAG	4



910.1 Welder Option, Chassis Components (7.5KW)

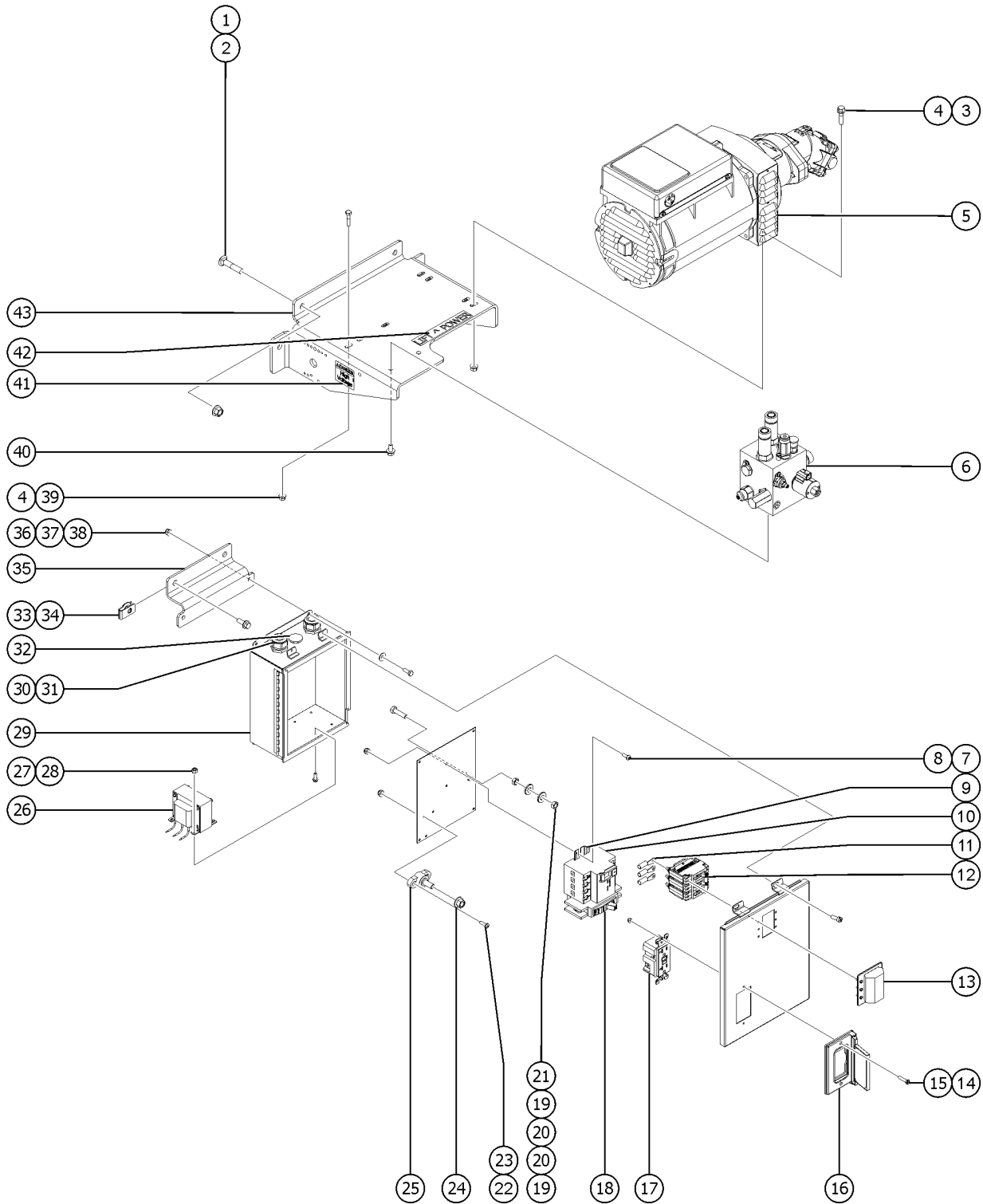


910.1 Welder Option, Chassis Components (7.5KW)

<i>Item</i>	<i>Part No.</i>	<i>Description</i>	<i>Qty.</i>
28	1258670GT	BOLT,CARRIAGE,1/2-13X2.5,5,ZAG	4
29	824066GT	SCREW,HHC,5/16-18X1.375,8,ZAG	1



911.1 Welder Option, Chassis Components (12.5KW)

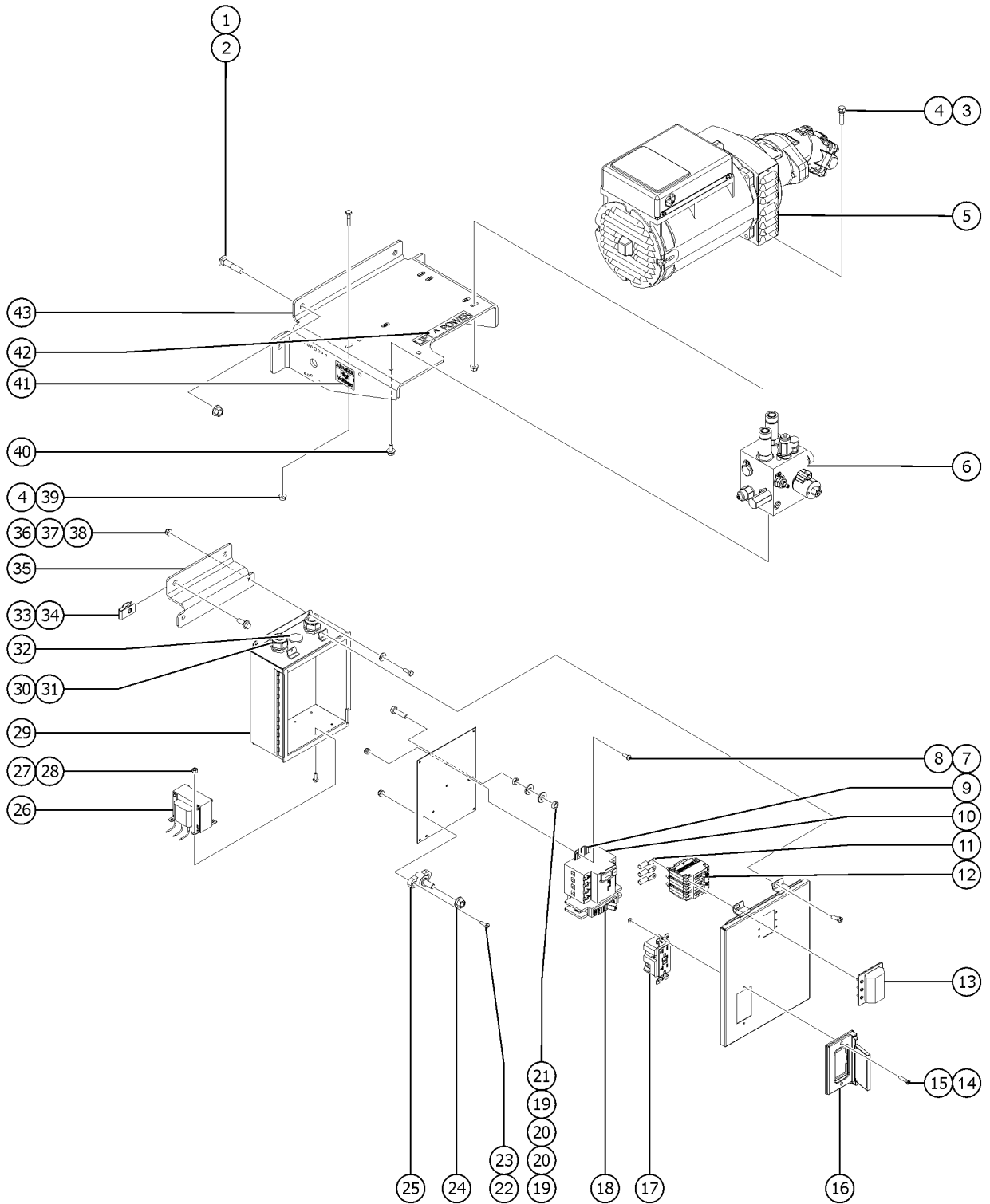


911.1 Welder Option, Chassis Components (12.5KW)

Item	Part No.	Description	Qty.
1	1258670GT	BOLT,CARRIAGE,1/2-13X2.5,5,ZAG	4
2	1274172GT	NUT,NYLOCK FLG,1/2-13,G,ZAG	4
3	824087GT	SCREW, HHF, 5/16-18 X 1.25, 8, ZAG	2
4	1274167GT	NUT,NYLOCK FLG,5/16-18,F,ZAG	3
5	1281786GT	GENERATOR, HYD, 13KW 60HZ, 240V 3PH	1
5-	1285150GT	COVER, ACCESS, GEN COUPLING	
		for 1281786	
5-	1285151GT	COUPLING, GEN DRIVE, MOTOR SIDE	
		for 1281786	
5-	1285152GT	COUPLING, GEN DRIVE, GEN SIDE	
		for 1281786	
5-	1285153GT	COUPLING, INSERT, GEN DRIVE	
		for 1281786	
6		REF. MANIFOLD, HYD, LIFT POWER, WELDER GENERATOR	1
		refer to 405.1	
7	54365GT	SCREW,PHIL,PHM,10-32 X .5,SSTL	2
8	6178GT	NUT,NYLOCK,10-32	2
9	825737GT	DIN RAIL, 4.60"	1
10	824617GT	CIRCUIT BREAKER,GFCI,3PH,63A,3	1
11	1269735GT	HARNESS, ENCLOSURE, WELDERHARNESS, ENCLOSURE, WELDER	1
12	1276986GT	CIRCUIT BREAKER,MAGTRIP,3PH,40A	1
13	1276672GT	BOOT, ENVIRO, 3PH CIRCUIT BREAKER	1
14	63375GT	SCREW,FHM,6-32 X .75	2
15	12344GT	NUT,NYLOCK,6-32	2
16	74006GT	COVER,GFCI,HORIZONTAL,WEATHER	1
17	80543GT	RECEPTACLE, 120VAC, 20A, GFCI	1
18	106073GT	CIRCUIT BREAKER,20A,SINGLE PH	1
19	6037GT	NUT,HEX,5/16-18,GR5	2
20	5397GT	WASHER,FLAT,USS,5/16",Y	2
21	13000GT	SCREW,HHC,5/16-18 X 1.25	1
22	1257227GT	SCREW,PHPM,10-32X.625,ZAG	2
23	1283005GT	NUT,NYLOCK FLG,10-32,A,ZAG	2
24	1274322GT	NUT,NYLOCK FLG,3/8-16,G,ZAG	1



911.1 Welder Option, Chassis Components (12.5KW)

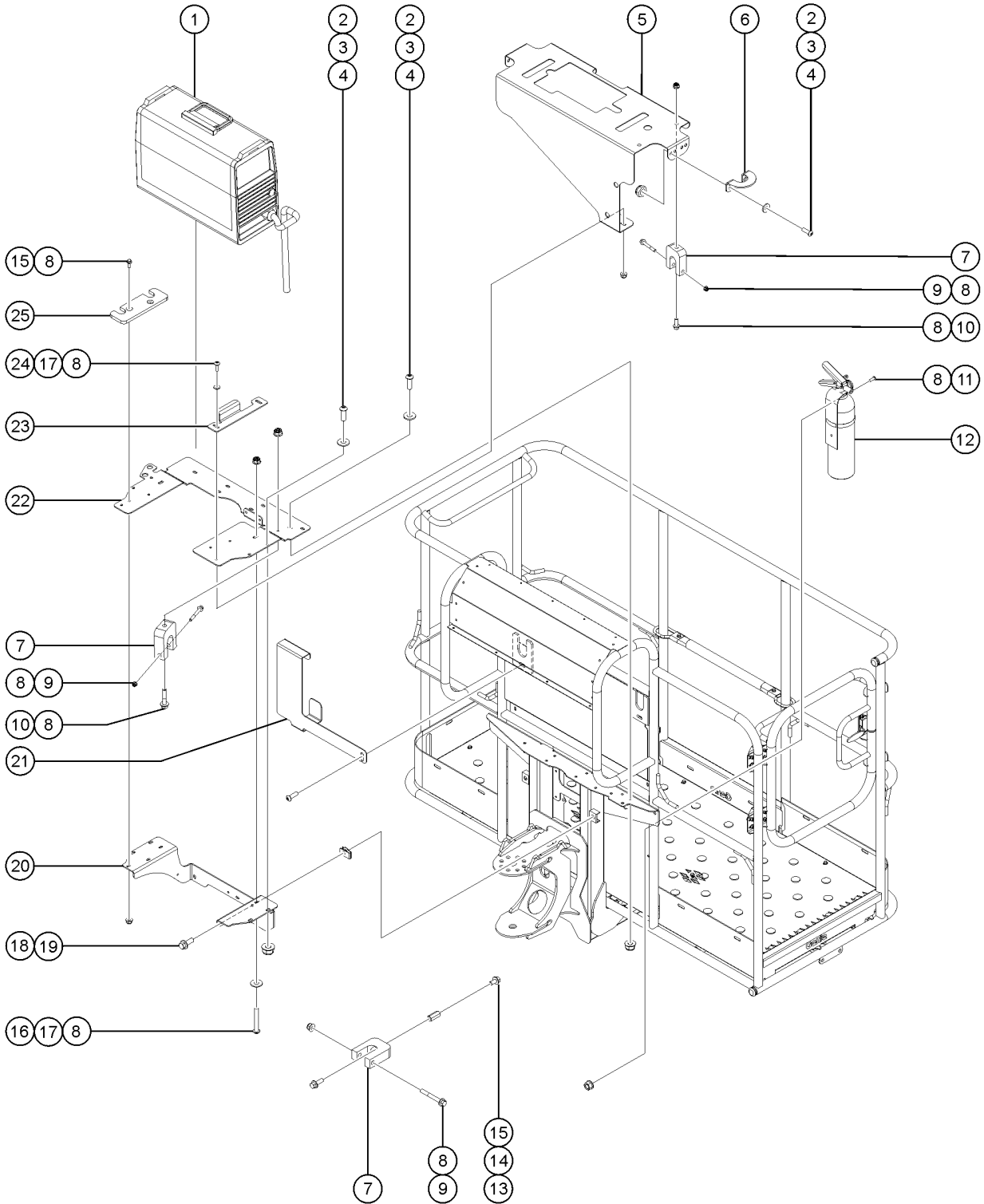


911.1 Welder Option, Chassis Components (12.5KW)

Item	Part No.	Description	Qty.
25	94982GT	STANDOFF, 3/8" BLACK	1
26	1282963GT	TRANSFORMER, 139 TO 120 VOLT	1
27	1274170GT	NUT, NYLOCK, 10-24, A, ZAG	4
28	1270665GT	SCREW,HHF,10-24X.625,5,ZAG	4
29	1283843GT	ENCLOSURE, JBOX, 12X10	1
29-	1296591GT	KIT, BRACKET AND SCREW for 1283483	
30	20776GT	CABLE SQUEEZE CONN.	2
30-	106104GT	O-RING,SEAL RING,1" NPT (PKG)	
31	18665GT	LOCKNUT,ELECTRIC,1" NPT	2
32	106495GT	PLUG,1/2" HUBBLE	1
33	29868GT	SPRING CLIP,3/8-16,.05-.20X.73	4
34	824090GT	SCREW,HHF,3/8-16X1,8,ZAG	4
35	1283548GT	FORMING, MOUNT, JBOX, S65XC	2
36	1277924GT	NUT,NYLOCK FLG,1/4-20,F,ZAG	4
37	824113GT	WASHER,FLAT,1/4,USS,ZAG	4
38	824059GT	SCREW,HHC,1/4-20X.75,8,ZAG	4
39	824066GT	SCREW,HHC,5/16-18X1.375,8,ZAG	1
40	824089GT	SCREW,HHF,3/8-16X.75,8,ZAG	2
41	82237GT	DECAL,DANGER,HIGH VOLTAGE	1
42	1283577GT	DECAL, LIFT^POWER, 1X7 INCH	1
43	1283513GT	BRACKET, GENERATOR 13 KW	1



912.1 Welder Option, Platform Components

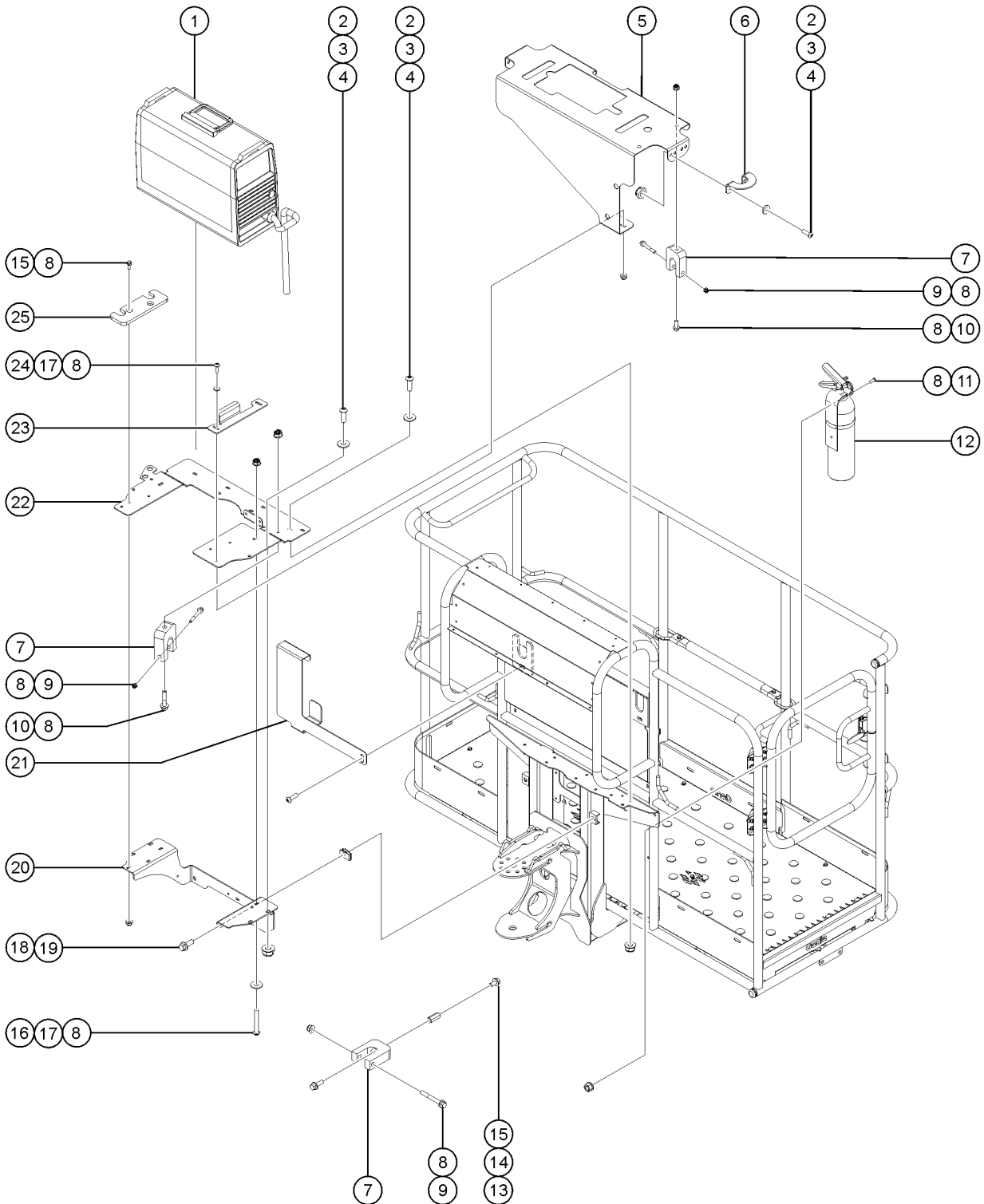


912.1 Welder Option, Platform Components

Item	Part No.	Description	Qty.
A	214620GT	SOCKET,3P,30A,4 WIRE, FEM	1
B	214621GT	SOCKET, BOOT, 3P, 30A, 4 WIRE	1
C	214623GT	PLUG, 3P,30A, 4 WIRE, MALE	1
D	214622GT	PLUG, BOOT, 3P, 30A, 4 WIRE	1
E	106275GT	KIT,WELD LEADS ASSY,V275S	1
1	101525GT	WELDER,INVERTEC V275-S	1
		(Lincoln)	
1B	214619GT	WELDER, MILLER, CST 280	1
		(Miller, Welder Ready)	
2	128322GT	SCREW,5/16-18X1.00,SECURITY TO	11
3	825358GT	WASHER,FLAT,5/16,USS,ZAG	11
4	1274167GT	NUT,NYLOCK FLG,5/16-18,F,ZAG	11
5	1277207GT	BRACKET,WELDER COVER,XC	1
6	217366GT	BRACKET,WELDER TOP	2
7	1288455GT	CLAMP, .820 DIA CABLE, TYPE-D, UHMW	4
8	1277924GT	NUT,NYLOCK FLG,1/4-20,F,ZAG	15
		(Miller, Welder Ready)	
8B	1277924GT	NUT,NYLOCK FLG,1/4-20,F,ZAG	13
		(Lincoln)	
9	1253485GT	SCREW,HHF,1/4-20X2,8,ZAG	4
10	824079GT	SCREW,HHF,1/4-20X1,8,ZAG	3
11	1256124GT	SCREW,BHC,1/4-20X.75,F835,ZAG	2
12	88406GT	FIRE EXTINGUISHER	1
13	824077GT	SCREW,HHF,1/4-20X.5,8,ZAG	1
14	1290424GT	NUT,COUPLING,1/4-20X.875,F594,SS	1
15	824078GT	SCREW,HHF,1/4-20X.75,8,ZAG	1
		(Lincoln)	
15B	824078GT	SCREW,HHF,1/4-20X.75,8,ZAG	5
		(Miller, Welder Ready)	
16	106141GT	SCREW,SECURITY,1/4-20 X 1.75LG	4
17	824113GT	WASHER,FLAT,1/4,USS,ZAG	4
		(Lincoln)	
17B	824113GT	WASHER,FLAT,1/4,USS,ZAG	2
		(Miller, Welder Ready)	
18	824090GT	SCREW,HHF,3/8-16X1,8,ZAG	2
19	29868GT	SPRING CLIP,3/8-16,.05-.20X.73	2



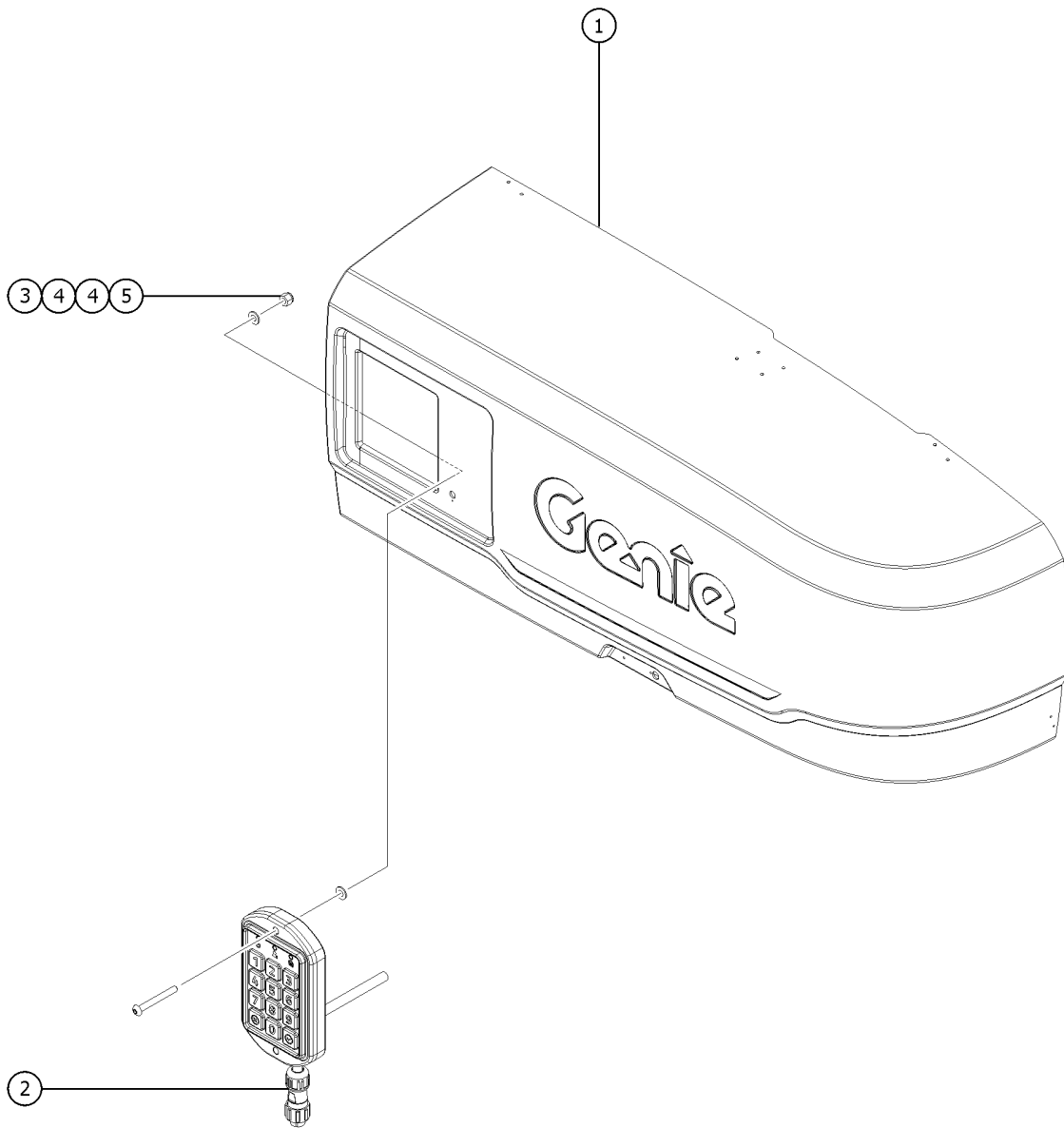
912.1 Welder Option, Platform Components



912.1 Welder Option, Platform Components

<i>Item</i>	<i>Part No.</i>	<i>Description</i>	<i>Qty.</i>
20	1277206GT	FORMING,WELD MNT SPRT,LOWER,XC	1
21	106204GT	BRACKET,V275S WELD LEADS***	1
22	1277205GT	FORMING,WELDER SPRT BRKT,XC	1
23	1277208GT	FORMING,MILLER WELDER RETENTION,XC	1
		(Miller, Welder Ready)	
24	106860GT	SCREW,SECURITY,1/4-20 X 1.00LG	2
25	1274967GT	UHMW,MILLER WLDR RETENTION	2
		(Miller, Welder Ready)	

913.1 Access Manager Option

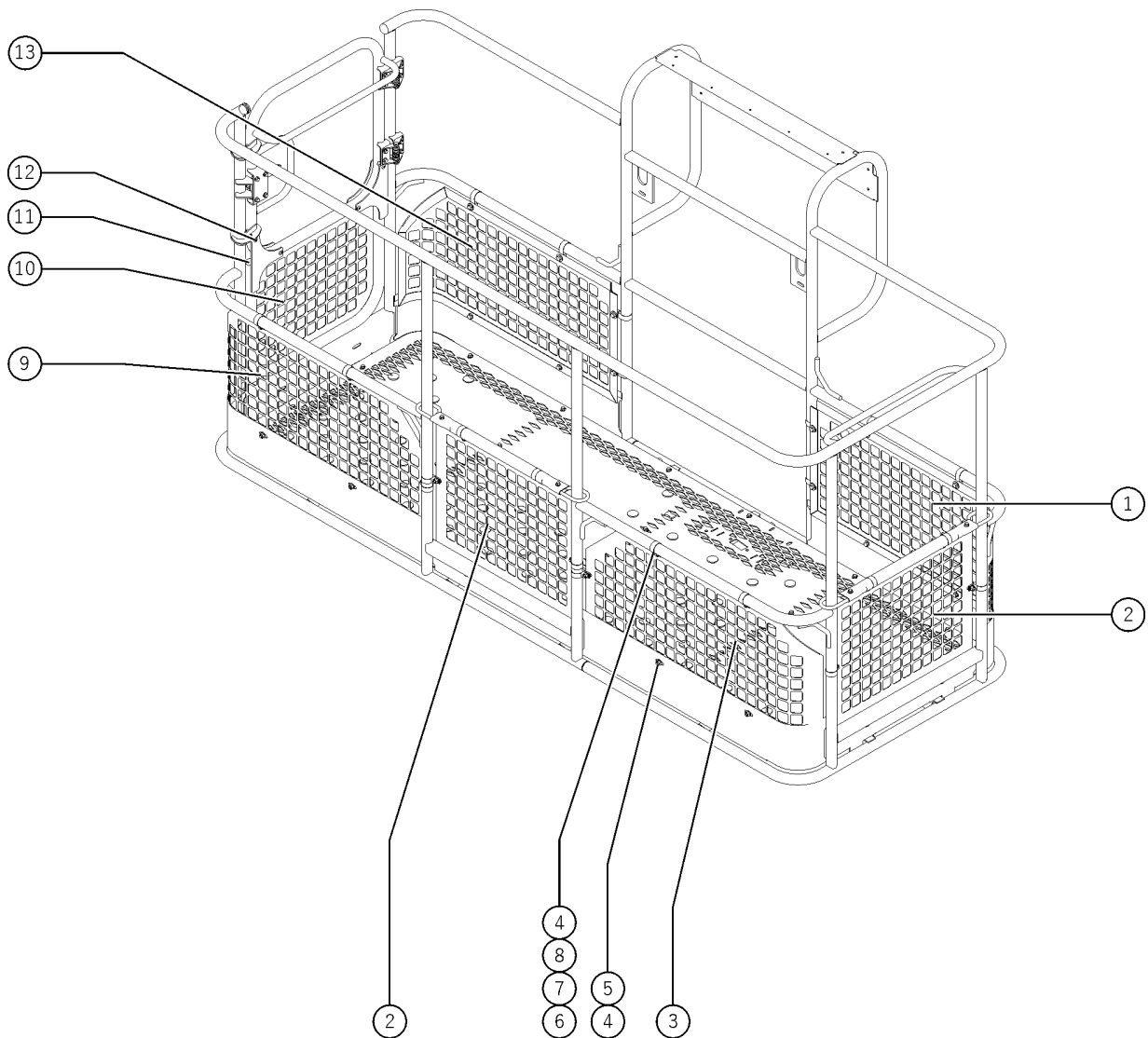


913.1 Access Manager Option

<i>Item</i>	<i>Part No.</i>	<i>Description</i>	<i>Qty.</i>
1		Ref. Cover, Tank Side refer to 307.1	
2	1296895GT	KEYPAD, ACCESS MANAGEMENT, LIFT CONNECT	1
3	1283019GT	NUT,NYLOCK,M4-0.7,DIN985,8,ZAB	2
4	825357GT	WASHER,FLAT,M4,DIN125,ZAB	4
5	1300832GT	SCREW, BHC, M4-0.7X35, 10.9,ZAB	2



914.1 Half Mesh Option



<i>Item</i>	<i>Part No.</i>	<i>Description</i>	<i>Qty.</i>
1	1271019GT	PANEL, HALF MESH	1
2	1271061GT	PANEL, HALF MESH	1
3	1271018GT	PANEL, HALF MESH	1
4	824028GT	NUT,TL FLG,5/16-18,G,ZAG	34
5	824085GT	SCREW,HHF,5/16-18X.75,8,ZAG	12
6	1264101GT	SCREW,HHC,5/16-18X1,8,ZAG	22
7	825358GT	WASHER,FLAT,5/16,USS,ZAG	22
8	56424GT	CLAMP,1.25X.5 RUBBER-CUSHION	22
9	1271040GT	PANEL, HALF MESH	1
10	1285700GT	WELDMENT. GATE, HALF MESH	1
11	55753GT	BUMPER, PLASTIC, 1.25 O.D.	2
12	824207GT	RIVET,STL,STL,DOME,1/4X.375,Z	8
13	1270994GT	PANEL, HALF MESH	1

<u>Part no.</u>	<u>Page Number</u>	<u>Part no.</u>	<u>Page Number</u>	<u>Part no.</u>	<u>Page Number</u>
1268GT	11	25548GT	133	33239GT	105
1484GT	11	25817GT	37	33428GT	175, 179
5224GT	173, 177	25994GT	15	33555GT	81
5365GT	105	27067GT	39, 43, 49, 51	33994GT	11, 95
5397GT	109, 237, 241	27089GT	113	33998GT	93
6036GT	217	27204GT	19, 29	34162-300GT	131
6037GT	237, 241	27205GT	19, 29	34344GT	121
6097GT	173, 177	27206GT	19, 29	34619GT	225
6145GT	217	27207GT	19, 29	34922GT	223
6146GT	143	27581GT	11	34940GT	65
6178GT	139, 143, 161, 237, 241	27802GT	91	34955GT	223
6356GT	217	27807GT	93	35434GT	129, 131, 223
6782GT	111, 237	27901GT	65	35586GT	109
6833GT	165, 199	28159GT	15, 27	35675GT	123
6888GT	111	28174GT	21, 25, 31, 35	35956GT	217
7713GT	173, 177	28235GT	21, 25, 31, 35	36456GT	51
8149GT	61	28236GT	25	37187GT	61
8170GT	57	28301GT	79, 83	37192GT	61
8910GT	57	28750GT	11, 95	37947GT	79, 81
12344GT	195, 231, 237, 241	29557GT	125, 151	38621GT	121
12448GT	189	29559GT	151	39540GT	67, 199
13000GT	237, 241	29560GT	11, 105, 113, 151	40766GT	199
13268GT	199	29868GT	217... 21, 25, 31, 35, 101, 105,	42014GT	41, 43, 153
13597GT	105	30144GT	57	42079GT	183
13635-10GT	169	30220GT	175, 179	42787GT	61, 207
18396GT	173, 177	30222GT	175, 179	43018GT	101
18665GT	237, 243	30348GT	131, 135	43392GT	191, 225
18666GT	69, 199	30468GT	225	43683GT	99
18720GT	153, 155, 163	30489GT	147	44174GT	101
18722GT	155	30810GT	105, 143, 151	44981GT	21, 25, 31, 35
19274GT	71, 231	30971GT	109, 117, 223	45074GT	39
19491GT	73, 157	30996GT	67	45435GT	131
20776GT	237, 243	30997GT	69, 199	45455GT	131
21130GT	105, 143	31060GT	15, 23, 25	45708GT	57
21465GT	135, 139, 141	31408GT	109, 117	46131GT	139
22348GT	65	31523GT	105	48425GT	121
22571GT	217	31788GT	15	48647GT	89
22672GT	129, 223	31983GT	135	48767GT	203
22699GT	115, 133	32150GT	11	48875GT	203
23405GT	223	32151GT	11	48878GT	57, 61, 207
24038GT	129	32695GT	117	48880GT	103, 203, 211
24514GT	189, 193	32698GT	11	48885GT	59, 209

<u>Part no.</u>	<u>Page Number</u>	<u>Part no.</u>	<u>Page Number</u>	<u>Part no.</u>	<u>Page Number</u>
48898GT	209	49119-6890GT	205	52866GT	109, 131, 147
48904GT	203, 207	49119-7283GT	205	52897GT	101
48905GT	203, 205, 211	49119-7480GT	205	52967GT	19, 29
48907GT	203	49119-7578GT	211	53386GT	41, 63
48908GT	211	49128-3291GT	215	53471-750GT	195
48911GT	211	49128-6299GT	205	53952GT	109, 117, 131
48912GT	57, 205, 211	49128-12309GT	203	54124GT	65
48915GT	203, 207, 211, 215, 227	49130-2482GT	211	54324GT	65
48916GT	203, 207, 211, 215	49130-5118GT	211	54365GT	237, 241
48917GT	209	49130-5591GT	215	54428GT	105, 113, 129
48918GT	211, 215	49130-5782GT	205	54486GT	225
48920GT	209	49130-5906GT	205	55753GT	191, 251
48927GT	203	49130-9843GT	227	56003GT	203
48929GT	215, 227	49130-83385GT	203	56424GT	189, 193, 251
48930GT	205, 211	49131-9603GT	211	56912GT	37, 43, 59, 63, 77, 83...
48932GT	121, 207, 215	49143-3429GT	205	58249GT	151
48933GT	203, 211, 215	49143-3629GT	205	58380GT	121
48936GT	121, 207, 211	49143-12329GT	203	58415GT	109, 131
48937GT	203	49150-2756GT	205	58489GT	61
48941GT	121, 207	49150-7230GT	205	58566GT	113, 151
48943GT	59, 207, 213	49150-7283GT	205	58630GT	151
48946GT	207	49176-8638GT	59	58994GT	89
48948GT	211	49183-13492GT	203	59371GT	57
48959GT	207, 227	49189-8638GT	205	59460GT	37
48960GT	207, 211, 227	49219GT	203	60304GT	161, 165, 167
48961GT	121, 207	49379GT	217	60334GT	121
48963GT	121, 207	49408GT	217	60443GT	73
48974GT	227	49519GT	61, 207	60840GT	161, 167
48975GT	207	49612GT	11, 95	60857GT	11, 121
48977GT	207	49613GT	95	60984GT	153
48984GT	59, 207, 227	49816GT	143	61073-2697GT	227
48996GT	59, 207	49817GT	145	61073-3012GT	227
48997GT	103, 203, 211	49915GT	151	61073-3330GT	205
49117-2913GT	205	49924GT	11, 13, 103, 113, 123, 151	61074-5710GT	227
49117-6091GT	211	50787GT	143	61074-7254GT	205
49117-6291GT	211	51063GT	163	61074-9646GT	227
49117-7480GT	205	52352GT	151	61189GT	83
49117-8858GT	205	52371GT	101	61263GT	59, 207, 227
49117-10091GT	211	52475GT	19, 29	61610GT	209, 227
49117-10691GT	211	52692GT	19, 29	62127GT	103
49119-2878GT	203	52715GT	91	62337GT	103
49119-4878GT	203	52865GT	15	62392GT	201

<u>Part no.</u>	<u>Page Number</u>	<u>Part no.</u>	<u>Page Number</u>	<u>Part no.</u>	<u>Page Number</u>
62414GT	61	71259GT	61, 229	77310-1693GT	203
62420GT	11, 13, 109, 131	71768GT	163	77402GT	107
62425GT	147	71911GT	143	77610GT	41
62506GT	101	72086GT	15, 19, 21, 27, 29, 31	77616GT	161
62507GT	101	72168GT	15	77618GT	161
63375GT	241	72169GT	15	77648GT	169
63463GT	109, 117, 131	72290GT	39, 43	77649GT	169
63468GT	45	72326GT	67	77653GT	165
63727GT	223	72875GT	25	77654GT	165
65278GT	19, 29	73478GT	189	77656GT	161, 169
65810GT	111, 131	73575GT	189, 195, 231	77671GT	75
66399GT	11	73713GT	73	77674GT	45, 49, 51
66811GT	67	73717GT	69, 199	77688GT	161
66812GT	67, 197	73725GT	73	77693GT	61
66813GT	67, 197	73730GT	69	77778GT	77, 83
66815GT	197	73736GT	69	77790GT	41, 43
66816GT	67	73900GT	187	77791GT	41, 43
66817GT	67, 197	74006GT	241	77795GT	165
66818GT	67	74735GT	41	77879GT	75
66821GT	67	74902GT	91, 93	77880GT	41
67631GT	113	74913GT	237	77882GT	163
67897GT	191, 193	75064GT	153	77884GT	167
69775GT	105, 113, 129	75185GT	217	77950GT	43
70317GT	221	75278-5029GT	211	77996GT	221
70318GT	221	75278-5129GT	211	77998GT	221
70319GT	221	75443GT	201	78736GT	125
70351GT	117	75444GT	201	80543GT	241
70375GT	109, 117	75445GT	201	81167GT	221
70381GT	107, 113, 133, 147	75446GT	201	81175GT	175, 179
70385GT	105, 113	75447GT	201	81197GT	225
70444GT	143	75448GT	201	81329GT	225
70445GT	143	75449GT	201	81340GT	183
70448GT	145	75450GT	147	81341GT	183
70449GT	143	75451GT	147	81342GT	183
70452GT	107, 109, 113, 117, 141	75462GT	103	81347GT	183
70454GT	149	75654GT	59, 207, 227	81467GT	147
70455GT	149	75854GT	61	81468GT	147
70459GT	113	75855GT	61	81488GT	199
70460GT	113	76695GT	173, 177	81522GT	121
70461GT	117	77051GT	165, 169	81578GT	59
70472GT	115	77303GT	173, 177	81599GT	155, 157
70483GT	145	77310-1575GT	203	81609GT	47

<u>Part no.</u>	<u>Page Number</u>	<u>Part no.</u>	<u>Page Number</u>	<u>Part no.</u>	<u>Page Number</u>
81610GT	47	88942-8354GT	205	101932GT	219
81691GT	47	88942-10827GT	205	101964GT	81
81724GT	123	88942-13954GT	209	102045GT	149
81812-13292GT	211	88949-3828GT	205, 227	102131GT	49, 51
81834GT	75	89294GT	37	102155GT	39, 43
81856GT	163	89295GT	41	102157GT	49, 51
82237GT	21, 25, 237, 243	89312GT	91	102158GT	39, 43, 49, 51
82240GT	27	89733GT	89, 91	102159GT	39, 43
82366GT	15	89737GT	89, 91	102162GT	49, 51
82410GT	25	89774GT	109	102166GT	49, 51
82481GT	27	89785GT	127	102167GT	49, 51
82487GT	27, 35	89871-2430GT	211	102209GT	147
82862GT	25	89997GT	145	102227GT	147
83093GT	79, 81	89998GT	145	102237PGT	145
83098GT	201	93500GT	11	102516GT	49, 51
83141GT	99	94221GT	37	102528GT	91
87033GT	121, 207	94374-6421GT	205	102586GT	151
87755GT	69, 199	94464-4986GT	211	102587GT	125, 151
88280GT	175, 179	94465-3650GT	205	102590GT	151
88356-11103GT	157	94465-5566GT	215	102785GT	225
88356-13103GT	73	94466-2336GT	211	102786GT	225
88356-13107GT	161	94485GT	105	102940GT	89
88356-32163GT	163	94599GT	91	104759GT	101
88406GT	245	94643GT	59, 209	104804GT	191
88516GT	175, 179	94937GT	73	105214GT	181
88567GT	169	94982GT	243	106033GT	105, 143, 151
88568GT	169	97128GT	73, 157, 161, 163	106034GT	105, 143, 151
88569GT	161	97232GT	163	106042GT	153, 155
88570GT	169	97469GT	103	106073GT	241
88606GT	225	97548GT	21	106098GT	39, 43, 49, 51
88607GT	225	97579GT	25	106099GT	223
88676GT	153	97602GT	21	106104GT	237, 243
88793GT	169	97815GT	25, 35	106115GT	87
88795GT	165	97865GT	15	106117GT	39, 43
88796GT	169	101006GT	111, 117	106141GT	245
88801GT	87	101140GT	105, 117	106172GT	105, 117
88872GT	153	101293GT	61, 207	106204GT	247
88884GT	39, 43, 49, 51	101490GT	59, 207	106275GT	245
88917GT	11	101491GT	59, 207, 227	106495GT	243
88919GT	155, 163	101494GT	59, 207, 227	106516GT	37
88936GT	227	101525GT	245	106860GT	247
88942-4331GT	205	101726GT	65	108538GT	125

<u>Part no.</u>	<u>Page Number</u>	<u>Part no.</u>	<u>Page Number</u>	<u>Part no.</u>	<u>Page Number</u>
110149GT	107	122645GT	89	133205GT	27
110183GT	143	122647GT	91	133278GT	15
110197GT	91	122649GT	89	139000GT	49
110221GT	37	122657GT	91	139001GT	49
110650GT	157, 163	122661GT	185	139002GT	49, 51
111155GT	53	122662GT	185	139140GT	49, 51
111445GT	151	122663GT	185	139288GT	169
111526GT	225	122668GT	185	139321GT	145
111668GT	113	125865GT	37	139322GT	143
111778GT	89, 91	128000GT	201	139338GT	197
114249GT	29	128001GT	201	139384GT	169
114251GT	27, 31	128004GT	105, 115, 133, 147	139385GT	169
114252GT	27, 33, 35	128049GT	43	139455GT	147
114258GT	15, 21	128200GT	197	139508GT	95
114390GT	15, 21, 25	128203GT	69, 197	139512GT	95
114416GT	25	128204GT	197	139515GT	95
114473GT	35	128268GT	175, 179	139527GT	95
115048GT	103	128322GT	191, 245	139528GT	95
119061GT	69	128584-SGT	197	139598GT	201
119065GT	161	128829GT	143	139621GT	117
119067GT	73	128896GT	143	139622GT	117
119085GT	219	128909GT	55	139623GT	117
119086GT	219	128910GT	55	139709GT	109, 117
119088GT	219	128911GT	55	139715GT	97
119089GT	219	128912GT	55	139716GT	95
119115GT	91	128913GT	53	139717GT	95
119116GT	89, 91	128914GT	53	139718GT	95
119344GT	113	128916GT	55	139719GT	95, 97
119394GT	135	128917GT	55	139726GT	97
119619GT	37, 155, 157, 163	128918GT	55	139727GT	95
119644GT	69	128919GT	55	139731GT	87
119915GT	201	128920GT	55	139799GT	99
120258GT	109	128921GT	55	139965GT	39
120259GT	109	128922GT	53	139966GT	39
121065GT	185	128923GT	53	139967GT	39
121582GT	189	128924GT	55	139968GT	39
121615GT	145	128925GT	53	139969GT	39
121619GT	85	128927GT	55	139970GT	39
121622GT	87	128928GT	53	139971GT	39
121804GT	217	128949GT	53	139972GT	39
122120GT	89	128955GT	55	146180GT	61
122641GT	91	133067GT	27, 31, 35	146181GT	61

<u>Part no.</u>	<u>Page Number</u>	<u>Part no.</u>	<u>Page Number</u>	<u>Part no.</u>	<u>Page Number</u>
146182GT	61	218457GT	199	822514GT	143
146478GT	197	218559GT	25	822692GT	59
147033GT	39	218715GT	135	822693GT	105, 113
147034GT	39	219437GT	129, 135	822694GT	129
147121GT	189	219487GT	25	822695GT	129
147243GT	113	219956GT	35	822696GT	129
147550GT	99	219958GT	35	823074GT	63
147792GT	19	219976GT	131	823113GT	19, 29
160517GT	149	226542GT	175, 179	823356GT	65
160687GT	105	226948GT	199	823368GT	61
160809GT	187	227618GT	85, 189, 193	823523GT	135
161533GT	91	227785GT	45	824025GT	143
161607GT	75	228796GT	183	824027GT	79, 81, 105, 119, 129, 131...
161938GT	135	228797GT	183	824028GT	77, 81, 133, 191, 251
162206GT	141	228969GT	185	824029GT	85, 111, 81, 129, 135, 139...
162207GT	139	229169GT	185	824037GT	231
162208GT	139	229567GT	197	824041GT	47, 105, 143
162209GT	139	229817GT	49, 51	824059GT	37, 43, 79, 81, 243
214225GT	175, 179	229818GT	49, 51	824062GT	163
214226GT	175, 179	229931GT	49, 51	824063GT	45
214228GT	13, 139	231034GT	89	824066GT	239, 243
214237GT	129	231088GT	63	824067GT	37, 161, 167
214619GT	245	231513GT	83	824068GT	161, 167
214620GT	245	231530GT	99	824072GT	39, 43
214621GT	245	231532GT	79, 81	824075GT	175, 179
214622GT	245	231612GT	39, 43	824077GT	81, 171, 189, 245
214623GT	245	236248GT	127	824078GT	51, 81, 111, 85, 105, 129, 85, 15, 121, 141, 165...
214682GT	137	236251GT	127, 135	824079GT	165...
214685GT	129	236259GT	139	824080GT	63
214686GT	131	236260GT	13, 139	824081GT	61, 175, 179
214795GT	63	237188GT	131	824082GT	157, 189
214934GT	135	237189GT	139	824083GT	61, 165, 183, 231
215254GT	79, 81	237190GT	139	824084GT	173, 185
215340GT	49, 51	237191GT	139	824085GT	109, 217, 251
215642GT	49, 51	237192GT	129	824086GT	117, 133, 147
217366GT	245	237193GT	129	824087GT	167, 237, 241
217480-3800GT	37, 43	237194GT	129	824089GT	85, 15, 125, 145, 155, 163, 51, 85, 15, 101, 109, 113, 41, 51, 121, 159, 147...
217877GT	131	237234GT	89	824090GT	113
217930GT	131	237238GT	105, 129, 143	824091GT	73, 135, 173, 177
218165GT	197	237830GT	45	824092GT	157
218448GT	185	238135GT	77, 83	824093GT	157
218449GT	67	822224GT	199	824095GT	37

<u>Part no.</u>	<u>Page Number</u>	<u>Part no.</u>	<u>Page Number</u>	<u>Part no.</u>	<u>Page Number</u>
824096GT	183	826793GT	157, 161, 167	1255666GT	107, 113, 133, 147
824110GT	37, 161	1251565GT	163, 169, 173, 177, 183	1255692GT	135
824113GT	37, 43, 143, 163, 167, 193...	1251600GT	189, 193	1255699GT	41
824115GT	121	1251731GT	137	1255700GT	39
824116GT	175, 179	1251757GT	223	1255702GT	47
824120GT	129	1251899GT	107, 113, 145, 149	1255703GT	37, 43
824123GT	149	1251983GT	129, 135	1255704GT	41
824124GT	131, 219	1251994GT	107, 109, 113, 117, 139	1255705GT	37
824127GT	37, 161	1252978GT	169	1255706GT	37
824129GT	37, 161	1253185GT	69, 129, 131, 137, 161, 193...	1255708GT	41
824133GT	135	1253264GT	81	1255710GT	39
824142GT	107, 147	1253271GT	81	1255711GT	43
824145GT	145	1253477GT	63, 69, 199	1255714GT	51
824151GT	149	1253478GT	41, 47, 65, 77, 81, 219	1255720GT	73
824207GT	251	1253485GT	245	1255722GT	73
824214GT	69, 199	1253498GT	41, 43, 37, 99, 133, 153	1255753GT	197
824215GT	65, 139, 225	1253815GT	153, 159	1255756GT	173, 177
824216GT	73, 161, 231	1253819GT	77	1255758GT	143, 183
824220GT	129, 131	1253825GT	59	1255760GT	107, 109, 113, 117, 139
824225GT	189	1253830GT	77, 83	1255761GT	169
824226GT	69	1253831GT	77, 83	1255763GT	79, 83, 111, 119, 133, 147
824471GT	65	1253922GT	135	1255768GT	75
824600-350GT	135	1254267GT	135	1255782GT	169
824600-850GT	135	1254452GT	135	1255802GT	43, 47
824617GT	241	1254453GT	135	1255805GT	63, 73, 79, 83, 109, 117...
824673GT	127	1254594GT	125	1255894GT	131
825019GT	37, 123, 173, 177	1254625GT	79, 83	1255986GT	77
825349GT	225	1254639GT	153	1255987GT	81
825351GT	107, 115, 147	1254823GT	135	1256054GT	79, 81
825352GT	217	1254826GT	113, 151	1256107GT	153
825353GT	75, 143, 169, 175, 179	1255385GT	39, 45	1256119GT	161
825355GT	105	1255391GT	183	1256124GT	245
825357GT	249	1255396GT	139	1256126GT	121
825358GT	51, 163, 191, 245, 251	1255399GT	141	1256127GT	77, 83
825708GT	125	1255400GT	139	1256168GT	75
825737GT	241	1255452GT	37, 155, 157	1256169GT	149
825796GT	37, 163, 169, 173, 177	1255469GT	107, 115	1256170GT	73
825939GT	125	1255581GT	15, 21, 27, 31	1256177GT	157
826008GT	133	1255582GT	15, 27	1256180GT	177
826171GT	75	1255642GT	51	1256182GT	39, 45, 73
826345GT	15	1255643GT	65	1256267GT	41, 43, 153
826379GT	165, 169	1255653GT	113, 125, 151	1256283GT	107, 109, 113, 117, 139

<u>Part no.</u>	<u>Page Number</u>	<u>Part no.</u>	<u>Page Number</u>	<u>Part no.</u>	<u>Page Number</u>
1256312GT	223	1258174GT	15, 21, 27, 31	1261239GT	139
1256425GT	31, 35	1258175GT	15, 27	1261240GT	139
1256463GT	173, 177	1258176GT	15, 21, 27, 31	1261241GT	139
1256464GT	163	1258177GT	15, 27	1261244GT	79
1256469GT	59	1258395GT	183	1261245GT	81
1256599GT	137	1258567GT	11	1261266GT	79, 83
1256679GT	11, 83, 129, 133, 113, 177	1258670GT	239, 241	1261277GT	57, 63, 75, 79, 83, 121
1256693GT	77, 81	1258674GT	237	1261724GT	57, 121
1256767GT	77	1258687GT	237	1261835GT	81
1256771GT	81	1258688GT	237	1261836GT	77, 81
1256776GT	109, 113, 117, 139, 149	1258689GT	237	1261837GT	79, 83
1256804GT	225	1258722GT	79, 83	1262210GT	79
1256837GT	75	1258723GT	77, 81	1262211GT	81
1256842GT	75	1258724GT	77, 81	1262487GT	11
1256843GT	175, 179	1258892GT	169	1262688GT	153
1256846GT	75	1258949GT	15, 27	1262842GT	131
1256855	77, 189	1258952GT	199	1262866GT	13, 127
1256855GT	99, 87, 103, 119, 123, 193	1259001GT	75	1262867GT	127
1256856GT	77, 81, 221	1259002GT	63, 75	1262868GT	125
1256859GT	231	1259106GT	181	1262870GT	125
1256863GT	75	1259259GT	195	1262871GT	125
1256864GT	153	1259338GT	63	1262872GT	125
1257076GT	47, 105, 143	1259339GT	63	1262873GT	127
1257078GT	39, 43	1259441GT	135	1262875GT	125
1257080GT	153	1259583GT	225	1262876GT	127
1257223GT	75	1259584GT	225	1262877GT	127
1257227GT	199, 225, 241	1259654GT	125	1262878GT	127
1257231GT	137	1259660GT	127	1262881GT	125
1257390GT	69, 235	1259717GT	125	1262883GT	125
1257410GT	67	1259855GT	57, 121	1262893GT	127
1257419GT	47	1259899GT	125	1262894GT	125, 127
1257421GT	133	1260084GT	37	1262895GT	125
1257424GT	129	1260112GT	57	1262896GT	125
1257453GT	45	1260113GT	57	1262897GT	125
1257464GT	181	1260116GT	91	1262899GT	127
1257628GT	77, 81	1260162GT	79	1263141GT	45
1257706GT	145	1260163GT	83	1263542GT	27, 31
1257733GT	11	1260174GT	121	1263543GT	15, 21
1257837GT	107	1260357GT	125	1264101GT	251
1257866GT	157	1261001GT	225	1264261GT	73
1257867GT	183, 185	1261184GT	193, 231	1264483GT	57
1257961GT	139	1261236GT	139	1264689GT	209

<u>Part no.</u>	<u>Page Number</u>	<u>Part no.</u>	<u>Page Number</u>	<u>Part no.</u>	<u>Page Number</u>
1264934GT	195, 231	1270946GT	99	1274448GT	85
1264969GT	61	1270969GT	15, 27	1274511GT	173, 177
1265397GT	191	1270970GT	15, 27	1274858GT	187, 189
1265862GT	199	1270994GT	251	1274859GT	187, 189
1265999GT	77	1271018GT	251	1274870GT	89
1267121GT	15, 21	1271019GT	251	1274900GT	135
1267235GT	105, 117	1271040GT	251	1274967GT	247
1267236GT	109	1271061GT	251	1275088GT	189
1267237GT	105	1271081GT	69, 235	1275089GT	193
1267238GT	107	1271713GT	201	1275248GT	201
1267239GT	107	1271770GT	65	1275258GT	201
1267746GT	189	1272122GT	69, 199	1275259GT	201
1267747GT	191	1272123GT	69, 199	1275625GT	159
1267807GT	121	1272242GT	15, 27	1275937GT	67
1268229GT	121	1272303GT	187	1276017GT	161, 167
1268322GT	69	1272304GT	187	1276018GT	161, 167
1268327GT	69	1272624GT	125	1276019GT	161, 167
1268651GT	69	1272965GT	131	1276021GT	161, 167
1268832GT	59	1272967GT	131	1276386GT	153
1269424GT	173, 177	1272976GT	155	1276396GT	167
1269497GT	197	1273081GT	131	1276413GT	169
1269498GT	197	1273342GT	77	1276424GT	153
1269499GT	201	1273343GT	77	1276425GT	155
1269641GT	189, 193	1273344GT	83	1276426GT	153
1269642GT	173, 177	1273345GT	83	1276427GT	173, 177
1269714GT	85	1273414GT	153	1276428GT	153
1269717GT	85	1273589GT	173, 177	1276432GT	183
1269719GT	85	1273674GT	167	1276437GT	171
1269720GT	85	1273706GT	173, 177	1276444GT	159
1269721GT	85	1273734GT	189	1276445GT	159
1269724GT	85	1273876GT	181	1276449GT	183
1269729GT	85	1274164GT	69, 199	1276450GT	183
1269732GT	85	1274165GT	167, 173, 177, 189	1276451GT	185
1269734GT	85	1274167GT	51, 19, 83, 111, 119, 133...	1276453GT	163
1269735GT	85, 241	1274168GT	69, 71, 199, 231	1276454GT	157
1269738GT	63	1274170GT	243	1276455GT	157
1270141GT	107	1274172GT	15, 107, 109, 113, 117, 139...	1276464GT	157
1270151GT	75	1274315GT	169	1276468GT	163
1270278GT	181	1274320GT	143, 169	1276482GT	163
1270337GT	181	1274322GT	51, 41, 51, 13, 11, 107...	1276484GT	175, 179
1270665GT	243	1274335GT	173, 177	1276485GT	207
1270810GT	101	1274336GT	99	1276490GT	161

<u>Part no.</u>	<u>Page Number</u>	<u>Part no.</u>	<u>Page Number</u>	<u>Part no.</u>	<u>Page Number</u>
1276491GT	165	1278433GT	231	1281169GT	15, 27
1276495GT	155	1278458GT	231	1281174GT	25, 35
1276503GT	155	1278542GT	25, 35, 231	1281175GT	35
1276504GT	153	1278567GT	25, 35	1281180GT	15
1276505GT	153	1278612GT	199	1281188GT	17, 27
1276507GT	157	1278613GT	199	1281250GT	101
1276508GT	167	1278666GT	167	1281786GT	241
1276509GT	167	1278708GT	11	1281789GT	103
1276510GT	157	1278859GT	85	1281808GT	59
1276511GT	159	1278863GT	85	1281936GT	153
1276513GT	163	1278879GT	85	1281963GT	169
1276514GT	161	1278912GT	77, 81	1281974GT	77
1276520GT	183	1278982GT	25, 35, 233	1282117GT	11, 59
1276521GT	183	1279049GT	173, 177	1282119GT	135
1276672GT	241	1279050GT	155	1282175GT	99
1276750GT	95	1279306GT	173, 183	1282181GT	45
1276820GT	175, 179	1279429GT	173, 177	1282197GT	59
1276822GT	175, 179	1279465GT	121	1282472GT	197
1276986GT	241	1279466GT	121	1282963GT	243
1277169GT	69	1279631GT	127	1283004GT	47, 143, 193
1277205GT	247	1279653GT	125	1283005GT	157, 217, 241
1277206GT	247	1279698GT	41, 43	1283007GT	149
1277207GT	245	1279699GT	41, 45	1283012GT	69
1277208GT	247	1279800GT	223	1283013GT	79
1277776GT	159	1279801GT	223	1283019GT	249
1277873GT	231	1279851GT	199	1283022GT	47
1277875GT	233	1279871GT	237	1283024GT	59, 175, 179
1277876GT	233	1280080GT	223	1283103GT	59
1277877GT	231	1280124GT	173	1283128GT	41, 45
1277924GT	51, 61, 15, 11, 85, 107...	1280278GT	193	1283129GT	41, 45
1277951GT	85	1280390GT	73	1283145GT	121
1277974GT	125	1280589GT	69	1283345GT	17, 21, 27, 31
1278108GT	231	1280669GT	197	1283511GT	41
1278111GT	231	1280702GT	69	1283513GT	237, 243
1278119GT	231	1280837GT	183	1283516GT	185
1278121GT	231	1280838GT	183	1283533GT	43
1278124GT	231	1280839GT	183	1283537GT	47
1278138GT	231	1280840GT	185	1283538GT	163
1278144GT	233	1280841GT	157	1283545GT	57
1278363GT	233	1280862GT	123	1283547GT	57
1278368GT	231	1280871GT	85	1283548GT	243
1278416GT	231	1280872GT	85	1283549GT	229

<u>Part no.</u>	<u>Page Number</u>	<u>Part no.</u>	<u>Page Number</u>	<u>Part no.</u>	<u>Page Number</u>
1283555GT	85	1287240GT	49, 51, 53	1289523GT	235
1283576GT	207, 209	1287241GT	49, 51, 53	1289552GT	189
1283577GT	21, 31, 237, 243	1287242GT	53	1289554GT	237
1283744GT	23, 33	1287490GT	223	1290424GT	245
1283776GT	11	1287506GT	41	1290450GT	67
1283783GT	43, 51	1287507GT	215	1290460GT	67
1283785GT	41, 49	1287508GT	219	1290501GT	85
1283843GT	243	1287509GT	219	1290806GT	17, 27
1283847GT	41	1287510GT	219	1291159GT	223
1283878GT	17, 25, 27, 35	1287511GT	219	1291410GT	87
1284023GT	99	1287590GT	19, 29	1291411GT	87
1284093GT	169	1287591GT	23, 33	1292512GT	17
1284096GT	19, 29	1287592GT	19, 29	1292513GT	17
1284097GT	19, 29	1287593GT	23, 33	1292514GT	17
1284098GT	35	1287594GT	19, 29	1292515GT	17
1284099GT	35	1287629GT	85	1294547GT	85
1284100GT	23, 33	1287630GT	85	1296077GT	189
1284272GT	225	1287631GT	85	1296591GT	243
1284399GT	103	1288372GT	47	1296895GT	249
1284522GT	69	1288373GT	47	1296971GT	221
1284523GT	69	1288376GT	93	1297451GT	203
1284524GT	199	1288377GT	89, 93	1298933GT	11
1284672GT	25	1288379GT	89	1299222GT	85
1284718GT	25	1288380GT	93	1299532GT	57
1284981GT	17	1288381GT	89	1300832GT	249
1284982GT	27	1288382GT	91	1301309GT	87
1285141GT	103	1288383GT	91	1302046GT	37
1285142GT	103	1288386GT	175, 179	1302115GT	17, 27
1285143GT	103	1288398GT	47	1305366GT	209
1285144GT	103	1288400GT	89	1305837GT	217
1285145GT	103	1288402GT	223	1306175GT	73
1285146GT	103	1288455GT	245	1306251GT	193
1285147GT	103	1288890-9948GT	215	1306254GT	193
1285150GT	241	1288890-10630GT	203	1306354GT	193
1285151GT	241	1288891-7874GT	227	1306670GT	57
1285152GT	241	1288891-8268GT	205	1306706GT	193
1285153GT	241	1288892-6102GT	203	1306707GT	193
1285700GT	251	1288893-73424GT	203	1306812GT	217
1285850GT	231	1289103GT	151	1306900GT	193
1286362GT	27, 31	1289520GT	235	1306957GT	195
1286642GT	159	1289521GT	235	1307200GT	235
1287081GT	237	1289522GT	235	1307265GT	177

<u>Part no.</u>	<u>Page Number</u>	<u>Part no.</u>	<u>Page Number</u>	<u>Part no.</u>	<u>Page Number</u>
1307323GT	179	1311847GT	185		
1307439GT	61	1313046GT	59		
1307579GT	61	1313693GT	53		
1307580GT	61	1313694GT	53		
1307581GT	61	1313695GT	53		
1307582GT	61	1313696GT	53		
1307643GT	195	1313697GT	53		
1307644GT	193	1313698GT	53		
1307739GT	193	1313699GT	53		
1307740GT	193	1313700GT	53		
1308057GT	59	1313701GT	53		
1308105GT	59	1313702GT	53		
1308160GT	73	1313703GT	53		
1308161GT	73	1313704GT	53		
1308162GT	73	1313705GT	53		
1308163GT	75	1313706GT	53		
1308164GT	75	1313707GT	53		
1308172GT	75	1313708GT	53		
1308173GT	75	1313709GT	53		
1308751GT	157	T106954GT	73		
1308752GT	157	T106955GT	73		
1308957GT	185	T106957GT	73		
1308976GT	115	T106961GT	73		
1309207GT	85	T106962GT	73		
1309573GT	147	T112626GT	201		
1309603GT	111, 117, 131	T112773GT	25, 35, 193		
1309604GT	109, 117, 133				
1309605GT	147				
1310157GT	45				
1310191GT	75				
1310192GT	75				
1310240GT	163				
1310252GT	71				
1311131GT	85				
1311783GT	185				
1311790GT	185				
1311791GT	185				
1311793GT	185				
1311813GT	185				
1311839GT	185				
1311843GT	185				
1311845GT	185				

California Proposition 65

 **WARNING**

Operating, servicing and maintaining this equipment, passenger vehicle or off-highway motor vehicle can expose you to chemicals including engine exhaust, carbon monoxide, phthalates, and lead, which are known to the State of California to cause cancer and birth defects or other reproductive harm. These chemicals can be emitted from or contained in other various parts and systems, fluids and some component wear by-products. To minimize exposure, avoid breathing exhaust, do not idle the engine except as necessary, service your equipment and vehicle in a well-ventilated area and wear gloves or wash your hands frequently when servicing your equipment or vehicle and after operation. For more information go to www.P65Warnings.ca.gov/passenger-vehicle.

Breathing diesel engine exhaust exposes you to chemicals known to the State of California to cause cancer and birth defects or other reproductive harm.

- Always start and operate the engine in a well-ventilated area.
- If in an enclosed area, vent the exhaust to the outside.
- Do not modify or tamper with the exhaust system.
- Do not idle the engine except as necessary.

For more information go to www.P65warnings.ca.gov/diesel.

www.genielift.com

Distributed By:

Parts Manual
S-65XC

from SN S65XCD-101

Part No.
1303193GT

Rev A4

Genie
A TEREX BRAND