



A TEREX BRAND

# ***Parts Manual***

Serial Number Range

***SX-150***

from SN SX15015H-100

to SX15015H-499

and from SX150H-500

Part No. 1263370  
Rev: B  
September 2020

---

## Technical Publications

Genie has endeavored to deliver the highest degree of accuracy possible. However, continuous improvement of our products is a Genie policy. Therefore, product specifications are subject to change without notice.

Readers are encouraged to notify Genie of errors and send in suggestions for improvement. All communications will be carefully considered for future printings of this and all other manuals.

---

## Contact Us:

Internet: [www.genielift.com](http://www.genielift.com)  
e-mail: [awp.techpub@terex.com](mailto:awp.techpub@terex.com)

---

## Find a Manual for this Model

Go to <http://www.genielift.com>

Use the links to locate Operator's, Parts, Maintenance, and Service and Repair Manuals.

---

Copyright © 2015 Terex Corporation  
1263370 Rev B August 2020  
First Edition, Second Printing

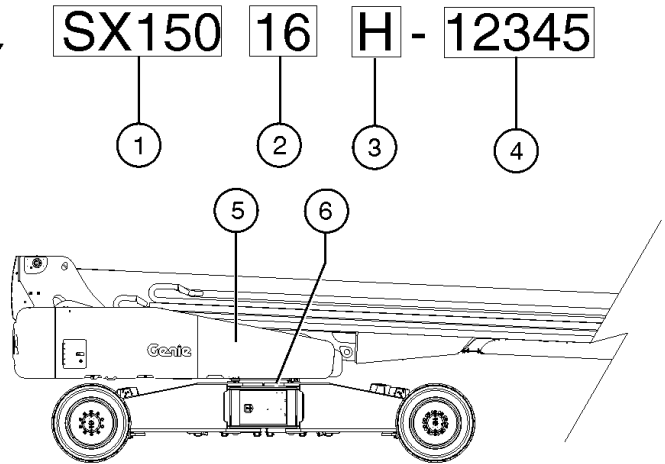
Genie is a registered trademarks of Terex South Dakota, Inc. in the USA and many other countries.

 Printed on recycled paper

To August 31, 2016

**Genie**  
A TEREX BRAND

Model:  
Serial number: SX15016H-12345  
Model year: 2016 Manufacture date: 1/12/16  
Electrical schematic number:  
Machine unladen weight:  
Rated work load (including occupants):  
Maximum number of platform occupants:  
Maximum allowable side force :  
Maximum allowable inclination of the chassis:



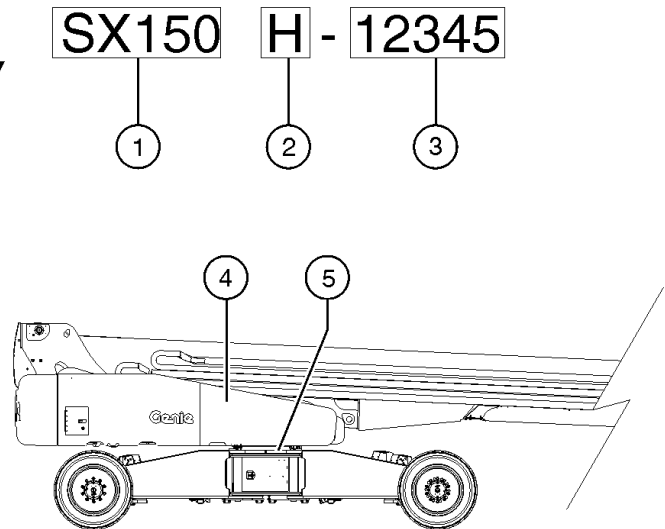
- 1 Model
- 2 Model year
- 3 Facility code

- 4 Sequence number
- 5 Serial label (located under cover)
- 6 Serial number (stamped on chassis)

From September 1, 2016

**Genie**  
A TEREX BRAND

Model:  
Serial number: SX150H-12345  
Year of manufacture: 2016  
Electrical schematic number:  
Machine unladen weight:  
Rated work load (including occupants):  
Maximum number of platform occupants:  
Maximum allowable side force :  
Maximum allowable inclination of the chassis:



- 1 Model
- 2 Facility code
- 3 Sequence number

- 4 Serial label (located under cover)
- 5 Serial number (stamped on chassis)

# How to Order Parts

Please be prepared with the following information when ordering replacement parts for your Terex or Genie product.

- Machine model number
- Machine serial number
- Part number
- Part description and quantity
- Purchase order number
- "Ship to" address
- Desired method of shipment
- Name and telephone number of the authorized distributor in your area

Use the Service Parts Fax Order Form on the next page and fax your order to our Parts Department.

If you don't know the name of your authorized distributor, or if your area is not currently serviced by an authorized distributor, please call Terex or Genie Industries.

## Machine Information

\_\_\_\_\_ **Model**

\_\_\_\_\_ **Serial Number**

\_\_\_\_\_ **Date of Purchase**

\_\_\_\_\_ **Authorized Genie Distributor**

\_\_\_\_\_ **Phone Number**

### North America

Telephone (425)881-1800  
 Toll Free (800)536-1800 in US and Canada  
 Fax (425)556-8659  
 Toll Free fax (888)274-6192  
 Email [AWP.PartsSalesPO@terex.com](mailto:AWP.PartsSalesPO@terex.com)  
<http://genielift.com/en>

### EMEAR (Europe, Middle East, Africa and Russia)

Telephone (31)(165)519 313  
 Fax (31)(165)511 148  
<http://genielift.co.uk>

### Asia Pacific (Genie Singapore)

Telephone +65 6692 7777  
 Fax +65 6261 8893  
<http://genielift.com.sg/>

### Australia

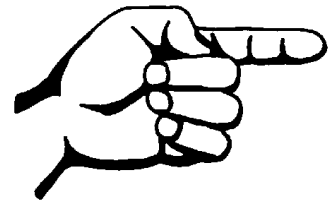
Telephone (61)(7)3456 4444  
 Fax (61)(7)3456 4466  
<http://genielift.com.au>

### South America

Telephone (55)(11)4082 5600  
 Fax (55)(11)4082 5630



Please refer to section 001 for the Recommended  
Spare Parts List.



This page intentionally left blank.



<b>Description</b>	<b>Page</b>
<b>001 Parts Stocking List .....</b>	<b>14</b>
001.1 Parts Stocking List .....	14
<b>100 Decals .....</b>	<b>18</b>
101.1 Decals with Words, Hydraulic Tank Side (to SN SX150H-611) .....	18
102.1 Decals with Words, Hydraulic Tank Side (chassis) (to SN SX150H-611) .....	22
103.1 Decals with Words, Engine Side (to SN SX150H-611) .....	24
104.1 Decals with Words, Engine Side (chassis) (to SN SX150H-611) .....	26
105.1 Decals with Words, Boom (to SN SX150H-611) .....	28
106.1 Decals with Words, Platform (to SN SX150H-611) .....	30
107.1 Decals with Symbols, Hydraulic Tank Side (to SN SX150H-611) .....	32
108.1 Decals with Symbols, Hydraulic Tank Side (chassis) (to SN SX150H-611) .....	34
109.1 Decals with Symbols, Engine Side (to SN SX150H-611) .....	36
110.1 Decals with Symbols, Engine Side (chassis) (to SN SX150H-611) .....	38
111.1 Decals with Symbols, Boom (to SN SX150H-611) .....	40
112.1 Decals with Symbols, Platform (to SN SX150H-611) .....	42
113.1 Decals with Words, Hydraulic Tank Side (from SN SX150H-612) .....	44
114.1 Decals with Words, Hydraulic Tank Side (chassis) (from SN SX150H-612) .....	48
115.1 Decals with Words, Engine Side (from SN SX150H-612) .....	50
116.1 Decals with Words, Engine Side (chassis) (from SN SX150H-612) .....	54
117.1 Decals with Words, Boom (from SN SX150H-612) .....	56
118.1 Decals with Words, Platform (from SN SX150H-612) .....	58
119.1 Decals with Symbols, Hydraulic Tank Side (from SN SX150H-612) .....	60
120.1 Decals with Symbols, Hydraulic Tank Side (chassis) (from SN SX150H-612) .....	62
121.1 Decals with Symbols, Engine Side (from SN SX150H-612) .....	64
122.1 Decals with Symbols, Engine Side (chassis) (from SN SX150H-612) .....	66
123.1 Decals with Symbols, Boom (from SN SX150H-612) .....	68
124.1 Decals with Symbols, Platform (from SN SX150H-612) .....	70
<b>200 Chassis Components .....</b>	<b>72</b>
201.1 Chassis Components, Top View .....	72
202.1 Chassis Components, Bottom View .....	74
203.1 Chassis Components, Tank Side .....	78
204.1 Chassis Components, Engine Side .....	82
205.1 Steer Yoke, Wheel Drive and Motor .....	86
<b>300 Turntable Components .....</b>	<b>90</b>
301.1 Turntable Center Components - View 1 .....	90
302.1 Turntable Center Components - View 2 .....	94
303.1 Turntable Covers - Engine Side .....	98
303.2 Turntable Covers - Engine Side .....	100

## Table of Contents

<b>Description</b>	<b>Page</b>
304.1 Engine Side Components, Fuel Tank .....	104
305.1 Engine Side, Hose Clamps and Guides .....	106
306.1 Engine Side, Welder GEN. Bulkhead Assembly .....	108
307.1 Engine Side, Relay Fuse Assembly .....	112
307.2 Fuse Assembly Deutz TD 2.9L4 and Perkins 854F-E34T - View 1 .....	116
307.3 Fuse Assembly Deutz TD 2.9L4 and Perkins 854F-E34T - View 2 .....	118
308.1 Welder Generator Enclosure (7.5 kW, 208/120 60HZ) .....	120
308.2 Welder Generator Enclosure (12 kW, 208/120 60HZ) .....	122
308.3 Welder Generator Enclosure (7.5 kW, 110/55 50HZ) .....	124
308.4 Welder Generator Enclosure (7.5 kW, 240/415 50HZ) .....	126
308.5 Welder Generator Enclosure (7.5 KW,230VAC,1PH,50HZ,AU) .....	128
309.1 Turntable Covers, Tank Side .....	130
309.2 Turntable Covers, Tank Side .....	132
310.1 Tank Side, Swing Drive, Hose Clamps and Guides .....	136
311.1 Tank Side, Battery Bulkhead Assembly .....	140
312.1 Hydraulic Tank Components .....	142
313.1 Ground Control Box Deutz TD2011-L04i and Perkins 1104D-44T - View 1 .....	146
313.2 Ground Control Box Deutz TD2011-L04i and Perkins 1104D-44T - View 2 .....	150
314.1 Ground Control Box - View 1 .....	154
314.2 Ground Control Box - View 2 .....	158
315.1 Wire Harness Diagram - View 1 .....	162
315.101 Harness, Lights, Super X .....	168
315.102 Harness, PCON Toggle Switches, Super-X .....	170
315.103 Harness, Lower Boom Cable, SX-150 .....	172
315.104 Harness, Upper Boom Cable, Super-X .....	174
315.104A Harness, Upper Boom Cable .....	176
315.105 Harness, Pcon Joystick, Super-X .....	178
315.106 Harness, Platform, Super-X .....	180
315.106A Harness, Platform/JIB, Loop .....	182
315.106B Harness, Platform/Jib, Loop .....	184
315.107 Harness, Flashing Beacon .....	186
315.108 Foot Switch W/PIGTAIL .....	188
315.109 Assy, Ls, Load Sense, ALC1000 .....	190
315.111 Sw Assy, Jib Rot CCW, Safety .....	192
315.112 Switch Assy, Jib Rotated CCW, Super-X .....	194
315.113 Harness, Drive, Super X .....	196
315.113A Harness, Drive Chassis .....	198
315.114 Harness, Function Manifold, SX-150 .....	200
315.115 Harness, Deutz Engine, TD2011L04i .....	202
315.115A Harness, Deutz Engine, TD2011L04I .....	206
315.115B Harness, Deutz 2.9, Tier 4, Super X .....	208
315.115BB Harness, Deutz 2.9, Tier 4, Super x .....	212



<b>Description</b>	<b>Page</b>
315.115C Harness, Perkins Engine, 1104D .....	216
315.115CC Harness, Perkins Engine, 1104D .....	220
315.115D Harness, Perkins 854T, Tier 4, Super X .....	222
315.115DD Harness, Perkins 854T, Tier4, Super x .....	226
315.116 Harness,Harness, Tcon J15 Pwr, Super-X .....	230
315.117 Harness, Lower Ls/Scon, SX-150 .....	232
315.117A Harness, Lower Ls/Scon, SX150 .....	236
315.118 Switch Assy, Cable Break #2, Super-X .....	240
315.119 Harness, Upper Limit Switch, SX-150 .....	242
315.120 Harness, Cable Tension #1, SX-150 .....	244
315.121 Harness, Cable Break #1, Super-X .....	246
315.122 Sensor, Angle, 40 Deg, CCW .....	248
315.123 Harness, Zero Tube Limit Switch, Super-X .....	250
315.124 Switch Assy, 10 Deg Oper, Super-X .....	252
315.125 Switch Assy, 3ft Ext Oper, Super-X .....	254
315.126 Sensor, Angle, 105 Deg, CW .....	256
315.128 Switch Assy, Drive Enable, Left, Super-X .....	258
315.129 Switch Assy, Drive Enable, Right, Super-X .....	260
315.130 Switch Assy, Drive Enable, Safe, Super-X .....	262
315.131 Harness, Ground Control Box, Super-X .....	264
315.132 Harness, Work Lights, Super X .....	266
315.133 Switch Assy, 150ft Ext Oper/Safety, Super-X .....	268
315.134 Switch Assy, 3.5ft Ext Safety, Super-X .....	270
315.135 Switch Assy, Cable Break #1, Super-X .....	272
315.136 Switch Assy, Axle Safety, Super-X .....	274
315.137 Subassy, Steer Sensor .....	276
315.138 Harn, Platform, Opa, ALC1000 .....	278
315.138A Plug, Blanking .....	280
316.1 Wire Harness Diagram - View 2 .....	282
316.101 Cable Assy, Aux Batt Jumper, RED .....	284
316.102 Cable Assy, Aux, RED, 21.5" .....	286
316.103 Cable Assy, Aux, RED, 117" .....	288
316.104 Cable Assy, Aux, RED, 17.5" .....	290
316.105 Cable Assy, Aux, Black, 17" .....	292
316.106 Cable Assy, Aux, Black, 22" .....	294
316.107 Cable Assy, Aux, Black, 148" .....	296
316.108 Battery Cable, 2/0 GA, Red, 72" .....	298
316.108A Battery Cable, 2/0 GA, Red, 109.5" .....	300
316.109 Battery Cable, 2/0 GA, Black, 82" .....	302
316.109A Battery Cable, 2/0 GA, Black, 73" .....	304
316.110 Cable, Generator To J-Box .....	306
316.110A Cable, Gen To J-Box, SX EU .....	308

## Table of Contents

<b>Description</b>	<b>Page</b>
316.111 Harness, Lower Ac/3p Pwr Cable, SX-150 .....	310
316.112 Harness, Upper AC/3P PWR Cable .....	312
<b>400 Engine Components .....</b>	<b>314</b>
401.1 Deutz TD2011-L04i Engine - View 1 .....	314
402.1 Deutz TD2011-L04i Engine - View 2 .....	318
403.1 Deutz TD2011-L04i Engine - View 3 .....	324
404.1 Deutz D2.9L4 Engine, View 1 .....	328
405.1 Deutz D2.9L4 Engine, View 2 .....	332
406.1 Deutz D2.9L4 Engine, View 3 .....	336
407.1 Deutz D2.9L4 Engine, View 4 .....	340
408.1 Deutz D2.9L4 Engine, View 5 .....	342
409.1 Deutz Engine Attached Components .....	346
410.1 Perkins 1104D-44T - View 1 .....	348
411.1 Perkins 1104D-44T - View 2 .....	352
412.1 Perkins 1104D-44T - View 3 .....	356
413.1 Perkins 854F-E34T Engine, View 1 .....	362
414.1 Perkins 854F-E34T Engine, View 2 .....	366
415.1 Perkins 854F-E34T Engine, View 3 .....	370
416.1 Perkins 854F-E34T Engine, View 4 .....	374
417.1 Perkins Engine Attached Components .....	378
418.1 Deutz TCD 2.2L, Stage V - View 1 (from SN SX150H-612) .....	380
419.1 Deutz TCD 2.2L, Stage V - View 2 (from SN SX150H-612) .....	382
420.1 Deutz TCD 2.2L, Stage V - View 3 (from SN SX150H-612) .....	386
421.1 Deutz TCD 2.2L, Stage V - View 4 (from SN SX150H-612) .....	390
422.1 Deutz TCD 2.2L, Stage V - View 5 (from SN SX150H-612) .....	394
423.1 Deutz TCD 2.2L, Stage V - View 6 (from SN SX150H-612) .....	398
424.1 Deutz TCD 2.2L, Stage V - View 7 (from SN SX150H-612) .....	402
<b>500 Boom Components .....</b>	<b>406</b>
501.1 Boom Components .....	406
502.1 Boom Lift Cylinder .....	408
503.1 Cable Track Installation .....	410
504.1 Primary Extend Cylinder .....	416
505.1 Cable Assembly - View 1 .....	418
506.1 Cable Assembly - View 2 .....	422
507.1 Cable Assembly - View 3 .....	426
508.1 Boom Tube One - Wear Pads, View 1 .....	428
509.1 Boom Tube One - View 2 .....	430
510.1 Boom Tube Two - Wear Pads .....	434
511.1 Boom Tube Three - Wear Pads, View 1 .....	438
512.1 Boom Tube Three - Wear Pads, View 2 .....	442

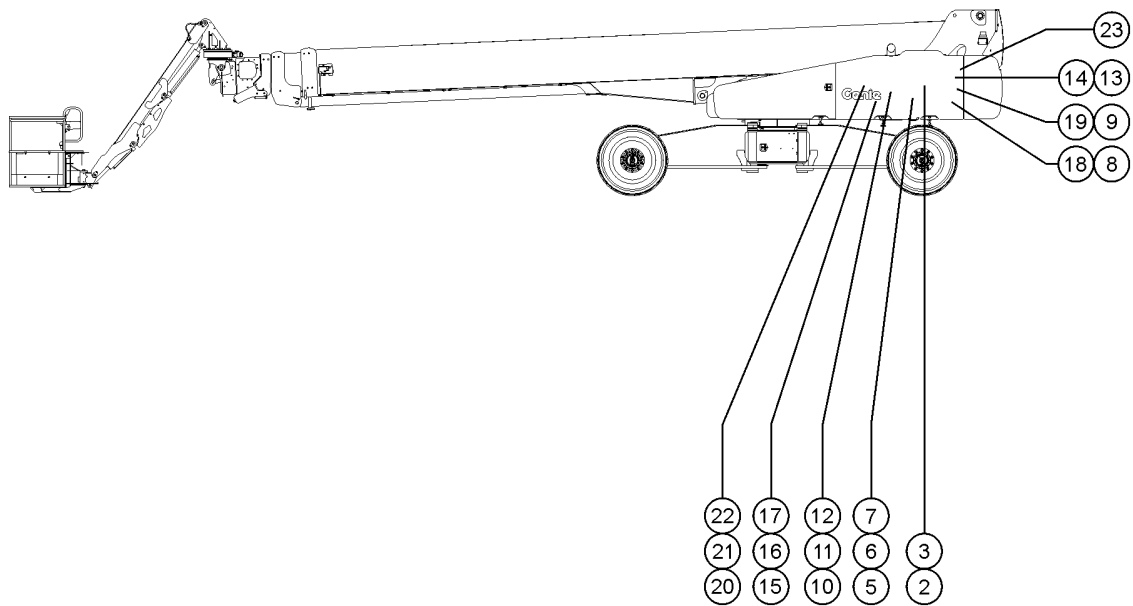
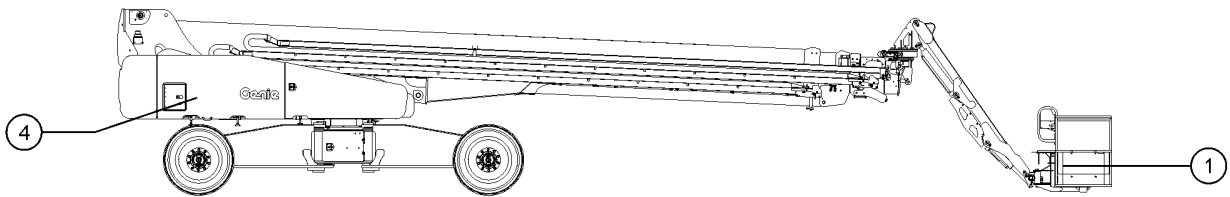
<b>Description</b>	<b>Page</b>
513.1 Boom Tube Four - Wear Pads .....	446
514.1 Jib Rotator Installation .....	448
515.1 Jib Rotator Housing .....	452
516.1 Jib Boom and Platform Rotator .....	456
<b>600 Platform Components .....</b>	<b>460</b>
601.1 Platform Installation - View 1 .....	460
602.1 Platform Installation - View 2 (to SN 200) .....	464
602.2 Platform Installation (from SN 201) .....	468
602.3 Platform Installation (From SN SX150H-573) .....	472
603.1 Platform Controls .....	476
604.1 Platform J Box Assembly .....	482
605.1 Joysticks .....	488
<b>700 Hydraulic Components .....</b>	<b>490</b>
701.1 Traction Manifold .....	490
702.1 Steer and Axle Manifold (to SN SX150H-507) .....	494
702.2 Steer and Axle Manifold (from SN SX150H-508) .....	500
703.1 Function Manifold - View 1 .....	506
703.2 Function Manifold - View 2 .....	510
704.1 Jib, Level and Rotation Manifolds (to SN SX150H-518) .....	512
704.2 Jib, Level and Rotation Manifolds (from SN SX150H-519) .....	516
705.1 Generator Manifold and Function Enable Valve .....	520
706.1 Hydraulic Pumps .....	522
707.1 Hydraulic Hoses and Fittings, Drive System .....	524
708.1 Hydraulic Hoses and Fittings, Steering System .....	528
709.1 Hydraulic Hoses and Fittings - Turntable .....	530
710.1 Hydraulic Hoses and Fittings - Turntable .....	536
711.1 Hydraulic Hoses and Fittings - Boom Components .....	540
<b>800 Accessories .....</b>	<b>544</b>
801.1 Platform Accessories (to SN 200) .....	544
801.2 Platform Accessories (from SN 201) .....	546
802.1 Half-Mesh and Pipe Cradle Options (to SN 200) .....	548
802.2 Half-Mesh and Pipe Cradle Options (from SN 201) .....	550
803.1 Operator Protection Structure .....	552
804.1 Drive and Work Light Package .....	554
805.1 Platform Control Box Cover .....	556
806.1 Engine Air Precleaner .....	558
807.1 Air Line to Platform .....	560
808.1 Load Sense .....	562
808.2 Load Sense (from SN SX150H-612) .....	564

Table of Contents

<b>Description</b>	<b>Page</b>
809.1 Cold Start Package .....	566
810.1 Cold Start Heater .....	568
811.1 Ground Control LCD Heater .....	570
812.1 Platform Level Recovery and Rocker Joystick .....	572
813.1 Welder Option .....	574
814.1 Anemometer Option .....	576
815.1 Hostile Package - View 1 .....	578
815.2 Hostile Package - View 2 .....	580
816.1 Fall Arrest Bar .....	582
817.1 Operators Protection Alarm (to January 2017) .....	584
817.2 Lift Guard Contact Alarm Option (from January 2017) .....	588
818.1 Pass Option, Deutz TD2.9 .....	592
818.2 Pass Option, Deutz TCD 2.2L Stage V (from SN SX150H-612) .....	594
819.1 Telematics Option (from SN SX15015H-101) .....	596
820.1 Lift Tools Access Deck - 8 Feet (from SN SX150H-201) .....	598
821.1 Lift Tools Access Deck - 6 Feet (from SN SX150H-201) .....	602
<b>Part Number Index .....</b>	<b>606</b>



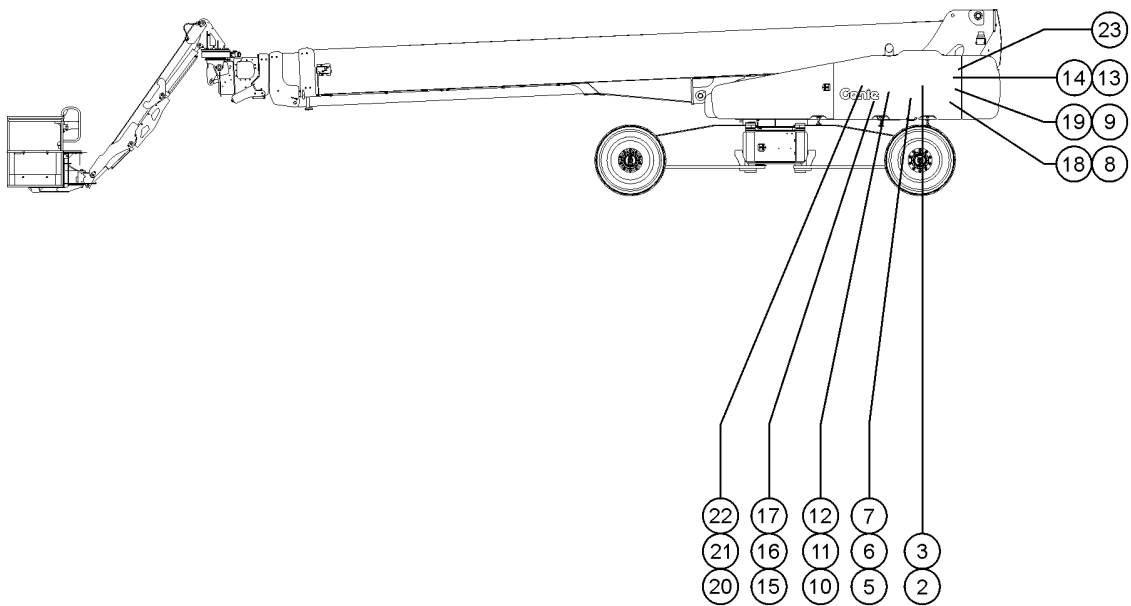
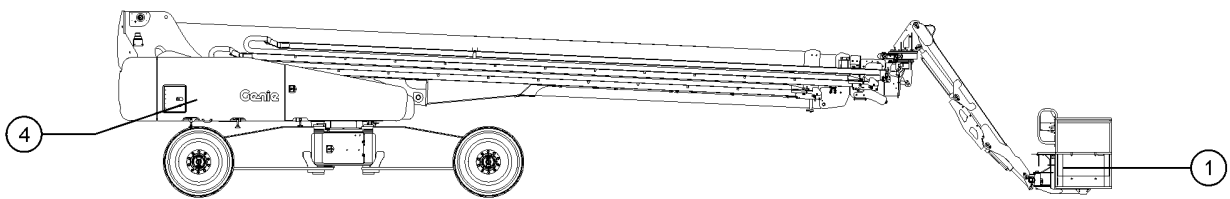
001.1 Parts Stocking List



Item	Part No.	Description	Qty.
A-	1484GT	PAINT,AEROSOL,BRIGHT BLUE*** 12-ounce spray paint	
A-	1268GT	PAINT,AEROSOL,GENIE GRAY*** 12-ounce spray paint	
A-	1258567GT	PAINT, AEROSOL, TRAFFIC BLACK 12-ounce spray paint	
A-	32150GT	PAINT,WET,GENIE BLUE (1 GL)** 1-gallon	
A-	32151GT	PAINT,WET,GENIE GRAY (1 GL)** 1-gallon	
A-	1257733GT	PAINT,WET,TRAFFIC BLACK (1 GL)** 1-gallon	
A-	60536GT	FUSE,20 AMP,MAXI (refer to figure 307.1)	
A-	94327GT	FUSE,30 AMP (refer to figure 307.1)	
A-	66399GT	GREASE,DIELECTRIC 4 OZ**	
A-	1283776GT	SEAL MARKER,CROSS CHECK,BLUE,TUBE	
A-	93500GT	PARKER DIGITAL PRESSURE GAUGE	
A-	49612GT	O-RING KIT (ORFS FITTINGS) O-ring kit, Parker	
A-	28750GT	O-RING KIT,FIELD SVC,ALL PROD* O-ring kit, SAE	
A-	33994GT	PLUG AND CAP KIT-SERVICE,37 ** Plug and cap kit, SAE	
A-	1271917GT	KIT,ELEMENT-5MIC (55) All Models (located on Boom # 4, refer to 513.1)	
1	27581GT	MANUAL,AEM SAFETY	
1-	31779GT	MANUAL,RESPON,A92.5 BOOM	
2	60857GT	FILTER,ELEMENT,BETA(5)=1000 All Models	
3	131323GT	FILTER ELEMENT,10 MICRON All Models	
4	236037GT	RETURN FILTER, ELEMENT, 10 MIC All Models	
5	1285455GT	KIT,ANNUAL INSPECTION,S105/125/135/150/180 to SN SX150-129 and to SN SX15016H-183	
		Deutz TD2011-L04i Engine	
6	49924GT	FILTER,OIL,DEUTZ F4L1011F Deutz TD2011-L04i Models (refer to 401.1)	
7	108543GT	FILTER / FUEL / SPIN-ON Deutz TD2011-L04i Models (refer to 402.1)	
8	29560GT	FILTER,FUEL/WTR SEP, DTZ 1008 Deutz TD2011-L04i Models (refer to 401.1)	
9	62425GT	FILTER,AIR CLEANER, SUPERBOOM Deutz TD2011-L04i Models (refer to 403.1)	
10	1276598GT	KIT, DIAGNOSTICS Deutz TD2011-L04i Models from SN 181 (not shown)	



001.1 Parts Stocking List

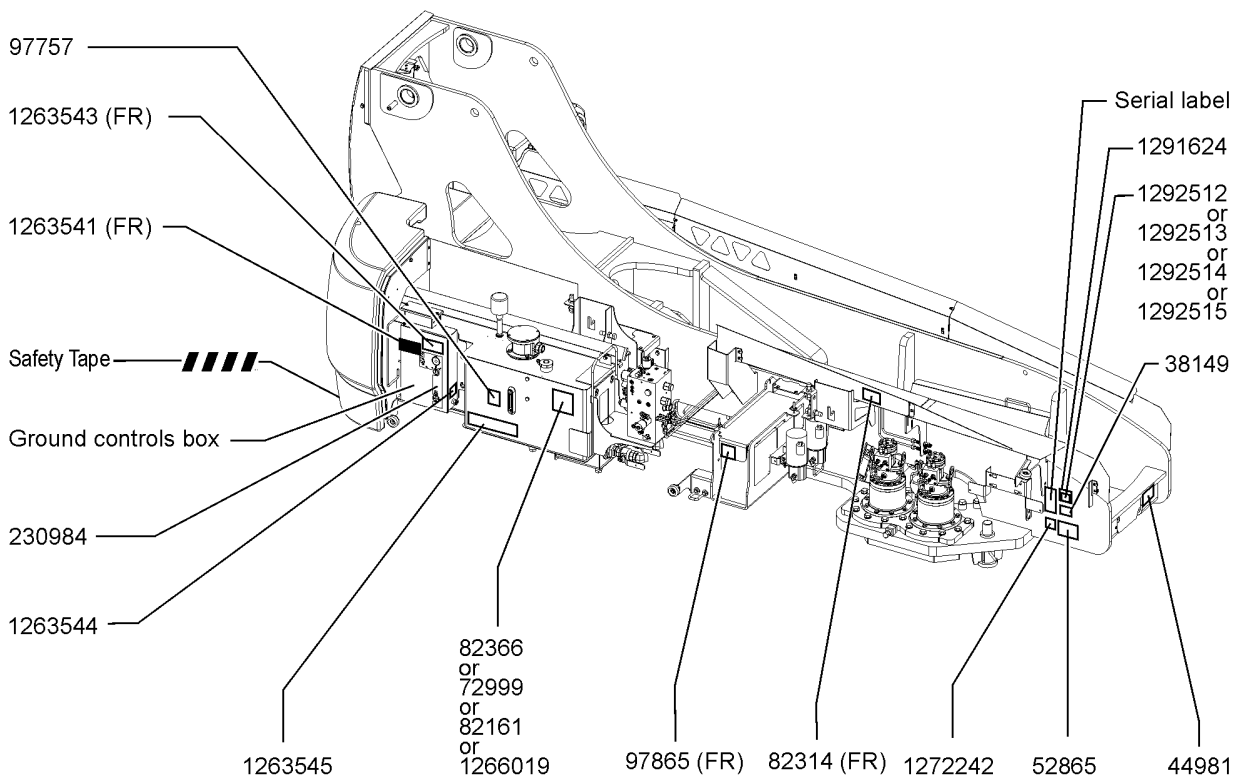
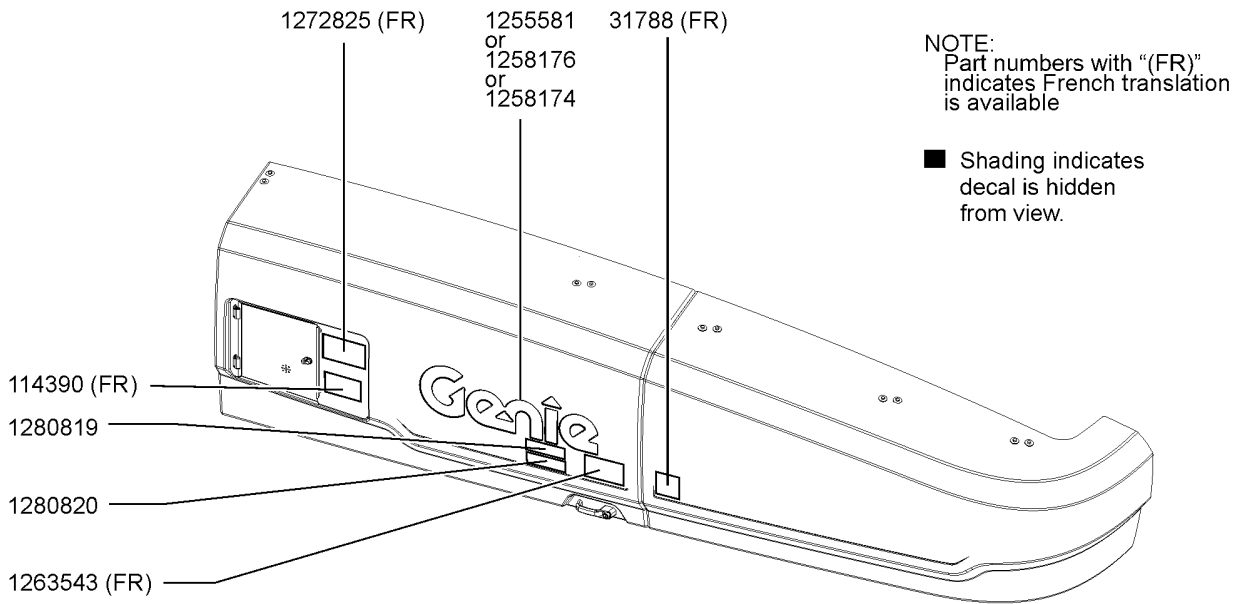




Item	Part No.	Description	Qty.
.....			
Deutz TD 2.9L4 Models .....			
11	62420GT	FILTER,AIR*** Deutz TD 2.9L4 Models (refer to 406.1)	.....
12	214228GT	FILTER, DEUTZ 2.9, FUEL Deutz TD 2.9L4 Models (refer to 406.1)	.....
13	1261239GT	ASSY,FUEL PREFILTER,DEUTZ 2.9 Deutz TD 2.9L4 Models (refer to 407.1)	.....
13-	236260GT	FILTER, FUEL PRE-FILTER, SPIN-ON, DEUTZ Deutz TD 2.9L4 Models (refer to 407.1)	.....
13-	07.4501.0291GT	SENSOR Deutz TD 2.9L4 Models (refer to 407.1)	.....
14	49924GT	FILTER,OIL,DEUTZ F4L1011F Deutz TD 2.9L4 Models (refer to 407.1)	.....
15	1262866GT	FAN BELT, ALTERANTOR Deutz TD 2.9L4 Models (refer to 404.1)	.....
22	218809GT	FILTER,FUEL,854E-E34TA Perkins 854F-E34T Models (refer to 414.1)	.....
23	218834GT	BELT,DRIVE,854E-E34TA Perkins 854F-E34T Models (refer to 415.1)	.....
.....			
Perkins 1104D-44T Engine .....			
18	102632GT	FILTER,OIL,PERKINS 1104C-44 Perkins 1104D-44T Models (refer to 409.1)	.....
19	62433GT	FILTER,ELEMENT,30 MIC,75020 Perkins 1104D-44T Models (refer to 410.1)	.....
20	102639GT	FILTER,FUEL, PERKINS 1104C Perkins 1104D-44T Models (refer to 409.1)	.....
21	62425GT	FILTER,AIR CLEANER, SUPERBOOM Perkins 1104D-44T Models (refer to 410.1)	.....
.....			
Perkins 854F-E34T Models .....			
22	62420GT	FILTER,AIR*** Perkins 854F-E34T Models (refer to 411.1)	.....
23	218811GT	PRE-FILTER,FUEL,854E-E34TA Perkins 854F-E34T Models (refer to 414.1)	.....
24	218835GT	FILTER,OIL,854E-E34TA Perkins 854F-E34T Models (refer to 414.1)	.....
25	218809GT	FILTER,FUEL,854E-E34TA Perkins 854F-E34T Models (refer to 414.1)	.....
26	218834GT	BELT,DRIVE,854E-E34TA Perkins 854F-E34T Models (refer to 415.1)	.....



101.1 Decals with Words, Hydraulic Tank Side (to SN SX150H-611)

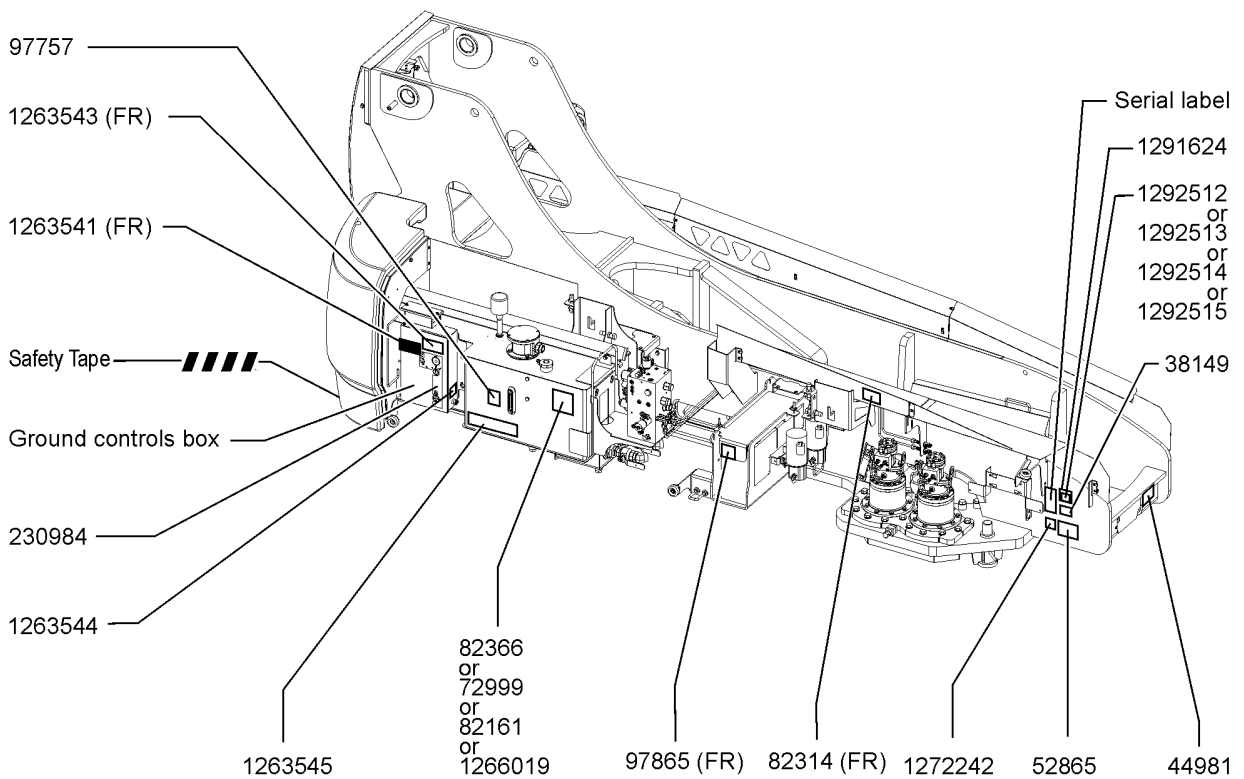
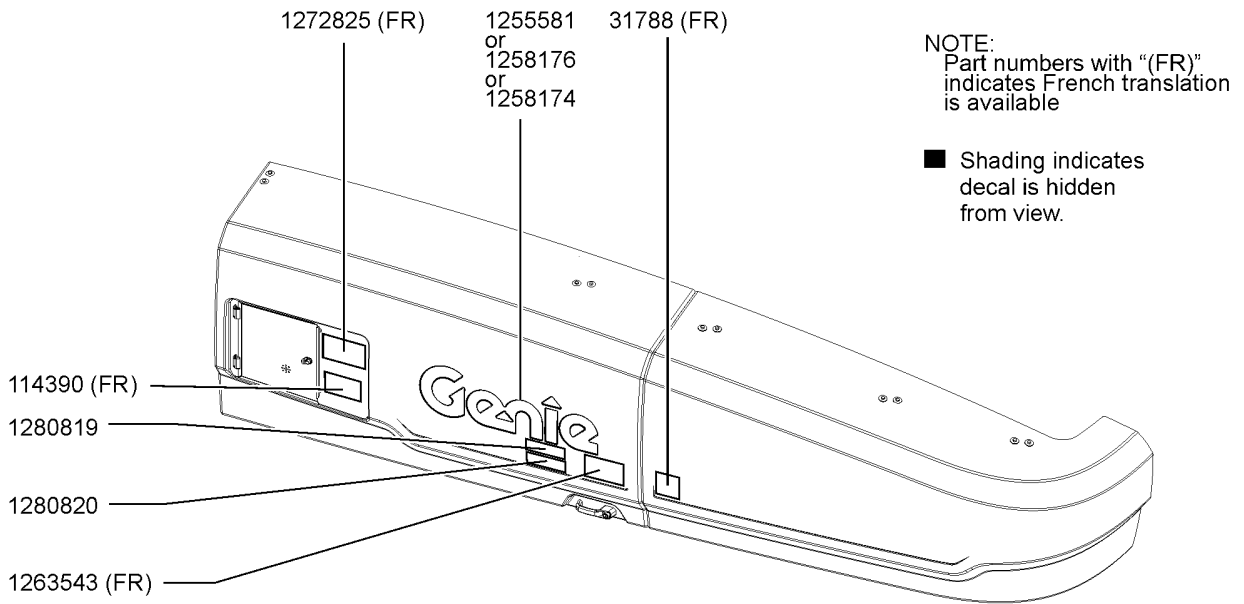


101.1 Decals with Words, Hydraulic Tank Side (to SN SX150H-611)

Item	Part No.	Description	Qty.
-	1302885GT	INSTRUCTIONS,INSTALL,COMP,WORD, SX-150 .....	1
-	1302886GT	DECAL KIT,SX-150,COMP,WORD,ANSI & AUS .....	1
1	31788GT	DECAL,DANGER,BATTERY SAFETY*** .....	1
2	38149GT	DECAL LABEL PATENTS .....	1
		(US only)	
3	44981GT	DECAL LABEL AIRLINE 110PSI .....	1
		Option, airline to platform	
4	52865GT	DECAL,ANNUAL INSP*** .....	1
5	72999GT	DECAL,LABEL,PETRO CANADA*** .....	1
		Option, hydraulic oil	
6	82161GT	DECAL,LABEL,UCON HYDROLUBE .....	1
		Option, hydraulic oil	
7	82314GT	DECAL,DANGER,TIP-OVER .....	1
8	82366GT	DECAL, LABEL - CHEVRON RANDO .....	1
		Option, hydraulic oil	
9	97757GT	DECAL,LABEL,OIL LEVEL IND .....	1
10	97865GT	DECAL,WARN,ELECTRO HAZARD .....	1
11	114390GT	DECAL,DANGER,ELECT HAZARD*** .....	1
12	230984GT	DECAL, GROUND CONTROL SPX .....	1
13	1255581GT	DECAL,COSMETIC, 10" GENIE BLUE .....	1
14	1258174GT	DECAL,COSMETIC,10" GENIE WHITE .....	1
15	1258176GT	DECAL,COSMETIC,10" GENIE BLACK .....	1
16	1263541GT	DECAL, TIP OVER HAZARD .....	1
17	1263543GT	DECAL, IMPROPER OPERATION .....	2
18	1263544GT	DECAL, BYPASS KEY SWITCH .....	1
19	1263545GT	DECAL, INSTR-BYPASS KEY SWITCH .....	1
20	1266019GT	DECAL, LABEL, SHELL TELLUS .....	1
21	1272242GT	DECAL,MACHINE REGISTRATION/OWNER TRANSFER .....	1
22	1272825GT	DECAL,OPERATOR INST, GROUND CONT .....	1
23	1280819GT	DECAL,WARNING,CANCER AND REPRODUCTIVE HARM, PROP 65 .....	1
24	1280820GT	DECAL,FUEL,DIESEL EXHAUST, PROP 65 .....	1
25	1291624GT	DECAL COSM,GENIE LIFT CONNECT,LEXAN COVER .....	1
26	1292512GT	DECAL COSM,GENIE LIFT CONNECT,ESN,SKU4-1 .....	1



101.1 Decals with Words, Hydraulic Tank Side (to SN SX150H-611)



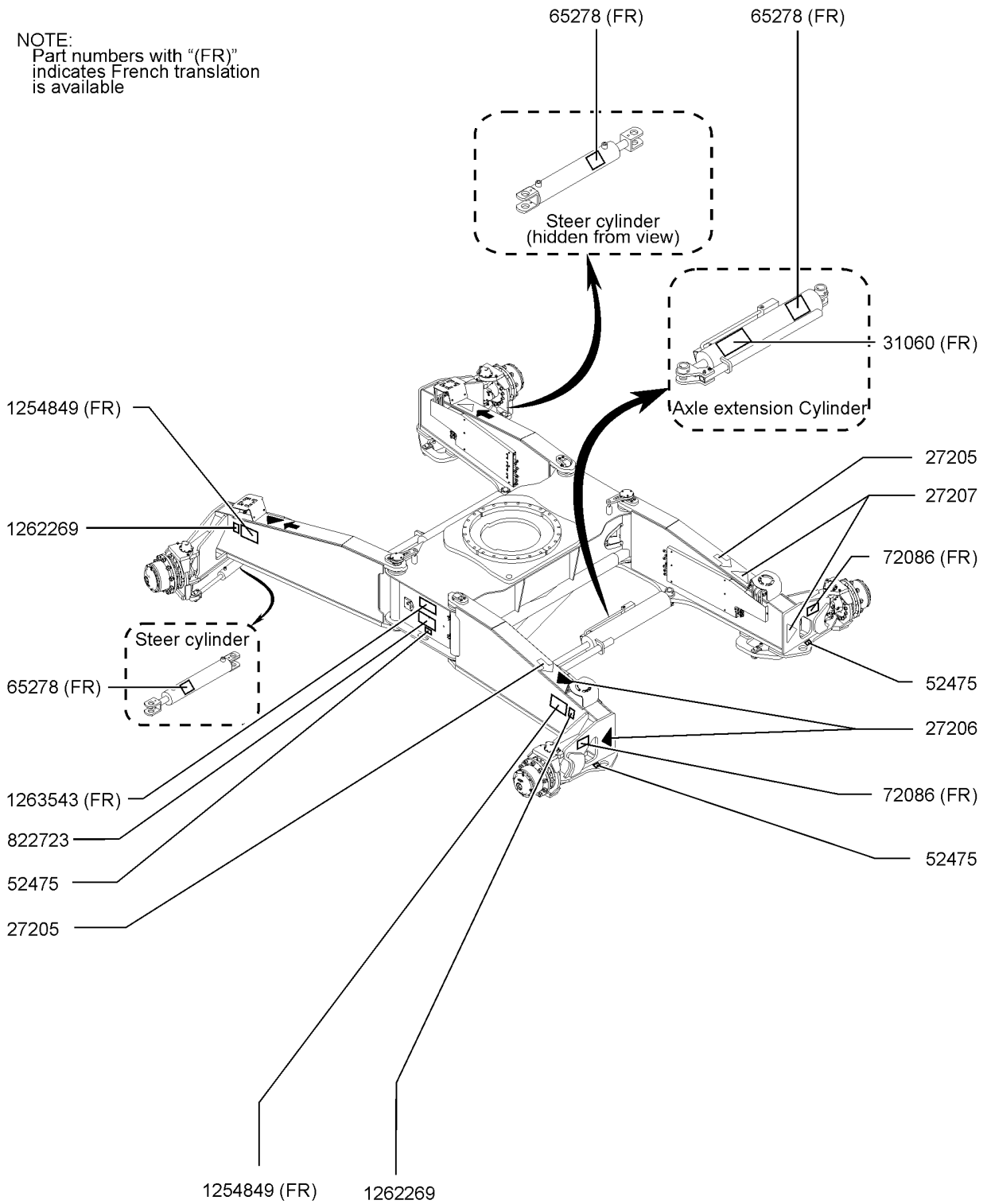
101.1 Decals with Words, Hydraulic Tank Side (to SN SX150H-611)

<i>Item</i>	<i>Part No.</i>	<i>Description</i>	<i>Qty.</i>
27	1292513GT	DECAL COSM,GENIE LIFT CONNECT,ESN,SKU4-2 .....	1
28	1292514GT	DECAL COSM,GENIE LIFT CONNECT,ESN,SKU4-3 .....	1
29	1292515GT	DECAL COSM,GENIE LIFT CONNECT,ESN,SKU4-4 .....	1



102.1 Decals with Words, Hydraulic Tank Side (chassis) (to SN SX150H-611)

NOTE:  
Part numbers with "(FR)"  
indicates French translation  
is available

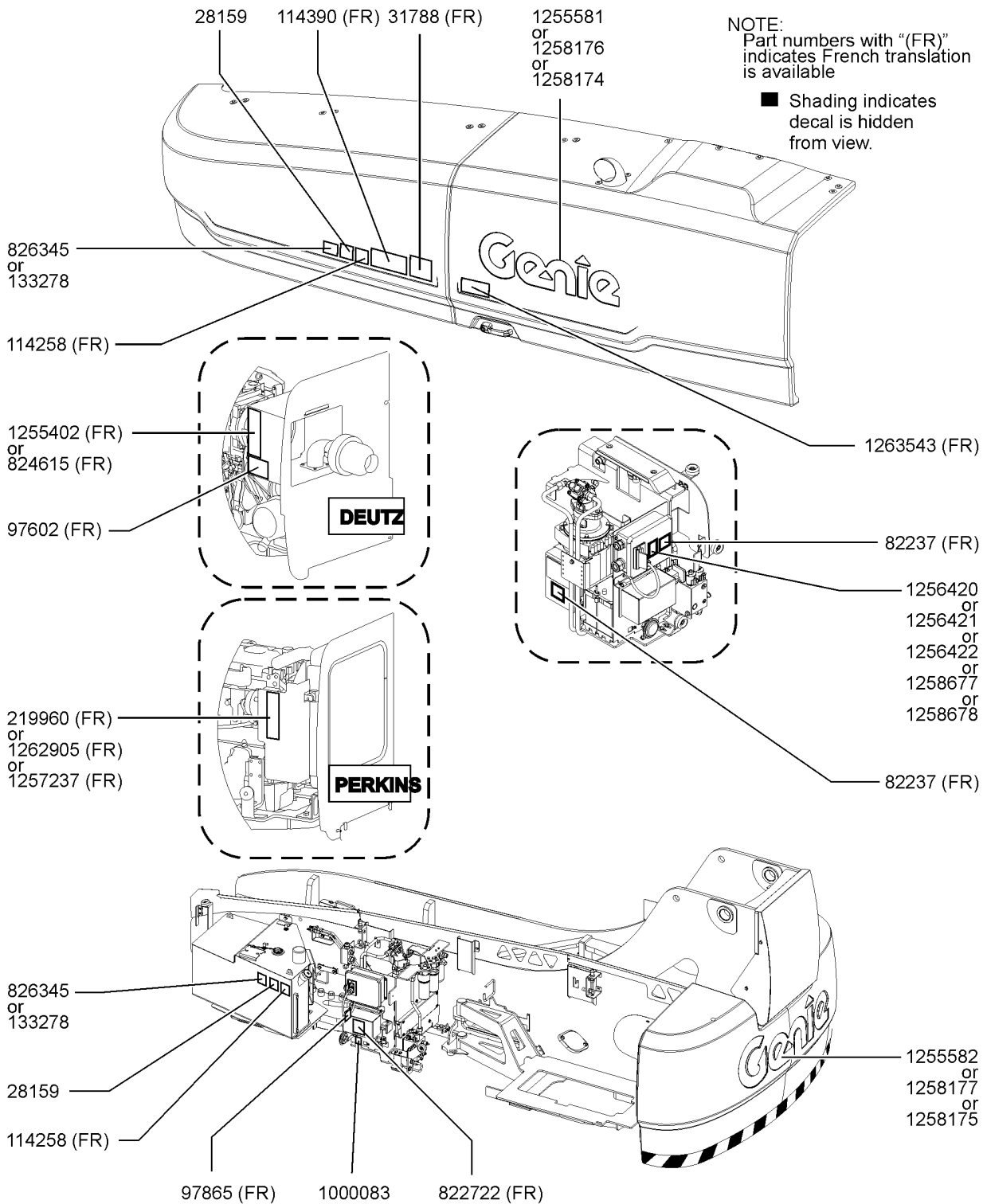


102.1 Decals with Words, Hydraulic Tank Side (chassis) (to SN SX150H-611)

<i>Item</i>	<i>Part No.</i>	<i>Description</i>	<i>Qty.</i>
1	27205GT	DECAL,ARROW YELLOW LRG 9" .....	2
2	27206GT	DECAL,TRIANGLE,BLUE .....	2
3	27207GT	DECAL,TRIANGLE,YELLOW .....	2
4	31060GT	DECAL,DANGER DO NOT ALTER SWTC .....	1
5	52475GT	DECAL LABEL TRANSPORT TIE DOWN* .....	3
6	65278GT	DECAL,CAUTION,NO STEP .....	3
7	72086GT	DECAL,LABEL,LIFTING EYE .....	2
8	822723GT	DECAL,TRANSPORT DIAGRAM,SX-180 .....	1
9	1254849GT	DECAL,DANGER/NOTICE,TIRESPECS,SX180 .....	2
10	1262269GT	DECAL, WHEEL LOAD, SX-150 .....	2
11	1263543GT	DECAL, IMPROPER OPERATION .....	1



103.1 Decals with Words, Engine Side (to SN SX150H-611)





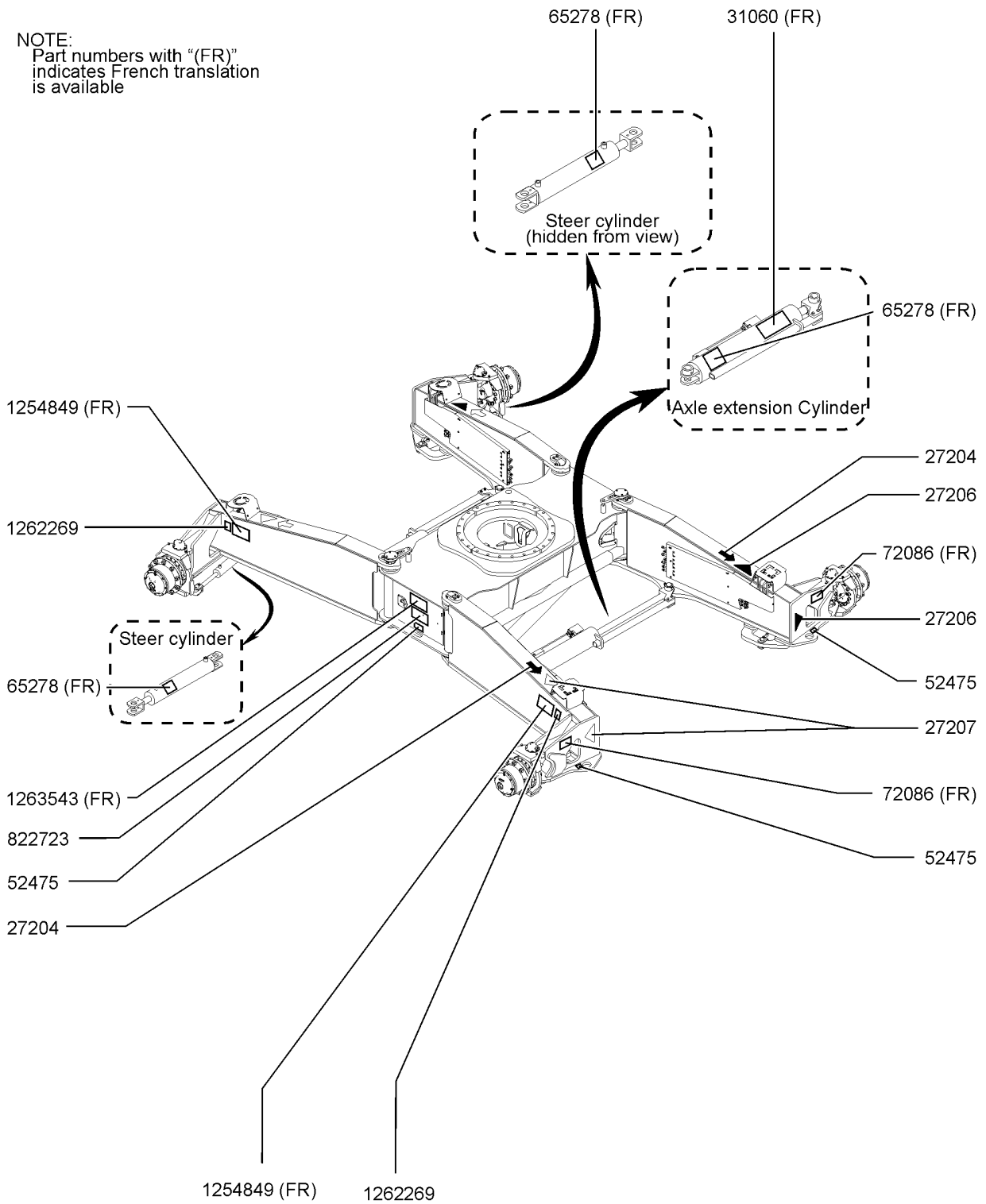
103.1 Decals with Words, Engine Side (to SN SX150H-611)

Item	Part No.	Description	Qty.
1	28159GT	DECAL,LABEL,DIESEL FUEL .....	2
2	31788GT	DECAL,DANGER,BATTERY SAFETY*** .....	1
3	82237GT	DECAL,DANGER,HIGH VOLTAGE .....	2
		Option, generator	
4	97602GT	DECAL,WARNING,EXPLOSION,ETHER .....	1
5	97865GT	DECAL,WARN,ELECTRO HAZARD .....	1
6	114258GT	DECAL,DANGER,NO SMOKING .....	2
7	114390GT	DECAL,DANGER,ELECT HAZARD*** .....	1
8	133278GT	DECAL,LOW/ULTRA LOW SULFR FUEL .....	2
		Perkins 1104D-44T, Deutz TD201104i	
9	219960GT	DECAL,NOTICE, PERKINS ENGINE .....	1
		Perkins 1104D-44T	
10	822722GT	DECAL, LABEL, FUSE RELAY PANEL .....	1
11	824615GT	DECAL,ENGINE SPEC,DEUTZ TD2.9 .....	1
		Deutz D 2.9i4	
12	826345GT	DECAL,ULS DIESEL ONLY,TIER 4 .....	2
		Perkins 854TF, Deutz D 2.9i4	
13	1000083GT	DECAL,NOTICE,START/CONTRL BATT .....	1
14	1255402GT	DECAL,ENGINE SPEC,DEUTZ TD2011L04i,SX .....	1
		Deutz TD201104i	
15	1255581GT	DECAL,COSMETIC, 10" GENIE BLUE .....	1
16	1255582GT	DECAL COSMETIC,15" GENIE BLUE .....	1
17	1256420GT	DECAL, POWER TO PLATFORM, 208V/115V 60HZ .....	1
		Option	
18	1256421GT	DECAL, POWER TO PLATFORM, 220V .....	1
		Option	
19	1256422GT	DECAL, POWER TO PLATFORM, 415V .....	1
		Option	
20	1257237GT	DECAL,ENGINE SPEC,854TF,TIER IV .....	1
		Perkins 854TF	
21	1258174GT	DECAL,COSMETIC,10" GENIE WHITE .....	1
22	1258175GT	DECAL COSMETIC,15" GENIE WHITE .....	1
23	1258176GT	DECAL,COSMETIC,10" GENIE BLACK .....	1
24	1258177GT	DECAL COSMETIC,15" GENIE BLACK .....	1
25	1258677GT	DECAL, POWER TO PLATFORM, 240V 50HZ .....	1
		Option	
26	1258678GT	DECAL, POWER TO PLATFORM, 220V .....	1
		Option	
27	1262905GT	DECAL,NOTICE,PERKINS ENGINE .....	1
		Perkins 1104D-44T	
28	1263543GT	DECAL, IMPROPER OPERATION .....	1



104.1 Decals with Words, Engine Side (chassis) (to SN SX150H-611)

NOTE:  
Part numbers with "(FR)"  
indicates French translation  
is available

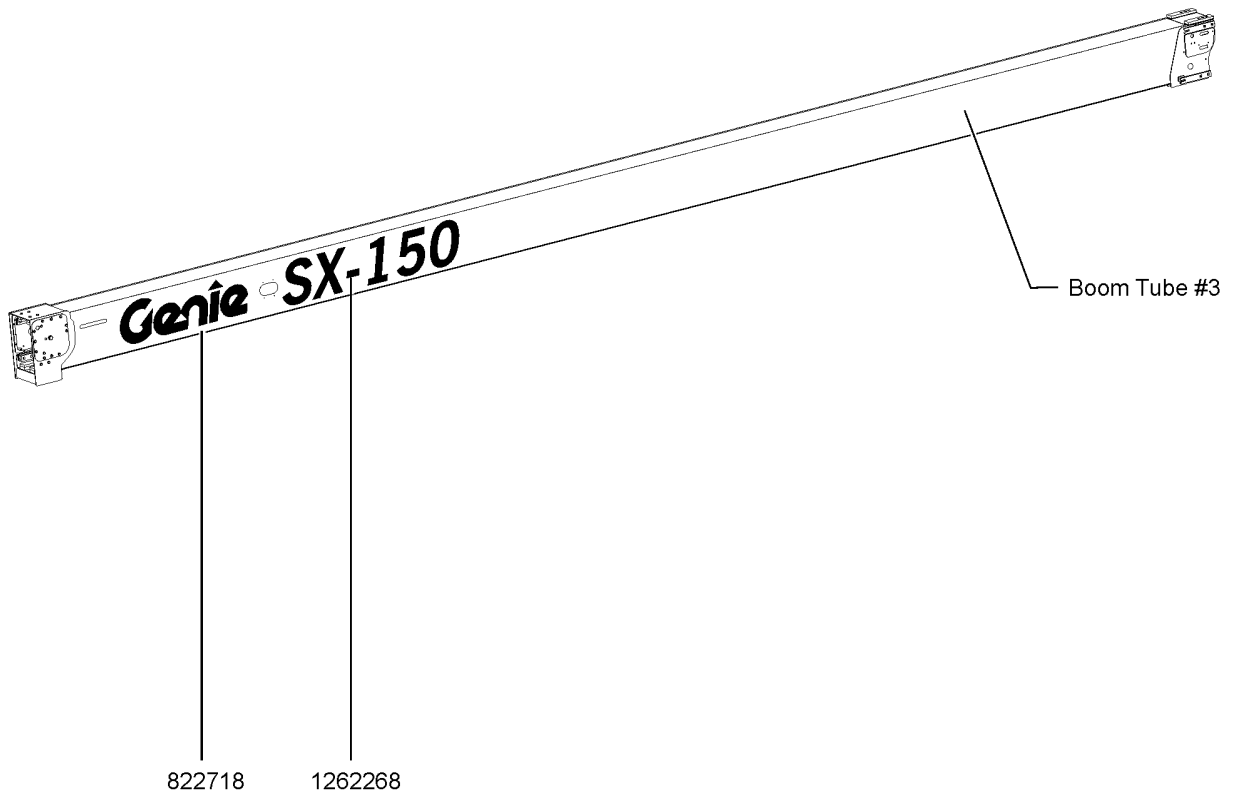
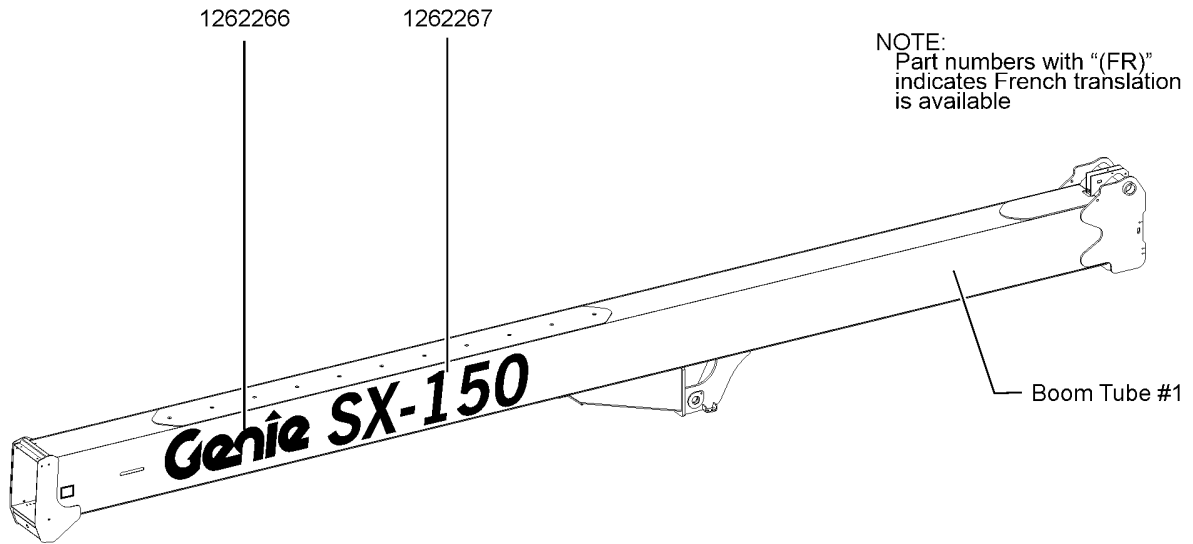


104.1 Decals with Words, Engine Side (chassis) (to SN SX150H-611)

<i>Item</i>	<i>Part No.</i>	<i>Description</i>	<i>Qty.</i>
1	27204GT	DECAL,ARROW BLUE .....	2
2	27206GT	DECAL,TRIANGLE,BLUE .....	2
3	27207GT	DECAL,TRIANGLE,YELLOW .....	2
4	31060GT	DECAL,DANGER DO NOT ALTER SWTC .....	1
5	52475GT	DECAL LABEL TRANSPORT TIE DOWN* .....	3
6	65278GT	DECAL,CAUTION,NO STEP .....	3
7	72086GT	DECAL,LABEL,LIFTING EYE .....	2
8	822723GT	DECAL,TRANSPORT DIAGRAM,SX-180 .....	1
9	1254849GT	DECAL,DANGER/NOTICE,TIRESPECS,SX180 .....	2
10	1262269GT	DECAL, WHEEL LOAD, SX-150 .....	2
11	1263543GT	DECAL, IMPROPER OPERATION .....	1



105.1 Decals with Words, Boom (to SN SX150H-611)

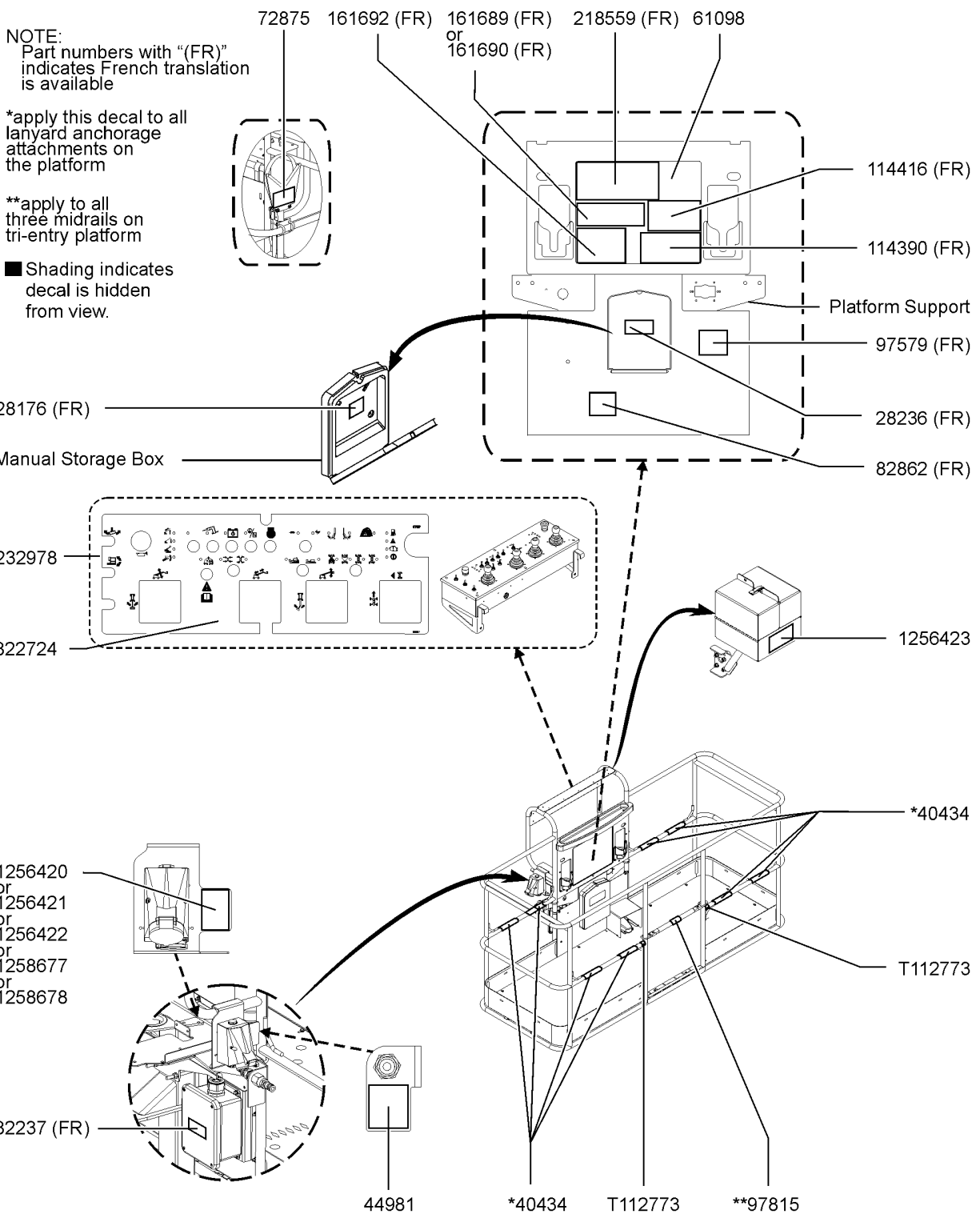


105.1 Decals with Words, Boom (to SN SX150H-611)

<i>Item</i>	<i>Part No.</i>	<i>Description</i>	<i>Qty.</i>
1	822718GT	DECAL,COSMETIC,GENIE,12" .....	1
2	1262266GT	DECAL, COSMETIC, GENIE, 16" .....	1
3	1262267GT	DECAL, COSMETIC, SX-150, 16" .....	1
4	1262268GT	DECAL, COSMETIC, SX-150,12" .....	1



106.1 Decals with Words, Platform (to SN SX150H-611)

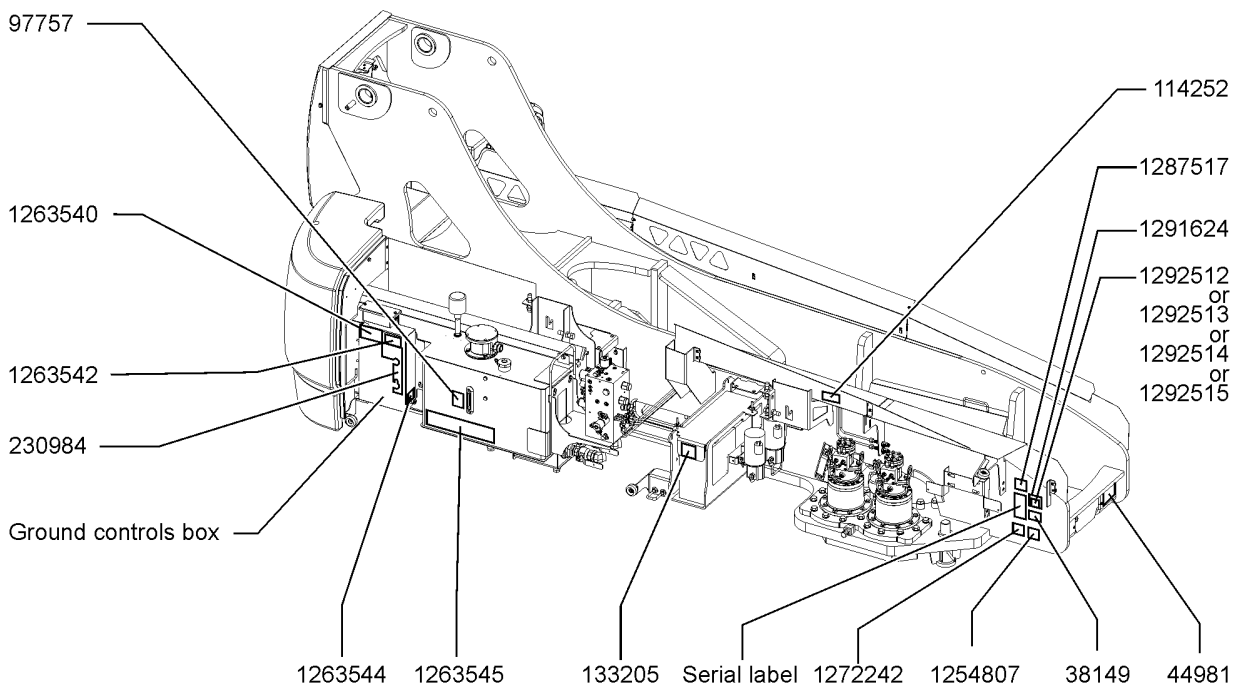
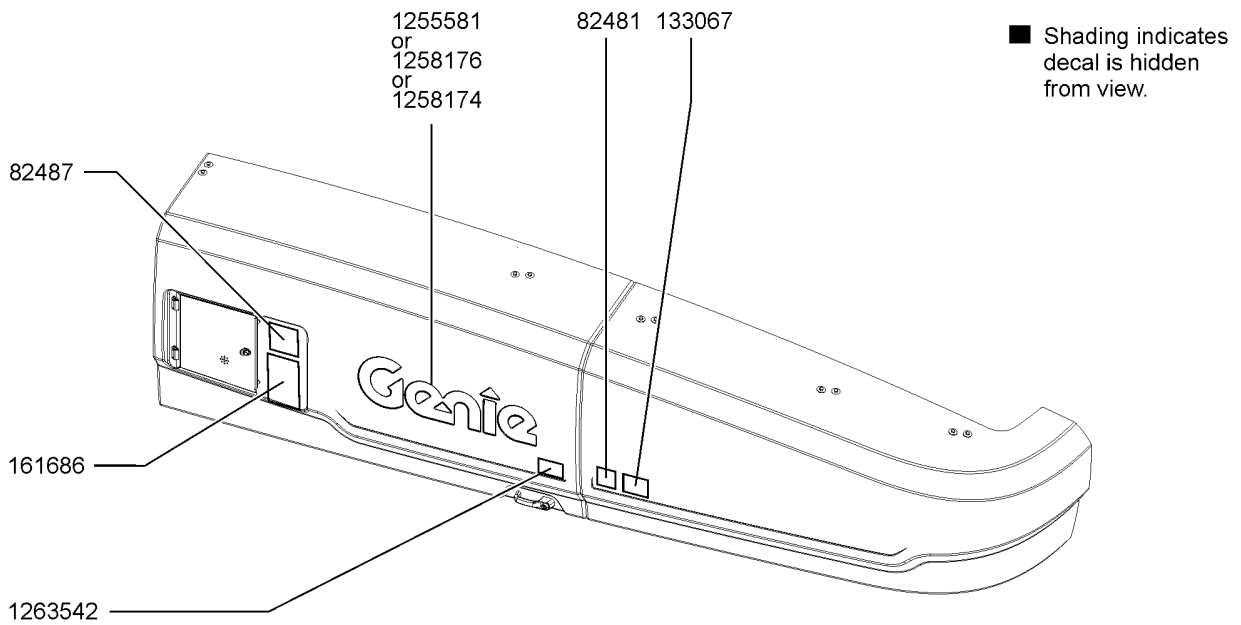


106.1 Decals with Words, Platform (to SN SX150H-611)

Item	Part No.	Description	Qty.
-	1302887GT	INSTRUCTIONS,INSTALL,PLAT,WORD, SX-150 .....	1
-	1302888GT	DECAL KIT,SX-150,PLAT,WORD,ANSI & AUS .....	1
1	28176GT	DECAL,LABEL,MANUAL NOT HERE .....	1
2	28236GT	DECAL,WARN,IMPROPER OPERATION .....	1
3	40434GT	DECAL,LANYARD ANCHORAGE POINT .....	8
4	44981GT	DECAL LABEL AIRLINE 110PSI .....	1
		Option, airline to platform	
5	61098GT	DECAL,BLACK,DECAL PLATE .....	1
6	72875GT	DECAL,WARNING,PIPE CRADLE,BOOM .....	2
		Option, pipe cradle	
7	82237GT	DECAL,DANGER,HIGH VOLTAGE .....	1
		Option, generator	
8	82862GT	DECAL,FIRE EXTINGUISHER .....	1
		Option, welder	
9	97579GT	DECAL,DANGER,TIP-OVER,WELDER** .....	1
		Option, welder	
10	97815GT	DECAL,LABEL,LOWER MIDRAIL .....	1
11	114390GT	DECAL,DANGER,ELECT HAZARD*** .....	1
12	114416GT	DECAL,DANGER,TIPOVER,TILT .....	1
13	161689GT	DECAL,MAX CAP SIDE FORCE WORD .....	1
		(ANSI)	
14	161690GT	DECAL,MAX CAP SIDE FORCE WORD AUS .....	1
		(AUS)	
15	161692GT	DECAL,SLOPE RATING WORD .....	1
16	218559GT	DECAL,DANGER/WARNING COMBO .....	1
17	232978GT	DECAL, PCON LID, SUPER X .....	1
18	822724GT	DECAL, PROTECTIVE COVER,SX-180 .....	1
		(plastic cover)	
19	1256420GT	DECAL, POWER TO PLATFORM, 208V/115V 60HZ .....	1
		Option	
20	1256421GT	DECAL, POWER TO PLATFORM, 220V .....	1
		Option	
21	1256422GT	DECAL, POWER TO PLATFORM, 415V .....	1
		Option	
22	1256423GT	DECAL, DANGER, TIP-OVER HAZARD .....	1
		Option, anemometer	
23	1258677GT	DECAL, POWER TO PLATFORM, 240V 50HZ .....	1
		Option	
24	1258678GT	DECAL, POWER TO PLATFORM, 220V .....	1
		Option	
25	T112773GT	TAPE, PROTECTIVE MASK .....	2



107.1 Decals with Symbols, Hydraulic Tank Side (to SN SX150H-611)



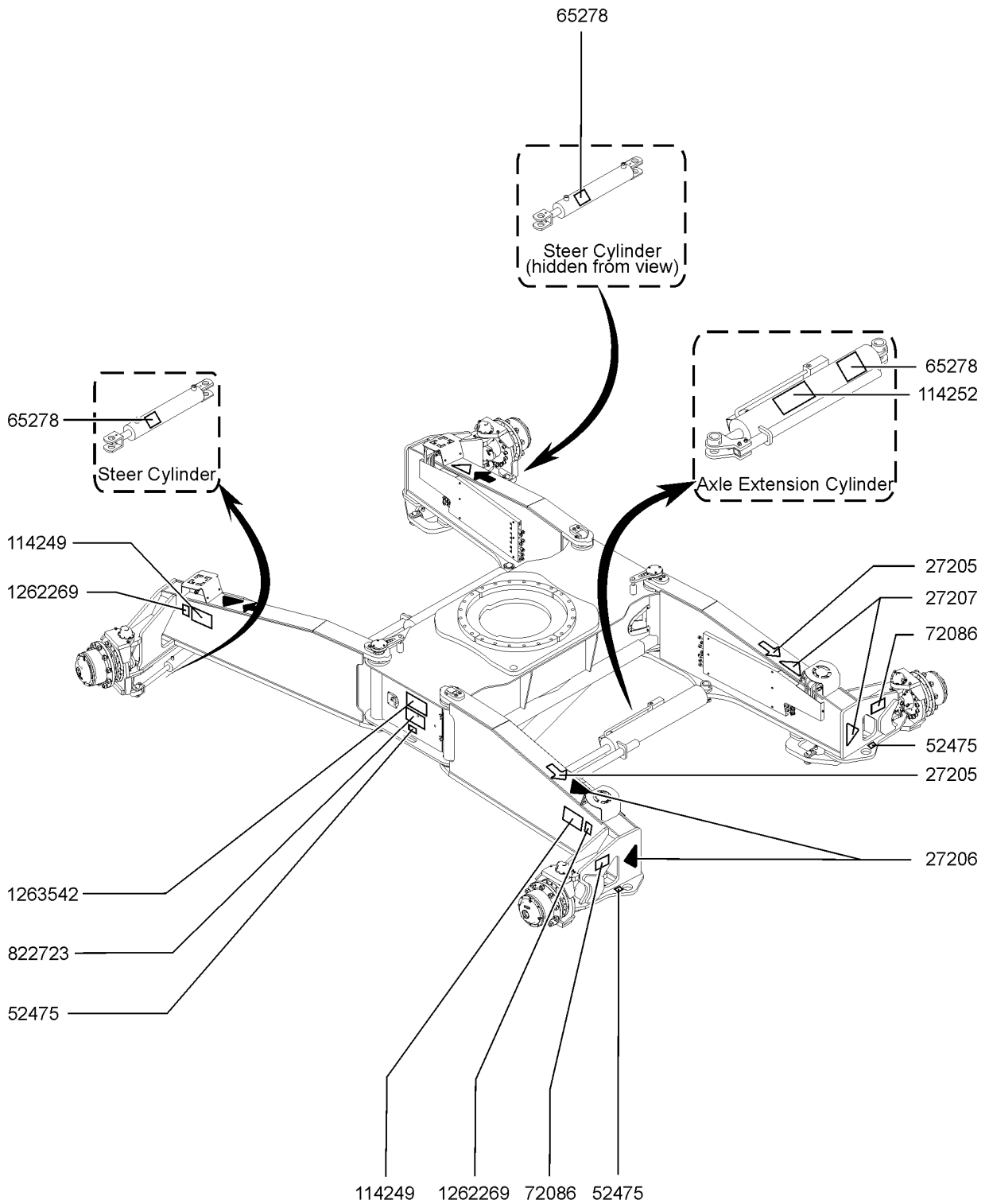


107.1 Decals with Symbols, Hydraulic Tank Side (to SN SX150H-611)

Item	Part No.	Description	Qty.
-	1302889GT	INSTRUCTIONS,INSTALL,COMP,SYMBOL, SX-150 .....	1
-	1302890GT	DECAL KIT,SX-150,COMP,SYMBOL,ANSI & CE .....	1
1	38149GT	DECAL LABEL PATENTS (US only) .....	1
2	44981GT	DECAL LABEL AIRLINE 110PSI Option, airline to platform .....	1
3	82481GT	DECAL SYMBOL BATTERY SAFETY .....	1
4	82487GT	DECAL,SYMBOL-READ THE MANUAL .....	1
5	97757GT	DECAL,LABEL,OIL LEVEL IND .....	1
6	114252GT	DECAL,LABEL,TIP OVER LMT SWTCH .....	1
7	133067GT	DECAL,DANGER,ELEC.HAZ.STAY CLR .....	1
8	133205GT	DECAL,LABEL, ELECTRO HAZARD .....	1
9	161686GT	DECAL, E DOWN PROCEDURE SYM (CE only) .....	1
10	230984GT	DECAL, GROUND CONTROL SPX .....	1
11	1254807GT	DECAL,LABEL,112 DB (CE only) .....	1
12	1255581GT	DECAL,COSMETIC, 10" GENIE BLUE .....	1
13	1258174GT	DECAL,COSMETIC,10" GENIE WHITE .....	1
14	1258176GT	DECAL,COSMETIC,10" GENIE BLACK .....	1
15	1263540GT	DECAL, TIP OVER HAZARD .....	1
16	1263542GT	DECAL,IMPROPER OPERATION,SYMBOL .....	2
17	1263544GT	DECAL, BYPASS KEY SWITCH .....	1
18	1263545GT	DECAL, INSTR-BYPASS KEY SWITCH .....	1
19	1272242GT	DECAL,MACHINE REGISTRATION/OWNER TRANSFER .....	1
20	1287517GT	DECAL,TRANSITION PERIOD DEUTZ ENGINE (CE only) .....	1
21	1291624GT	DECAL COSM,GENIE LIFT CONNECT,LEXAN COVER .....	1
22	1292512GT	DECAL COSM,GENIE LIFT CONNECT,ESN,SKU4-1 .....	1
23	1292513GT	DECAL COSM,GENIE LIFT CONNECT,ESN,SKU4-2 .....	1
24	1292514GT	DECAL COSM,GENIE LIFT CONNECT,ESN,SKU4-3 .....	1
25	1292515GT	DECAL COSM,GENIE LIFT CONNECT,ESN,SKU4-4 .....	1



108.1 Decals with Symbols, Hydraulic Tank Side (chassis) (to SN SX150H-611)

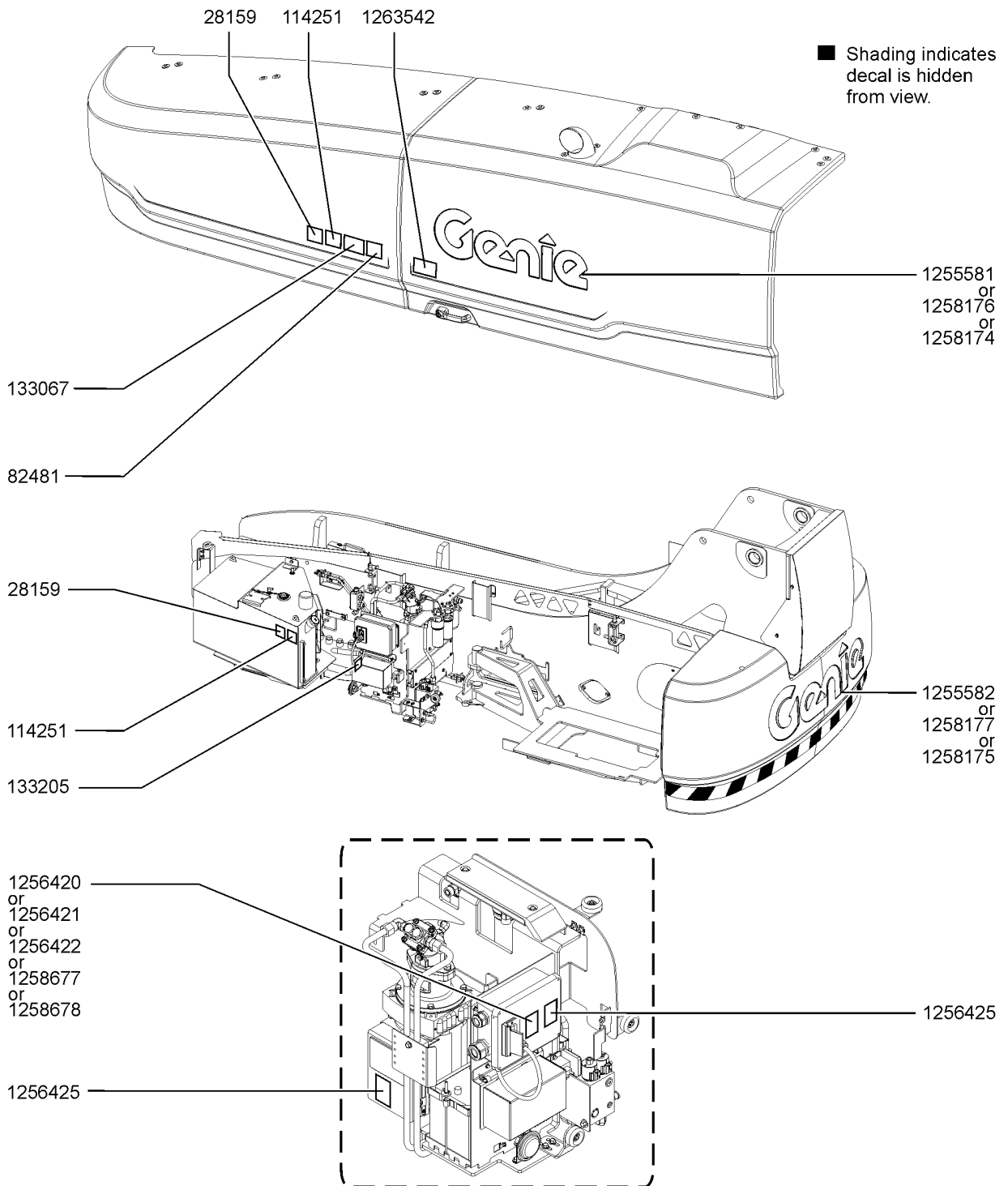


108.1 Decals with Symbols, Hydraulic Tank Side (chassis) (to SN SX150H-611)

<i>Item</i>	<i>Part No.</i>	<i>Description</i>	<i>Qty.</i>
1	27205GT	DECAL,ARROW YELLOW LRG 9" .....	2
2	27206GT	DECAL,TRIANGLE,BLUE .....	2
3	27207GT	DECAL,TRIANGLE,YELLOW .....	2
4	52475GT	DECAL LABEL TRANSPORT TIE DOWN* .....	3
5	65278GT	DECAL,CAUTION,NO STEP .....	3
6	72086GT	DECAL,LABEL,LIFTING EYE .....	2
7	114249GT	DECAL,LABEL,TIPOVER,TIRES,SYMB .....	2
8	114252GT	DECAL,LABEL,TIP OVER LMT SWTCH .....	1
9	822723GT	DECAL,TRANSPORT DIAGRAM,SX-180 .....	1
10	1262269GT	DECAL, WHEEL LOAD, SX-150 .....	2
11	1263542GT	DECAL,IMPROPER OPERATION,SYMBOL .....	1



109.1 Decals with Symbols, Engine Side (to SN SX150H-611)

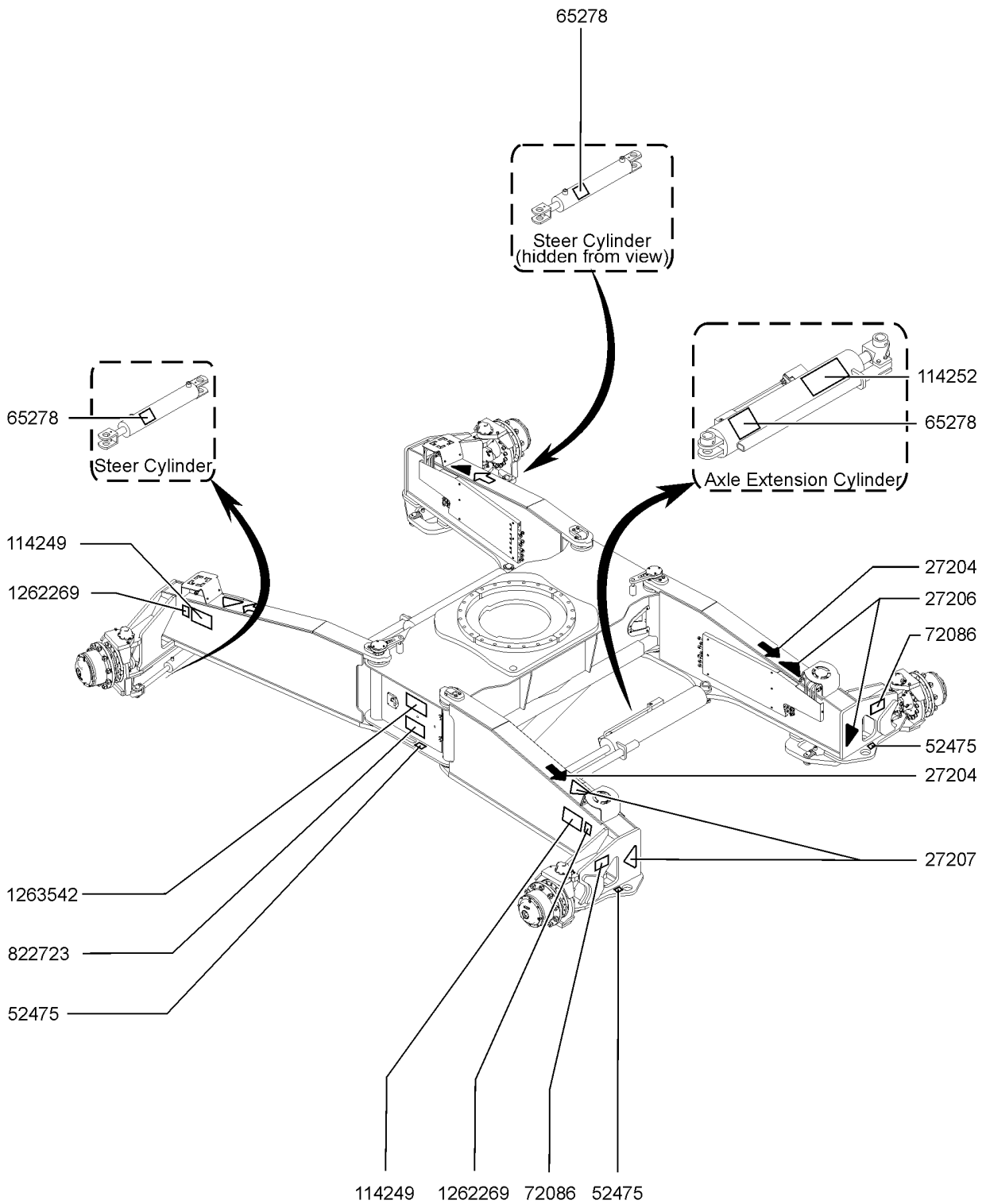


109.1 Decals with Symbols, Engine Side (to SN SX150H-611)

Item	Part No.	Description	Qty.
1	28159GT	DECAL,LABEL,DIESEL FUEL .....	2
2	82481GT	DECAL SYMBOL BATTERY SAFETY .....	1
3	114251GT	DECAL,LABEL,NO SMOKING,SYMB .....	2
4	133067GT	DECAL,DANGER,ELEC.HAZ.STAY CLR .....	1
5	133205GT	DECAL,LABEL, ELECTRO HAZARD .....	1
6	1255581GT	DECAL,COSMETIC, 10" GENIE BLUE .....	1
7	1255582GT	DECAL COSMETIC,15" GENIE BLUE .....	1
8	1256420GT	DECAL, POWER TO PLATFORM, 208V/115V 60HZ .....	1
		Option	
9	1256421GT	DECAL, POWER TO PLATFORM, 220V .....	1
		Option	
10	1256422GT	DECAL, POWER TO PLATFORM, 415V .....	1
		Option	
11	1256425GT	DECAL, DANGER, ELECTROCUTION HAZARD, SYMBOL .....	2
		Option	
12	1258174GT	DECAL,COSMETIC,10" GENIE WHITE .....	1
13	1258175GT	DECAL COSMETIC,15" GENIE WHITE .....	1
14	1258176GT	DECAL,COSMETIC,10" GENIE BLACK .....	1
15	1258177GT	DECAL COSMETIC,15" GENIE BLACK .....	1
16	1258677GT	DECAL, POWER TO PLATFORM, 240V 50HZ .....	1
		Option	
17	1258678GT	DECAL, POWER TO PLATFORM, 220V .....	1
		Option	
18	1263542GT	DECAL,IMPROPER OPERATION,SYMBOL .....	1



110.1 Decals with Symbols, Engine Side (chassis) (to SN SX150H-611)

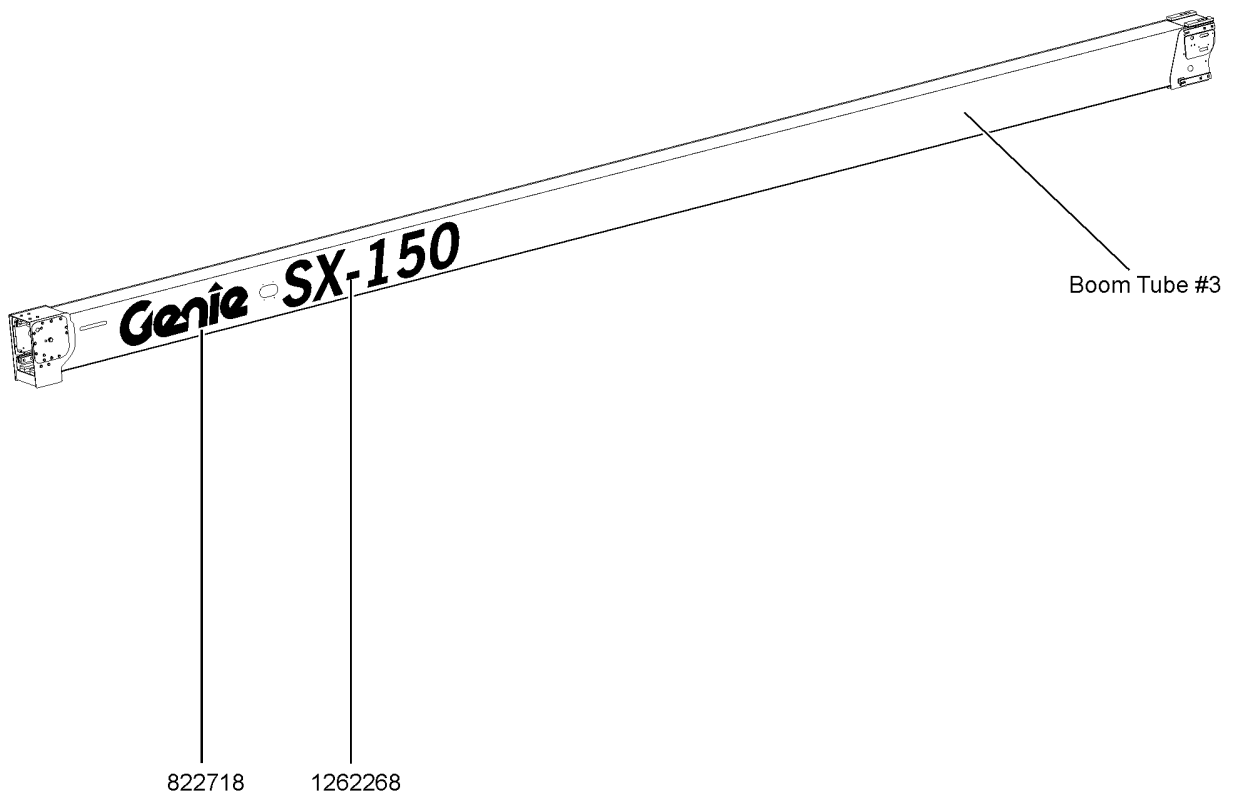
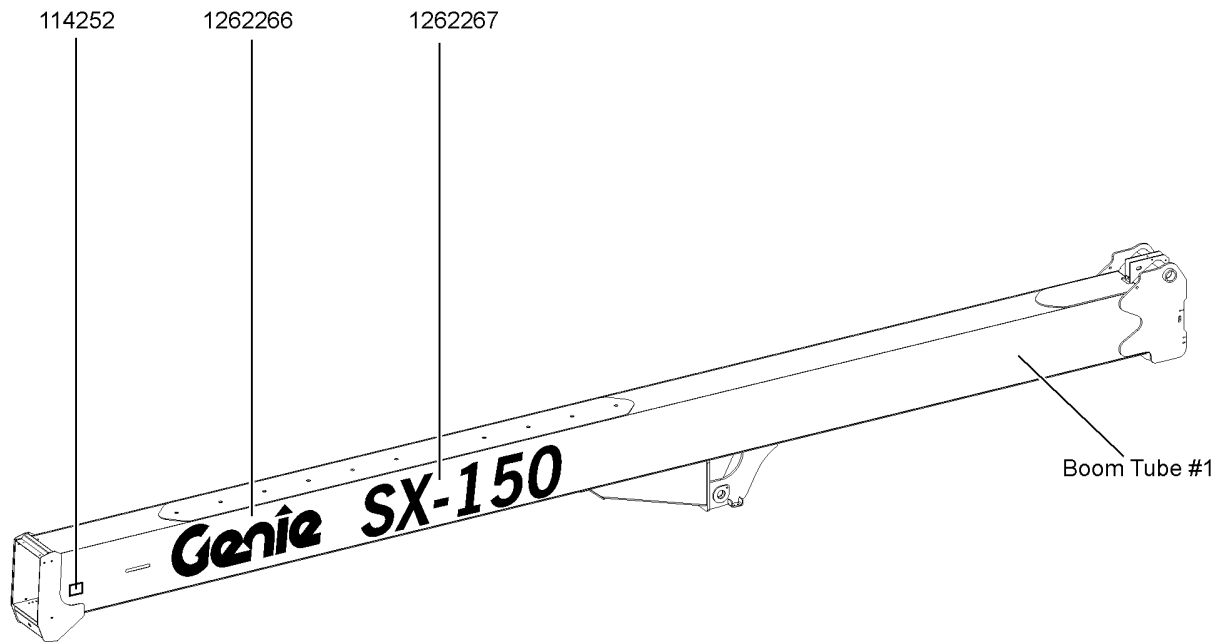


110.1 Decals with Symbols, Engine Side (chassis) (to SN SX150H-611)

<i>Item</i>	<i>Part No.</i>	<i>Description</i>	<i>Qty.</i>
1	27204GT	DECAL,ARROW BLUE .....	2
2	27206GT	DECAL,TRIANGLE,BLUE .....	2
3	27207GT	DECAL,TRIANGLE,YELLOW .....	2
4	52475GT	DECAL LABEL TRANSPORT TIE DOWN* .....	3
5	65278GT	DECAL,CAUTION,NO STEP .....	3
6	72086GT	DECAL,LABEL,LIFTING EYE .....	2
7	114249GT	DECAL,LABEL,TIPOVER,TIRES,SYMB .....	2
8	114252GT	DECAL,LABEL,TIP OVER LMT SWTCH .....	1
9	822723GT	DECAL,TRANSPORT DIAGRAM,SX-180 .....	1
10	1262269GT	DECAL, WHEEL LOAD, SX-150 .....	2
11	1263542GT	DECAL,IMPROPER OPERATION,SYMBOL .....	1



111.1 Decals with Symbols, Boom (to SN SX150H-611)



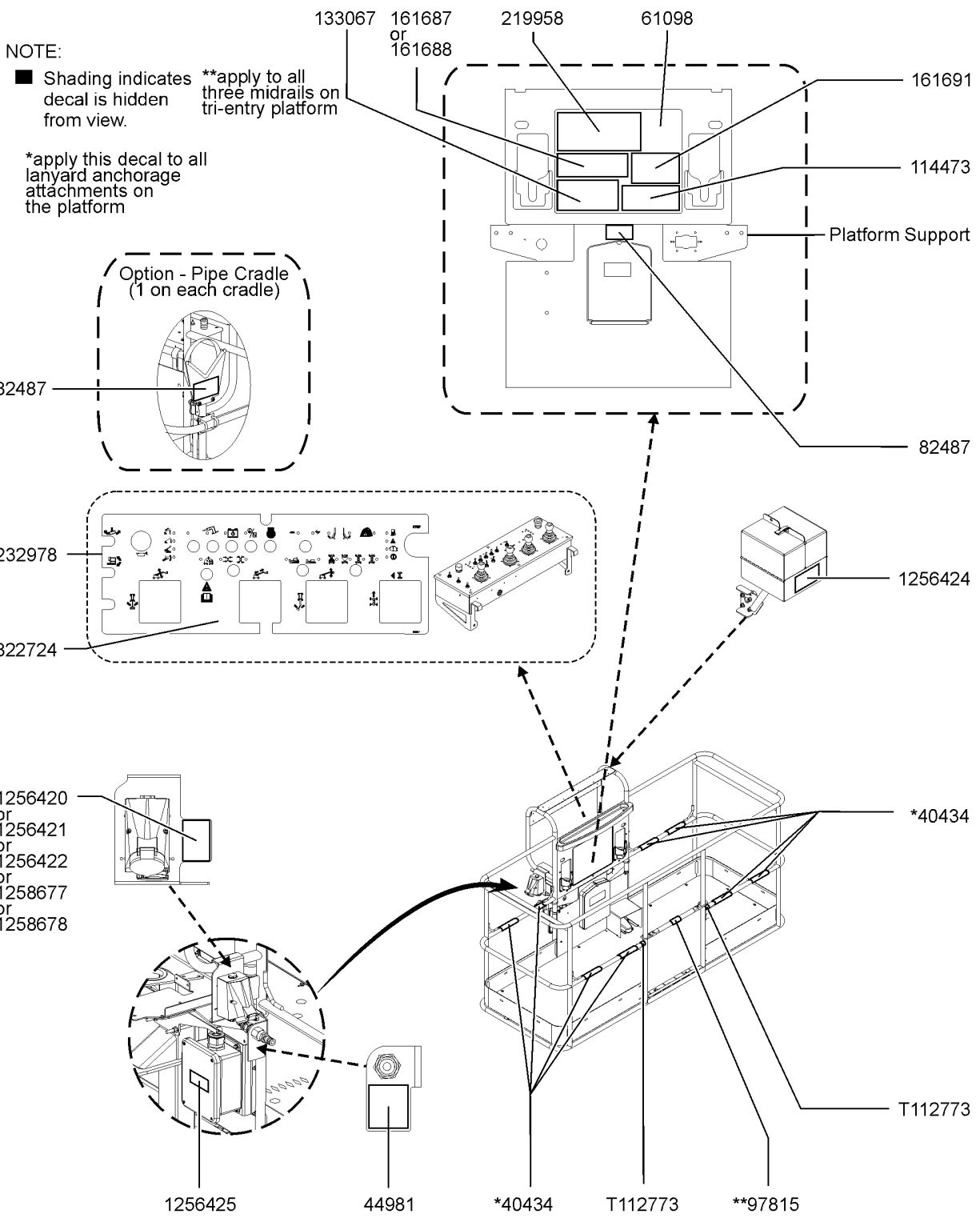


111.1 Decals with Symbols, Boom (to SN SX150H-611)

<i>Item</i>	<i>Part No.</i>	<i>Description</i>	<i>Qty.</i>
1	114252GT	DECAL,LABEL,TIP OVER LMT SWTCH .....	1
2	822718GT	DECAL,COSMETIC,GENIE,12" .....	1
3	1262266GT	DECAL, COSMETIC, GENIE, 16" .....	1
4	1262267GT	DECAL, COSMETIC, SX-150, 16" .....	1
5	1262268GT	DECAL, COSMETIC, SX-150,12" .....	1



112.1 Decals with Symbols, Platform (to SN SX150H-611)

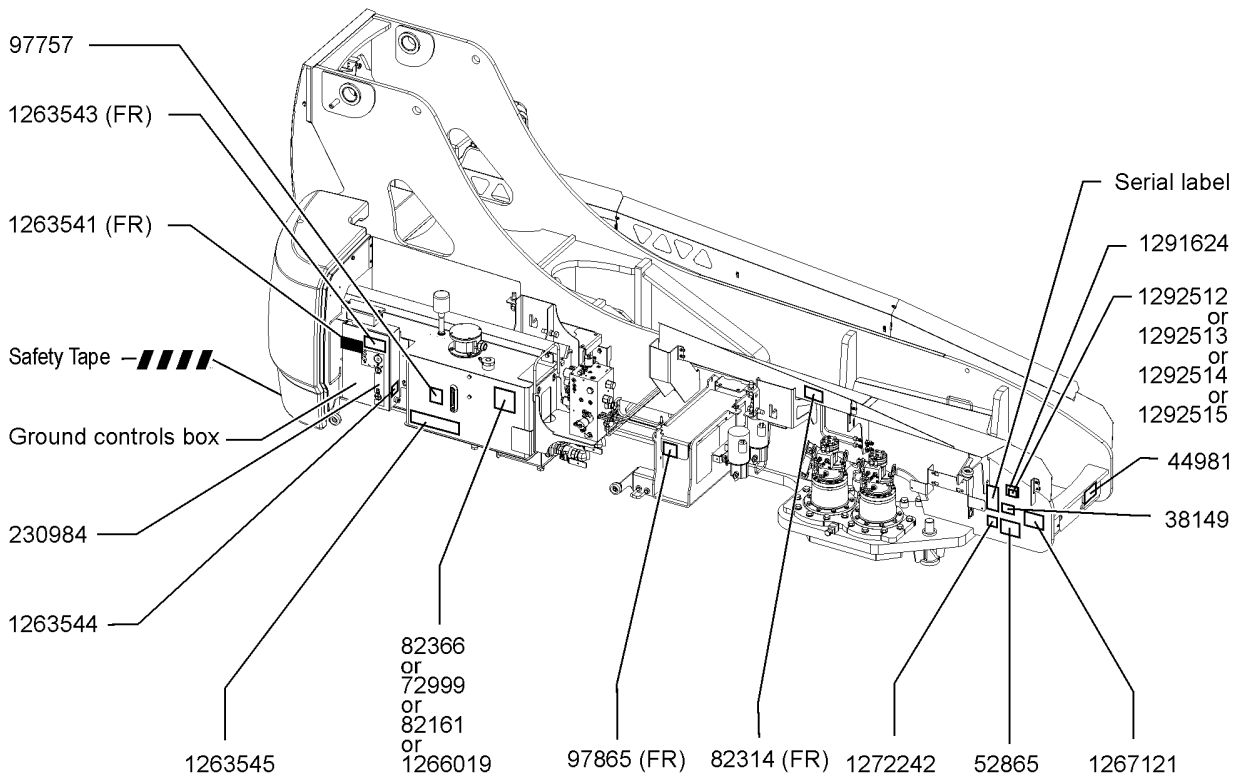
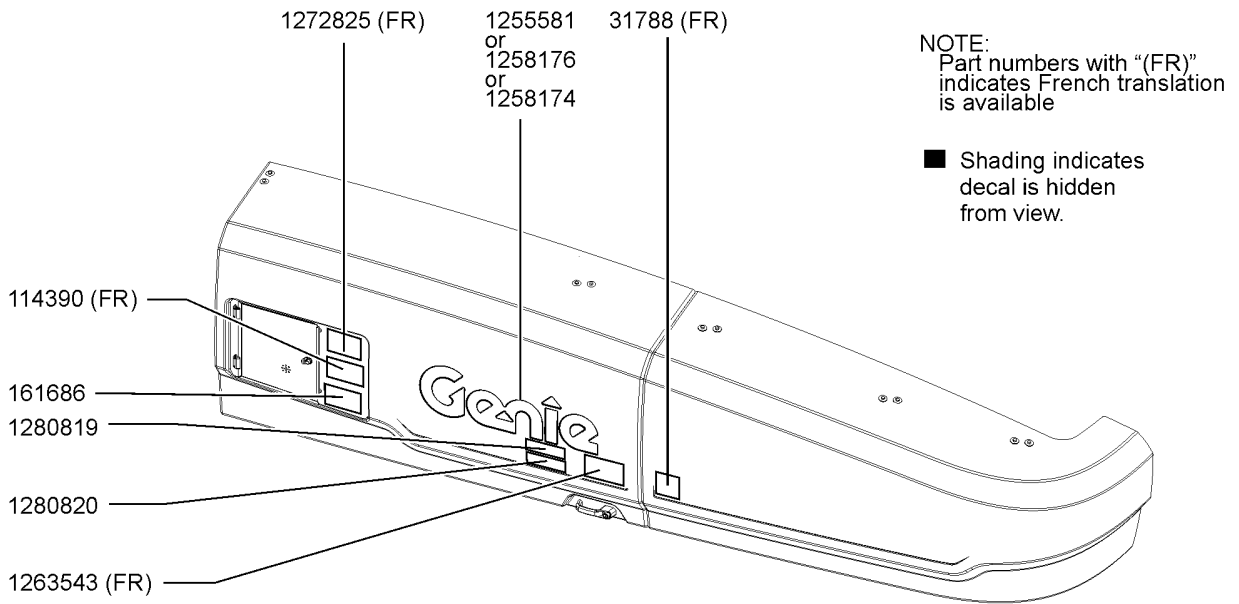


112.1 Decals with Symbols, Platform (to SN SX150H-611)

Item	Part No.	Description	Qty.
-	1302891GT	INSTRUCTIONS,INSTALL,PLAT,SYMBOL, SX-150 .....	1
-	1302892GT	DECAL KIT,SX-150,PLAT,SYMBOL,ANSI & CE .....	1
1	40434GT	DECAL,LANYARD ANCHORAGE POINT .....	8
2	44981GT	DECAL LABEL AIRLINE 110PSI .....	1
		Option, airline to platform	
3	61098GT	DECAL,BLACK,DECAL PLATE .....	1
4	82487GT	DECAL,SYMBOL-READ THE MANUAL .....	3
5	97815GT	DECAL,LABEL,LOWER MIDRAIL .....	1
6	114473GT	DECAL,DANGER,ELEC.HAZ.STAY CLR .....	1
7	133067GT	DECAL,DANGER,ELEC.HAZ.STAY CLR .....	1
8	161687GT	DECAL,MAX CAP SIDE FORCE SYM A .....	1
		(ANSI)	
9	161688GT	DECAL,MAX CAP SIDE FORCE SYM C .....	1
		(CE)	
10	161691GT	DECAL,SLOPE RATING SYM .....	1
11	219958GT	DECAL,TIP-OVER,CRUSH .....	1
12	232978GT	DECAL, PCON LID, SUPER X .....	1
		(plastic cover)	
13	822724GT	DECAL, PROTECTIVE COVER,SX-180 .....	1
14	1256420GT	DECAL, POWER TO PLATFORM, 208V/115V 60HZ .....	1
		Option	
15	1256421GT	DECAL, POWER TO PLATFORM, 220V .....	1
		Option	
16	1256422GT	DECAL, POWER TO PLATFORM, 415V .....	1
		Option	
17	1256424GT	DECAL, DANGER, TIP-OVER HAZARD .....	1
		Option, anemometer	
18	1256425GT	DECAL, DANGER, ELECTROCUTION HAZARD, SYMBOL .....	1
		Option	
19	1258677GT	DECAL, POWER TO PLATFORM, 240V 50HZ .....	1
		Option	
20	1258678GT	DECAL, POWER TO PLATFORM, 220V .....	1
		Option	
21	T112773GT	TAPE, PROTECTIVE MASK .....	2



113.1 Decals with Words, Hydraulic Tank Side (from SN SX150H-612)

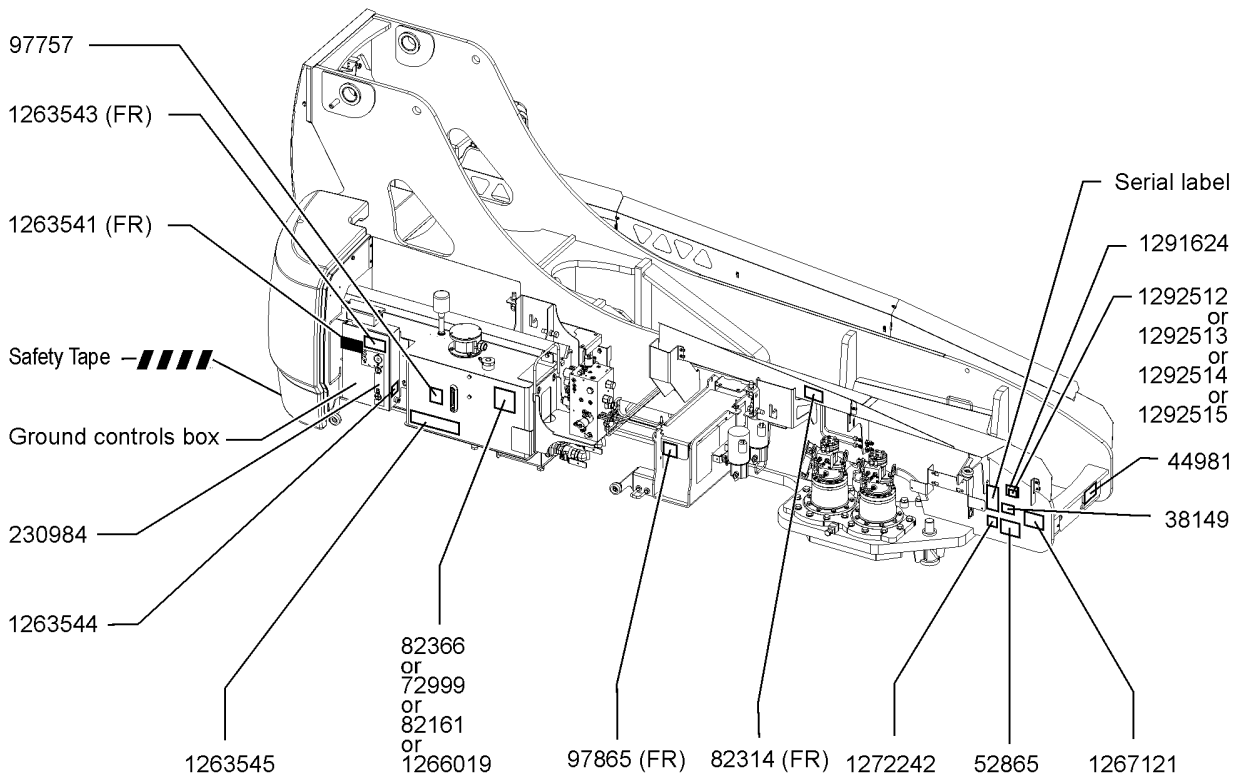
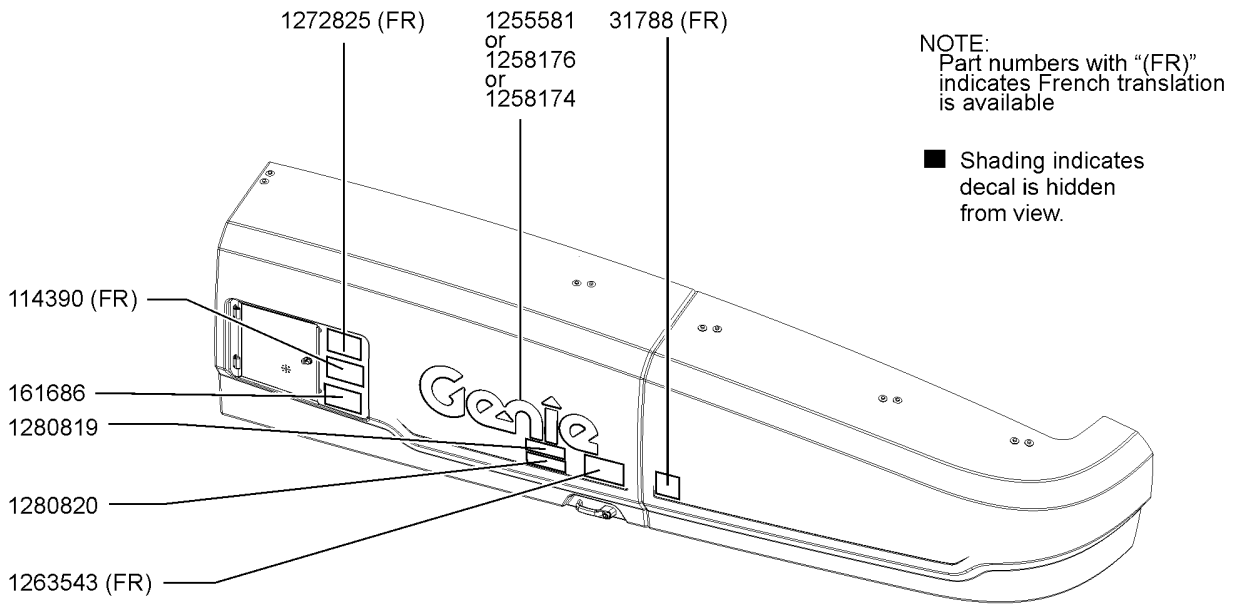


113.1 Decals with Words, Hydraulic Tank Side (from SN SX150H-612)

Item	Part No.	Description	Qty.
-	1302893GT	INSTRUCTIONS,INSTALL,COMP,WORD, SX-150 .....	1
-	1302894GT	DECAL KIT,SX-150,COMP,WORD,ANSI & AUS .....	1
1	31788GT	DECAL,DANGER,BATTERY SAFETY*** .....	1
2	38149GT	DECAL LABEL PATENTS .....	1
		(US only)	
3	44981GT	DECAL LABEL AIRLINE 110PSI .....	1
		Option, airline to platform	
4	52865GT	DECAL,ANNUAL INSP*** .....	1
5	72999GT	DECAL,LABEL,PETRO CANADA*** .....	1
		Option, hydraulic oil	
6	82161GT	DECAL,LABEL,UCON HYDROLUBE .....	1
		Option, hydraulic oil	
7	82314GT	DECAL,DANGER,TIP-OVER .....	1
8	82366GT	DECAL, LABEL - CHEVRON RANDO .....	1
		Option, hydraulic oil	
9	97757GT	DECAL,LABEL,OIL LEVEL IND .....	1
10	97865GT	DECAL,WARN,ELECTRO HAZARD .....	1
11	114390GT	DECAL,DANGER,ELECT HAZARD*** .....	1
12	161686GT	DECAL, E DOWN PROCEDURE SYM .....	1
13	230984GT	DECAL, GROUND CONTROL SPX .....	1
14	1255581GT	DECAL,COSMETIC, 10" GENIE BLUE .....	1
15	1258174GT	DECAL,COSMETIC,10" GENIE WHITE .....	1
16	1258176GT	DECAL,COSMETIC,10" GENIE BLACK .....	1
17	1263541GT	DECAL, TIP OVER HAZARD .....	1
18	1263543GT	DECAL, IMPROPER OPERATION .....	2
19	1263544GT	DECAL, BYPASS KEY SWITCH .....	1
20	1263545GT	DECAL, INSTR-BYPASS KEY SWITCH .....	1
21	1266019GT	DECAL, LABEL, SHELL TELLUS .....	1
22	1267121GT	DECAL, BOOM SUPPORT .....	1
23	1272242GT	DECAL,MACHINE REGISTRATION/OWNER TRANSFER .....	1
24	1272825GT	DECAL,OPERATOR INST, GROUND CONT .....	1
25	1280819GT	DECAL,WARNING,CANCER AND REPRODUCTIVE HARM, PROP 65 .....	1
26	1280820GT	DECAL,FUEL,DIESEL EXHAUST, PROP 65 .....	1



113.1 Decals with Words, Hydraulic Tank Side (from SN SX150H-612)



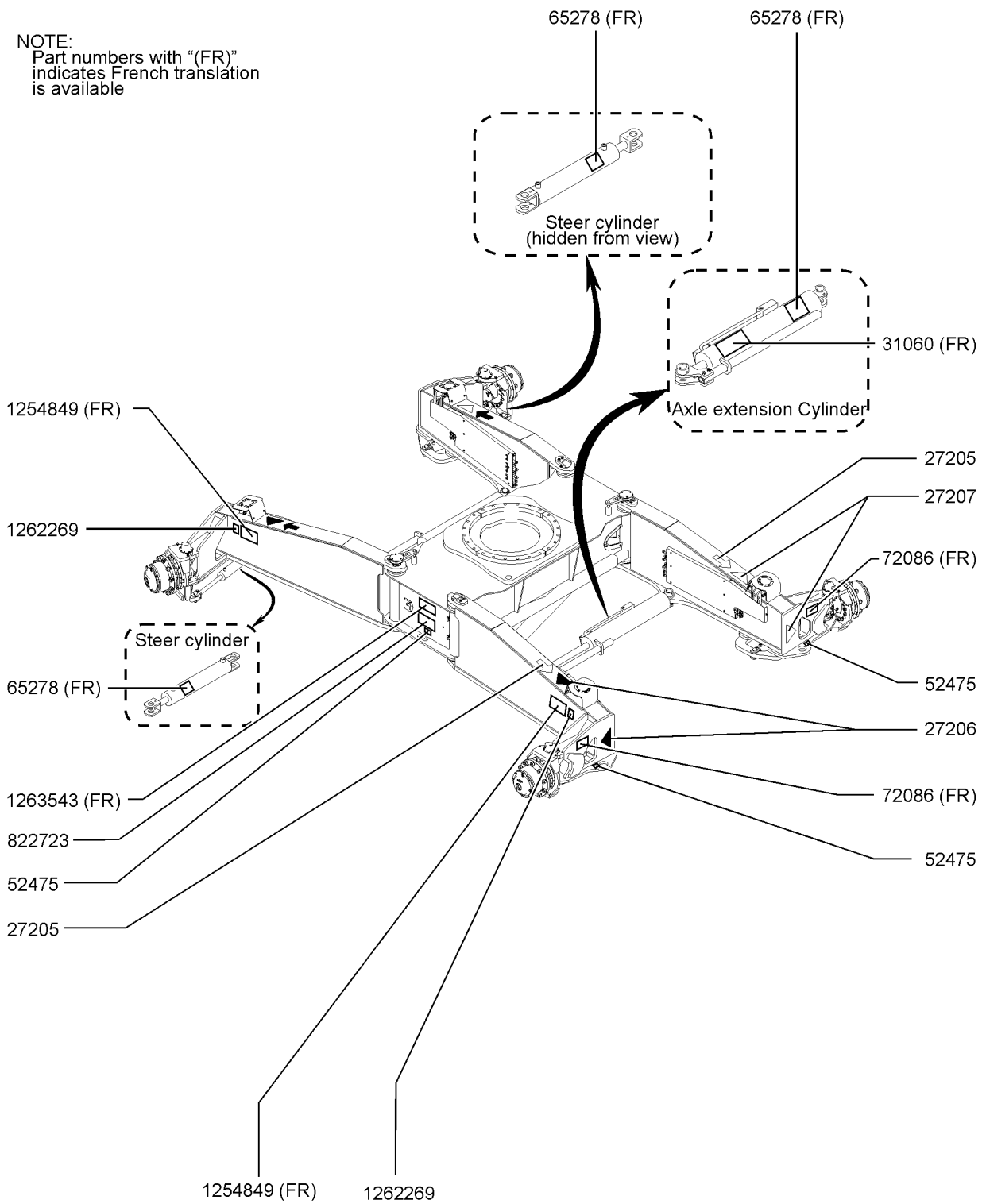
113.1 Decals with Words, Hydraulic Tank Side (from SN SX150H-612)

<i>Item</i>	<i>Part No.</i>	<i>Description</i>	<i>Qty.</i>
27	1291624GT	DECAL COSM,GENIE LIFT CONNECT,LEXAN COVER .....	1
28	1292512GT	DECAL COSM,GENIE LIFT CONNECT,ESN,SKU4-1 .....	1
29	1292513GT	DECAL COSM,GENIE LIFT CONNECT,ESN,SKU4-2 .....	1
30	1292514GT	DECAL COSM,GENIE LIFT CONNECT,ESN,SKU4-3 .....	1
31	1292515GT	DECAL COSM,GENIE LIFT CONNECT,ESN,SKU4-4 .....	1



114.1 Decals with Words, Hydraulic Tank Side (chassis) (from SN SX150H-612)

NOTE:  
Part numbers with "(FR)"  
indicates French translation  
is available



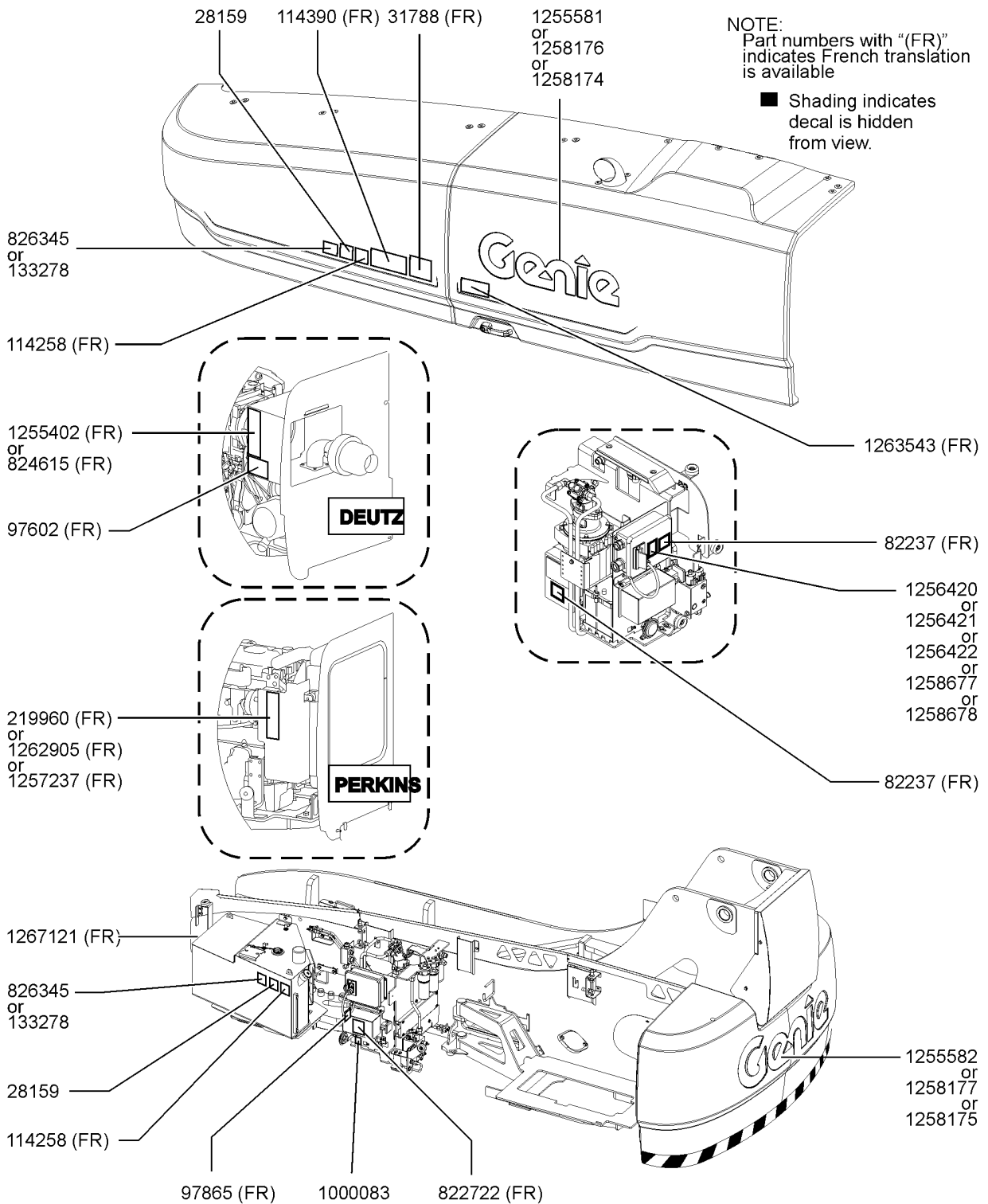


114.1 Decals with Words, Hydraulic Tank Side (chassis) (from SN SX150H-612)

<i>Item</i>	<i>Part No.</i>	<i>Description</i>	<i>Qty.</i>
1	27205GT	DECAL,ARROW YELLOW LRG 9" .....	2
2	27206GT	DECAL,TRIANGLE,BLUE .....	2
3	27207GT	DECAL,TRIANGLE,YELLOW .....	2
4	31060GT	DECAL,DANGER DO NOT ALTER SWTC .....	1
5	52475GT	DECAL LABEL TRANSPORT TIE DOWN* .....	3
6	65278GT	DECAL,CAUTION,NO STEP .....	3
7	72086GT	DECAL,LABEL,LIFTING EYE .....	2
8	822723GT	DECAL,TRANSPORT DIAGRAM,SX-180 .....	1
9	1254849GT	DECAL,DANGER/NOTICE,TIRESPECS,SX180 .....	2
10	1262269GT	DECAL, WHEEL LOAD, SX-150 .....	2
11	1263543GT	DECAL, IMPROPER OPERATION .....	1



115.1 Decals with Words, Engine Side (from SN SX150H-612)

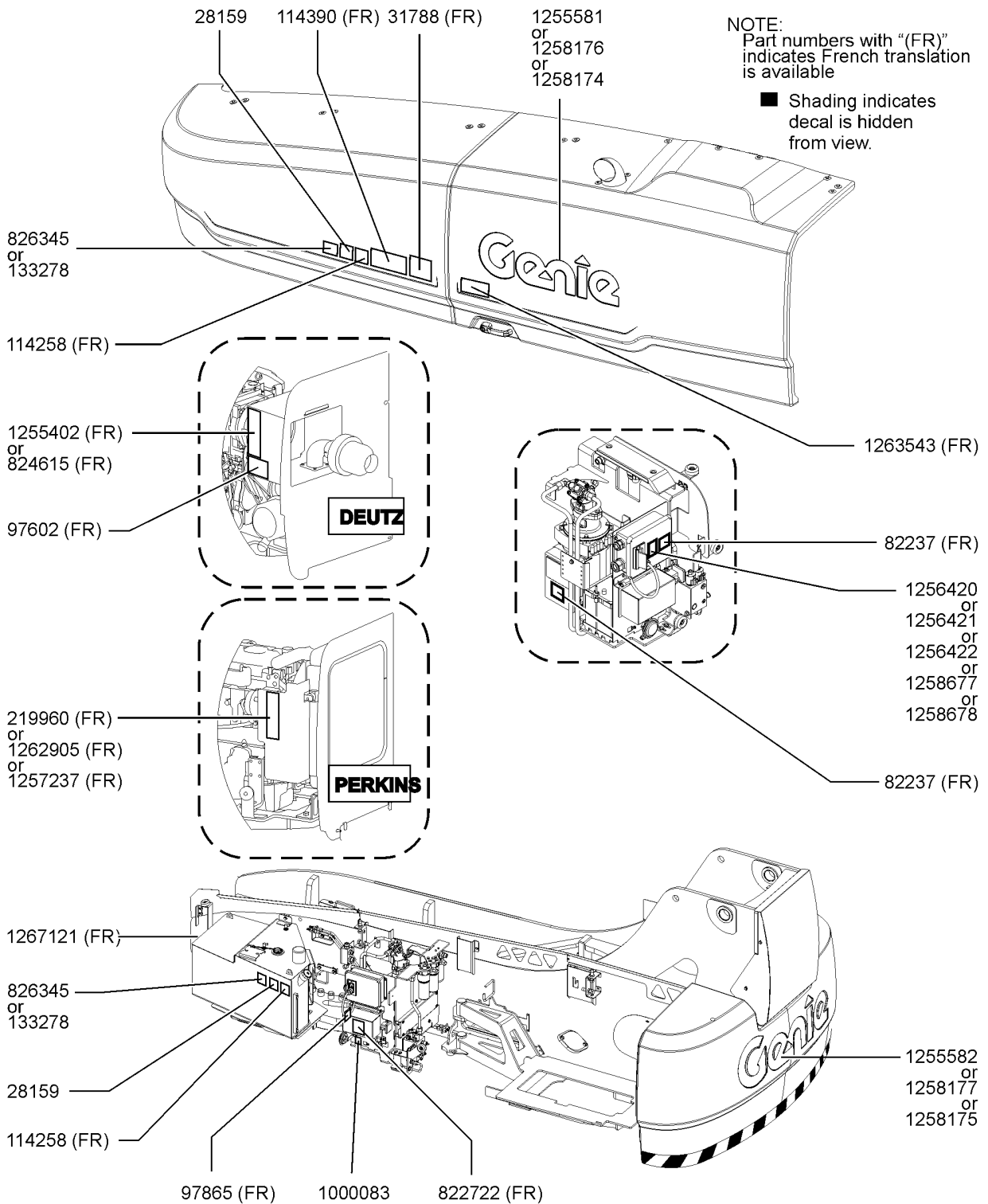


115.1 Decals with Words, Engine Side (from SN SX150H-612)

Item	Part No.	Description	Qty.
1	28159GT	DECAL,LABEL,DIESEL FUEL .....	2
2	31788GT	DECAL,DANGER,BATTERY SAFETY*** .....	1
3	82237GT	DECAL,DANGER,HIGH VOLTAGE .....	2
		Option, generator	
4	97602GT	DECAL,WARNING,EXPLOSION,ETHER .....	1
5	97865GT	DECAL,WARN,ELECTRO HAZARD .....	1
6	114258GT	DECAL,DANGER,NO SMOKING .....	2
7	114390GT	DECAL,DANGER,ELECT HAZARD*** .....	1
8	133278GT	DECAL,LOW/ULTRA LOW SULFR FUEL .....	2
		Perkins 1104D-44T, Deutz TD201104i	
9	219960GT	DECAL,NOTICE, PERKINS ENGINE .....	1
		Perkins 1104D-44T	
10	822722GT	DECAL, LABEL, FUSE RELAY PANEL .....	1
11	824615GT	DECAL,ENGINE SPEC,DEUTZ TD2.9 .....	1
		Deutz D 2.9i4	
12	826345GT	DECAL,ULS DIESEL ONLY,TIER 4 .....	2
		Perkins 854TF, Deutz D 2.9i4	
13	1000083GT	DECAL,NOTICE,START/CONTRL BATT .....	1
14	1255402GT	DECAL,ENGINE SPEC,DEUTZ TD2011L04i,SX .....	1
		Deutz TD201104i	
15	1255581GT	DECAL,COSMETIC, 10" GENIE BLUE .....	1
16	1255582GT	DECAL COSMETIC,15" GENIE BLUE .....	1
17	1256420GT	DECAL, POWER TO PLATFORM, 208V/115V 60HZ .....	1
		Option	
18	1256421GT	DECAL, POWER TO PLATFORM, 220V .....	1
		Option	
19	1256422GT	DECAL, POWER TO PLATFORM, 415V .....	1
		Option	
20	1257237GT	DECAL,ENGINE SPEC,854TF,TIER IV .....	1
		Perkins 854TF	
21	1258174GT	DECAL,COSMETIC,10" GENIE WHITE .....	1
22	1258175GT	DECAL COSMETIC,15" GENIE WHITE .....	1
23	1258176GT	DECAL,COSMETIC,10" GENIE BLACK .....	1
24	1258177GT	DECAL COSMETIC,15" GENIE BLACK .....	1
25	1258677GT	DECAL, POWER TO PLATFORM, 240V 50HZ .....	1
		Option	
26	1258678GT	DECAL, POWER TO PLATFORM, 220V .....	1
		Option	
27	1262905GT	DECAL,NOTICE,PERKINS ENGINE .....	1
		Perkins 1104D-44T	
28	1263543GT	DECAL, IMPROPER OPERATION .....	1



115.1 Decals with Words, Engine Side (from SN SX150H-612)



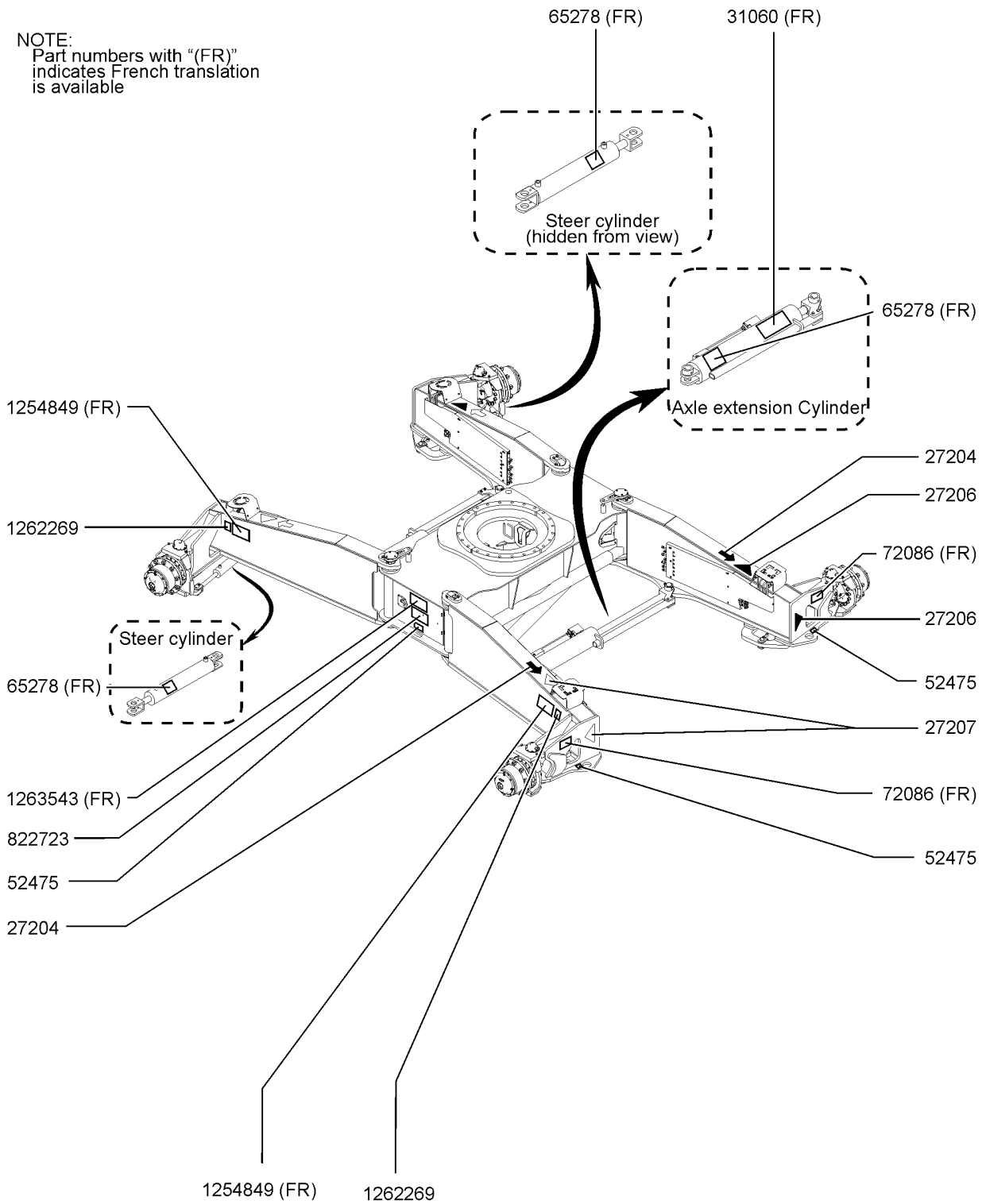
115.1 Decals with Words, Engine Side (from SN SX150H-612)

<i>Item</i>	<i>Part No.</i>	<i>Description</i>	<i>Qty.</i>
29	1267121GT	DECAL, BOOM SUPPORT .....	1



116.1 Decals with Words, Engine Side (chassis) (from SN SX150H-612)

NOTE:  
Part numbers with "(FR)"  
indicates French translation  
is available

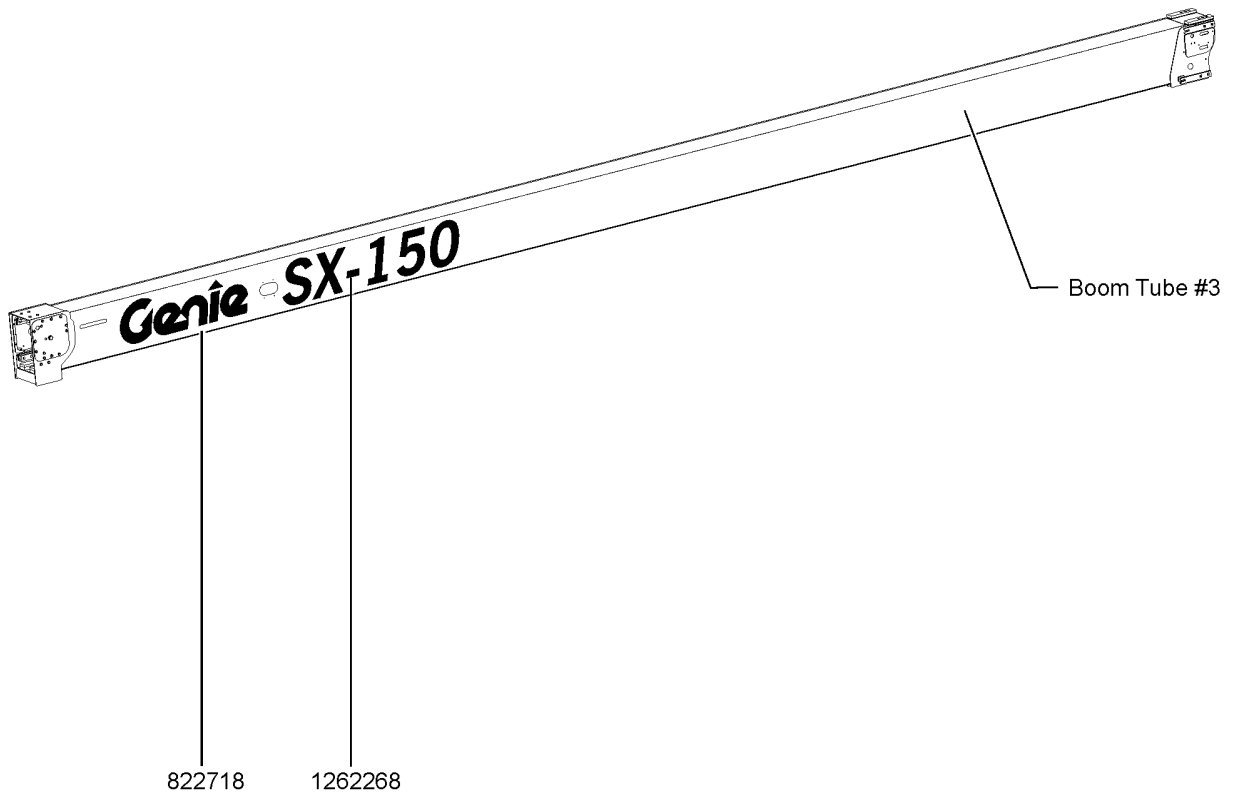
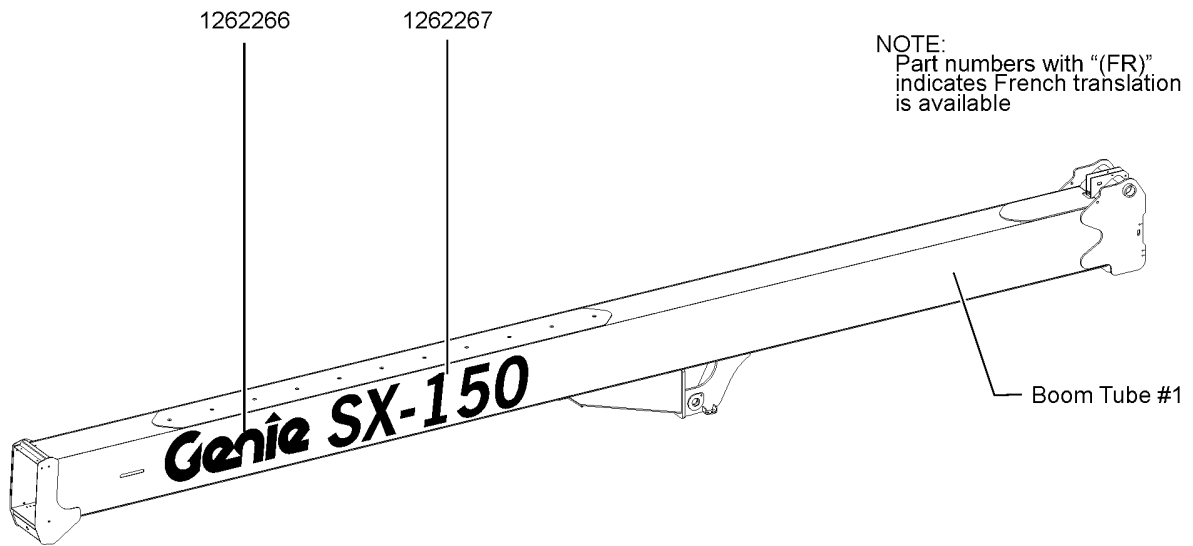


116.1 Decals with Words, Engine Side (chassis) (from SN SX150H-612)

<i>Item</i>	<i>Part No.</i>	<i>Description</i>	<i>Qty.</i>
1	27204GT	DECAL,ARROW BLUE .....	2
2	27206GT	DECAL,TRIANGLE,BLUE .....	2
3	27207GT	DECAL,TRIANGLE,YELLOW .....	2
4	31060GT	DECAL,DANGER DO NOT ALTER SWTC .....	1
5	52475GT	DECAL LABEL TRANSPORT TIE DOWN* .....	3
6	65278GT	DECAL,CAUTION,NO STEP .....	3
7	72086GT	DECAL,LABEL,LIFTING EYE .....	2
8	822723GT	DECAL,TRANSPORT DIAGRAM,SX-180 .....	1
9	1254849GT	DECAL,DANGER/NOTICE,TIRESPECS,SX180 .....	2
10	1262269GT	DECAL, WHEEL LOAD, SX-150 .....	2
11	1263543GT	DECAL, IMPROPER OPERATION .....	1



117.1 Decals with Words, Boom (from SN SX150H-612)



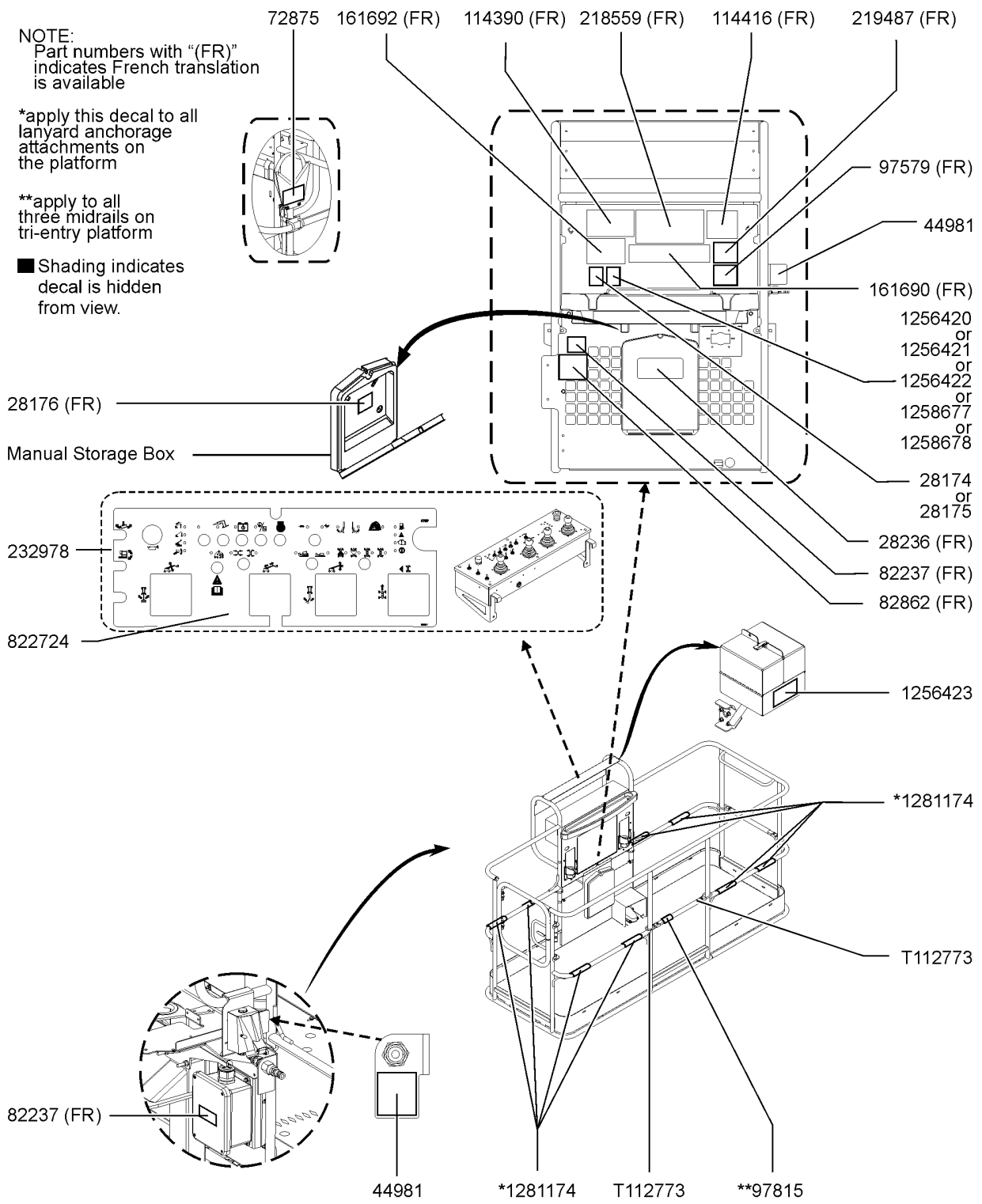


117.1 Decals with Words, Boom (from SN SX150H-612)

<i>Item</i>	<i>Part No.</i>	<i>Description</i>	<i>Qty.</i>
1	822718GT	DECAL,COSMETIC,GENIE,12" .....	1
2	1262266GT	DECAL, COSMETIC, GENIE, 16" .....	1
3	1262267GT	DECAL, COSMETIC, SX-150, 16" .....	1
4	1262268GT	DECAL, COSMETIC, SX-150,12" .....	1



118.1 Decals with Words, Platform (from SN SX150H-612)

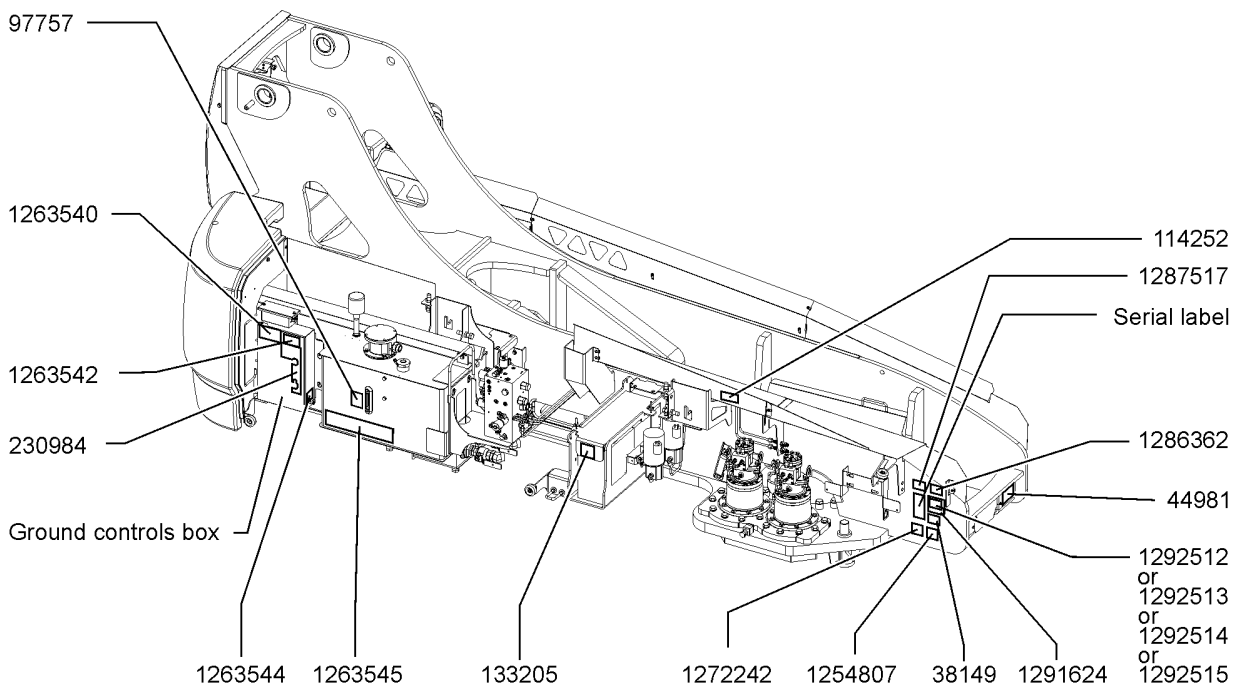
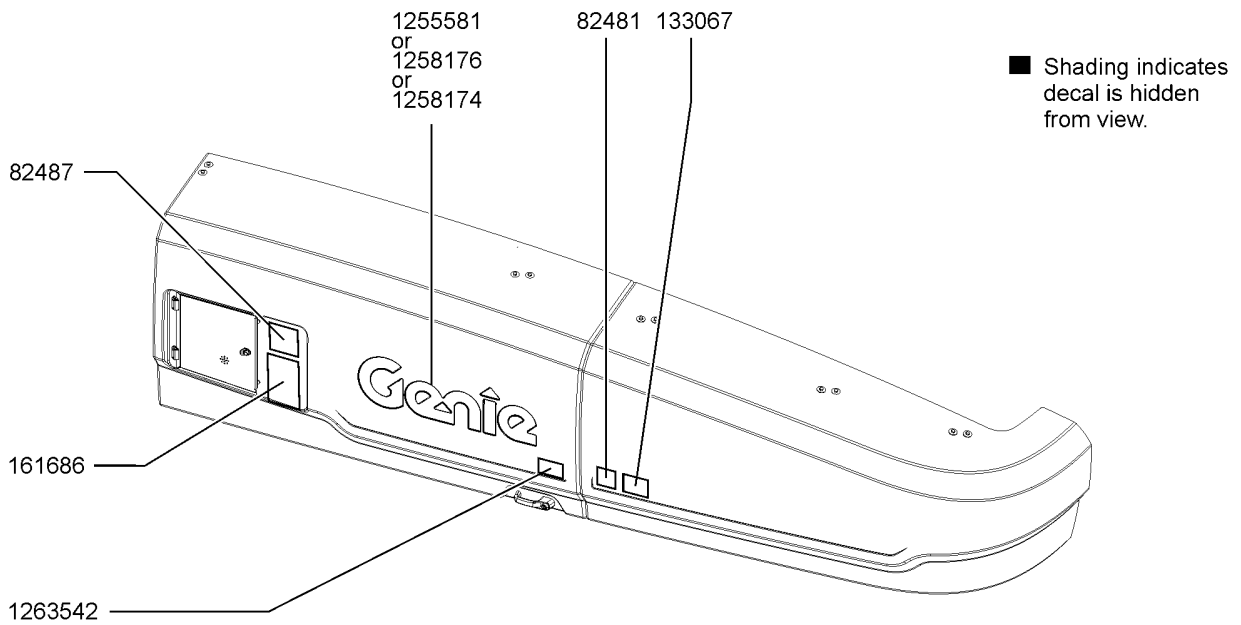


118.1 Decals with Words, Platform (from SN SX150H-612)

Item	Part No.	Description	Qty.
-	1302895GT	INSTRUCTIONS,INSTALL,PLAT,WORD, SX-150 .....	1
-	1302896GT	DECAL KIT,SX-150,PLAT,WORD,ANSI & AUS .....	1
1	28174GT	DECAL, POWER TO PLATFORM 230V** .....	1
2	28176GT	DECAL,LABEL,MANUAL NOT HERE .....	1
3	28235GT	DECAL, POWER TO PLATFORM 115V** .....	1
4	28236GT	DECAL,WARN,IMPROPER OPERATION .....	1
5	44981GT	DECAL LABEL AIRLINE 110PSI .....	2
		Option, airline to platform	
6	72875GT	DECAL,WARNING,PIPE CRADLE,BOOM .....	2
		Option, pipe cradle	
7	82237GT	DECAL,DANGER,HIGH VOLTAGE .....	2
		Option, generator	
8	82862GT	DECAL,FIRE EXTINGUISHER .....	1
		Option, welder	
9	97579GT	DECAL,DANGER,TIP-OVER,WELDER** .....	1
		Option, welder	
10	97815GT	DECAL,LABEL,LOWER MIDRAIL .....	1
11	114390GT	DECAL,DANGER,ELECT HAZARD*** .....	1
12	114416GT	DECAL,DANGER,TIPOVER,TILT .....	1
13	161690GT	DECAL,MAX CAP SIDE FORCE WORD AUS .....	1
14	161692GT	DECAL,SLOPE RATING WORD .....	1
15	218559GT	DECAL,DANGER/WARNING COMBO .....	1
16	219487GT	DECAL,PLATFORM OVERLOAD .....	1
17	232978GT	DECAL, PCON LID, SUPER X .....	1
18	822724GT	DECAL, PROTECTIVE COVER,SX-180 .....	1
		(plastic cover)	
19	1256420GT	DECAL, POWER TO PLATFORM, 208V/115V 60HZ .....	1
		Option	
20	1256421GT	DECAL, POWER TO PLATFORM, 220V .....	1
		Option	
21	1256422GT	DECAL, POWER TO PLATFORM, 415V .....	1
		Option	
22	1256423GT	DECAL, DANGER, TIP-OVER HAZARD .....	1
		Option, anemometer	
23	1258677GT	DECAL, POWER TO PLATFORM, 240V 50HZ .....	1
		Option	
24	1258678GT	DECAL, POWER TO PLATFORM, 220V .....	1
		Option	
25	1281174GT	DECAL,LANYARD,FALL ARREST/FALL RESTRAINED .....	8
26	T112773GT	TAPE, PROTECTIVE MASK .....	2



119.1 Decals with Symbols, Hydraulic Tank Side (from SN SX150H-612)

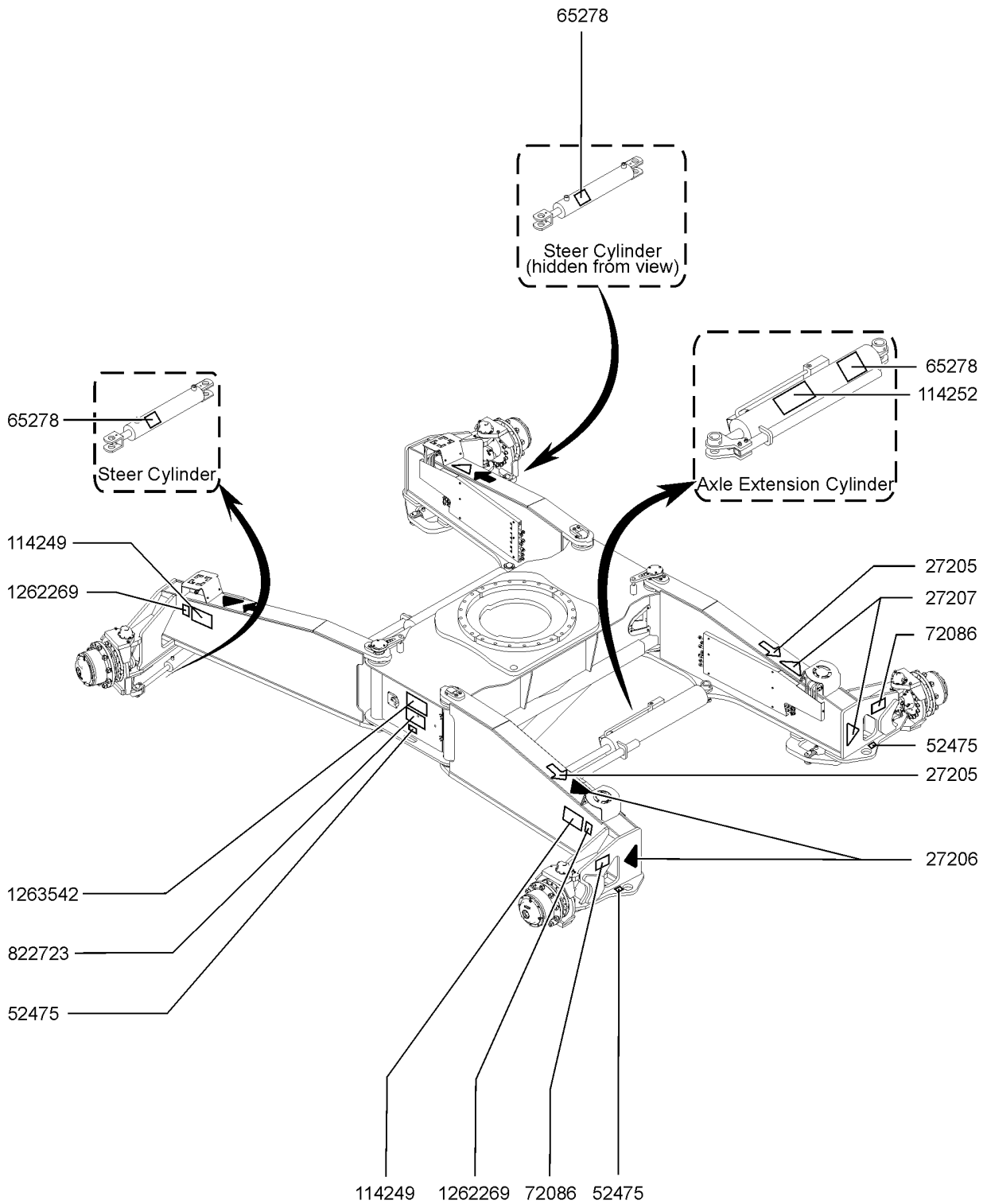


119.1 Decals with Symbols, Hydraulic Tank Side (from SN SX150H-612)

Item	Part No.	Description	Qty.
-	1302897GT	INSTRUCTIONS,INSTALL,COMP,SYMBOL, SX-150 .....	1
-	1302898GT	DECAL KIT,SX-150,COMP,SYMBOL,ANSI & CE .....	1
1	38149GT	DECAL LABEL PATENTS (US only) .....	1
2	44981GT	DECAL LABEL AIRLINE 110PSI Option, airline to platform .....	1
3	82481GT	DECAL SYMBOL BATTERY SAFETY .....	1
4	82487GT	DECAL,SYMBOL-READ THE MANUAL .....	1
5	97757GT	DECAL,LABEL,OIL LEVEL IND .....	1
6	114252GT	DECAL,LABEL,TIP OVER LMT SWTCH .....	1
7	133067GT	DECAL,DANGER,ELEC.HAZ.STAY CLR .....	1
8	133205GT	DECAL,LABEL, ELECTRO HAZARD .....	1
9	161686GT	DECAL, E DOWN PROCEDURE SYM (CE only) .....	1
10	230984GT	DECAL, GROUND CONTROL SPX .....	1
11	1254807GT	DECAL,LABEL,112 DB (CE only) .....	1
12	1255581GT	DECAL,COSMETIC, 10" GENIE BLUE .....	1
13	1258174GT	DECAL,COSMETIC,10" GENIE WHITE .....	1
14	1258176GT	DECAL,COSMETIC,10" GENIE BLACK .....	1
15	1263540GT	DECAL, TIP OVER HAZARD .....	1
16	1263542GT	DECAL,IMPROPER OPERATION,SYMBOL .....	2
17	1263544GT	DECAL, BYPASS KEY SWITCH .....	1
18	1263545GT	DECAL, INSTR-BYPASS KEY SWITCH .....	1
19	1272242GT	DECAL,MACHINE REGISTRATION/OWNER TRANSFER .....	1
20	1286362GT	DECAL, BOOM SUPPORT, SYMBOL .....	1
21	1287517GT	DECAL,TRANSITION PERIOD DEUTZ ENGINE (CE only) .....	1
22	1291624GT	DECAL COSM,GENIE LIFT CONNECT,LEXAN COVER .....	1
23	1292512GT	DECAL COSM,GENIE LIFT CONNECT,ESN,SKU4-1 .....	1
24	1292513GT	DECAL COSM,GENIE LIFT CONNECT,ESN,SKU4-2 .....	1
25	1292514GT	DECAL COSM,GENIE LIFT CONNECT,ESN,SKU4-3 .....	1
26	1292515GT	DECAL COSM,GENIE LIFT CONNECT,ESN,SKU4-4 .....	1



120.1 Decals with Symbols, Hydraulic Tank Side (chassis) (from SN SX150H-612)

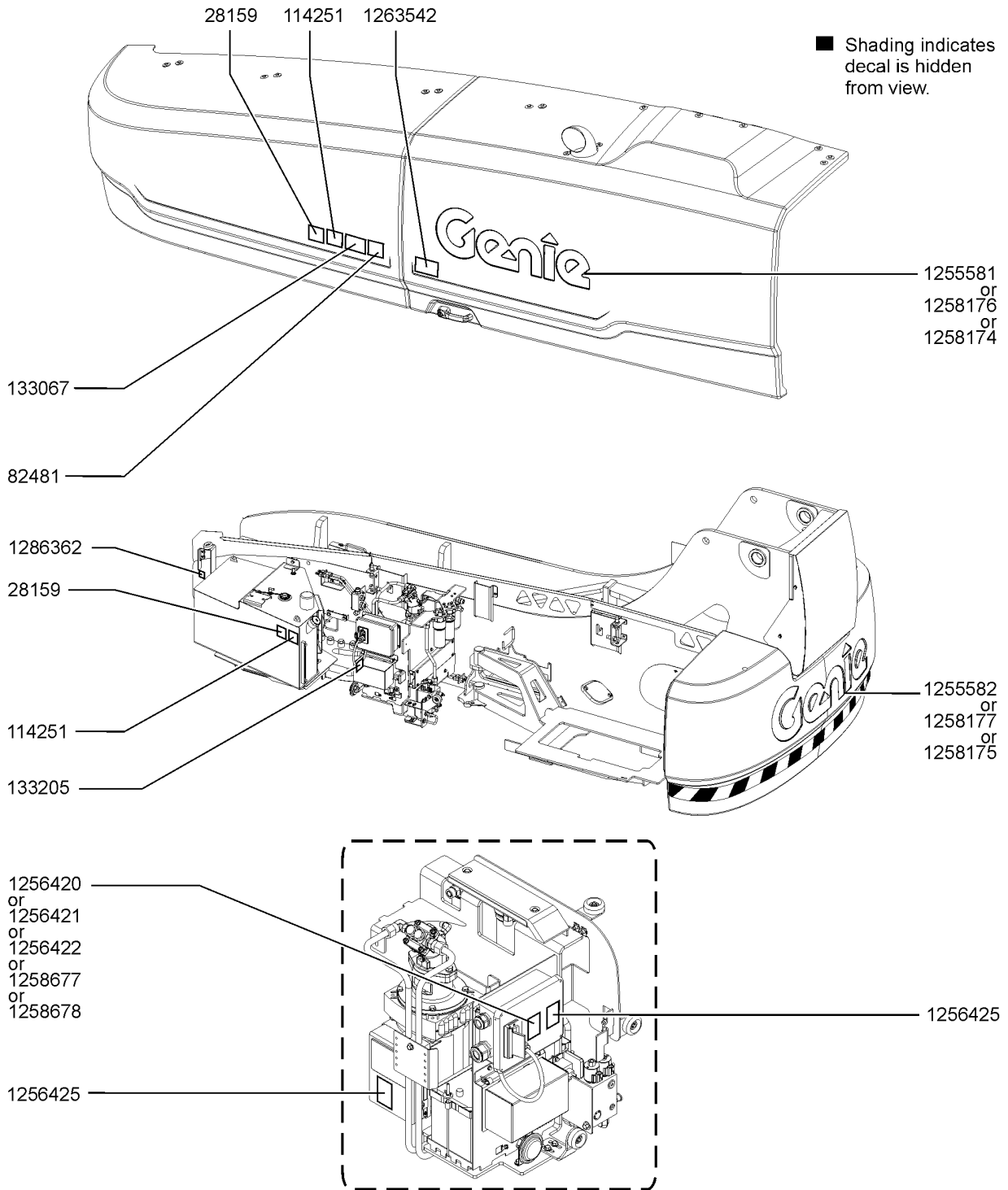


120.1 Decals with Symbols, Hydraulic Tank Side (chassis) (from SN SX150H-612)

<i>Item</i>	<i>Part No.</i>	<i>Description</i>	<i>Qty.</i>
1	27205GT	DECAL,ARROW YELLOW LRG 9" .....	2
2	27206GT	DECAL,TRIANGLE,BLUE .....	2
3	27207GT	DECAL,TRIANGLE,YELLOW .....	2
4	52475GT	DECAL LABEL TRANSPORT TIE DOWN* .....	3
5	65278GT	DECAL,CAUTION,NO STEP .....	3
6	72086GT	DECAL,LABEL,LIFTING EYE .....	2
7	114249GT	DECAL,LABEL,TIPOVER,TIRES,SYMB .....	2
8	114252GT	DECAL,LABEL,TIP OVER LMT SWTCH .....	1
9	822723GT	DECAL,TRANSPORT DIAGRAM,SX-180 .....	1
10	1262269GT	DECAL, WHEEL LOAD, SX-150 .....	2
11	1263542GT	DECAL,IMPROPER OPERATION,SYMBOL .....	1



121.1 Decals with Symbols, Engine Side (from SN SX150H-612)



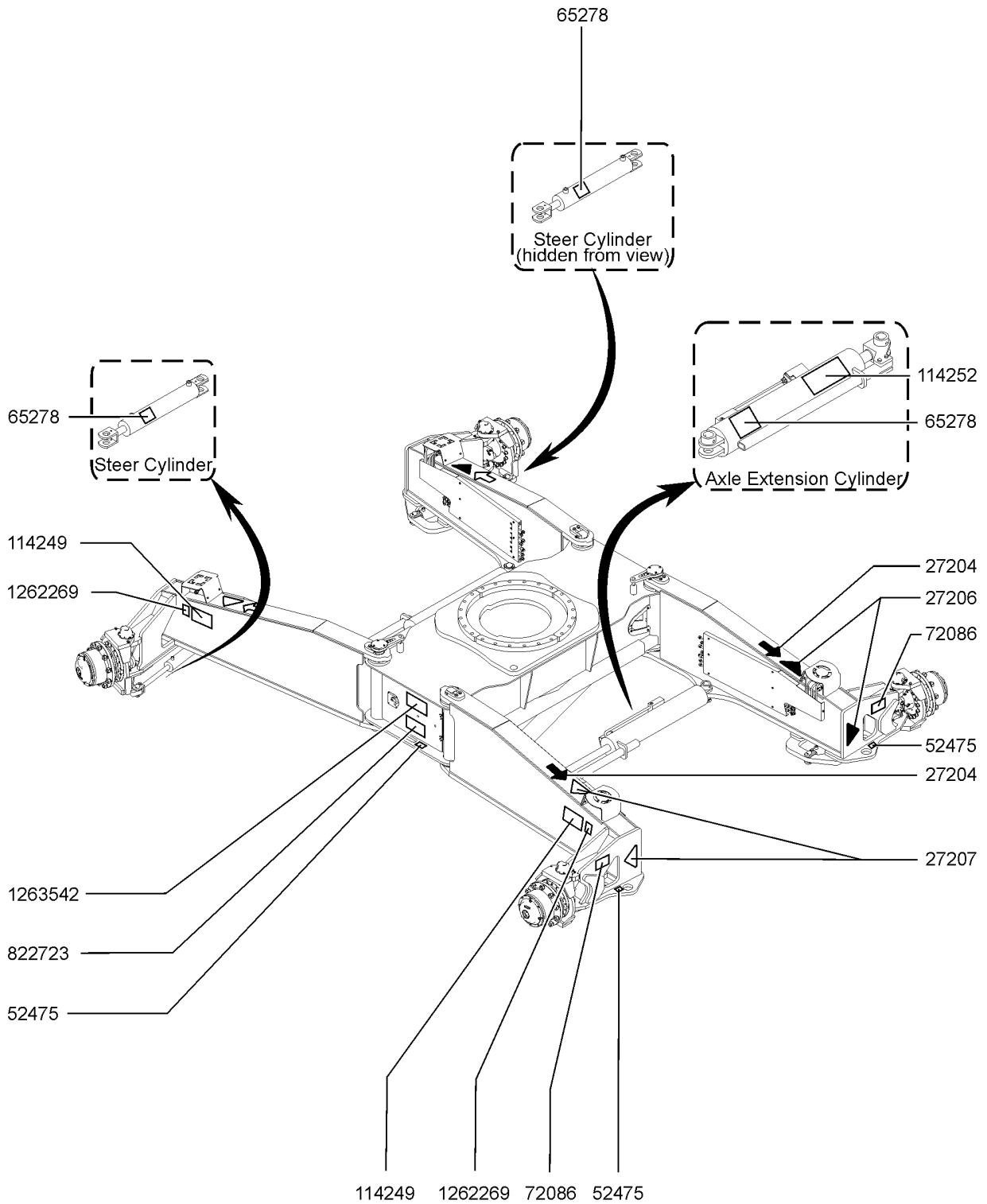


121.1 Decals with Symbols, Engine Side (from SN SX150H-612)

Item	Part No.	Description	Qty.
1	28159GT	DECAL,LABEL,DIESEL FUEL .....	2
2	82481GT	DECAL SYMBOL BATTERY SAFETY .....	1
3	114251GT	DECAL,LABEL,NO SMOKING,SYMB .....	2
4	133067GT	DECAL,DANGER,ELEC.HAZ.STAY CLR .....	1
5	133205GT	DECAL,LABEL, ELECTRO HAZARD .....	1
6	1255581GT	DECAL,COSMETIC, 10" GENIE BLUE .....	1
7	1255582GT	DECAL COSMETIC,15" GENIE BLUE .....	1
8	1256420GT	DECAL, POWER TO PLATFORM, 208V/115V 60HZ .....	1
		Option	
9	1256421GT	DECAL, POWER TO PLATFORM, 220V .....	1
		Option	
10	1256422GT	DECAL, POWER TO PLATFORM, 415V .....	1
		Option	
11	1256425GT	DECAL, DANGER, ELECTROCUTION HAZARD, SYMBOL .....	2
		Option	
12	1258174GT	DECAL,COSMETIC,10" GENIE WHITE .....	1
13	1258175GT	DECAL COSMETIC,15" GENIE WHITE .....	1
14	1258176GT	DECAL,COSMETIC,10" GENIE BLACK .....	1
15	1258177GT	DECAL COSMETIC,15" GENIE BLACK .....	1
16	1258677GT	DECAL, POWER TO PLATFORM, 240V 50HZ .....	1
		Option	
17	1258678GT	DECAL, POWER TO PLATFORM, 220V .....	1
		Option	
18	1263542GT	DECAL,IMPROPER OPERATION,SYMBOL .....	1
19	1286362GT	DECAL, BOOM SUPPORT, SYMBOL .....	1



122.1 Decals with Symbols, Engine Side (chassis) (from SN SX150H-612)

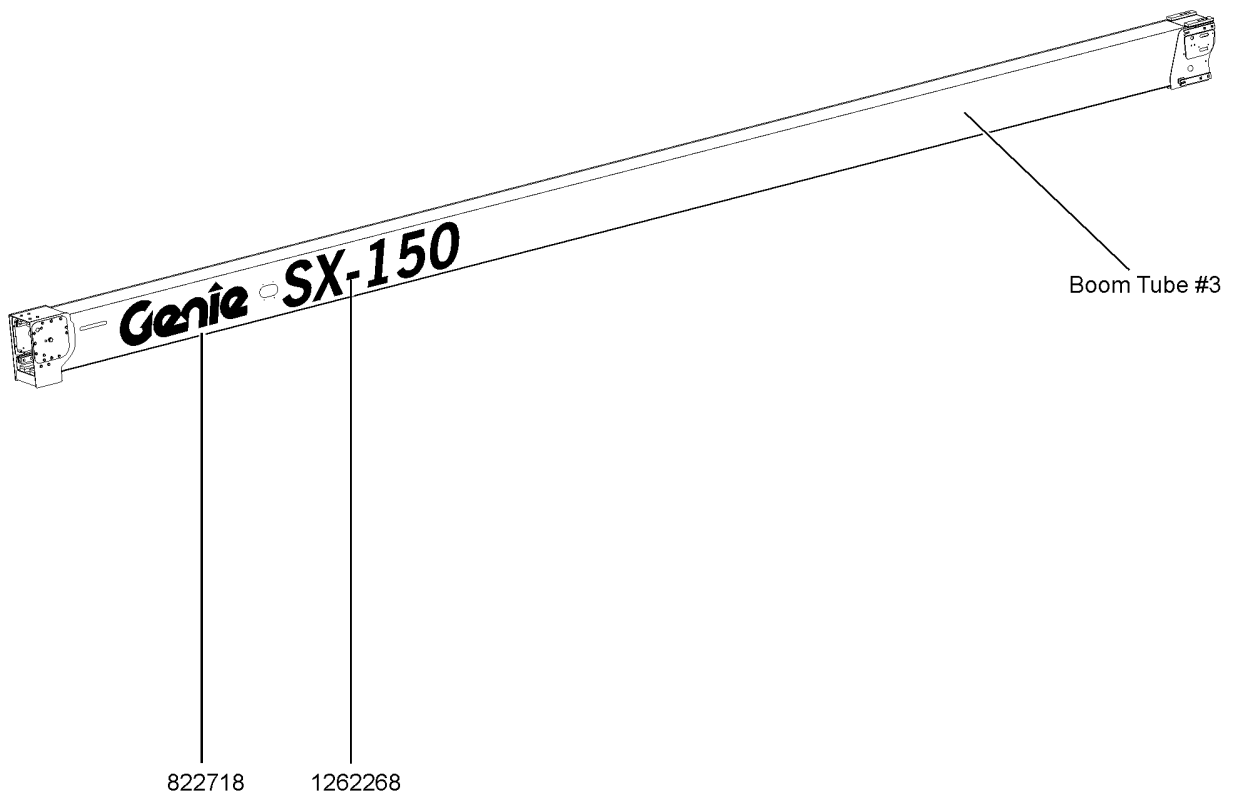
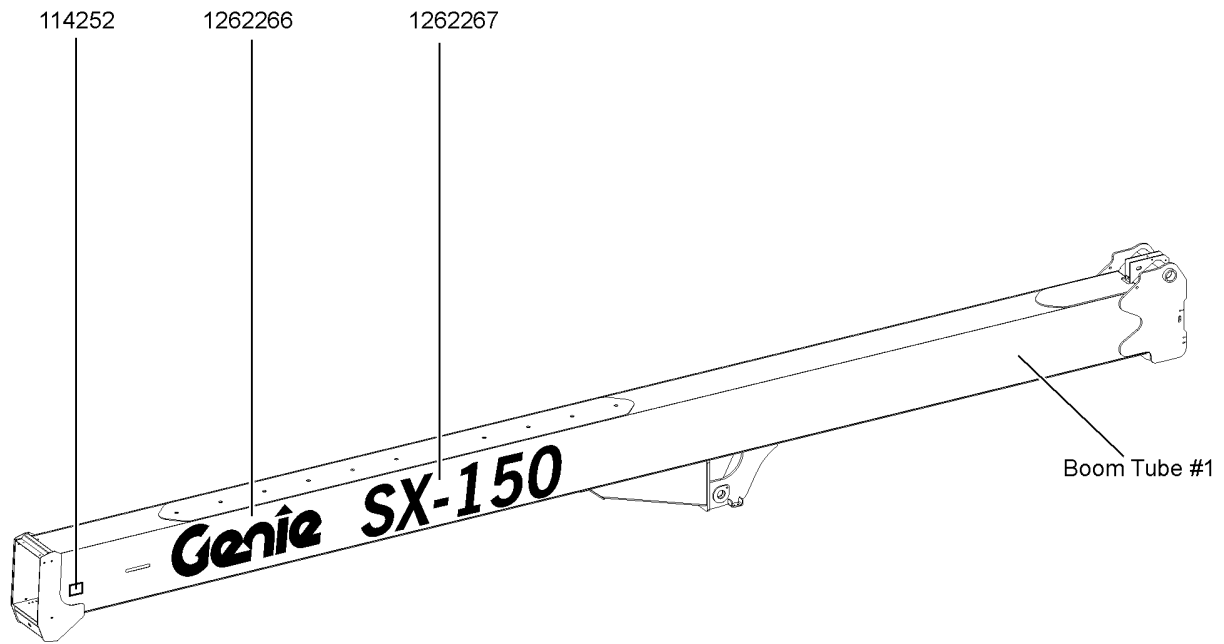


122.1 Decals with Symbols, Engine Side (chassis) (from SN SX150H-612)

<i>Item</i>	<i>Part No.</i>	<i>Description</i>	<i>Qty.</i>
1	27204GT	DECAL,ARROW BLUE .....	2
2	27206GT	DECAL,TRIANGLE,BLUE .....	2
3	27207GT	DECAL,TRIANGLE,YELLOW .....	2
4	52475GT	DECAL LABEL TRANSPORT TIE DOWN* .....	3
5	65278GT	DECAL,CAUTION,NO STEP .....	3
6	72086GT	DECAL,LABEL,LIFTING EYE .....	2
7	114249GT	DECAL,LABEL,TIPOVER,TIRES,SYMB .....	2
8	114252GT	DECAL,LABEL,TIP OVER LMT SWTCH .....	1
9	822723GT	DECAL,TRANSPORT DIAGRAM,SX-180 .....	1
10	1262269GT	DECAL, WHEEL LOAD, SX-150 .....	2
11	1263542GT	DECAL,IMPROPER OPERATION,SYMBOL .....	1



123.1 Decals with Symbols, Boom (from SN SX150H-612)

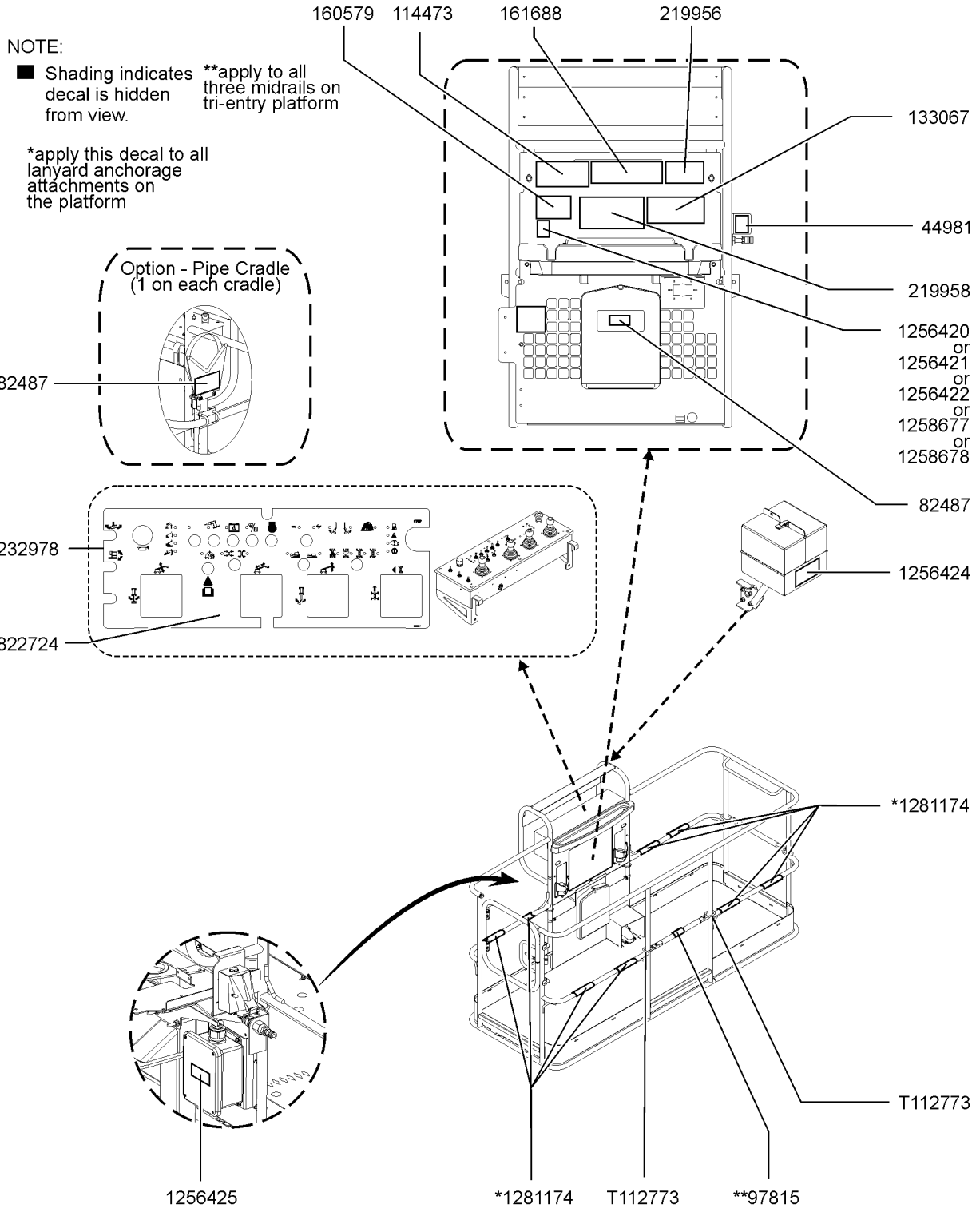


123.1 Decals with Symbols, Boom (from SN SX150H-612)

<i>Item</i>	<i>Part No.</i>	<i>Description</i>	<i>Qty.</i>
1	114252GT	DECAL,LABEL,TIP OVER LMT SWTCH .....	1
2	822718GT	DECAL,COSMETIC,GENIE,12" .....	1
3	1262266GT	DECAL, COSMETIC, GENIE, 16" .....	1
4	1262267GT	DECAL, COSMETIC, SX-150, 16" .....	1
5	1262268GT	DECAL, COSMETIC, SX-150,12" .....	1



124.1 Decals with Symbols, Platform (from SN SX150H-612)

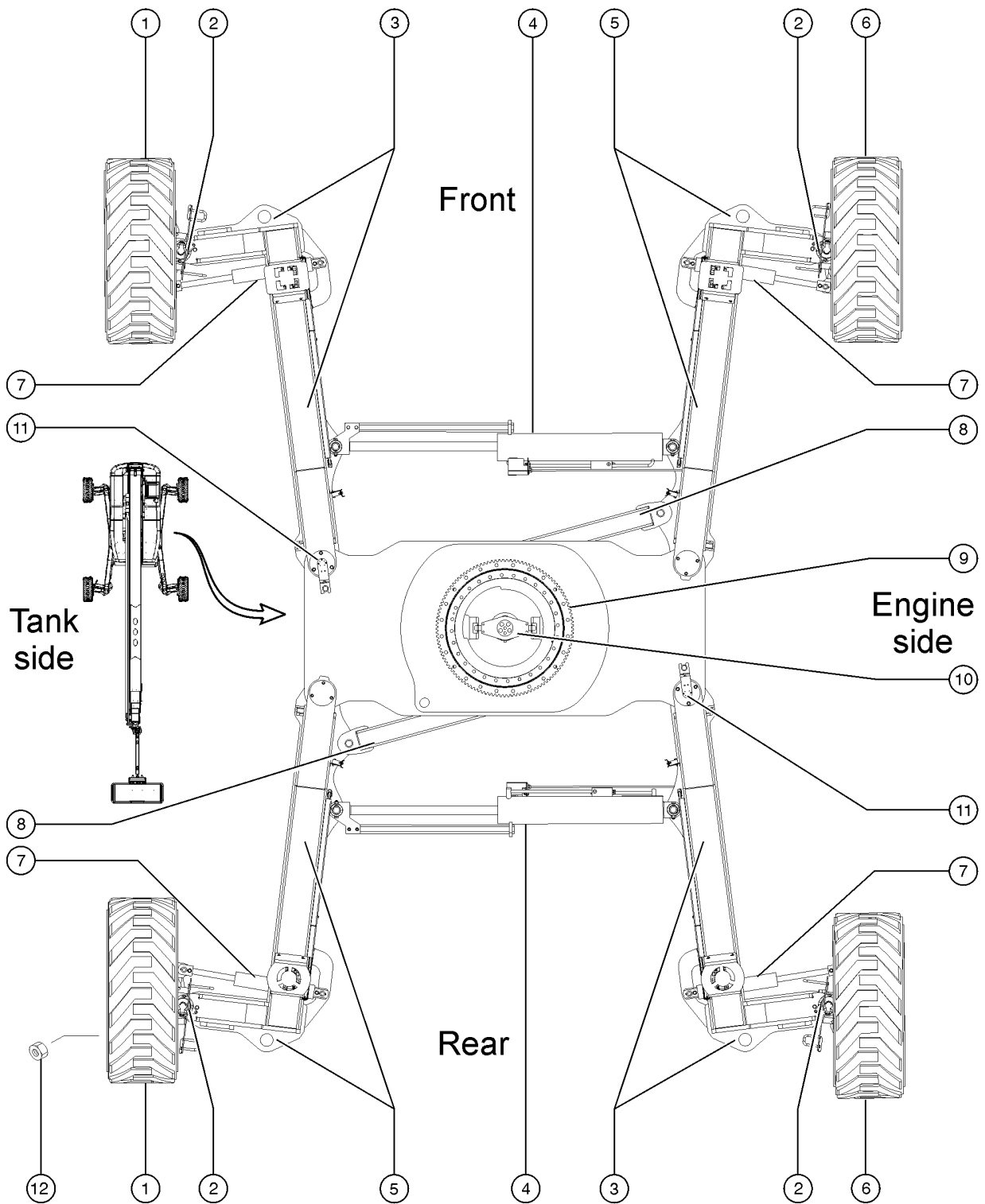


124.1 Decals with Symbols, Platform (from SN SX150H-612)

Item	Part No.	Description	Qty.
-	1302899GT	INSTRUCTIONS,INSTALL,PLAT,SYMBOL, SX-150 .....	1
-	1302900GT	DECAL KIT,SX-150,PLAT,SYMBOL,ANSI & CE .....	1
1	44981GT	DECAL LABEL AIRLINE 110PSI .....	1
		Option, airline to platform	
2	82487GT	DECAL,SYMBOL-READ THE MANUAL .....	3
3	97815GT	DECAL,LABEL,LOWER MIDRAIL .....	1
4	114473GT	DECAL,DANGER,ELEC.HAZ.STAY CLR .....	1
5	133067GT	DECAL,DANGER,ELEC.HAZ.STAY CLR .....	1
6	160579GT	DECAL, SYMB, SLOPE RATING, ZX135 .....	1
7	161688GT	DECAL,MAX CAP SIDE FORCE SYM C .....	1
		(CE)	
8	219956GT	DECAL,PLATFORM OVERLOAD .....	1
9	219958GT	DECAL,TIP-OVER,CRUSH .....	1
10	232978GT	DECAL, PCON LID, SUPER X .....	1
		(plastic cover)	
11	822724GT	DECAL, PROTECTIVE COVER,SX-180 .....	1
12	1256420GT	DECAL, POWER TO PLATFORM, 208V/115V 60HZ .....	1
		Option	
13	1256421GT	DECAL, POWER TO PLATFORM, 220V .....	1
		Option	
14	1256422GT	DECAL, POWER TO PLATFORM, 415V .....	1
		Option	
15	1256424GT	DECAL, DANGER, TIP-OVER HAZARD .....	1
		Option, anemometer	
16	1256425GT	DECAL, DANGER, ELECTROCUTION HAZARD, SYMBOL .....	1
		Option	
17	1258677GT	DECAL, POWER TO PLATFORM, 240V 50HZ .....	1
		Option	
18	1258678GT	DECAL, POWER TO PLATFORM, 220V .....	1
		Option	
19	1281174GT	DECAL,LANYARD,FALL ARREST/FALL RESTRAINED .....	8
20	T112773GT	TAPE, PROTECTIVE MASK .....	2



201.1 Chassis Components, Top View

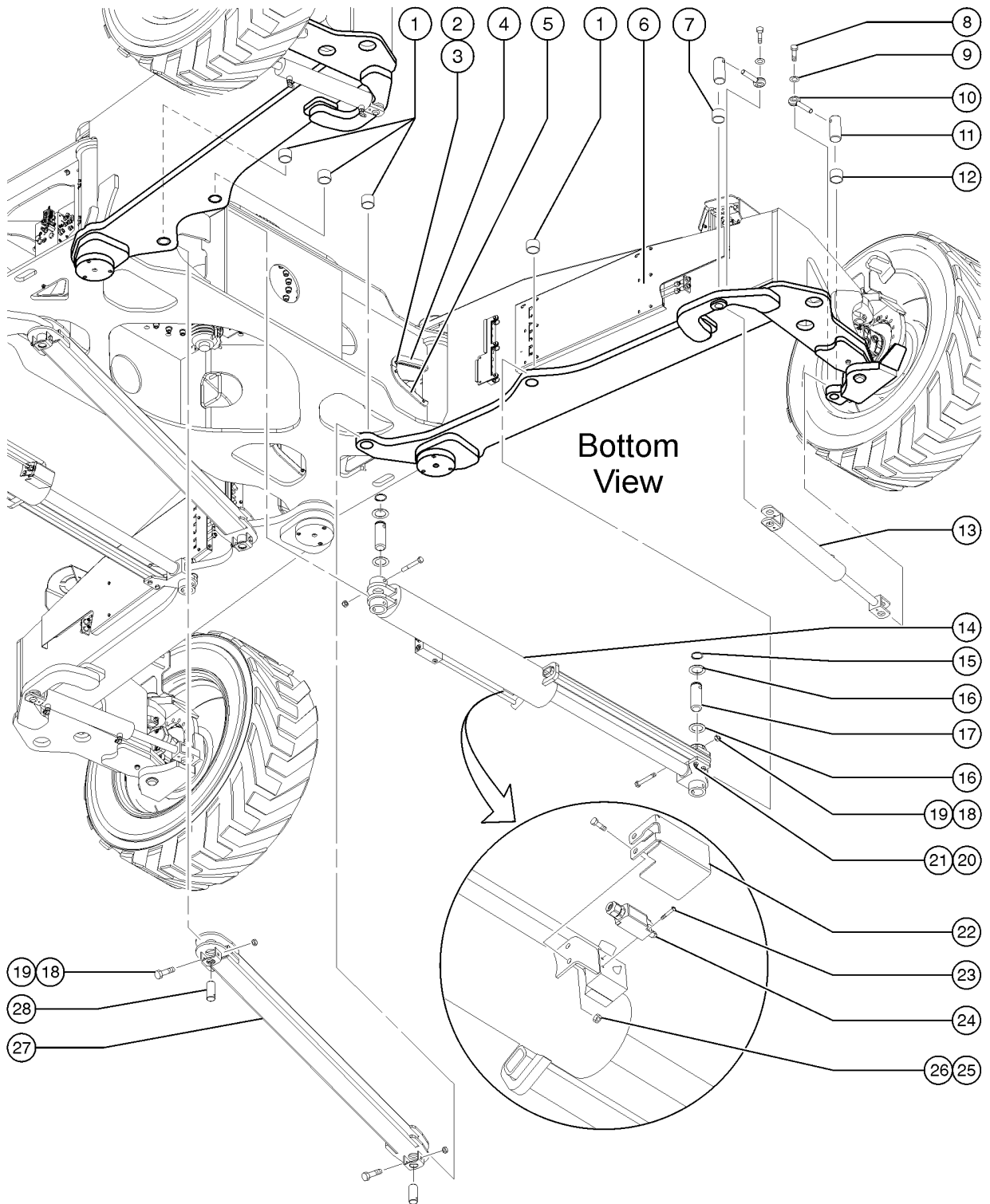




201.1 Chassis Components, Top View

Item	Part No.	Description	Qty.
1	1255639GT	ASSY,TIRE,445D50/710,HD,LH foam filled, left, Identify with HD	2
1B	1275102GT	ASSY,TIRE,445D50/710,HD,CRM,LH foam filled, crumb rubber, left, Identify with HD40	
1-	T111704GT	WHEEL,28 X 15 X.875 OFFSET	
1-	101234GT	TIRE,445D50/710,18PR	
2		Ref. ASSY, ANGLE SENSOR AND COVER (Refer to 205.1)	4
3	1260066GT	ASSY,SUPERX AXLE LFRR,W/BRNG	2
4		Ref. CYLINDER, AXLE EXTEND (Refer to 202.1)	2
5	1260065GT	ASSY,SUPERX AXLE RFLR,W/BRNG	2
6	1255640GT	ASSY, TIRE, 445D50/710, HD,RH foam filled, right, Identify with HD	
6B	1275103GT	ASSY,TIRE,445D50/710,HD,CRM,RH foam filled, crumb rubber, right, Identify with HD40	2
6-	T111704GT	WHEEL,28 X 15 X.875 OFFSET	
6-	101234GT	TIRE,445D50/710,18PR	
7		Ref. CYLINDER, STEER (Refer to 202.1)	4
8		Ref. WELDMENT, TIMING LINK (Refer to 202.1)	2
9		Ref. BEARING,TURNTABLE. (Refer to 309.1)	
10		Ref. HYDRAULIC SWIVEL (Refer to 309.1)	1
11		Ref. Axle sensors (Refer to 203.1)	2
12	1259931GT	NUT,LUG,3/4-16 X 7/8 RADIUS,ZA	40

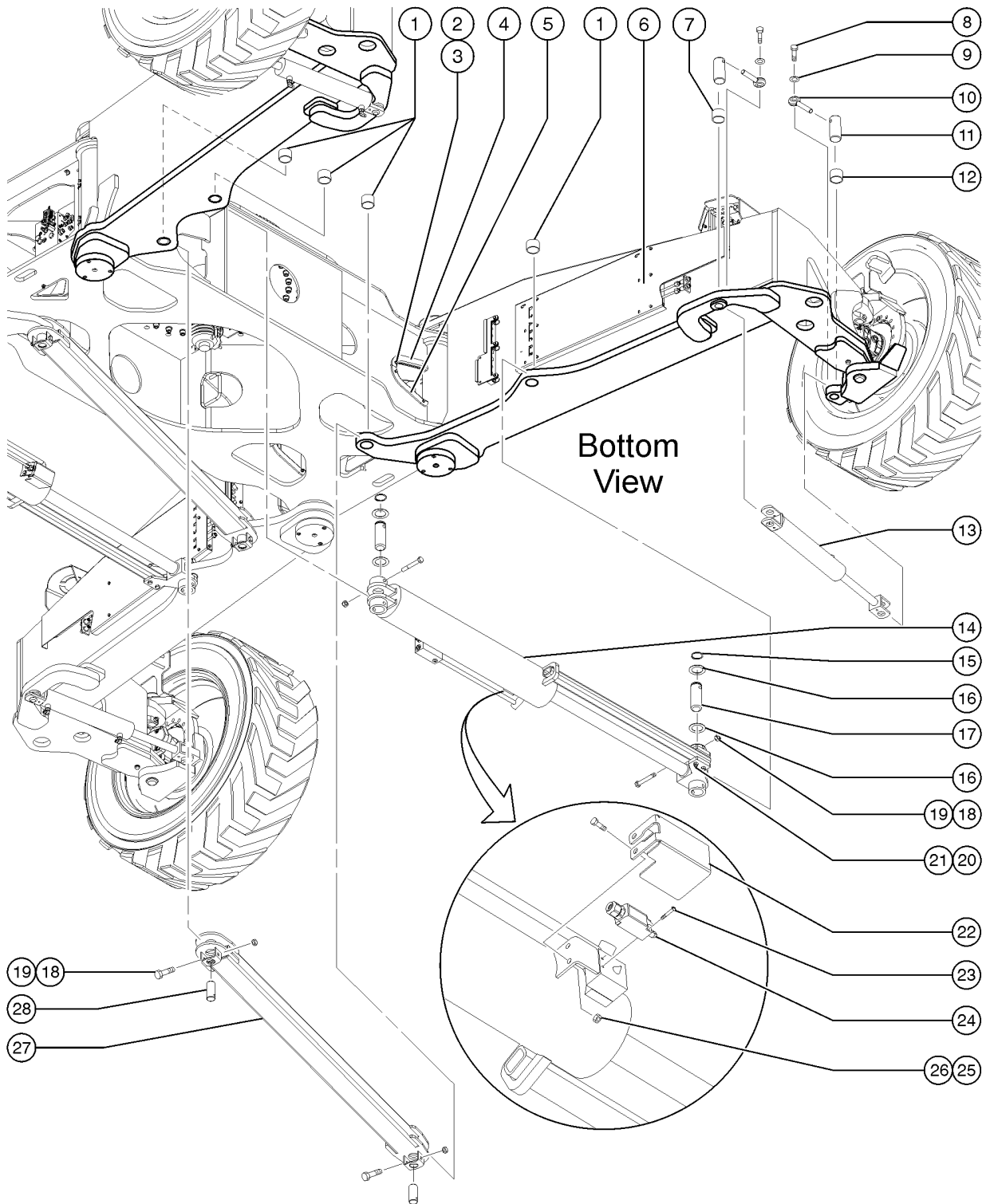
202.1 Chassis Components, Bottom View



## 202.1 Chassis Components, Bottom View

Item	Part No.	Description	Qty.
1	229532GT	BEARING, 50ID X 58OD X 40LG .....	8
2	232886GT	SCREW,HHF,M6-1.0X40,DIN6921,10.9,ZAB .....	
3	231513GT	NUT,TL FLG,M6-1.0,DIN6927,10,Z .....	
4	217481GT	WEAR GUARD,PLASTIC,HYD HOSE,1 .....	8
5	217482GT	WEAR GUARD,PLASTIC,HYD HOSE,2 .....	8
6		Ref. FORMING, HYD TUBE COVER .....	
		(Refer to 204.1)	
7	235314GT	BEARING, 35ID X 41OD X 52LG .....	
8	825351GT	SCREW,HHC,M10-1.5X20,DIN933,10.9,ZAB .....	
9	824142GT	WASHER,LOCK,M10,ZAB .....	
10	1255452GT	ROD END,.375 X 2.25,ZAG .....	8
11	229462GT	PIN, 35MM X 105MM, 1 HOLE .....	8
12	229466GT	BEARING,35ID X 41OD X 40LG .....	4
13	229461GT	CYLINDER, STEER .....	4
13-	237819GT	SEAL KIT .....	
14	229463GT	CYLINDER, AXLE EXTEND .....	2
14A-	106742GT	SEAL KIT,CYL (98147)*** for cylinder 229463 .....	
14A-	T107366GT	ASSY,LIM.SW.ACTUATOR BLOCK*** Includes actuator part 110481 and seal kit part 110482 .....	
14A-	110481GT	LIMIT SWITCH ACTUATOR BLOCK .....	
		Block only; for T107366	
14A-	110482GT	LS ACTUATOR BLOCK SEAL KIT .....	
		Seal kit for actuator block part 110481	
14A-	33428GT	VALVE,COUNTERBALANCE .....	
14A-	43018GT	SEAL KIT (39345) .....	
		Seal kit for valve part 33428	
15	1253816GT	SNAP RING,EXTERNAL,M50,ZAB .....	4
16	237827GT	WASHER,FLAT,2.000X3.000X.075,Y .....	
17	229465GT	PIN, 50MM DIA X 140MM, 1HOLE, .....	4
18	1255658GT	NUT,TL,M14-2.0,DIN980,10,ZAB .....	
19	237828GT	SCREW,HHC,M14X100,DIN931,8.8,Y .....	
20	49366GT	NUT,NYLOCK,M12X1.75 .....	
21	76364GT	SCREW,HHC,M12 X 100 .....	

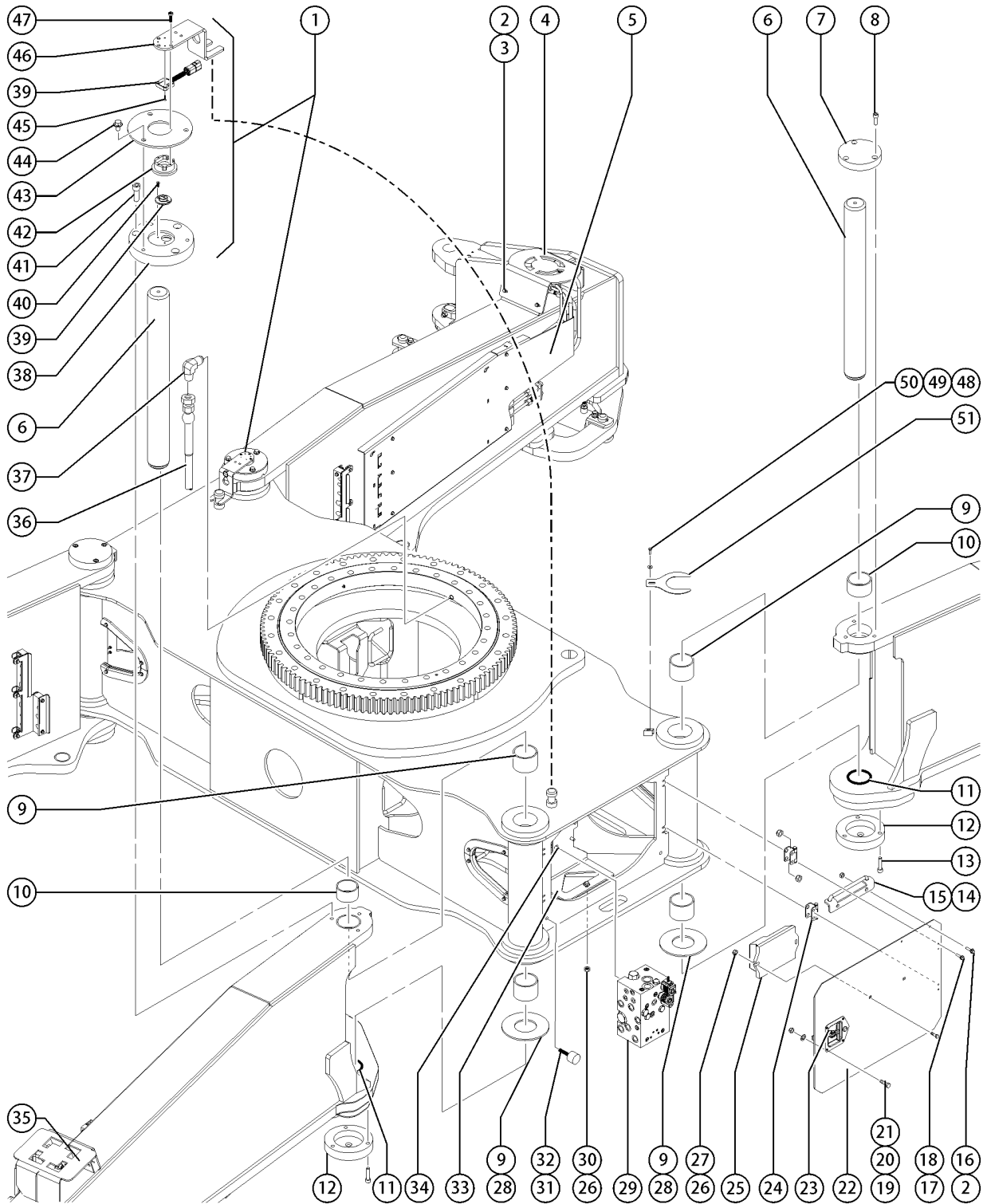
202.1 Chassis Components, Bottom View



202.1 Chassis Components, Bottom View

<i>Item</i>	<i>Part No.</i>	<i>Description</i>	<i>Qty.</i>
22	1259989GT	FORMING,LIMIT SWITCH GUARD .....	2
23	825352GT	SCREW,PHPM,10-32X1.25,ZAG .....	
24	236392GT	SWITCH ASSY, AXLE SAFETY .....	2
24-	110771-665R3GT	LIMIT SW.TAB,BLUE METAL .....	
24-	119762GT	CONN PLUG 4 WAY EXTEND DT .....	
25	237832GT	NUT,TL FLG,M8-1.25,DIN6927,10,ZAB .....	
26	824133GT	SCREW,HHF,M8-1.25X25,DIN6921,10.9,ZAB .....	
27	1259988GT	WELDMENT,TIMING LINK,XS .....	2
28	235317GT	PIN, 50MM DIA X 119MM L, 1HOLE .....	4

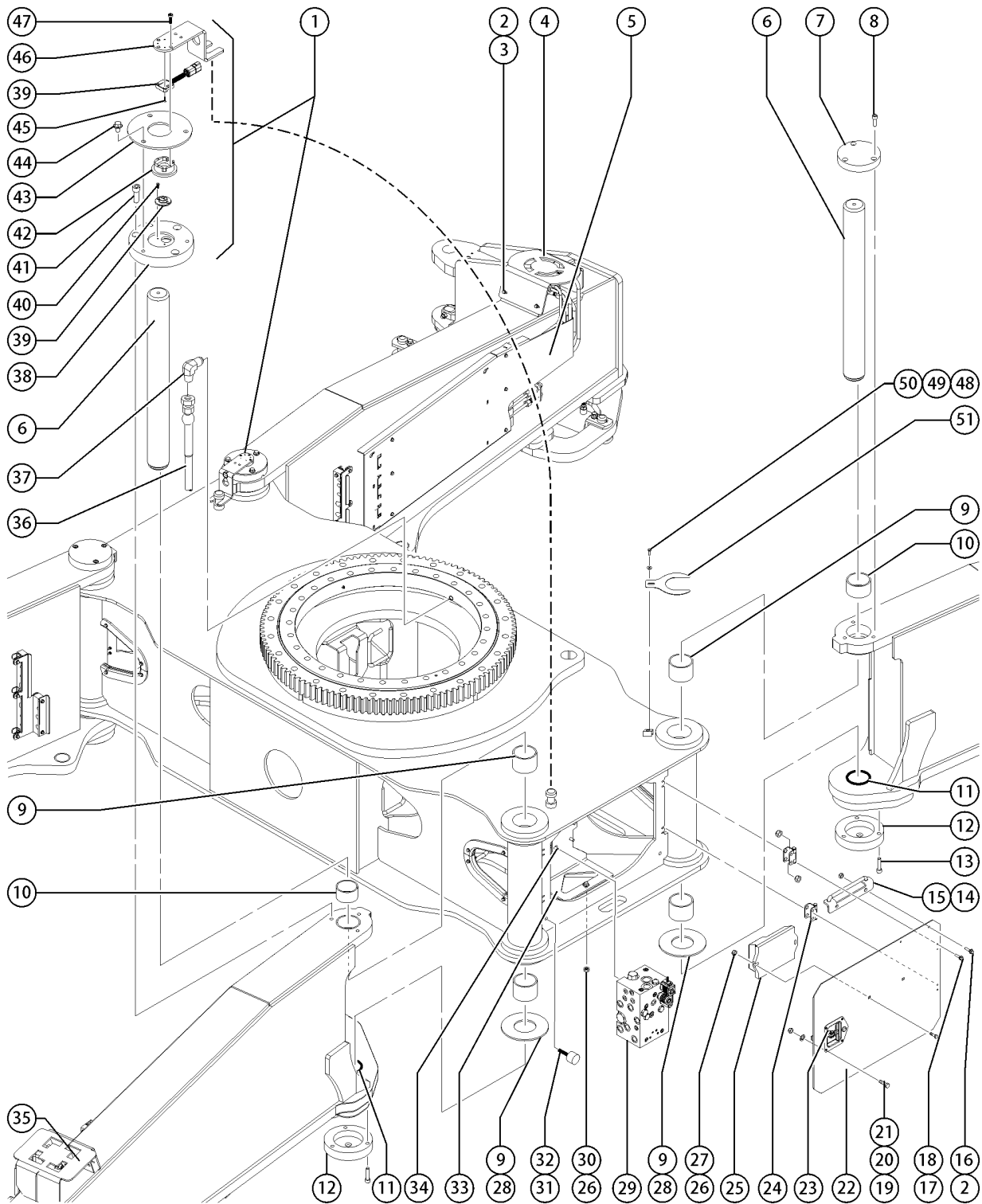
203.1 Chassis Components, Tank Side



## 203.1 Chassis Components, Tank Side

Item	Part No.	Description	Qty.
1	1260073GT	ASSY,AXLE SENSOR,SX/ZX135 (complete) Includes items from 38 to 47	2
2	231532GT	SCREW,HHF,M6X20,DIN6921,10.9,Y	
3	230073GT	SPRING CLIP,M6-1.0,0.8-4.0X13.5,ZAB	
4	1259975GT	FORMING,DIRECTIONAL CIRCLE	1
5		Ref. FORMING, HYD TUBE COVER (Refer to 204.1)	
6	219304GT	PIN, 80MM X 780MM, AXLE	2
7	1259976GT	MACHINED, TOP CAP, AXLE PIN	2
8	160732GT	SCREW, SHCS M12-1.75X35	
9	235309GT	BEARING,80ID X 90OD X 65LG	4
10	237854GT	BEARING, 80ID X 90OD X 52LG	2
11	160502GT	BEARING, 80ID X 90OD X 80LG	2
12	1259978GT	MACHINED, LOWER CAP, AXL PIN	2
13	160736GT	SCREW, SHCS M12-1.75X50 GR12.9	
14	1259986GT	FORMING,LOCK COVER BRKT	1
15	230825GT	FORMING, COVER LOCK BAR	1
16	231513GT	NUT,TL FLG,M6-1.0,DIN6927,10,Z	-
17	218457GT	SCREW,HHF,M5X12,DIN6921,10.9,Z	
18	1255753GT	NUT,FLG,M5-0.8,DIN6923,8,ZAB	-
19	235315GT	SCREW,PHPM,M4-0.7X16,DIN7985,ZAB	
20	825357GT	WASHER,FLAT,M4,DIN125,ZAB	
21	825686GT	NUT, TL, M4-0.7, DIN980, 8, ZAB	-
22	1260070GT	ASSY,CHASSIS DOOR,ZX135 SX Includes items 14 - 24	1
23	74245GT	LATCH,FLUSH CUP LEFT HAND Includes mounting hardware and 1 pair of keys	1
23-	29314GT	KEY,LATCH, 1 PAIR (28125)	
24	217477GT	HINGE, OFFSET 12MM	2
25	101004GT	MODULE,DCON	1
26	237832GT	NUT,TL FLG,M8-1.25,DIN6927,10,ZAB	
27	230826GT	BOLT,CARRIAGE,M8X35,DIN603,8.8	

203.1 Chassis Components, Tank Side

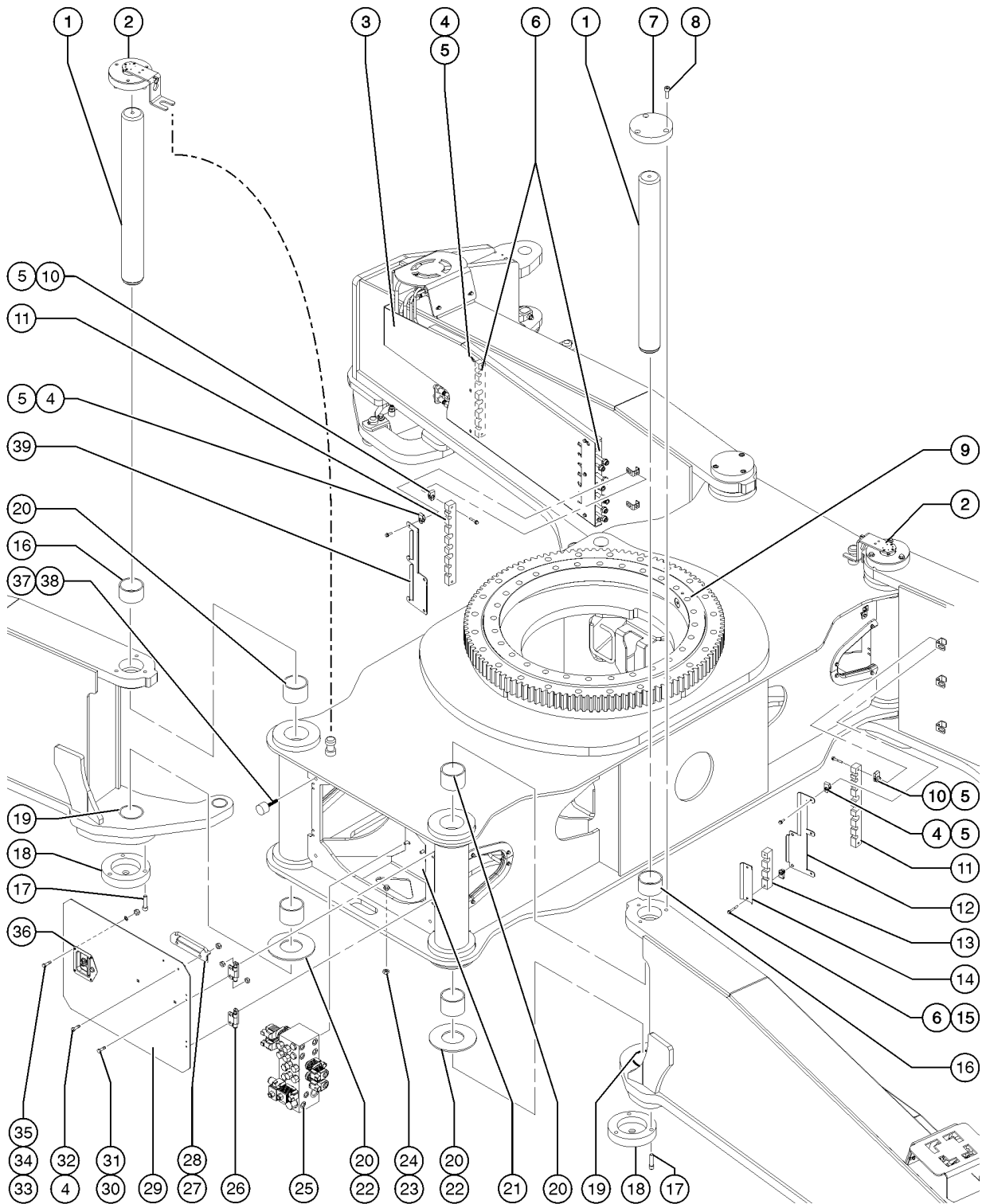




## 203.1 Chassis Components, Tank Side

Item	Part No.	Description	Qty.
28	229530GT	WASHER, THRUST .....	2
29		Ref. MANIFOLD, TRACTION, 4WD .....	1
		(Refer to 701.1)	
30	237820GT	SCREW, HHF, M8-1.25X40, DIN6921, 10.9, ZAB .....	
31	111663GT	BUMPER, RUB, 1.00DX.75X31-18X1.2 .....	2
32	824028GT	NUT, TL FLG, 5/16-18, G, ZAG .....	
		(Not shown)	
33	1259987GT	FORMING, MANIFOLD MOUNT .....	1
34	237830GT	SCREW, HHF, 1/2-13X1, 8, ZAG .....	
35	1259972GT	FORMING, DIRECTIONAL SQUARE .....	1
36	49189-9738GT	HOSE ASSY, 1/4", STR FEM, STR FEM .....	1
37	48887GT	ELBOW, 90D, 070202-4 .....	1
38	219302GT	MACHINED, TOP CAP, AXL PIN .....	2
39	216058GT	SENSOR, ANGLE, 40 DEG, CCW .....	2
		Sensor and magnet are matched and must be replaced at the same time. Machine calibration is required after installation.	
40	237242GT	SCREW, FHS, M3-0.5X8, DIN7991, 10.9, ZAB .....	
41	237352GT	SCREW, HHF, M10-1.5X16, DIN6921, 10.9, ZAB .....	
42	226492GT	MACHINED, ANGLE SENSOR HOLDER .....	2
43	1259977GT	PLATE, RETAINER, AXL SENS .....	2
44	237352GT	SCREW, HHF, M10-1.5X16, DIN6921, 10.9, ZAB .....	
45	237241GT	SCREW, FHS, M3-0.5X14, DIN7991, 10 .....	
46	160592GT	PLATE, CONTACT, HARD STOP .....	2
47	217219GT	SCREW, SHC, M4-0.7X14 DIN912, 12.9, ZAB .....	
48	231512GT	SCREW, HHF, M6-1.0X25, DIN6921, 10.9, ZAB .....	
		from SN SX150H-537	
49	1257389GT	WASHER, FLAT, M6X18X1.6, DIN9021, ZAB .....	
		from SN SX150H-537	
50	230073GT	SPRING CLIP, M6-1.0, 0.8-4.0X13.5, ZAB .....	1
		from SN SX150H-537	
51	218112GT	SHIM, DROP-IN, 80MM .....	2
		from SN SX150H-537	

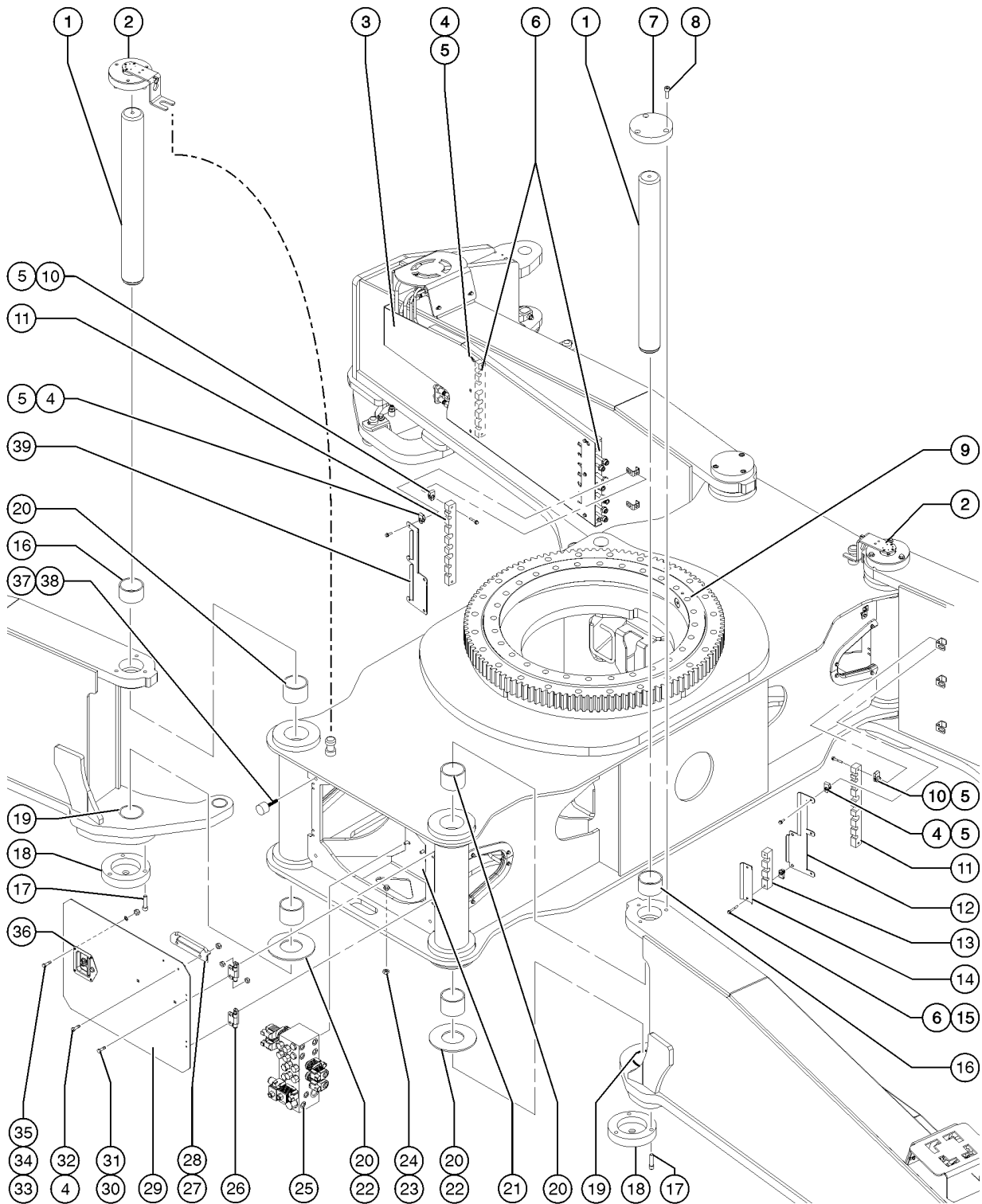
204.1 Chassis Components, Engine Side



## 204.1 Chassis Components, Engine Side

Item	Part No.	Description	Qty.
1	219304GT	PIN, 80MM X 780MM, AXLE .....	2
2	160733GT	ASSY, AXLE SENSOR, SX/ZX135 (Refer to 203.1) .....	2
3	1259973GT	FORMING, HYD TUBE COVER, AXLE Front right and rear left .....	1
3-	1259982GT	FORMING, HYD TUBE COVER, AXLE Front left and rear right .....	
4	231532GT	SCREW,HHF,M6X20,DIN6921,10.9,Y .....	
5	230073GT	SPRING CLIP,M6-1.0,0.8-4.0X13.5,ZAB .....	
6	237458GT	CLAMP, HYD TUBE, AXLE .....	2
7	1259976GT	MACHINED, TOP CAP, AXLE PIN .....	2
8	160732GT	SCREW, SHCS M12-1.75X35 .....	
9	226710GT	BEARING,TURNTABLE,MTE-705 (For top bolts on swing refer to 301.1) .....	1
10	232886GT	SCREW,HHF,M6-1.0X40,DIN6921,10.9,ZAB .....	
11	229543GT	CLAMP, PLASTIC, HYD HOSE .....	2
12	1259983GT	FORMING, HOSE CLAMP COVER,LFRR Front left and rear right .....	
13	162291GT	CLAMP, HYD TUBE, AXLE .....	
14	1259979GT	FORMING, HOSE CLAMP COVER,OUTE .....	1
15	216597GT	SCREW,HHF,M6 X 50,G10,YZ .....	
16	237854GT	BEARING, 80ID X 90OD X 52LG .....	2
17	160736GT	SCREW, SHCS M12-1.75X50 GR12.9 .....	
18	1259978GT	MACHINED, LOWER CAP, AXL PIN .....	2
19	160502GT	BEARING, 80ID X 90OD X 80LG .....	2
20	235309GT	BEARING,80ID X 90OD X 65LG .....	4
21	1259987GT	FORMING,MANIFOLD MOUNT .....	1
22	229530GT	WASHER, THRUST .....	2
23	237832GT	NUT,TL FLG,M8-1.25,DIN6927,10,ZAB .....	
24	237820GT	SCREW,HHF,M8-1.25X40,DIN6921,10.9,ZAB .....	
25		Ref. MANIFOLD,STEER/AXLE (Refer to 702.1) .....	1
26	217477GT	HINGE, OFFSET 12MM .....	2
27	1259986GT	FORMING,LOCK COVER BRKT .....	

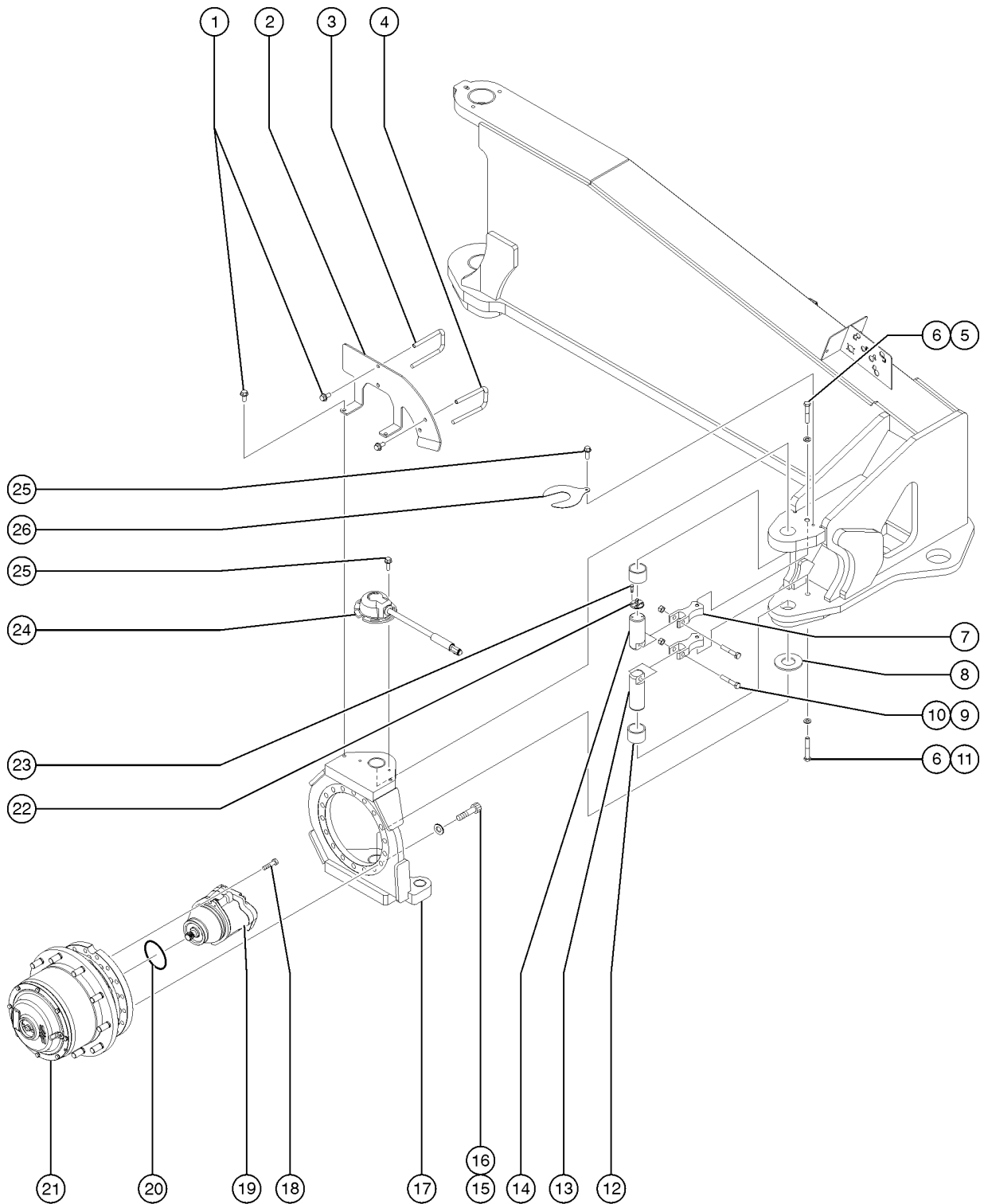
204.1 Chassis Components, Engine Side



204.1 Chassis Components, Engine Side

<i>Item</i>	<i>Part No.</i>	<i>Description</i>	<i>Qty.</i>
28	230825GT	FORMING, COVER LOCK BAR .....	
29	1260070GT	ASSY, CHASSIS DOOR, ZX135 SX .....	1
		Includes items 26 - 36	
30	218457GT	SCREW, HHF, M5X12, DIN6921, 10.9, Z .....	
31	1255753GT	NUT, FLG, M5-0.8, DIN6923, 8, ZAB .....	
32	231513GT	NUT, TL FLG, M6-1.0, DIN6927, 10, Z .....	
33	235315GT	SCREW, PHPM, M4-0.7X16, DIN7985, ZAB .....	
34	825357GT	WASHER, FLAT, M4, DIN125, ZAB .....	
35	825686GT	NUT, TL, M4-0.7, DIN980, 8, ZAB .....	-
36	74245GT	LATCH, FLUSH CUP LEFT HAND .....	1
		Includes mounting hardware and 1 pair of keys	
36-	29314GT	KEY, LATCH, 1 PAIR (28125) .....	
37	111663GT	BUMPER, RUB, 1.00DX.75X31-18X1.2 .....	2
38	824028GT	NUT, TL FLG, 5/16-18, G, ZAG .....	
		(Not shown)	
39	1259984GT	FORMING, HOSE CLAMP COVER, RFLR .....	2
		Front right and rear left	

205.1 Steer Yoke, Wheel Drive and Motor



205.1 Steer Yoke, Wheel Drive and Motor

Item	Part No.	Description	Qty.
1	237352GT	SCREW,HHF,M10-1.5X16,DIN6921,10.9,ZAB .....	
2	1259969GT	FORMING, HOSE BRACKET, AXLE 2 .....	1
		Front right and rear left (shown)	
2-	1259980GT	FORMING, HOSE BRACKET, AXLE 1 .....	
		Front left and rear right	
3	1259971GT	BAR, HOSE GUIDE, LONG .....	1
4	1259970GT	BAR, HOSE GUIDE, SHORT .....	1
5	218456GT	SCREW,HHC,M12X70,DIN931,10.9,Y .....	
6	824146GT	WASHER, FLAT, DIN125, M12, ZAB .....	
7	217486GT	NITRIDED, YOKE PIN LOCK .....	2
8	229526GT	WASHER,THRUST .....	1
9	218456GT	SCREW,HHC,M12X70,DIN931,10.9,Y .....	
10	237835GT	NUT,NYLOCK,M12,DIN985,G10,YZ .....	
11	216159GT	SCREW,HHC,M12-1.75X80,DIN931,10.9,ZAB .....	
12	229532GT	BEARING, 50ID X 58OD X 40LG .....	2
13	229541GT	PIN, KING, AXLE, BOTTOM .....	1
14	229540GT	PIN, KING, AXLE, TOP .....	1
15	826172GT	SCREW,SHC,M16-2.0X50,DIN912,12 .....	18
16	825348GT	WASHER,FLAT,M16,DIN6916,HRD,ZAB .....	18
17	1260067GT	ASSY,SUPERX YOKE,RFLR,W/BRNG .....	1
		Front right and rear left	
17-	1260068GT	ASSY,SUPERX YOKE,LFRR,W/BRNG .....	
		Front left and rear right	
18	1255469GT	SCREW,HHF,1/2-13X1.25,8,ZAG .....	2
19	102717GT	MOTOR,PISTON,HYD,45CC/19.5CC .....	1
19-	106098GT	SEAL KIT,MOTOR,LC/KC*** .....	
20	106118GT	O-RING,2-157,VITON*** .....	1
21	218496GT	WHEEL DRIVE W/BRAKE,76:1,BREVI .....	1
21-	1259484GT	SEAL KIT,BREVINI (218496) .....	
21-	1259485GT	BEARING KIT,BREVINI (218496) .....	
21-	1259486GT	BRAKE KIT,BREVINI (218496) .....	
21-	1259487GT	STUD,WHEEL, 3/4-16 (218496) .....	



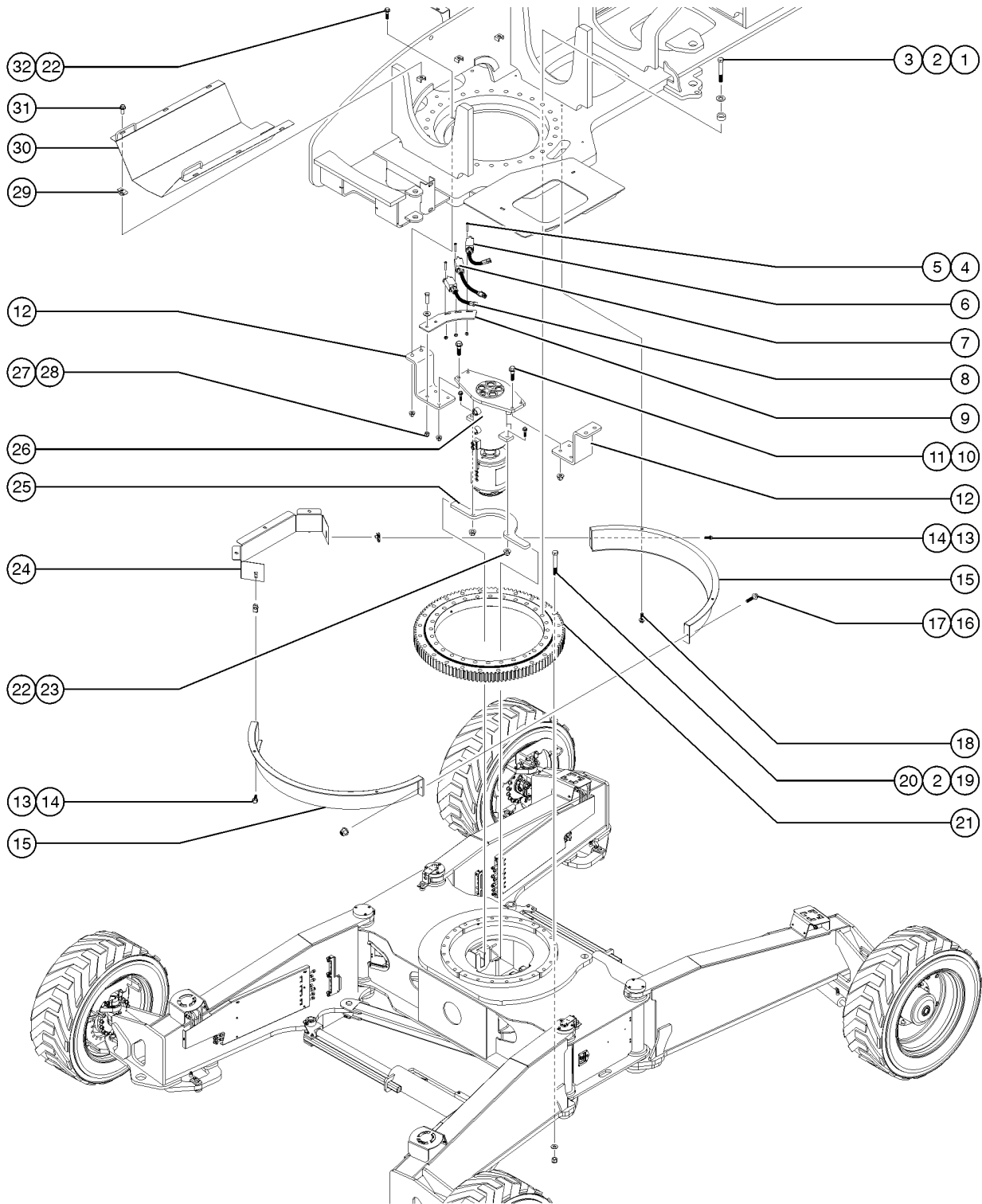




205.1 Steer Yoke, Wheel Drive and Motor

<i>Item</i>	<i>Part No.</i>	<i>Description</i>	<i>Qty.</i>
21-	1259950GT	DISCONNECT KIT, BREVINI (21849) .....	
21-	1259951GT	COVER KIT, BREVINI (218496) .....	
21-	1284032GT	PLUG,M18X1,5DIN908,MAGNI,O-RING .....	
		for 1259951	
22	60618GT	ACTIVATOR,STEER SENSOR .....	1
23	825349GT	SCREW,PHPM,10-32X.38,ZAG .....	
24	232993GT	SUBASSY, STEER SENSOR .....	1
		(Calibration required after replacement)	
24-	219646GT	SENSOR, MODIFIED STEER ANGLE .....	
24-	60609GT	COVER,STEERING SENSOR .....	
24-	60746GT	BUSHING, STRAIN RELIEF, 1" .....	
25	231532GT	SCREW,HHF,M6X20,DIN6921,10.9,Y .....	
26	217470GT	SHIM, STEER YOKE .....	

301.1 Turntable Center Components - View 1

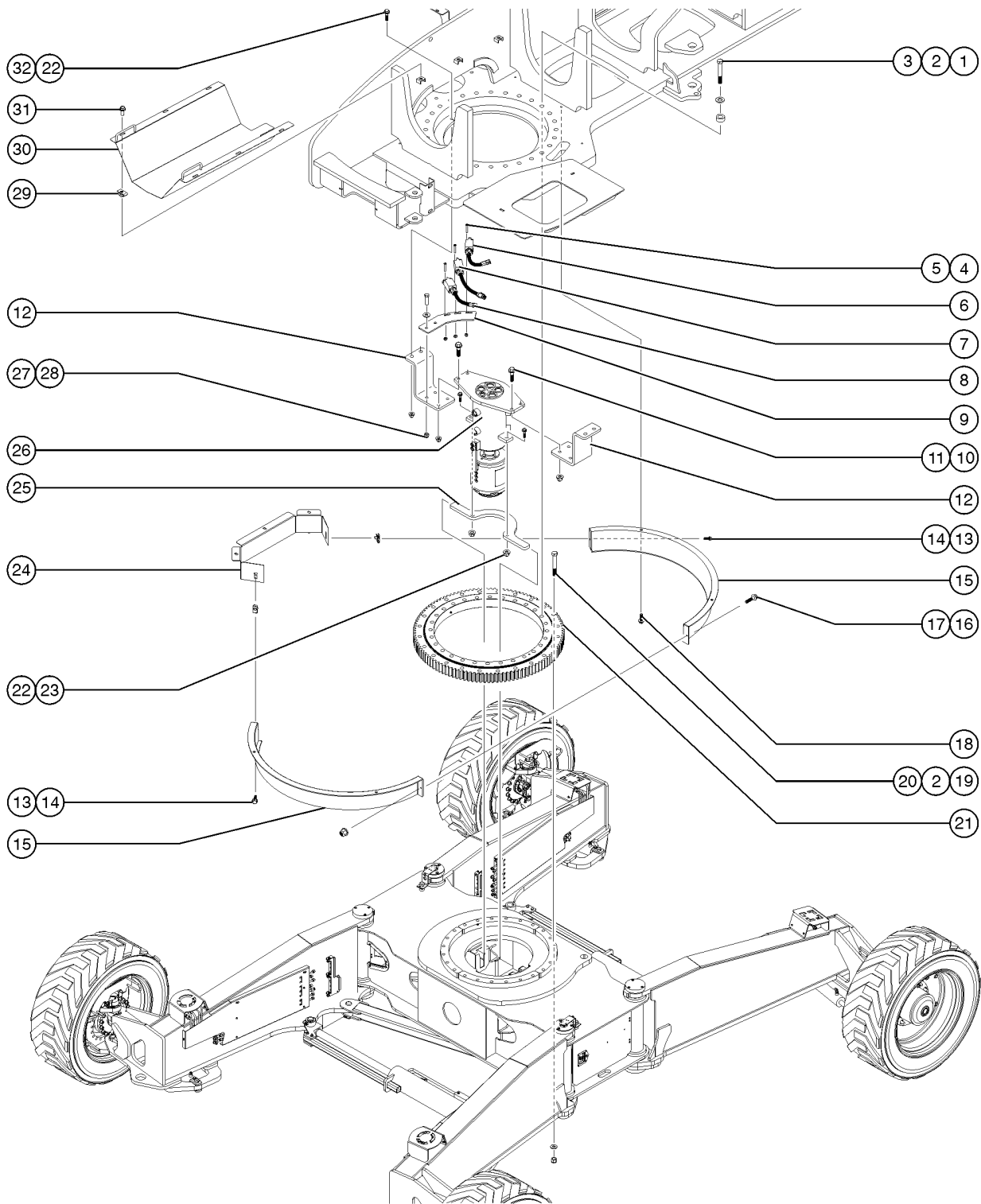


301.1 Turntable Center Components - View 1

Item	Part No.	Description	Qty.
1	237682GT	SCREW,HHC,7/8-9X6.5,8,ZAG .....	28
2	232862GT	WASHER,FLAT,7/8,F436,HRD,ZAG .....	52
3	237706GT	TUBE,SPACER,YZ .....	28
4	824216GT	SCREW,PHPM,10-32X1.5,ZAG .....	
5	824032GT	NUT,TL FLG,10-32,F,ZAG .....	
6	237807GT	SWITCH ASSY,DRV ENABLE,LEFT,SU .....	1
6A-	110771-43103GT	SWITCH LIMIT W/ROLLER NO/NC .....	
6B-	43960-4500GT	WIRE CABLE,16GA/4 CON.TPE JKT* .....	
6C-	119067GT	CONN,RECEP 4 WAY ENDCAP DT .....	
6D-	60443GT	LOCK, RECEP 4WAY, 14-18GA .....	
7	237809GT	SWITCH ASSY,DRV ENABLE,SAFE,SU .....	1
7A-	110771-43103GT	SWITCH LIMIT W/ROLLER NO/NC .....	
7B-	43960-4500GT	WIRE CABLE,16GA/4 CON.TPE JKT* .....	
7C-	119762GT	CONN PLUG 4 WAY EXTEND DT .....	
7D-	60429GT	LOCK, PLUG 4WAY, 14-18GA .....	
8	237808GT	SWITCH ASSY,DRV,ENABLE,RIGHT,S .....	1
8A-	110771-43103GT	SWITCH LIMIT W/ROLLER NO/NC .....	
8B-	43960-4500GT	WIRE CABLE,16GA/4 CON.TPE JKT* .....	
8C-	119065GT	CONN,RECEP 2 WAY,14-18GA .....	
8D-	60439GT	LOCK,RECEP 2 WAY, 14-18GA .....	
9	217689GT	BRACKET, LS, DRIVE ROT. ....	
10	232871GT	SCREW,HHF,M10-1.5X40,DIN6921,1 .....	
11	231529GT	NUT,TL FLG,M10-1.5,DIN6927,10, .....	
12	232867GT	FORMING,SWIVEL MOUNT .....	2
13	231532GT	SCREW,HHF,M6X20,DIN6921,10.9,Y .....	
14	230073GT	SPRING CLIP,M6-1.0,0.8-4.0X13.5,ZAB .....	
15	238390GT	COVER,SLEW RING .....	2
16	231512GT	SCREW,HHF,M6-1.0X25,DIN6921,10.9,ZAB .....	

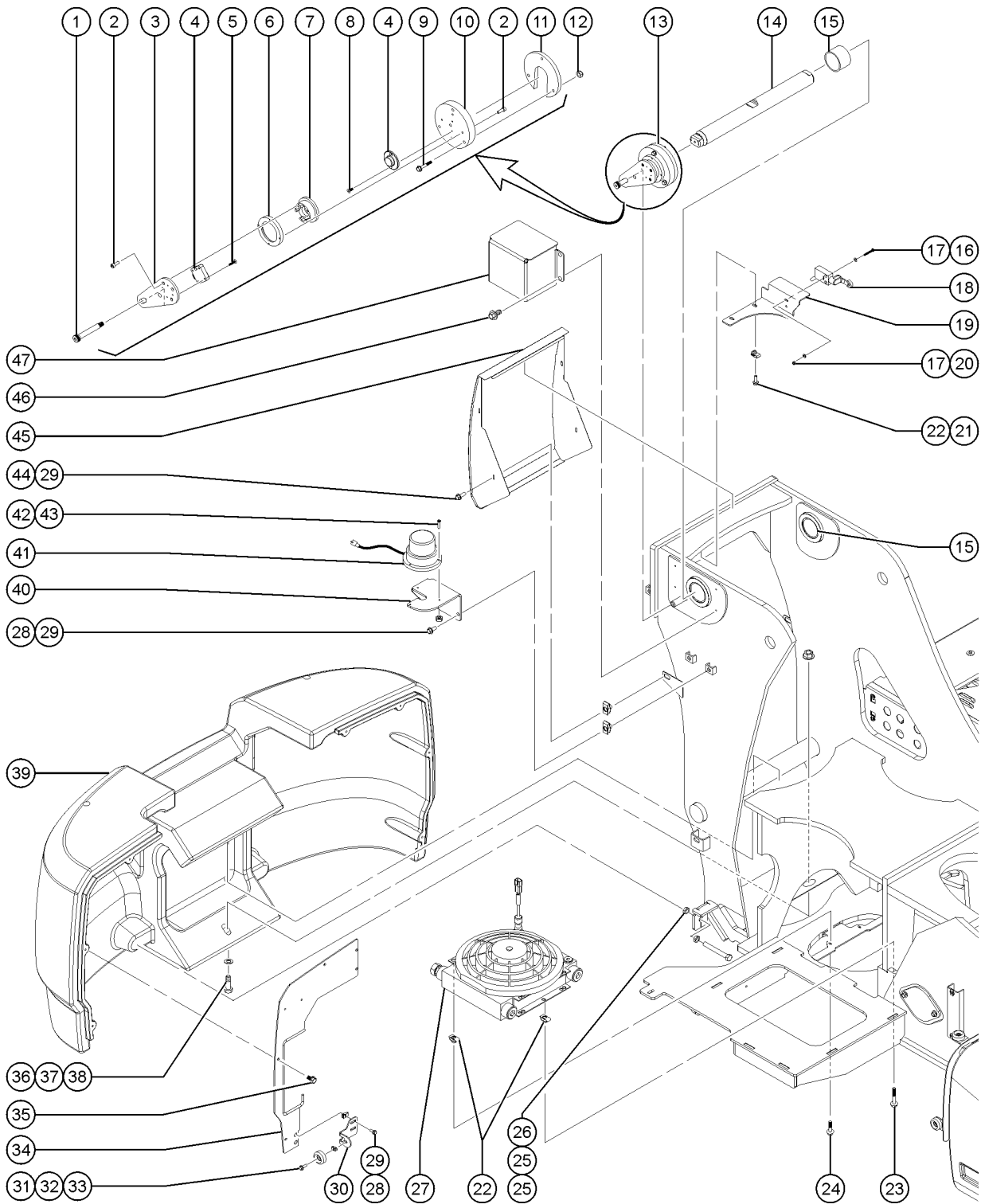


301.1 Turntable Center Components - View 1



Item	Part No.	Description	Qty.
17	231513GT	NUT,TL,FLG,M6-1.0,DIN6927,10,Z .....	
18	1290153GT	SCREW,HHC,M12-1.75X40,DIN933,10.9,ZAB .....	
		also order 1263196	
18B	1263196GT	WASHER,FLAT,M12,DIN6916,HRD,ZAB .....	
19	214593GT	SCREW,HHC, 7/8-9 X 8, 8, ZAG .....	24
20	237833GT	NUT,7/8-9,8,ZAG .....	24
21	226710GT	BEARING,TURNTABLE,MTE-705 .....	1
22	232868GT	NUT,TL,FLG,M12-1.75,DIN6927,10 .....	
23	232869GT	SCREW,HHF,M12X50,DIN6921, 10.9 .....	
24	1261956GT	FORMING, PINION GUARD .....	
25	106498GT	HYDRAULIC SWIVEL SUPPORT .....	1
26	1253702GT	ASSY, HYD/ELEC 5 PORT/10 CONT .....	1
		(complete)	
26A-	1253699GT	ASSY., HYDRAULIC SWIVEL, 5 POR .....	
26B-	1276830GT	SEAL KIT,HYDRAULIC SWIVEL(1253699) .....	
26C-	1253696GT	ASSY., ELECTRIC SWIVEL, 10 CON .....	
26D-	1253698GT	MACHINED, SWIVEL ANTI-ROTATION .....	
26E-	10107GT	SCREW,HHC,5/16-18 X .75 .....	
26F-	1253709GT	SCREW,SHC,7/16-14X1.25,A574,YZ .....	
26G-	1253697GT	MACHINED, SWIVEL MOUNTING .....	
27	4828GT	NUT,NYLOCK,3/8-16 .....	
28	8516GT	SCREW, HCC, 3/8-16 X 1.50 .....	
29	230074GT	SPRING CLIP,M10-1.5,1-6X19,ZAB .....	6
30	219624GT	WELDMENT,SWIVEL COVER,SWING .....	1
31	231530GT	SCREW,HHF,M10-1.5X25,DIN6921,10.9,ZAB .....	
32	232869GT	SCREW,HHF,M12X50,DIN6921, 10.9 .....	

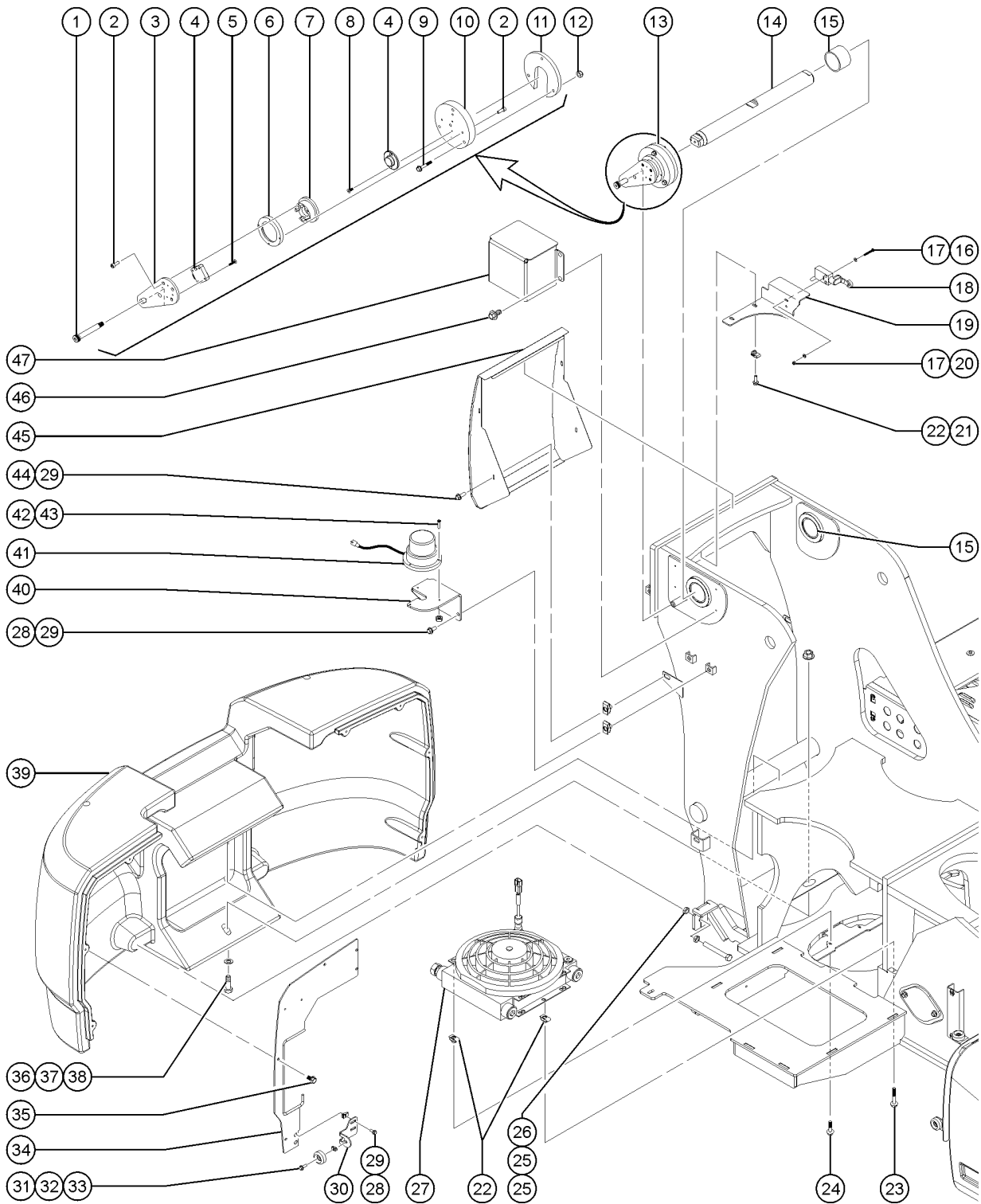
302.1 Turntable Center Components - View 2



Item	Part No.	Description	Qty.
1	237239GT	BOLT,SHS,12X70XM10-1.5,ISO7379,12.9,ZAB .....	1
2	217219GT	SCREW,SHC,M4-0.7X14 DIN912,12.9,ZAB .....	
3	215751GT	MACHINED, SENSOR MOUNT PLATE .....	1
4	216059GT	SENSOR, ANGLE, 105 DEG, CW Sensor and magnet are matched and must be replaced at the same time. Machine calibration is required after installation. ....	1
5	237241GT	SCREW,FHS,M3-0.5X14,DIN7991,10 .....	
6	226491GT	MACHINED, ANGLE SENSOR RACE .....	1
7	226492GT	MACHINED, ANGLE SENSOR HOLDER .....	1
8	237242GT	SCREW,FHS,M3-0.5X8,DIN7991,10.9,ZAB .....	
9	232886GT	SCREW,HHF,M6-1.0X40,DIN6921,10.9,ZAB .....	
10	215530GT	MACHINED,BOOM PIVOT PIN CAP .....	1
11	215531GT	MACHINED,CLAMP,PIVOT,SENSOR .....	1
12	825667GT	NUT,TLFLG, M6-1.0,ZAB .....	
13	237243GT	ASSEMBLY, ANGLE SENSOR, BOOM (Complete assembly) includes items 1 - 12 .....	1
14	231546GT	PIN, 80 MM DIA X 855MM LG .....	1
15	231480GT	BEARING, 80ID X 90OD X 60L .....	2
16	822353GT	SCREW,PHPM,M4-0.7X30,DIN7985,ZAB .....	
17	825357GT	WASHER,FLAT,M4,DIN125,ZAB .....	
18	236397GT	SWITCH ASSY, 10 DEG OPER, SUPE .....	1
18-	139644-13B11GT	LIMIT SWITCH,TAB,BLUE,MICRO .....	
18-	60439GT	LOCK,RECEP 2 WAY, 14-18GA .....	
18-	119065GT	CONN,RECEP 2 WAY,14-18GA .....	
19	1253166GT	FORMING, LSB1DO MOUNT .....	2
20	825686GT	NUT, TL, M4-0.7, DIN980, 8, ZAB .....	
21	231532GT	SCREW,HHF,M6X20,DIN6921,10.9,Y .....	
22	230073GT	SPRING CLIP,M6-1.0,0.8-4.0X13.5,ZAB .....	1
23	232886GT	SCREW,HHF,M6-1.0X40,DIN6921,10.9,ZAB .....	
24	231532GT	SCREW,HHF,M6X20,DIN6921,10.9,Y .....	2
25	231515GT	NUT,HEX,JAM,M20-2.5,DIN439,ZAB .....	4



302.1 Turntable Center Components - View 2

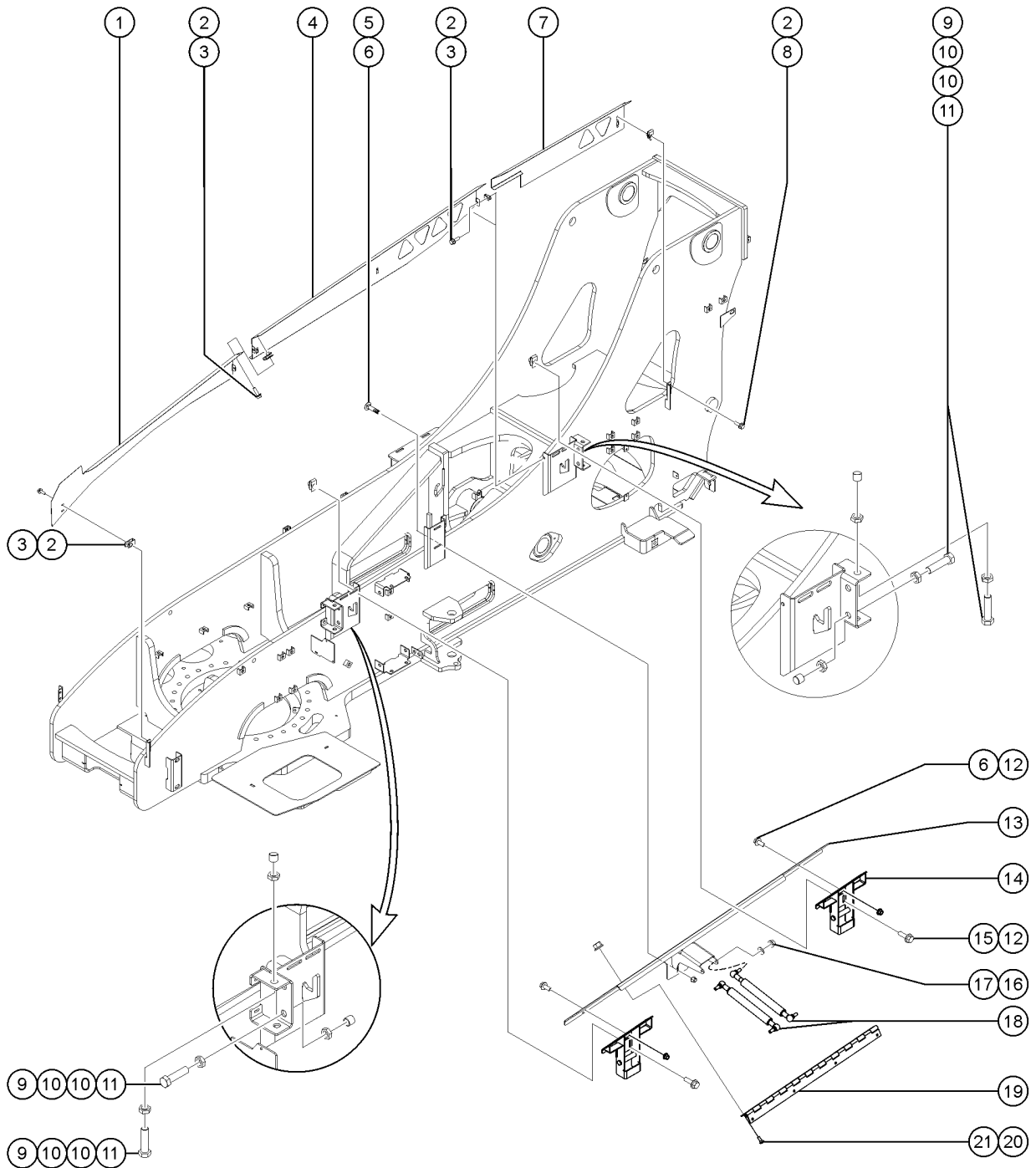




Item	Part No.	Description	Qty.
26	232941GT	SCREW,HHC,M20-2.5X160,DIN933,10.9,ZAB .....	2
27	71259GT	OIL COOLER W/FAN, 12VDC .....	1
27-	75855GT	THERMOSTAT -OIL COOLER (71259) .....	
27-	75854GT	FAN - VENTED .....	
28	231530GT	SCREW,HHF,M10-1.5X25,DIN6921,10.9,ZAB .....	
29	230074GT	SPRING CLIP,M10-1.5,1-6X19,ZAB .....	
30	1261948GT	FORMING,CNTRWT BUMPER STOP .....	1
31	231531GT	SCREW,HHF,M6X30,DIN6921,10.9,Y .....	
32	50974GT	BUMPER,RUBBER,COVERS .....	1
33	219697GT	SPRING CLIP,M6-1.0,3.4-6.3MMX1 .....	
34	1260161GT	WLDT,BAFFLE PL.,CW,TANK SIDE .....	1
35	231088GT	SCREW,HHF,M10-1.5X20,DIN6921,1 .....	
36	237731GT	SCREW,HHC,1-8X5,5,ZAG .....	1
37	824116GT	WASHER,FLAT,1.0,F436,HRD,ZAG .....	1
38	824031GT	NUT,TL FLG,1-8,G,ZAG .....	1
39	1255368GT	COUNTERWEIGHT,CAST,5090 LBS .....	1
40	75250GT	BRACKET,BEACON,DRIVE LIGHTS,LH .....	2
41	121804GT	ASSY,FLASHING BEACON 2008 (complete) .....	2
41-	56704GT	STROBE,FIREBOLT,12-80VDC,AMB** .....	
41-	122019GT	FLASHTUBE,U SHAPED,360DEG,BULB .....	
41-	226393GT	FLASHTUBE,STRAIGHT,360DEG,BULB .....	
41-	72282GT	LENS,AMBER,STROBE,FIREBOLT .....	
42	826783GT	SCREW,FHPM,10-32X.1,00,ZAG .....	
43	824036GT	NUT, TL, 10-32, A, ZAG .....	
44	232874GT	SCREW,HHF,M10-1.5X30,DIN6921,10.9,ZAB .....	
45	161953GT	WLDT, REAR MAST COVER .....	1
46	237238GT	SCREW,HHF,M6-1.0X12,DIN6921,10 .....	
47	232883GT	FORMING, COVER, ANGLE SENSOR .....	1



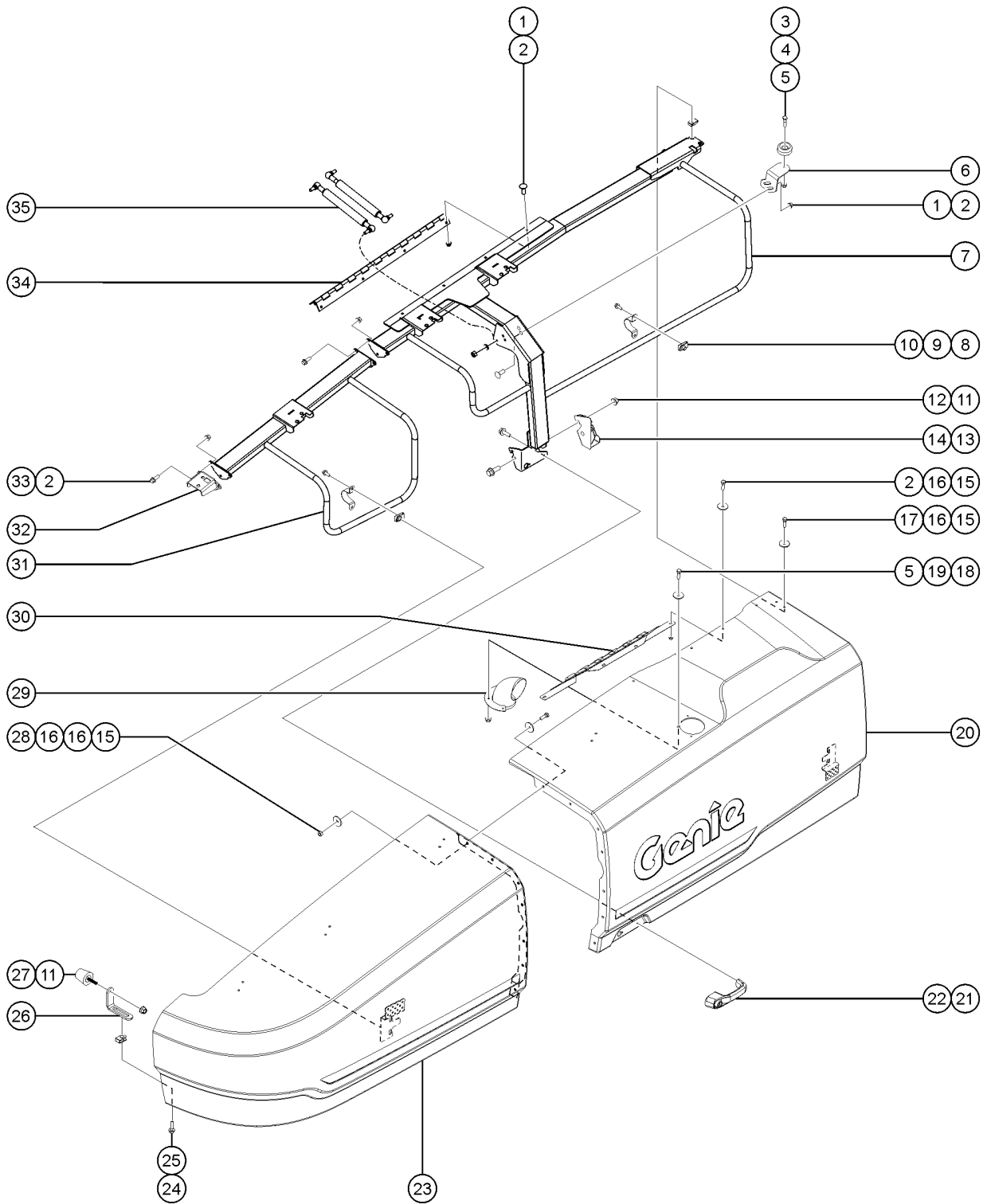
303.1 Turntable Covers - Engine Side



## 303.1 Turntable Covers - Engine Side

<i>Item</i>	<i>Part No.</i>	<i>Description</i>	<i>Qty.</i>
1	1260539GT	FORMING, COVER, ES REAR .....	1
2	231532GT	SCREW,HHF,M6X20,DIN6921,10.9,Y .....	
3	219697GT	SPRING CLIP,M6-1.0,3.4-6.3MMX1 .....	
4	1260538GT	FORMING, COVER, ES MIDDLE .....	1
5	825597GT	BOLT,CARRIAGE,M10-1.5X30,DIN603,8.8,ZAB .....	
6	231529GT	NUT,TL FLG,M10-1.5,DIN6927,10, .....	
7	1260537GT	FORMING, COVER, ES FRONT .....	1
8	230073GT	SPRING CLIP,M6-1.0,0.8-4.0X13.5,ZAB .....	
9	231509GT	SCREW,HHC,M20-2.5X80,DIN933,10 .....	4
10	231515GT	NUT,HEX,JAM,M20-2.5,DIN439,ZAB .....	8
11	1261917GT	THREADED CAP, M20-1.5 .....	4
12	231530GT	SCREW,HHF,M10-1.5X25,DIN6921,10.9,ZAB .....	
13	1259831GT	WELDMENT, HINGE MOUNT ES .....	1
14	1259348GT	WELDMENT, SUPPORT ES NOSE .....	2
15	230074GT	SPRING CLIP,M10-1.5,1-6X19,ZAB .....	
16	232951GT	NUT, TL, M10-1.5,DIN980, ZAB .....	
17	824145GT	WASHER,FLAT,M10,DIN125,ZAB .....	
18	1259706GT	GAS STRUT,390 LB .....	2
19	1259705GT	HINGE,COVER,40IN .....	1
20	824125GT	BOLT, CARRIAGE, 3/8-16 X 1, 5, ZAG .....	
21	824029GT	NUT,TL FLG,3/8-16,G,ZAG .....	

303.2 Turntable Covers - Engine Side

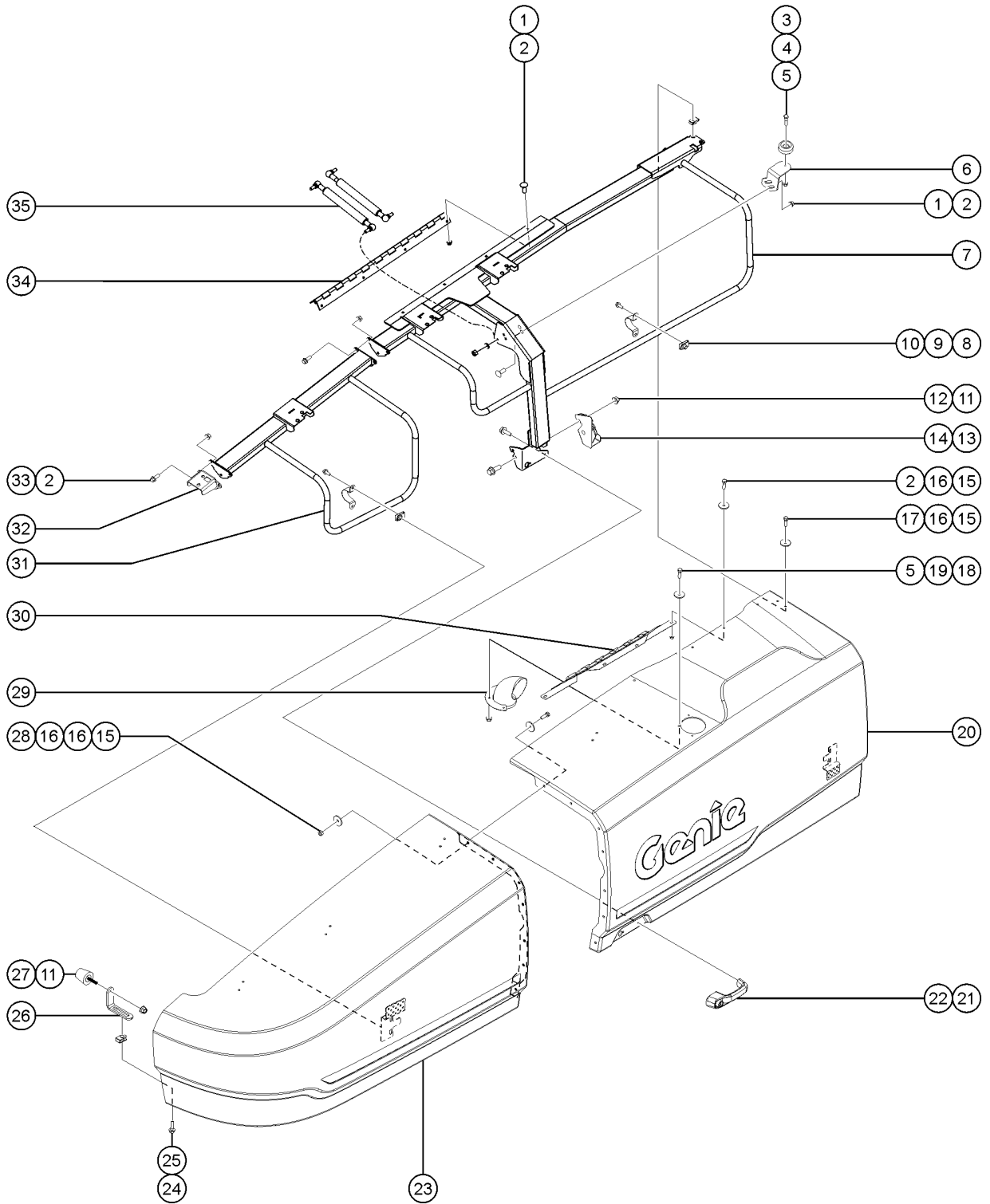


303.2 Turntable Covers - Engine Side

Item	Part No.	Description	Qty.
1	824125GT	BOLT, CARRIAGE, 3/8-16 X 1, 5, ZAG .....	
2	824029GT	NUT, TL FLG, 3/8-16, G, ZAG .....	
3	824061GT	SCREW, HHC, 1/4-20X1.25, 8, ZAG .....	
4	50974GT	BUMPER, RUBBER, COVERS .....	1
5	824027GT	NUT, TL FLG, 1/4-20, G, ZAG .....	
6	1261813GT	FORMING, BUMPER, SIDE .....	1
7	1259038GT	WELDMENT, COVER SUPPORT, ENG .....	1
8	56912GT	SPRING CLIP, 1/4-20, .025-.15X.5 .....	
9	1260158GT	CLAMP, TUBE, 1 -5/16, TWO HOLE .....	2
10	824078GT	SCREW, HHF, 1/4-20X.75, 8, ZAG .....	
11	824028GT	NUT, TL FLG, 5/16-18, G, ZAG .....	
12	824087GT	SCREW, HHF, 5/16-18 X 1.25, 8, ZAG .....	
13	1261245GT	FORMING, LATCH GUARD, ES .....	1
14	215254GT	LATCH, ROTARY, ENGINE COVER .....	1
		Not shown	
14-	1260683GT	FORMING, LATCH TRIGGER BRKT, RH .....	
15	824068GT	SCREW, HHC, 3/8-16 X 1.25, 8, ZAG .....	
16	824120GT	WASHER, FLAT, .375 X 1.50 X .125, ZAG .....	
17	29868GT	SPRING CLIP, 3/8-16, .05-.20X.73, ZAG .....	
18	824059GT	SCREW, HHC, 1/4-20X.75, 8, ZAG .....	
19	824119GT	WASHER, FLAT, .25X1.25X.062, ZAG .....	
20	1259674GT	ASSEMBLY, COVER, ENG MOUNT .....	
		Includes item 30 and mounting fasteners	
21	1256054GT	HANDLE, YELLOW LOCKING, CODE 455 .....	1
21-	37947GT	KEYS, 10 PACK*** .....	
		sold separately	
21-	83093GT	KEY SINGLE*** .....	
		sold separately	
22	231532GT	SCREW, HHF, M6X20, DIN6921, 10.9, Y .....	
23	1259032GT	ASSEMBLY, COVER, ENG NOSE MOUNT .....	1
24	231512GT	SCREW, HHF, M6-1.0X25, DIN6921, 10.9, ZAB .....	
25	219697GT	SPRING CLIP, M6-1.0, 3.4-6.3MMX1 .....	



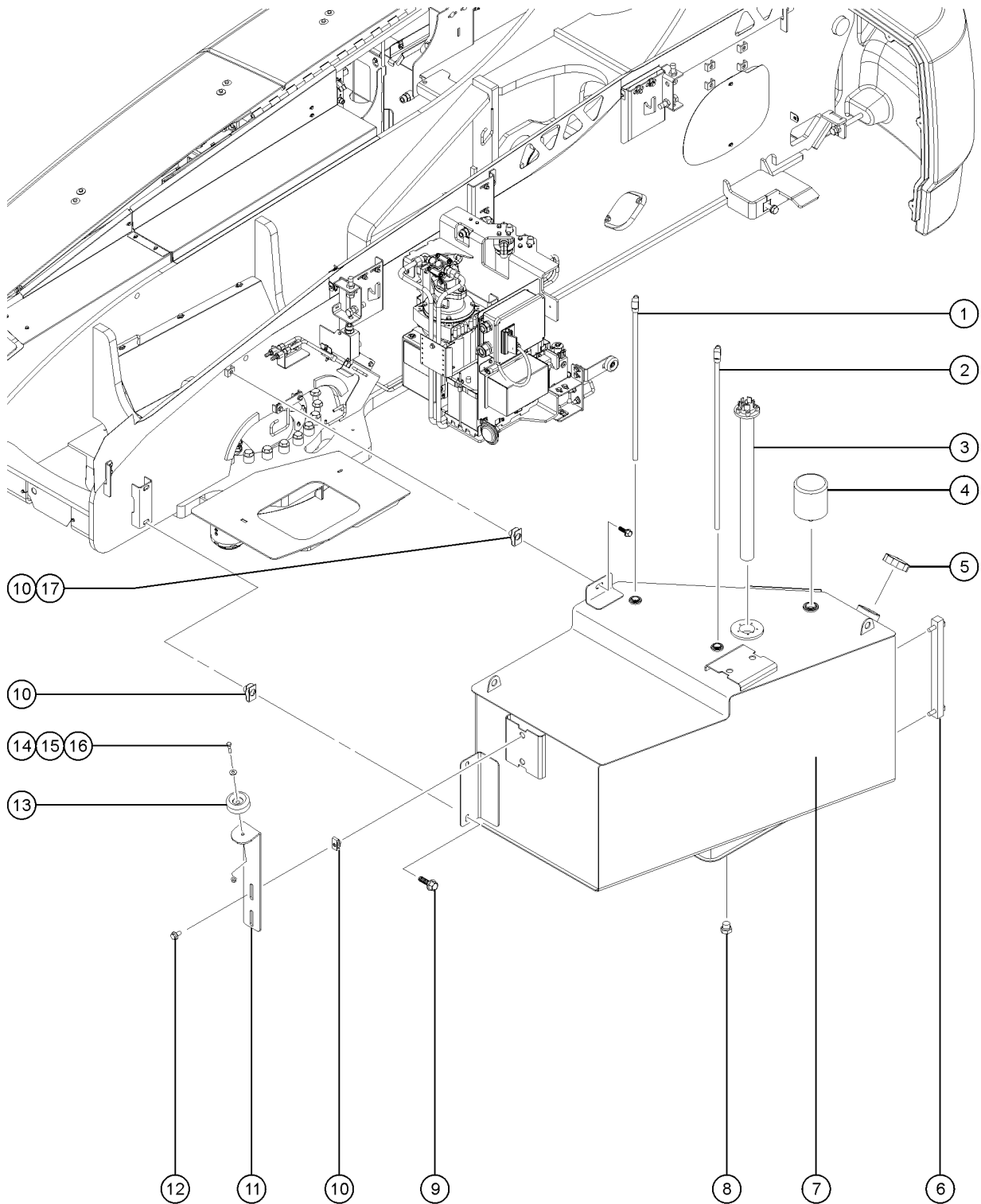
303.2 Turntable Covers - Engine Side



303.2 Turntable Covers - Engine Side

<i>Item</i>	<i>Part No.</i>	<i>Description</i>	<i>Qty.</i>
26	1261814GT	FORMING,BUMPER,NOSE .....	
27	111580GT	BUMPER,RUBBER,1.19DX1.5X.31-18 .....	1
28	1256468GT	NUT,3/8-16,8,ZAG .....	
29	1260056GT	WELDMENT, EXHAUST TUBE .....	1
30	1260058GT	FORMING,ENGINE COVER SUPPORT .....	1
31	1259036GT	WELDMENT,COVER SUPPORT,NOSE,EN .....	1
32	1259013GT	FORMING,COVER MOUNT,REAR .....	1
33	824090GT	SCREW,HHF,3/8-16X1,8,ZAG .....	
34		Ref. HINGE,COVER,40IN .....	
		(Refer to 303.1)	
35		Ref. GAS STRUT,390 LB .....	
		(Refer to 303.1)	

304.1 Engine Side Components, Fuel Tank

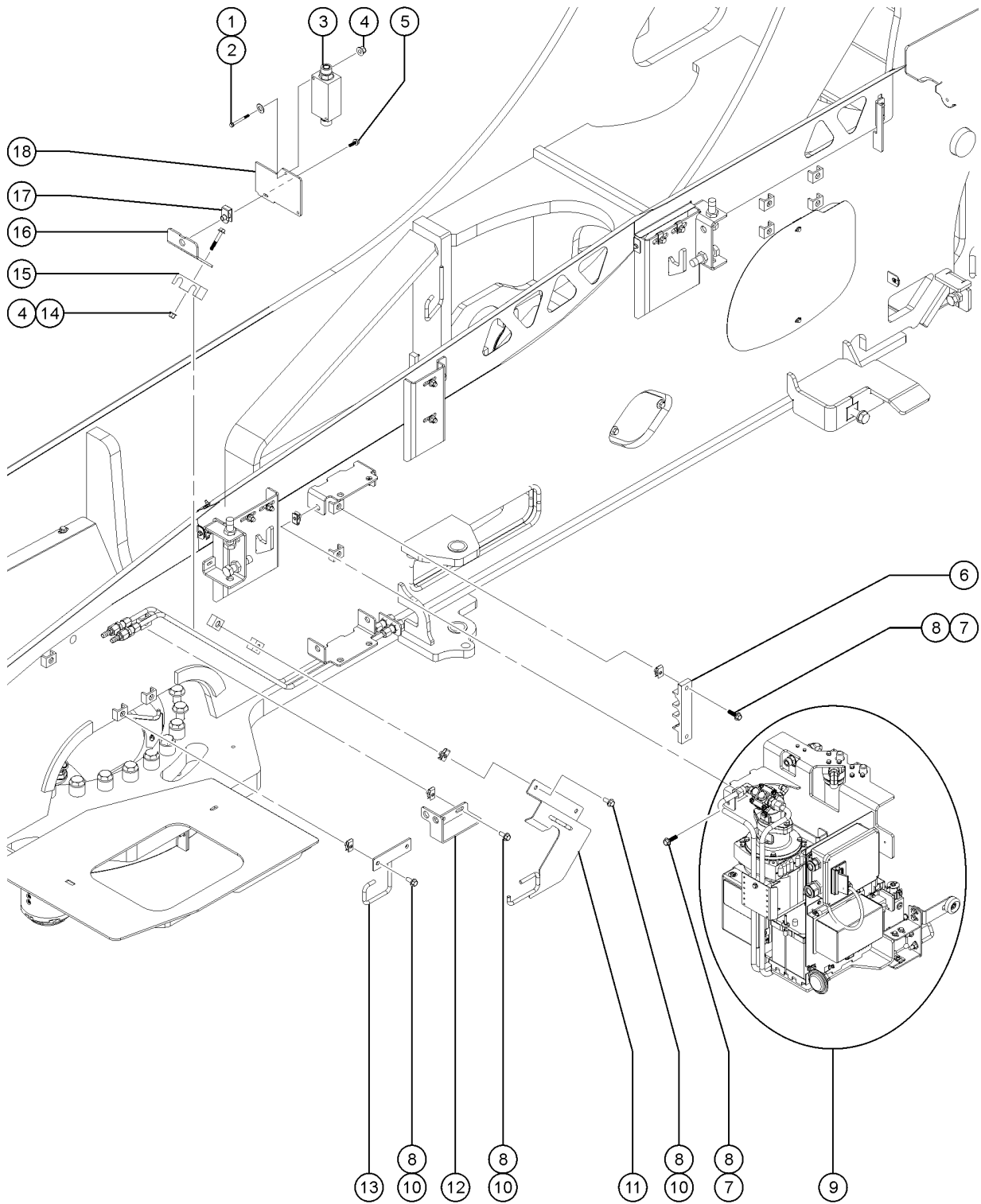




304.1 Engine Side Components, Fuel Tank

Item	Part No.	Description	Qty.
1	237697GT	TUBE ASSY, RETURN 19.375" .....	1
2	237696GT	TUBE ASSY, SUPPLY, 21.875" .....	1
3A	235716GT	SENDER, LOW FUEL INDICATOR .....	1
		to SN 227	
3B	1271770GT	SENSOR, FUEL LEVEL, 30" DIESEL .....	
		from SN 228	
4	60559GT	BREATHER,RESERVOIR 3 MICRON*** .....	1
5	215727GT	CAP, FUEL, DIESEL, LENZ LC-6NV .....	1
6	235717GT	SIGHT GLASS LEVEL INDICATOR .....	1
		Includes fasteners	
7A	235704GT	WELDMNT, FUEL TANK 50 GAL .....	
		to SN 227 (Complete assembly), includes items 1 - 8	
7B	1261947GT	ASSEMBLY, FUEL TANK 50 GAL .....	1
		from SN 228 (Complete assembly), includes items 1 - 8	
8	218727GT	PLUG, HEX HD, O-RING SAE #12 .....	1
9	232874GT	SCREW,HHF,M10-1.5X30,DIN6921,10.9,ZAB .....	
10	230074GT	SPRING CLIP,M10-1.5,1-6X19,ZAB .....	
11	1261897GT	FORMING,BUMPER MOUNT,NOSE .....	1
12	231088GT	SCREW,HHF,M10-1.5X20,DIN6921,1 .....	
13	50974GT	BUMPER,RUBBER,COVERS .....	1
14	824061GT	SCREW,HHC,1/4-20X1.25,8,ZAG .....	
15	824113GT	WASHER,FLAT,1/4,USS,ZAG .....	
16	824027GT	NUT,TL FLG,1/4-20,G,ZAG .....	
17	231530GT	SCREW,HHF,M10-1.5X25,DIN6921,10.9,ZAB .....	

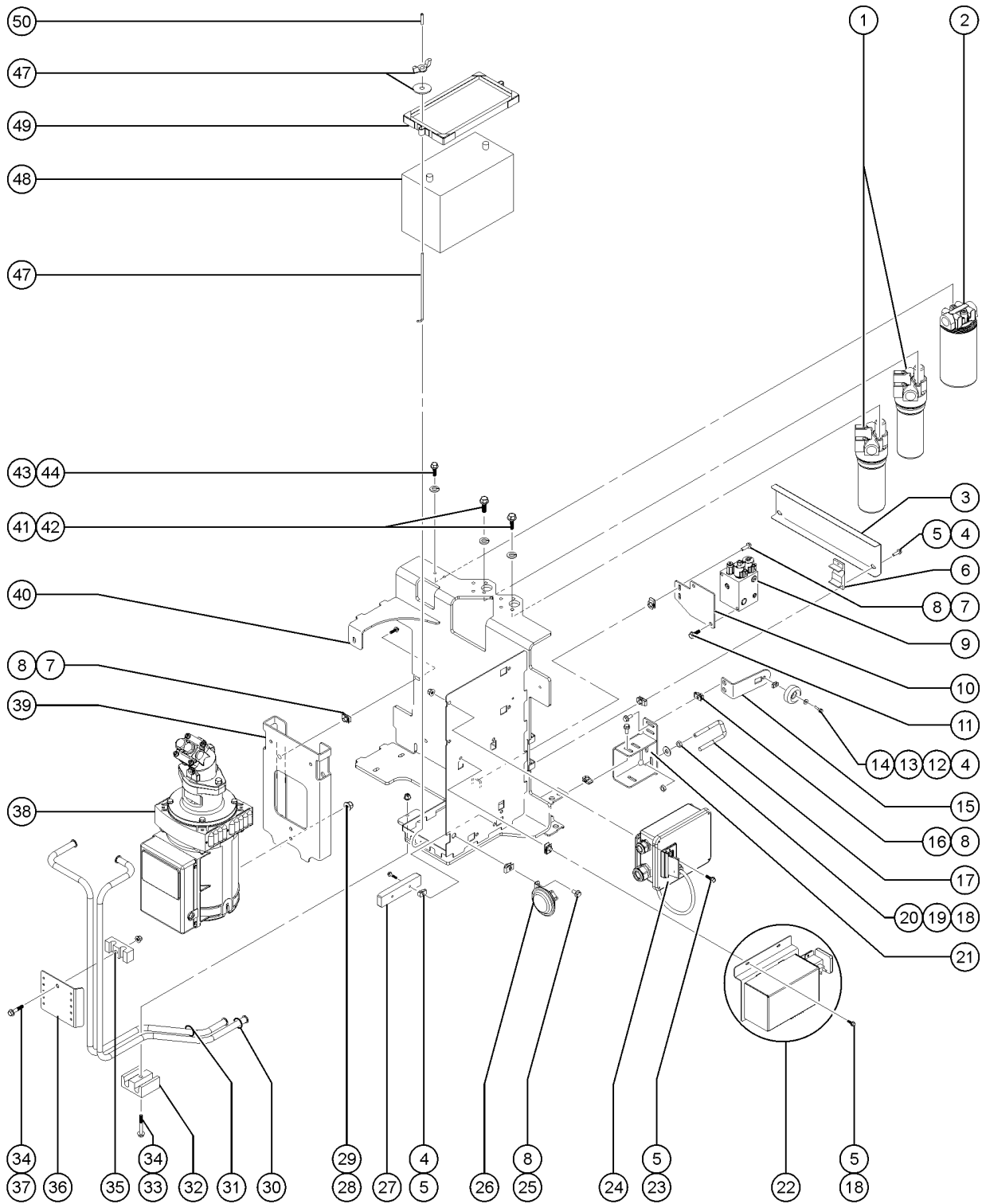
305.1 Engine Side, Hose Clamps and Guides



## 305.1 Engine Side, Hose Clamps and Guides

<i>Item</i>	<i>Part No.</i>	<i>Description</i>	<i>Qty.</i>
1	161410GT	SCREW,HHC,M6X70,DIN931,10.9,YZ .....	2
2	824143GT	WASHER,FLAT,M6,DIN125,ZAB .....	
3	236240GT	MANIFOLD, RETURN BLOCK .....	1
4	231513GT	NUT,TL FLG,M6-1.0,DIN6927,10,Z .....	
5	231532GT	SCREW,HHF,M6X20,DIN6921,10.9,Y .....	
6	219065GT	CLAMP,HYD. HOSE, 3 X .75" .....	1
7	231533GT	SCREW,HHF,M10-1.5X35,DIN6921,10.9,ZAB .....	
8	230074GT	SPRING CLIP,M10-1.5,1-6X19,ZAB .....	
9		Ref. GEN. BULKHEAD ASSEMBLY .....	1
		(Refer to 306.1)	
10	231530GT	SCREW,HHF,M10-1.5X25,DIN6921,10.9,ZAB .....	
11	160726GT	WELDMENT, CABLE/HOSE GUIDE .....	1
12	218061GT	FORMING, FUEL FILTER MOUNT .....	1
13	219907GT	WELDMENT,HOSE/CABLE GUIDE .....	1
14	232886GT	SCREW,HHF,M6-1.0X40,DIN6921,10.9,ZAB .....	
15	218064GT	CLAMP, FUEL LINE .....	1
16	218060GT	FORMING, HOSE CLAMP MOUNT .....	
17	230073GT	SPRING CLIP,M6-1.0,0.8-4.0X13.5,ZAB .....	
18	237988GT	PLATE,MANIFOLD MOUNT .....	1

306.1 Engine Side, Welder GEN. Bulkhead Assembly

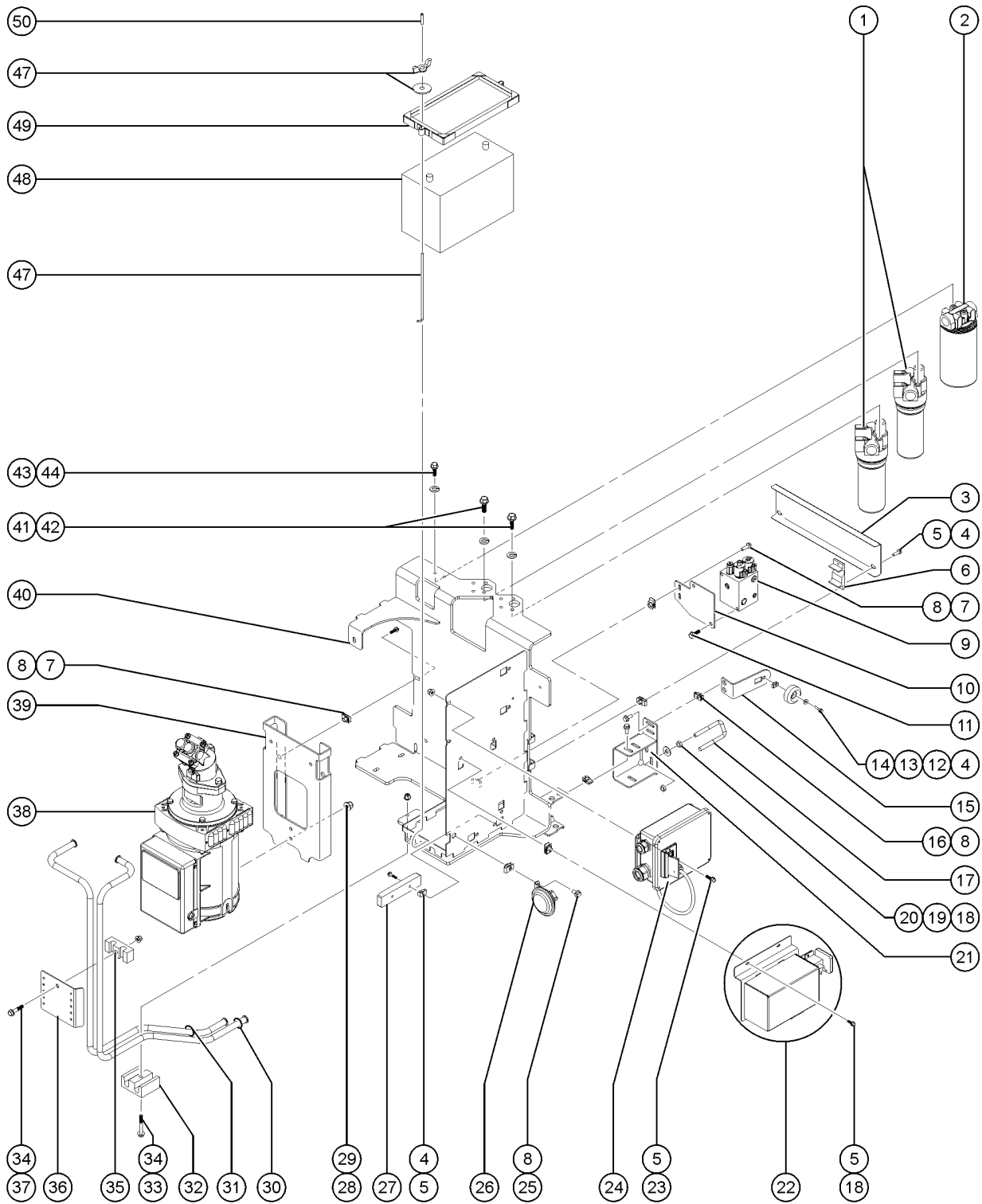


306.1 Engine Side, Welder GEN. Bulkhead Assembly

Item	Part No.	Description	Qty.
1	60334GT	FILTER ASSY,HIGH PRESS SAE-12* .....	2
1-	60857GT	FILTER,ELEMENT,BETA(5)=1000 .....	
2	87070GT	FILTER ASSY,SAE 12 NO INDICAT* .....	1
2-	131323GT	FILTER ELEMENT,10 MICRON .....	
		Genie genuine part	
2-	1259055GT	FILTER ELEMENT, 10 MICRON .....	
		Genie aftermarket	
3	215197GT	FORMING,HARNNESS COVER .....	1
4	231531GT	SCREW,HHF,M6X30,DIN6921,10.9,Y .....	
5	230073GT	SPRING CLIP,M6-1.0,0.8-4.0X13.5,ZAB .....	
6	216275GT	CLAMP, GEN BATTERY CABLES .....	2
7	231533GT	SCREW,HHF,M10-1.5X35,DIN6921,10.9,ZAB .....	
8	230074GT	SPRING CLIP,M10-1.5,1-6X19,ZAB .....	
9		Ref. MANIFOLD, GENERATOR .....	
		(Refer to 705.1)	
10	1259119GT	PLATE,GEN. MANIFOLD MNT .....	1
11	231087GT	SCREW,HHF,M12 X 1.75 X 25 .....	
12	1257389GT	WASHER, FLAT, M6X18X1.6,DIN9021,ZAB .....	
13	50974GT	BUMPER,RUBBER,COVERS .....	1
14	219697GT	SPRING CLIP,M6-1.0,3.4-6.3MMX1 .....	
15	1261894GT	FORMING,BUMPER STOP MID,ES .....	
16	231530GT	SCREW,HHF,M10-1.5X25,DIN6921,10.9,ZAB .....	
17	1254805GT	BOLT,U-BOLT,LATCH STRIKER,TRAY .....	1
18	1255804GT	NUT,JAM,1/2-13,A,ZAG .....	
19	1255760GT	WASHER,FLAT,1/2,USS,ZAG .....	
20	1251997GT	NUT,TL FLG,1/2-13,G,ZAG .....	
21	1259637GT	WLDT,LATCH STRIKE,ENG SIDE .....	
22		Ref. RELAY FUSE, ASSY .....	
		(Refer to 307.1)	
23	231532GT	SCREW,HHF,M6X20,DIN6921,10.9,Y .....	
24		Ref. J-BOX,CIRCUIT BREAKERS, 10X8 .....	
		(Refer to 308.1 - 308.4)	
25	231088GT	SCREW,HHF,M10-1.5X20,DIN6921,1 .....	



306.1 Engine Side, Welder GEN. Bulkhead Assembly

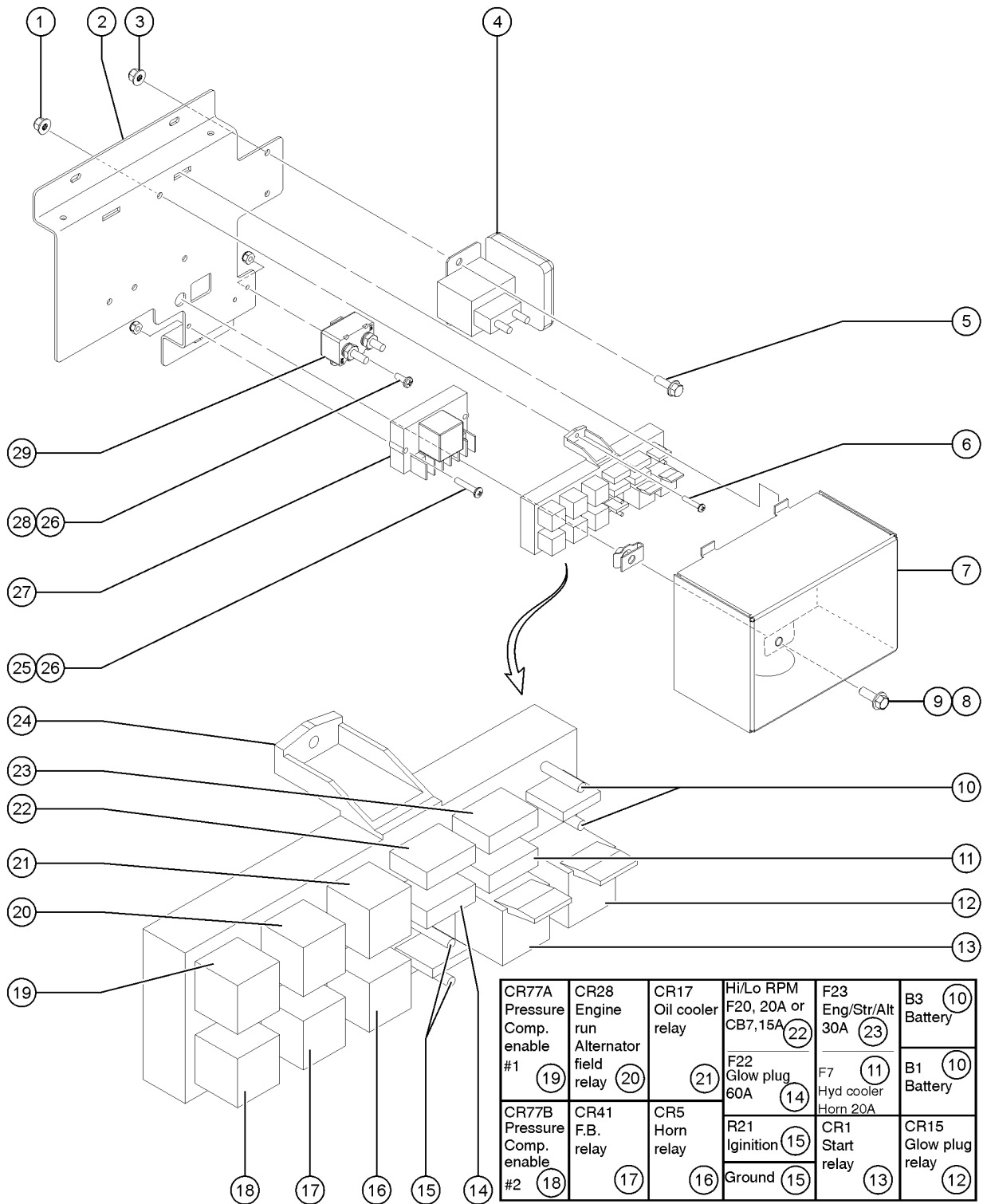


306.1 Engine Side, Welder GEN. Bulkhead Assembly

Item	Part No.	Description	Qty.
26	81578GT	HORN,12VDC,SPADE TERMINALS***	1
27	219520GT	UHMW, BATTERY SPACER	1
28	237832GT	NUT,TL FLG,M8-1.25,DIN6927,10,ZAB	
29	1255538GT	SCREW,HHC,M8-1.25X30,DIN933,10 (Not shown)	
30	1259124GT	HARDLINE,GENERATOR RETURN	1
31	1259123GT	HARDLINE, GENERATOR SUPPLY	1
32	216274GT	CLAMP, GENERATOR HARDLINE	1
33	238347GT	SCREW,HHF,M10-1.5X70,DIN6921,10.9,ZAB	
34	231529GT	NUT,TL FLG,M10-1.5,DIN6927,10,	
35	160636GT	CLAMP,GENERATOR HARDLINE,UPPER	1
36	160635GT	FORMING,GENERATOR, CABLE RAMP	1
37	232952GT	SCREW,HHF,M10-1.5X50,DIN6921,10.9,ZAB	
38	216566GT	GENERATOR,7.5KW,208/120/60HZ,3PH, 12CC USA/CSA models	
38-	218173GT	GENERATOR,12kW, 208/120/60HZ,3PH, 18CC USA/CSA models	
38-	218137GT	GEN.,7.5KW,110/55VAC,1PH,50HZ, UK models	
38-	218138GT	GEN.,7.5KW,240/415/50HZ,3PH,EU EU/AUS models	
39	215723GT	FORMING,WELDER MOUNT	1
40	1259097GT	WELDMENT, GENERATOR BULKHEAD	1
41	1256109GT	SCREW,HHC,3/8-16X.75,8,ZAG	
42	824110GT	WASHER,LOCK,3/8,ZAG	
43	824059GT	SCREW,HHC,1/4-20X.75,8,ZAG	
44	824109GT	WASHER,LOCK,1/4,ZAG	
47	45708GT	HOOK,BATT HOLD DOWN,10"	2
48	30143GT	BATTERY,12V,1000 CCA GRP 31	1
49	30144GT	BATTERY HOLD DOWN,GROUP 31	1
50	823397GT	CAP,VINYL,0.25ID X 1.50	2



307.1 Engine Side, Relay Fuse Assembly

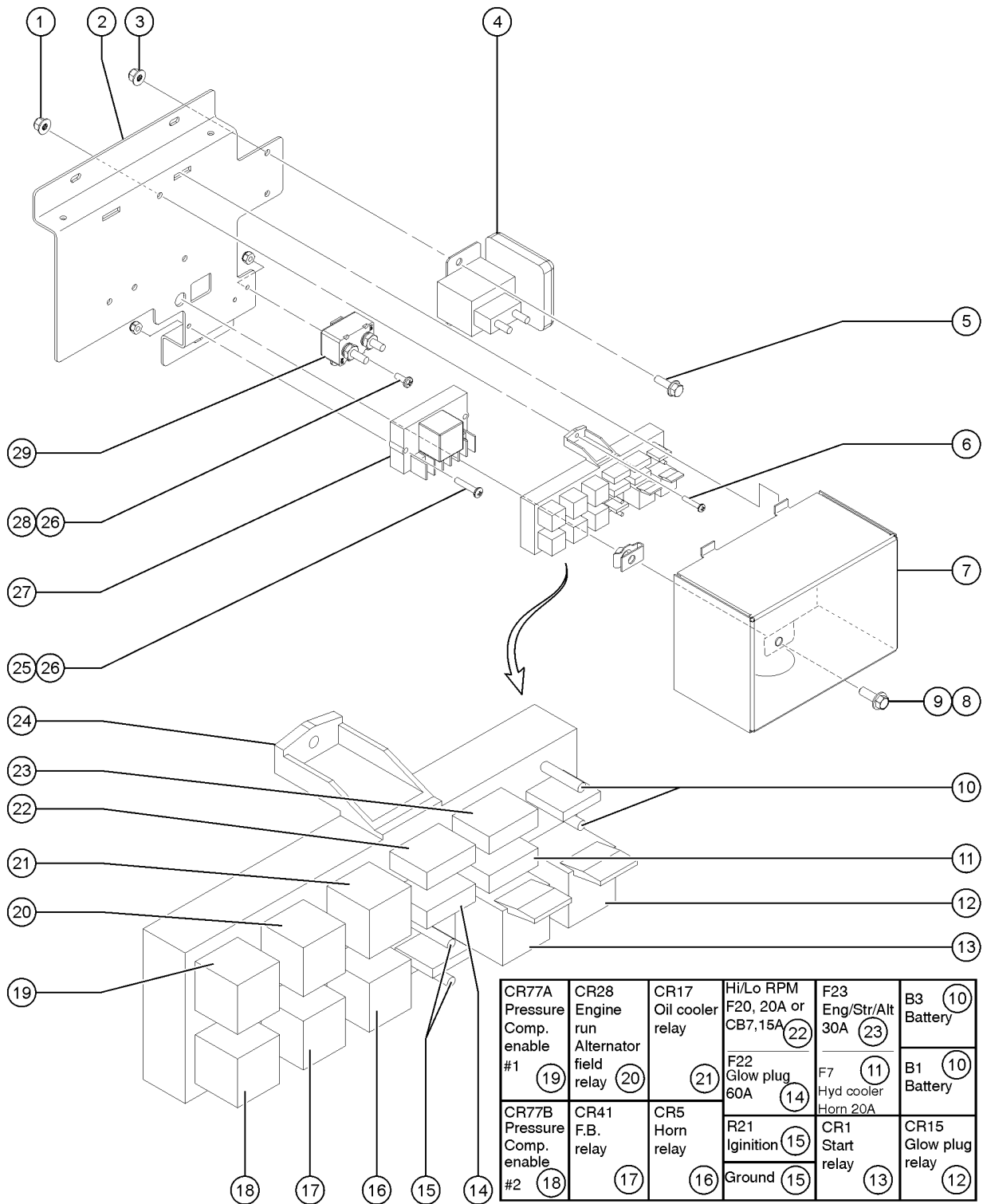




Item	Part No.	Description	Qty.
		For models with Deutz TD 2.9L4 or Perkins 854F-E34T Engine refer to 307.2 and 307.3	
1	6178GT	NUT,NYLOCK,10-32	
2	236337GT	FORMING,RELAY MOUNT	1
3	231513GT	NUT,TL FLG,M6-1.0,DIN6927,10,Z	
4	237068GT	SEPARATOR,DUAL BATTERY,100A	1
5	231532GT	SCREW,HHF,M6X20,DIN6921,10.9,Y	
6	49816GT	SCREW,PHILLIPS,PHM,10-32 X .75	
7	217189GT	COVER,RELAY	
8	232874GT	SCREW,HHF,M10-1.5X30,DIN6921,10.9,ZAB	
9	230074GT	SPRING CLIP,M10-1.5,1-6X19,ZAB	
10	106051GT	CONN,FEED THRU STUD (B3) Battery / (B1) Battery	1
10-	88164GT	CONN MAXI FUSE MODULE,4POS	
11	60536GT	FUSE,20 AMP,MAXI (F7) Hyd cooler / Horn, 20A	1
12	61225GT	RELAY,12VDC,70AMP,SEALED (CR15) Glow plug	1
12-	88162GT	CONN,POWER RLY MODULE,4POS	
13	61225GT	RELAY,12VDC,70AMP,SEALED (CR1) Start relay	1
13-	88162GT	CONN,POWER RLY MODULE,4POS	
14	101340GT	FUSE,60 AMP,MAXI (F22) Glow plug, 60A	1
15	106051GT	CONN,FEED THRU STUD (R21) Ignition / Ground	1
15-	88164GT	CONN MAXI FUSE MODULE,4POS	
16	34052GT	RELAY,SPDT,12V(AUTO) PLUG IN** (CR5) Horn relay	1
16-	88167GT	CONN,DUAL RLY MODULE,10 POS	
17	34052GT	RELAY,SPDT,12V(AUTO) PLUG IN** (CR41) Flashing beacon relay	1
17-	88167GT	CONN,DUAL RLY MODULE,10 POS	
18	34052GT	RELAY,SPDT,12V(AUTO) PLUG IN** (CR77B) Pressure Comp. enable #2	1
18-	88167GT	CONN,DUAL RLY MODULE,10 POS	
19	34052GT	RELAY,SPDT,12V(AUTO) PLUG IN** (CR77A) Pressure Comp. enable #1	1
19-	88167GT	CONN,DUAL RLY MODULE,10 POS	



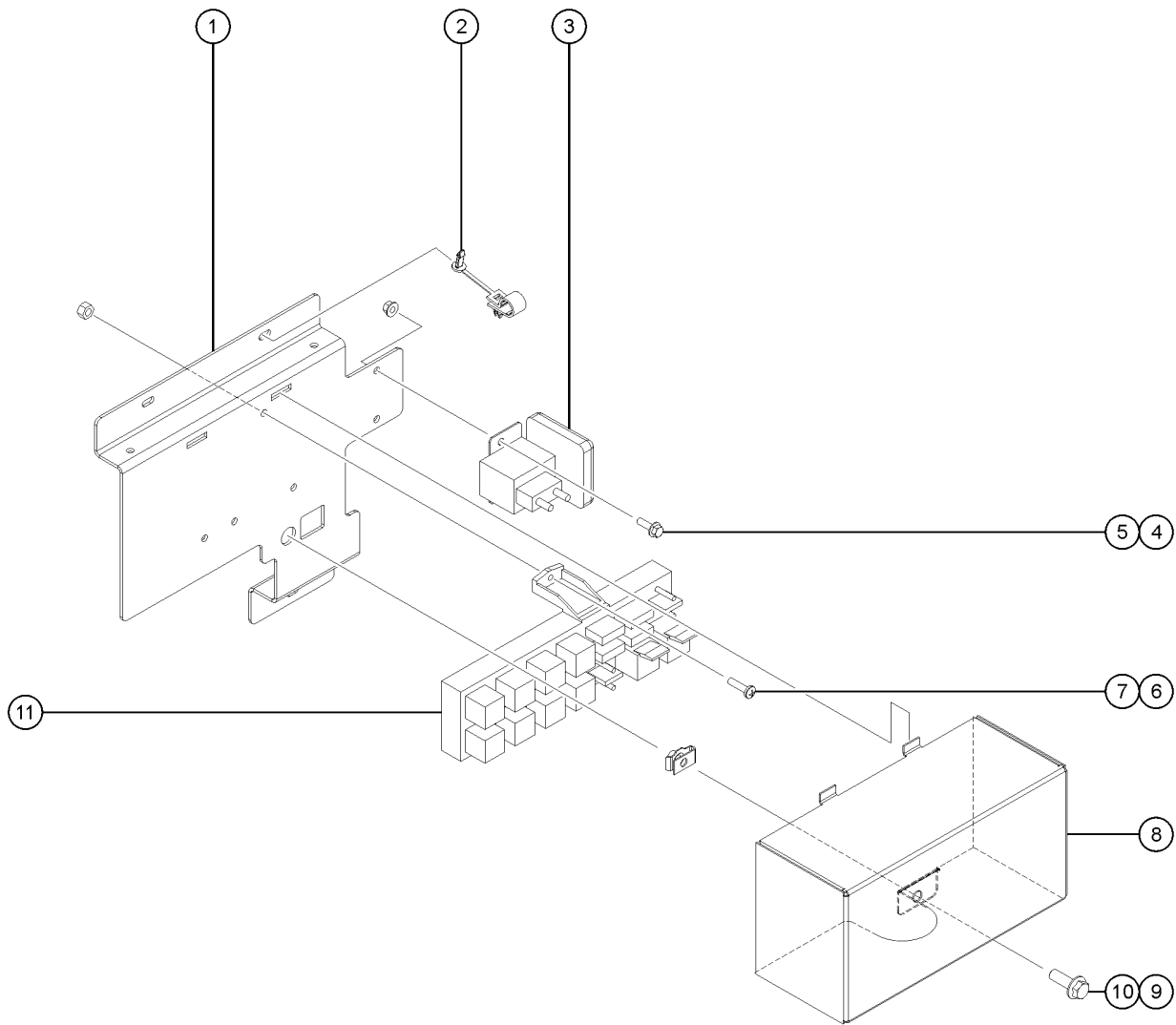
307.1 Engine Side, Relay Fuse Assembly



## 307.1 Engine Side, Relay Fuse Assembly

<i>Item</i>	<i>Part No.</i>	<i>Description</i>	<i>Qty.</i>
20	34052GT	RELAY, SPDT, 12V(AUTO) PLUG IN** (CR28) Engine run Alternator field relay	1
20-	88167GT	CONN, DUAL RLY MODULE, 10 POS	
21	34052GT	RELAY, SPDT, 12V(AUTO) PLUG IN** (CR17) Oil cooler relay	1
21-	88167GT	CONN, DUAL RLY MODULE, 10 POS	
22	60536GT	FUSE, 20 AMP, MAXI (F20) Hi/Lo RPM, 20A	
23	94327GT	FUSE, 30 AMP (F23) Eng/Str/Alt, 30A	
24	88160GT	BRACKET, LEG, RLY BLOCK	3
25	75041GT	SCREW, PHILLIPS, PHM, 10-32 X 1	
26	6178GT	NUT, NYLOCK, 10-32	
27	89997GT	RELAY MODULE(89996, 89998)	1
28	49819GT	SCREW, PHILLIPS, PHM, 10-32 X .5	
29	128829GT	CIRCUIT BRKR 15A TYPE 2 METAL	1
29-	15513GT	NUT, HEX, 10-32	

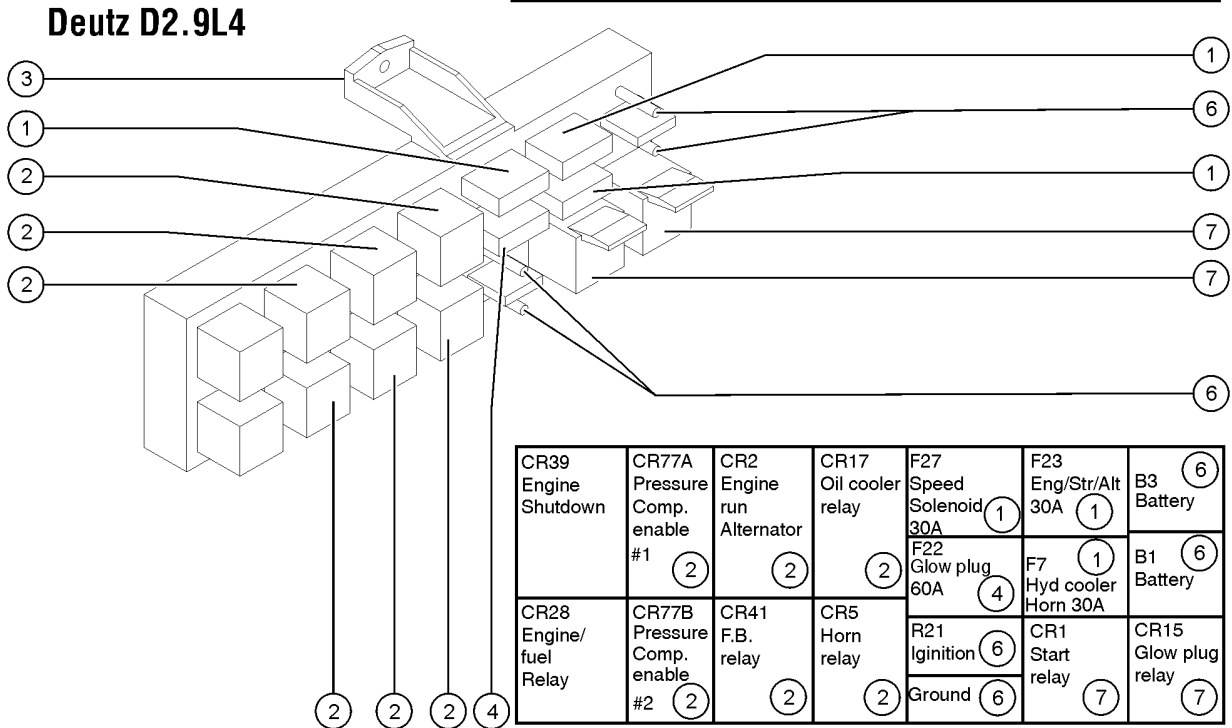
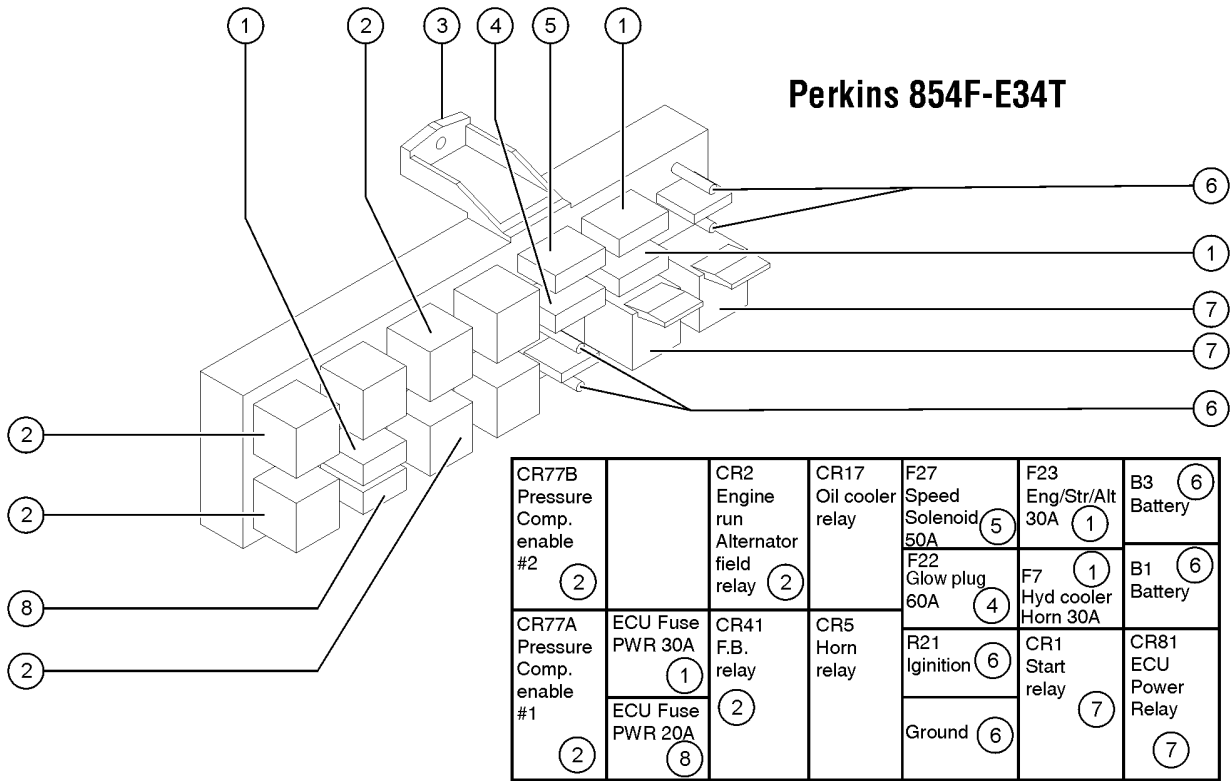
307.2 Fuse Assembly Deutz TD 2.9L4 and Perkins 854F-E34T - View 1



## 307.2 Fuse Assembly Deutz TD 2.9L4 and Perkins 854F-E34T - View 1

<i>Item</i>	<i>Part No.</i>	<i>Description</i>	<i>Qty.</i>
A-	1258553GT	ASSY, TIER4 RELAY FUSE .....	
1	1258551GT	FORMING, RELAY MOUNT .....	1
2	121601GT	NUT, TOP LOCK, 1/2-13 .....	2
3	237068GT	SEPARATOR, DUAL BATTERY, 100A .....	1
4	231532GT	SCREW, HHF, M6X20, DIN6921, 10.9, Y .....	2
5	231513GT	NUT, TL FLG, M6-1.0, DIN6927, 10, Z .....	2
6	235315GT	SCREW, PHPM, M4-0.7X16, DIN7985, ZAB .....	3
7	825686GT	NUT, TL, M4-0.7, DIN980, 8, ZAB .....	3
8	1258552GT	FORMING, RELAY COVER .....	1
9	232874GT	SCREW, HHF, M10-1.5X30, DIN6921, 10.9, ZAB .....	1
10	230074GT	SPRING CLIP, M10-1.5, 1-6X19, ZAB .....	1
11		Ref. BRACKET, LEG, RLY BLOCK .....	
		(Refer to 307.3)	

307.3 Fuse Assembly Deutz TD 2.9L4 and Perkins 854F-E34T - View 2

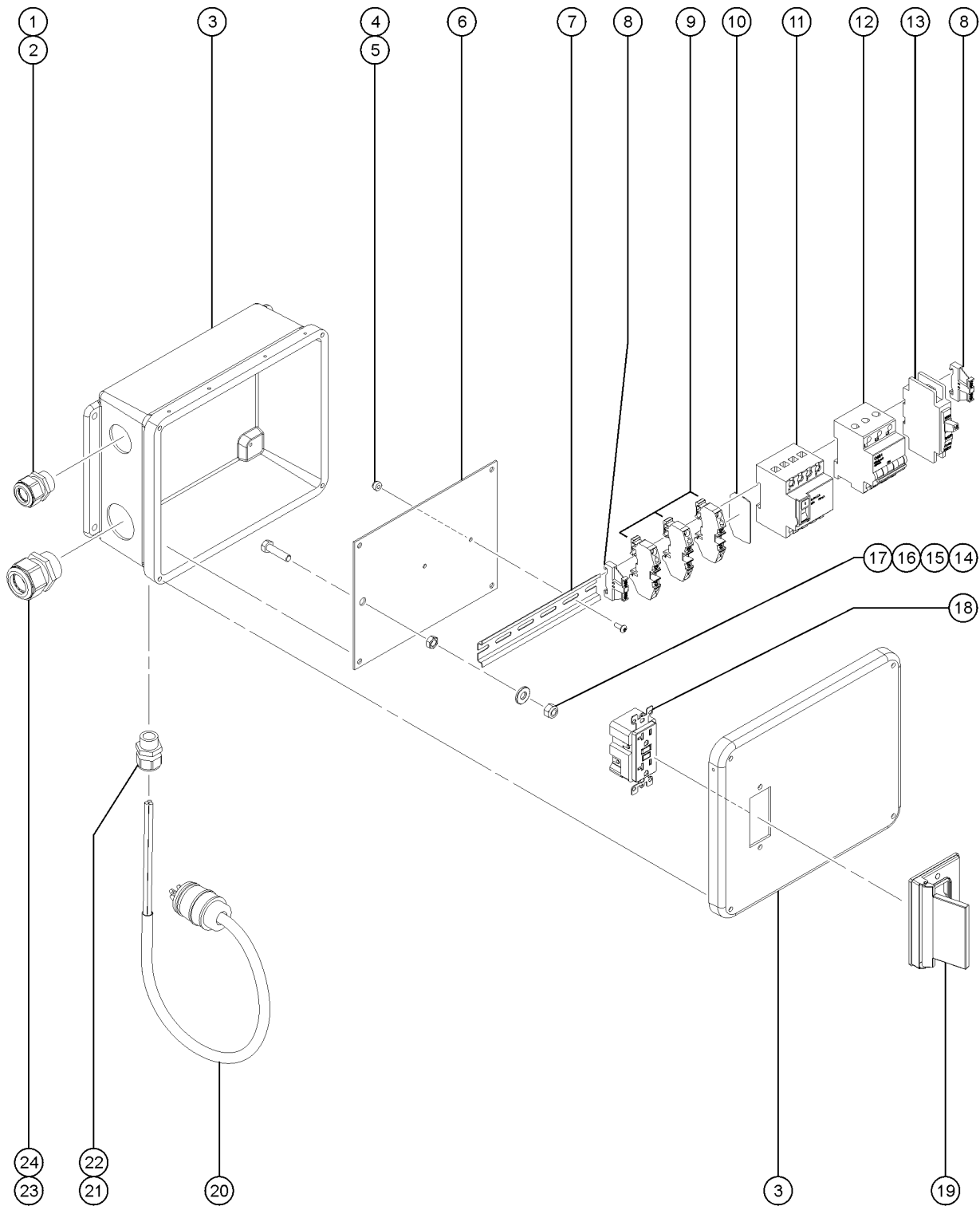


307.3 Fuse Assembly Deutz TD 2.9L4 and Perkins 854F-E34T - View 2

<i>Item</i>	<i>Part No.</i>	<i>Description</i>	<i>Qty.</i>
1	94327GT	FUSE,30 AMP .....	3
2	34052GT	RELAY,SPDT,12V(AUTO) PLUG IN** .....	
2-	88167GT	CONN,DUAL RLY MODULE,10 POS .....	
3	88160GT	BRACKET,LEG,RLY BLOCK .....	3
4	101340GT	FUSE,60 AMP,MAXI .....	1
5	1258391GT	FUSE, 50 AMP, MAXI .....	1
6	106051GT	CONN,FEED THRU STUD .....	2
6-	88164GT	CONN MAXI FUSE MODULE,4POS .....	
7	61225GT	RELAY,12VDC,70AMP,SEALED .....	2
7-	88162GT	CONN,POWER RLY MODULE,4POS .....	
8	60536GT	FUSE,20 AMP,MAXI .....	1



308.1 Welder Generator Enclosure (7.5 kW, 208/120 60HZ)



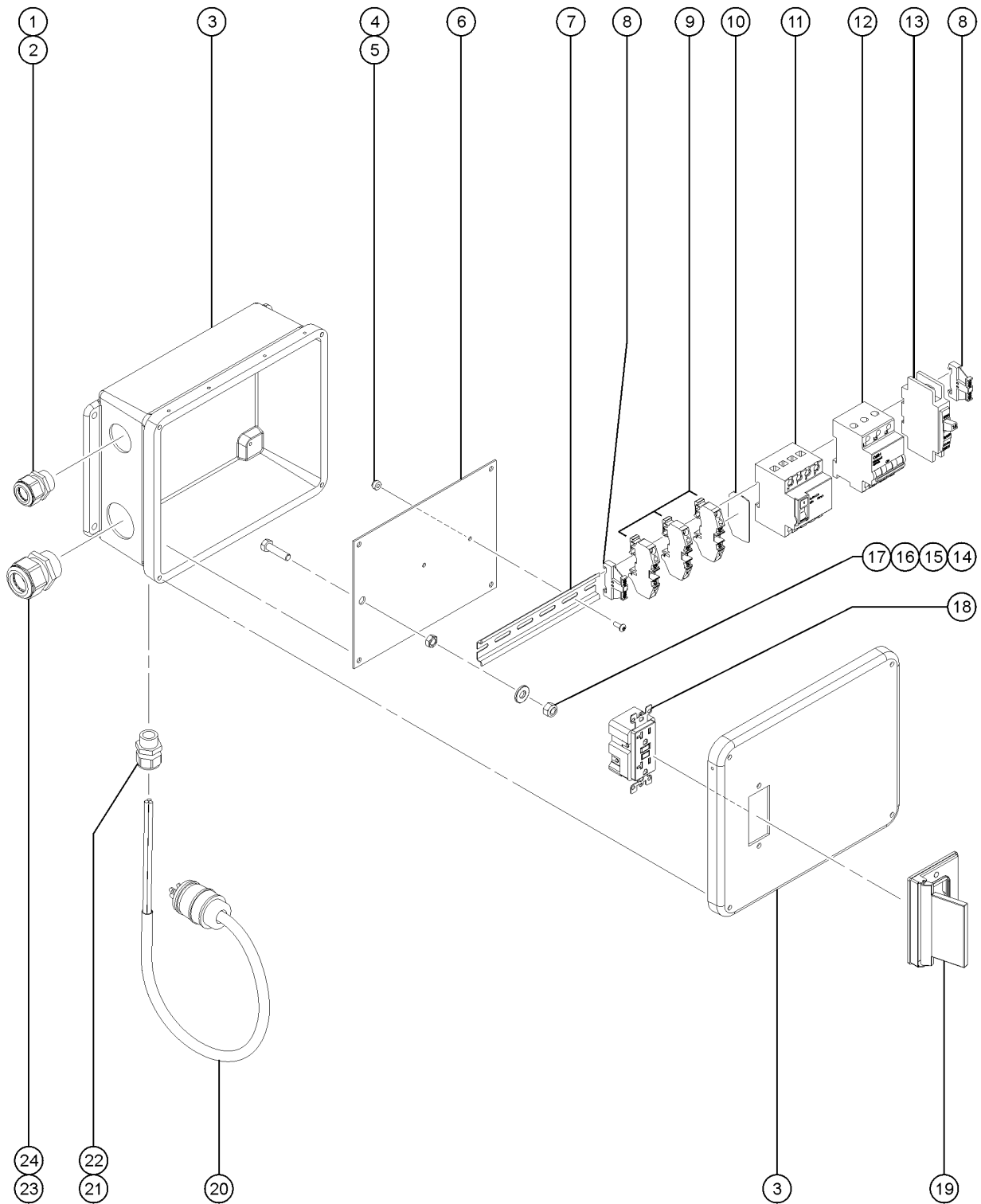


308.1 Welder Generator Enclosure (7.5 kW, 208/120 60HZ)

Item	Part No.	Description	Qty.
-	161212GT	ASSY, ENCLOSURE, WELDER GEN (Complete assembly for GEN 7.5 kW, 208/120 60HZ) including items 1 - 24	1
1	20776GT	CABLE SQUEEZE CONN.	1
2	18665GT	LOCKNUT,ELECTRIC,1" NPT	1
3	161206GT	BOX,J, CIRCUIT BREAKERS	1
4	6178GT	NUT,NYLOCK,10-32	1
5	54365GT	SCREW,PHIL,PHM,10-32 X .5,SSTL	1
6	161207GT	PANEL, ENCLOSURE, BACK	1
7	822548GT	DIN RAIL, 7.375"	1
8	74913GT	END STOP, DIN RAIL,SCREW CLAMP	2
9	161208GT	TERMINAL BLOCKERRING	3
10	822103GT	DIN RAIL, PARTITION PLATE	1
11	824617GT	CIRCUIT BREAKER,GFCI,3PH,63A,3	1
12	219233GT	CIRCUIT BREAKER, 3 PHASE, 25A	1
13	219232GT	CIRCUIT BREAKER, SINGLE PH,	1
14	6782GT	NUT,NYLOCK,5/16-18	1
15	5397GT	WASHER,FLAT,USS,5/16",Y	1
16	6037GT	NUT,HEX,5/16-18,GR5	1
17	13000GT	SCREW,HHC,5/16-18 X 1.25	1
18	80543GT	RECEPTACLE, 120VAC, 20A, GFCI	1
19	74006GT	COVER,GFCI,HORIZONTAL,WEATHER	1
20	161588GT	HARNESS, GENERATOR J-BOX Includes part 119403	1
20-	119403GT	CONN,PLUG 120 AC/15A DOMESTIC	1
21	7057GT	CONN. SQZ,1/2NPT .39-.56 MED.	1
22	6935GT	LOCKNUT,ELEC,1/2"	1
23	822222GT	CABLE SQUEEZE CONN., 1.25"	1
24	822223GT	LOCKNUT, ELECTRIC, 1.25" NPT	1



308.2 Welder Generator Enclosure (12 kW, 208/120 60HZ)

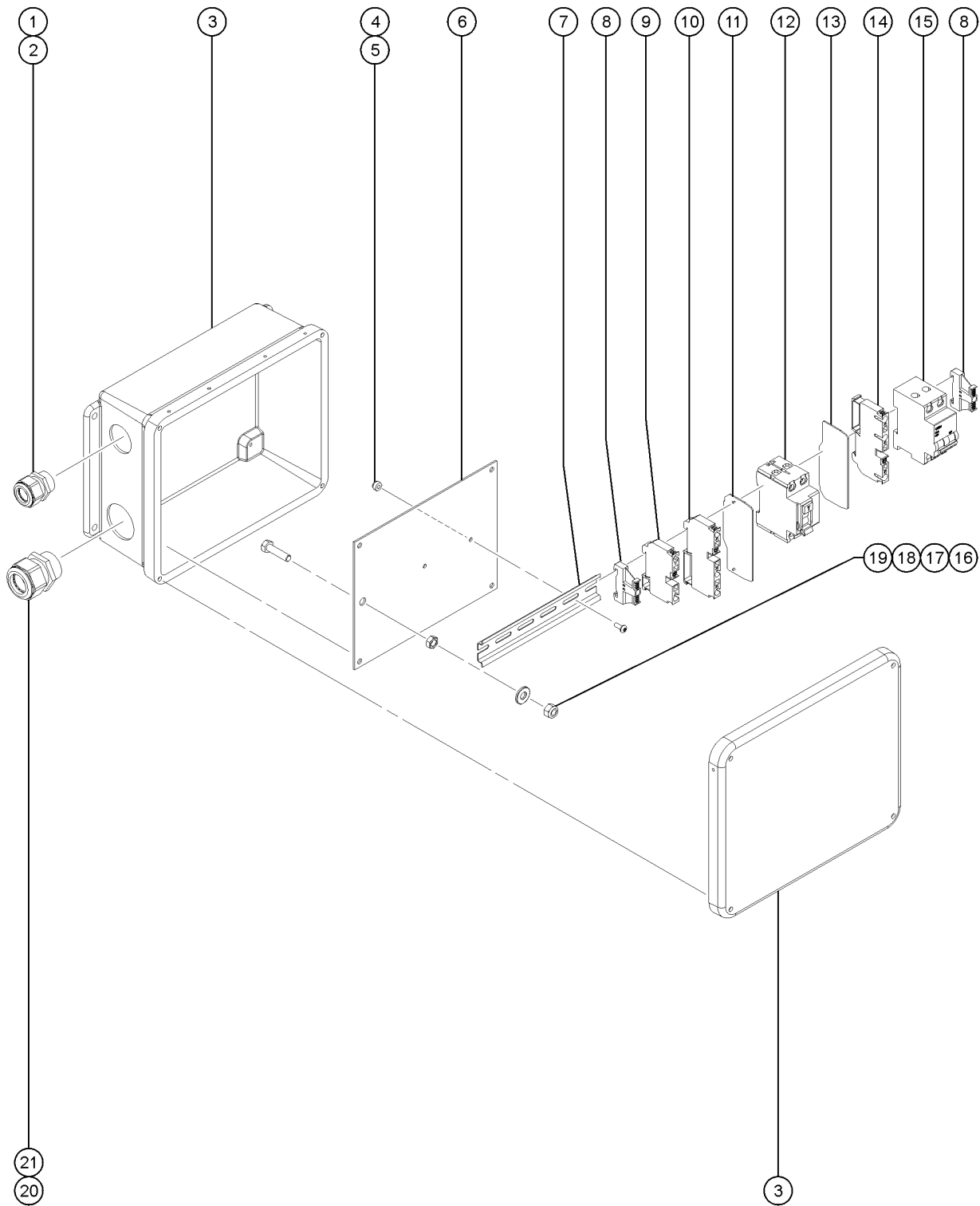


308.2 Welder Generator Enclosure (12 kW, 208/120 60HZ)

Item	Part No.	Description	Qty.
-	1256276GT	ASSY,ENCLOSURE,WELDER GEN,12 KW (Complete assembly for GEN 12 kW, 208/120 60HZ) including items 1 - 24	
1	20776GT	CABLE SQUEEZE CONN.	1
2	18665GT	LOCKNUT,ELECTRIC,1" NPT	1
3	161206GT	BOX,J, CIRCUIT BREAKERS	1
4	6178GT	NUT,NYLOCK,10-32	
5	54365GT	SCREW,PHIL,PHM,10-32 X .5,SSTL	
6	161207GT	PANEL, ENCLOSURE, BACK	
7	822548GT	DIN RAIL, 7.375"	1
8	74913GT	END STOP, DIN RAIL,SCREW CLAMP	2
9	161208GT	TERMINAL BLOCKERRING	3
10	822103GT	DIN RAIL, PARTITION PLATE	1
11	824617GT	CIRCUIT BREAKER,GFCI,3PH,63A,3	1
12	1256153GT	CIRCUIT BREAKER,40A,3P	1
13	219232GT	CIRCUIT BREAKER, SINGLE PH,	1
14	6782GT	NUT,NYLOCK,5/16-18	
15	5397GT	WASHER,FLAT,USS,5/16",Y	
16	6037GT	NUT,HEX,5/16-18,GR5	
17	13000GT	SCREW,HHC,5/16-18 X 1.25	
18	80543GT	RECEPTACLE, 120VAC, 20A, GFCI	1
19	74006GT	COVER,GFCI,HORIZONTAL,WEATHER	
20	161588GT	HARNESS, GENERATOR J-BOX Includes part 119403	1
20-	119403GT	CONN,PLUG 120 AC/15A DOMESTIC	
21	7057GT	CONN. SQZ,1/2NPT .39-.56 MED.	1
22	6935GT	LOCKNUT,ELEC,1/2"	1
23	822222GT	CABLE SQUEEZE CONN., 1.25"	1
24	822223GT	LOCKNUT, ELECTRIC, 1.25" NPT	1



308.3 Welder Generator Enclosure (7.5 kW, 110/55 50HZ)

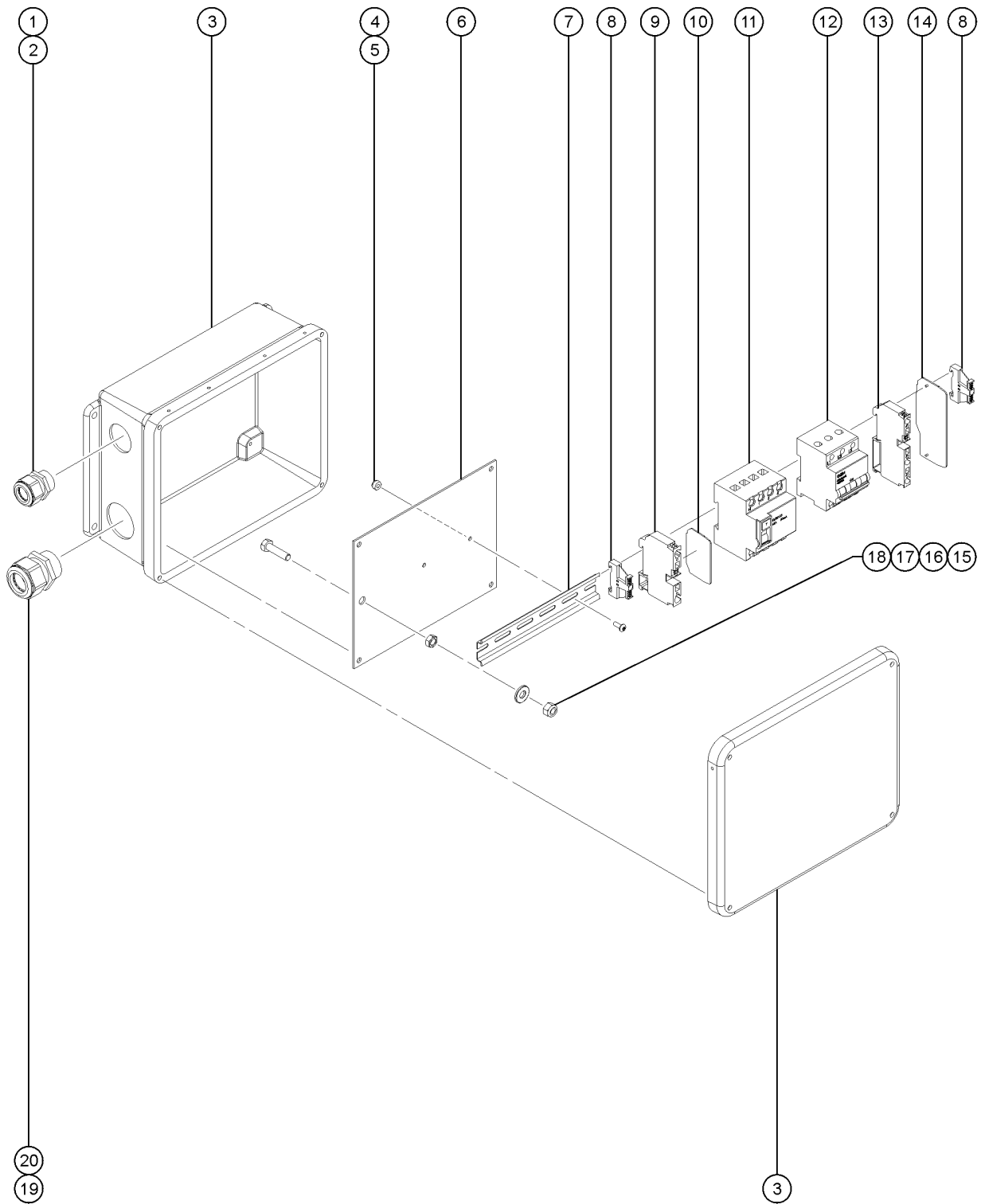


308.3 Welder Generator Enclosure (7.5 kW, 110/55 50HZ)

Item	Part No.	Description	Qty.
-	825557GT	ASSY, ENCLOSURE, WELDER GEN UK (Complete assembly for GEN 7.5 kW, 110/55 50HZ) including items 1 - 21	
1	20776GT	CABLE SQUEEZE CONN.	1
2	18665GT	LOCKNUT,ELECTRIC,1" NPT	1
3	825558GT	BOX,J, CIRCUIT BREAKERS	1
4	6178GT	NUT,NYLOCK,10-32	
5	54365GT	SCREW,PHIL,PHM,10-32 X .5,SSTL	
6	161207GT	PANEL, ENCLOSURE, BACK	1
7	822548GT	DIN RAIL, 7.375"	1
8	74913GT	END STOP, DIN RAIL,SCREW CLAMP	2
9	825797GT	BLOCK,DIN FEED THRU,16-6	1
10	825588GT	BLOCK,DIN FEED THRU 3 POS	1
11	825589GT	PARTITION,DIN RAIL BLUE PLATE	1
12	1257181GT	CIRCUIT BREAKER,GFCI,2P,30MA TRIP	1
13	825587GT	PARTITION,DIN RAIL GREY PLATE	1
14	825586GT	BLOCK,DIN FEED THRU 3 POS TERM	1
15	825585GT	CIRCUIT BREAKER, 2 POLE, 16A	1
16	6782GT	NUT,NYLOCK,5/16-18	1
17	5397GT	WASHER,FLAT,USS,5/16",Y	1
18	6037GT	NUT,HEX,5/16-18,GR5	1
19	13000GT	SCREW,HHC,5/16-18 X 1.25	1
20	822222GT	CABLE SQUEEZE CONN., 1.25"	1
21	822223GT	LOCKNUT, ELECTRIC, 1.25" NPT	1



308.4 Welder Generator Enclosure (7.5 kW, 240/415 50HZ)

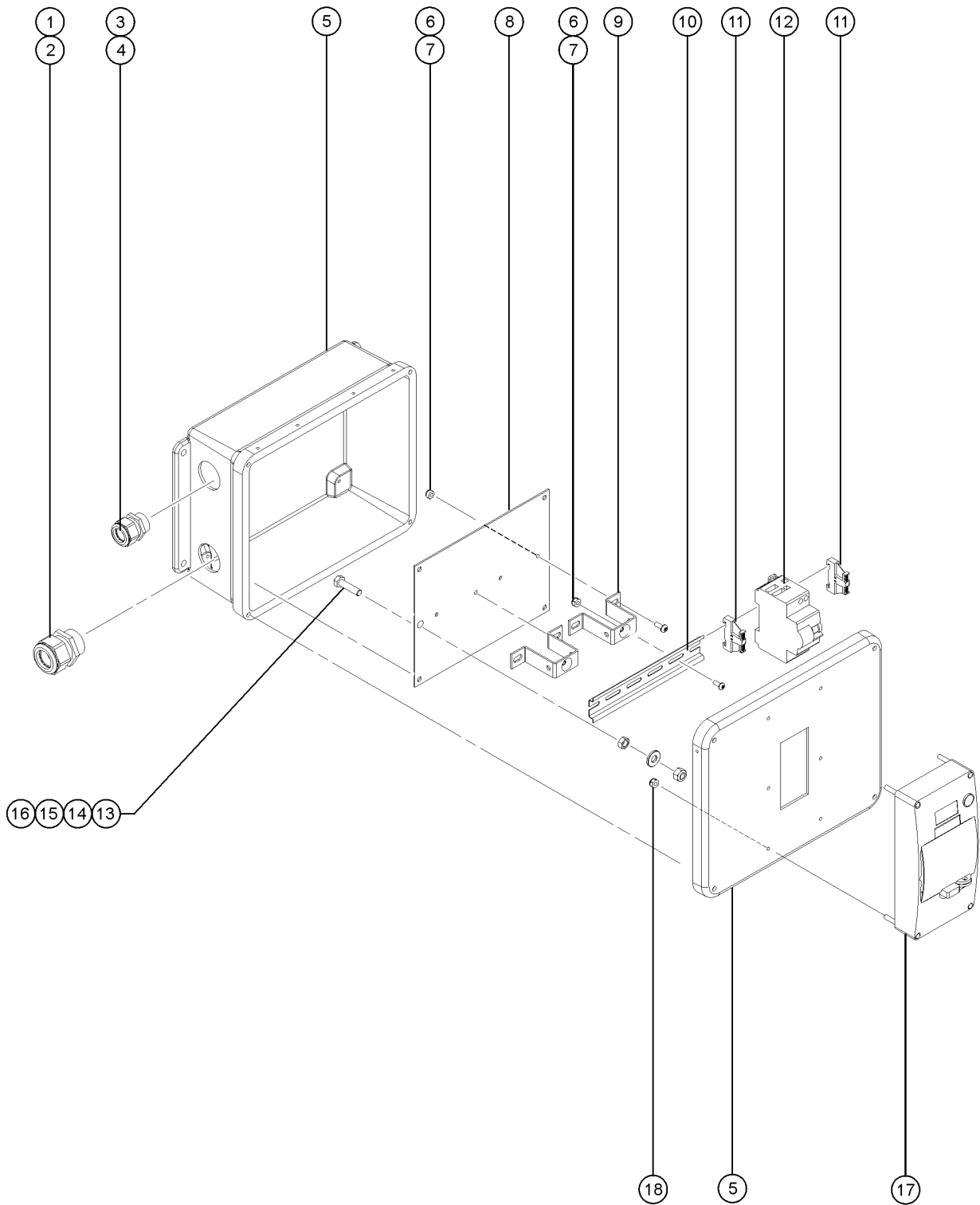


308.4 Welder Generator Enclosure (7.5 kW, 240/415 50HZ)

Item	Part No.	Description	Qty.
-	825556GT	ASSY, ENCLOSURE, WELDER GEN EU (Complete assembly for GEN 7.5 kW, 240/415 50HZ) including items 1 - 20; to SN SX15016H-205	.....
-	1269075GT	ASSY, ENCLOSURE, WELDER GEN EU (Complete assembly for GEN 7.5 kW, 240/415 50HZ) including items 1 - 20; from SN SX15016H-206	.....
1	20776GT	CABLE SQUEEZE CONN. .... to SN SX15016H-205	1
1-	822222GT	CABLE SQUEEZE CONN., 1.25" .... from SN SX15016H-206	
2	18665GT	LOCKNUT,ELECTRIC,1" NPT .... to SN SX15016H-205	1
2-	822223GT	LOCKNUT, ELECTRIC, 1.25" NPT .... from SN SX15016H-206	
3	825558GT	BOX,J, CIRCUIT BREAKERS	1
4	6178GT	NUT,NYLOCK,10-32	
5	54365GT	SCREW,PHIL,PHM,10-32 X .5,SSTL	
6	161207GT	PANEL, ENCLOSURE, BACK	1
7	822548GT	DIN RAIL, 7.375"	1
8	74913GT	END STOP, DIN RAIL,SCREW CLAMP	2
9	825797GT	BLOCK,DIN FEED THRU,16-6	
10	825810GT	PARTITION,DIN RAIL GREY PLATE	
11	824617GT	CIRCUIT BREAKER,GFCI,3PH,63A,3	1
12	825736GT	CIRCUIT BREAKER, 3 PHASE, 10A	
13	825586GT	BLOCK,DIN FEED THRU 3 POS TERM	
14	825587GT	PARTITION,DIN RAIL GREY PLATE	
15	6782GT	NUT,NYLOCK,5/16-18	
16	5397GT	WASHER,FLAT,USS,5/16",Y	
17	6037GT	NUT,HEX,5/16-18,GR5	
18	13000GT	SCREW,HHC,5/16-18 X 1.25	
19	822222GT	CABLE SQUEEZE CONN., 1.25"	1
20	822223GT	LOCKNUT, ELECTRIC, 1.25" NPT	1



308.5 Welder Generator Enclosure (7.5 KW,230VAC,1PH,50HZ,AU)



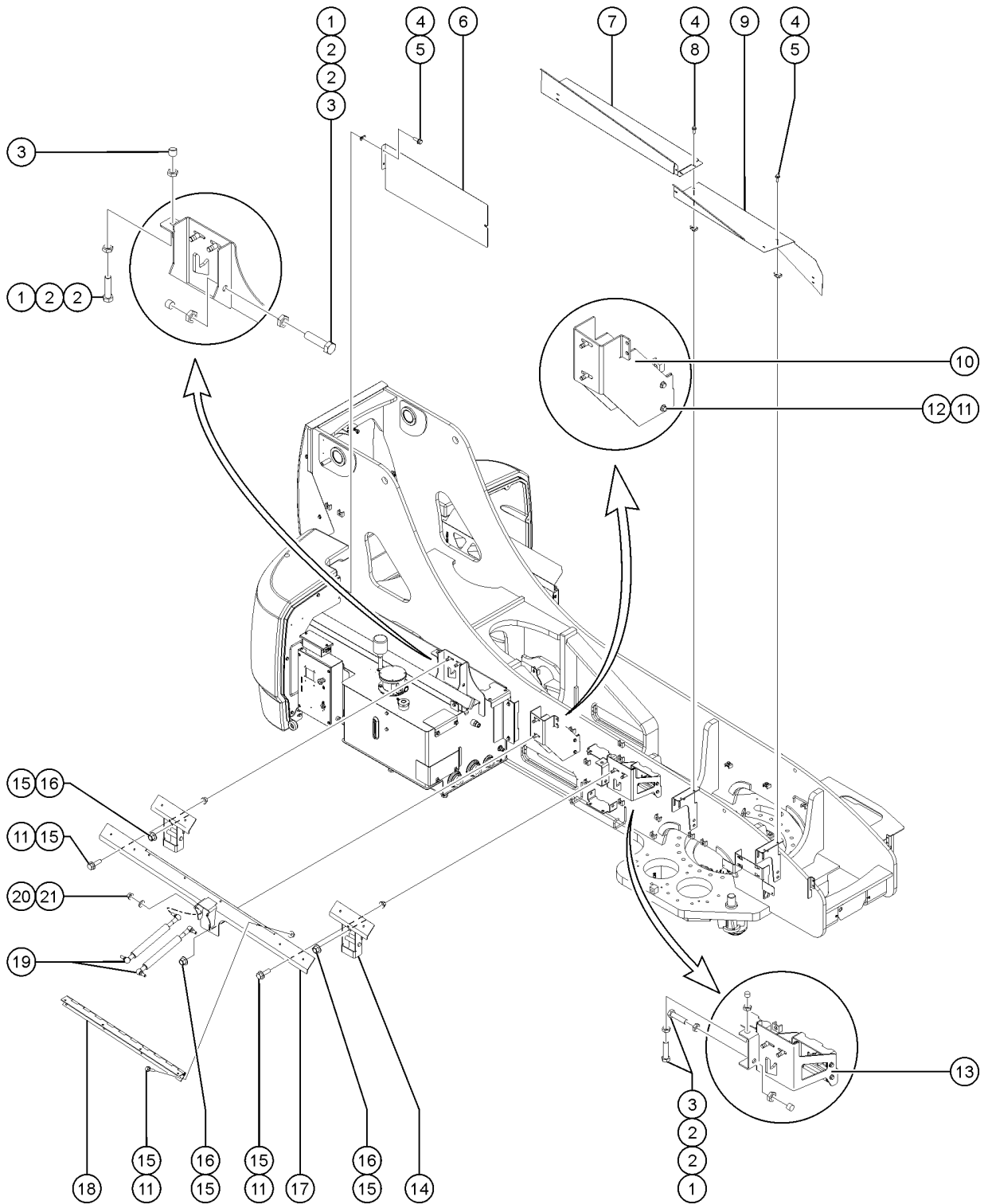


308.5 Welder Generator Enclosure (7.5 KW,230VAC,1PH,50HZ,AU)

Item	Part No.	Description	Qty.
-	1258690GT	ASSY, AUSTRALIAN J BOX (Complete assembly for GEN 7.5 KW,230VAC,1PH,50HZ,AU) including items 1 - 16	1
1	822222GT	CABLE SQUEEZE CONN., 1.25"	1
2	822223GT	LOCKNUT, ELECTRIC, 1.25" NPT	1
3	20776GT	CABLE SQUEEZE CONN.	1
4	18665GT	LOCKNUT,ELECTRIC,1" NPT	1
5	1258680GT	BOX,J,CIRCUIT BREAKERS	1
6	6178GT	NUT,NYLOCK,10-32	
7	54365GT	SCREW,PHIL,PHM,10-32 X .5,SSTL	
8	1258688GT	PANEL,AUSSY ENCLOSURE BACK	1
9	1258689GT	BRACKET,DIN RAIL SUPPORT	2
10	822548GT	DIN RAIL, 7.375"	1
11	74913GT	END STOP, DIN RAIL,SCREW CLAMP	2
12	1258674GT	RCBO, 16A/30MA TRIP, 1P	1
13	6782GT	NUT,NYLOCK,5/16-18	
14	5397GT	WASHER,FLAT,USS,5/16",Y	
15	6037GT	NUT,HEX,5/16-18,GR5	
16	13000GT	SCREW,HHC,5/16-18 X 1.25	
17	1258687GT	MOUNTING COVER KIT WITH NEON	1
18	12344GT	NUT,NYLOCK,6-32	6

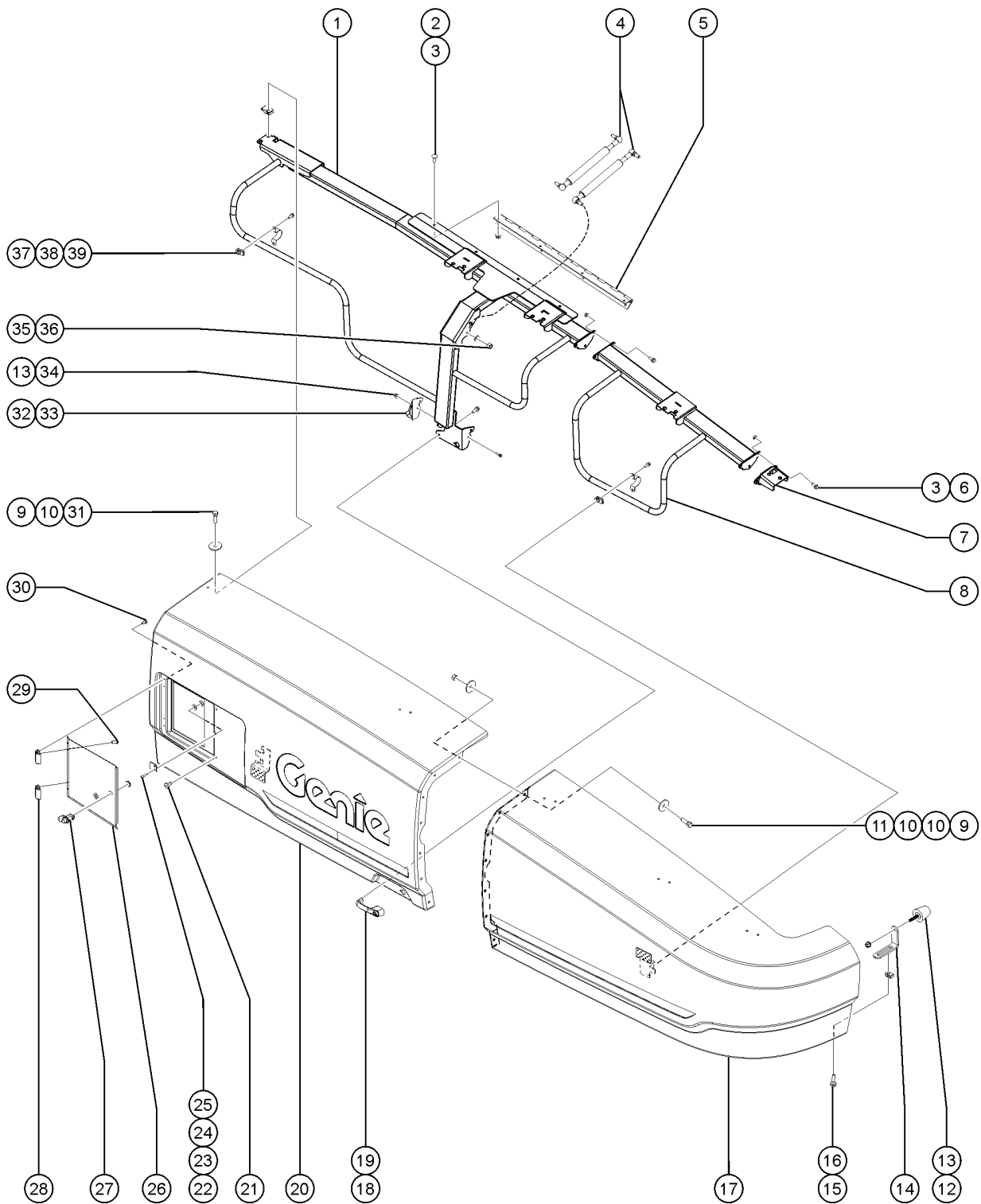


309.1 Turntable Covers, Tank Side



<i>Item</i>	<i>Part No.</i>	<i>Description</i>	<i>Qty.</i>
1	231509GT	SCREW,HHC,M20-2.5X80,DIN933,10 .....	
2	231515GT	NUT,HEX,JAM,M20-2.5,DIN439,ZAB .....	
3	1261917GT	THREADED CAP, M20-1.5 .....	4
4	231532GT	SCREW,HHF,M6X20,DIN6921,10.9,Y .....	
5	219697GT	SPRING CLIP,M6-1.0,3.4-6.3MMX1 .....	
6	1260540GT	FORMING, COVER, TS FRONT .....	1
7	1260541GT	FORMING, COVER, TS MIDDLE .....	1
8	230073GT	SPRING CLIP,M6-1.0,0.8-4.0X13.5,ZAB .....	
9	1260542GT	FORMING, COVER, TS REAR .....	1
10	1259362GT	FORMING, GAS STRUT SUPPORT TS .....	1
11	231530GT	SCREW,HHF,M10-1.5X25,DIN6921,10.9,ZAB .....	
12	230074GT	SPRING CLIP,M10-1.5,1-6X19,ZAB .....	
13	1259356GT	FORMING, SUPPORT MOUNT TS NOSE .....	1
14	1259350GT	WELDMENT, SUPPORT TS .....	2
15	231529GT	NUT,TL FLG,M10-1.5,DIN6927,10, .....	
16	825597GT	BOLT,CARRIAGE,M10-1.5X30,DIN603,8.8,ZAB .....	
17	1259340GT	FORMING, HINGE MOUNT,TS .....	1
18	1259705GT	HINGE,COVER,40IN .....	
19	1259706GT	GAS STRUT,390 LB .....	2
20	232951GT	NUT, TL, M10-1.5,DIN980, ZAB .....	
21	824145GT	WASHER,FLAT,M10,DIN125,ZAB .....	

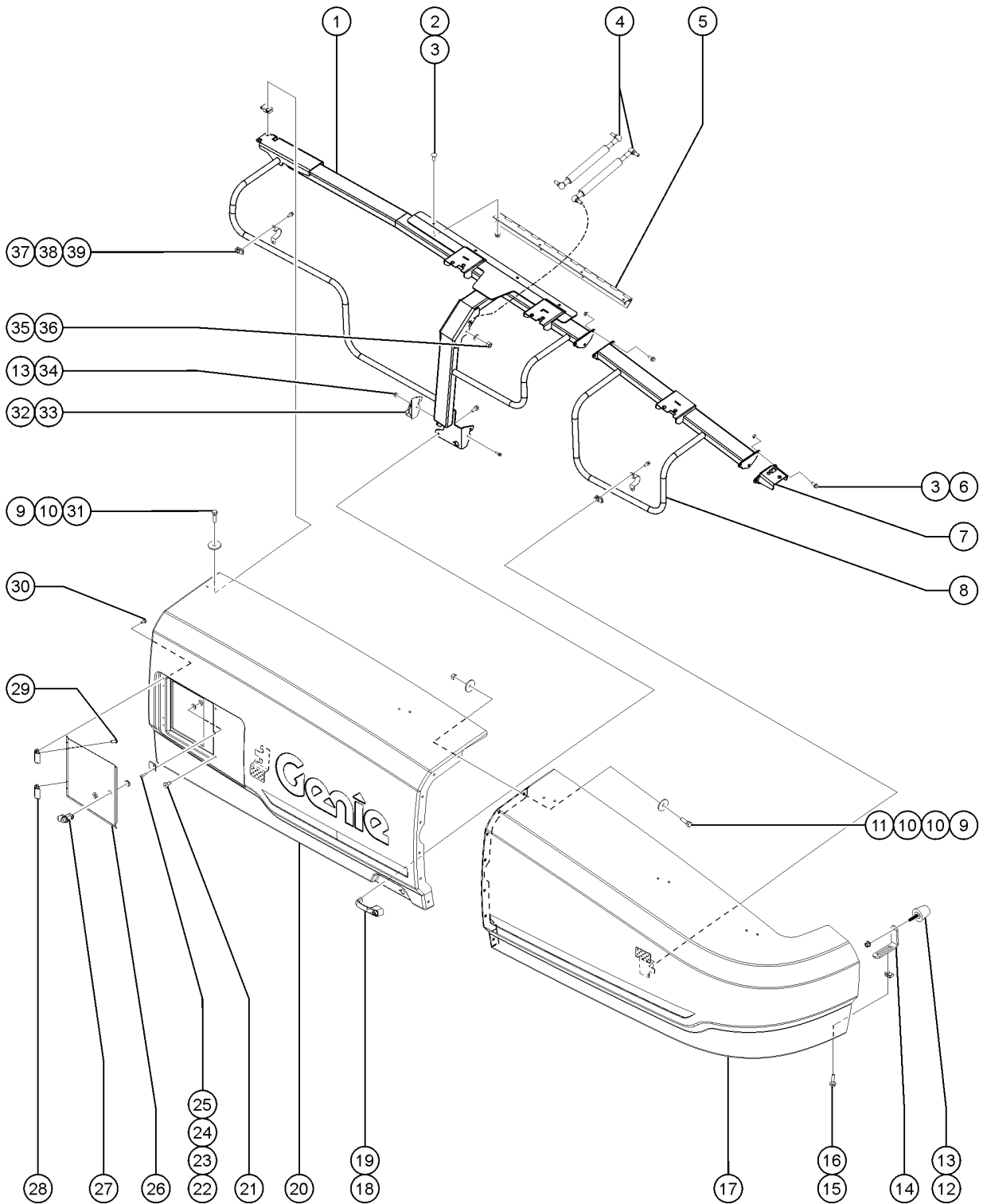
309.2 Turntable Covers, Tank Side



Item	Part No.	Description	Qty.
1	1259037GT	WELDMENT,COVER SUPPORT,TANK .....	
2	824125GT	BOLT, CARRIAGE, 3/8-16 X 1, 5, ZAG .....	
3	824029GT	NUT,TL FLG,3/8-16,G,ZAG .....	
4		Ref. GAS STRUT,390 LB .....	2
		(Refer to 309.1)	
5		Ref. HINGE,COVER,40IN .....	1
		(Refer to 309.1)	
6	824090GT	SCREW,HHF,3/8-16X1,8,ZAG .....	
7	1259013GT	FORMING,COVER MOUNT,REAR .....	
8	1259035GT	WELDMENT,COVER SUPPPORT,NOSE,T .....	
9	824068GT	SCREW, HHC, 3/8-16 X 1.25, 8, ZAG .....	
10	824120GT	WASHER, FLAT, .375 X 1.50 X .125, ZAG .....	
11	1256468GT	NUT,3/8-16,8,ZAG .....	
12	111580GT	BUMPER,RUBBER,1.19DX1.5X.31-18 .....	
13	824028GT	NUT,TL FLG,5/16-18,G,ZAG .....	1
14	1261814GT	FORMING,BUMPER,NOSE .....	1
15	231512GT	SCREW,HHF,M6-1.0X25,DIN6921,10.9,ZAB .....	
16	219697GT	SPRING CLIP,M6-1.0,3.4-6.3MMX1 .....	
17	1259031GT	ASSEMBLY,COVER,TANK NOSE MOUNT .....	
18	1256054GT	HANDLE,YELLOW LOCKING,CODE 455 .....	
18-	37947GT	KEYS,10 PACK*** .....	
		sold separately	
18-	83093GT	KEY SINGLE*** .....	
		sold separately	
19	231532GT	SCREW,HHF,M6X20,DIN6921,10.9,Y .....	
20	1259672GT	ASSEMBLY,COVER,TANK MOUNT .....	
		includes 1255367, 1261798, 1259010, 60874-5625	
20-	1255367GT	COVER,SWING CHASSIS,TANK SIDE .....	
		Excluding Ground Control Cover, forming, and trim lock	
20-	1261798GT	ASSY,GROUND CONTROL COVER .....	
20-	1259010GT	FORMING,COVER TUBE MOUNT .....	
		attaches to 1259672 using Plexus MA300 Adhesive	
20-	60874-5625GT	TRIM LOCK,1/4" .....	
		installs on rear edge of 1259672	
21	34619GT	BUMPER,RUBBER*** .....	2
22	824215GT	SCREW,PHPM,10-32X.75,ZAG .....	

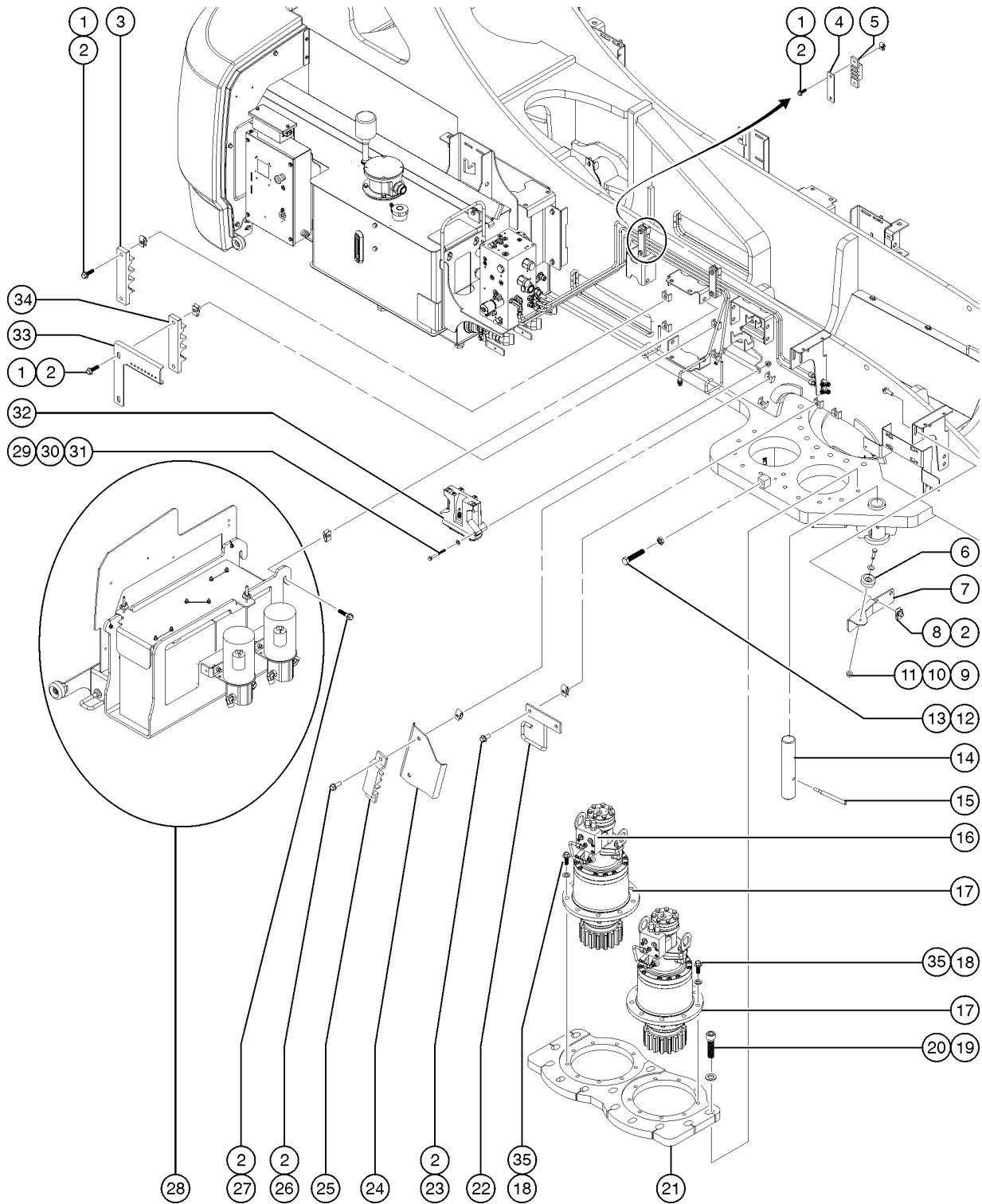


309.2 Turntable Covers, Tank Side



<i>Item</i>	<i>Part No.</i>	<i>Description</i>	<i>Qty.</i>
23	823748GT	LATCH STRIKER .....	1
24	1253185GT	WASHER,FLAT,#10,USS,ZAG .....	
25	1256804GT	NUT,10-32,ZAG .....	
26	1261797GT	FORMING,CONTROL COVER .....	
27	1259583GT	LATCH, PUSH BUTTON .....	1
28	1259584GT	HINGE, CONSTANT TORQUE .....	2
29	229845GT	SCREW,BHSCS,M5X10,SS .....	
30	218457GT	SCREW,HHF,M5X12,DIN6921,10.9,Z .....	
31	29868GT	SPRING CLIP,3/8-16,.05-.20X.73,ZAG .....	
32	1261244GT	FORMING, TS LATCH GUARD .....	
33	215254GT	LATCH,ROTARY,ENGINE COVER .....	
33-	1260682GT	FORMING,LATCH TRIGGER BRKT,LH .....	
34	824087GT	SCREW, HHF, 5/16-18 X 1.25, 8, ZAG .....	
35	232951GT	NUT, TL, M10-1.5,DIN980, ZAB .....	
36	824145GT	WASHER,FLAT,M10,DIN125,ZAB .....	
37	56912GT	SPRING CLIP,1/4-20,.025-.15X.5 .....	
38	1260158GT	CLAMP,TUBE,1 -5/16,TWO HOLE .....	
39	824078GT	SCREW,HHF,1/4-20X.75,8,ZAG .....	

310.1 Tank Side, Swing Drive, Hose Clamps and Guides



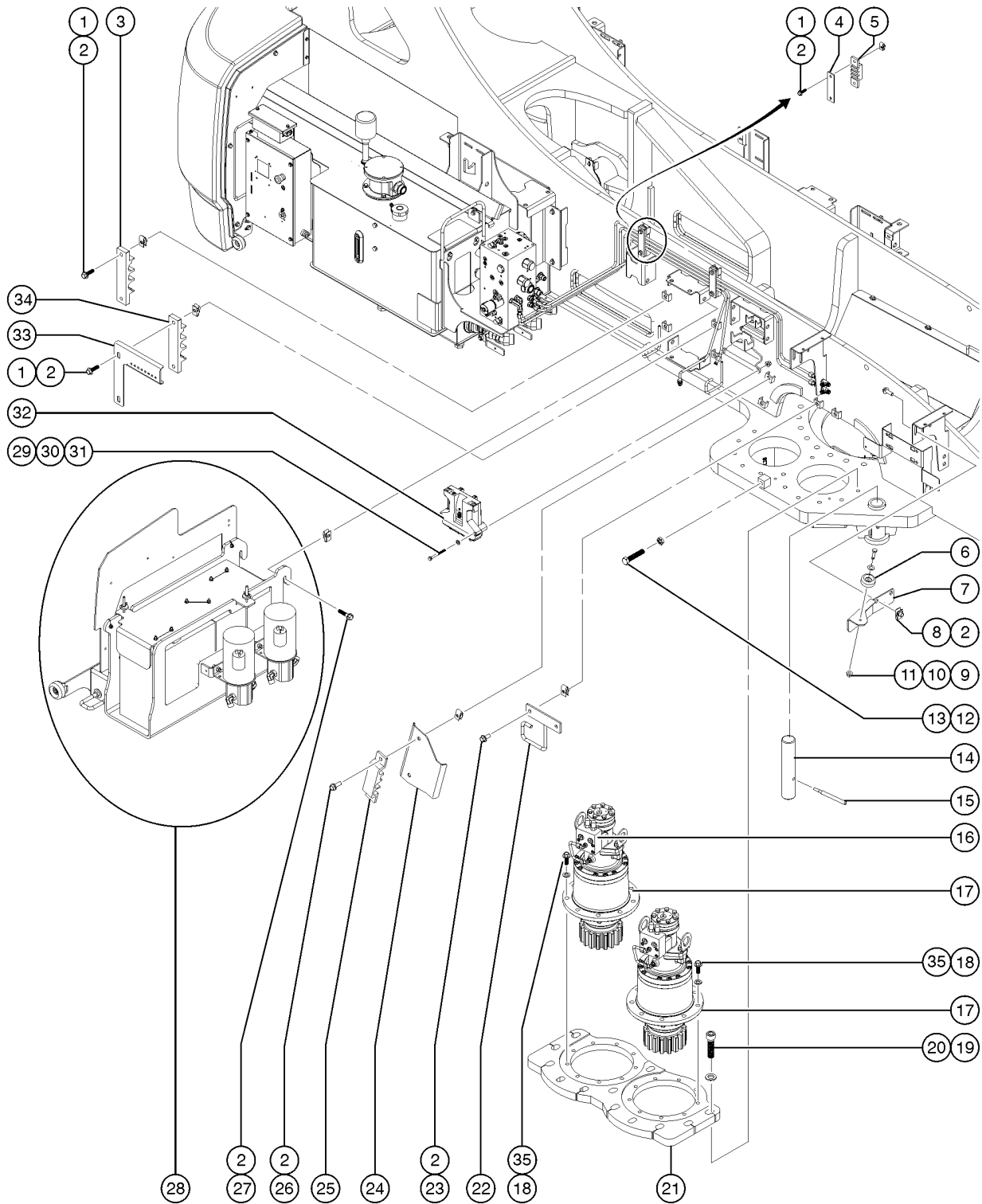


310.1 Tank Side, Swing Drive, Hose Clamps and Guides

Item	Part No.	Description	Qty.
1	231533GT	SCREW,HHF,M10-1.5X35,DIN6921,10.9,ZAB .....	
2	230074GT	SPRING CLIP,M10-1.5,1-6X19,ZAB .....	
3	219065GT	CLAMP,HYD. HOSE, 3 X .75" .....	1
4	218767GT	PLATE, HARDLINE CLAMP .....	2
5	218766GT	GUIDE, HARDLINE .....	2
6	50974GT	BUMPER,RUBBER,COVERS .....	1
7	1260528GT	FORMING,BUMPER,TOP .....	1
8	232874GT	SCREW,HHF,M10-1.5X30,DIN6921,10.9,ZAB .....	
9	824027GT	NUT,TL FLG,1/4-20,G,ZAG .....	
10	824113GT	WASHER,FLAT,1/4,USS,ZAG .....	
11	824061GT	SCREW,HHC,1/4-20X1.25,8,ZAG .....	
12	231514GT	SCREW,HHC,M20-2.5X100,DIN933,1 .....	1
13	231515GT	NUT,HEX,JAM,M20-2.5,DIN439,ZAB .....	1
14	231472GT	PIN, TRANSPORT STORAGE LOCK .....	1
15	61223GT	PIN,TRANSPORT STORAGE HANDLE .....	1
16	139309GT	CBV ASSEMBLY*** .....	2
16-	139323GT	VALVE,COUNTERBAL,CBCA-LIN*** .....	
16-	139310GT	BRAKE TUBING*** .....	
17	230960GT	SWING DRIVE ASSEMBLY .....	2
		Includes items 16	
17-	139308GT	SWING MOTOR COMPLETE*** .....	
17-	230961GT	PINION GEAR/SHAFT,SWING DRIVE .....	
17-	1288969GT	SEAL KIT,SWING DRIVE (230960) .....	
		for 230960	
17-	94620GT	SEAL KIT,SWING TORQ HUB*** .....	
17-	139311GT	KIT,FRICITION DISC*** .....	
17-	139312GT	KIT,BRAKE SPRING*** .....	
17-	139313GT	SEAL KIT,SWING BRAKE*** .....	
17-	139314GT	KIT,SWING BRAKE REBUILD*** .....	
17-	139315GT	O-RING,MOTOR/BRAKE*** .....	



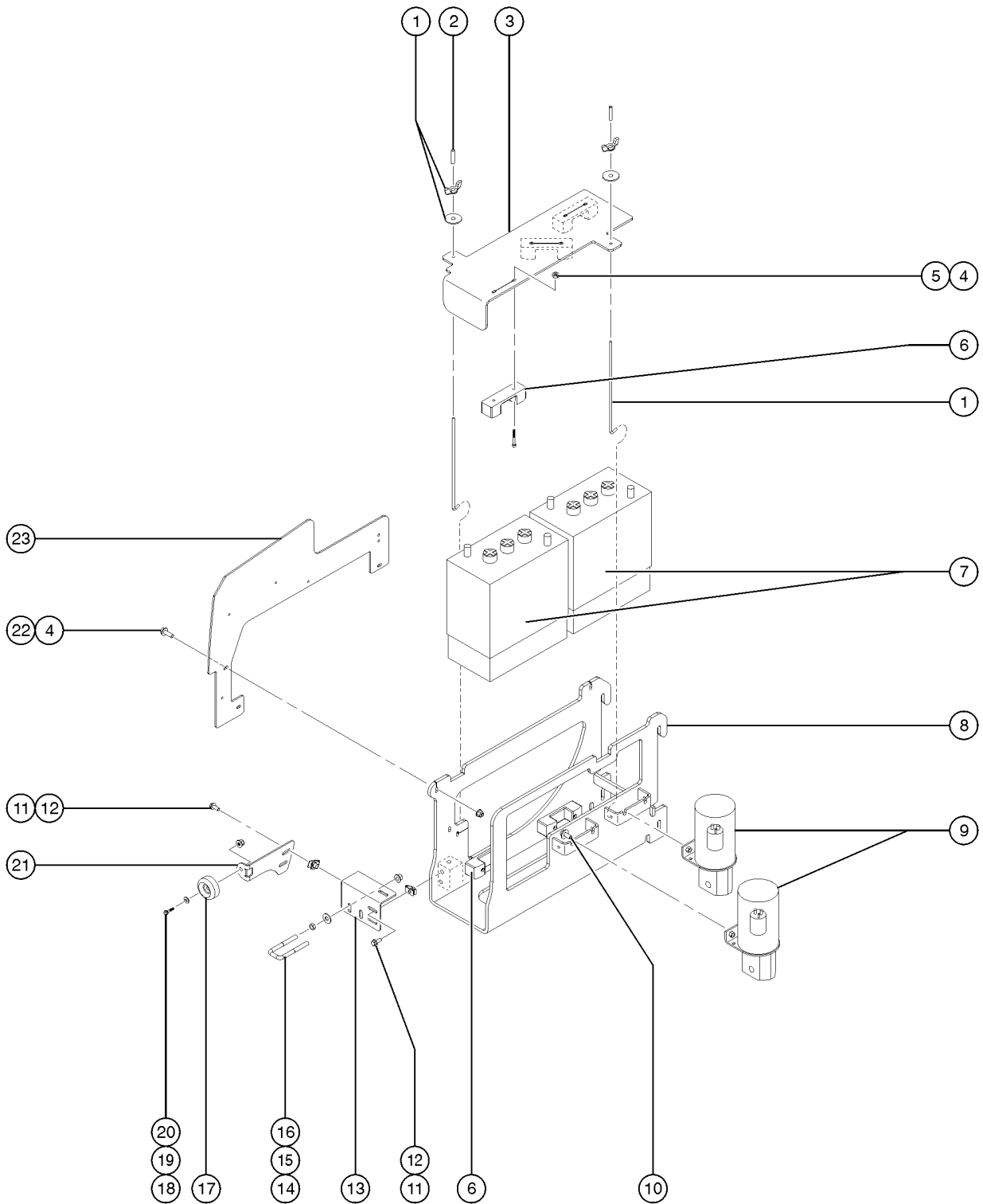
310.1 Tank Side, Swing Drive, Hose Clamps and Guides



310.1 Tank Side, Swing Drive, Hose Clamps and Guides

Item	Part No.	Description	Qty.
18	231511GT	SCREW,HHF,M12-1.75X35,DIN6921,10.9,ZAB To SN SX150H-598	18
18-	1290153GT	SCREW,HHC,M12-1.75X40,DIN933,10.9,ZAB From SN SX150H-599	
19	231509GT	SCREW,HHC,M20-2.5X80,DIN933,10	12
20	231510GT	WASHER,FLAT,M20,DIN6916,HRD,ZAB	12
21	230909GT	MACHINED, BACKLASH ADJ. PLATE	1
22	219907GT	WELDMENT,HOSE/CABLE GUIDE	1
23	231530GT	SCREW,HHF,M10-1.5X25,DIN6921,10.9,ZAB	
24	160724GT	FORMING, CABLE GUIDE	1
25	160725GT	CLAMP, CABLE/HARNESS	1
26	232874GT	SCREW,HHF,M10-1.5X30,DIN6921,10.9,ZAB	
27	215706GT	SCREW,HHF,M10-1.5X45,DIN6921,10.9,ZAB	
28		ASSY,TANK SIDE BATTERY BULKHEAD (Refer to 311.1)	
29	825624GT	SCREW,HHC,M6-1.0X65,DIN931	
30	824143GT	WASHER,FLAT,M6,DIN125,ZAB	
31	231513GT	NUT,TL FLG,M6-1.0,DIN6927,10,Z	
32	236705GT	MODULE, SCON, SPX	1
32-	822225GT	SLEEVE RETAINER, DTM, GREY	
32-	822227GT	SLEEVE RETAINER, DTM, GREEN	
32-	822229GT	SEAL, INTERNAL, 12-PIN, DTM (Used for DTM retainers)	
33	822822GT	FORMING,APU CABLE CLAMP	1
34	219065GT	CLAMP,HYD. HOSE, 3 X .75"	
35	825353GT	WASHER,FLAT,1/2,SAE,HRD,ZAG From SN SX150H-599	18

311.1 Tank Side, Battery Bulkhead Assembly

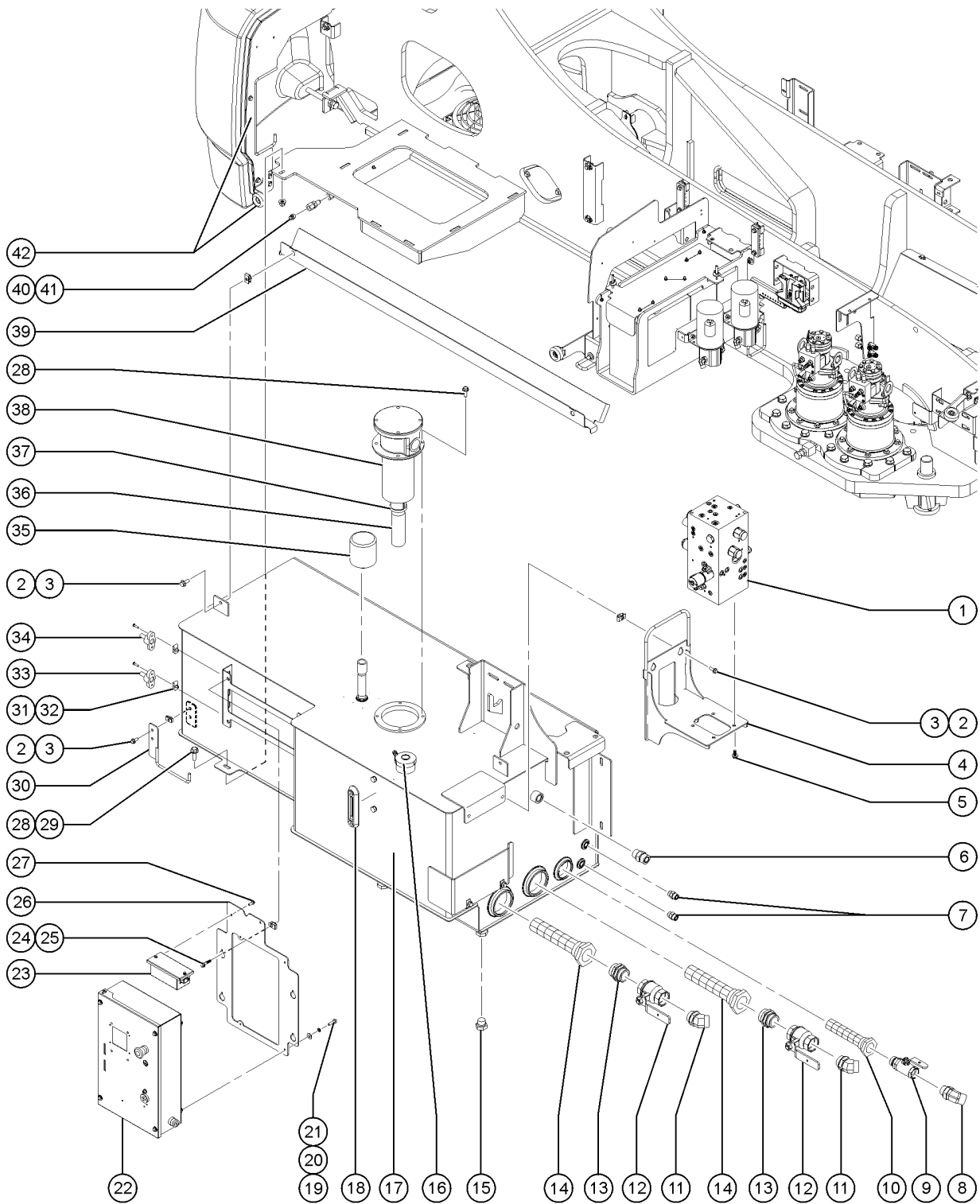


311.1 Tank Side, Battery Bulkhead Assembly

Item	Part No.	Description	Qty.
1	45708GT	HOOK,BATT HOLD DOWN,10" .....	2
2	823397GT	CAP,VINYL,0.25ID X 1.50 .....	2
3	215926GT	FORMING,BATTERY COVER .....	1
4	231513GT	NUT,TL FLG,M6-1.0,DIN6927,10,Z .....	
5	215580GT	SCREW,SHC,M6X50,DIN 912,12.9,B .....	
6	215927GT	SPACER, BATTERY .....	3
7	56462GT	BATTERY, J 305GH, 315AH .....	2
8	1259005GT	WLDT,BATTERY MOUNT,TANK SIDE .....	1
9	101361GT	POWER UNIT,AUX PUMP 12 VDC .....	2
9-	58489GT	PUMP ASSY,AUX.POWER UNIT 89617 .....	
9-	62412GT	SOLENOID,MOTOR START,60511,APU .....	
10	824090GT	SCREW,HHF,3/8-16X1,8,ZAG .....	
11	231530GT	SCREW,HHF,M10-1.5X25,DIN6921,10.9,ZAB .....	
12	230074GT	SPRING CLIP,M10-1.5,1-6X19,ZAB .....	
13	1259633GT	WLDT,LATCH STRIKE,TANK SIDE .....	1
14	1254805GT	BOLT,U-BOLT,LATCH STRIKER,TRAY .....	1
15	1255804GT	NUT,JAM,1/2-13,A,ZAG .....	
16	1255760GT	WASHER,FLAT,1/2,USS,ZAG .....	
17	50974GT	BUMPER,RUBBER,COVERS .....	1
18	231531GT	SCREW,HHF,M6X30,DIN6921,10.9,Y .....	
19	1257389GT	WASHER, FLAT, M6X18X1.6,DIN9021,ZAB .....	
20	219697GT	SPRING CLIP,M6-1.0,3.4-6.3MMX1 .....	
21	1261858GT	FORMING,BUMPER STOP MID,TS .....	1
22	231512GT	SCREW,HHF,M6-1.0X25,DIN6921,10.9,ZAB .....	
23	1259006GT	PLATE,BULKHEAD,TANK SIDE .....	1



312.1 Hydraulic Tank Components

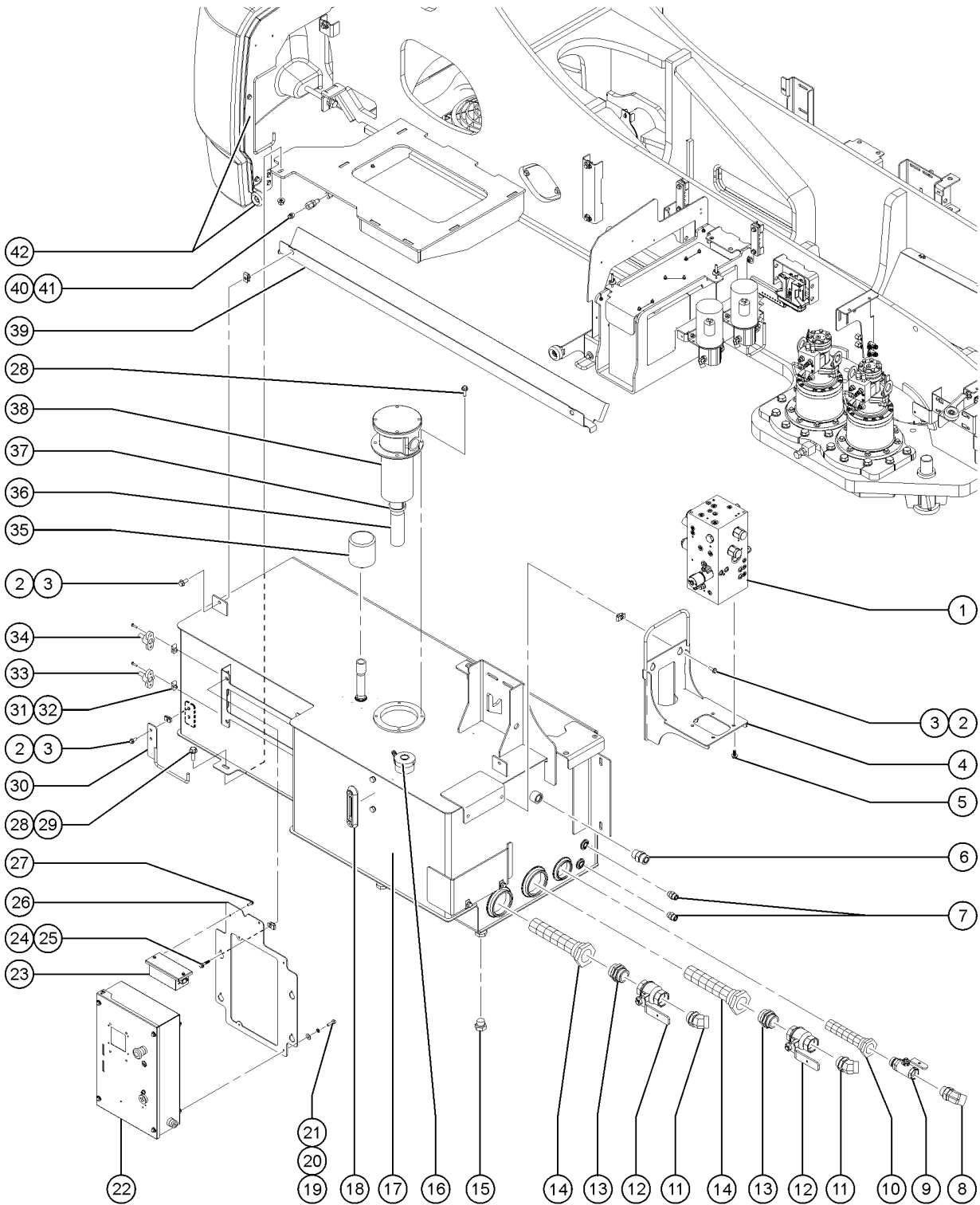


312.1 Hydraulic Tank Components

Item	Part No.	Description	Qty.
A	1289561GT	BRACKET, TELEMATICS .....	
A	1289520GT	MODULE, TELEMATICS, ZTR, M7, NORTH AMERICA .....	
A	1289521GT	MODULE, TELEMATICS, ZTR, M7, EMEA/APAC .....	
1		Ref. MANIFOLD,FUNCTION SX .....	
		(Refer to 703.1 and 703.2)	
2	231530GT	SCREW,HHF,M10-1.5X25,DIN6921,10.9,ZAB .....	
3	230074GT	SPRING CLIP,M10-1.5,1-6X19,ZAB .....	
4	1260507GT	WELDMENT, FUNCTION MAN. MNT .....	1
5	231087GT	SCREW,HHF,M12 X 1.75 X 25 .....	
6	48960GT	FITTING,CONN,520120-12*** .....	1
7	48933GT	CONN,520120-8*** .....	2
8	48985GT	ELBOW,45D,520320-16 .....	1
9	48996GT	VALVE,BALL,16 MSAE-16 FSAE*** .....	1
10	75253GT	STRAINER ASSY,#16 O-RING .....	1
11	88354GT	ELBOW,45D,520320-24 .....	2
12	75256GT	VALVE BALL,24 FSAE-24 FSAE*** .....	2
13	75254GT	UNION,STR.THREAD 24*** .....	2
14	75257GT	STRAINER ASSY,#24 O-RING .....	2
15	218727GT	PLUG, HEX HD, O-RING SAE #12 .....	2
16	218593GT	CAP,HYD NON VENTED W/LOCK TAB .....	1
17	1258921GT	WLDT,HYDRAULIC TANK 118 GL .....	1
		Includes items 15, 16 and 18	
18	1260983GT	SIGHT GAUGE,220-312 .....	1
19	824059GT	SCREW,HHC,1/4-20X.75,8,ZAG .....	
20	824109GT	WASHER,LOCK,1/4,ZAG .....	
21	824113GT	WASHER,FLAT,1/4,USS,ZAG .....	
22		Ref. ASSY,CONTROL BOX, SUPERX .....	
		(Refer to 313.1 and 314.1)	
23	1253314GT	ASSY, TELEMATICS CONN. BOX .....	1
		To SN135XCH-446	
23-	1290797GT	ASSY,TELEMATICS 2.0 CONN,BOX .....	
		From SN135XCH-447	
23-	34052GT	RELAY,SPDT,12V(AUTO) PLUG IN** .....	



312.1 Hydraulic Tank Components



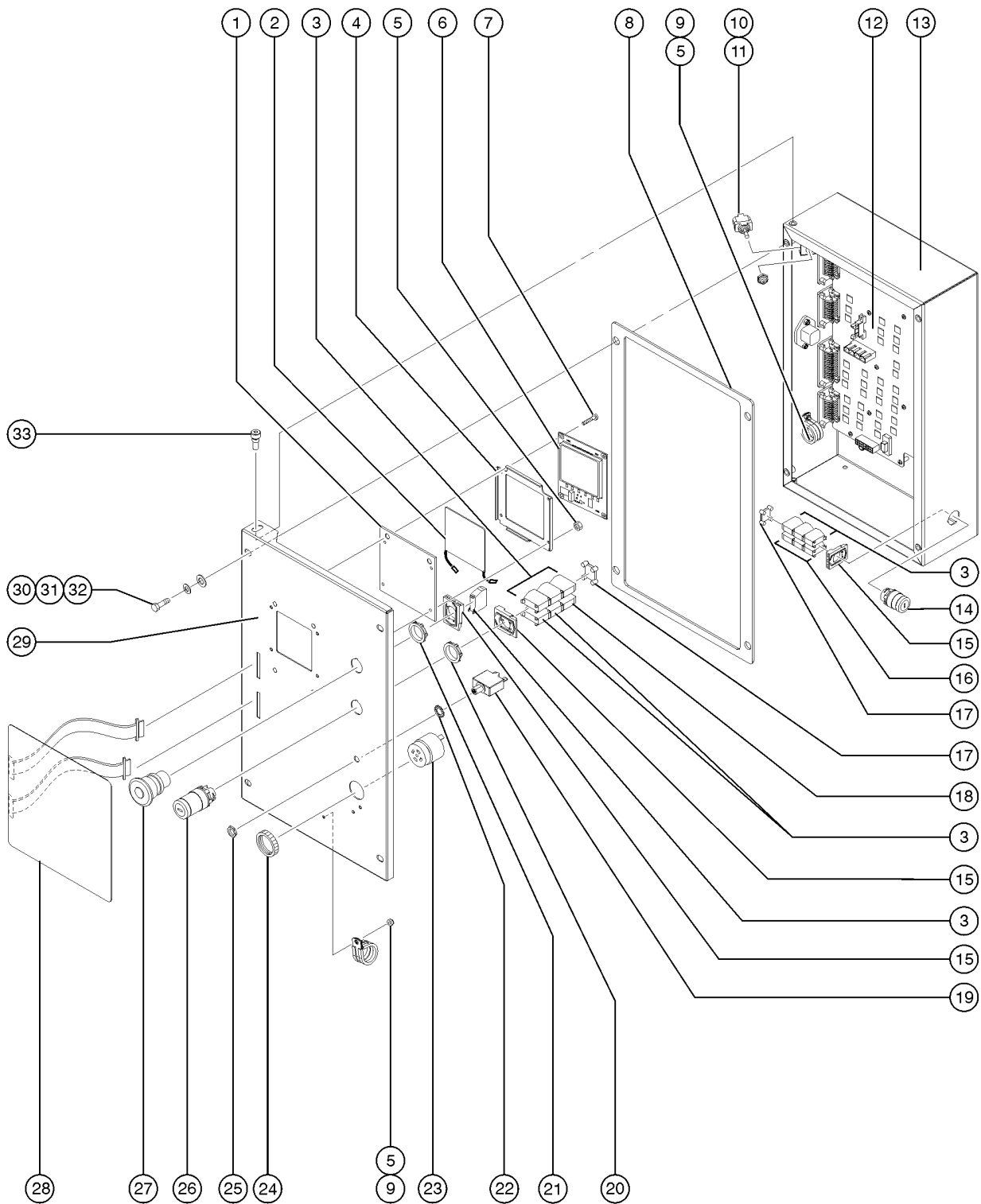


312.1 Hydraulic Tank Components

Item	Part No.	Description	Qty.
23-	34053GT	ASSY,RELAY SOCKET, AUTO .....	
24	231512GT	SCREW,HHF,M6-1.0X25,DIN6921,10.9,ZAB .....	
25	219697GT	SPRING CLIP,M6-1.0,3.4-6.3MMX1 .....	
26	1261766GT	PLATE, GROUND CTRL BOX .....	1
27	824078GT	SCREW,HHF,1/4-20X.75,8,ZAG .....	
28	232874GT	SCREW,HHF,M10-1.5X30,DIN6921,10.9,ZAB .....	
29	231529GT	NUT,TL FLG,M10-1.5,DIN6927,10, .....	
30	1260519GT	WLDT,HYD TANK J HOOK .....	1
31	73575GT	SPRING CLIP,10-24,ZINC .....	
32	1256460GT	SCREW,PHPM,10-24X1,ZAG .....	
33	94982GT	STANDOFF, 3/8" BLACK .....	1
34	94981GT	STUD,POWER 3/8" RED .....	1
35	60559GT	BREATHER,RESERVOIR 3 MICRON*** .....	1
36	1260982GT	PIPE TOE SCH 40 1.500 X 6.780 .....	1
37	218591GT	COUPLING, FULL 1 1/2" NPT .....	1
38	232882GT	FILTER ASSY., IN TANK .....	1
38-	236037GT	RETURN FILTER, ELEMENT, 10 MIC .....	
39	1260508GT	FORMING,HYD. TANK CABLE TRAY .....	
40	28646GT	ZERK,GREASE,1/8 NPT .....	1
41	48885GT	CONNECTOR,BULKHEAD,FEMALE-4 .....	1
42		Ref. WLDT,BAFFLE PL.,CW,TANK SIDE .....	
		(Refer to 302.1)	



313.1 Ground Control Box Deutz TD2011-L04i and Perkins 1104D-44T - View 1

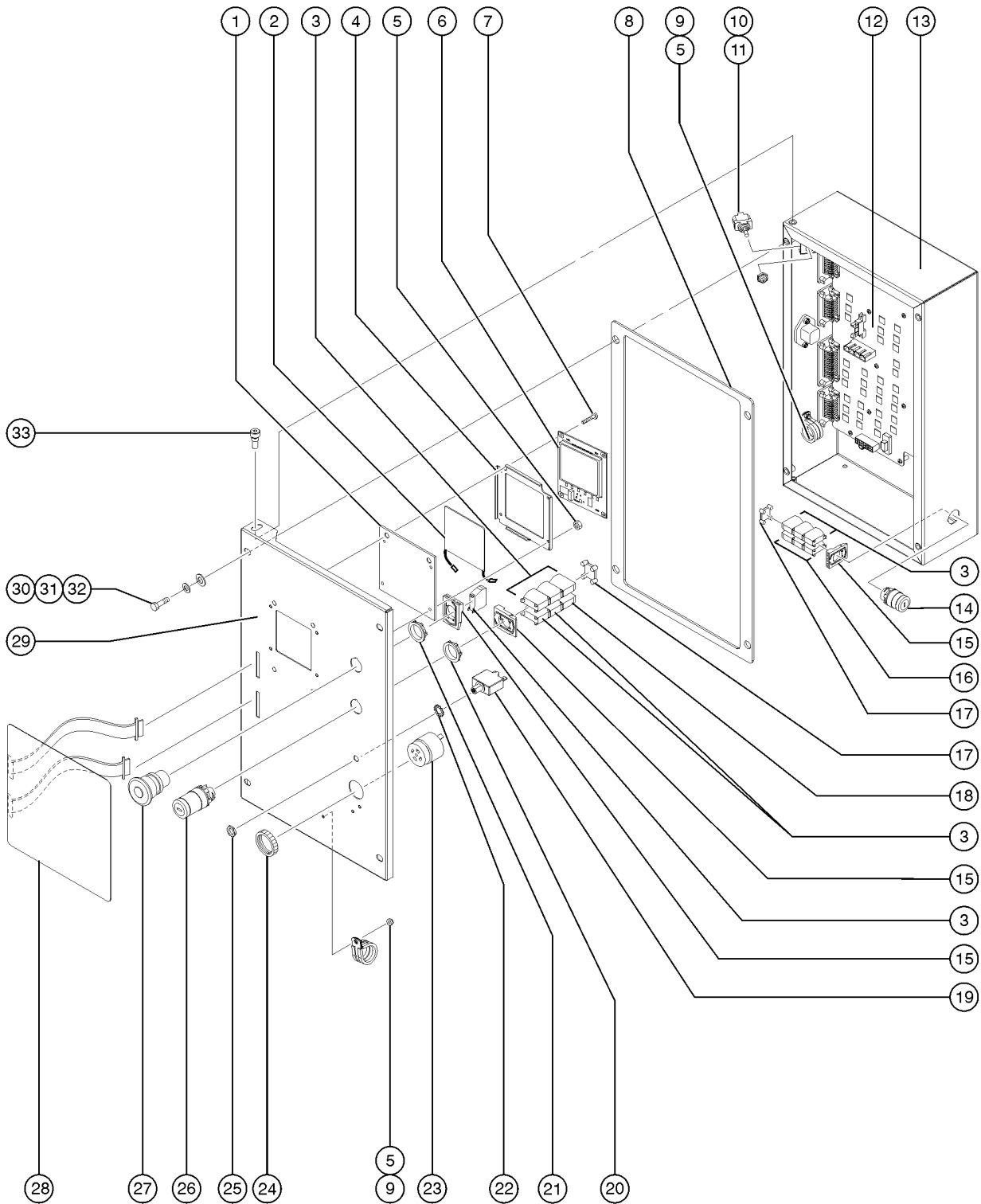


313.1 Ground Control Box Deutz TD2011-L04i and Perkins 1104D-44T - View 1

Item	Part No.	Description	Qty.
		Models with Deutz TD2011-L04i or Perkins 1104D-44T Engine from SN 508, refer to 314.1 and 314.2	
1	62374GT	LENS,LCD,GRND.CONTROL .....	1
2		Ref. Ground Control LCD Heater OPTION .....	1
		(Refer to 811.1)	
3	66818GT	CONTACT,NC NORMALLY CLOSED (N/C) .....	9
4	62375GT	CLIP,LCD,GRND.CONTROL .....	1
5	12344GT	NUT,NYLOCK,6-32 .....	1
6	88056GT	PCB.ASSY,LCD,GROUND .....	1
7	81551GT	SCREW,PHIL,PHM,6-32 X 1/4 SS .....	
8	88177GT	GASKET,GROUND CONTROL BOX .....	1
9	13268GT	CLAMP,0.75,#12 X 1/4,RUB CUSH .....	2
10	128204GT	SWITCH TOGGLE ASSY SPDT 2P MNT .....	1
		includes part 27246	
11	27246GT	BOOT,TOGGLE SWITCH,SHORT* .....	1
12	1257688GT	PCB,ASSY,ECM,TCON,SX-150 V2.00 .....	1
13	1258466GT	BOX, GROUND CONTROL, SX .....	1
14	88150GT	KEYSWITCH,3 POS.MOM.DR,W/KEY** .....	1
15	66821GT	BASE,WITHOUT CONTACTS .....	3
16	66816GT	CONTACT,N.O. NORMALLY OPEN (N/O) .....	3
17	122366GT	KEYSWITCH,CONTACTS LOCK .....	2
18	122367GT	KEYSWITCH,DUMMY BLOCK .....	1
19	147095GT	ASSY, CIRCUIT BREAKER 20A .....	1
		includes parts 6700 and 122994	
20		PART OF KEYSWITCH 66811 .....	
21	58627GT	NUT .....	
22	6700GT	WASHER,STAR,EXTERNAL .....	
23	62379GT	ALARM,AUDIO,SUPERBOOM* .....	1
24	72326GT	NUT - PLASTIC,RING FOR ALARMS .....	1
25	122994GT	NICKEL PLATED JAM NUT .....	
26	66811GT	KEYSWITCH,3POS.MNTND.DR WKEY** .....	1
		Includes keyswitch and two keys, not included: base and contacts.	
27	66812GT	BUTTON,PUSH,RED MUSHROOM HEAD .....	1
		includes part 58627	



313.1 Ground Control Box Deutz TD2011-L04i and Perkins 1104D-44T - View 1

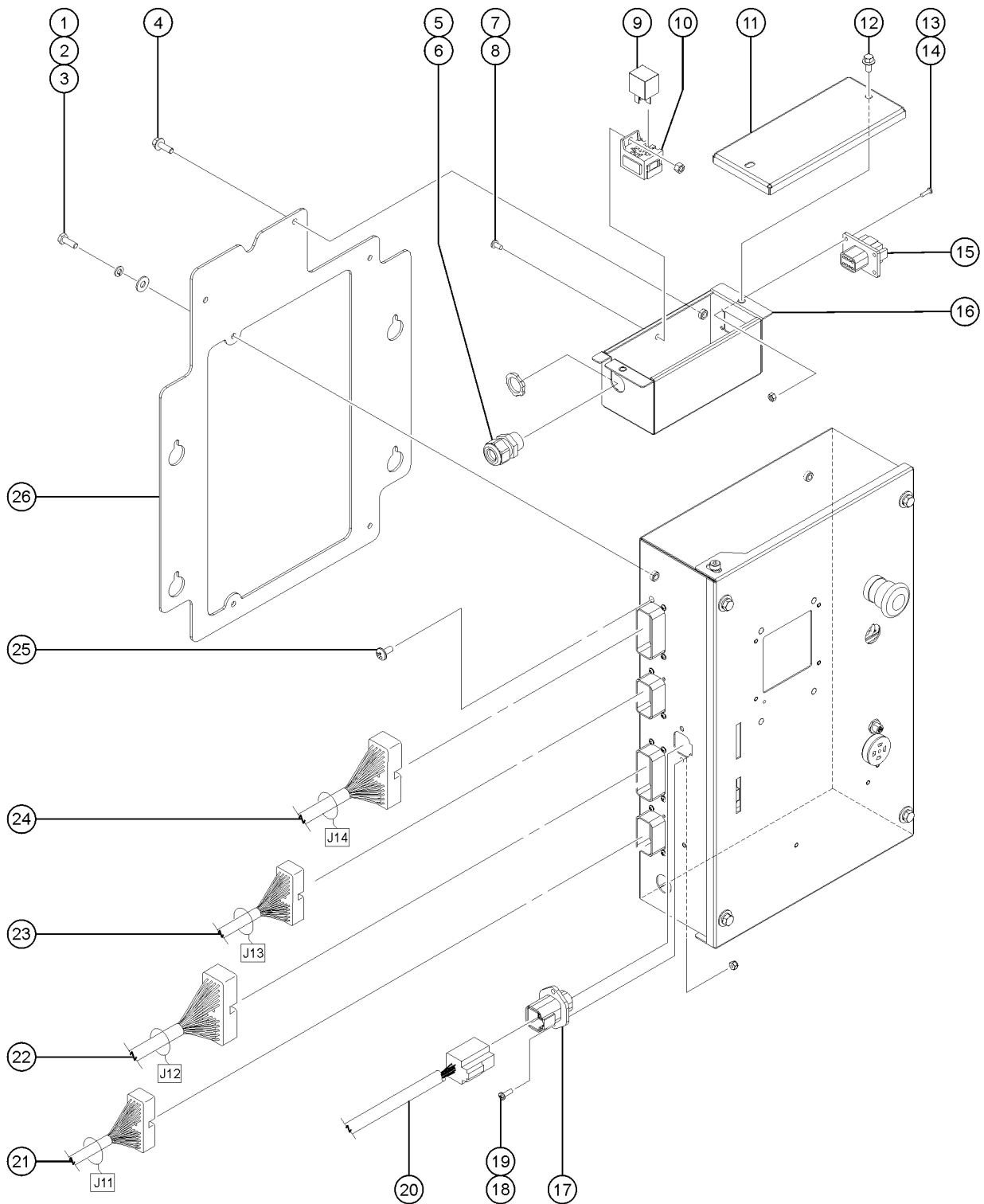


313.1 Ground Control Box Deutz TD2011-L04i and Perkins 1104D-44T - View 1

<i>Item</i>	<i>Part No.</i>	<i>Description</i>	<i>Qty.</i>
28	226673GT	DECAL, MEMBRANE, GROUND CONTRO .....	1
29	1261765GT	LID, GROUND CONTROL BOX .....	1
30	6888GT	SCREW,HHC,1/4-20 X 1 .....	
31	6356GT	WASHER,LOCK,.25 .....	
32	6638GT	WASHER,FLAT,USS,1/4"Y .....	
33	88315GT	SCREW,SHS,1/4-20 X .25 ZINC .....	



313.2 Ground Control Box Deutz TD2011-L04i and Perkins 1104D-44T - View 2

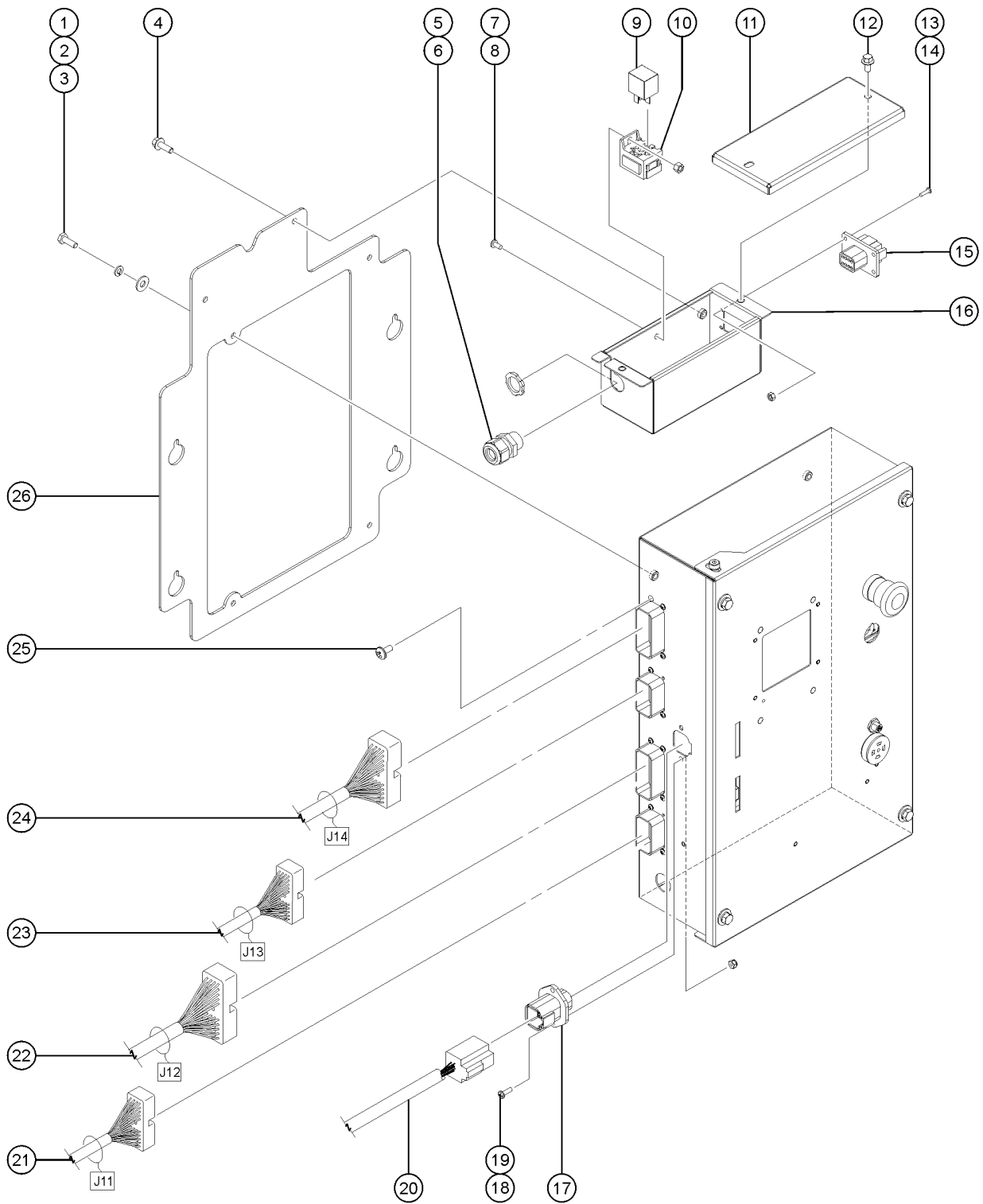


313.2 Ground Control Box Deutz TD2011-L04i and Perkins 1104D-44T - View 2

Item	Part No.	Description	Qty.
-		Models with Deutz TD2011-L04i or Perkins 1104D-44T Engine from SN 508, refer to 314.1 and 314.2	
-	1253314GT	ASSY, TELEMATICS CONN. BOX (items include 4, 7-10, 11-14 and 16) To SN SX150H-595	4
-	1290797GT	ASSY,TELEMATICS 2.0 CONN,BOX (items include 4, 7-10, 11-14 and 16) From SN SX150H-596	
1	824059GT	SCREW,HHC,1/4-20X.75,8,ZAG	4
2	824109GT	WASHER,LOCK,1/4,ZAG	4
3	824113GT	WASHER,FLAT,1/4,USS,ZAG	2
4	824078GT	SCREW,HHF,1/4-20X.75,8,ZAG	2
5	7057GT	CONN. SQZ,1/2NPT .39-.56 MED.	1
6	6935GT	LOCKNUT,ELEC,1/2"	1
7	825349GT	SCREW,PHPM,10-32X.38,ZAG	1
8	824036GT	NUT, TL, 10-32, A, ZAG	1
9	34052GT	RELAY,SPDT,12V(AUTO) PLUG IN**	1
10	34053GT	ASSY,RELAY SOCKET, AUTO	1
10-	58319GT	RELAY SOCKET,AUTO,RETAINER***	1
11	1253238GT	WELDMENT, TELEMATICS CONN. COV	2
12	824077GT	SCREW, HHF, 1/4-20 X .5, 8, ZAG	4
13	824214GT	SCREW,PHPM,6-32X.5,ZAG	4
14	824019GT	NUT,TL,6-32,A,ZAG	1
15	87755GT	CONN,RECEP 8 WAY 14-18GA,FL	1
16	1253236GT	WELDMENT, TELEMATICS BOX	
17	73717GT	CONN,RECEP 4 WAY,12-14GA FL***	1
18	49820GT	SCREW,PHILLIPS,PHM,6-32 X .5	2
19	12344GT	NUT,NYLOCK,6-32	1
20	236405GT	HARNESS, TCON J15 POWER	1
21	1257708GT	HARNESS, LOWER BOOM CABLE, SX- (J11)	1
21-	60512GT	CONN,PLUG 23 WAY,16-20 GA BLK	
22A	1257713GT	HARNESS, LOWER LS/SCON, SX-150 (J12) (to SN 227)	1
22A-	60515GT	CONN,PLUG 35 WAY, 16-20GA WHT	



313.2 Ground Control Box Deutz TD2011-L04i and Perkins 1104D-44T - View 2



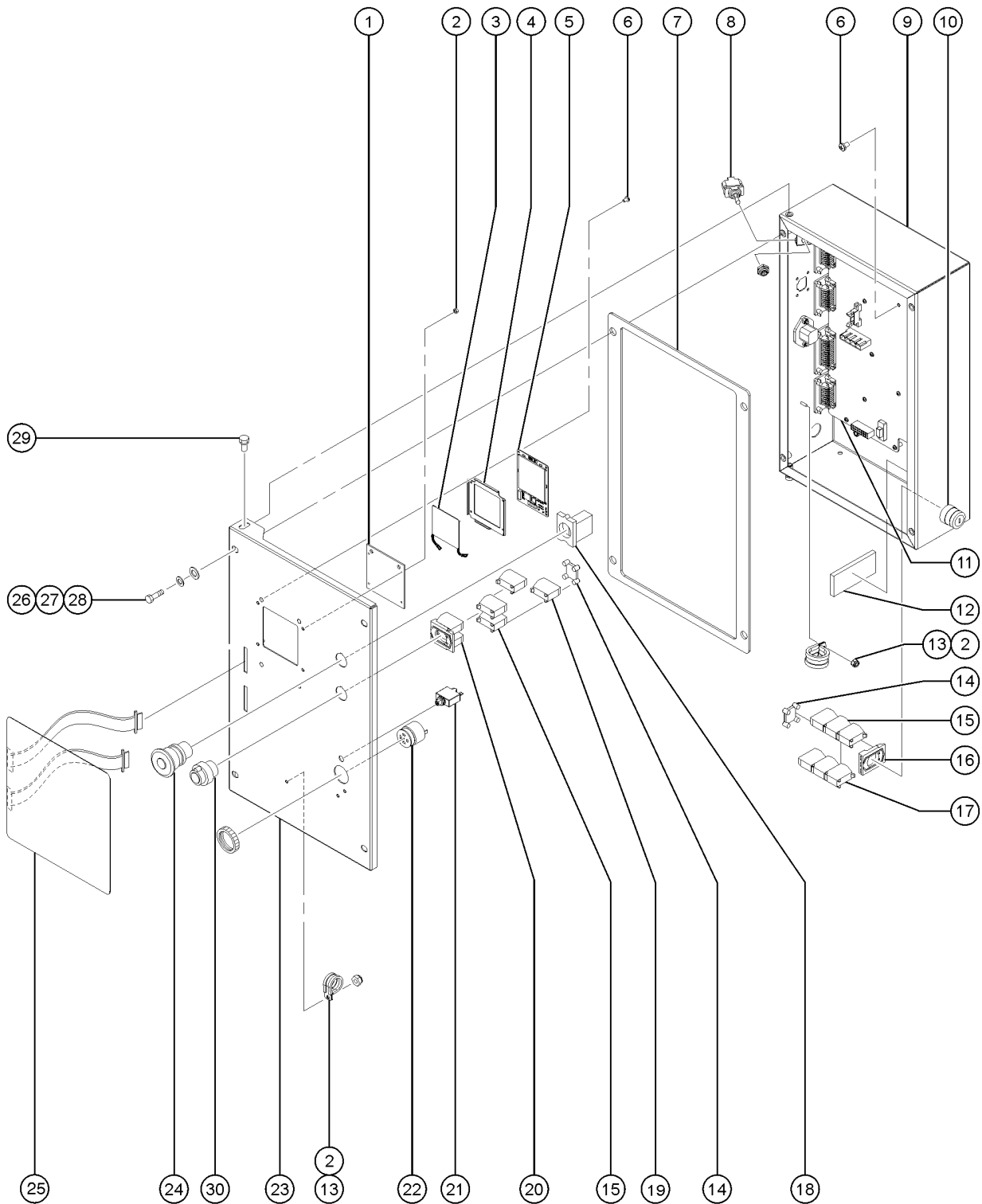


313.2 Ground Control Box Deutz TD2011-L04i and Perkins 1104D-44T - View 2

<i>Item</i>	<i>Part No.</i>	<i>Description</i>	<i>Qty.</i>
22B	1272752GT	HARNESS, LOWER LS/SCON, SX150 (from SN 228)	
23A	232988GT	HARNESS, DEUTZ ENGINE, TD2011L (J13) To SN SX150H-595	1
23-	1291165GT	HARNESS, DEUTZ ENGINE, TD2011L04i (J13) From SN SX150H-596	
23B	232989GT	HARNESS, PERKINS ENGINE, 1104D To SN SX150H-595	1
23-	1291191GT	HARNESS, PERKINS ENGINE, 1104D From SN SX150H-596	
24	1257712GT	HARNESS, FUNCTION MANIFOLD, SX (J14)	1
24-	60515GT	CONN,PLUG 35 WAY, 16-20GA WHT	
25	122351GT	SCREW,#4X1/4,HI-LO,PH PHIL,TAP	1
26	1261766GT	PLATE, GROUND CTRL BOX	



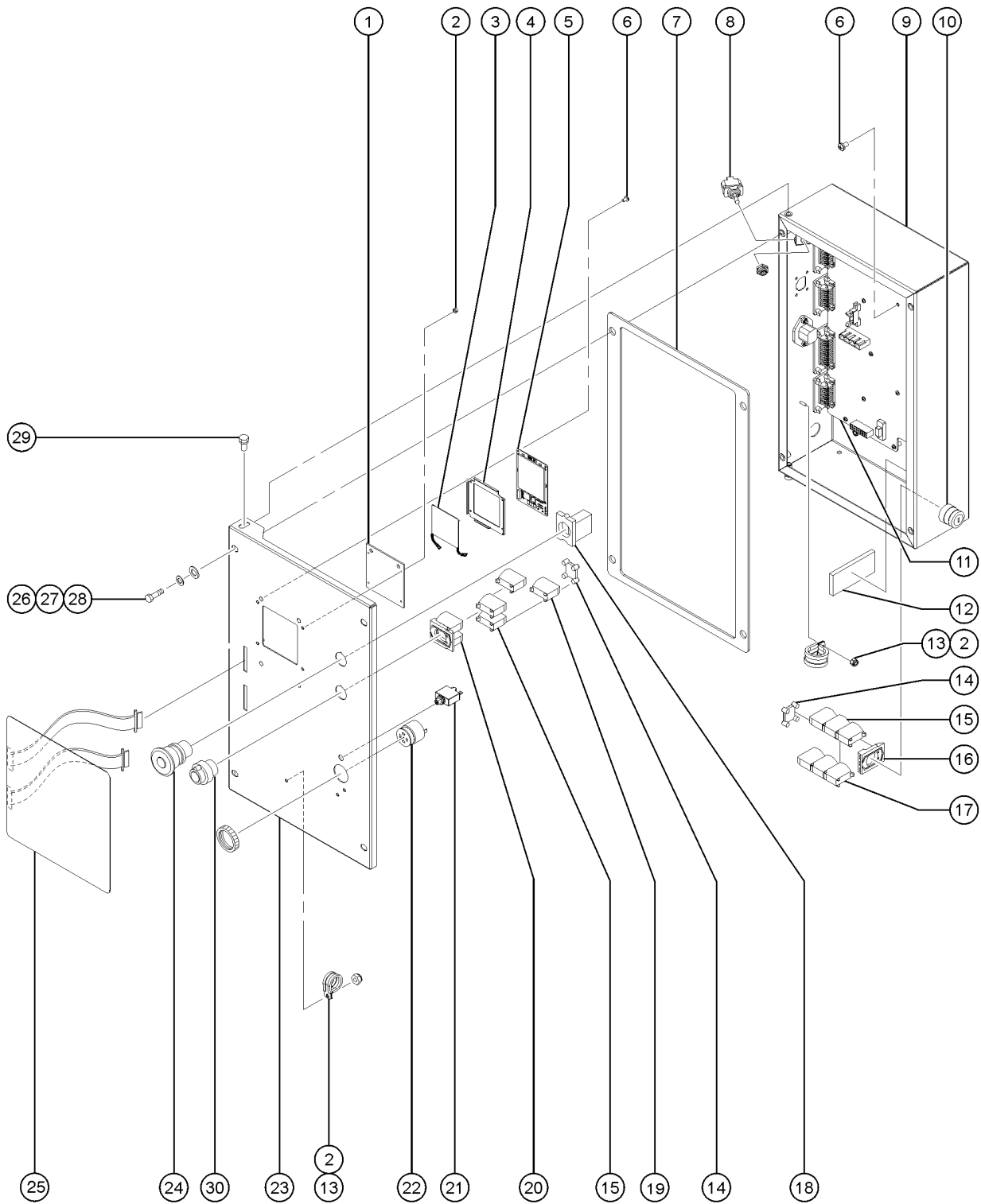
314.1 Ground Control Box - View 1



Item	Part No.	Description	Qty.
-		Models with Deutz TD2011-L04i or Perkins 1104D-44T Engine to SN 507, refer to 313.1 and 313.2	..
-		Models with Deutz TD2011-L04i or Perkins 1104D-44T Engine from SN 508, refer to 314.1 and 314.2, includes harness 1275448	.....
-	1275448GT	HARN, FUEL SENSE, TIER 3 Models with Deutz TD2011-L04i or Perkins 1104D-44T Engine; from SN 508	.....
-	1261080GT	ASSY, GROUND BOX, SX-150, TIER 4 Tier 4	1
-	1300532GT	ASSY, GROUND BOX, SX-150, DEUTZ 2.2L3 STG V Deutz Stage V	.....
1	62374GT	LENS,LCD,GRND.CONTROL	1
2	12344GT	NUT,NYLOCK,6-32	.....
3		Ref. Ground Control LCD Heater OPTION (Refer to 811.1)	.....
4	62375GT	CLIP,LCD,GRND.CONTROL	.....
5	1253317GT	PCB,ASSY,ECM,CAN GATEWAY,Z135	1
6	81551GT	SCREW,PHIL,PHM,6-32 X 1/4 SS	16
7	88177GT	GASKET,GROUND CONTROL BOX	1
8	128204GT	SWITCH TOGGLE ASSY SPDT 2P MNT	1
8A-	128584-SGT	SWITCH TOGGLE SPDT 2P MNT SHDR	.....
8B-	27246GT	BOOT,TOGGLE SWITCH,SHORT*	.....
9	1258069GT	BOX, GROUND CONTROL, SX	1
10	88150GT	KEYSWITCH,3 POS.MOM.DR,W/KEY**	1
11	1257688GT	PCB,ASSY,ECM,TCON,SX-150 V2.00	1
12	30997GT	CORROSION INHIBITOR,FOAM	1
13	13268GT	CLAMP,0.75,#12 X 1/4,RUB CUSH	2
14	122366GT	KEYSWITCH,CONTACTS LOCK	2
15	66818GT	CONTACT,NC	6
16	66821GT	BASE,WITHOUT CONTACTS	1
17	66816GT	CONTACT,N.O.	3
18	66817GT	BASE WITH 1 NC CONTACT, E-STOP	1
19	122367GT	KEYSWITCH,DUMMY BLOCK	1
20	73805GT	BASE,W/2 NC CONTACTS***	1

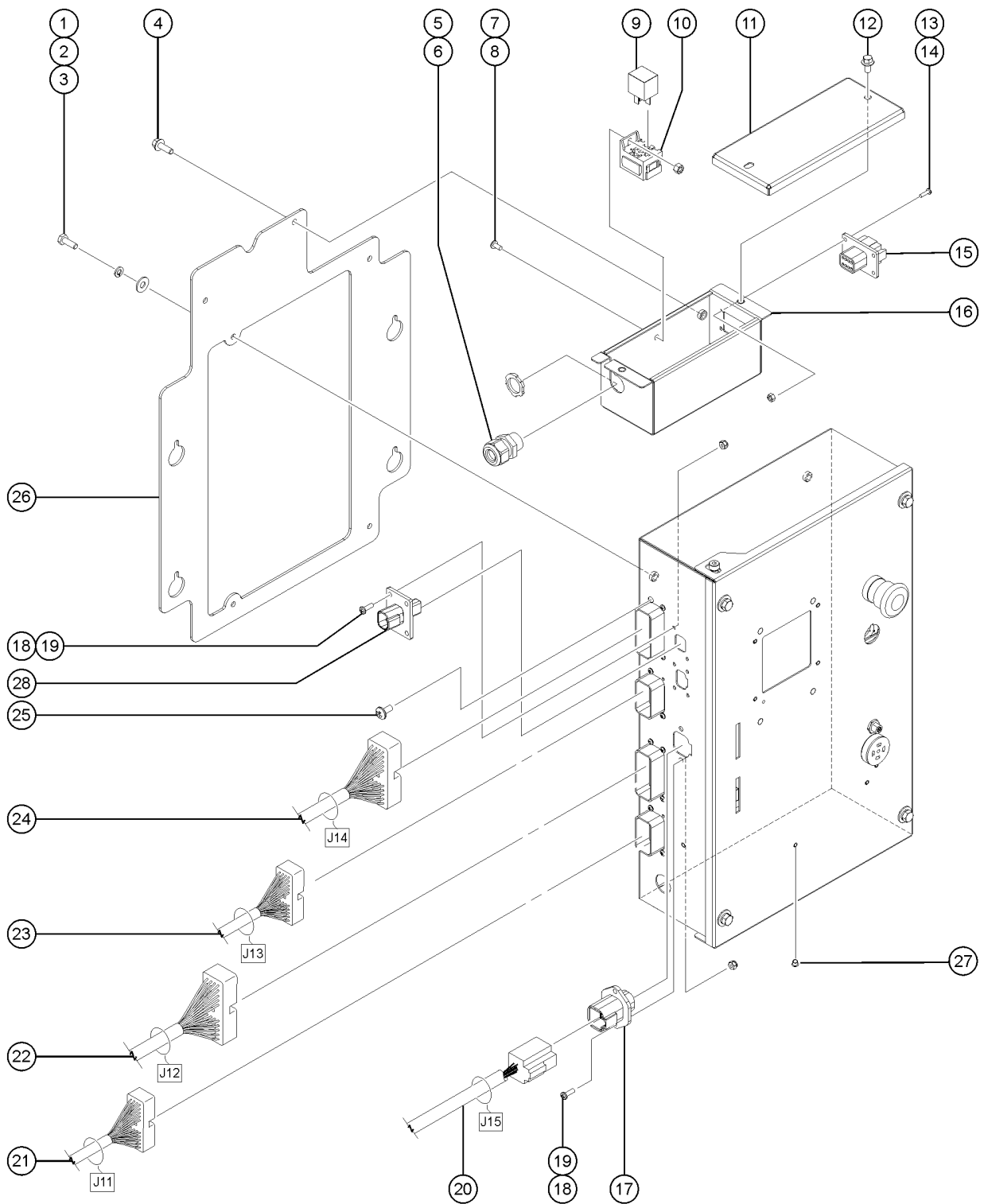


314.1 Ground Control Box - View 1



Item	Part No.	Description	Qty.
21	147095GT	ASSY, CIRCUIT BREAKER 20A .....	1
21-	6700GT	WASHER,STAR,EXTERNAL .....	
21-	122994GT	NICKEL PLATED JAM NUT .....	
22	62379GT	ALARM,AUDIO,SUPERBOOM* .....	1
23	1261765GT	LID, GROUND CONTROL BOX .....	1
24	66812GT	BUTTON,PUSH,RED MUSHROOM HEAD .....	1
25	226673GT	DECAL, MEMBRANE, GROUND CONTRO .....	1
26	6888GT	SCREW,HHC,1/4-20 X 1 .....	4
		Tier 4	
26B	824060GT	SCREW, HHC, 1/4-20 X 1, 8, ZAG .....	
		Deutz Stage V	
27	6356GT	WASHER,LOCK,,25 .....	4
		Tier 4	
27B	824109GT	WASHER,LOCK,1/4,ZAG .....	
		Deutz Stage V	
28	6638GT	WASHER,FLAT,USS,1/4"Y .....	4
		Tier 4	
28B	824113GT	WASHER,FLAT,1/4,USS,ZAG .....	
		Deutz Stage V	
29	88315GT	SCREW,SHS,1/4-20 X .25 ZINC .....	2
30	66811GT	KEYSWITCH,3POS.MNTND.DR WKEY** .....	
30-	218155GT	KEYSWITCH, LOCKING, 3 POS, W/K .....	
30-	218169GT	OPT, KEY SWITCH, RETAINED .....	

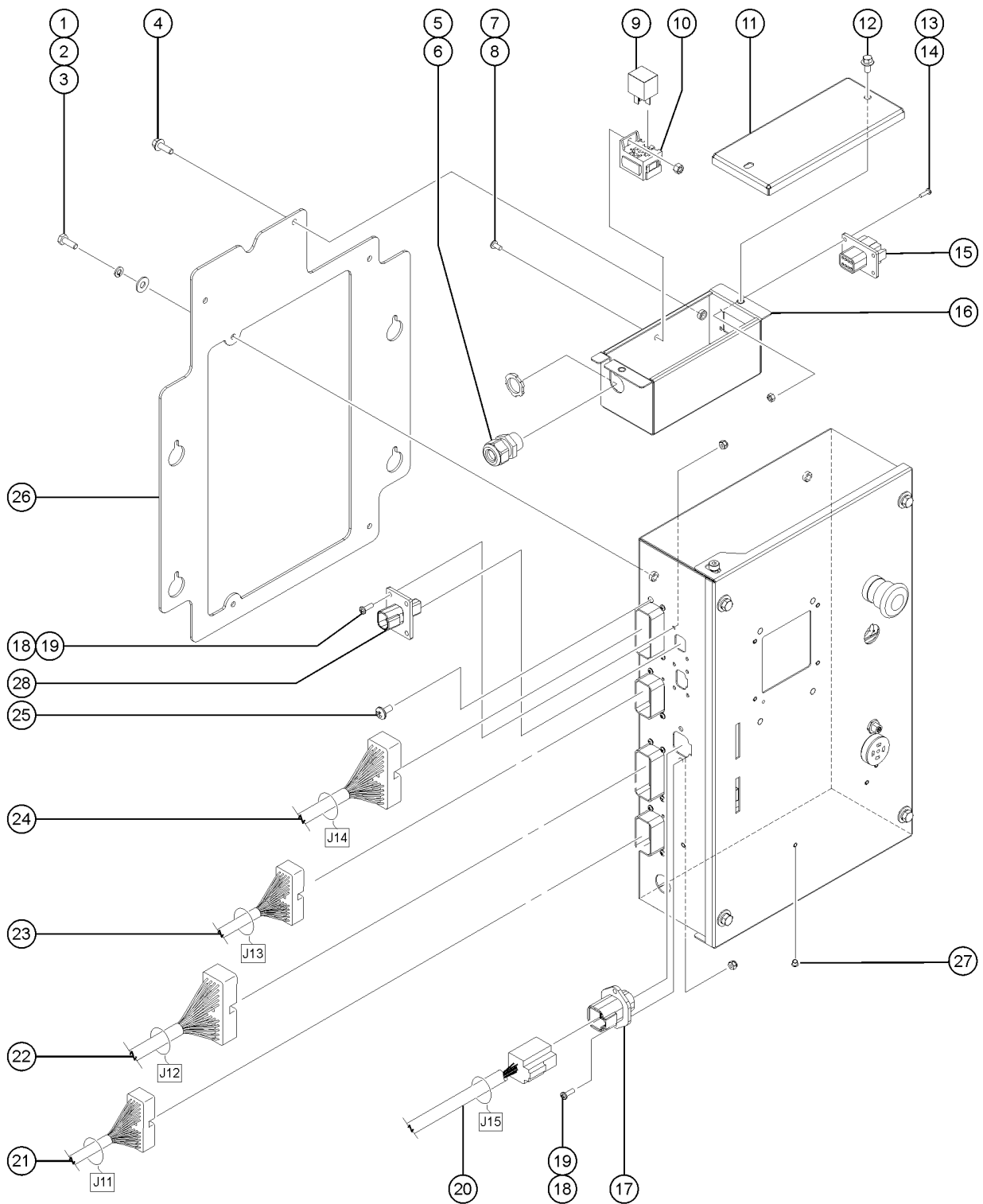
314.2 Ground Control Box - View 2



Item	Part No.	Description	Qty.
-		Models with Deutz TD2011-L04i or Perkins 1104D-44T Engine to SN 507, refer to 313.1 and 313.2	..
-		Models with Deutz TD2011-L04i or Perkins 1104D-44T Engine from SN 508, refer to 314.1 and 314.2, includes harness 1275448	.....
-	1275448GT	HARN, FUEL SENSE, TIER 3 Models with Deutz TD2011-L04i or Perkins 1104D-44T Engine; from SN 508	.....
-	1253314GT	ASSY, TELEMATICS CONN. BOX (items include 4, 7-10, 11-14 and 16) To SN SX150H-595	4
-	1290797GT	ASSY,TELEMATICS 2.0 CONN,BOX (items include 4, 7-10, 11-14 and 16) From SN SX150H-596	.....
1	824059GT	SCREW,HHC,1/4-20X.75,8,ZAG	4
2	824109GT	WASHER,LOCK,1/4,ZAG	4
3	824113GT	WASHER,FLAT,1/4,USS,ZAG	2
4	824078GT	SCREW,HHF,1/4-20X.75,8,ZAG	2
5	7057GT	CONN. SQZ,1/2NPT .39-.56 MED.	1
6	6935GT	LOCKNUT,ELEC,1/2"	1
7	825349GT	SCREW,PHPM,10-32X.38,ZAG	1
8	824036GT	NUT, TL, 10-32, A, ZAG	1
9	34052GT	RELAY,SPDT,12V(AUTO) PLUG IN**	1
10	34053GT	ASSY,RELAY SOCKET, AUTO	1
10-	58319GT	RELAY SOCKET,AUTO,RETAINER***	1
11	1253238GT	WELDMENT, TELEMATICS CONN. COV	2
12	824077GT	SCREW, HHF, 1/4-20 X .5, 8, ZAG	4
13	824214GT	SCREW,PHPM,6-32X.5,ZAG	4
14	824019GT	NUT,TL,6-32,A,ZAG	1
15	87755GT	CONN,RECEP 8 WAY 14-18GA,FL	1
16	1253236GT	WELDMENT, TELEMATICS BOX Tier 4	1
16B	1290798GT	WELDMENT, TELEMATICS 2.0 BOX Deutz Stage V	.....
17	1257982GT	HARNESS, GROUND CONTROL BOX, SX	1
18	49820GT	SCREW,PHILLIPS,PHM,6-32 X .5	2
19	12344GT	NUT,NYLOCK,6-32	1
20	236405GT	HARNESS, TCON J15 POWER	1



314.2 Ground Control Box - View 2

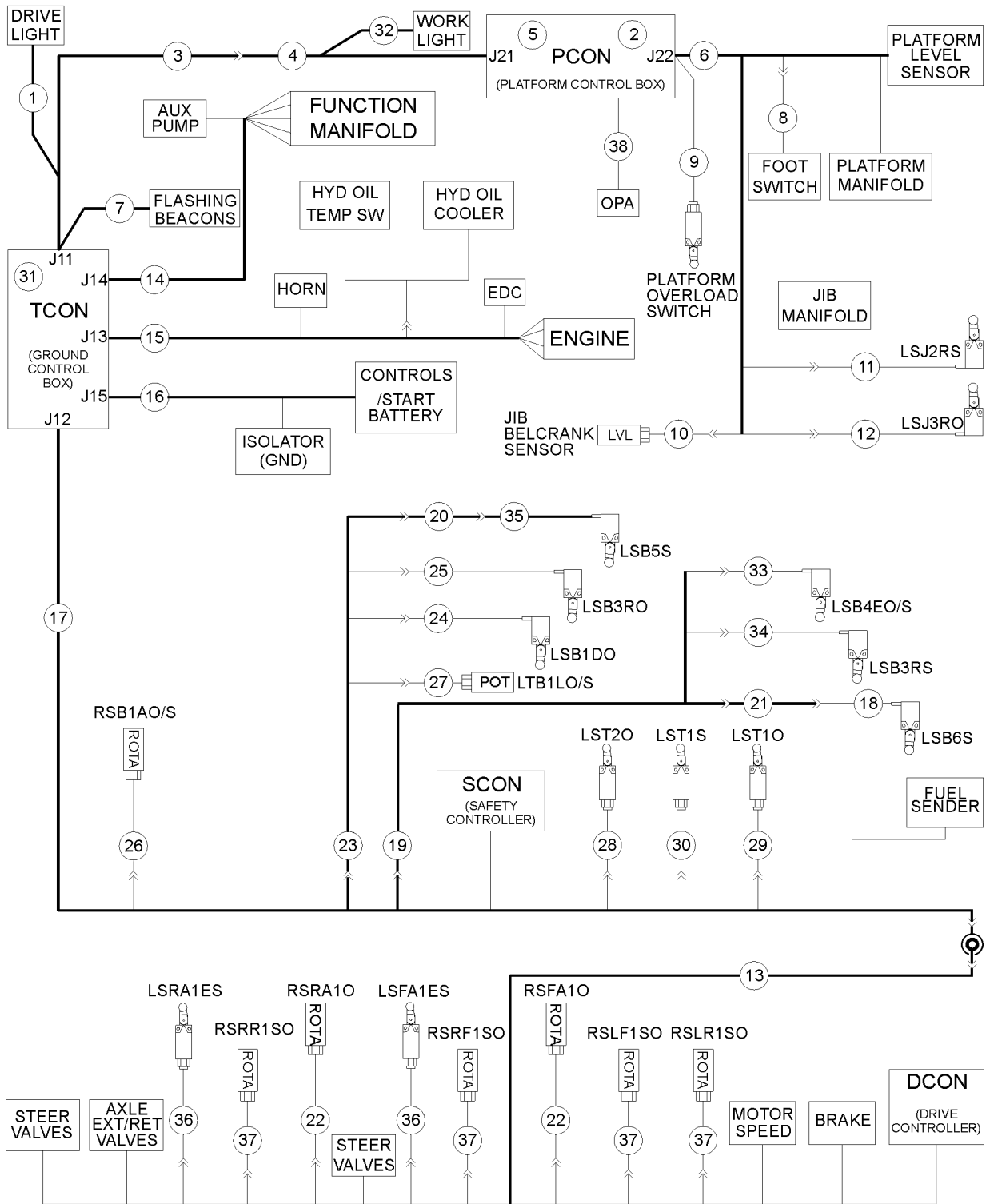




Item	Part No.	Description	Qty.
21	1257708GT	HARNESS, LOWER BOOM CABLE, SX- (J11)	1
21-	60512GT	CONN,PLUG 23 WAY,16-20 GA BLK	
22	1257713GT	HARNESS, LOWER LS/SCON, SX-150 (J12) (to SN 227)	1
22A-	60515GT	CONN,PLUG 35 WAY, 16-20GA WHT	
22B	1272752GT	HARNESS, LOWER LS/SCON, SX150 (from SN 228)	
23	1257246GT	HARNESS, DEUTZ 2.9, TIER 4, SUPER X (J13) To SN SX150H-595	1
23-	1291193GT	HARNESS, DEUTZ 2.9, TIER 4, SUPER X From SN SX150H-596	
23B	1257247GT	HARNESS, PERKINS 854T, TIER 4, SUPER X To SN SX150H-595	1
23-	1291198GT	HARNESS, PERKINS 854T, TIER 4, SUPER X From SN SX150H-596	
24	1257712GT	HARNESS, FUNCTION MANIFOLD, SX (J14)	1
24-	60515GT	CONN,PLUG 35 WAY, 16-20GA WHT	
25	122351GT	SCREW,#4X1/4,HI-LO,PH PHIL,TAP	1
26	1261766GT	PLATE, GROUND CTRL BOX	
27	30996GT	PLUG,NYLON .313 BLACK DOMED (from SN 596)	
28	1269704GT	CONNECTOR, RECEP, 2WAY, FL Deutz Stage V	

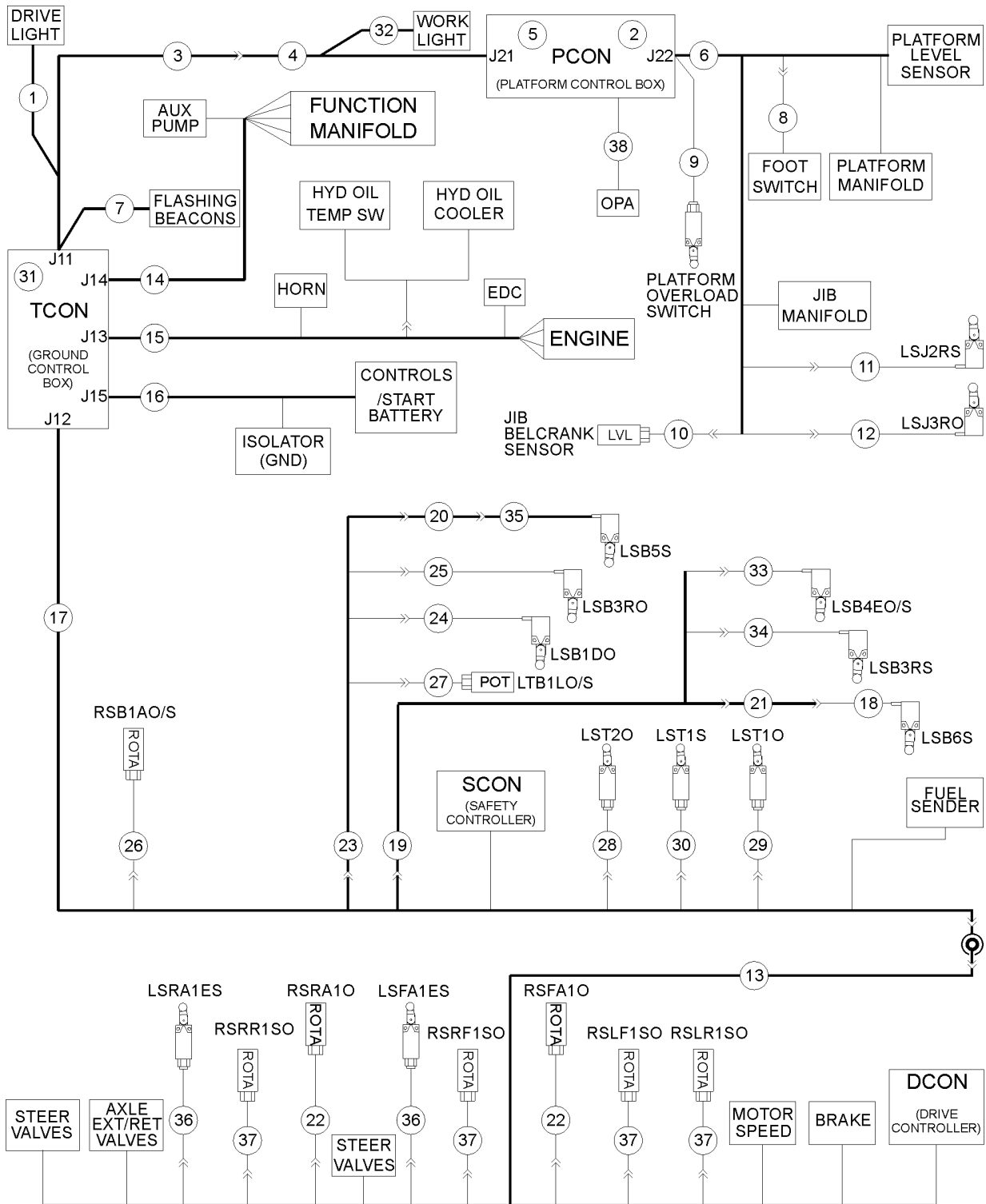


315.1 Wire Harness Diagram - View 1



Item	Part No.	Description	Qty.
A	1264824GT	KIT, TRC RETROFIT,ALC1000ML Telematics (includes 1264836)	1
-	1264836GT	INSTRN, TRC RETROFIT,ALC1000ML	1
1	823521GT	HARNESS, LIGHTS, SUPER X (Refer to 315_101)	1
1-	19274GT	RELAY,SPDT,12V(AUTO)**	1
1-	67505GT	FUSE,10 AMP,ATC	1
2	214332GT	HARNESS, PCON TOGGLE SWITCH, S (Refer to 315_102)	1
3	1257708GT	HARNESS, LOWER BOOM CABLE, SX- (Refer to 315_103)	1
4	236263GT	HARNESS, UPPER BOOM CABLE, (Refer to 315_104) to SN SX150H-611	1
4A	1279073GT	HARNESS, UPPER BOOM CABLE (Refer to 315_104A) from SN SX150H-612	1
5	214331GT	HARNESS, PCON JOYSTICK, SUPER (Refer to 315_105)	1
6	236408GT	HARNESS, PLATFORM/JIB, SUPER X (Refer to 315_106) to SN SX150H-518	1
6A	1274905GT	HARNESS, PLATFORM/JIB, LOOP (Refer to 315_106A) from SNSX150H-519 to SN SX150H-611	1
6B	1279074GT	HARNESS, PLATFORM/JIB, LOOP (Refer to 315_106B) from SN SX150H-612	1
7	236409GT	HARNESS, FLASHING BEACON (Refer to 315_107)	1
8	61322GT	FOOT SWITCH W/PIGTAIL (Refer to 315_108)	1
9	146399GT	ASSY, LS, LOAD SENSE, ALC1000 (Refer to 315_109) to SN SX150H-611	1
9A	1270278GT	LOAD CELL,J1939,650KG/1433LB (Refer to 808.2) from SN SX150H-612	1
10	50813GT	SENSOR,TILT,PCON (PLASTIC)****	1
11	236393GT	SW ASSY, JIB ROT CCW, SAFETY (Refer to 315_111)	1
12	236394GT	SWITCH ASSY, JIB ROTATED CCW (Refer to 315_112)	1
13	232987GT	HARNESS, DRIVE, SUPER X (Refer to 315_113) to SN SX150H-507	1
13A	1271514GT	HARNESS,DRIVE CHASSIS (Refer to 315_113A) from SN SX150H-508	1
14	1257712GT	HARNESS, FUNCTION MANIFOLD, SX (Refer to 315_114)	1
15	232988GT	HARNESS, DEUTZ ENGINE, TD2011L (Refer to 315_115) (Deutz TD2011 models) To SN SX150H-595	1
15-	1291165GT	HARNESS, DEUTZ ENGINE, TD2011L04i (Refer to 315_115A) (Deutz TD2011 models) From SN SX150H-596	1
15B	1257246GT	HARNESS, DEUTZ 2.9, TIER 4, SUPER X (Refer to 315_115B) (Deutz TD 2.9L4 models) To SN SX150H-595	1
15B-	1291193GT	HARNESS, DEUTZ 2.9, TIER 4, SUPER X (Refer to 315_115BB) (Deutz TD 2.9L4 models) From SN SX150H-596	1
15C	232989GT	HARNESS, PERKINS ENGINE, 1104D (Refer to 315_115C) (Perkins 1104D models) To SN SX150H-595	1

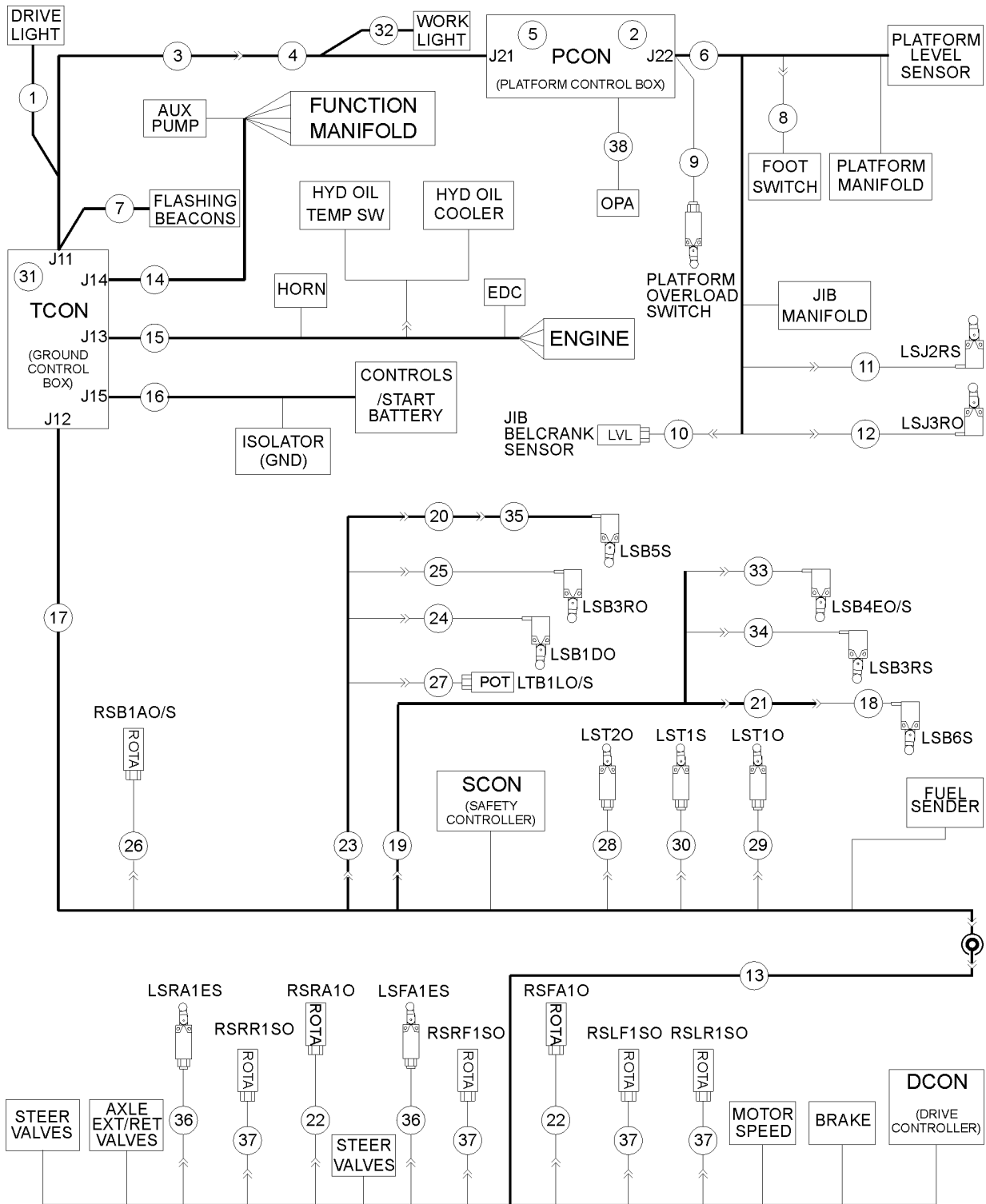
315.1 Wire Harness Diagram - View 1



Item	Part No.	Description	Qty.
15C-	1291191GT	HARNESS, PERKINS ENGINE, 1104D (Refer to 315_115CC) (Perkins 1104D models) From SN SX150H-596	1
15D	1257247GT	HARNESS, PERKINS 854T, TIER 4, SUPER X (Refer to 315_115D) (Perkins 854F-E34T models) To SN SX150H-595	1
15D-	1291198GT	HARNESS, PERKINS 854T, TIER 4, SUPER X (Refer to 315_115DD) (Perkins 854F-E34T models) From SN SX150H-596	1
16	236405GT	HARNESS, TCON J15 POWER (Refer to 315_116)	1
17	1257713GT	HARNESS, LOWER LS/SCON, SX-150 (Refer to 315_117) to SN SX150H-227	1
17A	1272752GT	HARNESS, LOWER LS/SCON, SX150 (Refer to 315_117A) from SN SX150H-228	1
18	236396GT	SWITCH ASSY, CABLE TENSION #2, (Refer to 315_118)	1
19	1257710GT	HARNESS, UPPER LIMIT SWITCH, S (Refer to 315_119)	1
20	1257711GT	HARNESS, CABLE TENSION #1, SX- (Refer to 315_120)	1
21	236411GT	HARNESS, CABLE TENSION #2, (Refer to 315_121)	1
22	216058GT	SENSOR, ANGLE, 40 DEG, CCW (Refer to 315_122) Sensor and magnet are matched and must be replaced at the same time. Machine calibration is required after installation.	2
23	238005GT	HARNESS, ZERO TUBE LIMIT (Refer to 315_123)	1
24	236397GT	SWITCH ASSY, 10 DEG OPER, SUPE (Refer to 315_124)	1
25	236398GT	SWITCH ASSY, 3FT EXT OPER, SUP (Refer to 315_125)	1
26	216059GT	SENSOR, ANGLE, 105 DEG, CW (Refer to 315_126) Sensor and magnet are matched and must be replaced at the same time. Machine calibration is required after installation.	1
27	1257282GT	LENGTH TRANSDUCER, 400 IN (Refer to 505.1)	1
28	237807GT	SWITCH ASSY,DRV ENABLE,LEFT,SU (Refer to 315_128)	1
29	237808GT	SWITCH ASSY,DRV,ENABLE,RIGHT,S (Refer to 315_129)	1
30	237809GT	SWITCH ASSY,DRV ENABLE,SAFE,SU (Refer to 315_130)	1
31	214330GT	HARNESS, GROUND CONTROL BOX (Refer to 315_131)	1
32	823522GT	HARNESS, WORK LIGHTS, SUPER X (Refer to 315_132) (option)	1
33	236400GT	SWITCH ASSY, 150FT EXT OPER/SAFETY, SUPER-X (Refer to 315_133)	1
34	236399GT	SWITCH ASSY, 3.5FT EXT SAFETY, SUPER-X (Refer to 315_134)	1
35	236395GT	SWITCH ASSY, CABLE TENSION #1, (Refer to 315_135)	1
36	236392GT	SWITCH ASSY, AXLE SAFETY (Refer to 315_136)	2
37	232993GT	SUBASSY, STEER SENSOR (Refer to 315_137)	4
38	1255556GT	HARN,PBOX,OPA,ALC1000 (Refer to 315_138)	1

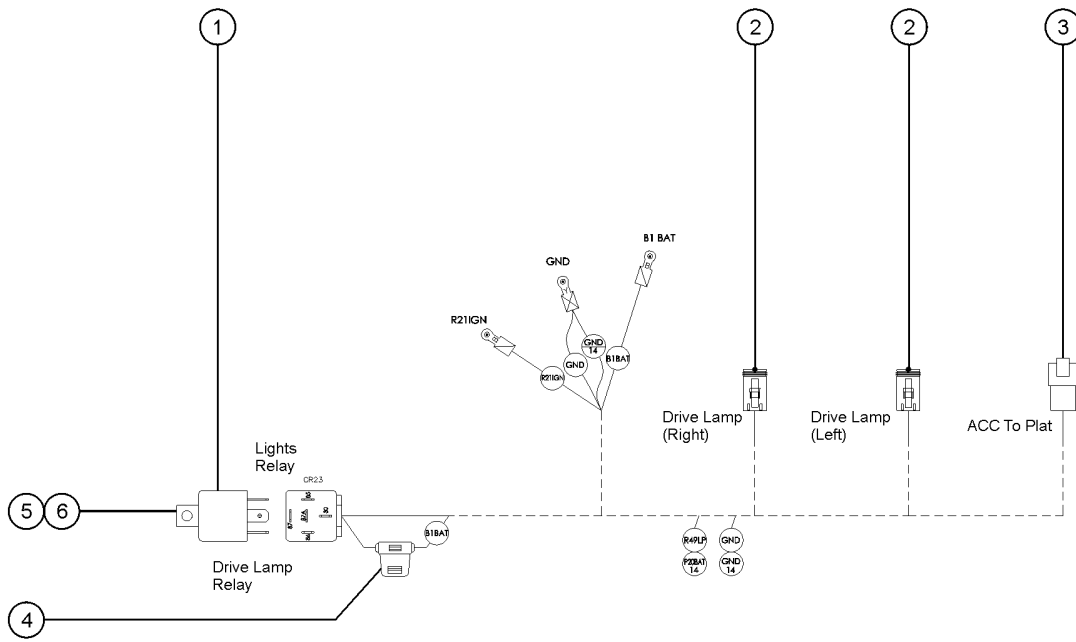


315.1 Wire Harness Diagram - View 1



<i>Item</i>	<i>Part No.</i>	<i>Description</i>	<i>Qty.</i>
38A	1255030GT	PLUG,BLANKING ..... (Refer to 315_138A)	1

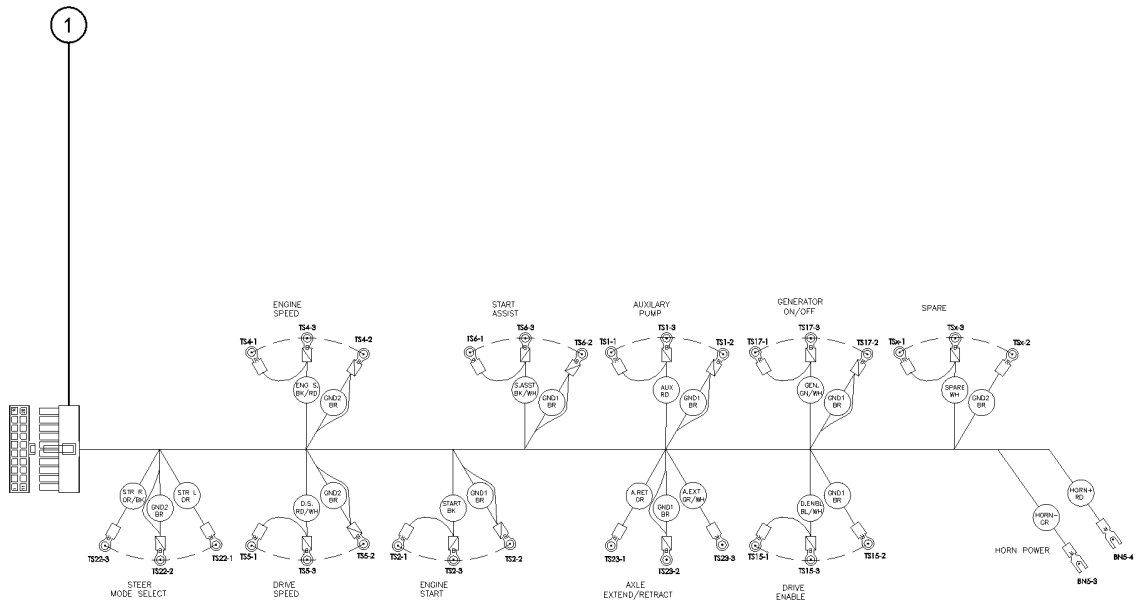
315.101 Harness, Lights, Super X





<i>Item</i>	<i>Part No.</i>	<i>Description</i>	<i>Qty.</i>
-	823521GT	HARNESS, LIGHTS, SUPER X .....	1
1	19274GT	RELAY,SPDT,12V(AUTO)** .....	1
2	119056GT	CONN PLUG 2 WAY ENDCAP DT .....	2
2-	60425GT	LOCK,PLUG 2 WAY, 14-18GA .....	2
3	60529GT	CONN,RECEP 2 WAY,12-14GA .....	1
3-	60530GT	LOCK,RECEP 2 WAY,12-14GA .....	1
4	67505GT	FUSE,10 AMP,ATC .....	1
4-	121657GT	FUSE HOLDER,ATC 1-20 AMPS .....	1
5	49819GT	SCREW,PHILLIPS,PHM,10-32 X .5 .....	1
6	6178GT	NUT,NYLOCK,10-32 .....	1

315.102 Harness, PCON Toggle Switches, Super-X

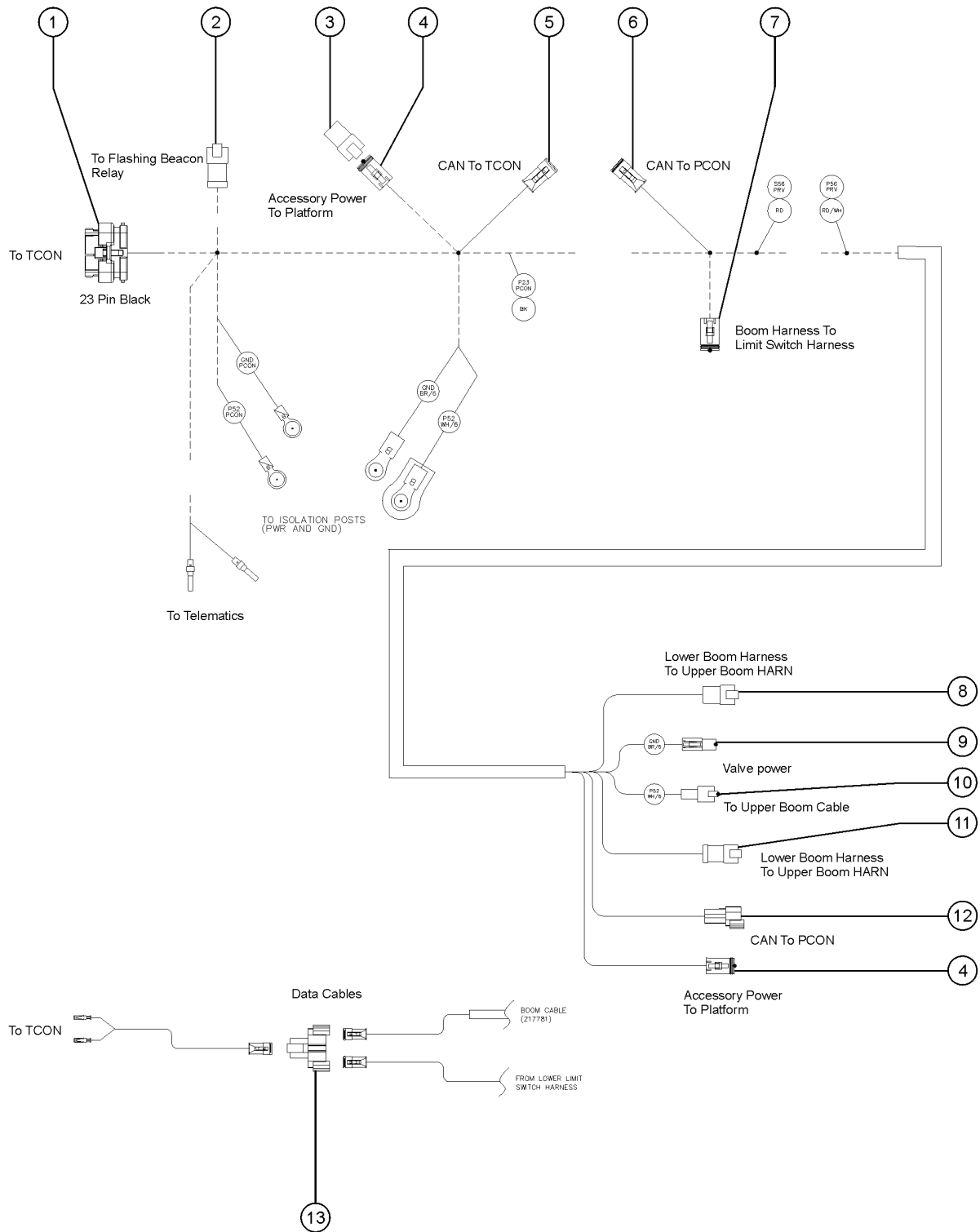


315.102 Harness, PCON Toggle Switches, Super-X

<i>Item</i>	<i>Part No.</i>	<i>Description</i>	<i>Qty.</i>
-	214332GT	HARNESS, PCON TOGGLE SWITCH, S .....	1
1	81545GT	CONN,MOLEX 20 WAY .....	



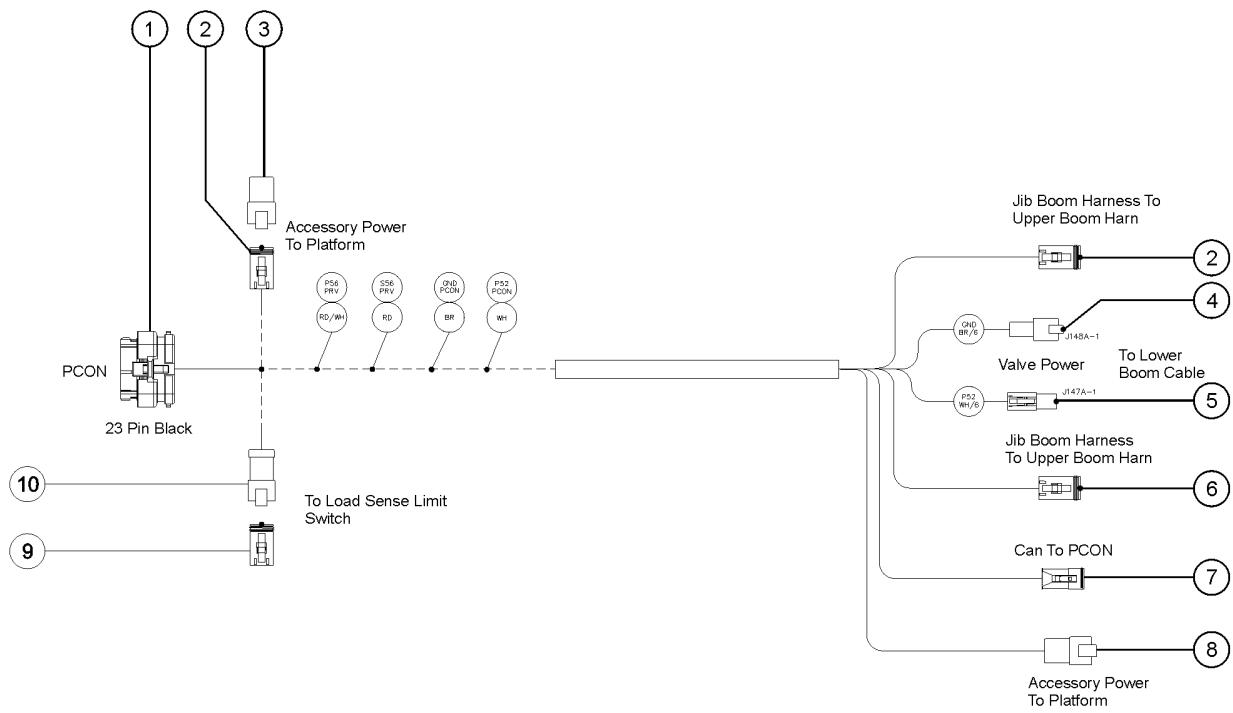
315.103 Harness, Lower Boom Cable, SX-150



<i>Item</i>	<i>Part No.</i>	<i>Description</i>	<i>Qty.</i>
-	1257708GT	HARNESS, LOWER BOOM CABLE, SX- .....	1
1	60512GT	CONN,PLUG 23 WAY,16-20 GA BLK .....	1
2	119065GT	CONN,RECEP 2 WAY,14-18GA .....	1
2-	60439GT	LOCK,RECEP 2 WAY, 14-18GA .....	1
3	60529GT	CONN,RECEP 2 WAY,12-14GA .....	1
4	60531GT	CONN,PLUG 2 WAY,12-14GA .....	2
4-	60532GT	LOCK,PLUG 2 WAY,12-14GA .....	2
5	60450GT	CONN,PLUG 3 WAY,SAE J1939 .....	1
5-	60459GT	LOCK,PLUG 3 WAY,SAE J1939 .....	1
6	60450GT	CONN,PLUG 3 WAY,SAE J1939 .....	1
6-	60427GT	LOCK,PLUG 3 WAY,14-18GA .....	1
7	119056GT	CONN PLUG 2 WAY ENDCAP DT .....	1
7-	60425GT	LOCK,PLUG 2 WAY, 14-18GA .....	1
8	60529GT	CONN,RECEP 2 WAY,12-14GA .....	1
8-	60530GT	LOCK,RECEP 2 WAY,12-14GA .....	1
9	101162GT	CONN,PLUG 1 WAY,6GA .....	1
10	101161GT	CONN,RECEP 1 WAY,6GA .....	1
11	119067GT	CONN,RECEP 4 WAY ENDCAP DT .....	1
11-	60443GT	LOCK, RECEP 4WAY, 14-18GA .....	1
12	60457GT	CONN,RECEP 3 WAY,SAE J1939 .....	1
12-	60460GT	LOCK,RECEP 3 WAY,SAEJ1939 .....	1
13	60451GT	CONN,TEE 3 WAY,SAE J1939 .....	1



315.104 Harness, Upper Boom Cable, Super-X

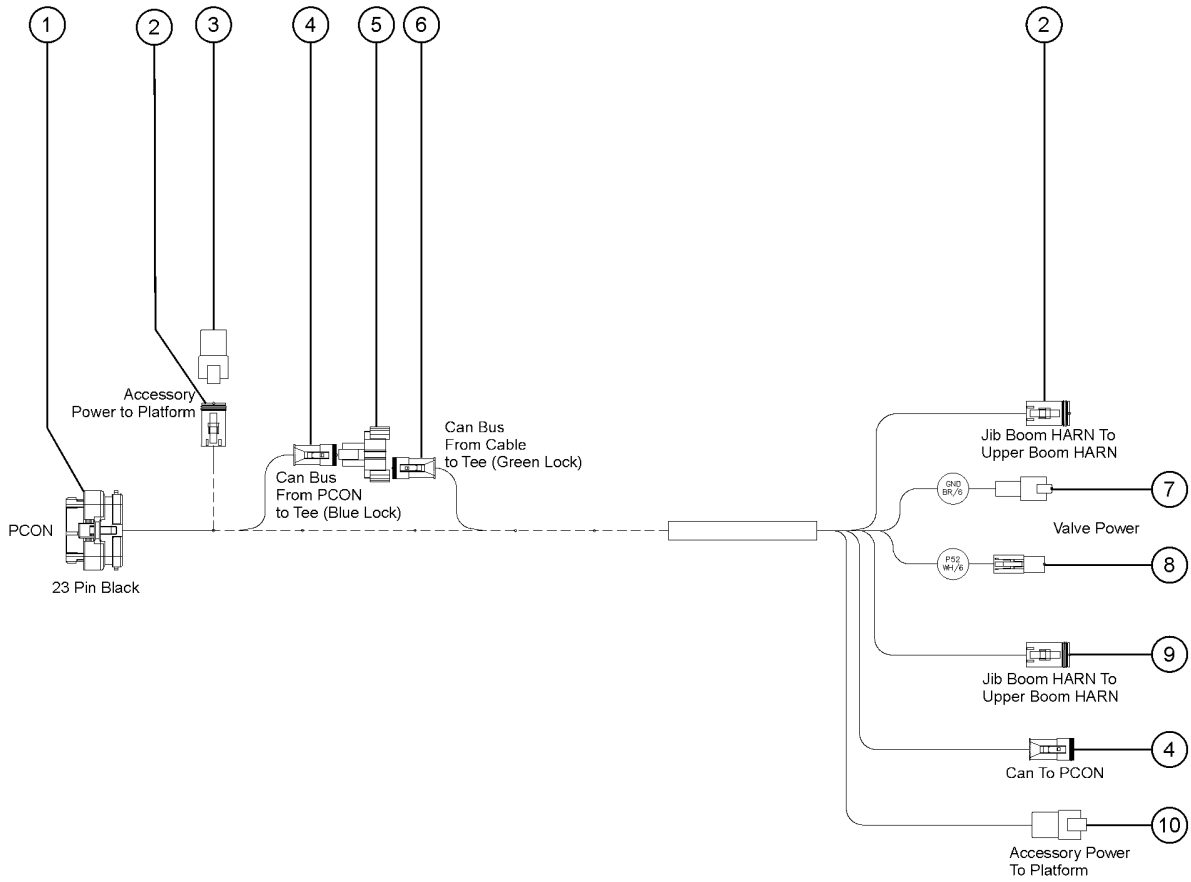


315.104 Harness, Upper Boom Cable, Super-X

<i>Item</i>	<i>Part No.</i>	<i>Description</i>	<i>Qty.</i>
-	236263GT	HARNESS, UPPER BOOM CABLE, .....	1
1	60512GT	CONN,PLUG 23 WAY,16-20 GA BLK .....	1
2	60531GT	CONN,PLUG 2 WAY,12-14GA .....	1
2-	60532GT	LOCK,PLUG 2 WAY,12-14GA .....	1
3	60529GT	CONN,RECEP 2 WAY,12-14GA .....	1
4	101161GT	CONN,RECEP 1 WAY,6GA .....	1
5	101162GT	CONN,PLUG 1 WAY,6GA .....	1
6	119058GT	CONN PLUG 4 WAY ENDCAP DT .....	1
6-	60429GT	LOCK, PLUG 4WAY, 14-18GA .....	1
7	60450GT	CONN,PLUG 3 WAY,SAE J1939 .....	1
7-	60459GT	LOCK,PLUG 3 WAY,SAE J1939 .....	1
8	60529GT	CONN,RECEP 2 WAY,12-14GA .....	1
8-	60530GT	LOCK,RECEP 2 WAY,12-14GA .....	1
9	119056GT	CONN PLUG 2 WAY ENDCAP DT .....	1
9-	60425GT	LOCK,PLUG 2 WAY, 14-18GA .....	1
10	119065GT	CONN,RECEP 2 WAY,14-18GA .....	1
10-	60439GT	LOCK,RECEP 2 WAY, 14-18GA .....	1



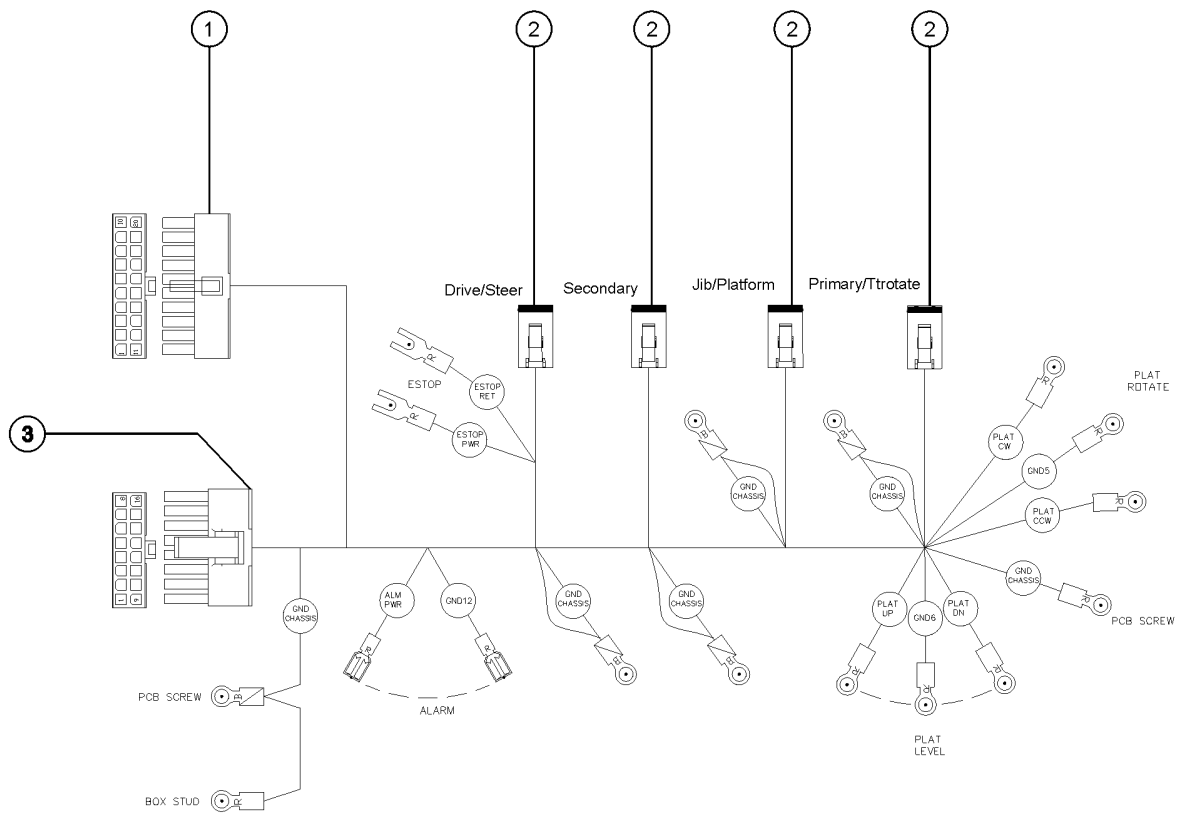
315.104A Harness, Upper Boom Cable





<i>Item</i>	<i>Part No.</i>	<i>Description</i>	<i>Qty.</i>
-	1279073GT	HARNESS, UPPER BOOM CABLE .....	1
-	20973GT	WIRE LOOM,3/8 POLY SLIT .....	24
-	101191GT	WIRE LOOM,1"DIA.SLIT,HI TEMP .....	25
1	60512GT	CONN,PLUG 23 WAY,16-20 GA BLK .....	1
2	60531GT	CONN,PLUG 2 WAY,12-14GA .....	2
2-	60532GT	LOCK,PLUG 2 WAY,12-14GA .....	2
3	60529GT	CONN,RECEP 2 WAY,12-14GA .....	1
4	60450GT	CONN,PLUG 3 WAY,SAE J1939 .....	2
4-	60459GT	LOCK,PLUG 3 WAY,SAE J1939 .....	2
5	60451GT	CONN,TEE 3 WAY,SAE J1939 .....	1
6	60450GT	CONN,PLUG 3 WAY,SAE J1939 .....	1
6-	60427GT	LOCK,PLUG 3 WAY,14-18GA .....	1
7	101161GT	CONN,RECEP 1 WAY,6GA .....	1
8	101162GT	CONN,PLUG 1 WAY,6GA .....	1
9	119058GT	CONN PLUG 4 WAY ENDCAP DT .....	1
9-	60429GT	LOCK, PLUG 4WAY, 14-18GA .....	1
10	60529GT	CONN,RECEP 2 WAY,12-14GA .....	1
10-	60530GT	LOCK,RECEP 2 WAY,12-14GA .....	1

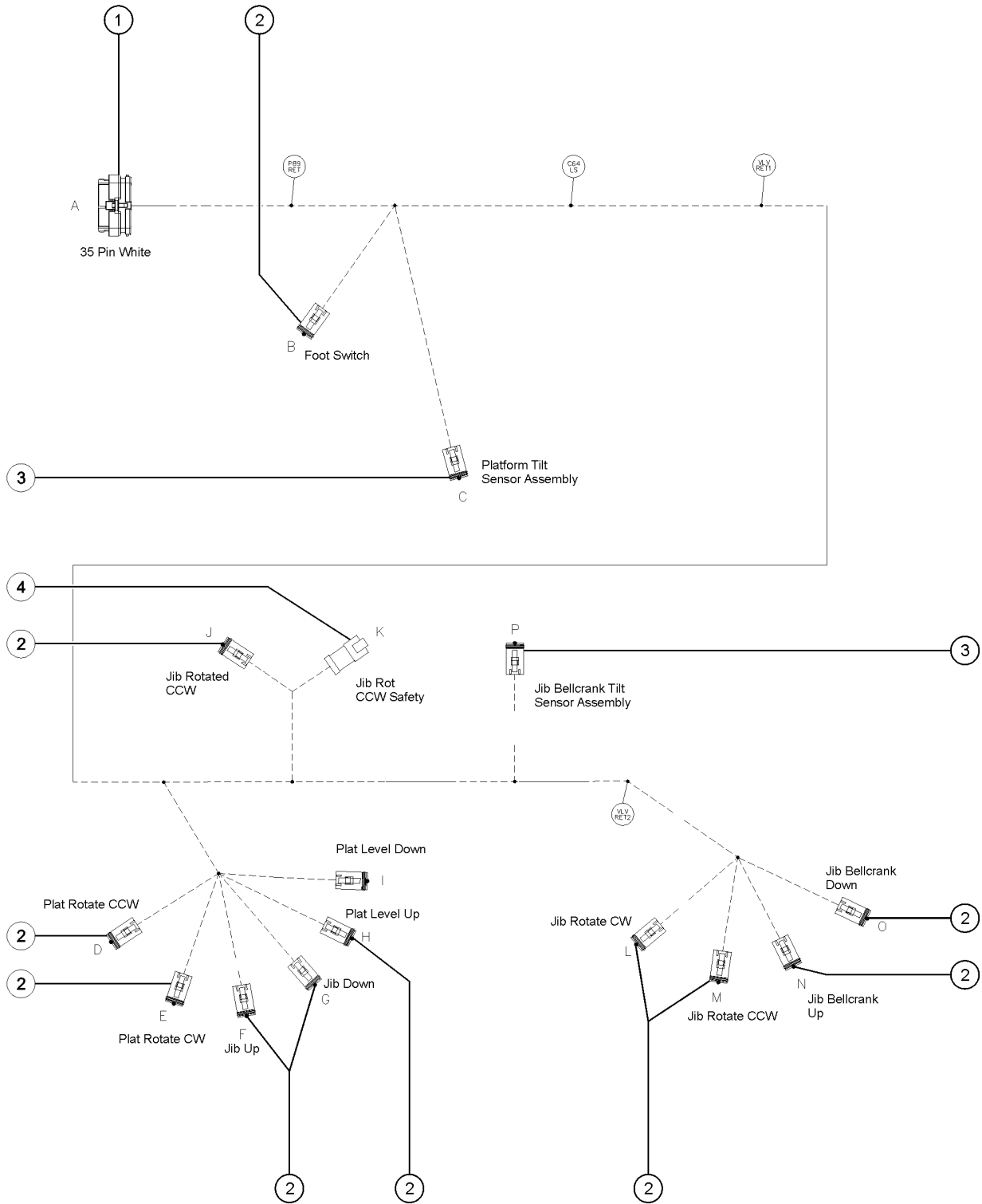
315.105 Harness, Pcon Joystick, Super-X



315.105 Harness, Pcon Joystick, Super-X

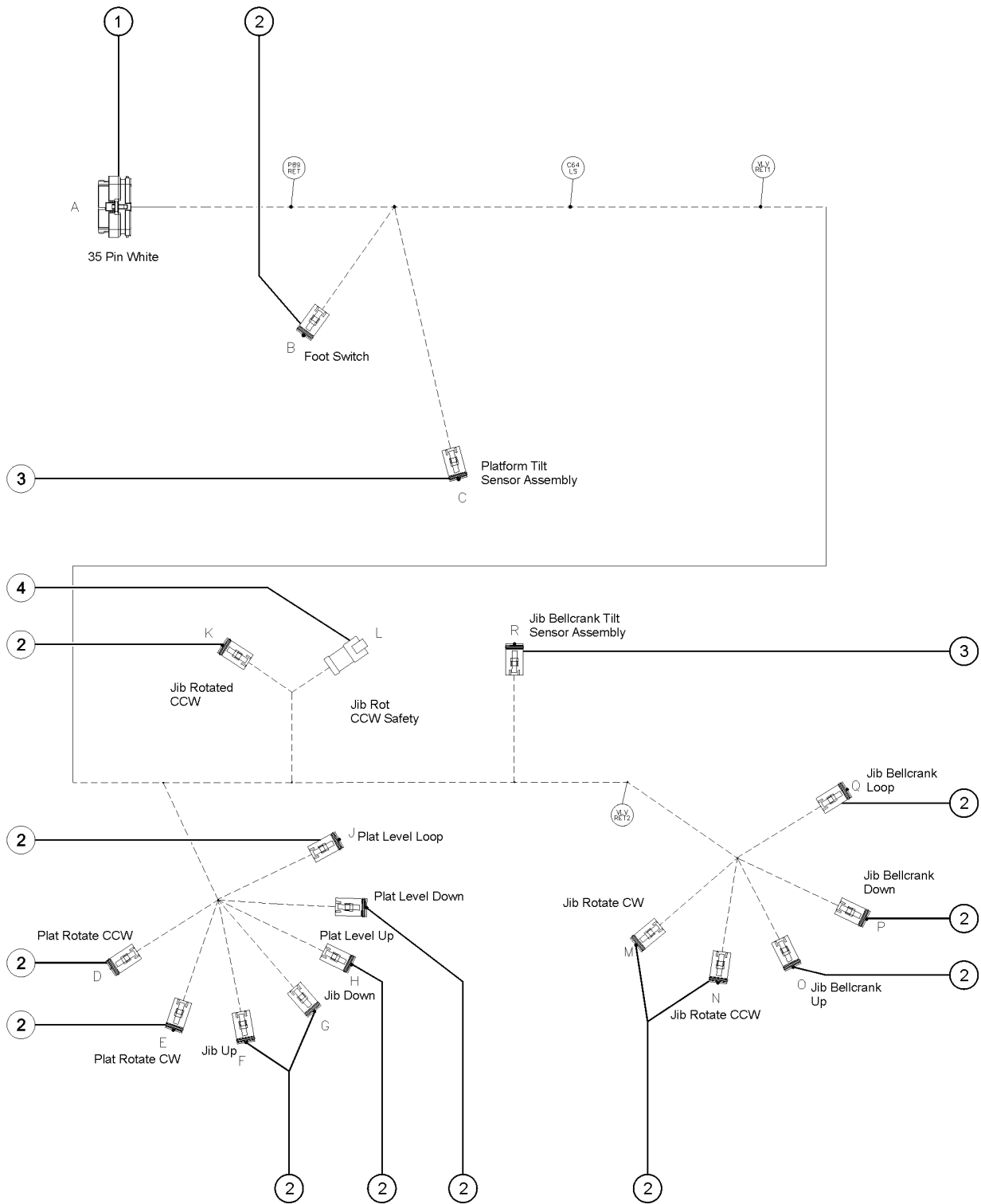
<i>Item</i>	<i>Part No.</i>	<i>Description</i>	<i>Qty.</i>
-	214331GT	HARNESS, PCON JOYSTICK, SUPER .....	1
1	81545GT	CONN,MOLEX 20 WAY .....	1
2	99343GT	CONNECTOR,PLUG 6 WAY 18-20 GA .....	1
2-	99344GT	LOCK,PLUG 6 WAY 18-20GA .....	1
3	81546GT	CONN,MOLEX 16 WAY .....	1

315.106 Harness, Platform, Super-X



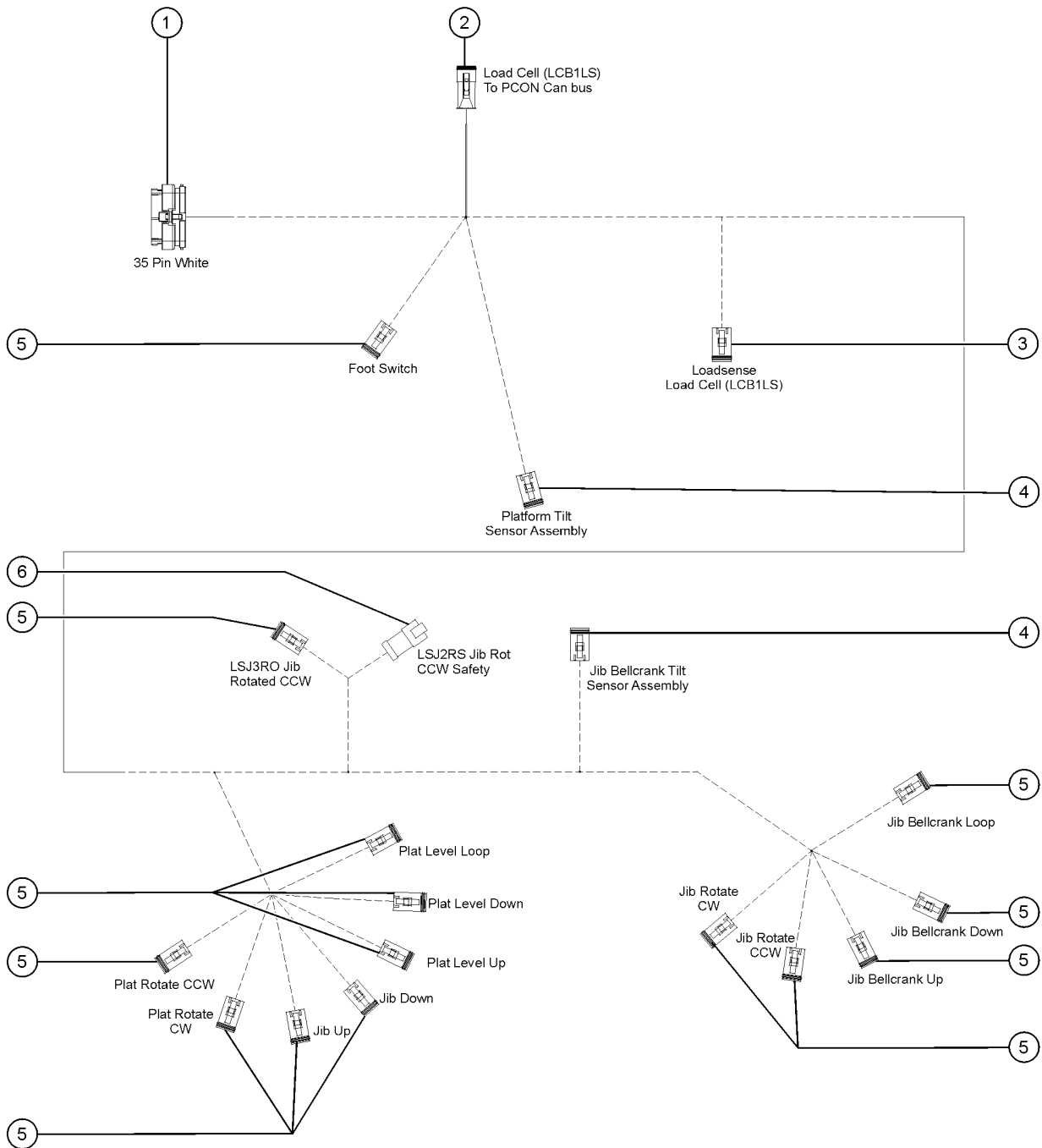
<i>Item</i>	<i>Part No.</i>	<i>Description</i>	<i>Qty.</i>
-	236408GT	HARNESS, PLATFORM/JIB, SUPER X .....	1
1	60515GT	CONN,PLUG 35 WAY, 16-20GA WHT .....	1
2	119056GT	CONN PLUG 2 WAY ENDCAP DT .....	12
2-	60425GT	LOCK,PLUG 2 WAY, 14-18GA .....	12
3	119059GT	CONN PLUG 6 WAY ENDCAP DT .....	2
3-	60431GT	LOCK,PLUG 6 WAY,14-18GA .....	2
4	119067GT	CONN,RECEP 4 WAY ENDCAP DT .....	1
4-	60443GT	LOCK, RECEP 4WAY, 14-18GA .....	1

315.106A Harness, Platform/JIB, Loop



<i>Item</i>	<i>Part No.</i>	<i>Description</i>	<i>Qty.</i>
-	1274905GT	HARNESS, PLATFORM/JIB, LOOP .....	1
1	60515GT	CONN,PLUG 35 WAY, 16-20GA WHT .....	1
2	119056GT	CONN PLUG 2 WAY ENDCAP DT .....	14
2-	60425GT	LOCK,PLUG 2 WAY, 14-18GA .....	14
3	119059GT	CONN PLUG 6 WAY ENDCAP DT .....	2
3-	60431GT	LOCK,PLUG 6 WAY,14-18GA .....	2
4	119067GT	CONN,RECEP 4 WAY ENDCAP DT .....	1
4-	60443GT	LOCK, RECEP 4WAY, 14-18GA .....	1

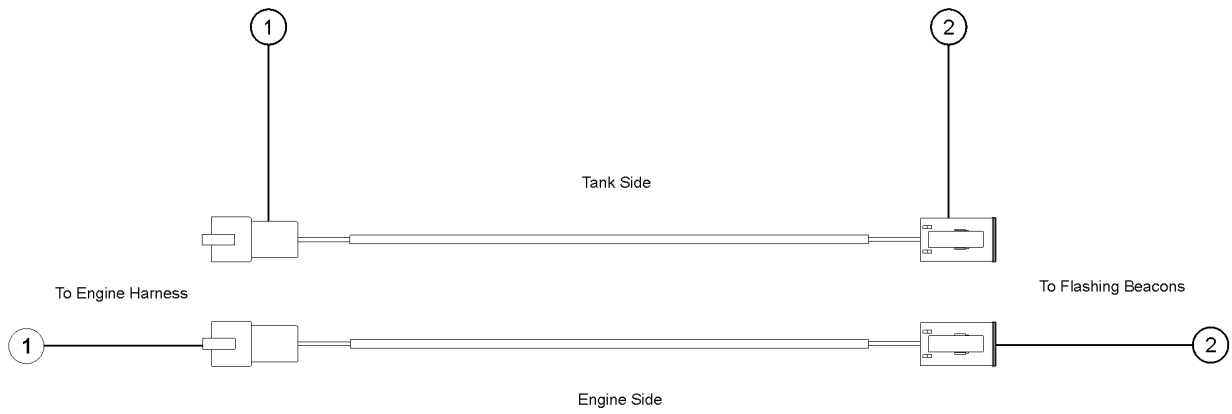
315.106B Harness, Platform/Jib, Loop





<i>Item</i>	<i>Part No.</i>	<i>Description</i>	<i>Qty.</i>
-	1279074GT	HARNESS, PLATFORM/JIB, LOOP .....	1
-	94652GT	WIRE LOOM,1/2DIA.SLIT HI-TEMP* .....	44
-	53471GT	WIRE LOOM,3/8 NYLON,HI TEMP .....	95
-	75640GT	WIRE LOOM,3/4 DIA. ....	225
1	60515GT	CONN,PLUG 35 WAY, 16-20GA WHT .....	1
2	119057GT	CONN PLUG 3 WAY ENDCAP DT .....	1
2-	60459GT	LOCK,PLUG 3 WAY,SAE J1939 .....	1
3	99343GT	CONNECTOR,PLUG 6 WAY 18-20 GA .....	1
3-	99344GT	LOCK,PLUG 6 WAY 18-20GA .....	1
4	119059GT	CONN PLUG 6 WAY ENDCAP DT .....	2
4-	60431GT	LOCK,PLUG 6 WAY,14-18GA .....	2
5	119056GT	CONN PLUG 2 WAY ENDCAP DT .....	14
5-	60425GT	LOCK,PLUG 2 WAY, 14-18GA .....	14
6	119067GT	CONN,RECEP 4 WAY ENDCAP DT .....	1
6-	60443GT	LOCK, RECEP 4WAY, 14-18GA .....	1

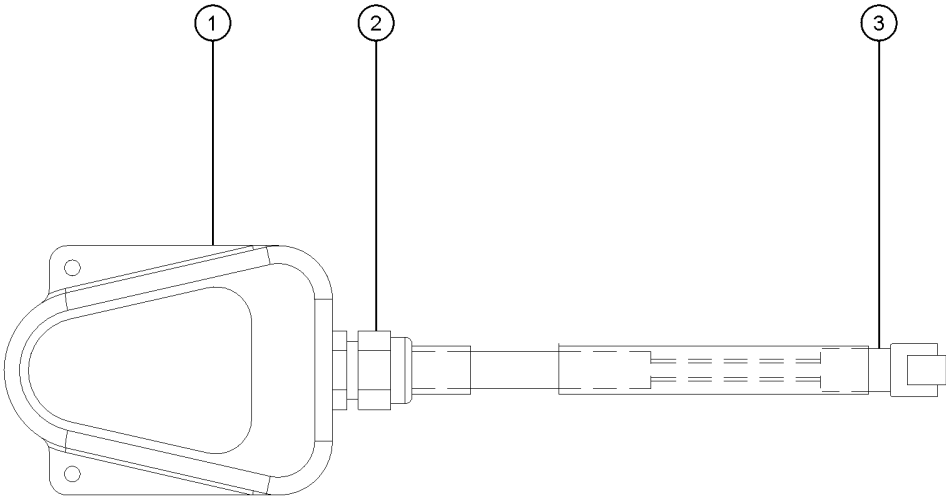
315.107 Harness, Flashing Beacon



315.107 Harness, Flashing Beacon

<i>Item</i>	<i>Part No.</i>	<i>Description</i>	<i>Qty.</i>
-	236409GT	HARNESS, FLASHING BEACON .....	1
1	119065GT	CONN,RECEP 2 WAY,14-18GA .....	2
1-	60439GT	LOCK,RECEP 2 WAY, 14-18GA .....	2
2	119056GT	CONN PLUG 2 WAY ENDCAP DT .....	2
2-	60425GT	LOCK,PLUG 2 WAY, 14-18GA .....	2

315.108 Foot Switch W/PIGTAIL

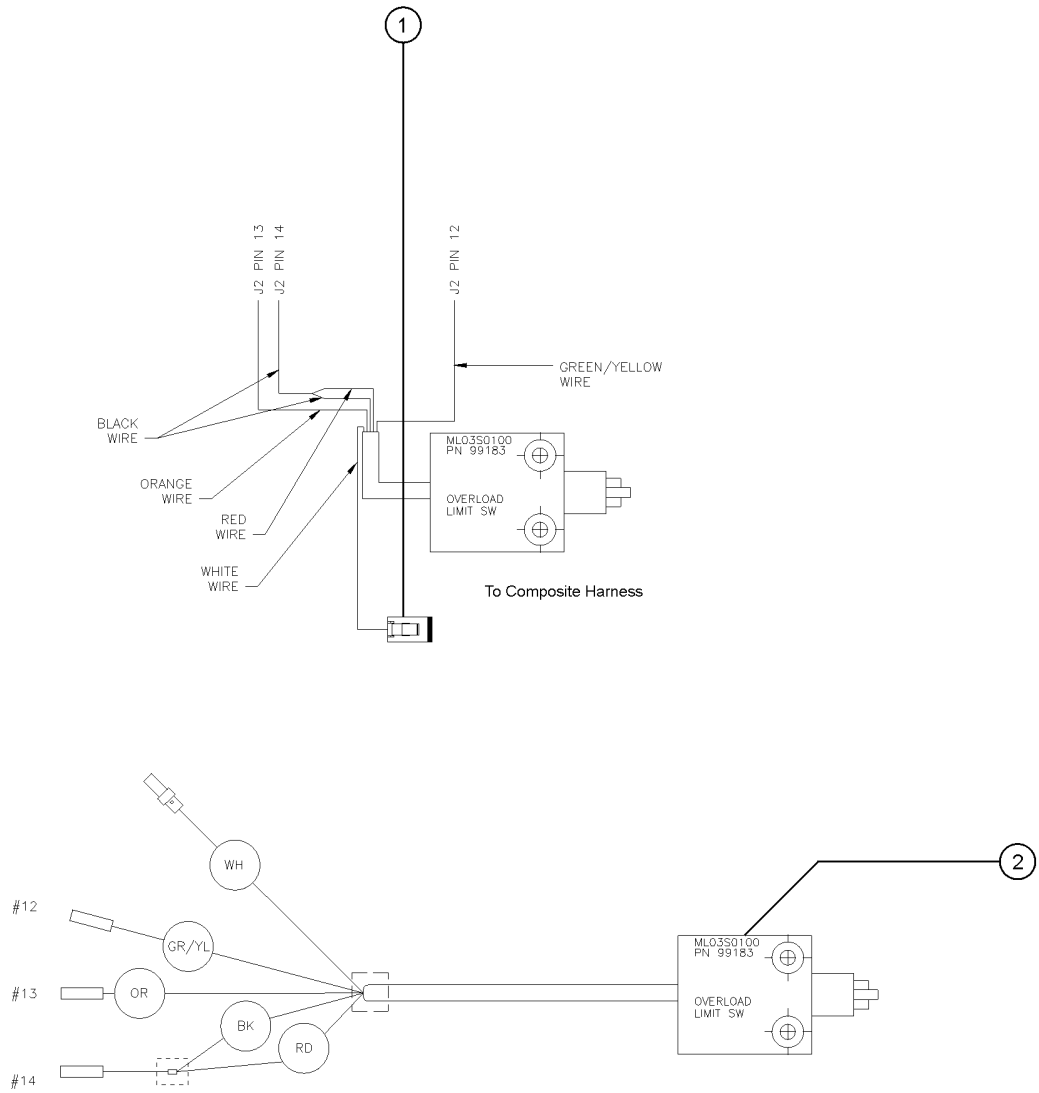


315.108 Foot Switch W/PIGTAIL

<i>Item</i>	<i>Part No.</i>	<i>Description</i>	<i>Qty.</i>
-	61322GT	FOOT SWITCH W/PIGTAIL .....	1
1	13482GT	FOOT SWITCH*** .....	1
2	7056GT	CONN, SQZ, 1/2NPT .38-.50, SM** .....	1
3	119065GT	CONN,RECEP 2 WAY,14-18GA .....	1
3-	60439GT	LOCK,RECEP 2 WAY, 14-18GA .....	1



315.109 Assy, Ls, Load Sense, ALC1000

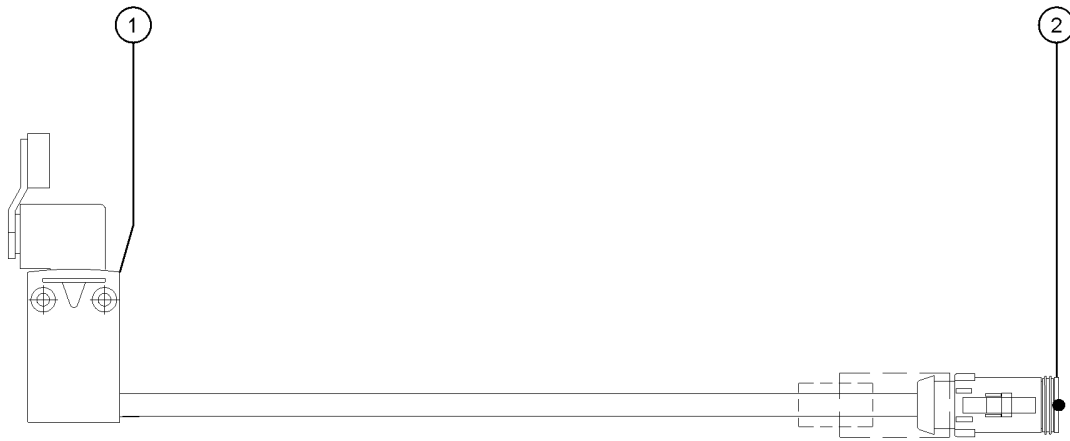


315.109 Assy, Ls, Load Sense, ALC1000

<i>Item</i>	<i>Part No.</i>	<i>Description</i>	<i>Qty.</i>
-	146399GT	ASSY, LS, LOAD SENSE, ALC1000 .....	1
1	119056GT	CONN PLUG 2 WAY ENDCAP DT .....	1
1-	60425GT	LOCK,PLUG 2 WAY, 14-18GA .....	1
2		SWITCH, ROLLER PLUNGER LIMIT .....	1



315.111 Sw Assy, Jib Rot CCW, Safety





<i>Item</i>	<i>Part No.</i>	<i>Description</i>	<i>Qty.</i>
-	236393GT	SW ASSY, JIB ROT CCW, SAFETY .....	1
1	139644-14C30GT	LIMIT SWITCH, BLUE, MICRO .....	1
2	119762GT	CONN PLUG 4 WAY EXTEND DT .....	1
2-	60429GT	LOCK, PLUG 4WAY, 14-18GA .....	1

315.112 Switch Assy, Jib Rotated CCW, Super-X

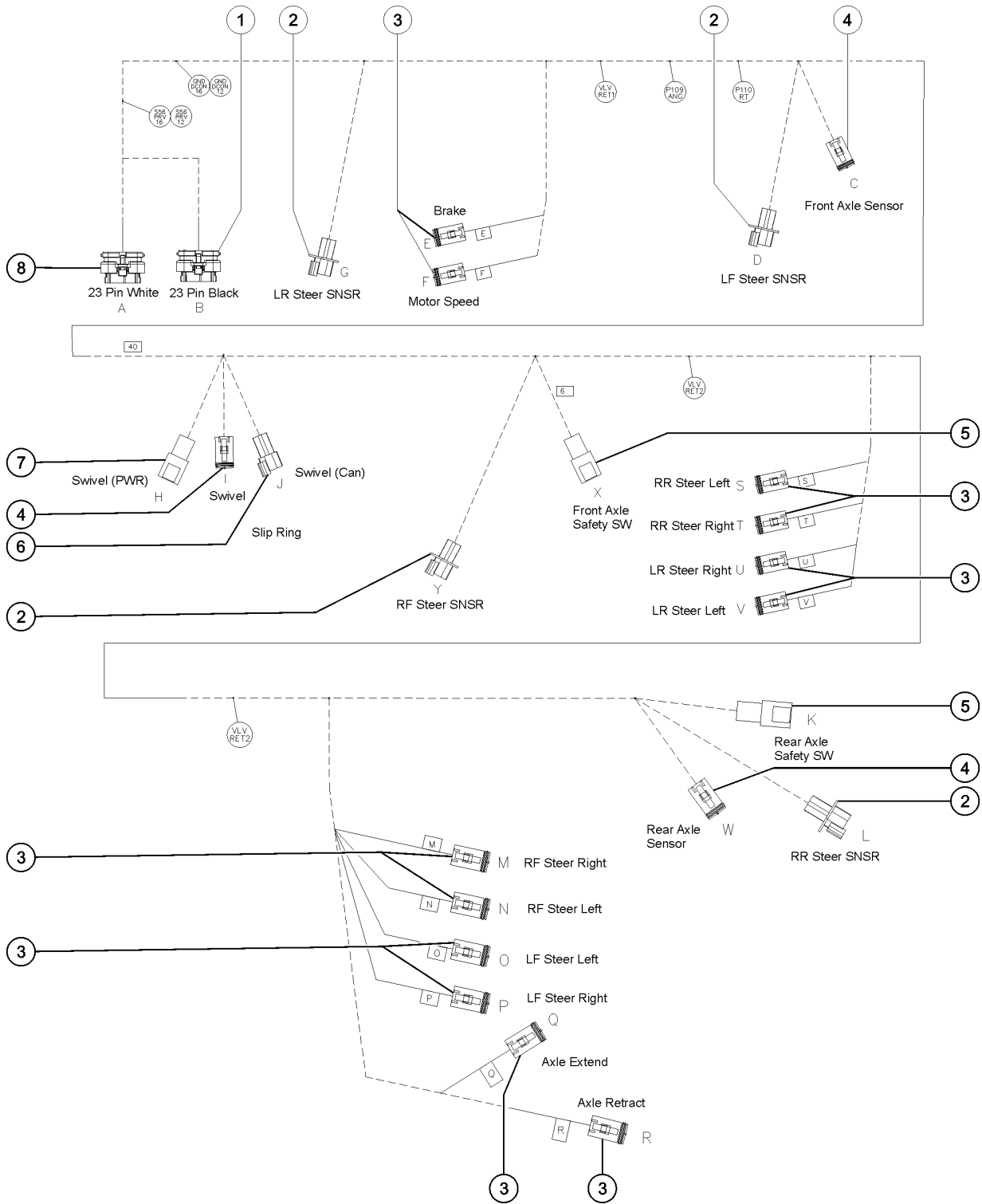


315.112 Switch Assy, Jib Rotated CCW, Super-X

<i>Item</i>	<i>Part No.</i>	<i>Description</i>	<i>Qty.</i>
-	236394GT	SWITCH ASSY, JIB ROTATED CCW .....	1
1	139644-14B30GT	LIMIT SWITCH,TAB,BLUE,MICRO .....	1
2	119065GT	CONN,RECEP 2 WAY,14-18GA .....	1
2-	60439GT	LOCK,RECEP 2 WAY, 14-18GA .....	1

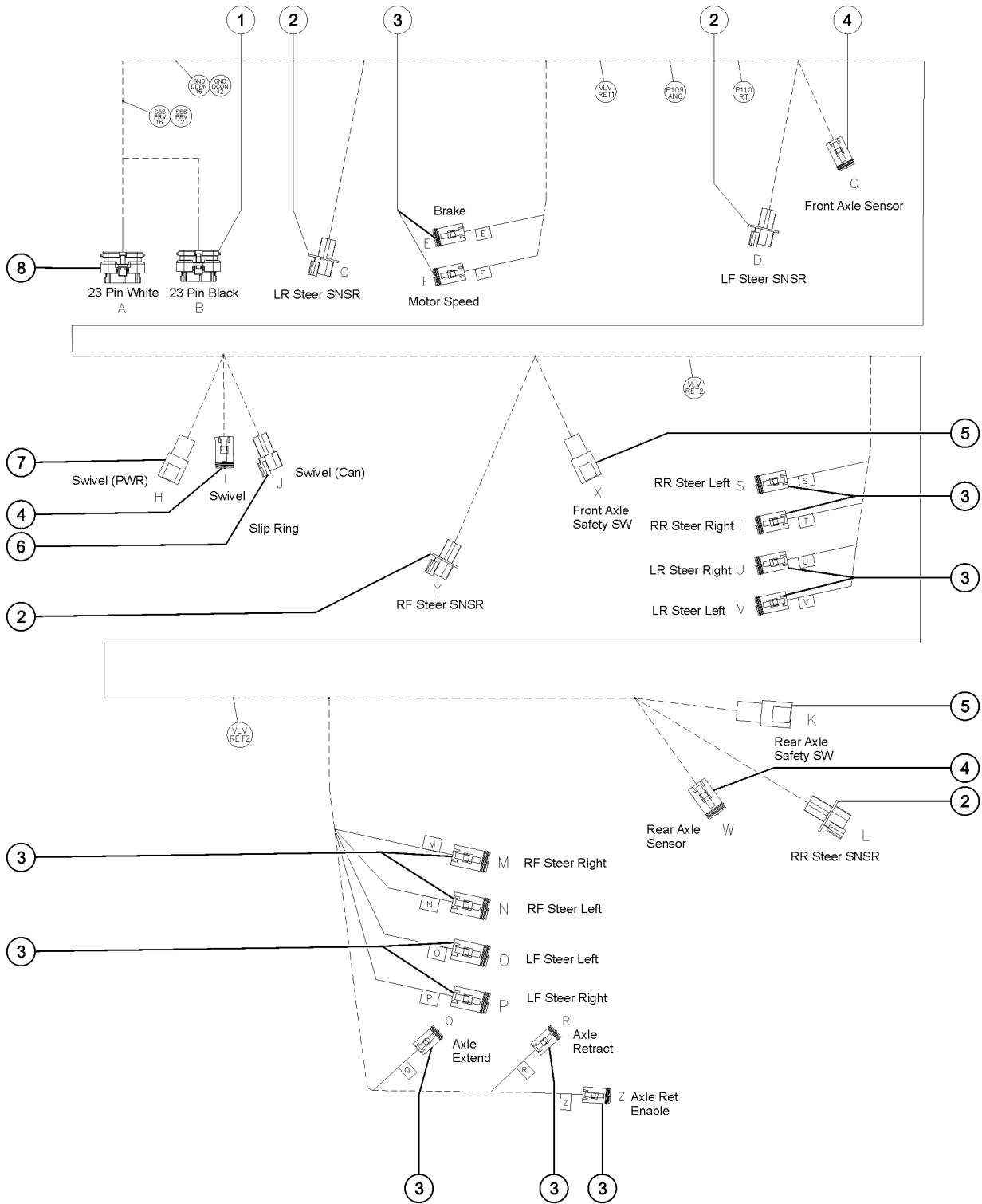


315.113 Harness, Drive, Super X



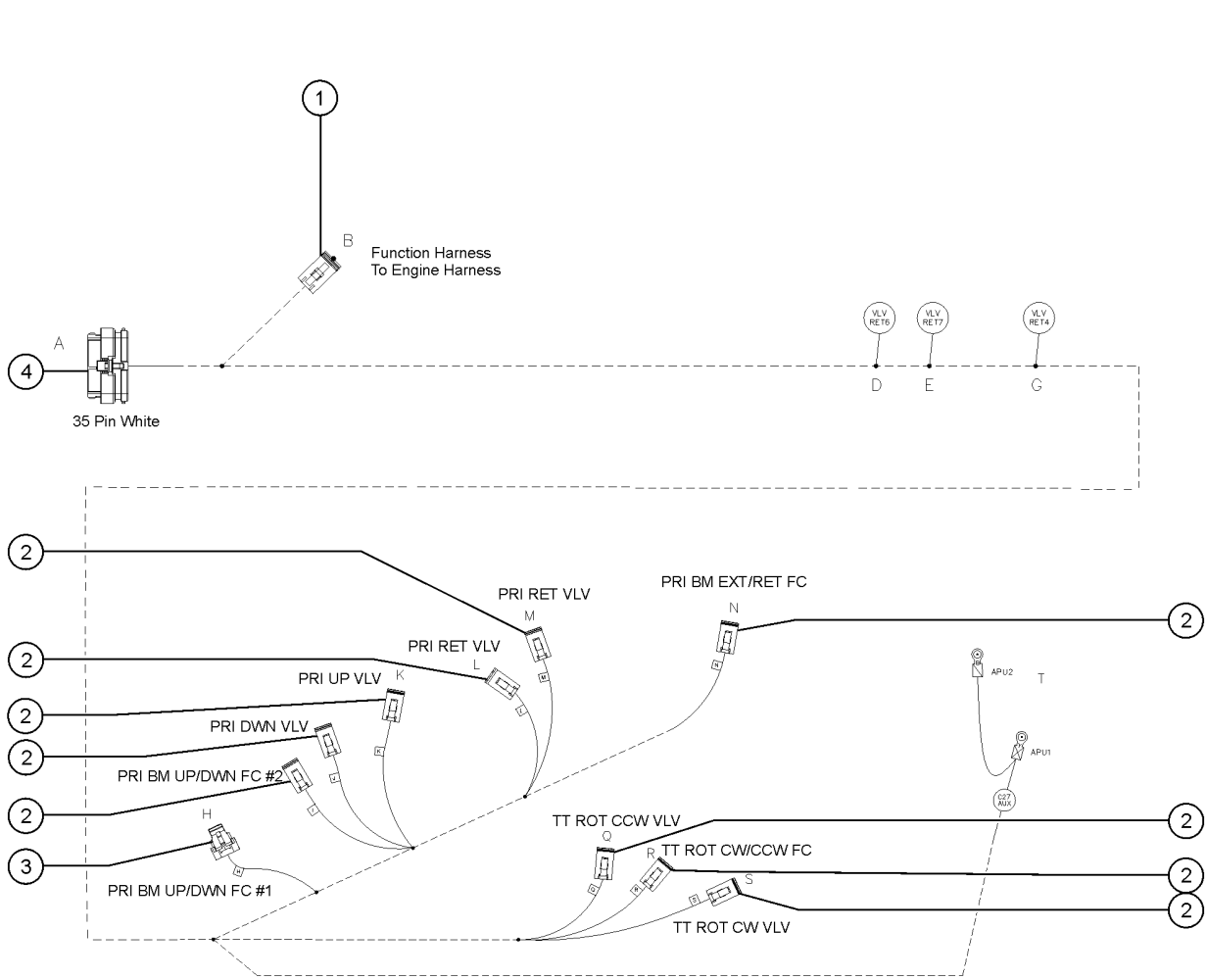
<i>Item</i>	<i>Part No.</i>	<i>Description</i>	<i>Qty.</i>
-	232987GT	HARNESS, DRIVE, SUPER X .....	1
1	60512GT	CONN,PLUG 23 WAY,16-20 GA BLK .....	1
2	75629GT	CONN,RECEP 3 WAY,W/FLANGE .....	4
2-	60441GT	LOCK,RECEP 3 WAY,14-18GA .....	4
3	119056GT	CONN PLUG 2 WAY ENDCAP DT .....	12
3-	60425GT	LOCK,PLUG 2 WAY, 14-18GA .....	12
4	119059GT	CONN PLUG 6 WAY ENDCAP DT .....	3
4-	60431GT	LOCK,PLUG 6 WAY,14-18GA .....	3
5	119067GT	CONN,RECEP 4 WAY ENDCAP DT .....	2
5-	60443GT	LOCK, RECEP 4WAY, 14-18GA .....	2
6	60457GT	CONN,RECEP 3 WAY,SAE J1939 .....	1
6-	60441GT	LOCK,RECEP 3 WAY,14-18GA .....	1
7	60529GT	CONN,RECEP 2 WAY,12-14GA .....	1
7-	60530GT	LOCK,RECEP 2 WAY,12-14GA .....	1
8	60513GT	CONN,PLUG 23 WAY,16-20 GA WHT .....	1

315.113A Harness, Drive Chassis



<i>Item</i>	<i>Part No.</i>	<i>Description</i>	<i>Qty.</i>
-	1271514GT	HARNES,DRIVE CHASSIS .....	1
1	60512GT	CONN,PLUG 23 WAY,16-20 GA BLK .....	1
2	75629GT	CONN,RECEP 3 WAY,W/FLANGE .....	4
2-	60441GT	LOCK,RECEP 3 WAY,14-18GA .....	4
3	119056GT	CONN PLUG 2 WAY ENDCAP DT .....	13
3-	60425GT	LOCK,PLUG 2 WAY, 14-18GA .....	13
4	119059GT	CONN PLUG 6 WAY ENDCAP DT .....	3
4-	60431GT	LOCK,PLUG 6 WAY,14-18GA .....	3
5	119067GT	CONN,RECEP 4 WAY ENDCAP DT .....	2
5-	60443GT	LOCK, RECEP 4WAY, 14-18GA .....	2
6	60457GT	CONN,RECEP 3 WAY,SAE J1939 .....	1
6-	60441GT	LOCK,RECEP 3 WAY,14-18GA .....	1
7	60529GT	CONN,RECEP 2 WAY,12-14GA .....	1
7-	60530GT	LOCK,RECEP 2 WAY,12-14GA .....	1
8	60513GT	CONN,PLUG 23 WAY,16-20 GA WHT .....	1

315.114 Harness, Function Manifold, SX-150

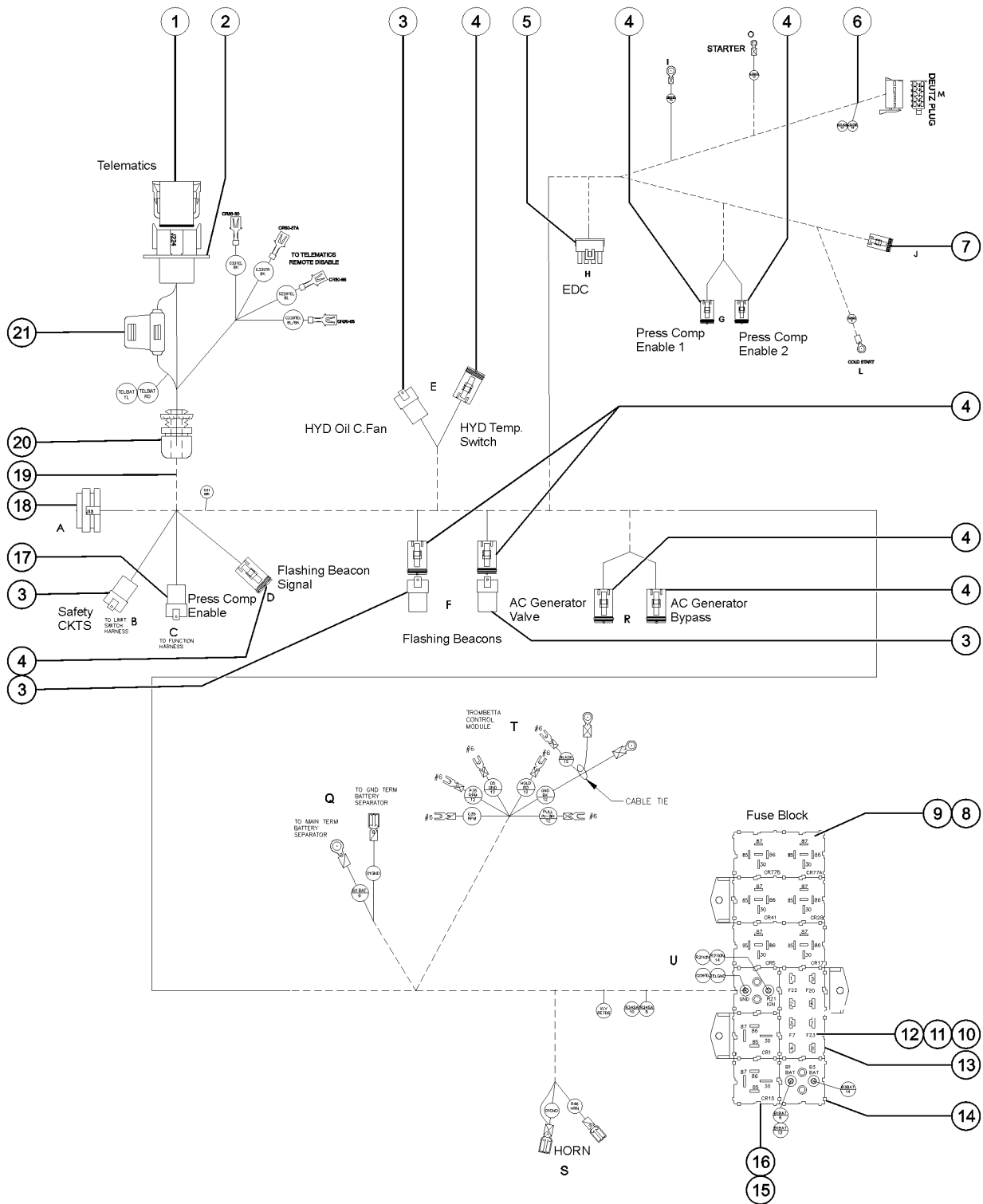




315.114 Harness, Function Manifold, SX-150

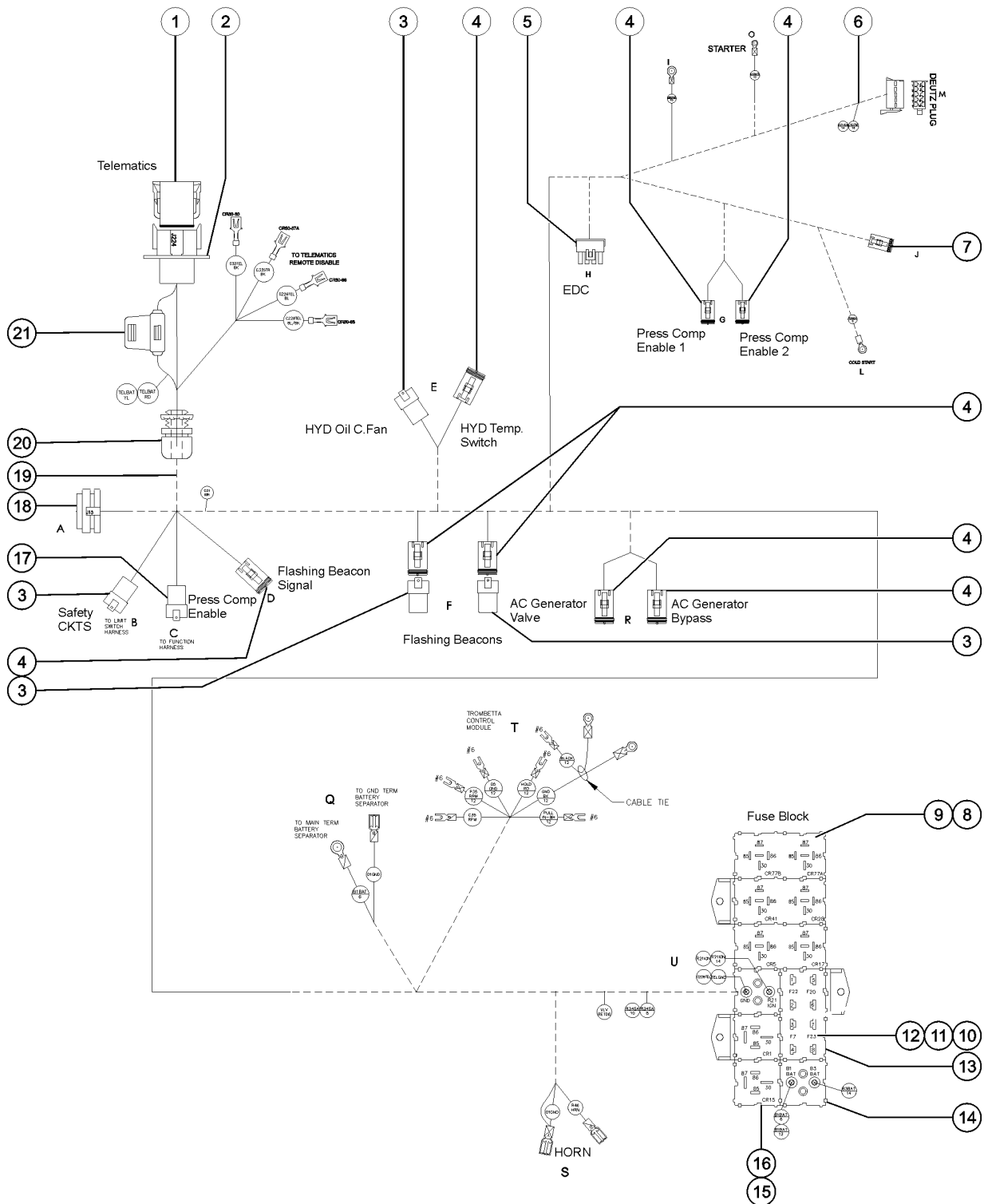
<i>Item</i>	<i>Part No.</i>	<i>Description</i>	<i>Qty.</i>
-	1257712GT	HARNESS, FUNCTION MANIFOLD, SX .....	1
1	119058GT	CONN PLUG 4 WAY ENDCAP DT .....	1
1-	60429GT	LOCK, PLUG 4WAY, 14-18GA .....	1
2	119056GT	CONN PLUG 2 WAY ENDCAP DT .....	9
2-	60425GT	LOCK,PLUG 2 WAY, 14-18GA .....	9
3	822453GT	CONN,2 WAY,METRI-PACK 150,BLA .....	1
3-	823599GT	LOCK,2WAY,TBA M/P 2BLU .....	1
4	60515GT	CONN,PLUG 35 WAY, 16-20GA WHT .....	1





Item	Part No.	Description	Qty.
-	232988GT	HARNESS, DEUTZ ENGINE, TD2011L .....	1
1	119060GT	CONN PLUG 8 WAY 14-48GA .....	1
1-	60433GT	LOCK,PLUG 8 WAY, 14-18GA .....	1
2	87755GT	CONN,RECEP 8 WAY 14-18GA,FL .....	1
2-	60447GT	LOCK,RECEP 8 WAY,14-18GA .....	1
3	119065GT	CONN,RECEP 2 WAY,14-18GA .....	4
3-	60439GT	LOCK,RECEP 2 WAY, 14-18GA .....	4
4	119056GT	CONN PLUG 2 WAY ENDCAP DT .....	8
4-	60425GT	LOCK,PLUG 2 WAY, 14-18GA .....	8
5	81765GT	CONN,DUAL EDC,4 PIN PACKARD .....	1
6	45782GT	DIODE,6 AMP,200 PIV,BULK .....	1
7	60527GT	CONN,PLUG 4 WAY,12-14GA*** .....	1
7-	60528GT	LOCK,PLUG 4 WAY,12-14GA*** .....	1
8	34052GT	RELAY,SPDT,12V(AUTO) PLUG IN** .....	6
9	88167GT	CONN,DUAL RLY MODULE,10 POS .....	3
10	101340GT	FUSE,60 AMP,MAXI .....	1
11	60536GT	FUSE,20 AMP,MAXI .....	2
12	94327GT	FUSE,30 AMP .....	1
13	88164GT	CONN MAXI FUSE MODULE,4POS .....	1
14	106051GT	CONN,FEED THRU STUD .....	2
14-	6178GT	NUT,NYLOCK,10-32 .....	4
15	88162GT	CONN,POWER RLY MODULE,4POS .....	2
16	61225GT	RELAY,12VDC,70AMP,SEALED .....	2
17	119067GT	CONN,RECEP 4 WAY ENDCAP DT .....	1
17-	60443GT	LOCK, RECEP 4WAY, 14-18GA .....	1
18	60513GT	CONN,PLUG 23 WAY,16-20 GA WHT .....	1
19	53471GT	WIRE LOOM,3/8 NYLON,HI TEMP .....	138
20	7057GT	CONN. SQZ,1/2NPT .39-.56 MED. ....	1

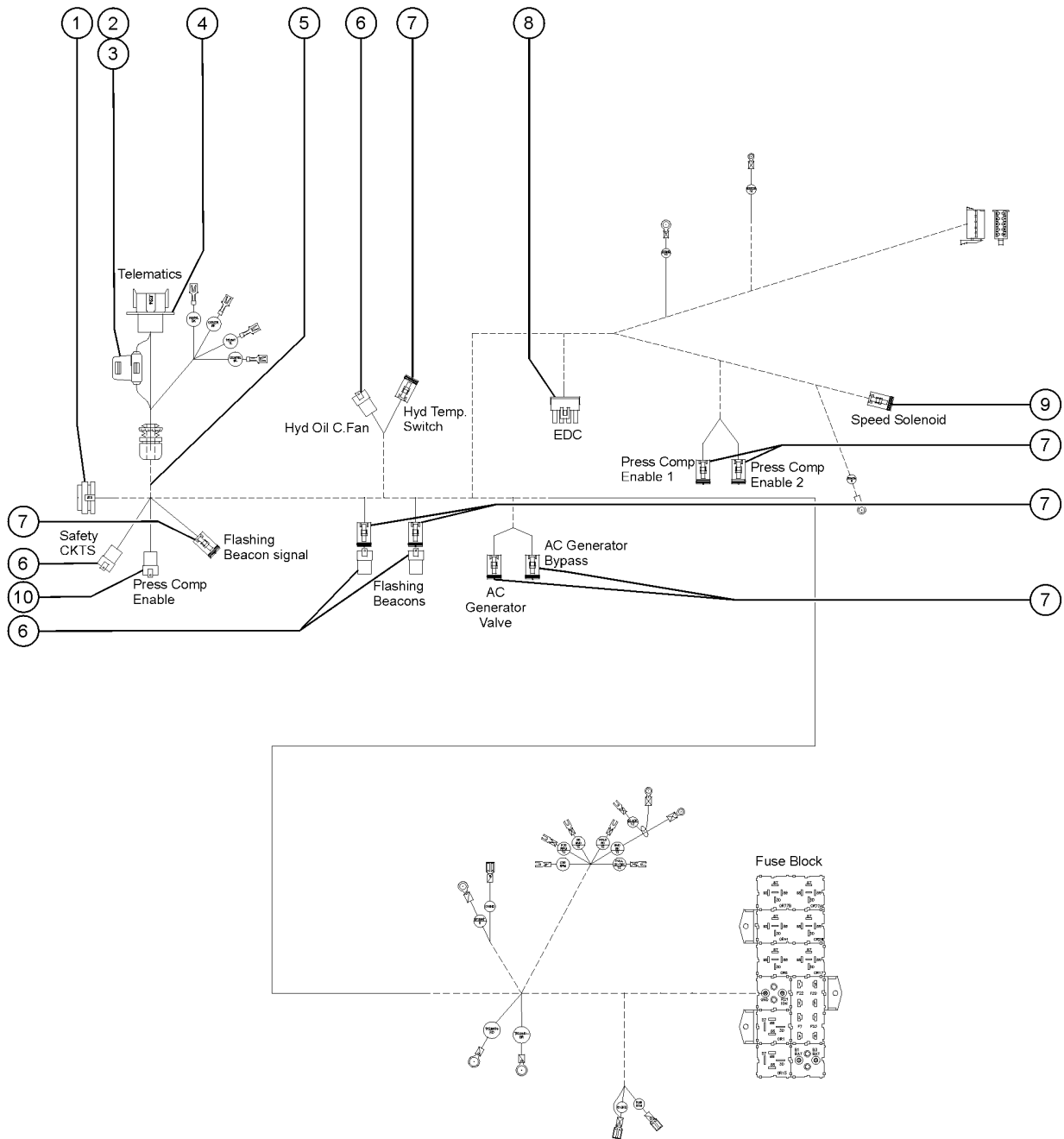




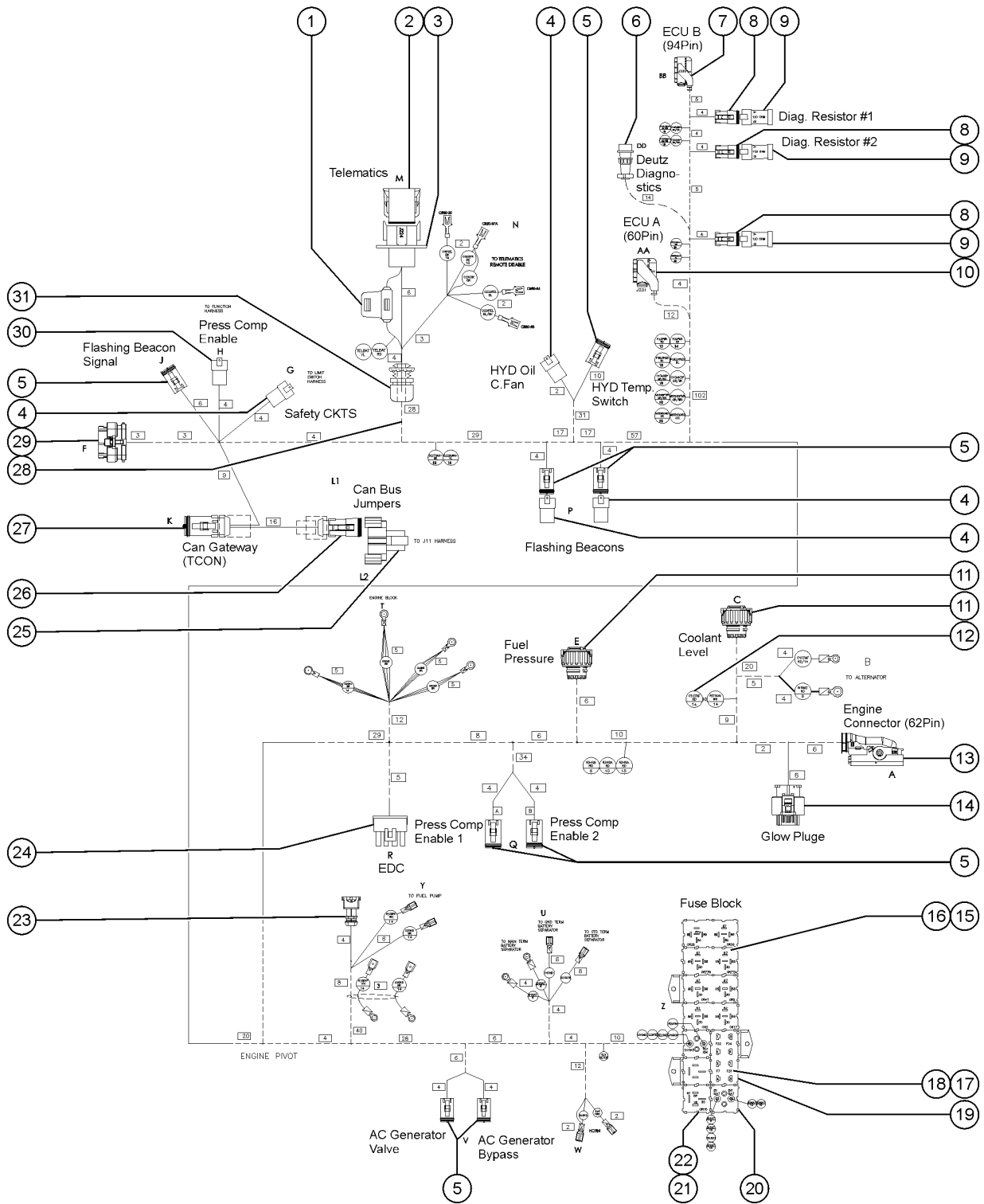
315.115 Harness, Deutz Engine, TD2011I04i

<i>Item</i>	<i>Part No.</i>	<i>Description</i>	<i>Qty.</i>
20-	6935GT	LOCKNUT,ELEC,1/2" .....	1
21	1253210GT	CIRCUIT BRKR THERM AUTORESET 6 .....	3
21-	121657GT	FUSE HOLDER,ATC 1-20 AMPS .....	1





<i>Item</i>	<i>Part No.</i>	<i>Description</i>	<i>Qty.</i>
-	1291165GT	HARNESS, DEUTZ ENGINE, TD2011L04i .....	1
-	101191GT	WIRE LOOM,1"DIA.SLIT,HI TEMP .....	210
-	75640GT	WIRE LOOM,3/4 DIA. ....	70
-	94652GT	WIRE LOOM,1/2DIA.SLIT HI-TEMP* .....	30
-	45782GT	DIODE,6 AMP,200 PIV,BULK .....	1
1	60513GT	CONN,PLUG 23 WAY,16-20 GA WHT .....	1
2	121657GT	FUSE HOLDER,ATC 1-20 AMPS .....	1
3	1253210GT	CIRCUIT BRKR THERM AUTORESET 6 .....	1
4	73730GT	CONN,RECEP 12 WAY,GRY FLANGE .....	1
4-	54255GT	LOCK,RECEP 12 WAY, 14-18GA .....	1
5	53471GT	WIRE LOOM,3/8 NYLON,HI TEMP .....	138
6	119065GT	CONN,RECEP 2 WAY,14-18GA .....	4
6-	60439GT	LOCK,RECEP 2 WAY, 14-18GA .....	4
7	119056GT	CONN PLUG 2 WAY ENDCAP DT .....	8
7-	60425GT	LOCK,PLUG 2 WAY, 14-18GA .....	8
8	81765GT	CONN,DUAL EDC,4 PIN PACKARD .....	1
9	60527GT	CONN,PLUG 4 WAY,12-14GA*** .....	1
9-	60528GT	LOCK,PLUG 4 WAY,12-14GA*** .....	1
10	119067GT	CONN,RECEP 4 WAY ENDCAP DT .....	1
10-	60443GT	LOCK, RECEP 4WAY, 14-18GA .....	1

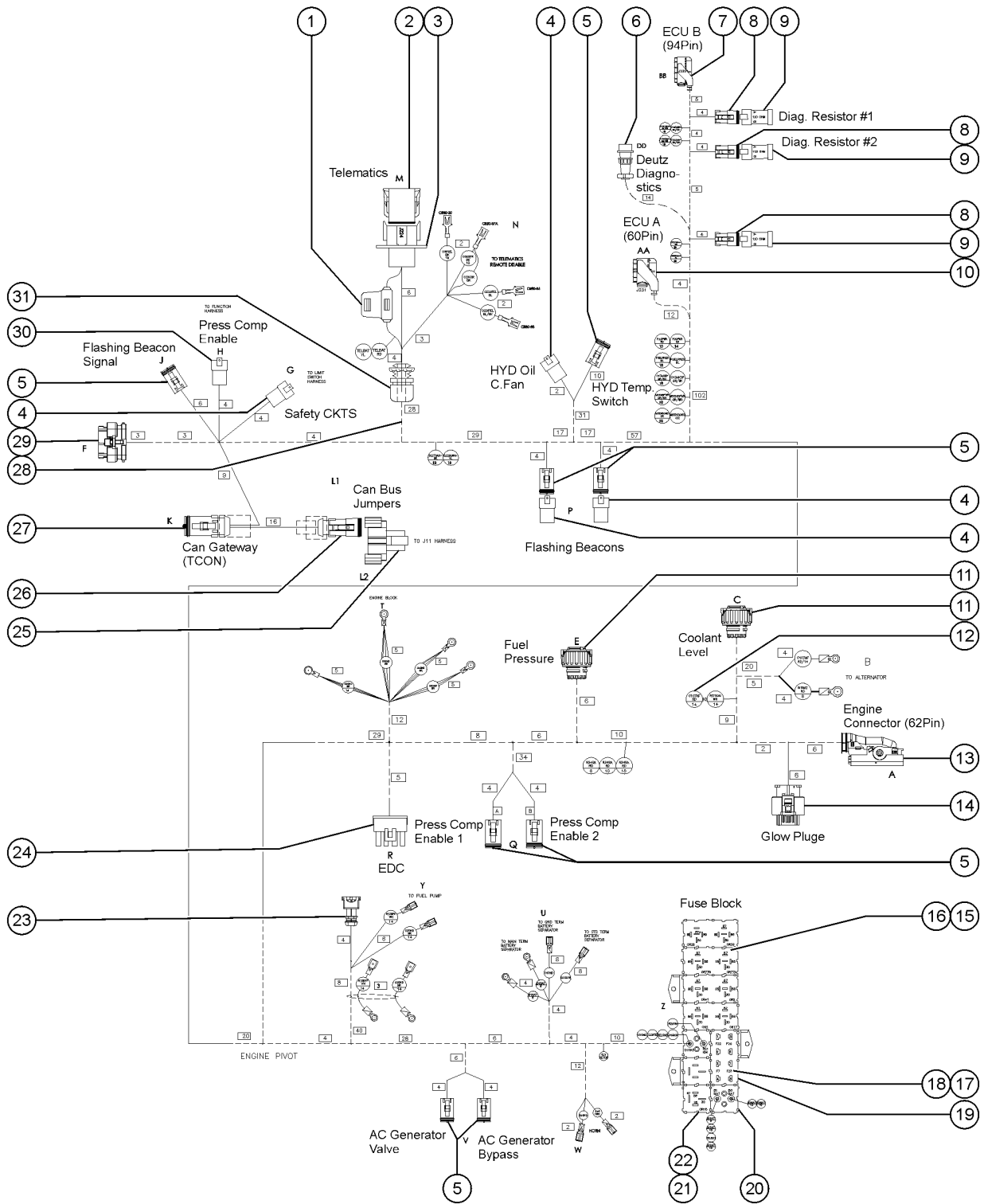




Item	Part No.	Description	Qty.
-	1257246GT	HARNESS, DEUTZ 2.9, TIER 4, SUPER X .....	1
1	1253210GT	CIRCUIT BRKR THERM AUTORESET 6 .....	1
1-	121657GT	FUSE HOLDER,ATC 1-20 AMPS .....	1
2	119060GT	CONN PLUG 8 WAY 14-48GA .....	1
2-	60433GT	LOCK,PLUG 8 WAY, 14-18GA .....	1
3	87755GT	CONN,RECEP 8 WAY 14-18GA,FL .....	1
3-	60447GT	LOCK,RECEP 8 WAY,14-18GA .....	1
4	119065GT	CONN,RECEP 2 WAY,14-18GA .....	4
4-	60439GT	LOCK,RECEP 2 WAY, 14-18GA .....	4
5	119056GT	CONN PLUG 2 WAY ENDCAP DT .....	8
5-	60425GT	LOCK,PLUG 2 WAY, 14-18GA .....	8
6	822448GT	CONN,REC,CANN TR 12WAY,SIZE14 .....	1
7	822439GT	CONN KIT,94POS,AMP MQS1.5/MCP2.8 .....	1
8	119057GT	CONN PLUG 3 WAY ENDCAP DT .....	3
8-	60459GT	LOCK,PLUG 3 WAY,SAE J1939 .....	3
9	60452GT	CONN,RESISTOR, 3 WAY SAE J1939 .....	3
10	822438GT	CONN KIT,RECEP 60POS,AMP MQS 1.5 .....	1
11	822445GT	CONN,CIRC. AMP 4WAY,BLACK .....	2
12	45782GT	DIODE,6 AMP,200 PIV,BULK .....	1
13	822436GT	CONN,RECEP 62POS,AMP MCP1.5K/2.8 .....	1
13-	822437GT	COVER,AMP 39/62POS CONNECTORS .....	1
14	822442GT	CONN,REC 2 WAY,AMP 8MM NGI, BL .....	1
15	34052GT	RELAY,SPDT,12V(AUTO) PLUG IN** .....	6
16	88167GT	CONN,DUAL RLY MODULE,10 POS .....	4
17	101340GT	FUSE,60 AMP,MAXI .....	1
18	94327GT	FUSE,30 AMP .....	3
19	88164GT	CONN MAXI FUSE MODULE,4POS .....	1
20	106051GT	CONN,FEED THRU STUD .....	2



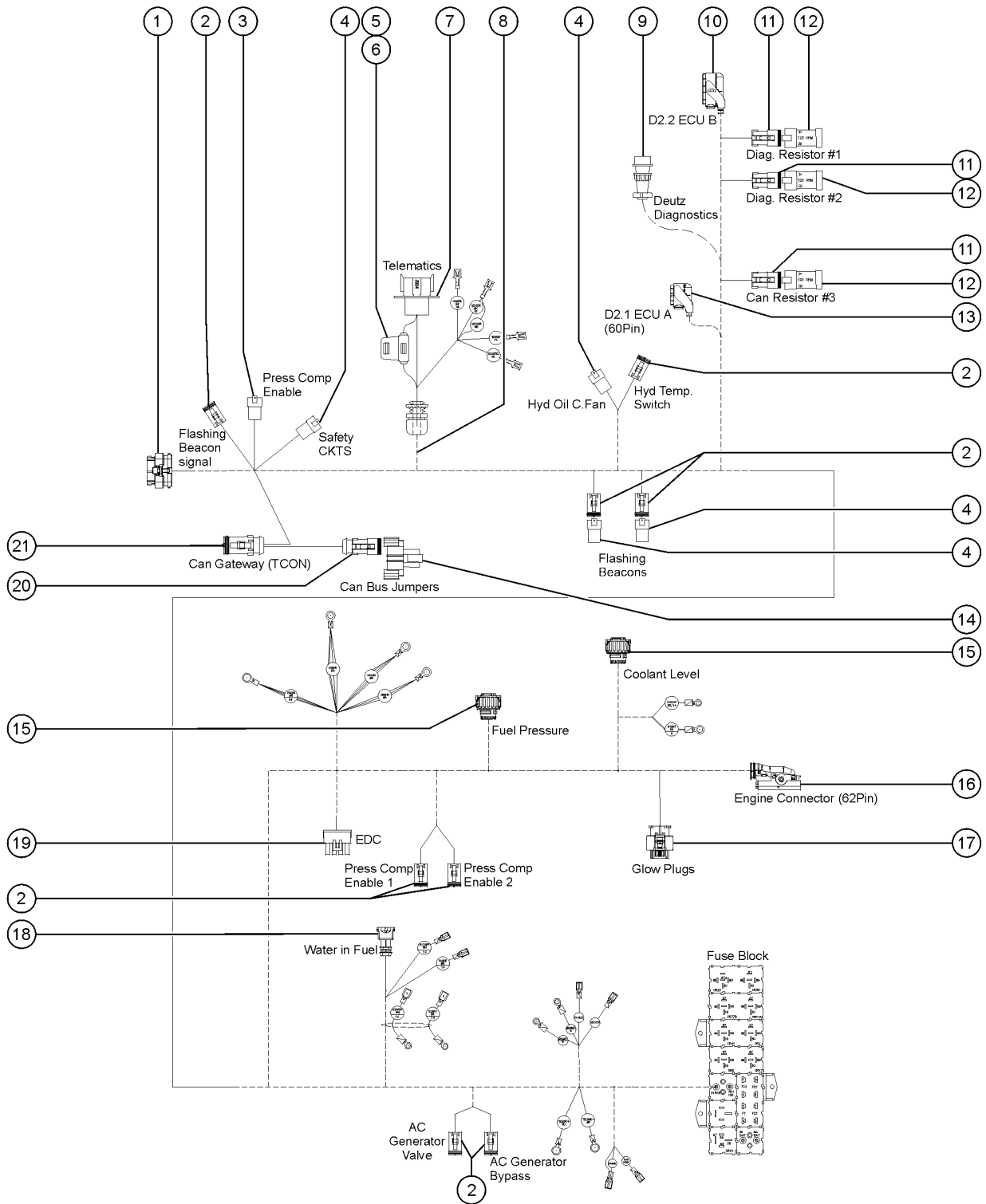
315.115B Harness, Deutz 2.9, Tier 4, Super X



315.115B Harness, Deutz 2.9, Tier 4, Super X

<i>Item</i>	<i>Part No.</i>	<i>Description</i>	<i>Qty.</i>
20-	6178GT	NUT,NYLOCK,10-32 .....	4
21	88162GT	CONN,POWER RLY MODULE,4POS .....	2
22	61225GT	RELAY,12VDC,70AMP,SEALED .....	1
23	56687GT	CONNECTOR,AMP 2-WAY JR.POWER .....	1
24	81765GT	CONN,DUAL EDC,4 PIN PACKARD .....	1
25	60451GT	CONN,TEE 3 WAY,SAE J1939 .....	1
26	60450GT	CONN,PLUG 3 WAY,SAE J1939 .....	1
26-	60427GT	LOCK,PLUG 3 WAY,14-18GA .....	1
27	119762GT	CONN PLUG 4 WAY EXTEND DT .....	1
27-	60429GT	LOCK, PLUG 4WAY, 14-18GA .....	1
28	53471GT	WIRE LOOM,3/8 NYLON,HI TEMP .....	138
29	60513GT	CONN,PLUG 23 WAY,16-20 GA WHT .....	1
30	119067GT	CONN,RECEP 4 WAY ENDCAP DT .....	1
30-	60443GT	LOCK, RECEP 4WAY, 14-18GA .....	1
31	7057GT	CONN. SQZ,1/2NPT .39-.56 MED. ....	1
31-	6935GT	LOCKNUT,ELEC,1/2" .....	1

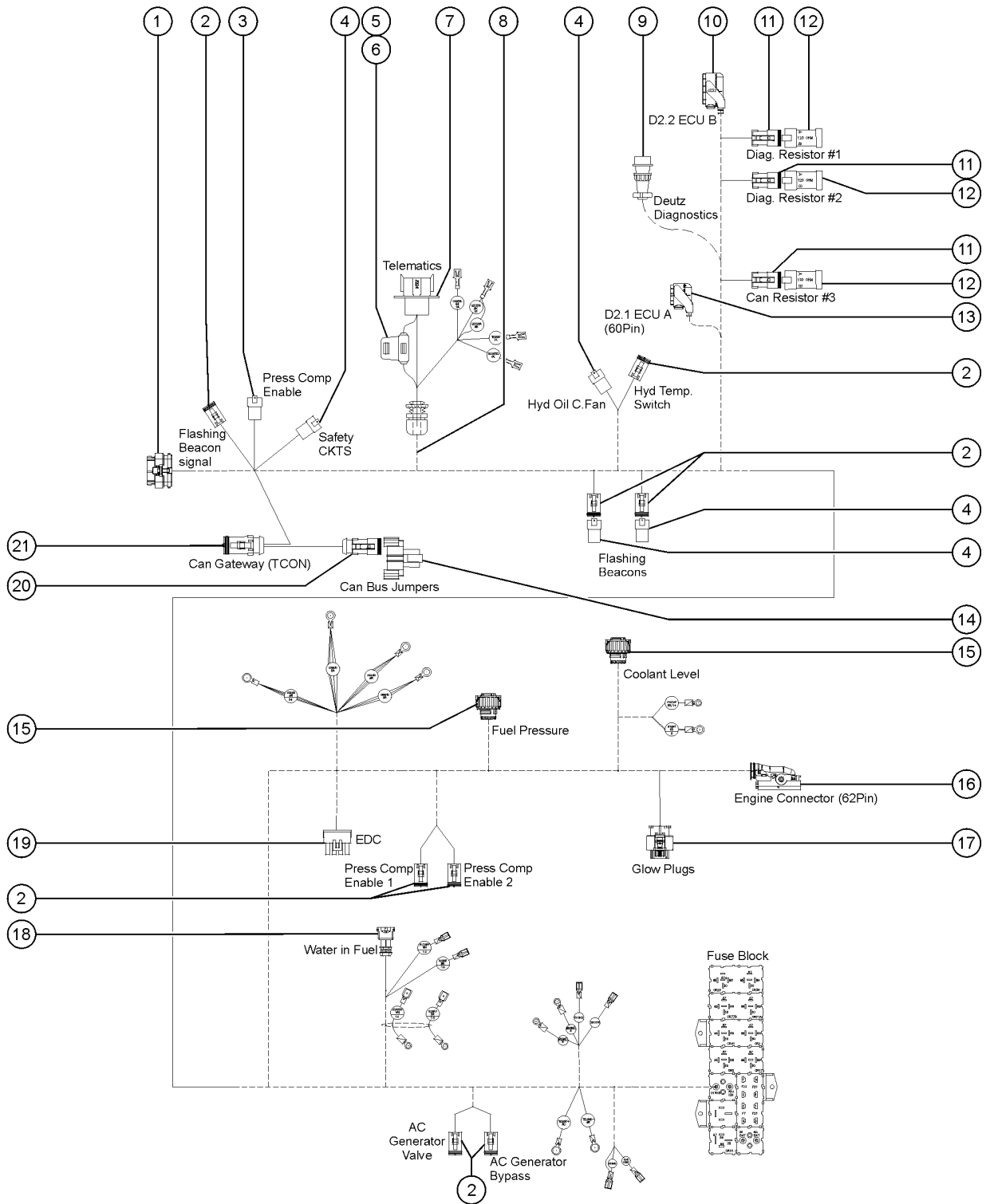
315.115BB Harness, Deutz 2.9, Tier 4, Super x



Item	Part No.	Description	Qty.
-	1291193GT	HARNESS, DEUTZ 2.9, TIER 4, SUPER X .....	
-	101191GT	WIRE LOOM,1"DIA.SLIT,HI TEMP .....	210
-	75640GT	WIRE LOOM,3/4 DIA. ....	70
-	94652GT	WIRE LOOM,1/2DIA.SLIT HI-TEMP* .....	30
-	45782GT	DIODE,6 AMP,200 PIV,BULK .....	1
1	60513GT	CONN,PLUG 23 WAY,16-20 GA WHT .....	1
2	119056GT	CONN PLUG 2 WAY ENDCAP DT .....	8
2-	60425GT	LOCK,PLUG 2 WAY, 14-18GA .....	8
3	119067GT	CONN,RECEP 4 WAY ENDCAP DT .....	1
3-	60443GT	LOCK, RECEP 4WAY, 14-18GA .....	1
4	119065GT	CONN,RECEP 2 WAY,14-18GA .....	4
4-	60439GT	LOCK,RECEP 2 WAY, 14-18GA .....	4
5	121657GT	FUSE HOLDER,ATC 1-20 AMPS .....	1
6	1253210GT	CIRCUIT BRKR THERM AUTORESET 6 .....	1
7	73730GT	CONN,RECEP 12 WAY,GRY FLANGE .....	1
7-	54255GT	LOCK,RECEP 12 WAY, 14-18GA .....	1
8	53471GT	WIRE LOOM,3/8 NYLON,HI TEMP .....	138
9	822448GT	CONN,REC,CANN TR 12WAY,SIZE14 .....	1
10	822439GT	CONN KIT,94POS,AMP MQS1.5/MCP2.8 .....	1
11	119057GT	CONN PLUG 3 WAY ENDCAP DT .....	3
12	60452GT	CONN,RESISTOR, 3 WAY SAE J1939 .....	3
13	822438GT	CONN KIT,RECEP 60POS,AMP MQS 1.5 .....	1
14	60451GT	CONN,TEE 3 WAY,SAE J1939 .....	1
15	822445GT	CONN,CIRC. AMP 4WAY,BLACK .....	2
16	822436GT	CONN,RECEP 62POS,AMP MCP1.5K/2.8 .....	1
17	822442GT	CONN,REC 2 WAY,AMP 8MM NGI, BL .....	1
18	56687GT	CONNECTOR,AMP 2-WAY JR.POWER .....	1
19	81765GT	CONN,DUAL EDC,4 PIN PACKARD .....	1



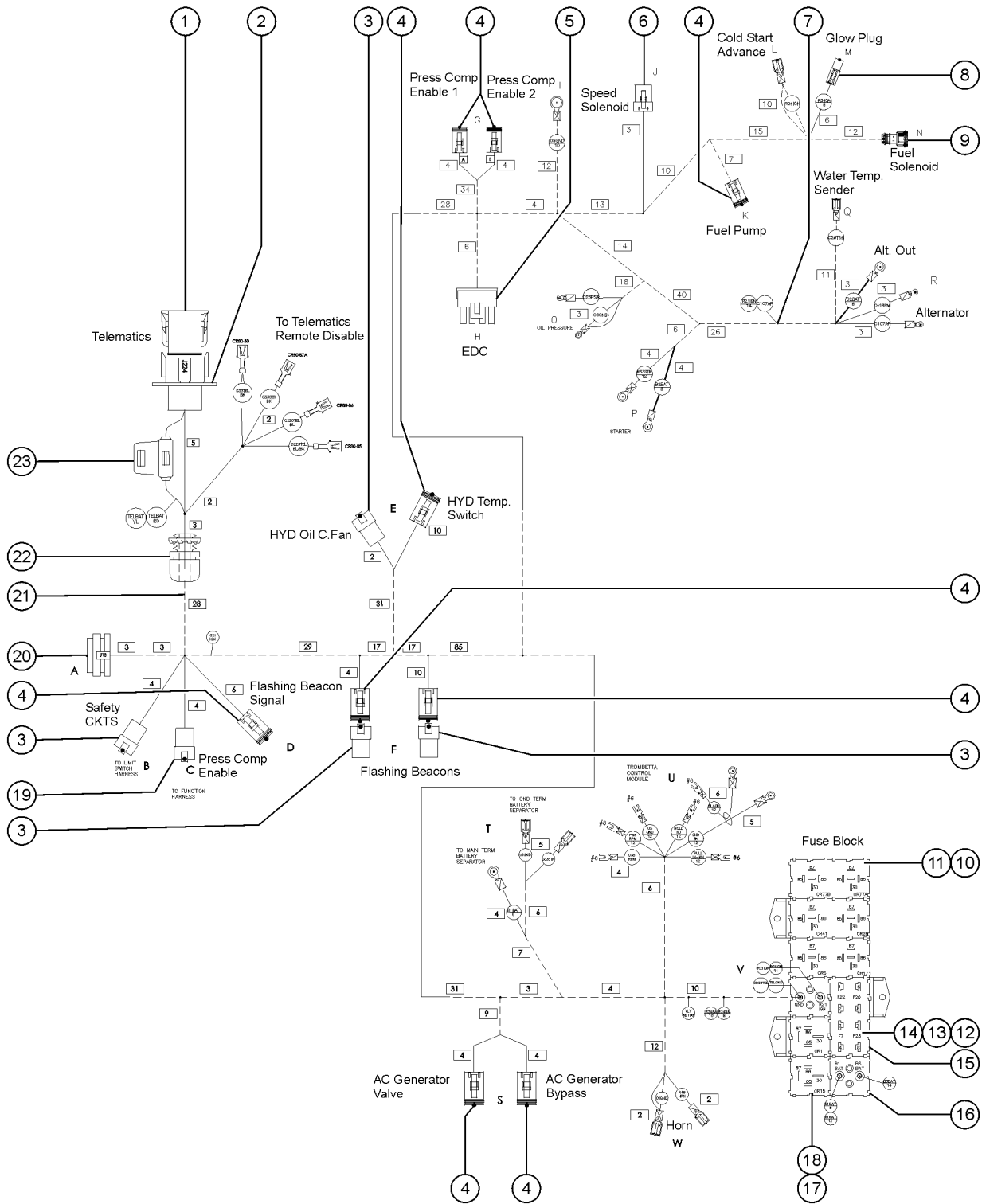
315.115BB Harness, Deutz 2.9, Tier 4, Super x



315.115BB Harness, Deutz 2.9, Tier 4, Super x

<i>Item</i>	<i>Part No.</i>	<i>Description</i>	<i>Qty.</i>
20	60450GT	CONN,PLUG 3 WAY,SAE J1939 .....	1
20-	60427GT	LOCK,PLUG 3 WAY,14-18GA .....	1
21	119762GT	CONN PLUG 4 WAY EXTEND DT .....	1
21-	60429GT	LOCK, PLUG 4WAY, 14-18GA .....	1

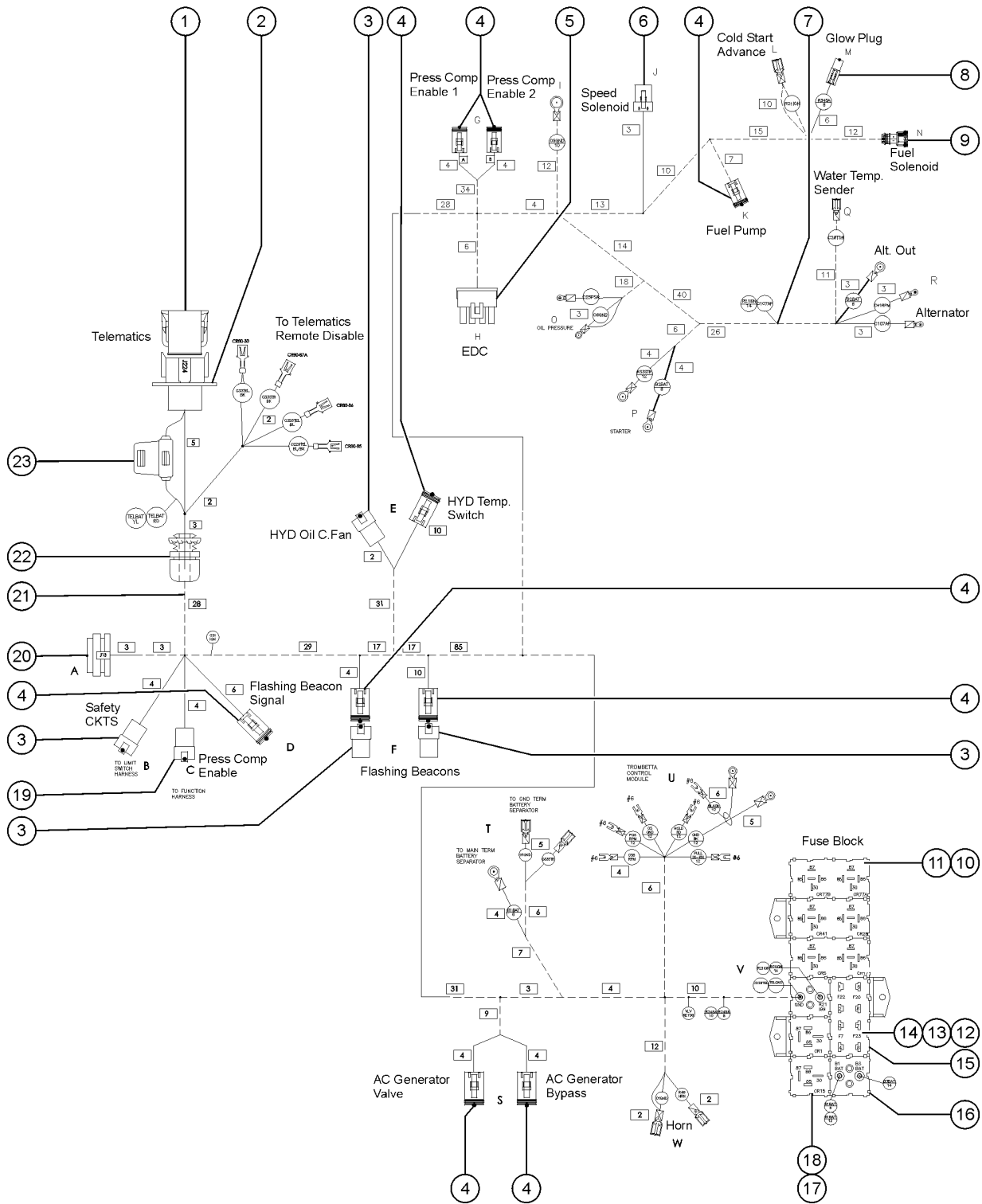






Item	Part No.	Description	Qty.
-	232989GT	HARNESS, PERKINS ENGINE, 1104D .....	1
1	119060GT	CONN PLUG 8 WAY 14-48GA .....	1
1-	60433GT	LOCK,PLUG 8 WAY, 14-18GA .....	1
2	87755GT	CONN,RECEP 8 WAY 14-18GA,FL .....	1
2-	60447GT	LOCK,RECEP 8 WAY,14-18GA .....	1
3	119065GT	CONN,RECEP 2 WAY,14-18GA .....	4
3-	60439GT	LOCK,RECEP 2 WAY, 14-18GA .....	4
4	119056GT	CONN PLUG 2 WAY ENDCAP DT .....	9
4-	60425GT	LOCK,PLUG 2 WAY, 14-18GA .....	9
5	81765GT	CONN,DUAL EDC,4 PIN PACKARD .....	1
6	60527GT	CONN,PLUG 4 WAY,12-14GA*** .....	1
6-	60528GT	LOCK,PLUG 4 WAY,12-14GA*** .....	1
7	45782GT	DIODE,6 AMP,200 PIV,BULK .....	1
8	60768GT	CONN,PLUG 1 WAY,8-10GA .....	1
9	56687GT	CONNECTOR,AMP 2-WAY JR.POWER .....	1
10	34052GT	RELAY,SPDT,12V(AUTO) PLUG IN** .....	6
11	88167GT	CONN,DUAL RLY MODULE,10 POS .....	3
12	101340GT	FUSE,60 AMP,MAXI .....	1
13	60536GT	FUSE,20 AMP,MAXI .....	2
14	94327GT	FUSE,30 AMP .....	1
15	88164GT	CONN MAXI FUSE MODULE,4POS .....	1
16	106051GT	CONN,FEED THRU STUD .....	2
16-	6178GT	NUT,NYLOCK,10-32 .....	4
17	88162GT	CONN,POWER RLY MODULE,4POS .....	2
18	61225GT	RELAY,12VDC,70AMP,SEALED .....	2
19	119067GT	CONN,RECEP 4 WAY ENDCAP DT .....	1
19-	60443GT	LOCK, RECEP 4WAY, 14-18GA .....	1
20	60513GT	CONN,PLUG 23 WAY,16-20 GA WHT .....	1

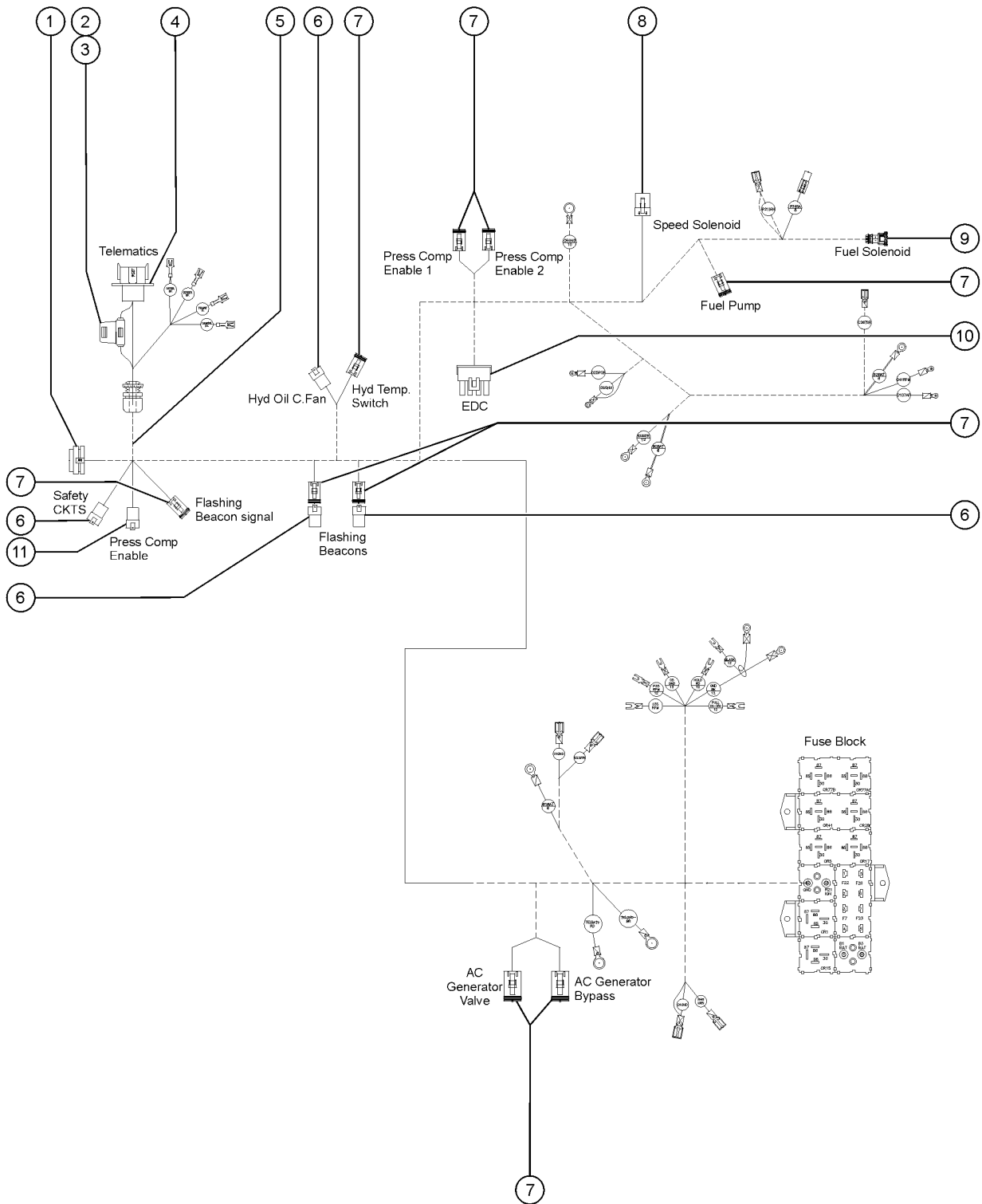




315.115C Harness, Perkins Engine, 1104D

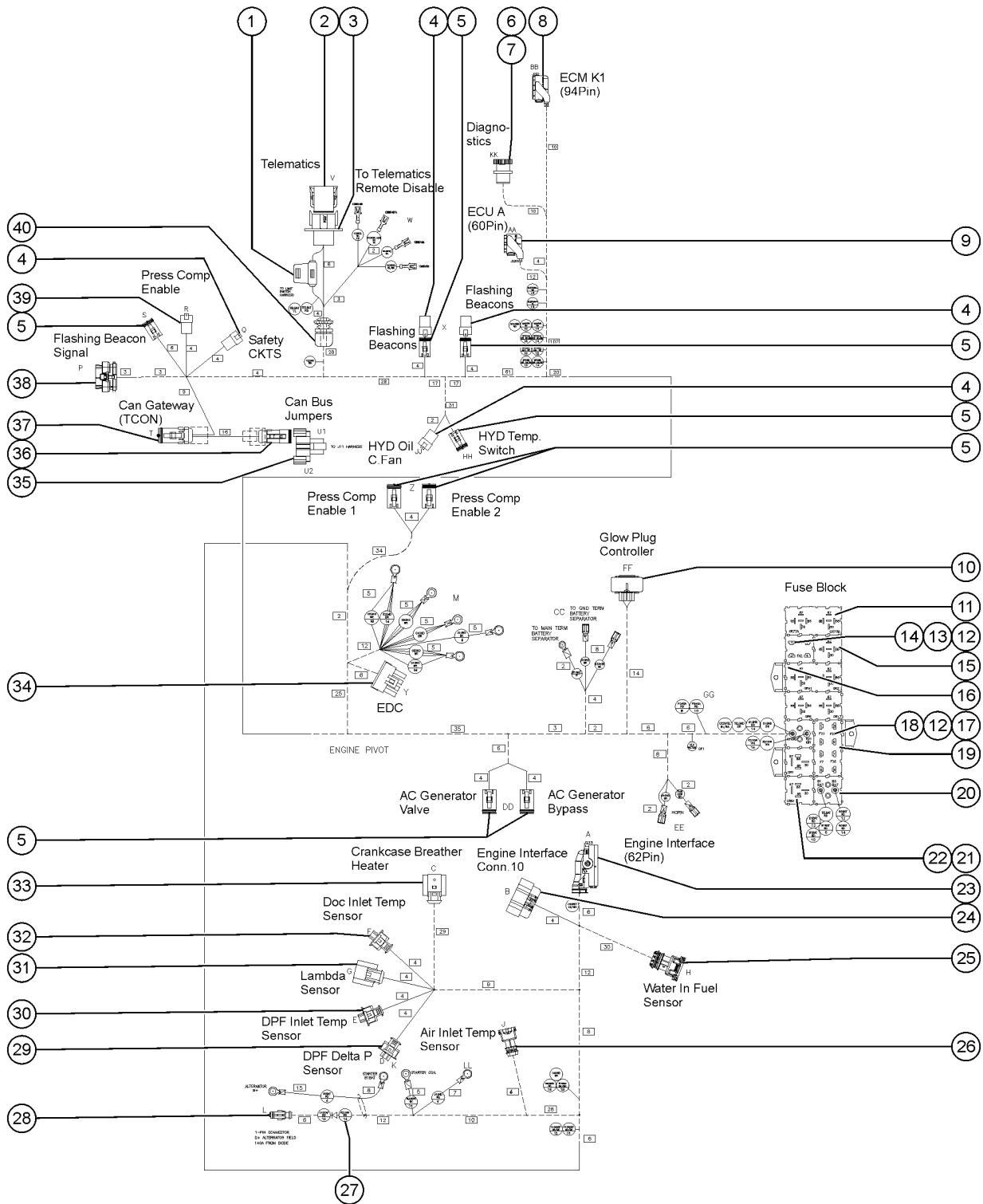
<i>Item</i>	<i>Part No.</i>	<i>Description</i>	<i>Qty.</i>
21	53471GT	WIRE LOOM,3/8 NYLON,HI TEMP .....	138
22	7057GT	CONN. SQZ,1/2NPT .39-.56 MED. ....	1
22-	6935GT	LOCKNUT,ELEC,1/2" .....	1
23	1253210GT	CIRCUIT BRKR THERM AUTORESET 6 .....	1
23-	121657GT	FUSE HOLDER,ATC 1-20 AMPS .....	1

315.115CC Harness, Perkins Engine, 1104D



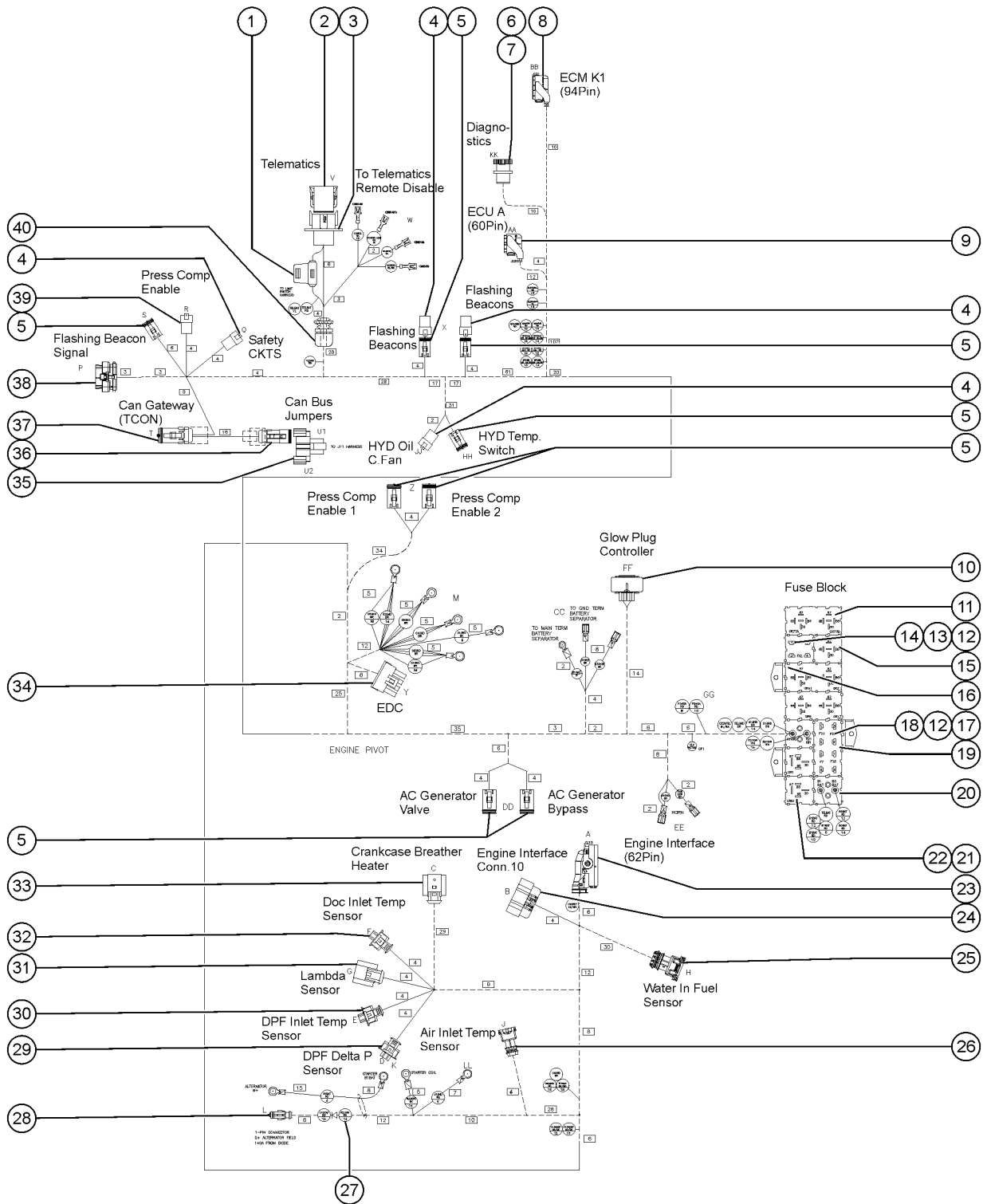
<i>Item</i>	<i>Part No.</i>	<i>Description</i>	<i>Qty.</i>
-	1291191GT	HARNESS, PERKINS ENGINE, 1104D .....	1
-	101191GT	WIRE LOOM,1"DIA.SLIT,HI TEMP .....	210
-	75640GT	WIRE LOOM,3/4 DIA. ....	70
-	94652GT	WIRE LOOM,1/2DIA.SLIT HI-TEMP* .....	30
-	45782GT	DIODE,6 AMP,200 PIV,BULK .....	1
1	60513GT	CONN,PLUG 23 WAY,16-20 GA WHT .....	1
2	121657GT	FUSE HOLDER,ATC 1-20 AMPS .....	1
3	1253210GT	CIRCUIT BRKR THERM AUTORESET 6 .....	1
4	73730GT	CONN,RECEP 12 WAY,GRY FLANGE .....	1
4-	54255GT	LOCK,RECEP 12 WAY, 14-18GA .....	1
5	53471GT	WIRE LOOM,3/8 NYLON,HI TEMP .....	138
6	119065GT	CONN,RECEP 2 WAY,14-18GA .....	4
6-	60439GT	LOCK,RECEP 2 WAY, 14-18GA .....	4
7	119056GT	CONN PLUG 2 WAY ENDCAP DT .....	9
7-	60425GT	LOCK,PLUG 2 WAY, 14-18GA .....	9
8	60527GT	CONN,PLUG 4 WAY,12-14GA*** .....	1
8-	60528GT	LOCK,PLUG 4 WAY,12-14GA*** .....	1
9	56687GT	CONNECTOR,AMP 2-WAY JR.POWER .....	1
10	81765GT	CONN,DUAL EDC,4 PIN PACKARD .....	1
11	119067GT	CONN,RECEP 4 WAY ENDCAP DT .....	1
11-	60443GT	LOCK, RECEP 4WAY, 14-18GA .....	1

315.115D Harness, Perkins 854T, Tier 4, Super X



<i>Item</i>	<i>Part No.</i>	<i>Description</i>	<i>Qty.</i>
-	1257247GT	HARNESS, PERKINS 854T, TIER 4, SUPER X .....	1
1	1253210GT	CIRCUIT BRKR THERM AUTORESET 6 .....	1
1-	121657GT	FUSE HOLDER,ATC 1-20 AMPS .....	1
2	119060GT	CONN PLUG 8 WAY 14-48GA .....	1
2-	60433GT	LOCK,PLUG 8 WAY, 14-18GA .....	1
3	87755GT	CONN,RECEP 8 WAY 14-18GA,FL .....	1
3-	60447GT	LOCK,RECEP 8 WAY,14-18GA .....	1
4	119065GT	CONN,RECEP 2 WAY,14-18GA .....	3
4-	60439GT	LOCK,RECEP 2 WAY, 14-18GA .....	3
5	119056GT	CONN PLUG 2 WAY ENDCAP DT .....	8
5-	60425GT	LOCK,PLUG 2 WAY, 14-18GA .....	8
6	823052GT	CONN,RECEP 9-WAY,FL. GRAY .....	1
7	823053GT	CONN,DUST CAP,RECEP,9-WAY GRAY .....	1
8	822439GT	CONN KIT,94POS,AMP MQS1.5/MCP2.8 .....	1
9	822438GT	CONN KIT,RECEP 60POS,AMP MQS 1.5 .....	1
10	1258089GT	CONN,RELAY SOC,6X2.8+2X8 .....	1
11	34052GT	RELAY,SPDT,12V(AUTO) PLUG IN** .....	4
12	94327GT	FUSE,30 AMP .....	3
13	60536GT	FUSE,20 AMP,MAXI .....	1
14	106092GT	CONN,2 POS MAXI FUSE .....	1
15	106068GT	CONN,SINGLE RLY MODULE,5POS .....	1
16	88167GT	CONN,DUAL RLY MODULE,10 POS .....	2
17	101340GT	FUSE,60 AMP,MAXI .....	1
18	1258391GT	FUSE, 50 AMP, MAXI .....	1
19	88164GT	CONN MAXI FUSE MODULE,4POS .....	1
20	106051GT	CONN,FEED THRU STUD .....	2
21	88162GT	CONN,POWER RLY MODULE,4POS .....	2
22	119067GT	CONN,RECEP 4 WAY ENDCAP DT .....	1

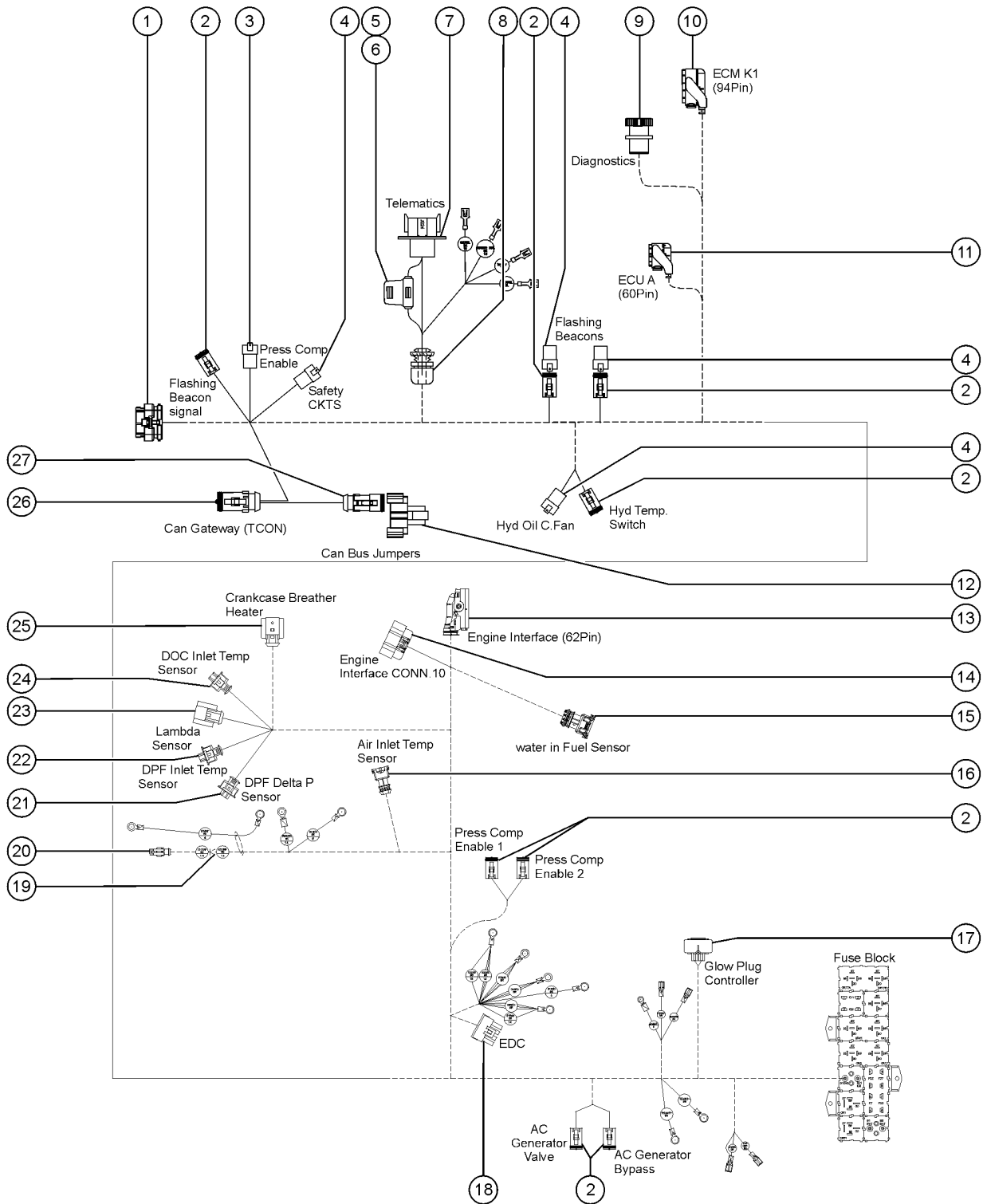
315.115D Harness, Perkins 854T, Tier 4, Super X





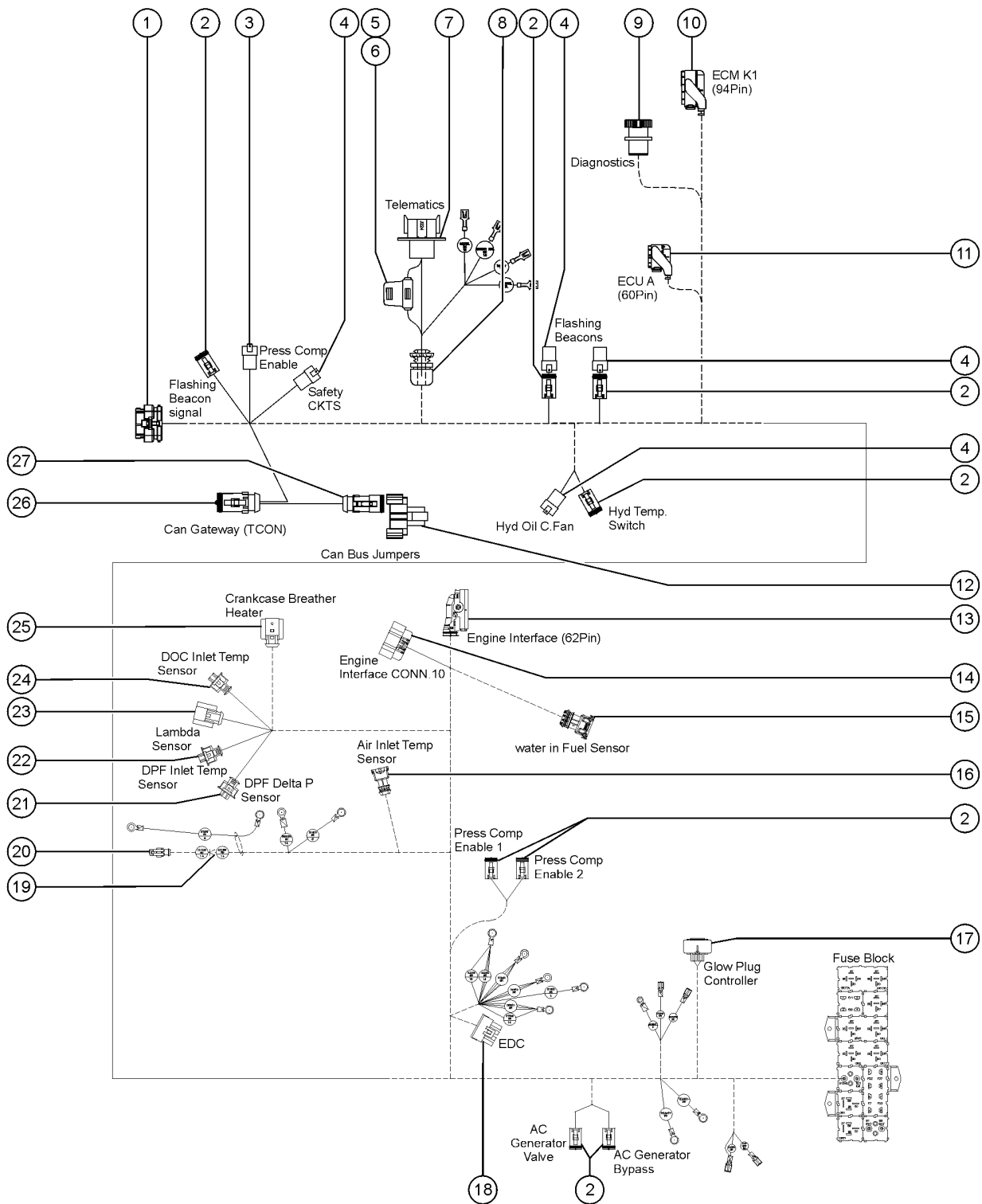
Item	Part No.	Description	Qty.
23	822436GT	CONN,RECEP 62POS,AMP MCP1.5K/2.8 .....	1
23-	822437GT	COVER,AMP 39/62POS CONNECTORS .....	1
24	1258075GT	CONN,PLUG,GT280,10-WAY .....	1
25	1258094GT	CONN,PLUG,AMP JR PWR 3-WAY .....	1
26	1258073GT	CONN,PLUG,AMP JR PWR 2-WAY .....	1
27	45782GT	DIODE,6 AMP,200 PIV,BULK .....	1
28	1258097GT	CONN,PLUG,AMP,1-WAY .....	1
29	1258081GT	CONN,PLUG,BOSCH K,3-WAY .....	1
30	1258088GT	CONN,PLUG,BOSCH,2-WAY,WHITE .....	1
31	1258084GT	CONN,PLUG,BOSCH,6-WAY .....	1
32	1258087GT	CONN,PLUG,BOSCH,2-WAY,BROWN .....	1
33	1258096GT	CONN,PLUG,TYCO2.8MM,2-WAY .....	1
34	81765GT	CONN,DUAL EDC,4 PIN PACKARD .....	1
35	60451GT	CONN,TEE 3 WAY,SAE J1939 .....	1
36	60450GT	CONN,PLUG 3 WAY,SAE J1939 .....	1
36-	60459GT	LOCK,PLUG 3 WAY,SAE J1939 .....	1
37	119762GT	CONN PLUG 4 WAY EXTEND DT .....	1
37-	60429GT	LOCK, PLUG 4WAY, 14-18GA .....	1
38	60513GT	CONN,PLUG 23 WAY,16-20 GA WHT .....	1
39	119067GT	CONN,RECEP 4 WAY ENDCAP DT .....	1
39-	60443GT	LOCK, RECEP 4WAY, 14-18GA .....	1
40	7056GT	CONN, SQZ, 1/2NPT .38-.50, SM** .....	1
40-	6935GT	LOCKNUT,ELEC,1/2" .....	1





Item	Part No.	Description	Qty.
-	1291198GT	HARNESS, PERKINS 854T, TIER 4, SUPER X .....	1
1	60513GT	CONN,PLUG 23 WAY,16-20 GA WHT .....	1
2	119056GT	CONN PLUG 2 WAY ENDCAP DT .....	8
2-	60425GT	LOCK,PLUG 2 WAY, 14-18GA .....	8
3	119067GT	CONN,RECEP 4 WAY ENDCAP DT .....	1
4	119065GT	CONN,RECEP 2 WAY,14-18GA .....	3
4-	60439GT	LOCK,RECEP 2 WAY, 14-18GA .....	3
5	121657GT	FUSE HOLDER,ATC 1-20 AMPS .....	1
6	1253210GT	CIRCUIT BRKR THERM AUTORESET 6 .....	1
7	73730GT	CONN,RECEP 12 WAY,GRY FLANGE .....	1
7-	54255GT	LOCK,RECEP 12 WAY, 14-18GA .....	1
8	7056GT	CONN, SQZ, 1/2NPT .38-.50, SM** .....	1
8-	6935GT	LOCKNUT,ELEC,1/2" .....	1
9	823052GT	CONN,RECEP 9-WAY,FL. GRAY .....	1
9-	823053GT	CONN,DUST CAP,RECEP,9-WAY GRAY .....	1
10	822439GT	CONN KIT,94POS,AMP MQS1.5/MCP2.8 .....	1
11	822438GT	CONN KIT,RECEP 60POS,AMP MQS 1.5 .....	1
12	60451GT	CONN,TEE 3 WAY,SAE J1939 .....	1
13	822436GT	CONN,RECEP 62POS,AMP MCP1.5K/2.8 .....	1
14	1258075GT	CONN,PLUG,GT280,10-WAY .....	1
14-	1258079GT	LOCK,LATCH,GT280,GRA .....	1
15	1258094GT	CONN,PLUG,AMP JR PWR 3-WAY .....	1
16	1258073GT	CONN,PLUG,AMP JR PWR 2-WAY .....	1
17	1258089GT	CONN,RELAY SOC,6X2.8+2X8 .....	1
18	81765GT	CONN,DUAL EDC,4 PIN PACKARD .....	1
19	45782GT	DIODE,6 AMP,200 PIV,BULK .....	1
20	1258097GT	CONN,PLUG,AMP,1-WAY .....	1
21	1258081GT	CONN,PLUG,BOSCH K,3-WAY .....	1



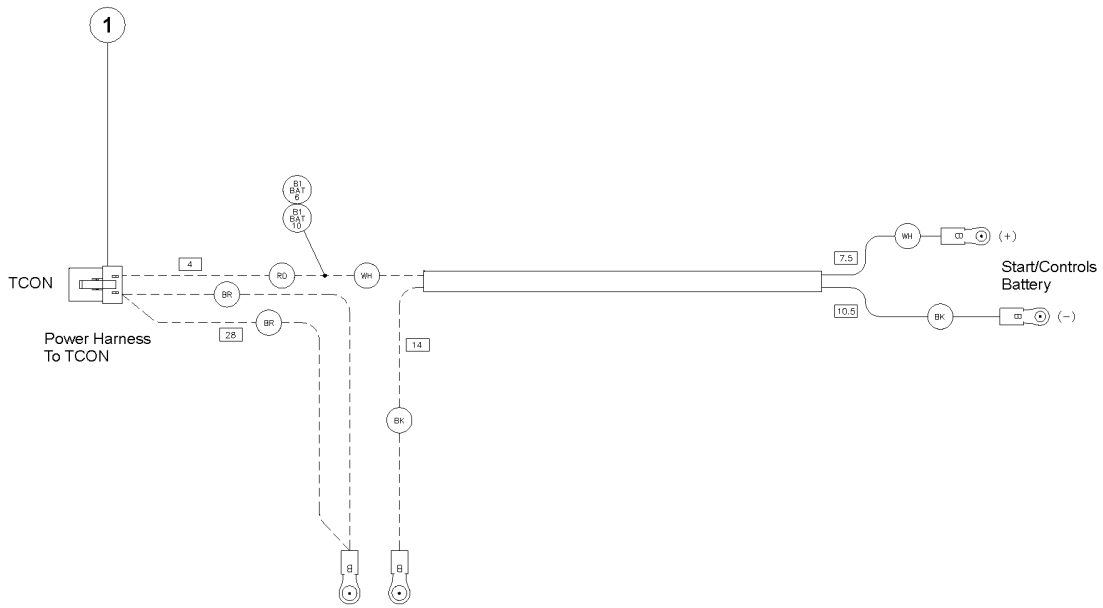


315.115DD Harness, Perkins 854T, Tier4, Super x

<i>Item</i>	<i>Part No.</i>	<i>Description</i>	<i>Qty.</i>
22	1258088GT	CONN,PLUG,BOSCH,2-WAY,WHITE .....	1
23	1258084GT	CONN,PLUG,BOSCH,6-WAY .....	1
24	1258087GT	CONN,PLUG,BOSCH,2-WAY,BROWN .....	1
25	1258096GT	CONN,PLUG,TYCO2.8MM,2-WAY .....	1
26	119762GT	CONN PLUG 4 WAY EXTEND DT .....	1
26-	60429GT	LOCK, PLUG 4WAY, 14-18GA .....	1
27	60450GT	CONN,PLUG 3 WAY,SAE J1939 .....	1
27-	60459GT	LOCK,PLUG 3 WAY,SAE J1939 .....	1



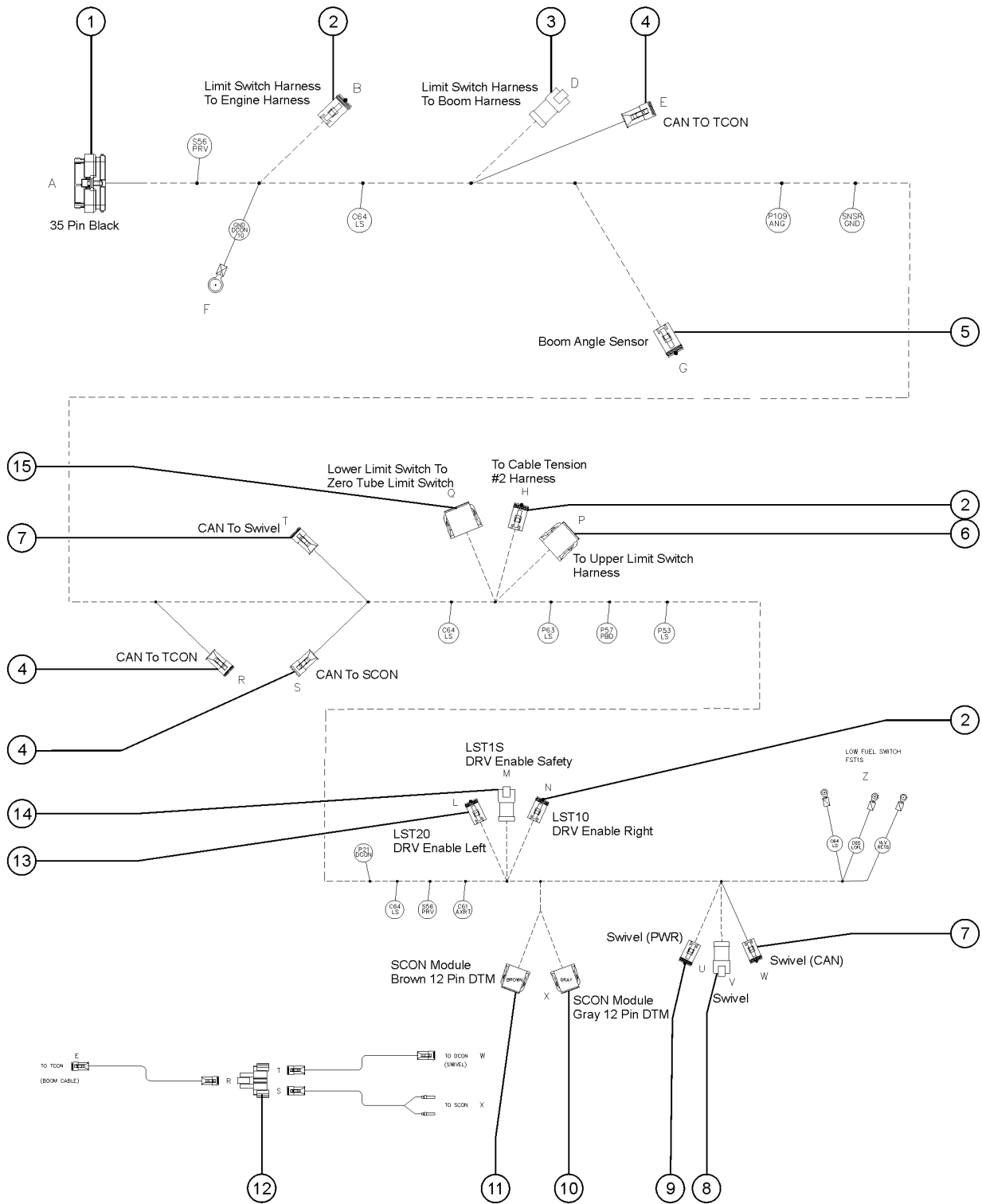
315.116 Harness, Harness, Tcon J15 Pwr, Super-X



315.116 Harness,Harness, Tcon J15 Pwr, Super-X

<i>Item</i>	<i>Part No.</i>	<i>Description</i>	<i>Qty.</i>
-	236405GT	HARNESS, TCON J15 POWER .....	1
1	60527GT	CONN,PLUG 4 WAY,12-14GA*** .....	1
1-	60528GT	LOCK,PLUG 4 WAY,12-14GA*** .....	1

315.117 Harness, Lower Ls/Scn, SX-150

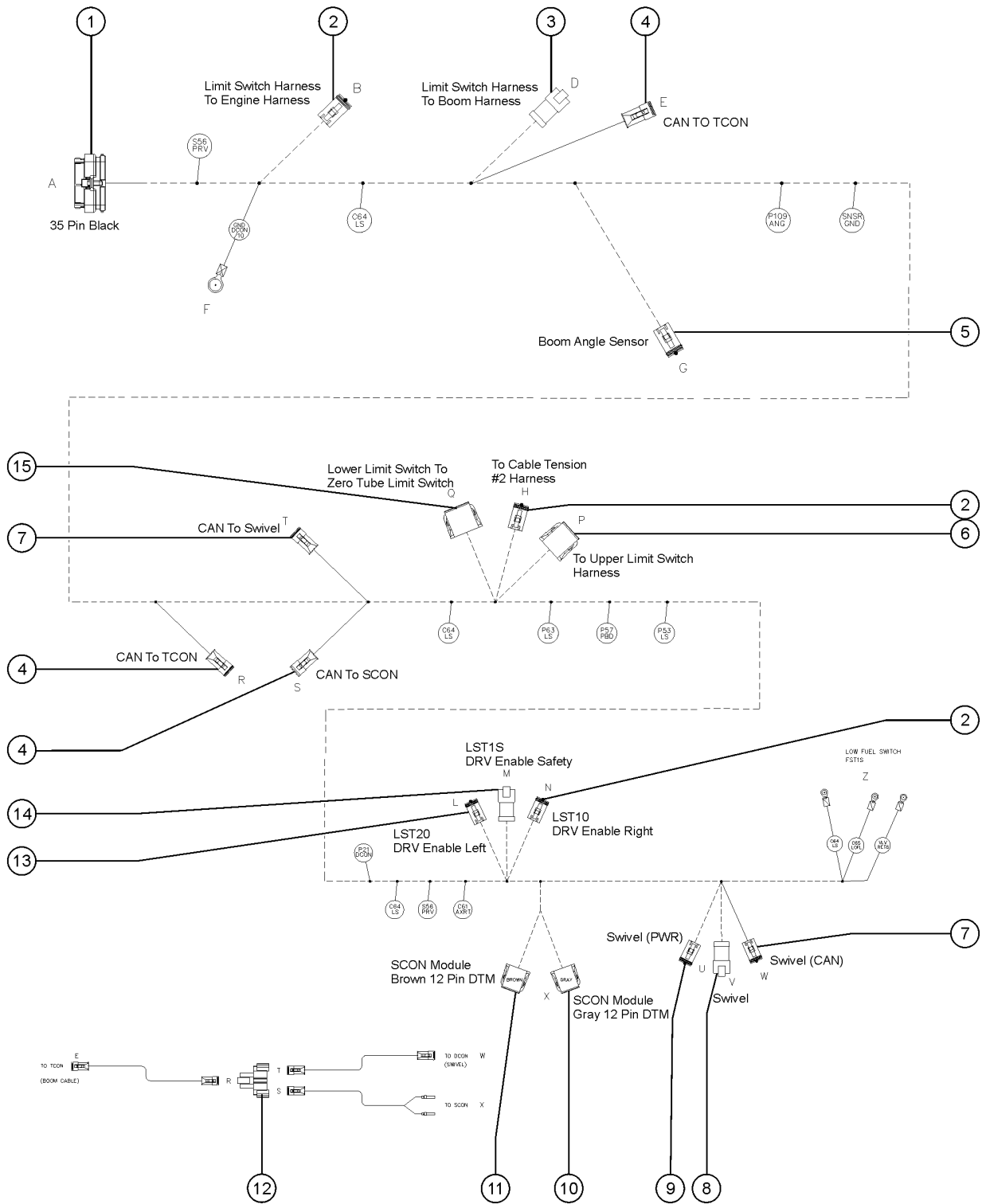




Item	Part No.	Description	Qty.
-	1257713GT	HARNESS, LOWER LS/SCON, SX-150	1
1	60514GT	CONN,PLUG 35 WAY,16-20GA BLK	1
2	119056GT	CONN PLUG 2 WAY ENDCAP DT	3
2-	60425GT	LOCK,PLUG 2 WAY, 14-18GA	3
3	119065GT	CONN,RECEP 2 WAY,14-18GA	1
3-	60439GT	LOCK,RECEP 2 WAY, 14-18GA	1
4	60450GT	CONN,PLUG 3 WAY,SAE J1939	3
4-	60459GT	LOCK,PLUG 3 WAY,SAE J1939	3
5	119059GT	CONN PLUG 6 WAY ENDCAP DT	1
5-	60431GT	LOCK,PLUG 6 WAY,14-18GA	1
6	119060GT	CONN PLUG 8 WAY 14-48GA	1
6-	60433GT	LOCK,PLUG 8 WAY, 14-18GA	1
7	60450GT	CONN,PLUG 3 WAY,SAE J1939	2
7-	60427GT	LOCK,PLUG 3 WAY,14-18GA	2
8	119068GT	CONN,RECEP 6 WAY ENDCAP DT	1
8-	60445GT	LOCK,RECEP 6 WAY,14-18GA	1
9	60531GT	CONN,PLUG 2 WAY,12-14GA	1
9-	60532GT	LOCK,PLUG 2 WAY,12-14GA	1
10	88331GT	CONN,PLUG 12A WAY DTM 18-20GA	1
10-	88332GT	LOCK,PLUG 12 WAY DTM 18-20GA	1
11	1258100GT	CONN,PLUG 12D WAY DTM 18-20GA	1
11-	88332GT	LOCK,PLUG 12 WAY DTM 18-20GA	1
12	60451GT	CONN,TEE 3 WAY,SAE J1939	1
13	119058GT	CONN PLUG 4 WAY ENDCAP DT	1
13-	60429GT	LOCK, PLUG 4WAY, 14-18GA	1
14	119067GT	CONN,RECEP 4 WAY ENDCAP DT	1
14-	60443GT	LOCK, RECEP 4WAY, 14-18GA	1
15	119061GT	CONN PLUG 12 WAY ENDCAP DT GY	1



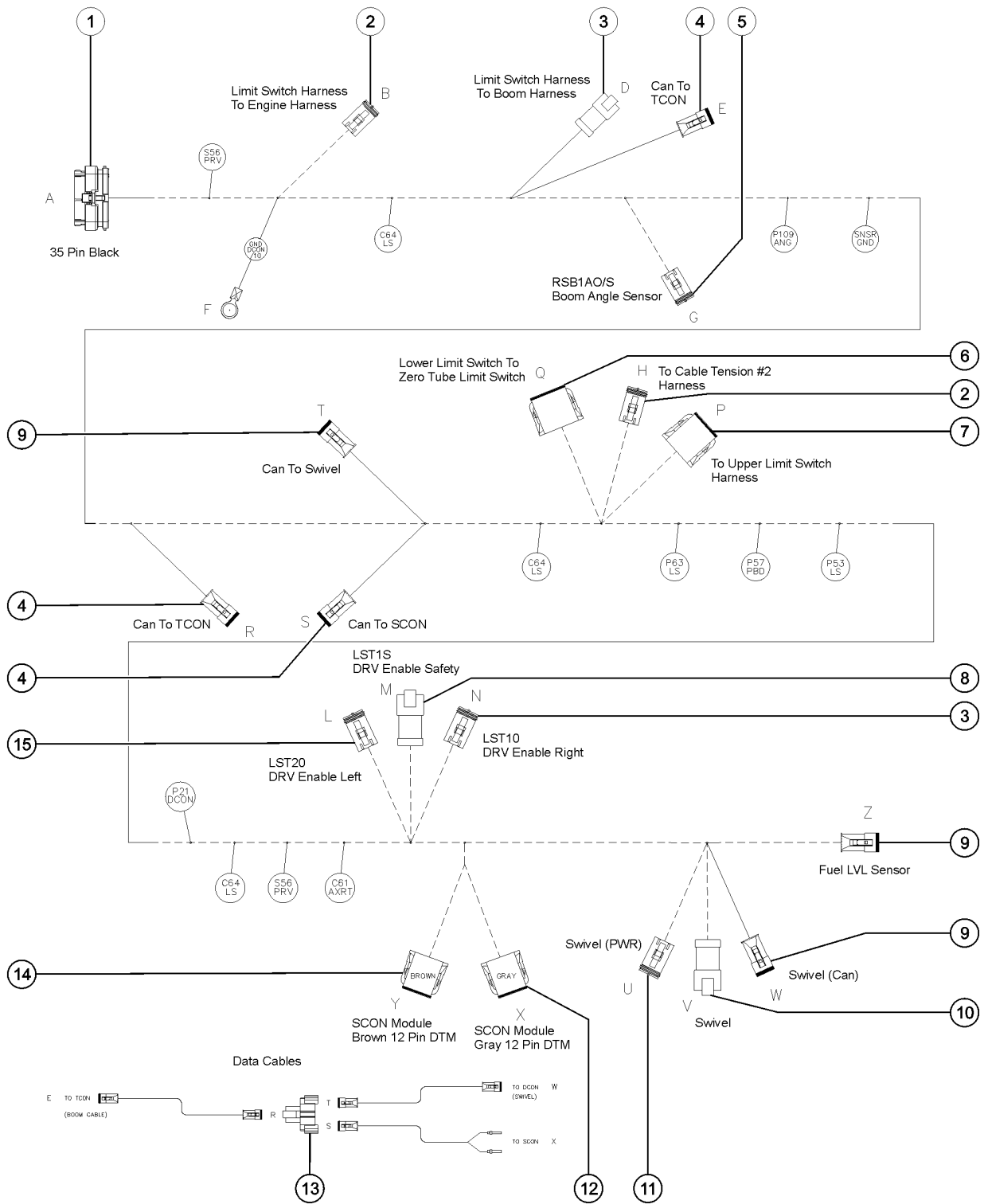
315.117 Harness, Lower Ls/Scon, SX-150



<i>Item</i>	<i>Part No.</i>	<i>Description</i>	<i>Qty.</i>
15-	60435GT	LOCK, PLUG 12WAY, 14-18GA, GRN .....	1



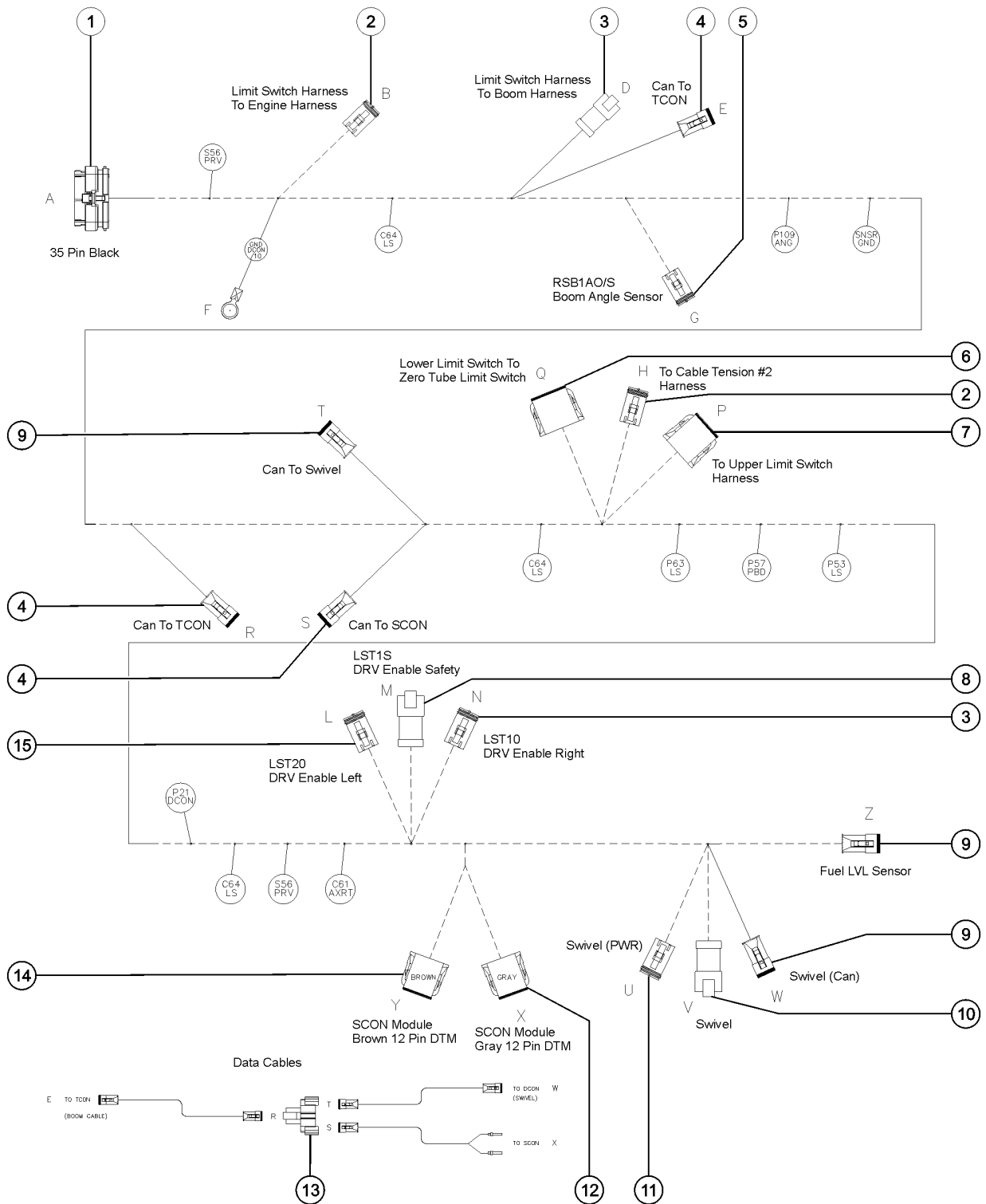
315.117A Harness, Lower Ls/Scn, SX150



Item	Part No.	Description	Qty.
-	1272752GT	HARNESS, LOWER LS/SCON, SX150 .....	1
1	60514GT	CONN,PLUG 35 WAY,16-20GA BLK .....	1
2	119056GT	CONN PLUG 2 WAY ENDCAP DT .....	3
2-	60425GT	LOCK,PLUG 2 WAY, 14-18GA .....	3
3	119065GT	CONN,RECEP 2 WAY,14-18GA .....	1
3-	60439GT	LOCK,RECEP 2 WAY, 14-18GA .....	1
4	60450GT	CONN,PLUG 3 WAY,SAE J1939 .....	3
4-	60459GT	LOCK,PLUG 3 WAY,SAE J1939 .....	3
5	119059GT	CONN PLUG 6 WAY ENDCAP DT .....	1
5-	60431GT	LOCK,PLUG 6 WAY,14-18GA .....	1
6	119061GT	CONN PLUG 12 WAY ENDCAP DT GY .....	1
6-	60435GT	LOCK, PLUG 12WAY, 14-18GA, GRN .....	1
7	119060GT	CONN PLUG 8 WAY 14-18GA .....	1
7-	60433GT	LOCK,PLUG 8 WAY, 14-18GA .....	1
8	119067GT	CONN,RECEP 4 WAY ENDCAP DT .....	1
8-	60443GT	LOCK, RECEP 4WAY, 14-18GA .....	1
9	60450GT	CONN,PLUG 3 WAY,SAE J1939 .....	3
9-	60427GT	LOCK,PLUG 3 WAY,14-18GA .....	3
10	119068GT	CONN,RECEP 6 WAY ENDCAP DT .....	1
10-	60445GT	LOCK,RECEP 6 WAY,14-18GA .....	1
11	60531GT	CONN,PLUG 2 WAY,12-14GA .....	1
11-	60532GT	LOCK,PLUG 2 WAY,12-14GA .....	1
12	88331GT	CONN,PLUG 12A WAY DTM 18-20GA .....	1
12-	88332GT	LOCK,PLUG 12 WAY DTM 18-20GA .....	1
13	60451GT	CONN,TEE 3 WAY,SAE J1939 .....	1
14	1258100GT	CONN,PLUG 12D WAY DTM 18-20GA .....	1
14-	88332GT	LOCK,PLUG 12 WAY DTM 18-20GA .....	1
15	119058GT	CONN PLUG 4 WAY ENDCAP DT .....	1



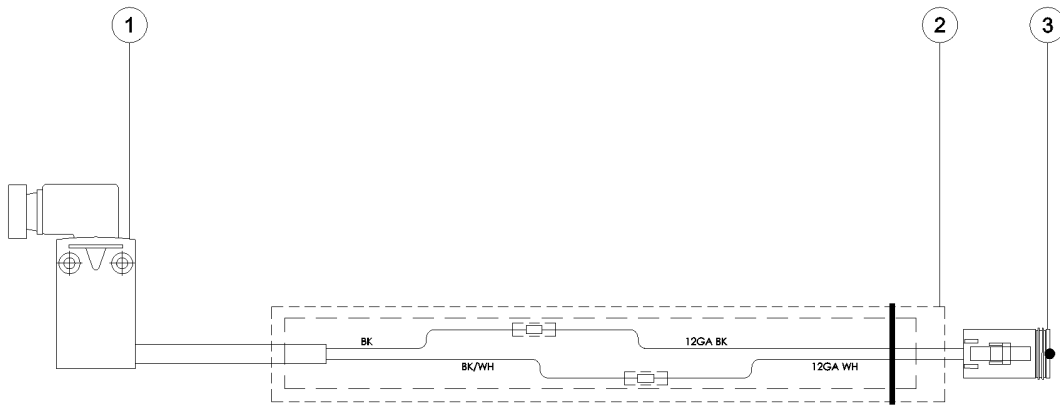
315.117A Harness, Lower Ls/Scn, SX150



315.117A Harness, Lower Ls/Scon, SX150

<i>Item</i>	<i>Part No.</i>	<i>Description</i>	<i>Qty.</i>
15-	60429GT	LOCK, PLUG 4WAY, 14-18GA .....	1

315.118 Switch Assy, Cable Break #2, Super-X



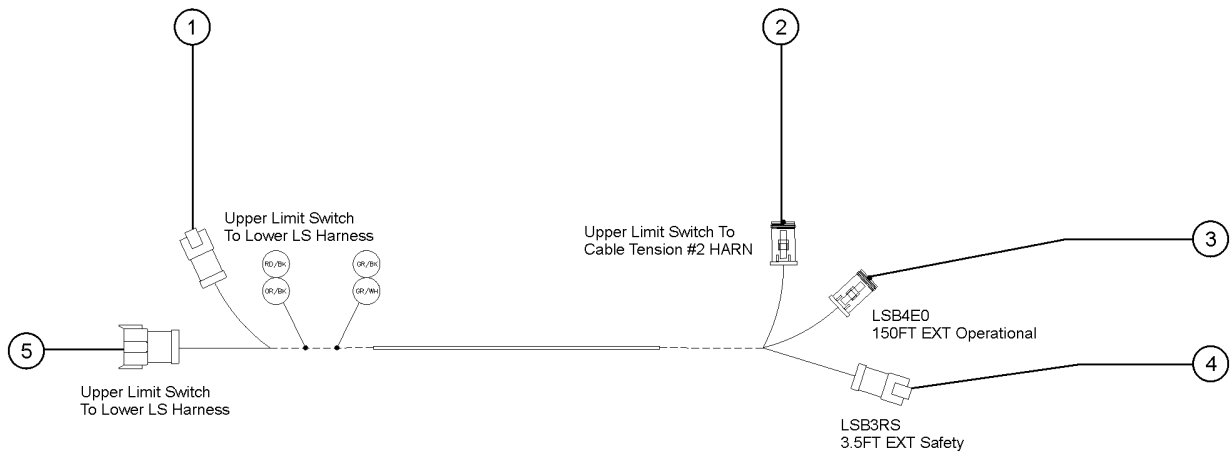


315.118 Switch Assy, Cable Break #2, Super-X

<i>Item</i>	<i>Part No.</i>	<i>Description</i>	<i>Qty.</i>
-	236396GT	SWITCH ASSY, CABLE TENSION #2, .....	1
1	139644-141J0GT	LIMIT SWITCH,TAB,BLUE,MICRO .....	1
2	20973GT	WIRE LOOM,3/8 POLY SLIT .....	12
3	60531GT	CONN,PLUG 2 WAY,12-14GA .....	1
3-	60532GT	LOCK,PLUG 2 WAY,12-14GA .....	1



315.119 Harness, Upper Limit Switch, SX-150

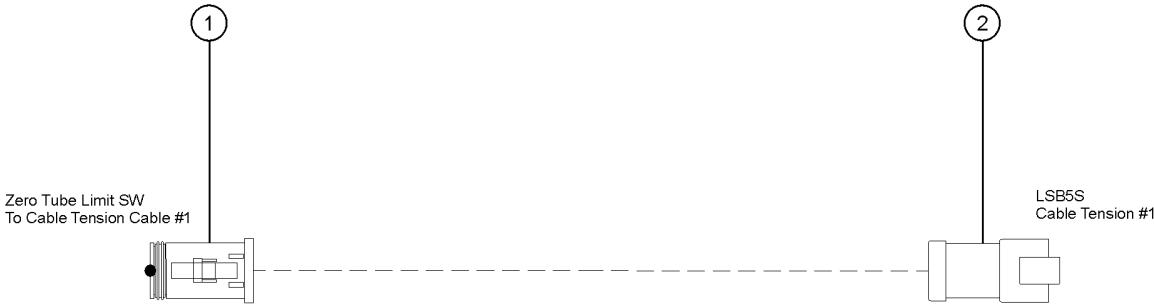


315.119 Harness, Upper Limit Switch, SX-150

<i>Item</i>	<i>Part No.</i>	<i>Description</i>	<i>Qty.</i>
-	1257710GT	HARNESS, UPPER LIMIT SWITCH, S .....	1
1	119065GT	CONN,RECEP 2 WAY,14-18GA .....	1
1-	60439GT	LOCK,RECEP 2 WAY, 14-18GA .....	1
2	60531GT	CONN,PLUG 2 WAY,12-14GA .....	1
2-	60532GT	LOCK,PLUG 2 WAY,12-14GA .....	1
3	119058GT	CONN PLUG 4 WAY ENDCAP DT .....	1
3-	60429GT	LOCK, PLUG 4WAY, 14-18GA .....	1
4	119067GT	CONN,RECEP 4 WAY ENDCAP DT .....	1
4-	60443GT	LOCK, RECEP 4WAY, 14-18GA .....	1
5	119069GT	CONN,RECEP 8 WAY ENDCAP DT .....	1
5-	60447GT	LOCK,RECEP 8 WAY,14-18GA .....	1



315.120 Harness, Cable Tension #1, SX-150



315.120 Harness, Cable Tension #1, SX-150

<i>Item</i>	<i>Part No.</i>	<i>Description</i>	<i>Qty.</i>
-	1257711GT	HARNESS, CABLE TENSION #1, SX- .....	1
1	119058GT	CONN PLUG 4 WAY ENDCAP DT .....	1
1-	60429GT	LOCK, PLUG 4WAY, 14-18GA .....	1
2	119067GT	CONN,RECEP 4 WAY ENDCAP DT .....	1
2-	60443GT	LOCK, RECEP 4WAY, 14-18GA .....	1



315.121 Harness, Cable Break #1, Super-X

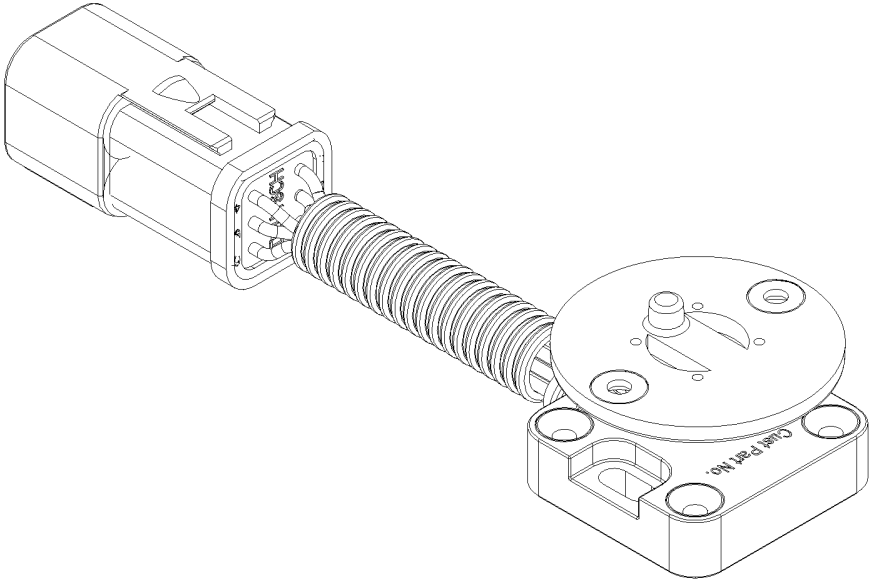


315.121 Harness, Cable Break #1, Super-X

<i>Item</i>	<i>Part No.</i>	<i>Description</i>	<i>Qty.</i>
-	236411GT	HARNESS, CABLE TENSION #2, .....	1
1	60529GT	CONN,RECEP 2 WAY,12-14GA .....	2
	60530GT	LOCK,RECEP 2 WAY,12-14GA .....	2



315.122 Sensor, Angle, 40 Deg, CCW

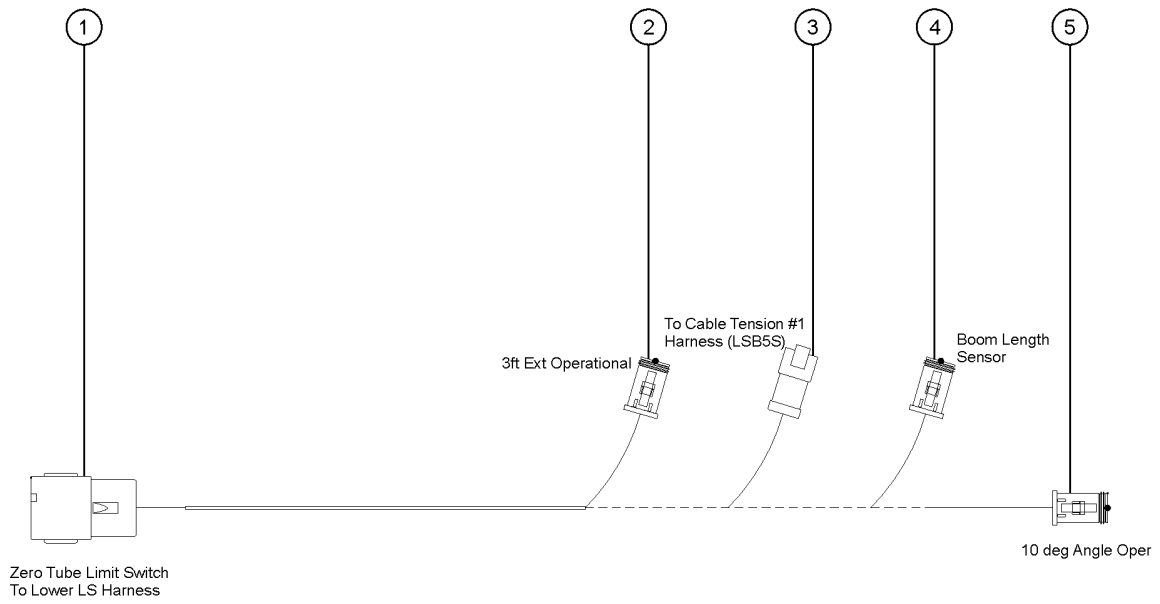




315.122 Sensor, Angle, 40 Deg, CCW

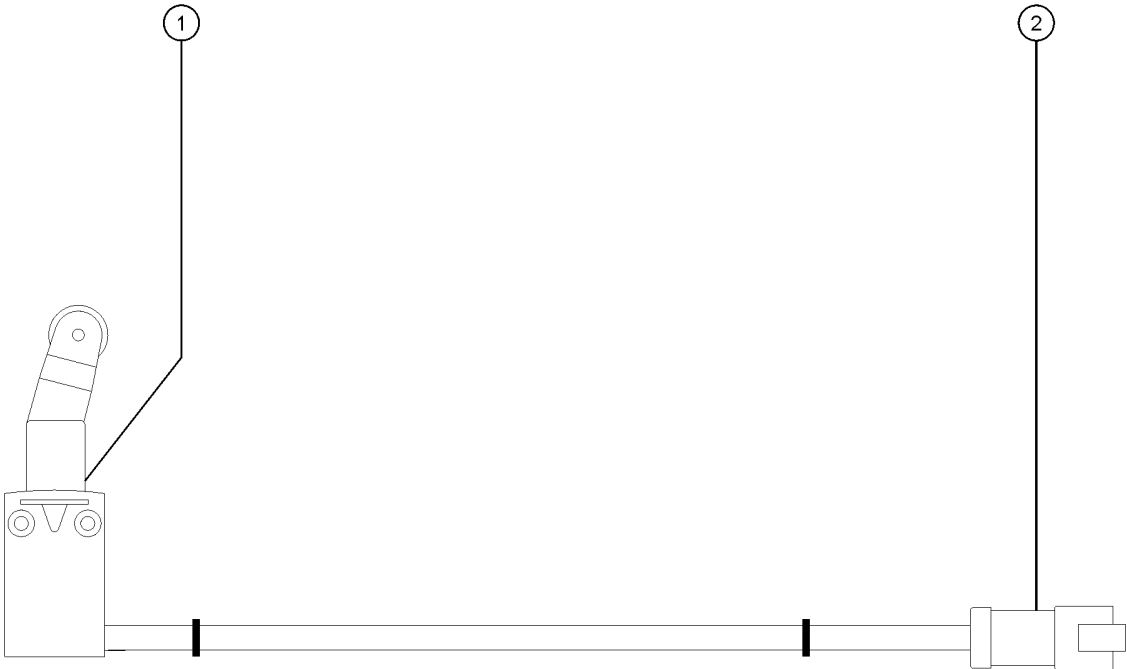
<i>Item</i>	<i>Part No.</i>	<i>Description</i>	<i>Qty.</i>
-	216058GT	SENSOR, ANGLE, 40 DEG, CCW .....	1

315.123 Harness, Zero Tube Limit Switch, Super-X



<i>Item</i>	<i>Part No.</i>	<i>Description</i>	<i>Qty.</i>
-	238005GT	HARNESS, ZERO TUBE LIMIT .....	1
1	119070GT	CONN,RECEP 12 WAY ENDCAP DT .....	1
1-	54255GT	LOCK,RECEP 12 WAY, 14-18GA .....	1
2	119058GT	CONN PLUG 4 WAY ENDCAP DT .....	1
2-	60429GT	LOCK, PLUG 4WAY, 14-18GA .....	1
3	119067GT	CONN,RECEP 4 WAY ENDCAP DT .....	1
3-	60443GT	LOCK, RECEP 4WAY, 14-18GA .....	1
4	119059GT	CONN PLUG 6 WAY ENDCAP DT .....	1
4-	60431GT	LOCK,PLUG 6 WAY,14-18GA .....	1
5	119056GT	CONN PLUG 2 WAY ENDCAP DT .....	1
5-	60425GT	LOCK,PLUG 2 WAY, 14-18GA .....	1

315.124 Switch Assy, 10 Deg Oper, Super-X



315.124 Switch Assy, 10 Deg Oper, Super-X

<i>Item</i>	<i>Part No.</i>	<i>Description</i>	<i>Qty.</i>
-	236397GT	SWITCH ASSY, 10 DEG OPER, SUPE .....	1
1	139644-13B11GT	LIMIT SWITCH,TAB,BLUE,MICRO .....	1
1-	119065GT	CONN,RECEP 2 WAY,14-18GA .....	1
2	60439GT	LOCK,RECEP 2 WAY, 14-18GA .....	1

315.125 Switch Assy, 3ft Ext Oper, Super-X

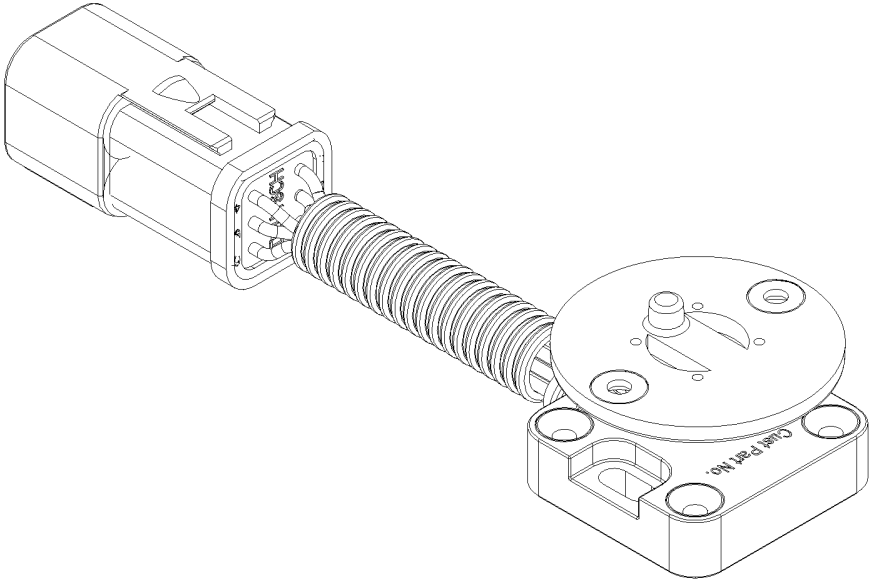


315.125 Switch Assy, 3ft Ext Oper, Super-X

<i>Item</i>	<i>Part No.</i>	<i>Description</i>	<i>Qty.</i>
-	236398GT	SWITCH ASSY, 3FT EXT OPER, SUP .....	1
1	139644-14B60GT	LIMIT SWITCH,TAB,BLUE,MICRO .....	1
2	119067GT	CONN,RECEP 4 WAY ENDCAP DT .....	1
2-	60443GT	LOCK, RECEP 4WAY, 14-18GA .....	1



315.126 Sensor, Angle, 105 Deg, CW



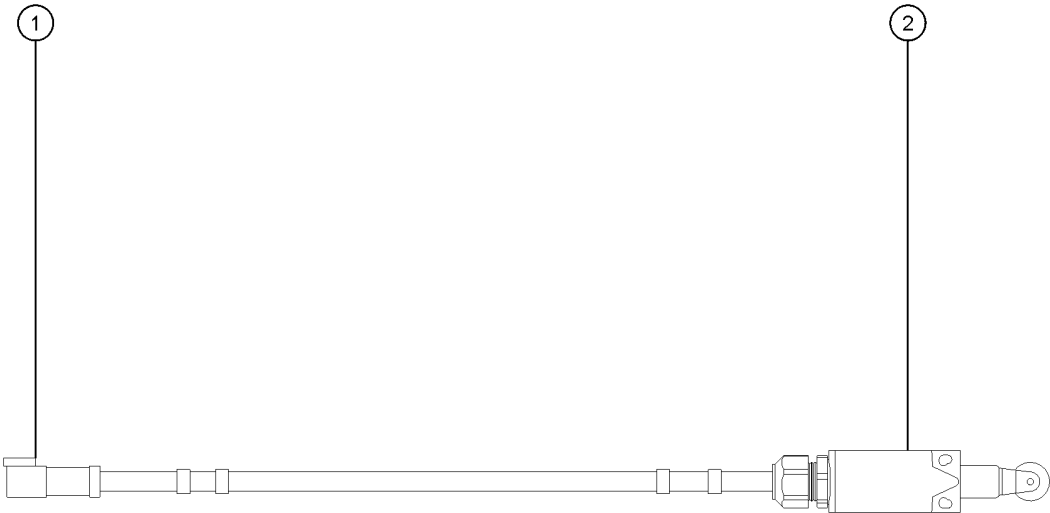


315.126 Sensor, Angle, 105 Deg, CW

<i>Item</i>	<i>Part No.</i>	<i>Description</i>	<i>Qty.</i>
-	216059GT	SENSOR, ANGLE, 105 DEG, CW .....	1



315.128 Switch Assy, Drive Enable, Left, Super-X

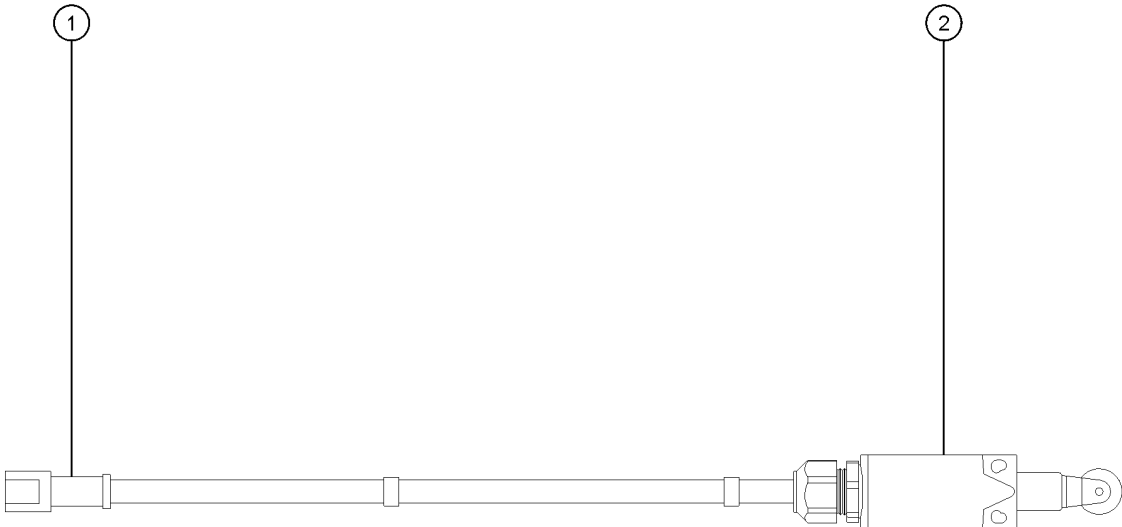


315.128 Switch Assy, Drive Enable, Left, Super-X

<i>Item</i>	<i>Part No.</i>	<i>Description</i>	<i>Qty.</i>
-	237807GT	SWITCH ASSY,DRV ENABLE,LEFT,SU .....	1
1	119067GT	CONN,RECEP 4 WAY ENDCAP DT .....	1
1-	60443GT	LOCK, RECEP 4WAY, 14-18GA .....	1
2	110771-43103GT	SWITCH LIMIT W/ROLLER NO/NC .....	1



315.129 Switch Assy, Drive Enable, Right, Super-X



315.129 Switch Assy, Drive Enable, Right, Super-X

<i>Item</i>	<i>Part No.</i>	<i>Description</i>	<i>Qty.</i>
-	237808GT	SWITCH ASSY,DRV,ENABLE,RIGHT,S .....	1
1	119065GT	CONN,RECEP 2 WAY,14-18GA .....	1
1-	60439GT	LOCK,RECEP 2 WAY, 14-18GA .....	1
2	110771-43103GT	SWITCH LIMIT W/ROLLER NO/NC .....	1



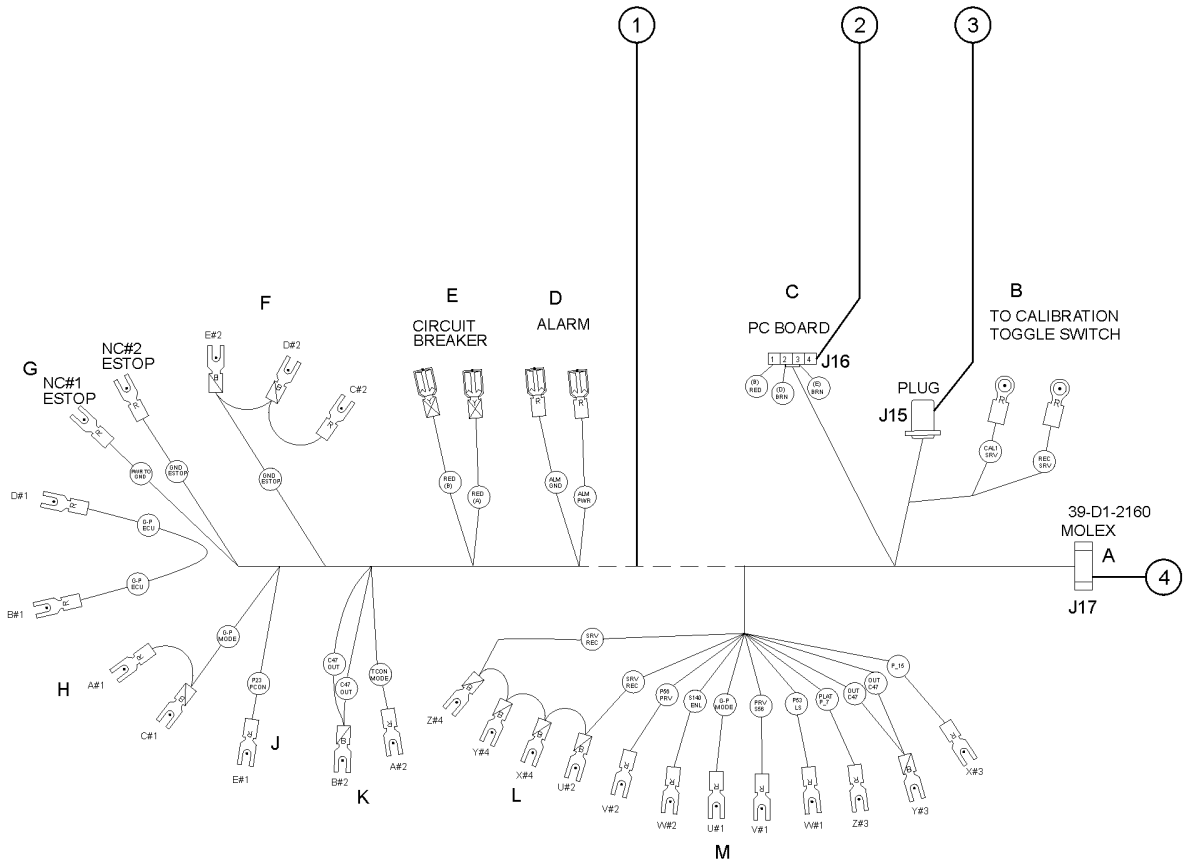
315.130 Switch Assy, Drive Enable, Safe, Super-X



315.130 Switch Assy, Drive Enable, Safe, Super-X

<i>Item</i>	<i>Part No.</i>	<i>Description</i>	<i>Qty.</i>
-	237809GT	SWITCH ASSY,DRV ENABLE,SAFE,SU .....	1
1	119762GT	CONN PLUG 4 WAY EXTEND DT .....	1
1-	60429GT	LOCK, PLUG 4WAY, 14-18GA .....	1
2	110771-43103GT	SWITCH LIMIT W/ROLLER NO/NC .....	1

315.131 Harness, Ground Control Box, Super-X

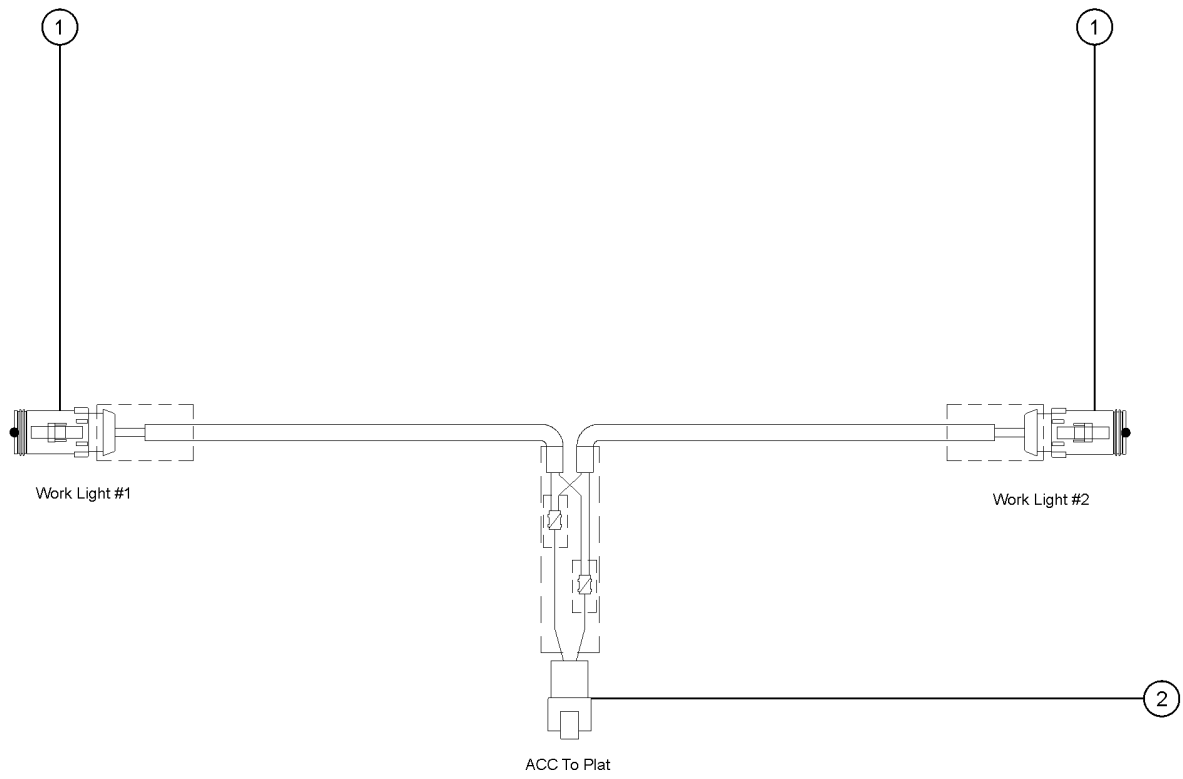




315.131 Harness, Ground Control Box, Super-X

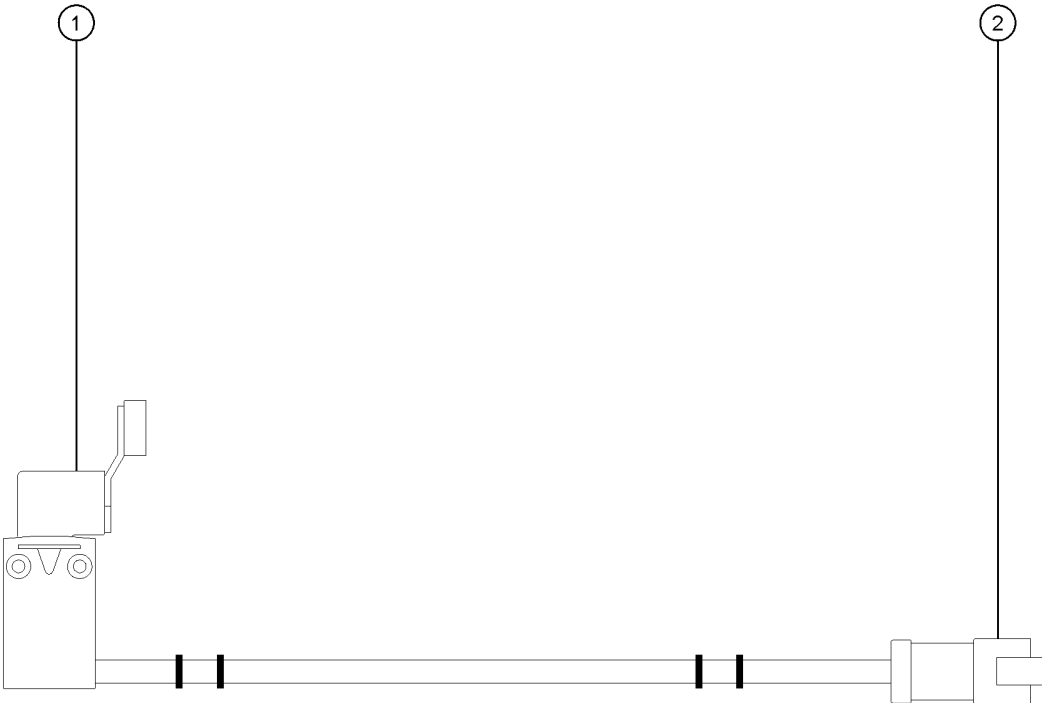
<i>Item</i>	<i>Part No.</i>	<i>Description</i>	<i>Qty.</i>
-	214330GT	HARNESS, GROUND CONTROL BOX .....	1
1	75640GT	WIRE LOOM,3/4 DIA. ....	8
2	60540GT	CONN,RECEP 4 WAY, SINGLE ROW .....	1
3	73717GT	CONN,RECEP 4 WAY,12-14GA FL*** .....	1
3-	60526GT	LOCK,RECEP 4 WAY,12-14GA .....	1
4	81546GT	CONN,MOLEX 16 WAY .....	1

315.132 Harness, Work Lights, Super X



<i>Item</i>	<i>Part No.</i>	<i>Description</i>	<i>Qty.</i>
-	823522GT	HARNESS, WORK LIGHTS, SUPER X .....	1
1	119761GT	CONN PLUG 2 WAY EXTEND DT .....	2
1-	60425GT	LOCK,PLUG 2 WAY, 14-18GA .....	2
2	60529GT	CONN,RECEP 2 WAY,12-14GA .....	1
2-	60530GT	LOCK,RECEP 2 WAY,12-14GA .....	1

315.133 Switch Assy, 150ft Ext Oper/Safety, Super-X



315.133 Switch Assy, 150ft Ext Oper/Safety, Super-X

<i>Item</i>	<i>Part No.</i>	<i>Description</i>	<i>Qty.</i>
-	236400GT	SWITCH ASSY, 150FT EXT OPER/SAFETY, SUPER-X .....	1
1	139644-12B40GT	LIMIT SWITCH,TAB,BLUE,MICRO .....	1
2	119067GT	CONN,RECEP 4 WAY ENDCAP DT .....	1
2-	60443GT	LOCK, RECEP 4WAY, 14-18GA .....	1



315.134 Switch Assy, 3.5ft Ext Safety, Super-X



315.134 Switch Assy, 3.5ft Ext Safety, Super-X

<i>Item</i>	<i>Part No.</i>	<i>Description</i>	<i>Qty.</i>
-	236399GT	SWITCH ASSY, 3.5FT EXT SAFETY, SUPER-X .....	1
1	139644-24CLOGT	LIMIT SWITCH,TAB,BLUE,MICRO .....	1
2	119762GT	CONN PLUG 4 WAY EXTEND DT .....	1
2-	60429GT	LOCK, PLUG 4WAY, 14-18GA .....	1



315.135 Switch Assy, Cable Break #1, Super-X



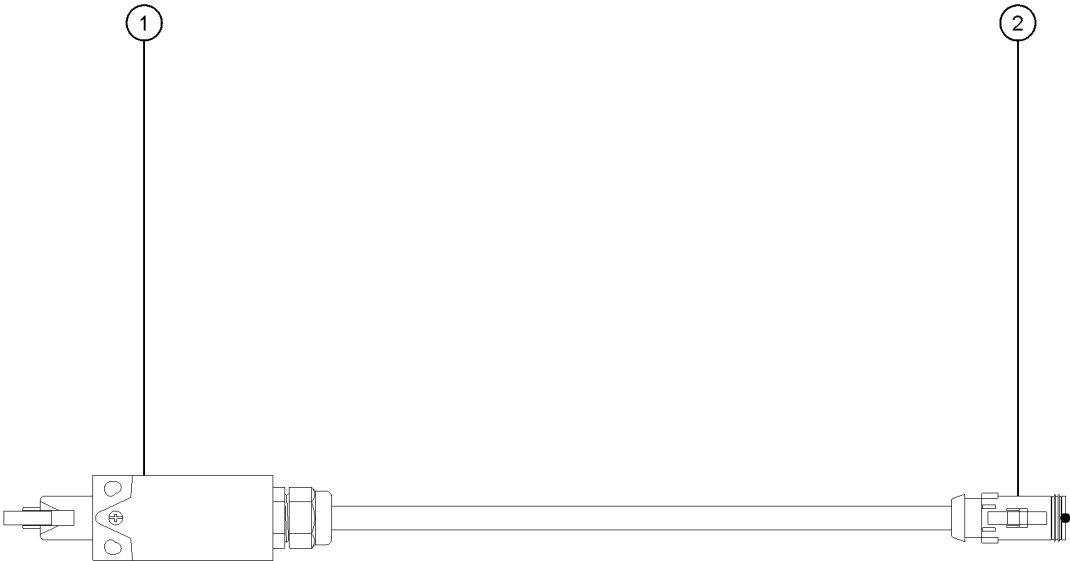


315.135 Switch Assy, Cable Break #1, Super-X

<i>Item</i>	<i>Part No.</i>	<i>Description</i>	<i>Qty.</i>
-	236395GT	SWITCH ASSY, CABLE TENSION #1, .....	1
1	139644-17DR0GT	LIMIT SWITCH,TAB,BLUE,MICRO .....	1
2	119762GT	CONN PLUG 4 WAY EXTEND DT .....	1
2-	60429GT	LOCK, PLUG 4WAY, 14-18GA .....	1



315.136 Switch Assy, Axle Safety, Super-X

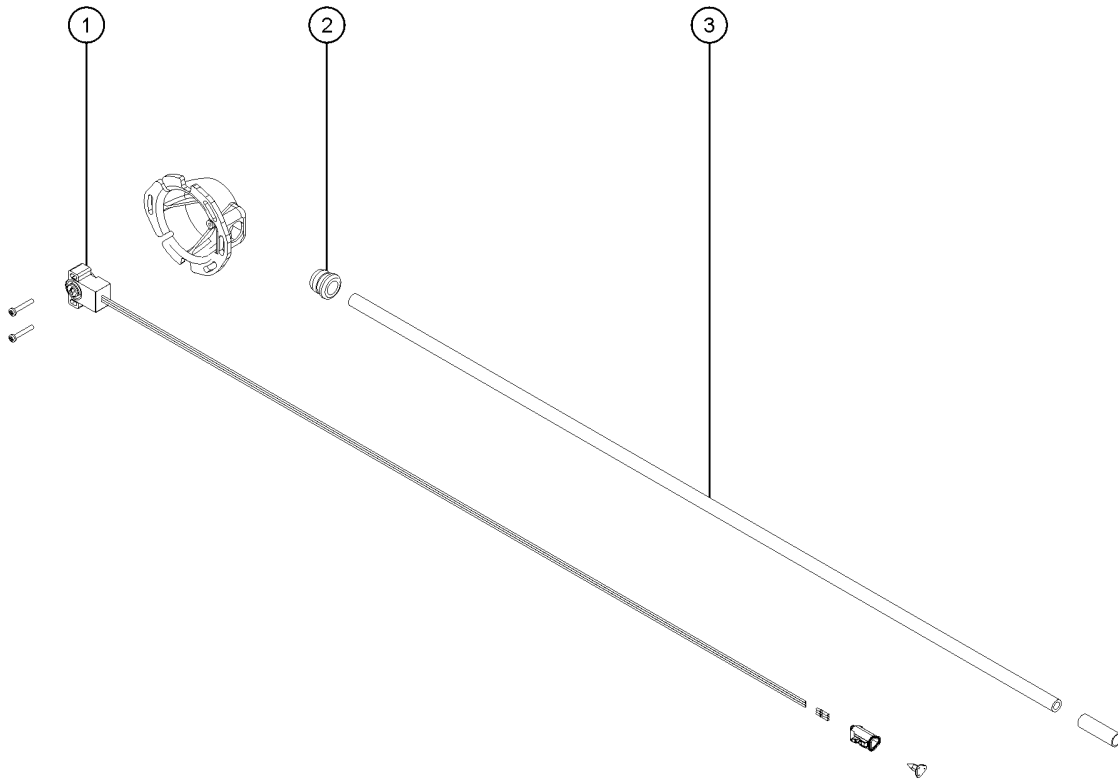


315.136 Switch Assy, Axle Safety, Super-X

<i>Item</i>	<i>Part No.</i>	<i>Description</i>	<i>Qty.</i>
-	236392GT	SWITCH ASSY, AXLE SAFETY .....	1
1	110771-665R3GT	LIMIT SW.TAB,BLUE METAL .....	1
2	119762GT	CONN PLUG 4 WAY EXTEND DT .....	1
2-	60429GT	LOCK, PLUG 4WAY, 14-18GA .....	1

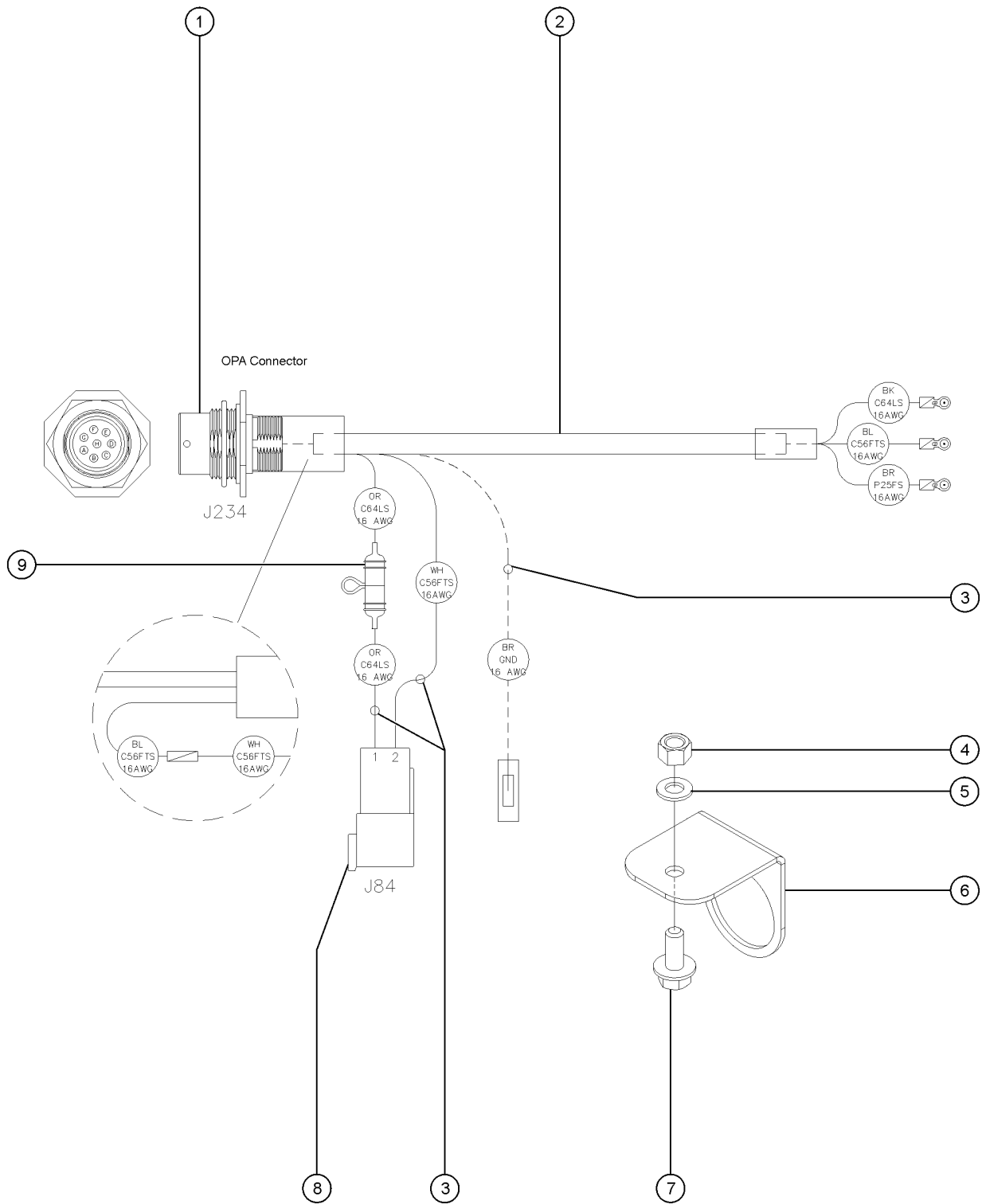


315.137 Subassy, Steer Sensor



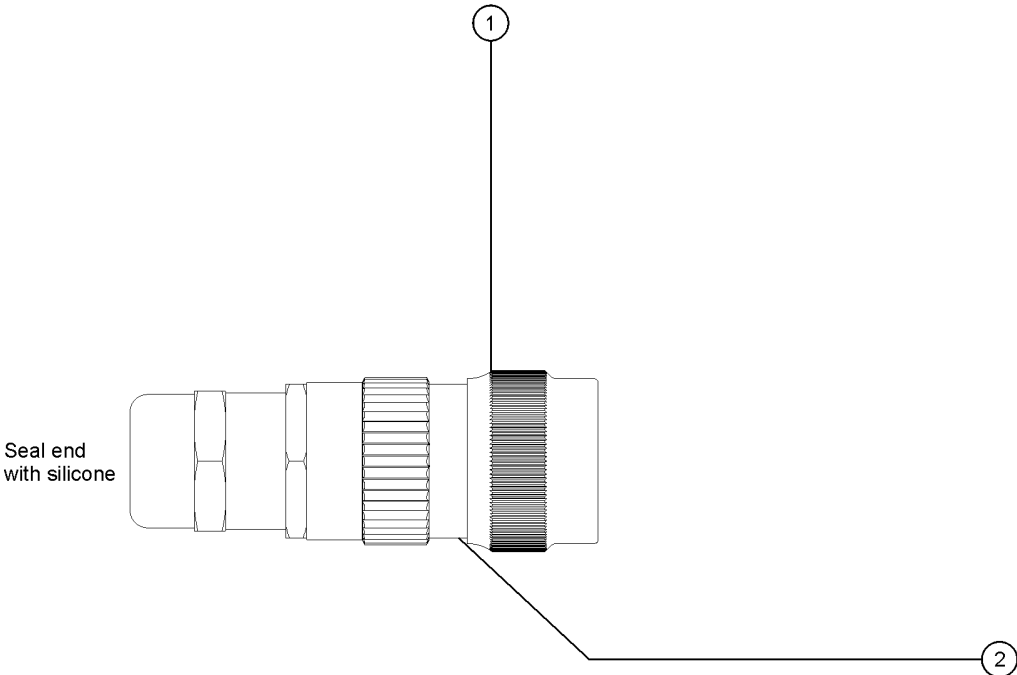
<i>Item</i>	<i>Part No.</i>	<i>Description</i>	<i>Qty.</i>
-	232993GT	SUBASSY, STEER SENSOR .....	1
1	219646GT	SENSOR, MODIFIED STEER ANGLE .....	1
2	60746GT	BUSHING, STRAIN RELIEF, 1" .....	1
3	75631-4650GT	HOSE,AIR 3/8 .....	1
4	60450GT	CONN,PLUG 3 WAY,SAE J1939 .....	1
4-	60427GT	LOCK,PLUG 3 WAY,14-18GA .....	1
5	60609GT	COVER,STEERING SENSOR .....	1
5-	825352GT	SCREW,PHPM,10-32X1.25,ZAG .....	2

315.138 Harn, Platform, Opa, ALC1000



<i>Item</i>	<i>Part No.</i>	<i>Description</i>	<i>Qty.</i>
-	1255556GT	HARN,PBOX,OPA,ALC1000 .....	1
1	1255547GT	CONN,RECEPT,8 WAY,SKT,UT0 .....	1
2	94652GT	WIRE LOOM,1/2DIA.SLIT HI-TEMP* .....	48
3	54373GT	WIRE LOOM,3/8,SLIT,HIGH TEMP .....	41
4	826214GT	NUT,TL,M5-0.8,DIN980,10,ZAB .....	1
5	826215GT	WASHER,FLAT,M5,DIN125,ZAB .....	1
6	1255551GT	FORMING,RELAY BRKT,OPA .....	1
7	218457GT	SCREW,HHF,M5X12,DIN6921,10.9,Z .....	1
8	119065GT	CONN,RECEP 2 WAY,14-18GA .....	1
8-	60439GT	LOCK,RECEP 2 WAY, 14-18GA .....	1
9	13097GT	FUSE,10 AMP .....	1
9-	23083GT	FUSE HOLDER,WATERPROOF .....	1

315.138A Plug, Blanking



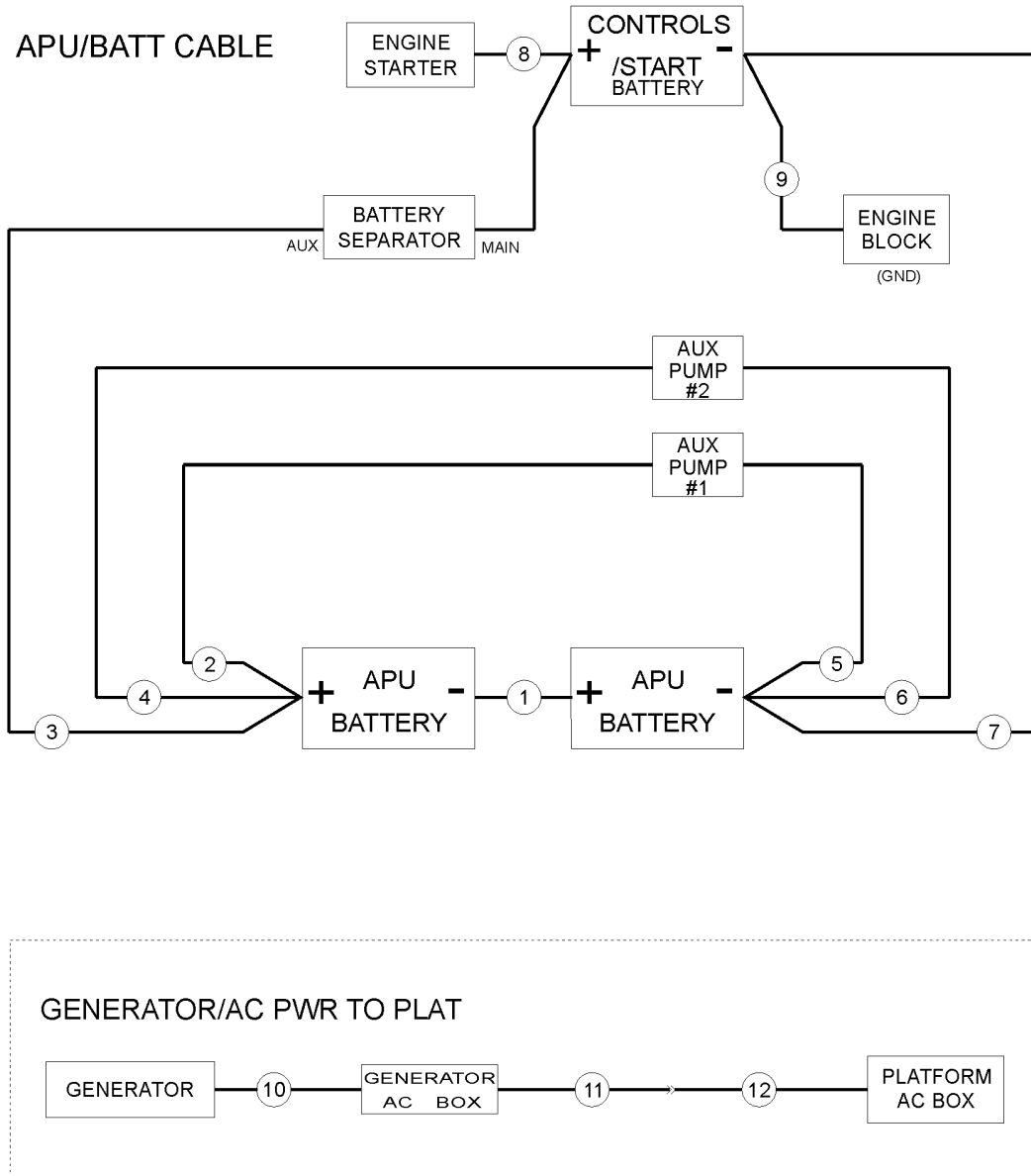


315.138A Plug, Blanking

<i>Item</i>	<i>Part No.</i>	<i>Description</i>	<i>Qty.</i>
-	1255030GT	PLUG,BLANKING .....	1
1	1255548GT	CONN,PLUG,8 WAY,PIN,UT0 .....	1
2	1255553GT	BACKSHELL,CONN,UT0,#12 .....	1

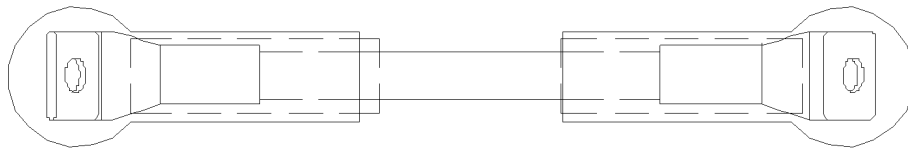


316.1 Wire Harness Diagram - View 2



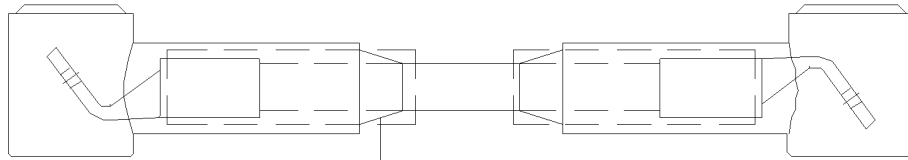
Item	Part No.	Description	Qty.
1	101185GT	CABLE ASSY, AUX BATT JUMPER, RED (Refer to 316_101)	1
2	238301GT	CABLE ASSY, AUX, RED, 21.5" (Refer to 316_102)	1
3	238302GT	CABLE ASSY, AUX, RED, 117" (Refer to 316_103)	1
4	238300GT	CABLE ASSY, AUX, RED, 17.5" (Refer to 316_104)	1
5	238303GT	CABLE ASSY, AUX, BLACK, 17" (Refer to 316_105)	1
6	238304GT	CABLE ASSY, AUX, BLACK, 22" (Refer to 316_106)	1
7	238305GT	CABLE ASSY, AUX, BLACK, 148" (Refer to 316_107)	1
8	236703GT	BATTERY CABLE, 2/0 GA, RED, 72" (Refer to 316_108) (Deutz models)	1
-	236707GT	BATTERY CABLE, 2/0 GA, RED, 109.5" (Refer to 316_108A) (Perkins models)	1
9	236704GT	BATTERY CABLE, 2/0 GA, BLACK, 82" (Refer to 316_109)	1
-	236708GT	BATTERY CABLE, 2/0 GA, BLACK, 73" (Refer to 316_109A)	1
10	824518GT	CABLE, GENERATOR TO J-BOX (Refer to 316_110) (to SN SX18016H-354)	1
-	1263628GT	CABLE, GEN TO J-BOX, SX EU (Refer to 316_110A) (from SN SX18016H-355)	1
11	237881GT	HARNESS, LOWER AC/3P PWR (Refer to 316_111)	1
12	237880GT	HARNESS, UPPER AC/3P PWR CABLE (Refer to 316_112)	1

316.101 Cable Assy, Aux Batt Jumper, RED



AUX. Battery #1 -

AUX. Battery #2 +



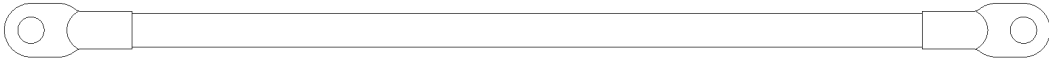
Remove This End (2 PLCS)

316.101 Cable Assy, Aux Batt Jumper, RED

<i>Item</i>	<i>Part No.</i>	<i>Description</i>	<i>Qty.</i>
-	101185GT	CABLE ASSY,AUX BATT JUMPER,RED .....	1



316.102 Cable Assy, Aux, RED, 21.5"



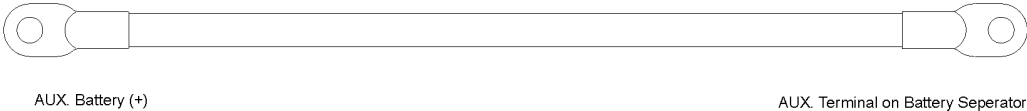
AUX. Battery (+)

AUX. Pump #1

316.102 Cable Assy, Aux, RED, 21.5"

<i>Item</i>	<i>Part No.</i>	<i>Description</i>	<i>Qty.</i>
-	238301GT	CABLE ASSY, AUX, RED, 21.5" .....	1

316.103 Cable Assy, Aux, RED, 117"



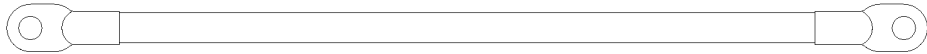


316.103 Cable Assy, Aux, RED, 117"

<i>Item</i>	<i>Part No.</i>	<i>Description</i>	<i>Qty.</i>
-	238302GT	CABLE ASSY, AUX, RED, 117" .....	1



316.104 Cable Assy, Aux, RED, 17.5"



AUX. Battery (+)

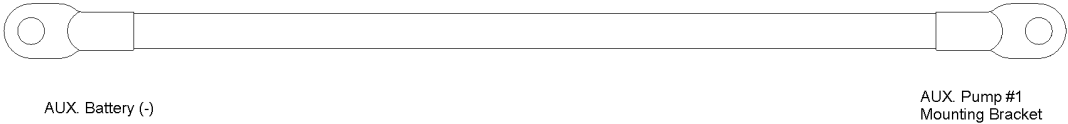
AUX. Pump #2

316.104 Cable Assy, Aux, RED, 17.5"

<i>Item</i>	<i>Part No.</i>	<i>Description</i>	<i>Qty.</i>
-	238300GT	CABLE ASSY, AUX, RED, 17.5" .....	1



316.105 Cable Assy, Aux, Black, 17"



316.105 Cable Assy, Aux, Black, 17"

<i>Item</i>	<i>Part No.</i>	<i>Description</i>	<i>Qty.</i>
-	238303GT	CABLE ASSY, AUX, BLACK, 17" .....	1



316.106 Cable Assy, Aux, Black, 22"



AUX. Battery (-)

AUX. Pump #2  
Mounting Bracket

316.106 Cable Assy, Aux, Black, 22"

<i>Item</i>	<i>Part No.</i>	<i>Description</i>	<i>Qty.</i>
-	238304GT	CABLE ASSY, AUX, BLACK, 22" .....	1



316.107 Cable Assy, Aux, Black, 148"



AUX. Battery (-)

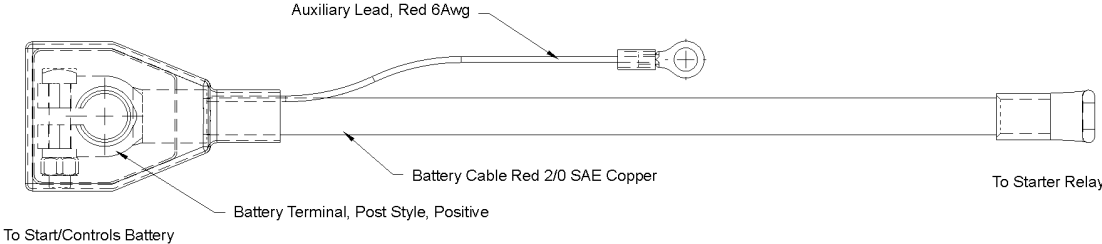
Controls/start Battery (-)



316.107 Cable Assy, Aux, Black, 148"

<i>Item</i>	<i>Part No.</i>	<i>Description</i>	<i>Qty.</i>
-	238305GT	CABLE ASSY, AUX, BLACK, 148" .....	1

316.108 Battery Cable, 2/0 GA, Red, 72"

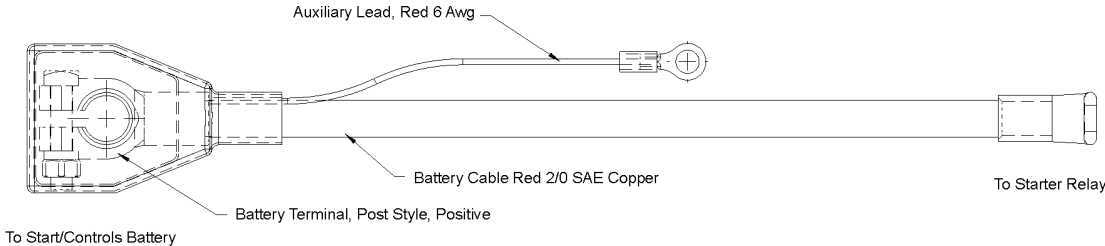


316.108 Battery Cable, 2/0 GA, Red, 72"

<i>Item</i>	<i>Part No.</i>	<i>Description</i>	<i>Qty.</i>
-	236703GT	BATTERY CABLE, 2/0 GA, RED, 72" .....	1



316.108A Battery Cable, 2/0 GA, Red, 109.5"

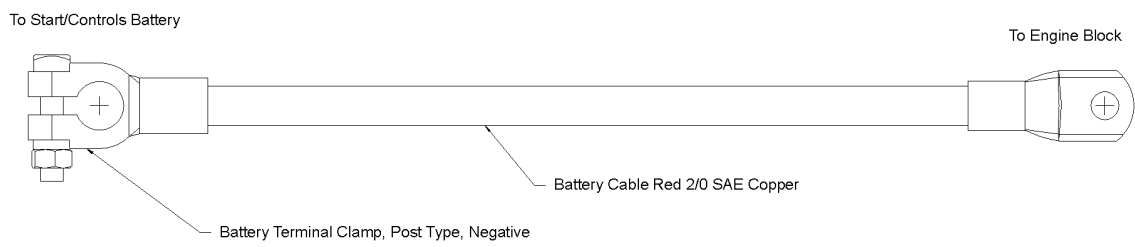


316.108A Battery Cable, 2/0 GA, Red, 109.5"

<i>Item</i>	<i>Part No.</i>	<i>Description</i>	<i>Qty.</i>
-	236707GT	BATTERY CABLE, 2/0 GA, RED, 109.5" .....	1



316.109 Battery Cable, 2/0 GA, Black, 82"

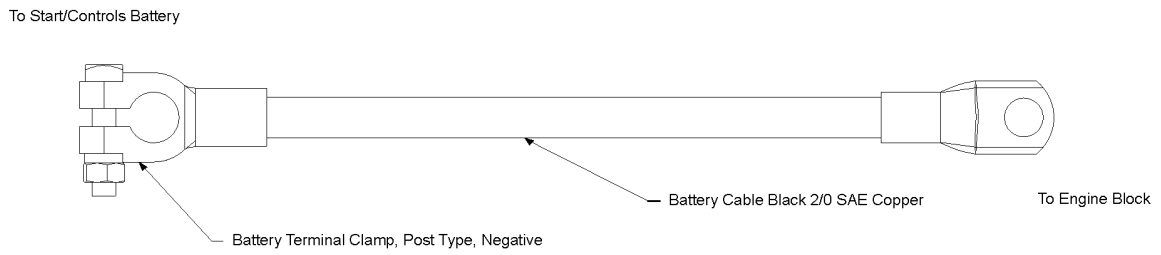


316.109 Battery Cable, 2/0 GA, Black, 82"

<i>Item</i>	<i>Part No.</i>	<i>Description</i>	<i>Qty.</i>
-	236704GT	BATTERY CABLE, 2/0 GA, BLACK, 82" .....	1



316.109A Battery Cable, 2/0 GA, Black, 73"



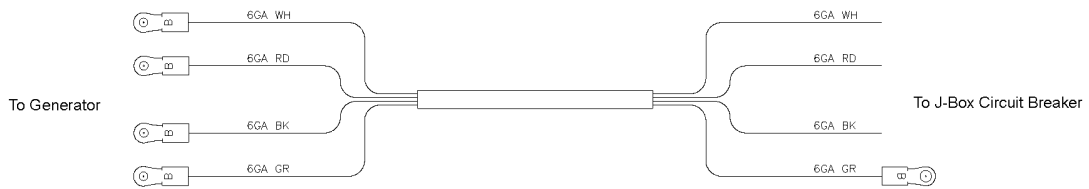


316.109A Battery Cable, 2/0 GA, Black, 73"

<i>Item</i>	<i>Part No.</i>	<i>Description</i>	<i>Qty.</i>
-	236708GT	BATTERY CABLE, 2/0 GA, BLACK, 73" .....	1



316.110 Cable, Generator To J-Box



316.110 Cable, Generator To J-Box

<i>Item</i>	<i>Part No.</i>	<i>Description</i>	<i>Qty.</i>
-	824518GT	CABLE, GENERATOR TO J-BOX .....	1



316.110A Cable, Gen To J-Box, SX EU



316.110A Cable, Gen To J-Box, SX EU

<i>Item</i>	<i>Part No.</i>	<i>Description</i>	<i>Qty.</i>
-	1263628GT	CABLE, GEN TO J-BOX, SX EU .....	1



316.111 Harness, Lower Ac/3p Pwr Cable, SX-150



316.111 Harness, Lower Ac/3p Pwr Cable, SX-150

<i>Item</i>	<i>Part No.</i>	<i>Description</i>	<i>Qty.</i>
-	1257709GT	HARNESS, LOWER AC/3P PWR CABLE, SX-150 .....	1



316.112 Harness, Upper AC/3P PWR Cable

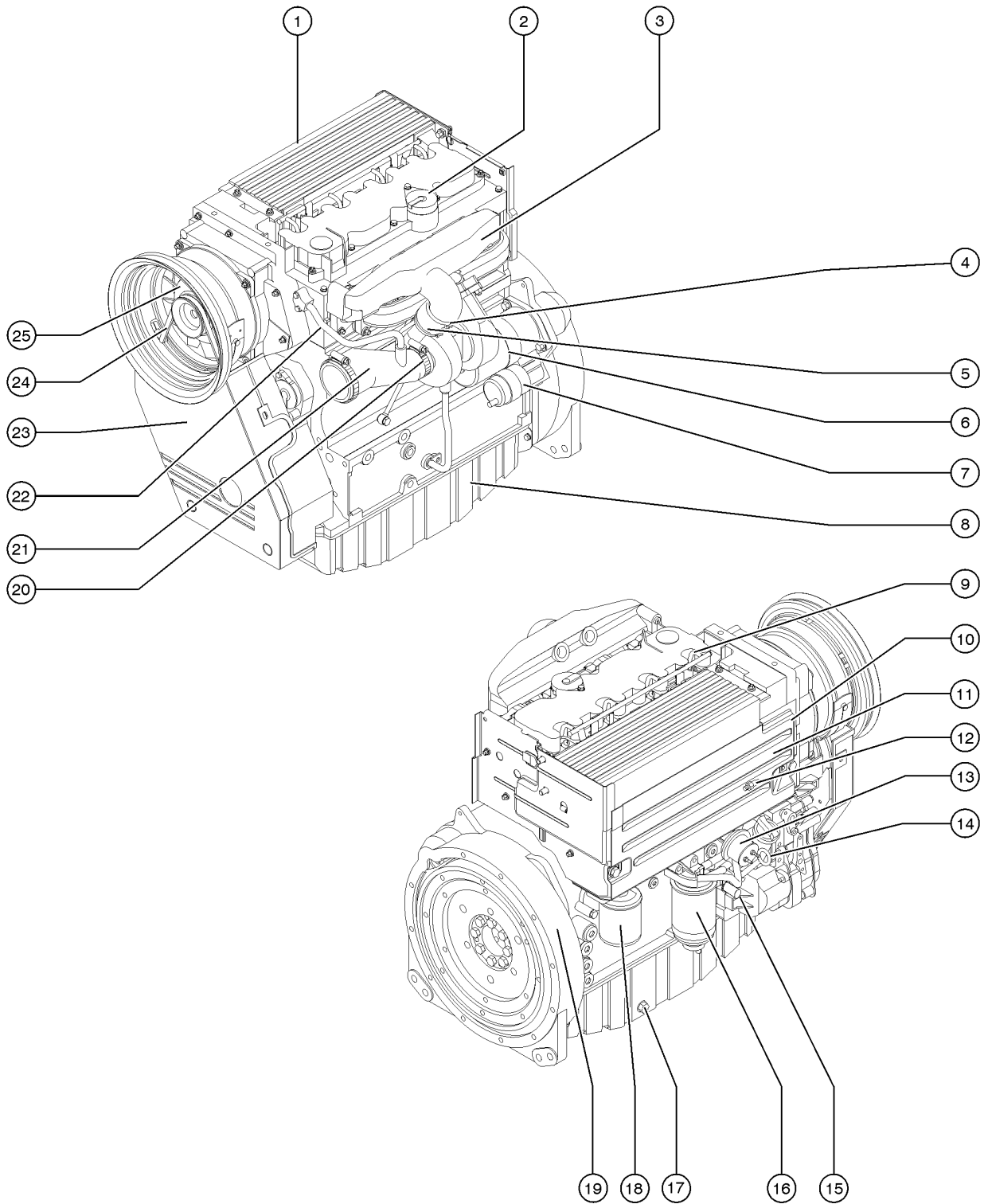




316.112 Harness, Upper AC/3P PWR Cable

<i>Item</i>	<i>Part No.</i>	<i>Description</i>	<i>Qty.</i>
-	237880GT	HARNESS, UPPER AC/3P PWR CABLE .....	1

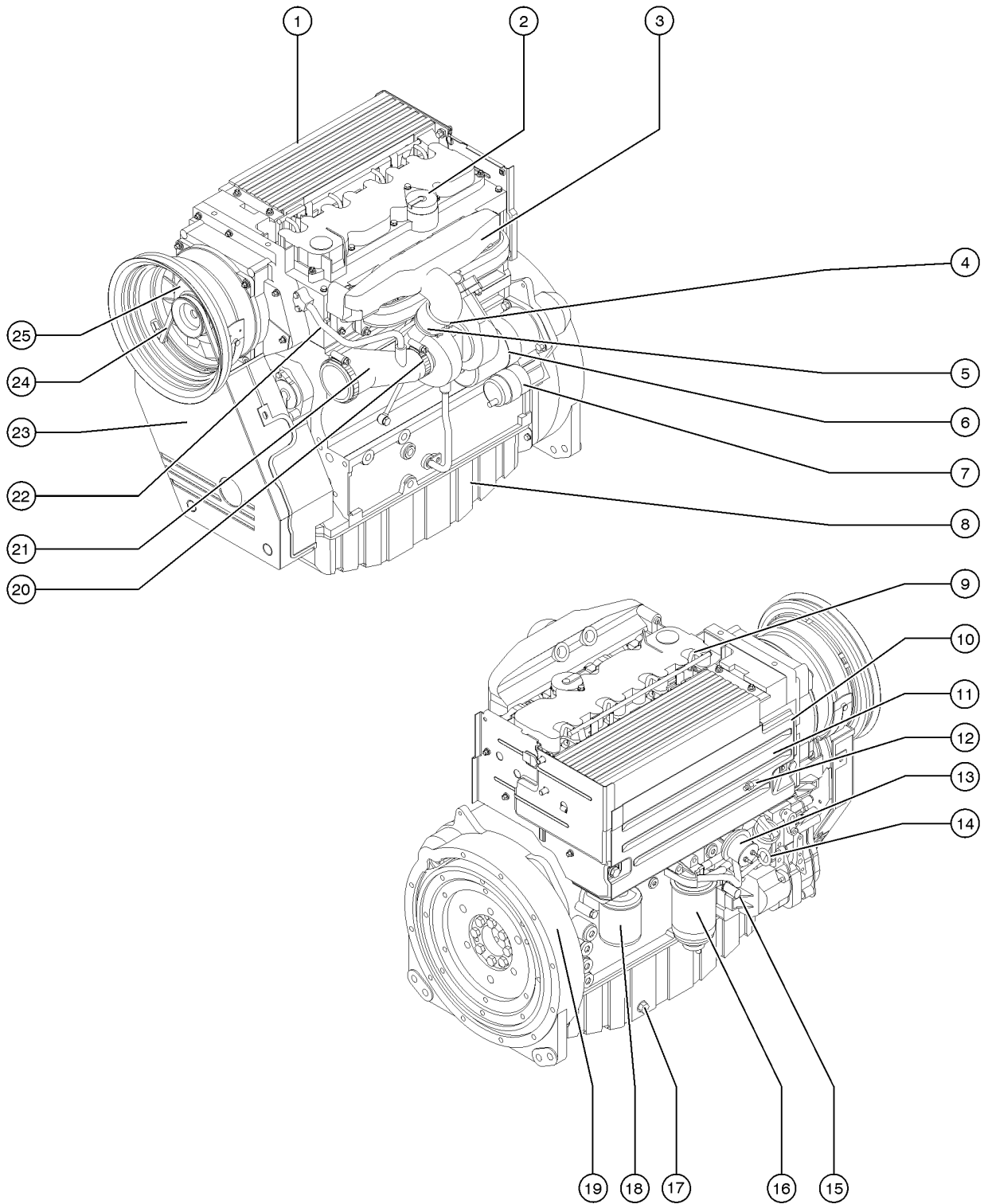
401.1 Deutz TD2011-L04i Engine - View 1



Item	Part No.	Description	Qty.
-		Verify Engine Make and Model Before Ordering	
-		For internal engine parts, contact engine dealer	
A-	102581GT	PUMP,FUEL INJ,DEUTZ BF4L20 Class A injection pump; provide SN of engine to service to get correct injection pump (A, B, C, D)	
B-	T108732GT	PUMP,FUEL INJ,DEUTZ BF4L20 Class B injection pump; provide SN of engine to service to get correct injection pump (A, B, C, D)	
C-	T108733GT	PUMP,FUEL INJ,DEUTZ BF4L20 Class C injection pump; provide SN of engine to service to get correct injection pump (A, B, C, D)	
D-	T108734GT	PUMP,FUEL INJ,DEUTZ BF4L20 Class D injection pump; provide SN of engine to service to get correct injection pump (A, B, C, D)	
2	29557GT	CAP,OIL FILLER,DEUTZ,DIESEL***	1
3	102590GT	EXHAUST MANIFOLD, DEUTZ F4L201	1
3-	29559GT	GASKET,EXHAUST	
4	102593GT	CLAMP, 3 INCH	2
5	226106GT	RUBBER SLEEVES, TD 2011L041	
6	139709GT	STARTER, 12V	1
6-	139621GT	KIT, HEAT GUARD, DEUTZ STARTER	
7	49915GT	SOLENOID-STARTR DEUTZF4L1011F*	1
8	102586GT	OIL PAN,DEUTZ F4L2011	1
9	102595GT	FUEL LINE-INJECTOR, DEUTZ BF4L	4
9-	102592GT	FUEL LINE, DEUTZ F4L2011	
9-	88091GT	FUEL RETURN,DAPCO 1/4"	
9-	102581GT	PUMP,FUEL INJ,DEUTZ BF4L20	
9-	89792GT	INJECTOR, FUEL(DEUTZ F3L2011F)	
9-	1288561GT	O-RING,FUEL INJECTOR,DEUTZ (89792) for 89792	
9-	102584GT	SEAL,INJECTOR,DEUTZ F4L2011	
9-	102596GT	CYLINDER HEAD CVR.DEUTZ BF4L20	
9-	102597GT	GASKET,CYL.COVR. DEUTZ BF4L201	
9-	102582GT	GASKET, FUEL INJEC PUMP DUTZ	
10	1289103GT	COVER,ENGINE,TD2011 L04I	1
11	111445GT	SENDING UNIT,OIL TEMP SWCH,DTZ	1



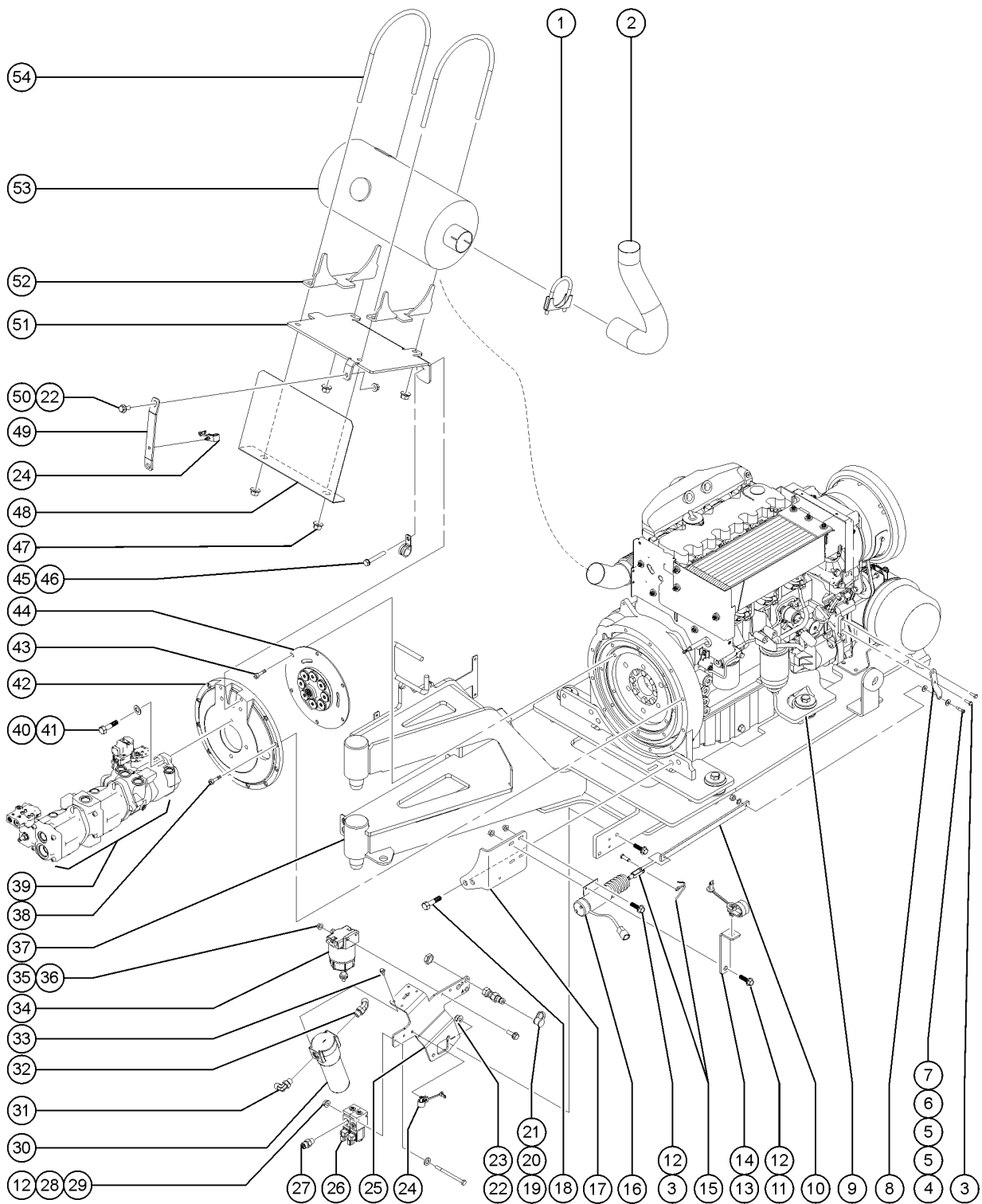
401.1 Deutz TD2011-L04i Engine - View 1



Item	Part No.	Description	Qty.
12	T114678GT	SHUTDOWN SOLENOID,12V, DEUTZ ..... (includes o-ring)	1
12-	58256GT	SOLENOID CABLE ASSY*** .....	
12-	72255GT	CONNECTOR, DEUTZ FUEL SHUTOFF* ..... Does not include 45782 DIODE	
12-	45782GT	DIODE,6 AMP,200 PIV,BULK .....	
13	58299GT	SENDING UNIT,OIL PRESS.,DEUTZ* .....	1
14	52352GT	DIPSTICK-F3L1011F (DEUTZ) .....	
15	111668GT	PUMP,FUEL 2011 DEUTZ *** .....	
15-	111402GT	O-RING, FUEL LIFT PUMP .....	
16	29560GT	FILTER,FUEL/WTR SEP, DTZ 1008 ..... Genie Genuine Part. See PN 1254826 for compatible aftermarket replacement.	1
16-	58566GT	FILTER HEAD (29560) .....	
16-	1254826GT	FUEL FILTER W/SEP,DEUTZ,1008 ..... Genie Aftermarket Part. Filter for Deutz F3L 1011F Engine.	1
17	102587GT	PLUG,ENGINE OIL,DEUTZ F4L2011 .....	1
18	49924GT	FILTER,OIL,DEUTZ F4L1011F ..... Genie Genuine Part. See PN 1255653 for compatible aftermarket replacement.	1
18-	1255653GT	FILTER,OIL,DEUTZ,REPLACEMENT ..... Genie Aftermarket Part. Compatible with Genie Genuine Part 49924.	1
19	102580GT	FLYWHEEL HOUSING DEUTZ F4L2011 .....	1
20	30971GT	CLAMP,HOSE,3.0" .....	
21	226103GT	INLET REDUCER,TD 2011L04I .....	
22	226104GT	BREATHER PIPE, TD 2011L04I .....	
22-	226105GT	GASKET,BREATHER PIPE (226104) .....	
23	146061GT	V-BELT GUARD, DEUTZ 2011 .....	1
24	58630GT	V-BELT, DEUTZ TD2011LOAI .....	
25	58249GT	ALTERNATOR, DEUTZ,BF4L2011*** .....	1
25-	1280590GT	PULLEY,ALTERNATOR,DEUTZ BF4L2011 ..... for 58249	
25-	1280591GT	SPACER,ALT PULLEY,DEUTZ BF4L2011 ..... for 58249	



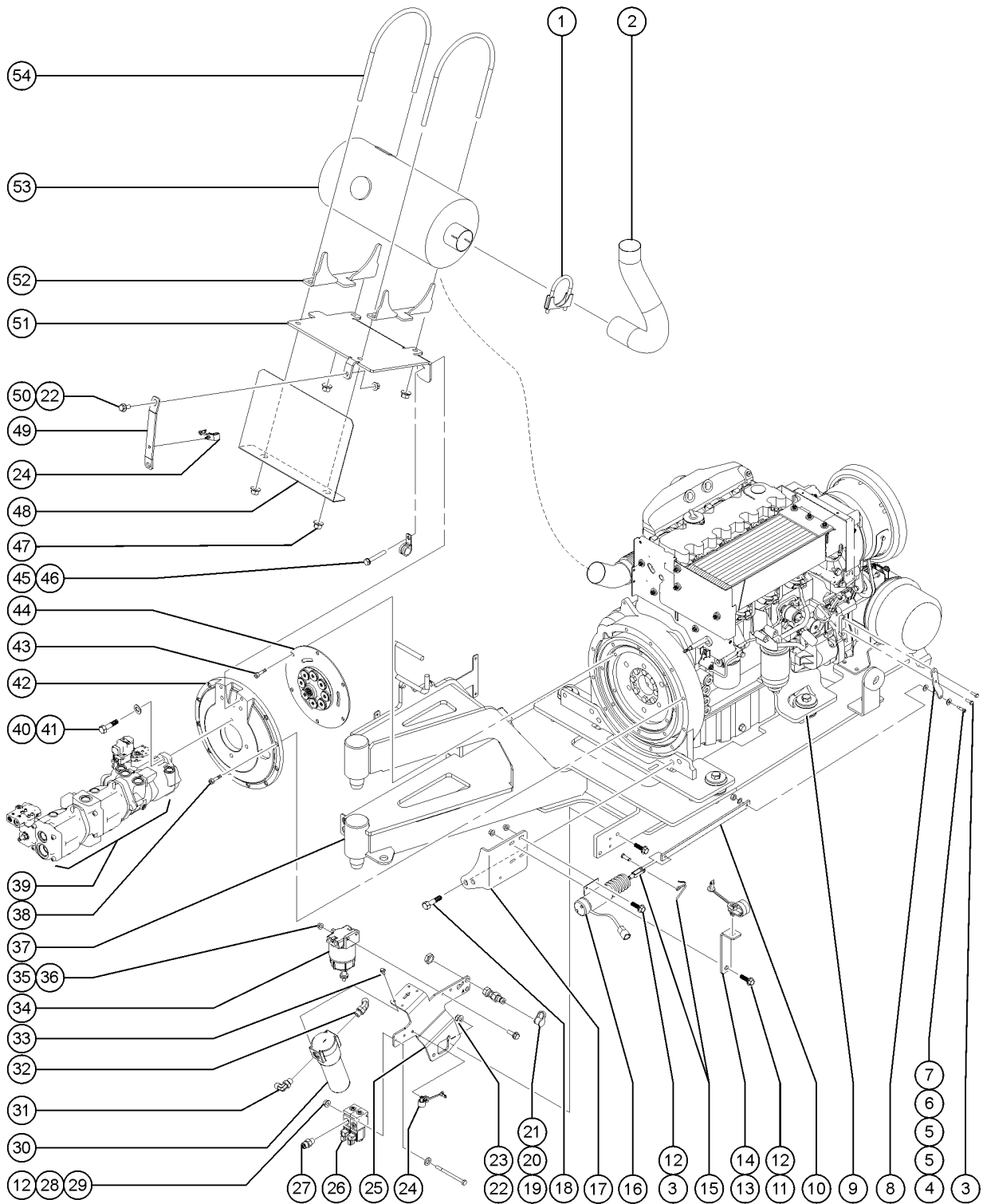
402.1 Deutz TD2011-L04i Engine - View 2



Item	Part No.	Description	Qty.
-		Verify Engine Make and Model Before Ordering	
-		For internal engine parts, contact engine dealer	
1	71911GT	CLAMP,MUFFLER, 2.50 INCH	1
2	70447GT	TAIL PIPE,DEUTZ	1
3	231532GT	SCREW,HHF,M6X20,DIN6921,10.9,Y	2
4	6584GT	SCREW,SHS,10-24 X .625	1
5	822955GT	WASHER,FLAT,NYLON.257X.5X.032	2
6	15436GT	WASHER,FLAT,NYLON.25 X.68 X.03	1
7	1251566GT	NUT, TL, 10-24, A, ZAG	1
8	50787-SGT	LEVER, GOVERNOR ACTUATOR	1
9	70439PGT	FORMING,ENGINE MOUNT PAINTED	1
10	139322GT	THROTTLE LINKAGE, DSL	1
11	231512GT	SCREW,HHF,M6-1.0X25,DIN6921,10.9,ZAB	1
12	231513GT	NUT,TL FLG,M6-1.0,DIN6927,10,Z	6
13	822921GT	FORMING,DEUTZ ENGINE WIRE LOOM	1
14	121602GT	CLAMP,FIXED DIA,NYLON, 3/4"	1
15	21130GT	CLEVIS YOKE-1/4-28,PLTD W/PIN Includes clevis, pin and cotter pin	1
15-	824041GT	NUT, 1/4-28, 8, ZAG	
16	101957GT	SOLENOID,THROTTLE,ASSY.TROMB	1
16-	89998GT	KIT,SERVICE,SOLENOID MODULE	
16-	60525GT	CONN,RECEP 4 WAY,12-14GA	
16-	60526GT	LOCK,RECEP 4 WAY,12-14GA	
16-	60757GT	PLUG,SEAL,12-18 GA	
16-	73711GT	TERM,DEUTSCH, PIN #12-14	
17	139321GT	FORMING, SOLENOID MOUNT***	1
18	1251899GT	SCREW,HHF,M14-2.0 X 40,DIN 692	2
19	48880GT	CAP,DIAGNOSTIC NIPPLE	2
20	49207GT	NIPPLE, DIAGNOSTIC, ORFS, FM, SWIV	2



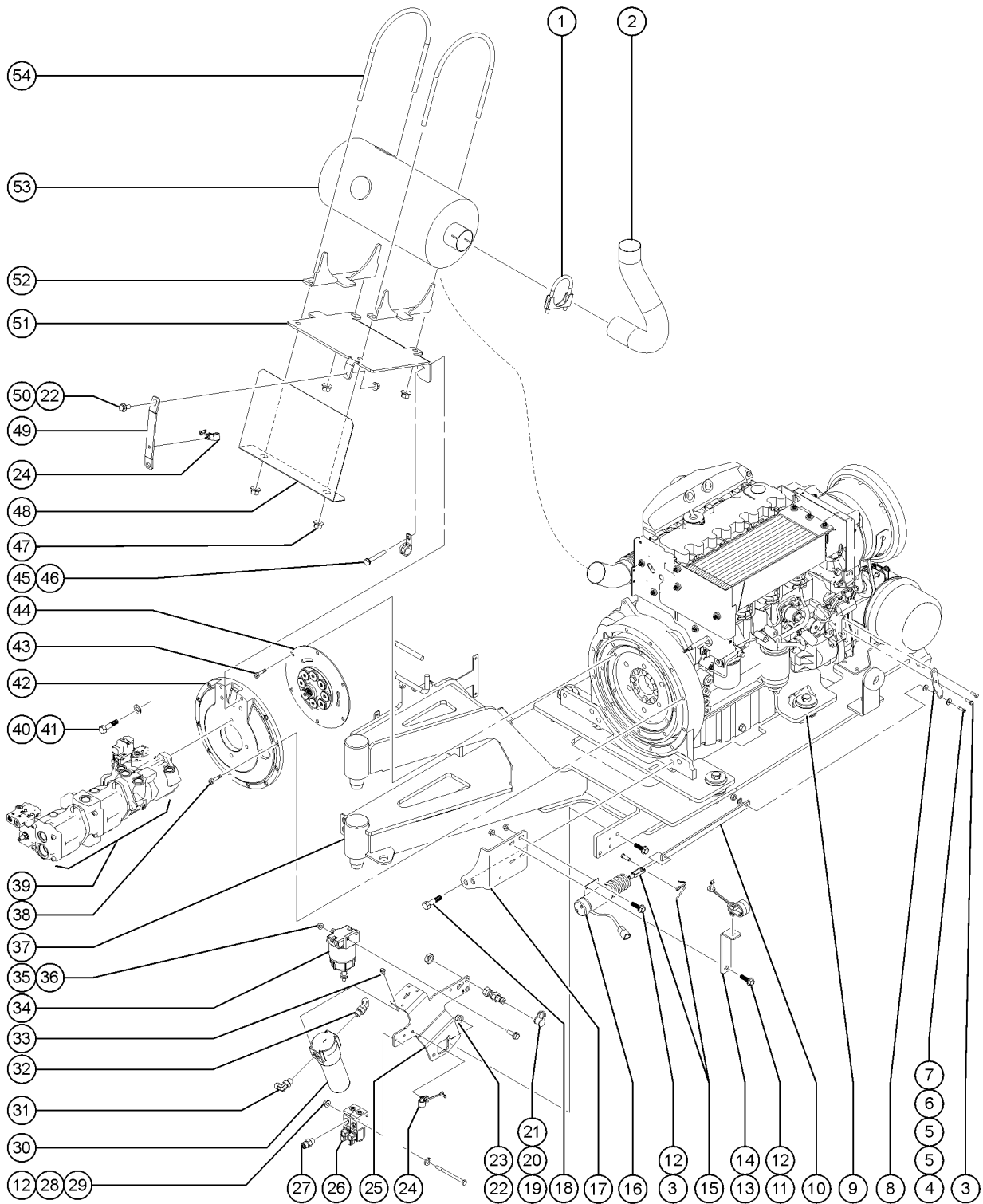
402.1 Deutz TD2011-L04i Engine - View 2





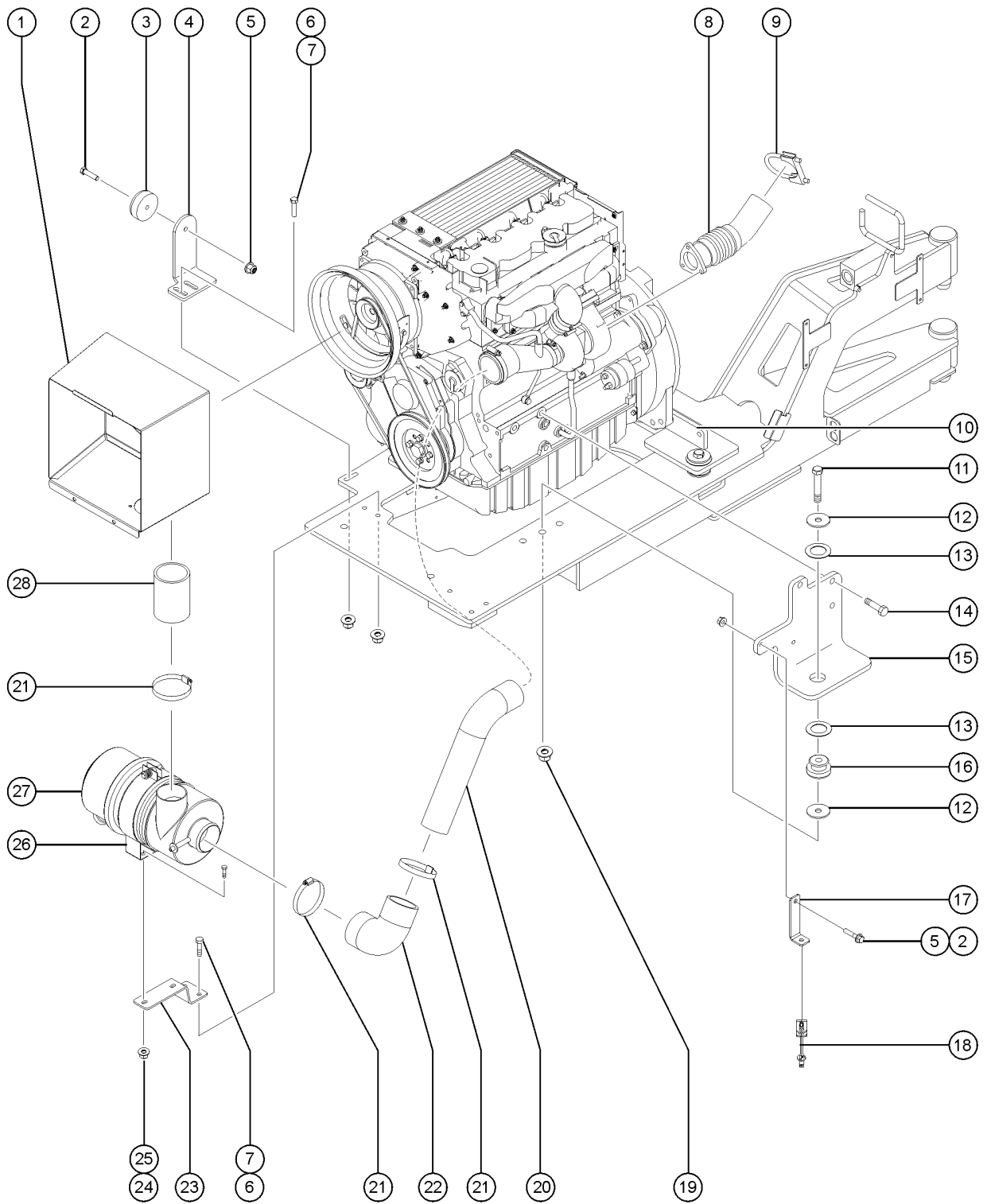
Item	Part No.	Description	Qty.
21	75574GT	NUT,BULKHEAD,520118-4 .....	2
22	231529GT	NUT,TL FLG,M10-1.5,DIN6927,10, .....	3
23	231533GT	SCREW,HHF,M10-1.5X35,DIN6921,10.9,ZAB .....	2
24	121601GT	NUT,TOP LOCK,1/2-13 .....	2
25	215517GT	FORMING,CHARGE FILTER MOUNT .....	1
26	218144GT	VALVE, FUNCTION ENABLE, ZX135 .....	2
27	48905GT	CONN,520120-4*** .....	4
28	825355GT	WASHER,FLAT,M6,DIN125,ZAB .....	4
29	1251902GT	SCREW,HHC,M6-1.0X80,DIN931,10. ....	2
30	1267807GT	ASSEMBLY, MED. PRESS. FILTER, .....	1
31	48932GT	FITTING,ELBOW,90D,520220-8*** .....	1
32	48937GT	ELBOW,45D,520320-8 .....	1
33	824078GT	SCREW,HHF,1/4-20X.75,8,ZAG .....	4
34	75020GT	SEPRTR/FLTR,FUEL DSL,15GPH,.30 .....	1
35	237832GT	NUT,TL FLG,M8-1.25,DIN6927,10,ZAB .....	2
36	1255537GT	SCREW,HHF,M8-1.25X30,DIN6921,1 .....	2
37		Ref. WELDMENT, ENGINE TRAY .....	
		(Refer to 409.1)	
38	1255666GT	SCREW,SHC,M10-1.50X30,DIN912,12.9,ZAB .....	10
39		Ref. PUMP, DRIVE, AND FUNCTION, .....	
		(Refer to 706.1)	
40	1253498GT	SCREW,HHF,1/2-13X1.5,8,ZAG .....	2
41	13066GT	WASHER,FLAT,.5 HARDENED .....	2
		to SN SX150H-612	
42	70381GT	COVER,FLYWHEEL CASTING .....	1
43	1255665GT	SCREW,SHC,M10-1.50X20,DIN912,12.9,ZAB .....	6
44	128004GT	COUPLER,15 TOOTH,FBA,SAE8*** .....	1
45	238347GT	SCREW,HHF,M10-1.5X70,DIN6921,10.9,ZAB .....	2
46	61109GT	CLAMP,1.25,#20 X 7/16,RUB CSH .....	2
47	1251997GT	NUT,TL FLG,1/2-13,G,ZAG .....	4
48	102237PGT	FORMING,HEAT SHIELD,MUFFLER .....	1

402.1 Deutz TD2011-L04i Engine - View 2



<i>Item</i>	<i>Part No.</i>	<i>Description</i>	<i>Qty.</i>
49	160364GT	PLATE,MUFFLER MOUNT SUPPORT .....	1
50	231530GT	SCREW,HHF,M10-1.5X25,DIN6921,10.9,ZAB .....	1
51	160363GT	WELDMENT, MUFFLER MOUNT .....	1
52	70483GT	FORMING,8.5' MUFFLER MOUNT .....	2
53	70444GT	MUFFLER,2.5"INLET/OUTLET .....	1
54	70449GT	U-BOLT,1/2-13 X 8.5 .....	2

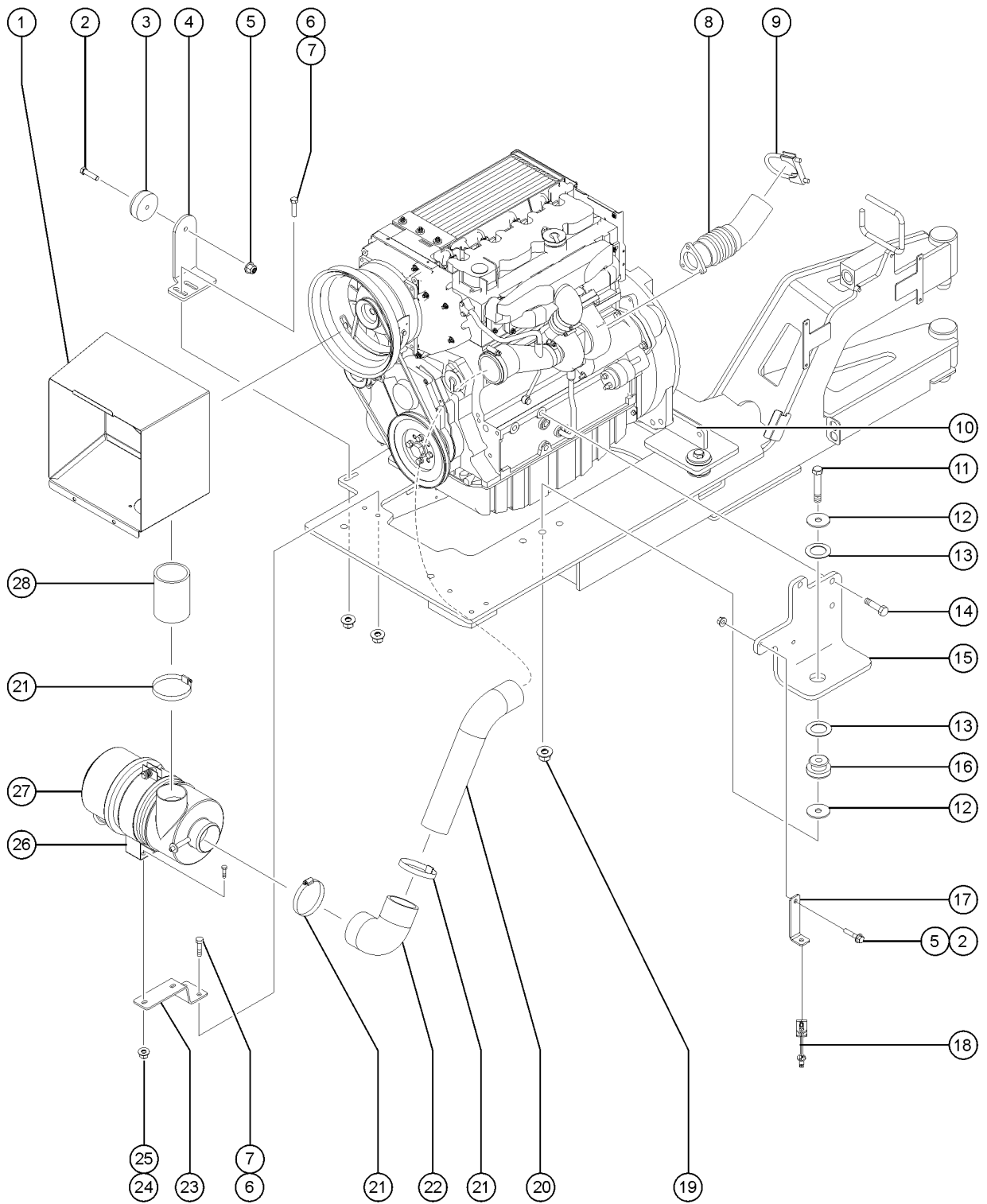
403.1 Deutz TD2011-L04i Engine - View 3



Item	Part No.	Description	Qty.
-		Verify Engine Make and Model Before Ordering	
-		For internal engine parts, contact engine dealer	
1	160896GT	WELDMENT, AIR BOX, DUETZ	1
2	231531GT	SCREW,HHF,M6X30,DIN6921,10.9,Y	2
3	50974GT	BUMPER,RUBBER,COVERS	1
4	60778-SGT	FORMING,COVER STOP	1
5	231513GT	NUT,TL FLG,M6-1.0,DIN6927,10,Z	2
6	231533GT	SCREW,HHF,M10-1.5X35,DIN6921,10.9,ZAB	4
7	231529GT	NUT,TL FLG,M10-1.5,DIN6927,10,	4
8	70445GT	FLEX PIPE,EXHAUST,2.5" DIA	1
9	71911GT	CLAMP,MUFFLER, 2.50 INCH	1
10	70440GT	WELDMENT,REAR ENGINE MOUNT	1
11	1256583GT	SCREW,HHF,5/8-11X3.5,8,ZAG	4
12	824123GT	WASHER,FLAT,.625X2.25X.188,ZAG	8
13	1251565GT	WASHER,SHIM,1.56X2.5X0.061,ZAG	8
14	1256776GT	SCREW,HHF,M14-2.0X35,DIN6921,1 Bolts engine mounts to engine tray	5
15	70438GT	FORMING,ENGINE MOUNT***	
16	217500GT	ISOLATOR, ENGINE VIBRATION	
17	822921GT	FORMING,DEUTZ ENGINE WIRE LOOM Bolts engine mounts to engine	2
18	121602GT	CLAMP,FIXED DIA,NYLON, 3/4"	2
19	1253319GT	NUT,TL FLG,5/8-11,G,ZAG	4
20	102208GT	TUBE,AIR INTAKE,DEUTZ	1
21	30489GT	CLAMP,HOSE,3.50"	3
22	139455GT	ELBOW,AIR INTAKE,RUBBER	1
23	102209GT	FORMING,AIR CLEANER MOUNT**	1
24	237832GT	NUT,TL FLG,M8-1.25,DIN6927,10,ZAB	2
25	824132GT	SCREW,HHF,M8-1.25X20,DIN6921,10.9,ZAB	2
26	81468GT	MOUNTING BAND,AIR CLEANER	1

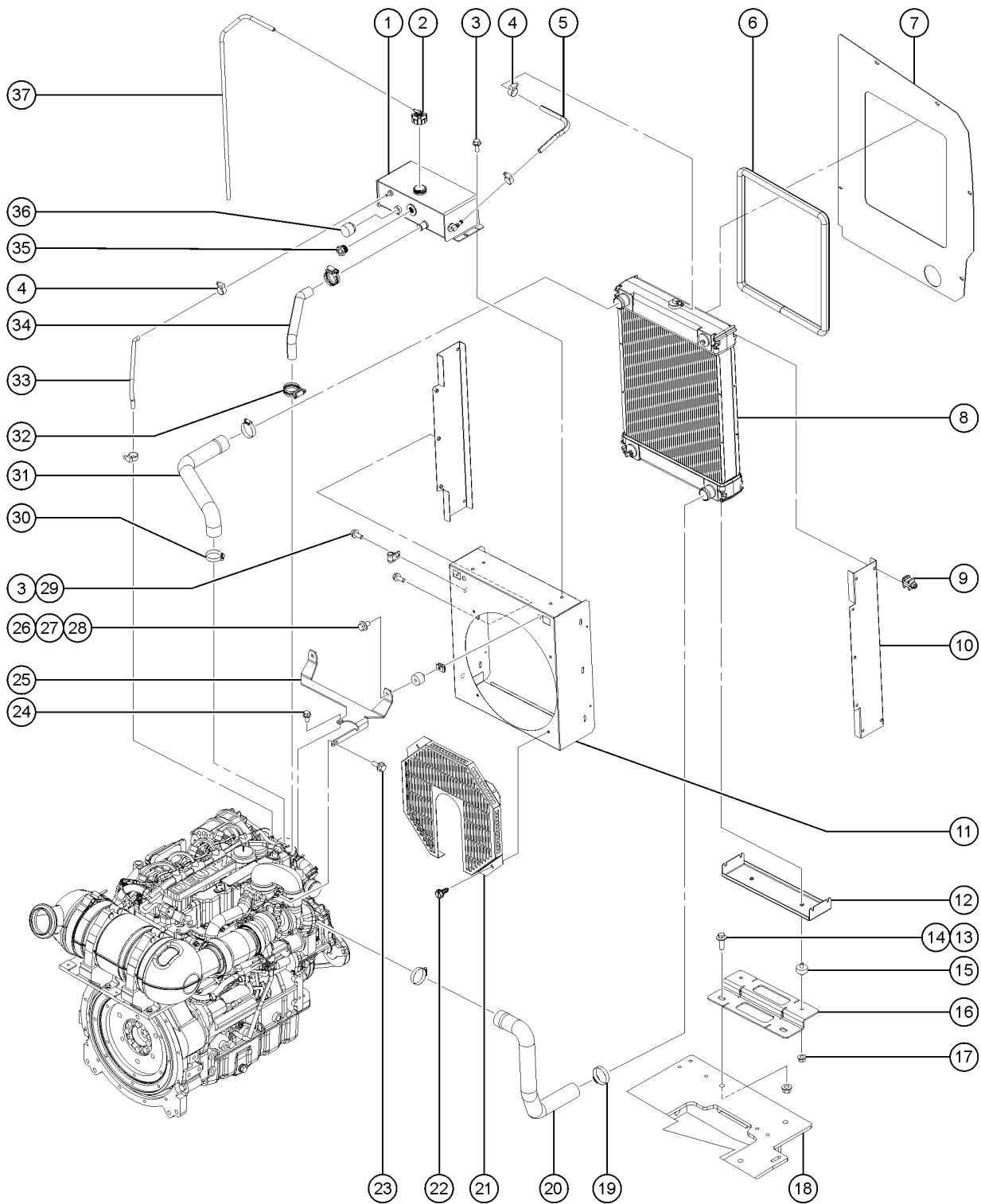


403.1 Deutz TD2011-L04i Engine - View 3



<i>Item</i>	<i>Part No.</i>	<i>Description</i>	<i>Qty.</i>
27	81467GT	AIR CLEANER,NELSON .....	1
28	106211-475GT	HOSE,RUBBER 3"ID X .25 BLACK .....	1

404.1 Deutz D2.9L4 Engine, View 1

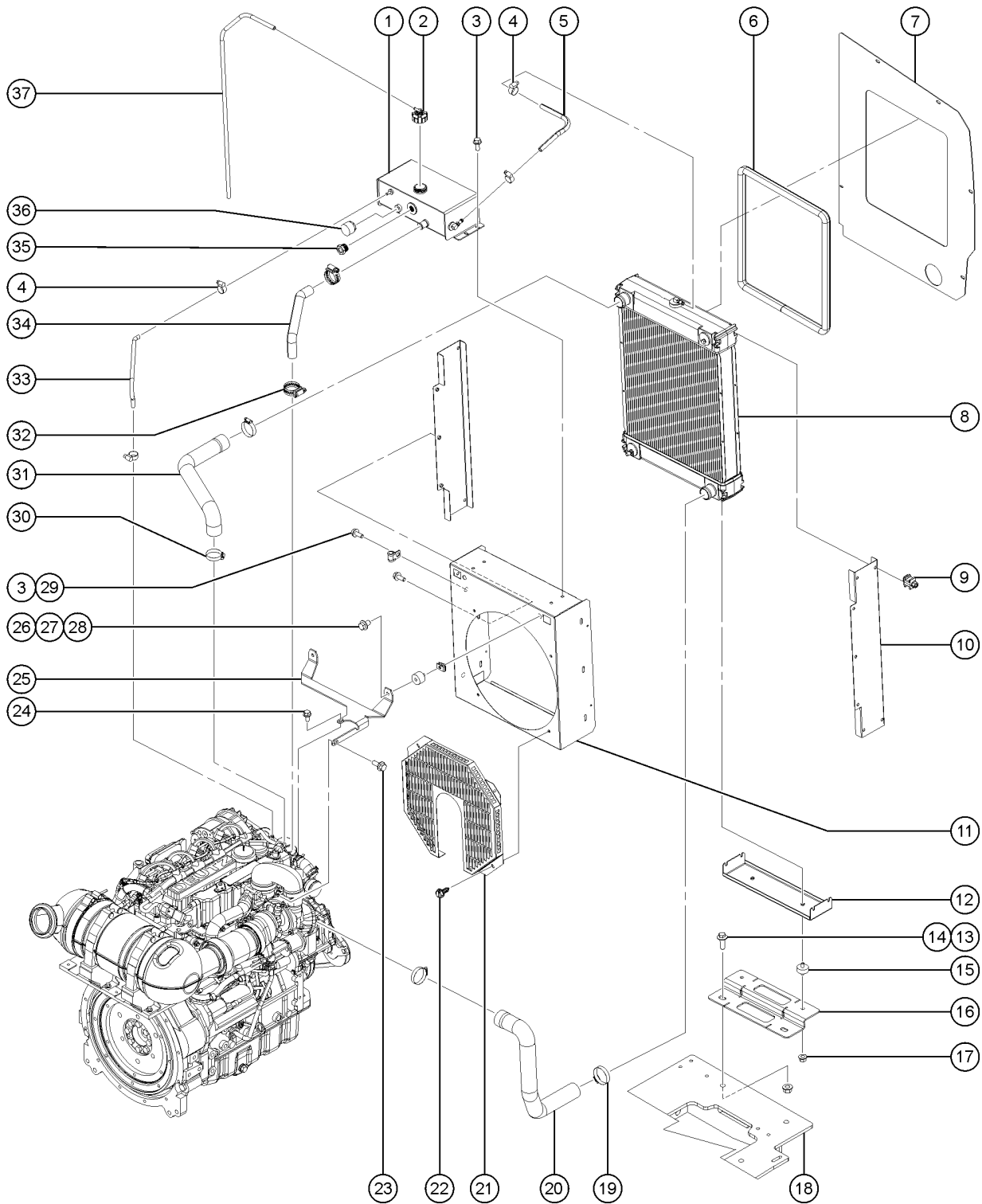




Item	Part No.	Description	Qty.
A-		Due to Tier 4 regulations, many engine replacement parts require the engine serial number at time of order placement. When ordering engine parts please have both machine and engine serial numbers available. For internal engine parts, contact engine dealer	
B-	1262866GT	FAN BELT, ALTERANTOR .....	
C-	1262487GT	BELT,AIR PUMP,PERKINES 404F-22T .....	
D-	237730GT	ENGINE KIT, DEUTZ TD 2.9 .....	
E-	1257246GT	HARNES, DEUTZ 2.9, TIER 4, SUPER X .....	
F-	1252014GT	COOLING SYSTEM RCP-13-077 (includes items 2-4, 8-12, 19-21, 30, 33-34 and 36) .....	
G-	1277974GT	PINS,CONNECTOR,INJ HARNES,D2.9 .....	
H-		(DEUTZ OXIDATION CATALYST/MUFFLER)(contact Genie Parts; engine serial number required)	
1	1294613GT	DEGAS TANK,AL,RCP-13-077 .....	1
2	1254081GT	PRESSURE CAP RCP .....	1
3	824132GT	SCREW,HHF,M8-1.25X20,DIN6921,10.9,ZAB .....	6
4	21465GT	CLAMP,HOSE,.25" - .63" X .3125 .....	4
5	823420-1400GT	HOSE,HEATER,3/8" 14" .....	14
6	1261077GT	TRIM, RUBBER "D" SEAL, 3/16 .....	1
7		FORMING,DEUTZ 2.9L COUNTER WEI (refer to 409.1) .....	1
8	1252015GT	RADIATOR RCP .....	1
9	1253233GT	ISOLATOR ASSY RCP RADIATOR .....	8
10	1253231GT	FORMING RADIATOR SIDE MOUNT .....	2
11	1253230GT	FORMING FAN SHROUD RCP 2.9T .....	1
12	1253232GT	FORMING RADIATOR BOTTOM MOUNT RCP .....	1
13	1251894GT	SCREW,HHF,M16-2.0X45,DIN6921,1 .....	2
14	1251893GT	NUT,TL,FLG,M16-2.0,DIN6927,10,ZAB .....	2
15	1255631GT	ISOLATOR, M10-1.50, 5/8" HIGH .....	2
16	1251720GT	WELDMENT, RADIATOR MOUNT .....	1
17	231529GT	NUT,TL FLG,M10-1.5,DIN6927,10, .....	2
18		Ref. WELDMENT, ENGINE TRAY (refer to 409.1) .....	
19	35434GT	CLAMP,HOSE,2.00*** .....	2

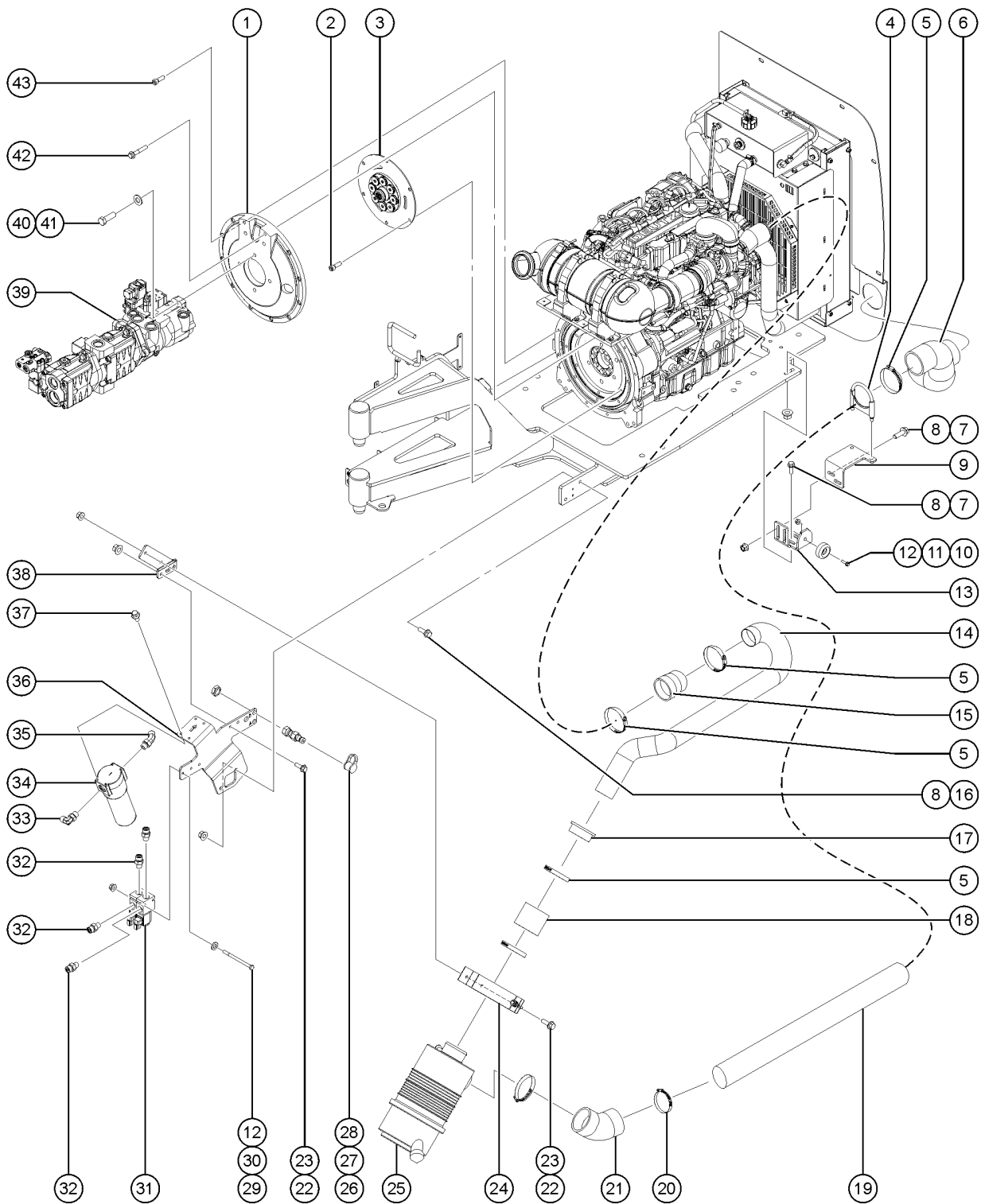


404.1 Deutz D2.9L4 Engine, View 1



<i>Item</i>	<i>Part No.</i>	<i>Description</i>	<i>Qty.</i>
20	1252018GT	HOSE, 20R4, LOWER .....	1
21	1253218GT	FORMING FAN SHROUD RCP .....	1
22	1253234GT	SCREW SHEET METAL HHF X1/2 X .180D .....	4
23	824131GT	SCREW,HHF,M6-1.0X16,DIN6921,10 .....	1
24	1251983GT	SCREW,HHF,M8-1.25X16,DIN6921,10.9,ZAB .....	1
25	1255342GT	FORMING,RADIATOR SUPPORT .....	1
26	237352GT	SCREW,HHF,M10-1.5X16,DIN6921,10.9,ZAB .....	2
27	1255451GT	ISOLATOR, VIBRATION DAMPENER .....	2
28	230074GT	SPRING CLIP,M10-1.5,1-6X19,ZAB .....	2
29	1257844GT	CLAMP, TUBE/HOSE, LOOP/OFFSET, 12.7 OD .....	4
30	22672GT	CLAMP,HOSE,1.75 .....	2
31	1252017GT	HOSE, 20R4, UPPER .....	1
32	36208GT	CLAMP,HOSE,1.25*** .....	2
33	824600-1400GT	HOSE HEATER 1/4" X14" .....	
34	1252019GT	HOSE, DEGAS RETURN, 22MM ID .....	1
35	1254418GT	SIGHT GLASS DEGAS RCP .....	1
36	218715GT	COOLANT LEVEL SNSR, DEUTZ TCD3.6 .....	1
37	824600-4300GT	HEATER HOSE,1/4" .....	43

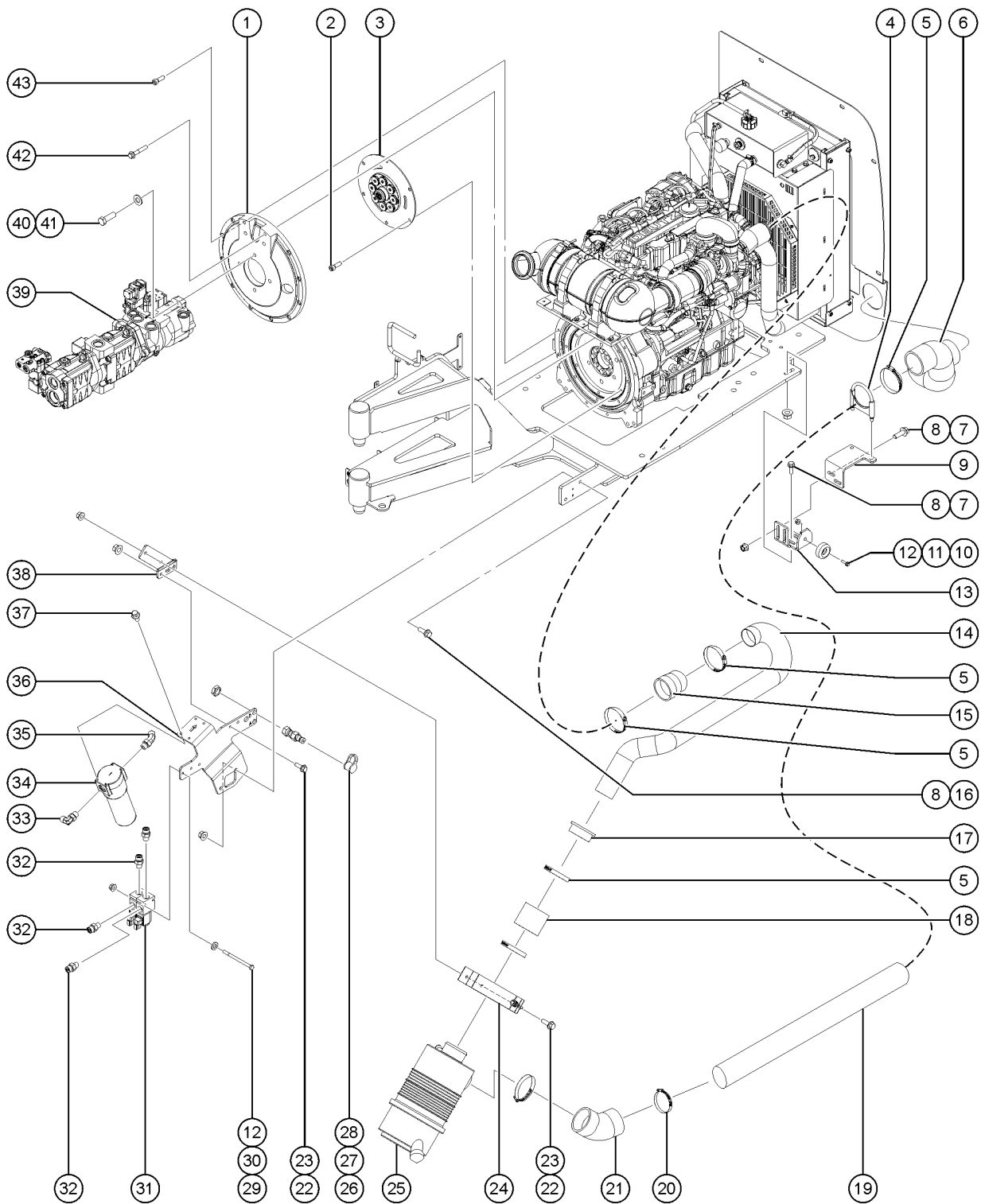
405.1 Deutz D2.9L4 Engine, View 2



Item	Part No.	Description	Qty.
-		Due to Tier 4 regulations, many engine replacement parts require the engine serial number at time of order placement. When ordering engine parts please have both machine and engine serial numbers available. For internal engine parts, contact engine dealer	
1	70381GT	COVER,FLYWHEEL CASTING .....	1
2	1255665GT	SCREW,SHC,M10-1.50X20,DIN912,12.9,ZAB .....	6
3	128004GT	COUPLER,15 TOOTH,FBA,SAE8*** .....	1
4	122414GT	U-BOLT,GUILLOTINE,3" .....	1
5	30971GT	CLAMP,HOSE,3.0" .....	6
6	1261243GT	HOSE,3" ID FORMED INTAKE .....	1
7	232874GT	SCREW,HHF,M10-1.5X30,DIN6921,10.9,ZAB .....	4
8	231529GT	NUT,TL FLG,M10-1.5,DIN6927,10, .....	4
9	1257728GT	FORMING,INTAKE SUPPORT .....	1
10	1255537GT	SCREW,HHF,M8-1.25X30,DIN6921,1 .....	1
11	50974GT	BUMPER,RUBBER,COVERS .....	1
12	231513GT	NUT,TL FLG,M6-1.0,DIN6927,10,Z .....	2
13	1254669GT	FORMING, COVER STOP .....	1
14	826352GT	TUBE,INTAKE,DEUTZ 2.9L .....	1
15	826351GT	HOSE,REDUCER,TURBO INLET,DEUTZ .....	1
16	231533GT	SCREW,HHF,M10-1.5X35,DIN6921,10.9,ZAB .....	2
17	101640GT	REDUCER,RUBBER 3.0 - 2.5 .....	1
18	106211-475GT	HOSE,RUBBER 3"ID X .25 BLACK .....	1
19	215512GT	TUBE,INTAKE, FILTER .....	1
20	30489GT	CLAMP,HOSE,3.50" .....	2
21	61270GT	ELBOW,45 DEG,INLET .....	1
22	824133GT	SCREW,HHF,M8-1.25X25,DIN6921,10.9,ZAB .....	4
23	237832GT	NUT,TL FLG,M8-1.25,DIN6927,10,ZAB .....	4
24	81468GT	MOUNTING BAND,AIR CLEANER .....	1
25	81467GT	AIR CLEANER,NELSON .....	1
25-	62425GT	FILTER,AIR CLEANER, SUPERBOOM .....	
		for 81467	

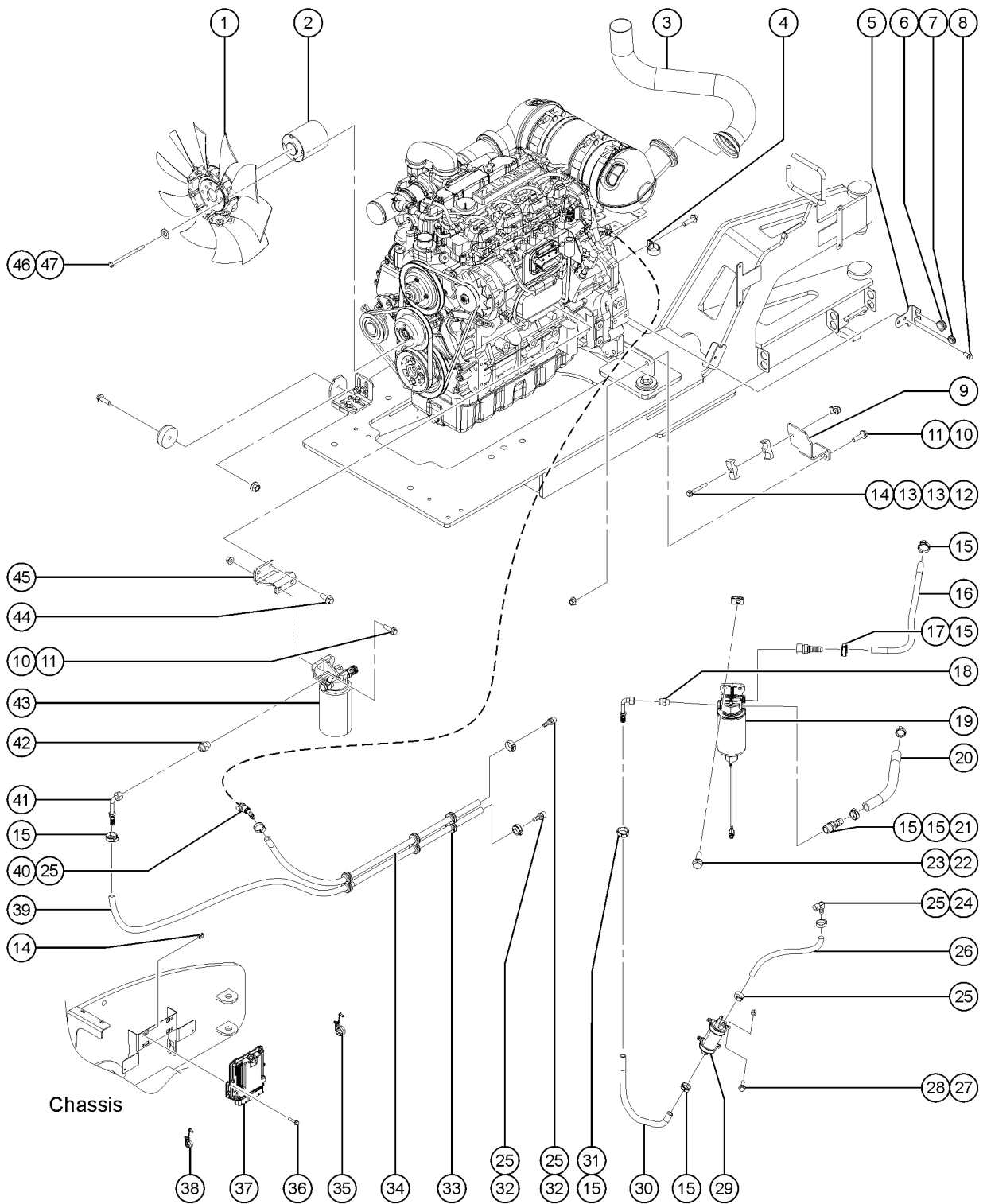


405.1 Deutz D2.9L4 Engine, View 2



Item	Part No.	Description	Qty.
26	48880GT	CAP,DIAGNOSTIC NIPPLE .....	1
27	49207GT	NIPPLE, DIAGNOSTIC, ORFS, FM, SWIV .....	1
28	75574GT	NUT,BULKHEAD,520118-4 .....	1
29	1251902GT	SCREW,HHC,M6-1.0X80,DIN931,10. ....	2
30	825355GT	WASHER,FLAT,M6,DIN125,ZAB .....	4
31	218144GT	VALVE, FUNCTION ENABLE, ZX135 .....	2
32	48905GT	CONN,520120-4*** .....	4
33	48932GT	FITTING,ELBOW,90D,520220-8*** .....	2
34	1267807GT	ASSEMBLY, MED. PRESS. FILTER, .....	1
35	48937GT	ELBOW,45D,520320-8 .....	1
36	215517GT	FORMING,CHARGE FILTER MOUNT .....	1
37	824077GT	SCREW, HHF, 1/4-20 X .5, 8, ZAG .....	4
38	1251708GT	FORMINNG AIR CLEANER .....	1
39		Ref. Pump Assembly .....	
40	54177GT	SCREW,HHC,1/2-13 X 1.5 GRD 8 .....	2
		to SN SX150H-612	
40B	1253498GT	SCREW,HHF,1/2-13X1.5,8,ZAG .....	
		from SN SX150H-613	
41	825353GT	WASHER,FLAT,1/2,SAE,HRD,ZAG .....	2
		to SN SX150H-612	
42	216036GT	SCREW,HHF,M10-1.5X60,DIN6921,1 .....	4
43	1255666GT	SCREW,SHC,M10-1.50X30,DIN912,12.9,ZAB .....	10

406.1 Deutz D2.9L4 Engine, View 3

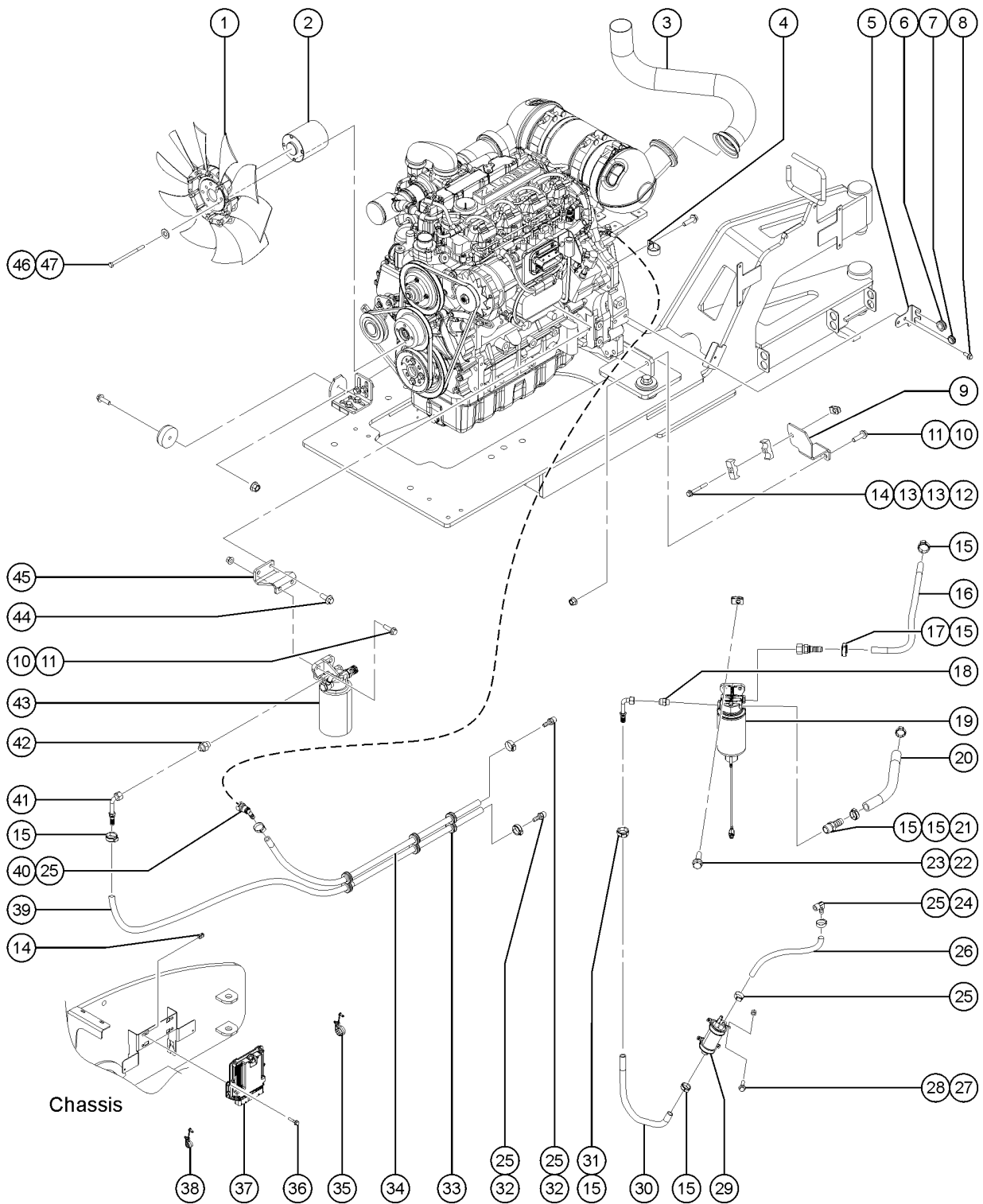




Item	Part No.	Description	Qty.
-		Due to Tier 4 regulations, many engine replacement parts require the engine serial number at time of order placement. When ordering engine parts please have both machine and engine serial numbers available. For internal engine parts, contact engine dealer	
1	1251496GT	FAN,10 BLADE,17",DEUTZ 2.9L	1
2	1257753GT	FAN SPACER,DEUTZ 2.9L	1
3	826348GT	EXHAUST PIPE, 2.9L DEUTZ	3
4	56424GT	CLAMP,1.25X.5 RUBBER-CUSHION	1
5	1257888GT	FORMING, ENGINE HARNESS SUPPOR	1
6	124962GT	GROMMET,RUBBER,1.0 X 1.25X1.5	1
7	106923GT	GROMMET,RUBBER .38X1.38X1.0	1
8	824134GT	SCREW,HHF,M12-1.75X30,DIN6921	2
9	217457GT	FORMING, BATTERY CABLE MOUNT	1
10	231533GT	SCREW,HHF,M10-1.5X35,DIN6921,10.9,ZAB	3
11	231529GT	NUT,TL FLG,M10-1.5,DIN6927,10,	3
12	216597GT	SCREW,HHF,M6 X 50,G10,YZ	1
13	217460GT	CLAMP,BATTERY CABLE	2
14	219697GT	SPRING CLIP,M6-1.0,3.4-6.3MMX1	1
15	822087GT	CLAMP,HOSE,1EAR,25/32	6
16	1253181GT	HOSE,FUEL,1/2" GATES RLA,20.625"	1
17	824635GT	FITTING,STR,1/2 HS X 3/4-16,JI	1
18	162209GT	FITTING,CONN,16MM-8MJ	1
19	236260GT	FILTER, FUEL PRE-FILTER, SPIN-ON, DEUTZ	
20	1253183GT	HOSE,FUEL,1/2" GATES RLA,7.625"	1
21	824471GT	FITTING,3/8 NPT TO 1/2 BARB	1
22	1255537GT	SCREW,HHF,M8-1.25X30,DIN6921,1	2
23	230820GT	SPRING CLIP, M8-1.25, 0.8-4.0 X 13, ZAB	2
24	27904GT	HOSE END,BARBED,RIGID,90DEG6-6	1
25	1253613GT	CLAMP, STEPLESS EAR,15.3-18.5M	4
26	1253179GT	HOSE,FUEL,3/8" GATES RLA, 22.0	1

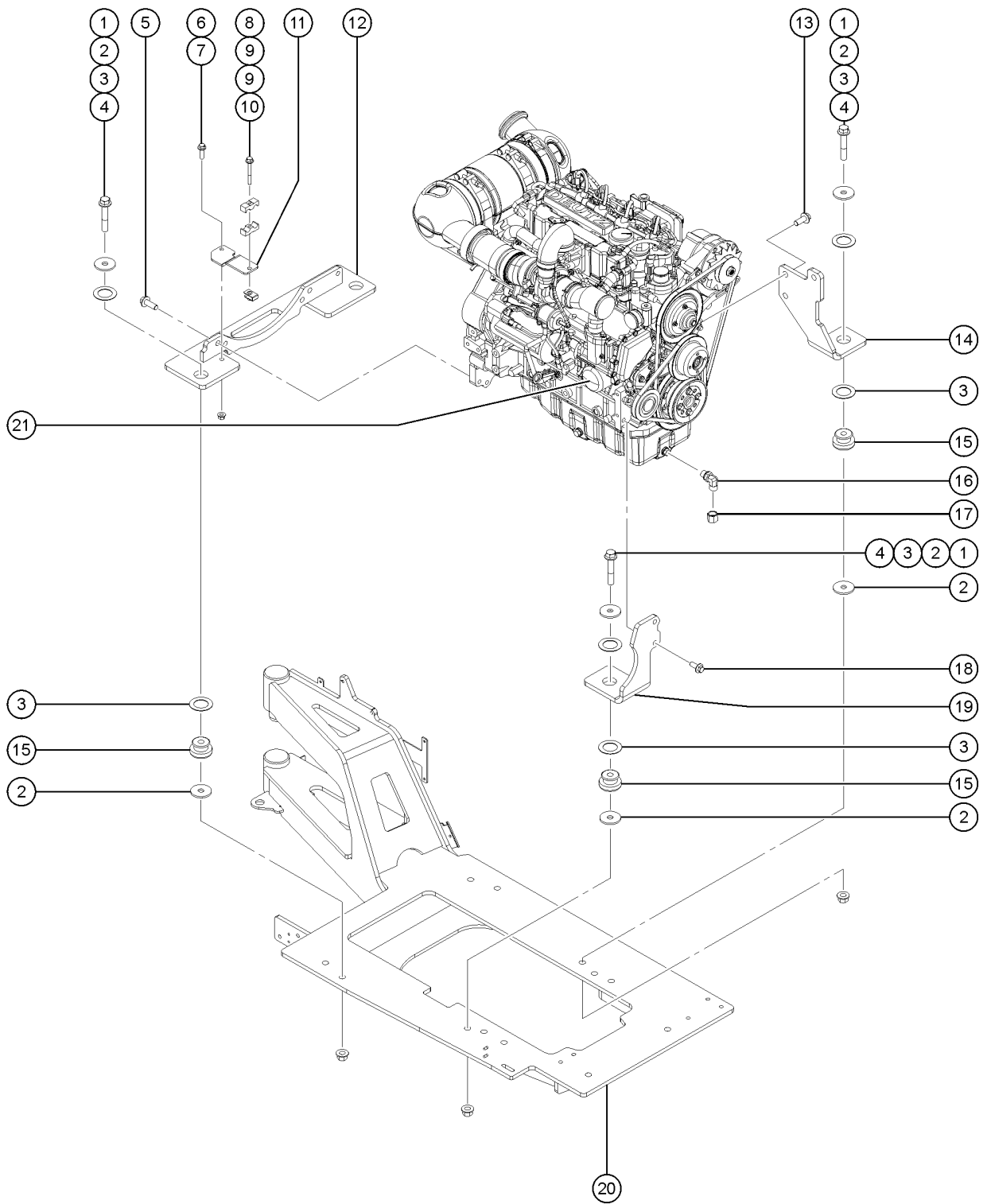


406.1 Deutz D2.9L4 Engine, View 3



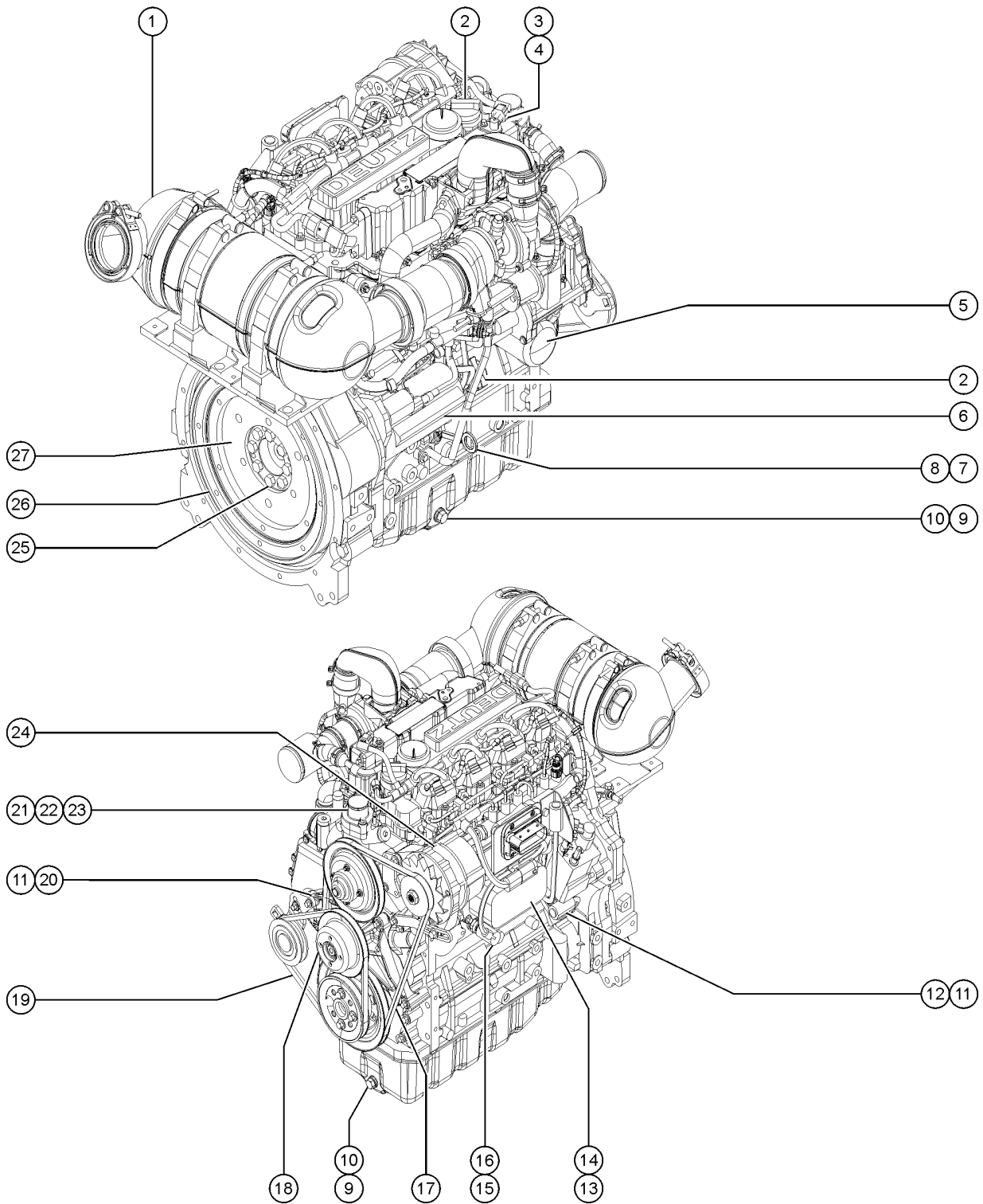
<i>Item</i>	<i>Part No.</i>	<i>Description</i>	<i>Qty.</i>
27	218458GT	SCREW,HHF,M5-0.8X20,DIN6921,10.9,ZAB .....	4
28	826214GT	NUT,TL,M5-0.8,DIN980,10,ZAB .....	4
29	236259GT	LIFT PUMP,FUEL,DEUTZ .....	1
30	1254848GT	HOSE,FUEL,1/2" GATES RLA,16.75" .....	1
31	162207GT	FITTING,ELBOW,8GS-8FJX90S .....	1
32	27901GT	HOSE END,BARBED,RIGID,-6-6 .....	1
33	60584GT	GROMMET,RUBBER .75 X .19 X 1** .....	6
34	1252898GT	HOSE,FUEL,3/8",GATES RLA,53.25 .....	1
35	219510GT	CLAMP, FIXED DIA, NYLON, 1-1/4 .....	1
36	231531GT	SCREW,HHF,M6X30,DIN6921,10.9,Y .....	4
37		ECU (This part is serialized, contact Genie Parts Sales with full model and SN of both the unit and engine)	1
38	121602GT	CLAMP,FIXED DIA,NYLON, 3/4" .....	1
39	1252896GT	HOSE,FUEL,3/8,GATES RLA,66.25" .....	1
40	826000GT	CONNECTOR, SAE10, QUICK CONNECT .....	1
41	162206GT	FITTING,ELBOW,6GS-6FJX90S .....	1
42	162208GT	FITTING,CONN,16MM-6MJ .....	1
43	214228GT	FILTER, DEUTZ 2.9, FUEL .....	1
44	231088GT	SCREW,HHF,M10-1.5X20,DIN6921,1 .....	2
45	1256911GT	FORMING FUEL FILTER DEUTZ .....	1
46	1257774GT	SCREW,HHC,M8-1.25X95,DIN931,10 .....	4
47	824144GT	WASHER,FLAT,M8,DIN125,ZAB .....	4

407.1 Deutz D2.9L4 Engine, View 4



Item	Part No.	Description	Qty.
-		Due to Tier 4 regulations, many engine replacement parts require the engine serial number at time of order placement. When ordering engine parts please have both machine and engine serial numbers available. For internal engine parts, contact engine dealer	
1	1256583GT	SCREW,HHF,5/8-11X3.5,8,ZAG	4
2	824123GT	WASHER,FLAT,.625X2.25X.188,ZAG	8
3	1251565GT	WASHER,SHIM,1.56X2.5X0.061,ZAG	8
4	1253319GT	NUT,TL FLG,5/8-11,G,ZAG	4
5	1251899GT	SCREW,HHF,M14-2.0 X 40,DIN 692	4
6	231533GT	SCREW,HHF,M10-1.5X35,DIN6921,10.9,ZAB	2
7	231529GT	NUT,TL FLG,M10-1.5,DIN6927,10,	2
8	216597GT	SCREW,HHF,M6 X 50,G10,YZ	1
9	217460GT	CLAMP,BATTERY CABLE	2
10	219697GT	SPRING CLIP,M6-1.0,3.4-6.3MMX1	4
11	217458GT	FORMING, BATTERY CABLE GUIDE	2
12	70440GT	WELDMENT,REAR ENGINE MOUNT	1
13	1256776GT	SCREW,HHF,M14-2.0X35,DIN6921,1	3
14	1256805GT	MOUNT,ENGINE,LEFT SIDE	1
15	217500GT	ISOLATOR, ENGINE VIBRATION	4
16	54428GT	FITTING,HYDRAULIC,90DEG,O-RING	1
17	69775GT	CAP,520112-8	1
18	824134GT	SCREW,HHF,M12-1.75X30,DIN6921	2
19	1251705GT	FORMING, ENGINE MOUNT	1
20		Ref. WELDMENT, ENGINE TRAY (Refer to 409.1)	
21	49924GT	FILTER,OIL,DEUTZ F4L1011F	1

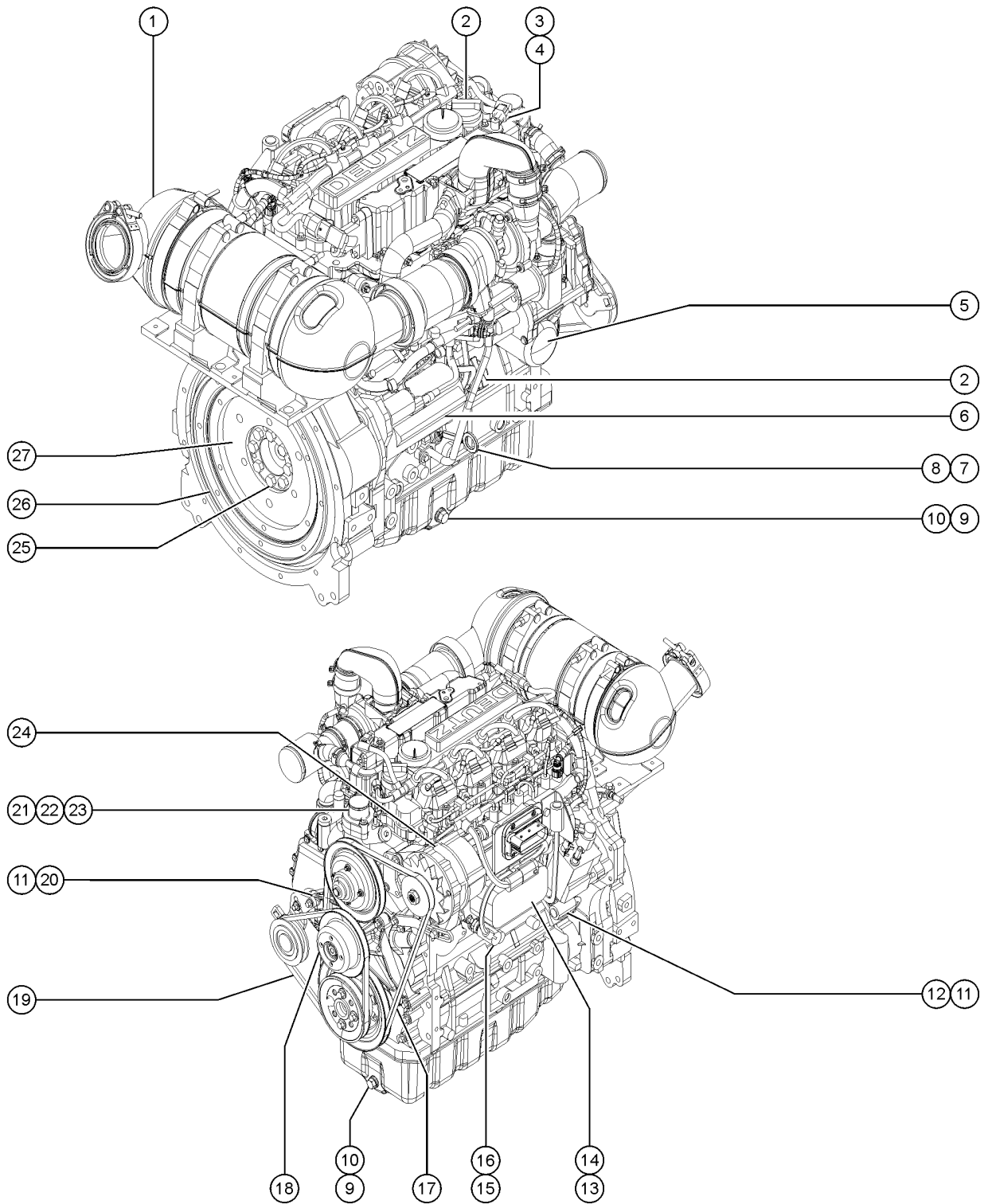
408.1 Deutz D2.9L4 Engine, View 5



Item	Part No.	Description	Qty.
-		Due to Tier 4 regulations, many engine replacement parts require the engine serial number at time of order placement. When ordering engine parts please have both machine and engine serial numbers available. For internal engine parts, contact engine dealer	
-	1259717GT	MANUAL, DEUTZ D2.9 ENGINE	1
-	1262870GT	GLOW PLUG, DEUTZ	4
-	1262871GT	SEAL, FRONT ENGINE,DEUTZ	1
-	1262872GT	SEAL, REAR ENGINE,DEUTZ	1
-	1262874GT	WATER PUMP	1
-	1262875GT	O-RING, WATER PUMP	1
-	1259654GT	INTAKE BREATHER	1
-	1277974GT	PINS,CONNECTOR,INJ HARNESS,D2.9	
-	1259899GT	HARNESS, ENGINE, DEUTZ TD2.9	1
1		Ref. OXIDATION CATALYST,DEUTZ (diesel oxygen catalyst/muffler)(contact Genie Parts; engine serial number required)	
2	29557GT	CAP,OIL FILLER,DEUTZ,DIESEL ***	2
3	1262896GT	SENSOR,INTAKE AIR PRESSURE	1
4	1262897GT	O-RING, INTAKE AIR PRESSURE SENSOR	1
5	49924GT	FILTER,OIL,DEUTZ F4L1011F	1
6	1254594GT	STARTER,3.2KW,DEUTZ D2.9	1
6-	1262868GT	BOLT, DEUTZ STARTER not included sold seperately	
7	825708GT	DIPSTICK,TD2.9	1
8	1262881GT	ORING, OIL DIP STICK	1
9	102587GT	PLUG,ENGINE OIL,DEUTZ F4L2011	2
10	108538GT	RING / SEALING	2
11	1262894GT	SENSOR,CAM/CRANKSHAFT POSITION (crankshaft)	1
11B	1262894GT	SENSOR,CAM/CRANKSHAFT POSITION hidden from view (camshaft)	1
12	1262895GT	O-RING, CRANKSHAFT POSITION SENSOR	1
13	1260357GT	OIL COOLER,TD2.9	1
14	1262883GT	GASKET, OIL COOLER, DEUTZ	1
15	824673GT	SENSOR,LOW PRESSURE,DEUTZ 2.9L	1



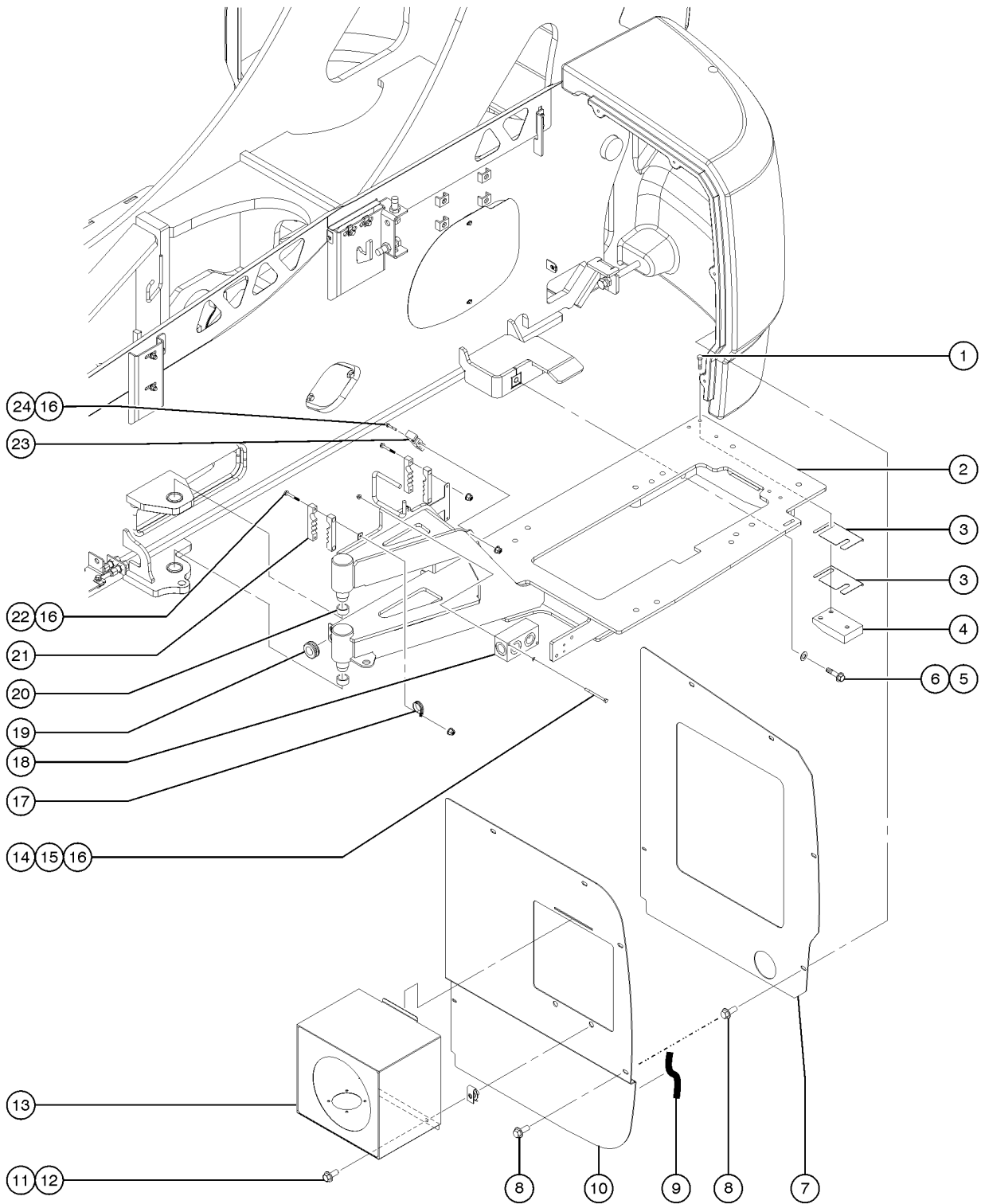
408.1 Deutz D2.9L4 Engine, View 5





<i>Item</i>	<i>Part No.</i>	<i>Description</i>	<i>Qty.</i>
16	1262893GT	O-RING, OIL PRESSURE SENSOR .....	1
17	1262866GT	FAN BELT, ALTERNATOR .....	1
18	236248GT	PULLEY ASSEMBLY,ALTERNATOR,TCD .....	1
19	1262867GT	V-BELT, DEUTZ .....	1
20	1262899GT	O-RING, CAMSHAFT POSITION SENSOR .....	1
		hidden from view	
21	1262877GT	THERMOSTAT HOUSING .....	1
22	1262876GT	THERMOSTAT,DEUTZ .....	1
23	1262878GT	GASKET, THERMOSTAT HOUSING .....	1
24	236251GT	ALTERNATOR,95 AMP,DEUTZ TCD3.6 .....	1
25	1262873GT	BOLT, DEUTZ FLYWHEEL .....	8
26	89785GT	RING GEAR,DEUTZ F3L2011F .....	1
27	1259660GT	FLYWHEEL, SAE 8/10 .....	1
		order with item 25	

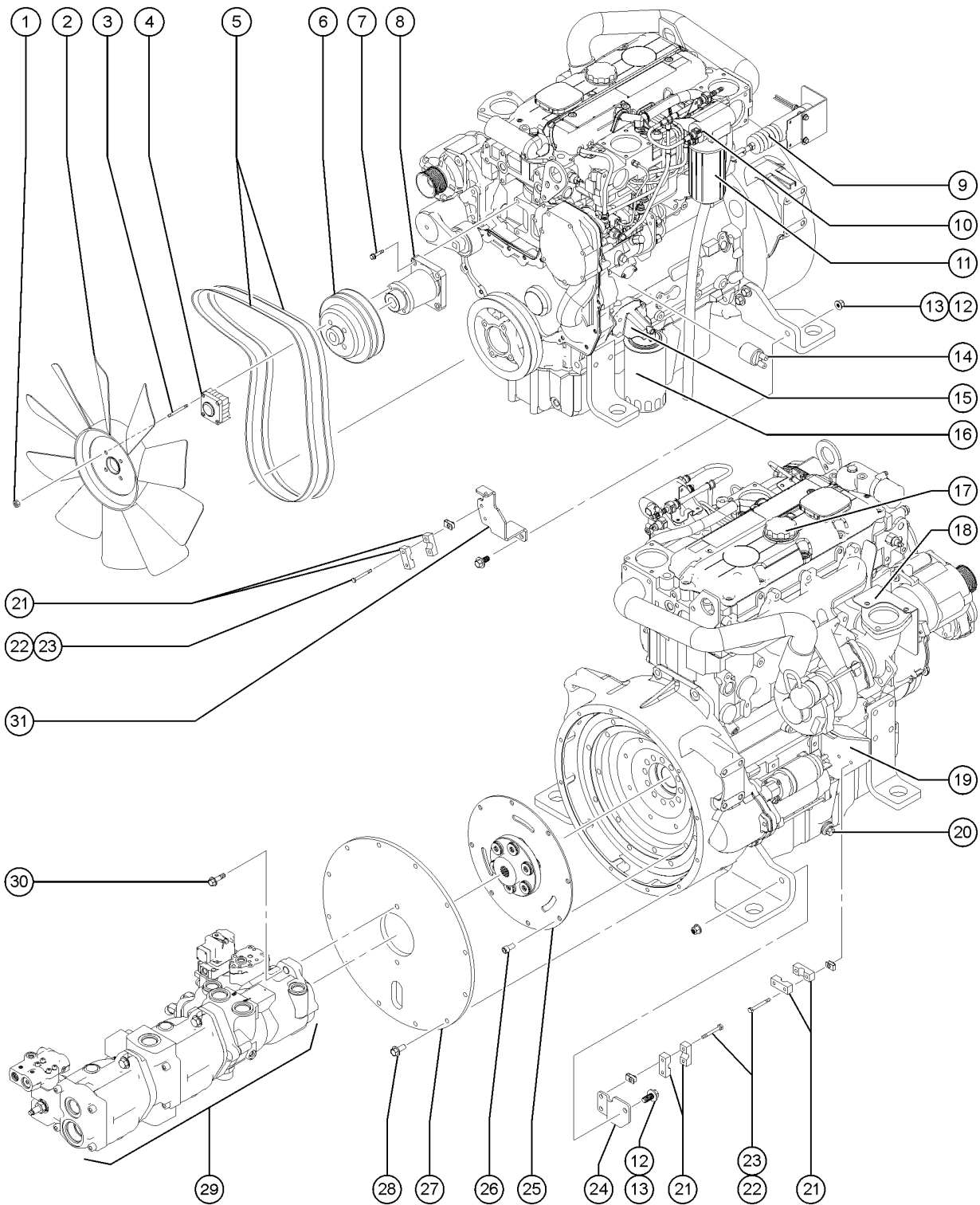
409.1 Deutz Engine Attached Components



## 409.1 Deutz Engine Attached Components

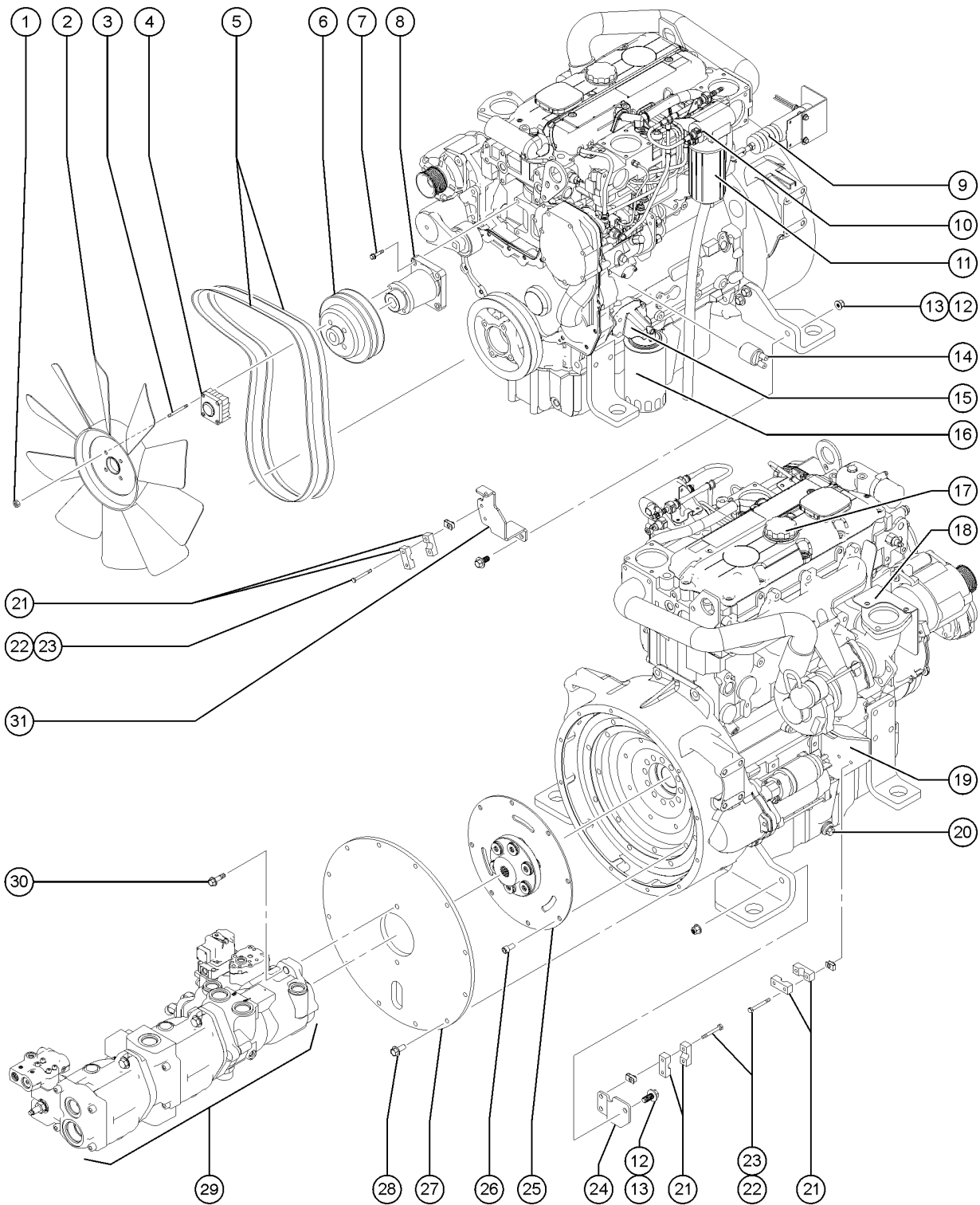
Item	Part No.	Description	Qty.
1	824091GT	SCREW, HHF, 3/8-16 X 1.25, 8, ZAG .....	3
2		Ref. WELDMENT, ENGINE TRAY .....	1
3	60826GT	SHIM,WEAR PAD ENGINE TRAY .....	2
4	60637GT	WEAR PAD,ENGINE SUPPORT .....	1
5	231509GT	SCREW,HHC,M20-2.5X80,DIN933,10 .....	1
6	231510GT	WASHER,FLAT,M20,DIN6916,HRD,ZAB .....	1
7	1259873GT	FORMING,DEUTZ 2.9L COUNTER WEI (Deutz TD 2.9L4) (Refer to 404.1) .....	
8	237352GT	SCREW,HHF,M10-1.5X16,DIN6921,10.9,ZAB .....	
9	1261077GT	TRIM, RUBBER "D" SEAL, 3/16 .....	2
		(Deutz TD2011-L04i)	
10	1261548GT	FORMING,BAFFLE,DEUTZ .....	1
		(Deutz TD2011-L04i)	
11	231530GT	SCREW,HHF,M10-1.5X25,DIN6921,10.9,ZAB .....	
		(Deutz TD2011-L04i)	
12	230074GT	SPRING CLIP,M10-1.5,1-6X19,ZAB .....	
		(Deutz TD2011-L04i)	
13		Ref. WELDMENT,AIR BOX,DEUTZ .....	
		(Deutz TD2011-L04i) (Refer to 403.1)	
14	1251902GT	SCREW,HHC,M6-1.0X80,DIN931,10. ....	2
15	82355GT	WARRANTY FORM,ALL PRODUCTS*** .....	2
16	231513GT	NUT,TL FLG,M6-1.0,DIN6927,10,Z .....	6
17	6653GT	CLAMP,1.88,#30 X 1/4,RUB CUSH .....	1
		(Deutz TD 2.9L4)	
18	236240GT	MANIFOLD, RETURN BLOCK .....	1
19	60584GT	GROMMET,RUBBER .75 X .19 X 1** .....	
20	236766GT	BEARING,FL.,40IDX48ODX28L .....	2
21	216818GT	CABLE CLAMP, BATTERY .....	4
22	216597GT	SCREW,HHF,M6 X 50,G10,YZ .....	4
23	216819GT	CABLE CLAMP, FUEL LINE .....	1
24	232886GT	SCREW,HHF,M6-1.0X40,DIN6921,10.9,ZAB .....	1

410.1 Perkins 1104D-44T - View 1



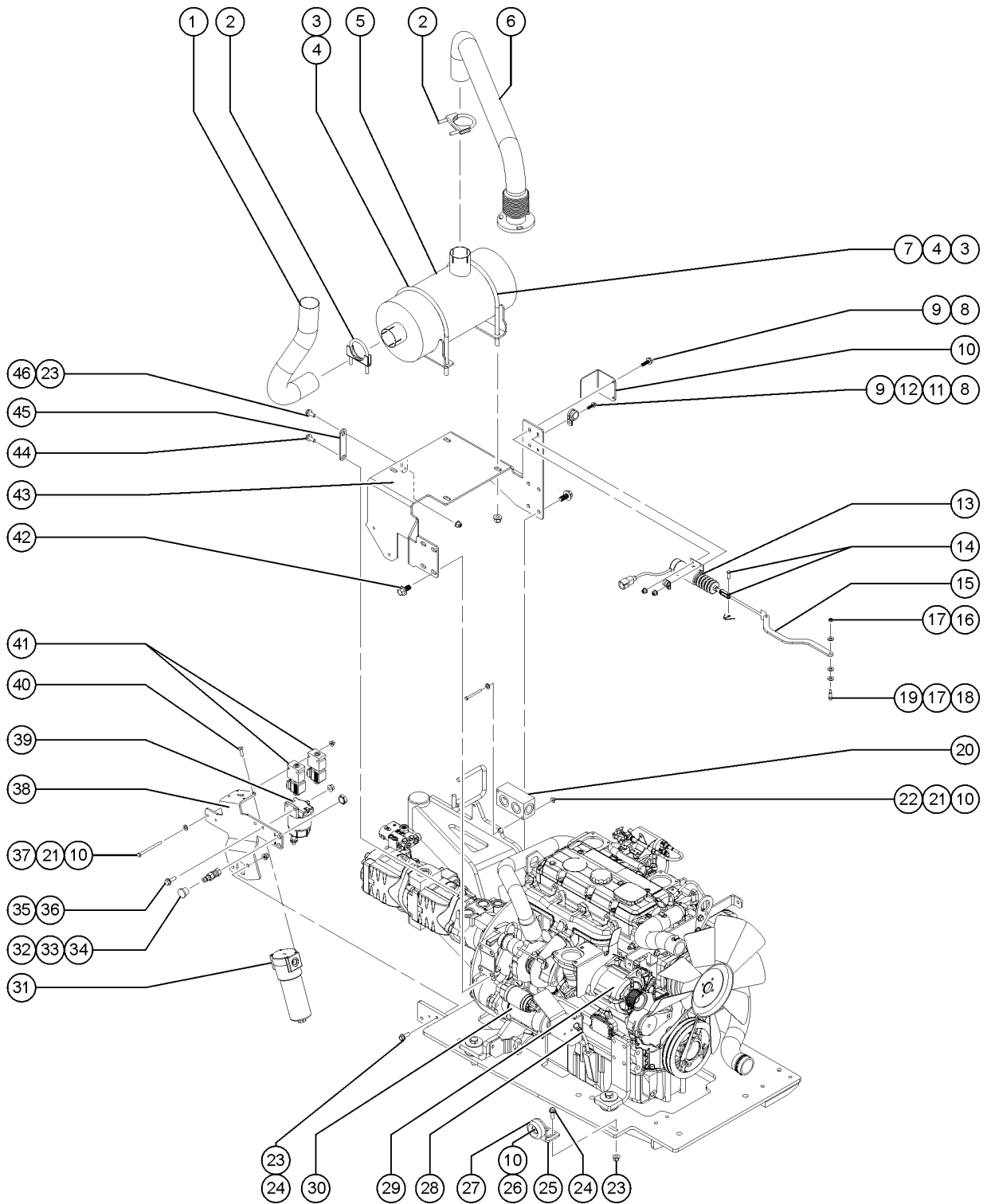
Item	Part No.	Description	Qty.
-		Verify Engine Make and Model Before Ordering .....	
-		For internal engine parts, contact engine dealer .....	
1	75326GT	NUT,FAN BLADE,PERKINS 1004-42 .....	
2	75328GT	FAN,PULLER,PERKINS,1004-42 .....	1
3	75327GT	STUD,FAN SPACR,PERKINS 1004-42 .....	4
4	130187GT	FAN SPACER,PERKINS,1.5" .....	1
5	102598GT	BELT,V,(2) PERKINS 1104C-44 .....	2
		Serviced in pairs	
6	75330GT	PULLEY,FAN,PERKINS 1004-42 .....	1
7	75304GT	SCREW,PERKINS 1004-42 .....	4
8	123351GT	FAN DRIVE HOUSING .....	1
9		Ref. THROTTLE SOLENOID ASSY, TROMB. ....	1
		(Refer to 411.1)	
10	102638GT	ADAPTER-FUEL FILTER, PERK 1104 .....	
11	102639GT	FILTER,FUEL, PERKINS 1104C .....	
12	231529GT	NUT,TL FLG,M10-1.5,DIN6927,10, .....	
13	231533GT	SCREW,HHF,M10-1.5X35,DIN6921,10.9,ZAB .....	
14	102348GT	SENDING UNIT,OIL PRESS PERKINS .....	1
15	123084GT	HEAD / OIL FILTER .....	1
16	102632GT	FILTER,OIL,PERKINS 1104C-44 .....	1
17	T114346GT	CAP,VALVE COVER,OIL FILLER,PRK .....	
18	216286GT	FORMING, HEAT SHIELD, 1104D-44 .....	1
19	217459GT	FORMING,BATTERY CABLE,STARTER .....	1
20	75342GT	PLUG,ENGINE OIL,PERKIN 1004-42 .....	1
21	217460GT	CLAMP,BATTERY CABLE .....	6
22	216597GT	SCREW,HHF,M6 X 50,G10,YZ .....	
23	230073GT	SPRING CLIP,M6-1.0,0.8-4.0X13.5,ZAB .....	
24	217458GT	FORMING, BATTERY CABLE GUIDE .....	1
25	216564GT	FLYWHEEL, COUPLER 15 TOOTH SAE 10 .....	1
26	1256444GT	SCREW,SHC,3/8-24X.75,A574,ZAG .....	8

410.1 Perkins 1104D-44T - View 1



<i>Item</i>	<i>Part No.</i>	<i>Description</i>	<i>Qty.</i>
27	60322-SGT	PLATE,PUMP MOUNT .....	1
28	231530GT	SCREW,HHF,M10-1.5X25,DIN6921,10.9,ZAB .....	12
29		Ref. PUMP, DRIVE, AND FUNCTION, .....	
		(Refer to 706.1)	
30	1253498GT	SCREW,HHF,1/2-13X1.5,8,ZAG .....	2
31	217457GT	FORMING, BATTERY CABLE MOUNT .....	1

411.1 Perkins 1104D-44T - View 2

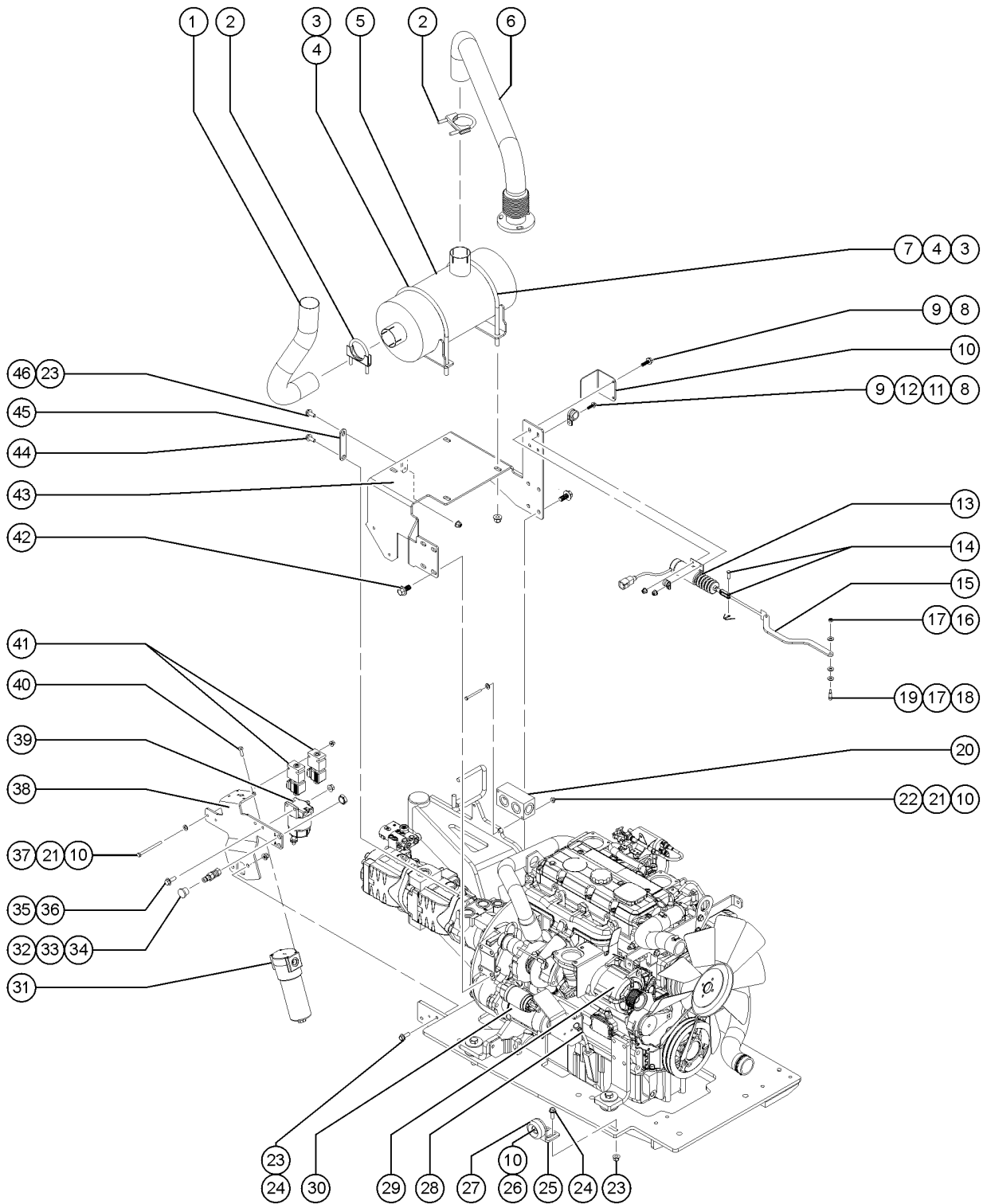




Item	Part No.	Description	Qty.
-		Verify Engine Make and Model Before Ordering	
-		For internal engine parts, contact engine dealer	
1	215496GT	TAIL PIPE,PERKINS 1104	1
2	71911GT	CLAMP,MUFFLER, 2.50 INCH	
3	70449GT	U-BOLT,1/2-13 X 8.5	2
4	70483GT	FORMING,8.5' MUFFLER MOUNT	2
5	70444GT	MUFFLER,2.5"INLET/OUTLET	1
6	215500GT	WELDMENT,HEADER PIPE, PERKINS	1
7	1251997GT	NUT,TL FLG,1/2-13,G,ZAG	4
8	231532GT	SCREW,HHF,M6X20,DIN6921,10.9,Y	
9	231513GT	NUT,TL FLG,M6-1.0,DIN6927,10,Z	
10	215513GT	FORMING,HEAT SHIELD	1
11	61109GT	CLAMP,1.25,#20 X 7/16,RUB CSH	2
12	67897GT	CLAMP,0.56,#9 X 3/8,RUB CUSH	1
13	101957GT	SOLENOID,THROTTLE,ASSY.TROMB	1
14	21130GT	CLEVIS YOKE-1/4-28,PLTD W/PIN Includes clevis, pin and cotter pin	1
15	216758GT	THROTTLE LINKAGE, PERKINS 1104	1
16	1256467GT	NUT,TL FLG,10-24,F,Z	1
17	822955GT	WASHER,FLAT,NYLON.257X.5X.032	
18	6584GT	SCREW,SHS,10-24 X .625	1
19	15436GT	WASHER,FLAT,NYLON.25 X.68 X.03	
20	236240GT	MANIFOLD, RETURN BLOCK	1
21	825355GT	WASHER,FLAT,M6,DIN125,ZAB	
22	1251902GT	SCREW,HHC,M6-1.0X80,DIN931,10.	
23	231529GT	NUT,TL FLG,M10-1.5,DIN6927,10,	
24	231533GT	SCREW,HHF,M10-1.5X35,DIN6921,10.9,ZAB	
25	60729GT	FORMING,COVER STOP***	1
26	231531GT	SCREW,HHF,M6X30,DIN6921,10.9,Y	

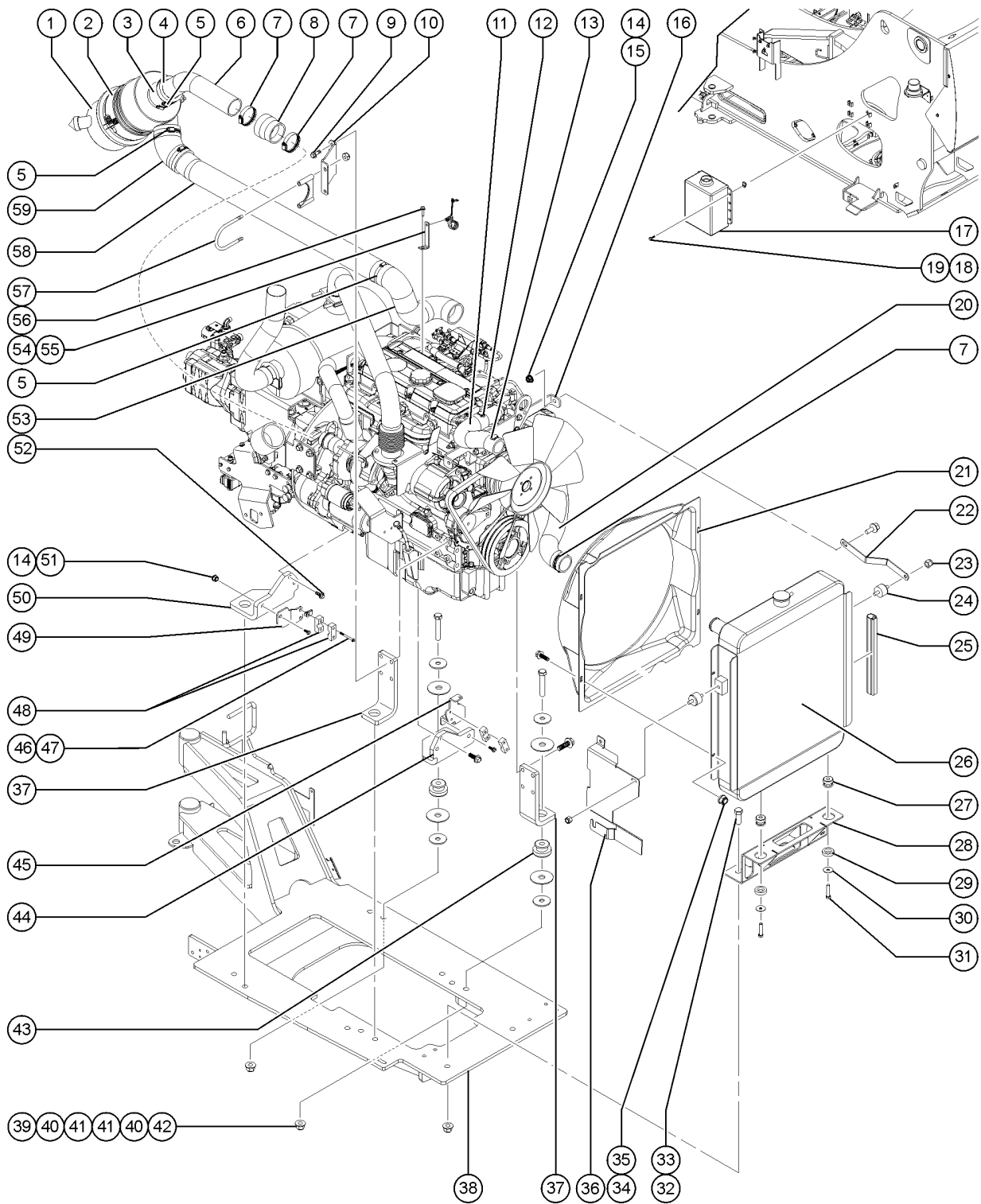


411.1 Perkins 1104D-44T - View 2



Item	Part No.	Description	Qty.
27	50974GT	BUMPER,RUBBER,COVERS .....	1
28	130341GT	DIPSTICK,OIL,PERKINS 1104C-44T .....	1
28-	123081GT	ASSY / OIL TUBE Includes tube and nut only .....	
29	102646GT	ALTERNATOR,PERKINS 1104C-44 .....	1
30	226627GT	STARTER,ENG,PERK T3 6/8/10K .....	1
31	1267807GT	ASSEMBLY, MED. PRESS. FILTER, .....	
32	48880GT	CAP,DIAGNOSTIC NIPPLE .....	2
33	49207GT	NIPPLE, DIAGNOSTIC, ORFS, FM, SWIV .....	2
34	75574GT	NUT,BULKHEAD,520118-4 .....	2
35	824133GT	SCREW,HHF,M8-1.25X25,DIN6921,10.9,ZAB .....	
36	237832GT	NUT,TL FLG,M8-1.25,DIN6927,10,ZAB .....	
37	825581GT	SCREW,HHC,M6-1.0X85,DIN931,10.9,ZAB .....	
38	215517GT	FORMING,CHARGE FILTER MOUNT .....	1
39	75020GT	SEPRTR/FLTR,FUEL DSL,15GPH,.30 .....	1
39-	62433GT	FILTER,ELEMENT,30 MIC,75020 .....	
40	824078GT	SCREW,HHF,1/4-20X.75,8,ZAG .....	4
41		Ref. VALVE, FUNCTION ENABLE .....	2
		(Refer to 705.1)	
42	231087GT	SCREW,HHF,M12 X 1.75 X 25 .....	
43	215509GT	WELDMENT, MUFFLER MOUNT .....	1
44	1253498GT	SCREW,HHF,1/2-13X1.5,8,ZAG .....	
45	215510GT	PLATE,PUMP STRUT .....	1
46	231530GT	SCREW,HHF,M10-1.5X25,DIN6921,10.9,ZAB .....	1

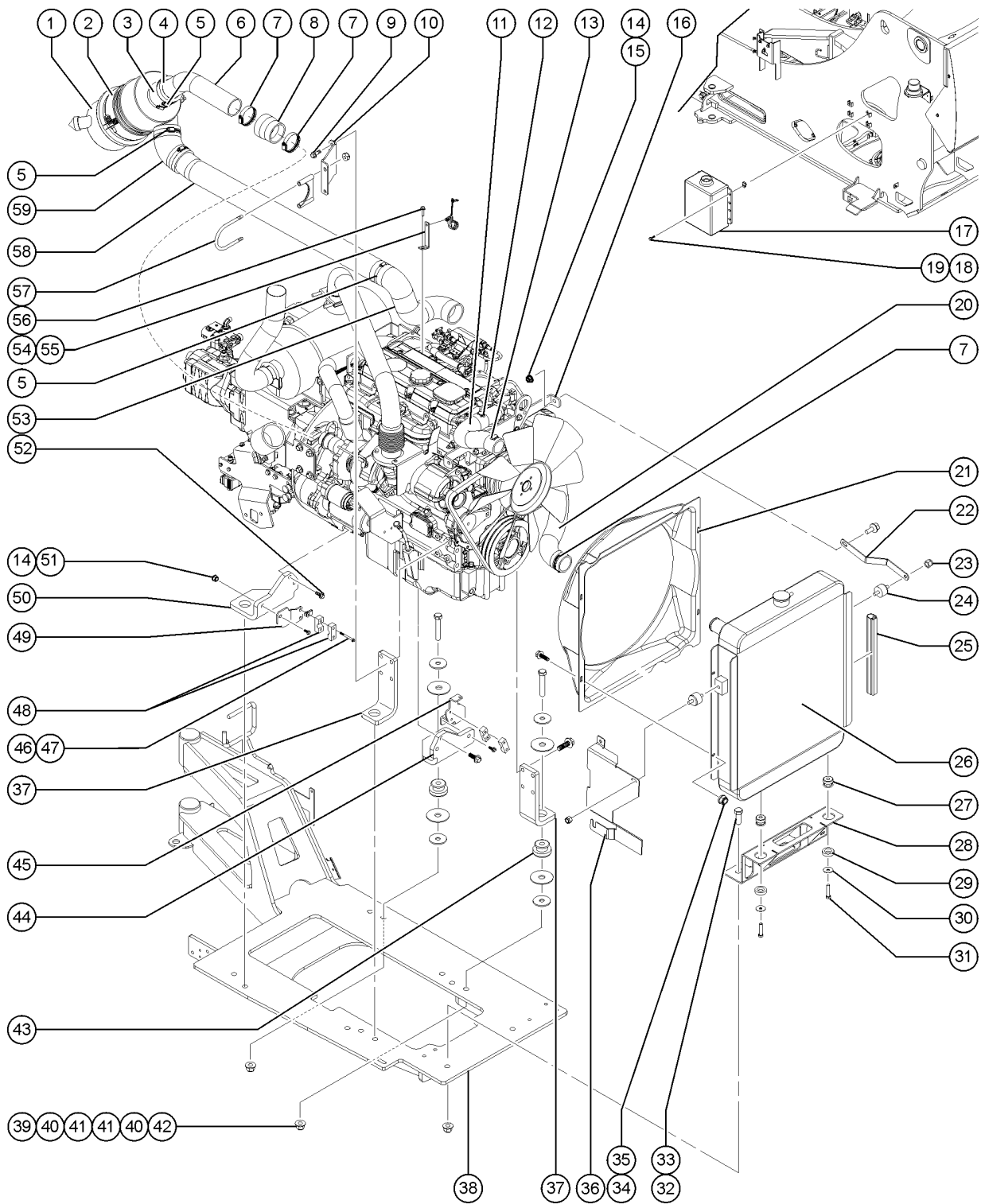
412.1 Perkins 1104D-44T - View 3



Item	Part No.	Description	Qty.
-		Verify Engine Make and Model Before Ordering .....	
-		For internal engine parts, contact engine dealer .....	
1	81467GT	AIR CLEANER,NELSON .....	1
1-	62425GT	FILTER,AIR CLEANER, SUPERBOOM .....	
2	81468GT	MOUNTING BAND,AIR CLEANER .....	1
3	106211-300GT	HOSE,RUBBER 3"ID X .25 BLACK .....	1
4	101640GT	REDUCER,RUBBER 3.0 - 2.5 .....	1
5	30489GT	CLAMP,HOSE,3.50" .....	4
6	215511GT	TUBE,INTAKE, FILTER TO TURBO .....	1
7	45435GT	CLAMP,HOSE,2.50" .....	4
8	215918GT	REDUCER, RUBBER, 2.5 TO 2.25 .....	1
9	121431GT	SCREW,HHF,M12X30 GR12.9 .....	
10	215514GT	FORMING,INTAKE TUBE MOUNT .....	1
11	60576GT	RADIATOR HOSE,UPPER-PERKINS .....	1
12	35434GT	CLAMP,HOSE,2.00*** .....	1
13	22672GT	CLAMP,HOSE,1.75 .....	1
14	231529GT	NUT,TL FLG,M10-1.5,DIN6927,10, .....	4
15	232874GT	SCREW,HHF,M10-1.5X30,DIN6921,10.9,ZAB .....	2
16	215515GT	FORMING,RADIATOR SUPPORT .....	1
17	60721GT	COOLANT,RECOVERY BOTTLE, 4 QT* .....	1
18	231512GT	SCREW,HHF,M6-1.0X25,DIN6921,10.9,ZAB .....	4
19	219697GT	SPRING CLIP,M6-1.0,3.4-6.3MMX1 .....	4
20	75555GT	RADIATOR HOSE,LOWER-PERKINS .....	1
21	60649GT	SHROUD,FAN (FIBERGLASS) .....	1
22	215516GT	PLATE,RADIATOR,STRUT .....	1
23	824029GT	NUT,TL FLG,3/8-16,G,ZAG .....	2
24	75260GT	ISOLATOR,FLEX-BOLT SANDWICH*** .....	2
25	1261077GT	TRIM, RUBBER "D" SEAL, 3/16 .....	1

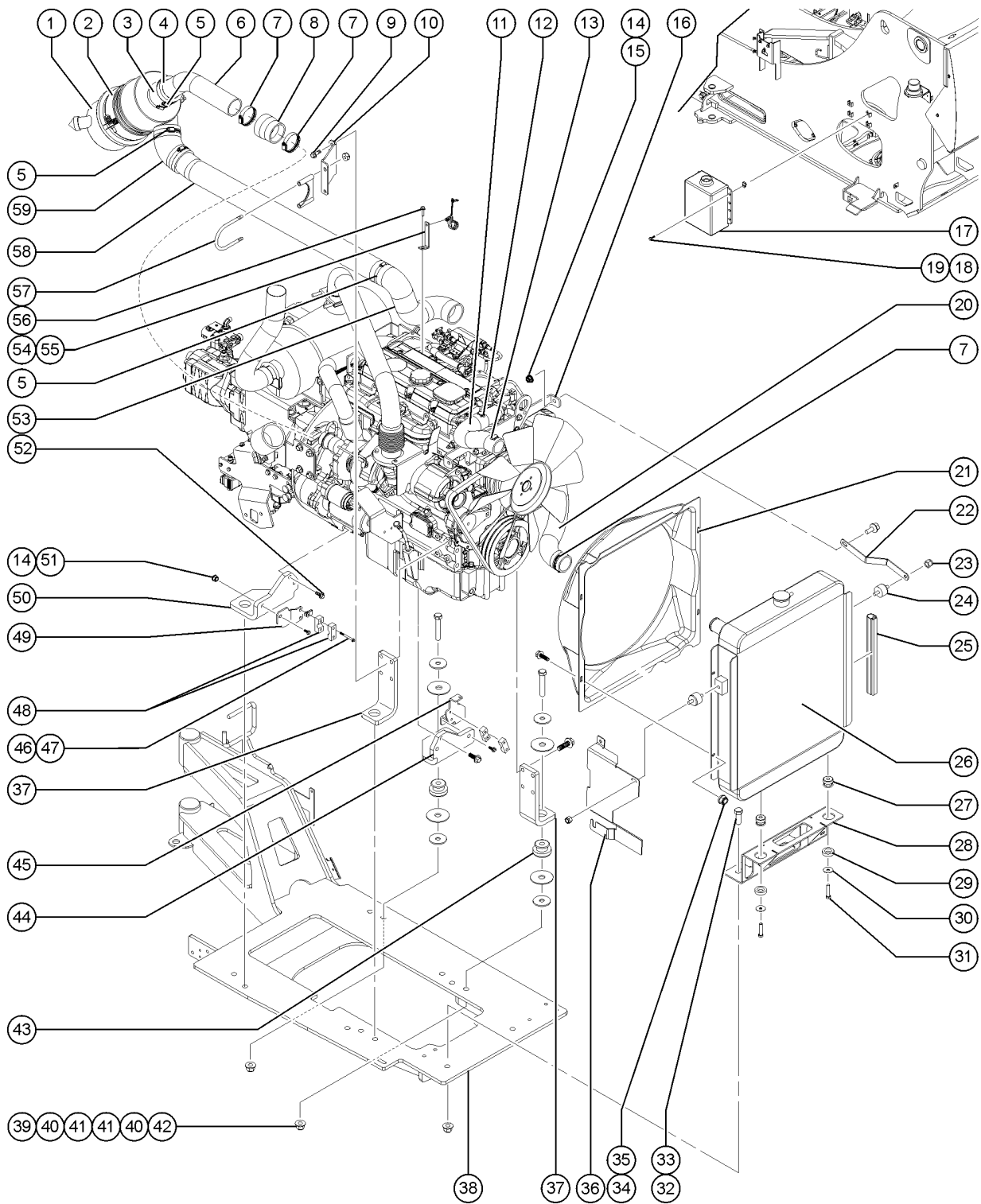


412.1 Perkins 1104D-44T - View 3



Item	Part No.	Description	Qty.
26	70518GT	RADIATOR .....	1
27	75259GT	ISOLATOR,CENTER BONDED .....	2
28	75297GT	WELDMENT,RADIATOR MOUNT** .....	1
29	75274GT	TUBE,RADIATOR MOUNT .....	2
30	824122GT	WASHER, FLAT, .375 X 1.25 X .062, ZAG .....	2
31	824093GT	SCREW,HHF,3/8-16X1.75,8,ZAG .....	
32	1251894GT	SCREW,HHF,M16-2.0X45,DIN6921,1 .....	2
33	1251893GT	NUT,TL,FLG,M16-2.0,DIN6927,10,ZAB .....	3
34	231513GT	NUT,TL FLG,M6-1.0,DIN6927,10,Z .....	4
35	231532GT	SCREW,HHF,M6X20,DIN6921,10.9,Y .....	4
36	822811GT	BELT GUARD 1104 PERKINS .....	1
37	60564GT	BRACKET,ENG.MOUNT,FRT.PERKINS .....	2
38		Ref. WELDMENT, ENGINE TRAY .....	1
		(Refer to 417.1)	
39	1253319GT	NUT,TL FLG,5/8-11,G,ZAG .....	4
40	824123GT	WASHER,FLAT,.625X2.25X.188,ZAG .....	8
41	1251565GT	WASHER,SHIM,1.56X2.5X0.061,ZAG .....	8
42	1256583GT	SCREW,HHF,5/8-11X3.5,8,ZAG .....	4
43	217500GT	ISOLATOR, ENGINE VIBRATION .....	4
44	101930GT	MOUNT,PERKINS 1104 LF PAINTED .....	1
45	217457GT	FORMING, BATTERY CABLE MOUNT .....	1
46	216597GT	SCREW,HHF,M6 X 50,G10,YZ .....	2
47	230073GT	SPRING CLIP,M6-1.0,0.8-4.0X13.5,ZAB .....	2
48	217460GT	CLAMP,BATTERY CABLE .....	4
49	217458GT	FORMING, BATTERY CABLE GUIDE .....	1
50	101931PGT	MOUNT,PERKINS 1104 RH PAINTED .....	1
51	231533GT	SCREW,HHF,M10-1.5X35,DIN6921,10.9,ZAB .....	4
52	231511GT	SCREW,HHF,M12-1.75X35,DIN6921,10.9,ZAB .....	4
53	1261243GT	HOSE,3" ID FORMED INTAKE .....	1

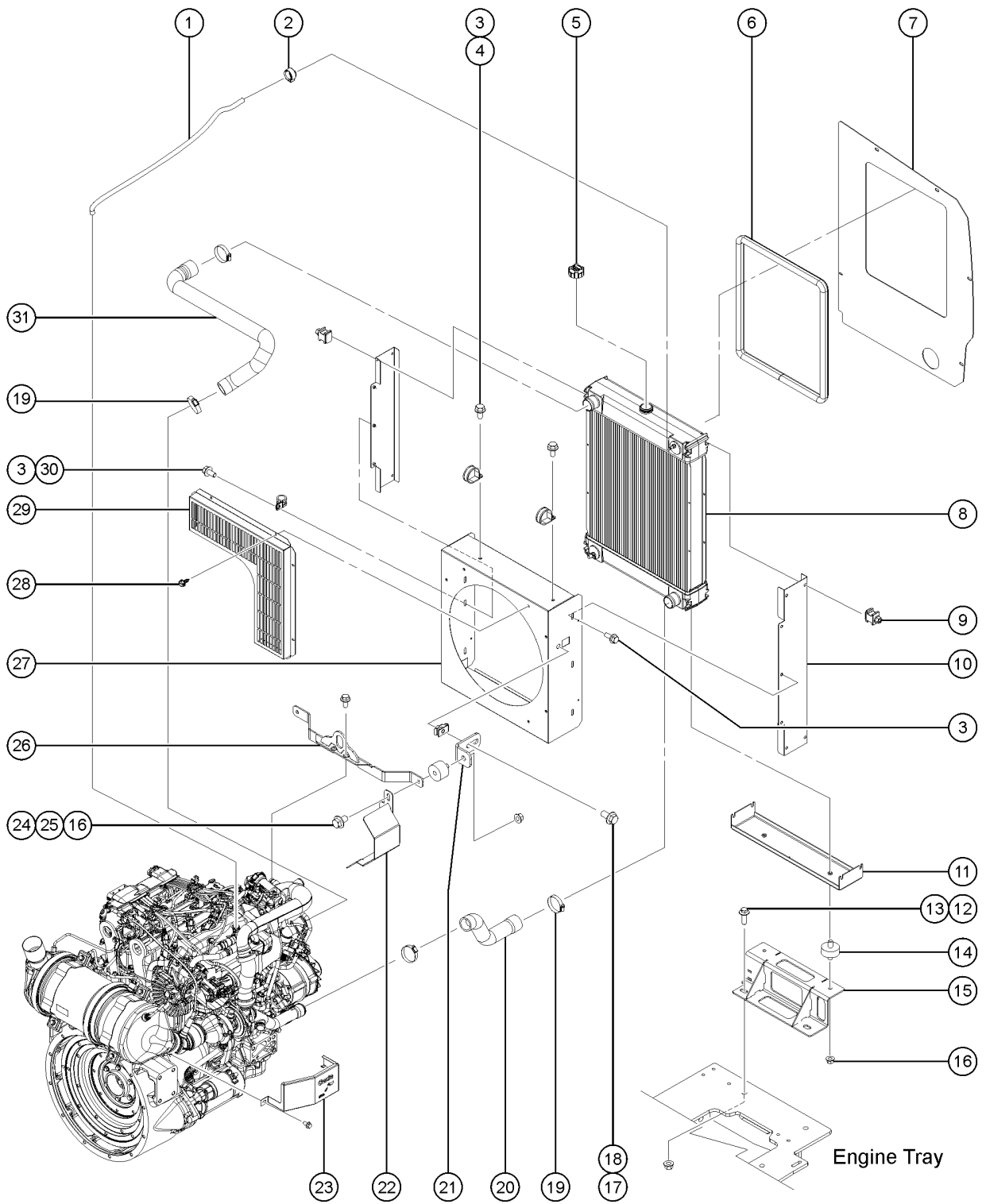
412.1 Perkins 1104D-44T - View 3





<i>Item</i>	<i>Part No.</i>	<i>Description</i>	<i>Qty.</i>
54	219500GT	FORMING, WIRE LOOM SUPPORT .....	2
55	121603GT	CLAMP, FIXED DIA. NYLON, .875" .....	2
56	237820GT	SCREW, HHF, M8-1.25X40, DIN6921, 10.9, ZAB .....	2
57	122414GT	U-BOLT, GUILLOTINE, 3" .....	1
58	215512GT	TUBE, INTAKE, FILTER .....	1
59	61270GT	ELBOW, 45 DEG, INLET .....	1

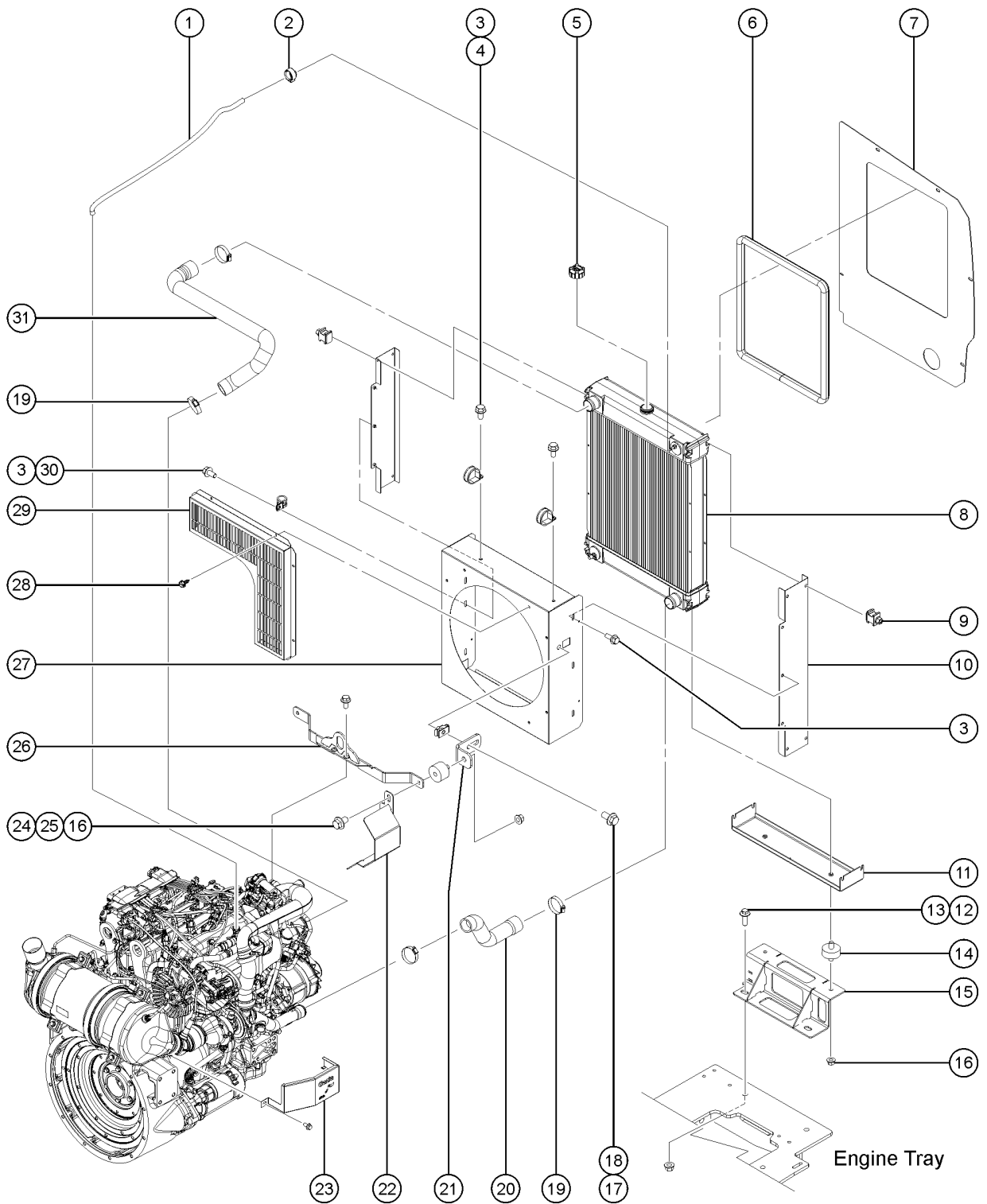
413.1 Perkins 854F-E34T Engine, View 1



Item	Part No.	Description	Qty.
-		Due to Tier 4 regulations, many engine replacement parts require the engine serial number at time of order placement. When ordering engine parts please have both machine and engine serial numbers available. For internal engine parts, contact engine dealer	
A-	823604GT	KIT, PERKINS 854TF TIER IV	
B-	1253308GT	COOLING SYSTEM RCP 854	
1	1258503GT	1/4" ID SILICON HOSE GTH3051	1
2	1258923GT	CLAMP,HOSE,1 EAR,13.3 MM	2
3	1251983GT	SCREW,HHF,M8-1.25X16,DIN6921,10.9,ZAB	8
4	1254095GT	P CLAMP CUSH	2
5	1254081GT	PRESSURE CAP RCP	1
6	1261077GT	TRIM, RUBBER "D" SEAL, 3/16	
7	1259874GT	PLATE,PERKINS 854 TIER4 CW BAF	
8	1254075GT	RADIATOR RCP	1
9	1253233GT	ISOLATOR ASSY RCP RADIATOR	8
10	1253231GT	FORMING RADIATOR SIDE MOUNT	2
11	1254074GT	FORMING BOTTOM MOUNT	1
12	1251894GT	SCREW,HHF,M16-2.0X45,DIN6921,1	2
13	1251893GT	NUT,TL,FLG,M16-2.0,DIN6927,10,ZAB	2
14	1255631GT	ISOLATOR, M10-1.50, 5/8" HIGH	2
15	1256445GT	WELDMENT, RADIATOR MOUNT	1
16	231529GT	NUT,TL FLG,M10-1.5,DIN6927,10,	4
17	231530GT	SCREW,HHF,M10-1.5X25,DIN6921,10.9,ZAB	2
18	230074GT	SPRING CLIP,M10-1.5,1-6X19,ZAB	2
19	35434GT	CLAMP,HOSE,2.00***	4
20	1254090GT	HOSE, RADIATOR LOWER	1
21	1256271GT	FORMING RADIATOR SUPPORT	2
22	1260289GT	FORMING,PERKINS ALTERNATOR GUARD	1
23	1256391GT	HEAT SHIELD,PERKINS 854TF	1
24	237352GT	SCREW,HHF,M10-1.5X16,DIN6921,10.9,ZAB	2

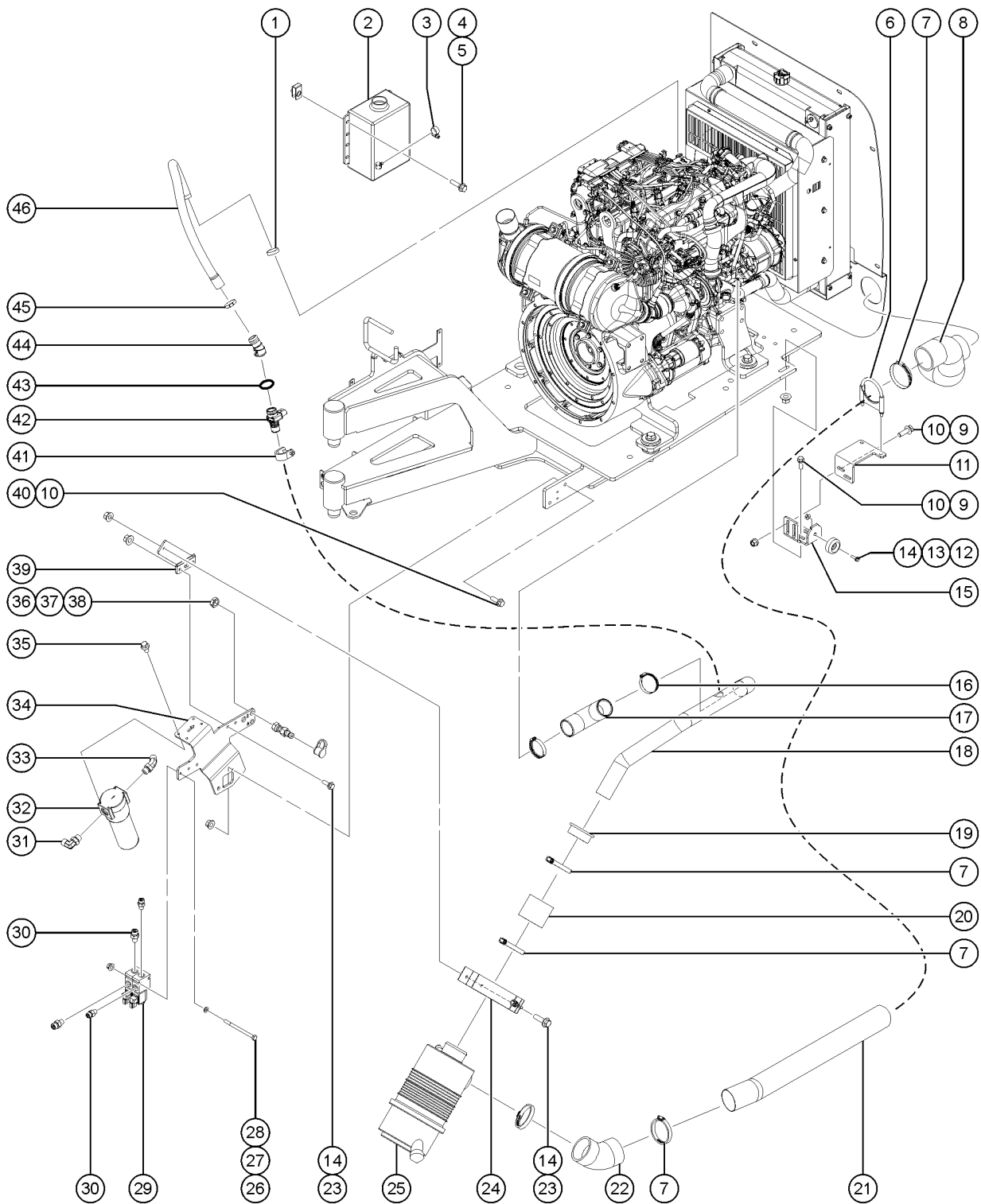


413.1 Perkins 854F-E34T Engine, View 1



<i>Item</i>	<i>Part No.</i>	<i>Description</i>	<i>Qty.</i>
25	1255451GT	ISOLATOR, VIBRATION DAMPENER .....	2
26	1253411GT	BRACKET,RAD SUPPORT,854TF .....	1
27	1253307GT	FORMING FAN SHROUD RCP 854 .....	1
28	1253234GT	SCREW SHEET METAL HHF X1/2 X .18OD .....	4
29	1254080GT	FORMING FAN GUARD .....	1
30	45454GT	CLAMP,RUB CUSH,0.75,#12 X 3/8* .....	1
31	1254092GT	HOSE, RADIATOR UPPER .....	1

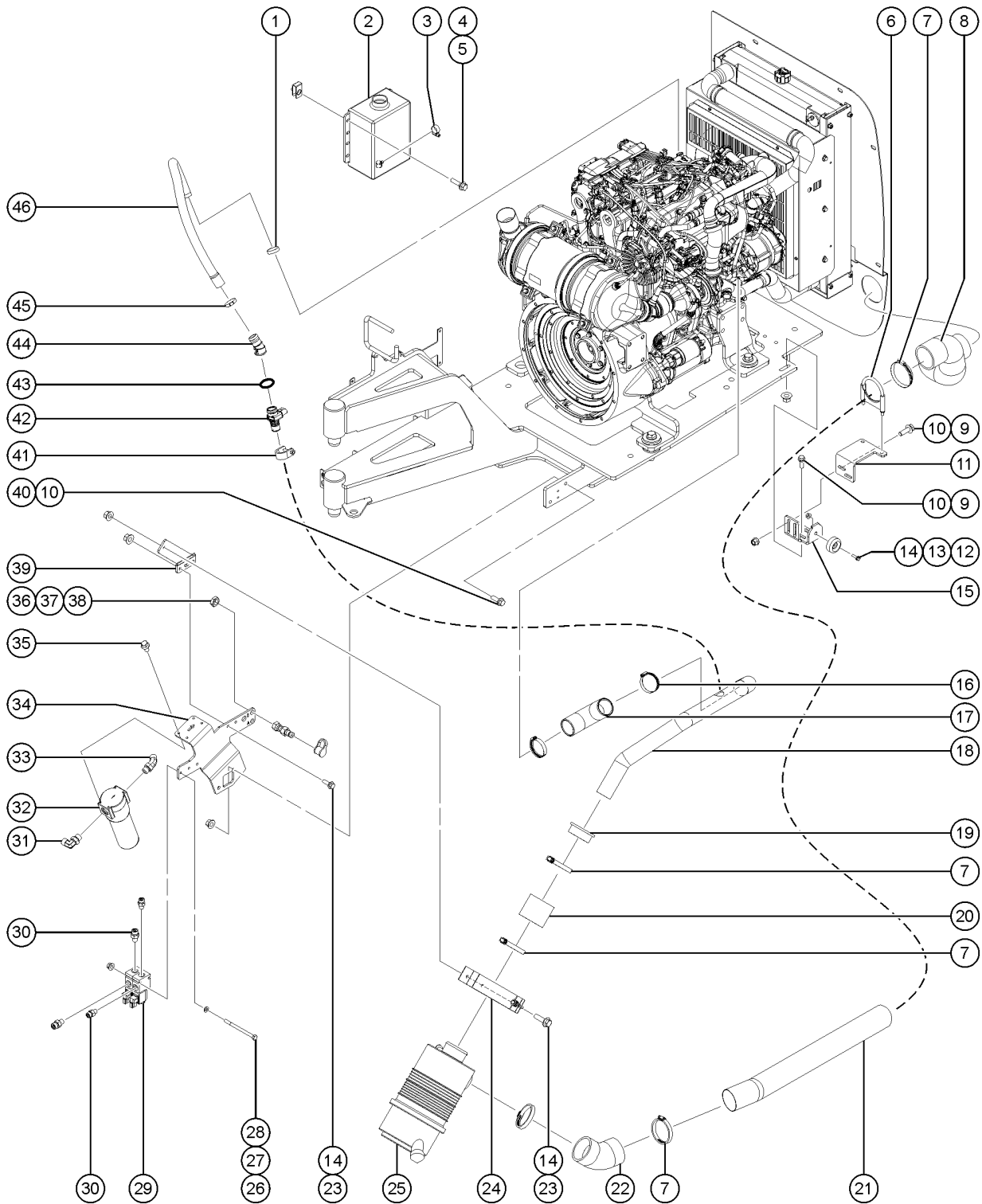
414.1 Perkins 854F-E34T Engine, View 2



Item	Part No.	Description	Qty.
-		Due to Tier 4 regulations, many engine replacement parts require the engine serial number at time of order placement. When ordering engine parts please have both machine and engine serial numbers available. For internal engine parts, contact engine dealer	
1	1258525GT	CLAMP 28.6 GTH3087	1
2	60721GT	COOLANT,RECOVERY BOTTLE, 4 QT*	1
3	21465GT	CLAMP,HOSE,.25" - .63" X .3125	1
4	231512GT	SCREW,HHF,M6-1.0X25,DIN6921,10.9,ZAB	4
5	219697GT	SPRING CLIP,M6-1.0,3.4-6.3MMX1	4
6	122414GT	U-BOLT,GUILLOTINE,3"	1
7	30489GT	CLAMP,HOSE,3.50"	5
8	1261243GT	HOSE,3" ID FORMED INTAKE	1
9	232874GT	SCREW,HHF,M10-1.5X30,DIN6921,10.9,ZAB	4
10	231529GT	NUT,TL FLG,M10-1.5,DIN6927,10,	6
11	1257728GT	FORMING,INTAKE SUPPORT	1
12	1255537GT	SCREW,HHF,M8-1.25X30,DIN6921,1	1
13	50974GT	BUMPER,RUBBER,COVERS	1
14	237832GT	NUT,TL FLG,M8-1.25,DIN6927,10,ZAB	5
15	1254669GT	FORMING, COVER STOP	1
16	T114379GT	CLAMP,HOSE,2 3/4,PERKINS 127HP	2
17	1258465GT	2" 90 DEGREE ELBOW GTH3016	1
18	1251724GT	PIPE,AIR CLEANER-TO-TURBO,854T	1
19	218806GT	ADAPTER,PIPE,2"-3"	1
20	106211-300GT	HOSE,RUBBER 3"ID X .25 BLACK	1
21	215512GT	TUBE,INTAKE, FILTER	1
22	61270GT	ELBOW,45 DEG,INLET	1
23	824133GT	SCREW,HHF,M8-1.25X25,DIN6921,10.9,ZAB	4
24	81468GT	MOUNTING BAND,AIR CLEANER	1
25	81467GT	AIR CLEANER,NELSON	1
25-	62425GT	FILTER,AIR CLEANER, SUPERBOOM	



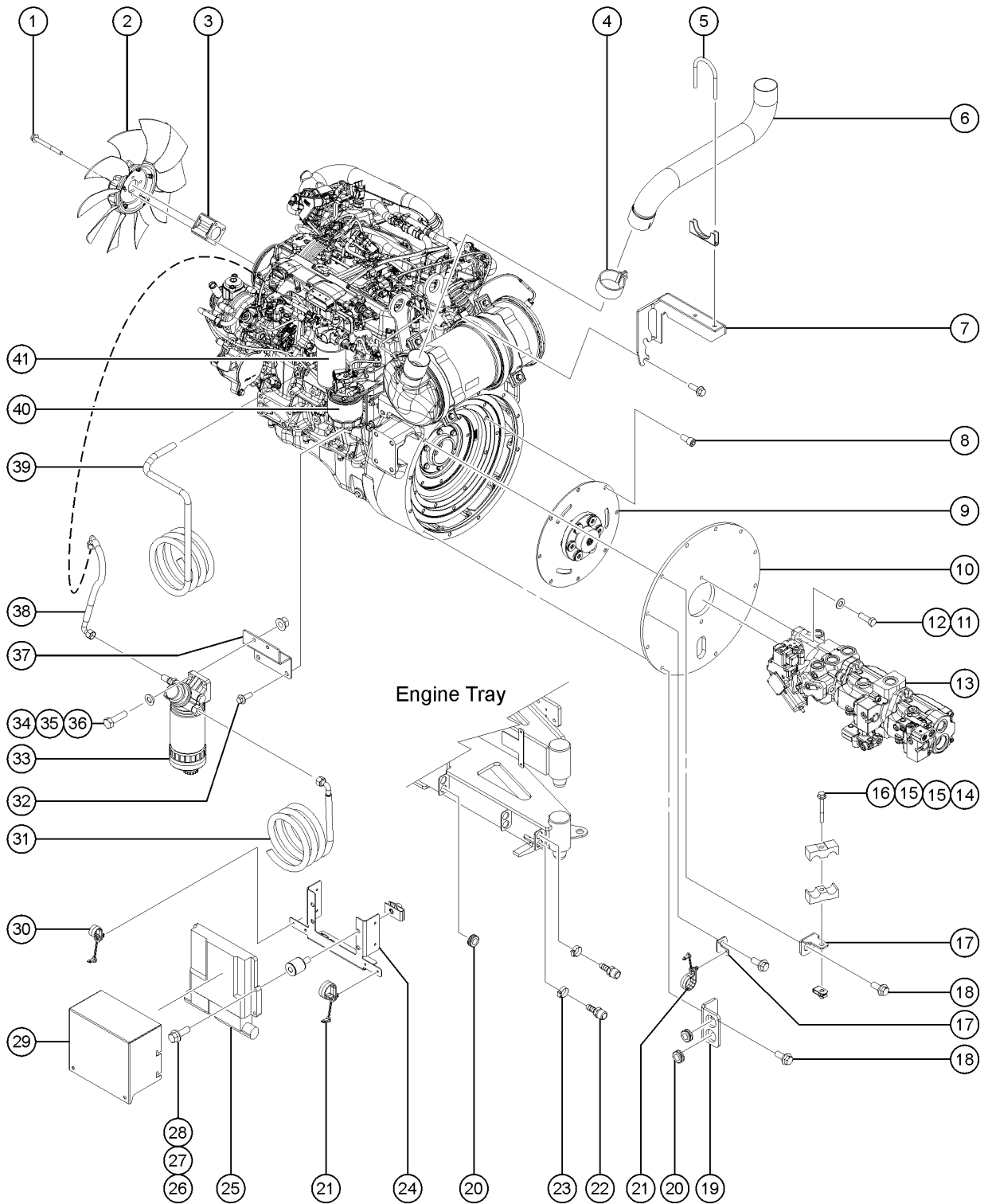
414.1 Perkins 854F-E34T Engine, View 2





<i>Item</i>	<i>Part No.</i>	<i>Description</i>	<i>Qty.</i>
26	1251902GT	SCREW,HHC,M6-1.0X80,DIN931,10. ....	2
27	825355GT	WASHER,FLAT,M6,DIN125,ZAB ....	4
28	231513GT	NUT,TL FLG,M6-1.0,DIN6927,10,Z ....	2
29	218144GT	VALVE, FUNCTION ENABLE, ZX135 ....	2
30	48905GT	CONN,520120-4*** ....	4
31	48932GT	FITTING,ELBOW,90D,520220-8*** ....	1
32	1267807GT	ASSEMBLY, MED. PRESS. FILTER, ....	
33	48937GT	ELBOW,45D,520320-8 ....	1
34	215517GT	FORMING,CHARGE FILTER MOUNT ....	1
35	824077GT	SCREW,HHF, 1/4-20 X .5, 8, ZAG ....	4
36	75574GT	NUT,BULKHEAD,520118-4 ....	2
37	49207GT	NIPPLE, DIAGNOSTIC, ORFS, FM, SWIV ....	2
38	48880GT	CAP,DIAGNOSTIC NIPPLE ....	2
39	1251708GT	FORMINNG AIR CLEANER ....	1
40	231533GT	SCREW,HHF,M10-1.5X35,DIN6921,10.9,ZAB ....	2
41	219188GT	CLAMP,T-BOLT,27-29MM ....	1
42	1258541GT	PERKINS_BREATHER_HEATER ....	1
43	1258542GT	3.5X22 METRIC O-RING BUNA-70 G ....	1
44	1258540GT	CONNECTOR, BREATHER HEATER ....	1
45	1258538GT	CLAMP OETIKER 31.6MM GTH3088 ....	1
46	1258504GT	3/4 ID HOSE 25FT R ....	1

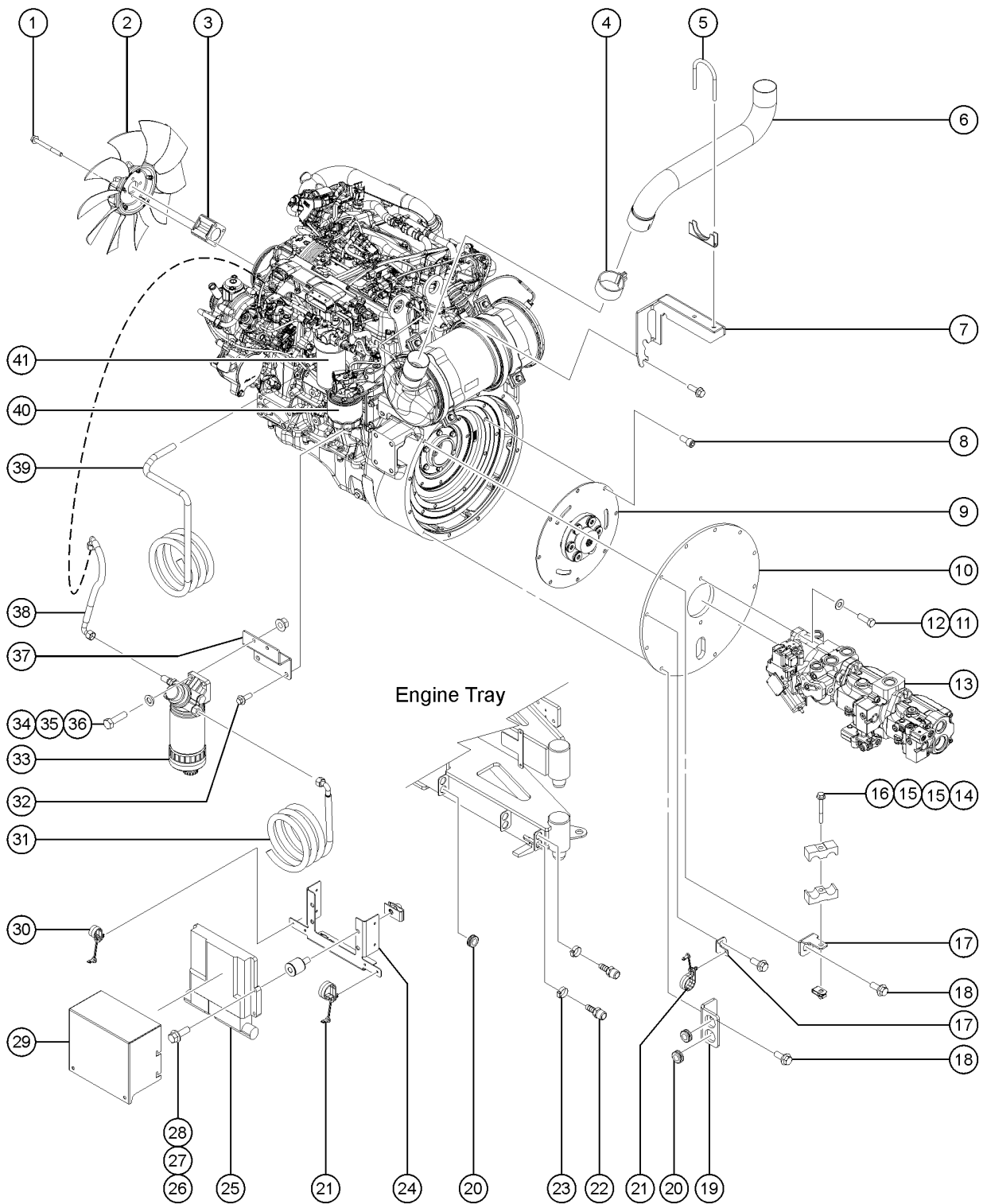
415.1 Perkins 854F-E34T Engine, View 3



Item	Part No.	Description	Qty.
-		Due to Tier 4 regulations, many engine replacement parts require the engine serial number at time of order placement. When ordering engine parts please have both machine and engine serial numbers available. For internal engine parts, contact engine dealer	
1	1257419GT	SCREW,HHF,M8-1.25X80,DIN6921,10.9,ZAB	4
2	1252047GT	FAN,10 BLADE,17",PERKINS	1
3	1258817GT	SPACER,RAD. FAN,2.5",854F	1
4	219130GT	CLAMP,EXHAUST,854E-E34TA	1
5	71911GT	CLAMP,MUFFLER, 2.50 INCH	1
6	823958GT	EXHAUST PIPE 854 PERKINS	1
7	1253806GT	WELDMENT, EXHAUST SUPPORT	1
8	1256444GT	SCREW,SHC,3/8-24X.75,A574,ZAG	8
9	216564GT	FLYWHEEL, COUPLER 15 TOOTH SAE 10	1
10	60322GT	PLATE,PUMP MOUNT	1
11	54177GT	SCREW,HHC,1/2-13 X 1.5 GRD 8 to SN SX150H-612	2
11B	1253498GT	SCREW,HHF,1/2-13X1.5,8,ZAG from SN SX150H-613	
12	825353GT	WASHER,FLAT,1/2,SAE,HRD,ZAG to SN SX150H-612	2
13		Ref. PUMP, DRIVE, AND FUNCTION, (Refer to 706.1)	
14	216597GT	SCREW,HHF,M6 X 50,G10,YZ	1
15	217460GT	CLAMP,BATTERY CABLE	2
16	230073GT	SPRING CLIP,M6-1.0,0.8-4.0X13.5,ZAB	1
17	1256480GT	FORMING, WIRE LOOM SUPPORT	2
18	231530GT	SCREW,HHF,M10-1.5X25,DIN6921,10.9,ZAB	12
19	217505GT	BRACKET, CABLE MOUNT	1
20	60584GT	GROMMET,RUBBER .75 X .19 X 1**	8
21	219510GT	CLAMP, FIXED DIA, NYLON, 1-1/4	2
22	27901GT	HOSE END,BARBED,RIGID,-6-6	2
23	1253613GT	CLAMP, STEPLESS EAR,15.3-18.5M	2
24	1267412GT	FORMING,ECU MOUNT	1
25		ECU (This part is serialized, contact Genie Parts Sales with full model and SN of both the unit and engine)	1

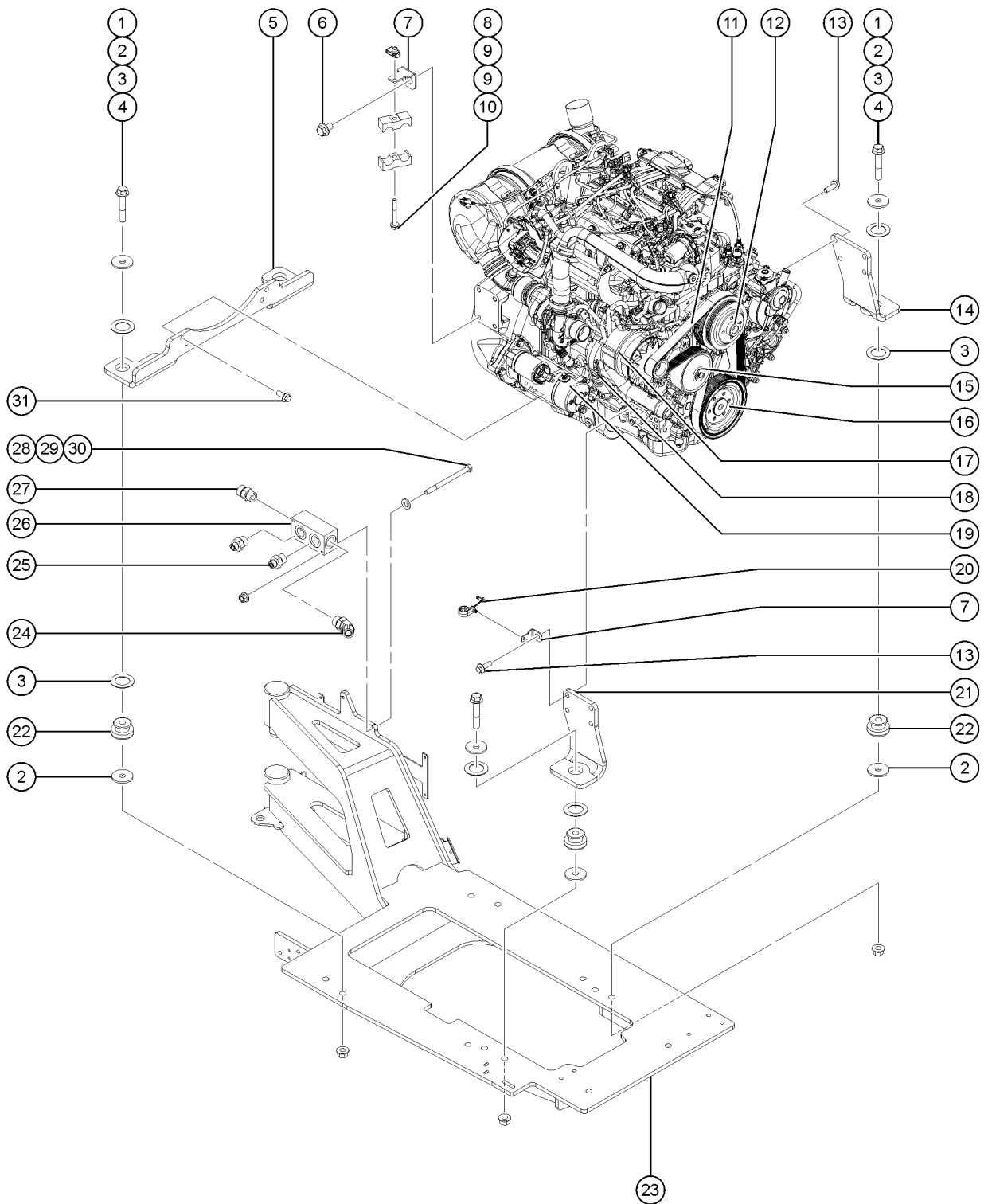


415.1 Perkins 854F-E34T Engine, View 3



<i>Item</i>	<i>Part No.</i>	<i>Description</i>	<i>Qty.</i>
26	824078GT	SCREW,HHF,1/4-20X.75,8,ZAG .....	4
27	1259490GT	ISOLATOR, VIBRATION DAMPENER .....	4
28	56912GT	SPRING CLIP,1/4-20,.025-.15X.5 .....	4
29	1267411GT	FORMING, ECM COVER .....	
30	121602GT	CLAMP,FIXED DIA,NYLON, 3/4" .....	1
31	1258459GT	SUPPLY FUEL LINE ASSEMBLY GTH3072 .....	1
32	1255806GT	SCREW,HHF,M12-1.75X20,DIN6921,10.9,ZAB .....	2
33	218811GT	PRE-FILTER,FUEL,854E-E34TA .....	1
34	1255538GT	SCREW,HHC,M8-1.25X30,DIN933,10 .....	2
35	824144GT	WASHER,FLAT,M8,DIN125,ZAB .....	2
36	237832GT	NUT,TL FLG,M8-1.25,DIN6927,10,ZAB .....	2
37	219030GT	ASSEMBLY,FUEL FILTER BRACKET .....	1
38	1258464GT	FUEL LINE ASSY. FILTER XFER PU .....	1
39	1258458GT	RETURN FUEL LINE ASSEMBLY GTH3073 .....	1
40	218835GT	FILTER,OIL,854E-E34TA .....	1
41	218809GT	FILTER,FUEL,854E-E34TA .....	1

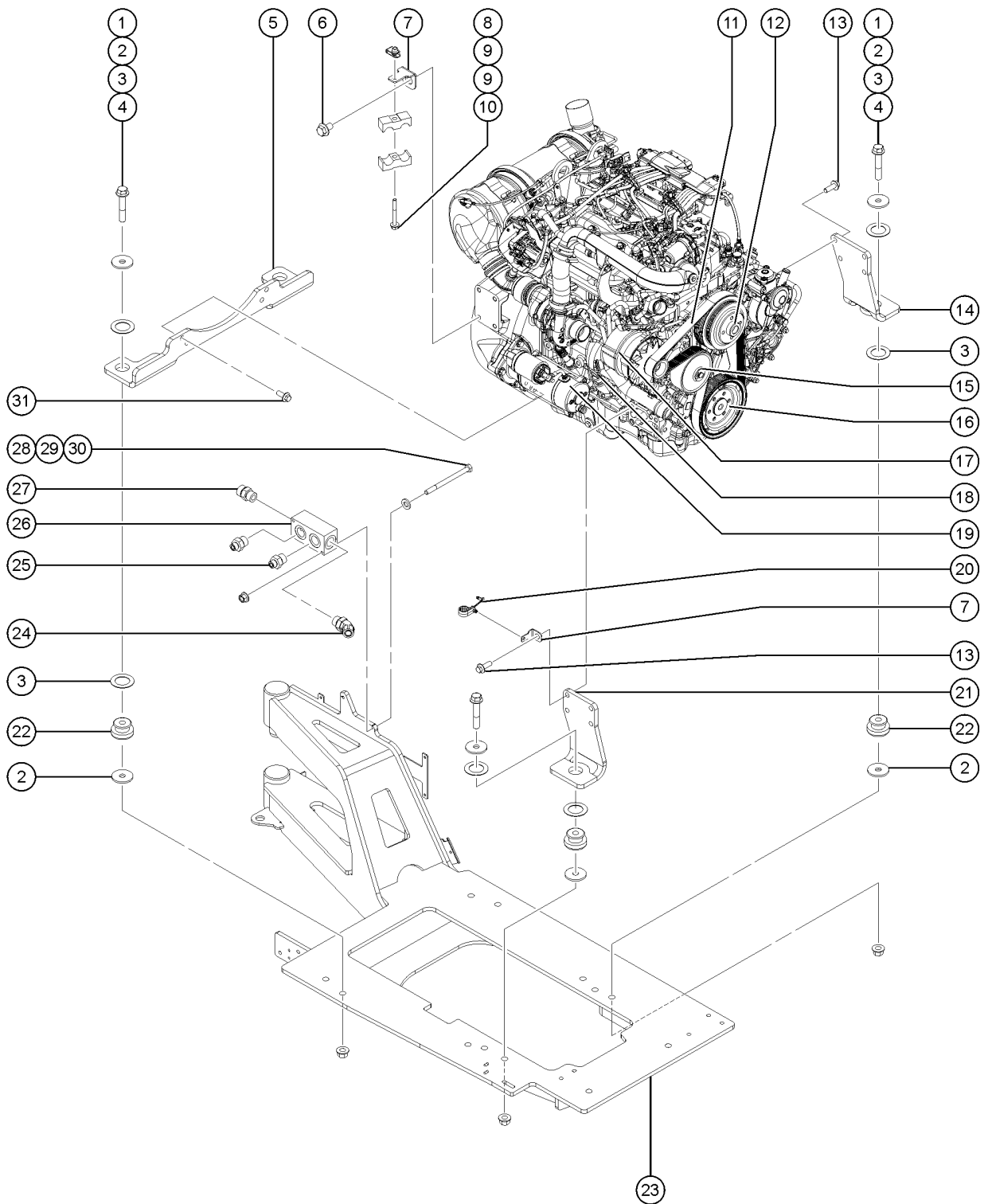
416.1 Perkins 854F-E34T Engine, View 4



Item	Part No.	Description	Qty.
-		Due to Tier 4 regulations, many engine replacement parts require the engine serial number at time of order placement. When ordering engine parts please have both machine and engine serial numbers available. For internal engine parts, contact engine dealer	
1	1256583GT	SCREW,HHF,5/8-11X3.5,8,ZAG .....	4
2	824123GT	WASHER,FLAT,.625X2.25X.188,ZAG .....	8
3	1251565GT	WASHER,SHIM,1.56X2.5X0.061,ZAG .....	8
4	1253319GT	NUT,TL FLG,5/8-11,G,ZAG .....	4
5	1253199GT	FORMING ENGINE MOUNT .....	1
6	237352GT	SCREW,HHF,M10-1.5X16,DIN6921,10.9,ZAB .....	1
7	1256480GT	FORMING, WIRE LOOM SUPPORT .....	2
8	216597GT	SCREW,HHF,M6 X 50,G10,YZ .....	1
9	217460GT	CLAMP,BATTERY CABLE .....	2
10	230073GT	SPRING CLIP,M6-1.0,0.8-4.0X13.5,ZAB .....	1
11	218834GT	BELT,DRIVE,854E-E34TA .....	
12	218793GT	PULLEY ASSEMBLY,RADIATOR,854 .....	
13	231511GT	SCREW,HHF,M12-1.75X35,DIN6921,10.9,ZAB .....	8
14	824236GT	ENGINE MOUNT PERKINS 854 .....	1
15	218837GT	WATER PUMP,854E-E34TA .....	
16	218792GT	PULLEY,CRANKSHAFT,854E-E34TA .....	
17	102646GT	ALTERNATOR,PERKINS 1104C-44 .....	
17-	217774GT	TENSION ARM,ALT,1104D-E44TA T3 .....	
18	218832GT	DIPSTICK,OIL,854E-E34TA .....	
19	218798GT	STARTER,854E-E34TA .....	
20	121603GT	CLAMP,FIXED DIA.NYLON,.875" .....	1
21	824234GT	ENGINE MOUNT PERKINS 854 .....	1
22	217500GT	ISOLATOR, ENGINE VIBRATION .....	4
23		Ref. WELDMENT, ENGINE TRAY .....	1
		(Refer to 417.1)	
24	48963GT	FITTING,ELBOW,45D,520320-12*** .....	1
25	48948GT	CONN,520120-8-12 .....	2



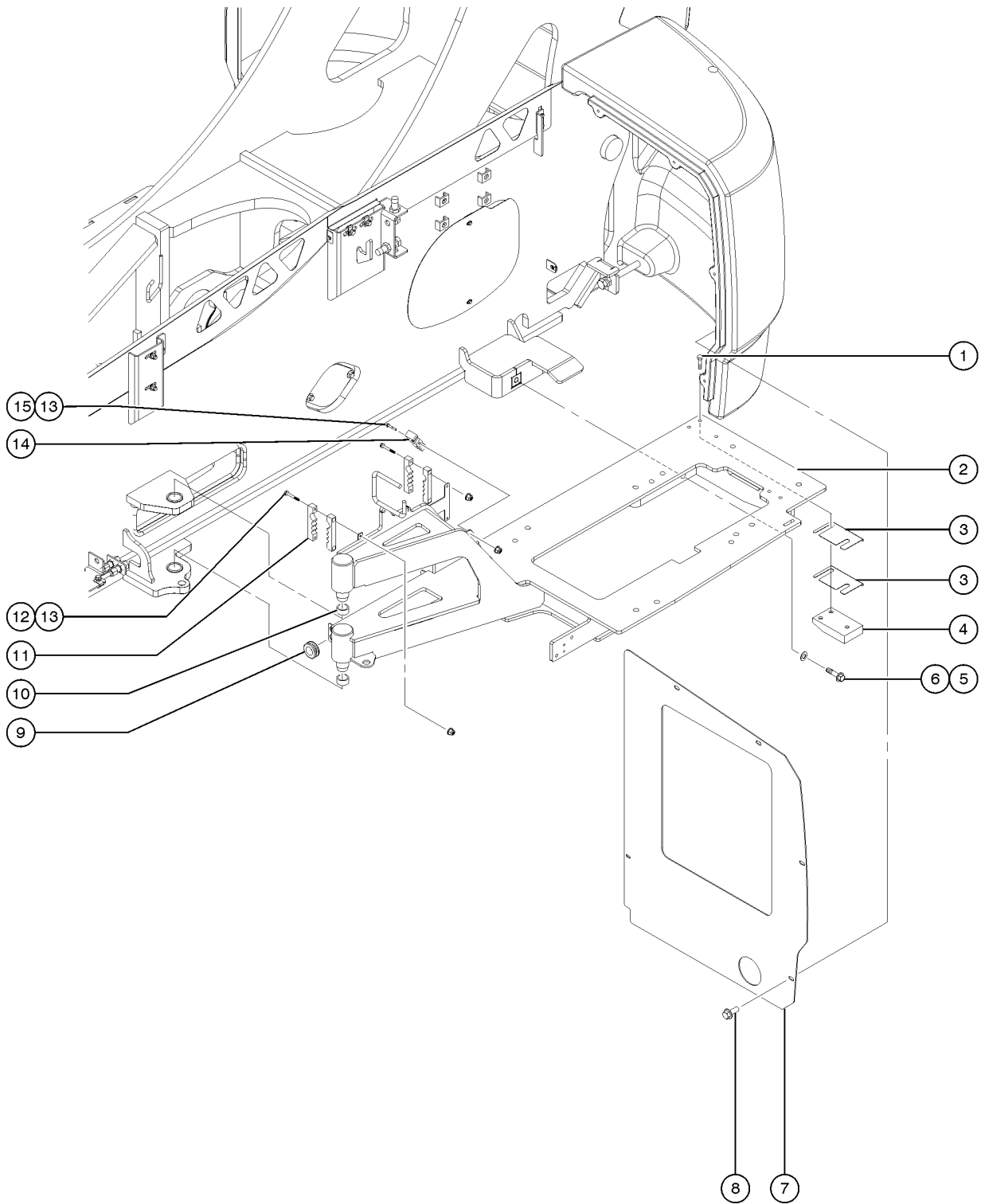
416.1 Perkins 854F-E34T Engine, View 4





<i>Item</i>	<i>Part No.</i>	<i>Description</i>	<i>Qty.</i>
26	236240GT	MANIFOLD, RETURN BLOCK .....	1
27	48960GT	FITTING,CONN,520120-12*** .....	1
28	1251902GT	SCREW,HHC,M6-1.0X80,DIN931,10. ....	1
29	825355GT	WASHER,FLAT,M6,DIN125,ZAB .....	1
30	231513GT	NUT,TL FLG,M6-1.0,DIN6927,10,Z .....	1
31	824134GT	SCREW,HHF,M12-1.75X30,DIN6921 .....	4

417.1 Perkins Engine Attached Components

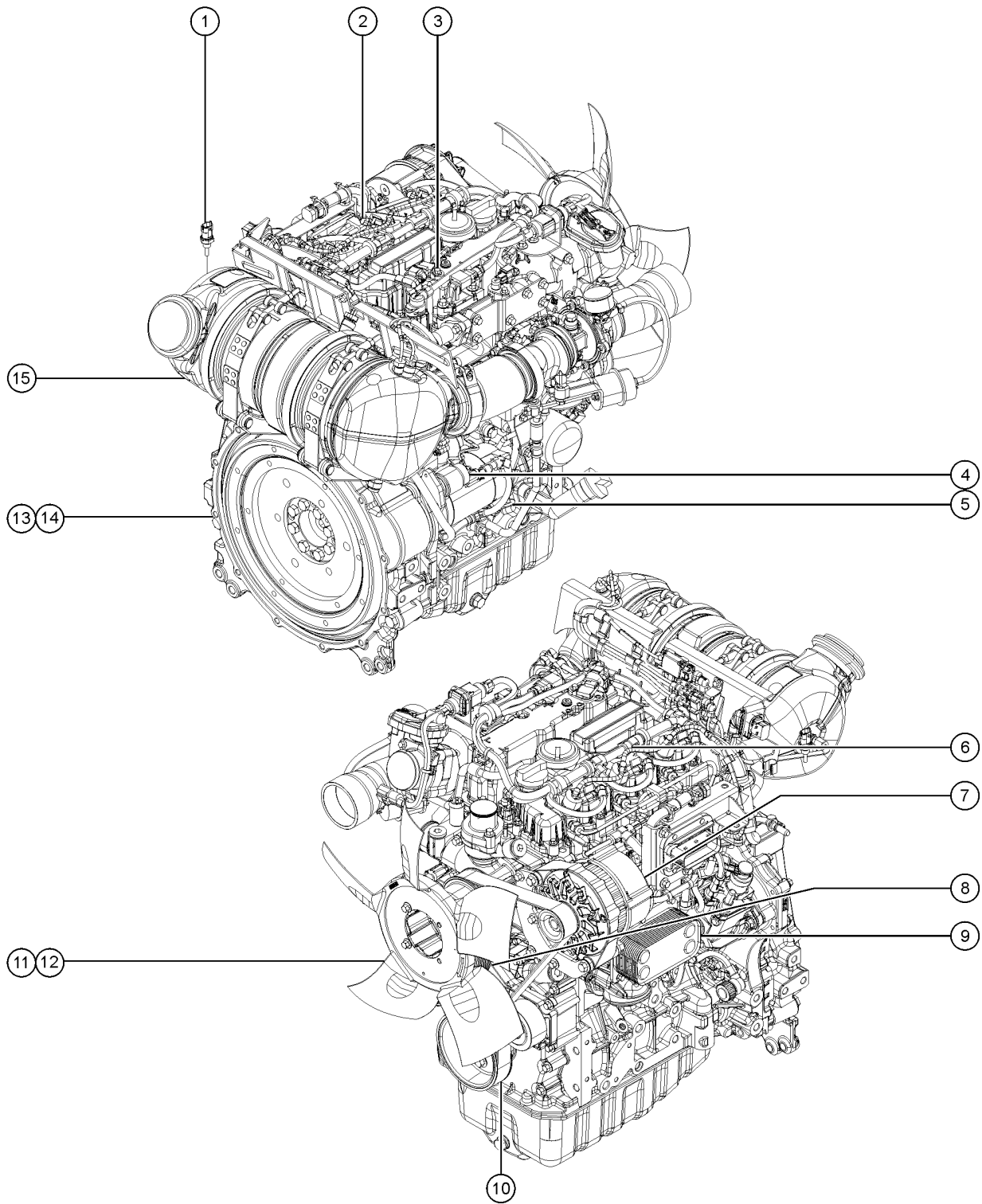


417.1 Perkins Engine Attached Components

Item	Part No.	Description	Qty.
1	824091GT	SCREW, HHF, 3/8-16 X 1.25, 8, ZAG .....	3
2		Ref. WELDMENT, ENGINE TRAY .....	1
3	60826GT	SHIM,WEAR PAD ENGINE TRAY .....	2
4	60637GT	WEAR PAD,ENGINE SUPPORT .....	1
5	231509GT	SCREW,HHC,M20-2.5X80,DIN933,10 .....	1
6	231510GT	WASHER,FLAT,M20,DIN6916,HRD,ZAB .....	1
7	1259874GT	PLATE,PERKINS 854 TIER4 CW BAF (Perkins 854F-E34T) (Refer to 413.1) .....	1
7B	1261547GT	PLATE,PERKINS 1104TD-44 CW BAFFLE (Perkins 1104D) .....	
8	237352GT	SCREW,HHF,M10-1.5X16,DIN6921,10.9,ZAB .....	5
9	60584GT	GROMMET,RUBBER .75 X .19 X 1** .....	6
10	236766GT	BEARING,FL.,40IDX48ODX28L .....	2
11	216818GT	CABLE CLAMP, BATTERY .....	4
12	216597GT	SCREW,HHF,M6 X 50,G10,YZ .....	4
13	231513GT	NUT,TL FLG,M6-1.0,DIN6927,10,Z .....	4
14	216819GT	CABLE CLAMP, FUEL LINE .....	1
15	232886GT	SCREW,HHF,M6-1.0X40,DIN6921,10.9,ZAB .....	1



418.1 Deutz TCD 2.2L, Stage V - View 1 (from SN SX150H-612)

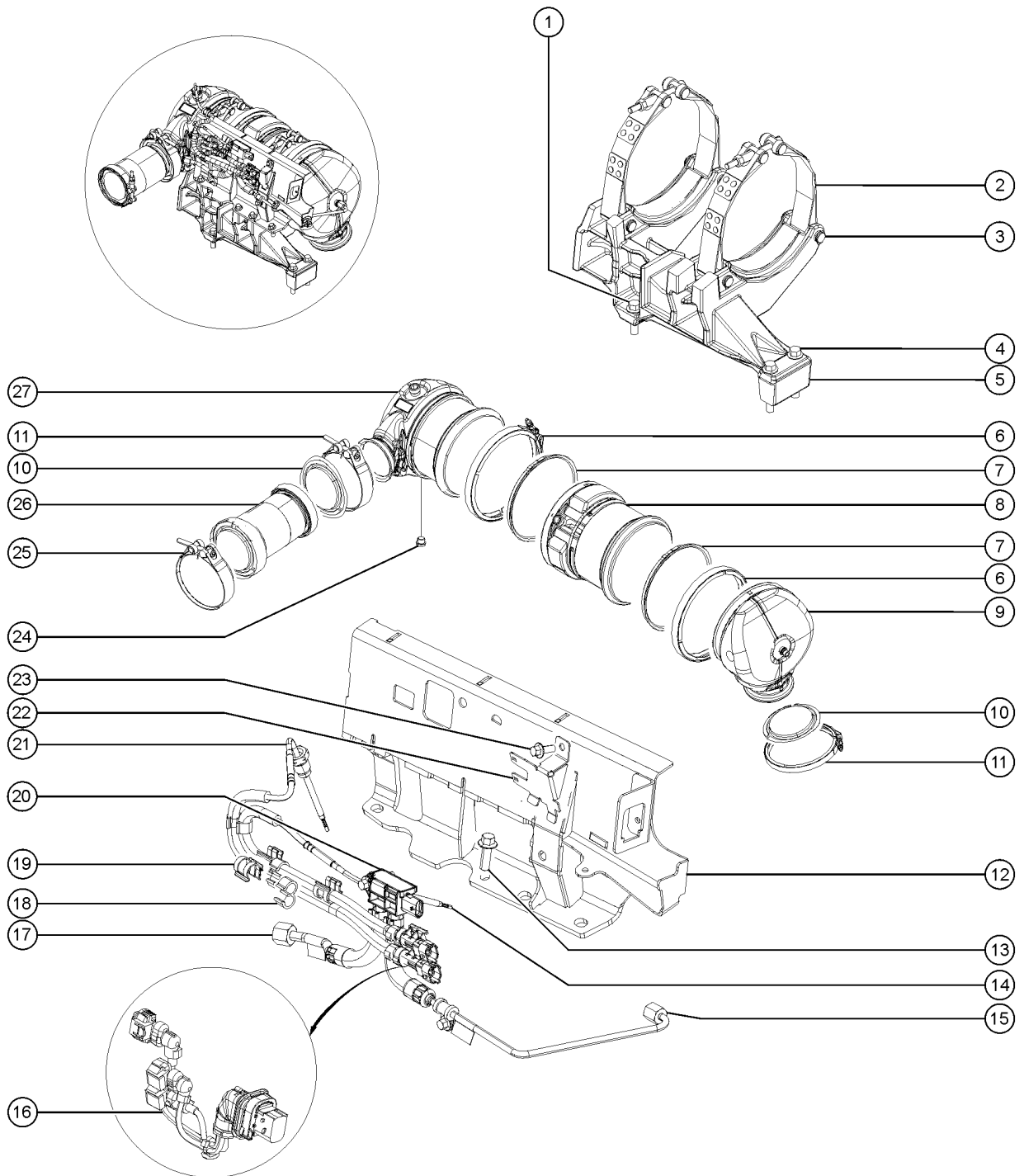


418.1 Deutz TCD 2.2L, Stage V - View 1 (from SN SX150H-612)

Item	Part No.	Description	Qty.
-		Due to Stage V regulations, many engine replacement parts require the engine serial number at time of order placement. When ordering engine parts please have both machine and engine serial numbers available. For internal engine parts, contact engine dealer	
1	825693GT	COOLANT TEMP SENSOR,TD2.9 .....	1
2	1261237GT	SENSOR,FUEL PRESSURE .....	1
2-	1262893GT	O-RING, OIL PRESSURE SENSOR .....	
3	1262896GT	SENSOR,INTAKE AIR PRESSURE .....	1
3-	1262897GT	O-RING, INTAKE AIR PRESSURE SENSOR .....	
4	1300704GT	STARTER .....	1
5	825708GT	DIPSTICK,TD2.9 .....	1
6	1300706GT	CABLE HARNESS .....	1
7	07.0501.0051GT	ALTERNATOR .....	1
8	1300713GT	ADAPTER .....	1
9	1300707GT	OIL COOLER .....	1
10	1293934GT	Belt .....	1
11	1294968GT	FAN, 430MM .....	1
12	1294091GT	HEXAGON BOLT .....	4
13	89785GT	RING GEAR,DEUTZ F3L2011F (please verify ring gear thickness) 0.6 inches .....	1
14	1262873GT	BOLT, DEUTZ FLYWHEEL .....	8
15		REF. DPF .....	
		(Ref. 2)	



419.1 Deutz TCD 2.2L, Stage V - View 2 (from SN SX150H-612)

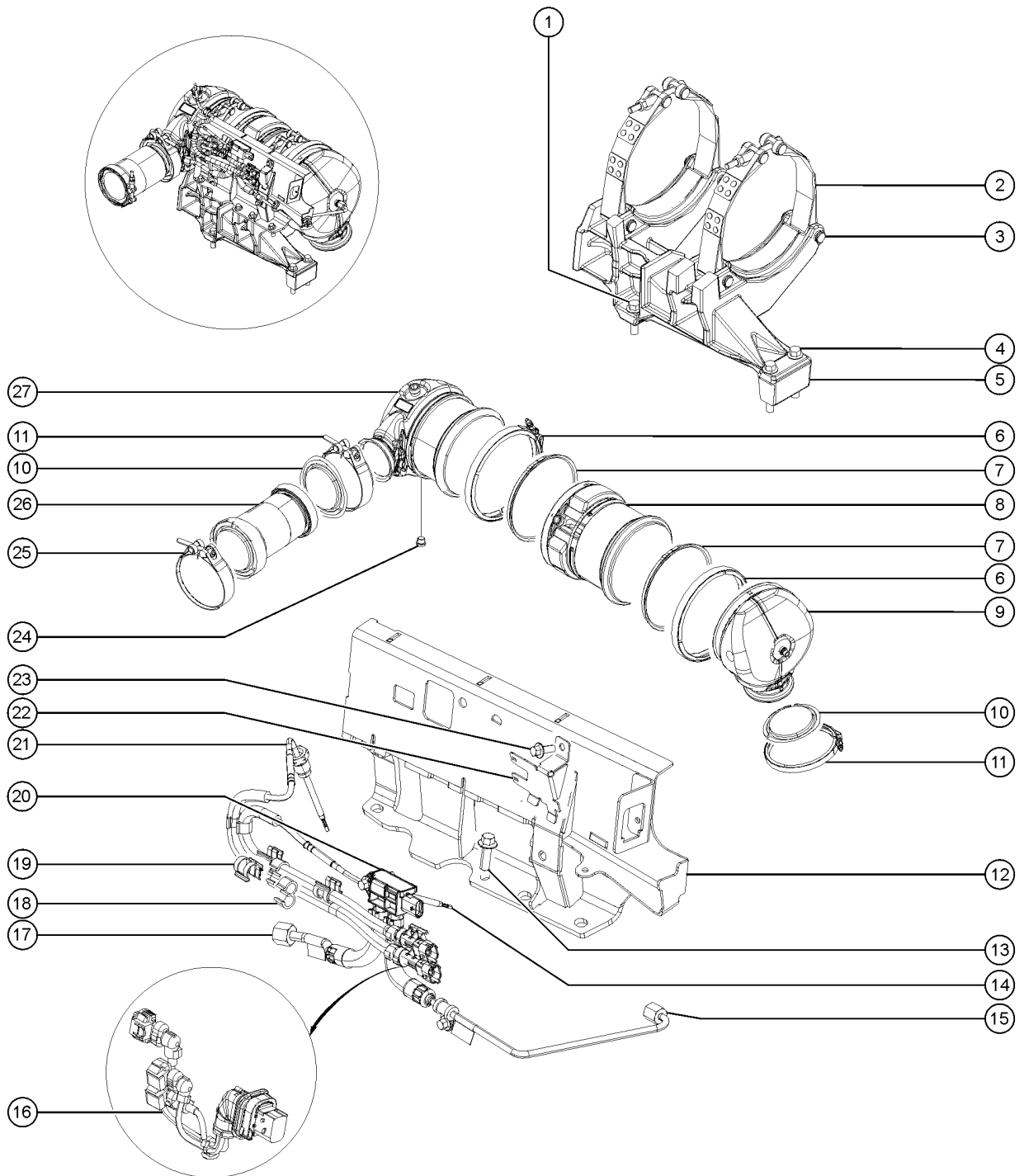


419.1 Deutz TCD 2.2L, Stage V - View 2 (from SN SX150H-612)

Item	Part No.	Description	Qty.
-		Due to Stage V regulations, many engine replacement parts require the engine serial number at time of order placement. When ordering engine parts please have both machine and engine serial numbers available. For internal engine parts, contact engine dealer	
1	1297249GT	SCREW M10x38 .....	2
2	1297244GT	STRAP W/SCREW .....	2
3	1297245GT	CIRCLIP .....	8
4	1297251GT	SCREW M10x65 .....	2
5	1297250GT	BRACKET .....	1
6	1297261GT	CLIP .....	2
7	1297262GT	GASKET .....	2
8	1297263GT	PARTICULATE FILTER .....	1
9	1297264GT	DPF OUTLET .....	1
10	825014GT	GASKET, T4 TCD3.6 DOC .....	2
11	825015GT	CLAMP, 50MM V .....	2
12	1297256GT	SHEET / PLATE .....	1
13	1293871GT	HEXAGON BOLT .....	3
14	07.4501.0252GT	TEMPERATURE SENSOR .....	1
15	1297252GT	TUBE .....	1
16	1297243GT	INTERCONNECTING PIPE .....	1
17	1297247GT	TUBE .....	1
18	1297248GT	HOSE CLIP .....	2
19	1297254GT	CLAMP .....	4
20	1297253GT	PRESSURE SENSOR .....	1
21	1257779GT	SENSOR,EXH,TEMP,TCD3.6 T4F .....	1
22	1297257GT	RETAINING PLATE .....	1
23	1297255GT	SCREW M6x12 .....	1
24	1297258GT	PLUG .....	1
25	824775GT	CLAMP,TURBO OUTLET-TURBO PIPE, .....	1
26	1300708GT	COMPENSATOR .....	1



419.1 Deutz TCD 2.2L, Stage V - View 2 (from SN SX150H-612)

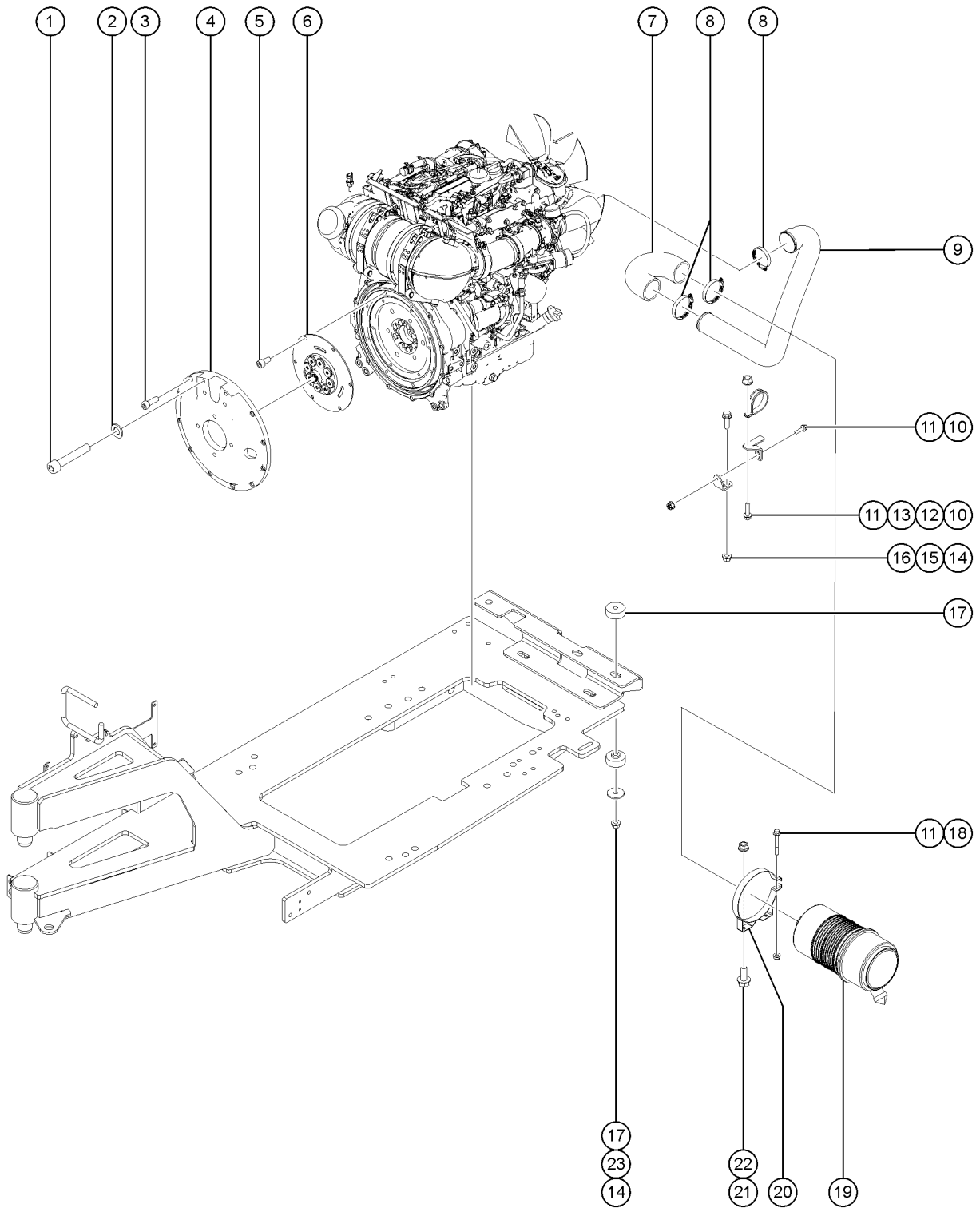




419.1 Deutz TCD 2.2L, Stage V - View 2 (from SN SX150H-612)

<i>Item</i>	<i>Part No.</i>	<i>Description</i>	<i>Qty.</i>
27	1297260GT	DPF INLET .....	1

420.1 Deutz TCD 2.2L, Stage V - View 3 (from SN SX150H-612)

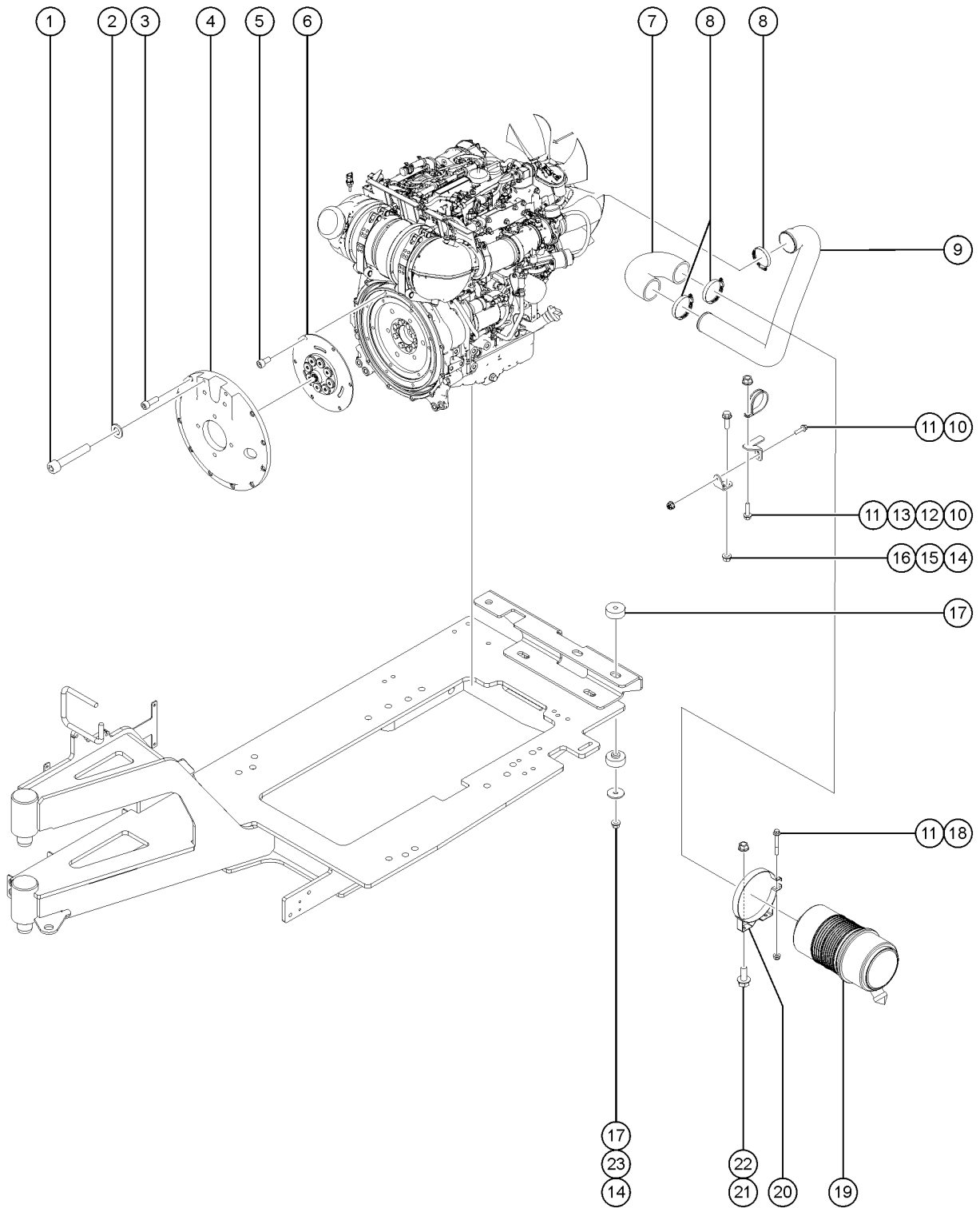


420.1 Deutz TCD 2.2L, Stage V - View 3 (from SN SX150H-612)

Item	Part No.	Description	Qty.
-		Due to Stage V regulations, many engine replacement parts require the engine serial number at time of order placement. When ordering engine parts please have both machine and engine serial numbers available. For internal engine parts, contact engine dealer	
1	1257481GT	SCREW,SHC,M10-1.5X60,DIN912,12.9,ZAB .....	2
2	824145GT	WASHER,FLAT,M10,DIN125,ZAB .....	2
3	1255666GT	SCREW,SHC,M10-1.50X30,DIN912,12.9,ZAB .....	10
4	70381GT	COVER,FLYWHEEL CASTING .....	1
5	1255665GT	SCREW,SHC,M10-1.50X20,DIN912,12.9,ZAB .....	6
6	128004GT	COUPLER,15 TOOTH,FBA,SAE8*** .....	1
7	1293912GT	HOSE, AIR INTAKE, 2.50" I.D. ....	1
8	30971GT	CLAMP,HOSE,3.0" .....	3
9	1289112GT	PIPE, FILTER TO TURBO, TCD 2.2 .....	1
10	824079GT	SCREW,HHF,1/4-20X1,8,ZAG .....	2
11	1277924GT	NUT,NYLOCK FLG,1/4-20,F,ZAG .....	3
12	1295534GT	FORMING, CLAMP AIR TURBO PIPE, TD 2.2L .....	1
13	101626GT	CLAMP,2.5,#40 X 1/4,RUB CUSH .....	1
14	1274322GT	NUT,NYLOCK FLG,3/8-16,F,ZAG .....	4
15	1295535GT	FORMING, CLAMP AIR TURBO PIPE, TD 2.2L .....	1
16	824091GT	SCREW, HHF, 3/8-16 X 1.25, 8, ZAG .....	1
17	24038GT	SHOCK MOUNT,SMALL .....	6
18	1253485GT	SCREW,HHF,1/4-20X2,8,ZAG .....	1
19	63463GT	AIR CLEANER,NELSON*** .....	1
19-	62420GT	FILTER,AIR*** .....	
19-	58415GT	CLIP,AIR CLEANER END CAP*** .....	
19-	65810GT	BAFFLE, AIR CLEANER (27915)** .....	
19-	52866GT	EVACUATOR VALVE-AIR CLEANER .....	
20	33931GT	MOUNTING BAND (27915) .....	1
21	824085GT	SCREW,HHF,5/16-18X.75,8,ZAG .....	2
22	1274167GT	NUT,NYLOCK FLG,5/16-18,F,ZAG .....	2



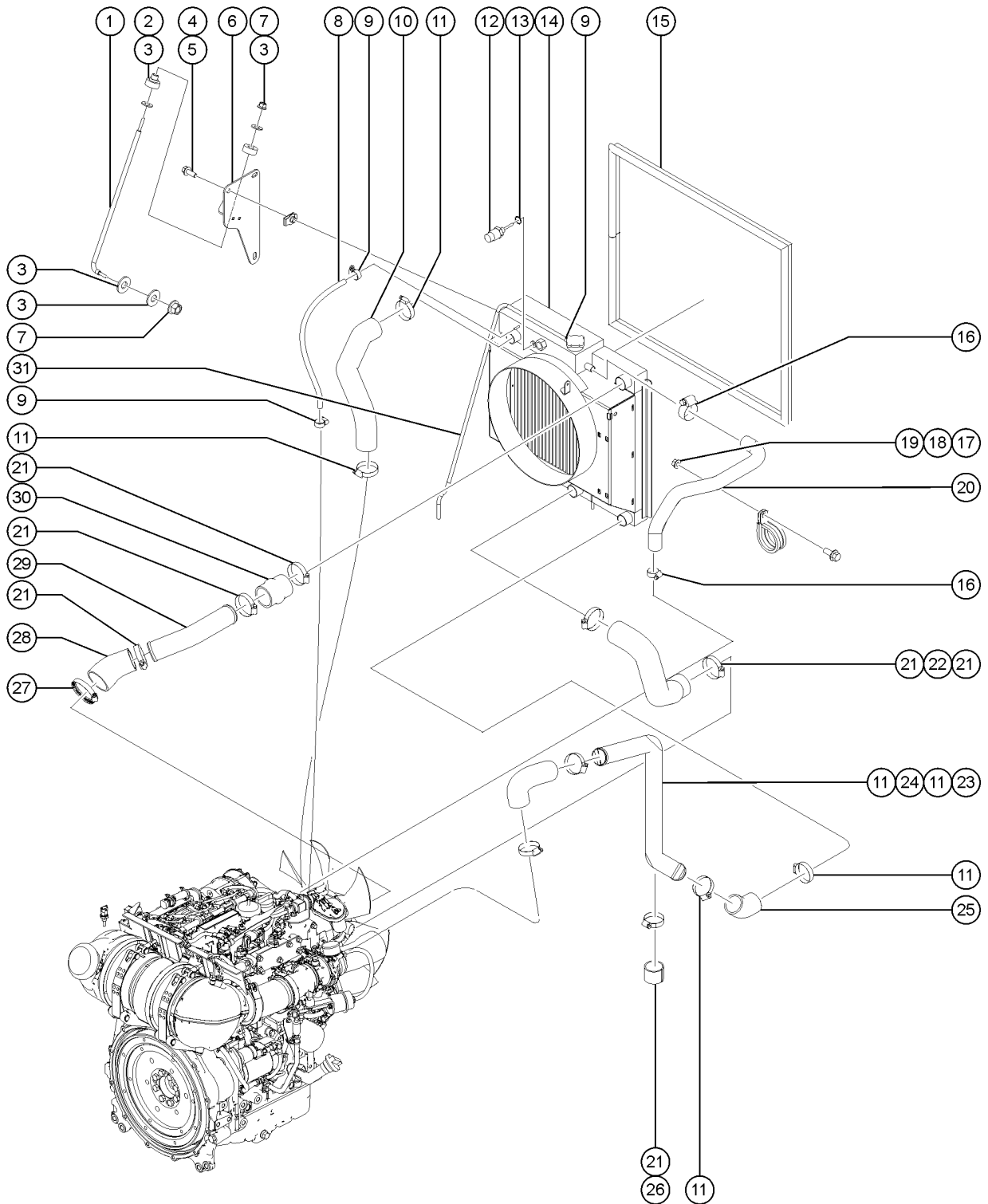
420.1 Deutz TCD 2.2L, Stage V - View 3 (from SN SX150H-612)



420.1 Deutz TCD 2.2L, Stage V - View 3 (from SN SX150H-612)

<i>Item</i>	<i>Part No.</i>	<i>Description</i>	<i>Qty.</i>
23	824120GT	WASHER, FLAT, .375 X 1.50 X .125, ZAG .....	3

421.1 Deutz TCD 2.2L, Stage V - View 4 (from SN SX150H-612)

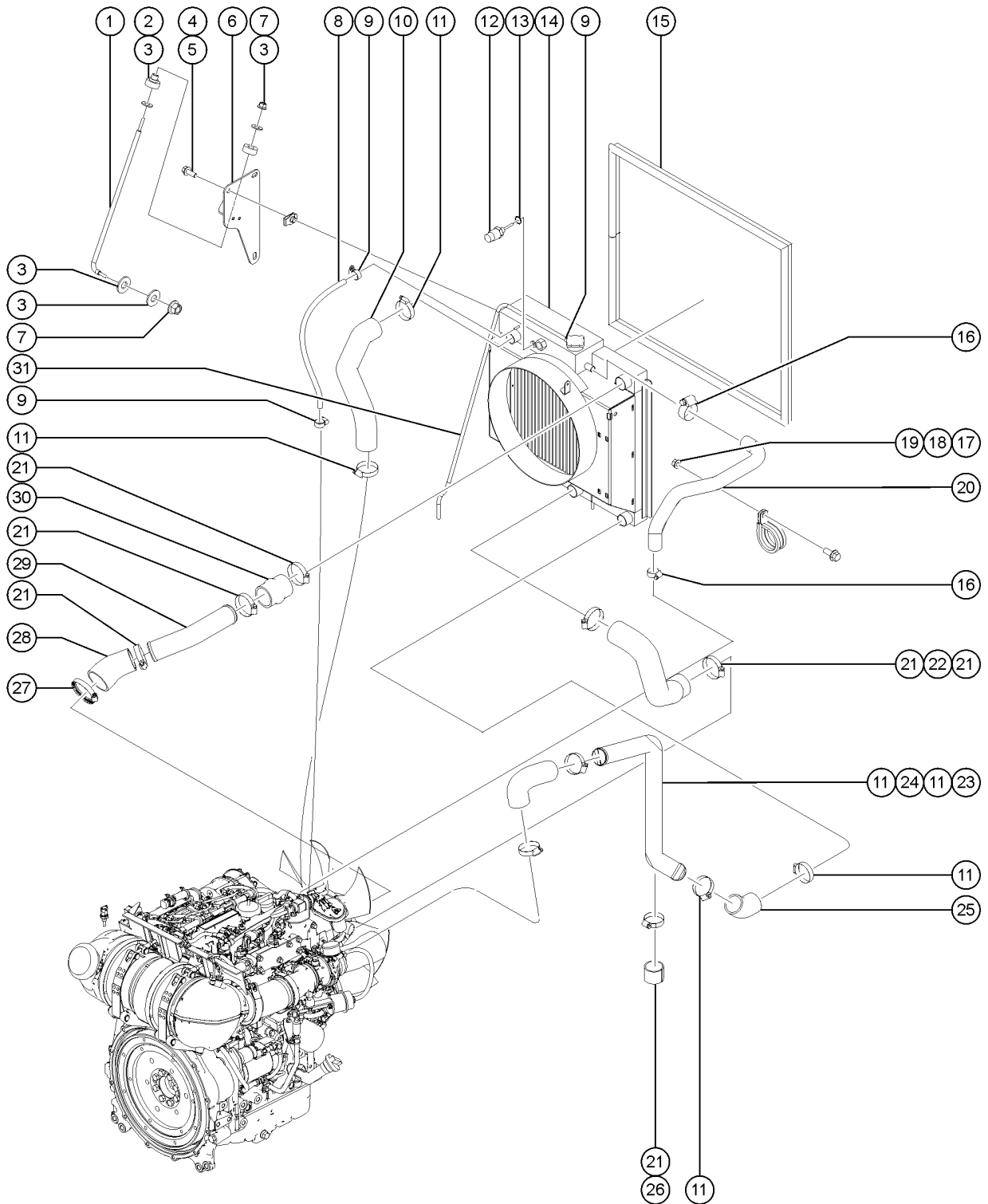


421.1 Deutz TCD 2.2L, Stage V - View 4 (from SN SX150H-612)

Item	Part No.	Description	Qty.
-		Due to Stage V regulations, many engine replacement parts require the engine serial number at time of order placement. When ordering engine parts please have both machine and engine serial numbers available. For internal engine parts, contact engine dealer	
-	1295309GT	HARNES, DEUTZ 2.2 STAGE V, SX150/180	1
1	1301741GT	STRUT, ROD, STAGE V	2
2	1301742GT	ISOLATOR, RADIATOR, 80 LB	2
3	1255758GT	WASHER, FLAT, 3/8, USS, ZAG	6
4	824090GT	SCREW, HHF, 3/8-16X1, 8, ZAG	2
5	29868GT	SPRING CLIP, 3/8-16, .05-.20X.73, ZAG	2
6	1301884GT	WELDMENT, STAGE V, STRUT BRACKET, COVER SIDE LH	1
6-	1301883GT	WELDMENT, STAGE V, STRUT BRACKET, SWING SIDE RH	1
7	1274322GT	NUT, NYLOCK FLG, 3/8-16, F, ZAG	4
8	1291348GT	HOSE, VENT, 2.2L TCD	1
9	21465GT	CLAMP, HOSE, .25" - .63" X .3125	3
10	1289109GT	HOSE, UPPER RADIATOR, TCD 2.2	1
11	22672GT	CLAMP, HOSE, 1.75	6
12	218715GT	COOLANT LEVEL SNSR, DEUTZ TCD3.6	1
13	826152GT	WASHER, CRUSH, COOLANT SENSOR	1
14	1289108GT	ASSEMBLY, RADIATOR, INTERCOOLER, TCD 2.2	1
14-	1289105GT	RADIATOR, W/EXPANSION TANK, TCD 2.2	1
14-	1289106GT	SHROUD, RADIATOR, DEUTZ TCD 2.2	1
14-	1289107GT	INTERCOOLER, DEUTZ TCD 2.2	1
15	119219-9300GT	GASKET, 3/4" BULB X 1/8" GAP	1
16	30348GT	CLAMP, HOSE, 1.00	2
17	1277924GT	NUT, NYLOCK FLG, 1/4-20, F, ZAG	1
18	33784GT	CLAMP, 1.31, #21 X 1/4, RUB CUSH	1
19	1256855GT	SCREW, HHF, 1/4-20X.625, 8, ZAG	1
20	1289111GT	HOSE, COMPENSATION, TCD 2.2	1
21	35434GT	CLAMP, HOSE, 2.00***	7



421.1 Deutz TCD 2.2L, Stage V - View 4 (from SN SX150H-612)



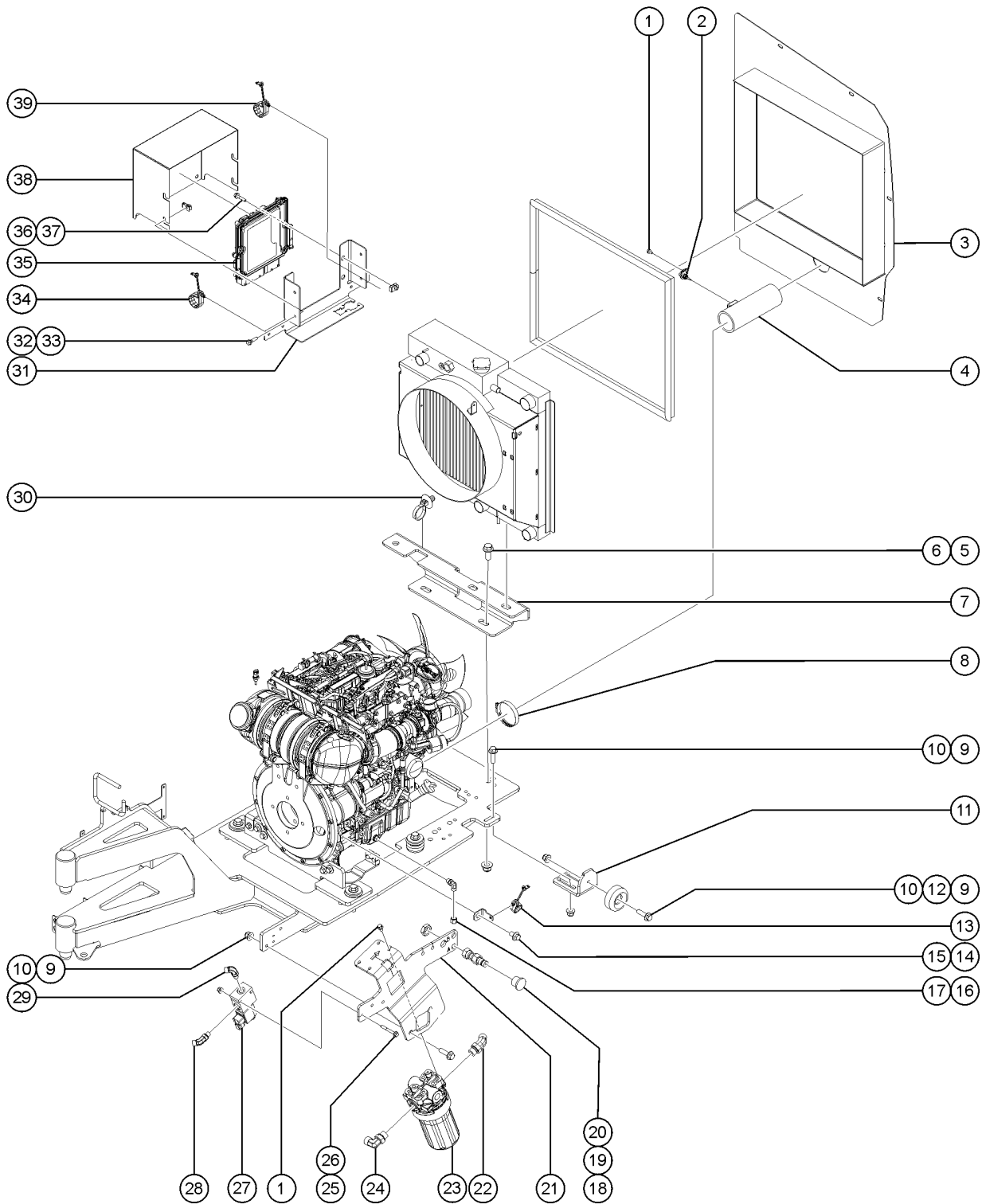


421.1 Deutz TCD 2.2L, Stage V - View 4 (from SN SX150H-612)

<i>Item</i>	<i>Part No.</i>	<i>Description</i>	<i>Qty.</i>
22	1289110GT	HOSE, LOWER RADIATOR, TCD 2.2 .....	1
23	1289113GT	PIPE, TURBO TO CAC, TCD 2.2 .....	1
24	1290094GT	ADAPTER, TURBO OUTLET .....	1
25	1290368GT	COUPLER, 1.75", HT SILICONE RED .....	1
26	1287140GT	RUBBER, PIPE CUSHION .....	2
27	45435GT	CLAMP,HOSE,2.50" .....	1
28	1290370GT	ADAPTER, AIR INTAKE, 2" X 2.4" .....	1
29	1290676GT	PIPE, CAC TO INTAKE, TCD 2.2L .....	1
30	1285481GT	COUPLER, 2.00", HUMP, LT SILICONE, BLUE .....	1
31	1302463GT	TUBE, COOLANT OVER FLOW .....	1



422.1 Deutz TCD 2.2L, Stage V - View 5 (from SN SX150H-612)

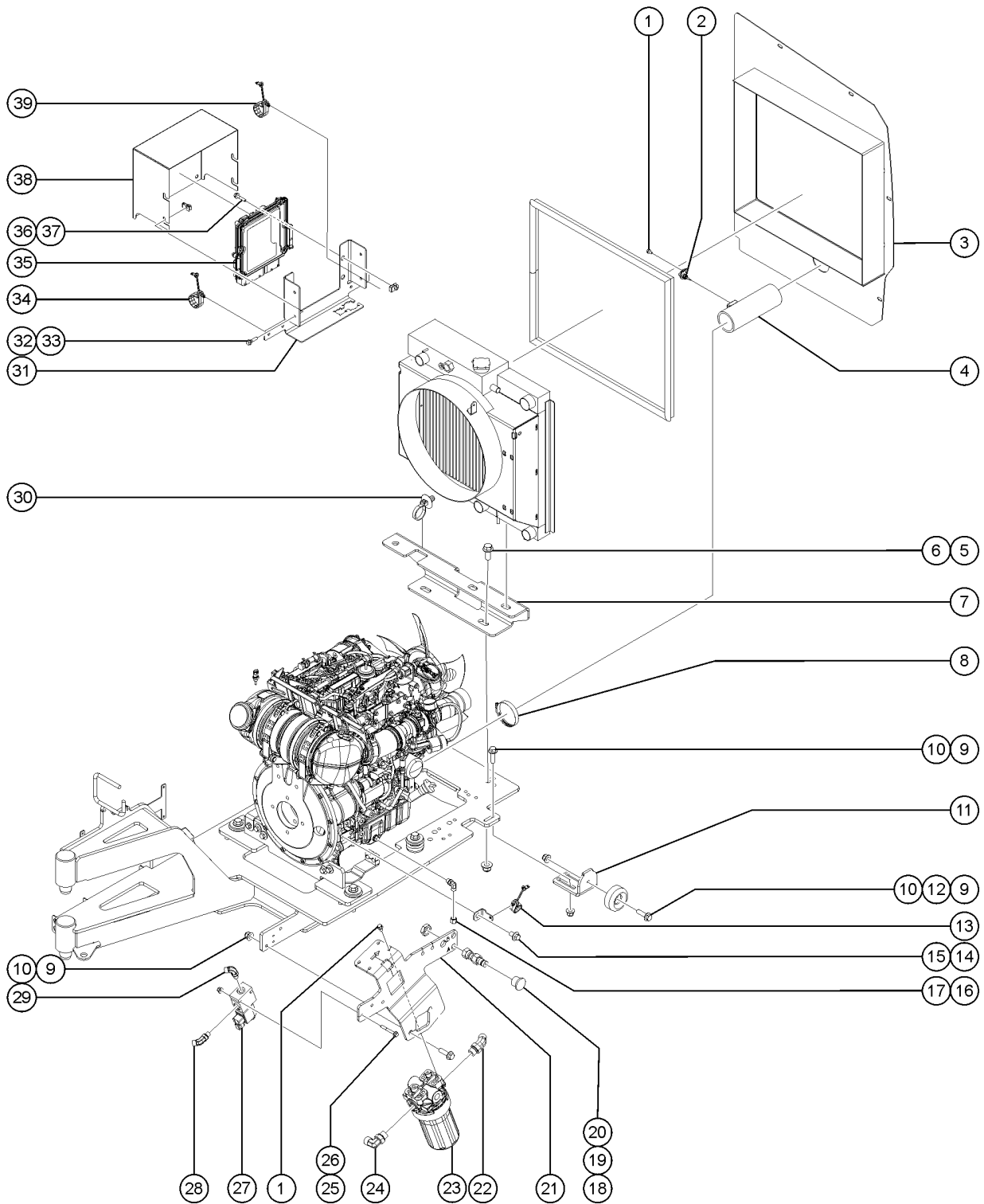


422.1 Deutz TCD 2.2L, Stage V - View 5 (from SN SX150H-612)

Item	Part No.	Description	Qty.
-		Due to Stage V regulations, many engine replacement parts require the engine serial number at time of order placement. When ordering engine parts please have both machine and engine serial numbers available. For internal engine parts, contact engine dealer	
1	824077GT	SCREW, HHF, 1/4-20 X .5, 8, ZAG	5
2	1266547GT	SENSOR, TEMP, AMBIENT, T4F, TCD3.6	1
3	1296087GT	WELDMENT, BAFFLE, DEUTZ 2.2L	1
4	1295397GT	HOSE, RAW AIR INTAKE, 2.50" I.D.	1
5	1251894GT	SCREW, HHF, M16-2.0X45, DIN6921, 1	2
6	1283018GT	NUT, NYLOCK, FLG, M16-2.0, DIN6926, 10, ZAB	2
7	1291475GT	FORMING, COOLER MOUNT, DEUTZ 2.2L	1
8	30971GT	CLAMP, HOSE, 3.0"	1
9	231533GT	SCREW, HHF, M10-1.5X35, DIN6921, 10.9, ZAB	5
10	1283015GT	NUT, NYLOCK FLG, M10-1.5, DIN6926, 10, ZAB	5
11	1291557GT	FORMING, COVER STOP	1
12	50974GT	BUMPER, RUBBER, COVERS	1
13	121603GT	CLAMP, FIXED DIA. NYLON, .875"	1
14	1255806GT	SCREW, HHF, M12-1.75X20, DIN6921, 10.9, ZAB	1
15	1256480GT	FORMING, WIRE LOOM SUPPORT	1
16	69775GT	CAP, 520112-8	1
17	54428GT	FITTING, HYDRAULIC, 90DEG, O-RING	1
18	48880GT	CAP, DIAGNOSTIC NIPPLE	2
19	49207GT	NIPPLE, DIAGNOSTIC, ORFS, FM, SWIV	2
20	75574GT	NUT, BULKHEAD, 520118-4	2
21	215517GT	FORMING, CHARGE FILTER MOUNT	1
22	48937GT	ELBOW, 45D, 520320-8	1
23	1267807GT	ASSEMBLY, MED. PRESS. FILTER,	1
24	48932GT	FITTING, ELBOW, 90D, 520220-8***	1
25	216597GT	SCREW, HHF, M6 X 50, G10, YZ	2
26	1283013GT	NUT, NYLOCK FLG, M6-1.0, DIN6926, 10, ZAB	2



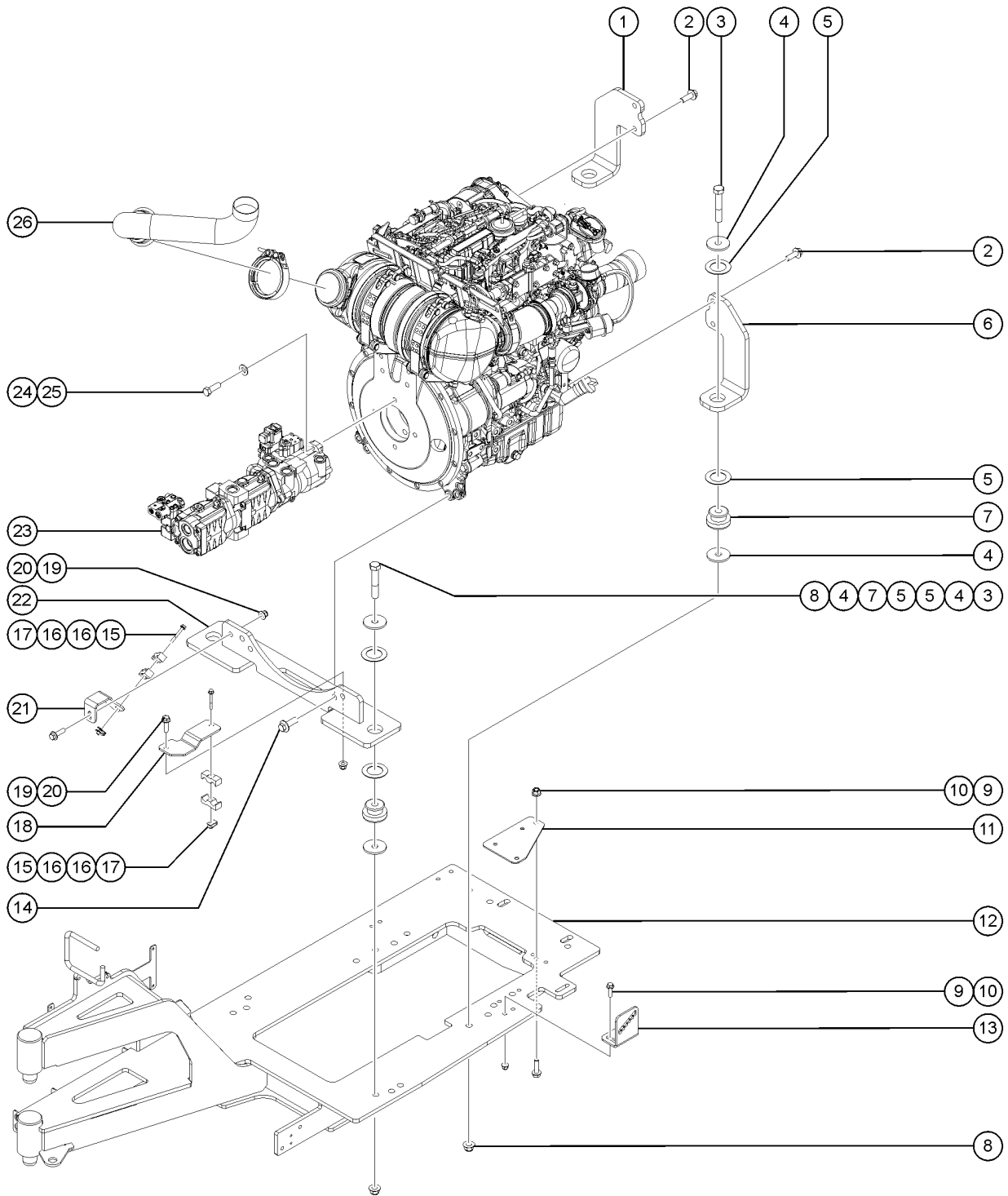
422.1 Deutz TCD 2.2L, Stage V - View 5 (from SN SX150H-612)



422.1 Deutz TCD 2.2L, Stage V - View 5 (from SN SX150H-612)

<i>Item</i>	<i>Part No.</i>	<i>Description</i>	<i>Qty.</i>
27	218144GT	VALVE, FUNCTION ENABLE, ZX135 .....	1
28	48907GT	ELBOW,45D,520320-4 .....	1
29	48904GT	ELBOW, 90D, 520220-4 .....	1
30	110149GT	CABLE TIE,DFT MOUNT,BLK,6.5" .....	2
31	1267412GT	FORMING,ECU MOUNT .....	1
32	231512GT	SCREW,HHF,M6-1.0X25,DIN6921,10.9,ZAB .....	4
33	230073GT	SPRING CLIP,M6-1.0,0.8-4.0X13.5,ZAB .....	4
34	219510GT	CLAMP, FIXED DIA, NYLON, 1-1/4 .....	2
35	1296093GT	ECM, DEUTZ TCD 2.2L3, 74 hp .....	1
36	231531GT	SCREW,HHF,M6X30,DIN6921,10.9,Y .....	4
37	219697GT	SPRING CLIP,M6-1.0,3.4-6.3MMX1 .....	4
38	1267411GT	FORMING, ECM COVER .....	1
39	121602GT	CLAMP,FIXED DIA,NYLON, 3/4" .....	1

423.1 Deutz TCD 2.2L, Stage V - View 6 (from SN SX150H-612)

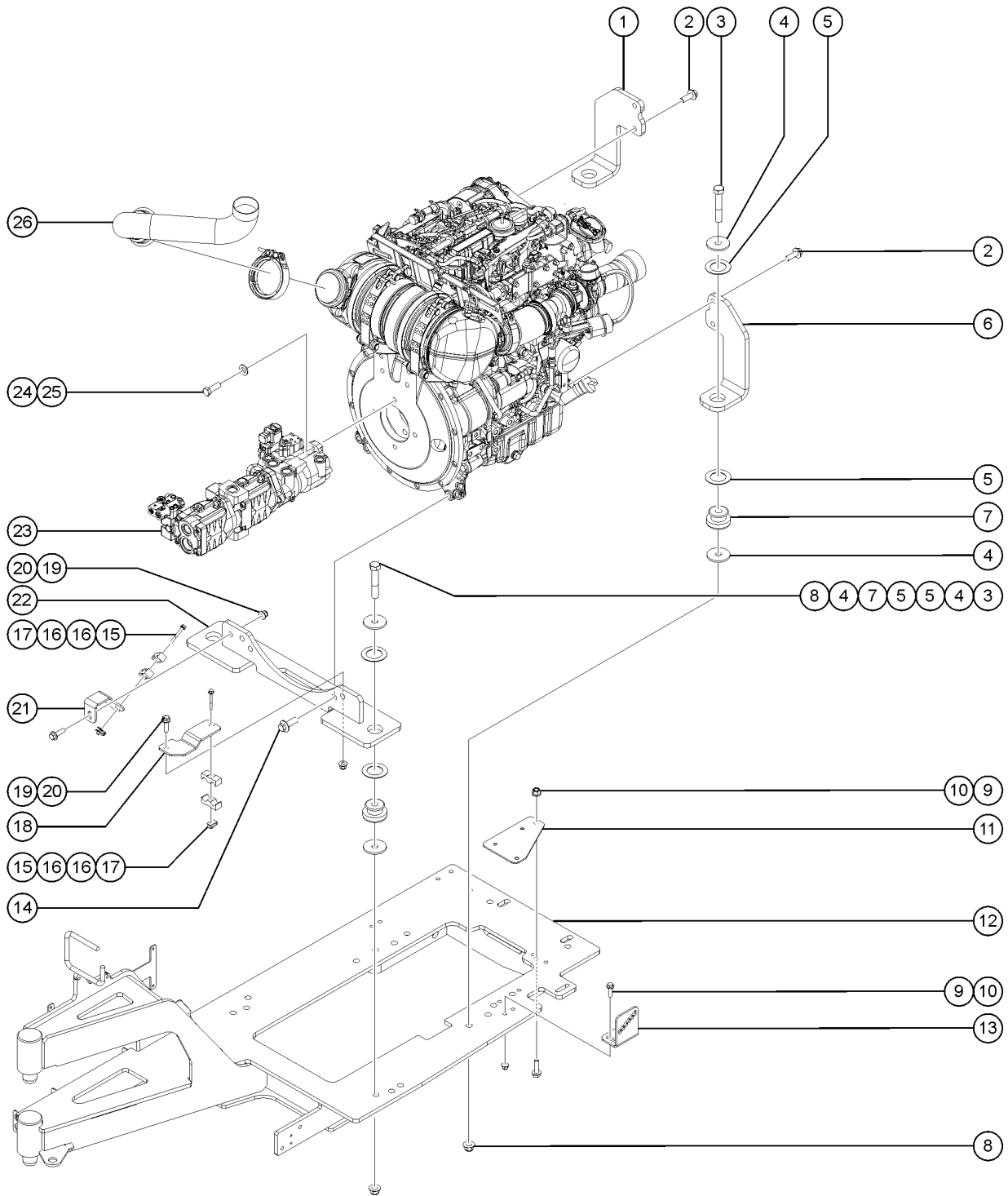


423.1 Deutz TCD 2.2L, Stage V - View 6 (from SN SX150H-612)

Item	Part No.	Description	Qty.
-		Due to Stage V regulations, many engine replacement parts require the engine serial number at time of order placement. When ordering engine parts please have both machine and engine serial numbers available. For internal engine parts, contact engine dealer	
1	1291523GT	FORMING, ENGINE MOUNT, RIGHT	1
2	231511GT	SCREW,HHF,M12-1.75X35,DIN6921,10.9,ZAB	4
3	1256583GT	SCREW,HHF,5/8-11X3.5,8,ZAG	4
4	824123GT	WASHER,FLAT,.625X2.25X.188,ZAG	8
5	1251565GT	WASHER,SHIM,1.56X2.5X0.061,ZAG	8
6	1291522GT	FORMING, ENGINE MOUNT, LEFT	1
7	217500GT	ISOLATOR, ENGINE VIBRATION	4
8	1283007GT	NUT,NYLOCK FLG,5/8-11,F,ZAG	4
9	1283014GT	NUT,NYLOCK FLG,M8-1.25,DIN6926,10,ZAB	4
10	1255537GT	SCREW,HHF,M8-1.25X30,DIN6921,1	4
11	1295747GT	PLATE, SPACER, AIR CLEANER	1
12		Ref. WELDMENT,ENGINE TRAY (Refer to 409.1)	1
13	1291076GT	FORMING,FAN SHROUD STRUT MOUNT (LH)	1
13-	1291476GT	FORMING, FAN SHROUD STRUT MOUNT (RH)	
14	1251899GT	SCREW,HHF,M14-2.0 X 40,DIN 692	4
15	219697GT	SPRING CLIP,M6-1.0,3.4-6.3MMX1	2
16	217460GT	CLAMP,BATTERY CABLE	4
17	216597GT	SCREW,HHF,M6 X 50,G10,YZ	2
18	217458GT	FORMING, BATTERY CABLE GUIDE	1
19	231533GT	SCREW,HHF,M10-1.5X35,DIN6921,10.9,ZAB	2
20	1283015GT	NUT,NYLOCK FLG,M10-1.5,DIN6926,10,ZAB	2
21	1295992GT	FORMING, BATTERY CABLE MOUNT	1
22	1291524GT	WELDMENT, REAR MOUNT, ENGINE	1
23		Ref. PUMP (Refer to 706.1)	1
24	1253498GT	SCREW,HHF,1/2-13X1.5,8,ZAG	2
25	825353GT	WASHER,FLAT,1/2,SAE,HRD,ZAG	2



423.1 Deutz TCD 2.2L, Stage V - View 6 (from SN SX150H-612)

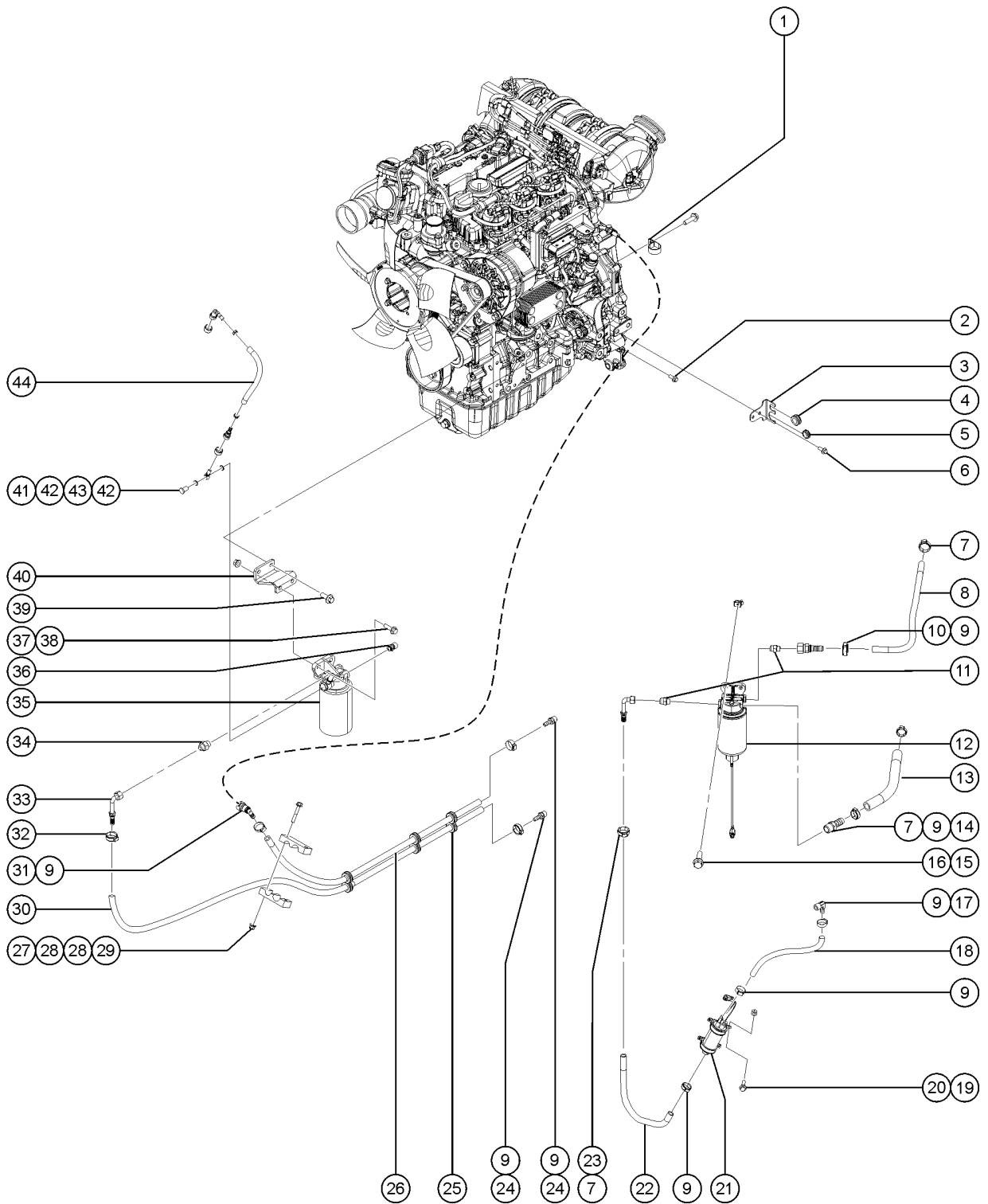




423.1 Deutz TCD 2.2L, Stage V - View 6 (from SN SX150H-612)

<i>Item</i>	<i>Part No.</i>	<i>Description</i>	<i>Qty.</i>
26	1296094GT	PIPE, EXHAUST, 2.2L DEUTZ .....	1

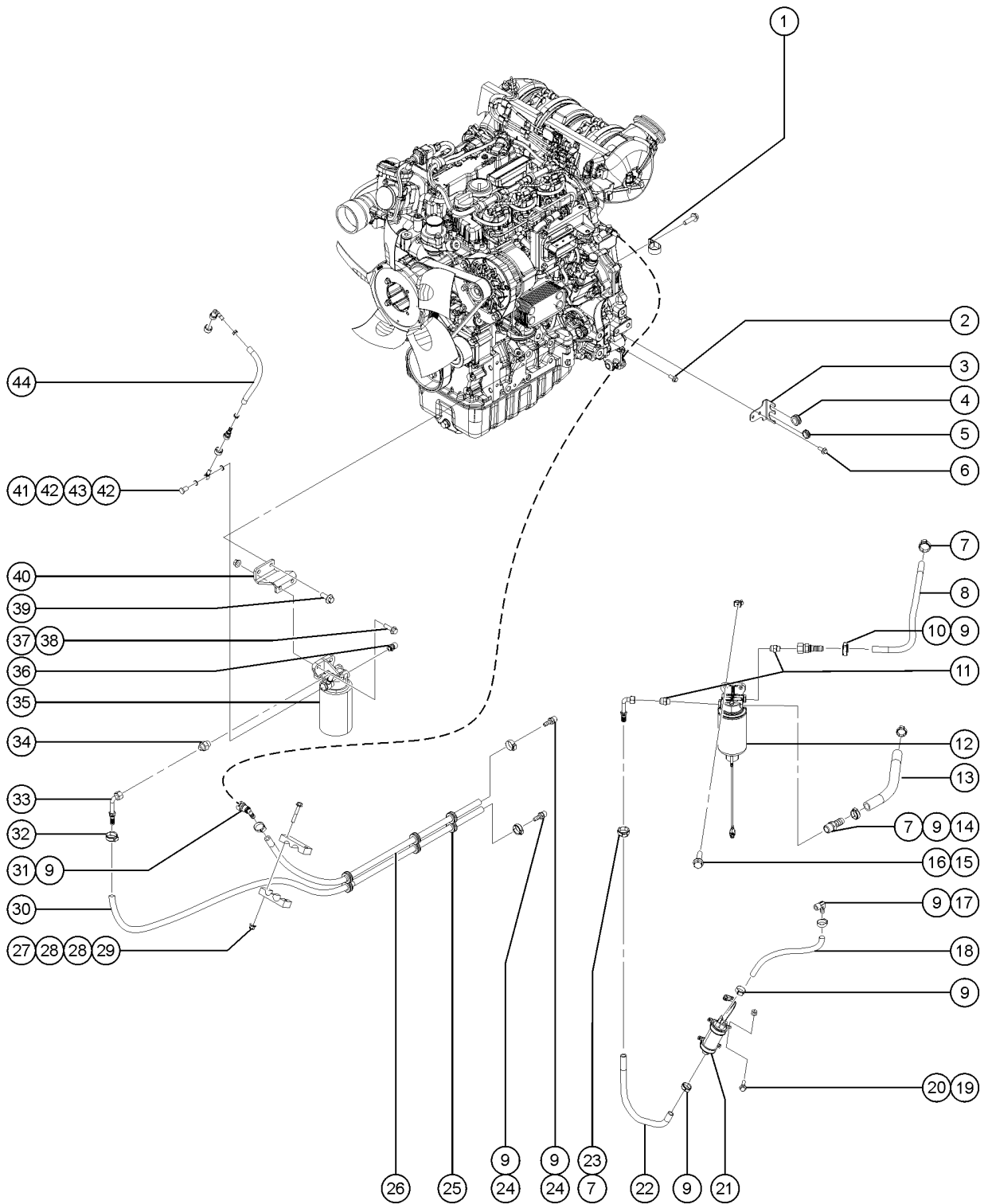
424.1 Deutz TCD 2.2L, Stage V - View 7 (from SN SX150H-612)



424.1 Deutz TCD 2.2L, Stage V - View 7 (from SN SX150H-612)

Item	Part No.	Description	Qty.
1	56424GT	CLAMP,1.25X.5 RUBBER-CUSHION .....	1
2	1258505GT	SCREW,HHC,M12-1.75X20,DIN933,10.9,ZAB .....	1
3	1257888GT	FORMING, ENGINE HARNESS SUPPOR .....	1
4	124962GT	GROMMET,RUBBER,1.0 X 1.25X1.5 .....	1
5	106923GT	GROMMET,RUBBER .38X1.38X1.0 .....	1
6	1255806GT	SCREW,HHF,M12-1.75X20,DIN6921,10.9,ZAB .....	2
7	822087GT	CLAMP,HOSE,1EAR,25/32 .....	2
8	1253181GT	HOSE,FUEL,1/2" GATES RLA,20.625" .....	
9	81154GT	CLAMP,HOSE,SIZE .31 > .91 .....	10
10	824635GT	FITTING,STR,1/2 HS X 3/4-16,JI .....	1
11	162209GT	FITTING,CONN,16MM-8MJ .....	2
12	236260GT	FILTER, FUEL PRE-FILTER, SPIN-ON, DEUTZ .....	
13	1253183GT	HOSE,FUEL,1/2" GATES RLA,7.625" .....	
14	824471GT	FITTING,3/8 NPT TO 1/2 BARB .....	
15	1255537GT	SCREW,HHF,M8-1.25X30,DIN6921,1 .....	2
16	230820GT	SPRING CLIP, M8-1.25, 0.8-4.0 X 13, ZAB .....	2
17	27904GT	HOSE END,BARBED,RIGID,90DEG6-6 .....	1
18	1253179GT	HOSE,FUEL,3/8" GATES RLA, 22.0 .....	
19	218458GT	SCREW,HHF,M5-0.8X20,DIN6921,10.9,ZAB .....	4
20	1255753GT	NUT,FLG,M5-0.8,DIN6923,8,ZAB .....	4
21	214691GT	FUEL LIFT PUMP, DEUTZ D 2.9 .....	1
22	1254848GT	HOSE,FUEL,1/2" GATES RLA,16.75" .....	
23	162207GT	FITTING,ELBOW,8GS-8FJX90S .....	1
24	27901GT	HOSE END,BARBED,RIGID,-6-6 .....	2
25	60584GT	GROMMET,RUBBER .75 X .19 X 1** .....	6
26	1252898GT	HOSE,FUEL,3/8",GATES RLA,53.25 .....	1
27	1283013GT	NUT,NYLOCK FLG,M6-1.0,DIN6926,10,ZAB .....	2
28	1288945GT	CLAMP, FUEL LINE, 3/8" - 1/2" .....	2

424.1 Deutz TCD 2.2L, Stage V - View 7 (from SN SX150H-612)

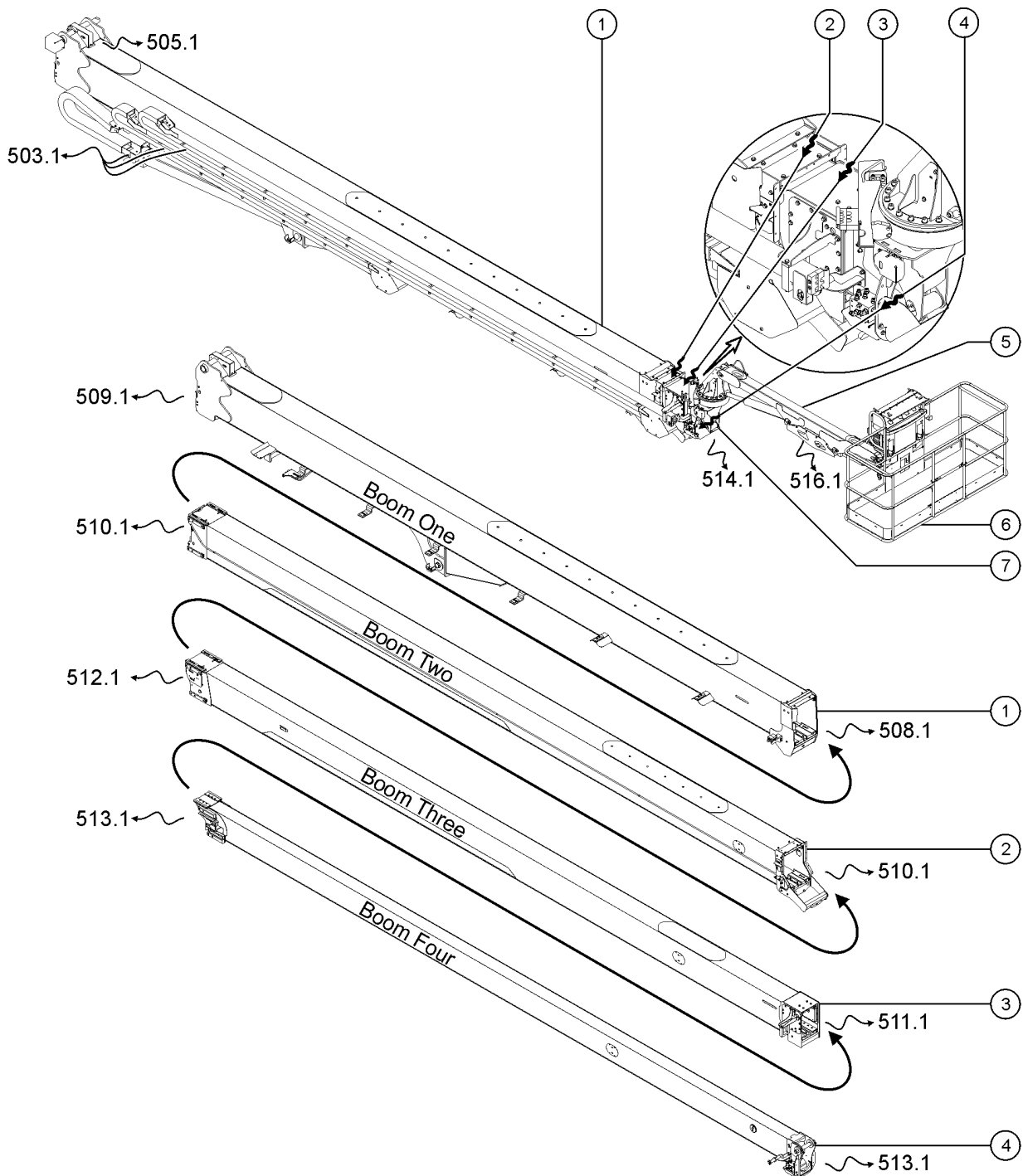


424.1 Deutz TCD 2.2L, Stage V - View 7 (from SN SX150H-612)

<i>Item</i>	<i>Part No.</i>	<i>Description</i>	<i>Qty.</i>
29	232886GT	SCREW,HHF,M6-1.0X40,DIN6921,10.9,ZAB .....	2
30	1252896GT	HOSE,FUEL,3/8,GATES RLA,66.25" .....	1
31	826000GT	CONNECTOR, SAE10, QUICK CONNECT .....	1
32	96770GT	CLAMP, HOSE, 1 EAR, 11/16 .....	1
33	162206GT	FITTING,ELBOW,6GS-6FJX90S .....	1
34	162208GT	FITTING,CONN,16MM-6MJ .....	1
35	1261236GT	ASSY,FUEL FILTER,DEUTZ 2.9 .....	1
36	824673GT	SENSOR,LOW PRESSURE,DEUTZ 2.9L .....	1
37	231533GT	SCREW,HHF,M10-1.5X35,DIN6921,10.9,ZAB .....	2
38	1283015GT	NUT,NYLOCK FLG,M10-1.5,DIN6926,10,ZAB .....	2
39	231088GT	SCREW,HHF,M10-1.5X20,DIN6921,1 .....	2
40	1256911GT	FORMING FUEL FILTER DEUTZ .....	1
41	1255399GT	BOLT,BANJO,DEUTZ,QC .....	1
42	1255400GT	WASHER,COPPER,DEUTZ,QC .....	2
43	1255396GT	FITTING,FUEL,1/2,D2.9,QC .....	1
44	1296260-1400GT	HOSE ASSEMBLY-1/2" FUEL GATES,STR FEM,90 FEM .....	1



501.1 Boom Components

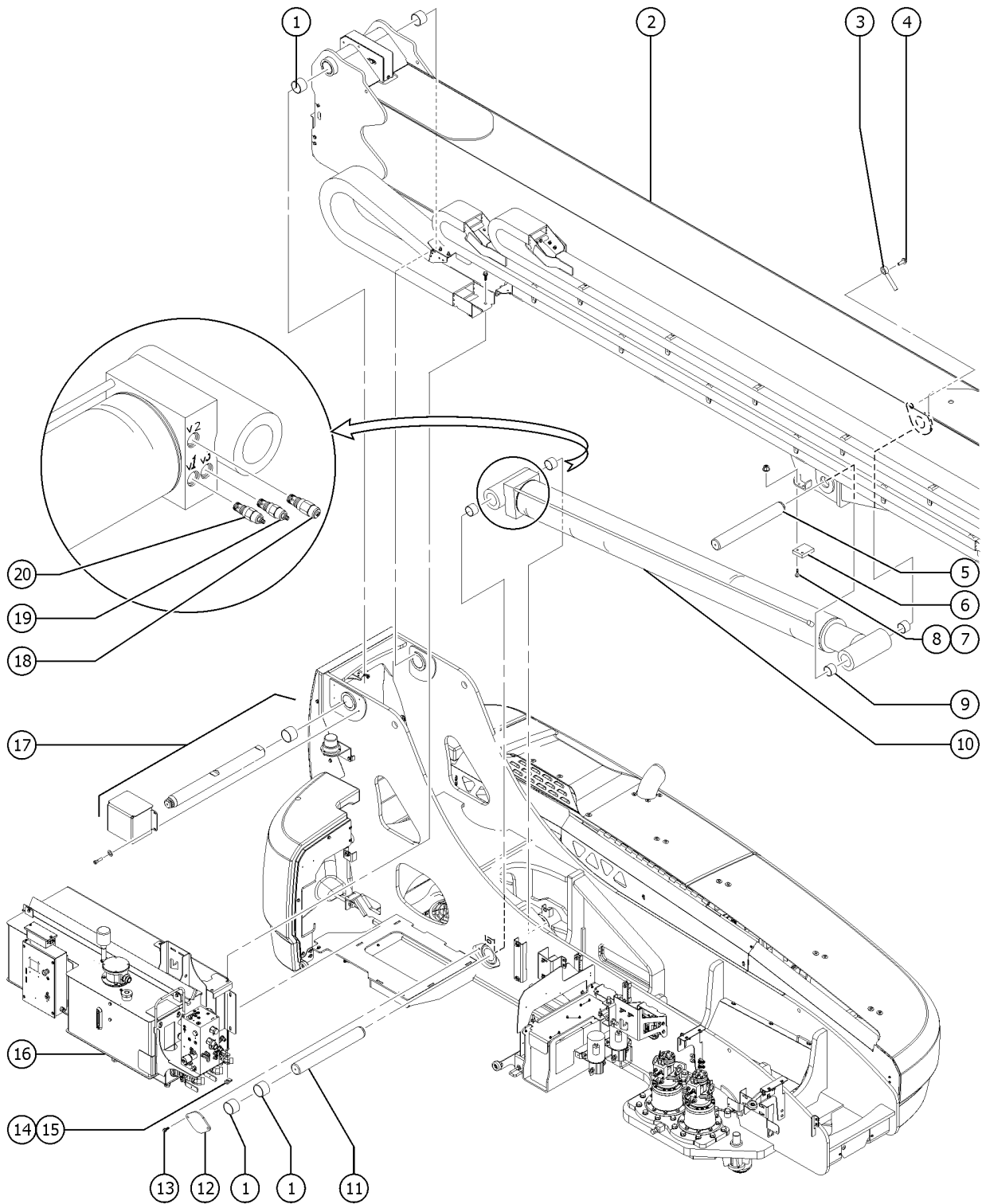


501.1 Boom Components

<i>Item</i>	<i>Part No.</i>	<i>Description</i>	<i>Qty.</i>
1		WELDMENT,BOOM #1 ..... (Refer to 508.1 and 509.1)	
2		WELDMENT,BOOM #2 ..... (Refer to 510.1)	
3		WELDMENT,EXT. BOOM #3 ..... (Refer to 511.1 and 512.1)	
4		WELDMENT,EXT. BOOM #4 ..... (Refer to 513.1)	
5		WELDMENT, 10FT JIB ..... (Refer to 516.1)	
6		WELDMENT, 8 FT PLATFORM ..... (Refer to 602.1)	
7		BELLCRANK AND JIB ROTATOR ..... (Refer to 514.1 and 515.1)	



502.1 Boom Lift Cylinder

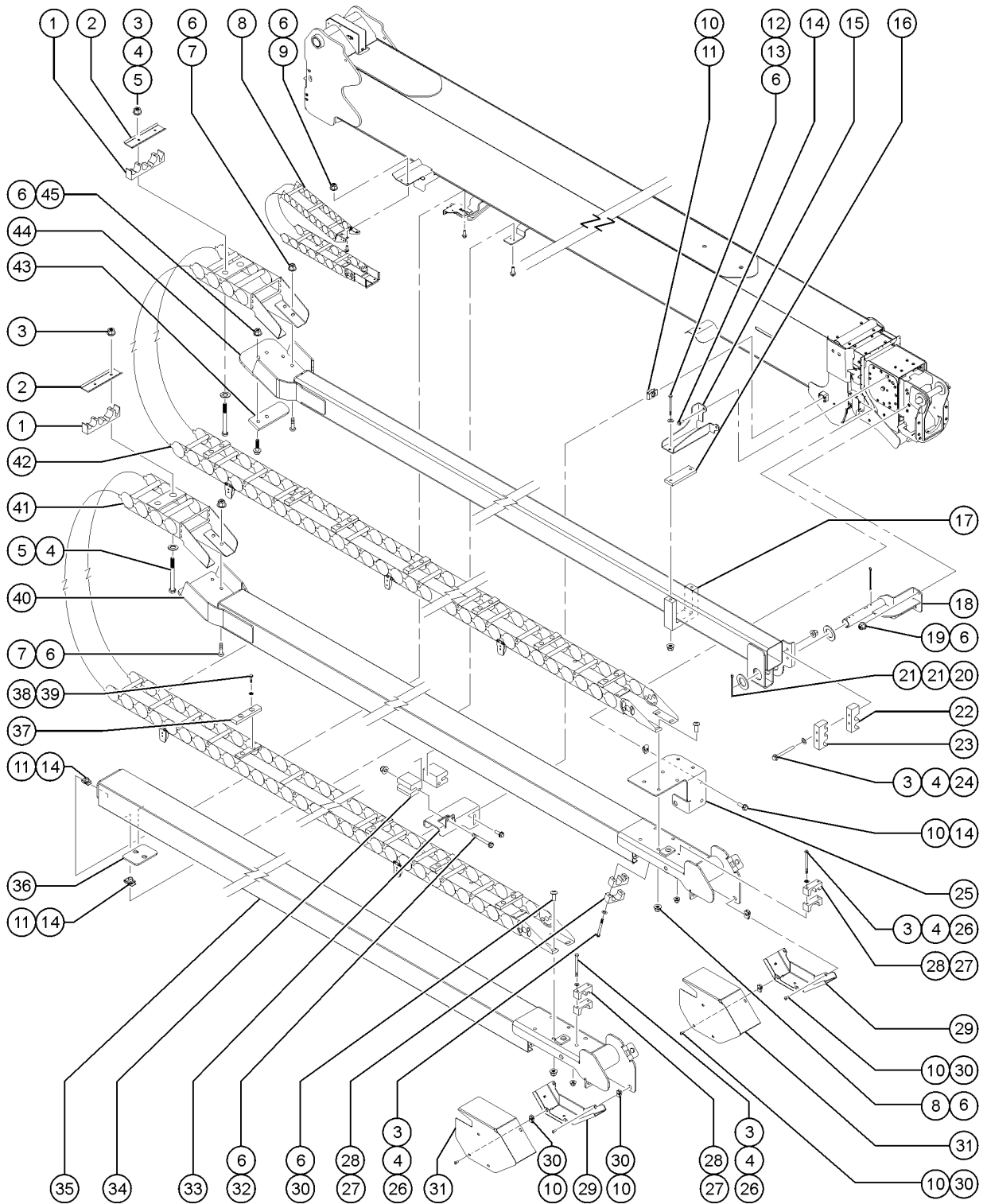




## 502.1 Boom Lift Cylinder

Item	Part No.	Description	Qty.
1	231480GT	BEARING, 80ID X 90OD X 60L .....	6
2		Ref. WELDMENT, BOOM #1 .....	
		(Refer to 508.1 and 509.1)	
3	61341GT	ROD END, .75 X 5.00 .....	1
4	232884GT	SCREW, HHF, M10-1.5X25, ZAB .....	
5	231545GT	PIN, 80 MM DIA X 510 MM LG .....	1
6	822605GT	WEAR PAD, 93X75X20 .....	2
7	231533GT	SCREW, HHF, M10-1.5X35, DIN6921, 10.9, ZAB .....	
8	231529GT	NUT, TL FLG, M10-1.5, DIN6927, 10, .....	
9	231480GT	BEARING, 80ID X 90OD X 60L .....	4
10	226761GT	CYLINDER, PRIMARY LIFT .....	1
10-	231309GT	SEAL KIT .....	
11	232858GT	PIN, 80MM DIA. X 619MM LG .....	1
12	226766GT	PLATE, PIN RETAINER .....	2
13	231511GT	SCREW, HHF, M12-1.75X35, DIN6921, 10.9, ZAB .....	
14	230074GT	SPRING CLIP, M10-1.5, 1-6X19, ZAB .....	
15	215820GT	SCREW, BHC, M10-1.50 X 30, 10.9, ZAB .....	
16		Ref. TANK, HYDRAULIC 110 GAL .....	1
		(Refer to 312.1)	
17		Ref. COVER AND ANGLE SENSOR .....	1
		(Refer to 302.1)	
18	216256GT	COUNTERBALANCE VALVE - CBBD-LJN-4500 .....	1
		V2 (RETRACT SIDE)	
19	216257GT	COUNTERBALANCE VALVE - CBDB-LHN-3500 .....	1
		V3 (EXTEND SIDE)	
20	216258GT	COUNTERBALANCE VALVE - CWEG-LGN-4500 .....	1
		V1 (EXTEND SIDE)	

503.1 Cable Track Installation

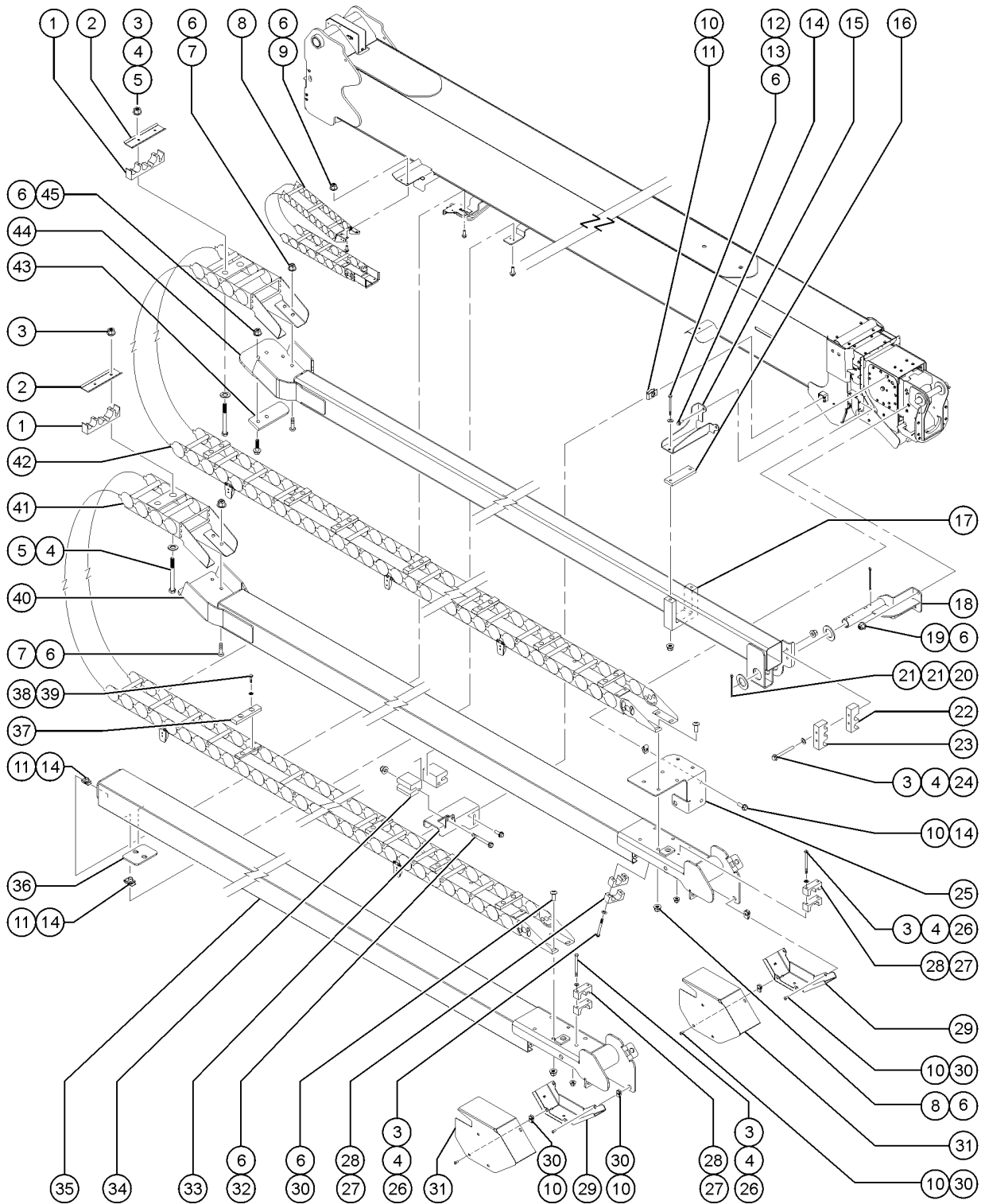


503.1 Cable Track Installation

Item	Part No.	Description	Qty.
1	215489GT	CABLE CLAMP, IN TRACK .....	2
2	1256290GT	STEEL TOP PLATE CLAMP .....	2
3	231513GT	NUT,TL FLG,M6-1.0,DIN6927,10,Z .....	
4	825355GT	WASHER,FLAT,M6,DIN125,ZAB .....	
5	825624GT	SCREW,HHC,M6-1.0X65,DIN931 .....	
6	231529GT	NUT,TL FLG,M10-1.5,DIN6927,10, .....	
7	215820GT	SCREW,BHC,M10-1.50 X 30,10.9,ZAB .....	
8	226764GT	CABLETRACK, LRC-200, 19 LINKS .....	1
8-	1256240GT	ASSEMBLY, CABLE TRACK LRC-200, 4 LINK .....	
8-	1256241GT	BRACKETS, CABLE TRACK LRC-200,MOVING END .....	
8-	1256242GT	BRACKETS, CABLE TRACK LRC-200, FIXED END .....	
8-	1256243GT	KIT, PIN AND RING, LRC-200 .....	
9	825597GT	BOLT,CARRIAGE,M10-1.5X30,DIN603,8.8,ZAB .....	
10	230074GT	SPRING CLIP,M10-1.5,1-6X19,ZAB .....	
11	231530GT	SCREW,HHF,M10-1.5X25,DIN6921,10.9,ZAB .....	
12	236406GT	SCREW,HHC,M10-1.5X170,DIN931,10.9,ZAB .....	
13	824145GT	WASHER,FLAT,M10,DIN125,ZAB .....	
14	232874GT	SCREW,HHF,M10-1.5X30,DIN6921,10.9,ZAB .....	
15	216689GT	FORMING, CT GUIDE MOUNT, B3 .....	1
16	81342GT	WEAR PAD,5.5 X 1.75 X .5 .....	1
17	81341GT	WEAR PAD,CABLE TRACK PULL TUBE .....	1
18	162381GT	WELDMENT,PULL TUBE PIVOT .....	2
19	231533GT	SCREW,HHF,M10-1.5X35,DIN6921,10.9,ZAB .....	
		Not shown (Refer to 513.1)	
20	42079GT	PIN,COTTER,.156 X 2.5 .....	
21	18596GT	WASHER,FLAT,1.56 X 2.5 X .061 .....	2
22	215494GT	CABLE CLAMP, ELECTRICAL .....	1
23	215493GT	CABLE CLAMP, HYDRAULIC .....	1
24	825580GT	SCREW,HHC,M6-1.0X100,DIN931,10.9,ZAB .....	



503.1 Cable Track Installation

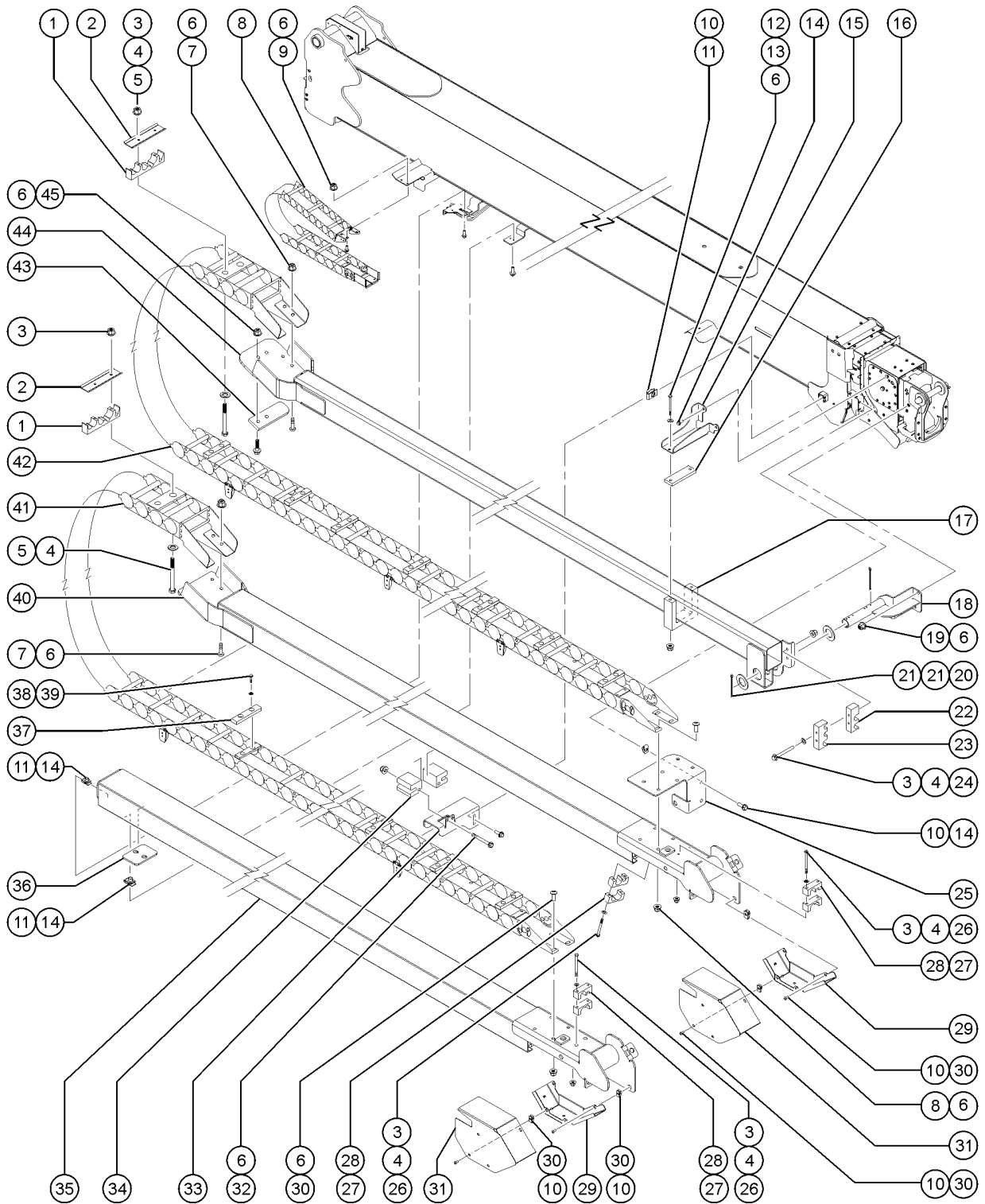


503.1 Cable Track Installation

Item	Part No.	Description	Qty.
25	216688GT	FORMING, CABLE TRACK MOUNT, B2 .....	1
26	825581GT	SCREW,HHC,M6-1.0X85,DIN931,10.9,ZAB .....	
27	215492GT	CABLE CLAMP, AIRLINE AND LS .....	2
28	215491GT	CABLE CLAMP, ELECTRICAL .....	2
29	162089GT	FORMING,CABLE TRACK COVER BOT .....	2
30	237735GT	SCREW,BHC,M10-1.50X25,10.9,ZAB .....	
31	162090GT	FORMING,CABLE TRACK COVER SIDE .....	2
32	215818GT	SCREW,HHF,M10-1.5X100,DIN6921, .....	
33	216690GT	FORMING, CT GUIDE MOUNT, B1 .....	1
34	237546GT	WEAR PAD,PULL TUBE RETAINER .....	2
35	1257262GT	WELDMENT, ALUMINUM, B1 CT TRAY .....	1
36	822603GT	PLATE, B0 CT TRAY HOLD DOWN .....	5
37	1257116GT	UHMW BLOCK, CABLE TRACK .....	23
38	6090GT	SCREW,HHC,1/4-20 X .75 .....	
39	6097GT	WASHER,FLAT,USS,3/8",Y .....	
40	231289GT	WELDMENT, ALUMINUM, B2 PULL TU .....	1
41	161411GT	CABLETRACK, SRC-110, 53 LINKS .....	1
41-	1256244GT	ASSEMBLY, CABLE TRACK SRC-110, 4 LINK .....	
41-	1256245GT	BRACKETS, CABLE TRACK SRC-110, MOVING END .....	
41-	1256246GT	BRACKETS, CABLE TRACK SRC-110, FIXED END .....	
41-	1256247GT	KIT, PIN AND RING, SRC-110 .....	
41-	1257116GT	UHMW BLOCK, CABLE TRACK .....	
41-	1257117GT	KIT, FINGER GUIDE, CABLE TRACK .....	
41-	1257123GT	UHMW BLOCK, CABLE TRACK .....	
42	226762GT	CABLETRACK, SRC-110,101 LINKS .....	1
42-	1256244GT	ASSEMBLY, CABLE TRACK SRC-110, 4 LINK .....	
42-	1256245GT	BRACKETS, CABLE TRACK SRC-110, MOVING END .....	
42-	1256246GT	BRACKETS, CABLE TRACK SRC-110, FIXED END .....	



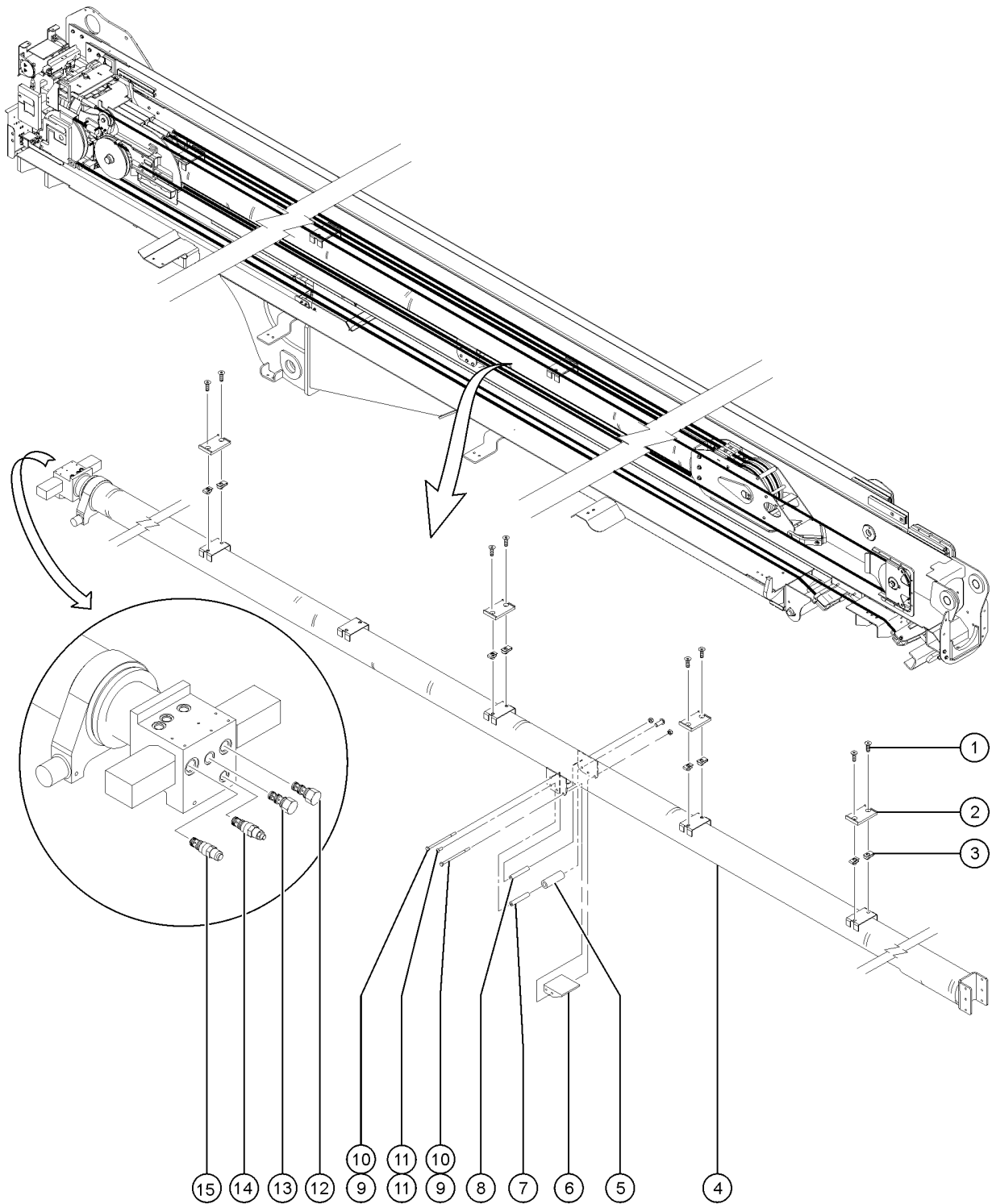
503.1 Cable Track Installation



503.1 Cable Track Installation

<i>Item</i>	<i>Part No.</i>	<i>Description</i>	<i>Qty.</i>
42-	1256247GT	KIT, PIN AND RING, SRC-110 .....	
42-	1257116GT	UHMW BLOCK, CABLE TRACK .....	
42-	1257117GT	KIT, FINGER GUIDE, CABLE TRACK .....	
42-	1257123GT	UHMW BLOCK, CABLE TRACK .....	
43	825413GT	WEAR PAD,50X10X150NG .....	1
44	231279GT	WELDMENT,ALUMINUM, B4 PULL TUBE .....	1
45	232871GT	SCREW,HHF,M10-1.5X40,DIN6921,1 .....	

504.1 Primary Extend Cylinder

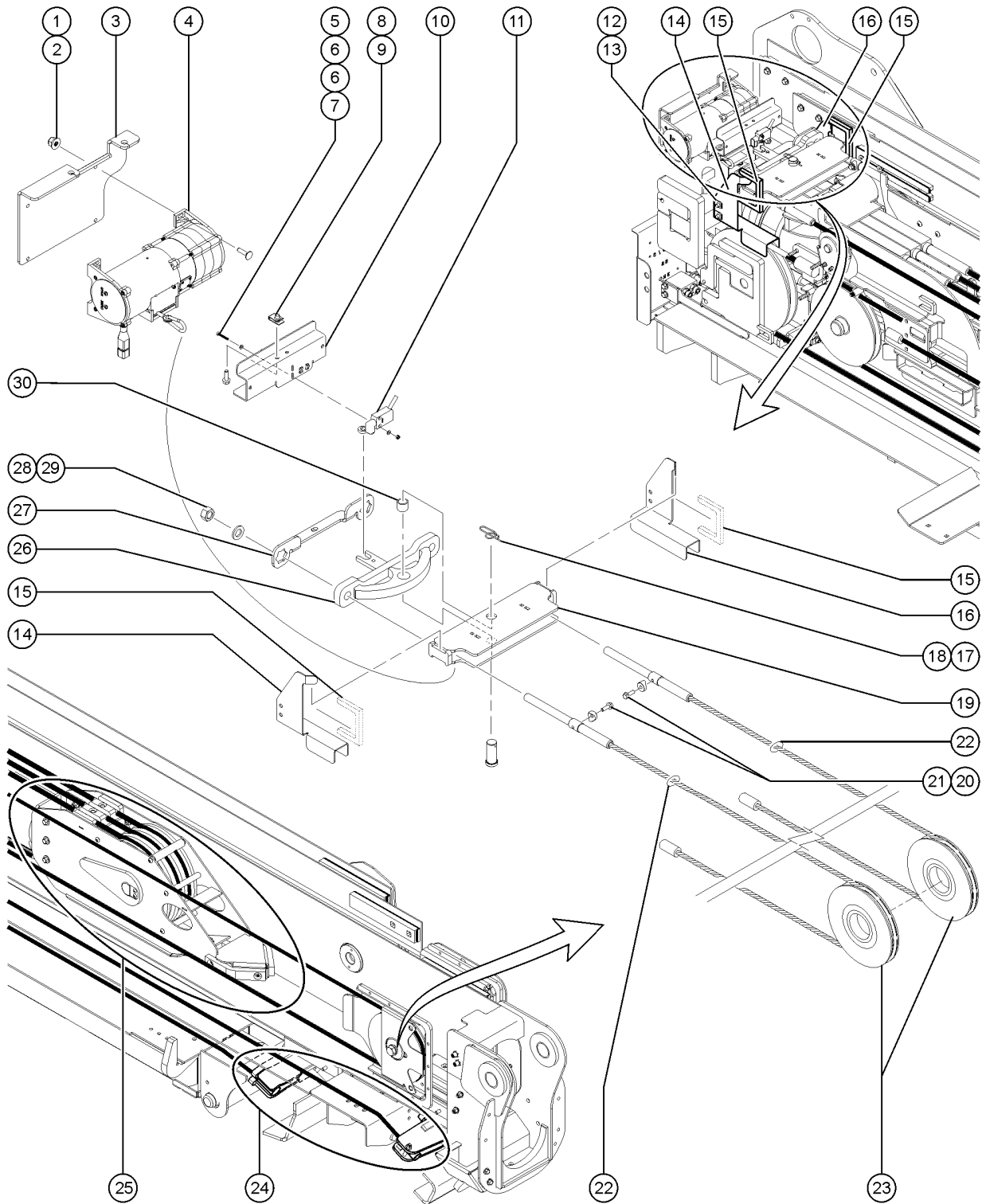




504.1 Primary Extend Cylinder

<i>Item</i>	<i>Part No.</i>	<i>Description</i>	<i>Qty.</i>
1	219967GT	SCREW,FHS,M10-1.5X25,DIN7991,10.9,ZAB .....	
2	236287GT	WEAR PAD,PRI EXT CYL,UPR,CBL .....	2
3	230074GT	SPRING CLIP,M10-1.5,1-6X19,ZAB .....	8
4	226759GT	CYLINDER, PRIMARY EXTEND .....	1
		(Refer to 506.1 and 507.1)	
4-	231307GT	SEAL KIT .....	1
5	236289GT	WEAR PAD,CBL ROLLER,SHORT .....	1
6	236286GT	WEAR PAD,PRI EXT CYL,LOWER .....	1
7	826007GT	SHAFT,WEAR PAD ROLLER .....	1
8	236391GT	ROLLER, PRI EXT LOWER .....	1
9	236406GT	SCREW,HHC,M10-1.5X170,DIN931,10.9,ZAB .....	3
10	232951GT	NUT, TL, M10-1.5,DIN980, ZAB .....	3
11	237735GT	SCREW,BHC,M10-1.50X25,10.9,ZAB .....	
12	226758GT	VALVE,CHECK CXDA-XCN .....	1
13	226757GT	VALVE,CHECK,PILOT CLSD CODA-XCN .....	1
14	60331GT	VALVE,COUNTERBAL.CWCA-LIN@600* .....	1
15	226756GT	VALVE,COUNTERBAL,CBEJ-LIN@700 .....	1

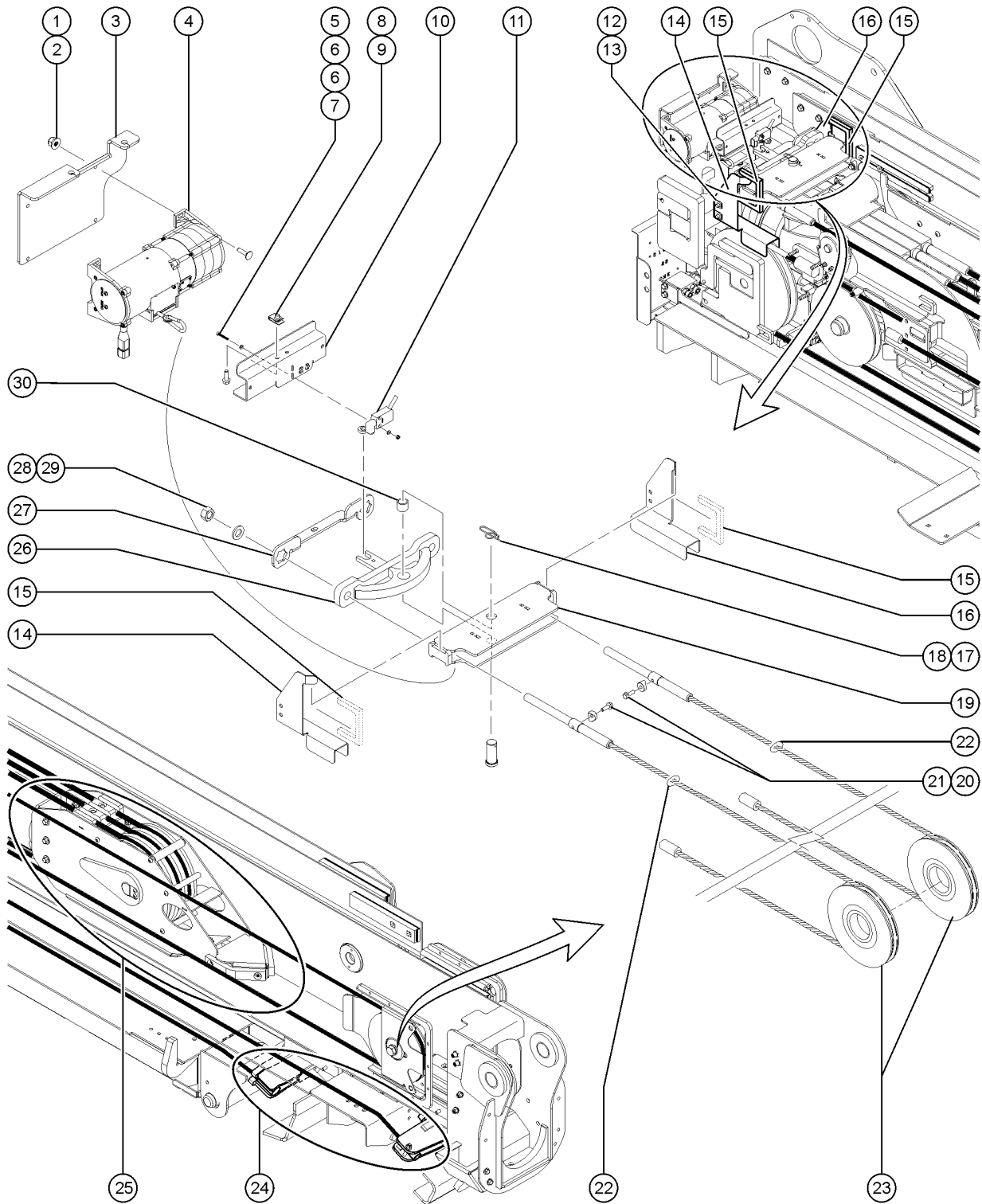
505.1 Cable Assembly - View 1



Item	Part No.	Description	Qty.
1	231513GT	NUT,TL FLG,M6-1.0,DIN6927,10,Z .....	
2	231532GT	SCREW,HHF,M6X20,DIN6921,10.9,Y .....	
3	1256890GT	FORMING, STRING POT MOUNT, SX1 .....	1
4	1257282GT	LENGTH TRANSDUCER, 400 IN .....	1
4-	633144GT	BEARING .....	
5	822353GT	SCREW,PHPM,M4-0.7X30,DIN7985,ZAB .....	
6	825357GT	WASHER,FLAT,M4,DIN125,ZAB .....	
7	825686GT	NUT, TL, M4-0.7, DIN980, 8, ZAB .....	
8	219697GT	SPRING CLIP,M6-1.0,3.4-6.3MMX1 .....	
9	231532GT	SCREW,HHF,M6X20,DIN6921,10.9,Y .....	
10	216021GT	FORMING, B2, LSB6S MOUNT .....	1
11	236396GT	SWITCH ASSY, CABLE TENSION #2, .....	1
11-	139644-141J0GT	LIMIT SWITCH,TAB,BLUE,MICRO .....	
12	230074GT	SPRING CLIP,M10-1.5,1-6X19,ZAB .....	
13	231530GT	SCREW,HHF,M10-1.5X25,DIN6921,10.9,ZAB .....	
14	826157GT	FORMING,B2,SHEAVE GUIDE,CT SID Tank side (Refer to 510.1, item 5 for location) .....	1
15		Ref. EXT CBL MNT Part of boom #2 weldment (Refer to 510.1, item 5 for location) .....	2
16	826156GT	FORMING,B2,SHEAVE GUIDE,ENG SI Engine side (Refer to 510.1, item 5 for location) .....	1
17	824129GT	RUE RING,1.0,ZAG .....	1
18	826379GT	PIN,CLEVIS,1X2.250,ZAG .....	1
19	232960GT	WELDMENT, #4 EXT CABLE ADJ MNT .....	1
20	824133GT	SCREW,HHF,M8-1.25X25,DIN6921,10.9,ZAB .....	
21	236484GT	SPACER, CURVED, 1IN TUBE .....	2
22	231507GT	CABLE, B4 EXTEND replace both cables at same time .....	2
22B	1285138GT	KIT, SX,#4 EXT CABLE TOOL for cable installation; significantly reduces time required for cable installation .....	
22C	1257259GT	WELDMENT,30MM DEEP SOCKET for cable installation .....	
23	1304103GT	SHEAVE, EXTEND B4 .....	2
24		Ref. EQUILIZER ASSEMBLIES (Refer to 506.1) .....	



505.1 Cable Assembly - View 1

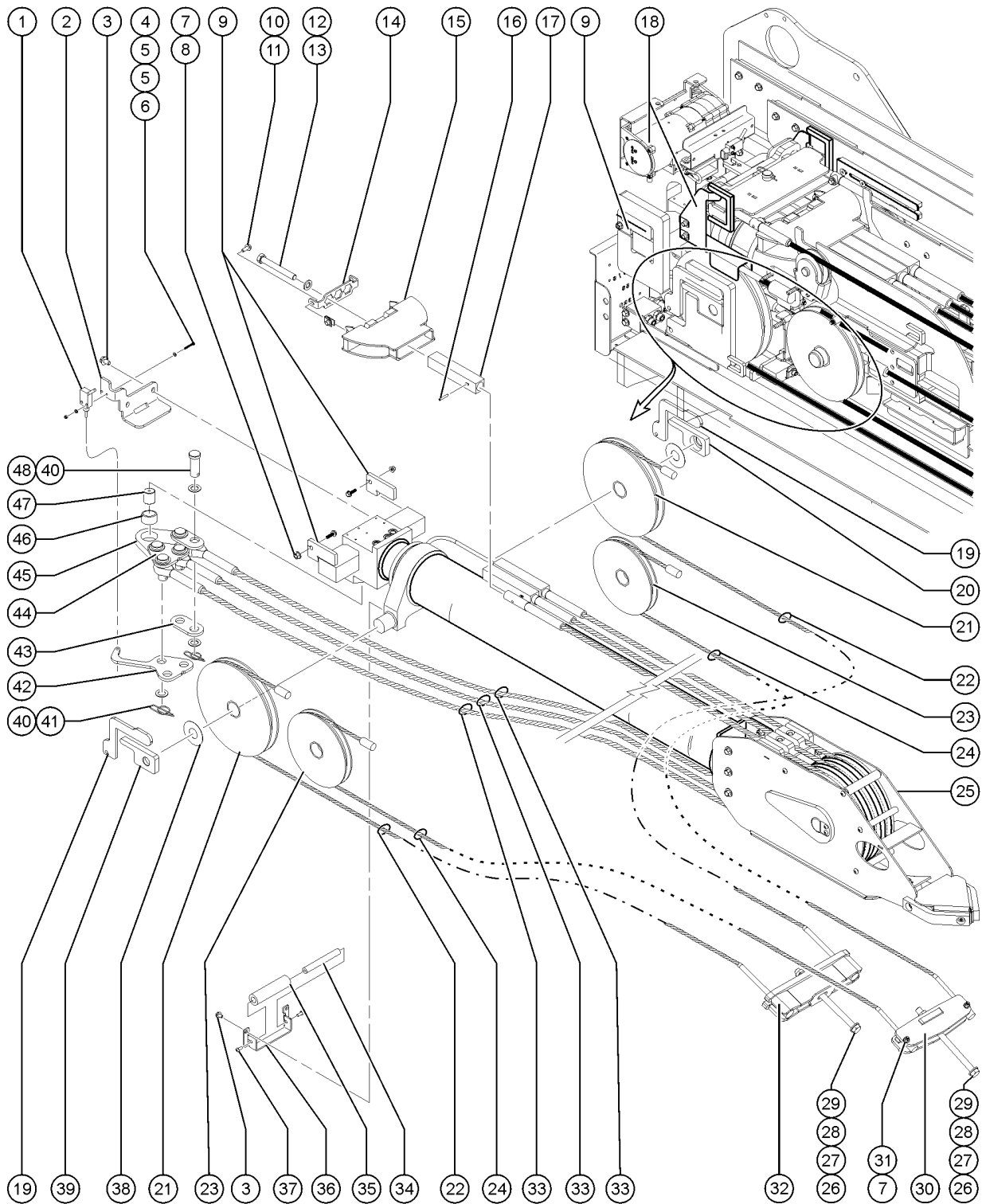


505.1 Cable Assembly - View 1

<i>Item</i>	<i>Part No.</i>	<i>Description</i>	<i>Qty.</i>
25		Ref. PRIMARY EXTEND SHEAVE MOUNT, ASSY ..... Bolted to BOOM #4 (Refer to 506.1 and 507.1)	
26	232966GT	ASSEMBLY,#4 EXT CABLE ADJ PIVO .....	1
27	232967GT	FORMING,#4 EXT CABLE NUT RETAI .....	1
28	215814GT	NUT,M20-2.5,DIN934,10,ZAB .....	2
29	231510GT	WASHER,FLAT,M20,DIN6916,HRD,ZAB .....	2
30	25817GT	BEARING,1.00IDX1.25ODX1.00L ..... Included in assembly 232966	1

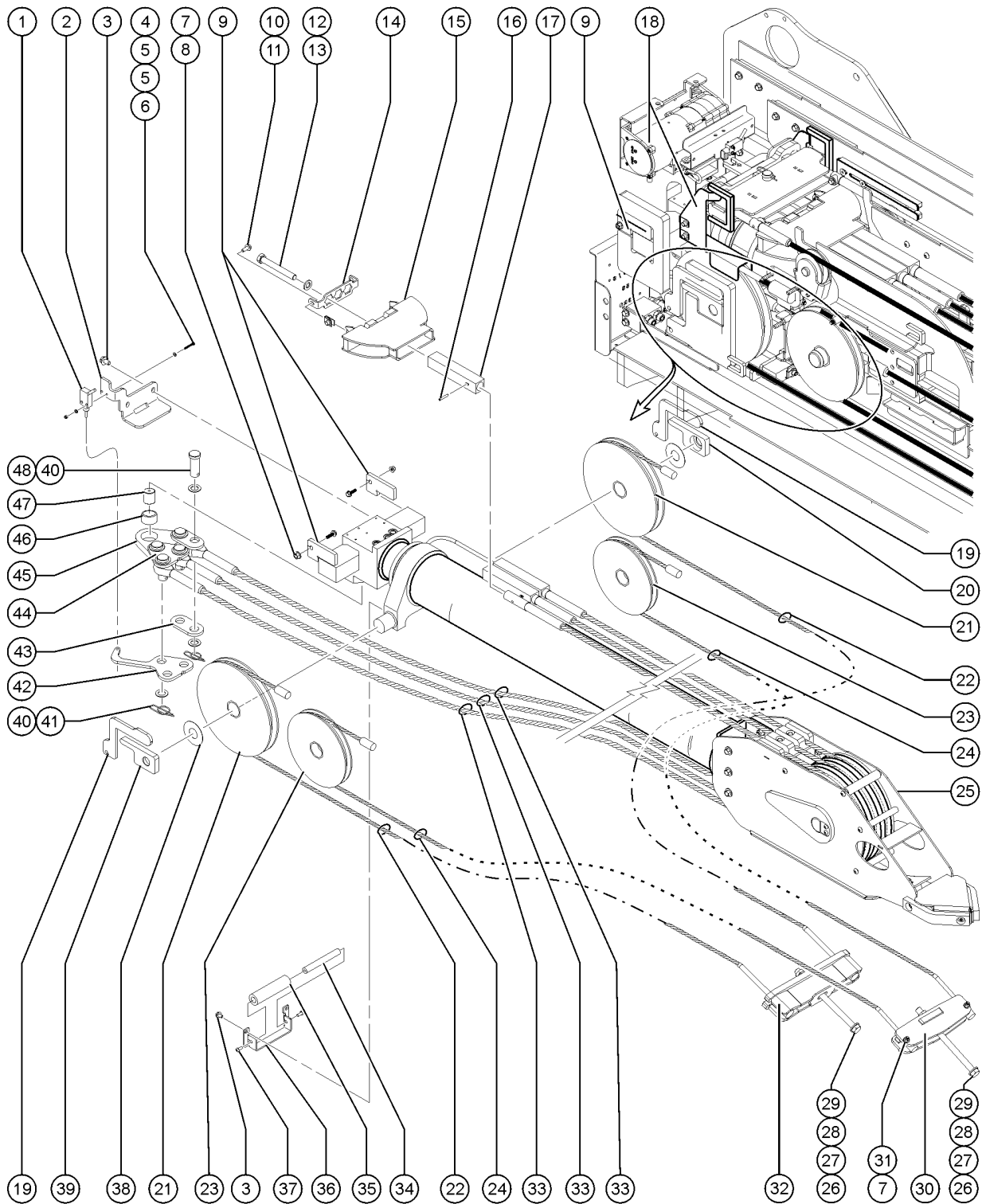


506.1 Cable Assembly - View 2



Item	Part No.	Description	Qty.
1	236395GT	SWITCH ASSY, CABLE TENSION #1, .....	1
2	216025GT	FORMING, PRI EXT, LSB5S MOUNT .....	1
3	237352GT	SCREW,HHF,M10-1.5X16,DIN6921,10.9,ZAB .....	
4	822353GT	SCREW,PHPM,M4-0.7X30,DIN7985,ZAB .....	
5	825357GT	WASHER,FLAT,M4,DIN125,ZAB .....	
6	825686GT	NUT, TL, M4-0.7, DIN980, 8, ZAB .....	
7	231529GT	NUT,TL FLG,M10-1.5,DIN6927,10, .....	
8	232874GT	SCREW,HHF,M10-1.5X30,DIN6921,10.9,ZAB .....	
9	232922GT	MACHINED,PRI EXT CYL LOCK PLT .....	2
10	231530GT	SCREW,HHF,M10-1.5X25,DIN6921,10.9,ZAB .....	
11	230074GT	SPRING CLIP,M10-1.5,1-6X19,ZAB .....	
12	232941GT	SCREW,HHC,M20-2.5X160,DIN933,10.9,ZAB .....	3
13	231510GT	WASHER,FLAT,M20,DIN6916,HRD,ZAB .....	3
14	826002GT	FORMING,BOLT LOCK .....	1
15	232947GT	WELDMENT,#3 EXT CABLE ADJUSTME .....	1
16	10665GT	PIN,ROLL,..25 X 1.5*** .....	3
17	231521GT	COUPLING, EXT. CABLE ADJUSTMENT .....	3
18		Ref. FORMING,B2,SHEAVE GUIDE,CT SIDE .....	
		(Refer to 505.1)	
19	826154GT	PLATE,B2,CYLINDER LOCK .....	2
		(Refer to 510.1, item 35)	
20	218241GT	MACHINED, PRI EXT BARREL MNT, .....	1
		(Engine side)	
21	231300GT	SHEAVE, RETRACT B3 .....	2
22	1256232GT	SET, CABLE, B3 RETRACT .....	1
		(Set contains two cables)	
23	231301GT	SHEAVE, RETRACT B4 .....	2
24	1256235GT	SET, CABLE, B4 RETRACT .....	1
		(Set contains two cables)	
25		Ref. PRIMARY EXTEND SHEAVE MOUNT, ASSY .....	
		(Refer to 507.1)	
26	215815GT	SCREW,HHC,M20-2.5X300,DIN933,10.9,ZAB .....	2
27	231510GT	WASHER,FLAT,M20,DIN6916,HRD,ZAB .....	2
28	215814GT	NUT,M20-2.5,DIN934,10,ZAB .....	2

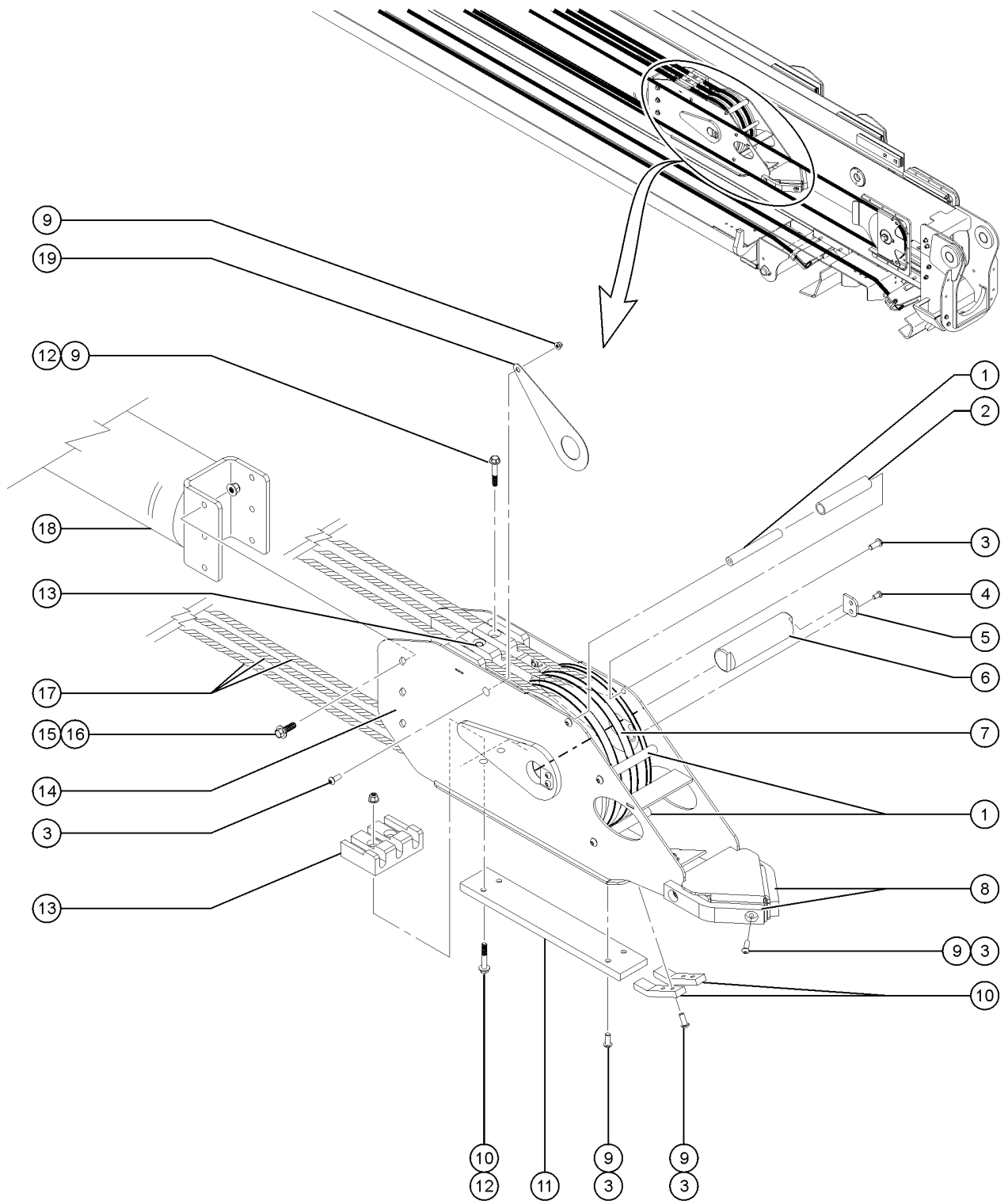
506.1 Cable Assembly - View 2





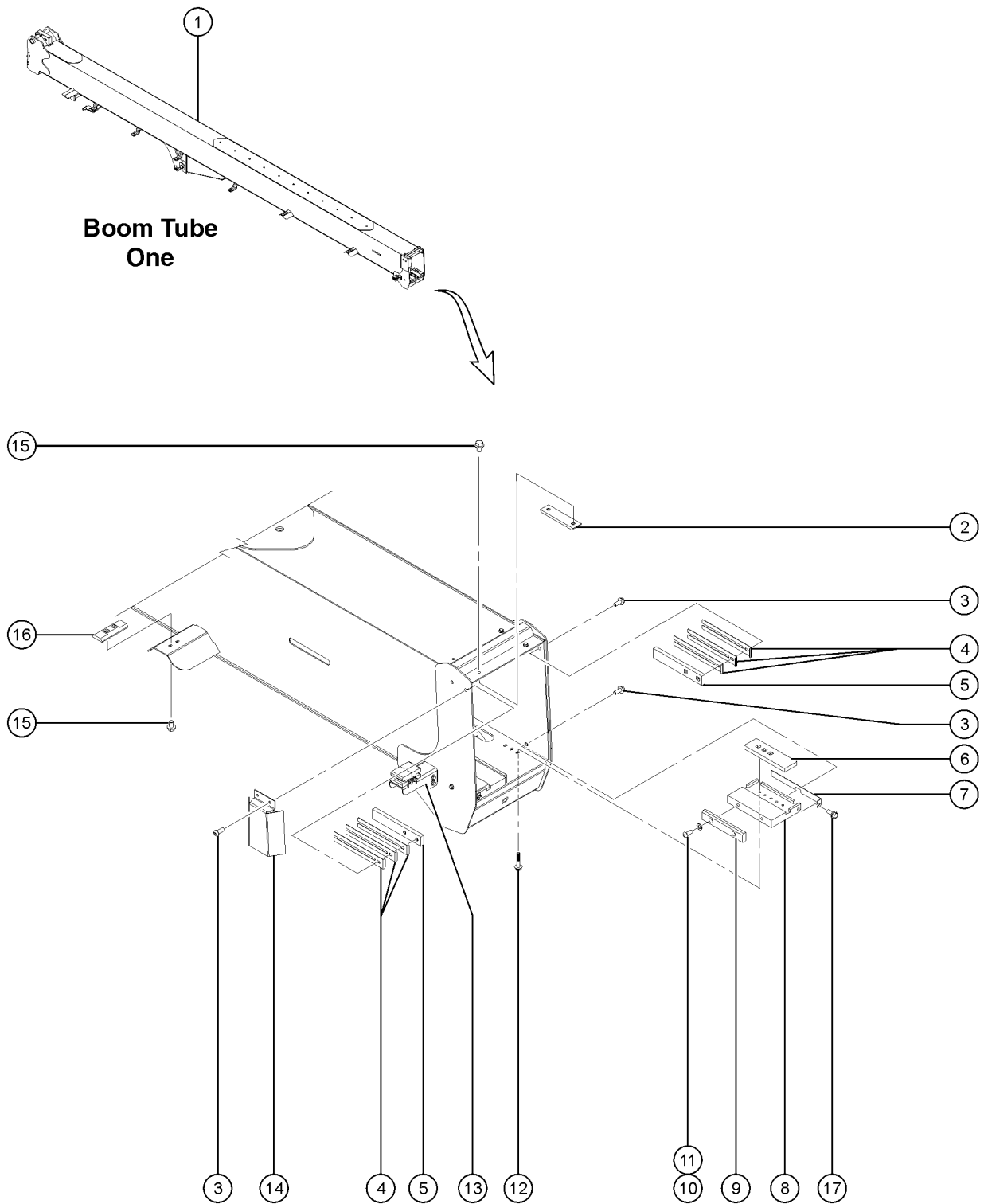
<i>Item</i>	<i>Part No.</i>	<i>Description</i>	<i>Qty.</i>
29	231515GT	NUT,HEX,JAM,M20-2.5,DIN439,ZAB .....	2
30	162194GT	WELDMENT, B4 RET CABLE EQUALIZ .....	1
31	238347GT	SCREW,HHF,M10-1.5X70,DIN6921,10.9,ZAB .....	
32	162190GT	WELDMENT, B3 RET CABLE EQUALIZ .....	1
33	1256233GT	SET, CABLE, B3 EXTEND .....	1
		(Set contains three cables)	
34	826440GT	SHAFT,WEAR PAD ROLLER .....	1
35	236288GT	WEAR PAD,CBL ROLLER,LONG .....	1
36	215897GT	FORMING, REAR CABLE ROLLER MOU .....	1
37	237735GT	SCREW,BHC,M10-1.50X25,10.9,ZAB .....	2
38	826004GT	SPACER,EXTEND SHEAVE .....	2
39	218242GT	MACHINED, PRI EXT BARREL MNT, .....	1
		(Tank side)	
40	233108GT	RUE RING 1.25,ZAG .....	5
41	96390GT	WASHER,FLAT, 1.27 X 2.13 X .13 .....	10
42	215890GT	PLATE, B3 EXT CABLE LINK, LS H .....	1
43	231527GT	PLATE, B3 EXT CABLE LINK .....	2
44	231528GT	PLATE, B3 EXT CABLE LINK, 2 CA .....	1
45	231525GT	MACHINED, B3 EXT CABLE EQUALIZ .....	1
		Does not include bushing T114803	
46	T114803GT	BUSHING,58OD X 50ID X 25LG. ....	1
47	232923GT	PIN,50MM DIA. X 55MM LG .....	1
48	236481GT	PIN,CLEVIS,1.25 X 3,ZAG .....	5

507.1 Cable Assembly - View 3



<i>Item</i>	<i>Part No.</i>	<i>Description</i>	<i>Qty.</i>
1	215667GT	BAR,ROUND .....	3
2	215892GT	ROLLER, PRI EXT TOP .....	1
3	237735GT	SCREW,BHC,M10-1.50X25,10.9,ZAB .....	
4	217711GT	SCREW,BHC,M8-1.25X16,10.9,ZAB .....	
5	162196GT	PLATE, PIN ANTI SPIN .....	2
6	231542GT	PIN,50MM DIA X 179MM LG .....	1
7	231302GT	SHEAVE, EXTEND B3 .....	1
8	237542GT	WEAR PAD,SHEAVE WLDMNT SIDE GU .....	2
9	231529GT	NUT,TL FLG,M10-1.5,DIN6927,10, .....	
10	237541GT	WEAR PAD,SHEAVE WLDMNT FRT GUI .....	2
11	237540GT	WEAR PAD,SHEAVE WLDMNT GUIDE .....	1
12	232952GT	SCREW,HHF,M10-1.5X50,DIN6921,10.9,ZAB .....	
13	237543GT	WEAR PAD, CABLE GUIDE .....	2
14	215658GT	WELDMENT, EXTEND SHEAVE .....	1
		(Refer to 506.1)	
15	231511GT	SCREW,HHF,M12-1.75X35,DIN6921,10.9,ZAB .....	
16	232868GT	NUT,TL,FLG,M12-1.75,DIN6927,10 .....	
17		Ref. CABLE, B3 EXTEND .....	3
		(Refer to 506.1)	
18		Ref. CYLINDER, PRIMARY EXTEND .....	
		(Refer to 504.1)	
19	826140GT	SHIM,PRI EXTD SHEAVE MOUNT .....	

508.1 Boom Tube One - Wear Pads, View 1

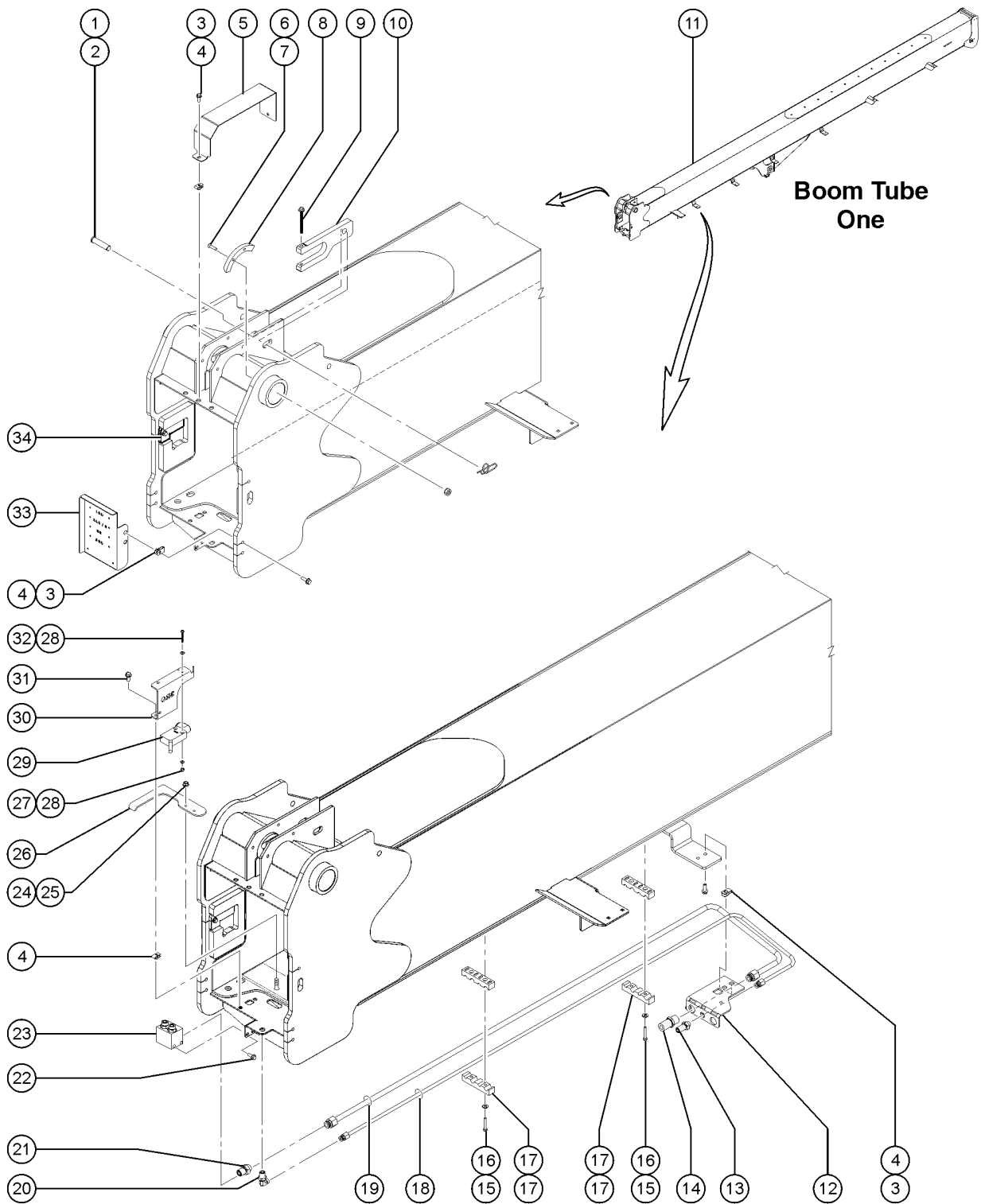


508.1 Boom Tube One - Wear Pads, View 1

Item	Part No.	Description	Qty.
1	161937GT	WELDMENT,BOOM #1 ..... (Refer to 509.1)	1
2	215889GT	WEAR PAD, 200X50X12 .....	2
3	237352GT	SCREW,HHF,M10-1.5X16,DIN6921,10.9,ZAB ..... to SN 189	
4	822602GT	SHIM, WEAR PAD, 300 X 50 .....	
5	236237GT	WEAR PAD, 300X50X20 .....	2
6	1253500GT	WEAR PAD,250X75X20NG .....	2
7	823068GT	SHIM,CHANNEL WEARPAD, LEFT,16G ..... to SN 189	2
7-	1256925GT	SHIM,CHANNEL WEARPAD,16G ..... from SN 190	
8	822091GT	MACHINING, B1 WEARPAD FIXTURE ..... to SN 189	2
8-	1257066GT	MACHINING, B1 WEARPAD FIXTURE ..... from SN 190	
9	822092GT	WEARPAD, 1.75" X .75" X 250MM .....	2
10	237735GT	SCREW,BHC,M10-1.50X25,10.9,ZAB .....	
11	824145GT	WASHER,FLAT,M10,DIN125,ZAB .....	
12	232952GT	SCREW,HHF,M10-1.5X50,DIN6921,10.9,ZAB .....	
13		Ref. FORMING, CT GUIDE MOUNT, B1 ..... (Refer to 503.1, item 33)	1
14	825936GT	FORMING,CABLE TUBE GUIDE SX .....	1
15	237352GT	SCREW,HHF,M10-1.5X16,DIN6921,10.9,ZAB .....	
16	1257485GT	WEARPAD, CABLE TRACK GUIDE .....	
17	237352GT	SCREW,HHF,M10-1.5X16,DIN6921,10.9,ZAB ..... to SN 189	



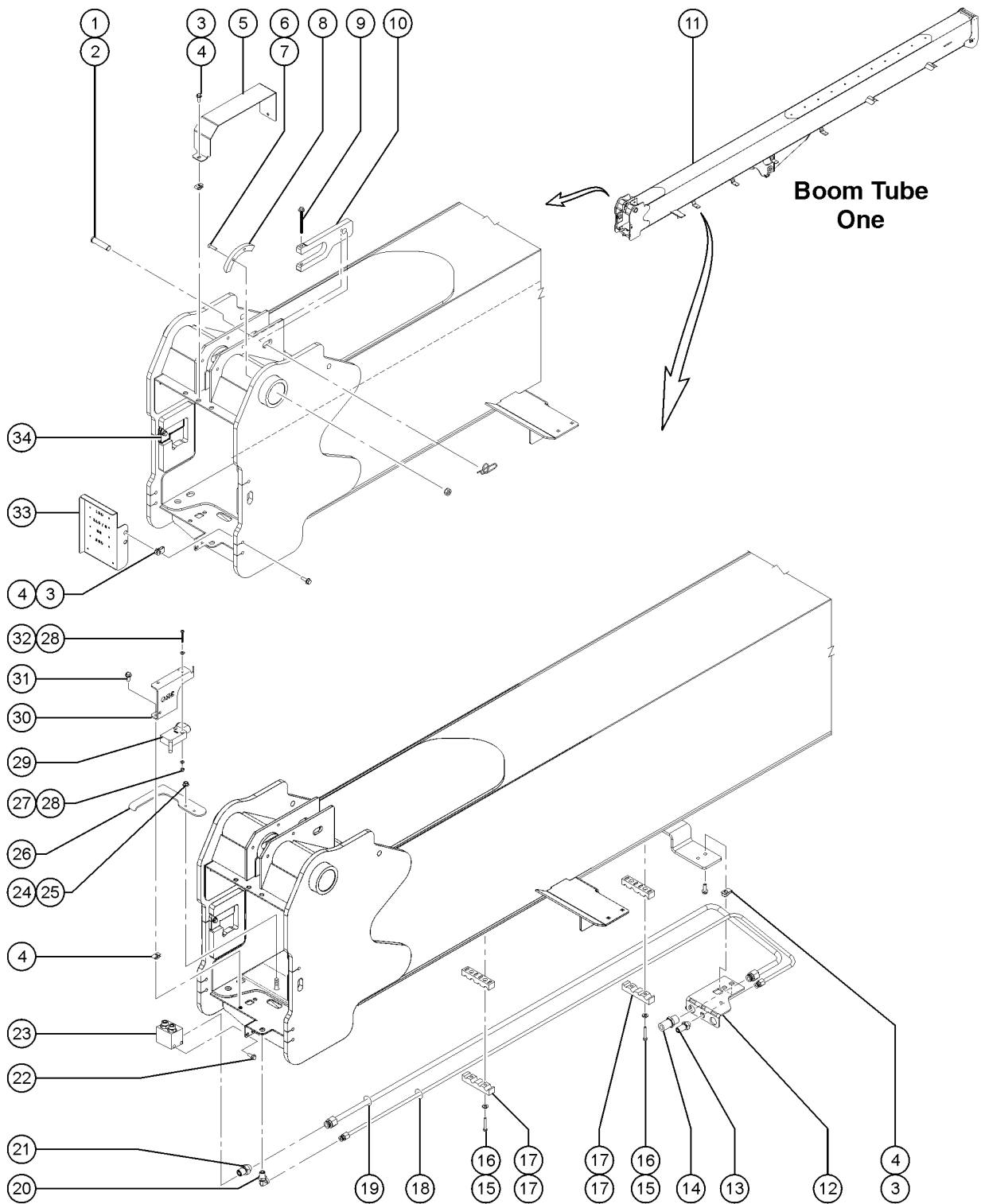
509.1 Boom Tube One - View 2



Item	Part No.	Description	Qty.
1	237245GT	PIN, CLEVIS, 1X4, ZAG .....	1
2	824129GT	RUE RING,1.0,ZAG .....	1
3	232874GT	SCREW,HHF,M10-1.5X30,DIN6921,10.9,ZAB .....	
4	230074GT	SPRING CLIP,M10-1.5,1-6X19,ZAB .....	
5	1256891GT	FORMING, CLAMP COVER, SX150 .....	1
6	216036GT	SCREW,HHF,M10-1.5X60,DIN6921,1 .....	1
7	231529GT	NUT,TL FLG,M10-1.5,DIN6927,10, .....	
8	1253165GT	WEAR PAD,LSB1DO CAM .....	1
9	237244GT	SCREW,HHF,M12-1.75X120,IFI536,10.9,ZAB .....	
10	231488GT	MACHINE, MAIN PIN CLAMP .....	1
11		Ref. WELDMENT,BOOM #1 (Refer to 508.1) .....	
12	215896GT	FORMING, EXTEND BULKHEAD MOUNT .....	1
13	48894GT	CONN,BULKHEAD,520601-8 .....	1
13-	77309GT	NUT,BULKHEAD,520118-8 .....	
14	48968GT	CONN,BULKHEAD,520601-12 .....	1
15	825674GT	SCREW, HHC, 5/16-18X2,8,ZAG .....	
16	825358GT	WASHER,FLAT,5/16,USS,ZAG .....	
17	218618GT	CLAMP, HARDLINE, BO .....	4
18	1256893GT	HARDLINE,PRIMARY RETURN, BOOM .....	1
19	1256892GT	HARDLINE,PRI. EXTEND,BOOM #1 .....	1
20	75042GT	ELBOW,BULKHEAD UNION 520701-8 .....	1
20-	77309GT	NUT,BULKHEAD,520118-8 .....	
21	48960GT	FITTING,CONN,520120-12*** .....	1
22	231088GT	SCREW,HHF,M10-1.5X20,DIN6921,1 .....	
23	237326GT	MANIFOLD, PRIMARY EXT, BO .....	1
24	231513GT	NUT,TL FLG,M6-1.0,DIN6927,10,Z .....	
25	216028GT	BOLT, CARRIAGE,M6=1.0X25,ZAB .....	
26	215902GT	FORMING, B2, LSB3RO RAMP .....	1



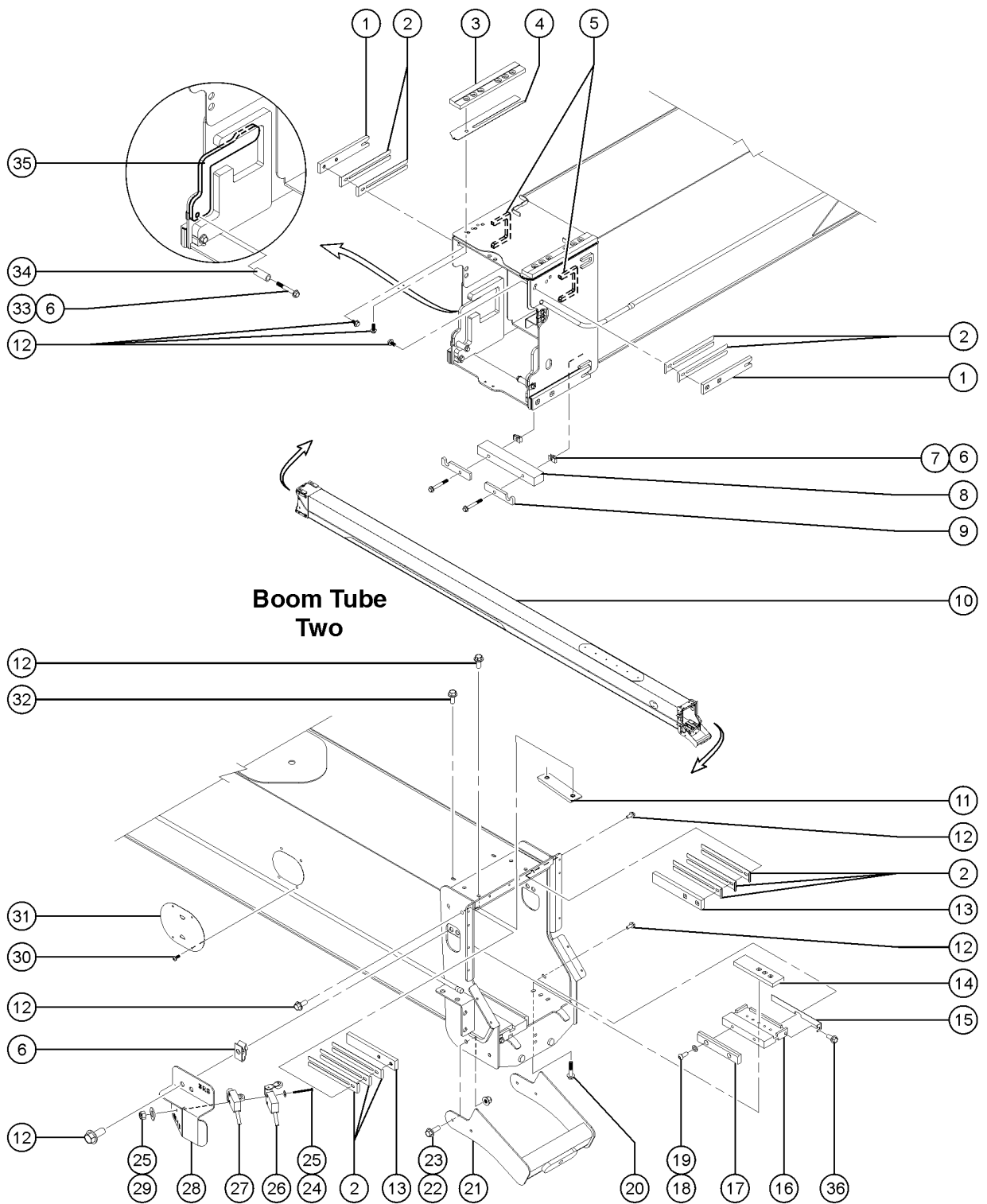
509.1 Boom Tube One - View 2





<i>Item</i>	<i>Part No.</i>	<i>Description</i>	<i>Qty.</i>
27	825686GT	NUT, TL, M4-0.7, DIN980, 8, ZAB .....	
28	825357GT	WASHER,FLAT,M4,DIN125,ZAB .....	
29	236398GT	SWITCH ASSY, 3FT EXT OPER, SUP (Calibration required after replacement) .....	1
29-	139644-14B60GT	LIMIT SWITCH,TAB,BLUE,MICRO .....	
30	1256889GT	FORMING, B1, LSB3RO MOUNT, SX1 .....	1
31	231530GT	SCREW,HHF,M10-1.5X25,DIN6921,10.9,ZAB .....	
32	822353GT	SCREW,PHPM,M4-0.7X30,DIN7985,ZAB .....	
33	822604GT	FORMING,B0, HARNESS CONN PLATE .....	1
34		Ref. PLATE, PRI EXT CYL LOCK .....	
		(Refer to 506.1, item 9)	

510.1 Boom Tube Two - Wear Pads

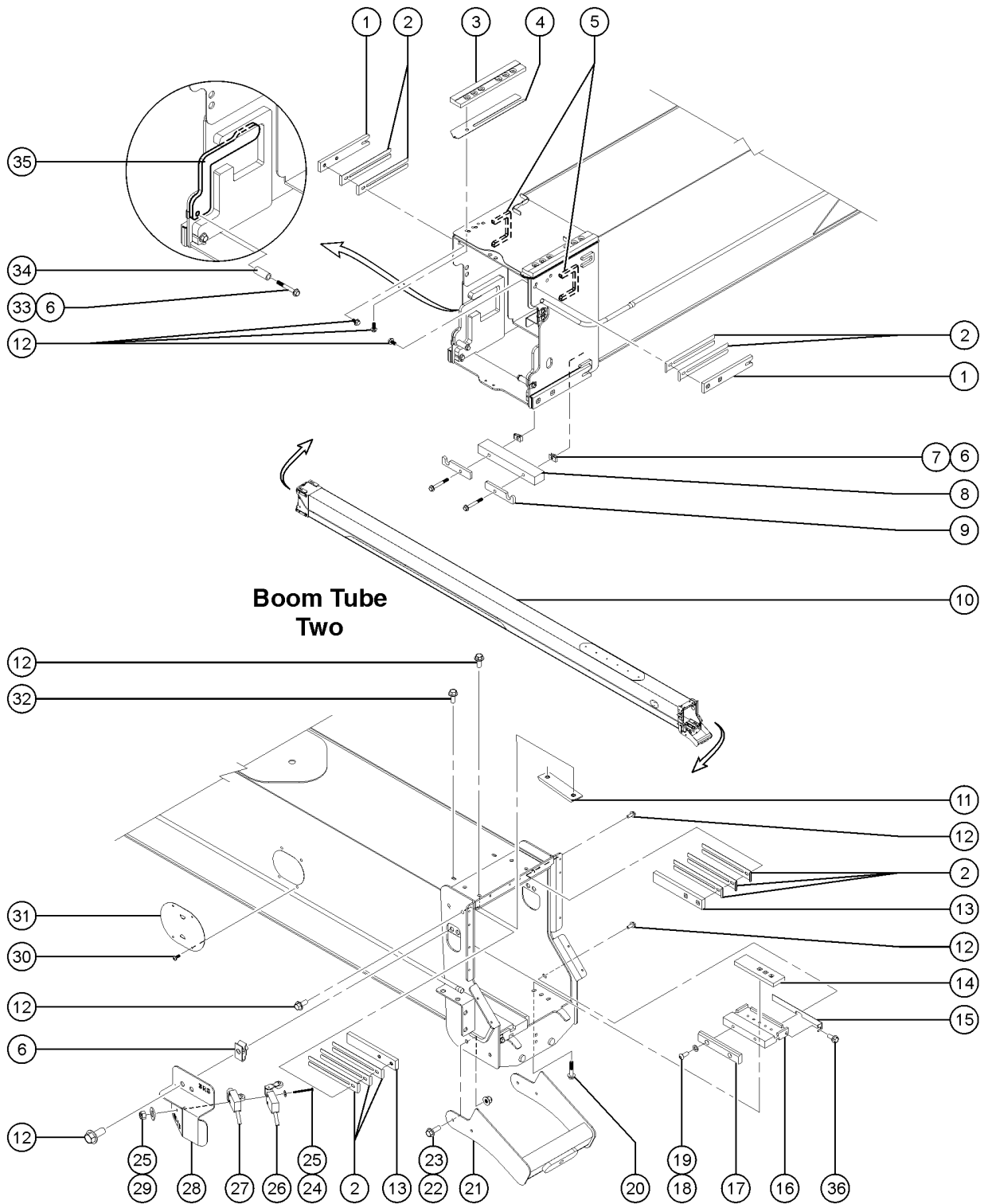


510.1 Boom Tube Two - Wear Pads

Item	Part No.	Description	Qty.
1	236236GT	WEAR PAD, 300X50X15, BLACK .....	6
2	822602GT	SHIM, WEAR PAD, 300 X 50 .....	
3	236234GT	WEAR PAD,340X55X20 .....	2
4	822600GT	SHIM, WEAR PAD, 340 X 55, 16G .....	
5		Ref. EXT CBL MNT Part of boom #2 weldment (refer to 505.1, item 15) .....	2
6	230074GT	SPRING CLIP,M10-1.5,1-6X19,ZAB .....	
7	215816GT	SCREW, HHF, M1-1.5X80,ZAB to SN SX150H-603 .....	2
7B	1297763GT	SCREW,HHF,M10-1.5X90,DIN6921,10.9,ZAB from SN SX150H-604 .....	2
8	236293GT	WEAR PAD, FRONT LOWER, B2 to SN SX150H-603 .....	1
8B	1297761GT	WEAR PAD,ADJUSTABLE,FRONT LOWER,B2 from SN SX150H-604 .....	1
8B-	1297762GT	SHIM,FRONT LOWER,B2 .....	4
9	826155GT	PLATE, B2, B3 RET CABLE GUIDE .....	2
10	226738GT	WELDMENT,BOOM #2 .....	1
11	215889GT	WEAR PAD, 200X50X12 .....	2
12	237352GT	SCREW,HHF,M10-1.5X16,DIN6921,10.9,ZAB .....	
13	236237GT	WEAR PAD, 300X50X20 .....	2
14	236233GT	WEAR PAD, 250X75X20 .....	2
15	823069GT	SHIM,CHANNEL WEARPAD,RIGHT,16G to SN 189 .....	
15-	1256925GT	SHIM,CHANNEL WEARPAD,16G from SN 190 .....	
16	822090GT	MACHINING, B2 WEARPAD FIXTURE to SN 189 .....	2
16-	1257067GT	MACHINING, B2 WEARPAD FIXTURE from SN 190 .....	
17	822092GT	WEARPAD, 1.75" X .75" X 250MM .....	2
18	237735GT	SCREW,BHC,M10-1.50X25,10.9,ZAB .....	
19	824145GT	WASHER,FLAT,M10,DIN125,ZAB .....	
20	232952GT	SCREW,HHF,M10-1.5X50,DIN6921,10.9,ZAB .....	
21	226697GT	WELDMENT, B2, #4 RET CABLE MNT .....	1
22	232874GT	SCREW,HHF,M10-1.5X30,DIN6921,10.9,ZAB .....	
23	231529GT	NUT,TL FLG,M10-1.5,DIN6927,10, .....	



510.1 Boom Tube Two - Wear Pads

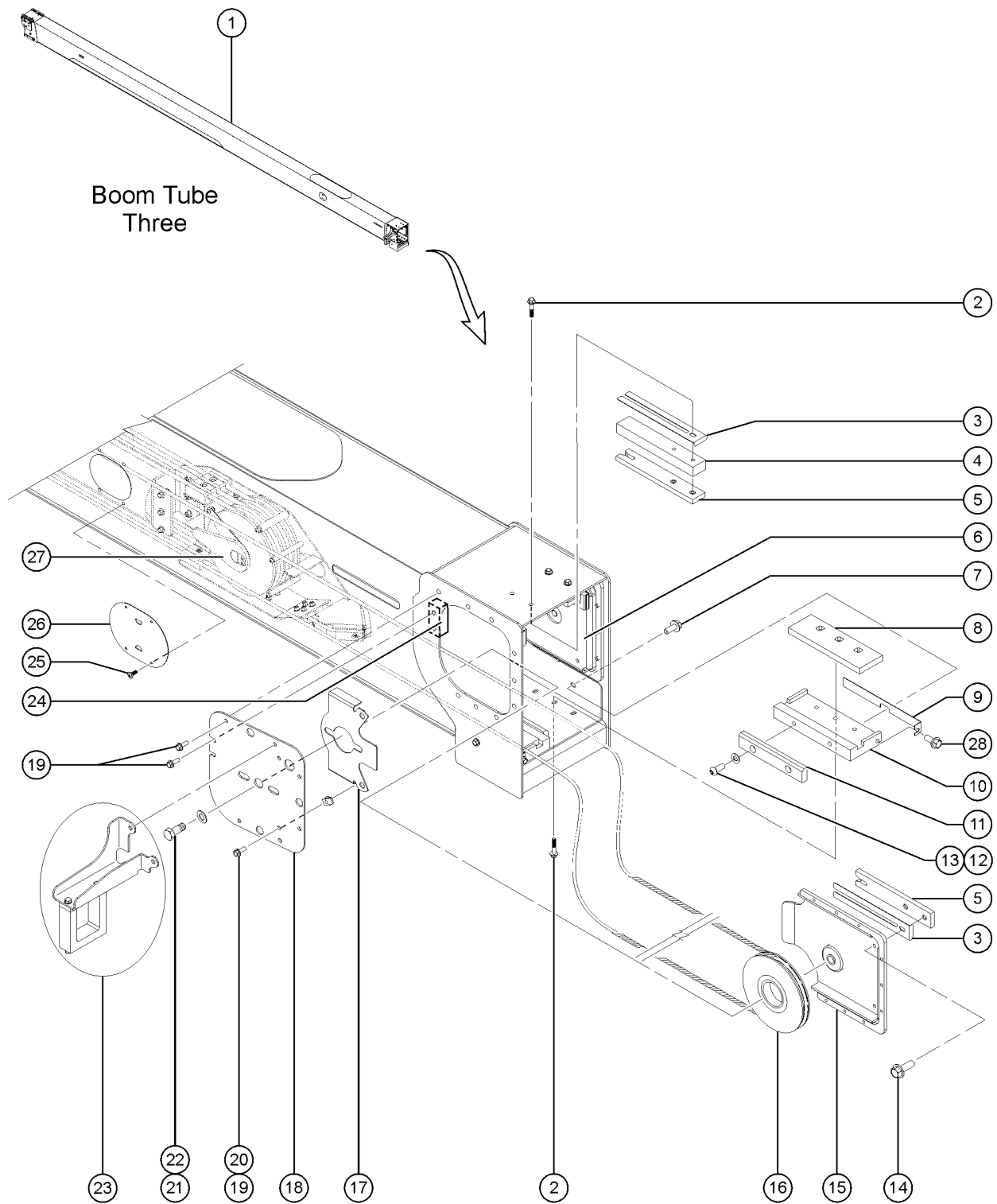


510.1 Boom Tube Two - Wear Pads

Item	Part No.	Description	Qty.
24	826523GT	SCREW,PHPM,M4-0.7X45,DIN7985,ZAB .....	
25	825357GT	WASHER,FLAT,M4,DIN125,ZAB .....	
26	236399GT	SWITCH ASSY, 3.5FT EXT SAFETY, SUPER-X .....	1
26-	139644-24CLOGT	LIMIT SWITCH,TAB,BLUE,MICRO .....	
26-	128636GT	ROLLER, ARM, LIMIT SWITCH, ZCY500 .....	
27	236400GT	SWITCH ASSY, 150FT EXT OPER/SAFETY, SUPER-X .....	1
27-	139644-12B40GT	LIMIT SWITCH,TAB,BLUE,MICRO .....	
27-	128636GT	ROLLER, ARM, LIMIT SWITCH, ZCY500 .....	
28	232919GT	FORMING,BOOM #2,LSB3RS MOUNT .....	1
29	825686GT	NUT, TL, M4-0.7, DIN980, 8, ZAB .....	
30	826173GT	SCREW,PHPM-ST,M6-1.0X12,DIN750 .....	
31	232895GT	PLATE, INSPECTION COVER .....	2
32	237352GT	SCREW,HHF,M10-1.5X16,DIN6921,10.9,ZAB .....	
33	826008GT	SCREW,HHF,M10-1.5X75,DIN6921,10.9,ZAB .....	2
34	825943GT	TUBE,SPACER .....	2
35	826154GT	PLATE,B2,CYLINDER LOCK .....	2
		(Refer to 506.1, item 19)	
36	237352GT	SCREW,HHF,M10-1.5X16,DIN6921,10.9,ZAB .....	
		to SN 189	



511.1 Boom Tube Three - Wear Pads, View 1

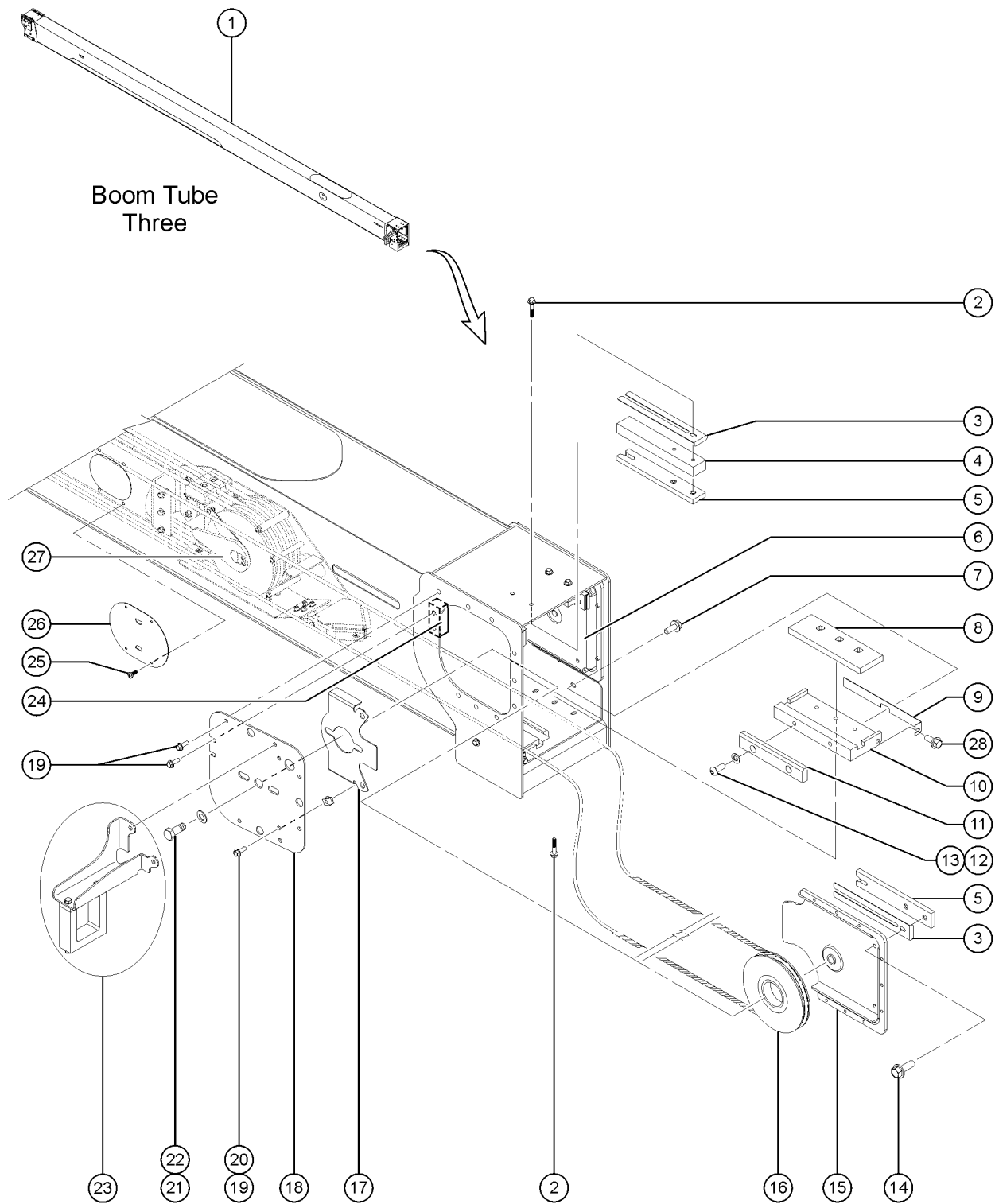


511.1 Boom Tube Three - Wear Pads, View 1

Item	Part No.	Description	Qty.
1	230891GT	WELDMNT,EXT. BOOM #3	1
2	232952GT	SCREW,HHF,M10-1.5X50,DIN6921,10.9,ZAB	
3	822602GT	SHIM, WEAR PAD, 300 X 50	
4	236229GT	SPACER,WEAR PAD,300 X 50 X 25	2
5	236236GT	WEAR PAD, 300X50X15, BLACK	4
6	232903GT	WELDMNT,RT B4 EXT SHV MNT,IN (Engine side)	1
7	231530GT	SCREW,HHF,M10-1.5X25,DIN6921,10.9,ZAB	
8	825542GT	WEARPAD,280MM X 90MM X 3/4IN	2
9	823069GT	SHIM,CHANNEL WEARPAD,RIGHT,16G to SN 189	
9-	1256925GT	SHIM,CHANNEL WEARPAD,16G from SN 190	
10	823145GT	MACHINING, B3 WEARPAD FIXTURE to SN 189	2
10-	1257068GT	MACHINING, B3 WEARPAD FIXTURE from SN 190	
11	822092GT	WEARPAD, 1.75" X .75" X 250MM	2
12	237735GT	SCREW,BHC,M10-1.50X25,10.9,ZAB	
13	824145GT	WASHER,FLAT,M10,DIN125,ZAB	
14	231088GT	SCREW,HHF,M10-1.5X20,DIN6921,1	
15	232902GT	WELDMNT,LT B4 EXT SHV MNT,IN (Tank side)	1
16		Ref. SHEAVE, EXTEND B4 (Refer to 505.1)	2
17	232918GT	FORMING,SHEAVE SPACER (Same part on engine side)	2
18	232908GT	PLATE,B3 REAR,B4 EXT SHEAVE CV (Same part on engine side)	2
19	232874GT	SCREW,HHF,M10-1.5X30,DIN6921,10.9,ZAB	4
20	230074GT	SPRING CLIP,M10-1.5,1-6X19,ZAB	4
21	232984GT	SCREW,HHC,M20-2.5X50,DIN933,10	2
22	231510GT	WASHER,FLAT,M20,DIN6916,HRD,ZAB	2
23		Ref. FORMING, CT GUIDE MOUNT, B3 (Refer to 503.1, item 15)	
24	236290GT	WEAR PAD,SPACER,CBL GUIDE (Same part on engine side)	2
25	826173GT	SCREW,PHPM-ST,M6-1.0X12,DIN750	
26	232895GT	PLATE, INSPECTION COVER	2



511.1 Boom Tube Three - Wear Pads, View 1

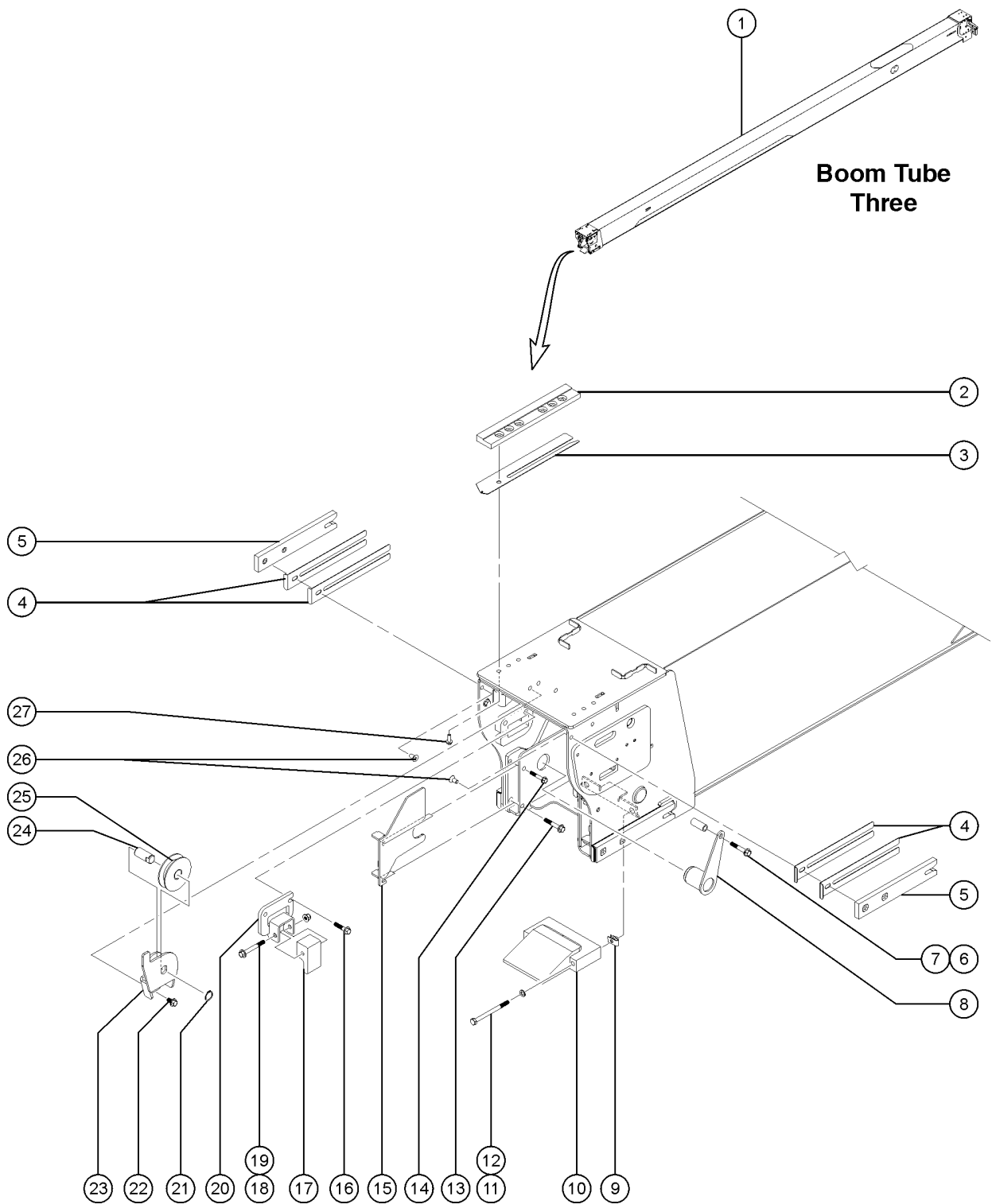




511.1 Boom Tube Three - Wear Pads, View 1

<i>Item</i>	<i>Part No.</i>	<i>Description</i>	<i>Qty.</i>
27		Ref. PRIMARY EXTEND SHEAVE MOUNT, ASSY ..... Bolted to BOOM #4 (Refer to 506.1 and 507.1)	
28	237352GT	SCREW,HHF,M10-1.5X16,DIN6921,10.9,ZAB ..... to SN 189	

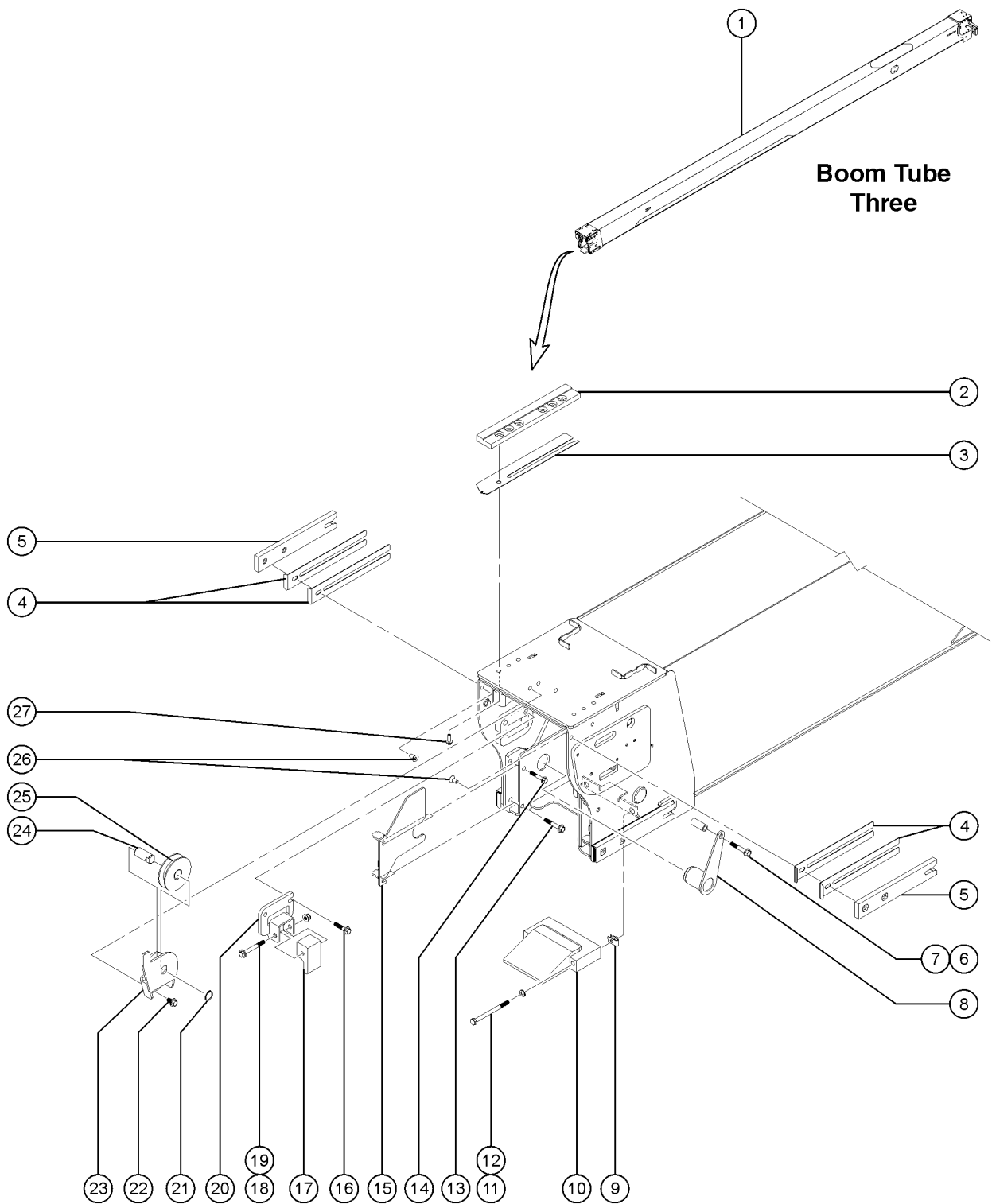
512.1 Boom Tube Three - Wear Pads, View 2



## 512.1 Boom Tube Three - Wear Pads, View 2

Item	Part No.	Description	Qty.
1		Ref. WELDMENT, EXT. BOOM #3 ..... (Refer to 511.1)	1
2	236234GT	WEAR PAD, 340X55X20 .....	2
3	822600GT	SHIM, WEAR PAD, 340 X 55, 16G .....	
4	822602GT	SHIM, WEAR PAD, 300 X 50 .....	
5	236236GT	WEAR PAD, 300X50X15, BLACK .....	4
6	216036GT	SCREW, HHF, M10-1.5X60, DIN6921, 1 .....	
7	825943GT	TUBE, SPACER .....	2
8	236792GT	WELDMENT, PIN, B3, #4 RET SHEAVE .....	2
9	230074GT	SPRING CLIP, M10-1.5, 1-6X19, ZAB .....	
10	236292GT	WEAR PAD, FRONT LOWER, B3 .....	1
11	216165GT	SCREW, HHC, M10-1.5X130, 10.9, ZAB .....	
12	824145GT	WASHER, FLAT, M10, DIN125, ZAB .....	
13	826008GT	SCREW, HHF, M10-1.5X75, DIN6921, 10.9, ZAB .....	
14	216036GT	SCREW, HHF, M10-1.5X60, DIN6921, 1 .....	
15	219135GT	WELDMENT, B3, #4 SHEAVE SPACER ..... (shown)	1
15-	219134GT	WELDMENT, B3, #4 SHEAVE SPACER ..... (other side)	1
16	215706GT	SCREW, HHF, M10-1.5X45, DIN6921, 10.9, ZAB .....	
17	237545GT	WEAR PAD, B3, EXT CYL GUIDE .....	2
18A	215816GT	SCREW, HHF, M1-1.5X80, ZAB ..... (to SN 545)	2
18B	826008GT	SCREW, HHF, M10-1.5X75, DIN6921, 10.9, ZAB ..... (from SN 546)	2
19	231529GT	NUT, TL FLG, M10-1.5, DIN6927, 10, .....	2
20	216024GT	WELDMENT, B2 RET CABLE RETAINE .....	2
21	232942GT	SNAP RING, EXTERNAL, M25, SS .....	2
22	231088GT	SCREW, HHF, M10-1.5X20, DIN6921, 1 .....	
23	232971GT	WELDMENT, #4 EXT, GUIDE SHEAVE R .....	1
23	232972GT	WELDMENT, #4 EXT, GUIDE SHEAVE L .....	
24	231543GT	PIN, 25MM DIA. X 56MM LG, 1 RING, 2 .....	2
25	231304GT	SHEAVE, EXTEND SUPPORT B4 .....	2

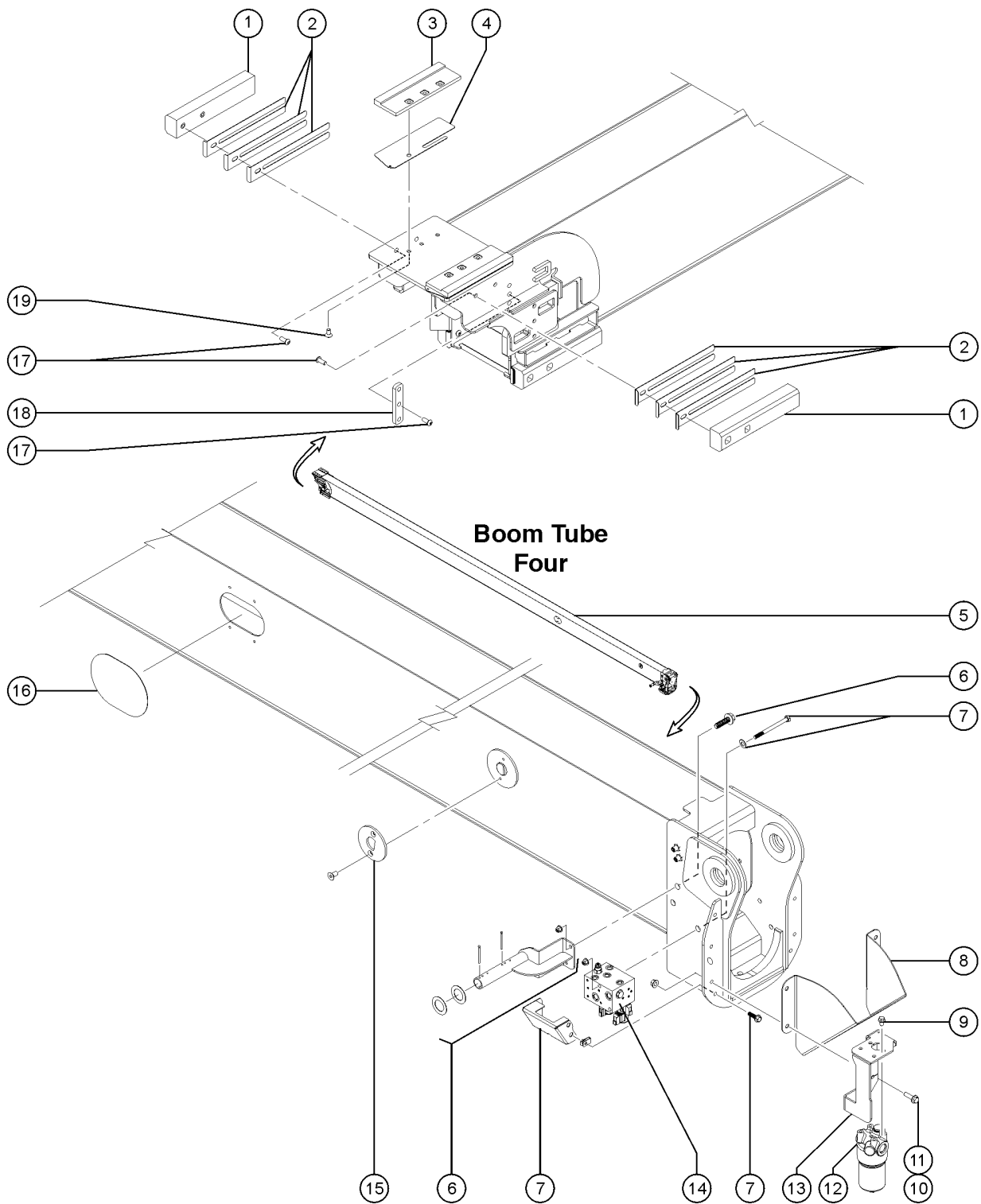
512.1 Boom Tube Three - Wear Pads, View 2



512.1 Boom Tube Three - Wear Pads, View 2

<i>Item</i>	<i>Part No.</i>	<i>Description</i>	<i>Qty.</i>
26	232924GT	SCREW,FHS,M10-1.5X20,DIN7991,1 .....	
27	232874GT	SCREW,HHF,M10-1.5X30,DIN6921,10.9,ZAB .....	

513.1 Boom Tube Four - Wear Pads

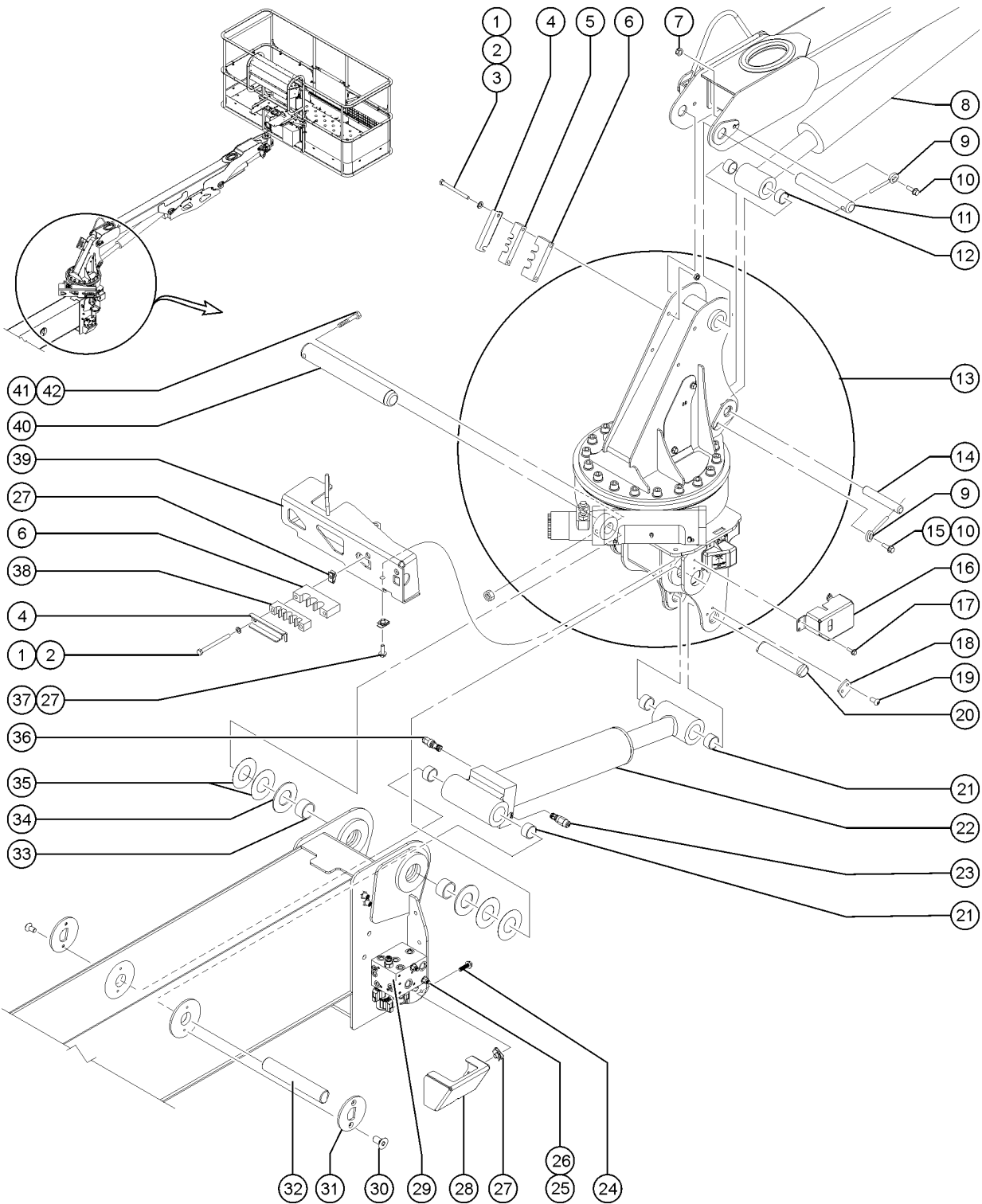


513.1 Boom Tube Four - Wear Pads

Item	Part No.	Description	Qty.
1	236428GT	WEAR PAD, 300X60X44 .....	4
2	822602GT	SHIM, WEAR PAD, 300 X 50 .....	
3	216752GT	WEAR PAD, 250X85X15, BLACK .....	2
4	822601GT	SHIM, WEAR PAD, 250 X 85, 16GA .....	
5	230939GT	WELDMENT,EXT. BOOM #4 .....	1
6		Ref. WELDMENT,PULLTUBE PIVOT AND FASTENERS .....	
		(Refer to 503.1)	
7		Ref. COVER,JIB MANIFOLD AND FASTENERS .....	
		(Refer to 514.1)	
8	1253436GT	FORMING, #4 BOOM TIP COVER .....	1
9	1256857GT	SCREW,HHF,3/8-16X5/8,8,ZAG .....	
		from SN SX15016H-213	
10	231533GT	SCREW,HHF,M10-1.5X35,DIN6921,10.9,ZAB .....	
11	231529GT	NUT,TL FLG,M10-1.5,DIN6927,10, .....	
12	1271913GT	FILTER,ASSY,HIGH PRESS SAE-12(55) .....	
		from SN SX15016H-213	
12-	1271917GT	KIT,ELEMENT-5MIC (55) .....	
		from SN SX15016H-213	
12-	1273479GT	KIT,JIB FILTRATION .....	
13	1271912GT	FORMING,FILTER BRACKET .....	
		from SN SX15016H-213	
14		Ref. JIB MANIFOLD .....	
		(Refer to 704.1)	
15		Ref. PLATE, BELLCRANK PIN RETAINER AND FASTENERS .....	
		(Refer to 514.1)	
16	1258651GT	COVER,INSPECTION WINDOW .....	2
17	237735GT	SCREW,BHC,M10-1.50X25,10.9,ZAB .....	
18	232894GT	PLATE, B4 CABLE RETAINER .....	2
19	232924GT	SCREW,FHS,M10-1.5X20,DIN7991,1 .....	



514.1 Jib Rotator Installation

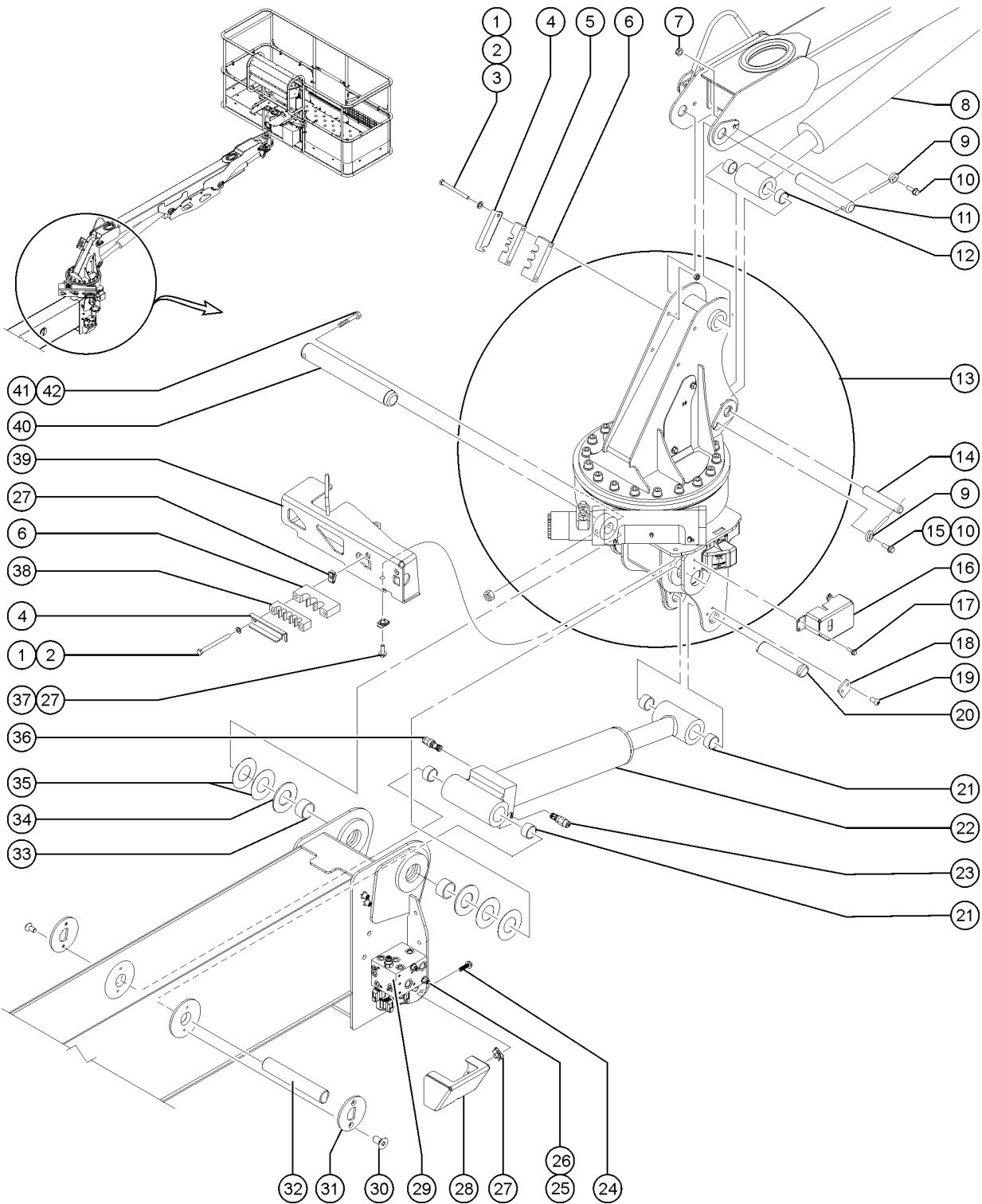




Item	Part No.	Description	Qty.
1	825682GT	SCREW,HHC,M10-1.5X120,DIN931,1	
2	824145GT	WASHER,FLAT,M10,DIN125,ZAB	
3	232951GT	NUT, TL, M10-1.5,DIN980, ZAB	
4	822802GT	FORMING,CLAMP COVER	
5	161027GT	CLAMP,-6 AND ELEC,JIB ROTATOR	1
6	219919GT	CLAMP,AIR AND ELECTRIC	1
7	232951GT	NUT, TL, M10-1.5,DIN980, ZAB	
8		Ref. CYLINDER, JIB LIFT (Refer to 516.1)	
9	825019GT	ROD END,.375X3.69,ZAG	
10	231533GT	SCREW,HHF,M10-1.5X35,DIN6921,10.9,ZAB	
11	231544GT	PIN,35MM DIA.X 205MM LG,1HOLE	1
12	231524GT	BEARING,35IDX41ODX25L	2
13		Ref. BELLCRANK AND JIB ROTATOR (Refer to 515.1)	
14	231538GT	PIN,35MM DIA.X 162MM LG,1HOLE	1
15	232951GT	NUT, TL, M10-1.5,DIN980, ZAB	
16	161046GT	FORMING,TILTSENSOR COVER	1
17	237238GT	SCREW,HHF,M6-1.0X12,DIN6921,10	
18	219315GT	PLATE,PIN RETAINER,BELLCRANK C	2
19	217711GT	SCREW,BHC,M8-1.25X16,10.9,ZAB	
20	231536GT	PIN,40MMDIA.X 190MM LG,2 FLATS	1
21	217563GT	BEARING,40IDX48ODX35L	4
22	230958GT	CYLINDER, BELLCRANK LEVEL	1
22-	231310GT	SEAL KIT	
22-	48912GT	CONN,520120-4-6***	
23	54065GT	VALVE,COUNTERBALANCE,3500***	1
23-	43018GT	SEAL KIT (39345)	
24	231533GT	SCREW,HHF,M10-1.5X35,DIN6921,10.9,ZAB	
25	231529GT	NUT,TL FLG,M10-1.5,DIN6927,10,	2



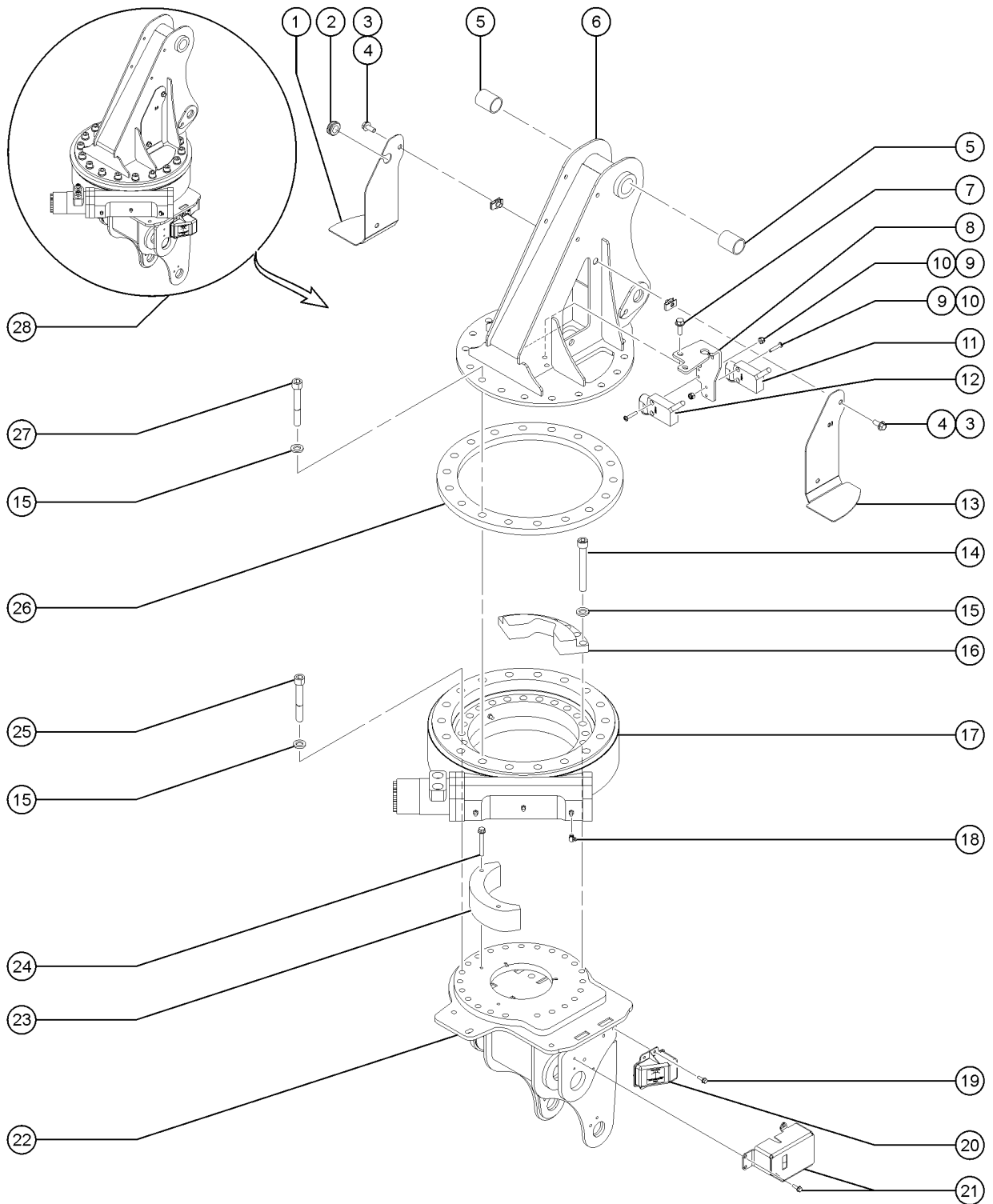
514.1 Jib Rotator Installation



## 514.1 Jib Rotator Installation

<i>Item</i>	<i>Part No.</i>	<i>Description</i>	<i>Qty.</i>
26	216165GT	SCREW,HHC,M10-1.5X130,10.9,ZAB .....	2
27	230074GT	SPRING CLIP,M10-1.5,1-6X19,ZAB .....	
28	162115GT	COVER, JIB MANIFOLD .....	
29		Ref. JIB MANIFOLD (Refer to 513.1 and 704.1) .....	
30	232983GT	SCREW, FHS, M8-1.25 X 16, DIN7 .....	4
31	232893GT	PLATE, BELL CRANK PIN RETAINER .....	2
		(Refer to 512.1)	
32	231540GT	PIN, 40 DIA X 240 LG, 2 FLATS .....	1
33	229532GT	BEARING, 50ID X 58OD X 40LG .....	2
34	218021GT	WASHER, THRUST,50MMX100MM .....	2
		2.5 mm thick	
35	218020GT	WASHER, THRUST,50MMX100MM .....	4
		1.5 mm thick	
36	61602GT	VALVE,COUNTERBAL.CBBB-LHN@3500 .....	1
36-	43018GT	SEAL KIT (39345) .....	
37	232874GT	SCREW,HHF,M10-1.5X30,DIN6921,10.9,ZAB .....	
38	219920GT	CLAMP,-6 AND ELEC,BELLCRANK .....	
39	161392GT	WELDMENT,WORMDRIVE COVER .....	
40	231537GT	PIN, 50 DIA X 370 LG, 1 HOLE .....	1
41	218052GT	SCREW,HHC,M12-1.75x110,ZAB .....	
42	1251713GT	NUT,TL,M12-1.75,DIN980,10,ZAB .....	

515.1 Jib Rotator Housing

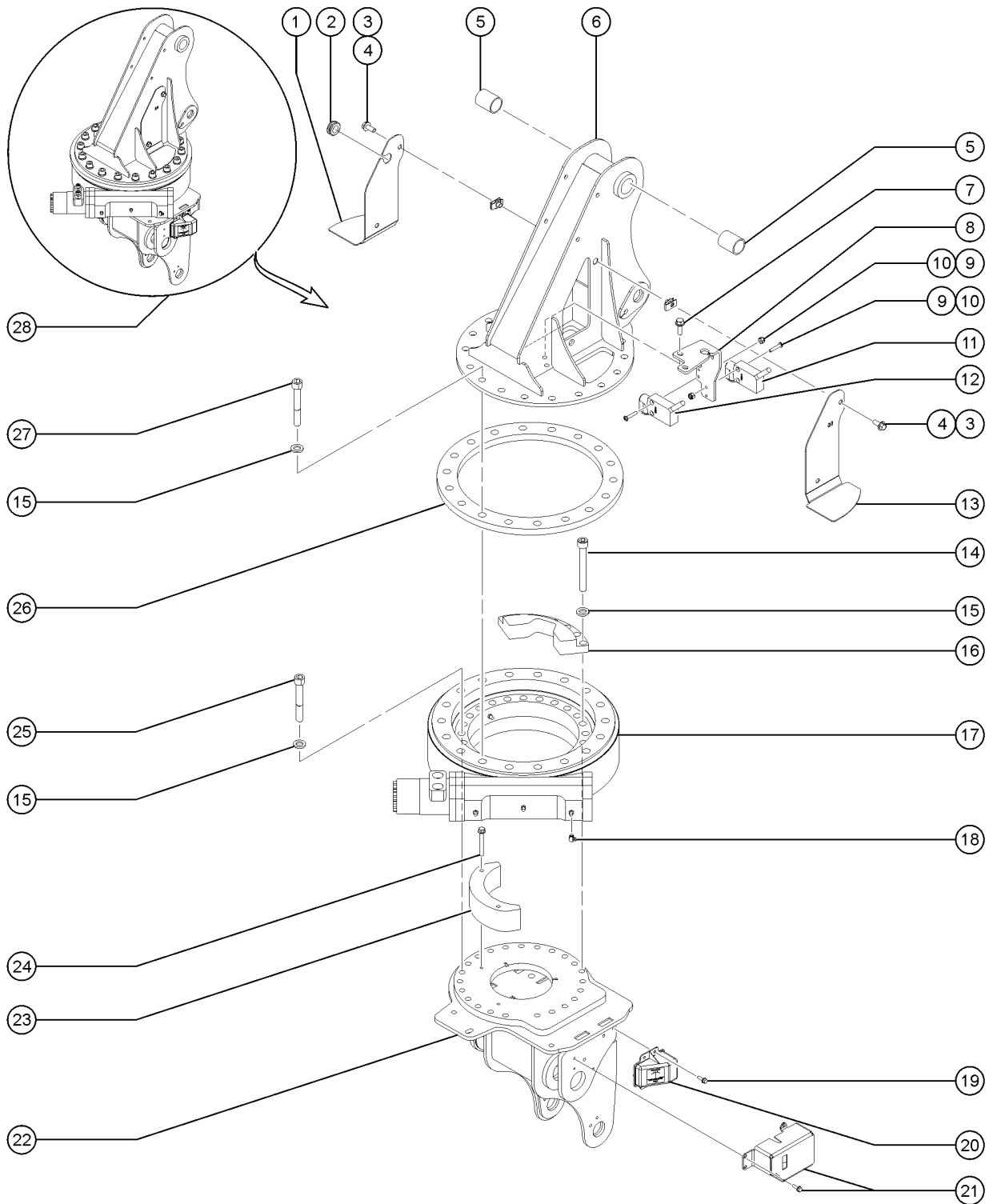


515.1 Jib Rotator Housing

Item	Part No.	Description	Qty.
1	219286GT	FORMING,JIB ROTATOR COVER R .....	1
2	60584GT	GROMMET,RUBBER .75 X .19 X 1** .....	1
3	231530GT	SCREW,HHF,M10-1.5X25,DIN6921,10.9,ZAB .....	
4	230074GT	SPRING CLIP,M10-1.5,1-6X19,ZAB .....	
5	231486GT	BEARING,35IDX41ODX50L .....	2
6	218467GT	MACHINED,JIB ROTATOR .....	1
7	237831GT	SCREW,HHF,M8-1.25X25,DIN6921,8 .....	
8	218664GT	FORMING,LIMIT SWITCH MOUNT .....	1
9	825686GT	NUT, TL, M4-0.7, DIN980, 8, ZAB .....	
10	822353GT	SCREW,PHPM,M4-0.7X30,DIN7985,ZAB .....	
11	236393GT	SW ASSY, JIB ROT CCW, SAFETY .....	
11-	139644-14B30GT	LIMIT SWITCH,TAB,BLUE,MICRO .....	
11-	89756GT	NECK/HEAD-LIMIT SWITCH (88356) .....	
11-	128636GT	ROLLER, ARM, LIMIT SWITCH, ZCY500 .....	
12	236394GT	SWITCH ASSY, JIB ROTATED CCW .....	
11-	139644-14B30GT	LIMIT SWITCH,TAB,BLUE,MICRO .....	
12-	89756GT	NECK/HEAD-LIMIT SWITCH (88356) .....	
12-	128636GT	ROLLER, ARM, LIMIT SWITCH, ZCY500 .....	
13	219287GT	FORMING,JIB ROTATOR COVER L .....	
14	218678GT	SCREW,SHC,M16-2.0X130,DIN912,1 .....	7
15	825348GT	WASHER,FLAT,M16,DIN6916,HRD,ZAB .....	41
16	218660GT	MACHINED,HARDSTOP,BELLCRANK .....	
17	217186GT	ROTATOR,WORMDRIVE,57K .....	1
17-	1268304GT	ROTATOR,WORMDRIVE,57K for 217186 .....	
17-	1268305GT	SEAL KIT (217186) .....	
17-	1268314GT	MOTOR,HYDRAULIC,BH160 for 217186 .....	
18	822830GT	ZERK,GREASE,1/8NPT,90DEG .....	
19	237238GT	SCREW,HHF,M6-1.0X12,DIN6921,10 .....	



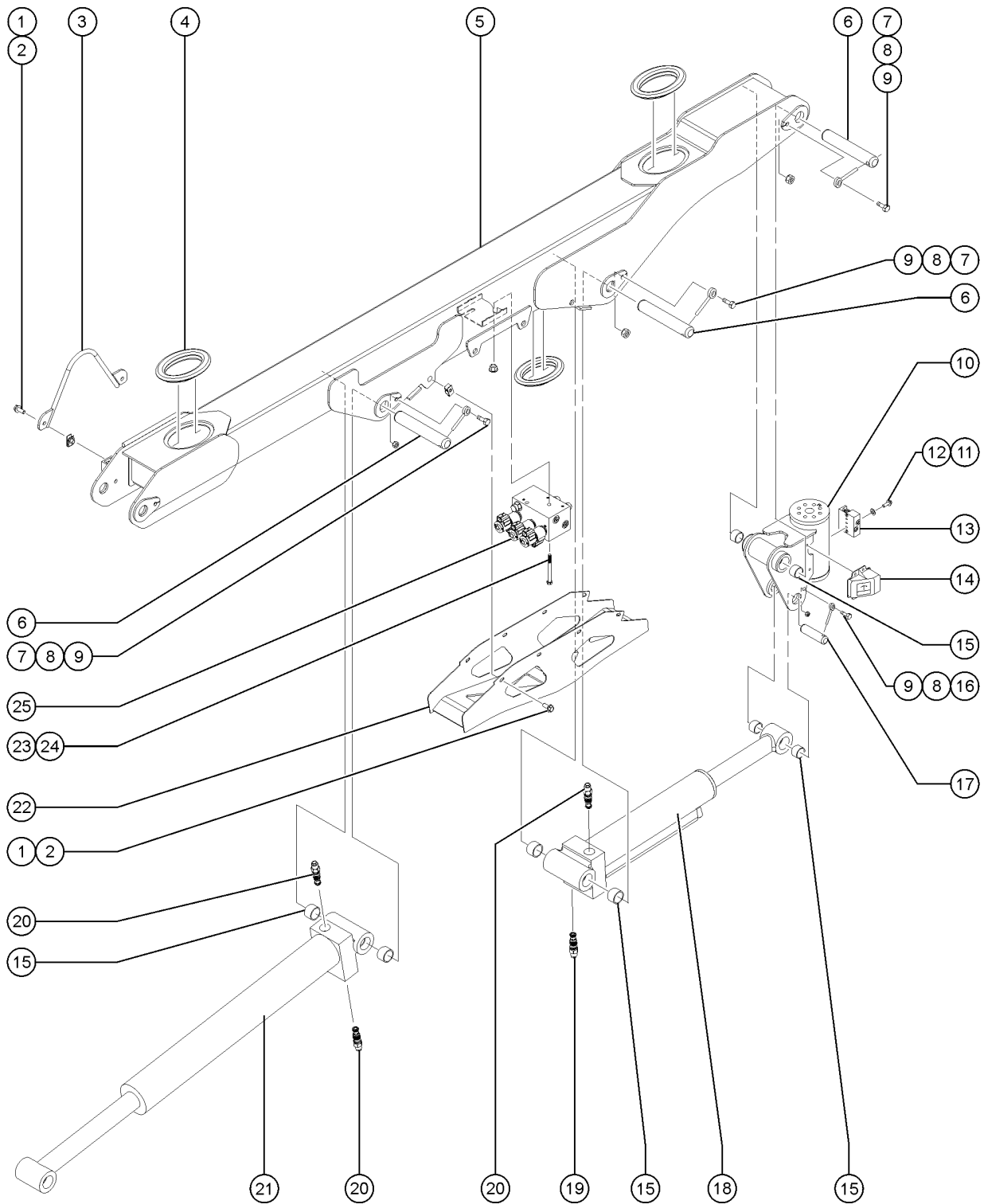
515.1 Jib Rotator Housing



515.1 Jib Rotator Housing

<i>Item</i>	<i>Part No.</i>	<i>Description</i>	<i>Qty.</i>
20	50813GT	SENSOR,TILT,PCON (PLASTIC)**** .....	1
21		Ref. FORMING,TILTSENSOR COVER .....	
		(Refer to 514.1, item 16)	
22	219293GT	MACHINED,BELLCRANK .....	1
23	218663GT	UHMW,LIMIT SWITCH CAM CCW .....	1
24	230836GT	SCREW,HHF,M8-1.25X70,DIN6921,8 .....	2
25	218565GT	SCREW,SHC,M16-2.0X110,DIN912,1 .....	16
26	218477GT	MACHINED,JIB ROTATOR SPACER .....	1
27	219257GT	SCREW,SHC,M16-2.0X90,DIN912,12 .....	18
28		Ref. BELLCRANK AND JIB ROTATOR .....	
		(Refer to 514.1 for location)	

516.1 Jib Boom and Platform Rotator

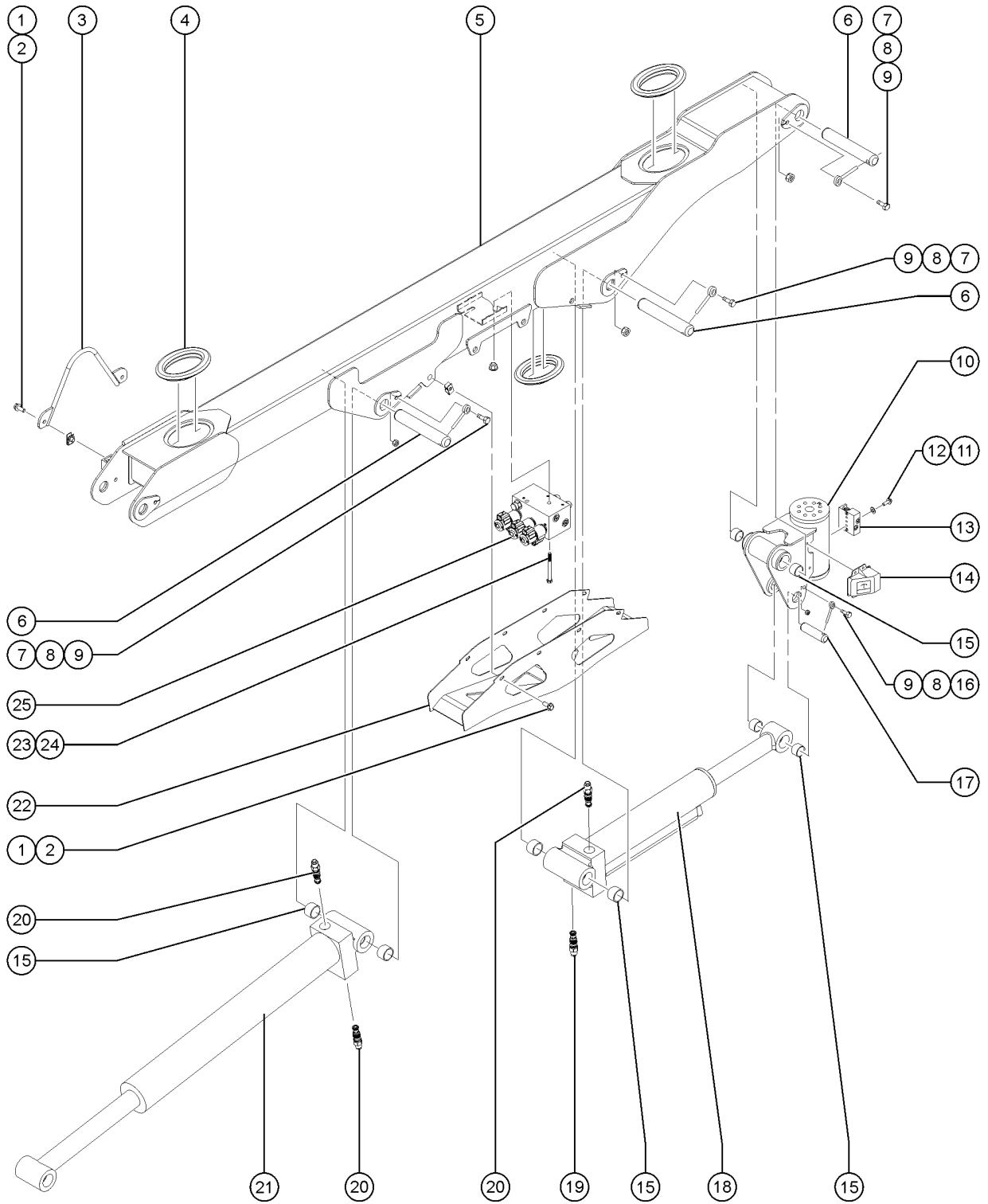




Item	Part No.	Description	Qty.
1	231530GT	SCREW,HHF,M10-1.5X25,DIN6921,10.9,ZAB .....	
2	230074GT	SPRING CLIP,M10-1.5,1-6X19,ZAB .....	
3	161099GT	WELDMENT,HOSE GUIDE JIB .....	1
4	226746GT	UHMW,JIB HOSE GUARD .....	3
5	226700GT	WELDMENT,10FT JIB .....	1
6	231544GT	PIN,35MM DIA.X 205MM LG,1HOLE .....	3
7	231533GT	SCREW,HHF,M10-1.5X35,DIN6921,10.9,ZAB .....	
8	825019GT	ROD END,.375X3.69,ZAG .....	4
9	232951GT	NUT, TL, M10-1.5,DIN980, ZAB .....	
10	1257835GT	ROTATOR,PLAT,8.2KING .....	
10-	216253GT	KIT,SEAL,ROTATOR(231523)8.2K .....	
10-	88516GT	SCREW,BLEEDER,M5X0.8 .....	2
11	824062GT	SCREW,HHC,1/4-20X1.5,8,ZAG .....	
12	824109GT	WASHER,LOCK,1/4,ZAG .....	
13		Ref. MANIFOLD,ROTATOR,CB*** (Refer to 704.1) .....	
14	50813GT	SENSOR,TILT,PCON (PLASTIC)**** .....	1
15	231524GT	BEARING,35IDX41ODX25L .....	8
16	231533GT	SCREW,HHF,M10-1.5X35,DIN6921,10.9,ZAB .....	
17	231539GT	PIN,35MM DIA.X 130MM LG,1HOLE .....	1
18	226712GT	CYLINDER, PLATFORM LEVEL .....	1
18-	231306GT	SEAL KIT .....	
19	61602GT	VALVE,COUNTERBAL.CBBB-LHN@3500 .....	1
19-	43018GT	SEAL KIT (39345) .....	
20	54065GT	VALVE,COUNTERBALANCE,3500*** .....	3
20-	43018GT	SEAL KIT (39345) .....	
21	226711GT	CYLINDER, JIB LIFT .....	1
21-	231305GT	SEAL KIT .....	
22	161712GT	WELDMENT,JIB COVER .....	



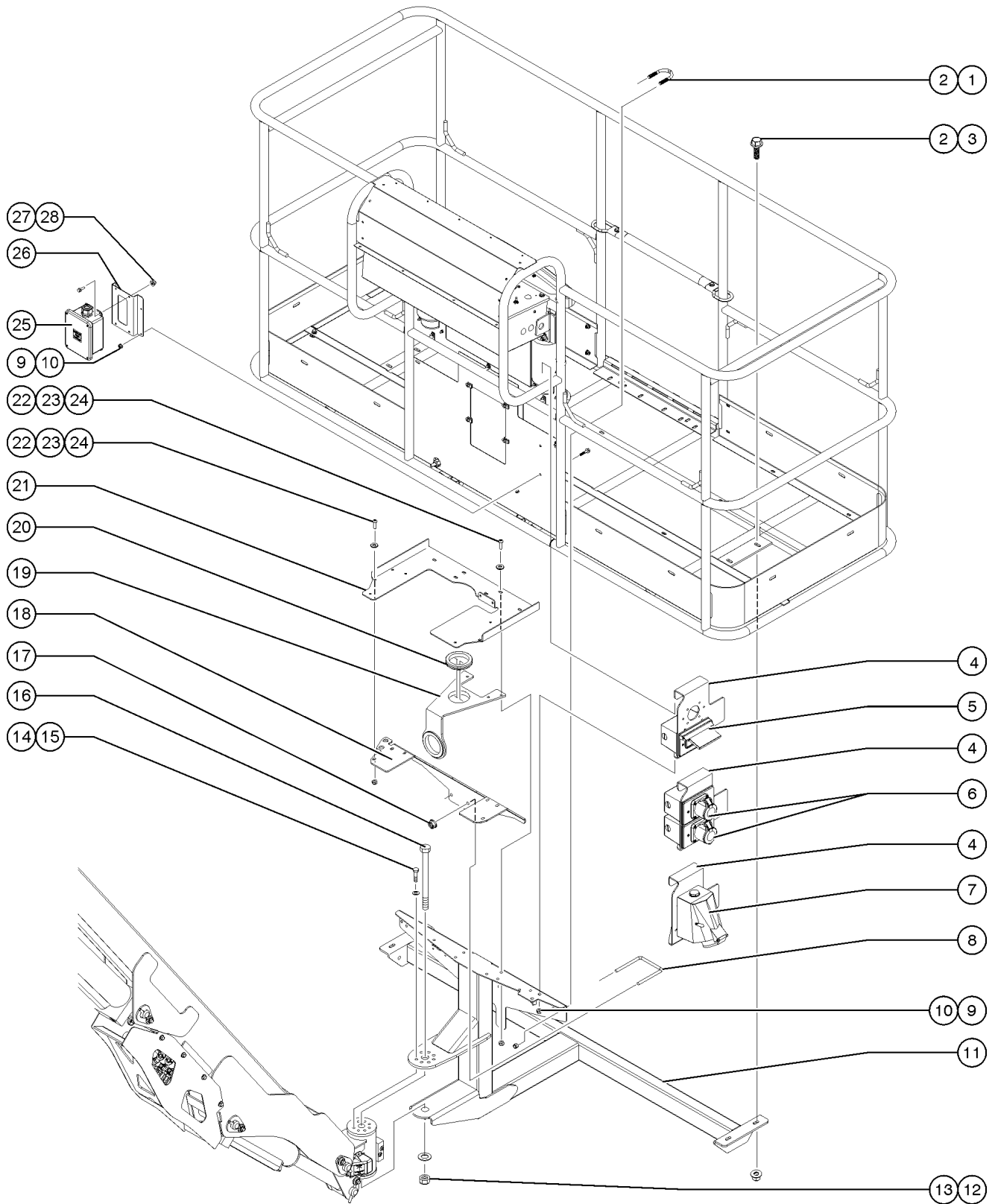
516.1 Jib Boom and Platform Rotator



516.1 Jib Boom and Platform Rotator

<i>Item</i>	<i>Part No.</i>	<i>Description</i>	<i>Qty.</i>
23	215818GT	SCREW,HHF,M10-1.5X100,DIN6921, .....	2
24	231529GT	NUT,TL FLG,M10-1.5,DIN6927,10, .....	
25		Ref. MANIFOLD,PLAT LVL,PLAT ROT,JIB .....	
		(Refer to 704.1)	

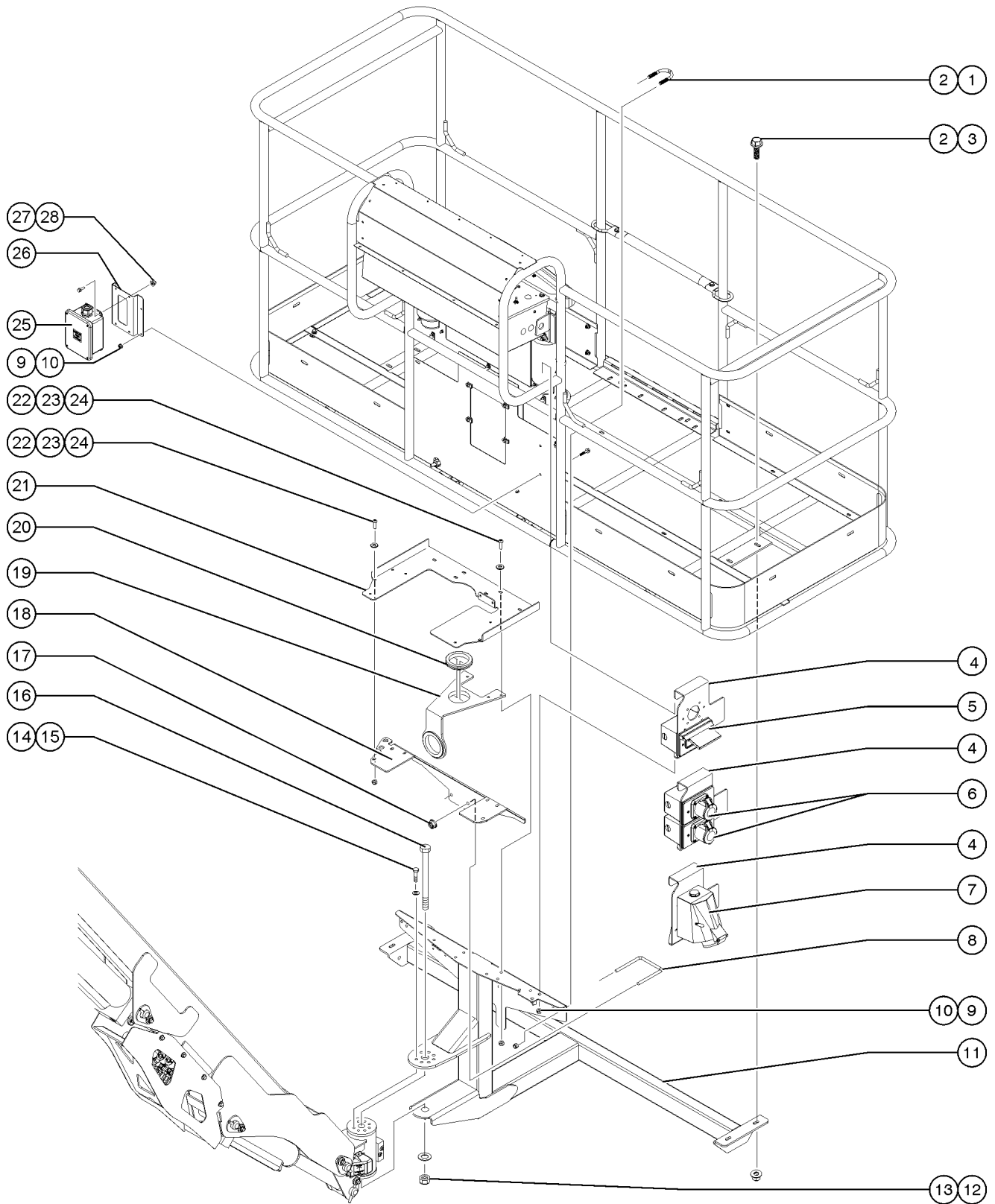
601.1 Platform Installation - View 1



Item	Part No.	Description	Qty.
1	1251600GT	U-BOLT, FLATTENED, 1.5 X 3/8	
2	824029GT	NUT,TL FLG,3/8-16,G,ZAG	
3	824091GT	SCREW, HHF, 3/8-16 X 1.25, 8, ZAG	
4	826624GT	FORMING,POWER TO PLAT	
5	75069GT	T-BOX 2.75 X 4.5 X 2.5 USA/CSA models	1
5-	74006GT	COVER,GFCI,HORIZONTAL,WEATHER	1
5-	74052GT	GASKET,COVER,GFCI,WEATHERPROOF	1
5-	13585GT	OUTLET,110V GFCI***	1
6	75069GT	T-BOX 2.75 X 4.5 X 2.5 UK models	2
6-	T112560GT	RECEPTACLE,UK,110V	2
6-	T112561GT	PLATE,UK,POWER TO PLAT	2
6-	74052GT	GASKET,COVER,GFCI,WEATHERPROOF	4
7	1252696GT	RECEPTACLE,400/230V,AC,EU EU/AUS models	1
7-	12960GT	CABLE SQUEEZE CONN.,XTRA LRG	1
7-	14041GT	LOCKNUT,ELECTRIC,3/4"	1
8	826896GT	U-BOLT,3/8-16 X 4 X 5,ZAG to SN SX150H-611	1
8B	824090GT	SCREW,HHF,3/8-16X1,8,ZAG from SN SX150H-612	2
9	824027GT	NUT,TL FLG,1/4-20,G,ZAG	
10	824078GT	SCREW,HHF,1/4-20X.75,8,ZAG	
11	60370-SGT	PLATFORM SUPPORT WELDMNT-SERV* to SN SX150H-611	1
11B	61997GT	WELDMENT,PLATFORM SUPPORT,CE (refer to 808.1) to SN SX150H-611	1
11C	1273431GT	WELDMENT,PLAT SUPPORT,8.2K,LS (refer to 808.2) from SN SX150H-612	1
12	826794GT	NUT,TL,1-8,C,ZAG to SN SX150H-611	1
12B	1283024GT	NUT,NYLOCK,1-8,8,ZAG from SN SX150H-612	1
13	824116GT	WASHER,FLAT,1.0,F436,HRD,ZAG	1
14	826791GT	SCREW,HHC,3/8-16X.875,8,ZAG	8
15	826793GT	WASHER,FLAT,3/8,SAE,HRD,ZAG	8
16	826792GT	SCREW,HHC,1-8X11,5,ZAG	1

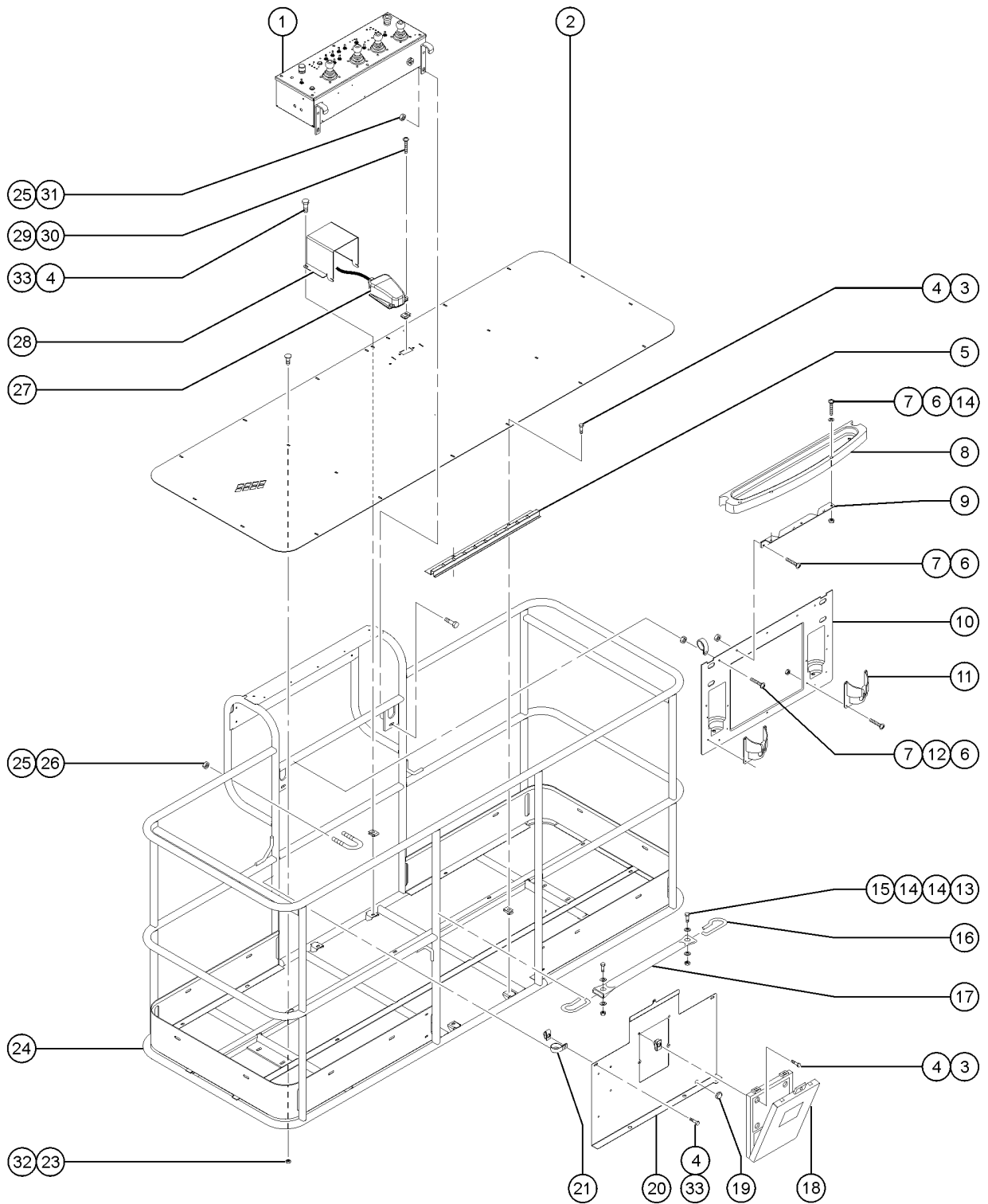


601.1 Platform Installation - View 1



<i>Item</i>	<i>Part No.</i>	<i>Description</i>	<i>Qty.</i>
17	824029GT	NUT,TL FLG,3/8-16,G,ZAG ..... to SN SX150H-611	2
17B	29868GT	SPRING CLIP,3/8-16,.05-.20X.73,ZAG ..... from SN SX150H-612	2
18	101701GT	BRACKET,WELDER MOUNT SUPPORT** ..... to SN SX150H-611	1
18B	1274025GT	FORMING, WELDER MOUNT SUPPORT ..... from SN SX150H-612	1
19	106163GT	FORMING,CABLE GUIDE ..... order 55067 grommet separately, to SN SX150H-611	1
19B	1274065GT	FORMING, CABLE GUIDE ..... from SN SX150H-612	
20	55067GT	GROMMET,RUBBER 3 X .19 X 3.5 ..... from SN SX150H-612	2
21	106109PGT	BRACKET,WELDER COVER,PNTD ..... to SN SX150H-611	1
21B	1274966GT	BRACKET,WELDER SUPPORT ..... from SN SX150H-612	1
22	106043GT	SCREW,SECURITY,5/16-18X1.00 .....	
23	825358GT	WASHER,FLAT,5/16,USS,ZAG .....	
24	824028GT	NUT,TL FLG,5/16-18,G,ZAG .....	
25		Ref. J BOX ASSEMBLY ..... (Refer to 604.1)	
26	161388GT	FORMING,WELDER JBOX MOUNT .....	
27	231513GT	NUT,TL FLG,M6-1.0,DIN6927,10,Z .....	
28	231532GT	SCREW,HHF,M6X20,DIN6921,10.9,Y .....	

602.1 Platform Installation - View 2 (to SN 200)

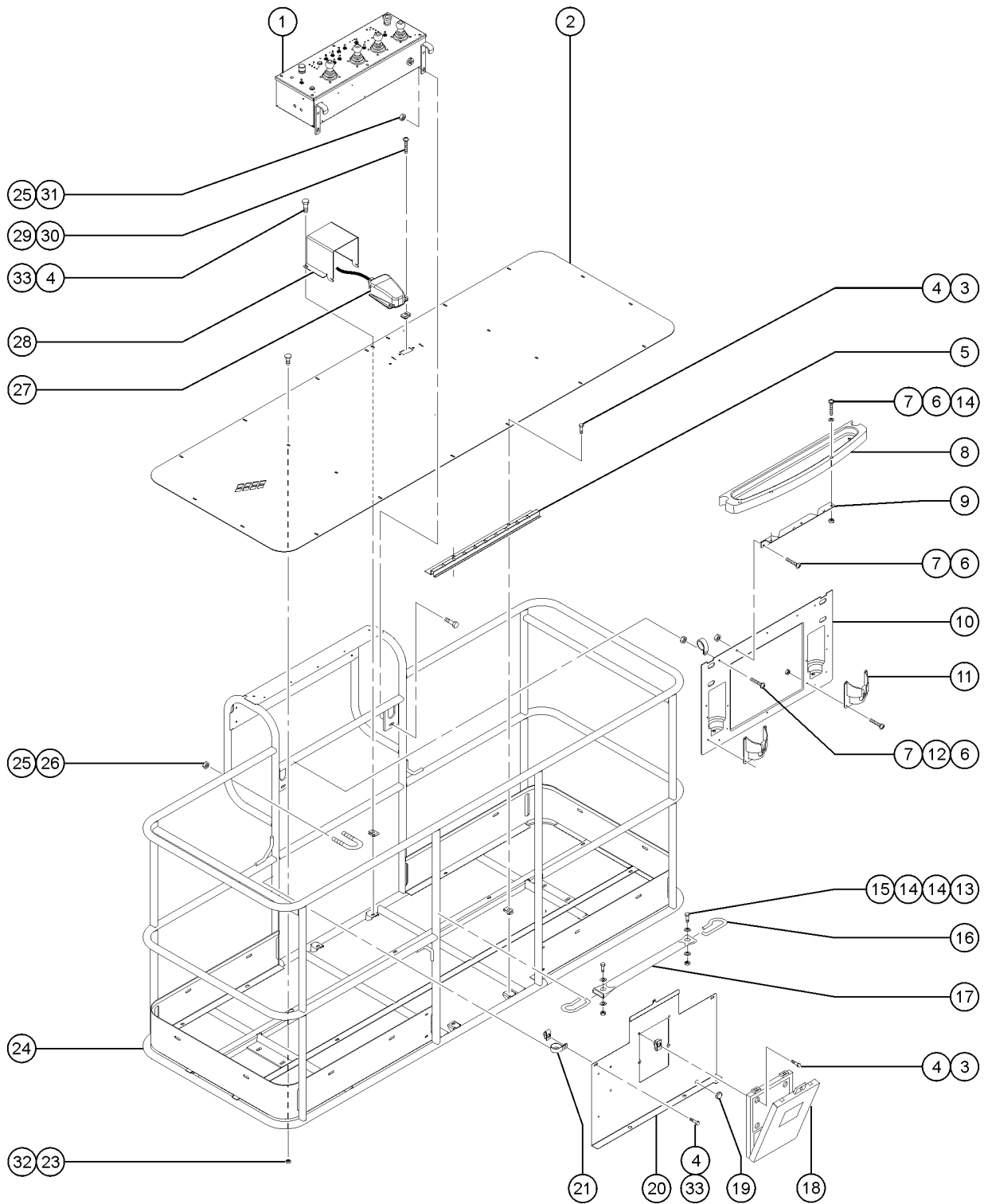




Item	Part No.	Description	Qty.
-		OPTION,8 FT PLATFORM Older platform option 82658GT is no longer available. Order 1272306GT for replacement. Refer to 602.2 and to section 100 for decals	
-		OPTION,6 FT PLATFORM Older platform option 82658GT is no longer available. Order 1272305GT for replacement. Refer to 602.2 and to section 100 for decals	
-		Ref. SWING GATE ..... (Refer to 801.1)	
1		Ref. Platform Controls ..... (Refer to 603.1)	
2	73478PGT	FLOORING,8 FT PLATFORM** .....	1
2-	73477PGT	FLOORING, 6'FT PLATFORM .....	
3	824078GT	SCREW,HHF,1/4-20X.75,8,ZAG .....	
4	56912GT	SPRING CLIP,1/4-20,.025-.15X.5 .....	21
5	73610PGT	STEP PLATFORM ENTRY PAINTED*** .....	1
6	1262031GT	SCREW,HHF,10-24X.75,ZAG .....	
7	1256467GT	NUT,TL FLG,10-24,F,Z .....	
8	60476GT	TOOL HOLDER,PLASTIC .....	1
9	60475GT	GUSSET,TOOL HOLDER,PLASTIC .....	1
10	60477GT	PLATE,DECAL,PLASTIC .....	1
11	60474GT	CUP HOLDER,PLASTIC .....	2
12	60478GT	CLAMP,1.25"DIA NON-CUSHIONED .....	5
13	824060GT	SCREW, HHC, 1/4-20 X 1, 8, ZAG .....	
14	1253185GT	WASHER,FLAT,#10,USS,ZAG .....	
15	824024GT	NUT,TL,1/4-20,C,ZAG .....	
16	12443GT	MIDRAIL GUIDE ( HOOK ) .....	2
17	102992GT	SLIDING MIDRAIL KIT,PTD .....	1
17-	12443GT	MIDRAIL GUIDE ( HOOK ) .....	
17-	139451GT	TUBE,SLIDING MIDRAIL,PAINTED .....	
17-	20973GT	WIRE LOOM,3/8 POLY SLIT .....	
18A	44743GT	MANUAL BOX W/DECALS*** .....	1
		USA/Canada/Australia	
18B	24514GT	BOX,INSTRUCTION STORAGE .....	
		Europe/Asia/South America (decal required; refer to Section100)	
19	229768GT	GROMMET,RUBBER,1.0X0.094X1.375 .....	1



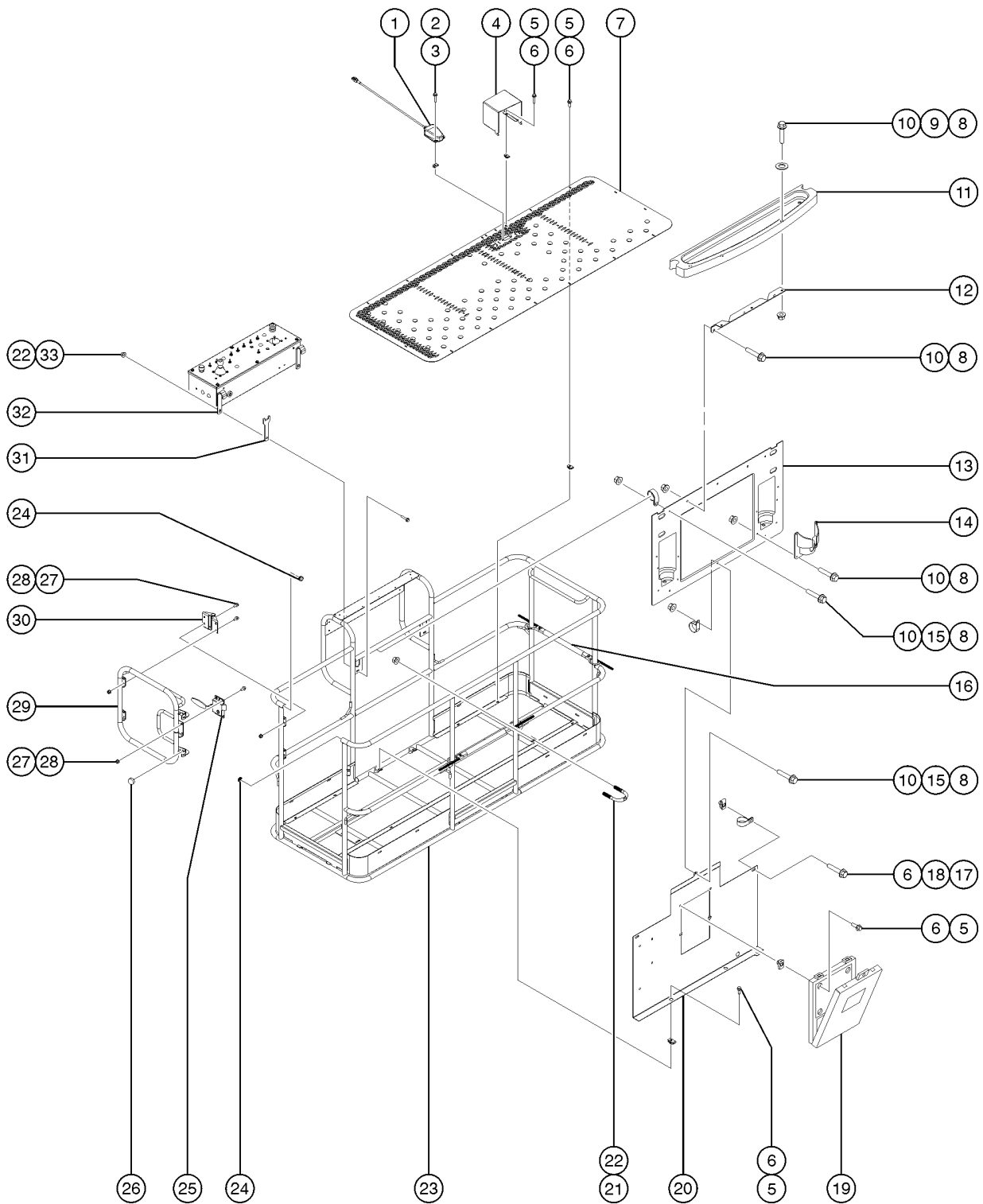
602.1 Platform Installation - View 2 (to SN 200)



<i>Item</i>	<i>Part No.</i>	<i>Description</i>	<i>Qty.</i>
20	75537PGT	PLATE,DOCUMENT BOX MOUNT,PAINT .....	1
21	56424GT	CLAMP,1.25X.5 RUBBER-CUSHION .....	5
23	824124GT	BOLT,CARRIAGE,1/4-20X.75,5,ZAG .....	
24A	73910GT	WELDMNT,8 FT PLATFORM .....	1
24B	73900GT	WELDMNT,6 FT PLATFORM .....	
25	824029GT	NUT,TL FLG,3/8-16,G,ZAG .....	
26	1251600GT	U-BOLT, FLATTENED, 1.5 X 3/8 .....	2
27	227515GT	ASSEMBLY,FOOT SWITCH .....	1
27-	33576GT	CONN,SQZ,BLK,1/2NPT,,38-.50,SM .....	
28	147221GT	GUARD,FOOTSWITCH,W/DECAL ALUM .....	1
		USA/Canada/Australia	
28-	147121GT	COVER, FOOT SWITCH, LARGE .....	
		Europe/Asia/South America	
29	1269641GT	SCREW,HHF-S,10-24X1,5,ZAG .....	
30	73575GT	SPRING CLIP,10-24,ZINC .....	2
31	824092GT	SCREW, HHF, 3/8-16 X 1.5, 8, ZAG .....	
32	824027GT	NUT,TL FLG,1/4-20,G,ZAG .....	5
33	824079GT	SCREW,HHF,1/4-20X1,8,ZAG .....	4



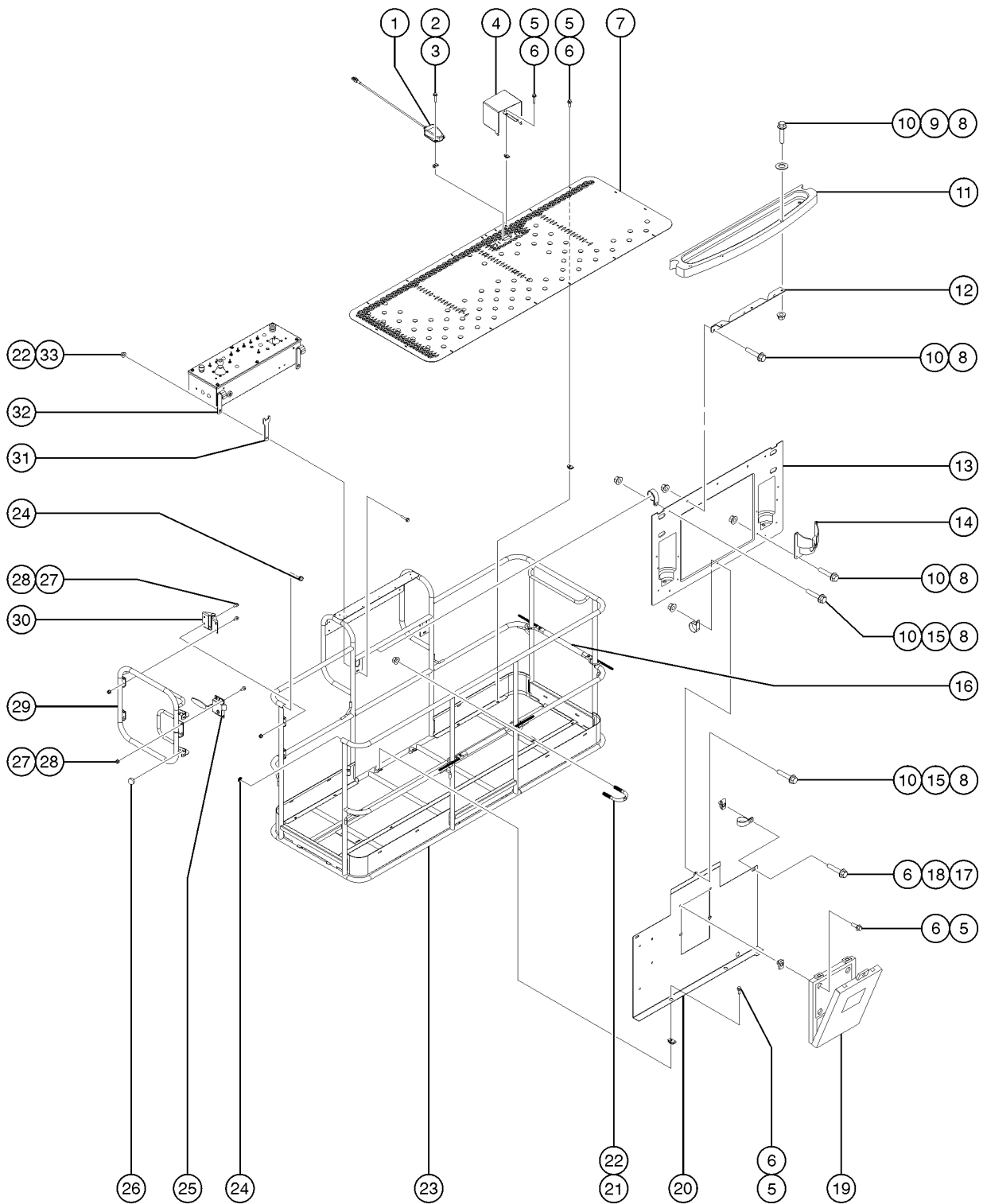
602.2 Platform Installation (from SN 201)



Item	Part No.	Description	Qty.
A	1272306GT	ASSY,8FT PLAT TRI XL,BLANK W/SIDE SWING GATE Warning tape & decals not included, refer to section 100 Decals	
B	1272305GT	ASSY,6FT PLAT DUAL XL,BLANK W/SIDE SWING GATE Warning tape & decals not included, refer to section 100 Decals	
1	227515GT	ASSEMBLY,FOOT SWITCH	1
2	1269641GT	SCREW,HHF-S,10-24X1.5,ZAG	2
3	73575GT	SPRING CLIP,10-24,ZINC	2
4	147121GT	COVER, FOOT SWITCH, LARGE	1
5	824078GT	SCREW,HHF,1/4-20X.75,8,ZAG	27
6	56912GT	SPRING CLIP,1/4-20,.025-.15X.5	29
7A	73478GT	FLOORING, 8 FT PLATFORM*** for 8' platform	1
7B	1267746GT	FLOORING, 72X30 PLATFORM for 6' platform	1
8	1262031GT	SCREW,HHF,10-24X.75,ZAG	20
9	1253185GT	WASHER,FLAT,#10,USS,ZAG	2
10	1256467GT	NUT,TL FLG,10-24,F,Z	20
11	60476GT	TOOL HOLDER,PLASTIC	1
12	60475GT	GUSSET,TOOL HOLDER,PLASTIC	1
13	60477GT	PLATE,DECAL,PLASTIC	1
14	60474GT	CUP HOLDER,PLASTIC	2
15	60478GT	CLAMP,1.25"DIA NON-CUSHIONED	7
16A	102992GT	SLIDING MIDRAIL KIT,PTD for 8' platform	2
16B	102992GT	SLIDING MIDRAIL KIT,PTD for 6' platform	1
17	824079GT	SCREW,HHF,1/4-20X1.8,ZAG	2
18	56424GGT	CLAMP,1.25X.5 RUBBER-CUSHION	2
19	24514GT	BOX,INSTRUCTION STORAGE	1
20	75537PGT	PLATE,DOCUMENT BOX MOUNT,PAINT	1
21	1251600GT	U-BOLT, FLATTENED, 1.5 X 3/8	2
22	824029GT	NUT,TL FLG,3/8-16,G,ZAG	6
23A	1274859GT	ASSY,8' PLAT WELDMENT W/SIDE GATE for 8' platform (includes item 16A) (order floor separately)	
23B	1274858GT	ASSY,6' PLAT WELDMENT W/SIDE GATE for 6' platform (includes item 16B)	



602.2 Platform Installation (from SN 201)

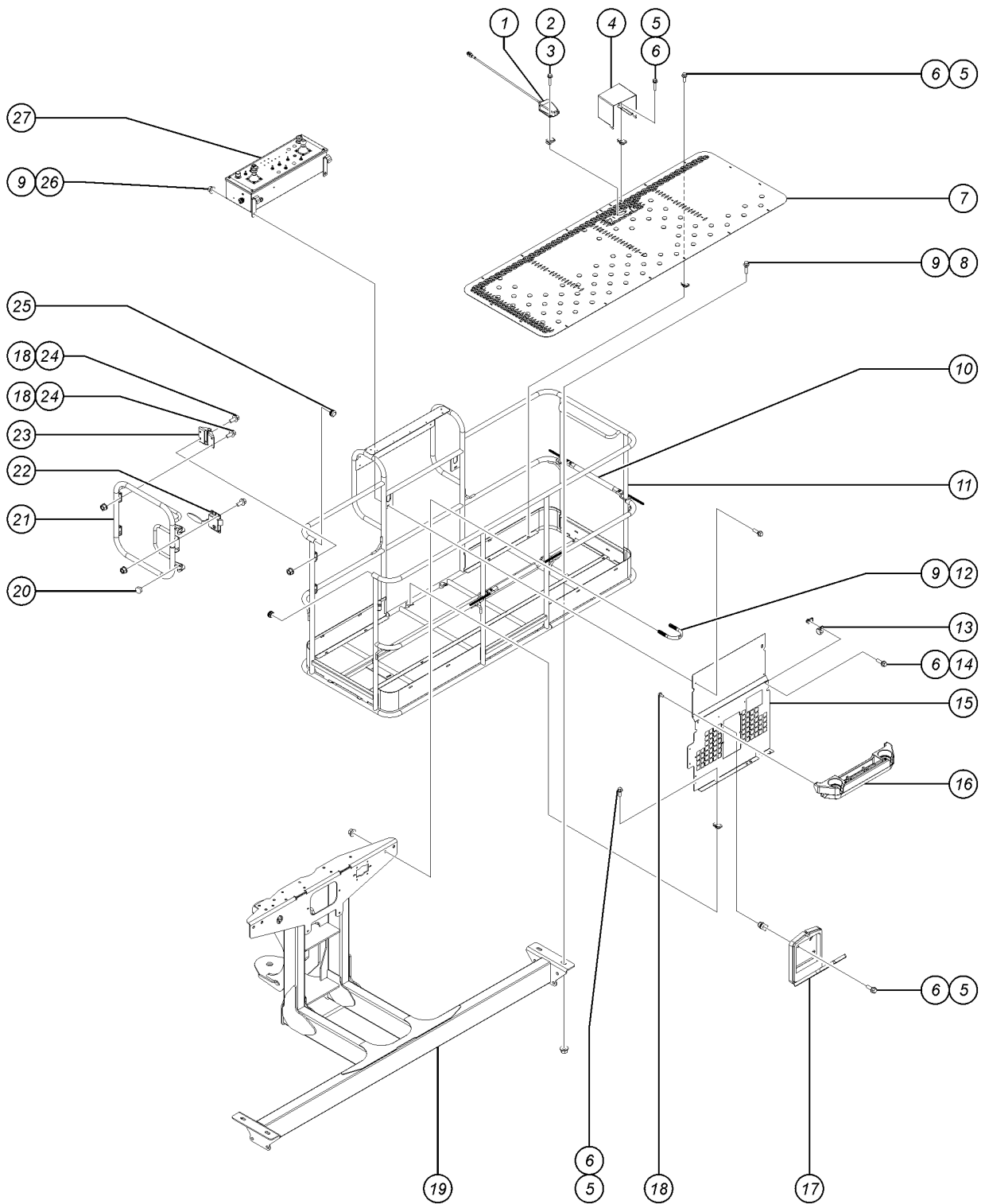


602.2 Platform Installation (from SN 201)

<i>Item</i>	<i>Part No.</i>	<i>Description</i>	<i>Qty.</i>
24	55753GT	BUMPER, PLASTIC, 1.25 O.D. ....	2
25	1267747GT	LATCH, SWING GATE .....	1
26	43392GT	BUMPER,BATTERY BOX & RAILS .....	2
27	824027GT	NUT,TL FLG,1/4-20,G,ZAG .....	12
28	1256855GT	SCREW,HHF,1/4-20X.625,8,ZAG .....	12
29	1272307GT	ASSY,SIDE SWING GATE Complete side swing gate assembly (includes items 25 -30) .....	
29-	1265397GT	WELDMENT, SWING GATE .....	1
30	104804GT	HINGE, SPRING, LONG LEG .....	2
31	107860GT	PLATE,PLAT.CONTROL BOX SPACER .....	2
32		REF. PLATFORM CONTROL BOX ASSEMBLY .....	1
		(refer to 603.1)	
33	824092GT	SCREW, HHF, 3/8-16 X 1.5, 8, ZAG .....	2



602.3 Platform Installation (From SN SX150H-573)



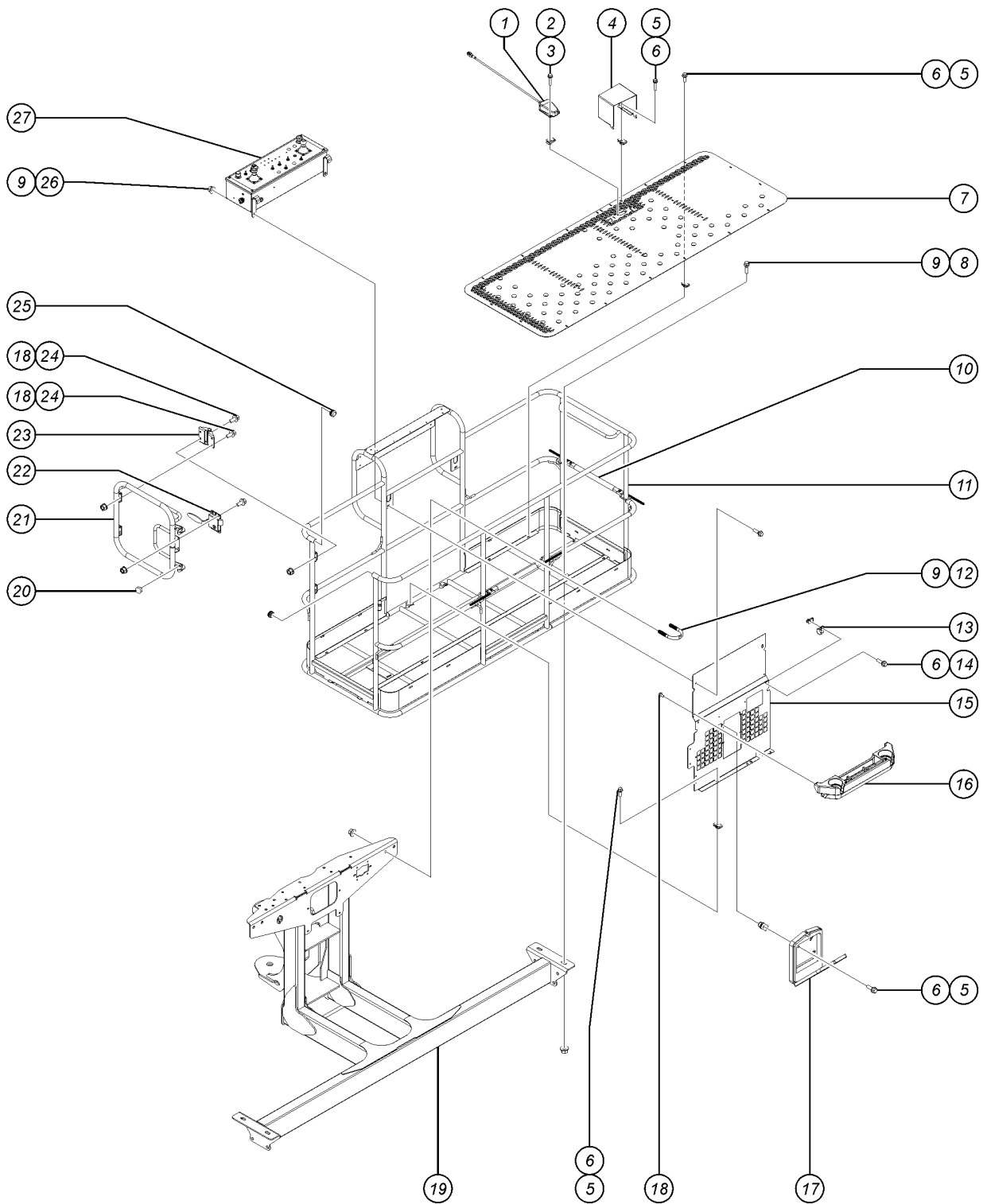


602.3 Platform Installation (From SN SX150H-573)

Item	Part No.	Description	Qty.
A	1269113GT	OPTION, 8' PLATFORM W/SIDE SWING GATE Complete 8' platform assembly. Order decals separately. Refer to Section 100.	
B	1272303GT	ASSY,6FT PLAT DUAL LG,BLANK W/SIDE SWING GATE Complete 6' platform assembly (North America, Australia markets). Order decals separately. Refer to Section 100.	
B	1278858GT	6' PLATFORM W/SIDE SWING GATE KIT CE Complete 6' platform assembly (CE market). Order decals separately. Refer to Section 100.	
C	107860GT	PLATE,PLAT.CONTROL BOX SPACER	2
1	227515GT	ASSEMBLY,FOOT SWITCH	1
2	1269641GT	SCREW,HHF-S,10-24X1,5,ZAG	2
3	73575GT	SPRING CLIP,10-24,ZINC	2
4	147121GT	COVER, FOOT SWITCH, LARGE	1
5	824078GT	SCREW,HHF,1/4-20X.75,8,ZAG	
6	56912GT	SPRING CLIP,1/4-20,.025-.15X.5	
7	73478GT	FLOORING, 8 FT PLATFORM*** (8 feet platform)	1
7B	1267746GT	FLOORING, 72X30 PLATFORM (6 feet platform)	1
8	824091GT	SCREW, HHF, 3/8-16 X 1.25, 8, ZAG	4
9	824029GT	NUT,TL FLG,3/8-16,G,ZAG	10
10	12448GT	SLIDING MID-RAIL ASSY. (8 feet platform)	2
10B	12448GT	SLIDING MID-RAIL ASSY. (6 feet platform)	1
11	1265372GT	WELDMENT, 96X36, TRI ENTRY PLA (8 feet platform)(includes item 10)	1
11B	1265826GT	WELDMENT, SIDE-ENTRY PLATFORM, 6' (6 feet platform)(includes item 10)	1
12	1251600GT	U-BOLT, FLATTENED, 1.5 X 3/8	2
13	56424GT	CLAMP,1.25X.5 RUBBER-CUSHION	2
14	824079GT	SCREW,HHF,1/4-20X1,8,ZAG	2
15	1275088GT	FORMING, ALUM. DECAL PLATE	1
16	1289552GT	KIT, PLATFORM WORK TRAY	1
17	24514GT	BOX,INSTRUCTION STORAGE	1
18	1256855GT	SCREW,HHF,1/4-20X.625,8,ZAG	16
19		Ref. PLATFORM SUPPORT (refer to 601.1)	1
20	43392GT	BUMPER,BATTERY BOX & RAILS	2
21	1265397GT	WELDMENT, SWING GATE	1



602.3 Platform Installation (From SN SX150H-573)

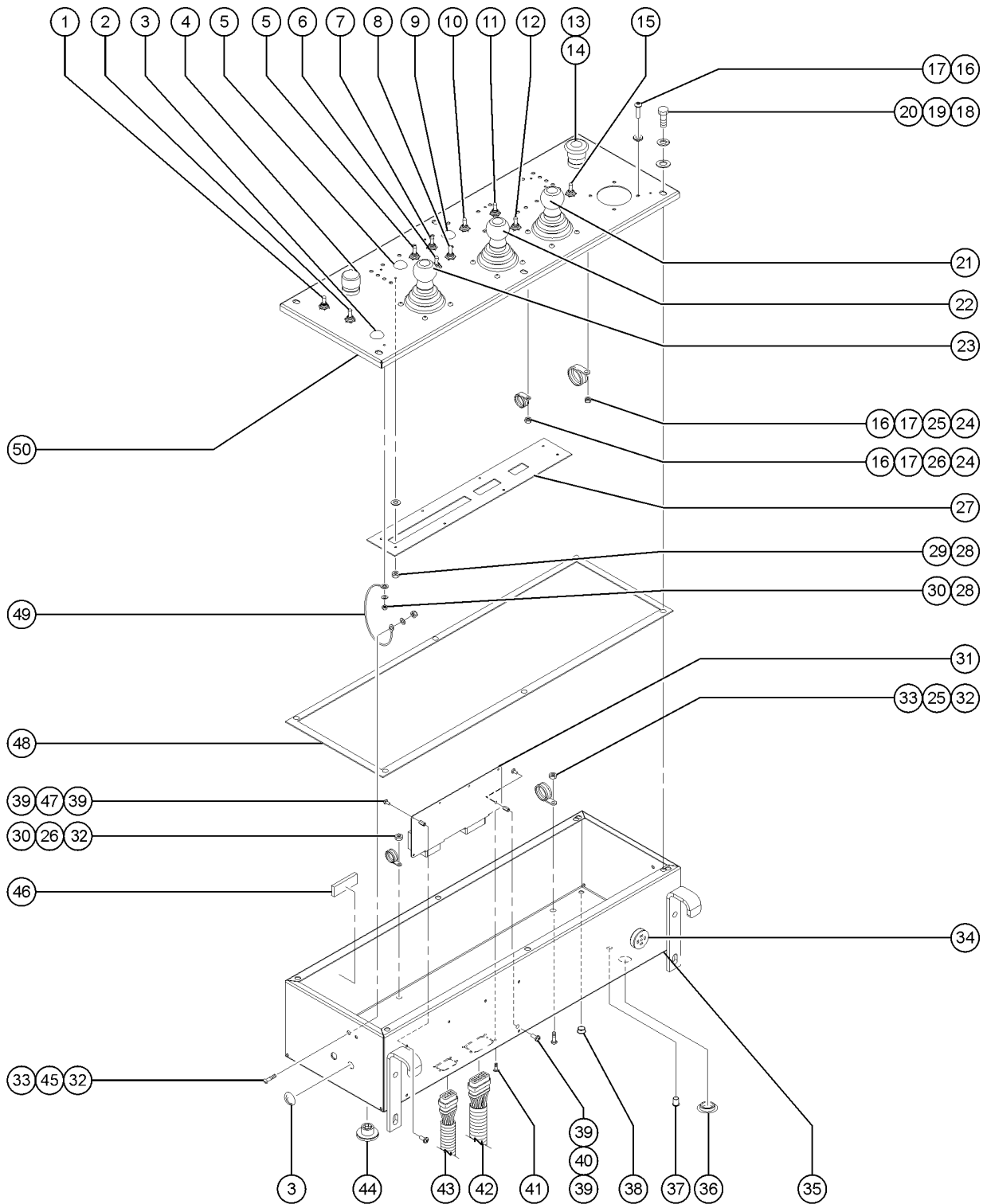


602.3 Platform Installation (From SN SX150H-573)

<i>Item</i>	<i>Part No.</i>	<i>Description</i>	<i>Qty.</i>
22	1267747GT	LATCH, SWING GATE .....	1
23	104804GT	HINGE, SPRING, LONG LEG .....	2
24	1277924GT	NUT,NYLOCK FLG,1/4-20,F,ZAG .....	12
25	55753GT	BUMPER, PLASTIC, 1.25 O.D. ....	2
26	824092GT	SCREW, HHF, 3/8-16 X 1.5, 8, ZAG .....	2
27		Ref. PLATFORM CONTROL BOX .....	
		(refer to 603.1)	



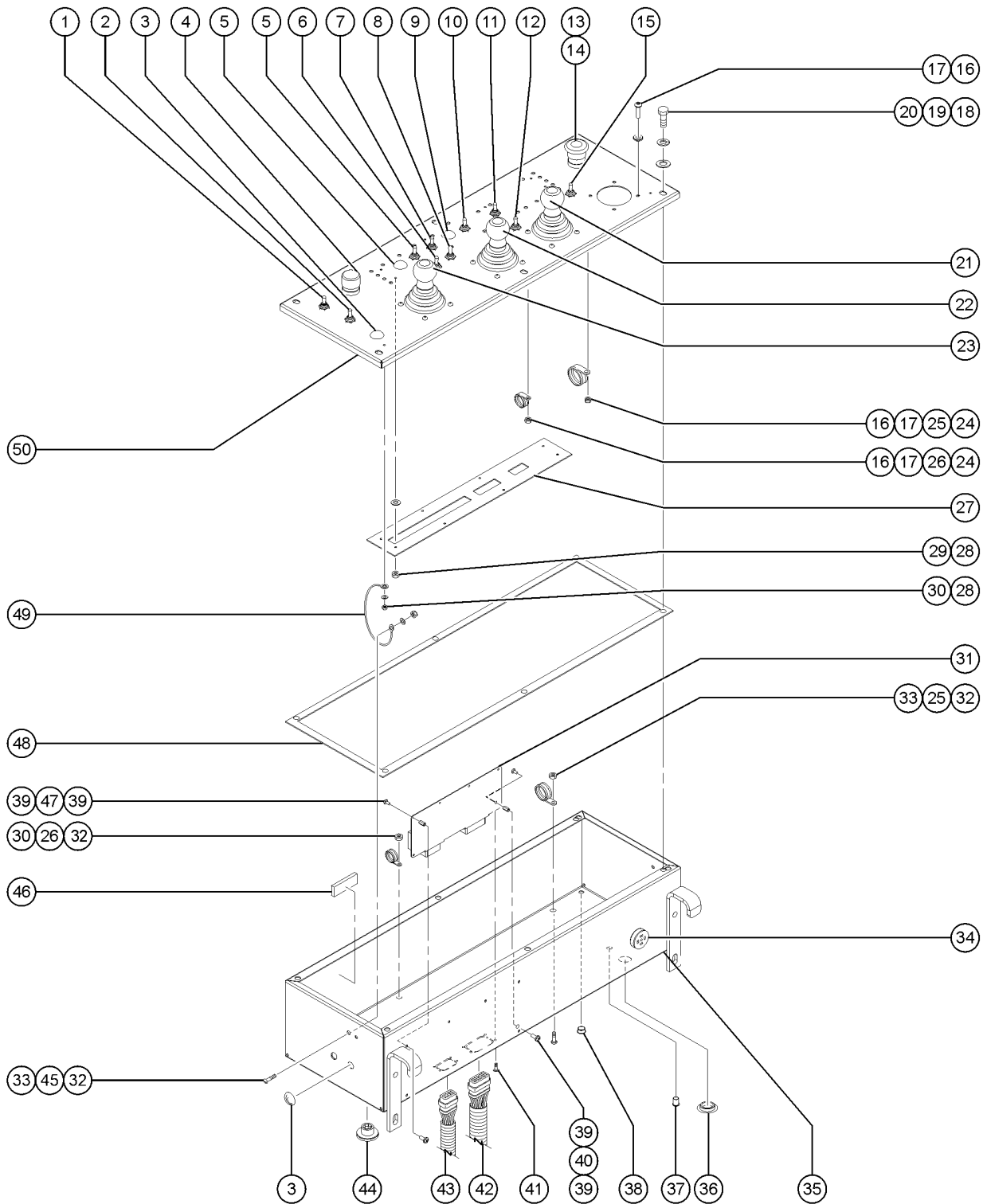
603.1 Platform Controls



Item	Part No.	Description	Qty.
-	1257984GT	ASSY, PLAT CONTROL BOX, SX (complete) For models with Deutz TD 2.9L4 or Perkins 854F-E34T or Deutz Stage V . Contact the Genie parts department to order according to your current version of software.	
-	236702GT	ASSY, PLATFORM CONTROL BOX (complete) Not for models with Deutz TD 2.9L4 or Perkins 854F-E34T or Deutz Stage V. Contact the Genie parts department to order according to your current version of software.	
-	214331GT	HARNESS, PCON JOYSTICK, SUPER .....	
-	214332GT	HARNESS, PCON TOGGLE SWITCH, S .....	
-	119613GT	HARN JOYSTICK ADAPTOR JS100 6-pin to 7-pin adapter (for 101174, 101175, 101005) .....	
1	128200GT	SWITCH TOGGLE ASSY SPDT 3P MOM .....	1
		Platform Rotate Toggle Switch	
2	128200GT	SWITCH TOGGLE ASSY SPDT 3P MOM .....	1
		Platform Level Toggle Switch	
3	229567GT	PLUG, SANTOPRENE .5 BLACK DOME .....	5
4	66813GT	BUTTON,PUSH,BLACK W/SEAL *** .....	1
4-	66815GT	BASE, W/1 N.O. CONTACTS*** .....	
5	128200GT	SWITCH TOGGLE ASSY SPDT 3P MOM .....	1
		Generator ON/OFF Toggle Switch	
6	128200GT	SWITCH TOGGLE ASSY SPDT 3P MOM .....	1
		Drive Enable Toggle Switch	
7	128200GT	SWITCH TOGGLE ASSY SPDT 3P MOM .....	1
		Auxiliary Power Toggle Switch	
8	128200GT	SWITCH TOGGLE ASSY SPDT 3P MOM .....	1
		Axle Extend/Retract Toggle Switch	
9	229567GT	PLUG, SANTOPRENE .5 BLACK DOME For models with Deutz TD 2.9L4 or Perkins 854F-E34T. For other engines use plug part 128200	
9-	128200GT	SWITCH TOGGLE ASSY SPDT 3P MOM .....	
10	128200GT	SWITCH TOGGLE ASSY SPDT 3P MOM .....	1
		Engine Start Toggle Switch	
11	128200GT	SWITCH TOGGLE ASSY SPDT 3P MOM .....	1
		Hi/Low RPM Toggle Switch	
12	128200GT	SWITCH TOGGLE ASSY SPDT 3P MOM .....	1
		Drive Speed Toggle Switch	
13	66812GT	BUTTON,PUSH,RED MUSHROOM HEAD .....	1
13-	66817GT	BASE WITH 1 NC CONTACT, E-STOP .....	
14	146478GT	BOOT(BELLOWS),E-STOP,BLACK .....	1
15	128200GT	SWITCH TOGGLE ASSY SPDT 3P MOM .....	1
		Steer Mode Toggle Switch	
16	139338GT	SCREW PH M5-0.8X20 DIN 7500CE .....	16
17	1269498GT	SHOULDER WASHER, NYLON .....	16
		from SNSX150H-612	
18	6090GT	SCREW,HHC,1/4-20 X .75 .....	6
19	6356GT	WASHER,LOCK,.25 .....	6



603.1 Platform Controls

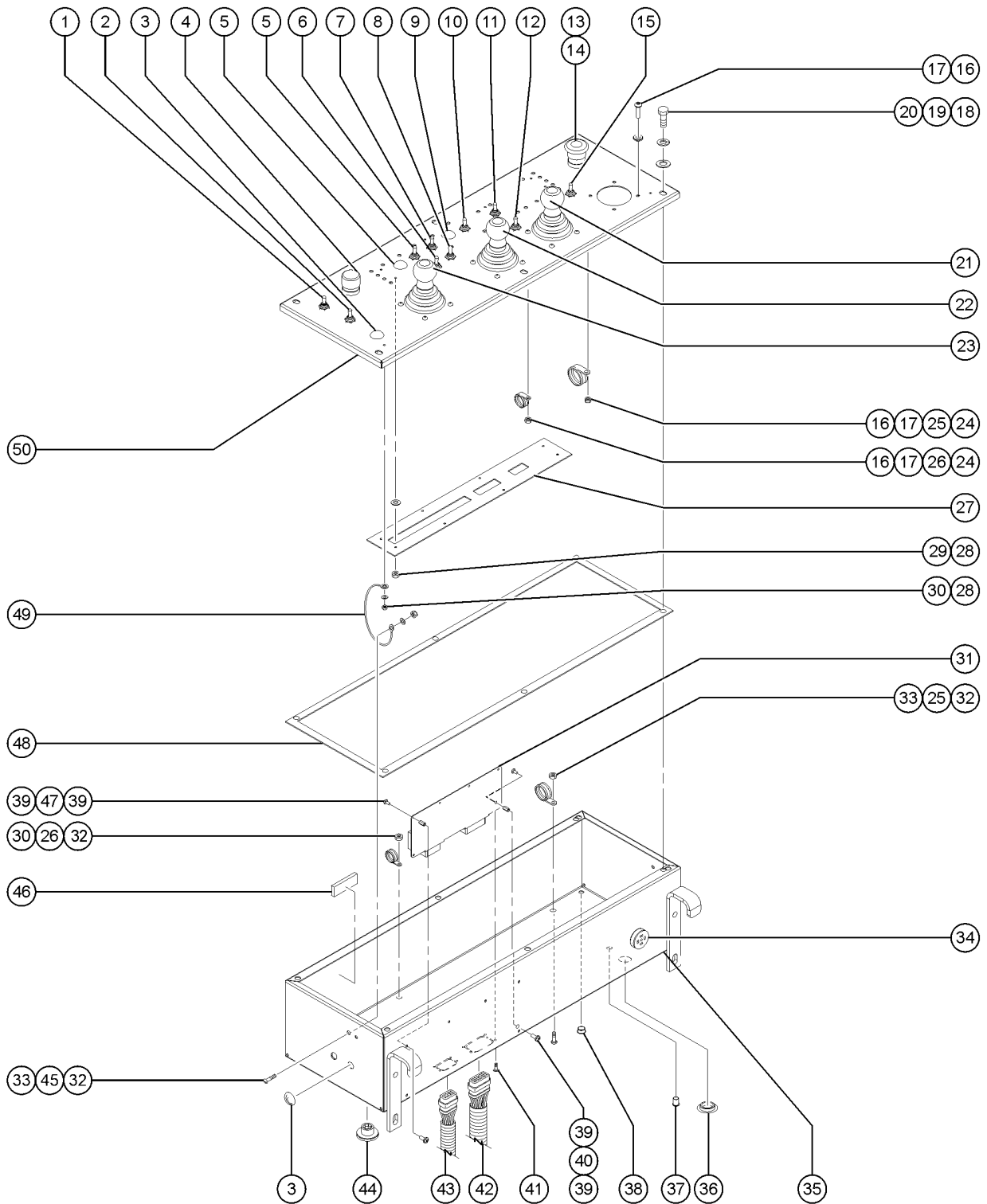


603.1 Platform Controls

Item	Part No.	Description	Qty.
20	6638GT	WASHER,FLAT,USS,1/4"Y	6
21		JOYSTICK,2 AXIS,DEUTSCH (Refer to 605.1)	1
21-	1269497GT	GASKET, ISOLATION, JOYSTICK Tier 4 and Deutz Stage V	
22		JOYSTICK,1 AXIS,DEUTSCH (Refer to 605.1)	1
22-	1269497GT	GASKET, ISOLATION, JOYSTICK Tier 4 and Deutz Stage V	
23		JOYSTICK,2 AXIS,DEUTSCH (Refer to 605.1)	1
23-	1269497GT	GASKET, ISOLATION, JOYSTICK Tier 4 and Deutz Stage V	
24	104030GT	NUT HEX M5-0.8 CLASS 8 ZINC	4
25	13268GT	CLAMP,0.75,#12 X 1/4,RUB CUSH	3
26	6833GT	CLAMP,0.50,#8 X 1/4,RUB CUSH	2
27	232975GT	PCB, LED/TOGGLE SWITCH, ALC100	1
28	12344GT	NUT,NYLOCK,6-32	10
29	822224GT	WASHER, NYLON #10, 0.093	8
30	35461GT	WASHER,FLAT,MS,#8,Y	2
31	214340GT	PCB, ASSY, ECM, PLATFORM, SPX V3.00	1
32	6178GT	NUT,NYLOCK,10-32	4
33	54365GT	SCREW,PHIL,PHM,10-32 X .5,SSTL	4
34	62379GT	ALARM,AUDIO,SUPERBOOM*	1
34-	72326GT	NUT - PLASTIC,RING FOR ALARMS	
35	822477GT	WELDMENT, PLATFORM CONTROL BOX (Empty control box only) Tier 3	
35B	214349GT	WELDMENT, PLATFORM CONTROL BOX (Empty control box only) ) Tier 4 and Deutz Stage V	
36	15243GT	PLUG,NYLON .875 BLACK DOMED Tier 4 and Deutz Stage V	1
37	42288GT	PLUG,NYLON .188 BLACK DOMED	1
38	21858GT	PLUG,NYLON .38 BLACK DOMED	4
39	81551GT	SCREW,PHIL,PHM,6-32 X 1/4 SS	12
40	88287GT	STANDOFF,6-32 X 1/2L X 1/4 HEX	2
41	122351GT	SCREW,#4X1/4,HI-LO,PH PHIL,TAP	8
42	236408GT	HARNESS, PLATFORM/JIB, SUPER X to SN SX150H-518	1



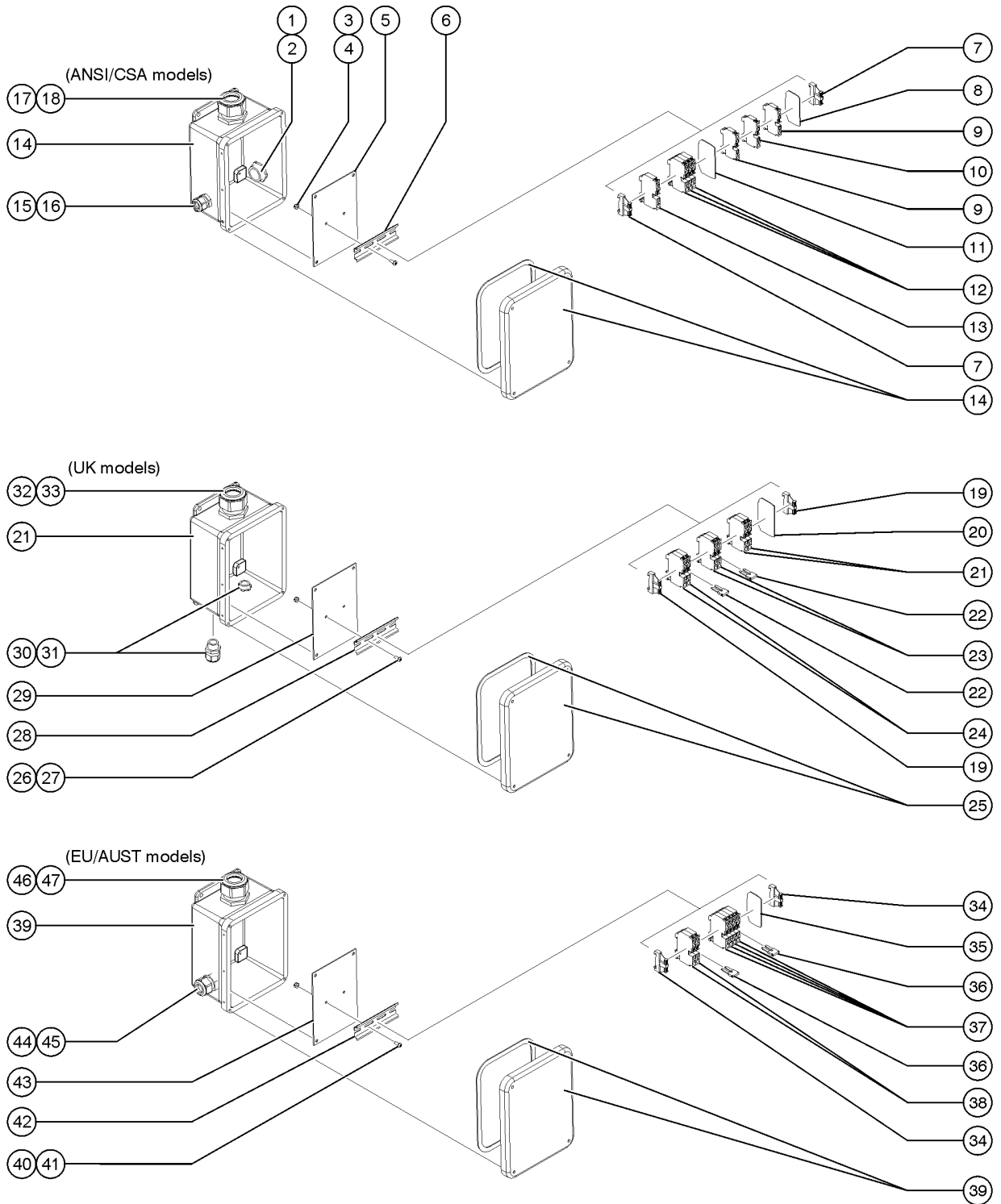
603.1 Platform Controls





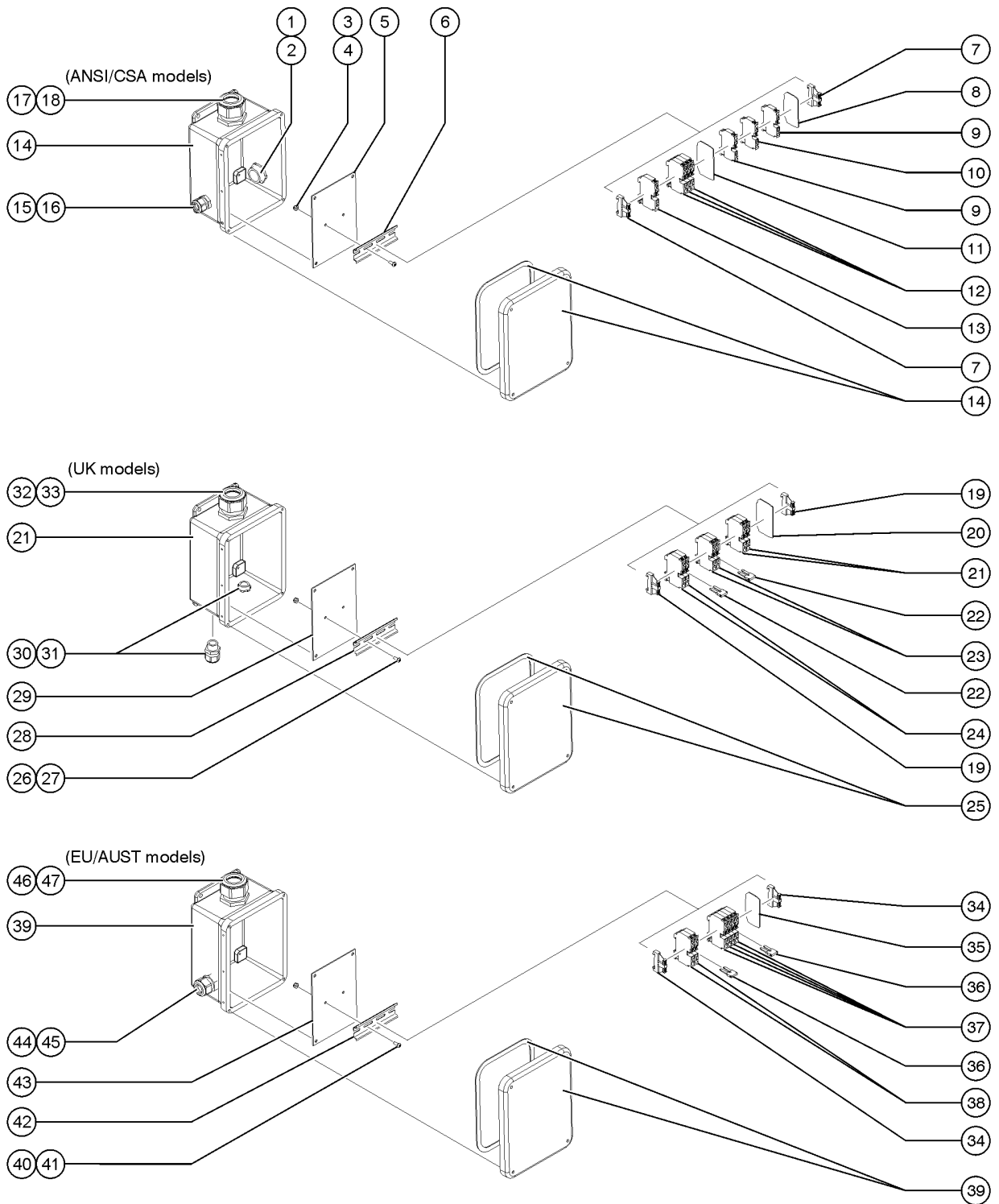
<i>Item</i>	<i>Part No.</i>	<i>Description</i>	<i>Qty.</i>
42-	1274905GT	HARNESS, PLATFORM/JIB, LOOP ..... from SN SX150H-519	
43	236263GT	HARNESS, UPPER BOOM CABLE, .....	1
44	106495GT	PLUG, 1/2" HUBBLE ..... Tier 3	1
44B	15243GT	PLUG, NYLON .875 BLACK DOMED ..... Tier 4 and Deutz Stage V	
45	6146GT	WASHER, FLAT, MS, #10, Y .....	2
46	30997GT	CORROSION INHIBITOR, FOAM .....	1
47	110229GT	STANDOFF, 6-32X1/2LX1/4 HEX NYL .....	4
48	81488GT	GASKET, PLATFORM CONTROL BOX .....	1
49	77351GT	LANYARD, PLATFORM CONTROL BOX .....	2
50	236710GT	LID, PLAT BOX, 4 JOYSTICK, SX ..... (Excluding all items from 1 to 49) Tier 3	1
50B	1277174GT	LID, PLATFORM BOX, 4 JOYSTICK ..... (Excluding all items from 1 to 49) Tier 4 and Deutz Stage V	

604.1 Platform J Box Assembly



Item	Part No.	Description	Qty.
-	825776GT	BOX,ASSY PLATFORM,J,ANSI/CSA (ANSI/CSA models (complete, including 1 - 18) to SN SX150H-611	1
-	1283046GT	BOX, ASSY PLATFORM,J,ANSI/CSA (ANSI/CSA models (complete, including 1 - 18 from SN SX150H-612	1
-	825763GT	BOX,ASSY PLATFORM,J,UK UK models (complete, including 19 - 33)	1
-	825775GT	BOX,ASSY PLATFORM,J,EU EU/AUST models (complete, including 34 - 47)	1
1	20776GT	CABLE SQUEEZE CONN.	1
2	18665GT	LOCKNUT,ELECTRIC,1" NPT	1
3	6178GT	NUT,NYLOCK,10-32	
4	54365GT	SCREW,PHIL,PHM,10-32 X .5,SSTL	
5	825761GT	PANEL, ENCLOSURE, BACK	1
6	825737GT	DIN RAIL, 4.60"	1
7	74913GT	END STOP, DIN RAIL,SCREW CLAMP	2
8	822103GT	DIN RAIL, PARTITION PLATE	1
9	825807GT	BLOCK,DIN FEED THRU,24-8	2
10	825806GT	BLOCK,DIN FEED THRU,24-8	1
11	825810GT	PARTITION,DIN RAIL GREY PLATE	1
12	825795GT	BLOCK,DIN FEED THRU,16-6	3
13	825797GT	BLOCK,DIN FEED THRU,16-6	1
14	825746GT	BOX,J,CIRCUIT BREAKERS to SN SX150H-611	1
14B	1283035GT	BOX,J,CIRCUIT BREAKERS ANSI/CSA from SN SX150H-612	1
15	12960GT	CABLE SQUEEZE CONN.,XTRA LRG to SN SX150H-611	1
15B	7057GT	CONN. SQZ,1/2NPT .39-.56 MED. from SN SX150H-612	1
16	14041GT	LOCKNUT,ELECTRIC,3/4" to SN SX150H-611	1
16B	6935GT	LOCKNUT,ELEC,1/2" from SN SX150H-612	1
17	822222GT	CABLE SQUEEZE CONN., 1.25" to SN SX15016H-205	1
18	822223GT	LOCKNUT, ELECTRIC, 1.25" NPT to SN SX15016H-205	1
18-	1269460GT	CABLE SQUEEZE CONN, M40X1.5 from SN SX15016H-206	1
19	74913GT	END STOP, DIN RAIL,SCREW CLAMP	2
20	825810GT	PARTITION,DIN RAIL GREY PLATE	1

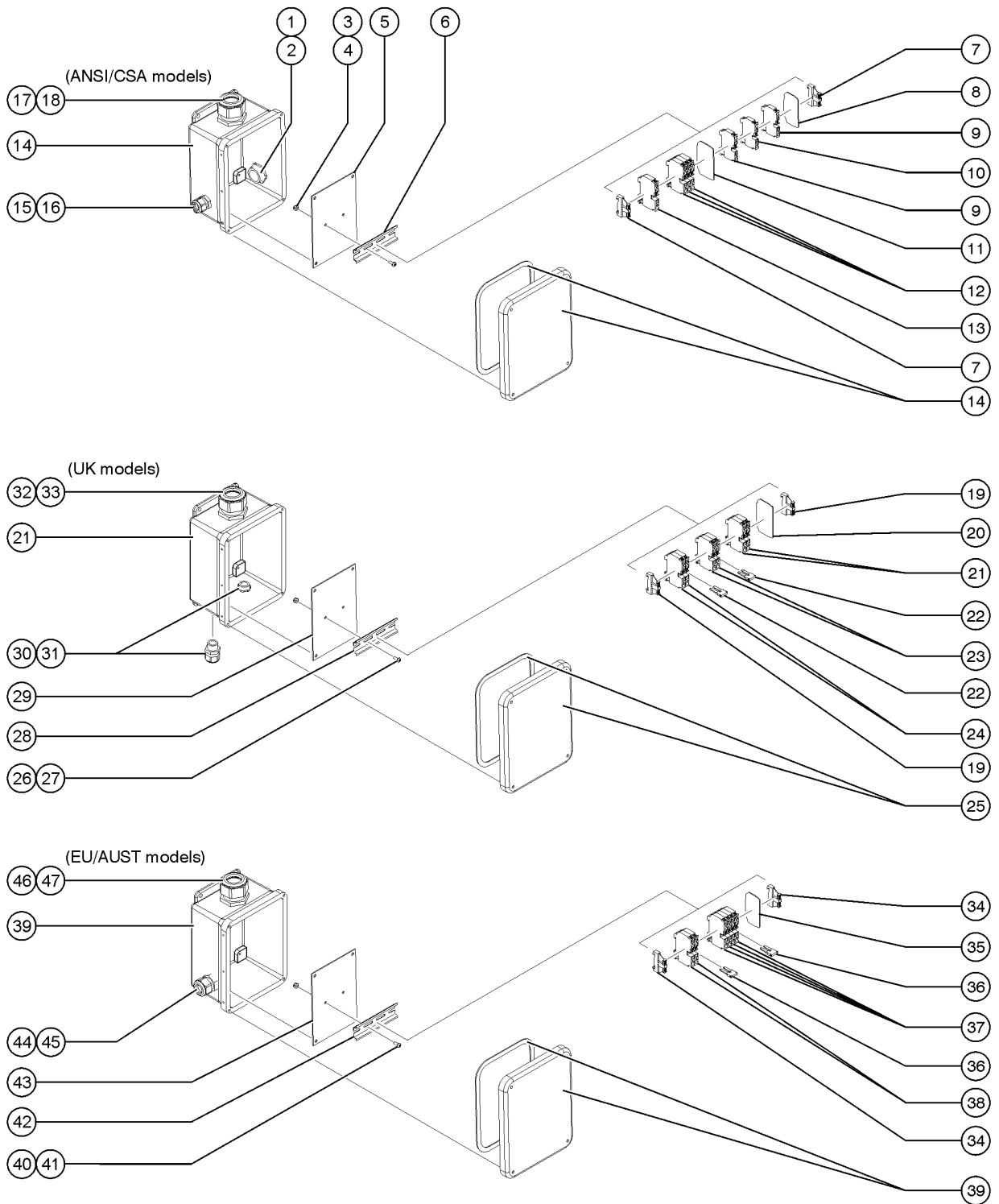
604.1 Platform J Box Assembly



Item	Part No.	Description	Qty.
21	825795GT	BLOCK,DIN FEED THRU,16-6 .....	2
22	825849GT	JUMPER,2 PIN DIN RAIL TERMINAL .....	2
23	825747GT	BLOCK,DIN FEED THRU BLUE .....	2
24	825797GT	BLOCK,DIN FEED THRU,16-6 .....	2
25	825749GT	BOX,J,CIRCUIT BREAKERS UK .....	1
26	54365GT	SCREW,PHIL,PHM,10-32 X .5,SSTL .....	
27	6178GT	NUT,NYLOCK,10-32 .....	
28	825737GT	DIN RAIL, 4.60" .....	1
29	825761GT	PANEL, ENCLOSURE, BACK .....	1
30	7057GT	CONN. SQZ,1/2NPT .39-.56 MED. ....	2
31	6935GT	LOCKNUT,ELEC,1/2" .....	2
32	822222GT	CABLE SQUEEZE CONN., 1.25" .....	1
		to SN SX15016H-205	
33	822223GT	LOCKNUT, ELECTRIC, 1.25" NPT .....	1
		to SN SX15016H-205	
33-	1269460GT	CABLE SQUEEZE CONN, M40X1.5 .....	1
		from SN SX15016H-206	
34	74913GT	END STOP, DIN RAIL,SCREW CLAMP .....	2
35	822103GT	DIN RAIL, PARTITION PLATE .....	1
36	825849GT	JUMPER,2 PIN DIN RAIL TERMINAL .....	2
37	825795GT	BLOCK,DIN FEED THRU,16-6 .....	4
38	825797GT	BLOCK,DIN FEED THRU,16-6 .....	2
39	825748GT	BOX,J,CIRCUIT BREAKERS EU .....	1
40	54365GT	SCREW,PHIL,PHM,10-32 X .5,SSTL .....	
41	6178GT	NUT,NYLOCK,10-32 .....	
42	825737GT	DIN RAIL, 4.60" .....	1
43	825761GT	PANEL, ENCLOSURE, BACK .....	1
44	12960GT	CABLE SQUEEZE CONN.,XTRA LRG .....	1
45	14041GT	LOCKNUT,ELECTRIC,3/4" .....	1
46	822222GT	CABLE SQUEEZE CONN., 1.25" .....	1
		to SN SX15016H-205	
47	822223GT	LOCKNUT, ELECTRIC, 1.25" NPT .....	1
		to SN SX15016H-205	



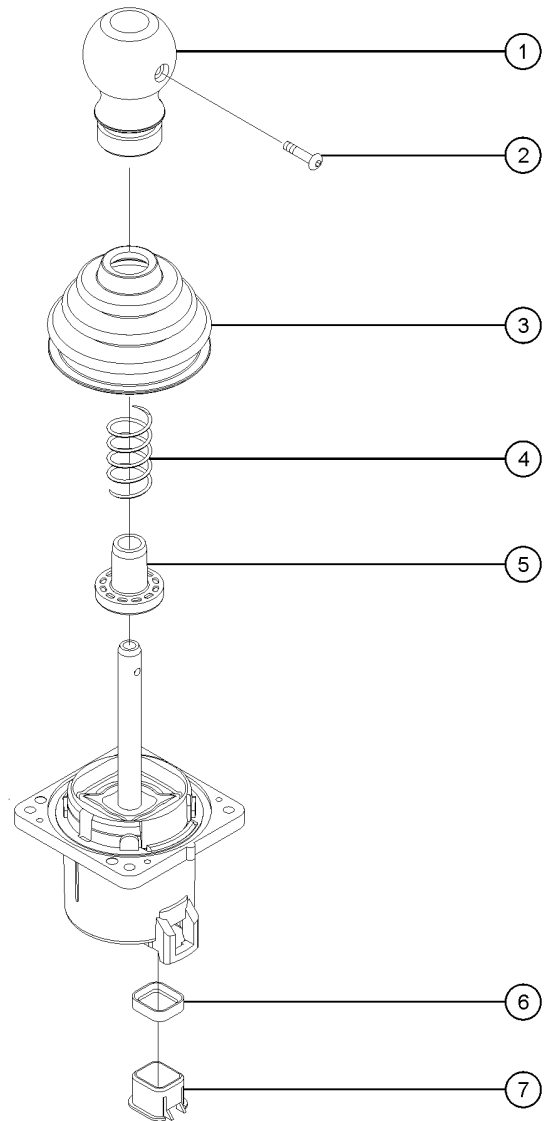
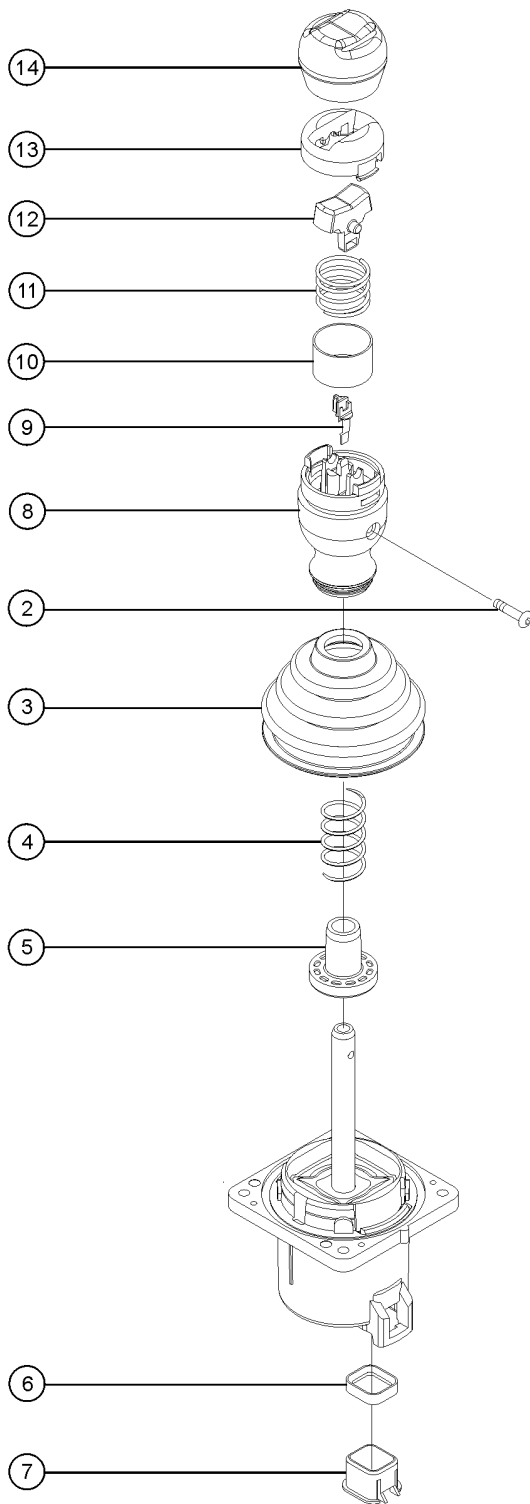
604.1 Platform J Box Assembly



<i>Item</i>	<i>Part No.</i>	<i>Description</i>	<i>Qty.</i>
47-	1269460GT	CABLE SQUEEZE CONN, M40X1.5 ..... from SN SX15016H-206	1



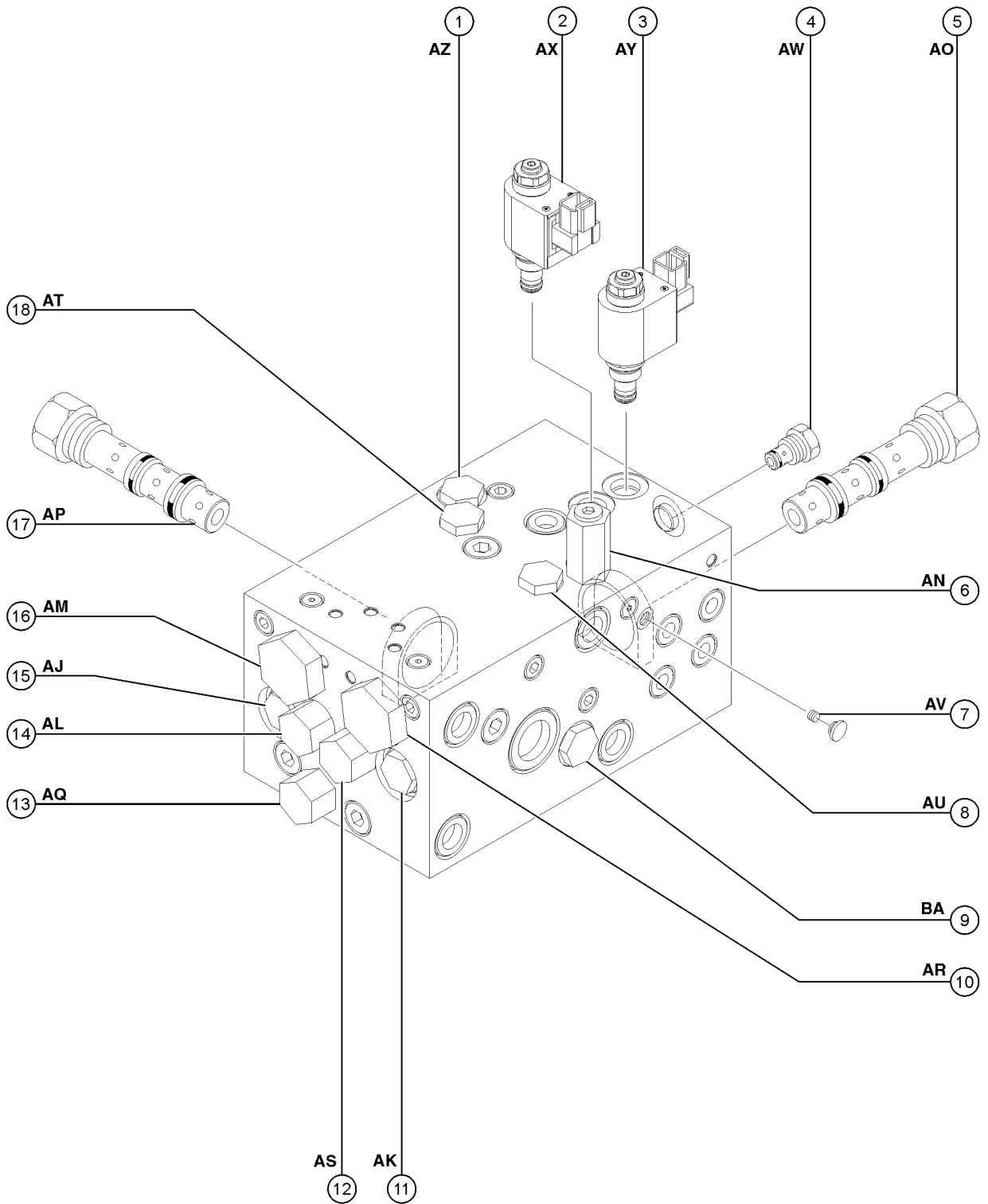
605.1 Joysticks





Item	Part No.	Description	Qty.
-		For joystick location refer to 603.1 .....	
-	1269500GT	KIT, ISOLATION, 2 JOYSTICK .....	
-	1269501GT	KIT, ISOLATION, 3 JOYSTICK .....	
1	62392GT	KNOB,JOYSTICK, 62390/62391 .....	
2	T112626GT	SCREW, PHM, #6-32 X .625 ZINC .....	
2-	1269499GT	PLUG, JOYSTICK HANDLE .....	
3	139598GT	BOOT,JOYSTICK .....	
4		SPRING,JOYSTK CENTR,62390/91 .....	1
		no longer available from supplier	
5	119915GT	COLLAR,JOYSTICK,CENTER .....	
6	128000GT	SEAL, CONNECTOR (DT JOYSTICKS) .....	
7	128001GT	SLEEVE,CONNECTOR,DT JOYSTICKS .....	
8	75449GT	KNOB,ROCKER JOYSTICK 75565 .....	
9	75448GT	SUPPORT,SENSOR,JOYSTICK .....	
10	75447GT	SWITCH SHIELD,ROCK JOYSTK75565 .....	
11	75446GT	SPRING,SWITCH CENTERING,75565 .....	
12	75445GT	ROCKER ASSY.,MAGNETIC 75565 .....	
13	75444GT	ROCKER,RETAINER, 75565 .....	
14	75443GT	BOOT, ROCKER JOYSTICK 75565 .....	

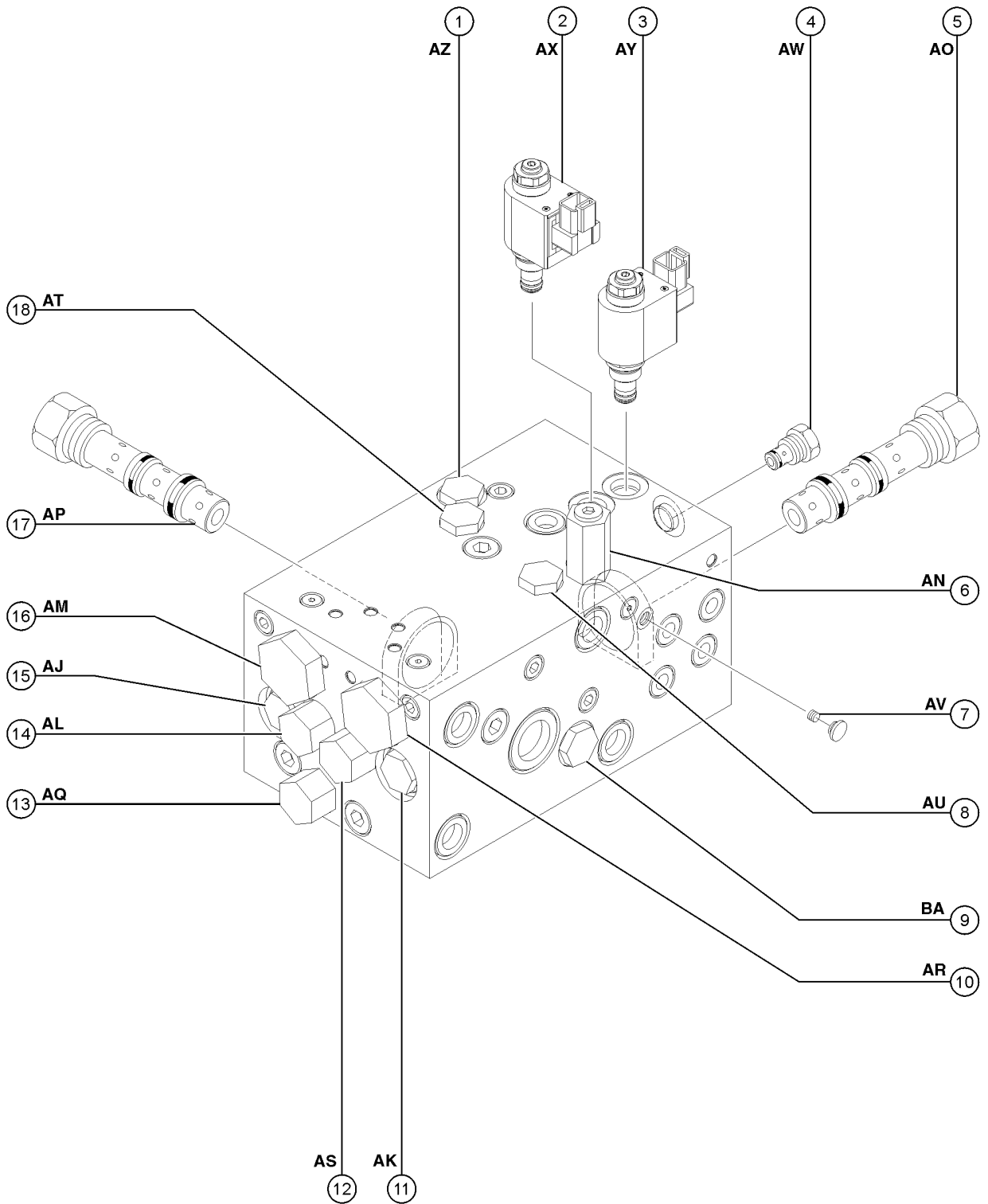
701.1 Traction Manifold



Item	Part No.	Description	Qty.
-	218145GT	MANIFOLD,TRACTION,4WD .....	
-	59371GT	PLUG, HEX SOCKET, 090109B-8* (use on CDL and CDR ports) .....	
1	27836GT	VALVE,CHECK,5 PSI AZ, Drive motor anti-cavitation .....	1
1-	110194GT	SEAL KIT, VALVE, #10 .....	
2	161534GT	VALVE, SOLENOID, 2 POS 3 WAY AX, 2 speed drive motor shift (includes valve and coil) .....	1
2-	122148GT	COIL,SOLENOID VALVE,20W Coil only .....	
2-	237236GT	SEAL KIT,VALVE .....	
2-	237235GT	NUT KIT W/COIL ORINGS .....	
3	161534GT	VALVE, SOLENOID, 2 POS 3 WAY AY, Brake Release (includes valve and coil) .....	1
3-	122148GT	COIL,SOLENOID VALVE,20W Coil only .....	
3-	237236GT	SEAL KIT,VALVE .....	
3-	237235GT	NUT KIT W/COIL ORINGS .....	
4	231037GT	CHECK VALVE,BALL TYPE,NORMAL AW, Brake circuit .....	1
4-	74902GT	SEAL KIT, VALVE .....	
5	27761GT	VALVE,SHUTTLE AO, Hot oil shuttle (charge pressure) .....	1
5-	84134GT	SEAL KIT, VALVE .....	
6	62253GT	VALVE,RELIEF,250 PSI AN, Charge pressure circute .....	1
6-	74902GT	SEAL KIT, VALVE .....	
7	102496GT	ORIFICE,PLUG 0.030 AV, Brake release and 2 - speed motor shift circute .....	1
8	231037GT	CHECK VALVE,BALL TYPE,NORMAL AU, Drive motor anti-cavitation .....	1
8-	74902GT	SEAL KIT, VALVE .....	
9	27836GT	VALVE,CHECK,5 PSI BA, Drive motor anti-cavitation .....	1
9-	110194GT	SEAL KIT, VALVE, #10 .....	
10	107729GT	VALVE, FLOW DIVIDER/COMBINER AR, Controls flow to square end. Drive motors in forw. and rev. ....	1
10-	84135GT	SEAL KIT, VALVE .....	
11	231037GT	CHECK VALVE,BALL TYPE,NORMAL AK, Drive motor anti-cavitation .....	1
11-	74902GT	SEAL KIT, VALVE .....	
12	73084GT	VALVE FLOW CONTROL 3.0 GPM AS, Equalizes pressure on both sides of flow divider/combiner (C) .....	1

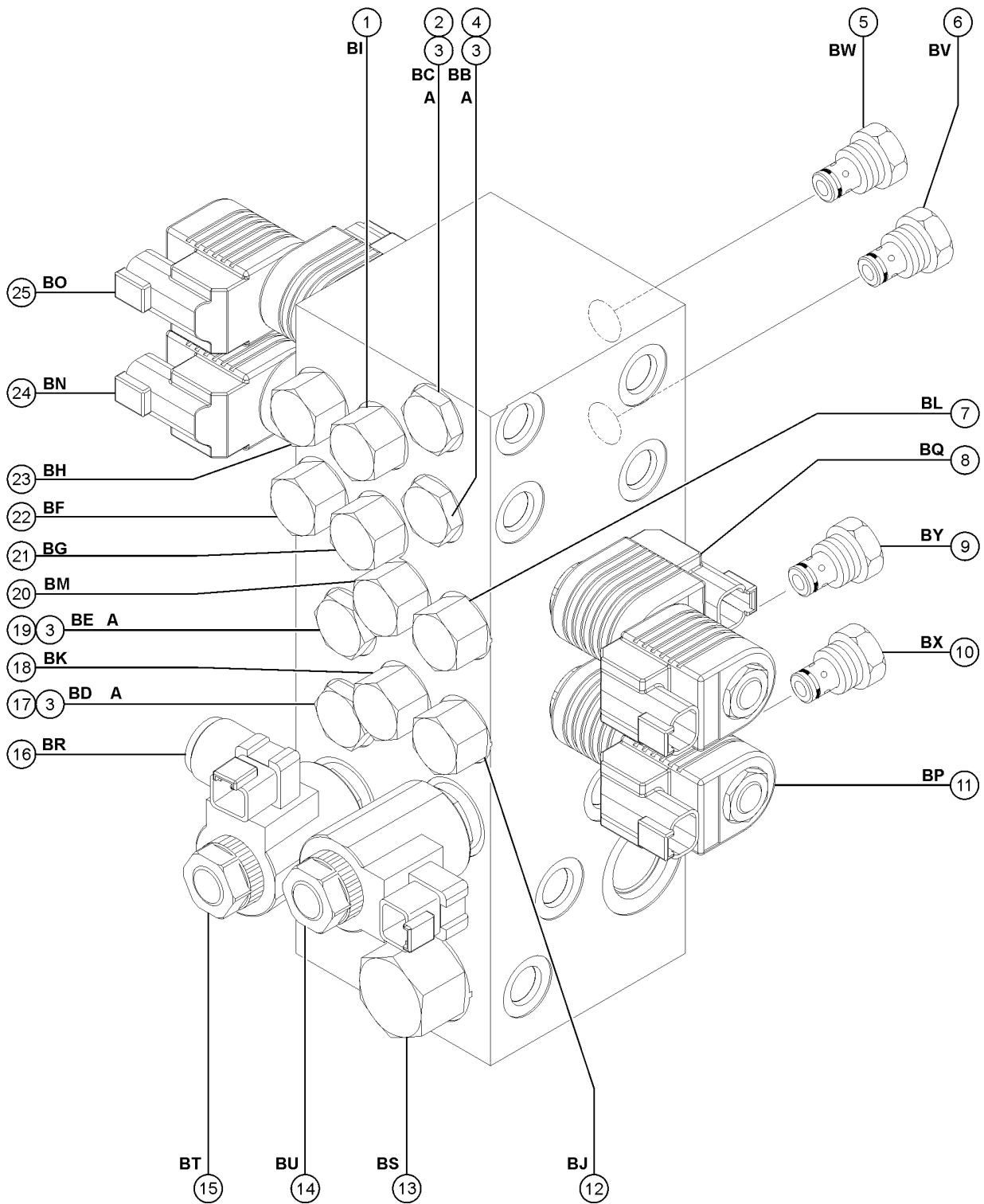


701.1 Traction Manifold



Item	Part No.	Description	Qty.
12-	89310GT	SEAL KIT, SOLENOID VALVE .....	
13	73084GT	VALVE FLOW CONTROL 3.0 GPM AQ, Equalizes pressure on both sides of flow divider/combiner (B) .....	1
13-	89310GT	SEAL KIT, SOLENOID VALVE .....	
14	73084GT	VALVE FLOW CONTROL 3.0 GPM AL, Equalizes pressure on both sides of flow divider/combiner (A) .....	1
14-	89310GT	SEAL KIT, SOLENOID VALVE .....	
15	231037GT	CHECK VALVE,BALL TYPE,NORMAL .....	1
		AJ, Drive motor anti-cavitation	
15-	74902GT	SEAL KIT, VALVE .....	
16	107729GT	VALVE, FLOW DIVIDER/COMBINER .....	1
		AM, Controls flow to circle end. Drive motors in forw. and rev.	
16-	84135GT	SEAL KIT, VALVE .....	
17	52726GT	VALVE,FLOW DIVIDER/COMBINER .....	1
		AP, Controls flow to flow divider / combiner vavle	
17-	84135GT	SEAL KIT, VALVE .....	
18	231037GT	CHECK VALVE,BALL TYPE,NORMAL .....	1
		AT, Drive motor anti-cavitation	
18-	74902GT	SEAL KIT, VALVE .....	

702.1 Steer and Axle Manifold (to SN SX150H-507)

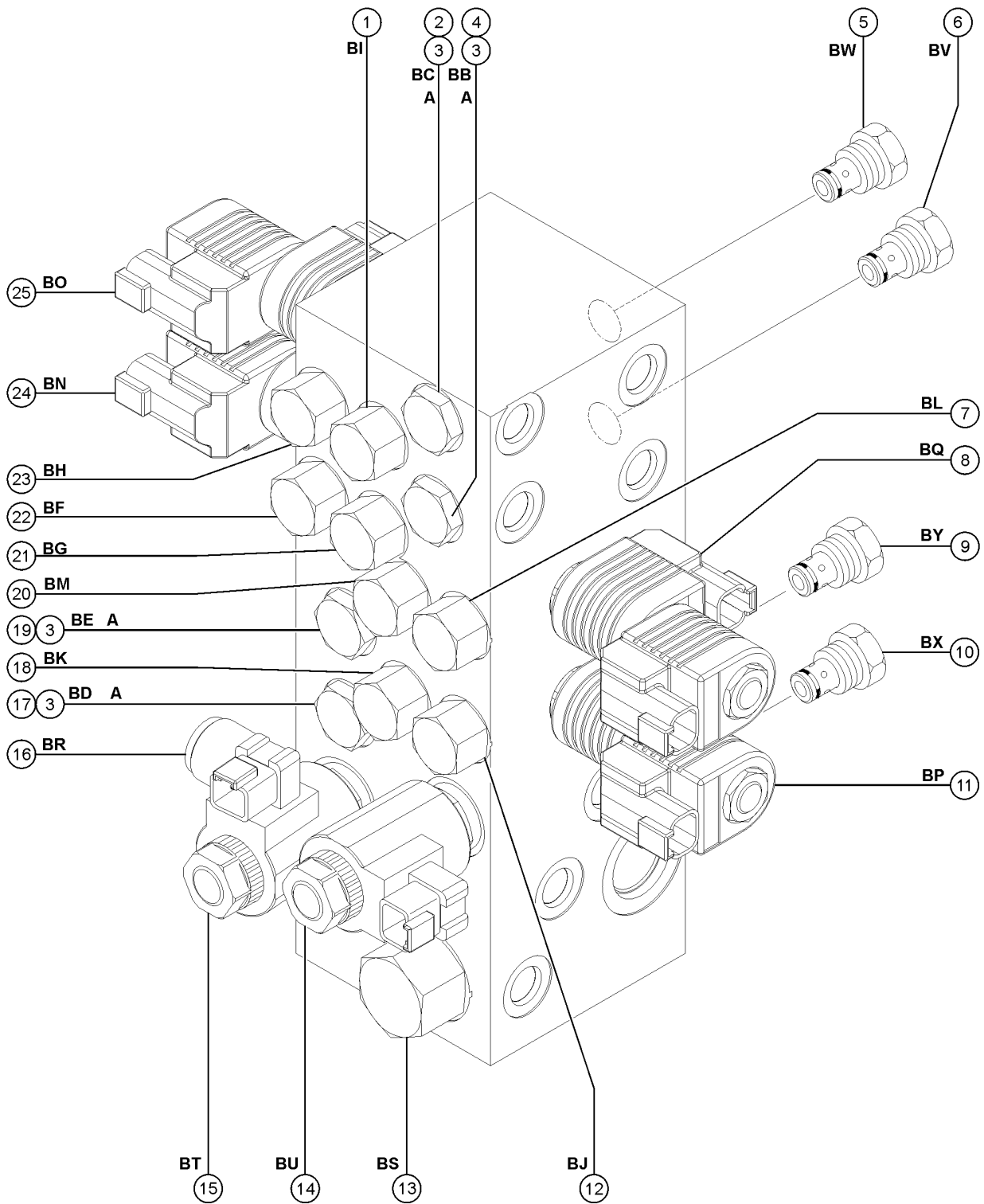


702.1 Steer and Axle Manifold (to SN SX150H-507)

Item	Part No.	Description	Qty.
-	218142GT	MANIFOLD,STEER/AXLE,ZX/SX ..... (complete)	
1	107731GT	VALVE, FLOW CONTROL 1.5GPM ..... BI, Right front steer cylinder retract circuit	1
1-	74902GT	SEAL KIT, VALVE .....	
2	161538GT	VALVE, CHECK, 65 PSI ..... BC, Prevents right front steer cylinder from moving when not steering	1
2-	74902GT	SEAL KIT, VALVE .....	
3	107733GT	PISTON, PILOT OPERATED CHECK ..... A, (not shown) PO CHECK	4
4	161538GT	VALVE, CHECK, 65 PSI ..... BB, Prevents left front steer cylinder from moving when not steering	1
4-	74902GT	SEAL KIT, VALVE .....	
5	161538GT	VALVE, CHECK, 65 PSI ..... BW, Prevents right front steer cylinder from moving when not steering	1
5-	74902GT	SEAL KIT, VALVE .....	
6	161538GT	VALVE, CHECK, 65 PSI ..... BV, Prevents left front steer cylinder from moving when not steering	1
6-	74902GT	SEAL KIT, VALVE .....	
7	107734GT	VALVE, FLOW CONTROL 2.1GPM ..... BL, Right rear steer cylinder extend circuit	1
7-	74902GT	SEAL KIT, VALVE .....	
8	122121GT	SOLENOID VALVE ..... BQ, Steer left/right, right rear steer cylinder	1
8-	122120GT	SEAL KIT, SOLENOID VALVE .....	
8-	122148GT	COIL,SOLENOID VALVE,20W .....	
8-	52943GT	NUT SOLENOID VALVE COIL .....	
9	161538GT	VALVE, CHECK, 65 PSI ..... BY, Prevents right rear steer cylinder from moving when not steering	1
9-	74902GT	SEAL KIT, VALVE .....	
10	161538GT	VALVE, CHECK, 65 PSI ..... BX, Prevents left rear steer cylinder from moving when not steering	1
10-	74902GT	SEAL KIT, VALVE .....	
11	122121GT	SOLENOID VALVE ..... BP, Steer left/right, left rear steer cylinder	1
11-	122120GT	SEAL KIT, SOLENOID VALVE .....	
11-	122148GT	COIL,SOLENOID VALVE,20W .....	
11-	52943GT	NUT SOLENOID VALVE COIL .....	
12	107734GT	VALVE, FLOW CONTROL 2.1GPM ..... BJ, Left rear steer cylinder extend circuit	1
12-	74902GT	SEAL KIT, VALVE .....	



702.1 Steer and Axle Manifold (to SN SX150H-507)



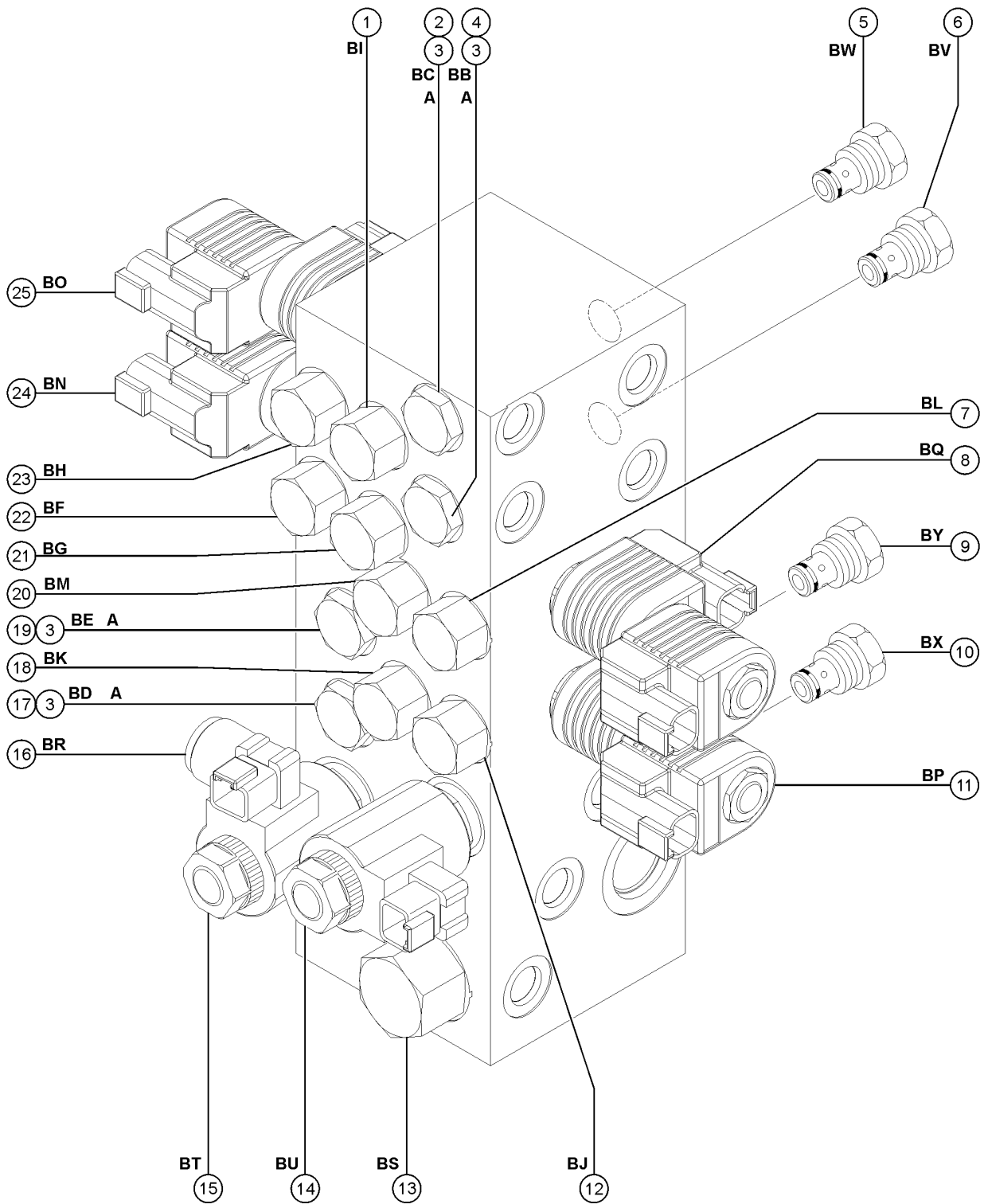


702.1 Steer and Axle Manifold (to SN SX150H-507)

Item	Part No.	Description	Qty.
13	1256314GT	VALVE, FLOW CONTROL, 9.0GPM BS, Axle extend/retract circuit	1
13-	110195GT	SEAL KIT, VALVE, #12	
14	107745GT	VALVE, SOLENOID 2 POS 3 WAY BU, Axle retract	1
14-	89310GT	SEAL KIT, SOLENOID VALVE	
14-	119112GT	COIL, 12V, DEUTSCH	
14-	119116GT	NUT, COIL (107745)	
15	107745GT	VALVE, SOLENOID 2 POS 3 WAY BT, Axle extend	1
15-	89310GT	SEAL KIT, SOLENOID VALVE	
15-	119112GT	COIL, 12V, DEUTSCH	
15-	119116GT	NUT, COIL (107745)	
16	161539GT	VALVE, PRESS REDUCING, 2400PSI BR, Axle extend/retract circuit	1
16-	161923GT	SEAL KIT, VALVE	
17	161538GT	VALVE, CHECK, 65 PSI BD, Prevents left rear steer cylinder from moving when not steering	1
17-	74902GT	SEAL KIT, VALVE	
18	107731GT	VALVE, FLOW CONTROL 1.5GPM BK, Left rear steer cylinder retract circuit	1
18-	74902GT	SEAL KIT, VALVE	
19	161538GT	VALVE, CHECK, 65 PSI BE, Prevents right rear steer cylinder from moving when not steering	1
19-	74902GT	SEAL KIT, VALVE	
20	107731GT	VALVE, FLOW CONTROL 1.5GPM BM, Right rear steer cylinder retract circuit	1
20-	74902GT	SEAL KIT, VALVE	
21	107731GT	VALVE, FLOW CONTROL 1.5GPM BG, Left front steer cylinder retract circuit	1
21-	74902GT	SEAL KIT, VALVE	
22	107734GT	VALVE, FLOW CONTROL 2.1GPM BF, Left front steer cylinder extend circuit	1
22-	74902GT	SEAL KIT, VALVE	
23	107734GT	VALVE, FLOW CONTROL 2.1GPM BH, Right front steer cylinder extend circuit	1
23-	74902GT	SEAL KIT, VALVE	
24	122121GT	SOLENOID VALVE BN, Steer left/right, left front steer cylinder	1
24-	122120GT	SEAL KIT, SOLENOID VALVE	



702.1 Steer and Axle Manifold (to SN SX150H-507)

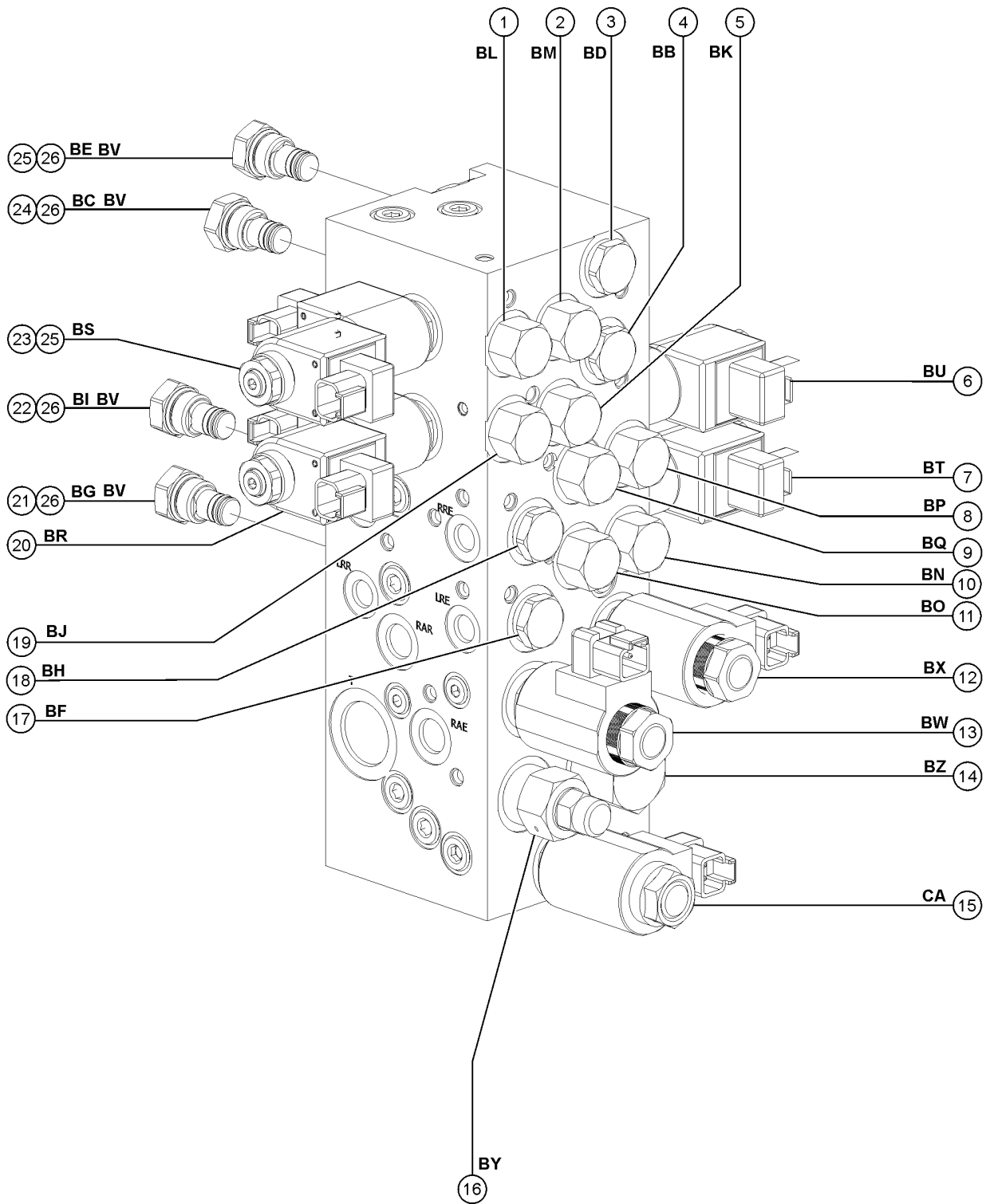


702.1 Steer and Axle Manifold (to SN SX150H-507)

<i>Item</i>	<i>Part No.</i>	<i>Description</i>	<i>Qty.</i>
24-	122148GT	COIL,SOLENOID VALVE,20W .....	
24-	52943GT	NUT SOLENOID VALVE COIL .....	
25	122121GT	SOLENOID VALVE BO, Steer left/right, right front steer cylinder .....	1
25-	122120GT	SEAL KIT, SOLENOID VALVE .....	
25-	122148GT	COIL,SOLENOID VALVE,20W .....	
25-	52943GT	NUT SOLENOID VALVE COIL .....	



702.2 Steer and Axle Manifold (from SN SX150H-508)

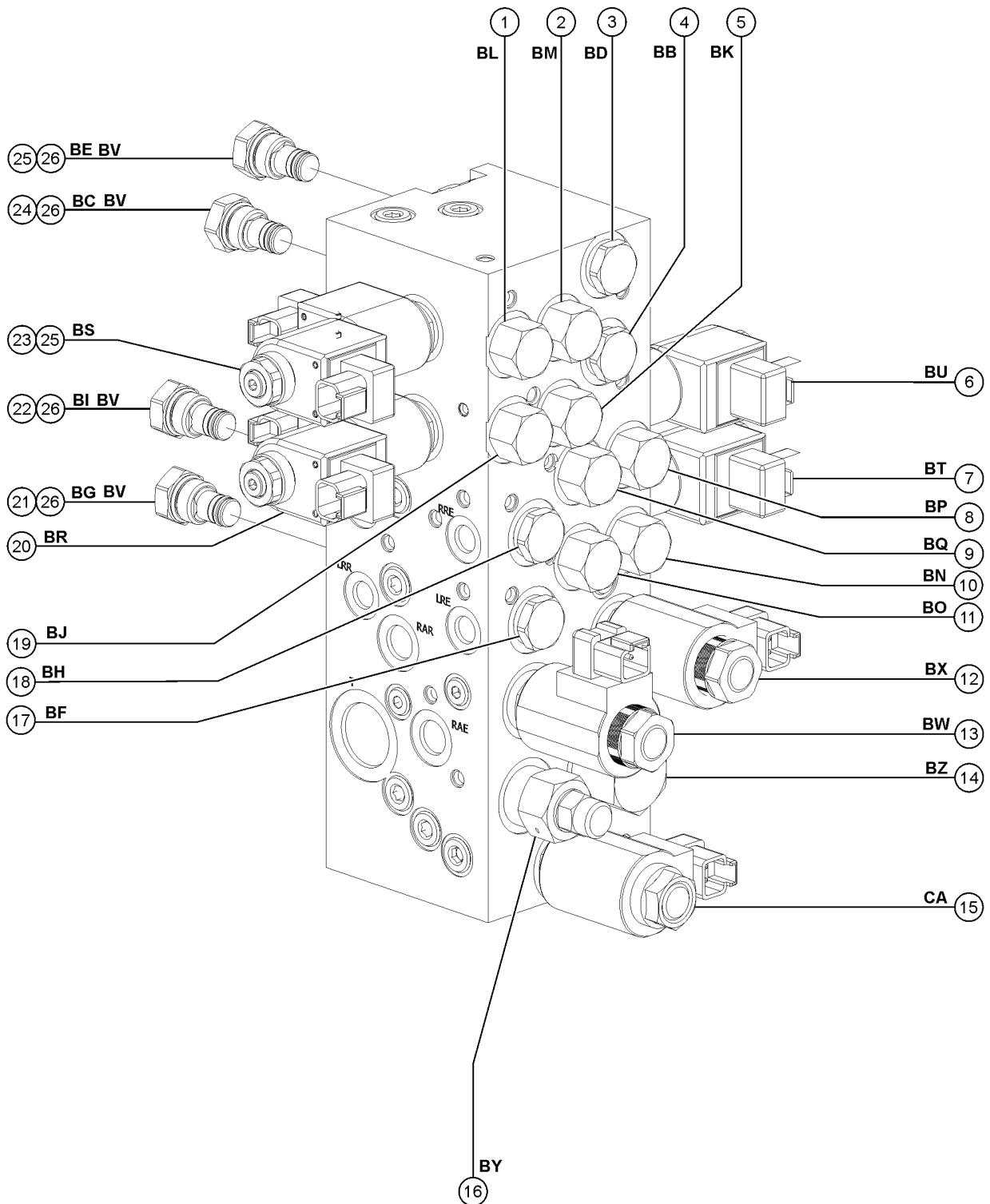


702.2 Steer and Axle Manifold (from SN SX150H-508)

Item	Part No.	Description	Qty.
A-	1271347GT	MANIFOLD,STEER/AXLE,X CHASSIS (Complete)	
1	107734GT	VALVE, FLOW CONTROL 2.1GPM BL, Right front steer cylinder extend circuit	
1-	74902GT	SEAL KIT, VALVE	
2	107731GT	VALVE, FLOW CONTROL 1.5GPM BM, Right front steer cylinder retract circuit	
2-	74902GT	SEAL KIT, VALVE	
3	161538GT	VALVE, CHECK, 65 PSI BD, Prevents right front steer cylinder from moving when not steering	
3-	74902GT	SEAL KIT, VALVE	
4	161538GT	VALVE, CHECK, 65 PSI BB, Prevents left front steer cylinder from moving when not steering	
4-	74902GT	SEAL KIT, VALVE	
5	107731GT	VALVE, FLOW CONTROL 1.5GPM BK, Left front steer cylinder retract circuit	
5-	74902GT	SEAL KIT, VALVE	
6	122121GT	SOLENOID VALVE BU, Steer left/right, right rear steer cylinder	
6-	122120GT	SEAL KIT, SOLENOID VALVE	
6-	122148GT	COIL,SOLENOID VALVE,20W	
6-	52943GT	NUT SOLENOID VALVE COIL	
7	122121GT	SOLENOID VALVE BT, Steer left/right, left rear steer cylinder	
7-	122120GT	SEAL KIT, SOLENOID VALVE	
7-	122148GT	COIL,SOLENOID VALVE,20W	
7-	52943GT	NUT SOLENOID VALVE COIL	
8	107734GT	VALVE, FLOW CONTROL 2.1GPM BP, Right rear steer cylinder extend circuit	
8-	74902GT	SEAL KIT, VALVE	
9	107731GT	VALVE, FLOW CONTROL 1.5GPM BQ, Right rear steer cylinder retract circuit	
9-	74902GT	SEAL KIT, VALVE	
10	107734GT	VALVE, FLOW CONTROL 2.1GPM BN, Left rear steer cylinder extend circuit	
10-	74902GT	SEAL KIT, VALVE	
11	107731GT	VALVE, FLOW CONTROL 1.5GPM BO, Left rear steer cylinder retract circuit	
11-	74902GT	SEAL KIT, VALVE	
12	1291059GT	VALVE, SOLENOID, 2 POS 3 WAY BX, Axle retract	



702.2 Steer and Axle Manifold (from SN SX150H-508)

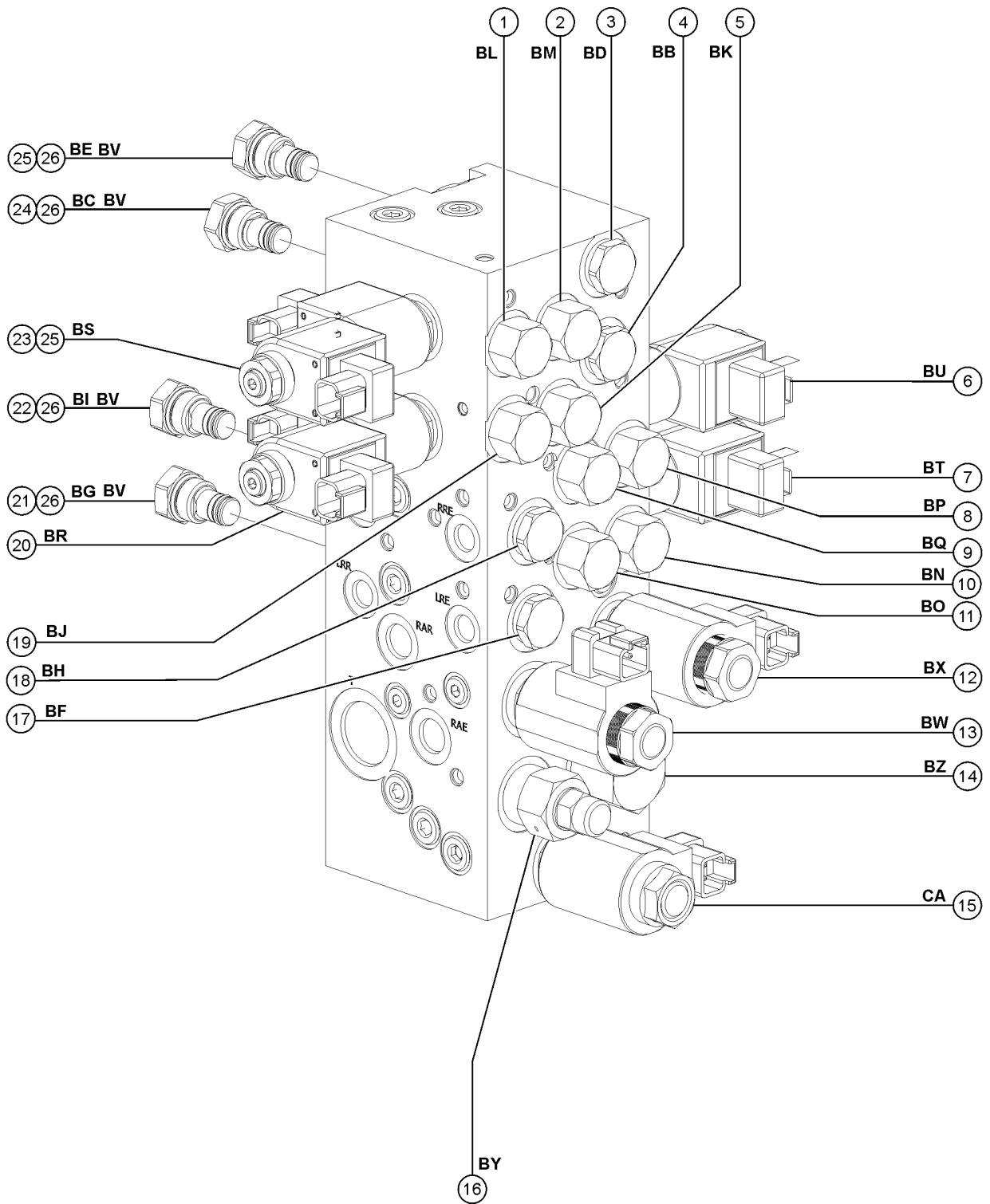


702.2 Steer and Axle Manifold (from SN SX150H-508)

Item	Part No.	Description	Qty.
12-	89310GT	SEAL KIT, SOLENOID VALVE .....	
12-	119112GT	COIL, 12V, DEUTSCH .....	
12-	119116GT	NUT,COIL (107745) .....	
13	1291059GT	VALVE, SOLENOID, 2 POS 3 WAY .....	
		BW, Axle extend	
13-	89310GT	SEAL KIT, SOLENOID VALVE .....	
13-	119112GT	COIL, 12V, DEUTSCH .....	
13-	119116GT	NUT,COIL (107745) .....	
14	1256314GT	VALVE, FLOW CONTROL, 9.0GPM .....	
		BZ, Axle extend/retract circuit	
14-	110195GT	SEAL KIT, VALVE, #12 .....	
15	1274833GT	VALVE, SOLENOID .....	
		CA, Axle retract enable valve	
15-	1274870GT	SEAL KIT, VALVE .....	
15-	119112GT	COIL, 12V, DEUTSCH .....	
15-	119116GT	NUT,COIL (107745) .....	
16	161539GT	VALVE, PRESS REDUCING, 2400PSI .....	
		BY, Axle extend/retract circuit	
16-	161923GT	SEAL KIT, VALVE .....	
17	161538GT	VALVE, CHECK, 65 PSI .....	
		BF, Prevents left rear steer cylinder from moving when not steering	
17-	74902GT	SEAL KIT, VALVE .....	
18	161538GT	VALVE, CHECK, 65 PSI .....	
		BH, Prevents right rear steer cylinder from moving when not steering	
18-	74902GT	SEAL KIT, VALVE .....	
19	107734GT	VALVE, FLOW CONTROL 2.1GPM .....	
		BJ, Left front steer cylinder extend circuit	
19-	74902GT	SEAL KIT, VALVE .....	
20	122121GT	SOLENOID VALVE .....	
		BR, Steer left/right, left front steer cylinder	
20-	122120GT	SEAL KIT, SOLENOID VALVE .....	
20-	122148GT	COIL, SOLENOID VALVE, 20W .....	
20-	52943GT	NUT SOLENOID VALVE COIL .....	
21	161538GT	VALVE, CHECK, 65 PSI .....	
		BG, Prevents left rear steer cylinder from moving when not steering	
21-	74902GT	SEAL KIT, VALVE .....	
22	161538GT	VALVE, CHECK, 65 PSI .....	
		BI, Prevents right rear steer cylinder from moving when not steering	



702.2 Steer and Axle Manifold (from SN SX150H-508)

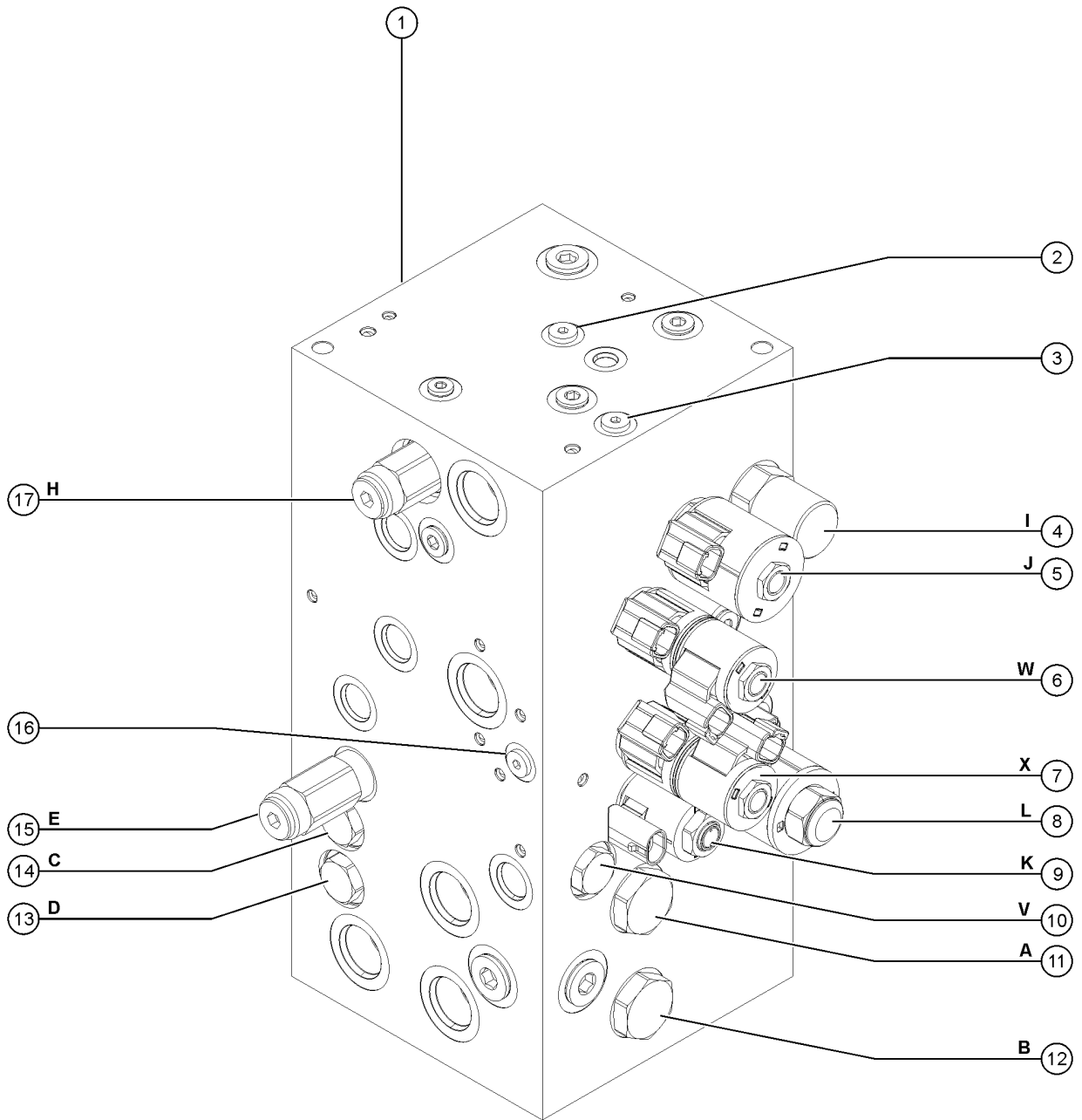




702.2 Steer and Axle Manifold (from SN SX150H-508)

Item	Part No.	Description	Qty.
22-	74902GT	SEAL KIT, VALVE .....	
23	122121GT	SOLENOID VALVE BS, Steer left/right, right front steer cylinder .....	
23-	122120GT	SEAL KIT, SOLENOID VALVE .....	
23-	122148GT	COIL,SOLENOID VALVE,20W .....	
23-	52943GT	NUT SOLENOID VALVE COIL .....	
24	161538GT	VALVE, CHECK, 65 PSI BC, Prevents left front steer cylinder from moving when not steering .....	
24-	74902GT	SEAL KIT, VALVE .....	
25	161538GT	VALVE, CHECK, 65 PSI BE, Prevents right front steer cylinder from moving when not steering .....	
25-	74902GT	SEAL KIT, VALVE .....	
26	107733GT	PISTON, PILOT OPERATED CHECK .....	
		BV, (not shown) PO CHECK	

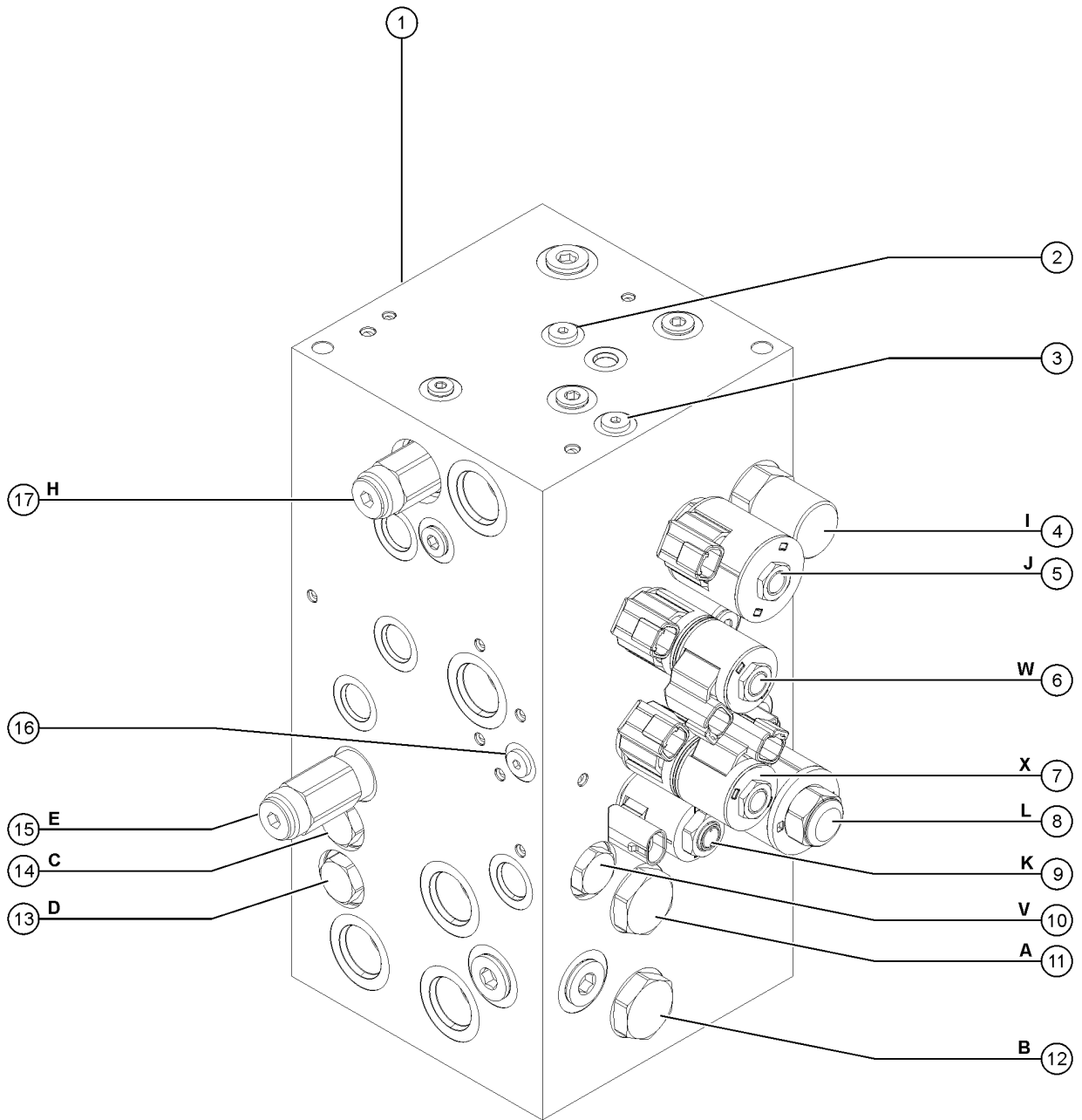
703.1 Function Manifold - View 1



Item	Part No.	Description	Qty.
1	219519GT	MANIFOLD, FUNCTION, SX-150 (complete)	1
2	44177GT	ORIFICE PLUG,.025" **	
3	44177GT	ORIFICE PLUG,.025" **	
4	237214GT	Compensator, 160 PSI I, Primary boom extend/retract circuit	1
4-	62339GT	SEAL KIT,62329,SIZE 12, 3 WAY	
5	237218GT	Proportional Valve, 2-Way J, Boom extend/retract, proportional speed control	1
5-	235148GT	SEAL KIT	
5-	237213GT	12VDC Deutsch No Diode, Size10	
5-	44174GT	NUT-COIL SHORT	
6	39346GT	VALVE,SOLENOID 3 POS.4 WAY*** W, Primary boom extend/retract	1
6-	228866GT	COIL,SOLENOID VALVE	2
6-	44229GT	SEAL KIT, VALVE	
6-	44174GT	NUT-COIL SHORT	
6-	97372GT	SPACER, COIL	
7	39346GT	VALVE,SOLENOID 3 POS.4 WAY*** X, Primary boom lift cylinder up/down circuit	1
7-	228866GT	COIL,SOLENOID VALVE	2
7-	44229GT	SEAL KIT, VALVE	
7-	44174GT	NUT-COIL SHORT	
7-	97372GT	SPACER, COIL	
8	62327GT	VALVE,SOLENOID,PROPORT. N.C.* L, Primary boom lift cylinder up/down high speed control	1
8-	104761GT	COIL,PROP,12VDC,#10 IP69,DTSCH	
8-	52373GT	SEAL KIT,52372,SOLENOID VALVE	
8-	52466GT	NUT,PROPORTNL. COIL,52372,GS68	
8-	97372GT	SPACER, COIL	
9	101057GT	VALVE,PRESS COMP,PROP DIRECT K, Primary boom lift cylinder up/down low speed control	1
9-	1257411GT	COIL,PROP,12VDC,METRI-PACK 150	
9-	52371GT	SEAL KIT, VALVE	
9-	62349GT	NUT,COIL,PROPORTNL.VALVE	

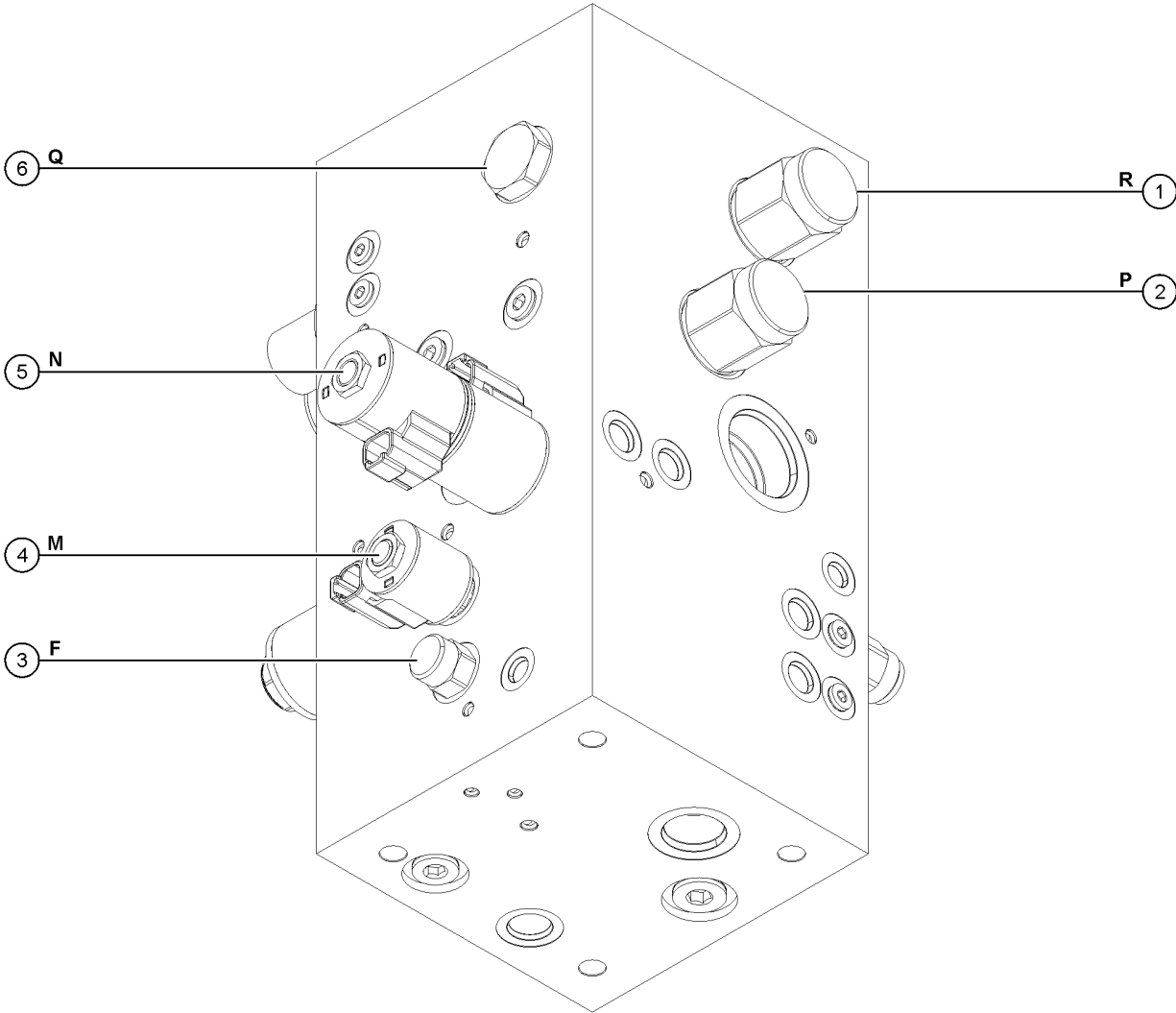


703.1 Function Manifold - View 1



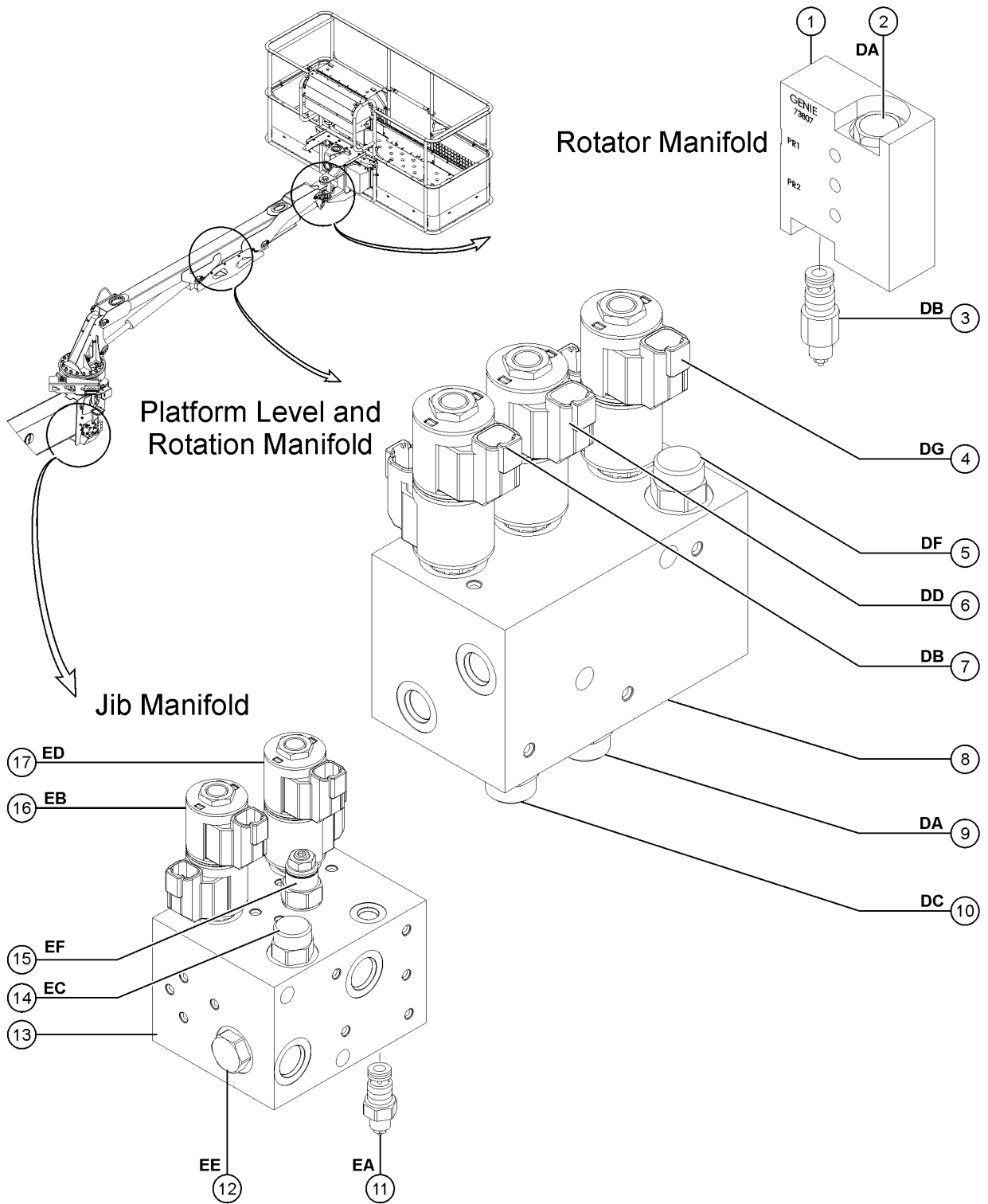
Item	Part No.	Description	Qty.
10	46216GT	VALVE,CHECK,IWP-S/CWP PWR ASSI V, Prevents hyd oil drainage	1
10-	44227GT	SEAL KIT, VALVE	
11	75456GT	VALVE-CHECK SIZE 12(SUPRBOOM)* A, Pressure circuit #2	1
11-	62338GT	SEAL KIT,62328,SIZE 12,2 PORT	
12	75456GT	VALVE-CHECK SIZE 12(SUPRBOOM)* B, Pressure circuit #1	1
12-	62338GT	SEAL KIT,62328,SIZE 12,2 PORT	
13	46216GT	VALVE,CHECK,IWP-S/CWP PWR ASSI D, Prevents hyd pressure from flowing back to APU # 2	1
13-	44227GT	SEAL KIT, VALVE	
14	46216GT	VALVE,CHECK,IWP-S/CWP PWR ASSI C, Prevents hyd pressure from flowing back to APU # 1	1
14-	44227GT	SEAL KIT, VALVE	
15	237212GT	Relief Valve, 3200 PSI E, System relief	1
15-	44224GT	SEAL KIT, VALVE	
16	44177GT	ORIFICE PLUG,.025" **	
17	237216GT	Relief Valve, 2,350 PSI H, Primary and secondary retract pressure limit	1
17-	52378GT	SEAL KIT,SOLENOID(52377)	

703.2 Function Manifold - View 2



Item	Part No.	Description	Qty.
1	237217GT	Pilot Operated Directional Valve R, Boom cylinder extend/retract circuit	1
1-	115204GT	SEAL KIT	
2	237217GT	Pilot Operated Directional Valve P, Boom lift cylinder up/down circuit	1
2-	115204GT	SEAL KIT	
3	237209GT	COMPENSATOR, 150 PSI F, Turntable rotate circuit	1
3-	52371GT	SEAL KIT, VALVE	
4	97181GT	VALVE-SOLENOID, 2POS 3WAY M, Turntable rotate speed control	1
4-	107768GT	COIL,12VDC #8 DTSCH W/O DIODE	
4-	44227GT	SEAL KIT, VALVE	
4-	44174GT	NUT-COIL SHORT	
5	62330GT	VALVE,SOLENOID,3POS 4WAY*** N, Turntable rotate circuit	1
5-	104760GT	COIL,12VDC #10DTSCH IP69 ECOIL	2
5-	44230GT	SEAL KIT-P.N.44169,44172,44171	
5-	97372GT	SPACER, COIL	
5-	44174GT	NUT-COIL SHORT	
6	237211GT	VALVE-CHECK SIZE 12 (60 psi) Q, Holds hyd oil in boom extend circuit	
6-	62338GT	SEAL KIT,62328,SIZE 12,2 PORT	

704.1 Jib, Level and Rotation Manifolds (to SN SX150H-518)



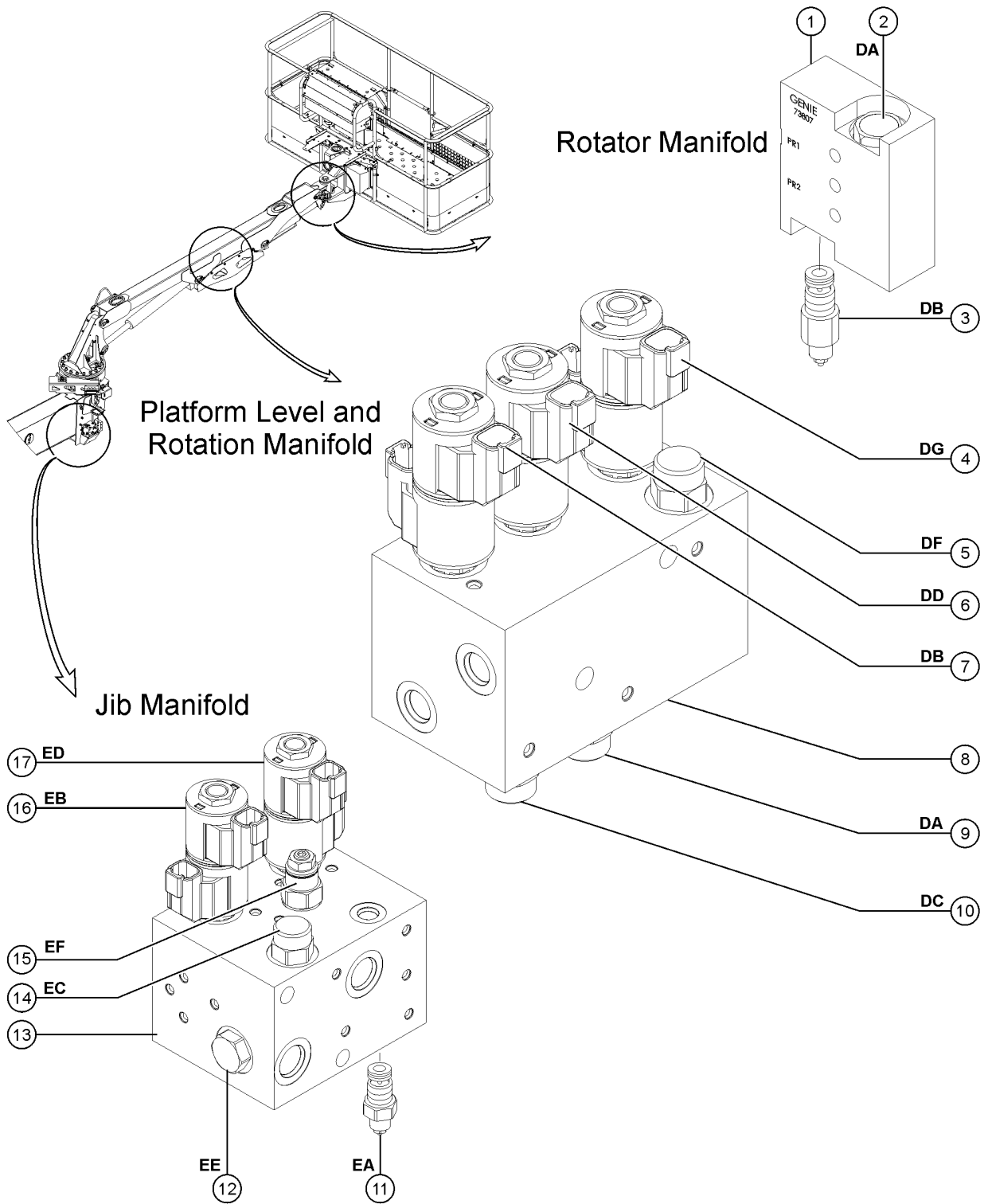


704.1 Jib, Level and Rotation Manifolds (to SN SX150H-518)

Item	Part No.	Description	Qty.
1	73807GT	MANIFOLD,ROTATOR,CB*** (complete) includes items 1 to 3	
1-	62507GT	O-RING, ROTATOR MANIFOLD	
1-	43018GT	SEAL KIT (39345)	
2	62506GT	VALVE - COUNTERBALANCE** DA, Platform rotate left	1
3	62506GT	VALVE - COUNTERBALANCE** DB, Platform rotate right	1
4	229407GT	PRO.DIR.CTRL,VLV,5WY,3POS DG, Jib up/down	1
4-	229411GT	VALVE COIL 10V	2
4-	97372GT	SPACER, COIL Coil spacer	
4-	230983GT	VITON SEAL KIT, VALVE	
4-	44174GT	NUT-COIL SHORT	
5	237209GT	COMPENSATOR, 150 PSI DF, Jib up/down circuit	1
5-	52371GT	SEAL KIT, VALVE	
6	107816GT	VALVE,PROPORTIONAL 3 POS 4 WY* DD, Platform level up/down	1
6-	229411GT	VALVE COIL 10V	2
6-	97372GT	SPACER, COIL Coil spacer	
6-	44229GT	SEAL KIT, VALVE	
6-	44174GT	NUT-COIL SHORT	
7	39346GT	VALVE,SOLENOID 3 POS.4 WAY*** DB, Platform rotate left/right	1
7-	228866GT	COIL,SOLENOID VALVE	2
7-	97372GT	SPACER, COIL Coil spacer	
7-	44229GT	SEAL KIT, VALVE	
7-	44174GT	NUT-COIL SHORT	
8	1282965GT	MANIFOLD, PLAT LVL, PLAT ROT, JIB, PLUGGED to SN 518 (complete) includes items 4 to 10	
9	107741GT	VALVE, FLOW REGULATOR DA, Platform rotate left/right circuit	1
9-	44228GT	SEAL KIT, VALVE	
10	107741GT	VALVE, FLOW REGULATOR DC, Platform rotate left/right circuit	1
10-	44228GT	SEAL KIT, VALVE	
11	62506GT	VALVE - COUNTERBALANCE** EA,	1



704.1 Jib, Level and Rotation Manifolds (to SN SX150H-518)

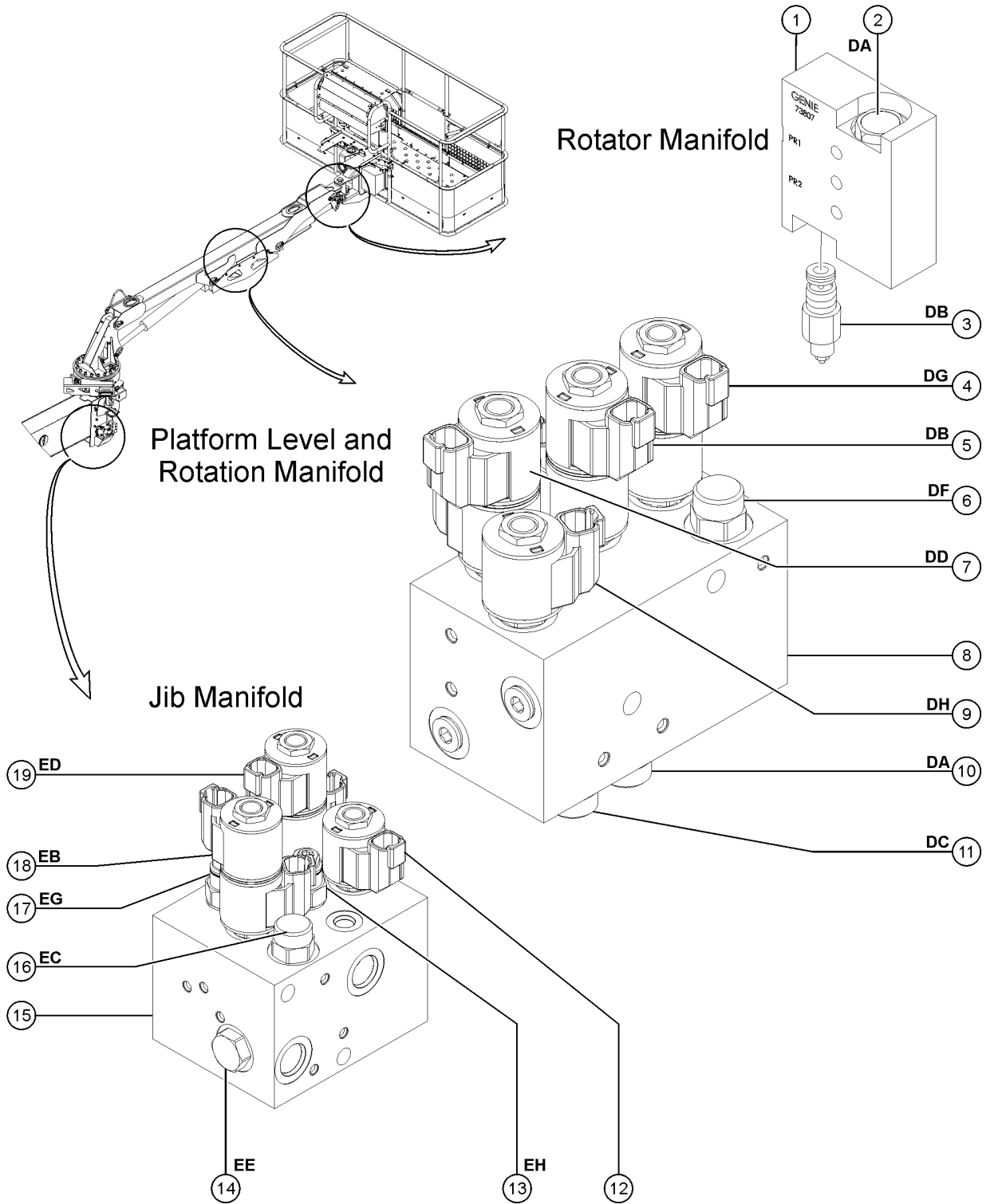


704.1 Jib, Level and Rotation Manifolds (to SN SX150H-518)

Item	Part No.	Description	Qty.
12	107740GT	VALVE, CHECK 25 PSI EE, Tank Line Return Check	1
12-	44227GT	SEAL KIT, VALVE	
13	1282964GT	MANIFOLD, JIB LEVEL/JIB ROTATE, PLUGGED to SN 518 (complete) includes items from 11 to 17	
14	237209GT	COMPENSATOR, 150 PSI EC, Jib boom rotate circuit	1
14-	52371GT	SEAL KIT, VALVE	
15	62506GT	VALVE - COUNTERBALANCE** EF,	1
16	229410GT	PRO.DIR.CNRL,VLV,5WY,3POS EB, Jib boom bellcrank rotate left/right	1
16-	229411GT	VALVE COIL 10V	2
16-	97372GT	SPACER, COIL Coil spacer	
16-	230983GT	VITON SEAL KIT, VALVE	
16-	44174GT	NUT-COIL SHORT	
17	107788GT	VALVE, PROPORTIONAL 3 POS 4 WY ED, Jib boom level up/down	1
17-	229411GT	VALVE COIL 10V	2
17-	97372GT	SPACER, COIL Coil spacer	
17-	44229GT	SEAL KIT, VALVE	
17-	44174GT	NUT-COIL SHORT	



704.2 Jib, Level and Rotation Manifolds (from SN SX150H-519)

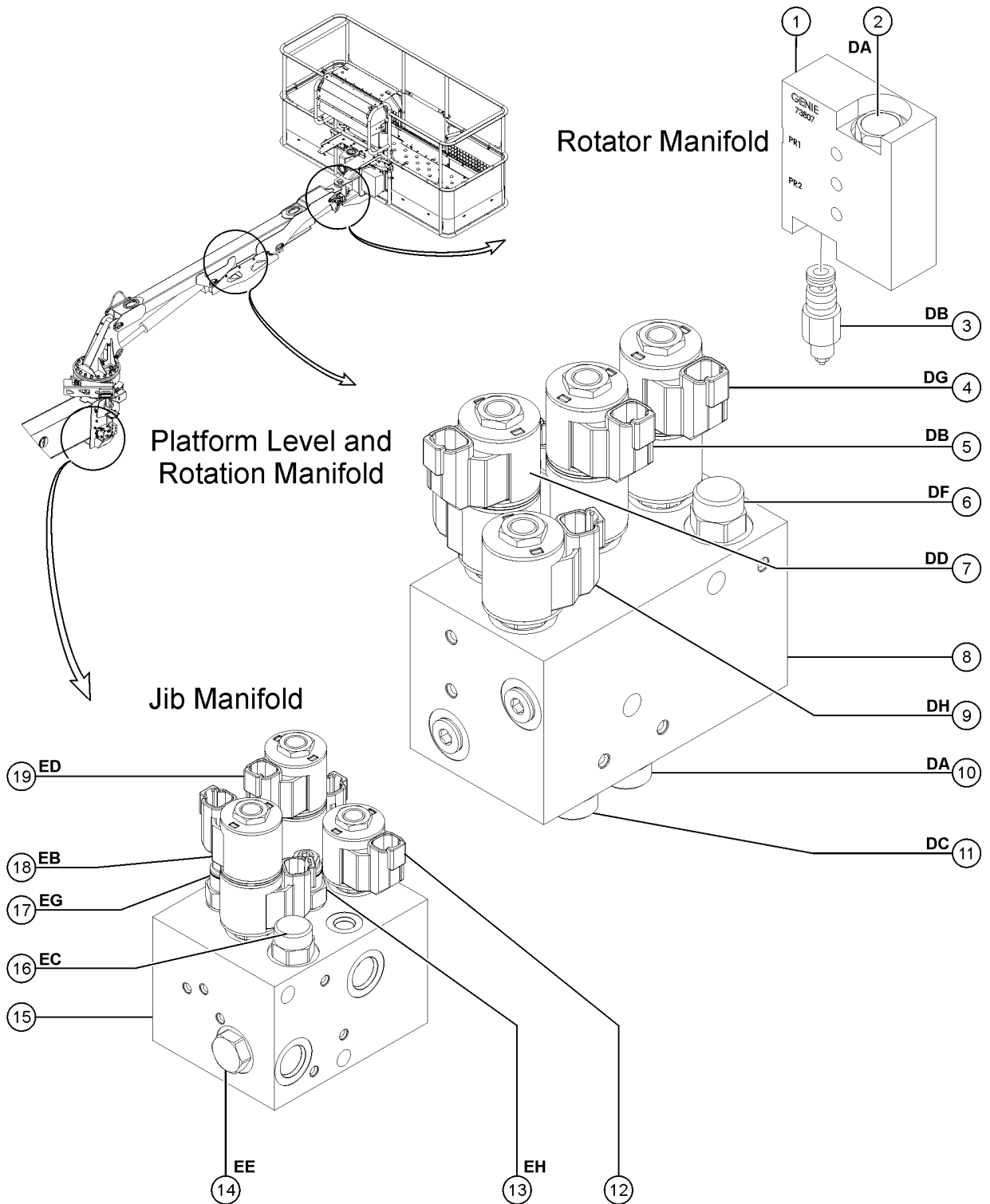


704.2 Jib, Level and Rotation Manifolds (from SN SX150H-519)

Item	Part No.	Description	Qty.
1	73807GT	MANIFOLD,ROTATOR,CB*** (complete) includes items 1 to 3	
1-	43018GT	SEAL KIT (39345)	
1-	62507GT	O-RING, ROTATOR MANIFOLD	
2	62506GT	VALVE - COUNTERBALANCE** DA, Platform rotate left	1
3	62506GT	VALVE - COUNTERBALANCE** DB, Platform rotate right	1
4	229407GT	PRO.DIR.CTRL,VLV,5WY,3POS DG, Jib up/down	1
4-	229411GT	VALVE COIL 10V	
4-	230983GT	VITON SEAL KIT, VALVE	
4-	44174GT	NUT-COIL SHORT	
4-	97372GT	SPACER, COIL Coil spacer	
5	97170GT	VALVE-SOLENOID, 3POS 4WAY*** DB, Platform rotate left/right	1
5-	228866GT	COIL,SOLENOID VALVE	
5-	44174GT	NUT-COIL SHORT	
5-	44229GT	SEAL KIT, VALVE	
5-	97372GT	SPACER, COIL Coil spacer	
6	237209GT	COMPENSATOR, 150 PSI DF, Jib up/down circuit	1
6-	52371GT	SEAL KIT, VALVE	
7	107816GT	VALVE,PROPORTIONAL 3 POS 4 WY* DD, Platform level up/down	1
7-	229411GT	VALVE COIL 10V	2
7-	44174GT	NUT-COIL SHORT	
7-	44229GT	SEAL KIT, VALVE	
7-	97372GT	SPACER, COIL Coil spacer	
8	1274483GT	MANIFOLD,PLAT LVL,PLAT ROT,JIB (complete) includes items 4 to 11	1
8-	115048GT	#6 PLUG	
9	44170GT	VALVE-SOLENOID N.O.(SCISSORS)*	
9-	228866GT	COIL,SOLENOID VALVE	
10	107741GT	VALVE, FLOW REGULATOR DA, Platform rotate left/right circuit	1
11	107741GT	VALVE, FLOW REGULATOR DC, Platform rotate left/right circuit	1



704.2 Jib, Level and Rotation Manifolds (from SN SX150H-519)

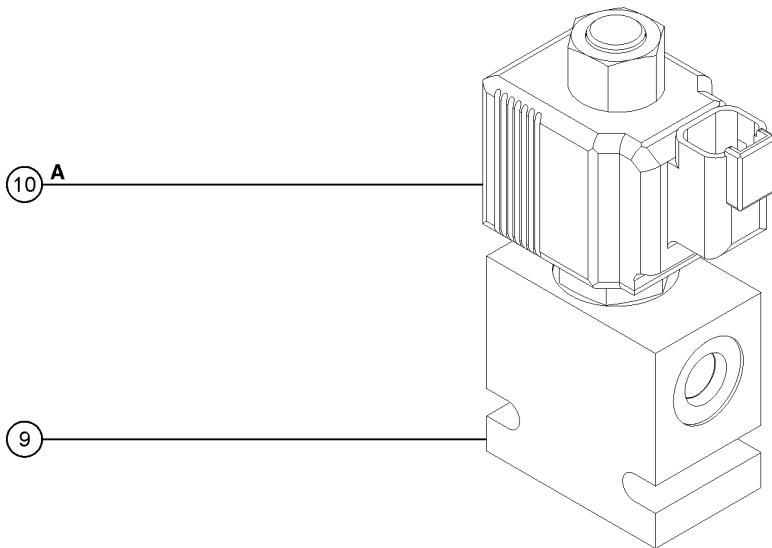
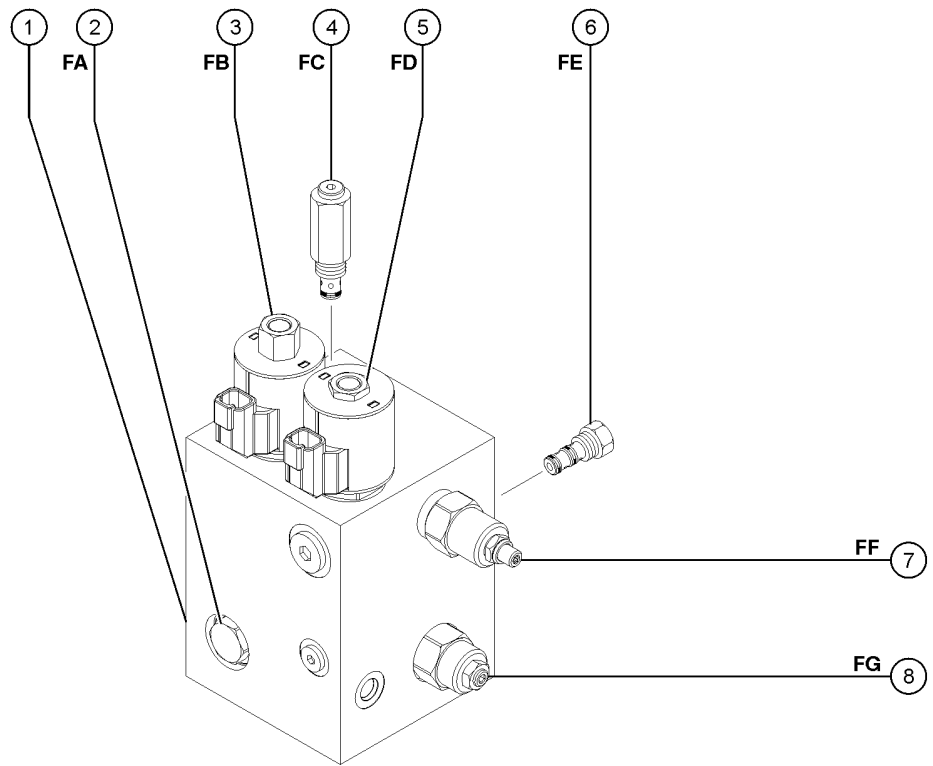


704.2 Jib, Level and Rotation Manifolds (from SN SX150H-519)

Item	Part No.	Description	Qty.
12	44170GT	VALVE-SOLENOID N.O.(SCISSORS)* .....	
12-	228866GT	COIL,SOLENOID VALVE .....	
13	62506GT	VALVE - COUNTERBALANCE** .....	
		EH, Jib rotate left	
14	107740GT	VALVE, CHECK 25 PSI .....	1
		EE, Tank Line Return Check	
15	1274482GT	MANIFOLD, JIB LEVEL/JIB ROTATE .....	1
		(complete) includes items 12 to 19	
15-	115048GT	#6 PLUG .....	
16	237209GT	COMPENSATOR, 150 PSI .....	1
		EC, Jib boom rotate circuit	
16-	52371GT	SEAL KIT, VALVE .....	
17	62506GT	VALVE - COUNTERBALANCE** .....	
		EG, Jib rotate right	
18	229410GT	PRO.DIR.CNRL,VLV,5WY,3POS .....	1
		EB, Jib boom bellcrank rotate left/right	
18-	229411GT	VALVE COIL 10V .....	2
18-	230983GT	VITON SEAL KIT, VALVE .....	
18-	44174GT	NUT-COIL SHORT .....	
18-	97372GT	SPACER, COIL .....	
		Coil spacer	
19	107788GT	VALVE,PROPORTIONAL 3 POS 4 WY .....	1
		ED, Jib boom level up/down	
19-	229411GT	VALVE COIL 10V .....	2
19-	44174GT	NUT-COIL SHORT .....	
19-	44229GT	SEAL KIT, VALVE .....	
19-	97372GT	SPACER, COIL .....	
		Coil spacer	



705.1 Generator Manifold and Function Enable Valve



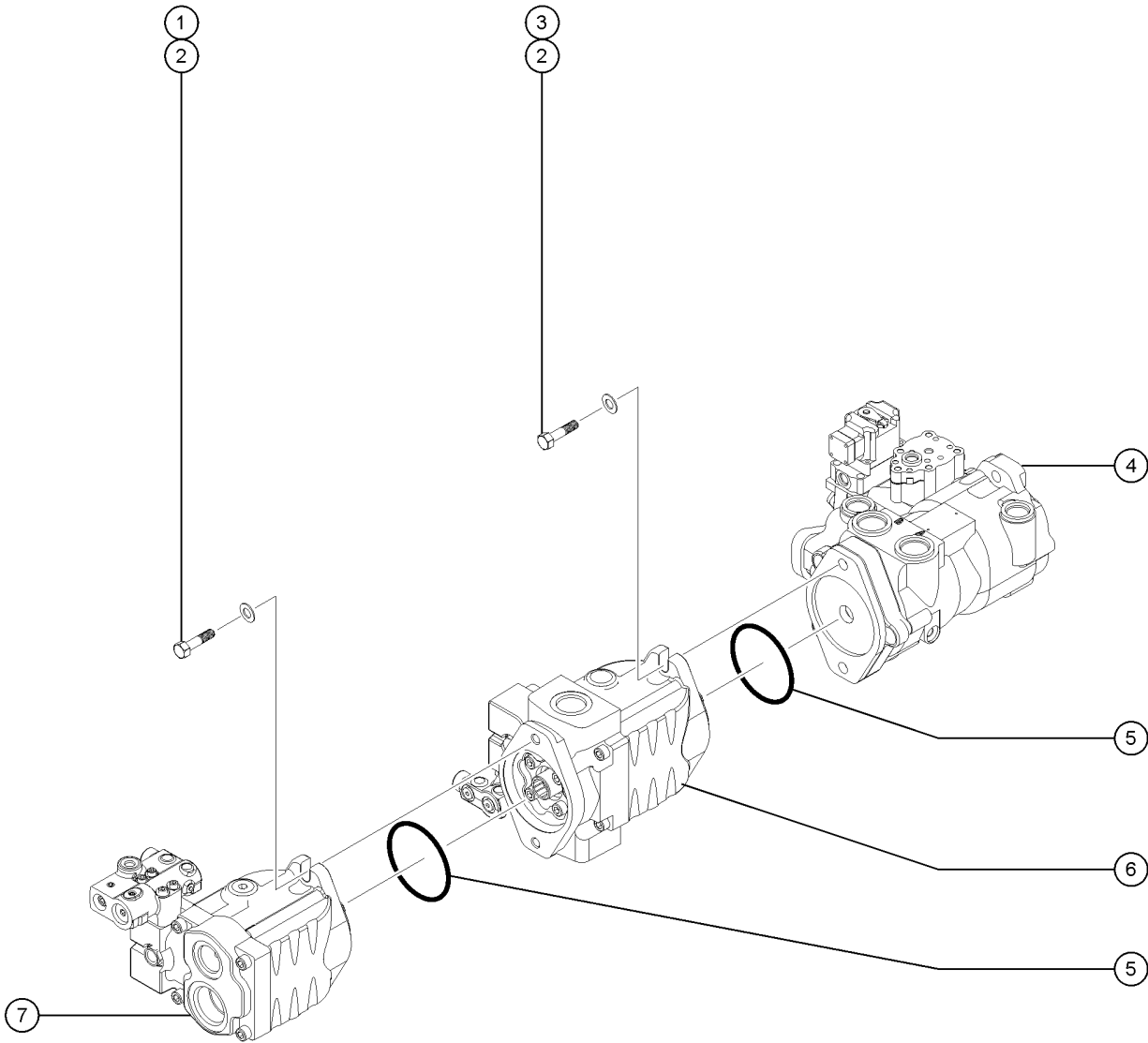


705.1 Generator Manifold and Function Enable Valve

Item	Part No.	Description	Qty.
1	236224GT	MANIFOLD, GENERATOR (complete) includes items 2 to 8	
2	107740GT	VALVE, CHECK 25 PSI FA, Diverter valve	1
3	235147GT	VALVE, SOLENOID, NC, POPPET* FB, Pilot valve to diverter	
3-	104760GT	COIL, 12VDC #10DTSCH IP69 ECOIL	
3-	235148GT	SEAL KIT	
3-	52484GT	NUT-COIL(SCISSORS) TALL	
4	237212GT	Relief Valve, 3200 PSI FC, System relief	
4-	44224GT	SEAL KIT, VALVE	
5	62328GT	VALVE, SOLENOID, NC, POPPET* FD, Charge pressure circuit	
5-	104760GT	COIL, 12VDC #10DTSCH IP69 ECOIL	
5-	62338GT	SEAL KIT, 62328, SIZE 12, 2 PORT	
5-	44174GT	NUT-COIL SHORT	
6	235145GT	VALVE, CHECK 5 PSI FE, Prevents oil to generator	
7	235143GT	Needle Valve FF, Charge pressure circuit	
7-	235149GT	SEAL KIT	
8	235144GT	CB VALVE 4:5:1, 2000 PSI FG, Add back pressure to stabilize generator	
8-	102685GT	SEAL KIT, SUN T-2A CP VALVE	
9	218144GT	VALVE, FUNCTION ENABLE, ZX135 (complete) includes item 10	
10	161533GT	VALVE, SOLENOID, 2 POS 2 WAY A, Differential sensing	
10-	89733GT	COIL SOLENOID VALVE***	
10-	89770GT	SEAL KIT, SOLENOID VALVE	
10-	89735GT	NUT ASSY (89769)***	



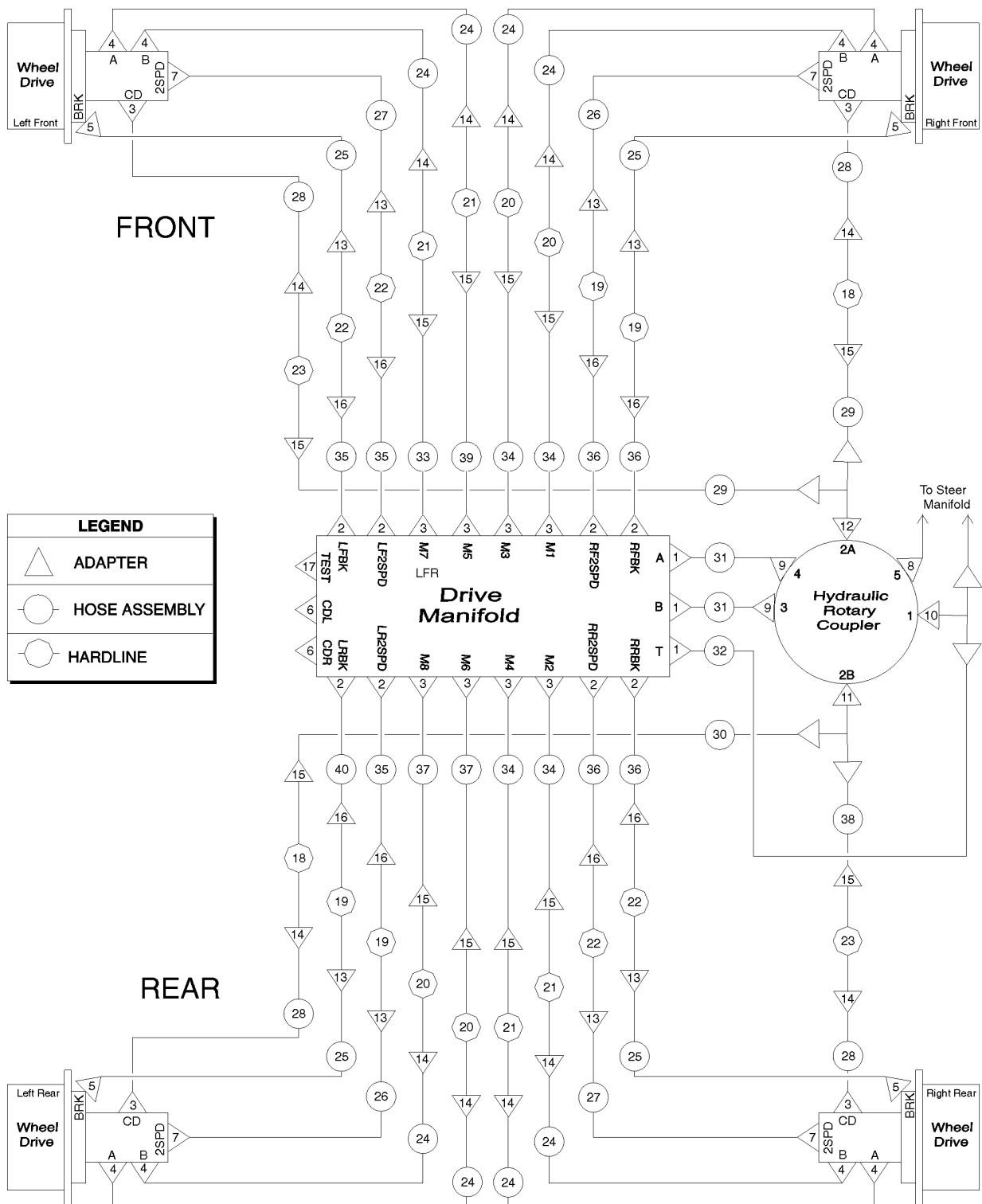
706.1 Hydraulic Pumps



## 706.1 Hydraulic Pumps

<i>Item</i>	<i>Part No.</i>	<i>Description</i>	<i>Qty.</i>
1	54177GT	SCREW,HHC,1/2-13 X 1.5 GRD 8 ..... to SN SX150H-612	2
1B	1255469GT	SCREW,HHF,1/2-13X1.25,8,ZAG ..... from SN SX150H-613	2
2	13066GT	WASHER,FLAT,.5 HARDENED ..... to SN SX150H-612	4
3	54177GT	SCREW,HHC,1/2-13 X 1.5 GRD 8 ..... to SN SX150H-612	2
3B	1253498GT	SCREW,HHF,1/2-13X1.5,8,ZAG ..... from SN SX150H-613	2
4	101068GT	PUMP,PISTON,46CC,B MOUNT,13T** .....	1
4-	29739GT	SEAL KIT,SAUER-DANFOSS M46*** .....	
4-	77819GT	EDC ASSY,SAUER M46*** .....	
4-	58290GT	VALVE,EDC,PILOT,SAUER,M46*** .....	
5	52087GT	O-RING,2-044 BUNA*** ..... to SN SX150H-612	2
6	226671GT	PUMP,FUNCTION,30CC,LS,MID .....	1
7	226670GT	PUMP,FUNCTION,30CC,LS,END .....	1

707.1 Hydraulic Hoses and Fittings, Drive System

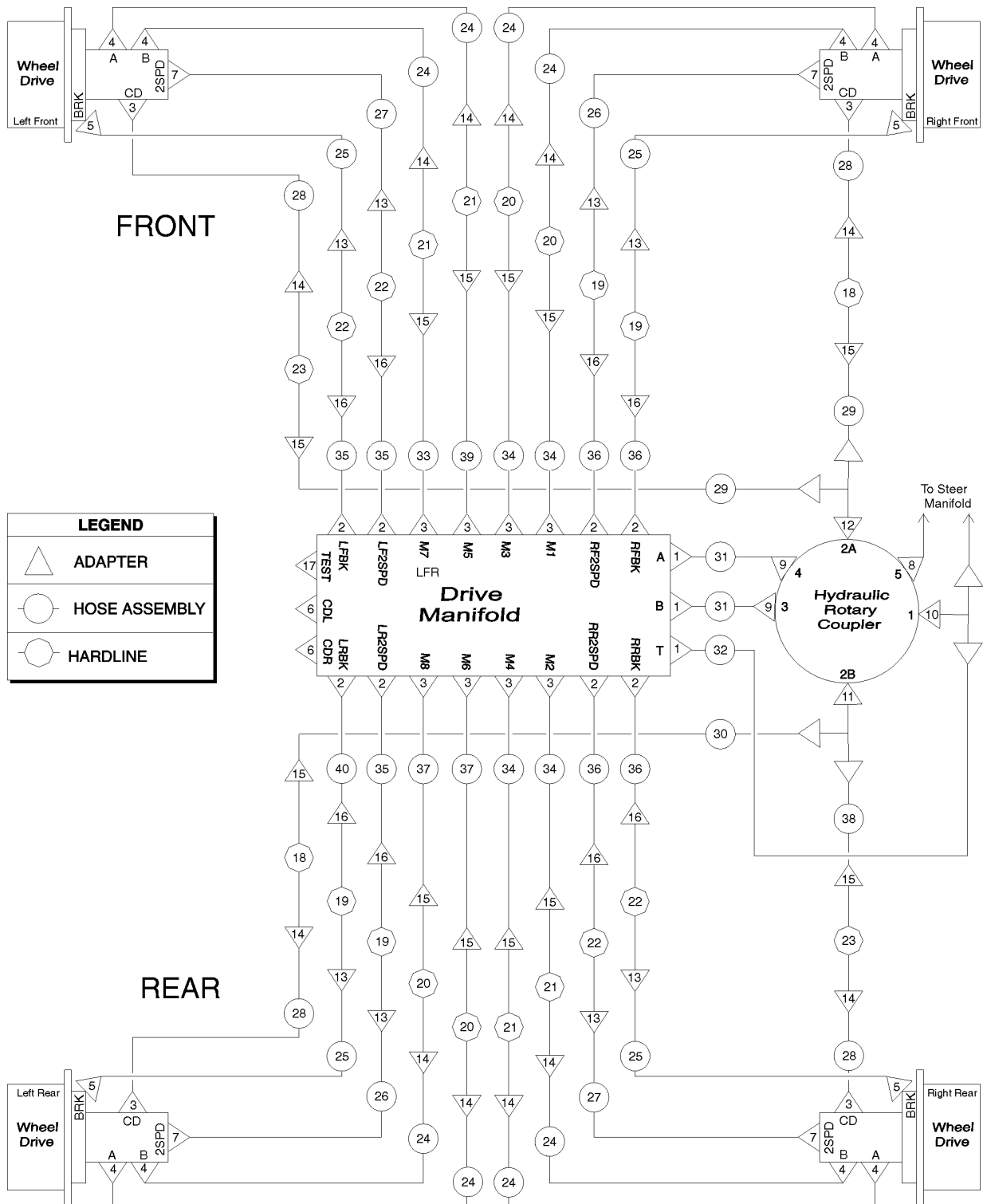


707.1 Hydraulic Hoses and Fittings, Drive System

Item	Part No.	Description	Qty.
1	48960GT	FITTING,CONN,520120-12***	3
2	48905GT	CONN,520120-4***	8
3	48933GT	CONN,520120-8***	12
4	48948GT	CONN,520120-8-12	4
5	48912GT	CONN,520120-4-6***	4
6	59371GT	PLUG, HEX SOCKET, 090109B-8*	2
7	48911GT	ELBOW,90D,520220-4-6***	4
8	48937GT	ELBOW,45D,520320-8 (Refer to 708.1)	1
9	48963GT	FITTING,ELBOW,45D,520320-12***	2
10	48961GT	TEE,RUN,520428-12 (Refer to 708.1)	1
11	48935GT	TEE,RUN,520428-8	1
12	48936GT	TEE,BRANCH,520429-8	1
13	48924GT	CONN,BULKHEAD,520601-6	8
14	48894GT	CONN,BULKHEAD,520601-8	12
15	104186GT	SEAL, ORFS TUBE FLANGE, 8PLS	12
16	214345GT	SEAL,ORING-6	8
17	48998GT	NIPPLE,DIAGNOSTIC,#6 PORT***	1
18	237457GT	HYD TUBE, DRIVE CASE, AXLE 2	2
19	237456GT	HYD TUBE, BRAKE 2SP, AXLE 2	4
20	214256GT	HYD TUBE, BRAKE 2SP, AXLE 2	4
21	214255GT	HYD TUBE, DRIVE A B, AXLE 1	4
22	237560GT	HYD TUBE, BRAKE 2SP, AXLE 1	4
23	237561GT	HYD TUBE, DRIVE CASE, AXLE 1	2
24	81812-5792GT	HOSE ASSY,1/2,STR FEM,STR FEM Components: 48822, 48822 and 56777 @ 56 inches	8
25	49181-5990GT	HOSE ASSY,1/4",45,FEM STR FEM Components: 48801, 48810 and 48751 @ 57.5 inches	4
26	49120-6381GT	HOSE ASSY,1/4" STR FEM STR FEM Components: 48800, 48810 and 48751 @ 62 inches	2
27	49163-6994GT	HOSE ASSY,1/4,90D FEM/STR FEM Components: 48802, 48810 and 48751 @ 68 inches	2
28	49141-5863GT	HOSE ASSY,1/2,45 FEM,STR FEM** Components: 48822, 48826 and 48756 @ 56 inches	4



707.1 Hydraulic Hoses and Fittings, Drive System

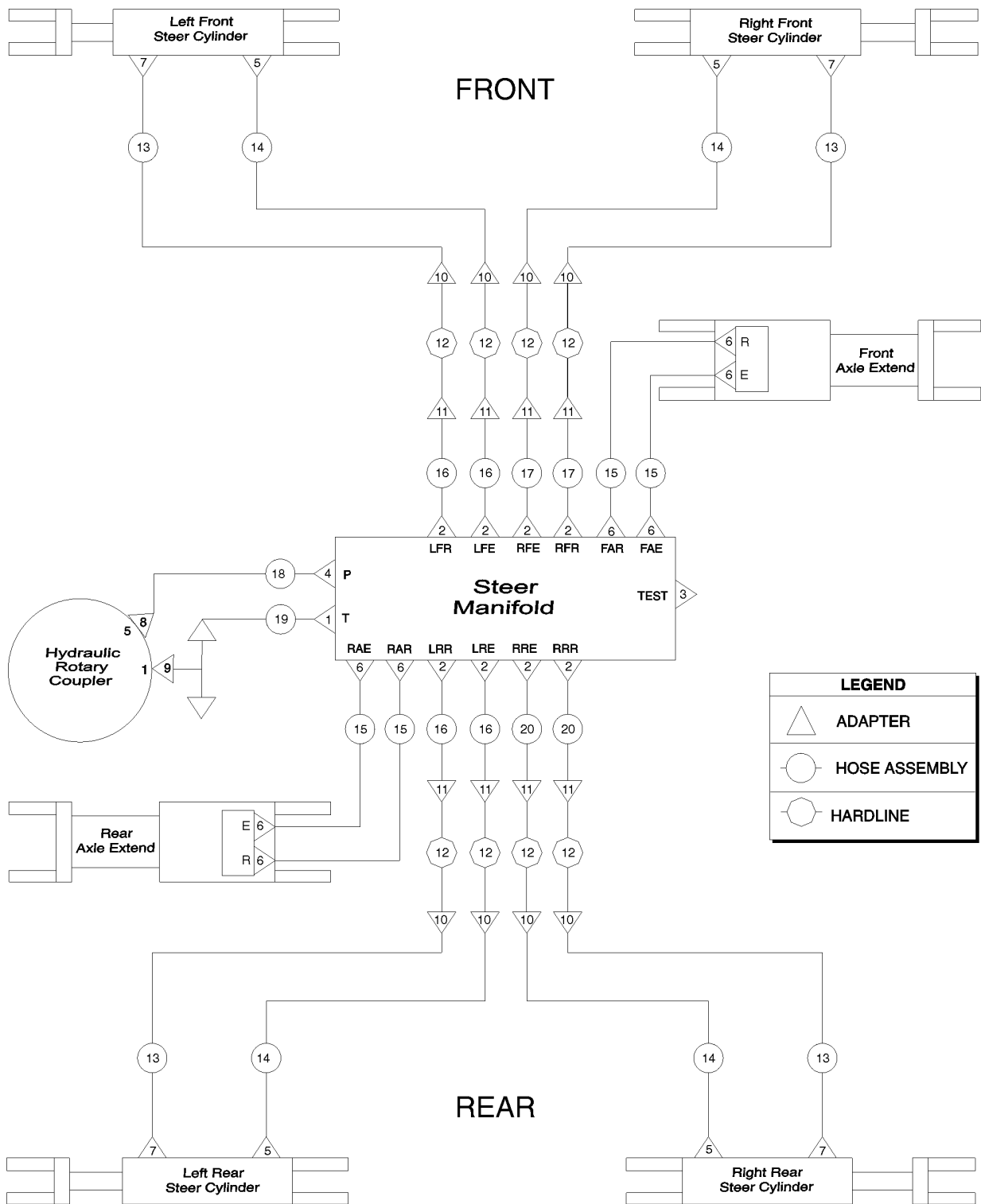


707.1 Hydraulic Hoses and Fittings, Drive System

Item	Part No.	Description	Qty.
29	216247-6684GT	HOSE ASSY,1/2,45 FEM, STR MALE Components: 106815, 48826 and 48756 @ 64 inches	4
30	106819-7013GT	HOSE ASSY,1/2,STR FEM STR MALE Components: 48822, 106815 and 48756 @ 68 inches	1
31	94374-6030GT	HOSE ASSY,3/4,90 FEM,STR FEM Components: 48841, 48846 and 94358 @ 57 inches	2
32	61072-4326GT	HOSE ASSY,3/4,45 FEM,STR FEM Components: 48841, 48845 and 48762 @ 40 inches	1
33	81812-3692GT	HOSE ASSY,1/2,STR FEM,STR FEM Components: 48822, 48822 and 56777 @ 35 inches	1
34	81812-11292GT	HOSE ASSY,1/2,STR FEM,STR FEM Components: 48822, 48822 and 56777 @ 111 inches	4
35	49120-3881GT	HOSE ASSEMBLY-1/4**** Components: 48800, 48810 and 48751 @ 37 inches	3
36	49120-11381GT	HOSE ASSY,1/4" STR FEM STR FEM Components: 48800, 48810 and 48751 @ 112 inches	4
37	81812-3792GT	HOSE ASSY,1/2,STR FEM,STR FEM Components: 48822, 48822 and 56777 @ 36 inches	2
38	106819-6213GT	HOSE ASSY,1/2,STR FEM STR MALE Components: 48822, 106815 and 48756 @ 60 inches	1
39	81812-3592GT	HOSE ASSY,1/2,STR FEM,STR FEM Components: 48822, 48822 and 56777 @ 4 inches	1
40	49120-3781GT	HOSE ASSY,1/4" STR FEM STR FEM Components: 48800, 48810 and 48751 @ 36 inches	1



708.1 Hydraulic Hoses and Fittings, Steering System



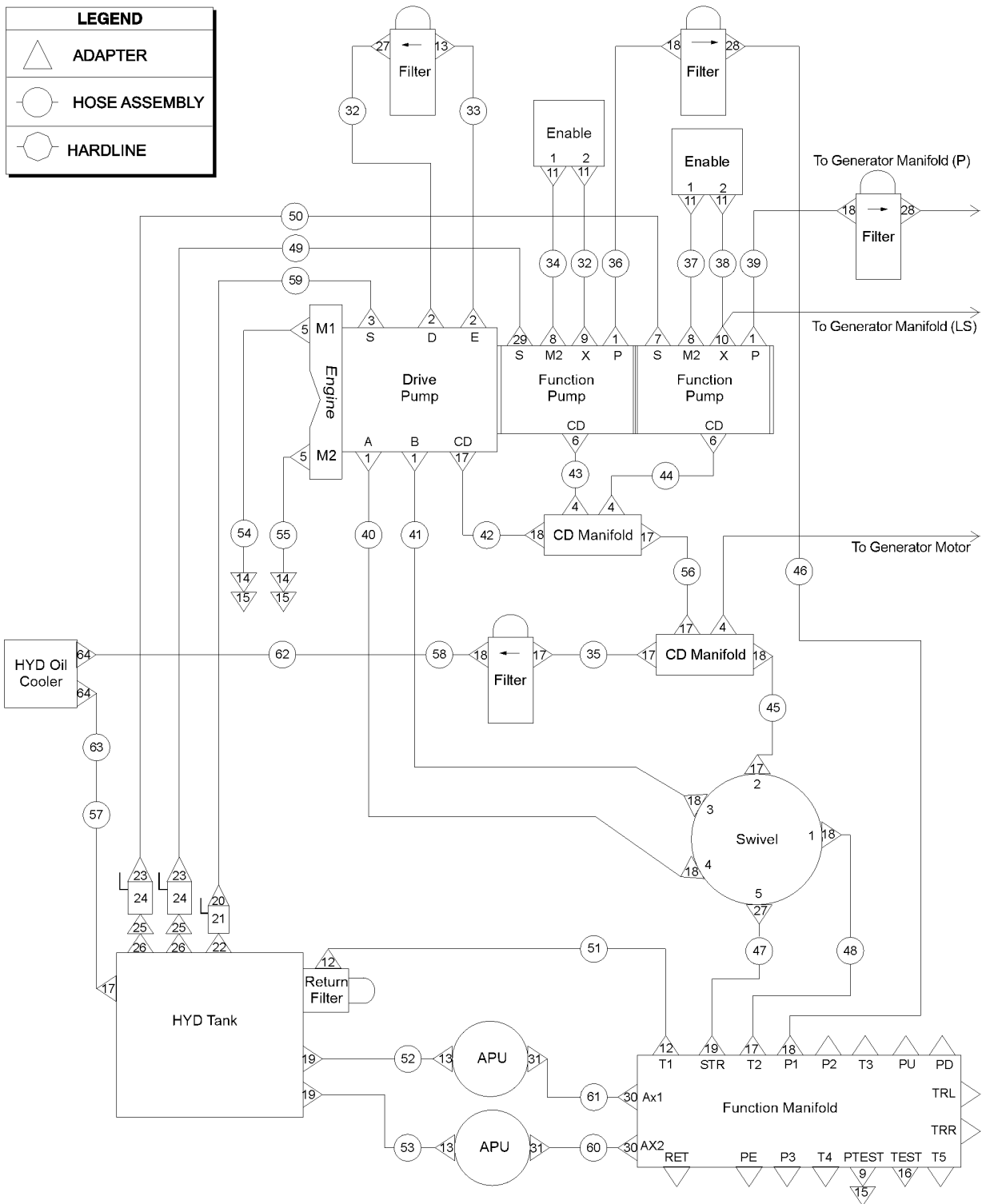


708.1 Hydraulic Hoses and Fittings, Steering System

Item	Part No.	Description	Qty.
1	48960GT	FITTING,CONN,520120-12***	1
2	48905GT	CONN,520120-4***	8
3	48998GT	NIPPLE,DIAGNOSTIC,#6 PORT***	1
4	48948GT	CONN,520120-8-12	1
5	48912GT	CONN,520120-4-6***	4
6	48916GT	CONN, 520120-6	8
7	48911GT	ELBOW,90D,520220-4-6***	4
8	48937GT	ELBOW,45D,520320-8	1
9	48961GT	TEE,RUN,520428-12	1
10	48924GT	CONN,BULKHEAD,520601-6	8
11	214345GT	SEAL,ORING-6	8
12	237553GT	HYD TUBE, STEER	8
13	49181-3440GT	HOSE ASSY.1/4",45,FEM STR FEM Components: 48801, 48810 and 48751 @ 32 inches	4
14	49120-1481GT	HOSE ASSY, 1/4", STR Components: 48800, 48810 and 48751 @ 13 inches	4
15	49130-5482GT	HOSE ASSY, 3/8,STR FEM,STR FEM Components: 48812, 48812 and 48751 @ 53 inches	4
16	49120-10981GT	HOSE ASSY,1/4" STR FEM STR FEM Components: 48800, 48810 and 48751 @ 108 inches	4
17	49120-4181GT	HOSE ASSY,1/4" STR FEM STR FEM Components: 48800, 48810 and 48751 @ 40 inches	2
18	49183-5992GT	HOSE ASSY,1/2,STR FEM,STR FEM Components: 48822, 48822 and 48756 @ 58 inches	1
19	61074-5528GT	HOSE ASSY,3/4,STR FEM,STR FEM Components: 48841, 48841 and 48762 @ 53 inches	1
20	49120-3881GT	HOSE ASSEMBLY-1/4"*** Components: 48800, 48810 and 48751 @ 37 inches	2



709.1 Hydraulic Hoses and Fittings - Turntable

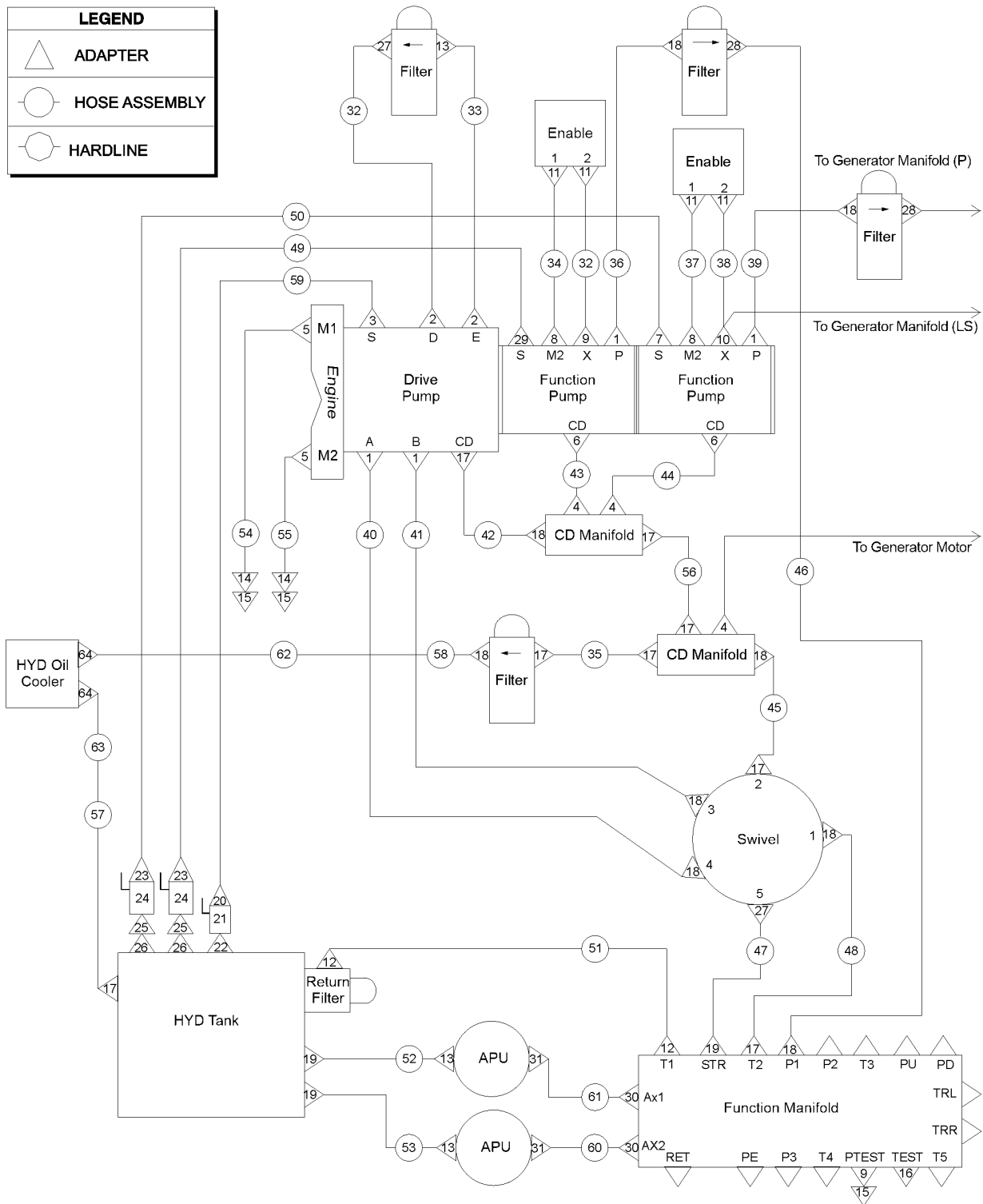


709.1 Hydraulic Hoses and Fittings - Turntable

Item	Part No.	Description	Qty.
1	48977GT	CONN,520120-12-16 .....	2
2	48946GT	CONN,520120-8-10 .....	2
3	48984GT	CONN,520120-16 .....	1
4	48948GT	CONN,520120-8-12 .....	4
5	48912GT	CONN,520120-4-6*** .....	2
6	54283GT	ELBOW,90D,520220-8-10 .....	2
7	121777GT	CONN,070121-24-24 .....	1
8	48911GT	ELBOW,90D,520220-4-6*** .....	2
9	48904GT	ELBOW, 90D, 520220-4 .....	2
10	48890GT	FITTING,TEE,BRANCH,520429-4*** .....	1
11	48905GT	CONN,520120-4*** .....	5
12	75654GT	CONN,520120-20 .....	2
13	48932GT	FITTING,ELBOW,90D,520220-8*** .....	3
14	48880GT	CAP,DIAGNOSTIC NIPPLE .....	6
15	49207GT	NIPPLE, DIAGNOSTIC, ORFS, FM, SWIV .....	3
16	48997GT	NIPPLE,DIAGNOSTIC,#4 .....	3
17	48960GT	FITTING,CONN,520120-12*** .....	19
18	48963GT	FITTING,ELBOW,45D,520320-12*** .....	12
19	48933GT	CONN,520120-8*** .....	3
20	48985GT	ELBOW,45D,520320-16 .....	1
21	48996GT	VALVE,BALL,16 MSAE-16 FSAE*** .....	1
22	75253GT	STRAINER ASSY,#16 O-RING .....	1
23	88354GT	ELBOW,45D,520320-24 .....	2
24	75256GT	VALVE BALL,24 FSAE-24 FSAE*** .....	2
25	75254GT	UNION,STR.THREAD 24*** .....	2
26	75257GT	STRAINER ASSY,#24 O-RING .....	2
27	48937GT	ELBOW,45D,520320-8 .....	2
28	48959GT	FITTING,ELBOW,90D,520220-12 .....	1



709.1 Hydraulic Hoses and Fittings - Turntable

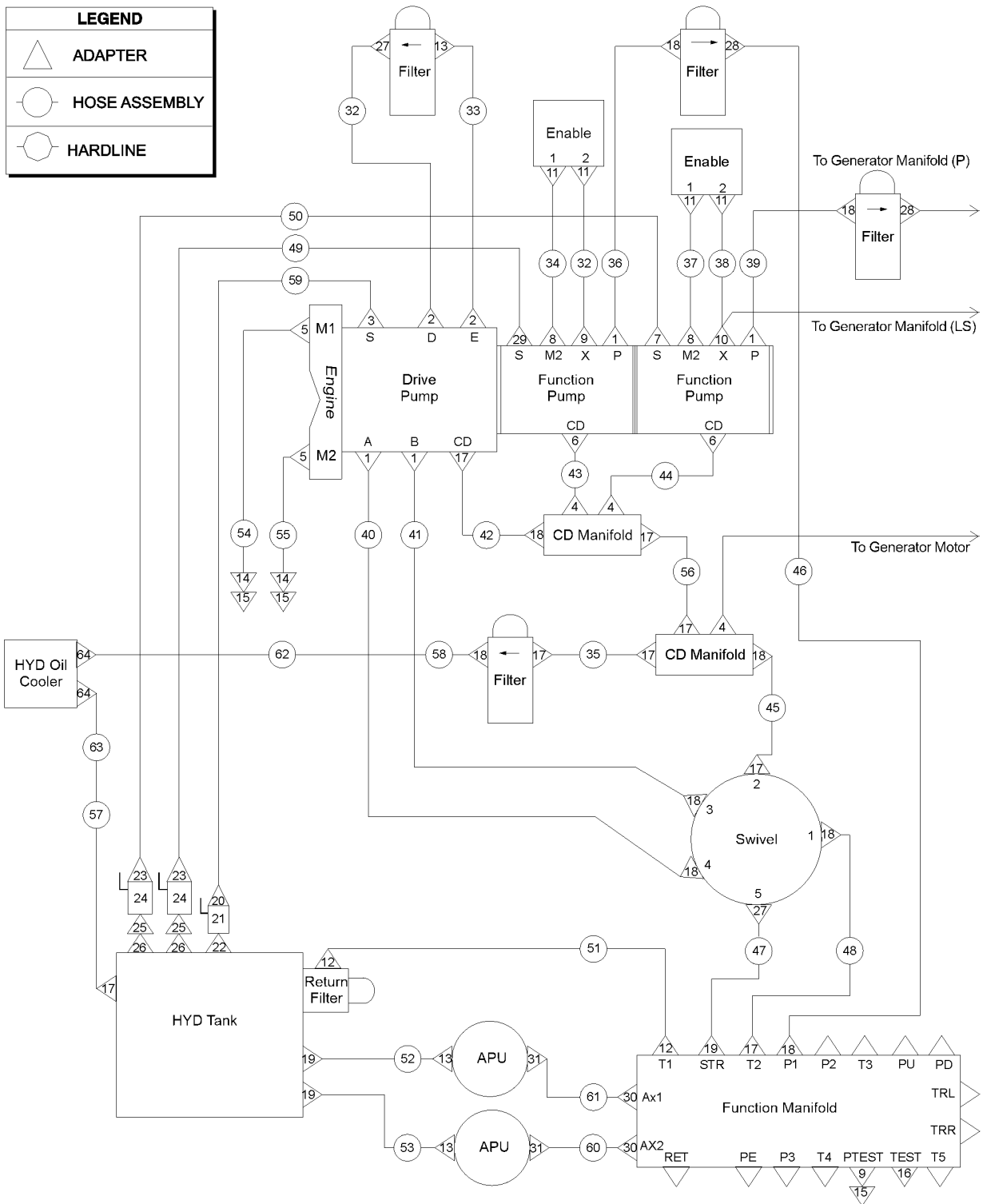


709.1 Hydraulic Hoses and Fittings - Turntable

Item	Part No.	Description	Qty.
29	219355GT	ELBOW, 90, 24 C5OLO-S .....	1
30	48916GT	CONN, 520120-6 .....	2
31	48920GT	ELBOW,45D,520320-6 .....	2
32	49141-2263GT	HOSE ASSY,1/4,45 FEM,STR FEM (components: 48822, 48826, and 48756 @ 20 inches) .....	2
33	49141-1963GT	HOSE ASSY 1/2.45 FEM STR FEM (components: 48822, 48826, and 48756 @ 17 inches) .....	1
34	49117-1791GT	HOSE ASSY 1/4.90 FEM STR FEM (components: 48800, 48802, and 48751 @ 16 inches) .....	1
35	61073-2830GT	HOSE ASSY,3/4",90 FEM, STR FEM (components: 48841, 48846, and 48762 @ 25 inches) .....	1
36	61073-3130GT	HOSE ASSY,3/4,90 FEM,STR FEM (components: 48841, 48846, and 48762 @ 28 inches) .....	1
37	49117-2191GT	HOSE ASSY,1/4,90 FEM,STR FEM (components: 48800, 48802, and 48751 @ 20 inches) .....	1
38	49117-2391GT	HOSE ASSY 1/4.90 FEM STR FEM (components: 48800, 48802, and 48751 @ 22 inches) .....	1
39	61073-4930GT	HOSE ASSY,3/4,90 FEM,STR FEM** (components: 48841, 48846, and 48762 @ 46 inches) .....	1
40	94374-10530GT	HOSE ASSY,3/4,90 FEM,STR FEM (components: 48841, 48846, and 94358 @ 102 inches) .....	1
41	94374-10530GT	HOSE ASSY,3/4,90 FEM,STR FEM (components: 48841, 48846, and 94358 @ 102 inches) .....	1
42	61073-2030GT	HOSE,3/4,90 FEM,STR FEM (components: 48841, 48846, and 48762 @ 17 inches) .....	1
43	49141-1963GT	HOSE ASSY 1/2.45 FEM STR FEM (components: 48822, 48826, and 48756 @ 17 inches) .....	1
44	49141-1563GT	HOSE ASSY 1/2.45 FEM STR FEM (components: 48822, 48826, and 48756 @ 13 inches) .....	1
45	61072-3926GT	HOSE ASSY,3/4,45 FEM,STR FEM (components: 48841, 48845, and 48762 @ 36 inches) .....	1
46	61074-8828GT	HOSE ASSY,3/4,STR FEM,STR FEM (components: 48841, 48841, and 48762 @ 86 inches) .....	1
47	49143-8929GT	HOSE ASSY,1/2,90 FEM,STR FEM** (components: 48822, 48827, and 48756 @ 87 inches) .....	1
48	61073-8330GT	HOSE ASSY,3/4,90 FEM,STR FEM** (components: 48841, 48845, and 48762 @ 80 inches) .....	1
49	219701-6246GT	HOSE ASSEMBLY,1.5" (components: 88476, 88476, and 61100 @ 59 inches) .....	1
50	121608-7175GT	HOSE ASSY, 1-1/2, STR, 90D (components: 121778, 88476, and 61100 @ 66 inches) .....	1
51	88943-4586GT	HOSE ASSY,1.25",90 FEM,STR FEM (components: 88477, 88944, and 88478 @ 42 inches) .....	1
52	49141-5663GT	HOSE ASSY,1/2 STR FEM,45 DEG** (components: 48822, 48826, and 48756 @ 54 inches) .....	1
53	49141-6063GT	HOSE ASSY,1/2.45 FEM,STR FEM (components: 48822, 48826, and 48756 @ 58 inches) .....	1
54	101793-2573GT	HOSE ASSY,1/4,STR FEM,STR MAL (components: 48800, 75628, and 101697 @ 23 inches) .....	1
55	101793-2573GT	HOSE ASSY,1/4,STR FEM,STR MAL (components: 48800, 75628, and 1287113@ 23 inches) .....	1
56	61074-4328GT	HOSE ASSY,3/4,STR FEM,STR FEM (components: 48841, 48841, and 48762 @ 41 inches) .....	1





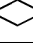
709.1 Hydraulic Hoses and Fittings - Turntable

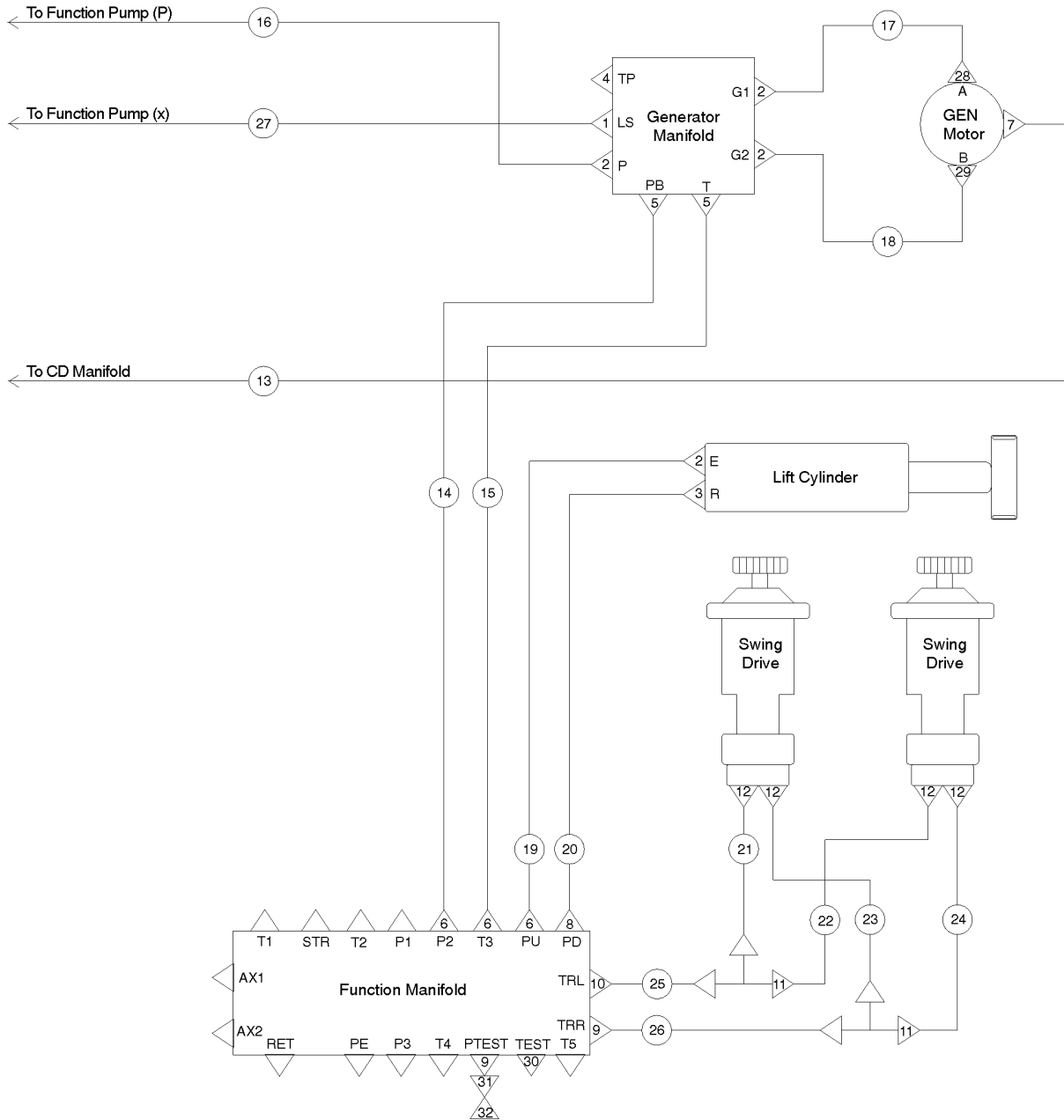


709.1 Hydraulic Hoses and Fittings - Turntable

Item	Part No.	Description	Qty.
57	61072-4526GT	HOSE ASSY,3/4,STR FEM,STR FEM (components: 48841, 48845, and 48762 @ 42 inches) to SN SX150H-612	1
57B	61072-7426GT	HOSE ASSY,3/4" 45 FEM STR FEM (components: 48841, 48845, and 48762 @ 71 inches) from SN SX150H-613	1
58	61073-6430GT	HOSE ASSY,3/4",90°FEM,STR FEM (components: 48846, 48841, and 48762 @ 61 inches) to SN SX150H-612	1
56B	61073-7830GT	ASSY, HOSE, HYD, -12, 3000, STR, 90 (components: 48846, 48841, and 48762 @ 75 inches) from SN SX150H-613	1
59	49159-6218GT	HOSE ASSEMBLY,1" (components: 48854, 48855, and 48764 @ 58 inches)	1
60	218774GT	HYD. TUBE, APU2	1
61	218773GT	HYD. TUBE, APU1	1
62	219153GT	HYD. TUBE, OIL COOLER, TANK SI to SN SX150H-612	1
63	219154GT	HYD. TUBE, OIL COOLER, ENG. SI to SN SX150H-612	1
64	48960GT	FITTING,CONN,520120-12*** to SN SX150H-612	2
64B	48963GT	FITTING,ELBOW,45D,520320-12*** from SN SX150H-613	2

710.1 Hydraulic Hoses and Fittings - Turntable

LEGEND	
	ADAPTER
	HOSE ASSEMBLY
	UNION








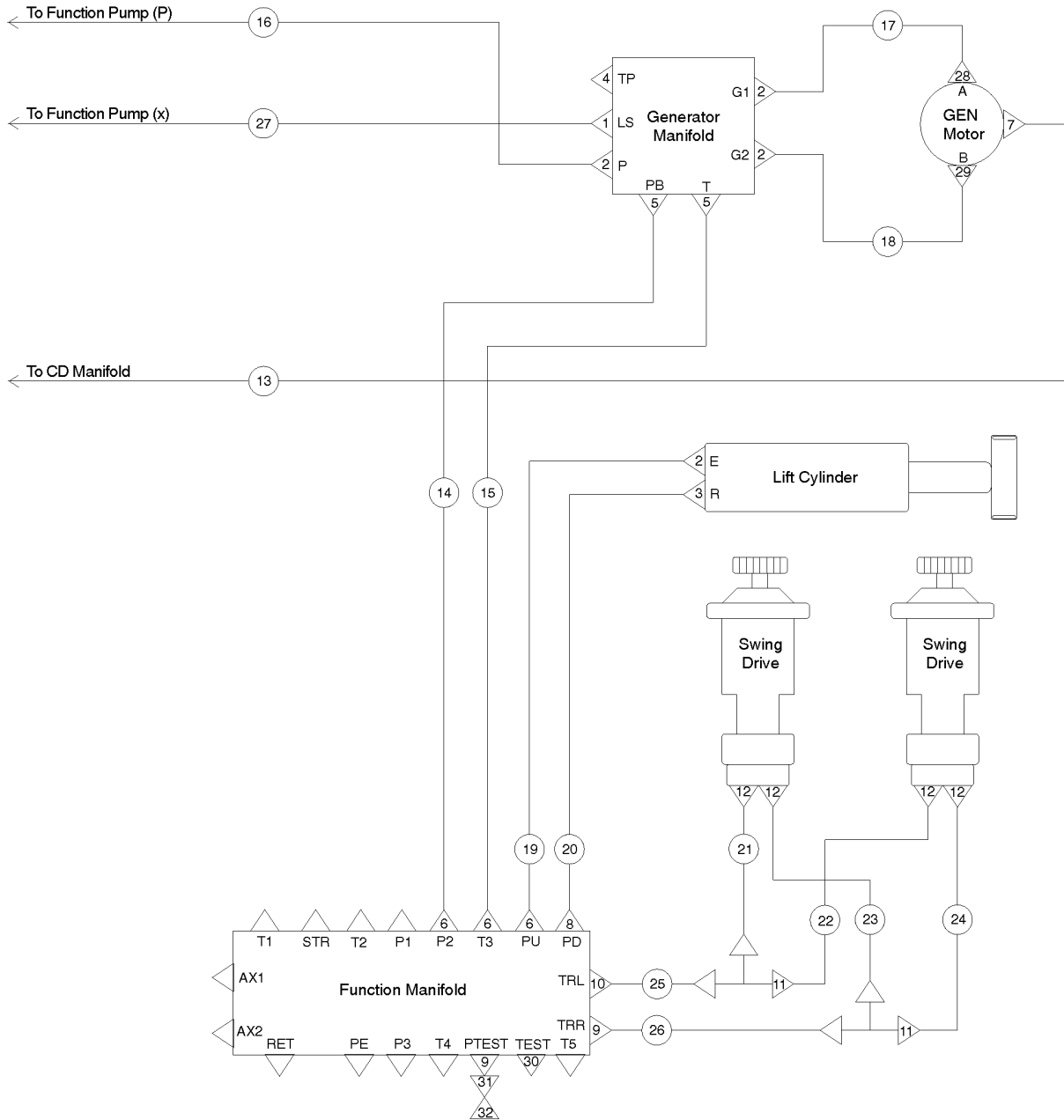
710.1 Hydraulic Hoses and Fittings - Turntable

Item	Part No.	Description	Qty.
1	48913GT	CONN, 520120-4-6 0.030 ORIFICE .....	1
2	48959GT	FITTING,ELBOW,90D,520220-12 .....	4
3	48932GT	FITTING,ELBOW,90D,520220-8*** .....	1
4	48997GT	NIPPLE,DIAGNOSTIC,#4 .....	1
5	48960GT	FITTING,CONN,520120-12*** .....	2
6	48963GT	FITTING,ELBOW,45D,520320-12*** .....	3
7	48942GT	ELBOW,90D,520220-8-6 .....	1
8	48937GT	ELBOW,45D,520320-8 .....	1
9	48904GT	ELBOW, 90D, 520220-4 .....	1
10	48915GT	ELBOW,90D,520220-6 .....	1
11	227614GT	TEE, BULKHEAD, RUN, 520120-6 .....	2
12	48916GT	CONN, 520120-6 .....	4
13	49137-2541GT	HOSE ASSY,1/2, 90L FEM,STR FEM (components: 48822, 48824, and 48756 @ 23 inches) .....	1
14	61074-7828GT	HOSE ASSY,3/4,STR FEM,STR FEM (components: 48841, 48841, and 48762 @ 76 inches) .....	1
15	61074-7628GT	HOSE ASSY,3/4,STR FEM,STR FEM (components: 48841, 48841, and 48762 @ 74 inches) .....	1
16	215202GT	HARDLINE, GENERATOR PRESSURE .....	1
17	215200GT	HARDLINE, GENERATOR SUPPLY .....	1
18	215201GT	HARDLINE, GENERATOR RETURN .....	1
19	61072-10026GT	HOSE ASSY,3/4,45 FEM,STR FEM (components: 48841, 48845, and 48762 @ 97 inches) .....	1
20	49141-9963GT	HOSE ASSY,1/2,45 FEM,STR FEM (components: 48822, 48826, and 48756 @ 97 inches) .....	1
21	49128-2809GT	HOSE ASSY,3/8,90 FEM,STR FEM (components: 48812, 48816, and 48753 @ 26 inches) .....	1
22	49128-2809GT	HOSE ASSY,3/8,90 FEM,STR FEM (components: 48812, 48816, and 48753 @ 26 inches) .....	1
23	49128-2809GT	HOSE ASSY,3/8,90 FEM,STR FEM (components: 48812, 48816, and 48753 @ 26 inches) .....	1
24	49128-2809GT	HOSE ASSY,3/8,90 FEM,STR FEM (components: 48812, 48816, and 48753 @ 26 inches) .....	1
25	218776GT	HYD, TUBE, TRL .....	1
26	218775GT	HYD, TUBE, TRR .....	1
27	49117-3091GT	HOSE ASSY 1/4,90 FEM STR FEM (components: 48000, 48802, and 48751 @ 29 inches) .....	1
28	48974GT	ELBOW,90D,520220-12-10 .....	1



710.1 Hydraulic Hoses and Fittings - Turntable

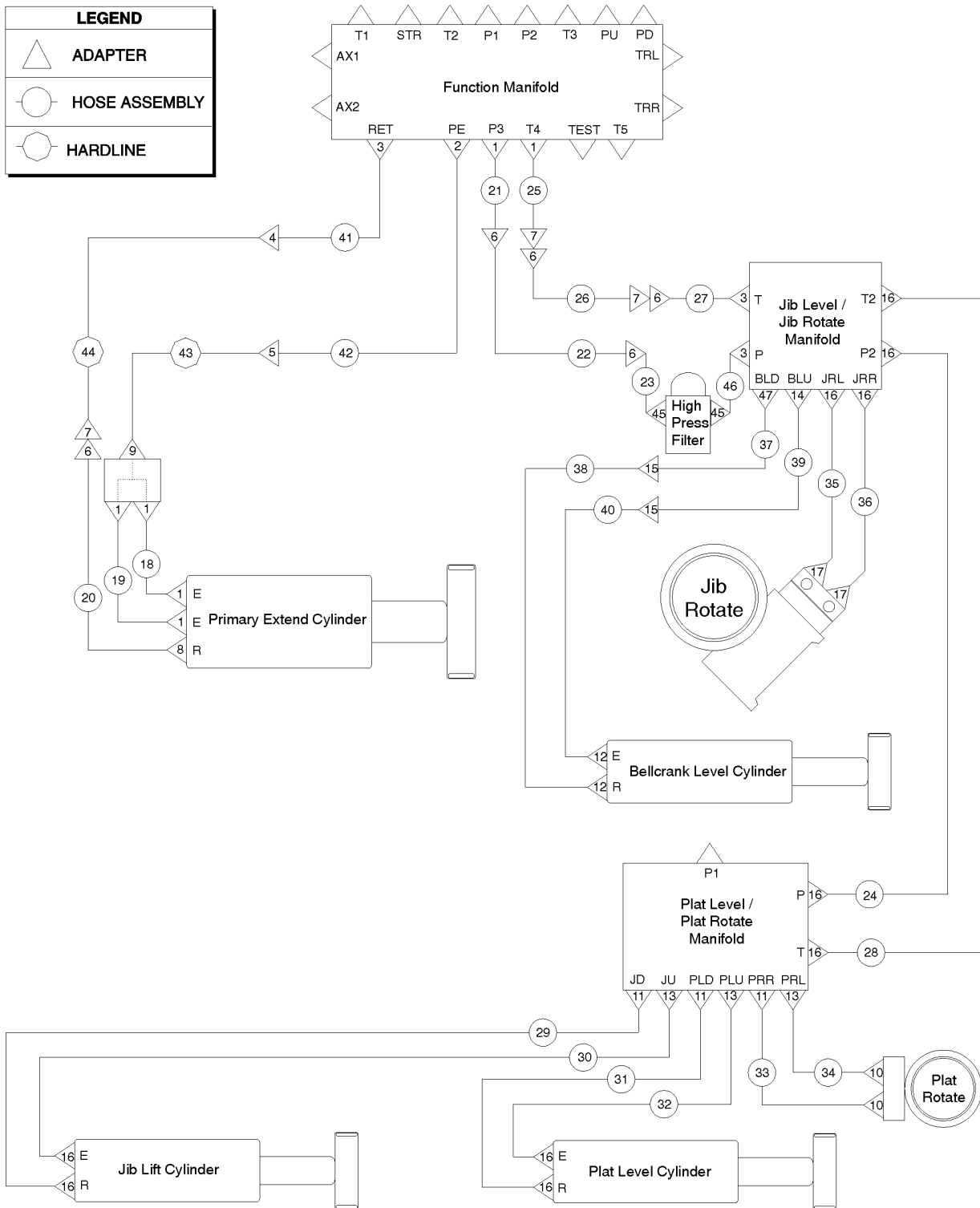
LEGEND	
	ADAPTER
	HOSE ASSEMBLY
	UNION



710.1 Hydraulic Hoses and Fittings - Turntable

<i>Item</i>	<i>Part No.</i>	<i>Description</i>	<i>Qty.</i>
29	48995GT	VALVE,BALL,12 MSAE-12 FSAE .....	1
30	48997GT	NIPPLE,DIAGNOSTIC,#4 .....	1
31	49207GT	NIPPLE, DIAGNOSTIC, ORFS, FM, SWIV .....	1
32	48880GT	CAP,DIAGNOSTIC NIPPLE .....	1

711.1 Hydraulic Hoses and Fittings - Boom Components

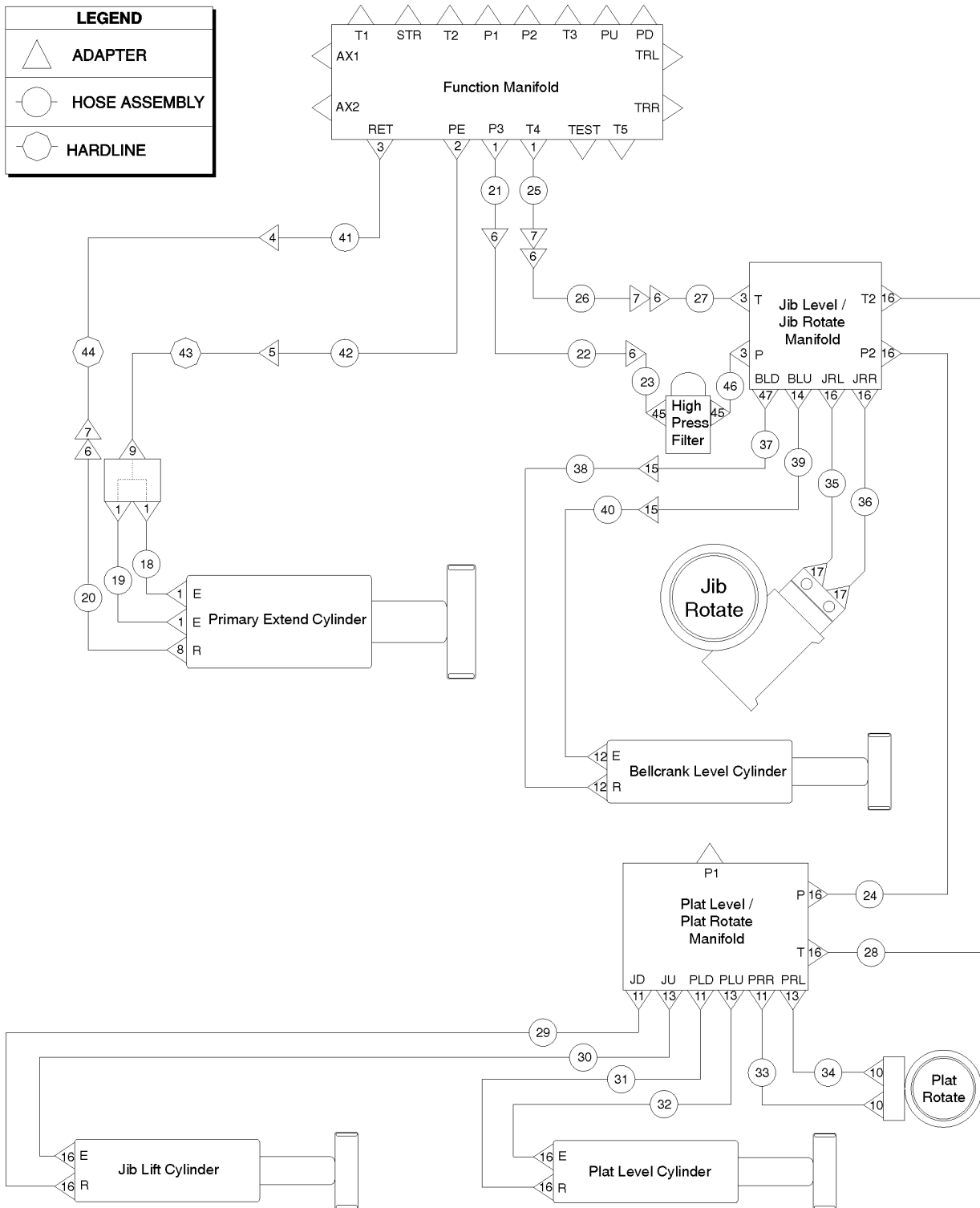


711.1 Hydraulic Hoses and Fittings - Boom Components

Item	Part No.	Description	Qty.
1	48933GT	CONN,520120-8***	7
2	48963GT	FITTING,ELBOW,45D,520320-12***	2
3	48937GT	ELBOW,45D,520320-8	4
4	48894GT	CONN,BULKHEAD,520601-8	1
5	48968GT	CONN,BULKHEAD,520601-12	2
6	75042GT	ELBOW,BULKHEAD UNION 520701-8	5
7	48879GT	ELBOW,SWIVEL 90D, 520221-8	3
8	48930GT	FITTING,CONN,520120-6-8***	1
9	48960GT	FITTING,CONN,520120-12***	1
10	48905GT	CONN,520120-4***	2
11	56003GT	ELBOW,90D,LONG,521520-6	3
12	48912GT	CONN,520120-4-6***	6
13	48915GT	ELBOW,90D,520220-6	3
14	48904GT	ELBOW, 90D, 520220-4	1
15	61269GT	UNION,BULKHEAD,ORFS,520601,-4	2
16	48916GT	CONN, 520120-6	10
17	48931GT	CONN,520120-6-10	2
18	49143-41229GT	HOSE ASSY,1/2,90 FEM, STR FEM (components: 48822, 48827, and 48756 @ 410 inches)	1
19	49143-41629GT	HOSE ASSY,1/2,90 FEM, STR FEM (components: 48822, 48827, and 48756 @ 414 inches)	1
20	49180-41116GT	HOSE ASSY,1/2,90 FEM, STR FEM (components: 48816, 48819, and 48753 @ 409 inches)	1
21	49183-51792GT	HOSE ASSY,1/2,STR FEM,STR FEM (components: 48822, 48822, and 48756 @ 516 inches)	1
22	49183-85992GT	HOSE ASSY,1/2,STR FEM,STR FEM (components: 48822, 48822, and 48756 @ 858 inches)	1
23	49183-87392GT	HOSE ASSY,1/2,STR FEM,STR FEM (components: 48822, 48822, and 48756 @ 872 inches)	1
24	49130-17182GT	HOSE ASSY, 3/8,STR FEM,STR FEM (components:48812, 48812, and 48753 @ 170 inches)	1
25	49183-51792GT	HOSE ASSY,1/2,STR FEM,STR FEM (components: 48822, 48822, and 48753 @ 516 inches)	1
26	49183-79692GT	HOSE ASSY,1/2,STR FEM,STR FEM (components: 48822, 48822, and 48756 @ 795 inches)	1
27	49183-82392GT	HOSE ASSY,1/2,STR FEM,STR FEM (components: 48822, 48822, and 48756 @ 822 inches)	1
28	49130-17182GT	HOSE ASSY, 3/8,STR FEM,STR FEM (components:48812, 48812, and 48753 @ 170 inches)	1



711.1 Hydraulic Hoses and Fittings - Boom Components

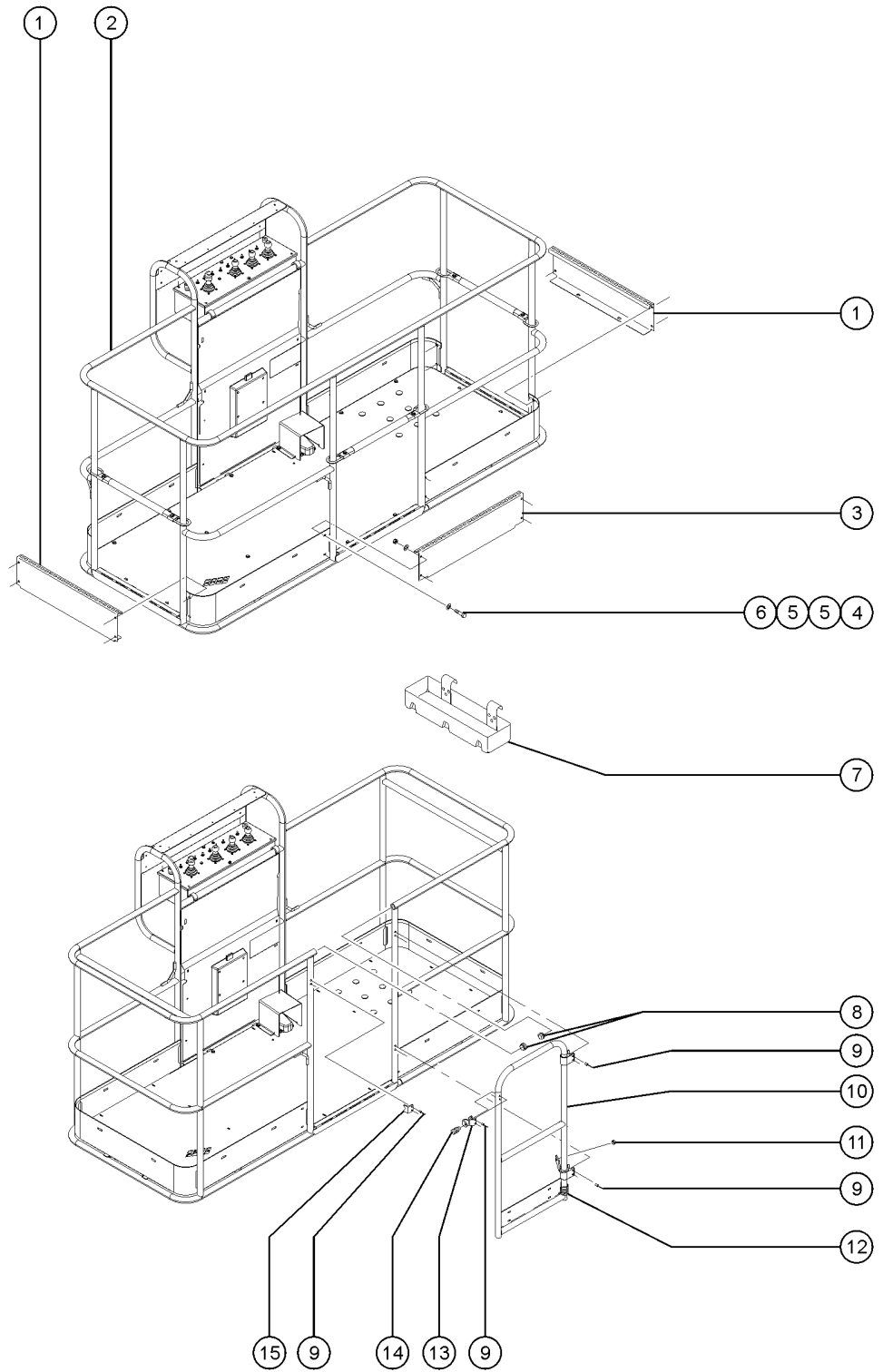


711.1 Hydraulic Hoses and Fittings - Boom Components

Item	Part No.	Description	Qty.
29	49130-2082GT	HOSE ASSY, 3/8,STR FEM,STR FEM (components:48812, 48812, and 48753 @ 19 inches)	1
30	49130-1882GT	HOSE ASSY, 3/8,STR FEM,STR FEM (components:48812, 48812, and 48753 @ 17 inches)	1
31	49130-1782GT	HOSE ASSY, 3/8,STR FEM,STR FEM (components:48812, 48812, and 48753 @ 16 inches)	1
32	49130-1882GT	HOSE ASSY, 3/8,STR FEM,STR FEM (components:48812, 48812, and 48753 @ 17 inches)	1
33	49163-7194GT	HOSE ASSY,1/4,90 FEM,STR FEM (components:48802, 48810, and 48751 @ 70 inches)	1
34	49163-7194GT	HOSE ASSY,1/4,90 FEM,STR FEM (components:48802, 48810, and 48751 @ 70 inches)	1
35	49128-3734GT	HOSE ASSY,3/8" 90 FEM STR FEM (components:48812, 48816, and 48753 @ 35.25 inches)	1
36	49128-3809GT	HOSE ASSY,3/8" 90 FEM STR FEM (components:48812, 48816, and 48753 @ 36 inches)	1
37	49116-1937GT	HOSE ASSY,1/4,45 FEM,STR FEM (components:48800, 48801, and 48751 @ 17 inches)	1
38	49117-2591GT	HOSE ASSY,1/4,90 FEM,STR FEM** (components:48800, 48802, and 48751 @ 24 inches)	1
39	49116-1937GT	HOSE ASSY,1/4,45 FEM,STR FEM (components:48800, 48801, and 48751 @ 17 inches)	1
40	49117-2591GT	HOSE ASSY,1/4,90 FEM,STR FEM** (components:48800, 48802, and 48751 @ 24 inches)	1
41	49183-15792GT	HOSE ASSY,1/2,STR FEM,STR FEM (components: 48822, 48822, and 48756 @ 156 inches)	1
42	61074-15228GT	HOSE ASSY,3/4,STR FEM,STR FEM (components: 48841, 48841, and 48762 @ 150 inches)	1
43	1256892GT	HARDLINE,PRI. EXTEND,BOOM #1	1
44	1256893GT	HARDLINE,PRIMARY RETURN, BOOM	1
45	48947GT	ELBOW,90D,520220-8-12 from SN SX15016H-213	2
46	49183-1980	HOSE ASSY,1/2,STR FEM,STR FEM (components: 48822, 48822, and 48756 @ 18 inches); from SN SX15016H-213	1
47	48904GT	ELBOW, 90D, 520220-4 to SX150H-518	1
47-	61259GT	ELBOW,90D,LONG,521520-4 from SX150H-519	



801.1 Platform Accessories (to SN 200)



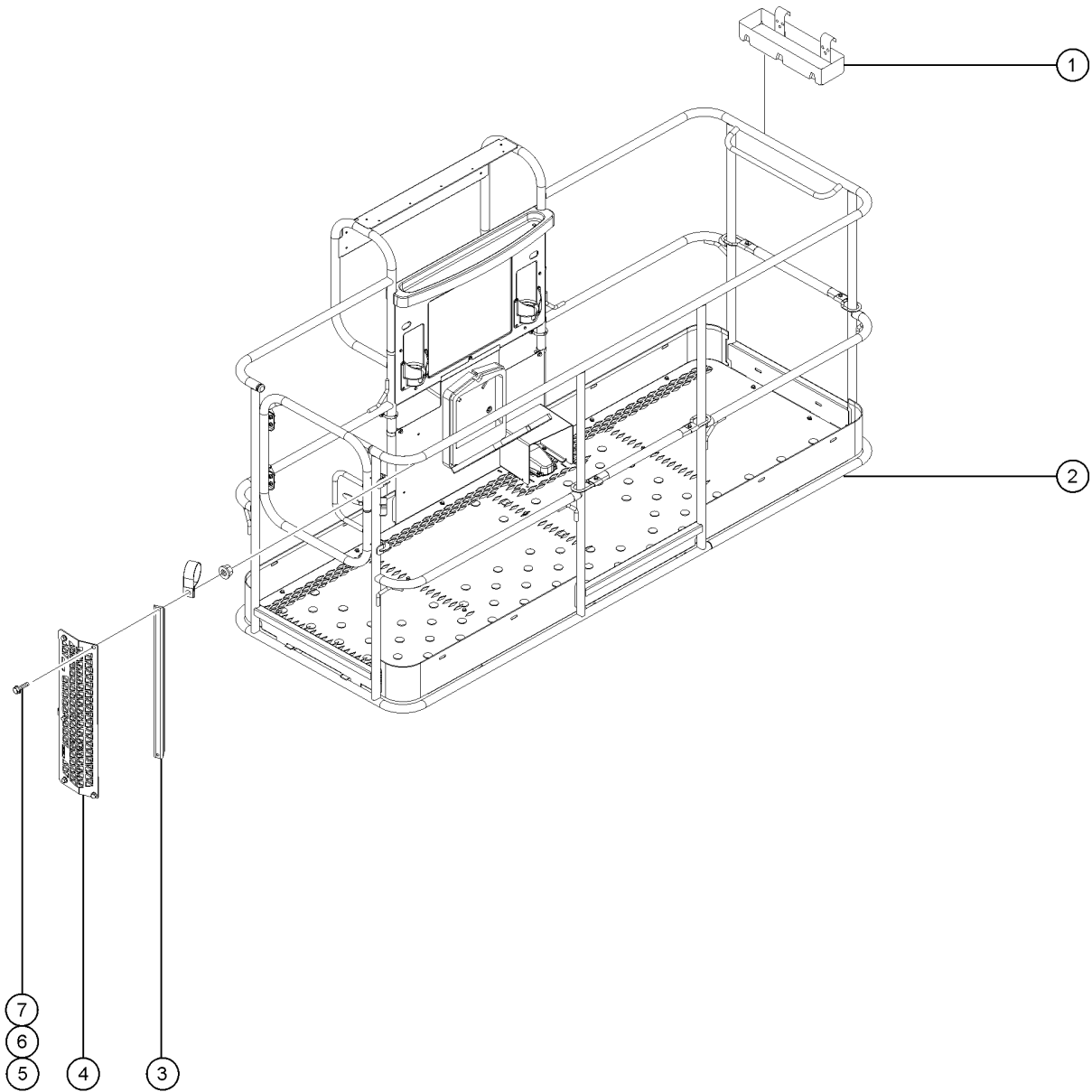


801.1 Platform Accessories (to SN 200)

Item	Part No.	Description	Qty.
1	102721PGT	TOEBOARD,8'TRI ENTRY .....	2
1-	139438GT	TOEBOARD, TRI ENTRY 6', EURO .....	
2	101973GT	WELDMENT,6 FT TRI ENTRY PLAT .....	
2-	94869GT	WELDMENT,8FT TRI ENTRY PLAT .....	
3	94745PGT	TOEBOARD,ENTRY EUROPEAN PNTD** .....	1
4	6090GT	SCREW,HHC,1/4-20 X .75 .....	
5	6638GT	WASHER,FLAT,USS,1/4"Y .....	
6	6091GT	NUT,NYLOCK,1/4-20 .....	
7	9599-SGT	TOOL TRAY ACCESSORY*** .....	1
8	55753GT	BUMPER, PLASTIC, 1.25 O.D. ....	2
9	7265GT	RIVET,STEEL,P, .25 X .375 .....	14
10	128368GT	KIT,SWING GATE W/SPRING .....	1
10	1290135GT	KIT,FRONT HALF SWING GATE .....	
10-	1488GT	RAILING CATCH CASTING--DRILLED .....	
10-	1487GT	GATE LATCH CASTING--DRILLED .....	
10-	33674GT	PIN,LOCK,SHORT*** .....	
10-	9596GT	HINGE CASTING Special welding requirements for installation of this component. Strongly suggest ordering 128368 OR contact Genie Service for welding requirements.	
11	43392GT	BUMPER,BATTERY BOX & RAILS .....	1
12	42104GT	SPRING,SHORT PLATFORM GATE .....	
13	1487GT	GATE LATCH CASTING--DRILLED .....	1
14	33674GT	PIN,LOCK,SHORT*** .....	1
15	1488GT	RAILING CATCH CASTING--DRILLED .....	1



801.2 Platform Accessories (from SN 201)

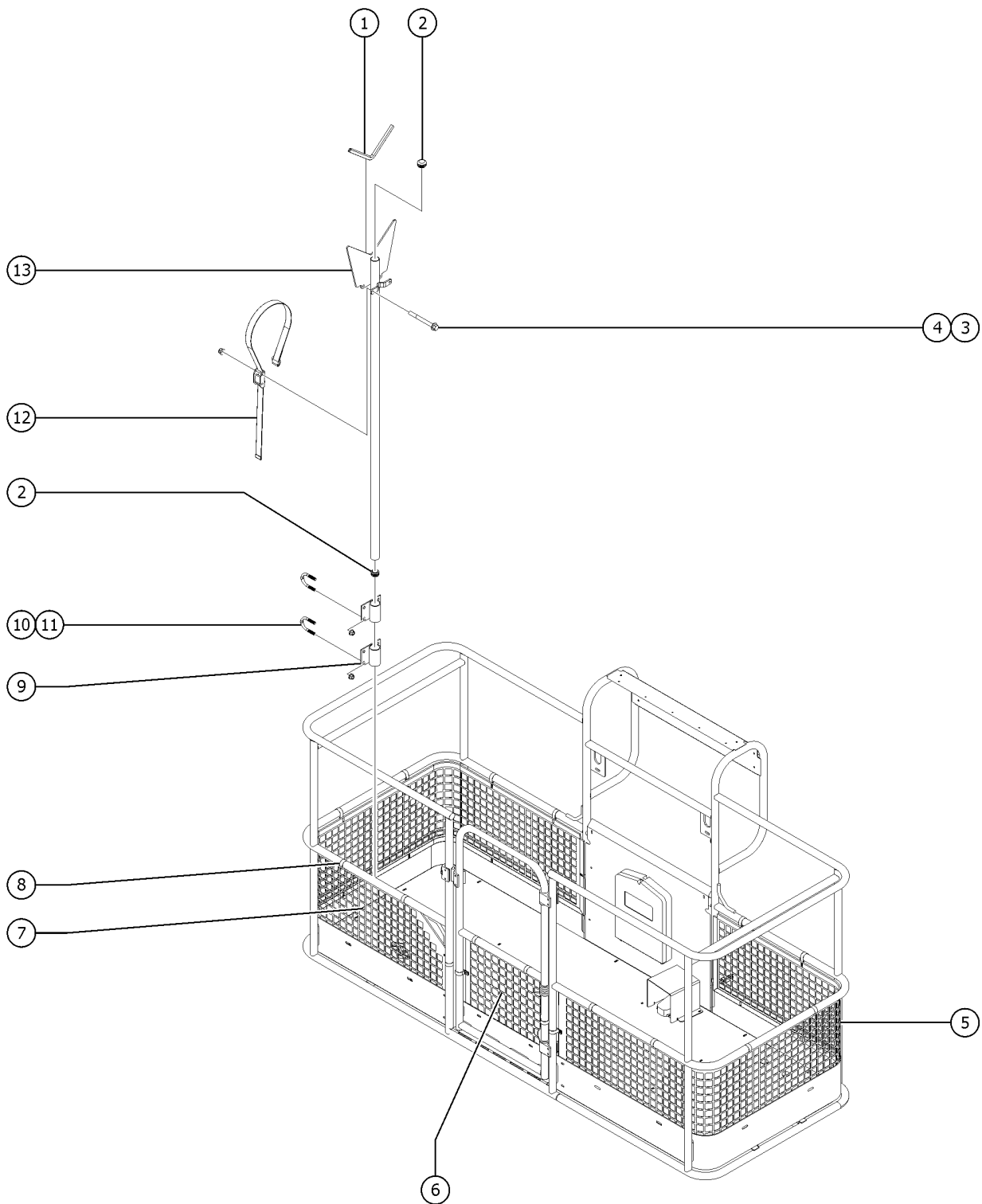


801.2 Platform Accessories (from SN 201)

<i>Item</i>	<i>Part No.</i>	<i>Description</i>	<i>Qty.</i>
1	9599-SGT	TOOL TRAY ACCESSORY*** .....	1
2		Ref.WELDMENT, PLATFORM .....	1
		(refer to 602.2)	
3	1277966GT	TUBE,SQ,STL, 1.00 x 1.00 x .120 .....	1
4	1277952GT	GUARD, SWING GATE .....	1
5	824086GT	SCREW,HHF,5/16-18X1,8,ZAG .....	5
6	56424GT	CLAMP,1.25X.5 RUBBER-CUSHION .....	5
7	824028GT	NUT,TL FLG,5/16-18,G,ZAG .....	5



802.1 Half-Mesh and Pipe Cradle Options (to SN 200)

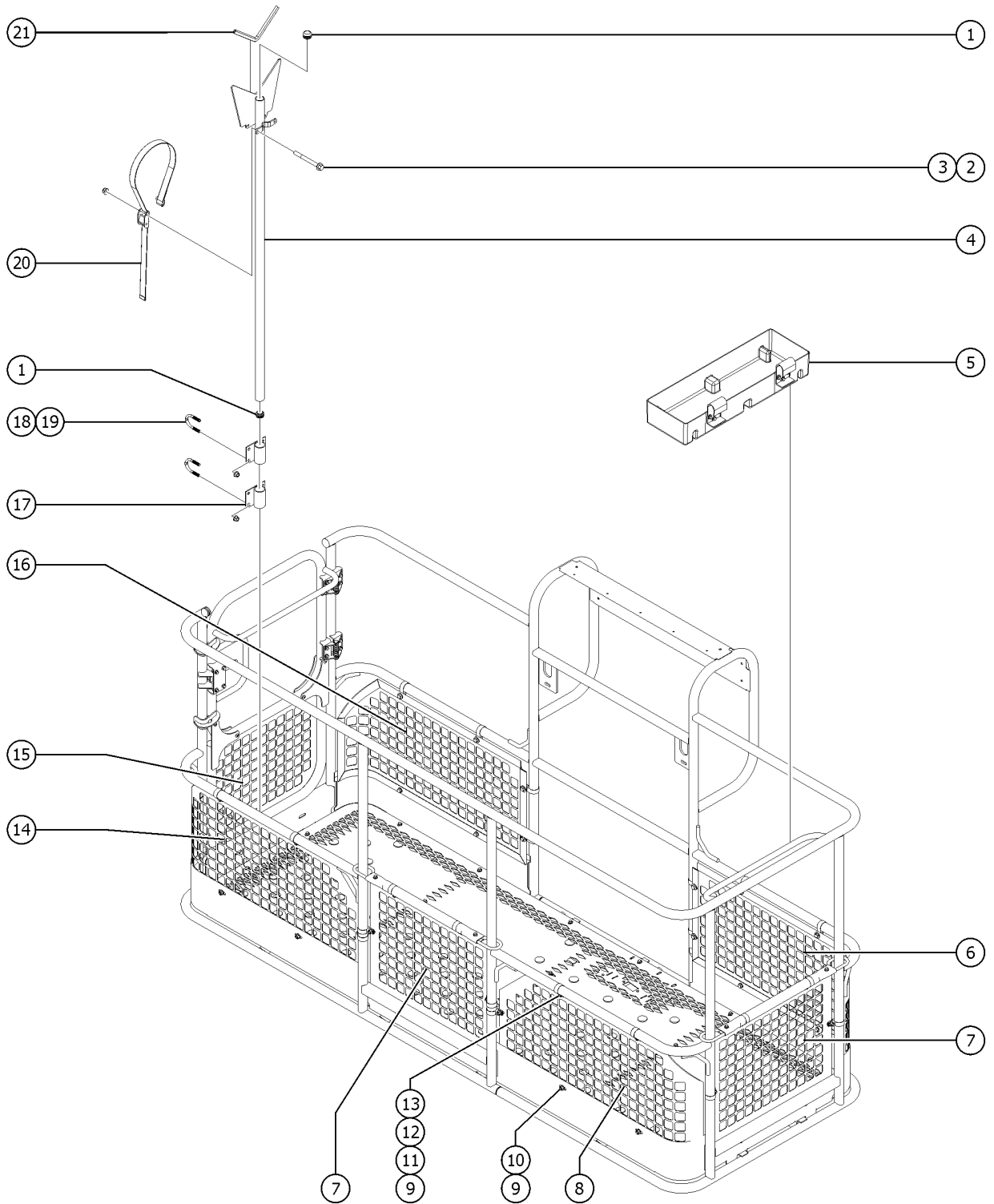


802.1 Half-Mesh and Pipe Cradle Options (to SN 200)

Item	Part No.	Description	Qty.
A	85300GT	PIPE CRADLE ASSY. SERV (ONE)** (ANSI & CE only) (This is a single assembly. Qty 2 of 85300GT required to complete a set)	
A-	65630GT	INSTRUCTIONS-PIPE CRADLE,BOOMS .....	
B		Ref. SWING GATE, COMPLETE .....	
		(refer to 801.1)	
1	19018-1100GT	TRIMLOCK,BLACK,5/32" .....	2
2	55753GT	BUMPER, PLASTIC, 1.25 O.D. ....	4
3	824083GT	SCREW,HHF,1/4-20X2.5,8,ZAG .....	4
4	1277924GT	NUT,NYLOCK FLG,1/4-20,F,ZAG .....	4
5	73500GT	HALF MESH,8'PLATFORM,RH*** .....	1
5-	54465GT	MESH,HALF,RH,6'PLATFORM .....	
6	54457GT	MESH,HALF,SWING GATE*** .....	1
7	73501GT	HALF MESH,8'PLATFORM,LH .....	1
7-	54458GT	MESH,HALF,LH,6'PLATFORM .....	
8	56424GT	CLAMP,1.25X.5 RUBBER-CUSHION .....	14
8-	6090GT	SCREW,HHC,1/4-20 X .75 .....	
8-	6091GT	NUT,NYLOCK,1/4-20 .....	
8-	6638GT	WASHER,FLAT,USS,1/4"Y .....	
9	81368GT	WELDMENT,PIPE CRADLE MOUNT .....	4
10	1251600GT	U-BOLT, FLATTENED, 1.5 X 3/8 .....	8
11	1274322GT	NUT,NYLOCK FLG,3/8-16,F,ZAG .....	16
12	56570GT	STRAP, CONDUIT HOLDER 60"**** .....	2
13	56525GT	WELDMENT, PIPE CRADLE .....	2



802.2 Half-Mesh and Pipe Cradle Options (from SN 201)

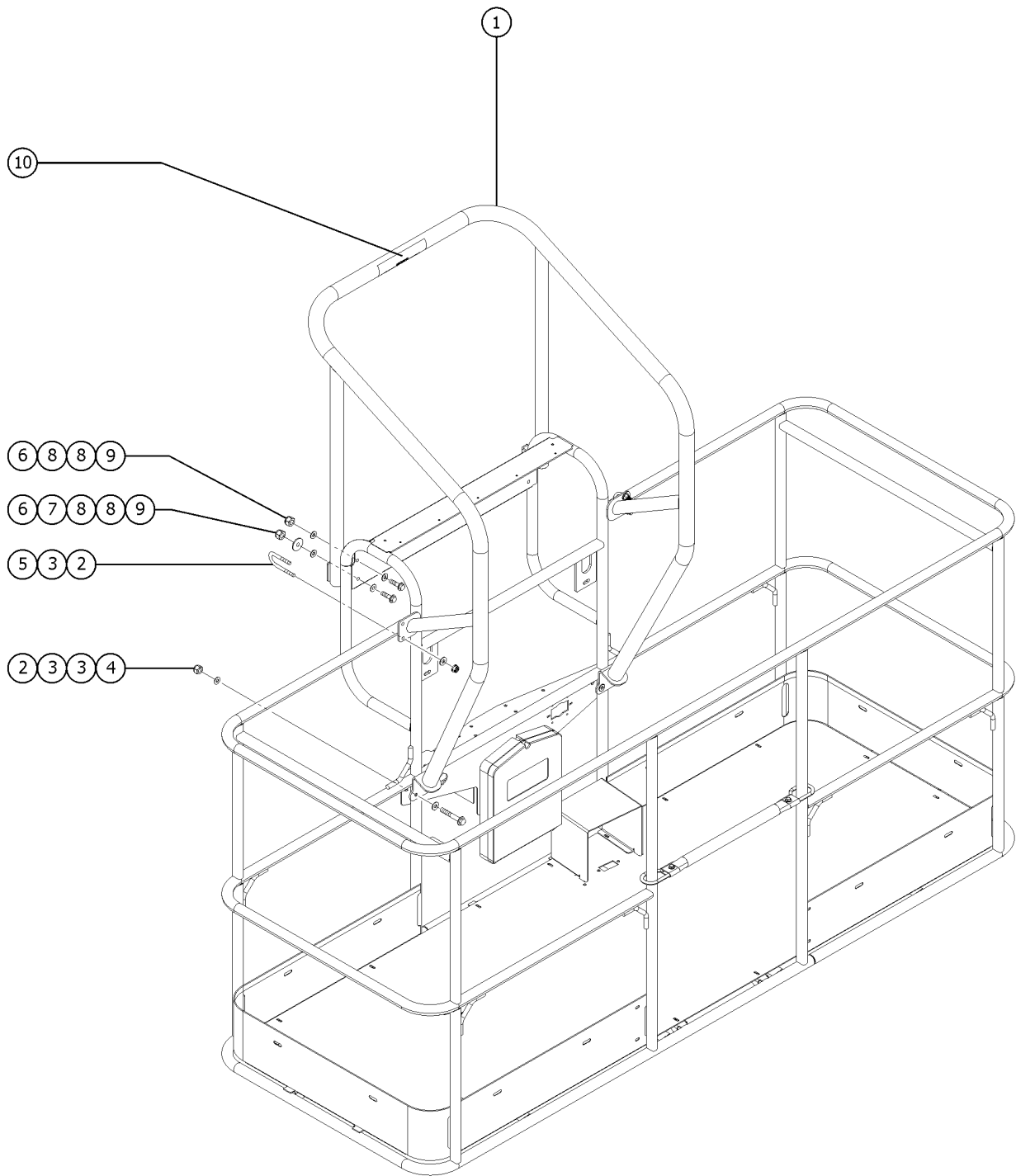


802.2 Half-Mesh and Pipe Cradle Options (from SN 201)

Item	Part No.	Description	Qty.
A	85300GT	PIPE CRADLE ASSY. SERV (ONE)** (ANSI & CE only) (This is a single assembly. Qty 2 of 85300GT required to complete a set)	
A-	65630GT	INSTRUCTIONS-PIPE CRADLE,BOOMS	
1	55753GT	BUMPER, PLASTIC, 1.25 O.D.	4
2	824083GT	SCREW,HHF,1/4-20X2.5,8,ZAG	4
3	1277924GT	NUT,NYLOCK FLG,1/4-20,F,ZAG	4
4	56525GT	WELDMENT, PIPE CRADLE	2
5	9599-SGT	TOOL TRAY ACCESSORY***	1
5-	7746GT	BRACKET-TOOL TRAY MOUNTING	
6	1271019GT	PANEL, HALF MESH (8 foot Platform)	1
7	1271061GT	PANEL, HALF MESH (8 and 6 foot Platform)	1
8	1271018GT	PANEL, HALF MESH (8 foot Platform)	1
8-	1270313GT	PANEL, HALF MESH (6 foot Platform)	
9	824028GT	NUT,TL FLG,5/16-18,G,ZAG	
10	824085GT	SCREW,HHF,5/16-18X.75,8,ZAG	
11	56424GT	CLAMP,1.25X.5 RUBBER-CUSHION	
12	825358GT	WASHER,FLAT,5/16,USS,ZAG	
13	1264101GT	SCREW,HHC,5/16-18X1,8,ZAG	
14	1271040GT	PANEL, HALF MESH (8 foot Platform)	1
14-	1270316GT	PANEL, HALF MESH (6 foot Platform)	
15	1285700GT	WELDMENT,SWING GATE PANEL (used on 6' and 8' side entry platforms) (models from SN SX150H-543 to SX150H-546 required to order Swing Gate Weldment, refer to 602.2)	
15-	55753GT	BUMPER, PLASTIC, 1.25 O.D.	2
16	1270994GT	PANEL, HALF MESH (8 foot Platform)	1
16-	1270314GT	PANEL, HALF MESH (6 foot Platform)	
17	81368GT	WELDMENT,PIPE CRADLE MOUNT	4
18	1251600GT	U-BOLT, FLATTENED, 1.5 X 3/8	8
19	1274322GT	NUT,NYLOCK FLG,3/8-16,F,ZAG	16
20	56570GT	STRAP, CONDUIT HOLDER 60"****	2
21	19018-1100GT	TRIMLOCK,BLACK,5/32"	2



803.1 Operator Protection Structure

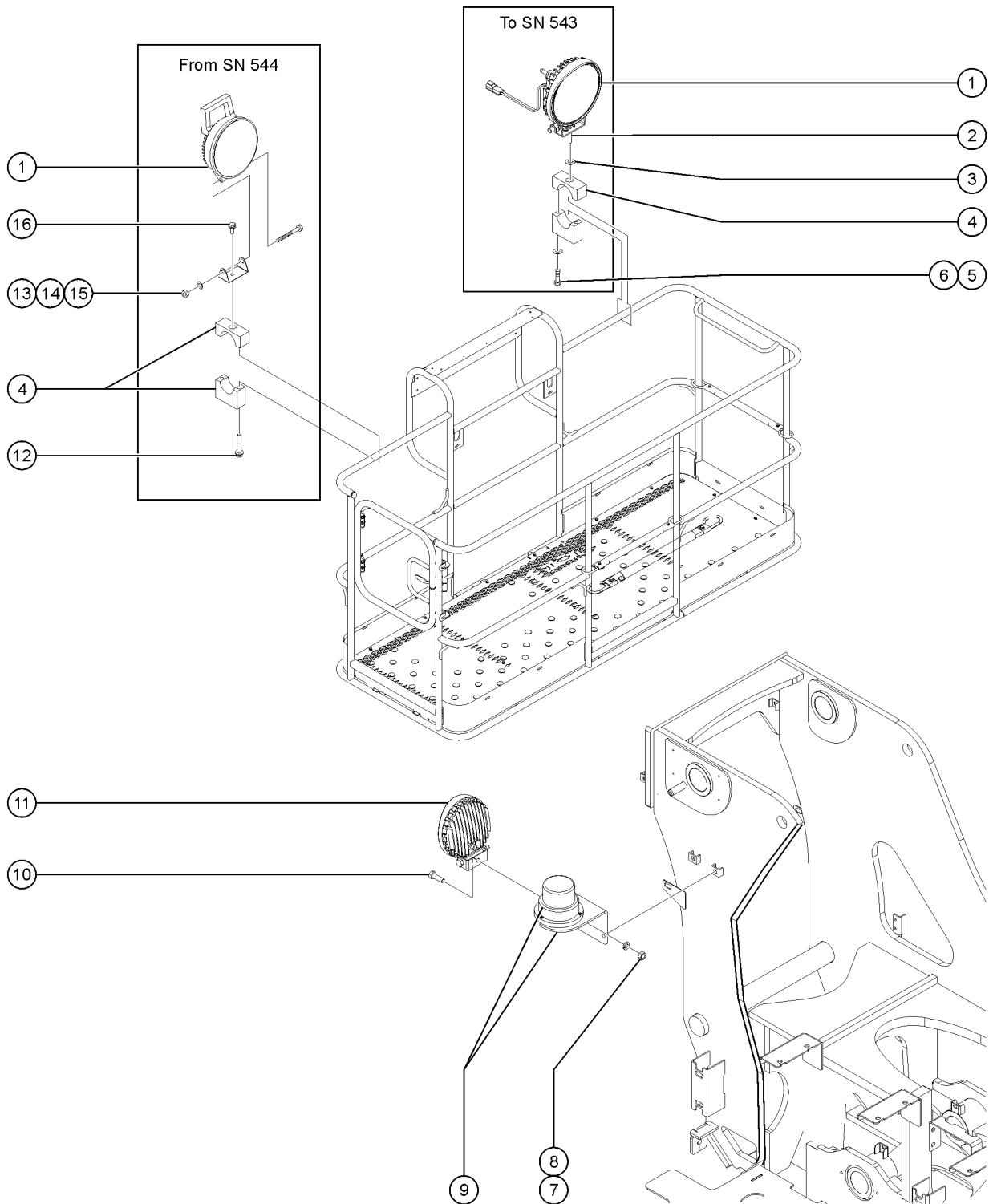




803.1 Operator Protection Structure

Item	Part No.	Description	Qty.
		Fits all 6' and 8' Booms	
1	219158GT	ACCESSORY, OPERATOR PROT STRUCT (Complete) includes all fasteners	1
2	1256468GT	NUT, 3/8-16, 8, ZAG	8
3	1255758GT	WASHER, FLAT, 3/8, USS, ZAG	12
4	824069GT	SCREW, HHC, 3/8-16X2.5, 8, ZAG	4
5	1251600GT	U-BOLT, FLATTENED, 1.5 X 3/8	4
6	1261184GT	NUT, 1/4-20, 8, ZAG	4
7	824120GT	WASHER, FLAT, .375 X 1.50 X .125, ZAG Use only with the platform control box cover option	2
8	824113GT	WASHER, FLAT, 1/4, USS, ZAG	6
9	824060GT	SCREW, HHC, 1/4-20 X 1, 8, ZAG	4
10		Ref. DECAL, INSTRUCTION, OPS refer to Section 1	1

804.1 Drive and Work Light Package

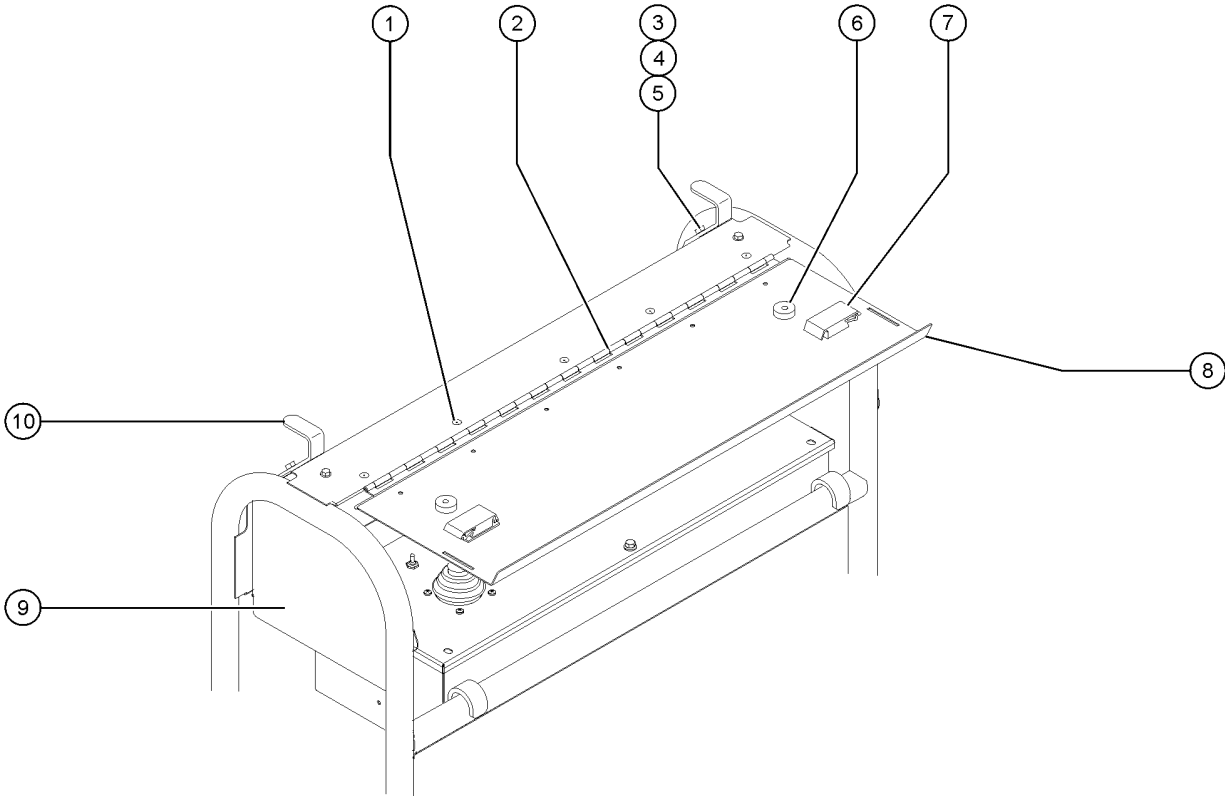


804.1 Drive and Work Light Package

Item	Part No.	Description	Qty.
1B	1282993GT	ASSY, WORK LIGHT, 12V LED ..... items 13, 14, 15 included	2
2	10107GT	SCREW,HHC,5/16-18 X .75 ..... (to SN SX150H-543)	
3	6036GT	WASHER,LOCK,.625 PLTD ..... (to SN SX150H-543)	
4	35956GT	BRACKET,WORK LIGHT MOUNT 5/16" .....	2
5	6145GT	SCREW,HHC,1/4-20 X 1.5 ..... (to SN SX150H-543)	
6	6356GT	WASHER,LOCK,.25 ..... (to SN SX150H-543)	
7	22571GT	NUT,HEX,M8 X 1.25 .....	
8	49408GT	WASHER,LOCK,M8 .....	
9		Ref. Bracket and Strobe ..... (Refer to 302.1)	
10	49379GT	SCREW,HHC,M8 X 1.25 X 25 .....	
11	823520GT	ASSY, DRIVE LIGHT, 12V LED .....	2
12	824081GT	SCREW,HHF,1/4-20X1.5,8,ZAG ..... (from SN SX150H-544)	4
13	22571GT	NUT,HEX,M8 X 1.25 .....	2
14	49408GT	WASHER,LOCK,M8 .....	2
15	75185GT	SCREW,HHC,M8X1.25X 70MM,GR8.8 .....	2
16	824085GT	SCREW,HHF,5/16-18X.75,8,ZAG ..... (from SN SX150H-544)	2



805.1 Platform Control Box Cover

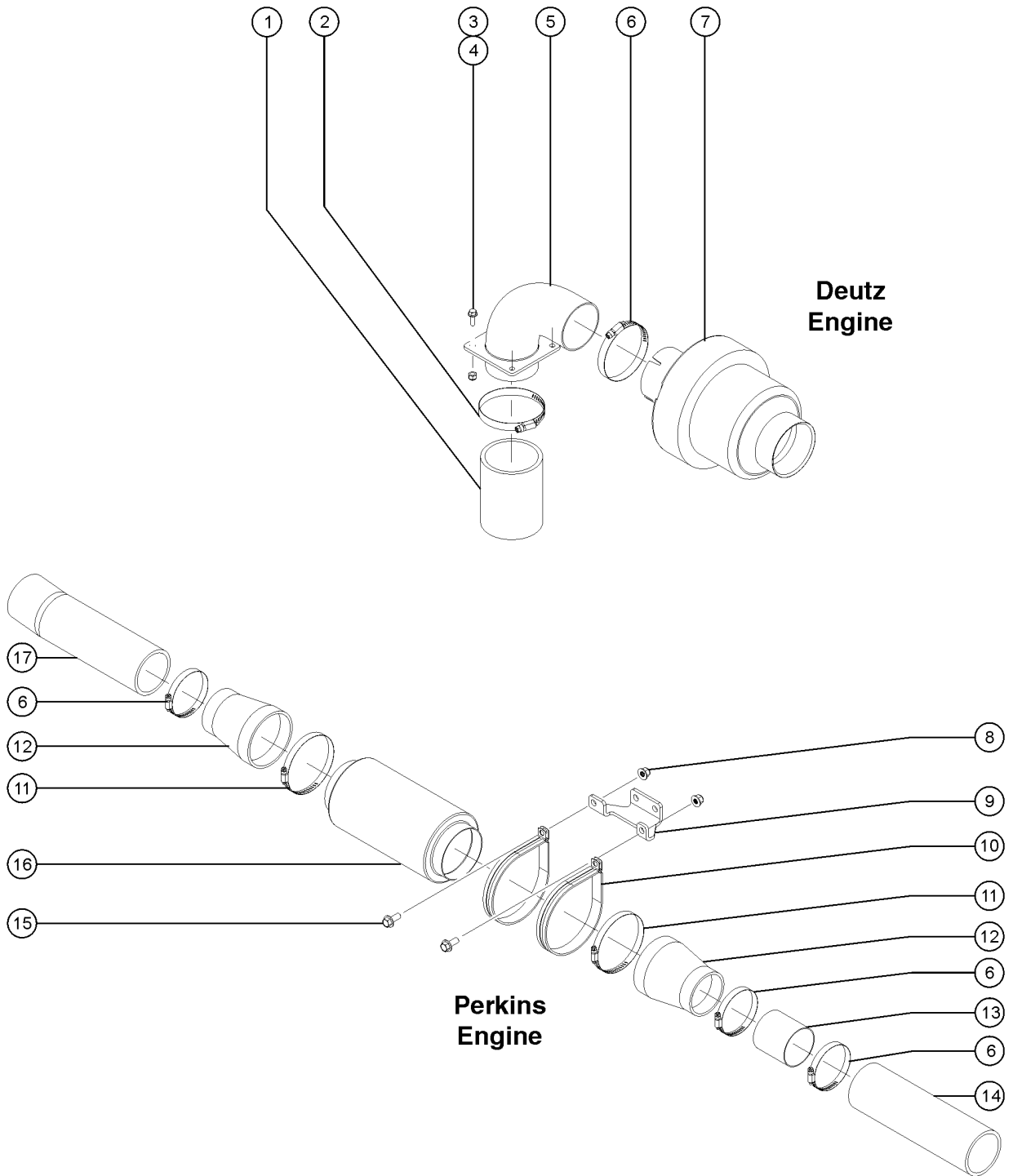


805.1 Platform Control Box Cover

<i>Item</i>	<i>Part No.</i>	<i>Description</i>	<i>Qty.</i>
1	54486GT	RIVET,ALUM,ALUM,3/16BUTTONHEAD .....	11
2	111526GT	HINGE,PLAT CONTROL BOX COVER .....	1
3	6889GT	NUT,LP NYLOCK,1/4-20 .....	
4	6638GT	WASHER,FLAT,USS,1/4"Y .....	
5	6888GT	SCREW,HHC,1/4-20 X 1 .....	
6	43392GT	BUMPER,BATTERY BOX & RAILS .....	2
7	30468GT	LATCH,SLIDE, FLUSH MOUNT STYLE .....	2
8	102676GT	LID ASSY,CONTROL BOX COVER PLT .....	1
8-	102785PGT	CONTROL BOX COVER,LID,PTD .....	
9	88607PGT	COVER,CONTROL BOX LEFT SIDE*** .....	1
9-	88606PGT	COVER,CONTROL BOX RIGHT SIDE** Shown .....	
10	102786PGT	FORMING,LATCH,CTRL BOX LID PTD .....	2



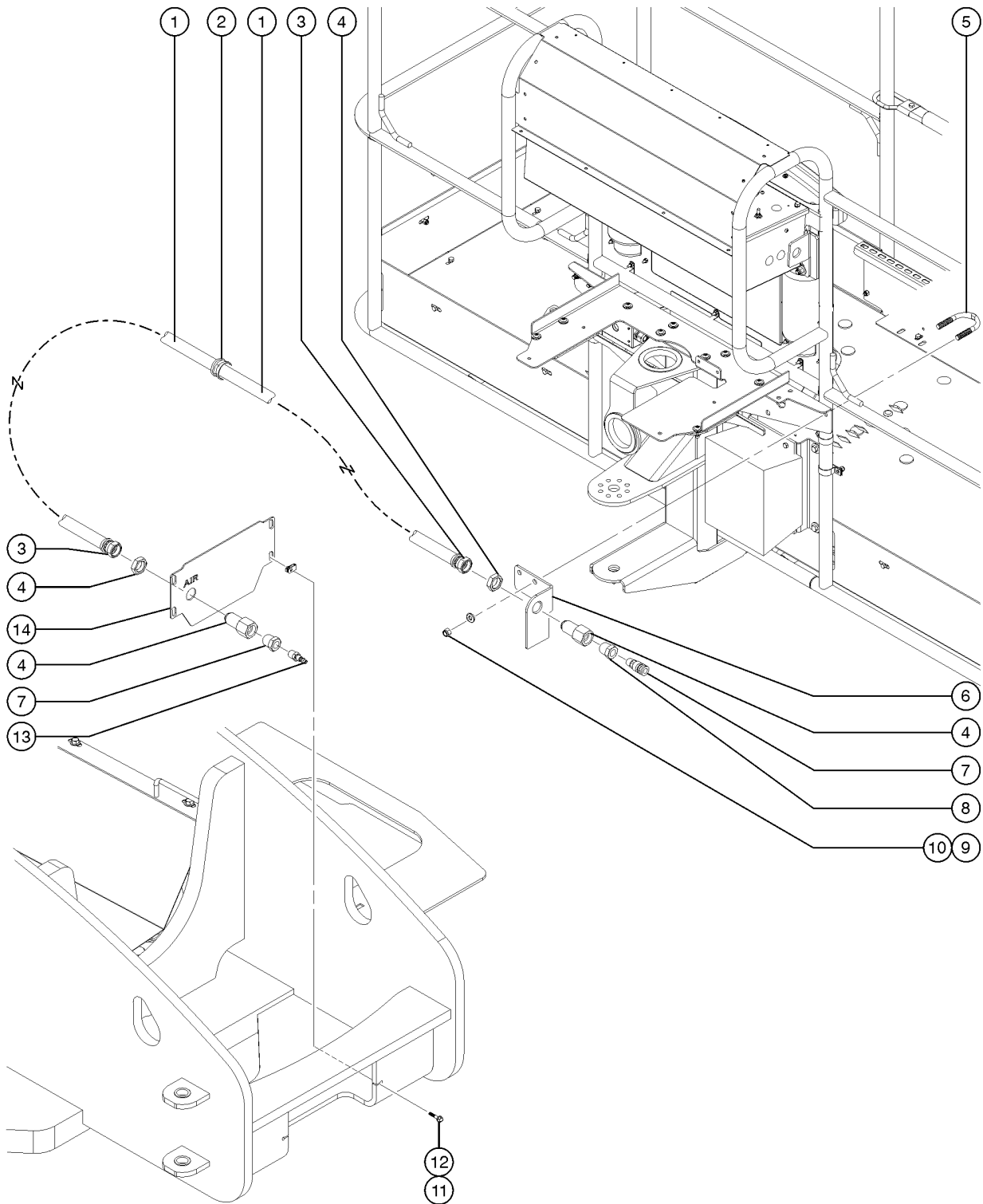
806.1 Engine Air Precleaner



806.1 Engine Air Precleaner

<i>Item</i>	<i>Part No.</i>	<i>Description</i>	<i>Qty.</i>
1	106211-400GT	HOSE,RUBBER 3"ID X .25 BLACK .....	1
2	30489GT	CLAMP,HOSE,3.50" .....	4
3	824132GT	SCREW,HHF,M8-1.25X20,DIN6921,10.9,ZAB .....	
4	237832GT	NUT,TL FLG,M8-1.25,DIN6927,10,ZAB .....	
5	102220GT	WELDMENT,PRECLEANER,DEUTZ .....	1
6	30971GT	CLAMP,HOSE,3.0" .....	4
7	89959GT	PRECLEANER, INLINE 3.00 ID PLASTIC .....	2
8	231529GT	NUT,TL FLG,M10-1.5,DIN6927,10, .....	
9	217230GT	FORMING, PREFILTER BRACKET .....	1
10	101639GT	CLAMP,5.38,#86 X 3/8,RUB CUSH .....	2
11	34955GT	CLAMP, HOSE, 5.00 .....	2
12	122432GT	REDUCER,RUBBER,4.0 X 3.0 .....	2
13	217233GT	TUBE,INTAKE, ADAPTER .....	1
14	106211-1150GT	HOSE,RUBBER 3"ID X .25 X 11.5" .....	1
15	231530GT	SCREW,HHF,M10-1.5X25,DIN6921,10.9,ZAB .....	
16	88493GT	PRECLEANER,AIR INTAKE .....	1
17	217231GT	TUBE,INTAKE, FILTER .....	1

807.1 Air Line to Platform

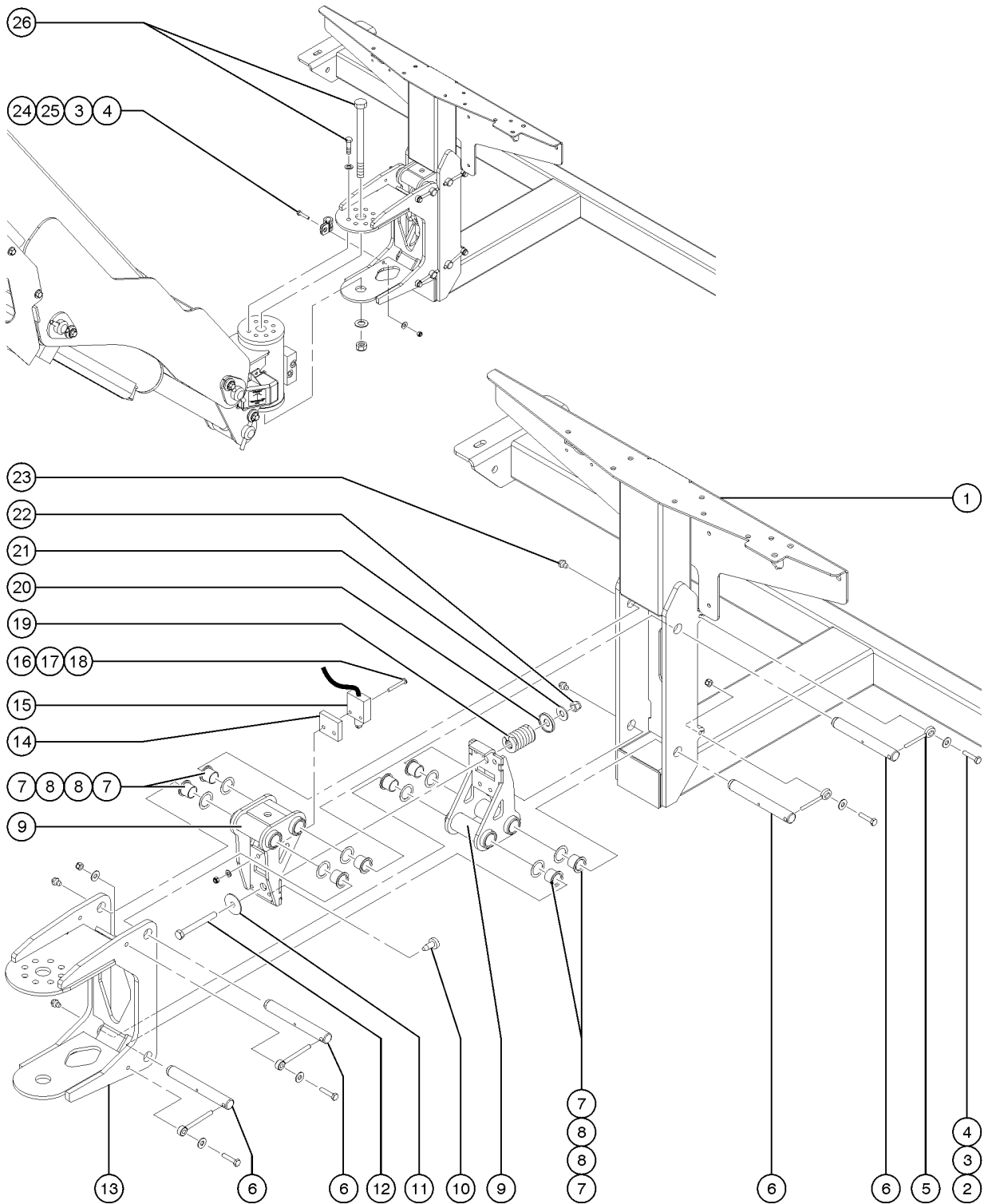




## 807.1 Air Line to Platform

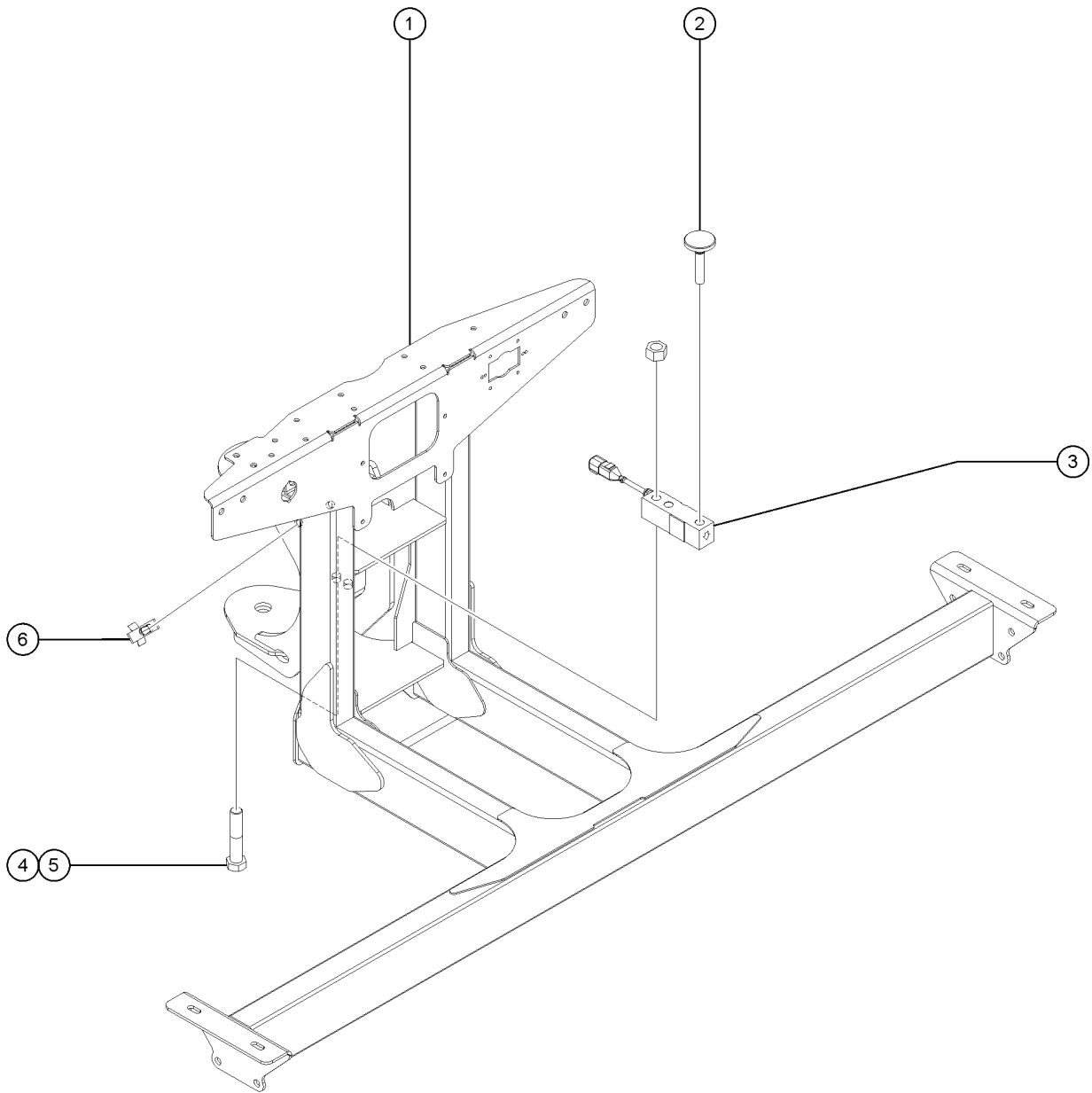
<i>Item</i>	<i>Part No.</i>	<i>Description</i>	<i>Qty.</i>
1	824947GT	HOSE,3/4,LOW PRESSURE,1104 IN .....	2
2	824961GT	FITTING,3/4,HOSE UNION .....	1
3	824960GT	FITTING,3/4,HOSE TO FEMALE .....	2
4	824959GT	FITTING,3/4MPT,37 DEG BULKHEAD .....	2
		(Includes shown retaining nut)	
5	122755GT	UBOLT,FLATTENED,1.5DIAX3/8 UNC .....	1
6	822902GT	FORMING,AIR TO PLAT .....	1
7	49215GT	MPT,CPLR,1/4"SER,3/8"X18 .....	1
8	824946GT	REDUCER,3/4MPTX3/8FPT,STEEL .....	2
9	4828GT	NUT,NYLOCK,3/8-16 .....	
10	5397GT	WASHER,FLAT,USS,5/16",Y .....	
11	231531GT	SCREW,HHF,M6X30,DIN6921,10.9,Y .....	
12	230073GT	SPRING CLIP,M6-1.0,0.8-4.0X13.5,ZAB .....	
13	49214GT	MALE PIPE THD,1/4" SER,3/8"X18 .....	1
14	822823GT	PLATE, AIR LINE ACCESS .....	1

808.1 Load Sense



Item	Part No.	Description	Qty.
1	61997GT	WELDMENT,PLATFORM SUPPORT,CE CE models	1
2	8915GT	SCREW,HHC,1/4-20 X 1.25	
3	6638GT	WASHER,FLAT,USS,1/4"Y	
4	6091GT	NUT,NYLOCK,1/4-20	
5	825020GT	ROD END, .25 X 2.75, ZAG	4
6	61726GT	PIN,0.75DIA X 5.75LG,CHAMFER	4
7	25685GT	BEARING,GARLOCK,12FDU12	8
8	110789GT	WASHER,SHIM .0151 THK. as-needed	
9	89755GT	LOAD SUPPORT W/BEARINGS includes items 7 & 8	2
10	34619GT	BUMPER,RUBBER***	2
11	80605GT	WASHER,FLAT,3/8X1.5X.06	1
12	21604GT	SCREW,HHC,3/8-16 X 3.25	1
13	61804GT	WELDMENT,ROTATOR SUPPORT	1
14	61972GT	MOUNT,SWITCH	
15	146399GT	ASSY, LS, LOAD SENSE, ALC1000	
16	51063GT	SCREW,PHILLIPS,RHM,10-32 X 1.5	2
17	6146GT	WASHER,FLAT,MS,#10,Y	
18	6178GT	NUT,NYLOCK,10-32	
19	61976GT	SPRING,COMP,1-1/4"OD 352 LB/IN	1
20	61977GT	RETAINER,SPRING,1.46 X .375	1
21	6097GT	WASHER,FLAT,USS,3/8",Y	
22	4828GT	NUT,NYLOCK,3/8-16	
23	94643GT	ZERK,GREASE,5/16-24,STRAIT	4
24	8915GT	SCREW,HHC,1/4-20 X 1.25	
25	45470GT	CLAMP,0.31,#5 X 1/4,RUB CUSH	1
26		(Refer to 601.1)	

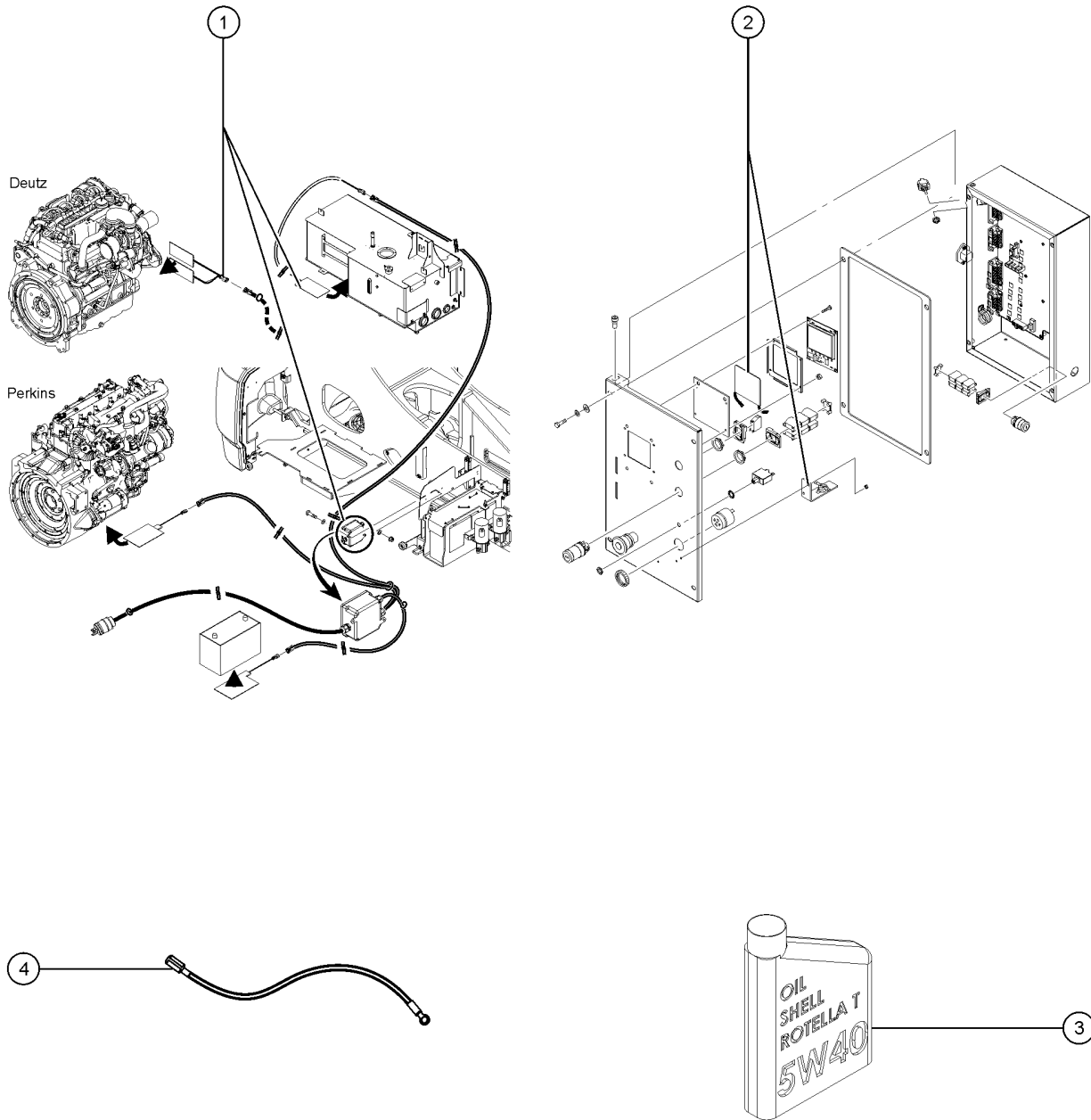
808.2 Load Sense (from SN SX150H-612)



808.2 Load Sense (from SN SX150H-612)

<i>Item</i>	<i>Part No.</i>	<i>Description</i>	<i>Qty.</i>
1	1273431GT	WELDMENT,PLAT SUPPORT,8.2K,LS .....	1
2	1270337GT	LEVELING MOUNT, SWIVEL, 1/2-20 .....	1
3	1270278GT	LOAD CELL,J1939,650KG/1433LB .....	1
4	1257464GT	SCREW,HHC,1/2-13X2.5,8,ZAG .....	2
5	1259106GT	NUT,1/2-13,8,ZAG .....	2
6	105214GT	CABLE TIE MOUNT, WINGED .....	2

809.1 Cold Start Package

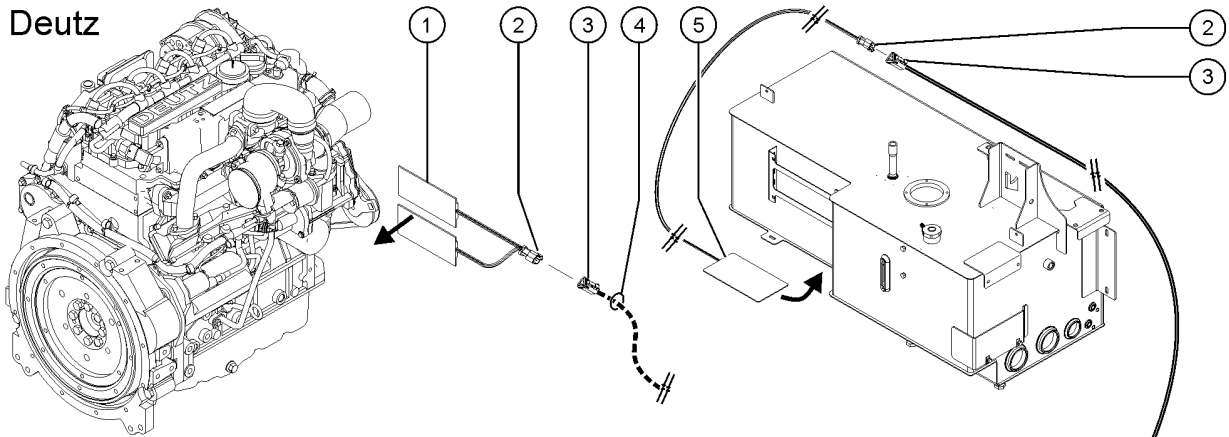


809.1 Cold Start Package

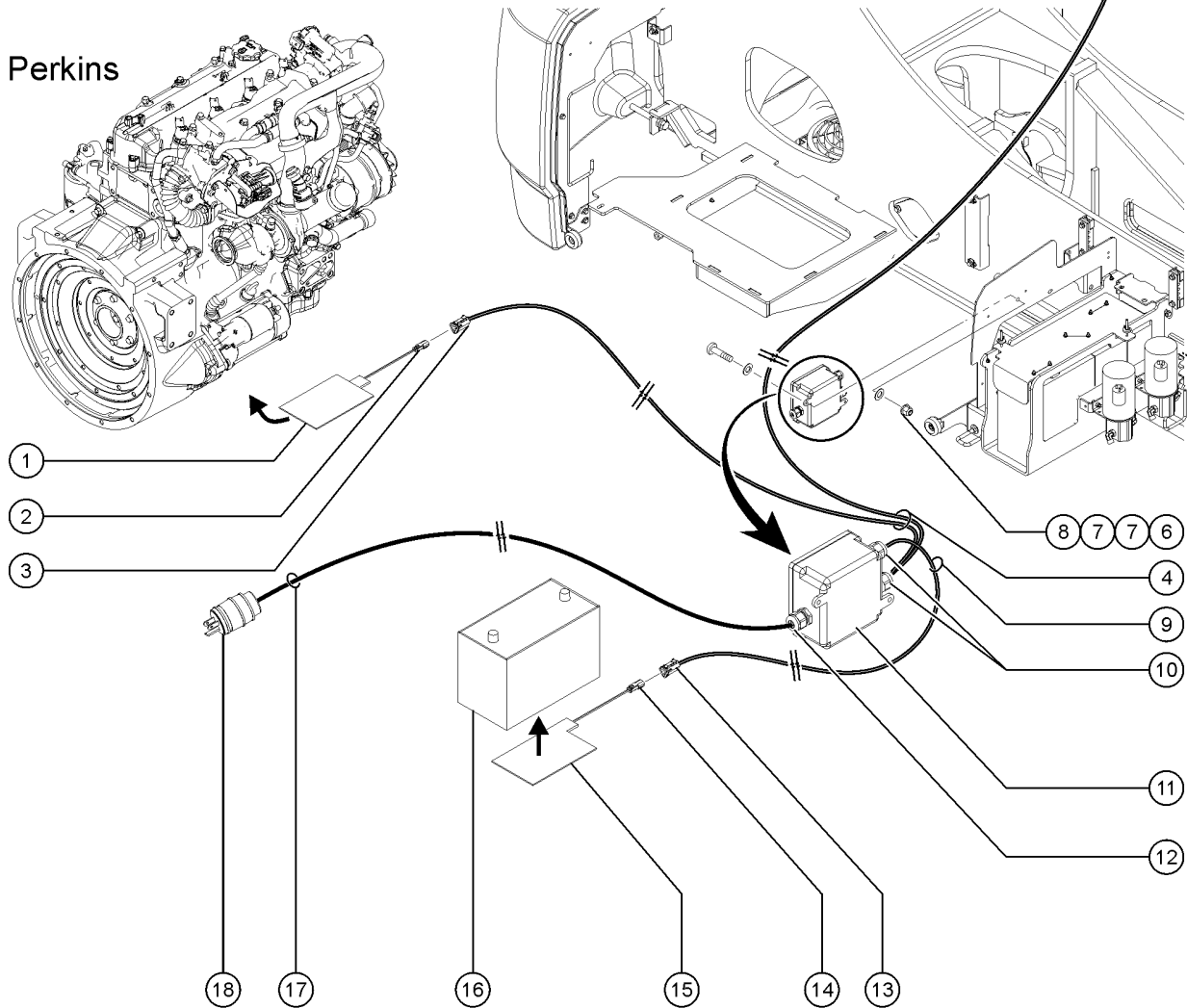
Item	Part No.	Description	Qty.
1		Ref. Cold Start Heater ..... (Refer to 810.1)	
2		Ref. Ground Control LCD Heater ..... (Refer to 811.1)	
3		OIL,ENG 5W-40 SYN*** ..... Perkins models	9.7 QT
3-		OIL,ENG 5W-40 SYN*** ..... Deutz models	12 .8 QT
4	1256806GT	HARNES, START ASSIST ..... (Deutz) Connects starter to battery separator; to SN 180	1

810.1 Cold Start Heater

Deutz



Perkins



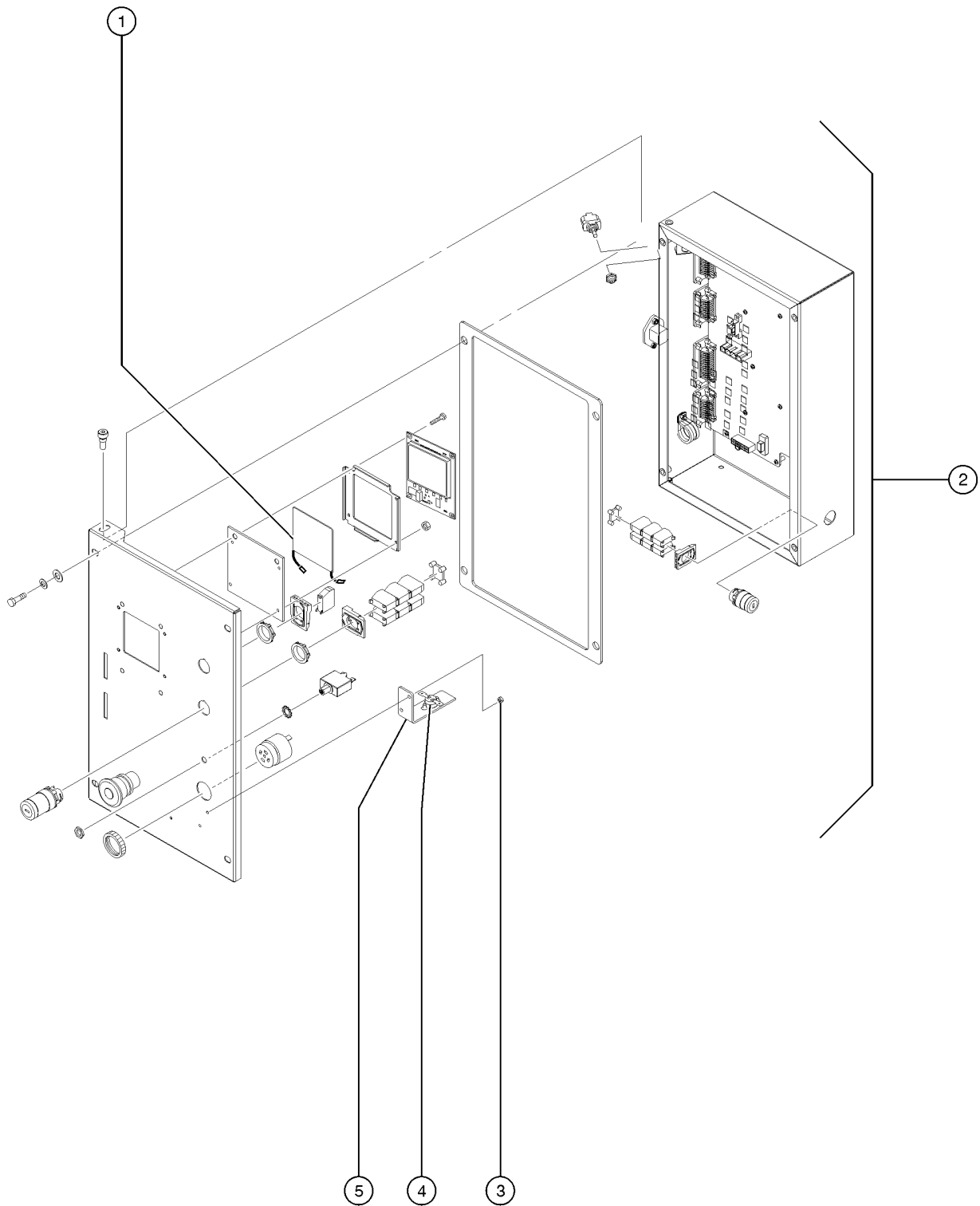


810.1 Cold Start Heater

Item	Part No.	Description	Qty.
-		Ref. Cold Start Heater Part of the Cold Start Package (Refer to 809.1)	
1A	1259661GT	ASSY,ENGINE HEATER,120V (120V) Only Deutz TD 2.9L4 models, includes two adhesive pads	
1B-	216615GT	ASSY HEATER, MODEL 18, 120V (120V)	1
1C-	1259708GT	ASSY,ENGINE HEATER,240V (240V) Only Deutz TD 2.9L4 models, includes two adhesive pads	
1D-	216616GT	ASSY HEATER,MODEL 18,240V (240V)	
2	119066GT	CONN,RECEP 3 WAY ENDCAP DT	2
3	119057GT	CONN PLUG 3 WAY ENDCAP DT	2
4	1256749GT	HARNESS,ENG/HYD HEATER, 120V (120V)	1
4-	1256750GT	HARNESS,ENG/HYD HEATER, 240V (240V)	
5	824259GT	ASSY,120V HEATER,HYD TANK (120V)	1
5-	824261GT	ASSY,240V HEATER,HYD TANK,SUPER X (240V)	
6	14392GT	NUT,LP NYLOCK,10-32	
7	6146GT	WASHER,FLAT,MS,#10,Y	
8	75041GT	SCREW,PHILLIPS,PHM,10-32 X 1	
9	1254763GT	HARNESS, BATT CABLE, 120V, 120" (120V)	1
9-	1254764GT	HARNESS, BATT CABLE, 240V, 120" (240V)	
10	99778GT	CABLE SQUEEZE CONN,4 WIRE	2
11	214249GT	COLD WEATHER 120V J BOX ASSY (120V)	1
11-	237711GT	COLD WEATHER 240V J BOX ASSY (240V)	
12	214536GT	SQUEEZE CONN W/NUT, 2WIRE, 4MM	1
13	119056GT	CONN PLUG 2 WAY ENDCAP DT	1
14	119065GT	CONN,RECEP 2 WAY,14-18GA	1
15	216617GT	ASSY, BATTERY HEATER, 120V	1
15-	216618GT	ASSY BATTERY HEATER,240V	
16		Ref. (Refer to 306.1)	
17	216606GT	HARNESS, 120V POWER CORD, 24" (120V)	
17-	216607GT	HARNESS, 240V POWER CORD, 24" (240V)	
18	119403GT	CONN,PLUG 120 AC/15A DOMESTIC (120V)	



811.1 Ground Control LCD Heater

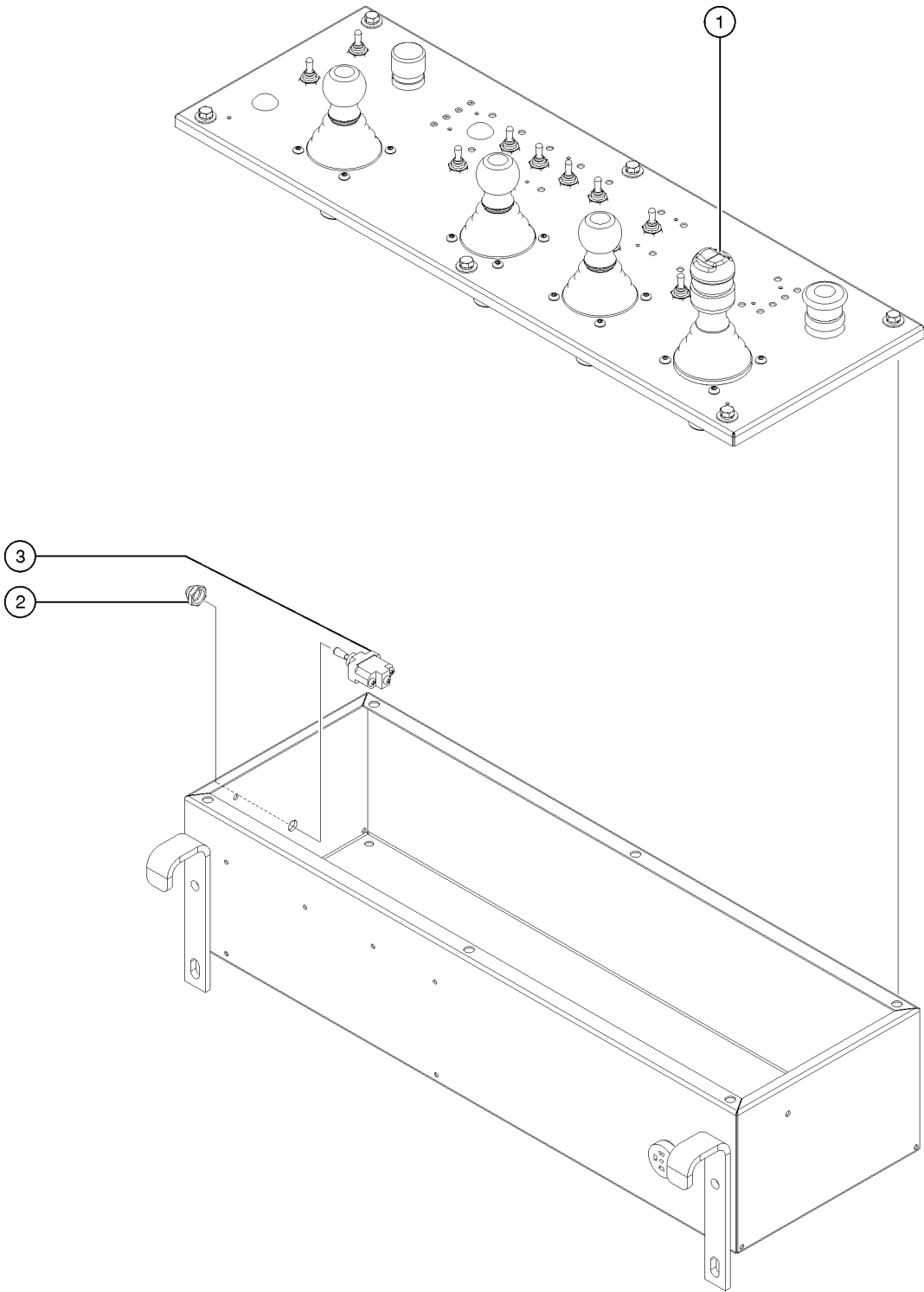


811.1 Ground Control LCD Heater

<i>Item</i>	<i>Part No.</i>	<i>Description</i>	<i>Qty.</i>
1		Ground Control LCD Heater Part of the Cold Start Package (Refer to 809.1)	1
1-	122406GT	ASSEMBLY,LCD HEATER ALC1000	1
2		Ref. Ground Control Box (refer to 313.1 and 314.1)	1
3	12344GT	NUT,NYLOCK,6-32	
4	122793GT	SWITCH,THERMOSTAT 60F OPEN	1
5	231020GT	ASSY, BRACKET, CONTACT BLOCK Includes switch part 122793 and rivets	1
5-	6272GT	RIVET,STL,STL,P,.125 X .25	



812.1 Platform Level Recovery and Rocker Joystick

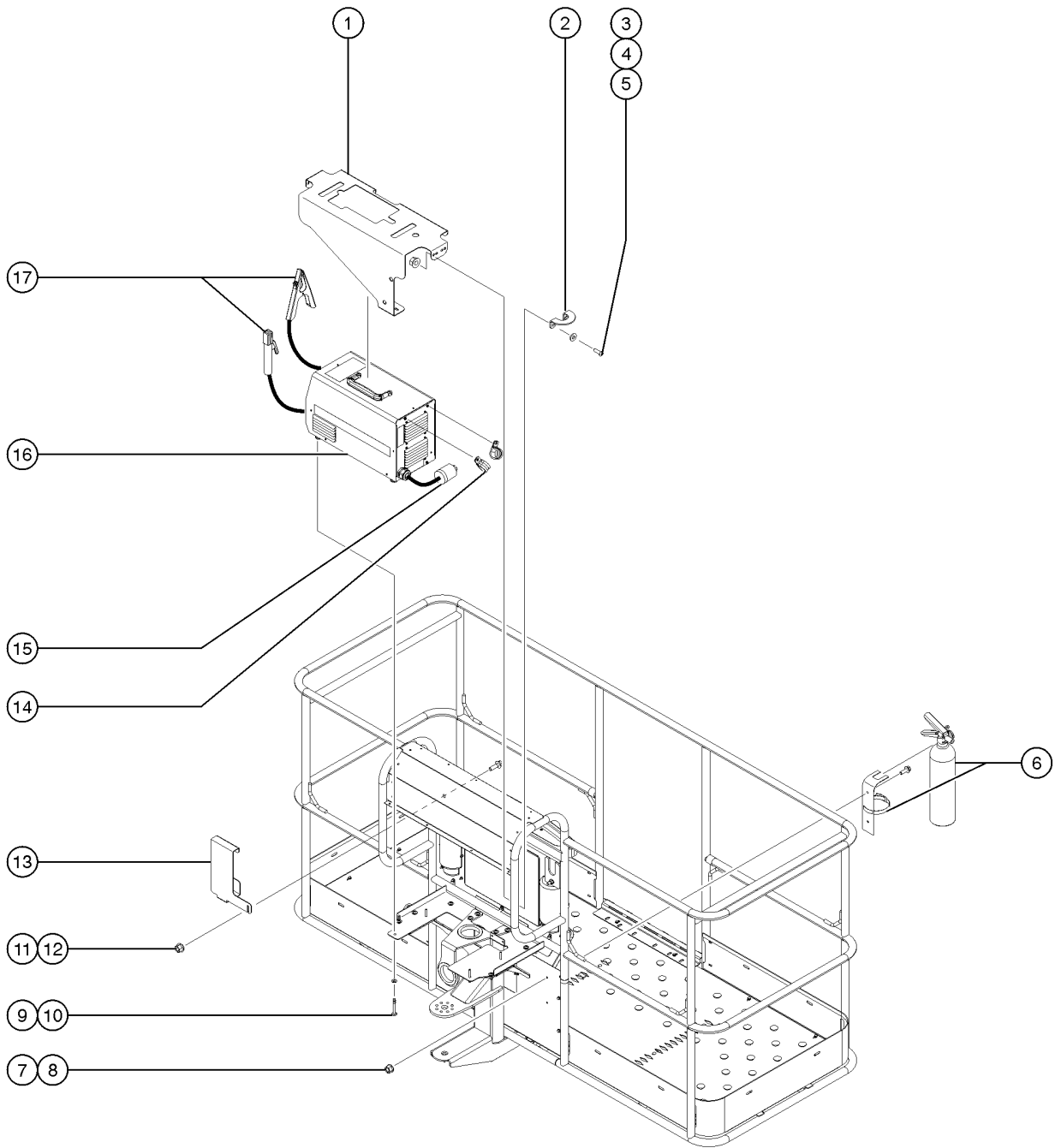


812.1 Platform Level Recovery and Rocker Joystick

Item	Part No.	Description	Qty.
-	122362GT	FIELD KIT,PL LVL REC,ALC1000 Platform level recovery. (not part of the Cold Start Package)	
1	101005GT	JOYSTICK,1 AXIS ROCKER,DEUTSCH Rocker Steer/Propel Joystick. OEM joystick (calibration required after replacement). Refer to 605.1	1
1-	101005HGT	JOYSTICK,SINGLE AXIS W/STEER Aftermarket joystick (calibration required after replacement)	
2	27246GT	BOOT,TOGGLE SWITCH,SHORT*	1
3	128203GT	SWITCH TOGGLE ASSY SPDT 2P MOM Platform level recovery (Includues item 2 only)	1
3-	122461GT	HARNESS,PLAT LEVEL RECOVERY	
3-	122343GT	DECAL,PLAT LVL.RECOVERY	

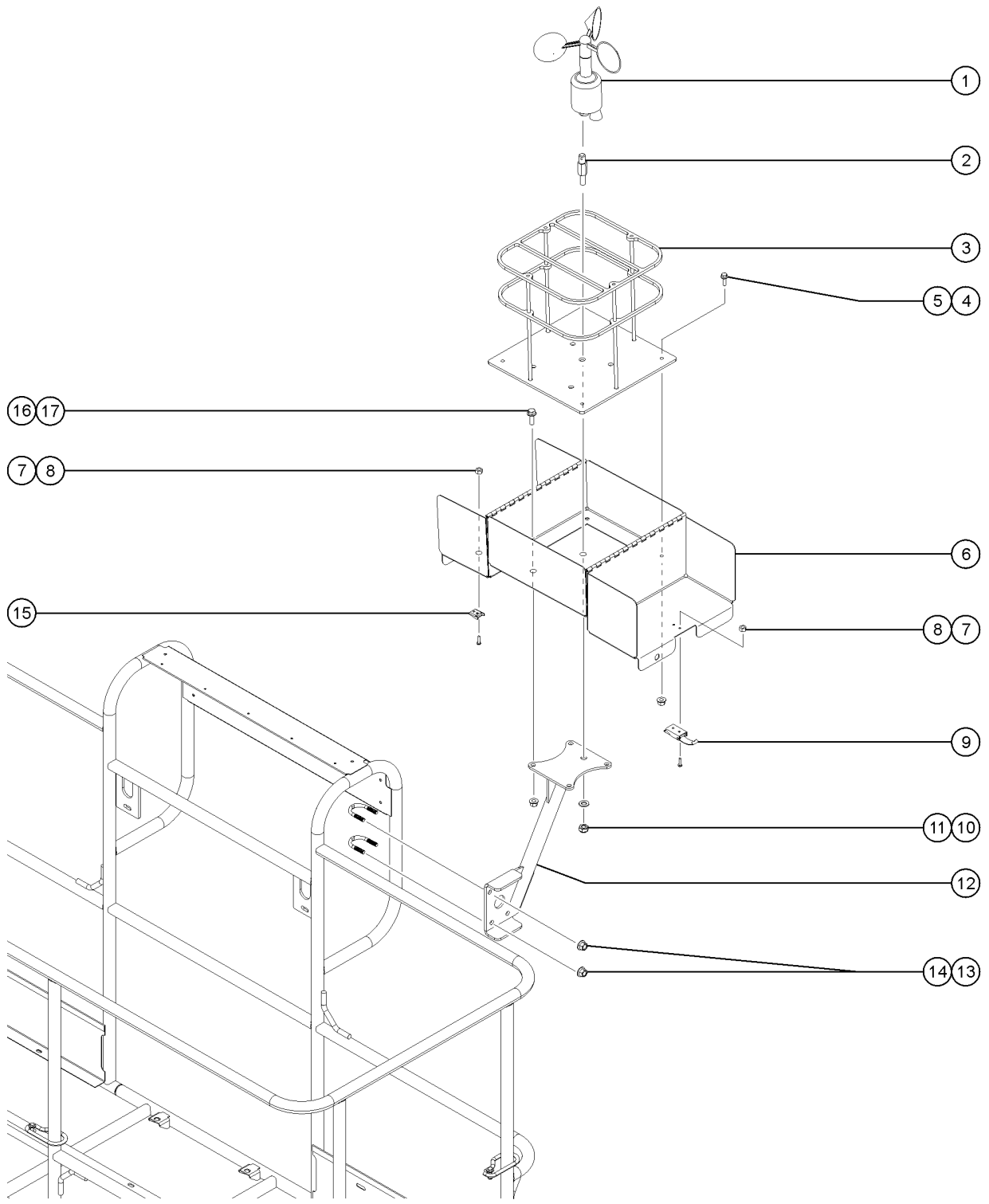


813.1 Welder Option



Item	Part No.	Description	Qty.
A	110276GT	FIRE SLEEVE, 1.25" .....	26
B	110277GT	FIRE SLEEVE, 2.46" .....	28
C	28443GT	CABLE TIE, 11.5" BLACK .....	
D	128323GT	BIT, TORX SOCKET, SECURITY .....	1
1	101547PGT	BRACKET, WELDER SUPPORT, PNT .....	1
2	217366GT	BRACKET, WELDER TOP .....	2
3	128322GT	SCREW, 5/16-18X1.00, SECURITY TO .....	5
4	825358GT	WASHER, FLAT, 5/16, USS, ZAG .....	5
5	824028GT	NUT, TL FLG, 5/16-18, G, ZAG .....	5
6	88406GT	FIRE EXTINGUISHER .....	1
7	824027GT	NUT, TL FLG, 1/4-20, G, ZAG .....	2
8	824078GT	SCREW, HHF, 1/4-20X.75, 8, ZAG .....	2
9	106141GT	SCREW, SECURITY, 1/4-20 X 1.75LG .....	
10	824113GT	WASHER, FLAT, 1/4, USS, ZAG .....	
11	824029GT	NUT, TL FLG, 3/8-16, G, ZAG .....	1
12	824092GT	SCREW, HHF, 3/8-16 X 1.5, 8, ZAG .....	1
13	106204PGT	BRACKET, V275S WELD LEADS .....	1
14	18666GT	CLAMP, 1.00, #16 X 1/4, RUB CUSH .....	2
15	214623GT	PLUG, 3P, 30A, 4 WIRE, MALE .....	1
16A	101525GT	WELDER, INVERTEC V275-S .....	1
16A-	106183GT	FUSE, .6AMP, 250V, WELDER, V275S .....	
16B	214619GT	WELDER, MILLER, CST 280 .....	1
17	106275GT	KIT, WELD LEADS ASSY, V275S .....	1

814.1 Anemometer Option

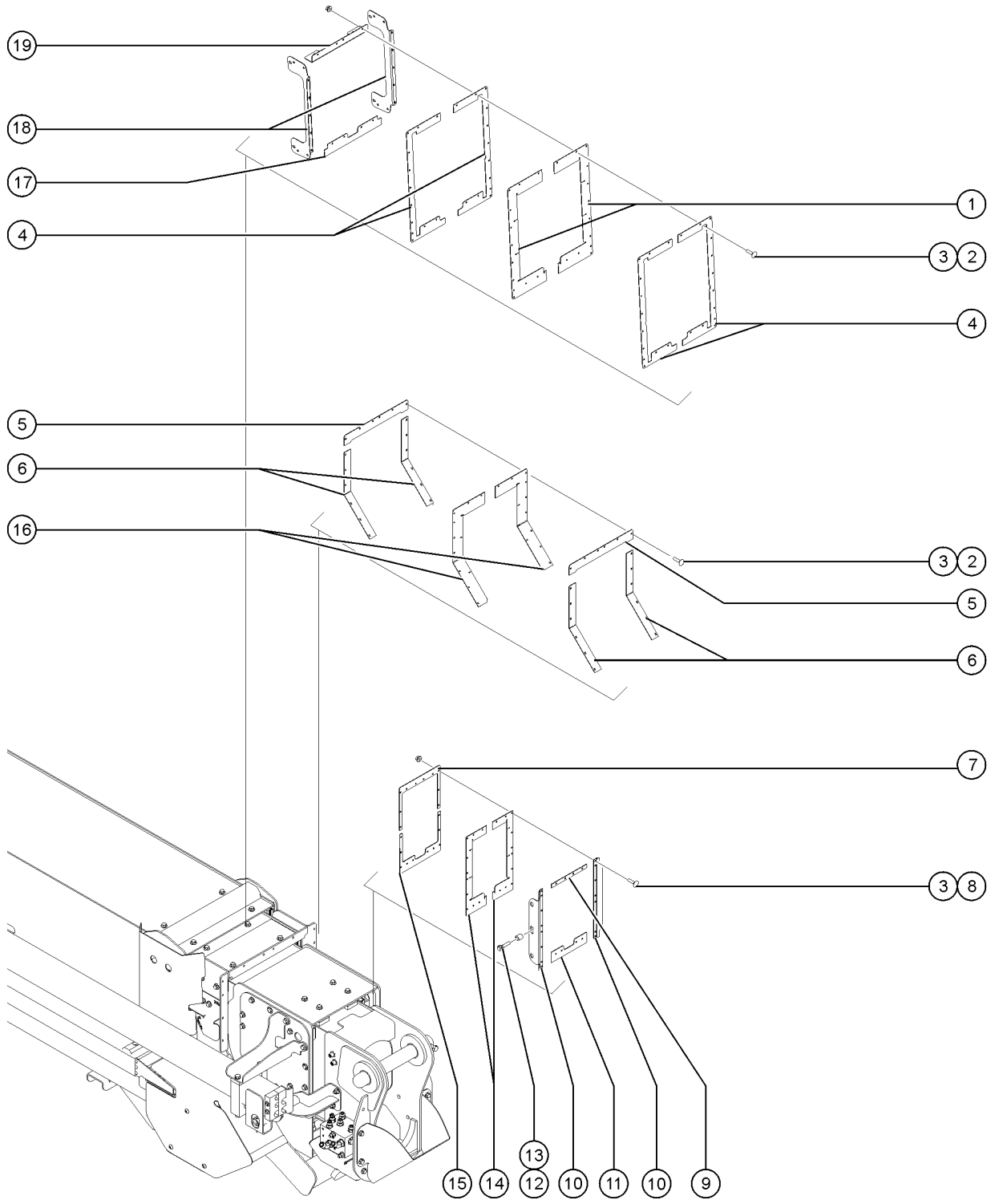




## 814.1 Anemometer Option

<i>Item</i>	<i>Part No.</i>	<i>Description</i>	<i>Qty.</i>
-	1256642GT	ASSY,COMPLETE ANEMOMETER ..... includes items 1-17	
1	826571GT	ANEMOMETER, BUILT IN ALARM .....	1
2	826574GT	ROD,ANEMOMETER MTG .....	1
3	1256628GT	WELDMENT,ANEMOMETER AL CAGE .....	1
4	231532GT	SCREW,HHF,M6X20,DIN6921,10.9,Y .....	
5	231513GT	NUT,TL FLG,M6-1.0,DIN6927,10,Z .....	
6	826553GT	ASSY,ANEMOMETER COVER .....	1
7	825686GT	NUT, TL, M4-0.7, DIN980, 8, ZAB .....	
8	235315GT	SCREW,PHPM,M4-0.7X16,DIN7985,ZAB .....	
9	61625GT	LATCH,DRAW .....	1
10	22736GT	NUT,NYLOCK,M10X1.50 .....	
11	824145GT	WASHER,FLAT,M10,DIN125,ZAB .....	
12	1256626GT	WELDMENT,ANEMOMETER MTG TUBE .....	1
13	824029GT	NUT,TL FLG,3/8-16,G,ZAG .....	
14	122755GT	UBOLT,FLATTENED,1.5DIAX3/8 UNC .....	2
15	62819GT	KEEPER, OVER CENTER LATCH TMZ .....	1
16	824133GT	SCREW,HHF,M8-1.25X25,DIN6921,10.9,ZAB .....	
17	237832GT	NUT,TL FLG,M8-1.25,DIN6927,10,ZAB .....	

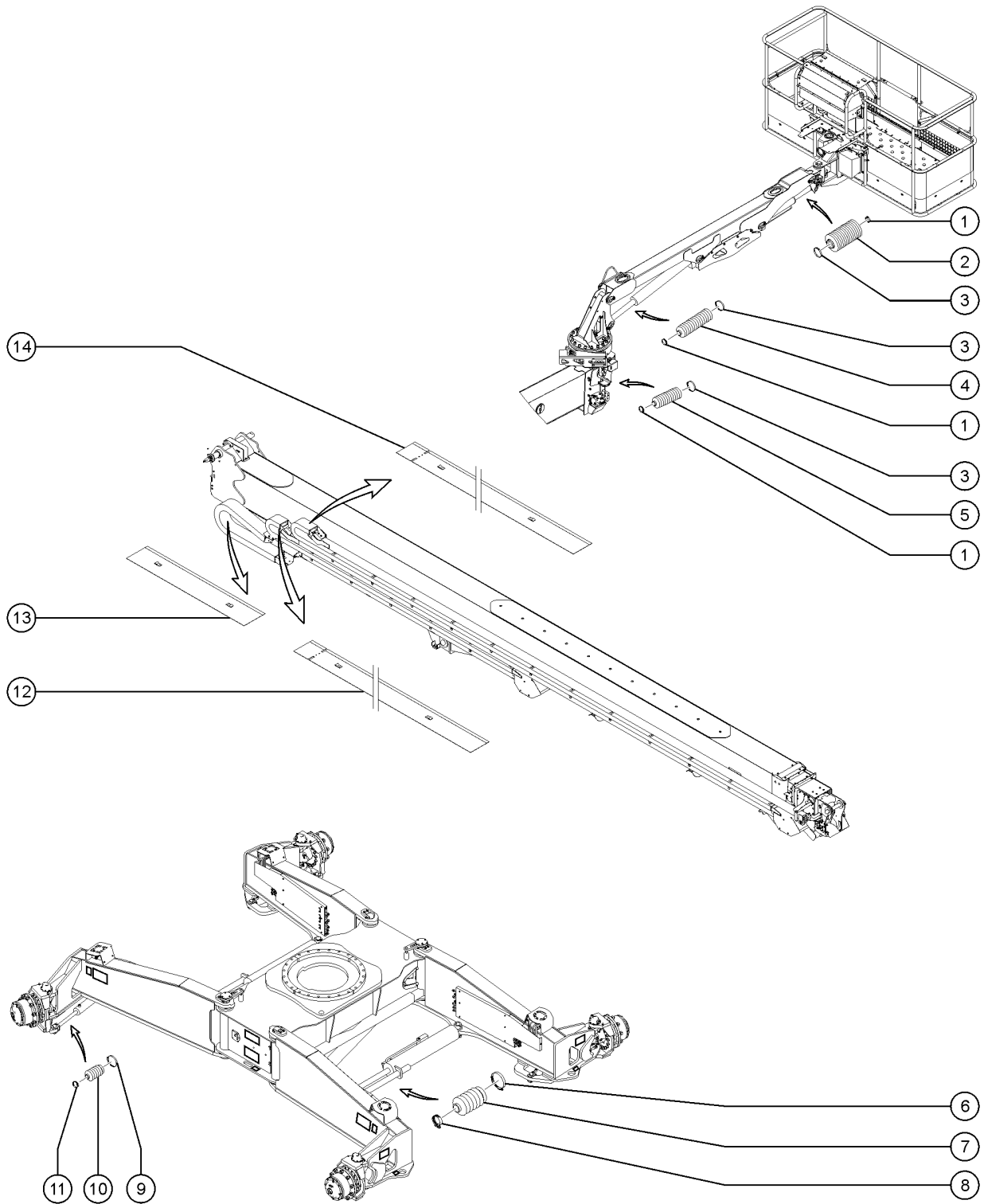
815.1 Hostile Package - View 1



Item	Part No.	Description	Qty.
-		Ref. Platform Control Box Cover Included in the Hostile Package (Refer to 805.1)	
-		Ref. Engine Air Precleaner Included in the Hostile Package (Refer to 806.1)	
-	61325GT	AIR CLEANER,SECONDARY ELEMENT Included in the Hostile Package	
1	1255240GT	WIPER,RUBBER,SX #1	2
2	216028GT	BOLT, CARRIAGE,M6=1.0X25,ZAB	
3	231513GT	NUT,TL FLG,M6-1.0,DIN6927,10,Z	
4	1255237GT	PLATE,WIPER,SX #1 SIDE-BACK	4
5	1253439GT	PLATE, WIPER, SX #2 TOP	2
6	1253438GT	FORMING, WIPER, SX #2 SIDE	4
7	1253441GT	PLATE, WIPER, SX #3 TOP-BACK	1
8	822352GT	BOLT, CARRIAGE,M6=1.0X16,ZAB	
9	1253445GT	PLATE, WIPER, SX #3 TOP	1
10	1253443GT	FORMING, WIPER, SX #3 SIDE	2
11	1253444GT	PLATE, WIPER, SX #3 LOWER	1
12	215706GT	SCREW,HHF,M10-1.5X45,DIN6921,10.9,ZAB	
13	101932GT	TUBE,RD,STL,DOM,,.75X.38X.78	
14	1253440GT	WIPER, RUBBER, SX #3	2
15	1253442GT	PLATE, WIPER, SX #3 BOTTOM	1
16	1253437GT	WIPER, RUBBER, SX #2	2
17	1255239GT	PLATE,WIPER,SX #1 BOTTOM-BACK	1
18	1255234GT	FORMING,WIPER, SX #1 SIDE	2
19	1255235GT	FORMING,WIPER,SX #1 TOP	1



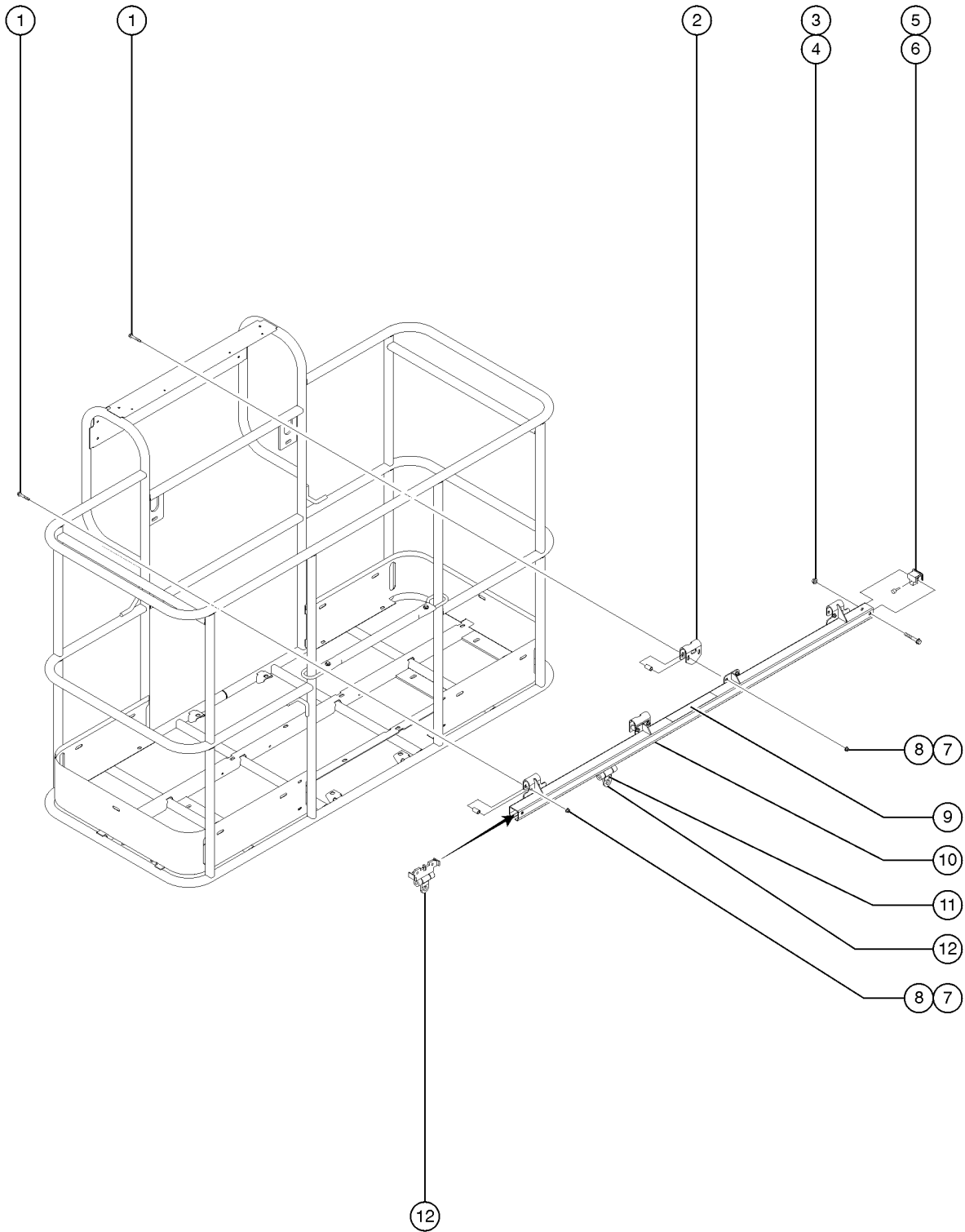
815.2 Hostile Package - View 2



<i>Item</i>	<i>Part No.</i>	<i>Description</i>	<i>Qty.</i>
1	45435GT	CLAMP,HOSE,2.50" .....	3
2	825042GT	BELLOWS, CYLINDER, PLATFORM LE .....	1
3	34955GT	CLAMP, HOSE, 5.00 .....	3
4	825040GT	BELLOWS, CYLINDER, JIB LIFT .....	1
5	825041GT	BELLOWS, CYLINDER, BELLCRANK L .....	1
6	35432GT	CLAMP,HOSE,6.50 .....	2
7	229464GT	BELLOWS,AXLE EXTEND CYLINDER .....	2
8	45435GT	CLAMP,HOSE,2.50" .....	2
9	30971GT	CLAMP,HOSE,3.0" .....	4
10	229467GT	BELLOWS,STEER CYLINDER .....	4
11	36208GT	CLAMP,HOSE,1.25*** .....	4
12	1262262GT	COVER,53 LINK TRACK .....	1
13	826852GT	COVER,19 LINK TRACK .....	1
14	826851GT	COVER,101 LINK TRACK .....	1



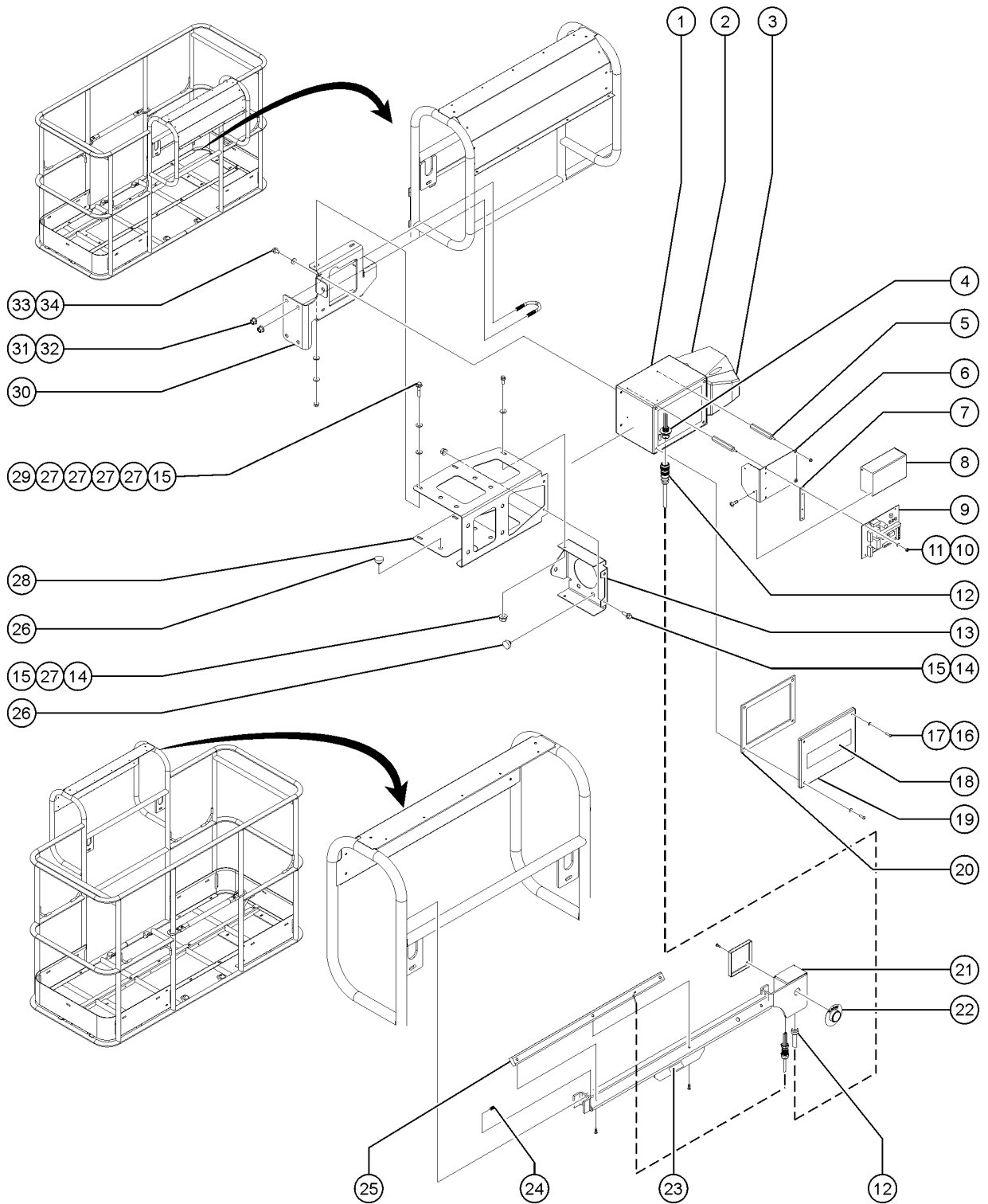
816.1 Fall Arrest Bar



Item	Part No.	Description	Qty.
1	1256856GT	SCREW,HHF,3/8-16X2.5,8,ZAG .....	4
2	1256389GT	FORMING,INNER HANGER .....	2
3	1251997GT	NUT,TL FLG,1/2-13,G,ZAG .....	2
4	1256851GT	SCREW,HHF,1/2-13X3.5,8,ZAG .....	2
5	1260892GT	END STOP. TFAAS TRACK .....	2
6	36388GT	BUMPER,RUBBER,.75 X .50H,STUD .....	2
7	1274322GT	NUT,NYLOCK FLG,3/8-16,F,ZAG .....	8
8	1256481GT	SPACER, HANGER BRACKET .....	8
9A	1256400GT	DECAL,TFAAS TRACK,WORD .....	1
9B	1260910GT	DECAL,TFAAS TRACK,SYMBOL .....	1
9C	1256400FRGT	DECAL,TFAAS TRACK,WORD FR .....	1
10A	1256377GT	ACC,TFAAS FALL ARREST,8FT WORD includes instructions and decals .....	1
10A-	1256379GT	ASSY,TFAAS TRACK,8FT WORD includes decals .....	
10B	1261022GT	ACC,TFAAS FALL ARREST,8FT SYM includes instructions and decals .....	1
10B-	1261024GT	ASSY,TFAAS TRACK,8FT SYM includes decals .....	
10C	1261018GT	ACC,TFAAS FALL ARREST,8FT FR includes instructions and decals .....	1
10C-	1261020GT	ASSY,TFAAS TRACK,8FT FR includes decals .....	
10D	1256378GT	ACC,TFAAS FALL ARREST,6FT WORD includes instructions and decals .....	1
10D-	1256380GT	ASSY,TFAAS TRACK,6FT WORD includes decals .....	
10E	1261023GT	ACC,TFAAS FALL ARREST,6FT SYM includes instructions and decals .....	1
10E-	1261025GT	ASSY,TFAAS TRACK,6FT SYM includes decals .....	
10F	1261019GT	ACC,TFAAS FALL ARREST,6FT FR includes instructions and decals .....	1
10F-	1261021GT	ASSY,TFAAS TRACK,6FT FR includes decals .....	
11	40434GT	DECAL,LANYARD ANCHORAGE POINT .....	1
12	1256439GT	TROLLEY, TFAAS TRACK .....	1



817.1 Operators Protection Alarm (to January 2017)



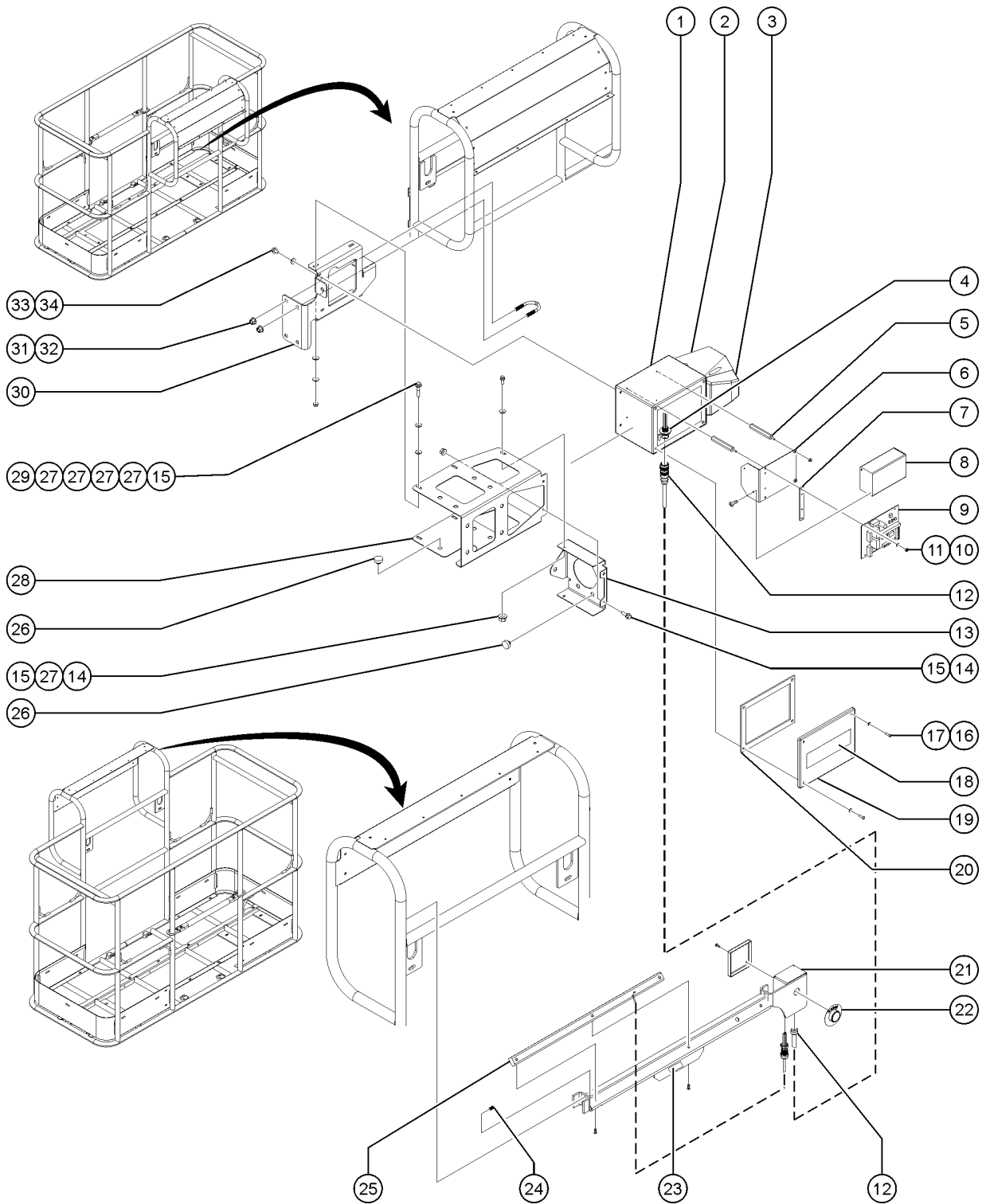


817.1 Operators Protection Alarm (to January 2017)

Item	Part No.	Description	Qty.
A	1255017GT	ASSEMBLY,OPA,6'-8' PLAT .....	1
B	1275537GT	ASSEMBLY, OPA PROTECTION CAGE .....	1
1	1255018GT	BASE ENCLOSURE,RED,OPA .....	1
2	1255021GT	SOUNDER,MIDI,OPA .....	1
3A	1255037GT	SOUNDER LENS, OPA, BLUE (standard lens fitted to OPA) .....	1
3B	1270116GT	SOUNDER LENS, OPA, RED .....	1
3C	1270117GT	SOUNDER LENS, OPA, AMBER .....	1
3D	1270118GT	SOUNDER LENS, OPA, CLEAR .....	1
4	1255033GT	HARN,PIGTAIL,TAPESWITCH,OPA .....	1
5	1255028GT	STAND OFF,CONTROL UNIT .....	4
6	1255024GT	BRACKET,CONTROL UNIT .....	1
7	1255025GT	SPACER,HEAT SINK .....	1
8	1255023GT	ASSY,MODULE,CONTROL UNIT,OPA .....	1
9	1255022GT	MODULE,CONTROL UNIT,PCB,OPA .....	1
10	1255067GT	NUT,M4 NYLOCK .....	4
11	1255066GT	WASHER,M4 NYLON .....	4
12	1255035GT	ASSEMBLY,CABLE,TAPESWITCH .....	1
13	1275539GT	FORMING, OPA CAP .....	1
14	824078GT	SCREW,HHF,1/4-20X.75,8,ZAG .....	5
15	824027GT	NUT,TL FLG,1/4-20,G,ZAG .....	9
16	1255038GT	SCREW,M5X16 BHD .....	4
17	1255027GT	WASHER,M5 NYLON .....	4
18	1255890GT	DECAL,COSMETIC,GENIE .....	1
19	1255020GT	LID ENCLOSURE,RED,OPA .....	1
20	1255019GT	GASKET,ENCLOSURE .....	1
21	1255029GT	ASSEMBLY,TAPESWITCH (6'/8' platforms) (includes j-box and fasteners) .....	1
22	1255036GT	ASSEMBLY RESET SWITCH .....	1
23	1255889GT	DECAL,SYMBOL-READ THE MANUAL .....	1



817.1 Operators Protection Alarm (to January 2017)

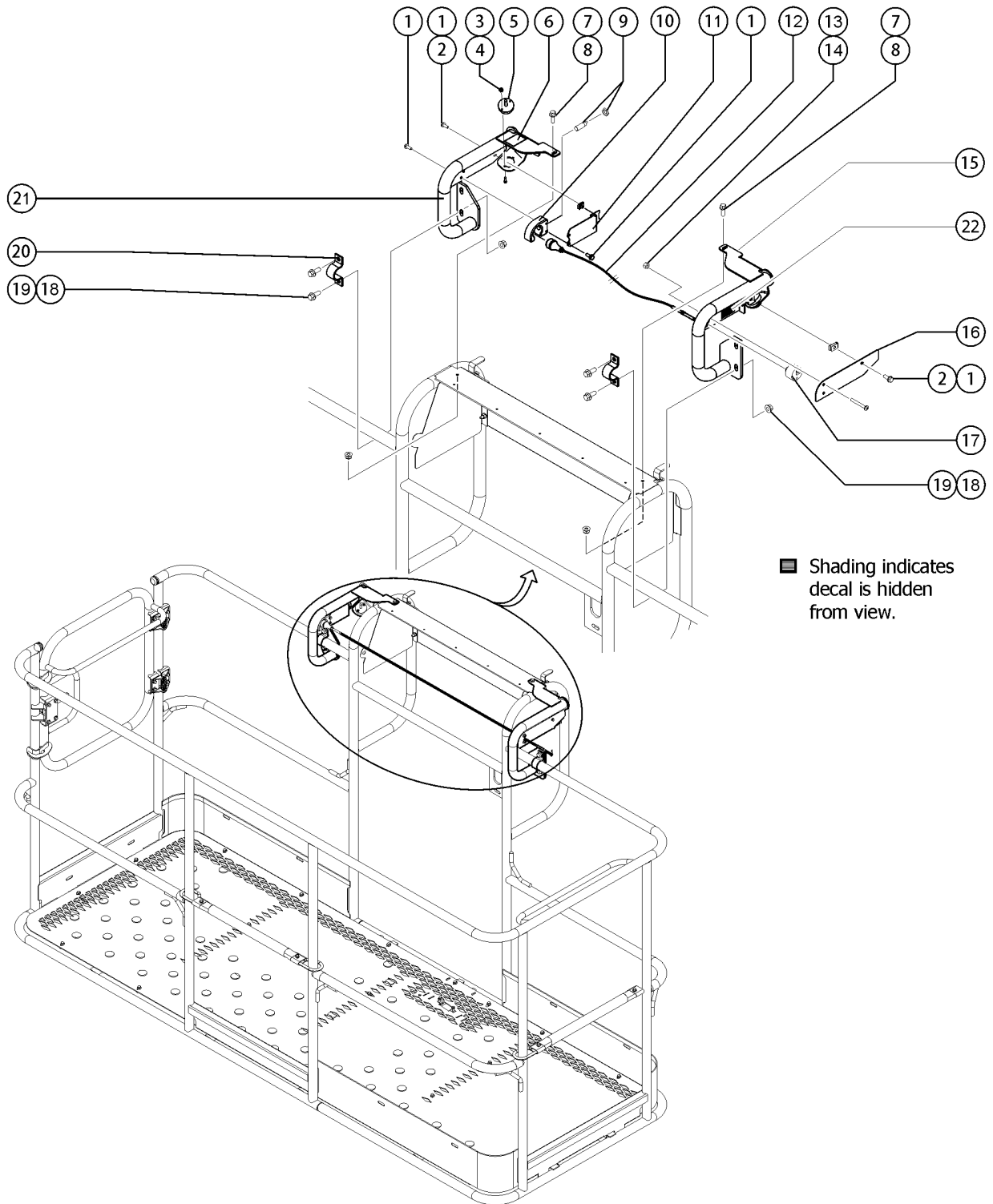


817.1 Operators Protection Alarm (to January 2017)

Item	Part No.	Description	Qty.
24	1255068GT	SCREW,M6X8 .....	2
25	1255047GT	SENSOR,RUBBER EDGE .....	1
		(6'8" platforms)	
26	43392GT	BUMPER,BATTERY BOX & RAILS .....	17
27	824113GT	WASHER,FLAT,1/4,USS,ZAG .....	19
28	1275538GT	FORMING, OPA CAGE .....	1
29	824080GT	SCREW,HHF,1/4-20X1.25,8,ZAG .....	4
30	1275540GT	FORMING, OPA, BRACKET .....	1
30-	1271945GT	KIT, OPA WELDER BRACKET .....	
		Complete assembly bracket with fasteners and U-Bolt 1251600; from SN 2828	
31	824029GT	NUT,TL FLG,3/8-16,G,ZAG .....	4
32	1251600GT	U-BOLT, FLATTENED, 1.5 X 3/8 .....	2
33	237238GT	SCREW,HHF,M6-1.0X12,DIN6921,10 .....	2
34	1257389GT	WASHER, FLAT, M6X18X1.6,DIN9021,ZAB .....	2



817.2 Lift Guard Contact Alarm Option (from January 2017)

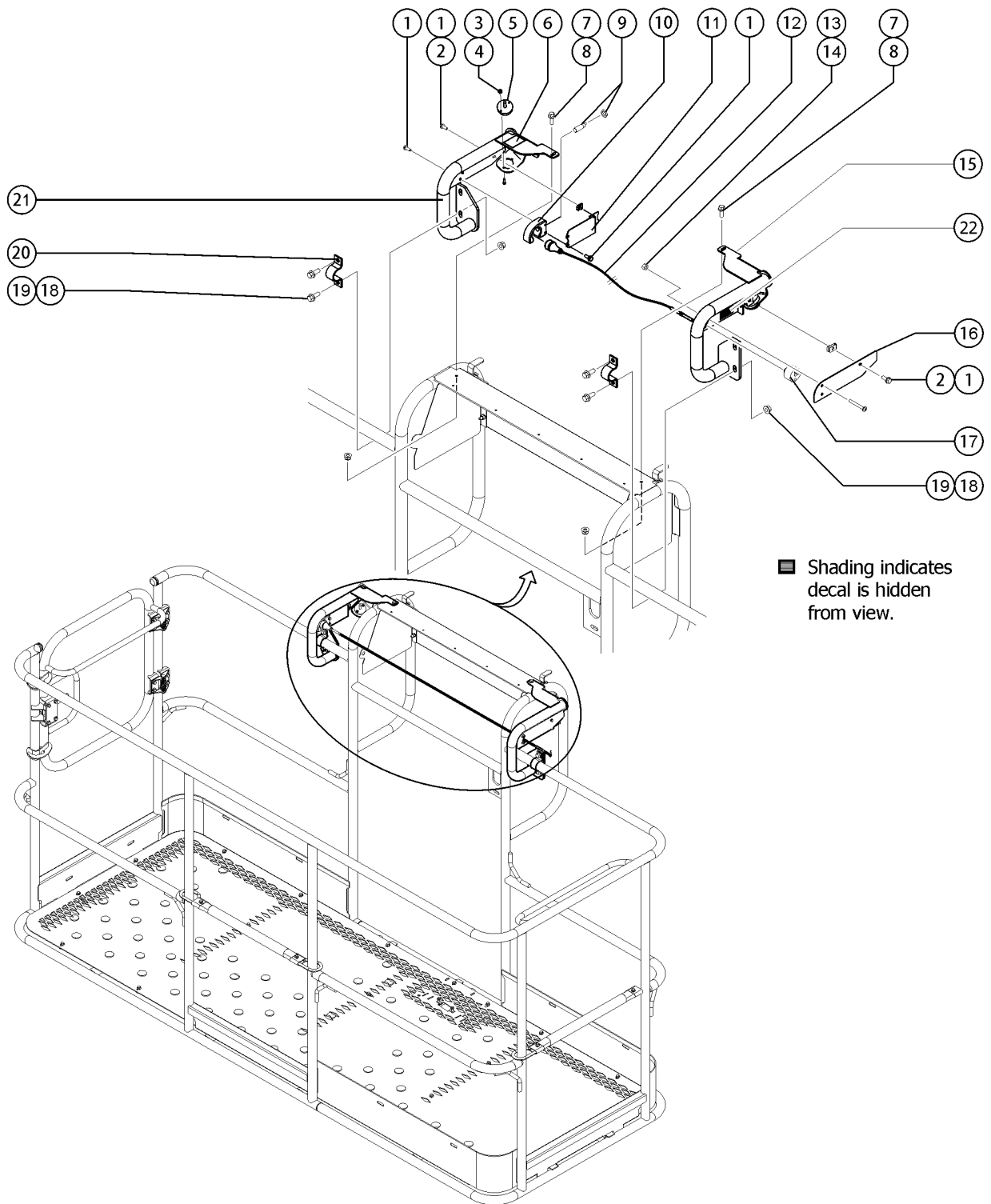


817.2 Lift Guard Contact Alarm Option (from January 2017)

Item	Part No.	Description	Qty.
A-		From January 2017, this option became a standard installation on all models unless the customer specifically request not to have it installed.	...
B-	1279134GT	KIT, LIFT GUARD CONTACT ALARM,6'-8' PLATFORM,ALC1000	
C-	1278117GT	HARNESS, CONTACT ALARM, ALC1000	
D-	19274GT	RELAY,SPDT,12V(AUTO)**	
E-	1278121GT	MODULE, PLUS+1, OPA2 located inside the Platform Control Box	
1	1264934GT	SCREW, HHF, 10-24 X .5	
2	73575GT	SPRING CLIP,10-24,ZINC	
3	12344GT	NUT,NYLOCK,6-32	
4	1256859GT	SCREW,PHPM,6-32X7/8,ZAG	
5	1278111GT	ASSEMBLY, LIGHT, CONTACT ALARM	2
5B	1285850GT	ASSEMBLY,AMBER LIGHTS,CONTACT	
6	1278542GT	DECAL, INSTRUCTION, CONTACT ALARM	
7	824078GT	SCREW,HHF,1/4-20X.75,8,ZAG	
8	1277924GT	NUT,NYLOCK FLG,1/4-20,F,ZAG	
9	1278119GT	ASSEMBLY,SENSOR, PROX,CONTACT ALARM	1
10	1278433GT	ASSY, SENSOR W/ HOUSING (Includes holder item 1277877 and sensor part 1278119)	
10-	1277877GT	HOLDER, SENSOR	1
11	1277873GT	FORMING, SENSOR HOLDER	1
12	1278416GT	ASSEMBLY OPA CABLE LARGE	1
12-	1278124GT	MAGNET, 1/4-20, 15 LB. Part of assembly 1278416	
12-	1278458GT	OPA WIRE ASSY, LARGE Part of assembly 1278416	
12-	1278368GT	GRIP, CABLE Part of assembly 1278416	
12-	1261184GT	NUT,1/4-20,8,ZAG Part of assembly 1278416	
13	1274168GT	NUT,NYLOCK,10-32,A,ZAG	
14	824216GT	SCREW,PHPM,10-32X1.5,ZAG	
15	1278138GT	WELDMENT, RIGHT CONTACT ALARM, LARGE	1
16	1277875GT	PLATE, CABLE AND WIRE COVER	1
17	1277876GT	GUIDE, CABLE	1



817.2 Lift Guard Contact Alarm Option (from January 2017)

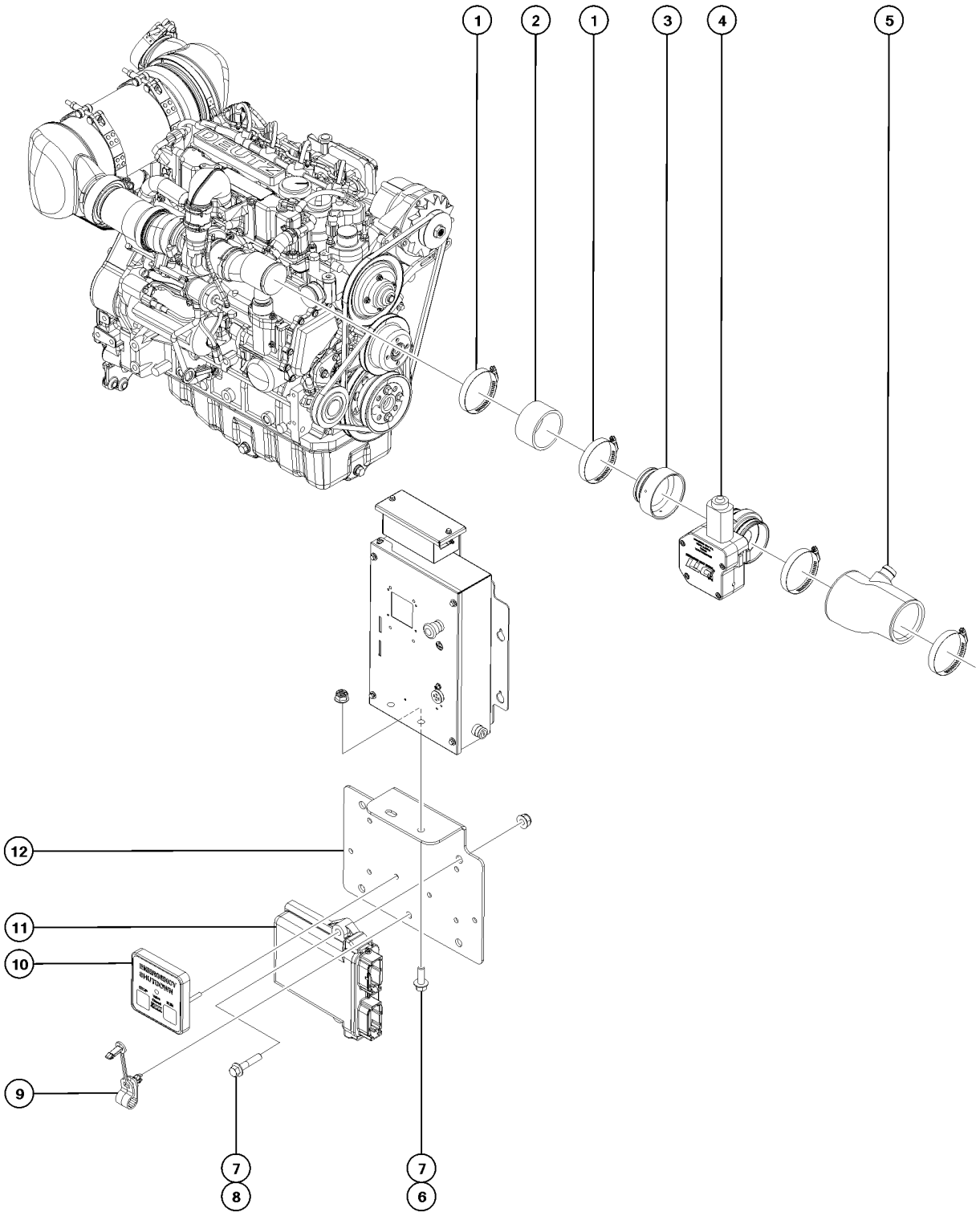


817.2 Lift Guard Contact Alarm Option (from January 2017)

<i>Item</i>	<i>Part No.</i>	<i>Description</i>	<i>Qty.</i>
18	1274322GT	NUT,NYLOCK FLG,3/8-16,F,ZAG .....	
19	824090GT	SCREW,HHF,3/8-16X1,8,ZAG .....	
20	1278363GT	CLAMP, 1.25 INCH TUBE .....	2
21	1278144GT	WELDMENT, LEFT CONTACT ALARM, LARGE .....	1
22	1278982GT	DECAL, INSTRUCTION, ACTUATOR SWITCH SOCKET .....	1



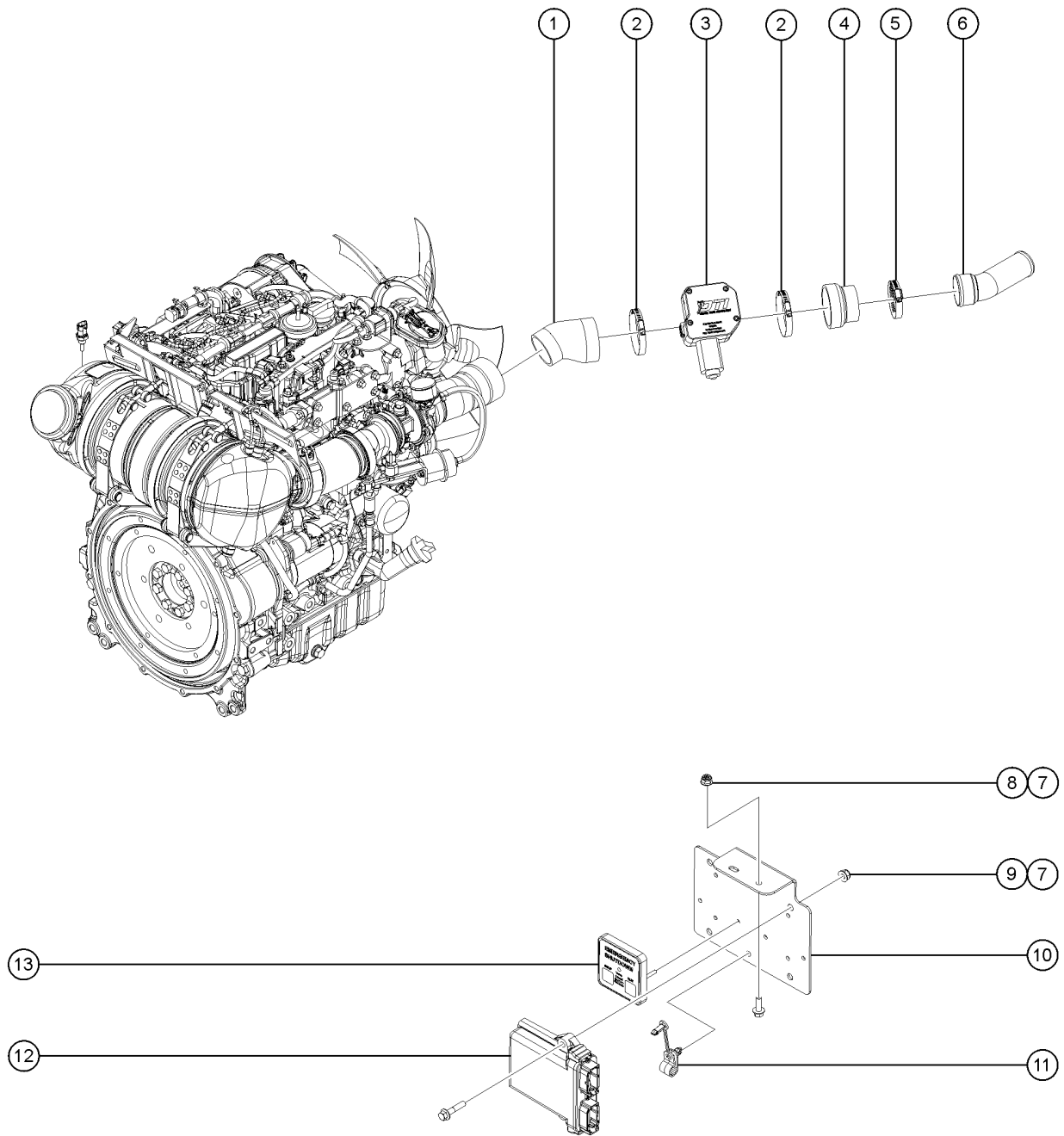
818.1 Pass Option, Deutz TD2.9





Item	Part No.	Description	Qty.
-	1293282GT	KIT, PASS, DEUTZ TD2.9, SX/ZX MACHINES .....	1
-	1290849GT	HARNESS, CONTROL, PASS .....	1
-	6146GT	WASHER,FLAT,MS,#10,Y .....	1
-	1251757GT	SCREW,PHPM,10-32X.50,ZAG .....	1
1	30971GT	CLAMP,HOSE,3.0" to SN SX150H-611, (part of the kit 1293282) .....	2
1B	45435GT	CLAMP,HOSE,2.50" from SN SX150H-612 .....	2
2	1289823GT	HOSE, INTAKE SILICONE 2.5" ID X 1.54" LG .....	1
3	1289837GT	NOZZLE 3" TO 2.5" .....	1
4	1289536GT	VALVE, PASS DEUTZ T4 .....	1
5	1289853GT	HOSE,REDUCER,OFFSET,TURBO INLET, DEUTZ 2.9L .....	1
6	824078GT	SCREW,HHF,1/4-20X.75,8,ZAG .....	2
7	1277924GT	NUT,NYLOCK FLG,1/4-20,F,ZAG .....	4
8	824080GT	SCREW,HHF,1/4-20X1.25,8,ZAG .....	2
9	219508GT	CLAMP, FIXED DIA, NYLON, 3/8" .....	1
10	1290107GT	HARNESS, MODULE, ESTOP, PASS .....	1
11	1291573GT	CONTROLLER, VCU, DEUTZ 2.9 .....	1
12	1264229GT	BRACKET, POSITIVE AIR SHUTOFF .....	1

818.2 Pass Option, Deutz TCD 2.2L Stage V (from SN SX150H-612)

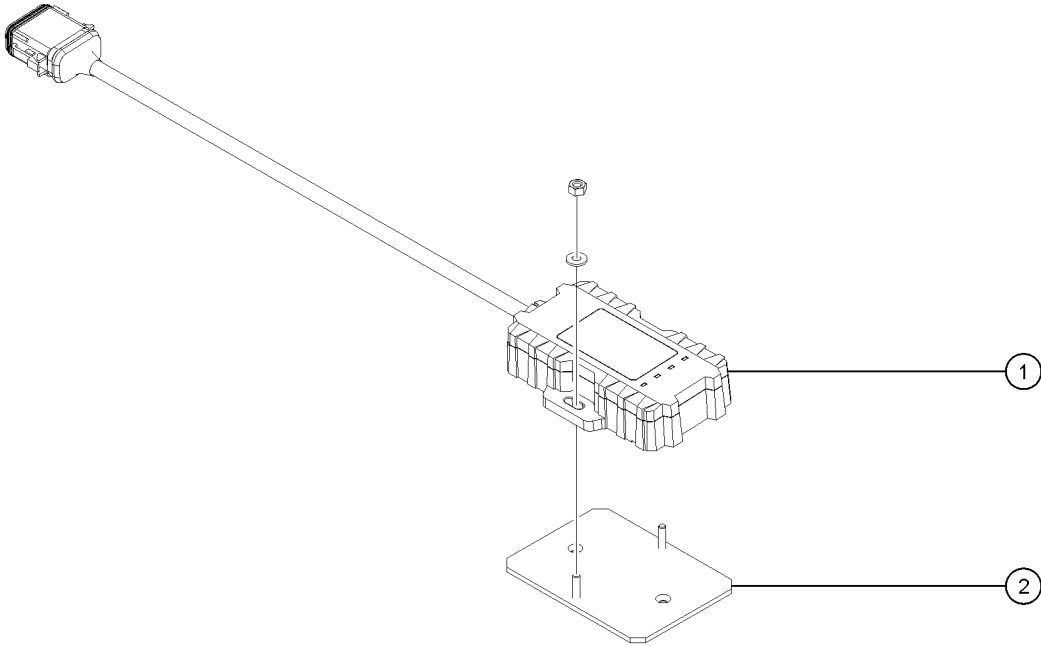


818.2 Pass Option, Deutz TCD 2.2L Stage V (from SN SX150H-612)

<i>Item</i>	<i>Part No.</i>	<i>Description</i>	<i>Qty.</i>
1	1294799GT	ADAPTER, AIR INTAKE, 3.0" TO 2.4" .....	1
2	30971GT	CLAMP,HOSE,3.0" .....	2
3	1289536GT	VALVE, PASS DEUTZ T4 .....	1
4	1294803GT	ADAPTER, AIR INTAKE, 3" TO 2.375" .....	1
5	45435GT	CLAMP,HOSE,2.50" .....	1
6	1294800GT	PIPE, CAC TO INTAKE, TCD 2.2L, STG V .....	1
7	1277924GT	NUT,NYLOCK FLG,1/4-20,F,ZAG .....	4
8	824078GT	SCREW,HHF,1/4-20X.75,8,ZAG .....	2
9	824080GT	SCREW,HHF,1/4-20X1.25,8,ZAG .....	2
10	1264229GT	BRACKET, POSITIVE AIR SHUTOFF .....	1
11	219508GT	CLAMP, FIXED DIA, NYLON, 3/8" .....	1
12	1291573GT	CONTROLLER, VCU, DEUTZ 2.9 .....	1
13	1290107GT	HARNESS, MODULE, ESTOP, PASS .....	1



819.1 Telematics Option (from SN SX15015H-101)

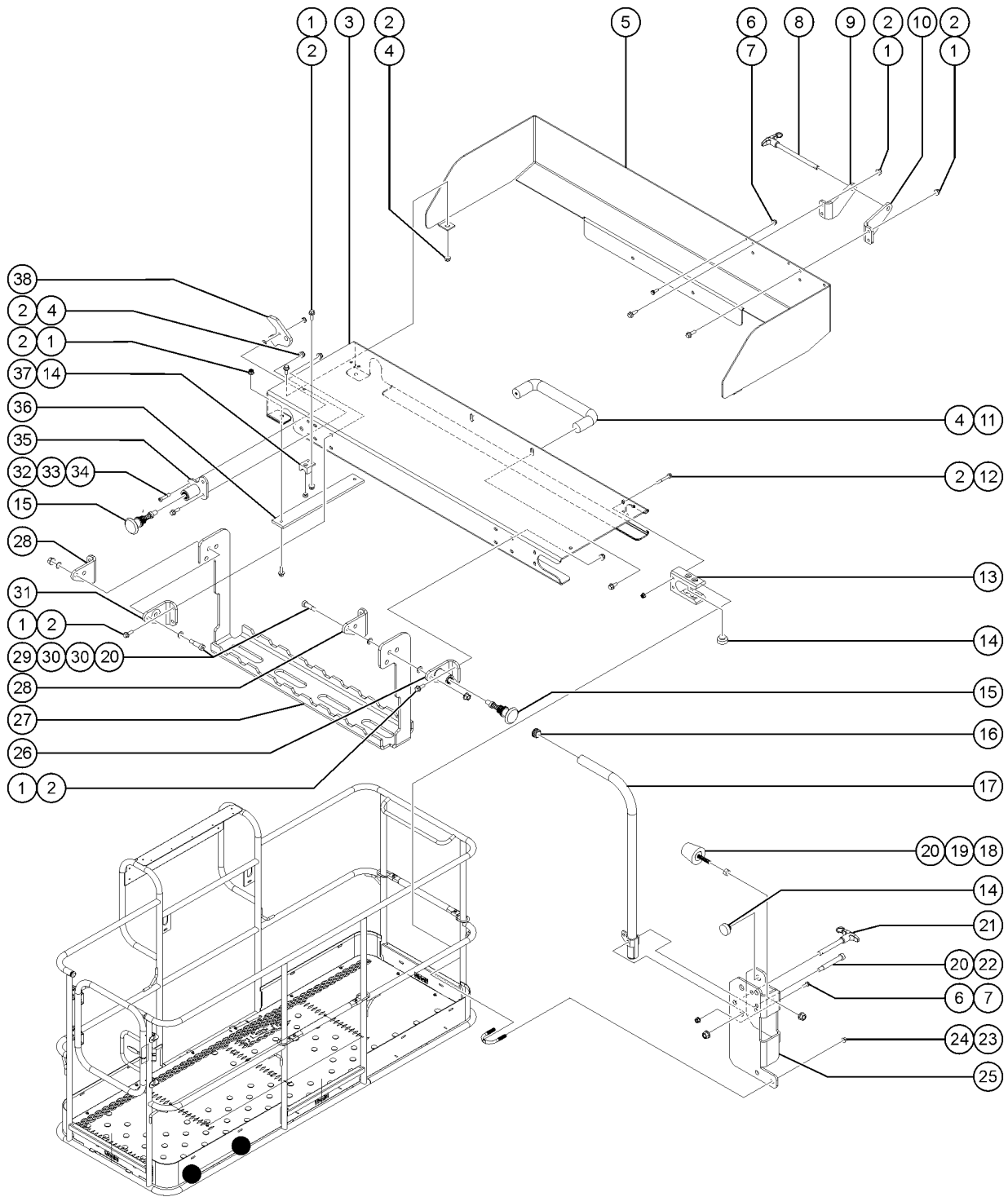


819.1 Telematics Option (from SN SX15015H-101)

Item	Part No.	Description	Qty.
-	1292198GT	HARNESS, RETROFIT, M7 for units after SN SX15015H-101 for first time insulation, must order this Harness with one of the models 1289520GT, 1289521GT, 1289522GT, or 1289523GT	1
-	1260051GT	HARNESS, TELEMATICS, TOPCON, 17IN (to SN SX150H-595) (US & ACME)	1
-	1294289GT	HARNESS, TELEMATICS, TOPCON, 17IN (from SN SX150H-596) (US & ACME)	1
-	1256074GT	HARNESS, HERTZ GPS, 8" (to SN SX150H-595) (hertz)	1
-	1292346GT	HARNESS, HERTZ GPS, 8" (from SN SX150H-596) (hertz)	1
1	1289520GT	MODULE, TELEMATICS, ZTR, M7, NORTH AMERICA North America	1
1B	1289521GT	MODULE, TELEMATICS, ZTR, M7, EMEA/APAC EMEA/APAC	
1C	1289522GT	MODULE, TELEMATICS, ZTR, M7, APAC/ANZ APAC/ANZ	
1D	1289523GT	MODULE, TELEMATICS, ZTR, M7, JAPAN Japan	
2	1289561GT	BRACKET, TELEMATICS	1



820.1 Lift Tools Access Deck - 8 Feet (from SN SX150H-201)

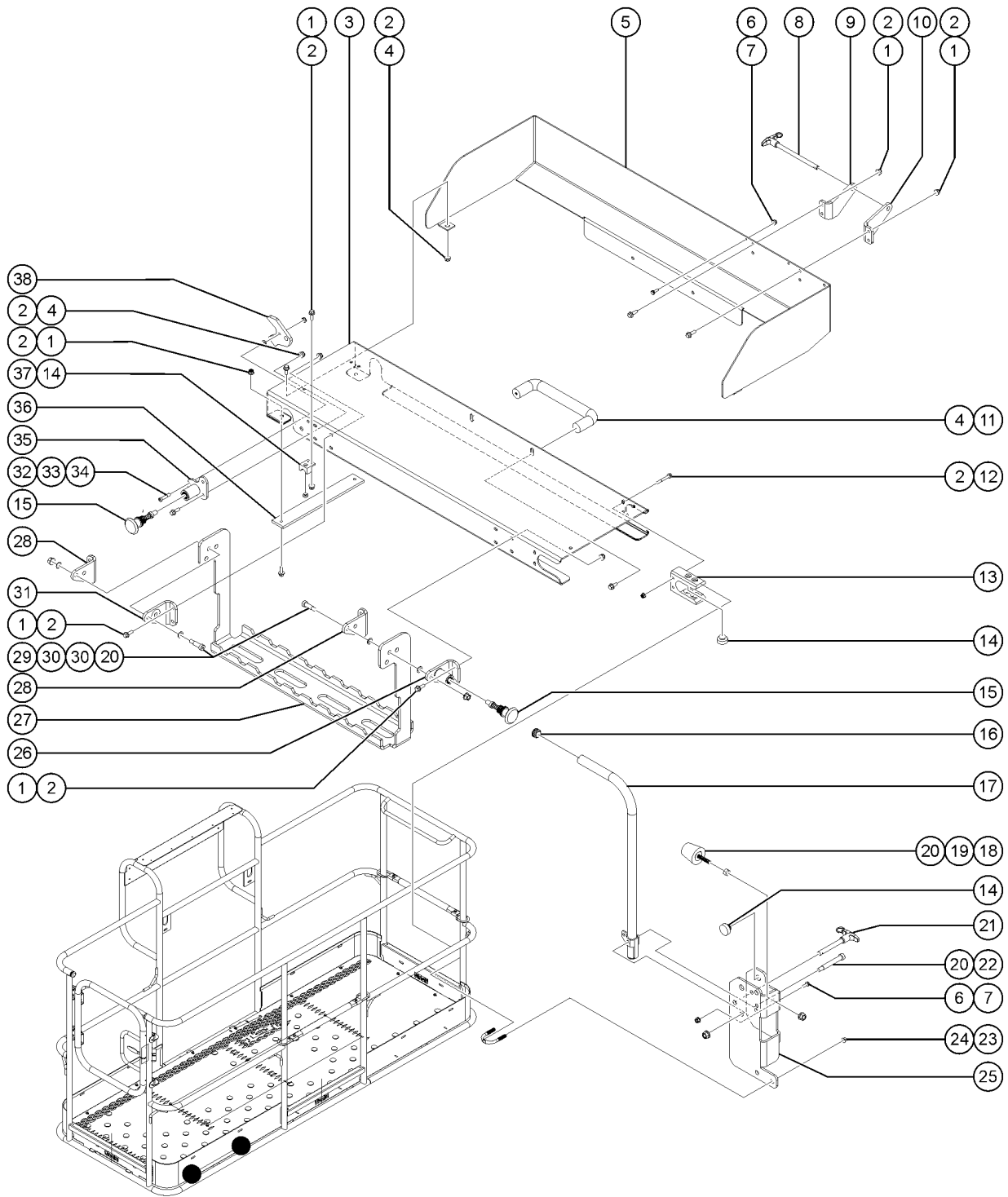


820.1 Lift Tools Access Deck - 8 Feet (from SN SX150H-201)

Item	Part No.	Description	Qty.
-	1291798GT	KIT, LIFT TOOLS ACCESS DECK, 8FT PLATFORM, ANSI .....	
1	824078GT	SCREW,HHF,1/4-20X.75,8,ZAG .....	20
2	1277924GT	NUT,NYLOCK FLG,1/4-20,F,ZAG .....	28
3	1291799GT	FORMING, ACCESS DECK .....	1
4	1256855GT	SCREW,HHF,1/4-20X.625,8,ZAG .....	6
5	1291800GT	FORMING, ACCESS DECK TOEBOARD, 8FT PLATFORM .....	1
6	1283004GT	NUT,NYLOCK FLG,10-24,A,ZAG .....	2
7	1270665GT	SCREW,HHF,10-24X.625,5,ZAG .....	2
8	1292956GT	PIN, QUICK RELEASE 3/8X5 .....	1
8-	1292932GT	LANYARD, STEEL, 8",NYLON SLEEVE,#10 .....	
9	1292937GT	FORMING, ACCESS DECK LEFT LOCK .....	1
10	1292936GT	FORMING, ACCESS DECK RIGHT LOCK .....	1
11	1291802GT	FORMED, PULL HANDLE .....	1
12	1253485GT	SCREW,HHF,1/4-20X2,8,ZAG .....	4
13	1291812GT	WEAR PAD, HORIZONTAL MIDRAIL SLOT .....	2
14	43392GT	BUMPER,BATTERY BOX & RAILS .....	8
15	1291811GT	POP PIN, YELLOW .....	2
16	55753GT	BUMPER, PLASTIC, 1.25 O.D. ....	2
17	1291815GT	WELDMENT, FOLDING HANDLE .....	1
18	111580GT	BUMPER,RUBBER,1.19DX1.5X.31-18 .....	1
19	1261250GT	NUT,5/16-18,8,ZAG .....	1
20	1274167GT	NUT,NYLOCK FLG,5/16-18,F,ZAG .....	4
21	1291865GT	PIN, QUICK RELEASE 3/8X2-1/2 .....	1
21-	1292932GT	LANYARD, STEEL, 8",NYLON SLEEVE,#10 .....	
22	1291817GT	BOLT,SHS,3/8X2.25X5/16-18,ZAG .....	1
23	1274322GT	NUT,NYLOCK FLG,3/8-16,F,ZAG .....	4
24	1251600GT	U-BOLT, FLATTENED, 1.5 X 3/8 .....	2
25	1293706GT	FORMING, ACCESS DECK HANDLE .....	1



820.1 Lift Tools Access Deck - 8 Feet (from SN SX150H-201)



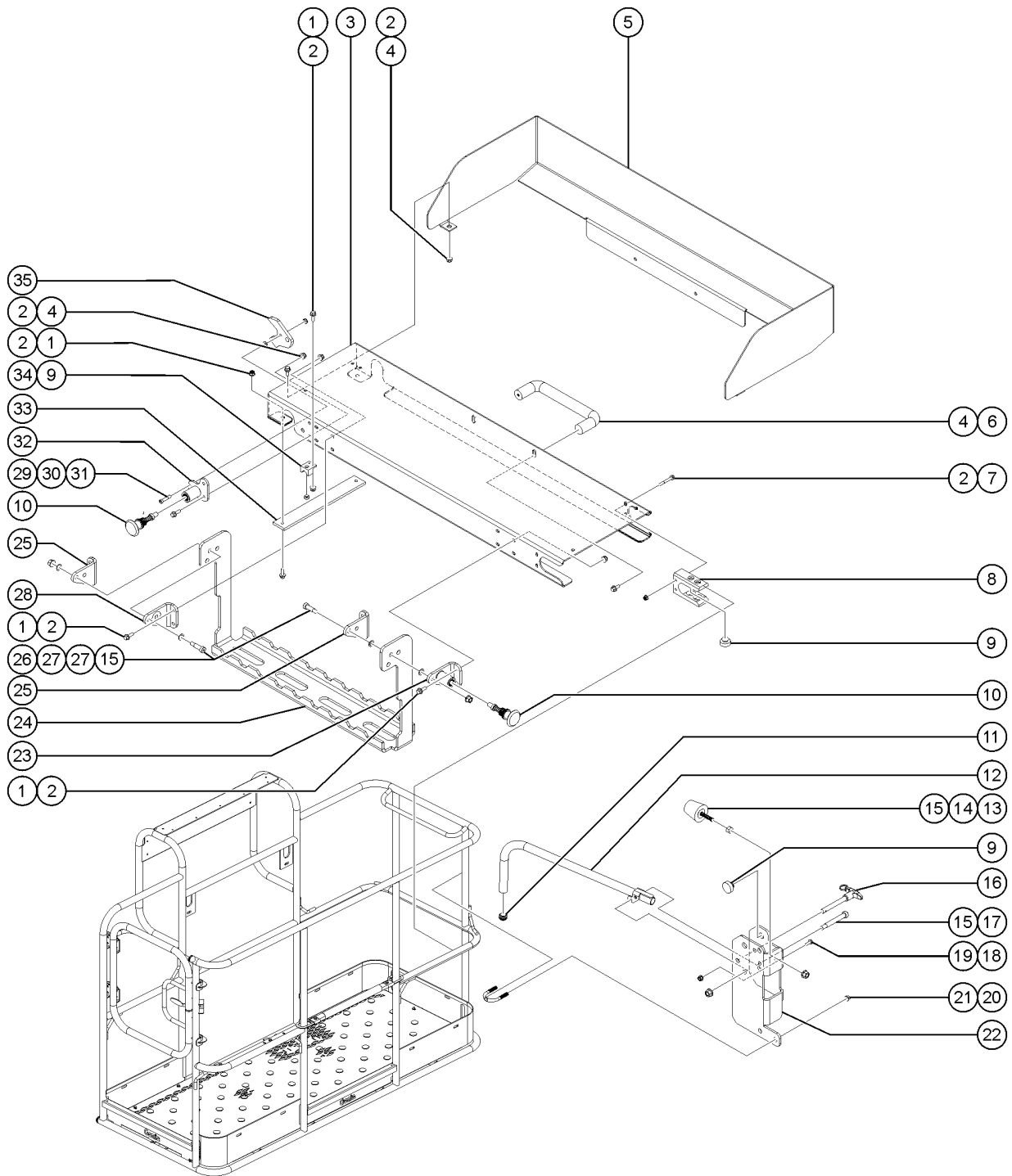


820.1 Lift Tools Access Deck - 8 Feet (from SN SX150H-201)

<i>Item</i>	<i>Part No.</i>	<i>Description</i>	<i>Qty.</i>
26	1291844GT	WELDMENT, ACCESS DECK STEP LOCK .....	1
27	1291801GT	FORMING, ACCESS DECK STEP, 8FT PLATFORM .....	1
28	1291804GT	FORMING, ACCESS DECK LEFT EYE, 8FT PLATFORM .....	2
29	1291819GT	BOLT,SHS,3/8X7/8X5/16-18,ZAG .....	2
30	1292828GT	WASHER,FLAT,.39,.625,.036,ZAG .....	4
31	1291803GT	FORMING, ACCESS DECK RIGHT EYE, 8FT PLATFORM .....	1
32	1291818GT	BOLT,SHS,1/4X.75X1/4-20,ZAG .....	1
33	1291821GT	WASHER, FLAT, 1/4X1/16X1/2, AL .....	1
34	1283026GT	NUT,LP NYLOCK,1/4-20,2,ZAG .....	1
35	1291809GT	WELDMENT, LIFT TOOLS MIDRAIL LOCK .....	1
36	1291807GT	PLATE, STIFFENER BAR .....	2
37	1291813GT	WEAR PAD, VERTICAL MIDRAIL SLOT .....	2
38	1291806GT	PLATE, MIDRAIL HOOK .....	1



821.1 Lift Tools Access Deck - 6 Feet (from SN SX150H-201)

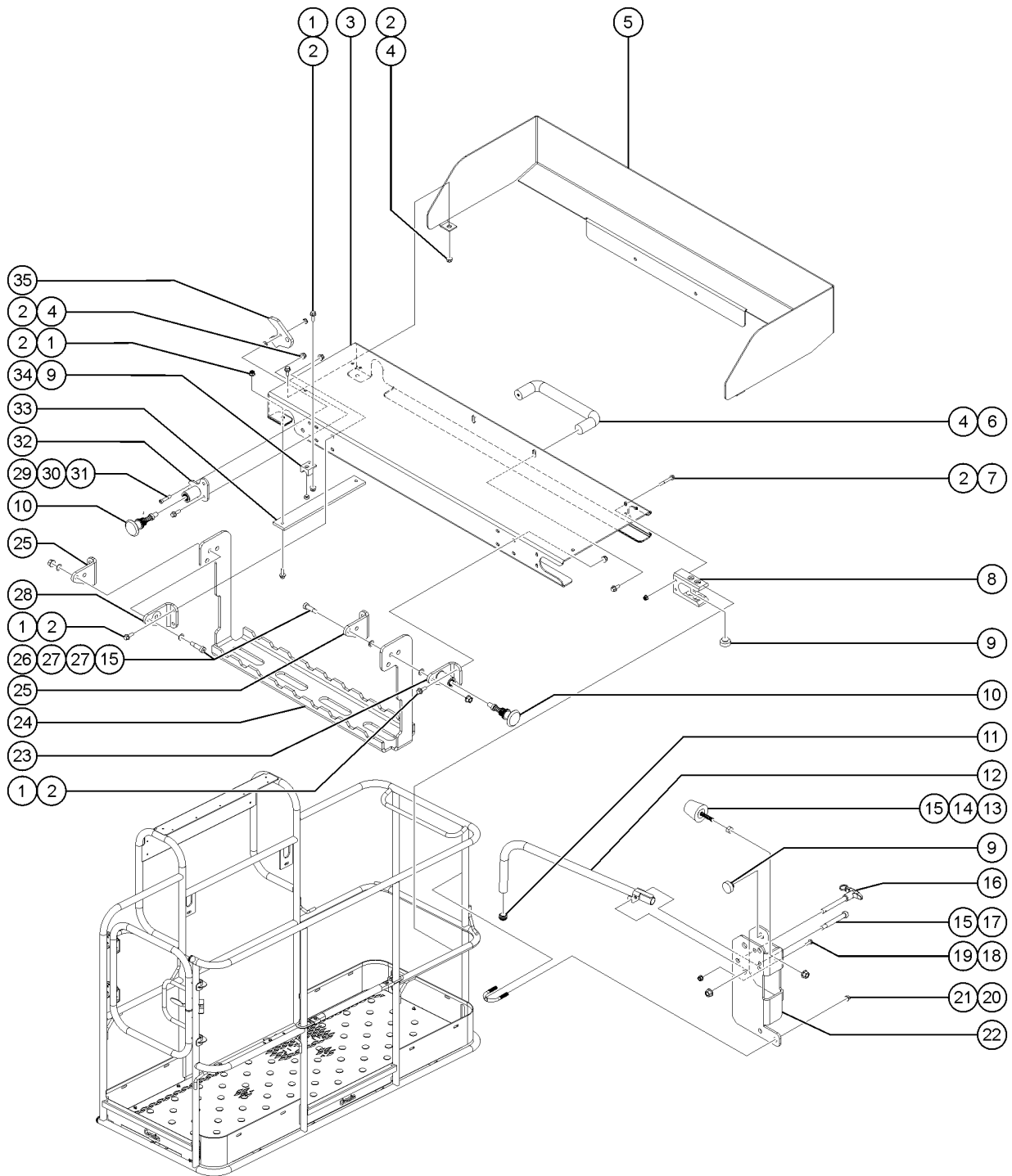


821.1 Lift Tools Access Deck - 6 Feet (from SN SX150H-201)

Item	Part No.	Description	Qty.
-	1293700GT	KIT, LIFT TOOLS ACCESS DECK, 6FT PLATFORM, ANSI (6 feet)	1
1	824078GT	SCREW,HHF,1/4-20X.75,8,ZAG	16
2	1277924GT	NUT,NYLOCK FLG,1/4-20,F,ZAG	24
3	1293710GT	FORMING, ACCESS DECK	1
4	1256855GT	SCREW,HHF,1/4-20X.625,8,ZAG	6
5	1293702GT	FORMING, ACCESS DECK TOEBOARD, 6FT PLATFORM	1
6	1291802GT	FORMED, PULL HANDLE	1
7	1253485GT	SCREW,HHF,1/4-20X2,8,ZAG	4
8	1291812GT	WEAR PAD, HORIZONTAL MIDRAIL SLOT	2
9	43392GT	BUMPER,BATTERY BOX & RAILS	8
10	1291811GT	POP PIN, YELLOW	2
11	55753GT	BUMPER, PLASTIC, 1.25 O.D.	2
12	1291815GT	WELDMENT, FOLDING HANDLE	1
13	111580GT	BUMPER,RUBBER,1.19DX1.5X.31-18	1
14	1261250GT	NUT,5/16-18,8,ZAG	1
15	1274167GT	NUT,NYLOCK FLG,5/16-18,F,ZAG	4
16	1291865GT	PIN, QUICK RELEASE 3/8X2-1/2	1
16-	1292932GT	LANYARD, STEEL, 8",NYLON SLEEVE,#10	
17	1291817GT	BOLT,SHS,3/8X2.25X5/16-18,ZAG	1
18	1270665GT	SCREW,HHF,10-24X.625,5,ZAG	1
19	1283004GT	NUT,NYLOCK FLG,10-24,A,ZAG	1
20	1274322GT	NUT,NYLOCK FLG,3/8-16,F,ZAG	4
21	1251600GT	U-BOLT, FLATTENED, 1.5 X 3/8	2
22	1293706GT	FORMING, ACCESS DECK HANDLE	1
23	1291844GT	WELDMENT, ACCESS DECK STEP LOCK	1
24	1293703GT	FORMING, ACCESS DECK STEP, 6FT PLATFORM	1
25	1291804GT	FORMING, ACCESS DECK LEFT EYE, 8FT PLATFORM	2
26	1291819GT	BOLT,SHS,3/8X7/8X5/16-18,ZAG	2



821.1 Lift Tools Access Deck - 6 Feet (from SN SX150H-201)



821.1 Lift Tools Access Deck - 6 Feet (from SN SX150H-201)

<i>Item</i>	<i>Part No.</i>	<i>Description</i>	<i>Qty.</i>
27	1292828GT	WASHER,FLAT, .39, .625, .036,ZAG .....	4
28	1291803GT	FORMING, ACCESS DECK RIGHT EYE, 8FT PLATFORM .....	1
29	1291818GT	BOLT,SHS,1/4X.75X1/4-20,ZAG .....	1
30	1291821GT	WASHER, FLAT, 1/4X1/16X1/2, AL .....	1
31	1283026GT	NUT,LP NYLOCK,1/4-20,2,ZAG .....	1
32	1291809GT	WELDMENT, LIFT TOOLS MIDRAIL LOCK .....	1
33	1293704GT	PLATE, STIFFENER BAR .....	2
34	1291813GT	WEAR PAD, VERTICAL MIDRAIL SLOT .....	2
35	1291806GT	PLATE, MIDRAIL HOOK .....	1



<u>Part no.</u>	<u>Page Number</u>	<u>Part no.</u>	<u>Page Number</u>	<u>Part no.</u>	<u>Page Number</u>
07.0501.0051GT	381	12960GT	461, 483, 485	28174GT	59
07.4501.0252GT	383	13000GT	121, 123, 125, 127, 129	28176GT	31, 59
07.4501.0291GT	17	13066GT	321, 523	28235GT	59
119061GT	233, 237	13097GT	279	28236GT	31, 59
1268GT	15	13268GT	147, 155, 479	28443GT	575
1484GT	15	13482GT	189	28646GT	145
1487GT	545	13585GT	461	28750GT	15
1488GT	545	14041GT	461, 483, 485	29314GT	79, 85
4828GT	93, 561, 563	14392GT	569	29557GT	315, 343
5397GT	121, 123, 125, 127, 129, 561	15243GT	479, 481	29559GT	315
6036GT	555	15436GT	319, 353	29560GT	15, 317
6037GT	121, 123, 125, 127, 129	15513GT	115	29739GT	523
6090GT	413, 477, 545, 549	18596GT	411	29868GT	101, 135, 391, 463
6091GT	545, 549, 563	18665GT	121, 123, 125, 127, 129, 483	30143GT	111
6097GT	413, 563	18666GT	575	30144GT	111
6145GT	555	19018-1100GT	549, 551	30348GT	391
6146GT	481, 563, 569, 593	19274GT	163, 169, 589	30468GT	557
6178GT	113, 115, 121, 123, 125, 127...	20776GT	121, 123, 125, 127, 129, 483	30489GT	323, 333, 337, 367, 559
6272GT	571	20973GT	177, 241, 465	30971GT	317, 333, 387, 393, 559, 581...
6356GT	149, 157, 477, 555	21130GT	319, 353	30996GT	161
6584GT	319, 353	21465GT	329, 367, 391	30997GT	155, 481
6638GT	149, 157, 479, 545, 549, 557...	21604GT	563	31060GT	23, 27, 49, 55
6653GT	347	21858GT	479	31779GT	15
6700GT	147, 157	22571GT	555	31788GT	19, 25, 45, 51
6782GT	121, 123, 125, 127, 129	22672GT	331, 357, 391	32150GT	15
6833GT	479	22736GT	577	32151GT	15
6888GT	149, 157, 557	23083GT	279	33428GT	75
6889GT	557	24038GT	387	33576GT	467
6935GT	121, 123, 151, 153, 205, 211...	24514GT	465, 469, 473	33674GT	545
7056GT	189, 225, 227	25685GT	563	33784GT	391
7057GT	121, 123, 151, 153, 203, 211...	25817GT	421	33931GT	387
7265GT	545	27204GT	27, 39, 55, 67	33994GT	15
7746GT	551	27205GT	23, 35, 49, 63	34052GT	113, 115, 119, 143, 151, 159...
8516GT	93	27206GT	23, 27, 35, 39, 49, 55...	34053GT	145, 151, 159
8915GT	563	27207GT	23, 27, 35, 39, 49, 55...	34619GT	133, 563
9596GT	545	27246GT	147, 155, 573	34955GT	559, 581
9599-SGT	545, 547, 551	27581GT	15	35432GT	581
10107GT	93, 555	27761GT	491	35434GT	329, 357, 363, 391
10665GT	423	27836GT	491	35461GT	479
12344GT	129, 147, 151, 153, 159, 479...	27901GT	339, 371, 403	35956GT	555
12443GT	465	27904GT	337, 403	36208GT	331, 581
12448GT	473	28159GT	25, 37, 51, 65	36388GT	583

<u>Part no.</u>	<u>Page Number</u>	<u>Part no.</u>	<u>Page Number</u>	<u>Part no.</u>	<u>Page Number</u>
37947GT	101, 133	48930GT	541	49130-2082GT	543
38149GT	19, 33, 45, 61	48931GT	541	49130-5482GT	529
39346GT	507, 513	48932GT	521, 525, 535, 537, 537	49130-17182GT	541
40434GT	31, 43, 583	48933GT	143, 525, 531, 541	49137-2541GT	537
42079GT	411	48935GT	525	49141-1563GT	533
42104GT	545	48936GT	525	49141-1963GT	533
42288GT	479	48937GT	521, 525, 535, 537, 525, 529...	49141-2263GT	533
43018GT	17, 44, 45, 47, 51, 51, 517	48942GT	537	49141-5663GT	533
43392GT	411, 413, 543, 543, 587, 599...	48946GT	531	49141-5863GT	525
43960-4500GT	91	48947GT	543	49141-6063GT	533
44170GT	517, 519	48948GT	375, 525, 529, 531	49141-9963GT	537
44174GT	507, 511, 513, 513, 517, 519...	48959GT	531, 537	49143-8929GT	533
44177GT	507, 509	48960GT	143, 511, 431, 523, 529, 531...	49143-41229GT	541
44224GT	509, 521	48961GT	525, 529	49143-41629GT	541
44227GT	509, 511, 515	48963GT	517, 523, 531, 535, 537, 541	49159-6218GT	535
44228GT	513	48968GT	431, 541	49163-6994GT	525
44229GT	507, 513, 513, 517, 519	48974GT	537	49163-7194GT	543
44230GT	511	48977GT	531	49180-41116GT	541
44743GT	465	48984GT	531	49181-3440GT	529
44981GT	19, 31, 33, 43, 45, 59...	48985GT	143, 531	49181-5990GT	525
45435GT	517, 523, 531, 535, 595	48995GT	539	49183-1980	543
45454GT	365	48996GT	143, 531	49183-5992GT	529
45470GT	563	48997GT	531, 537, 539	49183-15792GT	543
45708GT	111, 141	48998GT	525, 529	49183-51792GT	541
45782GT	203, 207, 209, 213, 217, 221...	49116-1937GT	543	49183-79692GT	541
46216GT	509	49117-1791GT	533	49183-82392GT	541
48879GT	541	49117-2191GT	533	49183-85992GT	541
48880GT	313, 323, 323, 323, 395, 531...	49117-2391GT	533	49183-87392GT	541
48885GT	145	49117-2591GT	543	49189-9738GT	81
48887GT	81	49117-3091GT	537	49207GT	313, 323, 323, 323, 395, 531...
48890GT	531	49120-1481GT	529	49214GT	561
48894GT	431, 525, 541	49120-3781GT	527	49215GT	561
48904GT	313, 323, 323, 341, 543	49120-3881GT	527, 529	49366GT	75
48905GT	521, 523, 523, 523, 529, 531...	49120-4181GT	529	49379GT	555
48907GT	397	49120-6381GT	525	49408GT	555
48911GT	525, 529, 531	49120-10981GT	529	49612GT	15
48912GT	443, 523, 523, 531, 541	49120-11381GT	527	49816GT	113
48913GT	537	49128-2809GT	537	49819GT	115, 169
48915GT	537, 541	49128-3734GT	543	49820GT	151, 159
48916GT	529, 533, 537, 541	49128-3809GT	543	49915GT	315
48920GT	533	49130-1782GT	543	49924GT	15, 17, 317, 341, 343
48924GT	525, 529	49130-1882GT	543	50787-SGT	319

<u>Part no.</u>	<u>Page Number</u>	<u>Part no.</u>	<u>Page Number</u>	<u>Part no.</u>	<u>Page Number</u>
50813GT	163, 455, 457	58319GT	151, 159	60529GT	109, 173, 175, 177,
50974GT	97, 101, 105, 109, 137,	58415GT	387	60530GT	197, 199, 173, 175, 177,
51063GT	141...	58489GT	141	60531GT	197, 199, 177, 233,
52087GT	563	58566GT	317	60532GT	237, 241, 173, 175, 177, 233,
52352GT	523	58627GT	147	60536GT	237, 241,
52371GT	317	58630GT	317	60540GT	173, 175, 177, 179, 203,
52373GT	507, 511, 513, 515,	59371GT	491, 525	60559GT	217...
52378GT	517, 519	60322GT	371	60564GT	265
52466GT	507	60322-SGT	351	60576GT	105, 145
52475GT	509	60331GT	417	60584GT	359
52484GT	521	60334GT	109	60609GT	357
52726GT	493	60370-SGT	461	60618GT	357
52865GT	19, 45	60425GT	109, 173, 175, 181,	60637GT	357, 379
52866GT	387	60427GT	183, 197, 211, 213,	60649GT	357
52943GT	493, 499, 501, 505,	60429GT	233, 237	60721GT	357, 367
53471GT	505	60431GT	97, 173, 177, 193, 201,	60729GT	353
54065GT	183, 203, 207, 211,	60433GT	181, 183, 185, 197,	60746GT	89, 277
54177GT	213, 219...	60435GT	199, 233	60757GT	319
54255GT	449, 457	60439GT	203, 209, 217, 223,	60768GT	217
54283GT	335, 371, 523	60441GT	233, 237	60778-SGT	325
54365GT	207, 213, 221, 227,	60443GT	235, 237	60826GT	347, 379
54373GT	251	60445GT	97, 99, 173, 175, 181,	60857GT	15, 109
54428GT	531	60447GT	189...	60874-5625GT	133
54457GT	121, 123, 125, 127,	60450GT	197, 199	61072-3926GT	533
54458GT	129, 479...	60451GT	97, 173, 181, 183, 185,	61072-4326GT	527
54465GT	279	60452GT	197...	61072-4526GT	535
54486GT	341, 395	60457GT	233, 237	61072-7426GT	535
55067GT	549	60459GT	203, 209, 217, 223,	61072-10026GT	537
55753GT	549	60460GT	243	61073-2030GT	533
56003GT	557	60474GT	173, 175, 177, 211,	61073-2830GT	533
56424GGT	463	60475GT	215, 225, 173, 177, 211, 213,	61073-3130GT	533
56424GT	477, 479, 543, 549,	60476GT	225, 227...	61073-4930GT	533
56462GT	551, 599...	60477GT	209, 213	61073-6430GT	535
56525GT	541	60478GT	173, 197, 199	61073-7830GT	535
56424GGT	469	60512GT	173, 197, 199	61073-8330GT	533
56424GT	537, 403, 407, 413,	60513GT	177, 197,	61074-4328GT	533
56462GT	547, 549...	60514GT	197, 199, 203, 207,	61074-5528GT	529
56525GT	141	60515GT	211, 213...	61074-7628GT	537
56570GT	549, 551	60525GT	233, 237	61074-7828GT	537
56687GT	211, 213, 217, 221	60526GT	101, 133, 101, 181,	61074-8828GT	533
56704GT	97	60527GT	183, 185...	61074-15228GT	543
56912GT	101, 133, 313, 403,	60528GT	319	61098GT	31, 43
58249GT	469, 473				
58256GT	317				
58290GT	317				
58299GT	523				
	317				



<u>Part no.</u>	<u>Page Number</u>	<u>Part no.</u>	<u>Page Number</u>	<u>Part no.</u>	<u>Page Number</u>
61109GT	321, 353	66813GT	477	74006GT	121, 123, 461
61223GT	137	66815GT	477	74052GT	461
61225GT	113, 119, 205, 211, 217	66816GT	147, 155	74245GT	79, 85
61259GT	543	66817GT	155, 477	74902GT	491, 493, 495, 497, 501, 503... 121; 123; 125, 127,
61269GT	541	66818GT	147, 155	74913GT	129, 483... 321, 355
61270GT	333, 361, 367	66821GT	147, 155	75020GT	
61322GT	163, 189	67505GT	163, 169	75041GT	115, 569
61325GT	579	67897GT	353	75042GT	431, 541
61341GT	409	69775GT	341, 395	75069GT	461
61602GT	451, 457	70381GT	321, 333, 387	75185GT	555
61625GT	577	70438GT	325	75250GT	97
61726GT	563	70439PGT	319	75253GT	143, 531
61804GT	563	70440GT	325, 341	75254GT	143, 531
61972GT	563	70444GT	323, 353	75256GT	143, 531
61976GT	563	70445GT	325	75257GT	143, 531
61977GT	563	70447GT	319	75259GT	359
61997GT	461, 563	70449GT	323, 353	75260GT	357
62253GT	491	70483GT	323, 353	75274GT	359
62327GT	507	70518GT	359	75297GT	359
62328GT	521	71259GT	97	75304GT	349
62330GT	511	71911GT	319, 325, 353, 371	75326GT	349
62338GT	509, 511, 521	72086GT	23, 27, 35, 39, 49, 55...	75327GT	349
62339GT	507	72255GT	317	75328GT	349
62349GT	507	72282GT	97	75330GT	349
62374GT	147, 155	72326GT	147, 479	75342GT	349
62375GT	147, 155	72875GT	31, 59	75443GT	489
62379GT	147, 157, 479	72999GT	19, 45	75444GT	489
62392GT	489	73084GT	491, 493	75445GT	489
62412GT	141	73477PGT	465	75446GT	489
62420GT	17, 387	73478GT	469, 473	75447GT	489
62425GT	15, 17, 333, 357, 367	73478PGT	465	75448GT	489
62433GT	17, 355	73500GT	549	75449GT	489
62506GT	513, 515, 517, 519	73501GT	549	75456GT	509
62507GT	513, 517	73575GT	145, 401, 403, 413, 589	75537PGT	467, 469
62819GT	577	73610PGT	465	75555GT	357
63463GT	387	73711GT	319	75574GT	321, 333, 335, 369, 395
65278GT	23, 27, 35, 39, 49, 55...	73717GT	151, 265	75629GT	197, 199
65630GT	549, 551	73730GT	207, 213, 221, 227	75631-4650GT	277
65810GT	387	73805GT	155	75640GT	185, 207, 213, 221, 265
66399GT	15	73807GT	513, 517	75654GT	531
66811GT	147, 157	73900GT	467	75854GT	97
66812GT	147, 157, 477	73910GT	467	75855GT	97

<u>Part no.</u>	<u>Page Number</u>	<u>Part no.</u>	<u>Page Number</u>	<u>Part no.</u>	<u>Page Number</u>
76364GT	75	88164GT	113, 119, 203, 209, 217, 223	97602GT	25, 51
77309GT	431	88167GT	113, 119, 119, 203, 209, 217...	97757GT	19, 33, 45, 61
77351GT	481	88177GT	147, 155	97815GT	31, 43, 59, 71
77819GT	523	88287GT	479	97865GT	19, 25, 45, 51
80543GT	121, 123	88315GT	149, 157	99343GT	179, 185
80605GT	563	88331GT	233, 237	99344GT	179, 185
81154GT	403	88332GT	233, 237	99778GT	569
81341GT	411	88354GT	143, 531	101004GT	79
81342GT	411	88406GT	575	101005GT	573
81368GT	549, 551	88493GT	559	101005HGT	573
81467GT	327, 333, 357, 367	88516GT	457	101057GT	507
81468GT	325, 333, 357, 367	88606PGT	557	101068GT	523
81488GT	481	88607PGT	557	101161GT	173, 175, 177
81545GT	171, 179	88943-4586GT	533	101162GT	173, 175, 177
81546GT	179, 265	89310GT	493, 497, 503	101185GT	283, 285
81551GT	147, 155, 479	89733GT	521	101191GT	177, 207, 213, 221
81578GT	111	89735GT	521	101234GT	73
81765GT	203, 207, 211, 213, 217, 221...	89755GT	563	101340GT	113, 119, 203, 209, 217, 223
81812-3592GT	527	89756GT	453	101361GT	141
81812-3692GT	527	89770GT	521	101525GT	575
81812-3792GT	527	89785GT	345, 381	101547PGT	575
81812-5792GT	525	89792GT	315	101626GT	387
81812-11292GT	527	89959GT	559	101639GT	559
82161GT	19, 45	89997GT	115	101640GT	333, 357
82237GT	25, 31, 51, 59	89998GT	319	101701GT	463
82314GT	19, 45	93500GT	15	101793-2573GT	533
82355GT	347	94327GT	13, 113, 119, 203, 209, 217...	101930GT	359
82366GT	19, 45	94374-6030GT	527	101931PGT	359
82481GT	33, 37, 61, 65	94374-10530GT	533	101932GT	579
82487GT	33, 43, 61, 71	94620GT	137	101957GT	319, 353
82862GT	31, 59	94643GT	563	101973GT	545
83093GT	101, 133	94652GT	183, 207, 213, 221, 279	102208GT	325
84134GT	491	94745PGT	545	102209GT	325
84135GT	491, 493	94869GT	545	102220GT	559
85300GT	549, 551	94981GT	145	102237PGT	321
87070GT	109	94982GT	145	102348GT	349
87755GT	131, 139, 203, 209, 217, 223	96390GT	425	102496GT	491
88056GT	147	96770GT	405	102580GT	317
88091GT	315	97170GT	517	102581GT	315
88150GT	147, 155	97181GT	511	102582GT	315
88160GT	115, 119	97372GT	507, 511, 513, 515, 517, 519	102584GT	315
88162GT	113, 119, 203, 211, 217, 223	97579GT	31, 59	102586GT	315



<u>Part no.</u>	<u>Page Number</u>	<u>Part no.</u>	<u>Page Number</u>	<u>Part no.</u>	<u>Page Number</u>
102587GT	317, 343	106498GT	93	115048GT	517, 519
102590GT	315	106742GT	75	115204GT	511
102592GT	315	106819-6213GT	527	119056GT	169, 173, 175, 181, 183, 185...
102593GT	315	106819-7013GT	527	119057GT	185, 209, 213, 569
102595GT	315	106923GT	337, 403	119058GT	175, 177, 201, 233, 237, 243, 245, 247, 249, 251, 253, 255, 257, 259, 261, 263, 265, 267, 269, 271, 273, 275, 277, 279, 281, 283, 285, 287, 289, 291, 293, 295, 297, 299, 301, 303, 305, 307, 309, 311, 313, 315, 317, 319, 321, 323, 325, 327, 329, 331, 333, 335, 337, 339, 341, 343, 345, 347, 349, 351, 353, 355, 357, 359, 361, 363, 365, 367, 369, 371, 373, 375, 377, 379, 381, 383, 385, 387, 389, 391, 393, 395, 397, 399, 401, 403, 405, 407, 409, 411, 413, 415, 417, 419, 421, 423, 425, 427, 429, 431, 433, 435, 437, 439, 441, 443, 445, 447, 449, 451, 453, 455, 457, 459, 461, 463, 465, 467, 469, 471, 473, 475, 477, 479, 481, 483, 485, 487, 489, 491, 493, 495, 497, 499, 501, 503, 505, 507, 509, 511, 513, 515, 517, 519, 521, 523, 525, 527, 529, 531, 533, 535, 537, 539, 541, 543, 545, 547, 549, 551, 553, 555, 557, 559, 561, 563, 565, 567, 569, 571, 573, 575, 577, 579, 581, 583, 585, 587, 589, 591, 593, 595, 597, 599, 601, 603, 605, 607, 609, 611, 613, 615, 617, 619, 621, 623, 625, 627, 629, 631, 633, 635, 637, 639, 641, 643, 645, 647, 649, 651, 653, 655, 657, 659, 661, 663, 665, 667, 669, 671, 673, 675, 677, 679, 681, 683, 685, 687, 689, 691, 693, 695, 697, 699, 701, 703, 705, 707, 709, 711, 713, 715, 717, 719, 721, 723, 725, 727, 729, 731, 733, 735, 737, 739, 741, 743, 745, 747, 749, 751, 753, 755, 757, 759, 761, 763, 765, 767, 769, 771, 773, 775, 777, 779, 781, 783, 785, 787, 789, 791, 793, 795, 797, 799, 801, 803, 805, 807, 809, 811, 813, 815, 817, 819, 821, 823, 825, 827, 829, 831, 833, 835, 837, 839, 841, 843, 845, 847, 849, 851, 853, 855, 857, 859, 861, 863, 865, 867, 869, 871, 873, 875, 877, 879, 881, 883, 885, 887, 889, 891, 893, 895, 897, 899, 901, 903, 905, 907, 909, 911, 913, 915, 917, 919, 921, 923, 925, 927, 929, 931, 933, 935, 937, 939, 941, 943, 945, 947, 949, 951, 953, 955, 957, 959, 961, 963, 965, 967, 969, 971, 973, 975, 977, 979, 981, 983, 985, 987, 989, 991, 993, 995, 997, 999, 1001, 1003, 1005, 1007, 1009, 1011, 1013, 1015, 1017, 1019, 1021, 1023, 1025, 1027, 1029, 1031, 1033, 1035, 1037, 1039, 1041, 1043, 1045, 1047, 1049, 1051, 1053, 1055, 1057, 1059, 1061, 1063, 1065, 1067, 1069, 1071, 1073, 1075, 1077, 1079, 1081, 1083, 1085, 1087, 1089, 1091, 1093, 1095, 1097, 1099, 1101, 1103, 1105, 1107, 1109, 1111, 1113, 1115, 1117, 1119, 1121, 1123, 1125, 1127, 1129, 1131, 1133, 1135, 1137, 1139, 1141, 1143, 1145, 1147, 1149, 1151, 1153, 1155, 1157, 1159, 1161, 1163, 1165, 1167, 1169, 1171, 1173, 1175, 1177, 1179, 1181, 1183, 1185, 1187, 1189, 1191, 1193, 1195, 1197, 1199, 1201, 1203, 1205, 1207, 1209, 1211, 1213, 1215, 1217, 1219, 1221, 1223, 1225, 1227, 1229, 1231, 1233, 1235, 1237, 1239, 1241, 1243, 1245, 1247, 1249, 1251, 1253, 1255, 1257, 1259, 1261, 1263, 1265, 1267, 1269, 1271, 1273, 1275, 1277, 1279, 1281, 1283, 1285, 1287, 1289, 1291, 1293, 1295, 1297, 1299, 1301, 1303, 1305, 1307, 1309, 1311, 1313, 1315, 1317, 1319, 1321, 1323, 1325, 1327, 1329, 1331, 1333, 1335, 1337, 1339, 1341, 1343, 1345, 1347, 1349, 1351, 1353, 1355, 1357, 1359, 1361, 1363, 1365, 1367, 1369, 1371, 1373, 1375, 1377, 1379, 1381, 1383, 1385, 1387, 1389, 1391, 1393, 1395, 1397, 1399, 1401, 1403, 1405, 1407, 1409, 1411, 1413, 1415, 1417, 1419, 1421, 1423, 1425, 1427, 1429, 1431, 1433, 1435, 1437, 1439, 1441, 1443, 1445, 1447, 1449, 1451, 1453, 1455, 1457, 1459, 1461, 1463, 1465, 1467, 1469, 1471, 1473, 1475, 1477, 1479, 1481, 1483, 1485, 1487, 1489, 1491, 1493, 1495, 1497, 1499, 1501, 1503, 1505, 1507, 1509, 1511, 1513, 1515, 1517, 1519, 1521, 1523, 1525, 1527, 1529, 1531, 1533, 1535, 1537, 1539, 1541, 1543, 1545, 1547, 1549, 1551, 1553, 1555, 1557, 1559, 1561, 1563, 1565, 1567, 1569, 1571, 1573, 1575, 1577, 1579, 1581, 1583, 1585, 1587, 1589, 1591, 1593, 1595, 1597, 1599, 1601, 1603, 1605, 1607, 1609, 1611, 1613, 1615, 1617, 1619, 1621, 1623, 1625, 1627, 1629, 1631, 1633, 1635, 1637, 1639, 1641, 1643, 1645, 1647, 1649, 1651, 1653, 1655, 1657, 1659, 1661, 1663, 1665, 1667, 1669, 1671, 1673, 1675, 1677, 1679, 1681, 1683, 1685, 1687, 1689, 1691, 1693, 1695, 1697, 1699, 1701, 1703, 1705, 1707, 1709, 1711, 1713, 1715, 1717, 1719, 1721, 1723, 1725, 1727, 1729, 1731, 1733, 1735, 1737, 1739, 1741, 1743, 1745, 1747, 1749, 1751, 1753, 1755, 1757, 1759, 1761, 1763, 1765, 1767, 1769, 1771, 1773, 1775, 1777, 1779, 1781, 1783, 1785, 1787, 1789, 1791, 1793, 1795, 1797, 1799, 1801, 1803, 1805, 1807, 1809, 1811, 1813, 1815, 1817, 1819, 1821, 1823, 1825, 1827, 1829, 1831, 1833, 1835, 1837, 1839, 1841, 1843, 1845, 1847, 1849, 1851, 1853, 1855, 1857, 1859, 1861, 1863, 1865, 1867, 1869, 1871, 1873, 1875, 1877, 1879, 1881, 1883, 1885, 1887, 1889, 1891, 1893, 1895, 1897, 1899, 1901, 1903, 1905, 1907, 1909, 1911, 1913, 1915, 1917, 1919, 1921, 1923, 1925, 1927, 1929, 1931, 1933, 1935, 1937, 1939, 1941, 1943, 1945, 1947, 1949, 1951, 1953, 1955, 1957, 1959, 1961, 1963, 1965, 1967, 1969, 1971, 1973, 1975, 1977, 1979, 1981, 1983, 1985, 1987, 1989, 1991, 1993, 1995, 1997, 1999, 2001, 2003, 2005, 2007, 2009, 2011, 2013, 2015, 2017, 2019, 2021, 2023, 2025, 2027, 2029, 2031, 2033, 2035, 2037, 2039, 2041, 2043, 2045, 2047, 2049, 2051, 2053, 2055, 2057, 2059, 2061, 2063, 2065, 2067, 2069, 2071, 2073, 2075, 2077, 2079, 2081, 2083, 2085, 2087, 2089, 2091, 2093, 2095, 2097, 2099, 2101, 2103, 2105, 2107, 2109, 2111, 2113, 2115, 2117, 2119, 2121, 2123, 2125, 2127, 2129, 2131, 2133, 2135, 2137, 2139, 2141, 2143, 2145, 2147, 2149, 2151, 2153, 2155, 2157, 2159, 2161, 2163, 2165, 2167, 2169, 2171, 2173, 2175, 2177, 2179, 2181, 2183, 2185, 2187, 2189, 2191, 2193, 2195, 2197, 2199, 2201, 2203, 2205, 2207, 2209, 2211, 2213, 2215, 2217, 2219, 2221, 2223, 2225, 2227, 2229, 2231, 2233, 2235, 2237, 2239, 2241, 2243, 2245, 2247, 2249, 2251, 2253, 2255, 2257, 2259, 2261, 2263, 2265, 2267, 2269, 2271, 2273, 2275, 2277, 2279, 2281, 2283, 2285, 2287, 2289, 2291, 2293, 2295, 2297, 2299, 2301, 2303, 2305, 2307, 2309, 2311, 2313, 2315, 2317, 2319, 2321, 2323, 2325, 2327, 2329, 2331, 2333, 2335, 2337, 2339, 2341, 2343, 2345, 2347, 2349, 2351, 2353, 2355, 2357, 2359, 2361, 2363, 2365, 2367, 2369, 2371, 2373, 2375, 2377, 2379, 2381, 2383, 2385, 2387, 2389, 2391, 2393, 2395, 2397, 2399, 2401, 2403, 2405, 2407, 2409, 2411, 2413, 2415, 2417, 2419, 2421, 2423, 2425, 2427, 2429, 2431, 2433, 2435, 2437, 2439, 2441, 2443, 2445, 2447, 2449, 2451, 2453, 2455, 2457, 2459, 2461, 2463, 2465, 2467, 2469, 2471, 2473, 2475, 2477, 2479, 2481, 2483, 2485, 2487, 2489, 2491, 2493, 2495, 2497, 2499, 2501, 2503, 2505, 2507, 2509, 2511, 2513, 2515, 2517, 2519, 2521, 2523, 2525, 2527, 2529, 2531, 2533, 2535, 2537, 2539, 2541, 2543, 2545, 2547, 2549, 2551, 2553, 2555, 2557, 2559, 2561, 2563, 2565, 2567, 2569, 2571, 2573, 2575, 2577, 2579, 2581, 2583, 2585, 2587, 2589, 2591, 2593, 2595, 2597, 2599, 2601, 2603, 2605, 2607, 2609, 2611, 2613, 2615, 2617, 2619, 2621, 2623, 2625, 2627, 2629, 2631, 2633, 2635, 2637, 2639, 2641, 2643, 2645, 2647, 2649, 2651, 2653, 2655, 2657, 2659, 2661, 2663, 2665, 2667, 2669, 2671, 2673, 2675, 2677, 2679, 2681, 2683, 2685, 2687, 2689, 2691, 2693, 2695, 2697, 2699, 2701, 2703, 2705, 2707, 2709, 2711, 2713, 2715, 2717, 2719, 2721, 2723, 2725, 2727, 2729, 2731, 2733, 2735, 2737, 2739, 2741, 2743, 2745, 2747, 2749, 2751, 2753, 2755, 2757, 2759, 2761, 2763, 2765, 2767, 2769, 2771, 2773, 2775, 2777, 2779, 2781, 2783, 2785, 2787, 2789, 2791, 2793, 2795, 2797, 2799, 2801, 2803, 2805, 2807, 2809, 2811, 2813, 2815, 2817, 2819, 2821, 2823, 2825, 2827, 2829, 2831, 2833, 2835, 2837, 2839, 2841, 2843, 2845, 2847, 2849, 2851, 2853, 2855, 2857, 2859, 2861, 2863, 2865, 2867, 2869, 2871, 2873, 2875, 2877, 2879, 2881, 2883, 2885, 2887, 2889, 2891, 2893, 2895, 2897, 2899, 2901, 2903, 2905, 2907, 2909, 2911, 2913, 2915, 2917, 2919, 2921, 2923, 2925, 2927, 2929, 2931, 2933, 2935, 2937, 2939, 2941, 2943, 2945, 2947, 2949, 2951, 2953, 2955, 2957, 2959, 2961, 2963, 2965, 2967, 2969, 2971, 2973, 2975, 2977, 2979, 2981, 2983, 2985, 2987, 2989, 2991, 2993, 2995, 2997, 2999, 3001, 3003, 3005, 3007, 3009, 3011, 3013, 3015, 3017, 3019, 3021, 3023, 3025, 3027, 3029, 3031, 3033, 3035, 3037, 3039, 3041, 3043, 3045, 3047, 3049, 3051, 3053, 3055, 3057, 3059, 3061, 3063, 3065, 3067, 3069, 3071, 3073, 3075, 3077, 3079, 3081, 3083, 3085, 3087, 3089, 3091, 3093, 3095, 3097, 3099, 3101, 3103, 3105, 3107, 3109, 3111, 3113, 3115, 3117, 3119, 3121, 3123, 3125, 3127, 3129, 3131, 3133, 3135, 3137, 3139, 3141, 3143, 3145, 3147, 3149, 3151, 3153, 3155, 3157, 3159, 3161, 3163, 3165, 3167, 3169, 3171, 3173, 3175, 3177, 3179, 3181, 3183, 3185, 3187, 3189, 3191, 3193, 3195, 3197, 3199, 3201, 3203, 3205, 3207, 3209, 3211, 3213, 3215, 3217, 3219, 3221, 3223, 3225, 3227, 3229, 3231, 3233, 3235, 3237, 3239, 3241, 3243, 3245, 3247, 3249, 3251, 3253, 3255, 3257, 3259, 3261, 3263, 3265, 3267, 3269, 3271, 3273, 3275, 3277, 3279, 3281, 3283, 3285, 3287, 3289, 3291, 3293, 3295, 3297, 3299, 3301, 3303, 3305, 3307, 3309, 3311, 3313, 3315, 3317, 3319, 3321, 3323, 3325, 3327, 3329, 3331, 3333, 3335, 3337, 3339, 3341, 3343, 3345, 3347, 3349, 3351, 3353, 3355, 3357, 3359, 3361, 3363, 3365, 3367, 3369, 3371, 3373, 3375, 3377, 3379, 3381, 3383, 3385, 3387, 3389, 3391, 3393, 3395, 3397, 3399, 3401, 3403, 3405, 3407, 3409, 3411, 3413, 3415, 3417, 3419, 3421, 3423, 3425, 3427, 3429, 3431, 3433, 3435, 3437, 3439, 3441, 3443, 3445, 3447, 3449, 3451, 3453, 3455, 3457, 3459, 3461, 3463, 3465, 3467, 3469, 3471, 3473, 3475, 3477, 3479, 3481, 3483, 3485, 3487, 3489, 3491, 3493, 3495, 3497, 3499, 3501, 3503, 3505, 3507, 3509, 3511, 3513, 3515, 3517, 3519, 3521, 3523, 3525, 3527, 3529, 3531, 3533, 3535, 3537, 3539, 3541, 3543, 3545, 3547, 3549, 3551, 3553, 3555, 3557, 3559, 3561, 3563, 3565, 3567, 3569, 3571, 3573, 3575, 3577, 3579, 3581, 3583, 3585, 3587, 3589, 3591, 3593, 3595, 3597, 3599, 3601, 3603, 3605, 3607, 3609, 3611, 3613, 3615, 3617, 3619, 3621, 3623, 3625, 3627, 3629, 3631, 3633, 3635, 3637, 3639, 3641, 3643, 3645, 3647, 3649, 3651, 3653, 3655, 3657, 3659, 3661, 3663, 3665, 3667, 3669, 3671, 3673, 3675, 3677, 3679, 3681, 3683, 3685, 3687, 3689, 3691, 3693, 3695, 3697, 3699, 3701, 3703, 3705, 3707, 3709, 3711, 3713, 3715, 3717, 3719, 3721, 3723, 3725, 3727, 3729, 3731, 3733, 3735, 3737, 3739, 3741, 3743, 3745, 3747, 3749, 3751, 3753, 3755, 3757, 3759, 3761, 3763, 3765, 3767, 3769, 3771, 3773, 3775, 3777, 3779, 3781, 3783, 3785, 3787, 3789, 3791, 3793, 3795, 3797, 3799, 3801, 3803, 3805, 3807, 3809, 3811, 3813, 3815, 3817, 3819, 3821, 3823, 3825, 3827, 3829, 3831, 3833, 3835, 3837, 3839, 3841, 3843, 3845, 3847, 3849, 3851, 3853, 3855, 3857, 3859, 3861, 3863, 3865, 3867, 3869, 3871, 3873, 3875, 3877, 3879, 3881, 3883, 3885, 3887, 3889, 3891, 3893, 3895, 3897, 3899, 3901, 3903, 3905, 3907, 3909, 3911, 3913, 3915, 3917, 3919, 3921, 3923, 3925, 3927, 3929, 3931, 3933, 3935, 3937, 3939, 3941, 3943, 3945, 3947, 3949, 3951, 3953, 3955, 3957, 3959, 3961, 3963, 3965, 3967, 3969, 3971, 3973, 3975, 3977, 3979, 3981, 3983, 3985, 3987, 3989, 3991, 3993, 3995, 3997, 3999, 4001, 4003, 4005, 4007, 4009, 4011, 4013, 4015, 4017, 4019, 4021, 4023, 4025, 4027, 4029, 4031, 4033, 4035, 4037, 4039, 4041, 4043, 4045, 4047, 4049, 4051, 4053, 4055, 4057, 4059, 4061, 4063, 4065, 4067, 4069, 4071, 4073, 4075, 4077, 4079, 4081, 4083, 4085, 4087, 4089, 4091, 4093, 4095, 4097, 4099, 4101, 4103, 4105, 4107, 4109, 4111, 4113, 4115, 4117, 4119, 4121, 4123, 4125, 4127, 4129, 4131, 4133, 4135, 4137, 4139, 4141, 4143, 4145, 4147, 4149, 4151, 4153, 4155, 4157, 4159, 4161, 4163, 4165, 4167, 4169, 4171, 4173, 4175, 4177, 4179, 4181, 4183, 4185, 4187, 4189, 4191, 4193, 4195, 4197, 4199, 4201, 4203, 4205, 4207, 4209, 4211, 4213, 4215, 4217, 4219, 4221, 4223, 4225, 4227, 4229, 4231, 4233, 4235, 4237, 4239, 4241, 4243, 4245, 4247, 4249, 4251, 4253, 4255, 4257, 4259, 4261, 4263, 4265, 4267, 4269, 4271, 4273, 4275, 4277, 4279, 4

<u>Part no.</u>	<u>Page Number</u>	<u>Part no.</u>	<u>Page Number</u>	<u>Part no.</u>	<u>Page Number</u>
122755GT	561, 577	139644-12B40GT	269, 437	161538GT	495, 497, 501, 503, 505
122793GT	571	139644-13B11GT	95, 253	161539GT	497, 503
122994GT	147, 157	139644-14B30GT	195, 453	161588GT	121, 123
123081GT	355	139644-14B60GT	255, 433	161686GT	33, 45, 61
123084GT	349	139644-14C30GT	193	161687GT	43
123351GT	349	139644-17DR0GT	273	161688GT	43, 71
124962GT	337, 403	139644-24CLOGT	271, 437	161689GT	31
128000GT	489	139644-141J0GT	241, 419	161690GT	31, 59
128001GT	489	139709GT	315	161691GT	43
128004GT	321, 333, 387	146061GT	317	161692GT	31, 59
128200GT	477	146399GT	163, 191, 563	161712GT	457
128203GT	573	146478GT	477	161923GT	497, 503
128204GT	147, 155	147095GT	147, 157	161937GT	429
128322GT	575	147121GT	467, 469, 473	161953GT	97
128323GT	575	147221GT	467	162089GT	413
128368GT	545	160363GT	323	162090GT	413
128584-SGT	155	160364GT	323	162115GT	451
128636GT	437, 453	160502GT	79, 83	162190GT	425
128829GT	115	160579GT	71	162194GT	425
130187GT	349	160592GT	81	162196GT	427
130341GT	355	160635GT	111	162206GT	339, 405
131323GT	15, 109	160636GT	111	162207GT	339, 403
133067GT	33, 37, 43, 61, 65, 71	160724GT	139	162208GT	339, 405
133205GT	33, 37, 61, 65	160725GT	139	162209GT	337, 403
133278GT	25, 51	160726GT	107	162291GT	83
139308GT	137	160732GT	79, 83	162381GT	411
139309GT	137	160733GT	83	214228GT	17, 339
139310GT	137	160736GT	79, 83	214249GT	569
139311GT	137	160896GT	325	214255GT	525
139312GT	137	161027GT	449	214256GT	525
139313GT	137	161046GT	449	214330GT	165, 265
139314GT	137	161099GT	457	214331GT	163, 179, 477
139315GT	137	161206GT	121, 123	214332GT	163, 171, 477
139321GT	319	161207GT	121, 123, 125, 127	214340GT	479
139322GT	319	161208GT	121, 123	214345GT	525, 529
139323GT	137	161212GT	121	214349GT	479
139338GT	477	161388GT	463	214536GT	569
139438GT	545	161392GT	451	214593GT	93
139451GT	465	161410GT	107	214619GT	575
139455GT	325	161411GT	413	214623GT	575
139598GT	489	161533GT	521	214691GT	403
139621GT	315	161534GT	491	215197GT	109

<u>Part no.</u>	<u>Page Number</u>	<u>Part no.</u>	<u>Page Number</u>	<u>Part no.</u>	<u>Page Number</u>
215200GT	537	215927GT	141	217458GT	341, 349, 359, 399
215201GT	537	216021GT	419	217459GT	349
215202GT	537	216024GT	443	217460GT	331, 341, 349, 359, 371, 375...
215254GT	101, 135	216025GT	423	217470GT	89
215489GT	411	216028GT	431, 579	217477GT	79, 83
215491GT	413	216036GT	335, 431, 443	217481GT	75
215492GT	413	216058GT	81, 165, 249	217482GT	75
215493GT	411	216059GT	95, 165, 257	217486GT	87
215494GT	411	216159GT	87	217500GT	323, 341, 359, 375, 399
215496GT	353	216165GT	443, 451	217505GT	371
215500GT	353	216247-6684GT	527	217563GT	449
215509GT	355	216253GT	457	217689GT	91
215510GT	355	216256GT	409	217711GT	427, 449
215511GT	357	216257GT	409	217774GT	375
215512GT	333, 361, 367	216258GT	409	218020GT	451
215513GT	353	216274GT	111	218021GT	451
215514GT	357	216275GT	109	218052GT	451
215515GT	357	216286GT	349	218060GT	107
215516GT	357	216564GT	349, 371	218061GT	107
215517GT	321, 333, 335, 369, 395	216566GT	111	218064GT	107
215530GT	95	216597GT	83, 331, 341, 347, 349, 359...	218112GT	81
215531GT	95	216606GT	569	218137GT	111
215580GT	141	216607GT	569	218138GT	111
215658GT	427	216615GT	569	218142GT	495
215667GT	427	216616GT	569	218144GT	321, 333, 369, 397, 521
215706GT	139, 443, 579	216617GT	569	218145GT	491
215723GT	111	216618GT	569	218155GT	157
215727GT	105	216688GT	413	218169GT	157
215751GT	95	216689GT	411	218173GT	111
215814GT	421, 423	216690GT	413	218241GT	423
215815GT	423	216752GT	447	218242GT	425
215816GT	435, 443	216758GT	353	218456GT	87
215818GT	413, 459	216818GT	347, 379	218457GT	79, 85, 135, 279
215820GT	409, 411	216819GT	347, 379	218458GT	339, 403
215889GT	429, 435	217186GT	453	218467GT	453
215890GT	425	217189GT	113	218477GT	455
215892GT	427	217219GT	81, 95	218496GT	87
215896GT	431	217230GT	559	218559GT	31, 59
215897GT	425	217231GT	559	218565GT	455
215902GT	431	217233GT	559	218591GT	145
215918GT	357	217366GT	575	218593GT	143
215926GT	141	217457GT	337, 351, 359	218618GT	431

<u>Part no.</u>	<u>Page Number</u>	<u>Part no.</u>	<u>Page Number</u>	<u>Part no.</u>	<u>Page Number</u>
218660GT	453	219500GT	361	227515GT	467, 469, 473
218663GT	455	219508GT	593, 595	227614GT	537
218664GT	453	219510GT	339, 371, 397	228866GT	507, 513, 517, 519
218678GT	453	219519GT	507	229407GT	513, 517
218715GT	331, 391	219520GT	111	229410GT	515, 519
218727GT	105, 143	219624GT	93	229411GT	513, 515, 517, 519
218766GT	137	219646GT	89, 277	229461GT	75
218767GT	137	219697GT	97, 99, 101, 109, 131, 133...	229462GT	75
218773GT	535	219701-6246GT	533	229463GT	75
218774GT	535	219907GT	107, 139	229464GT	581
218775GT	537	219919GT	449	229465GT	75
218776GT	537	219920GT	451	229466GT	75
218792GT	375	219956GT	71	229467GT	581
218793GT	375	219958GT	43, 71	229526GT	87
218798GT	375	219960GT	25, 51	229530GT	81, 83
218806GT	367	219967GT	417	229532GT	75, 87, 451
218809GT	17, 373	226103GT	317	229540GT	87
218811GT	17, 373	226104GT	317	229541GT	87
218832GT	375	226105GT	317	229543GT	83
218834GT	17, 375	226106GT	315	229567GT	477
218835GT	17, 373	226393GT	97	229768GT	465
218837GT	375	226491GT	95	229845GT	135
219030GT	373	226492GT	81, 95	230073GT	79, 81, 83, 91, 95, 99...
219065GT	107, 137, 139	226627GT	355	230074GT	93, 97, 99, 103, 107, 109...
219130GT	371	226670GT	523	230820GT	337, 403
219134GT	443	226671GT	523	230825GT	79, 85
219135GT	443	226673GT	149, 157	230826GT	79
219153GT	535	226697GT	435	230836GT	455
219154GT	535	226700GT	457	230891GT	439
219158GT	553	226710GT	83, 93	230909GT	139
219188GT	369	226711GT	457	230939GT	447
219232GT	121, 123	226712GT	457	230958GT	449
219233GT	121	226738GT	435	230960GT	137
219257GT	455	226746GT	457	230961GT	137
219286GT	453	226756GT	417	230983GT	513, 515, 517, 519
219287GT	453	226757GT	417	230984GT	19, 33, 45, 61
219293GT	455	226758GT	417	231020GT	571
219302GT	81	226759GT	417	231037GT	491, 493
219304GT	79, 83	226761GT	409	231087GT	109, 143, 355
219315GT	449	226762GT	413	231088GT	97, 103, 107, 113, 403, 431...
219355GT	533	226764GT	411	231279GT	415
219487GT	59	226766GT	409	231289GT	413

<u>Part no.</u>	<u>Page Number</u>	<u>Part no.</u>	<u>Page Number</u>	<u>Part no.</u>	<u>Page Number</u>
231300GT	423	232862GT	91	235145GT	521
231301GT	423	232867GT	91	235147GT	521
231302GT	427	232868GT	93, 427	235148GT	507, 521
231304GT	443	232869GT	93	235149GT	521
231305GT	457	232871GT	91, 415	235309GT	79, 83
231306GT	457	232874GT	91, 105, 113, 117, 137, 139...	235314GT	75
231307GT	417	232882GT	145	235315GT	79, 85, 117, 577
231309GT	409	232883GT	97	235317GT	77
231310GT	449	232884GT	409	235704GT	105
231472GT	137	232886GT	75, 85, 95, 107, 347, 379...	235716GT	105
231480GT	95, 409	232893GT	451	235717GT	105
231486GT	453	232894GT	447	236037GT	15, 145
231488GT	431	232895GT	437, 439	236224GT	521
231507GT	419	232902GT	439	236229GT	439
231509GT	99, 131, 139, 347, 379	232903GT	439	236233GT	435
231510GT	139, 347, 379, 421, 423, 439	232908GT	439	236234GT	435, 443
231511GT	139, 339, 379, 409, 427	232918GT	439	236236GT	435, 439, 443
231512GT	81, 97, 101, 133, 141, 145	232919GT	437	236237GT	429, 435
231513GT	135, 79, 85, 95, 107, 113...	232922GT	423	236240GT	107, 347, 353, 377
231514GT	137	232923GT	425	236248GT	345
231515GT	95, 99, 131, 137, 425	232924GT	445, 447	236251GT	345
231521GT	423	232941GT	97, 423	236259GT	339
231524GT	449, 457	232942GT	443	236260GT	17, 337, 403
231525GT	425	232947GT	423	236263GT	163, 175, 481
231527GT	425	232951GT	457	236286GT	417
231528GT	425	232952GT	111, 427, 429, 435, 439	236287GT	417
231529GT	91, 99, 111, 131, 145, 321	232960GT	419	236288GT	425
231530GT	95, 97, 99, 105, 107, 109	232966GT	421	236289GT	417
231531GT	97, 109, 141, 325, 359, 353...	232967GT	421	236290GT	439
231532GT	79, 83, 89, 91, 95, 99...	232971GT	443	236292GT	443
231533GT	107, 109, 137, 321, 325, 333...	232972GT	443	236293GT	435
231536GT	449	232975GT	479	236337GT	113
231537GT	451	232978GT	31, 43, 59, 71	236391GT	417
231538GT	449	232983GT	451	236392GT	77, 165, 275
231539GT	457	232984GT	439	236393GT	163, 193, 453
231540GT	451	232987GT	163, 197	236394GT	163, 195, 453
231542GT	427	232988GT	153, 163, 203	236395GT	165, 273, 423
231543GT	443	232989GT	153, 163, 217	236396GT	165, 241, 419
231544GT	449, 457	232993GT	89, 165, 277	236397GT	95, 165, 253
231545GT	409	233108GT	425	236398GT	165, 255, 433
231546GT	95	235143GT	521	236399GT	165, 271, 437
232858GT	409	235144GT	521	236400GT	165, 269, 437

<u>Part no.</u>	<u>Page Number</u>	<u>Part no.</u>	<u>Page Number</u>	<u>Part no.</u>	<u>Page Number</u>
236405GT	151, 159, 165, 231	237542GT	427	822090GT	435
236406GT	411, 417	237543GT	427	822091GT	429
236408GT	163, 181, 479	237545GT	443	822092GT	429, 435, 439
236409GT	163, 187	237546GT	413	822103GT	121, 123, 483, 485
236411GT	165, 247	237553GT	529	822222GT	121, 123, 125, 127, 129, 483...
236428GT	447	237560GT	525	822223GT	129, 483...
236481GT	425	237561GT	525	822224GT	479
236484GT	419	237682GT	91	822225GT	139
236702GT	477	237696GT	105	822227GT	139
236703GT	283, 299	237697GT	105	822229GT	139
236704GT	283, 303	237706GT	91	822352GT	579
236705GT	139	237711GT	569	822353GT	95, 419, 423, 433, 453
236707GT	283, 301	237730GT	329	822436GT	209, 213, 225, 227
236708GT	283, 305	237731GT	97	822437GT	209, 225
236710GT	481	237735GT	413, 417, 423, 427, 429, 435...	822438GT	209, 213, 223, 227
236766GT	347, 379	237807GT	91, 165, 259	822439GT	209, 213, 223, 227
236792GT	443	237808GT	91, 165, 261	822442GT	209, 213
237068GT	113, 117	237809GT	91, 165, 263	822445GT	209, 213
237209GT	511, 513, 515, 517, 519	237819GT	75	822448GT	209, 213
237211GT	511	237820GT	81, 83, 361	822453GT	201
237212GT	509, 521	237827GT	75	822477GT	479
237213GT	507	237828GT	75	822548GT	121, 123, 125, 127, 129
237214GT	507	237830GT	81	822600GT	435, 443
237216GT	509	237831GT	453	822601GT	447
237217GT	511	237832GT	11, 19, 83, 111, 321, 325...	822602GT	429, 433, 439, 443, 447
237218GT	507	237833GT	93	822603GT	413
237235GT	491	237835GT	87	822604GT	433
237236GT	491	237854GT	79, 83	822605GT	409
237238GT	97, 449, 453, 587	237880GT	283, 313	822718GT	29, 41, 57, 69
237239GT	95	237881GT	283	822722GT	25, 51
237241GT	81, 95	237988GT	107	822723GT	23, 27, 35, 39, 49, 55...
237242GT	81, 95	238005GT	165, 251	822724GT	31, 43, 59, 71
237243GT	95	238300GT	283, 291	822802GT	449
237244GT	431	238301GT	283, 287	822811GT	359
237245GT	431	238302GT	283, 289	822822GT	139
237326GT	431	238303GT	283, 293	822823GT	561
237352GT	81, 87, 331, 347, 363, 375...	238304GT	283, 295	822830GT	453
237456GT	525	238305GT	283, 297	822902GT	561
237457GT	525	238347GT	111, 321, 425	822921GT	319, 325
237458GT	83	238390GT	91	822955GT	319, 353
237540GT	427	633144GT	419	823052GT	223, 227
237541GT	427	822087GT	337, 403	823053GT	223, 227



<u>Part no.</u>	<u>Page Number</u>	<u>Part no.</u>	<u>Page Number</u>	<u>Part no.</u>	<u>Page Number</u>
823068GT	429	824113GT	105, 137, 143, 151, 157, 159...	825020GT	563
823069GT	435, 439	824116GT	97, 461	825040GT	581
823145GT	439	824119GT	101	825041GT	581
823397GT	111, 141	824120GT	101, 133, 389, 553	825042GT	581
823420-1400GT	329	824122GT	359	825348GT	87, 453
823520GT	555	824123GT	325, 341, 353, 375, 399	825349GT	89, 151, 159
823521GT	163, 169	824124GT	467	825351GT	75
823522GT	165, 267	824125GT	99, 101, 133	825352GT	77, 277
823599GT	201	824129GT	419, 431	825353GT	139, 335, 371, 399
823604GT	363	824131GT	331	825355GT	321, 333, 353, 369, 377, 411
823748GT	135	824132GT	325, 329, 559	825357GT	79, 83, 95, 419, 423, 433...
823958GT	371	824133GT	11, 333, 333, 357, 419, 577	825358GT	431, 463, 551, 575
824019GT	151, 159	824134GT	337, 341, 377	825413GT	415
824024GT	465	824142GT	75	825542GT	439
824027GT	101, 105, 137, 461, 467, 471	824143GT	107, 139	825556GT	127
824028GT	81, 83, 101, 133, 463, 547	824144GT	339, 373	825557GT	125
824029GT	99, 101, 133, 357, 461, 463...	824145GT	99, 131, 133, 387, 411, 429...	825558GT	125, 127
824031GT	97	824146GT	87	825580GT	411
824032GT	91	824214GT	151, 159	825581GT	355, 413
824036GT	97, 151, 159	824215GT	133	825585GT	125
824041GT	319	824216GT	91, 589	825586GT	125, 127
824059GT	101, 111, 143, 151, 159	824234GT	375	825587GT	125, 127
824060GT	157, 465, 553	824236GT	375	825588GT	125
824061GT	101, 105, 137	824259GT	569	825589GT	125
824062GT	457	824261GT	569	825597GT	99, 131, 411
824068GT	101, 133	824471GT	337, 403	825624GT	139, 411
824069GT	553	824518GT	283, 307	825667GT	95
824077GT	131, 159, 333, 369, 395	824600-1400GT	331	825674GT	431
824078GT	101, 133, 143, 151, 159, 321...	824600-4300GT	331	825682GT	449
824079GT	387, 467, 469, 473	824615GT	25, 51	825686GT	79, 85, 95, 117, 419, 423...
824080GT	587, 593, 595	824617GT	121, 123, 127	825693GT	381
824081GT	555	824635GT	337, 403	825708GT	343, 381
824083GT	549, 551	824673GT	343, 405	825736GT	127
824085GT	387, 551, 555	824775GT	383	825737GT	483, 485
824086GT	547	824946GT	561	825746GT	483
824087GT	101, 135	824947GT	561	825747GT	485
824090GT	105, 133, 141, 391, 461, 591	824959GT	561	825748GT	485
824091GT	347, 379, 387, 461, 473	824960GT	561	825749GT	485
824092GT	467, 471, 475, 575	824961GT	561	825761GT	483, 485
824093GT	359	825014GT	383	825763GT	483
824109GT	111, 143, 151, 157, 159, 457	825015GT	383	825775GT	483
824110GT	111	825019GT	449, 457	825776GT	483

<u>Part no.</u>	<u>Page Number</u>	<u>Part no.</u>	<u>Page Number</u>	<u>Part no.</u>	<u>Page Number</u>
825795GT	483, 485	1000083GT	25, 51	1253307GT	365
825797GT	125, 127, 483, 485	1251496GT	337	1253308GT	363
825806GT	483	1251565GT	323, 341, 353, 373, 399	1253314GT	143, 151, 159
825807GT	483	1251566GT	319	1253317GT	155
825810GT	127, 483	1251600GT	401, 407, 409, 413, 549, 551...	1253319GT	325, 341, 359, 375
825849GT	485	1251705GT	341	1253411GT	365
825936GT	429	1251708GT	335, 369	1253436GT	447
825943GT	437, 443	1251713GT	451	1253437GT	579
826000GT	339, 405	1251720GT	329	1253438GT	579
826002GT	423	1251724GT	367	1253439GT	579
826004GT	425	1251757GT	593	1253440GT	579
826007GT	417	1251893GT	329, 359, 363	1253441GT	579
826008GT	437, 443	1251894GT	329, 359, 363, 395	1253442GT	579
826140GT	427	1251899GT	319, 341, 399	1253443GT	579
826152GT	391	1251902GT	321, 333, 347, 353, 369, 377	1253444GT	579
826154GT	423, 437	1251983GT	331, 363	1253445GT	579
826155GT	435	1251997GT	109, 321, 353, 583	1253485GT	387, 599, 603
826156GT	419	1252014GT	329	1253498GT	321, 333, 347, 353, 371, 399...
826157GT	419	1252015GT	329	1253500GT	429
826172GT	87	1252017GT	331	1253613GT	337, 371
826173GT	437, 439	1252018GT	331	1253696GT	93
826214GT	279, 339	1252019GT	331	1253697GT	93
826215GT	279	1252047GT	371	1253698GT	93
826345GT	25, 51	1252696GT	461	1253699GT	93
826348GT	337	1252896GT	339, 405	1253702GT	93
826351GT	333	1252898GT	339, 403	1253709GT	93
826352GT	333	1253165GT	431	1253806GT	371
826379GT	419	1253166GT	95	1253816GT	75
826440GT	425	1253179GT	337, 403	1254074GT	363
826523GT	437	1253181GT	337, 403	1254075GT	363
826553GT	577	1253183GT	337, 403	1254080GT	365
826571GT	577	1253185GT	135, 465, 469	1254081GT	329, 363
826574GT	577	1253199GT	375	1254090GT	363
826624GT	461	1253210GT	203, 207, 209, 213, 219, 221...	1254092GT	365
826783GT	97	1253218GT	331	1254095GT	363
826791GT	461	1253230GT	329	1254418GT	331
826792GT	461	1253231GT	329, 363	1254594GT	343
826793GT	461	1253232GT	329	1254669GT	333, 367
826794GT	461	1253233GT	329, 363	1254763GT	569
826851GT	581	1253234GT	331, 365	1254764GT	569
826852GT	581	1253236GT	151, 159	1254805GT	109, 141
826896GT	461	1253238GT	151, 159	1254807GT	33, 61

<u>Part no.</u>	<u>Page Number</u>	<u>Part no.</u>	<u>Page Number</u>	<u>Part no.</u>	<u>Page Number</u>
1254826GT	317	1255547GT	279	1256379GT	583
1254848GT	339, 403	1255548GT	281	1256380GT	583
1254849GT	23, 27, 49, 55	1255551GT	279	1256389GT	583
1255017GT	585	1255553GT	281	1256391GT	363
1255018GT	585	1255556GT	165, 279	1256400FRGT	583
1255019GT	585	1255581GT	19, 25, 33, 37, 45, 51...	1256400GT	583
1255020GT	585	1255582GT	25, 37, 51, 65	1256420GT	25, 31, 37, 43, 51, 59...
1255021GT	585	1255631GT	329, 363	1256421GT	25, 31, 37, 43, 51, 59...
1255022GT	585	1255639GT	73	1256422GT	25, 31, 37, 43, 51, 59...
1255023GT	585	1255640GT	73	1256423GT	31, 59
1255024GT	585	1255653GT	317	1256424GT	43, 71
1255025GT	585	1255658GT	75	1256425GT	37, 43, 65, 71
1255027GT	585	1255665GT	321, 333, 387	1256439GT	583
1255028GT	585	1255666GT	321, 335, 387	1256444GT	349, 371
1255029GT	585	1255753GT	79, 85, 403	1256445GT	363
1255030GT	167, 281	1255758GT	391, 553	1256460GT	145
1255033GT	585	1255760GT	109, 141	1256467GT	353, 465, 469
1255035GT	585	1255804GT	109, 141	1256468GT	103, 133, 553
1255036GT	585	1255806GT	373, 395, 403	1256480GT	371, 375, 395
1255037GT	585	1255889GT	585	1256481GT	583
1255038GT	585	1255890GT	585	1256583GT	323, 341, 353, 375, 399
1255047GT	587	1256054GT	101, 133	1256626GT	577
1255066GT	585	1256074GT	597	1256628GT	577
1255067GT	585	1256109GT	111	1256642GT	577
1255068GT	587	1256153GT	123	1256749GT	569
1255234GT	579	1256232GT	423	1256750GT	569
1255235GT	579	1256233GT	425	1256776GT	325, 341
1255237GT	579	1256235GT	423	1256804GT	135
1255239GT	579	1256240GT	411	1256805GT	341
1255240GT	579	1256241GT	411	1256806GT	567
1255342GT	331	1256242GT	411	1256851GT	583
1255367GT	133	1256243GT	411	1256855GT	351, 411, 413, 553, 603
1255368GT	97	1256244GT	413	1256856GT	583
1255396GT	405	1256245GT	413	1256857GT	447
1255399GT	405	1256246GT	413	1256859GT	589
1255400GT	405	1256247GT	413, 415	1256889GT	433
1255402GT	25, 51	1256271GT	363	1256890GT	419
1255451GT	331, 365	1256276GT	123	1256891GT	431
1255452GT	75	1256290GT	411	1256892GT	431, 543
1255469GT	87, 523	1256314GT	497, 503	1256893GT	431, 543
1255537GT	321, 333, 337, 367, 399, 403	1256377GT	583	1256911GT	339, 405
1255538GT	111, 373	1256378GT	583	1256925GT	429, 435, 439

<u>Part no.</u>	<u>Page Number</u>	<u>Part no.</u>	<u>Page Number</u>	<u>Part no.</u>	<u>Page Number</u>
1257066GT	429	1258087GT	225, 229	1259006GT	141
1257067GT	435	1258088GT	225, 229	1259010GT	133
1257068GT	439	1258089GT	223, 227	1259013GT	103, 133
1257116GT	413, 415	1258094GT	225, 227	1259031GT	133
1257117GT	413, 415	1258096GT	225, 229	1259032GT	101
1257123GT	413, 415	1258097GT	225, 227	1259035GT	133
1257181GT	125	1258100GT	233, 237	1259036GT	103
1257237GT	25, 51	1258174GT	19, 25, 33, 37, 45, 51...	1259037GT	133
1257246GT	161, 163, 209, 329	1258175GT	25, 37, 51, 65	1259038GT	101
1257247GT	161, 165, 223	1258176GT	19, 25, 33, 37, 45, 51...	1259055GT	109
1257259GT	419	1258177GT	25, 37, 51, 65	1259097GT	111
1257262GT	413	1258391GT	119, 223	1259106GT	565
1257282GT	165, 419	1258458GT	373	1259119GT	109
1257389GT	81, 109, 141, 587	1258459GT	373	1259123GT	111
1257411GT	507	1258464GT	373	1259124GT	111
1257419GT	371	1258465GT	367	1259340GT	131
1257464GT	565	1258466GT	147	1259348GT	99
1257481GT	387	1258503GT	363	1259350GT	131
1257485GT	429	1258504GT	369	1259356GT	131
1257688GT	147, 155	1258505GT	403	1259362GT	131
1257708GT	151, 161, 163, 173	1258525GT	367	1259484GT	87
1257709GT	311	1258538GT	369	1259485GT	87
1257710GT	165, 243	1258540GT	369	1259486GT	87
1257711GT	165, 245	1258541GT	369	1259487GT	87
1257712GT	153, 161, 163, 201	1258542GT	369	1259490GT	373
1257713GT	151, 161, 165, 233	1258551GT	117	1259583GT	135
1257728GT	333, 367	1258552GT	117	1259584GT	135
1257733GT	15	1258553GT	117	1259633GT	141
1257753GT	337	1258567GT	15	1259637GT	109
1257774GT	339	1258651GT	447	1259654GT	343
1257779GT	383	1258674GT	129	1259660GT	345
1257835GT	457	1258677GT	25, 31, 37, 43, 51, 59...	1259661GT	569
1257844GT	331	1258678GT	25, 31, 37, 43, 51, 59...	1259672GT	133
1257888GT	337, 403	1258680GT	129	1259674GT	101
1257982GT	159	1258687GT	129	1259705GT	99, 131
1257984GT	477	1258688GT	129	1259706GT	99, 131
1258069GT	155	1258689GT	129	1259708GT	569
1258073GT	225, 227	1258690GT	129	1259717GT	343
1258075GT	225, 227	1258817GT	371	1259831GT	99
1258079GT	227	1258921GT	143	1259873GT	347
1258081GT	225, 227	1258923GT	363	1259874GT	363, 379
1258084GT	225, 229	1259005GT	141	1259899GT	343

<u>Part no.</u>	<u>Page Number</u>	<u>Part no.</u>	<u>Page Number</u>	<u>Part no.</u>	<u>Page Number</u>
1259931GT	73	1260541GT	131	1262262GT	581
1259950GT	89	1260542GT	131	1262266GT	29, 41, 57, 69
1259951GT	89	1260682GT	135	1262267GT	29, 41, 57, 69
1259969GT	87	1260683GT	101	1262268GT	29, 41, 57, 69
1259970GT	87	1260892GT	583	1262269GT	23, 27, 35, 39, 49, 55...
1259971GT	87	1260910GT	583	1262487GT	329
1259972GT	81	1260982GT	145	1262866GT	17, 329, 345
1259973GT	83	1260983GT	143	1262867GT	345
1259975GT	79	1261018GT	583	1262868GT	343
1259976GT	79, 83	1261019GT	583	1262870GT	343
1259977GT	81	1261020GT	583	1262871GT	343
1259978GT	79, 83	1261021GT	583	1262872GT	343
1259979GT	83	1261022GT	583	1262873GT	345, 381
1259980GT	87	1261023GT	583	1262874GT	343
1259982GT	83	1261024GT	583	1262875GT	343
1259983GT	83	1261025GT	583	1262876GT	345
1259984GT	85	1261077GT	329, 347, 357, 363	1262877GT	345
1259986GT	79, 83	1261080GT	155	1262878GT	345
1259987GT	81, 83	1261184GT	553, 589	1262881GT	343
1259988GT	77	1261236GT	405	1262883GT	343
1259989GT	77	1261237GT	381	1262893GT	345, 381
1260051GT	597	1261239GT	17	1262894GT	343
1260056GT	103	1261243GT	333, 359, 367	1262895GT	343
1260058GT	103	1261244GT	135	1262896GT	343, 381
1260065GT	73	1261245GT	101	1262897GT	343, 381
1260066GT	73	1261250GT	599, 603	1262899GT	345
1260067GT	87	1261547GT	379	1262905GT	25, 51
1260068GT	87	1261548GT	347	1263196GT	93
1260070GT	79, 85	1261765GT	149, 157	1263540GT	33, 61
1260073GT	79	1261766GT	145, 153, 161	1263541GT	19, 45
1260158GT	101, 135	1261797GT	135	1263542GT	33, 35, 37, 39, 61, 63...
1260161GT	97	1261798GT	133	1263543GT	19, 23, 25, 27, 45, 49...
1260289GT	363	1261813GT	101	1263544GT	19, 33, 45, 61
1260357GT	343	1261814GT	103, 133	1263545GT	19, 33, 45, 61
1260507GT	143	1261858GT	141	1263628GT	283, 309
1260508GT	145	1261894GT	109	1264101GT	551
1260519GT	145	1261897GT	105	1264229GT	593, 595
1260528GT	137	1261917GT	99, 131	1264824GT	163
1260537GT	99	1261947GT	105	1264836GT	163
1260538GT	99	1261948GT	97	1264934GT	589
1260539GT	99	1261956GT	93	1265372GT	473
1260540GT	131	1262031GT	465, 469	1265397GT	471, 473

<u>Part no.</u>	<u>Page Number</u>	<u>Part no.</u>	<u>Page Number</u>	<u>Part no.</u>	<u>Page Number</u>
1265826GT	473	1271945GT	587	1278111GT	589
1266019GT	19, 45	1272242GT	19, 33, 45, 61	1278117GT	589
1266547GT	395	1272303GT	473	1278119GT	589
1267121GT	45, 53	1272305GT	469	1278121GT	589
1267411GT	373, 397	1272306GT	469	1278124GT	589
1267412GT	371, 397	1272307GT	471	1278138GT	589
1267746GT	469, 473	1272752GT	153, 161, 165, 237	1278144GT	591
1267747GT	471, 475	1272825GT	19, 45	1278363GT	591
1267807GT	321, 333, 335, 309, 395	1273431GT	461, 565	1278368GT	589
1268304GT	453	1273479GT	447	1278416GT	589
1268305GT	453	1274025GT	463	1278433GT	589
1268314GT	453	1274065GT	463	1278458GT	589
1269075GT	127	1274167GT	387, 599, 603	1278542GT	589
1269113GT	473	1274168GT	589	1278858GT	473
1269460GT	483, 485, 487	1274322GT	387, 391, 349, 331, 583, 591...	1278982GT	591
1269497GT	479	1274482GT	519	1279073GT	163, 177
1269498GT	477	1274483GT	517	1279074GT	163, 185
1269499GT	489	1274833GT	503	1279134GT	589
1269500GT	489	1274858GT	469	1280590GT	317
1269501GT	489	1274859GT	469	1280591GT	317
1269641GT	467, 469, 473	1274870GT	503	1280819GT	19, 45
1269704GT	161	1274905GT	163, 183, 481	1280820GT	19, 45
1270116GT	585	1274966GT	463	1281174GT	59, 71
1270117GT	585	1275088GT	473	1282964GT	515
1270118GT	585	1275102GT	73	1282965GT	513
1270278GT	163, 565	1275103GT	73	1282993GT	555
1270313GT	551	1275448GT	155, 159	1283004GT	599, 603
1270314GT	551	1275537GT	585	1283007GT	399
1270316GT	551	1275538GT	587	1283013GT	395, 403
1270337GT	565	1275539GT	585	1283014GT	399
1270665GT	599, 603	1275540GT	587	1283015GT	395, 399, 405
1270994GT	551	1276598GT	15	1283018GT	395
1271018GT	551	1276830GT	93	1283024GT	461
1271019GT	551	1277174GT	481	1283026GT	601, 605
1271040GT	551	1277873GT	589	1283035GT	483
1271061GT	551	1277875GT	589	1283046GT	483
1271347GT	501	1277876GT	589	1283776GT	15
1271514GT	163, 199	1277877GT	589	1284032GT	89
1271770GT	105	1277924GT	387, 391, 475, 349, 551, 589...	1285138GT	419
1271912GT	447	1277952GT	547	1285455GT	15
1271913GT	447	1277966GT	547	1285481GT	393
1271917GT	15, 447	1277974GT	329, 343	1285700GT	551

<u>Part no.</u>	<u>Page Number</u>	<u>Part no.</u>	<u>Page Number</u>	<u>Part no.</u>	<u>Page Number</u>
1285850GT	589	1291198GT	161, 165, 227	1293700GT	603
1286362GT	61, 65	1291348GT	391	1293702GT	603
1287140GT	393	1291475GT	395	1293703GT	603
1287517GT	33, 61	1291476GT	399	1293704GT	605
1288561GT	315	1291522GT	399	1293706GT	599, 603
1288945GT	403	1291523GT	399	1293710GT	603
1288969GT	137	1291524GT	399	1293871GT	383
1289103GT	315	1291557GT	395	1293912GT	387
1289105GT	391	1291573GT	593, 595	1293934GT	381
1289106GT	391	1291624GT	19, 33, 47, 61	1294091GT	381
1289107GT	391	1291798GT	599	1294289GT	597
1289108GT	391	1291799GT	599	1294613GT	329
1289109GT	391	1291800GT	599	1294799GT	595
1289110GT	393	1291801GT	601	1294800GT	595
1289111GT	391	1291802GT	599, 603	1294803GT	595
1289112GT	387	1291803GT	601, 605	1294968GT	381
1289113GT	393	1291804GT	601, 603	1295309GT	391
1289520GT	143, 597	1291806GT	601, 605	1295397GT	395
1289521GT	143, 597	1291807GT	601	1295534GT	387
1289522GT	597	1291809GT	601, 605	1295535GT	387
1289523GT	597	1291811GT	599, 603	1295747GT	399
1289536GT	593, 595	1291812GT	599, 603	1295992GT	399
1289552GT	473	1291813GT	601, 605	1296087GT	395
1289561GT	143, 597	1291815GT	599, 603	1296093GT	397
1289823GT	593	1291817GT	599, 603	1296094GT	401
1289837GT	593	1291818GT	601, 605	1296260-1400GT	405
1289853GT	593	1291819GT	601, 603	1297243GT	383
1290094GT	393	1291821GT	601, 605	1297244GT	383
1290107GT	593, 595	1291844GT	601, 603	1297245GT	383
1290135GT	545	1291865GT	599, 603	1297247GT	383
1290153GT	93, 139	1292198GT	597	1297248GT	383
1290368GT	393	1292346GT	597	1297249GT	383
1290370GT	393	1292512GT	19, 33, 47, 61	1297250GT	383
1290676GT	393	1292513GT	21, 33, 47, 61	1297251GT	383
1290797GT	143, 151, 159	1292514GT	21, 33, 47, 61	1297252GT	383
1290798GT	159	1292515GT	21, 33, 47, 61	1297253GT	383
1290849GT	593	1292828GT	601, 605	1297254GT	383
1291059GT	501, 503	1292932GT	599, 603	1297255GT	383
1291076GT	399	1292936GT	599	1297256GT	383
1291165GT	153, 163, 207	1292937GT	599	1297257GT	383
1291191GT	153, 165, 221	1292956GT	599	1297258GT	383
1291193GT	161, 163, 213	1293282GT	593	1297260GT	385

<u>Part no.</u>	<u>Page Number</u>	<u>Part no.</u>	<u>Page Number</u>	<u>Part no.</u>	<u>Page Number</u>
1297261GT	383	T112626GT	489		
1297262GT	383	T112773GT	31, 43, 59, 71		
1297263GT	383	T114346GT	349		
1297264GT	383	T114379GT	367		
1297761GT	435	T114678GT	317		
1297762GT	435	T114803GT	425		
1297763GT	435				
1300532GT	155				
1300704GT	381				
1300706GT	381				
1300707GT	381				
1300708GT	383				
1300713GT	381				
1301741GT	391				
1301742GT	391				
1301883GT	391				
1301884GT	391				
1302463GT	393				
1302885GT	19				
1302886GT	19				
1302887GT	31				
1302888GT	31				
1302889GT	33				
1302890GT	33				
1302891GT	43				
1302892GT	43				
1302893GT	45				
1302894GT	45				
1302895GT	59				
1302896GT	59				
1302897GT	61				
1302898GT	61				
1302899GT	71				
1302900GT	71				
1304103GT	419				
T107366GT	75				
T108732GT	315				
T108733GT	315				
T108734GT	315				
T111704GT	73				
T112560GT	461				
T112561GT	461				





California Proposition 65

 **WARNING**

Operating, servicing and maintaining this equipment, passenger vehicle or off-highway motor vehicle can expose you to chemicals including engine exhaust, carbon monoxide, phthalates, and lead, which are known to the State of California to cause cancer and birth defects or other reproductive harm. These chemicals can be emitted from or contained in other various parts and systems, fluids and some component wear by-products. To minimize exposure, avoid breathing exhaust, do not idle the engine except as necessary, service your equipment and vehicle in a well-ventilated area and wear gloves or wash your hands frequently when servicing your equipment or vehicle and after operation. For more information go to [www.P65Warnings.ca.gov/passenger-vehicle](http://www.P65Warnings.ca.gov/passenger-vehicle).

Breathing diesel engine exhaust exposes you to chemicals known to the State of California to cause cancer and birth defects or other reproductive harm.

- Always start and operate the engine in a well-ventilated area.
- If in an enclosed area, vent the exhaust to the outside.
- Do not modify or tamper with the exhaust system.
- Do not idle the engine except as necessary.

For more information go to [www.P65warnings.ca.gov/diesel](http://www.P65warnings.ca.gov/diesel).

[www.genielift.com](http://www.genielift.com)

Distributed By:

# **Parts Manual** **SX-150**

*(from SN SX15015H-100 to SX15015H-499  
and from SX150H-500)*

**Part No.**  
**1263370**

**Rev B**

**Genie**  
A TEREX BRAND