



A TEREX BRAND

Parts Manual

Serial Number Range

SX-105 XC
SX-125 XC

from SX105D-174

from SN SX125D-101

Part No. 1277710GT
Rev: B7
January 2022

Technical Publications

Genie has endeavored to deliver the highest degree of accuracy possible. However, continuous improvement of our products is a Genie policy. Therefore, product specifications are subject to change without notice.

Readers are encouraged to notify Genie of errors and send in suggestions for improvement. All communications will be carefully considered for future printings of this and all other manuals.

Contact Us:

Internet: www.genielift.com
e-mail: awp.techpub@terex.com


Find a Manual for this Model

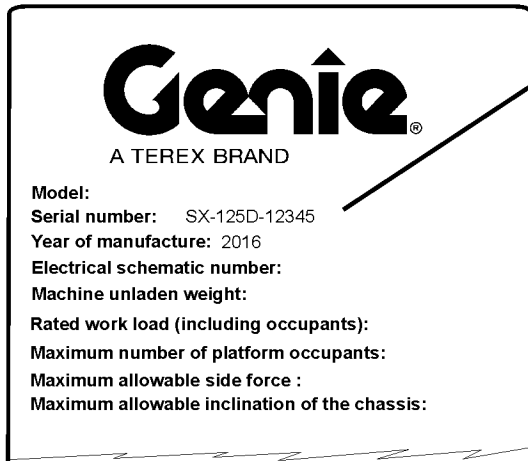
Go to <http://www.genielift.com>

Use the links to locate Operator's, Parts, Maintenance, and Service and Repair Manuals.

Copyright © 2016 Terex Corporation
1277710 Rev B7 January 2022
Second Edition, Fourth Printing

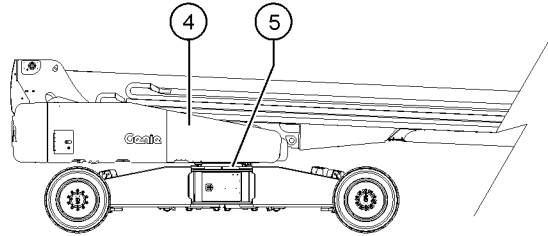
Genie is a registered trademarks of Terex South Dakota, Inc. in the USA and many other countries.

 Printed on recycled paper



SX-125 D - 12345

1 2 3



- 1 Model
- 2 Facility code
- 3 Sequence number
- 4 Serial label (located under cover)
- 5 Serial number (stamped on chassis)

How to Order Parts

Please be prepared with the following information when ordering replacement parts for your Terex or Genie product.

- Machine model number
- Machine serial number
- Part number
- Part description and quantity
- Purchase order number
- "Ship to" address
- Desired method of shipment
- Name and telephone number of the authorized distributor in your area

Use the Service Parts Fax Order Form on the next page and fax your order to our Parts Department.

If you don't know the name of your authorized distributor, or if your area is not currently serviced by an authorized distributor, please call Terex or Genie Industries.

Machine Information

Model

Serial Number

Date of Purchase

Authorized Genie Distributor

Phone Number

North America

Telephone (425)881-1800
 Toll Free (800)536-1800 in US and Canada
 Fax (425)556-8659
 Toll Free fax (888)274-6192
 Email AWP.PartsSalesPO@terex.com
<http://genielift.com/en>

EMEAR (Europe, Middle East, Africa and Russia)

Telephone (31)(165)519 313
 Fax (31)(165)511 148
<http://genielift.co.uk>

Asia Pacific (Genie Singapore)

Telephone +65 6692 7777
 Fax +65 6261 8893
<http://genielift.com.sg/>

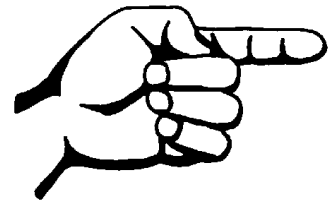
Australia

Telephone (61)(7)3456 4444
 Fax (61)(7)3456 4466
<http://genielift.com.au>

South America

Telephone (55)(11)4082 5600
 Fax (55)(11)4082 5630

Please refer to section 001 for the Recommended
Spare Parts List.



This page intentionally left blank.



Service Parts Fax Order Form

Fax to: (425) 556-8659 or Toll Free: 888-274-6192
 International: +1-425-556-8659

Please fill out completely

Date _____ Account Number _____

Your Name _____ Your Fax Number _____

_____ Your Phone Number _____

Bill To _____ Ship To _____

Purchase Order Number _____ Ship Via _____

Model(s) _____ Serial No.(s) _____

Optional Equipment _____

Part Number	Description	Quantity	Price

All back-ordered parts will be shipped when available via the same ship method as the original order unless Noted below:

- Ship complete order only - No back orders
- Ship all available parts and contact customer on disposition of back-ordered parts
- Other (please specify)



Description	Page
001 Parts Stocking List	12
001.1 Parts Stocking List	12
100 Decals	14
101.1 Decals with Words, Hydraulic Tank Side (ANSI & Australia)	14
102.1 Decals with Words, SX-105 XC, Hydraulic Tank Side (chassis) (ANSI & Australia)	18
103.1 Decals with Words, SX-125 XC, Hydraulic Tank Side (chassis) (ANSI & Australia)	20
104.1 Decals with Words, Engine Side (chassis) (ANSI & Australia)	22
105.1 Decals with Words, SX-105 XC, Engine Side (chassis) (ANSI & Australia)	24
106.1 Decals with Words, SX-125 XC, Engine Side (chassis) (ANSI & Australia)	26
107.1 Decals with Words, SX-105 XC, Platform (ANSI & Australia)(to SN SX125D-775)	28
107.2 Decals with Words, SX-105 XC, Platform (ANSI & Australia)(from SN SX125D-776)	30
108.1 Decals with Words, SX-125 XC, Platform (ANSI & Australia) (to SN SX125D-775)	32
108.2 Decals with Words, SX-125 XC, Platform (ANSI & Australia) (from SN SX125D-776)	34
109.1 Decals with Words, SX-105 XC, Boom (ANSI & Australia)	36
110.1 Decals with Words, SX-125 XC, Boom (ANSI & Australia)	38
111.1 Decals with symbols, Hydraulic Tank Side (ANSI & CE)	40
112.1 Decals with symbols, SX-105 XC, Hydraulic Tank Side (chassis) (ANSI & CE)	42
113.1 Decals with symbols, SX-125 XC, Hydraulic Tank Side (chassis) (ANSI & CE)	44
114.1 Decals with Symbols, Engine Side (ANSI & CE)	46
115.1 Decals with Symbols, SX-105 XC, Engine Side (chassis) (ANSI & CE)	48
116.1 Decals with Symbols, SX-125 XC, Engine Side (chassis) (ANSI & CE)	50
117.1 Decals with Symbols, SX-105 XC, Platform (ANSI & CE) (to SN SX125D-775)	52
117.2 Decals with Symbols, SX-105 XC, Platform (ANSI & CE) (from SN SX125D-776)	54
118.1 Decals with Symbols, SX-125 XC, Platform (ANSI & CE) (to SN SX125D-775)	56
118.2 Decals with Symbols, SX-125 XC, Platform (ANSI & CE) (from SN SX125D-776)	58
119.1 Decals with Symbols, SX-105 XC, Boom (ANSI & CE)	60
120.1 Decals with Symbols, SX-125 XC, Boom (ANSI & CE)	62
200 Chassis Components	64
201.1 Chassis Components, Top View	64
202.1 Chassis Components, Bottom View	66
203.1 Chassis Components, Tank Side	70
204.1 Chassis Components, Engine Side	74
205.1 Steer Yoke, Wheel Drive and Motor	78
300 Turntable Components	82
301.1 Turntable Center Components - View 1	82
302.1 Turntable Center Components - View 2	86
303.1 Turntable Covers - Engine Side	90
304.1 Engine Side Components, Fuel Tank (to SN SX105D-1434)	94

Table of Contents

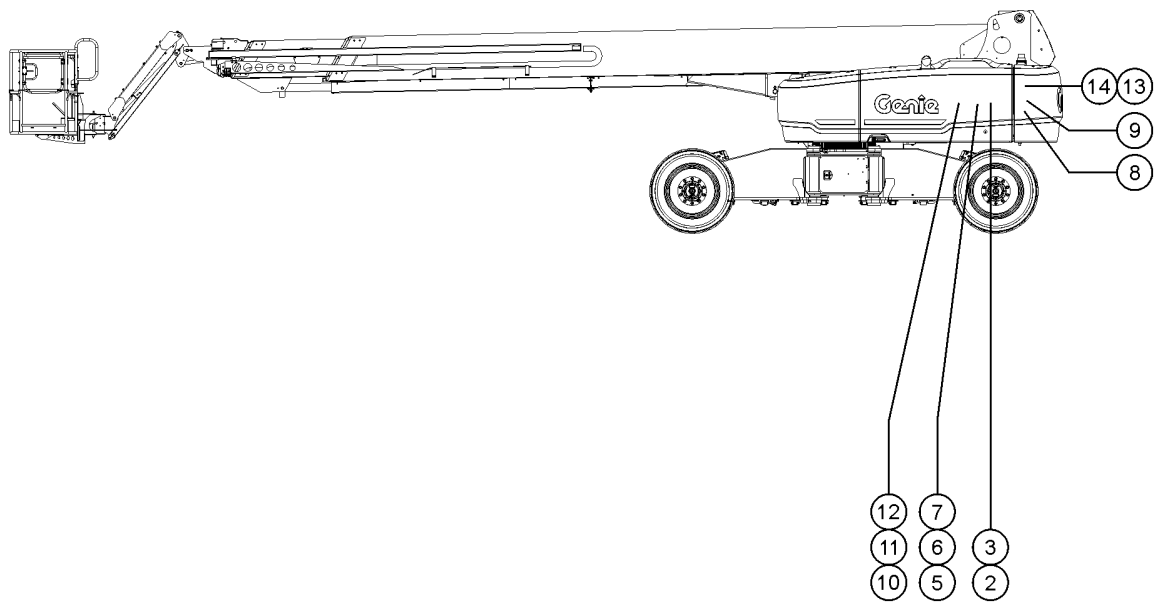
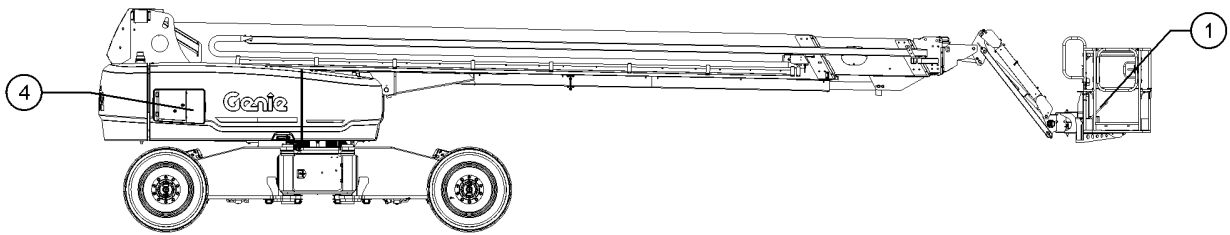
Description	Page
304.2 Engine Side Components, Fuel Tank (from SN SX105D-1435)	98
305.1 Engine Side, Battery Bulkhead Assembly (to SN SX105D-1434)	100
305.2 Engine Side, Battery Bulkhead Assembly (from SN SX105D-1435)	104
306.1 Turntable Covers - Tank Side (to SN SX125D-1364)	108
306.2 Turntable Covers - Tank Side (from SN SX125D-1365)	114
307.1 Tank Side, Swing Drive, Hose Clamps and Guides (to SN SX125D-1364)	120
307.2 Tank Side, Swing Drive, Hose Clamps and Guides (from SN SX125D-1365)	124
308.1 Tank Side, Welder GEN. Bulkhead Assembly	128
309.1 Welder Generator Enclosure (7.5 kW, 240V 50Hz)	132
309.2 Welder Generator Enclosure (12 kW, 208/120V 60Hz) (to xxx)	134
309.3 Welder Generator Enclosure (12 kW, 208/120V 60Hz) (from xxx)	136
309.4 Welder Generator Enclosure (3.0 kW)	138
309.5 Welder Generator Enclosure (7.5 KW,230VAC,1PH,50HZ,AU)	140
310.1 Hydraulic Tank Components (to SN SX125D-1364)	142
310.2 Hydraulic Tank Components (from SN SX125D-1365)	148
311.1 Ground Control Box (Deutz TD2011-L04i & Perkins 1104D-44T Engine)	152
312.1 Ground Control Box (Deutz TD 2.9L4 & Perkins 854F-E34T Engine)	156
313.1 Ground Control Box (Deutz TCD 2.2L Engine)	160
314.1 Wire Harness Diagram - View 1	164
314.2 Wire Harness Diagram - View 2	168
400 Engine Components	170
401.1 Deutz TD2011-L04i Engine - View 1	170
402.1 Deutz TD2011-L04i Engine - View 2	174
403.1 Deutz TD2011-L04i Engine - View 3	176
404.1 Deutz TD 2.9L4 Engine - View 1 (to SN SX125D-1760)	180
404.2 Deutz TD 2.9L4 Engine - View 1 (from SN SX125D-1761)	184
405.1 Deutz TD 2.9L4 Engine - View 2	186
406.1 Deutz TD 2.9L4 Engine - View 3	192
407.1 Deutz TD 2.9L4 Engine - View 4	196
408.1 Perkins 1104D-44T Engine - View 1	198
409.1 Perkins 1104D-44T Engine - View 2	202
410.1 Perkins 1104D-44T Engine - View 3	206
411.1 Perkins 854F-E34T Engine - View 1	212
412.1 Perkins 854F-E34T Engine - View 2	216
413.1 Perkins 854F-E34T Engine - View 3	220
414.1 Perkins 854F-E34T Engine - View 4	224
415.1 Deutz TD 2.9L CHINA III Engine - View 1 (to SN SX125D-1748)	226
415.2 Deutz TD 2.9L CHINA III Engine - View 1 (from SN SX125D-1749)	230
416.1 Deutz TD 2.9L CHINA III Engine - View 2	234
417.1 Deutz TD 2.9L CHINA III Engine - View 3	240
418.1 Deutz TD 2.9L CHINA III Engine - View 4	244

Description	Page
419.1 Deutz TCD 2.2 Engine - View 1	246
420.1 Deutz TCD 2.2 Engine - View 2	248
421.1 Deutz TCD 2.2 Engine - View 3 (to SN SX125XCD-1313)	252
421.2 Deutz TCD 2.2 Engine - View 3 (from SN SX125XCD-1314)	256
422.1 Deutz TCD 2.2 Engine - View 4	260
423.1 Deutz TCD 2.2 Engine - View 5	264
500 Boom Components	268
501.1 Boom Lift Cylinder, SX-105 XC	268
502.1 Boom Lift Cylinder, SX-125 XC	270
503.1 Secondary Extend Cylinder, SX-125 XC (to SN SX125D-1451)	272
503.2 Secondary Extend Cylinder, SX-125 XC (from SN SX125D-1452)	276
504.1 Boom Tube One, Cable Track, SX-105 XC	280
505.1 Boom Tube Zero, Cable Track, SX-125 XC	284
506.1 Boom Tube One and Boom Tube Two, SX-105 XC	290
507.1 Boom Tube Zero and Boom Tube One, SX-125 XC	294
508.1 Primary Extend Cylinder	298
509.1 Boom Tube Two and Boom Tube Three	304
510.1 Boom Tube Two, Limit Switches	310
511.1 Jib Boom and Platform Rotator	314
512.1 Jib Detail	318
513.1 Boom Tube One, SX-105XC	320
514.1 Boom Tube One, SX-125XC	322
600 Platform Components	324
601.1 Platform Installation - View 1 (to SN SX125D-642)	324
601.2 Platform Installation - View 1 (from SN SX125D-643)	326
602.1 Platform Installation - View 2 (to SN SX125D-655)	328
602.2 Platform Installation - View 2 (from SN SX125D-656)	332
602.3 Platform Installation, China Option	336
603.1 Platform Controls	340
604.1 Platform J Box Assembly	346
605.1 Joysticks	348
700 Hydraulic Components	350
701.1 Traction Manifold	350
702.1 Steer and Axle Manifold	354
703.1 Function Manifold, SX-105 XC	360
704.1 Function Manifold, SX-125 XC	364
705.1 Platform Rotator Manifold	370
706.1 Generator Manifold and Function Enable Valve	372
707.1 Platform Manifold	374

Table of Contents

Description	Page
708.1 Hydraulic Components	376
709.1 Hydraulic Hoses and Fittings - Drive System	378
710.1 Hydraulic Hoses and Fittings - Turntable	386
711.1 Hydraulic Hoses and Fittings - Boom Components, SX-105 XC	392
712.1 Hydraulic Hoses and Fittings - Boom Components, SX-125 XC	396
713.1 Hydraulic Hoses and Fittings - Generator	400
800 Accessories	404
801.1 Half-Mesh and Pipe Cradle Options	404
802.1 Operator Protection Structure	406
803.1 Platform Control Box Cover	408
804.1 Drive and Work Light Package	410
805.1 Engine Air Precleaner	412
806.1 Air Line to Platform (to SN SX125D-655)	414
806.2 Air Line to Platform (from SN SX125D-656)	416
807.1 Cold Start Package	418
808.1 Ground Control LCD Heater	420
809.1 Platform Level Recovery and Rocker Joystick	422
810.1 Welder Option	424
811.1 Fall Arrest Bar	428
812.1 Operators Protection Alarm (to January 2017)	430
812.2 Lift Guard Contact Alarm Option (from January 2017)	434
813.1 Hostile Environment Package - View 1	438
813.2 Hostile Environment Package - View 2	440
814.1 OPTION,SUNBELT,TELEMATICS,ALC1000	442
814.2 Telematics Option, View 2	444
814.3 China Telematics Option, TZ200	446
815.1 Pass Option, Deutz TD2.9	448
816.1 Panel Cradle Option	450
817.1 Lift Tools Access Deck (from SN SX125D-101)	452
Part Number Index	456

001.1 Parts Stocking List

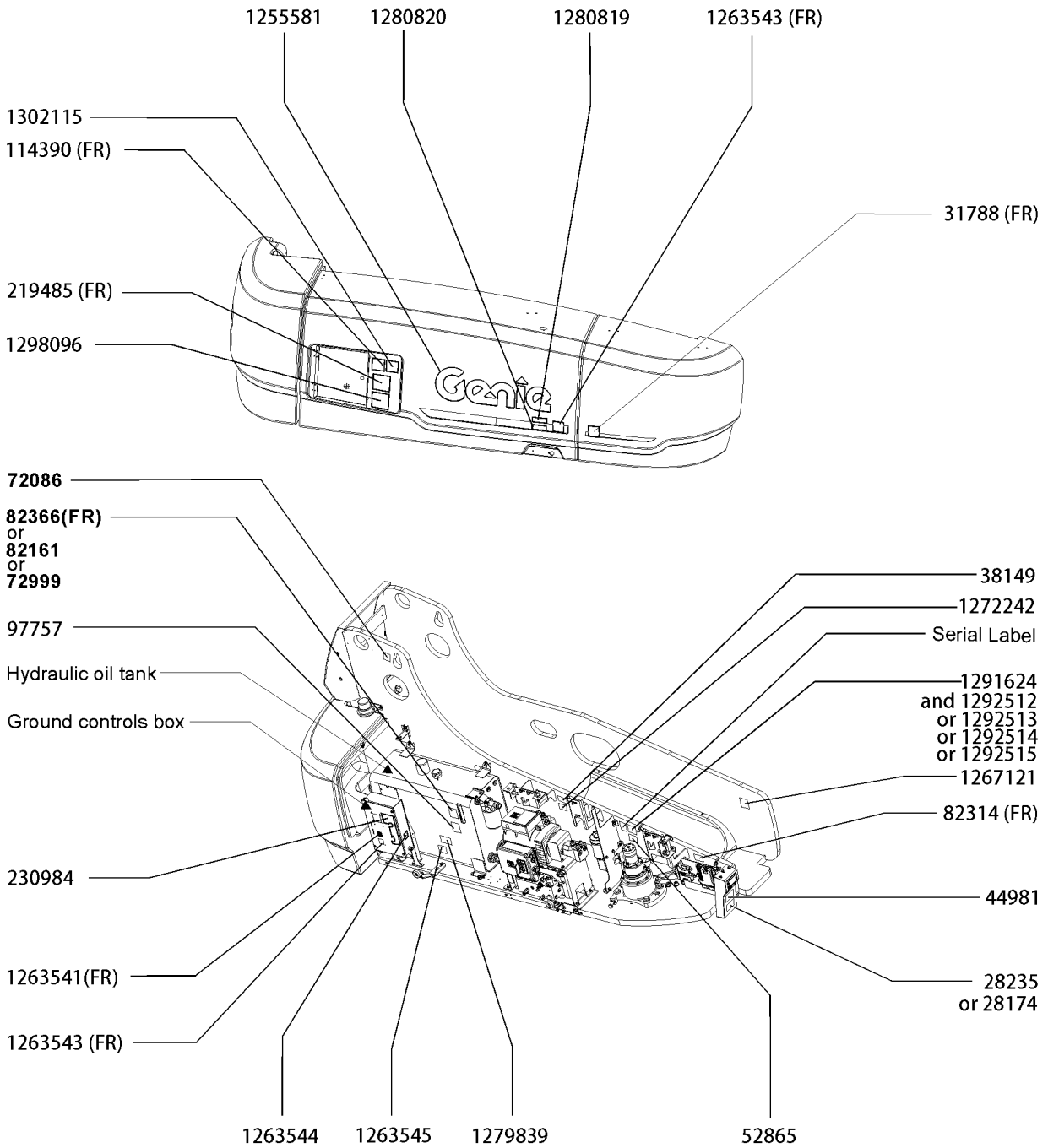


Item	Part No.	Description	Qty.
A-	1484GT	PAINT, AEROSOL, BRIGHT BLUE*** 12-ounce spray paint	
A-	1268GT	PAINT, AEROSOL, GENIE GRAY*** 12-ounce spray paint	
A-	1258567GT	PAINT, AEROSOL, TRAFFIC BLACK 12-ounce spray paint	
A-	32150GT	PAINT, WET, GENIE BLUE (1 GL)** 1-gallon	
A-	32151GT	PAINT, WET, GENIE GRAY (1GL)** 1-gallon	
A-	1257733GT	PAINT, WET, TRAFFIC BLACK(1 GL)** 1-gallon	
A-	60536GT	FUSE,20 AMP,MAXI (refer to figure 307.1)	
A-	94327GT	FUSE,30 AMP (refer to figure 307.1)	
A-	66399GT	GREASE, DIELECTRIC 4 OZ**	
A-	1283776GT	SEAL MARKER,CROSS CHECK,BLUE,TUBE	
A-	93500GT	PARKER DIGITAL PRESSURE GAUGE	
A-	49612GT	O-RING KIT (ORFS FITTINGS) O-ring kit, Parker	
A-	28750GT	O-RING KIT,FIELD SVC,ALL PROD* O-ring kit, SAE	
A-	33994GT	PLUG AND CAP KIT-SERVICE,37 ** Plug and cap kit, SAE	
1	27581GT	MANUAL, SAFTY MANNAL	
1-	1298933GT	MANUAL, SAIA MANUAL OF RESPONSIBILITIES, MEWP	
2	60857GT	FILTER,ELEMENT,BETA(5)=1000 All Models	
3	131323GT	FILTER ELEMENT,10 MICRON All Models	
4	236037GT	RETURN FILTER, ELEMENT, 10 MIC All Models	
9	62425GT	FILTER,AIR CLEANER, SUPERBOOM Deutz TD 2.9L4 Models (refer to 405.1)	
10	214228GT	FILTER, DEUTZ 2.9, FUEL Deutz TD 2.9L4 Models (refer to 406.1)	
11	236260GT	FILTER, FUEL PRE-FILTER, SPIN-ON, DEUTZ Deutz TD 2.9L4 Models (refer to 407.1)	
12	49924GT	FILTER,OIL,DEUTZ F4L1011F Deutz TD 2.9L4 Models (refer to 407.1)	
13	1262866GT	FAN BELT, ALTERANTOR Deutz TD 2.9L4 Models (refer to 404.1)	
14	1253750GT	BELT,AIR PUMP,PERKINS 404F Deutz TD 2.9L4 Models (refer to 404.1)	
15	1285455GT	KIT,ANNUAL INSPECTION,S105/125/135/150/180 to SN SX125D-134	



101.1 Decals with Words, Hydraulic Tank Side (ANSI & Australia)

■ Shading indicates decal is hidden from view.



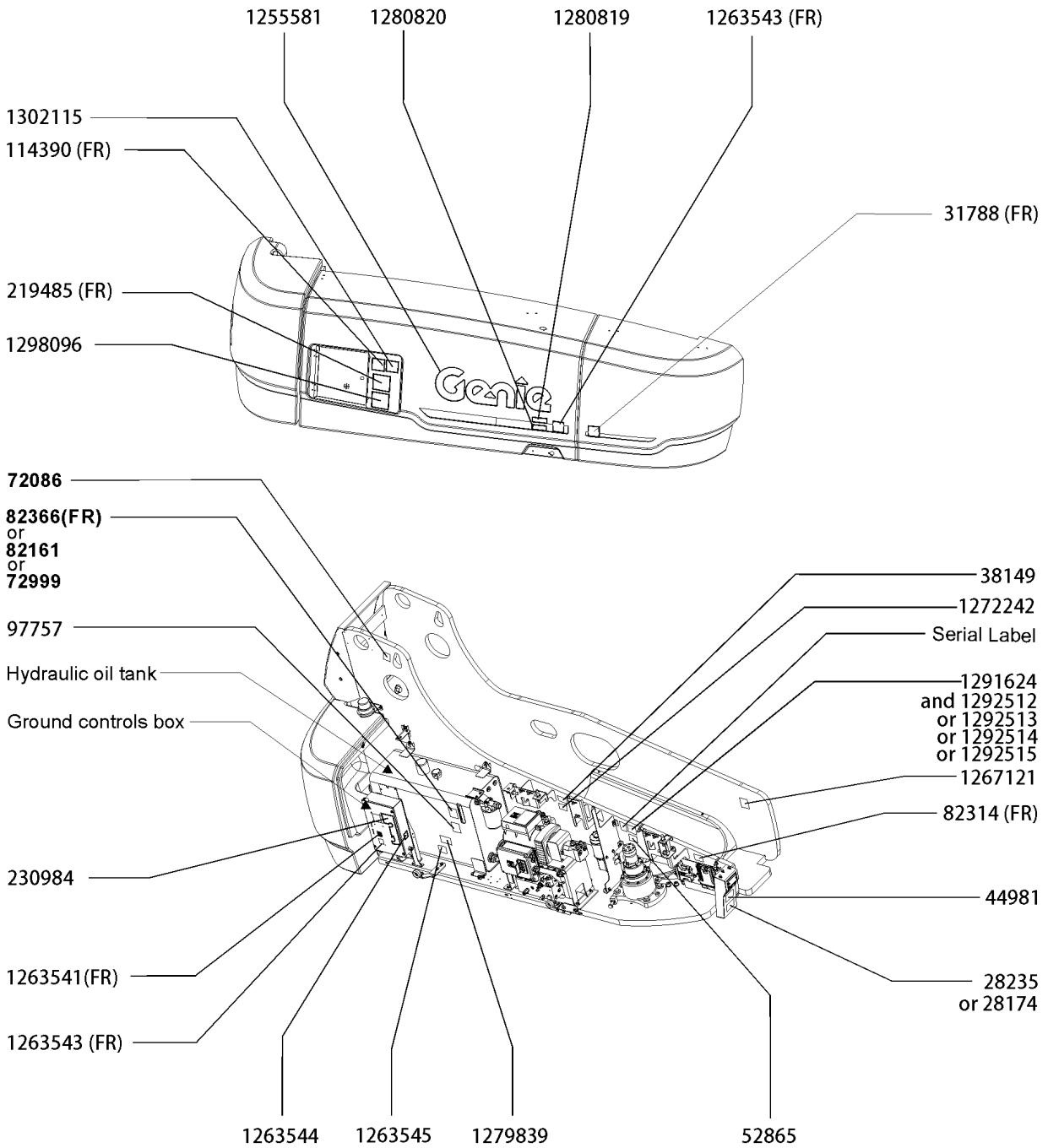
101.1 Decals with Words, Hydraulic Tank Side (ANSI & Australia)

Item	Part No.	Description	Qty.
1	28174GT	DECAL,POWER TO PLATFORM 230V Option, AUS only	1
2	28235GT	DECAL,POWER TO PLATFORM 115V Option, ANSI only	1
3	31788GT	DECAL,DANGER,BATTERY SAFETY***	1
4	38149GT	DECAL,LABEL,PATENTS	1
5	44981GT	DECAL LABEL AIRLINE 110PSI	1
6	52865GT	DECAL,ANNUAL INSP***	1
7	72086GT	DECAL,LABEL,LIFTING EYE	1
8	72999GT	DECAL,LABEL,PETRO CANADA*** Option, hydraulic oil	1
9	82161GT	DECAL,LABEL,UCON HYDROLUBE Option, hydraulic oil	1
10	82314GT	DECAL,DANGER,TIP-OVER	1
11	82366GT	DECAL,CHEVRON RANDO HD Option, hydraulic oil	1
12	97757GT	DECAL,LABEL,OIL LEVEL IND	1
13	114390GT	DECAL,DANGER,ELECT HAZARD***	1
14	219485GT	DECAL,OPER INST, GROUND CONT	1
15	230984GT	DECAL, GROUND CONTROL SPX	1
16	1255581GT	DECAL,COSMETIC, 10" GENIE BLUE	1
17	1263541GT	DECAL, TIP OVER HAZARD	1
18	1263543GT	DECAL,COMPARTMENT ACCESS	2
19	1263544GT	DECAL, BYPASS KEY SWITCH	1
20	1263545GT	DECAL, INSTR-BYPASS KEY SWITCH	1
21	1267121GT	DECAL, BOOM SUPPORT Option, Australia only	1
22	1272242GT	DECAL,MACHINE REGISTRATION/OWN	1
23	1279839GT	DECAL, STOW PROCEDURE, SX-125 XC	1
24	1280819GT	DECAL,WARNING,CANCER AND REPRODUCTIVE HARM, PROP 65 Option, ANSI only	1
25	1280820GT	DECAL,FUEL,DIESEL EXHAUST, PROP 65 Option, ANSI only	1
26	1291624GT	DECAL COSM,GENIE LIFT CONNECT,LEXAN COVER	1
27	1292512GT	DECAL COSM,GENIE LIFT CONNECT,ESN,SKU4-1	1
28	1292513GT	DECAL COSM,GENIE LIFT CONNECT,ESN,SKU4-2	1



101.1 Decals with Words, Hydraulic Tank Side (ANSI & Australia)

■ Shading indicates decal is hidden from view.

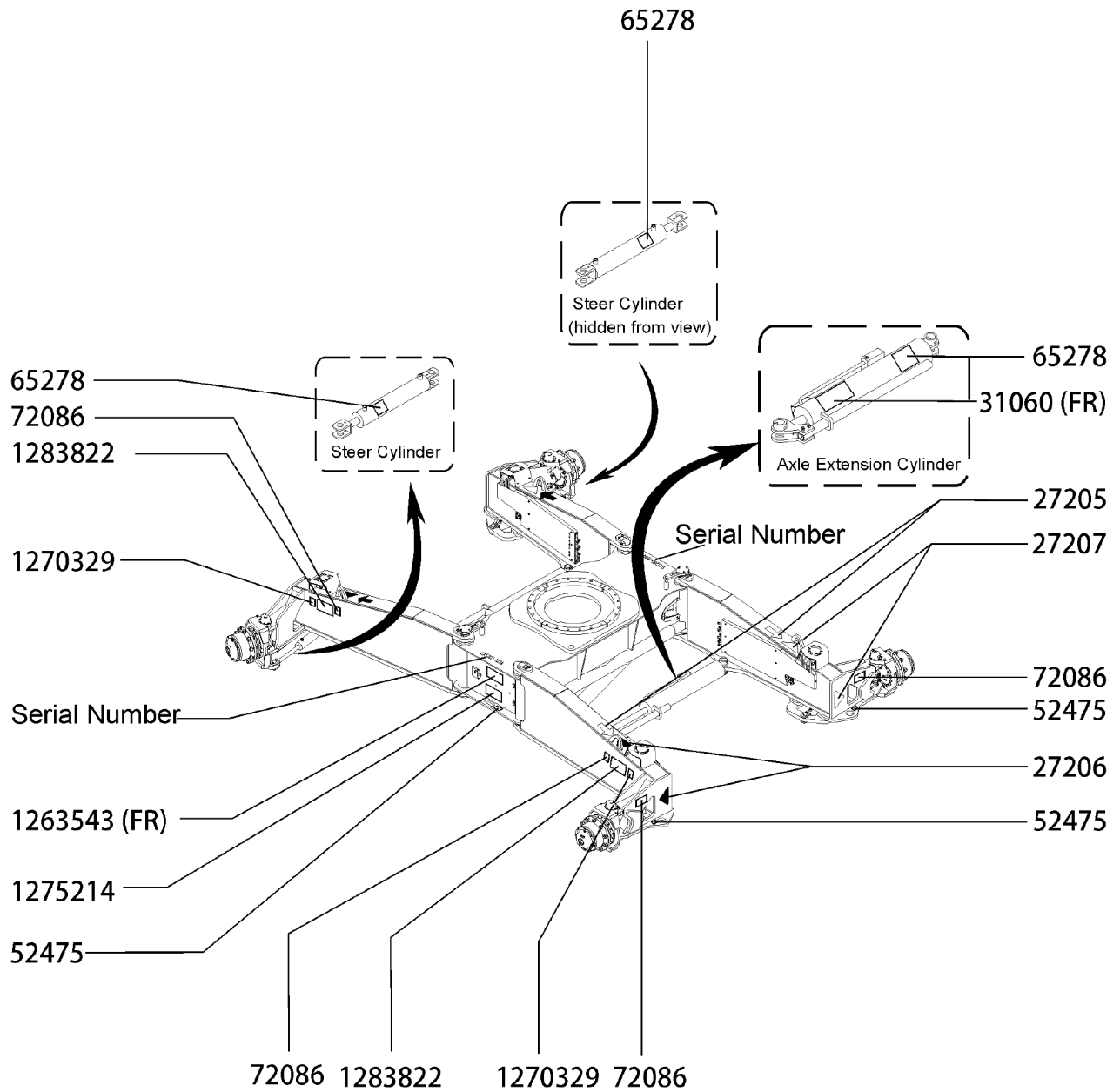


101.1 Decals with Words, Hydraulic Tank Side (ANSI & Australia)

<i>Item</i>	<i>Part No.</i>	<i>Description</i>	<i>Qty.</i>
29	1292514GT	DECAL COSM,GENIE LIFT CONNECT,ESN,SKU4-3	1
30	1292515GT	DECAL COSM,GENIE LIFT CONNECT,ESN,SKU4-4	1
31	1298096GT	DECAL,E DOWN PROCEDURE,SYM SX-125CX	1
32	1302115GT	QRCode Genie AWP (Chinese market)	1



102.1 Decals with Words, SX-105 XC, Hydraulic Tank Side (chassis) (ANSI & Australia)

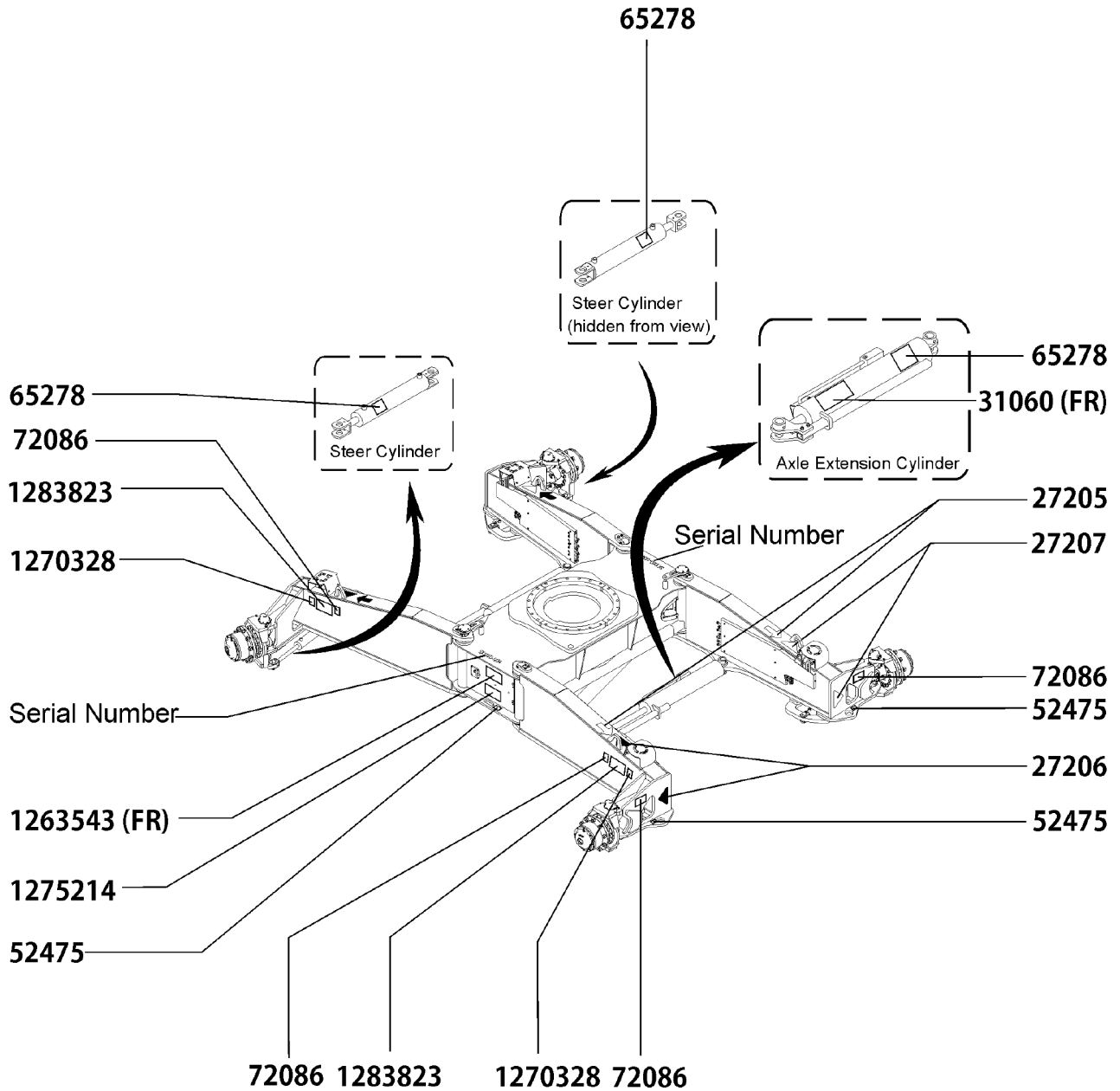


102.1 Decals with Words, SX-105 XC, Hydraulic Tank Side (chassis) (ANSI & Australia)

<i>Item</i>	<i>Part No.</i>	<i>Description</i>	<i>Qty.</i>
1	27205GT	DECAL,ARROW YELLOW LRG 9"	1
2	27206GT	DECAL,TRIANGLE,BLUE	1
3	27207GT	DECAL,TRIANGLE,YELLOW	1
4	31060GT	DECAL,DANGER DO NOT ALTER SWTC	1
5	52475GT	DECAL LABEL TRANSPORT TIE DOWN*	3
6	65278GT	DECAL,CAUTION,NO STEP	3
7	72086GT	DECAL,LABEL,LIFTING EYE	4
8	1263543GT	DECAL,COMPARTMENT ACCESS	1
9	1270329GT	DECAL,LABEL,WHEEL LOAD,SX-105	2
10	1275214GT	DECAL,TRANSPORT & LIFT DIAGRAM, SX-125	1
11	1283822GT	DECAL,DANGER/NOTICE,TIRESPECS,SX-105 XC	2



103.1 Decals with Words, SX-125 XC, Hydraulic Tank Side (chassis) (ANSI & Australia)

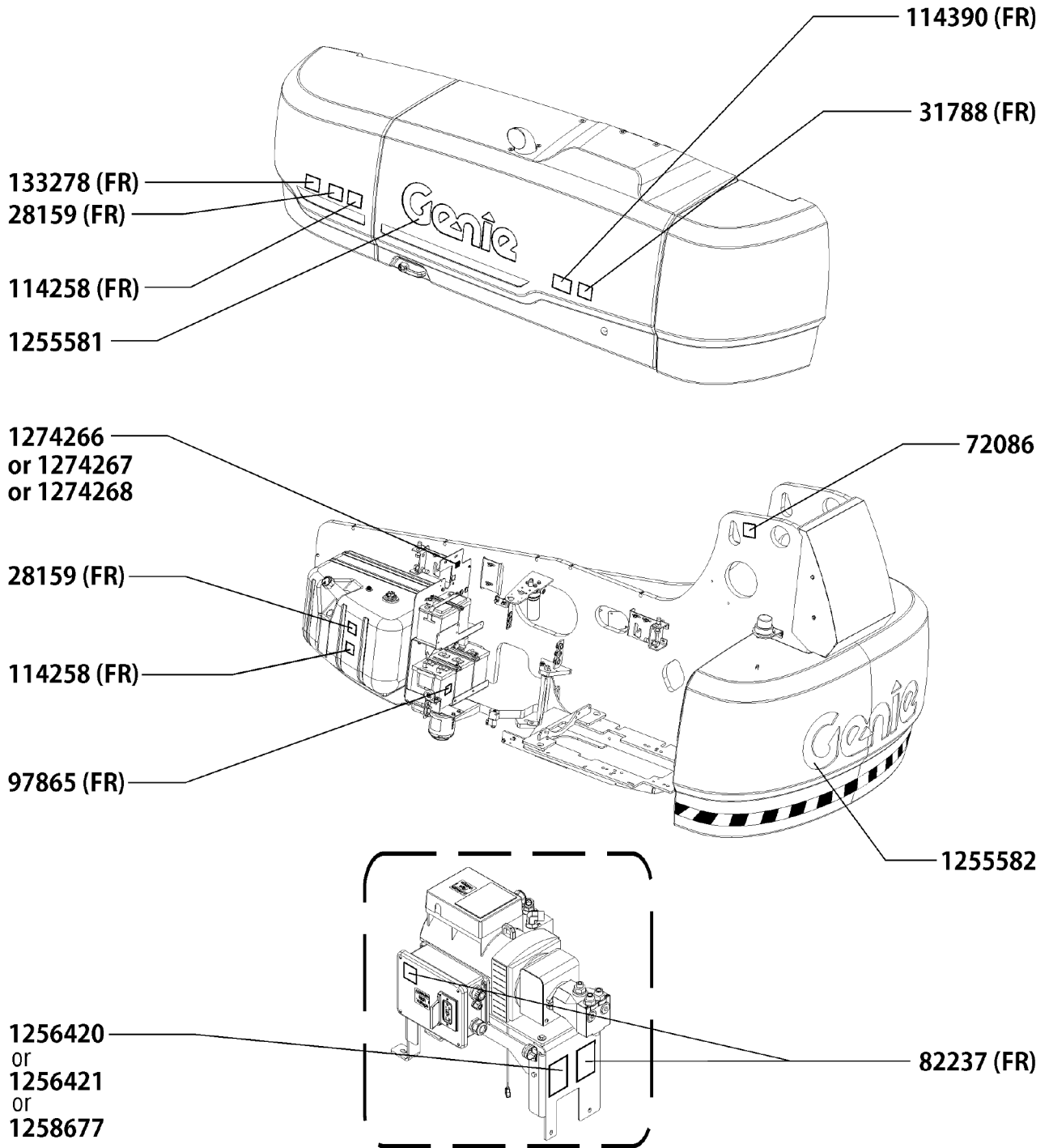


103.1 Decals with Words, SX-125 XC, Hydraulic Tank Side (chassis) (ANSI & Australia)

<i>Item</i>	<i>Part No.</i>	<i>Description</i>	<i>Qty.</i>
1	27205GT	DECAL,ARROW YELLOW LRG 9"	1
2	27206GT	DECAL,TRIANGLE,BLUE	1
3	27207GT	DECAL,TRIANGLE,YELLOW	1
4	31060GT	DECAL,DANGER DO NOT ALTER SWTC	1
5	52475GT	DECAL LABEL TRANSPORT TIE DOWN*	3
6	65278GT	DECAL,CAUTION,NO STEP	3
7	72086GT	DECAL,LABEL,LIFTING EYE	4
8	1263543GT	DECAL,COMPARTMENT ACCESS	1
9	1270328GT	DECAL,LABEL,WHEEL LOAD,SX-125	2
10	1275214GT	DECAL,TRANSPORT & LIFT DIAGRAM, SX-125	1
11	1283823GT	DECAL,DANGER/NOTICE,TIRESPECS,SX-125 XC	2



104.1 Decals with Words, Engine Side (chassis) (ANSI & Australia)

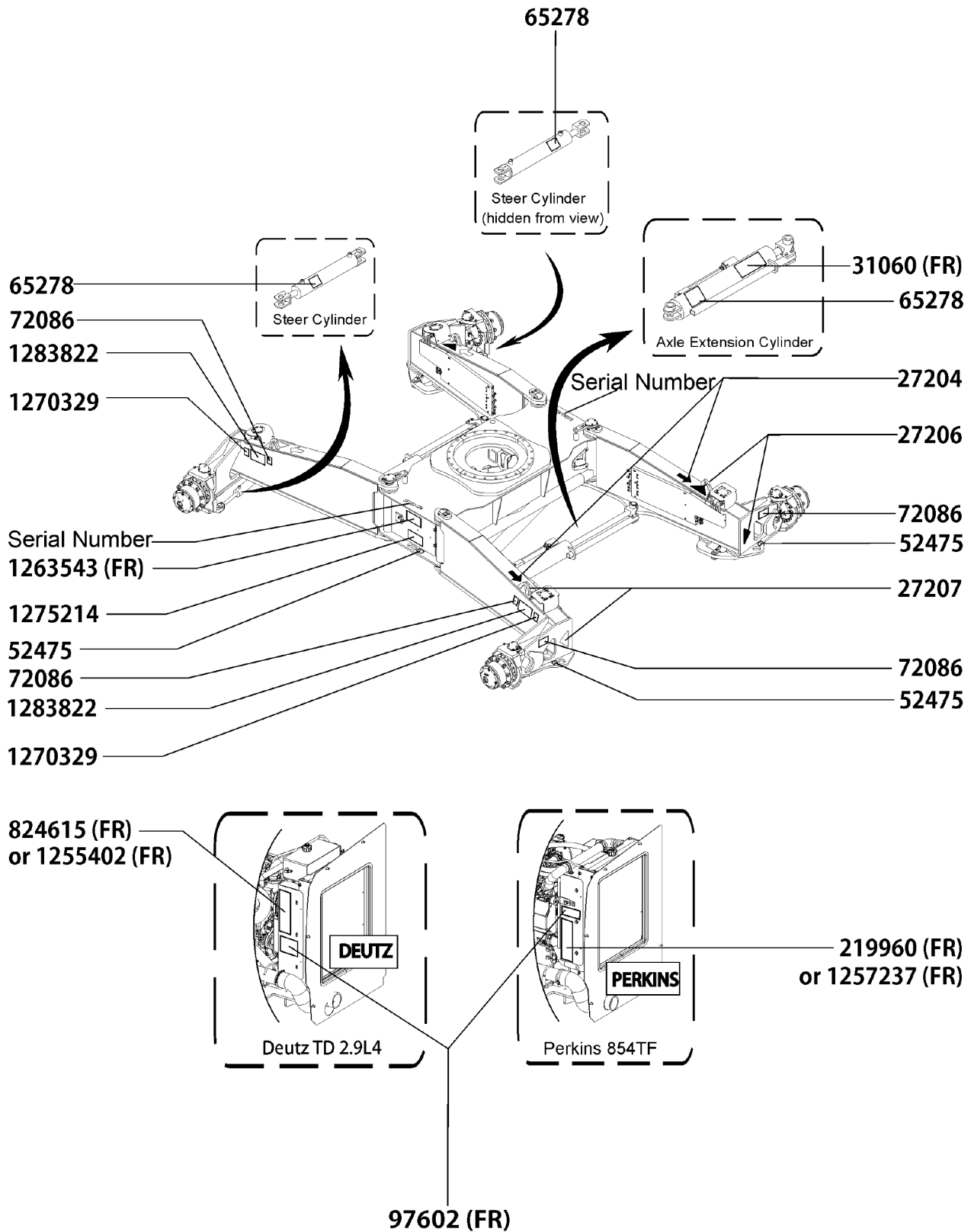


104.1 Decals with Words, Engine Side (chassis) (ANSI & Australia)

Item	Part No.	Description	Qty.
1	28159GT	DECAL,LABEL,DIESEL FUEL	2
2	31788GT	DECAL,DANGER,BATTERY SAFETY***	1
3	72086GT	DECAL,LABEL,LIFTING EYE	1
4	82237GT	DECAL,DANGER,HIGH VOLTAGE	2
5	97865GT	DECAL,WARN,ELECTRO HAZARD	1
6	114258GT	DECAL,DANGER,NO SMOKING	2
7	114390GT	DECAL,DANGER,ELECT HAZARD***	1
8	133278GT	DECAL,LOW/ULTRA LOW SULFUR FUEL	1
9	1255581GT	DECAL,COSMETIC, 10" GENIE BLUE	1
10	1255582GT	DECAL COSMETIC,15" GENIE BLUE	1
11	1256420GT	DECAL, POWER TO PLATFORM, 208V/115V 60HZ Option, Power to Platform	1
12	1256421GT	DECAL, POWER TO PLATFORM, 220V Option, Power to Platform	1
13	1258677GT	DECAL, POWER TO PLATFORM, 240V 50HZ Option, Power to Platform	1
14	1274266GT	DECAL,VEC,DEUTZ 2.9 Deutz T2.9	1
15	1274267GT	DECAL,VEC,PERKINS 854 Perkins 854	1
16	1274268GT	DECAL,VEC,DEUTZTD2011/PERK1104 Deutz TD2011/Perkins 1104	1



105.1 Decals with Words, SX-105 XC, Engine Side (chassis) (ANSI & Australia)

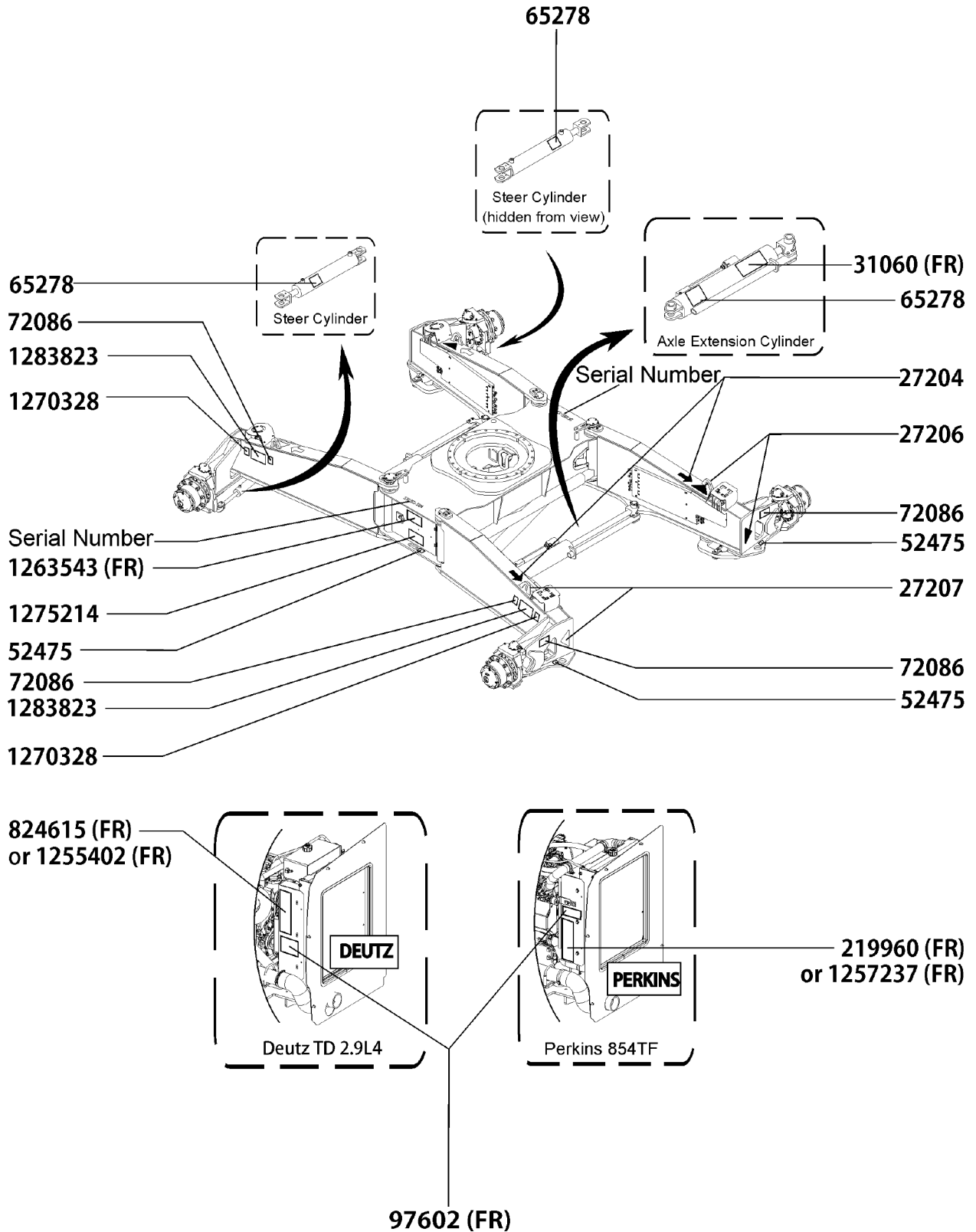


105.1 Decals with Words, SX-105 XC, Engine Side (chassis) (ANSI & Australia)

Item	Part No.	Description	Qty.
1	27204GT	DECAL,ARROW BLUE	2
2	27206GT	DECAL,TRIANGLE,BLUE	2
3	27207GT	DECAL,TRIANGLE,YELLOW	2
4	31060GT	DECAL,DANGER DO NOT ALTER SWTC	1
5	52475GT	DECAL LABEL TRANSPORT TIE DOWN*	3
6	65278GT	DECAL,CAUTION,NO STEP	3
7	72086GT	DECAL,LABEL,LIFTING EYE	4
8	97602GT	DECAL,EXPLOSION HAZARD	1
9	219960GT	DECAL,NOTICE, PERKINS ENGINE	1
		Perkins 1104D-44T	
10	824615GT	DECAL,ENGINE SPEC,DEUTZ TD2.9	1
		Deutz TD 201104i	
11	1255402GT	DECAL,ENGINE SPEC,DEUTZ TD2011L04i,SX	1
		Deutz TD 2.9L4	
12	1257237GT	DECAL,ENGINE SPEC,854TF,TIER IV	1
		Perkins 854TF	
13	1263543GT	DECAL,COMPARTMENT ACCESS	1
14	1270329GT	DECAL,LABEL,WHEEL LOAD,SX-105	2
15	1275214GT	DECAL,TRANSPORT & LIFT DIAGRAM, SX-125	1
16	1283822GT	DECAL,DANGER/NOTICE,TIRESPECS,SX-105 XC	2



106.1 Decals with Words, SX-125 XC, Engine Side (chassis) (ANSI & Australia)



106.1 Decals with Words, SX-125 XC, Engine Side (chassis) (ANSI & Australia)

Item	Part No.	Description	Qty.
1	27204GT	DECAL,ARROW BLUE	2
2	27206GT	DECAL,TRIANGLE,BLUE	2
3	27207GT	DECAL,TRIANGLE,YELLOW	2
4	31060GT	DECAL,DANGER DO NOT ALTER SWTC	1
5	52475GT	DECAL LABEL TRANSPORT TIE DOWN*	3
6	65278GT	DECAL,CAUTION,NO STEP	3
7	72086GT	DECAL,LABEL,LIFTING EYE	4
8	97602GT	DECAL,EXPLOSION HAZARD	1
9	219960GT	DECAL,NOTICE, PERKINS ENGINE	
		Perkins 1104D-44T	
10	824615GT	DECAL,ENGINE SPEC,DEUTZ TD2.9	1
		Deutz TD 201104i	
11	1255402GT	DECAL,ENGINE SPEC,DEUTZ TD2011L04i,SX	
		Deutz TD2.9L4	
12	1257237GT	DECAL,ENGINE SPEC,854TF,TIER IV	
		Perkins 854TF	
13	1263543GT	DECAL,COMPARTMENT ACCESS	1
14	1270328GT	DECAL,LABEL,WHEEL LOAD,SX-125	2
15	1275214GT	DECAL,TRANSPORT & LIFT DIAGRAM, SX-125	1
16	1283823GT	DECAL,DANGER/NOTICE,TIRESPECS,SX-125 XC	2



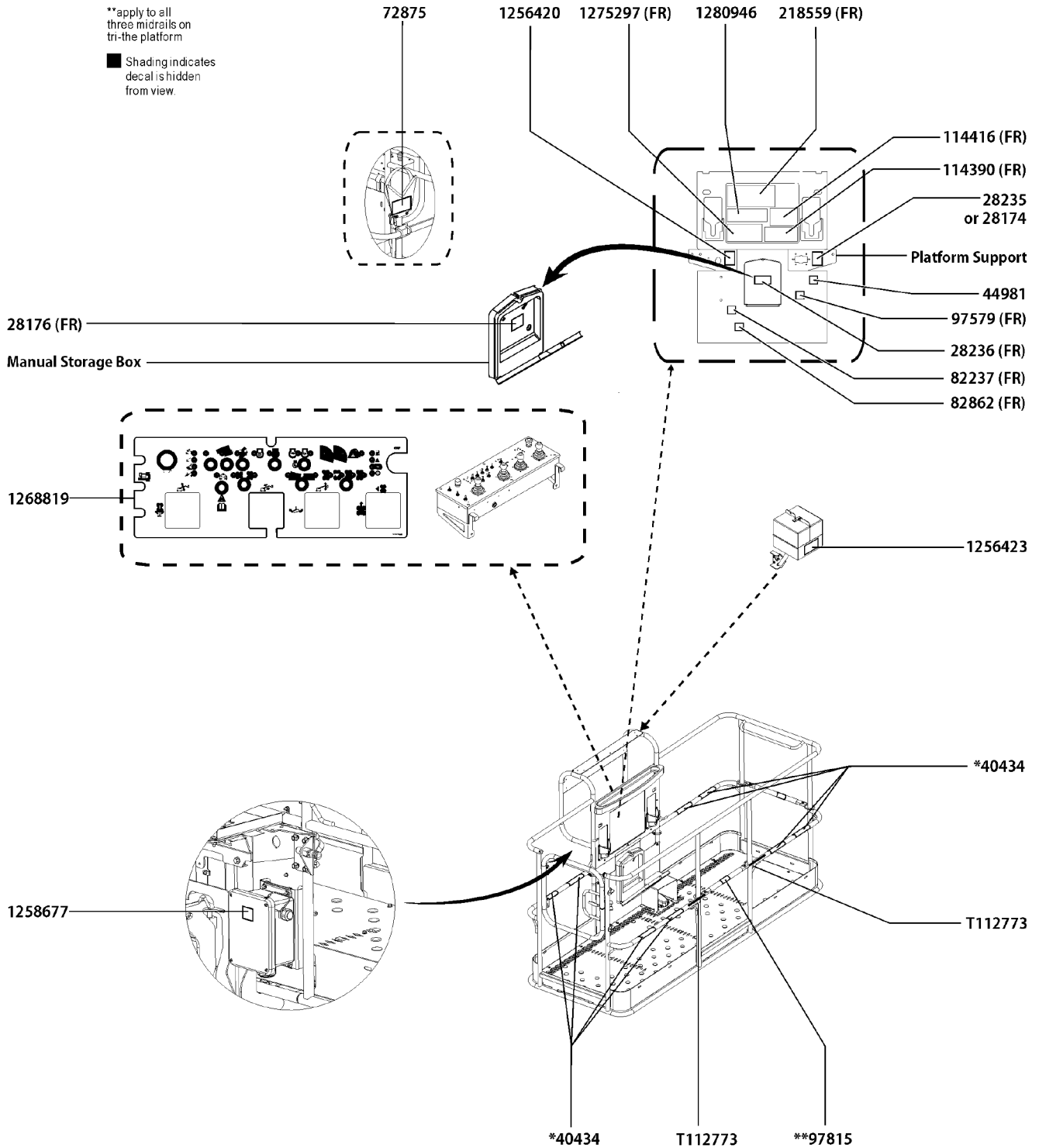
107.1 Decals with Words, SX-105 XC, Platform (ANSI & Australia)(to SN SX125D-775)

NOTE:
Part number with *(FR)
indicates French translation
is available

*apply this decal to all
lanyard anchorage
attachments on
the platform

**apply to all
three midrails on
tri-the platform

■ Shading indicates
decal is hidden
from view.



107.1 Decals with Words, SX-105 XC, Platform (ANSI & Australia)(to SN SX125D-775)

Item	Part No.	Description	Qty.
A-	1255675GT	DECAL KIT,SX150/SX180 PLAT,SYM,ANSI/CE platform to SN 173	
B-	1297412GT	DECAL KIT,SX105/125 XC PLAT,WORD platform from SN 174	
1	28174GT	DECAL,POWER TO PLATFORM 230V Option, AUS only	1
2	28176GT	DECAL,LABEL,MANUAL NOT HERE	1
3	28235GT	DECAL,POWER TO PLATFORM 115V Option, ANSI only	1
4	28236GT	DECAL,WARN,IMPROPER OPERATION	1
5	40434GT	DECAL,LANYARD ANCHORAGE POINT	2
6	44981GT	DECAL LABEL AIRLINE 110PSI	1
7	72875GT	DECAL,WARNING,PIPE CRADLE,BOOM	1
8	82237GT	DECAL,DANGER,HIGH VOLTAGE	1
9	82862GT	DECAL,FIRE EXTINGUISHER	1
10	97579GT	DECAL,DANGER,TIP-OVER,WELDER**	1
11	97815GT	DECAL,LABEL,LOWER MIDRAIL	2
12	114390GT	DECAL,DANGER,ELECT HAZARD***	1
13	114416GT	DECAL,DANGER,TIPOVER,TILT	1
14	218559GT	DECAL,DANGER/WARNING COMBO	1
15	1256420GT	DECAL, POWER TO PLATFORM, 208V/115V 60HZ Option, Generator	1
16	1256423GT	DECAL, DANGER, TIP-OVER HAZARD	1
17	1258677GT	DECAL, POWER TO PLATFORM, 240V 50HZ Option, AUS Generator	1
18	1268819GT	DECAL, PCON LID,SX105/125	1
19	1275297GT	DECAL,SLOPE RATING,WORD	1
20	1280946GT	DECAL,INST PLAT CAP SX-105 XC,WORD	1
21	T112773GT	TAPE, PROTECTIVE MASK	2



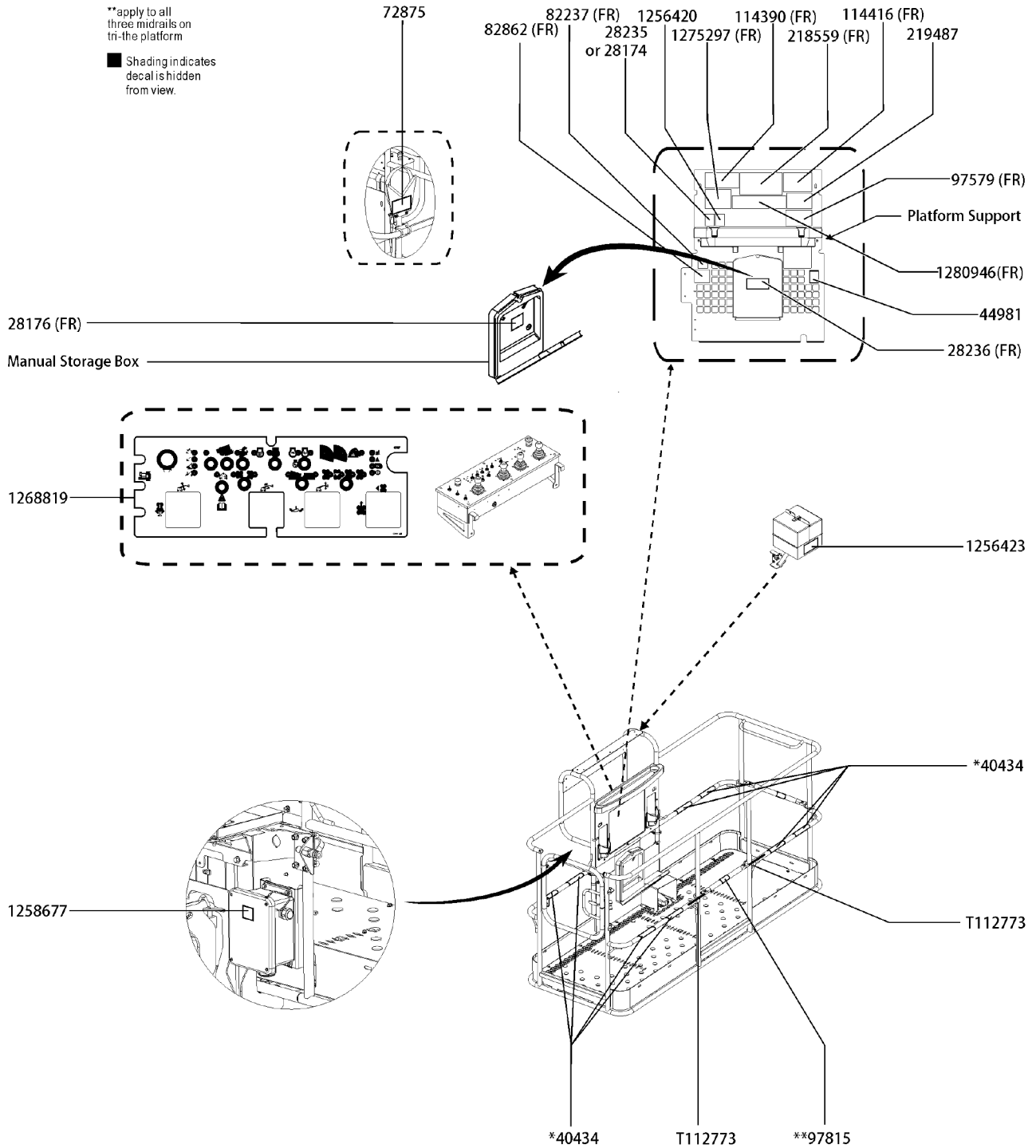
107.2 Decals with Words, SX-105 XC, Platform (ANSI & Australia)(from SN SX125D-776)

NOTE:
Part number with *(FR)
indicates French translation
is available

*apply this decal to all
lanyard anchorage
attachments on
the platform

**apply to all
three midrails on
tri-the platform

■ Shading indicates
decal is hidden
from view.



107.2 Decals with Words, SX-105 XC, Platform (ANSI & Australia)(from SN SX125D-776)

Item	Part No.	Description	Qty.
A-	1297412GT	DECAL KIT,SX105/125 XC PLAT,WORD	
1	28174GT	DECAL,POWER TO PLATFORM 230V	1
		Option, AUS only	
2	28176GT	DECAL,LABEL,MANUAL NOT HERE	1
3	28235GT	DECAL,POWER TO PLATFORM 115V	1
		Option, ANSI only	
4	28236GT	DECAL,WARN,IMPROPER OPERATION	1
5	40434GT	DECAL,LANYARD ANCHORAGE POINT	2
6	44981GT	DECAL LABEL AIRLINE 110PSI	1
7	72875GT	DECAL,WARNING,PIPE CRADLE,BOOM	1
8	82237GT	DECAL,DANGER,HIGH VOLTAGE	1
9	82862GT	DECAL,FIRE EXTINGUISHER	1
10	97579GT	DECAL,DANGER,TIP-OVER,WELDER**	1
11	97815GT	DECAL,LABEL,LOWER MIDRAIL	2
12	114390GT	DECAL,DANGER,ELECT HAZARD***	1
13	114416GT	DECAL,DANGER,TIPOVER,TILT	1
14	218559GT	DECAL,DANGER/WARNING COMBO	1
15	219487GT	DECAL,PLATFORM OVERLOAD	1
16	1256420GT	DECAL, POWER TO PLATFORM, 208V/115V 60HZ	1
		Option, Generator	
17	1256423GT	DECAL, DANGER, TIP-OVER HAZARD	1
18	1258677GT	DECAL, POWER TO PLATFORM, 240V 50HZ	1
		Option , AUS Generator	
19	1268819GT	DECAL, PCON LID,SX105/125	1
20	1275297GT	DECAL,SLOPE RATING,WORD	1
21	1280946GT	DECAL,INST PLAT CAP SX-105 XC,WORD	1
22	T112773GT	TAPE, PROTECTIVE MASK	2



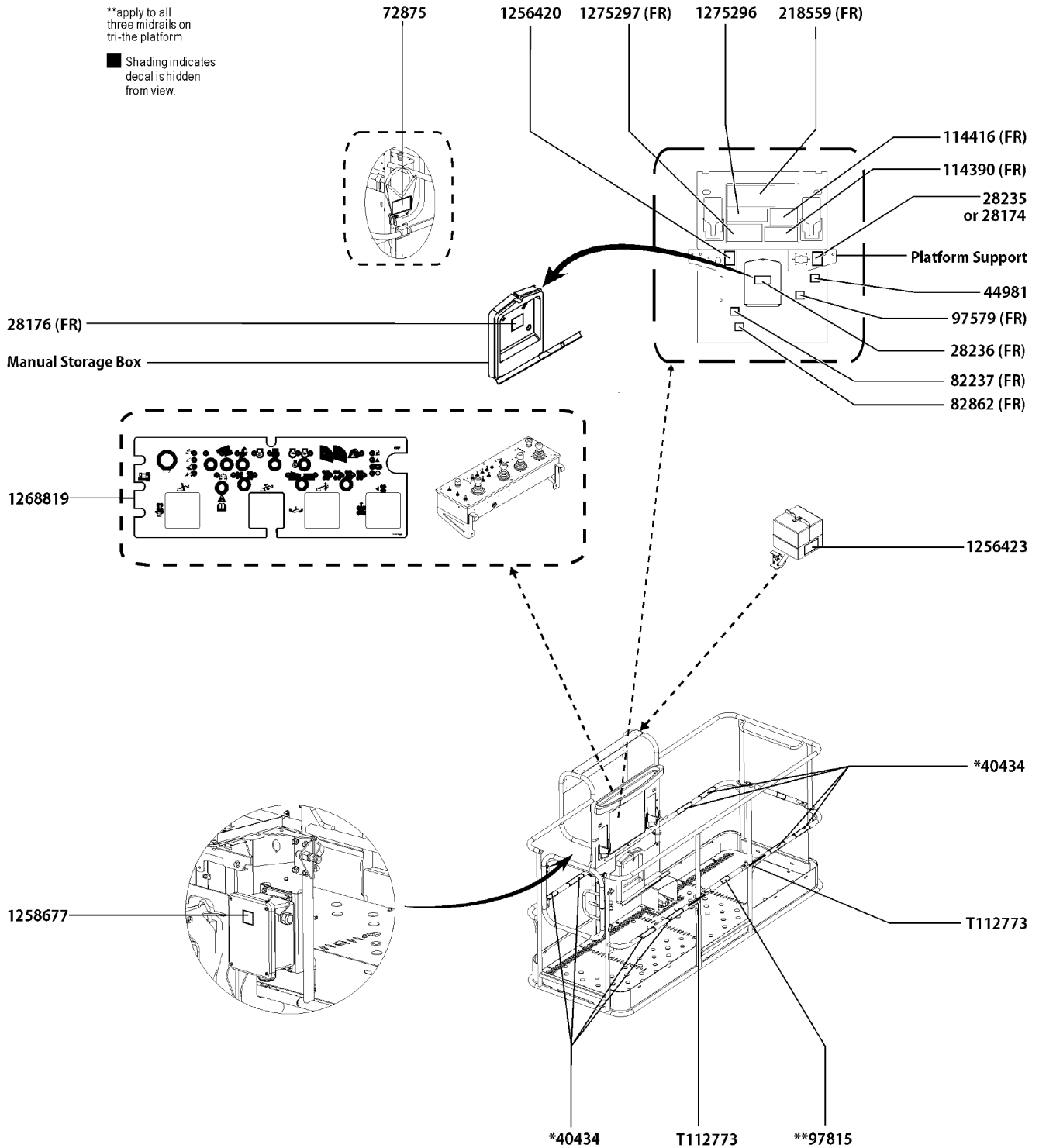
108.1 Decals with Words, SX-125 XC, Platform (ANSI & Australia) (to SN SX125D-775)

NOTE:
Part number with "(FR)"
indicates French translation
is available

*apply this decal to all
lanyard anchorage
attachments on
the platform

**apply to all
three midrails on
tri-the platform

■ Shading indicates
decal is hidden
from view.



108.1 Decals with Words, SX-125 XC, Platform (ANSI & Australia) (to SN SX125D-775)

Item	Part No.	Description	Qty.
A-	1297412GT	DECAL KIT,SX105/125 XC PLAT,WORD	
1	28174GT	DECAL,POWER TO PLATFORM 230V	1
		Option, AUS only	
2	28176GT	DECAL,LABEL,MANUAL NOT HERE	1
3	28235GT	DECAL,POWER TO PLATFORM 115V	1
		Option, ANSI only	
4	28236GT	DECAL,WARN,IMPROPER OPERATION	1
5	40434GT	DECAL,LANYARD ANCHORAGE POINT	2
6	44981GT	DECAL LABEL AIRLINE 110PSI	1
7	72875GT	DECAL,WARNING,PIPE CRADLE,BOOM	1
8	82237GT	DECAL,DANGER,HIGH VOLTAGE	1
9	82862GT	DECAL,FIRE EXTINGUISHER	1
10	97579GT	DECAL,DANGER,TIP-OVER,WELDER**	1
11	97815GT	DECAL,LABEL,LOWER MIDRAIL	2
12	114390GT	DECAL,DANGER,ELECT HAZARD***	1
13	114416GT	DECAL,DANGER,TIPOVER,TILT	1
14	218559GT	DECAL,DANGER/WARNING COMBO	1
15	1256420GT	DECAL, POWER TO PLATFORM, 208V/115V 60HZ	1
		Option, Generator	
16	1256423GT	DECAL, DANGER, TIP-OVER HAZARD	1
17	1258677GT	DECAL, POWER TO PLATFORM, 240V 50HZ	1
		Option, AUS Generator	
18	1268819GT	DECAL, PCON LID,SX105/125	1
19	1275296GT	DECAL,INST PLAT CAP SX125,WORD	1
20	1275297GT	DECAL,SLOPE RATING,WORD	1
21	T112773GT	TAPE, PROTECTIVE MASK	2



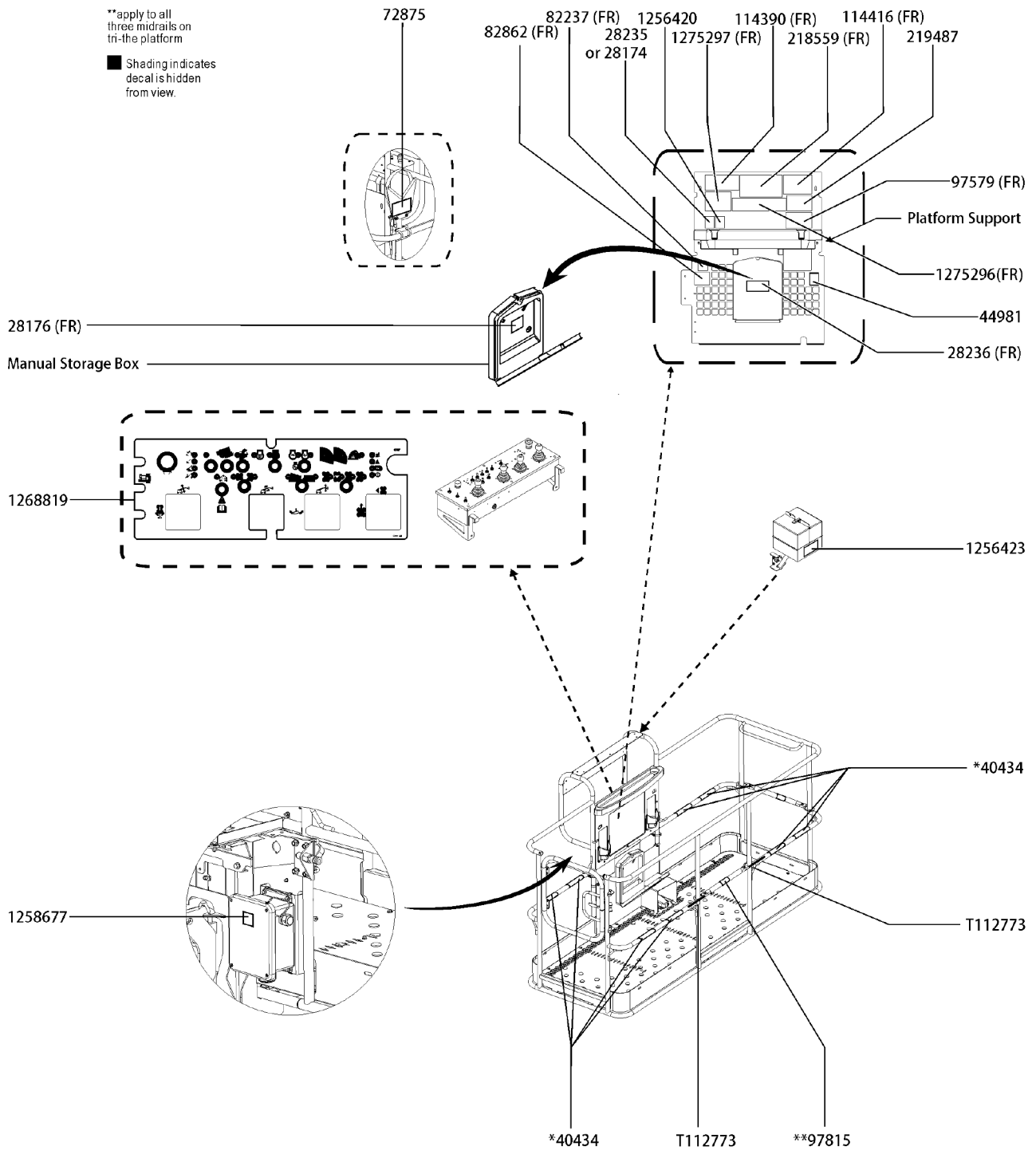
108.2 Decals with Words, SX-125 XC, Platform (ANSI & Australia) (from SN SX125D-776)

NOTE:
Part number with *(FR)
indicates French translation
is available

*apply this decal to all
lanyard anchorage
attachments on
the platform

**apply to all
three midrails on
tri-the platform

■ Shading indicates
decal is hidden
from view.

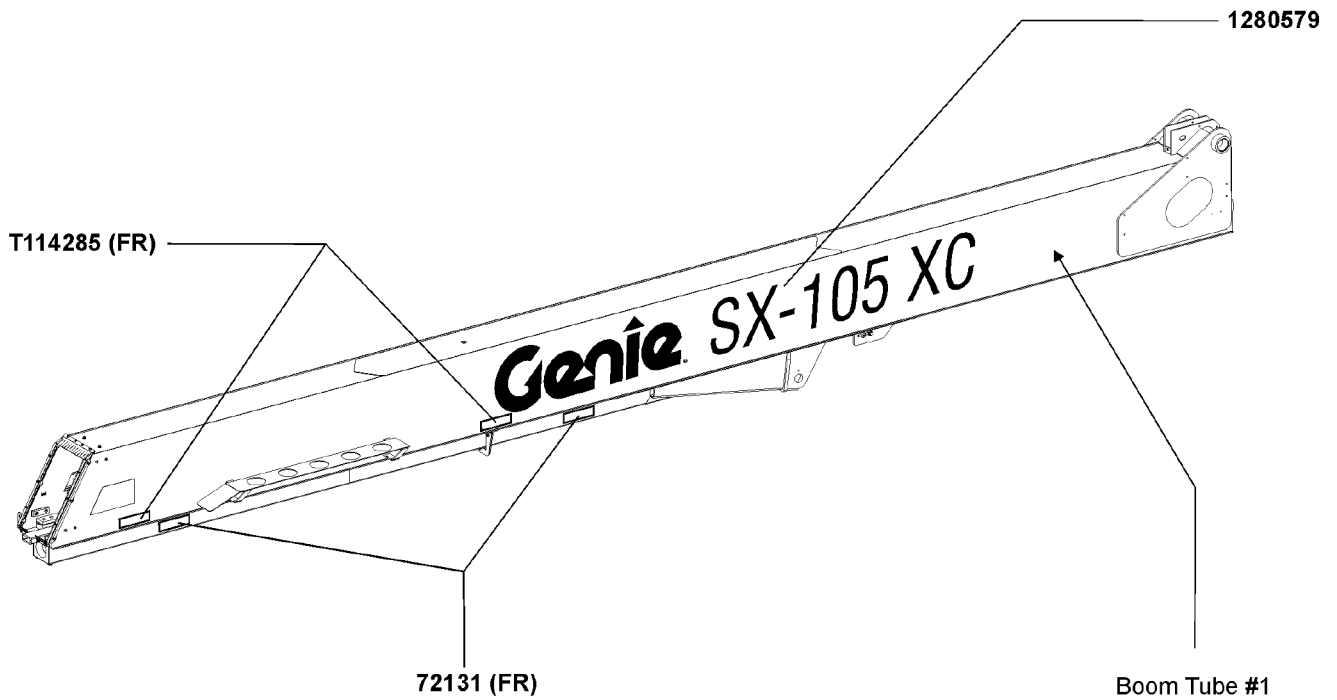
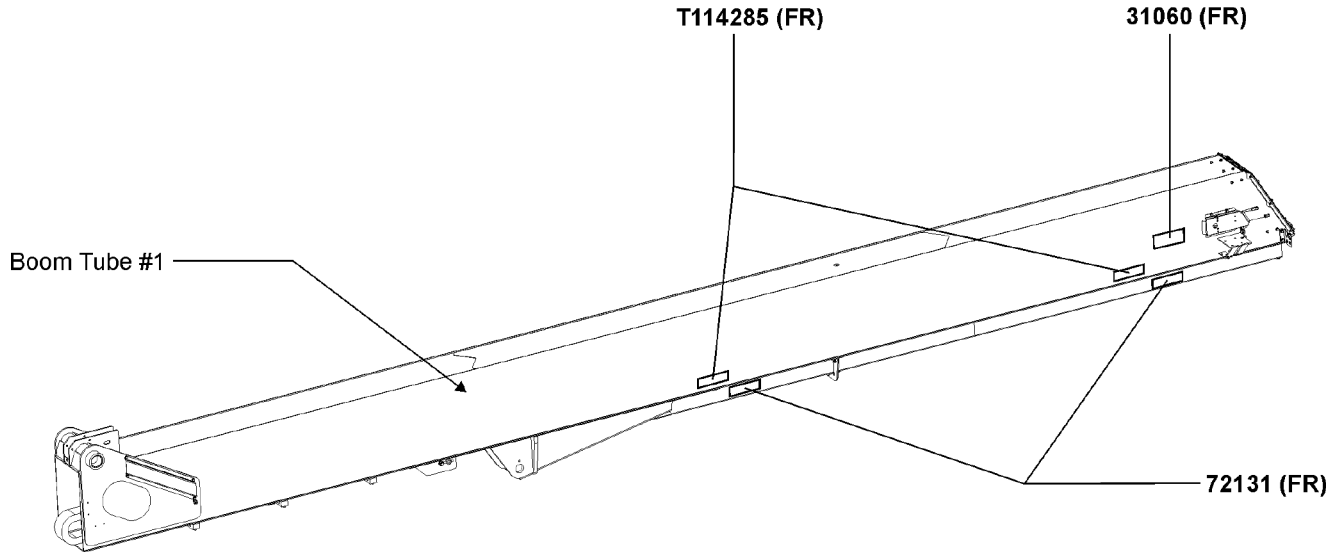


108.2 Decals with Words, SX-125 XC, Platform (ANSI & Australia) (from SN SX125D-776)

Item	Part No.	Description	Qty.
A-	1255667GT	DECAL KIT,SX150/SX180 PLAT,WRD,ANSI/AUS	
1	28174GT	DECAL,POWER TO PLATFORM 230V Option, AUS only	1
2	28176GT	DECAL,LABEL,MANUAL NOT HERE	1
3	28235GT	DECAL,POWER TO PLATFORM 115V Option, ANSI only	1
4	28236GT	DECAL,WARN,IMPROPER OPERATION	1
5	40434GT	DECAL,LANYARD ANCHORAGE POINT	2
6	44981GT	DECAL LABEL AIRLINE 110PSI	1
7	72875GT	DECAL,WARNING,PIPE CRADLE,BOOM	1
8	82237GT	DECAL,DANGER,HIGH VOLTAGE	1
9	82862GT	DECAL,FIRE EXTINGUISHER	1
10	97579GT	DECAL,DANGER,TIP-OVER,WELDER**	1
11	97815GT	DECAL,LABEL,LOWER MIDRAIL	2
12	114390GT	DECAL,DANGER,ELECT HAZARD***	1
13	114416GT	DECAL,DANGER,TIPOVER,TILT	1
14	218559GT	DECAL,DANGER/WARNING COMBO	1
15	219487GT	DECAL,PLATFORM OVERLOAD	
16	1256420GT	DECAL, POWER TO PLATFORM, 208V/115V 60HZ Option, Generator	1
17	1256423GT	DECAL, DANGER, TIP-OVER HAZARD	1
18	1258677GT	DECAL, POWER TO PLATFORM, 240V 50HZ Option, AUS Generator	1
19	1268819GT	DECAL, PCON LID,SX105/125	1
20	1275296GT	DECAL,INST PLAT CAP SX125,WORD	1
21	1275297GT	DECAL,SLOPE RATING,WORD	1
22	T112773GT	TAPE, PROTECTIVE MASK	2



109.1 Decals with Words, SX-105 XC, Boom (ANSI & Australia)

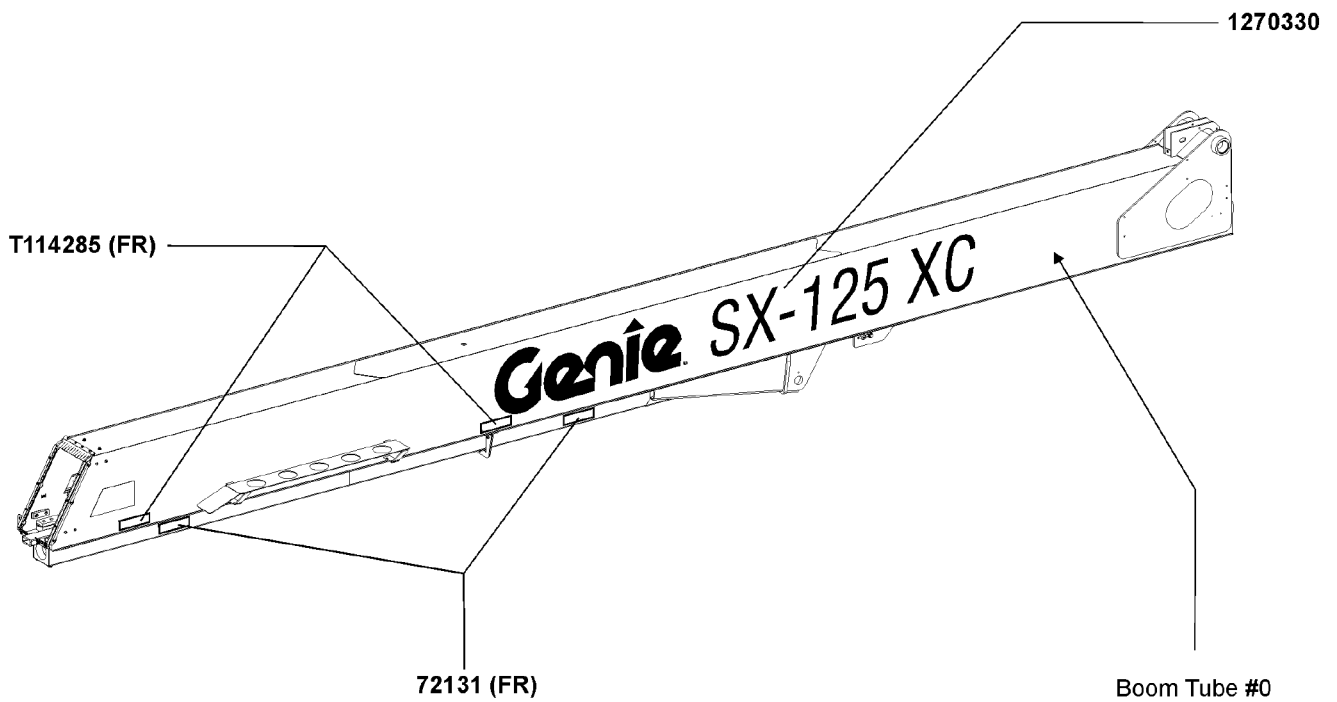
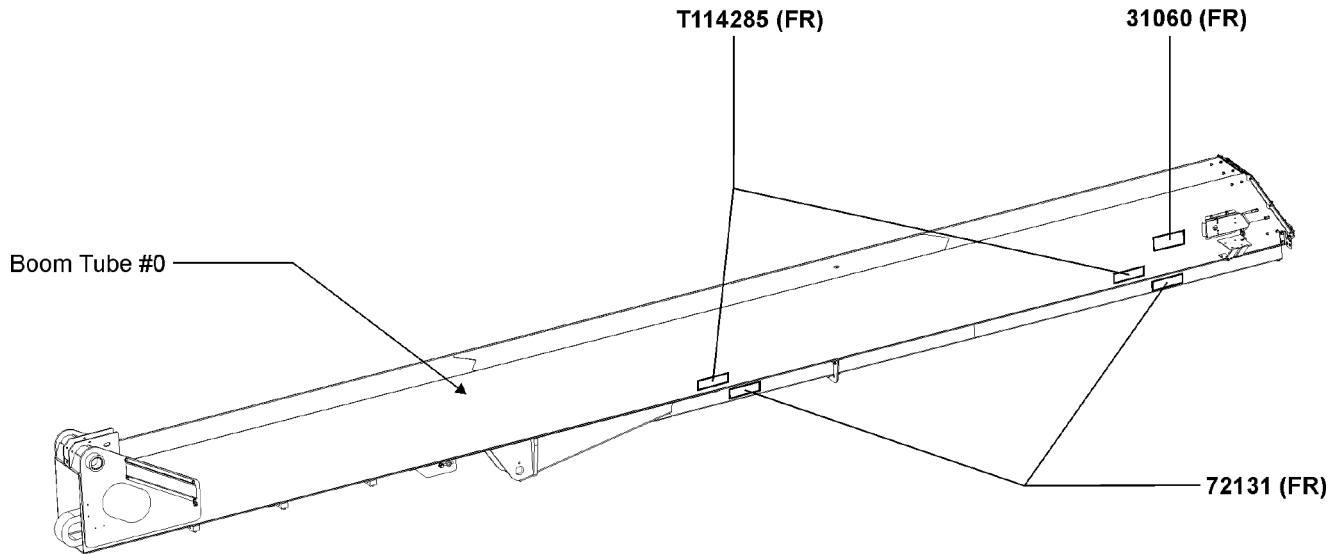


109.1 Decals with Words, SX-105 XC, Boom (ANSI & Australia)

<i>Item</i>	<i>Part No.</i>	<i>Description</i>	<i>Qty.</i>
1	31060GT	DECAL,DANGER DO NOT ALTER SWTC	1
2	72131GT	DECAL,LABEL,CYLINDER COVER	4
3	1280579GT	DECAL,COSMETIC,GENIE SX-105 XC	1
4	T114285GT	DECAL,WARN,INSTAL COVER,SYM	4



110.1 Decals with Words, SX-125 XC, Boom (ANSI & Australia)

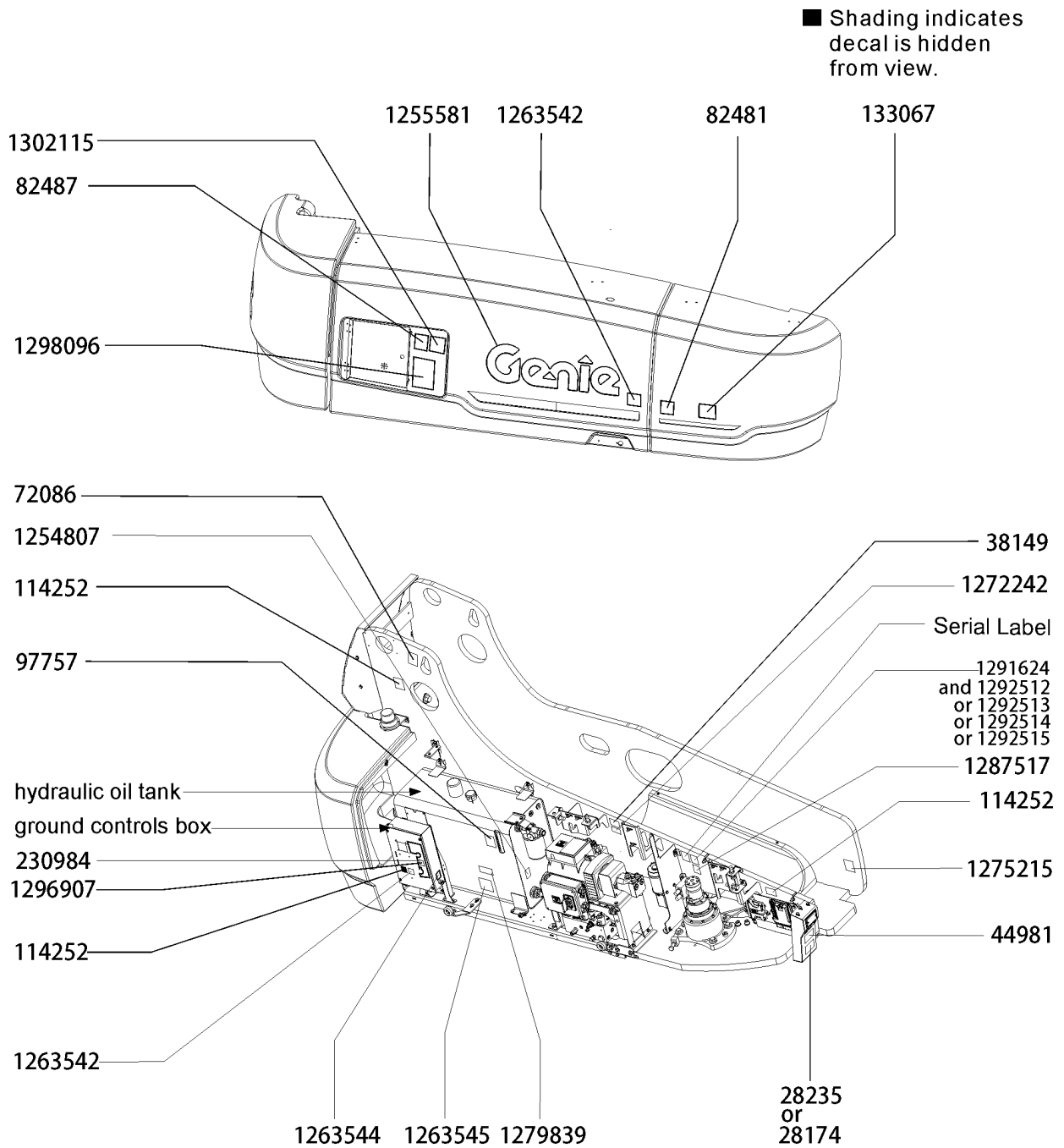


110.1 Decals with Words, SX-125 XC, Boom (ANSI & Australia)

<i>Item</i>	<i>Part No.</i>	<i>Description</i>	<i>Qty.</i>
1	31060GT	DECAL,DANGER DO NOT ALTER SWTC	1
2	72131GT	DECAL,LABEL,CYLINDER COVER	4
3	1270330GT	DECAL,COSMETIC,GENIE SX-125	1
4	T114285GT	DECAL,WARN,INSTAL COVER,SYM	4



111.1 Decals with symbols, Hydraulic Tank Side (ANSI & CE)

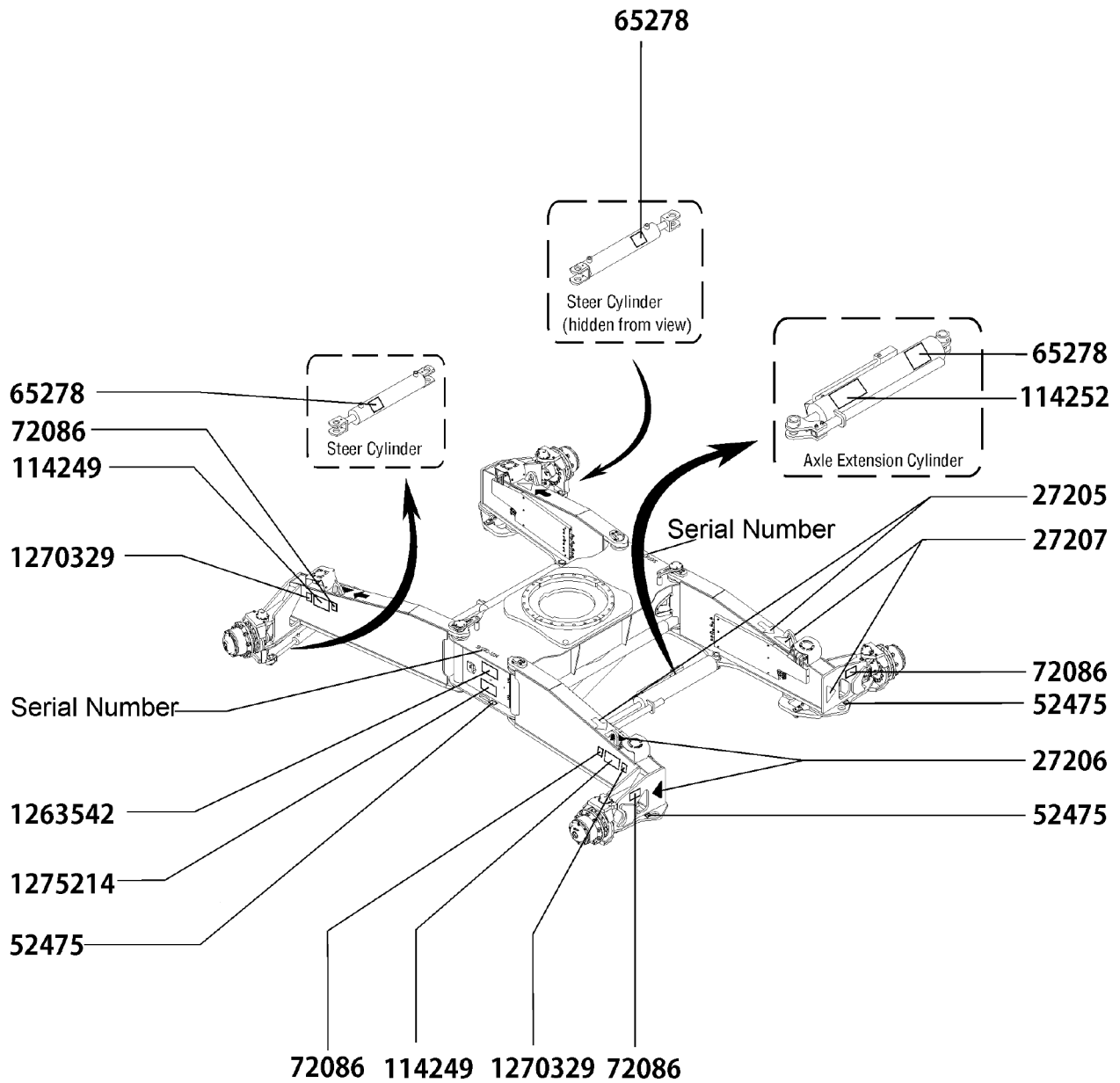


111.1 Decals with symbols, Hydraulic Tank Side (ANSI & CE)

Item	Part No.	Description	Qty.
1	28174GT	DECAL,POWER TO PLATFORM 230V Option, Europe except UK	1
2	28235GT	DECAL,POWER TO PLATFORM 115V Option, US and UK	1
3	38149GT	DECAL,LABEL,PATENTS	1
4	44981GT	DECAL LABEL AIRLINE 110PSI	1
5	72086GT	DECAL,LABEL,LIFTING EYE	1
6	82481GT	DECAL,SYMBOL-BATTERY SAFETY	1
7	82487GT	DECAL,SYMBOL-READ THE MANUAL	1
8	97757GT	DECAL,LABEL,OIL LEVEL IND	1
9	114252GT	DECAL,LABEL,TIP OVER LMT SWTCH	3
10	133067GT	DECAL,DANGER,ELEC.HAZ.STAY CLR	1
11	230984GT	DECAL, GROUND CONTROL SPX	1
12	1254807GT	DECAL,LABEL,112 DB	1
13	1255581GT	DECAL,COSMETIC, 10" GENIE BLUE	1
14	1263542GT	DECAL,IMPROPER OPERATION,SYMBOL	2
15	1263544GT	DECAL, BYPASS KEY SWITCH	1
16	1263545GT	DECAL, INSTR-BYPASS KEY SWITCH	1
17	1272242GT	DECAL,MACHINE REGISTRATION/OWN	1
18	1275215GT	DECAL,BOOM SUPPORT	1
19	1279839GT	DECAL, STOW PROCEDURE, SX-125 XC	1
20	1287517GT	DECAL,TRANSITION PERIOD DEUTZ ENGINE	1
21	1291624GT	DECAL COSM,GENIE LIFT CONNECT,LEXAN COVER	1
22	1292512GT	DECAL COSM,GENIE LIFT CONNECT,ESN,SKU4-1	1
23	1292513GT	DECAL COSM,GENIE LIFT CONNECT,ESN,SKU4-2	1
24	1292514GT	DECAL COSM,GENIE LIFT CONNECT,ESN,SKU4-3	1
25	1292515GT	DECAL COSM,GENIE LIFT CONNECT,ESN,SKU4-4	1
26	1296907GT	DECAL, WARNING, DPF AND EAT FAULT	1
27	1298096GT	DECAL,E DOWN PROCEDURE,SYM SX-125CX	1
28	1302115GT	QRCode Genie AWP (Chinese Market)	1



112.1 Decals with symbols, SX-105 XC, Hydraulic Tank Side (chassis) (ANSI & CE)

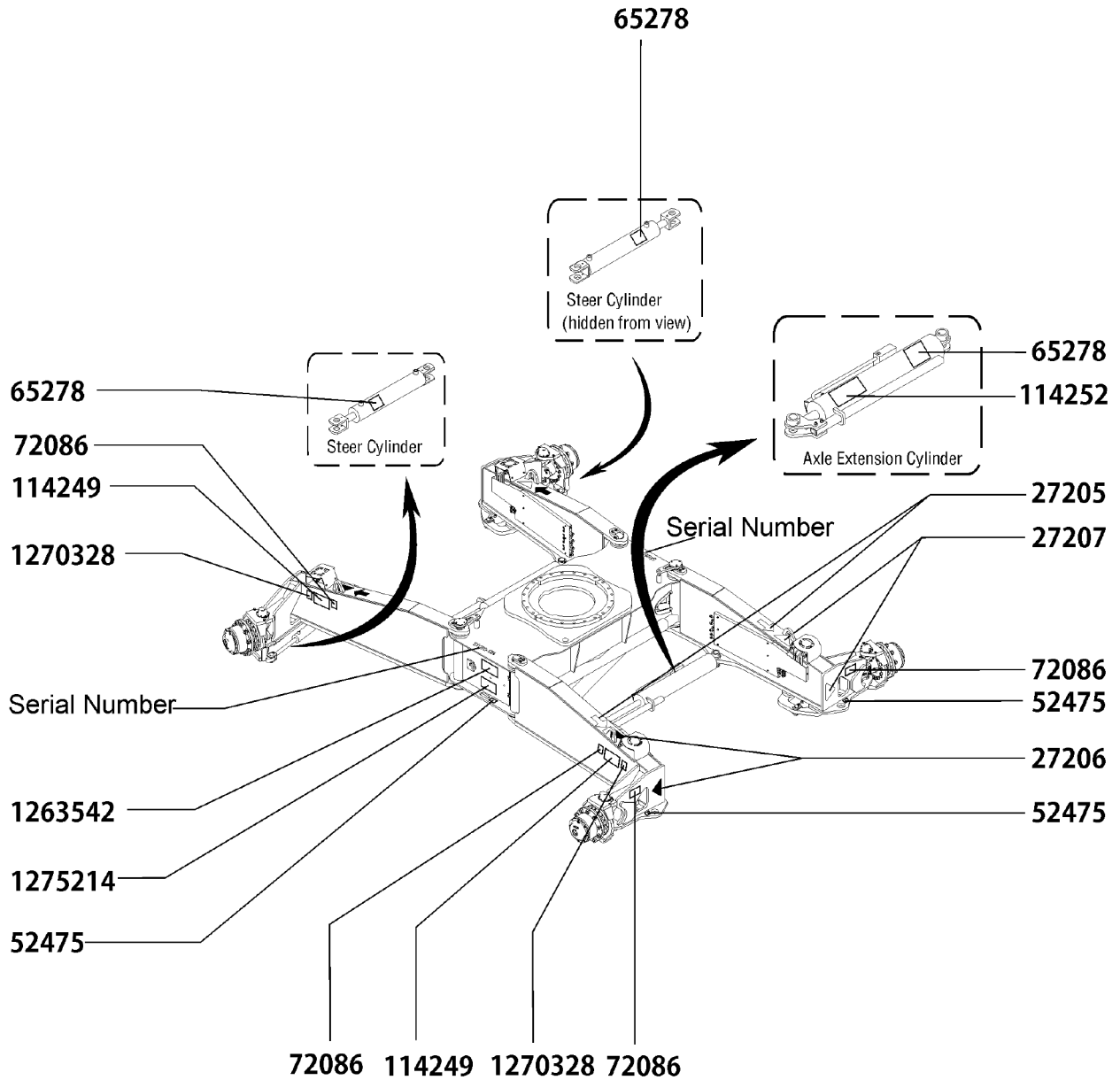


112.1 Decals with symbols, SX-105 XC, Hydraulic Tank Side (chassis) (ANSI & CE)

<i>Item</i>	<i>Part No.</i>	<i>Description</i>	<i>Qty.</i>
1	27205GT	DECAL,ARROW YELLOW LRG 9"	2
2	27206GT	DECAL,TRIANGLE,BLUE	2
3	27207GT	DECAL,TRIANGLE,YELLOW	2
4	52475GT	DECAL LABEL TRANSPORT TIE DOWN*	3
5	65278GT	DECAL,CAUTION,NO STEP	3
6	72086GT	DECAL,LABEL,LIFTING EYE	4
7	114249GT	DECAL,LABEL,TIPOVER,TIRES,SYMB	2
8	114252GT	DECAL,LABEL,TIP OVER LMT SWTCH	1
9	1263542GT	DECAL,IMPROPER OPERATION,SYMBOL	1
10	1270329GT	DECAL,LABEL,WHEEL LOAD,SX-105	2
11	1275214GT	DECAL,TRANSPORT & LIFT DIAGRAM, SX-125	1



113.1 Decals with symbols, SX-125 XC, Hydraulic Tank Side (chassis) (ANSI & CE)

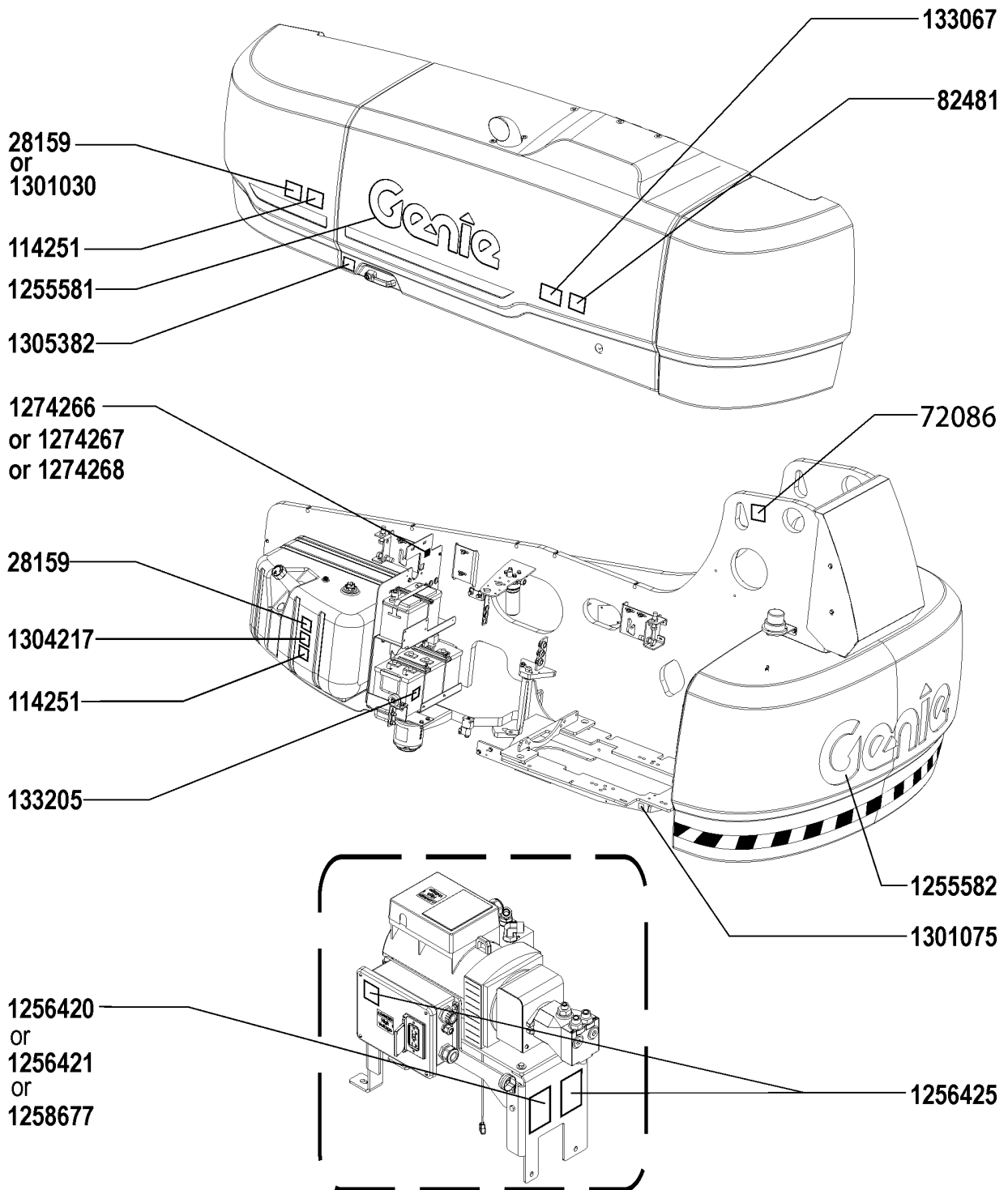


113.1 Decals with symbols, SX-125 XC, Hydraulic Tank Side (chassis) (ANSI & CE)

<i>Item</i>	<i>Part No.</i>	<i>Description</i>	<i>Qty.</i>
1	27205GT	DECAL,ARROW YELLOW LRG 9"	2
2	27206GT	DECAL,TRIANGLE,BLUE	2
3	27207GT	DECAL,TRIANGLE,YELLOW	2
4	52475GT	DECAL LABEL TRANSPORT TIE DOWN*	3
5	65278GT	DECAL,CAUTION,NO STEP	3
6	72086GT	DECAL,LABEL,LIFTING EYE	4
7	114249GT	DECAL,LABEL,TIPOVER,TIRES,SYMB	2
8	114252GT	DECAL,LABEL,TIP OVER LMT SWTCH	1
9	1263542GT	DECAL,IMPROPER OPERATION,SYMBOL	1
10	1270328GT	DECAL,LABEL,WHEEL LOAD,SX-125	2
11	1275214GT	DECAL,TRANSPORT & LIFT DIAGRAM, SX-125	1



114.1 Decals with Symbols, Engine Side (ANSI & CE)

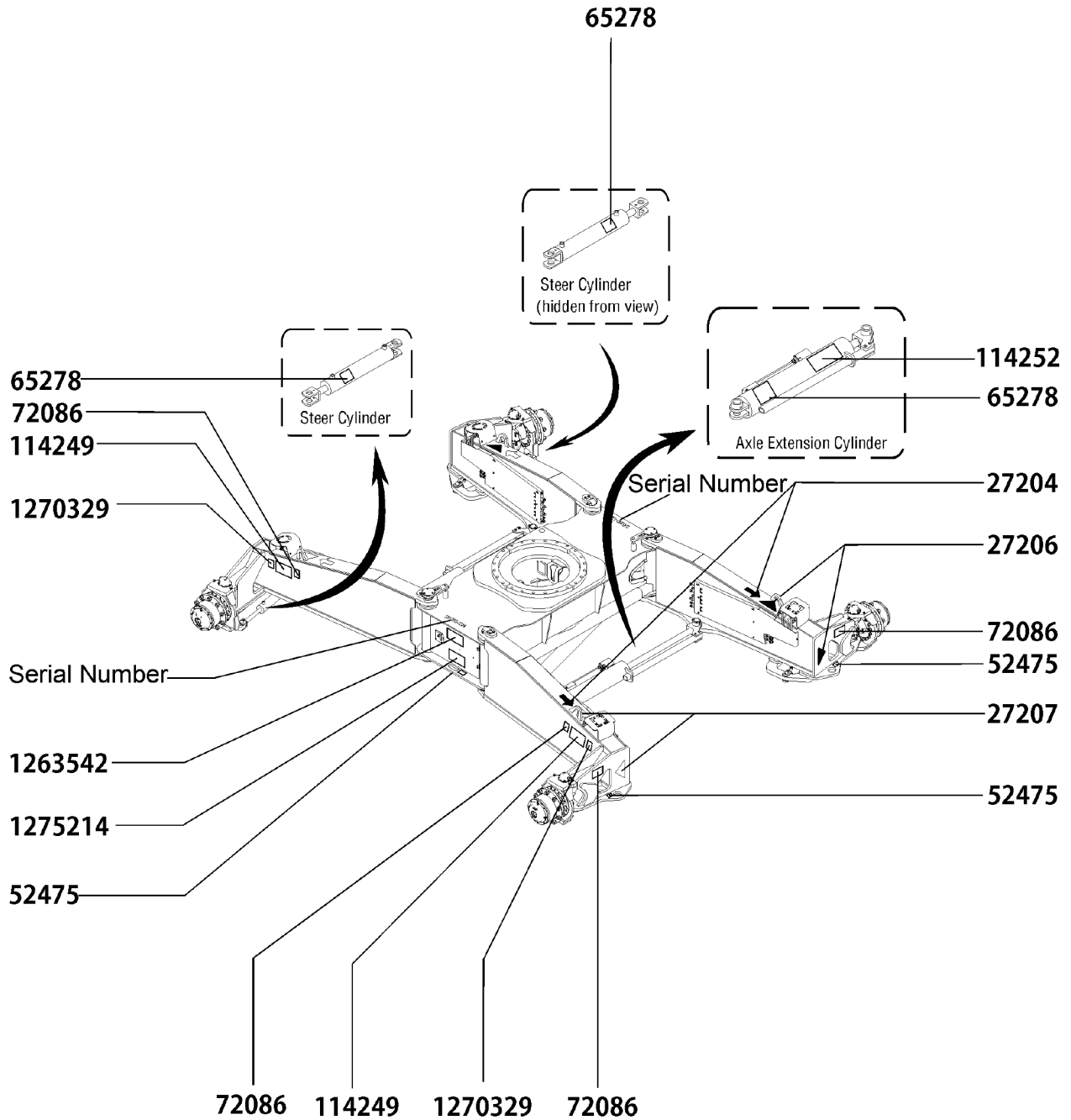


114.1 Decals with Symbols, Engine Side (ANSI & CE)

Item	Part No.	Description	Qty.
1	28159GT	DECAL,LABEL,DIESEL FUEL	2
2	82481GT	DECAL,SYMBOL-BATTERY SAFETY	1
3	72086GT	DECAL,LABEL,LIFTING EYE	1
4	114251GT	DECAL,LABEL,NO SMOKING,SYMB	2
5	133067GT	DECAL,DANGER,ELEC.HAZ.STAY CLR	1
6	133205GT	DECAL,LABEL, ELECTRO HAZARD	1
7	1255581GT	DECAL,COSMETIC, 10" GENIE BLUE	1
8	1255582GT	DECAL COSMETIC,15" GENIE BLUE	1
9	1256420GT	DECAL, POWER TO PLATFORM, 208V/115V 60HZ	1
10	1256421GT	DECAL, POWER TO PLATFORM, 220V	1
11	1256425GT	DECAL, DANGER, ELECTROCUTION HAZARD, SYMBOL	2
12	1258677GT	DECAL, POWER TO PLATFORM, 240V 50HZ	1
13	1274266GT	DECAL,VEC,DEUTZ 2.9	1
		Deutz T2.9	
14	1274267GT	DECAL,VEC,PERKINS 854	1
		Perkins 854	
15	1274268GT	DECAL,VEC,DEUTZTD2011/PERK1104	1
		Deutz TD2011/Perkins 1104	
16	1301030GT	DECAL, LABEL, ULSD DIESEL FUEL	1
17	1301075GT	DECAL, CENTER THE RAW AIR HOSE	1
18	1304217GT	DECAL, EXPLOSION HAZARD	1
19	1305382GT	STAGE V IDENTIFICATION LABEL	1



115.1 Decals with Symbols, SX-105 XC, Engine Side (chassis) (ANSI & CE)

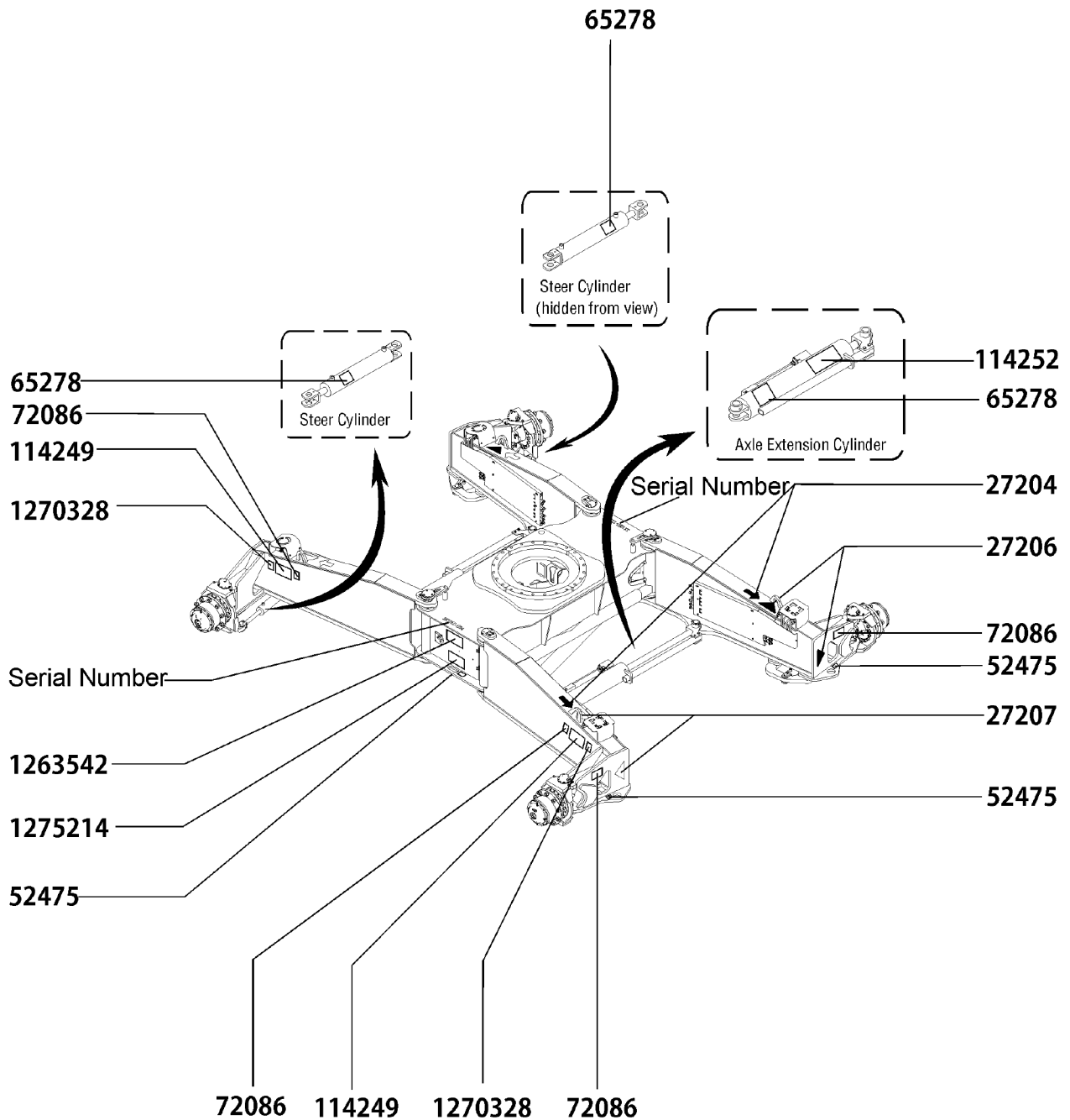


115.1 Decals with Symbols, SX-105 XC, Engine Side (chassis) (ANSI & CE)

<i>Item</i>	<i>Part No.</i>	<i>Description</i>	<i>Qty.</i>
1	27204GT	DECAL,ARROW BLUE	2
2	27206GT	DECAL,TRIANGLE,BLUE	2
3	27207GT	DECAL,TRIANGLE,YELLOW	2
4	52475GT	DECAL LABEL TRANSPORT TIE DOWN*	3
5	65278GT	DECAL,CAUTION,NO STEP	3
6	72086GT	DECAL,LABEL,LIFTING EYE	4
7	114249GT	DECAL,LABEL,TIPOVER,TIRES,SYMB	2
8	114252GT	DECAL,LABEL,TIP OVER LMT SWTCH	1
9	1263542GT	DECAL,IMPROPER OPERATION,SYMBOL	1
10	1270329GT	DECAL,LABEL,WHEEL LOAD,SX-105	2
11	1275214GT	DECAL,TRANSPORT & LIFT DIAGRAM, SX-125	1



116.1 Decals with Symbols, SX-125 XC, Engine Side (chassis) (ANSI & CE)



116.1 Decals with Symbols, SX-125 XC, Engine Side (chassis) (ANSI & CE)

<i>Item</i>	<i>Part No.</i>	<i>Description</i>	<i>Qty.</i>
1	27204GT	DECAL,ARROW BLUE	2
2	27206GT	DECAL,TRIANGLE,BLUE	2
3	27207GT	DECAL,TRIANGLE,YELLOW	2
4	52475GT	DECAL LABEL TRANSPORT TIE DOWN*	3
5	65278GT	DECAL,CAUTION,NO STEP	3
6	72086GT	DECAL,LABEL,LIFTING EYE	4
7	114249GT	DECAL,LABEL,TIPOVER,TIRES,SYMB	2
8	114252GT	DECAL,LABEL,TIP OVER LMT SWTCH	1
9	1263542GT	DECAL,IMPROPER OPERATION,SYMBOL	1
10	1270328GT	DECAL,LABEL,WHEEL LOAD,SX-125	2
11	1275214GT	DECAL,TRANSPORT & LIFT DIAGRAM, SX-125	1

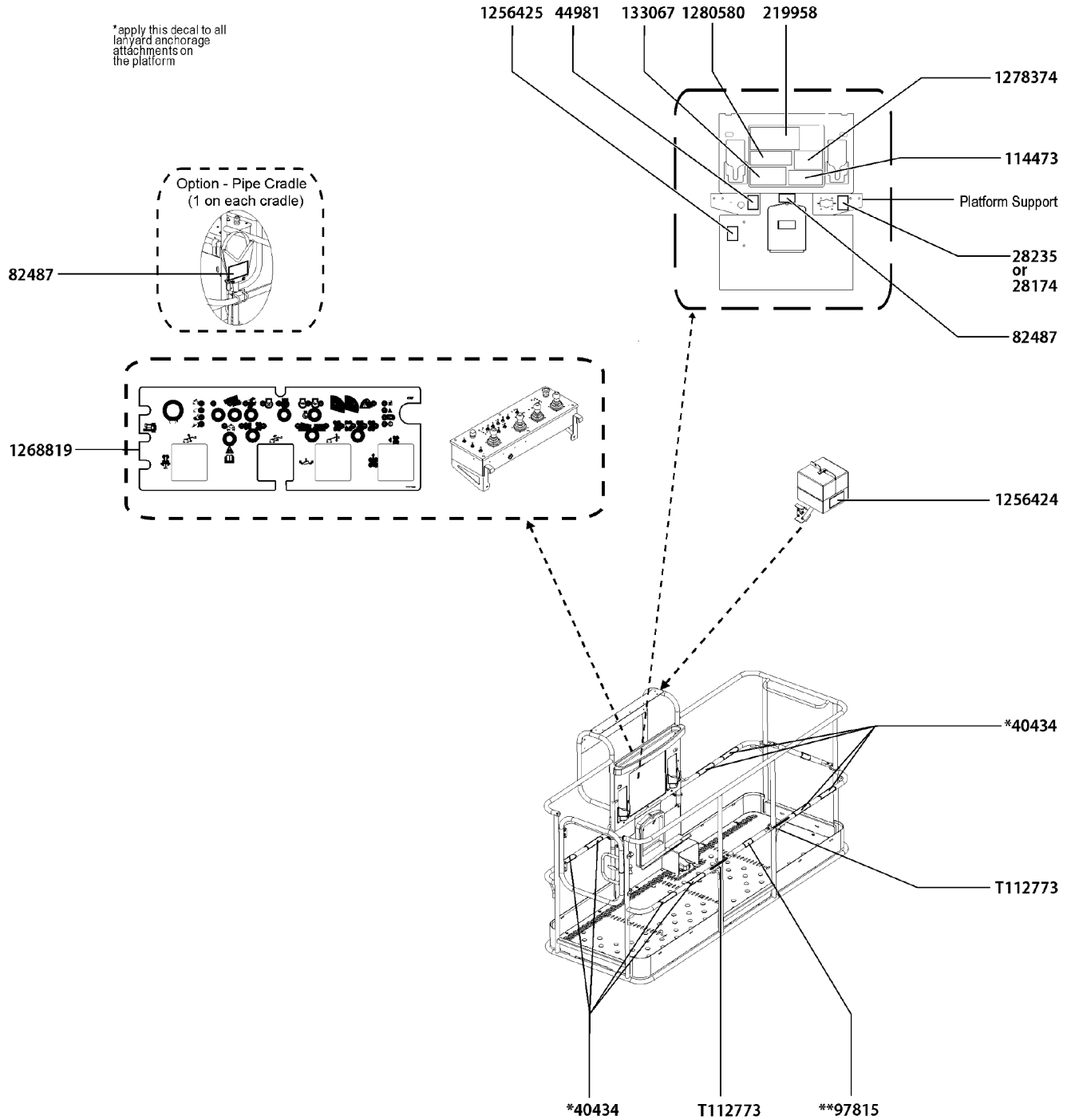


117.1 Decals with Symbols, SX-105 XC, Platform (ANSI & CE) (to SN SX125D-775)

■ Shading indicates decal is hidden from view.

**apply to all three midrails on tri-the platform

*apply this decal to all lanyard anchorage attachments on the platform



117.1 Decals with Symbols, SX-105 XC, Platform (ANSI & CE) (to SN SX125D-775)

<i>Item</i>	<i>Part No.</i>	<i>Description</i>	<i>Qty.</i>
1	28174GT	DECAL,POWER TO PLATFORM 230V Option, Europe except UK	1
2	28235GT	DECAL,POWER TO PLATFORM 115V Option, US and UK	1
3	40434GT	DECAL,LANYARD ANCHORAGE POINT	2
4	44981GT	DECAL LABEL AIRLINE 110PSI	1
5	82487GT	DECAL,SYMBOL-READ THE MANUAL	2
6	97815GT	DECAL,LABEL,LOWER MIDRAIL	2
7	114473GT	DECAL,DANGER,ELEC.HAZ.STAY CLR	1
8	133067GT	DECAL,DANGER,ELEC.HAZ.STAY CLR	1
9	219958GT	DECAL,TIP-OVER,CRUSH	1
10	1256424GT	DECAL, DANGER, TIP-OVER HAZARD	1
11	1256425GT	DECAL, DANGER, ELECTROCUTION HAZARD, SYMBOL	1
12	1268819GT	DECAL, PCON LID,SX105/125	1
13	1278374GT	DECAL,SLOPE RATING SYM,SX125	1
14	1280580GT	DECAL,INST PLAT CAP,SX-105 XC,SYM	1
15	T112773GT	TAPE, PROTECTIVE MASK	2

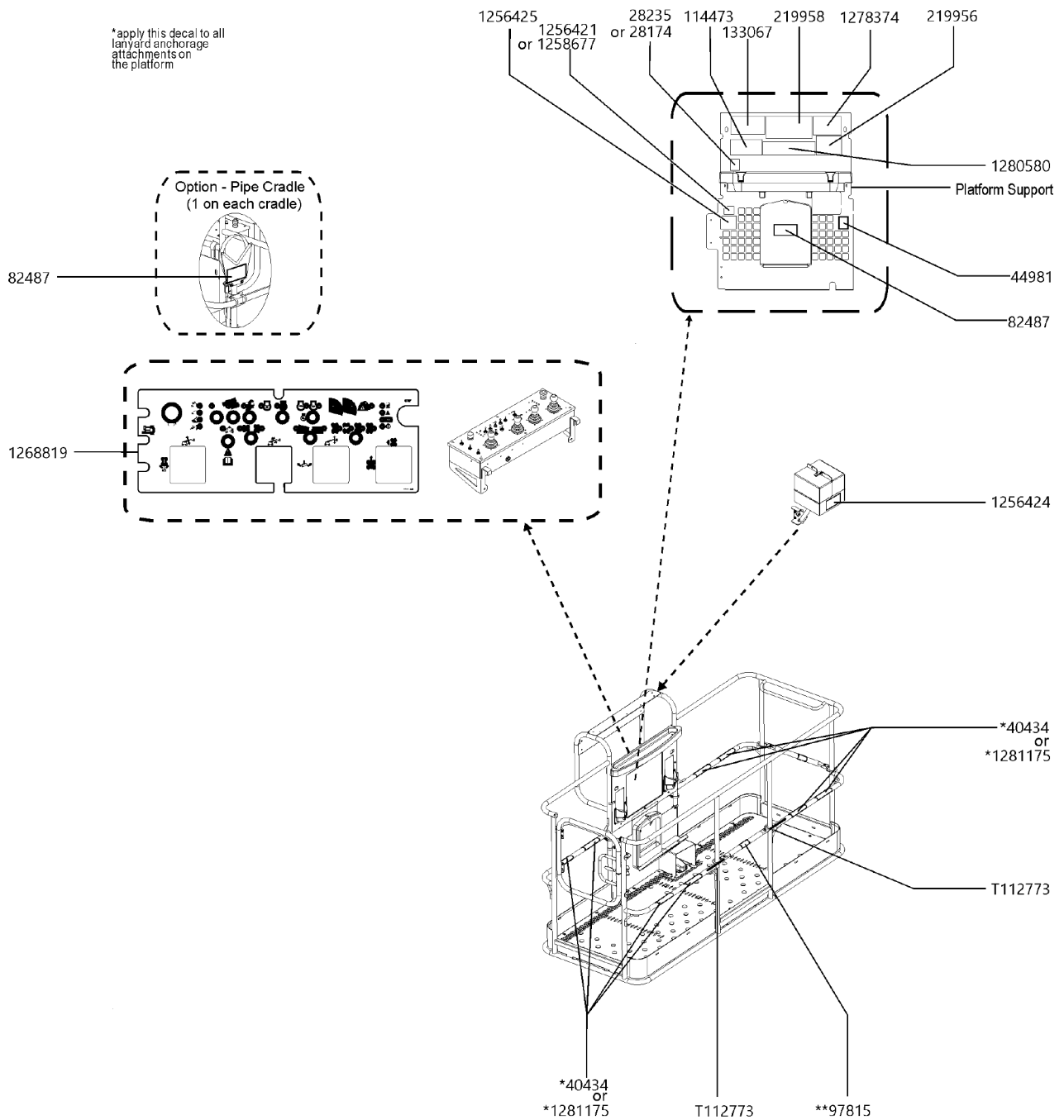


117.2 Decals with Symbols, SX-105 XC, Platform (ANSI & CE) (from SN SX125D-776)

■ Shading indicates decal is hidden from view.

**apply to all three midrails on tri-the platform

*apply this decal to all lanyard anchorage attachments on the platform



117.2 Decals with Symbols, SX-105 XC, Platform (ANSI & CE) (from SN SX125D-776)

Item	Part No.	Description	Qty.
1	28174GT	DECAL,POWER TO PLATFORM 230V Option, Europe except UK	1
2	28235GT	DECAL,POWER TO PLATFORM 115V Option, US and UK	1
3	40434GT	DECAL,LANYARD ANCHORAGE POINT to SN SX105D-2295, to SN SX125D-2291)	8
3B	1281175GT	DECAL,LANYARD,FALL RESTRAINED from SN SX105D-2296, from SN SX125D-2292)	8
4	44981GT	DECAL LABEL AIRLINE 110PSI	1
5	82487GT	DECAL,SYMBOL-READ THE MANUAL	2
6	97815GT	DECAL,LABEL,LOWER MIDRAIL	2
7	114473GT	DECAL,DANGER,ELEC.HAZ.STAY CLR	1
8	133067GT	DECAL,DANGER,ELEC.HAZ.STAY CLR	1
9	219956GT	DECAL,PLATFORM OVERLOAD	1
10	219958GT	DECAL,TIP-OVER,CRUSH	1
11	1256421GT	DECAL, POWER TO PLATFORM, 220V	1
12	1256424GT	DECAL, DANGER, TIP-OVER HAZARD	1
13	1256425GT	DECAL, DANGER, ELECTROCUTION HAZARD, SYMBOL	1
14	1258677GT	DECAL, POWER TO PLATFORM, 240V 50HZ	1
15	1268819GT	DECAL, PCON LID,SX105/125	1
16	1278374GT	DECAL,SLOPE RATING SYM,SX125	1
17	1280580GT	DECAL,INST PLAT CAP,SX-105 XC,SYM	1
18	T112773GT	TAPE, PROTECTIVE MASK	2

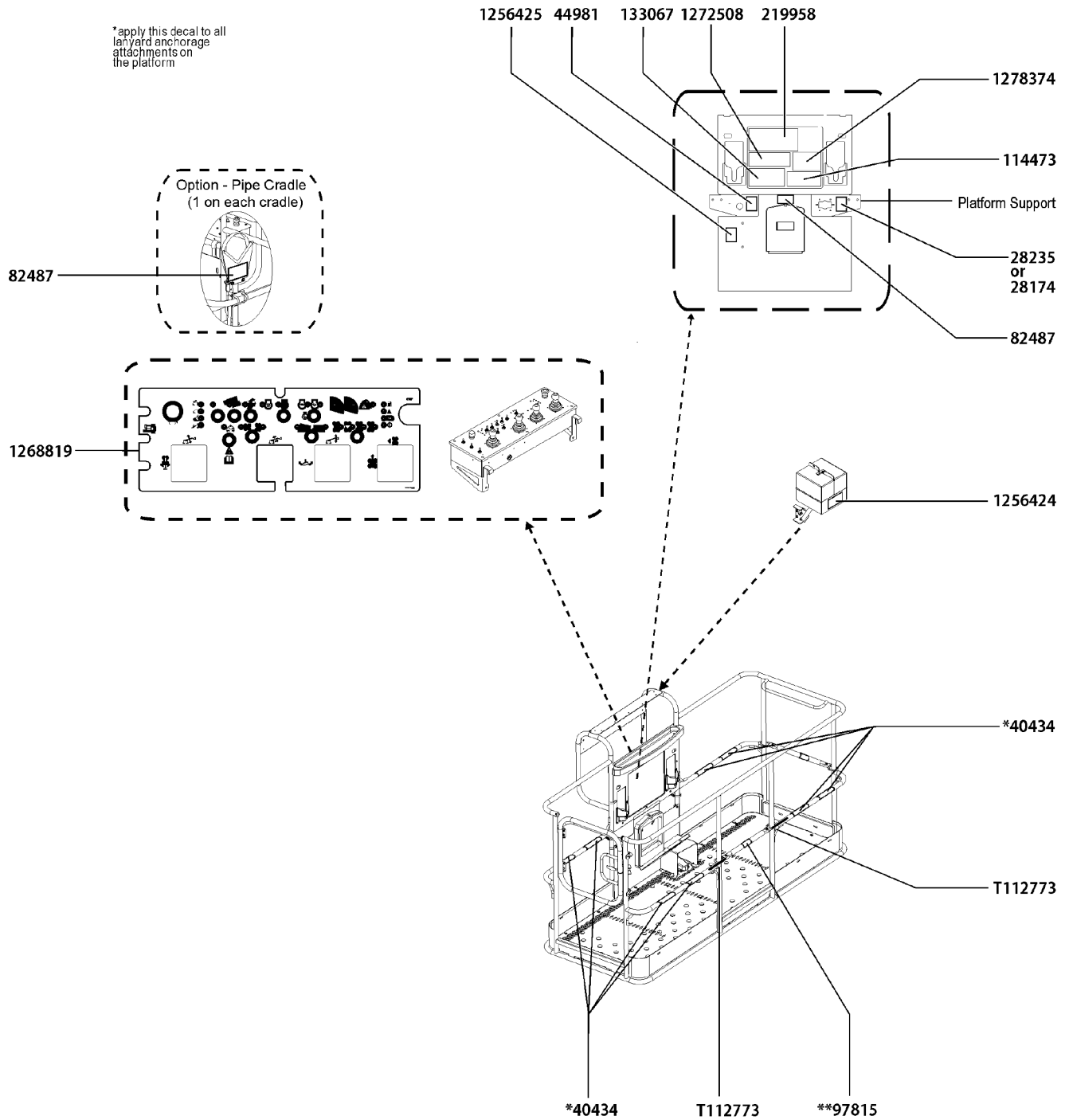


118.1 Decals with Symbols, SX-125 XC, Platform (ANSI & CE) (to SN SX125D-775)

■ Shading indicates decal is hidden from view.

**apply to all three midrails on tri-the platform

*apply this decal to all lanyard anchorage attachments on the platform

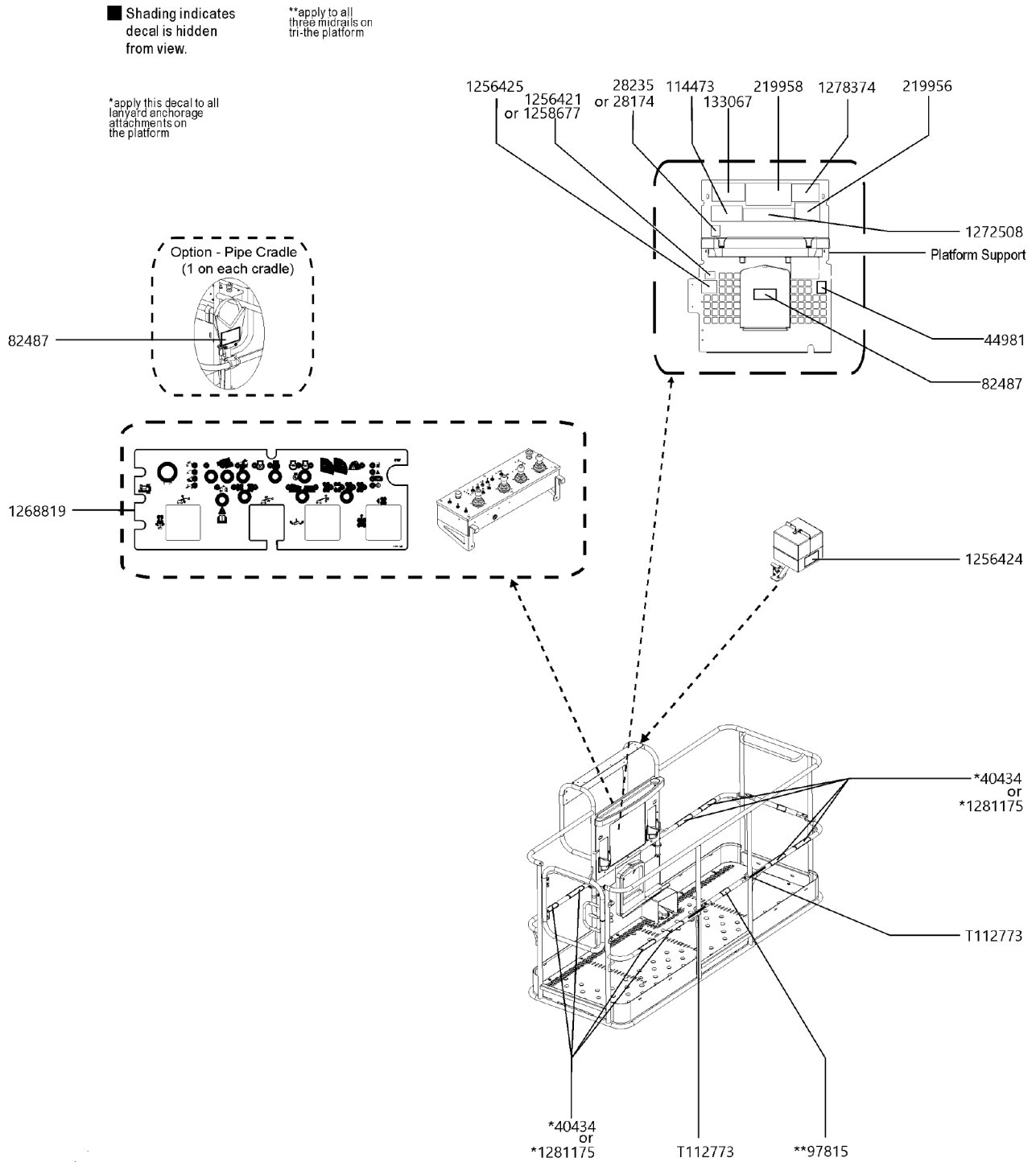


118.1 Decals with Symbols, SX-125 XC, Platform (ANSI & CE) (to SN SX125D-775)

<i>Item</i>	<i>Part No.</i>	<i>Description</i>	<i>Qty.</i>
1	28174GT	DECAL,POWER TO PLATFORM 230V Option, Europe except UK	1
2	28235GT	DECAL,POWER TO PLATFORM 115V Option, US and UK	1
3	40434GT	DECAL,LANYARD ANCHORAGE POINT	2
4	44981GT	DECAL LABEL AIRLINE 110PSI	1
5	82487GT	DECAL,SYMBOL-READ THE MANUAL	2
6	97815GT	DECAL,LABEL,LOWER MIDRAIL	2
7	114473GT	DECAL,DANGER,ELEC.HAZ.STAY CLR	1
8	133067GT	DECAL,DANGER,ELEC.HAZ.STAY CLR	1
9	219958GT	DECAL,TIP-OVER,CRUSH	1
10	1256424GT	DECAL, DANGER, TIP-OVER HAZARD	1
11	1256425GT	DECAL, DANGER, ELECTROCUTION HAZARD, SYMBOL	1
12	1268819GT	DECAL, PCON LID,SX105/125	1
13	1272508GT	DECAL,INST PLAT CAP,SX125,SYM	1
14	1278374GT	DECAL,SLOPE RATING SYM,SX125	1
15	T112773GT	TAPE, PROTECTIVE MASK	2



118.2 Decals with Symbols, SX-125 XC, Platform (ANSI & CE) (from SN SX125D-776)

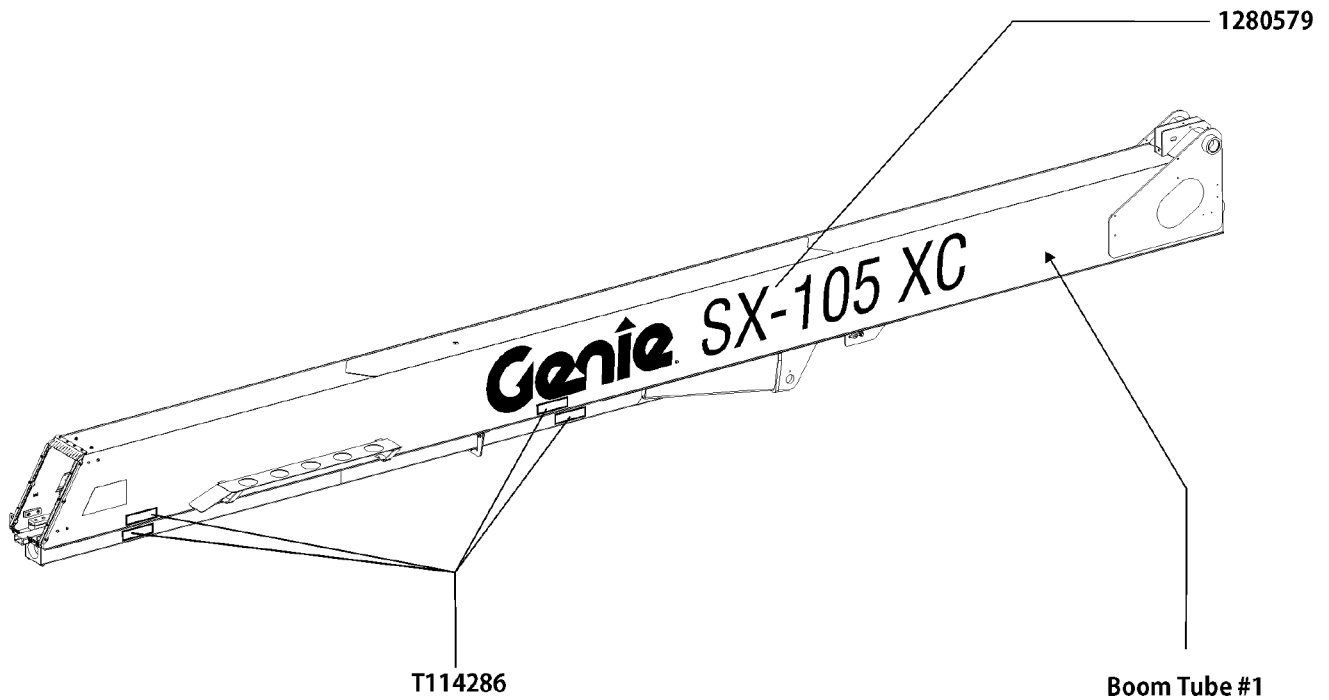
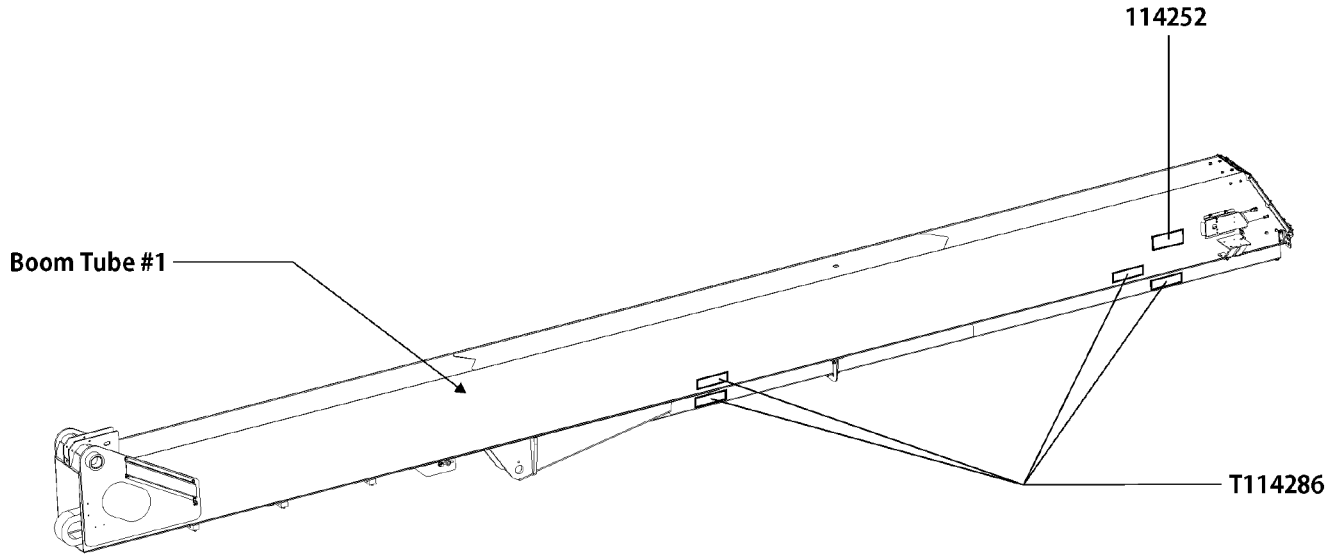


118.2 Decals with Symbols, SX-125 XC, Platform (ANSI & CE) (from SN SX125D-776)

Item	Part No.	Description	Qty.
1	28174GT	DECAL,POWER TO PLATFORM 230V Option, Europe except UK	1
2	28235GT	DECAL,POWER TO PLATFORM 115V Option, US and UK	1
3	40434GT	DECAL,LANYARD ANCHORAGE POINT to SN SX105D-2295, to SN SX125D-2291	8
3B	1281175GT	DECAL,LANYARD,FALL RESTRAINED from SN SX105D-2296, from SN SX125D-2292	8
4	44981GT	DECAL LABEL AIRLINE 110PSI	1
5	82487GT	DECAL,SYMBOL-READ THE MANUAL	2
6	97815GT	DECAL,LABEL,LOWER MIDRAIL	2
7	114473GT	DECAL,DANGER,ELEC.HAZ.STAY CLR	1
8	133067GT	DECAL,DANGER,ELEC.HAZ.STAY CLR	1
9	219956GT	DECAL,PLATFORM OVERLOAD	1
10	219958GT	DECAL,TIP-OVER,CRUSH	1
11	1256421GT	DECAL, POWER TO PLATFORM, 220V	1
12	1256424GT	DECAL, DANGER, TIP-OVER HAZARD	1
13	1256425GT	DECAL, DANGER, ELECTROCUTION HAZARD, SYMBOL	1
14	1258677GT	DECAL, POWER TO PLATFORM, 240V 50HZ	1
15	1268819GT	DECAL, PCON LID,SX105/125	1
16	1272508GT	DECAL,INST PLAT CAP,SX125,SYM	1
17	1278374GT	DECAL,SLOPE RATING SYM,SX125	1
18	T112773GT	TAPE, PROTECTIVE MASK	2



119.1 Decals with Symbols, SX-105 XC, Boom (ANSI & CE)

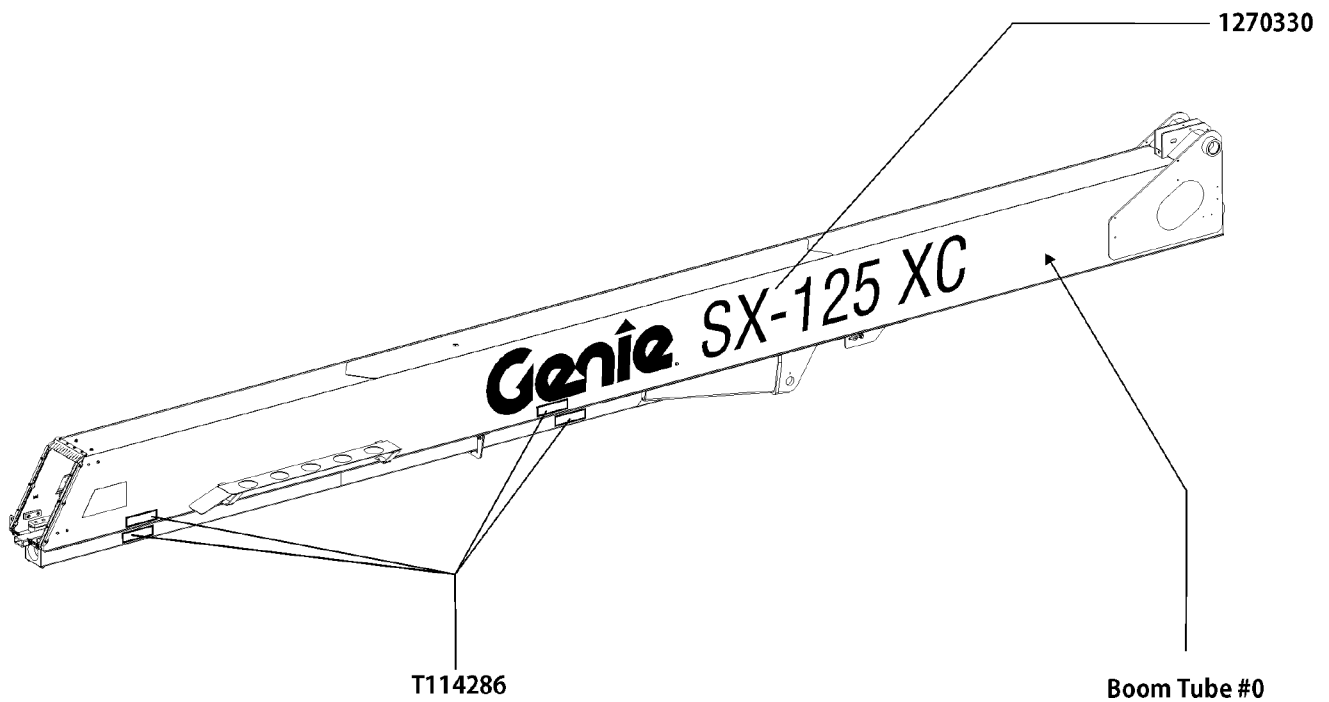
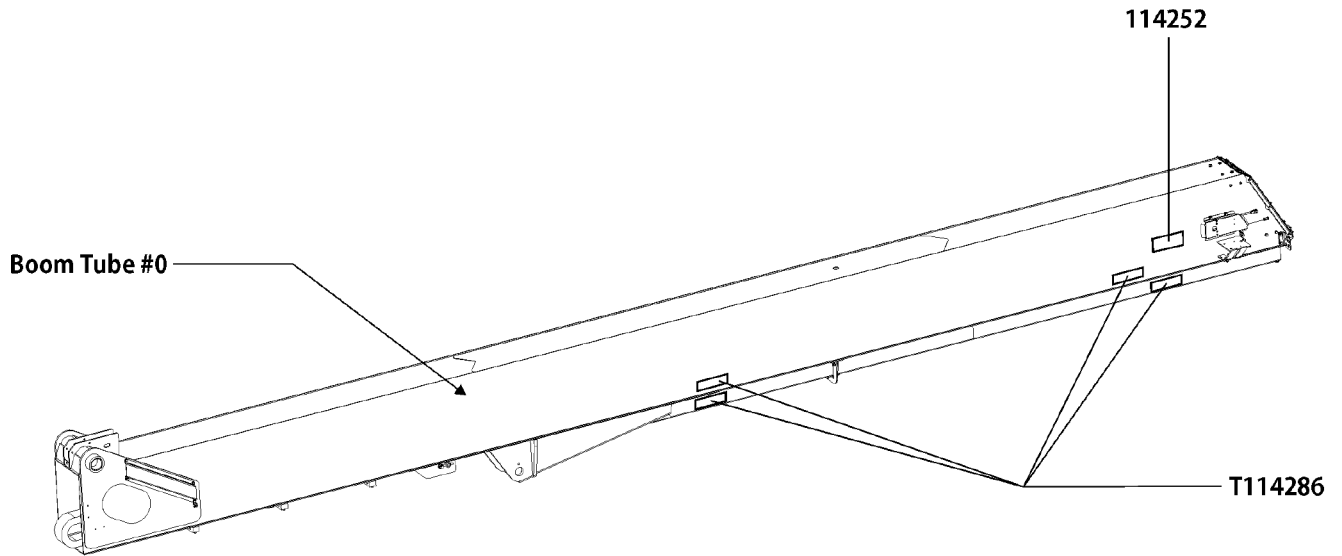


119.1 Decals with Symbols, SX-105 XC, Boom (ANSI & CE)

<i>Item</i>	<i>Part No.</i>	<i>Description</i>	<i>Qty.</i>
A-	1297414GT	DECAL KIT,SX105/125 XC PLAT,SYM	
1	114252GT	DECAL,LABEL,TIP OVER LMT SWTCH	1
2	1280579GT	DECAL,COSMETIC,GENIE SX-105 XC	1
3	T114286GT	DECAL.WARN,INSTAL COVER,SYM	8



120.1 Decals with Symbols, SX-125 XC, Boom (ANSI & CE)

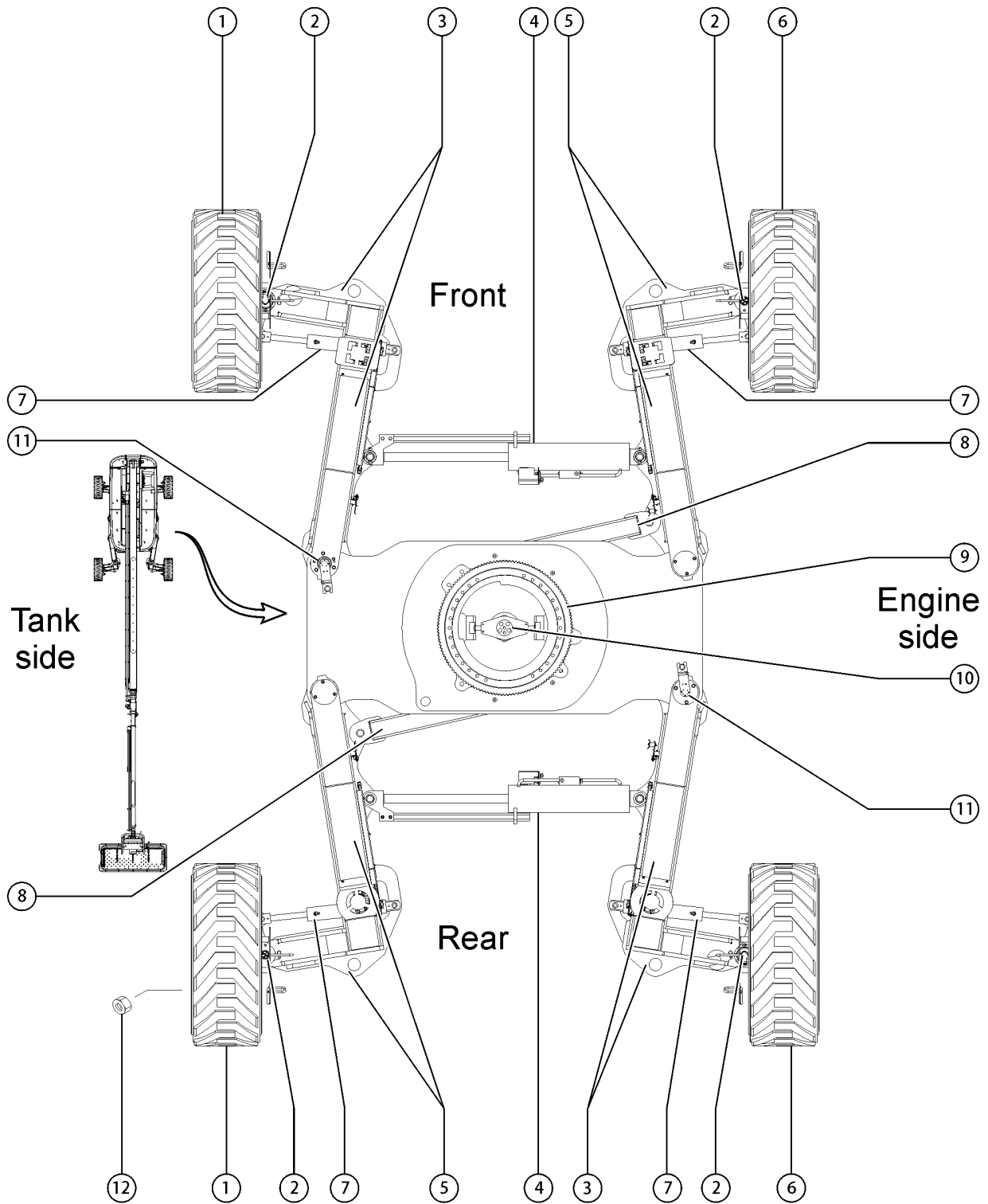


120.1 Decals with Symbols, SX-125 XC, Boom (ANSI & CE)

<i>Item</i>	<i>Part No.</i>	<i>Description</i>	<i>Qty.</i>
A-	1297414GT	DECAL KIT,SX105/125 XC PLAT,SYM	
1	114252GT	DECAL,LABEL,TIP OVER LMT SWTCH	1
2	1270330GT	DECAL,COSMETIC,GENIE SX-125	1
3	T114286GT	DECAL.WARN,INSTAL COVER,SYM	8



201.1 Chassis Components, Top View

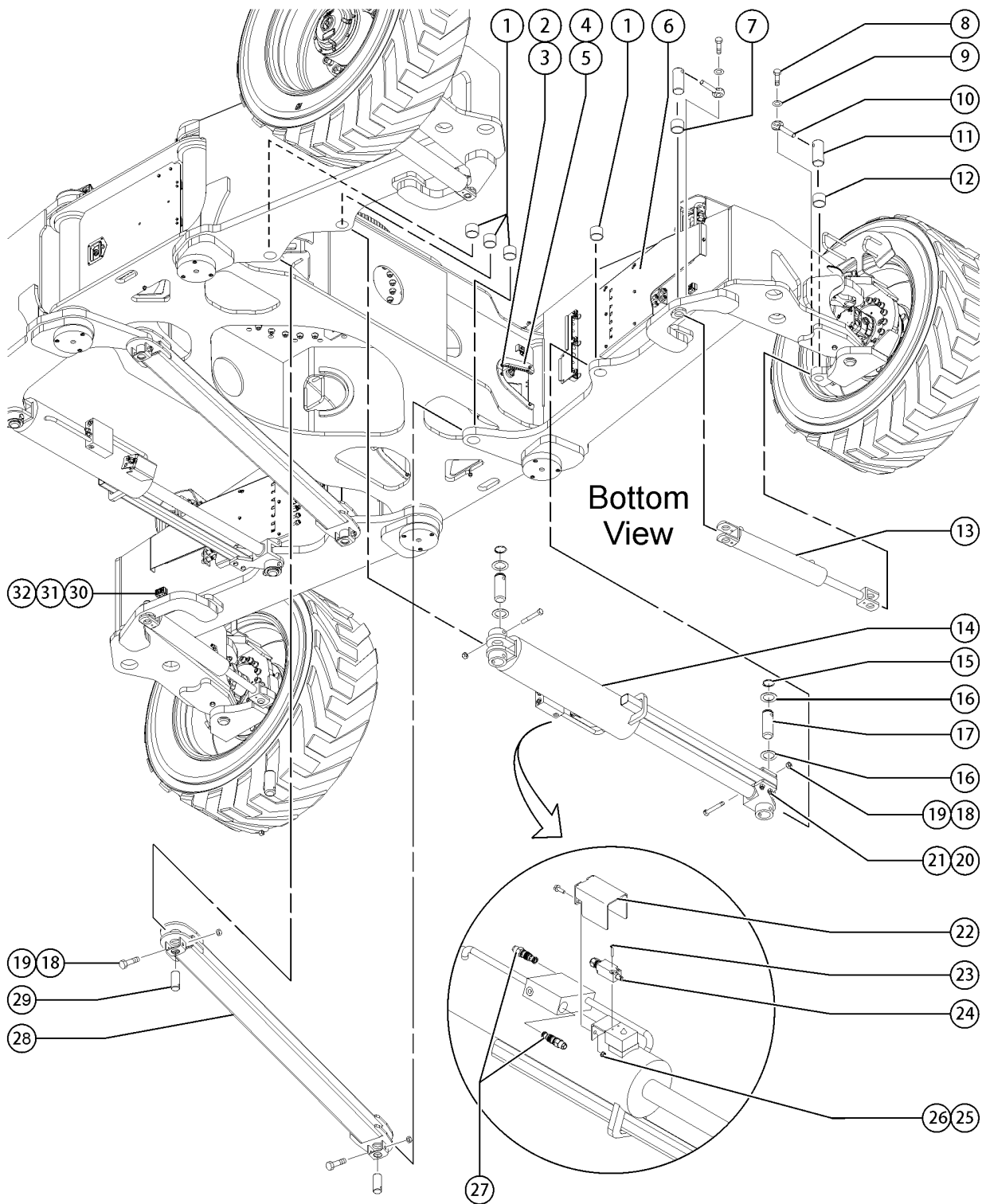


201.1 Chassis Components, Top View

Item	Part No.	Description	Qty.
1	60957GT	TIRE & WHEEL ASSY.LEFT,FOAM SX-105 XC, Tank side only	2
1A-	61575GT	TIRE,385/65 D22.5, 16 PLY	
1A-	61574GT	WHEEL 11.75 X 22.5	
1B	T111702GT	ASSY,TIRE,445D50/710,LH SX-125 XC, Tank side only	2
1B-	T111704GT	WHEEL,28 X 15 X.875 OFFSET	
1B-	101234GT	TIRE,445D50/710,18PR	
2		Ref. ASSY, ANGLE SENSOR AND COVER (Refer to 205.1)	4
3	1280315GT	ASSY,SX-105 XC AXLE AND YOKE, RFLR SX-105 XC	2
3B	1263488GT	ASSY,SX/ZX AXLE AND YOKE, LFRR SX-125 XC	2
4		Ref. ASSEMBLY,CYL,AXLE EXTEND,SX/ZX (Refer to 202.1)	2
5	1280316GT	ASSY,SX-105 XC AXLE AND YOKE, LFRR SX-105 XC	2
5B	1263487GT	ASSY,SX/ZX AXLE AND YOKE, RFLR	2
6	60956GT	TIRE & WHEEL ASSY.RIGHT,FOAM SX-105 XC, Engine side only	2
6A-	61574GT	WHEEL 11.75 X 22.5	
6A-	61575GT	TIRE,385/65 D22.5, 16 PLY	
6B	T111703GT	ASSY,TIRE,445D50/710,RH SX-125 XC, Engine side only	2
6B-	T111704GT	WHEEL,28 X 15 X.875 OFFSET	
6B-	101234GT	TIRE,445D50/710,18PR	
7		Ref. ASSEMBLY,CYL,STEER,SX/ZX (Refer to 202.1)	4
8		Ref. WELDMENT, TIMING LINK (Refer to 202.1)	2
9		Ref. BEARING,TURNTABLE. (Refer to 309.1)	
10		Ref. HYDRAULIC SWIVEL (Refer to 309.1)	1
11		Ref. Axle sensors (Refer to 203.1)	2
12	1259931GT	NUT,LUG,3/4-16 X 7/8 RADIUS,ZA	40



202.1 Chassis Components, Bottom View

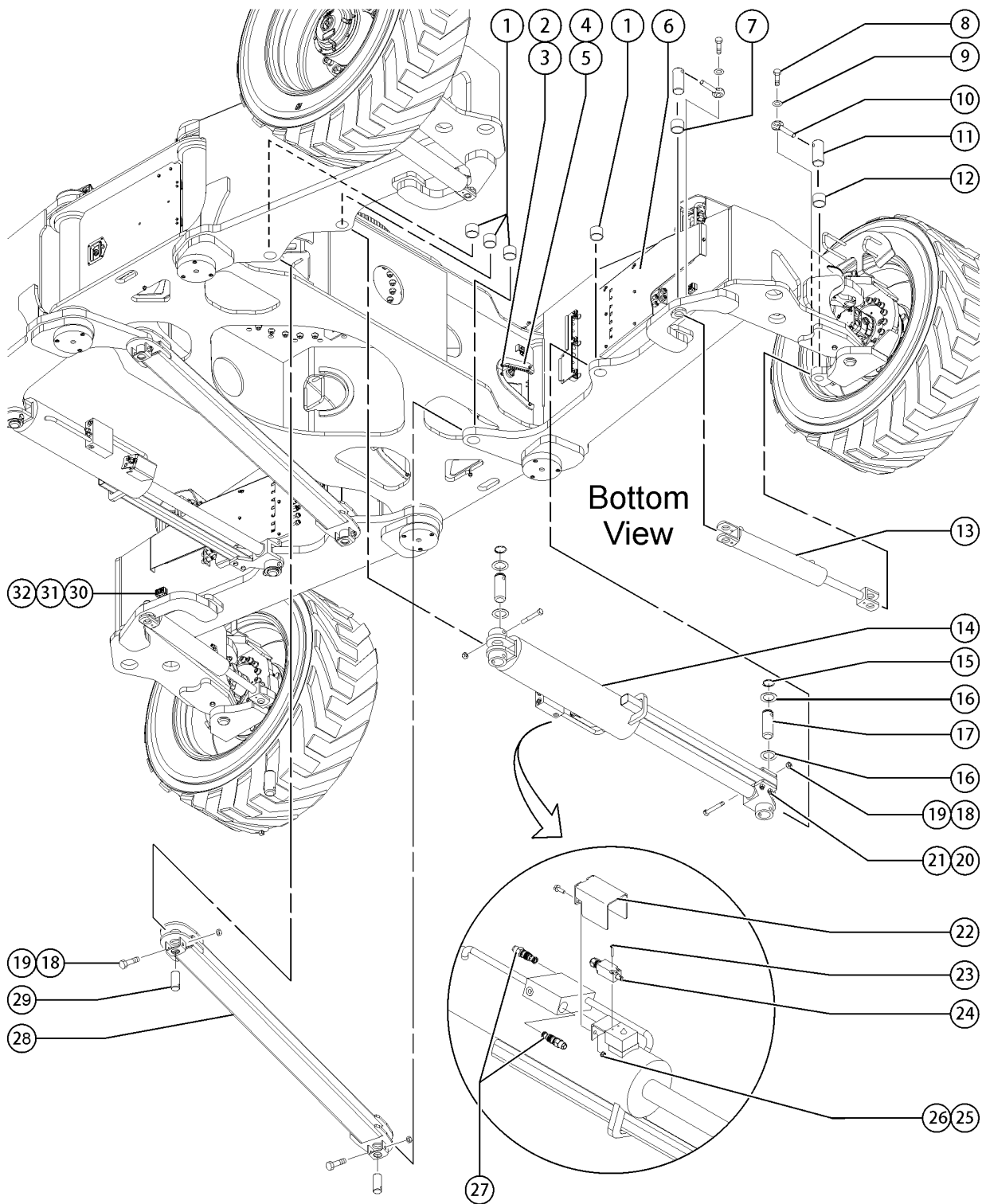


202.1 Chassis Components, Bottom View

Item	Part No.	Description	Qty.
1	229532GT	BEARING, 50ID X 58OD X 40LG	8
2	232886GT	SCREW,HHF,M6-1.0X40,DIN6921,10.9,ZAB (to SN SX125D-1645)	
3	231513GT	NUT,TL FLG,M6-1.0,DIN6927,10,Z	
4	217481GT	WEAR GUARD,PLASTIC,HYD HOSE,1 (Top wear guard), (to SN SX125D-1645)	8
5	217482GT	WEAR GUARD,PLASTIC,HYD HOSE,2 (Bottom wear guard), (to SN SX125D-1645)	8
6		Ref. FORMING, HYD TUBE COVER (Refer to 204.1)	
7	235314GT	BEARING, 35ID X 41OD X 52LG	4
8	825351GT	SCREW,HHC,M10-1.5X20,DIN933,10.9,ZAB	
9	824142GT	SCREW, HHF, 3/8-16 X 1.25, 8, ZAG	
10	1255452GT	ROD END,.375 X 2.25,ZAG	8
11	229462GT	PIN, 35MM X 105MM, 1 HOLE	8
12	229466GT	BEARING,35ID X 41OD X 40LG	4
13	229461GT	CYLINDER, STEER	4
13-	237819GT	SEAL KIT	
14	1263453GT	CYLINDER, AXLE EXTEND, SX	2
14-	106742GT	SEAL KIT,CYL (98147)*** for cylinder 1263453	
14-	T107366GT	ASSY,LIM.SW.ACTUATOR BLOCK*** Includes actuator part 110481 and seal kit part 110482	
14-	110481GT	LIMIT SWITCH ACTUATOR BLOCK Block only; for T107366	
14-	110482GT	LS ACTUATOR BLOCK SEAL KIT Seal kit for actuator block part 110481	
14-	1306104GT	AXLE EXTENSION SQUARE TUBE	
15	1253816GT	SNAP RING,EXTERNAL,M50,ZAB	4
16	237827GT	WASHER,FLAT,2.00X3.00X.075,ZAG	
17	229465GT	PIN, 50MM DIA X 140MM, 1HOLE,	4
18	1255658GT	NUT,TL,M14-2.0,DIN980,10,ZAB	
19	237828GT	SCREW,HHC,M14X100,DIN931,8.8,Y	
20	49366GT	NUT,NYLOCK,M12X1.75	
21	76364GT	SCREW,HHC,M12 X 100	
22	1259989GT	FORMING,LIMIT SWITCH GUARD	2



202.1 Chassis Components, Bottom View

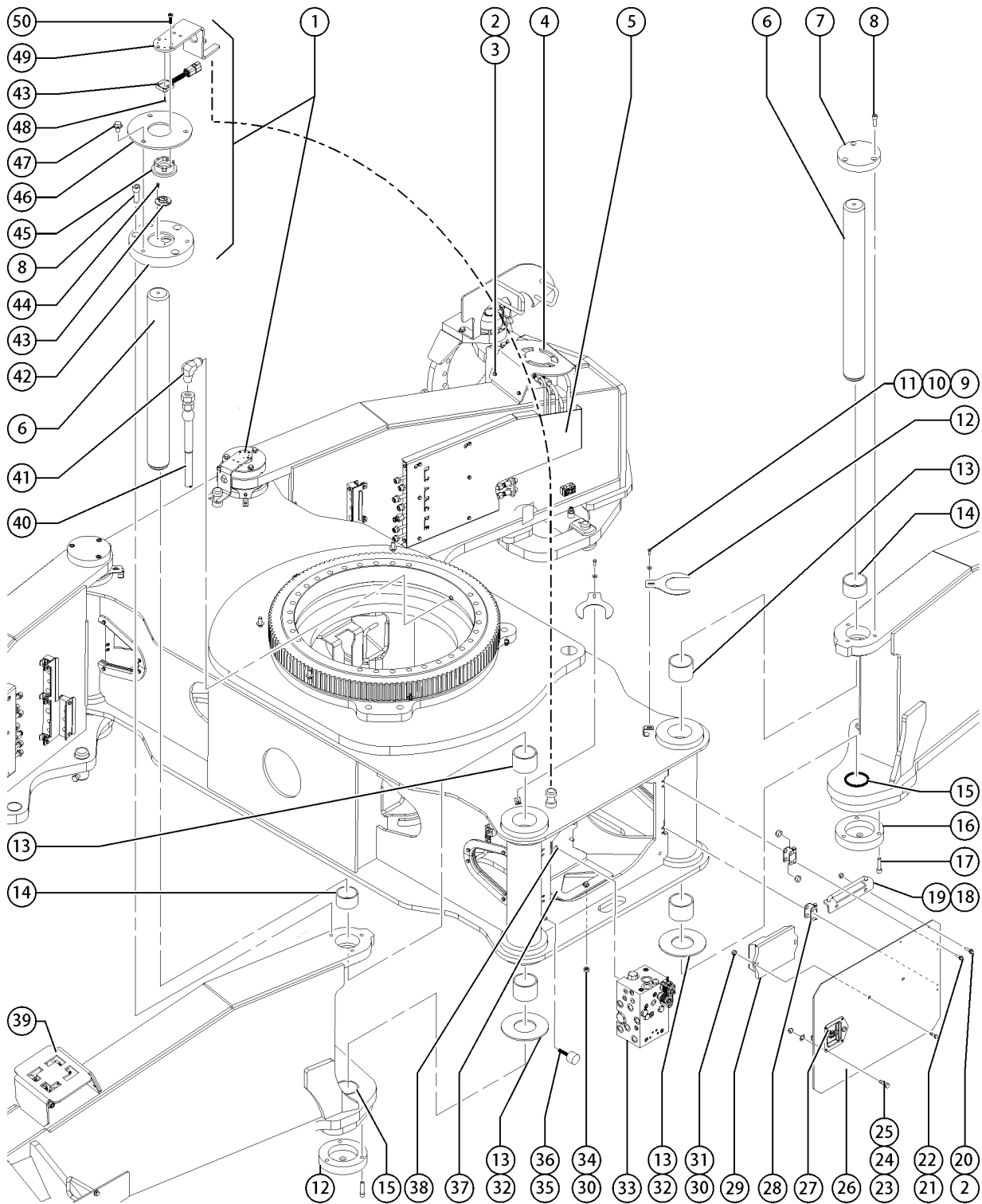


202.1 Chassis Components, Bottom View

<i>Item</i>	<i>Part No.</i>	<i>Description</i>	<i>Qty.</i>
23	825352GT	SCREW,PHPM,10-32X1.25,ZAG	
24	1284201GT	SWITCH ASSY,AXLE SAFETY SX-125 XC	2
24-	110771-665R3GT	LIMIT SW.TAB,BLUE METAL	
24-	119762GT	CONN PLUG 4 WAY EXTEND DT	
25	237832GT	NUT,TL,FLG,M8-1.25,DIN6927,10,	
26	824133GT	SCREW,HHF,M8-1.25X25,DIN6921,1	
27	33428GT	VALVE,COUNTERBALANCE	2
27-	43018GT	SEAL KIT (39345) Seal kit for valve part 33428	
28	1262851GT	WELDMENT, TIMING LINK	2
29	235317GT	PIN, 50MM DIA X 119MM L, 1HOLE	4
30	231531GT	SCREW,HHF,M6X30,DIN6921,10.9,Y	
31	231513GT	NUT,TL FLG,M6-1.0,DIN6927,10,Z	
32	78736GT	CLAMP,2 HOSE,PLASTIC,5/8	4



203.1 Chassis Components, Tank Side

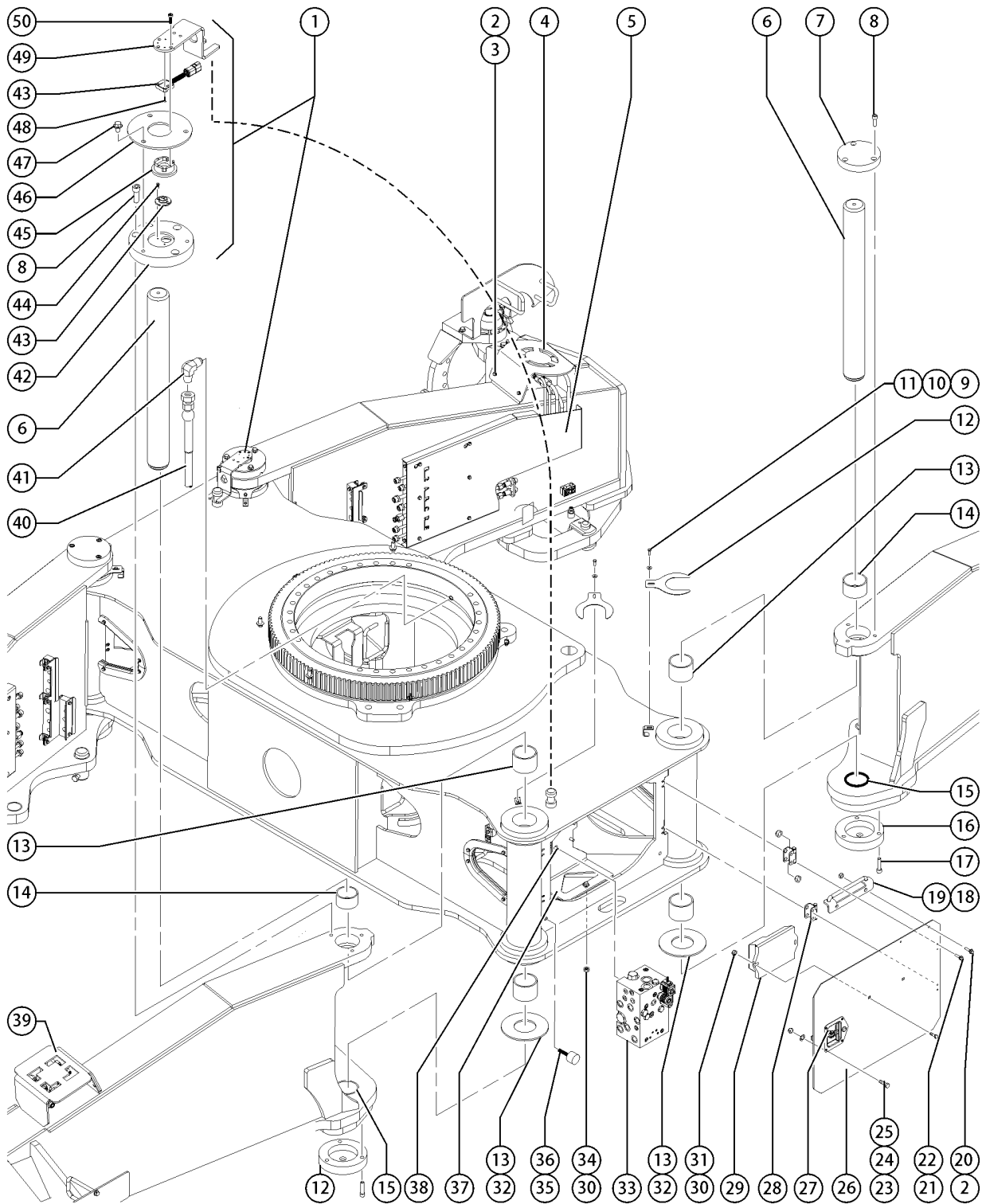


203.1 Chassis Components, Tank Side

Item	Part No.	Description	Qty.
1	1267909GT	ASSY,AXLE SENSOR,SX/ZX135 (complete) Includes items from 38 to 47	2
2	231532GT	SCREW,HHF,M6X20,DIN6921,10.9,Y	
3	230073GT	SPRING CLIP,M6-1.0,0.8-4MM PAN	
4	1259975GT	FORMING,DIRECTIONAL CIRCLE	1
5		Ref. FORMING, HYD TUBE COVER (Refer to 204.1)	
6	219304GT	PIN, 80MM X 780MM, AXLE	2
7	1259976GT	MACHINED, TOP CAP, AXLE PIN	2
8	160732GT	SCREW, SHCS M12-1.75X35	
9	1256450GT	SCREW,HHC,M6-1.0X20,DIN933,10.9,ZAB	
10	1257389GT	WASHER,FLAT,M6X18X1.6,DIN9021,	
11	231513GT	NUT,TL FLG,M6-1.0,DIN6927,10,Z (not shown)	
12	218112GT	SHIM, DROP-IN, 80MM	
13	235309GT	BEARING,80ID X 90OD X 65LG	4
14	237854GT	BEARING, 80ID X 90OD X 52LG	2
15	160502GT	BEARING, 80ID X 90OD X 80LG	2
16	1259978GT	MACHINED, LOWER CAP, AXL PIN	2
17	160736GT	SCREW, SHCS M12-1.75X50 GR12.9	
18	1259986GT	FORMING,LOCK COVER BRKT	1
19	230825GT	FORMING, COVER LOCK BAR	1
20	231513GT	NUT,TL FLG,M6-1.0,DIN6927,10,Z	-
21	218457GT	SPACER,GUARD,ALTERNATOR	
22	1255753GT	NUT,FLG,M5-0.8,DIN6923,8,ZAB	-
23	235315GT	DECAL,GCON PANEL,GS, MINI	
24	825357GT	WASHER,FLAT,M4,DIN125,ZAB	
25	825686GT	DECAL,DANGER-TIP-OVER,BATT,GS-1932m	-
26	1260070GT	ASSY,CHASSIS DOOR,ZX135 SX Includes items 14 - 24	1
27	74245GT	LATCH,FLUSH CUP LEFT HAND Includes mounting hardware and 1 pair of keys	1
27-	29314GT	KEY,LATCH, 1 PAIR (28125)	



203.1 Chassis Components, Tank Side

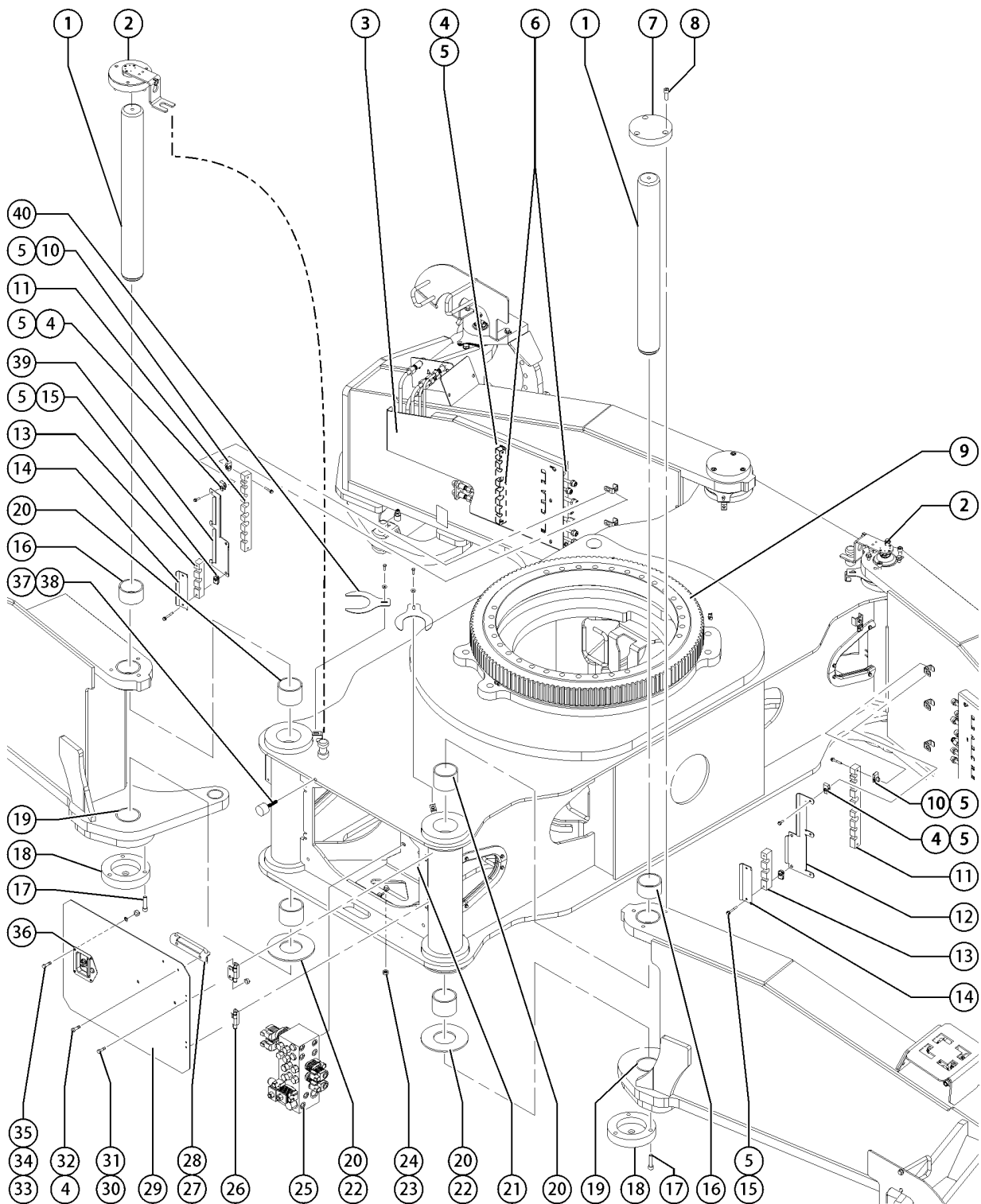


203.1 Chassis Components, Tank Side

Item	Part No.	Description	Qty.
28	217477GT	HINGE, OFFSET 12MM	2
29	101004GT	MODULE,DCON	1
30	237832GT	NUT,TL,FLG,M8-1.25,DIN6927,10,	
31	230826GT	BOLT,CARRIAGE,M8X35,DIN603,8.8	
32	229530GT	WASHER, THRUST	2
33		Ref. MANIFOLD,TRACTION,4WD	1
		(Refer to 701.1)	
34	237820GT	SCREW,HHF,M8X40,DIN6921,8.8,YZ	
35	111663GT	BUMPER,RUB,1.00DX.75X31-18X1.2	2
36	1255805GT	NUT,SERRATED,5/16-18,8,ZAG	
		(Not shown)	
37	1259987GT	FORMING,MANIFOLD MOUNT	1
38	237830GT	SCREW,HHF,1/2-13X1,8,ZAG	
39	1259972GT	FORMING,DIRECTIONAL SQUARE	1
40	1278951GT	HOSE ASSY,1/4,90 FEM,STR FEM	1
41	48905GT	CONN,520120-4***	1
42	219302GT	MACHINED, TOP CAP, AXL PIN	2
43	216058GT	SENSOR, ANGLE, 40 DEG, CCW	2
44	237242GT	SCREW,FHS,M3-0.5X8,DIN7991,10.9,ZAB	
45	226492GT	MACHINED, ANGLE SENSOR HOLDER	2
46	1259977GT	PLATE, RETAINER, AXL SENS	2
47	237352GT	SCREW,HHF,M10-1.5X16,DIN6921,10.9,ZAB	
48	237241GT	SCREW,FHS,M3-0.5X14,DIN7991,10.9,ZAB	
49	1267910GT	MACHINED, ROT. ARM, AXL SENS	2
50	217219GT	SCREW,SHC,M4-0.7X14 DIN912,12.9,ZAB	



204.1 Chassis Components, Engine Side

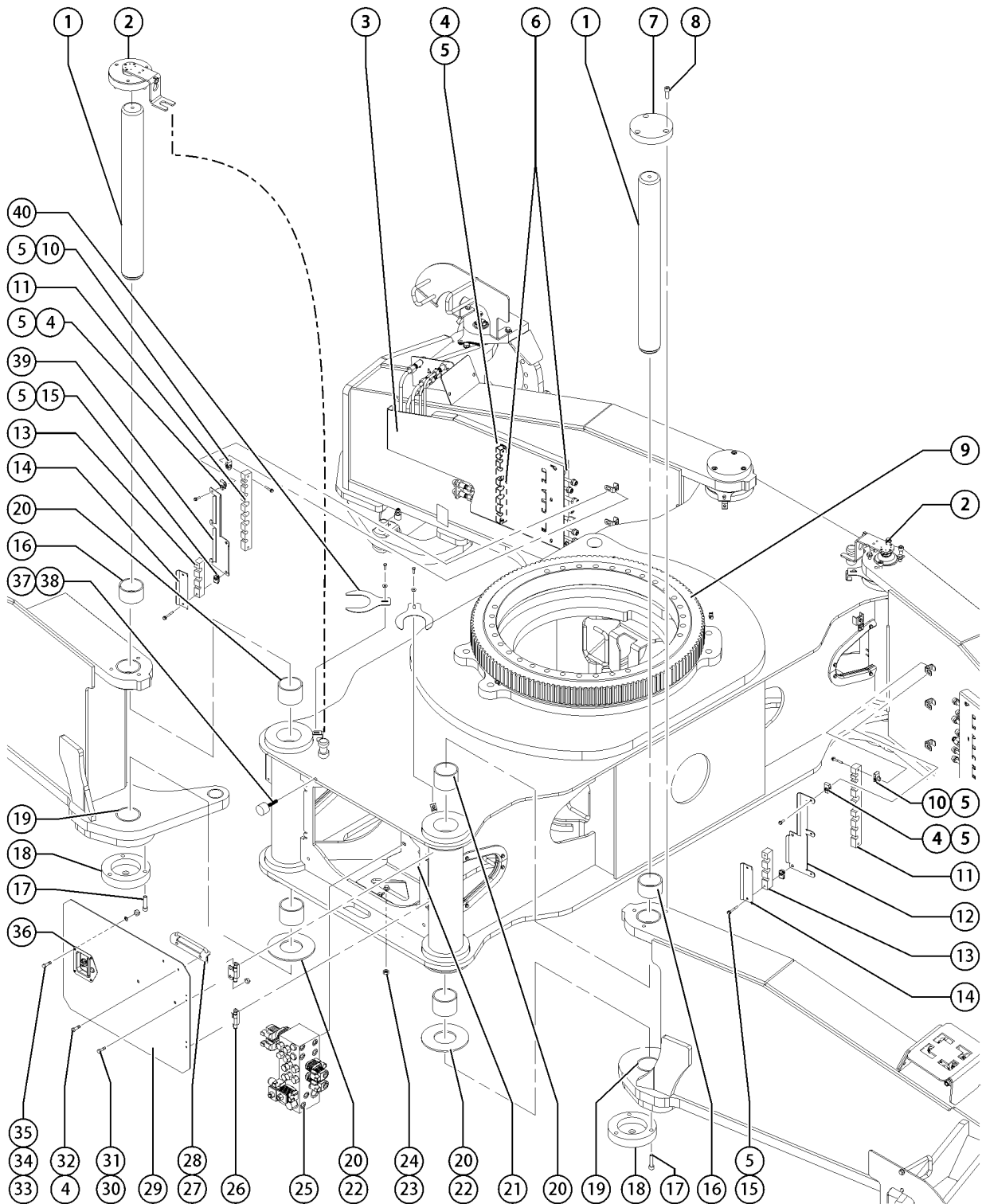


204.1 Chassis Components, Engine Side

Item	Part No.	Description	Qty.
1	219304GT	PIN, 80MM X 780MM, AXLE	2
2	1267909GT	ASSY,AXLE SENSOR,SX/ZX135	1
		Complete (refer to 203.1)	
3	1263637GT	FORMING, HYD TUBE COVER, RFLR	1
		Right front and left rear	
3-	1263638GT	FORMING, HYD TUBE COVER, LFRR	1
		Left front and right rear	
4	231532GT	SCREW,HHF,M6X20,DIN6921,10.9,Y	
5	230073GT	SPRING CLIP,M6-1.0,0.8-4MM PAN	
6	237458GT	CLAMP, HYD TUBE, AXLE	8
7	1259976GT	MACHINED, TOP CAP, AXLE PIN	4
8	160732GT	SCREW, SHCS M12-1.75X35	
9	101572GT	BEARING,TURNTABLE	1
		(For top bolts on swing refer to 301.1)	
10	232886GT	SCREW,HHF,M6-1.0X40,DIN6921,10.9,ZAB	
11	229543GT	CLAMP, PLASTIC, HYD HOSE	4
		to SX105XCD-1728	
11B	1302112GT	CLAMP, HYD TUBE, AXLE	4
		from SX105D-1729	
12	1259983GT	FORMING, HOSE CLAMP COVER,LFRR	1
		Left front and right rear	
13	162291GT	CLAMP, HYD TUBE, AXLE	2
		to SX125D-1732	
13B	1302111GT	CLAMP, HYD TUBE, AXLE	2
		from SX125D-1733	
14	1259979GT	FORMING, HOSE CLAMP COVER,OUTE	2
15	216597GT	SCREW,HHF,M6 X 50,G10,YZ	
16	237854GT	BEARING, 80ID X 90OD X 52LG	2
17	160736GT	SCREW, SHCS M12-1.75X50 GR12.9	
18	1259978GT	MACHINED, LOWER CAP, AXL PIN	2
19	160502GT	BEARING, 80ID X 90OD X 80LG	2
20	235309GT	BEARING,80ID X 90OD X 65LG	4
21	1259987GT	FORMING,MANIFOLD MOUNT	1
22	229530GT	WASHER, THRUST	2
23	237832GT	NUT,TL,FLG,M8-1.25,DIN6927,10,	
24	237820GT	SCREW,HHF,M8X40,DIN6921,8.8,YZ	
25		Ref. MANIFOLD,STEER/AXLE	1
		(Refer to 702.1)	



204.1 Chassis Components, Engine Side

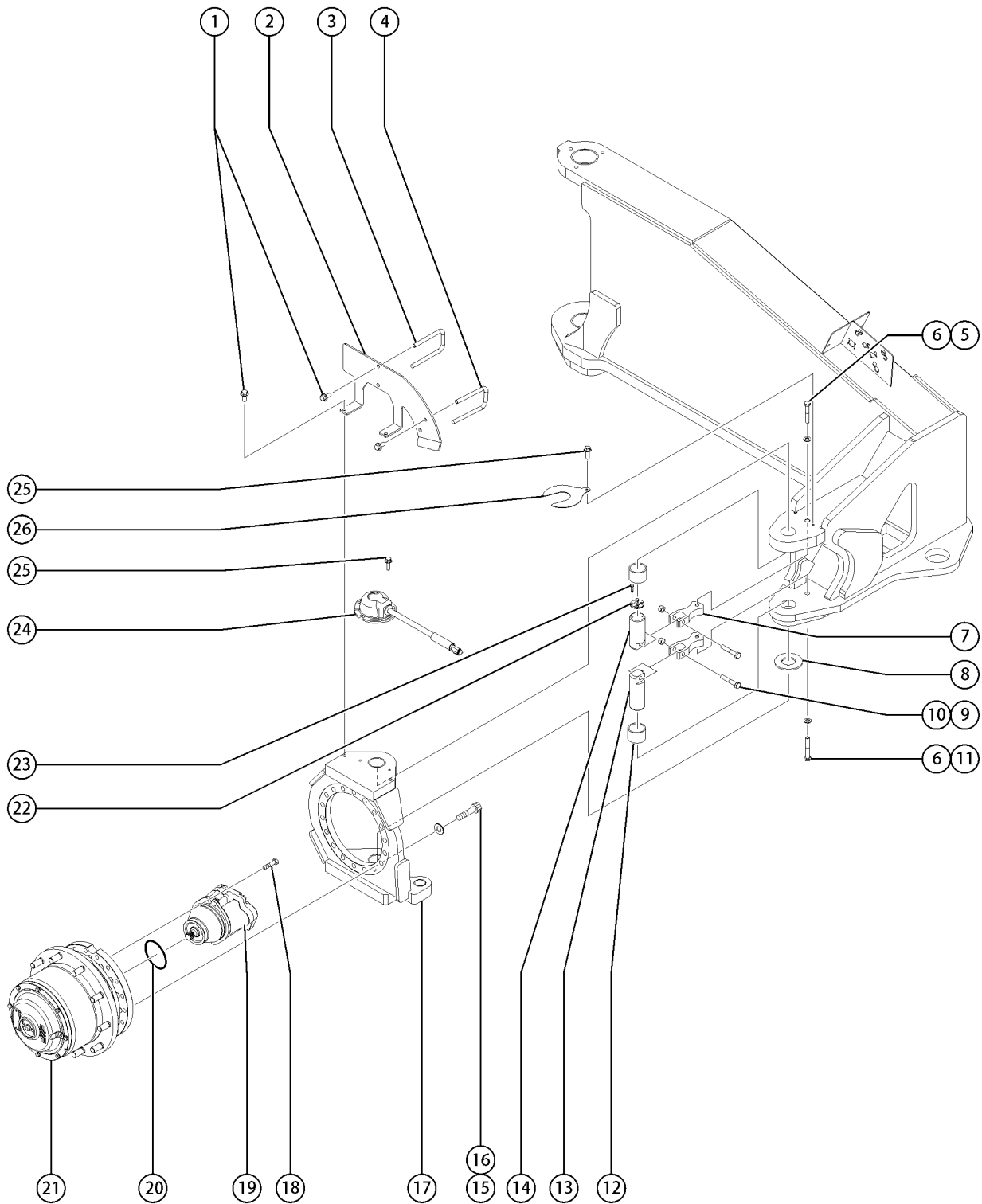


204.1 Chassis Components, Engine Side

Item	Part No.	Description	Qty.
26	217477GT	HINGE, OFFSET 12MM	2
27	1259986GT	FORMING, LOCK COVER BRKT	
28	230825GT	FORMING, COVER LOCK BAR	
29	1260070GT	ASSY, CHASSIS DOOR, ZX135 SX	1
		Includes items 26 - 36	
30	218457GT	SPACER, GUARD, ALTERNATOR	
31	1255753GT	NUT, FLG, M5-0.8, DIN6923, 8, ZAB	
32	231513GT	NUT, TL FLG, M6-1.0, DIN6927, 10, Z	
33	235315GT	DECAL, GCON PANEL, GS, MINI	
34	825357GT	WASHER, FLAT, M4, DIN125, ZAB	
35	825686GT	DECAL, DANGER-TIP-OVER, BATT, GS-1932m	-
36	74245GT	LATCH, FLUSH CUP LEFT HAND	1
		Includes mounting hardware and 1 pair of keys	
36-	29314GT	KEY, LATCH, 1 PAIR (28125)	
37	111663GT	BUMPER, RUB, 1.00DX.75X31-18X1.2	2
38	1255805GT	NUT, SERRATED, 5/16-18, 8, ZAG	
		(Not shown)	
39	1259984GT	FORMING, HOSE CLAMP COVER, RFLR	1
		Right front and left rear	
40		Ref. SHIM, DROP-IN, 80MM	
		(Refer to 203.1)	



205.1 Steer Yoke, Wheel Drive and Motor

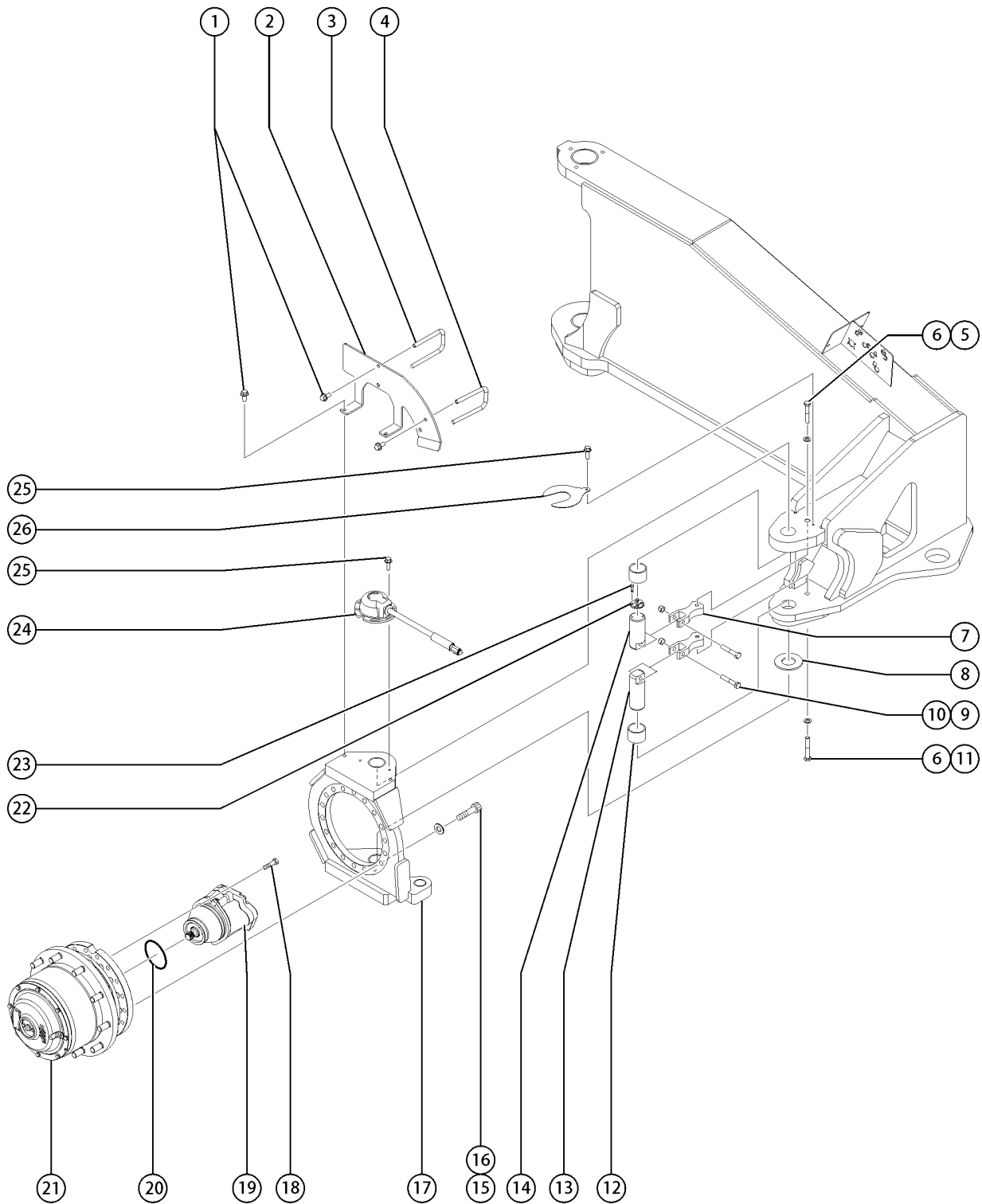


205.1 Steer Yoke, Wheel Drive and Motor

Item	Part No.	Description	Qty.
1	237352GT	SCREW,HHF,M10-1.5X16,DIN6921,10.9,ZAB	
2	1259969GT	FORMING, HOSE BRACKET, AXLE 2	1
		Right front and left rear (shown)	
2-	1259980GT	FORMING, HOSE BRACKET, AXLE 1	
		Left front and right rear	
3	1259971GT	BAR, HOSE GUIDE, LONG	1
4	1259970GT	BAR, HOSE GUIDE, SHORT	1
5	218456GT	SCREW,HHC,M12X70,DIN931,10.9,Y	
6	824146GT	WASHER,FLAT,M12,DIN125,ZAB	
7	217486GT	NITRIDED, YOKE PIN LOCK	2
8	229526GT	WASHER,THRUST	1
9	218456GT	SCREW,HHC,M12X70,DIN931,10.9,Y	
10	1251713GT	NUT,TL,M12-1.75,DIN980,10,ZAB	
11	216159GT	SCREW,HHC,M12-1.75X80,DIN931,10.9,ZAB	
12	229532GT	BEARING, 50ID X 58OD X 40LG	2
13	229541GT	PIN, KING, AXLE, BOTTOM	1
14	229540GT	PIN, KING, AXLE, TOP	1
15	826172GT	SCREW,SHC,M16-2.0X50,DIN912,12	18
16	825348GT	WASHER,FLAT,M16,DIN6916,HRD,ZAB	18
17	1279556GT	ASSY, SX-105 YOKE, RFLR, W/BRNG	1
		SX-125 XC, Right front and left rear (shown)	
17A-	1279557GT	ASSY, SX-105 YOKE, LFRR, W/BRNG	
		SX-125 XC, Left front and right rear	
17B	1260067GT	ASSY,SUPERX YOKE,RFLR,W/BRNG	1
		SX-125 XC, Right front and left rear (shown)	
17B-	1260068GT	ASSY,SUPERX YOKE,LFRR,W/BRNG	
		SX-125 XC, Left front and right rear	
18	1255469GT	SCREW,HHF,1/2-13X1.25,8,ZAG	2
19	101070GT	MOTOR,PISTON,2 SPEED,45CC	1
19-	106098GT	SEAL KIT,MOTOR,LC/KC***	
20	106118GT	O-RING,2-157,VITON***	1
21	218496GT	WHEEL DRIVE W/BRAKE,76:1,BREVI	1
21-	1259484GT	SEAL KIT,BREVINI (218496)	
21-	1259485GT	BEARING KIT,BREVINI (218496)	



205.1 Steer Yoke, Wheel Drive and Motor

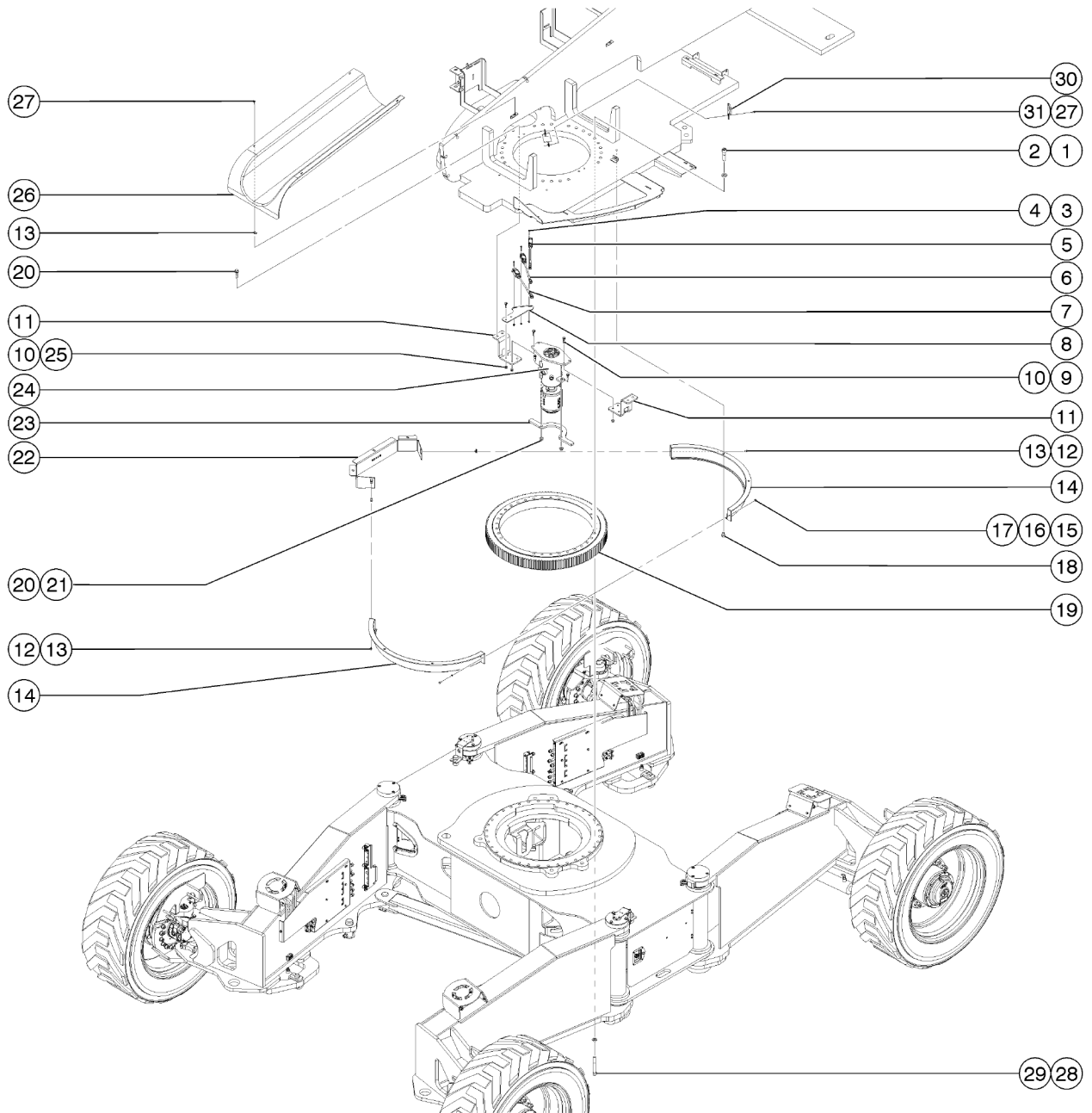


205.1 Steer Yoke, Wheel Drive and Motor

Item	Part No.	Description	Qty.
21-	1259486GT	BRAKE KIT,BREVINI (218496)	
21-	1259487GT	STUD,WHEEL, 3/4-16 (218496)	
21-	1259950GT	DISCONNECT KIT, BREVINI (21849)	
21-	1259951GT	COVER KIT, BREVINI (218496)	
21-	1284032GT	PLUG,M18X1,5DIN908,MAGNI,O-RING for 1259951	
22	60618GT	ACTIVATOR,STEER SENSOR	1
23	825349GT	SCREW,PHPM,10-32X.38,ZAG	
24	232993GT	SUBASSY, STEER SENSOR (Calibration required after replacement)	1
24-	219646GT	SENSOR, MODIFIED STEER ANGLE	
24-	60609GT	COVER,STEERING SENSOR	
24-	60746GT	BUSHING, STRAIN RELIEF, 1"	
25	231532GT	SCREW,HHF,M6X20,DIN6921,10.9,Y	
26	217470GT	SHIM, STEER YOKE	



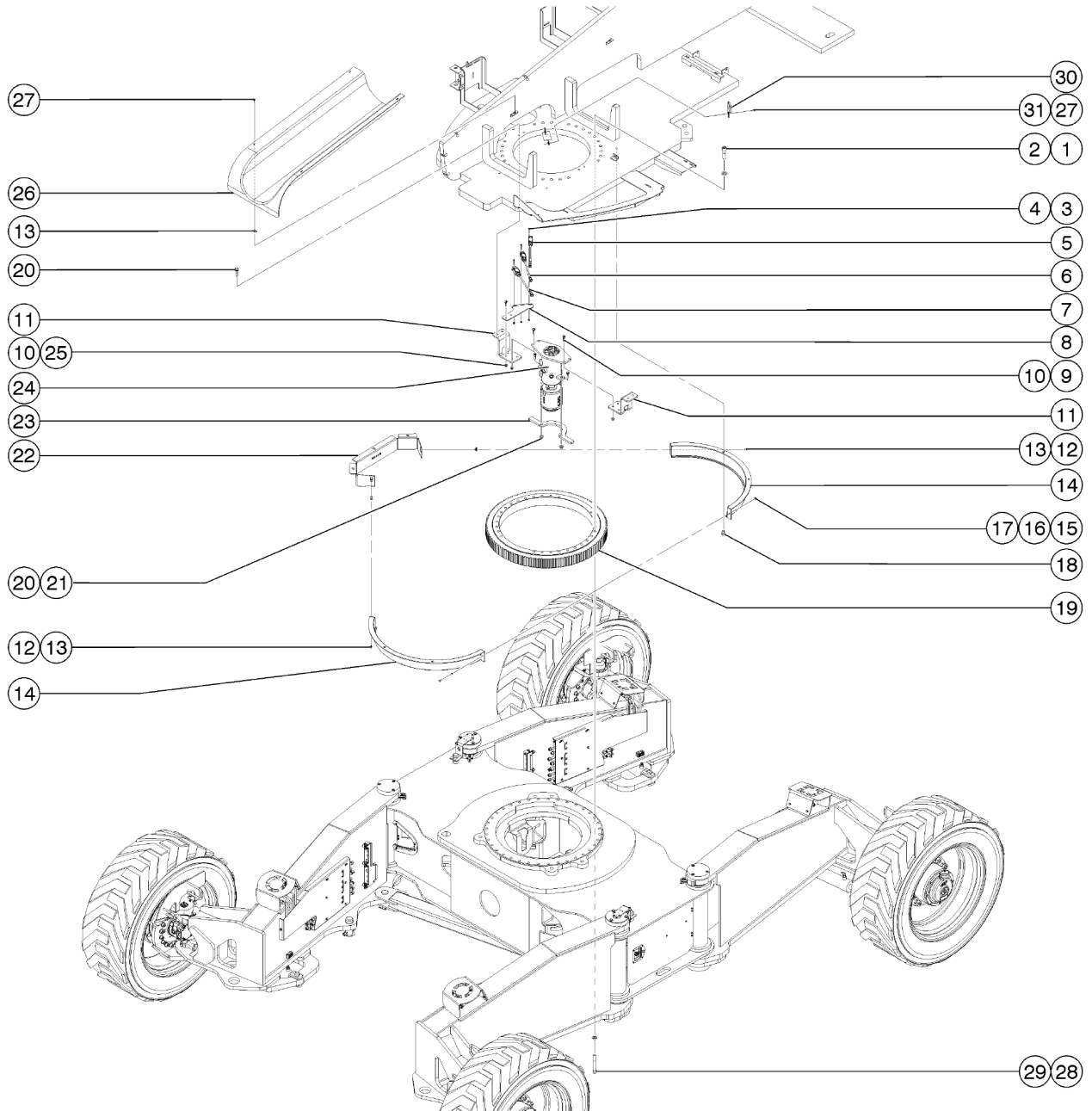
301.1 Turntable Center Components - View 1



Item	Part No.	Description	Qty.
1	1256860GT	SCREW,SHC,3/4-10X3,A574,ZAG	
2	1256863GT	WASHER,FLAT,.75,F436,HRD,ZAG	
3	824216GT	SCREW, PHPM, 10-32 X 1.5, ZAG	
4	824032GT	NUT,TL FLG,10-32,F,ZAG	
5	1268006GT	SWITCH ASSY, CABLE TENSION, SX	1
6	1268007GT	SWITCH ASSY,DRIVE ENABLE SAFETY,SX	1
7	75037GT	LIMIT SWITCH,OPERATIONAL	1
8	217689GT	BRACKET, LS, DRIVE ROT.	1
9	824092GT	SCREW, HHF, 3/8-16 X 1.5, 8, ZAG	
10	824029GT	NUT,TL FLG,3/8-16,G,ZAG	
11	60575PGT	BRACKET,HYD.ROTATOR MOUNT MNT	2
12	824077GT	SCREW,HHF,1/4-20X.5,8,ZAG	2
13	56912GT	SPRING CLIP,1/4-20,.025-.15X.5	6
14	1270638GT	COVER, SLEW RING	2
15	824059GT	SCREW,HHC,1/4-20X.75,8,ZAG	
16	824109GT	WASHER,LOCK,1/4,ZAG	
17	824027GT	NUT,TL FLG,1/4-20,G,ZAG	
18	1257454GT	SCREW,HHF,1/2-13X.75,8,ZAG	
19	101572GT	BEARING,TURNTABLE	1
20	1256172GT	SCREW,HHF,1/2-13X 2,8,ZAG	
21	1251997GT	NUT,TL FLG,1/2-13,G,ZAG	
22	1273469GT	FORMING, PINION GUARD	1
23	106498GT	HYDRAULIC SWIVEL SUPPORT	1
24	1253702GT	ASSY, HYD/ELEC 5 PORT/10 CONT	1
25	824091GT	SCREW,HHF,3/8-16X1.25,8,ZAG	
26	61179GT	COVER,CENTER,SUPERBOOM	1
27	824079GT	SCREW,HHF,1/4-20X1,8,ZAG	
28	1255654GT	SCREW,SHC,5/8-11X4.75,A574,ZAG	



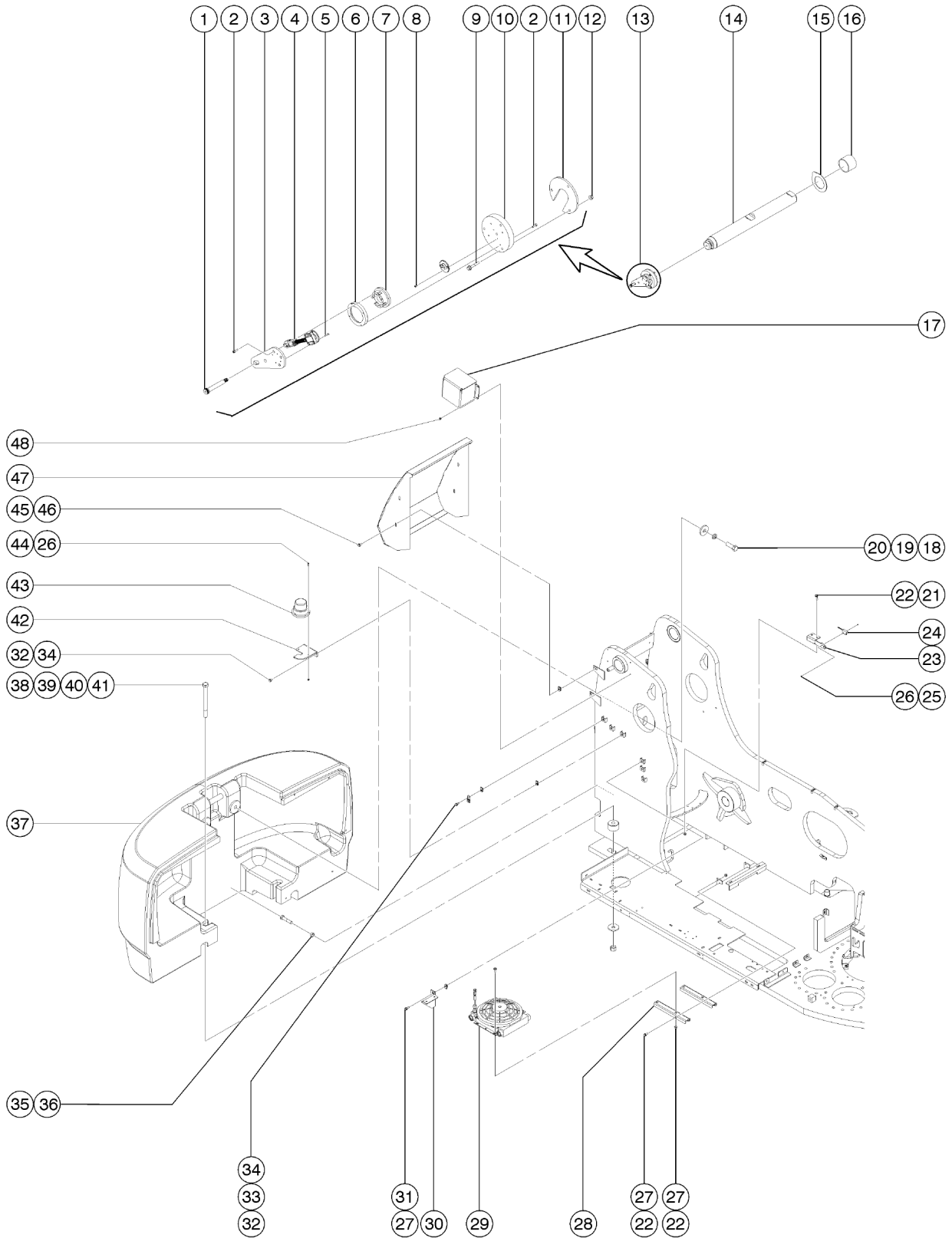
301.1 Turntable Center Components - View 1



<i>Item</i>	<i>Part No.</i>	<i>Description</i>	<i>Qty.</i>
29	825348GT	WASHER,FLAT,M16,DIN6916,HRD,ZAB	
30	160572GT	WELDMENT, CABLE/HARNESS HANGER	1
31	56912GT	SPRING CLIP,1/4-20,.025-.15X.5	1



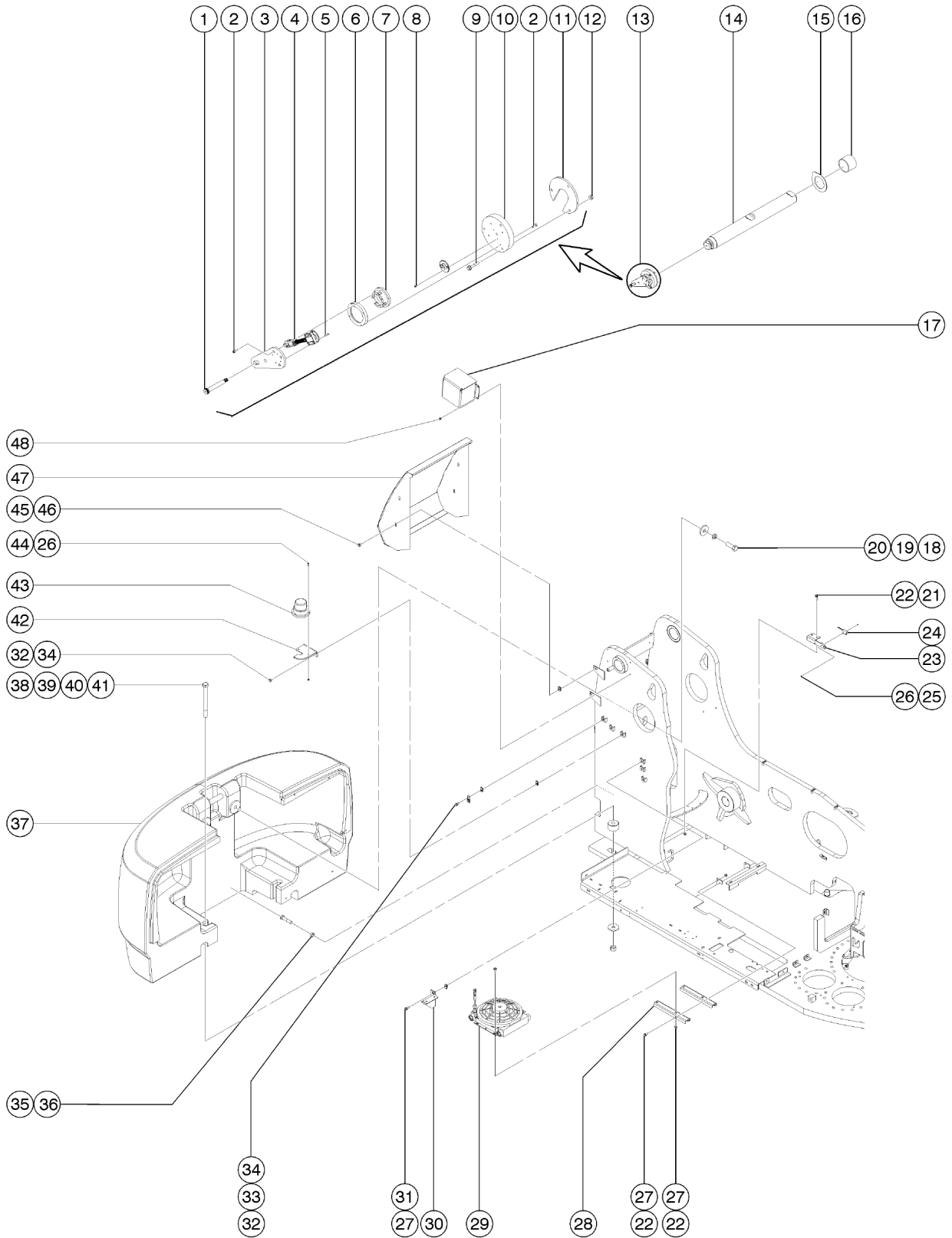
302.1 Turntable Center Components - View 2



Item	Part No.	Description	Qty.
1	237239GT	BOLT,SHS,12X70XM10-1.5,ISO7379,12.9,ZAB	1
2	217219GT	SCREW,SHC,M4-0.7X14 DIN912,12.9,ZAB	
3	215751GT	MACHINED, SENSOR MOUNT PLATE	1
4	216059GT	SENSOR, ANGLE, 105 DEG, CW	1
5	237241GT	SCREW,FHS,M3-0.5X14,DIN7991,10.9,ZAB	
6	226491GT	MACHINED, ANGLE SENSOR RACE	1
7	226492GT	MACHINED, ANGLE SENSOR HOLDER	1
8	237242GT	SCREW,FHS,M3-0.5X8,DIN7991,10.9,ZAB	
9	232886GT	SCREW,HHF,M6-1.0X40,DIN6921,10.9,ZAB	
10	215530GT	MACHINED,BOOM PIVOT PIN CAP	1
11	215531GT	MACHINED,CLAMP,PIVOT,SENSOR	1
12	215513GT	FORMING,HEAT SHIELD	1
13	216059GT	SENSOR, ANGLE, 105 DEG, CW	1
14	1267619GT	PIN 80MMDIA X 750MMLG	1
15	1268350GT	SHIM, BOOM PIVOT	6
15-	1279674GT	SHIM, BOOM PIVOT as-needed	
16	235309GT	BEARING,80ID X 90OD X 65LG	2
17	232883GT	FORMING, COVER, ANGLE SENSOR	1
18	824074GT	SCREW,HHC,1-8X3,8,ZAG	
19	1264259GT	WASHER,LOCK,1.0,ZAG	
20	61203GT	PLATE,URETHANE SPRING(WASHER)	4
21	824091GT	SCREW,HHF,3/8-16X1.25,8,ZAG	
22	824029GT	NUT,TL FLG,3/8-16,G,ZAG	
23	146093GT	PLATE, LIMIT SWITCH MOUNT to SN SX125D-428	1
23B	1285272GT	FORMING,PROX LIMIT SWITCH,10 DEGREE from SN SX125D-429	1
24	75033GT	LIMIT SWITCH,OPERATIONAL to SN SX125D-428	1
24B	60987GT	SWITCH,LIMIT,PROX(OPERATIONAL) from SN SX125D-429	1
25	824216GT	SCREW, PHPM, 10-32 X 1.5, ZAG to SN SX125D-428	



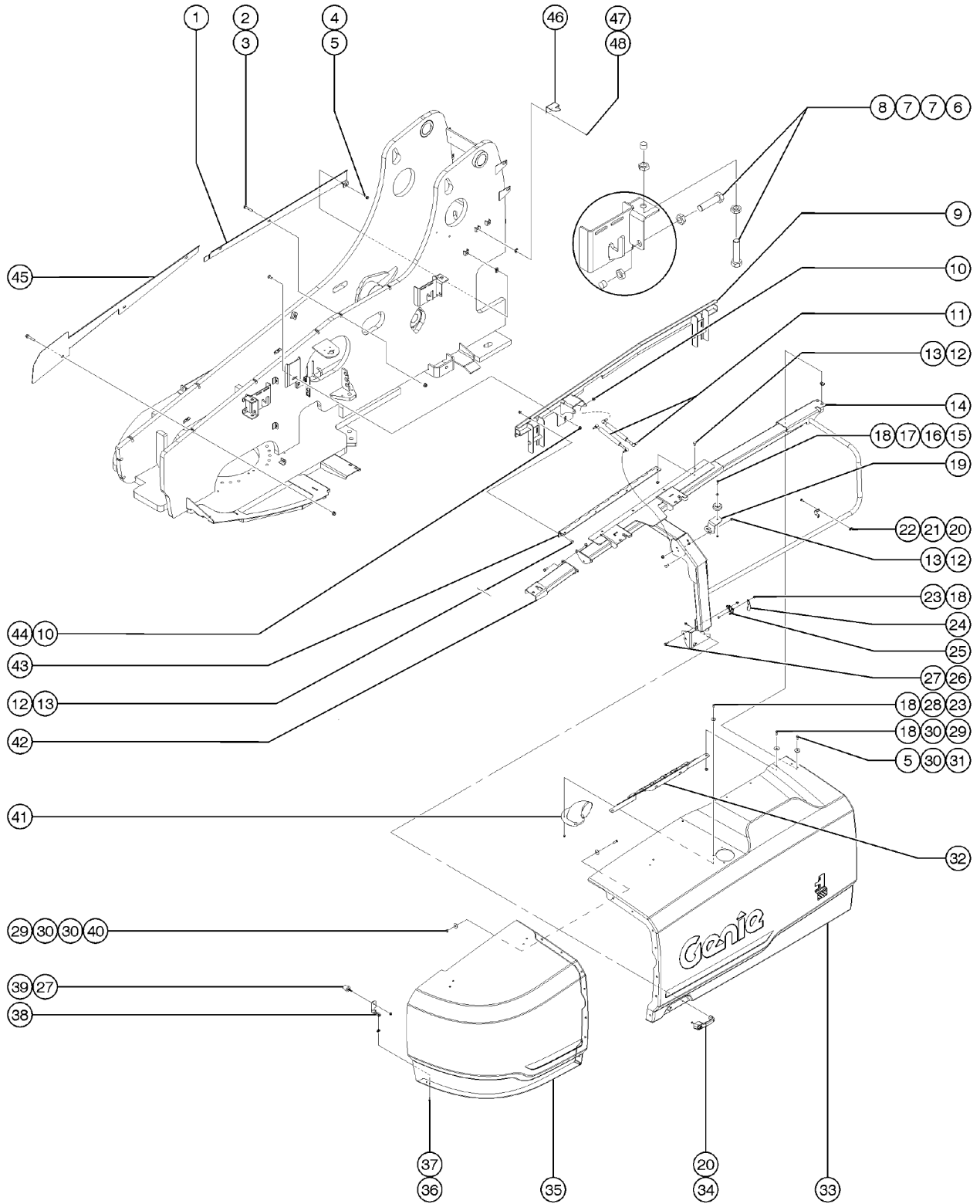
302.1 Turntable Center Components - View 2



Item	Part No.	Description	Qty.
25B	1251757GT	SCREW,PHPM,10-32X.50,ZAG from SN SX125D-429	1
26	824032GT	NUT,TL FLG,10-32,F,ZAG	
27	824090GT	WELDMENT,DEUTZ D2011L3i BAFFLE	
28	102205PGT	FORMING, COOLER SUPPORT PAINTE	2
28B	1258778GT	SCREW,HHC,1-8X8.5,5,ZAG SX-105 XC	2
29	71259GT	OIL COOLER W/FAN, 12VDC	1
30	1267364GT	FORMING, REAR COVER SUPPORT	1
31	29868GT	WASHER,FLAT,,375X1.25X.062,ZAG	3
32	824131GT	SCREW,HHF,M6-1.0X16,DIN6921,10	
33	229987GT	CLIP,METAL MOUNT RECEP DEUTSCH	1
34	230073GT	SPRING CLIP,M6-1.0,0.8-4MM PAN	1
35	1257460GT	SCREW,HHC,3/4-10X3.5,8,ZAG	1
36	1256837GT	NUT,JAM,3/4-10,A, ZAG	
37	1267365GT	CAST COUNTERWEIGHT 8300 LBS. SX-125 XC	1
37B	1270104GT	COUNTERWEIGHT,SX-105XC,7200LBS SX-105 XC	1
38	826792GT	SCREW,HHC,1-8X11,5,ZAG SX-125 XC	
39	1276917GT	PLATE,URETHANE SPRING SX-125 XC	1
39B	61203GT	PLATE,URETHANE SPRING(WASHER) SX-105 XC	4
40	826794GT	NUT,TL,1-8,C,ZAGRING	
41	61203GT	PLATE,URETHANE SPRING(WASHER)	2
42	75250GT	BRACKET,BEACON,DRIVE LIGHTS,LH	1
43	121804GT	ASSY,FLASHING BEACON 2008	1
44	826516GT	SCREW, PHPM, 10-32 X 1.0, ZAG	6
45	230074GT	SPRING CLIP,M10-1.5,1-6X19,ZAB	1
46	231530GT	SCREW,HHF,M10-1.5X25,DIN6921,0.9,ZAB	
47	1268578GT	WLDT, REAR MAST COVER	1
48	237238GT	SCREW,HHF,M6-1.0X12,DIN6921,10	



303.1 Turntable Covers - Engine Side

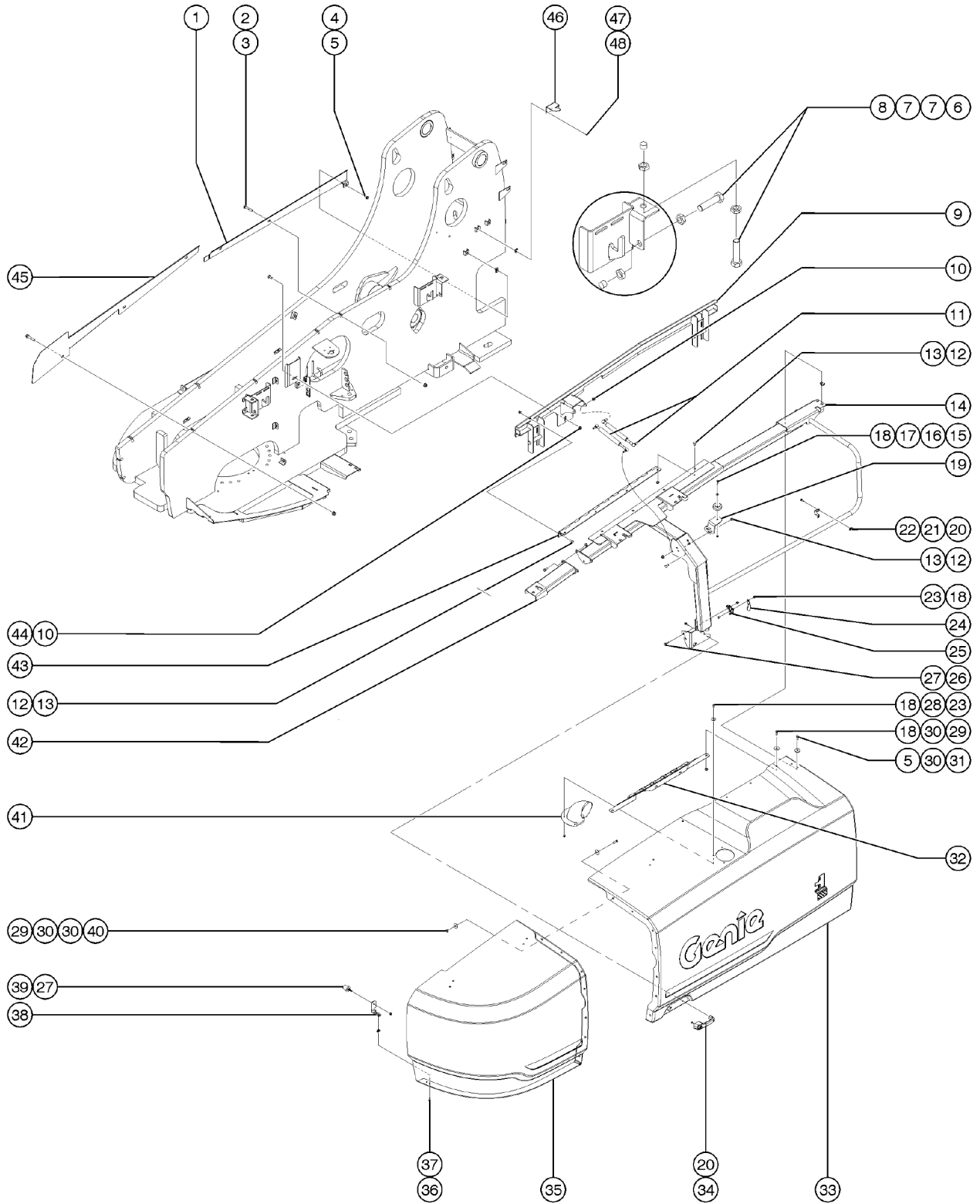


303.1 Turntable Covers - Engine Side

Item	Part No.	Description	Qty.
1	1267368GT	FORMING, INNER COVER ES	1
2	1257862GT	SCREW,HHF,1/2-13X2.75,8,ZAG	
3	1251997GT	NUT,TL FLG,1/2-13,G,ZAG	
4	824090GT	WELDMENT,DEUTZ D2011L3i BAFFLE	
5	29868GT	WASHER,FLAT,.375X1.25X.062,ZAG	2
6	231509GT	SCREW,HHC,M20-2.5X80,DIN933,10	
7	231515GT	NUT,HEX,JAM,M20-2.5,DIN439,ZAB	
8	1261917GT	THREADED CAP, M20-1.5	1
9	1267454GT	WELDMENT, HINGE MOUNT ES	1
10	231529GT	NUT,TL FLG,M10-1.5,DIN6927,10,	
11	1259706GT	GAS STRUT,390 LB	1
12	824125GT	BOLT,CARRIAGE,3/8-16X1.5,ZAG	
13	824029GT	NUT,TL FLG,3/8-16,G,ZAG	
14	1259038GT	WELDMENT,COVER SUPPORT,ENG	1
15	824061GT	SCREW,HHC,1/4-20X1.25,8,ZAG	
16	824113GT	WASHER,FLAT,1/4,USS,ZAG	
17	50974GT	BUMPER,RUBBER,COVERS	1
18	824027GT	NUT,TL FLG,1/4-20,G,ZAG	
19	1261813GT	FORMING,BUMPER,SIDE	1
20	824078GT	SCREW,HHF,1/4-20X.75,8,ZAG	
21	1260158GT	CLAMP,TUBE,1 -5/16,TWO HOLE	1
22	56912GT	SPRING CLIP,1/4-20,.025-.15X.5	1
23	824059GT	SCREW,HHC,1/4-20X.75,8,ZAG	
24	1260683GT	FORMING,LATCH TRIGGER BRKT,RH	1
25	215254GT	LATCH,ROTARY,ENGINE COVER	1
26	824087GT	SCREW, HHF, 5/16-18 X 1.25, 8, ZAG	
27	824028GT	NUT,TL FLG,5/16-18,G,ZAG	
28	824119GT	WASHER,FLAT,.25X1.25X.062,ZAG	



303.1 Turntable Covers - Engine Side

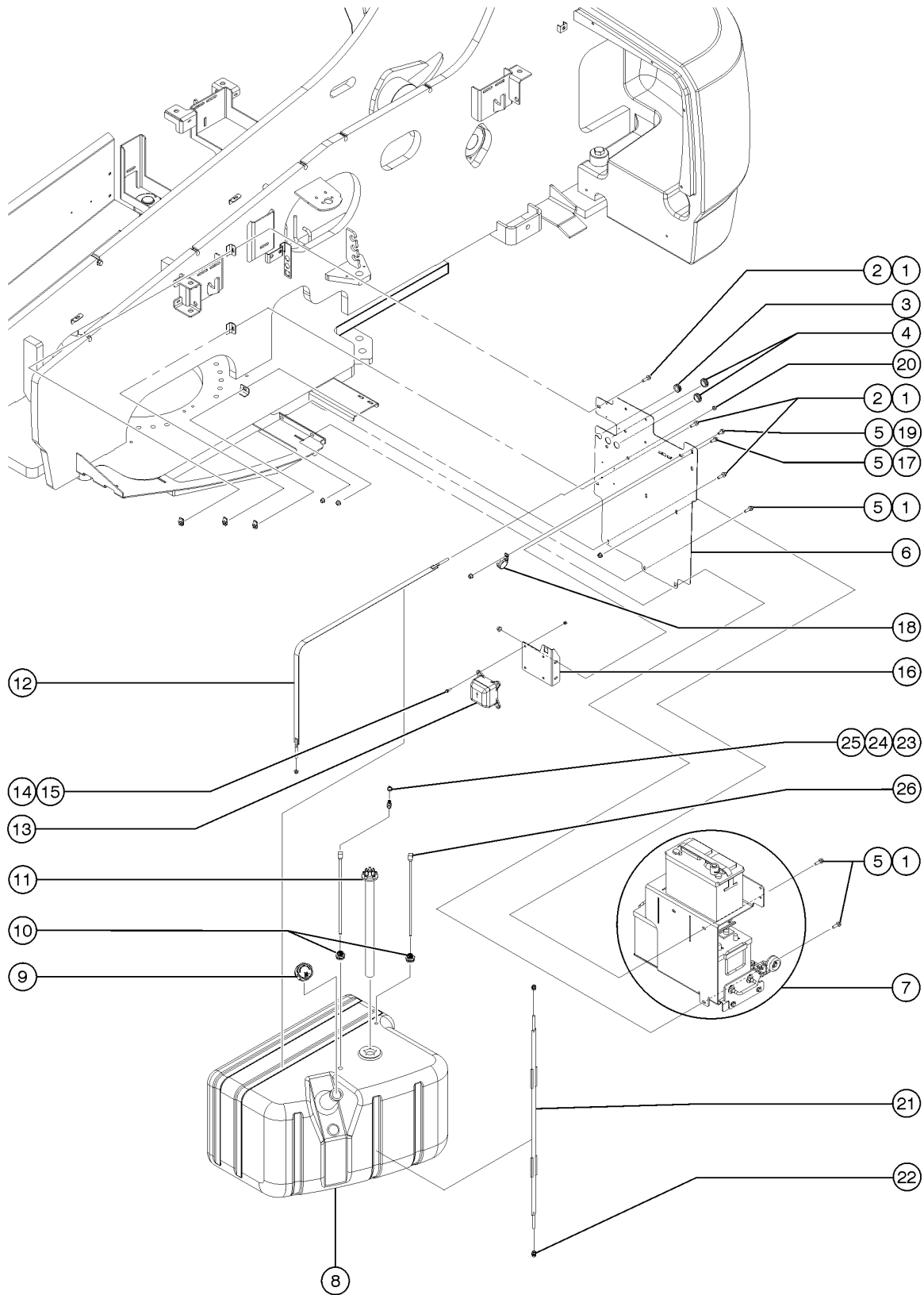


303.1 Turntable Covers - Engine Side

Item	Part No.	Description	Qty.
29	824068GT	SCREW,HHC,3/8-16X1.25,8,ZAG	
30	824120GT	WASHER,FLAT,,375X1.50X.125,ZAG	
31	824067GT	SCREW, HHC, 3/8-16 X 1, 8, ZAG	
32	1260058GT	FORMING,ENGINE COVER SUPPORT	1
33	1259674GT	ASSEMBLY,COVER,ENG MOUNT	1
34	1256054GT	HANDLE,YELLOW LOCKING,CODE 455	1
34-	37947GT	KEYS,10 PACK*** sold separately	
34-	83093GT	KEY SINGLE*** sold separately	
35	1255792GT	COVER,TURNTABLE,ENGINE SIDE	1
36	231512GT	SCREW,HHF,M6-1.0X25,DIN6921,10.9,ZAB	
37	219697GT	SPRING CLIP,M6-1.0,3.4-6.3X13.5,ZAB	
38	1267744GT	FORMING,BUMPER STOP,NOSE	1
39	111580GT	BUMPER,RUBBER,1.19DX1.5X.31-18	1
40	1256468GT	NUT,3/8-16,8,ZAG	
41	1260056GT	WELDMENT, EXHAUST TUBE	1
42	1267457GT	WELDMENT,COVER SUPPPORT,NOSE,TANK	1
43	1259705GT	HINGE,COVER,40IN	1
44	825597GT	BOLT,CARRIAGE,M10-1.5X30,DIN603,8.8,ZAB	
45	1267369GT	FORMING, REAR COVER ES	1
46	75249-PGT	BRACKET,BEACON,DRIVE LIGHTS,RH	1
47	824131GT	SCREW,HHF,M6-1.0X16,DIN6921,10	2
48	230073GT	SPRING CLIP,M6-1.0,0.8-4MM PAN	2



304.1 Engine Side Components, Fuel Tank (to SN SX105D-1434)

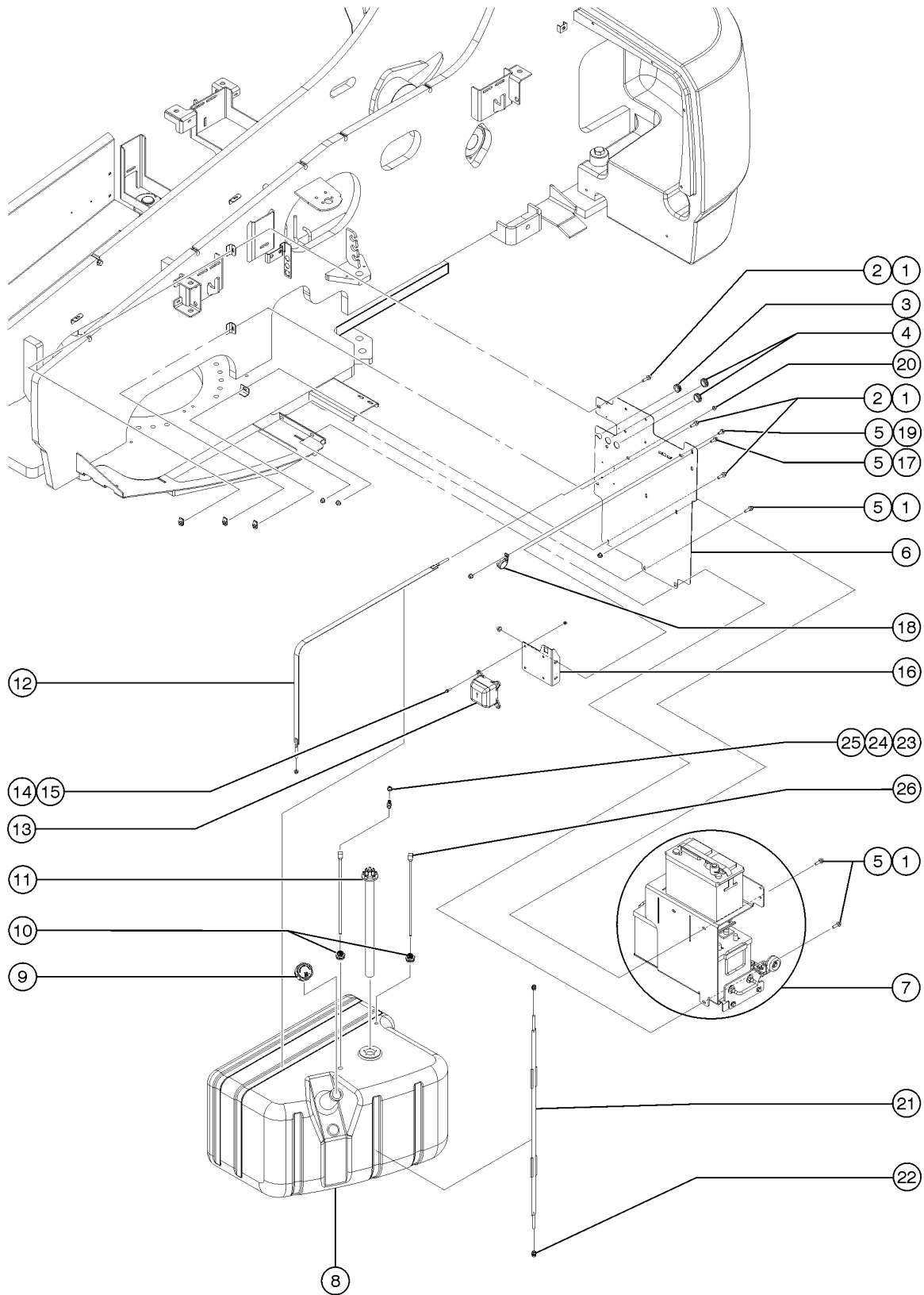


304.1 Engine Side Components, Fuel Tank (to SN SX105D-1434)

Item	Part No.	Description	Qty.
1	824091GT	SCREW,HHF,3/8-16X1.25,8,ZAG	
2	29868GT	WASHER,FLAT,,.375X1.25X.062,ZAG	
3	60584GT	GROMMET,RUBBER .75 X .19 X 1**	1
4	124962GT	GROMMET,RUBBER,1.0 X 1.25X1.5	1
5	824029GT	NUT,TL FLG,3/8-16,G,ZAG	
6	1267375GT	PLATE, FUEL TANK BULKHEAD	1
7		Ref. Engine Side, Battery Bulkhead Assembly (refer to 305.1)	
8	1272872GT	ASSEMBLY, FUEL TANK, 40 GAL	1
9	101726GT	CAP,FUEL,DIESEL,1/8"VENT(GRN)	1
10	54324GT	FITTING,BULKHEAD,3/8NPT,FUELTK	1
11	60890GT	SENDER,LOW FUEL INDICATOR	1
		to SN SX125D-105	
11B	1271770GT	SENSOR, FUEL LEVEL, 30" DIESEL	1
		from SN SX105D-106	
12	1275309GT	STRAP ASSEMBLY, 55"	1
13	1264110GT	MODULE,FUSE&RELAY	1
14	824079GT	SCREW,HHF,1/4-20X1,8,ZAG	
15	824027GT	NUT,TL FLG,1/4-20,G,ZAG	
16	1281912GT	BRACKET,T4 MODULE & DIAGNOSTIC PORT MOUNTING	1
17	824090GT	WELDMENT,DEUTZ D2011L3i BAFFLE	2
18	77081GT	ANGLE,FLOOR,6 FT PLATFORM	1
19	824089GT	SCREW,HHF,3/8-16X.75,8,ZAG	1
20	237832GT	NUT,TL,FLG,M8-1.25,DIN6927,10,	2
21	42070GT	TANK STRAP,BOLT STYLE,38.5"	1
		to SN SX125D-564	
21B	1290401GT	ASSY,TANK STRAP,Z34IC/SX105XC	1
		(include 1290402, 1290403); from SN SX125D-565 to SN SX125D-1219	
21C	1299922GT	ASSY,TANK STRAP,SX-125XC/105XC	1
		from SN SX125D-1220	
22	1257628GT	NUT,SERRATED,3/8-16,ZAG	4
23	822087GT	CLAMP,HOSE,1EAR,25/32	1
24	824471GT	FITTING,3/8 NPT TO 1/2 BARB	1
25	1251722GT	TUBE,FUEL PICK UP,3/8X3/8 NPT	1



304.1 Engine Side Components, Fuel Tank (to SN SX105D-1434)

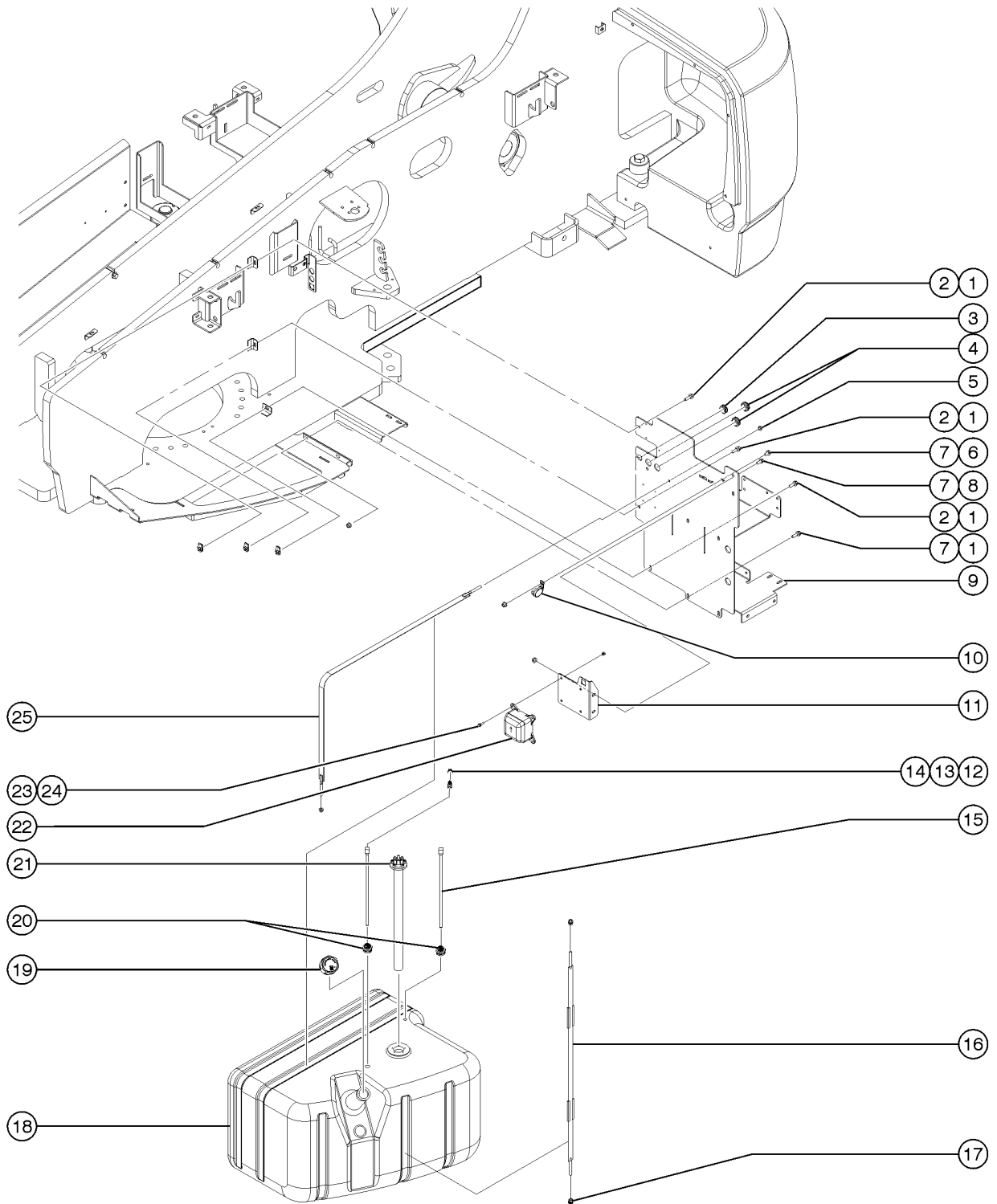


304.1 Engine Side Components, Fuel Tank (to SN SX105D-1434)

<i>Item</i>	<i>Part No.</i>	<i>Description</i>	<i>Qty.</i>
26	1253476GT	TUBE,FUEL RETURN,3/8X3/8 NPT X 20.5	1



304.2 Engine Side Components, Fuel Tank (from SN SX105D-1435)

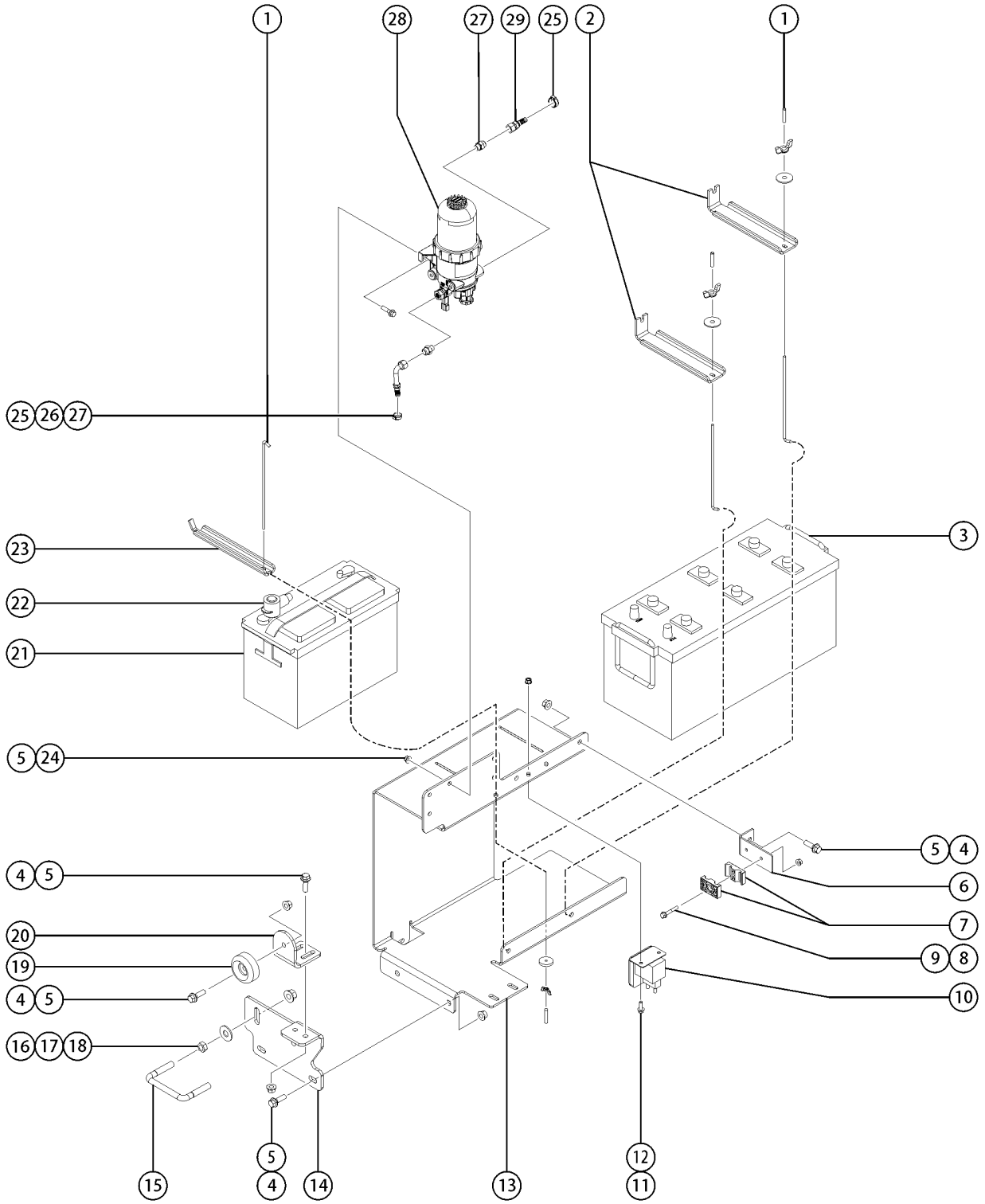


304.2 Engine Side Components, Fuel Tank (from SN SX105D-1435)

Item	Part No.	Description	Qty.
1	824091GT	SCREW,HHF,3/8-16X1.25,8,ZAG	
2	29868GT	WASHER,FLAT,,.375X1.25X.062,ZAG	
3	60584GT	GROMMET,RUBBER .75 X .19 X 1**	1
4	124962GT	GROMMET,RUBBER,1.0 X 1.25X1.5	1
5	237832GT	NUT,TL,FLG,M8-1.25,DIN6927,10,	2
6	824089GT	SCREW,HHF,3/8-16X.75,8,ZAG	
7	824029GT	NUT,TL FLG,3/8-16,G,ZAG	
8	824090GT	WELDMENT,DEUTZ D2011L3i BAFFLE	2
9	1297825GT	WELDMENT,FUEL TANK BULKHEAD	1
10	77081GT	ANGLE,FLOOR,6 FT PLATFORM	1
11	1281912GT	BRACKET,T4 MODULE & DIAGNOSTIC PORT MOUNTING	1
12	822087GT	CLAMP,HOSE,1EAR,25/32	1
13	824471GT	FITTING,3/8 NPT TO 1/2 BARB	1
14	1251722GT	TUBE,FUEL PICK UP,3/8X3/8 NPT	1
15	1253476GT	TUBE,FUEL RETURN,3/8X3/8 NPT X 20.5	1
16	42070GT	TANK STRAP,BOLT STYLE,38.5"	1
16B	1290401GT	ASSY,TANK STRAP,Z34IC/SX105XC (include 1290402, 1290403)	1
16C	1299922GT	ASSY,TANK STRAP,SX-125XC/105XC	1
17	1257628GT	NUT,SERRATED,3/8-16,ZAG	4
18	1272872GT	ASSEMBLY, FUEL TANK, 40 GAL	1
19	101726GT	CAP,FUEL,DIESEL,1/8"VENT(GRN)	1
20	54324GT	FITTING,BULKHEAD,3/8NPT,FUELTK	1
21	60890GT	SENDER,LOW FUEL INDICATOR	1
21B	1271770GT	SENSOR, FUEL LEVEL, 30" DIESEL	1
22	1264110GT	MODULE,FUSE&RELAY	1
23	824079GT	SCREW,HHF,1/4-20X1,8,ZAG	
24	824027GT	NUT,TL FLG,1/4-20,G,ZAG	
25	1275309GT	STRAP ASSEMBLY, 55"	1



305.1 Engine Side, Battery Bulkhead Assembly (to SN SX105D-1434)

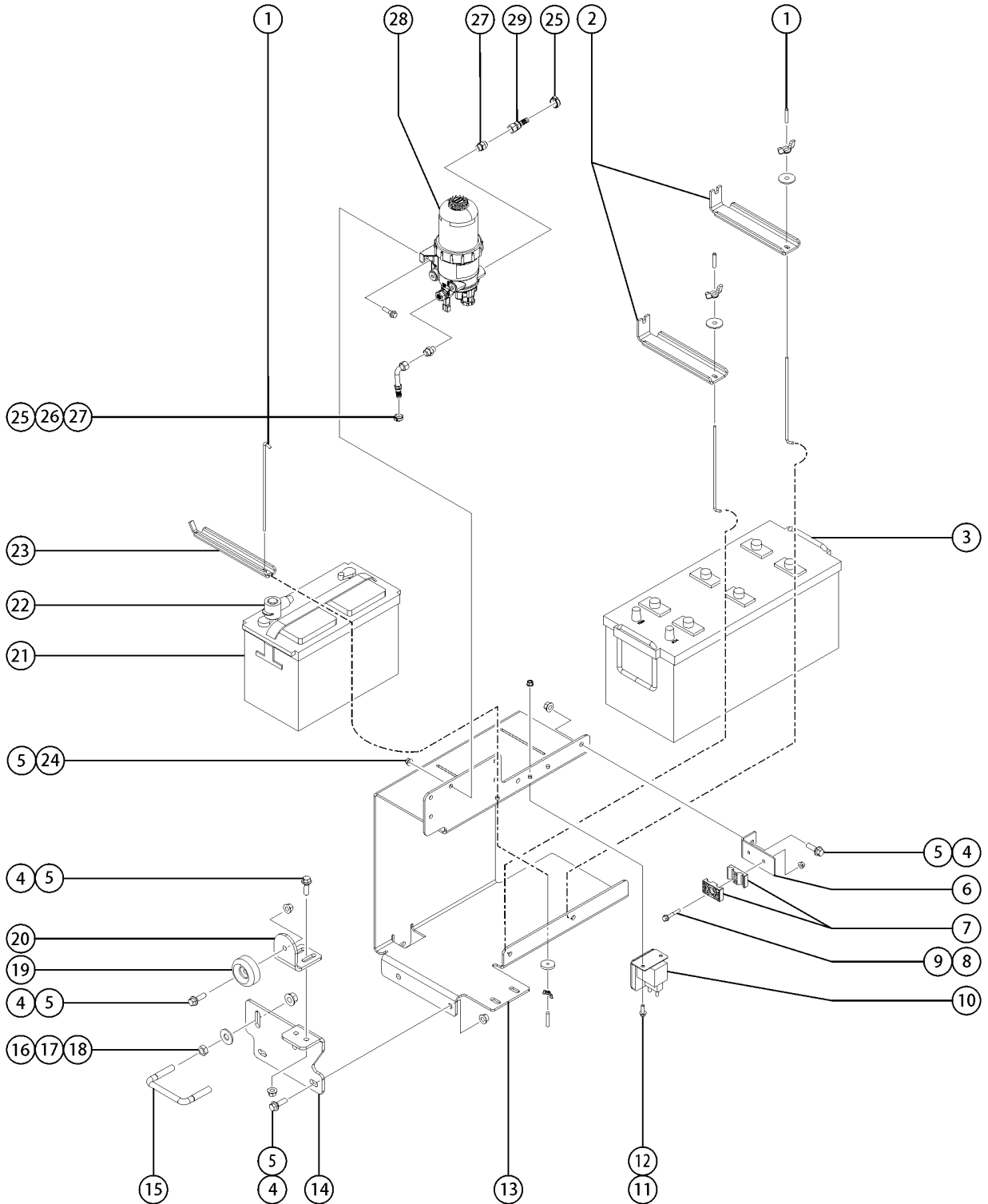


305.1 Engine Side, Battery Bulkhead Assembly (to SN SX105D-1434)

Item	Part No.	Description	Qty.
	60940GT	HOLD DOWN,BATTERY,SMALL	
1	45708GT	HOOK,BATT HOLD DOWN,10"	1
2	60711GT	HOLD DOWN,BATTERY	2
3	217021GT	BATTERY 12V,AGM DC210-12,220AH	1
4	824091GT	SCREW,HHF,3/8-16X1.25,8,ZAG	1
5	824029GT	NUT,TL FLG,3/8-16,G,ZAG	1
6	70535GT	BRACKET,BATTERY CABLE	1
7	78736GT	CLAMP,2 HOSE,PLASTIC,5/8	2
8	232886GT	SCREW,HHF,M6-1.0X40,DIN6921,10.9,ZAB	1
9	231513GT	NUT,TL FLG,M6-1.0,DIN6927,10,Z	1
10	237068GT	SEPARATOR,DUAL BATTERY,100A	1
11	824078GT	SCREW,HHF,1/4-20X.75,8,ZAG	3
12	824027GT	NUT,TL FLG,1/4-20,G,ZAG	1
13	1267378GT	WELDMENT, BATTERY TRAY	3
14	1271928GT	FORMING,UBOLT MOUNT	1
15	1259855GT	UBOLT, 0.4724 IN D X 4.0 IN L	1
16	1255804GT	NUT,JAM,1/2-13,A,ZAG	1
17	1255760GT	WASHER,FLAT,1/2,USS,ZAG	1
18	1251997GT	NUT,TL FLG,1/2-13,G,ZAG	1
19	50974GT	BUMPER,RUBBER,COVERS	1
20	1267380GT	FORMING, COVER STOP, TOP	1
21	1306670GT	START BATTERY,12V,1000CCA	1
22	51147GT	BOOT,CABLE TERMINAL,LG,RED,2/0	1
23	60940GT	HOLD DOWN,BATTERY,SMALL	1
24	824092GT	SCREW, HHF, 3/8-16 X 1.5, 8, ZAG	2
25	822087GT	CLAMP,HOSE,1EAR,25/32	2
26	162207GT	FITTING,ELBOW,8GS-8FJX90S	1
27	162209GT	FITTING,CONN,16MM-8MJ	2



305.1 Engine Side, Battery Bulkhead Assembly (to SN SX105D-1434)

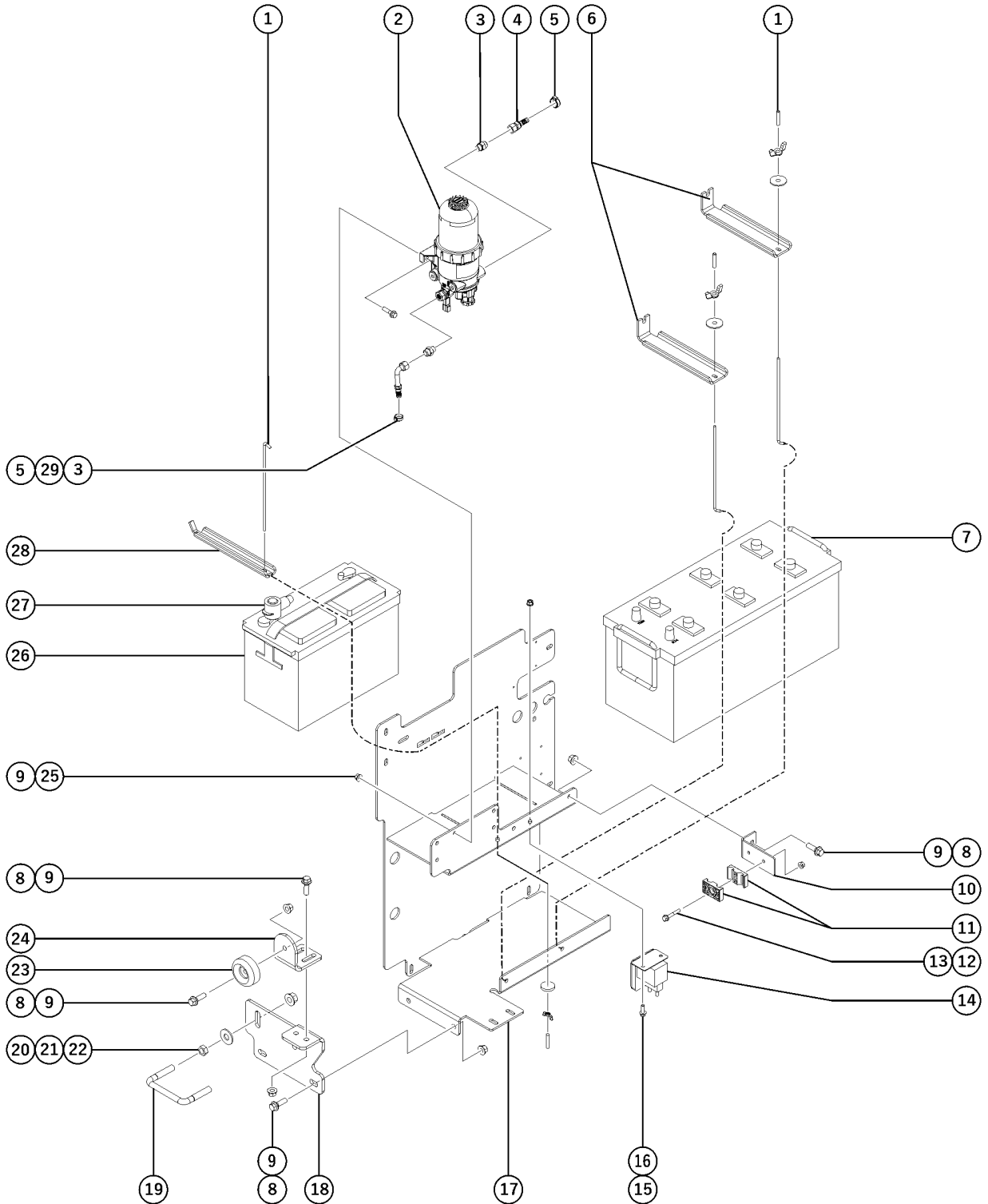


305.1 Engine Side, Battery Bulkhead Assembly (to SN SX105D-1434)

<i>Item</i>	<i>Part No.</i>	<i>Description</i>	<i>Qty.</i>
28	1286335GT	PRE-FILTER,FUEL,DEUTZ TD2.9,FH23841	1
29	824635GT	FITTING,STR,1/2 HS X 3/4-16,JI	1



305.2 Engine Side, Battery Bulkhead Assembly (from SN SX105D-1435)

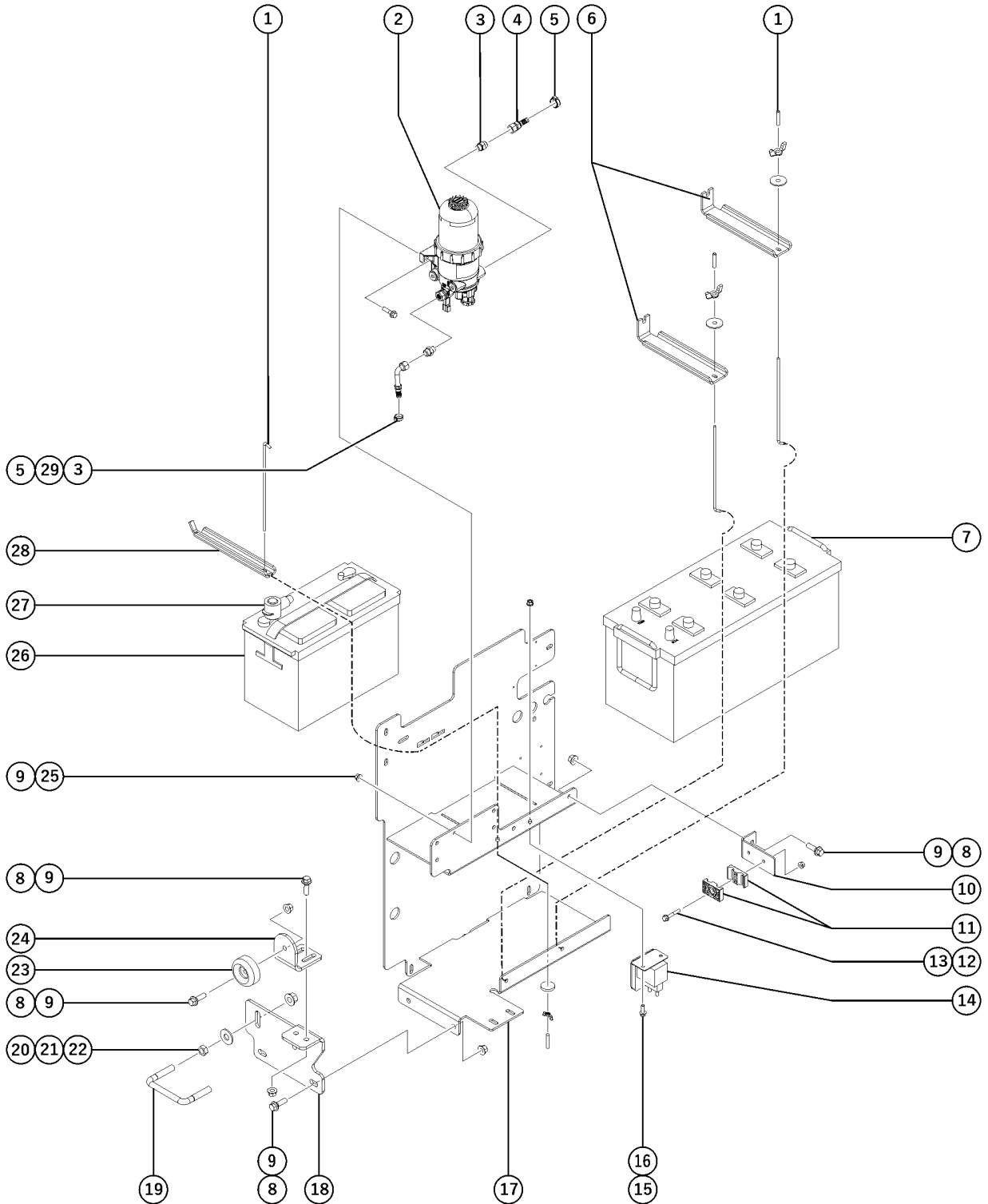


305.2 Engine Side, Battery Bulkhead Assembly (from SN SX105D-1435)

Item	Part No.	Description	Qty.
-	60940GT	HOLD DOWN,BATTERY,SMALL	
1	45708GT	HOOK,BATT HOLD DOWN,10"	3
2	1286335GT	PRE-FILTER,FUEL,DEUTZ TD2.9,FH23841 (to SN SX125D-1657)	1
2B	1306589GT	PRE-FILTER,FUEL,DEUTZ TD2.9,FH23817 (from SN SX125D-1658)	1
2B-	1313660GT	FILTER ELEMENT,DEUTZ TD2.9,FS20020	1
3	162209GT	FITTING,CONN,16MM-8MJ	2
4	824635GT	FITTING,STR,1/2 HS X 3/4-16,JI	1
5	822087GT	CLAMP,HOSE,1EAR,25/32	2
6	T010025GT	FORMING,BATTERY HOLD DOWN (to SX125D-1924)	2
6B	1309964GT	FORMING,LOWER BATTERY HOLD (from SX125D-1925)	2
7	217021GT	BATTERY 12V,AGM DC210-12,220AH (to SX125D-1924)	1
7B	1310699GT	BATTERY,APU,12V,210AH (from SX125D-1925)	1
8	824091GT	SCREW,HHF,3/8-16X1.25,8,ZAG	
9	824029GT	NUT,TL FLG,3/8-16,G,ZAG	
10	70535GT	BRACKET,BATTERY CABLE	1
11	78736GT	CLAMP,2 HOSE,PLASTIC,5/8	2
12	232886GT	SCREW,HHF,M6-1.0X40,DIN6921,10.9,ZAB	1
13	231513GT	NUT,TL FLG,M6-1.0,DIN6927,10,Z	1
14	237068GT	SEPARATOR,DUAL BATTERY,100A	1
15	824078GT	SCREW,HHF,1/4-20X.75,8,ZAG	2
16	824027GT	NUT,TL FLG,1/4-20,G,ZAG	2
17	1297825GT	WELDMENT,FUEL TANK BULKHEAD (to SX125D-1924)	1
17B	1309962GT	WELD,FUEL TANK BULKHEAD (from SX125D-1925)	1
18	1271928GT	FORMING,UBOLT MOUNT	1
19	1259855GT	UBOLT, 0.4724 IN D X 4.0 IN L	1
20	1255804GT	NUT,JAM,1/2-13,A,ZAG	2
21	1255760GT	WASHER,FLAT,1/2,USS,ZAG	2
22	1251997GT	NUT,TL FLG,1/2-13,G,ZAG	2



305.2 Engine Side, Battery Bulkhead Assembly (from SN SX105D-1435)

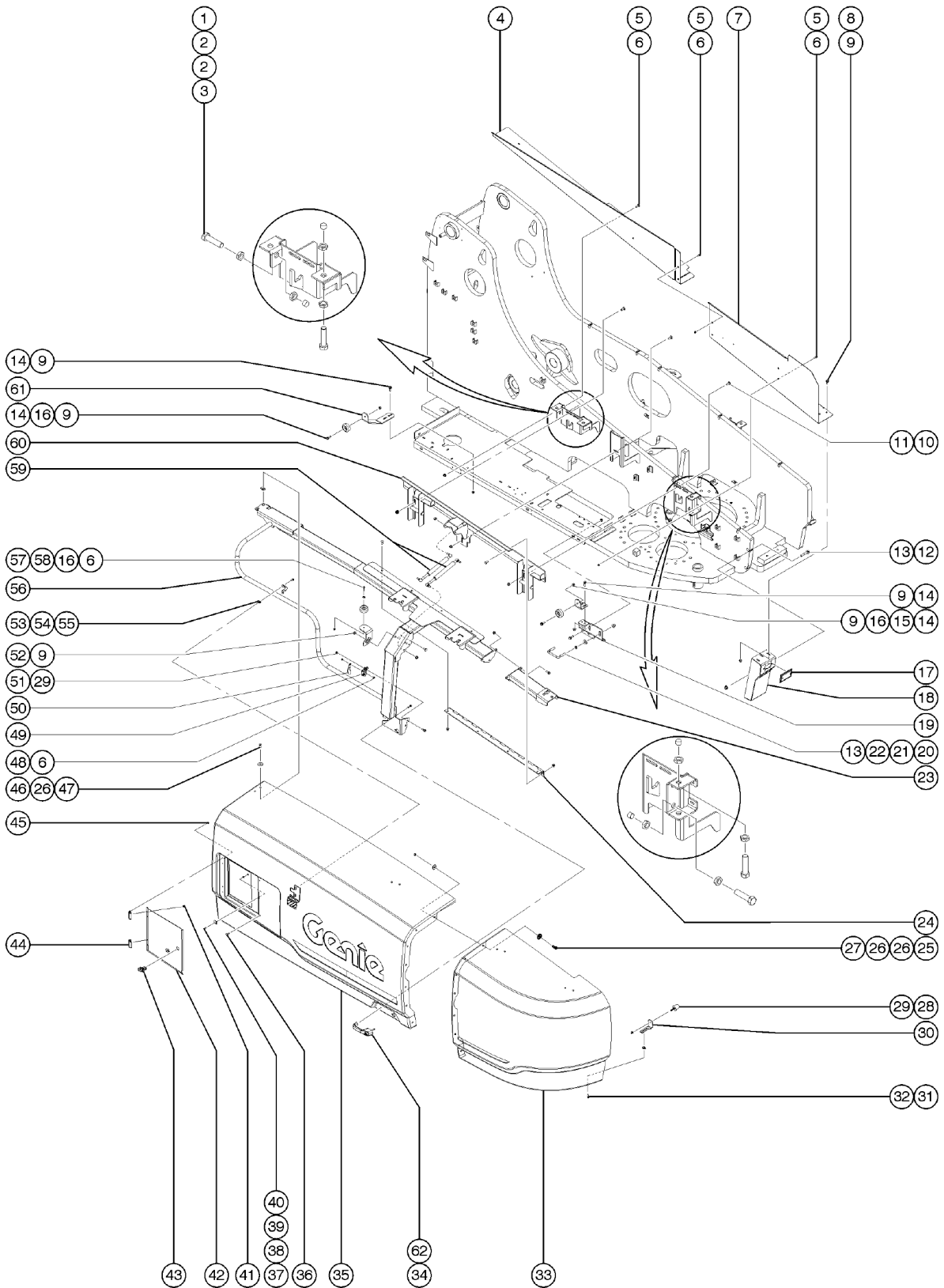


305.2 Engine Side, Battery Bulkhead Assembly (from SN SX105D-1435)

<i>Item</i>	<i>Part No.</i>	<i>Description</i>	<i>Qty.</i>
23	50974GT	BUMPER,RUBBER,COVERS	1
24	1267380GT	FORMING, COVER STOP, TOP	1
25	824092GT	SCREW, HHF, 3/8-16 X 1.5, 8, ZAG	1
26	1306670GT	START BATTERY,12V,1000CCA	1
27	51147GT	BOOT,CABLE TERMINAL,LG,RED,2/0	1
28	60940GT	HOLD DOWN,BATTERY,SMALL	1
29	162207GT	FITTING,ELBOW,8GS-8FJX90S	1



306.1 Turntable Covers - Tank Side (to SN SX125D-1364)

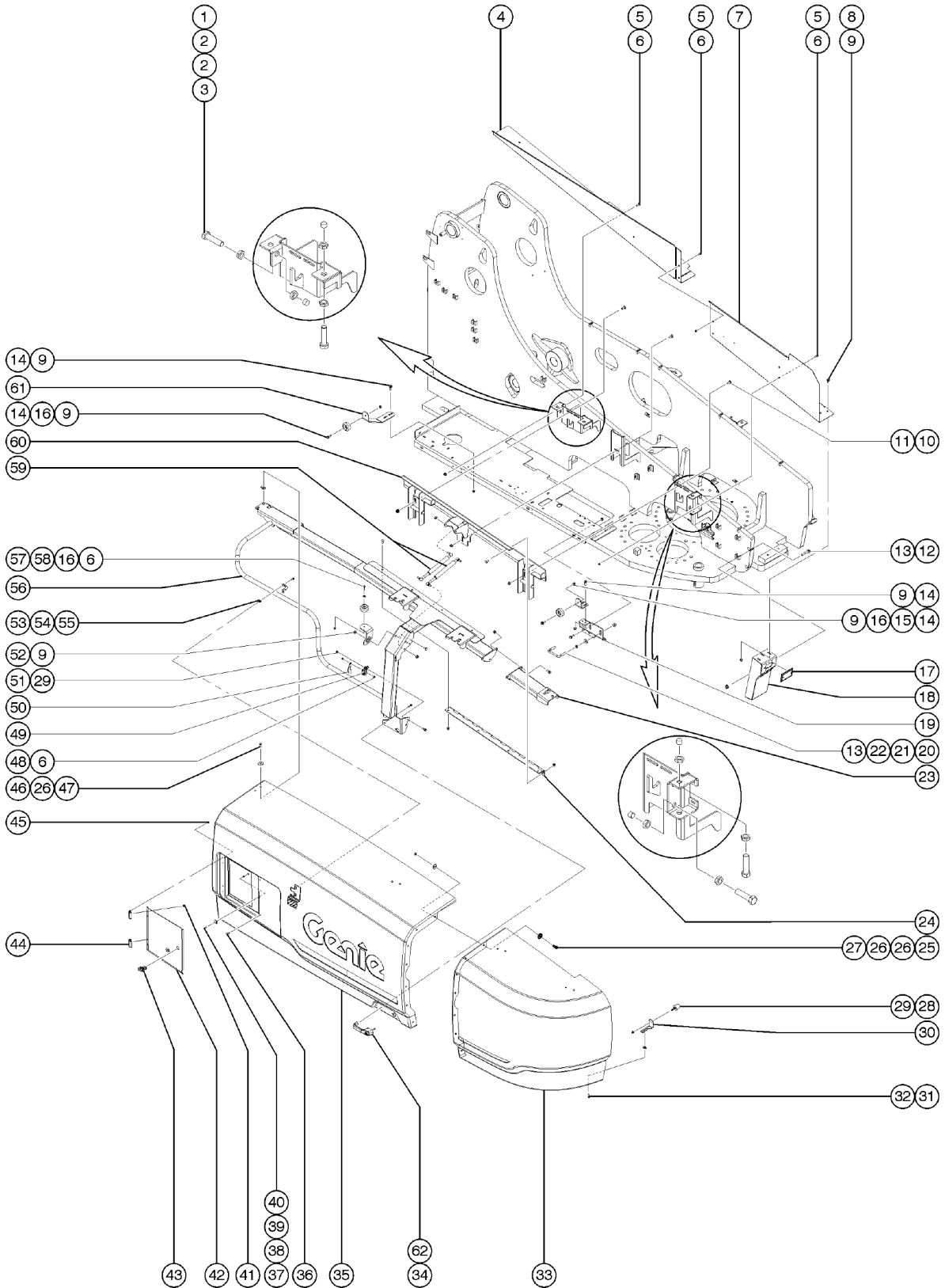


306.1 Turntable Covers - Tank Side (to SN SX125D-1364)

Item	Part No.	Description	Qty.
1	231509GT	SCREW,HHC,M20-2.5X80,DIN933,10	
2	231515GT	NUT,HEX,JAM,M20-2.5,DIN439,ZAB	
3	1261917GT	THREADED CAP, M20-1.5	1
4	1267367GT	FORMING, REAR COVER TS	1
5	824079GT	SCREW,HHF,1/4-20X1,8,ZAG	
6	824027GT	NUT,TL FLG,1/4-20,G,ZAG	
7	1267366GT	FORMING, INNER COVER TS	1
8	824090GT	WELDMENT,DEUTZ D2011L3i BAFFLE	
9	824029GT	NUT,TL FLG,3/8-16,G,ZAG	
10	825597GT	BOLT,CARRIAGE,M10-1.5X30,DIN603,8,8,ZAB	
11	231529GT	NUT,TL FLG,M10-1.5,DIN6927,10,	
12	1257862GT	SCREW,HHF,1/2-13X2.75,8,ZAG	
13	1251997GT	NUT,TL FLG,1/2-13,G,ZAG	
14	824091GT	SCREW,HHF,3/8-16X1.25,8,ZAG	
15	50974GT	BUMPER,RUBBER,COVERS	3
16	1267380GT	FORMING, COVER STOP, TOP	1
17	10777GT	COVER,BLANK	1
18	1267371GT	WELDMENT, CABLE BOX	1
19	1267433GT	FORMING, LOCK BASE	1
20	1259855GT	UBOLT, 0.4724 IN D X 4.0 IN L	1
21	1255804GT	NUT,JAM,1/2-13,A,ZAG	
22	1255760GT	WASHER,FLAT,1/2,USS,ZAG	
23	1267457GT	WELDMENT,COVER SUPPPORT,NOSE,TANK	1
24	1259705GT	HINGE,COVER,40IN	1
25	824068GT	SCREW,HHC,3/8-16X1.25,8,ZAG	
26	824120GT	WASHER,FLAT,,375X1.50X.125,ZAG	
27	1256468GT	NUT,3/8-16,8,ZAG	
28	111580GT	BUMPER,RUBBER,1.19DX1.5X.31-18	1



306.1 Turntable Covers - Tank Side (to SN SX125D-1364)

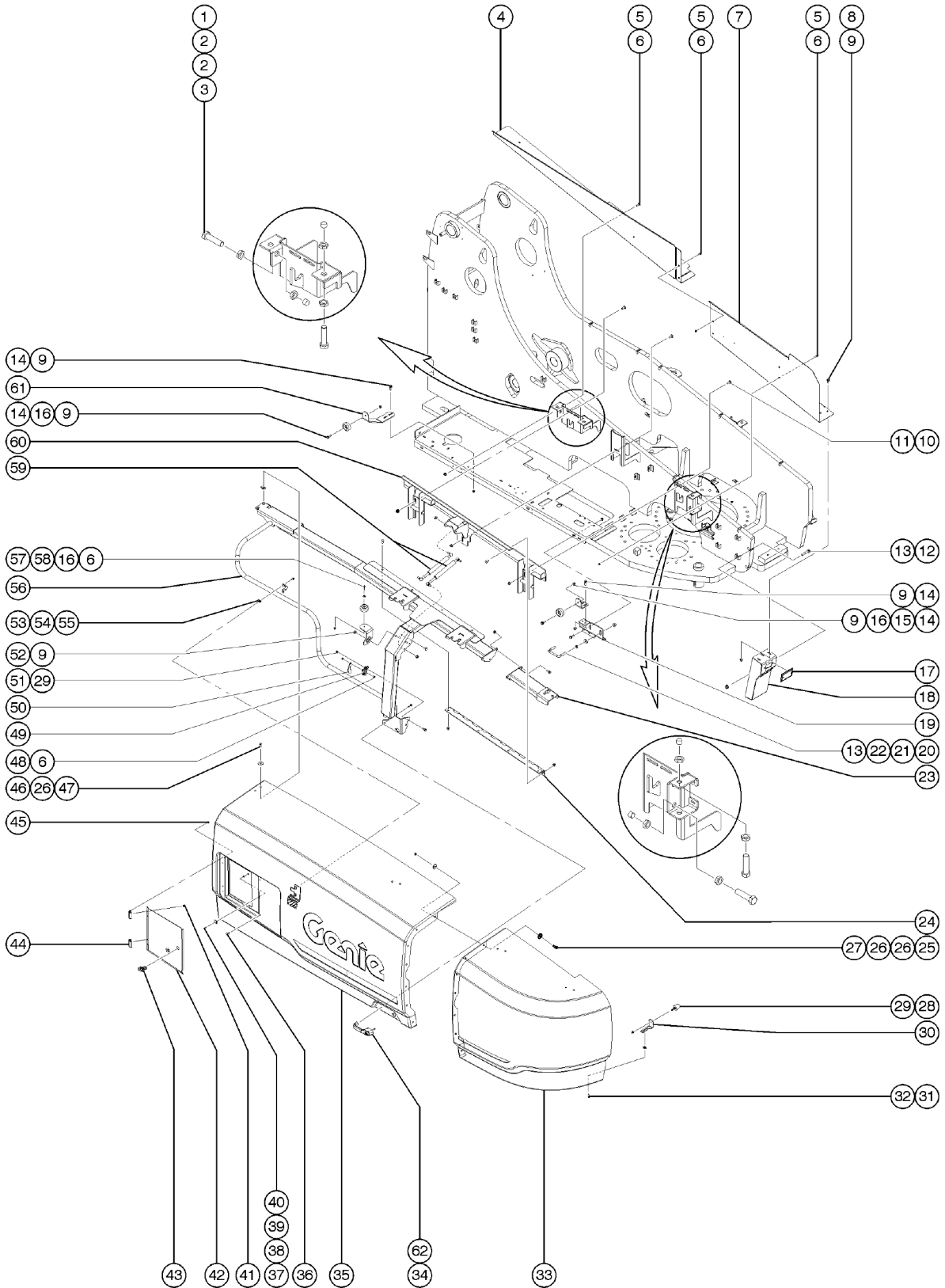


306.1 Turntable Covers - Tank Side (to SN SX125D-1364)

Item	Part No.	Description	Qty.
29	824028GT	NUT,TL FLG,5/16-18,G,ZAG	
30	1267744GT	FORMING,BUMPER STOP,NOSE	1
31	231512GT	SCREW,HHF,M6-1.0X25,DIN6921,10.9,ZAB	
32	219697GT	SPRING CLIP,M6-1.0,3.4-6.3X13.5,ZAB	
33	1267465GT	COVER,TURNTABLE,TANK SIDE	1
34	1256054GT	HANDLE,YELLOW LOCKING,CODE 455	1
34-	37947GT	KEYS,10 PACK*** sold separately	
34-	83093GT	KEY SINGLE*** sold separately	
35	1259672GT	ASSEMBLY,COVER,TANK MOUNT includes 1255367, 1261798, 1259010, 60874-5625	1
35-	1255367GT	COVER,SWING CHASSIS,TANK SIDE Excluding Ground Control Cover, forming, and trim lock	
35-	1261798GT	ASSY,GROUND CONTROL COVER	
35-	1259010GT	FORMING,COVER TUBE MOUNT attaches to 1259672 using Plexus MA300 Adhesive	
35-	60874-5625GT	TRIM LOCK,1/4" installs on rear edge of 1259672	
36	34619GT	BUMPER,RUBBER***	2
37	824215GT	SCREW, PHPM, 10-32 X .75, ZAG	
38	823748GT	LATCH STRIKER	1
39	1253185GT	WASHER,FLAT,#10,USS,ZAG	
40	1256804GT	NUT,10-32,ZAG	
41	229845GT	SCREW,BHSCS,M5X10,SS	
42	1261797GT	FORMING,CONTROL COVER	1
43	1259583GT	LATCH,PUSH BUTTON	1
44	1259584GT	HINGE,CONSTANT TORQUE	2
45	218457GT	SPACER,GUARD,ALTERNATOR	
46	824068GT	SCREW,HHC,3/8-16X1.25,8,ZAG	
47	29868GT	WASHER,FLAT,,375X1.25X.062,ZAG	
48	824059GT	SCREW,HHC,1/4-20X.75,8,ZAG	
49	215254GT	LATCH,ROTARY,ENGINE COVER	1
50	1260682GT	FORMING,LATCH TRIGGER BRKT,LH	1



306.1 Turntable Covers - Tank Side (to SN SX125D-1364)

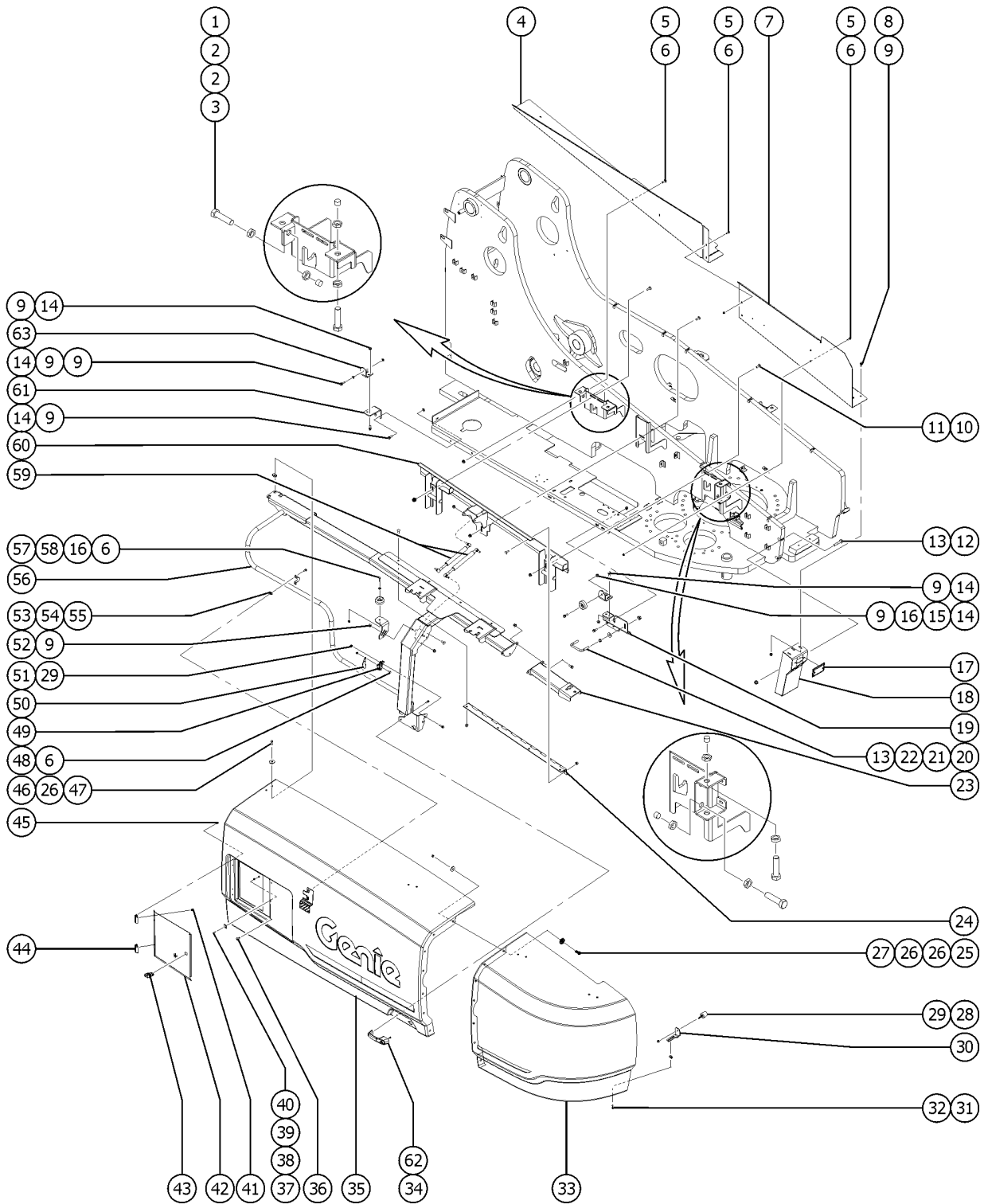


306.1 Turntable Covers - Tank Side (to SN SX125D-1364)

<i>Item</i>	<i>Part No.</i>	<i>Description</i>	<i>Qty.</i>
51	824087GT	SCREW, HHF, 5/16-18 X 1.25, 8, ZAG	
52	824125GT	BOLT, CARRIAGE, 3/8-16X1, 5, ZAG	
53	824078GT	SCREW, HHF, 1/4-20X.75, 8, ZAG	
54	1260158GT	CLAMP, TUBE, 1 -5/16, TWO HOLE	1
55	56912GT	SPRING CLIP, 1/4-20, .025-.15X.5	
56	1259037GT	WELDMENT, COVER SUPPORT, TANK	1
57	824061GT	SCREW, HHC, 1/4-20X1.25, 8, ZAG	
58	824113GT	WASHER, FLAT, 1/4, USS, ZAG	
59	1259706GT	GAS STRUT, 390 LB	2
60	1267439GT	WELDMENT, HINGE MOUNT TS	1
61	1267379GT	FORMING, COVER STOP	1
62	824078GT	SCREW, HHF, 1/4-20X.75, 8, ZAG	



306.2 Turntable Covers - Tank Side (from SN SX125D-1365)

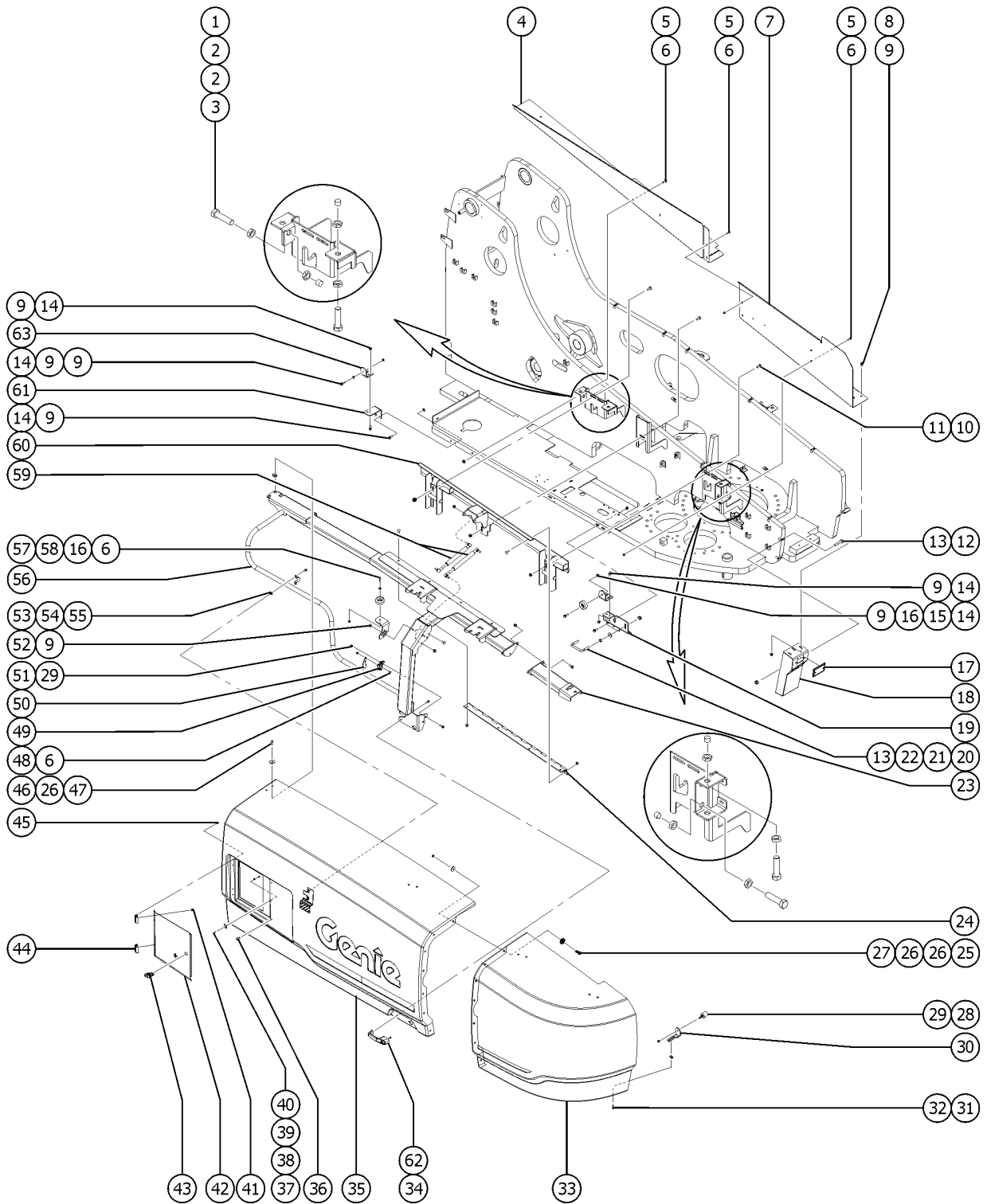


306.2 Turntable Covers - Tank Side (from SN SX125D-1365)

Item	Part No.	Description	Qty.
1	231509GT	SCREW,HHC,M20-2.5X80,DIN933,10	
2	231515GT	NUT,HEX,JAM,M20-2.5,DIN439,ZAB	
3	1261917GT	THREADED CAP, M20-1.5	1
4	1267367GT	FORMING, REAR COVER TS	1
5	824079GT	SCREW,HHF,1/4-20X1,8,ZAG	
6	824027GT	NUT,TL FLG,1/4-20,G,ZAG	
7	1267366GT	FORMING, INNER COVER TS	1
8	824090GT	WELDMENT,DEUTZ D2011L3i BAFFLE	
9	824029GT	NUT,TL FLG,3/8-16,G,ZAG	
10	825597GT	BOLT,CARRIAGE,M10-1.5X30,DIN603,8,8,ZAB	
11	231529GT	NUT,TL FLG,M10-1.5,DIN6927,10,	
12	1257862GT	SCREW,HHF,1/2-13X2.75,8,ZAG	
13	1251997GT	NUT,TL FLG,1/2-13,G,ZAG	
14	824091GT	SCREW,HHF,3/8-16X1.25,8,ZAG	
15	50974GT	BUMPER,RUBBER,COVERS	3
16	1267380GT	FORMING, COVER STOP, TOP	1
17	10777GT	COVER,BLANK	1
18	1267371GT	WELDMENT, CABLE BOX	1
19	1267433GT	FORMING, LOCK BASE	1
20	1259855GT	UBOLT, 0.4724 IN D X 4.0 IN L	1
21	1255804GT	NUT,JAM,1/2-13,A,ZAG	
22	1255760GT	WASHER,FLAT,1/2,USS,ZAG	
23	1267457GT	WELDMENT,COVER SUPPPORT,NOSE,TANK	1
24	1259705GT	HINGE,COVER,40IN	1
25	824068GT	SCREW,HHC,3/8-16X1.25,8,ZAG	
26	824120GT	WASHER,FLAT,,375X1.50X.125,ZAG	
27	1256468GT	NUT,3/8-16,8,ZAG	
28	111580GT	BUMPER,RUBBER,1.19DX1.5X.31-18	1



306.2 Turntable Covers - Tank Side (from SN SX125D-1365)

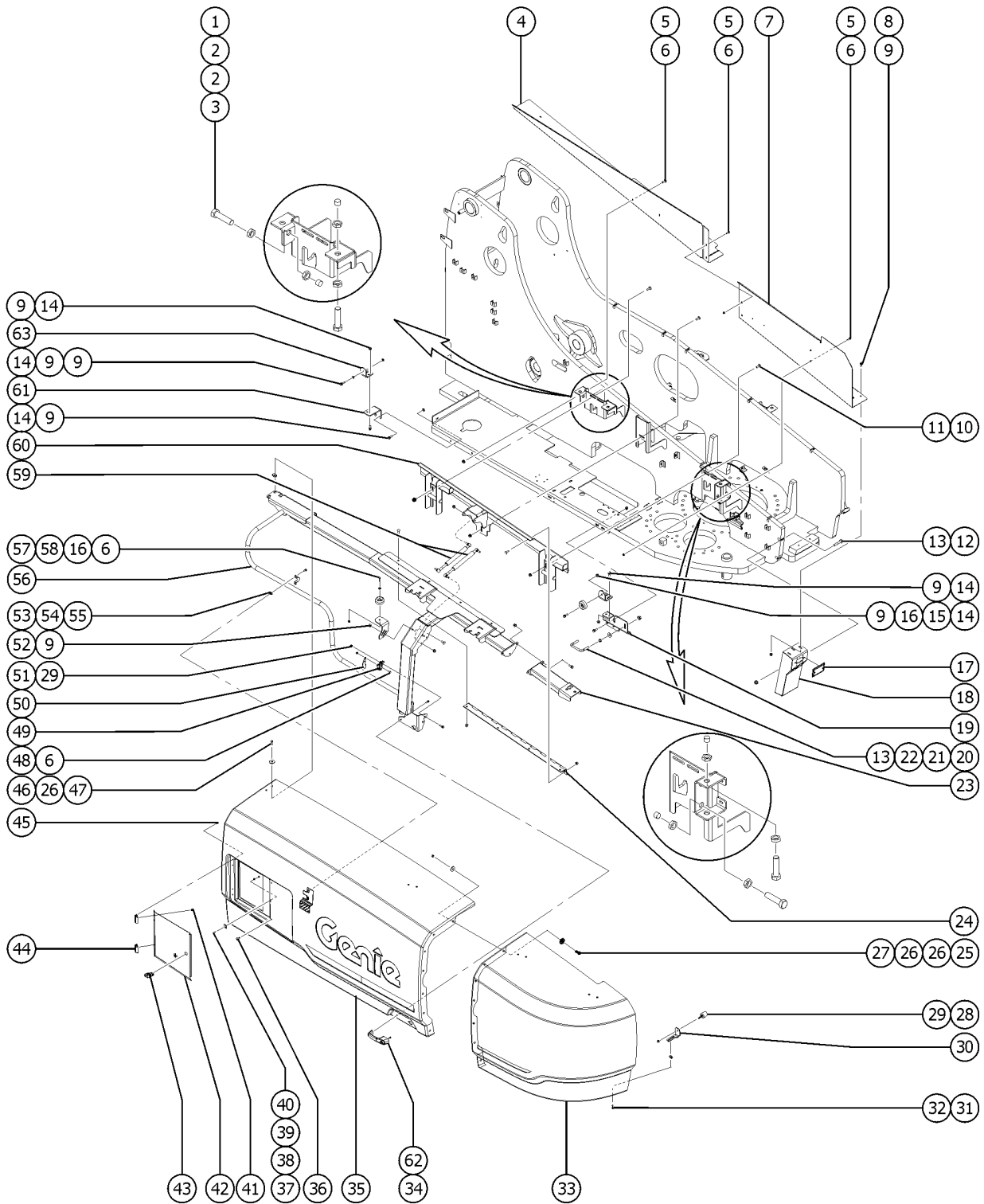


306.2 Turntable Covers - Tank Side (from SN SX125D-1365)

Item	Part No.	Description	Qty.
29	824028GT	NUT,TL FLG,5/16-18,G,ZAG	
30	1267744GT	FORMING,BUMPER STOP,NOSE	1
31	231512GT	SCREW,HHF,M6-1.0X25,DIN6921,10.9,ZAB	
32	219697GT	SPRING CLIP,M6-1.0,3.4-6.3X13.5,ZAB	
33	1267465GT	COVER,TURNTABLE,TANK SIDE	1
34	1256054GT	HANDLE,YELLOW LOCKING,CODE 455	1
34-	37947GT	KEYS,10 PACK*** sold separately	
34-	83093GT	KEY SINGLE*** sold separately	
35	1259672GT	ASSEMBLY,COVER,TANK MOUNT includes 1255367, 1261798, 1259010, 60874-5625	1
35-	1255367GT	COVER,SWING CHASSIS,TANK SIDE Excluding Ground Control Cover, forming, and trim lock	
35-	1261798GT	ASSY,GROUND CONTROL COVER	
35-	1259010GT	FORMING,COVER TUBE MOUNT attaches to 1259672 using Plexus MA300 Adhesive	
35-	60874-5625GT	TRIM LOCK,1/4" installs on rear edge of 1259672	
36	34619GT	BUMPER,RUBBER***	2
37	824215GT	SCREW, PHPM, 10-32 X .75, ZAG	
38	823748GT	LATCH STRIKER	1
39	1253185GT	WASHER,FLAT,#10,USS,ZAG	
40	1256804GT	NUT,10-32,ZAG	
41	229845GT	SCREW,BHSCS,M5X10,SS	
42	1261797GT	FORMING,CONTROL COVER	1
43	1259583GT	LATCH,PUSH BUTTON	1
44	1259584GT	HINGE,CONSTANT TORQUE	2
45	218457GT	SPACER,GUARD,ALTERNATOR	
46	824068GT	SCREW,HHC,3/8-16X1.25,8,ZAG	
47	29868GT	WASHER,FLAT,,375X1.25X.062,ZAG	
48	824059GT	SCREW,HHC,1/4-20X.75,8,ZAG	
49	215254GT	LATCH,ROTARY,ENGINE COVER	1
50	1260682GT	FORMING,LATCH TRIGGER BRKT,LH	1



306.2 Turntable Covers - Tank Side (from SN SX125D-1365)

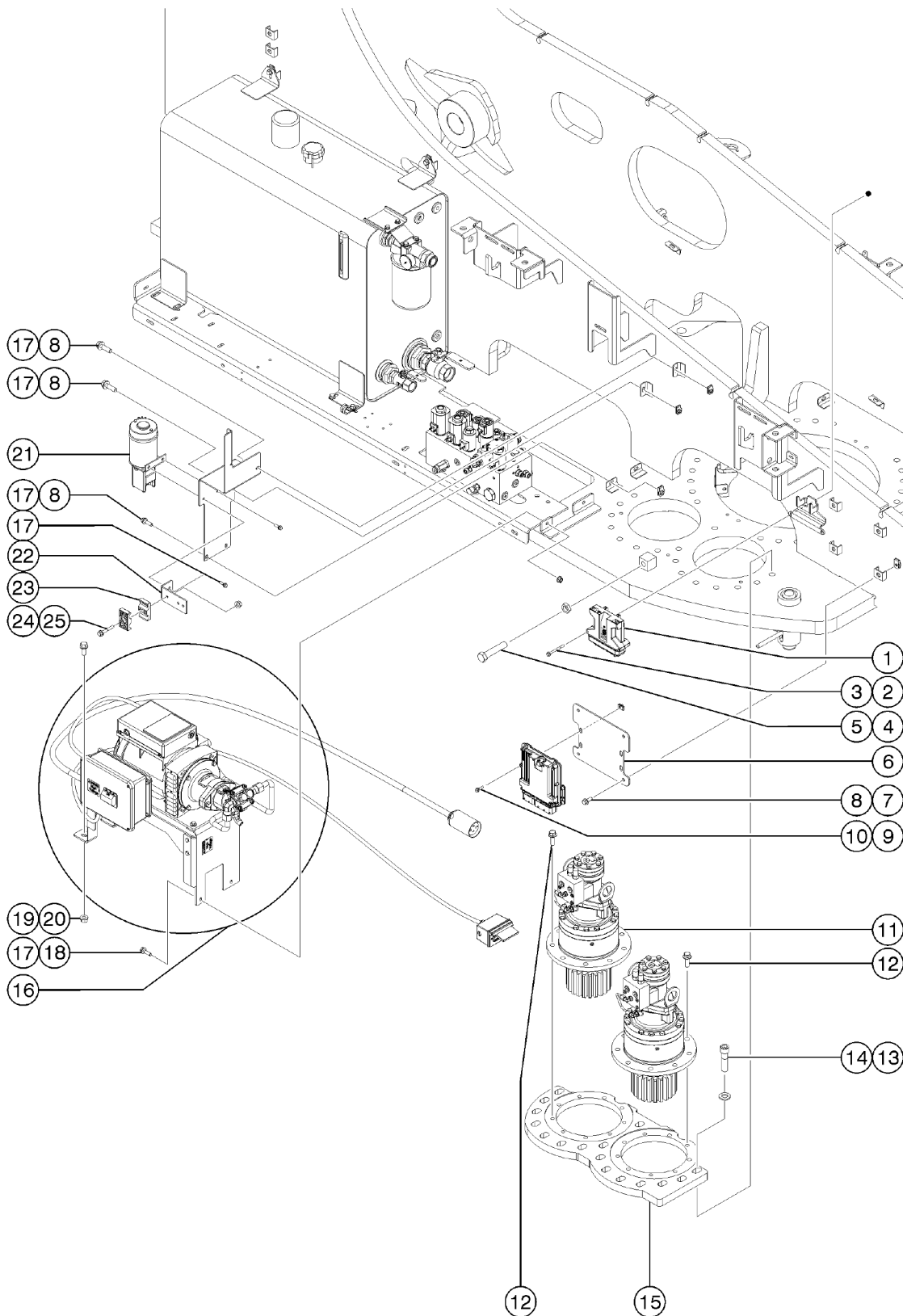


306.2 Turntable Covers - Tank Side (from SN SX125D-1365)

<i>Item</i>	<i>Part No.</i>	<i>Description</i>	<i>Qty.</i>
51	824087GT	SCREW, HHF, 5/16-18 X 1.25, 8, ZAG	
52	824125GT	BOLT, CARRIAGE, 3/8-16X1,5,ZAG	
53	824078GT	SCREW, HHF, 1/4-20X.75,8,ZAG	
54	1260158GT	CLAMP, TUBE, 1 -5/16, TWO HOLE	1
55	56912GT	SPRING CLIP, 1/4-20, .025-.15X.5	
56	1259037GT	WELDMENT, COVER SUPPORT, TANK	1
57	824061GT	SCREW, HHC, 1/4-20X1.25,8,ZAG	
58	824113GT	WASHER, FLAT, 1/4, USS, ZAG	
59	1259706GT	GAS STRUT, 390 LB	2
60	1267439GT	WELDMENT, HINGE MOUNT TS	1
61	1298093GT	FORMING, COVER STOP	1
62	824078GT	SCREW, HHF, 1/4-20X.75,8,ZAG	
63	1267380GT	FORMING, COVER STOP, TOP	1



307.1 Tank Side, Swing Drive, Hose Clamps and Guides (to SN SX125D-1364)

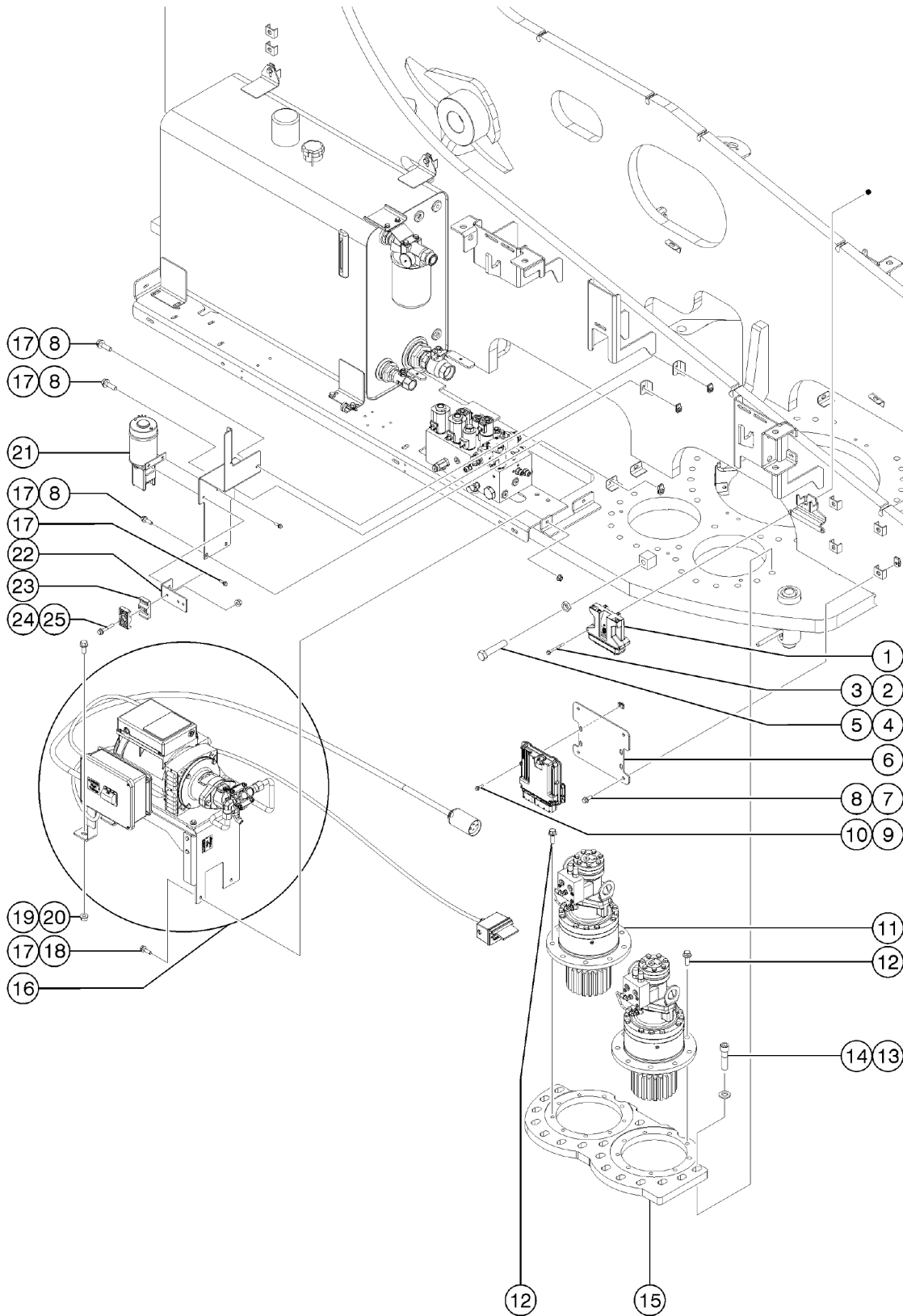


307.1 Tank Side, Swing Drive, Hose Clamps and Guides (to SN SX125D-1364)

Item	Part No.	Description	Qty.
1	1268432GT	MODULE, SCON, SPX125 blank board:822230	1
1-	822229GT	SEAL, INTERNAL, 12-PIN, DTM	2
1-	822225GT	SLEEVE RETAINER, DTM, GREY	1
1-	822226GT	SLEEVE RETAINER, DTM, BLACK	1
2	1256231GT	SCREW,HHF,1/4-20X2.75,8,ZAG	
3	824027GT	NUT,TL FLG,1/4-20,G,ZAG	
4	231514GT	SCREW,HHC,M20-2.5X100,DIN933,1	
5	231515GT	NUT,HEX,JAM,M20-2.5,DIN439,ZAB	
6	1267376GT	PLATE, ECU MOUNT	1
7	824090GT	WELDMENT,DEUTZ D2011L3i BAFFLE	
8	29868GT	WASHER,FLAT,,.375X1.25X.062,ZAG	
9	824079GT	SCREW,HHF,1/4-20X1,8,ZAG	
10	56912GT	SPRING CLIP,1/4-20,.025-.15X.5	
11	1255768GT	SWING DRIVE ASSEMBLY	2
12	1253498GT	SCREW,HHF,1/2-13X1.5,8,ZAG	
13	1256860GT	SCREW,SHC,3/4-10X3,A574,ZAG	
14	1256863GT	WASHER,FLAT,.75,F436,HRD,ZAG	
15	1273466GT	MACHIND, BACKLASH ADJ PLATE	1
16	1275008GT	GEN,SX125XC,3.0KW,230V 50Hz SX-125XC, (3.0KW,230V 50Hz)	1
16B	1275009GT	GEN,SX125XC,3.0KW,110V 50Hz SX-125XC, (3.0KW,110V 50Hz)	1
16C	1275007GT	GEN,SX125XC,12KW,208/120V 60Hz SX-125XC, (12KW,208/120V 60Hz)	1
16D	1275777GT	GEN,SX125XC,7.5KW,240V 50Hz SX-125XC, (7.5KW,240V 50Hz)	1
16E	1280415GT	GEN,SX105XC,3.0KW,240V 50Hz SX-105XC, (3.0KW,240V 50Hz)	1
16F	1280416GT	GEN,SX105XC,3.0KW,110V 50Hz SX-105XC, (3.0KW,110V 50Hz)	1
16G	1280414GT	GEN,SX105XC,12KW,208/120V 60Hz SX-105XC, (12KW,208/120V 60Hz)	1
16H	1280417GT	GEN,SX105XC,7.5KW,240V 50Hz SX-105XC, (7.5KW,240V 50Hz)	1
17	824091GT	SCREW,HHF,3/8-16X1.25,8,ZAG	
18	824029GT	NUT,TL FLG,3/8-16,G,ZAG	



307.1 Tank Side, Swing Drive, Hose Clamps and Guides (to SN SX125D-1364)

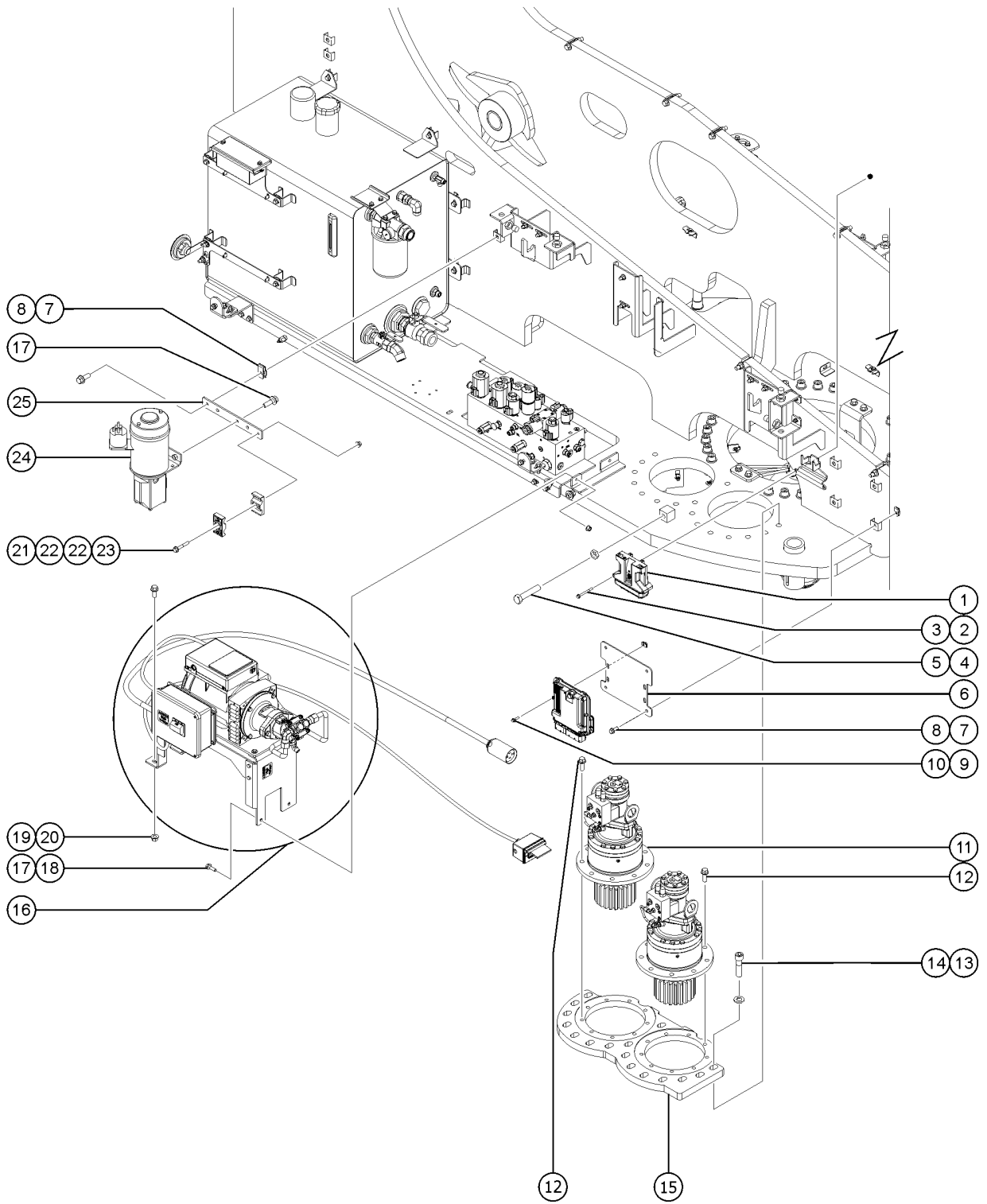


307.1 Tank Side, Swing Drive, Hose Clamps and Guides (to SN SX125D-1364)

<i>Item</i>	<i>Part No.</i>	<i>Description</i>	<i>Qty.</i>
19	1255469GT	SCREW,HHF,1/2-13X1.25,8,ZAG	
20	1251997GT	NUT,TL FLG,1/2-13,G,ZAG	
21	102710GT	PUMP,AUXILIARY,DUAL,12V	1
22	70535GT	BRACKET,BATTERY CABLE	1
23	78736GT	CLAMP,2 HOSE,PLASTIC,5/8	2
24	232886GT	SCREW,HHF,M6-1.0X40,DIN6921,10.9,ZAB	1
25	231513GT	NUT,TL FLG,M6-1.0,DIN6927,10,Z	1



307.2 Tank Side, Swing Drive, Hose Clamps and Guides (from SN SX125D-1365)

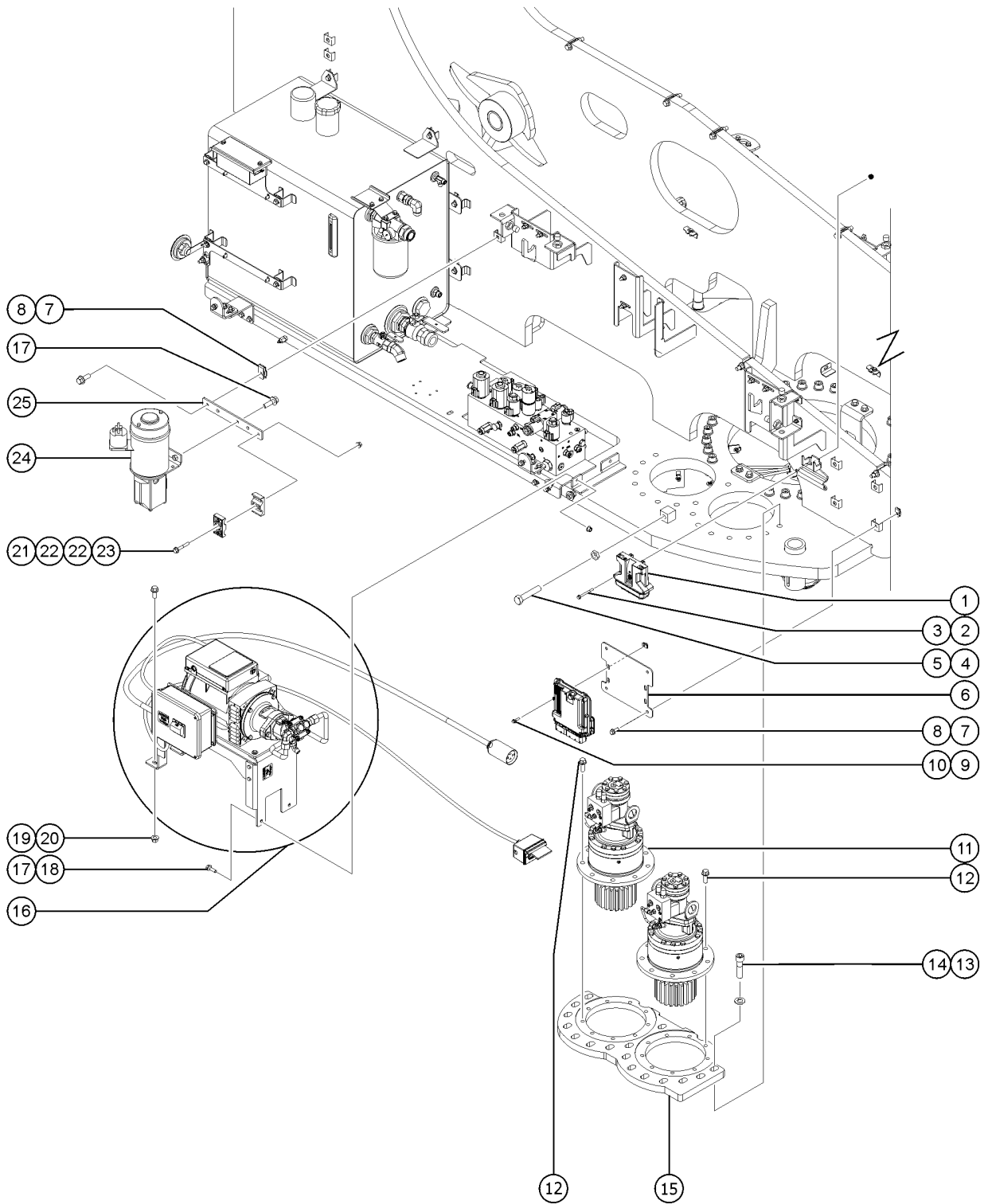


307.2 Tank Side, Swing Drive, Hose Clamps and Guides (from SN SX125D-1365)

Item	Part No.	Description	Qty.
1	1268432GT	MODULE, SCON, SPX125 blank board:822230	1
1-	822229GT	SEAL, INTERNAL, 12-PIN, DTM	2
1-	822225GT	SLEEVE RETAINER, DTM, GREY	1
1-	822226GT	SLEEVE RETAINER, DTM, BLACK	1
2	1256231GT	SCREW,HHF,1/4-20X2.75,8,ZAG	
3	824027GT	NUT,TL FLG,1/4-20,G,ZAG	
4	231514GT	SCREW,HHC,M20-2.5X100,DIN933,1	
5	231515GT	NUT,HEX,JAM,M20-2.5,DIN439,ZAB	
6	1267376GT	PLATE, ECU MOUNT	1
7	824090GT	WELDMENT,DEUTZ D2011L3i BAFFLE	
8	29868GT	WASHER,FLAT,,.375X1.25X.062,ZAG	
9	824079GT	SCREW,HHF,1/4-20X1,8,ZAG	
10	56912GT	SPRING CLIP,1/4-20,.025-.15X.5	
11	1255768GT	SWING DRIVE ASSEMBLY	2
12	1253498GT	SCREW,HHF,1/2-13X1.5,8,ZAG	
13	1256860GT	SCREW,SHC,3/4-10X3,A574,ZAG	
14	1256863GT	WASHER,FLAT,.75,F436,HRD,ZAG	
15	1273466GT	MACHIND, BACKLASH ADJ PLATE	1
16	1275008GT	GEN,SX125XC,3.0KW,230V 50Hz SX-125XC, (3.0KW,230V 50Hz)	1
16B	1275009GT	GEN,SX125XC,3.0KW,110V 50Hz SX-125XC, (3.0KW,110V 50Hz)	1
16C	1275007GT	GEN,SX125XC,12KW,208/120V 60Hz SX-125XC, (12KW,208/120V 60Hz)	1
16D	1275777GT	GEN,SX125XC,7.5KW,240V 50Hz SX-125XC, (7.5KW,240V 50Hz)	1
16E	1280415GT	GEN,SX105XC,3.0KW,240V 50Hz SX-105XC, (3.0KW,240V 50Hz)	1
16F	1280416GT	GEN,SX105XC,3.0KW,110V 50Hz SX-105XC, (3.0KW,110V 50Hz)	1
16G	1280414GT	GEN,SX105XC,12KW,208/120V 60Hz SX-105XC, (12KW,208/120V 60Hz)	1
16H	1280417GT	GEN,SX105XC,7.5KW,240V 50Hz SX-105XC, (7.5KW,240V 50Hz)	1
17	824091GT	SCREW,HHF,3/8-16X1.25,8,ZAG	
18	824029GT	NUT,TL FLG,3/8-16,G,ZAG	



307.2 Tank Side, Swing Drive, Hose Clamps and Guides (from SN SX125D-1365)

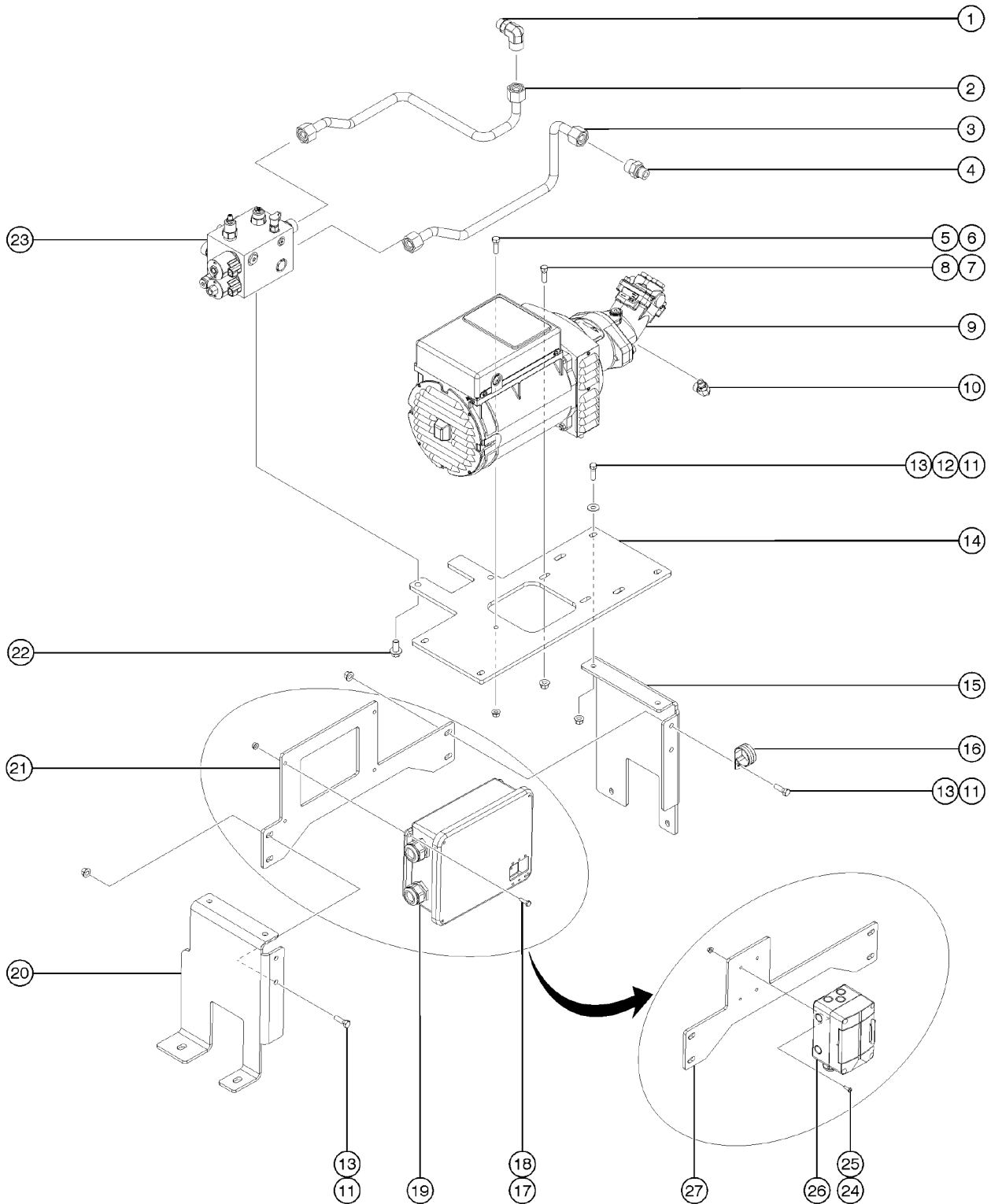


307.2 Tank Side, Swing Drive, Hose Clamps and Guides (from SN SX125D-1365)

<i>Item</i>	<i>Part No.</i>	<i>Description</i>	<i>Qty.</i>
19	1255469GT	SCREW,HHF,1/2-13X1.25,8,ZAG	
20	1251997GT	NUT,TL FLG,1/2-13,G,ZAG	
21	232886GT	SCREW,HHF,M6-1.0X40,DIN6921,10.9,ZAB	1
22	78736GT	CLAMP,2 HOSE,PLASTIC,5/8	2
23	231513GT	NUT,TL FLG,M6-1.0,DIN6927,10,Z	1
24	102710GT	PUMP,AUXILIARY,DUAL,12V	1
25	1298095GT	PLATE,AUX PUMP SUPPORT	1



308.1 Tank Side, Welder GEN. Bulkhead Assembly

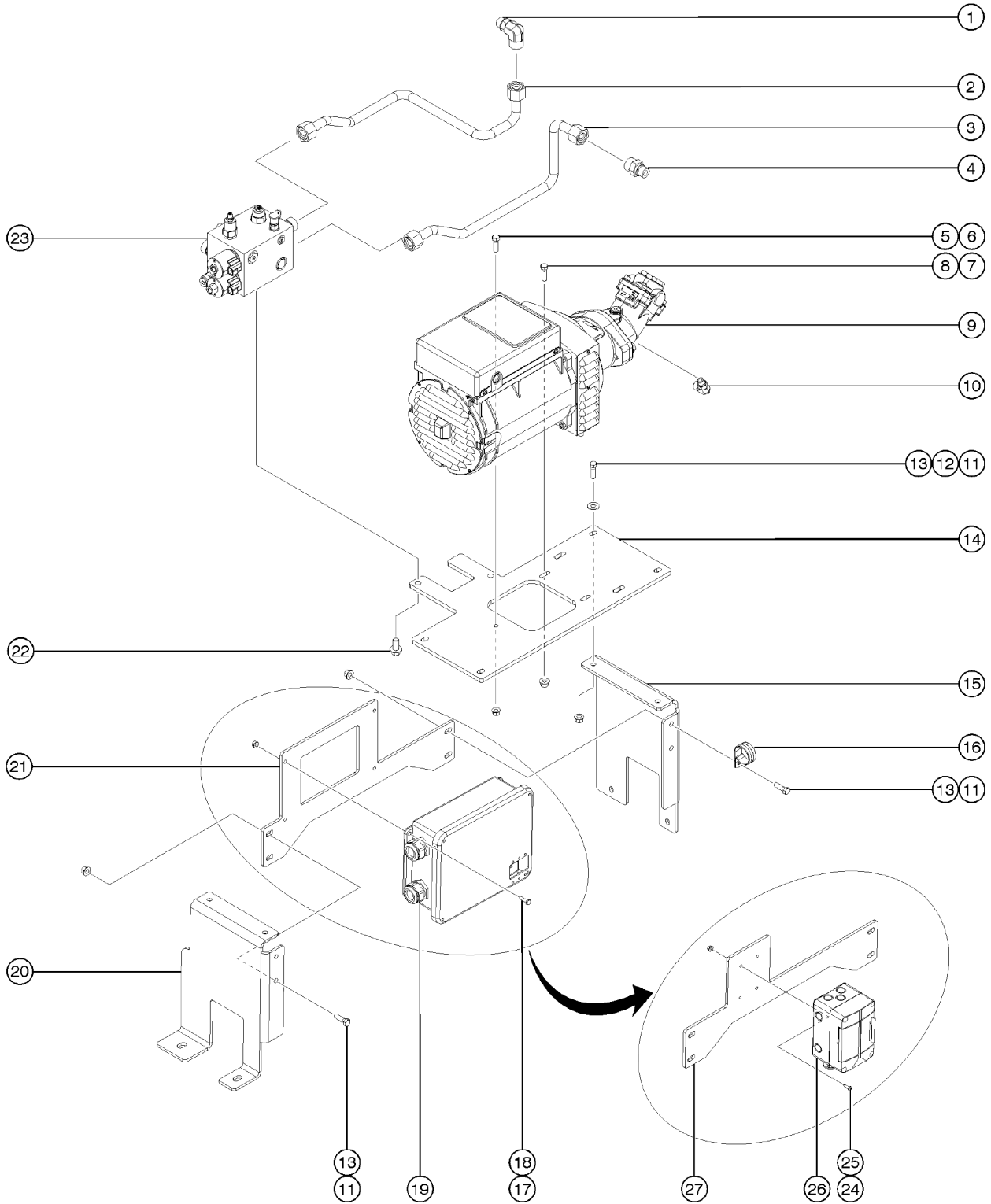


308.1 Tank Side, Welder GEN. Bulkhead Assembly

Item	Part No.	Description	Qty.
1	48974GT	ELBOW,90D,520220-12-10	1
2	1275667GT	HARDLINE,GENERATOR RETURN 12KW, 7.5KW	1
2B	1275775GT	HARDLINE,GENERATOR SUPPLY 3KW	1
3	1275666GT	HARDLINE,GENERATOR SUPPLY 12KW, 7.5KW	1
3B	1275776GT	HARDLINE,GENERATOR RETURN 3KW	1
4	48975GT	CONN,520120-12-10	1
4B	48974GT	ELBOW,90D,520220-12-10 3KW	1
5	237832GT	NUT,TL,FLG,M8-1.25,DIN6927,10,	1
6	1255538GT	SCREW,HHC,M8-1.25X30,DIN933,10	1
7	1257776GT	SCREW,HHC,M10-1.5X35,DIN933,10 12KW, 7.5KW	1
7B	1255538GT	SCREW,HHC,M8-1.25X30,DIN933,10 3KW	1
8	231529GT	NUT,TL,FLG,M10-1.5,DIN6927,10, 12KW, 7.5KW	1
8B	237832GT	NUT,TL,FLG,M8-1.25,DIN6927,10, 3KW	1
9	218173GT	GENERATOR,12kW, 208/120/60HZ,3PH, 18CC 12KW	1
9B	1272434GT	GEN, 3.0 KW, 230V/50HZ 3KW, 230V	1
9C	1272435GT	GEN, 3.0 KW, 115V/50HZ 3KW, 110V	1
9D	1257739GT	GEN.,7.5KW,230VAC,1PH,50HZ,AU 7.5KW	1
10	48942GT	ELBOW,90D,520220-8-6	1
11	824068GT	SCREW,HHC,3/8-16X1.25,8,ZAG	3
12	1255758GT	WASHER,FLAT,3/8,USS,ZAG	1
13	824029GT	NUT,TL,FLG,3/8-16,G,ZAG	3
14	1275262GT	PLATE,TOP,GENERATOR,3.0KW	1
15	102607GT	FORMING,RT,GENERATOR 12KW	1
16	61109GT	CLAMP,1.25,#20 X 7/16,RUB CSH 12KW, 7.5KW	1
16B	45454GT	CLAMP,RUB CUSH,0.75,#12 X 3/8* 3KW	1
17	1262432GT	SCREW,HHC,1/4-20X.875,8,ZAG	1
18	824027GT	NUT,TL,FLG,1/4-20,G,ZAG	1
19		Ref. ASSY,GEN J-BOX (Refer to 309.1 to 309.5)	1



308.1 Tank Side, Welder GEN. Bulkhead Assembly

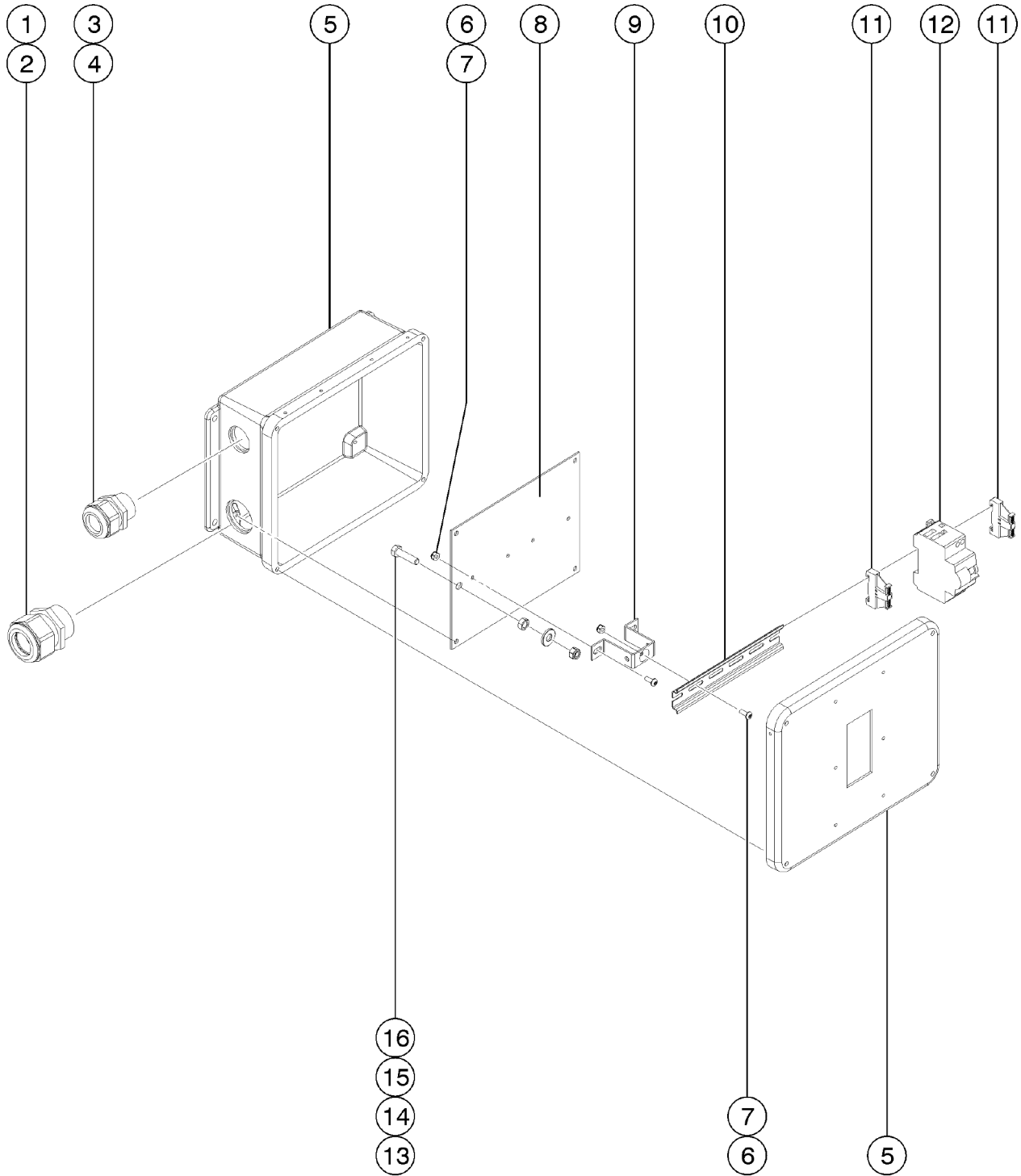


308.1 Tank Side, Welder GEN. Bulkhead Assembly

<i>Item</i>	<i>Part No.</i>	<i>Description</i>	<i>Qty.</i>
20	102606GT	FORMING,LF,GENERATOR 12KW	1
21	102390GT	PLATE,FRONT,ENCLOSURE ASSEMBLY	1
22	231087GT	SCREW,HHF,M12 X 1.75 X 25	1
23		Ref. MANIFOLD, GENERATOR	
		(Refer to 706.1)	
24	1257227GT	SCREW,PHPM,10-32X.625,ZAG	2
25	824032GT	NUT,TL FLG,10-32,F,ZAG	2
26		Ref. ASSY,GEN J-BOX	1
27	1290256GT	PLANT,FRONT.GENERATOR 3KW	1



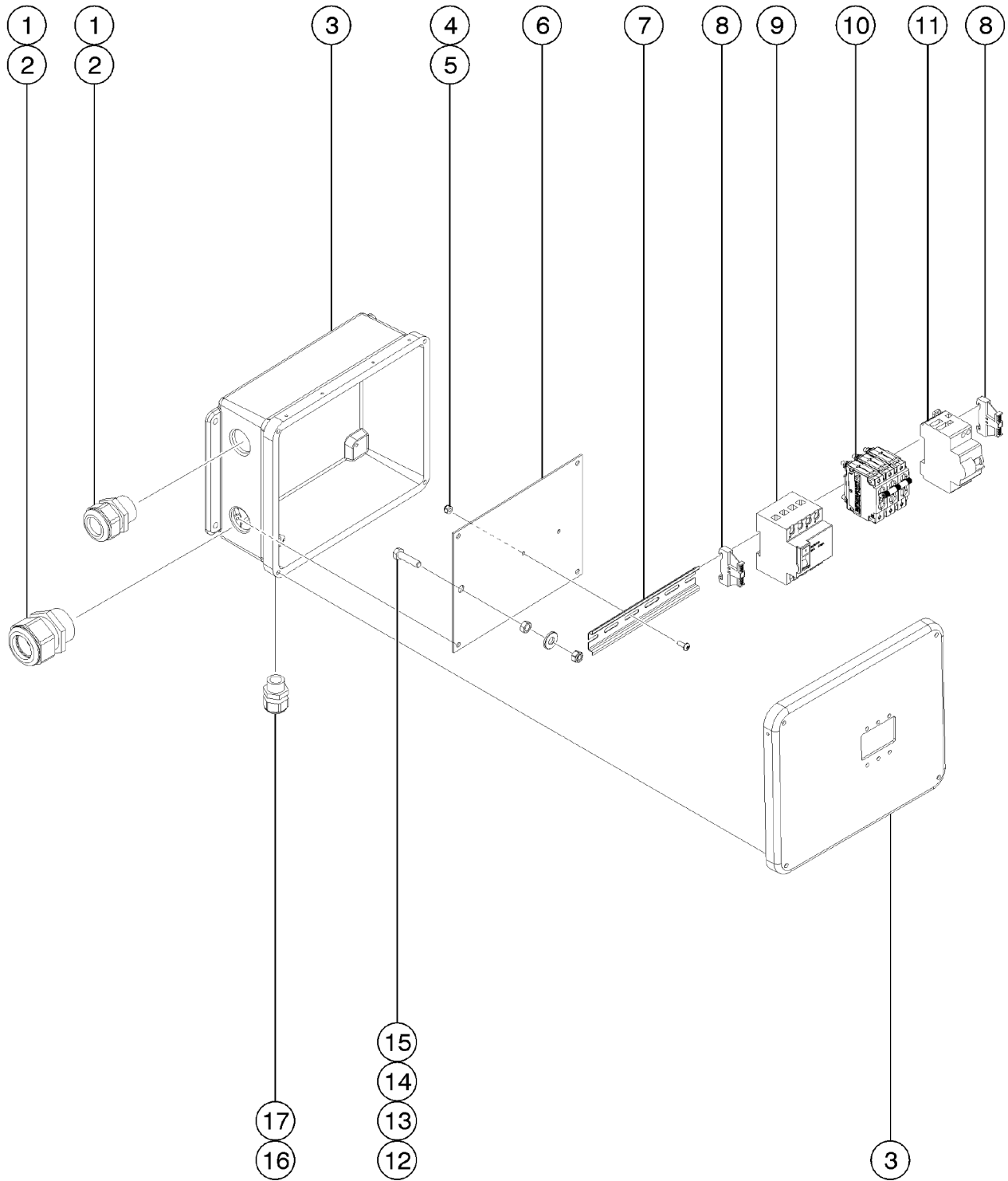
309.1 Welder Generator Enclosure (7.5 kW, 240V 50Hz)



309.1 Welder Generator Enclosure (7.5 kW, 240V 50Hz)

<i>Item</i>	<i>Part No.</i>	<i>Description</i>	<i>Qty.</i>
1	822222GT	CABLE SQUEEZE CONN., 1.25"	1
2	822223GT	LOCKNUT, ELECTRIC, 1.25" NPT	1
3	20776GT	CABLE SQUEEZE CONN.	1
4	18665GT	LOCKNUT,ELECTRIC,1" NPT	1
5	1258680GT	BOX,J,CIRCUIT BREAKERS	2
6	54365GT	SCREW,PHIL,PHM,10-32 X .5,SSTL	2
7	6178GT	NUT,NYLOCK,10-32	2
8	1258688GT	PANEL,AUSSY ENCLOSURE BACK	1
9	1258689GT	BRACKET,DIN RAIL SUPPORT	1
10	822548GT	DIN RAIL, 7.375"	1
11	74913GT	END STOP, DIN RAIL,SCREW CLAMP	2
12	1258674GT	RCBO, 16A/30MA TRIP, 1P	1
13	13000GT	SCREW,HHC,5/16-18 X 1.25	1
14	6037GT	NUT,HEX,5/16-18,GR5	1
15	5397GT	WASHER,FLAT,USS,5/16",Y	1
16	6782GT	NUT, NYLOCK, 5/16-18	1

309.2 Welder Generator Enclosure (12 kW, 208/120V 60Hz) (to xxx)

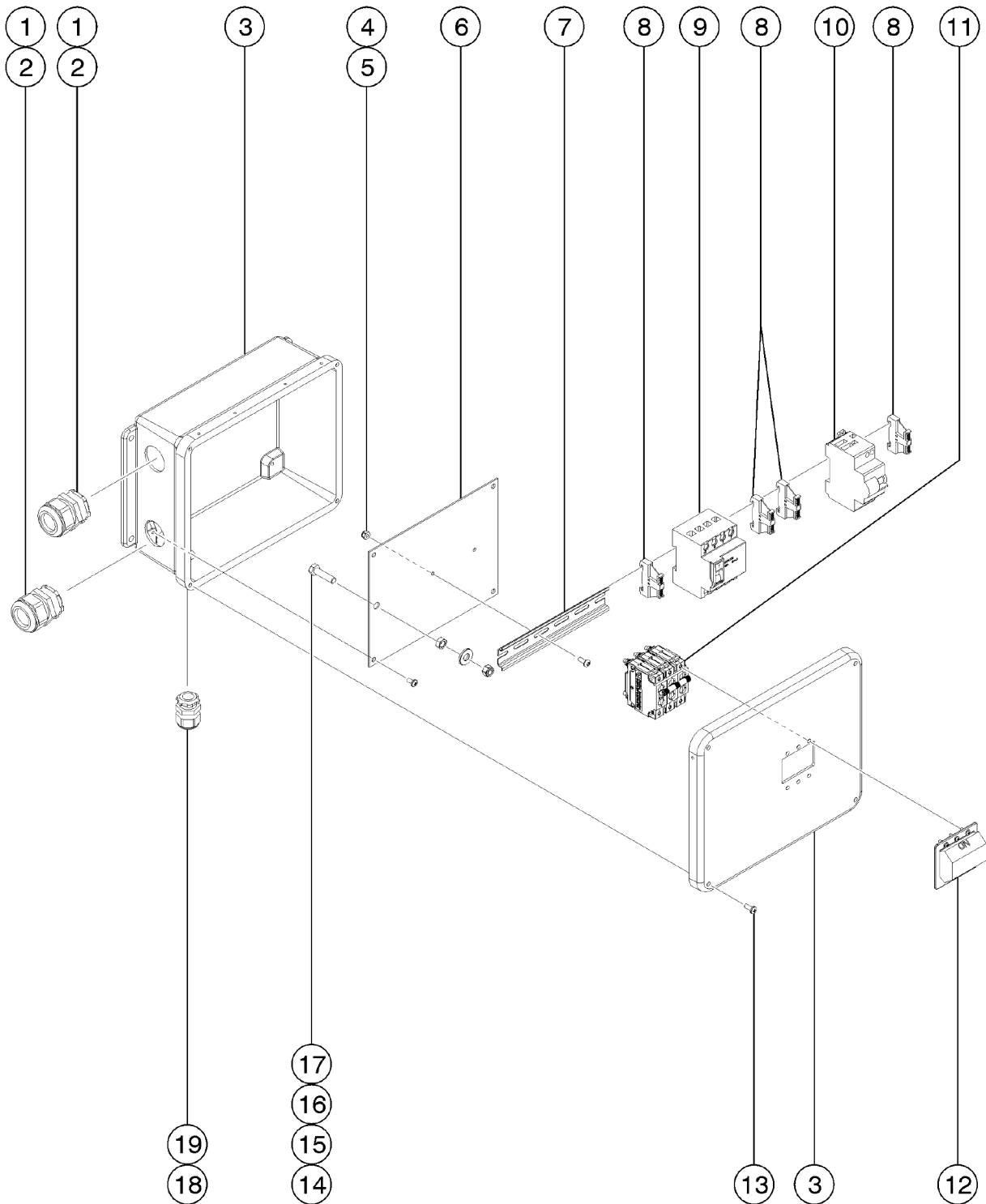


309.2 Welder Generator Enclosure (12 kW, 208/120V 60Hz) (to xxx)

Item	Part No.	Description	Qty.
1	20776GT	CABLE SQUEEZE CONN.	2
2	18665GT	LOCKNUT,ELECTRIC,1" NPT	2
3	1270722GT	BOX,J, CIRCUIT BREAKERS to SN SX125D-519	1
3B	1280392GT	BOX,J,CIRCUIT BREAKERS SX-125 XC from SN SX125D-520	1
4	54365GT	SCREW,PHIL,PHM,10-32 X .5,SSTL	1
5	6178GT	NUT,NYLOCK,10-32	2
6	161207GT	PANEL, ENCLOSURE, BACK	1
7	822548GT	DIN RAIL, 7.375"	1
8	74913GT	END STOP, DIN RAIL,SCREW CLAMP	2
9	824617GT	CIRCUIT BREAKER,GFCI,3PH,63A,3	1
10	1256153GT	CIRCUIT BREAKER,40A,3P to SN SX125D-519	1
10B	1276986GT	CIRCUIT BREAKER,MAGTRIP,3PH,40A from SN SX125D-520	1
11	1258674GT	RCBO, 16A/30MA TRIP, 1P	1
12	13000GT	SCREW,HHC,5/16-18 X 1.25	1
13	6037GT	NUT,HEX,5/16-18,GR5	1
14	5397GT	WASHER,FLAT,USS,5/16",Y	1
15	6782GT	NUT, NYLOCK, 5/16-18	1
16	7057GT	CONN. SQZ,1/2NPT .39-.56 MED	1
17	6935GT	LOCKNUT,ELEC,1/2"	1



309.3 Welder Generator Enclosure (12 kW, 208/120V 60Hz) (from xxx)

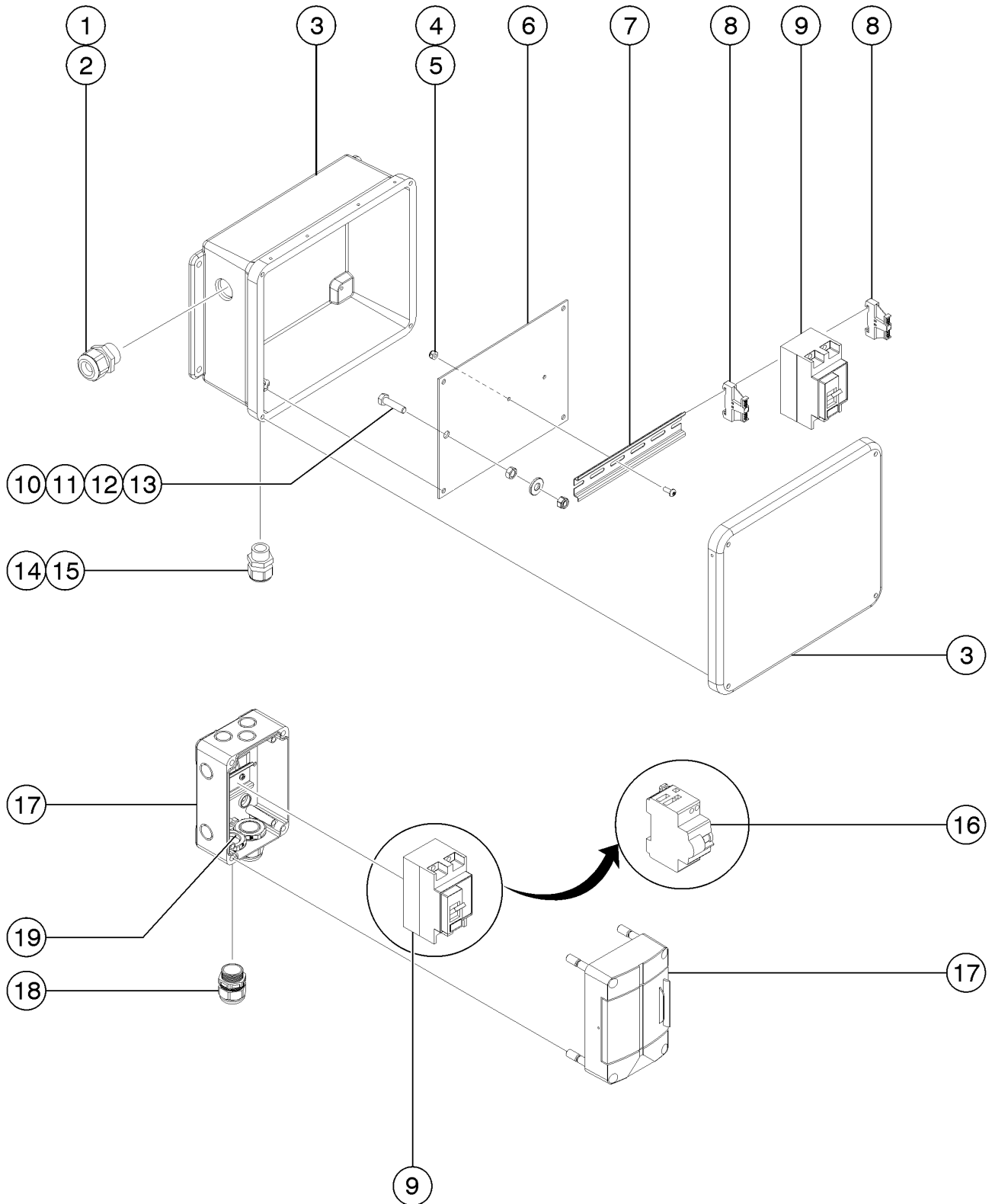


309.3 Welder Generator Enclosure (12 kW, 208/120V 60Hz) (from xxx)

<i>Item</i>	<i>Part No.</i>	<i>Description</i>	<i>Qty.</i>
1	20776GT	CABLE SQUEEZE CONN.	2
2	18665GT	LOCKNUT,ELECTRIC,1" NPT	2
3	1270722GT	BOX,J, CIRCUIT BREAKERS	1
4	54365GT	SCREW,PHIL,PHM,10-32 X .5,SSTL	1
5	6178GT	NUT,NYLOCK,10-32	2
6	161207GT	PANEL, ENCLOSURE, BACK	1
7	822548GT	DIN RAIL, 7.375"	1
8	74913GT	END STOP, DIN RAIL,SCREW CLAMP	2
9	824617GT	CIRCUIT BREAKER,GFCI,3PH,63A,3	1
10	1256153GT	CIRCUIT BREAKER,40A,3P	1
11	1258674GT	RCBO, 16A/30MA TRIP, 1P	1
12	13000GT	SCREW,HHC,5/16-18 X 1.25	1
13	6037GT	NUT,HEX,5/16-18,GR5	1
14	5397GT	WASHER,FLAT,USS,5/16",Y	1
15	6782GT	NUT, NYLOCK, 5/16-18	1
16	7057GT	CONN. SQZ,1/2NPT .39-.56 MED	1
17	6935GT	LOCKNUT,ELEC,1/2"	1



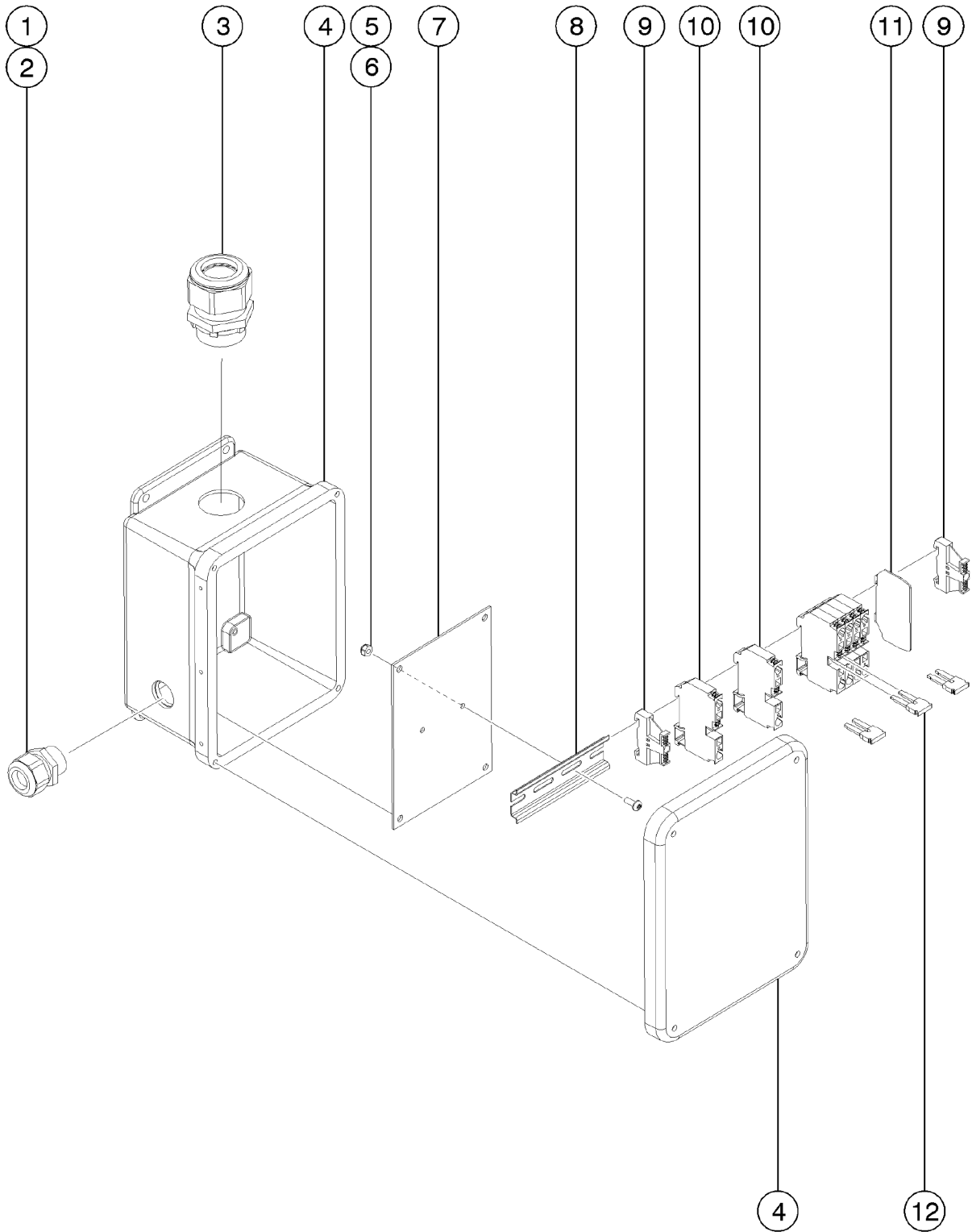
309.4 Welder Generator Enclosure (3.0 kW)



Item	Part No.	Description	Qty.
1	80341GT	CONNECTOR, SQZ, 3/4 NPT, BLACK	1
2	14041GT	LOCKNUT,ELECTRIC,3/4"	1
3	1272509GT	BOX,J, CIRCUIT BREAKERS	1
4	54365GT	SCREW,PHIL,PHM,10-32 X .5,SSTL	1
5	6178GT	NUT,NYLOCK,10-32	2
6	161207GT	PANEL, ENCLOSURE, BACK	1
7	822548GT	DIN RAIL, 7.375"	1
8	74913GT	END STOP, DIN RAIL,SCREW CLAMP	2
9	1272538GT	RCB, 2 POLE, 30mA, 25 A	1
10	13000GT	SCREW,HHC,5/16-18 X 1.25	1
11	6037GT	NUT,HEX,5/16-18,GR5	1
12	5397GT	WASHER,FLAT,USS,5/16",Y	1
13	6782GT	NUT, NYLOCK, 5/16-18	1
14	7057GT	CONN. SQZ,1/2NPT .39-.56 MED	1
15	6935GT	LOCKNUT,ELEC,1/2"	1
16	1258674GT	RCBO, 16A/30MA TRIP, 1P From SX125D-708,used for 1275008,1280415	1
17	1269086GT	ENCLOSURE, FUSE, MODULAR, 100X150X96, IP65 From SX125D-708	1
18	1269087GT	CONNECTOR, SQUEEZE, M25 6-13MM From SX125D-708	2
19	1269107GT	NUT, PLASTIC, M25, GREY From SX125D-708	2



309.5 Welder Generator Enclosure (7.5 KW,230VAC,1PH,50HZ,AU)

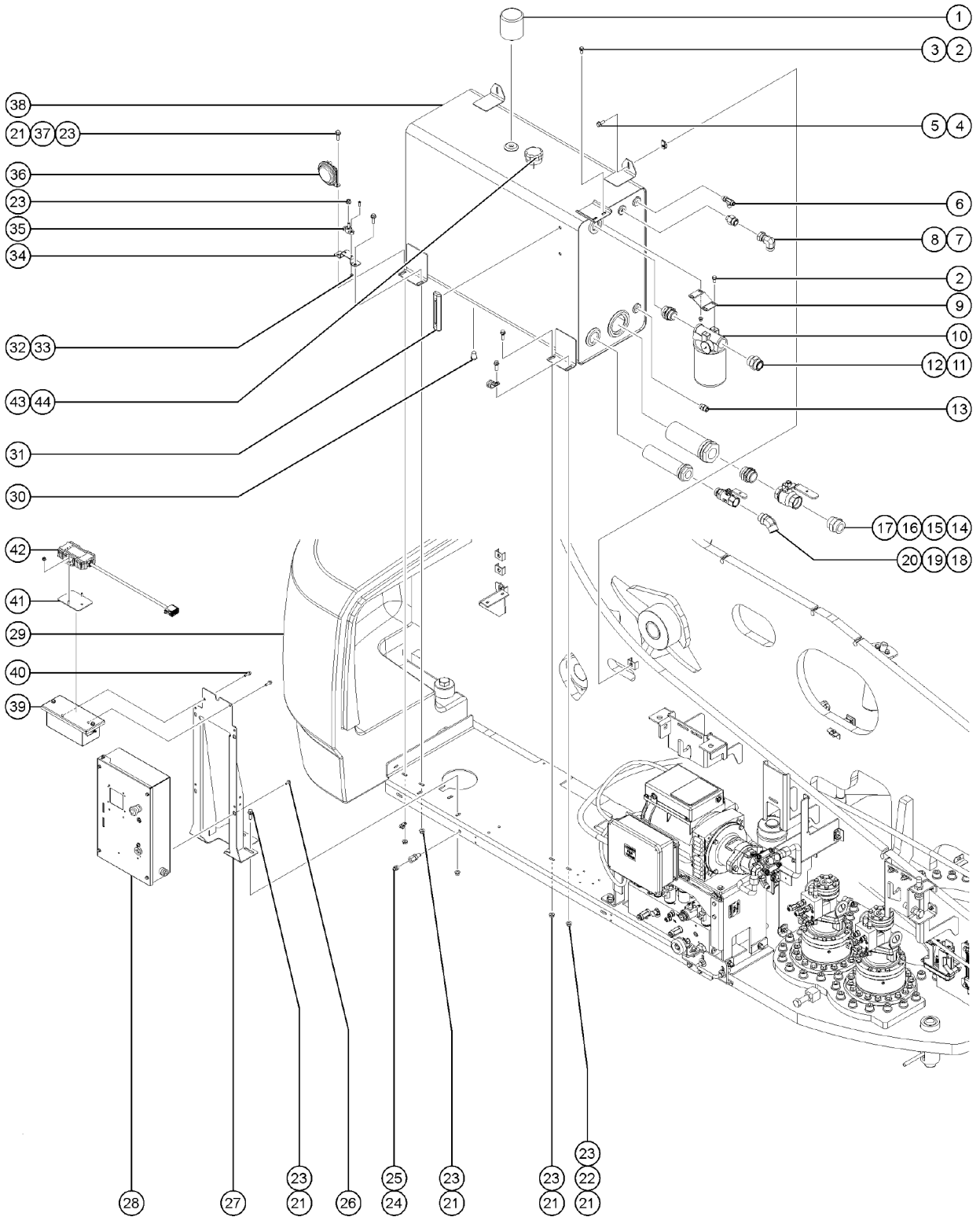


309.5 Welder Generator Enclosure (7.5 KW,230VAC,1PH,50HZ,AU)

<i>Item</i>	<i>Part No.</i>	<i>Description</i>	<i>Qty.</i>
1	12960GT	CABLE SQUEEZE CONN.,XTRA LRG	1
2	14041GT	LOCKNUT,ELECTRIC,3/4"	1
3	1269460GT	CABLE SQUEEZE CONN, M40X1.5	1
4	825748GT	BOX,J,CIRCUIT BREAKERS EU	2
5	54365GT	SCREW,PHIL,PHM,10-32 X .5,SSTL	1
6	6178GT	NUT,NYLOCK,10-32	1
7	825761GT	PANEL, ENCLOSURE, BACK	1
8	825737GT	DIN RAIL, 4.60"	1
9	74913GT	END STOP, DIN RAIL,SCREW CLAMP	2
10	825797GT	BLOCK,DIN FEED THRU,16-6	2
11	822103GT	DIN RAIL, PARTITION PLATE	1
12	825849GT	JUMPER,2 PIN DIN RAIL TERMINAL	1



310.1 Hydraulic Tank Components (to SN SX125D-1364)

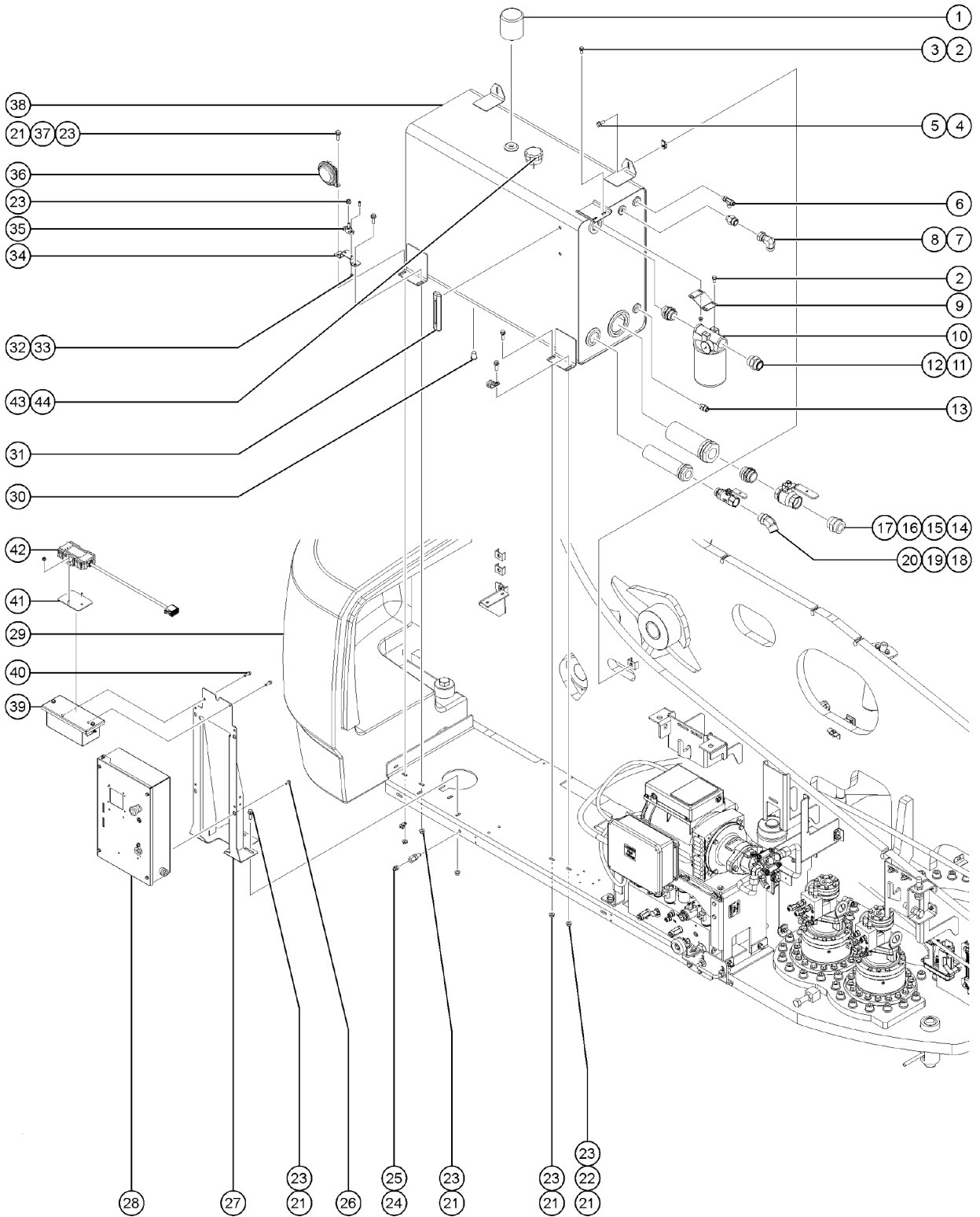


310.1 Hydraulic Tank Components (to SN SX125D-1364)

Item	Part No.	Description	Qty.
1	60559GT	BREATHER,RESERVOIR 3 MICRON***	1
2	824085GT	SCREW,HHF,5/16-18X.75,8,ZAG	
3	824028GT	NUT,TL FLG,5/16-18,G,ZAG	
4	824090GT	WELDMENT,DEUTZ D2011L3i BAFFLE	
5	29868GT	WASHER,FLAT,.375X1.25X.062,ZAG	2
6	48915GT	ELBOW,90D,520220-6 SX-105 XC	1
6B	48918GT	TEE,RUN,520428-6 SX-125 XC	1
7	61262GT	ELBOW,SWIVEL 90D, 520221-12	1
8	51579GT	CONN,520120-12-8	1
9	60936GT	BRACKET,RETURN FILTER	1
10	60508GT	FILTER,RETURN,ASSY 10 MICRON	1
10-	61326GT	FILTER ELEMENT,10 MICRON,60508	1
11	75654GT	CONN,520120-20	1
12	61263GT	UNION,STR.THREAD 20	1
13	48933GT	CONN,520120-8***	1
14	61083GT	CONN,520120-24	1
15	75256GT	VALVE BALL,24 FSAE-24 FSAE***	1
16	75254GT	UNION,STR.THREAD 24***	1
17	75257GT	STRAINER ASSY,#24 O-RING	1
18	48985GT	ELBOW,45D,520320-16	1
19	48996GT	VALVE,BALL,16 MSAE-16 FSAE***	1
20	75253GT	STRAINER ASSY,#16 O-RING	1
21	824091GT	SCREW,HHF,3/8-16X1.25,8,ZAG	
22	61109GT	CLAMP,1.25,#20 X 7/16,RUB CSH	1
23	824029GT	NUT,TL FLG,3/8-16,G,ZAG	
24	28646GT	ZERK,GREASE,1/8 NPT	1
25	48885GT	CONNECTOR,BULKHEAD,FEMALE-4	1
26	1256855	SCREW,HHF,1/4-20X.625,8,ZAG	1



310.1 Hydraulic Tank Components (to SN SX125D-1364)

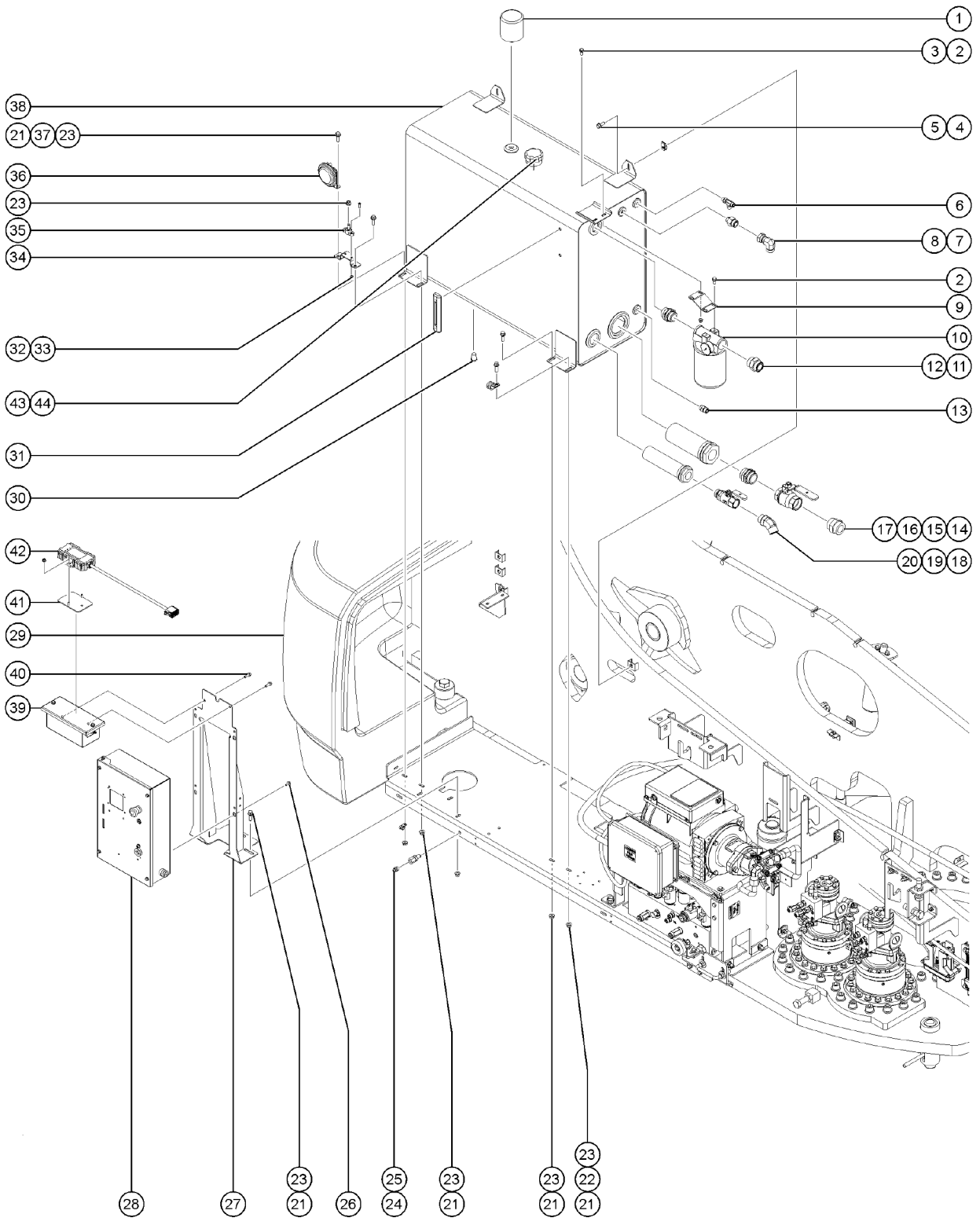


310.1 Hydraulic Tank Components (to SN SX125D-1364)

Item	Part No.	Description	Qty.
27	1267392GT	BRACKET, CONTROL BOX MOUNTING	1
28		Ref. Assy, Ground Box (refer to 311.1, 312.1, 313.1)	1
29		Ref. WLDT, BATTLE PL., CW, TANK SIDE (refer to 302.1)	
30	75014GT	PLUG,HEX,130109E,1/2 NPT***	1
31	21141GT	GAUGE-SIGHT,LHA-LGTB***	1
32	824215GT	SCREW, PHPM, 10-32 X .75, ZAG	
33	824032GT	NUT,TL FLG,10-32,F,ZAG	
34	1273984GT	FORMING, BRACKET, POWER STUD	1
35	94982GT	STANDOFF, 3/8" BLACK	1
36	81578GT	HORN,12VDC,SPADE TERMINALS***	1
37	6833GT	CLAMP,0.50,#8 X 1/4,RUB CUSH	1
38	1274134GT	TANK,HYD,55GALLON	1
39	1253314GT	ASSY, TELEMATICS CONN. BOX (include 824078), to SN SX105D-782, to SN SX125D-820	1
39A-	1253236GT	WELDMENT, TELEMATICS BOX	1
39A-	1253238GT	WELDMENT, TELEMATICS CONN. COV	1
39A-	34052GT	RELAY,SPDT,12V(AUTO) PLUG IN**	1
39A-	34053GT	ASSY,RELAY SOCKET, AUTO	1
39A-	824019GT	NUT,TL,6-32,A,ZAG	2
39A-	824036GT	NUT, TL, 10-32, A, ZAG	1
39A-	824077GT	SCREW,HHF,1/4-20X.5,8,ZAG	2
39A-	824214GT	SCREW,PHPM,6-32X.5,ZAG	2
39A-	825349GT	SCREW,PHPM,10-32X.38,ZAG	1
39B	1290797GT	ASSY,TELEMATICS 2.0 CONN,BOX (include 824078), from SN SX105D-783, from SN SX125D-821	1
39B-	1290798GT	WELDMENT, TELEMATICS 2.0 BOX	1
39B-	1253238GT	WELDMENT, TELEMATICS CONN. COV	1
39B-	34052GT	RELAY,SPDT,12V(AUTO) PLUG IN**	1
39B-	34053GT	ASSY,RELAY SOCKET, AUTO	1
39B-	824019GT	NUT,TL,6-32,A,ZAG	2



310.1 Hydraulic Tank Components (to SN SX125D-1364)

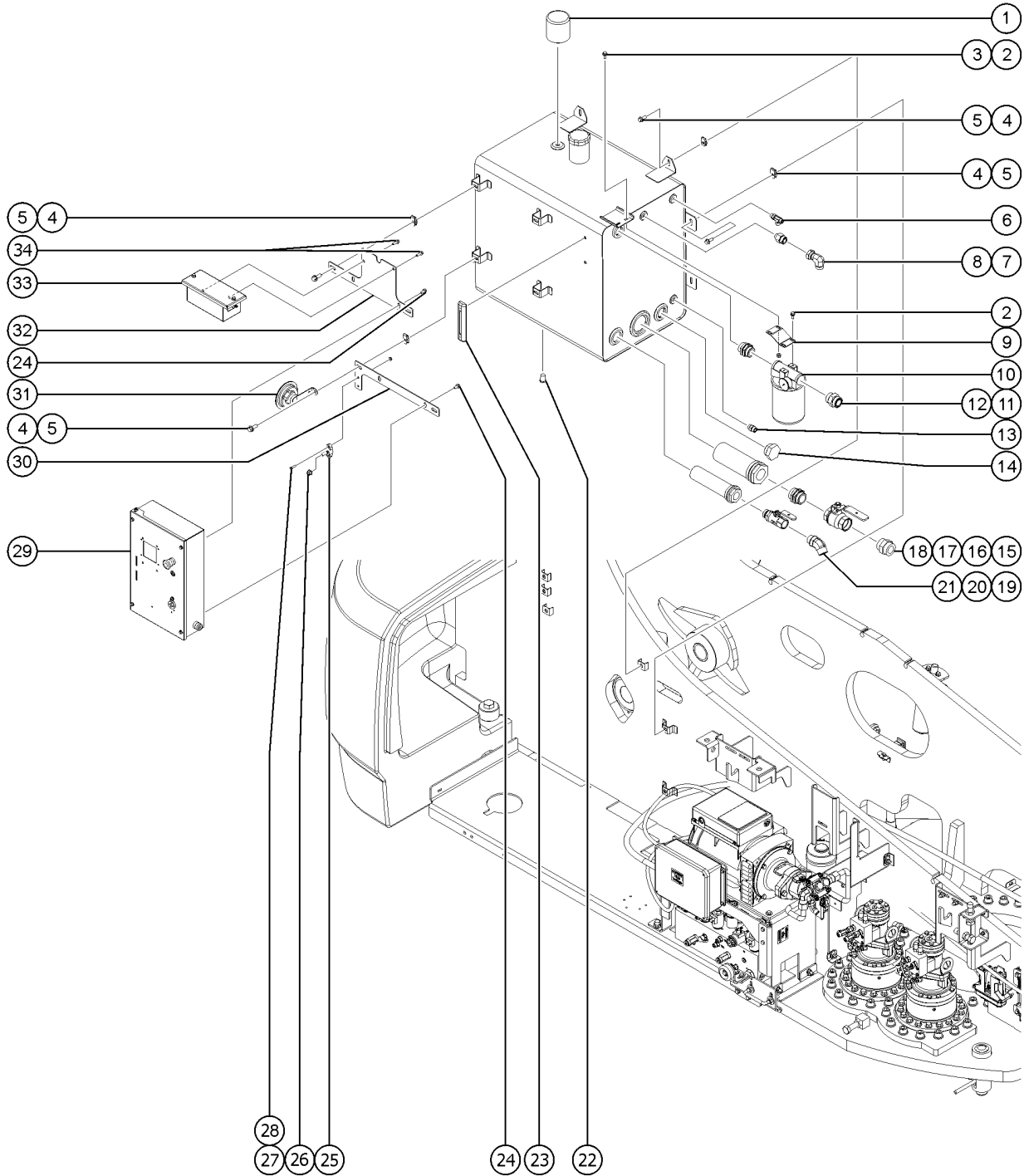


310.1 Hydraulic Tank Components (to SN SX125D-1364)

<i>Item</i>	<i>Part No.</i>	<i>Description</i>	<i>Qty.</i>
39B-	824036GT	NUT, TL, 10-32, A, ZAG	1
39B-	824077GT	SCREW,HHF,1/4-20X.5,8,ZAG	2
39B-	824214GT	SCREW,PHPM,6-32X.5,ZAG	2
39B-	825349GT	SCREW,PHPM,10-32X.38,ZAG	1
40	824078GT	SCREW,HHF,1/4-20X.75,8,ZAG	2
41	1289561GT	BRACKET, TELEMATICS	1
42	1289520GT	MODULE,TELEMATICS,ZTR,M7,NORTH AMERICA North America	1
42B	1289521GT	MODULE, TELEMATICS, ZTR, M7, EMEA/APAC EMEA/APAC	1
42C	1289522GT	MODULE,TELEMATICS,ZTR,M7,APAC/ANZ APAC/ANZ	1
42D	1289523GT	MODULE,TELEMATICS,ZTR,M7,JAPAN Japan	1
43	1296057GT	CAP,LOCK ASSY,HYD TANK	1
44	1296058GT	KEY,CAP LOCK ASSY,HYD TANK	1



310.2 Hydraulic Tank Components (from SN SX125D-1365)

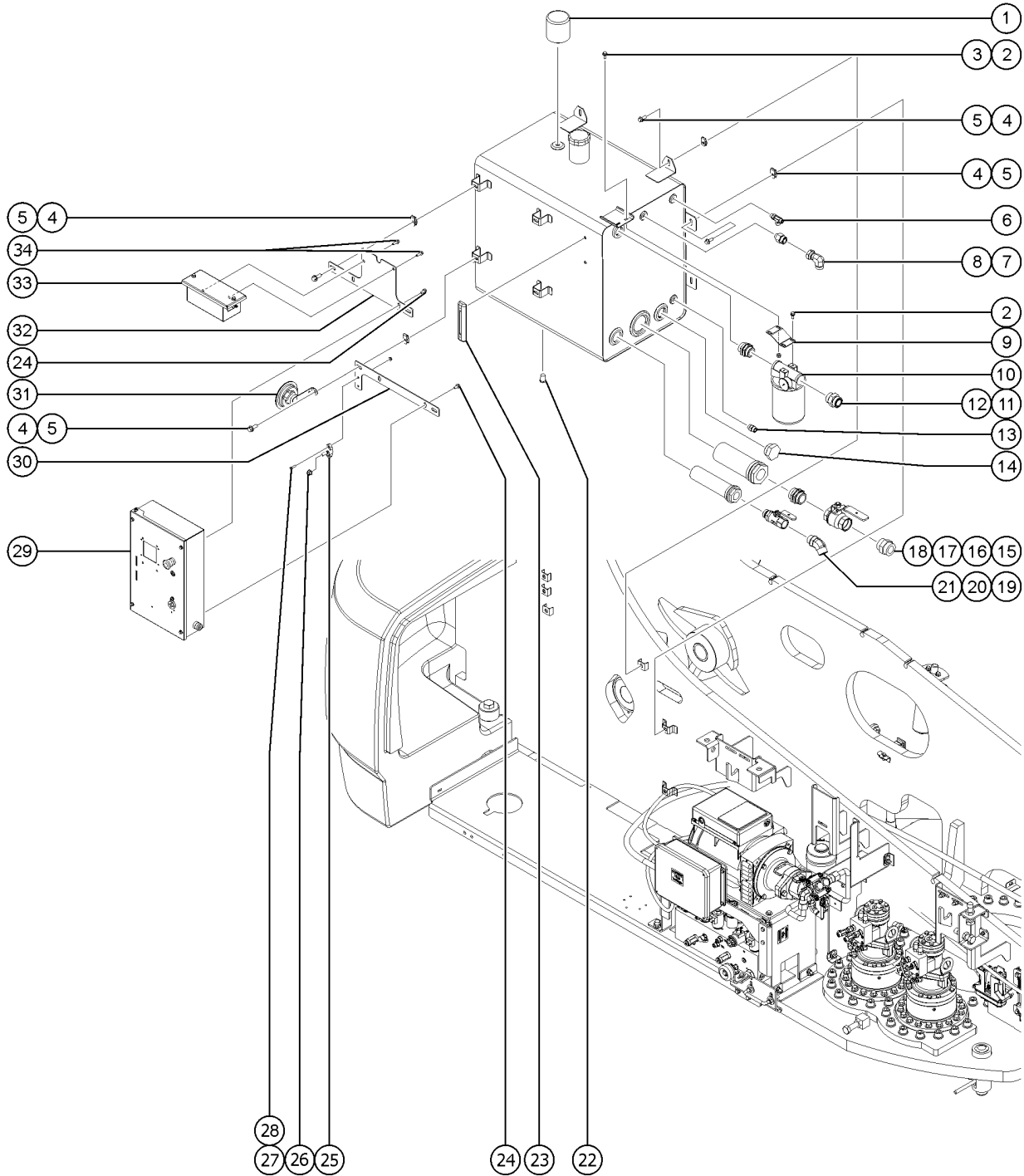


310.2 Hydraulic Tank Components (from SN SX125D-1365)

Item	Part No.	Description	Qty.
1	60559GT	BREATHER,RESERVOIR 3 MICRON***	1
2	824085GT	SCREW,HHF,5/16-18X.75,8,ZAG	
3	824028GT	NUT,TL FLG,5/16-18,G,ZAG	
4	824090GT	WELDMENT,DEUTZ D2011L3i BAFFLE	8
5	29868GT	WASHER,FLAT,.375X1.25X.062,ZAG	8
6	48915GT	ELBOW,90D,520220-6 SX-105 XC	1
6B	48918GT	TEE,RUN,520428-6 SX-125 XC	1
7	61262GT	ELBOW,SWIVEL 90D, 520221-12	1
8	51579GT	CONN,520120-12-8	1
9	60936GT	BRACKET,RETURN FILTER	1
10	60508GT	FILTER,RETURN,ASSY 10 MICRON	1
10-	61326GT	FILTER ELEMENT,10 MICRON,60508	1
11	75654GT	CONN,520120-20	1
12	61263GT	UNION,STR.THREAD 20	1
13	48933GT	CONN,520120-8***	1
14	1282197GT	PLUG,SAE-24,EXTERNAL HEX	1
15	61083GT	CONN,520120-24	1
16	75256GT	VALVE BALL,24 FSAE-24 FSAE***	1
17	75254GT	UNION,STR.THREAD 24***	1
18	75257GT	STRAINER ASSY,#24 O-RING	1
19	48985GT	ELBOW,45D,520320-16	1
20	48996GT	VALVE,BALL,16 MSAE-16 FSAE***	1
21	75253GT	STRAINER ASSY,#16 O-RING	1
22	75014GT	PLUG,HEX,130109E,1/2 NPT***	1
23	21141GT	GAUGE-SIGHT,LHA-LGTB***	1
24	1256855	SCREW,HHF,1/4-20X.625,8,ZAG	4
25	94982GT	STANDOFF, 3/8" BLACK	1
26	824029GT	NUT,TL FLG,3/8-16,G,ZAG	1



310.2 Hydraulic Tank Components (from SN SX125D-1365)

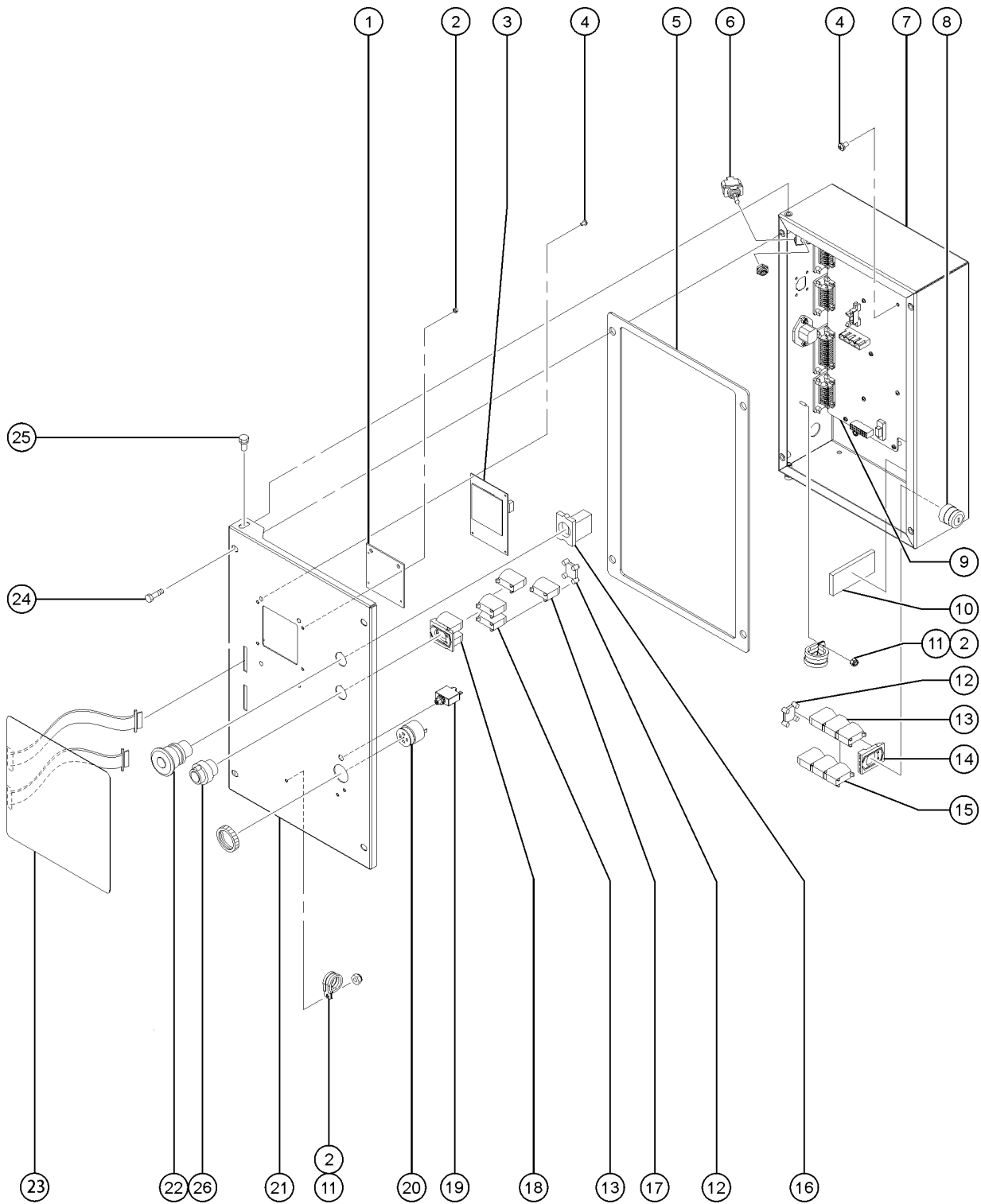


310.2 Hydraulic Tank Components (from SN SX125D-1365)

Item	Part No.	Description	Qty.
27	824215GT	SCREW, PHPM, 10-32 X .75, ZAG	2
28	824032GT	NUT, TL FLG, 10-32, F, ZAG	2
29		Ref. Assy, Ground Box, SX125 refer to 312.1	1
30	1298056GT	PLATE, GBOX SUPPORT II	1
31	81578GT	HORN, 12VDC, SPADE TERMINALS***	1
32	1298055GT	PLATE, GBOX SUPPORT I	1
33	1253314GT	ASSY, TELEMATICS CONN. BOX (include 824078), to SN SX105D-782, to SN SX125D-820	1
33-	1253236GT	WELDMENT, TELEMATICS BOX	1
33-	1253238GT	WELDMENT, TELEMATICS CONN. COV	1
33-	34052GT	RELAY, SPDT, 12V(AUTO) PLUG IN**	1
33-	34053GT	ASSY, RELAY SOCKET, AUTO	1
33-	824019GT	NUT, TL, 6-32, A, ZAG	2
33-	824036GT	NUT, TL, 10-32, A, ZAG	1
33-	824077GT	SCREW, HHF, 1/4-20X.5, 8, ZAG	2
33-	824214GT	SCREW, PHPM, 6-32X.5, ZAG	2
33-	825349GT	SCREW, PHPM, 10-32X.38, ZAG	1
33B	1290797GT	ASSY, TELEMATICS 2.0 CONN. BOX (include 824078), from SN SX105D-783, from SN SX125D-821	1
33B-	1290798GT	WELDMENT, TELEMATICS 2.0 BOX	1
33B-	1253238GT	WELDMENT, TELEMATICS CONN. COV	1
33B-	34052GT	RELAY, SPDT, 12V(AUTO) PLUG IN**	1
33B-	34053GT	ASSY, RELAY SOCKET, AUTO	1
33B-	824019GT	NUT, TL, 6-32, A, ZAG	2
33B-	824036GT	NUT, TL, 10-32, A, ZAG	1
33B-	824077GT	SCREW, HHF, 1/4-20X.5, 8, ZAG	2
33B-	824214GT	SCREW, PHPM, 6-32X.5, ZAG	2
33B-	825349GT	SCREW, PHPM, 10-32X.38, ZAG	1
34	824078GT	SCREW, HHF, 1/4-20X.75, 8, ZAG	2



311.1 Ground Control Box (Deutz TD2011-L04i & Perkins 1104D-44T Engine)

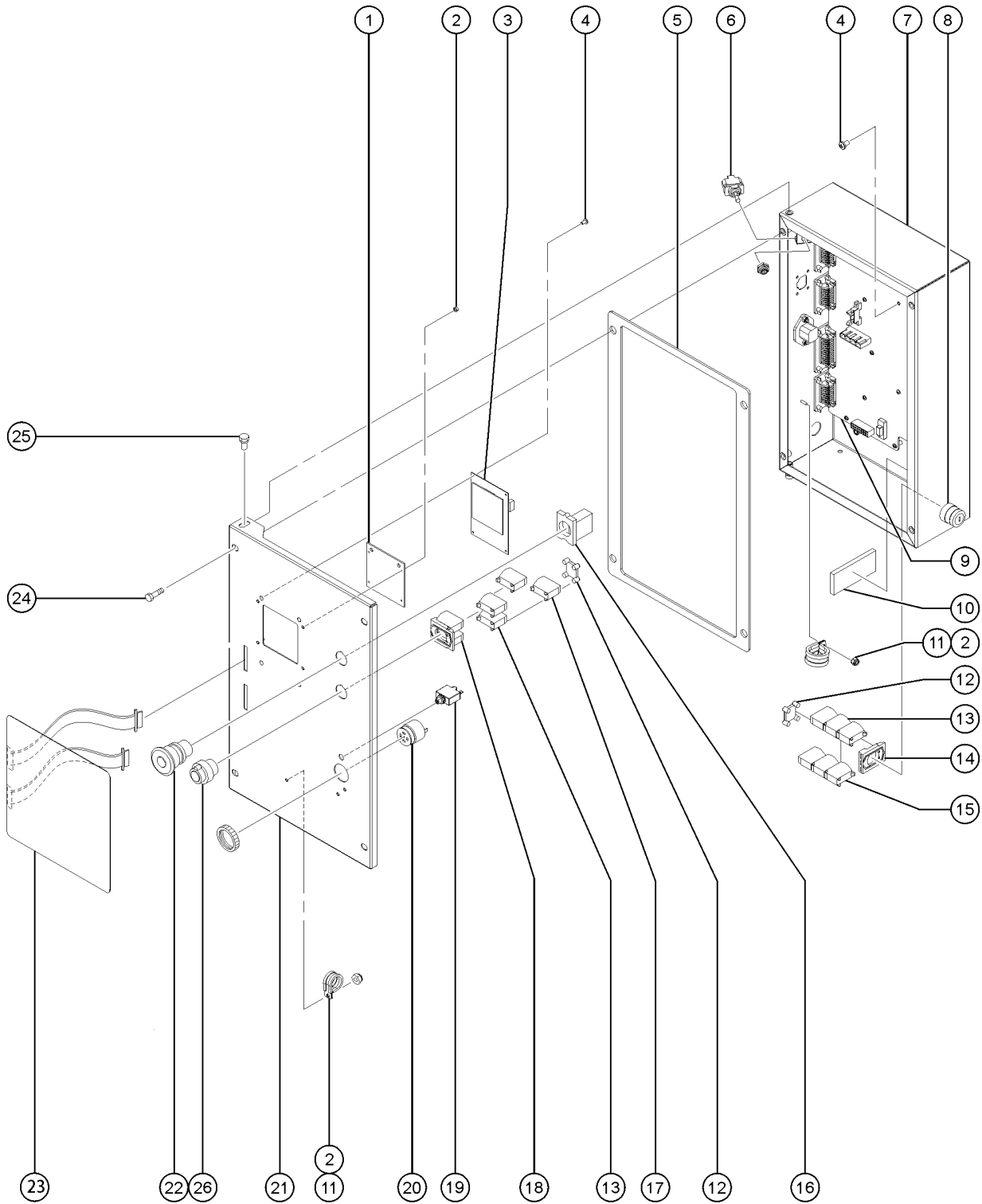


311.1 Ground Control Box (Deutz TD2011-L04i & Perkins 1104D-44T Engine)

Item	Part No.	Description	Qty.
A-	1279607GT	ASSY,GROUND BOX , SX-125 XC TIER III	1
1	62374GT	LENS,LCD,GRND.CONTROL	1
2	12344GT	NUT,NYLOCK,6-32	
3	88056GT	PCB.ASSY,LCD,GROUND	1
4	81551GT	SCREW,PHIL,PHM,6-32 X 1/4 SS	16
5	88177GT	GASKET,GROUND CONTROL BOX	1
6	128204GT	SWITCH TOGGLE ASSY SPDT 2P MNT	1
6-	128584-SGT	SWITCH TOGGLE SPDT 2P MNT SHDR	
6-	27246GT	BOOT,TOGGLE SWITCH,SHORT*	
7	1258466GT	BOX, GROUND CONTROL, SX	1
8	88150GT	KEYSWITCH,3 POS.MOM.DR,W/KEY**	1
9	1268382GT	PCB,ASSY,ECM,TCON,SX-125 V1.00	1
		blank board:217803	
10	30997GT	CORROSION INHIBITOR,FOAM	1
11	13268GT	CLAMP,0.75,#12 X 1/4,RUB CUSH	2
12	122366GT	KEYSWITCH,CONTACTS LOCK	2
13	66818GT	CONTACT,NC	6
14	66821GT	BASE,WITHOUT CONTACTS	1
15	66816GT	CONTACT,N.O.	3
16	66817GT	BASE WITH 1 NC CONTACT, E-STOP	1
17	122367GT	KEYSWITCH,DUMMY BLOCK	1
18	73805GT	CONTACT,NC	1
19	147095GT	ASSY, CIRCUIT BREAKER 20A	1
19-	6700GT	WASHER,STAR,EXTERNAL,,375	
19-	122994GT	NICKEL PLATED JAM NUT	
20	62379GT	ALARM,AUDIO,SUPERBOOM*	1
21	1261765GT	LID, GROUND CONTROL BOX	1
22	66812GT	BUTTON,PUSH,RED MUSHROOM HEAD	1
23	1268820GT	DECAL,MEMBRANE,TCON ,SX105/125	1



311.1 Ground Control Box (Deutz TD2011-L04i & Perkins 1104D-44T Engine)

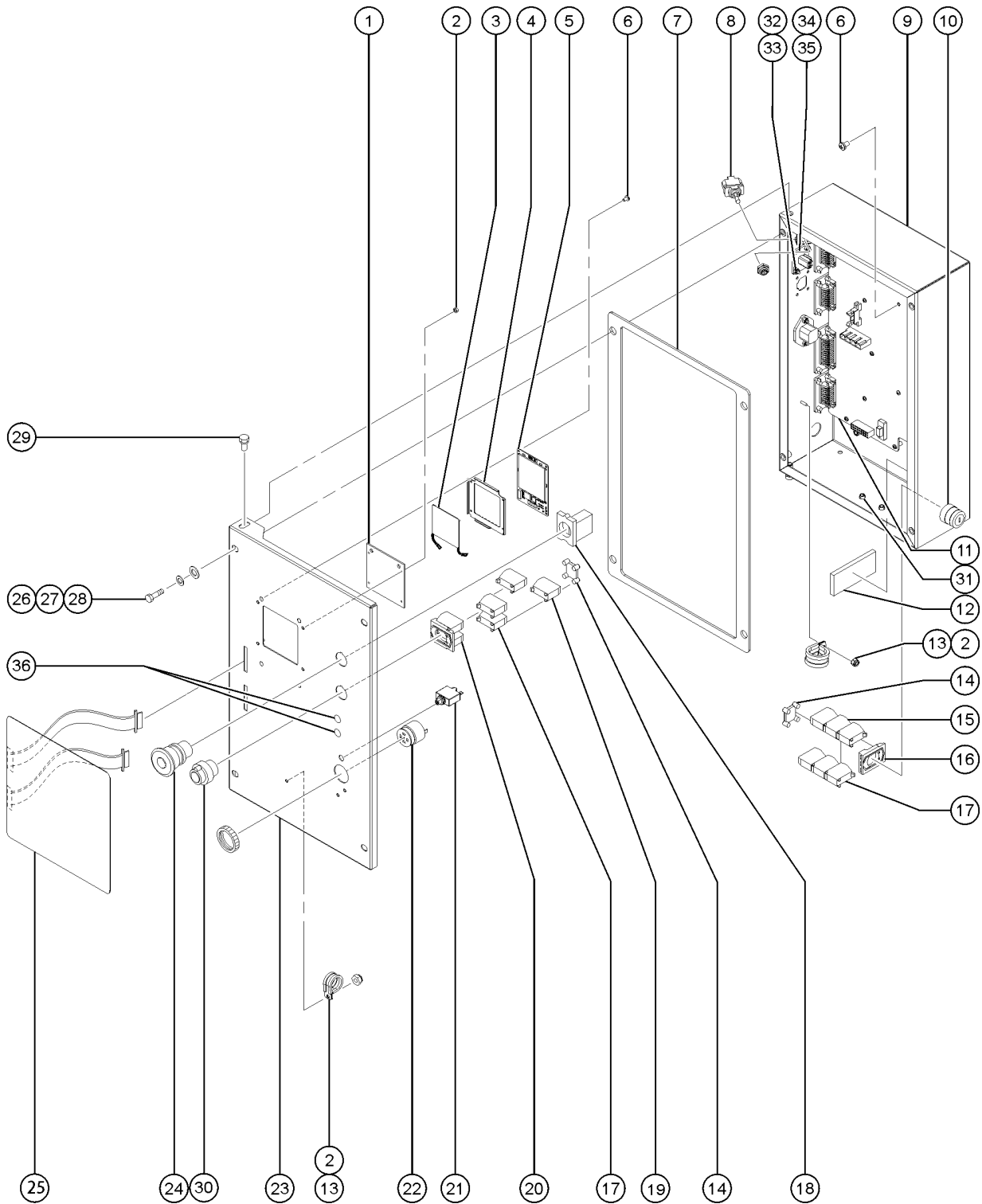


311.1 Ground Control Box (Deutz TD2011-L04i & Perkins 1104D-44T Engine)

<i>Item</i>	<i>Part No.</i>	<i>Description</i>	<i>Qty.</i>
24	824078GT	SCREW,HHF,1/4-20X.75,8,ZAG	
25	88315GT	SCREW,SHS,1/4-20 X .25 ZINC SUPERSEDE; USE UNTIL EXHAUSTED	
25A	1263233GT	BOLT,SHS,5/16X.25X1/4-20,8,ZAG	
		REPLACES 88315	
26	66811GT	KEYSWITCH,3POS.MNTND.DR WKEY**	1
26B	218155GT	KEYSWITCH, LOCKING, 3 POS, W/K (218169 option)	1



312.1 Ground Control Box (Deutz TD 2.9L4 & Perkins 854F-E34T Engine)

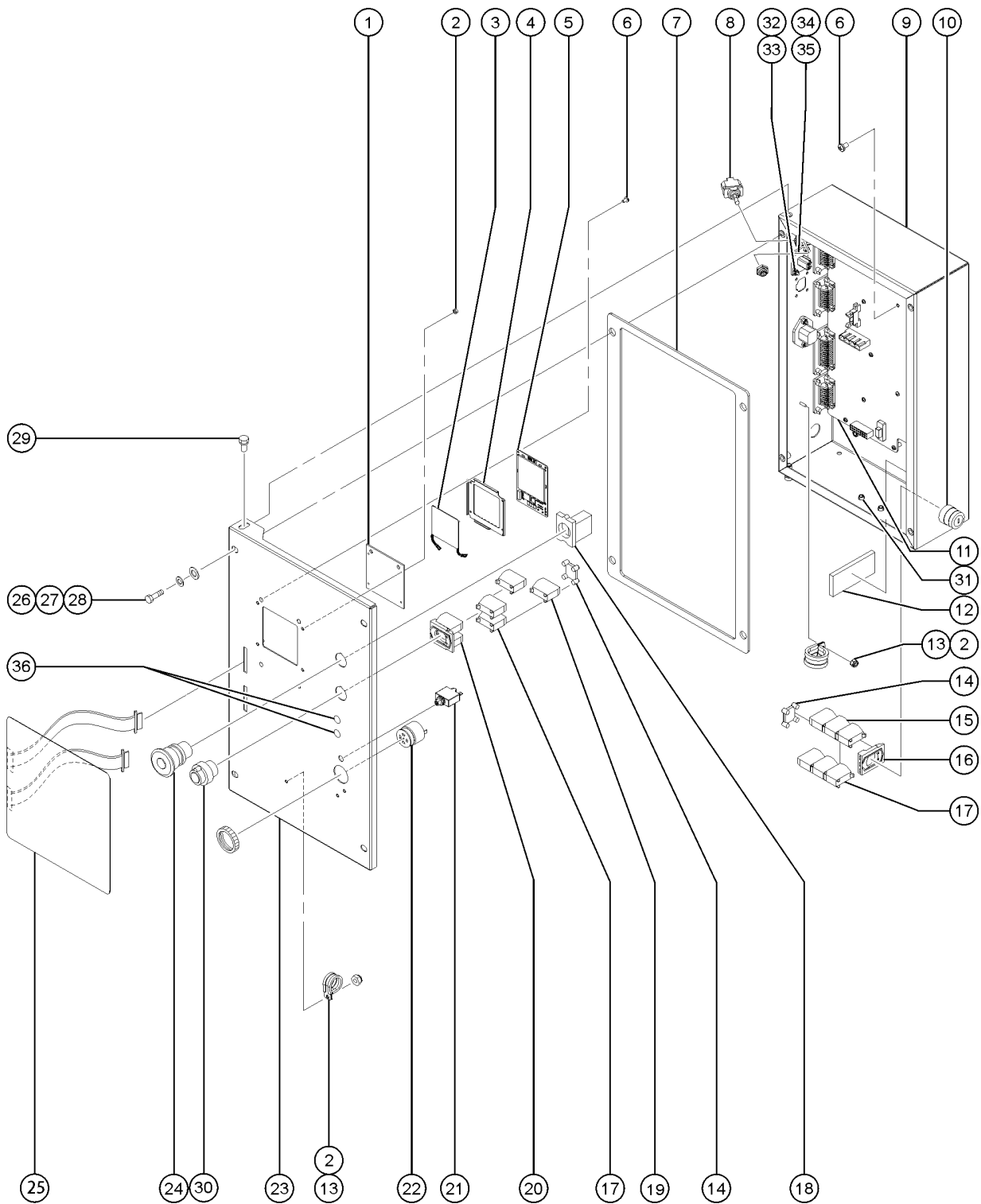


312.1 Ground Control Box (Deutz TD 2.9L4 & Perkins 854F-E34T Engine)

Item	Part No.	Description	Qty.
A-	1280324GT	ASSY, TCON BOX ,SX-105 XC TIER IV SX-105 XC	
B-	1268317GT	ASSY, GROUND BOX, SX125 SX-125 XC	1
1	62374GT	LENS, LCD, GRND. CONTROL	1
2	12344GT	NUT, NYLOCK, 6-32	
3		Ref. Ground Control LCD Heater OPTION (Refer to 808.1)	1
4	62375GT	CLIP, LCD, GRND. CONTROL	
5	1253317GT	PCB, ASSY, ECM, CAN GATEWAY, Z135	1
6	81551GT	SCREW, PHIL, PHM, 6-32 X 1/4 SS	16
7	88177GT	GASKET, GROUND CONTROL BOX	1
8	128204GT	SWITCH TOGGLE ASSY SPDT 2P MNT	1
8-	128584-SGT	SWITCH TOGGLE SPDT 2P MNT SHDR	
8-	27246GT	BOOT, TOGGLE SWITCH, SHORT*	
9	1258069GT	BOX, GROUND CONTROL, SX	1
10	88150GT	KEYSWITCH, 3 POS. MOM. DR, W/KEY**	1
11	1280325GT	PCB, ASSY, ECM, TCON, SX-105 XC SX-105XC , blank board:217803	1
11B	1268382GT	PCB, ASSY, ECM, TCON, SX-125 V1.00 SX-125XC , blank board:217803	1
12	30997GT	CORROSION INHIBITOR, FOAM	1
13	13268GT	CLAMP, 0.75, #12 X 1/4, RUB CUSH	2
14	122366GT	KEYSWITCH, CONTACTS LOCK	2
15	66818GT	CONTACT, NC	6
16	66821GT	BASE, WITHOUT CONTACTS	1
17	66816GT	CONTACT, N.O.	3
18	66817GT	BASE WITH 1 NC CONTACT, E-STOP	1
19	122367GT	KEYSWITCH, DUMMY BLOCK	1
20	73805GT	CONTACT, NC	1
21	147095GT	ASSY, CIRCUIT BREAKER 20A	1
21-	6700GT	WASHER, STAR, EXTERNAL, .375	
21-	122994GT	NICKEL PLATED JAM NUT	



312.1 Ground Control Box (Deutz TD 2.9L4 & Perkins 854F-E34T Engine)

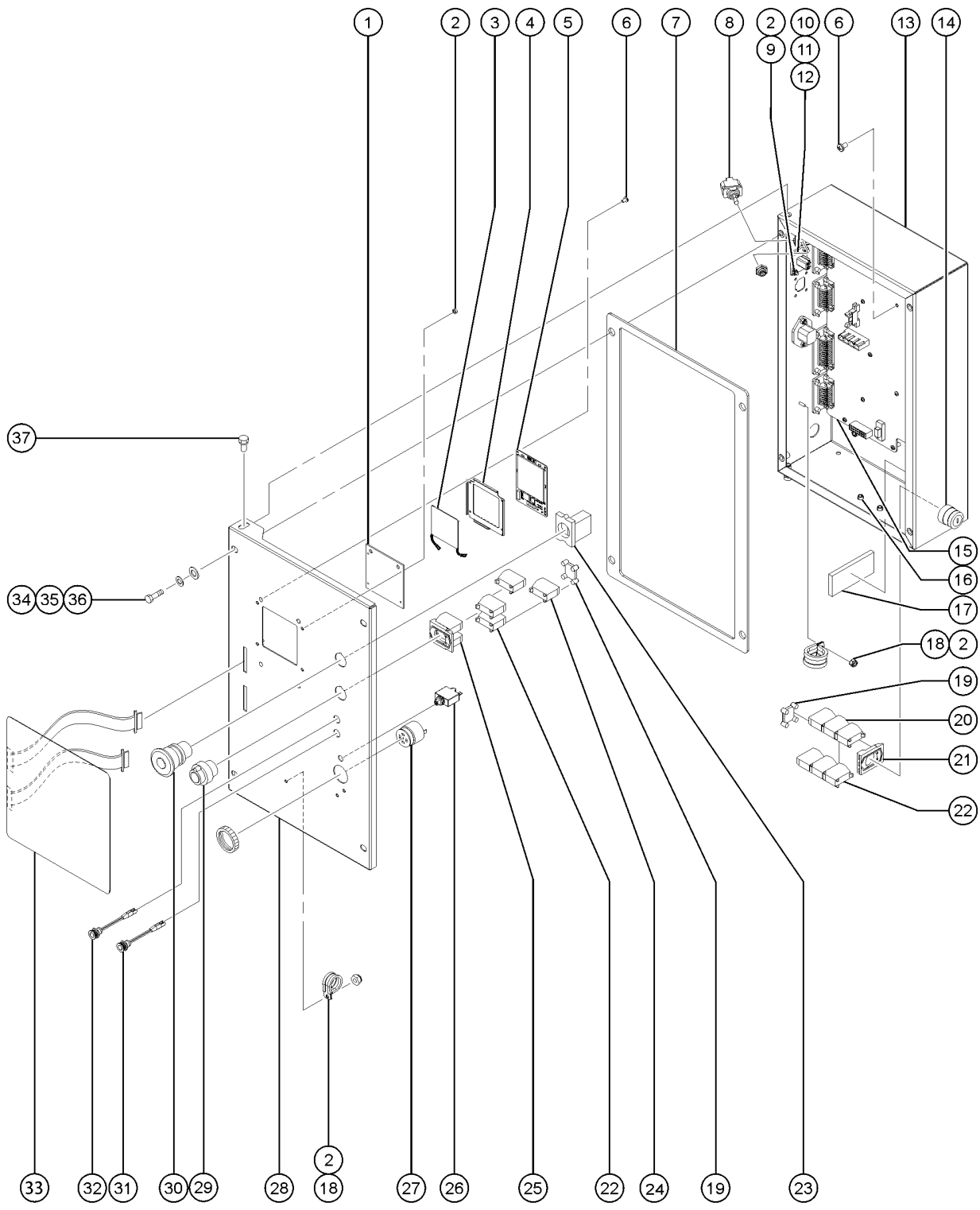


312.1 Ground Control Box (Deutz TD 2.9L4 & Perkins 854F-E34T Engine)

Item	Part No.	Description	Qty.
22	62379GT	ALARM,AUDIO,SUPERBOOM*	1
23	1261765GT	LID, GROUND CONTROL BOX	1
24	66812GT	BUTTON,PUSH,RED MUSHROOM HEAD	1
25	1268820GT	DECAL,MEMBRANE,TCON ,SX105/125	1
26	1262432GT	SCREW,HHC,1/4-20X.875,8,ZAG	
27	824109GT	WASHER,LOCK,1/4,ZAG	
28	824113GT	WASHER,FLAT,1/4,USS,ZAG	
29	88315GT	SCREW,SHS,1/4-20 X .25 ZINC SUPERSEDE; USE UNTIL EXHAUSTED	
29A	1263233GT	BOLT,SHS,5/16X.25X1/4-20,8,ZAG REPLACES 88315	
30	66811GT	KEYSWITCH,3POS.MNTND.DR WKEY**	1
30B	218155GT	KEYSWITCH, LOCKING, 3 POS, W/K (218169 option)	1
31	30996GT	PLUG,NYLON .313 BLACK DOMED	2
32	1269704GT	CONNECTOR, RECEP, 2WAY, FL	1
33	60757GT	PLUG, SEAL, 12-18GA	2
34	12344GT	NUT,NYLOCK,6-32	2
35	49820GT	SCREW,PHILLIPS,PHM,6-32 X .5	2
36	229567GT	PLUG,SANTOPRENE .5 BLACK DOME	2



313.1 Ground Control Box (Deutz TCD 2.2L Engine)

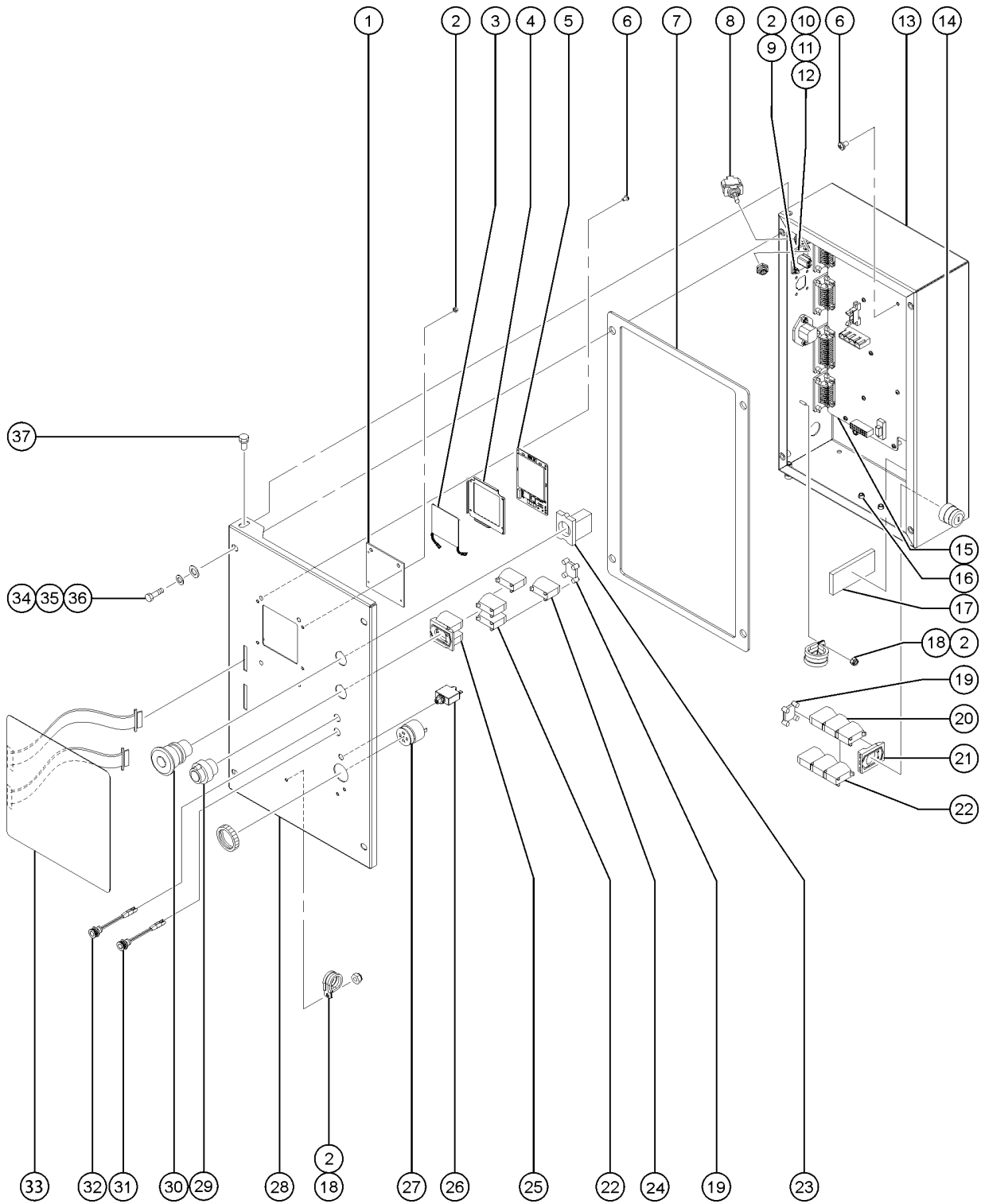


313.1 Ground Control Box (Deutz TCD 2.2L Engine)

Item	Part No.	Description	Qty.
A-	1300534GT	ASSY, TCON BOX, SX-105 XC, DEUTZ 2.2L3 STG V SX-105 XC	1
B-	1300535GT	ASSY, GBOX, SX-125 XC, DEUTZ 2.2L3 STG V SX-125 XC	1
1	62374GT	LENS,LCD,GRND.CONTROL	1
2	12344GT	NUT,NYLOCK,6-32	
3		Ref. Ground Control LCD Heater OPTION (Refer to 808.1)	1
4	62375GT	CLIP,LCD,GRND.CONTROL	
5	1253317GT	PCB,ASSY,ECM,CAN GATEWAY,Z135	1
6	81551GT	SCREW,PHIL,PHM,6-32 X 1/4 SS	16
7	88177GT	GASKET,GROUND CONTROL BOX	1
8	128204GT	SWITCH TOGGLE ASSY SPDT 2P MNT	1
8-	128584-SGT	SWITCH TOGGLE SPDT 2P MNT SHDR	
8-	27246GT	BOOT,TOGGLE SWITCH,SHORT*	
9	49820GT	SCREW,PHILLIPS,PHM,6-32 X .5	2
10	1269704GT	CONNECTOR, RECEP, 2WAY, FL	1
11	60439GT	CONN, RECEP, 2 WAY, DEUTSCH, DT, LOCK	1
12	1284978GT	HARNESS, GBOX, STAGE V, ALC1000	1
13	1258069GT	BOX, GROUND CONTROL, SX	1
14	88150GT	KEYSWITCH,3 POS.MOM.DR,W/KEY**	1
15	1280325GT	PCB,ASSY,ECM,TCON,SX-105 XC SX-105XC , blank board:217803	1
15B	1268382GT	PCB,ASSY,ECM,TCON,SX-125 V1.00 SX-125XC , blank board:217803	1
16	30996GT	PLUG,NYLON .313 BLACK DOMED	2
17	30997GT	CORROSION INHIBITOR,FOAM	1
18	13268GT	CLAMP,0.75,#12 X 1/4,RUB CUSH	2
19	122366GT	KEYSWITCH,CONTACTS LOCK	2
20	66818GT	CONTACT,NC	6
21	66821GT	BASE,WITHOUT CONTACTS	1
22	66816GT	CONTACT,N.O.	3
23	66817GT	BASE WITH 1 NC CONTACT, E-STOP	1



313.1 Ground Control Box (Deutz TCD 2.2L Engine)

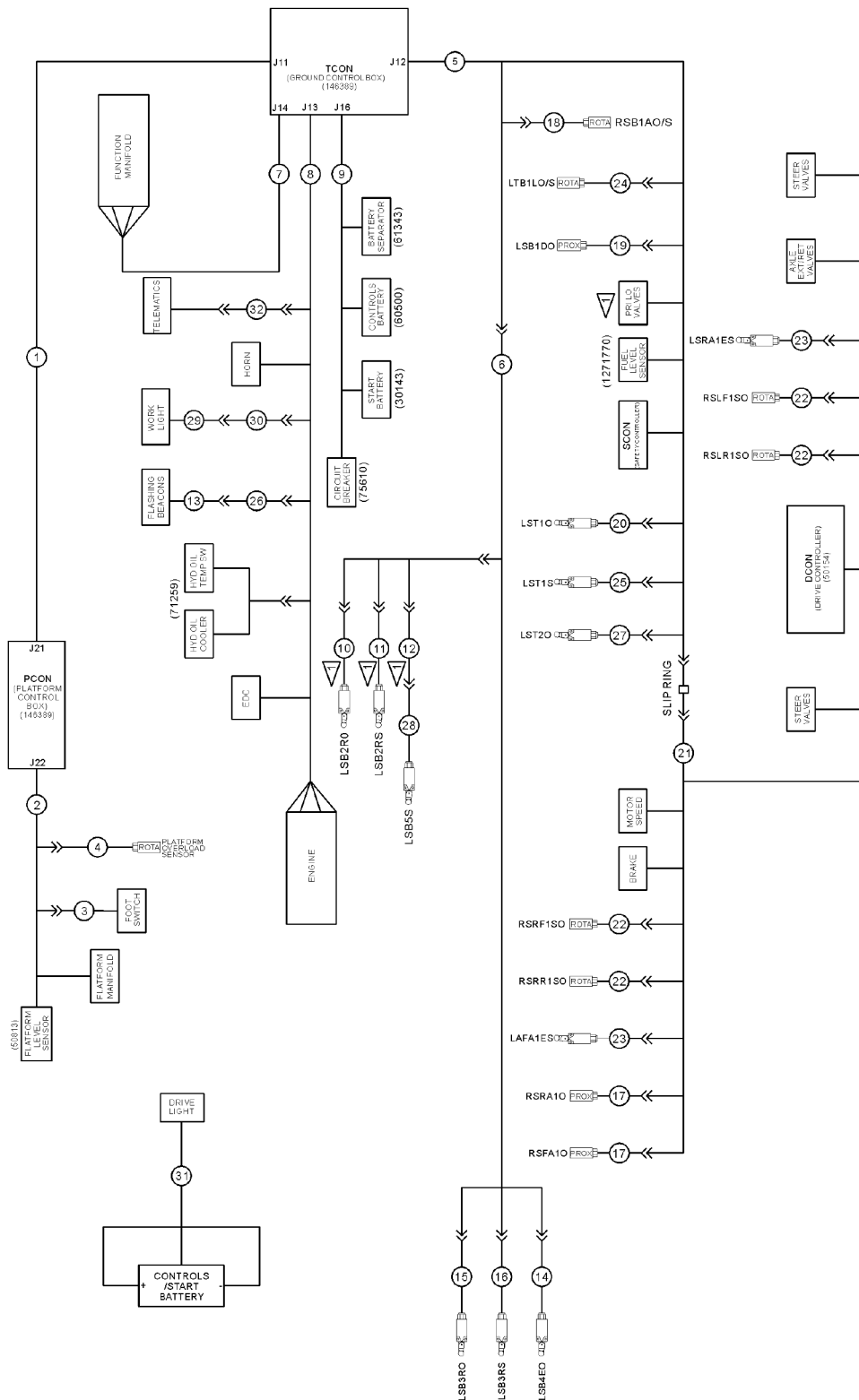


313.1 Ground Control Box (Deutz TCD 2.2L Engine)

Item	Part No.	Description	Qty.
24	122367GT	KEYSWITCH,DUMMY BLOCK	1
25	73805GT	CONTACT,NC	1
26	147095GT	ASSY, CIRCUIT BREAKER 20A	1
26-	6700GT	WASHER,STAR,EXTERNAL,,375	
26-	122994GT	NICKEL PLATED JAM NUT	
27	62379GT	ALARM,AUDIO,SUPERBOOM*	1
28	1261765GT	LID, GROUND CONTROL BOX	1
29	66811GT	KEYSWITCH,3POS.MNTND.DR WKEY**	1
29B	218155GT	KEYSWITCH, LOCKING, 3 POS, W/K (218169 option)	1
30	66812GT	BUTTON,PUSH,RED MUSHROOM HEAD	1
31	1301024GT	LIGHT, YELLOW, 12V, LED, NO GLOW	1
32	1299638GT	LIGHT, RED, 12V, LED, NO GLOW	1
33	1268820GT	DECAL,MEMBRANE,TCON ,SX105/125	1
34	1262432GT	SCREW,HHC,1/4-20X.875,8,ZAG	
35	824109GT	WASHER,LOCK,1/4,ZAG	
36	824113GT	WASHER,FLAT,1/4,USS,ZAG	
37	88315GT	SCREW,SHS,1/4-20 X .25 ZINC SUPERSEDE; USE UNTIL EXHAUSTED	
37A	1263233GT	BOLT,SHS,5/16X.25X1/4-20,8,ZAG	1
		REPLACES 88315	



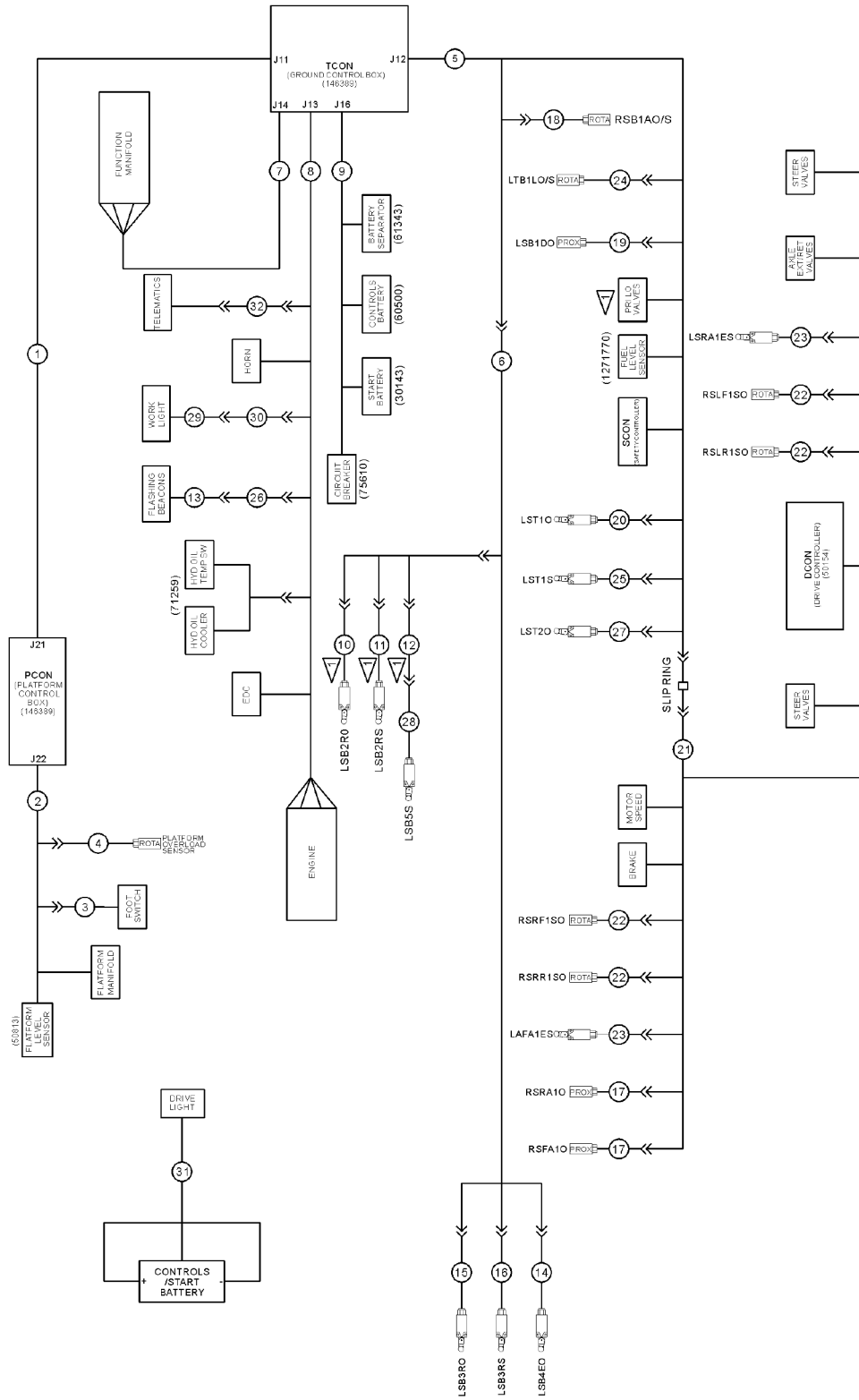
314.1 Wire Harness Diagram - View 1



Item	Part No.	Description	Qty.
1	1269790GT	HARNESS, TCON J11 BOOM/SAE UPPER, SX105	1
1-	1267998GT	HARNESS, TCON J11 BOOM/SAE UPPER, SX120/125	1
2	1268001GT	WIRE HARNESS, PLAT MAIN FOLD, SX105/125	1
3	227515GT	ASSEMBLY, FOOT SWITCH	1
4	1270278GT	LOAD CELL, J1939, 650KG/1433LB NOTE: install with arrows pointing downwards (Calibration required after replacement)	1
5	1269788GT	HARNESS, TCON J12 SCON, SX105	1
5-	1267995GT	HARNESS, TCON J12 LS/SCON, SX120/125	1
6	1269789GT	HARNESS, TCON J12 UPPER, SX105	1
6-	1267996GT	HARNESS, TCON J12 UPPER, SX120/125	1
7	1282136GT	HARNESS, TCON J14 MANIFOLD, DEUTSCH, SX125 XC	1
8	1268646GT	HARNESS, DEUTZ TD2011, SX125 to SN SX105D-782, to SN SX125D-820 (no longer available - order 1292669GT)	1
8-	1269786GT	HARNESS, PERKINS 1104D, SX105/125 to SN SX105D-782, to SN SX125D-820	1
8-	1268381GT	HARNESS, DEUTZ 2.9L, SX125 TIERIV to SN SX105D-782, to SN SX125D-820	1
8-	1269787GT	HARNESS, PERKINS 854F, SX105/125 to SN SX105D-782, to SN SX125D-820	1
8B	1292669GT	HARNESS, DEUTZ 2011 04i, SX105/125XC from SN SX105D-783, from SN SX125D-821	1
8B-	1292624GT	HARNESS, DEUTZ 2.9, TIER4, SX105/125XC from SN SX105D-783, from SN SX125D-821	1
8B-	1292670GT	HARNESS, PERKINS 1104D, SX105/125XC from SN SX105D-783, from SN SX125D-821	1
8B-	1292625GT	HARNESS, PERKINS 854F, SX105/125XC from SN SX105D-783, from SN SX125D-821	1
8C	1292044GT	HARNESS, DEUTZ 2.2 STAGE V, SX105/125XC	1
9	1268002GT	HARNESS, TCON J16 POWER, SX100/105/120/125	1
10	75769GT	LIMIT SWITCH, OPERATION, LSB2RO	1
11	1268008GT	SWITCH ASSY, 101 FT RET SAFTY, SX	1
12	1278578GT	HARNESS CABLE BREAK	1
13	121804GT	ASSY, FLASHING BEACON 2008	2
14	89110GT	LIMIT SWITCH, OPERATIONAL	1
15	1278513GT	LIMIT SWITCH 3RO SX-125 XC	1
16	75031GT	LIMIT SWITCH, SAFETY	1
17	216058GT	SENSOR, ANGLE, 40 DEG, CCW	2



314.1 Wire Harness Diagram - View 1

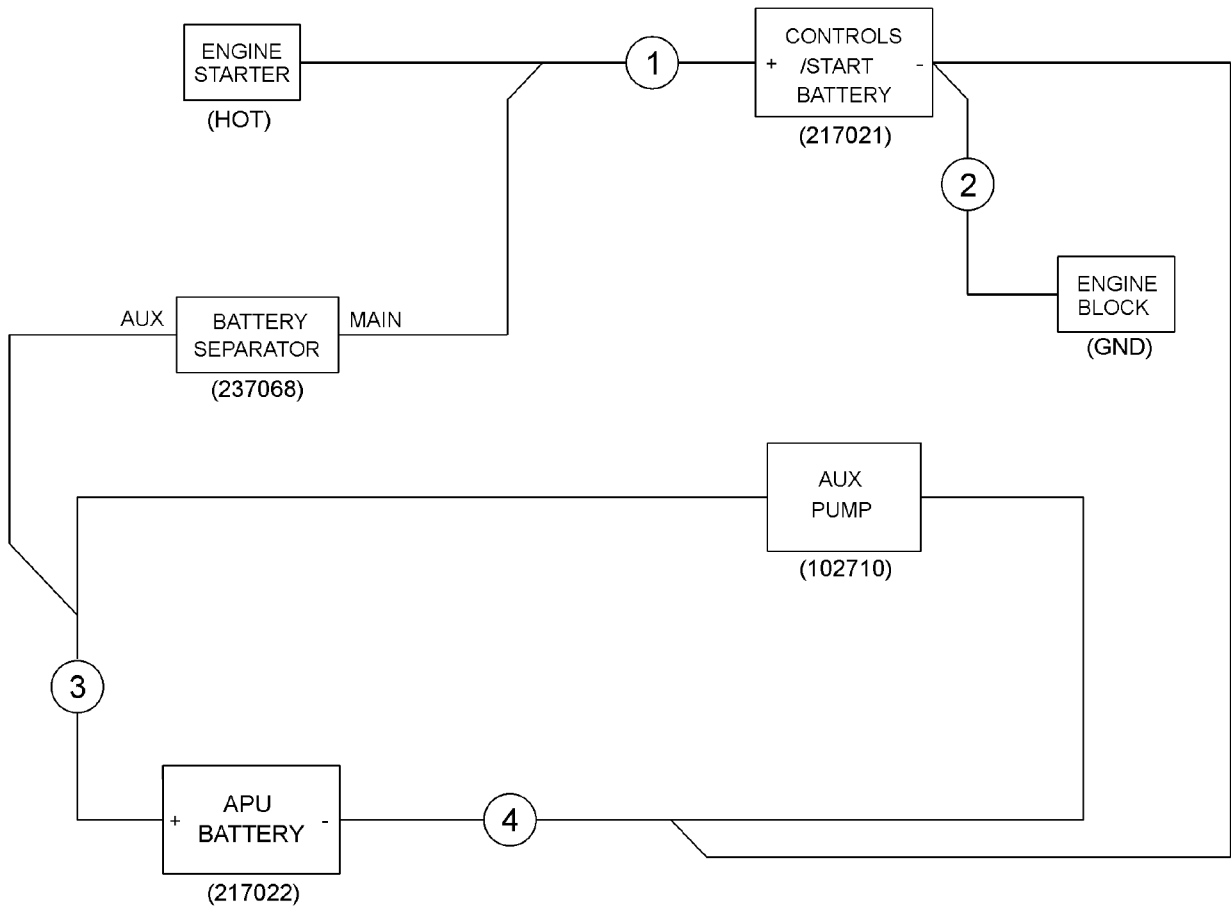


Item	Part No.	Description	Qty.
18	216059GT	SENSOR, ANGLE, 105 DEG, CW	1
19		Ref. SWITCH,LIMIT,PROX(OPERATIONAL) (refer to 302.1)	1
20	75037GT	LIMIT SWITCH,OPERATIONAL	1
21	1267999GT	HARNESS, DRIVE CHASSIS SX100/105/120/125	1
22	232993GT	SUBASSY, STEER SENSOR	4
23	1284201GT	SWITCH ASSY,AXLE SAFETY SX-125 XC	2
24	1257282GT	LENGTH TRANSDUCER, 400 IN SX-105 XC	1
24-	236403GT	LENGTH TRANSDUCER, 800",DUAL CHANNEL SX-125 XC	1
25	1268007GT	SWITCH ASSY,DRIVE ENABLE SAFETY,SX	1
26	236409GT	HARNESS, FLASHING BEACON	2
27	1268006GT	SWITCH ASSY, CABLE TENSION, SX	1
28	1275716GT	LIMIT SWITCH CABLE BREAK, SX125/105	1
29	1279075GT	HARNESS,PLAT,WORKLIGHT,12V	1
30	1279076GT	CABLE,12/3,WORKLIGHT,12V	1
30-	1281509GT	CABLE, 12/3, WORKLIGHT, 12V, SX-105 XC	1
31	1275271GT	HARNESS,DRIVE LIGHT OPT,SX125	1
32	1295381GT	HARNESS, JUMPER, DEUTZ, 2.9L, SX-105/125 XC (8 pin telematics device only) from SN SX105D-783, SX125D-821	1

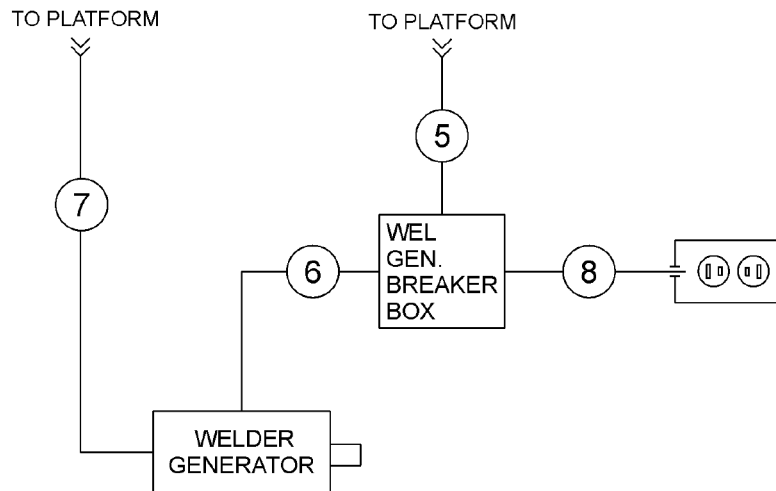


314.2 Wire Harness Diagram - View 2

APU/BATT CABLES



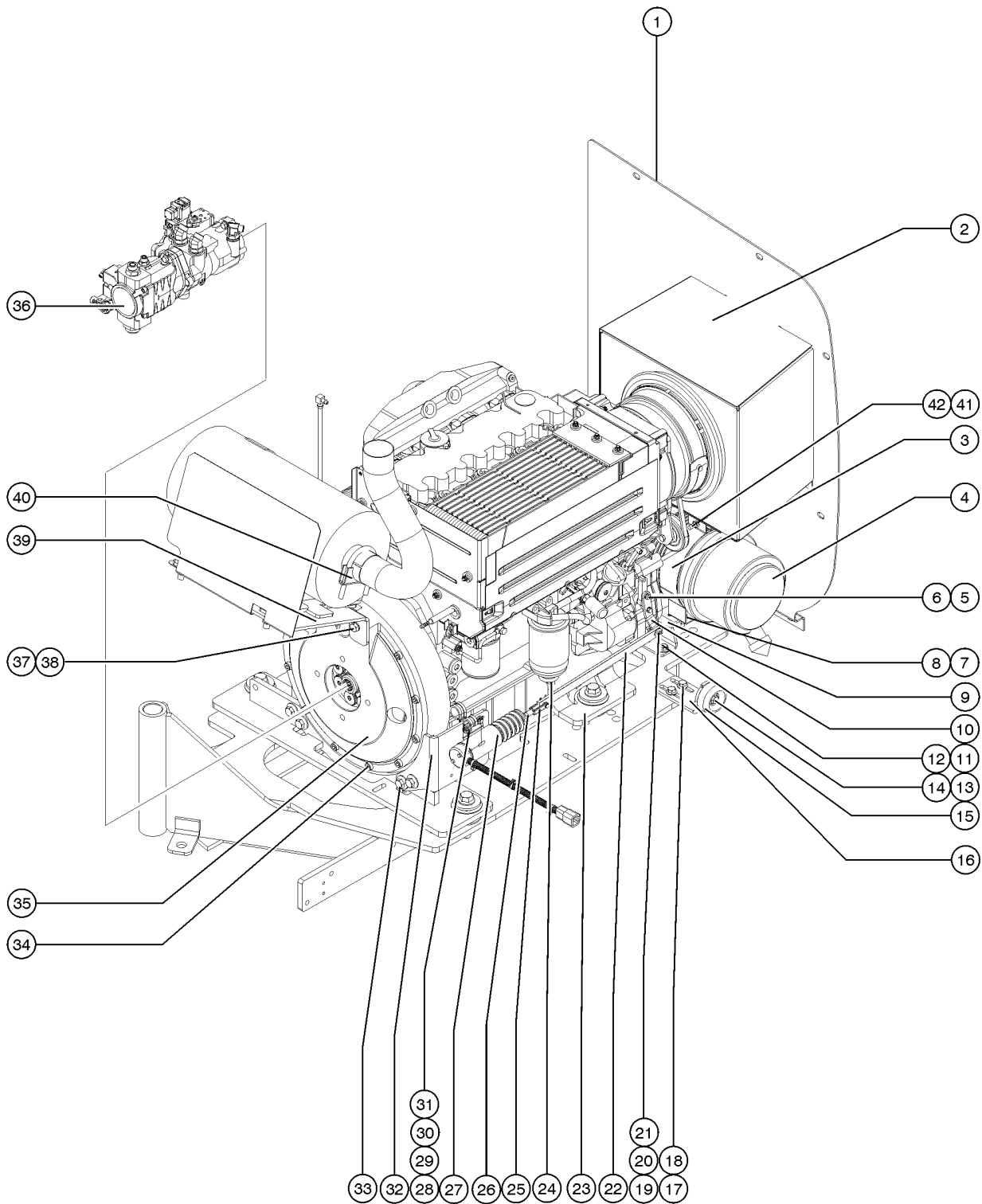
GENERATOR / AC PWR



Item	Part No.	Description	Qty.
1	1263149GT	BAT CABLE 1/0 DEUTZ DEUTZ TD2011L04I ENGINE	
1B	1256335GT	BATTERY CABLE, POSITIVE PERKINS 1104D PERKINS 1104D ENGINE	
1C	1258413GT	BATT CABLE, 2/0, RED 89" DEUTZ TD2.9 ENGINE, PERKINS 854 T4 ENGINE	
2	1263148GT	BAT CABLE 1/0 BLK SBOOM DEUTZ TD2011L04I ENGINE, PERKINS 1104D ENGINE, DEUTZ TD2.9 ENGINE	
2B	1262320GT	BATT CABLE PERKINS TIER4 GROUND PERKINS 854 T4 ENGINE	
3	1263150GT	BAT CABLE 1/0 POS SBOOM	
4	1263147GT	BAT CABLE GND 1/0 BK W/PIGTAL	
5	101506-1620GT	WIRE CABLE,6/4 CONDUCTOR SX-105 XC SX-105 XC	
5B	101506-1860GT	WIRE CABLE,6/4 CONDUCTOR SX-125 XC SX-125 XC	
6	1281108GT	CABLE, 7.5kw GENERATOR TO J-BOX 7.5kw generator	
6B	1281109GT	CABLE, 12kw GENERATOR TO J-BOX 12kw generator	
7	1281510GT	WIRE ASSY, GND STRAPS, SX-105 XC SX-105 XC	
7B	1278273GT	WIRE ASSY, GND STRAPS, SX-125 XC SX-125 XC	
8	1278941GT	CABLE, GENERATOR TO OUTLET 12kw/3kw	



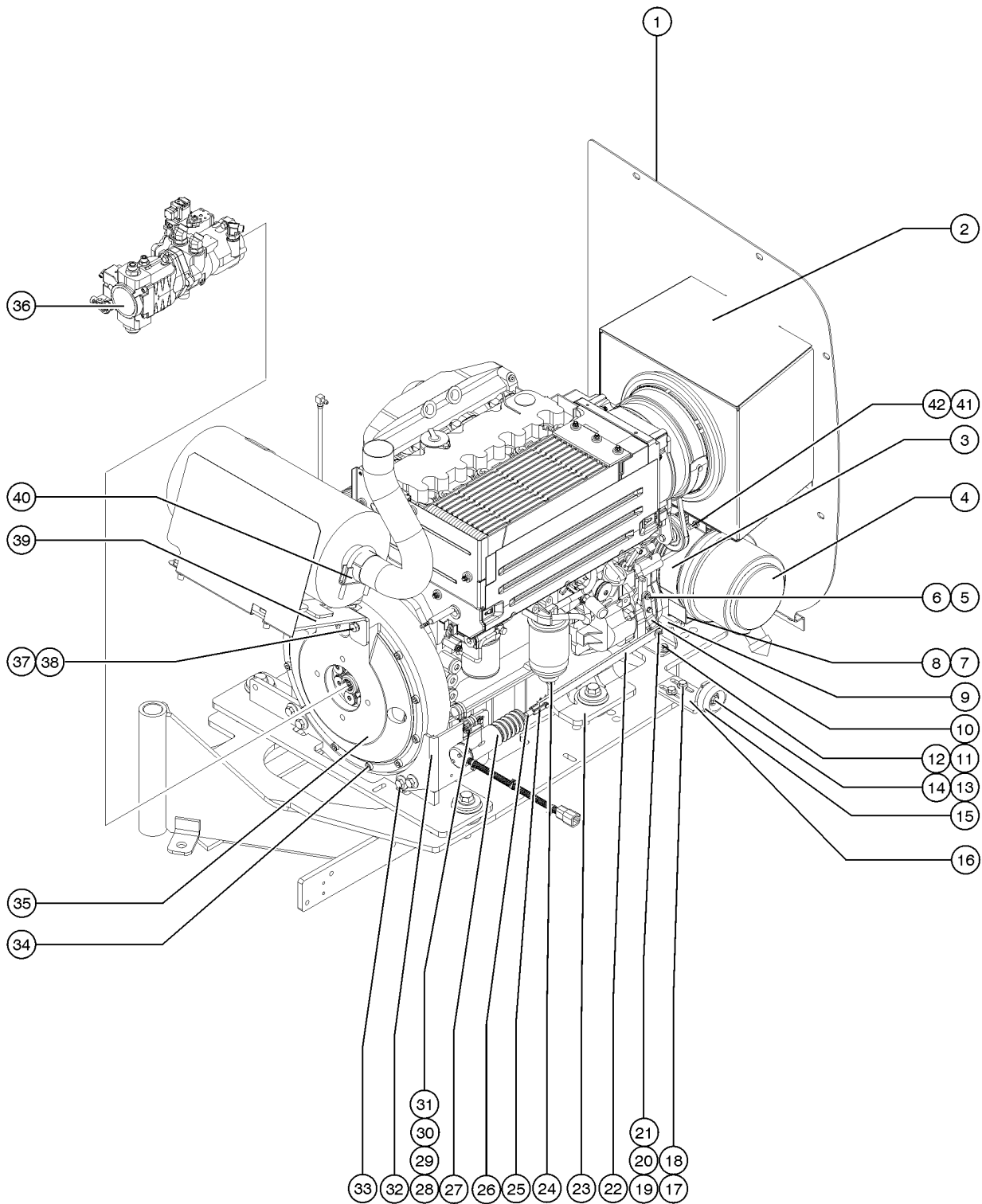
401.1 Deutz TD2011-L04i Engine - View 1



Item	Part No.	Description	Qty.
1	1279621GT	FORMING,AIR INTAKE BAFFLE,DEUTZ	
2		Ref. AIR BOX ASSEMBLY	
		(refer to 407.1)	
3	81468GT	MOUNTING BAND,AIR CLEANER	1
		(to SX105D-1853)	
3B	1309605GT	BRKT,AIR CLEANER,DONALDSON,S-BOOM	1
		(from SX105D-1854)	
4	81467GT	AIR CLEANER,NELSON	1
		(to SX105D-1853)	
4-	52866GT	EVACUATOR VALVE-AIR CLEANER	
		for 81467	
4-	62425GT	FILTER,AIR CLEANER, SUPERBOOM	
		for 81467	
4-	75450GT	AIR CLEANER CLIPS, SUPERBOOM	
		for 81467	
4-	75451GT	AIR CLEANER COVER, SUPERBOOM*	
		for 81467	
4B	1309573GT	AIR CLEANER, DONADSON,G070017	1
		(from SX105D-1854)	
5	1256450GT	SCREW,HHC,M6-1.0X20,DIN933,10.9,ZAB	
6	1256457GT	WASHER,LOCK, M6,ZAB	
7	824086GT	SCREW,HHF,5/16-18X1,8,ZAG	
8	824028GT	NUT,TL FLG,5/16-18,G,ZAG	
9	102209PGT	FORMING,AIR CLEANER MOUNT PNTD	1
10	50787PGT	LEVER,GOVERNOR ACTUATOR,PTD***	1
11	231533GT	SCREW, HHF, M10-1.5X35,DIN6921	
12	232951GT	NUT, TL, M10-1.5,DIN980, ZAB	
13	231533GT	SCREW, HHF, M10-1.5X35,DIN6921	
14	231529GT	NUT,TL FLG,M10-1.5,DIN6927,10,	
15	50974GT	BUMPER,RUBBER,COVERS	1
16	1285408GT	FORMING,COVER STOP	1
17	231533GT	SCREW, HHF, M10-1.5X35,DIN6921	
18	231529GT	NUT,TL FLG,M10-1.5,DIN6927,10,	
19	1257076GT	BOLT,SHS,1/4-28X4,ZAG	
20	824113GT	WASHER,FLAT,1/4,USS,ZAG	
21	1251566GT	NUT, TL, 10-24, A, ZAG	
22	139322GT	THROTTLE LINKAGE, DSL	



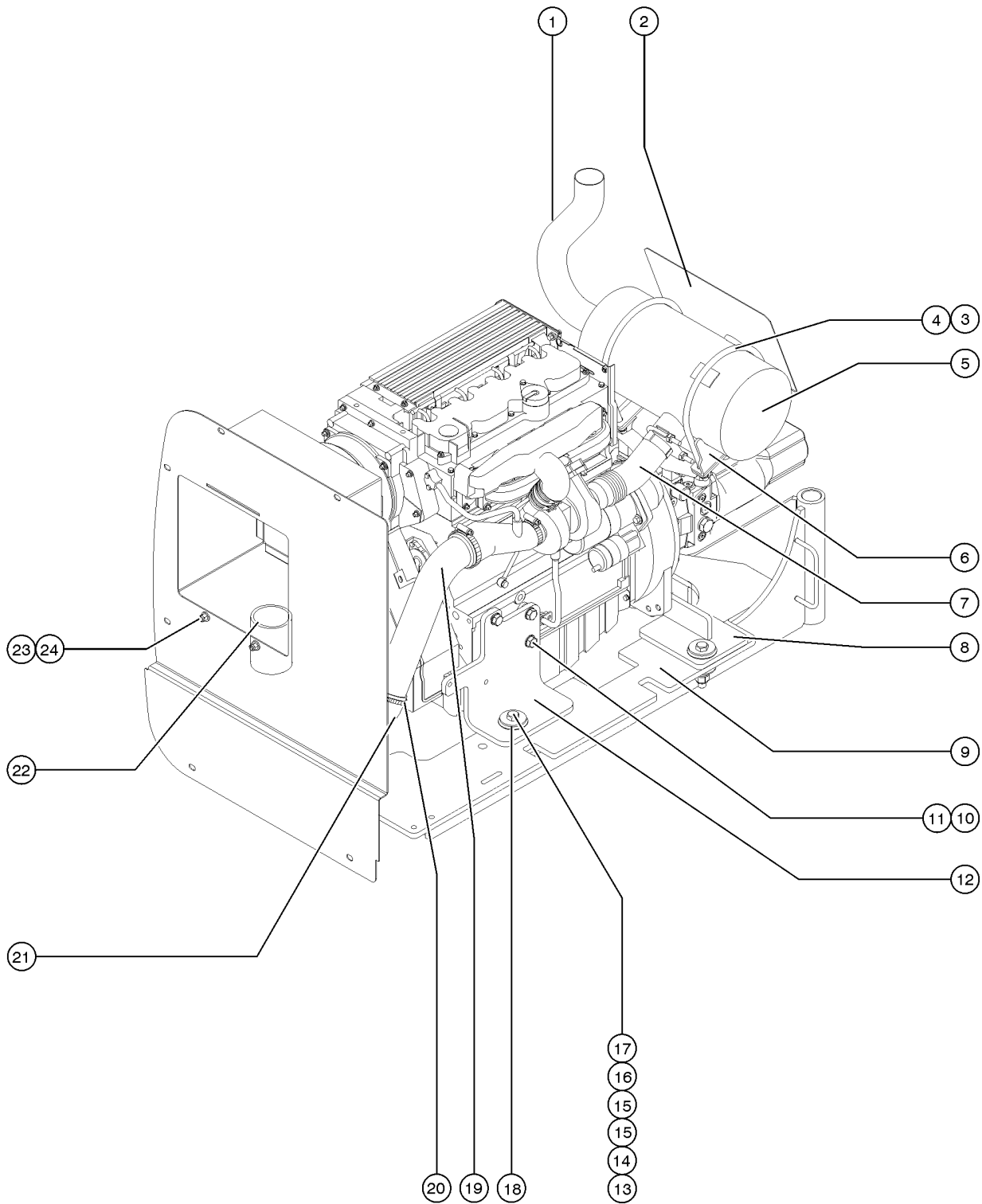
401.1 Deutz TD2011-L04i Engine - View 1



Item	Part No.	Description	Qty.
23	70439PGT	FORMING,ENGINE MOUNT PAINTED	1
24	1251899GT	SCREW,HHF,M14-2.0 X 40,DIN6921,10.9,ZAB	
25	21130GT	CLEVIS YOKE-1/4-28,PLTD W/PIN	1
26	824041GT	NUT, 1/4-28, 8, ZAG	
27	101957GT	SOLENOID,THROTTLE,ASSY.TROMB	1
28	824079GT	SCREW,HHF,1/4-20X1,8,ZAG	
29	45454GT	CLAMP,RUB CUSH,0.75,#12 X 3/8*	
30	61109GT	CLAMP,1.25,#20 X 7/16,RUB CSH	
31	824027GT	NUT,TL FLG,1/4-20,G,ZAG	
32	139321GT	FORMING, SOLENOID MOUNT***	
33	1251899GT	SCREW,HHF,M14-2.0 X 40,DIN6921,10.9,ZAB	
34	1255666GT	SCREW,SHC,M10-1.5X30,DIN912,12.9,ZAB	
35	128004GT	COUPLER, 15 TOOTH, FBA, SAE 8	1
		Ref. Function Pump (refer to 707.1)	
36		PUMP, DRIVE, AND FUNTION	1
		(refer to 708.1)	
37	1257706GT	SCREW,HHC,M10-1.5X70,DIN931,10	
38	824145GT	WASHER, FLAT, .375 X 1.50 X .125, ZAG	
39	70448PGT	FORMING,MUFFLER MOUNT	1
40	71911GT	CLAMP,MUFFLER, 2.50 INCH	2
41	1255763GT	SCREW,HHF,5/16-18X1.5,8,ZAG	1
		(from SX105D-1854)	
42	1274167GT	NUT,NYLOCK FLG,5/16-18,F,ZAG	1
		(from SX105D-1854)	



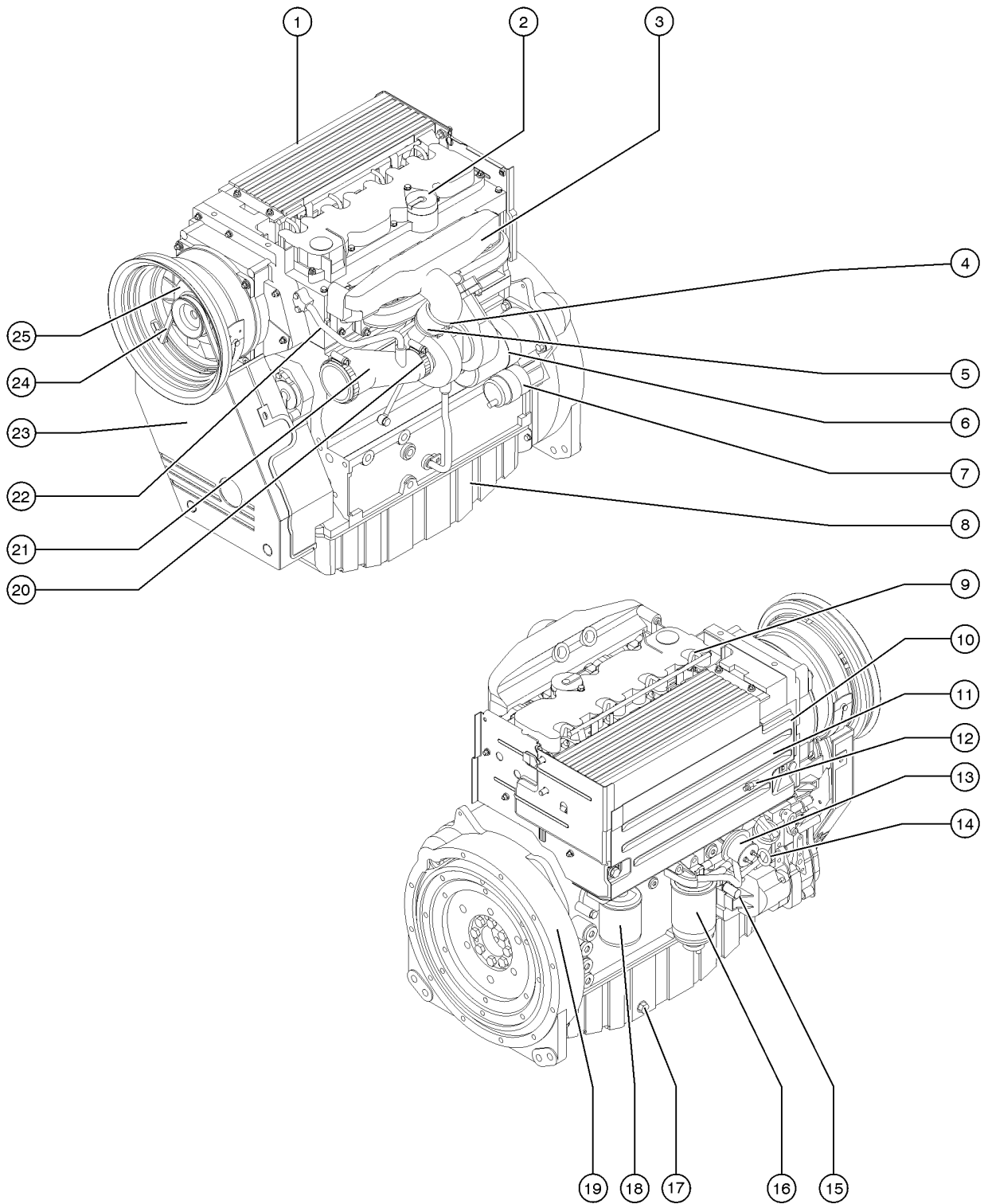
402.1 Deutz TD2011-L04i Engine - View 2



Item	Part No.	Description	Qty.
-	139983GT	EXHAUST PIPE GASKET	
1	70447GT	TAIL PIPE,DEUTZ	1
2	102237PGT	FORMING,HEAT SHIELD,MUFFLER	1
3	70449GT	U-BOLT,1/2-13 X 8.5	2
4	1251997GT	NUT,TL FLG,1/2-13,G,ZAG	2
5	70444GT	MUFFLER,2.5"INLET/OUTLET	1
6	70483GT	FORMING,8.5' MUFFLER MOUNT	1
7	70445GT	FLEX PIPE,EXHAUST,2.5" DIA	1
7B	139983GT	EXHAUST PIPE GASKET	
7B-	71911GT	CLAMP,MUFFLER, 2.50 INCH	
8	70440GT	WELDMENT,REAR ENGINE MOUNT	
9		Ref. Engine Tray	
		Ref. Engine Tray	
10	1251899GT	SCREW,HHF,M14-2.0 X 40,DIN6921,10.9,ZAB	
11	49411GT	WASHER,FLAT,M14	1
12	70438PGT	FORMING,ENGINE MOUNT PAINTED	1
13	102045GT	ISOLATOR,ENGINE VIBRATION	1
14	1253319GT	NUT,TL FLG,5/8-11,G,ZAG	1
15	1251565GT	WASHER,SHIM,1.56X2.5X.061,ZAG	2
16	824123GT	WASHER,FLAT,.625X2.25X.188,ZAG	1
17	1256583GT	SCREW,HHF,5/8-11X3.5,8,ZAG	1
18	102045GT	ISOLATOR,ENGINE VIBRATION	1
19	102208GT	TUBE,AIR INTAKE,DEUTZ	1
20	30489GT	CLAMP,HOSE,3.50	3
21	139455GT	ELBOW,AIR INTAKE,RUBBER	1
22	106211-475GT	HOSE,RUBBER 3"ID X .25 BLACK	1
23	824090GT	WELDMENT,DEUTZ D2011L3i BAFFLE	2
24	824029GT	NUT,TL FLG,3/8-16,G,ZAG	2



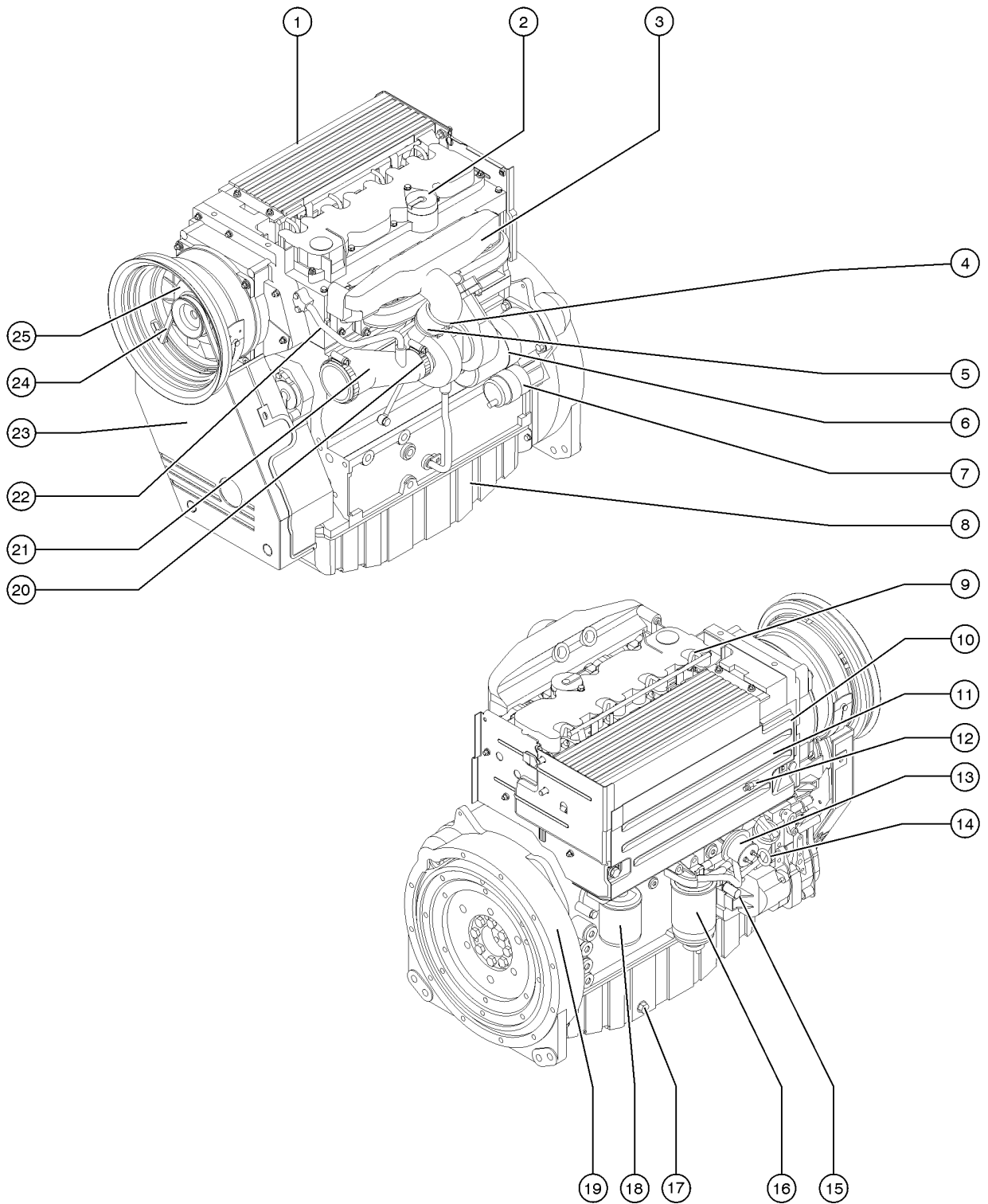
403.1 Deutz TD2011-L04i Engine - View 3



Item	Part No.	Description	Qty.
A-	102581GT	PUMP,FUEL INJ,DEUTZ BF4L20 class A injection pump; provide SN of engine to service to get correct injection pump (A, B, C, D)	
B-	T108732GT	PUMP,FUEL INJ,DEUTZ BF4L20 class B injection pump; provide SN of engine to service to get correct injection pump (A, B, C, D)	
C-	T108733GT	PUMP,FUEL INJ,DEUTZ BF4L20 class C injection pump; provide SN of engine to service to get correct injection pump (A, B, C, D)	
D-	T108734GT	PUMP,FUEL INJ,DEUTZ BF4L20 class D injection pump; provide SN of engine to service to get correct injection pump (A, B, C, D)	
2	29557GT	CAP,OIL FILLER,DEUTZ,DIESEL ***	1
3	102590GT	EXHAUST MANIFOLD, DEUTZ F4L201	1
3-	29559GT	GASKET,EXHAUST	
4	102593GT	CLAMP, 3 INCH	2
5	226106GT	RUBBER SLEEVES, TD 2011L041	
6	139709GT	STARTER, 12V	1
6-	139621GT	KIT, HEAT GUARD, DEUTZ STARTER	
7	49915GT	SOLENOID-STARTR DEUTZF4L1011F*	1
8	102586GT	OIL PAN,DEUTZ F4L2011	1
9	102595GT	FUEL LINE-INJECTOR, DEUTZ BF4L	4
9-	102592GT	FUEL LINE, DEUTZ F4L2011	
9-	88091GT	FUEL RETURN,DAPCO 1/4"	
9-	102581GT	PUMP,FUEL INJ,DEUTZ BF4L20	
9-	89792GT	INJECTOR, FUEL(DEUTZ F3L2011F)	
9-	1288561GT	O-RING,FUEL INJECTOR,DEUTZ (89792) for 89792	
9-	102584GT	SEAL,INJECTOR,DEUTZ F4L2011	
9-	102596GT	CYLINDER HEAD CVR.DEUTZ BF4L20	
9-	102597GT	GASKET,CYL.COVR. DEUTZ BF4L201	
9-	102582GT	GASKET, FUEL INJEC PUMP DUTZ	
10	1289103GT	COVER,ENGINE,TD2011 L04I	1
11	111445GT	SENDING UNIT,OIL TEMP SWCH,DTZ	1
12	T114678GT	SHUTDOWN SOLENOID,12V, DEUTZ (replaced 32752) (must order cable assembly, 58256, if replacing 32752)	1
12-	58256GT	SOLENOID CABLE ASSY***	



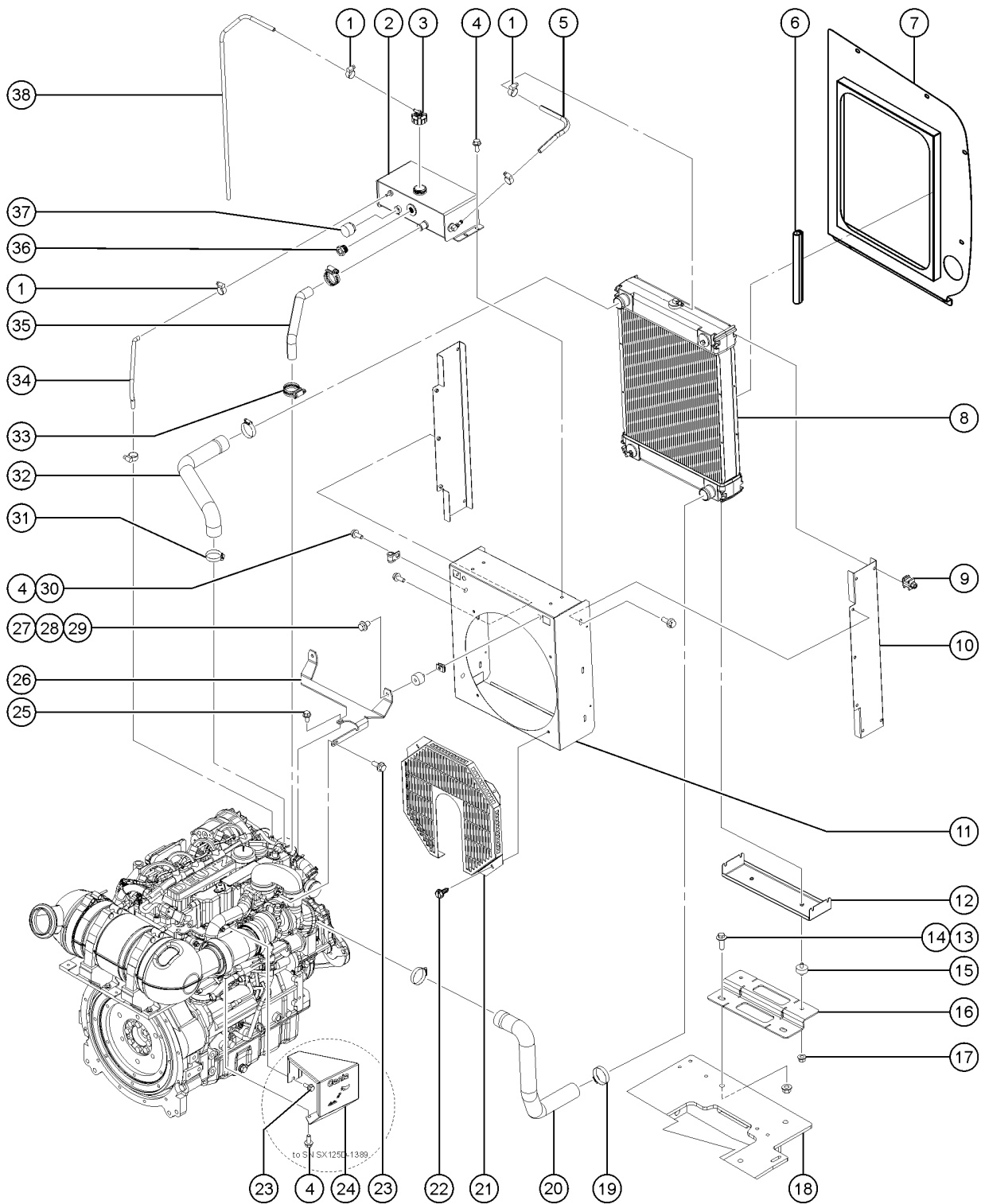
403.1 Deutz TD2011-L04i Engine - View 3



Item	Part No.	Description	Qty.
12-	72255GT	CONNECTOR, DEUTZ FUEL SHUTOFF* (does not include diode, 45782)	
12-	45782GT	DIODE,6 AMP,200 PIV,BULK	
13	58299GT	SENDING UNIT,OIL PRESS.,DEUTZ*	1
14	52352GT	DIPSTICK-F3L1011F (DEUTZ)	
15	111668GT	PUMP,FUEL 2011 DEUTZ ***	
15-	111402GT	O-RING, FUEL LIFT PUMP	
16	29560GT	FILTER,FUEL/WTR SEP, DTZ 1008 Genie Genuine Part. See PN 1254826 for compatible aftermarket replacement.	1
16-	58566GT	FILTER HEAD (29560)	
16-	236946GT	PLASTIC FILTER HEAD	
16-	1254826GT	FUEL FILTER W/SEP,DEUTZ,1008 Genie Aftermarket Part. Filter for Deutz F3L 1011F Engine.	1
17	102587GT	PLUG,ENGINE OIL,DEUTZ F4L2011	1
18	49924GT	FILTER,OIL,DEUTZ F4L1011F GENIE GENUINE PART. SEE PN 1255653 FOR COMPATIBLE AFTERMARKET REPLACEMENT.	1
18-	1255653GT	FILTER,OIL,DEUTZ,REPLACEMENT GENIE AFTERMARKET PART. COMPATIBLE WITH GENIE GENUINE PART 49924.	1
19	102580GT	FLYWHEEL HOUSING DEUTZ F4L2011	1
20	30971GT	AIR CLEANER,NELSON	
21	226103GT	INLET REDUCER,TD 2011L04I	
22	226104GT	BREATHER PIPE, TD 2011L04I	
22-	226105GT	GASKET,BREATHER PIPE (226104)	
23	146061GT	V-BELT GUARD, DEUTZ 2011	1
24	58630GT	V-BELT, DEUTZ TD2011LOAI	
25	58249GT	ALTERNATOR, DEUTZ,BF4L2011***	1
25-	1280590GT	PULLEY,ALTERNATOR,DEUTZ BF4L2011 for 58249	
25-	1280591GT	SPACER,ALT PULLEY,DEUTZ BF4L2011 for 58249	



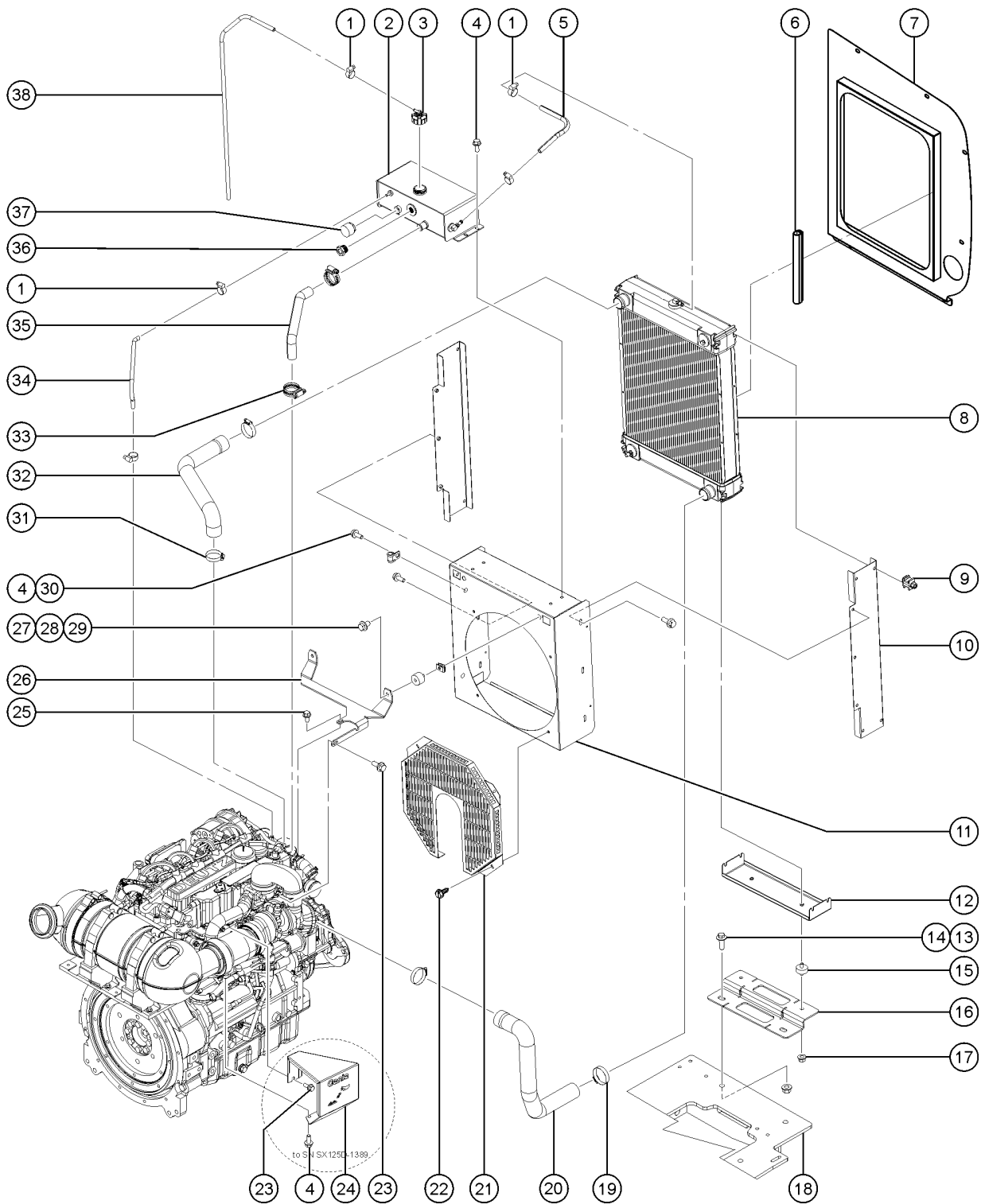
404.1 Deutz TD 2.9L4 Engine - View 1 (to SN SX125D-1760)



Item	Part No.	Description	Qty.
-	1277974GT	Due to Tier 4 regulations, many engine replacement parts require the engine serial number at time of order placement. When ordering engine parts please have both machine and engine serial numbers available. For internal engine parts, contact engine dealer PINS,CONNECTOR,INJ HARNESS,D2.9	
1	21465GT	CLAMP,HOSE,SIZE .25 TO .63	3
2	1294613GT	DEGAS TANK,AL,RCP-13-077	1
3	1254081GT	PRESSURE CAP RCP	1
4	824132GT	SCREW,HHF,M8-1.25X20,DIN6921,10.9,ZAB	
5	823420GT	HOSE,FUEL,3/8,GATES RLA	14
6	60875GT	TRIM MOLDING	
7	1267581GT	BAFFLE,AIR INTAKE DIESEL, T4	1
8	1252015GT	RADIATOR RCP	1
9	1253233GT	ISOLATOR ASSY RCP RADIATOR	8
10	1253231GT	FORMING RADIATOR SIDE MOUNT	2
11	1253230GT	FORMING FAN SHROUD RCP 2.9T	1
12	1253232GT	FORMING RADIATOR BOTTOM MOUNT RCP	1
13	1251893GT	NUT,TL,FLG,M16-2.0,DIN6927,10,ZAB	
14	1251894GT	SCREW,HHF,M16-2.0X45,DIN6921,1	
15	1255631GT	ISOLATOR, M10-1.50, 5/8" HIGH	2
16	1251720GT	WELDMENT, RADIATOR MOUNT	1
17	231529GT	NUT,TL FLG,M10-1.5,DIN6927,10,	
18	128314GT	WELDMENT, ENGINE TRAY	1
19	35434GT	CLAMP,HOSE,2.00***	2
20	1252018GT	HOSE, 20R4, LOWER	1
21	1253218GT	FORMING FAN SHROUD RCP	1
22	1253234GT	SCREW SHEET METAL HHF X1/2 X .180D	
23	824131GT	SCREW,HHF,M6-1.0X16,DIN6921,10	
24	1254949GT	HEAT SHIELD,DEUTZ TD2.9L (to SN SX125D-1389, to SN SX105D-1688)	1
25	1251983GT	SCREW,HHF,M8-1.25X16,DIN6921,1	



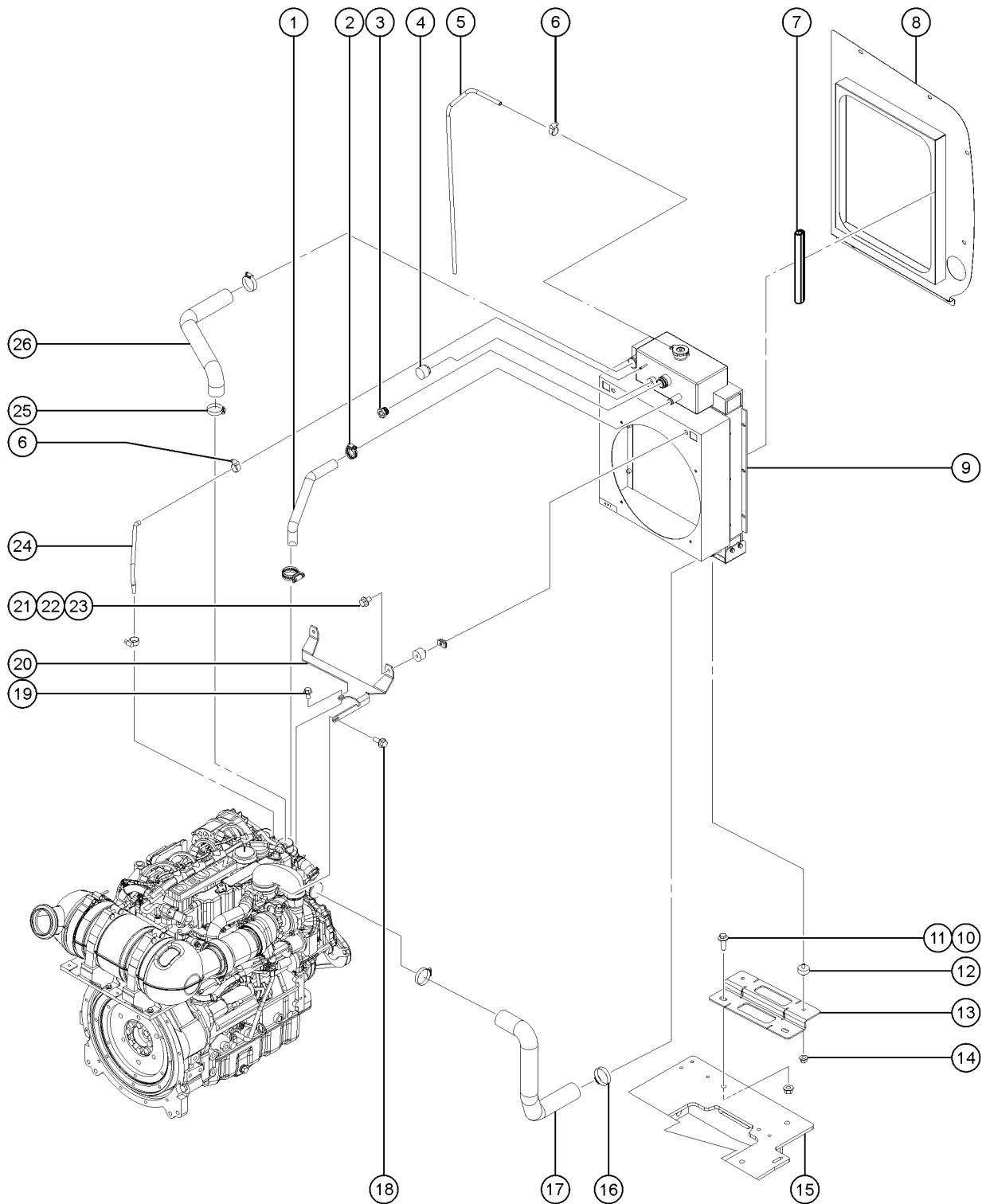
404.1 Deutz TD 2.9L4 Engine - View 1 (to SN SX125D-1760)



404.1 Deutz TD 2.9L4 Engine - View 1 (to SN SX125D-1760)

<i>Item</i>	<i>Part No.</i>	<i>Description</i>	<i>Qty.</i>
26	1255342GT	FORMING,RADIATOR SUPPORT	1
27	237352GT	SCREW,HHF,M10-1.5X16,DIN6921,10.9,ZAB	
28	1255451GT	ISOLATOR, VIBRATION DAMPENER	2
29	230074GT	SPRING CLIP,M10-1.5,1-6X19,ZAB	
30	824132GT	SCREW,HHF,M8-1.25X20,DIN6921,10.9,ZAB	
31	22672GT	CLAMP,HOSE,1.75	2
32	1252017GT	HOSE, 20R4, UPPER	1
33	36208GT	CLAMP,HOSE,1.25***	2
34	824600GT	HOSE,HEATER,1/4"	14
35	1252019GT	HOSE, DEGAS RETURN, 22MM ID	1
36	1254418GT	SIGHT GLASS DEGAS RCP	1
37	218715GT	COOLANT LEVEL SNSR, DEUTZ TCD3.6	1
38	824600GT	HOSE,HEATER,1/4"	43

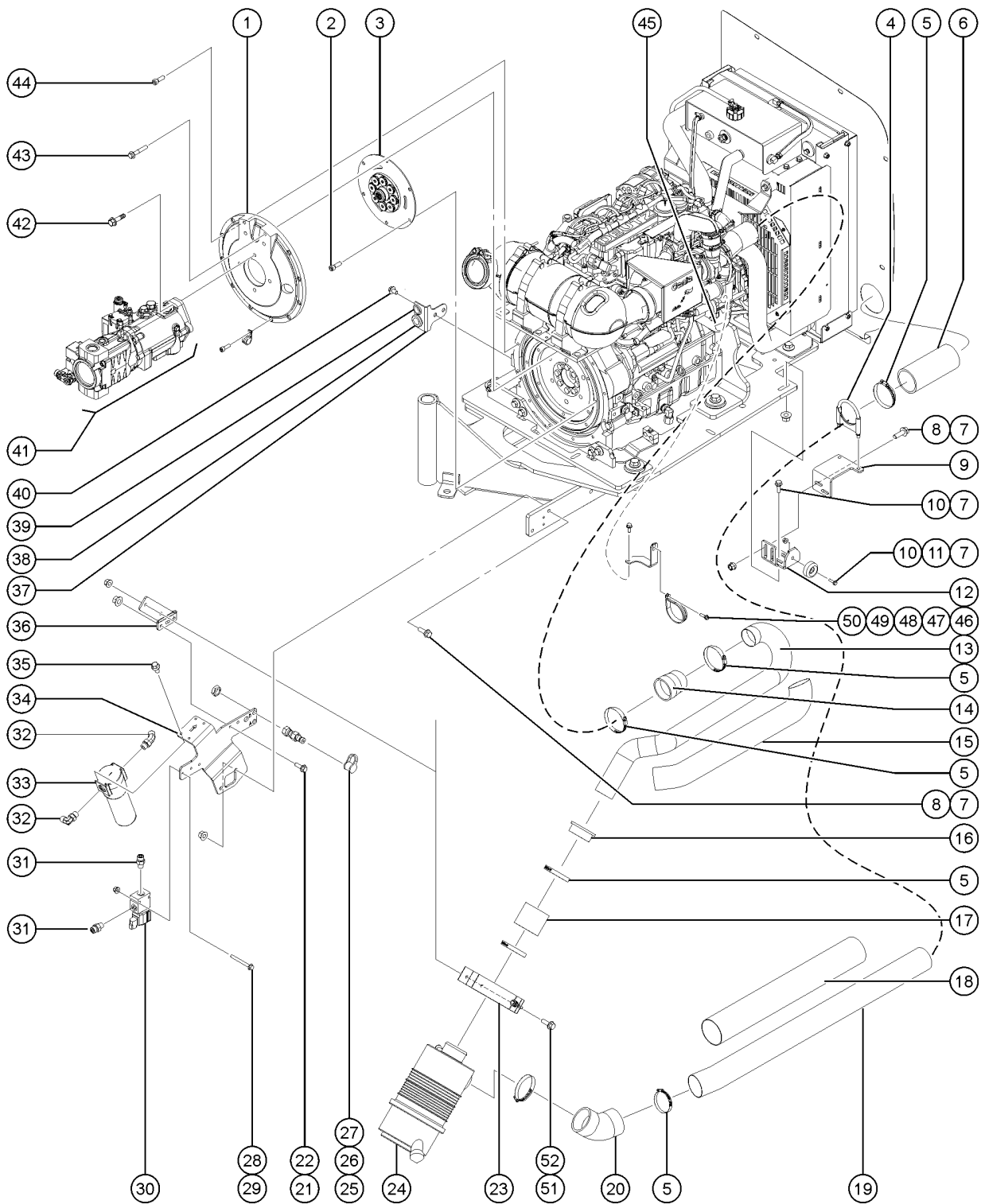
404.2 Deutz TD 2.9L4 Engine - View 1 (from SN SX125D-1761)



Item	Part No.	Description	Qty.
1	1308925GT	HOSE,DEGAS RETURN,22MM ID,TD2.9	1
2	36208GT	CLAMP,HOSE,1.25***	2
3	1254418GT	SIGHT GLASS DEGAS RCP	1
4	218715GT	COOLANT LEVEL SNSR, DEUTZ TCD3.6	1
5	824600-4300GT	HOSE,HEATER,1/4"X43"	1
6	21465GT	CLAMP,HOSE,SIZE .25 TO .63	3
7	60875GT	TRIM MOLDING	1
8	1309013GT	BAFFLE,AIR INTAKE WELD,CHINA III,API	1
9	1308926GT	COOLING SYSTEM API	1
10	1251894GT	SCREW,HHF,M16-2.0X45,DIN6921,1	2
11	1251893GT	NUT,TL,FLG,M16-2.0,DIN6927,10,ZAB	2
12	1255631GT	ISOLATOR, M10-1.50, 5/8" HIGH	2
13	1251720GT	WELDMENT, RADIATOR MOUNT	1
14	231529GT	NUT,TL FLG,M10-1.5,DIN6927,10,	2
15	128314GT	WELDMENT, ENGINE TRAY	1
16	35434GT	CLAMP,HOSE,2.00***	2
17	1308924GT	HOSE,20R4,LOWER,TD2.9	1
18	824131GT	SCREW,HHF,M6-1.0X16,DIN6921,10	1
19	1251983GT	SCREW,HHF,M8-1.25X16,DIN6921,1	1
20	1255342GT	FORMING,RADIATOR SUPPORT	1
21	237352GT	SCREW,HHF,M10-1.5X16,DIN6921,10.9,ZAB	2
22	1255451GT	ISOLATOR, VIBRATION DAMPENER	2
23	230074GT	SPRING CLIP,M10-1.5,1-6X19,ZAB	2
24	824600-1400GT	HOSE HEATER 1/4" X14"	1
25	22672GT	CLAMP,HOSE,1.75	2
26	1308923GT	HOSE,20R4,UPPER,TD2.9	1



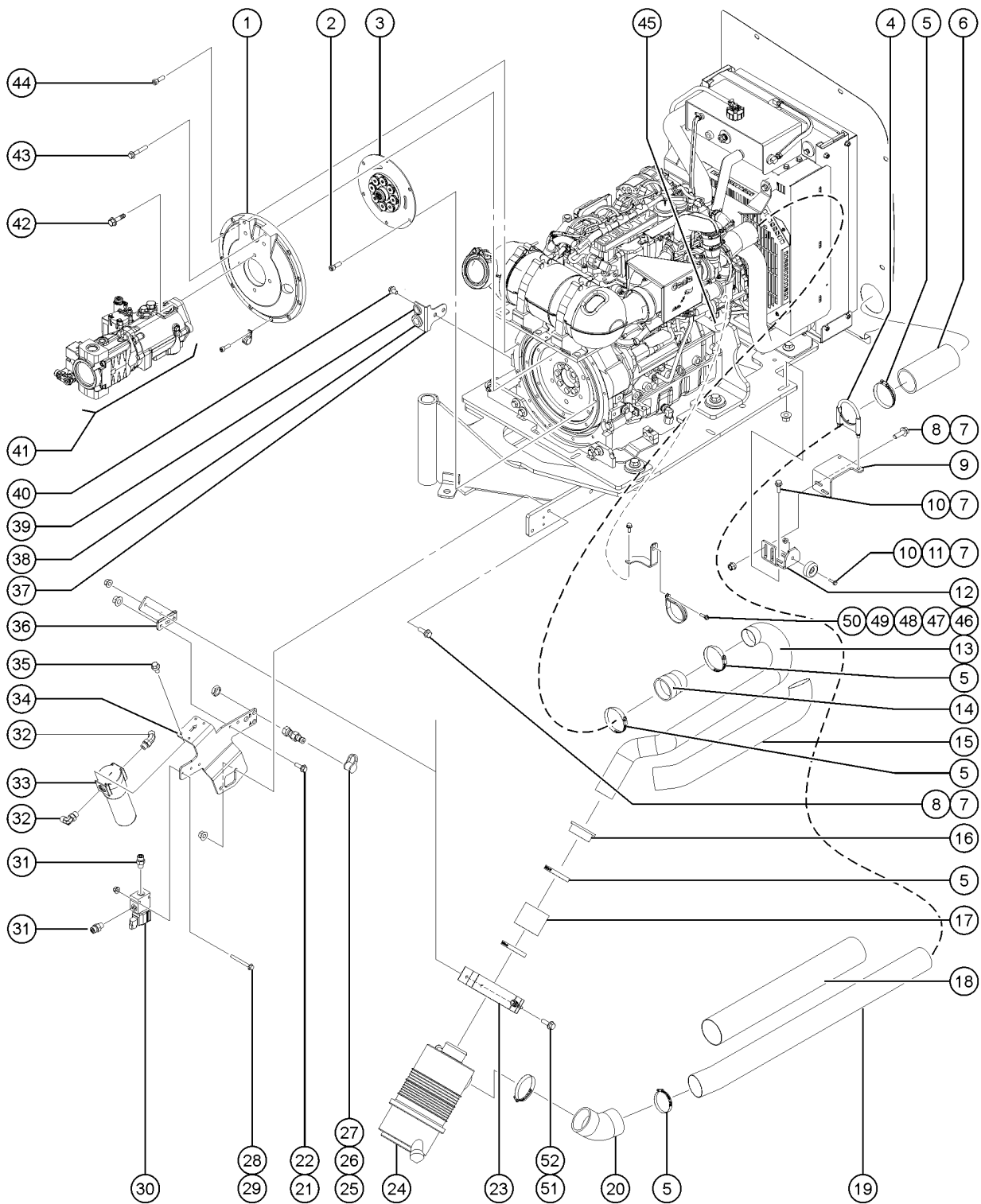
405.1 Deutz TD 2.9L4 Engine - View 2



Item	Part No.	Description	Qty.
Due to Tier 4 regulations, many engine replacement parts require the engine serial number at time of order placement. When ordering engine parts please have both machine and engine serial numbers available. For internal engine parts, contact engine dealer			
1	70381GT	COVER, FLYWHEEL CASTING	1
2	1255665GT	SCREW,SHC,M10-1.50X20,DIN912,12.9,ZAB	
3	128004GT	COUPLER, 15 TOOTH, FBA, SAE 8	1
4	122414GT	U-BOLT,GUILLOTINE,3"	1
5	30971GT	AIR CLEANER,NELSON	5
6	106211-600GT	HOSE,RUBBER 3"ID X .25 BLACK X 6.00 LG	1
7	231529GT	NUT,TL FLG,M10-1.5,DIN6927,10,	
8	232874GT	SCREW, HHF, M10-1.5X30,DIN6921	
9	1262525GT	FORMING,INTAKE SUPPORT,SB	1
10	231533GT	SCREW, HHF, M10-1.5X35,DIN6921	
11	50974GT	BUMPER,RUBBER,COVERS	1
12	1267583GT	FORMING, COVER STOP	1
13	826352GT	TUBE,INTAKE,DEUTZ 2.9L	1
		(to SX105D-1865)	
13B	1309743GT	TUBE,INTAKE,DEUTZ 2.9L,DONALDSON	1
		(from SX105D-1866)	
14	826351GT	HOSE,REDUCER,TURBO INLET,DEUTZ	1
		(to SX105D-1865)	
14B	1309818GT	HOSE,REDUCER,TURBO INLET,DEUTZ 2.9T,DONALSON	1
		(from SX105D-1866)	
15	1264657GT	REFLECTIVE INSULATING SLEEVE, PRESSURIZER	1
16	101640GT	REDUCER,RUBBER 3.0 - 2.5	1
17	106211-300GT	HOSE,RUBBER 3"ID X .25 BLACK	1
18	1264656GT	REFLECTIVE INSULATING SLEEVE, INTAKE	1
19	1253600GT	AIR SUCTION PIPE,DIESEL,T4	1
20	61270GT	ELBOW,45 DEG,INLET	1
21	237832GT	NUT,TL,FLG,M8-1.25,DIN6927,10,	
22	824133GT	SCREW,HHF,M8-1.25X25,DIN6921,1	
23	81468GT	MOUNTING BAND,AIR CLEANER	1
		(to SX105D-1853)	
23B	1309605GT	BRKT,AIR CLEANER,DONALDSON,S-BOOM	1
		(from SX105D-1854)	



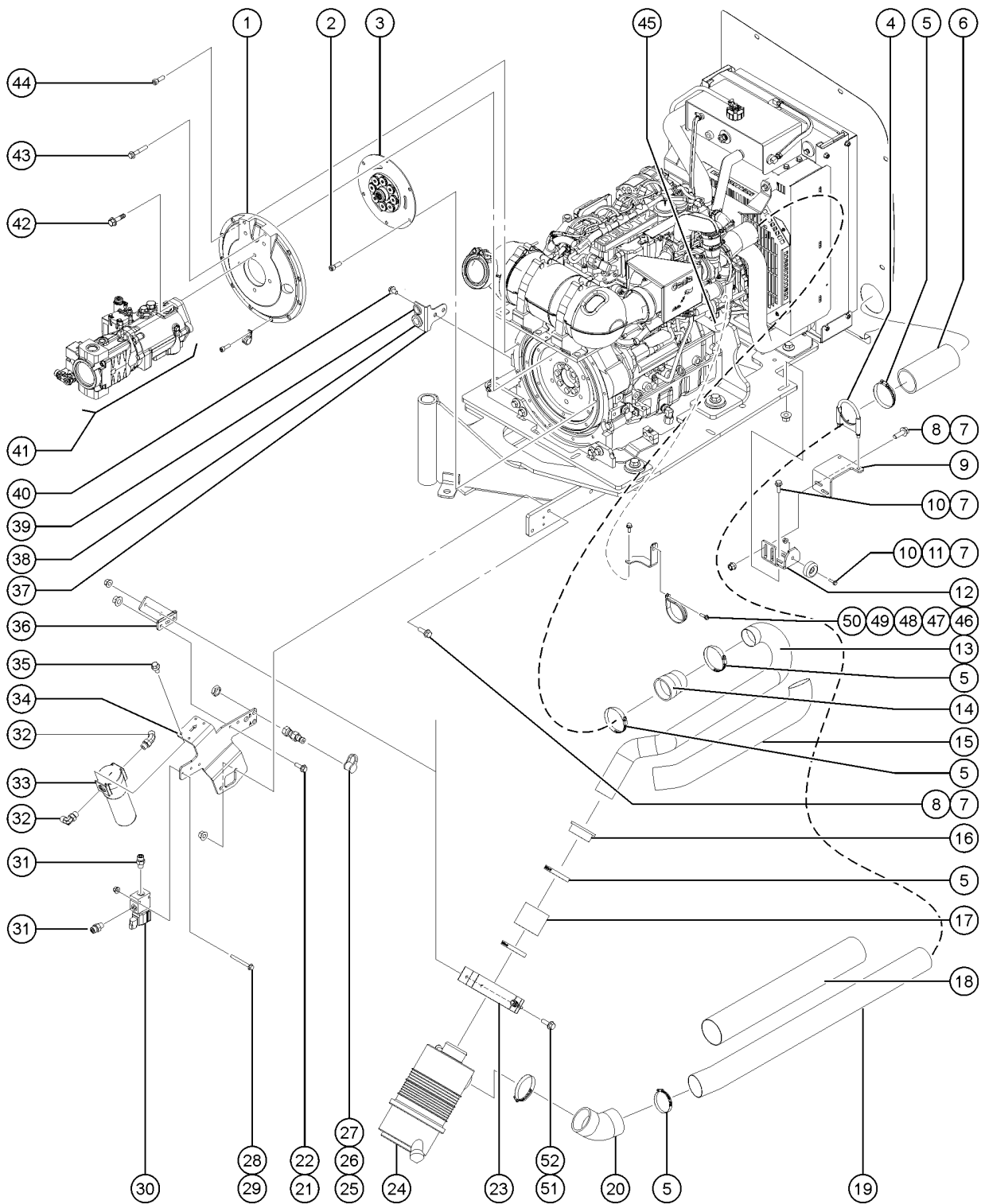
405.1 Deutz TD 2.9L4 Engine - View 2



Item	Part No.	Description	Qty.
24	81467GT	AIR CLEANER,NELSON (to SX105D-1853)	1
24-	75450GT	AIR CLEANER CLIPS, SUPERBOOM for 81467	
24-	75451GT	AIR CLEANER COVER, SUPERBOOM* for 81467	
24-	52866GT	EVACUATOR VALVE-AIR CLEANER for 81467	
24-	62425GT	FILTER,AIR CLEANER, SUPERBOOM for 81467	
24B	1309573GT	AIR CLEANER, DONADSON,G070017 (from SX105D-1854)	1
25	75574GT	NUT,BULKHEAD,520118-4	
26	49207GT	NIPPLE,DIAGNOSTIC,ORFS,FM,SWIV	1
27	48880GT	CAP,DIAGNOSTIC NIPPLE	1
28	216597GT	SCREW,HHF,M6 X 50,G10,YZ	
29	231513GT	NUT,TL FLG,M6-1.0,DIN6927,10,Z	
30	218144GT	VALVE, FUNCTION ENABLE, ZX135	1
31	48905GT	CONN,520120-4***	2
32	48932GT	FITTING,ELBOW,90D,520220-8***	1
33	1267807GT	ASSEMBLY, MED. PRESS. FILTER,	1
33-	1268229GT	ELEMENT-5 MIC, PAPER, W/ BYPASS	1
34	215517GT	FORMING,CHARGE FILTER MOUNT	1
35	824078GT	SCREW,HHF,1/4-20X.75,8,ZAG	
36	1251708GT	FORMINNG AIR CLEANER	1
37	1257888GT	FORMING, ENGINE HARNESS SUPPOR	1
38	106923GT	GROMMET,RUBBER .38X1.38X1.0	1
39	124962GT	GROMMET,RUBBER,1.0 X 1.25X1.5	1
40	1255806GT	SCREW,HHF,M12-1.75X20,DIN6921,10.9,ZAB	
41		Ref. PUMP, DRIVE, AND FUNTION (refer to 708.1)	1
42	1256844GT	SCREW,HHC,1/2-13X1.5,8,ZAG	
43	216036GT	SCREW,HHF,M10-1.5X60,DIN6921,1	
44	1255666GT	SCREW,SHC,M10-1.5X30,DIN912,12.9,ZAB	
45	49924GT	FILTER,OIL,DEUTZ F4L1011F	1

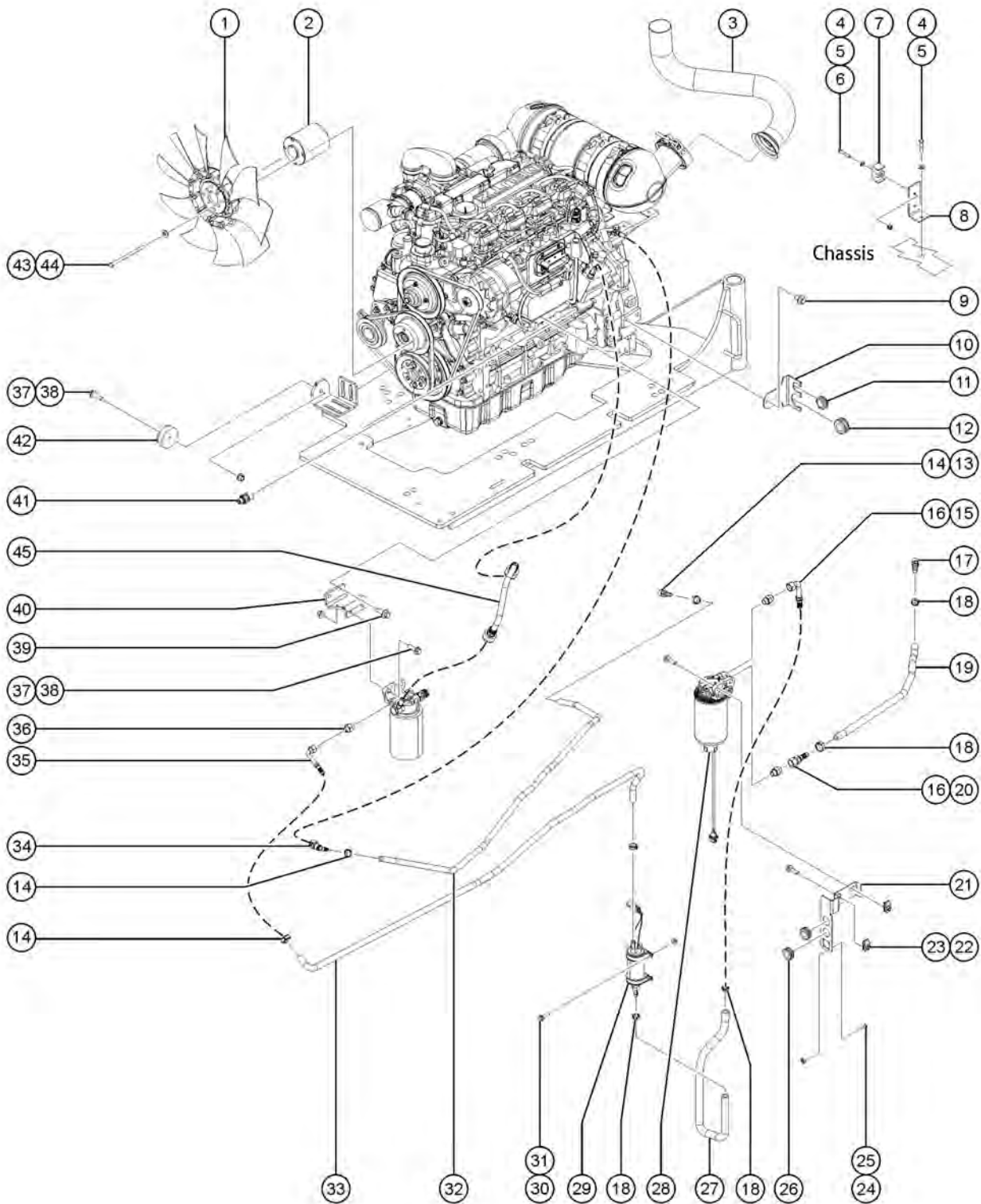


405.1 Deutz TD 2.9L4 Engine - View 2



<i>Item</i>	<i>Part No.</i>	<i>Description</i>	<i>Qty.</i>
46	824079GT	SCREW,HHF,1/4-20X1,8,ZAG (from SX105D-1866)	1
47	45455GT	CLAMP,2.75,#44 X 1/4,RUB CUSH* (from SX105D-1866)	1
48	1309819GT	FORMING,BRACKET,TURBO INLET HOSE (from SX105D-1866)	1
49	56912GT	SPRING CLIP,1/4-20,.025-.15X.5 (from SX105D-1866)	1
50	824132GT	SCREW,HHF,M8-1.25X20,DIN6921,10.9,ZAB (from SX105D-1866)	1
51	1255763GT	SCREW,HHF,5/16-18X1.5,8,ZAG (from SX105D-1854)	1
52	1274167GT	NUT,NYLOCK FLG,5/16-18,F,ZAG (from SX105D-1854)	1

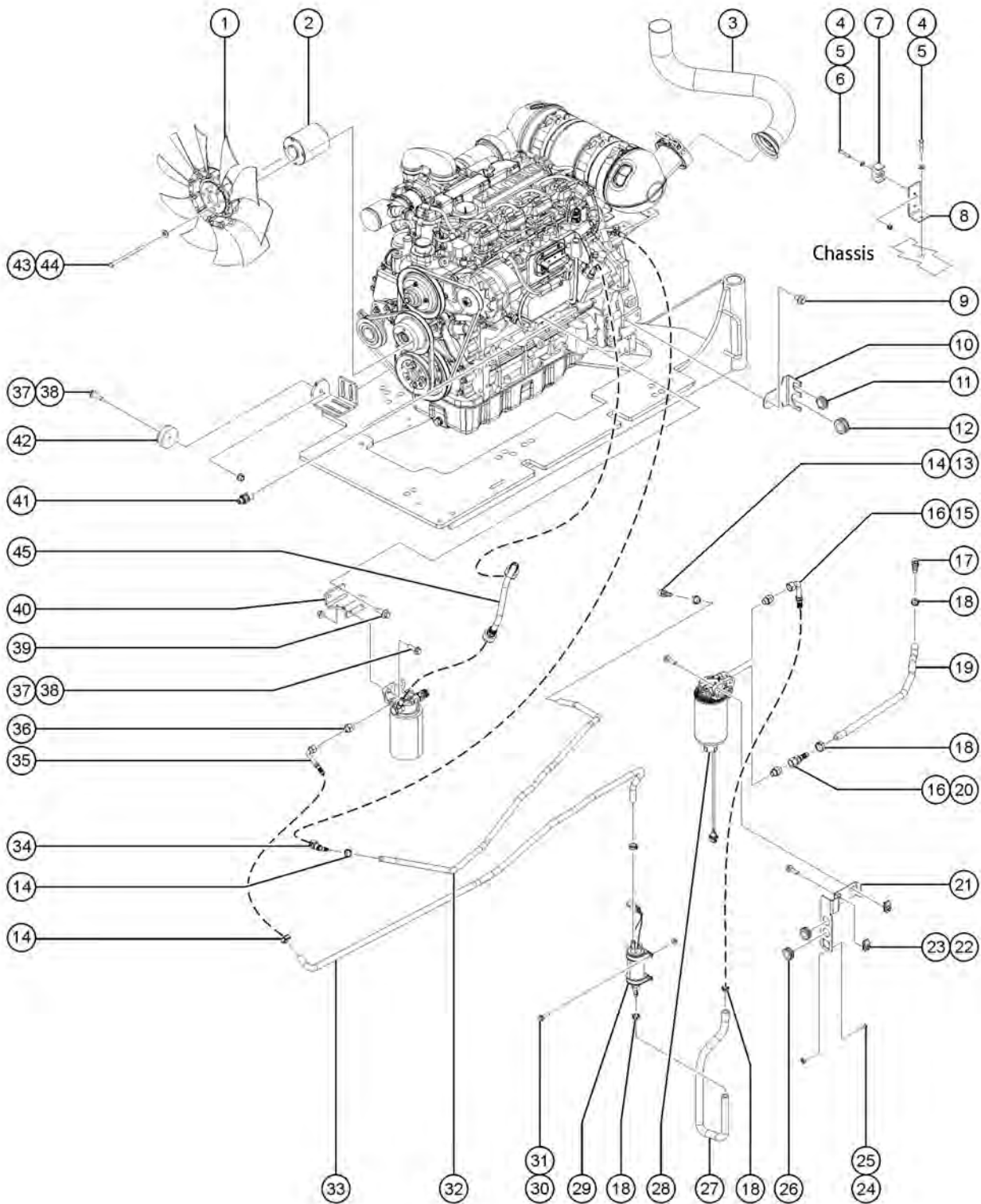
406.1 Deutz TD 2.9L4 Engine - View 3



Item	Part No.	Description	Qty.
A		Due to Tier 4 regulations, many engine replacement parts require the engine serial number at time of order placement. When ordering engine parts please have both machine and engine serial numbers available. For internal engine parts, contact engine dealer	
1	1251496GT	FAN,10 BLADE,17",DEUTZ 2.9L	1
2	1257753GT	FAN SPACER,DEUTZ 2.9L	1
3	826348GT	EXHAUST PIPE, 2.9L DEUTZ	1
4	824062GT	SCREW,HHC,1/4-20X1.5,8,ZAG	
5	824113GT	WASHER,FLAT,1/4,USS,ZAG	
6	824027GT	NUT,TL FLG,1/4-20,G,ZAG	
7	70289GT	CLAMP,LINK,LH WELD WIRE	1
8	70535GT	BRACKET,BATTERY CABLE	1
9	1255806GT	SCREW,HHF,M12-1.75X20,DIN6921,10.9,ZAB	
10	1257888GT	FORMING, ENGINE HARNESS SUPPOR	1
11	124962GT	GROMMET,RUBBER,1.0 X 1.25X1.5	1
12	106923GT	GROMMET,RUBBER .38X1.38X1.0	1
13	27901GT	HOSE END,BARBED,RIGID,-6-6	1
14	96770GT	CLAMP, HOSE, 1 EAR, 11/16	4
15	162207GT	FITTING,ELBOW,8GS-8FJX90S	1
16	162209GT	FITTING,CONN,16MM-8MJ	2
17	824471GT	FITTING,3/8 NPT TO 1/2 BARB	1
18	822087GT	CLAMP,HOSE,1EAR,25/32	4
19	823421GT	HOSE,FUEL,1/2,GATES RLA	28
20	824635GT	FITTING,STR,1/2 HS X 3/4-16,JI	1
21	1267330GT	FROMING, FUEL FILTER MOUNT	1
22	29868GT	WASHER,FLAT,.375X1.25X.062,ZAG	
23	824090GT	WELDMENT,DEUTZ D2011L3i BAFFLE	
24	40706GT	ADAPTER,3/8 NPT,BRASS	
25	55306GT	SCREW,PHILLIPS,PHM,4-40 X .50	
26	60584GT	GROMMET,RUBBER .75 X .19 X 1**	2



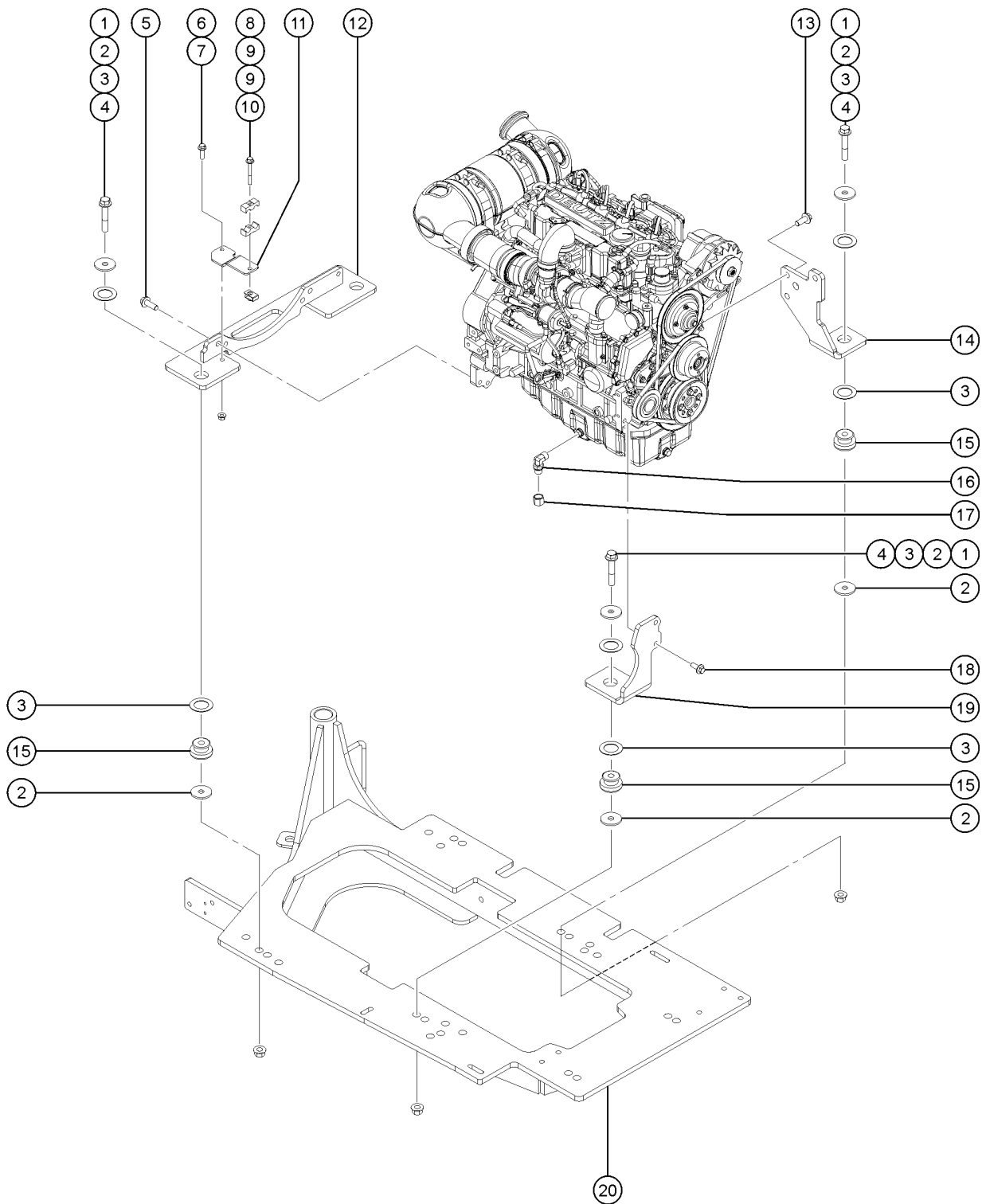
406.1 Deutz TD 2.9L4 Engine - View 3



Item	Part No.	Description	Qty.
27	823421GT	HOSE,FUEL,1/2,GATES RLA	28
28	236260GT	FILTER, FUEL PRE-FILTER, SPIN-ON, DEUTZ	1
29	236259GT	LIFT PUMP,FUEL,DEUTZ	1
30	218458GT	SCREW,HHF,M5X20,DIN6921,10.9,ZAB	
31	1255753GT	NUT,FLG,M5-0.8,DIN6923,8,ZAB	
32	823420GT	HOSE,FUEL,3/8,GATES RLA	60
33	823420GT	HOSE,FUEL,3/8,GATES RLA	65
34	826000GT	CONNECTOR, SAE10, QUICK CONNECT	1
35	162206GT	FITTING,ELBOW,6GS-6FJX90S	1
36	162208GT	FITTING,CONN,16MM-6MJ	1
37	231533GT	SCREW, HHF, M10-1.5X35,DIN6921	
38	231529GT	NUT,TL FLG,M10-1.5,DIN6927,10,	
39	231088GT	SCREW,HHF,M10-1.5X20,DIN6921,1	
40	1256911GT	FORMING FUEL FILTER DEUTZ	1
41	824673GT	SENSOR, PRESSURE,DEUTZ 2.9	1
42	50974GT	BUMPER,RUBBER,COVERS	1
43	1257774GT	SCREW,HHC,M8-1.25X95,DIN931,10	
44	824144GT	WASHER,FLAT,M8,DIN125,ZAB	
45	1269690-2670GT	HOSE ASSEMBLY-1/2" FUEL GATES,STR FEM,STR FEM	1
45-	823421GT	HOSE,FUEL,1/2,GATES RLA	24
45-	1255651GT	CONNECTOR,SAE12,QUICK CONNECT	2
45-	822087GT	CLAMP,HOSE,1EAR,25/32	2
45-	1270283GT	CAP, SAE12, QUICK CONNECT	2



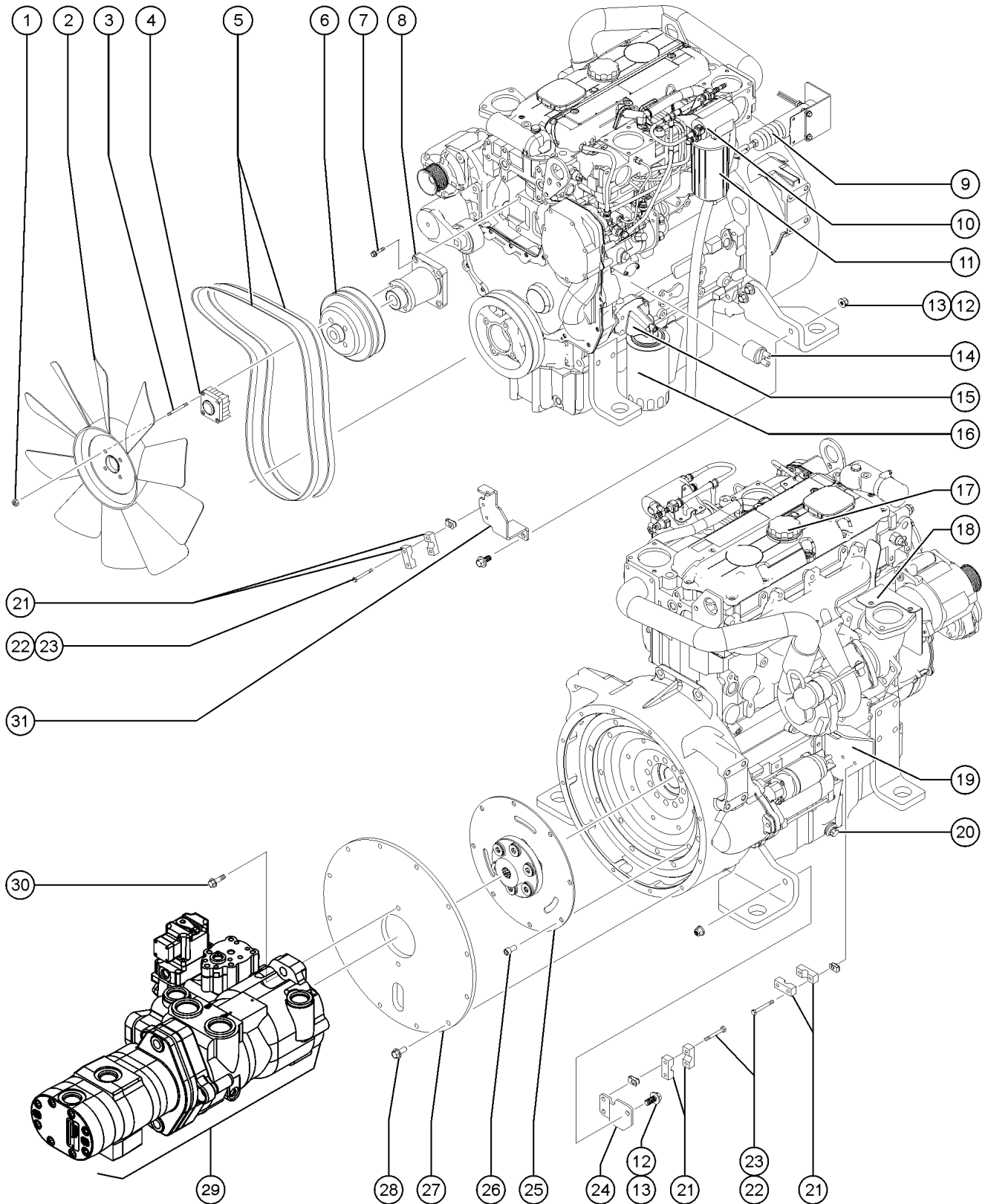
407.1 Deutz TD 2.9L4 Engine - View 4



Item	Part No.	Description	Qty.
Due to Tier 4 regulations, many engine replacement parts require the engine serial number at time of order placement. When ordering engine parts please have both machine and engine serial numbers available. For internal engine parts, contact engine dealer			
1	1256583GT	SCREW,HHF,5/8-11X3.5,8,ZAG	
2	824123GT	WASHER,FLAT,.625X2.25X.188,ZAG	
3	1251565GT	WASHER,SHIM,1.56X2.5X.061,ZAG	
4	1253319GT	NUT,TL FLG,5/8-11,G,ZAG	
5	1251899GT	SCREW,HHF,M14-2.0 X 40,DIN6921,10.9,ZAB	
6	231533GT	SCREW, HHF, M10-1.5X35,DIN6921	
7	231529GT	NUT,TL FLG,M10-1.5,DIN6927,10,	
8	216597GT	SCREW,HHF,M6 X 50,G10,YZ	
9	217460GT	CLAMP,BATTERY CABLE	2
10	219697GT	SPRING CLIP,M6-1.0,3.4-6.3X13.5,ZAB	
11	217458GT	FORMING, BATTERY CABLE GUIDE	1
12	70440GT	WELDMENT,REAR ENGINE MOUNT	1
13	1256776GT	SCREW,HHF,M14-2.0X35,DIN6921,10.9,ZAB	
14	1256805GT	MOUNT,ENGINE,LEFT SIDE	1
15	217500GT	ISOLATOR, ENGINE VIBRATION	3
16	54428GT	FITTING,HYDRAULIC,90DEG,O-RING	1
17	69775GT	CAP,520112-8	1
18	824134GT	SCREW,HHF,M12-1.75X30,DIN6921,	
19	1251705GT	FORMING, ENGINE MOUNT	1
20	1307308GT	ASSY, ENGINE TRAY, S125XC	1



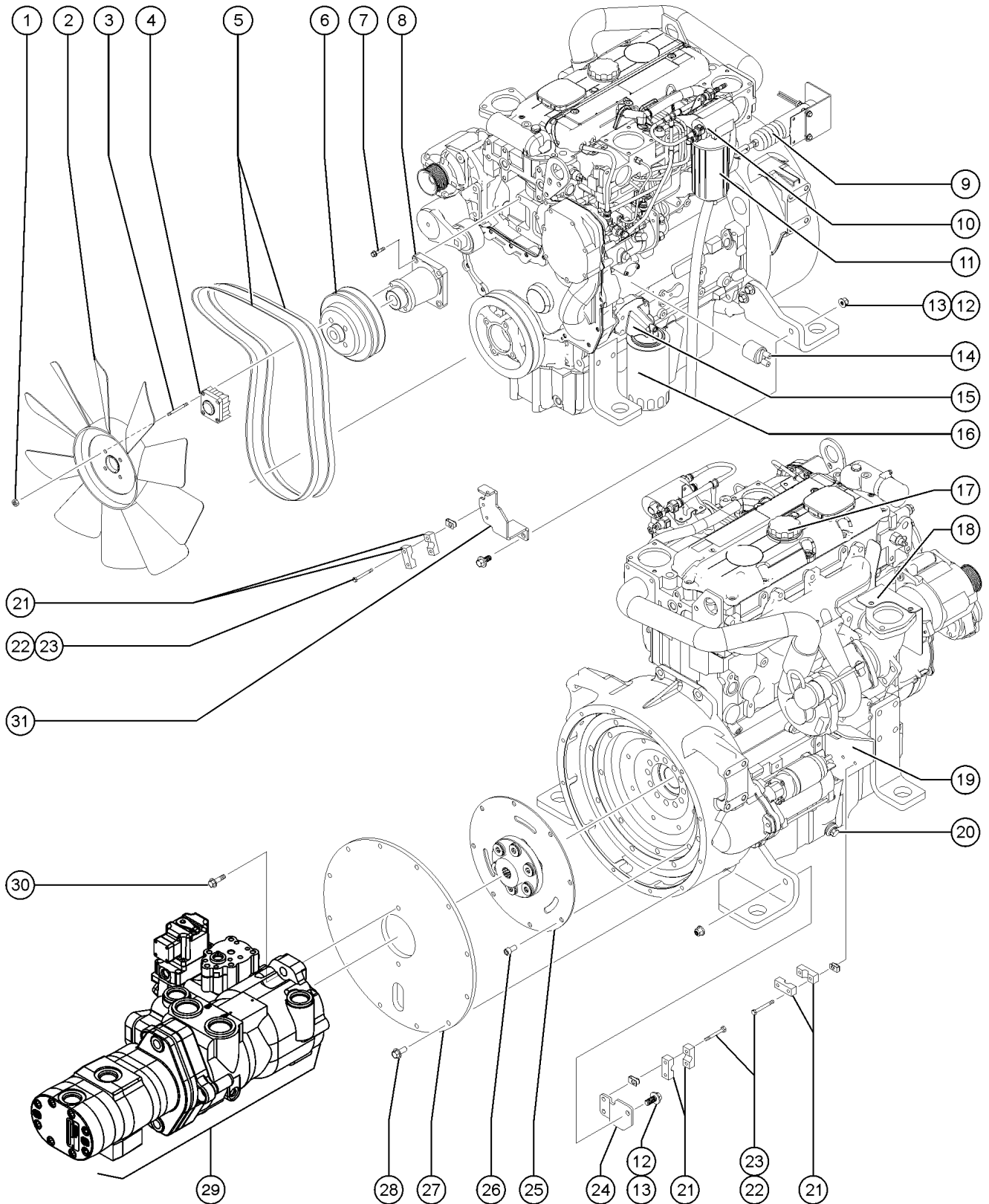
408.1 Perkins 1104D-44T Engine - View 1



Item	Part No.	Description	Qty.
1	75326GT	NUT,FAN BLADE,PERKINS 1004-42	
2	75328GT	FAN,PULLER,PERKINS,1004-42	1
3	75327GT	STUD,FAN SPACR,PERKINS 1004-42	4
4	130187GT	FAN SPACER,PERKINS,1.5"	1
5	102598GT	BELT,V,(2) PERKINS 1104C-44	2
		Serviced in pairs	
6	75330GT	PULLEY,FAN,PERKINS 1004-42	1
7	75304GT	SCREW,PERKINS 1004-42	4
8	123351GT	FAN DRIVE HOUSING	1
9		Ref. THROTTLE SOLENOID ASSY, TROMB. (refer to 402.1)	1
10	102638GT	ADAPTER-FUEL FILTER, PERK 1104	
11	102639GT	FILTER,FUEL, PERKINS 1104C	
12	231529GT	NUT,TL FLG,M10-1.5,DIN6927,10,	
13	231533GT	SCREW, HHF, M10-1.5X35,DIN6921	
14	102348GT	SENDING UNIT,OIL PRESS PERKINS	1
15	123084GT	HEAD / OIL FILTER	1
16	102632GT	FILTER,OIL,PERKINS 1104C-44	1
17	T114346GT	CAP,VALVE COVER,OIL FILLER,PRK	
18	216286GT	FORMING, HEAT SHIELD, 1104D-44	1
19	217459GT	FORMING,BATTERY CABLE,STARTER	1
20	75342GT	PLUG,ENGINE OIL,PERKIN 1004-42	1
21	217460GT	CLAMP,BATTERY CABLE	6
22	216597GT	SCREW,HHF,M6 X 50,G10,YZ	
23	230073GT	SPRING CLIP,M6-1.0,0.8-4MM PAN	
24	217458GT	FORMING, BATTERY CABLE GUIDE	1
25	216564GT	FLYWHEEL, COUPLER 15 TOOTH SAE 10	1
26	217232GT	SCREW,SHC,3/8-24 X .75,BO	8
27	60322-SGT	PLATE,PUMP MOUNT	1
28	231530GT	SCREW,HHF,M10-1.5X25,DIN6921,0.9,ZAB	12



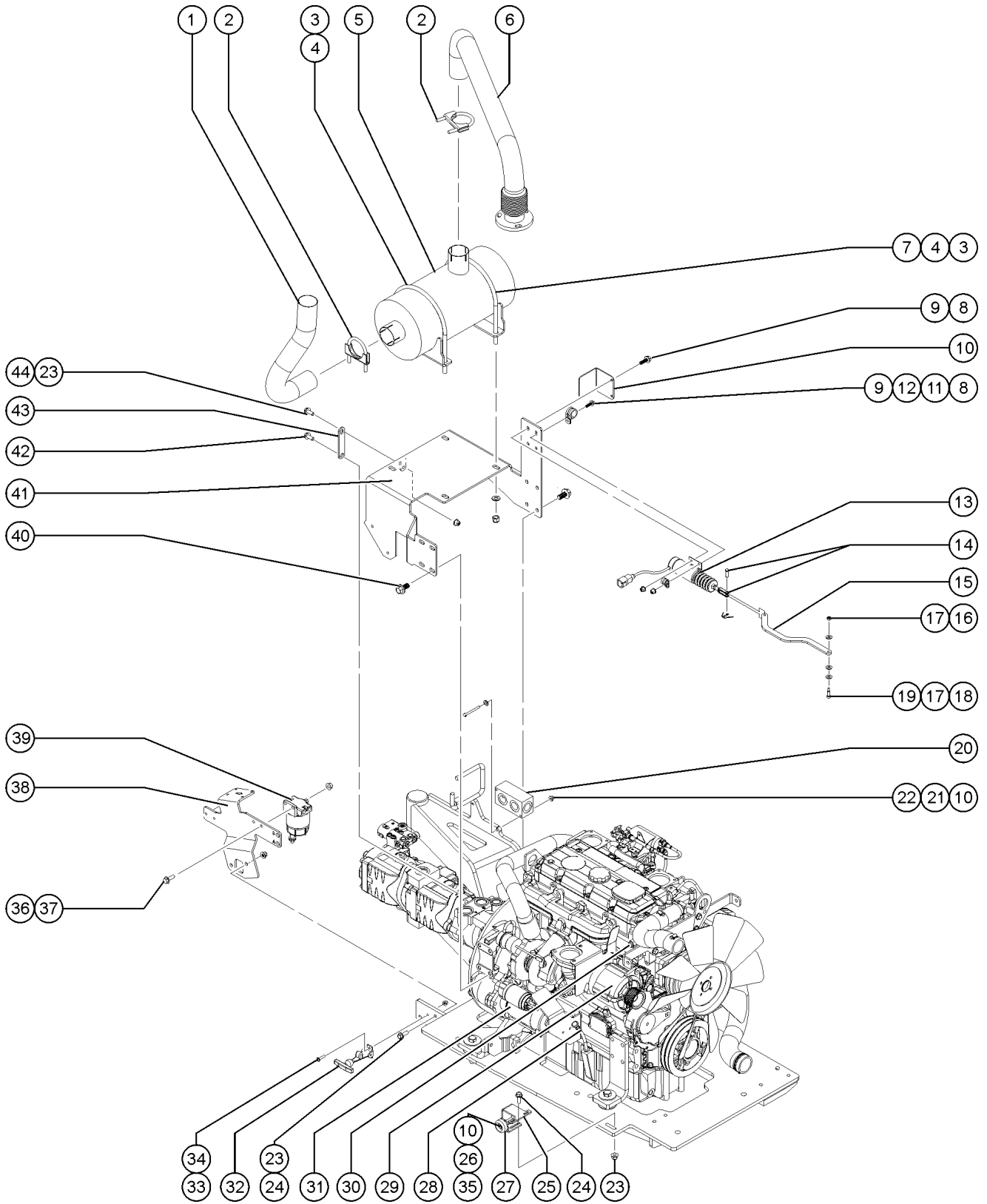
408.1 Perkins 1104D-44T Engine - View 1



<i>Item</i>	<i>Part No.</i>	<i>Description</i>	<i>Qty.</i>
29		Ref. PUMP, DRIVE, AND FUNCTION, (refer to 707.1)	
30	1253498GT	SCREW,HHF,1/2-13X1.5,8,ZAG	2
31	217457GT	FORMING, BATTERY CABLE MOUNT	1



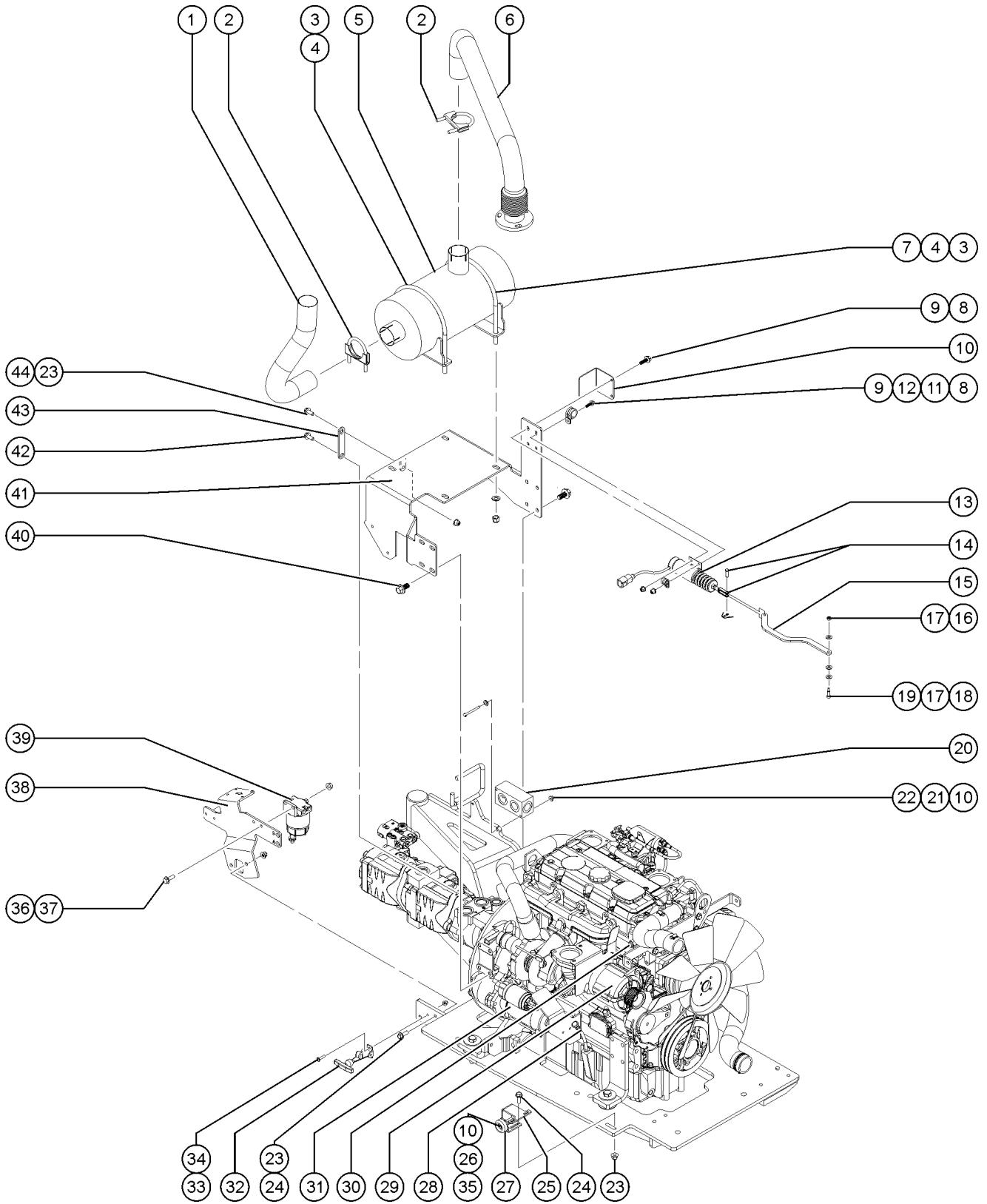
409.1 Perkins 1104D-44T Engine - View 2



Item	Part No.	Description	Qty.
1	215496GT	TAIL PIPE,PERKINS 1104	1
2	71911GT	CLAMP,MUFFLER, 2.50 INCH	
3	70449GT	U-BOLT,1/2-13 X 8.5	2
4	70483GT	FORMING,8.5' MUFFLER MOUNT	2
5	70444GT	MUFFLER,2.5"INLET/OUTLET	1
5-	101634GT	MUFFLER,CATALYTIC,2.5 I/O	
6	215500GT	WELDMENT,HEADER PIPE, PERKINS	1
7	1251997GT	NUT,TL FLG,1/2-13,G,ZAG	
8	231532GT	SCREW,HHF,M6X20,DIN6921,10.9,Y	
9	231513GT	NUT,TL FLG,M6-1.0,DIN6927,10,Z	
10	6097GT	WASHER,FLAT,USS,3/8",Y	1
11	67897GT	CLAMP,0.56,#9 X 3/8,RUB CUSH	1
12	61109GT	CLAMP,1.25,#20 X 7/16,RUB CSH	2
13	101957GT	SOLENOID,THROTTLE,ASSY.TROMB	1
14	21130GT	CLEVIS YOKE-1/4-28,PLTD W/PIN Includes clevis, pin and cotter pin	1
15	216758GT	THROTTLE LINKAGE, PERKINS 1104	1
16	5365GT	NUT,NYLOCK,10-24	
17	822955GT	WASHER,FLAT,NYLON.257X.5X.032	
18	6584GT	SCREW,SHS,10-24 X .625	1
19	15436GT	WASHER,FLAT,NYLON.25 X.68 X.03	
20	236240GT	MANIFOLD, RETURN BLOCK	1
21	825355GT	WASHER,FLAT,M6,DIN125,ZAB	
22	1251902GT	SCREW,HHC,M6-1.0X80,DIN931,10.	
23	231529GT	NUT,TL FLG,M10-1.5,DIN6927,10,	
24	231533GT	SCREW, HHF, M10-1.5X35,DIN6921	
25	1257924GT	FORMING,COVER STOP,SB	1
26	6019GT	SCREW,HHC,3/8-16 X 1.25 GRD 5	
27	50974GT	BUMPER,RUBBER,COVERS	1



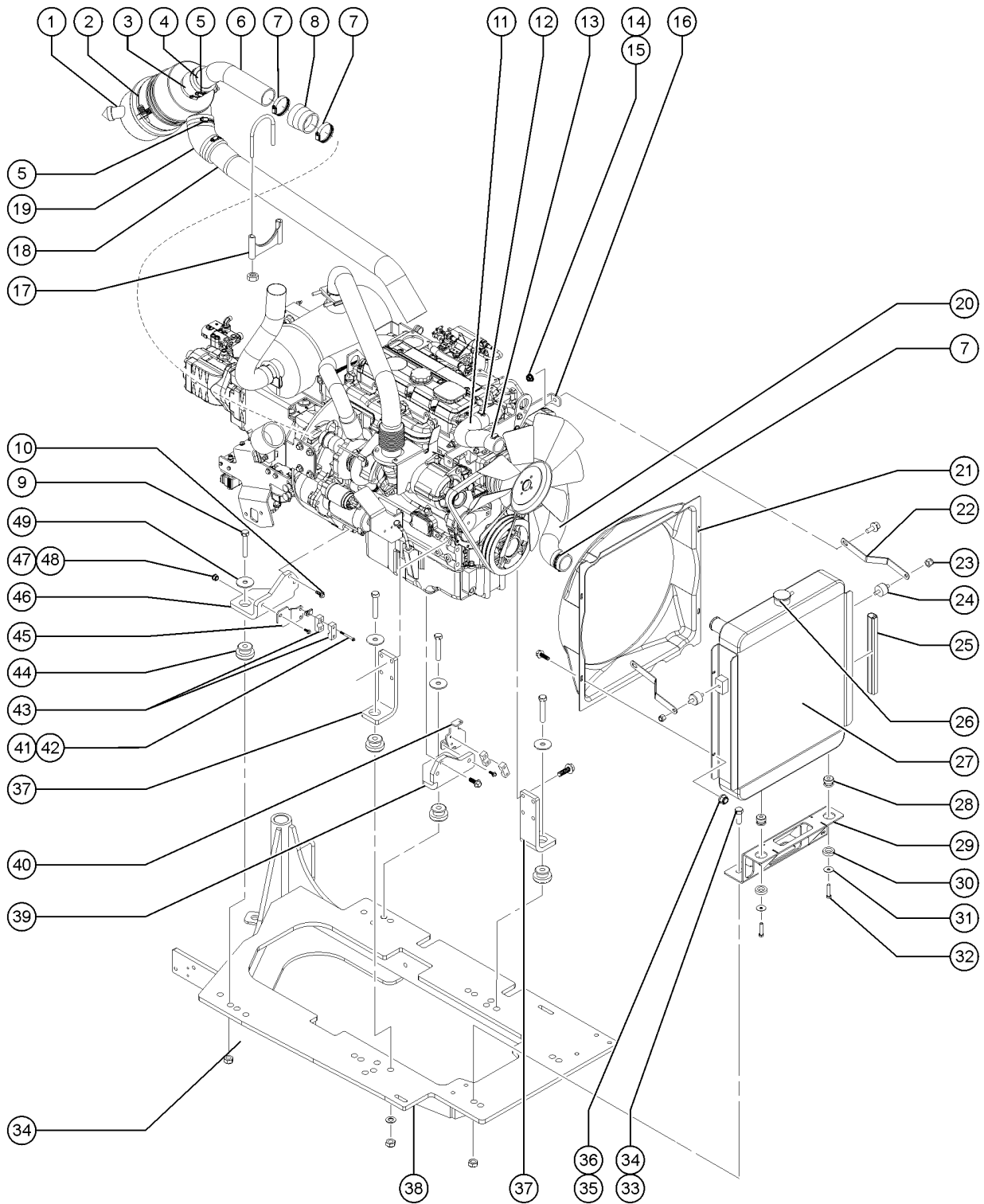
409.1 Perkins 1104D-44T Engine - View 2



Item	Part No.	Description	Qty.
28	130341GT	DIPSTICK,OIL,PERKINS 1104C-44T	1
28-	123081GT	ASSY / OIL TUBE Includes tube and nut only	
29	102646GT	ALTERNATOR,PERKINS 1104C-44	1
30	34058GT	SENDING UNIT,TMP,FRD,GM,PRK704	1
31	226627GT	STARTER,ENG,PERK T3 6/8/10K	1
32	45363GT	LATCH,FLEXIBLE	1
33	826516GT	SCREW, PHPM, 10-32 X 1.0, ZAG	
34	824032GT	NUT,TL FLG,10-32,F,ZAG	
35	4828GT	NUT,NYLOCK,3/8-16	1
36	824133GT	SCREW,HHF,M8-1.25X25,DIN6921,1	
37	237832GT	NUT,TL,FLG,M8-1.25,DIN6927,10,	
38	215517GT	FORMING,CHARGE FILTER MOUNT	1
39	75020GT	SEPRTR/FLTR,FUEL DSL,15GPH,.30	1
39-	62433GT	FILTER,ELEMENT,30 MIC,75020	
40	231087GT	SCREW,HHF,M12 X 1.75 X 25	
41	215509GT	WELDMENT, MUFFLER MOUNT	1
42	1253498GT	SCREW,HHF,1/2-13X1.5,8,ZAG	
43	215510GT	PLATE,PUMP STRUT	1
44	231530GT	SCREW,HHF,M10-1.5X25,DIN6921,0.9,ZAB	



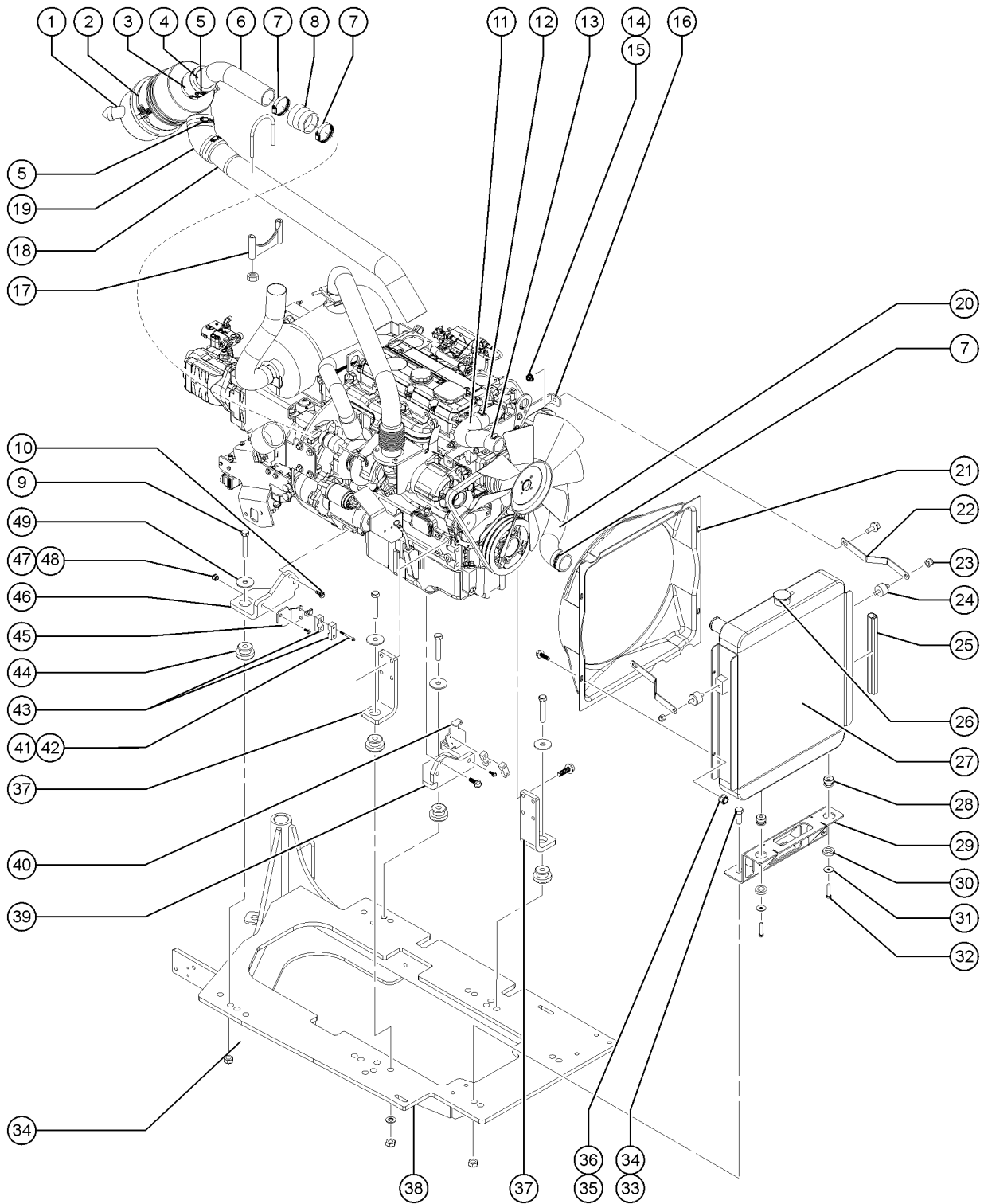
410.1 Perkins 1104D-44T Engine - View 3



Item	Part No.	Description	Qty.
1	81467GT	AIR CLEANER,NELSON (to SX105D-1853)	1
1-	75450GT	AIR CLEANER CLIPS, SUPERBOOM for 81467	
1-	75451GT	AIR CLEANER COVER, SUPERBOOM* for 81467	
1-	52866GT	EVACUATOR VALVE-AIR CLEANER for 81467	
1-	62425GT	FILTER,AIR CLEANER, SUPERBOOM for 81467	
1B	1309573GT	AIR CLEANER, DONADSON,G070017 (From SX105D-1854)	1
1B-	1255763GT	SCREW,HHF,5/16-18X1.5,8,ZAG (From SX105D-1854)	1
1B-	1274167GT	NUT,NYLOCK FLG,5/16-18,F,ZAG (From SX105D-1854)	1
2	81468GT	MOUNTING BAND,AIR CLEANER (to SX105D-1853)	1
2B	1309605GT	BRKT,AIR CLEANER,DONALDSON,S-BOOM (From SX105D-1854)	1
3	106211-300GT	HOSE,RUBBER 3"ID X .25 BLACK (to SX105D-1853)	1
4	101640GT	REDUCER,RUBBER 3.0 - 2.5 (to SX105D-1853)	1
5	30489GT	CLAMP,HOSE,3.50 (to SX105D-1853)	2
6	215511GT	TUBE,INTAKE, FILTER TO TURBO (to SX105D-1853)	1
7	45435GT	CLAMP,HOSE,3.00" (to SX105D-1853)	4
8	215918GT	REDUCER, RUBBER, 2.5 TO 2.25 (to SX105D-1853)	1
9	1251897GT	SCREW,HHF,M16-2.0X90,DIN6921,10.9,ZAB (to SX105D-1853)	4
10	231511GT	SCREW,HHF,M12-1.75X35,DIN6921,10.9,ZAB (to SX105D-1853)	
11	60576GT	RADIATOR HOSE,UPPER-PERKINS (to SX105D-1853)	1
12	35434GT	CLAMP,HOSE,2.00*** (to SX105D-1853)	1
13	22672GT	CLAMP,HOSE,1.75 (to SX105D-1853)	1
14	231529GT	NUT,TL FLG,M10-1.5,DIN6927,10, (to SX105D-1853)	
15	232874GT	SCREW, HHF, M10-1.5X30,DIN6921 (to SX105D-1853)	
16	215515GT	FORMING,RADIATOR SUPPORT (to SX105D-1853)	1
17	122414GT	U-BOLT,GUILLOTINE,3" (to SX105D-1853)	1
18	1253600GT	AIR SUCTION PIPE,DIESEL,T4 (to SX105D-1853)	1
19	61270GT	ELBOW,45 DEG,INLET (to SX105D-1853)	1
20	75555GT	RADIATOR HOSE,LOWER-PERKINS (to SX105D-1853)	1



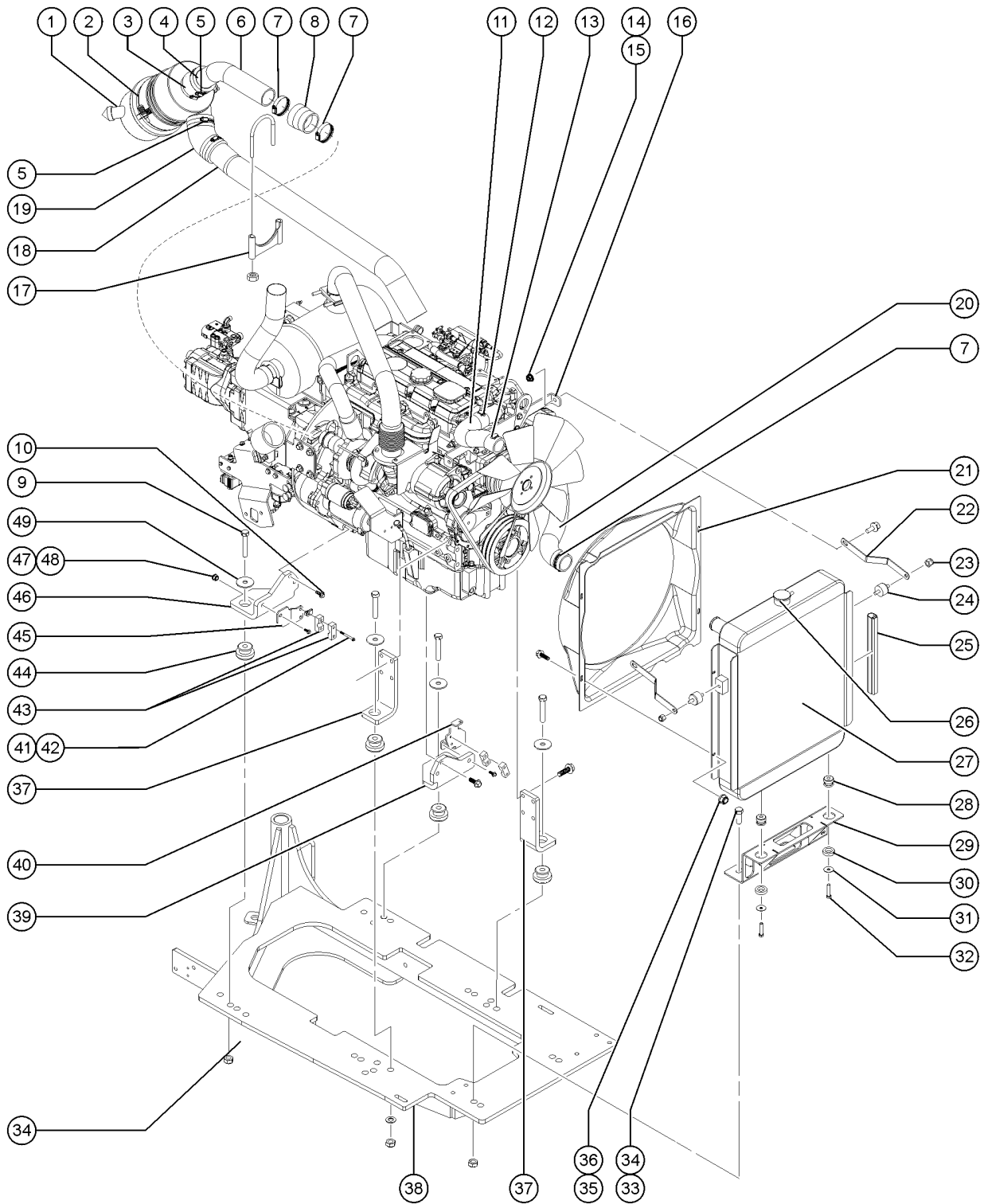
410.1 Perkins 1104D-44T Engine - View 3



Item	Part No.	Description	Qty.
21	60649GT	SHROUD,FAN (FIBERGLASS)	1
22	215516GT	PLATE,RADIATOR,STRUT	2
23	824029GT	NUT,TL FLG,3/8-16,G,ZAG	
24	75260GT	ISOLATOR,FLEX-BOLT SANDWICH***	2
25	60875GT	TRIM MOLDING	
26	65473GT	CAP,RADIATOR,PERKINS/FORD	1
27	70518GT	RADIATOR	1
28	75259GT	ISOLATOR,CENTER BONDED	2
29	75297GT	WELDMENT,RADIATOR MOUNT**	1
30	75274GT	TUBE,RADIATOR MOUNT	2
31	824122GT	CLAMP, FAN GUARD, DEUTZ F4L1011	
32	824093GT	SCREW,HHF,3/8-16X1.75,8,ZAG	
33	1251894GT	SCREW,HHF,M16-2.0X45,DIN6921,1	
34	1251893GT	NUT,TL,FLG,M16-2.0,DIN6927,10,ZAB	
35	231513GT	NUT,TL FLG,M6-1.0,DIN6927,10,Z	
36	231532GT	SCREW,HHF,M6X20,DIN6921,10.9,Y	
37	60564GT	BRACKET,ENG.MOUNT,FRT.PERKINS	2
38		Ref. WELDMENT, ENGINE TRAY	
		(refer to 403.1)	
39	101930PGT	MOUNT,PERKINS 1104 LF PAINTED	1
40	217457GT	FORMING, BATTERY CABLE MOUNT	1
41	216597GT	SCREW,HHF,M6 X 50,G10,YZ	
42	230073GT	SPRING CLIP,M6-1.0,0.8-4MM PAN	
43	217460GT	CLAMP,BATTERY CABLE	4
44	217500GT	ISOLATOR, ENGINE VIBRATION	4
45	217458GT	FORMING, BATTERY CABLE GUIDE	1
46	101931PGT	MOUNT,PERKINS 1104 RH PAINTED	1
47	231529GT	NUT,TL FLG,M10-1.5,DIN6927,10,	
48	231533GT	SCREW, HHF, M10-1.5X35,DIN6921	

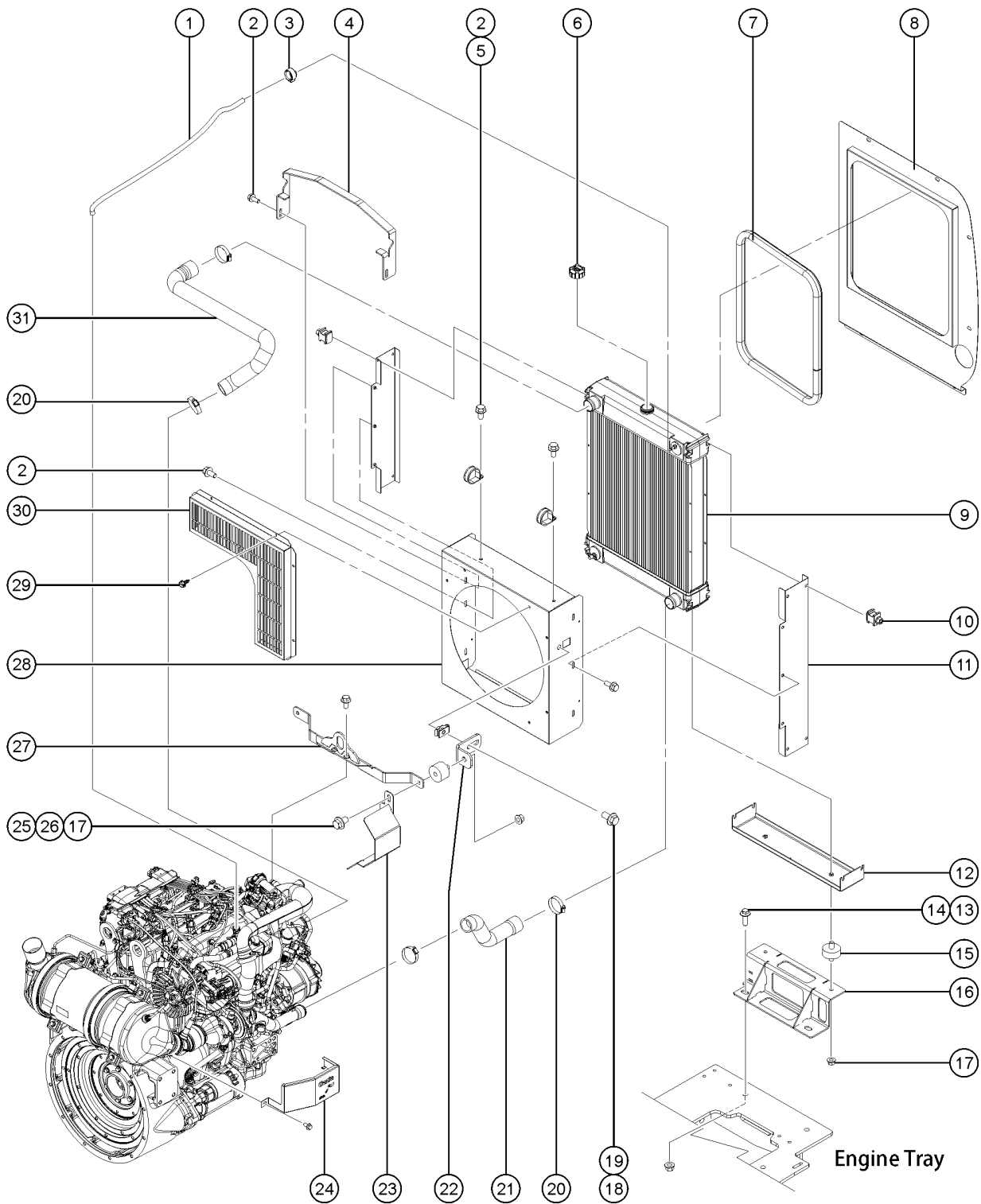


410.1 Perkins 1104D-44T Engine - View 3



<i>Item</i>	<i>Part No.</i>	<i>Description</i>	<i>Qty.</i>
49	824123GT	WASHER,FLAT,.625X2.25X.188,ZAG	4

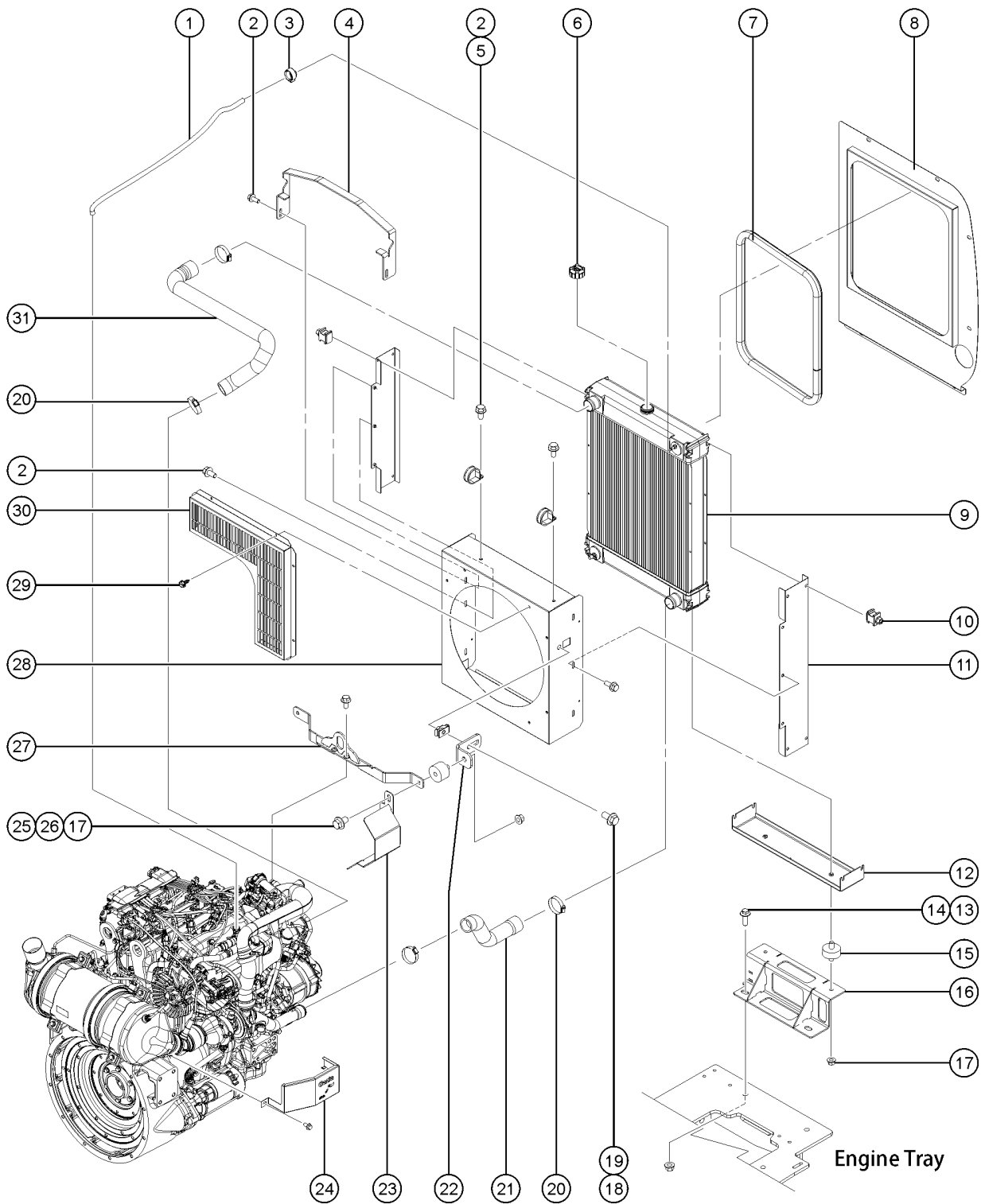
411.1 Perkins 854F-E34T Engine - View 1



Item	Part No.	Description	Qty.
1	1258503GT	1/4" ID SILICON HOSE GTH3051	1
2	1251983GT	SCREW,HHF,M8-1.25X16,DIN6921,1	
3	1258923GT	CLAMP,HOSE,1 EAR,13.3 MM	1
4	1261960GT	FORMING,PERKINS RAD CAP PROTECTOR	1
5	1254095GT	P CLAMP CUSH	2
6	1254081GT	PRESSURE CAP RCP	1
7	60875GT	TRIM MOLDING	90
8	1273781GT	BAFFLE,AIR INTAKE DIESEL, T4	1
9	1254075GT	RADIATOR RCP	1
10	1253233GT	ISOLATOR ASSY RCP RADIATOR	8
11	1253231GT	FORMING RADIATOR SIDE MOUNT	2
12	1254074GT	FORMING BOTTOM MOUNT	1
13	1251894GT	SCREW,HHF,M16-2.0X45,DIN6921,1	
14	1251893GT	NUT,TL,FLG,M16-2.0,DIN6927,10,ZAB	
15	1255631GT	ISOLATOR, M10-1.50, 5/8" HIGH	2
16	1256445GT	WELDMENT, RADIATOR MOUNT	1
17	231529GT	NUT,TL FLG,M10-1.5,DIN6927,10,	
18	231088GT	SCREW,HHF,M10-1.5X20,DIN6921,1	
19	230074GT	SPRING CLIP,M10-1.5,1-6X19,ZAB	
20	35434GT	CLAMP,HOSE,2.00***	2
21	1254090GT	HOSE, RADIATOR LOWER	1
22	1256271GT	FORMING RADIATOR SUPPORT	1
23	1260289GT	FORMING,PERKINS ALTERNATOR GUARD	1
24	1256391GT	HEAT SHIELD,PERKINS 854TF	1
25	237352GT	SCREW,HHF,M10-1.5X16,DIN6921,10.9,ZAB	
26	1255451GT	ISOLATOR, VIBRATION DAMPENER	2
27	1253411GT	BRACKET,RAD SUPPORT,854TF	1
28	1253307GT	FORMING FAN SHROUD RCP 854	1



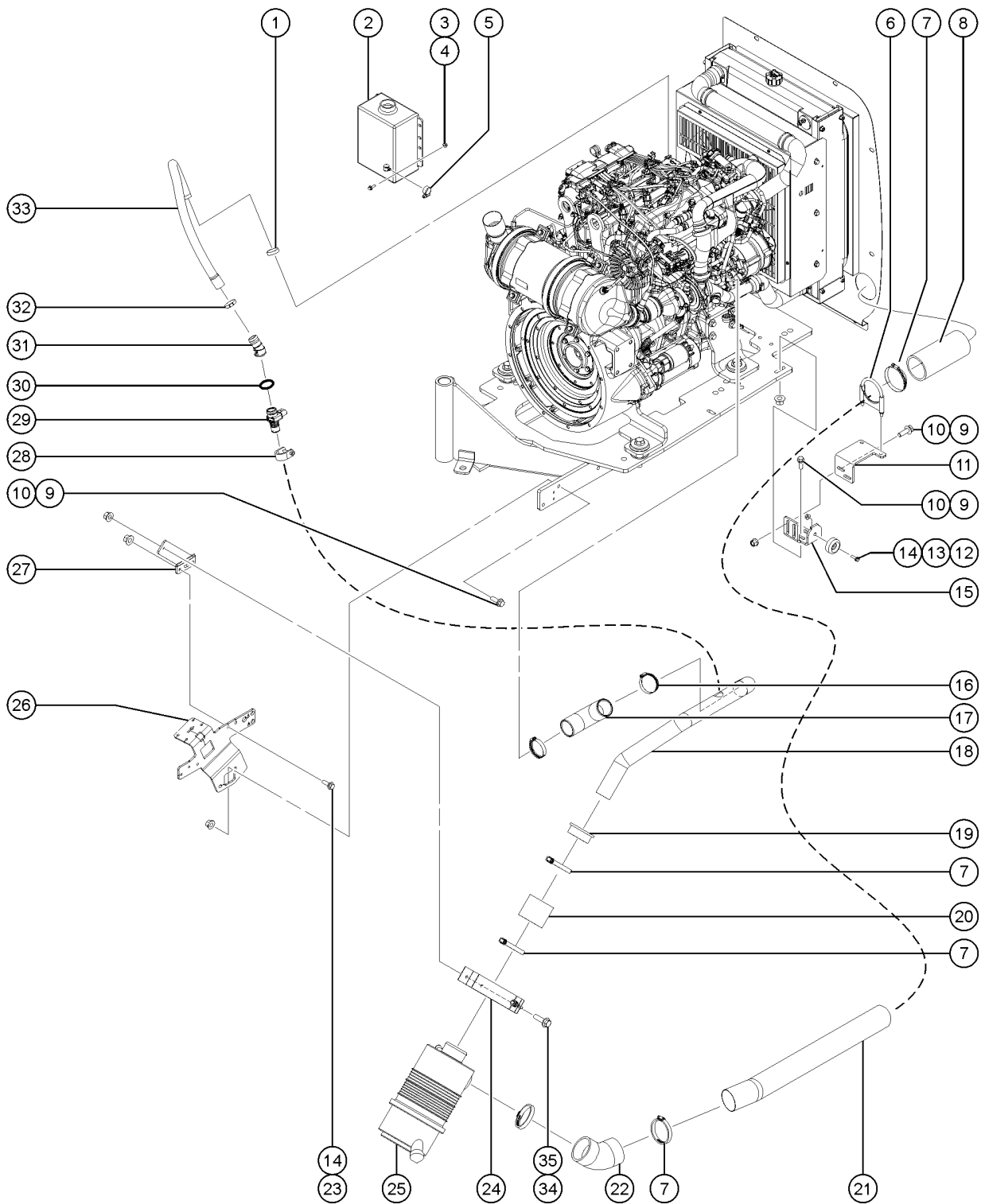
411.1 Perkins 854F-E34T Engine - View 1



<i>Item</i>	<i>Part No.</i>	<i>Description</i>	<i>Qty.</i>
29	1253234GT	SCREW SHEET METAL HHF X1/2 X .18OD	
30	1254080GT	FORMING FAN GUARD	1
31	1254092GT	HOSE, RADIATOR UPPER	1



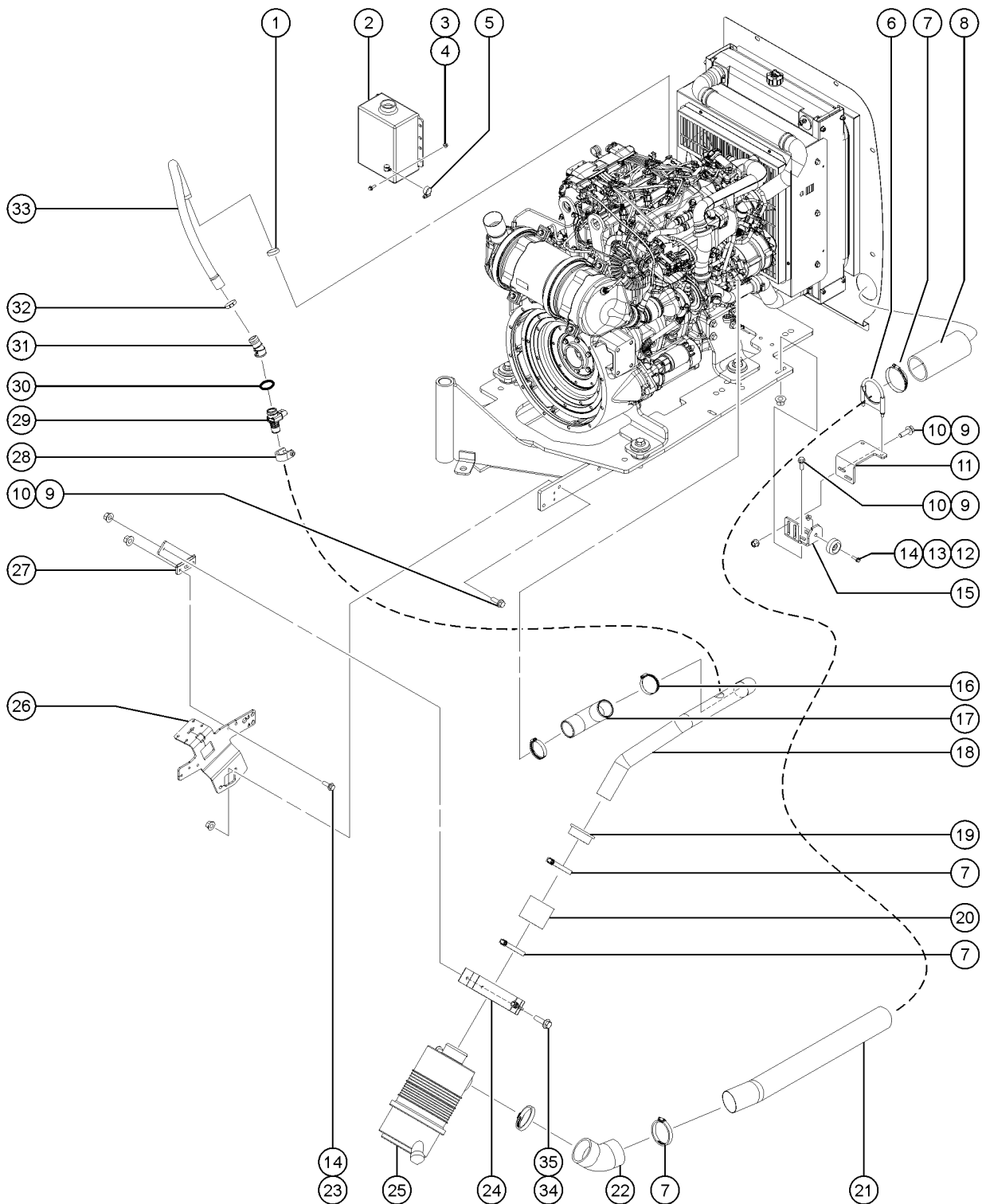
412.1 Perkins 854F-E34T Engine - View 2



Item	Part No.	Description	Qty.
1	1258525GT	CLAMP 28.6 GTH3087	1
2	60721GT	COOLANT,RECOVERY BOTTLE, 4 QT*	1
3	231532GT	SCREW,HHF,M6X20,DIN6921,10.9,Y	
4	231513GT	NUT,TL FLG,M6-1.0,DIN6927,10,Z	
5	21465GT	CLAMP,HOSE,SIZE .25 TO .63	1
6	122414GT	U-BOLT,GUILLOTINE,3"	1
7	30489GT	CLAMP,HOSE,3.50	5
8	106211-600GT	HOSE,RUBBER 3"ID X .25 BLACK X 6.00 LG	1
9	232874GT	SCREW, HHF, M10-1.5X30,DIN6921	
10	231529GT	NUT,TL FLG,M10-1.5,DIN6927,10,	
11	1262525GT	FORMING,INTAKE SUPPORT,SB	1
12	1255537GT	SCREW,HHF,M8-1.25X30,DIN6921,1	
13	50974GT	BUMPER,RUBBER,COVERS	1
14	237832GT	NUT,TL,FLG,M8-1.25,DIN6927,10,	
15	1267583GT	FORMING, COVER STOP	1
16	T114379GT	CLAMP,HOSE,2 3/4,PERKINS 127HP	2
17	1258465GT	2" 90 DEGREE ELBOW GTH3016	1
18	1268239GT	REFLECTIVE INSULATING SLEEVE, TURBO	1
19	218806GT	ADAPTER,PIPE,2"-3"	1
20	106211-300GT	HOSE,RUBBER 3"ID X .25 BLACK	1
21	1253600GT	AIR SUCTION PIPE,DIESEL,T4	1
22	61270GT	ELBOW,45 DEG,INLET	1
23	824133GT	SCREW,HHF,M8-1.25X25,DIN6921,1	
24	81468GT	MOUNTING BAND,AIR CLEANER	1
		(to SX105D-1853)	
24B	1309605GT	BRKT,AIR CLEANER,DONALDSON,S-BOOM	1
		(from SX105D-1854)	
25	81467GT	AIR CLEANER,NELSON	1
		(to SX105D-1853)	
25-	75450GT	AIR CLEANER CLIPS, SUPERBOOM	
		for 81467	
25-	75451GT	AIR CLEANER COVER, SUPERBOOM*	
		for 81467	



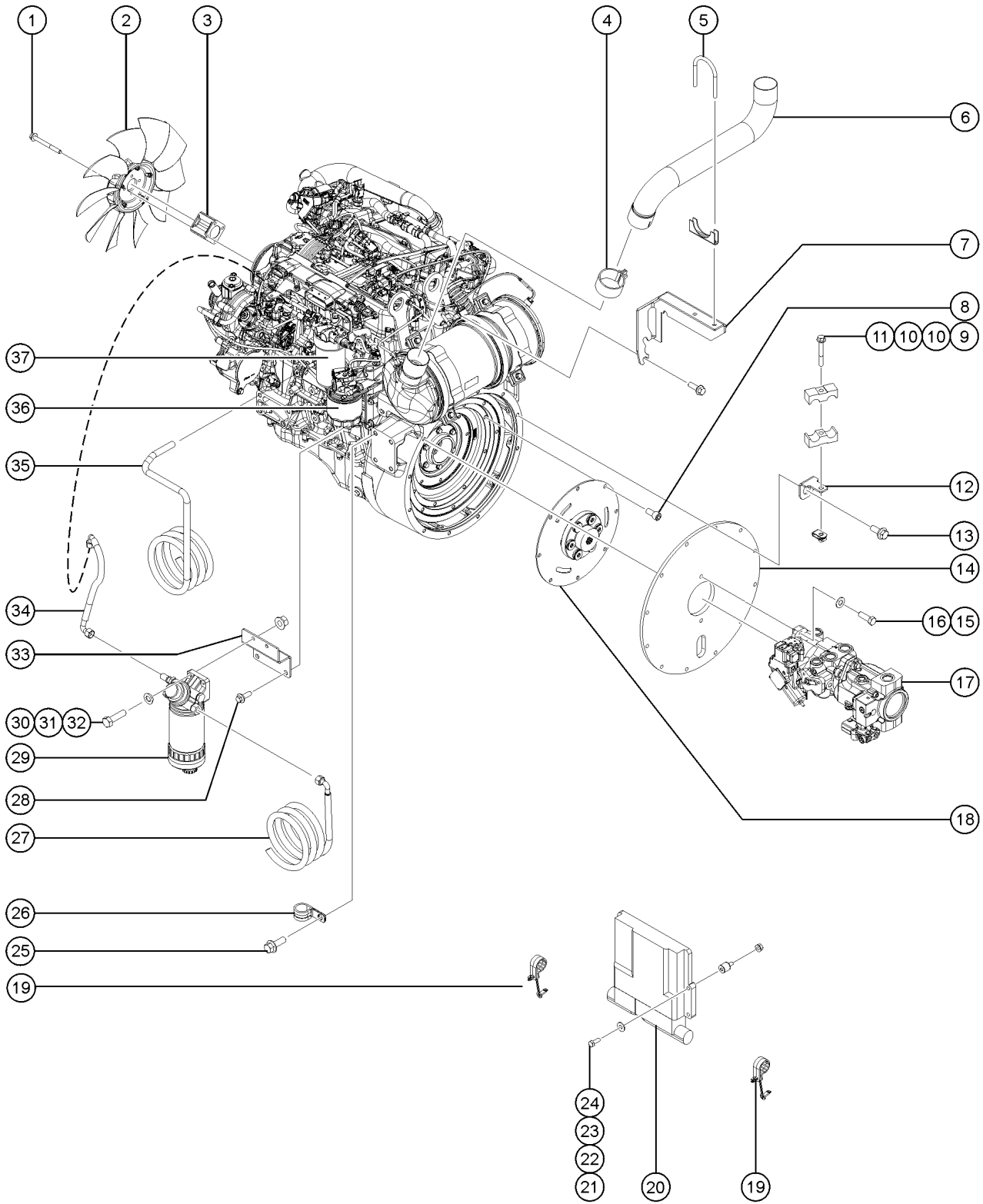
412.1 Perkins 854F-E34T Engine - View 2



Item	Part No.	Description	Qty.
25-	52866GT	EVACUATOR VALVE-AIR CLEANER for 81467	
25-	62425GT	FILTER,AIR CLEANER, SUPERBOOM for 81467	
25B	1309573GT	AIR CLEANER, DONADSON,G070017 (from SX105D-1854)	1
26	215517GT	FORMING,CHARGE FILTER MOUNT	1
27	1251708GT	FORMINNG AIR CLEANER	1
28	219188GT	CLAMP,T-BOLT,27-29MM	1
29	1258541GT	PERKINS_BREATHER_HEATER	1
30	1258542GT	3.5X22 METRIC O-RING BUNA-70 G	1
31	1258540GT	CONNECTOR, BREATHER HEATER	1
32	1258538GT	CLAMP OETIKER 31.6MM GTH3088	1
33	1258504GT	3/4 ID HOSE 25FT R	1
34	1255763GT	SCREW,HHF,5/16-18X1.5,8,ZAG (from SX105D-1854)	1
35	1274167GT	NUT,NYLOCK FLG,5/16-18,F,ZAG (from SX105D-1854)	1



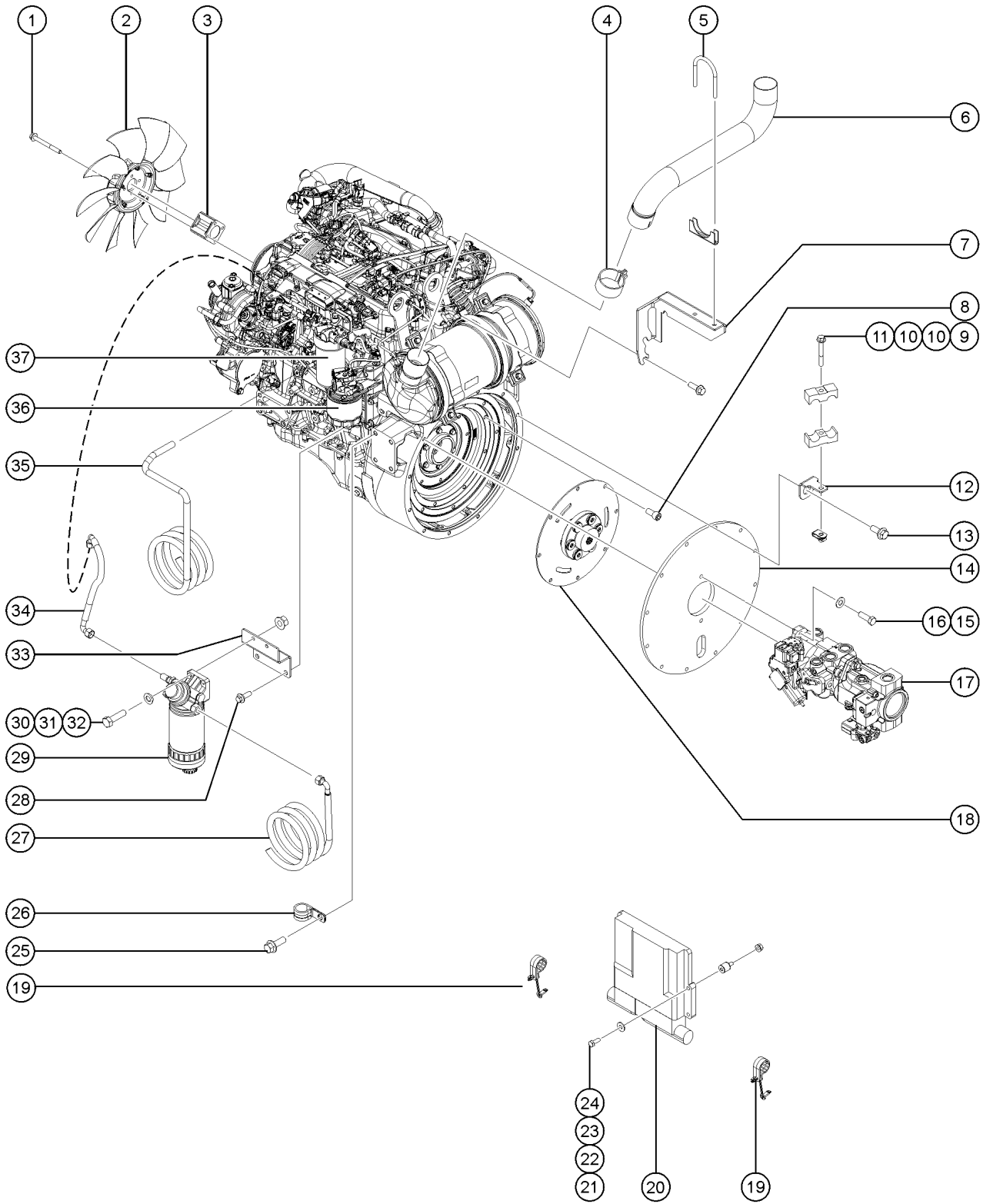
413.1 Perkins 854F-E34T Engine - View 3



Item	Part No.	Description	Qty.
1	1257419GT	SCREW,HHF,M8-1.25X80,DIN6921,10.9,ZAB	
2	1252047GT	FAN,10 BLADE,17",PERKINS	1
3	1258817GT	SPACER,RAD. FAN,2.5",854F	1
4	219130GT	CLAMP,EXHAUST,854E-E34TA	1
5	71911GT	CLAMP,MUFFLER, 2.50 INCH	1
6	823958GT	EXHAUST PIPE 854 PERKINS	1
7	1253806GT	WELDMENT, EXHAUST SUPPORT	1
8	1256444GT	SCREW,SHC,3/8-24X.75,A574,ZAG	
9	216597GT	SCREW,HHF,M6 X 50,G10,YZ	
10	217460GT	CLAMP,BATTERY CABLE	2
11	230073GT	SPRING CLIP,M6-1.0,0.8-4MM PAN	
12	1256480GT	FORMING, WIRE LOOM SUPPORT	1
13	231530GT	SCREW,HHF,M10-1.5X25,DIN6921,0.9,ZAB	
14	60322-SGT	PLATE,PUMP MOUNT	1
15	1253498GT	SCREW,HHF,1/2-13X1.5,8,ZAG	
16	825353GT	WASHER,FLAT,1/2,SAE,HRD,ZAG	
17		Ref. PUMP, DRIVE, AND FUNTION (refer to 708.1)	
18	216564GT	FLYWHEEL, COUPLER 15 TOOTH SAE 10	1
19	121603GT	CLAMP,FIXED DIA.NYLON,.875"	2
20	218812GT	ECM,854E-E34TA	1
21	824059GT	SCREW,HHC,1/4-20X.75,8,ZAG	
22	824113GT	WASHER,FLAT,1/4,USS,ZAG	
23	1259490GT	ISOLATOR, VIBRATION DAMPENER	1
24	824027GT	NUT,TL FLG,1/4-20,G,ZAG	
25	231087GT	SCREW,HHF,M12 X 1.75 X 25	
26	61109GT	CLAMP,1.25,#20 X 7/16,RUB CSH	1
27	1258459GT	SUPPLY FUEL LINE ASSEMBLY GTH3072	1
28	1255806GT	SCREW,HHF,M12-1.75X20,DIN6921,10.9,ZAB	



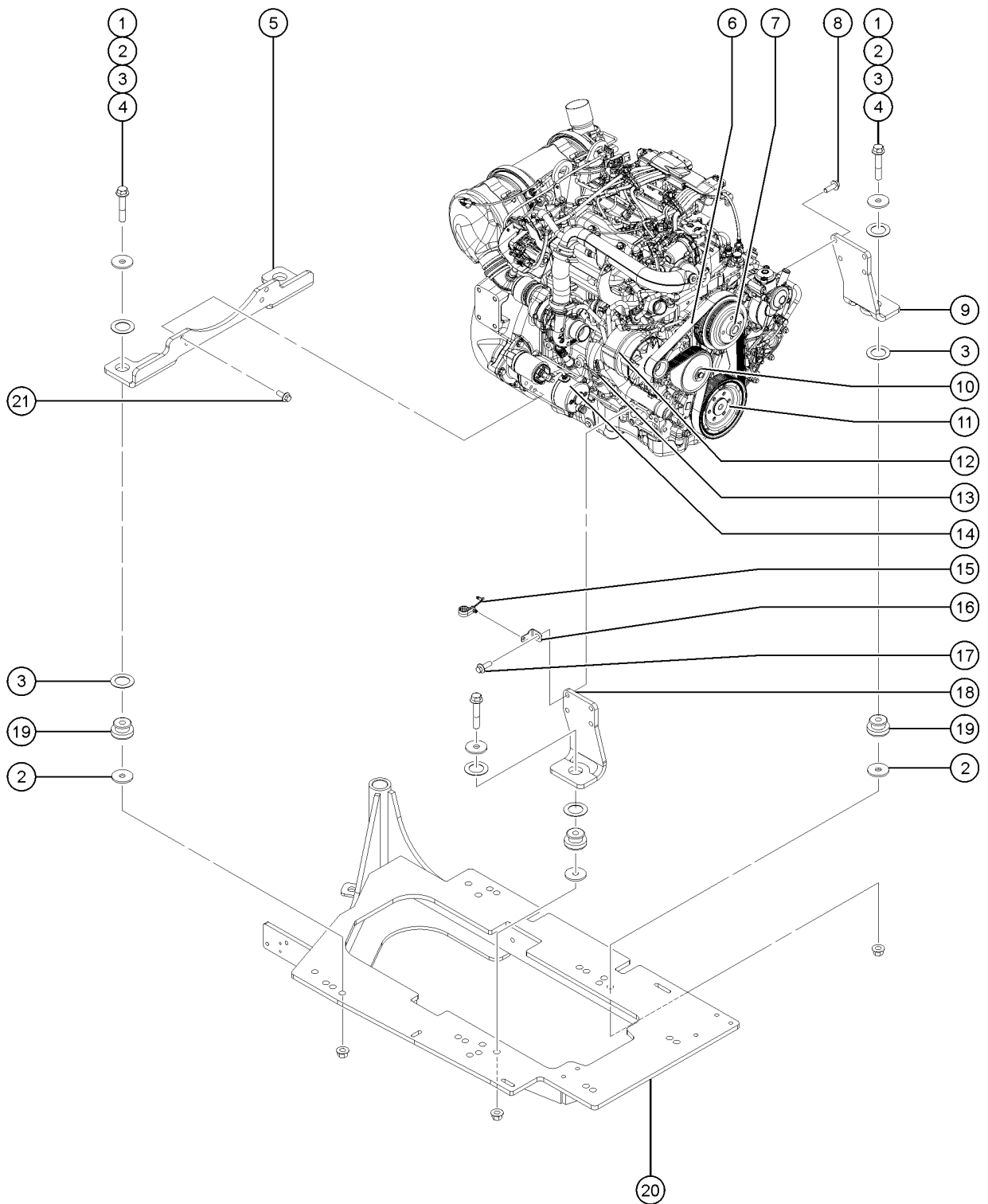
413.1 Perkins 854F-E34T Engine - View 3



<i>Item</i>	<i>Part No.</i>	<i>Description</i>	<i>Qty.</i>
29	218811GT	PRE-FILTER,FUEL,854E-E34TA	1
30	1255538GT	SCREW,HHC,M8-1.25X30,DIN933,10	
31	824144GT	WASHER,FLAT,M8,DIN125,ZAB	
32	237832GT	NUT,TL,FLG,M8-1.25,DIN6927,10,	
33	219030GT	ASSEMBLY,FUEL FILTER BRACKET	1
34	1258464GT	FUEL LINE ASSY. FILTER XFER PU	1
35	1258458GT	RETURN FUEL LINE ASSEMBLY GTH3073	1
36	218835GT	FILTER,OIL,854E-E34TA	1
37	218809GT	FILTER,FUEL,854E-E34TA	1



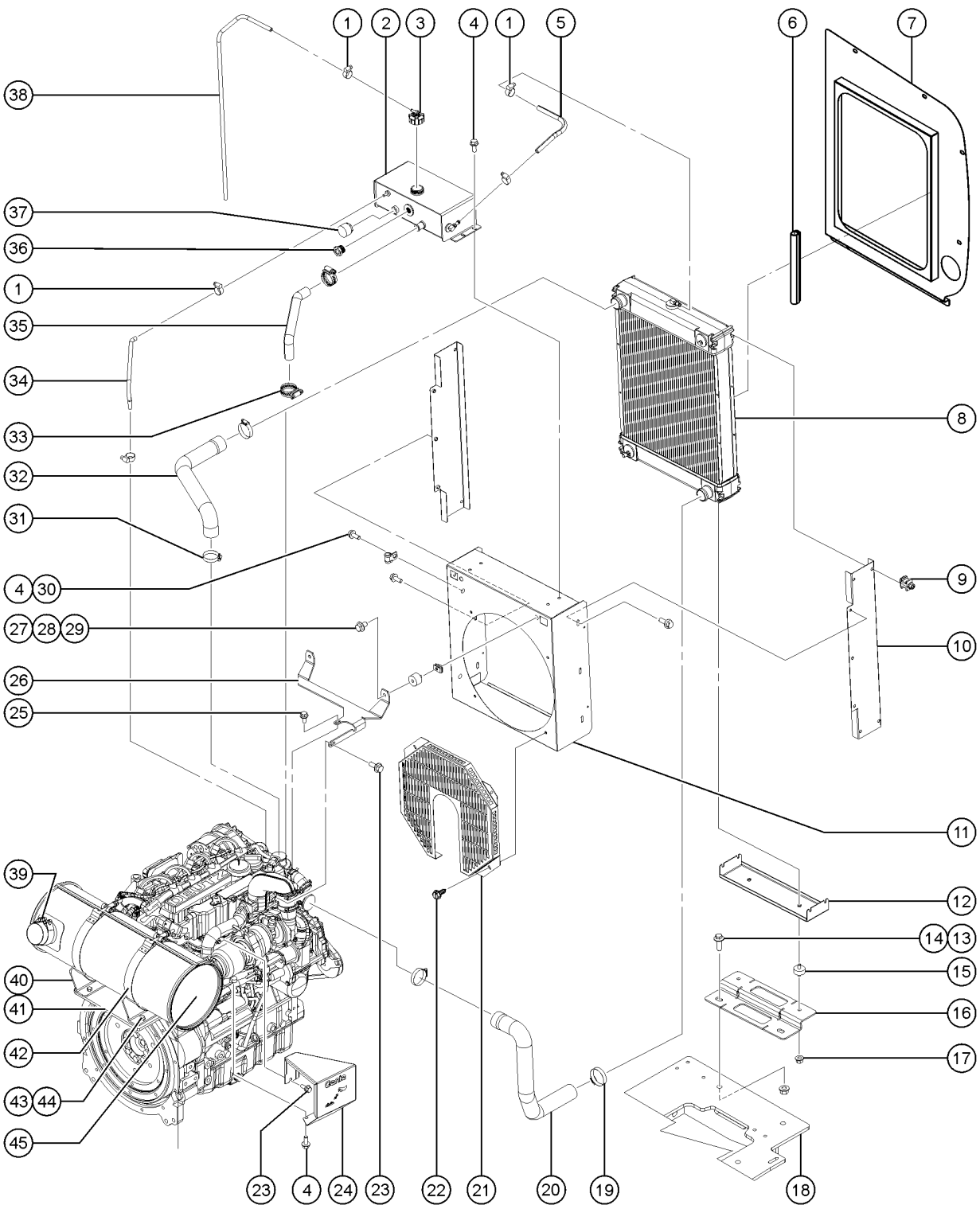
414.1 Perkins 854F-E34T Engine - View 4



Item	Part No.	Description	Qty.
1	1256583GT	SCREW,HHF,5/8-11X3.5,8,ZAG	
2	824123GT	WASHER,FLAT,.625X2.25X.188,ZAG	
3	1251565GT	WASHER,SHIM,1.56X2.5X.061,ZAG	
4	1253319GT	NUT,TL FLG,5/8-11,G,ZAG	
5	1253199GT	FORMING ENGINE MOUNT	1
6	218834GT	BELT,DRIVE,854E-E34TA	
7	218793GT	PULLEY ASSEMBLY,RADIATOR,854	
8	231511GT	SCREW,HHF,M12-1.75X35,DIN6921,10.9,ZAB	
9	824236GT	ENGINE MOUNT PERKINS 854	1
10	218837GT	WATER PUMP,854E-E34TA	
11	218792GT	PULLEY,CRANKSHAFT,854E-E34TA	
12	102646GT	ALTERNATOR,PERKINS 1104C-44	
12-	217774GT	TENSION ARM,ALT,1104D-E44TA T3	
13	218832GT	DIPSTICK,OIL,854E-E34TA	
14	218798GT	STARTER,854E-E34TA	
15	121603GT	CLAMP,FIXED DIA.NYLON,.875"	1
16	1256480GT	FORMING, WIRE LOOM SUPPORT	2
17	231511GT	SCREW,HHF,M12-1.75X35,DIN6921,10.9,ZAB	4
18	824234GT	ENGINE MOUNT PERKINS 854	1
19	102045GT	ISOLATOR,ENGINE VIBRATION	2
20	1307308GT	ASSY, ENGINE TRAY, S125XC	1
21	824134GT	SCREW,HHF,M12-1.75X30,DIN6921,	1



415.1 Deutz TD 2.9L CHINA III Engine - View 1 (to SN SX125D-1748)

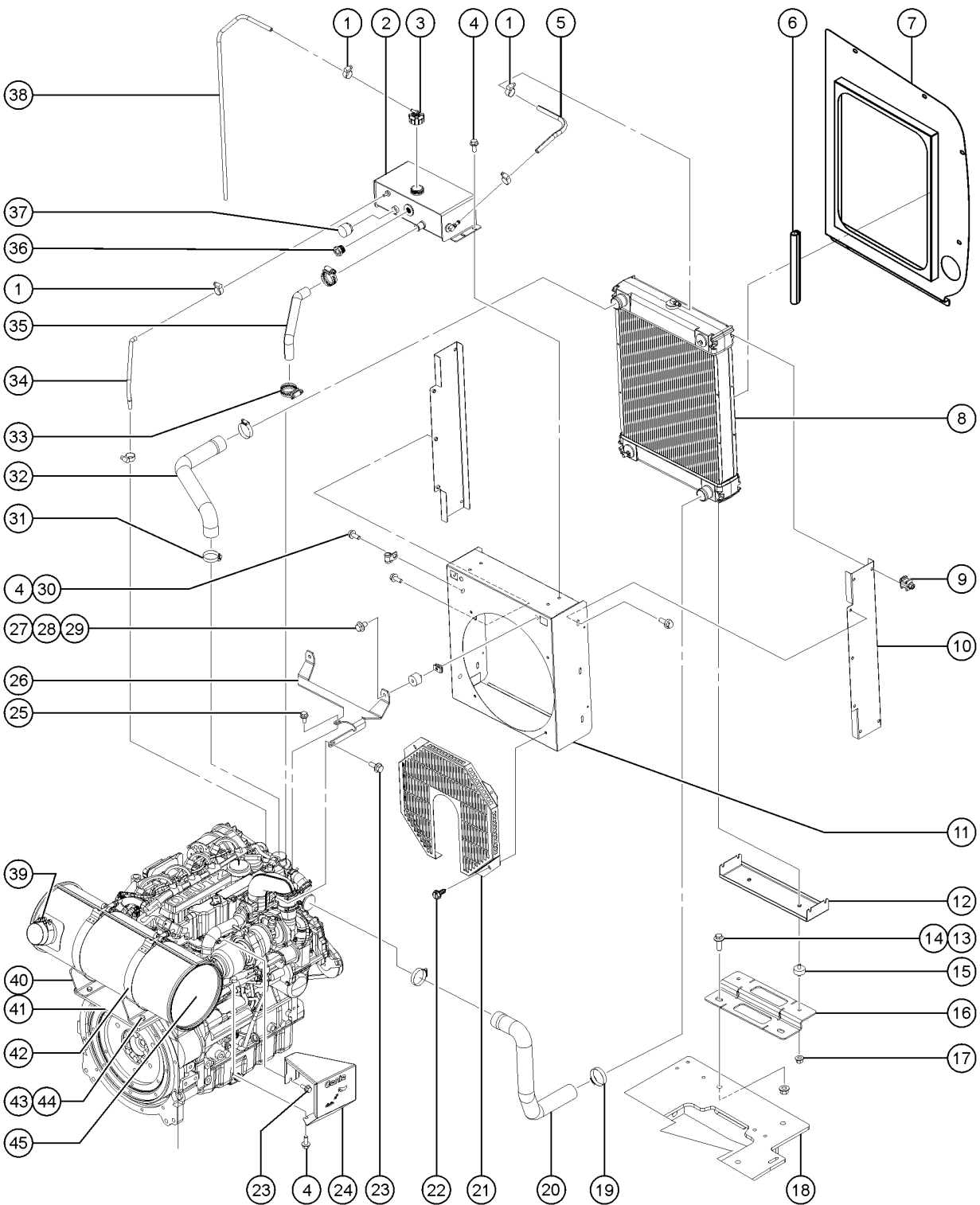


415.1 Deutz TD 2.9L CHINA III Engine - View 1 (to SN SX125D-1748)

Item	Part No.	Description	Qty.
1	21465GT	CLAMP,HOSE,SIZE .25 TO .63	3
2	1294613GT	DEGAS TANK,AL,RCP-13-077	1
3	1254081GT	PRESSURE CAP RCP	1
4	824132GT	SCREW,HHF,M8-1.25X20,DIN6921,10.9,ZAB	
5	823420GT	HOSE,FUEL,3/8,GATES RLA	14
6	60875GT	TRIM MOLDING	1
7	1267581GT	BAFFLE,AIR INTAKE DIESEL, T4	1
8	1252015GT	RADIATOR RCP	1
9	1253233GT	ISOLATOR ASSY RCP RADIATOR	8
10	1253231GT	FORMING RADIATOR SIDE MOUNT	2
11	1253230GT	FORMING FAN SHROUD RCP 2.9T	1
12	1253232GT	FORMING RADIATOR BOTTOM MOUNT RCP	1
13	1251893GT	NUT,TL,FLG,M16-2.0,DIN6927,10,ZAB	
14	1251894GT	SCREW,HHF,M16-2.0X45,DIN6921,1	
15	1255631GT	ISOLATOR, M10-1.50, 5/8" HIGH	2
16	1251720GT	WELDMENT, RADIATOR MOUNT	1
17	231529GT	NUT,TL FLG,M10-1.5,DIN6927,10,	
18	128314GT	WELDMENT, ENGINE TRAY	1
19	35434GT	CLAMP,HOSE,2.00***	2
20	1252018GT	HOSE, 20R4, LOWER	1
21	1253218GT	FORMING FAN SHROUD RCP	1
22	1253234GT	SCREW SHEET METAL HHF X1/2 X .18OD	
23	824131GT	SCREW,HHF,M6-1.0X16,DIN6921,10	
24	1254949GT	HEAT SHIELD,DEUTZ TD2.9L	1
		(to SN SX105D-1688)	
25	1251983GT	SCREW,HHF,M8-1.25X16,DIN6921,1	
26	1255342GT	FORMING,RADIATOR SUPPORT	1
27	237352GT	SCREW,HHF,M10-1.5X16,DIN6921,10.9,ZAB	
28	1255451GT	ISOLATOR, VIBRATION DAMPENER	2



415.1 Deutz TD 2.9L CHINA III Engine - View 1 (to SN SX125D-1748)

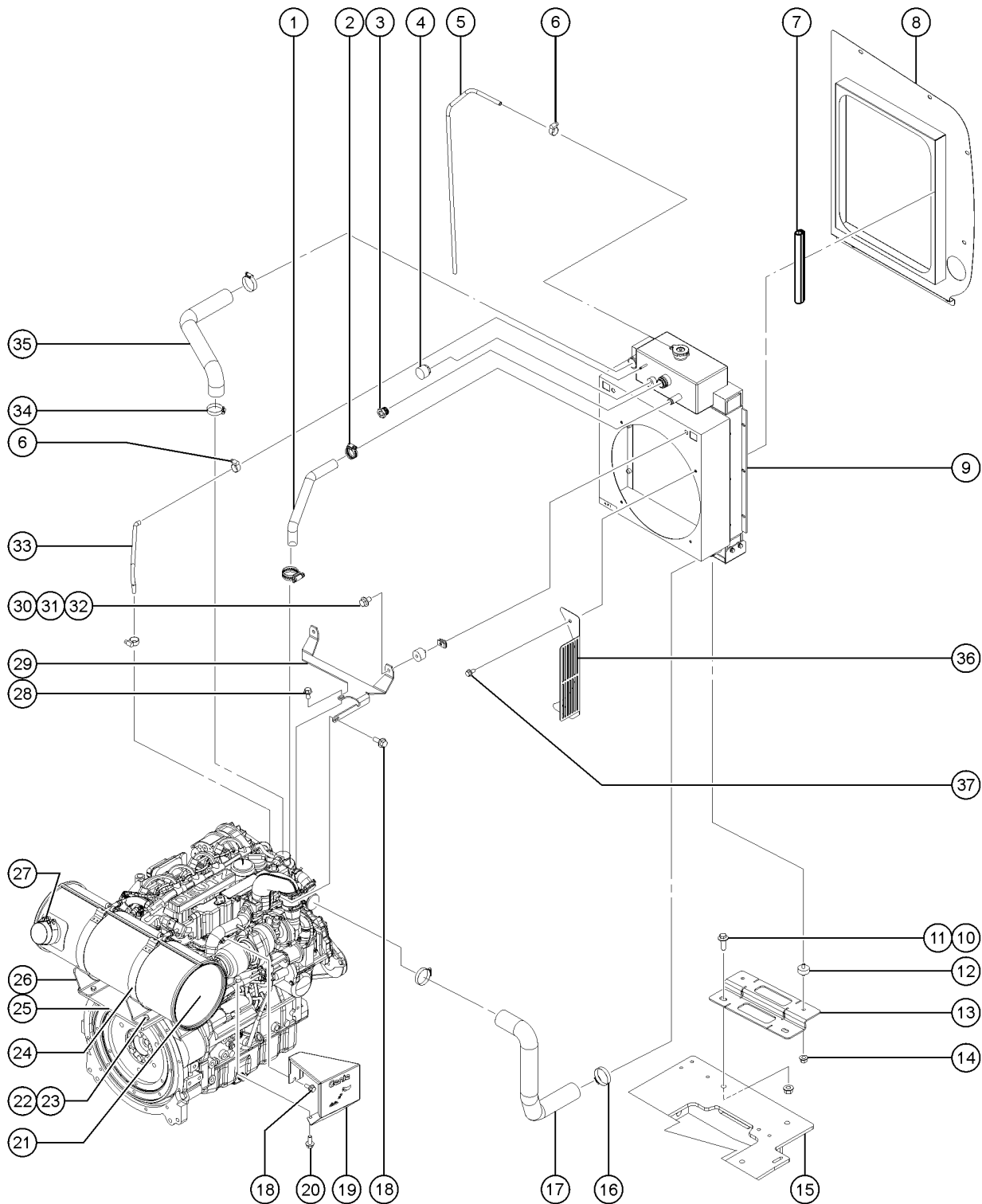


415.1 Deutz TD 2.9L CHINA III Engine - View 1 (to SN SX125D-1748)

Item	Part No.	Description	Qty.
29	230074GT	SPRING CLIP,M10-1.5,1-6X19,ZAB	
30	824132GT	SCREW,HHF,M8-1.25X20,DIN6921,10.9,ZAB	
31	22672GT	CLAMP,HOSE,1.75	2
32	1252017GT	HOSE, 20R4, UPPER	1
33	36208GT	CLAMP,HOSE,1.25***	2
34	824600GT	HOSE,HEATER,1/4"	14
35	1252019GT	HOSE, DEGAS RETURN, 22MM ID	1
36	1254418GT	SIGHT GLASS DEGAS RCP	1
37	218715GT	COOLANT LEVEL SNSR, DEUTZ TCD3.6	1
38	824600GT	HOSE,HEATER,1/4"	43
39	1288341GT	TIGHTFIT CLAMP, TD2.9 MUFFLER	1
40	1287699GT	BRACKET, TD2.9 MUFFLER	2
41	1287194GT	WELDMENT,MUFFLER MOUNT,DEUTZ TD2.9,S85	1
42	1295437GT	T-BOLT CLAMP, TD2.9 MUFFLER, SX125XC	2
43	824133GT	SCREW,HHF,M8-1.25X25,DIN6921,1	4
44	237832GT	NUT,TL,FLG,M8-1.25,DIN6927,10,	4
45	1287696GT	MUFFLER, DEUTZ TD 2.9	1
45B	1306590GT	MUFFLER KIT, DEUTZ TD2.9, SCRUB/SPARK ARREST, SX105/125XC	1
		(for option 1306628: Scrub/Spark Arrest Muffler)	



415.2 Deutz TD 2.9L CHINA III Engine - View 1 (from SN SX125D-1749)

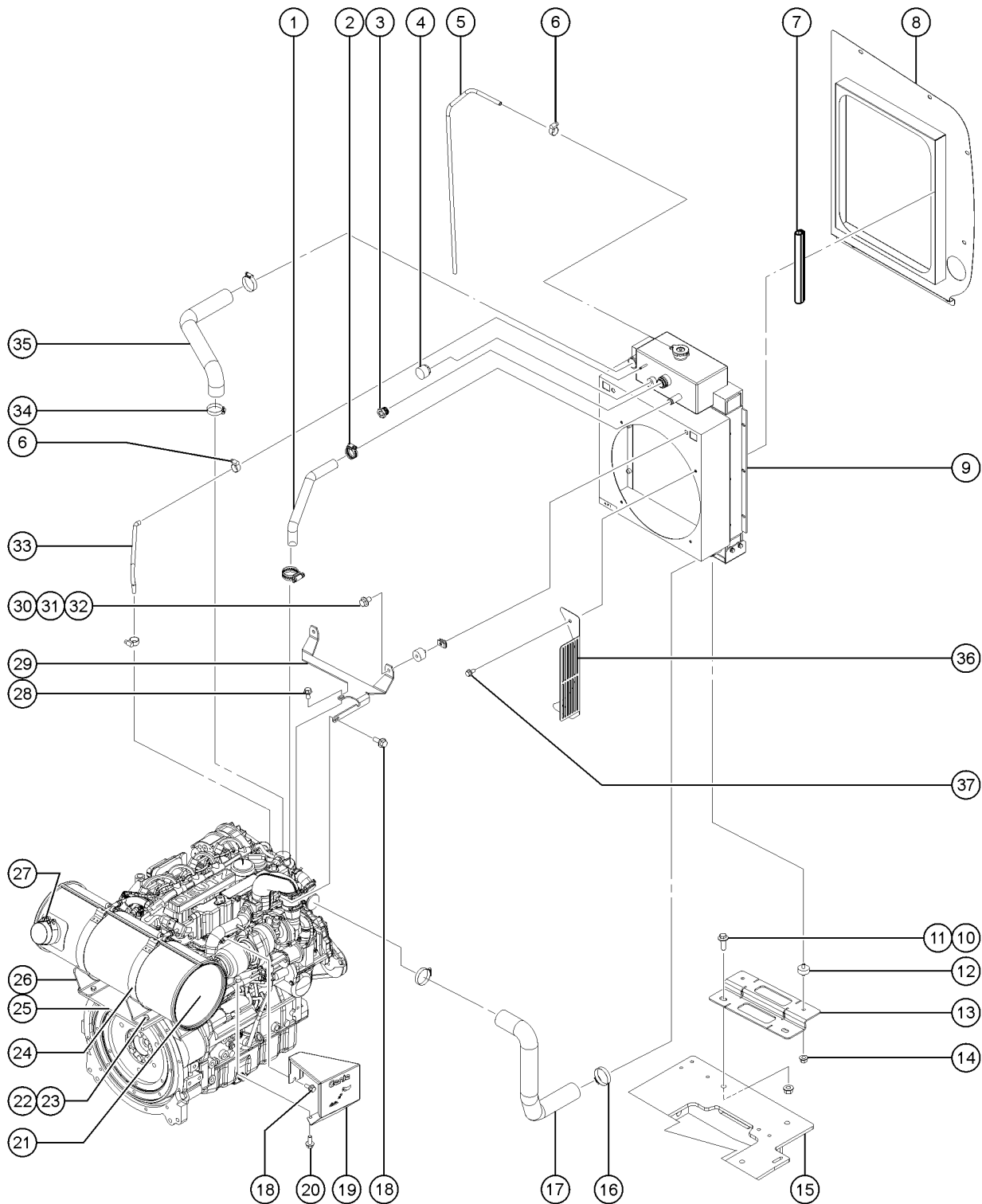


415.2 Deutz TD 2.9L CHINA III Engine - View 1 (from SN SX125D-1749)

Item	Part No.	Description	Qty.
1	1308925GT	HOSE,DEGAS RETURN,22MM ID,TD2.9	1
2	36208GT	CLAMP,HOSE,1.25***	2
3	1254418GT	SIGHT GLASS DEGAS RCP	1
4	218715GT	COOLANT LEVEL SNSR, DEUTZ TCD3.6	1
5	824600GT	HOSE,HEATER,1/4"	43
6	21465GT	CLAMP,HOSE,SIZE .25 TO .63	3
7	60875GT	TRIM MOLDING	1
8	1309013GT	BAFFLE,AIR INTAKE WELD,CHINA III,API	1
9	1308926GT	COOLING SYSTEM API	1
10	1251893GT	NUT,TL,FLG,M16-2.0,DIN6927,10,ZAB	
11	1251894GT	SCREW,HHF,M16-2.0X45,DIN6921,1	
12	1255631GT	ISOLATOR, M10-1.50, 5/8" HIGH	2
13	1251720GT	WELDMENT, RADIATOR MOUNT	1
14	231529GT	NUT,TL FLG,M10-1.5,DIN6927,10,	
15	128314GT	WELDMENT, ENGINE TRAY	1
16	35434GT	CLAMP,HOSE,2.00***	2
17	1308924GT	HOSE,20R4,LOWER,TD2.9	1
18	824131GT	SCREW,HHF,M6-1.0X16,DIN6921,10	
19	1254949GT	HEAT SHIELD,DEUTZ TD2.9L (to SN SX105D-1688)	1
20	824132GT	SCREW,HHF,M8-1.25X20,DIN6921,10.9,ZAB	1
21	1287695GT	MUFFLER KIT,DEUTZ TD2.9,SX105/125XC (to SN SX105D-1783)	1
21B	1309395GT	MUFFLER KIT, DEUTZ TD2.9, SX105/125XC (from SN SX105D-1784)	1
21C	1306590GT	MUFFLER KIT, DEUTZ TD2.9, SCRUB/SPARK ARREST, SX105/125XC (for option 1306628: Scrub/Spark Arrest Muffler)	1
22	237832GT	NUT,TL,FLG,M8-1.25,DIN6927,10,	4
23	824133GT	SCREW,HHF,M8-1.25X25,DIN6921,1	4
24	1295437GT	T-BOLT CLAMP, TD2.9 MUFFLER, SX125XC	2
25	1287194GT	WELDMENT,MUFFLER MOUNT,DEUTZ TD2.9,S85 (to SN SX105D-1783)	1
25B	1307332GT	WELDMENT, MUFFLER MOUNT, DEUTZ TD2.9, S85XC (from SN SX105D-1784)	1



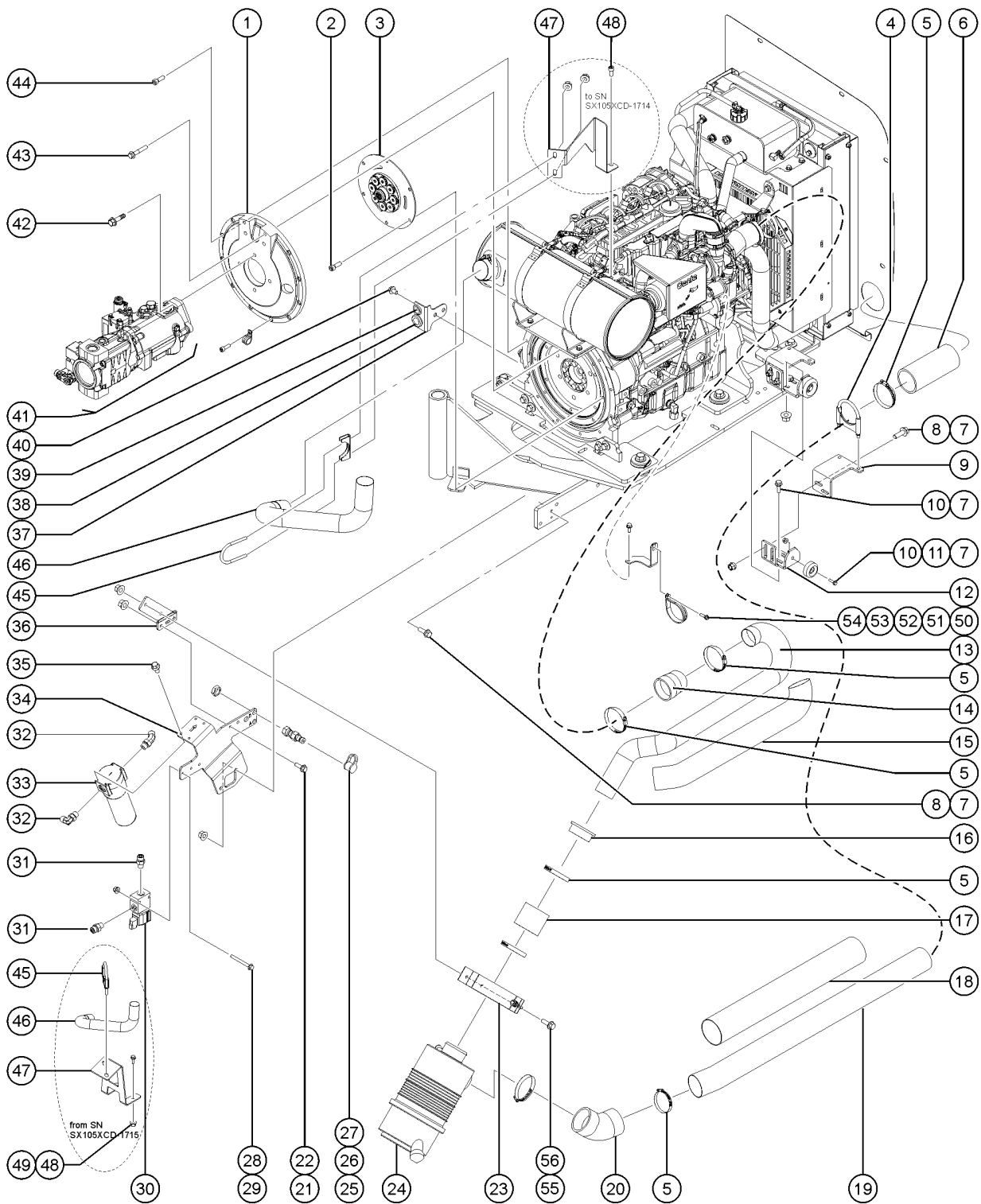
415.2 Deutz TD 2.9L CHINA III Engine - View 1 (from SN SX125D-1749)



415.2 Deutz TD 2.9L CHINA III Engine - View 1 (from SN SX125D-1749)

<i>Item</i>	<i>Part No.</i>	<i>Description</i>	<i>Qty.</i>
26	1287699GT	BRACKET, TD2.9 MUFFLER	2
27	1288341GT	TIGHTFIT CLAMP, TD2.9 MUFFLER	1
28	1251983GT	SCREW,HHF,M8-1.25X16,DIN6921,1	1
29	1255342GT	FORMING,RADIATOR SUPPORT	1
30	237352GT	SCREW,HHF,M10-1.5X16,DIN6921,10.9,ZAB	
31	1255451GT	ISOLATOR, VIBRATION DAMPENER	2
32	230074GT	SPRING CLIP,M10-1.5,1-6X19,ZAB	
33	824600GT	HOSE,HEATER,1/4"	14
34	22672GT	CLAMP,HOSE,1.75	2
35	1308923GT	HOSE,20R4,UPPER,TD2.9	1
36	1311929GT	BRACKET,FAN SHEILD, TD2.9 CHINA III	1
37	1251983GT	SCREW,HHF,M8-1.25X16,DIN6921,1	2

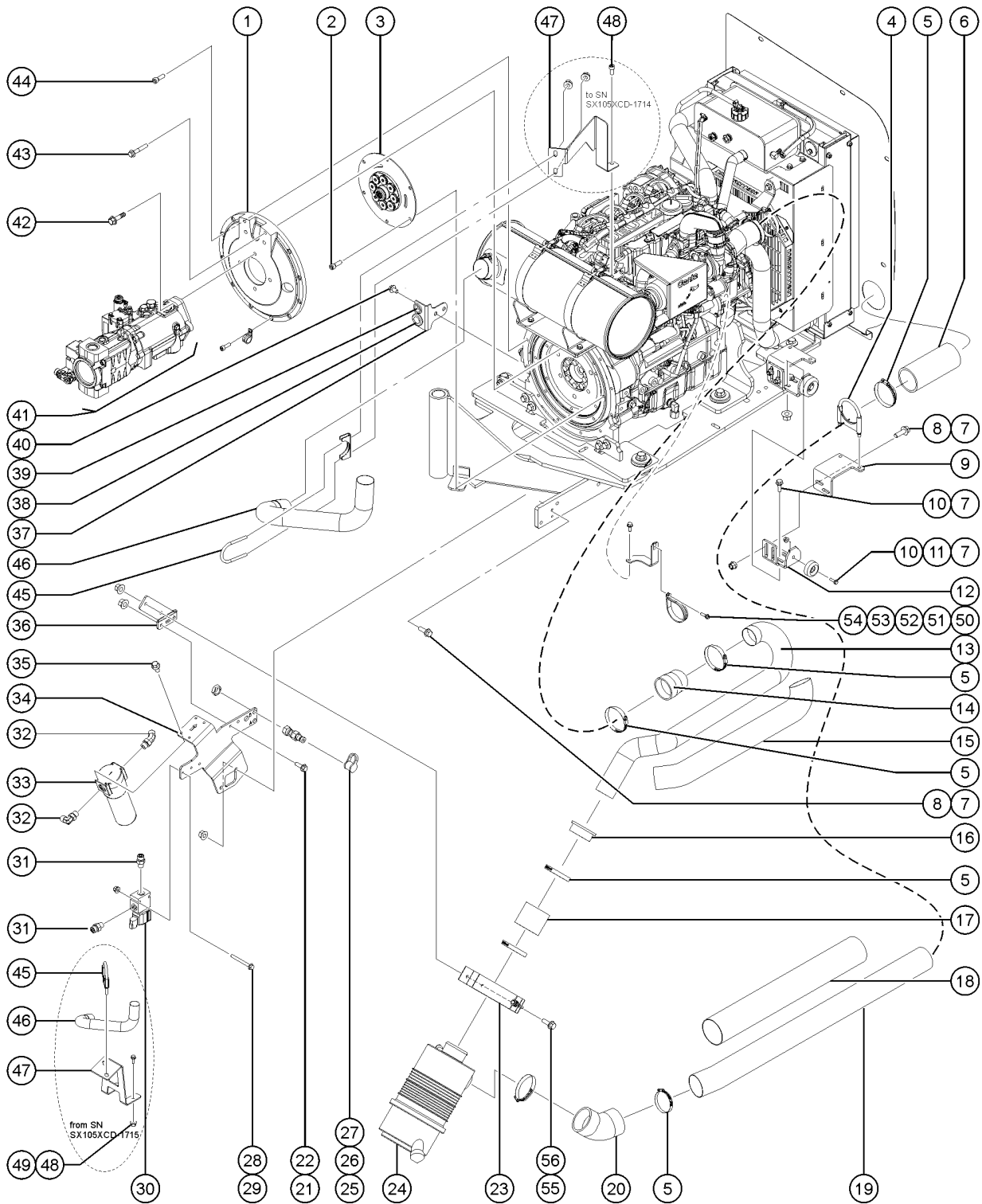
416.1 Deutz TD 2.9L CHINA III Engine - View 2



Item	Part No.	Description	Qty.
1	70381GT	COVER, FLYWHEEL CASTING	1
2	1255665GT	SCREW,SHC,M10-1.50X20,DIN912,12.9,ZAB	
3	128004GT	COUPLER, 15 TOOTH, FBA, SAE 8	1
4	122414GT	U-BOLT,GUILLOTINE,3"	1
5	30971GT	AIR CLEANER,NELSON	5
6	106211-600GT	HOSE,RUBBER 3"ID X .25 BLACK X 6.00 LG	1
7	231529GT	NUT,TL FLG,M10-1.5,DIN6927,10,	
8	232874GT	SCREW, HHF, M10-1.5X30,DIN6921	
9	1262525GT	FORMING,INTAKE SUPPORT,SB	1
10	231533GT	SCREW, HHF, M10-1.5X35,DIN6921	
11	50974GT	BUMPER,RUBBER,COVERS	1
12	1267583GT	FORMING, COVER STOP	1
13	826352GT	TUBE,INTAKE,DEUTZ 2.9L	1
		(to SX105D-1865)	
13B	1309743GT	TUBE,INTAKE,DEUTZ 2.9L,DONALDSON	1
		(from SX105D-1866)	
14	826351GT	HOSE,REDUCER,TURBO INLET,DEUTZ	1
		(to SX105D-1865)	
14B	1309818GT	HOSE,REDUCER,TURBO INLET,DEUTZ 2.9T,DONALSON	1
		(from SX105D-1866)	
15	1264557GT	OPT,PLAT SPRT,STD,Z60E	1
16	101640GT	REDUCER,RUBBER 3.0 - 2.5	2
17	106211-300GT	HOSE,RUBBER 3"ID X .25 BLACK	3
18	1264656GT	REFLECTIVE INSULATING SLEEVE, INTAKE	4
19	1253600GT	AIR SUCTION PIPE,DIESEL,T4	5
20	61270GT	ELBOW,45 DEG,INLET	6
21	237832GT	NUT,TL,FLG,M8-1.25,DIN6927,10,	
22	824133GT	SCREW,HHF,M8-1.25X25,DIN6921,1	
23	81468GT	MOUNTING BAND,AIR CLEANER	1
		(to SX105D-1853)	
23B	1309605GT	BRKT,AIR CLEANER,DONALDSON,S-BOOM	1
		(from SX105D-1854)	
24	81467GT	AIR CLEANER,NELSON	1
		(to SX105D-1853)	
24-	52866GT	EVACUATOR VALVE-AIR CLEANER	
		for 81467	



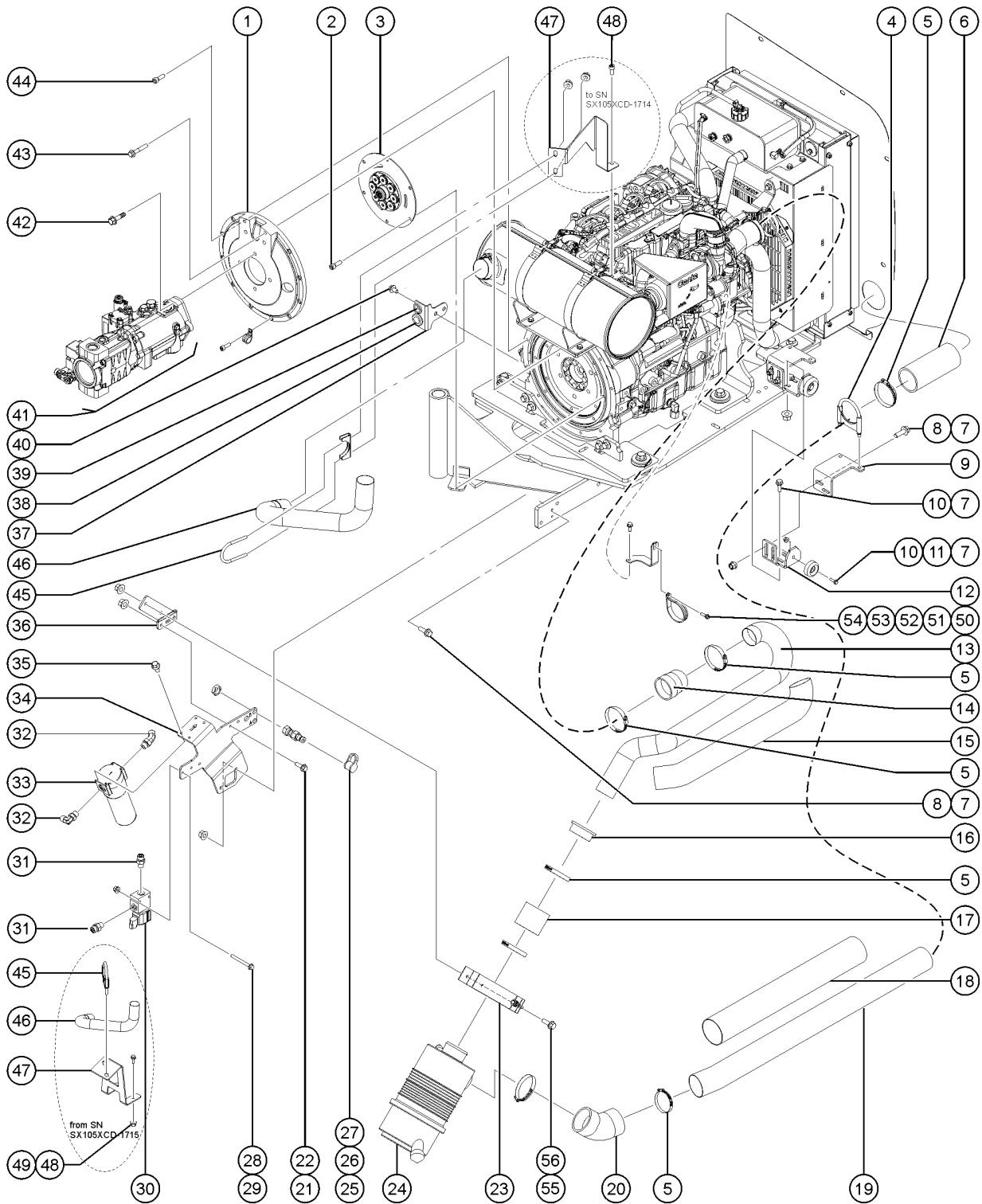
416.1 Deutz TD 2.9L CHINA III Engine - View 2



Item	Part No.	Description	Qty.
24-	62425GT	FILTER,AIR CLEANER, SUPERBOOM for 81467	
24-	75450GT	AIR CLEANER CLIPS, SUPERBOOM for 81467	
24-	75451GT	AIR CLEANER COVER, SUPERBOOM* for 81467	
24B	1309573GT	AIR CLEANER, DONADSON,G070017 (from SX105D-1854)	1
25	75574GT	NUT,BULKHEAD,520118-4	
26	49207GT	NIPPLE,DIAGNOSTIC,ORFS,FM,SWIV	1
27	48880GT	CAP,DIAGNOSTIC NIPPLE	1
28	216597GT	SCREW,HHF,M6 X 50,G10,YZ	
29	231513GT	NUT,TL FLG,M6-1.0,DIN6927,10,Z	
30	218144GT	VALVE, FUNCTION ENABLE, ZX135	1
31	48905GT	CONN,520120-4***	2
32	48932GT	FITTING,ELBOW,90D,520220-8***	1
33	1267807GT	ASSEMBLY, MED. PRESS. FILTER,	1
34	215517GT	FORMING,CHARGE FILTER MOUNT	1
35	824078GT	SCREW,HHF,1/4-20X.75,8,ZAG	
36	1251708GT	FORMINNG AIR CLEANER	1
37	1257888GT	FORMING, ENGINE HARNESS SUPPOR	1
38	106923GT	GROMMET,RUBBER .38X1.38X1.0	1
39	124962GT	GROMMET,RUBBER,1.0 X 1.25X1.5	1
40	1255806GT	SCREW,HHF,M12-1.75X20,DIN6921,10.9,ZAB	
41		Ref. PUMP, DRIVE, AND FUNTION (refer to 708.1)	1
42	1256844GT	SCREW,HHC,1/2-13X1.5,8,ZAG	
43	216036GT	SCREW,HHF,M10-1.5X60,DIN6921,1	
44	1255666GT	SCREW,SHC,M10-1.5X30,DIN912,12.9,ZAB	
45	71911GT	CLAMP,MUFFLER, 2.50 INCH	1
46		Ref. TAILPIPE, TD2.9 MUFFLER (refer to 417.1)	1
47	1296947GT	FROMING,SUPPORT,TAILPIPE,SX-125XC (to SN SX105D-1714)	1
47B	1308157GT	FORMING,SUPP BRACKET,TAILPIPE,SX-125 (from SN SX105D-1715 to SN SX105D-1783)	1



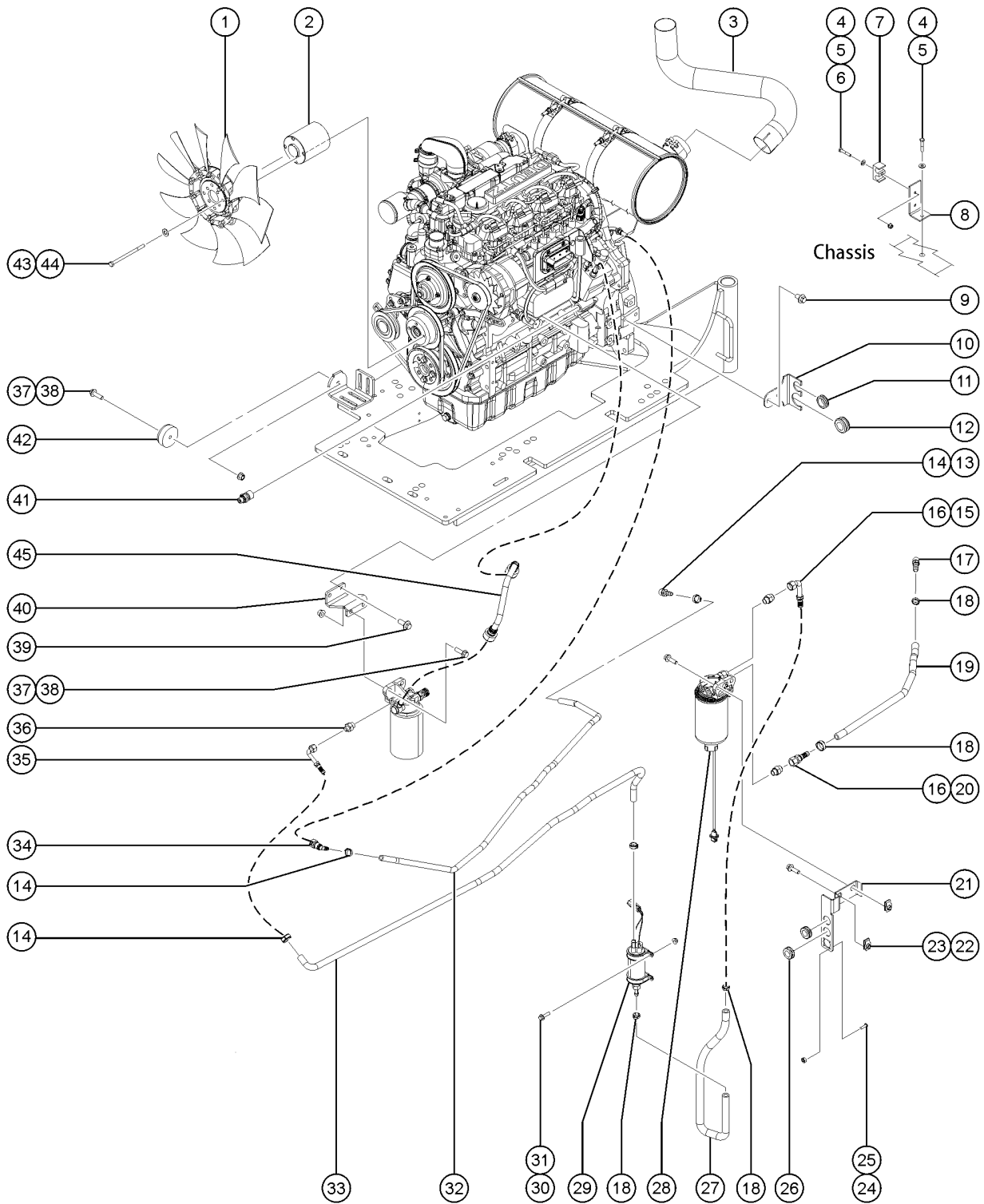
416.1 Deutz TD 2.9L CHINA III Engine - View 2



Item	Part No.	Description	Qty.
47C	1309806GT	FORMING,SUPP BRACKET,TAILPIPE,SX-105/125 (from SN SX105D-1784)	1
48	1260500GT	SCREW,SHC,M12-1.75X25,DIN912,12.9,ZAB (to SN SX105D-1714)	1
48B		Ref. SCREW,HHF,M8-1.25X25,DIN6921,10.9,ZAB (refer to 415.1), (from SN SX105D-1715)	2
49		Ref. NUT,TL FLG,M8-1.25,DIN6927,10,ZAB (refer to 415.1), (from SN SX105D-1715)	2
50	824079GT	SCREW,HHF,1/4-20X1,8,ZAG (from SX105D-1866)	1
51	45455GT	CLAMP,2.75,#44 X 1/4,RUB CUSH* (from SX105D-1866)	1
52	1309819GT	FORMING,BRACKET,TURBO INLET HOSE (from SX105D-1866)	1
53	56912GT	SPRING CLIP,1/4-20,.025-.15X.5 (from SX105D-1866)	1
54	824132GT	SCREW,HHF,M8-1.25X20,DIN6921,10.9,ZAB (from SX105D-1866)	1
55	1255763GT	SCREW,HHF,5/16-18X1.5,8,ZAG (from SX105D-1854)	1
56	1274167GT	NUT,NYLOCK FLG,5/16-18,F,ZAG (from SX105D-1854)	1



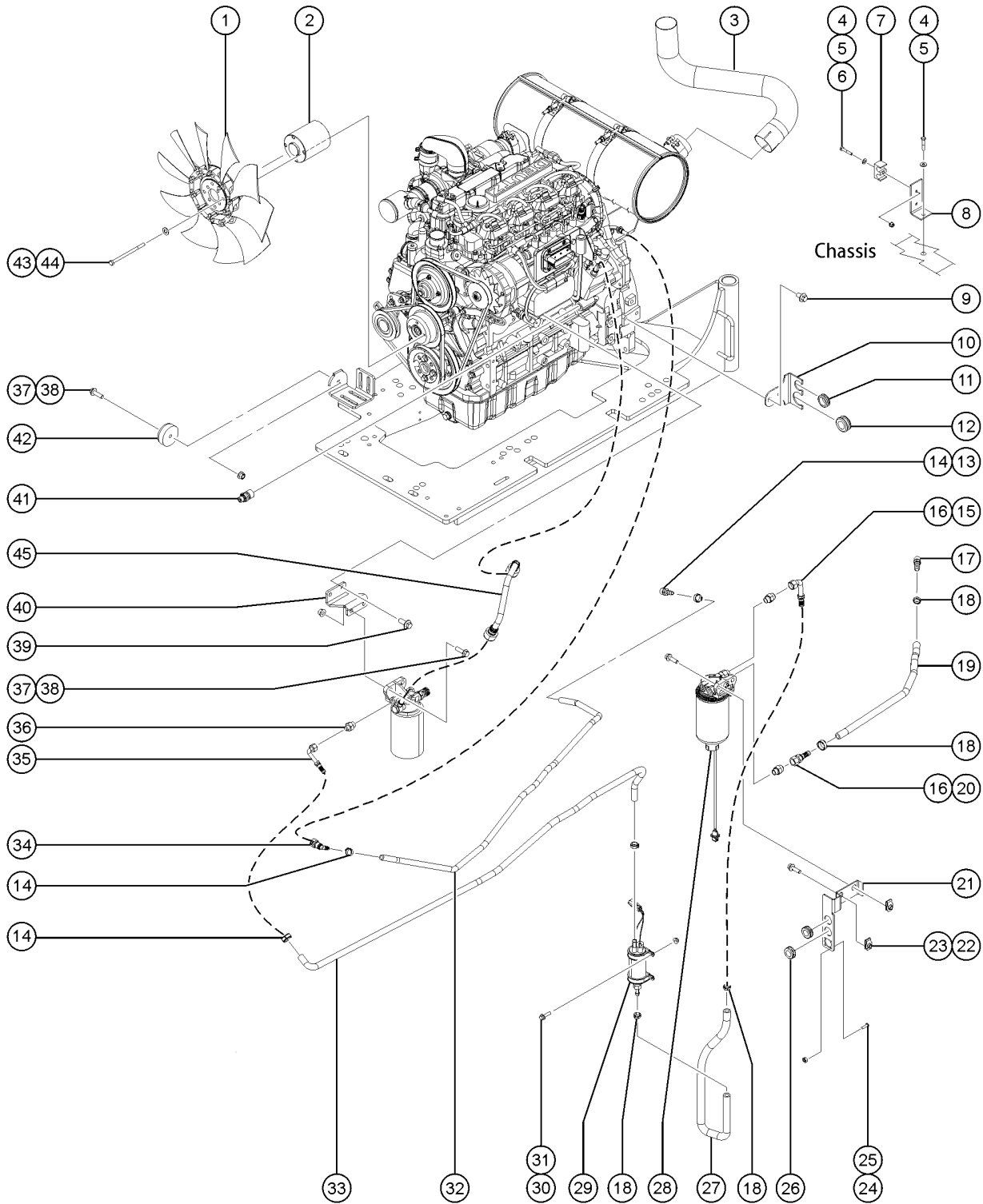
417.1 Deutz TD 2.9L CHINA III Engine - View 3



Item	Part No.	Description	Qty.
1	1251496GT	FAN,10 BLADE,17",DEUTZ 2.9L	1
2	1257753GT	FAN SPACER,DEUTZ 2.9L	1
3	1287697GT	TAILPIPE, TD2.9 MUFFLER	1
4	824062GT	SCREW,HHC,1/4-20X1.5,8,ZAG	
5	824113GT	WASHER,FLAT,1/4,USS,ZAG	
6	824027GT	NUT,TL FLG,1/4-20,G,ZAG	
7	70289GT	CLAMP,LINK,LH WELD WIRE	1
8	70535GT	BRACKET,BATTERY CABLE	1
9	1255806GT	SCREW,HHF,M12-1.75X20,DIN6921,10.9,ZAB	
10	1257888GT	FORMING, ENGINE HARNESS SUPPOR	1
11	124962GT	GROMMET,RUBBER,1.0 X 1.25X1.5	1
12	106923GT	GROMMET,RUBBER .38X1.38X1.0	1
13	27901GT	HOSE END,BARBED,RIGID,-6-6	1
14	96770GT	CLAMP, HOSE, 1 EAR, 11/16	4
15	162207GT	FITTING,ELBOW,8GS-8FJX90S	1
16	162209GT	FITTING,CONN,16MM-8MJ	2
17	824471GT	FITTING,3/8 NPT TO 1/2 BARB	1
18	822087GT	CLAMP,HOSE,1EAR,25/32	4
19	823421GT	HOSE,FUEL,1/2,GATES RLA	28
20	824635GT	FITTING,STR,1/2 HS X 3/4-16,JI	1
21	1267330GT	FROMING, FUEL FILTER MOUNT	1
22	29868GT	WASHER,FLAT,.375X1.25X.062,ZAG	
23	824090GT	WELDMENT,DEUTZ D2011L3i BAFFLE	
24	40706GT	ADAPTER,3/8 NPT,BRASS	
25	55306GT	SCREW,PHILLIPS,PHM,4-40 X .50	
26	60584GT	GROMMET,RUBBER .75 X .19 X 1**	2
27	823421GT	HOSE,FUEL,1/2,GATES RLA	28
28	236260GT	FILTER, FUEL PRE-FILTER, SPIN-ON, DEUTZ	1

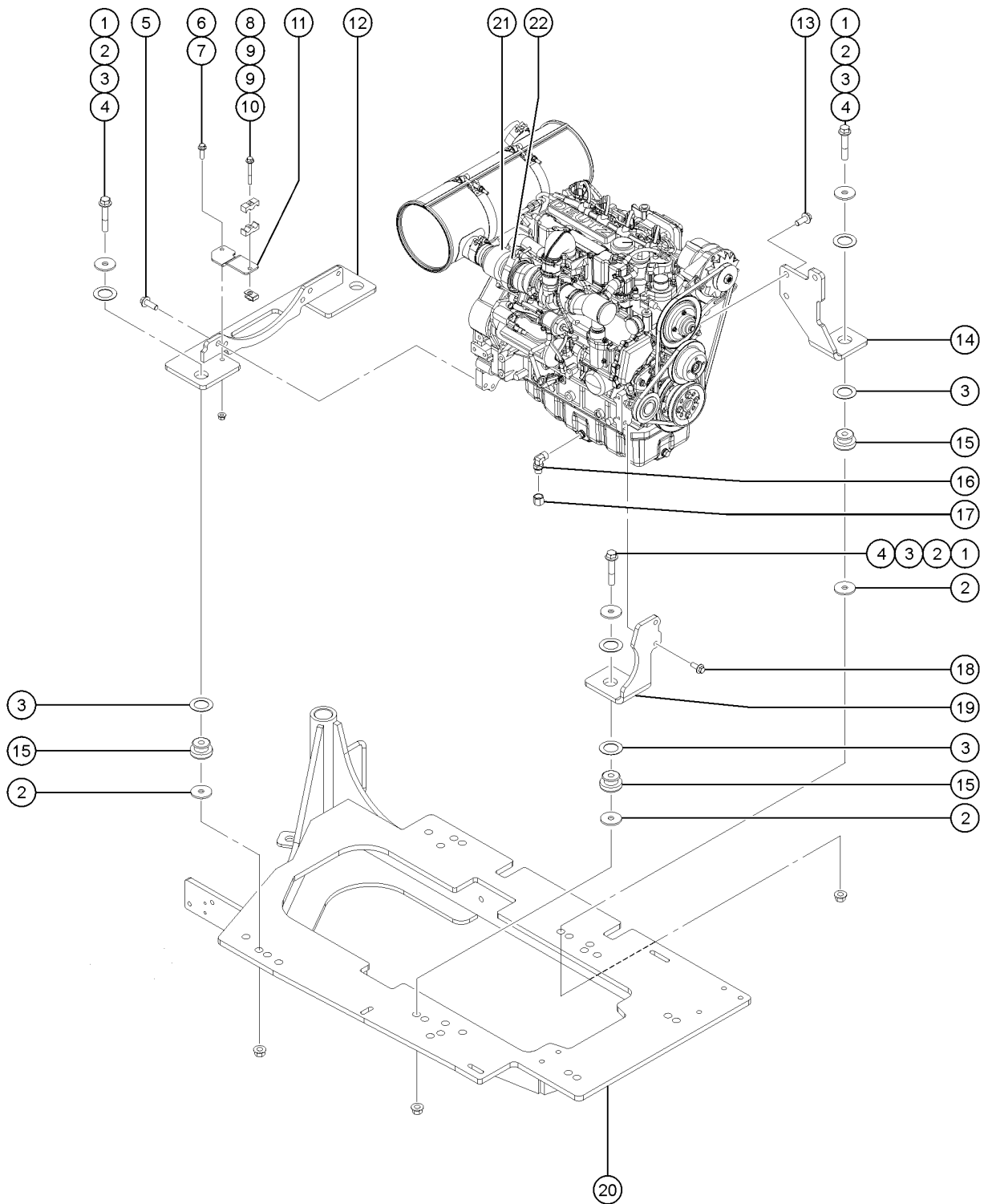


417.1 Deutz TD 2.9L CHINA III Engine - View 3



<i>Item</i>	<i>Part No.</i>	<i>Description</i>	<i>Qty.</i>
29	236259GT	LIFT PUMP,FUEL,DEUTZ	1
30	218458GT	SCREW,HHF,M5X20,DIN6921,10.9,ZAB	
31	1255753GT	NUT,FLG,M5-0.8,DIN6923,8,ZAB	
32	823420GT	HOSE,FUEL,3/8,GATES RLA	60
33	823420GT	HOSE,FUEL,3/8,GATES RLA	65
34	826000GT	CONNECTOR, SAE10, QUICK CONNECT	1
35	162206GT	FITTING,ELBOW,6GS-6FJX90S	1
36	162208GT	FITTING,CONN,16MM-6MJ	1
37	231533GT	SCREW, HHF, M10-1.5X35,DIN6921	
38	231529GT	NUT,TL FLG,M10-1.5,DIN6927,10,	
39	231088GT	SCREW,HHF,M10-1.5X20,DIN6921,1	
40	1256911GT	FORMING FUEL FILTER DEUTZ	1
41	824673GT	SENSOR, PRESSURE,DEUTZ 2.9	
42	50974GT	BUMPER,RUBBER,COVERS	1
43	1257774GT	SCREW,HHC,M8-1.25X95,DIN931,10	
44	824144GT	WASHER,FLAT,M8,DIN125,ZAB	
45	1269690-2670GT	HOSE ASSEMBLY-1/2" FUEL GATES,STR FEM,STR FEM	1
45-	823421GT	HOSE,FUEL,1/2,GATES RLA	24
45-	1255651GT	CONNECTOR,SAE12,QUICK CONNECT	2
45-	822087GT	CLAMP,HOSE,1EAR,25/32	2
45-	1270283GT	CAP, SAE12, QUICK CONNECT	2

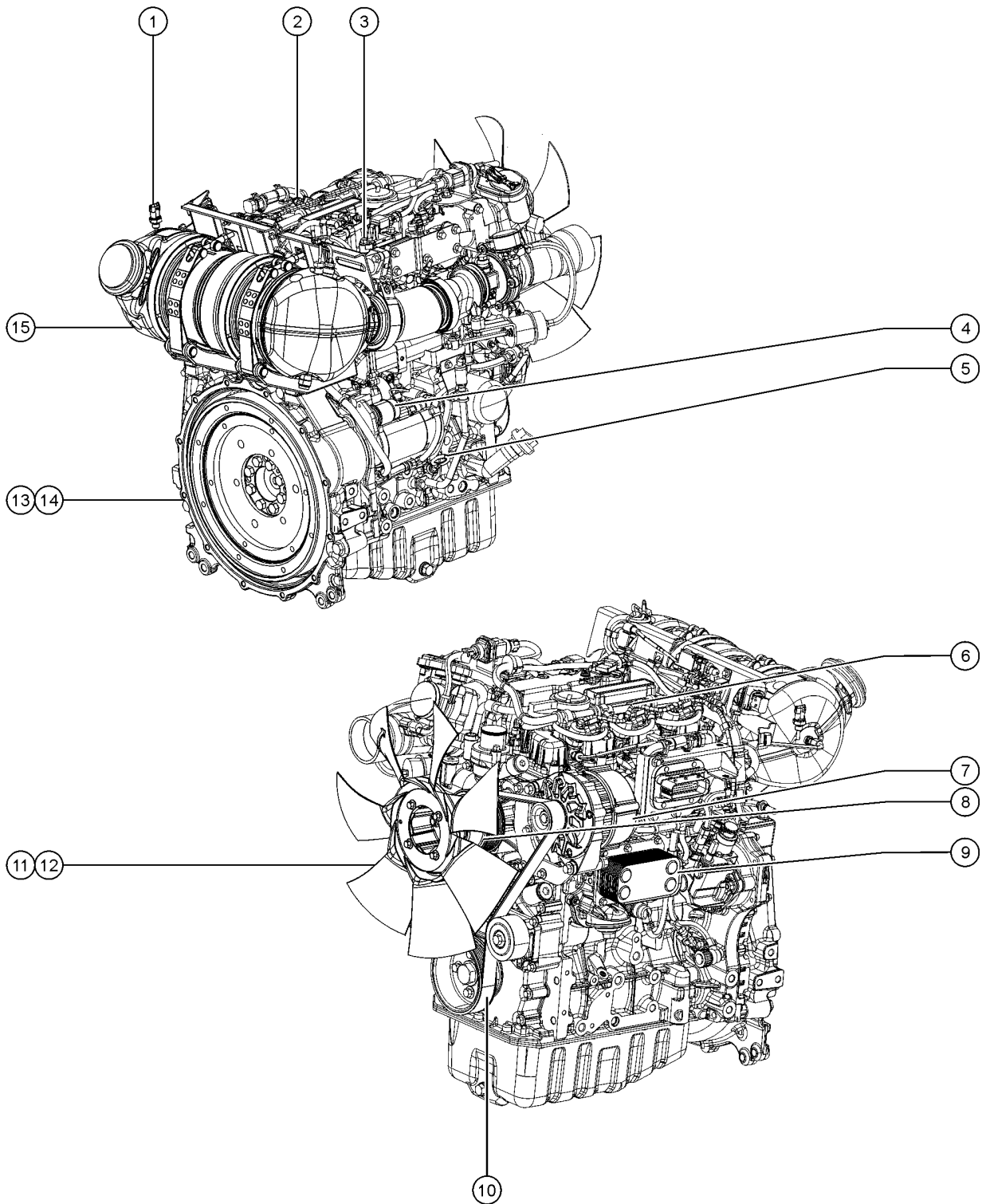
418.1 Deutz TD 2.9L CHINA III Engine - View 4



Item	Part No.	Description	Qty.
1	1256583GT	SCREW,HHF,5/8-11X3.5,8,ZAG	
2	824123GT	WASHER,FLAT,.625X2.25X.188,ZAG	
3	1251565GT	WASHER,SHIM,1.56X2.5X.061,ZAG	
4	1253319GT	NUT,TL FLG,5/8-11,G,ZAG	
5	1251899GT	SCREW,HHF,M14-2.0 X 40,DIN6921,10.9,ZAB	
6	231533GT	SCREW, HHF, M10-1.5X35,DIN6921	
7	231529GT	NUT,TL FLG,M10-1.5,DIN6927,10,	
8	216597GT	SCREW,HHF,M6 X 50,G10,YZ	
9	217460GT	CLAMP,BATTERY CABLE	2
10	219697GT	SPRING CLIP,M6-1.0,3.4-6.3X13.5,ZAB	
11	217458GT	FORMING, BATTERY CABLE GUIDE	1
12	70440GT	WELDMENT,REAR ENGINE MOUNT	1
13	1256776GT	SCREW,HHF,M14-2.0X35,DIN6921,10.9,ZAB	
14	1256805GT	MOUNT,ENGINE,LEFT SIDE	1
15	217500GT	ISOLATOR, ENGINE VIBRATION	3
16	54428GT	FITTING,HYDRAULIC,90DEG,O-RING	1
17	69775GT	CAP,520112-8	1
18	824134GT	SCREW,HHF,M12-1.75X30,DIN6921,	
19	1251705GT	FORMING, ENGINE MOUNT	1
20	1307308GT	ASSY, ENGINE TRAY, S125XC	1
21	1287263GT	FLEXIBLE BELLOW PIPE, TD2.9 MUFFLER	1
22	1288342GT	V CLAMP, TD2.9 TURBO OUTLET	1



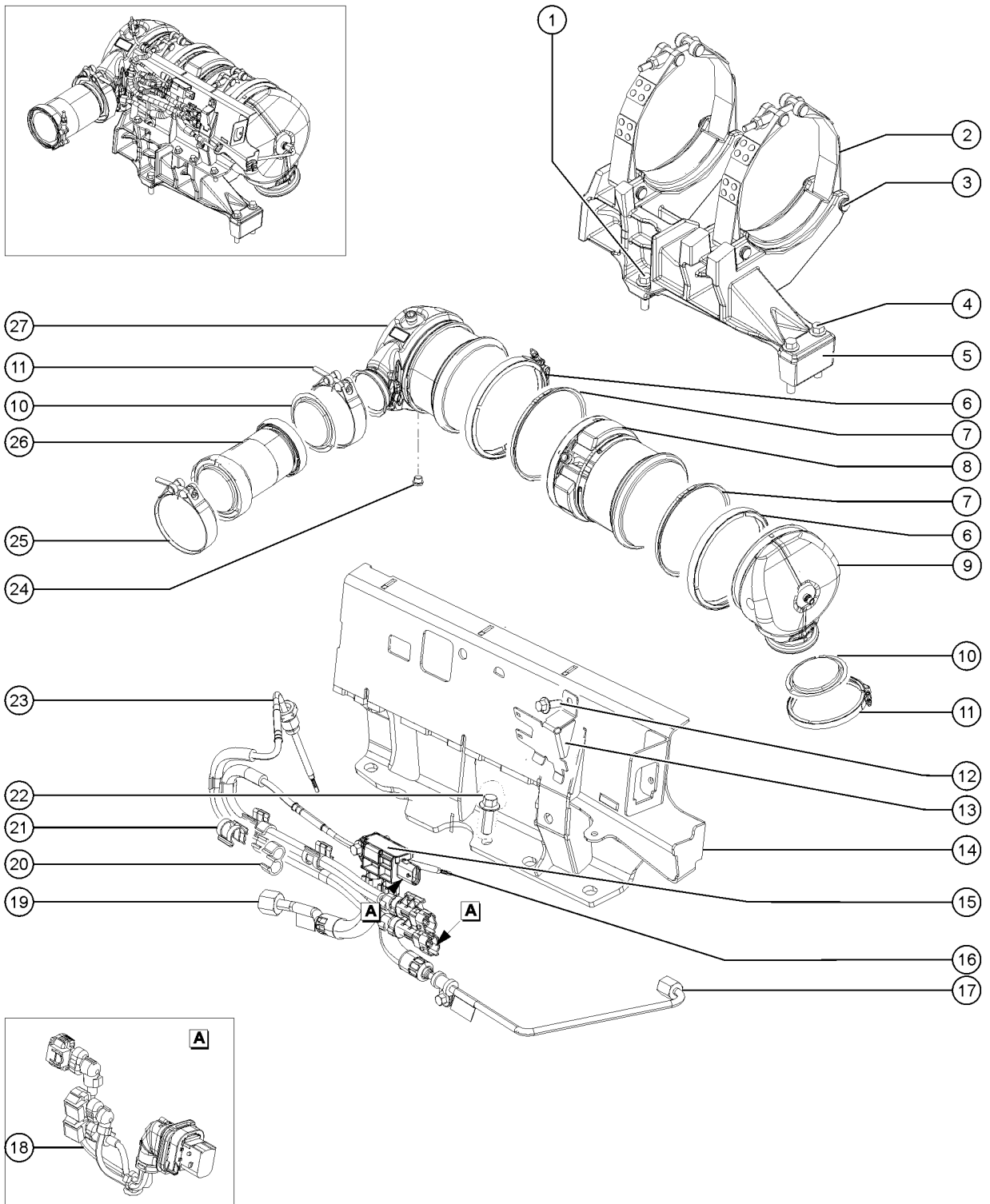
419.1 Deutz TCD 2.2 Engine - View 1



Item	Part No.	Description	Qty.
A		Due to Stage V regulations, many engine replacement parts require the engine serial number at time of order placement. When ordering engine parts please have both machine and engine serial numbers available. For internal engine parts, contact engine dealer	
1	825693GT	COOLANT TEMP SENSOR,TD2.9	1
2	1261237GT	SENSOR,FUEL PRESSURE	1
2-	1262893GT	O-RING, OIL PRESSURE SENSOR	
3	1262896GT	SENSOR,INTAKE AIR PRESSURE	1
3-	1262897GT	O-RING, INTAKE AIR PRESSURE SENSOR	
4	1300704GT	STARTER	1
5	825708GT	DIPSTICK,TD2.9	1
6	1300706GT	CABLE HARNESS	1
7	07.0501.0051GT	ALTERNATOR	1
8	1300713GT	ADAPTER	1
9	1300707GT	OIL COOLER	1
10	1293934GT	Belt	1
11	1294968GT	FAN, 430MM	1
12	1294091GT	HEXAGON BOLT	4
13	89785GT	RING GEAR,DEUTZ F3L2011F (please verify ring gear thickness) 0.6 inches	1
14	1262873GT	BOLT, DEUTZ FLYWHEEL	8
15		REF. DPF refer to 420.1	



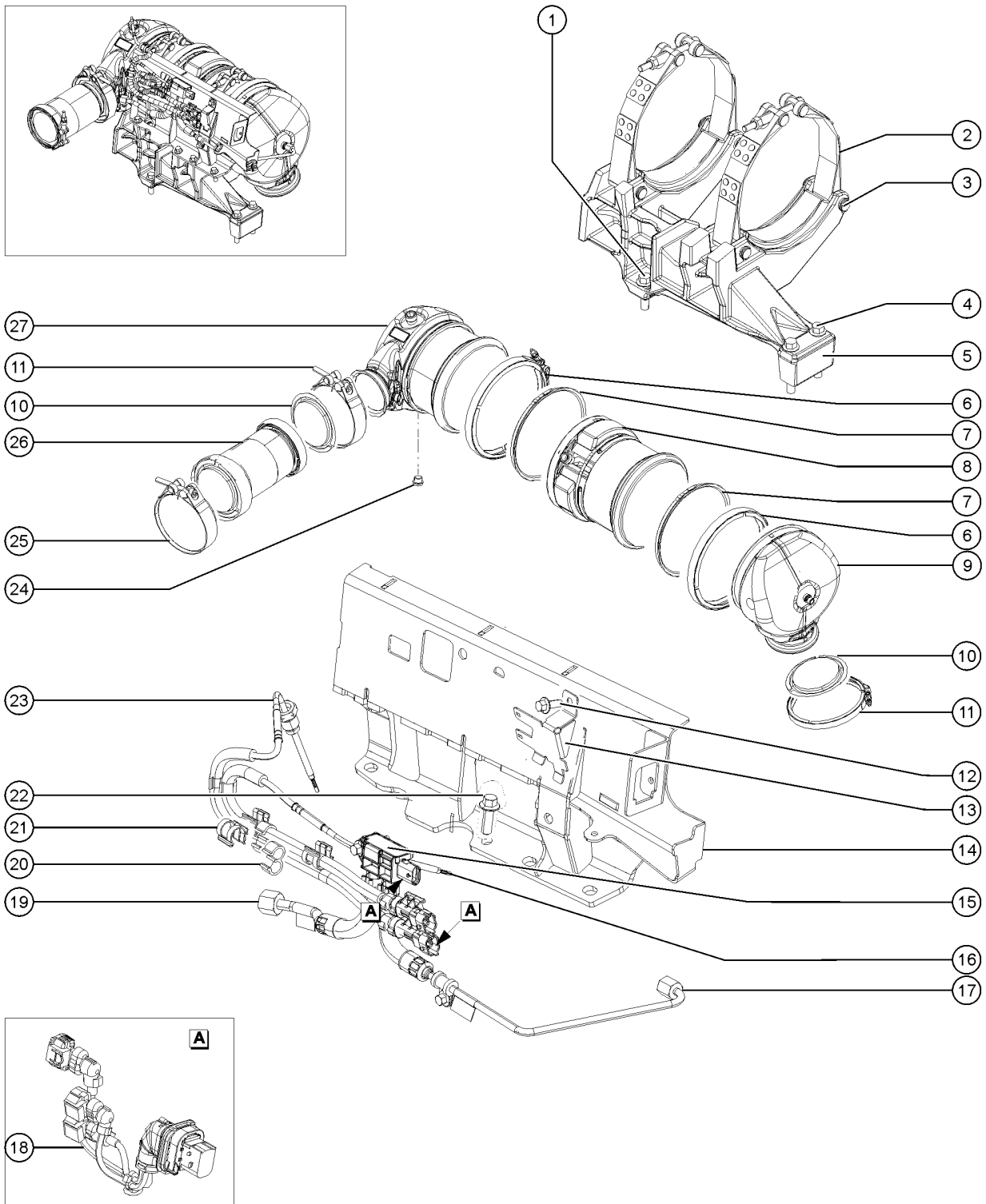
420.1 Deutz TCD 2.2 Engine - View 2



Item	Part No.	Description	Qty.
A		Due to Stage V regulations, many engine replacement parts require the engine serial number at time of order placement. When ordering engine parts please have both machine and engine serial numbers available. For internal engine parts, contact engine dealer	
1	1297249GT	SCREW M10x38	2
2	1297244GT	STRAP W/SCREW	2
3	1297245GT	CIRCLIP	8
4	1297251GT	SCREW M10x65	2
5	1297250GT	BRACKET	1
6	1297261GT	CLIP	2
7	1297262GT	GASKET	2
8	1297263GT	PARTICULATE FILTER	1
9	1297264GT	DPF OUTLET	1
10	1257377GT	GASKET,MIXING PIPE,TCD3.6 T4F	2
11	825015GT	CLAMP, T4 TCD3.6 DOC	2
12	1297255GT	SCREW M6x12	1
13	1297257GT	RETAINING PLATE	1
14	1297256GT	SHEET / PLATE	1
15	1297253GT	PRESSURE SENSOR	1
16	07.4501.0252GT	TEMPERATURE SENSOR	1
17	1297252GT	TUBE	1
18	1297243GT	INTERCONNECTING PIPE	1
19	1297247GT	TUBE	1
20	1297248GT	HOSE CLIP	2
21	1297254GT	CLAMP	4
22	1293871GT	HEXAGON BOLT	3
23	1257779GT	SENSOR,EXH,TEMP,TCD3.6 T4F	1
24	1297258GT	PLUG	1
25	824775GT	CLAMP,TURBO OUTLET-TURBO PIPE,	1
26	1300708GT	COMPENSATOR	1

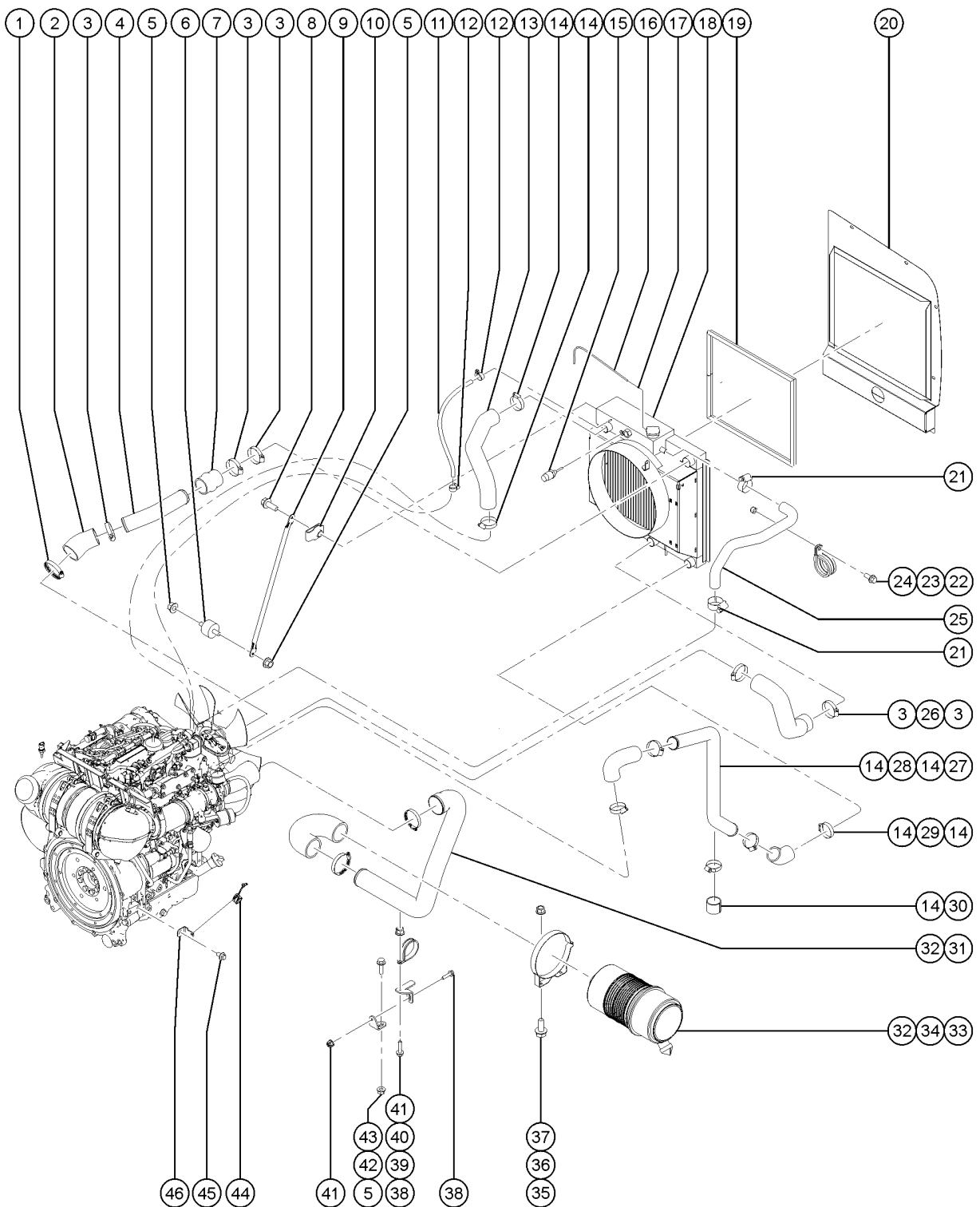


420.1 Deutz TCD 2.2 Engine - View 2



<i>Item</i>	<i>Part No.</i>	<i>Description</i>	<i>Qty.</i>
27	1297260GT	DPF INLET	1

421.1 Deutz TCD 2.2 Engine - View 3 (to SN SX125XCD-1313)

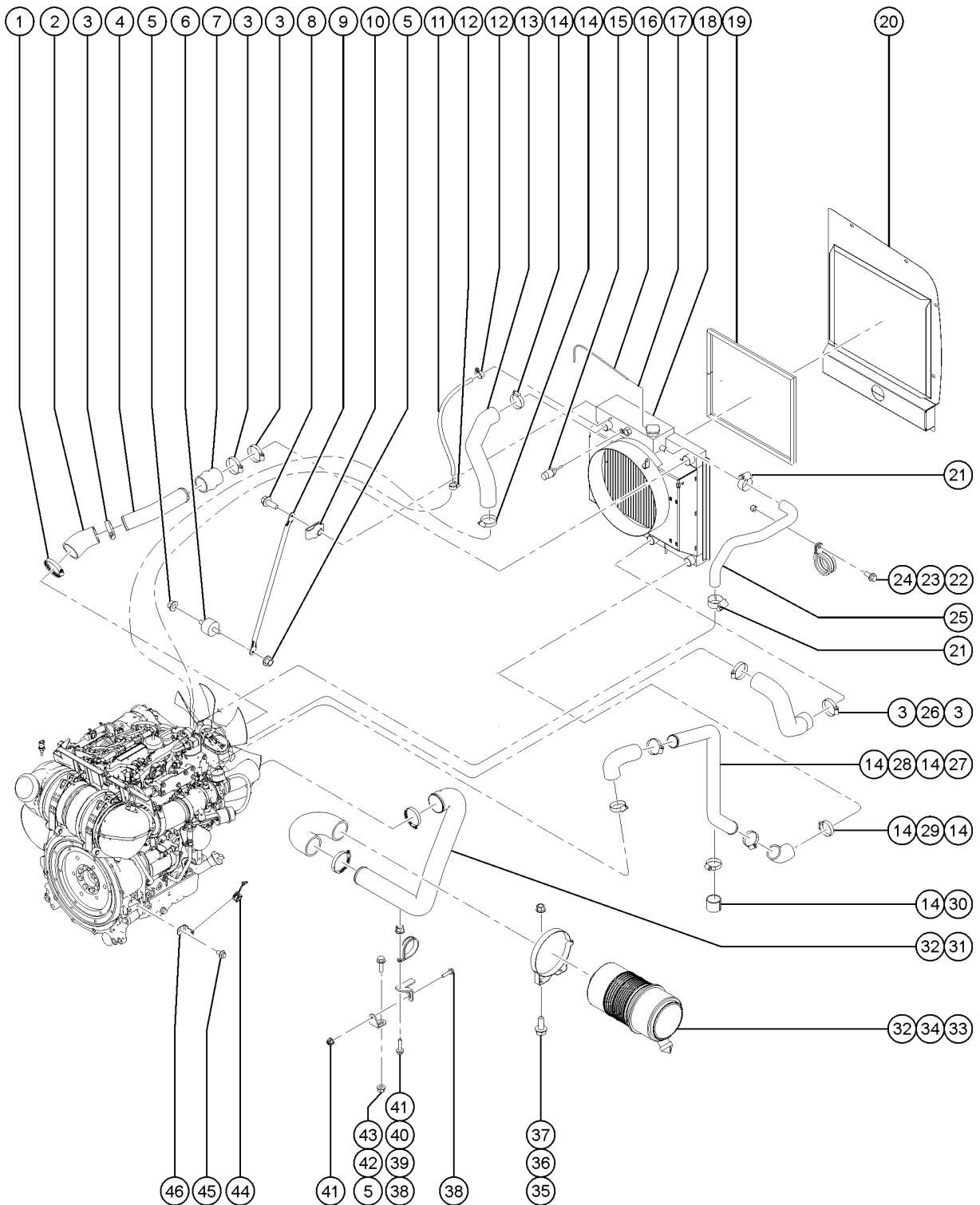


421.1 Deutz TCD 2.2 Engine - View 3 (to SN SX125XCD-1313)

Item	Part No.	Description	Qty.
A		Due to Stage V regulations, many engine replacement parts require the engine serial number at time of order placement. When ordering engine parts please have both machine and engine serial numbers available. For internal engine parts, contact engine dealer	
1	45435GT	CLAMP,HOSE,3.00"	1
2	1290370GT	ADAPTER, AIR INTAKE, 2" X 2.4"	1
3	35434GT	CLAMP,HOSE,2.00***	5
4	1290676GT	PIPE, CAC TO INTAKE, TCD 2.2L	1
5	1274322GT	NUT,NYLOCK FLG,3/8-16,G,ZAG	
6	75260GT	ISOLATOR,FLEX-BOLT SANDWICH***	2
7	1285481GT	COUPLER, 2.00", HUMP, LT SILICONE, BLUE	1
8	824090GT	WELDMENT,DEUTZ D2011L3i BAFFLE	2
9	1291151GT	TUBE, STRUT, RADIATOR SUPPORT	2
10	29868GT	WASHER,FLAT,,.375X1.25X.062,ZAG	2
11	1291348GT	HOSE, VENT, 2.2L TCD	1
12	21465GT	CLAMP,HOSE,SIZE .25 TO .63	3
13	1289109GT	HOSE, UPPER RADIATOR, TCD 2.2	1
14	22672GT	CLAMP,HOSE,1.75	8
15	218715GT	COOLANT LEVEL SNSR, DEUTZ TCD3.6	1
16	822606GT	TUBING,VINYL,3/8" CLEAR (bulk)	39.4
17	1289108GT	ASSEMBLY, RADIATOR, INTERCOOLER, TCD 2.2	1
18	119219-9300GT	GASKET, 3/4"BULB X 1/8" GAP	1
19	1298799GT	FORMING, BAFFLE, SX-105 &125XC, DEUTZ 2.2	1
19-	1291479GT	BAFFLE PLATE, SX105XC, DEUTZ 2.2 From SN SX125D-1312	1
20	30348GT	CLAMP,HOSE,1.00	2
21	1256855	SCREW,HHF,1/4-20X.625,8,ZAG	1
22	33784GT	CLAMP,1.31,#21 X 1/4,RUB CUSH	1
23	6091GT	NUT,NYLOCK,1/4-20	1
24	1289111GT	HOSE, COMPENSATION, TCD 2.2	1
25	1289110GT	HOSE, LOWER RADIATOR, TCD 2.2	1



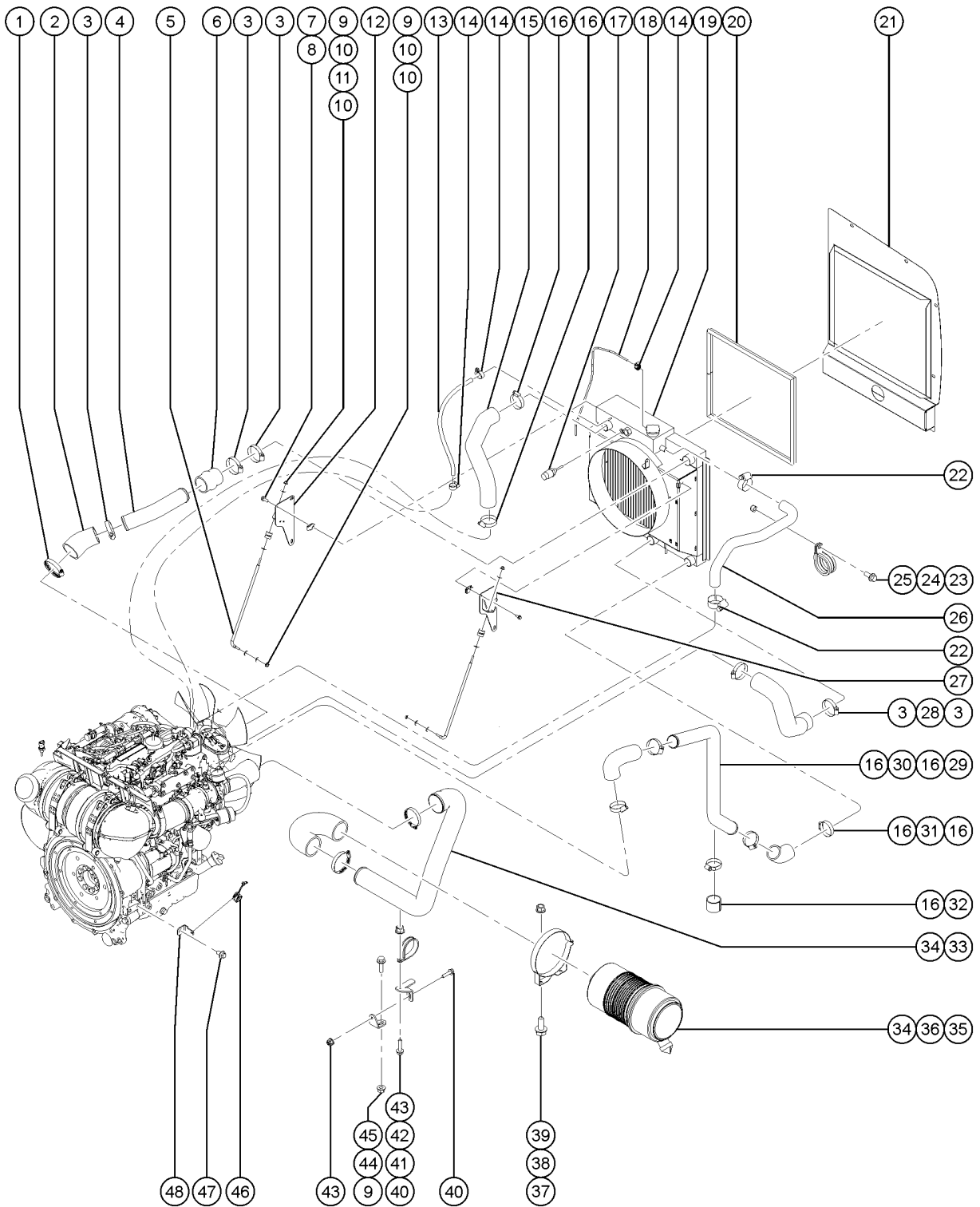
421.1 Deutz TCD 2.2 Engine - View 3 (to SN SX125XCD-1313)



<i>Item</i>	<i>Part No.</i>	<i>Description</i>	<i>Qty.</i>
26	1289113GT	PIPE, TURBO TO CAC, TCD 2.2	1
27	1290094GT	ADAPTER, TURBO OUTLET	1
28	1290368GT	COUPLER, 1.75", HT SILICONE RED	1
29	1287140GT	RUBBER, PIPE CUSHION	2
30	1289112GT	PIPE, FILTER TO TURBO, TCD 2.2	1
31	30971GT	AIR CLEANER,NELSON	3
32	63463GT	TUBE, AIR CLEANER SPACER	1
33	1293912GT	HOSE, AIR INTAKE, 2.50" I.D.	1
34	824085GT	SCREW,HHF,5/16-18X.75,8,ZAG	2
35	33931GT	MOUNTING BAND (27915)	1
36	1274167GT	NUT,NYLOCK FLG,5/16-18,F,ZAG	2
37	824079GT	SCREW,HHF,1/4-20X1,8,ZAG	10
38	1295534GT	FORMING, CLAMP AIR TURBO PIPE, TD 2.2L	1
39	101626GT	CLAMP,2.5,#40 x 1/4,RUB CUSH	1
40	1277924GT	NUT,NYLOCK FLG,1/4-20,F,ZAG	2
41	1295535GT	FORMING, CLAMP AIR TURBO PIPE, TD 2.2L	1
42	824091GT	SCREW,HHF,3/8-16X1.25,8,ZAG	1
43	121603GT	CLAMP,FIXED DIA.NYLON,.875"	1
44	1255806GT	SCREW,HHF,M12-1.75X20,DIN6921,10.9,ZAB	1
45	1256480GT	FORMING, WIRE LOOM SUPPORT	1



421.2 Deutz TCD 2.2 Engine - View 3 (from SN SX125XCD-1314)

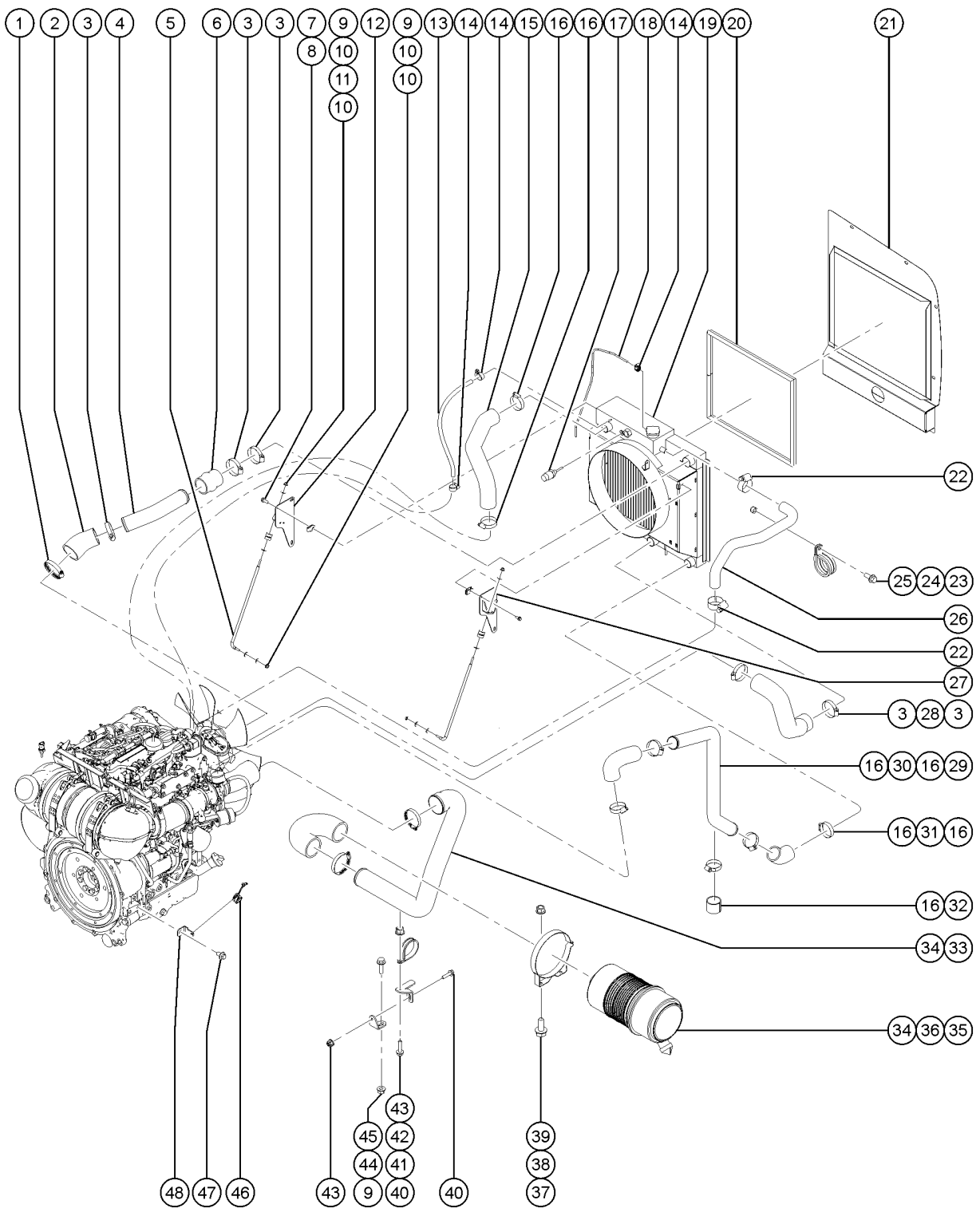


421.2 Deutz TCD 2.2 Engine - View 3 (from SN SX125XCD-1314)

Item	Part No.	Description	Qty.
1	45435GT	CLAMP,HOSE,3.00"	1
2	1290370GT	ADAPTER, AIR INTAKE, 2" X 2.4"	1
3	35434GT	CLAMP,HOSE,2.00***	5
4	1290676GT	PIPE, CAC TO INTAKE, TCD 2.2L	1
5	1301741GT	STRUT, ROD, STAGE V	1
6	75260GT	ISOLATOR,FLEX-BOLT SANDWICH***	2
7	824090GT	WELDMENT,DEUTZ D2011L3i BAFFLE	2
8	29868GT	WASHER,FLAT,.375X1.25X.062,ZAG	2
9	1274322GT	NUT,NYLOCK FLG,3/8-16,G,ZAG	4
10	1255758GT	WASHER,FLAT,3/8,USS,ZAG	8
11	1301742GT	ISOLATOR, RADIATOR, 80 LB	2
12	1301883GT	WELDMENT, STAGE V, STRUT BRACKET, SWING SIDE	1
13	1291348GT	HOSE, VENT, 2.2L TCD	1
14	21465GT	CLAMP,HOSE,SIZE .25 TO .63	3
15	1289109GT	HOSE, UPPER RADIATOR, TCD 2.2	1
16	22672GT	CLAMP,HOSE,1.75	8
17	218715GT	COOLANT LEVEL SNSR, DEUTZ TCD3.6	1
18	1302463GT	TUBE, COOLANT OVER FLOW	1
18-	822606GT	TUBING,VINYL,3/8" CLEAR (bulk)	48
19	1289108GT	ASSEMBLY, RADIATOR, INTERCOOLER, TCD 2.2	1
20	119219-9300GT	GASKET, 3/4"BULB X 1/8" GAP	1
21	1298977GT	DECAL KIT,PLAT Z40/Z34/Z30,SYMBOL	1
21B	1291479GT	BAFFLE PLATE, SX105XC, DEUTZ 2.2 from SN SX125D-1312	1
22	30348GT	CLAMP,HOSE,1.00	2
23	1256855	SCREW,HHF,1/4-20X.625,8,ZAG	1
24	33784GT	CLAMP,1.31,#21 X 1/4,RUB CUSH	1
25	6091GT	NUT,NYLOCK,1/4-20	1
26	1289111GT	HOSE, COMPENSATION, TCD 2.2	1



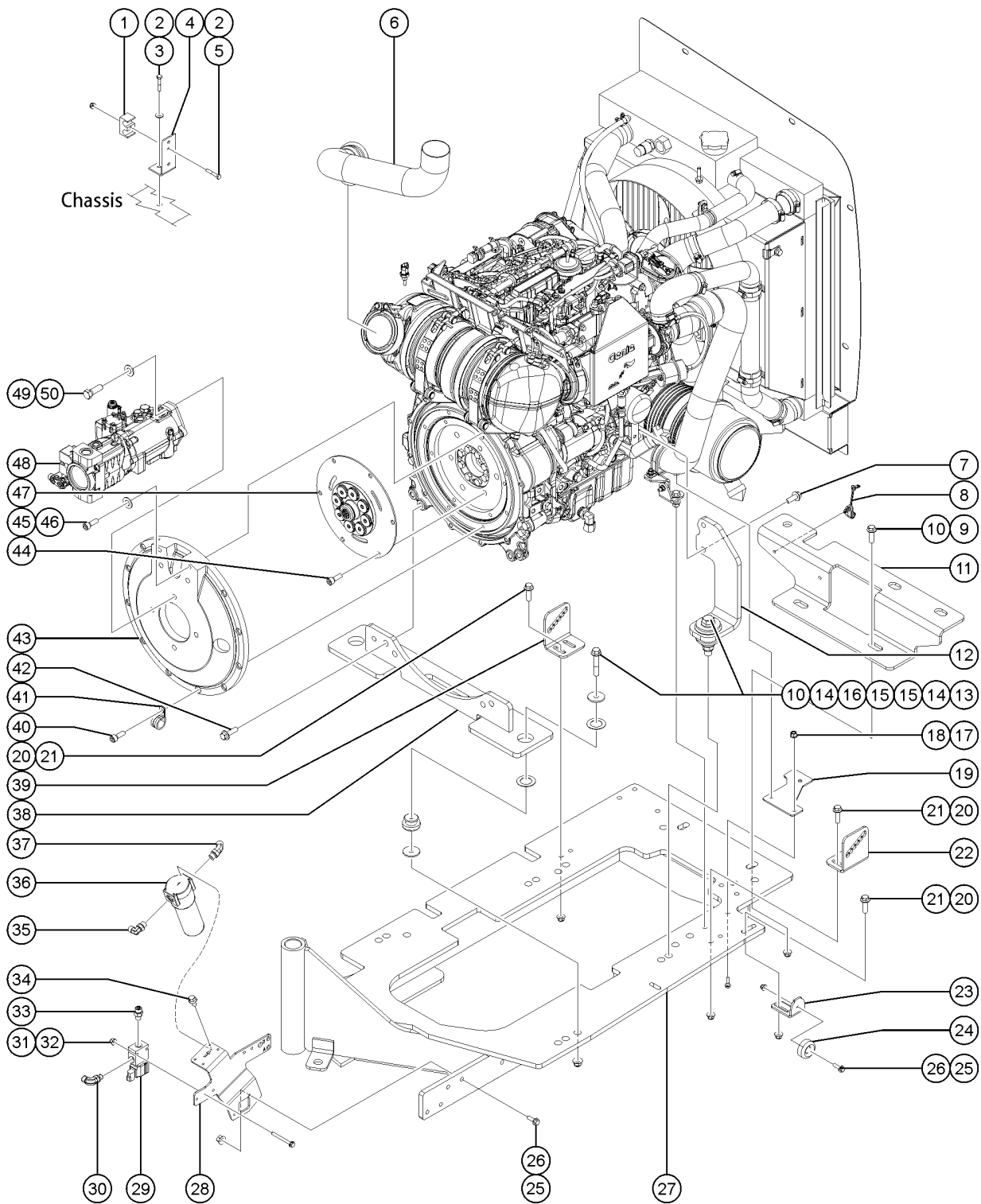
421.2 Deutz TCD 2.2 Engine - View 3 (from SN SX125XCD-1314)



<i>Item</i>	<i>Part No.</i>	<i>Description</i>	<i>Qty.</i>
27	1301884GT	WELDMENT, STAGE V, STRUT BRACKET, COVER SIDE	1
28	1289110GT	HOSE, LOWER RADIATOR, TCD 2.2	1
29	1289113GT	PIPE, TURBO TO CAC, TCD 2.2	1
30	1290094GT	ADAPTER, TURBO OUTLET	1
31	1290368GT	COUPLER, 1.75", HT SILICONE RED	1
32	1287140GT	RUBBER, PIPE CUSHION	2
33	1289112GT	PIPE, FILTER TO TURBO, TCD 2.2	1
34	30971GT	AIR CLEANER,NELSON	1
35	63463GT	TUBE, AIR CLEANER SPACER	1
36	1293912GT	HOSE, AIR INTAKE, 2.50" I.D.	1
37	824085GT	SCREW,HHF,5/16-18X.75,8,ZAG	2
38	33931GT	MOUNTING BAND (27915)	1
39	1274167GT	NUT,NYLOCK FLG,5/16-18,F,ZAG	2
40	824079GT	SCREW,HHF,1/4-20X1,8,ZAG	10
41	1295534GT	FORMING, CLAMP AIR TURBO PIPE, TD 2.2L	1
42	101626GT	CLAMP,2.5,#40 x 1/4,RUB CUSH	1
43	1277924GT	NUT,NYLOCK FLG,1/4-20,F,ZAG	2
44	1295535GT	FORMING, CLAMP AIR TURBO PIPE, TD 2.2L	1
45	824091GT	SCREW,HHF,3/8-16X1.25,8,ZAG	1
46	121603GT	CLAMP,FIXED DIA.NYLON,.875"	1
47	1255806GT	SCREW,HHF,M12-1.75X20,DIN6921,10.9,ZAB	1
48	1256480GT	FORMING, WIRE LOOM SUPPORT	1



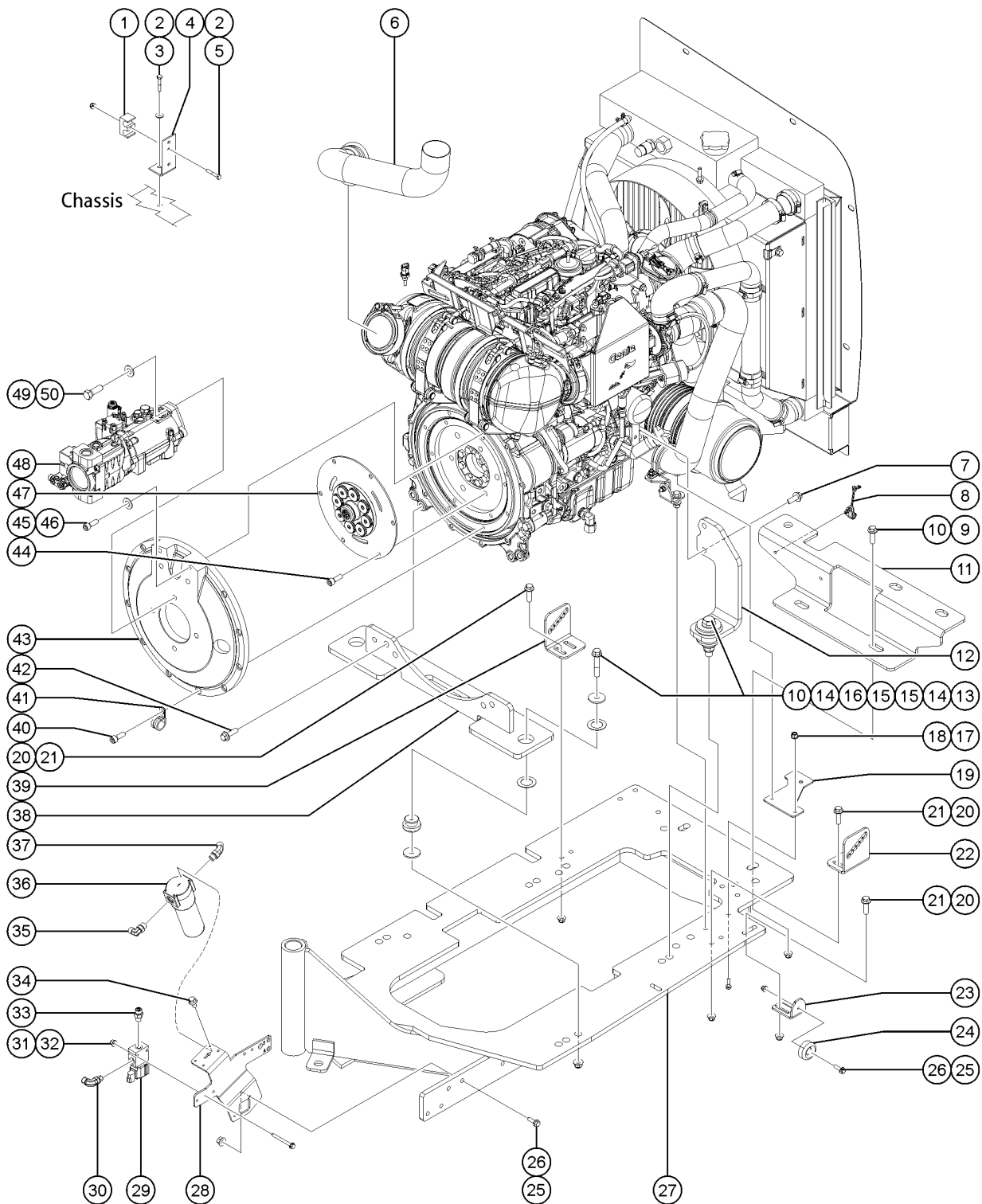
422.1 Deutz TCD 2.2 Engine - View 4



Item	Part No.	Description	Qty.
A		Due to Stage V regulations, many engine replacement parts require the engine serial number at time of order placement. When ordering engine parts please have both machine and engine serial numbers available. For internal engine parts, contact engine dealer	
1	70289GT	CLAMP, LINK, LH WELD WIRE	1
2	824062GT	SCREW, HHC, 1/4-20X1.5, 8, ZAG	2
3	824113GT	WASHER, FLAT, 1/4, USS, ZAG	5
4	70535GT	BRACKET, BATTERY CABLE	1
5	1277924GT	NUT, NYLOCK FLG, 1/4-20, F, ZAG	1
6	1291558GT	EXHAUST PIPE, 2.2L DEUTZ	1
7	231511GT	SCREW, HHF, M12-1.75X35, DIN6921, 10.9, ZAB	2
8	219508GT	CLAMP, FIXED DIA, NYLON, 3/8"	2
9	1253208GT	SCREW, HHF, 5/8-11X1.5, 8, ZAG	2
10	1283007GT	NUT, NYLOCK FLG, 5/8-11, F, ZAG	6
11	1291478GT	FORMING, COOLER MOUNT, TCD 2.2	1
12	1291522GT	FORMING, ENGINE MOUNT, LEFT	1
13	1256583GT	SCREW, HHF, 5/8-11X3.5, 8, ZAG	4
14	824123GT	WASHER, FLAT, .625X2.25X.188, ZAG	8
15	1251565GT	WASHER, SHIM, 1.56X2.5X.061, ZAG	8
16	217500GT	ISOLATOR, ENGINE VIBRATION	4
17	824087GT	SCREW, HHF, 5/16-18 X 1.25, 8, ZAG	2
18	1274167GT	NUT, NYLOCK FLG, 5/16-18, F, ZAG	2
19	1291526GT	PLATE, SPACER, AIR CLEANER	1
20	824091GT	SCREW, HHF, 3/8-16X1.25, 8, ZAG	4
21	1274322GT	NUT, NYLOCK FLG, 3/8-16, G, ZAG	4
22	1291076GT	FORMING, FAN SHROUD STRUT MOUNT, LH	1
23	1291557GT	FORMING, COVER STOP	1
24	50974GT	BUMPER, RUBBER, COVERS	1
25	231533GT	SCREW, HHF, M10-1.5X35, DIN6921	7
26	1283015GT	NUT, NYLOCK FLG, M10-1.5, DIN6926, 10, ZAB	7

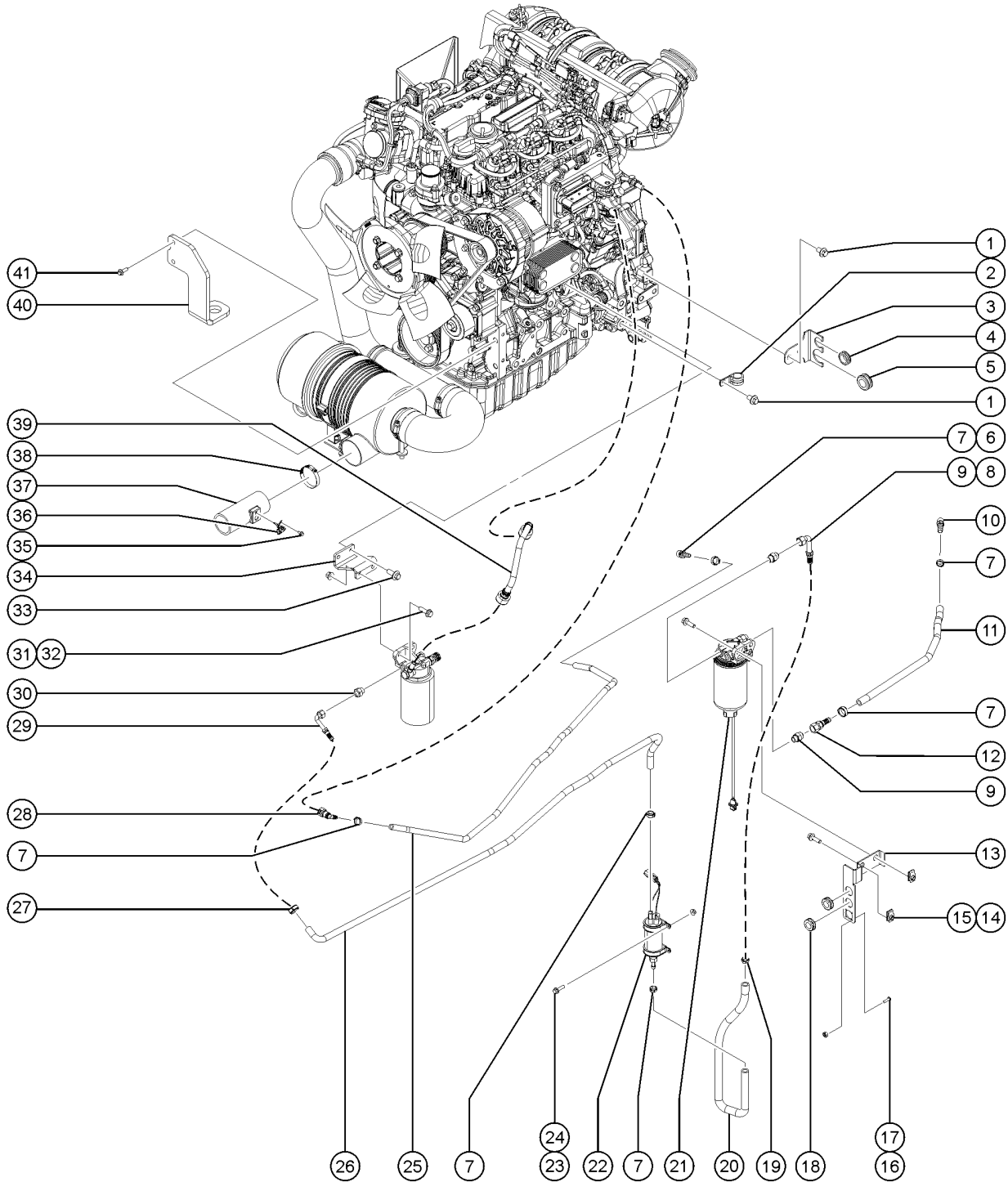


422.1 Deutz TCD 2.2 Engine - View 4



Item	Part No.	Description	Qty.
27	1307308GT	ASSY, ENGINE TRAY, S125XC	1
28	1278703GT	FORMING,CHARGE FILTER MOUNT	1
29	218144GT	VALVE, FUNCTION ENABLE, ZX135	1
30	48904GT	CONN,520120-4***	1
31	1283013GT	NUT,NYLOCK FLG,M6-1.0,DIN6926,10,ZAB	2
32	216597GT	SCREW,HHF,M6 X 50,G10,YZ	4
33	48905GT	CONN,520120-4***	1
34	824078GT	SCREW,HHF,1/4-20X.75,8,ZAG	4
35	48932GT	FITTING,ELBOW,90D,520220-8***	1
36	1267807GT	ASSEMBLY, MED. PRESS. FILTER,	1
37	48937GT	ELBOW,45D,520320-8	1
38	1291524GT	WELDMENT, REAR MOUNT, ENGINE	1
39	1299496GT	FORMING,FAN SHROUD STRUT MOUNT, RH	1
40	1255666GT	SCREW,SHC,M10-1.5X30,DIN912,12.9,ZAB	10
41	60838GT	CLAMP,1.00,#16 X 7/16,RUB CUSH	1
42	1251899GT	SCREW,HHF,M14-2.0 X 40,DIN6921,10.9,ZAB	4
43	70381GT	COVER, FLYWHEEL CASTING	1
44	1255665GT	SCREW,SHC,M10-1.50X20,DIN912,12.9,ZAB	6
45	1257481GT	SCREW,SHC,M10-1.5X60,DIN912,12.9,ZAB	2
46	824145GT	WASHER, FLAT, .375 X 1.50 X .125, ZAG	2
47	128004GT	COUPLER, 15 TOOTH, FBA, SAE 8	1
48		Ref. PUMP, DRIVE, AND FUNTION refer to 708.1	1
49	1256844GT	SCREW,HHC,1/2-13X1.5,8,ZAG	2
50	825353GT	WASHER,FLAT,1/2,SAE,HRD,ZAG	2

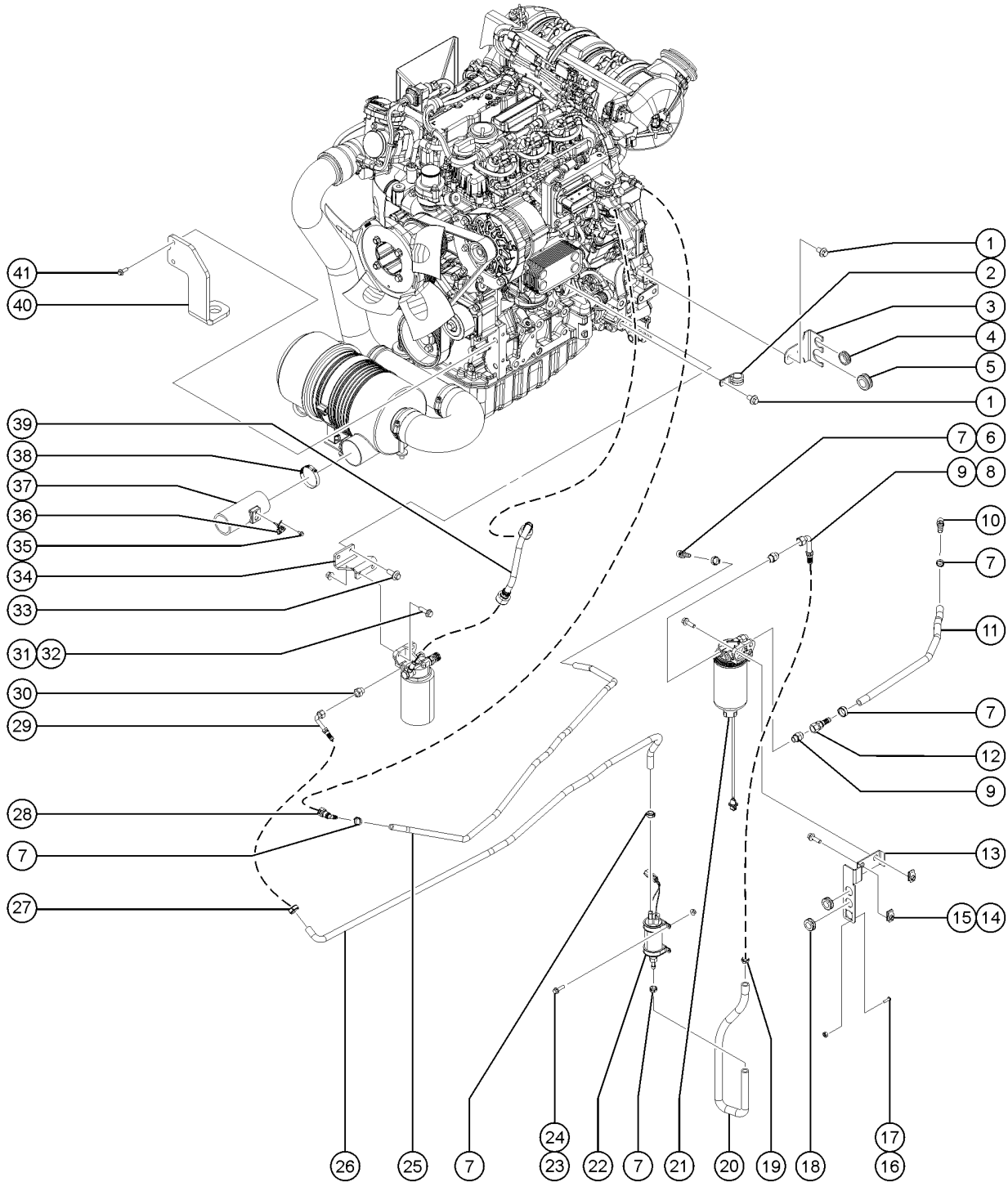
423.1 Deutz TCD 2.2 Engine - View 5



Item	Part No.	Description	Qty.
A		Due to Stage V regulations, many engine replacement parts require the engine serial number at time of order placement. When ordering engine parts please have both machine and engine serial numbers available. For internal engine parts, contact engine dealer	
1	1255806GT	SCREW,HHF,M12-1.75X20,DIN6921,10.9,ZAB	3
2	61109GT	CLAMP,1.25,#20 X 7/16,RUB CSH	1
3	1257888GT	FORMING, ENGINE HARNESS SUPPOR	1
4	124962GT	GROMMET,RUBBER,1.0 X 1.25X1.5	1
5	106923GT	GROMMET,RUBBER .38X1.38X1.0	1
6	27901GT	HOSE END,BARBED,RIGID,-6-6	1
7	81154GT	CLAMP,HOSE,SIZE .31 > .91	6
8	162207GT	FITTING,ELBOW,8GS-8FJX90S	1
9	162209GT	FITTING,CONN,16MM-8MJ	2
10	824471GT	FITTING,3/8 NPT TO 1/2 BARB	1
11	1301088GT	HOSE, TANK TO WATER SEPERATOR	1
12	824635GT	FITTING,STR,1/2 HS X 3/4-16,JI	1
13	1267330GT	FROMING, FUEL FILTER MOUNT	1
14	29868GT	WASHER,FLAT,.375X1.25X.062,ZAG	2
15	824090GT	WELDMENT,DEUTZ D2011L3i BAFFLE	2
16	55306GT	SCREW,PHILLIPS,PHM,4-40 X .50	
17	40706GT	ADAPTER,3/8 NPT,BRASS	
18	60584GT	GROMMET,RUBBER .75 X .19 X 1**	2
19	822087GT	CLAMP,HOSE,1EAR,25/32	1
20	1301089GT	HOSE, WATER SEPERATOR TO PUMP	1
21	236260GT	FILTER, FUEL PRE-FILTER, SPIN-ON, DEUTZ	1
22	214691GT	FUEL LIFT PUMP, DEUTZ D 2.9	1
23	218458GT	SCREW,HHF,M5X20,DIN6921,10.9,ZAB	4
24	1255753GT	NUT,FLG,M5-0.8,DIN6923,8,ZAB	4
25	1301091GT	HOSE, ENGINE TO TANK	1
26	1301090GT	HOSE, PUMP TO ENGINE	1

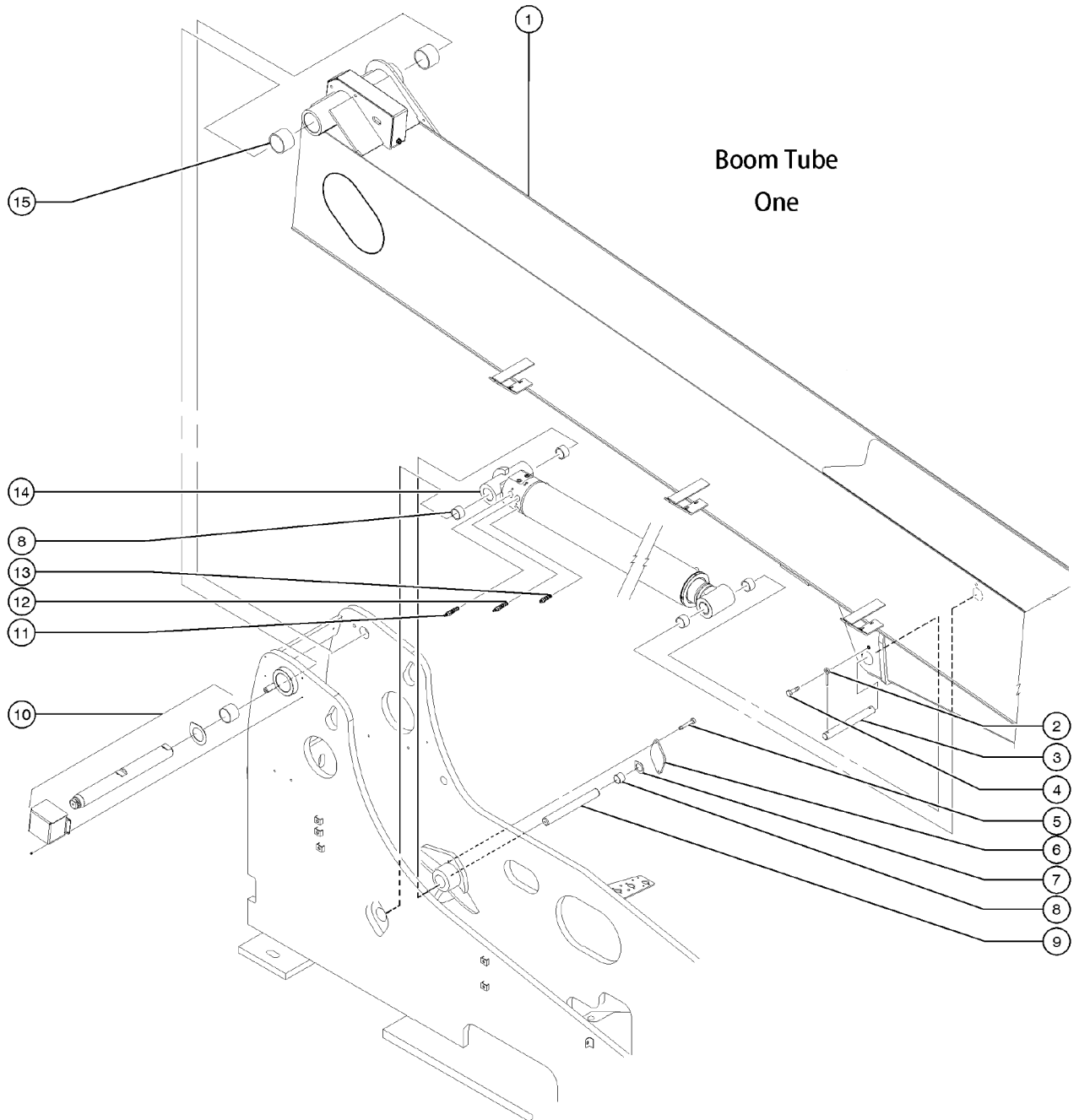


423.1 Deutz TCD 2.2 Engine - View 5



<i>Item</i>	<i>Part No.</i>	<i>Description</i>	<i>Qty.</i>
27	96770GT	CLAMP, HOSE, 1 EAR, 11/16	1
28	826000GT	CONNECTOR, SAE10, QUICK CONNECT	1
29	162206GT	FITTING, ELBOW, 6GS-6FJX90S	1
30	162208GT	FITTING, CONN, 16MM-6MJ	1
31	231533GT	SCREW, HHF, M10-1.5X35, DIN6921	2
32	1283015GT	NUT, NYLOCK FLG, M10-1.5, DIN6926, 10, ZAB	2
33	231088GT	SCREW, HHF, M10-1.5X20, DIN6921, 1	2
34	1256911GT	FORMING FUEL FILTER DEUTZ	1
35	824077GT	SCREW, HHF, 1/4-20X.5, 8, ZAG	1
36	1266547GT	SENSOR, TEMP, AMBIENT, T4F, TCD3.6	1
37	1298855GT	HOSE, RAW AIR INTAKE, 2.50" I.D.	1
37B	1295397GT	HOSE, RAW AIR INTAKE, 2.50" I.D. From SX105D-1312	1
38	30971GT	AIR CLEANER, NELSON	1
39	1296260-1400GT	HOSE ASSEMBLY-1/2" FUEL GATES, STR FEM, 90 FEM	1
40	1291523GT	FORMING, ENGINE MOUNT, RIGHT	1
41	231511GT	SCREW, HHF, M12-1.75X35, DIN6921, 10.9, ZAB	2

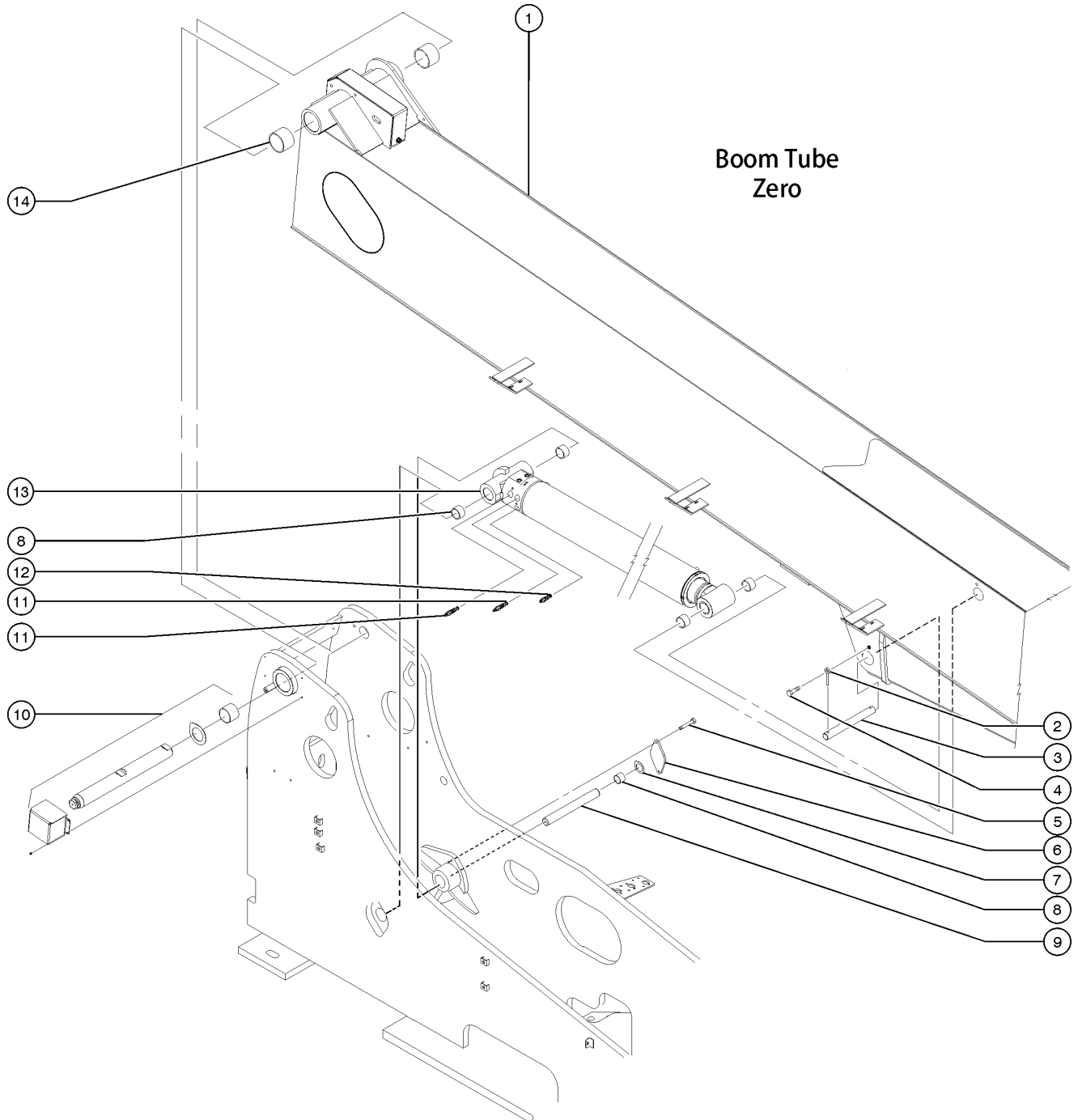
501.1 Boom Lift Cylinder, SX-105 XC



Item	Part No.	Description	Qty.
1	1269671GT	ASSY,BOOM#1	1
2	1256267GT	ROD END,.5 X 3.75,ZAG	1
3	60297GT	PIN,2.50DIAX11.00LG,1HOLE	1
4	1255469GT	SCREW,HHF,1/2-13X1.25,8,ZAG	
5	824093GT	SCREW,HHF,3/8-16X1.75,8,ZAG	
6	146089GT	PLATE, PIN RETAINER	2
7	60302GT	SHIM,BOOM PIVOT	2
7-	75096GT	SHIM,BOOM PIVOT,THIN as-needed	
7-	1308109GT	SHIM,BOOM PIVOT,1MM as-needed	
8	34131GT	BEARING,2.50IDX3.00ODX2.00L	4
9	146091GT	PIN,2.50DIAX19.875LG,THREADED	1
10		REF. Turntable Center Components (refer to 302.1)	
11	61602GT	VALVE,COUNTERBAL.CBBB-LHN@3500	1
12	75064GT	VALVE, COUNTERBALANCE, CWCG-LGN.5000	1
13	60984GT	VALVE COUNTERBAL.CBBD-LJN@5000	1
14	1269793GT	CYLINDER, PRIMARY LIFTB SX125	1
14-	1277612GT	SEAL KIT,PRIMARY LIFT CYLINDER,SX125	
15	231480GT	BEARING, 80ID X 90OD X 60L	2



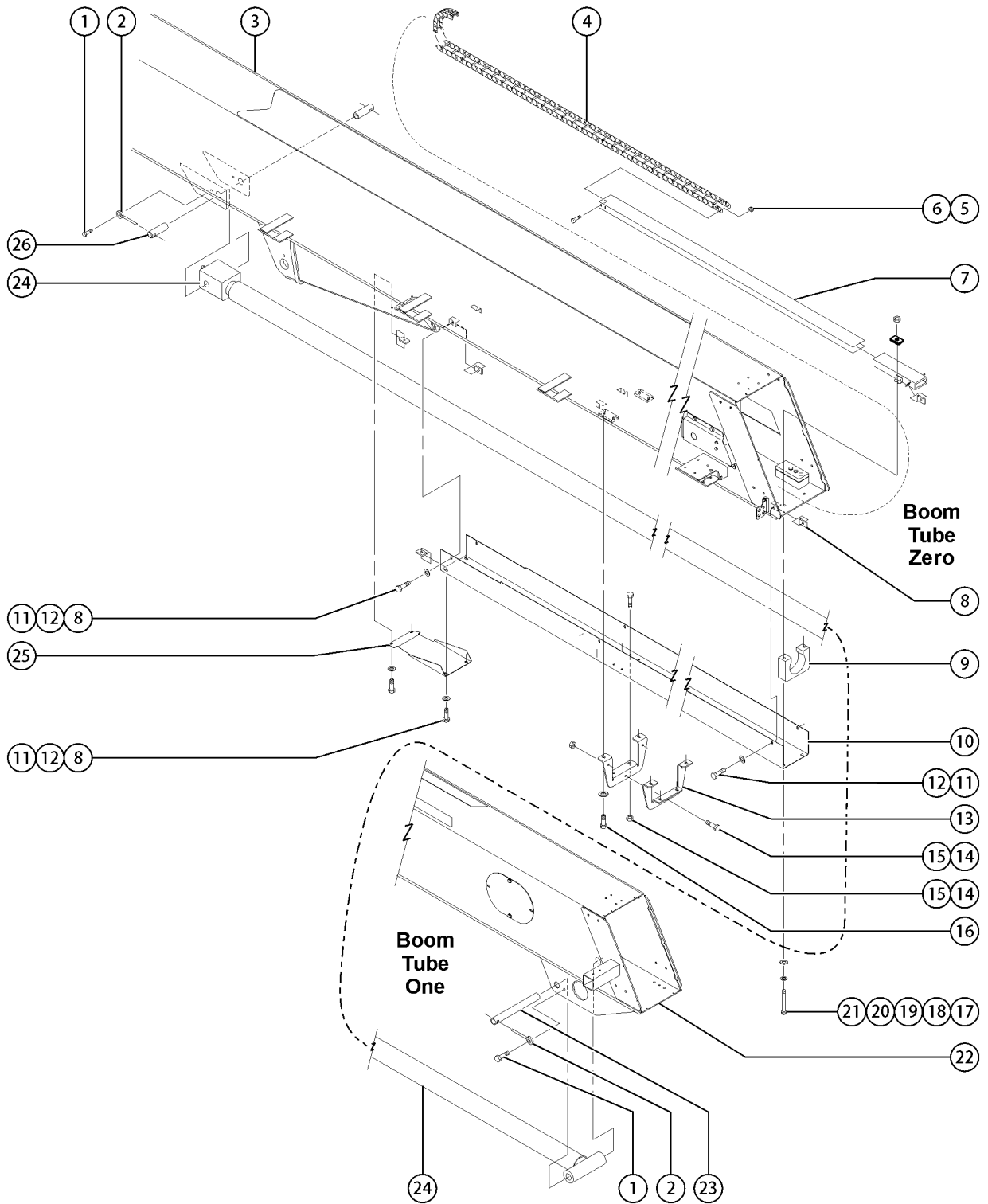
502.1 Boom Lift Cylinder, SX-125 XC



Item	Part No.	Description	Qty.
1	1267609GT	ASSYMBLY,BOOM#0	1
2	1256267GT	ROD END,.5 X 3.75,ZAG	1
3	60297GT	PIN,2.50DIAX11.00LG,1HOLE	1
4	1255469GT	SCREW,HHF,1/2-13X1.25,8,ZAG	
5	824090GT	WELDMENT,DEUTZ D2011L3i BAFFLE	
6	146089GT	PLATE, PIN RETAINER	2
7	60302GT	SHIM,BOOM PIVOT	2
7-	1308109GT	SHIM,BOOM PIVOT,1MM as-needed	
8	34131GT	BEARING,2.50IDX3.00ODX2.00L	4
9	146091GT	PIN,2.50DIAX19.875LG,THREADED	1
10		REF. Turntable Center Components (refer to 302.1)	
11	75064GT	VALVE, COUNTERBALANCE, CWCG-LGN.5000	1
12	60984GT	VALVE COUNTERBAL.CBBB-LJN@5000	1
13	1269793GT	CYLINDER, PRIMARY LIFTB SX125	1
13-	1277612GT	SEAL KIT,PRIMARY LIFT CYLINDER,SX125	
14	231480GT	BEARING, 80ID X 90OD X 60L	2



503.1 Secondary Extend Cylinder, SX-125 XC (to SN SX125D-1451)

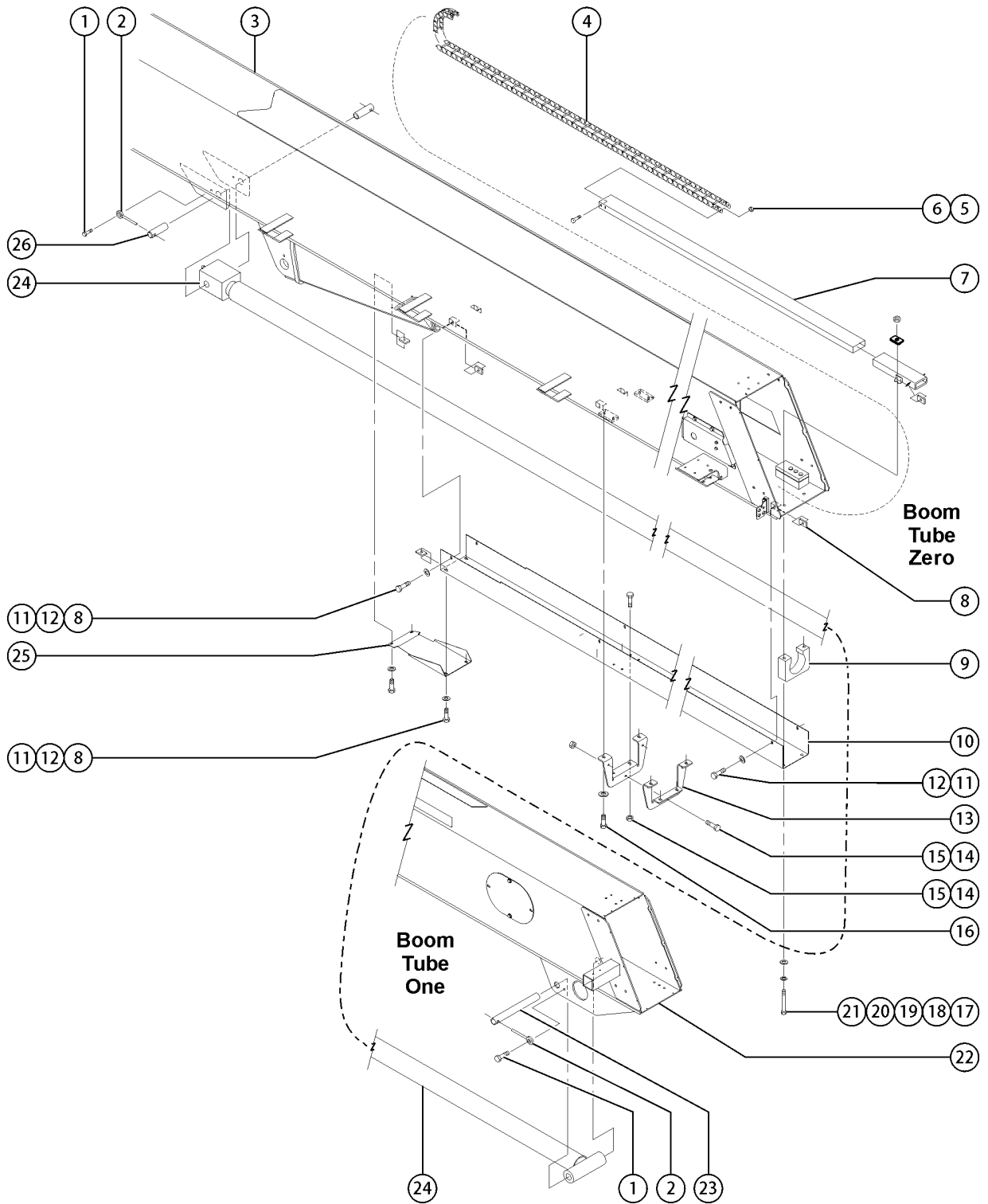


503.1 Secondary Extend Cylinder, SX-125 XC (to SN SX125D-1451)

Item	Part No.	Description	Qty.
1	237830GT	SCREW,HHF,1/2-13X1,8,ZAG	
2	1256267GT	ROD END,.5 X 3.75,ZAG	2
3		REF. Boom Tube Zero	
		(refer to 501.1 and 503.1)	
4	122795GT	CABLE TRACK,STEEL,60 LINKS	1
5	824078GT	SCREW,HHF,1/4-20X.75,8,ZAG	
6	824027GT	NUT,TL FLG,1/4-20,G,ZAG	
7	60260GT	WELDMENT,INNER CABLETRACK TUBE	1
8	56912GT	SPRING CLIP,1/4-20,.025-.15X.5	
9	60207GT	WEAR PAD,PRI.EXT.CYL.SUPPORT	1
10	60266-SGT	FORMING,SECONDARY EXT.CYL CVR	2
11	824059GT	SCREW,HHC,1/4-20X.75,8,ZAG	
12	824113GT	WASHER,FLAT,1/4,USS,ZAG	
13	60960PGT	FORMING,LOWER COVER SUP,PAINT	1
14	824090GT	WELDMENT,DEUTZ D2011L3i BAFFLE	
15	824029GT	NUT,TL FLG,3/8-16,G,ZAG	
16	1256857GT	SCREW,HHF,3/8-16X.625,8,ZAG	
17	1272297GT	SCREW,HHC,1/2-13X7.5,8,ZAG	
18	824111GT	WASHER,LOCK,1/2,ZAG	
19	1255760GT	WASHER,FLAT,1/2,USS,ZAG	
20	1275166GT	MACHINED,TUBE SUPPORT PLATE	1
21	1251997GT	NUT,TL FLG,1/2-13,G,ZAG	
22	1268031GT	WELDMENT, EXTENSION BOOM #1	1
23	60267GT	PIN,1.50DIAX12.25LG,1HOLE	1
24	1268282GT	ASSY, CYLINDER,SECONDARY EXTEND	1
24-	1269795GT	CYLINDER,SECONDARY EXTEND SX125	1
24-	1282955GT	SEAL KIT,SX125,SECONDARY EXTEND CY1269795	
24-	48933GT	CONN,520120-8***	1
24-	48960GT	FITTING,CONN,520120-12***	1



503.1 Secondary Extend Cylinder, SX-125 XC (to SN SX125D-1451)

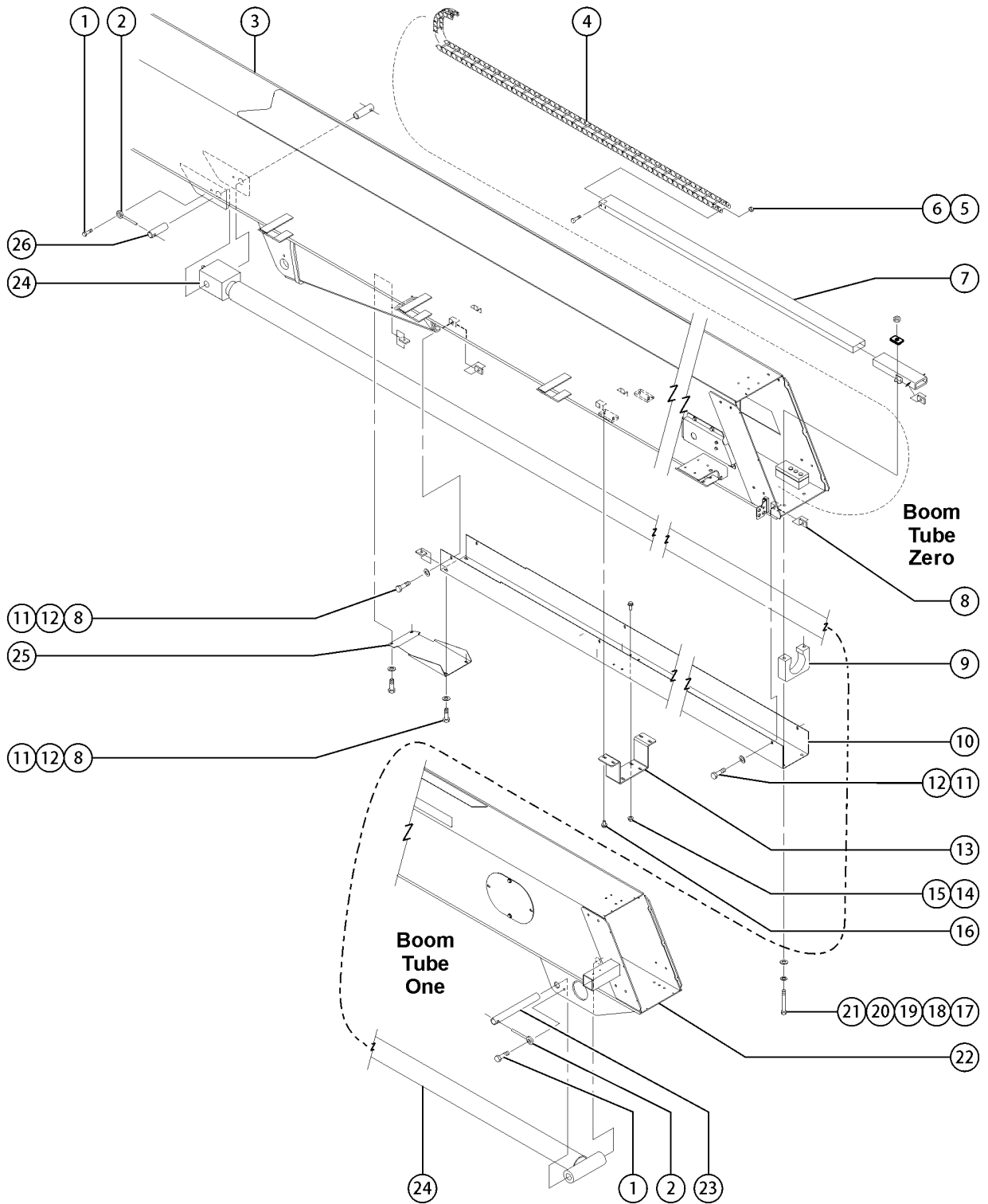


503.1 Secondary Extend Cylinder, SX-125 XC (to SN SX125D-1451)

<i>Item</i>	<i>Part No.</i>	<i>Description</i>	<i>Qty.</i>
24-	48905GT	CONN,520120-4***	1
24-	1279109GT	VALVE,COUNTERBALANCE, 1750 PSI V1 port	
24-	60331GT	VALVE,COUNTERBAL.CWCA-LIN@600* V2 port	
25	60962GT	FORMING,LOWER COVER	1
26	60224GT	PIN,1.50DIAX2.75LG,THREADED	2



503.2 Secondary Extend Cylinder, SX-125 XC (from SN SX125D-1452)

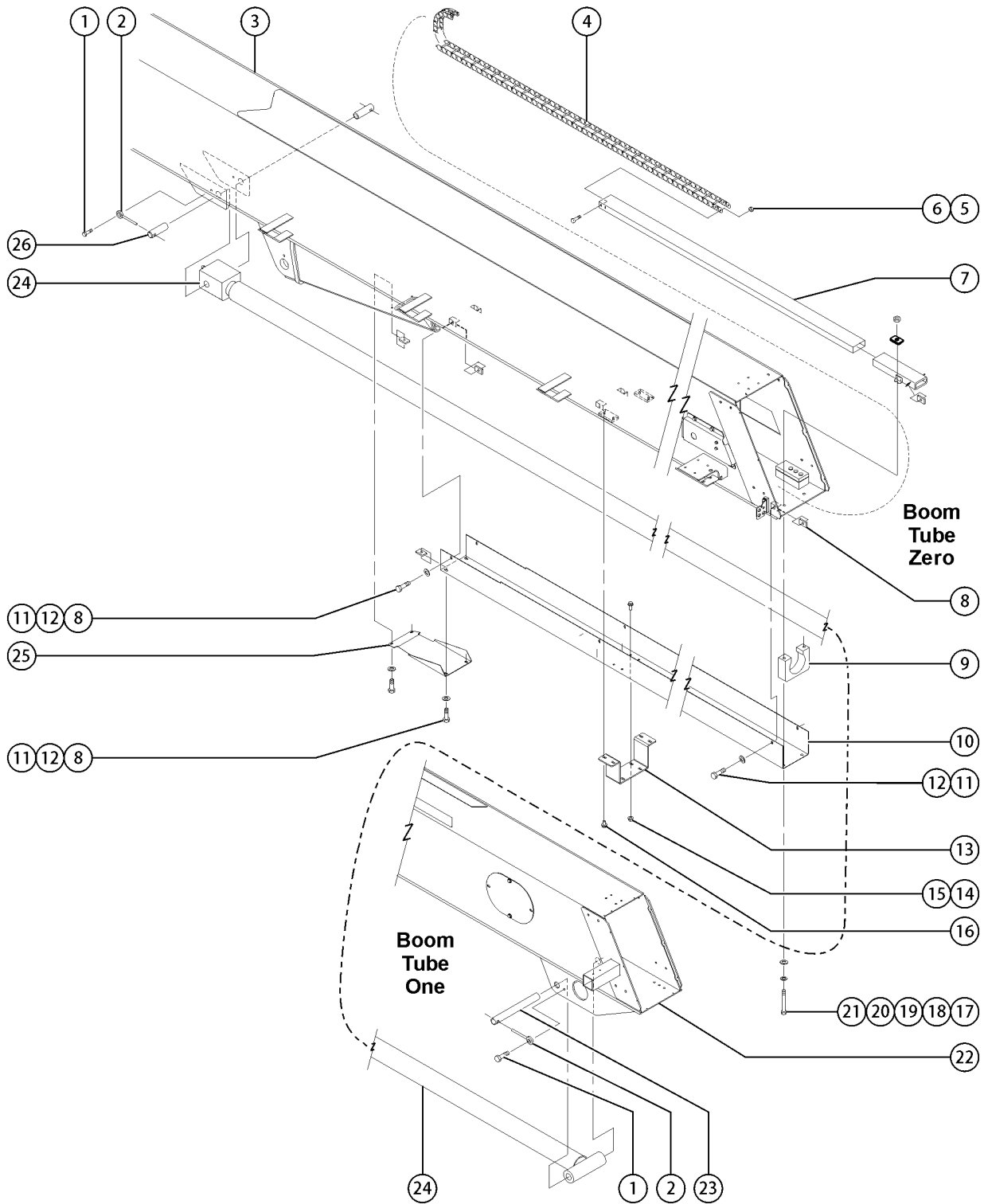


503.2 Secondary Extend Cylinder, SX-125 XC (from SN SX125D-1452)

Item	Part No.	Description	Qty.
1	237830GT	SCREW,HHF,1/2-13X1,8,ZAG	
2	1256267GT	ROD END,.5 X 3.75,ZAG	2
3		REF. Boom Tube Zero	
		(refer to 501.1 and 503.1)	
4	122795GT	CABLE TRACK,STEEL,60 LINKS	1
		(to SN SX125D-2189)	
4B	1309610GT	CABLE TRACL,CDKS070,51 LINK	1
		(from SN SX125D-2190)	
4B-	1311784GT	LINK,STEEL,CDKS0918,CABLE TRACK	
		(from SN SX125D-2190)	
4B-	1311789GT	PIN,CDKS0919	
		(from SN SX125D-2190)	
4B-	1311792GT	RETAINER,CDKS0920	
		(from SN SX125D-2190)	
4B-	1311810GT	CROSS BAR,CDKS0953	
		(from SN SX125D-2190)	
4B-	1311828GT	BRACKET SET,CDKS 0968	
		(from SN SX125D-2190)	
5	824078GT	SCREW,HHF,1/4-20X.75,8,ZAG	
6	824027GT	NUT,TL FLG,1/4-20,G,ZAG	
7	60260GT	WELDMENT,INNER CABLETRACK TUBE	1
8	56912GT	SPRING CLIP,1/4-20,.025-.15X.5	
9	60207GT	WEAR PAD,PRI.EXT.CYL.SUPPORT	1
10	60266-SGT	FORMING,SECONDARY EXT.CYL CVR	2
11	824059GT	SCREW,HHC,1/4-20X.75,8,ZAG	
12	824113GT	WASHER,FLAT,1/4,USS,ZAG	
13	1297788GT	FORMING,LOWER COVER SUPPORT	1
14	824090GT	WELDMENT,DEUTZ D2011L3i BAFFLE	
15	824029GT	NUT,TL FLG,3/8-16,G,ZAG	
16	1256857GT	SCREW,HHF,3/8-16X.625,8,ZAG	
17	1272297GT	SCREW,HHC,1/2-13X7.5,8,ZAG	
18	824111GT	WASHER,LOCK,1/2,ZAG	
19	1255760GT	WASHER,FLAT,1/2,USS,ZAG	
20	1275166GT	MACHINED,TUBE SUPPORT PLATE	1
21	1251997GT	NUT,TL FLG,1/2-13,G,ZAG	
22	1268031GT	WELDMENT, EXTENSION BOOM #1	1



503.2 Secondary Extend Cylinder, SX-125 XC (from SN SX125D-1452)

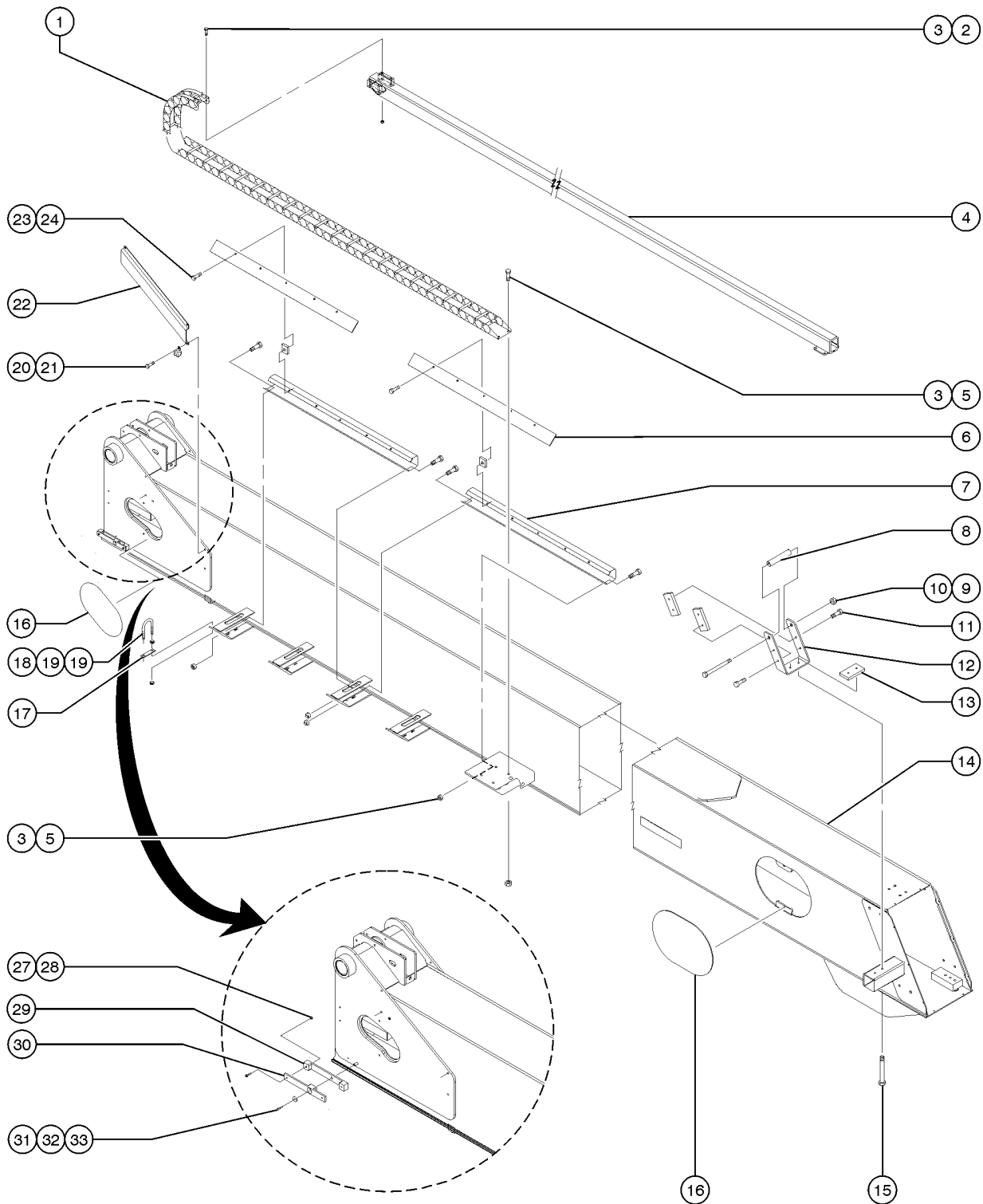


503.2 Secondary Extend Cylinder, SX-125 XC (from SN SX125D-1452)

Item	Part No.	Description	Qty.
23	60267GT	PIN,1.50DIAX12.25LG,1HOLE	1
24	1268282GT	ASSY, CYLINDER,SECONDARY EXTEND	1
24-	1269795GT	CYLINDER,SECONDARY EXTEND SX125	1
24-	1282955GT	SEAL KIT,SX125,SECONDARY EXTEND CY1269795	
24-	48933GT	CONN,520120-8***	1
24-	48960GT	FITTING,CONN,520120-12***	1
24-	48905GT	CONN,520120-4***	1
24-	1279109GT	VALVE,COUNTERBALANCE, 1750 PSI V1 port	
24-	60331GT	VALVE,COUNTERBAL.CWCA-LIN@600* V2 port	
25	60962GT	FORMING,LOWER COVER	1
26	60224GT	PIN,1.50DIAX2.75LG,THREADED	2



504.1 Boom Tube One, Cable Track, SX-105 XC

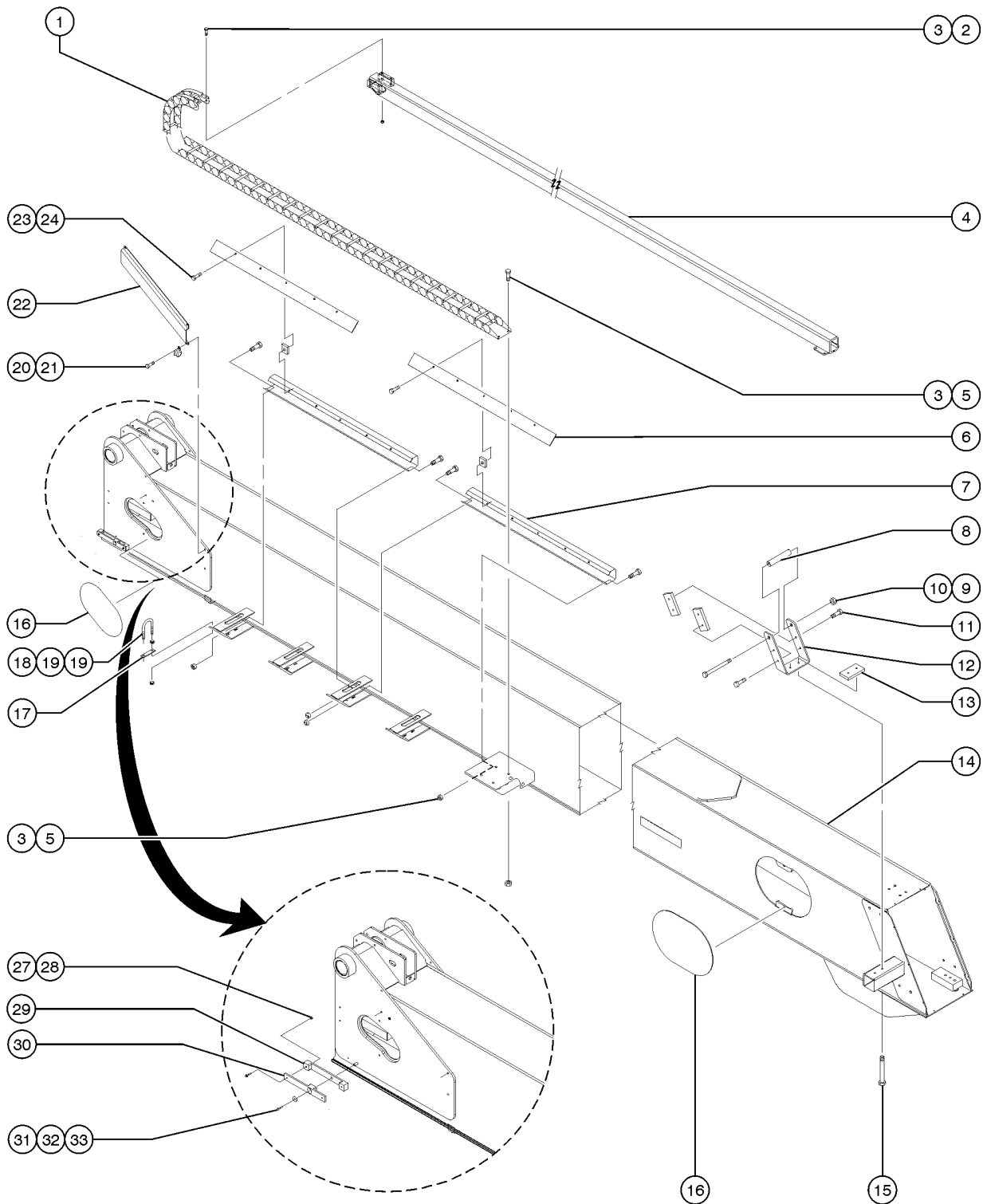


504.1 Boom Tube One, Cable Track, SX-105 XC

Item	Part No.	Description	Qty.
1	102053GT	CABLE TRACK,STEEL 50 LINKS (to SN SX105D-1804)	1
1-	102211GT	CROSSBAR ALUM W/SELF TAP SCREW (to SN SX105D-1804)	
1-	102212GT	SELF-TAP SCREW, CABLE TRACK (to SN SX105D-1804)	
1-	122034GT	KIT,SERVICE,CLAMP MOUNTS (to SN SX105D-1804)	
1-	122114GT	KIT,2 LINK REPAIR W/HARDWARE (to SN SX105D-1804)	
1-	102214GT	REPAIR LINK W/ ROLLER (to SN SX105D-1804)	
1-	102215GT	BRACKET,CABLE TRACK,FIXED END* (to SN SX105D-1804)	
1-	102216GT	BRACKET,CABLE TRACK,MOVING END (to SN SX105D-1804)	
1-	146476GT	HOSE AND CABLE CLAMP, STD (to SN SX105D-1804)	
1-	146477GT	HOSE AND CABLE CLAMP, STD, TOP (to SN SX105D-1804)	
1-	111997GT	OPT,HOSE AND CABLE CLAMP (to SN SX105D-1804)	
1B	1309608GT	CABLE TRACK,CDKS095,HY,54 LINK (from SN SX105D-1805)	
1B-	1311783GT	LINK,STEEL,CDKS0910,CABLE TRACK (from SN SX105D-1805)	
1B-	1311790GT	PIN,CDKS0911 (from SN SX105D-1805)	
1B-	1311791GT	RETAINER,CDKS0912 (from SN SX105D-1805)	
1B-	1311808GT	CROSS BAR,CDKS0951 (from SN SX105D-1805)	
1B-	1311817GT	BRACKET SET,CDKS 0967 (from SN SX105D-1805)	
1B-	1311841GT	CLAMP PLATE,CDKS 0972 (from SN SX105D-1805)	
1B-	1311848GT	ROLLER,CDKS 0917 (from SN SX105D-1805)	
1B-	1312098GT	RIVET JOINT (from SN SX105D-1805)	
2	824094GT	SCREW,HHF,3/8-16X2.75,8,ZAG (to SN SX105D-1804)	
3	824029GT	NUT,TL FLG,3/8-16,G,ZAG (to SN SX105D-1804)	
4	60245GT	WLDMNT,CABLE TRACK GUIDE LONG* (to SN SX105D-1804)	1
5	824090GT	WELDMENT,DEUTZ D2011L3i BAFFLE (to SN SX105D-1804)	
6	60829GT	COVER,HOSE TRAY,84" (to SN SX105D-1804)	2
7	60342GT	TRAY,HOSE,84" (to SN SX105D-1804)	2
8	34243-500GT	TUBE,UHMW, 1 X .25 X 5.00 (to SN SX105D-1804)	1
9	1251997GT	NUT,TL FLG,1/2-13,G,ZAG (to SN SX105D-1804)	



504.1 Boom Tube One, Cable Track, SX-105 XC

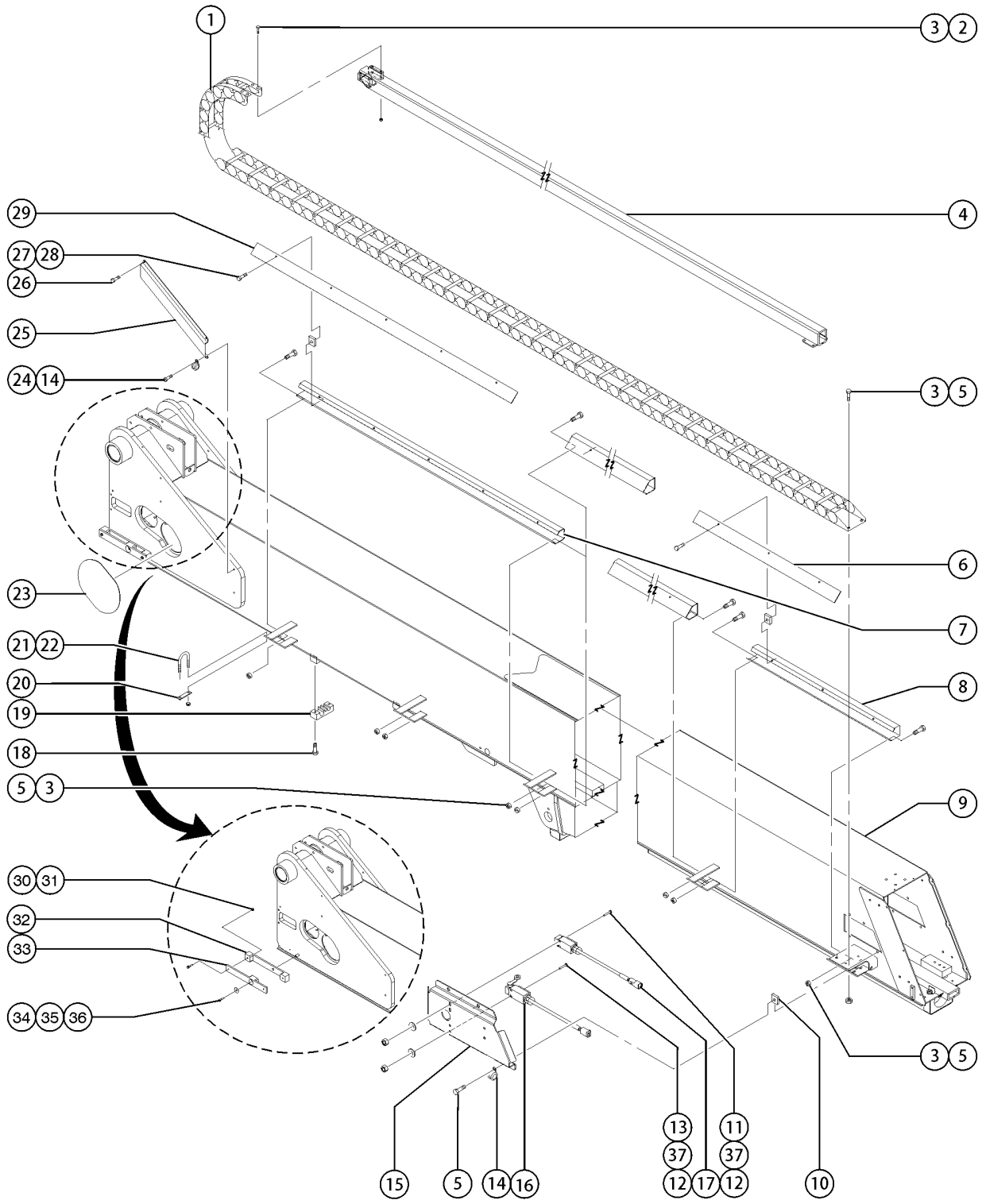


504.1 Boom Tube One, Cable Track, SX-105 XC

Item	Part No.	Description	Qty.
10	12460GT	SCREW,HHC,1/2-13 X 6.5	
11	1256855	SCREW,HHF,1/4-20X.625,8,ZAG	
12	60247PGT	FORM,CABLE TRACK TUBE GUIDE,PT	1
13	45209GT	WEAR PAD,4X2X.5 W/INSERT***	3
14	1269672GT	WELDMENT, EXT. BOOM #1	1
15	1271993GT	SCREW, HHC, 1/4-20 X 3.75,GR8,ZAG	
16	1272228GT	COVER,INSPECTION WINDOW	2
17	824113GT	WASHER,FLAT,1/4,USS,ZAG	1
18	824109GT	WASHER,LOCK,1/4,ZAG	1
19	6021GT	WASHER,LOCK,.375	
20	75066GT	HOSE,WEAR PAD	1
21	824028GT	NUT,TL FLG,5/16-18,G,ZAG	1
22	824089GT	SCREW,HHF,3/8-16X.75,8,ZAG	
23	60838GT	CLAMP,1.00,#16 X 7/16,RUB CUSH	2
24	60822PGT	COVER,HOSE,PAINTED	1
25	824078GT	SCREW,HHF,1/4-20X.75,8,ZAG	
26	56912GT	SPRING CLIP,1/4-20,.025-.15X.5	10
27	824027GT	NUT,TL FLG,1/4-20,G,ZAG	2
28	824080GT	SCREW,HHF,1/4-20X1.25,8,ZAG	2
29	1283824GT	HOSE CLAMP /WITH NUT	1
30	1283825GT	HOSE CLAMP	1
31	824061GT	SCREW,HHC,1/4-20X1.25,8,ZAG	1
32	824119GT	WASHER,FLAT,.25X1.25X.062,ZAG	1
33	1283826GT	TUBE,RD,STEEL 12.7X6.7X22.5MM	1



505.1 Boom Tube Zero, Cable Track, SX-125 XC

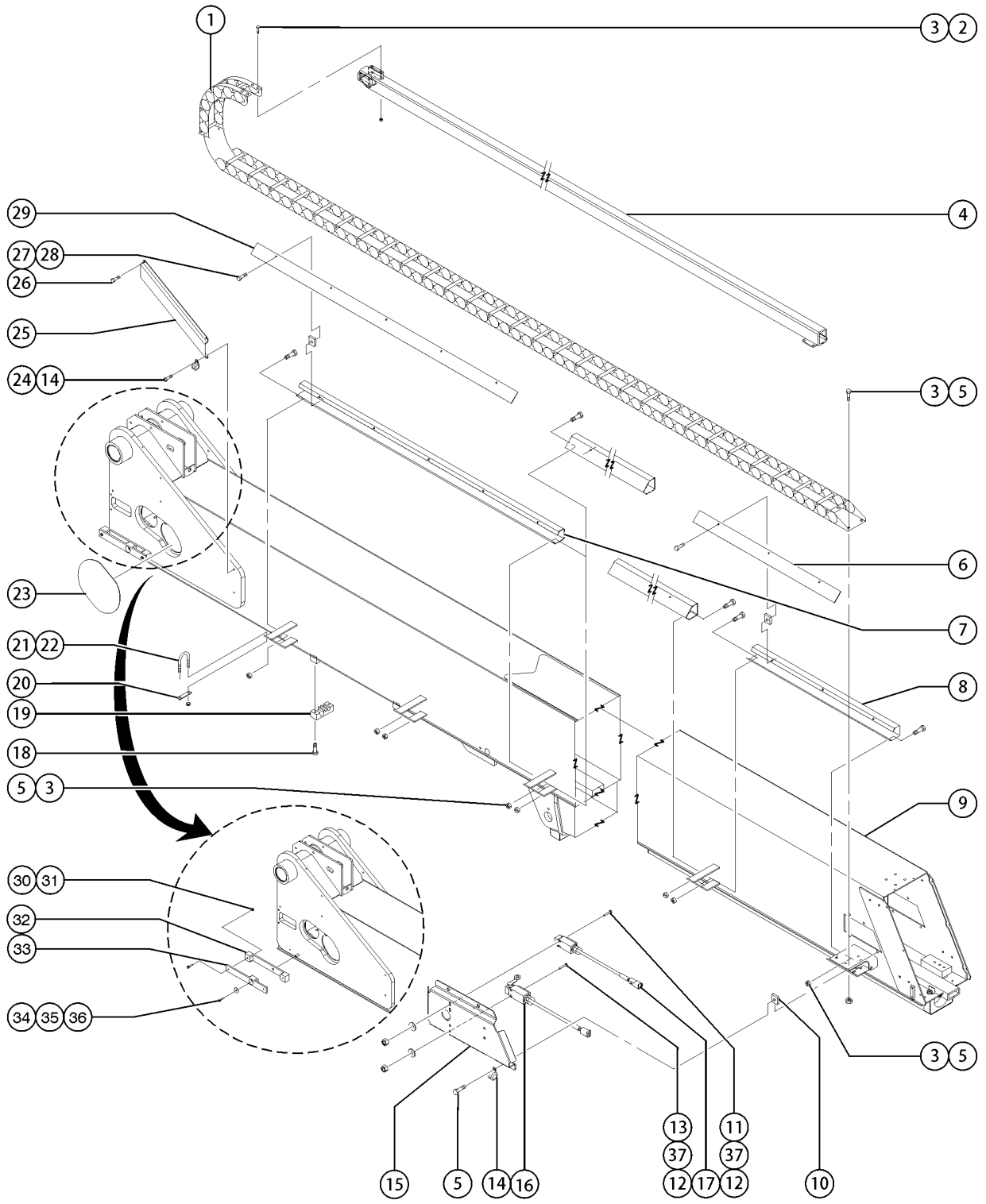


505.1 Boom Tube Zero, Cable Track, SX-125 XC

Item	Part No.	Description	Qty.
1	102051GT	CABLE TRACK,STEEL 84 LINKS (to SN SX125D-1806)	1
1-	1279903GT	HOSE SEPARATPOR,SRC098 (to SN SX125D-1806)	33
1-	146477GT	HOSE AND CABLE CLAMP, STD, TOP (to SN SX125D-1806)	2
1-	146476GT	HOSE AND CABLE CLAMP, STD (to SN SX125D-1806)	2
1-	824083GT	SCREW,HHF,1/4-20X2.5,8,ZAG (to SN SX125D-1806)	
1B	1309606GT	CABLE TRACK,CDKS095,HY,90 LINK (from SN SX125D-1807)	
1B-	1311783GT	LINK,STEEL,CDKS0910,CABLE TRACK (from SN SX125D-1807)	
1B-	1311790GT	PIN,CDKS0911 (from SN SX125D-1807)	
1B-	1311791GT	RETAINER,CDKS0912 (from SN SX125D-1807)	
1B-	1311808GT	CROSS BAR,CDKS0951 (from SN SX125D-1807)	
1B-	1311815GT	BRACKET SET,CDKS 0965 (from SN SX125D-1807)	
1B-	1311841GT	CLAMP PLATE,CDKS 0972 (from SN SX125D-1807)	
1B-	1311848GT	ROLLER,CDKS 0917 (from SN SX125D-1807)	
1B-	1312098GT	RIVET JOINT (from SN SX125D-1807)	
2	824094GT	SCREW,HHF,3/8-16X2.75,8,ZAG	
3	824029GT	NUT,TL FLG,3/8-16,G,ZAG	
4	60245GT	WLDMNT,CABLE TRACK GUIDE LONG*	1
5	824090GT	WELDMENT,DEUTZ D2011L3i BAFFLE	
6	60866GT	COVER,HOSE TRAY	1
7	60342GT	TRAY,HOSE,84"	3
8	60863GT	TRAY,HOSE,45.5"	1
9		REF. Boom Tube Zero (refer to 501.1 and 502.1)	
10	29868GT	WASHER,FLAT, .375X1.25X.062,ZAG	1
11	824216GT	SCREW, PHPM, 10-32 X 1.5, ZAG to SN SX125D-1301	
11B	1298585GT	SCREW,PHPM,M4-0.7X25,DIN7985,ZAB from SN SX125D-1302	
12	6178GT	NUT,NYLOCK,10-32 to SN SX125D-1301	
12B	825686GT	DECAL,DANGER-TIP-OVER,BATT,GS-1932m from SN SX125D-1302	
13	1265481GT	SCREW,PHPM,10-32X2,ZAG to SN SX125D-1301	



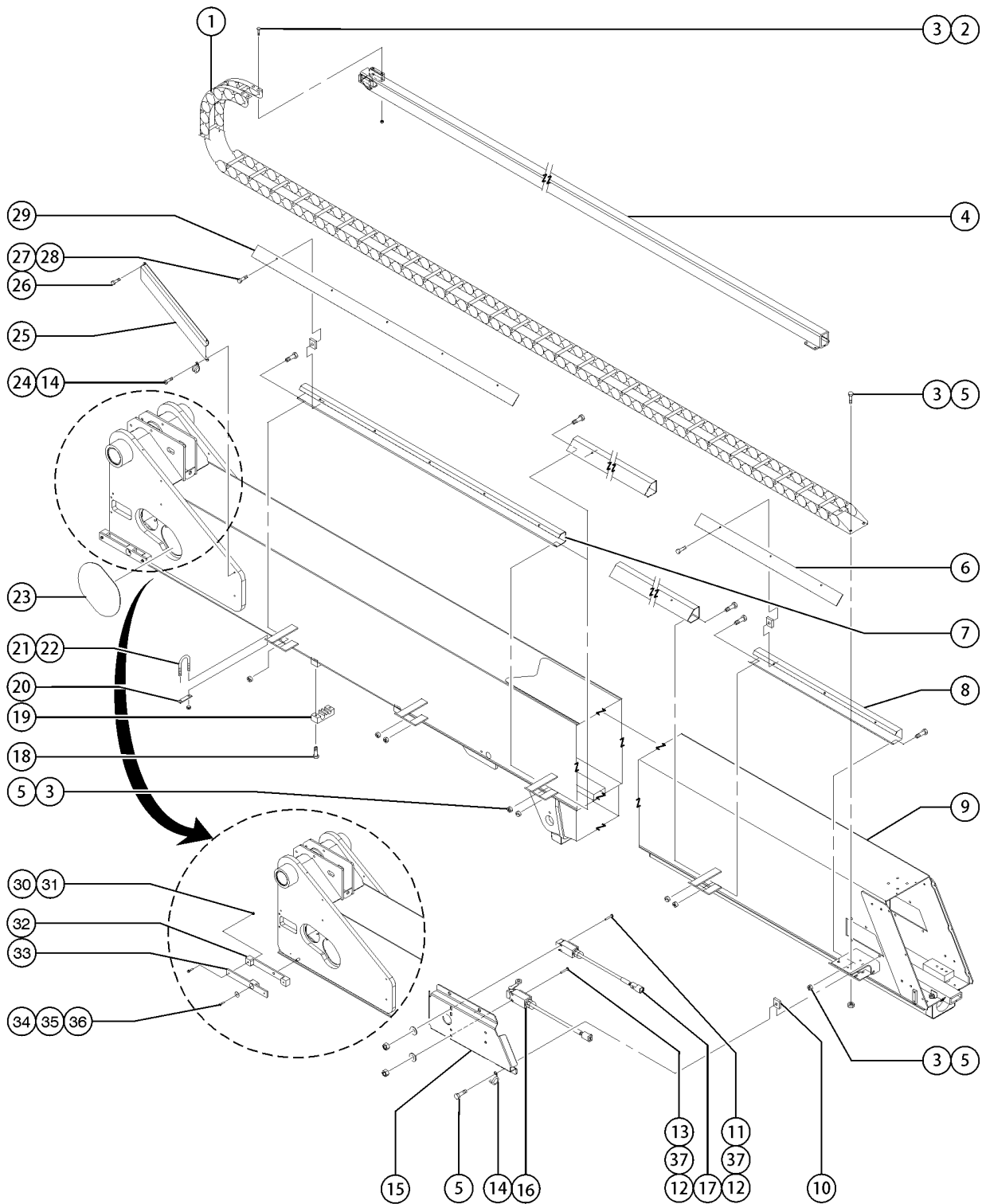
505.1 Boom Tube Zero, Cable Track, SX-125 XC



Item	Part No.	Description	Qty.
13B	1298586GT	SCREW,PHPM,M4-0.7X35,DIN7985,ZAB from SN SX125D-1302	
14	60838GT	CLAMP,1.00,#16 X 7/16,RUB CUSH	2
15	89104GT	WELDMNT,COVER,LOWER BOOM to SN SX125D-1301	1
15B	1297898GT	WELDMNT, COVER, ZERO BOOM, LS from SN SX125D-1302	1
16	1268008GT	SWITCH ASSY, 101 FT RET SAFTY,SX to SN SX125D-1301	1
16B	1297918GT	LS ASSY,101FT,RET,SAFETY from SN SX125D-1302	1
17	75769GT	LIMIT SWITCH, OPERATION,LSB2RO to SN SX125D-1301	1
17B	1297919GT	LS ASSY,101FT,RET,OPERATIONAL from SN SX125D-1302	1
18	824093GT	SCREW,HHF,3/8-16X1.75,8,ZAG	
19	60808GT	CLAMP,HOSE,SEC. EXTENSION CYL (to SX125D-1739)	3
19B	1302108GT	CLAMP,HOSE,SEC. EXTENSION CYL (from SX125D-1740)	3
20	75066GT	HOSE,WEAR PAD	1
21	75065GT	HOSE CLAMP,WEAR PAD	1
22	824028GT	NUT,TL FLG,5/16-18,G,ZAG	
23	1272228GT	COVER,INSPECTION WINDOW	2
24	1256857GT	SCREW,HHF,3/8-16X.625,8,ZAG	
25	60822PGT	COVER,HOSE,PAINTED	1
26	1268762GT	SCREW,HHF,3/8-16*0.5,8,ZAG	
27	1256855	SCREW,HHF,1/4-20X.625,8,ZAG	18
28	56912GT	SPRING CLIP,1/4-20,.025-.15X.5	
29	60829GT	COVER,HOSE TRAY,84"	3
30	824027GT	NUT,TL FLG,1/4-20,G,ZAG	2
31	824080GT	SCREW,HHF,1/4-20X1.25,8,ZAG	2
32	1283824GT	HOSE CLAMP /WITH NUT	1
33	1283825GT	HOSE CLAMP	1
34	824061GT	SCREW,HHC,1/4-20X1.25,8,ZAG	1
35	824119GT	WASHER,FLAT,.25X1.25X.062,ZAG	1
36	1283826GT	TUBE,RD,STEEL 12.7X6.7X22.5MM	1



505.1 Boom Tube Zero, Cable Track, SX-125 XC

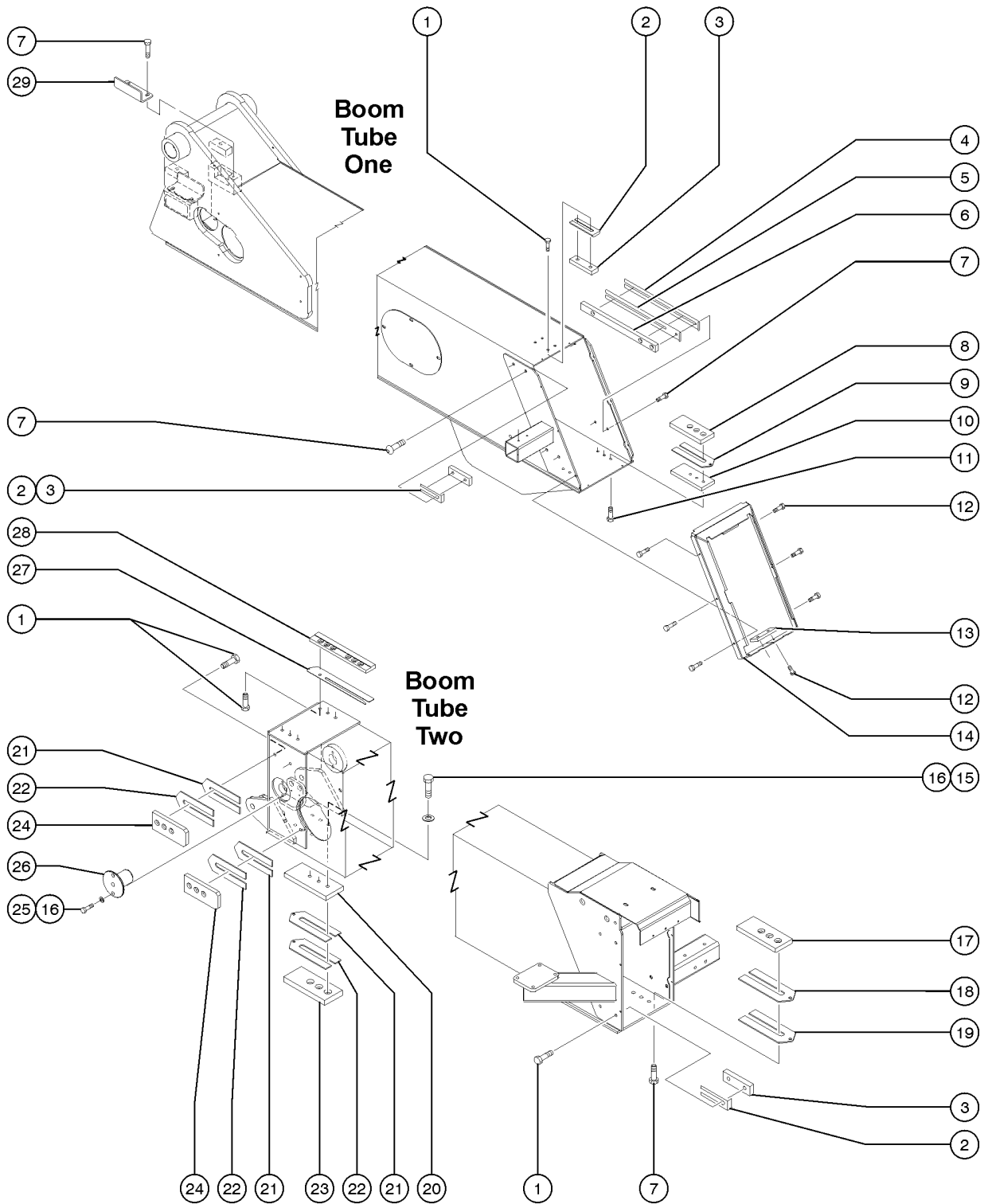


505.1 Boom Tube Zero, Cable Track, SX-125 XC

<i>Item</i>	<i>Part No.</i>	<i>Description</i>	<i>Qty.</i>
37	825357GT	WASHER,FLAT,M4,DIN125,ZAB from SN SX125D-1302	4



506.1 Boom Tube One and Boom Tube Two, SX-105 XC

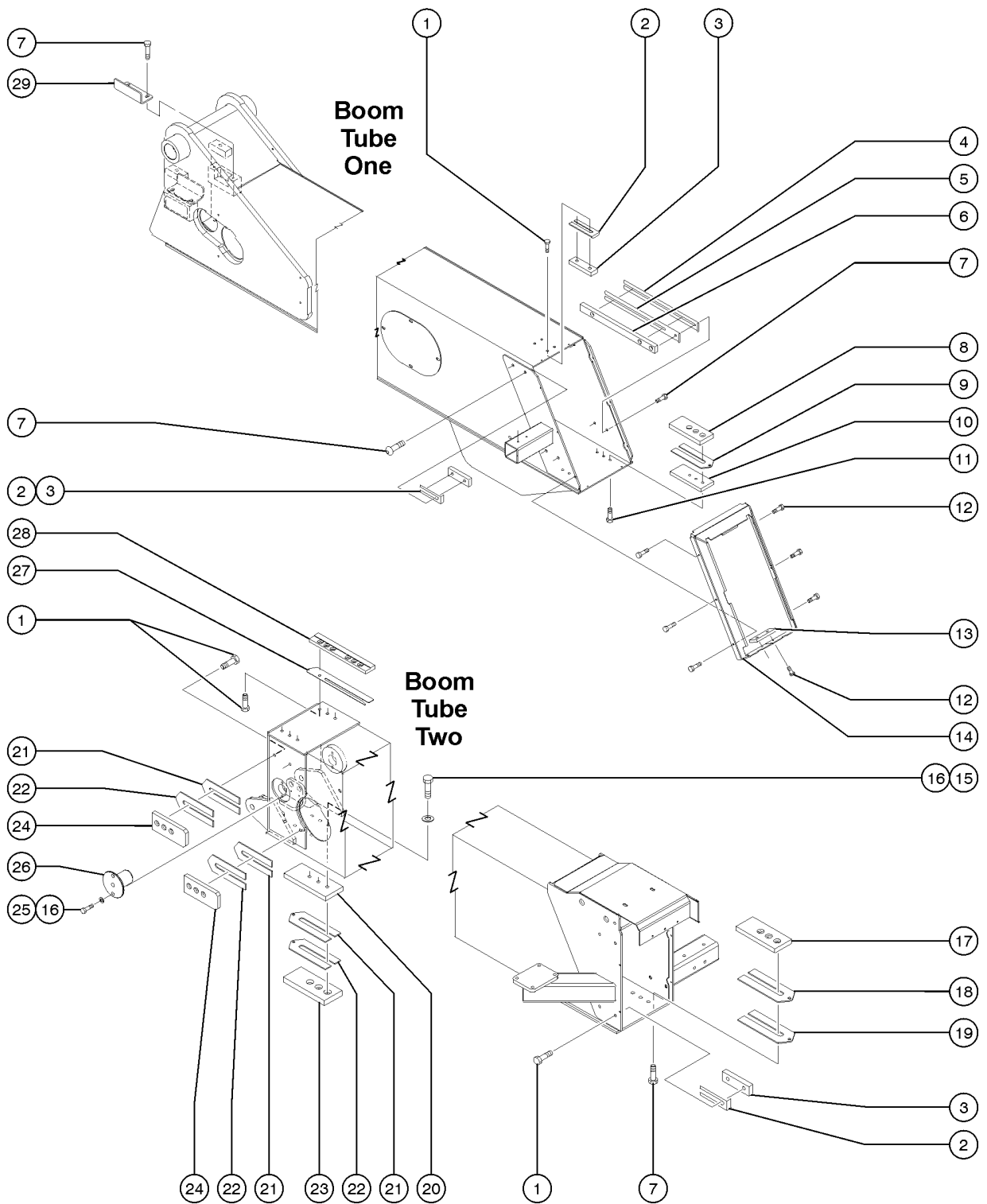


506.1 Boom Tube One and Boom Tube Two, SX-105 XC

Item	Part No.	Description	Qty.
1	824090GT	WELDMENT,DEUTZ D2011L3i BAFFLE	
2	29080GT	SHIM,WEAR PAD,5X 1.5 16GA	8
3	1281477GT	WEAR PAD,5 X 1.5 X .75 W/NUTS	10
4	1283890GT	SHIM,SIDE PAD,20X2,1.5MM	2
5	1283889GT	SHIM,SIDE PAD,20X2,2MM	2
6	1275263GT	WEARPAD, 20.0 x 1.50 x.75	2
7	824091GT	SCREW,HHF,3/8-16X1.25,8,ZAG	
8	1271594GT	WEAR PAD,10 X 3 X .75 W/NUTS	2
9	1271592GT	SHIM,WEAR PAD,10 X 3,12GA	2
10	1271591GT	SPACER, WEAR PAD	2
11	826171GT	SCREW,HHF,1/2-13X1.75,8,ZAG	
12	824077GT	SCREW,HHF,1/4-20X.5,8,ZAG	
13	61099GT	RETAINER,MAST COVER, DRILLED	1
14	60157GT	COVER MAST #2*	1
15	1256847GT	SCREW,HHC,3/8-16X1.75,8,ZAG	
16	824110GT	WASHER,LOCK,3/8,ZAG	
17	1273221GT	WEAR PAD,10 X 3 X .75 W/NUTS	2
18	1273223GT	SHIM,WEAR PAD,7 X 3,12GA	2
19	1273222GT	SHIM,WEAR PAD,7 X 3,16GA	2
20	60222GT	SPACER,WEAR PAD	2
21	60304GT	SHIM,WEAR PAD,7 X 3,12GA	6
22	60840GT	SHIM,WEAR PAD,7 X 3,16GA	6
23	1281475GT	WEAR PAD,7 X 3 X.75 W/NUTS	2
24	1281474GT	WEAR PAD,7 X 3 X .5 W/NUTS	4
25	824067GT	SCREW, HHC, 3/8-16 X 1, 8, ZAG	
26	60192GT	PIN,EXTENSION CYLINDER MOUNT	1
27	822600GT	SHIM, WEAR PAD, 340 X 55, 16G	2
28	236234GT	WEAR PAD,340X55X20	2



506.1 Boom Tube One and Boom Tube Two, SX-105 XC

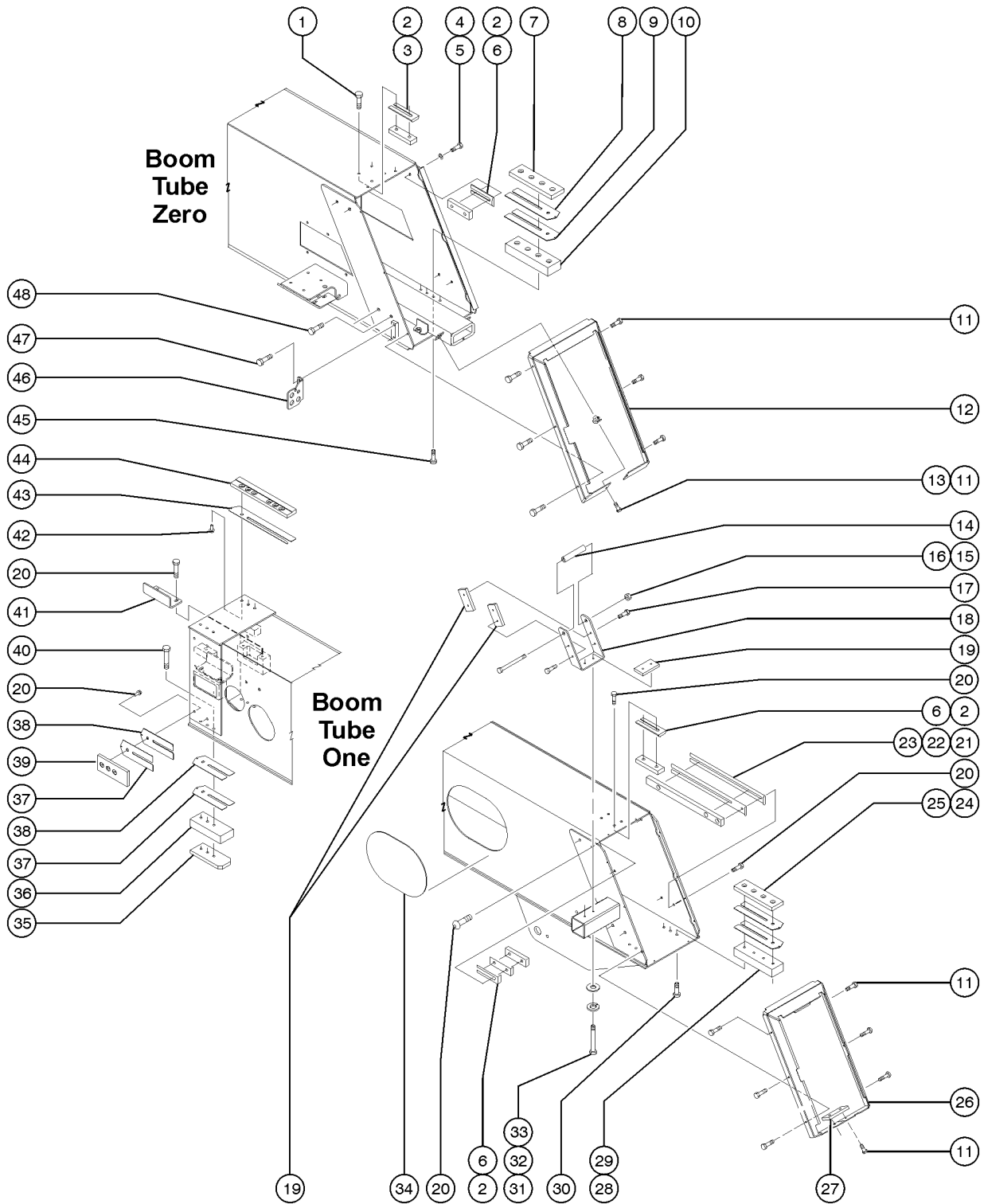


506.1 Boom Tube One and Boom Tube Two, SX-105 XC

<i>Item</i>	<i>Part No.</i>	<i>Description</i>	<i>Qty.</i>
29	60335-SGT	FORMING,CYLINDER RETAINER	2



507.1 Boom Tube Zero and Boom Tube One, SX-125 XC

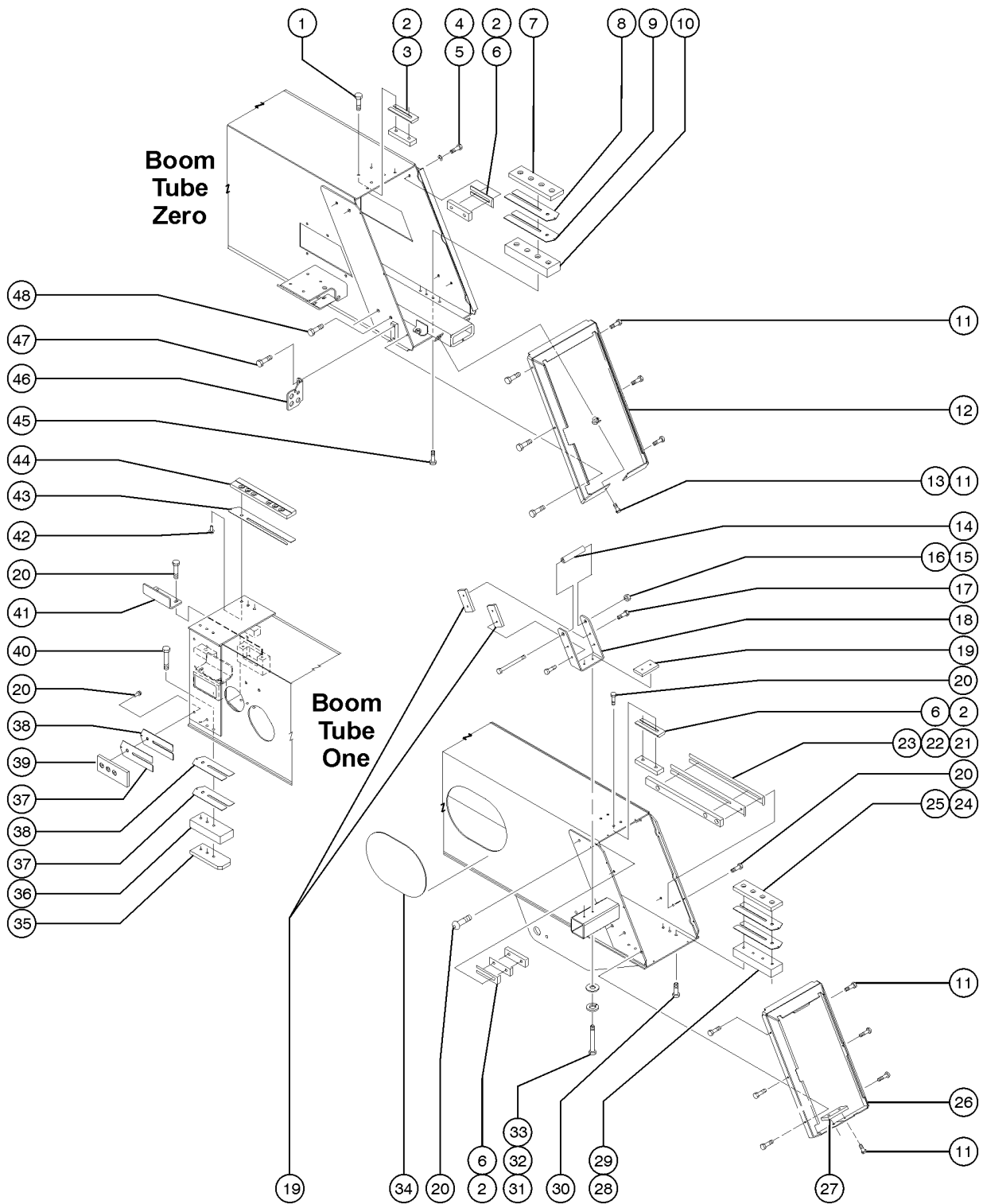


507.1 Boom Tube Zero and Boom Tube One, SX-125 XC

Item	Part No.	Description	Qty.
1	824089GT	SCREW,HHF,3/8-16X.75,8,ZAG	
2	29080GT	SHIM,WEAR PAD,5X 1.5 16GA	12
3	1281476GT	WEAR PAD,5 X 1.5 X .5 W/NUTS	2
4	1255629GT	SCREW,BHC,3/8-16X1.25,F835,ZAG	
5	824110GT	WASHER,LOCK,3/8,ZAG	
6	1281477GT	WEAR PAD,5 X 1.5 X .75 W/NUTS	10
7	1273221GT	WEAR PAD,10 X 3 X .75 W/NUTS	2
8	1273223GT	SHIM,WEAR PAD,7 X 3,12GA	2
9	1273222GT	SHIM,WEAR PAD,7 X 3,16GA	2
10	1273226GT	FLATBAR, WEAR PAD MOUNT	2
11	824077GT	SCREW,HHF,1/4-20X.5,8,ZAG	
12	1269553GT	COVER, MAST #1	1
13	56912GT	SPRING CLIP,1/4-20,.025-.15X.5	1
14	34243-500GT	TUBE,UHMW, 1 X .25 X 5.00	1
15	1268761GT	SCREW,HHF,1/2-13*6.5,8,ZAG	
16	1251997GT	NUT,TL FLG,1/2-13,G,ZAG	
17	1256855	SCREW,HHF,1/4-20X.625,8,ZAG	
18	60247PGT	FORM,CABLE TRACK TUBE GUIDE,PT	1
19	45209GT	WEAR PAD,4X2X.5 W/INSERT***	3
20	824090GT	WELDMENT,DEUTZ D2011L3i BAFFLE	
21	1283890GT	SHIM,SIDE PAD,20X2,1.5MM	2
22	1283889GT	SHIM,SIDE PAD,20X2,2MM	2
23	1275263GT	WEARPAD, 20.0 x 1.50 x.75	2
24	1271594GT	WEAR PAD,10 X 3 X .75 W/NUTS	2
25	1271592GT	SHIM,WEAR PAD,10 X 3,12GA	2
26	60157GT	COVER MAST #2*	1
27	61099-SGT	RETAINER,MAST COVER	1
28	1271591GT	SPACER, WEAR PAD	2



507.1 Boom Tube Zero and Boom Tube One, SX-125 XC

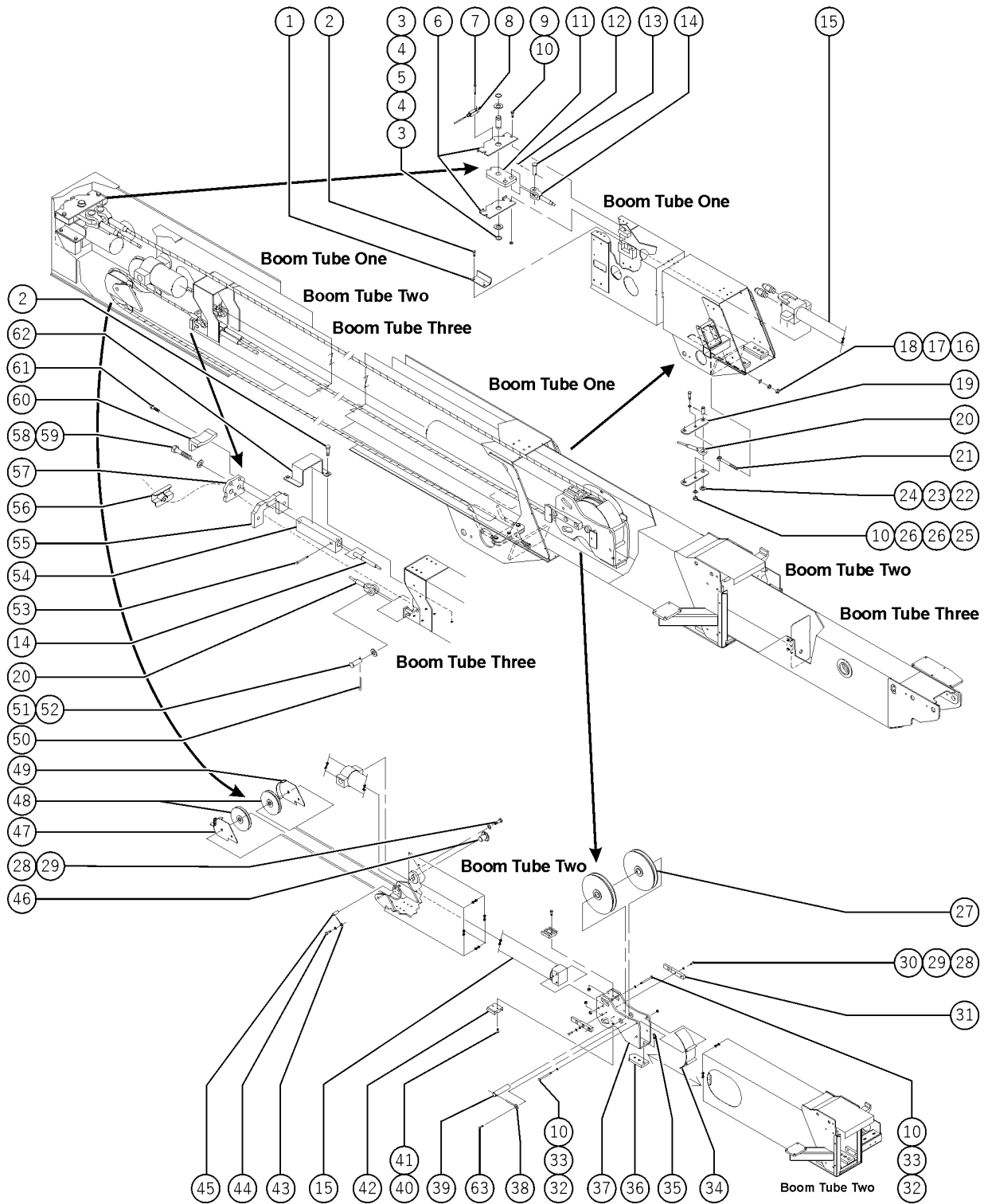


507.1 Boom Tube Zero and Boom Tube One, SX-125 XC

Item	Part No.	Description	Qty.
29	1271593GT	SHIM,WEAR PAD,10 X 3,16GA	2
30	826171GT	SCREW,HHF,1/2-13X1.75,8,ZAG	
31	1271993GT	SCREW, HHC, 1/4-20 X 3.75,GR8,ZAG	
32	824109GT	WASHER,LOCK,1/4,ZAG	1
33	824113GT	WASHER,FLAT,1/4,USS,ZAG	1
34	1272228GT	COVER,INSPECTION WINDOW	2
35	1275665GT	WEAR PAD,7 X 3 X .75 W/NUTS	2
36	1275664GT	SPACER,WEAR PAD	2
37	60840GT	SHIM,WEAR PAD,7 X 3,16GA	2
38	60304GT	SHIM,WEAR PAD,7 X 3,12GA	2
39	1281474GT	WEAR PAD,7 X 3 X .5 W/NUTS	4
40	1256856GT	SCREW,HHF,3/8-16X2.5,8,ZAG	
41	60335-SGT	FORMING,CYLINDER RETAINER	2
42	231530GT	SCREW,HHF,M10-1.5X25,DIN6921,0.9,ZAB	
43	822600GT	SHIM, WEAR PAD, 340 X 55, 16G	2
44	236234GT	WEAR PAD,340X55X20	2
45	824095GT	SCREW, HHF, 3/8-16 X 3, 8, ZAG	
46	60849PGT	BRACKET,BULKHEAD,PAINTED	1
47	1256857GT	SCREW,HHF,3/8-16X.625,8,ZAG	
48	824091GT	SCREW,HHF,3/8-16X1.25,8,ZAG	



508.1 Primary Extend Cylinder

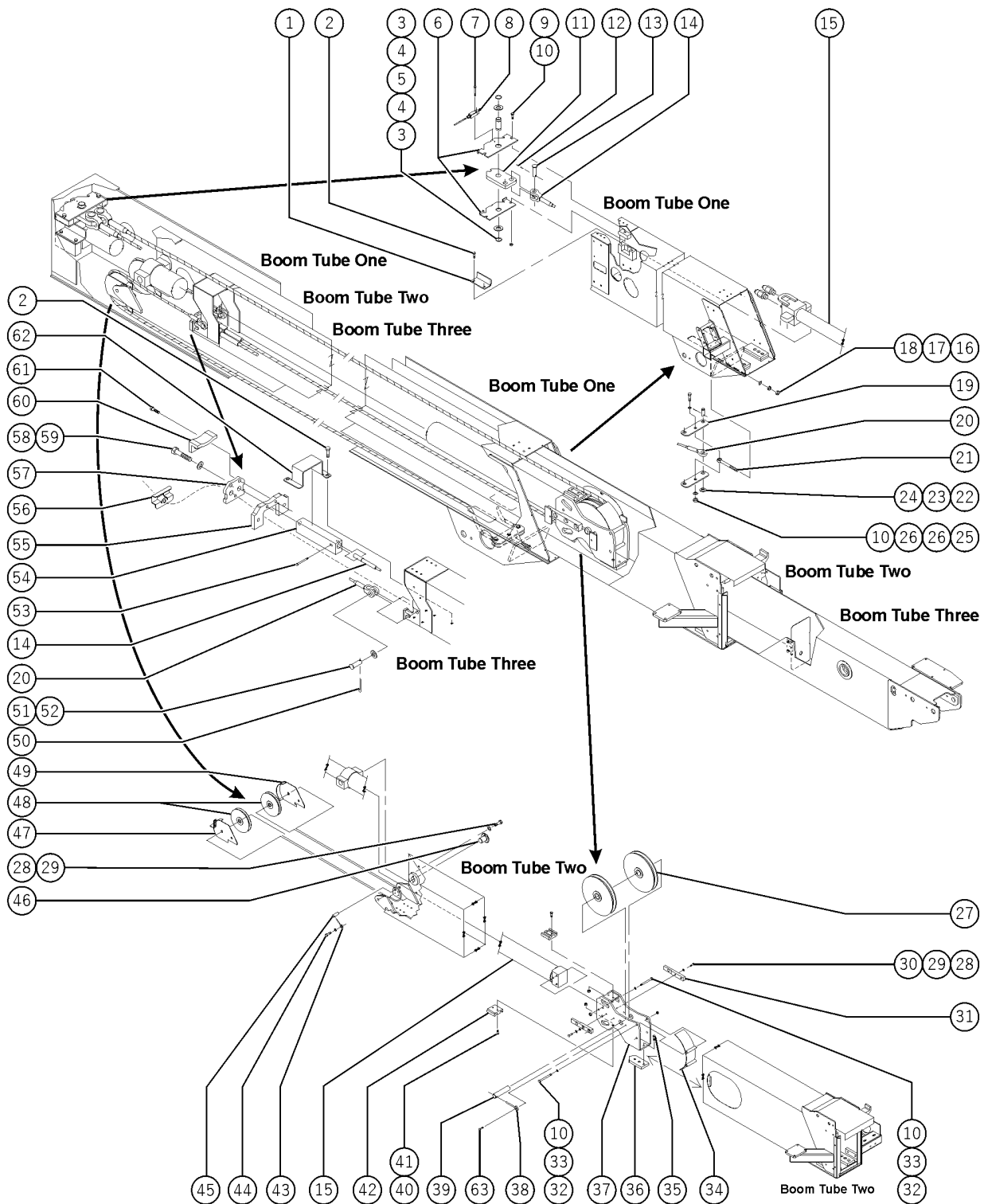


508.1 Primary Extend Cylinder

Item	Part No.	Description	Qty.
1	60335-SGT	FORMING,CYLINDER RETAINER	2
2	824090GT	WELDMENT,DEUTZ D2011L3i BAFFLE	
3	825796GT	SNAP RING,EXTERNAL,1.50,ZAG	
4	1251565GT	WASHER,SHIM,1.56X2.5X.061,ZAG	
5	60179GT	PIN,1.50DIAX2.92LG,2RING	1
6	1275411GT	PLATE, EXT. CABLE ANCHOR	2
7	825352GT	SCREW,PHPM,10-32X1.25,ZAG	
8	1275716GT	LIMIT SWITCH CABLE BREAK, SX125/105	1
9	1255802GT	SCREW,HHF,1/2-13X2.5,8,ZAG	
10	1251997GT	NUT,TL FLG,1/2-13,G,ZAG	
11	60340-SGT	PLATE,EXT.CABLE EQUALIZER MACH	1
12	75396GT	PIN,COTTER,.25 X3.18 EXT.CABLE	1
13	75396GT	PIN,COTTER,.25 X3.18 EXT.CABLE	2
14	75054GT	EXTEND CABLE ASSEMBLY	2
14-	10665GT	PIN,ROLL,.25 X 1.5***	1
14-	60171GT	EXTENSION CABLE *	1
14-	60229GT	COUPLING,EXT.CABLE ADJUSTMENT*	1
15	1269794GT	CYLINDER,PRIMARY EXTEND SX125	1
15-	1284515GT	SEAL KIT,SX125,PRIMARY EXTEND CYL1269794	
15-	1279108GT	VALVE, COUNTERBALANCE, CWEK-LIN-1360	
15-	60331GT	VALVE,COUNTERBAL.CWCA-LIN@600*	
16	1258049GT	NUT,TL,5/8-11,C,ZAG	
17	1256182GT	WASHER,FLAT,5/8,F436,HRD,ZAG	
18	1254728GT	SCREW,FHPM,6-32 X .75,ZAG	
19	60163GT	PLATE,RETRACT CABLE EQUALIZER	2
20	60172GT	RETRACTION CABLE	1
21	1272299GT	ROD END, RETRACTION CABLE, ZAG	1
22	1256119GT	WASHER,SHIM,1.01X1.63X.062,ZAG	



508.1 Primary Extend Cylinder

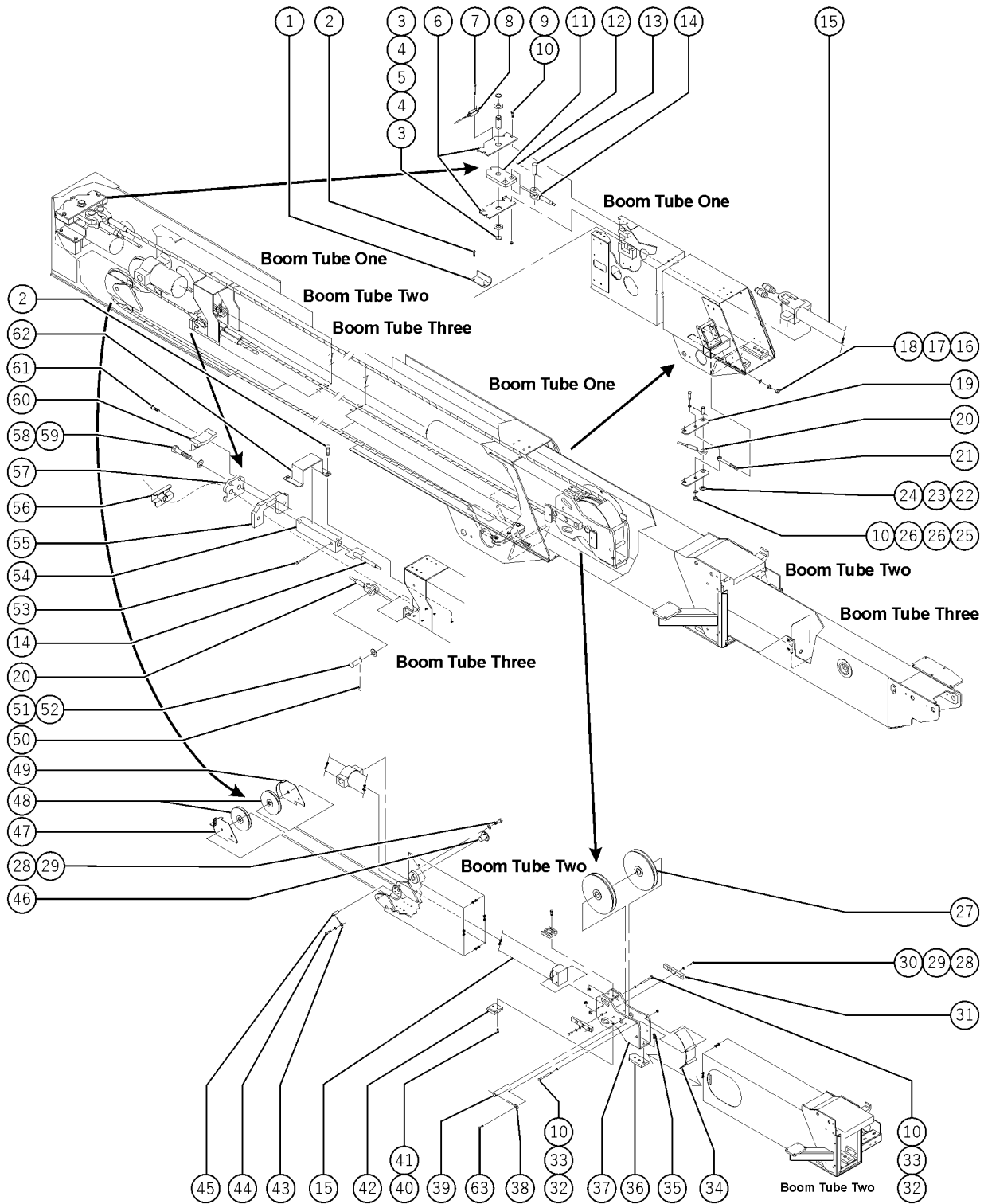


508.1 Primary Extend Cylinder

Item	Part No.	Description	Qty.
23	60697GT	PIN,RETRACTION CABLE	2
24	33247GT	PIN,COTTER,.188 X 1.75 LONG	1
25	1271991GT	BOLT,SHS,5/8X1.5X1/2-13,ZAG	
26	824115GT	WASHER,FLAT,5/8,USS,ZAG	
27	50247GT	SHEAVE,EXTENSION CABLE	2
28	824067GT	SCREW, HHC, 3/8-16 X 1, 8, ZAG	
29	824110GT	WASHER,LOCK,3/8,ZAG	
30	1255758GT	WASHER,FLAT,3/8,USS,ZAG	
31	60240GT	WEAR PAD,SHEAVE MOUNT	2
32	1258511GT	SCREW,HHC,1/2-13X5.5,8,ZAG	
33	824111GT	WASHER,LOCK,1/2,ZAG	
34	60215GT	WELDMENT,CABLE RETAINER	1
35	824089GT	SCREW,HHF,3/8-16X.75,8,ZAG	
36	60216GT	WEAR PAD,EXT.CABLE SHEAVE	1
37	60346GT	SHEAVE MOUNT,EXT. CABLE MACHIN	1
38	825019GT	ROD END,.375X3.69,ZAG	1
39	60205GT	PIN,1.50DIAX5.88LG,1HOLE	1
40	1253478GT	SCREW,HHF,3/8-16X2,8,ZAG	
41	824029GT	NUT,TL FLG,3/8-16,G,ZAG	
42	60208GT	WEAR PAD,EXT.CABLE	1
43	825020GT	ROD END,.250X2.75,ZAG	2
44	1256855	SCREW,HHF,1/4-20X.625,8,ZAG	
45	60358GT	PIN,.75DIAX2.89LG,1HOLE	2
46	60192GT	PIN,EXTENSION CYLINDER MOUNT	2
47	1267622GT	WELDMENT,RETRACT,CABLE SHEAVE	1
48	50243GT	SHEAVE,RETRACT CABLE	2
49	122015GT	WLDMNT,RET.CABLE SHEAV.GARD.RH	1
50	75355GT	PIN,COTTER,.188X2.25 RET.CABLE	1



508.1 Primary Extend Cylinder

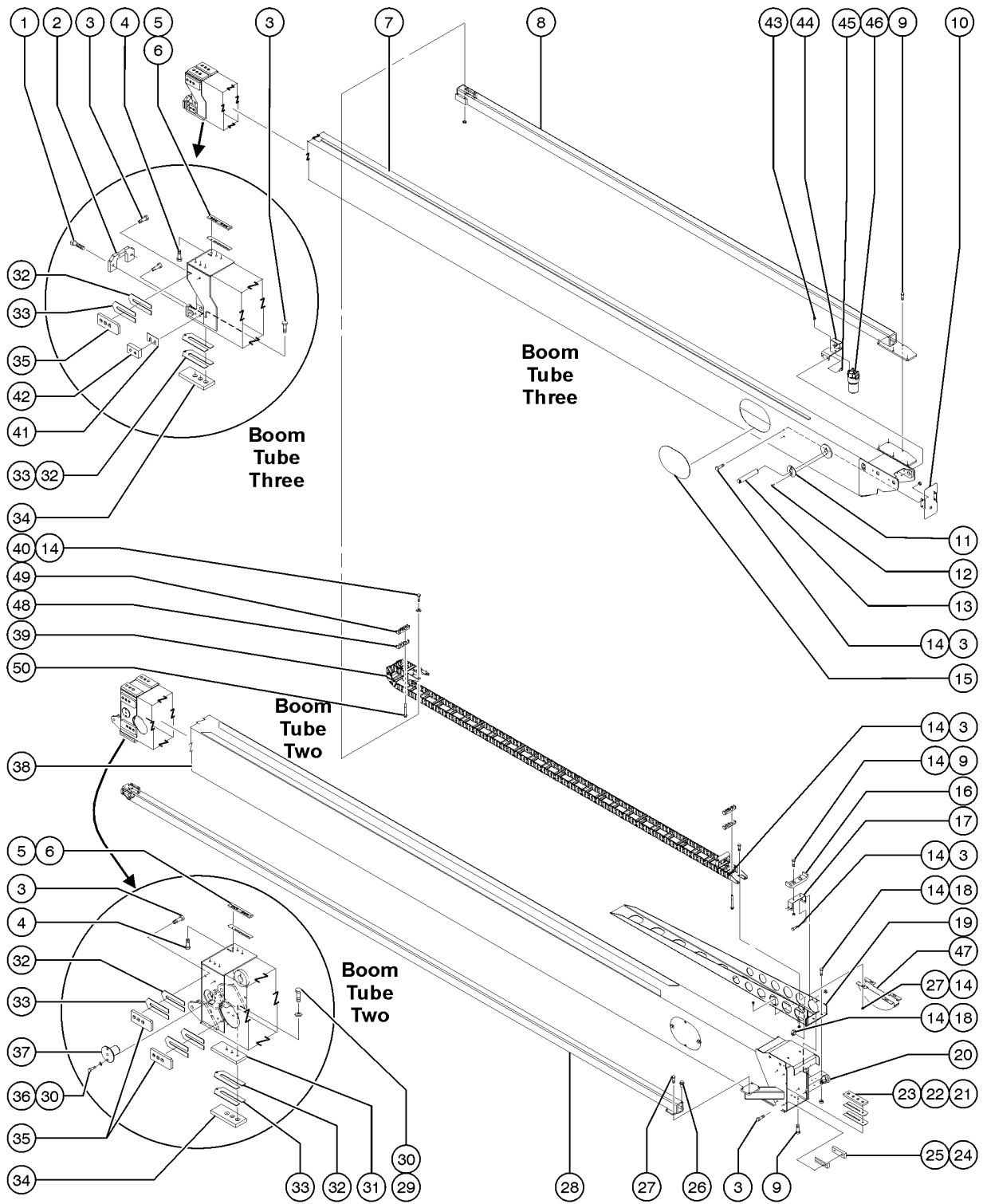


508.1 Primary Extend Cylinder

<i>Item</i>	<i>Part No.</i>	<i>Description</i>	<i>Qty.</i>
51	75356GT	PIN,CLEVIS,.844X2.25 RET.CABLE	2
52	33278GT	WASHER,FLAT,.75 HARDENED	
53	10665GT	PIN,ROLL,.25 X 1.5***	1
54	60229GT	COUPLING,EXT.CABLE ADJUSTMENT*	2
55	60343-SGT	PLATE,EXT.CABLE ,PAINTED	1
56	60231GT	EXT.CABLE ADJ BOLT LOCK	1
57	60356-SGT	PLATE,EXT.CABLE ATTACH.MACHINE	1
58	1272255GT	SCREW,HHC,3/4-10X7,8 FULL THRD, ZAG	
59	1256863GT	WASHER,FLAT,.75,F436,HRD,ZAG	
60	111523GT	WEAR PAD, BOOM REST	1
61	1256172GT	SCREW,HHF,1/2-13X 2,8,ZAG	
62	75049PGT	FORMING,CABLE RETAINER,PAINTED	1
63	122200GT	SCREW,FLANGE,HHC,3/8-16X 7/8	1



509.1 Boom Tube Two and Boom Tube Three

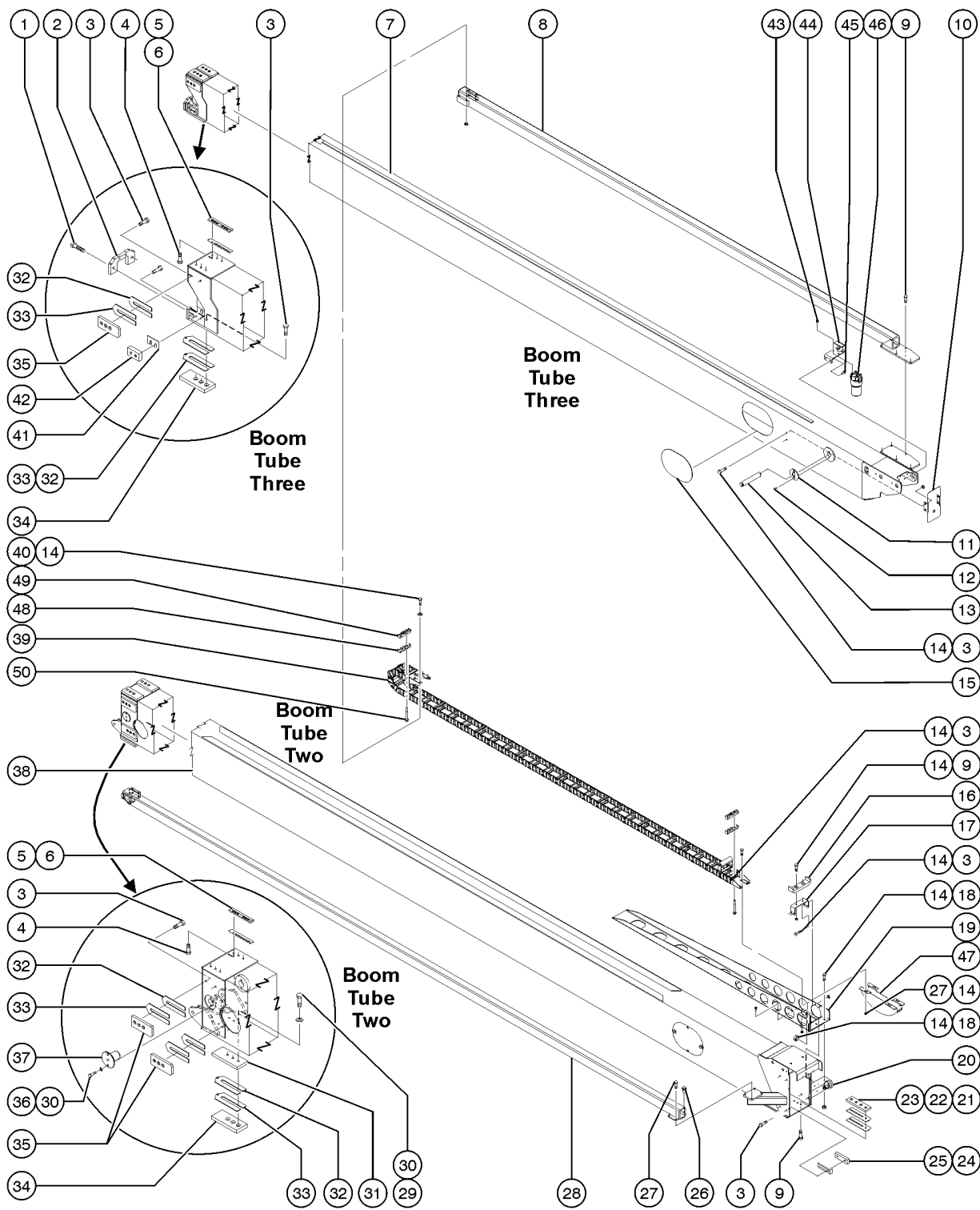


509.1 Boom Tube Two and Boom Tube Three

Item	Part No.	Description	Qty.
1	1253498GT	SCREW,HHF,1/2-13X1.5,8,ZAG	
2	60343-SGT	PLATE,EXT.CABLE ,PAINTED	1
3	824090GT	WELDMNT,DEUTZ D2011L3i BAFFLE	
4	231530GT	SCREW,HHF,M10-1.5X25,DIN6921,0.9,ZAB	
5	236234GT	WEAR PAD,340X55X20	2
6	822600GT	SHIM, WEAR PAD, 340 X 55, 16G	2
7	1267624GT	ASSYMBLY,BOOM#3	1
8	122225GT	WLDMNT,CABLE TRACK GUIDE,SHORT	1
9	824091GT	SCREW,HHF,3/8-16X1.25,8,ZAG	
10	60194GT	FORMING,TUBE GUARD	1
11	1268353GT	PLATE, BELLCRANK PIN RETAINER	2
12	1260703GT	SCREW,FHS,3/8-16X1,F835,ZAG	
13	1268354GT	PIN,1.5DIAX8.75LG	1
14	824029GT	NUT,TL FLG,3/8-16,G,ZAG	
15	1272228GT	COVER,INSPECTION WINDOW	2
16	60802GT	WEAR PAD,UPPER CABLE TRACK	1
17	111776PGT	FORMING,WEAR PLATE MOUNT,PTD	1
18	1258395GT	SCREW, HHF, 3/8-16, 4, 8, ZAG	
19	1275220GT	WELDMNT,CABLE TRACK SUPPORT	1
20	61745GT	CLAMP,2.25,#36 X 3/8,RUB CUSH	1
21	1273221GT	WEAR PAD,10 X 3 X .75 W/NUTS	2
22	1273223GT	SHIM,WEAR PAD,7 X 3,12GA	2
23	1273222GT	SHIM,WEAR PAD,7 X 3,16GA	2
24	1281477GT	WEAR PAD,5 X 1.5 X .75 W/NUTS	4
25	29080GT	SHIM,WEAR PAD,5X 1.5 16GA	4
26	824089GT	SCREW,HHF,3/8-16X.75,8,ZAG	1
27	824090GT	WELDMNT,DEUTZ D2011L3i BAFFLE	3
28	60245GT	WLDMNT,CABLE TRACK GUIDE LONG*	1



509.1 Boom Tube Two and Boom Tube Three

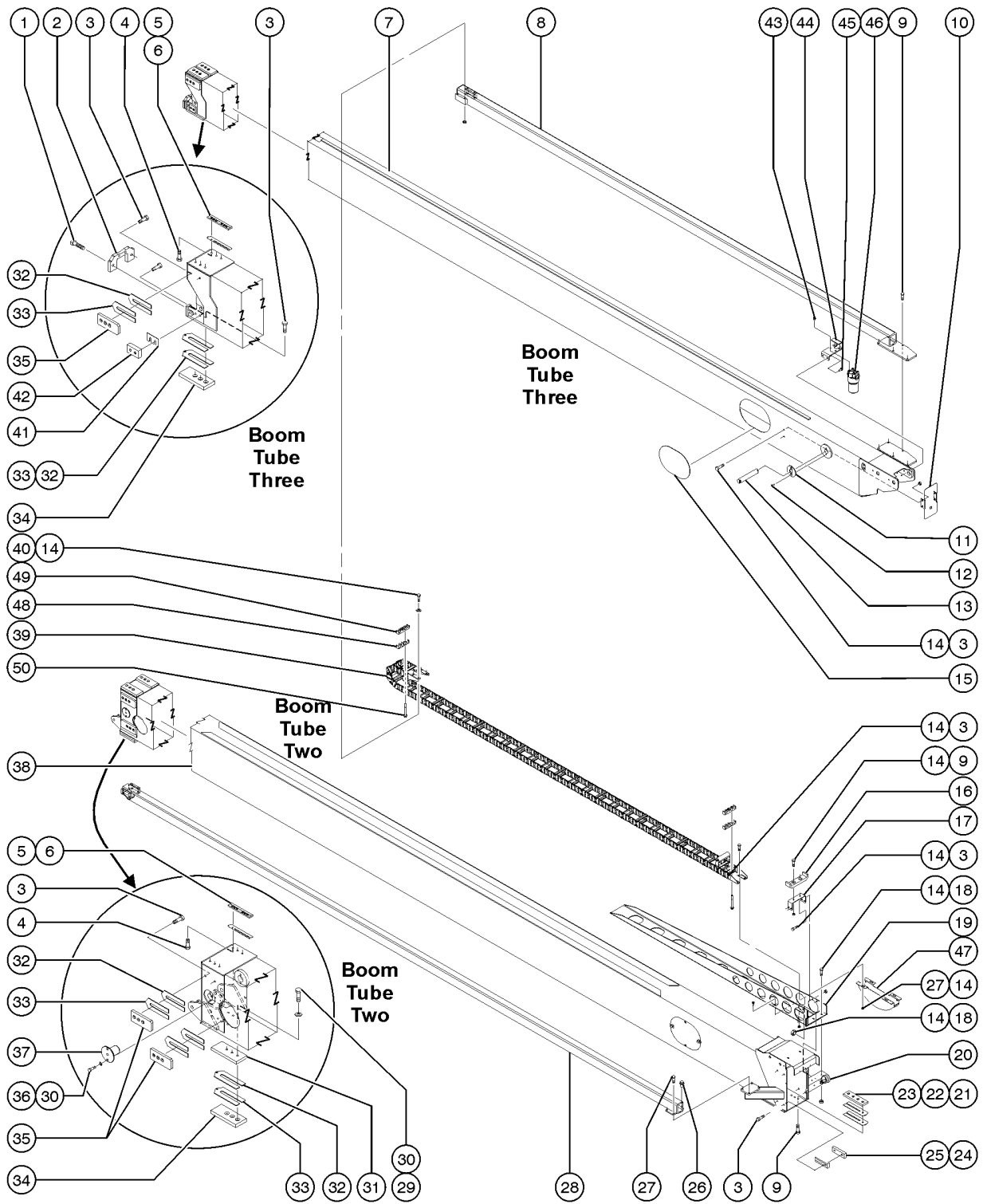


509.1 Boom Tube Two and Boom Tube Three

Item	Part No.	Description	Qty.
29	1256847GT	SCREW,HHC,3/8-16X1.75,8,ZAG	
30	824110GT	WASHER,LOCK,3/8,ZAG	
31	60222GT	SPACER,WEAR PAD	2
32	60304GT	SHIM,WEAR PAD,7 X 3,12GA	4
33	60840GT	SHIM,WEAR PAD,7 X 3,16GA	4
34	1281475GT	WEAR PAD,7 X 3 X.75 W/NUTS	2
35	1281474GT	WEAR PAD,7 X 3 X .5 W/NUTS	4
36	824067GT	SCREW, HHC, 3/8-16 X 1, 8, ZAG	
37	60192GT	PIN,EXTENSION CYLINDER MOUNT	2
38	1267621GT	ASSYMBLY,BOOM#2	1
39	102052GT	CABLE TRACK,STEEL 50 LINKS (to SN SX105D-1804, SX125D-1806)	1
39B	1309607GT	CABLE TRACK,CDKS095,ENGINE,54 LINK (from SN SX105D-1805, SX125D-1807)	1
39B-	1311783GT	LINK,STEEL,CDKS0910,CABLE TRACK (from SN SX105D-1805, SX125D-1807)	
39B-	1311790GT	PIN,CDKS0911 (from SN SX105D-1805, SX125D-1807)	
39B-	1311791GT	RETAINER,CDKS0912 (from SN SX105D-1805, SX125D-1807)	
39B-	1311809GT	CROSS BAR,CDKS0952 (from SN SX105D-1805, SX125D-1807)	
39B-	1311816GT	BRACKET SET,CDKS 0966 (from SN SX105D-1805, SX125D-1807)	
39B-	1311842GT	CLAMP PLATE,CDKS 0973 (from SN SX105D-1805, SX125D-1807)	
39B-	1312098GT	RIVET JOINT (from SN SX105D-1805, SX125D-1807)	
40	824094GT	SCREW,HHF,3/8-16X2.75,8,ZAG	
41	61380GT	SHIM,SIDE WEAR PAD .059 THK.	2
42	1277015GT	WEAR PAD,3.5X2X.875 W/NUTS	2
43	1256857GT	SCREW,HHF,3/8-16X.625,8,ZAG	4
44	1275225GT	FORMING,FILTER SUPPORT	1
45	824090GT	WELDMENT,DEUTZ D2011L3i BAFFLE	2
46	1271913GT	FILTER,ASSY,HIGH PRESS SAE-12(55)	1
46-	1271917GT	KIT,ELEMENT-5MIC (55)	1
47	1275222GT	WELDMENT,HOSE COVER	1



509.1 Boom Tube Two and Boom Tube Three

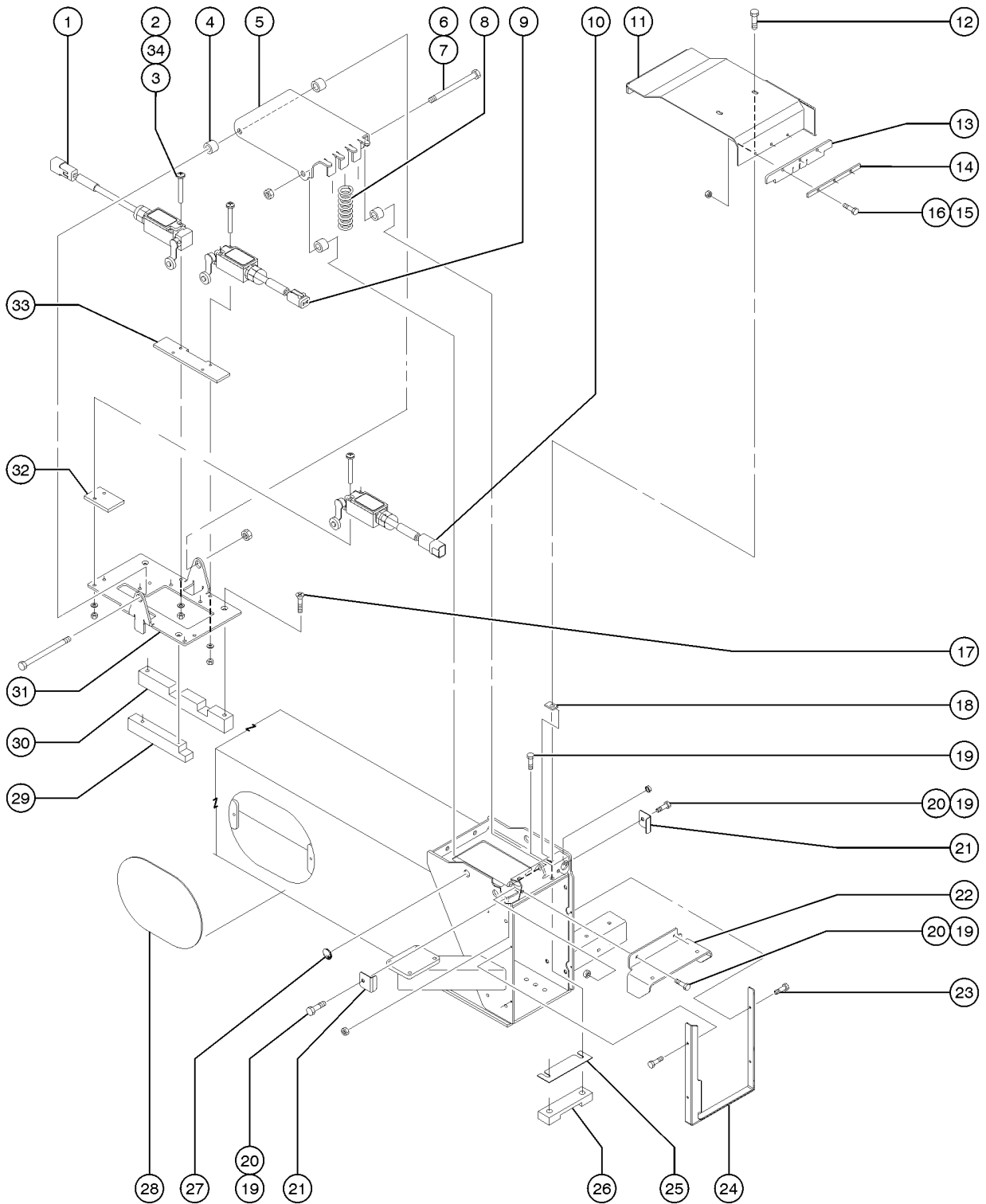


509.1 Boom Tube Two and Boom Tube Three

<i>Item</i>	<i>Part No.</i>	<i>Description</i>	<i>Qty.</i>
48	1309414GT	OPT,HOSE AND CABLE CLAMP,CK,105/125XC	2
49	1309415GT	HOSE AND CABLE CLAMP,STD,TOP	2
50	824083GT	SCREW,HHF,1/4-20X2.5,8,ZAG	4



510.1 Boom Tube Two, Limit Switches

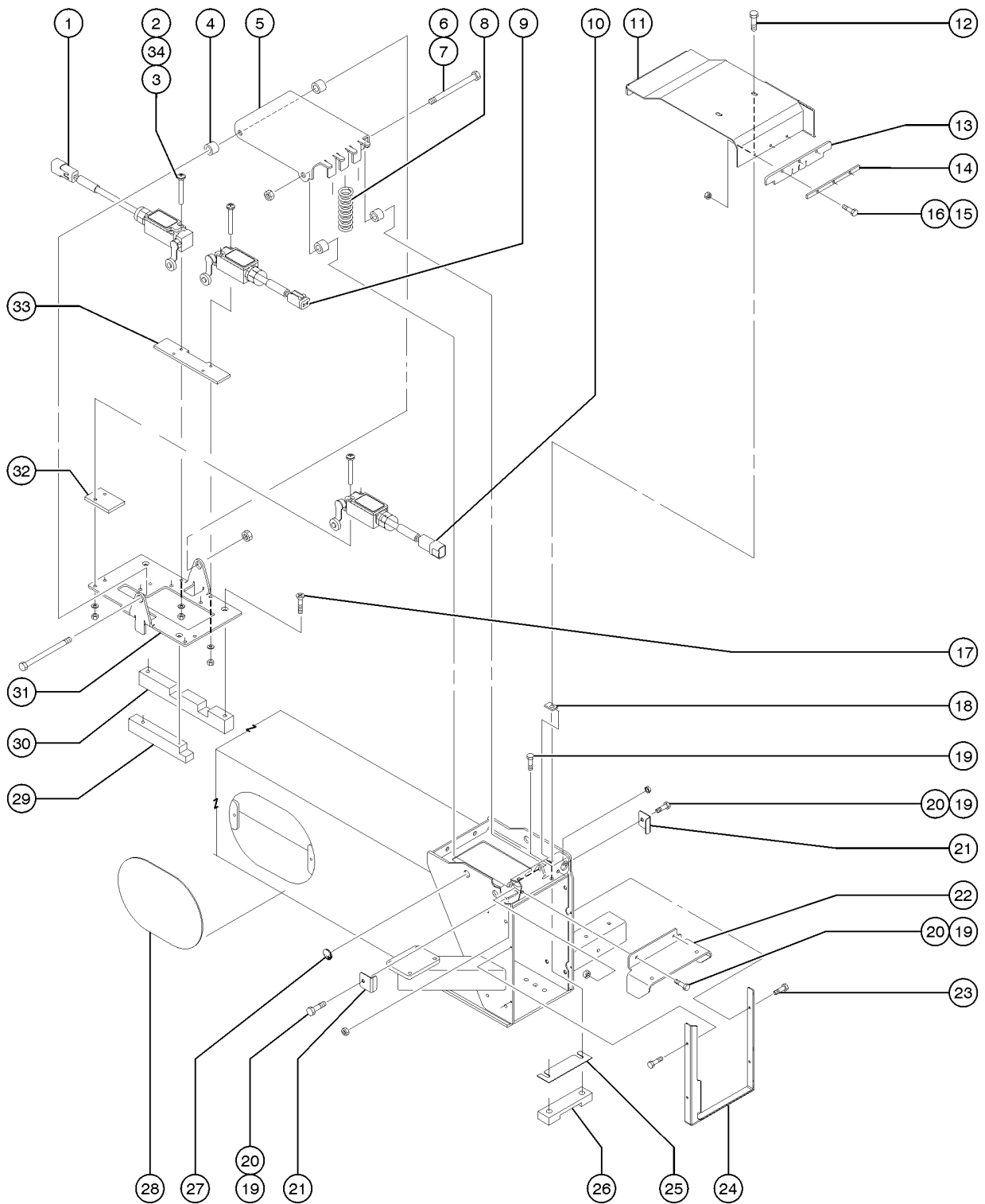


510.1 Boom Tube Two, Limit Switches

Item	Part No.	Description	Qty.
1	1278513GT	LIMIT SWITCH 3RO SX-125 XC to SN SX125D-1301	1
1B	1297916GT	LS ASSY,3FT,EXT,OPERATIONAL from SN SX125D-1302	1
2	824216GT	SCREW, PHPM, 10-32 X 1.5, ZAG to SN SX125D-1301	
2B	822353GT	SCREW,PHPM,M4-0.7X30,DIN7985,ZAB from SN SX125D-1302	
3	824032GT	NUT,TL FLG,10-32,F,ZAG to SN SX125D-1301	
3B	825686GT	DECAL,DANGER-TIP-OVER,BATT,GS-1932m from SN SX125D-1302	
4	44335GT	BUSHING,FLANGE, .375X.5 to SN SX125D-1301	4
5	89164GT	FORMING,LIMIT SWITCH LINK to SN SX125D-1301	1
6	1268930GT	SCREW,HHC,3/8-16X6,8,ZAG to SN SX125D-1301	
7	824038GT	NUT,TL JAM,3/8-16,A,ZAG to SN SX125D-1301	
8	61171GT	SPRING,1.00 DIA X .105 to SN SX125D-1301	
9	75031GT	LIMIT SWITCH,SAFETY to SN SX125D-1301	1
9B	1297915GT	LS ASSY,3FT,EXT,SAFETY from SN SX125D-1302	1
10	89110GT	LIMIT SWITCH,OPERATIONAL to SN SX125D-1301	1
10B	1297917GT	LS ASSY,100FT,EXT,OPER/SAFETY from SN SX125D-1302	1
11	89171PGT	FORMING,LIMIT SWITCH GUARD to SN SX125D-1301	1
12	824090GT	WELDMENT,DEUTZ D2011L3i BAFFLE to SN SX125D-1301	
13	61174GT	WIPER,RUBBER BOOM #3 TOP to SN SX125D-1301	1
14	61176-SGT	BAR,RUBBER WIPER BACK-UP to SN SX125D-1301	1
15	824079GT	SCREW,HHF,1/4-20X1,8,ZAG to SN SX125D-1301	
16	824027GT	NUT,TL FLG,1/4-20,G,ZAG to SN SX125D-1301	
17	826783GT	SCREW,FHPM,10-32X.1,00,ZAG to SN SX125D-1301	
18	29868GT	WASHER,FLAT, .375X1.25X.062,ZAG to SN SX125D-1301	
19	824089GT	SCREW,HHF,3/8-16X.75,8,ZAG to SN SX125D-1301	4
20	824029GT	NUT,TL FLG,3/8-16,G,ZAG to SN SX125D-1301	
21	61294PGT	FORMING,HOSE PROTECTOR,PAINTED to SN SX125D-1301	2
22	60935GT	MOUNT,CABLE TRACK CLAMP** to SN SX125D-1301	1
23	824077GT	SCREW,HHF,1/4-20X.5,8,ZAG to SN SX125D-1301	



510.1 Boom Tube Two, Limit Switches

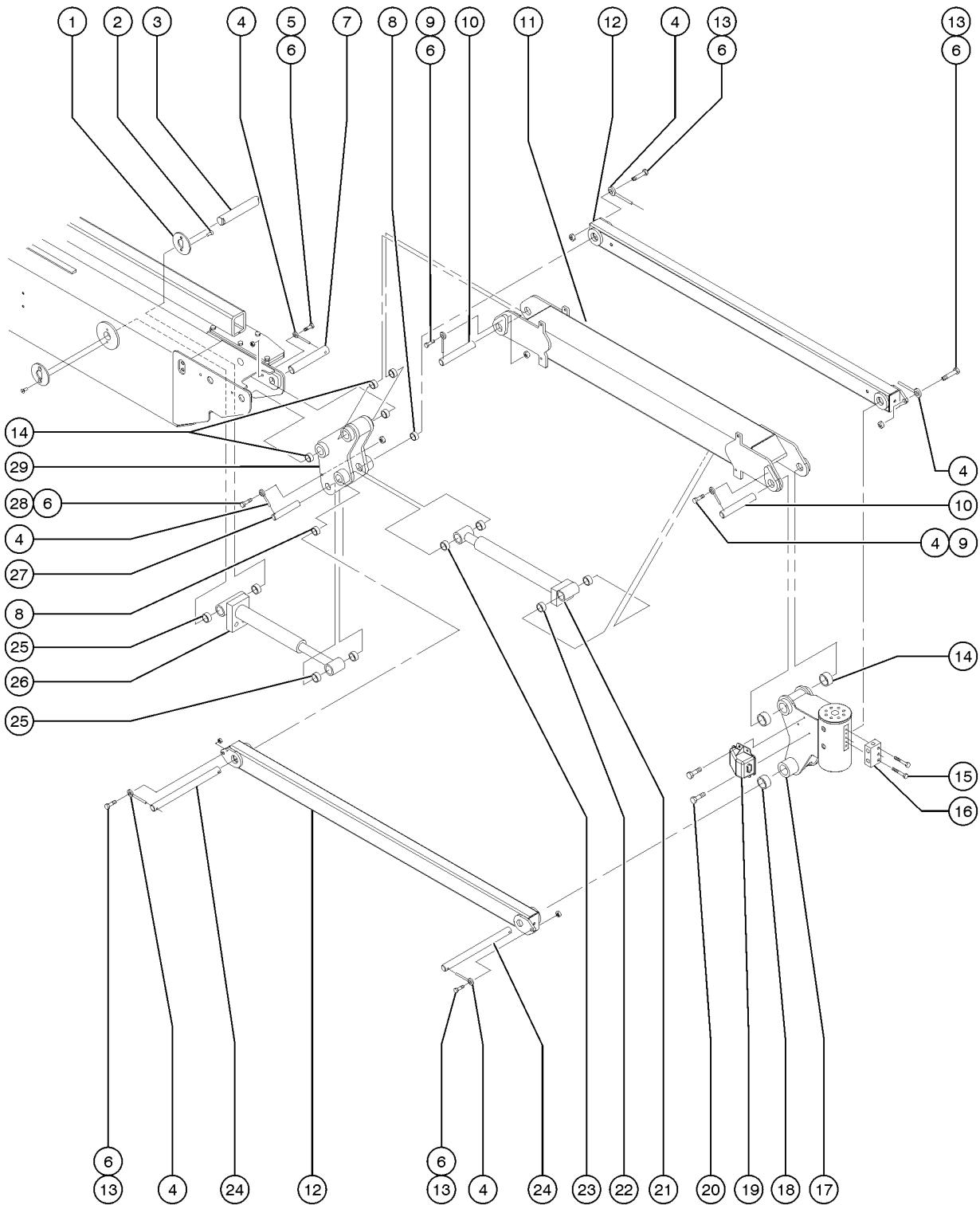


510.1 Boom Tube Two, Limit Switches

Item	Part No.	Description	Qty.
24	1272310GT	COVER,MAS#3	1
25	75286GT	SHIM, WEAR PAD,THIN,SB	1
26	1281478GT	WEAR PAD,BOOM #2 TOP	1
27	15243GT	PLUG,NYLON .875 BLACK DOMED	4
28	1272228GT	COVER,INSPECTION WINDOW	2
29	89107GT	WEAR PAD,LIMIT SWITCH MNT.SHOR	1
30	89106GT	WEAR PAD,LIMIT SWITCH MNT.LONG	1
31	89105PGT	FORMING,LIMIT SWITCH MOUNT**	1
32	1297787GT	WEAR PAD, LS4EO/S MNT. from SN SX125D-1302	1
33	1297786GT	WEAR PAD, LS3RO/3RS MNT. from SN SX125D-1302	1
34	825357GT	WASHER,FLAT,M4,DIN125,ZAB	6
	825357GT	WASHER,FLAT,M4,DIN125,ZAB	



511.1 Jib Boom and Platform Rotator

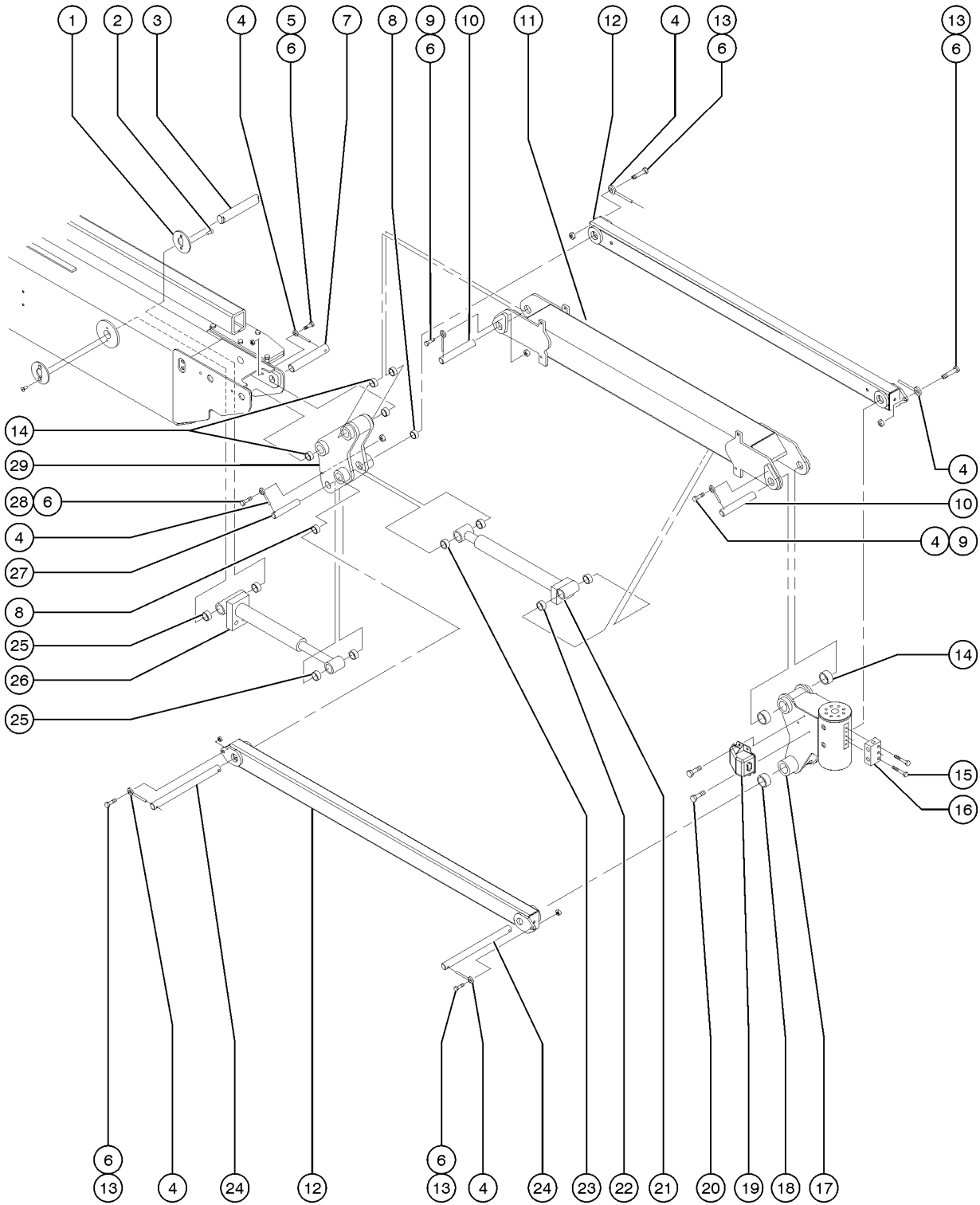


511.1 Jib Boom and Platform Rotator

Item	Part No.	Description	Qty.
1	1268353GT	PLATE, BELLCRANK PIN RETAINER	2
2	1260703GT	SCREW,FHS,3/8-16X1,F835,ZAG	
3	1268354GT	PIN,1.5DIA X 8.75LG	1
4	825019GT	ROD END,.375X3.69,ZAG	8
5	1256693GT	SCREW,HHF,3/8-16X2.25,8,ZAG	
6	824029GT	NUT,TL FLG,3/8-16,G,ZAG	
7	77880GT	PIN,1.50DIA X 9.38LG,1HOLE	1
8	128268GT	BEARING,FL, 1.25X1.5X2.13	2
9	1253478GT	SCREW,HHF,3/8-16X2,8,ZAG	
10	76695GT	PIN,1.50 DIA X 8.75"LG,1HOLE	2
11		REF. Jib Boom (refer to 509.1)	
12	1274511GT	MACHINING, COMPRESSION LINK	2
13	824092GT	SCREW, HHF, 3/8-16 X 1.5, 8, ZAG	
14	214226GT	BEARING,FL,1.75ID X 2.00OD X 1.61L	6
15	824081GT	SCREW,HHF,1/4-20X1.5,8,ZAG	
16		REF. Platform Rotate Manifold (refer to 707.1)	
17	214225GT	ROTATOR,PLATFORM,15K,JIB	1
17-	226542GT	SEAL KIT, 15K ROTATOR	1
18	30222GT	BEARING,FL,1.25ID X 1.41OD X 1.50L	2
19	50813GT	SENSOR,TILT,PCON (PLASTIC)****	1
20	824078GT	SCREW,HHF,1/4-20X.75,8,ZAG	
21	1276820GT	CYLINDER, JIB	1
21-	1276822GT	SEAL KIT FOR JIB CYLINDER	
21-	33428GT	VALVE,COUNTERBALANCE	2
22	88280GT	BEARING,1.5ID X 1.75OD X 0.75L	2
23	30220GT	BEARING,1.25ID X 1.5OD X 0.69L	2
24	81175GT	PIN,1.25DIA X 14.45LG,2HOLE	2
25	18396GT	BEARING,1.5ID X 1.75OD X 1.0L	4



511.1 Jib Boom and Platform Rotator

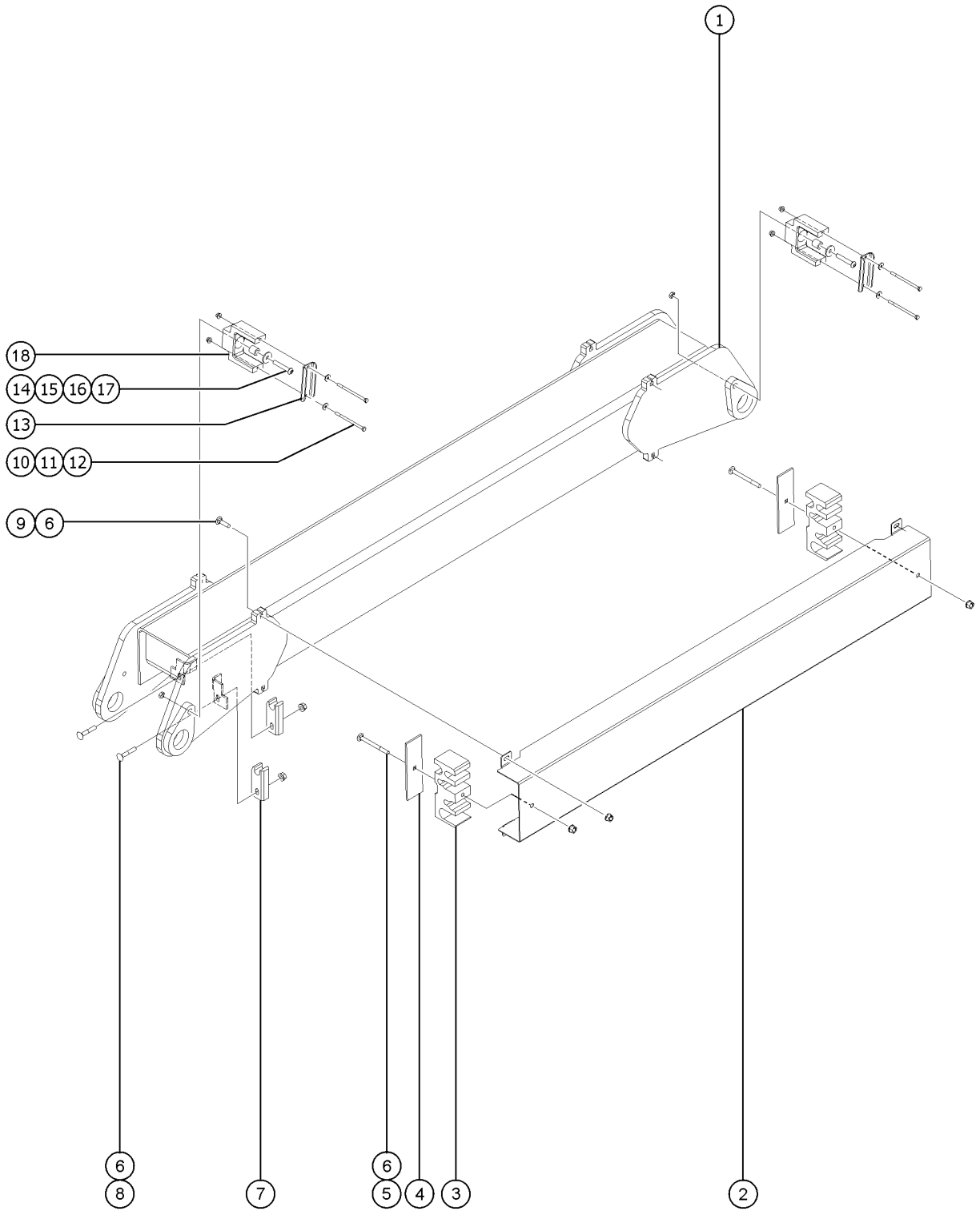


511.1 Jib Boom and Platform Rotator

<i>Item</i>	<i>Part No.</i>	<i>Description</i>	<i>Qty.</i>
26	1268378GT	CYLINDER,PLATFORM LEVEL, SX125	1
26-	1298938GT	SEAL KIT,SX125,PLATFORM LEVEL CYLINDER 1268378	
26-	75061GT	VALVE,COUNTERBAL.CBBB-LHN@2000	
26-	61602GT	VALVE,COUNTERBAL.CBBB-LHN@3500	
27	1269388GT	PIN,1.5DIA X 5.63LG,1 HOLE	1
28	824093GT	SCREW,HHF,3/8-16X1.75,8,ZAG	
29	1268290GT	BELL CRANK, MACHINED	1



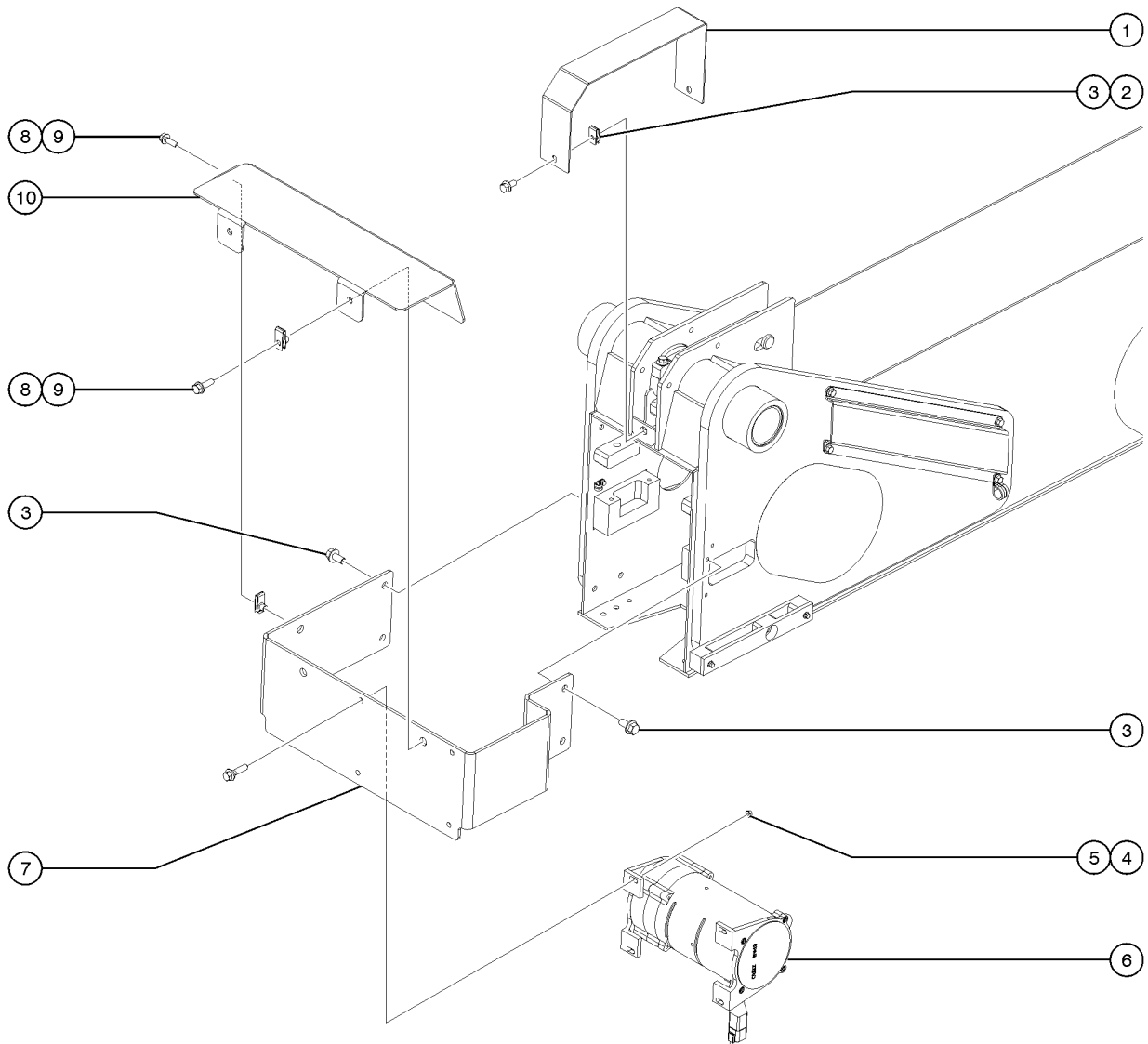
512.1 Jib Detail



<i>Item</i>	<i>Part No.</i>	<i>Description</i>	<i>Qty.</i>
1	1269424GT	MACHINING, JIB ARM, 5 FT	1
2	1269367GT	FORMING, HOSE COVER	1
3	122551GT	CLAMP, JIB HOSE/CABLE, S105, S125	2
4	128483GT	BACKING PLATE, HOSE BLOCK, JIB	2
5	1256180GT	BOLT, CARRIAGE, 1/4-20X2.75, 5, ZAG	
6	824027GT	NUT, TL FLG, 1/4-20, G, ZAG	
7	1279849GT	HOSE CLAMP	2
8	1255756GT	BOLT, CARRIAGE, 1/4-20X1.5, 5, ZAG	
9	1256127GT	BOLT, CARRIAGE, 1/4-20X1.5, ZAG	
10	825580GT	SCREW, HHC, M6-1.0X100, DIN931, 10.9, ZAB	4
11	1257389GT	WASHER, FLAT, M6X18X1.6, DIN9021,	4
12	231513GT	NUT, TL FLG, M6-1.0, DIN6927, 10, Z	4
13	1265019GT	TUBE, CABLE GUIDE	2
14	1256110GT	SCREW, BHC, 3/8-16X2.25, F835, ZAG	2
15	233509GT	WASHER, FLAT, M10X30X2.5, DIN9021, ZAB	2
16	101932GT	TUBE, RD., STL., DOM .75 X .437 X .78	2
17	824038GT	NUT, TL JAM, 3/8-16, A, ZAG	2
18	1284573GT	GUIDE, CABLE, UHMW	2



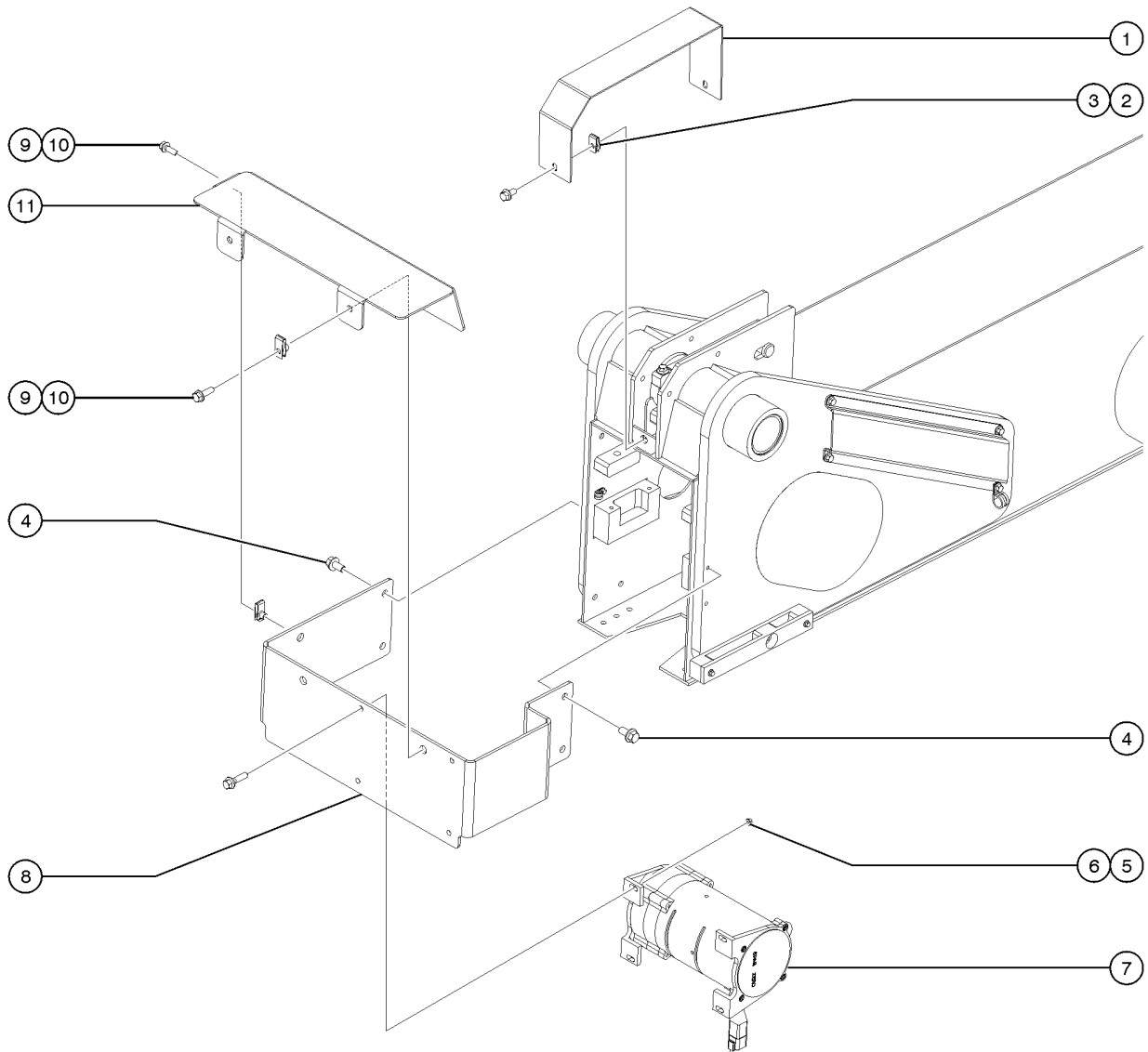
513.1 Boom Tube One, SX-105XC



<i>Item</i>	<i>Part No.</i>	<i>Description</i>	<i>Qty.</i>
1	1270483GT	FORMING, CLAMP COVER	1
2	29868GT	WASHER,FLAT,.375X1.25X.062,ZAG	2
3	824089GT	SCREW,HHF,3/8-16X.75,8,ZAG	6
4	824027GT	NUT,TL FLG,1/4-20,G,ZAG	4
5	824079GT	SCREW,HHF,1/4-20X1,8,ZAG	4
6	1257282GT	LENGTH TRANSDUCER, 400 IN	1
7	1270150GT	BRACKET,STRING POT	1
8	824086GT	SCREW,HHF,5/16-18X1,8,ZAG	3
9	36456GT	SPRING CLIP,5/16-18,.025-.15X	3
10	1302025GT	PLATE,WATER SHEILD,STRING POT,SX-105	1



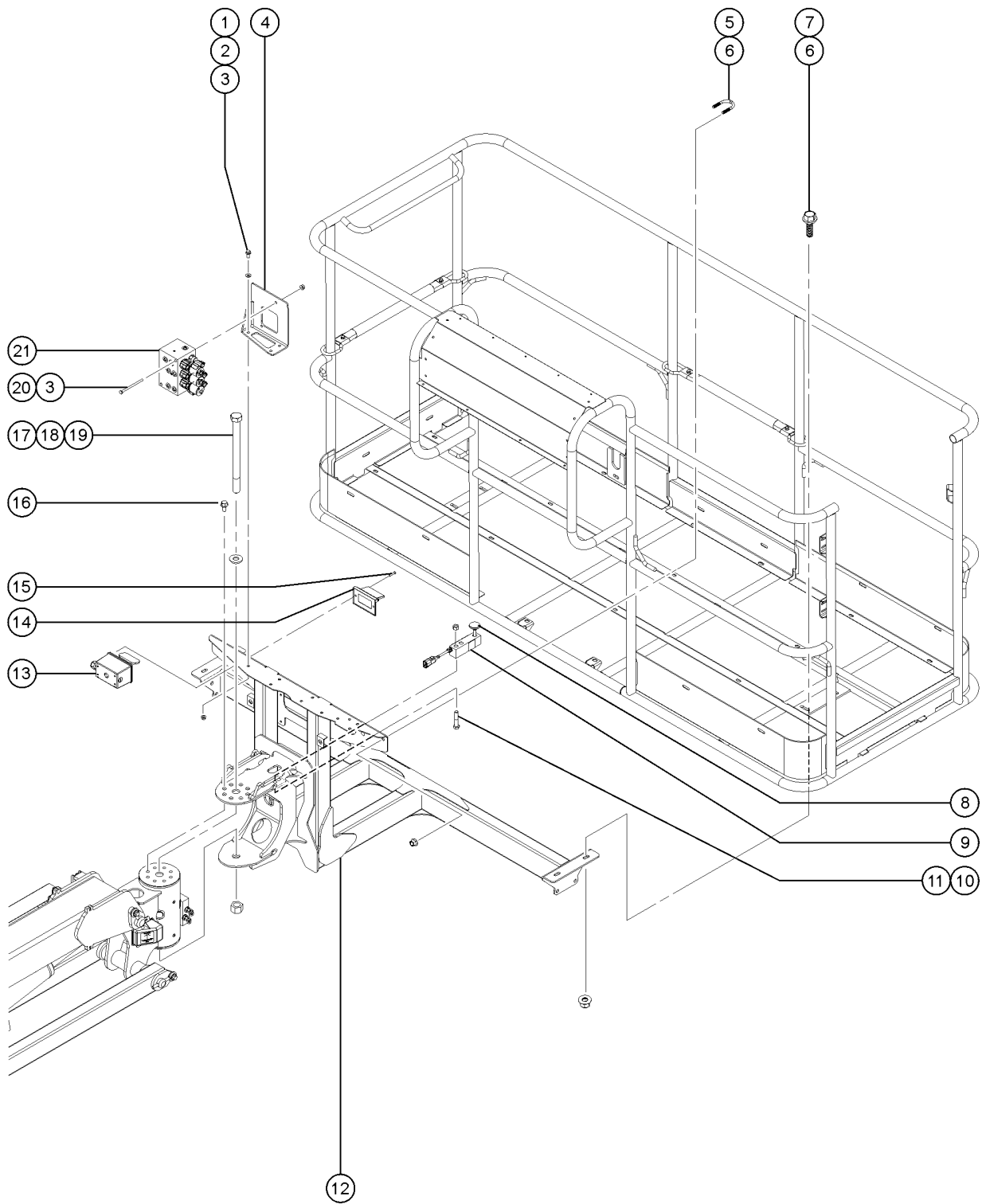
514.1 Boom Tube One, SX-125XC



<i>Item</i>	<i>Part No.</i>	<i>Description</i>	<i>Qty.</i>
1	1268349GT	FORMING, CLAMP COVER	1
2	29868GT	WASHER,FLAT,.375X1.25X.062,ZAG	2
3	824089GT	SCREW,HHF,3/8-16X.75,8,ZAG	2
4	1268762GT	SCREW,HHF,3/8-16*0.5,8,ZAG	4
5	824027GT	NUT,TL FLG,1/4-20,G,ZAG	4
6	824079GT	SCREW,HHF,1/4-20X1,8,ZAG	4
7	236403GT	LENGTH TRANSDUCER, 800",DUAL CHANNEL	1
8	1267631GT	BRACKET,STRING POT	1
9	824086GT	SCREW,HHF,5/16-18X1,8,ZAG	3
10	36456GT	SPRING CLIP,5/16-18,.025-.15X	3
11	1301025GT	PLATE,WATER SHEILD,STRING POT,SX-125	1



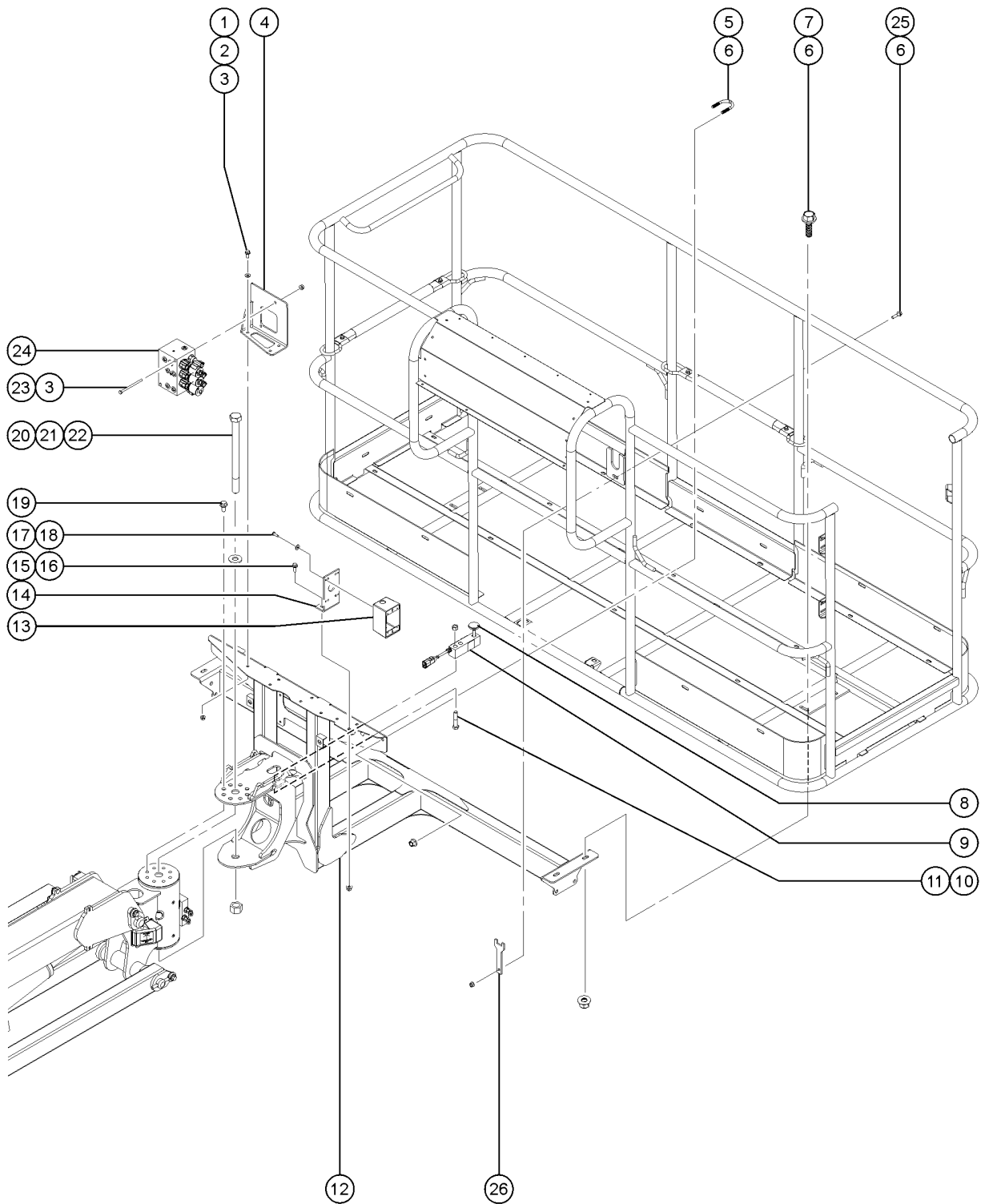
601.1 Platform Installation - View 1 (to SN SX125D-642)



Item	Part No.	Description	Qty.
1	128322GT	SCREW,5/16-18X1.00,SECURITY TO	
2	825358GT	WASHER,FLAT,5/16,USS,ZAG	
3	824028GT	NUT,TL FLG,5/16-18,G,ZAG	
4	1274897GT	WELD,PLAT MANIFOLD SUPP,SX105/125	1
5	1251600GT	U-BOLT, FLATTENED, 1.5 X 3/8	2
6	824029GT	NUT,TL FLG,3/8-16,G,ZAG	
7	824091GT	SCREW,HHF,3/8-16X1.25,8,ZAG	
8	1270337GT	LEVELING MOUNT, SWIVEL, 1/2-20	1
9	1270278GT	LOAD CELL, J1939, 650KG/1433LB NOTE: install with arrows pointing downwards (Calibration required after replacement)	1
10	1257464GT	SCREW,HHC,1/2-13X2.5,8,ZAG	
11	1259106GT	NUT,1/2-13,8,ZAG	
12	1273876GT	WELDMENT,PLAT SUPPORT,15K,METRIC	1
13	75069GT	T-BOX 2.75 X 4.5 X 2.5	1
14	74006GT	COVER,GFCI,HORIZONTAL,WEATHER	1
15	1253489GT	SCREW,FHPM,6-32 X .75,ZAG	
16	1256843GT	SCREW,HHC,1/2-13X1.25,8,ZAG	
17	824075GT	SCREW, HHC, 1-8 X 12.75, 5, ZAG	
18	824116GT	WASHER,FLAT,1.0,F436,HRD,ZAG	
19	1257081GT	NUT,1-8,8,ZAG	
20	824065GT	SCREW,HHC,1/4-20X4,8,ZAG	
21		Ref. MANIFOLD, PLATFORM	
		(Refer to 707.1)	



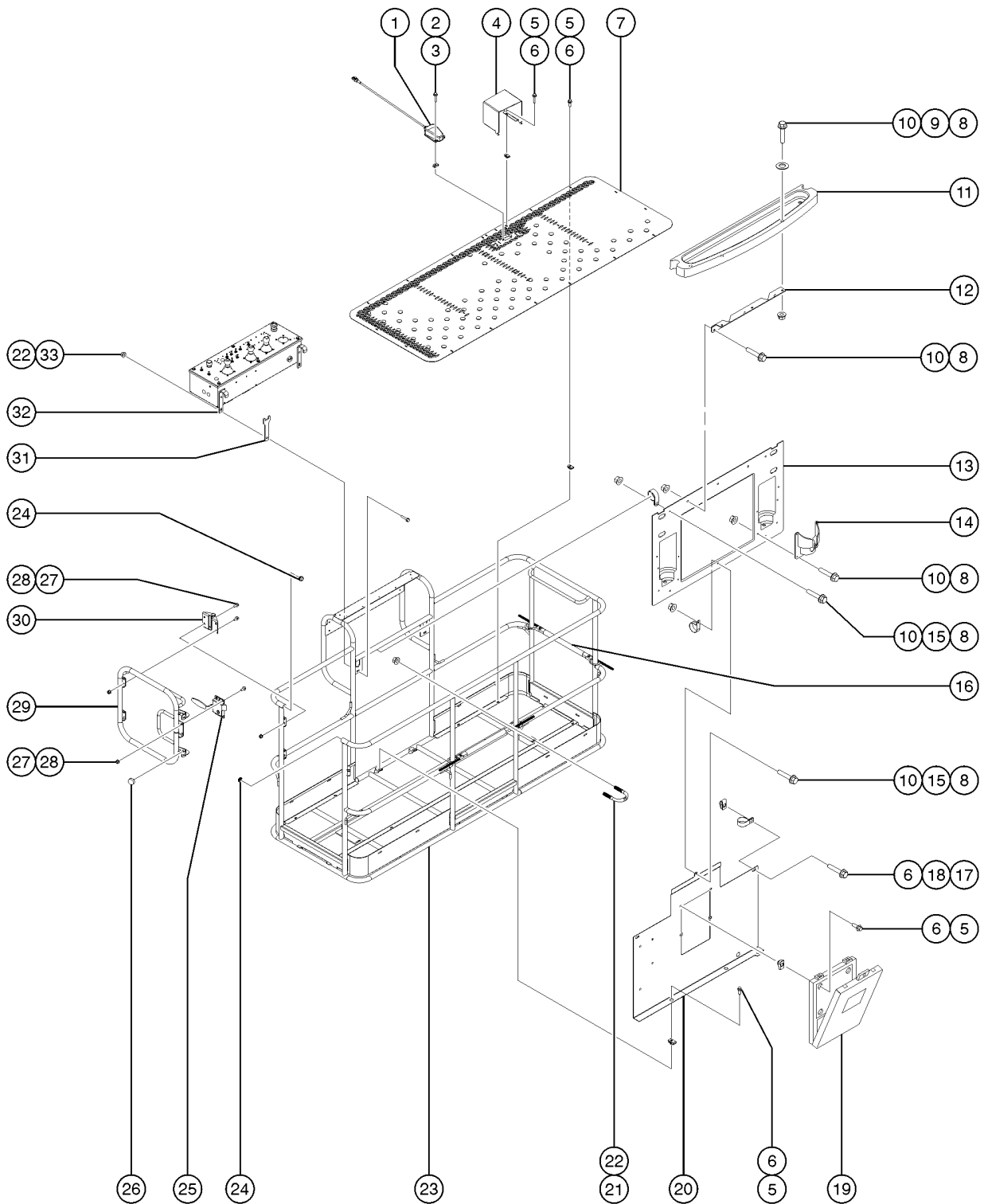
601.2 Platform Installation - View 1 (from SN SX125D-643)



Item	Part No.	Description	Qty.
1	128322GT	SCREW,5/16-18X1.00,SECURITY TO	
2	825358GT	WASHER,FLAT,5/16,USS,ZAG	
3	824028GT	NUT,TL FLG,5/16-18,G,ZAG	
4	1274897GT	WELD,PLAT MANIFOLD SUPP,SX105/125	1
5	1251600GT	U-BOLT, FLATTENED, 1.5 X 3/8	2
6	824029GT	NUT,TL FLG,3/8-16,G,ZAG	
7	824091GT	SCREW,HHF,3/8-16X1.25,8,ZAG	
8	1270337GT	LEVELING MOUNT, SWIVEL, 1/2-20	1
9	1270278GT	LOAD CELL, J1939, 650KG/1433LB NOTE: install with arrows pointing downwards (Calibration required after replacement)	1
10	1257464GT	SCREW,HHC,1/2-13X2.5,8,ZAG	
11	1259106GT	NUT,1/2-13,8,ZAG	
12	1273876GT	WELDMENT,PLAT SUPPORT,15K,METRIC	1
13	75069GT	T-BOX 2.75 X 4.5 X 2.5	1
14	81096GT	BRACKET,POWER TO PLAT, DOM	1
15	824090GT	WELDMENT,DEUTZ D2011L3i BAFFLE	2
16	1274322GT	NUT,NYLOCK FLG,3/8-16,G,ZAG	2
17	1257296GT	SCREW,PHPM-ST,8.32X.50,TYPE F,	4
18	1257390GT	WASHER,FLAT,#8,SAE,ZAG	4
19	1256843GT	SCREW,HHC,1/2-13X1.25,8,ZAG	
20	824075GT	SCREW, HHC, 1-8 X 12.75, 5, ZAG	
21	824116GT	WASHER,FLAT,1.0,F436,HRD,ZAG	
22	1257081GT	NUT,1-8,8,ZAG	
23	824065GT	SCREW,HHC,1/4-20X4,8,ZAG	
24		Ref. MANIFOLD, PLATFORM	
		(refer to 707.1)	
25	824092GT	SCREW, HHF, 3/8-16 X 1.5, 8, ZAG	2
26	1278950GT	PLATE, PLAT.CONTROL BOX SPACER	2



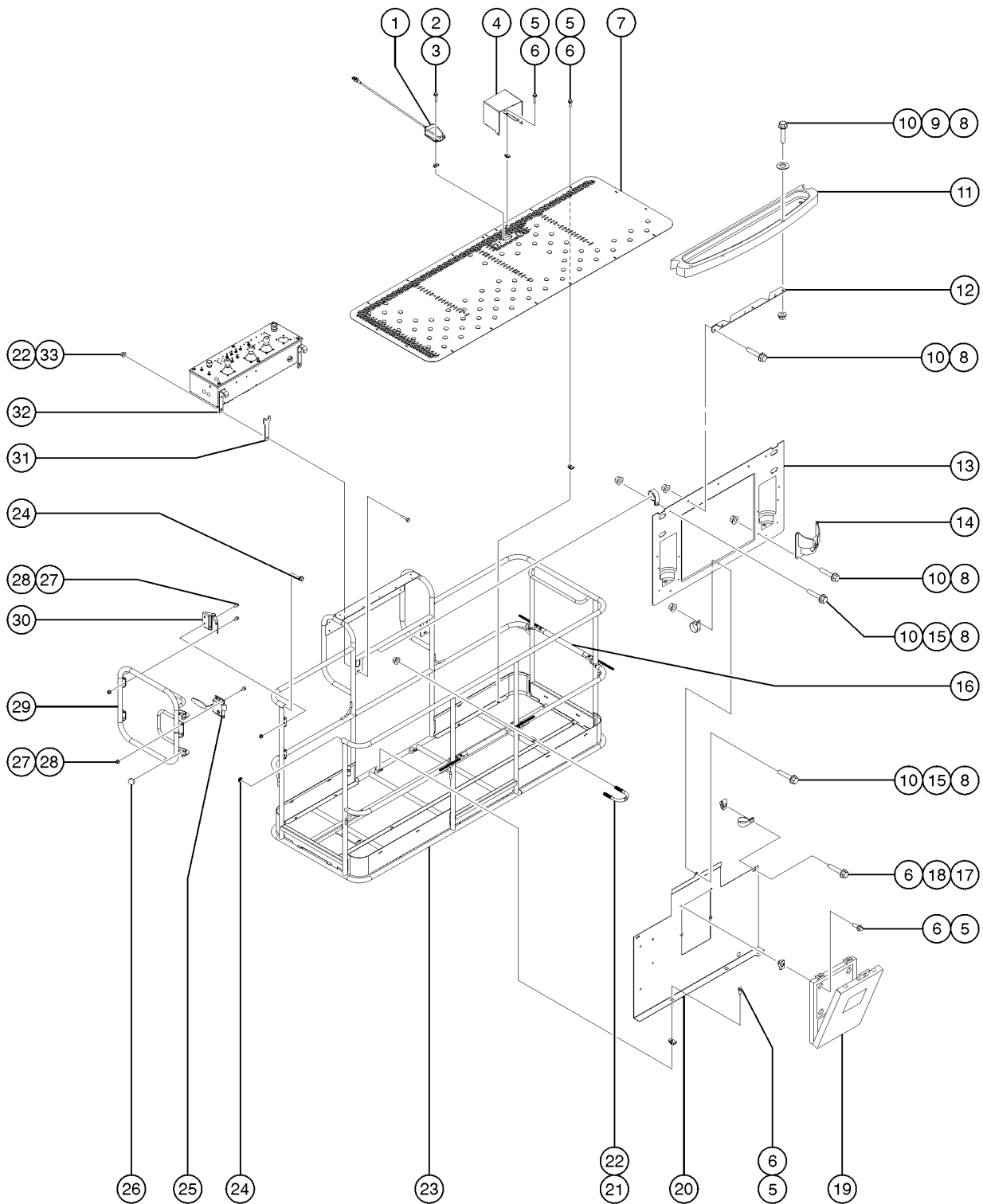
602.1 Platform Installation - View 2 (to SN SX125D-655)



Item	Part No.	Description	Qty.
A	1272304GT	ASSY,8FT PLAT TRI LG,BLANK	1
1	227515GT	ASSEMBLY,FOOT SWITCH	1
2	1269641GT	SCREW,HHF,10-24X1,ZAG	
3	73575GT	SPRING CLIP,10-24,ZINC	2
4	147121GT	COVER, FOOT SWITCH, LARGE	1
5	824078GT	SCREW,HHF,1/4-20X.75,8,ZAG	
6	56912GT	SPRING CLIP,1/4-20,.025-.15X.5	
7	73478GT	FLOORING, 8 FT PLATFORM*** for 8' platform	1
7B	1267746GT	FLOORING, 72X30 PLATFORM for 6' platform	1
8	1262031GT	SCREW,HHF,10-24X.75,ZAG	
9	1253185GT	WASHER,FLAT,#10,USS,ZAG	
10	1256467GT	NUT,TL FLG,10-24,F,ZAG	
11	60476GT	TOOL HOLDER,PLASTIC	1
12	60475GT	GUSSET,TOOL HOLDER,PLASTIC	1
13	60477GT	PLATE,DECAL,PLASTIC	1
14	60474GT	CUP HOLDER,PLASTIC	2
15	60478GT	CLAMP,1.25"DIA NON-CUSHIONED	7
16	102992GT	SLIDING MIDRAIL KIT,PTD for 8' platform	2
16B	102992GT	SLIDING MIDRAIL KIT,PTD for 6' platform	1
17	824079GT	SCREW,HHF,1/4-20X1,8,ZAG	
18	56424GT	CLAMP,1.25X.5 RUBBER-CUSHION	2
19	24514GT	BOX,INSTRUCTION STORAGE	1
20	75537PGT	PLATE,DOCUMENT BOX MOUNT,PAINT	1
21	1251600GT	U-BOLT, FLATTENED, 1.5 X 3/8	2
22	824029GT	NUT,TL FLG,3/8-16,G,ZAG	
23	1265372GT	WELDMENT, 96X36, TRI ENTRY PLA for 8' platform (includes item 16A) (order floor separately)	
23B	1265826GT	WELDMENT, SIDE-ENTRY PLATFORM, 6' for 6' platform (includes item 16B)	
24	55753GT	BUMPER, PLASTIC, 1.25 O.D.	2



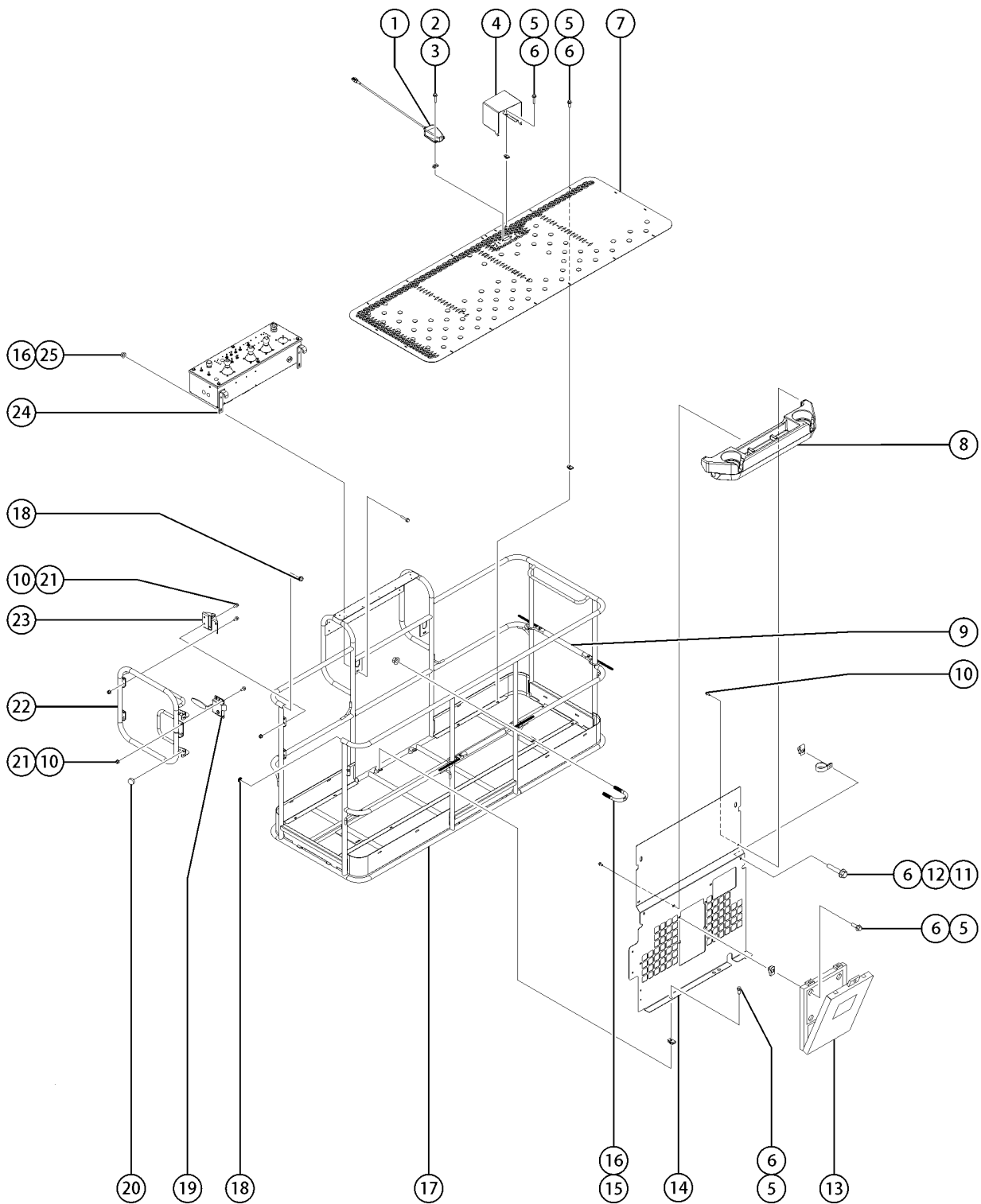
602.1 Platform Installation - View 2 (to SN SX125D-655)



<i>Item</i>	<i>Part No.</i>	<i>Description</i>	<i>Qty.</i>
25	1267747GT	LATCH, SWING GATE	1
26	43392GT	BUMPER,BATTERY BOX & RAILS***	2
27	824027GT	NUT,TL FLG,1/4-20,G,ZAG	
28	1256855	SCREW,HHF,1/4-20X.625,8,ZAG	
29	1265397GT	WELDMENT, SWING GATE	1
30	104804GT	HINGE, SPRING, LONG LEG	2
31	1278950GT	PLATE, PLAT.CONTROL BOX SPACER	2
32		REF. PLATFORM CONTROL BOX ASSEMBLY	1
		(Refer to 603.1)	
33	824092GT	SCREW, HHF, 3/8-16 X 1.5, 8, ZAG	



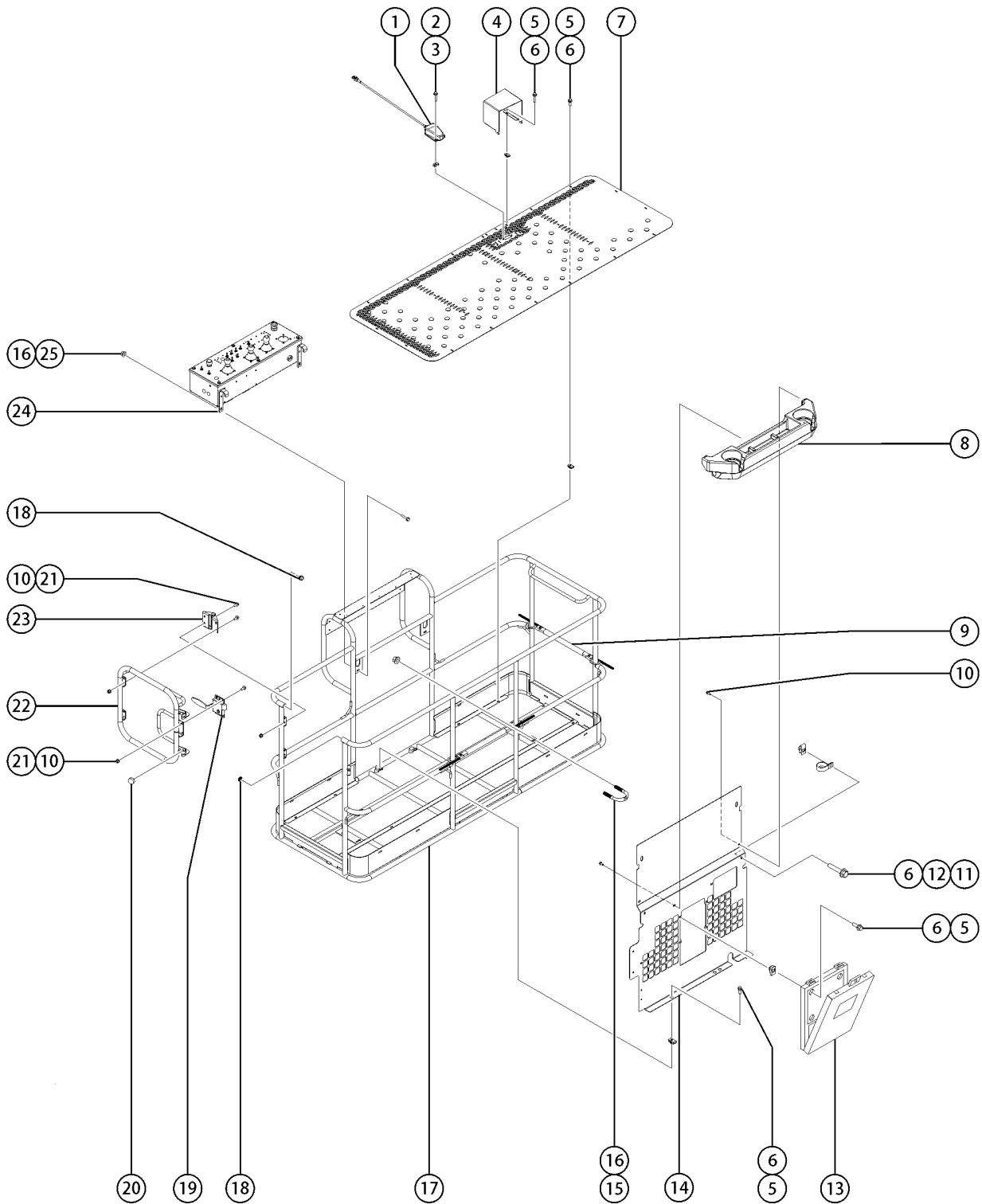
602.2 Platform Installation - View 2 (from SN SX125D-656)



Item	Part No.	Description	Qty.
A	1272304GT	ASSY,8FT PLAT TRI LG,BLANK Complete 8' platform assembly. Order decals separately. Refer to Section 100.	1
B	1272303GT	ASSY,6FT PLAT DUAL LG,BLANK Complete 6' platform assembly (North America, Australia markets). Order decals separately. Refer to Section 100.	
	1278858GT	6' PLATFORM W/SIDE SWING GATE KIT CE Complete 6' platform assembly (CE market). Order decals separately. Refer to Section 100.	
1	227515GT	ASSEMBLY,FOOT SWITCH	1
2	1269641GT	SCREW,HHF,10-24X1,ZAG	
3	73575GT	SPRING CLIP,10-24,ZINC	2
4	147121GT	COVER, FOOT SWITCH, LARGE	1
5	824078GT	SCREW,HHF,1/4-20X.75,8,ZAG	
6	56912GT	SPRING CLIP,1/4-20,.025-.15X.5	
7	73478GT	FLOORING, 8 FT PLATFORM*** for 8' platform	1
7B	1267746GT	FLOORING, 72X30 PLATFORM for 6' platform	1
8	1289552GT	KIT, PLATFORM WORK TRAY	1
9	102992GT	SLIDING MIDRAIL KIT,PTD for 8' platform	2
9B	102992GT	SLIDING MIDRAIL KIT,PTD for 6' platform	1
10	1256855	SCREW,HHF,1/4-20X.625,8,ZAG	
11	824079GT	SCREW,HHF,1/4-20X1,8,ZAG	
12	56424GT	CLAMP,1.25X.5 RUBBER-CUSHION	2
13	24514GT	BOX,INSTRUCTION STORAGE	1
14	1275088GT	FORMING, ALUM. DECAL PLATE	1
15	1251600GT	U-BOLT, FLATTENED, 1.5 X 3/8	2
16	824029GT	NUT,TL FLG,3/8-16,G,ZAG	
17	1265372GT	WELDMENT, 96X36, TRI ENTRY PLA for 8' platform (includes item 9)	1
17B	1265826GT	WELDMENT, SIDE-ENTRY PLATFORM, 6' for 6' platform (includes item 9)	1
18	55753GT	BUMPER, PLASTIC, 1.25 O.D.	2
19	1267747GT	LATCH, SWING GATE	1
20	43392GT	BUMPER,BATTERY BOX & RAILS***	2
21	824027GT	NUT,TL FLG,1/4-20,G,ZAG	
22	1265397GT	WELDMENT, SWING GATE	1



602.2 Platform Installation - View 2 (from SN SX125D-656)

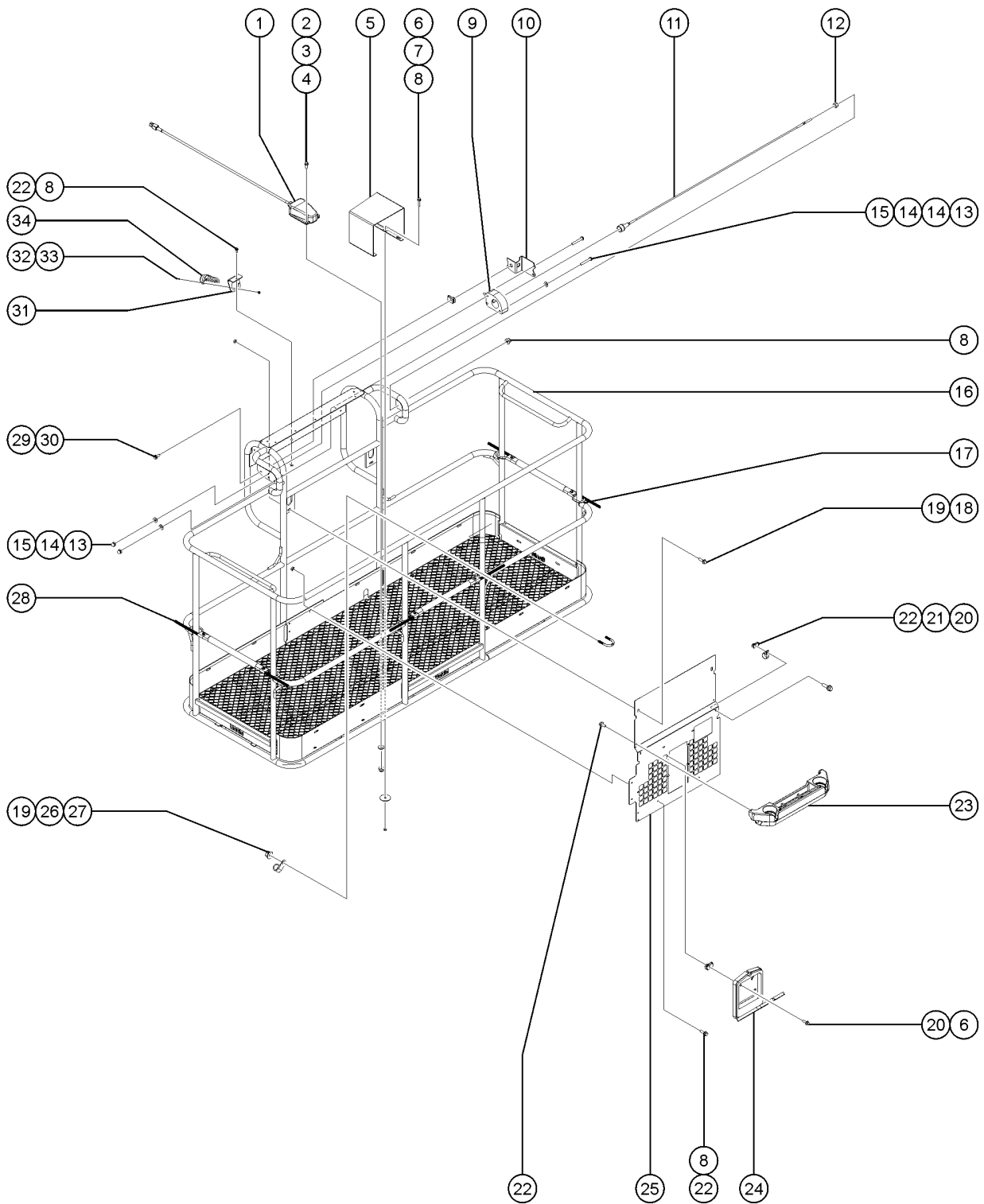


602.2 Platform Installation - View 2 (from SN SX125D-656)

<i>Item</i>	<i>Part No.</i>	<i>Description</i>	<i>Qty.</i>
23	104804GT	HINGE, SPRING, LONG LEG	2
24		REF. PLATFORM CONTROL BOX ASSEMBLY	
		(Refer to 603.1)	
25	824092GT	SCREW, HHF, 3/8-16 X 1.5, 8, ZAG	



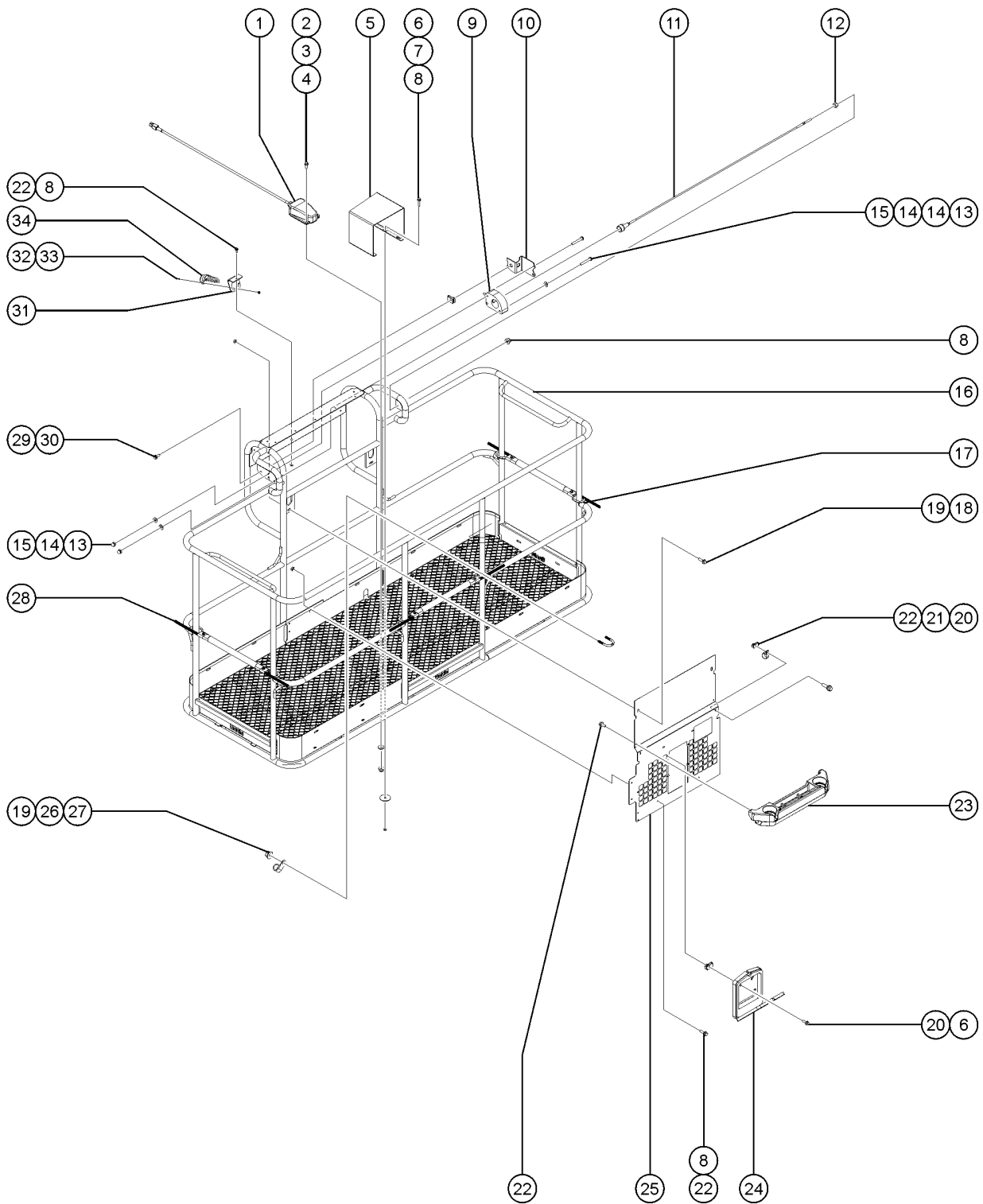
602.3 Platform Installation, China Option



Item	Part No.	Description	Qty.
1	227618GT	ASSEMBLY,FOOTSWITCH	1
2	1269641GT	SCREW,HHF,10-24X1,ZAG	2
3	1307740GT	WASHER,FLAT,#10,ZINC	2
4	1283004GT	NUT,NYLOCK FLG,10-24,A,ZAG	2
5	1306706GT	COVER, FOOT SWITCH, LARGE	1
6	824078GT	SCREW,HHF,1/4-20X.75,8,ZAG	8
7	824113GT	WASHER,FLAT,1/4,USS,ZAG	4
8	1277924GT	NUT,NYLOCK FLG,1/4-20,F,ZAG	8
9	1307644GT	ASSY, SENSOR W/ HOUSING	1
10	1306254GT	FORMING, SENSOR HOLDER	1
11	1306900GT	ASSEMBLY, CONTACT ALARM CABLE, LARGE	1
12	1261184GT	NUT,1/4-20,8,ZAG	1
13	1280278GT	SCREW,PHPM,10-24X1.375,ZAG	3
14	1253185GT	WASHER,FLAT,#10,USS,ZAG	4
15	1307739GT	Nut,#10-24 Nickel Plated Acorn	3
16	1306251GT	WELDMENT, SIDE-ENTRY PLATFORM, 8' (8 foot platform)	1
16B	1306354GT	WELDMNT,6 FT PLATFORM (6 foot platform)	1
17	T112773GT	TAPE, PROTECTIVE MASK	6
18	824091GT	SCREW,HHF,3/8-16X1.25,8,ZAG	2
19	1274322GT	NUT,NYLOCK FLG,3/8-16,G,ZAG	6
20	56912GT	SPRING CLIP,1/4-20,.025-.15X.5	6
21	56424GT	CLAMP,1.25X.5 RUBBER-CUSHION	2
22	1256855GT	SCREW,HHF,1/4-20X.625,8,ZAG	9
23	1275089GT	PLATFORM WORK TRAY	1
24	24514GT	BOX,INSTRUCTION STORAGE	1
25	1306707GT	FORMING, ALUM. DECAL PLATE	1
26	67897GT	CLAMP,0.56,#9 X 3/8,RUB CUSH	1
27	1251600GT	U-BOLT, FLATTENED, 1.5 X 3/8	2



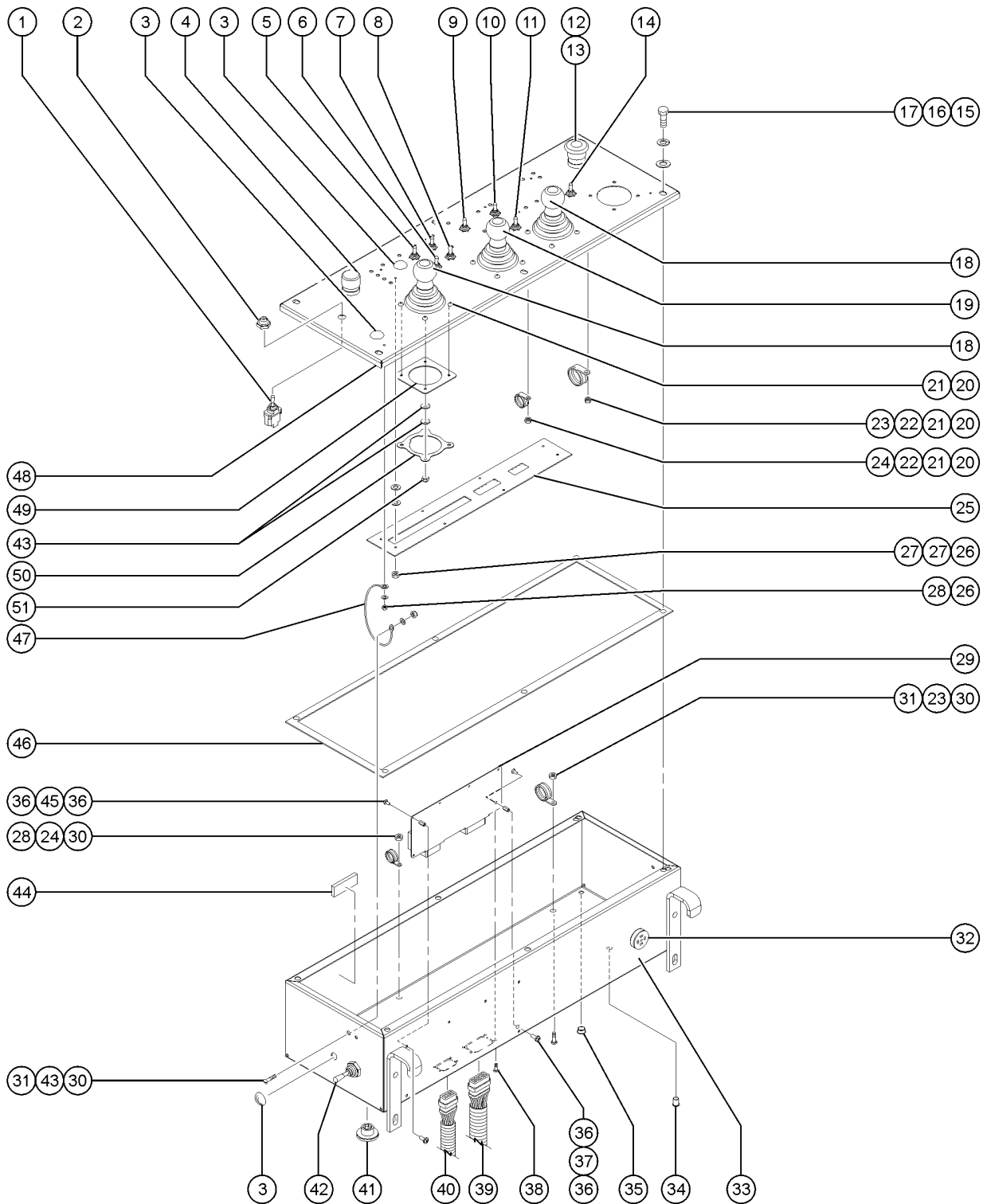
602.3 Platform Installation, China Option



<i>Item</i>	<i>Part No.</i>	<i>Description</i>	<i>Qty.</i>
28	53471-750GT	WIRE LOOM,3/8 NYLON,SLIT	6
29	1264934GT	SCREW,HHF,10-24X.5	1
30	73575GT	SPRING CLIP,10-24,ZINC	1
31	1306957GT	FORMING,LIGHT BRKT	1
32	1259259GT	SCREW,PHPM,6-32X.75,ZAG	2
33	12344GT	NUT,NYLOCK,6-32	2
34	1307643GT	ASSEMBLY, LIGHT, CONTACT ALARM	2



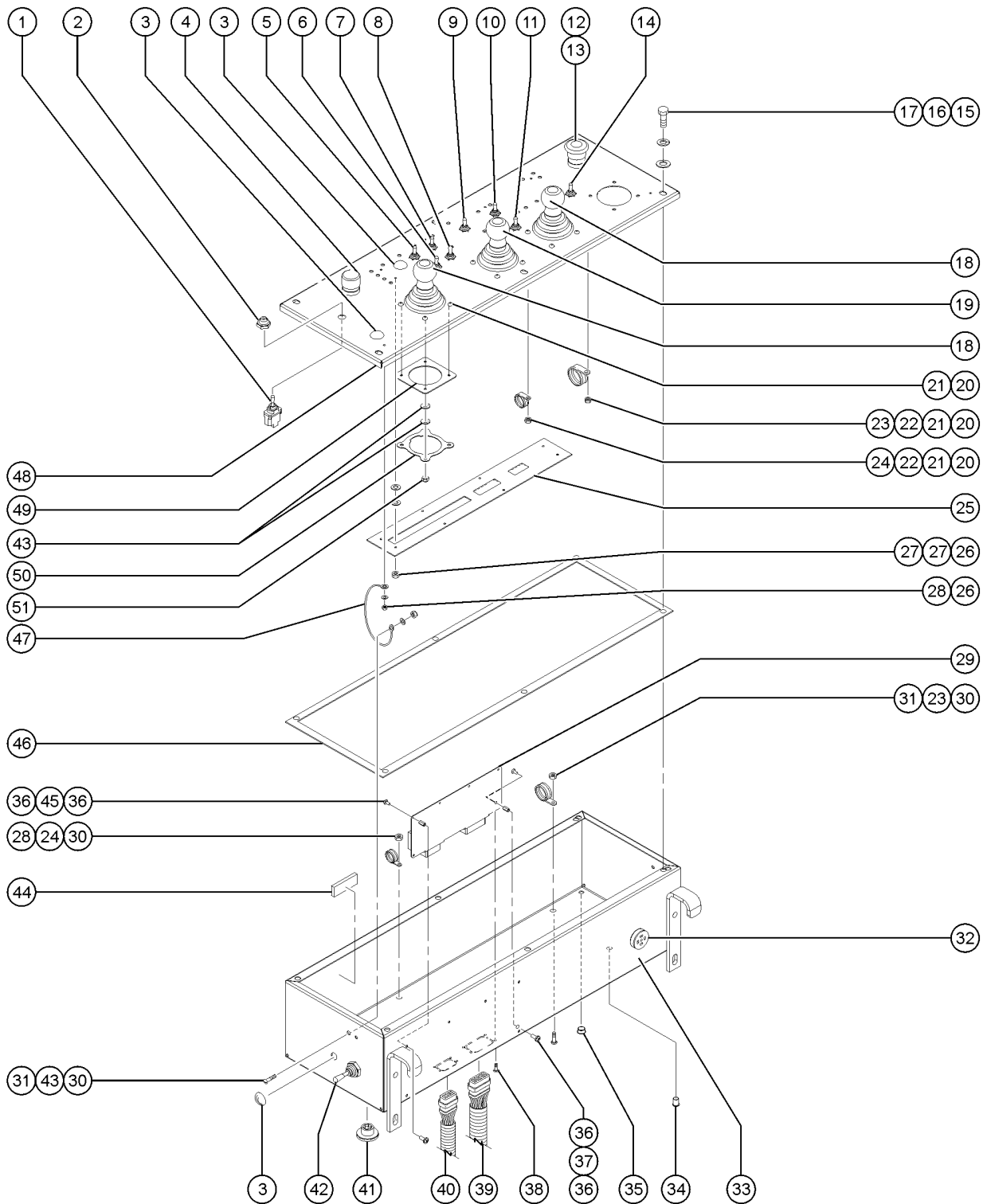
603.1 Platform Controls



Item	Part No.	Description	Qty.
A-	1280329GT	ASSY,PLATFORM CONTROL BOX SX-105 XC	
B-	1268347GT	ASSY, PLATFORM CONTROLBOX SX125	
C-	119613GT	HARN JOYSTICK ADAPTOR JS100 6-pin to 7-pin adapter (for 101174, 101175, 101005)	
1	128200GT	SWITCH TOGGLE ASSY SPDT 3P MOM	9
		Platform Rotate Toggle Switch	
2	27246GT	BOOT,TOGGLE SWITCH,SHORT*	9
		Part of toggle switch 128200	
3	229567GT	PLUG,SANTOPRENE .5 BLACK DOME	5
4	66813GT	BUTTON,PUSH,BLACK W/SEAL ***	1
4-	66815GT	BASE, W/1 N.O. CONTACTS***	
5	128200GT	SWITCH TOGGLE ASSY SPDT 3P MOM	1
		Generator ON/OFF Toggle Switch	
6	128200GT	SWITCH TOGGLE ASSY SPDT 3P MOM	1
		Drive Enable Toggle Switch	
7	128200GT	SWITCH TOGGLE ASSY SPDT 3P MOM	1
		Auxiliary Power Toggle Switch	
8	128200GT	SWITCH TOGGLE ASSY SPDT 3P MOM	1
		Axle Extend/Retract Toggle Switch	
9	128200GT	SWITCH TOGGLE ASSY SPDT 3P MOM	1
		Engine Start Toggle Switch	
10	128200GT	SWITCH TOGGLE ASSY SPDT 3P MOM	1
		Hi/Low RPM Toggle Switch	
11	128200GT	SWITCH TOGGLE ASSY SPDT 3P MOM	1
		Drive Speed Toggle Switch	
12	66812GT	BUTTON,PUSH,RED MUSHROOM HEAD	1
12-	66817GT	BASE WITH 1 NC CONTACT, E-STOP	
13	146478GT	BOOT(BELLOWS),E-STOP,BLACK	1
14	128200GT	SWITCH TOGGLE ASSY SPDT 3P MOM	1
		Steer Mode Toggle Switch	
15	6090GT	SCREW,HHC,1/4-20 X .75	6
16	6356GT	WASHER,LOCK,.25	6
17	6638GT	WASHER,FLAT,USS,1/4"Y	6
18	101174GT	JOYSTICK,2 AXIS,DEUTSCH	2
		Boom Up/Down and Turntable Rotate Joystick. OEM joystick (calibration required after replacement). Refer to 605.1	
18A-	101174HGT	JOYSTICK,DUAL AXIS W/KNOB	
		Aftermarket joystick (calibration required after replacement)	
18B	1274971GT	JOYSTICK, 2 AXIS, BLUE	2
		from SX105D-174	
19	101175GT	JOYSTICK,1 AXIS,DEUTSCH	1
		Boom Extend/Retract Joystick. OEM joystick (calibration required after replacement). Refer to 605.1	
19A-	101175HGT	JOYSTICK,SINGLE AXIS W/KNOB	
		Aftermarket joystick (calibration required after replacement)	



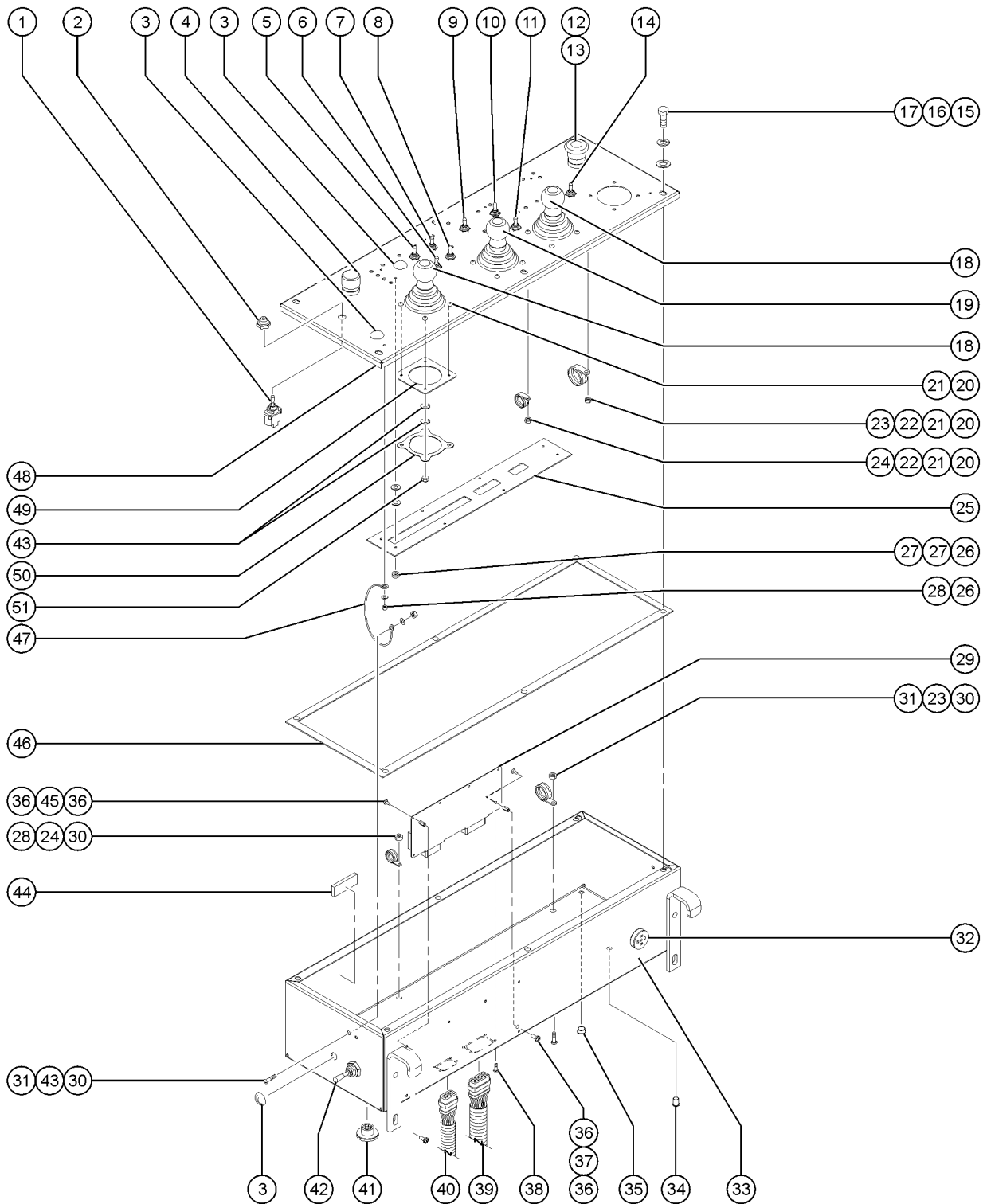
603.1 Platform Controls



Item	Part No.	Description	Qty.
19B	1274972GT	JOYSTICK, 1 AXIS, BLUE from SX105D-174	1
20	139338GT	SCREW PH M5-0.8X20 DIN 7500CE	
21	1269498GT	SHOULDER WASHER, NYLON	
22	104030GT	NUT HEX M5-0.8 CLASS 8 ZINC	4
23	13268GT	CLAMP,0.75,#12 X 1/4,RUB CUSH	3
24	6833GT	CLAMP,0.50,#8 X 1/4,RUB CUSH	2
25	232975GT	PCB, LED/TOGGLE SWITCH, ALC100	1
26	12344GT	NUT,NYLOCK,6-32	10
27	822224GT	WASHER, NYLON #10, 0.093	8
28	35461GT	WASHER,FLAT,MS,#8,Y	2
29	1280330GT	PCB, ASSY, ECM, PLATFORM, SX-105 XC SX-105 XC, blank board:217801	1
29B	1268386GT	PCB, ASSY, ECM, PLATFORM, SPX125 V1.00 SX-125 XC, blank board:217801	1
30	6178GT	NUT,NYLOCK,10-32	4
31	54365GT	SCREW,PHIL,PHM,10-32 X .5,SSTL	4
32	62379GT	ALARM,AUDIO,SUPERBOOM*	1
32-	72326GT	NUT,PLASTIC,RING FOR ALARMS	
33	822477GT	WELDMENT, PLATFORM CONTROL BOX (Empty control box only)	
34	42288GT	PLUG,NYLON .188 BLACK DOMED	1
35	21858GT	PLUG,NYLON .38 BLACK DOMED	4
36	81551GT	SCREW,PHIL,PHM,6-32 X 1/4 SS	12
37	88287GT	STANDOFF,6-32 X 1/2L X 1/4 HEX	2
38	122351GT	SCREW,#4X1/4,HI-LO,PH PHIL,TAP	8
39	1268001GT	WIRE HARNESS, PLAT MAIN FOLD, SX105/125	1
40	1269790GT	HARNESS, TCON J11 BOOM/SAE UPPER, SX105 SX-105 XC	1
40B	1267998GT	HARNESS, TCON J11 BOOM/SAE UPPER, SX120/125 SX-125 XC	
41	106495GT	PLUG,1/2" HUBBLE	2
42		Ref. SWITCH TOGGLE ASSY SPDT 3P MOM Platform level recovery option (refer to 809.1)	1
43	6146GT	WASHER,FLAT,MS,#10,Y	28



603.1 Platform Controls

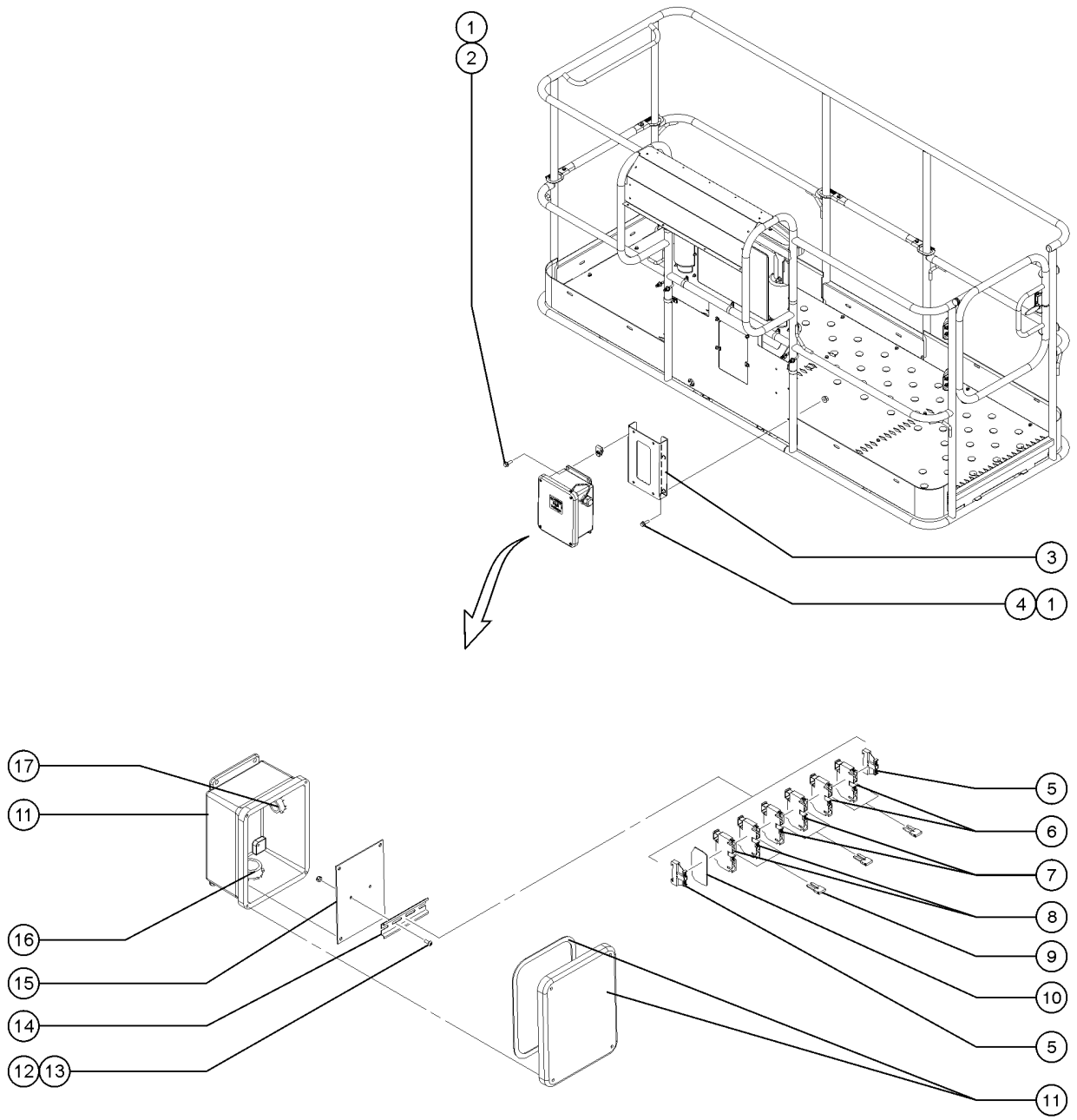


603.1 Platform Controls

<i>Item</i>	<i>Part No.</i>	<i>Description</i>	<i>Qty.</i>
44	30997GT	CORROSION INHIBITOR,FOAM	1
45	110229GT	STANDOFF,6-32X1/2LX1/4 HEX NYL	4
46	81488GT	GASKET,PLATFORM CONTROL BOX	1
47	77351GT	LANYARD,PLATFORM CONTROL BOX	2
48	236710GT	LID, PLAT BOX, 4 JOYSTICK, SX	1
		to SX105D-173	
48B	1277174GT	LID, PLATFORM BOX, 4 JOYSTICK	1
		from SX105D-174	
49	1269497GT	GASKET, ISOLATION, JOYSTICK	4
50	1296721GT	MOUNT,HOLDER PLATE,JOYSTICK	4
51	27082GT	NUT, NYLOCK, M5 X .80	12



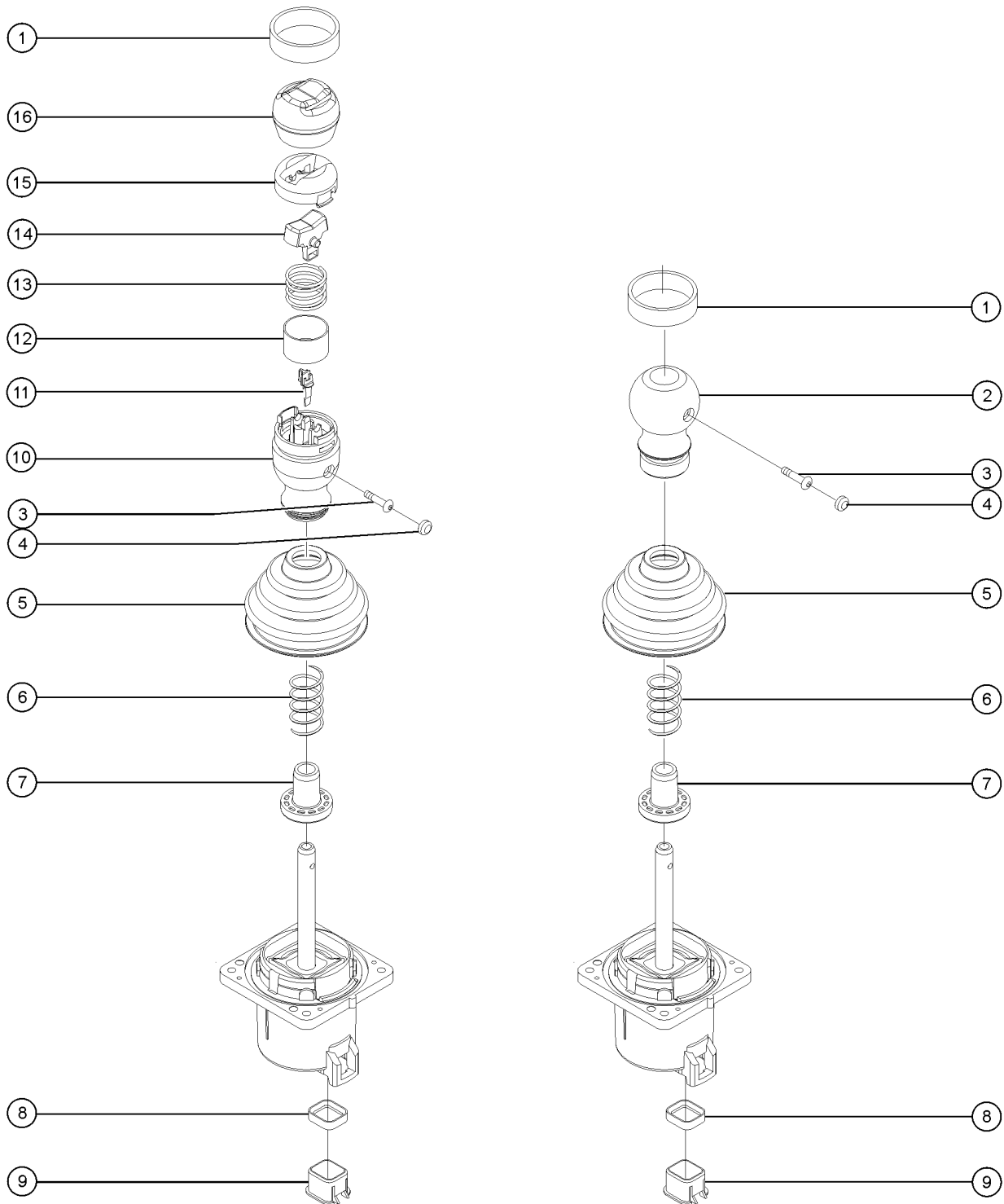
604.1 Platform J Box Assembly



Item	Part No.	Description	Qty.
-	1258000GT	BOX,ASSY PLATFORM,J,AU/SK Australia models only (complete, including 1 - 17)	
1	231532GT	SCREW,HHF,M6X20,DIN6921,10.9,Y	
2	230073GT	SPRING CLIP,M6-1.0,0.8-4MM PAN	
3	1275825GT	FORMING, PLAT JBOX MOUNT	1
4	231513GT	NUT,TL FLG,M6-1.0,DIN6927,10,Z	
5	74913GT	END STOP, DIN RAIL,SCREW CLAMP	2
6	825797GT	BLOCK,DIN FEED THRU,16-6	2
7	825747GT	BLOCK,DIN FEED THRU BLUE	2
8	825795GT	BLOCK,DIN FEED THRU,16-6	2
9	825849GT	JUMPER,2 PIN DIN RAIL TERMINAL	3
10	822103GT	DIN RAIL, PARTITION PLATE	1
11	825748GT	BOX,J,CIRCUIT BREAKERS EU	1
12	54365GT	SCREW,PHIL,PHM,10-32 X .5,SSTL	
13	6178GT	NUT,NYLOCK,10-32	
14	825737GT	DIN RAIL, 4.60"	1
15	825761GT	PANEL, ENCLOSURE, BACK	1
16	1269460GT	CABLE SQUEEZE CONN, M40X1.5	
16-	822222GT	CABLE SQUEEZE CONN., 1.25"	
17	12960GT	CABLE SQUEEZE CONN.,XTRA LRG	1
17-	14041GT	LOCKNUT,ELECTRIC,3/4"	



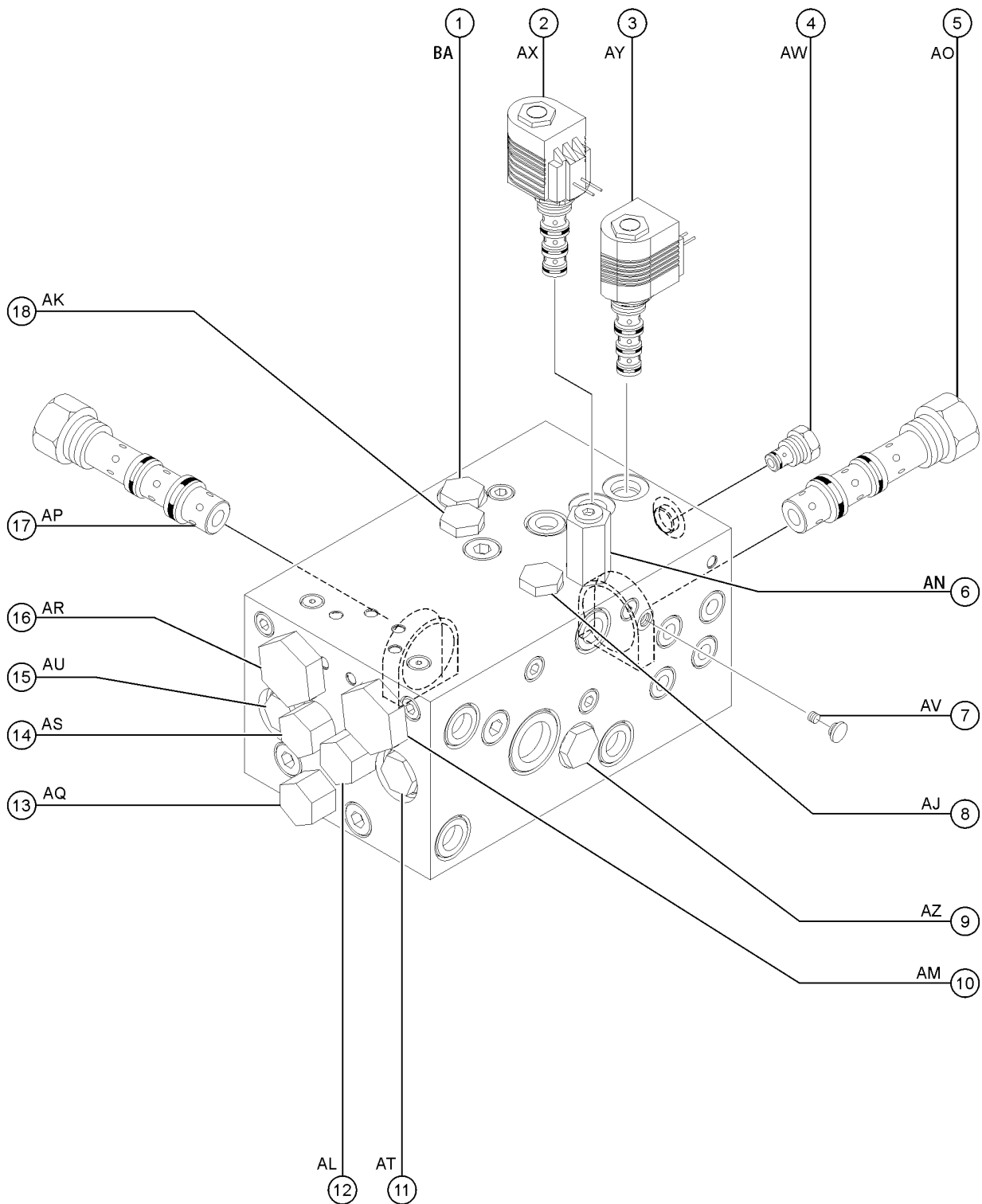
605.1 Joysticks



Item	Part No.	Description	Qty.
-		If joystick handle is marked with blue band it is "isolated" and must be replaced with isolated joystick	
-	1275259GT	JOYSTICK, ISOLATED, 2 AXIS ROCKER OEM joystick (calibration required after replacement); includes Gasket part 1269497 and Shoulder Washer part 1269498 (refer to 603.1)	1
-	1275260GT	JOYSTICK, ISOLATED, 1 AXIS OEM joystick (calibration required after replacement); includes Gasket part 1269497 and Shoulder Washer part 1269498 (refer to 603.1)	1
-	1275248GT	JOYSTICK, ISOLATED, 2 AXIS OEM joystick (calibration required after replacement); includes Gasket part 1269497 and Shoulder Washer part 1269498 (refer to 603.1)	1
-	83098GT	TERM,AMP MTE,SOC,22-26 GA BULK	
1	1271713GT	SHRINK TUBE,BLU,3:1,40MM	2
2	62392GT	KNOB,JOYSTICK, 62390/62391	1
3	T112626GT	SCREW, PHM, #6-32 X .625 ZINC	1
4	1269499GT	PLUG, JOYSTICK HANDLE	2
5	139598GT	BOOT,JOYSTICK	1
6		SPRING,JOYSTK CENTR,62390/91 no longer available from supplier	
7	119915GT	COLLAR,JOYSTICK,CENTER	1
8	128000GT	SEAL, CONNECTOR (DT JOYSTICKS)	1
9	128001GT	SLEEVE,CONNECTOR,DT JOYSTICKS	1
10	75449GT	KNOB,ROCKER JOYSTICK 75565	1
11	75448GT	SUPPORT,SENSOR,JOYSTICK	1
12	75447GT	SWITCH SHIELD,ROCK JOYSTK75565	1
13	75446GT	SPRING,SWITCH CENTERING,75565	1
14	75445GT	ROCKER ASSY.,MAGNETIC 75565	1
15	75444GT	ROCKER,RETAINER, 75565	1
16	75443GT	BOOT, ROCKER JOYSTICK 75565	1



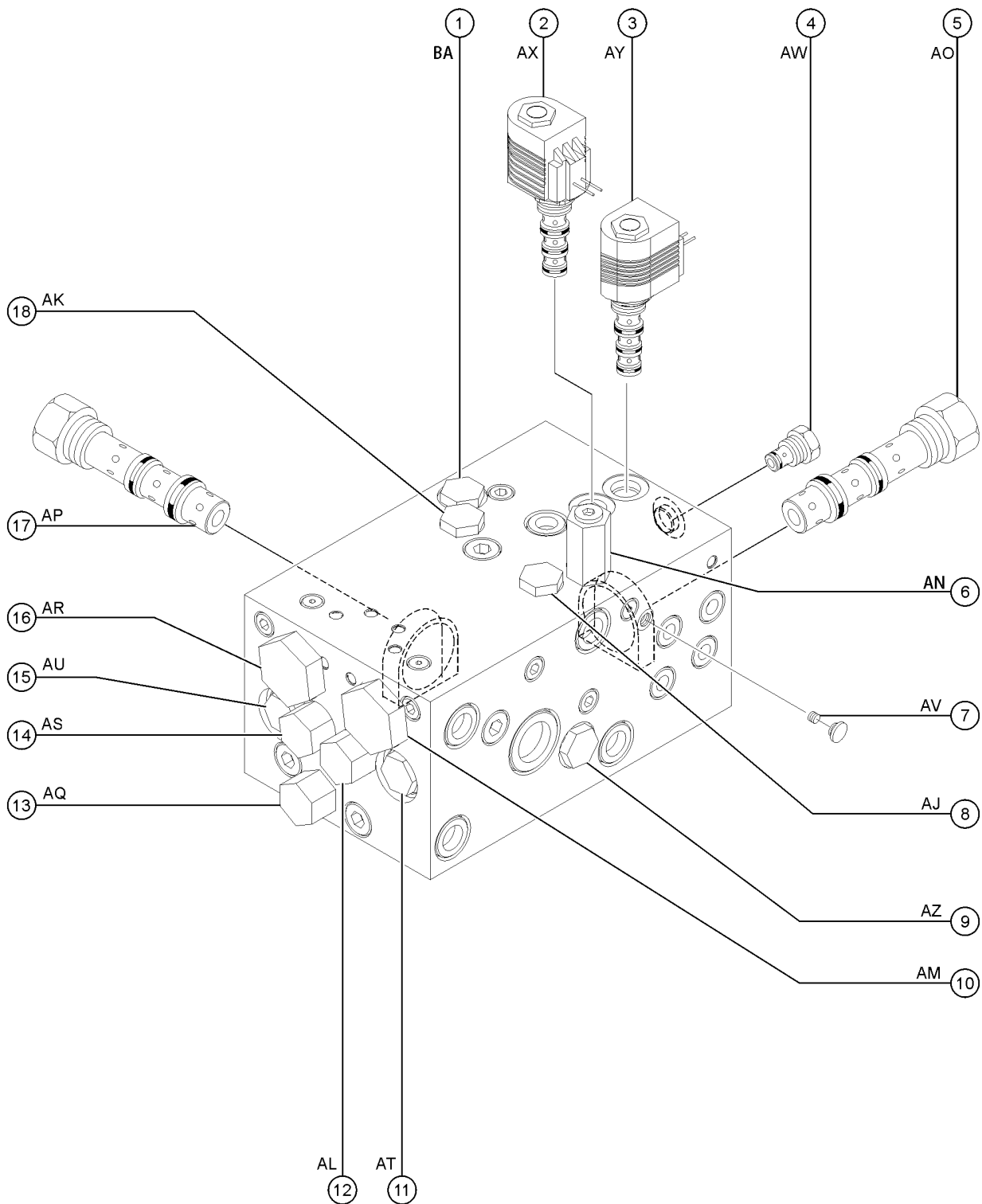
701.1 Traction Manifold



Item	Part No.	Description	Qty.
A-	70241GT	MANIFOLD,TRACTION,4WD (Complete)	
1	27836GT	VALVE,CHECK,5 PSI BA, Drive motor anti-cavitation	
2	77489GT	VALVE,SOLENOID 2 POS.3 WAY AX, Two-speed drive motor shift	
2-	72043GT	SEAL KIT,SOLENOID VALVE	
2-	77735GT	COIL, SOLENOID VALVE	
2-	52943GT	NUT SOLENOID VALVE COIL	
3	77489GT	VALVE,SOLENOID 2 POS.3 WAY AY, Brake release	
3-	72043GT	SEAL KIT,SOLENOID VALVE	
3-	77735GT	COIL, SOLENOID VALVE	
3-	52943GT	NUT SOLENOID VALVE COIL	
4	69873GT	VALVE, CHECK AW, Keeps brakes released in case of temporary loss of charge pressure	
4-	74902GT	SEAL KIT, VALVE	
5	27761GT	VALVE,SHUTTLE AO, Charge pressure circuit that directs hot oil out of low pressure side of drive pump	
5-	84134GT	SEAL KIT, VALVE	
6	62253GT	VALVE,RELIEF,250 PSI AN, Charge pressure circuit	
6-	74902GT	SEAL KIT, VALVE	
7	102496GT	ORIFICE,PLUG 0.030 AV, Brake and two-speed circuit	
8	69873GT	VALVE, CHECK AJ, Drive motor anti-cavitation	
8-	74902GT	SEAL KIT, VALVE	
9	27836GT	VALVE,CHECK,5 PSI AZ, Drive motor anti-cavitation	
10	62252GT	VALVE, FLOW DIVIDER COMBINER AM, Controls flow to square-end drive motors in forward and reverse	
10-	84135GT	SEAL KIT, VALVE	
11	69873GT	VALVE, CHECK AT, Drive motor anti-cavitation	
12	52723GT	VALVE-FLOW REGULATOR 2 GPM AL, Equalizes pressure on both sides of divider/combiner valve AM	
12-	89310GT	SEAL KIT, SOLENOID VALVE	
13	52723GT	VALVE-FLOW REGULATOR 2 GPM AQ, Equalizes pressure on both sides of divider/combiner valve AP	
13-	89310GT	SEAL KIT, SOLENOID VALVE	
14	52723GT	VALVE-FLOW REGULATOR 2 GPM AS, Equalizes pressure on both sides of divider/combiner valve AR	



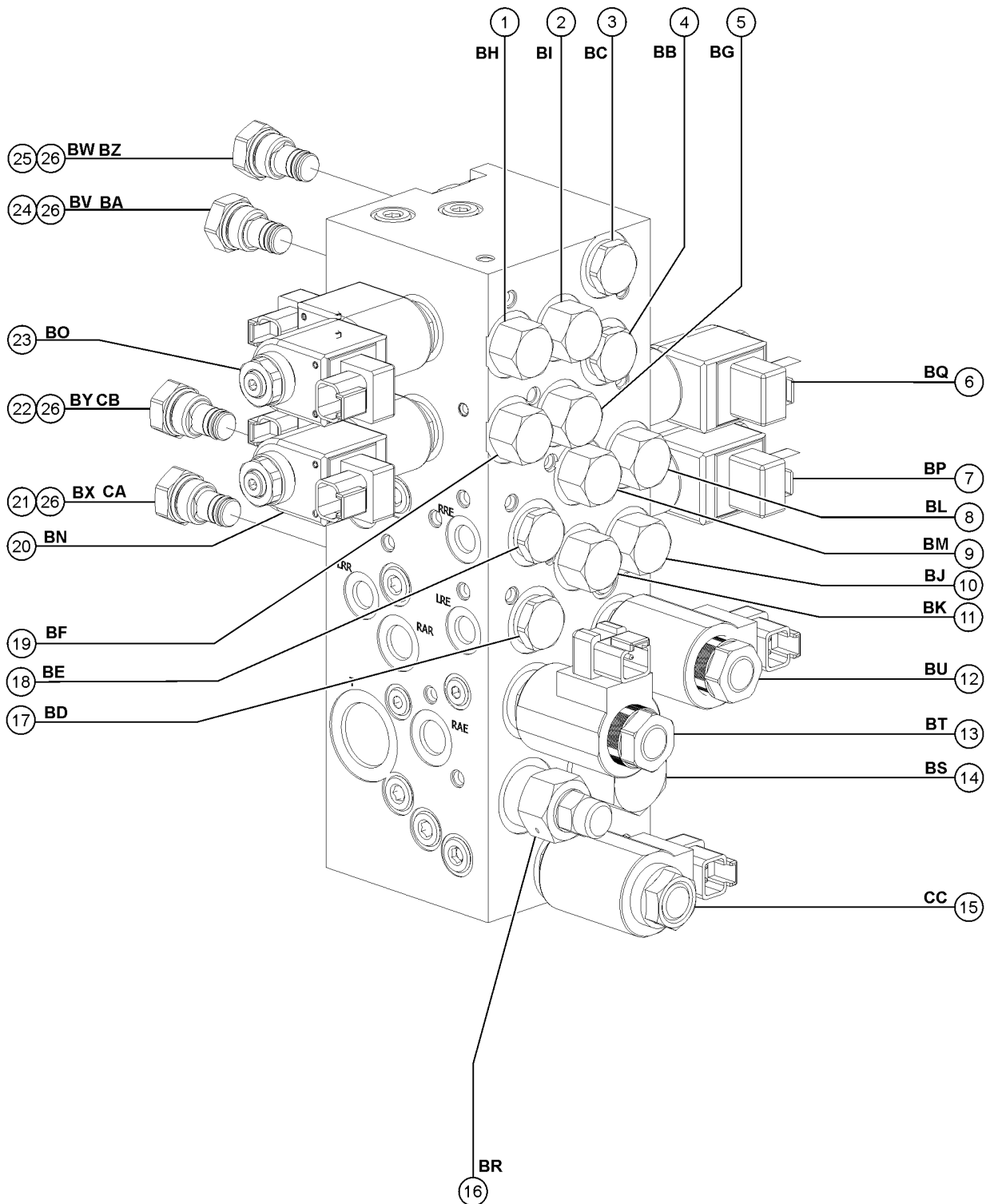
701.1 Traction Manifold



<i>Item</i>	<i>Part No.</i>	<i>Description</i>	<i>Qty.</i>
14-	89310GT	SEAL KIT, SOLENOID VALVE	
15	69873GT	VALVE, CHECK AU, Drive motor anti-cavitation	
15-	74902GT	SEAL KIT, VALVE	
16	62252GT	VALVE, FLOW DIVIDER COMBINER AR, Controls flow to circle end drive motors in forward and reverse	
16-	84135GT	SEAL KIT, VALVE	
17	52726GT	VALVE, FLOW DIVIDER/COMBINER AP, Controls flow to divider/combiner valves FJ and FP	
17-	84135GT	SEAL KIT, VALVE	
18	69873GT	VALVE, CHECK AK, Drive motor anti-cavitation	
18-	74902GT	SEAL KIT, VALVE	



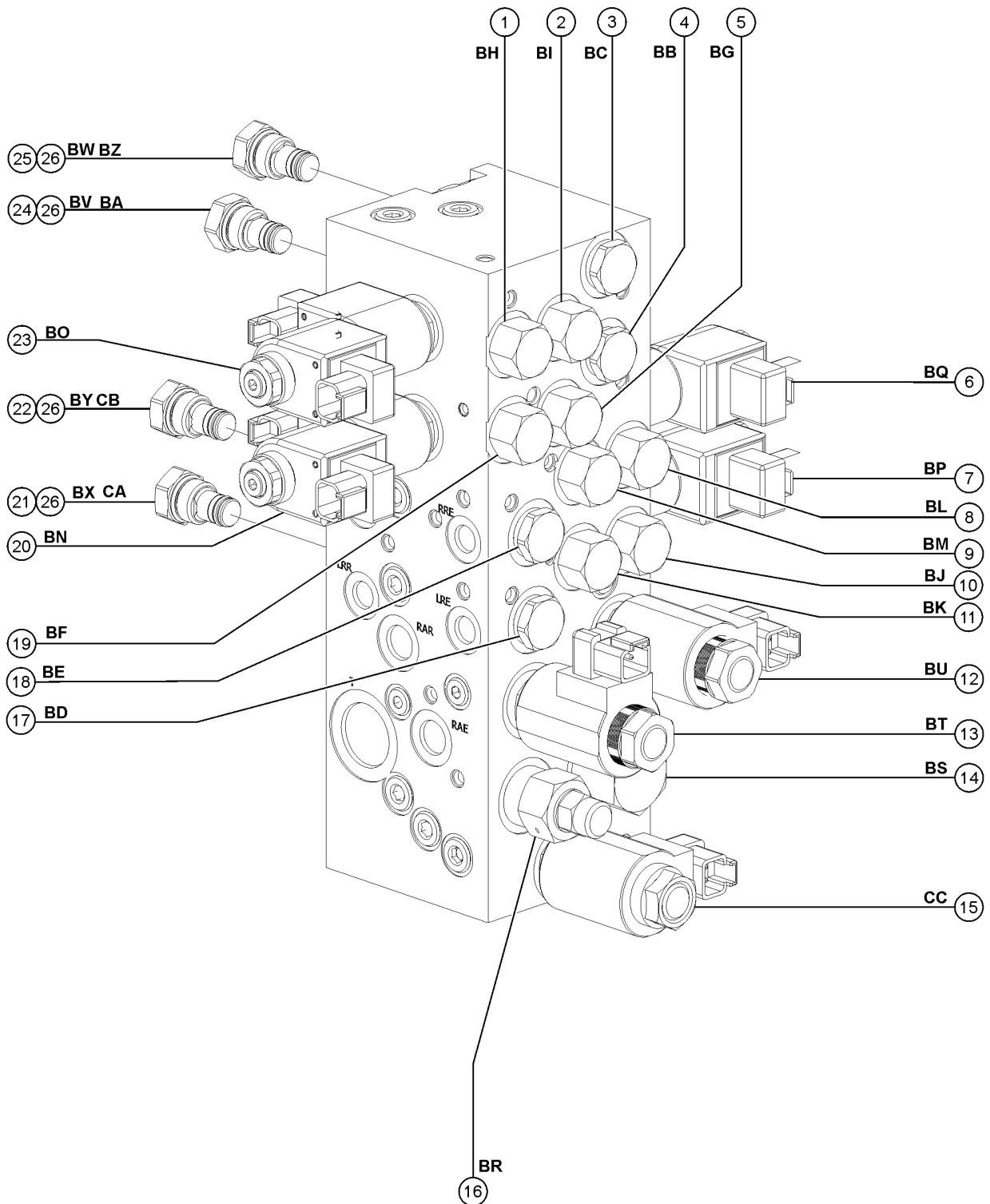
702.1 Steer and Axle Manifold



Item	Part No.	Description	Qty.
A-	1271347GT	MANIFOLD,STEER/AXLE,X CHASSIS (Complete)	
1	107734GT	VALVE, FLOW CONTROL 2.1GPM BH, Right front steer cylinder extend circuit	
1-	74902GT	SEAL KIT, VALVE	
2	107731GT	VALVE, FLOW CONTROL 1.5GPM BI, Right front steer cylinder retract circuit	
2-	74902GT	SEAL KIT, VALVE	
3	161538GT	VALVE, CHECK, 65 PSI BC, Prevents right front steer cylinder from moving when not steering	
3-	74902GT	SEAL KIT, VALVE	
4	161538GT	VALVE, CHECK, 65 PSI BB, Prevents left front steer cylinder from moving when not steering	
4-	74902GT	SEAL KIT, VALVE	
5	107731GT	VALVE, FLOW CONTROL 1.5GPM BG, Left front steer cylinder retract circuit	
5-	74902GT	SEAL KIT, VALVE	
6	122121GT	SOLENOID VALVE BQ, Steer left/right, right rear steer cylinder	
6-	122120GT	SEAL KIT, SOLENOID VALVE	
6-	122148GT	COIL,SOLENOID VALVE,20W	
6-	52943GT	NUT SOLENOID VALVE COIL	
7	122121GT	SOLENOID VALVE BP, Steer left/right, left rear steer cylinder	
7-	122120GT	SEAL KIT, SOLENOID VALVE	
7-	122148GT	COIL,SOLENOID VALVE,20W	
7-	52943GT	NUT SOLENOID VALVE COIL	
8	107734GT	VALVE, FLOW CONTROL 2.1GPM BL, Right rear steer cylinder extend circuit	
8-	74902GT	SEAL KIT, VALVE	
9	107731GT	VALVE, FLOW CONTROL 1.5GPM BM, Right rear steer cylinder retract circuit	
9-	74902GT	SEAL KIT, VALVE	
10	107734GT	VALVE, FLOW CONTROL 2.1GPM BJ, Left rear steer cylinder extend circuit	
10-	74902GT	SEAL KIT, VALVE	
11	107731GT	VALVE, FLOW CONTROL 1.5GPM BK, Left rear steer cylinder retract circuit	
11-	74902GT	SEAL KIT, VALVE	
12	107745GT	VALVE,SOLENOID 2 POS 3 WAY BU, Axle retract, to SN SX105D-468	



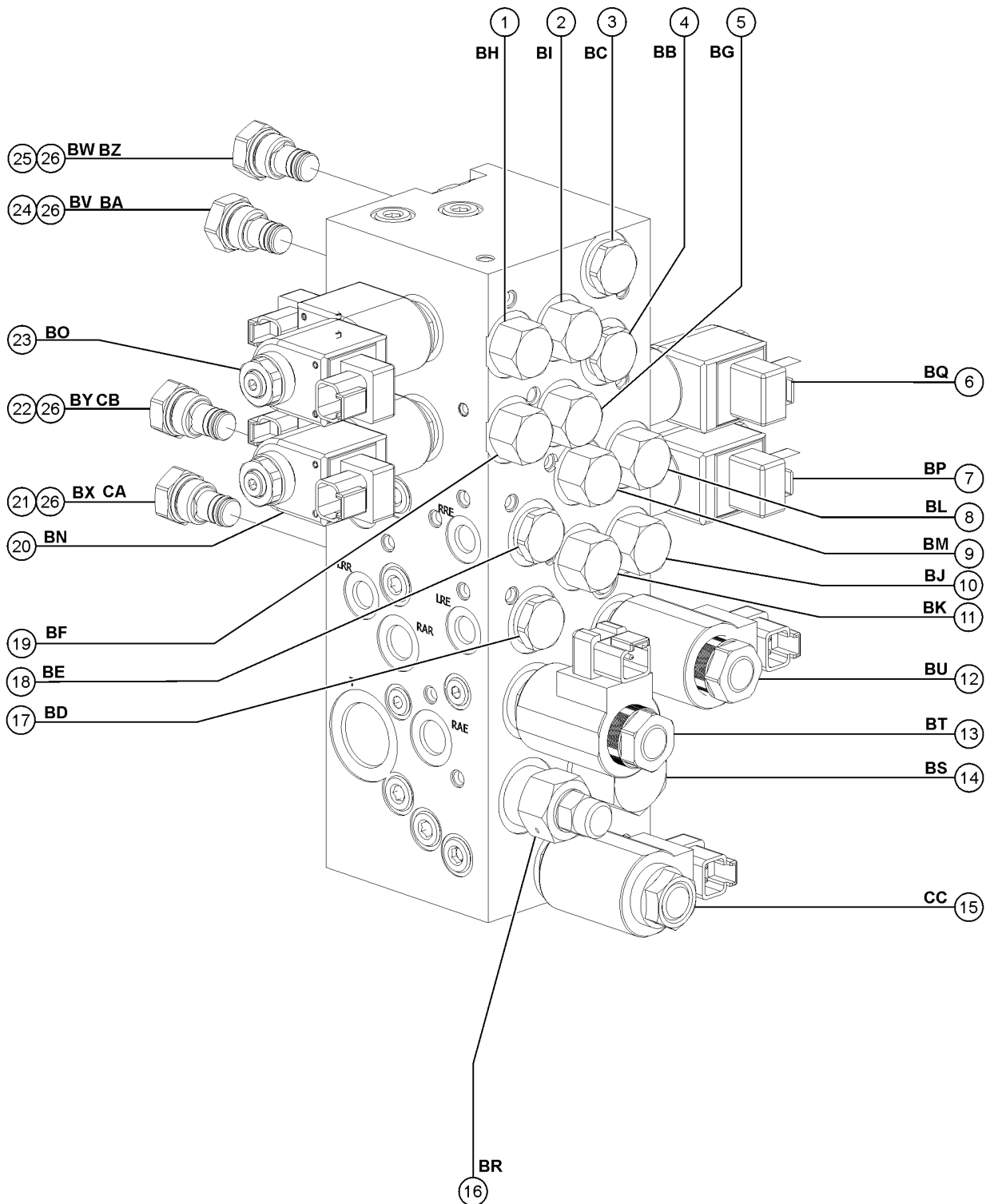
702.1 Steer and Axle Manifold



Item	Part No.	Description	Qty.
12-	1291059GT	VALVE, SOLENOID, 2 POS 3 WAY BU, Axle retract, from SN SX105D-469	
12-	89310GT	SEAL KIT, SOLENOID VALVE	
12-	119112GT	COIL, 12V, DEUTSCH	
12-	119116GT	NUT,COIL (107745)	
13	107745GT	VALVE,SOLENOID 2 POS 3 WAY BT, Axle extend, to SN SX105D-468	
13-	1291059GT	VALVE, SOLENOID, 2 POS 3 WAY BT, Axle extend, from SN SX105D-469	
13-	89310GT	SEAL KIT, SOLENOID VALVE	
13-	119112GT	COIL, 12V, DEUTSCH	
13-	119116GT	NUT,COIL (107745)	
14	1256314GT	VALVE, FLOW CONTROL, 9.0GPM BS, Axle extend/retract circuit	
14-	110195GT	SEAL KIT, VALVE, #12	
15	1274833GT	VALVE, SOLENOID CC, Axle retract enable valve	
15-	1274870GT	SEAL KIT, VALVE	
15-	119112GT	COIL, 12V, DEUTSCH	
15-	119116GT	NUT,COIL (107745)	
16	161539GT	VALVE, PRESS REDUCING, 2400PSI BR, Axle extend/retract circuit	
16-	161923GT	SEAL KIT, VALVE	
17	161538GT	VALVE, CHECK, 65 PSI BD, Prevents left rear steer cylinder from moving when not steering	
17-	74902GT	SEAL KIT, VALVE	
18	161538GT	VALVE, CHECK, 65 PSI BE, Prevents right rear steer cylinder from moving when not steering	
18-	74902GT	SEAL KIT, VALVE	
19	107734GT	VALVE, FLOW CONTROL 2.1GPM BF, Left front steer cylinder extend circuit	
19-	74902GT	SEAL KIT, VALVE	
20	122121GT	SOLENOID VALVE BN, Steer left/right, left front steer cylinder	
20-	122120GT	SEAL KIT, SOLENOID VALVE	
20-	122148GT	COIL, SOLENOID VALVE, 20W	
20-	52943GT	NUT SOLENOID VALVE COIL	
21	161538GT	VALVE, CHECK, 65 PSI BX, Prevents left rear steer cylinder from moving when not steering	



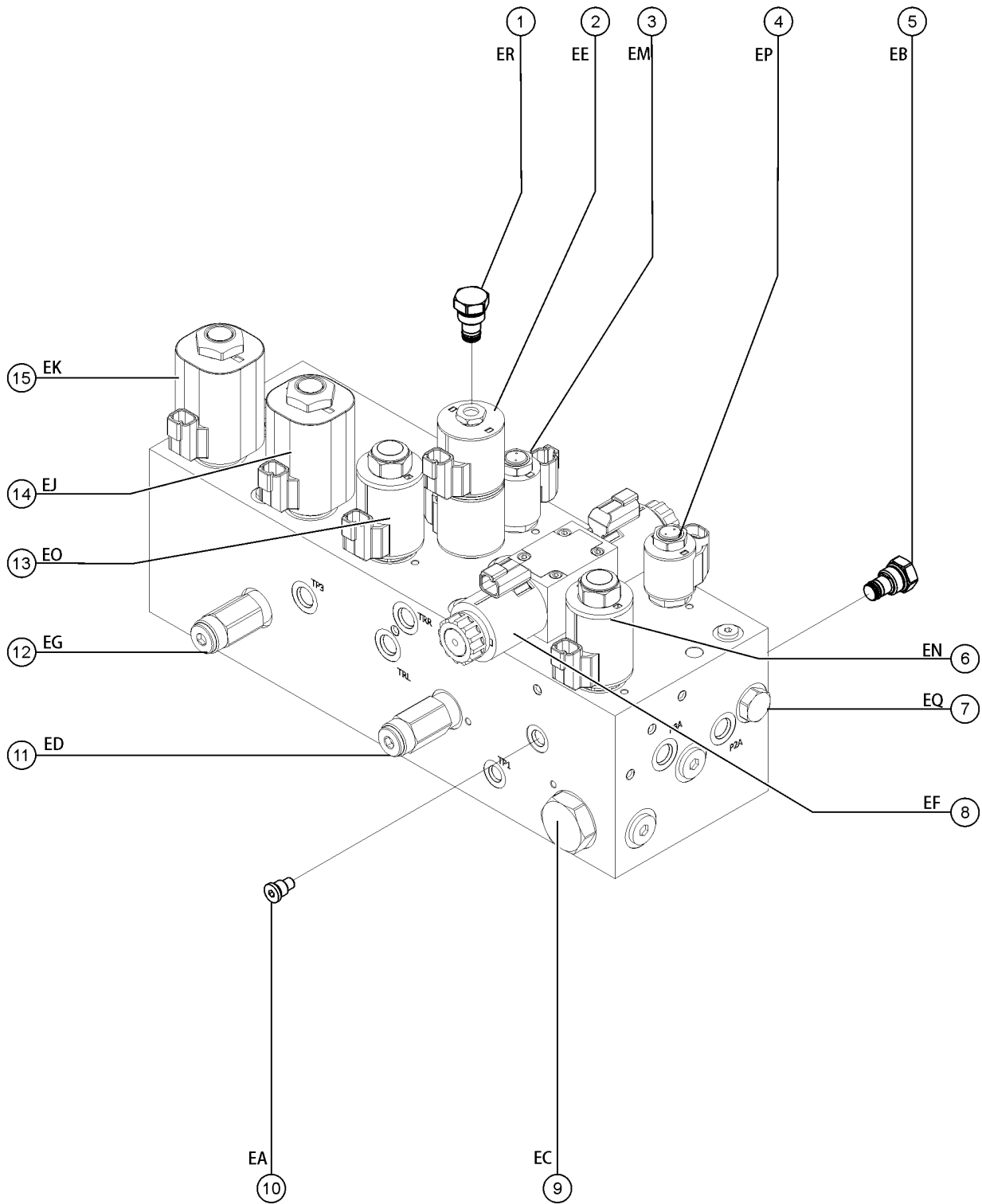
702.1 Steer and Axle Manifold



Item	Part No.	Description	Qty.
21-	74902GT	SEAL KIT, VALVE	
22	161538GT	VALVE, CHECK, 65 PSI BY, Prevents right rear steer cylinder from moving when not steering	
22-	74902GT	SEAL KIT, VALVE	
23	122121GT	SOLENOID VALVE BO, Steer left/right, right front steer cylinder	
23-	122120GT	SEAL KIT, SOLENOID VALVE	
23-	122148GT	COIL,SOLENOID VALVE,20W	
23-	52943GT	NUT SOLENOID VALVE COIL	
24	161538GT	VALVE, CHECK, 65 PSI BV, Prevents left front steer cylinder from moving when not steering	
24-	74902GT	SEAL KIT, VALVE	
25	161538GT	VALVE, CHECK, 65 PSI BW, Prevents right front steer cylinder from moving when not steering	
25-	74902GT	SEAL KIT, VALVE	
26	107733GT	PISTON, PILOT OPERATED CHECK BA,BZ,CA,CB, (not shown) PO CHECK	



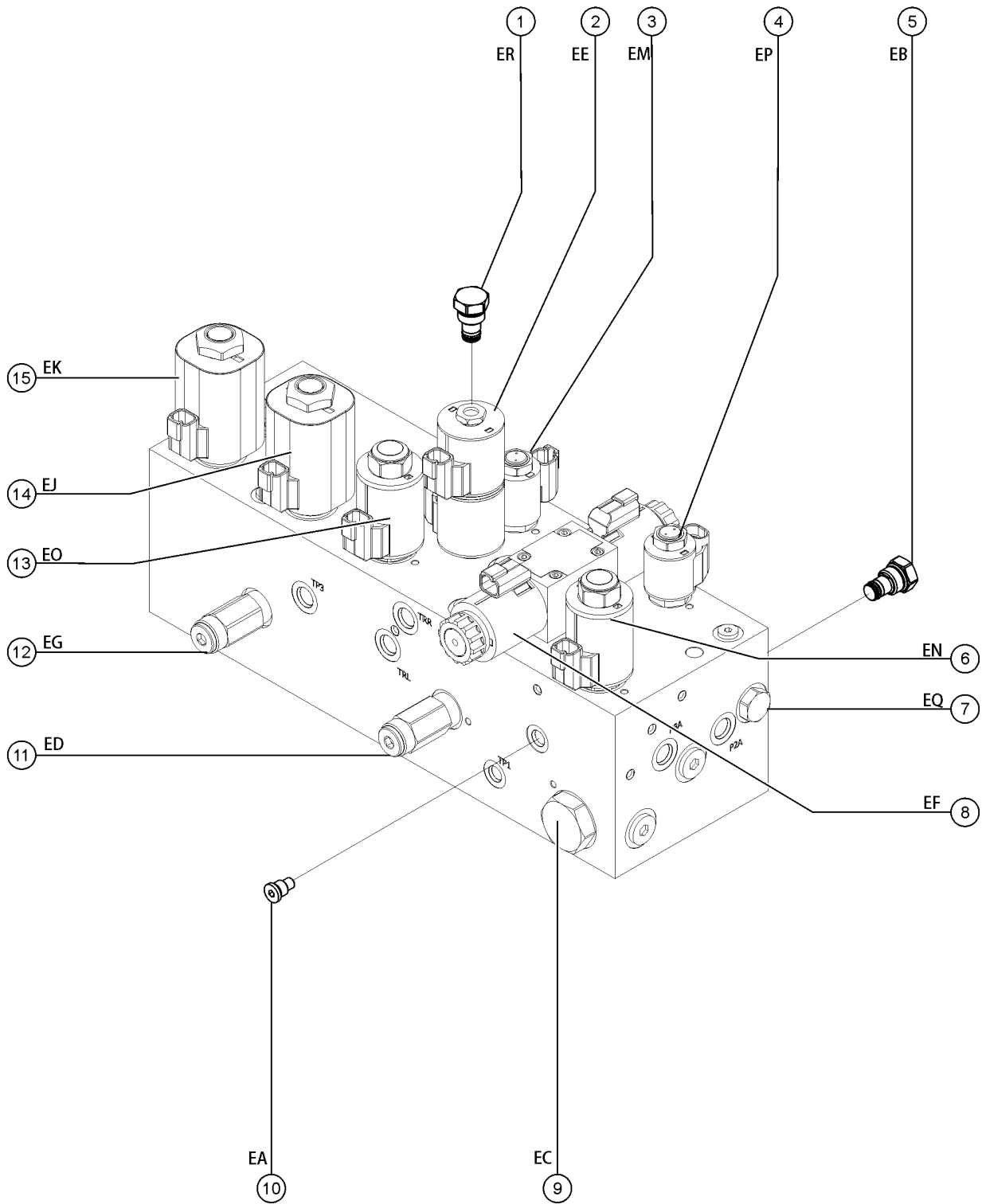
703.1 Function Manifold, SX-105 XC



Item	Part No.	Description	Qty.
-	1279705GT	MANIFOLD, FUNCTION, SX105	
1	107740GT	VALVE, CHECK 25 PSI ER, Platform Circle 2 Reverse Flow Check	
2	62330GT	VALVE, SOLENOID, 3POS 4WAY***	
		EE, Turntable Rotate Directional	
2-	237213GT	12VDC Deutsch No Diode, Size10	
2-	44174GT	NUT-COIL SHORT	
2-	44230GT	SEAL KIT-P.N.44169,44172,44171	
2-	97373GT	E-COIL WASHER,#10,DUAL COIL	
3	101057GT	VALVE,PRESS COMP,PROP DIRECT	
		EM, Turntable Rotate Flow Control	
3-	1281454GT	COIL,PROP,12VDC,DEUTSCH	
3-	62349GT	NUT,COIL,PROPORTNL.VALVE	
3-	52371GT	SEAL KIT, VALVE	
4	101057GT	VALVE,PRESS COMP,PROP DIRECT	
		EP, Boom Lift Low Flow Control	
4-	1257411GT	COIL,PROP,12VDC,METRI-PACK 150	
4-	62349GT	NUT,COIL,PROPORTNL.VALVE	
4-	52371GT	SEAL KIT, VALVE	
5	218730GT	VALVE,CHECK,10 PSI	
		EB, AUX 1 Reverse Flow Check	
6	75464GT	VALVE,SOLENOID,PROPORT. N.C.	
		EN, Boom Extend/Retract	
6-	1282319GT	ADAPTOR PLATE 4599500	
6-	1282322GT	LOCK WASHER 4002453	
6-	1282323GT	BUTTON HEAD SCREW 4190325	
6-	1281767GT	COIL,PROP,12VDC,DEUTSCH	
6-	52466GT	NUT,PROPORTNL. COIL,52372,GS68	
6-	52373GT	SEAL KIT,52372,SOLENOID VALVE	
7	218730GT	VALVE,CHECK,10 PSI	
		EQ, Platform Circle 1 Reverse Flow Check	
8	1281770GT	VALVE SVD03-47D-N-12ER	
		EF, Valve 4, Boom Lift/Down Directional	
9	1272620GT	Valve, CV16	
		EC, Function Pump Reverse Flow Check	
9-	1282320GT	ADAPTOR PLATE 4599510	
9-	1282322GT	LOCK WASHER 4002453	



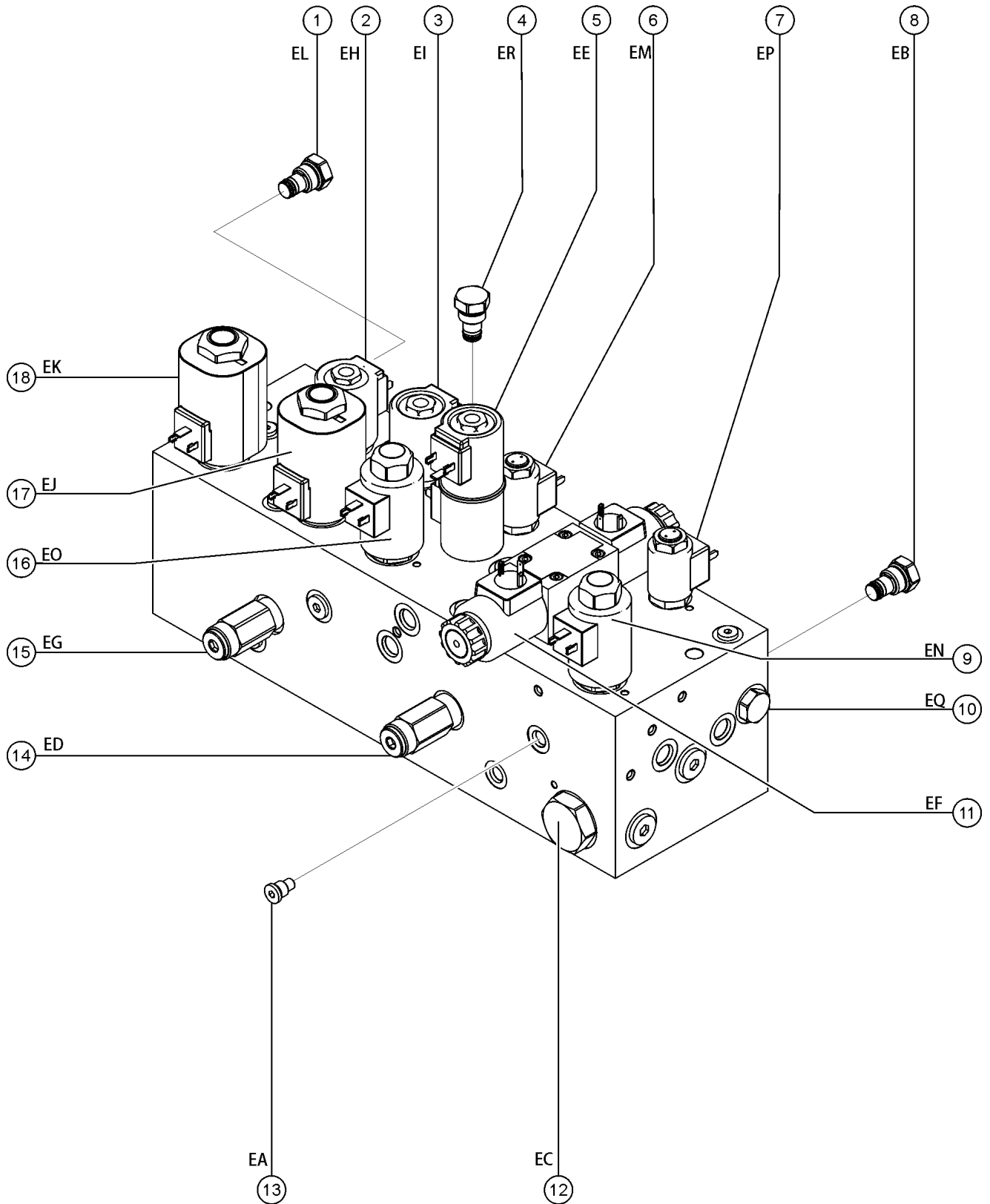
703.1 Function Manifold, SX-105 XC



Item	Part No.	Description	Qty.
9-	1282323GT	BUTTON HEAD SCREW 4190325	
10	52907GT	VALVE-CHECK, #4 SAE, 5 PSI* EA, AUX 2 Reverse Flow Check	
11	237212GT	Relief Valve, 3200 PSI ED, Relief, System	
11-	1282321GT	ADAPTOR PLATE 4599490	
11-	1282322GT	LOCK WASHER 4002453	
11-	1282324GT	BUTTON HEAD SCREW 4190325.0750	
11-	1282325GT	ALUMINUM SPACER 4190343.0469	
11-	44224GT	SEAL KIT, VALVE	
12	1277285GT	RELIEF VALVE, 1950 PSI EG, Relief, Boom Extend/Retract	
12-	44227GT	SEAL KIT, VALVE	
13	75464GT	VALVE,SOLENOID,PROPORT. N.C. EO, Boom Extend/Retract	
13-	1282320GT	ADAPTOR PLATE 4599510	
13-	1282322GT	LOCK WASHER 4002453	
13-	1282323GT	BUTTON HEAD SCREW 4190325	
13-	1281768GT	COIL,PROP,12VDC,DEUTSCH	
13-	52466GT	NUT,PROPORTNL. COIL,52372,GS68	
13-	52373GT	SEAL KIT,52372,SOLENOID VALVE	
14	62329GT	VALVE,SOLENOID, 2POS 3WAY* EJ, Valve 1, Boom E/R Directional	
14-	1281767GT	COIL,PROP,12VDC,DEUTSCH	
14-	1277291GT	NUT-COIL SHORT	
14-	62339GT	SEAL KIT,62329,SIZE 12, 3 WAY	
15	75463GT	VALVE,SOLENOID, 2POS 3WAY EK, Valve 2, Boom E/R Directional	
15-	1281767GT	COIL,PROP,12VDC,DEUTSCH	
15-	1277291GT	NUT-COIL SHORT	
15-	62339GT	SEAL KIT,62329,SIZE 12, 3 WAY	



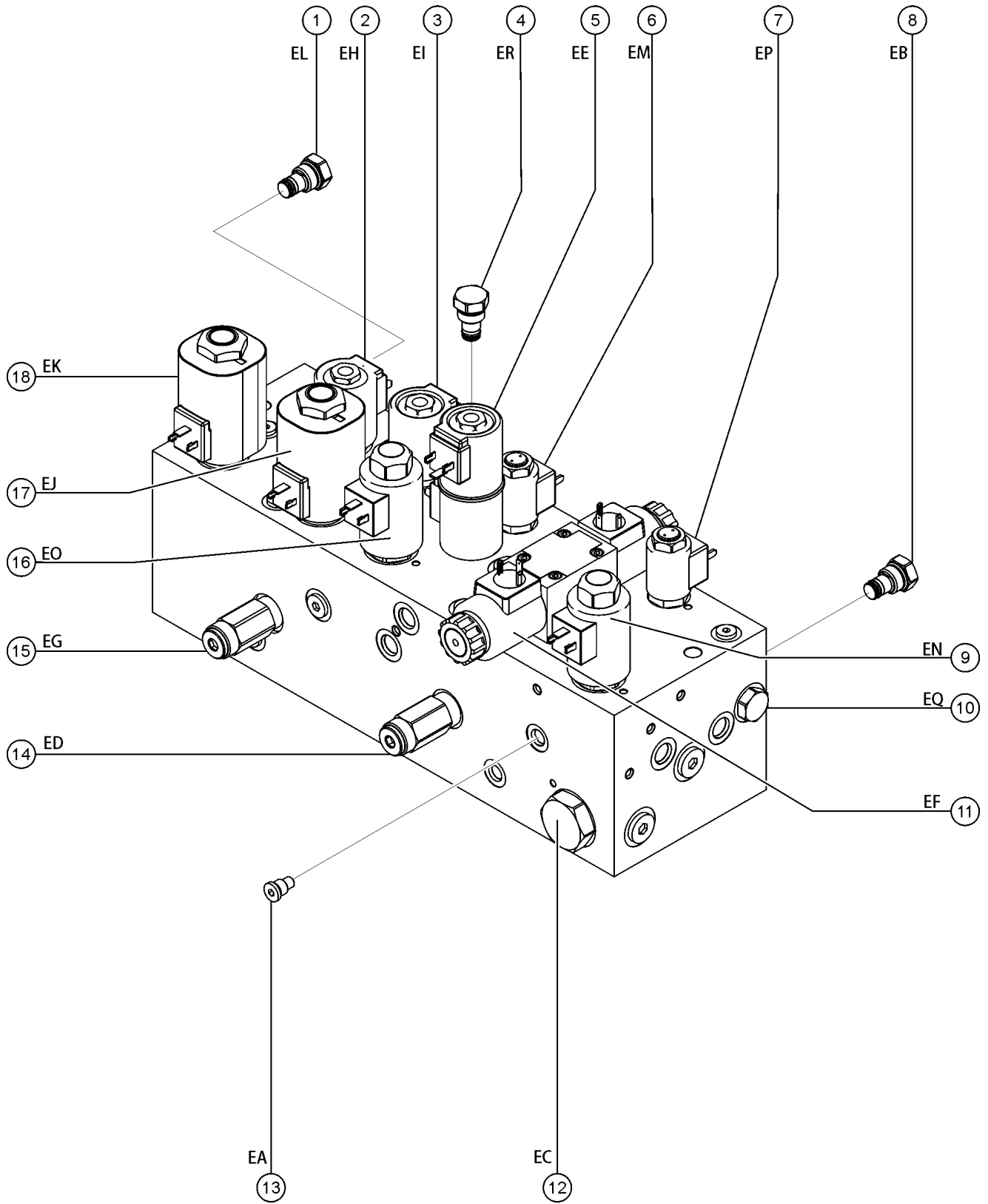
704.1 Function Manifold, SX-125 XC



Item	Part No.	Description	Qty.
-	1268333GT	MANIFOLD,FUNCTION,SX120/125	
1	75465GT	VALVE-CHECK, #12 SAE,30 PSI	
		EL, Back Pressure Check	
1-	62338GT	SEAL KIT,62328,SIZE 12,2 PORT	
2	1277286GT	VALVE, SOLENOID, 2POS 2WAY	
		EH, Valve 3, Boom E/R Directional	
2-	1281769GT	COIL,PROP,12VDC,DEUTSCH	
2-	44174GT	NUT-COIL SHORT	
2-	62338GT	SEAL KIT,62328,SIZE 12,2 PORT	
3	1277286GT	VALVE, SOLENOID, 2POS 2WAY	
		EI, Valve 4, Boom E/R Directional	
3-	1281769GT	COIL,PROP,12VDC,DEUTSCH	
3-	44174GT	NUT-COIL SHORT	
3-	62338GT	SEAL KIT,62328,SIZE 12,2 PORT	
4	107740GT	VALVE, CHECK 25 PSI	
		ER, Platform Circle 2 Reverse Flow Check	
5	62330GT	VALVE,SOLENOID,3POS 4WAY***	
		EE, Turntable Rotate Directional	
5-	237213GT	12VDC Deutsch No Diode, Size10	
5-	44174GT	NUT-COIL SHORT	
5-	44230GT	SEAL KIT-P.N.44169,44172,44171	
5-	97373GT	E-COIL WASHER,#10,DUAL COIL	
6	101057GT	VALVE,PRESS COMP,PROP DIRECT	
		EM, Turntable Rotate Flow Control	
6-	1281454GT	COIL,PROP,12VDC,DEUTSCH	
6-	62349GT	NUT,COIL,PROPORTNL.VALVE	
6-	52371GT	SEAL KIT, VALVE	
7	101057GT	VALVE,PRESS COMP,PROP DIRECT	
		EP, Boom Lift Low Flow Control	
7-	1257411GT	COIL,PROP,12VDC,METRI-PACK 150	
7-	62349GT	NUT,COIL,PROPORTNL.VALVE	
7-	52371GT	SEAL KIT, VALVE	
8	218730GT	VALVE,CHECK,10 PSI	
		EB, AUX 1 Reverse Flow Check	
9	75464GT	VALVE,SOLENOID,PROPORT. N.C.	
		EN, Boom Extend/Retract	
9-	1282319GT	ADAPTOR PLATE 4599500	



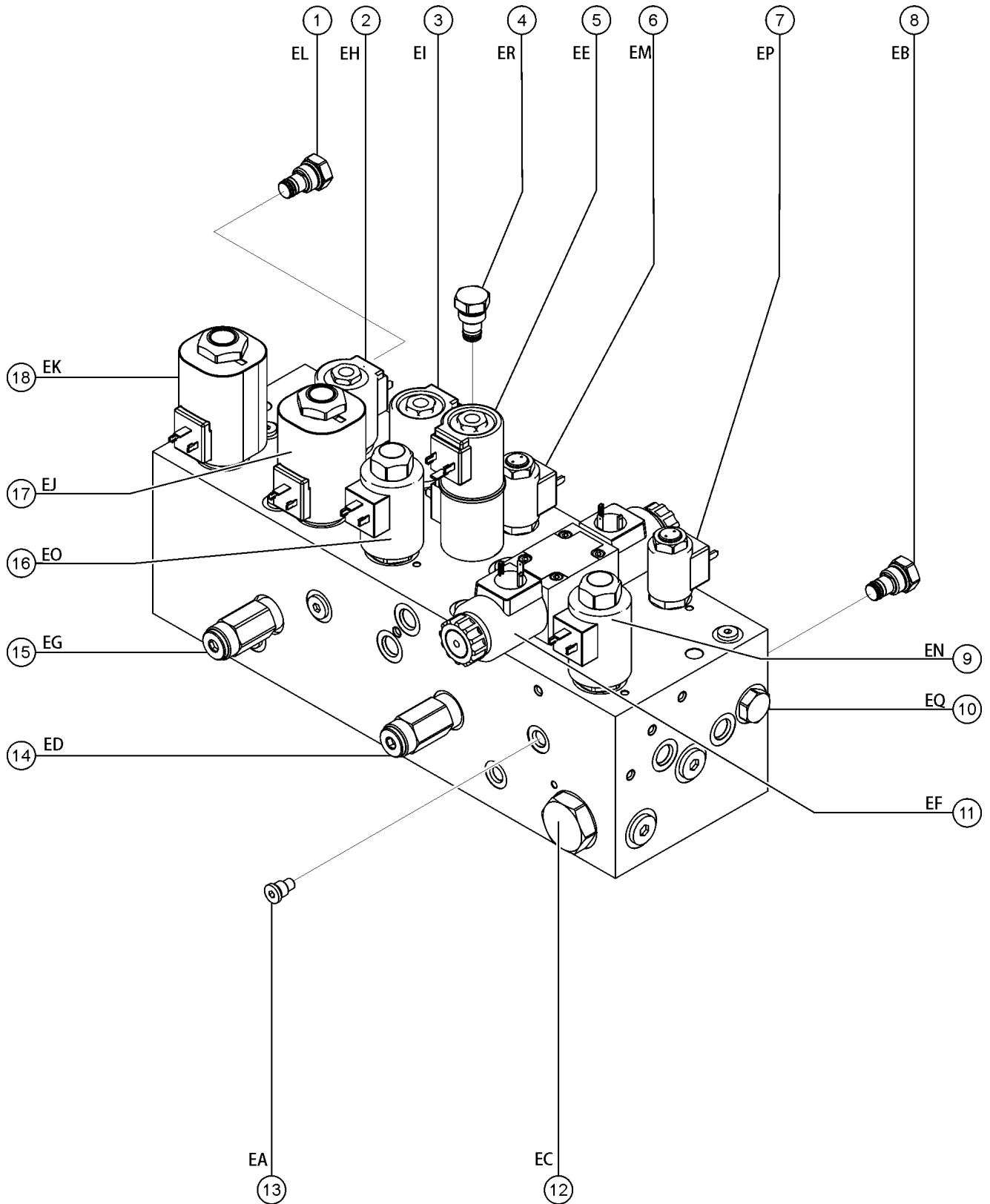
704.1 Function Manifold, SX-125 XC



Item	Part No.	Description	Qty.
9-	1282322GT	LOCK WASHER 4002453	
9-	1282323GT	BUTTON HEAD SCREW 4190325	
9-	1281767GT	COIL,PROP,12VDC,DEUTSCH	
9-	52466GT	NUT,PROPORTNL. COIL,52372,GS68	
9-	52373GT	SEAL KIT,52372,SOLENOID VALVE	
10	218730GT	VALVE,CHECK,10 PSI EQ, Platform Circle 1 Reverse Flow Check	
11	1281770GT	VALVE SVD03-47D-N-12ER EF, Valve 4, Boom Lift/Down Directional	
12	1272620GT	Valve, CV16 EC, Function Pump Reverse Flow Check	
12-	1282320GT	ADAPTOR PLATE 4599510	
12-	1282322GT	LOCK WASHER 4002453	
12-	1282323GT	BUTTON HEAD SCREW 4190325	
13	52907GT	VALVE-CHECK, #4 SAE, 5 PSI* EA, AUX 2 Reverse Flow Check	
14	237212GT	Relief Valve, 3200 PSI	
		ED, Relief, System	
14-	1282321GT	ADAPTOR PLATE 4599490	
14-	1282322GT	LOCK WASHER 4002453	
14-	1282324GT	BUTTON HEAD SCREW 4190325.0750	
14-	1282325GT	ALUMINUM SPACER 4190343.0469	
14-	44224GT	SEAL KIT, VALVE	
15	1277285GT	RELIEF VALVE, 1950 PSI	
		EG, Relief, Boom Extend/Retract	
15-	44227GT	SEAL KIT, VALVE	
16	75464GT	VALVE,SOLENOID,PROPORT. N.C.	
		EO, Boom Extend/Retract	
16-	1282320GT	ADAPTOR PLATE 4599510	
16-	1282322GT	LOCK WASHER 4002453	
16-	1282323GT	BUTTON HEAD SCREW 4190325	
16-	1281768GT	COIL,PROP,12VDC,DEUTSCH	
16-	52466GT	NUT,PROPORTNL. COIL,52372,GS68	
16-	52373GT	SEAL KIT,52372,SOLENOID VALVE	
17	62329GT	VALVE,SOLENOID, 2POS 3WAY*	
		EJ, Valve 1, Boom E/R Directional	



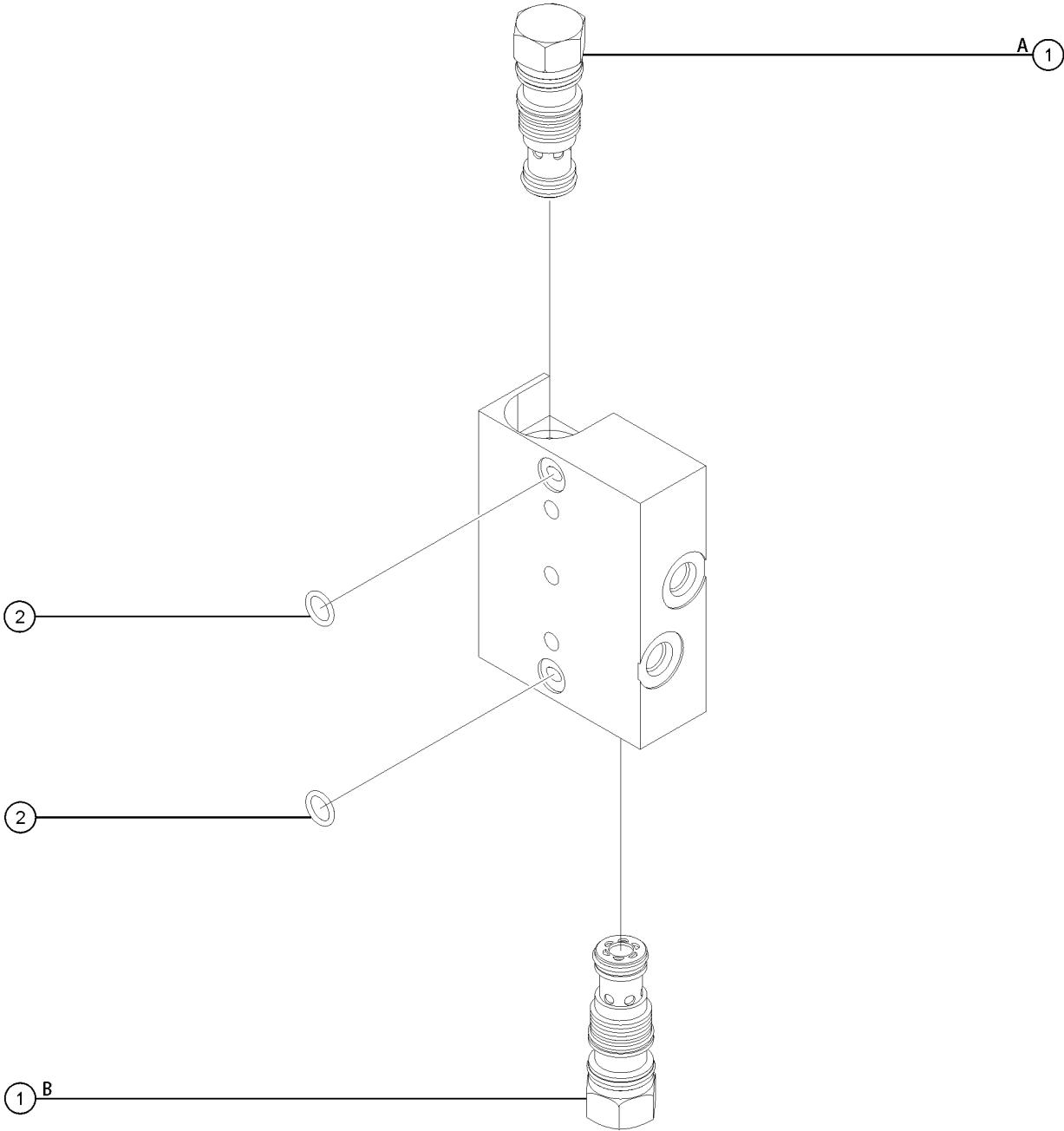
704.1 Function Manifold, SX-125 XC



<i>Item</i>	<i>Part No.</i>	<i>Description</i>	<i>Qty.</i>
17-	1281767GT	COIL,PROP,12VDC,DEUTSCH	
17-	1277291GT	NUT-COIL SHORT	
17-	62339GT	SEAL KIT,62329,SIZE 12, 3 WAY	
18	75463GT	VALVE,SOLENOID, 2POS 3WAY	
		EK, Valve 2, Boom E/R Directional	
18-	1281767GT	COIL,PROP,12VDC,DEUTSCH	
18-	1277291GT	NUT-COIL SHORT	
18-	62339GT	SEAL KIT,62329,SIZE 12, 3 WAY	



705.1 Platform Rotator Manifold

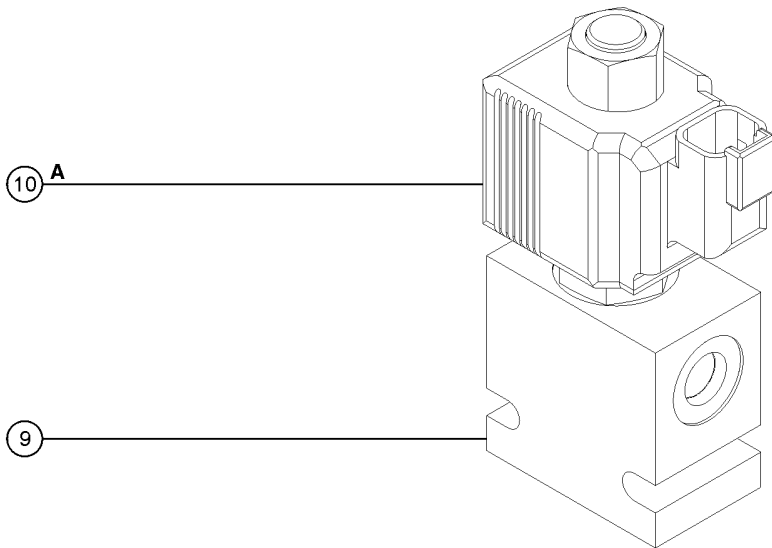
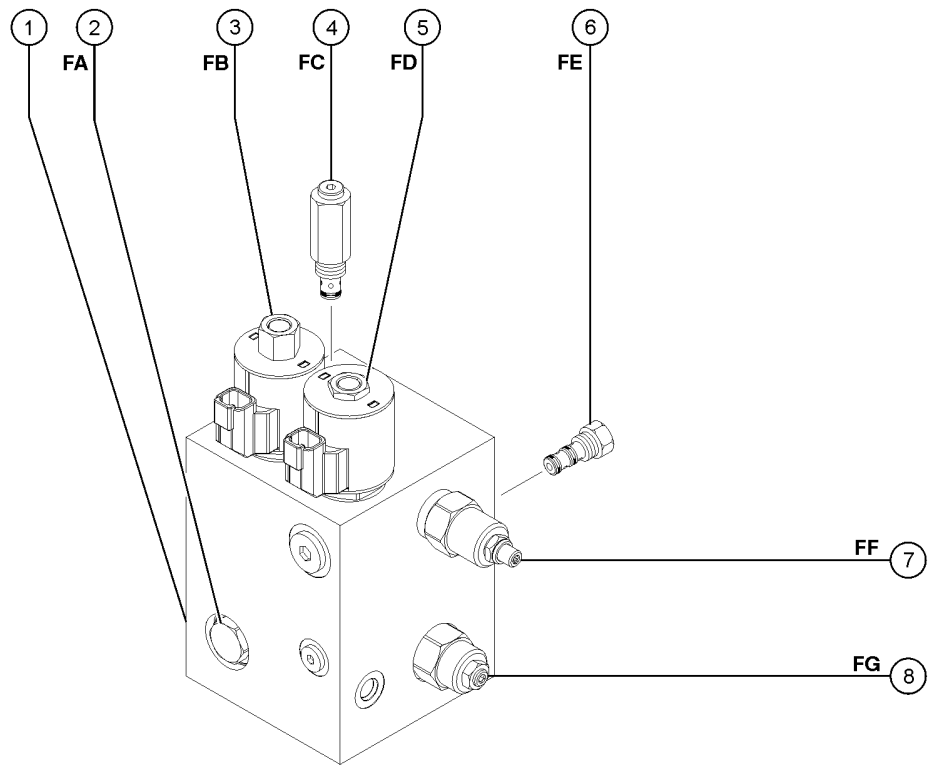


705.1 Platform Rotator Manifold

<i>Item</i>	<i>Part No.</i>	<i>Description</i>	<i>Qty.</i>
	1270810GT	MANIFOLD, ROTATOR, CB	1
1	62506GT	VALVE - COUNTERBALANCE**	1
2	62507GT	O-RING, ROTATOR MANIFOLD	1



706.1 Generator Manifold and Function Enable Valve

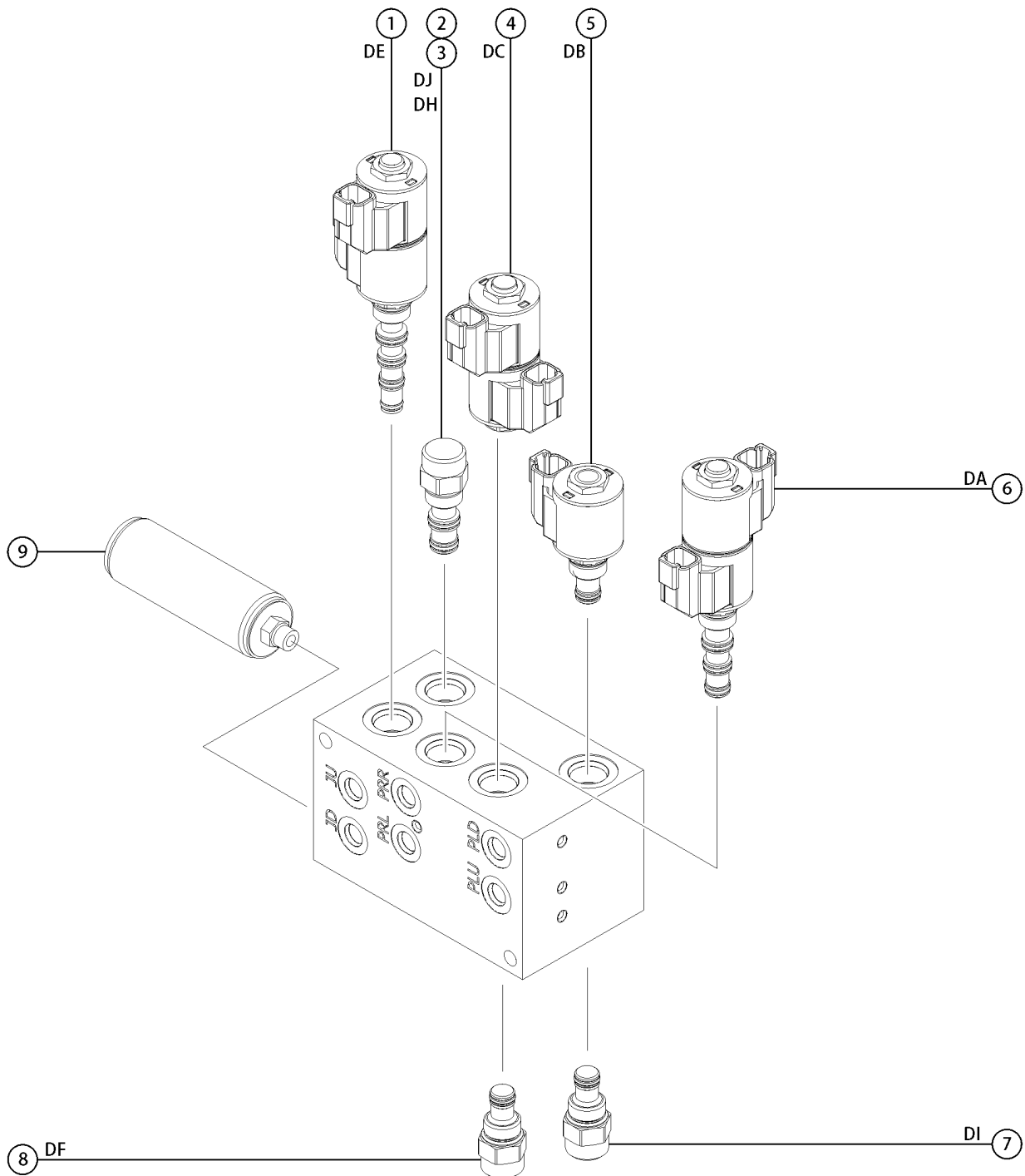


706.1 Generator Manifold and Function Enable Valve

Item	Part No.	Description	Qty.
1	236224GT	MANIFOLD, GENERATOR (complete) includes items 2 to 8	
2	107740GT	VALVE, CHECK 25 PSI FA, Diverter valve	1
3	235147GT	VALVE, SOLENOID, NC, POPPET* FB, Pilot valve to diverter	
3-	104760GT	COIL, 12VDC #10DTSCH IP69 ECOIL	
3-	235148GT	SEAL KIT	
3-	52484GT	NUT-COIL(SCISSORS) TALL	
4	237212GT	Relief Valve, 3200 PSI FC, System relief	
4-	44224GT	SEAL KIT, VALVE	
5	62328GT	VALVE, SOLENOID, NC, POPPET* FD, Charge pressure circuit	
5-	104760GT	COIL, 12VDC #10DTSCH IP69 ECOIL	
5-	62338GT	SEAL KIT, 62328, SIZE 12, 2 PORT	
5-	44174GT	NUT-COIL SHORT	
6	235145GT	VALVE, CHECK 5 PSI FE, Prevents oil to generator	
7	235143GT	Needle Valve FF, Charge pressure circuit	
7-	235149GT	SEAL KIT	
8	235144GT	CB VALVE 4:5:1, 2000 PSI FG, Add back pressure to stabilize generator	
8-	102685GT	SEAL KIT, SUN T-2A CP VALVE	
9	218144GT	VALVE, FUNCTION ENABLE, ZX135 (complete) includes item 10	
10	161533GT	VALVE, SOLENOID, 2 POS 2 WAY A, Differential sensing	
10-	89733GT	COIL SOLENOID VALVE***	
10-	89770GT	SEAL KIT, SOLENOID VALVE	
10-	89735GT	NUT ASSY (89769)***	



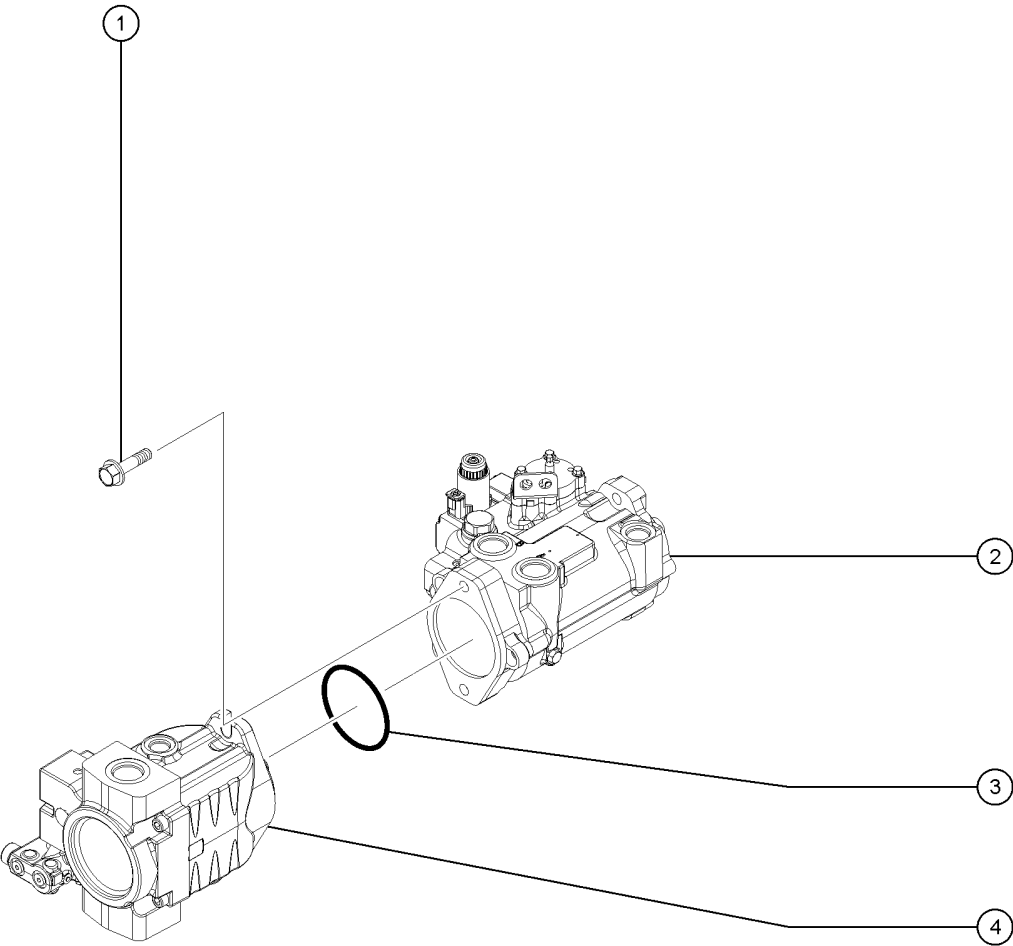
707.1 Platform Manifold



Item	Part No.	Description	Qty.
-	1268334GT	MANIFOLD PLATFORM W/JIB SX125	
-	1277290GT	NUT, COIL for items 1, 4, 5 and 6	
1	229407GT	PRO.DIR.CTRL,VLV,5WY,3POS	1
		DE, Jib Boom Control, Up/Down	
1-	104759GT	COIL,12VDC #8 DTSCH IP69 ECOIL	
		for 229407	
2	237209GT	COMPENSATOR, 150 PSI	1
		DJ, Jib Boom Up/Down Circuit	
3	101069GT	ORIFICE DISK,.030	1
4	107816GT	VALVE,PROPORTIONAL 3 POS 4 WY*	1
		DC, Platform Level Control, Up/Down	
4-	104759GT	COIL,12VDC #8 DTSCH IP69 ECOIL	
		for 107816	
4-	44229GT	SEAL KIT, VALVE	
		for 107816	
5	44170GT	VALVE-SOLENOID N.O.(SCISSORS)*	1
		DB, Enable Platform level Up/Down	
5-	237213GT	12VDC Deutsch No Diode, Size10	
		for 44170	
5-	44228GT	SEAL KIT, VALVE	
		for 44170	
6	1300087GT	VALVE,SV08-47D-0-N-00	1
		DA, Platform Rotate Control, Left/Right	
6-	237213GT	12VDC Deutsch No Diode, Size10	
		for 1300087	
6-	44229GT	SEAL KIT, VALVE	
		for 1300087	
7	107741GT	VALVE, FLOW REGULATOR	1
		DI, Platform Level Up/Down Circuit	
8	107741GT	VALVE, FLOW REGULATOR	1
		DF, Platform Rotate Left/Right Circuit	
9	122964GT	ACCUMULATOR, 5CU IN 500 CHARGE	1



708.1 Hydraulic Components

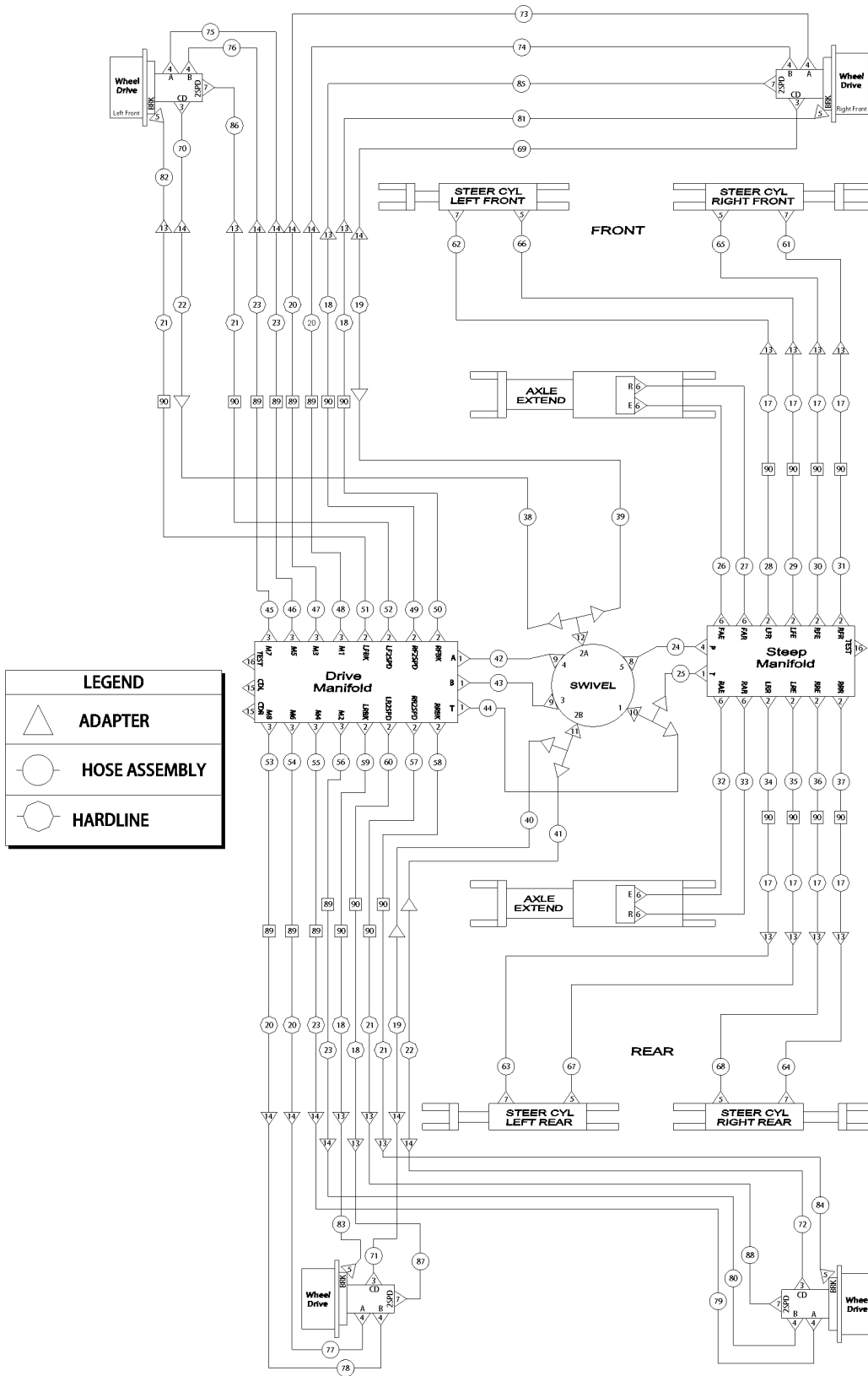


708.1 Hydraulic Components

<i>Item</i>	<i>Part No.</i>	<i>Description</i>	<i>Qty.</i>
1	54177GT	SCREW,HHC,3/8-16X1.25,8,ZAG	4
2	101068GT	PUMP,PISTON,46CC,B MOUNT,13T**	1
2-	29739GT	SEAL KIT,SAUER-DANFOSS M46***	
3	52087GT	O-RING,2-044 BUNA***	1
4	1272553GT	PUMP,FUNCTION,45CC	1



709.1 Hydraulic Hoses and Fittings - Drive System



LEGEND	
	ADAPTER
	HOSE ASSEMBLY
	HARDLINE

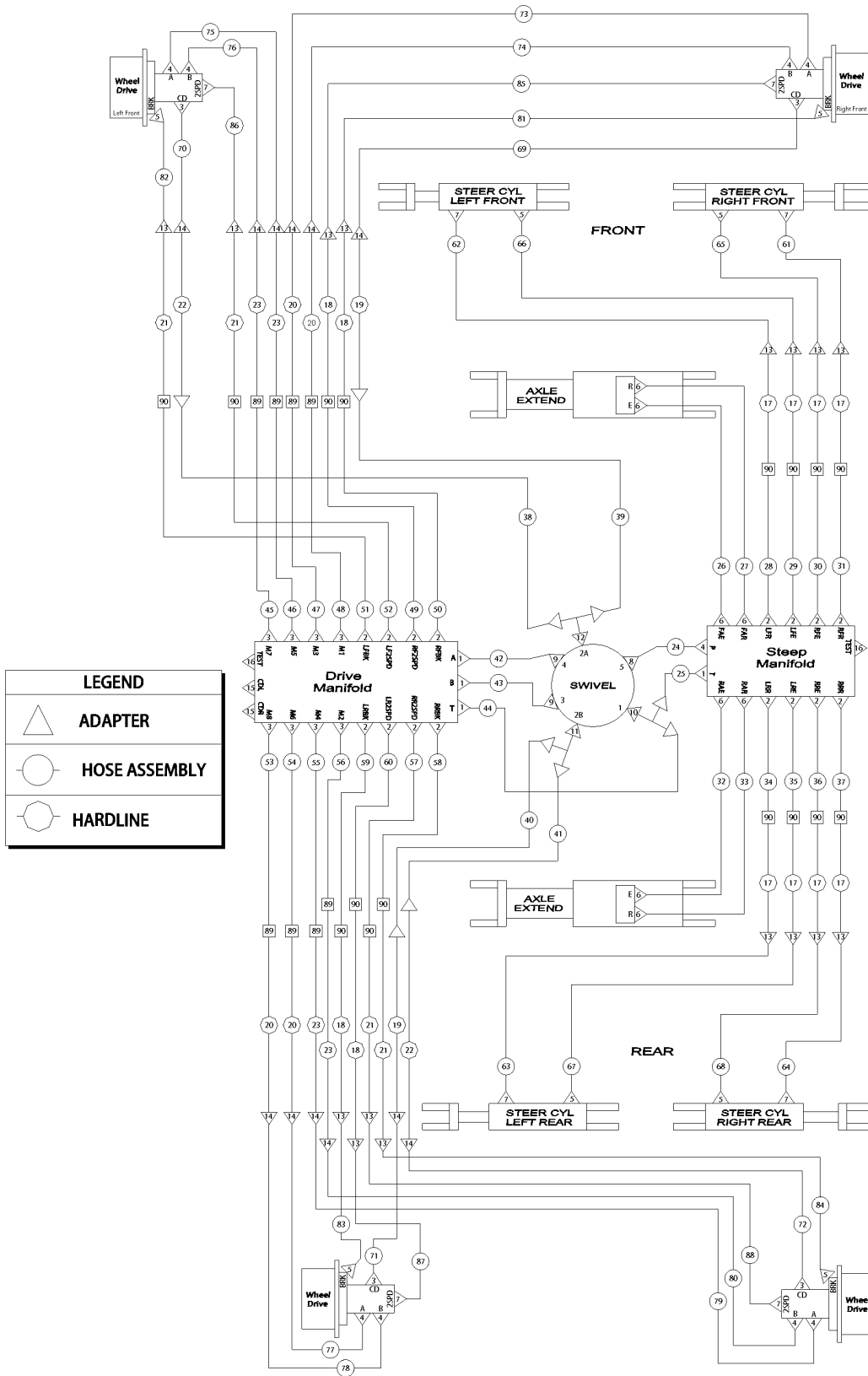


709.1 Hydraulic Hoses and Fittings - Drive System

Item	Part No.	Description	Qty.
1	48960GT	FITTING,CONN,520120-12***	4
2	48905GT	CONN,520120-4***	8
3	48933GT	CONN,520120-8***	12
4	48948GT	CONN,520120-8-12	9
5	48912GT	CONN,520120-4-6***	12
6	48916GT	FITTING,CONN,520120-6	8
7	48911GT	ELBOW,90D,520220-4-6***	8
8	48937GT	ELBOW,45D,520320-8 (Refer to 710.1)	1
9	48963GT	FITTING,ELBOW,45D,520320-12***	2
10	48961GT	TEE,RUN,520428-12 (Refer to 710.1)	1
11	48935GT	TEE, RUN, 520428-8	1
12	48936GT	TEE,BRANCH,520429-8	1
13	61080GT	FITTING,6-6BLKHEADUNION 520601	16
14	48894GT	CONN,BULKHEAD,520601-8	12
15	59371GT	PLUG, HEX SOCKET, 090109B-8*	2
16	48998GT	NIPPLE,DIAGNOSTIC,#6 PORT***	2
17	1263412GT	HYD TUBE, STEER	8
18	1263409GT	HYD TUBE, BRAKE 2 SP RF, LR	4
19	1263411GT	HYD TUBE, CASE RF, LR	2
20	1263410GT	HYD TUBE, DRIVE A&B RF, LR	4
21	1263463GT	HYD TUBE, BRAKE 2 SP LF, RR	4
22	1263465GT	HYD TUBE, CASE LF, RR	2
23	1263464GT	HYD TUBE, DRIVE A&B LF, RR	4
24	49183-5992GT	HOSE ASSY,1/2,STR FEM,STR FEM components: 48822, 48822, and 48756 @ 58 inches	1
25	61074-5528GT	HOSE ASSY,3/4,STR FEM,STR FEM components: 48841, 48841, and 48762 @ 53 inches	16
26	49130-5482GT	HOSE ASSY, 3/8,STR FEM,STR FEM components: 48812, 48812, and 48753 @ 53 inches	12
27	49130-5482GT	HOSE ASSY, 3/8,STR FEM,STR FEM components: 48812, 48812, and 48753 @ 53 inches	2
28	49120-10981GT	HOSE ASSY,1/4" STR FEM STR FEM components: 48800, 48810, and 48751 @ 108 inches	2



709.1 Hydraulic Hoses and Fittings - Drive System

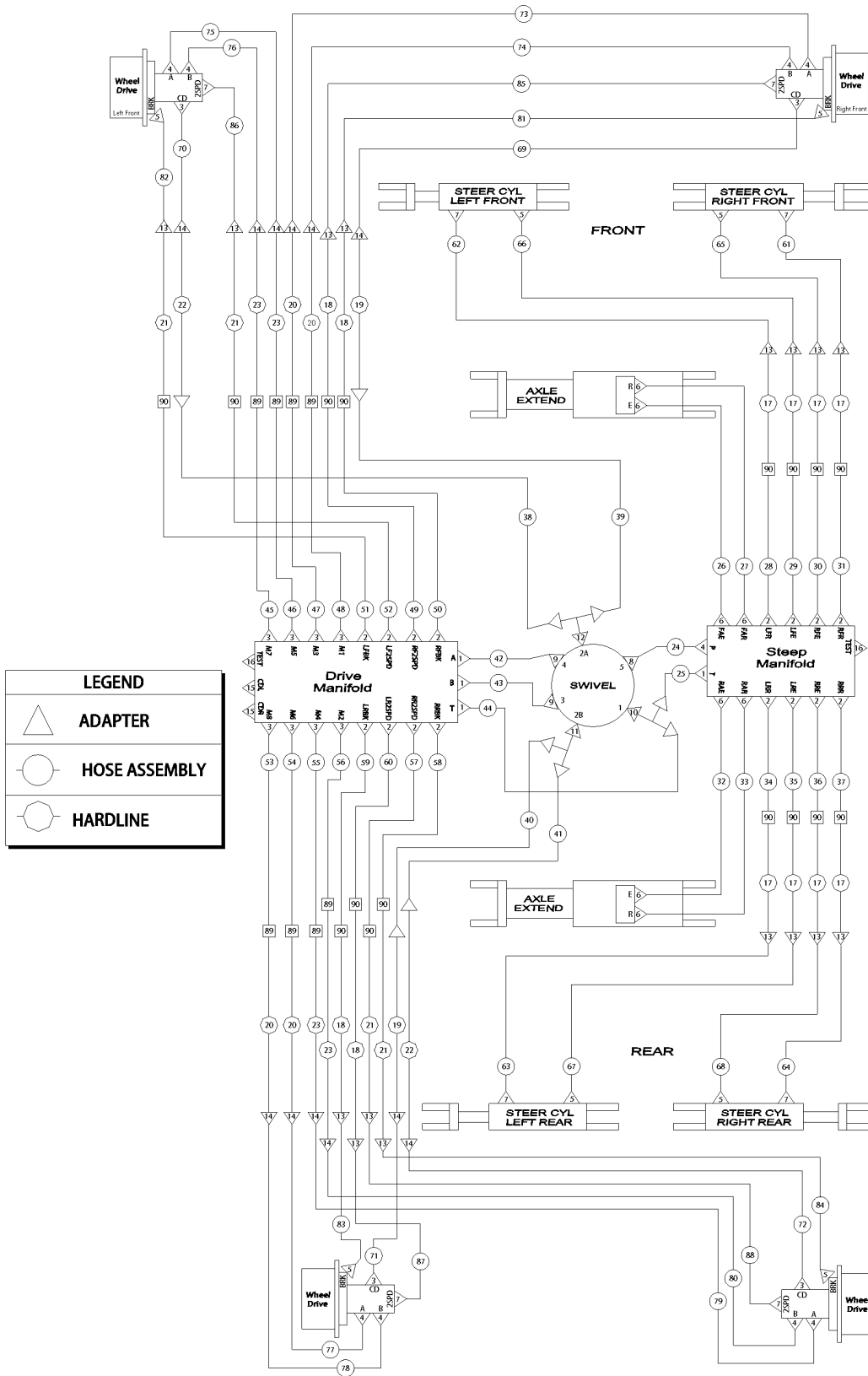


709.1 Hydraulic Hoses and Fittings - Drive System

Item	Part No.	Description	Qty.
29	49120-10981GT	HOSE ASSY,1/4" STR FEM STR FEM components: 48800, 48810, and 48751 @ 108 inches	8
30	49120-3981GT	HOSE ASSEMBLY,1/4" components: 48800, 48810, and 48751 @ 38 inches	4
31	49120-3981GT	HOSE ASSEMBLY,1/4" components: 48800, 48810, and 48751 @ 38 inches	2
32	49130-5482GT	HOSE ASSY, 3/8,STR FEM,STR FEM components: 48812, 48812, and 48753 @ 53 inches	4
33	49130-5482GT	HOSE ASSY, 3/8,STR FEM,STR FEM components: 48812, 48812, and 48753 @ 53 inches	4
34	49120-10981GT	HOSE ASSY,1/4" STR FEM STR FEM components: 48800, 48810, and 48751 @ 108 inches	2
35	49120-11381GT	HOSE ASSY,1/4" STR FEM STR FEM components: 48800, 48810, and 48751 @ 112 inches	4
36	49120-3681GT	HOSE ASSY,1/4" STR FEM STR FEM components: 48800, 48810, and 48751 @ 35 inches	1
37	49120-3681GT	HOSE ASSY,1/4" STR FEM STR FEM components: 48800, 48810, and 48751 @ 35 inches	1
38	216247-6684GT	HOSE ASSY,1/2,45 FEM, STR MALE components: 48826, 106815, and 48756 @ 64 inches	1
39	216247-6684GT	HOSE ASSY,1/2,45 FEM, STR MALE components: 48826, 106815, and 48756 @ 64 inches	1
40	106819-7013GT	HOSE ASSY,1/2,STR FEM STR MALE components: 48822, 106815, and 48756 @ 68 inches	1
41	106819-6213GT	HOSE ASSY,1/2,STR FEM STR MALE components: 48822, 106815, and 48756 @ 60 inches	1
42	94374-6030GT	HOSE ASSY,3/4,90 FEM,STR FEM components: 48841, 48846, and 94358 @ 57 inches	1
43	94374-6030GT	HOSE ASSY,3/4,90 FEM,STR FEM components: 48841, 48846, and 94358 @ 57 inches	1
44	61072-4326GT	HOSE ASSY,3/4,45 FEM,STR FEM components: 48841, 48845, and 48762 @ 40 inches	1
45	81812-3692GT	HOSE ASSY,1/2,STR FEM,STR FEM components: 48822, 48822, and 56777 @ 35 inches	1
46	81812-3592GT	HOSE ASSY,1/2,STR FEM,STR FEM components: 48822, 48822, and 56777 @ 34 inches	1
47	81812-11292GT	HOSE ASSY,1/2,STR FEM,STR FEM components: 48822, 48822, and 56777 @ 111 inches	1
48	81812-11292GT	HOSE ASSY,1/2,STR FEM,STR FEM components: 48822, 48822, and 56777 @ 111 inches	1
49	49120-11381GT	HOSE ASSY,1/4" STR FEM STR FEM components: 48800, 48810, and 48751 @ 112 inches	1
50	49120-11381GT	HOSE ASSY,1/4" STR FEM STR FEM components: 48800, 48810, and 48751 @ 112 inches	1
51	49120-3631GT	HOSE ASSEMBLY,1/4" components: 48800, 48810, and 48751 @ 34.5 inches	1
52	49120-3631GT	HOSE ASSEMBLY,1/4" components: 48800, 48810, and 48751 @ 34.5 inches	1
53	81812-3592GT	HOSE ASSY,1/2,STR FEM,STR FEM components: 48822, 48822, and 56777 @ 34 inches	1
54	81812-3592GT	HOSE ASSY,1/2,STR FEM,STR FEM components: 48822, 48822, and 56777 @ 34 inches	1
55	81812-11292GT	HOSE ASSY,1/2,STR FEM,STR FEM components: 48822, 48822, and 56777 @ 111 inches	1
56	81812-11292GT	HOSE ASSY,1/2,STR FEM,STR FEM components: 48822, 48822, and 56777 @ 111 inches	1



709.1 Hydraulic Hoses and Fittings - Drive System



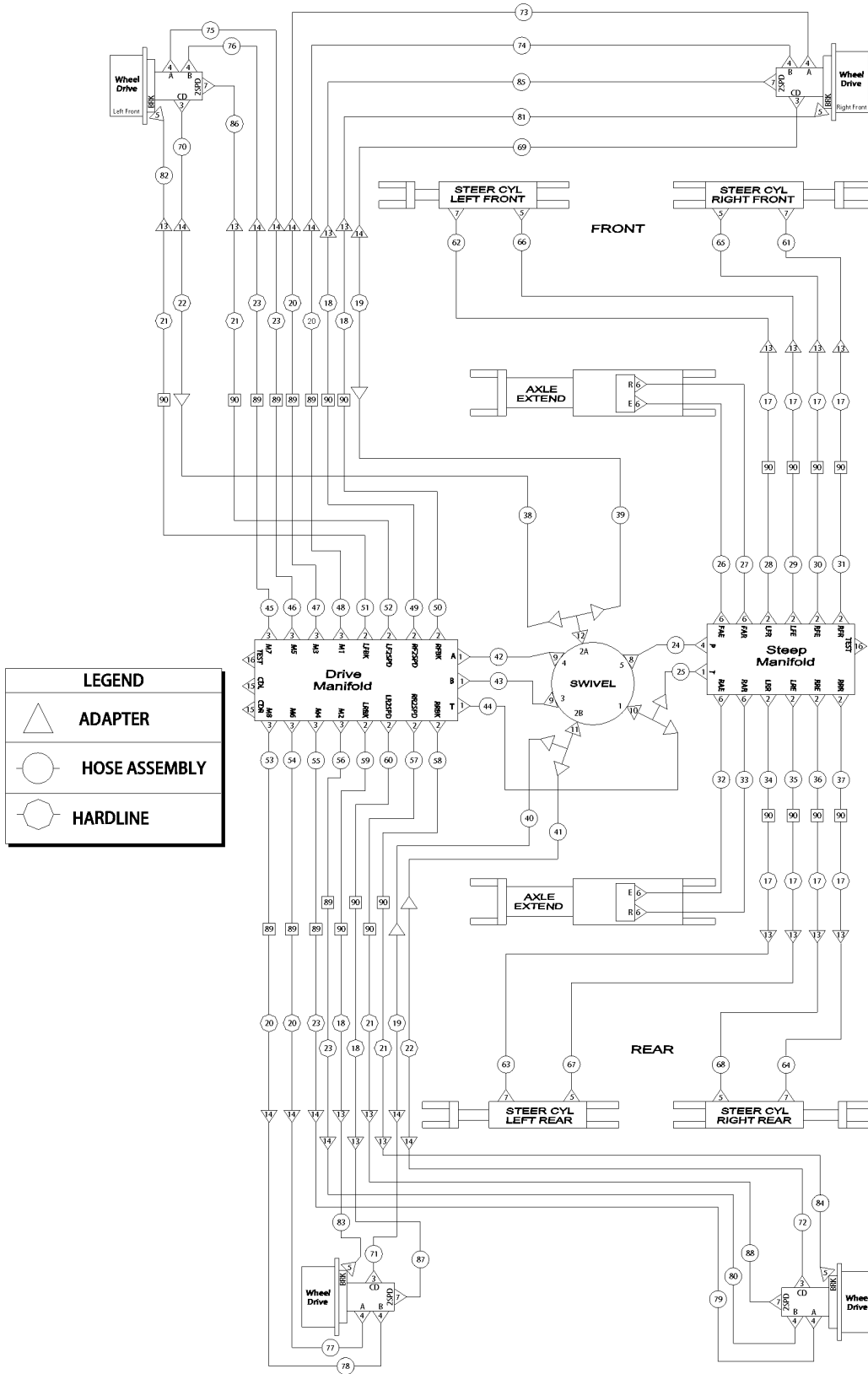
LEGEND	
	ADAPTER
	HOSE ASSEMBLY
	HARDLINE

709.1 Hydraulic Hoses and Fittings - Drive System

Item	Part No.	Description	Qty.
57	49120-11381GT	HOSE ASSY,1/4" STR FEM STR FEM components: 48800, 48810, and 48751 @ 112 inches	1
58	49120-11381GT	HOSE ASSY,1/4" STR FEM STR FEM components: 48800, 48810, and 48751 @ 112 inches	1
59	49120-3681GT	HOSE ASSY,1/4" STR FEM STR FEM components: 48800, 48810, and 48751 @ 35 inches	1
60	49120-3681GT	HOSE ASSY,1/4" STR FEM STR FEM components: 48800, 48810, and 48751 @ 35 inches	1
61	49181-3440GT	HOSE ASSY,1/4",45,FEM STR FEM components: 48801, 48810, and 48751 @ 32 inches	1
62	49181-3440GT	HOSE ASSY,1/4",45,FEM STR FEM components: 48801, 48810, and 48751 @ 32 inches	1
63	49181-3440GT	HOSE ASSY,1/4",45,FEM STR FEM components: 48801, 48810, and 48751 @ 32 inches	1
64	49181-3440GT	HOSE ASSY,1/4",45,FEM STR FEM components: 48801, 48810, and 48751 @ 32 inches	1
65	49120-1631GT	HOSE ASSEMBLY,1/4" components: 48800, 48810, and 48751 @ 14.5 inches	1
66	49120-1631GT	HOSE ASSEMBLY,1/4" components: 48800, 48810, and 48751 @ 14.5 inches	1
67	49120-1631GT	HOSE ASSEMBLY,1/4" components: 48800, 48810, and 48751 @ 14.5 inches	1
68	49120-1631GT	HOSE ASSEMBLY,1/4" components: 48800, 48810, and 48751 @ 14.5 inches	1
69	49141-5863GT	HOSE ASSY,1/2,45 FEM,STR FEM** components: 48822, 48826, and 48756 @ 56 inches	1
70	49141-5863GT	HOSE ASSY,1/2,45 FEM,STR FEM** components: 48822, 48826, and 48756 @ 56 inches	1
71	49141-5863GT	HOSE ASSY,1/2,45 FEM,STR FEM** components: 48822, 48826, and 48756 @ 56 inches	1
72	49141-5863GT	HOSE ASSY,1/2,45 FEM,STR FEM** components: 48822, 48826, and 48756 @ 56 inches	1
73	81812-5792GT	HOSE ASSY,1/2,STR FEM,STR FEM components: 48822, 48822, and 56777 @ 56 inches	1
74	81812-5792GT	HOSE ASSY,1/2,STR FEM,STR FEM components: 48822, 48822, and 56777 @ 56 inches	1
75	81812-5792GT	HOSE ASSY,1/2,STR FEM,STR FEM components: 48822, 48822, and 56777 @ 56 inches	1
76	81812-5792GT	HOSE ASSY,1/2,STR FEM,STR FEM components: 48822, 48822, and 56777 @ 56 inches	1
77	81812-5792GT	HOSE ASSY,1/2,STR FEM,STR FEM components: 48822, 48822, and 56777 @ 56 inches	1
78	81812-5792GT	HOSE ASSY,1/2,STR FEM,STR FEM components: 48822, 48822, and 56777 @ 56 inches	1
79	81812-5792GT	HOSE ASSY,1/2,STR FEM,STR FEM components: 48822, 48822, and 56777 @ 56 inches	1
80	81812-5792GT	HOSE ASSY,1/2,STR FEM,STR FEM components: 48822, 48822, and 56777 @ 56 inches	1
81	1310286-5990GT	HOSE ASSY,-4,45 FEM,STR FEM components: 1310287, 48810, and 48751 @ 57.5 inches	1
82	1310286-5990GT	HOSE ASSY,-4,45 FEM,STR FEM components: 1310287, 48810, and 48751 @ 57.5 inches	1
83	1310286-5990GT	HOSE ASSY,-4,45 FEM,STR FEM components: 1310287, 48810, and 48751 @ 57.5 inches	1
84	1310286-5990GT	HOSE ASSY,-4,45 FEM,STR FEM components: 1310287, 48810, and 48751 @ 57.5 inches	1



709.1 Hydraulic Hoses and Fittings - Drive System

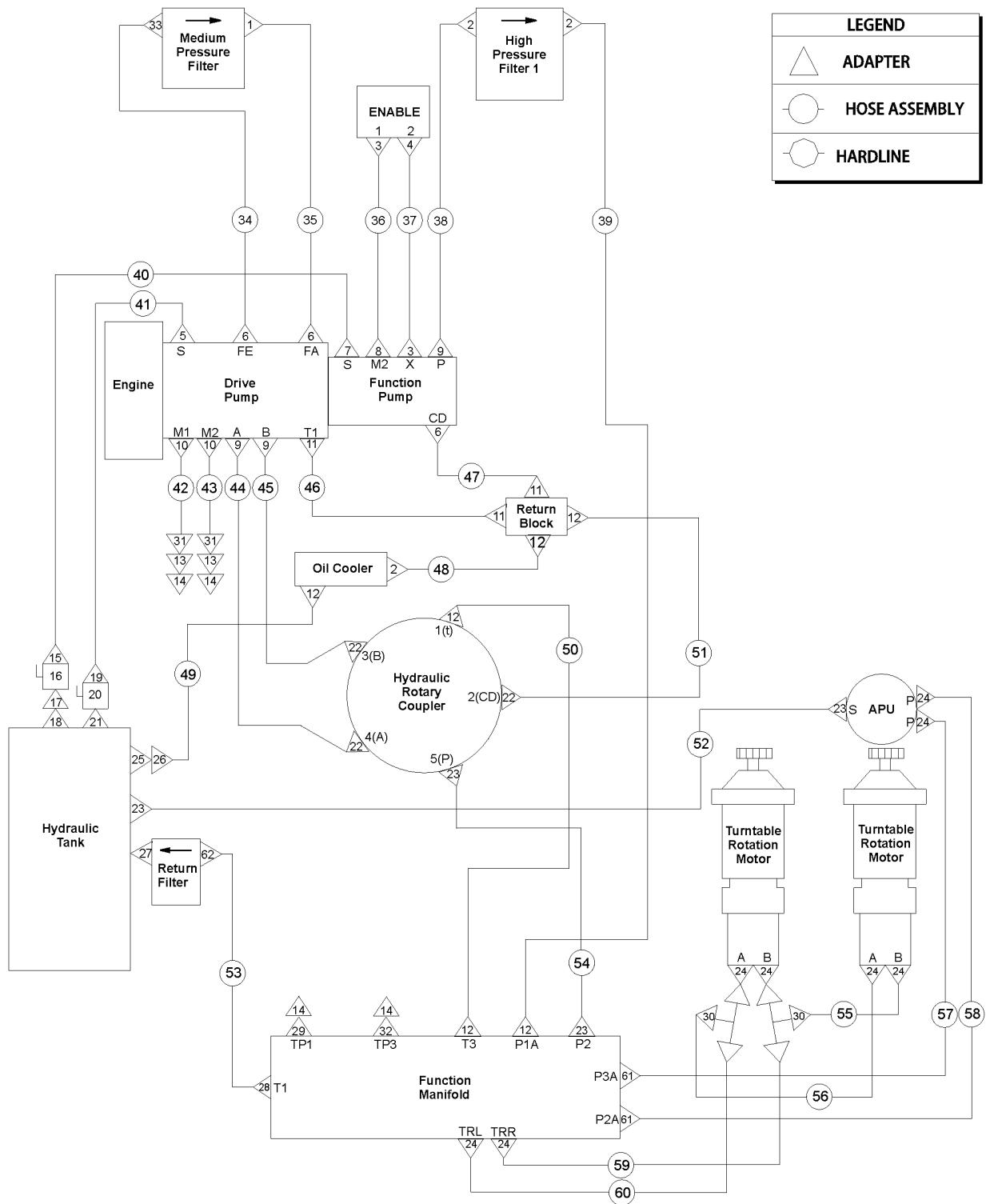




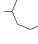
709.1 Hydraulic Hoses and Fittings - Drive System

<i>Item</i>	<i>Part No.</i>	<i>Description</i>	<i>Qty.</i>
85	49120-6381GT	HOSE ASSY,1/4" STR FEM STR FEM components: 48800, 48810, and 48751 @ 62 inches	1
86	49163-6994GT	HOSE ASSY,1/4,90D FEM/STR FEM components: 48802, 48810, and 48751 @68 inches	1
86B	49163-7194GT	HOSE ASSY,1/4,90 FEM,STR FEM components:48802,48810,and 48751@70 inches	1
87	49120-6381GT	HOSE ASSY,1/4" STR FEM STR FEM components: 48800, 48810, and 48751 @62 inches	1
88	49163-7194GT	HOSE ASSY,1/4,90 FEM,STR FEM components: 48802, 48810, and 48751 @70 inches	1
89	56235GT	O-RING,ORFS,-8	8
90	56234GT	O-RING,ORFS,-6	16



710.1 Hydraulic Hoses and Fittings - Turntable



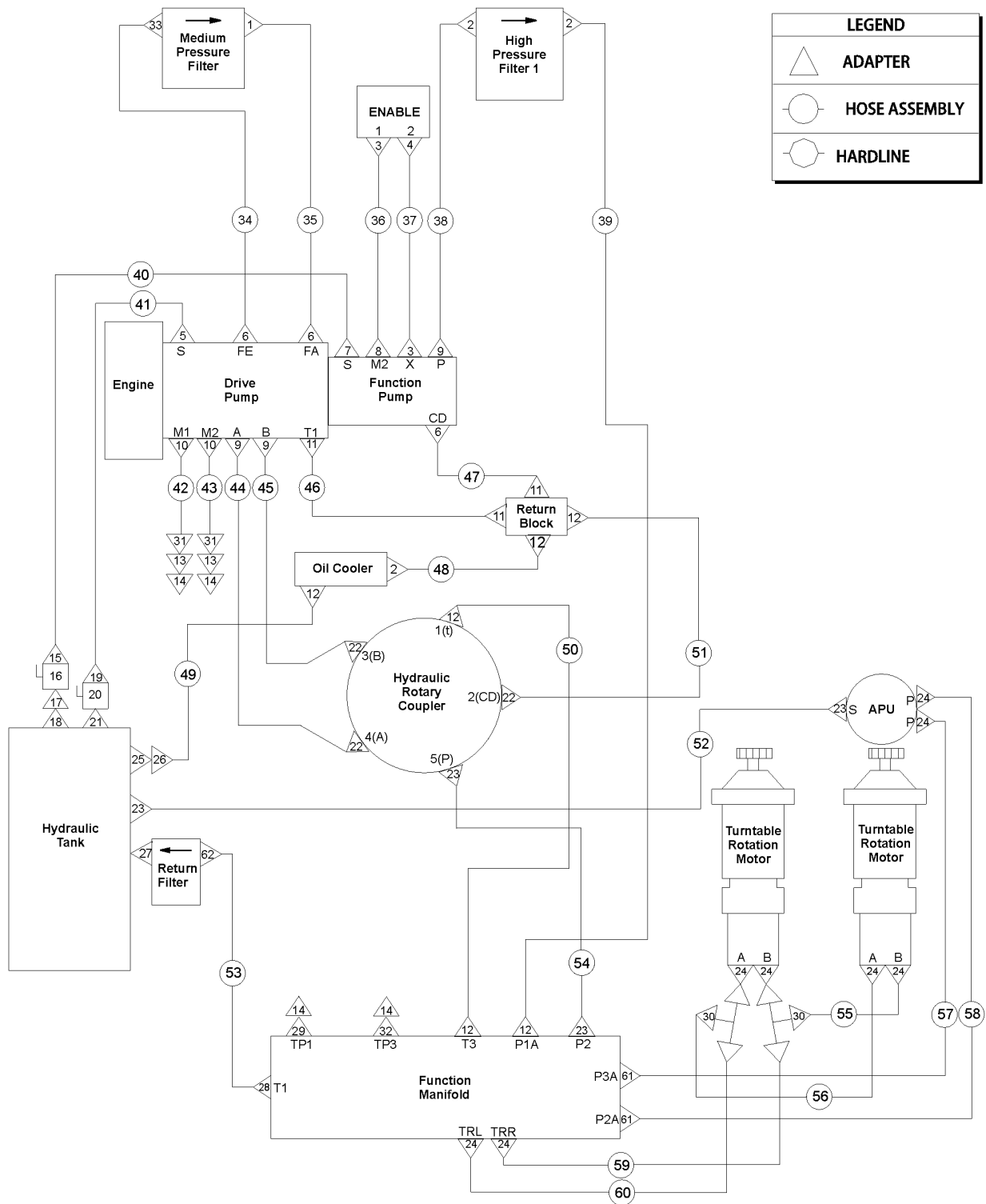
LEGEND	
	ADAPTER
	HOSE ASSEMBLY
	HARDLINE

710.1 Hydraulic Hoses and Fittings - Turntable

Item	Part No.	Description	Qty.
1	48937GT	ELBOW,45D,520320-8	1
2	48959GT	ELBOW,90D,520220-12	3
3	48905GT	CONN,520120-4***	2
4	48904GT	CONN,520120-4***	1
5	48984GT	CONN,520120-16	1
6	48946GT	CONN,520120-8-10	3
7	121777GT	CONN,070121-24-24 (stage V only), (to SN SX105D-2047)	1
7B	61083GT	CONN,520120-24 (from SN SX105D-2048)	1
8	48911GT	ELBOW,90D,520220-4-6***	1
9	48978GT	ELBOW,45D,520320-12-16	3
10	48912GT	CONN,520120-4-6***	2
11	48947GT	ELBOW,90D,520220-8-12	3
12	48960GT	FITTING,CONN,520120-12***	6
13	49207GT	NIPPLE,DIAGNOSTIC,ORFS,FM,SWIV	2
14	48880GT	CAP,DIAGNOSTIC NIPPLE	4
15	61083GT	CONN,520120-24	1
16	75256GT	VALVE BALL,24 FSAE-24 FSAE***	1
17	75254GT	UNION,STR.THREAD 24***	1
18	75257GT	STRAINER ASSY,#24 O-RING	1
19	48985GT	ELBOW,45D,520320-16	1
20	48996GT	VALVE,BALL,16 MSAE-16 FSAE***	1
21	75253GT	STRAINER ASSY,#16 O-RING	1
22	48963GT	FITTING,ELBOW,45D,520320-12***	3
23	48933GT	CONN,520120-8***	4
24	48916GT	FITTING,CONN,520120-6	10
25	51579GT	CONN,520120-12-8	1
26	61262GT	ELBOW,SWIVEL 90D, 520221-12	1
27	61263GT	UNION,STR.THREAD 20	1



710.1 Hydraulic Hoses and Fittings - Turntable

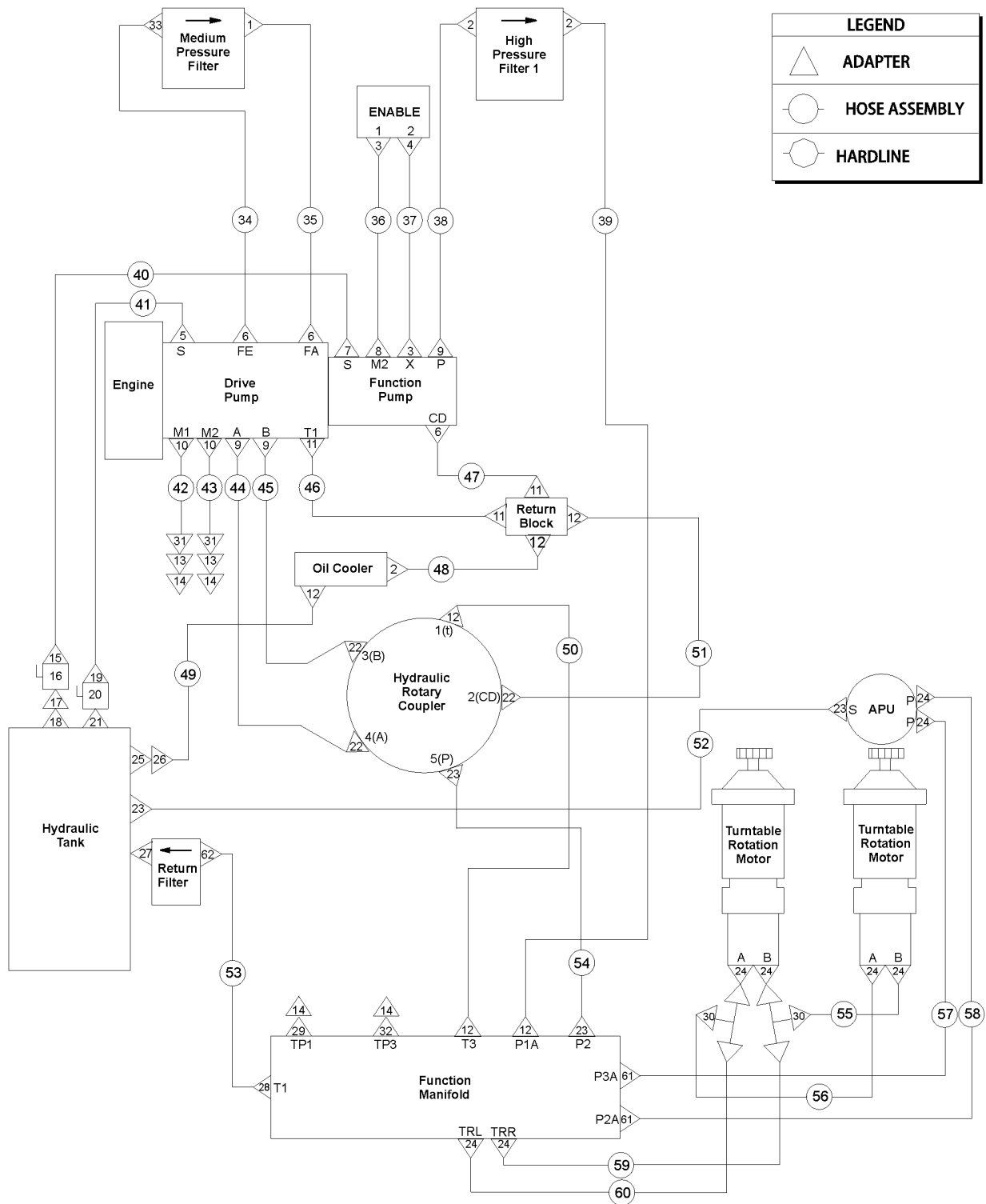


710.1 Hydraulic Hoses and Fittings - Turntable

Item	Part No.	Description	Qty.
28	75654GT	CONN,520120-20	1
29	48997GT	NIPPLE,DIAGNOSTIC,#4	1
30	48875GT	TEE,RUN,SWIVEL,520432-6	2
31	75574GT	NUT,BULKHEAD,520118-4	2
32	48998GT	NIPPLE,DIAGNOSTIC,#6 PORT***	1
33	48932GT	FITTING,ELBOW,90D,520220-8***	1
34	49143-2029GT	HOSE ASSY,1/2,90 FEM,STR FEMM* (components: 48822, 48827, and 48756 @ 18 inches)	1
35	49143-2729GT	HOSE ASSY,1/2,90 FEM,STR FEM (components: 48822, 48827, and 48756 @ 25 inches)	1
36	49119-2578GT	HOSE ASSY,1/4,STR FEM,STR FEM* (components: 48800, 48800, and 48751 @ 24 inches)	1
37	49116-1287GT	HOSE ASSY,1/4,45 FEM,STR FEM (components: 48800, 48801, and 48751 @ 10.5 inches)	1
38	61073-3830GT	HOSE ASSY,3/4,90 FEM,90 FEM** (components: 48841, 48846, and 48762 @ 35 inches)	1
39	61074-5828GT	HOSE ASSEMBLY 3/4 HOSE #75 (components: 48841, 48841, and 48762 @ 56 inches)	1
40	121608-5938GT	HOSE ASSY, 1-1/2, STR, 90D (components: 88476, 121778, and 61100 @ 57 inches); to SN SX125D-1364	1
40B	121608-6780GT	HOSE ASSY,1-1/2,STR,90D (components: 88476, 121778, and 61100 @ 63.5 inches); from SN SX125D-1365, (stage V only)	1
40C	1307759-6780GT	HOSE ASSY,1-1/2,90 FEM,STR FEM (components: 88476, 121778, and 61100 @ 63.5 inches); (to SN SX105D-2047)	1
40D	1310740-6780GT	HOSE ASSY,1-1/2,90 FEM,STR FEM (components: 88476, 121778, and 61100 @ 63.5 inches); (from SN SX105D-2048)	1
41	49159-6118GT	HOSE ASSY,1" 90 FEM,STR FEM*** (components: 48854, 48855, and 48764 @ 57 inches); to SN SX125D-1364	1
41B	49159-6950GT	HOSE ASSY,1"90 FEM,STR FEM*** (components: 48854, 48855, and 48764 @ 65.5 inches); from SN SX125D-1365	1
42	101793-2573GT	HOSE ASSY,1/4,STR FEM,STR MAL (components: 48800, 75628, and 101697 @ 23 inches)	1
43	101793-2573GT	HOSE ASSY,1/4,STR FEM,STR MAL (components: 48800, 75628, and 1287113 @ 23 inches)	1
44	94374-5730GT	HOSE ASSY,3/4,90 FEM,STR FEM** (components: 48841, 48846, and 94358 @ 54 inches); to SN SX125D-1364	1
44B	94374-6130GT	HOSE ASSY,3/4,90 FEM STR FEM** (components: 48841, 48846, and 94358 @ 58 inches); from SN SX125D-1365	1
45	94374-5530GT	HOSE ASSY,3/4,90 FEM,STR FEM** (components: 48841, 48846, and 94358 @ 52 inches)	1
46	49143-4729GT	HOSE ASSY,1/2,90 FEM,STR FEM (components: 48822, 48827, and 48756 @ 45 inches)	1
47	49143-4729GT	HOSE ASSY,1/2,90 FEM,STR FEM (components: 48822, 48827, and 48756 @ 45 inches)	1
48	61073-2080GT	HOSE ASSY.,3/4",90E ASSY.,3/4 (components: 48841, 48846, and 48762 @ 17.5 inches)	1
49	61073-4830GT	HOSE ASSY.,3/4",90E ASSY.,3/4 (components: 48841, 48846, and 48762 @ 45 inches); to SN SX125D-1364	1
49B	61073-5620GT	HOSE ASSY,3/4",90°FEM,STR FEM (components: 48841, 48846, and 48762 @ 53 inches); from SN SX125D-1365	1



710.1 Hydraulic Hoses and Fittings - Turntable

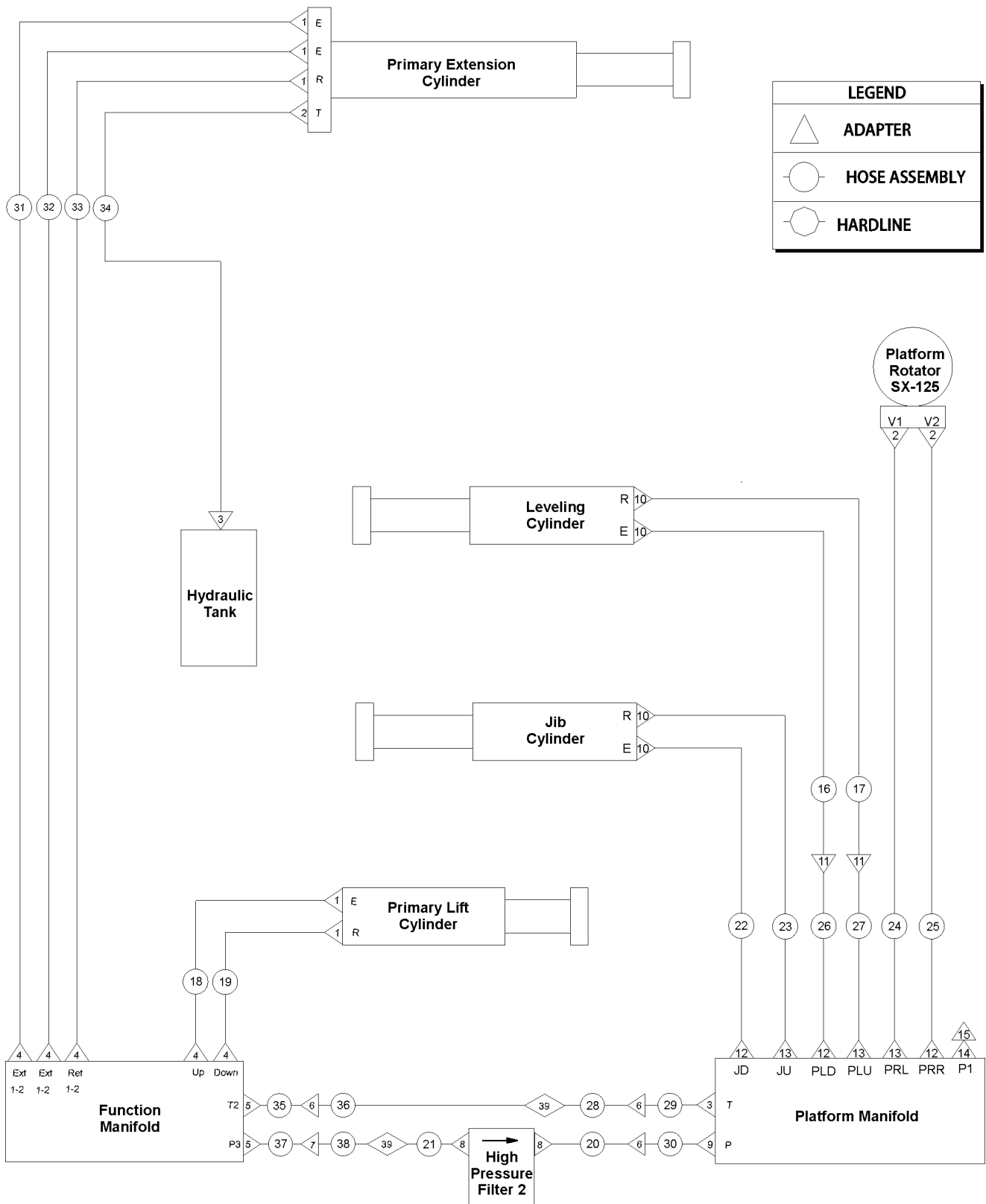


710.1 Hydraulic Hoses and Fittings - Turntable

Item	Part No.	Description	Qty.
50	61072-5126GT	HOSE ASSY,3/4,45 FEM,STR FEM (components: 48841, 48845, and 48762 @ 48 inches)	1
51	61073-5530GT	HOSE ASSY,3/4",90 FEM,STR FEM (components: 48841, 48846, and 48762 @ 52 inches)	1
51B	61073-5230GT	HOSE ASSY.,3/4",90E ASSY.,3/4 (components: 48841, 48846, and 48762 @ 49 inches)	1
52	49143-3829GT	HOSE ASSY,1/2,90 FEM,STR FEMM* (components: 48822, 48827, and 48756 @ 36 inches); to SN SX125D-1364	1
52B	49183-1602GT	HOSE ASSY,1/2,STR FEM,STR FEM (components: 48822, 48822, and 48756 @ 14 inches); from SN SX125D-1365	1
53	88441-2950GT	ASSY,HOSE,HYD,-20,200,STR (components: 75655, 75655, and 75656 @ 22 inches)	1
54	49141-4863GT	HOSE ASSY,1/2" HOSE #90 (components: 48822, 48826, and 48756 @ 46 inches)	1
55	49130-2082GT	HOSE ASSY, 3/8,STR FEM,STR FEM (components: 48812, 48812, and 48753 @19 inches)	1
56	49130-2082GT	HOSE ASSY, 3/8,STR FEM,STR FEM (components: 48812, 48812, and 48753 @19 inches)	1
57	49128-1959GT	HOSE ASSEMBLY,3/8 (components: 48812, 48816, and 48753 @17.5 inches); to SN SX125D-1364	1
57B	49128-3510GT	HOSE ASSEMBLY,3/8" (components: 48812, 48812, and 48753 @33 inches); from SN SX125D-1365	1
58	49126-1783GT	HOSE ASSY,3/8,45 FEM,STR FEM (components: 48812, 48815, and 48753 @15.5 inches); to SN SX125D-1364	1
58B	49126-3630GT	HOSE ASSY 3/8,45 FEM STR FEM (components: 48812, 48815, and 48753 @34 inches); from SN SX125D-1365	1
59	49128-3009GT	HOSE ASSY,3/8,90,FEM,STR,FEM (components: 48812, 48815, and 48753 @ 28 inches)	1
60	49128-3009GT	HOSE ASSY,3/8,90,FEM,STR,FEM (components: 48812, 48815, and 48753 @ 28 inches)	1
61	48916GT	FITTING,CONN,520120-6 to SN SX125D-1364	2
61B	48915GT	ELBOW,90D,520220-6 from SN SX125D-1365	2
62	89593GT	ELBOW,90D,520220-20	1



711.1 Hydraulic Hoses and Fittings - Boom Components, SX-105 XC

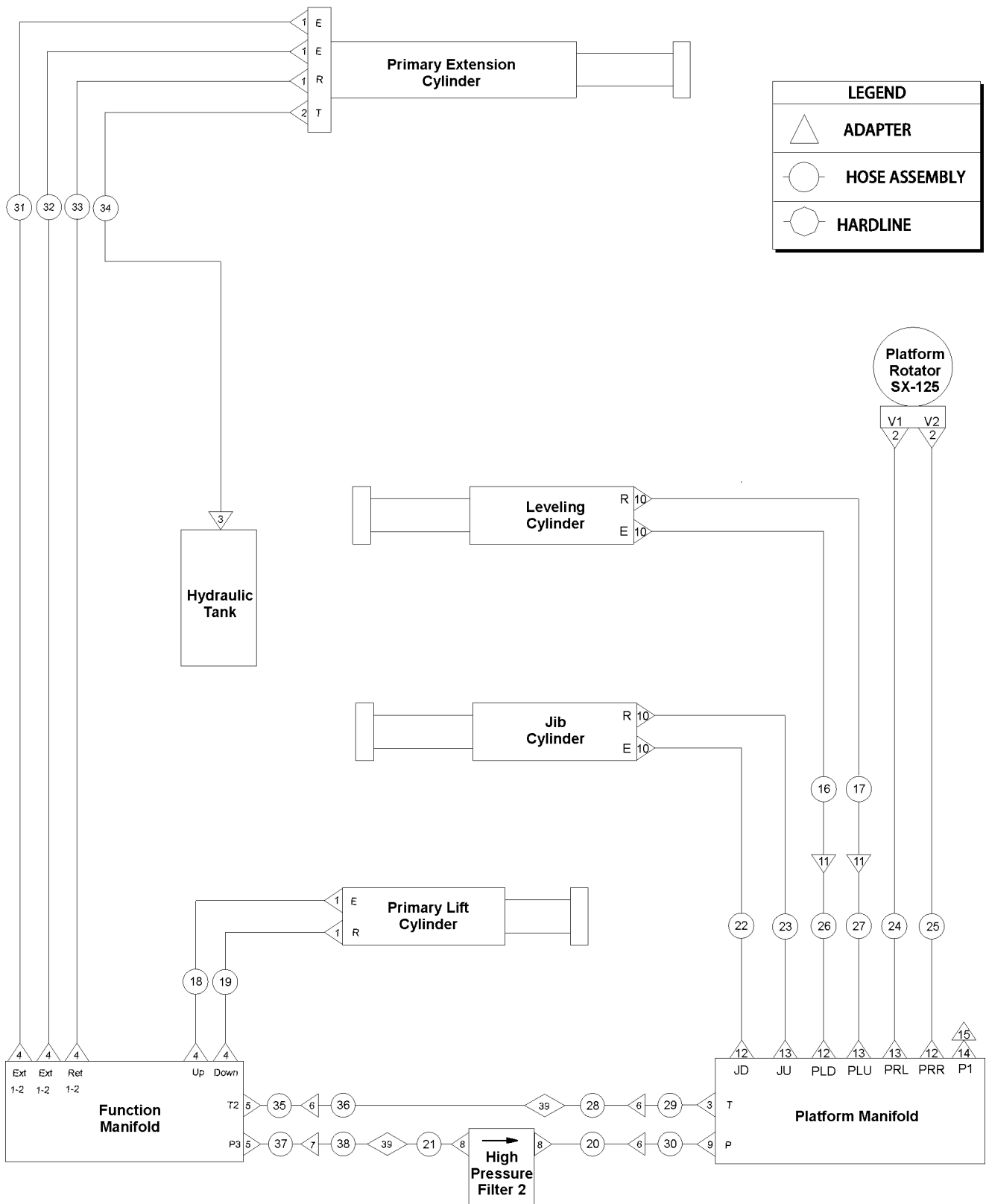


711.1 Hydraulic Hoses and Fittings - Boom Components, SX-105 XC

Item	Part No.	Description	Qty.
1	48937GT	ELBOW,45D,520320-8	5
2	48907GT	48907GT	3
3	48915GT	ELBOW,90D,520220-6	2
4	48933GT	CONN,520120-8***	5
5	48916GT	FITTING,CONN,520120-6	2
6	61321GT	ELBOW,90D,BLKHD,ORFS-6-6 W/NUT	3
7	61080GT	FITTING,6-6BLKHEADUNION 520601	1
8	1277016GT	ELBOW,90D,520220-6-12	2
9	56003GT	ELBOW,90D,LONG,521520-6	1
10	48912GT	CONN,520120-4-6***	4
11	61079GT	ELBOW,90D,BULKHEAD,520701-4	2
12	48904GT	CONN,520120-4***	3
13	61259GT	ELBOW,90D,LONG,521520-4	3
14	48997GT	NIPPLE,DIAGNOSTIC,#4	1
15	48880GT	CAP,DIAGNOSTIC NIPPLE	1
16	49117-2091GT	HOSE ASSY,1/4,90 FEM,STR FEM components: 48800, 48802, and 48751 @ 19 inches	1
17	49117-2091GT	HOSE ASSY,1/4,90 FEM,STR FEM components: 48800, 48802, and 48751 @ 19 inches	1
18	49183-10692GT	HOSE ASSY,1/2,STR FEM,STR FEM components: 48822, 48822, and 48756 @ 105 inches	1
19	49183-10692GT	HOSE ASSY,1/2,STR FEM,STR FEM components: 48822, 48822, and 48756 @ 105 inches	1
20	49130-12582GT	ASSY, HOSE, HYD, 3/8, 3000, STR components: 48812, 48812, and 48753@ 124 inches	1
21	49130-46182GT	HOSE ASSEMBLY,3/8 components: 48812, 48812, and 48753@ 460 inches	1
22	49119-6178GT	HOSE ASSY,1/4,STR FEM,STR FEM components: 48800, 48800, and 48751@ 60 inches	1
23	49119-6178GT	HOSE ASSY,1/4,STR FEM,STR FEM components: 48800, 48800, and 48751@ 60 inches	1
24	49119-3678GT	HOSE ASSY,1/4,STR FEM,STR FEM components: 48800, 48800, and 48751@ 35 inches	1
25	49119-3678GT	HOSE ASSY,1/4,STR FEM,STR FEM components: 48800, 48800, and 48751@ 35 inches	1
26	49117-12791GT	HOSE ASSY,1/4,90 FEM,STR FEM components: 48800, 48802, and 48751 @ 126 inches	1
27	49117-12791GT	HOSE ASSY,1/4,90 FEM,STR FEM components: 48800, 48802, and 48751 @ 126 inches	1
28	49130-55482GT	HOSE ASSEMBLY, 3/8 components: 48812, 48812, and 48753@ 553 inches	1



711.1 Hydraulic Hoses and Fittings - Boom Components, SX-105 XC

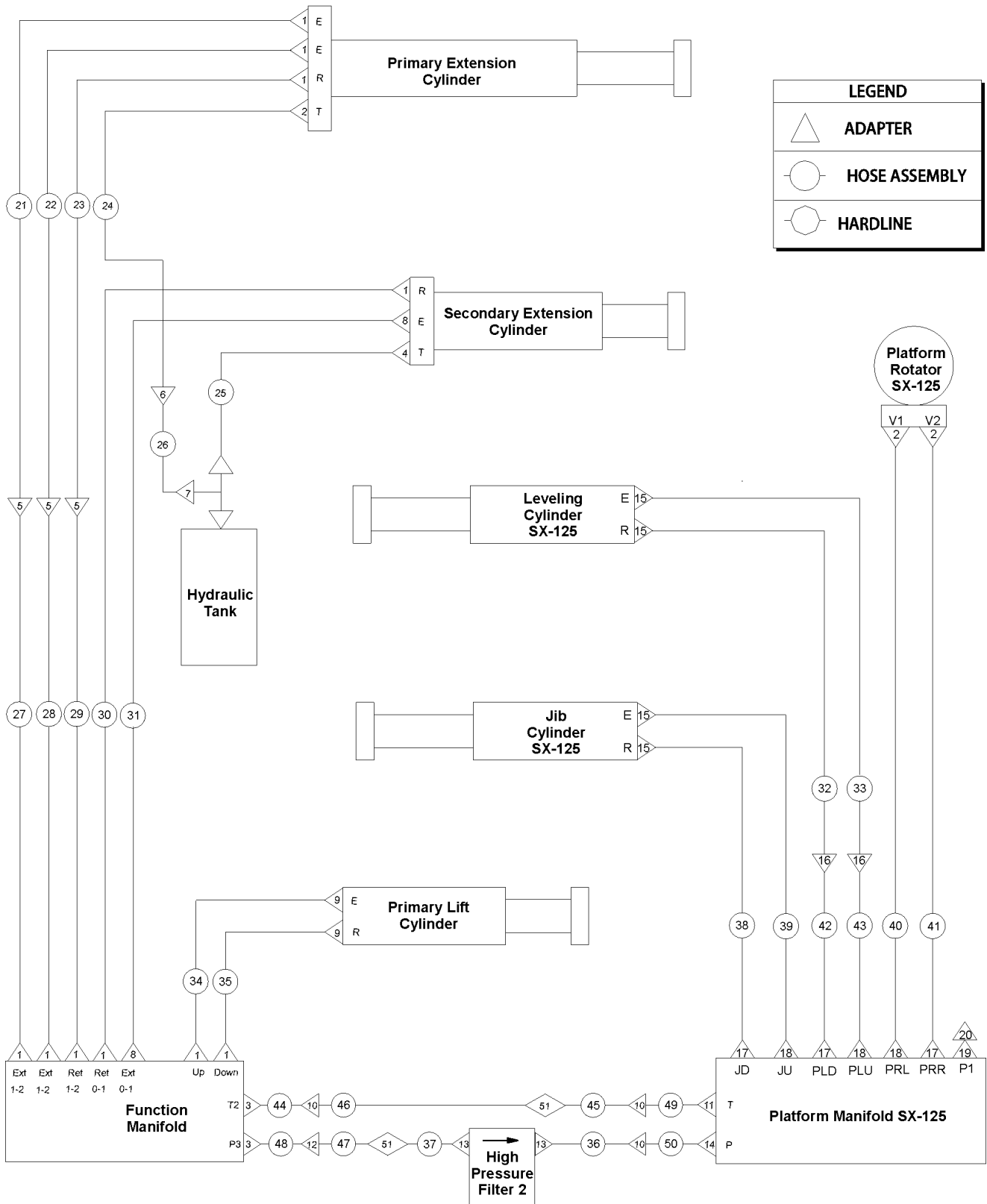


711.1 Hydraulic Hoses and Fittings - Boom Components, SX-105 XC

Item	Part No.	Description	Qty.
29	49128-1909GT	HOSE ASSY,3/8,90,FEM,STR,FEM components: 48812, 48816, and 48753@ 17 inches	1
30	49128-1909GT	HOSE ASSY,3/8,90,FEM,STR,FEM components: 48812, 48816, and 48753@ 17 inches	1
31	49183-12192GT	HOSE ASSY,1/2,STR FEM,STR FEM components: 48822, 48822, and 48756 @ 120 inches	1
32	49183-12192GT	HOSE ASSY,1/2,STR FEM,STR FEM components: 48822, 48822, and 48756 @ 120 inches	1
33	49183-12192GT	HOSE ASSY,1/2,STR FEM,STR FEM components: 48822, 48822, and 48756 @ 120 inches	1
34	49120-12981GT	HOSE ASSY,1/4" STR FEM STR FEM components: 48800, 48810, and 48751 @ 128 inches ; to SN SX125D-1364	1
34B	49120-14961GT	HOSE ASSY 1/4" STR FEM STR FEM components: 48800, 48810, and 48751 @ 148 inches ; from SN SX125D-1365	1
35	49128-37809GT	HOSE ASSY,3/8,90,FEM,STR,FEM components: 48812, 48816, and 48753 @ 376 inches	1
36	49130-59782GT	HOSE ASSY, 3/8,STR FEM,STR FEM components: 48812, 48812, and 48753@ 596 inches	1
37	49130-37982GT	HOSE ASSY, 3/8,STR FEM,STR FEM components: 48812, 48812, and 48753@ 378 inches	1
37B	49130-38982GT	HOSE ASSEMBLY, 3/8 components:48812,48812,and 48753@ 388 inches	1
38	49130-62582GT	HOSE ASSEMBLY,3/8 components: 48812, 48812, and 48753@ 624 inches	1
39	111436GT	HYDRAULIC TUBE,BOOM CROSSOVER	2
39-	56324GT	WELDMENT,FLOATING BUMPER for 111436	



712.1 Hydraulic Hoses and Fittings - Boom Components, SX-125 XC

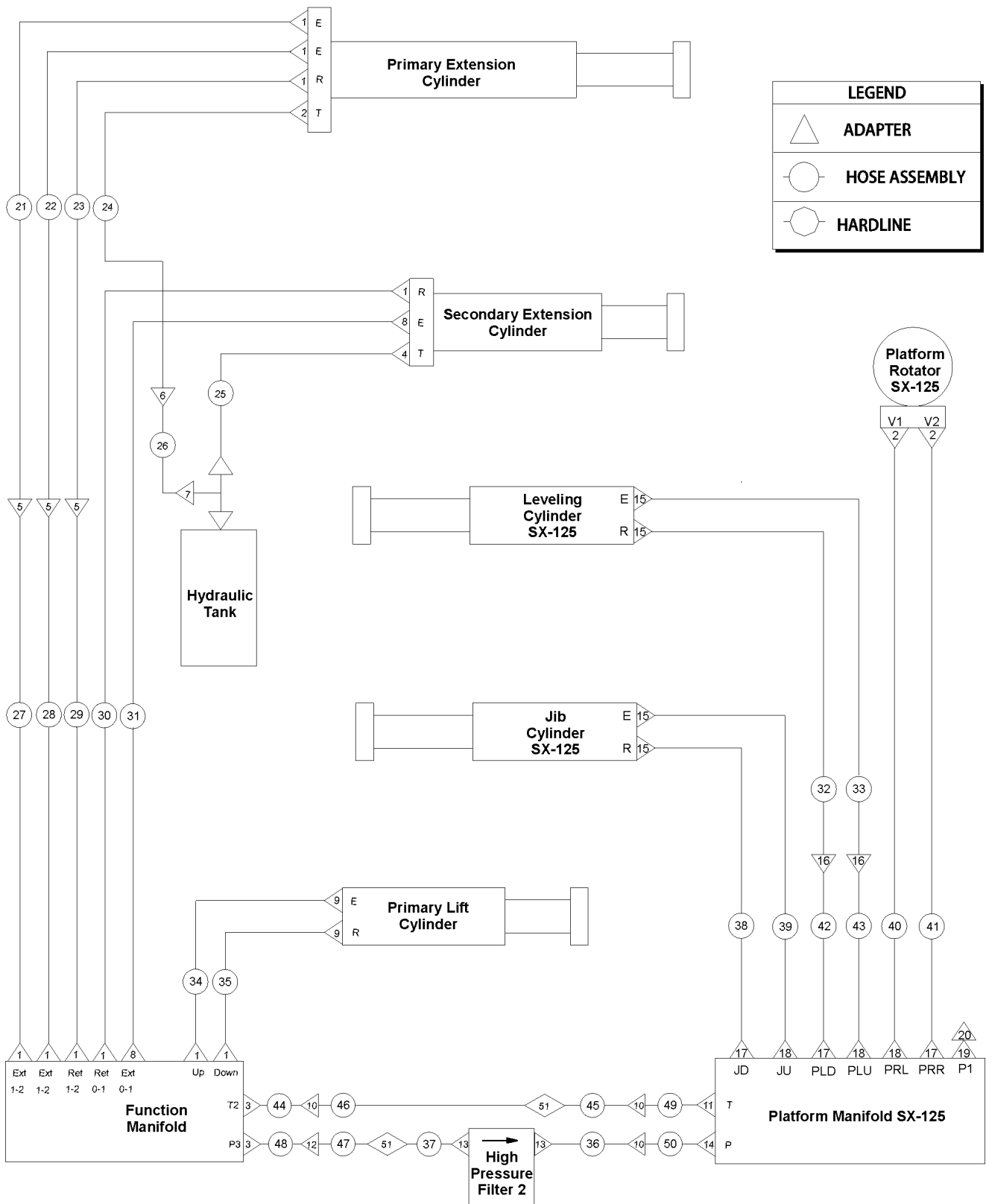


712.1 Hydraulic Hoses and Fittings - Boom Components, SX-125 XC

Item	Part No.	Description	Qty.
1	48933GT	CONN,520120-8***	10
2	48907GT	48907GT	3
3	48916GT	FITTING,CONN,520120-6	2
4	48905GT	CONN,520120-4***	1
5	48894GT	CONN,BULKHEAD,520601-8	3
6	61269GT	UNION,BULKHEAD,ORFS,520601,-4	1
7	48918GT	TEE,RUN,520428-6	1
8	48960GT	FITTING,CONN,520120-12***	2
9	48937GT	ELBOW,45D,520320-8	2
10	61321GT	ELBOW,90D,BLKHD,ORFS-6-6 W/NUT	3
11	48915GT	ELBOW,90D,520220-6	1
12	61080GT	FITTING,6-6BLKHEADUNION 520601	1
13	1277016GT	ELBOW,90D,520220-6-12	2
14	56003GT	ELBOW,90D,LONG,521520-6	1
15	48912GT	CONN,520120-4-6***	4
16	61079GT	ELBOW,90D,BULKHEAD,520701-4	2
17	48904GT	CONN,520120-4***	3
18	61259GT	ELBOW,90D,LONG,521520-4	3
19	48997GT	NIPPLE,DIAGNOSTIC,#4	1
20	48880GT	CAP,DIAGNOSTIC NIPPLE	1
21	49143-42229-SGT	HOSE ASSY,1/2,90 FEM,STR FEMM components: 48822, 48827, and 48756 @ 420 inches	1
22	49143-42229-SGT	HOSE ASSY,1/2,90 FEM,STR FEMM components: 48822, 48827, and 48756 @ 420 inches	1
23	49143-42229-SGT	HOSE ASSY,1/2,90 FEM,STR FEMM components: 48822, 48827, and 48756 @ 420 inches	1
24	49116-41237GT	HOSE ASSY,1/4,45 FEM,STR FEM components: 48800, 48801, and 48751 @ 410 inches	1
25	49118-23308GT	HOSE ASSEMBLY components: 48800, 48811, and 48751 @ 231 inches	1
26	49120-48181GT	HOSE ASSEMBLY,1/4" components: 48800, 48810, and 48751 @ 480 inches	1
27	49183-46592GT	HOSE ASSY,1/2,STR FEM,STR FEM components: 48822, 48822, and 48756 @ 464 inches	1
28	49183-46592GT	HOSE ASSY,1/2,STR FEM,STR FEM components: 48822, 48822, and 48756 @ 464 inches	1



712.1 Hydraulic Hoses and Fittings - Boom Components, SX-125 XC






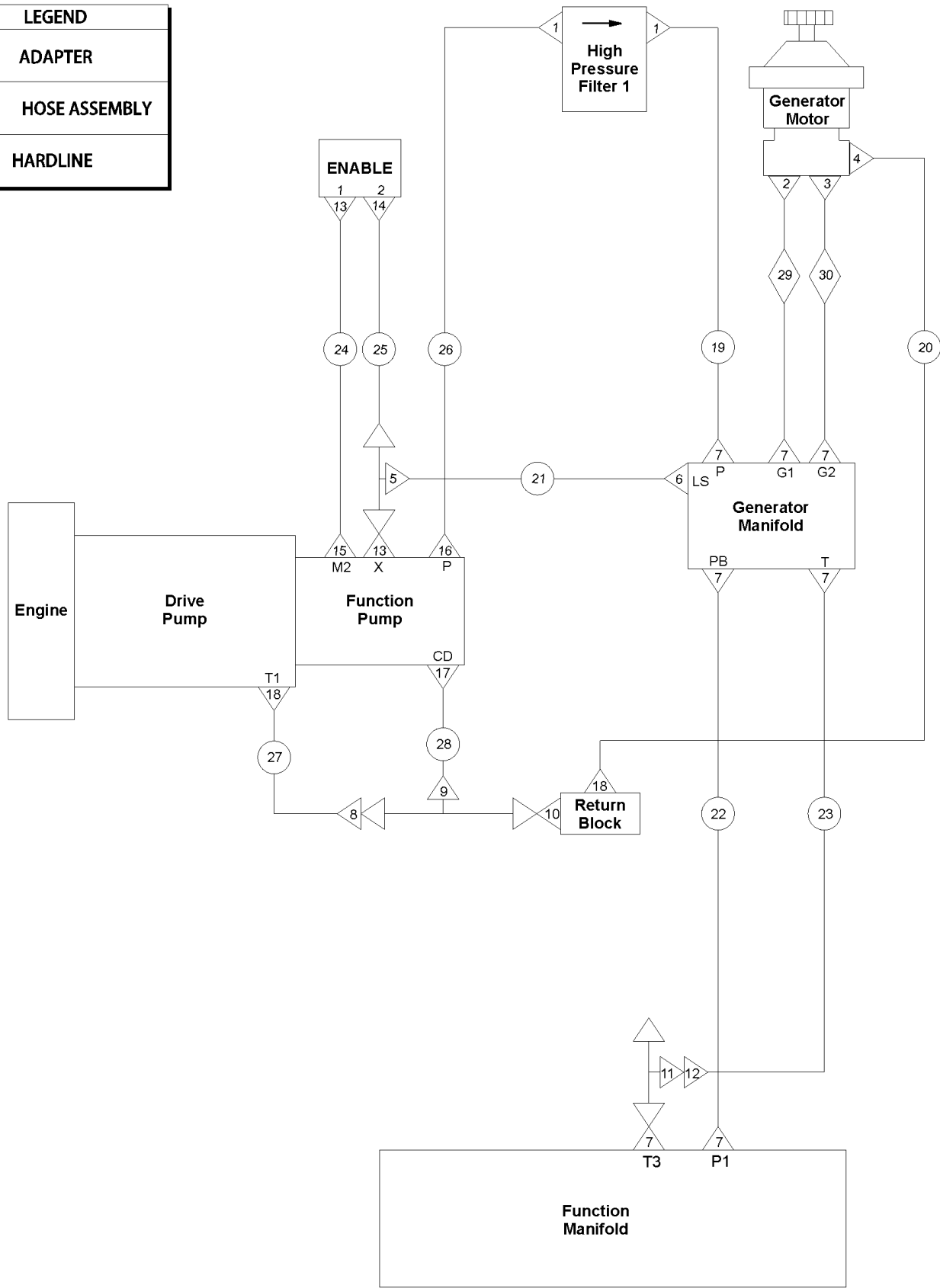
712.1 Hydraulic Hoses and Fittings - Boom Components, SX-125 XC

Item	Part No.	Description	Qty.
29	49183-46592GT	HOSE ASSY,1/2,STR FEM,STR FEM components: 48822, 48822, and 48756 @ 464 inches	1
30	49183-20752GT	HOSE ASSY,1/2,STR FEM,STR FEM components: 48822, 48822, and 48756 @ 205.6 inches	1
31	61074-20748GT	HOSE ASSEMBLY,3/4" components: 48841, 48841, and 48762 @ 205.2 inches	1
32	49117-2091GT	HOSE ASSY,1/4,90 FEM,STR FEM components: 48800, 48802, and 48751 @ 19 inches	1
33	49117-2091GT	HOSE ASSY,1/4,90 FEM,STR FEM components: 48800, 48802, and 48751 @ 19 inches	1
34	49183-10692GT	HOSE ASSY,1/2,STR FEM,STR FEM components: 48822, 48822, and 48756 @ 105 inches	1
35	49183-10692GT	HOSE ASSY,1/2,STR FEM,STR FEM components: 48822, 48822, and 48756 @ 105 inches	1
36	49130-12582GT	ASSY, HOSE, HYD, 3/8, 3000, STR components: 48812, 48812, and 48753@ 124 inches	1
37	49130-46182GT	HOSE ASSEMBLY,3/8 components: 48812, 48812, and 48753@ 460 inches	1
38	49119-6178GT	HOSE ASSY,1/4,STR FEM,STR FEM components: 48800, 48800, and 48751@ 60 inches	1
39	49119-6178GT	HOSE ASSY,1/4,STR FEM,STR FEM components: 48800, 48800, and 48751@ 60 inches	1
40	49119-3678GT	HOSE ASSY,1/4,STR FEM,STR FEM components: 48800, 48800, and 48751@ 35 inches	1
41	49119-3678GT	HOSE ASSY,1/4,STR FEM,STR FEM components: 48800, 48800, and 48751@ 35 inches	1
42	49117-12791GT	HOSE ASSY,1/4,90 FEM,STR FEM components: 48800, 48802, and 48751 @ 126 inches	1
43	49117-12791GT	HOSE ASSY,1/4,90 FEM,STR FEM components: 48800, 48802, and 48751 @ 126 inches	1
44	49128-51809GT	HOSE ASSY,3/8" 90 FEM,STR FEM components: 48812, 48816, and 48753@ 516 inches	1
45	49130-55482GT	HOSE ASSEMBLY, 3/8 components: 48812, 48812, and 48753@ 553 inches	1
46	49130-72982GT	HOSE ASSEMBLY, 3/8 components: 48812, 48812, and 48753@ 728 inches	1
47	49130-76382GT	HOSE ASSEMBLY, 3/8 components: 48812, 48812, and 48753@ 762 inches	1
48	49130-51982GT	HOSE ASSY, 3/8,STR FEM,STR FEM components: 48812, 48812, and 48753@ 518 inches	1
49	49128-1909GT	HOSE ASSY,3/8,90,FEM,STR,FEM components: 48812, 48816, and 48753@ 17 inches	1
50	49128-1909GT	HOSE ASSY,3/8,90,FEM,STR,FEM components: 48812, 48816, and 48753@ 17 inches	1
51	111436GT	HYDRAULIC TUBE,BOOM CROSSOVER	2
51-	56324GT	WELDMENT,FLOATING BUMPER for 111436	



713.1 Hydraulic Hoses and Fittings - Generator

LEGEND	
	ADAPTER
	HOSE ASSEMBLY
	HARDLINE






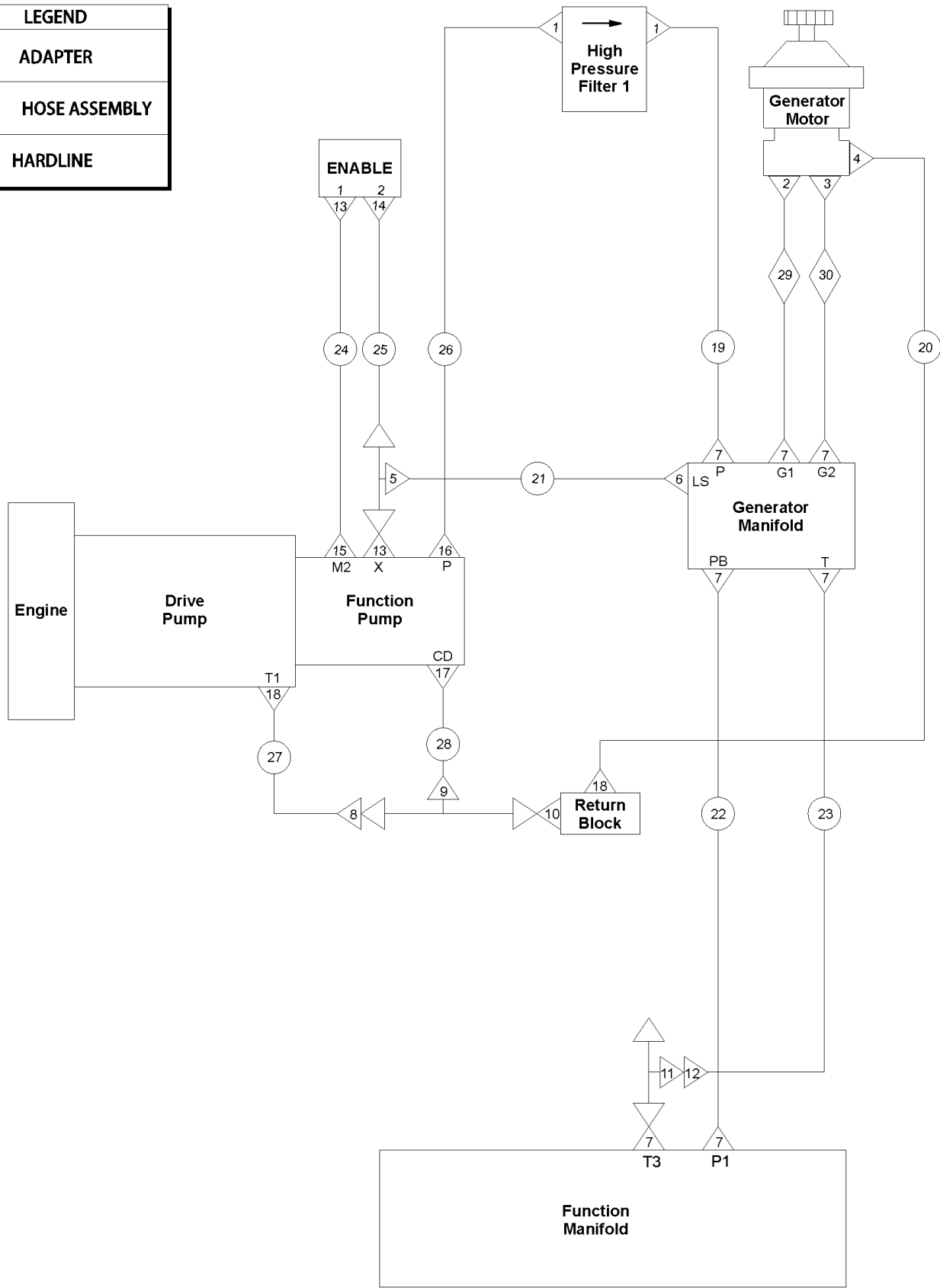
713.1 Hydraulic Hoses and Fittings - Generator

Item	Part No.	Description	Qty.
1	48959GT	ELBOW,90D,520220-12	2
2	48975GT	CONN,520120-12-10 Generator,12kw, 7.5kw	1
2B	48974GT	ELBOW,90D,520220-12-10 Generator,3kw	
3	48974GT	ELBOW,90D,520220-12-10	1
4	48942GT	ELBOW,90D,520220-8-6	1
5	48908GT	FITTING,TEE,RUN,SWIVEL520432-4	1
6	1283126GT	CONN, 520120-4-6 0.025 ORIFICE	1
7	48960GT	FITTING,CONN,520120-12***	7
8	48879GT	ELBOW, SWIVEL 90D, 520221-8	1
9	48938GT	FITTING,TEE,RUN,SWIVEL520432-8	1
10	48948GT	CONN,520120-8-12	1
11	48964GT	TEE,RUN,SWIVEL,520432-12	1
12	61262GT	ELBOW,SWIVEL 90D, 520221-12	1
13	48905GT	CONN,520120-4***	2
14	48904GT	CONN,520120-4***	1
15	48911GT	ELBOW,90D,520220-4-6***	1
16	48978GT	ELBOW,45D,520320-12-16	1
17	48946GT	CONN,520120-8-10	1
18	48947GT	ELBOW,90D,520220-8-12	2
19	61073-6530GT	HOSE ASSY.,3/4",90°FEM,STR FEM components: 48841, 48846, and 48762 @ 62 inches	1
20	49143-6229GT	HOSE ASSY,1/2,90 FEM,STR FEMEM components: 48822, 48827, and 48756 @ 60 inches	1
21	49116-5091GT	ASSY,HOSE,HYD,-4,3250,STR, 45 components: 48800, 48802, and 48751 @ 49 inches	1
22	61073-2580GT	HOSE ASSY.,3/4",90°FEM,STR FEM components: 48841, 48846, and 48762 @ 22.5 inches	1
23	61073-1680GT	HOSE ASSY.,3/4",90°FEM,STR FEM components: 48841, 48846, and 48762 @ 13.5 inches	1
24	49119-2578GT	HOSE ASSY,1/4,STR FEM,STR FEM* components: 48800, 48800, and 48751 @ 24 inches	1
25	49116-1287GT	HOSE ASSY,1/4,45 FEM,STR FEM components: 48800, 48801, and 48751 @ 10.5 inches	1
26	61073-3830GT	HOSE ASSY,3/4,90 FEM,90 FEM** components: 48841, 48846, and 48762 @ 35 inches	1
27	49143-4729GT	HOSE ASSY,1/2,90 FEM,STR FEM components: 48822, 48827, and 48756 @ 45 inches	1



713.1 Hydraulic Hoses and Fittings - Generator

LEGEND	
	ADAPTER
	HOSE ASSEMBLY
	HARDLINE

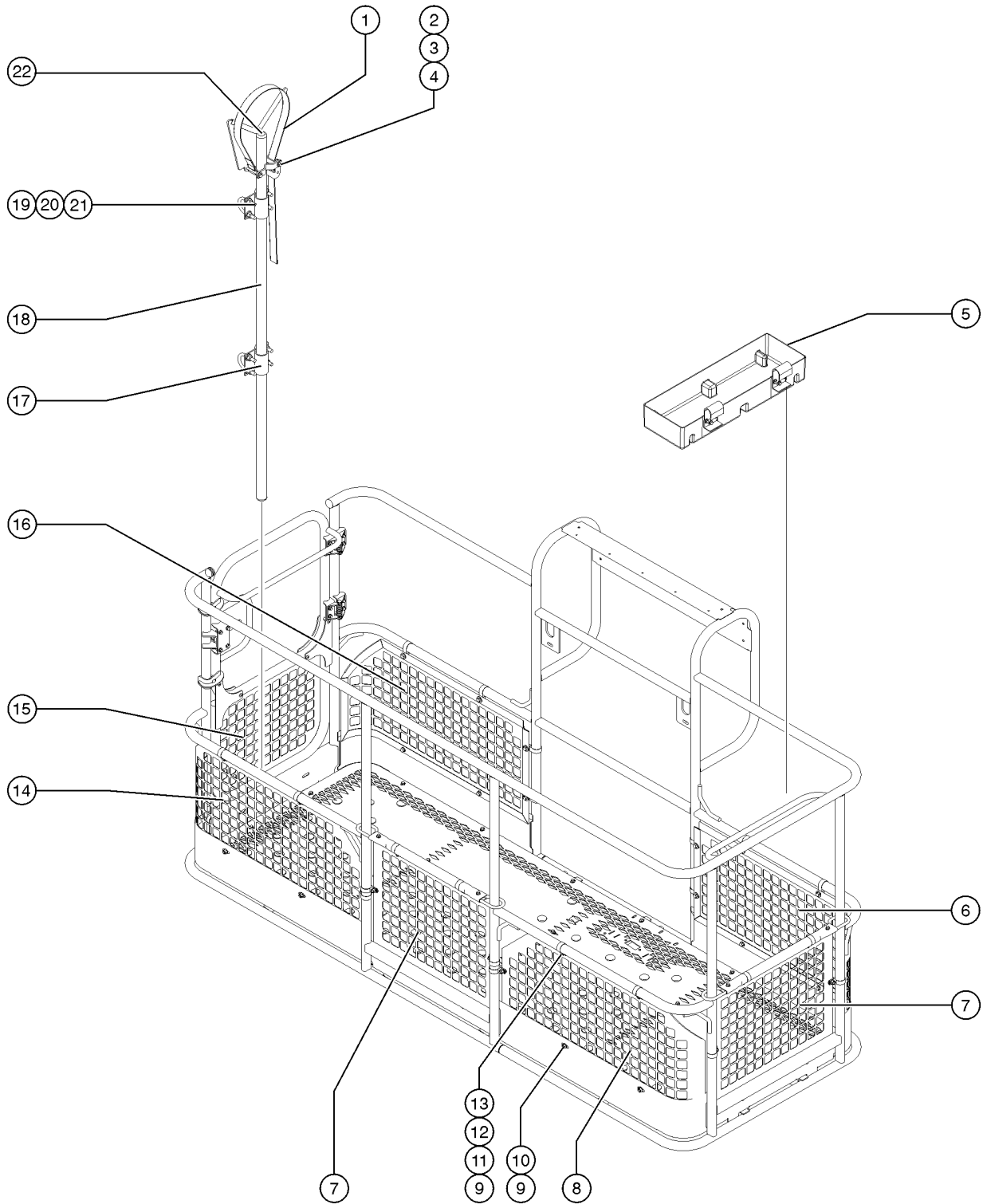


713.1 Hydraulic Hoses and Fittings - Generator

<i>Item</i>	<i>Part No.</i>	<i>Description</i>	<i>Qty.</i>
28	49143-4729GT	HOSE ASSY,1/2,90 FEM,STR FEM components: 48822, 48827, and 48756 @ 45 inches	1
29	1275667GT	HARDLINE,GENERATOR RETURN Generator,12kw, 7.5kw	1
29B	1275775GT	HARDLINE,GENERATOR SUPPLY Generator,3kw	1
30	1275666GT	HARDLINE,GENERATOR SUPPLY Generator,12kw, 7.5kw	1
30B	1275776GT	HARDLINE,GENERATOR RETURN Generator,3kw	1



801.1 Half-Mesh and Pipe Cradle Options

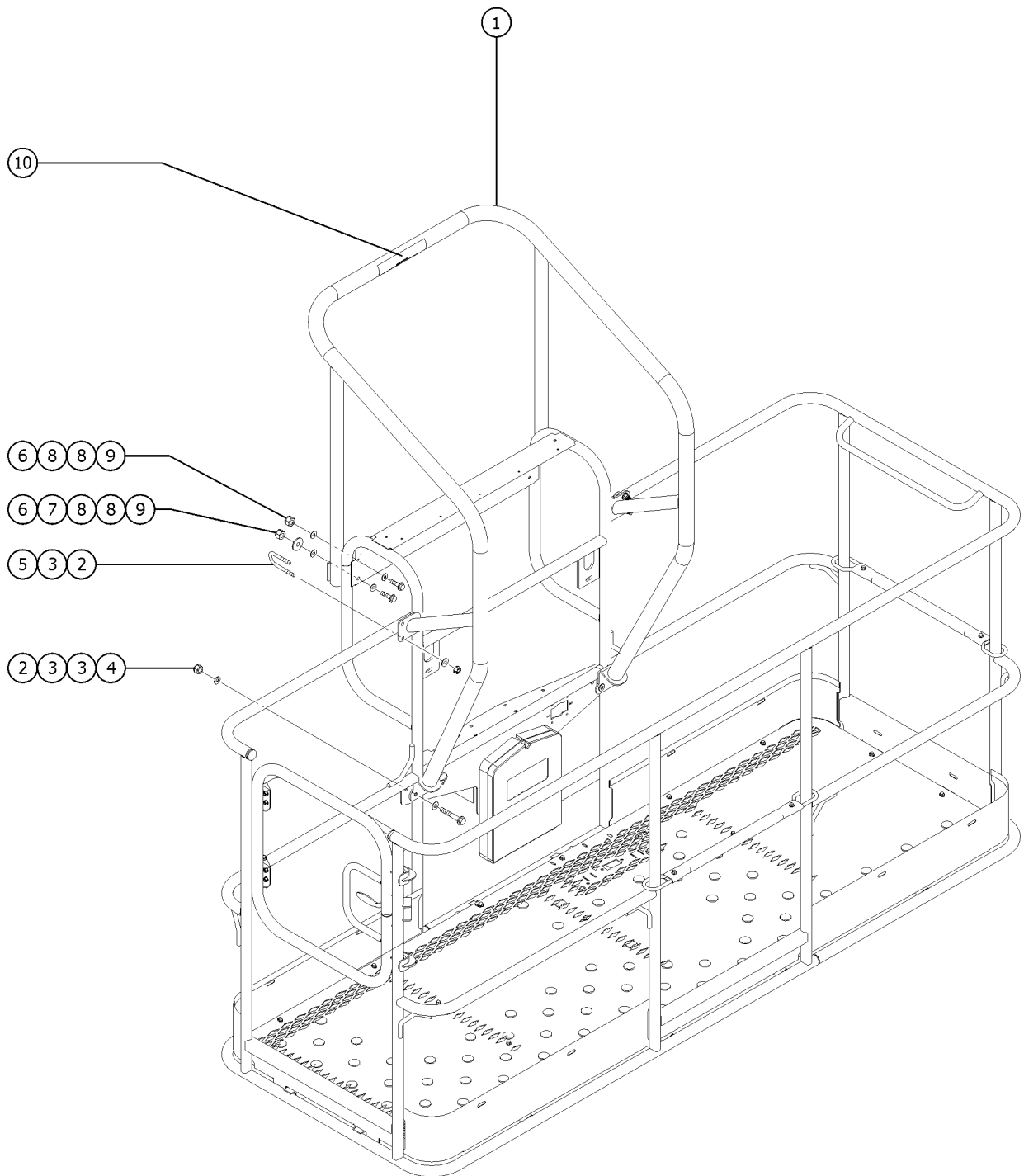


801.1 Half-Mesh and Pipe Cradle Options

Item	Part No.	Description	Qty.
1	56570GT	STRAP, CONDUIT HOLDER 60****	1
1-	65630GT	INSTRUCTIONS-PIPE CRADLE,BOOMS	
2	824083GT	SCREW,HHF,1/4-20X2.5,8,ZAG	
3			
4	1277924GT	NUT,NYLOCK FLG,1/4-20,F,ZAG	
5	9599-SGT	TOOL TRAY ACCESSORY***	1
5-	7746GT	BRACKET-TOOL TRAY MOUNTING	
6	1271019GT	PANEL, HALF MESH (8 foot Platform)	1
7	1271061GT	PANEL, HALF MESH (8 foot Platform)	1
8	1271018GT	PANEL, HALF MESH (8 foot Platform)	1
8-	1270313GT	PANEL, HALF MESH (6 foot Platform)	
9	824027GT	NUT,TL FLG,1/4-20,G,ZAG	
10	824085GT	SCREW,HHF,5/16-18X.75,8,ZAG	
11	56424GT	CLAMP,1.25X.5 RUBBER-CUSHION	
12	824113GT	WASHER,FLAT,1/4,USS,ZAG	
13	824060GT	SCREW,HHC,1/4-20X1,8,ZAG	
14	1271040GT	PANEL, HALF MESH (8 foot Platform)	1
14-	1270316GT	PANEL, HALF MESH (6 foot Platform)	
15	1285700GT	WELDMENT, GATE, HALF MESH (used on 6' and 8' side entry platforms) (Swing Gate Weldment, refer to 602.1)	
16	1270994GT	PANEL, HALF MESH (8 foot Platform)	1
16-	1270314GT	PANEL, HALF MESH (6 foot Platform)	
17	81368GT	WELDMENT,PIPE CRADLE MOUNT	1
18	56525GT	WELDMENT, PIPE CRADLE	1
19	1251600GT	U-BOLT, FLATTENED, 1.5 X 3/8	8
20	1274322GT	NUT,NYLOCK FLG,3/8-16,G,ZAG	16
21	5397GT	WASHER,FLAT,USS,5/16",Y	
22	55753GT	BUMPER, PLASTIC, 1.25 O.D.	4



802.1 Operator Protection Structure

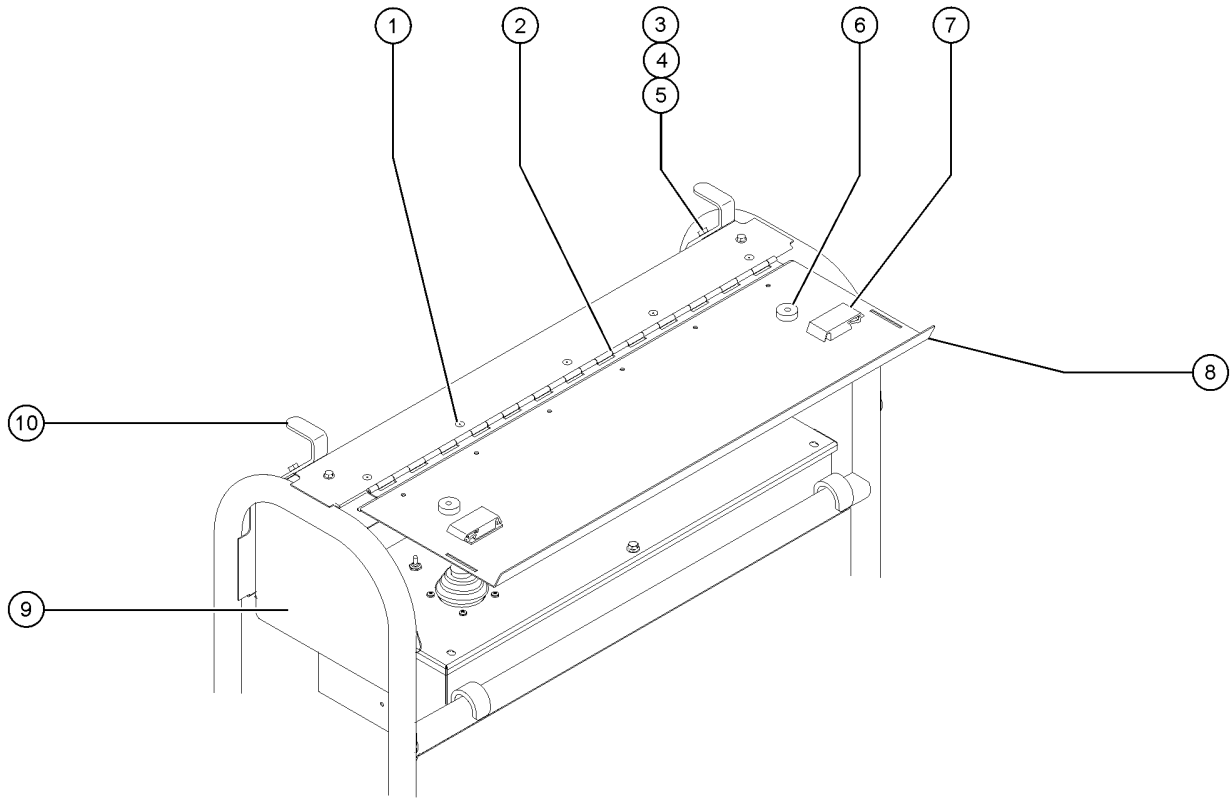


802.1 Operator Protection Structure

Item	Part No.	Description	Qty.
		Fits all 6' and 8' Booms	
1	219158GT	ACCESSORY, OPERATOR PROT STRUCT (Complete) includes all fasteners	1
2	1256468GT	NUT, 3/8-16, 8, ZAG	8
3	1255758GT	WASHER, FLAT, 3/8, USS, ZAG	12
4	824069GT	SCREW, HHC, 3/8-16 X 2.5, 8, ZAG	4
5	1251600GT	U-BOLT, FLATTENED, 1.5 X 3/8	4
6	1261184GT	NUT, 1/4-20, 8, ZAG	4
7	824120GT	WASHER, FLAT, .375X1.50X.125, ZAG Use only with the platform control box cover option	2
8	824113GT	WASHER, FLAT, 1/4, USS, ZAG	6
9	824060GT	SCREW, HHC, 1/4-20X1, 8, ZAG	4
10		Ref. DECAL, INSTRUCTION, OPS Refer to Section 1	1



803.1 Platform Control Box Cover

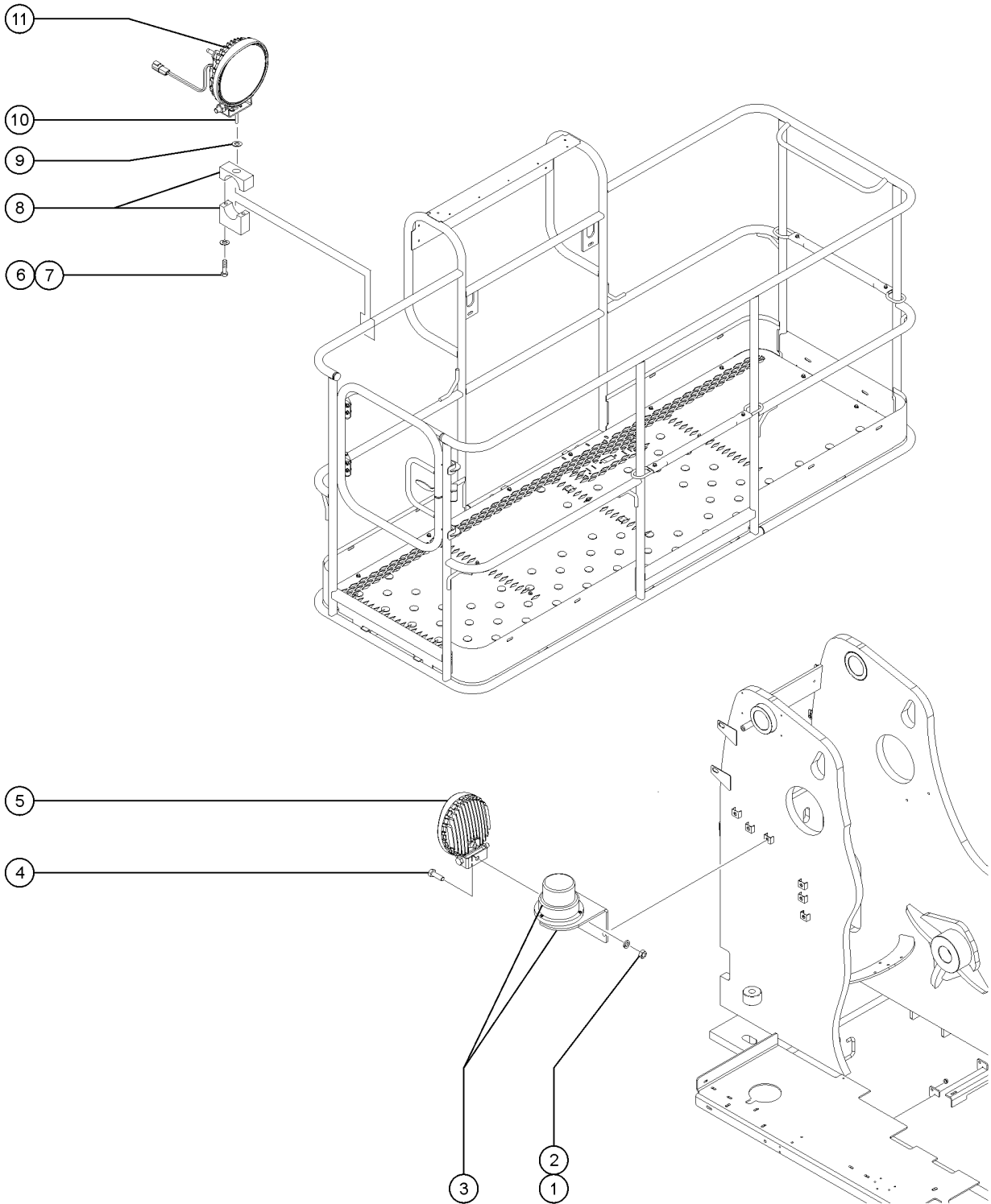


803.1 Platform Control Box Cover

Item	Part No.	Description	Qty.
1	54486GT	RIVET,ALUM,ALUM,3/16BUTTONHEAD	11
2	111526GT	HINGE,PLAT CONTROL BOX COVER	1
3	6889GT	NUT,LP NYLOCK,1/4-20	
4	6638GT	WASHER,FLAT,USS,1/4"Y	
5	6888GT	SCREW,HHC,1/4-20 X 1	
6	43392GT	BUMPER,BATTERY BOX & RAILS***	2
7	30468GT	LATCH,SLIDE, FLUSH MOUNT STYLE	2
8	102676GT	LID ASSY,CONTROL BOX COVER PLT	1
8-	102785PGT	CONTROL BOX COVER,LID,PTD	
9	88607PGT	COVER,CONTROL BOX LEFT SIDE***	1
9-	88606PGT	COVER,CONTROL BOX RIGHT SIDE** Shown	
10	102786PGT	FORMING,LATCH,CTRL BOX LID PTD	2



804.1 Drive and Work Light Package

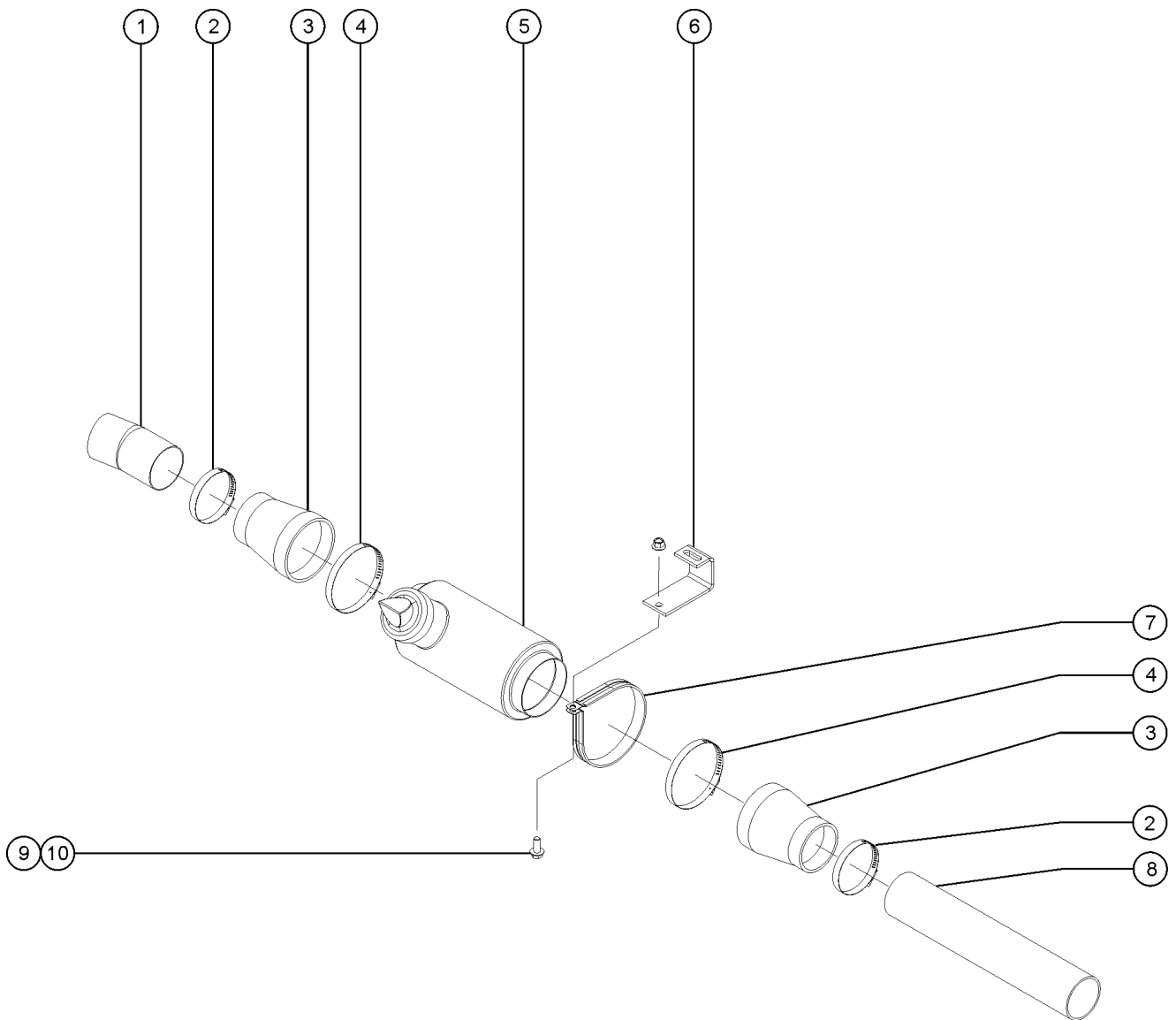


804.1 Drive and Work Light Package

Item	Part No.	Description	Qty.
1	22571GT	NUT, HEX, M8 X 1.25	
2	49408GT	WASHER, LOCK, M8	
3		Ref. Bracket and Strobe	
		(Refer to 302.1)	
4	49379GT	SCREW,HHC,M8 X 1.25 X 25	
5	1306812GT	ASSY,DRIVE LIGHT,12V LED	2
6	6145GT	SCREW,HHC,1/4-20 X 1.5	
7	6356GT	WASHER,LOCK,.25	
8	35956GT	BRACKET,WORK LIGHT MOUNT 5/16"	2
9	6036GT	WASHER,LOCK,.625 PLTD	
10	10107GT	SCREW,HHC,5/16-18 X .75	
		to SN SX125D-289	
10B	824085GT	SCREW,HHF,5/16-18X.75,8,ZAG	
		from SN SX125D-290	
11	1305837GT	ASSY,WORK LIGHT,LED 12V,45W	2



805.1 Engine Air Precleaner

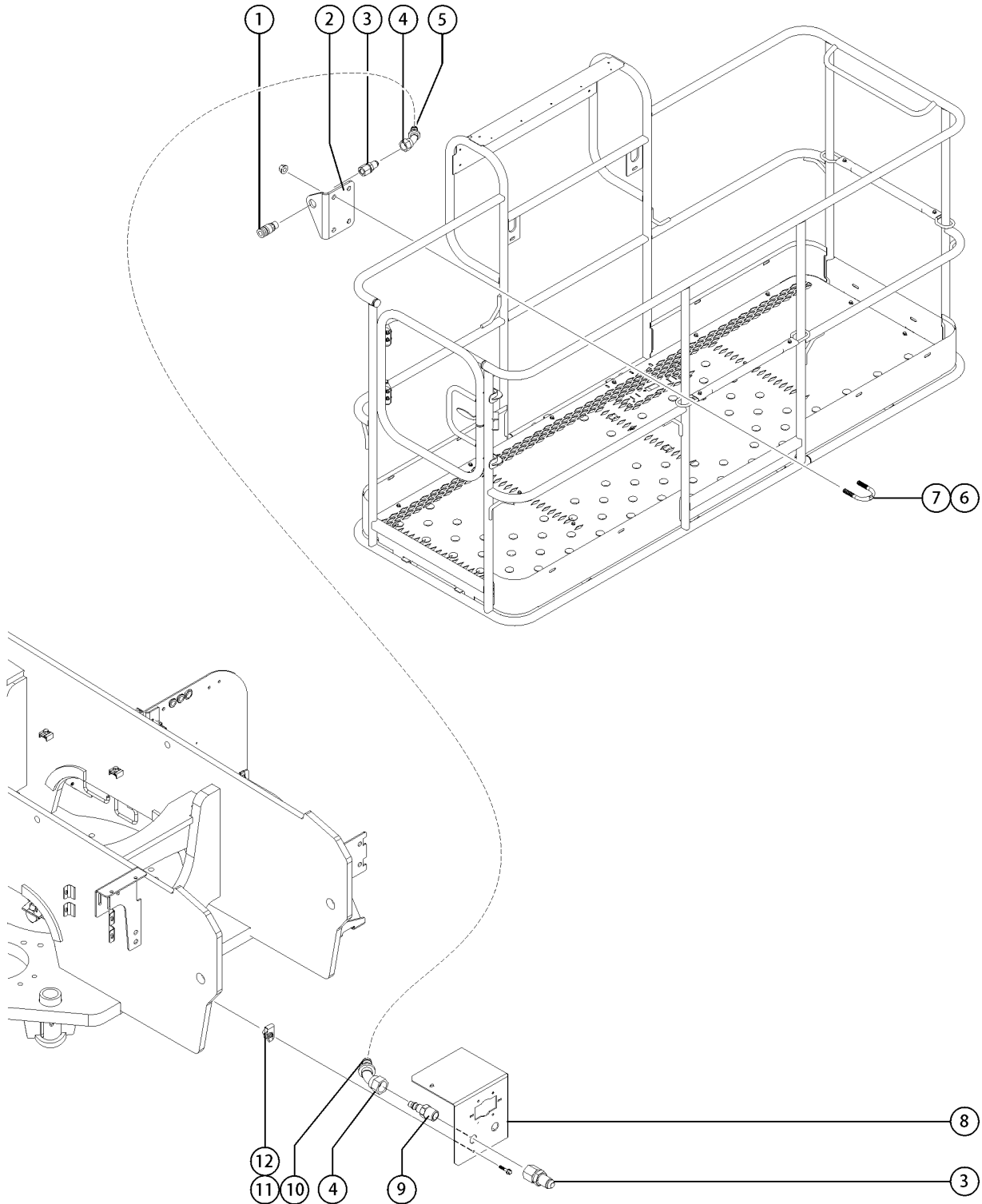


805.1 Engine Air Precleaner

<i>Item</i>	<i>Part No.</i>	<i>Description</i>	<i>Qty.</i>
1	824807GT	TUBE,INTAKE,PRECLEANER 2.9T	1
2	30971GT	AIR CLEANER,NELSON	1
3	122432GT	REDUCER,RUBBER,4.0 X 3.0	1
4	34955GT	CLAMP, HOSE, 5.00	1
5	88493GT	PRECLEANER,AIR INTAKE	1
6	1259039GT	FORMING,PRECLEANER,SB	1
7	101639GT	CLAMP,5.38,#86 X 3/8,RUB CUSH	1
8	1262524GT	TUBE,PRECLEANER,DEUTZ T4	1
9	231530GT	SCREW,HHF,M10-1.5X25,DIN6921,0.9,ZAB	
10	231529GT	NUT,TL FLG,M10-1.5,DIN6927,10,	



806.1 Air Line to Platform (to SN SX125D-655)

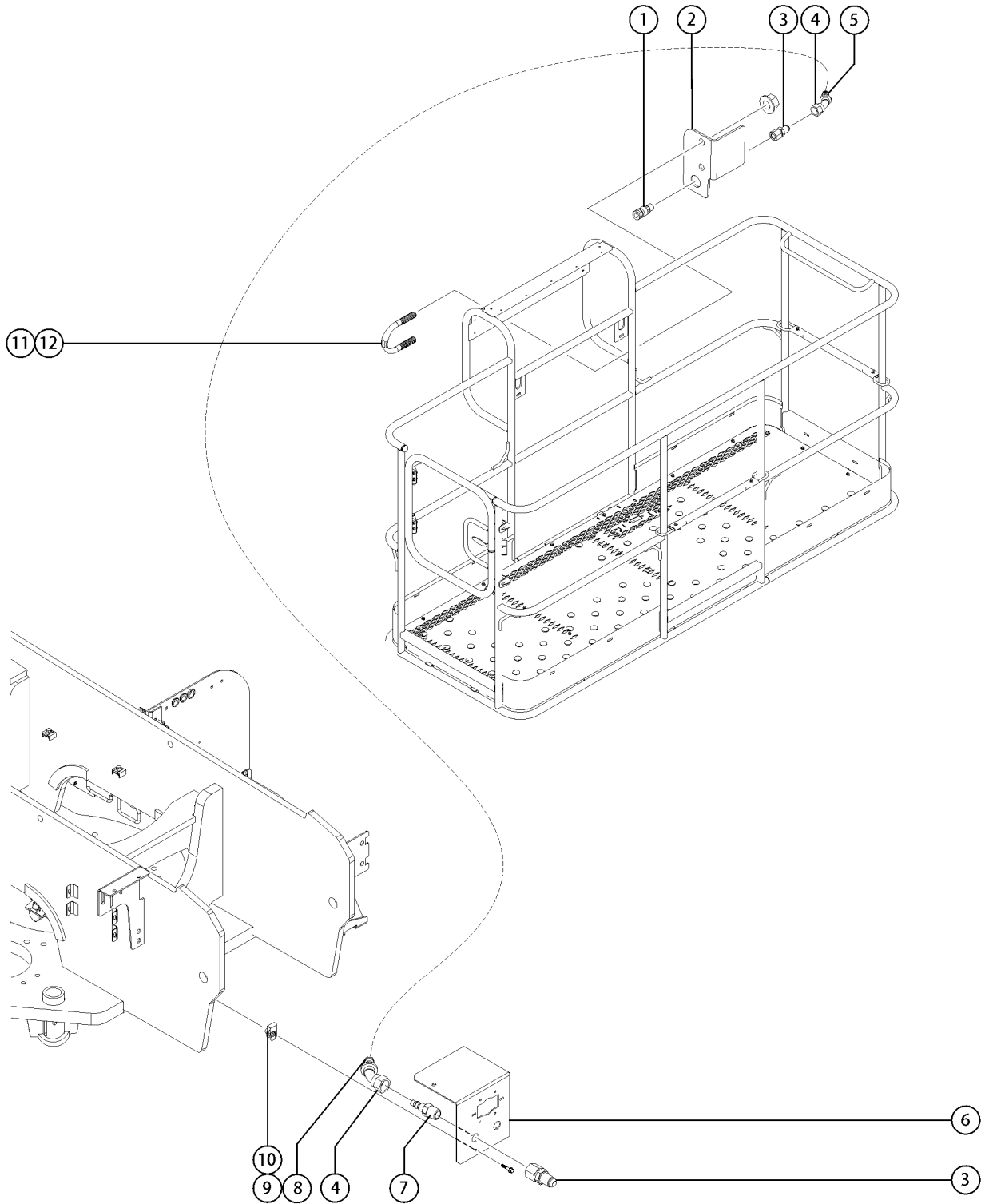


806.1 Air Line to Platform (to SN SX125D-655)

Item	Part No.	Description	Qty.
1	49215GT	MPT,CPLR,1/4"SER,3/8"X18	1
2	60886PGT	BRACKET,AIRLINE TO PLATFORM	1
3	49212GT	FEMALE BULKHEAD CONNECTOR-8	2
4	49213GT	HOSE END,BARBED,SWIVEL,JIC,8-8 sold separately, to SN SX125D-288	2
4B	61569GT	FEM,JIC,37DEGSW,BARB45DEG,-8-8 from SN SX125D-289	2
5	39888-152100GT	HOSE, 1/2, LOW PRESSURE, 801-8,1521.0" Does not include fitting part 49213, to SN SX125D-288	
5B	39888-165400GT	HOSE,1/2,LOW PRESSURE,801-8 Does not include fitting part 61569 , SX105XC, from SN SX125D-289	1
6	1251600GT	U-BOLT, FLATTENED, 1.5 X 3/8	1
7	824029GT	NUT,TL FLG,3/8-16,G,ZAG	
8	1267371GT	WELDMENT, CABLE BOX	1
9	49214GT	MALE PIPE THD,1/4" SER,3/8"X18	1
10	39888-38800GT	HOSE, 1/2, LOW PRESSURE, 801-8,388.0" Does not include fitting part 49213, to SN SX125D-288	
10B	39888-189000GT	HOSE,1/2,LOW PRESSURE,801-8 Does not include fitting part 61569 , SX125XC, from SN SX125D-289	1
11	1257862GT	SCREW,HHF,1/2-13X2.75,8,ZAG	
12	1251997GT	NUT,TL FLG,1/2-13,G,ZAG	



806.2 Air Line to Platform (from SN SX125D-656)

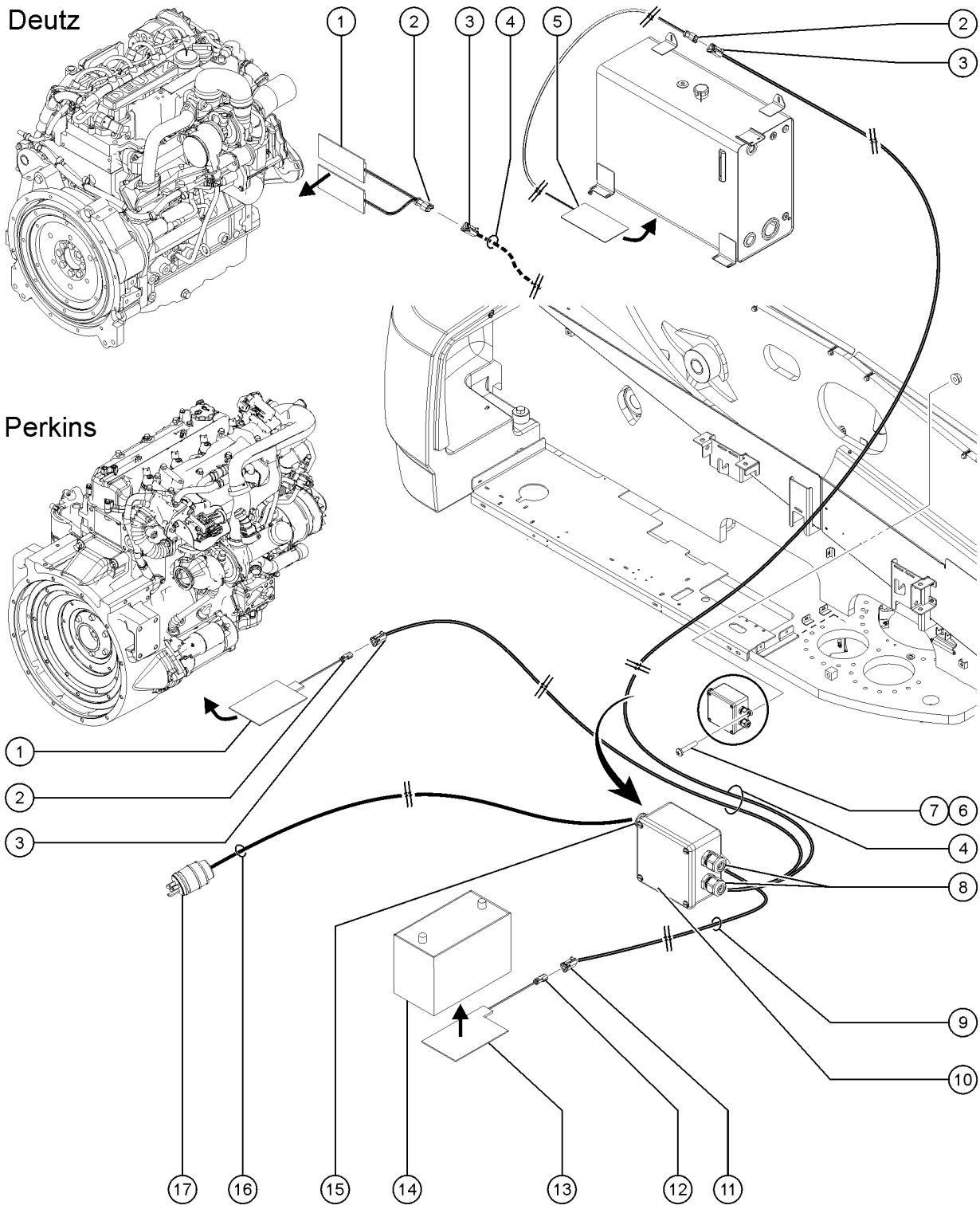


806.2 Air Line to Platform (from SN SX125D-656)

Item	Part No.	Description	Qty.
1	49215GT	MPT,CPLR,1/4"SER,3/8"X18	1
2	1275087GT	FORMING, AIR TO PLAT	1
3	49212GT	FEMALE BULKHEAD CONNECTOR-8	2
4	49213GT	HOSE END,BARBED,SWIVEL,JIC,8-8	2
		Sold separately, to SN SX125D-288	
4B	61569GT	FEM,JIC,37DEGSW,BARB45DEG,-8-8	2
		from SN SX125D-289	
5	39888-152100GT	HOSE, 1/2, LOW PRESSURE, 801-8,1521.0"	1
		Does not include fitting part 49213, to SN SX125D-288	
5B	39888-165400GT	HOSE,1/2,LOW PRESSURE,801-8	1
		Does not include fitting part 61569 , SX105XC, from SN SX125D-289	
6	1267371GT	WELDMENT, CABLE BOX	1
7	49214GT	MALE PIPE THD,1/4" SER,3/8"X18	1
8	39888-38800GT	HOSE, 1/2, LOW PRESSURE, 801-8,388.0"	1
		Does not include fitting part 49213, to SN SX125D-288	
8B	39888-189000GT	HOSE,1/2,LOW PRESSURE,801-8	1
		Does not include fitting part 61569 , SX125XC, from SN SX125D-289	
9	1257862GT	SCREW,HHF,1/2-13X2.75,8,ZAG	
10	1251997GT	NUT,TL FLG,1/2-13,G,ZAG	
11	1251600GT	U-BOLT, FLATTENED, 1.5 X 3/8	1
12	824029GT	NUT,TL FLG,3/8-16,G,ZAG	2



807.1 Cold Start Package

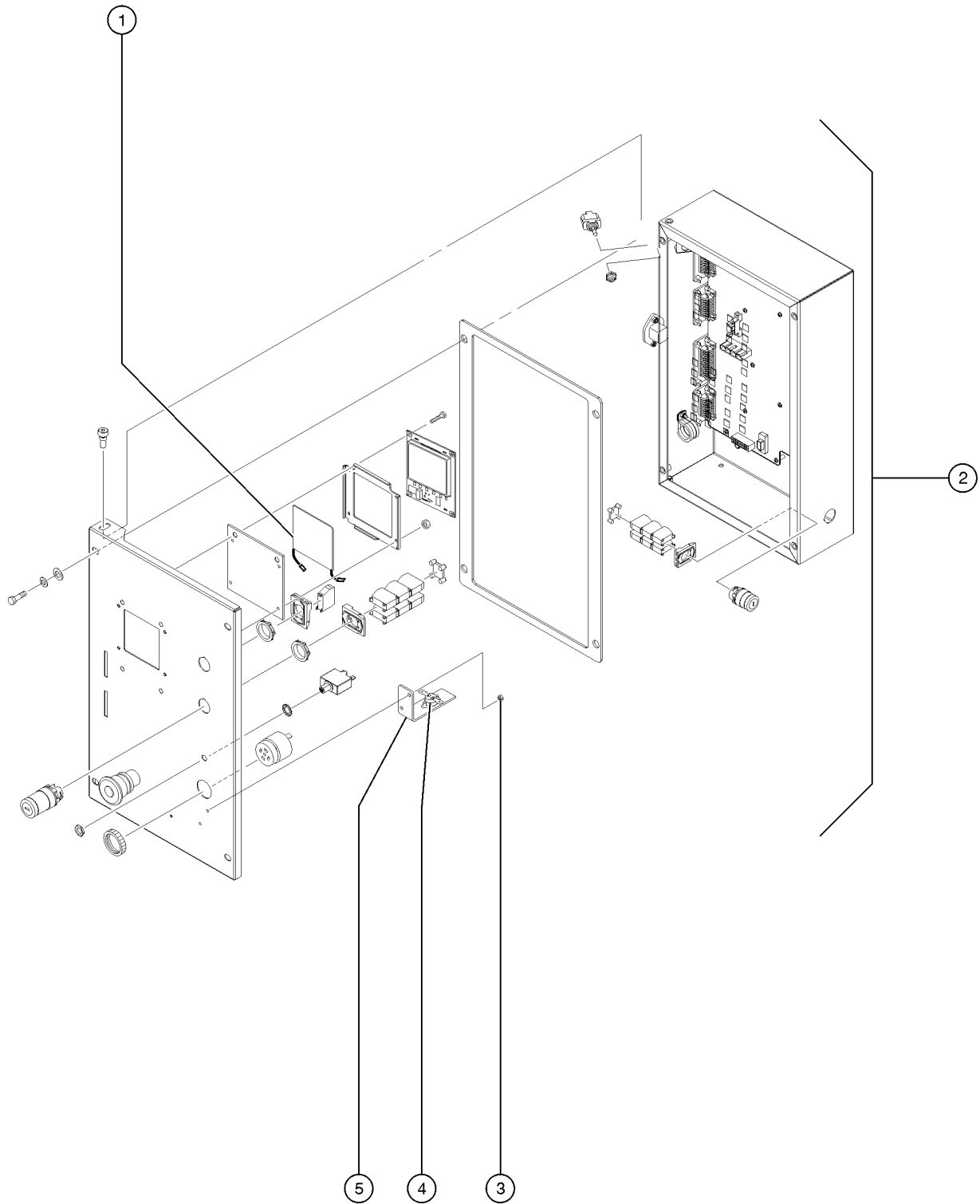


807.1 Cold Start Package

Item	Part No.	Description	Qty.
-		Ref. Ground Control LCD Heater Part of the Cold Start Package (Refer to 808.1)	
1	216615GT	ASSY HEATER, MODEL 18, 120V (120V)	1
1B	216616GT	ASSY HEATER,MODEL 18,240V (240V)	1
2	119066GT	CONN, RECEP, 3 WAY, DEUTSCH, DT, ENDCAP	2
3	119057GT	CONN PLUG 3 WAY ENDCAP DT	2
4	216663GT	HARNESS, ENG/HYD HEATER, 120V (120V)	1
5	216612GT	ASSY, 120V HEATER, HYD TANK (120V)	1
5B	824261GT	ASSY, 240V HEATER, HYD TANK, SUPER X (240V)	1
6	824032GT	NUT, TL FLG, 10-32, F, ZAG	
7	826516GT	SCREW, PHPM, 10-32 X 1.0, ZAG	
8	99778GT	CABLE SQUEEZE CONN, 4 WIRE	2
9	1254763GT	HARNESS, BATT CABLE, 120V, 120" (120V)	1
9B	1254764GT	HARNESS, BATT CABLE, 240V, 120" (240V)	1
10	214249GT	COLD WEATHER 120V J BOX ASSY (120V)	1
10B	237711GT	COLD WEATHER 240V J BOX ASSY (240V)	1
11	119056GT	CONN PLUG 2 WAY ENDCAP DT	1
12	119065GT	CONN, RECEP, 2 WAY, DEUTSCH, DT	1
13	216617GT	ASSY, BATTERY HEATER, 120V	1
13B	216618GT	ASSY BATTERY HEATER, 240V (240V)	1
14		Ref. (Refer to 305.1)	
15	214536GT	SQUEEZE CONN W/NUT, 2WIRE, 4MM	1
16	216606GT	HARNESS, 120V POWER CORD, 24" (120V)	
16B	216607GT	HARNESS, 240V POWER CORD, 24" (240V)	1
17	119403GT	CONN, PLUG 120 AC/15A DOMESTIC (120V)	



808.1 Ground Control LCD Heater

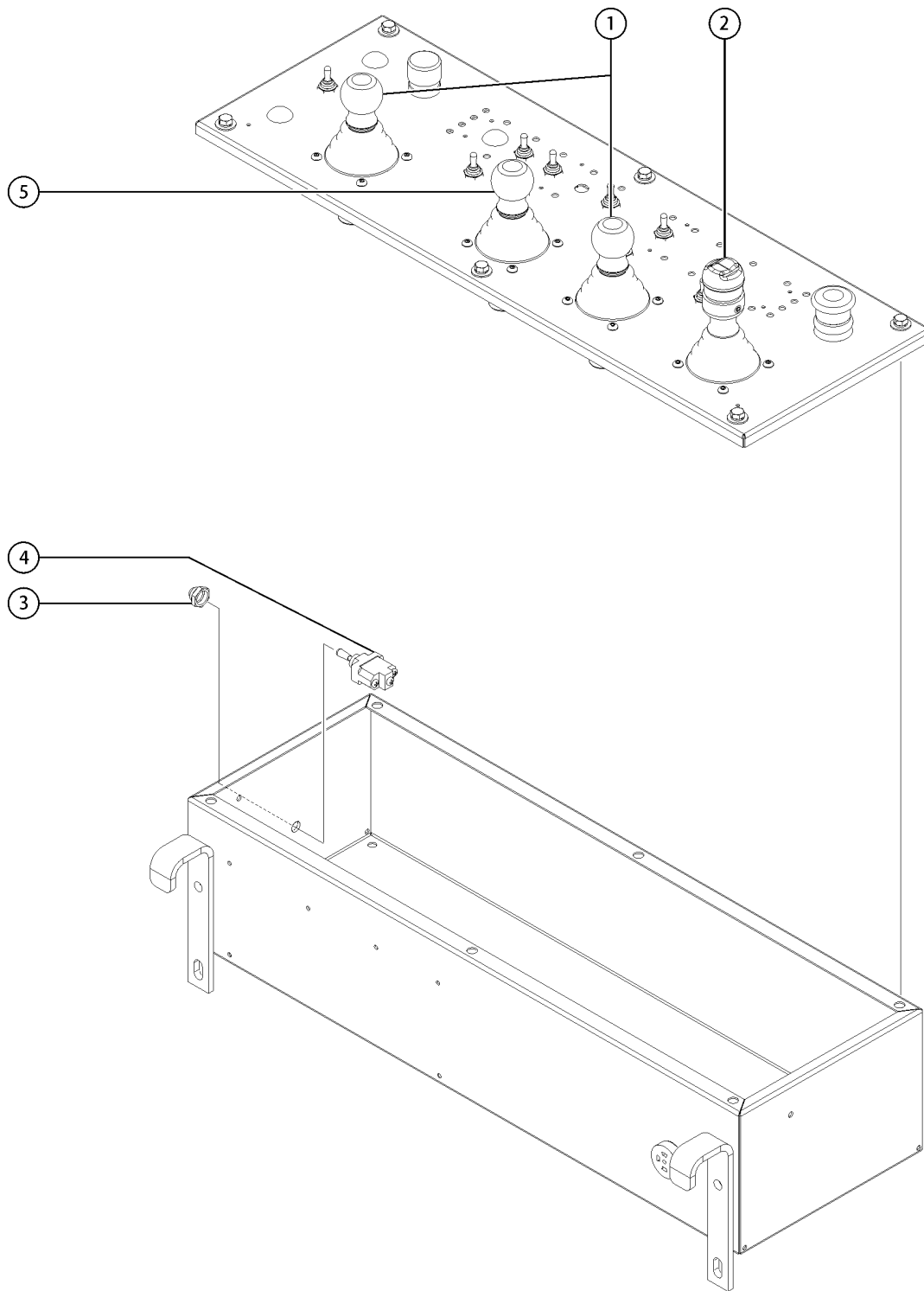


808.1 Ground Control LCD Heater

Item	Part No.	Description	Qty.
-		Ref. Cold Start Heater Package Part of the Cold Start Package (Refer to 807.1)	
1	122406GT	ASSEMBLY,LCD HEATER ALC1000	1
1-	231023GT	FIELD KIT,LCD HEATER,Z80 Z135	
2		Ref. Ground Control Box (Refer to 312.1 and 312.2)	1
3	12344GT	NUT,NYLOCK,6-32	
4	122793GT	SWITCH,THERMOSTAT 60F OPEN	1
5	231020GT	ASSY, BRACKET, CONTACT BLOCK Includes switch part 122793 and rivets	1
5-	6272GT	RIVET,STL,STL,P,.125 X .25	



809.1 Platform Level Recovery and Rocker Joystick

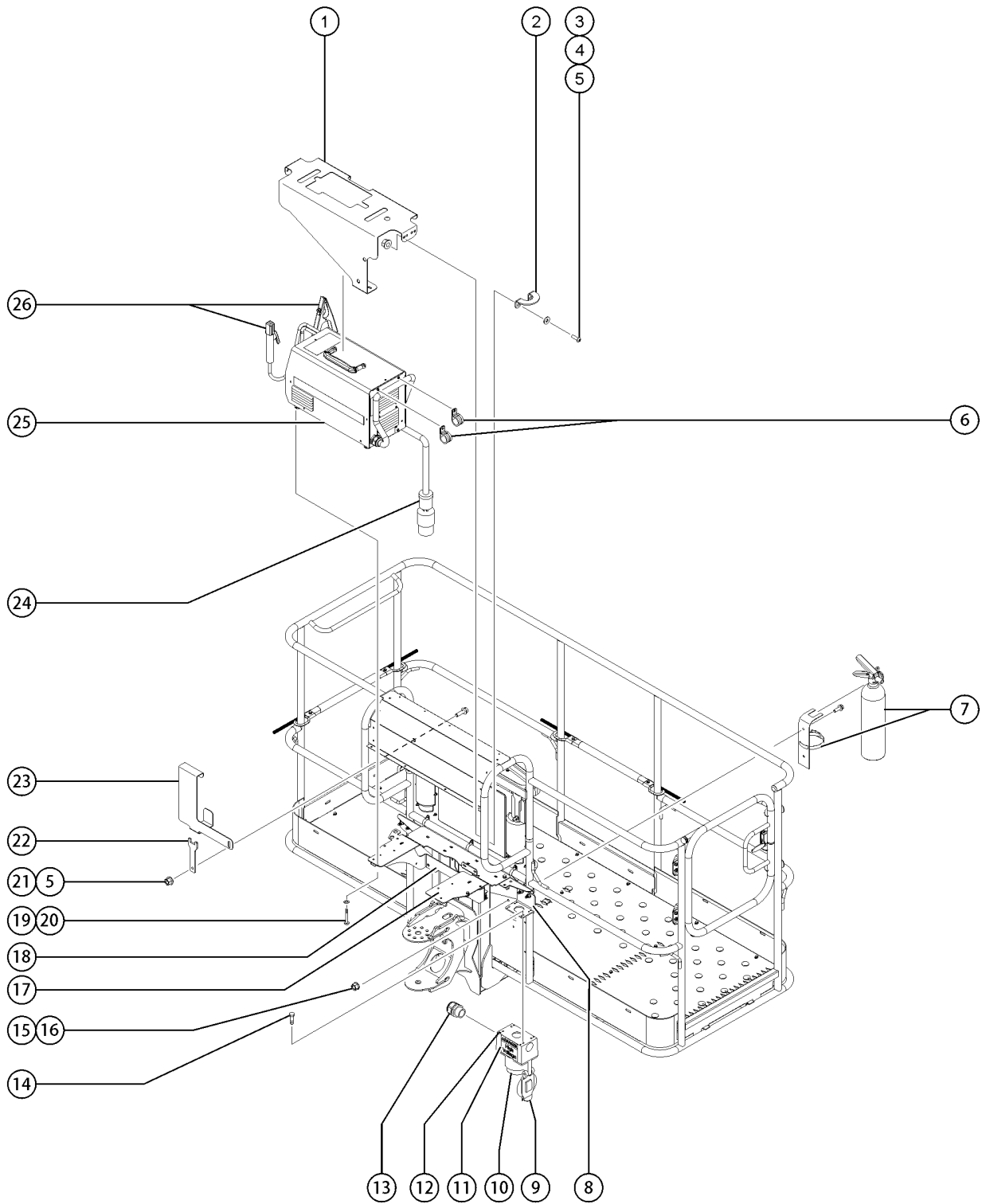


809.1 Platform Level Recovery and Rocker Joystick

Item	Part No.	Description	Qty.
A-	122362GT	FIELD KIT,PL LVL REC,ALC1000 Platform level recovery. (not part of the Cold Start Package)	
B-	119613GT	HARN JOYSTICK ADAPTOR JS100 6-pin to 7-pin adapter (for 101174, 101175, 101005)	
1	101174GT	JOYSTICK,2 AXIS,DEUTSCH Drive and Steer functions. OEM joystick (calibration required after replacement). Refer to 605.1	2
2	101005GT	JOYSTICK,1 AXIS ROCKER,DEUTSCH Rocker Steer and Drive Joystick. OEM joystick (calibration required after replacement). Refer to 605.1	1
2A-	101005HGT	JOYSTICK,SINGLE AXIS W/STEER Aftermarket joystick (calibration required after replacement)	
2B	101174GT	JOYSTICK,2 AXIS,DEUTSCH Drive and Steer functions. OEM joystick (calibration required after replacement). Refer to 605.1	
2B-	101174HGT	JOYSTICK,DUAL AXIS W/KNOB Aftermarket joystick (calibration required after replacement)	
3	27246GT	BOOT,TOGGLE SWITCH,SHORT*	1
4	128203GT	SWITCH TOGGLE ASSY SPDT 2P MOM Platform level recovery (Includues item 2 only)	1
5	101175GT	JOYSTICK,1 AXIS,DEUTSCH	1



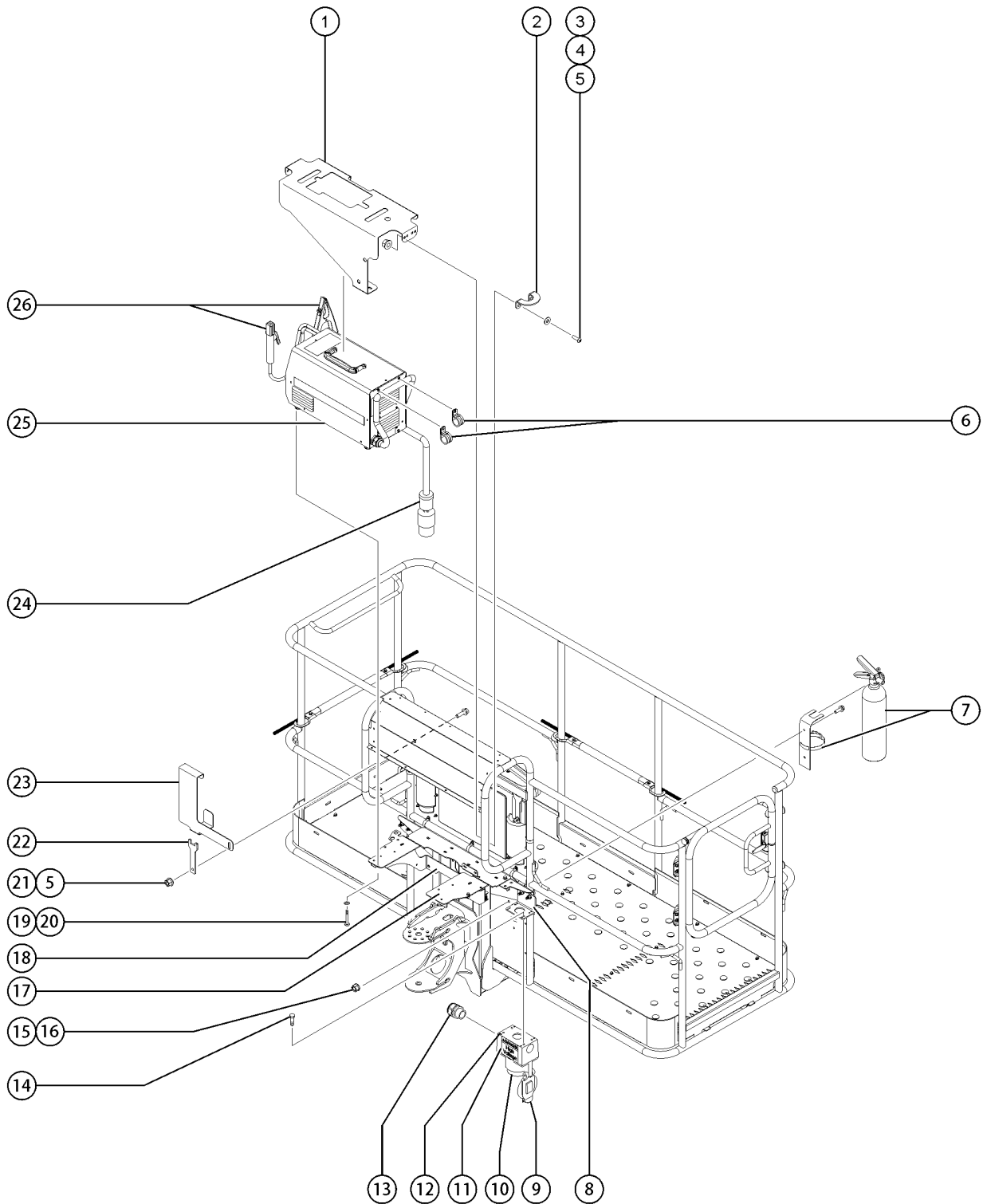
810.1 Welder Option



Item	Part No.	Description	Qty.
A	110276GT	FIRE SLEEVE, 1.25"	12
B	110276GT	FIRE SLEEVE, 1.25"	24
C	110276GT	FIRE SLEEVE, 1.25"	25
D	110276GT	FIRE SLEEVE, 1.25"	40
E	110276GT	FIRE SLEEVE, 1.25"	46
F	110277GT	FIRE SLEEVE, 2.46"	45
G	28443GT	CABLE TIE,11.5" BLACK	
H	128323GT	BIT,TORX SOCKET,SECURITY	1
1	1279107GT	FORMING,WELD MNT SPRT,RAISED	1
2	217366GT	BRACKET,WELDER TOP	2
3	128322GT	SCREW,5/16-18X1.00,SECURITY TO	
4	825358GT	WASHER,FLAT,5/16,USS,ZAG	
5	824028GT	NUT,TL FLG,5/16-18,G,ZAG	
6	18666GT	CLAMP,1.00,#16 X 1/4,RUB CUSH	2
7	88406GT	FIRE EXTINGUISHER	1
8	101731PGT	BRACKET,POWER TO PLAT TBOX,PNT	1
8-	4828GT	NUT,NYLOCK,3/8-16	
8-	5397GT	WASHER,FLAT,USS,5/16",Y	
8-	122755GT	UBOLT,FLATTENED,1.5DIAX3/8 UNC	1
9	101732GT	COVER,WEATHERPROOF 3-PHASE	1
10	106111GT	RECEPTCL,LOCK 3-PH,50A,4 WIRE Used only on 12 KW Generator Option	1
11	82237GT	DECAL,DANGER,HIGH VOLTAGE	2
12	106110GT	T-BOX,2.75X4.5X2.63,3PH	1
13	106077GT	CABLE SQUEEZE CONN .63-.75	1
14	1257296GT	SCREW,PHPM-ST,8.32X.50,TYPE F,	
15	824078GT	SCREW,HHF,1/4-20X.75,8,ZAG	
16	824027GT	NUT,TL FLG,1/4-20,G,ZAG	
17	1279106GT	FORMING,WELDER SPRT BRKT,MANIF MNT,RAISED	1



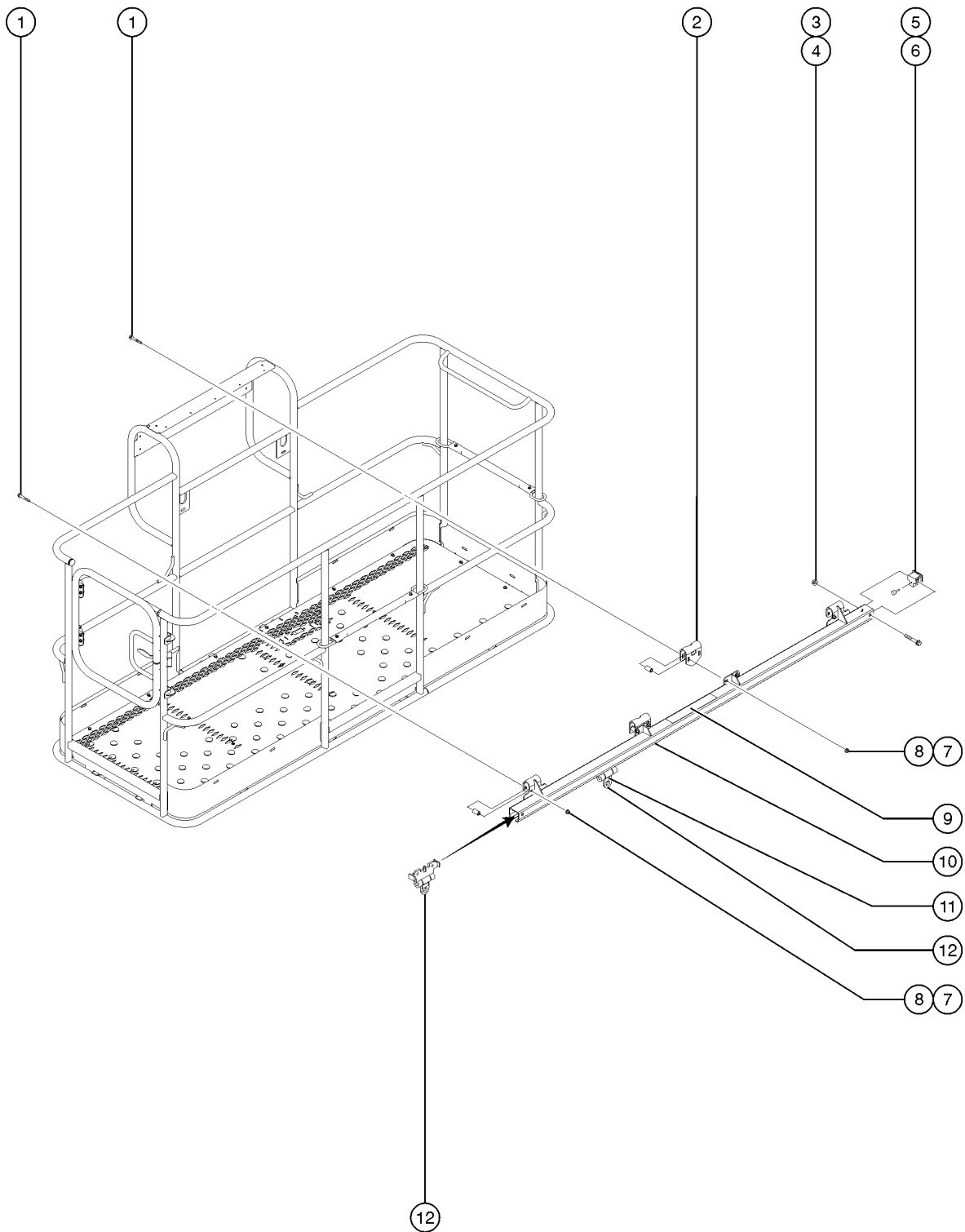
810.1 Welder Option



Item	Part No.	Description	Qty.
18	1279105GT	BRACKET,WELDER COVER	1
19	106141GT	SCREW,SECURITY,1/4-20 X 1.75LG	
20	824113GT	WASHER,FLAT,1/4,USS,ZAG	
21	824029GT	NUT,TL FLG,3/8-16,G,ZAG	
22	107860GT	PLATE,PLAT.CONTROL BOX SPACER	1
23	106204PGT	BRACKET,V275S WELD LEADS	1
24	214623GT	PLUG, 3P,30A, 4 WIRE, MALE Used only on 7.5 KW Generator Option	1
24A-	1257211GT	SOCKET,3P,30A,4 WIRE,SEALED Used only on 7.5 KW Generator Option(femal plug, connects to weld cable from swing)	
24B	106112GT	PLUG,4-WIRE,3-PHASE,50A,MALE Used only on 12 KW Generator Option	1
25	101525GT	WELDER,INVERTEC V275-S	1
25A-	106183GT	FUSE,.6AMP,250V,WELDER,V275S	
25B	214619GT	WELDER, MILLER, CST 280	1
26	106275GT	KIT,WELD LEADS ASSY,V275S	1



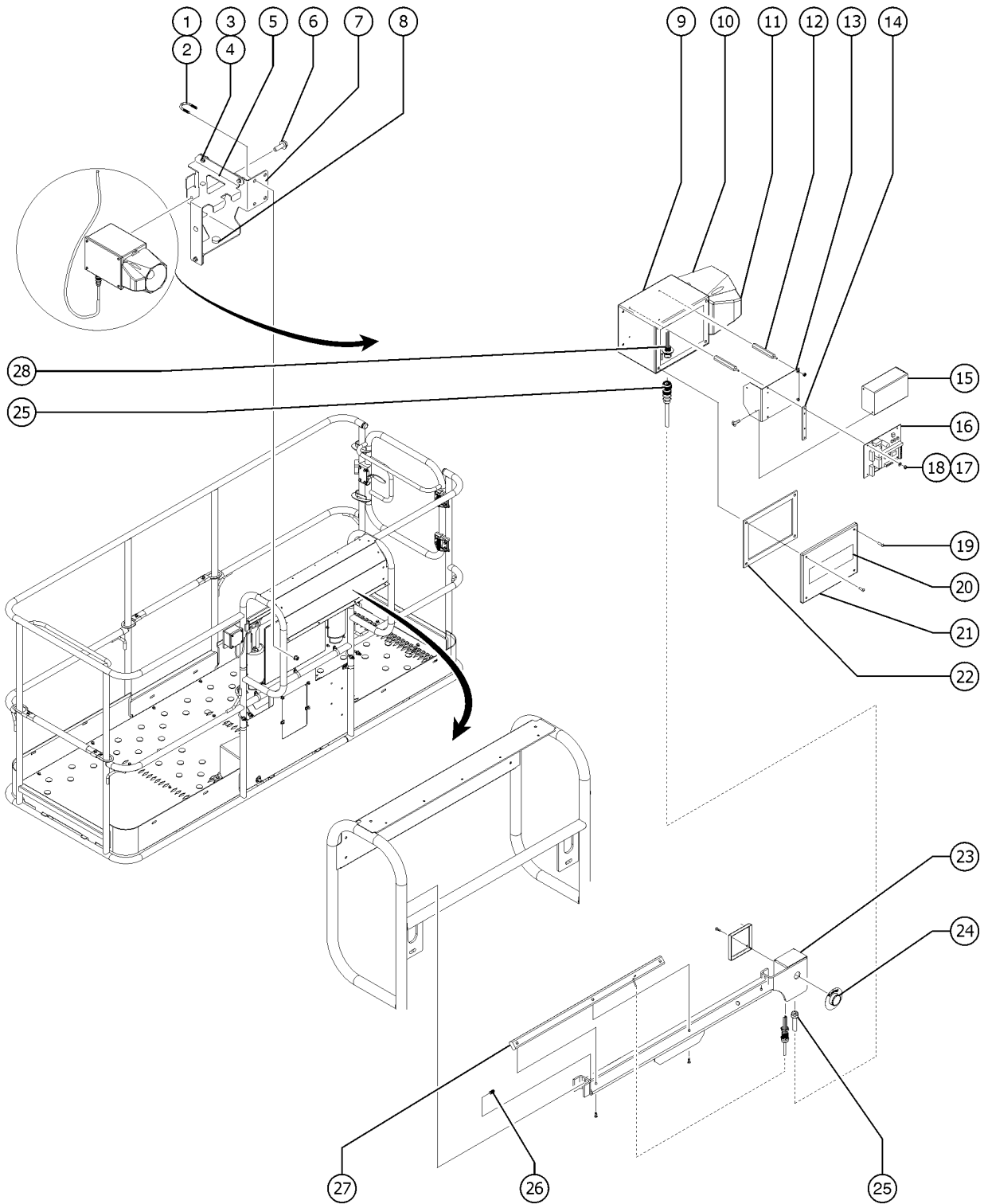
811.1 Fall Arrest Bar



Item	Part No.	Description	Qty.
1	1256856GT	SCREW,HHF,3/8-16X2.5,8,ZAG	4
2	1256389GT	FORMING,INNER HANGER	2
3	1251997GT	NUT,TL FLG,1/2-13,G,ZAG	2
4	1256851GT	SCREW,HHF,1/2-13X3.5,8,ZAG	2
5	1260892GT	END STOP. TFAAS TRACK	2
6	36388GT	BUMPER,RUBBER,.75 X .50H,STUD	2
7	1274322GT	NUT,NYLOCK FLG,3/8-16,G,ZAG	8
8	1256481GT	SPACER, HANGER BRACKET	8
9	1256400GT	DECAL,TFAAS TRACK,WORD	1
9B	1260910GT	DECAL,TFAAS TRACK,SYMBOL	1
9C	1256400FRGT	DECAL,TFAAS TRACK,WORD FR	1
10	1256377GT	ACC,TFAAS FALL ARREST,8FT WORD Includes instructions and decals	1
10A-	1256379GT	ASSY,TFAAS TRACK,8FT WORD Includes decals	
10B	1261022GT	ACC,TFAAS FALL ARREST,8FT SYM Includes instructions and decals	1
10B-	1261024GT	ASSY,TFAAS TRACK,8FT SYM Includes decals	
10C	1261018GT	ACC,TFAAS FALL ARREST,8FT FR Includes instructions and decals	1
10C-	1261020GT	ASSY,TFAAS TRACK,8FT FR Includes decals	
10D	1256378GT	ACC,TFAAS FALL ARREST,6FT WORD Includes instructions and decals	1
10D-	1256380GT	ASSY,TFAAS TRACK,6FT WORD Includes decals	
10E	1261023GT	ACC,TFAAS FALL ARREST,6FT SYM Includes instructions and decals	1
10E-	1261025GT	ASSY,TFAAS TRACK,6FT SYM Includes decals	
10F	1261019GT	ACC,TFAAS FALL ARREST,6FT FR Includes instructions and decals	1
10F-	1261021GT	ASSY,TFAAS TRACK,6FT FR Includes decals	
11	40434GT	DECAL,LANYARD ANCHORAGE POINT	1
12	1256439GT	TROLLEY, TFAAS TRACK	1



812.1 Operators Protection Alarm (to January 2017)

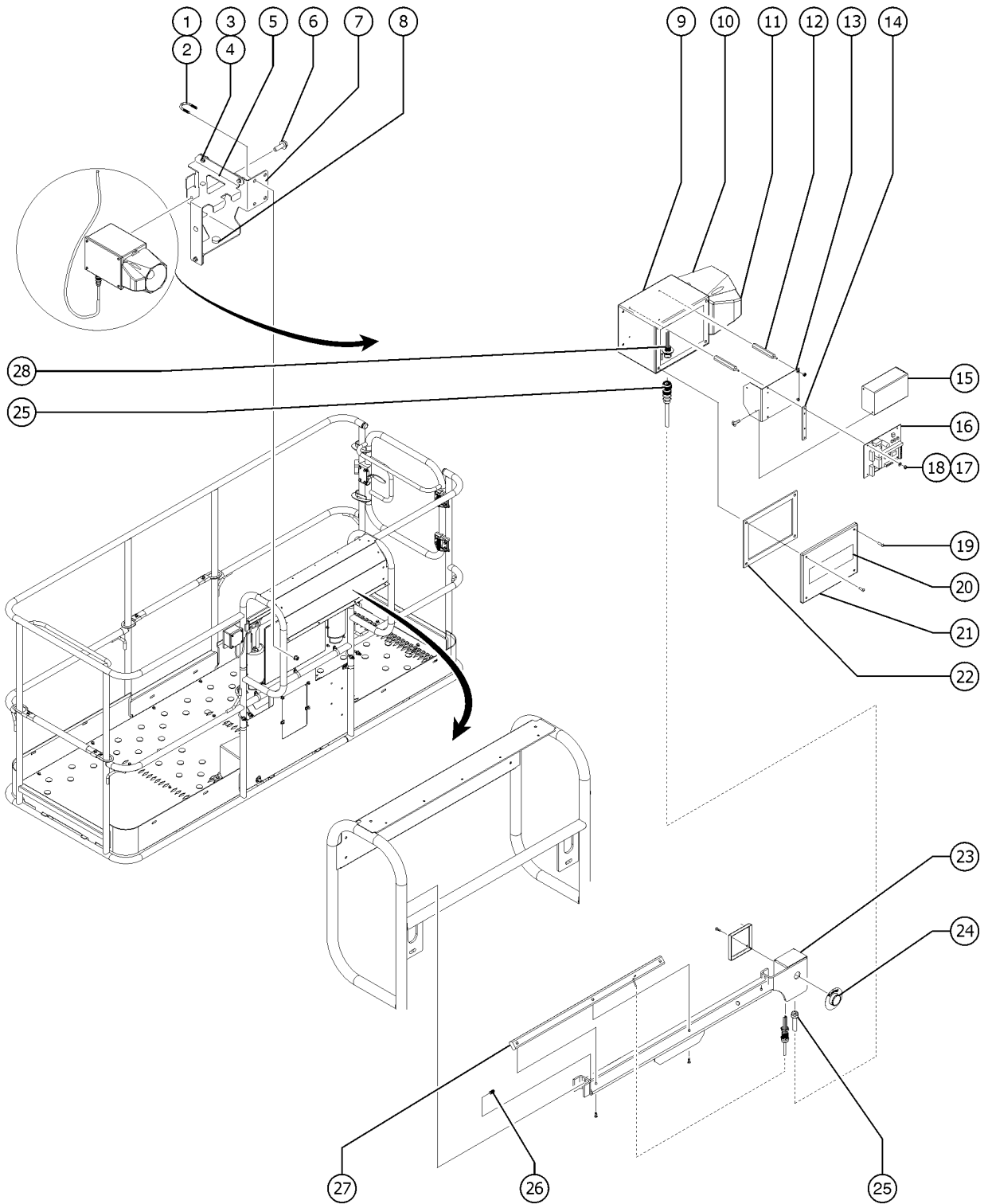


812.1 Operators Protection Alarm (to January 2017)

Item	Part No.	Description	Qty.
-	1274640GT	KIT,OPA ENCLOSURE (Includes all items 1 -8)	
1	1251600GT	U-BOLT, FLATTENED, 1.5 X 3/8	
2	824029GT	NUT,TL FLG,3/8-16,G,ZAG	
3	824078GT	SCREW,HHF,1/4-20X.75,8,ZAG	
4	824027GT	NUT,TL FLG,1/4-20,G,ZAG	
5	1274642GT	FORMING,OPA BRACKET,TOP	
6	826001GT	SCREW,HHF,M6-1.0X10,DIN6921,10.9,ZAB	
7	1274641GT	FORMING, OPA BRACKET	1
8	43392GT	BUMPER,BATTERY BOX & RAILS***	3
9	1255018GT	BASE ENCLOSURE,RED,OPA	1
10	1255021GT	SOUNDER,MIDI,OPA	1
11	1255037GT	SOUNDER LENS, OPA, BLUE (Standard lens fitted to OPA)	1
11B	1270116GT	SOUNDER LENS, OPA, RED	
11C	1270117GT	SOUNDER LENS, OPA, AMBER	
11D	1270118GT	SOUNDER LENS, OPA, CLEAR	
12	1255028GT	STAND OFF,CONTROL UNIT	1
13	1255024GT	BRACKET,CONTROL UNIT	1
14	1255025GT	SPACER,HEAT SINK	1
15	1255023GT	ASSY,MODULE,CONTROL UNIT,OPA	1
16	1255022GT	MODULE,CONTROL UNIT,PCB,OPA	1
17	1255067GT	NUT,M4 NYLOCK	4
18	1255066GT	WASHER,M4 NYLON	4
19	1255038GT	SCREW,M5X16 BHD	4
20	1255890GT	DECAL,COSMETIC,GENIE	1
21	1255020GT	LID ENCLOSURE,RED,OPA	1
22	1255019GT	GASKET,ENCLOSURE	1
23	1255029GT	ASSEMBLY,TAPESWITCH (6/8' platforms) (includes j-box and fasteners)	1
24	1255036GT	ASSEMBLY RESET SWITCH	1



812.1 Operators Protection Alarm (to January 2017)

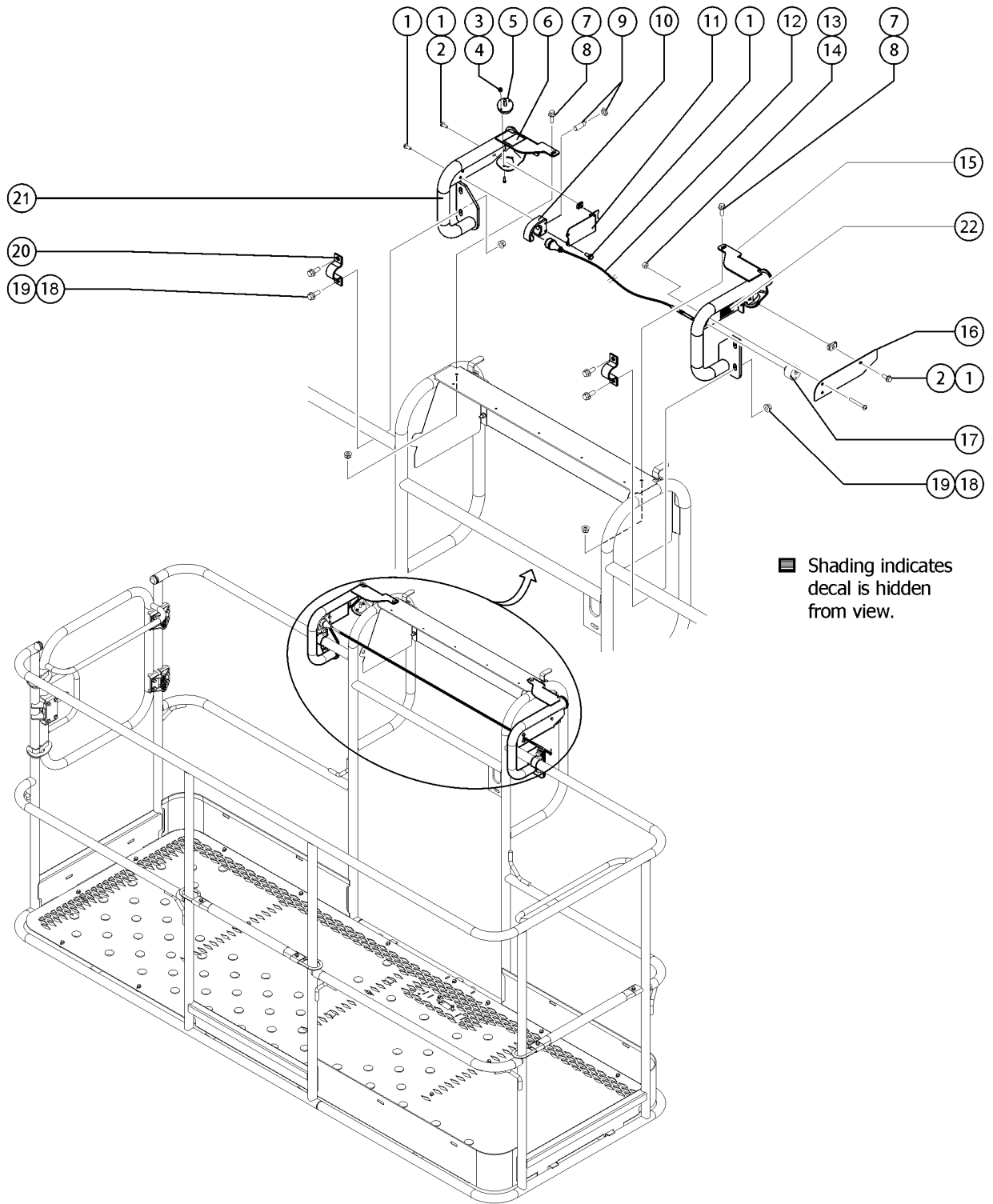


812.1 Operators Protection Alarm (to January 2017)

<i>Item</i>	<i>Part No.</i>	<i>Description</i>	<i>Qty.</i>
25	1255035GT	ASSEMBLY,CABLE,TAPESWITCH	1
26	1255068GT	SCREW,M6X8	2
27	1255047GT	SENSOR,RUBBER EDGE	1
		(6'8' platforms)	
28	1255033GT	HARN,PIGTAIL,TAPESWITCH,OPA	1



812.2 Lift Guard Contact Alarm Option (from January 2017)

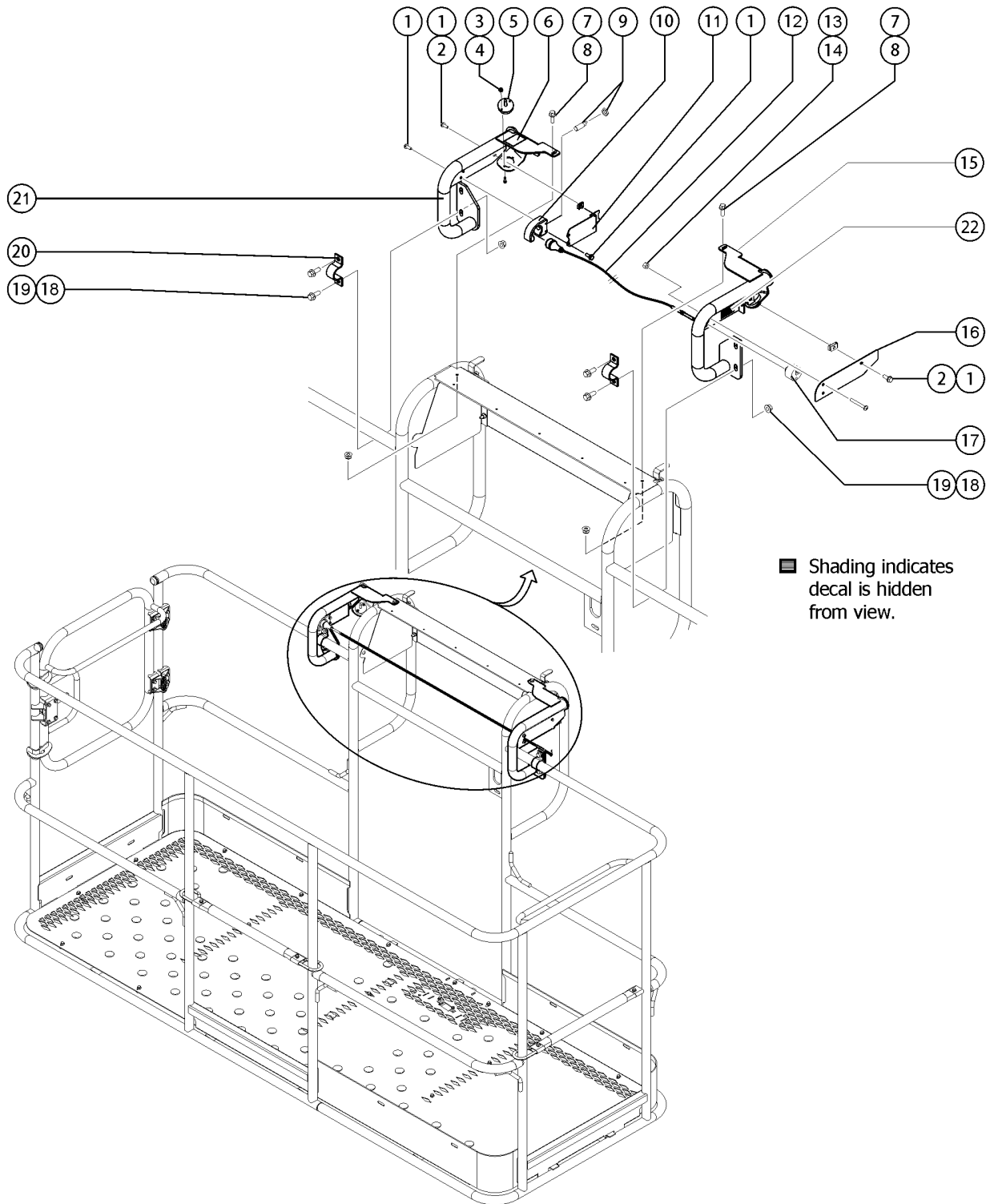


812.2 Lift Guard Contact Alarm Option (from January 2017)

Item	Part No.	Description	Qty.
A-		From January 2017, this option became a standard installation on all models unless the customer specifically request not to have it installed.	
B-	1279134GT	KIT, LIFT GUARD CONTACT ALARM,6'-8' PLATFORM,ALC1000	
C-	1279672GT	HARNESS, CONTACT ALARM, ALC1000	
D-	824037GT	NUT, HH JAM, 1/4-20, A, ZAG	
E-	1278121GT	MODULE, PLUS+1, OPA2 located inside the Platform Control Box	
F-	824083GT	SCREW,HHF,1/4-20X2.5,8,ZAG	
1	1264934GT	SCREW,HHF,10-24X.5	
2	73575GT	SPRING CLIP,10-24,ZINC	
3	12344GT	NUT,NYLOCK,6-32	
4	1256859GT	SCREW,PHPM,6-32X7/8,ZAG	
5	1278111GT	ASSEMBLY, LIGHT, CONTACT ALARM	2
5B	1285850GT	ASSEMBLY,AMBER LIGHTS,CONTACT	
6	1278542GT	DECAL, INSTRUCTION, CONTACT ALARM	
7	824078GT	SCREW,HHF,1/4-20X.75,8,ZAG	
8	1277924GT	NUT,NYLOCK FLG,1/4-20,F,ZAG	
9	1278119GT	ASSEMBLY, SENSOR, PROX, CONTACT ALARM	1
10	1278433GT	ASSY SENSOR W/HOUSING (Includes holder item 1277877 and sensor part 1278119)	
10-	1277877GT	HOLDER, SENSOR	1
11	1277873GT	FORMING, SENSOR HOLDER	1
12	1278416GT	ASSEMBLY,CONTACT ALARM CABLE, LARGE	1
12-	1278124GT	MAGNET, 1/4-20, 15 LB. Part of assembly 1278416	
12-	1278458GT	CONTACT ALARM WIRE ASSY, LARGE Part of assembly 1278416	
12-	1278368GT	GRIP, CABLE Part of assembly 1278416	
12-	1261184GT	NUT,1/4-20,8,ZAG Part of assembly 1278416	
13	1274168GT	NUT,NYLOCK,10-32,A,ZAG	
14	824216GT	SCREW, PHPM, 10-32 X 1.5, ZAG	
15	1278138GT	WELDMENT, RIGHT CONTACT ALARM, LARGE	1
16	1277875GT	PLATE, CABLE AND WIRE COVER	1



812.2 Lift Guard Contact Alarm Option (from January 2017)

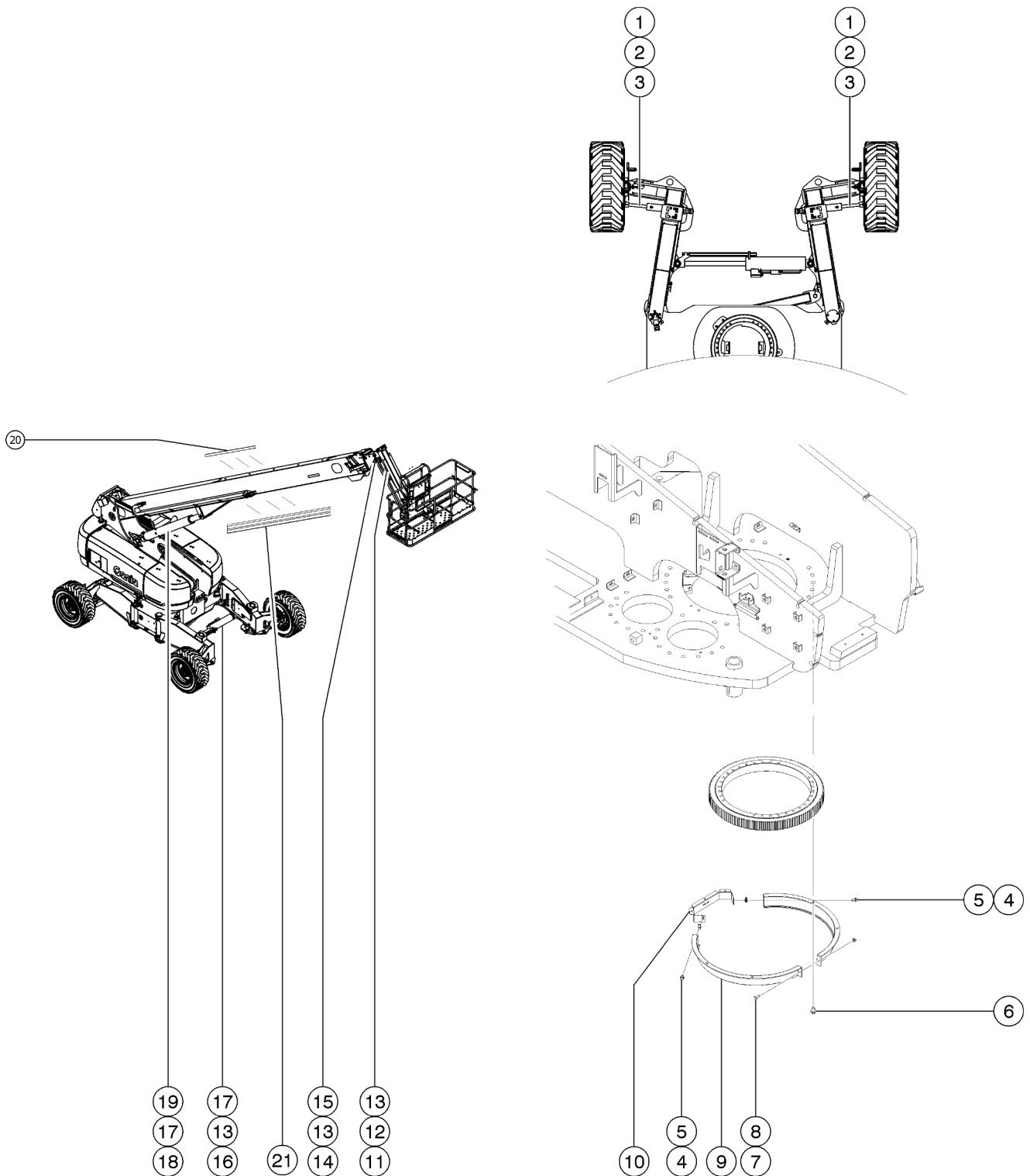


812.2 Lift Guard Contact Alarm Option (from January 2017)

<i>Item</i>	<i>Part No.</i>	<i>Description</i>	<i>Qty.</i>
17	1277876GT	GUIDE, CABLE	1
18	1274322GT	NUT,NYLOCK FLG,3/8-16,G,ZAG	
19	824090GT	WELDMENT,DEUTZ D2011L3i BAFFLE	
20	1278363GT	CLAMP, 1.25 INCH TUBE	2
21	1278144GT	WELDMENT, LEFT CONTACT ALARM, LARGE	1
22	1278982GT	DECAL, INSTRUCTION, ACTUATOR SWITCH SOCKET	1



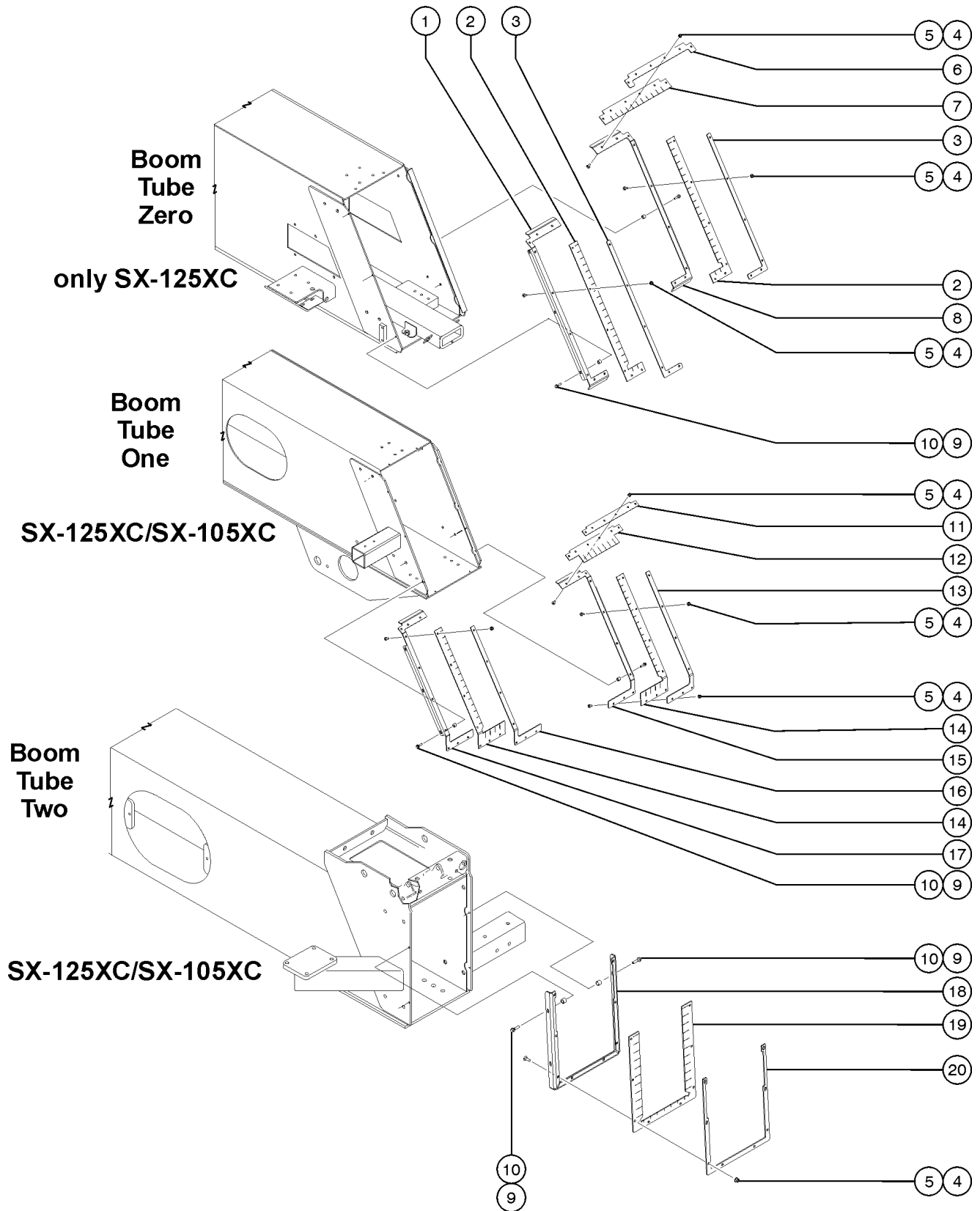
813.1 Hostile Environment Package - View 1



Item	Part No.	Description	Qty.
1	229467GT	BELLOWS,STEER CYLINDER	1
2	30489GT	CLAMP,HOSE,3.50	1
3	36208GT	CLAMP,HOSE,1.25***	1
4	56912GT	SPRING CLIP,1/4-20,.025-.15X.5	1
5	824077GT	SCREW,HHF,1/4-20X.5,8,ZAG	1
6	1257454GT	SCREW,HHF,1/2-13X.75,8,ZAG	1
7	824078GT	SCREW,HHF,1/4-20X.75,8,ZAG	1
8	824027GT	NUT,TL FLG,1/4-20,G,ZAG	1
9	1270638GT	COVER, SLEW RING	1
10	1273469GT	FORMING, PINION GUARD	1
11	1280192GT	BELLOWS, JIB CYLINDER	1
12	30971GT	AIR CLEANER,NELSON	1
13	22672GT	CLAMP,HOSE,1.75	3
14	1280258GT	COVER,PROTECTIVE,PLAT. LEVLING	1
15	22672GT	CLAMP,HOSE,1.75	1
16	229464GT	BELLOWS,AXLE EXTEND CYLINDER	1
17	35432GT	CLAMP,HOSE,6.50	2
18	60326GT	COVER,PROTECTIVE,LIFT CYLINDER	1
19	31523GT	CLAMP, FAN GUARD, DEUTZ F4L1011	1
20	61297GT	COVER,50 LINK TRACK for SX-105XC/SX-125XC	
21	61298GT	COVER,84 LINK TRACK only for SX-125XC	



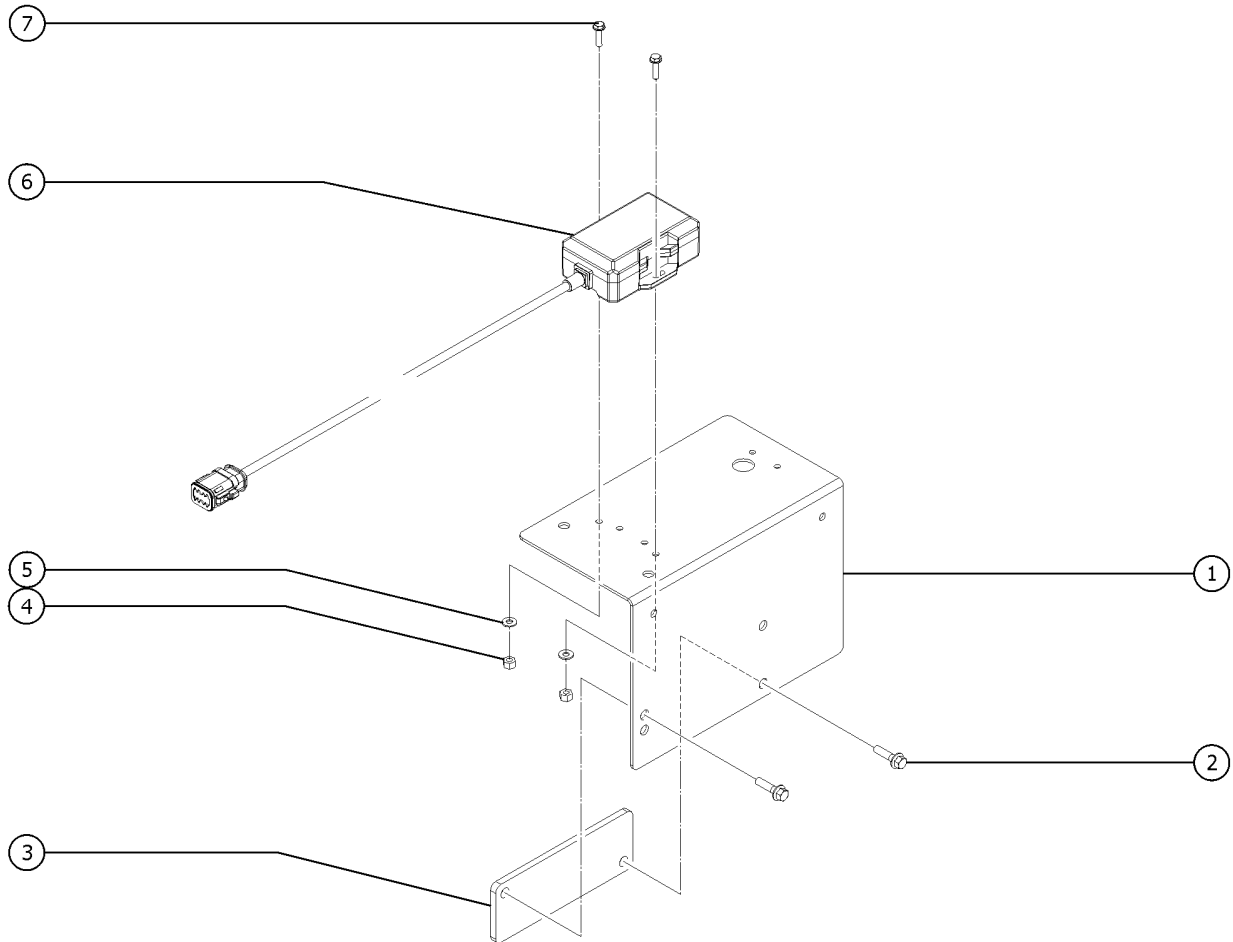
813.2 Hostile Environment Package - View 2



Item	Part No.	Description	Qty.
1	1277021GT	BRACKET,WIPER #3,BOT	1
2	1277026GT	WIPER,RUBBER,SEC#3,TOP	2
3	1277024GT	FORMING,CLAMP,WIPER #3,TOP	2
4	824027GT	NUT,TL FLG,1/4-20,G,ZAG	
5	824124GT	BOLT, CARRIAGE, 1/4-20 X .75, 5, ZAG	
6	1277023GT	FORMING,CLAMP,WIPER #3,BOT	1
7	1277025GT	WIPER,RUBBER,SEC#3,BOT	1
8	1277022GT	BRACKET,WIPER #3,TOP	1
9	824079GT	SCREW,HHF,1/4-20X1,8,ZAG	
10	1280054GT	TUBE, RD., STL., DOM .5 X .35 X .5	
11	1277019GT	FORMING,CLAMP,WIPER #1,BOT	1
12	1276990GT	WIPER,RUBBER,SEC #1 BOT	1
13	1283773GT	BRACKET,WIPER #1 L	1
14	1276991GT	WIPER,RUBBER,SEC #1 TOP	2
15	1276997GT	BRACKET,WIPER #2, TOP	1
16	1277020GT	FORMING,CLAMP,WIPER #1, TOP	1
17	1276996GT	BRACKET,WIPER #2, BOT	1
18	1276994GT	BRACKET,WIPER #1, BOT	1
19	1277029GT	WIPER,RUBBER SEC#2,SIDE	1
20	1277017GT	FORMING,CLAMP,WIPER #2,BOT	1



814.1 OPTION,SUNBELT,TELEMATICS,ALC1000

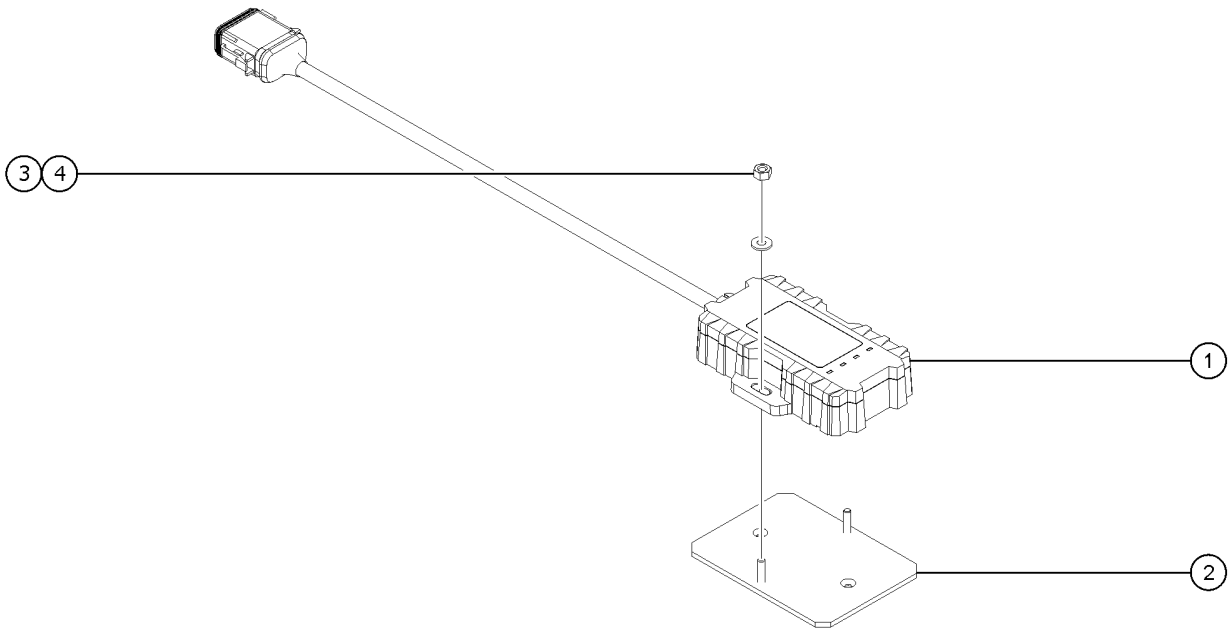


814.1 OPTION,SUNBELT,TELEMATICS,ALC1000

<i>Item</i>	<i>Part No.</i>	<i>Description</i>	<i>Qty.</i>
1	1260053GT	FORMING,TELEMATICS,TOPCON,ALC1000	1
2	824079GT	SCREW,HHF,1/4-20X1,8,ZAG	2
3	1260052GT	SPACER,TELEMATICS,TOPCON	1
4	1274170GT	NUT, NYLOCK, 10-24, A, ZAG	2
5	1253185GT	WASHER,FLAT,#10,USS,ZAG	2
6	1281095GT	ASSEMBLY,TELEMATICS, TTU 2830	1
7	1262031GT	SCREW,HHF,10-24X.75,ZAG	2



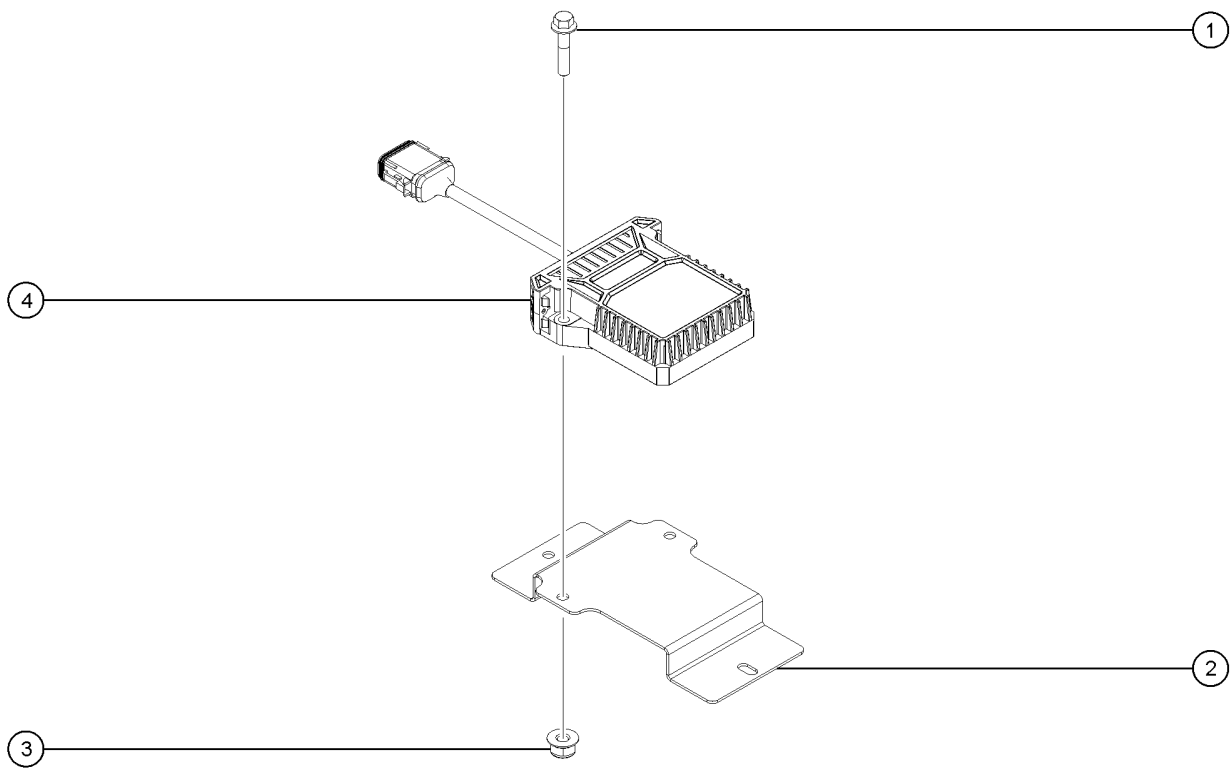
814.2 Telematics Option, View 2



<i>Item</i>	<i>Part No.</i>	<i>Description</i>	<i>Qty.</i>
-	1292198GT	HARNESS, RETROFIT, M7 for first time insulation, must order this Harness with one of the models 1289520GT, 1289521GT, 1289522GT, or 1289523GT	1
1	1289520GT	MODULE, TELEMATICS, ZTR, M7, NORTH AMERICA North America	1
1B	1289521GT	MODULE, TELEMATICS, ZTR, M7, EMEA/APAC EMEA/APAC	
1C	1289522GT	MODULE, TELEMATICS, ZTR, M7, APAC/ANZ APAC/ANZ	
1D	1289523GT	MODULE, TELEMATICS, ZTR, M7, JAPAN Japan	
2	1307200GT	BRACKET, TELEMATICS	1
3	1271081GT	NUT, NYLOCK, 8-32, 8, ZAG	2
4	1257390GT	WASHER, FLAT, #8, SAE, ZAG	2



814.3 China Telematics Option, TZ200

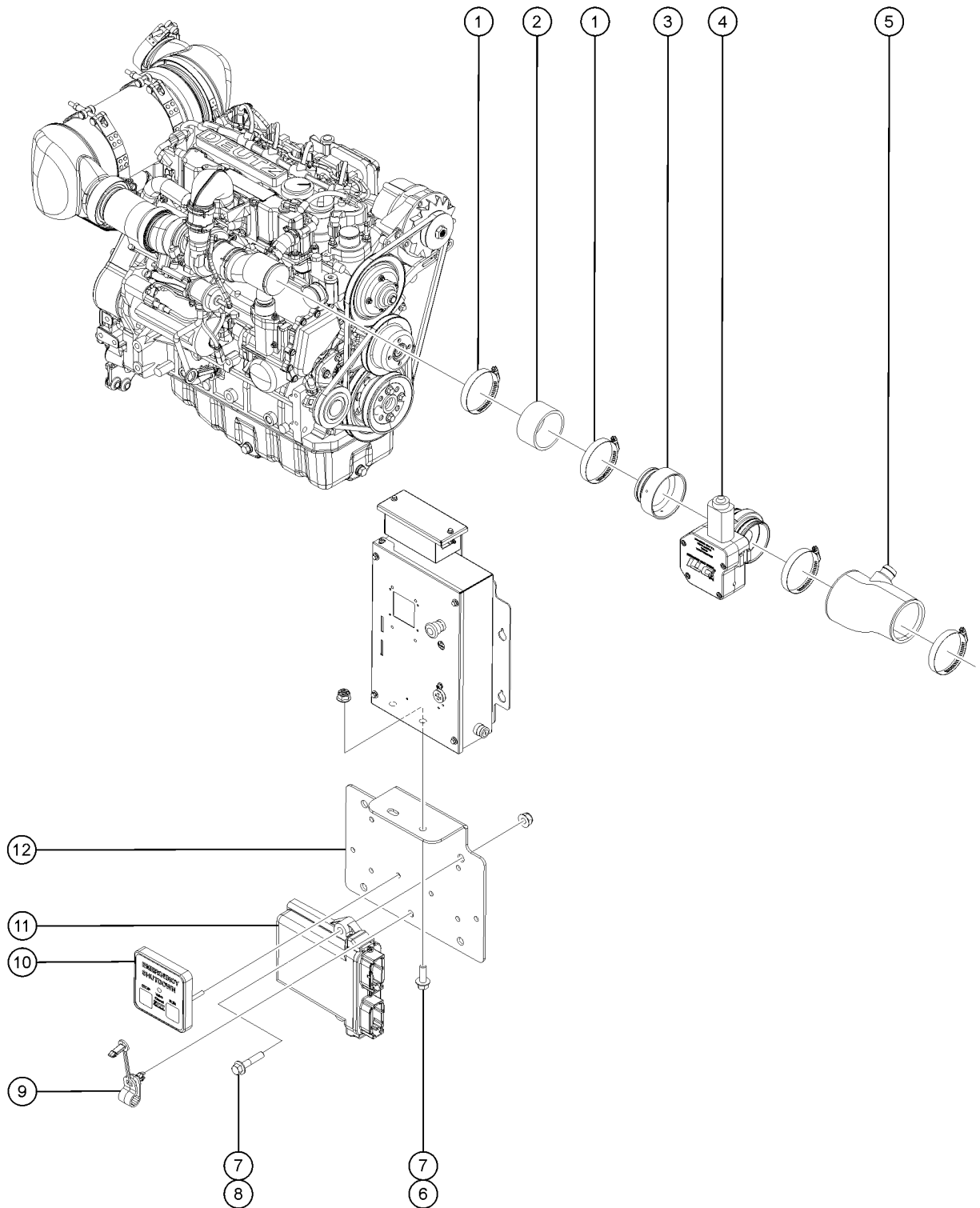


814.3 China Telematics Option, TZ200

<i>Item</i>	<i>Part No.</i>	<i>Description</i>	<i>Qty.</i>
1	824080GT	SCREW,HHF,1/4-20X1.25,8,ZAG	2
2	1303130GT	BRACKET,CHINA TELEMATICS,SX-125	1
3	1277924GT	NUT,NYLOCK FLG,1/4-20,F,ZAG	2
4	1304820GT	MODULE,TELEMATICS,TIZA,TZ200,CHINA	1



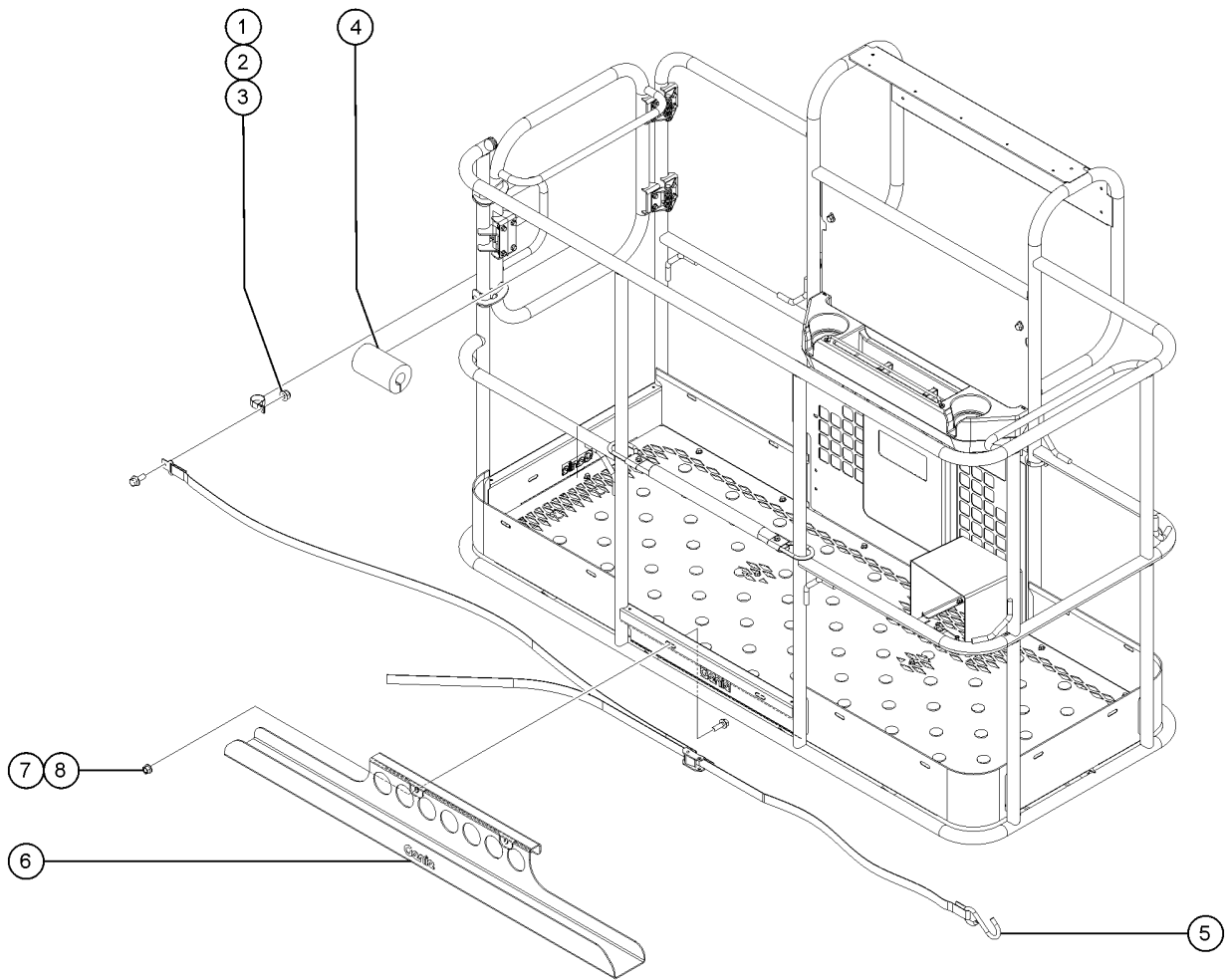
815.1 Pass Option, Deutz TD2.9



Item	Part No.	Description	Qty.
-	1293282GT	KIT, PASS, DEUTZ TD2.9, SX/ZX MACHINES	1
-	1290849GT	HARNESS, CONTROL, PASS	1
-	6146GT	WASHER,FLAT,MS,#10,Y	1
-	1251757GT	SCREW,PHPM,10-32X.50,ZAG	1
1	30971GT	AIR CLEANER,NELSON	2
2	1289823GT	HOSE, INTAKE SILICONE 2.5" ID X 1.54" LG	1
3	1289837GT	NOZZLE 3" TO 2.5"	1
4	1289536GT	VALVE, PASS DEUTZ T4	1
5	1289853GT	HOSE,REDUCER,OFFSET,TURBO INLET, DEUTZ 2.9L	1
6	824078GT	SCREW,HHF,1/4-20X.75,8,ZAG	2
7	1277924GT	NUT,NYLOCK FLG,1/4-20,F,ZAG	4
8	824080GT	SCREW,HHF,1/4-20X1.25,8,ZAG	2
9	219508GT	CLAMP, FIXED DIA, NYLON, 3/8"	1
10	1290107GT	HARNESS, MODULE, ESTOP, PASS	1
11	1291573GT	CONTROLLER, VCU, DEUTZ 2.9	1
12	1264229GT	BRACKET, POSITIVE AIR SHUTOFF	1



816.1 Panel Cradle Option

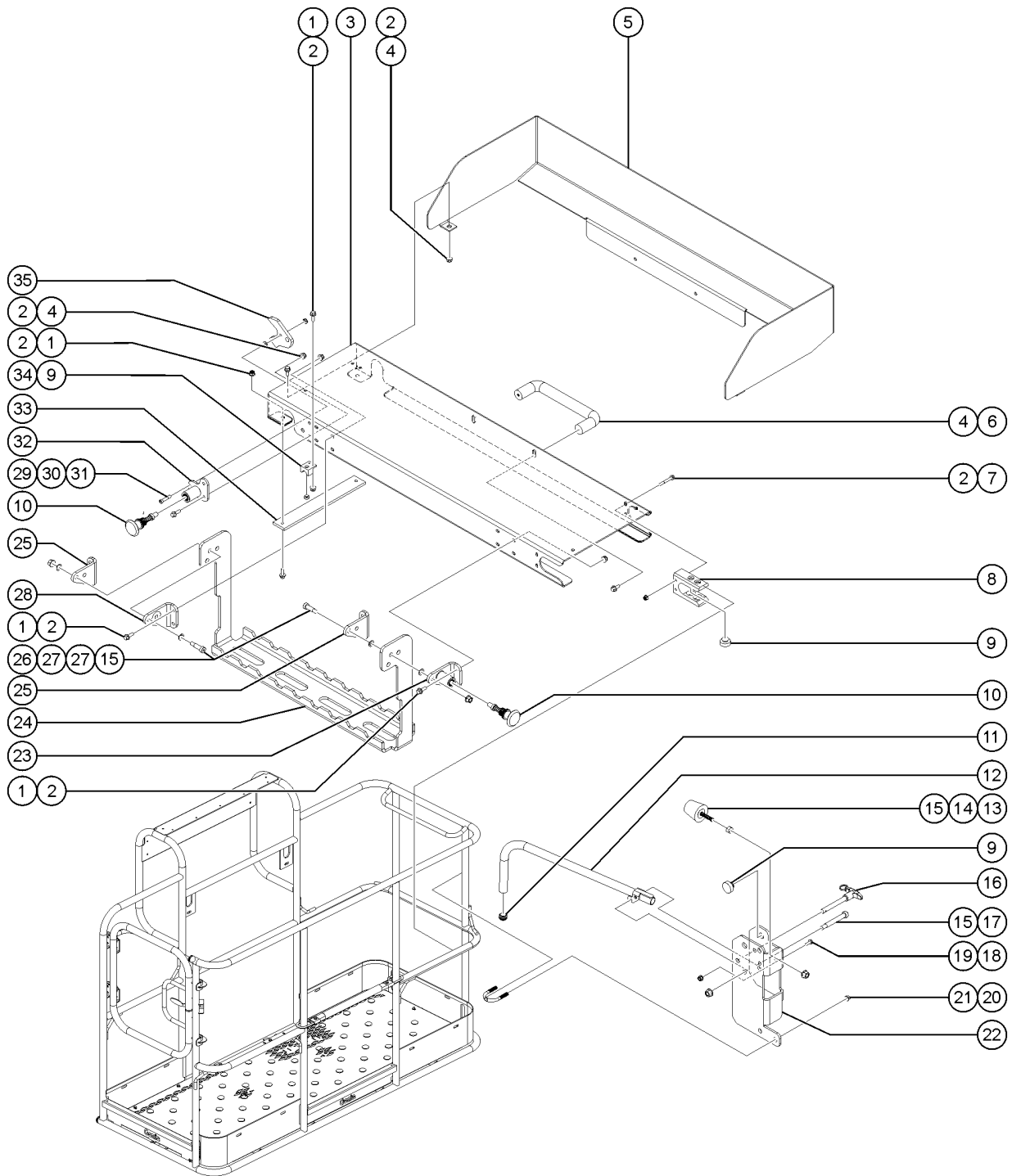


816.1 Panel Cradle Option

<i>Item</i>	<i>Part No.</i>	<i>Description</i>	<i>Qty.</i>
-	1298841GT	KIT, PANEL CRADLE, ANSI For machines with weld in toeboard only (ANSI)	1
-	1299220GT	KIT, PANEL CRADLE, CE For machines with weld in toeboard only (CE)	1
1	1277924GT	NUT,NYLOCK FLG,1/4-20,F,ZAG	1
2	56424GT	CLAMP,1.25X.5 RUBBER-CUSHION	1
3	1256855	SCREW,HHF,1/4-20X.625,8,ZAG	1
4	1298850GT	FOAM PAD, PANEL CRADLE	2
5	77664GT	ADJUSTABLE STRAP ASSY	1
6	1298851GT	FORMING, PANEL CRADLE TRAY	1
7	1274167GT	NUT,NYLOCK FLG,5/16-18,F,ZAG	2
8	824086GT	SCREW,HHF,5/16-18X1,8,ZAG	2



817.1 Lift Tools Access Deck (from SN SX125D-101)

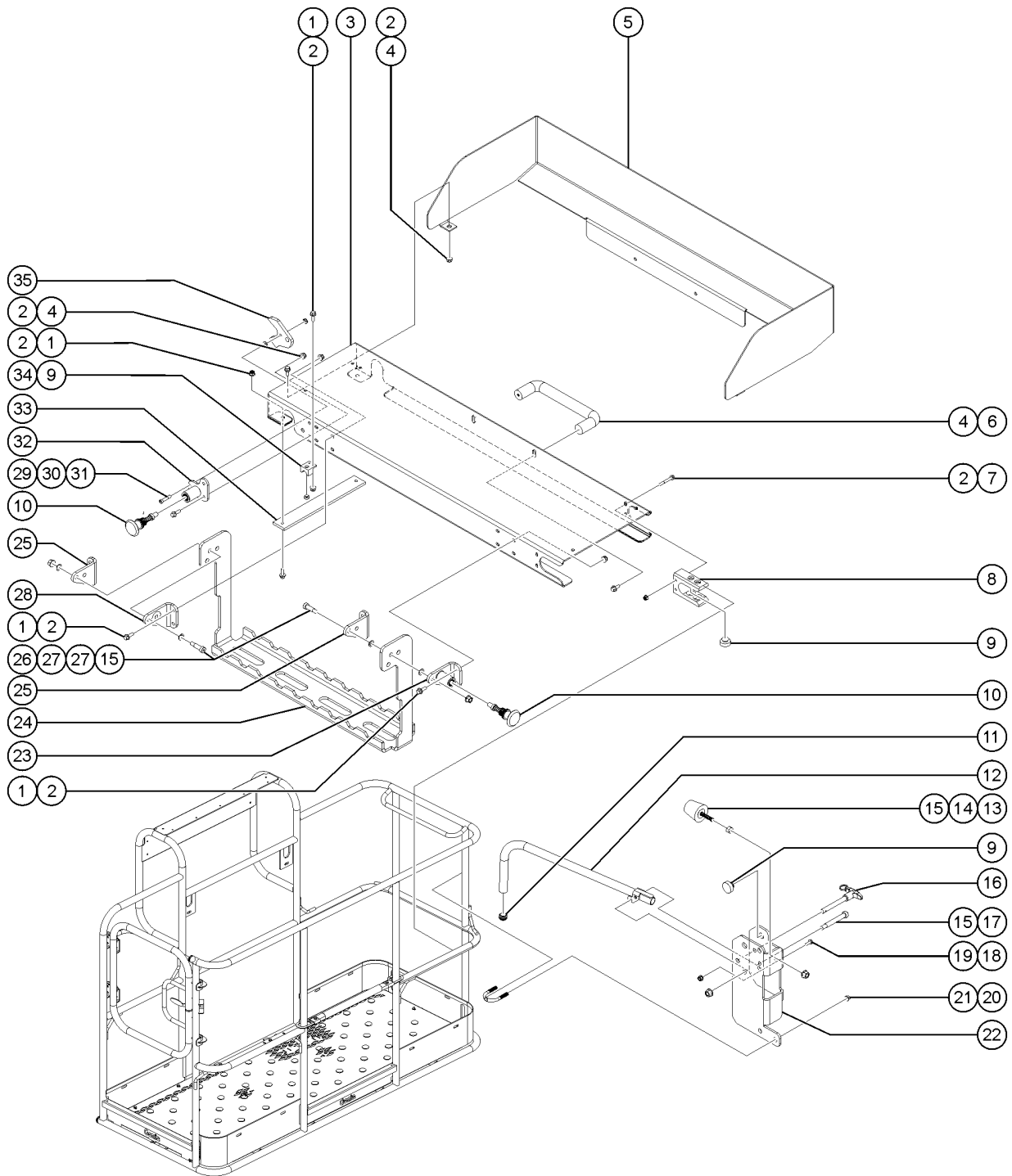


817.1 Lift Tools Access Deck (from SN SX125D-101)

Item	Part No.	Description	Qty.
-	1293700GT	KIT, LIFT TOOLS ACCESS DECK, 6FT PLATFORM, ANSI (6 feet)	1
1	824078GT	SCREW,HHF,1/4-20X.75,8,ZAG	16
2	1277924GT	NUT,NYLOCK FLG,1/4-20,F,ZAG	24
3	1293710GT	FORMING, ACCESS DECK	1
4	1256855	SCREW,HHF,1/4-20X.625,8,ZAG	6
5	1293702GT	FORMING, ACCESS DECK TOEBOARD, 6FT PLATFORM	1
6	1291802GT	FORMED, PULL HANDLE	1
7	1253485GT	SCREW,HHF,1/4-20X2,8,ZAG	4
8	1291812GT	WEAR PAD, HORIZONTAL MIDRAIL SLOT	2
9	43392GT	BUMPER,BATTERY BOX & RAILS***	8
10	1291811GT	POP PIN, YELLOW	2
11	55753GT	BUMPER, PLASTIC, 1.25 O.D.	2
12	1291815GT	WELDMENT, FOLDING HANDLE	1
13	111580GT	BUMPER,RUBBER,1.19DX1.5X.31-18	1
14	1261250GT	NUT,5/16-18,8,ZAG	1
15	1274167GT	NUT,NYLOCK FLG,5/16-18,F,ZAG	4
16	1291865GT	PIN, QUICK RELEASE 3/8X2-1/2	1
16-	1292932GT	LANYARD, STEEL, 8",NYLON SLEEVE,#10	
17	1291817GT	BOLT,SHS,3/8X2.25X5/16-18,ZAG	1
18	1270665GT	SCREW,HHF,10-24X.625,5,ZAG	1
19	1283004GT	NUT,NYLOCK FLG,10-24,A,ZAG	1
20	1274322GT	NUT,NYLOCK FLG,3/8-16,G,ZAG	4
21	1251600GT	U-BOLT, FLATTENED, 1.5 X 3/8	2
22	1293706GT	FORMING, ACCESS DECK HANDLE	1
23	1291844GT	WELDMENT, ACCESS DECK STEP LOCK	1
24	1293703GT	FORMING, ACCESS DECK STEP, 6FT PLATFORM	1
25	1291804GT	FORMING, ACCESS DECK LEFT EYE, 8FT PLATFORM	2
26	1291819GT	BOLT,SHS,3/8X7/8X5/16-18,ZAG	2



817.1 Lift Tools Access Deck (from SN SX125D-101)



817.1 Lift Tools Access Deck (from SN SX125D-101)

<i>Item</i>	<i>Part No.</i>	<i>Description</i>	<i>Qty.</i>
27	1292828GT	WASHER,FLAT, .39, .625, .036,ZAG	4
28	1291803GT	FORMING, ACCESS DECK RIGHT EYE, 8FT PLATFORM	1
29	1291818GT	BOLT,SHS,1/4X.75X1/4-20,ZAG	1
30	1291821GT	WASHER, FLAT, 1/4X1/16X1/2, AL	1
31	1283026GT	NUT,LP NYLOCK,1/4-20,2,ZAG	1
32	1291809GT	WELDMENT, LIFT TOOLS MIDRAIL LOCK	1
33	1293704GT	PLATE, STIFFENER BAR	2
34	1291813GT	WEAR PAD, VERTICAL MIDRAIL SLOT	2
35	1291806GT	PLATE, MIDRAIL HOOK	1



<u>Part no.</u>	<u>Page Number</u>	<u>Part no.</u>	<u>Page Number</u>	<u>Part no.</u>	<u>Page Number</u>
07.0501.0051GT	247	18665GT	133, 135, 137	30997GT	153, 157, 161, 345
07.4501.0252GT	249	18666GT	425	31060GT	19, 21, 25, 27, 37, 39
1268GT	13	20776GT	133, 135, 137	31523GT	439
1484GT	13	21130GT	173, 203	31788GT	15, 23
4828GT	205, 425	21141GT	145, 149	32150GT	13
5365GT	203	21465GT	181, 185, 211, 221, 231. 253...	32151GT	13
5397GT	133, 135, 137, 139, 405. 425	21858GT	343	33247GT	301
6019GT	203	22571GT	411	33278GT	303
6021GT	283	22672GT	183, 185, 201, 229, 233. 253...	33428GT	69, 315
6036GT	411	24514GT	329, 333, 337	33784GT	253, 257
6037GT	133, 135, 137, 139	27082GT	345	33931GT	255, 259
6090GT	341	27204GT	25, 27, 49, 51	33994GT	13
6091GT	253, 257	27205GT	19, 21, 43, 45	34052GT	145, 151
6097GT	203	27206GT	19, 21, 25, 27, 43, 45...	34053GT	145, 151
6145GT	411	27207GT	19, 21, 25, 27, 43, 45...	34058GT	205
6146GT	343, 449	27246GT	133, 137, 151, 341, 423	34131GT	269, 271
6178GT	133, 135, 137, 139, 141. 285...	27581GT	13	34243-500GT	281, 295
6272GT	421	27761GT	351	34619GT	111, 117
6356GT	341, 411	27836GT	351	34955GT	413
6584GT	203	27901GT	193, 241, 265	35432GT	439
6638GT	341, 409	28159GT	23, 47	35434GT	181, 185, 201, 213, 227. 231...
6700GT	153, 157, 163	28174GT	15, 29, 31, 33, 35, 41...	35461GT	343
6782GT	133, 135, 137, 139	28176GT	29, 31, 33, 35	35956GT	411
6833GT	145, 343	28235GT	15, 29, 31, 33, 35, 41...	36208GT	183, 185, 229, 231, 439
6888GT	409	28236GT	29, 31, 33, 35	36388GT	429
6889GT	409	28443GT	425	36456GT	321, 323
6935GT	135, 137, 139	28646GT	143	37947GT	93, 111, 117
7057GT	135, 137, 139	28750GT	13	38149GT	15, 41
7746GT	405	29080GT	291, 295, 305	39888-38800GT	415, 417
9599-SGT	405	29314GT	71, 77	39888-152100GT	415, 417
10107GT	411	29557GT	177	39888-165400GT	415, 417
10665GT	299, 303	29559GT	177	39888-189000GT	415, 417
10777GT	109, 115	29560GT	179	40434GT	29, 31, 33, 35, 53, 55...
12344GT	133, 135, 137, 151, 339, 343...	29739GT	377	40706GT	193, 241, 265
12460GT	283	29868GT	89, 91, 95, 99, 111, 117...	42070GT	95, 99
12960GT	141, 347	30220GT	315	42288GT	343
13000GT	133, 135, 137, 139	30222GT	315	43018GT	69
13268GT	153, 157, 161, 343	30348GT	253, 257	43392GT	331, 333, 409, 431, 453
14041GT	139, 141, 347	30468GT	409	44170GT	375
15243GT	313	30489GT	175, 207, 217, 439	44174GT	361, 365, 373
15436GT	203	30971GT	119, 151, 233, 235, 259. 267...	44224GT	363, 367, 373
18396GT	315	30996GT	159, 161	44227GT	363, 367



<u>Part no.</u>	<u>Page Number</u>	<u>Part no.</u>	<u>Page Number</u>	<u>Part no.</u>	<u>Page Number</u>
44228GT	375	48975GT	129, 401	49130-59782GT	395
44229GT	375	48978GT	387, 401	49130-62582GT	395
44230GT	361, 365	48984GT	387	49130-72982GT	399
44335GT	311	48985GT	143, 149, 387	49130-76382GT	399
44981GT	15, 29, 31, 33, 35, 41...	48996GT	143, 149, 387	49141-4863GT	391
45209GT	283, 295	48997GT	389, 393, 397	49141-5863GT	383
45363GT	205	48998GT	379, 389	49143-2029GT	389
45435GT	207, 253, 257	49116-1287GT	389, 401	49143-2729GT	389
45454GT	129, 173	49116-5091GT	401	49143-3829GT	391
45455GT	191, 239	49116-41237GT	397	49143-4729GT	389, 401, 403
45708GT	101, 105	49117-2091GT	393, 399	49143-6229GT	401
45782GT	179	49117-12791GT	393, 399	49143-42229-SGT	397
48875GT	389	49118-23308GT	397	49159-6118GT	389
48879GT	401	49119-2578GT	389, 401	49159-6950GT	389
48880GT	189, 231, 381, 395, 397	49119-3678GT	393, 399	49163-6994GT	385
48885GT	143	49119-6178GT	393, 399	49163-7194GT	385
48894GT	379, 397	49120-1631GT	383	49181-3440GT	383
48904GT	203, 381, 393, 397, 401	49120-3631GT	381	49183-1602GT	391
48905GT	73, 189, 231, 263, 273, 279...	49120-3681GT	381, 383	49183-5992GT	379
48907GT	393, 397	49120-3981GT	381	49183-10692GT	393, 399
48908GT	401	49120-6381GT	385	49183-12192GT	395
48911GT	379, 387, 401	49120-10981GT	379, 381	49183-20752GT	399
48912GT	379, 387, 393, 397	49120-11381GT	381, 383	49183-46592GT	397, 399
48915GT	143, 149, 391, 393, 397	49120-12981GT	395	49207GT	189, 237, 387
48916GT	379, 381, 391, 393, 397	49120-14961GT	395	49212GT	415, 417
48918GT	143, 149, 397	49120-48181GT	397	49213GT	415, 417
48932GT	189, 237, 263, 389	49126-1783GT	391	49214GT	415, 417
48933GT	143, 149, 213, 219, 379, 387...	49126-3630GT	391	49215GT	415, 417
48935GT	379	49128-1909GT	395, 399	49366GT	67
48936GT	379	49128-1959GT	391	49379GT	411
48937GT	263, 319, 381, 393, 397	49128-3009GT	391	49408GT	411
48938GT	401	49128-3510GT	391	49411GT	175
48942GT	129, 401	49128-37809GT	395	49612GT	13
48946GT	387, 401	49128-51809GT	399	49820GT	159, 161
48947GT	387, 401	49130-2082GT	391	49915GT	177
48948GT	379, 401	49130-5482GT	379, 381	49924GT	13, 179, 189
48959GT	387, 401	49130-12582GT	393, 399	50243GT	301
48960GT	213, 219, 319, 381, 397, 401	49130-37982GT	395	50247GT	301
48961GT	379	49130-38982GT	395	50787PGT	171
48963GT	379, 387	49130-46182GT	393, 399	50813GT	315
48964GT	401	49130-51982GT	399	50974GT	91, 101, 107, 109, 113, 171...
48974GT	129, 401	49130-55482GT	393, 399	51147GT	101, 107



<u>Part no.</u>	<u>Page Number</u>	<u>Part no.</u>	<u>Page Number</u>	<u>Part no.</u>	<u>Page Number</u>
51579GT	143, 149, 387	60194GT	305	60609GT	81
52087GT	377	60205GT	301	60618GT	81
52352GT	179	60207GT	273, 277	60649GT	209
52371GT	361, 365	60208GT	301	60697GT	301
52373GT	361, 363, 367	60215GT	301	60711GT	101
52466GT	361, 363, 367	60216GT	301	60721GT	217
52475GT	19, 21, 25, 27, 43, 45...	60222GT	291, 307	60746GT	81
52484GT	373	60224GT	275, 279	60757GT	159
52723GT	351	60229GT	299, 303	60802GT	305
52726GT	353	60231GT	303	60808GT	287
52865GT	15	60240GT	301	60822PGT	283, 287
52866GT	171, 189, 207, 219, 235	60245GT	281, 285, 305	60829GT	281, 287
52907GT	363, 367	60247PGT	283, 295	60838GT	263, 283, 287
52943GT	351, 355, 357, 359	60260GT	273, 277	60840GT	291, 297, 307
53471-750GT	339	60266-SGT	273, 277	60849PGT	297
54177GT	377	60267GT	273, 279	60857GT	13
54324GT	95, 99	60297GT	269, 271	60863GT	285
54365GT	133, 135, 137, 139, 141, 343...	60302GT	269, 271	60866GT	285
54428GT	197, 245	60304GT	291, 297, 307	60874-5625GT	111, 117
54486GT	409	60322-SGT	199, 221	60875GT	181, 183, 207, 213, 227, 231
55306GT	193, 241, 265	60326GT	439	60886PGT	415
55753GT	329, 333, 405, 453	60331GT	275, 279, 299	60890GT	95, 99
56003GT	393, 397	60335-SGT	293, 297, 299	60935GT	311
56234GT	385	60340-SGT	299	60936GT	143, 149
56235GT	385	60342GT	281, 285	60940GT	101, 105, 107
56324GT	395, 399	60343-SGT	303, 305	60956GT	65
56424GT	329, 333, 337, 403, 451	60346GT	301	60957GT	65
56525GT	405	60356-SGT	303	60960PGT	273
56570GT	405	60358GT	301	60962GT	275, 279
56912GT	83, 85, 91, 113, 119, 121...	60439GT	161	60984GT	269, 271
58249GT	179	60474GT	329	60987GT	87
58256GT	177	60475GT	329	61072-4326GT	381
58299GT	179	60476GT	329	61072-5126GT	391
58566GT	179	60477GT	329	61073-1680GT	401
58630GT	179	60478GT	329	61073-2080GT	389
59371GT	379	60508GT	143, 149	61073-2580GT	401
60157GT	291, 295	60536GT	13	61073-3830GT	389, 401
60163GT	299	60559GT	143, 149	61073-4830GT	389
60171GT	299	60564GT	209	61073-5230GT	391
60172GT	299	60575PGT	83	61073-5530GT	391
60179GT	299	60576GT	207	61073-5620GT	389
60192GT	291, 301, 307	60584GT	95, 99, 193, 241, 265	61073-6530GT	401



<u>Part no.</u>	<u>Page Number</u>	<u>Part no.</u>	<u>Page Number</u>	<u>Part no.</u>	<u>Page Number</u>
61074-5528GT	379	62425GT	13, 111, 109, 207, 219, 237	72999GT	15
61074-5828GT	389	62433GT	205	73478GT	329, 333
61074-20748GT	399	62506GT	371	73575GT	329, 333, 339, 435
61079GT	393, 397	62507GT	371	73805GT	153, 157, 163
61080GT	379, 393, 397	63463GT	255, 259	74006GT	325
61083GT	143, 149, 387	65278GT	19, 21, 25, 27, 43, 45...	74245GT	71, 77
61099GT	291	65473GT	209	74902GT	351, 353, 355, 357, 359
61099-SGT	295	65630GT	405	74913GT	333, 133, 137, 139, 141, 347
61109GT	129, 143, 173, 203, 221, 265	66399GT	13	75014GT	145, 149
61171GT	311	66811GT	155, 159, 163	75020GT	205
61174GT	311	66812GT	153, 159, 163, 341	75031GT	165, 311
61176-SGT	311	66813GT	341	75033GT	87
61179GT	83	66815GT	341	75037GT	83, 167
61203GT	87, 89	66816GT	153, 157, 161	75049PGT	303
61259GT	393, 397	66817GT	153, 157, 161, 341	75054GT	299
61262GT	143, 149, 387, 401	66818GT	153, 157, 161	75061GT	317
61263GT	143, 149, 387	66821GT	153, 157, 161	75064GT	269, 271
61269GT	397	67897GT	203, 337	75065GT	287
61270GT	187, 207, 217, 235	69775GT	197, 245	75066GT	283, 287
61294PGT	311	69873GT	351, 353	75069GT	325, 327
61297GT	439	70241GT	351	75096GT	269
61298GT	439	70289GT	193, 241, 261	75249-PGT	93
61321GT	393, 397	70381GT	187, 235, 263	75250GT	89
61326GT	143, 149	70438PGT	175	75253GT	143, 149, 387
61380GT	307	70439PGT	173	75254GT	143, 149, 387
61569GT	415, 417	70440GT	175, 197, 245	75256GT	143, 149, 387
61574GT	65	70444GT	175, 203	75257GT	143, 149, 387
61575GT	65	70445GT	175	75259GT	209
61602GT	269, 317	70447GT	175	75260GT	209, 253, 257
61745GT	305	70448PGT	173	75274GT	209
62252GT	351, 353	70449GT	175, 203	75286GT	313
62253GT	351	70483GT	175, 203	75297GT	209
62328GT	373	70518GT	209	75304GT	199
62329GT	363, 367	70535GT	101, 105, 123, 193, 241, 261	75326GT	199
62330GT	361, 365	71259GT	89	75327GT	199
62338GT	365, 373	71911GT	173, 175, 203, 221, 237	75328GT	199
62339GT	363, 369	72043GT	351	75330GT	199
62349GT	361, 365	72086GT	15, 19, 21, 23, 25, 27...	75342GT	199
62374GT	153, 157, 161	72131GT	37, 39	75355GT	301
62375GT	157, 161	72255GT	179	75356GT	303
62379GT	153, 159, 163, 343	72326GT	343	75396GT	299
62392GT	349	72875GT	29, 31, 33, 35	75443GT	349



<u>Part no.</u>	<u>Page Number</u>	<u>Part no.</u>	<u>Page Number</u>	<u>Part no.</u>	<u>Page Number</u>
75444GT	349	82366GT	15	97373GT	361, 365
75445GT	349	82481GT	41, 47	97579GT	29, 31, 33, 35
75446GT	349	82487GT	41, 53, 55, 57, 59	97602GT	25, 27
75447GT	349	82862GT	29, 31, 33, 35	97757GT	15, 41
75448GT	349	83093GT	93, 111, 117	97815GT	29, 31, 33, 35, 53, 55...
75449GT	349	83098GT	349	97865GT	23
75450GT	171, 189, 201, 211, 237	84134GT	351	99778GT	419
75451GT	171, 189, 201, 211, 237	84135GT	351, 353	101004GT	73
75463GT	363, 369	88056GT	153	101005GT	423
75464GT	361, 363, 365, 367	88091GT	177	101005HGT	423
75465GT	365	88150GT	153, 157, 161	101057GT	361, 365
75537PGT	329	88177GT	153, 157, 161	101068GT	377
75555GT	207	88280GT	315	101069GT	375
75574GT	189, 237, 389	88287GT	343	101070GT	79
75654GT	143, 149, 389	88315GT	155, 159, 163	101174GT	341, 423
75769GT	165, 287	88406GT	425	101174HGT	341, 423
76364GT	67	88441-2950GT	391	101175GT	341, 423
76695GT	315	88493GT	413	101175HGT	341
77081GT	95, 99	88606PGT	409	101234GT	65
77351GT	345	88607PGT	409	101506-1620GT	169
77489GT	351	89104GT	287	101506-1860GT	169
77664GT	451	89105PGT	313	101525GT	427
77735GT	351	89106GT	313	101572GT	75, 83
77880GT	315	89107GT	313	101626GT	255, 259
78736GT	69, 101, 105, 123, 127	89110GT	165, 311	101634GT	203
80341GT	139	89164GT	311	101639GT	413
81096GT	327	89171PGT	311	101640GT	187, 207, 235
81154GT	265	89310GT	351, 353, 357	101726GT	95, 99
81175GT	315	89593GT	391	101731PGT	425
81368GT	405	89733GT	373	101732GT	425
81467GT	171, 189, 201, 211, 235	89735GT	373	101793-2573GT	389
81468GT	171, 189, 201, 211, 235	89770GT	373	101930PGT	209
81488GT	345	89785GT	247	101931PGT	209
81551GT	153, 157, 161, 343	89792GT	177	101932GT	319
81578GT	145, 151	93500GT	13	101957GT	173, 203
81812-3592GT	381	94327GT	13	102045GT	175, 225
81812-3692GT	381	94374-5530GT	389	102051GT	285
81812-5792GT	383	94374-5730GT	389	102052GT	307
81812-11292GT	381	94374-6030GT	381	102053GT	281
82161GT	15	94374-6130GT	389	102205PGT	89
82237GT	23, 29, 31, 33, 35, 425	94982GT	145, 149	102208GT	175
82314GT	15	96770GT	193, 241, 267	102209PGT	171



<u>Part no.</u>	<u>Page Number</u>	<u>Part no.</u>	<u>Page Number</u>	<u>Part no.</u>	<u>Page Number</u>
102211GT	281	106112GT	427	114252GT	41, 43, 45, 49, 51, 61...
102212GT	281	106118GT	79	114258GT	23
102214GT	281	106141GT	427	114390GT	15, 23, 29, 31, 33, 35
102215GT	281	106183GT	427	114416GT	29, 31, 33, 35
102216GT	281	106204PGT	427	114473GT	53, 55, 57, 59
102237PGT	175	106211-300GT	187, 207, 217, 235	119056GT	419
102348GT	199	106211-475GT	175	119057GT	419
102390GT	131	106211-600GT	187, 217, 235	119065GT	419
102496GT	351	106275GT	427	119066GT	419
102580GT	179	106495GT	343	119112GT	357
102581GT	177	106498GT	83	119116GT	357
102582GT	177	106742GT	67	119219-9300GT	253, 257
102584GT	177	106819-6213GT	381	119403GT	419
102586GT	177	106819-7013GT	381	119613GT	341, 423
102587GT	179	106923GT	189, 193, 237, 241, 265	119762GT	69
102590GT	177	107731GT	355	119915GT	349
102592GT	177	107733GT	359	121603GT	221, 225, 255, 259
102593GT	177	107734GT	355, 357	121608-5938GT	389
102595GT	177	107740GT	361, 365, 373	121608-6780GT	389
102596GT	177	107741GT	375	121777GT	387
102597GT	177	107745GT	355, 357	121804GT	89, 165
102598GT	199	107816GT	375	122015GT	301
102606GT	131	107860GT	427	122034GT	281
102607GT	129	110195GT	357	122114GT	281
102632GT	199	110229GT	345	122120GT	355, 357, 359
102638GT	199	110276GT	425	122121GT	355, 357, 359
102639GT	199	110277GT	425	122148GT	355, 357, 359
102646GT	205, 225	110481GT	67	122200GT	303
102676GT	409	110482GT	67	122225GT	305
102685GT	373	110771-665R3GT	69	122351GT	343
102710GT	123, 127	111402GT	179	122362GT	423
102785PGT	409	111436GT	395, 399	122366GT	153, 157, 161
102786PGT	409	111445GT	177	122367GT	153, 157, 163
102992GT	329, 333	111523GT	303	122406GT	421
104030GT	343	111526GT	409	122414GT	187, 207, 217, 235
104759GT	375	111580GT	93, 109, 115, 453	122432GT	413
104760GT	373	111663GT	73, 77	122551GT	319
104804GT	331, 335	111668GT	179	122755GT	425
106077GT	425	111776PGT	305	122793GT	421
106098GT	79	111997GT	281	122795GT	273, 277
106110GT	425	114249GT	43, 45, 49, 51	122964GT	375
106111GT	425	114251GT	47	122994GT	153, 157, 163



<u>Part no.</u>	<u>Page Number</u>	<u>Part no.</u>	<u>Page Number</u>	<u>Part no.</u>	<u>Page Number</u>
123081GT	205	160736GT	71, 75	216607GT	419
123084GT	199	161207GT	135, 137, 139	216612GT	419
123351GT	199	161533GT	373	216615GT	419
124962GT	95, 99, 189, 193, 231, 241...	161538GT	355, 357, 359	216616GT	419
128000GT	349	161539GT	357	216617GT	419
128001GT	349	161923GT	357	216618GT	419
128004GT	173, 187, 235, 263	162206GT	195, 243, 267	216663GT	419
128200GT	341	162207GT	101, 107, 193, 241, 265	216758GT	203
128203GT	423	162208GT	195, 243, 267	217021GT	101, 105
128204GT	153, 157, 161	162209GT	101, 105, 193, 241, 265	217219GT	73, 87
128268GT	315	162291GT	75	217232GT	199
128314GT	181, 185, 227, 231	214225GT	315	217366GT	425
128322GT	325, 327, 425	214226GT	315	217457GT	201, 209
128323GT	425	214228GT	13	217458GT	197, 199, 209, 245
128483GT	319	214249GT	419	217459GT	199
128584-SGT	153, 157, 161	214536GT	419	217460GT	197, 199, 209, 221, 245
130187GT	199	214619GT	427	217470GT	81
130341GT	205	214623GT	427	217477GT	73, 77
131323GT	13	214691GT	265	217481GT	67
133067GT	41, 47, 53, 55, 57, 59	215254GT	91, 111, 117	217482GT	67
133205GT	47	215496GT	203	217486GT	79
133278GT	23	215500GT	203	217500GT	197, 209, 245, 261
139321GT	173	215509GT	205	217689GT	83
139322GT	171	215510GT	205	217774GT	225
139338GT	343	215511GT	207	218112GT	71
139455GT	175	215513GT	87	218144GT	189, 237, 263, 373
139598GT	349	215515GT	207	218155GT	155, 159, 163
139621GT	177	215516GT	209	218173GT	129
139709GT	177	215517GT	189, 205, 219, 237	218456GT	79
139983GT	175	215530GT	87	218457GT	71, 77, 111, 117
146061GT	179	215531GT	87	218458GT	195, 243, 265
146089GT	269, 271	215751GT	87	218496GT	79
146091GT	269, 271	215918GT	207	218559GT	29, 31, 33, 35
146093GT	87	216036GT	189, 237	218715GT	183, 185, 229, 231, 253, 257
146476GT	281, 285	216058GT	73, 165	218730GT	361, 365, 367
146477GT	281, 285	216059GT	87, 167	218792GT	225
146478GT	341	216159GT	79	218793GT	225
147095GT	153, 157, 163	216247-6684GT	381	218798GT	225
147121GT	329, 333	216286GT	199	218806GT	217
160502GT	71, 75	216564GT	199, 221	218809GT	223
160572GT	85	216597GT	73, 189, 197, 199, 209, 221...	218811GT	223
160732GT	71, 75	216606GT	419	218812GT	221



<u>Part no.</u>	<u>Page Number</u>	<u>Part no.</u>	<u>Page Number</u>	<u>Part no.</u>	<u>Page Number</u>
218832GT	225	229845GT	111, 117	236234GT	291, 297, 305
218834GT	225	229987GT	89	236240GT	203
218835GT	223	230073GT	11, 15, 89, 95, 199, 209	236259GT	195, 243
218837GT	225	230074GT	89, 183, 185, 213, 229, 233	236260GT	13, 195, 241, 265
219030GT	223	230825GT	71, 77	236403GT	167, 323
219130GT	221	230826GT	73	236409GT	167
219158GT	407	230984GT	15, 41	236710GT	345
219188GT	219	231020GT	421	236946GT	179
219302GT	73	231023GT	421	237068GT	101, 105
219304GT	71, 75	231087GT	131, 205, 221	237209GT	375
219485GT	15	231088GT	195, 213, 243, 267	237212GT	363, 367, 373
219487GT	31, 35	231480GT	269, 271	237213GT	361, 365, 375
219508GT	261, 449	231509GT	91, 109, 115	237238GT	89
219646GT	81	231511GT	207, 225, 261, 267	237239GT	87
219697GT	93, 111, 117, 197, 245	231512GT	93, 111, 117	237241GT	73, 87
219956GT	55, 59	231513GT	81, 89, 111, 111, 101, 105...	237242GT	73, 87
219958GT	53, 55, 57, 59	231514GT	121, 125	237352GT	13, 19, 183, 185, 213, 227...
219960GT	25, 27	231515GT	91, 109, 115, 121, 125	237458GT	75
226103GT	179	231529GT	91, 109, 115, 129, 111, 181	237711GT	419
226104GT	179	231530GT	89, 199, 203, 221, 291, 305...	237819GT	67
226105GT	179	231531GT	69	237820GT	73, 75
226106GT	177	231532GT	11, 15, 81, 203, 209, 217	237827GT	67
226491GT	87	231533GT	11, 15, 181, 181, 191, 199, 203...	237828GT	67
226492GT	73, 87	232874GT	187, 207, 217, 235	237830GT	73, 273, 277
226542GT	315	232883GT	87	237832GT	89, 13, 15, 59, 99, 129...
226627GT	205	232886GT	81, 15, 81, 101, 105, 123...	237854GT	71, 75
227515GT	165, 329, 333	232951GT	171	822087GT	99, 99, 101, 105, 193, 195...
227618GT	337	232975GT	343	822103GT	141, 347
229407GT	375	232993GT	81, 167	822222GT	133, 347
229461GT	67	233509GT	319	822223GT	133
229462GT	67	235143GT	373	822224GT	343
229464GT	439	235144GT	373	822225GT	121, 125
229465GT	67	235145GT	373	822226GT	121, 125
229466GT	67	235147GT	373	822229GT	121, 125
229467GT	439	235148GT	373	822353GT	311
229526GT	79	235149GT	373	822477GT	343
229530GT	73, 75	235309GT	71, 75, 87	822548GT	133, 135, 137, 139
229532GT	67, 79	235314GT	67	822600GT	291, 297, 305
229540GT	79	235315GT	71, 77	822606GT	253, 257
229541GT	79	235317GT	69	822955GT	203
229543GT	75	236037GT	13	823420GT	181, 195, 227, 243
229567GT	159, 341	236224GT	373	823421GT	193, 195, 241, 243



<u>Part no.</u>	<u>Page Number</u>	<u>Part no.</u>	<u>Page Number</u>	<u>Part no.</u>	<u>Page Number</u>
823748GT	111, 117	824116GT	325, 327	825580GT	319
823958GT	221	824119GT	91, 283, 287	825597GT	93, 109, 115
824019GT	145, 151	824120GT	93, 109, 115, 407	825686GT	71, 77, 285, 311
824027GT	83, 91, 99, 101, 105	824122GT	209	825693GT	247
824028GT	91, 111, 117, 143, 149, 171	824123GT	115, 191, 211, 223, 245, 261	825708GT	247
824029GT	83, 87, 91, 99, 99, 101	824124GT	441	825737GT	141, 347
824032GT	83, 89, 131, 143, 151, 205...	824125GT	91, 113, 119	825747GT	347
824036GT	145, 147, 151	824131GT	89, 93, 181, 183, 221, 231	825748GT	141, 347
824037GT	435	824132GT	181, 183, 191, 221, 229, 231	825761GT	141, 347
824038GT	311, 319	824133GT	69, 187, 203, 211, 229, 231...	825795GT	347
824041GT	173	824134GT	197, 225, 245	825796GT	299
824059GT	83, 91, 111, 117, 221, 273...	824142GT	67	825797GT	141, 347
824060GT	405, 407	824144GT	195, 223, 243	825849GT	141, 347
824061GT	91, 113, 119, 283, 287	824145GT	173, 263	826000GT	195, 243, 267
824062GT	193, 241, 261	824146GT	79	826001GT	431
824065GT	325, 327	824214GT	145, 147, 151	826171GT	291, 297
824067GT	93, 291, 301, 307	824215GT	111, 117, 145, 151	826172GT	79
824068GT	93, 103, 111, 113, 117, 129	824216GT	83, 87, 285, 311, 435	826348GT	193
824069GT	407	824234GT	225	826351GT	187, 235
824074GT	87	824236GT	225	826352GT	187, 235
824075GT	325, 327	824261GT	419	826516GT	89, 205, 419
824077GT	83, 143, 147, 151, 207, 291	824471GT	95, 99, 193, 241, 265	826783GT	311
824078GT	91, 101, 103, 113, 119, 147	824600-1400GT	185	826792GT	89
824079GT	83, 87, 99, 103, 113, 121...	824600-4300GT	185	826794GT	89
824080GT	283, 287, 447, 449	824600GT	183, 229, 231, 233	1251496GT	193, 241
824081GT	315	824615GT	25, 27	1251565GT	115, 191, 223, 243, 261, 299
824083GT	285, 309, 405, 435	824617GT	135, 137	1251566GT	171
824085GT	143, 149, 223, 223, 405, 411	824635GT	103, 103, 193, 241, 265	1251600GT	323, 321, 329, 333, 337, 405...
824086GT	171, 321, 323, 451	824673GT	195, 243	1251705GT	197, 245
824087GT	91, 113, 119, 261	824775GT	249	1251708GT	189, 219, 237
824089GT	93, 99, 283, 283, 301, 305	824807GT	413	1251713GT	79
824090GT	89, 91, 99, 103, 103, 115	825015GT	249	1251720GT	181, 185, 227, 231
824091GT	83, 87, 99, 99, 101, 105	825019GT	301, 315	1251722GT	95, 99
824092GT	83, 101, 107, 113, 321, 331...	825020GT	301	1251757GT	89, 449
824093GT	209, 269, 287, 317	825348GT	79, 85	1251893GT	181, 183, 203, 213, 227, 231
824094GT	281, 285, 307	825349GT	81, 145, 147, 151	1251894GT	181, 183, 203, 213, 227, 231
824095GT	297	825351GT	67	1251897GT	207
824109GT	83, 159, 163, 283, 297	825352GT	69, 299	1251899GT	113, 113, 191, 243, 263
824110GT	291, 295, 301, 307	825353GT	221, 263	1251902GT	203
824111GT	273, 277, 301	825355GT	203	1251983GT	181, 183, 213, 221, 233
824113GT	91, 113, 119, 119, 103, 171...	825357GT	71, 77, 289, 313	1251997GT	83, 91, 101, 103, 103, 115...
824115GT	301	825358GT	325, 327, 425	1252015GT	181, 227



<u>Part no.</u>	<u>Page Number</u>	<u>Part no.</u>	<u>Page Number</u>	<u>Part no.</u>	<u>Page Number</u>
1252017GT	183, 229	1254826GT	179	1255756GT	319
1252018GT	181, 227	1254949GT	181, 227, 231	1255758GT	129, 257, 301, 407
1252019GT	183, 229	1255018GT	431	1255760GT	101, 105, 109, 115, 273, 277, 201, 219,
1252047GT	221	1255019GT	431	1255763GT	239
1253185GT	111, 117, 329, 331, 443	1255020GT	431	1255768GT	121, 125
1253199GT	225	1255021GT	431	1255792GT	93
1253208GT	261	1255022GT	431	1255802GT	299
1253218GT	181, 227	1255023GT	431	1255804GT	101, 105, 109, 115
1253230GT	181, 227	1255024GT	431	1255805GT	73, 77
1253231GT	181, 213, 227	1255025GT	431	1255806GT	189, 193, 221, 231, 241, 255...
1253232GT	181, 227	1255028GT	431	1255890GT	431
1253233GT	181, 213, 227	1255029GT	431	1256054GT	93, 111, 117
1253234GT	181, 215, 227	1255033GT	433	1256110GT	319
1253236GT	145, 151	1255035GT	433	1256119GT	299
1253238GT	145, 151	1255036GT	431	1256127GT	319
1253307GT	213	1255037GT	431	1256153GT	135, 137
1253314GT	145, 151	1255038GT	431	1256172GT	83, 303
1253317GT	157, 161	1255047GT	433	1256180GT	319
1253319GT	175, 197, 225, 245	1255066GT	431	1256182GT	299
1253411GT	213	1255067GT	431	1256231GT	121, 125
1253476GT	97, 99	1255068GT	433	1256267GT	269, 271, 273, 277
1253478GT	301, 315	1255342GT	183, 185, 227, 233	1256271GT	213
1253485GT	453	1255367GT	111, 117	1256314GT	357
1253489GT	325	1255402GT	25, 27	1256335GT	169
1253498GT	121, 125, 201, 205, 221, 305	1255451GT	185, 189, 213, 221, 233	1256377GT	429
1253600GT	187, 207, 217, 235	1255452GT	67	1256378GT	429
1253702GT	83	1255469GT	79, 123, 127, 269, 271	1256379GT	429
1253750GT	13	1255537GT	217	1256380GT	429
1253806GT	221	1255538GT	129, 223	1256389GT	429
1253816GT	67	1255581GT	15, 23, 41, 47	1256391GT	213
1254074GT	213	1255582GT	23, 47	1256400FRGT	429
1254075GT	213	1255629GT	295	1256400GT	429
1254080GT	215	1255631GT	181, 185, 213, 221, 231	1256420GT	23, 29, 31, 33, 35, 47
1254081GT	181, 213, 227	1255651GT	195, 243	1256421GT	23, 47, 55, 59
1254090GT	213	1255653GT	179	1256423GT	29, 31, 33, 35
1254092GT	215	1255654GT	83	1256424GT	53, 55, 57, 59
1254095GT	213	1255658GT	67	1256425GT	47, 53, 55, 57, 59
1254418GT	183, 185, 229, 231	1255665GT	187, 235, 263	1256439GT	429
1254728GT	299	1255666GT	173, 189, 237, 263	1256444GT	221
1254763GT	419	1255667GT	35	1256445GT	213
1254764GT	419	1255675GT	29	1256450GT	71, 171
1254807GT	41	1255753GT	71, 77, 195, 243, 265	1256457GT	171

<u>Part no.</u>	<u>Page Number</u>	<u>Part no.</u>	<u>Page Number</u>	<u>Part no.</u>	<u>Page Number</u>
1256467GT	329	1257753GT	193, 241	1259486GT	81
1256468GT	93, 109, 115, 407	1257774GT	195, 243	1259487GT	81
1256480GT	221, 225, 255, 259	1257776GT	129	1259490GT	221
1256481GT	429	1257779GT	249	1259583GT	111, 117
1256583GT	113, 131, 223, 243, 261	1257862GT	91, 109, 115, 415, 417	1259584GT	111, 117
1256693GT	315	1257888GT	189, 193, 231, 241, 265	1259672GT	111, 117
1256776GT	197, 245	1257924GT	203	1259674GT	93
1256804GT	111, 117	1258000GT	347	1259705GT	93, 109, 115
1256805GT	197, 245	1258049GT	299	1259706GT	91, 113, 119
1256837GT	89	1258069GT	157, 161	1259855GT	101, 105, 109, 115
1256843GT	325, 327	1258395GT	305	1259931GT	65
1256844GT	189, 237, 263	1258413GT	169	1259950GT	81
1256847GT	291, 307	1258458GT	223	1259951GT	81
1256851GT	429	1258459GT	221	1259969GT	79
1256855	143, 149, 233, 251, 283, 287...	1258464GT	223	1259970GT	79
1256855GT	337	1258465GT	217	1259971GT	79
1256856GT	297, 429	1258466GT	153	1259972GT	73
1256857GT	213, 211, 281, 291, 307	1258503GT	213	1259975GT	71
1256859GT	435	1258504GT	219	1259976GT	71, 75
1256860GT	83, 121, 125	1258511GT	301	1259977GT	73
1256863GT	83, 121, 125, 303	1258525GT	217	1259978GT	71, 75
1256911GT	195, 243, 267	1258538GT	219	1259979GT	75
1257076GT	171	1258540GT	219	1259980GT	79
1257081GT	325, 327	1258541GT	219	1259983GT	75
1257211GT	427	1258542GT	219	1259984GT	77
1257227GT	131	1258567GT	13	1259986GT	71, 77
1257237GT	25, 27	1258674GT	133, 135, 137, 139	1259987GT	73, 75
1257282GT	167, 321	1258677GT	23, 29, 31, 33, 35, 47...	1259989GT	67
1257296GT	327, 425	1258680GT	133	1260052GT	443
1257377GT	249	1258688GT	133	1260053GT	443
1257389GT	71, 319	1258689GT	133	1260056GT	93
1257390GT	327, 445	1258778GT	89	1260058GT	93
1257411GT	361, 365	1258817GT	221	1260067GT	79
1257419GT	221	1258923GT	213	1260068GT	79
1257454GT	83, 439	1259010GT	111, 117	1260070GT	71, 77
1257460GT	89	1259037GT	113, 119	1260158GT	91, 113, 119
1257464GT	325, 327	1259038GT	91	1260289GT	213
1257481GT	263	1259039GT	413	1260500GT	239
1257628GT	95, 99	1259106GT	325, 327	1260682GT	111, 117
1257706GT	173	1259259GT	339	1260683GT	91
1257733GT	13	1259484GT	79	1260703GT	305, 315
1257739GT	129	1259485GT	79	1260892GT	429

<u>Part no.</u>	<u>Page Number</u>	<u>Part no.</u>	<u>Page Number</u>	<u>Part no.</u>	<u>Page Number</u>
1260910GT	429	1263487GT	65	1267581GT	181, 227
1261018GT	429	1263488GT	65	1267583GT	187, 217, 235
1261019GT	429	1263541GT	15	1267609GT	271
1261020GT	429	1263542GT	41, 43, 45, 49, 51	1267619GT	87
1261021GT	429	1263543GT	15, 19, 21, 25, 27	1267621GT	307
1261022GT	429	1263544GT	15, 41	1267622GT	301
1261023GT	429	1263545GT	15, 41	1267624GT	305
1261024GT	429	1263637GT	75	1267631GT	323
1261025GT	429	1263638GT	75	1267744GT	93, 111, 117
1261184GT	337, 407, 435	1264110GT	95, 99	1267746GT	329, 333
1261237GT	247	1264229GT	449	1267747GT	331, 333
1261250GT	453	1264259GT	87	1267807GT	189, 237, 263
1261765GT	153, 159, 163	1264557GT	235	1267909GT	71, 75
1261797GT	111, 117	1264656GT	187, 235	1267910GT	73
1261798GT	111, 117	1264657GT	187	1267995GT	165
1261813GT	91	1264934GT	339, 435	1267996GT	165
1261917GT	91, 109, 115	1265019GT	319	1267998GT	165, 343
1261960GT	213	1265372GT	329, 333	1267999GT	167
1262031GT	329, 443	1265397GT	331, 333	1268001GT	165, 343
1262320GT	169	1265481GT	285	1268002GT	165
1262432GT	129, 159, 163	1265826GT	329, 333	1268006GT	83, 167
1262524GT	413	1266547GT	267	1268007GT	83, 167
1262525GT	187, 217, 235	1267121GT	15	1268008GT	165, 287
1262851GT	69	1267330GT	193, 241, 265	1268031GT	273, 277
1262866GT	13	1267364GT	89	1268229GT	189
1262873GT	247	1267365GT	89	1268239GT	217
1262893GT	247	1267366GT	109, 115	1268282GT	273, 279
1262896GT	247	1267367GT	109, 115	1268290GT	317
1262897GT	247	1267368GT	91	1268317GT	157
1263147GT	169	1267369GT	93	1268333GT	365
1263148GT	169	1267371GT	109, 115, 415, 417	1268334GT	375
1263149GT	169	1267375GT	95	1268347GT	341
1263150GT	169	1267376GT	121, 125	1268349GT	323
1263233GT	155, 159, 163	1267378GT	101	1268350GT	87
1263409GT	379	1267379GT	113	1268353GT	305, 315
1263410GT	379	1267380GT	101, 107, 109, 115, 119	1268354GT	305, 315
1263411GT	379	1267392GT	145	1268378GT	317
1263412GT	379	1267433GT	109, 115	1268381GT	165
1263453GT	67	1267439GT	113, 119	1268382GT	153, 157, 161
1263463GT	379	1267454GT	91	1268386GT	343
1263464GT	379	1267457GT	93, 109, 115	1268432GT	121, 125
1263465GT	379	1267465GT	111, 117	1268578GT	89



<u>Part no.</u>	<u>Page Number</u>	<u>Part no.</u>	<u>Page Number</u>	<u>Part no.</u>	<u>Page Number</u>
1268646GT	165	1270330GT	39, 63	1273222GT	291, 295, 305
1268761GT	295	1270337GT	325, 327	1273223GT	291, 295, 305
1268762GT	287, 323	1270483GT	321	1273226GT	295
1268819GT	29, 31, 33, 35, 53, 55...	1270638GT	83, 439	1273466GT	121, 125
1268820GT	153, 159, 163	1270665GT	453	1273469GT	83, 439
1268930GT	311	1270722GT	135, 137	1273781GT	213
1269086GT	139	1270810GT	371	1273876GT	325, 327
1269087GT	139	1270994GT	405	1273984GT	145
1269107GT	139	1271018GT	405	1274134GT	145
1269367GT	319	1271019GT	405	1274167GT	173, 191, 207, 219, 239, 255...
1269388GT	317	1271040GT	405	1274168GT	435
1269424GT	319	1271061GT	405	1274170GT	443
1269460GT	141, 347	1271081GT	445	1274266GT	23, 47
1269497GT	345	1271347GT	355	1274267GT	23, 47
1269498GT	343	1271591GT	291, 295	1274268GT	23, 47
1269499GT	349	1271592GT	291, 295	1274322GT	253, 257, 261, 327, 337, 405...
1269553GT	295	1271593GT	297	1274511GT	315
1269641GT	329, 333, 337	1271594GT	291, 295	1274640GT	431
1269671GT	269	1271713GT	349	1274641GT	431
1269672GT	283	1271770GT	95, 99	1274642GT	431
1269690-2670GT	195, 243	1271913GT	307	1274833GT	357
1269704GT	159, 161	1271917GT	307	1274870GT	357
1269786GT	165	1271928GT	101, 105	1274897GT	325, 327
1269787GT	165	1271991GT	301	1274971GT	341
1269788GT	165	1271993GT	283, 297	1274972GT	343
1269789GT	165	1272228GT	283, 287, 297, 305, 313	1275007GT	121, 125
1269790GT	165, 343	1272242GT	15, 41	1275008GT	121, 125
1269793GT	269, 271	1272255GT	303	1275009GT	121, 125
1269794GT	299	1272297GT	273, 277	1275087GT	417
1269795GT	273, 279	1272299GT	299	1275088GT	333
1270104GT	89	1272303GT	333	1275089GT	337
1270116GT	431	1272304GT	329, 333	1275166GT	273, 277
1270117GT	431	1272310GT	313	1275214GT	19, 21, 25, 27, 43, 45...
1270118GT	431	1272434GT	129	1275215GT	41
1270150GT	321	1272435GT	129	1275220GT	305
1270278GT	165, 325, 327	1272508GT	57, 59	1275222GT	307
1270283GT	195, 243	1272509GT	139	1275225GT	307
1270313GT	405	1272538GT	139	1275248GT	349
1270314GT	405	1272553GT	377	1275259GT	349
1270316GT	405	1272620GT	361, 367	1275260GT	349
1270328GT	21, 27, 45, 51	1272872GT	95, 99	1275262GT	129
1270329GT	19, 25, 43, 49	1273221GT	291, 295, 305	1275263GT	291, 295

<u>Part no.</u>	<u>Page Number</u>	<u>Part no.</u>	<u>Page Number</u>	<u>Part no.</u>	<u>Page Number</u>
1275271GT	167	1277875GT	435	1279839GT	15, 41
1275296GT	33, 35	1277876GT	437	1279849GT	319
1275297GT	29, 31, 33, 35	1277877GT	435	1279903GT	285
1275309GT	95, 99	1277924GT	405, 435... 255, 259, 261, 331,	1280054GT	441
1275411GT	299	1277974GT	181	1280192GT	439
1275664GT	297	1278111GT	435	1280258GT	439
1275665GT	297	1278119GT	435	1280278GT	337
1275666GT	129, 403	1278121GT	435	1280315GT	65
1275667GT	129, 403	1278124GT	435	1280316GT	65
1275716GT	167, 299	1278138GT	435	1280324GT	157
1275775GT	129, 403	1278144GT	437	1280325GT	157, 161
1275776GT	129, 403	1278273GT	169	1280329GT	341
1275777GT	121, 125	1278363GT	437	1280330GT	343
1275825GT	347	1278368GT	435	1280392GT	135
1276820GT	315	1278374GT	53, 55, 57, 59	1280414GT	121, 125
1276822GT	315	1278416GT	435	1280415GT	121, 125
1276917GT	89	1278433GT	435	1280416GT	121, 125
1276986GT	135	1278458GT	435	1280417GT	121, 125
1276990GT	441	1278513GT	165, 311	1280579GT	37, 61
1276991GT	441	1278542GT	435	1280580GT	53, 55
1276994GT	441	1278578GT	165	1280590GT	179
1276996GT	441	1278703GT	263	1280591GT	179
1276997GT	441	1278858GT	333	1280819GT	15
1277015GT	307	1278941GT	169	1280820GT	15
1277016GT	393, 397	1278950GT	327, 331	1280946GT	29, 31
1277017GT	441	1278951GT	73	1281095GT	443
1277019GT	441	1278982GT	437	1281108GT	169
1277020GT	441	1279075GT	167	1281109GT	169
1277021GT	441	1279076GT	167	1281175GT	55, 59
1277022GT	441	1279105GT	427	1281454GT	361, 365
1277023GT	441	1279106GT	425	1281474GT	291, 297, 307
1277024GT	441	1279107GT	425	1281475GT	291, 307
1277025GT	441	1279108GT	299	1281476GT	295
1277026GT	441	1279109GT	275, 279	1281477GT	291, 295, 305
1277029GT	441	1279134GT	435	1281478GT	313
1277174GT	345	1279556GT	79	1281509GT	167
1277285GT	363, 367	1279557GT	79	1281510GT	169
1277286GT	365	1279607GT	153	1281767GT	361, 363, 367, 369
1277290GT	375	1279621GT	171	1281768GT	363, 367
1277291GT	363, 369	1279672GT	435	1281769GT	365
1277612GT	269, 271	1279674GT	87	1281770GT	361, 367
1277873GT	435	1279705GT	361	1281912GT	95, 99



<u>Part no.</u>	<u>Page Number</u>	<u>Part no.</u>	<u>Page Number</u>	<u>Part no.</u>	<u>Page Number</u>
1282136GT	165	1287696GT	229	1291526GT	261
1282197GT	149	1287697GT	241	1291557GT	261
1282319GT	361, 365	1287699GT	229, 233	1291558GT	261
1282320GT	361, 363, 367	1288341GT	229, 233	1291573GT	449
1282321GT	363, 367	1288342GT	245	1291624GT	15, 41
1282322GT	361, 363, 367	1288561GT	177	1291802GT	453
1282323GT	361, 363, 367	1289103GT	177	1291803GT	455
1282324GT	363, 367	1289108GT	253, 257	1291804GT	453
1282325GT	363, 367	1289109GT	253, 257	1291806GT	455
1282955GT	273, 279	1289110GT	253, 259	1291809GT	455
1283004GT	337, 453	1289111GT	253, 257	1291811GT	453
1283007GT	261	1289112GT	255, 259	1291812GT	453
1283013GT	263	1289113GT	255, 259	1291813GT	455
1283015GT	261, 267	1289520GT	147, 445	1291815GT	453
1283026GT	455	1289521GT	147, 445	1291817GT	453
1283126GT	401	1289522GT	147, 445	1291818GT	455
1283773GT	441	1289523GT	147, 445	1291819GT	453
1283776GT	13	1289536GT	449	1291821GT	455
1283822GT	19, 25	1289552GT	333	1291844GT	453
1283823GT	21, 27	1289561GT	147	1291865GT	453
1283824GT	283, 287	1289823GT	449	1292044GT	165
1283825GT	283, 287	1289837GT	449	1292198GT	445
1283826GT	283, 287	1289853GT	449	1292512GT	15, 41
1283889GT	291, 295	1290094GT	255, 259	1292513GT	15, 41
1283890GT	291, 295	1290107GT	449	1292514GT	17, 41
1284032GT	81	1290256GT	131	1292515GT	17, 41
1284201GT	69, 167	1290368GT	255, 259	1292624GT	165
1284515GT	299	1290370GT	253, 257	1292625GT	165
1284573GT	319	1290401GT	95, 99	1292669GT	165
1284978GT	161	1290676GT	253, 257	1292670GT	165
1285272GT	87	1290797GT	145, 151	1292828GT	455
1285408GT	171	1290798GT	145, 151	1292932GT	453
1285455GT	13	1290849GT	449	1293282GT	449
1285481GT	253	1291059GT	357	1293700GT	453
1285700GT	405	1291076GT	261	1293702GT	453
1285850GT	435	1291151GT	253	1293703GT	453
1286335GT	103, 105	1291348GT	253, 257	1293704GT	455
1287140GT	255, 259	1291478GT	261	1293706GT	453
1287194GT	229, 231	1291479GT	253, 257	1293710GT	453
1287263GT	245	1291522GT	261	1293871GT	249
1287517GT	41	1291523GT	267	1293912GT	255, 259
1287695GT	231	1291524GT	263	1293934GT	247



<u>Part no.</u>	<u>Page Number</u>	<u>Part no.</u>	<u>Page Number</u>	<u>Part no.</u>	<u>Page Number</u>
1294091GT	247	1297916GT	311	1301884GT	259
1294613GT	181, 227	1297917GT	311	1302025GT	321
1294968GT	247	1297918GT	287	1302108GT	287
1295381GT	167	1297919GT	287	1302111GT	75
1295397GT	267	1298055GT	151	1302112GT	75
1295437GT	229, 231	1298056GT	151	1302115GT	17, 41
1295534GT	255, 259	1298093GT	119	1302463GT	257
1295535GT	255, 259	1298095GT	127	1303130GT	447
1296057GT	147	1298096GT	17, 41	1304217GT	47
1296058GT	147	1298585GT	285	1304820GT	447
1296260-1400GT	267	1298586GT	287	1305382GT	47
1296721GT	345	1298799GT	253	1305837GT	411
1296907GT	41	1298841GT	451	1306104GT	67
1296947GT	237	1298850GT	451	1306251GT	337
1297243GT	249	1298851GT	451	1306254GT	337
1297244GT	249	1298855GT	267	1306354GT	337
1297245GT	249	1298933GT	13	1306589GT	105
1297247GT	249	1298938GT	317	1306590GT	229, 231
1297248GT	249	1298977GT	257	1306670GT	101, 107
1297249GT	249	1299220GT	451	1306706GT	337
1297250GT	249	1299496GT	263	1306707GT	337
1297251GT	249	1299638GT	163	1306812GT	411
1297252GT	249	1299922GT	95, 99	1306900GT	337
1297253GT	249	1300087GT	375	1306957GT	339
1297254GT	249	1300534GT	161	1307200GT	445
1297255GT	249	1300535GT	161	1307308GT	197, 225, 245, 263
1297256GT	249	1300704GT	247	1307332GT	231
1297257GT	249	1300706GT	247	1307643GT	339
1297258GT	249	1300707GT	247	1307644GT	337
1297260GT	251	1300708GT	249	1307739GT	337
1297261GT	249	1300713GT	247	1307740GT	337
1297262GT	249	1301024GT	163	1307759-6780GT	389
1297263GT	249	1301025GT	323	1308109GT	269, 271
1297264GT	249	1301030GT	47	1308157GT	237
1297412GT	29, 31, 33	1301075GT	47	1308923GT	185, 233
1297414GT	61, 63	1301088GT	265	1308924GT	185, 231
1297786GT	313	1301089GT	265	1308925GT	185, 231
1297787GT	313	1301090GT	265	1308926GT	185, 231
1297788GT	277	1301091GT	265	1309013GT	185, 231
1297825GT	99, 105	1301741GT	257	1309395GT	231
1297898GT	287	1301742GT	257	1309414GT	309
1297915GT	311	1301883GT	257	1309415GT	309



<u>Part no.</u>	<u>Page Number</u>	<u>Part no.</u>	<u>Page Number</u>	<u>Part no.</u>	<u>Page Number</u>
1309573GT	171, 189, 201, 219, 237	T112626GT	349		
1309605GT	171, 181, 201, 211, 235	T112773GT	29, 31, 33, 35, 53, 55...		
1309606GT	285	T114285GT	37, 39		
1309607GT	307	T114286GT	61, 63		
1309608GT	281	T114346GT	199		
1309610GT	277	T114379GT	217		
1309743GT	187, 235	T114678GT	177		
1309806GT	239				
1309818GT	187, 235				
1309819GT	191, 239				
1309962GT	105				
1309964GT	105				
1310286-5990GT	383				
1310699GT	105				
1310740-6780GT	389				
1311783GT	281, 285, 307				
1311784GT	277				
1311789GT	277				
1311790GT	281, 285, 307				
1311791GT	281, 285, 307				
1311792GT	277				
1311808GT	281, 285				
1311809GT	307				
1311810GT	277				
1311815GT	285				
1311816GT	307				
1311817GT	281				
1311828GT	277				
1311841GT	281, 285				
1311842GT	307				
1311848GT	281, 285				
1311929GT	233				
1312098GT	281, 285, 307				
1313660GT	105				
T010025GT	105				
T107366GT	67				
T108732GT	177				
T108733GT	177				
T108734GT	177				
T111702GT	65				
T111703GT	65				
T111704GT	65				



California Proposition 65

 **WARNING**

Operating, servicing and maintaining this equipment, passenger vehicle or off-highway motor vehicle can expose you to chemicals including engine exhaust, carbon monoxide, phthalates, and lead, which are known to the State of California to cause cancer and birth defects or other reproductive harm. These chemicals can be emitted from or contained in other various parts and systems, fluids and some component wear by-products. To minimize exposure, avoid breathing exhaust, do not idle the engine except as necessary, service your equipment and vehicle in a well-ventilated area and wear gloves or wash your hands frequently when servicing your equipment or vehicle and after operation. For more information go to www.P65Warnings.ca.gov/passenger-vehicle.

Breathing diesel engine exhaust exposes you to chemicals known to the State of California to cause cancer and birth defects or other reproductive harm.

- Always start and operate the engine in a well-ventilated area.
- If in an enclosed area, vent the exhaust to the outside.
- Do not modify or tamper with the exhaust system.
- Do not idle the engine except as necessary.

For more information go to www.P65warnings.ca.gov/diesel.

www.genielift.com

Distributed By:

Parts Manual
SX-105XC, SX-125XC

*from SN SX105D-174
from SN SX125D-101*

Part No.
1277710GT

Rev B7

Genie
A TEREX BRAND