



A TEREX BRAND

Parts Manual

Serial Number Range

S-100

from SN S10011D-101 to
S10016D-1549

S-105

from SN S10511D-101 to
S10016D-1549

from SN S100D-1550

from SN S105D-1550

Part No. 226126

Rev B

June 2018

Technical Publications

Genie has endeavored to deliver the highest degree of accuracy possible. However, continuous improvement of our products is a Genie policy. Therefore, product specifications are subject to change without notice.

Readers are encouraged to notify Genie of errors and send in suggestions for improvement. All communications will be carefully considered for future printings of this and all other manuals.

Contact Us:

Internet: www.genielift.com
e-mail: awp.techpub@terex.com

Find a Manual for this Model


Go to <http://www.genielift.com>

Use the links to locate Operator's, Parts, Maintenance, and Service and Repair Manuals.

Copyright © 2011 Terex Corporation

226126 Rev A August 2011
First Edition, First Printing

Genie is a registered trademark of Terex South Dakota in the USA and many other countries. "S" is a trademark of Terex South Dakota, Inc.

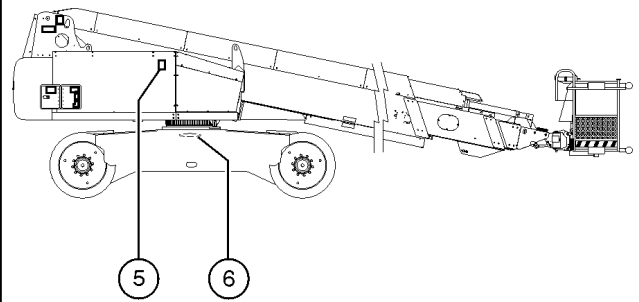
 Printed on recycled paper

To August 31, 2016

Genie
A TEREX BRAND

Model:
Serial number: S12016D-12345
Manufacture date: 1/2/16 **Model year:** 2016
Electrical schematic number:
Machine unladen weight:
Rated work load (including occupants):
Maximum number of platform occupants:
Maximum allowable side force:
Maximum allowable inclination of the chassis:

S120 16 D - 12345
 ① ② ③ ④



- 1 Model
- 2 Model year
- 3 Facility code

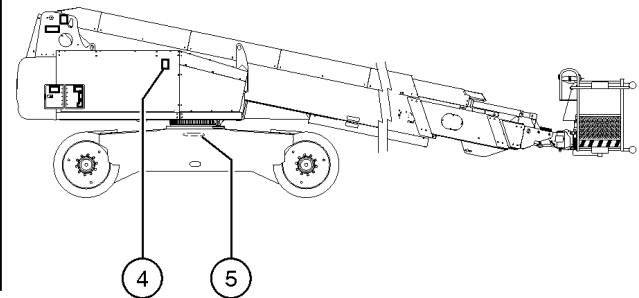
- 4 Sequence number
- 5 Serial label (located under cover)
- 6 Serial number (stamped on chassis)

From September 1, 2016

Genie
A TEREX BRAND

Model:
Serial number: S120D-12345
Year of manufacture: 2016
Electrical schematic number:
Machine unladen weight:
Rated work load (including occupants):
Maximum number of platform occupants:
Maximum allowable side force:
Maximum allowable inclination of the chassis:

S120 D - 12345
 ① ② ③



- 1 Model
- 2 Facility code
- 3 Sequence number

- 4 Serial label (located under cover)
- 5 Serial number (stamped on chassis)

Table of Contents

This manual is updated frequently. If you have a printed manual, you can keep it up to date by downloading new figures from the Genie website at www.genielift.com. For the most up-to-date parts information, visit the Parts Lookup System on the Genie website at www.genielift.com.

How to Read Your Serial Number.....	3
Parts Stocking List.....	7
How to Order Parts.....	8
Service Parts Fax Order Form.....	9

Electronic Version

Click on any page number to view the figure.

100 Decals

101.1 Decals with Symbols, S-100.....	10
102.1 Decals with Symbols, S-105.....	12
103.1 Decals with Words, S-100.....	14
104.1 Decals with Words, S-105.....	18

200 Drive Chassis Components

201.1 Extendable Steer Axle Installation - View 1.....	22
202.1 Extendable Steer Axle Installation - View 2.....	24
203.1 Steer Axle Wheels and Drive Hubs.....	26
204.1 Drive Hub Assembly with Brake.....	28
205.1 Chassis Components.....	30

300 Turntable Components

301.1 Turntable Covers - Tank Side.....	32
302.1 Turntable Covers - Engine Side.....	34
303.1 Turntable Components - Tank Side.....	36
304.1 Turntable Components - Engine Side.....	38
305.1 Turntable Rotator and Hydraulic Rotary Coupler.....	40
306.1 Turntable Rotation Drive Hub.....	42
307.1 Batteries and Hydraulic Filters Installation.....	44
308.1 Fuel Tank Installation.....	46
309.1 Hydraulic Tank Installation.....	48
310.1 Ground Controls.....	50
311.1 Wire Harness Diagram.....	52

400 Engine Components

401.1 Cummins B3.3T Engine - View 1.....	54
402.1 Cummins B3.3T Engine - View 2.....	56
403.1 Cummins Engine Attached Components.....	58
404.1 Deutz TD2011-L04i Engine - View 1.....	60

405.1 Deutz TD2011-L04i Engine - View 2.....	62
406.1 Deutz TD2011-L04i Engine - View 3.....	64
407.1 Deutz TD2.9L4 Engine - View 1.....	66
408.1 Deutz TD2.9L4 Engine - View 2.....	68
409.1 Deutz TD2.9L4 Engine - View 3.....	70
410.1 Deutz TD2.9L4 Engine - View 4.....	72
411.1 Deutz Engine Attached Components.....	74
412.1 Perkins 804D-33T Engine - View 1.....	76
413.1 Perkins 804D-33T Engine - View 2.....	78
414.1 Perkins 1104D-44T Engine - View 1.....	80
415.1 Perkins 1104D-44T Engine - View 2.....	82
416.1 Perkins 1104D-44T Engine - View 3.....	84
417.1 Perkins Engine Attached Components.....	86

500 Boom Components

501.1 Boom Lift Cylinder.....	88
502.1 Boom Tube One, Cable Track.....	90
503.1 Boom Tube One and Boom Tube Two.....	92
504.1 Primary Extend Cylinder.....	94
505.1 Boom Tube Two and Boom Tube Three.....	96
506.1 Boom Tube Two, Limit Switches.....	98
507.1 Platform Rotator, S-100.....	100
508.1 Jib Boom and Platform Rotator, S-105.....	102
509.1 Jib Detail, S-105.....	104

600 Platform Components

601.1 Platform Installation, S-100 - View 1.....	106
601.1 Platform Installation, S-105 - View 1.....	108
602.1 Platform Installation, S-100 - View 2.....	110
602.1 Platform Installation, S-105 - View 2.....	112
603.1 Platform Controls.....	114
604.1 Joysticks.....	116

700 Hydraulic Components

701.1 Traction Manifold.....	118
702.1 Steer and Axle Extend/Retract Manifold - View 1.....	120
703.1 Steer and Axle Extend/Retract Manifold - View 2.....	122
704.1 Function Manifold.....	124
705.1 Platform Manifold, S-105 (to SN S10512D-186).....	128
705.2 Platform Manifold, S-105 (from SN S10512D-187 to S105D-1652).....	130
705.3 Platform Manifold, S-105 (from SN S105D-1653).....	132
706.1 Platform Rotate Manifold.....	134
707.1 Pumps.....	136
708.1 Hydraulic Hoses and Fittings - Drive System.....	138
709.1 Hydraulic Hoses and Fittings - Steer System.....	140
710.1 Hydraulic Hoses and Fittings - Turntable Components.....	142

711.1 Hydraulic Hoses and Fittings - Platform Leveling and Rotation, S-100.....	146
712.1 Hydraulic Hoses and Fittings - Platform Leveling and Rotation, S-105.....	148
713.1 Hydraulic Hoses and Fittings - Boom Components..	150
800 Accessories	
801.1 Alarm and Beacon Package, Driving Lights.....	152
802.1 Platform Controls Cover.....	154
803.1 Platform Overload.....	156
804.1 Cold Start Package.....	158
805.1 Air Line To Platform.....	160
806.1 Platform Options.....	162
807.1 Half-mesh and Pipe Cradle Options.....	164
808.1 Panel Cradle Option.....	166
809.1 Circuit Board Heater Option.....	168
810.1 Hostile Environment Package - View 1.....	170
811.1 Hostile Environment Package - View 2.....	172
812.1 Engine Air Cleaners.....	174
813.1 Engine Air Cleaners - TD2.9L4.....	176
814.1 Operator Protection Structure.....	178
815.1 Welder Option, Chassis Components - View 1.....	180
816.1 Welder Option, Platform Components - View 2.....	182
817.1 Welder Option, Hoses and Fittings - View 3.....	184
818.1 Welder Option, Oil Diverter Manifold - View 4.....	186
819.1 Fall Arrest Bar.....	188
820.1 Lift Guard Contact Alarm Option (from January 2017).....	190
821.1 OPTION,SUNBELT,TELEMATICS,ALC1000.....	192
Indices	
Part Number Index.....	194
Part Description Index.....	201
Cross References	
Fittings Cross Reference.....	212

Required Parts

The following parts are required to perform maintenance procedures as outlined in the *Genie S-100, S-105, S-120 and S-125 Service Manual*.

Deutz TD2011-L04i Models

Description	Part No.
Air Filter	62425
Fuel/Water Separator Filter	29560
Engine Oil Filter	49924
V-belt	58630

Cummins B3.3 C80 Models:

Description	Part No.
Air Filter (Primary)	146044
Air Filter (Secondary).....	146045
Fuel Filter.....	122709
Engine Oil Filter	122708
Serpentine Belt.....	146047

Deutz TD 2.9L4 Models:

Description	Part No.
Air Filter Element.....	62420
Fuel Filter	214228
Fuel/Water Separator Element.....	236260
Engine Oil Filter	823773
V-belt (alternator & water pump).....	1253748
V-belt (air pump).....	1253750

Perkins 1104D-44T Models:

Description	Part No.
Engine Oil Filter - Perkins Models.....	102632
Fuel Filter/Separator - Perkins Models.....	62433
Fuel Filter - Perkins Models.....	102639
Air Filter Element.....	62425

Recommended Parts

Description	Part No.
Genie Blue Paint, 1 Gallon	32150
Genie Blue Paint, 12 Ounce Aerosol.....	1484
Genie Gray Paint, 1 Gallon.....	32151
Genie Gray Paint, 12 Ounce Aerosol	1268

Genie also offers the following support documents:

EMI Safety Manual	27581
Manual of Responsibilities ANSI A92.5.....	31779

How to Order Parts

Please be prepared with the following information when ordering replacement parts for your Terex or Genie product.

- Machine model number
- Machine serial number
- Part number
- Part description and quantity
- Purchase order number
- "Ship to" address
- Desired method of shipment
- Name and telephone number of the authorized distributor in your area

Use the Service Parts Fax Order Form on the next page and fax your order to our Parts Department.

If you don't know the name of your authorized distributor, or if your area is not currently serviced by an authorized distributor, please call Terex or Genie Industries.

Machine Information

Model

Serial Number

Date of Purchase

Authorized Genie Distributor

Phone Number

North America

Telephone (425)881-1800

Toll Free (800)536-1800 in US and Canada

Fax (425)556-8659

Toll Free fax (888)274-6192

Email AWP.PartsSalesPO@terex.com

<http://genielift.com/en>

EMEAR (Europe, Middle East, Africa and Russia)

Telephone (31)(165)519 313

Fax (31)(165)511 148

<http://genielift.co.uk>

Asia Pacific (Genie Singapore)

Telephone +65 6692 7777

Fax +65 6261 8893

<http://genielift.com.sg/>

Australia

Telephone (61)(7)3456 4444

Fax (61)(7)3456 4466

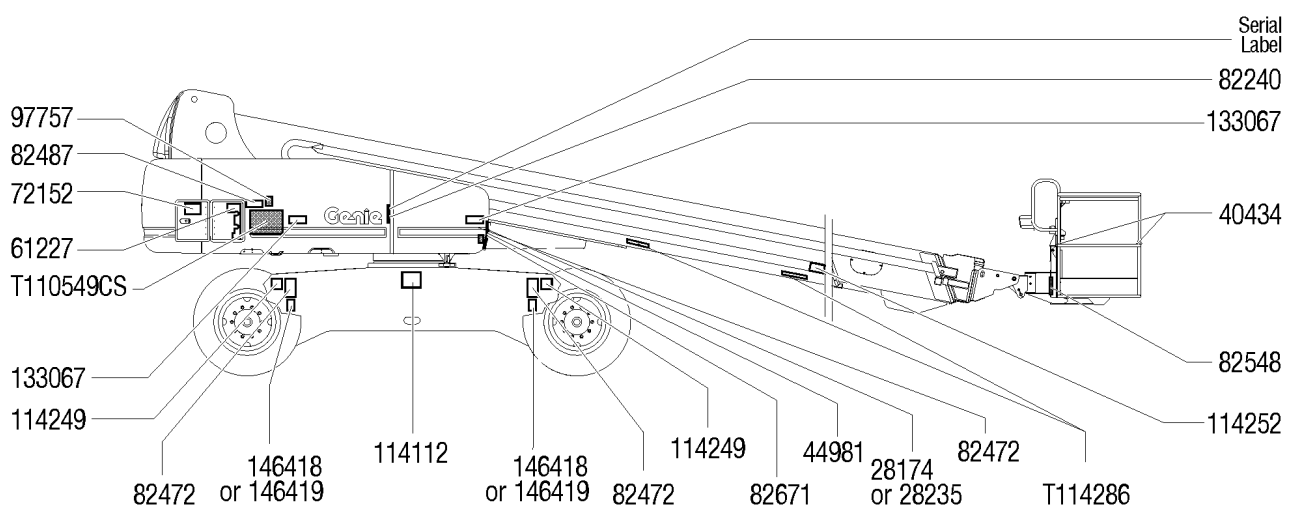
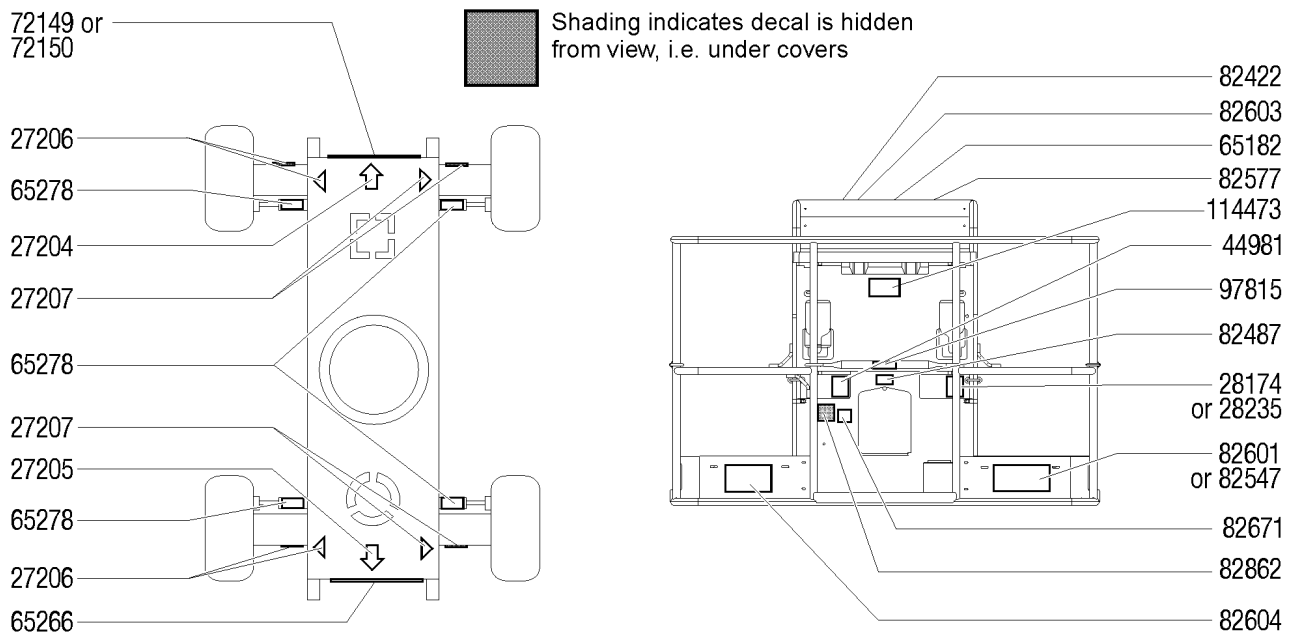
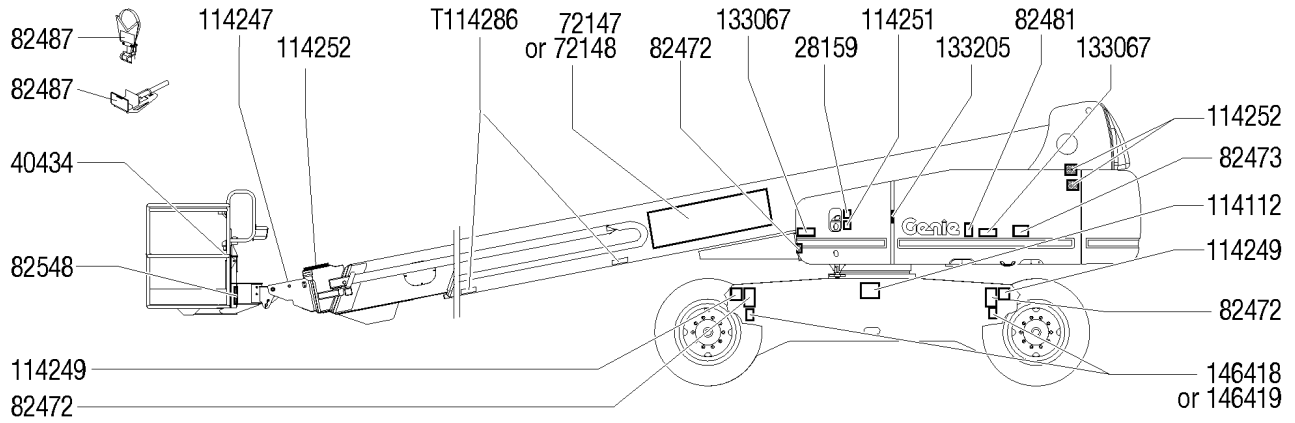
<http://genielift.com.au>

South America

Telephone (55)(11)4082 5600

Fax (55)(11)4082 5630

101.1 Decals with Symbols, S-100

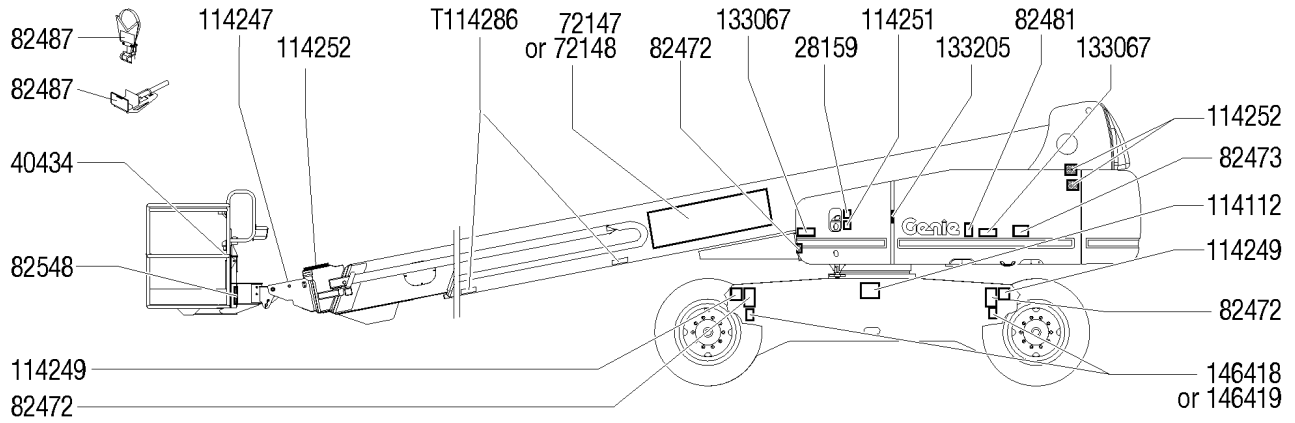


101.1 Decals with Symbols, S-100

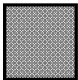
Item	Part No.	Description	Qty.	Item	Part No.	Description	Qty.
--	T114431GT	S-100 CS DECALS <i>from SN D-101</i>		28	114112GT	DECAL,LABEL,TRANSPORT DIAGRAM.....	2
--	825718GT	DECAL KIT,S100/120,PLAT,ANSI,SYM <i>from SN S10012D-288</i>		29	114112GT	DECAL,LABEL,TRANSPORT DIAGRAM.....	1
--	825719GT	DECAL KIT,S100,COMP,SYM,ANSI <i>from SN S10012D-288</i>		30	114247GT	DECAL,LABEL,FALL HAZARD***.....	1
--	825726GT	DECAL KIT,S100/120,PLAT,CE,SYM <i>from SN S10012D-288</i>		31	114249GT	DECAL,LABEL,TIPOVER,TIRES,SYMB.4	
--	825727GT	DECAL KIT,S100,COMP,SYM,CE <i>from SN S10012D-288</i>		32	114251GT	DECAL,LABEL,NO SMOKING,SYMB.....	1
1	27204GT	DECAL,ARROW BLUE.....	1	33	114252GT	DECAL,LABEL,TIP OVER LMT SWTCH.....	3
2	27205GT	DECAL,ARROW YELLOW LRG 9".....	1	34	114473GT	DECAL,DANGER,TIPOVER,TILT,SYM....	1
3	27206GT	DECAL,TRIANGLE,BLUE.....	2	35	133067GT	DECAL,DANGER,ELEC.HAZ.STAY CLR.....	4
4	27207GT	DECAL,TRIANGLE,YELLOW.....	2	36	133205GT	DECAL,LABEL, ELECTRO HAZARD.....	1
5	28159GT	DECAL,LABEL,DIESEL FUEL.....	1	37	T110549CSGT	DECAL,FAULT CODES,SB/SY.....	1
6	28174GT	DECAL, POWER TO PLATFORM 230V**.....	2	38	T114286GT	DECAL.WARN,INSTAL COVER,SYM....	4
7	28235GT	DECAL,POWER TO PLATFORM 115V...2		39	146418GT	DECAL,LABEL, WHEEL LOAD, S-100....	3
8	40434GT	DECAL,LANYARD ANCHORAGE POINT.....	2	40	82547GT	DECAL,DANGER,MAX LOAD 340 KG....	1
9	44981GT	DECAL,LABEL,AIR LINE 110 PSI.....	2	41	72147GT	DECAL,COSMETIC,GENIE S-100.....	1
10	61227GT	DECAL,GROUND CONTROL PANEL.....	1	42	72149GT	DECAL,COSMETIC,S-100.....	1
11	65182GT	DECAL,PLATFORM CONTROL PANEL.....	1	43	82862GT	DECAL,FIRE EXTINGUISHER <i>(welder option)</i>	
11A	72088GT	DECAL,CONTROL PANEL PROTECTOR <i>for 65182</i>					
12	65266GT	DECAL,COSMETIC,4X4.....	1				
13	65278GT	DECAL,CAUTION,NO STEP.....	3				
14	72152GT	DECAL,LABEL,ROM CHART,100/105....	1				
15	82240GT	DECAL,LABEL,105 DB.....	1				
16	82422GT	DECAL,PATCH,DRIVING LIGHT.....	1				
17	82472GT	DECAL,WARNING,CRUSHING HAZARD.....	6				
18	82473GT	DECAL,SYMBOL-COMP ACCESS.....	1				
19	82481GT	DECAL,SYMBOL-BATTERY SAFETY....	1				
20	82487GT	DECAL, SYMBOL - READ THE MANUAL.....	4				
21	82548GT	DECAL,WARN,CRUSH HAZARD PLAT.....	2				
22	82577GT	DECAL,PLATFORM OVERLOAD PATCH.....	1				
23	82603GT	DECAL,DRIVE ENABLE PATCH***.....	1				
24	82604GT	DECAL,DANGER,SIDE FRC 400N.....	1				
25	82671GT	DECAL,LABEL,WELD LINE INST,SYM...2					
26	97757GT	DECAL,LABEL,OIL LEVEL IND.....	1				
27	97815GT	DECAL,LABEL,LOWER MIDRAIL.....	1				

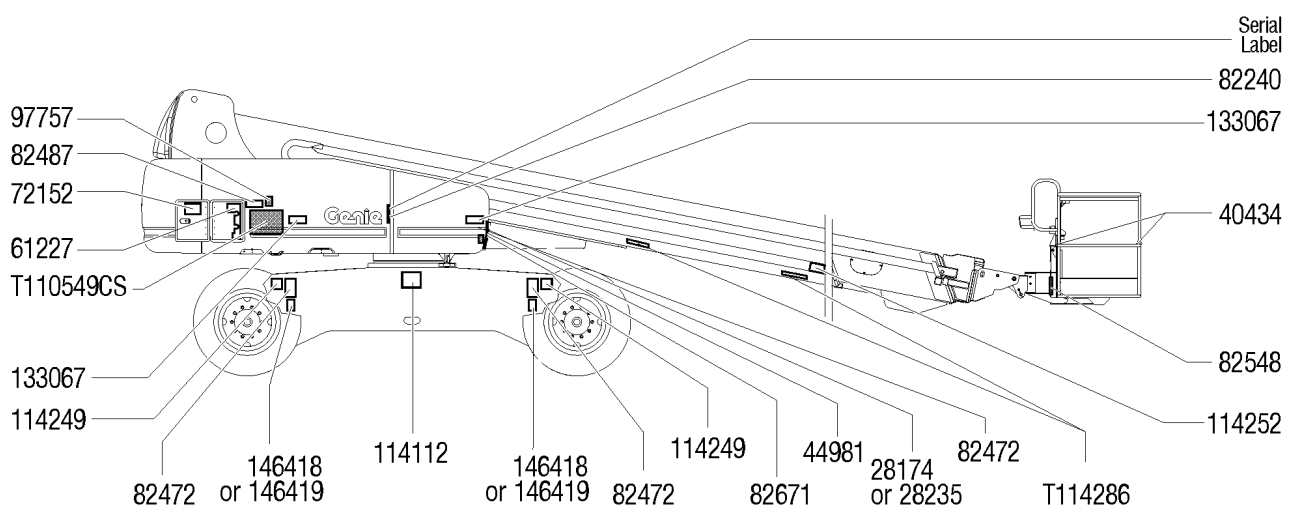
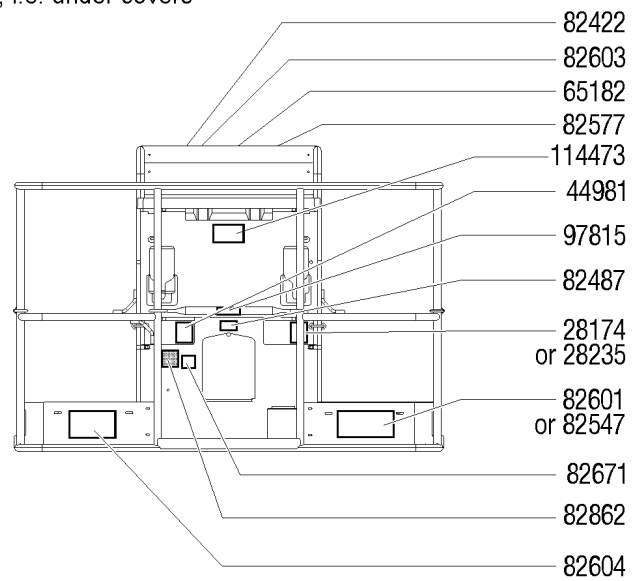
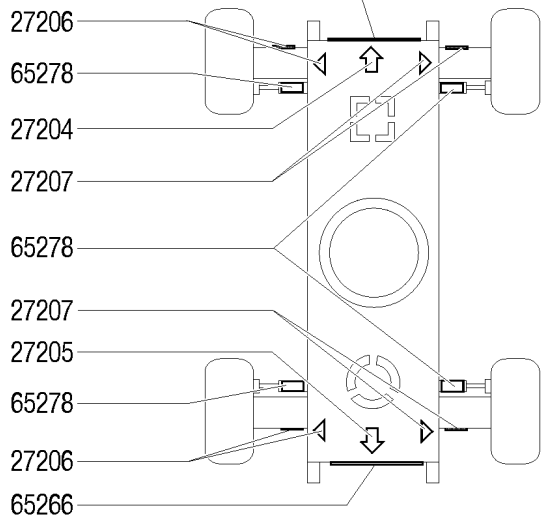


102.1 Decals with Symbols, S-105



114249
 82472
 72149 or 72150

 Shading indicates decal is hidden from view, i.e. under covers



102.1 Decals with Symbols, S-105

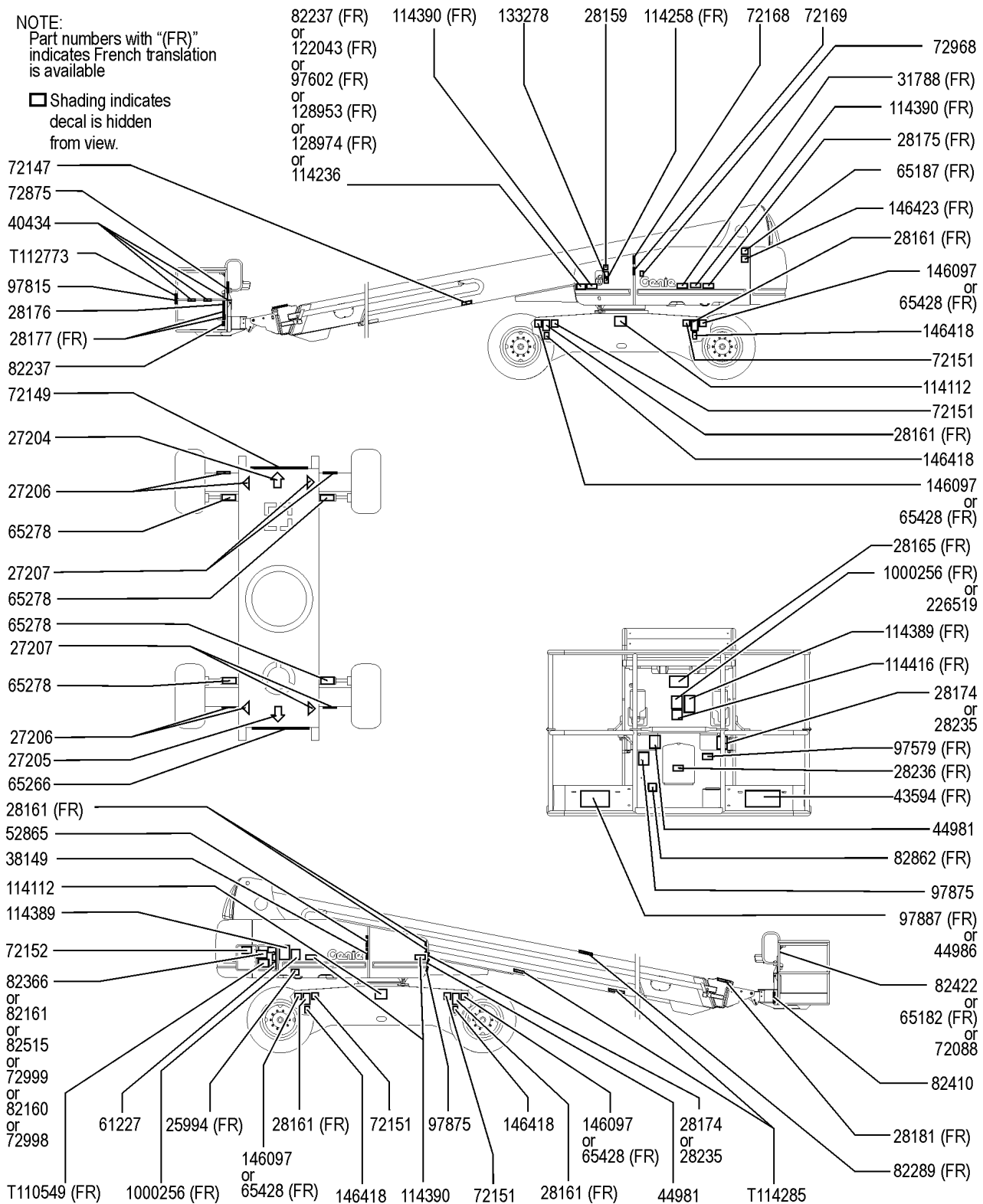
Item	Part No.	Description	Qty.	Item	Part No.	Description	Qty.
--	T114432GT	S-105 CS DECALS <i>from SN D-101</i>		28	114112GT	DECAL,LABEL,TRANSPORT DIAGRAM.....	2
--	825720GT	DECAL KIT,S105/125,PLAT,ANSI,SYM <i>from SN S10512D-328</i>		29	114112GT	DECAL,LABEL,TRANSPORT DIAGRAM.....	1
--	825721GT	DECAL KIT,S105,COMP,SYM,ANSI <i>from SN S10512D-328</i>		30	114247GT	DECAL,LABEL,FALL HAZARD***	1
--	825728GT	DECAL KIT,S105/125,PLAT,CE,SYM <i>from SN S10512D-328</i>		31	114249GT	DECAL,LABEL,TIPOVER,TIRES,SYMB.	4
--	825729GT	DECAL KIT,S105,COMP,SYM,CE <i>from SN S10512D-328</i>		32	114251GT	DECAL,LABEL,NO SMOKING,SYMB....	1
1	27204GT	DECAL,ARROW BLUE.....	1	33	114252GT	DECAL,LABEL,TIP OVER LMT SWTCH.....	3
2	27205GT	DECAL,ARROW YELLOW LRG 9".....	1	34	114473GT	DECAL,DANGER,TIPOVER,TILT,SYM....	1
3	27206GT	DECAL,TRIANGLE,BLUE.....	2	35	133067GT	DECAL,DANGER,ELEC.HAZ.STAY CLR.....	4
4	27207GT	DECAL,TRIANGLE,YELLOW.....	2	36	133205GT	DECAL,LABEL, ELECTRO HAZARD....	1
5	28159GT	DECAL,LABEL,DIESEL FUEL.....	1	37	T110549CSGT	DECAL,FAULT CODES,SB/SY.....	1
6	28174GT	DECAL, POWER TO PLATFORM 230V**.....	2	38	T114286GT	DECAL.WARN,INSTAL COVER,SYM....	4
7	28235GT	DECAL,POWER TO PLATFORM 115V...	2	39	146419GT	DECAL,LABEL, WHEEL LOAD, S-105....	3
8	40434GT	DECAL,LANYARD ANCHORAGE POINT.....	2	40	72148GT	DECAL,COSMETIC,GENIE S-105.....	1
9	44981GT	DECAL,LABEL,AIR LINE 110 PSI.....	2	41	82601GT	DECAL,LABEL,MAX CAPACITY***	1
10	61227GT	DECAL,GROUND CONTROL PANEL.....	1	42	72150GT	DECAL,COSMETIC,S-105.....	1
11	65182GT	DECAL,PLATFORM CONTROL PANEL.....	1	43	82862GT	DECAL,FIRE EXTINGUISHER <i>(welder option)</i>	
--	72088GT	DECAL,CONTROL PANEL PROTECTOR <i>for 65182</i>					
12	65266GT	DECAL,COSMETIC,4X4.....	1				
13	65278GT	DECAL,CAUTION,NO STEP.....	3				
14	72152GT	DECAL,LABEL,ROM CHART,100/105....	1				
15	82240GT	DECAL,LABEL,105 DB.....	1				
16	82422GT	DECAL,PATCH,DRIVING LIGHT.....	1				
17	82472GT	DECAL,WARNING,CRUSHING HAZARD.....	6				
18	82473GT	DECAL,SYMBOL-COMP ACCESS.....	1				
19	82481GT	DECAL,SYMBOL-BATTERY SAFETY....	1				
20	82487GT	DECAL, SYMBOL - READ THE MANUAL.....	4				
21	82548GT	DECAL,WARN,CRUSH HAZARD PLAT.....	2				
22	82577GT	DECAL,PLATFORM OVERLOAD PATCH.....	1				
23	82603GT	DECAL,DRIVE ENABLE PATCH***	1				
24	82604GT	DECAL,DANGER,SIDE FRC 400N.....	1				
25	82671GT	DECAL,LABEL,WELD LINE INST,SYM...	2				
26	97757GT	DECAL,LABEL,OIL LEVEL IND.....	1				
27	97815GT	DECAL,LABEL,LOWER MIDRAIL.....	1				



103.1 Decals with Words, S-100

NOTE:
Part numbers with "(FR)" indicates French translation is available

☐ Shading indicates decal is hidden from view.



103.1 Decals with Words, S-100

Item	Part No.	Description	Qty.	Item	Part No.	Description	Qty.
A	825365GT	DECAL KIT,S100,COMP,WRD,ANSI <i>ANSI market (from SN D-102 to D-287)</i>		20	44981GT	DECAL,LABEL,AIR LINE 110 PSI.....2 <i>Option, airline to plat</i>	
--	825383GT	INSTRUCTIONS,INSTALL,COMP,WORD		21	44986GT	DECAL,INSTR,SIDE FRC/WIND,AUS.....1 <i>Australia</i>	
B	825030GT	DECAL KIT,S100/120,PLAT,ANSI,WRD <i>Decal Kit, Platform, ANSI (from SN D-101)</i>		22	52865GT	DECAL,ANNUAL INSP***.....1 <i>US Only</i>	
--	825127GT	INSTRUCTIONS,INSTALL,PLAT,WORD		23	61227GT	DECAL,GROUND CONTROL PANEL.....1	
C	825373GT	DECAL KIT,S100,COMP,WRD,AUS <i>Australia (from SN D-102 to D-287)</i>		24	65182GT	DECAL,PLATFORM CONTROL PANEL.....1	
--	825383GT	INSTRUCTIONS,INSTALL,COMP,WORD		25	65187GT	DECAL,DANGER DO NOT ALTER SWTC.....1	
D	825109GT	DECAL KIT,S100/120,PLAT,AUS,WRD <i>Decal Kit, Platform, Australia (from SN D-101)</i>		26	65266GT	DECAL,COSMETIC,4X4.....1	
--	825127GT	INSTRUCTIONS,INSTALL,PLAT,WORD		27	65278GT	DECAL,CAUTION,NO STEP.....4	
F	825031GT	DECAL KIT,S100,COMP,WRD,ANSI <i>Decal Kit, Complete, ANSI (from SN D-288)</i>		28	65428GT	DECAL,DANGER,TIP-OVER,TIRES.....4 <i>foam-filled</i>	
--	825128GT	INSTRUCTIONS,INSTALL,COMP,WORD		29	72088GT	DECAL,CONTROL PANEL PROTECTOR.....1	
G	825110GT	DECAL KIT,S100,COMP,WRD,AUS <i>Decal Kit, Complete, AUS Word (from SN D-288)</i>		30	72147GT	DECAL,COSMETIC,GENIE S-100.....1	
--	825128GT	INSTRUCTIONS,INSTALL,COMP,WORD		31	72149GT	DECAL,COSMETIC,S-100.....1	
1	25994GT	DECAL,NOTICE,SHUTOFF VALVES.....1		32	72151GT	DECAL,NOTICE,TIRE SPECS.....4	
2	27204GT	DECAL,ARROW BLUE.....1		33	72152GT	DECAL,LABEL,ROM CHART,100/105.....1	
3	27205GT	DECAL,ARROW YELLOW LRG 9".....1		34	72168GT	DECAL,LABEL,STARTER BATTERY.....1	
4	27206GT	DECAL,TRIANGLE,BLUE.....4		35	72169GT	DECAL,LABEL,CONTROLS BATTERY...1	
5	27207GT	DECAL,TRIANGLE,YELLOW.....4		36	72875GT	DECAL,WARNING,PIPE CRADLE,BOOM.....2 <i>Option, pipe cradle</i>	
6	28159GT	DECAL,LABEL,DIESEL FUEL.....1 <i>diesel only</i>		37	72968GT	DECAL,LABEL,25A CB.....1	
7	28161GT	DECAL,WARN,CRUSH HAZARD HAND.....6		38	72998GT	DECAL,LABEL,QUINTOLUBRIK.....1 <i>Option, hydraulic oil</i>	
8	28165GT	DECAL,INSTRUCT,FOOTSWITCH OPER.....1		39	72999GT	DECAL,LABEL,PETRO CANADA***.....1 <i>Option, hydraulic oil</i>	
9	28174GT	DECAL, POWER TO PLATFORM 230V**.....2		40	82160GT	DECAL,LABEL,STATOIL HYDRA WAY1 <i>Option, hydraulic oil</i>	
10	28175GT	DECAL,WARNING-COMPART ACCESS.....1		41	82161GT	DECAL,LABEL,UCON HYDROLUBE....1 <i>Option, hydraulic oil</i>	
11	28176GT	DECAL,LABEL,MANUAL NOT HERE....1		42	82237GT	DECAL,DANGER,HIGH VOLTAGE.....4 <i>Option, welder generator</i>	
12	28177GT	DECAL,WARN,CRUSH HAZARD PLAT.....2		43	82289GT	DECAL,DANGER DO NOT ALTER SWTC.....1	
13	28181GT	DECAL,WARN,FALL HAZARD.....1		44	82366GT	DECAL, LABEL - CHEVRON RANDO....1 <i>Option, hydraulic oil</i>	
14	28235GT	DECAL,POWER TO PLATFORM 115V...2		45	82410GT	DECAL,WARNING,PANEL CRADLE....2 <i>Option, panel cradle</i>	
15	28236GT	DECAL,WARN,IMPROPER OPERATION.....1		46	82422GT	DECAL,PATCH,DRIVING LIGHT.....1 <i>Option, worklights</i>	
16	31788GT	DECAL,DANGER,BATTERY SAFETY***.....1		47	82515GT	DECAL,OIL,HYD,CHEVRON AVIATION.....1 <i>Option, hydraulic oil</i>	
17	38149GT	DECAL,LABEL,PATENTS.....1 <i>US Only</i>					
18	40434GT	DECAL,LANYARD ANCHORAGE POINT.....8					
19	43594GT	DECAL,NOTICE,MAX LOAD 750 LBS....1					



103.1 Decals with Words, S-100 (continued)

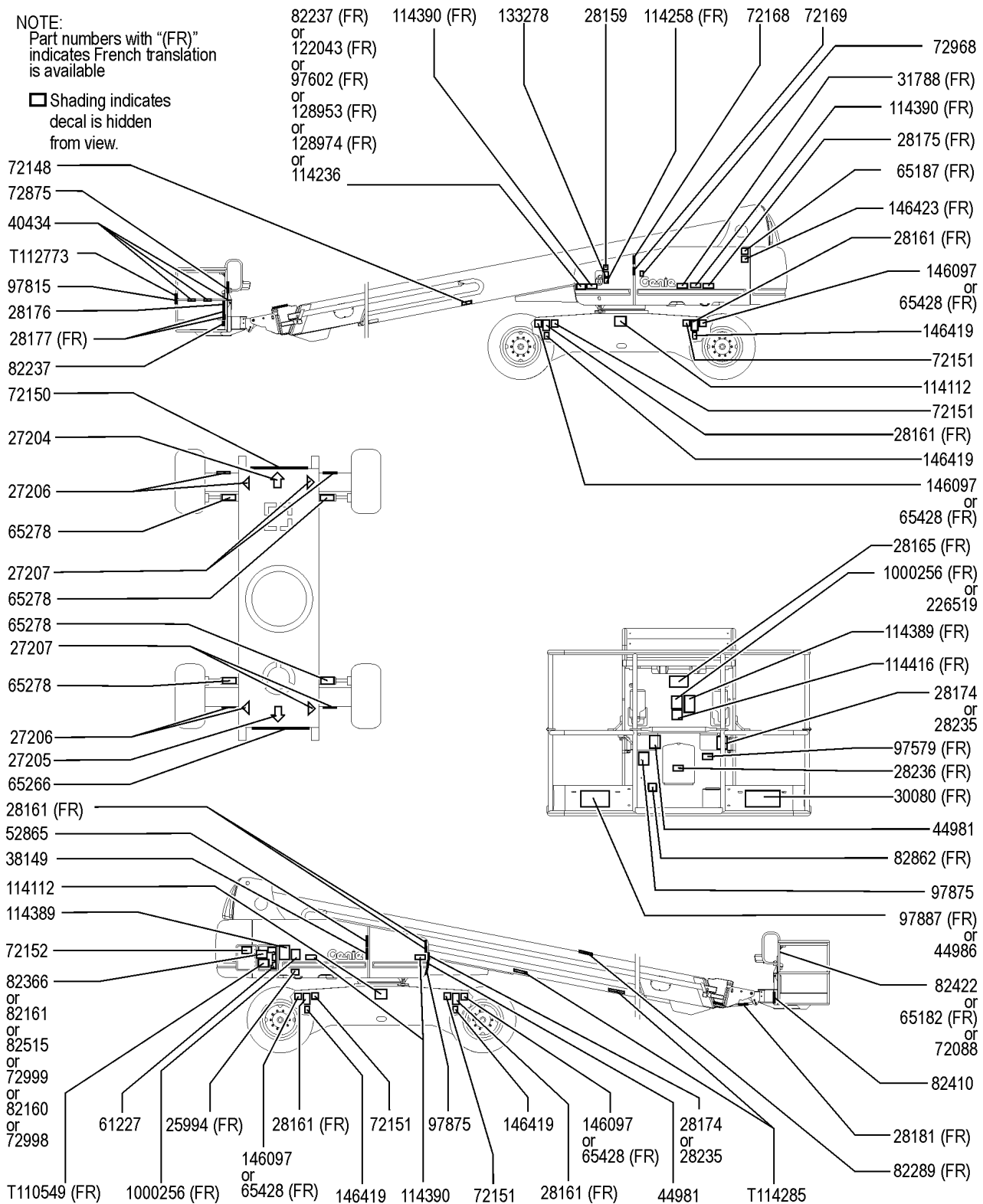
Item	Part No.	Description	Qty.
48	82862GT	DECAL,FIRE EXTINGUISHER.....1 <i>Option, welder</i>	
49	97579GT	DECAL,DANGER,TIP-OVER,WELDER**..1 <i>Option, welder</i>	
50	97602GT	DECAL,EXPLOSION HAZARD.....1	
51	97815GT	DECAL,LABEL,LOWER MIDRAIL.....1	
52	97875GT	DECAL,WARN.WELD LINE INST.WORD.....2 <i>Option, weld line to plat</i>	
53	97887GT	DECAL,INSTR,MAX SIDE FRC,ANSI....1 <i>ANSI</i>	
54	114112GT	DECAL,LABEL,TRANSPORT DIAGRAM.....2	
55	114236GT	DECAL,LABEL,CB SYMBOL.....1 <i>Option, accessory generator</i>	
56	114258GT	DECAL,DANGER,NO SMOKING.....1	
57	114389GT	DECAL,DANGER,GENERAL SAFETY....2	
58	114390GT	DECAL,DANGER,ELECT HAZARD***....4	
59	114416GT	DECAL,DANGER,TIPOVER,TILT.....1	
60	122043GT	DECAL,INSTR,ENG.SPECS,CUMMINS.1	
61	128953GT	DECAL,ENGINE SPEC,DEUTZ,TD2011.....1	
62	128974GT	DECAL,ENGINE SPEC,PERKINS,804T.....1	
63	133278GT	DECAL,LOW/ULTRA LOW SULFR FUEL.....1 <i>US Only</i>	
64	146097GT	DECAL,SOLID TIRE,385/65-24.....4	
65	146418GT	DECAL,LABEL, WHEEL LOAD, S-100...4	
66	146423GT	DECAL,DANGER DO NOT ALTER SWTC.....1	
67	226519GT	DECAL,INST,OPER INST,SB,AUS.....1 <i>Australia</i>	
68	1000256GT	DECAL,NOTICE,OPERATING INST.....2 <i>ANSI</i>	
69	T110549GT	DECAL,FAULT CODES,SB/SY.....1	
70	T112773GT	TAPE, PROTECTIVE MASK.....2	
71	T114285GT	DECAL,WARN,INSTAL COVER,SYM....4	

This Page Intentionally Left Blank

104.1 Decals with Words, S-105

NOTE:
Part numbers with "(FR)" indicates French translation is available

☐ Shading indicates decal is hidden from view.



104.1 Decals with Words, S-105

Item	Part No.	Description	Qty.	Item	Part No.	Description	Qty.
A	825367GT	DECAL KIT,S105,COMP,WRD,ANSI <i>Decal Kit, Complete, ANSI (from SN D-133 to D-327)</i>		19	40434GT	DECAL,LANYARD ANCHORAGE POINT.....	8
--	825383GT	INSTRUCTIONS,INSTALL,COMP,WORD		20	44981GT	DECAL,LABEL,AIR LINE 110 PSI..... <i>Option, airline to plat</i>	2
B	825032GT	DECAL KIT,S105/125,PLAT,ANSI,WRD <i>Decal Kit, Platform, ANSI (from SN D-133)</i>		21	44986GT	DECAL,INSTR,SIDE FRC/WIND,AUS..... <i>Australia</i>	1
--	825127GT	INSTRUCTIONS,INSTALL,PLAT,WORD		22	52865GT	DECAL,ANNUAL INSP***..... <i>US Only</i>	1
C	825375GT	DECAL KIT,S105,COMP,WRD,AUS <i>Australia (from SN D-133 to D-327)</i>		23	61227GT	DECAL,GROUND CONTROL PANEL.....	1
--	825383GT	INSTRUCTIONS,INSTALL,COMP,WORD		24	65182GT	DECAL,PLATFORM CONTROL PANEL.....	1
D	825111GT	DECAL KIT,S105/125,PLAT,AUS,WR <i>Decal Kit, Platform, AUS Word (from SN D-133)</i>		25	65187GT	DECAL,DANGER DO NOT ALTER SWTC.....	1
--	825127GT	INSTRUCTIONS,INSTALL,PLAT,WORD		26	65266GT	DECAL,COSMETIC,4X4.....	1
E	825033GT	DECAL KIT,S105,COMP,WRD,ANSI <i>Decal Kit, Complete, ANSI Word (from SN D-328)</i>		27	65278GT	DECAL,CAUTION,NO STEP.....	4
--	825128GT	INSTRUCTIONS,INSTALL,COMP,WORD		28	65428GT	DECAL,DANGER,TIP-OVER,TIRES..... <i>foam-filled</i>	4
F	825112GT	DECAL KIT,S105,COMP,WRD,AUS <i>Decal Kit, Complete, AUS Word (from SN D-328)</i>		29	72088GT	DECAL,CONTROL PANEL PROTECTOR.....	1
--	825128GT	INSTRUCTIONS,INSTALL,COMP,WORD		30	72148GT	DECAL,COSMETIC,GENIE S-105.....	1
1	25994GT	DECAL,NOTICE,SHUTOFF VALVES.....	1	31	72150GT	DECAL,COSMETIC,S-105.....	1
2	27204GT	DECAL,ARROW BLUE.....	1	32	72151GT	DECAL,NOTICE,TIRE SPECS.....	4
3	27205GT	DECAL,ARROW YELLOW LRG 9".....	1	33	72152GT	DECAL,LABEL,ROM CHART,100/105.....	1
4	27206GT	DECAL,TRIANGLE,BLUE.....	4	34	72168GT	DECAL,LABEL,STARTER BATTERY.....	1
5	27207GT	DECAL,TRIANGLE,YELLOW.....	4	35	72169GT	DECAL,LABEL,CONTROLS BATTERY...1	
6	28159GT	DECAL,LABEL,DIESEL FUEL..... <i>diesel only</i>	1	36	72875GT	DECAL,WARNING,PIPE CRADLE,BOOM..... <i>Option, pipe cradle</i>	2
7	28161GT	DECAL,WARN,CRUSH HAZARD HAND.....	6	37	72968GT	DECAL,LABEL,25A CB.....	1
8	28165GT	DECAL,INSTRUCT,FOOTSWITCH OPER.....	1	38	72998GT	DECAL,LABEL,QUINTOLUBRIK..... <i>Option, hydraulic oil</i>	1
9	28174GT	DECAL, POWER TO PLATFORM 230V**.....	2	39	72999GT	DECAL,LABEL,PETRO CANADA***..... <i>Option, hydraulic oil</i>	1
10	28175GT	DECAL,WARNING-COMPART ACCESS.....	1	40	82160GT	DECAL,LABEL,STATOIL HYDRA WAY..... <i>Option, hydraulic oil</i>	1
11	28176GT	DECAL,LABEL,MANUAL NOT HERE.....	1	41	82161GT	DECAL,LABEL,UCON HYDROLUBE..... <i>Option, hydraulic oil</i>	1
12	28177GT	DECAL,WARN,CRUSH HAZARD PLAT.....	2	42	82237GT	DECAL,DANGER,HIGH VOLTAGE..... <i>Option, welder generator</i>	4
13	28181GT	DECAL,WARN,FALL HAZARD.....	1	43	82289GT	DECAL,DANGER DO NOT ALTER SWTC.....	1
14	28235GT	DECAL,POWER TO PLATFORM 115V...2		44	82366GT	DECAL, LABEL - CHEVRON RANDO..... <i>Option, hydraulic oil</i>	1
15	28236GT	DECAL,WARN,IMPROPER OPERATION.....	1	45	82410GT	DECAL,WARNING,PANEL CRADLE..... <i>Option, panel cradle</i>	2
16	30080GT	DECAL,NOTICE,MAX LOAD 500 LBS....1		46	82422GT	DECAL,PATCH,DRIVING LIGHT..... <i>Option, worklights</i>	1
17	31788GT	DECAL,DANGER,BATTERY SAFETY***.....	1				
18	38149GT	DECAL,LABEL,PATENTS..... <i>US Only</i>	1				

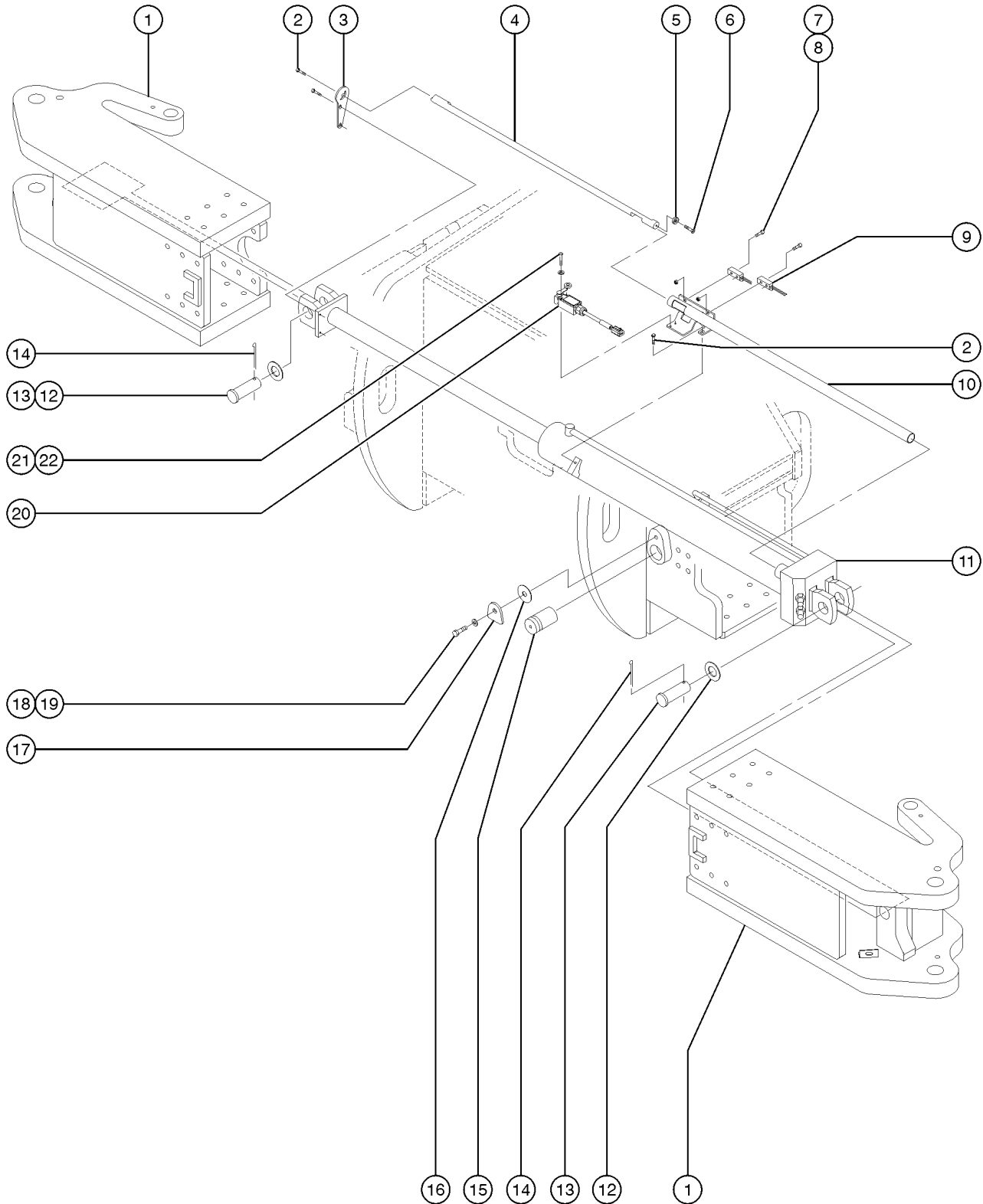


104.1 Decals with Words, S-105 (continued)

Item	Part No.	Description	Qty.
47	82515GT	DECAL,OIL,HYD,CHEVRON AVIATION.....1 <i>Option, hydraulic oil</i>	1
48	82862GT	DECAL,FIRE EXTINGUISHER.....1 <i>Option, welder</i>	1
49	97579GT	DECAL,DANGER,TIP-OVER,WELDER**1 <i>Option, welder</i>	1
50	97602GT	DECAL,EXPLOSION HAZARD.....1	1
51	97815GT	DECAL,LABEL,LOWER MIDRAIL.....1	1
52	97875GT	DECAL,WARN.WELD LINE INST.WORD.....2 <i>Option, weld line to plat</i>	2
53	97887GT	DECAL,INSTR,MAX SIDE FRC,ANSI.....1 <i>ANSI</i>	1
54	114112GT	DECAL,LABEL,TRANSPORT DIAGRAM.....2	2
55	114236GT	DECAL,LABEL,CB SYMBOL.....1 <i>Option, accessory generator</i>	1
56	114258GT	DECAL,DANGER,NO SMOKING.....1	1
57	114389GT	DECAL,DANGER,GENERAL SAFETY....2	2
58	114390GT	DECAL,DANGER,ELECT HAZARD***...4	4
59	114416GT	DECAL,DANGER,TIPOVER,TILT.....1	1
60	122043GT	DECAL,INSTR,ENG.SPECS,CUMMINS.1	1
61	128953GT	DECAL,ENGINE SPEC,DEUTZ,TD2011.....1	1
62	128974GT	DECAL,ENGINE SPEC,PERKINS,804T.....1	1
63	133278GT	DECAL,LOW/ULTRA LOW SULFR FUEL.....1 <i>US Only</i>	1
64	146097GT	DECAL,SOLID TIRE,385/65-24.....4	4
65	146419GT	DECAL,LABEL, WHEEL LOAD, S-105...4	4
66	146423GT	DECAL,DANGER DO NOT ALTER SWTC.....1	1
67	226519GT	DECAL,INST,OPER INST,SB,AUS.....1 <i>Australia</i>	1
68	1000256GT	DECAL,NOTICE,OPERATING INST.....2 <i>ANSI</i>	2
69	T110549GT	DECAL,FAULT CODES,SB/SY.....1	1
70	T112773GT	TAPE, PROTECTIVE MASK.....2	2
71	T114285GT	DECAL,WARN,INSTAL COVER,SYM....4	4

This Page Intentionally Left Blank

201.1 Extendable Steer Axle Installation - View 1



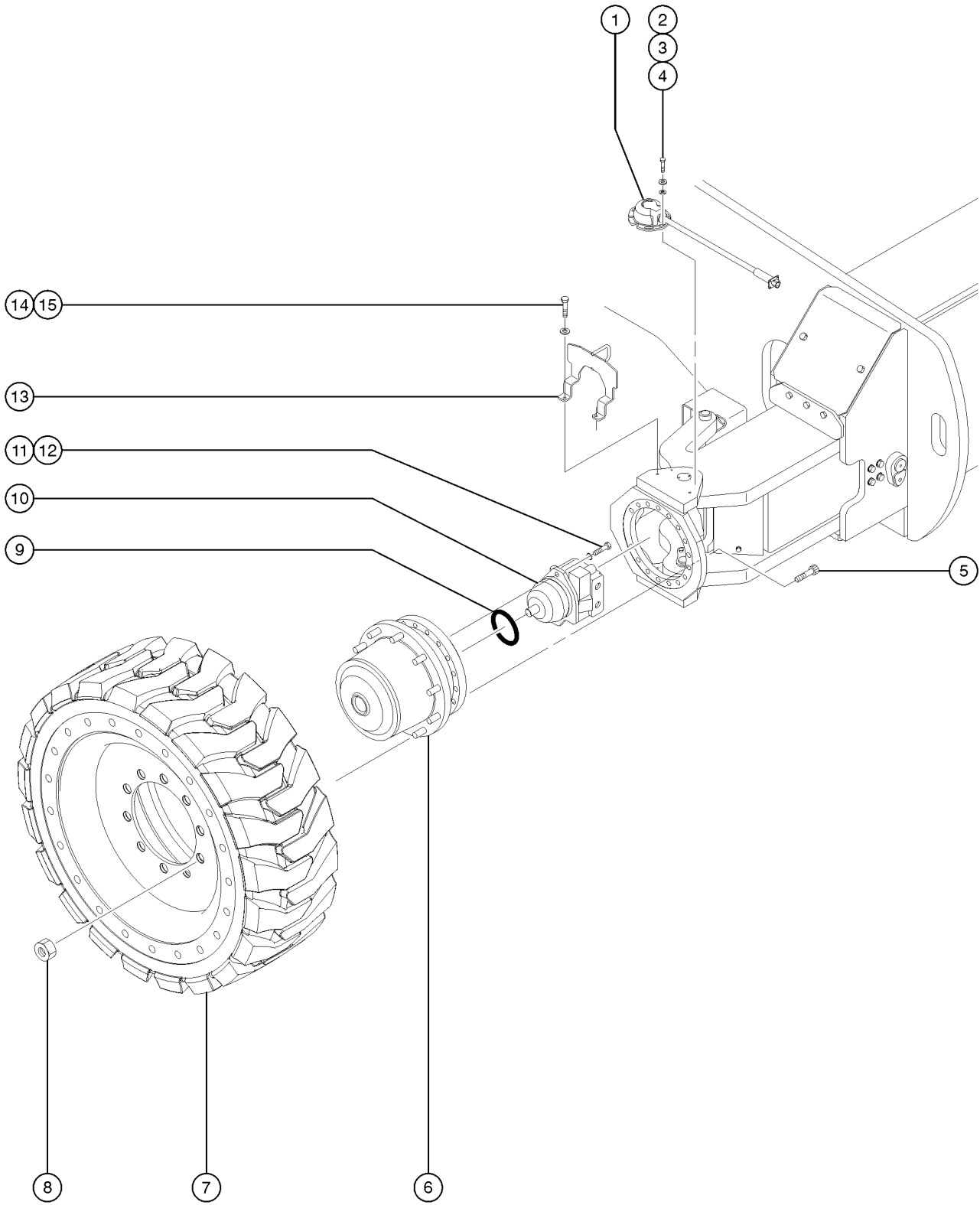
201.1 Extendable Steer Axle Installation - View 1

Item	Part No.	Description	Qty.
1		Ref. MACHINING,INNER AXLE.....2 (refer to 202.1)	
2	75060GT	SCREW,HEX HD FLANGE 1/4-20X1/2	
3	61682GT	BRACKET,SWITCH ROD MOUNT,PNTED.....2	
4	61683GT	ROD,SWITCH ACTIVATING.....2	
5	61684GT	WEARPAD,ACTIVATING ROD.....2	
6	8514GT	SCREW,FHS,1/4-20 X .75	
7	49819GT	SCREW,PHILLIPS,PHM,10-32 X .5	
8	6178GT	NUT,NYLOCK,10-32	
9	60987GT	SWITCH,LIMIT,PROX(OPERATIONAL)...4	
10	61688GT	WELDMENT,AXLE SWITCH.....2	
11	89536GT	CYLINDER,AXLE EXTEND***.....2	
--	33428GT	VALVE,COUNTERBALANCE	
--	43018GT	SEAL KIT (39345)	
--	62416GT	SEAL KIT,AXLE EXTEND CYL,61381	
--	62419GT	VALVE,CB.CBBC-LHN@2200*	
12	18596GT	WASHER,FLAT,1.56 X 2.5 X .061	
13	61604GT	PIN,CLEVIS, 1.50 X 4.465LONG.....4	
14	75063GT	PIN,COTTER,.188 X 2.00 LONG	
15	75038GT	PIN,AXLE STOP.....4	
16	75040GT	SHIM,AXLE PIN	
17	75039-SGT	PLATE,AXLE PIN RETAINER.....4	
18	10597GT	SCREW,HHC,1/2-13 X 1.25 GR5	
19	6033GT	WASHER,LOCK,0.5"	
20	75036GT	LIMIT SWITCH,SAFETY.....2	
--	53983GT	STRAIN RELIEF, PG13,5	
--	75910GT	WIRE ASSEMBLY,16/4SJO,9.5"PLUG	
--	75913GT	LIMIT SWITCH, SAFETY,NO WIRE	
21	49817GT	SCREW,PHILLIPS,PHM,10-32 X1.25	
22	6607GT	WASHER,LOCK,#10 PLTD	

202.1 Extendable Steer Axle Installation - View 2

Item	Part No.	Description	Qty.	Item	Part No.	Description	Qty.
1	18396GT	BEARING,1.5IDX1.75ODX1.0L.....	4	39	6607GT	WASHER,LOCK,#10 PLTD	
2	50060-SGT	CYLINDER,STEERING W/DECAL..... <i>includes item 1</i>	2	40	60745GT	SHIM,GALVANIZED STEER YOKE	
--	65793GT	SEAL KIT CYL***		41	14033GT	SCREW,HHC,3/8-16 X 2.75	
3	61310GT	PLATE,AXLE WEAR STEEL.....	8				
4	61307GT	SHIM,INNER AXLE WEAR PAD					
5	22788GT	SCREW,HHC,1/2-13 X 1.75					
6	6033GT	WASHER,LOCK,0.5"					
7	39479GT	SCREW,HHC,1/2-13 X 2.75					
8	102729GT	ELBOW,90D,1/8 NPT X #4 JIC.....	8				
9	102728GT	NIPPLE,1/8 NPT X 3.0 FFS-S.....	4				
10	61308GT	WEAR PAD,INNER AXLE SIDE.....	16				
11	122249GT	SHIM,PAD 2.0 X 6.60					
12	122248GT	SHIM,PAD,10 X 6.10					
13	61309GT	WEAR PAD,INNER AXLE.....	8				
14	61634-SGT	MACHINING,INNER AXLE.....	2				
15	49189-2338GT	HOSE ASSY,1/4,STR FEM,STR..... <i>components: 48805, 48805 and 48751 @ 21 inches</i>	6				
16	61654GT	FORMING,INNER AXLE COVER.....	2				
17	28646GT	ZERK,GREASE,1/8 NPT.....	8				
18	48885GT	CONNECTOR,BULKHEAD,FEMALE-4...8					
19	6090GT	SCREW,HHC,1/4-20 X .75					
20	6356GT	WASHER,LOCK,.25					
21	6638GT	WASHER,FLAT,USS,1/4"Y					
22	56912GT	SPRING CLIP,1/4-20,.025-.15X.54,ZAG.....	8				
23	60980GT	PIN,1.50DIA X 4.13LG,THREADED.....	6				
24	4828GT	NUT,NYLOCK,3/8-16					
25	6326GT	SCREW,HHC,3/8-16 X 3					
26	825019GT	ROD END,.375X3.69,ZAG.....	8				
27	60555GT	WASHER,THRUST 5 X 1.81 BRONZE....	2				
28	75088GT	PLATE,KING PIN RETAINER.....	4				
29	75087GT	PIN,AXLE KING.....	4				
30	119620GT	BEARING,1.75IDX2.00ODX1.50L.....	4				
31	75452-SGT	YOKE ASSEMBLY,SUPERBOOM,NRRW..... <i>includes items 30 and 32</i>	4				
32	119619GT	BEARING,1.5IDX1.75ODX1.5L,PTFE....	2				
33	6019GT	SCREW,HHC,3/8-16 X 1.25 GRD 5					
34	6021GT	WASHER,LOCK,.375					
35	6097GT	WASHER,FLAT,USS,3/8",Y					
36	60747GT	SHIM,STEER SENSOR ACTIVATOR....	2				
37	60618GT	ACTIVATOR,STEER SENSOR.....	2				
38	49819GT	SCREW,PHILLIPS,PHM,10-32 X .5					

203.1 Steer Axle Wheels and Drive Hubs



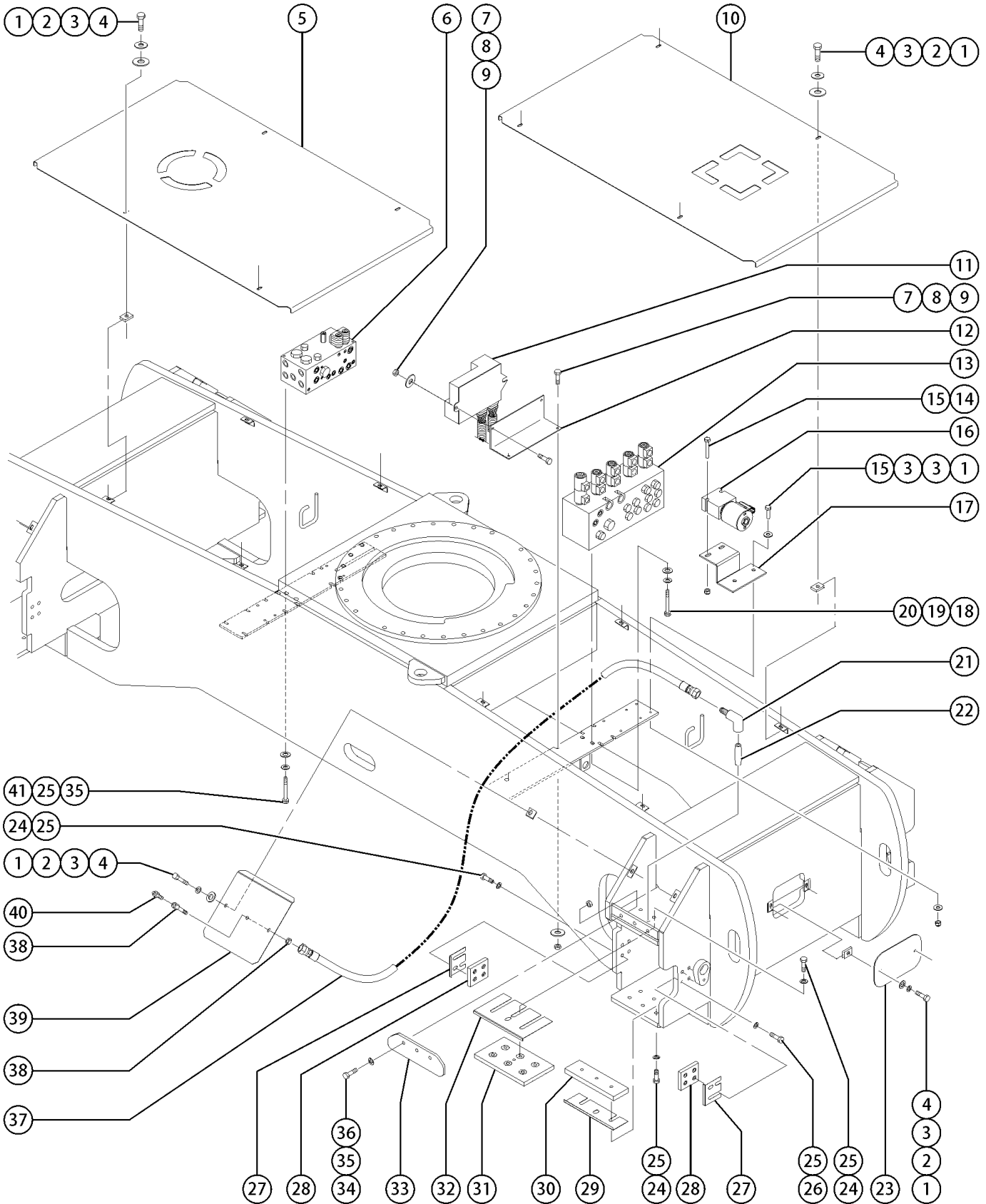
203.1 Steer Axle Wheels and Drive Hubs

Item	Part No.	Description	Qty.
1	107830GT	SUBASSY,STEER SENSOR***.....4 <i>(calibration required after replacement)</i>	4
--	49817GT	SCREW,PHILLIPS,PHM,10-32 X1.25	
2	8914GT	SCREW,HHC,1/4-20 X .625	
3	6356GT	WASHER,LOCK,.25	
4	6638GT	WASHER,FLAT,USS,1/4"Y	
5	102064GT	SCREW,SHC,M16 X 50MM,BLACK.....64	64
6		Ref. Drive Hub with Brake <i>(refer to 204.1), from SN S10011D-101 to SN S10014D-814, from SN S10510D-101 to SN S10514D-814</i>	
6B	218496GT	WHEEL DRIVE W/BRAKE,76:1,BREVI...1 <i>from SN S10014D-815, from SN S10514D-815</i>	1
--	1259484GT	SEAL KIT,BREVINI (218496)	
--	1259485GT	BEARING KIT,BREVINI (218496)	
--	1259486GT	BRAKE KIT,BREVINI (218496)	
--	1259487GT	STUD,WHEEL, 3/4-16 (218496)	
--	1259950GT	DISCONNECT KIT, BREVINI (21849)	
--	1259951GT	COVER KIT, BREVINI (218496)	
7A	60956GT	TIRE & WHEEL ASSY.RIGHT,FOAM.....2 <i>Foam-filled, right</i>	2
7B	60957GT	TIRE & WHEEL ASSY.LEFT,FOAM <i>Foam-filled, left</i>	
8	34127GT	NUT,LUG,3/4-16 X 7/8 RADIUS.....40	40
9	106118GT	O-RING,2-157,VITON***.....4	4
10	101070GT	MOTOR,PISTON,2 SPEED,45CC.....4 <i>includes item 9</i>	4
--	106098GT	SEAL KIT,MOTOR,LC/KC***	
11	56843GT	SCREW,SHC,1/2-13 X 1.50,A574.....8	8
12	13066GT	WASHER,FLAT,.5 HARDENED	
13	61662-SGT	WELDMENT,GUIDE BRACKET.....4	4
14	8255GT	SCREW,HHC,3/8-16 X .75	
15	6021GT	WASHER,LOCK,.375	
16	9997800		

204.1 Drive Hub Assembly with Brake

Item	Part No.	Description	Qty.
--	106756GT	WHEEL DRIVE W/BRAKE,76:1	
1	7339GT	SCREW, HHC, 1/4-20 X .5	
2	102449GT	CAP,MANUAL DISENGAGE (89212).....1	
3	102450GT	PIN,DISENGAGE CAP, 89212.....1	
4	106873GT	SEAL KIT,RWD 1700TB***.....1	
5	102452GT	SCREW,M8X1.5X20MM GR8.8(89212)	
6	62478GT	STUD, WHEEL, 3/4-16 X 3****10	
7	106874GT	BEARING KIT,RWD 1700TB***1	
8	106875GT	BRAKE KIT,RWD 1700TB***1	
9	102684GT	PLUG,DRAIN,RR TRANS.DRIVE HUBS.....2	
10	237233GT	HUB, WHEEL COVER,Z135 (106756)	
--	237232GT	O-RING, WHEEL COVER (237233)	

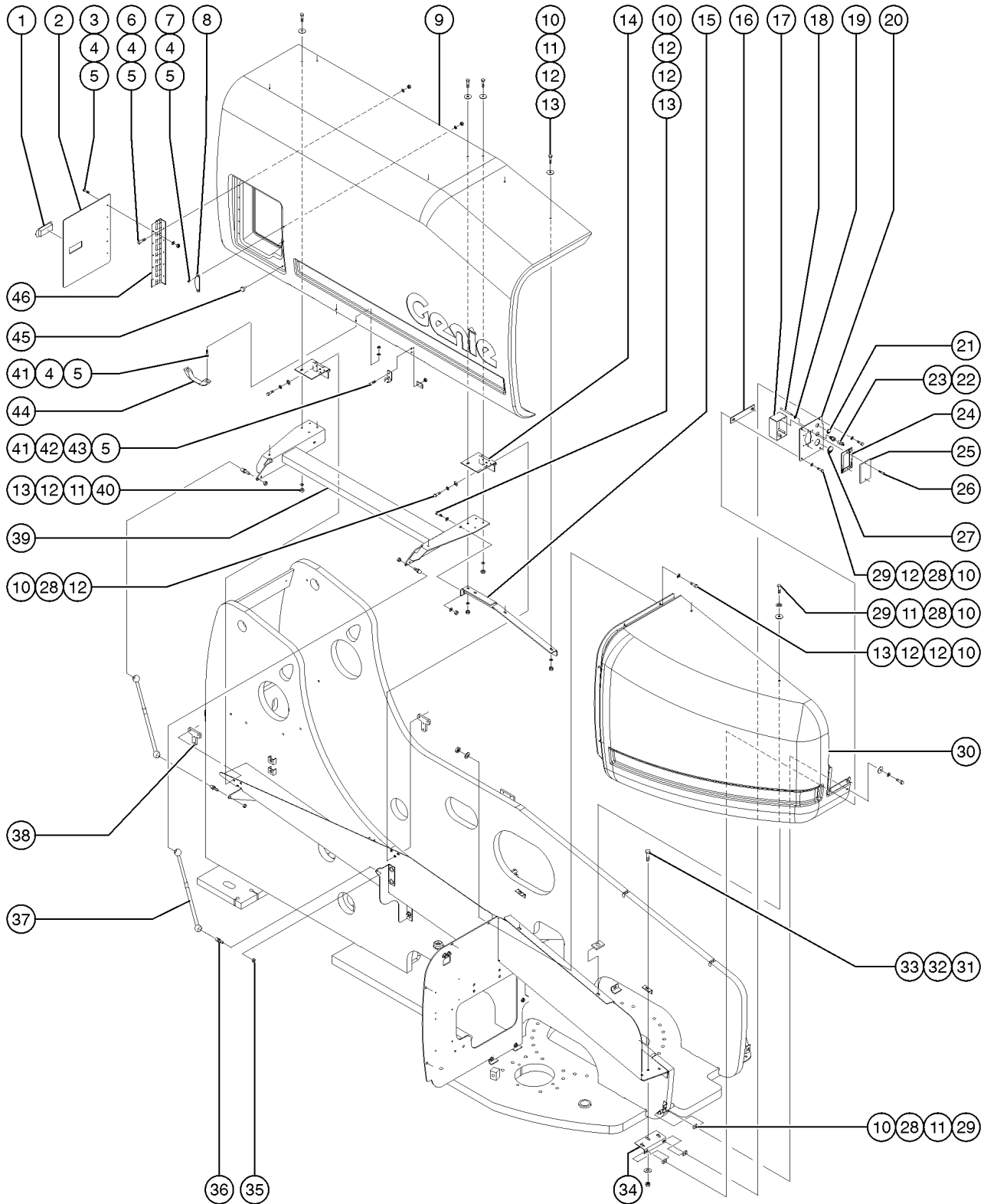
205.1 Chassis Components



205.1 Chassis Components

Item	Part No.	Description	Qty.	Item	Part No.	Description	Qty.
1	6888GT	SCREW,HHC,1/4-20 X 1		37	49189-2338GT	HOSE ASSY,1/4,STR FEM,STR.....4 <i>components: 48805, 48805 and 48751 @ 21 inches</i>	4
2	6356GT	WASHER,LOCK,.25		38	48885GT	CONNECTOR,BULKHEAD,FEMALE-4...4	4
3	6638GT	WASHER,FLAT,USS,1/4"Y		39	61649-SGT	COVER,DRIVE CHASSIS AXLE.....4	4
4	56912GT	SPRING CLIP,1/4-20,.025-.15X.54,ZAG		40	28646GT	ZERK,GREASE,1/8 NPT.....4	4
5	62470-SGT	COVER ASSY,DRIVE CHASSIS S120....1		41	10597GT	SCREW,HHC,1/2-13 X 1.25 GR5	
6		Ref. Traction Manifold <i>(refer to 701.1)</i>					
7	6782GT	NUT,NYLOCK,5/16-18					
8	5397GT	WASHER,FLAT,USS,5/16",Y					
9	10107GT	SCREW,HHC,5/16-18 X .75					
10	62471-SGT	COVER ASSY,DRIVE CHASSIS S120*.....1	1				
11	50154GT	CONTROL BOX ASSY,DRIVECHASSIS.....1	1				
--	102704GT	HARNES,DCON,4WS					
--	73742GT	BOOT,PLUG 3 WAY					
12	61378-SGT	FORMING,DCON MOUNT,PAINTED....1	1				
13		Ref. Steer and Axle Extend/Retract Manifold <i>(refer to 702.1 or 703.1)</i>					
14	6637GT	SCREW,HHC,1/4-20 X 1.75					
15	6091GT	NUT,NYLOCK,1/4-20					
16	1276727GT	VALVE,AXLE REDUNDANT,CIRCUIT....1	1				
17	1276728GT	BRACKET,REDUNDANT VALVE MOUNT.....1	1				
18	6019GT	SCREW,HHC,3/8-16 X 1.25 GRD 5					
19	6021GT	WASHER,LOCK,.375					
20	6097GT	WASHER,FLAT,USS,3/8",Y					
21	102729GT	ELBOW,90D,1/8 NPT X #4 JIC.....4	4				
22	61742GT	NIPPLE,PIPE,LONG 1/8 X 1.5.....4	4				
23	61663PGT	COVER,DRIVE CHASSIS END**.....2	2				
24	8177GT	SCREW,HHC,1/2-13 X 1.5					
25	6033GT	WASHER,LOCK,0.5"					
26	22788GT	SCREW,HHC,1/2-13 X 1.75					
27	122247GT	SHIM,PAD,4 X 3.60					
28	61302GT	WEAR PAD,INNER AXLE SIDE.....8	8				
29	61307GT	SHIM,INNER AXLE WEAR PAD					
30	61310-SGT	PLATE,AXLE WEAR STEEL.....4	4				
31	61309GT	WEAR PAD,INNER AXLE.....4	4				
32	122248GT	SHIM,PAD,10 X 6.10					
33	60418-SGT	PLATE,WEAR PAD RETENTION.....4	4				
34	6096GT	SCREW,HHC,1/2-13 X 2 GR5					
35	6095GT	WASHER,FLAT,USS,1/2",Y					
36	6198GT	NUT,NYLOCK,1/2-13					

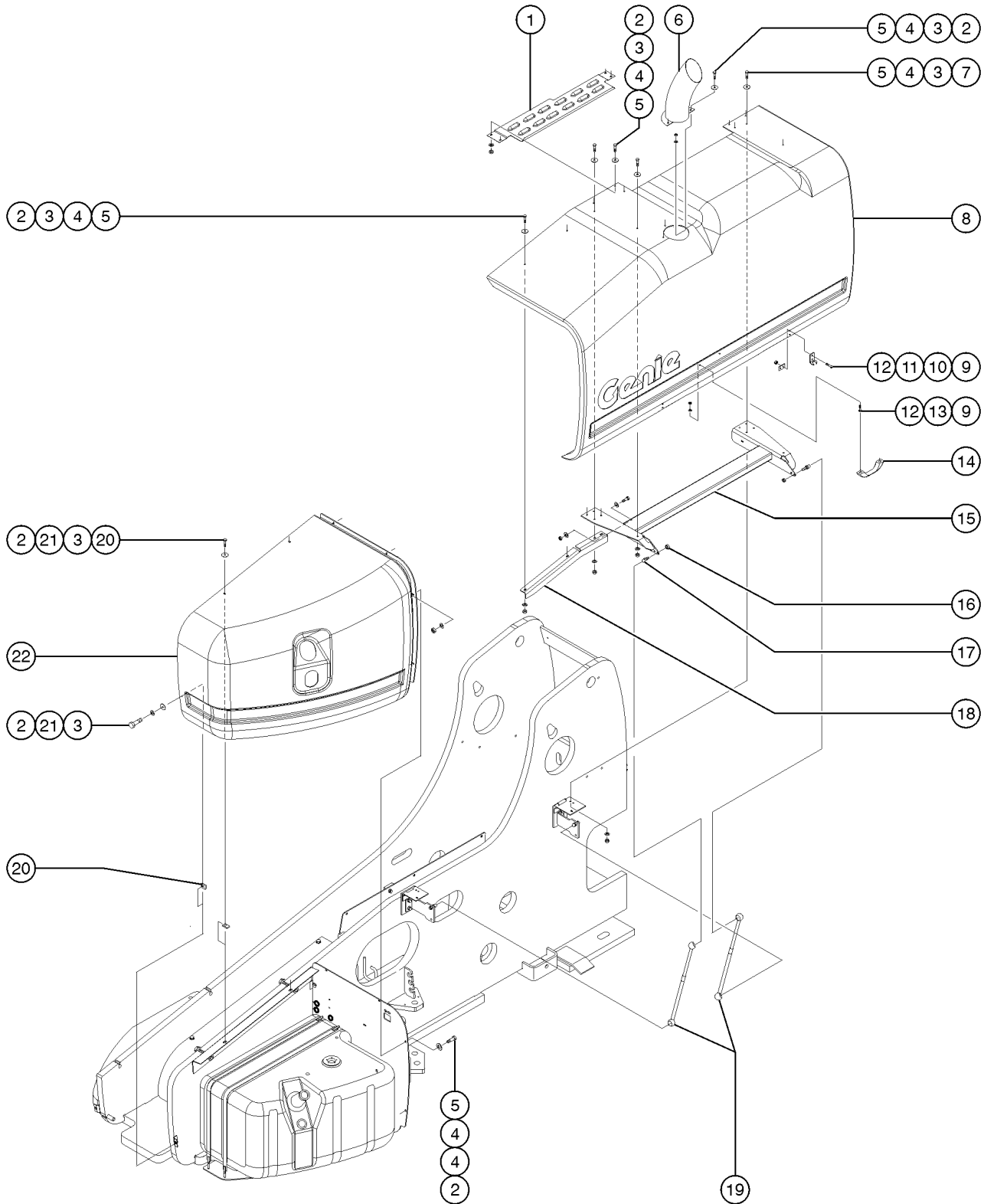
301.1 Turntable Covers - Tank Side



301.1 Turntable Covers - Tank Side

Item	Part No.	Description	Qty.	Item	Part No.	Description	Qty.
1	60964GT	LATCH,PANEL.....	1	--	111328GT	TURNTABLE COVER W/SYM DECAL LT <i>Europe/Asia/South America</i>	
2	75108-SGT	GRND.CNTRLS ACCESS COVER..... <i>USA/Canada/Australia</i>	1	31	6175GT	SCREW,HHC,3/8-16 X 1	
--	60966GT	COVER,TURNTABLE COVER ACCESS <i>Europe/Asia/South America</i>		32	6097GT	WASHER,FLAT,USS,3/8",Y	
3	5094GT	SCREW,RHM,10-32 X .5		33	4828GT	NUT,NYLOCK,3/8-16	
4	6146GT	WASHER,FLAT,MS,#10,Y		34	60895-SGT	BRACKET,PANEL MOUNT.....	1
5	6178GT	NUT,NYLOCK,10-32		35	6002GT	NUT,LP NYLOCK,5/16-18	
6	6147GT	SCREW,RHM,10-32 X 1		36	33555GT	BALL STUD**.....	4
7	6873GT	SCREW,FHM,10-32 X 1		37	122272GT	GAS STRUT,202 LBS FORCE..... <i>ball studs are not included</i>	2
8	60892GT	LATCH,PLATE,CONTROL BOX COVER.....	1	38	75642-SGT	PLATE,TAP BLOCK HINGE MNT PTD....	2
9	122895GT	COVER W/WRD DEC TNK SD 100/105 <i>includes items 1-8, 10-15, and 39-46; USA/Canada/Australia</i>		39	60578GT	COVER SUPPORT,WELDMENT.....	1
--	102949GT	COVER W/SYM DECALS TNK SIDE SB <i>includes items 1-8, 10-15, and 39-46; Europe/Asia/South America</i>		40	8915GT	SCREW,HHC,1/4-20 X 1.25	
--	60874GT	TRIMLOCK,1/4.....120-inches		41	6606GT	SCREW,RHM,10-32 X .75	
10	6888GT	SCREW,HHC,1/4-20 X 1		42	75076GT	KEEPER,LATCH (45363).....	2
11	12906GT	WASHER,FENDER,.25 X 1.25 X.062		43	50790GT	PLATE,COVER LATCH BACKING.....	2
12	6638GT	WASHER,FLAT,USS,1/4"Y		44	60884GT	HANDLE,GRAB.....	1
13	6091GT	NUT,NYLOCK,1/4-20		45	34619GT	BUMPER,RUBBER***.....	2
14	75073GT	HINGE,.375X.120THK.,SLOTTED.....	2	46	60893GT	HINGE,SWING CONTROL BOX.....	1
15	60872GT	SUPPORT,COVER (61112,61117).....	1				
16	61279-SGT	MOUNT,PANEL BACKING.....	1				
17	75069GT	T-BOX 2.75 X 4.5 X 2.5.....	1				
18	43955GT	WIRE CABLE,12/3 CON.TPE JKT.....1720-inches (S-100)					
--	43955GT	WIRE CABLE,12/3 CON.TPE JKT.....1780-inches (S-105)					
19	6935GT	LOCKNUT,ELEC,1/2".....	1				
20	89539PGT	MOUNT,PANEL,PAINTED.....	1				
21	15243GT	PLUG,NYLON .875 BLACK DOMED.....	1				
22	6595GT	PLUG,ELECTRICAL,DOMESTIC.....	1				
23	61278GT	CONN. SQZ,1/2NPT .56-.63.....	1				
24	74052GT	GASKET,COVER,GFCI,WEATHERPROOF.1					
25	10777GT	COVER,BLANK.....	1				
26	75067GT	SCREW,6-32 X 7/8 PPMS ZINC					
27	21187GT	PLUG,NYLON 1.38 BLACK DOMED.....	1				
28	6356GT	WASHER,LOCK,.25					
29	56912GT	SPRING CLIP,1/4-20,.025-.15X.54,ZAG					
30	75110-SGT	COVER ASSY.W/DECAL TURNTBL.ROT..... <i>USA/Canada/Australia</i>	1				

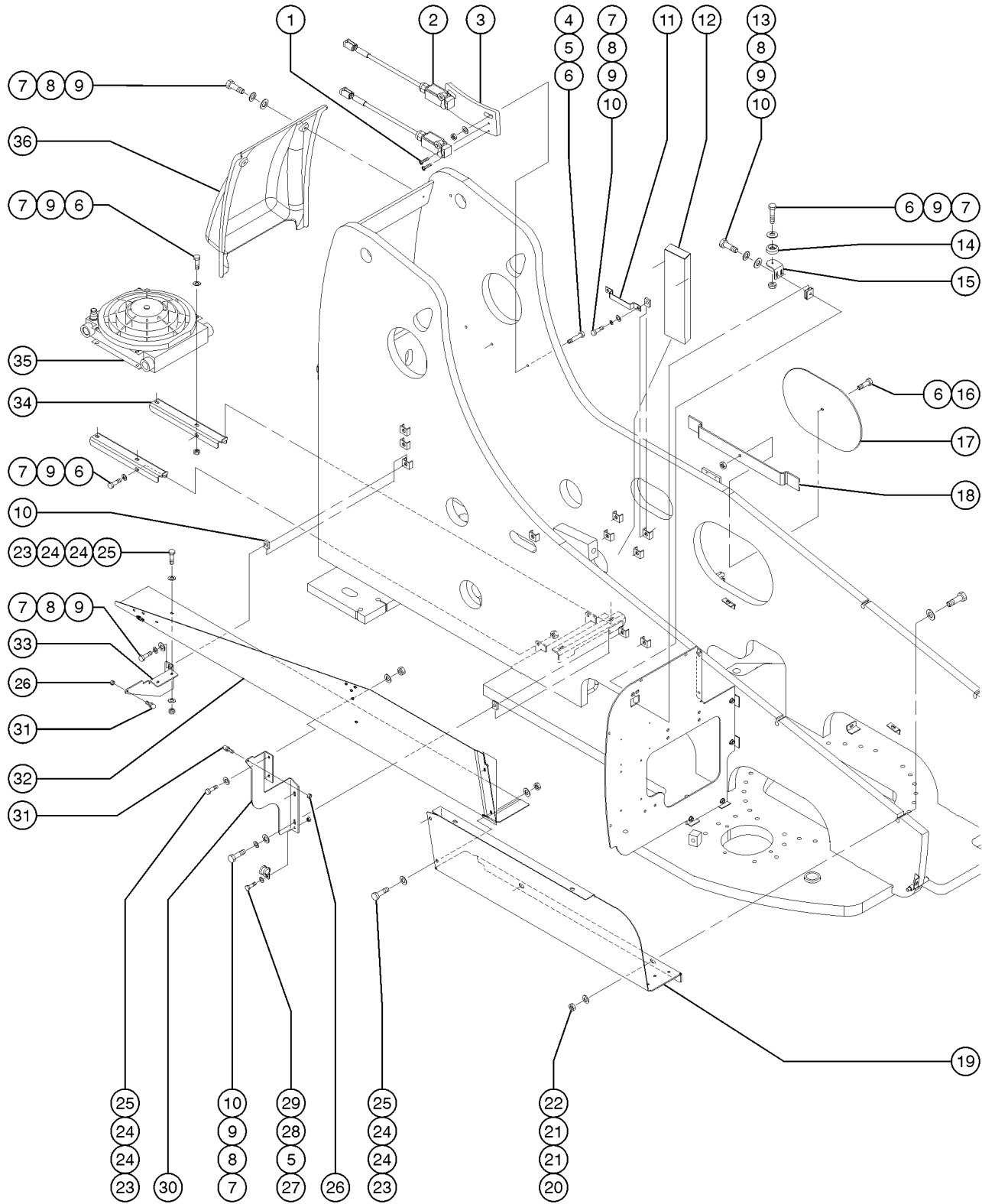
302.1 Turntable Covers - Engine Side



302.1 Turntable Covers - Engine Side

Item	Part No.	Description	Qty.
1	60595-SGT	SUPPORT,ENGINE COVER GRAY.....1	
2	6888GT	SCREW,HHC,1/4-20 X 1	
3	12906GT	WASHER,FENDER,.25 X 1.25 X.062	
4	6638GT	WASHER,FLAT,USS,1/4"Y	
5	6091GT	NUT,NYLOCK,1/4-20	
6	101964GT	WELDMENT,EXHAUST TUBE.....1	
7	8915GT	SCREW,HHC,1/4-20 X 1.25	
8	102948GT	COVER W/WRD DECALS ENG SIDE SB.....1 <i>includes items 1-6, 9, 12-15, and 18</i>	
--	102947GT	COVER W/SYM DECALS ENG SIDE SB <i>includes items 1-6, 9, 12-15, and 18</i>	
--	60874GT	TRIMLOCK,1/4.....120-inches	
9	6606GT	SCREW,RHM,10-32 X .75	
10	75076GT	KEEPER,LATCH (45363).....2	
11	50790GT	PLATE,COVER LATCH BACKING.....2	
12	6178GT	NUT,NYLOCK,10-32	
13	6146GT	WASHER,FLAT,MS,#10,Y	
14	60884GT	HANDLE,GRAB.....1	
15	60578GT	COVER SUPPORT,WELDMENT.....1	
16	6002GT	NUT,LP NYLOCK,5/16-18	
17	33555GT	BALL STUD**.....4	
18	60872GT	SUPPORT,COVER (61112,61117).....1	
19	122272GT	GAS STRUT,202 LBS FORCE.....2 <i>ball studs are not included</i>	
20	56912GT	SPRING CLIP,1/4-20,.025-.15X.54,ZAG	
21	6356GT	WASHER,LOCK,.25	
22	75112-SGT	COVER ASSY.W/DECALS,FUEL TANK.....1 <i>USA/Canada/Australia</i>	
--	111329GT	FUEL CVR W/SYM DECAL S100/120 <i>Europe/Asia/South America</i>	

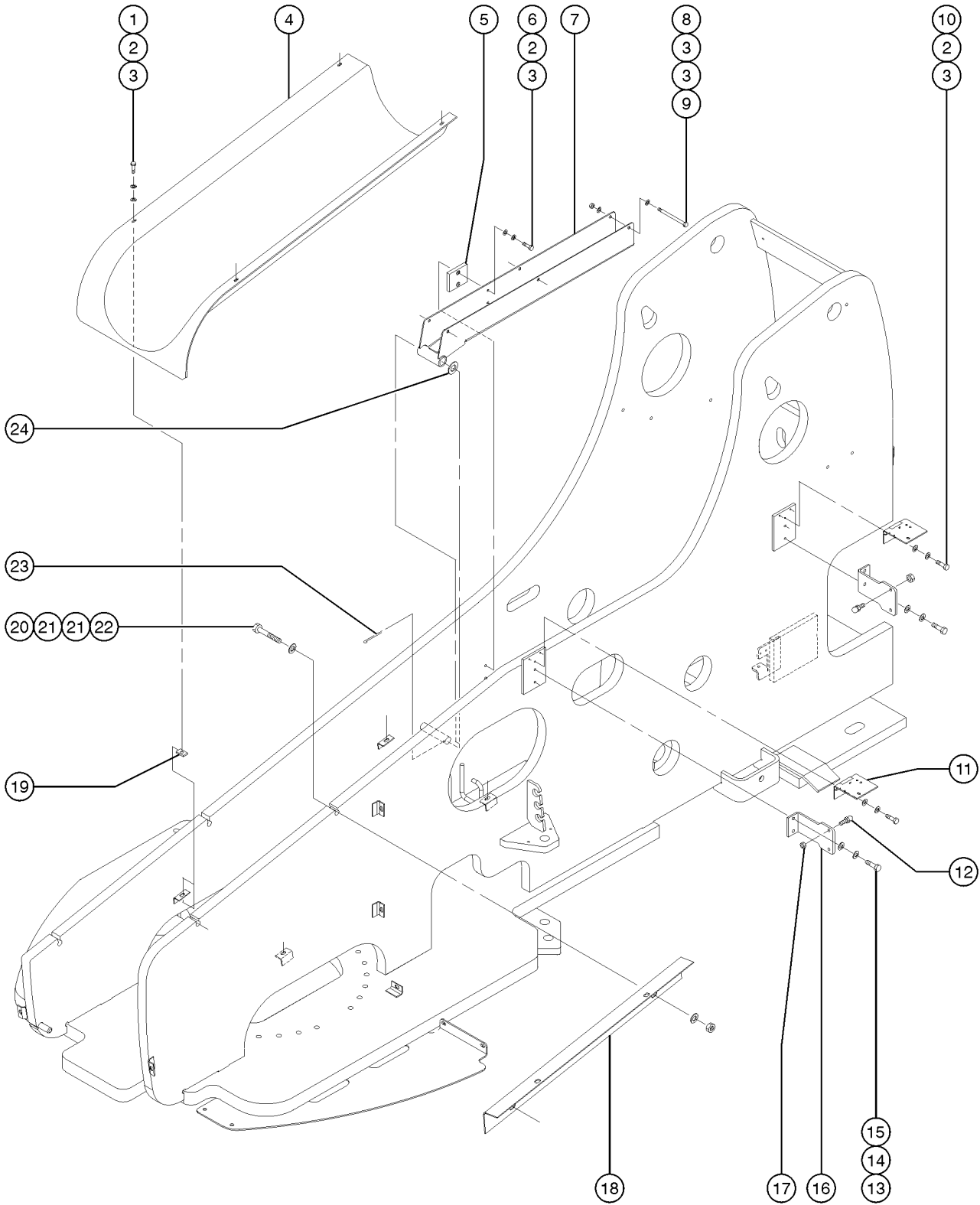
303.1 Turntable Components - Tank Side



303.1 Turntable Components - Tank Side

Item	Part No.	Description	Qty.	Item	Part No.	Description	Qty.
1	51063GT	SCREW,PHILLIPS,RHM,10-32 X 1.5		33	60670-SGT	STRUT SUPPORT.....1	1
2	146198GT	LIMIT SWITCH,SAFETY		34	102205PGT	FORMING, COOLER SUPPORT PAINTE.....2	2
--	110771-74B3GT	SWITCH,LIMIT,ROLLER NO/NC GOLD		35	71259GT	OIL COOLER W/FAN, 12VDC.....1	1
--	128636GT	ROLLER,ARM,LIMIT SWITCH,ZCY500		--	75854GT	FAN - VENTED	
--	146325GT	CONN.SQZ,PG 11,,34-.47,W/ORING		--	75855GT	THERMOSTAT -OIL COOLER (71259)	
3	60341-SGT	PLATE,ANGLE LIMIT SWITCH,MACH....1		36	60671GT	COVER,REAR MAST.....1	1
3A	61141GT	SHIM,ANGLE LIMIT SWITCH MOUNT for 60341, as required (.06 inch/1.52 mm thickness)					
4	14033GT	SCREW,HHC,3/8-16 X 2.75					
5	5397GT	WASHER,FLAT,USS,5/16",Y					
6	7713GT	NUT, LP NYLOCK, 3/8-16					
7	6175GT	SCREW,HHC,3/8-16 X 1					
8	6021GT	WASHER,LOCK,.,375					
9	6097GT	WASHER,FLAT,USS,3/8",Y					
10	29868GT	SPRING CLIP,3/8-16,.05-.20X.73,ZAG					
11	61350-SGT	CLAMP,INTAKE EXTENSION,DEUTZ.....2 <i>Deutz models</i>					
12	61347GT	WELDMENT,INTAKE EXT.DEUTZ.....1 <i>Deutz models</i>					
--	60875GT	TRIM MOLDING					
13	6019GT	SCREW,HHC,3/8-16 X 1.25 GRD 5					
14	50974GT	BUMPER,RUBBER,COVERS.....1					
15	60729-SGT	FORMING,COVER STOP.....1					
16	8516GT	SCREW, HCC, 3/8-16 X 1.50 <i>Deutz models</i>					
17	75057-SGT	SWING COVER,DEUTZ.....1 <i>Deutz models</i>					
18	75058-SGT	SWING COVER BRACKET,DEUTZ.....1 <i>Deutz models</i>					
19	60496-SGT	FORMING,INNER COVER.....1					
20	6198GT	NUT,NYLOCK,1/2-13					
21	6095GT	WASHER,FLAT,USS,1/2",Y					
22	39479GT	SCREW,HHC,1/2-13 X 2.75					
23	6888GT	SCREW,HHC,1/4-20 X 1					
24	6638GT	WASHER,FLAT,USS,1/4"Y					
25	6091GT	NUT,NYLOCK,1/4-20					
26	6002GT	NUT,LP NYLOCK,5/16-18					
27	10107GT	SCREW,HHC,5/16-18 X .75					
28	60838GT	CLAMP,1.00,#16 X 7/16,RUB CUSH.....1					
29	6782GT	NUT,NYLOCK,5/16-18					
30	60655-SGT	STRUT SUPPORT,TANK SIDE.....1					
31	40265GT	BALL STUD,GAS STRUT (38593)***.....2					
32	102993GT	TURNTABLE COVER MOUNT ASSY					
--	102994GT	TURNTABLE COVER MOUNT ASSY SYM					

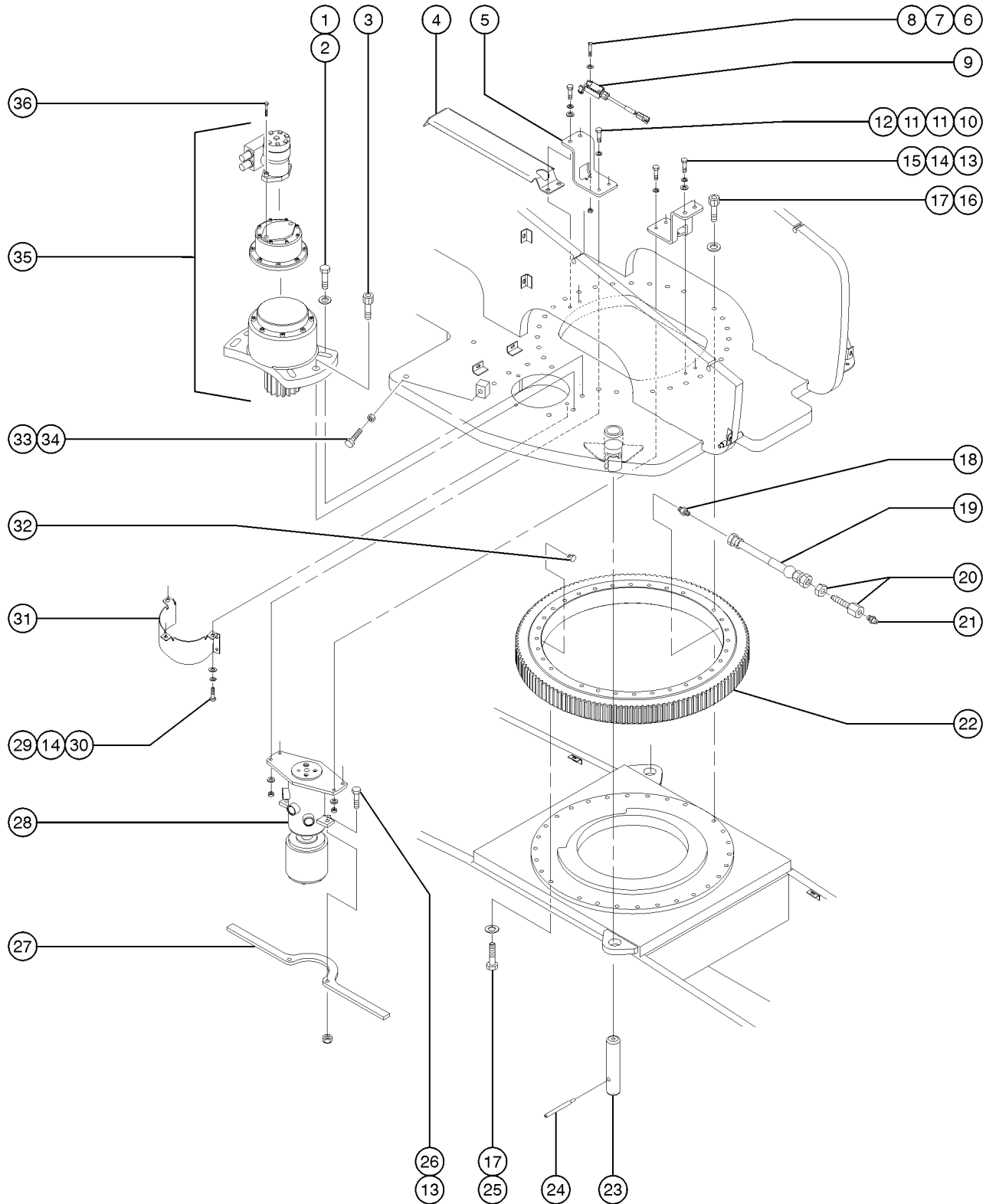
304.1 Turntable Components - Engine Side



304.1 Turntable Components - Engine Side

Item	Part No.	Description	Qty.
1	6888GT	SCREW,HHC,1/4-20 X 1	
2	6356GT	WASHER,LOCK,.25	
3	6638GT	WASHER,FLAT,USS,1/4"Y	
4	61179GT	COVER,CENTER,SUPERBOOM.....1	
5	45209GT	WEAR PAD,4X2X.5 W/INSERT***.....1	
6	6090GT	SCREW,HHC,1/4-20 X .75	
7	60759-SGT	WELDMENT,CABLE TRAY.....1	
8	11413GT	SCREW,HHC,1/4-20 X 4	
9	6889GT	NUT,LP NYLOCK,1/4-20	
10	7339GT	SCREW, HHC, 1/4-20 X .5	
11	75073GT	HINGE,.375X.120THK.,SLOTTED.....2	
12	40265GT	BALL STUD,GAS STRUT (38593)***.....2	
13	8255GT	SCREW,HHC,3/8-16 X .75	
14	6021GT	WASHER,LOCK,.375	
15	5397GT	WASHER,FLAT,USS,5/16",Y	
16	60583-SGT	FORMING,GAS STRUT MOUNT.....2	
17	6002GT	NUT,LP NYLOCK,5/16-18	
18	60483-SGT	SUPPORT,FUEL TANK COVER.....1	
19	56912GT	SPRING CLIP,1/4-20,.025-.15X.54,ZAG	
20	39479GT	SCREW,HHC,1/2-13 X 2.75	
21	6095GT	WASHER,FLAT,USS,1/2",Y	
22	6198GT	NUT,NYLOCK,1/2-13	
23	5361GT	PIN,COTTER,.125 X 1.5.....1	
24	30748GT	WASHER,SHIM,1.01 X 1.63 X.062	

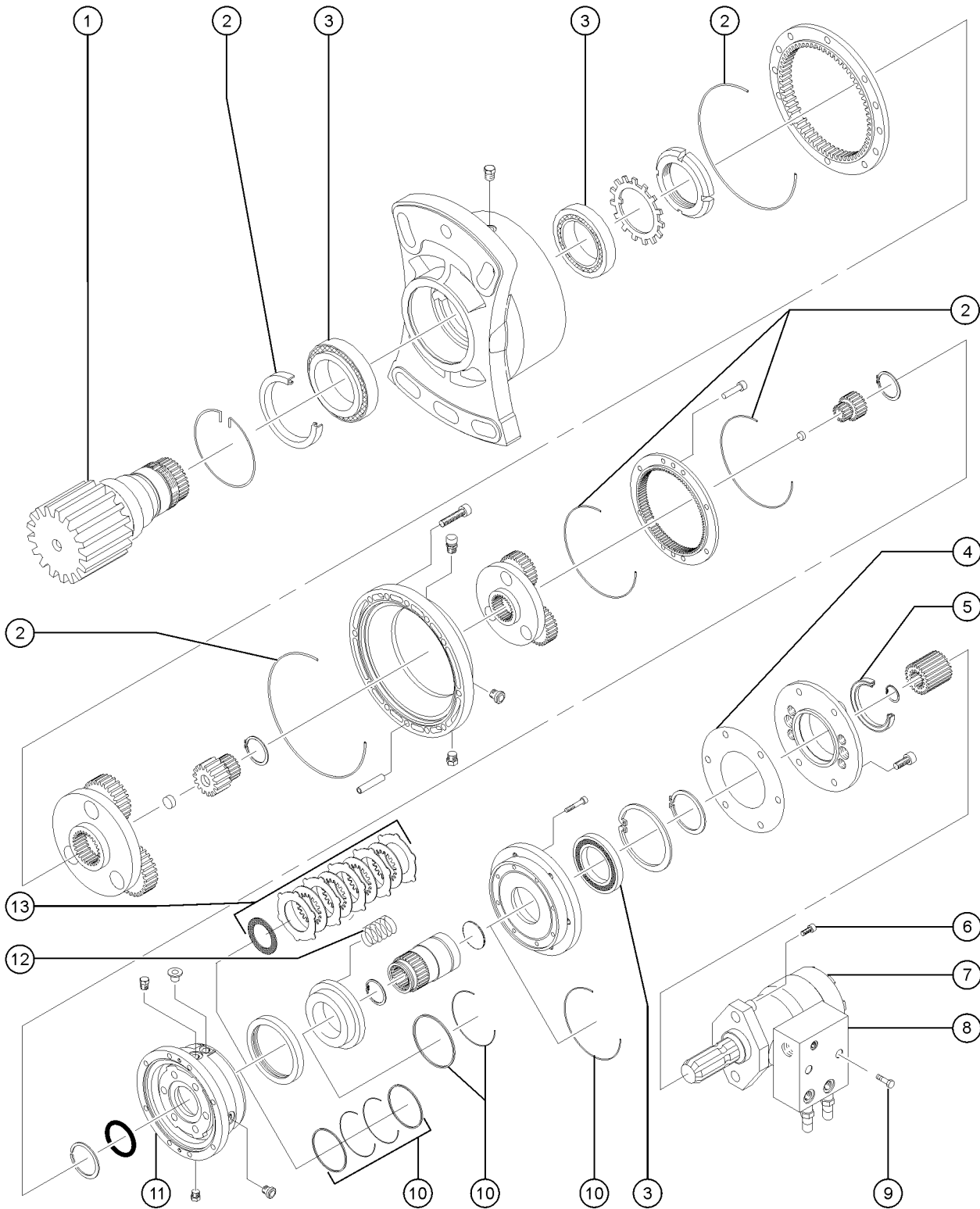
305.1 Turntable Rotator and Hydraulic Rotary Coupler



305.1 Turntable Rotator and Hydraulic Rotary Coupler

Item	Part No.	Description	Qty.	Item	Part No.	Description	Qty.
1	34348GT	SCREW,HHC,3/4-10 X 3 GRD.8.....	5	35		Ref. Turntable Rotation Drive Hub (refer to 306.1)	
2	89833GT	WASHER,FLAT,.81 X 2.00 X .38.....	5	36	56843GT	SCREW,SHC,1/2-13 X 1.50,A574.....	2
3	60815GT	SCREW,SHS,3/4-10 X 1.5					
4	60937-SGT	FORMING,HOSE SUPPORT,SWING.....	1				
5	60575PGT	BRACKET,HYD.ROTATOR MOUNT MNT.....	2				
6	49775GT	SCREW,PHILLIPS,PHM,10-32X 1.75					
7	6146GT	WASHER,FLAT,MS,#10,Y					
8	6178GT	NUT,NYLOCK,10-32					
9	75037GT	LIMIT SWITCH,OPERATIONAL.....	1				
10	13918GT	SCREW,HHC,3/8-16 X 1.75,GRD.8.....	4				
11	5397GT	WASHER,FLAT,USS,5/16",Y					
12	4828GT	NUT,NYLOCK,3/8-16					
13	6096GT	SCREW,HHC,1/2-13 X 2 GR5					
14	6033GT	WASHER,LOCK,0.5"					
15	11209GT	WASHER,FLAT,USS,7/16",Y					
16	45495GT	SCREW,SHC,5/8-11 X 3.00,A574.....	30				
17	13064GT	WASHER,FLAT,.625 HARDENED.....	58				
18	75007GT	CONN.MALE PIPE/ORFS-4.....	1				
19	61324-12947GT	HOSE ASSY,1/4"..... <i>components: 48800, 48806 and 48751 @ 128 inches</i>	1				
20	48885GT	CONNECTOR,BULKHEAD,FEMALE-4...1					
21	28646GT	ZERK,GREASE,1/8 NPT.....	1				
22	50035GT	BEARING,TURNTABLE.....	1				
23	61222GT	PIN,TRANSPORT STORAGE LOCK.....	1				
24	61223GT	PIN,TRANSPORT STORAGE HANDLE.....	1				
25	61250GT	SCREW,SHC,5/8-11 X 3.75,A574.....	28				
26	6198GT	NUT,NYLOCK,1/2-13					
27	60393-SGT	SUPPORT,HYDRAULIC SWIVEL.....	1				
28	122918GT	SWIVEL,HYD/ELEC 5 PORT/10 CONT (complete)					
--	10107GT	SCREW,HHC,5/16-18 X .75					
--	106914GT	CHANNEL, MOUNTING					
--	122919GT	SWIVEL,ELECTRIC 10 CONTACT***					
--	62321GT	SEAL KIT,HYD SWIVEL (75126)***					
--	75129GT	ARM,ANTI-ROTATION,SWIVEL ***					
--	75130GT	SCREW,SHC,7/16-14 X .75,61342					
29	10587GT	SCREW,HHC,1/2-13 X.75					
30	49410GT	WASHER,FLAT,M12					
31	60606-SGT	COVER,ROTATION GEAR.....	1				
32	75008GT	PLUG,PIPE HEXHEAD 130109E-1/8.....	1				
33	61128GT	SCREW,HHC,3/4-10 X 4 FULL THRD					
34	6126GT	NUT,HEX,JAM,3/4-10					

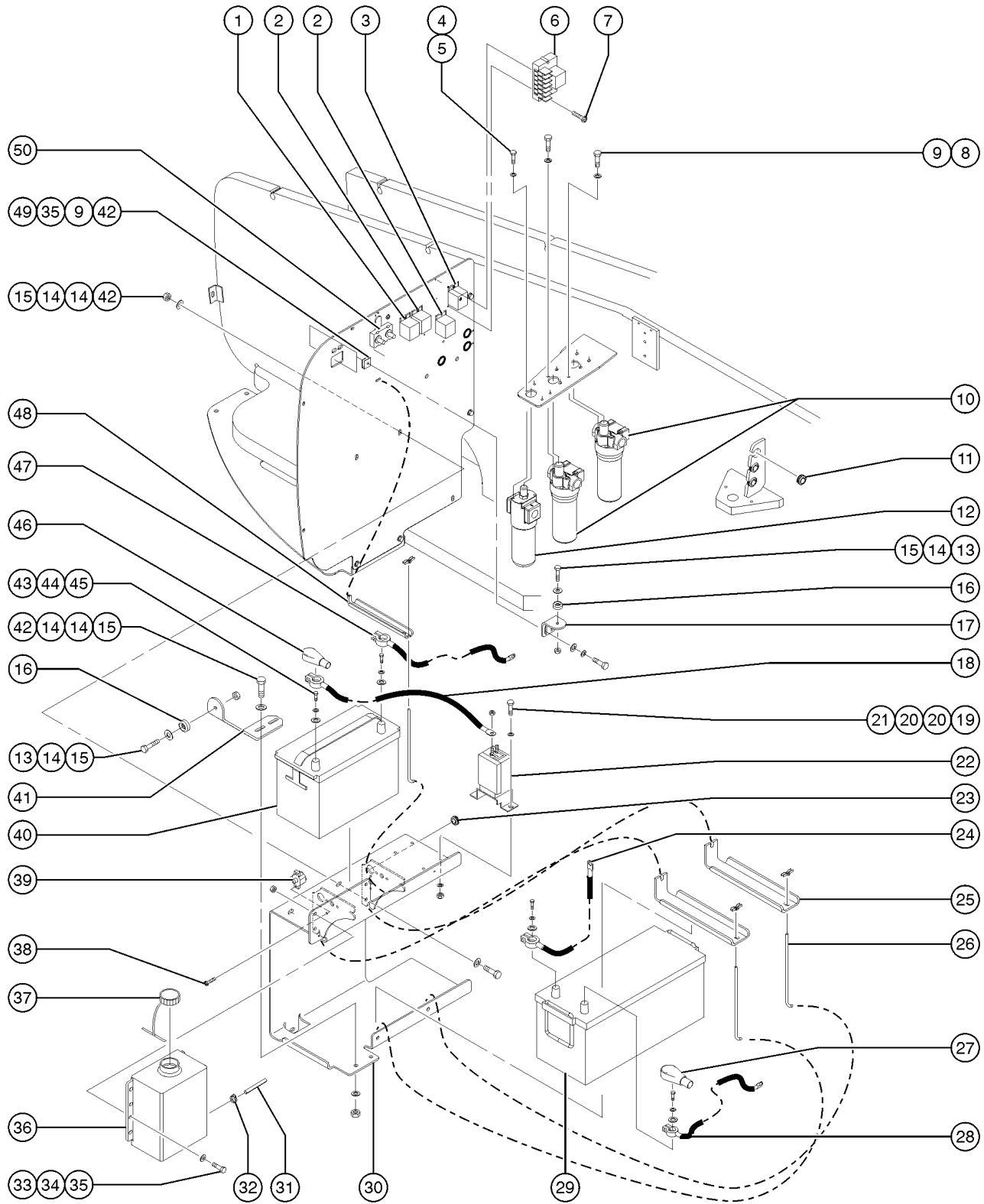
306.1 Turntable Rotation Drive Hub



306.1 Turntable Rotation Drive Hub

Item	Part No.	Description	Qty.
--	111145GT	SWING DRIVE ASSEMBLY	
1		SHAFT-OUTPUT (60810).....1 <i>component no longer available</i>	
2	62465GT	SEAL KIT,DRIVE HUB,TURNTBL.ROT...1	
3	62467GT	BEARING KIT,TURNTBL.ROT.DRVHUB.....1	
4	122336GT	GASKET,(111145).....1	
5	122337GT	OIL SEAL,(111145).....1	
6	56843GT	SCREW,SHC,1/2-13 X 1.50,A574	
7	111144GT	MOTOR,SWING DRIVE (111145)	
--	75116GT	SEAL KIT,TURNTABL.ROT.MOTOR	
8	128447GT	MANIFOLD,TURNTABLE ROTATION.....1	
9	41489GT	SCREW,SHC,5/16-18 X 2,PLATED	
10	62466GT	SEAL KIT,BRAKE,TURNTABLE ROT**...1	
11	111143GT	BRAKE,SWING DRIVE (111145)	
12	75682GT	DISC KIT DRIVE TURNTABLE Z-60*1	
13	62468GT	BRAKE DISC KIT,75090.....1	

307.1 Batteries and Hydraulic Filters Installation

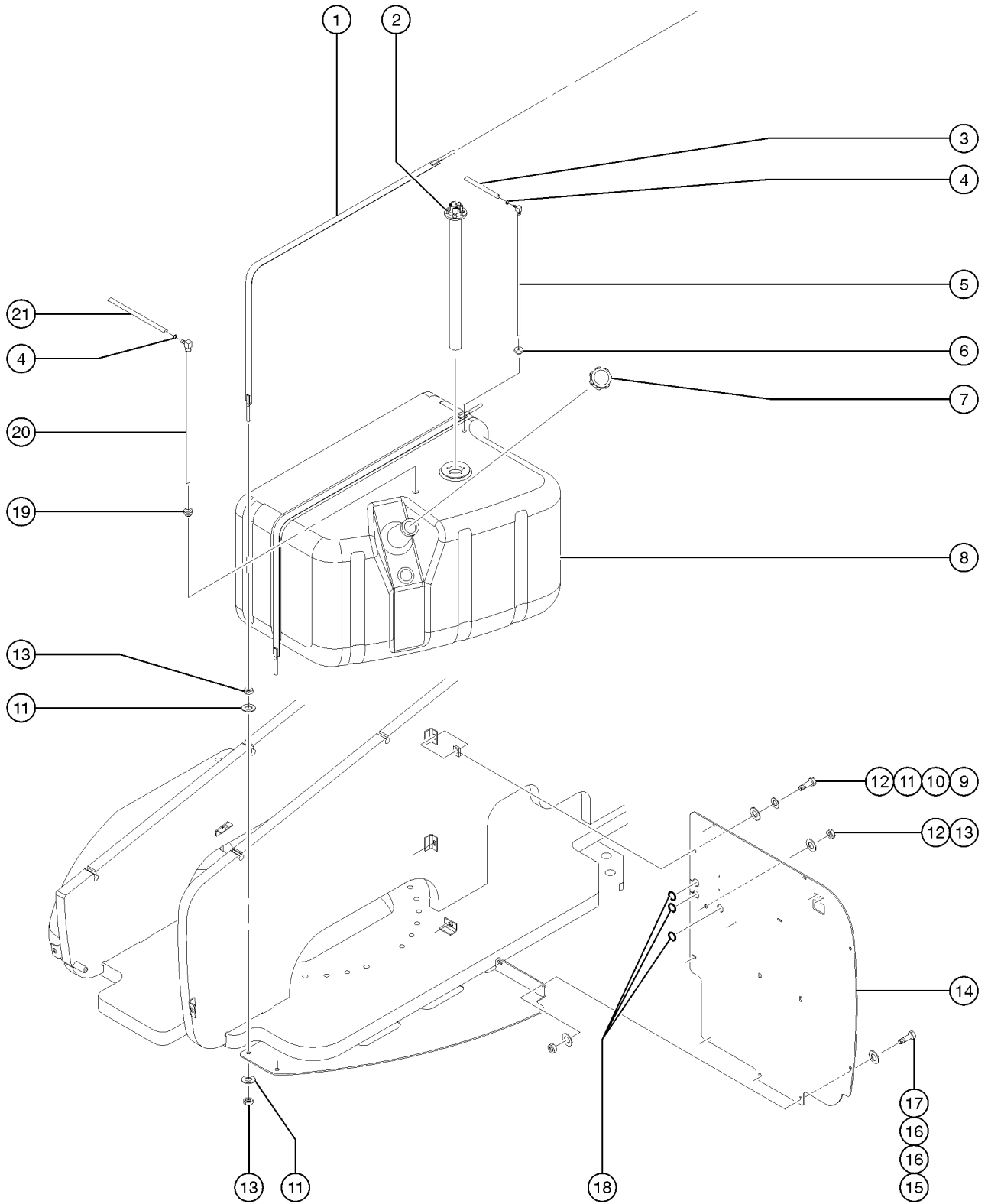


307.1 Batteries and Hydraulic Filters Installation

Item	Part No.	Description	Qty.	Item	Part No.	Description	Qty.
--	66717GT	FUSE BLOCK, ANN & ANL FUSE		--	215209GT	KIT, BATT SEPARATOR, CE <i>includes part 237068</i>	
--	102190PGT	FORMING,FUSE COVER, PAINTED		--	215210GT	KIT, BATT SEPARATOR, AS <i>includes part 237068</i>	
1	60521GT	RELAY,SEALED 30/40 AMP.....1 <i>Deutz models</i>	1	23	60584GT	GROMMET,RUBBER .75 X .19 X 1**.....1	
2	61225GT	RELAY,12VDC,70AMP,SEALED.....2 <i>Deutz models</i>	2	24	60928GT	CABLE,BATTERY NEGATIVE.....1	
3	60521GT	RELAY,SEALED 30/40 AMP.....1 <i>Deutz models</i>	1	25	60711GT	HOLD DOWN,BATTERY.....2	
--	61225GT	RELAY,12VDC,70AMP,SEALED <i>Cummins models</i>		26	45708GT	HOOK,BATT HOLD DOWN,10".....4	
4	8914GT	SCREW,HHC,1/4-20 X .625		--	8170GT	NUT,WING,1/4-20	
5	6356GT	WASHER,LOCK,.25		27	18189GT	BOOT,BATTERY TERMINAL,RED.....1	
6	89997GT	RELAY MODULE(89996,89998).....1	1	28	61318GT	BATTERY CABLE,POSITIVE DEUTZ.....1 <i>Deutz models</i>	
7	49816GT	SCREW,PHILLIPS,PHM,10-32 X .75		--	60930GT	CABLE,BATTERY POSITIVE <i>Cummins models</i>	
8	8255GT	SCREW,HHC,3/8-16 X .75		29	217021GT	BATTERY 12V,AGM DC210-12,220AH <i>(Fullriver) wet and sealed battery</i>	
9	6021GT	WASHER,LOCK,.375		--	57160GT	BATTERY,12V GRP 4D,190 AH,DRY*.....1	
10	60334GT	FILTER ASSY,HIGH PRESS SAE-12*.....2	2	30	60708-SGT	WELDMENT,BATTERY TRAY.....1	
--	1279465GT	BACKUP RING,71.60X67.20X1.40PTFE(60334)		31	42941-11500GT	HOSE,3/8",FUEL,30R7 <i>115-inches</i>	
--	1279466GT	O-RING,67.95X2.62-NBR-70SH(HF2P)(60334)		32	21465GT	CLAMP,HOSE,SIZE .25 TO .63.....1	
--	60857GT	FILTER,ELEMENT,BETA(5)=1000		33	13002GT	SCREW,HHC,5/16-18 X 1 GR5	
11	61189GT	GROMMET,RUBBER .75 X .38 X1.13.....3	3	34	5397GT	WASHER,FLAT,USS,5/16",Y	
12A		FILTER ASY,M PRESS,SAE8,WOIND* (77139) <i>component no longer available</i>		35	6782GT	NUT,NYLOCK,5/16-18	
--	58222GT	O-RING,FILTER ASSY (60334)*** <i>for 77139</i>		36	60721GT	COOLANT,RECOVERY BOTTLE, 4 QT*.....1	
--	58223GT	SEAL,FILTER ASSY (60334)*** <i>for 77139</i>		37	75121GT	CAP, COOLANT RET SYS(60721).....1	
--	60857GT	FILTER,ELEMENT,BETA(5)=1000 <i>for 77139</i>		38	54380GT	SCREW,PHILLIPS,PHM,8-32 X .875	
12B	1267807GT	ASSY, MED. PRESS. FILTER, SAE8		39	75610GT	CIRCUIT BREAKER, 25 AMP.....1	
--	1268229GT	ELEMENT-5 MIC, PAPER, W/BYPASS <i>for 1267807</i>		40	217022GT	BATTERY 12V,AGM DC115-12,115AH <i>(Fullriver) wet and sealed battery</i>	
13	6175GT	SCREW,HHC,3/8-16 X 1		--	30143GT	BATTERY,12V,1000 CCA GRP 31	
14	6097GT	WASHER,FLAT,USS,3/8",Y		41	60727-SGT	FORMING,COVER STOP.....1	
15	4828GT	NUT,NYLOCK,3/8-16		42	6019GT	SCREW,HHC,3/8-16 X 1.25 GRD 5	
16	50974GT	BUMPER,RUBBER,COVERS.....2	2	43	217023GT	SCREW, M8x16, GB5783 GRADE 8.8....4 <i>Use only with Fullriver battery</i>	
17	60729-SGT	FORMING,COVER STOP.....1	1	44	231993GT	SPRING WASHER 8 GB93.....4 <i>Use only with Fullriver battery</i>	
18	75409GT	BATTERY CABLE.....1	1	45	235068GT	FLAT WASHER M8, GB/T96, HV140 ZN.....4 <i>Use only with Fullriver battery</i>	
--	111637GT	CABLE,BATTERY POSITIVE 73" <i>Cummins models</i>		46	51147GT	BOOT,CABLE TERMINAL,LG,RED,2/0...1	
19	6090GT	SCREW,HHC,1/4-20 X .75		47	75719GT	CABLE,GROUND,79" W/PIGTAIL.....1	
20	6638GT	WASHER,FLAT,USS,1/4"Y		48	60940GT	HOLD DOWN,BATTERY,SMALL.....1	
21	6091GT	NUT,NYLOCK,1/4-20		49	29868GT	SPRING CLIP,3/8-16,.05-.20X.73,ZAG	
22	237068GT	SEPARATOR,DUAL BATTERY,100A.....1	1	50	128829GT	CIRCUIT BRKR 15A TYPE 2 METAL <i>Deutz models</i>	
--	214393GT	KIT, BATT SEPARATOR, ANSI/CSA <i>includes part 237068</i>					

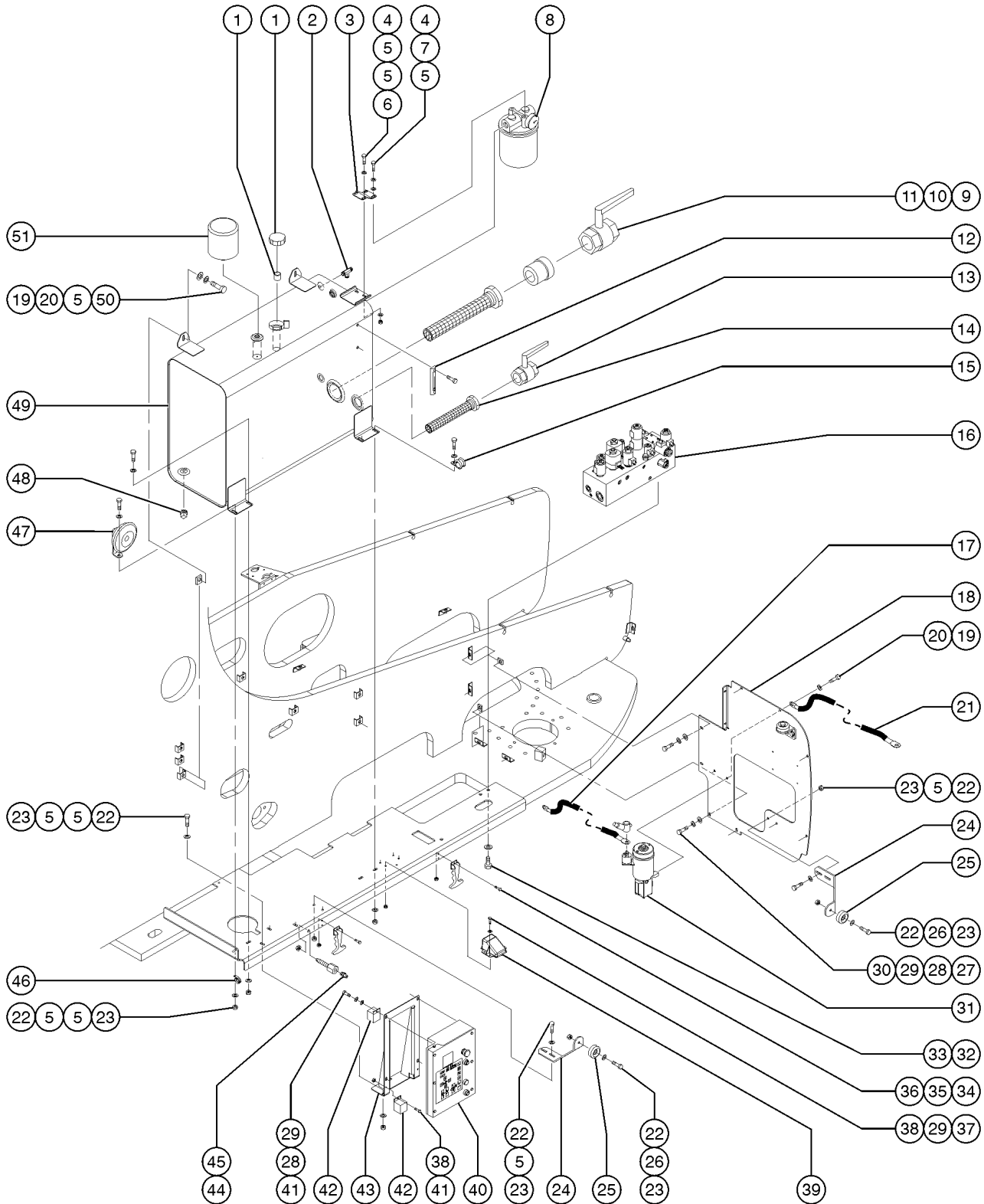


308.1 Fuel Tank Installation



Item	Part No.	Description	Qty.
1	60938GT	STRAP ASSY,FUEL TANK 52".....	2
--	31658GT	EXTRUSION,RUBBER BUMPER STRIP	
2	60890GT	SENDER,LOW FUEL INDICATOR.....	1
3	35418GT	HOSE,FUEL,3/16,SAE 30R7	
--	35418GT	HOSE,FUEL,3/16,SAE 30R7	
4	21465GT	CLAMP,HOSE,SIZE .25 TO .63.....	2
5	102106GT	FUEL RETURN,DAPCO 5/16".....	1
--	70387GT	FUEL RETURN,DAPCO 3/8"	
--	88091GT	FUEL RETURN,DAPCO 1/4"	
6	61240GT	BUSHING,FUEL TANK FITTING (SM).....	1
7	101726GT	CAP,FUEL,DIESEL,1/8"VENT(GRN).....	1
8	61236GT	ASSEMBLY,FUEL TANK,40 GAL***..... <i>includes items 2, 6, 19 and 20</i>	1
9	6888GT	SCREW,HHC,1/4-20 X 1	
10	6356GT	WASHER,LOCK,.25	
11	6638GT	WASHER,FLAT,USS,1/4"Y	
12	56912GT	SPRING CLIP,1/4-20,.025-.15X.54,ZAG	
13	6054GT	NUT,HEX,3/8-24	
14	75554PGT	PLATE, FUEL TRAY BULKHEAD, PTD	
15	6019GT	SCREW,HHC,3/8-16 X 1.25 GRD 5	
16	6097GT	WASHER,FLAT,USS,3/8",Y	
17	4828GT	NUT,NYLOCK,3/8-16	
18	60584GT	GROMMET,RUBBER .75 X .19 X 1**.....	3
19	7-121-07GT	BUSHING,RUBBER,LARGE.....	1
20	60805GT	TUBE ASSY,FUEL TANK,20.75"LG.....	1
21	42941GT	HOSE,3/8",FUEL,30R7	

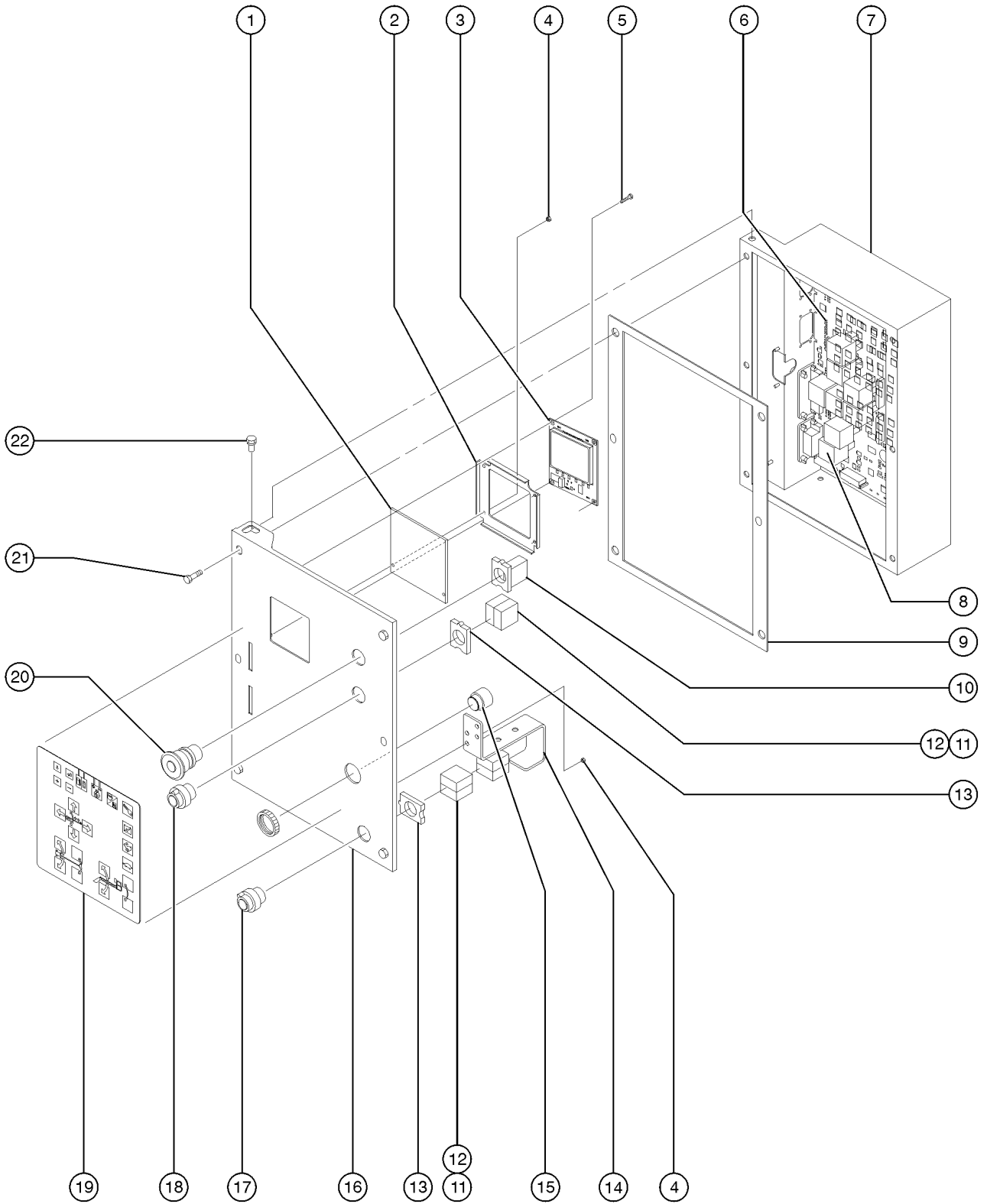
309.1 Hydraulic Tank Installation



309.1 Hydraulic Tank Installation

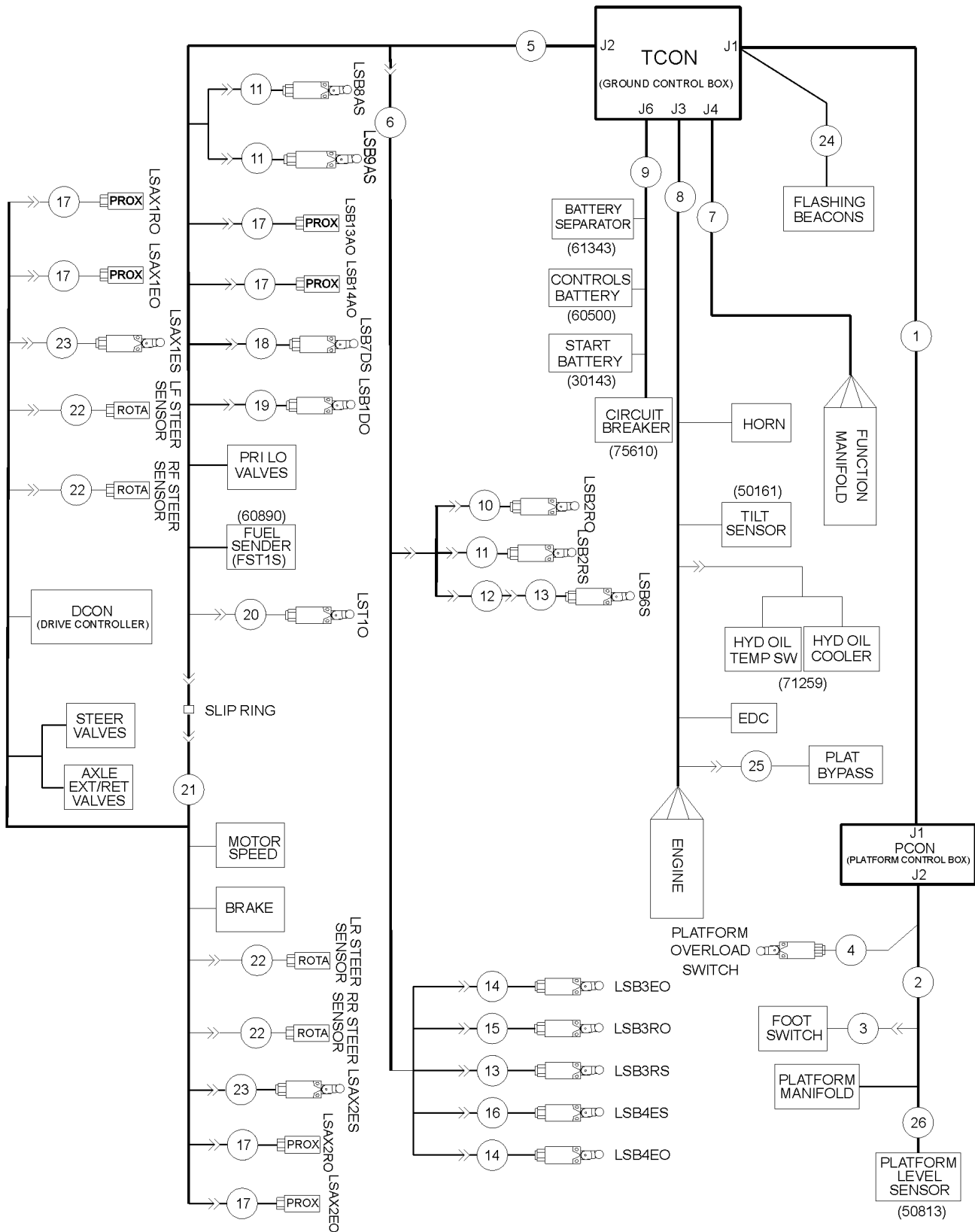
Item	Part No.	Description	Qty.	Item	Part No.	Description	Qty.
1	75113GT	FILLER NECK/CAP ASSY.HYD TANK*...1		34	75041GT	SCREW,PHILLIPS,PHM,10-32 X 1	
2	48918GT	TEE,RUN,520428-6.....1		35	45363GT	LATCH,FLEXIBLE.....2	
--	48915GT	ELBOW,90D,520220-6		--	75076GT	KEEPER,LATCH (45363)	
3	60936-SGT	BRACKET,RETURN FILTER.....1		36	6178GT	NUT,NYLOCK,10-32	
4	10107GT	SCREW,HHC,5/16-18 X .75		37	6090GT	SCREW,HHC,1/4-20 X .75	
5	5397GT	WASHER,FLAT,USS,5/16",Y		38	6091GT	NUT,NYLOCK,1/4-20	
6	6782GT	NUT,NYLOCK,5/16-18		39	50161GT	SENSOR,TILT TURNTABLE(PLSTC).....1	
7	6886GT	WASHER,LOCK,.,313		40		Ref. Ground Controls (refer to 310.1)	
8	60508GT	FILTER,RETURN,ASSY 10 MICRON.....1		41	8914GT	SCREW,HHC,1/4-20 X .625	
--	52768GT	GAUGE,MED.PRESSUR FILTER,50530		42	60521GT	RELAY,SEALED 30/40 AMP.....2	
--	61326GT	FILTER ELEMENT,10 MICRON,60508		43	60571-SGT	BRACKET,CNTL BOX MOUNTING***.....1	
9	75256GT	VALVE BALL,24 FSAE-24 FSAE***		44	28646GT	ZERK,GREASE,1/8 NPT.....1	
10	75254GT	UNION,STR.THREAD 24***		45	48885GT	CONNECTOR,BULKHEAD,FEMALE-4...1	
11	75257GT	STRAINER ASSY,#24 O-RING.....1		46	6833GT	CLAMP,0.50,#8 X 1/4,RUB CUSH	
12	215229GT	GAUGE,HYDRAULIC TANK T/L VL.....1		47	81578GT	HORN,12VDC,SPADE TERMINALS***	
13	48996GT	VALVE,BALL,16 MSAE-16 FSAE***		48	75014GT	PLUG,HEX,130109E,1/2 NPT***.....1 <i>Cummins models</i>	
14	75253GT	STRAINER ASSY,#16 O-RING.....1		--	75014GT	PLUG,HEX,130109E,1/2 NPT*** <i>Deutz models</i>	
15	60838GT	CLAMP,1.00,#16 X 7/16,RUB CUSH		49	1274134GT	TANK,HYD,55GALLON.....1 <i>includes item 1</i>	
16		Ref. Function Manifold (refer to 704.1)		50	29868GT	SPRING CLIP,3/8-16,.,05-.20X.73,ZAG	
17	75409GT	BATTERY CABLE.....1		51	60559GT	BREATHER,RESERVOIR 3 MICRON***.....1	
18	75591GT	PLATE,SWING CHASSIS BULKHEAD....1					
19	6175GT	SCREW,HHC,3/8-16 X 1					
20	6021GT	WASHER,LOCK,.,375					
21	75719GT	CABLE,GROUND,79" W/PIGTAIL.....1					
22	4828GT	NUT,NYLOCK,3/8-16					
23	6019GT	SCREW,HHC,3/8-16 X 1.25 GRD 5					
24	60727-SGT	FORMING,COVER STOP.....2					
25	50974GT	BUMPER,RUBBER,COVERS.....2					
26	6097GT	WASHER,FLAT,USS,3/8",Y					
27	6888GT	SCREW,HHC,1/4-20 X 1					
28	6356GT	WASHER,LOCK,.,25					
29	6638GT	WASHER,FLAT,USS,1/4"Y					
30	56912GT	SPRING CLIP,1/4-20,.,025-.15X.54,ZAG					
31	102710GT	PUMP,AUXILIARY,DUAL,12V.....1					
--	102659GT	PUMP,(102710 APU)					
--	147290GT	SHAFT SEAL, APU					
--	37187GT	SEAL KIT, 37185 PUMP					
--	37191GT	GASKET, PUMP / MOTOR (36179)					
--	62412GT	SOLENOID,MOTOR START,60511,APU					
--	62413GT	MOTOR, 60511, APU, 12VDC					
--	62414GT	SEAL, SHAFT, 60511 APU					
32	33987GT	SCREW,HHC,1/2-13 X 1, GR 5					
33	6033GT	WASHER,LOCK,0.5"					

310.1 Ground Controls



Item	Part No.	Description	Qty.
--	1258460GT	CONTROL BOX ASSY,TCON PGMD	
--	146195GT	HARNESS, TCON J2 LS 2009	
--	101888GT	HARNESS,TCON J5 POWER	
--	121657GT	FUSE HOLDER,ATC 1-20 AMPS	
--	67505GT	FUSE,10 AMP,ATC	
1	62374GT	LENS,LCD,GRND.CONTROL.....1	
2	62375GT	CLIP,LCD,GRND.CONTROL.....1	
3	62376GT	PCB,ASSY,LCD,GROUND,SUPERBOOM.1	
4	12344GT	NUT,NYLOCK,6-32	
5	81551GT	SCREW,PHIL,PHM,6-32 X 1/4 SS	
6	T109430GT	KIT,PCB,ASSY,ECM,SB TCON V3.12	
7	58593GT	BOX,EMPTY (122915) <i>does not include items 9 or 16</i>	
8	34052GT	RELAY,SPDT,12V(AUTO) PLUG IN**.....8	
9	62378GT	GASKET,GROUND CNTRLS.SUPERBOOM.....1	
10	66812GT	BUTTON,PUSH,RED MUSHROOM HEAD.....1	
--	66818GT	CONTACT,NC	
--	66821GT	BASE,WITHOUT CONTACTS	
11	66816GT	CONTACT,N.O.***6	
12	66818GT	CONTACT,NC.....6	
13	66821GT	BASE,WITHOUT CONTACTS.....2	
14	94524PGT	BRACKET,CONTACT CLAMP***1	
15	62379GT	ALARM,AUDIO,SUPERBOOM***1	
--	72326GT	NUT - PLASTIC,RING FOR ALARMS	
16	T108870GT	COVER, CONTROL BOX, SB SERV	
17	122516GT	KIT,RECOVERY SVC LARGE BOOMS...1	
--	122366GT	KEYSWITCH,CONTACTS LOCK	
--	88150GT	KEYSWITCH,3 POS.MOM.DR,W/KEY**	
18	122517GT	KIT,KEYSWITCH SVC S100/120.....1	
--	122366GT	KEYSWITCH,CONTACTS LOCK	
--	66811GT	KEYSWITCH,3POS.MNTND.DR WKEY** <i>includes: keyswitch and one set of keys, not included: base and contacts.</i>	
19	50811GT	SWITCH,MEMBRANE,GROUND CONTROL.....1	
20	122519GT	KIT,ESTOP SVC LARGE BOOM.....1	
--	66818GT	CONTACT,NC	
21	7339GT	SCREW, HHC, 1/4-20 X .5	
22	88315GT	SCREW,SHS,1/4-20 X .25 ZINC	

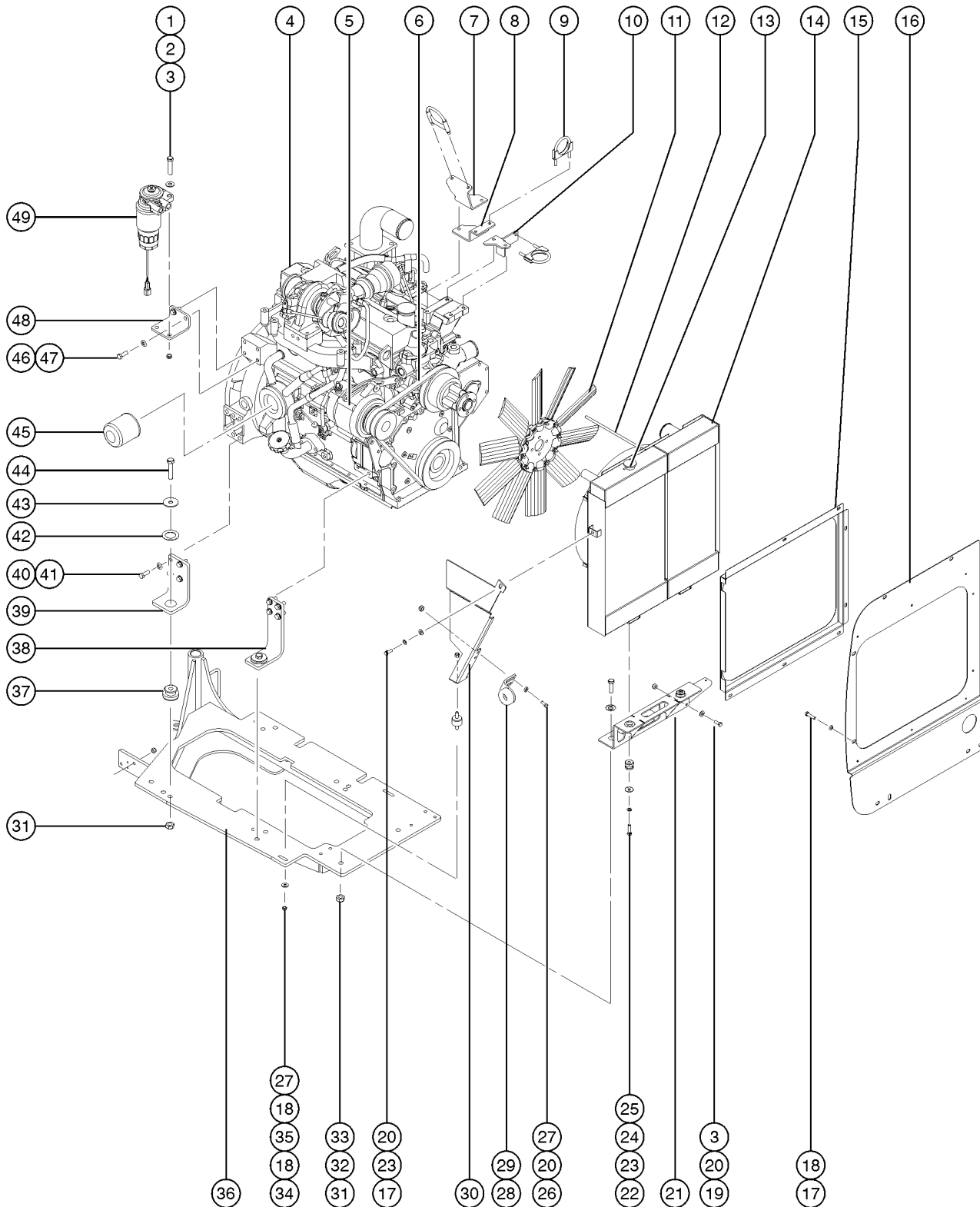
311.1 Wire Harness Diagram



311.1 Wire Harness Diagram

Item	Part No.	Description	Qty.
1	146197GT	HARNESS, BOOM/SAE UPPER S105....1	
2	122954GT	HARNESS, J2 PLAT MANFD W/JIB.....1	
3	61322GT	FOOT SWITCH W/PIGTAIL.....1	
4	146399GT	ASSY, LS, LOAD SENSE, ALC1000.....1	
5	146195GT	HARNESS, TCON J2 LS 2009.....1 (S100/105)	
6	146196GT	HARNESS, TCON J2 UPPER 2009.....1 (S100/105)	
7	146193GT	HARNESS, TCON J4 MANIFOLD 2009.....1	
8	1253705GT	HARN, ENGINE T3, DEUTZ, TELECON...1	
--	1253502GT	HARNESS, DEUTZ 2.9L, TIER IV, SBOOM.....1	
--	1253618GT	HARNESS, PERKINS 1104D, S-BOOM...1	
--	1253706GT	HARNESS, PERKINS T3, TELECON.....1	
--	1253707GT	HARNESS, CUMMINS ENGINE T3, TELECON.....1	
--	1259253GT	HARNESS, PERKINS 854F, S-BOOM....1	
9	101888GT	HARNESS, TCON J5 POWER.....1	
10	75769GT	LIMIT SWITCH, OPERATION, LSB2RO...1	
11	146198GT	LIMIT SWITCH, SAFETY.....3	
12	60989GT	HARNESS, CABLE BREAK S120/125....1	
13	75031GT	LIMIT SWITCH, SAFETY.....2	
14	89110GT	LIMIT SWITCH, OPERATIONAL.....2	
15	89109GT	LIMIT SWITCH, OPERATIONAL.....1	
16	146199GT	LIMIT SWITCH, SAFETY.....1	
17	60987GT	SWITCH, LIMIT, PROX(OPERATIONAL)...6	
18	75032GT	LIMIT SWITCH, SAFETY.....1	
19	75033GT	LIMIT SWITCH, OPERATIONAL.....1	
20	75037GT	LIMIT SWITCH, OPERATIONAL.....1	
21A	102705GT	HARNESS, DRIVE, 2WS, SB.....1	
21B	102704GT	HARNESS, DCON, 4WS.....1	
22	107830GT	SUBASSY, STEER SENSOR***.....4	
23	75036GT	LIMIT SWITCH, SAFETY.....2	
24	75641GT	HARNESS, FLASH BEACON SUB ASSY.....1	
25	162425GT	HARNESS, PLAT MAN. BYPASS.....1	
26	1274045GT	HARNESS, JUMPER, SB PLAT LVL.....1	

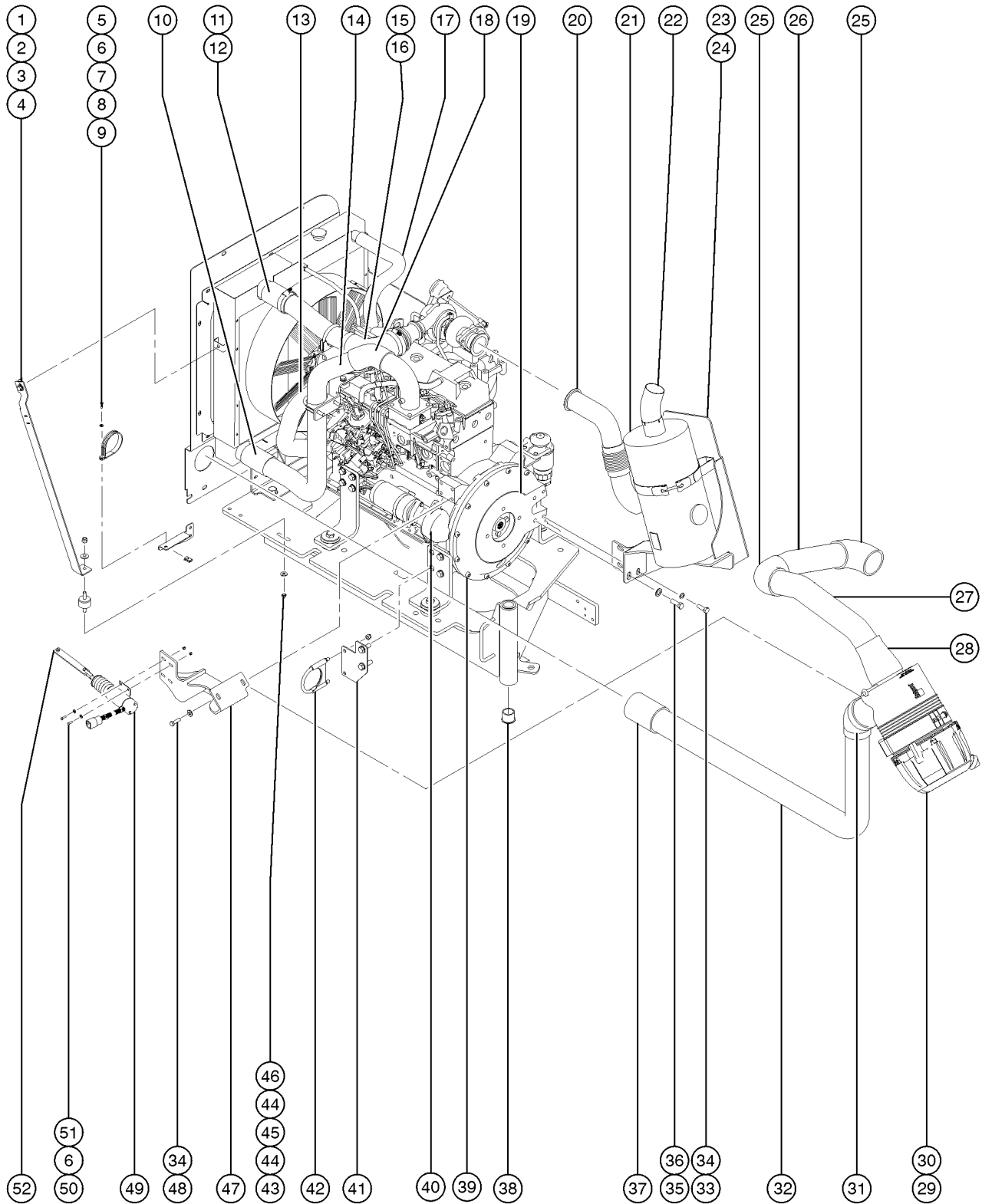
401.1 Cummins B3.3T Engine - View 1



401.1 Cummins B3.3T Engine - View 1

Item	Part No.	Description	Qty.	Item	Part No.	Description	Qty.
--	122877GT	HARNESSES,CUMMINS ENGINE T3		38	122409GT	FORMING,MOUNT,ENGINE,FRONT.....2	
--	128829GT	CIRCUIT BRKR 15A TYPE 2 METAL		39	122410GT	FORMING,MOUNT,ENGINE,REAR.....2	
1	13000GT	SCREW,HHC,5/16-18 X 1.25		40	27584GT	SCREW,HHC,M12 X 35MM	
2	6638GT	WASHER,FLAT,USS,1/4"Y		41	49410GT	WASHER,FLAT,M12	
3	6782GT	NUT,NYLOCK,5/16-18		42	18596GT	WASHER,FLAT,1.56 X 2.5 X .061	
4	122402GT	ENGINE KIT, CUMMINS B3.3T.....1		43	33418GT	WASHER,FLAT,.625 X 2.25 X.15	
5	146046GT	ALTERNATOR.....1		44	13004GT	SCREW,HHC,5/8-11 X 3 GRD.8	
6	146047GT	BELT.....1		45	122708GT	OIL FILTER.....1	
6A	1277970GT	WATER PUMP,CUMMINS,B3.3.....1		46	27034GT	SCREW,HHC,M10 X 25MM,GR 8.8	
7	122625GT	BRACKET, SUPPORT, EXH. CUM T3.....1		47	22699GT	WASHER,FLAT,M10,ZINC PLTD.	
8	122424GT	BRACKET,CAC 2 TUBING MOUNT.....1		48	111639GT	FORMING,FUEL FILTER MOUNT.....1	
9	71911GT	CLAMP,MUFFLER, 2.50 INCH.....4		49	122709GT	FUEL FILTER.....1	
10	122335GT	BRACKET, CAC INTAKE TUBE MOUNT.....1					
11	122438GT	FAN, 19.0", BREEZA.....1					
12	30490GT	HOSE,1/4 FUEL LINE,SAE 30R7.....16-inches					
13	65473GT	CAP,RADIATOR,PERKINS/FORD.....1					
14	122404GT	ASSY, RAD/CAC, CUMMINS B3.3T.....1					
15	122594GT	FORMING,BAFFLE BOX.....1					
16	128505GT	FORMING,ENGINE BAFFLE.....1					
17	8255GT	SCREW,HHC,3/8-16 X .75					
18	6097GT	WASHER,FLAT,USS,3/8",Y					
19	13002GT	SCREW,HHC,5/16-18 X 1 GR5					
20	5397GT	WASHER,FLAT,USS,5/16",Y					
21	122415GT	WELDMENT,RADIATOR MOUNT,CUM.....1					
22	8516GT	SCREW, HCC, 3/8-16 X 1.50					
23	6021GT	WASHER,LOCK,.375					
24	44714GT	WASHER,.375X1.25X.100					
25	75259GT	ISOLATOR,CENTER BONDED					
26	6019GT	SCREW,HHC,3/8-16 X 1.25 GRD 5					
27	4828GT	NUT,NYLOCK,3/8-16					
28	50974GT	BUMPER,RUBBER,COVERS					
29	60729GT	FORMING,COVER STOP***					
30	122412GT	RADIATOR STRUT,RIGHT.....1					
31	6024GT	NUT,NYLOCK,5/8-11					
32	13064GT	WASHER,FLAT,.625 HARDENED					
33	29883GT	SCREW,HHC,5/8-11 X 1.75 GRD.8					
34	7713GT	NUT, LP NYLOCK, 3/8-16					
35	122428GT	MOUNT,1"FLEX-BOLT SANDWICH.....1					
36		Ref. ENGINE TRAY.....1 (refer to 403.1)					
37	102045GT	ISOLATOR,ENGINE VIBRATION					

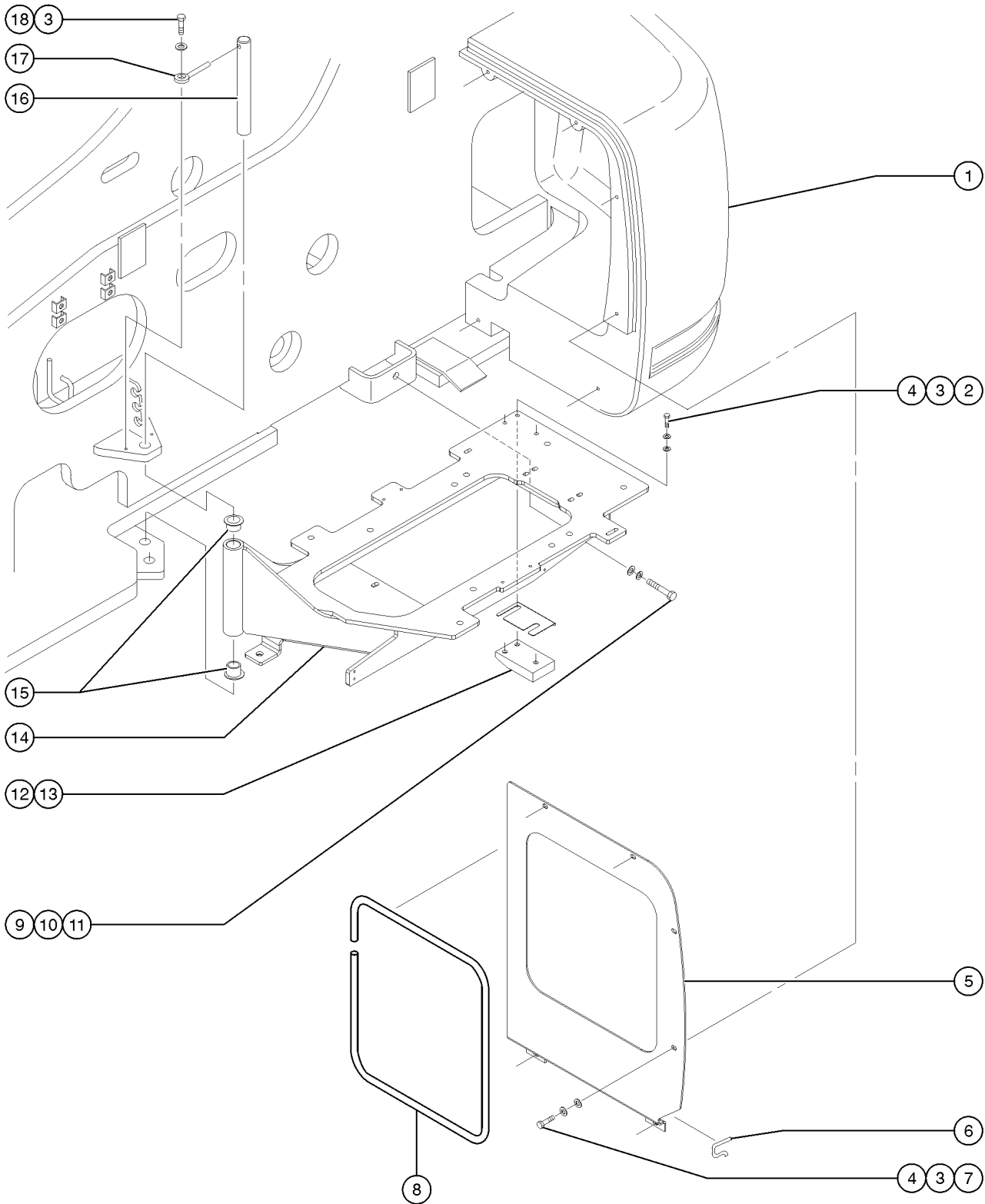
402.1 Cummins B3.3T Engine - View 2



402.1 Cummins B3.3T Engine - View 2

Item	Part No.	Description	Qty.	Item	Part No.	Description	Qty.
1	8255GT	SCREW,HHC,3/8-16 X .75		37	60596GT	HOSE INLET.....1	
2	6021GT	WASHER,LOCK,.375		38		Ref. BEARING (refer to 406.1)	
3	5397GT	WASHER,FLAT,USS,5/16",Y		39	61110GT	SCREW,SHC,M10X1.5X30 GR 12.9	
4	122411GT	RADIATOR STRUT,LEFT.....1		40	139798GT	STARTER, 12V, CUMMINS B3.3T	
5	6888GT	SCREW,HHC,1/4-20 X 1		41	122423GT	BRACKET,INTAKE MOUNT,CUM.....1	
6	6638GT	WASHER,FLAT,USS,1/4"Y		42	122414GT	U-BOLT,GUILLOTINE,3"	
7	70257GT	CLAMP,3.0,#48 X 1/4,RUB CUSH		43	7713GT	NUT, LP NYLOCK, 3/8-16	
8	122413GT	BRACKET,INTAKE TUBE SUPPORT.....1		44	6097GT	WASHER,FLAT,USS,3/8",Y	
9	56912GT	SPRING CLIP,1/4-20,.025-.15X.54,ZAG		45	122428GT	MOUNT,1"FLEX-BOLT SANDWICH.....1	
10	122434GT	HOSE,CAC,2.5"ID X 4.0".....1		46	4828GT	NUT,NYLOCK,3/8-16	
11	122427GT	TUBE,CAC 1 CUM.B3.3T.....1		47	146352GT	WLDT, AIR CLEANER/SOLENOID MNT	
12	122591GT	CLAMP,CONST TRQ 2.25"-3.13"OD		48	27034GT	SCREW,HHC,M10 X 25MM,GR 8.8	
13	122408GT	HOSE,LOWER RADIATOR,CUMMINS...1		49	101957GT	SOLENOID,THROTTLE,ASSY.TROMB...1	
14	122425GT	TUBE,AIR INTAKE,UPPER.....1		50	6090GT	SCREW,HHC,1/4-20 X .75	
15	122435GT	REDUCER,90 DEG,CAC, 3.0"-2.5".....1		51	6091GT	NUT,NYLOCK,1/4-20	
16	122592GT	CLAMP,CONST TRQ 2.75"-3.63"OD		52	146306GT	THROTTLE LINK, STEEL.....1	
17	122407GT	HOSE,UPPER RADIATOR,CUMMINS...1		--	21130GT	CLEVIS YOKE-1/4-28,PLTD W/PIN	
18	122433GT	ELBOW,45 DEG, CAC,2.5".....1					
19	70381GT	COVER,FLYWHEEL CASTING.....1					
20	122604GT	TUBE, EXHAUST CUMMINS B3.3T.....1					
21	70444GT	MUFFLER,2.5"INLET/OUTLET.....1 S10512D-340					
--	823260GT	MUFFLER,2.5"INLET/OUTLET,9"DIA S10511D-101 to S10512D-339					
22	122615GT	TUBE,EXHAUST CUMMINS T3.....1					
23	122605GT	WLDT, MUFFLER BRKT, CUMMINS T3.....1					
24	122470GT	CLAMP,MUFFLER,CUM B3.3T S10512D-340					
--	823259GT	CLAMP,MUFFLER,CUM B3.3T, 9"DIA S10511D-101 to S10512D-339					
25	60561GT	ELBOW,INLET,CUMMINS.....1					
26	122614GT	TUBE,INTAKE,CUMMINS T3.....1					
27	122613GT	TUBE,INTAKE,CUMMINS T3.....1					
28	122432GT	REDUCER,RUBBER,4.0 X 3.0.....1					
29	122466GT	AIR CLEANER,CUMMINS B3.3T.....1					
--	146044GT	AIR FILTER, PRIMARY ELEMENT.....1					
--	146045GT	AIR FILTER, SECONDARY ELEMENT...1					
30	122467GT	AIR CLEANER,CLAMP,CUM B3.3T.....1					
31	122603GT	REDUCER,45 DEG, 3.75"-3.00".....1					
32	122602GT	TUBE,AIR INTAKE 1,CUM.B3.3T.....1					
33	22697GT	SCREW,HHC,M10 X 65MM,GR8.8					
34	22699GT	WASHER,FLAT,M10,ZINC PLTD.					
35	54177GT	SCREW,HHC,1/2-13 X 1.5 GRD 8					
36	13066GT	WASHER,FLAT,5 HARDENED					

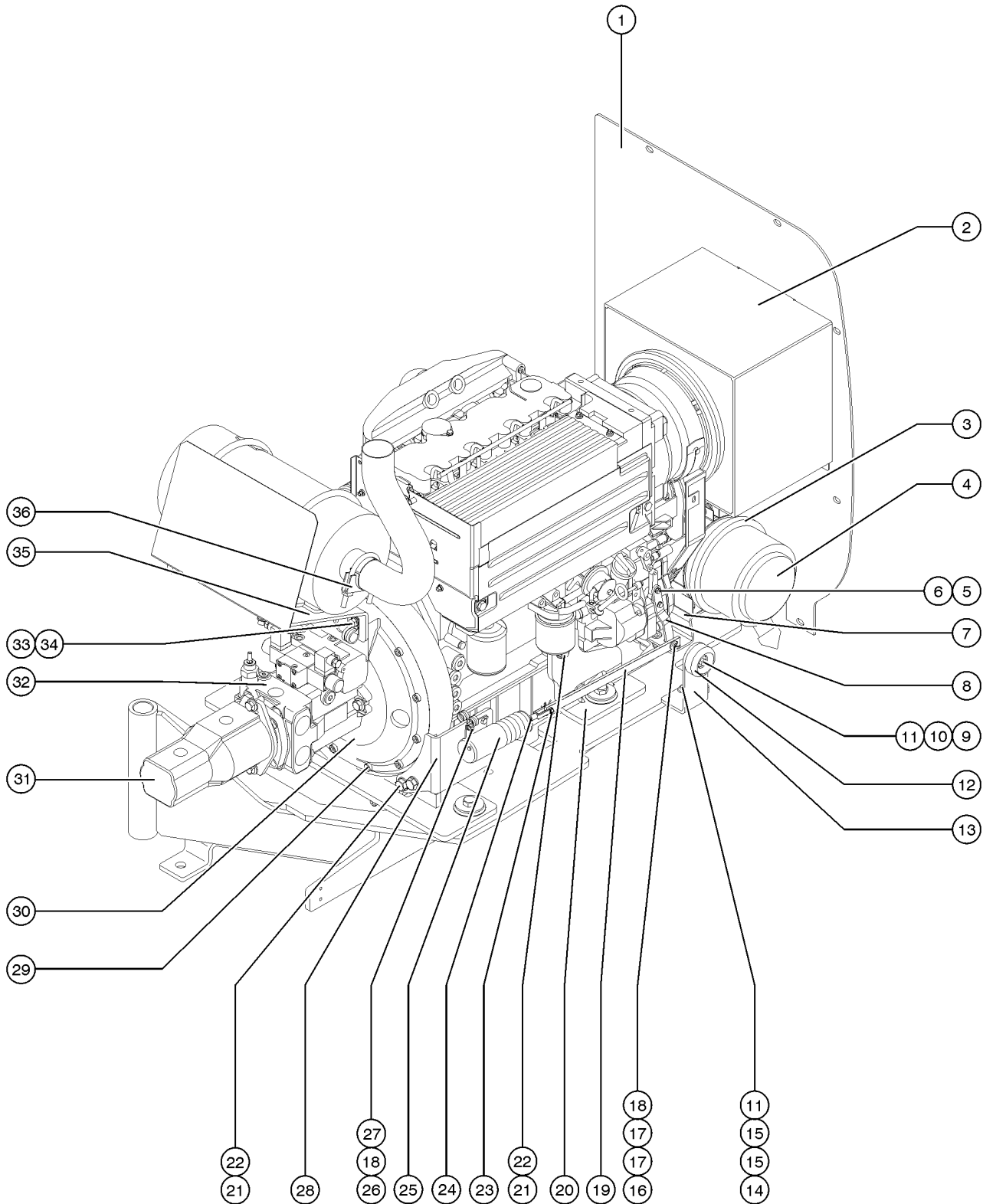
403.1 Cummins Engine Attached Components



403.1 Cummins Engine Attached Components

Item	Part No.	Description	Qty.
1	61587GT	COUNTERWEIGHT,S100/105	
--	38859GT	WASHER,FLAT,USS,1",Y	
--	61282GT	SCREW,HHC,1-8 X 9.5,GD2,YEL	
2	6019GT	SCREW,HHC,3/8-16 X 1.25 GRD 5	
3	6021GT	WASHER,LOCK,.375	
4	5397GT	WASHER,FLAT,USS,5/16",Y	
5	75607PGT	INTAKE BAFFLE,PAINTED.....1	
6	60875GT	TRIM MOLDING	
7	6175GT	SCREW,HHC,3/8-16 X 1	
8	81476GT	TRIMLOCK, 1/16.....96-inches	
9	51131GT	SCREW,HHC,5/8-11 X 2.5	
10	6036GT	WASHER,LOCK,.625 PLTD	
11	6035GT	WASHER,FLAT,USS,5/8",Y	
12	60637GT	WEAR PAD,ENGINE SUPPORT.....1	
13	60826GT	SHIM,WEAR PAD ENGINE TRAY	
14	146054GT	ENGINE TRAY ASSEMBLY	
15	35675GT	BEARING,FL,1.25IDX1.5ODX1.25L.....2	
16	60625GT	PIN,1.25DIAX15.63LG,CHAMFER.....1	
17	825019GT	ROD END,.375X3.69,ZAG.....1	
18	8516GT	SCREW, HCC, 3/8-16 X 1.50	

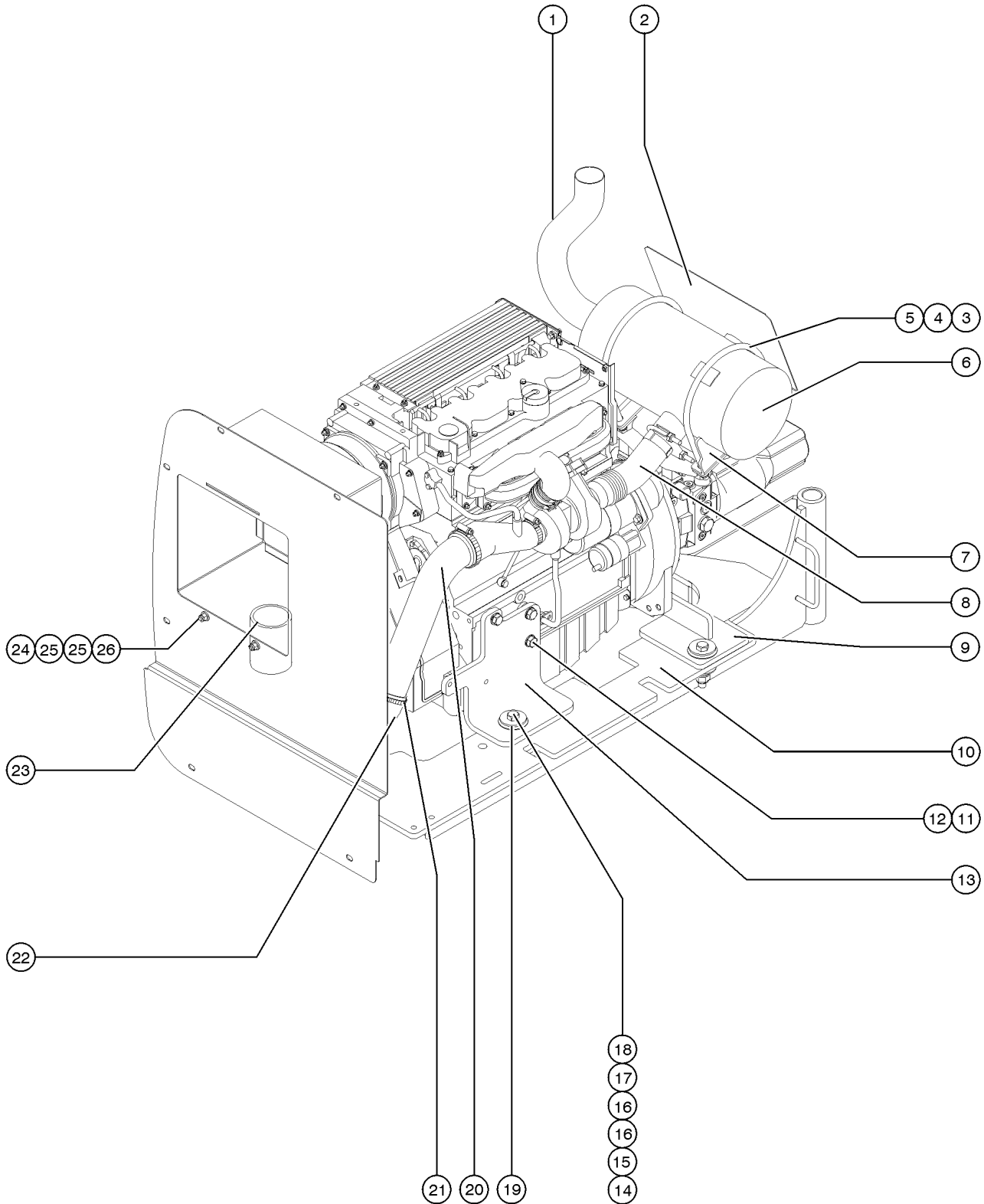
404.1 Deutz TD2011-L04i Engine - View 1



404.1 Deutz TD2011-L04i Engine - View 1

Item	Part No.	Description	Qty.	Item	Part No.	Description	Qty.
--	122875GT	HARN,ENGINE T3,DEUTZ BF4L2011		29	62476GT	SCREW,SHC,M10X1.5X20MM (75090)	
--	128829GT	CIRCUIT BRKR 15A TYPE 2 METAL		30	128004GT	COUPLER,15 TOOTH,FBA,SAE8***	
--	139624GT	SWITCH, OIL PRESSURE 1.5 BAR.....1 <i>(replaced 65765)</i>		31		Ref. Function Pump <i>(refer to 707.1)</i>	
--	139666GT	KIT,OP SWITCH,DEUTZ <i>(oil pressure kit for models with ALC-500 control system. replaces 65765. includes item 139624 and instructions)</i>		32		Ref. Drive Pump <i>(refer to 707.1)</i>	
1		Ref. BAFFLE,AIR INTAKE <i>(refer to 407.1)</i>		33	85053GT	SCREW,HHC,M10 X 1.5 X70,GR 8.8	
2		Ref. AIR BOX ASSEMBLY <i>(refer to 407.1)</i>		34	1261640GT	CLAMP,HOSE,CT,SAE 48,2-9/16" TO 3-1/2".....3	
3	81468GT	MOUNTING BAND,AIR CLEANER.....1		35	70448PGT	FORMING,MUFFLER MOUNT.....1	
4	81467GT	AIR CLEANER,NELSON.....1		36	71911GT	CLAMP,MUFFLER, 2.50 INCH.....2	
--	52866GT	EVACUATOR VALVE-AIR CLEANER <i>for 81467</i>					
--	62425GT	FILTER,AIR CLEANER, SUPERBOOM <i>for 81467</i>					
--	75450GT	AIR CLEANER CLIPS, SUPERBOOM <i>for 81467</i>					
--	75451GT	AIR CLEANER COVER, SUPERBOOM* <i>for 81467</i>					
5	22578GT	SCREW,HHC,M6 X 20MM,GR8.8					
6	49407GT	WASHER,LOCK,M6					
7	102209PGT	FORMING,AIR CLEANER MOUNT PNTD.....1					
8	50787-SGT	LEVER, GOVERNOR ACTUATOR.....1					
9	6019GT	SCREW,HHC,3/8-16 X 1.25 GRD 5					
10	6097GT	WASHER,FLAT,USS,3/8",Y					
11	4828GT	NUT,NYLOCK,3/8-16					
12	50974GT	BUMPER,RUBBER,COVERS.....1					
13	60778-SGT	FORMING,COVER STOP.....1					
14	8516GT	SCREW, HCC, 3/8-16 X 1.50					
15	5397GT	WASHER,FLAT,USS,5/16",Y					
16	6584GT	SCREW,SHS,10-24 X .625					
17	6638GT	WASHER,FLAT,USS,1/4"Y					
18	5365GT	NUT,NYLOCK,10-24					
19	139322GT	THROTTLE LINKAGE, DSL					
20	70439PGT	FORMING,ENGINE MOUNT PAINTED...1					
21	22558GT	SCREW,HHC,M14 X 40MM,GR 8.8					
22	49411GT	WASHER,FLAT,M14					
23	21130GT	CLEVIS YOKE-1/4-28,PLTD W/PIN.....1					
24	21496GT	NUT,HEX,1/4-28					
25	101957GT	SOLENOID,THROTTLE,ASSY.TROMB...1					
26	6091GT	NUT,NYLOCK,1/4-20					
27	6888GT	SCREW,HHC,1/4-20 X 1					
28	139321GT	FORMING, SOLENOID MOUNT***					

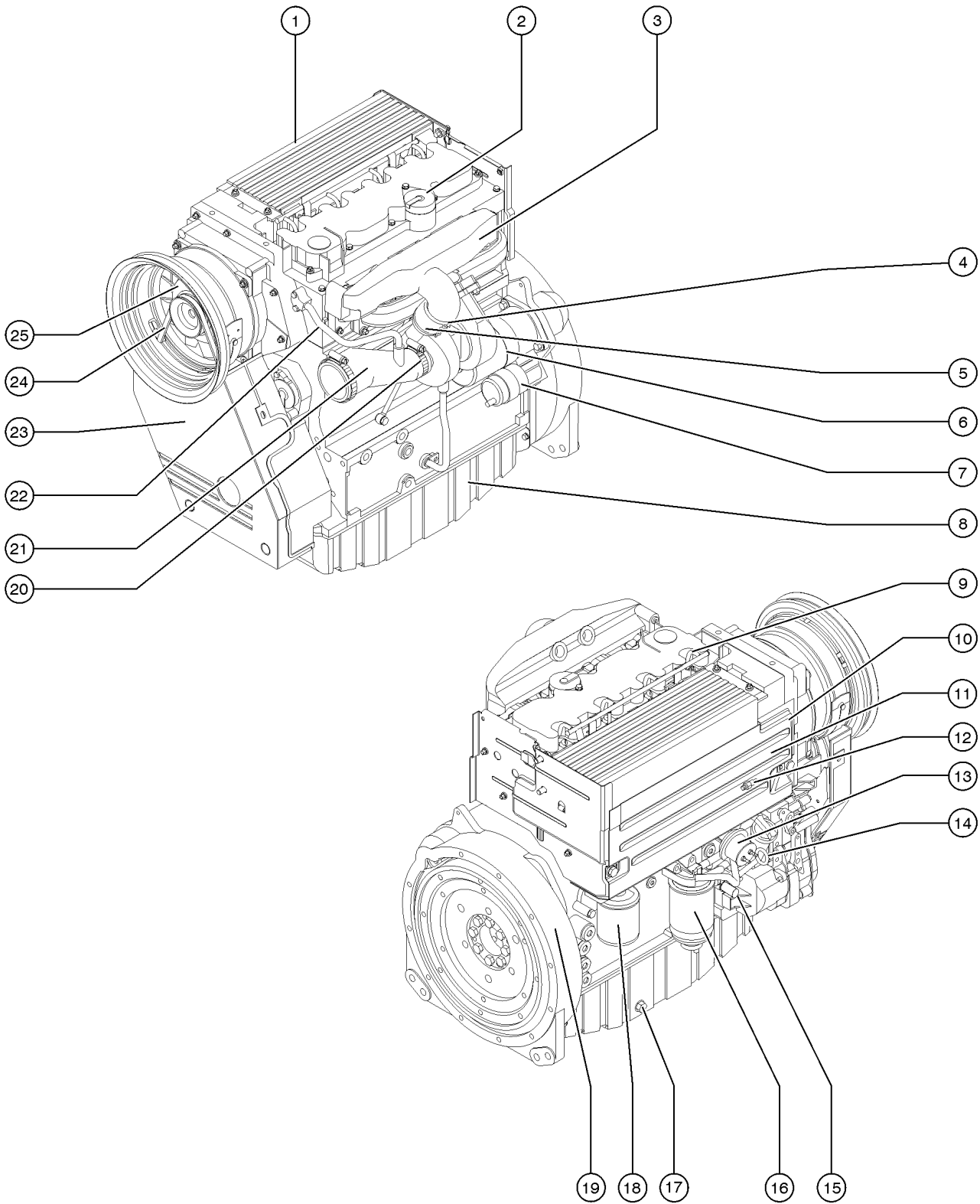
405.1 Deutz TD2011-L04i Engine - View 2



405.1 Deutz TD2011-L04i Engine - View 2

Item	Part No.	Description	Qty.
--	139983GT	EXHAUST PIPE GASKET	
1	70447GT	TAIL PIPE,DEUTZ.....1	1
2	102237PGT	FORMING,HEAT SHIELD,MUFFLER.....1	1
3	70449GT	U-BOLT,1/2-13 X 8.5	
4	13066GT	WASHER,FLAT,.5 HARDENED	
5	66777GT	NUT,TOP LOCK,1/2-13	
6	70444GT	MUFFLER,2.5"INLET/OUTLET.....1	1
7	70483GT	FORMING,8.5' MUFFLER MOUNT.....2	2
8	70445GT	FLEX PIPE,EXHAUST,2.5" DIA.....1	1
8B	139983GT	EXHAUST PIPE GASKET	
8B	71911GT	CLAMP,MUFFLER, 2.50 INCH	
9	70440GT	WELDMENT,REAR ENGINE MOUNT.....1	1
10		Ref. Engine Tray (refer to 407.1)	
11	22558GT	SCREW,HHC,M14 X 40MM,GR 8.8	
12	49411GT	WASHER,FLAT,M14	
13	70438PGT	FORMING,ENGINE MOUNT PAINTED...1	1
14	13003GT	SCREW,HHC,5/8-11 X 3.5 GRD.8.....4	4
15	33418GT	WASHER,FLAT,.625 X 2.25 X .15.....4	4
16	18596GT	WASHER,FLAT,1.56 X 2.5 X .061.....8	8
17	13064GT	WASHER,FLAT,.625 HARDENED.....4	4
18	6024GT	NUT,NYLOCK,5/8-11.....4	4
19	102045GT	ISOLATOR,ENGINE VIBRATION.....4	4
20	102208GT	TUBE,AIR INTAKE,DEUTZ.....1	1
21	30489GT	CLAMP,HOSE,3.50.....3	3
22	139455GT	ELBOW,AIR INTAKE,RUBBER.....1	1
23	106211-475GT	HOSE,RUBBER 3"ID X .25 BLACK.....1	1
24	4828GT	NUT,NYLOCK,3/8-16	
25	5397GT	WASHER,FLAT,USS,5/16",Y	
26	6175GT	SCREW,HHC,3/8-16 X 1	

406.1 Deutz TD2011-L04i Engine - View 3

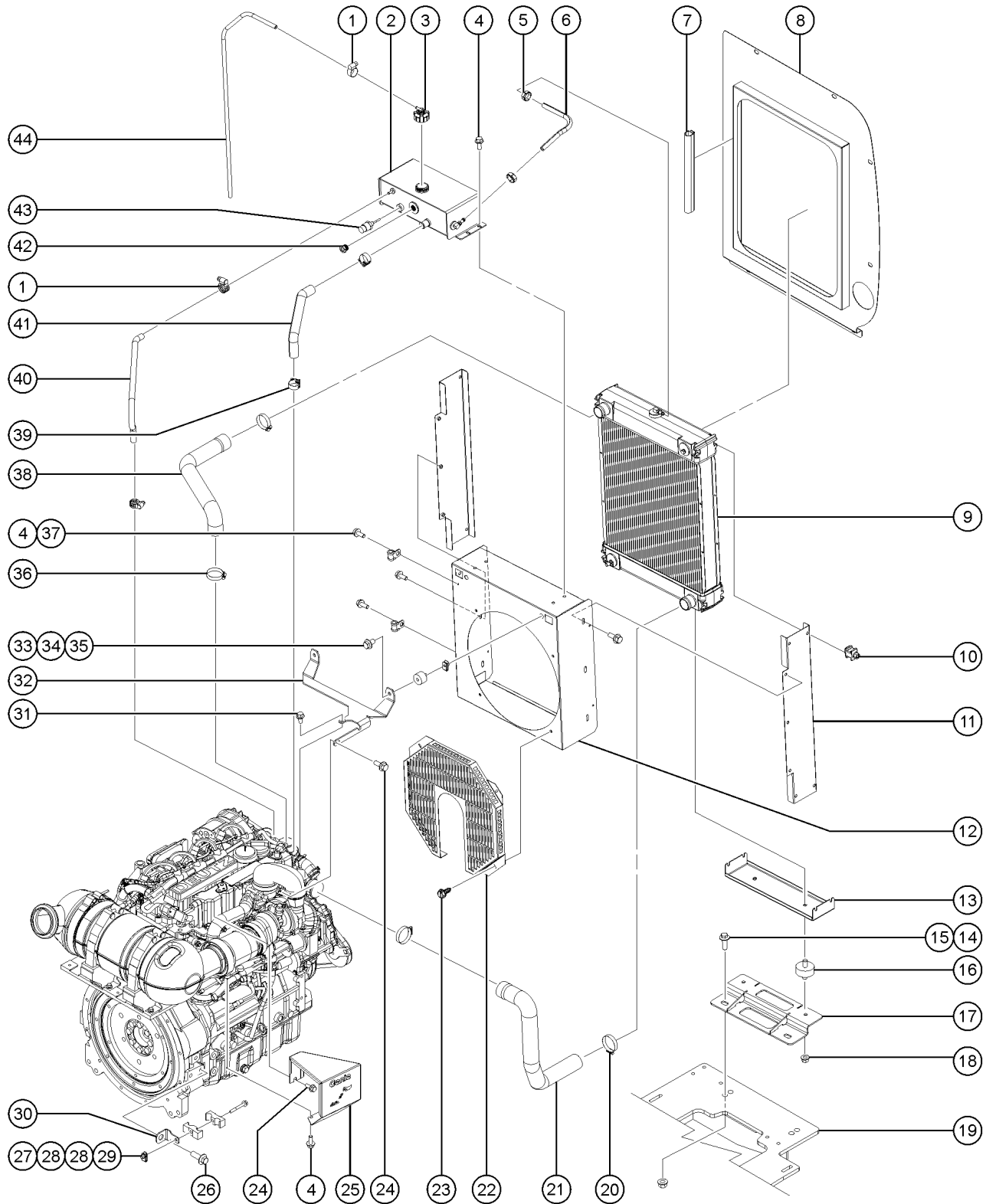


406.1 Deutz TD2011-L04i Engine - View 3

Item	Part No.	Description	Qty.	Item	Part No.	Description	Qty.
--	102581GT	PUMP,FUEL INJ,DEUTZ BF4L20 <i>class A injection pump; provide SN of engine to service to get correct injection pump (A, B, C, D)</i>		15	111668GT	PUMP,FUEL 2011 DEUTZ ***	
--	T108732GT	PUMP,FUEL INJ,DEUTZ BF4L20 <i>class B injection pump; provide SN of engine to service to get correct injection pump (A, B, C, D)</i>		--	111402GT	O-RING, FUEL LIFT PUMP	
--	T108733GT	PUMP,FUEL INJ,DEUTZ BF4L20 <i>class C injection pump; provide SN of engine to service to get correct injection pump (A, B, C, D)</i>		16	29560GT	FILTER,FUEL/WTR SEP, DTZ 1008.....1 <i>Genie Genuine Part. See PN 1254826 for compatible aftermarket replacement.</i>	
--	T108734GT	PUMP,FUEL INJ,DEUTZ BF4L20 <i>class D injection pump; provide SN of engine to service to get correct injection pump (A, B, C, D)</i>		--	1254826GT	FUEL FILTER W/SEP,DEUTZ,1008.....1 <i>Genie Aftermarket Part. Filter for Deutz F3L 1011F Engine.</i>	
1	161189GT	ENGINE,DEUTZ, TD2011L04i TPEM		--	236946GT	PLASTIC FILTER HEAD	
2	29557GT	CAP,OIL FILLER,DEUTZ,DIESEL ***.....1		--	58566GT	FILTER HEAD (29560)	
3	102590GT	EXHAUST MANIFOLD, DEUTZ F4L201.....1		17	102587GT	PLUG,ENGINE OIL,DEUTZ F4L2011.....1	
--	29559GT	GASKET,EXHAUST		18	49924GT	FILTER,OIL,DEUTZ F4L1011F.....1 <i>GENIE GENUINE PART. SEE PN 1255653 FOR COMPATIBLE AFTERMARKET REPLACEMENT.</i>	
4	102593GT	CLAMP, 3 INCH.....2		--	1255653GT	FILTER,OIL,DEUTZ,REPLACEMENT.....1 <i>GENIE AFTERMARKET PART. COMPATIBLE WITH GENIE GENUINE PART 49924.</i>	
5	226106GT	RUBBER SLEEVES, TD 2011L04i		19	102580GT	FLYWHEEL HOUSING DEUTZ F4L2011.....1	
6	139709GT	STARTER, 12V.....1		20	30971GT	CLAMP,HOSE,3.00"	
--	139621GT	KIT, HEAT GUARD, DEUTZ STARTER		21	226103GT	INLET REDUCER,TD 2011L04i	
7	49915GT	SOLENOID-STARTER DEUTZF4L1011F*.....1		22	226104GT	BREATHER PIPE, TD 2011L04i	
8	102586GT	OIL PAN,DEUTZ F4L2011.....1		--	226105GT	GASKET,BREATHER PIPE (226104)	
9	102595GT	FUEL LINE-INJECTOR, DEUTZ BF4L....4		23	146061GT	V-BELT GUARD, DEUTZ 2011.....1	
--	102581GT	PUMP,FUEL INJ,DEUTZ BF4L20		24	58630GT	V-BELT, DEUTZ TD2011LOAI	
--	102582GT	GASKET, FUEL INJEC PUMP DUTZ		25	58249GT	ALTERNATOR, DEUTZ,BF4L2011***.....1	
--	102584GT	SEAL,INJECTOR,DEUTZ F4L2011		--	1280590GT	PULLEY,ALTERNATOR,DEUTZ BF4L2011 <i>for 58249</i>	
--	102592GT	FUEL LINE, DEUTZ F4L2011		--	1280591GT	SPACER,ALT PULLEY,DEUTZ BF4L2011 <i>for 58249</i>	
--	102596GT	CYLINDER HEAD CVR.DEUTZ BF4L20					
--	102597GT	GASKET,CYL.COVR. DEUTZ BF4L201					
--	88091GT	FUEL RETURN,DAPCO 1/4"					
--	89792GT	INJECTOR, FUEL(DEUTZ F3L2011F)					
10	102594GT	COVER, ENGINE,DEUTZ F4L2011.....1					
11	111445GT	SENDING UNIT,OIL TEMP SWCH,DTZ.....1					
12	T114678GT	SHUTDOWN SOLENOID,12V, DEUTZ....1 <i>(replaced 32752) (must order cable assembly, 58256, if replacing 32752)</i>					
--	45782GT	DIODE,6 AMP,200 PIV,BULK					
--	58256GT	SOLENOID CABLE ASSY***					
--	72255GT	CONNECTOR, DEUTZ FUEL SHUTOFF* <i>(does not include diode, 45782)</i>					
13	58299GT	SENDING UNIT,OIL PRESS.,DEUTZ*....1					
14	52352GT	DIPSTICK-F3L1011F (DEUTZ)					



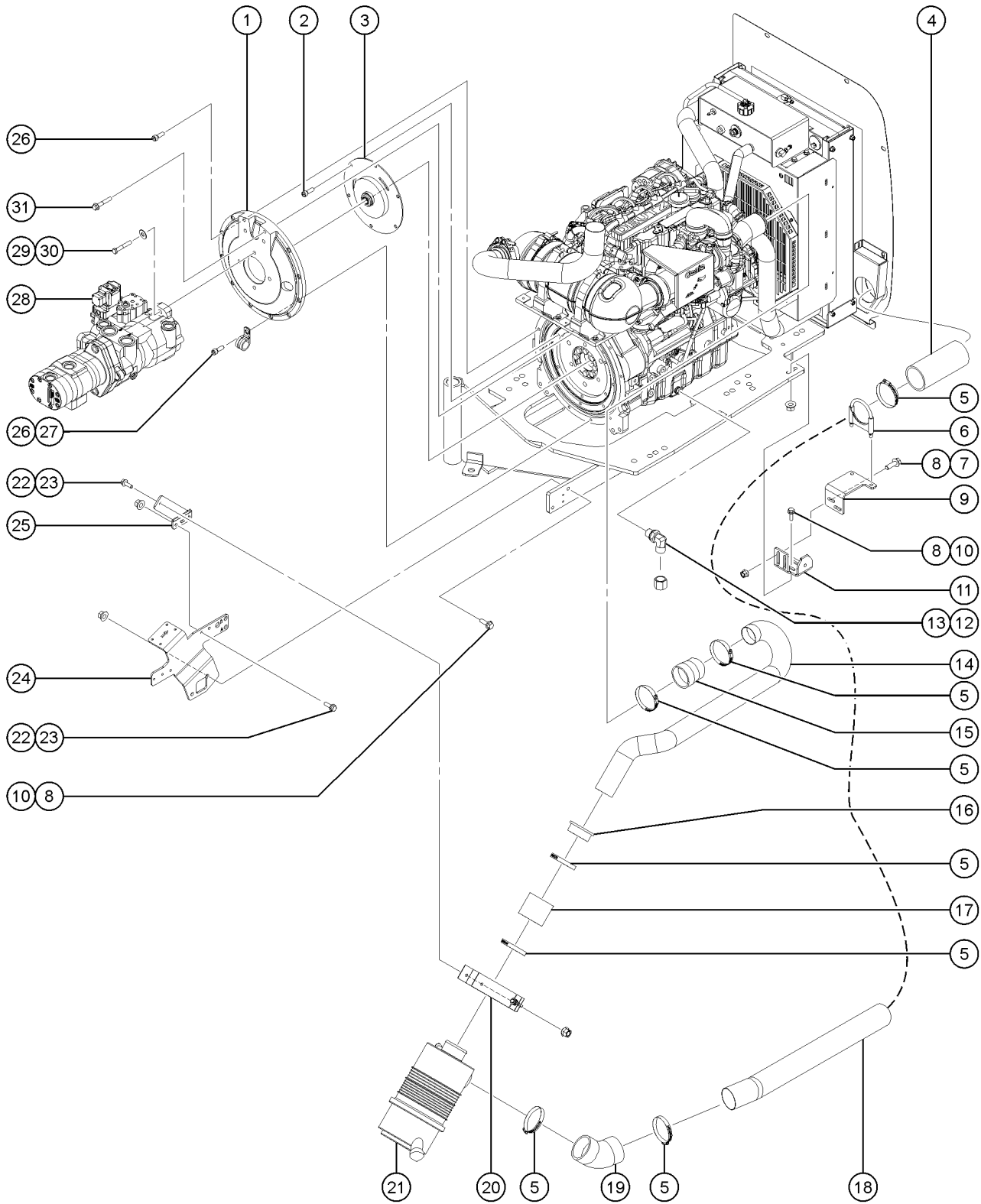
407.1 Deutz TD2.9L4 Engine - View 1



407.1 Deutz TD2.9L4 Engine - View 1

Item	Part No.	Description	Qty.	Item	Part No.	Description	Qty.
A		<i>Due to Tier 4 regulations, many engine replacement parts require the engine serial number at time of order placement. When ordering engine parts please have both machine and engine serial numbers available. For internal engine parts, contact engine dealer</i>		30	1256480GT	FORMING, WIRE LOOM SUPPORT.....1	
B	237730GT	ENGINE KIT, DEUTZ TD 2.9.....1		31	1251983GT	SCREW,HHF,M8-1.25X16,DIN6921,10.9,ZAB.1	
C	1253502GT	HARNES, DEUTZ 2.9L, TIER IV,SBOOM.....1		32	1255342GT	FORMING,RADIATOR SUPPORT.....1	
D	1252014GT	COOLING SYSTEM RCP-13-077.....1 <i>(includes items 2-4, 9-13, 21-23, 38, 41-42 and 44)</i>		33	237352GT	SCREW,HHF,M10-1.5X16,DIN6921,10.9,ZAB.2	
1	21465GT	CLAMP,HOSE,SIZE .25 TO .63.....3		34	1255451GT	ISOLATOR, VIBRATION DAMPENER.....2	
2	1252016GT	ASSY, DEGAS TANK, AL, RCP-13-077.....1		35	230074GT	SPRING CLIP,M10-1.5,1-6X19,ZAB.....2	
3	1254081GT	PRESSURE CAP RCP.....1		36	22672GT	CLAMP,HOSE,1.75.....2	
4	824132GT	SCREW,HHF,M8-1.25X20,DIN6921,10.9,ZAB.8		37	1257844GT	CLAMP, TUBE/HOSE, LOOP/OFFSET, 12.7 OD.....2	
5	96770GT	CLAMP,HOSE,1 EAR, 11/16.....2		38	1252017GT	HOSE, 20R4, UPPER.....1	
6	823420-1400GT	HOSE,HEATER,3/8" 14".....1		39	36208GT	CLAMP,HOSE,1.25***.....2	
7	60875GT	TRIM MOLDING.....1		40	1283995GT	HEATER HOSE,1/4".....14-inches	
8	1253325GT	BAFFLE,AIR INTAKE DIESEL, T4.....1		41	1252019GT	HOSE, DEGAS RETURN, 22MM ID.....1	
9	1252015GT	RADIATOR RCP.....1		42	1254418GT	SIGHT GLASS DEGAS RCP.....1	
10	1253233GT	ISOLATOR ASSY RCP RADIATOR.....8		43	218715GT	SENSOR,COOLANT LEVEL, DEUTZ.....1	
11	1253231GT	FORMING RADIATOR SIDE MOUNT.....2		44	1283995GT	HEATER HOSE,1/4".....43-inches	
12	1253230GT	FORMING FAN SHROUD RCP 2.9T.....1					
13	1253232GT	FORMING RADIATOR BOTTOM MOUNT RCP.....1					
14	1251894GT	SCREW,HHF,M16-2.0X45,DIN6921,10.9,ZAB.2					
15	1251893GT	NUT,TL,FLG,M16-2.0,DIN6927,10,ZAB.2					
16	1255631GT	ISOLATOR, M10-1.50, 5/8" HIGH.....2					
17	1251720GT	WELDMENT, RADIATOR MOUNT.....1					
18	231529GT	NUT,TL FLG,M10-1.5,DIN6927,10,ZAB.....2					
19		Ref. Engine tray.....1 <i>(refer to 410.1)</i>					
20	35434GT	CLAMP,HOSE,2.00***.....2					
21	1252018GT	HOSE, 20R4, LOWER.....1					
22	1253218GT	FORMING FAN SHROUD RCP.....1					
23	1253234GT	SCREW SHEET METAL HHF X1/2 X .18OD.....4					
24	824131GT	SCREW,HHF,M6-1.0X16,DIN6921,10.9,ZAB.2					
25	1254949GT	HEAT SHIELD,DEUTZ TD2.9L.....1					
26	1255806GT	SCREW,HHF,M12-1.75X20,DIN6921,10.9,ZAB.1					
27	230073GT	SPRING CLIP,M6-1.0,0.8-4MM PAN.....1					
28	217460GT	CLAMP,BATTERY CABLE.....2					
29	216597GT	SCREW,HHF,M6-1.0X50,DIN6921,10.9,ZAB.1					

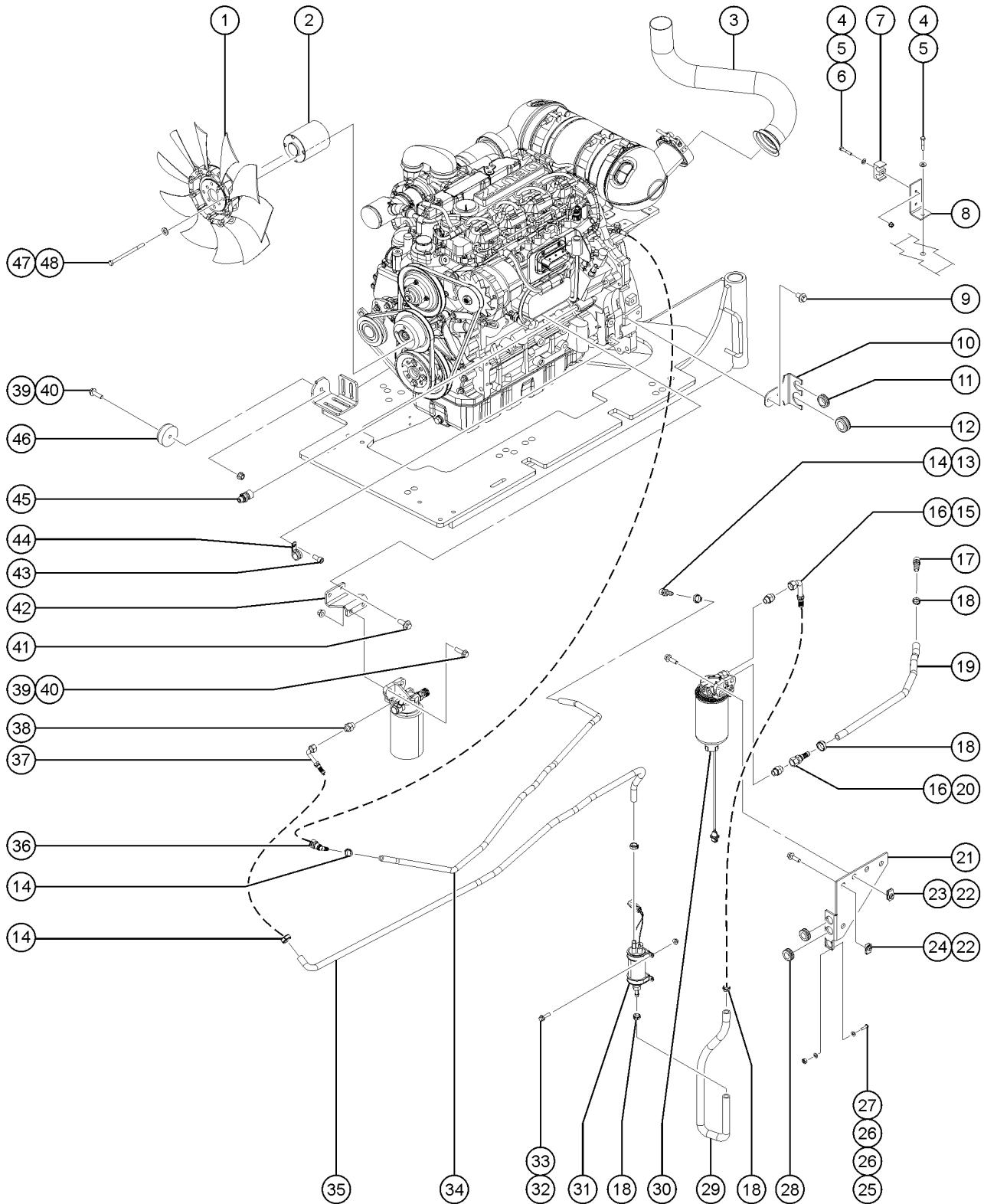
408.1 Deutz TD2.9L4 Engine - View 2



408.1 Deutz TD2.9L4 Engine - View 2

Item	Part No.	Description	Qty.	Item	Part No.	Description	Qty.
A		<i>Due to Tier 4 regulations, many engine replacement parts require the engine serial number at time of order placement. When ordering engine parts please have both machine and engine serial numbers available. For internal engine parts, contact engine dealer</i>		26	1255666GT	SCREW,SHC,M10-1.5X30,DIN912,12.9,ZAB.10	
	1	70381GT	COVER,FLYWHEEL CASTING.....1	27	60838GT	CLAMP,1.00,#16 X 7/16,RUB CUSH.....1	
	2	1255665GT	SCREW,SHC,M10-1.5X20,DIN912,12.9,ZAB.6	28		Ref. pump assembly.....1 (refer to 707.1)	
	3	128004GT	COUPLER,15 TOOTH,FBA,SAE8***.....1	29	54177GT	SCREW,HHC,1/2-13 X 1.5 GRD 8.....2	
	4	106211-800GT	HOSE,RUBBER 3"ID X .25 X 8" BLACK.....1	30	13066GT	WASHER,FLAT,.5 HARDENED.....2	
	5	30971GT	CLAMP,HOSE,3.00".....7	31	216036GT	SCREW,HHF,M10-1.5X60,DIN6921,10.9,ZAB.2	
	6	122414GT	U-BOLT,GUILLOTINE,3".....1				
	7	232874GT	SCREW,HHF,M10-1.5X30,DIN6921,10.9,ZAB.2				
	8	231529GT	NUT,TL FLG,M10-1.5,DIN6927,10,ZAB.....6				
	9	1262525GT	FORMING,INTAKE SUPPORT,SB.....1				
	10	231533GT	SCREW,HHF,M10-1.5X35,DIN6921,10.9,ZAB.4				
	11	1254669GT	FORMING, COVER STOP.....1				
	12	54428GT	FITTING,HYDRAULIC,90DEG,O-RING...1				
	13	69775GT	CAP,520112-8.....1				
	14	826352GT	TUBE,INTAKE,DEUTZ 2.9L.....1				
	--	1264657GT	REFLECTIVE INSULATING SLEEVE, PRESSURIZER.....1				
	15	826351GT	HOSE,REDUCER,TURBO INLET,DEUTZ.....1				
	16	101640GT	REDUCER,RUBBER 3.0 - 2.5.....1				
	17	106211-300GT	HOSE,RUBBER 3"ID X .25 BLACK.....1				
	18	1253600GT	AIR SUCTION PIPE,DIESEL,T4.....1				
	--	1264656GT	REFLECTIVE INSULATING SLEEVE, INTAKE.....1				
	19	61270GT	ELBOW,45 DEG,INLET.....1				
	20	81468GT	MOUNTING BAND,AIR CLEANER.....1				
	21	81467GT	AIR CLEANER,NELSON.....1				
	--	52866GT	EVACUATOR VALVE-AIR CLEANER for 81467				
	--	62425GT	FILTER,AIR CLEANER, SUPERBOOM for 81467				
	--	75450GT	AIR CLEANER CLIPS, SUPERBOOM for 81467				
	--	75451GT	AIR CLEANER COVER, SUPERBOOM* for 81467				
	22	824133GT	SCREW,HHF,M8-1.25X25,DIN6921,10.9,ZAB.4				
	23	237832GT	NUT,TL FLG,M8-1.25,DIN6927,10,ZAB.....4				
	24	215517GT	FORMING, CHARGE FILTER MOUNT...1				
	25	1251708GT	FORMINNG AIR CLEANER.....1				

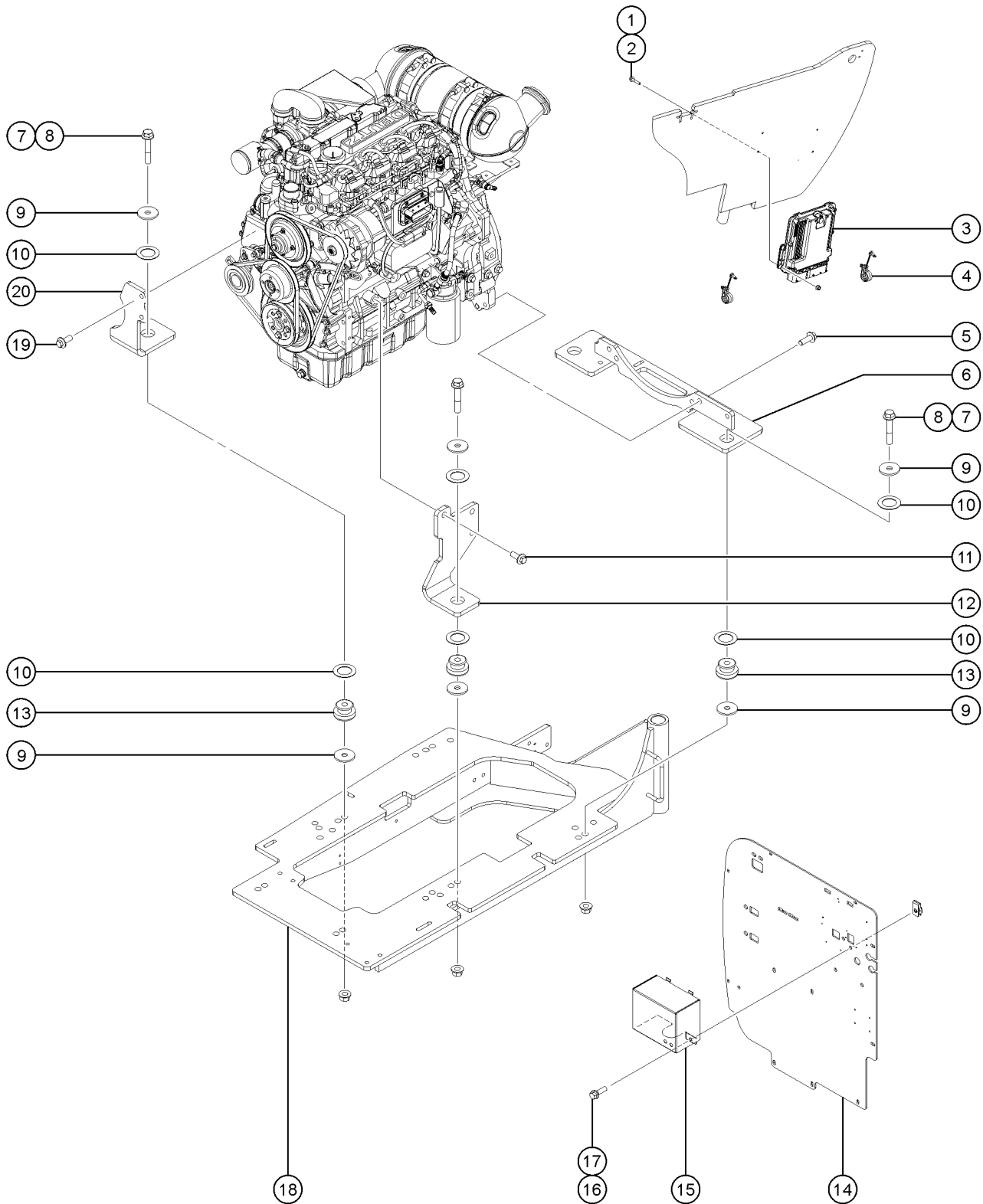
409.1 Deutz TD2.9L4 Engine - View 3



409.1 Deutz TD2.9L4 Engine - View 3

Item	Part No.	Description	Qty.	Item	Part No.	Description	Qty.	
A		<i>Due to Tier 4 regulations, many engine replacement parts require the engine serial number at time of order placement. When ordering engine parts please have both machine and engine serial numbers available. For internal engine parts, contact engine dealer</i>		38	162208GT	FITTING,CONN,16MM-6MJ.....	1	
	1	1251496GT	FAN,10 BLADE,17",DEUTZ 2.9L.....	1	231533GT	SCREW,HHF,M10-1.5X35,DIN6921,10.9,ZAB.3		
	2	1257753GT	FAN SPACER,DEUTZ 2.9L.....	1	40	231529GT	NUT,TL FLG,M10-1.5,DIN6927,10,ZAB.....	3
	3	826348GT	EXHAUST PIPE, 2.9L DEUTZ.....	1	41	231088GT	SCREW,HHF,M10-1.5X20,DIN6921,10.9,ZAB.2	
	4	824062GT	SCREW,HHC,1/4-20X1.5,8,ZAG.....	2	42	1256911GT	FORMING FUEL FILTER DEUTZ.....	1
	5	824113GT	WASHER,FLAT,USS,1/4,ZAG.....	2	43	39653GT	SCREW,SHC,M12-1.75X25 DIN 912, 12.9, ZAB.....	1
	6	824027GT	NUT,TL FLG,1/4-20,G,ZAG.....	1	44	61109GT	CLAMP,1.25,#20 X 7/16,RUB CSH.....	1
	7	70289GT	CLAMP,LINK,LH WELD WIRE.....	1	45	824673GT	SENSOR, PRESSURE,DEUTZ 2.9.....	1
	8	70535GT	BRACKET,BATTERY CABLE.....	1	46	50974GT	BUMPER,RUBBER,COVERS.....	1
	9	1255806GT	SCREW,HHF,M12-1.75X20,DIN6921,10.9,ZAB.3		47	1257774GT	SCREW,HHC,M8-1.25X95,DIN931,10....	4
	10	1257888GT	FORMING, ENGINE HARNESS SUPPORT.....	1	48	824144GT	WASHER,FLAT,M8,DIN125,ZAB.....	4
	11	124962GT	GROMMET,RUBBER,1.0 X 1.25X1.5.....	1				
	12	106923GT	GROMMET,RUBBER .38X1.38X1.0.....	1				
	13	27901GT	HOSE END,BARBED,RIGID,-6-6.....	1				
	14	96770GT	CLAMP,HOSE,1 EAR, 11/16.....	4				
	15	162207GT	FITTING,ELBOW,8GS-8FJX90S.....	1				
	16	162209GT	FITTING,CONN,16MM-8MJ.....	2				
	17	824471GT	FITTING,3/8 NPT TO 1/2 BARB.....	1				
	18	822087GT	CLAMP,HOSE,1EAR,25/32.....	4				
	19	823421-3000GT	HOSE, FUEL, 1/2, GATES RLA 30".....	1				
	20	824635GT	FITTING,STR,1/2 HS X 3/4-16,JI.....	1				
	21	1253327GT	BRACKET,FUEL SYSTEM,DEUTZ 2.9L.....	1				
	22	29868GT	SPRING CLIP,3/8-16,.05-.20X.73,ZAG....	5				
	23	824091GT	SCREW,HHF,3/8-16X1.25,8,ZAG.....	2				
	24	824089GT	SCREW,HHF,3/8-16X.75,8,ZAG.....	3				
	25	824214GT	SCREW,PHPM,6-32X.5,ZAG.....	4				
	26	825357GT	WASHER,FLAT,M4,DIN125,ZAB.....	8				
	27	824019GT	NUT,TL,6-32,A,ZAG.....	4				
	28	60584GT	GROMMET,RUBBER .75 X .19 X 1**.....	2				
	29	823421-2701GT	HOSE, FUEL, 1/2, GATES RLA 27".....	1				
	30	236260GT	PRE-FILTER,FUEL,DEUTZ.....	1				
	31	236259GT	LIFT PUMP,FUEL,DEUTZ.....	1				
	32	218458GT	SCREW,HHF,M5-0.8X20,DIN6921,10.9,ZAB.4					
	33	1255753GT	NUT,FLG,M5-0.8,DIN6923,8,ZAB.....	4				
	34	823420-6300GT	HOSE,FUEL,3/8,GATES RLA 60".....	1				
	35	823420-6500GT	HOSE,FUEL,3/8,GATES RLA 65".....	1				
	36	826000GT	CONNECTOR, SAE10, QUICK CONN....	1				
	37	162206GT	FITTING,ELBOW,6GS-6FJX90S.....	1				

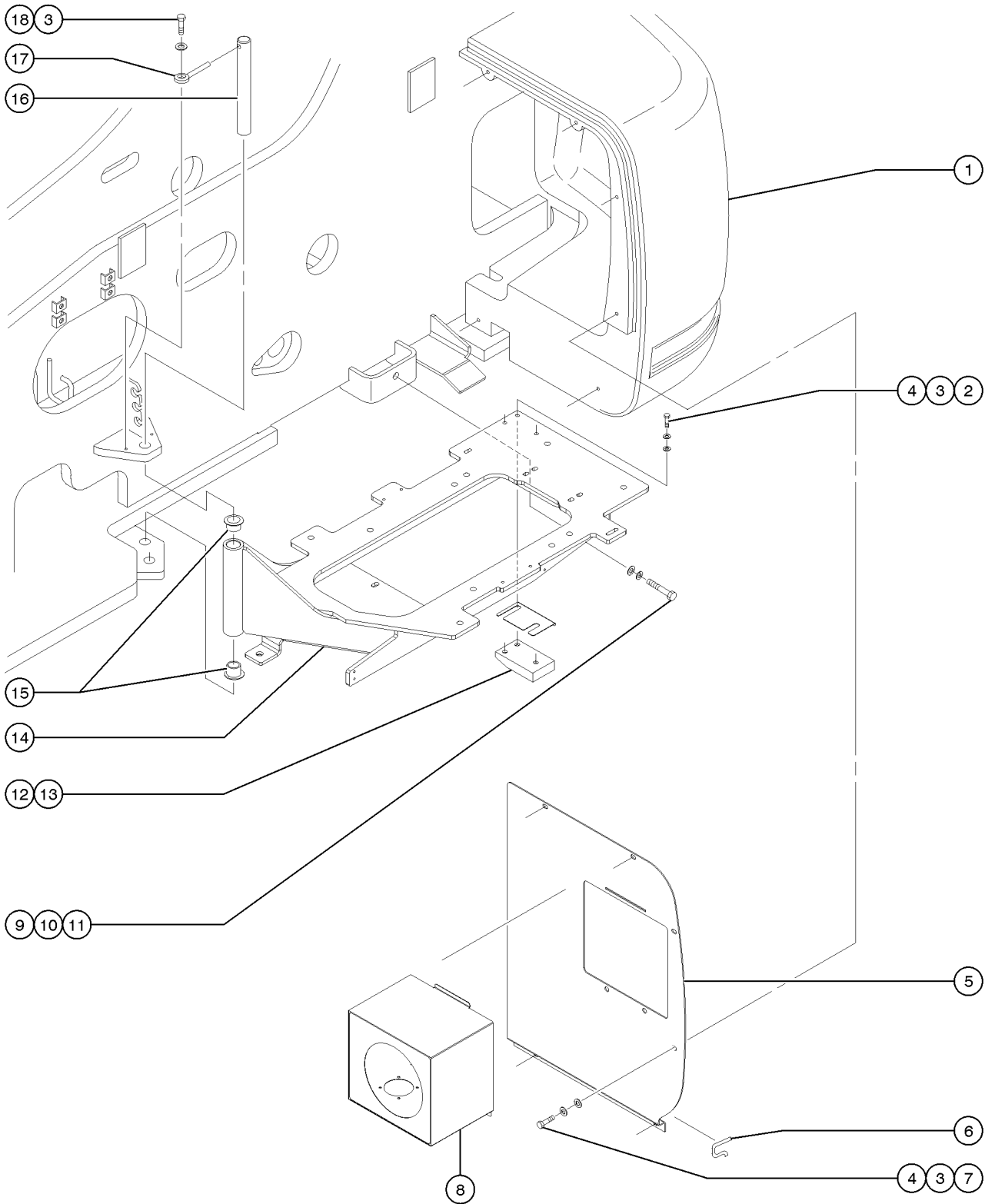
410.1 Deutz TD2.9L4 Engine - View 4



410.1 Deutz TD2.9L4 Engine - View 4

Item	Part No.	Description	Qty.
A		<i>Due to Tier 4 regulations, many engine replacement parts require the engine serial number at time of order placement. When ordering engine parts please have both machine and engine serial numbers available. For internal engine parts, contact engine dealer</i>	
1	231531GT	SCREW,HHF,M6-1.0X30,DIN6921,10.9,ZAB.4	
2	231513GT	NUT,TL FLG,M6-1.0,DIN6927,10,ZAB...4	
3	214795GT	ECM, DEUTZ.....1	
4	121603GT	CLAMP,FIXED DIA.NYLON,.875".....2	
5	1251899GT	SCREW,HHF,M14-2.0X40,DIN6921,10.9,ZAB.4	
6	70440GT	WELDMENT,REAR ENGINE MOUNT.....1	
7	1256583GT	SCREW,HHF,5/8-11X3.5,8,ZAG.....4	
8	1253319GT	NUT,TL,FLG,5/8-11,G,ZAG.....4	
9	824123GT	WASHER,FLAT,.625X2.25X.188,ZAG....8	
10	1251565GT	WASHER,SHIM,1.56X2.5X.061,ZAG....8	
11	1256776GT	SCREW,HHF,M14-2.0X35,DIN6921,10.9,ZAB.3	
12	1256805GT	MOUNT,ENGINE,LEFT SIDE.....1	
13	217500GT	ISOLATOR, ENGINE VIBRATION.....4	
14	1253326GT	PLATE, FUEL TANK BULKHEAD.....1	
15	1258412GT	COVER, RELAY,SB T4.....1	
16	824091GT	SCREW,HHF,3/8-16X1.25,8,ZAG.....1	
17	29868GT	SPRING CLIP,3/8-16,.05-.20X.73,ZAG....1	
18	128314GT	WELDMENT, ENGINE TRAY.....1	
19	824134GT	SCREW,HHF,M12-1.75X30,DIN6921,10.9,ZAB.2	
20	1251705GT	FORMING, ENGINE MOUNT.....1	

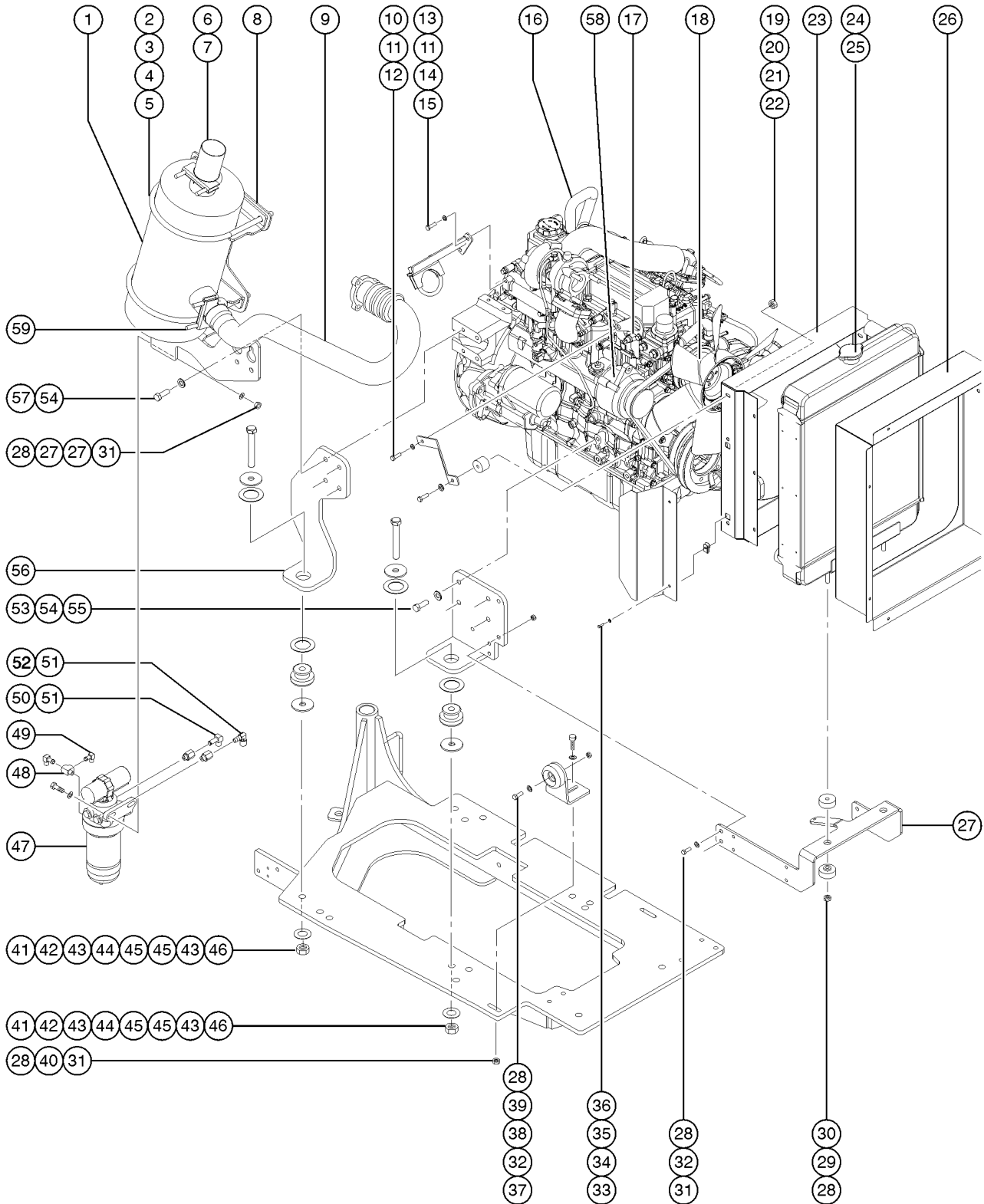
411.1 Deutz Engine Attached Components



411.1 Deutz Engine Attached Components

Item	Part No.	Description	Qty.
1		Ref. Counterweight (refer to 403.1)	
2	6019GT	SCREW,HHC,3/8-16 X 1.25 GRD 5	
3	6021GT	WASHER,LOCK, .375	
4	5397GT	WASHER,FLAT,USS,5/16",Y	
5	102210PGT	BAFFLE,AIR INTAKE,DEUTZ PAINTD....1	
6	60875GT	TRIM MOLDING	
7	6175GT	SCREW,HHC,3/8-16 X 1	
8	102218PGT	WELDMENT,AIR BOX,DEUTZ PAINTED	
9	51131GT	SCREW,HHC,5/8-11 X 2.5	
10	6036GT	WASHER,LOCK, .625 PLTD	
11	6035GT	WASHER,FLAT,USS,5/8",Y	
12	60637GT	WEAR PAD,ENGINE SUPPORT.....1	
13	60826GT	SHIM,WEAR PAD ENGINE TRAY	
14	146054GT	ENGINE TRAY ASSEMBLY	
15	35675GT	BEARING,FL,1.25IDX1.5ODX1.25L.....2	
16	60625GT	PIN,1.25DIAX15.63LG,CHAMFER.....1	
17	825019GT	ROD END, .375X3.69,ZAG.....1	
18	8516GT	SCREW, HCC, 3/8-16 X 1.50	

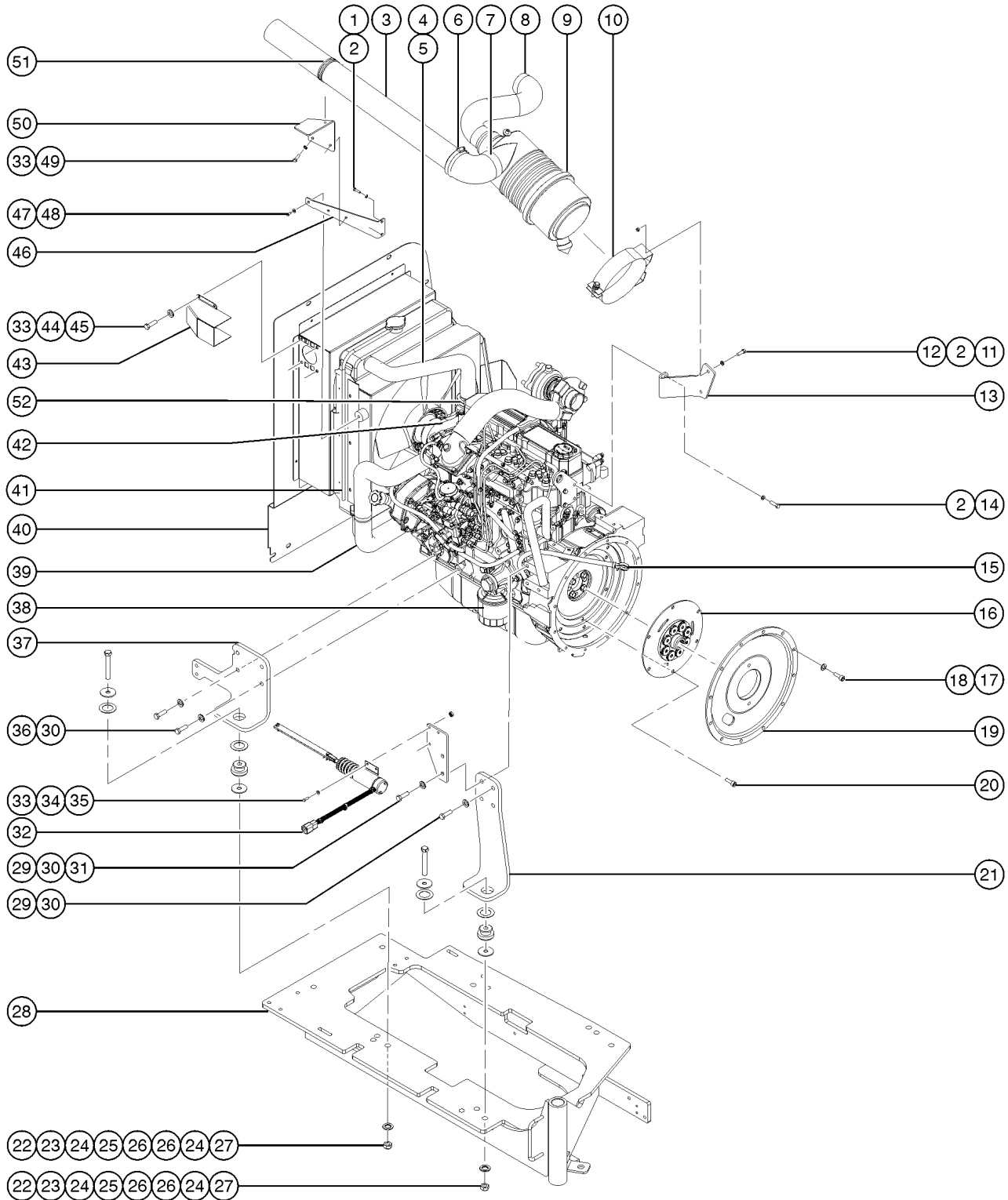
412.1 Perkins 804D-33T Engine - View 1



412.1 Perkins 804D-33T Engine - View 1

Item	Part No.	Description	Qty.	Item	Part No.	Description	Qty.
--	122593GT	HARNES,PERKINS 804D-33T		33	6090GT	SCREW,HHC,1/4-20 X .75	
--	139612GT	KIT CB 15A T2 RPM SOLENOID 3W <i>includes item 128829; to SN 709</i>		34	6638GT	WASHER,FLAT,USS,1/4"Y	
--	128829GT	CIRCUIT BRKR 15A TYPE 2 METAL <i>from SN 710</i>		35	139066GT	FORMING, BELT GUARD	
--	102534GT	V-BELT, PERKINS 804C-33		36	56912GT	SPRING CLIP,1/4-20,.025-.15X.54,ZAG	
1	70444GT	MUFFLER,2.5"INLET/OUTLET.....1		37	6019GT	SCREW,HHC,3/8-16 X 1.25 GRD 5	
2	70449GT	U-BOLT,1/2-13 X 8.5		38	50974GT	BUMPER,RUBBER,COVERS	
3	70483GT	FORMING,8.5' MUFFLER MOUNT		39	54363GT	BRACKET,RUBBER BUMPER,ENGCOVER <i>to SN 756</i>	
4	13066GT	WASHER,FLAT,.5 HARDENED		--	60778-SGT	FORMING,COVER STOP <i>from SN 757</i>	
5	66777GT	NUT,TOP LOCK,1/2-13		40	5397GT	WASHER,FLAT,USS,5/16",Y	
6	94324-500GT	TUBE,RD,STL,ALUMIZD,2.5 X .065		41	6024GT	NUT,NYLOCK,5/8-11	
7	71911GT	CLAMP,MUFFLER, 2.50 INCH		42	13064GT	WASHER,FLAT,.625 HARDENED	
8	122702GT	WLDT, MUFFLER BRKT, PERK T3.....1		43	33418GT	WASHER,FLAT,.625 X 2.25 X.15	
9	122701GT	WELDMENT, EXHAUST, 804T.....1		44	102045GT	ISOLATOR,ENGINE VIBRATION	
10	85064GT	SCREW,SHC,M8 X 1.25 X 16 MM		45	18596GT	WASHER,FLAT,1.56 X 2.5 X .061	
11	49408GT	WASHER,LOCK,M8		46	13003GT	SCREW,HHC,5/8-11 X 3.5 GRD.8	
12	101604PGT	BRACKET,FAN SHROUD,RH,PAINTED		47	101644GT	FUEL LIFT PUMP/FILTER ASSY.....1	
13	23057GT	SCREW,HHC,M8 X 20MM		48	41468GT	TEE,BRASS STREET,.12 NPT.....1	
14	128280GT	WELDMENT, EXHAUST SUPPORT.....1 <i>to SN 756</i>		49	38922GT	ELBOW,90DEG.1/8MPT-5/16 BARB.....1	
15	30438GT	CLAMP,MUFFLER,2 1/4" ID. <i>to SN 756</i>		50	31817GT	ELBOW,90DEG.1/4MPT-3/8 BARB.....2	
16	128661GT	HOSE, CRANKCASE BREATHER.....1		51	101628GT	ADAPTER,1/4 FNPT X 1/2-20 UNF.....2	
17	128638GT	SENSOR, TEMP. SENDER, M16X1.5.....1 <i>does not include 128801 or 128858</i>		52	54205GT	HOSE END,BARB,1/4 MNPTX5/16,90....1	
--	128801GT	O-RING, M16, ISO <i>order separately</i>		53	27584GT	SCREW,HHC,M12 X 35MM.....14	
--	128858GT	WASHER, RETAINING, M16 <i>order separately</i>		54	49410GT	WASHER,FLAT,M12	
18	75328GT	FAN,PULLER,PERKINS,1004-42.....1		55	128243GT	WELDMENT, ENGINE MNT, RF.....1	
19	22571GT	NUT,HEX,M8 X 1.25		56	128242GT	ENGINE MOUNT, RR.....1	
20	60585GT	ISOLATOR,VIBRATION,M8 MALE/FEM		57	27584GT	SCREW,HHC,M12 X 35MM	
21	33277GT	WASHER,FLAT,M8,YELLOW ZINC		58	146048GT	ALTERNATOR	
22	101629GT	SCREW,HHC,M8 X 10MM		59	71911GT	CLAMP,MUFFLER, 2.50 INCH <i>from SN 757</i>	
23	101603PGT	SHROUD,FAN,PERKINS PAINTED.....1					
24	65473GT	CAP,RADIATOR,PERKINS/FORD.....1					
25	110304GT	RADIATOR,FORD/PERKINS***.....1					
26	128247GT	FORMING, FAN BAFFLE.....1					
27	101606PGT	BRACKET,RADIATOR SUPPORT PNTD.....1					
28	4828GT	NUT,NYLOCK,3/8-16					
29	24038GT	SHOCK MOUNT,SMALL					
30	24037GT	SHOCK MOUNT,LARGE**					
31	8516GT	SCREW, HCC, 3/8-16 X 1.50					
32	6097GT	WASHER,FLAT,USS,3/8",Y					

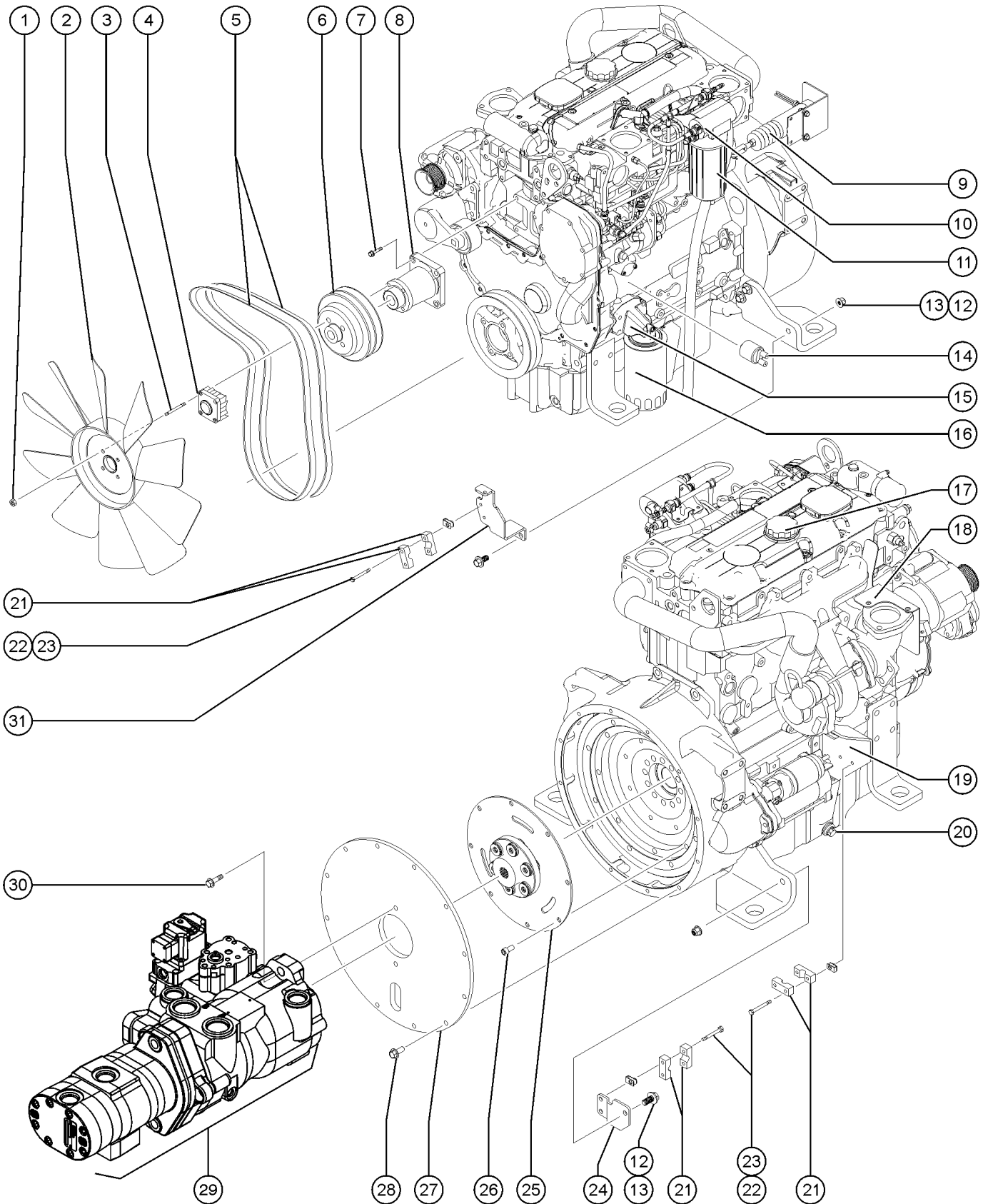
413.1 Perkins 804D-33T Engine - View 2



413.1 Perkins 804D-33T Engine - View 2

Item	Part No.	Description	Qty.	Item	Part No.	Description	Qty.
1	23057GT	SCREW,HHC,M8 X 20MM		--	60526GT	LOCK,RECEP 4 WAY,12-14GA	
2	49408GT	WASHER,LOCK,M8		--	60757GT	PLUG,SEAL,12-18 GA	
3	81738-3300GT	TUBE,RD,STL 3 X 18GA ALUMINIZD.....1		--	6578GT	CABLE TIE,7 3/8"	
4	101601GT	HOSE,RADIATOR,UPPER,PERKINS.....1		--	73711GT	TERM,DEUTSCH, PIN #12-14	
5	35434GT	CLAMP,HOSE,2.00***		--	89998GT	KIT,SERVICE,SOLENOID MODULE	
6	30489GT	CLAMP,HOSE,3.50		33	6090GT	SCREW,HHC,1/4-20 X .75	
7	60561GT	ELBOW,INLET,CUMMINS.....1		34	6638GT	WASHER,FLAT,USS,1/4"Y	
8	128207GT	HOSE, AIR INTAKE, 804T.....1		35	6091GT	NUT,NYLOCK,1/4-20	
9	81467GT	AIR CLEANER,NELSON.....1		36	27584GT	SCREW,HHC,M12 X 35MM.....14	
--	52866GT	EVACUATOR VALVE-AIR CLEANER for 81467		37	128245GT	ENGINE MOUNT, LF.....1	
--	62425GT	FILTER,AIR CLEANER, SUPERBOOM for 81467		38	101613GT	ELEMENT,OIL FILTER,PERKINS***1	
--	75450GT	AIR CLEANER CLIPS, SUPERBOOM for 81467		39	101602GT	HOSE,RADIATOR,LOWER,PERKINS.....1	
--	75451GT	AIR CLEANER COVER, SUPERBOOM* for 81467		40	128250GT	FORMING, ENGINE BAFFLE.....1	
10	81468GT	MOUNTING BAND,AIR CLEANER.....1		41	10626-4000GT	TUBING, VINYL, 1/2" CLEAR.....1	
11	49378GT	SCREW,HHC,M8 X 16		42	226060GT	PUMP,WATER,PERKINS 804D-33T	
12	6091GT	NUT,NYLOCK,1/4-20		--	226061GT	GASKET-PUMP WATE,PERK 804D-33T	
13	128248GT	FORMING, FILTER SUPPORT.....1		43	128249GT	FORMING, INTAKE DUCT.....1	
14	49379GT	SCREW,HHC,M8 X 1.25 X 25		44	14295GT	WASHER,SHIM,.265 X .5 X .030	
15	128424GT	ASSEMBLY, DIPSTICK TUBE.....1		45	56912GT	SPRING CLIP,1/4-20,.025-.15X.54,ZAG	
16	128004GT	COUPLER,15 TOOTH,FBA,SAE8***.....1		46	128246GT	BRACKET, FAN SHROUD, LH.....1	
17	27034GT	SCREW,HHC,M10 X 25MM,GR 8.8		47	101629GT	SCREW,HHC,M8 X 10MM	
18	22699GT	WASHER,FLAT,M10,ZINC PLTD.		48	33277GT	WASHER,FLAT,M8,YELLOW ZINC	
19	61781GT	CASTING,SAE 4 PUMP MOUNT,MACHI.....1		49	6638GT	WASHER,FLAT,USS,1/4"Y	
20	62476GT	SCREW,SHC,M10X1.5X20MM (75090)		50	128421GT	FORMING, INTAKE TUBE MNT.....1	
21	128244GT	ENGINE MOUNT, LR.....1		51	70257GT	CLAMP,3.0,#48 X 1/4,RUB CUSH	
22	6024GT	NUT,NYLOCK,5/8-11		52	226127GT	THERMOSTAT, 180 DEG.F	
23	13064GT	WASHER,FLAT,.625 HARDENED		--	226128GT	GASKET, (226127)	
24	33418GT	WASHER,FLAT,.625 X 2.25 X.15					
25	102045GT	ISOLATOR,ENGINE VIBRATION					
26	18596GT	WASHER,FLAT,1.56 X 2.5 X .061					
27	13003GT	SCREW,HHC,5/8-11 X 3.5 GRD.8					
28		Ref. ENGINE TRAY.....1 (refer to 416.2)					
29	60868GT	SCREW,HHC,M12 X 45					
30	49410GT	WASHER,FLAT,M12					
31	128554GT	PLATE, SOLENOID MOUNT.....1					
32	101957GT	SOLENOID,THROTTLE,ASSY.TROMB					
--	128555GT	THROTTLE, LINKAGE					
--	53471GT	WIRE LOOM,3/8 NYLON,HI TEMP					
--	60525GT	CONN,RECEP 4 WAY,12-14GA					

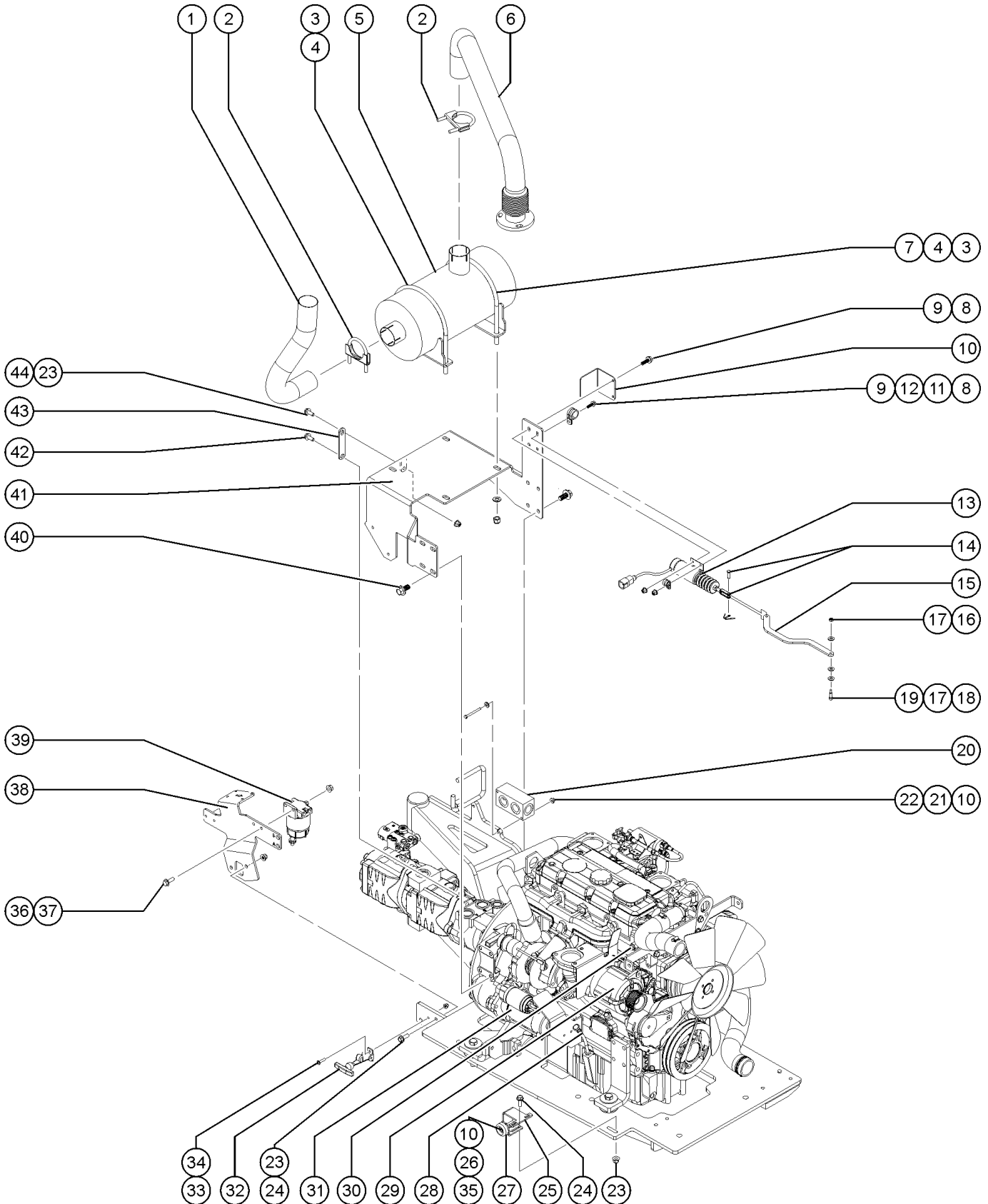
414.1 Perkins 1104D-44T Engine - View 1



414.1 Perkins 1104D-44T Engine - View 1

Item	Part No.	Description	Qty.
1	75326GT	NUT,FAN BLADE,PERKINS 1004-42	
2	75328GT	FAN,PULLER,PERKINS,1004-42.....1	
3	75327GT	STUD,FAN SPACR,PERKINS 1004-42....4	
4	130187GT	FAN SPACER,PERKINS,1.5".....1	
5	102598GT	BELT,V,(2) PERKINS 1104C-44.....2 <i>Serviced in pairs</i>	
6	75330GT	PULLEY,FAN,PERKINS 1004-42.....1	
7	75304GT	SCREW,PERKINS 1004-42.....4	
8	123351GT	FAN DRIVE HOUSING.....1	
9		Ref. THROTTLE SOLENOID ASSY, TROMB.....1 <i>(refer to 402.1)</i>	
10	102638GT	ADAPTER-FUEL FILTER, PERK 1104	
11	102639GT	FILTER,FUEL, PERKINS 1104C	
12	231529GT	NUT,TL FLG,M10-1.5,DIN6927,10,ZAB	
13	231533GT	SCREW,HHF,M10-1.5X35,DIN6921,10.9,ZAB	
14	102348GT	SENDING UNIT,OIL PRESS PERKINS...1	
15	123084GT	HEAD / OIL FILTER.....1	
16	102632GT	FILTER,OIL,PERKINS 1104C-44.....1	
17	T114346GT	CAP,VALVE COVER,OIL FILLER,PRK	
18	216286GT	FORMING, HEAT SHIELD, 1104D-44....1	
19	217459GT	FORMING,BATTERY CABLE,STARTER.....1	
20	75342GT	PLUG,ENGINE OIL,PERKIN 1004-42....1	
21	217460GT	CLAMP,BATTERY CABLE.....6	
22	216597GT	SCREW,HHF,M6-1.0X50,DIN6921,10.9,ZAB	
23	230073GT	SPRING CLIP,M6-1.0,0.8-4MM PAN	
24	217458GT	FORMING, BATTERY CABLE GUIDE....1	
25	216564GT	FLYWHEEL, COUPLER 15 TOOTH SAE 10.....1	
26	217232GT	SCREW,SHC,3/8-24 X .75,BO.....8	
27	60322-SGT	PLATE,PUMP MOUNT.....1	
28	231530GT	SCREW,HHF,M10-1.5X25,DIN6921,10.9,ZAB.12	
29		Ref. PUMP, DRIVE, AND FUNCTION, <i>(refer to 707.1)</i>	
30	1253498GT	SCREW,HHF,1/2-13X1.5,8,ZAG.....2	
31	217457GT	FORMING, BATTERY CABLE MOUNT...1	

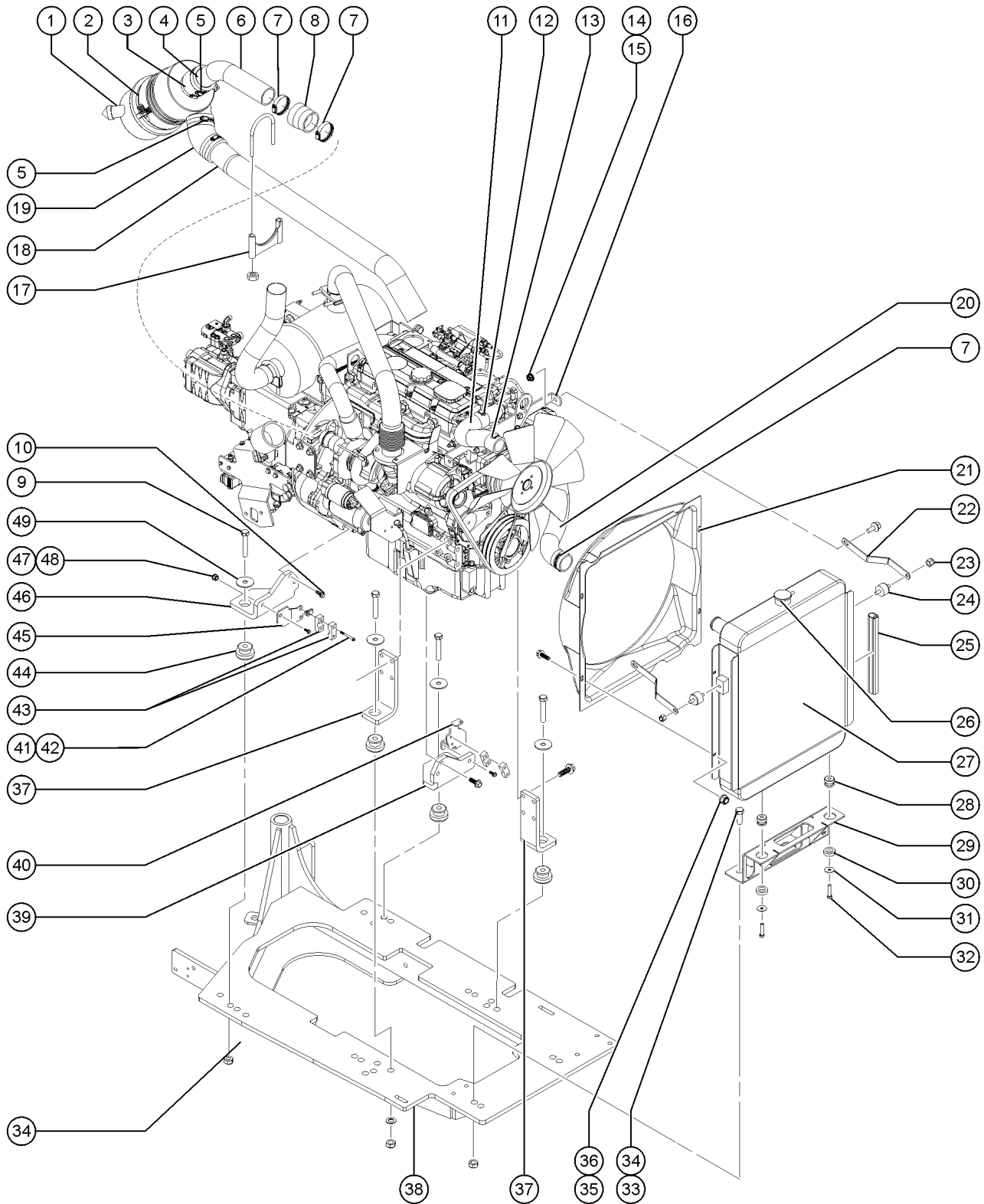
415.1 Perkins 1104D-44T Engine - View 2



415.1 Perkins 1104D-44T Engine - View 2

Item	Part No.	Description	Qty.	Item	Part No.	Description	Qty.
1	215496GT	TAIL PIPE,PERKINS 1104.....	1	39	75020GT	SEPRTR/FLTR,FUEL DSL,15GPH,..30....	1
2	71911GT	CLAMP,MUFFLER, 2.50 INCH		--	62433GT	FILTER,ELEMENT,30 MIC,75020	
3	70449GT	U-BOLT,1/2-13 X 8.5.....	2	40	231087GT	SCREW,HHF,M12-1.75X25,DIN6921,10.9,ZAB	
4	70483GT	FORMING,8.5' MUFFLER MOUNT.....	2	41	215509GT	WELDMNT, MUFFLER MOUNT.....	1
5	70444GT	MUFFLER,2.5"INLET/OUTLET.....	1	42	1253498GT	SCREW,HHF,1/2-13X1.5,8,ZAG	
--	101634GT	MUFFLER,CATALYTIC,2.5 I/O		43	215510GT	PLATE,PUMP STRUT.....	1
6	215500GT	WELDMNT,HEADER PIPE, PERKINS.....	1	44	231530GT	SCREW,HHF,M10-1.5X25,DIN6921,10.9,ZAB	
7	1251997GT	NUT,TL FLG,1/2-13,G,ZAG					
8	231532GT	SCREW,HHF,M6-1.0X20,DIN6921,10.9,ZAB					
9	231513GT	NUT,TL FLG,M6-1.0,DIN6927,10,ZAB					
10	6097GT	WASHER,FLAT,USS,3/8",Y.....	1				
11	67897GT	CLAMP,0.56,#9 X 3/8,RUB CUSH.....	1				
12	61109GT	CLAMP,1.25,#20 X 7/16,RUB CSH.....	2				
13	101957GT	SOLENOID,THROTTLE,ASSY.TROMB...	1				
14	21130GT	CLEVIS YOKE-1/4-28,PLTD W/PIN..... <i>Includes clevis, pin and cotter pin</i>	1				
15	216758GT	THROTTLE LINKAGE, PERKINS 1104...1					
16	5365GT	NUT,NYLOCK,10-24					
17	822955GT	WASHER,FLAT,NYLON.257X.5X.032					
18	6584GT	SCREW,SHS,10-24 X .625.....	1				
19	15436GT	WASHER,FLAT,NYLON.25 X.68 X.03					
20	236240GT	MANIFOLD, RETURN BLOCK.....	1				
21	825355GT	WASHER,FLAT,M6,DIN125,ZAB					
22	1251902GT	SCREW,HHC,M6-1.0X80,DIN931,10.					
23	231529GT	NUT,TL FLG,M10-1.5,DIN6927,10,ZAB					
24	231533GT	SCREW,HHF,M10-1.5X35,DIN6921,10.9,ZAB					
25	1257924GT	FORMING,COVER STOP,SB.....	1				
26	6019GT	SCREW,HHC,3/8-16 X 1.25 GRD 5					
27	50974GT	BUMPER,RUBBER,COVERS.....	1				
28	130341GT	DIPSTICK,OIL,PERKINS 1104C-44T.....	1				
--	123081GT	ASSY / OIL TUBE <i>Includes tube and nut only</i>					
29	102646GT	ALTERNATOR,PERKINS 1104C-44.....	1				
30	34058GT	SENDING UNIT,TMP,FRD,GM,PRK704.....	1				
31	226627GT	STARTER,ENG,PERK T3 6/8/10K.....	1				
32	45363GT	LATCH,FLEXIBLE.....	1				
33	826516GT	SCREW, PHPM, 10-32 X 1.0, ZAG					
34	824032GT	NUT,TL FLG,10-32,F,ZAG					
35	4828GT	NUT,NYLOCK,3/8-16.....	1				
36	824133GT	SCREW,HHF,M8-1.25X25,DIN6921,10.9,ZAB					
37	237832GT	NUT,TL FLG,M8-1.25,DIN6927,10,ZAB					
38	215517GT	FORMING, CHARGE FILTER MOUNT...1					

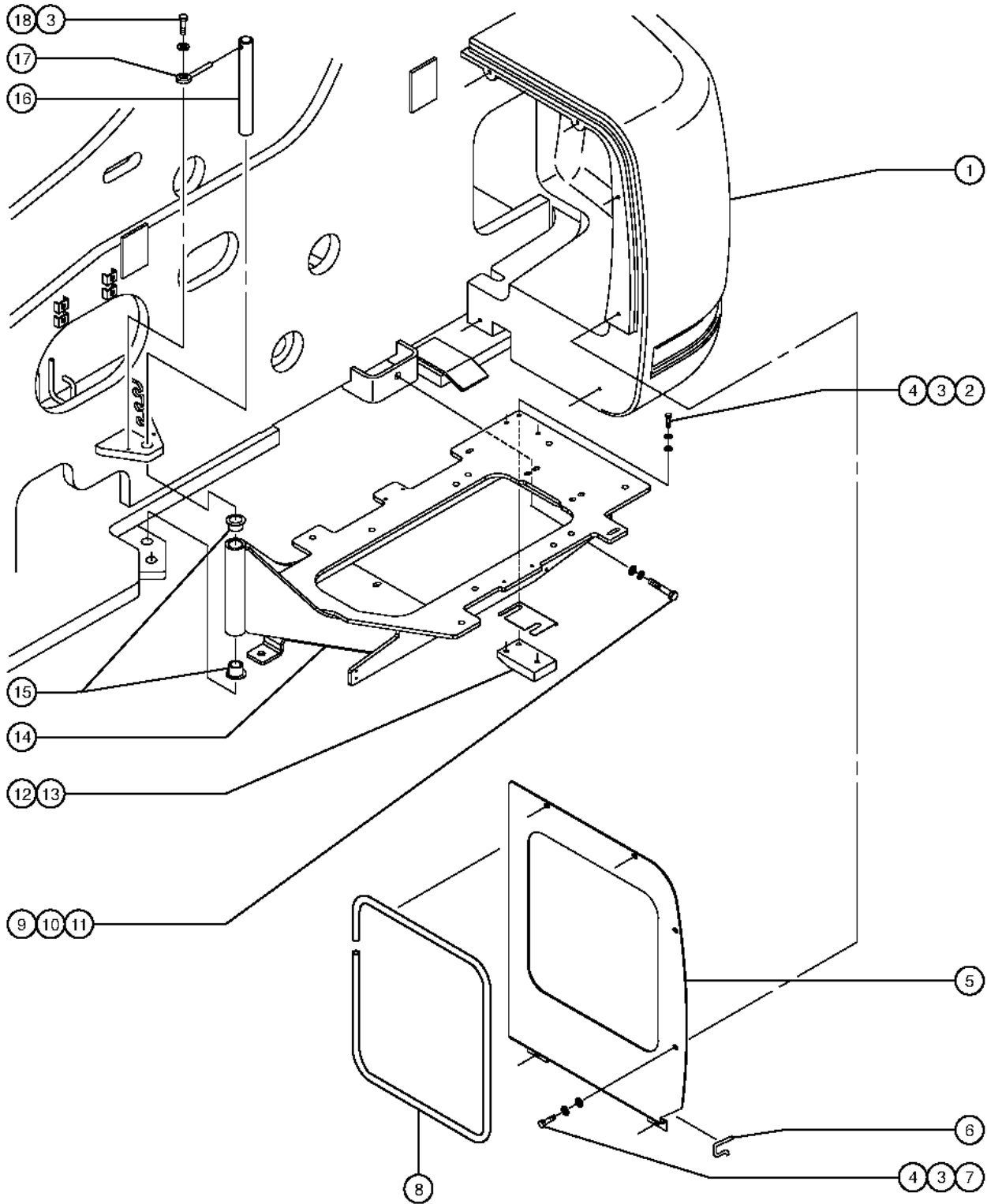
416.1 Perkins 1104D-44T Engine - View 3



416.1 Perkins 1104D-44T Engine - View 3

Item	Part No.	Description	Qty.	Item	Part No.	Description	Qty.
1	81467GT	AIR CLEANER,NELSON.....	1	37	60564GT	BRACKET,ENG.MOUNT,FRT.PERKINS..	2
--	52866GT	EVACUATOR VALVE-AIR CLEANER for 81467		38		Ref. WELDMENT, ENGINE TRAY (refer to 403.1)	
--	62425GT	FILTER,AIR CLEANER, SUPERBOOM for 81467		39	101930PGT	MOUNT,PERKINS 1104 LF PAINTED....	1
--	75450GT	AIR CLEANER CLIPS, SUPERBOOM for 81467		40	217457GT	FORMING, BATTERY CABLE MOUNT...1	
--	75451GT	AIR CLEANER COVER, SUPERBOOM* for 81467		41	216597GT	SCREW,HHF,M6-1.0X50,DIN6921,10,9,ZAB	
2	81468GT	MOUNTING BAND,AIR CLEANER.....	1	42	230073GT	SPRING CLIP,M6-1.0,0.8-4MM PAN	
3	106211-300GT	HOSE,RUBBER 3"ID X .25 BLACK.....	1	43	217460GT	CLAMP,BATTERY CABLE.....	4
4	101640GT	REDUCER,RUBBER 3.0 - 2.5.....	1	44	217500GT	ISOLATOR, ENGINE VIBRATION.....	4
5	30489GT	CLAMP,HOSE,3.50.....	2	45	217458GT	FORMING, BATTERY CABLE GUIDE....	1
6	215511GT	TUBE,INTAKE, FILTER TO TURBO.....	1	46	101931PGT	MOUNT,PERKINS 1104 RH PAINTED....	1
7	45435GT	CLAMP,HOSE,2.50***	4	47	231529GT	NUT,TL FLG,M10-1.5,DIN6927,10,ZAB	
8	215918GT	REDUCER, RUBBER, 2.5 TO 2.25.....	1	48	231533GT	SCREW,HHF,M10-1.5X35,DIN6921,10,9,ZAB	
9	1251897GT	SCREW,HHF,M16-2.0X90,DIN6921,10,9,ZAB	4	49	824123GT	WASHER,FLAT,.625X2.25X.188,ZAG....	4
10	231511GT	SCREW,HHF,M12-1.75X35,DIN6921,10,9,ZAB					
11	60576GT	RADIATOR HOSE,UPPER-PERKINS....	1				
12	35434GT	CLAMP,HOSE,2.00***	1				
13	22672GT	CLAMP,HOSE,1.75.....	1				
14	231529GT	NUT,TL FLG,M10-1.5,DIN6927,10,ZAB					
15	232874GT	SCREW,HHF,M10-1.5X30,DIN6921,10,9,ZAB					
16	215515GT	FORMING,RADIATOR SUPPORT.....	1				
17	122414GT	U-BOLT,GUILLOTINE,3".....	1				
18	1253600GT	AIR SUCTION PIPE,DIESEL,T4.....	1				
19	61270GT	ELBOW,45 DEG,INLET.....	1				
20	75555GT	RADIATOR HOSE,LOWER-PERKINS....	1				
21	60649GT	SHROUD,FAN (FIBERGLASS).....	1				
22	215516GT	PLATE,RADIATOR,STRUT.....	2				
23	824029GT	NUT, TL FLG, 3/8-16, G, ZAG					
24	75260GT	ISOLATOR,FLEX-BOLT SANDWICH***	2				
25	60875GT	TRIM MOLDING					
26	65473GT	CAP,RADIATOR,PERKINS/FORD.....	1				
27	70518GT	RADIATOR.....	1				
28	75259GT	ISOLATOR,CENTER BONDED.....	2				
29	75297GT	WELDMENT,RADIATOR MOUNT**	1				
30	75274GT	TUBE,RADIATOR MOUNT.....	2				
31	824122GT	WASHER,FLAT,.375X1.25X.062,ZAG					
32	824093GT	SCREW,HHF,3/8-16X1.75,8,ZAG					
33	1251894GT	SCREW,HHF,M16-2.0X45,DIN6921,10,9,ZAB					
34	1251893GT	NUT,TL,FLG,M16-2.0,DIN6927,10,ZAB					
35	231513GT	NUT,TL FLG,M6-1.0,DIN6927,10,ZAB					
36	231532GT	SCREW,HHF,M6-1.0X20,DIN6921,10,9,ZAB					

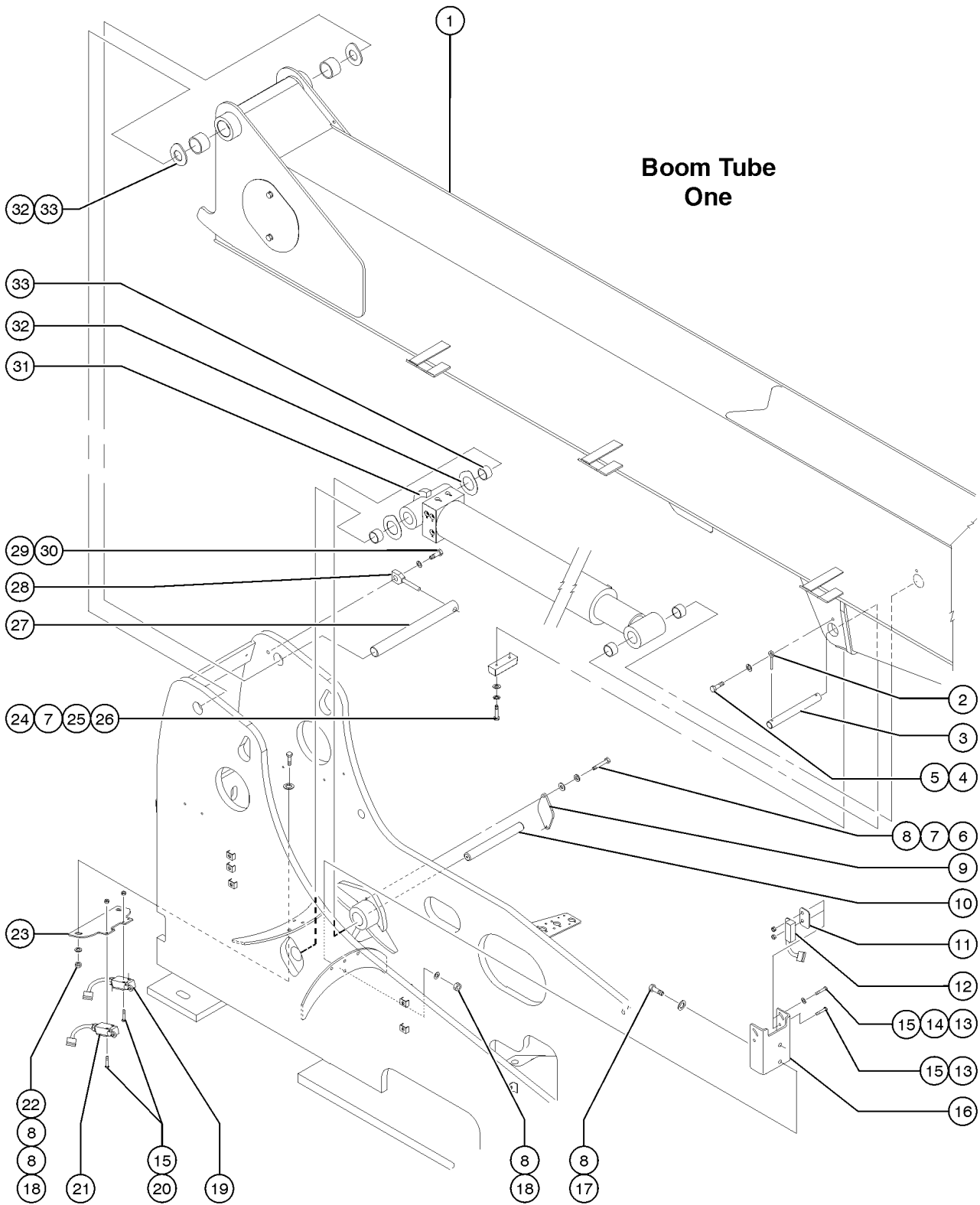
417.1 Perkins Engine Attached Components



417.1 Perkins Engine Attached Components

Item	Part No.	Description	Qty.
--		Ref. Hydraulic Oil Cooler <i>(refer to 307.1)</i>	
1		Ref. Counterweight, Front <i>(refer to 408.1)</i>	
2	6019GT	SCREW,HHC,3/8-16 X 1.25 GRD 5	
3	6021GT	WASHER,LOCK,.375	
4	5397GT	WASHER,FLAT,USS,5/16",Y	
5	75607PGT	INTAKE BAFFLE,PAINTED.....1	
6	60875GT	TRIM MOLDING	
7	6175GT	SCREW,HHC,3/8-16 X 1	
8	60875GT	TRIM MOLDING.....66-inches	
9	51131GT	SCREW,HHC,5/8-11 X 2.5	
10	6036GT	WASHER,LOCK,.625 PLTD	
11	6035GT	WASHER,FLAT,USS,5/8",Y	
12	60637GT	WEAR PAD,ENGINE SUPPORT.....1	
13	60826GT	SHIM,WEAR PAD ENGINE TRAY	
14	75460GT	ENGINE TRAY PIVOT ASSEMBLY.....1 <i>includes item 15; from SN 139 to SN 177</i>	
--	146054GT	ENGINE TRAY ASSEMBLY <i>includes item 15; from SN 684</i>	
--	89511-SGT	ENGINE TRAY ASSEMBLY <i>includes item 15; from SN 178 to 683</i>	
15	35675GT	BEARING,FL,1.25IDX1.5ODX1.25L.....2	
16	60625GT	PIN,1.25DIAX15.63LG,CHAMFER.....1	
17	825019GT	ROD END,.375X3.69,ZAG.....1	
18	8516GT	SCREW, HCC, 3/8-16 X 1.50	

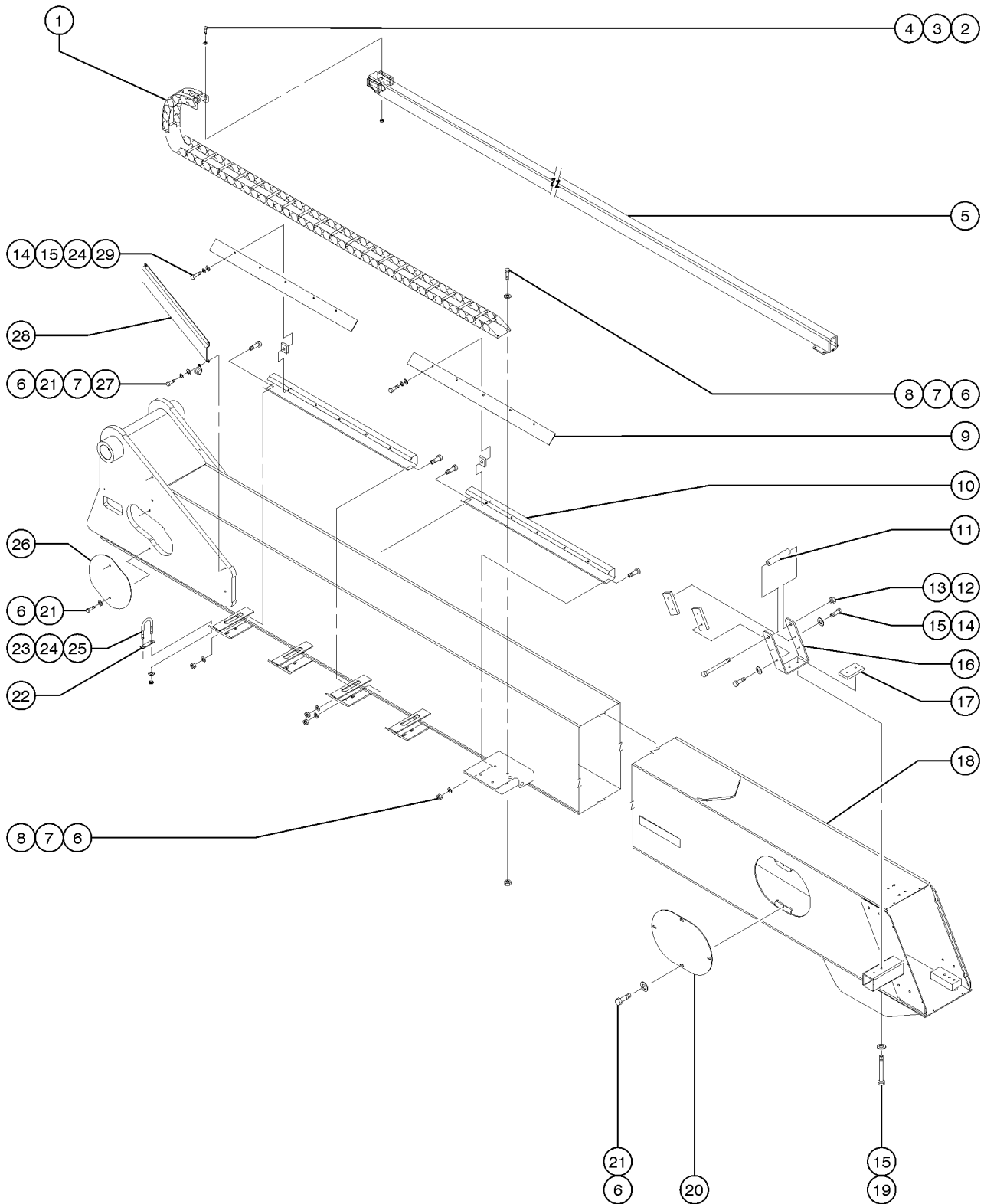
501.1 Boom Lift Cylinder



501.1 Boom Lift Cylinder

Item	Part No.	Description	Qty.	Item	Part No.	Description	Qty.
1	111411GT	BOOM TUBE ASSY #1 S100 W/WORD <i>includes item 33; USA/Canada/Australia</i>		--	65792GT	SEAL KIT CYL.S100/120 (50078)	
--	111412GT	BOOM TUBE ASSY #1 S100 W/SYM <i>includes item 33; Europe/Asia/South America</i>		--	75064GT	VALVE, COUNTERBALANCE, CWCG-LGN.5000.....1 <i>use on extend side, V1</i>	1
--	226130GT	BOOM TUBE ASSY #1 S105 W/WORD <i>includes item 33; USA/Canada/Australia</i>		32	60302GT	SHIM,BOOM PIVOT	
--	226131GT	BOOM TUBE ASSY #1 S105 W/SYM <i>includes item 33; Europe/Asia/South America</i>		33	34131GT	BEARING,2.50IDX3.00ODX2.00L.....6	6
2	1256267GT	ROD END,.5 X 3.75,ZAG.....3	3				
3	60297GT	PIN,2.50DIAX11.00LG,1HOLE.....1	1				
4	8177GT	SCREW,HHC,1/2-13 X 1.5					
5	6033GT	WASHER,LOCK,0.5"					
6	5224GT	SCREW,HHC,3/8-16 X 2					
7	826793GT	WASHER,FLAT,3/8,SAE,HRD,ZAG					
8	5397GT	WASHER,FLAT,USS,5/16",Y					
9	146089GT	PLATE, PIN RETAINER					
10	146091GT	PIN,2.50DIAX19.875LG,THREADED					
11	61233GT	SHIM,PROX SWITCH.....1	1				
12	60987GT	SWITCH,LIMIT,PROX(OPERATIONAL)...1	1				
13	49816GT	SCREW,PHILLIPS,PHM,10-32 X .75					
14	6146GT	WASHER,FLAT,MS,#10,Y					
15	6178GT	NUT,NYLOCK,10-32					
16	61185GT	FORMING,LIMIT SWITCH MOUNT.....1	1				
17	8516GT	SCREW, HCC, 3/8-16 X 1.50					
18	4828GT	NUT,NYLOCK,3/8-16					
19	75032GT	LIMIT SWITCH,SAFETY.....1	1				
20	51063GT	SCREW,PHILLIPS,RHM,10-32 X 1.5					
21	75033GT	LIMIT SWITCH,OPERATIONAL.....1	1				
22	824068GT	SCREW,HHC,3/8-16X1.25,8,ZAG					
23	146093GT	PLATE, LIMIT SWITCH MOUNT					
24	824067GT	SCREW,HHC,3/8-16X1,8,ZAG					
25	6097GT	WASHER,FLAT,USS,3/8",Y					
26	75011GT	BOOM #0 REST PAD					
27	61340GT	PIN,PRI.BOOM PIVOT. 2.50X25.50.....1	1				
28	61341GT	ROD END,.75 X 5.00.....1	1				
29	34348GT	SCREW,HHC,3/4-10 X 3 GRD.8					
30	34550GT	WASHER,LOCK,.75 PLTD					
31	146324GT	CYLINDER, PRIMARY LIFT					
--	60984GT	VALVE COUNTERBAL.CBBB-LJN@5000.....2 <i>use on retract side, V2</i>	2				
--	61602GT	VALVE,COUNTERBAL.CBBB-LHN@3500 <i>use on extend side, V3</i>					
--	62449GT	SEAL KIT,SUN "CWCA" CB VALVES*					

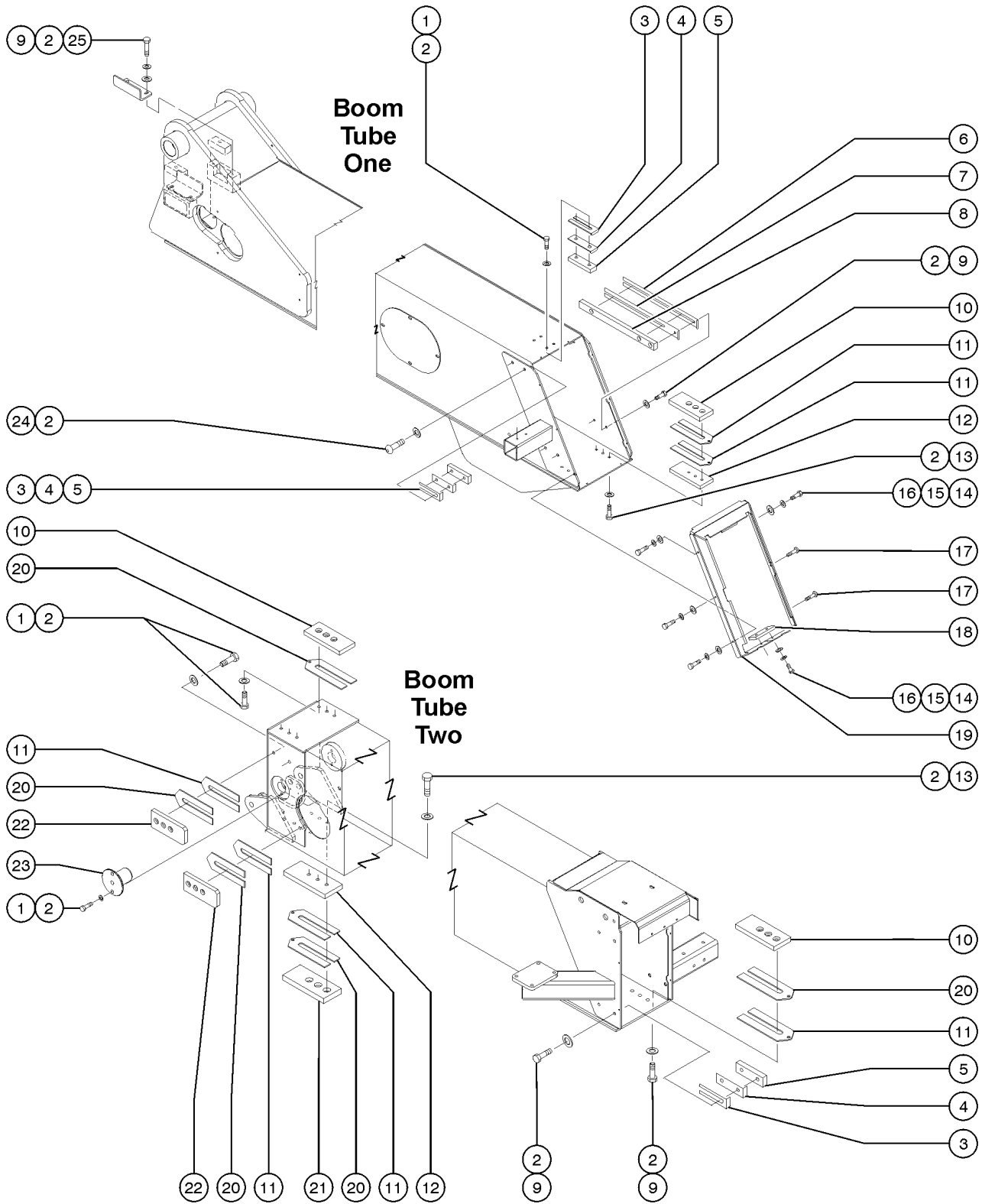
502.1 Boom Tube One, Cable Track



502.1 Boom Tube One, Cable Track

Item	Part No.	Description	Qty.
1	102053GT	CABLE TRACK,STEEL 50 LINKS.....1	
--	102211GT	CROSSBAR ALUM W/SELF TAP SCREW	
--	102212GT	SELF-TAP SCREW, CABLE TRACK	
--	122034GT	KIT,SERVICE,CLAMP MOUNTS	
--	122114GT	KIT,2 LINK REPAIR W/HARDWARE	
--	102214GT	REPAIR LINK W/ ROLLER	
--	102215GT	BRACKET,CABLE TRACK,FIXED END*	
--	102216GT	BRACKET,CABLE TRACK,MOVING END	
--	146476GT	HOSE AND CABLE CLAMP, STD	
--	146477GT	HOSE AND CABLE CLAMP, STD, TOP	
--	111997GT	OPT,HOSE AND CABLE CLAMP	
2	1256848GT	SCREW,HHC,3/8-16X2.75,8,ZAG	
3	6097GT	WASHER,FLAT,USS,3/8",Y	
4	4828GT	NUT,NYLOCK,3/8-16	
5	60245GT	WLDMNT,CABLE TRACK GUIDE LONG*.....1	
6	8255GT	SCREW,HHC,3/8-16 X .75	
7A	5397GT	WASHER,FLAT,USS,5/16",Y to SN S125D-1705	
8	7713GT	NUT, LP NYLOCK, 3/8-16	
9	60829GT	COVER,HOSE TRAY,84".....2	
10	60342GT	TRAY,HOSE,84".....2	
11	34243-500GT	TUBE,UHMW, 1 X .25 X 5.00.....1	
12	6198GT	NUT,NYLOCK,1/2-13	
13	12460GT	SCREW,HHC,1/2-13 X 6.5	
14	6090GT	SCREW,HHC,1/4-20 X .75	
15	6356GT	WASHER,LOCK,.25	
16	60247PGT	FORM,CABLE TRACK TUBE GUIDE,PT.....1	
17	45209GT	WEAR PAD,4X2X.5 W/INSERT***.....3	
18		Ref. Boom Tube One with Decals (refer to 501 and 503.1)	
19	50160GT	SCREW,HHC,1/4-20 X 3.75	
20	60177-SGT	COVER,BOOM SIDE, PAINTED.....2	
21	826793GT	WASHER,FLAT,3/8,SAE,HRD,ZAG	
22	75066GT	HOSE,WEAR PAD.....1	
23	75065GT	HOSE CLAMP,WEAR PAD.....1	
24	6638GT	WASHER,FLAT,USS,1/4"Y	
25	6782GT	NUT,NYLOCK,5/16-18	
26	60256-SGT	COVER,BOOM SIDE.....2	
27	60838GT	CLAMP,1.00,#16 X 7/16,RUB CUSH.....2	
28	60822PGT	COVER,HOSE,PAINTED.....1	
29	56912GT	SPRING CLIP,1/4-20,.025-.15X.54,ZAG.....10	

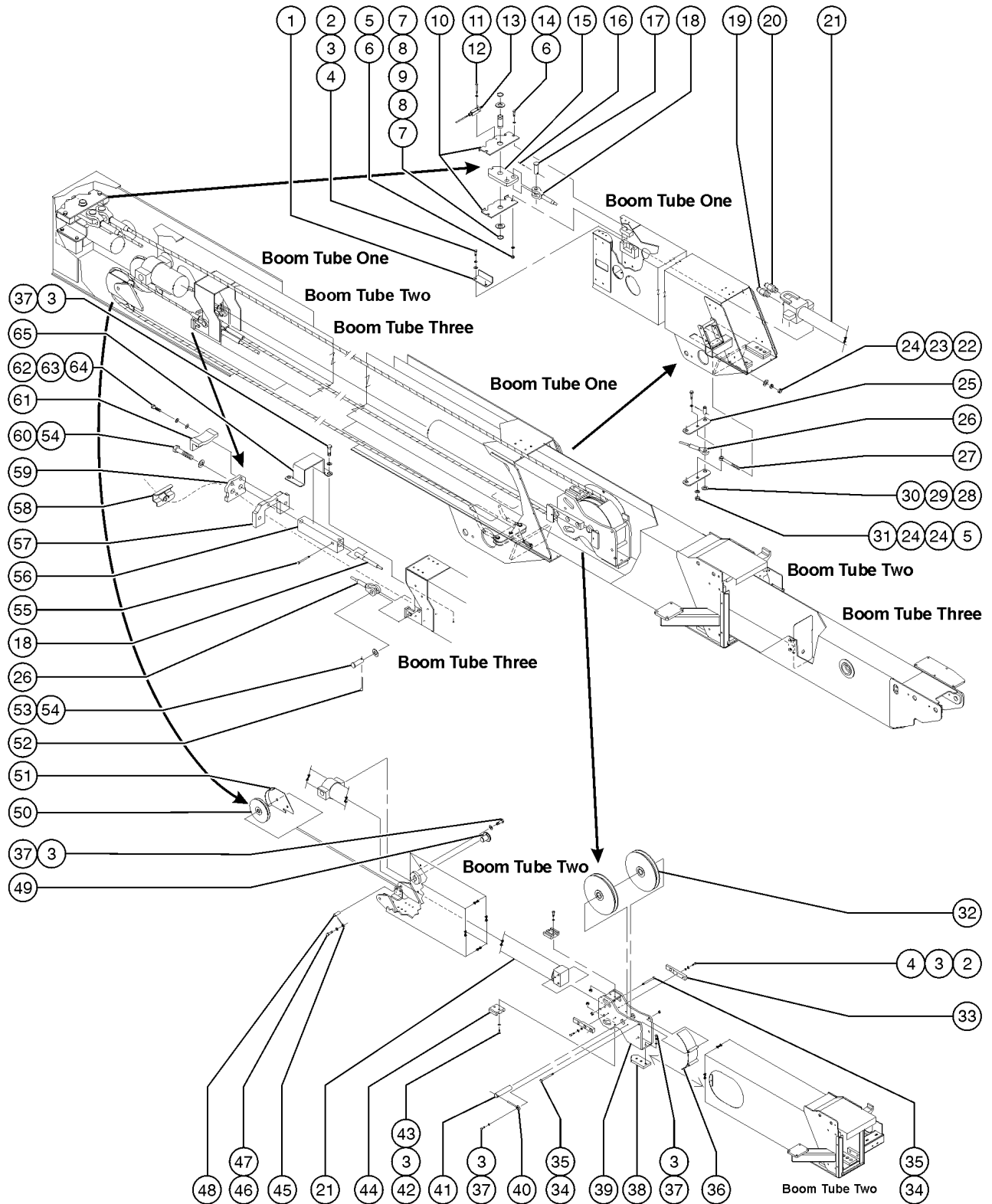
503.1 Boom Tube One and Boom Tube Two



503.1 Boom Tube One and Boom Tube Two

Item	Part No.	Description	Qty.
1	824067GT	SCREW,HHC,3/8-16X1.8,ZAG	
2	826793GT	WASHER,FLAT,3/8,SAE,HRD,ZAG	
3	1283888GT	SHIM,WEAR PAD,5X1.5,16GA	
4	38620GT	SHIM,WEAR PAD,5 X 1.5,14GA	
5	73461GT	WEAR PAD,5 X 1.5 X .875 W/NUTS	
6	89847GT	SHIM,SIDE WEAR PAD,20X2,16GA**	
7	89846GT	SHIM,SIDE WEAR PAD,20X2,14GA**	
8	89845GT	WEAR PAD,20X 1.5X.875 W/INST**	
9	824068GT	SCREW,HHC,3/8-16X1.25,8,ZAG	
10	50245GT	WEAR PAD,7 X 3 X.75 W/NUTS.....6	
11	1283565GT	SHIM,WEAR PAD,7 X 3,12GA	
12	60222GT	SPACER,WEAR PAD.....4	
13	1256848GT	SCREW,HHC,3/8-16X2.75,8,ZAG	
14	8914GT	SCREW,HHC,1/4-20 X .625	
15	6356GT	WASHER,LOCK,.25	
16	6638GT	WASHER,FLAT,USS,1/4"Y	
17	14297GT	SCREW,BHHS,1/4-20 X .75	
18	61099-SGT	RETAINER,MAST COVER.....1	
19	60157GT	COVER MAST #2*.....1	
20	1283564GT	SHIM,WEAR PAD,7 X 3,16GA	
21	50246GT	WEAR PAD,7 X 3 X.75 W/NUTS.....2	
22	60239GT	WEAR PAD,7 X 3 X.625 W/INSERT.....4	
23	60192GT	PIN,EXTENSION CYLINDER MOUNT....2	
24	824068GT	SCREW,HHC,3/8-16X1.25,8,ZAG	
25	6097GT	WASHER,FLAT,USS,3/8",Y	

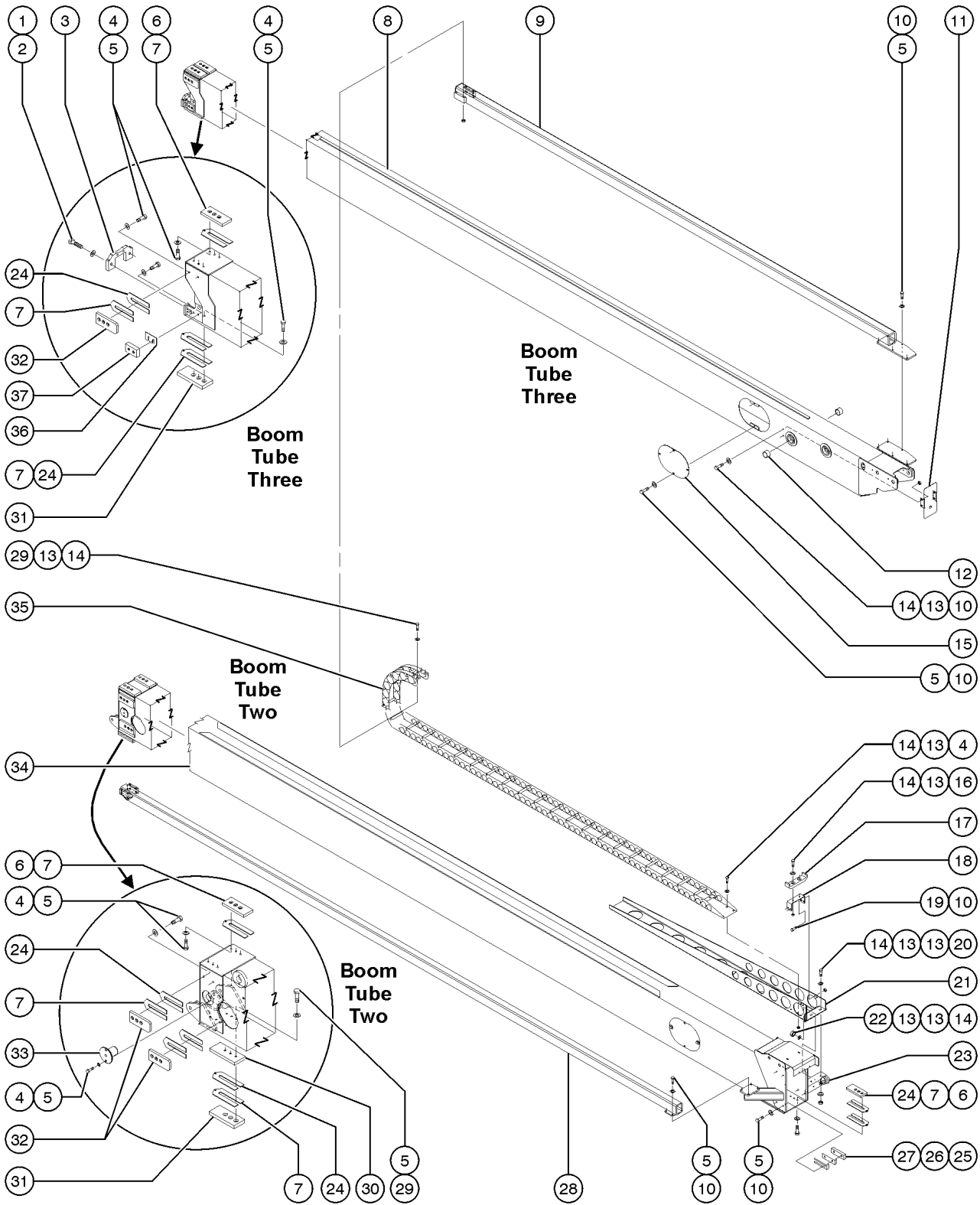
504.1 Primary Extend Cylinder



504.1 Primary Extend Cylinder

Item	Part No.	Description	Qty.	Item	Part No.	Description	Qty.
--	217709GT	KIT,EXT/RET CABLE REPLMNT,SB <i>Replaces all extension and retraction cables (contains all necessary hardware and fasteners)</i>		31	61384GT	SCREW,SHS,1/2-13 X 1.50	
1	60335-SGT	FORMING,CYLINDER RETAINER.....2		32	50247GT	SHEAVE,EXTENSION CABLE.....2	
2	824068GT	SCREW,HHC,3/8-16X1.25,8,ZAG		--	60422GT	Bearing, 1.5 x 2 x 1.81 inches	
3	826793GT	WASHER,FLAT,3/8,SAE,HRD,ZAG		33	60240GT	WEAR PAD,SHEAVE MOUNT.....2	
4	6097GT	WASHER,FLAT,USS,3/8",Y		34	61385GT	SCREW,HHC,1/2-13 X 5.25	
5	6198GT	NUT,NYLOCK,1/2-13		35	6086GT	NUT,LP NYLOCK,1/2-13	
6	13066GT	WASHER,FLAT,5 HARDENED.....4		36	60215-SGT	WELDMENT,CABLE RETAINER.....1	
7	18383GT	SNAP RING,EXTERNAL,1.5 DIA***		37	824067GT	SCREW,HHC,3/8-16X1,8,ZAG	
8	18596GT	WASHER,FLAT,1.56 X 2.5 X .061		38	60216GT	WEAR PAD,EXT.CABLE SHEAVE.....1	
9	60179GT	PIN,1.50DIA X 2.92LG,2RING.....1		39	60346-SGT	SHEAVE MOUNT,EXT. CABLE MACHIN.....1	
10	60181-SGT	PLATE,EXT.CABLE ANCHOR.....2		40	825019GT	ROD END,.375X3.69,ZAG.....1	
11	49817GT	SCREW,PHILLIPS,PHM,10-32 X 1.25		41	60205GT	PIN,1.50DIA X 5.88LG,1HOLE.....1	
12	6607GT	WASHER,LOCK,#10 PLTD		42	5224GT	SCREW,HHC,3/8-16 X 2	
13	75031GT	LIMIT SWITCH,SAFETY.....1		43	4828GT	NUT,NYLOCK,3/8-16	
14	39479GT	SCREW,HHC,1/2-13 X 2.75		44	60208GT	WEAR PAD,EXT.CABLE.....2	
15	60340-SGT	PLATE,EXT.CABLE EQUALIZER MACH.....1		45	45748GT	ROD END,.250 X 2.75 LG.....2	
--	54156GT	BEARING,FL,1.5IDX1.75ODX1.10LG		46	6090GT	SCREW,HHC,1/4-20 X .75	
16	75396GT	PIN,COTTER,.25 X 3.18 EXT.CABLE.....2		47	6356GT	WASHER,LOCK,.25	
17	75397GT	PIN,CLEVIS,1.18X3.18 EXT.CABLE.....2		48	60358GT	PIN,.75DIA X 2.89LG,1HOLE.....2	
18	232841GT	CABLE ASSEMBLY,EXTEND SET.....1 <i>Contains two cables</i>		49	60192GT	PIN,EXTENSION CYLINDER MOUNT....2	
--	10665GT	PIN,ROLL,.25 X 1.5***		50	50243GT	SHEAVE,RETRACT CABLE.....2	
--	60171GT	EXTENSION CABLE *		51	122015GT	WLDMNT,RET.CABLE SHEAV.GARD.RH.....1	
--	60229GT	COUPLING,EXT.CABLE ADJUSTMENT*		52	122016GT	WLDMNT,RET.CABLE SHEAV.GARD.LH.....1	
19	75762GT	VALVE,COUNTERBAL.CWEK-LIN @600		--	75355GT	PIN,COTTER,.188X2.25 RET.CABLE....2	
--	75424GT	SEAL KIT,SUN "CWEA" CB VALVES		53	75356GT	PIN,CLEVIS,.844X2.25 RET.CABLE....2	
20	60331GT	VALVE,COUNTERBAL.CWCA-LIN@600*.1		54	33278GT	WASHER,FLAT,75 HARDENED	
--	62449GT	SEAL KIT,SUN "CWCA" CB VALVES*		55	10665GT	PIN,ROLL,.25 X 1.5***.....2	
21	50100GT	CYLINDER,PRIMARY EXTEND.....1		56	60229GT	COUPLING,EXT.CABLE ADJUSTMENT*.....2	
--	60332GT	SEAL KIT CYL.S100/120 (50100)		57	60343-SGT	PLATE,EXT.CABLE ,PAINTED.....1	
22	38028GT	NUT,LP NYLOCK,5/8-11		58	60231GT	EXT.CABLE ADJ BOLT LOCK.....1	
23	45076GT	NUT,HEX,JAM,5/8-11		59	60356-SGT	PLATE,EXT.CABLE ATTACH.MACHINE.....1	
24	13064GT	WASHER,FLAT,.625 HARDENED.....1		60	111149GT	SCREW,HHC,3/4-10X6,GR5,FULL TH....2	
25	60163-SGT	PLATE,RETRACT CABLE EQUALIZER.....2		61	111523GT	WEAR PAD, BOOM REST	
26	232842GT	CABLE ASSEMBLY,RETRACT SET.....1 <i>Contains two cables</i>		62	39479GT	SCREW,HHC,1/2-13 X 2.75	
27	60164GT	ROD END,RETRACTION CABLE.....1		63	6033GT	WASHER,LOCK,0.5"	
28	30748GT	WASHER,SHIM,1.01 X 1.63 X.062		64	13066GT	WASHER,FLAT,5 HARDENED.....2	
29	60697GT	PIN,RETRACTION CABLE.....2		65	75049PGT	FORMING,CABLE RETAINER,PAINTED.....1	
30	33247GT	PIN,COTTER,.188 X 1.75 LONG.....2					

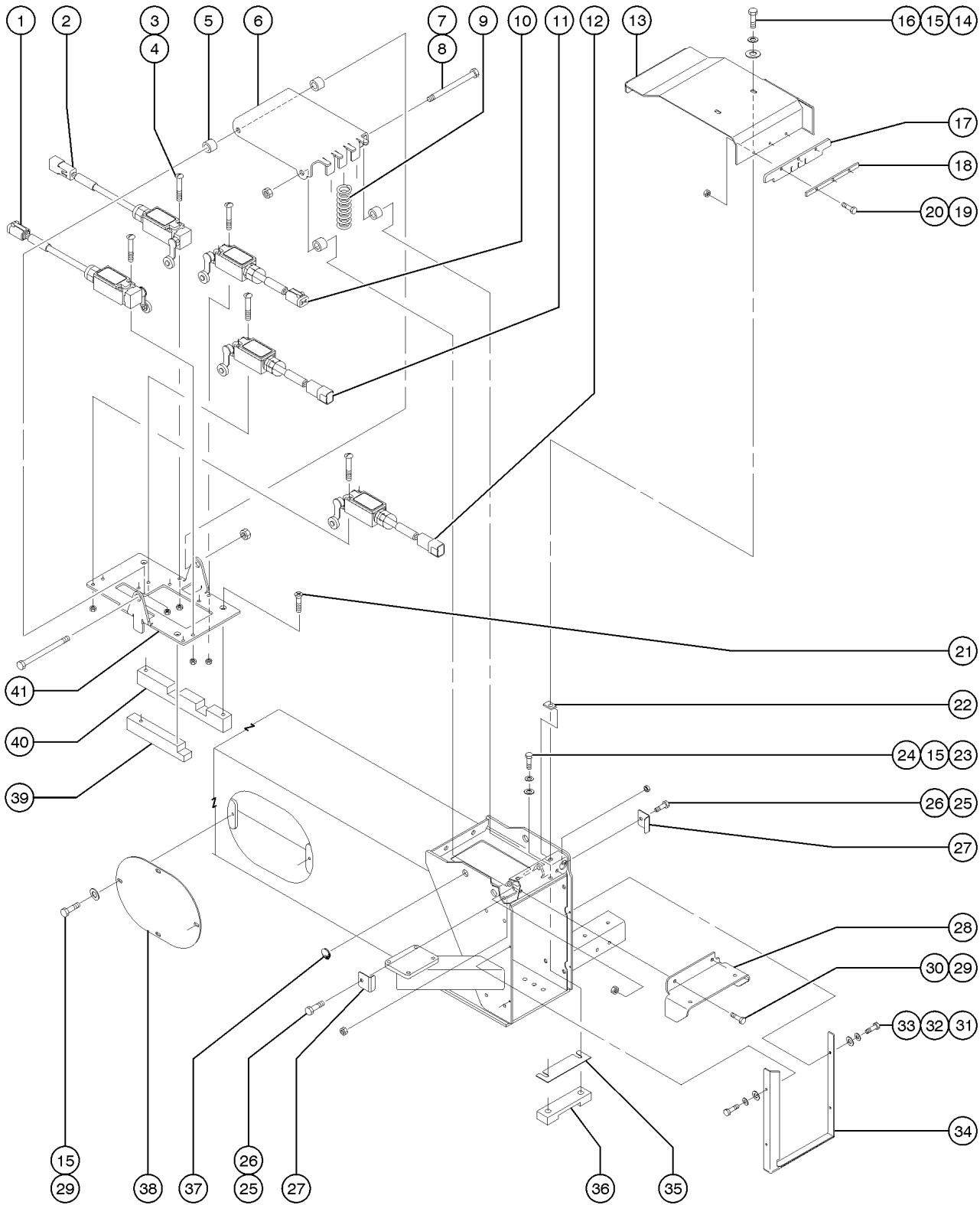
505.1 Boom Tube Two and Boom Tube Three



505.1 Boom Tube Two and Boom Tube Three

Item	Part No.	Description	Qty.	Item	Part No.	Description	Qty.
--	217709GT	KIT,EXT/RET CABLE REPLMNT,SB <i>Replaces all extension and retraction cables (contains all necessary hardware and fasteners)</i>		--	102211GT	CROSSBAR ALUM W/SELF TAP SCREW	
1	60217GT	SCREW,HHC,3/4-10 X 7 FULL THRD.....2		--	102212GT	SELF-TAP SCREW, CABLE TRACK	
2	33278GT	WASHER,FLAT,.75 HARDENED.....2		--	102213GT	REPAIR LINK W/HARDWARE	
3	60343-SGT	PLATE,EXT.CABLE ,PAINTED.....1		--	102214GT	REPAIR LINK W/ ROLLER	
4	824067GT	SCREW,HHC,3/8-16X1,8,ZAG		--	102215GT	BRACKET,CABLE TRACK,FIXED END*	
5	826793GT	WASHER,FLAT,3/8,SAE,HRD,ZAG		--	102216GT	BRACKET,CABLE TRACK,MOVING END	
6	50245GT	WEAR PAD,7 X 3 X.75 W/NUTS.....6		--	111997GT	OPT,HOSE AND CABLE CLAMP	
7	1283564GT	SHIM,WEAR PAD,7 X 3,16GA		--	122034GT	KIT,SERVICE,CLAMP MOUNTS	
8	122321GT	SB BOOM #3 ASSY W/WORD DECALS <i>includes item 12</i>		--	122114GT	KIT,2 LINK REPAIR W/HARDWARE	
--	122322GT	SB BOOM #3 ASSY SYMBOL UNITS <i>includes item 12</i>		--	146476GT	HOSE AND CABLE CLAMP, STD	
9	122225GT	WLDMNT,CABLE TRACK GUIDE,SHORT		--	146477GT	HOSE AND CABLE CLAMP, STD, TOP	
10	1256109GT	SCREW,HHC,3/8-16X.75,8,ZAG		36	1283891GT	SHIM,SIDE PAD,.059THK	
11	60194GT	FORMING,TUBE GUARD.....1		37	61379GT	WEAR PAD,3.5 X 2 X .625 W/INST.....2	
12	30370GT	BEARING,1.25IDX1.5ODX1.00L					
13	6097GT	WASHER,FLAT,USS,3/8",Y					
14	4828GT	NUT,NYLOCK,3/8-16					
15	60177-SGT	COVER,BOOM SIDE, PAINTED.....4					
16	824068GT	SCREW,HHC,3/8-16X1.25,8,ZAG					
17	60802GT	WEAR PAD,UPPER CABLE TRACK.....1					
18	102020GT	WELDMNT,WEAR PAD MOUNTING					
19	7713GT	NUT, LP NYLOCK, 3/8-16					
20	5387GT	SCREW,HHC,3/8-16 X 4					
21	50117-SGT	WELDMNT,CABLE TRACK SUPPORT.....1					
--	122791GT	SHIM,CBL TRK SPRT WLDT,22 GA					
22	12981GT	SCREW,HHC,3/8-16 X 4.5					
23	61745GT	CLAMP,2.25,#36 X 3/8,RUB CUSH					
24	1283565GT	SHIM,WEAR PAD,7 X 3,12GA					
25	73461GT	WEAR PAD,5 X 1.5 X .875 W/NUTS					
26	38620GT	SHIM,WEAR PAD,5 X 1.5,14GA					
27	1283888GT	SHIM,WEAR PAD,5X1.5,16GA					
28	60245GT	WLDMNT,CABLE TRACK GUIDE LONG*.....1					
29	1256848GT	SCREW,HHC,3/8-16X2.75,8,ZAG					
30	60222GT	SPACER,WEAR PAD.....2					
31	50246GT	WEAR PAD,7 X 3 X.75 W/NUTS.....4					
32	60239GT	WEAR PAD,7 X 3 X.625 W/INSERT.....6					
33	60192GT	PIN,EXTENSION CYLINDER MOUNT....2					
34	89166-SGT	WELDMNT,EXTENSION BOOM #2					
35	102052GT	CABLE TRACK,STEEL 50 LINKS.....1					

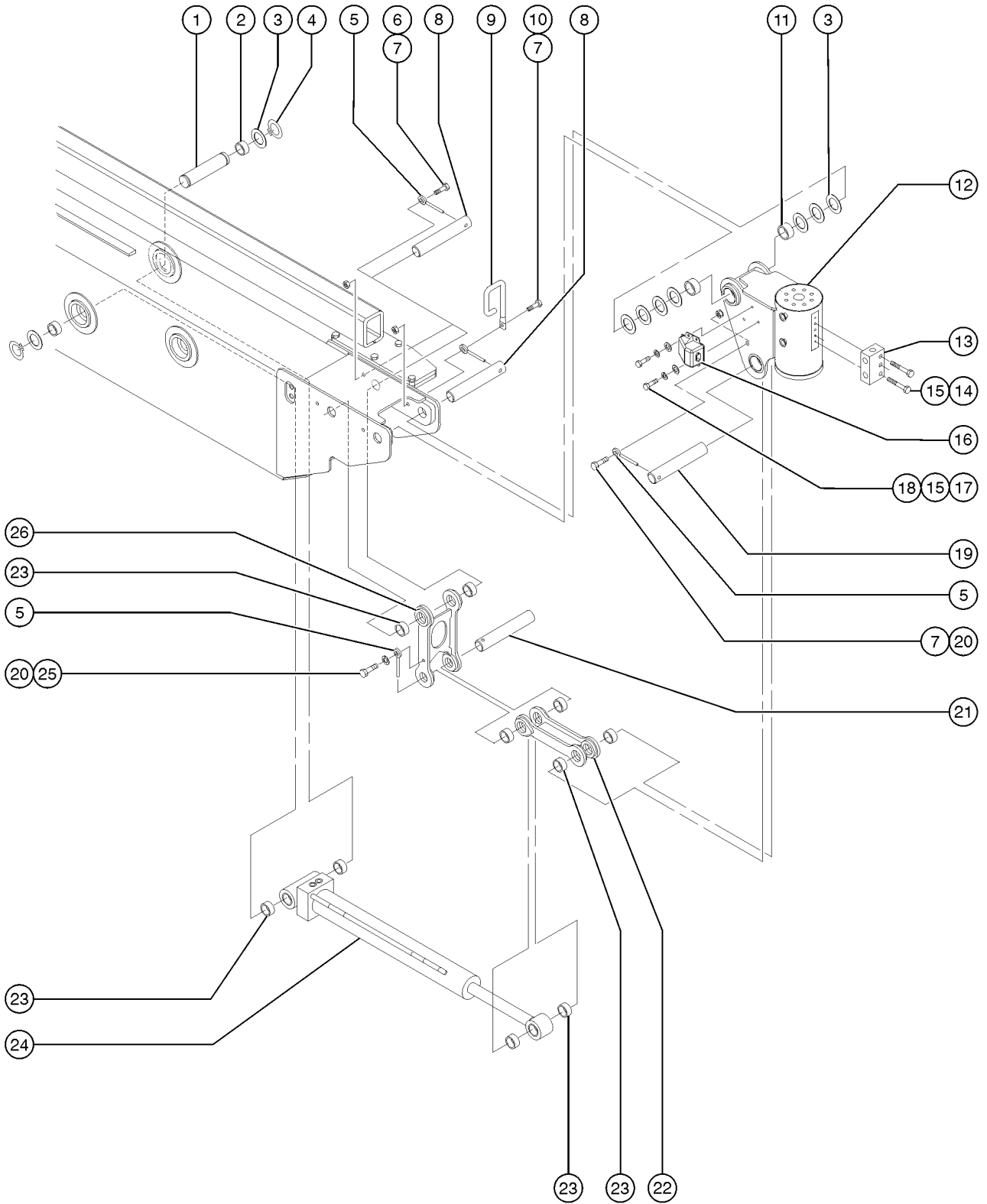
506.1 Boom Tube Two, Limit Switches



506.1 Boom Tube Two, Limit Switches

Item	Part No.	Description	Qty.	Item	Part No.	Description	Qty.
--	146196GT	HARNES, TCON J2 UPPER 2009		27	61294PGT	FORMING,HOSE PROTECTOR,PAINTED.....	2
1	146199GT	LIMIT SWITCH,SAFETY <i>(LSB4ES) safety limit switch for boom length greater or equal 80 feet</i>		28	60935-SGT	MOUNT,CABLE TRACK CLAMP.....	1
--	1107717469GT	SWITCH,LIMIT,ROLLER NO/NC GOLD		29	1256109GT	SCREW,HHC,3/8-16X.75,8,ZAG	
--	128636GT	ROLLER,ARM,LIMIT SWITCH,ZCY500		30	4828GT	NUT,NYLOCK,3/8-16	
--	146325GT	CONN.SQZ,PG 11,,34-.47,W/ORING		31	8914GT	SCREW,HHC,1/4-20 X .625	
2	89109GT	LIMIT SWITCH,OPERATIONAL.....1 <i>(LSB3RO) operational limit switch for boom length at 0 feet</i>		32	6356GT	WASHER,LOCK,.25	
--	53983GT	STRAIN RELIEF, PG13,5		33	6638GT	WASHER,FLAT,USS,1/4"Y	
--	75911GT	LIMIT SWITCH,OPERATION,NO WIRE		34	60156GT	COVER MAST #3.....	1
--	75912GT	WIRE ASSEMBLY,16/4SJO,9.5"RECP		35	1283892GT	SHIM,TOP WEAR PAD,THIN	
3	16487GT	SCREW,RHM,10-32 X 1.5		36	61164GT	WEAR PAD,BOOM #2 TOP.....	1
4	6178GT	NUT,NYLOCK,10-32		37	15243GT	PLUG,NYLON .875 BLACK DOMED.....	2
5	44335GT	BUSHING,FLANGE, .375X.5.....	4	38	60177-SGT	COVER,BOOM SIDE, PAINTED.....	2
6	89164GT	FORMING,LIMIT SWITCH LINK.....	1	39	89107GT	WEAR PAD,LIMIT SWITCH MNT.SHOR.....	1
7	22832GT	SCREW,HHC,3/8-16 X 6		40	89106GT	WEAR PAD,LIMIT SWITCH MNT.LONG.....	1
8	7713GT	NUT, LP NYLOCK, 3/8-16		41	89105PGT	FORMING,LIMIT SWITCH MOUNT**.....	1
9	61171GT	SPRING,1.00 DIA X .105.....	3				
10	75031GT	LIMIT SWITCH,SAFETY <i>(LSB3RS) safety limit switch for boom length at 0 feet</i>					
--	53983GT	STRAIN RELIEF, PG13,5					
--	75910GT	WIRE ASSEMBLY,16/4SJO,9.5"PLUG					
--	75913GT	LIMIT SWITCH, SAFETY,NO WIRE					
11	89110GT	LIMIT SWITCH,OPERATIONAL <i>(LSB3EO) operational limit switch for boom length greater or equal 80 feet</i>					
12	89110GT	LIMIT SWITCH,OPERATIONAL.....1 <i>(LSB4EO) operational limit switch for boom length at 100 feet</i>					
13	89171PGT	FORMING,LIMIT SWITCH GUARD.....	1				
14	824068GT	SCREW,HHC,3/8-16X1.25,8,ZAG					
15	826793GT	WASHER,FLAT,3/8,SAE,HRD,ZAG					
16	6097GT	WASHER,FLAT,USS,3/8",Y					
17	61174GT	WIPER,RUBBER BOOM #3 TOP.....	1				
18	61176-SGT	BAR,RUBBER WIPER BACK-UP.....	1				
19	6888GT	SCREW,HHC,1/4-20 X 1					
20	6091GT	NUT,NYLOCK,1/4-20					
21	49824GT	SCREW,PHILLIPS,FHM,10-32X1.00					
22	29868GT	SPRING CLIP,3/8-16,.05-.20X.73,ZAG					
23	824067GT	SCREW,HHC,3/8-16X1,8,ZAG					
24	5397GT	WASHER,FLAT,USS,5/16",Y					
25	33681GT	SCREW,HHC,3/8-16 X .625					
26	7713GT	NUT, LP NYLOCK, 3/8-16					

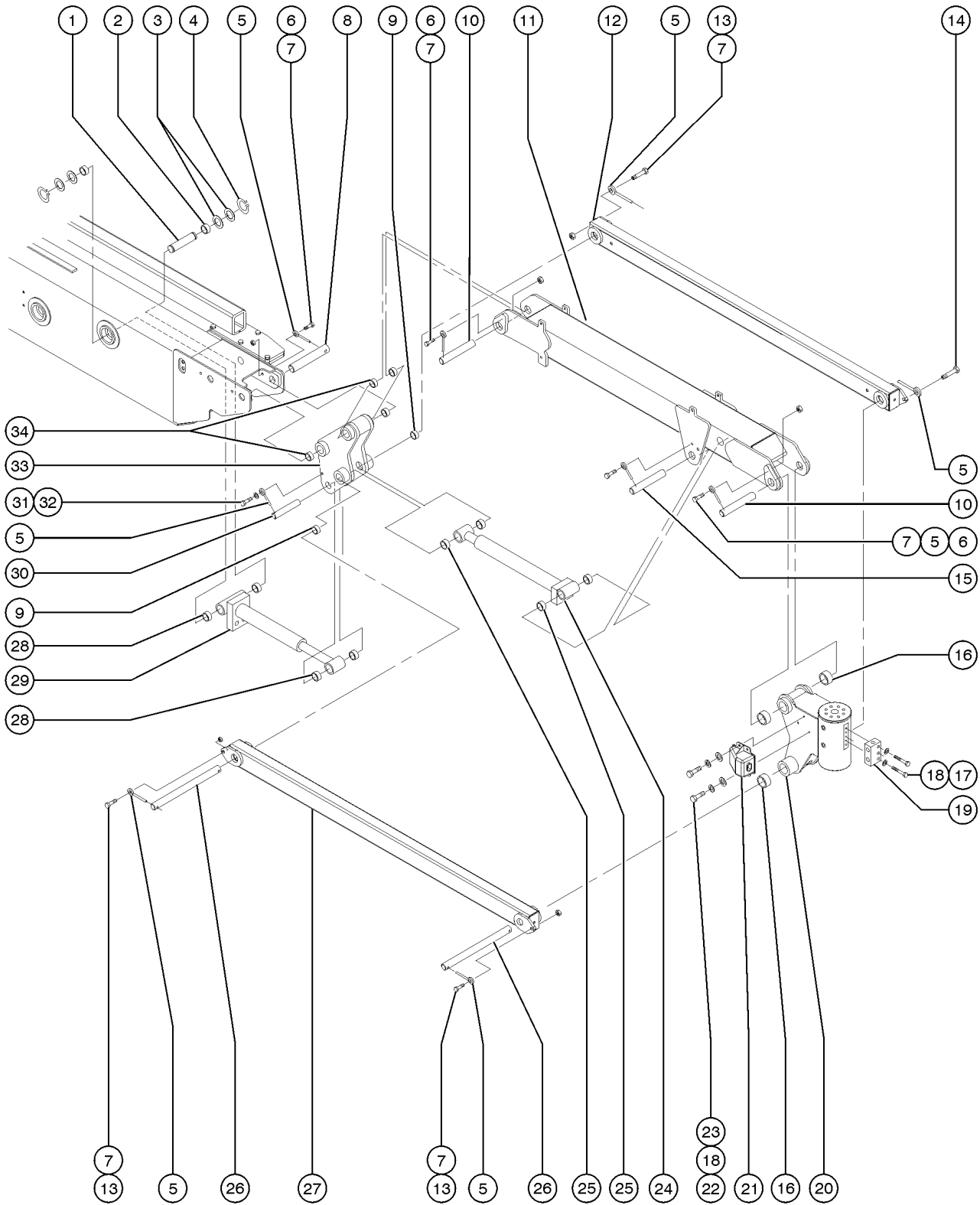
507.1 Platform Rotator, S-100



507.1 Platform Rotator, S-100

Item	Part No.	Description	Qty.
1	146073GT	PIN,1.25DIA X 7.9LG,2RING	
2	30370GT	BEARING,1.25ID X 1.5OD X 1.00L	
3	30255GT	WASHER,SHIM,1.27 X 2.13 X .062	
4	30217GT	SNAP RING,EXTERNAL,1.25 DIA.**	
5	825019GT	ROD END,.375X3.69,ZAG	
6	8516GT	SCREW, HCC, 3/8-16 X 1.50	
7	4828GT	NUT,NYLOCK,3/8-16	
8	T108078GT	PIN,1.25DIA X 9.50LG,1HOLE.....2	
9	75016PGT	GUARD,JIB HOSE,PAINTED.....1	
10	1252978GT	SCREW,HHC,3/8-16 X 2.25,8,ZAG	
11	30370GT	BEARING,1.25ID X 1.5OD X 1.00L.....2	
12	94400GT	ROTATOR,NON-JIB,160 DEG	
--	122944GT	SEAL KIT,8K ROTATOR***	
--	13852GT	VALVE ASSY,BLEED***	
13		Ref. Platform Rotate Manifold (refer to 706.1)	
14	6145GT	SCREW,HHC,1/4-20 X 1.5	
15	6356GT	WASHER,LOCK,.25	
16	1274116GT	ASSY,TILT SENSOR,PCON,S100-125....1	
--	1274045GT	HARNES, JUMPER, SB PLAT LVL	
--	50813GT	SENSOR,TILT,PCON (PLASTIC)****	
17	6638GT	WASHER,FLAT,USS,1/4"Y	
18	6090GT	SCREW,HHC,1/4-20 X .75	
19	T108075GT	PIN,1.25DIA X 5.25LG,1HOLE.....1	
20	824068GT	SCREW,HHC,3/8-16 X 1.25,8,ZAG	
21	50212GT	PIN,1.25DIA X 6.50LG,1HOLE.....1	
22	75105-SGT	PLATFORM,LEVELING LINK ASSY.....1	
23	47377GT	BEARING,1.25 ID X 1.5 OD X .75	
24	50207GT	CYLINDER,PLATFORM LEVELING.....1	
--	31106GT	VALVE,CNTERBAL,CBBB-LHN@3000** (locks extend side)	
--	43018GT	SEAL KIT (39345)	
--	65795GT	SEAL KIT,CYL,S100/120 (50207)	
--	75061GT	VALVE,COUNTERBAL.CBBB-LHN@2000 (locks retract side)	
25	826793GT	WASHER,FLAT,3/8,SAE,HRD,ZAG	
26	75106-SGT	PLATFORM,LEVELING LEVER,ASSY....1 (includes item 22)	

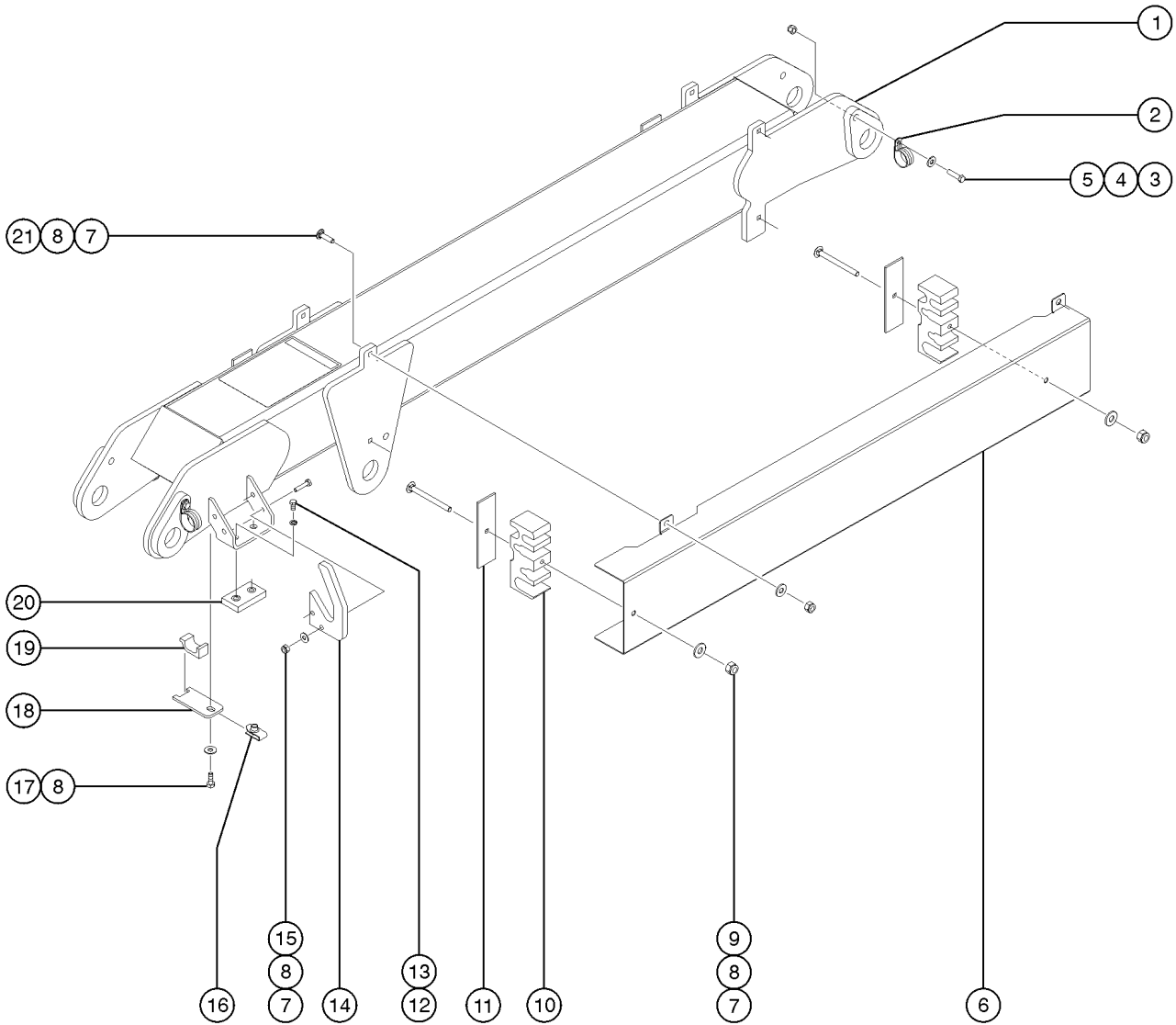
508.1 Jib Boom and Platform Rotator, S-105



508.1 Jib Boom and Platform Rotator, S-105

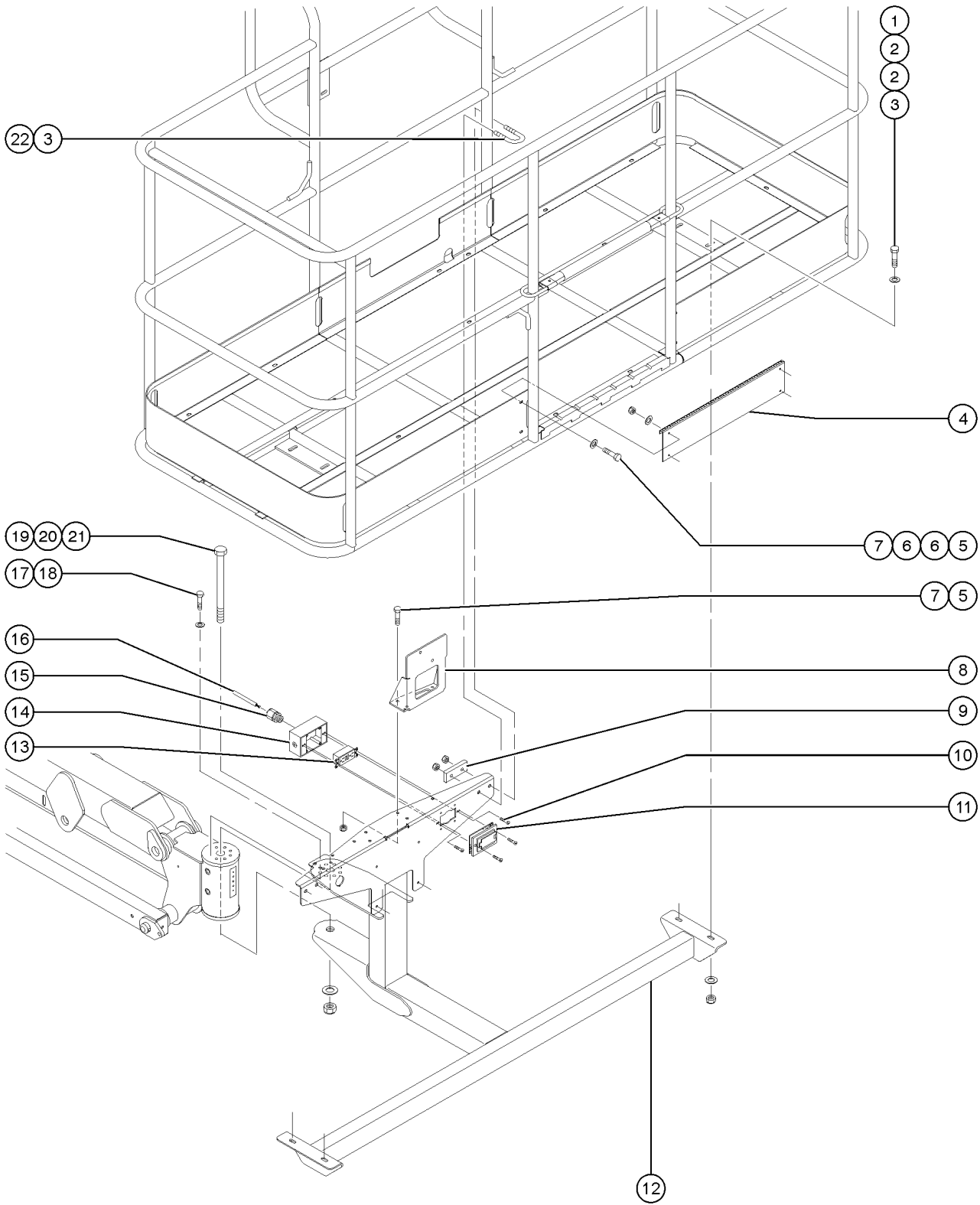
Item	Part No.	Description	Qty.	Item	Part No.	Description	Qty.
1	146073GT	PIN,1.25DIAX7.9LG,2RING		31	824068GT	SCREW,HHC,3/8-16X1.25,8,ZAG	
2	30370GT	BEARING,1.25IDX1.5ODX1.00L		32	826793GT	WASHER,FLAT,3/8,SAE,HRD,ZAG	
3	30255GT	WASHER,SHIM,1.27 X 2.13 X .062		33	75134-SGT	BELL CRANK,ASSY. W/ BEARINGS.....1 <i>includes item 9</i>	
4	30217GT	SNAP RING,EXTERNAL,1.25 DIA.**		34	75627GT	BEARING,1.25 X 1.5 X 2.....4	
5	825019GT	ROD END,.375X3.69,ZAG.....9					
6	5224GT	SCREW,HHC,3/8-16 X 2					
7	4828GT	NUT,NYLOCK,3/8-16					
8	T108078GT	PIN,1.25DIAX9.50LG,1HOLE.....1					
9	128268GT	BEARING,FL, 1.25X1.5X2.13.....2					
10	T108076GT	PIN,1.25DIAX7.88LG,1HOLE.....2					
11		Ref. JIB Boom.....1 <i>(refer to 509.1)</i>					
12	61306-SGT	COMPR.LINK,MACHINED,GND CONTR*					
13	8516GT	SCREW, HCC, 3/8-16 X 1.50					
14	13918GT	SCREW,HHC,3/8-16 X 1.75,GRD.8.....1					
15	T108077GT	PIN,1.25DIAX7.00LG,1HOLE.....1					
16	30222GT	BEARING,FL,1.25IDX1.41ODX1.50L.....4					
17	6145GT	SCREW,HHC,1/4-20 X 1.5					
18	6356GT	WASHER,LOCK,.25					
19		Ref. Platform Rotate Manifold <i>(refer to 706.1)</i>					
20	94397GT	ROTATOR,PLAT JIB,160 DEG***.....1					
--	122944GT	SEAL KIT,8K ROTATOR***					
--	75395GT	BEARING KIT,PLAT ROTATOR,SUPER					
--	88516GT	SCREW,BLEEDER,M5X0.8					
21	1274116GT	ASSY,TILT SENSOR,PCON,S100-125....1					
--	1274045GT	HARNES, JUMPER, SB PLAT LVL					
--	50813GT	SENSOR,TILT,PCON (PLASTIC)****					
22	6090GT	SCREW,HHC,1/4-20 X .75					
23	6638GT	WASHER,FLAT,USS,1/4"Y					
24	63213GT	CYLINDER,JIB (STICK BOOMS).....1					
--	33428GT	VALVE,COUNTERBALANCE					
--	43018GT	SEAL KIT (39345)					
--	63353GT	SEAL KIT,CYL,S65 (63213)					
25	25683GT	BEARING,POLYGON,20DU12.....4					
26	81175GT	PIN,1.25DIAX14.45LG,2HOLE.....2					
27	1274511GT	MACHINING, COMPRESSION LINK.....1					
28	47377GT	BEARING,1.25 ID X 1.5 OD X .75.....4					
29	89534GT	CYLINDER, PLATFORM LEVEL.....1					
--	146056GT	SEAL KIT (89534)					
--	61598GT	SEAL KIT,PLAT.LEVEL CYL(61387)					
--	61602GT	VALVE,COUNTERBAL.CBBB-LHN@3500					
--	75061GT	VALVE,COUNTERBAL.CBBB-LHN@2000					
30	T108075GT	PIN,1.25DIAX5.25LG,1HOLE.....1					

509.1 Jib Detail, S-105



Item	Part No.	Description	Qty.
1	128534GT	JIB BOOM ASSY W/WORD DECAL	
2	61745GT	CLAMP,2.25,#36 X 3/8,RUB CUSH.....2	
3	5224GT	SCREW,HHC,3/8-16 X 2	
4	5397GT	WASHER,FLAT,USS,5/16",Y	
5	4828GT	NUT,NYLOCK,3/8-16	
6	128454PGT	COVER, JIB HOSES/CABLES.....1	
7	6091GT	NUT,NYLOCK,1/4-20	
8	6638GT	WASHER,FLAT,USS,1/4"Y	
9	128724GT	BOLT,CARRIAGE,1/4-20 X 2.75,G2	
10	122551GT	CLAMP,JIB HOSE/CABLE,S105,S125....2	
11	128483GT	BACKING PLATE, HOSE BLOCK, JIB....2	
12	1256109GT	SCREW,HHC,3/8-16X.75,8,ZAG	
13	826793GT	WASHER,FLAT,3/8,SAE,HRD,ZAG	
14	128482GT	HOSE GUIDE, JIB.....1	
15	8915GT	SCREW,HHC,1/4-20 X 1.25	
16	56912GT	SPRING CLIP,1/4-20,.025-.15X.54,ZAG.....1	
17	6090GT	SCREW,HHC,1/4-20 X .75	
18	119536PGT	BRACKET,HOSE CLAMP,PAINTED.....1	
19	119542GT	CLAMP,TWO HOSE.....1	
20	81640GT	WEAR PAD,3 X 1.5 X.625 W/NUTS.....1	
21	79456GT	BOLT,CARRIAGE,1/4-20 X 1.00,G2	

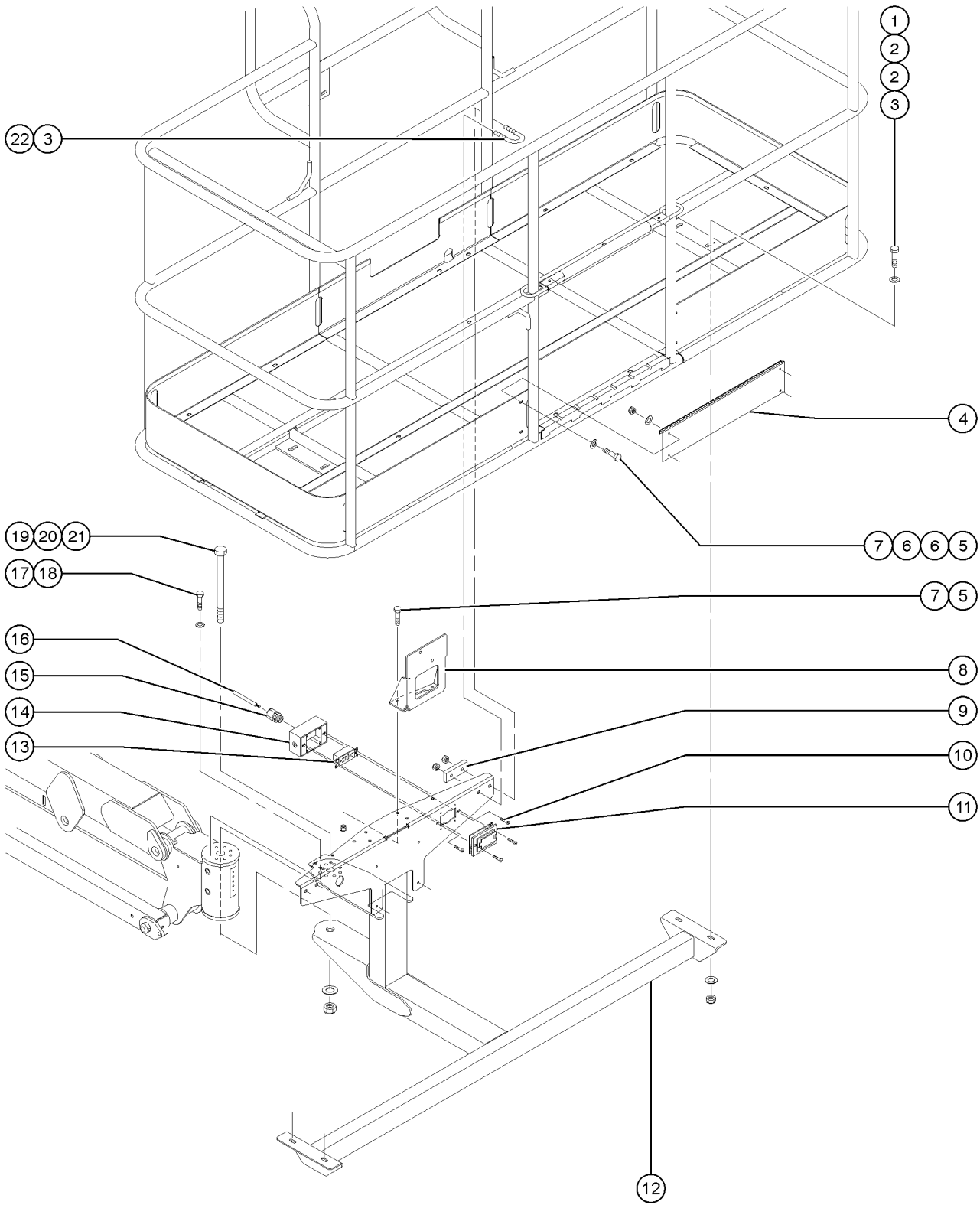
601.1 Platform Installation, S-100 - View 1



601.1 Platform Installation, S-100 - View 1

Item	Part No.	Description	Qty.
--	111189GT	PLAT. ASSY, 8FT,SERV,S120 <i>Assembly with Word Decals; USA/Canada models</i>	
--	111193GT	PLAT ASSY, 8FT, AUST, S120 <i>Assembly with Word Decals; Australia models</i>	
--	102671GT	PLAT ASSY, 8FT, CE/UK, S120 <i>Assembly with Symbol Decals; European models</i>	
--	102675GT	PLAT ASSY, 8FT, A/SA, S120 <i>Assembly with Symbol Decals; Asia/South America models</i>	
1	6019GT	SCREW,HHC,3/8-16 X 1.25 GRD 5	
2	6097GT	WASHER,FLAT,USS,3/8",Y	
3	4828GT	NUT,NYLOCK,3/8-16	
4	94745PGT	TOEBOARD,ENTRY EUROPEAN PNTD**1	
5	6090GT	SCREW,HHC,1/4-20 X .75	
6	6638GT	WASHER,FLAT,USS,1/4"Y	
7	6091GT	NUT,NYLOCK,1/4-20	
8	89425GT	WELDMENT,PLATF.MANFLD.SUPPORT.1	
9	61339GT	PLATE,BACKING.....2	
10	75067GT	SCREW,6-32 X 7/8 PPMS ZINC	
11	74006GT	COVER,GFCI,HORIZONTAL,WEATHER.1	
--	10777GT	COVER,BLANK	
--	74052GT	GASKET,COVER,GFCI,WEATHERPROOF	
12	60370-SGT	PLATFORM SUPPORT WELDMNT-SERV* <i>ANSI models</i>	
--		Ref., WELDMENT,PLATFORM SUPPORT,CE <i>CE models (refer to 803.1)</i>	
--	236695GT	OPTION,PLAT SUPPORT,STD,LRG BM <i>From serial number 427</i>	
13	13585GT	OUTLET, 110V.....1	
14	75069GT	T-BOX 2.75 X 4.5 X 2.5.....1	
15	7056GT	CONN, SQZ, 1/2NPT .38-.50, SM**2	
16	43955GT	WIRE CABLE,12/3 CON.TPE JKT.....1740-inches <i>(S-100)</i>	
17	49857GT	SCREW,HHC,3/8-16 X .88,GRD 8	
18	57201GT	WASHER,FLAT,313, HARDENED.....8	
19	73928GT	SCREW,HHC,1-8 X 11,GRD 5***	
20	122079GT	WASHER,FLAT,1.000,HARDENED.....1	
21	29764GT	NUT,NYLOCK,1-8	
22	122755GT	UBOLT,FLATTENED,1.5DIAX3/8 UNC	

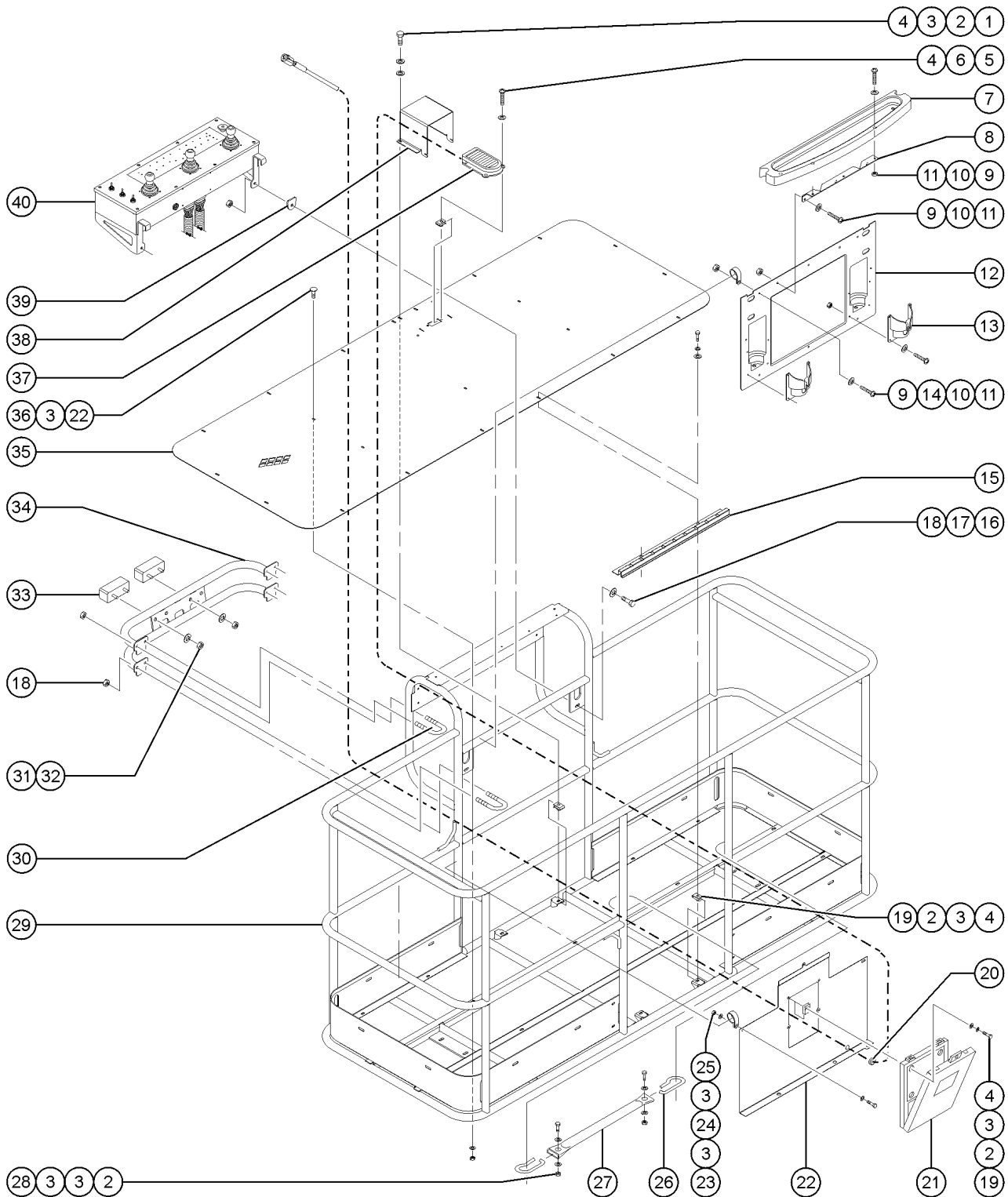
601.1 Platform Installation, S-105 - View 1



601.1 Platform Installation, S-105 - View 1

Item	Part No.	Description	Qty.
--	111213GT	PLAT. ASSY, 8FT,SERV,S125 <i>Assembly with Word Decals; USA/Canada models</i>	
--	111217GT	PLAT ASSY, 8FT, AUST, S125 <i>Assembly with Word Decals; Australian models</i>	
--	111205GT	PLAT ASSY, 8FT, CE/UK, S125 <i>Assembly with Symbol Decals; European models</i>	
--	111209GT	PLAT ASSY, 8FT, A/SA, S125 <i>Assembly with Symbol Decals; Asia/South American models</i>	
1	6019GT	SCREW,HHC,3/8-16 X 1.25 GRD 5	
2	6097GT	WASHER,FLAT,USS,3/8",Y	
3	4828GT	NUT,NYLOCK,3/8-16	
4	94745PGT	TOEBOARD,ENTRY EUROPEAN PNTD**1	
5	6090GT	SCREW,HHC,1/4-20 X .75	
6	6638GT	WASHER,FLAT,USS,1/4"Y	
7	6091GT	NUT,NYLOCK,1/4-20	
8	89425GT	WELDMENT,PLATF.MANFLD.SUPPORT.1	
9	61339GT	PLATE,BACKING.....2	
10	75067GT	SCREW,6-32 X 7/8 PPMS ZINC	
11	74006GT	COVER,GFCI,HORIZONTAL,WEATHER.1	
--	10777GT	COVER,BLANK	
--	74052GT	GASKET,COVER,GFCI,WEATHERPROOF	
12	94390-SGT	OPTION,PLAT SUPPORT,STD,LRG BM <i>ANSI models</i>	
--		Ref. WELDMENT,PLATFORM SUPPORT,CE <i>CE models (refer to 803.1)</i>	
--	236695GT	OPTION,PLAT SUPPORT,STD,LRG BM <i>From serial number415</i>	
13	13585GT	OUTLET, 110V.....1	
14	75069GT	T-BOX 2.75 X 4.5 X 2.5.....1	
15	7056GT	CONN, SQZ, 1/2NPT .38-.50, SM**2	
16	43955GT	WIRE CABLE,12/3 CON.TPE JKT.....1800-inches <i>(S-105)</i>	
17	49857GT	SCREW,HHC,3/8-16 X .88,GRD 8	
18	57201GT	WASHER,FLAT,313, HARDENED.....8	
19	73928GT	SCREW,HHC,1-8 X 11,GRD 5***	
20	122079GT	WASHER,FLAT,1.000,HARDENED.....1	
21	29764GT	NUT,NYLOCK,1-8	
22	122755GT	UBOLT,FLATTENED,1.5DIAX3/8 UNC	

602.1 Platform Installation, S-100 - View 2

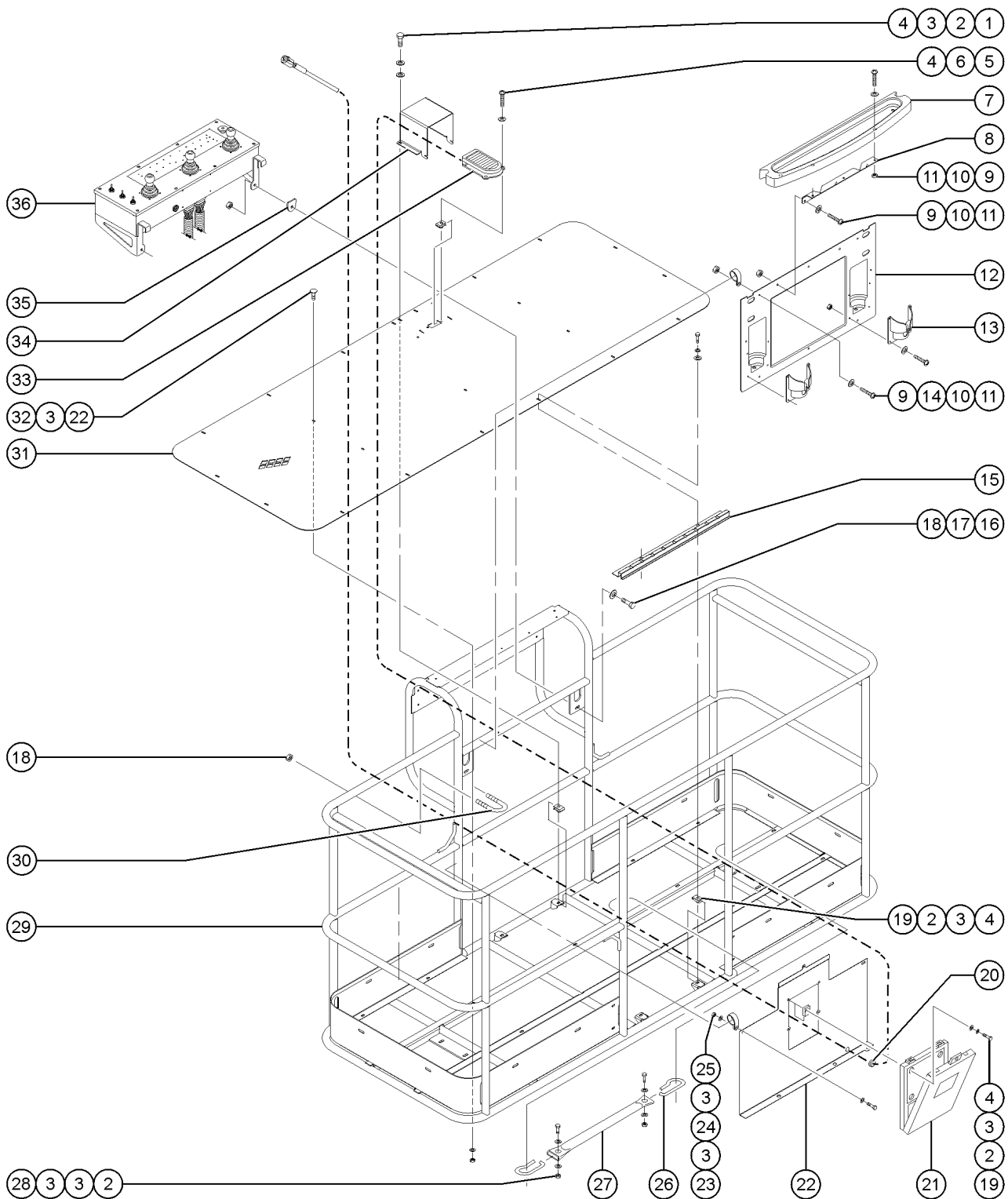


602.1 Platform Installation, S-100 - View 2

Item	Part No.	Description	Qty.	Item	Part No.	Description	Qty.
1	6888GT	SCREW,HHC,1/4-20 X 1		--	111265GT	PLAT RAILW/DECALS 8FT 750 EURO <i>Railing Assembly with Symbol Decals; European models</i>	
2	6356GT	WASHER,LOCK,.25		--	111269GT	PLAT RAILW/DECALS 8FT 750A/SOA <i>Railing Assembly with Symbol Decals; Asia/South American models</i>	
3	6638GT	WASHER,FLAT,USS,1/4"Y		30	6550GT	U-BOLT,3/8 X 1 YZ	
4	56912GT	SPRING CLIP,1/4-20,.025-.15X.54,ZAG		31	4828GT	NUT,NYLOCK,3/8-16 <i>(S-100 only)</i>	
5	73587GT	SCREW,PHIL,10-24 X .75		32	54355GT	WASHER,FLAT,SAE,3/8",Y <i>(S-100 only)</i>	
6	6607GT	WASHER,LOCK,#10 PLTD		33	56927GT	PAD,REST,2"THICK,W/STUDS*.....2 <i>(S-100 only)</i>	
7	60476GT	TOOL HOLDER,PLASTIC.....1		34	61216-SGT	WELDMENT,PLAT. STOWED SUPPORT.....1 <i>(S-100 only)</i>	
8	60475GT	GUSSET,TOOL HOLDER,PLASTIC.....1		35	73478PGT	FLOORING,8 FT PLATFORM**	
9	6178GT	NUT,NYLOCK,10-32		36	54274GT	SCREW,STEP BOLT,1/4-20 X .75	
10	6146GT	WASHER,FLAT,MS,#10,Y		37	61322GT	FOOT SWITCH W/PIGTAIL.....1	
11	49816GT	SCREW,PHILLIPS,PHM,10-32 X .75		--	20262GT	MICROSWITCH,13482 FOOTSWITCH	
12	111278GT	DECAL PLATE ASSY W/WORD DECALS <i>USA/Canada/Australia</i>		--	7056GT	CONN, SQZ, 1/2NPT .38-.50, SM**	
--	102200-SGT	DECAL PLATE W/SYMB DECALS S120 <i>Europe/Asia/South America</i>		38	147221GT	GUARD,FOOTSWITCH,W/DECAL ALUM <i>USA/Canada/Australia</i>	
13	60474GT	CUP HOLDER,PLASTIC.....2		--	147121GT	COVER, FOOT SWITCH, LARGE <i>Europe/Asia/South America</i>	
14	60478GT	CLAMP,1.25"DIA NON-CUSHIONED....5		39	107860GT	PLATE,PLAT.CONTROL BOX SPACER.....2	
15	73610PGT	STEP PLATFORM ENTRY PAINTED***.....1		40		Ref. Platform Controls <i>(refer to 603.1)</i>	
16	8516GT	SCREW, HCC, 3/8-16 X 1.50					
17	6097GT	WASHER,FLAT,USS,3/8",Y					
18	4828GT	NUT,NYLOCK,3/8-16					
19	6090GT	SCREW,HHC,1/4-20 X .75					
20	229768GT	GROMMET,RUBBER,1.0X0.094X1.375..1					
21A	44743GT	MANUAL BOX W/DECALS***.....1 <i>USA/Canada/Australia</i>					
21B	24514GT	BOX,INSTRUCTION STORAGE <i>Europe/Asia/South America (decal required; refer to Section100)</i>					
22	75537PGT	PLATE,DOCUMENT BOX MOUNT,PAINT.....1					
23	56912GT	SPRING CLIP,1/4-20,.025-.15X.54,ZAG.....2					
24	56424GT	CLAMP,1.25X.5 RUBBER-CUSHION....5					
25	8914GT	SCREW,HHC,1/4-20 X .625					
26	12443GT	MIDRAIL GUIDE (HOOK).....2					
27	102992GT	SLIDING MIDRAIL KIT,PTD.....1					
--	12443GT	MIDRAIL GUIDE (HOOK)					
--	139451GT	TUBE,SLIDING MIDRAIL,PAINTED					
--	20973GT	WIRE LOOM,3/8 POLY SLIT					
--	21121GT	CABLE TIE,4" BLK,HEAT RESISTNT					
28	6091GT	NUT,NYLOCK,1/4-20					
29	111273GT	PLAT RAILW/DECALS 8FT 750 ANSI <i>Railing Assembly with Word Decals; USA/Canada models</i>					
--	111261GT	PLAT RAILW/DECALS 8FT 750 AUST <i>Railing Assembly with Word Decals; Australia models</i>					



602.1 Platform Installation, S-105 - View 2

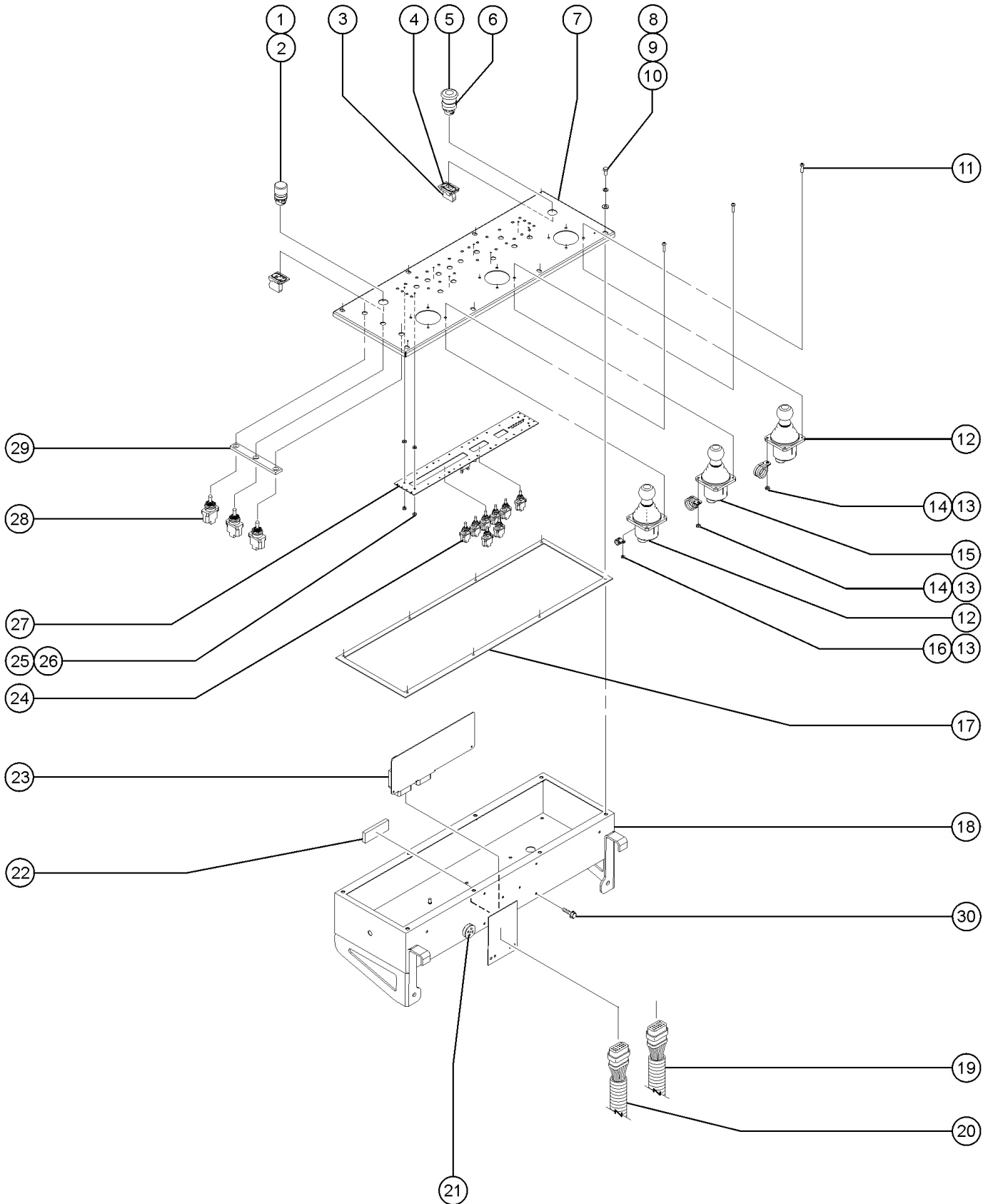


602.1 Platform Installation, S-105 - View 2

Item	Part No.	Description	Qty.	Item	Part No.	Description	Qty.
1	6888GT	SCREW,HHC,1/4-20 X 1		--	101382GT	PLATFORM RAIL ASSY,8FT,CE/UK <i>Railing Assembly with Symbol Decals; European models</i>	
2	6356GT	WASHER,LOCK,.25		--	101384GT	PLAT ASSEMBLY,8FT,ASIA/S AM <i>Railing Assembly with Symbol Decals; Asia/South American models</i>	
3	6638GT	WASHER,FLAT,USS,1/4"Y		30	6550GT	U-BOLT,3/8 X 1 YZ	
4	56912GT	SPRING CLIP,1/4-20,.025-.15X.54,ZAG		31	73478PGT	FLOORING,8 FT PLATFORM**	
5	73587GT	SCREW,PHIL,10-24 X .75		32	54274GT	SCREW,STEP BOLT,1/4-20 X .75	
6	6607GT	WASHER,LOCK,#10 PLTD		33	61322GT	FOOT SWITCH W/PIGTAIL.....1	
7	60476GT	TOOL HOLDER,PLASTIC.....1		--	20262GT	MICROSWITCH,13482 FOOTSWITCH	
8	60475GT	GUSSET,TOOL HOLDER,PLASTIC.....1		--	7056GT	CONN, SQZ, 1/2NPT .38-.50, SM**	
9	6178GT	NUT,NYLOCK,10-32		34	147221GT	GUARD,FOOTSWITCH,W/DECAL ALUM <i>USA/Canada/Australia</i>	
10	6146GT	WASHER,FLAT,MS,#10,Y		--	147121GT	COVER, FOOT SWITCH, LARGE <i>Europe/Asia/South America</i>	
11	49816GT	SCREW,PHILLIPS,PHM,10-32 X .75		35	107860GT	PLATE,PLAT.CONTROL BOX SPACER.....2	
12	111278GT	DECAL PLATE ASSY W/WORD DECALS <i>USA/Canada/Australia</i>		36		Ref. Platform Controls <i>(refer to 603.1)</i>	
--	102200-SGT	DECAL PLATE W/SYMB DECALS S120 <i>Europe/Asia/South America</i>					
13	60474GT	CUP HOLDER,PLASTIC.....2					
14	60478GT	CLAMP,1.25"DIA NON-CUSHIONED.....5					
15	73610PGT	STEP PLATFORM ENTRY PAINTED***.....1					
16	8516GT	SCREW, HCC, 3/8-16 X 1.50					
17	6097GT	WASHER,FLAT,USS,3/8",Y					
18	4828GT	NUT,NYLOCK,3/8-16					
19	6090GT	SCREW,HHC,1/4-20 X .75					
20	229768GT	GROMMET,RUBBER,1.0X0.094X1.375..1					
21A	44743GT	MANUAL BOX W/DECALS***.....1 <i>USA/Canada/Australia</i>					
21B	24514GT	BOX,INSTRUCTION STORAGE <i>Europe/Asia/South America (decal required; refer to Section100)</i>					
22	75537PGT	PLATE,DOCUMENT BOX MOUNT,PAINT.....1					
23	56912GT	SPRING CLIP,1/4-20,.025-.15X.54,ZAG.....2					
24	56424GT	CLAMP,1.25X.5 RUBBER-CUSHION.....5					
25	8914GT	SCREW,HHC,1/4-20 X .625					
26	12443GT	MIDRAIL GUIDE (HOOK).....2					
27	102992GT	SLIDING MIDRAIL KIT,PTD.....1					
--	12443GT	MIDRAIL GUIDE (HOOK)					
--	139451GT	TUBE,SLIDING MIDRAIL,PAINTED					
--	20973GT	WIRE LOOM,3/8 POLY SLIT					
--	21121GT	CABLE TIE,4" BLK,HEAT RESISTNT					
28	6091GT	NUT,NYLOCK,1/4-20					
29	111253GT	PLAT RAILW/DECALS 8FT 500 ANSI <i>Railing Assembly with Word Decals; USA/Canada models</i>					
--	101383GT	PLAT RAIL ASSY,8FT,AUSTRALIA** <i>Railing Assembly with Word Decals; Australia models</i>					

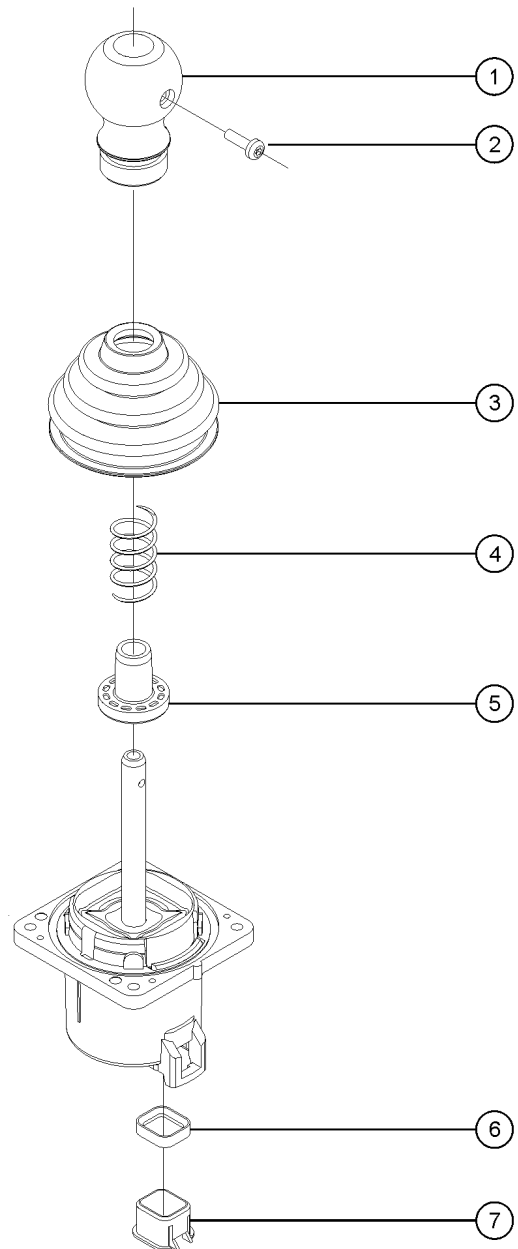
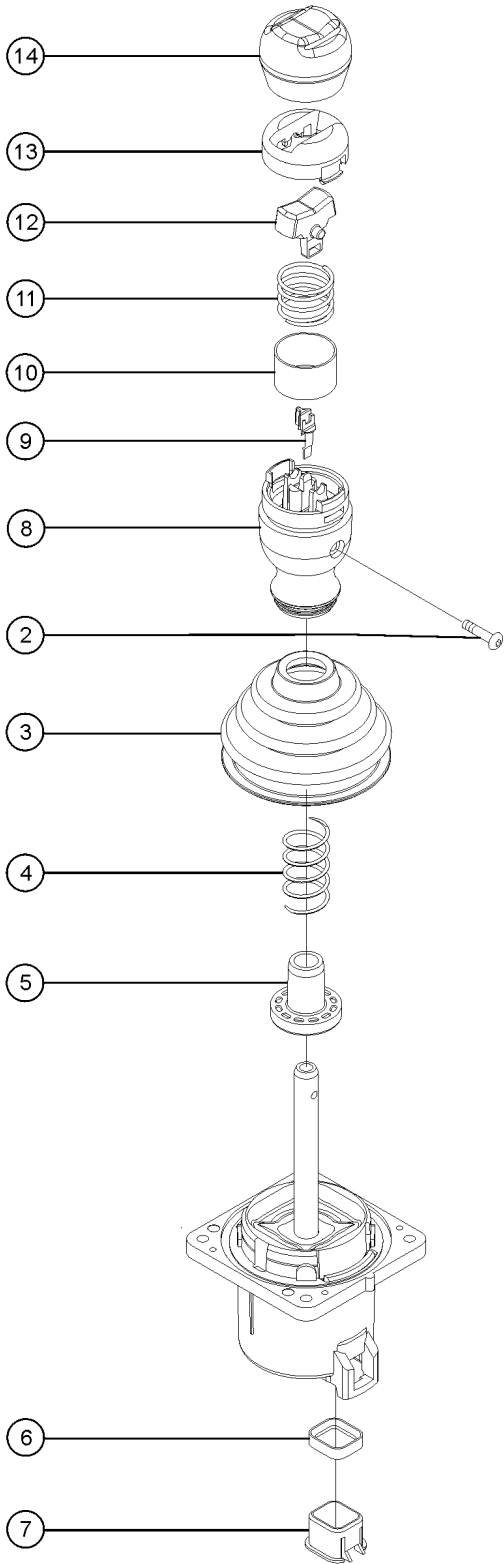


603.1 Platform Controls



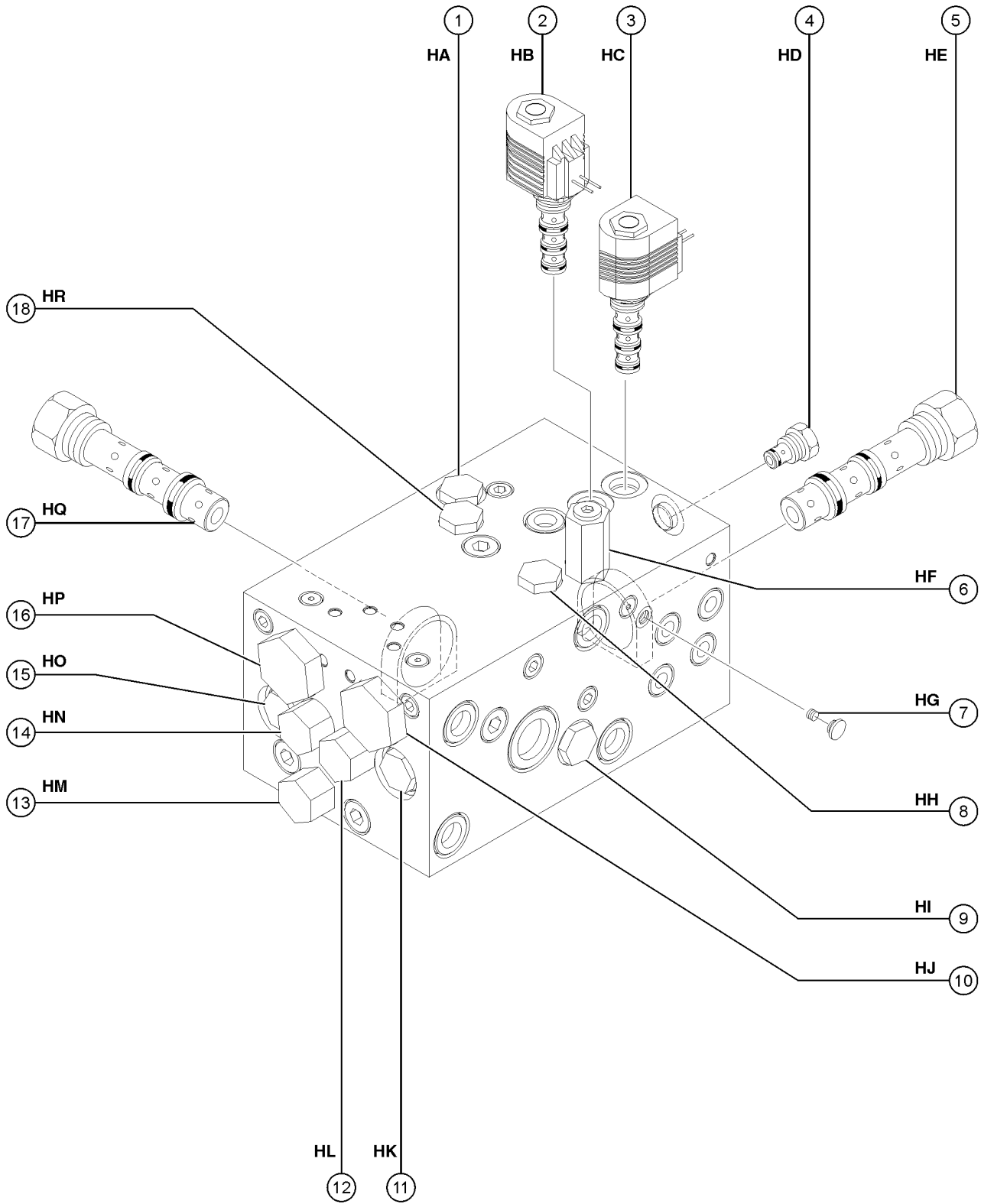
Item	Part No.	Description	Qty.
A	825984GT	ASSY,PCON,TOG SW,SB	
1	66813GT	BUTTON,PUSH,BLACK W/SEAL***.....1	1
2	66815GT	BASE, W/1 N.O. CONTACTS***.....2	2
3	66818GT	CONTACT,NC.....1	1
4	66821GT	BASE,WITHOUT CONTACTS.....1	1
5	66812GT	BUTTON,PUSH,RED MUSHROOM HEAD.....1	1
6	146478GT	BOOT(BELLOWS),E-STOP,BLACK.....1	1
7	229389GT	LID, PCON, TOG SW, SUPERBOOM....1	1
8	7339GT	SCREW, HHC, 1/4-20 X .5.....8	8
9	6356GT	WASHER,LOCK,.25.....8	8
10	75144GT	WASHER,FLAT,SAE 1/4",ZINC.....8	8
11	139338GT	SCREW PH M5-0.8X20 DIN 7500CE...16	16
12	101174GT	JOYSTICK,2 AXIS,DEUTSCH.....2	2
13	104030GT	NUT HEX M5-0.8 CLASS 8 ZINC.....3	3
14	13268GT	CLAMP,0.75,#12 X 1/4,RUB CUSH.....2	2
15	101175GT	JOYSTICK,1 AXIS,DEUTSCH.....1	1
16	6833GT	CLAMP,0.50,#8 X 1/4,RUB CUSH.....1	1
17	62382GT	GASKET,PLATF. CNTRLS.SUPERBOOM.....1	1
18	160645GT	WELDMENT,PCON BOX.....1	1
19	60950GT	HARNESS,PCON J2,(MANIFOLD).....1	1
20	T106485GT	HARNESS,SHIPYARD BOOM CABLE #2.....1	1
21	62379GT	ALARM,AUDIO,SUPERBOOM***.....1	1
22	30997GT	CORROSION INHIBITOR,FOAM.....1	1
23	146390GT	PCB,ASSY,ECM,PLATFORM,VER 3.00.....1	1
24	128200GT	SWITCH TOGGLE ASSY SPDT 3P MOM.....11	11
25	12344GT	NUT,NYLOCK,6-32.....10	10
26	822224GT	WASHER, NYLON #10, 0.093.....8	8
27	232975GT	PCB, LED/TOGGLE SWITCH, ALC100...1	1
28	13037GT	SWITCH TOGGLE SPDT 3POS MOM...3	3
--	25553GT	BOOT,TOGGLE SWITCH.....3	3
--	54692GT	SPACER,NYLON,.718 X .526 X.219.....3	3
29	75141GT	PLATE,TOGGLE SWITCH MOUNT,PCON.....1	1
30	62386GT	SCREW,LOCKING FLANGE 6/32X.375.....5	5

604.1 Joysticks



Item	Part No.	Description	Qty.
--	101174GT	JOYSTICK,2 AXIS,DEUTSCH <i>OEM joystick (calibration required after replacement)</i>	
--	101174HGT	JOYSTICK,DUAL AXIS W/KNOB <i>aftermarket joystick (calibration required after replacement)</i>	
--	101175GT	JOYSTICK,1 AXIS,DEUTSCH <i>OEM joystick (calibration required after replacement)</i>	
--	101175HGT	JOYSTICK,SINGLE AXIS W/KNOB <i>aftermarket joystick (calibration required after replacement)</i>	
--	101005GT	JOYSTICK,1 AXIS ROCKER,DEUTSCH <i>OEM joystick (calibration required after replacement)</i>	
--	101005HGT	JOYSTICK,SINGLE AXIS W/STEER <i>aftermarket joystick (calibration required after replacement)</i>	
--	83098GT	TERM,AMP MTE,SOC,22-26 GA BULK	
--	119613GT	HARN JOYSTICK ADAPTOR JS100 <i>6-pin to 7-pin adapter (for 101174, 101175, 101005)</i>	
Z	1269501GT	KIT, ISOLATION, 3 JOYSTICK	
1	62392GT	KNOB,JOYSTICK, 62390/62391.....	1
2	T112626GT	SCREW, PHM, #6-32 X .625 ZINC.....	1
3	139598GT	BOOT,JOYSTICK.....	1
4		SPRING,JOYSTK CENTR,62390/91..... <i>no longer available from supplier</i>	1
5	119915GT	COLLAR,JOYSTICK,CENTER.....	1
6	128000GT	SEAL, CONNECTOR (DT JOYSTICKS).....	1
7	128001GT	SLEEVE,CONNECTOR,DT JOYSTICKS.....	1
8	75449GT	KNOB,ROCKER JOYSTICK 75565.....	1
9	75448GT	SUPPORT,SENSOR,JOYSTICK.....	1
10	75447GT	SWITCH SHIELD,ROCK JOYSTK75565.....	1
11	75446GT	SPRING,SWITCH CENTERING,75565...1	
12	75445GT	ROCKER ASSY.,MAGNETIC 75565.....	1
13	75444GT	ROCKER,RETAINER, 75565.....	1
14	75443GT	BOOT, ROCKER JOYSTICK 75565.....	1

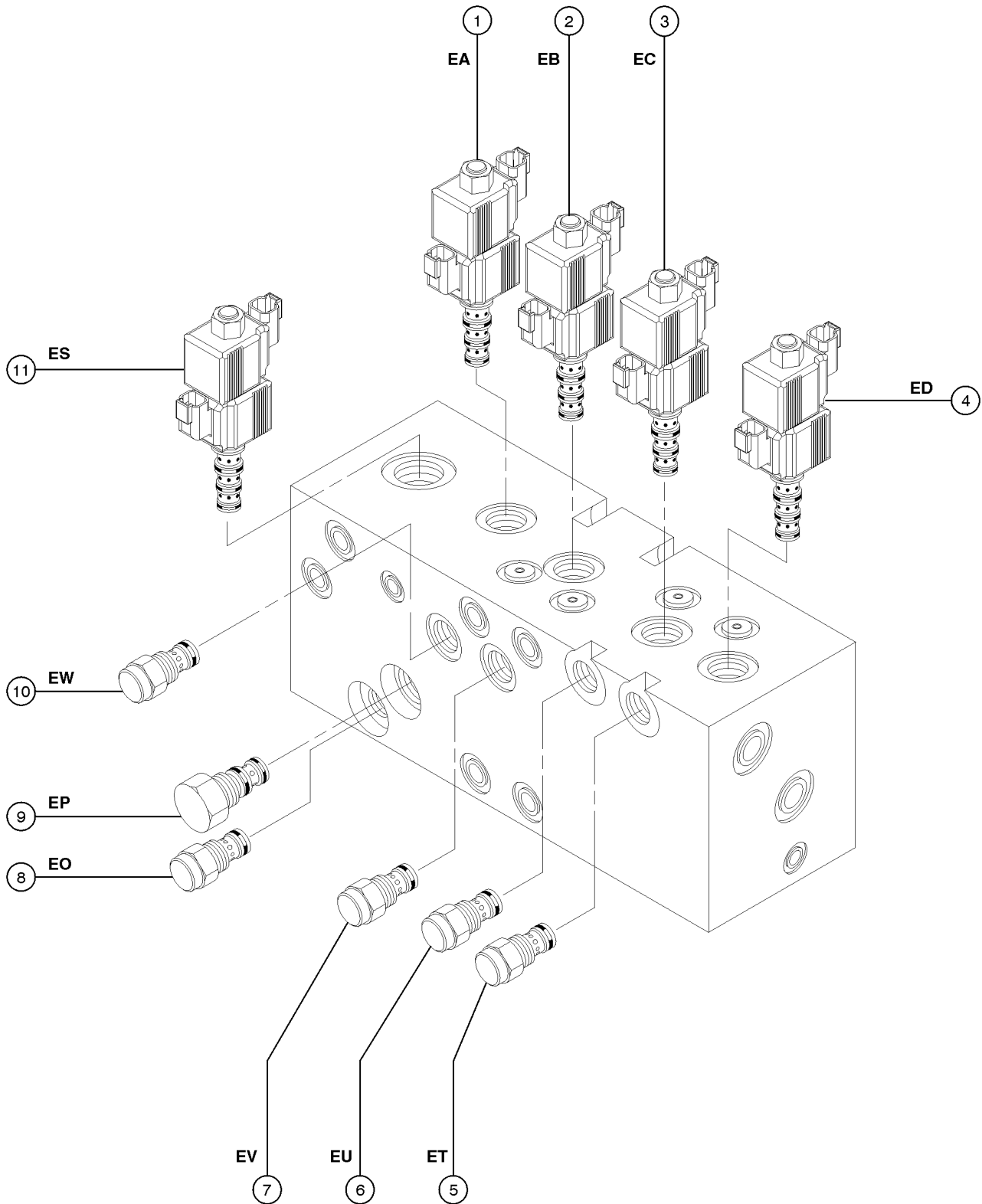
701.1 Traction Manifold



701.1 Traction Manifold

Item	Part No.	Description	Qty.	Item	Part No.	Description	Qty.
--	70241GT	MANIFOLD,TRACTION,4WD <i>(complete)</i>		15	69873GT	VALVE, CHECK <i>HO, Anti-cavitation</i>	
1	27836GT	VALVE,CHECK,5 PSI <i>HA, Anti-cavitation</i>		--	74902GT	SEAL KIT, VALVE	
--	110194GT	SEAL KIT, VALVE, #10		16	62252GT	VALVE, FLOW DIVIDER COMBINER <i>HP, Controls flow to circle end drive motors in forward and reverse</i>	
2	77489GT	VALVE,SOLENOID 2 POS.3 WAY <i>HB, Two-speed drive motor shift</i>		--	84135GT	SEAL KIT, VALVE	
--	72043GT	SEAL KIT,SOLENOID VALVE		17	52726GT	VALVE,FLOW DIVIDER/COMBINER <i>HQ, Controls flow to divider/combiner valves FJ and FP</i>	
3	77489GT	VALVE,SOLENOID 2 POS.3 WAY <i>HC, Brake release</i>		--	84135GT	SEAL KIT, VALVE	
--	72043GT	SEAL KIT,SOLENOID VALVE		18	69873GT	VALVE, CHECK <i>HR, Anti-cavitation</i>	
4	69873GT	VALVE, CHECK <i>HD, Keeps brakes released in case of temporary loss of charge pressure</i>		--	74902GT	SEAL KIT, VALVE	
--	74902GT	SEAL KIT, VALVE					
5	27761GT	VALVE,SHUTTLE <i>HE, Charge pressure circuit that directs hot oil out of low pressure side of drive pump</i>					
--	84134GT	SEAL KIT, VALVE					
6	62253GT	VALVE,RELIEF,250 PSI <i>HF, Charge pressure circuit</i>					
--	74902GT	SEAL KIT, VALVE					
7	102496GT	ORIFICE,PLUG 0.030 <i>HG, Brake and two-speed circuit</i>					
8	69873GT	VALVE, CHECK <i>HH, Anti-cavitation</i>					
--	74902GT	SEAL KIT, VALVE					
9	27836GT	VALVE,CHECK,5 PSI <i>HI, Anti-cavitation</i>					
--	110194GT	SEAL KIT, VALVE, #10					
10	62252GT	VALVE, FLOW DIVIDER COMBINER <i>HJ, Controls flow to square end drive motors in forward and reverse</i>					
--	84135GT	SEAL KIT, VALVE					
11	69873GT	VALVE, CHECK <i>HK, Anti-cavitation</i>					
--	74902GT	SEAL KIT, VALVE					
12	52723GT	VALVE-FLOW REGULATOR 2 GPM <i>HL, Equalizes pressure on both sides of divider/combiner valve FJ</i>					
--	89310GT	SEAL KIT, SOLENOID VALVE					
13	52723GT	VALVE-FLOW REGULATOR 2 GPM <i>HM, Equalizes pressure on both sides of divider/combiner valve FQ</i>					
--	89310GT	SEAL KIT, SOLENOID VALVE					
14	52723GT	VALVE-FLOW REGULATOR 2 GPM <i>HN, Equalizes pressure on both sides of divider/combiner valve FQ</i>					
--	89310GT	SEAL KIT, SOLENOID VALVE					

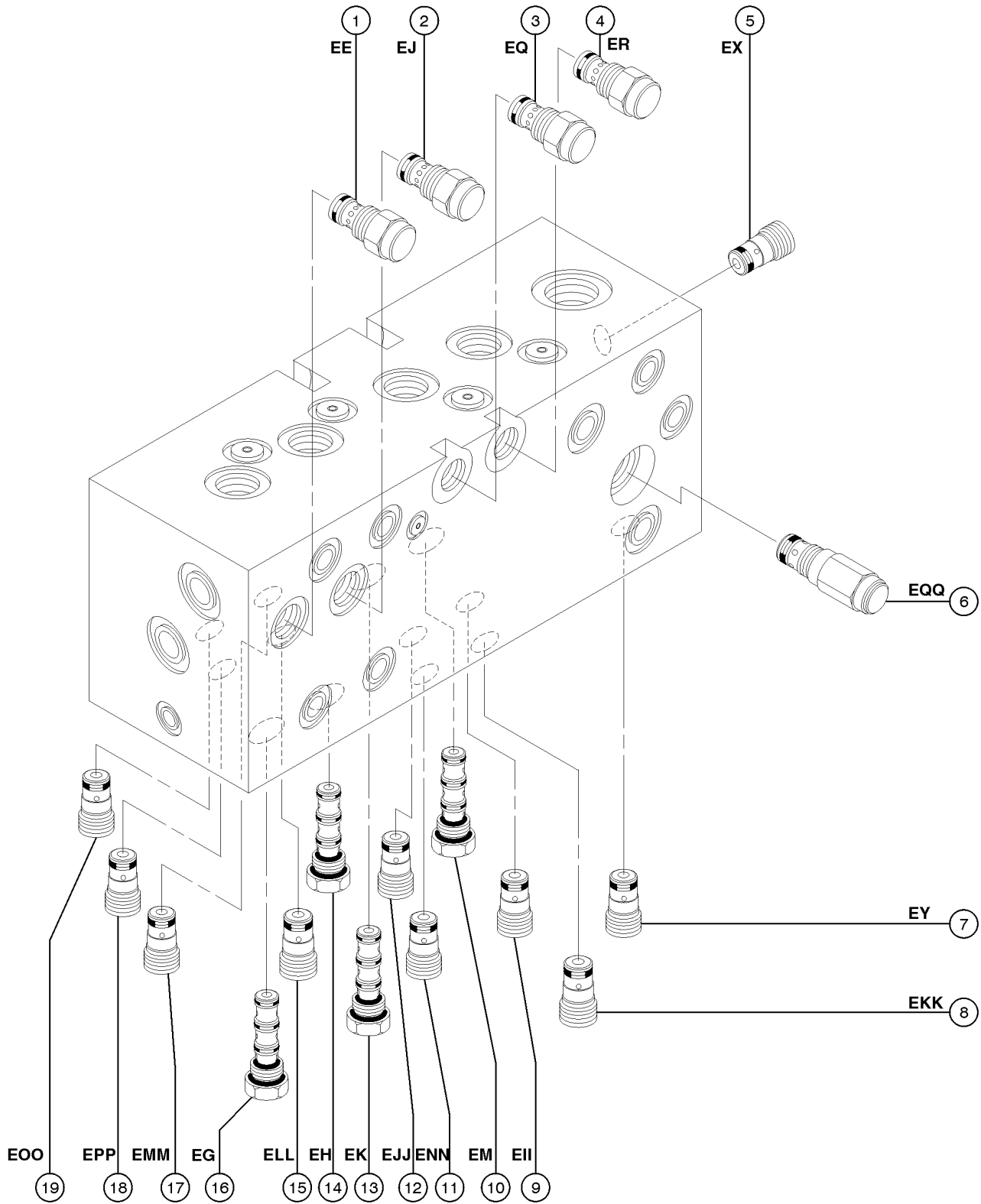
702.1 Steer and Axle Extend/Retract Manifold - View 1



702.1 Steer and Axle Extend/Retract Manifold - View 1

Item	Part No.	Description	Qty.	Item	Part No.	Description	Qty.
--	102701GT	MANIFOLD,4 WHEEL STEER		10	62347GT	VALVE-FLOW REGULATOR, 1.4 GPM* <i>EW, Steering cylinder speed, square end, left side, retract</i>	
1	39346GT	VALVE,SOLENOID 3 POS.4 WAY*** <i>EA, Steering cylinder control, square end, right side</i>		--	44227GT	SEAL KIT, VALVE	
--	104759GT	COIL,12VDC #8 DTSCH IP69 ECOIL		11	62330GT	VALVE,SOLENOID,3POS 4WAY*** <i>ES, Axle extend control</i>	
--	44174GT	NUT-COIL SHORT		--	104760GT	COIL,12VDC #10DTSCH IP69 ECOIL	
--	44229GT	SEAL KIT, VALVE		--	44174GT	NUT-COIL SHORT	
--	44236GT	SPACER-DUAL COIL,#8***		--	44175GT	SPACER-DUAL COIL,#10, SCISSORS	
2	39346GT	VALVE,SOLENOID 3 POS.4 WAY*** <i>EB, Steering cylinder control, square end, left side</i>		--	44230GT	SEAL KIT-P.N.44169,44172,44171	
--	104759GT	COIL,12VDC #8 DTSCH IP69 ECOIL					
--	44174GT	NUT-COIL SHORT					
--	44229GT	SEAL KIT, VALVE					
--	44236GT	SPACER-DUAL COIL,#8***					
3	39346GT	VALVE,SOLENOID 3 POS.4 WAY*** <i>EC, Steering cylinder control, round end, right side</i>					
--	104759GT	COIL,12VDC #8 DTSCH IP69 ECOIL					
--	44174GT	NUT-COIL SHORT					
--	44229GT	SEAL KIT, VALVE					
--	44236GT	SPACER-DUAL COIL,#8***					
4	39346GT	VALVE,SOLENOID 3 POS.4 WAY*** <i>ED, Steering cylinder control, round end left side</i>					
--	104759GT	COIL,12VDC #8 DTSCH IP69 ECOIL					
--	44174GT	NUT-COIL SHORT					
--	44229GT	SEAL KIT, VALVE					
--	44236GT	SPACER-DUAL COIL,#8***					
5	62347GT	VALVE-FLOW REGULATOR, 1.4 GPM* <i>ET, Steering cylinder speed, round end, right side, retract</i>					
--	44227GT	SEAL KIT, VALVE					
6	62346GT	VALVE,FLOW REGULATOR, 2.0 GPM* <i>EU, Steering cylinder speed, round end, left side, extend</i>					
--	44227GT	SEAL KIT, VALVE					
7	62346GT	VALVE,FLOW REGULATOR, 2.0 GPM* <i>EV, Steering cylinder speed, square end, right side, extend</i>					
--	44227GT	SEAL KIT, VALVE					
8	62324GT	VALVE,FLOW CONTROL, 0.1GPM* <i>EO, Bleeds off differential valve to tank</i>					
--	44227GT	SEAL KIT, VALVE					
9	62323GT	VALVE,DIFFERENTIAL SENSE110PSI <i>EP, Meters flow to functions sensing</i>					
--	62337GT	SEAL KIT, VALVE					

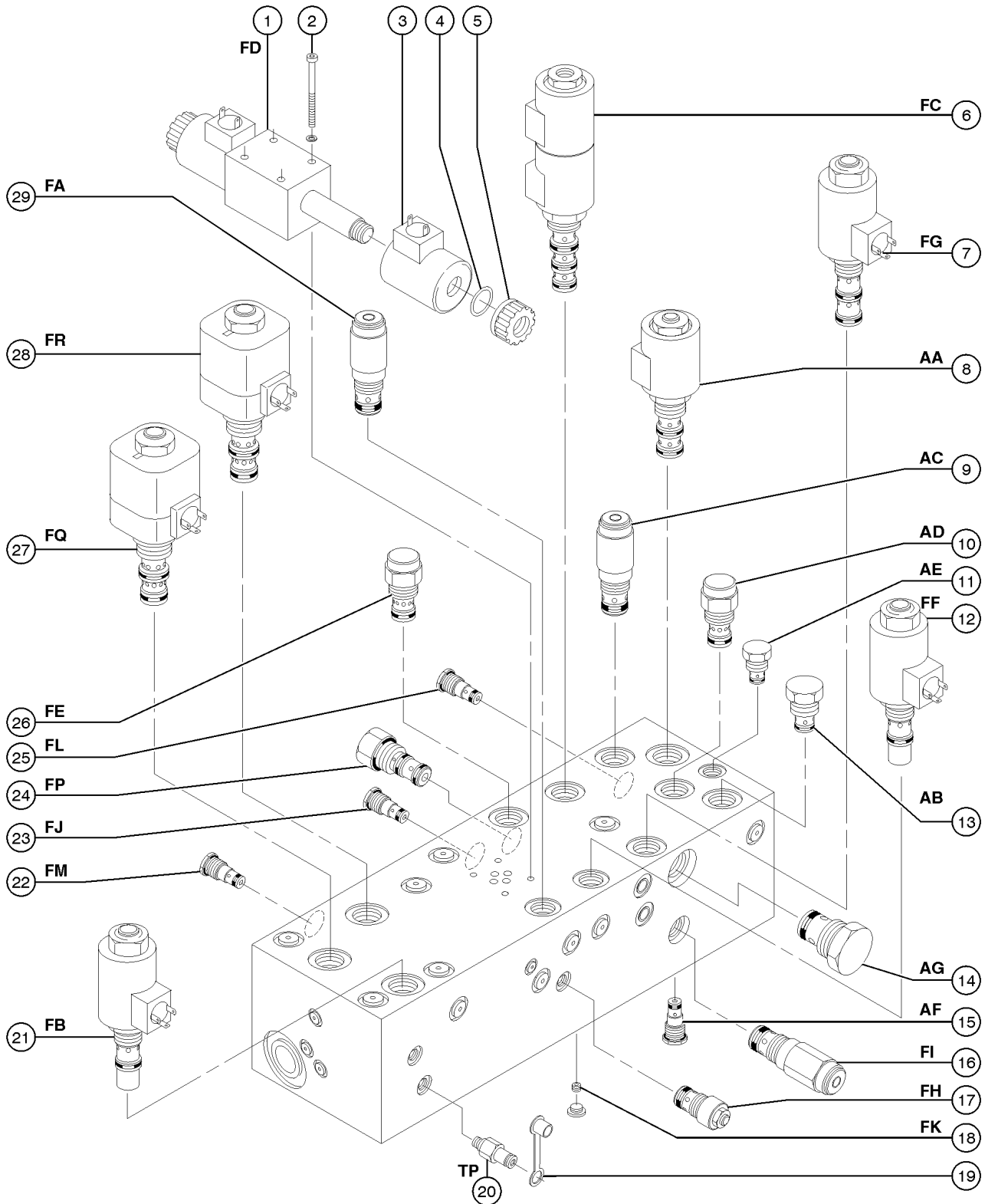
703.1 Steer and Axle Extend/Retract Manifold - View 2



703.1 Steer and Axle Extend/Retract Manifold - View 2

Item	Part No.	Description	Qty.	Item	Part No.	Description	Qty.
--	102701GT	MANIFOLD,4 WHEEL STEER		15	52907GT	VALVE-CHECK, #4 SAE, 5 PSI* <i>ELL, Steering load sense, circle end, right side, retract</i>	
1	62346GT	VALVE,FLOW REGULATOR, 2.0 GPM* <i>EE, Steering cylinder speed</i>		--	62341GT	SEAL KIT,52907,SIZE 4, 2 WAY	
--	44227GT	SEAL KIT, VALVE		16	101958GT	VALVE,CHECK,DUAL PILOT,135 PSI <i>EG, Steering cylinder lock, circle end, left side, extend/retract; to SN 1195</i>	
2	62347GT	VALVE-FLOW REGULATOR, 1.4 GPM* <i>EJ, Steering cylinder speed, circle end, left side, retract</i>		17	52907GT	VALVE-CHECK, #4 SAE, 5 PSI* <i>EMM, Steering load sense, circle end, right side, extend</i>	
--	44227GT	SEAL KIT, VALVE		--	62341GT	SEAL KIT,52907,SIZE 4, 2 WAY	
3	62347GT	VALVE-FLOW REGULATOR, 1.4 GPM* <i>EQ, Steering cylinder speed, square end, right side, retract</i>		18	52907GT	VALVE-CHECK, #4 SAE, 5 PSI* <i>EPP, Steering load sense, circle end, left side, extend</i>	
--	44227GT	SEAL KIT, VALVE		--	62341GT	SEAL KIT,52907,SIZE 4, 2 WAY	
4	62346GT	VALVE,FLOW REGULATOR, 2.0 GPM* <i>ER, Steering cylinder speed, square end, left side, extend</i>		19	52907GT	VALVE-CHECK, #4 SAE, 5 PSI* <i>EOO, Steering load sense, circle end, left side, retract</i>	
--	44227GT	SEAL KIT, VALVE		--	62341GT	SEAL KIT,52907,SIZE 4, 2 WAY	
5	52907GT	VALVE-CHECK, #4 SAE, 5 PSI* <i>EX, Axle extend load sense, both ends</i>					
--	62341GT	SEAL KIT,52907,SIZE 4, 2 WAY					
6	62365GT	VALVE,RELIEF,1800 PSI,AXLE EXT <i>EQQ, Axle extend</i>					
--	44227GT	SEAL KIT, VALVE					
7	52907GT	VALVE-CHECK, #4 SAE, 5 PSI* <i>EY, Axle retract load sense, both ends</i>					
--	62341GT	SEAL KIT,52907,SIZE 4, 2 WAY					
8	52907GT	VALVE-CHECK, #4 SAE, 5 PSI* <i>EKK, Steering load sense, square end, right side, extend</i>					
--	62341GT	SEAL KIT,52907,SIZE 4, 2 WAY					
9	52907GT	VALVE-CHECK, #4 SAE, 5 PSI* <i>ELL, Steering load sense, square end, right side, retract</i>					
--	62341GT	SEAL KIT,52907,SIZE 4, 2 WAY					
10	101958GT	VALVE,CHECK,DUAL PILOT,135 PSI <i>EM, Steering cylinder lock, square end, right side, extend/retract</i>					
11	52907GT	VALVE-CHECK, #4 SAE, 5 PSI* <i>ENN, Steering load sense, square end, left side, retract</i>					
--	62341GT	SEAL KIT,52907,SIZE 4, 2 WAY					
12	52907GT	VALVE-CHECK, #4 SAE, 5 PSI* <i>EJJ, Steering load sense, square end, left side, extend</i>					
--	62341GT	SEAL KIT,52907,SIZE 4, 2 WAY					
13	101958GT	VALVE,CHECK,DUAL PILOT,135 PSI <i>EK, Steering cylinder lock, square end, left side, extend/retract</i>					
14	101958GT	VALVE,CHECK,DUAL PILOT,135 PSI <i>EH, Steering cylinder lock, circle end, right side, extend/retract</i>					

704.1 Function Manifold



704.1 Function Manifold

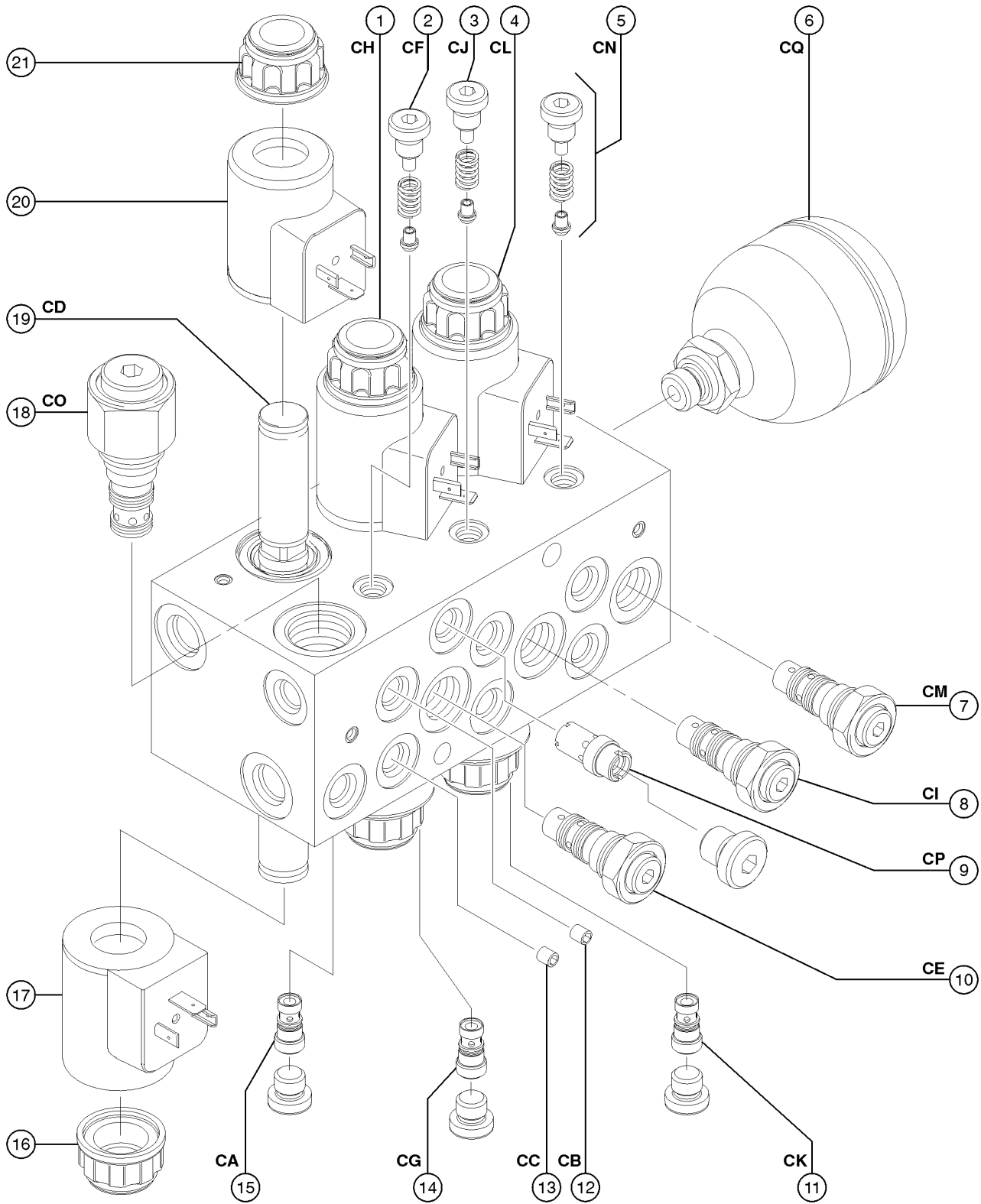
Item	Part No.	Description	Qty.	Item	Part No.	Description	Qty.
--	122440GT	MANIFOLD,FUNCTION,S100/105 <i>(complete)</i>		--	44227GT	SEAL KIT, VALVE	
--	146193GT	HARNES, TCON J4 MANIFOLD 2009		14	75456GT	VALVE-CHECK SIZE 12(SUPRBOOM)* <i>AG, Blocks flow from auxiliary pump, port 2A to pump 1</i>	
1	102394GT	VLV,SOL,DO3,REXROTH,3POS 4 WAY <i>FD, Boom up/down (valve doesn't come with the coils)</i>		--	62338GT	SEAL KIT,62328,SIZE 12,2 PORT	
--	102395GT	SEAL KIT,REXROTH DO3 VALVE		15	44178GT	VALVE,CHECK,5 PSI** <i>AF, Blocks flow from auxiliary pump, ports 2A and 3A to pump 2</i>	
2	45916GT	SCREW,SHC,10-24 X 1.250 (D01)		--	44224GT	SEAL KIT, VALVE	
3	97388GT	VALVE ASSY,D03,REX,3POS 4WAY		16	62325GT	VALVE,RELIEF,2600 PSI,SIZE 10 <i>FI, Turntable, primary lift and boom retract pressure limit</i>	
--	102398GT	COIL,DIN,REXROTH DO3 VALVE		--	44224GT	SEAL KIT, VALVE	
4	102395GT	SEAL KIT,REXROTH DO3 VALVE		17	65907GT	PLUG,CAVITY,T-11A,1-2 OPEN	
5	102396GT	NUT-COIL,REXROTH DO3 VALVE		18	62336GT	ORIFICE PLUG, 0.040 <i>FK, Differential sensing damping</i>	
6	62330GT	VALVE,SOLENOID,3POS 4WAY*** <i>FC, Turntable rotate control, left/right</i>		19	48880GT	CAP,DIAGNOSTIC NIPPLE	
--	44174GT	NUT-COIL SHORT		20	20224GT	DIAGNOSTIC FEMALE Q-DSCNT	
--	44175GT	SPACER-DUAL COIL,#10, SCISSORS		--	49207GT	NIPPLE,DIAGNOSTIC,ORFS,FM,SWIV	
--	44230GT	SEAL KIT-P.N.44169,44172,44171		--	75098GT	HARNES,PRESSURE TRANSDUCER	
--	62334GT	COIL,62328/62330,SIZE 10,DIN*		21	62327GT	VALVE,SOLENOID,PROPORT. N.C.* <i>FF, Boom extend/retract solenoid valve proportional speed control</i>	
7	62326GT	VALVE,PROPORTIONAL SOLENOID* <i>FG, Turntable rotate, proportional speed control</i>		--	52373GT	SEAL KIT,52372,SOLENOID VALVE	
--	44227GT	SEAL KIT, VALVE		--	52466GT	NUT,PROPORTNL. COIL,52372,GS68	
--	62332GT	COIL,PROPORTNL.62326,SIZE8,DIN		--	62335GT	COIL,PROPORTIONAL,62327,DIN	
--	62349GT	NUT,COIL,PROPORTNL. VALVE		22	52907GT	VALVE-CHECK, #4 SAE, 5 PSI* <i>FM, Extension cylinder load sense check</i>	
8	75458GT	VALVE,SOLENOID,2POS3WAY,SUPRB <i>AA, Auxiliary drive/steer selector</i>		--	62341GT	SEAL KIT,52907,SIZE 4, 2 WAY	
--	44174GT	NUT-COIL SHORT		23	52907GT	VALVE-CHECK, #4 SAE, 5 PSI* <i>FJ, Primary lift load sense check</i>	
--	62334GT	COIL,62328/62330,SIZE 10,DIN*		--	62341GT	SEAL KIT,52907,SIZE 4, 2 WAY	
--	62337GT	SEAL KIT, VALVE		24	62323GT	VALVE,DIFFERENTIAL SENSE110PSI <i>FP, Directs flow to functions</i>	
9	52374GT	VALVE,RELIEF,3000PSI,GS68PUMP1 <i>AC, Platform manifold pressure limit</i>		--	62337GT	SEAL KIT, VALVE	
--	44224GT	SEAL KIT, VALVE		25	52907GT	VALVE-CHECK, #4 SAE, 5 PSI* <i>FL, Extension cylinder load sense check</i>	
10	75457GT	VALVE-FLOW REGULATOR 3.0 GPM <i>AD, Priority flow to platform</i>		--	62341GT	SEAL KIT,52907,SIZE 4, 2 WAY	
--	44225GT	SEAL KIT, VALVE		26	62324GT	VALVE,FLOW CONTROL, 0.1GPM* <i>FE, Bleeds off differential sensing valve to tank</i>	
11	52907GT	VALVE-CHECK, #4 SAE, 5 PSI* <i>AE, Blocks flow from pump 2 to auxiliary</i>		--	44227GT	SEAL KIT, VALVE	
--	62341GT	SEAL KIT,52907,SIZE 4, 2 WAY		27	62329GT	VALVE,SOLENOID, 2POS 3WAY* <i>FQ, Boom retract control</i>	
12	62327GT	VALVE,SOLENOID,PROPORT. N.C.* <i>FF, Primary lift, proportional valve speed control</i>		--	62333GT	COIL,62329,SIZE12,W/F,FRAME,DIN*	
--	52373GT	SEAL KIT,52372,SOLENOID VALVE		--	62339GT	SEAL KIT,62329,SIZE 12, 3 WAY	
--	52466GT	NUT,PROPORTNL. COIL,52372,GS68		--	62344GT	NUT,COIL,DOMED,SIZE 12, 62329	
--	62335GT	COIL,PROPORTIONAL,62327,DIN		28	62329GT	VALVE,SOLENOID, 2POS 3WAY* <i>FR, Boom extend control</i>	
13	46216GT	VALVE,CHECK,IWP-S/CWP PWR ASSI <i>AB, Blocks flow from pump 1 and 2 to auxiliary pump</i>					

704.1 Function Manifold
(continued)

Item	Part No.	Description	Qty.
--	62333GT	COIL,62329,SIZE12,W/FRAME,DIN*	
--	62339GT	SEAL KIT,62329,SIZE 12, 3 WAY	
--	62344GT	NUT,COIL,DOMED,SIZE 12, 62329	
29	52905GT	VALVE-RELIEF,1800 PSI <i>FA, Boom extend pressure limit</i>	
--	44227GT	SEAL KIT, VALVE	

This Page Intentionally Left Blank

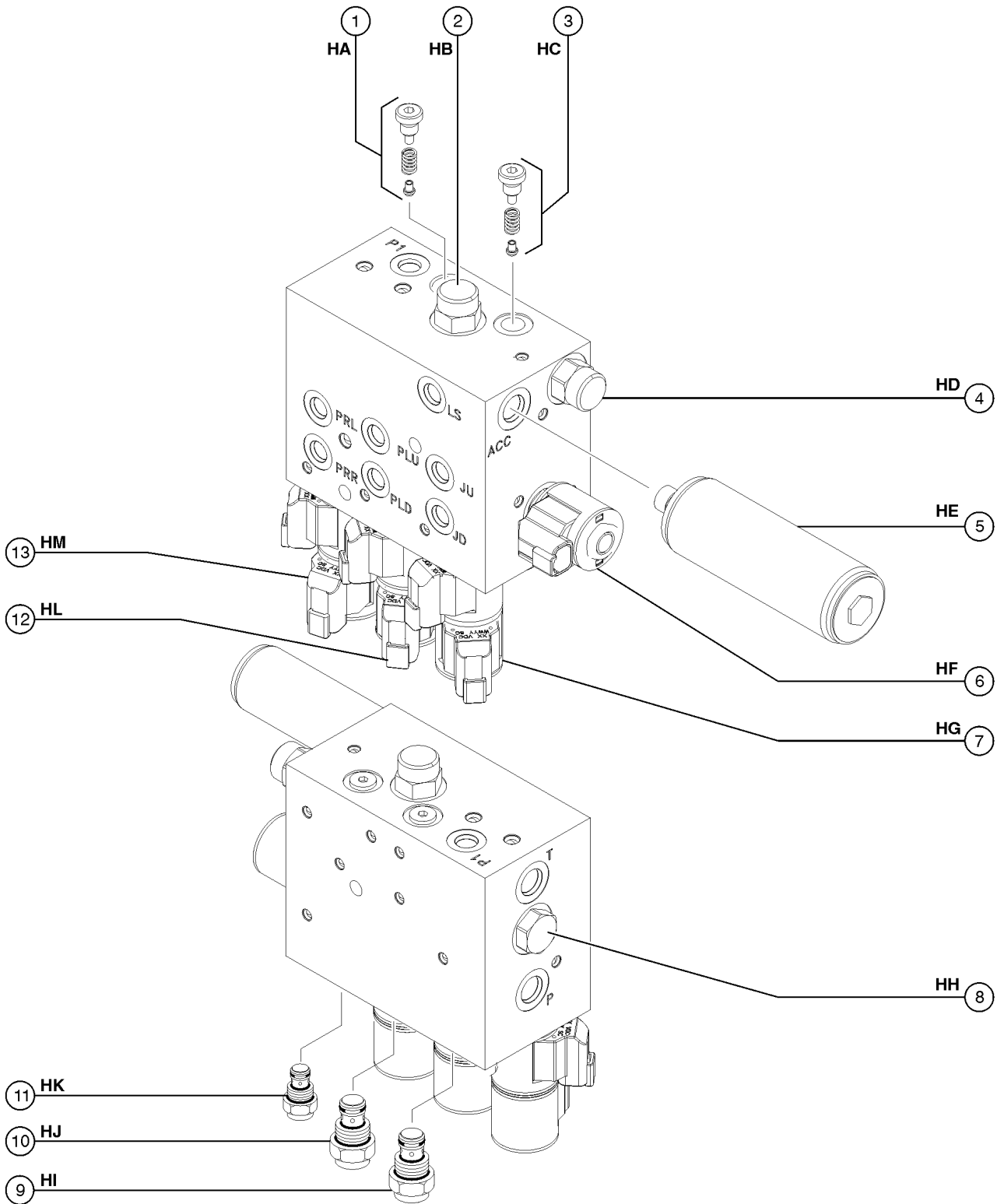
705.1 Platform Manifold, S-105 (to SN S10512D-186)



705.1 Platform Manifold, S-105 (to SN S10512D-186)

Item	Part No.	Description	Qty.	Item	Part No.	Description	Qty.
--	230993GT	S105/125 PLAT MNFD SRV KIT <i>Shown manifold is no longer available. For a complete and first time replacement of previous manifold 60365 order service kit 230993 (includes manifold part 233942, accumulator part 122964 and harness part 122954, refer to 705.2 and 603.1)</i>		15	62359GT	VALVE,SHUTTLE, HYDAC <i>CA, Platform rotate load sense circuit</i>	
1	62350GT	VALVE,SOLENOID,3POS4WAY,HYDAC <i>CH, Platform level up/down</i>		--	62362GT	SEAL KIT,VALVE 62359, HYDAC	
--	62353GT	COIL,SOLENOID,HYDAC MANIFOLDS		16	62354GT	NUT,SOLENOID VALVE,HYDAC	
--	62354GT	NUT,SOLENOID VALVE,HYDAC		17	62353GT	COIL,SOLENOID,HYDAC MANIFOLDS	
--	62355GT	O-RING,COIL NUT, HYDAC		18	62356GT	VALVE,DIFFERENTIAL SENSE,N.C. <i>CO, Meters flow to functions</i>	
--	62363GT	SEAL KIT,SOLENOID VALVES,HYDAC		--	62360GT	SEAL KIT,VALVE 62356, HYDAC	
2	62442GT	VALVE,CHECK,PLAT.MANIFLD,HYDAC <i>CF, Platform rotate circuit</i>		19		(Ref.) VALVE,SOLENOID,3POS4WAY,HYDAC <i>Solenoid valve part 62352 is no longer available, for replacement order manifold upgrade kit 215546</i>	
3	62442GT	VALVE,CHECK,PLAT.MANIFLD,HYDAC <i>CJ, Platform level circuit</i>		--	215546GT	S100/120 PLAT MNFLD SRV KIT <i>Solenoid valve part 62352 is no longer available, for replacement order manifold upgrade kit 215546</i>	
4	62351GT	VALVE,SOLENOID,3POS4WAY,HYDAC <i>CL, Jib boom up/down</i>		20	62353GT	COIL,SOLENOID,HYDAC MANIFOLDS	
--	62353GT	COIL,SOLENOID,HYDAC MANIFOLDS		21	62354GT	NUT,SOLENOID VALVE,HYDAC	
--	62354GT	NUT,SOLENOID VALVE,HYDAC					
--	62355GT	O-RING,COIL NUT, HYDAC					
--	62363GT	SEAL KIT,SOLENOID VALVES,HYDAC					
5	62442GT	VALVE,CHECK,PLAT.MANIFLD,HYDAC <i>CN, Jib boom circuit</i>					
6	62364GT	ACCUMULATOR,500 PSI,HYDAC <i>CQ, Hydraulic dampening</i>					
7	62357GT	VALVE,DIFFERENTIAL SENSE,N.O. <i>CM, Jib boom differential sensing circuit</i>					
--	62361GT	SEAL KIT,VALVE 62357, HYDAC					
8	62357GT	VALVE,DIFFERENTIAL SENSE,N.O. <i>CI, Platform level circuit</i>					
--	62361GT	SEAL KIT,VALVE 62357, HYDAC					
9	62358GT	VALVE,FLOW CONTROL,3GPM, HYDAC <i>CP, Bleeds off differential sensing valve to tank</i>					
10	62357GT	VALVE,DIFFERENTIAL SENSE,N.O. <i>CE, Platform rotate differential sensing circuit</i>					
--	62361GT	SEAL KIT,VALVE 62357, HYDAC					
11	62359GT	VALVE,SHUTTLE, HYDAC <i>CK, Jib boom load sense circuit</i>					
--	62362GT	SEAL KIT,VALVE 62359, HYDAC					
12	62443GT	ORIFICE PLUG,.03,PLATF. HYDAC <i>CB, Platform rotate left circuit</i>					
13	62443GT	ORIFICE PLUG,.03,PLATF. HYDAC <i>CC, Platform rotate right circuit</i>					
14	62359GT	VALVE,SHUTTLE, HYDAC <i>CG, Platform level load sense circuit</i>					
--	62362GT	SEAL KIT,VALVE 62359, HYDAC					

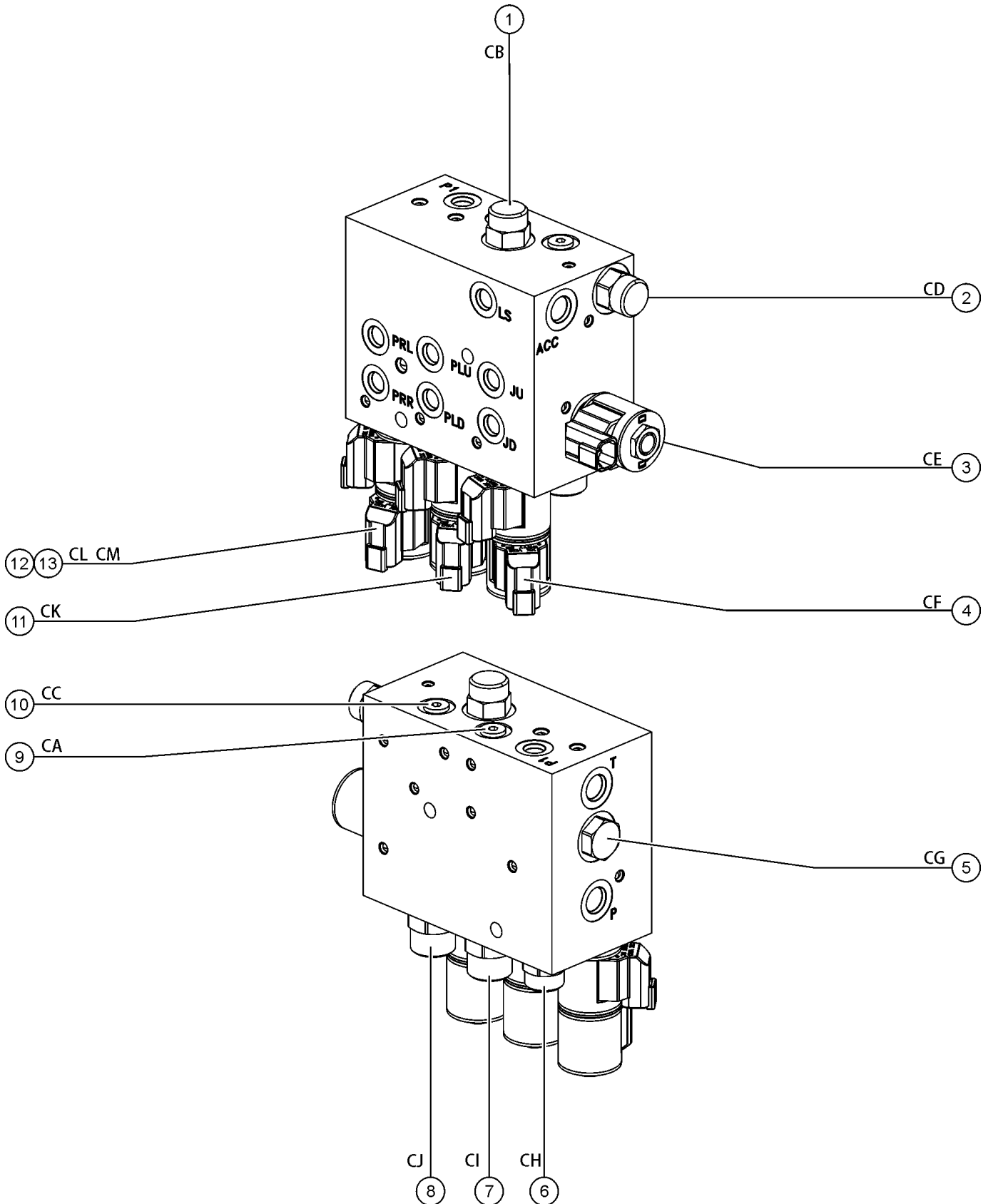
705.2 Platform Manifold, S-105 (from SN S10512D-187 to S105D-1652)



705.2 Platform Manifold, S-105 (from SN S10512D-187 to S105D-1652)

Item	Part No.	Description	Qty.	Item	Part No.	Description	Qty.
--	233942GT	MANIFOLD PLATFORM W/JIB <i>Does not include accumulator part 122964</i>		--	229405GT	CHECK VALVE DISC.....	1
1	52907GT	VALVE-CHECK, #4 SAE, 5 PSI* <i>Platform load sense circuit, platform level</i>		--	230983GT	VITON SEAL KIT, VALVE	
--	62341GT	SEAL KIT,52907,SIZE 4, 2 WAY		--	44174GT	NUT-COIL SHORT	
2	T107736GT	DIFFERENTIAL SENS VLV,8,150PSI <i>Directs flow to functions</i>					
--	52371GT	SEAL KIT, VALVE					
3	52907GT	VALVE-CHECK, #4 SAE, 5 PSI* <i>Platform load sense circuit, jib up and down</i>					
--	62341GT	SEAL KIT,52907,SIZE 4, 2 WAY					
4	62324GT	VALVE, FLOW CONTROL, 0.1GPM* <i>Bleeds off differential valve to tank</i>					
--	44228GT	SEAL KIT, VALVE					
5	122964GT	ACCUMULATOR, 5CU IN 500 CHARGE <i>Hydraulic dampening</i>					
6	228866GT	COIL, SOLENOID VALVE <i>Function enable valve</i>					
--	101934GT	VALVE, SOLENOID, 2 POS 2 WAY					
--	44174GT	NUT-COIL SHORT					
--	44228GT	SEAL KIT, VALVE					
7	229407GT	PRO.DIR.CTRL, VLV, 5WY, 3POS.....1 <i>LS Directional Proportional, Jib up and down</i>					
--	229411GT	VALVE COIL 10V.....	2				
--	230983GT	VITON SEAL KIT, VALVE					
--	44174GT	NUT-COIL SHORT					
8	46216GT	VALVE, CHECK, IWP-S/CWP PWR ASSI					
--	44227GT	SEAL KIT, VALVE					
9	229406GT	REGULATOR, PRESS-COMP 0.30 GPM <i>Jib boom differential sensing circuit</i>					
--	44225GT	SEAL KIT, VALVE					
10	110180GT	VALVE, COMPENSATOR, 80 PSI <i>Platform level differential sensing circuit</i>					
--	44225GT	SEAL KIT, VALVE					
11	110180GT	VALVE, COMPENSATOR, 80 PSI <i>Platform rotate differential sensing circuit</i>					
--	44228GT	SEAL KIT, VALVE					
12	229407GT	PRO.DIR.CTRL, VLV, 5WY, 3POS <i>LS Directional Proportional, Platform level up and down</i>					
--	229411GT	VALVE COIL 10V.....	2				
--	230983GT	VITON SEAL KIT, VALVE					
--	44174GT	NUT-COIL SHORT					
13	229407GT	PRO.DIR.CTRL, VLV, 5WY, 3POS <i>LS Directional Proportional, Platform rotate left and right</i>					
--	228866GT	COIL, SOLENOID VALVE.....	2				

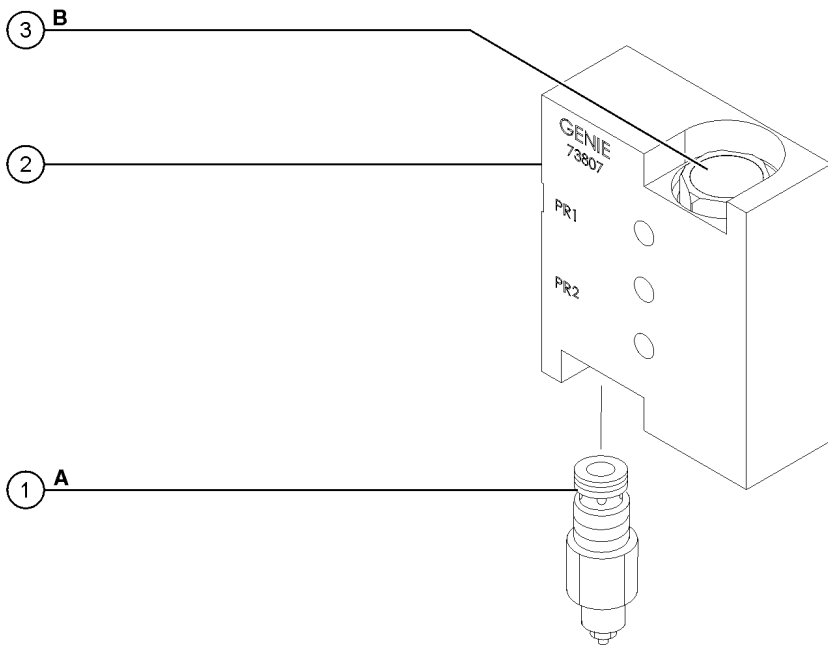
705.3 Platform Manifold, S-105 (from SN S105D-1653)



705.3 Platform Manifold, S-105 (from SN S105D-1653)

Item	Part No.	Description	Qty.	Item	Part No.	Description	Qty.
--	233942GT	MANIFOLD PLATFORM W/JIB <i>Does not include accumulator part 122964</i>		13	229405GT	CHECK VALVE DISC.....	1
1	T107736GT	DIFFERENTIAL SENS VLV,8,150PSI <i>Directs flow to functions</i>					
--	52371GT	SEAL KIT, VALVE					
2	62324GT	VALVE,FLOW CONTROL, 0.1GPM* <i>Bleeds off differential valve to tank</i>					
--	44228GT	SEAL KIT, VALVE					
3	228866GT	COIL,SOLENOID VALVE <i>Function enable valve</i>					
--	101934GT	VALVE,SOLENOID,2 POS 2 WAY					
--	44174GT	NUT-COIL SHORT					
--	44228GT	SEAL KIT, VALVE					
4	229410GT	PRO.DIR.CNRL,VLV,5WY,3POS.....1 <i>LS Directional Proportional, Jib up and down</i>					
--	229411GT	VALVE COIL 10V.....	2				
--	230983GT	VITON SEAL KIT, VALVE					
--	44174GT	NUT-COIL SHORT					
5	46216GT	VALVE,CHECK,IWP-S/CWP PWR ASSI					
--	44227GT	SEAL KIT, VALVE					
6	229406GT	REGULATOR,PRESS-COMP 0.30 GPM <i>Jib boom differential sensing circuit</i>					
--	44225GT	SEAL KIT, VALVE					
7	110180GT	VALVE, COMPENSATOR, 80 PSI <i>Platform level differential sensing circuit</i>					
--	44225GT	SEAL KIT, VALVE					
8	110180GT	VALVE, COMPENSATOR, 80 PSI <i>Platform rotate differential sensing circuit</i>					
--	44228GT	SEAL KIT, VALVE					
9	52907GT	VALVE-CHECK, #4 SAE, 5 PSI* <i>Platform load sense circuit, platform level</i>					
--	62341GT	SEAL KIT,52907,SIZE 4, 2 WAY					
10	52907GT	VALVE-CHECK, #4 SAE, 5 PSI* <i>Platform load sense circuit, jib up and down</i>					
--	62341GT	SEAL KIT,52907,SIZE 4, 2 WAY					
11	229407GT	PRO.DIR.CTRL,VLV,5WY,3POS <i>LS Directional Proportional, Platform level up and down</i>					
--	229411GT	VALVE COIL 10V.....	2				
--	230983GT	VITON SEAL KIT, VALVE					
--	44174GT	NUT-COIL SHORT					
12	229407GT	PRO.DIR.CTRL,VLV,5WY,3POS <i>LS Directional Proportional, Platform rotate left and right</i>					
--	228866GT	COIL,SOLENOID VALVE.....	2				
--	230983GT	VITON SEAL KIT, VALVE					
--	44174GT	NUT-COIL SHORT					

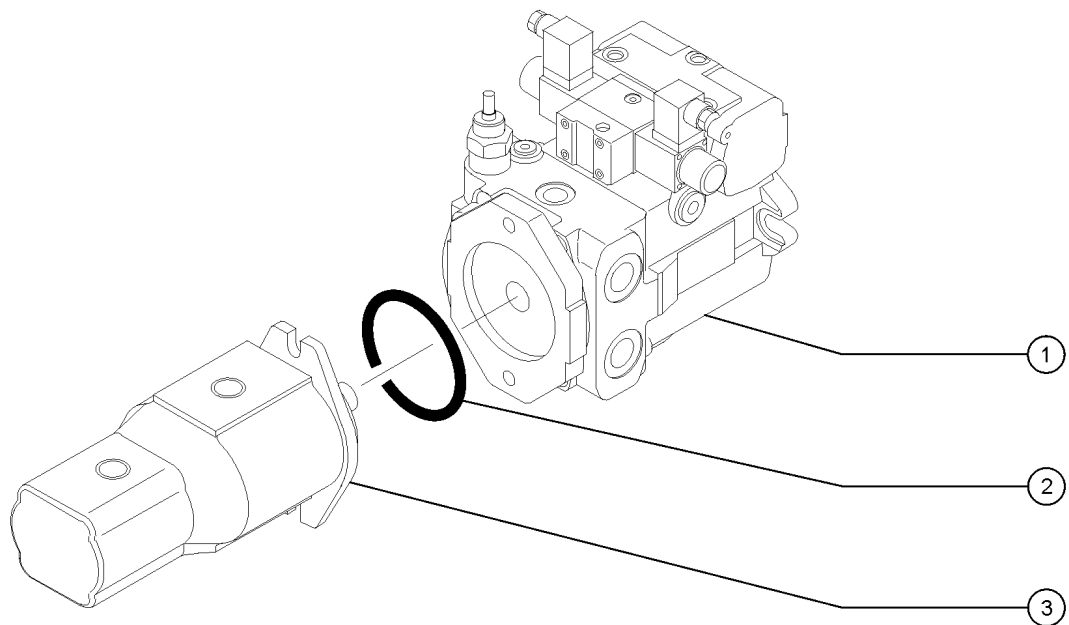
706.1 Platform Rotate Manifold



706.1 Platform Rotate Manifold

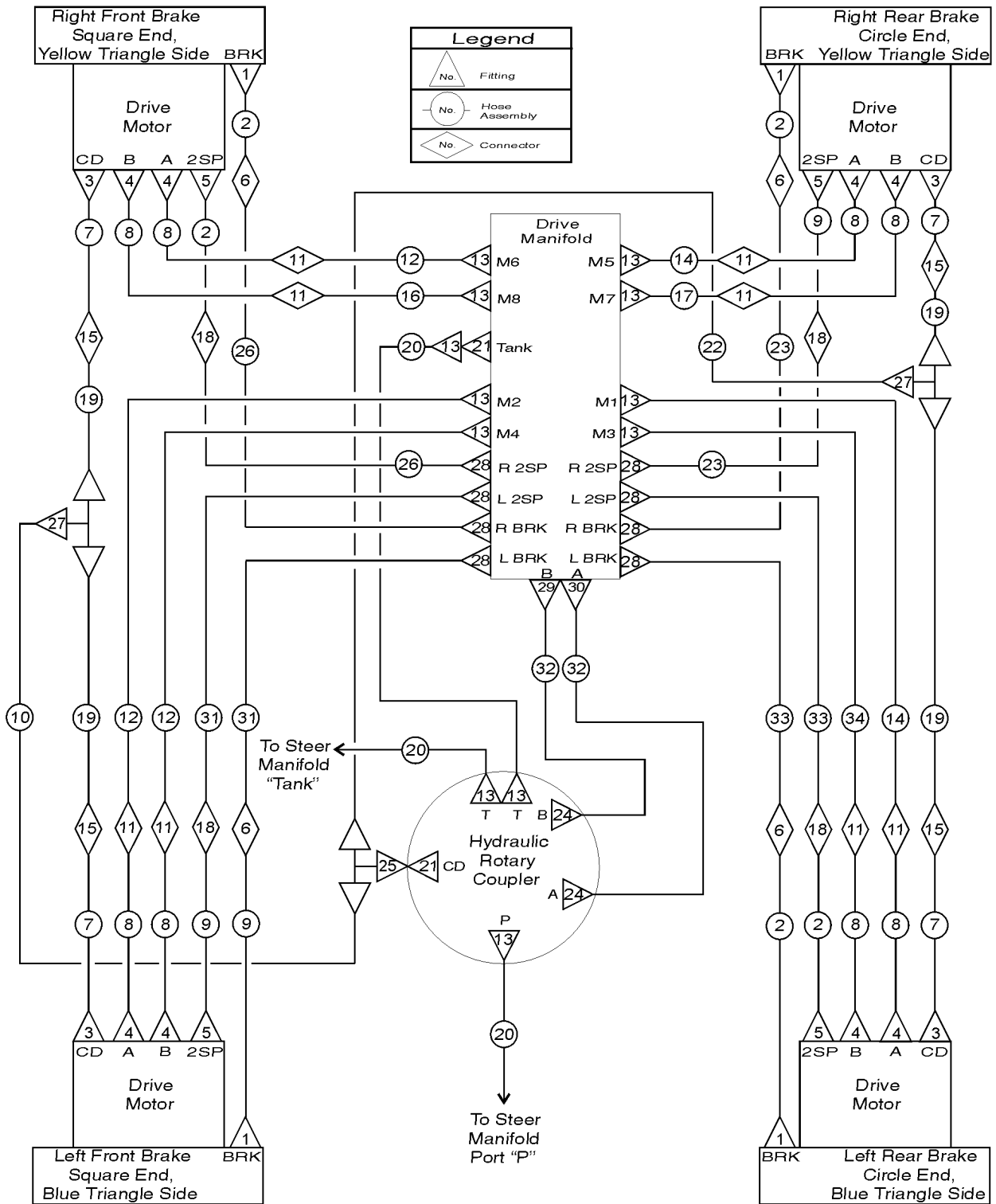
Item	Part No.	Description	Qty.
--	49612GT	O-RING KIT (ORFS FITTINGS)	
--	49613GT	PLUG AND CAP KIT-SERVICE,ORFS*	
1	62506GT	VALVE - COUNTERBALANCE**	
2	73807GT	MANIFOLD,ROTATOR,CB***	
--	13852GT	VALVE ASSY,BLEED***	
--	43018GT	SEAL KIT (39345)	
--	62507GT	O-RING, ROTATOR MANIFOLD	
--	88516GT	SCREW,BLEEDER,M5X0.8	
3	62506GT	VALVE - COUNTERBALANCE**	

707.1 Pumps



Item	Part No.	Description	Qty.
1	101068GT	PUMP,PISTON,46CC,B MOUNT,13T**	
--	29739GT	SEAL KIT,SAUER-DANFOSS M46***	
--	77819GT	EDC ASSY,SAUER M46***	
2	52087GT	O-RING,2-044 BUNA***	
3	122495GT	PUMP,2 SEC,29CC X 19CC,FE.....1	
--	122494GT	KIT,SEALS & WEAR PLATE, PUMP	

708.1 Hydraulic Hoses and Fittings - Drive System

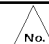
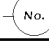


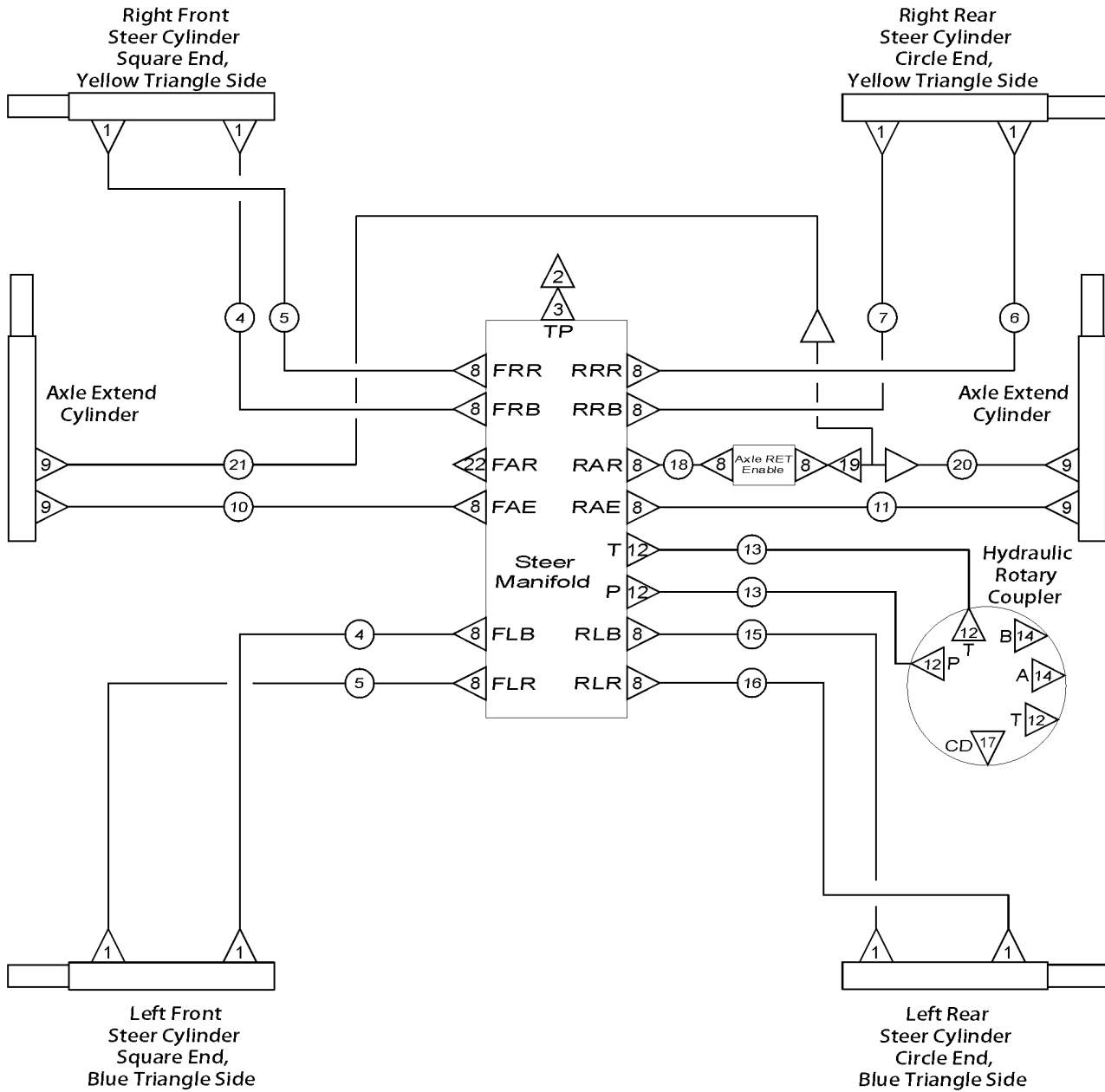
708.1 Hydraulic Hoses and Fittings - Drive System

Item	Part No.	Description	Qty.	Item	Part No.	Description	Qty.
--	49612GT	O-RING KIT (ORFS FITTINGS)		24	48963GT	FITTING,ELBOW,45D,520320-12***.....	2
--	49613GT	PLUG AND CAP KIT-SERVICE,ORFS*		25	48936GT	TEE,BRANCH,520429-8.....	1
1	48912GT	CONN,520120-4-6***.....	4	26	4911611537SGT	HOSE ASSY,1/4,45 FEM,STR FEM..... <i>components: 48800, 48801 and 48751 @ 113 inches</i>	2
2	491165337SGT	HOSE ASSY,1/4,45 FEM,STR FEM..... <i>components: 48800, 48801 and 48751 @ 51 inches</i>	6	27	75612GT	TEE,BULKHEAD,52N9959-8.....	2
3	48933GT	CONN,520120-8***		28	48905GT	CONN,520120-4***.....	8
4	48948GT	CONN,520120-8-12.....	8	29	61610GT	CONN,LONG,520122-12***.....	1
5	48904GT	ELBOW,90D,520220-4-4.....	4	30	48960GT	FITTING,CONN,520120-12***.....	1
6	61268GT	CONN,BULKHEAD,520801,-4.....	4	31	4911610937SGT	HOSE ASSY,1/4,45 FEM,STR FEM <i>components: 48800, 48801 and 48751 @ 107 inches</i>	
7	49141-5663GT	HOSE ASSY,1/2 STR FEM,45 DEG**..... <i>components: 48822, 48826 and 48756 @ 54 inches</i>	4	32	94374-3130GT	HOSE ASSY,3/4,90 FEM,STR FEM..... <i>components: 48841, 48846 and 94358 @ 28 inches</i>	2
8	61143-5463SGT	HOSE ASSY 1/2" 45 FEM,STR FEM..... <i>components: 48822, 48826 and 56777 @ 52 inches</i>	8	33	49117-5935GT	HOSE ASSY,1/4,90 FEM,STR FEM <i>components: 48800, 48802 and 48751 @ 57 inches</i>	
9	491166037SGT	HOSE ASSY,1/4,45 FEM,STR FEM..... <i>components: 48800, 48801 and 48751 @ 58 inches</i>	2	34	75278-6029GT	HOSE ASSY,1/2,90 FEM,STR FEM <i>components: 48822, 48827 and 56777 @ 58 inches</i>	
10	49183-4092GT	HOSE ASSY,1/2,STR FEM,STR FEM..... <i>components: 48822, 48822 and 48756 @ 39 inches</i>	1				
11	48894GT	CONN,BULKHEAD,520601-8.....	8				
12	61143-11263GT	HOSE ASSY,1/2,45 FEM STR FEM..... <i>components: 48822, 48826 and 56777 @ 110 inches</i>	3				
13	48933GT	CONN,520120-8***.....	12				
14	75278-5529SGT	HOSE ASSY,1/2,90 FEM,STR FEM..... <i>components: 48822, 48827 and 56777 @ 53 inches</i>	2				
15	61346GT	CONN,BULKHEAD,520801,-8.....	4				
16	61143-11563SGT	HOSE ASSY,1/2,45 FEM STR FEM..... <i>components: 48822, 48826 and 56777 @ 113 inches</i>	1				
17	75278-5729GT	HOSE ASSY,1/2,90 FEM,STR FEM <i>components: 48822, 48827 and 56777 @ 55 inches</i>					
18	61269GT	UNION,BULKHEAD,ORFS,520601,-4.....	4				
19	49183-5792GT	HOSE ASSY,1/2,STR FEM,STR FEM..... <i>components: 48822, 48822 and 48756 @ 56 inches</i>	4				
20	49141-2963SGT	HOSE ASSY,1/2,45 FEM,STR FEM..... <i>components: 48822, 48826 and 48756 @ 54 inches</i>	3				
21	75613GT	CONN,090136-12-8.....	2				
22	49183-3292GT	HOSE ASSY,1/2,STR FEM,STR FEM..... <i>components: 48822, 48822 and 48756 @ 31 inches</i>	1				
23	49117-5835GT	HOSE ASSY,1/4,90 FEM,STR FEM..... <i>components: 48800, 48802 and 48751 @ 56 inches</i>	2				



709.1 Hydraulic Hoses and Fittings - Steer System

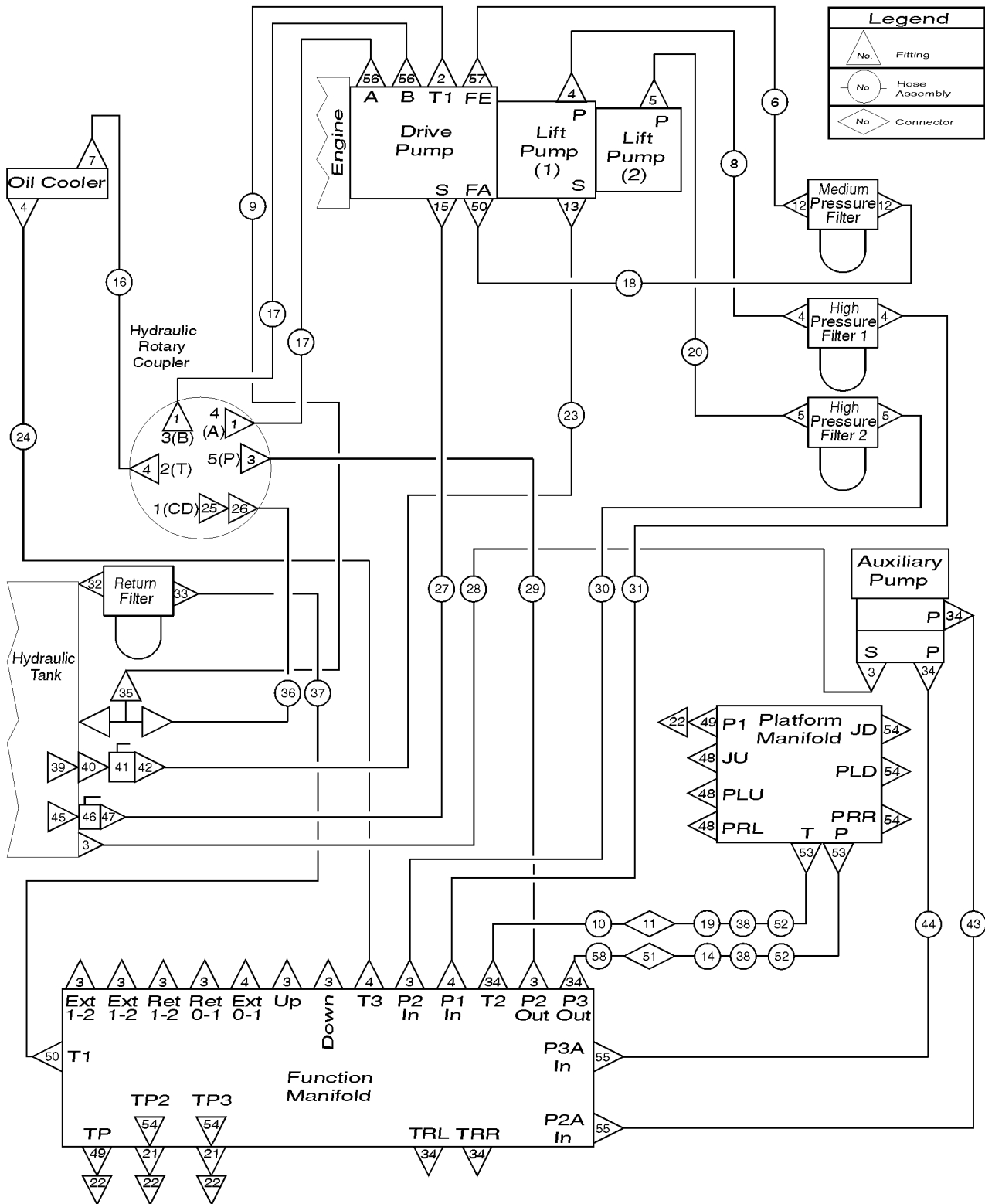
Legend	
	Fitting
	Hose Assembly



709.1 Hydraulic Hoses and Fittings - Steer System

Item	Part No.	Description	Qty.
--	49612GT	O-RING KIT (ORFS FITTINGS)	
--	49613GT	PLUG AND CAP KIT-SERVICE,ORFS*	
1	48911GT	ELBOW,90D,520220-4-6***	8
2	48880GT	CAP,DIAGNOSTIC NIPPLE.....	1
3	48997GT	NIPPLE,DIAGNOSTIC,#4.....	1
--	20224GT	DIAGNOSTIC FEMALE Q-DSCNT	
--	75098GT	HARNES,PRESSURE TRANSDUCER	
4	49117-5035SGT	HOSE ASSY,1/4,90 FEM,STR FEM..... <i>components: 48800, 48802 and 48751 @ 48 inches</i>	2
5	49117-6435GT	HOSE ASSY,1/4,90 FEM,STR FEM..... <i>components: 48800, 48802 and 48751 @ 62 inches</i>	2
6	49116-12237GT	HOSE ASSY,1/4,45 FEM,STR FEM..... <i>components: 48800, 48801 and 48751 @ 120 inches</i>	1
7	49116-10337SGT	HOSE ASSY,1/4,45 FEM,STR FEM..... <i>components: 48800, 48801 and 48751 @ 107 inches</i>	1
8	48912GT	CONN,520120-4-6***	13
9	48905GT	CONN,520120-4***	4
10	49117-6291GT	HOSE ASSY,1/4,90 FEM,STR FEM..... <i>components: 48800, 48802 and 48751 @ 61 inches</i>	1
11	49119-10678GT	HOSE ASSY,1/4,STR FEM,STR FEM..... <i>components: 48800, 48800 and 48751 @ 105 inches</i>	1
12	48933GT	CONN,520120-8***	5
13	49141-2963SGT	HOSE ASSY,1/2,45 FEM,STR FEM..... <i>components: 48822, 48826 and 48756 @ 27 inches</i>	2
14	48963GT	FITTING,ELBOW,45D,520320-12***	2
15	49116-10337GT	HOSE ASSY,1/4,45 FEM,STR FEM..... <i>components: 48800, 48801 and 48751 @ 101 inches</i>	1
16	49116-11537SGT	HOSE ASSY,1/4,45 FEM,STR FEM..... <i>components: 48800, 48801 and 48751 @ 113 inches</i>	1
17	75613GT	CONN,090136-12-8.....	1
18	49116-2637GT	HOSE ASSY,1/4,45 FEM,STR FEM..... <i>components: 48800, 48801 and 48751 @ 124 inches</i>	1
19	48908GT	FITTING,TEE,RUN,SWIVEL520432-4.....	1
20	49119-13978GT	HOSE ASSY,1/4,STR FEM,STR FEM..... <i>components: 48800, 48800 and 48751 @ 138 inches</i>	1
21	49117-5835GT	HOSE ASSY,1/4,90 FEM,STR FEM..... <i>components: 48800, 48802 and 48751 @ 56 inches</i>	1
22	48923GT	PLUG,090109A-6.....	1

710.1 Hydraulic Hoses and Fittings - Turntable Components



710.1 Hydraulic Hoses and Fittings - Turntable Components

Item	Part No.	Description	Qty.	Item	Part No.	Description	Qty.
--	49612GT	O-RING KIT (ORFS FITTINGS)		24	61073-5430GT	HOSE ASSY.,3/4",90°FEM,STR FEM <i>components: 48841, 48846 and 48762 @ 51 inches</i>	
--	49613GT	PLUG AND CAP KIT-SERVICE,ORFS*		25	75613GT	CONN,090136-12-8.....1	
1	48963GT	FITTING,ELBOW,45D,520320-12***2		26	48937GT	ELBOW,45D,520320-8.....1	
2	48947GT	ELBOW,90D,520220-8-12		27	491596118SGT	HOSE ASSY,1" HOSE #92.....1 <i>components: 48854, 48855 and 48764 @ 57 inches</i>	
3	48933GT	CONN,520120-8***11		28	49143-3829SGT	HOSE ASSY,1/2" HOSE #83.....1 <i>components: 48822, 48827 and 48756 @ 36 inches</i>	
4	48960GT	FITTING,CONN,520120-12***8		29	49141-4263SGT	HOSE ASSY,1/2" HOSE #90.....1 <i>components: 48822, 48826 and 48756 @ 40 inches</i>	
5	48948GT	CONN,520120-8-12.....3		30	49143-6329SGT	HOSE ASSY,1/2" HOSE #77.....1 <i>components: 48822, 48827 and 48756 @ 61 inches</i>	
6	49143-1929GT	HOSE ASSY,1/2,90 FEM,STR FEM <i>components: 48822, 48827 and 48756 @ 17 inches</i>		31	61073-6230SGT	HOSE ASSEMBLY 3/4 HOSE #75.....1 <i>components: 48841, 48846 and 48762 @ 59 inches</i>	
7	48959GT	FITTING,ELBOW,90D,520220-12.....1		32	61263GT	UNION,STR.THREAD 20.....1	
8	61073-3230GT	HOSE ASSY,3/4,90 FEM,STR FEM** <i>components: 48841, 48846 and 48762 @ 29 inches</i>		33	75654GT	CONN,520120-20.....1	
9	49143-8429GT	HOSE ASSY,1/2,90 FEM,STR FEMEM...1 <i>components: 48822, 48827 and 48756 @ 82 inches</i>		34	48916GT	FITTING,CONN,520120-6.....6	
10	49128-37809GT	HOSE ASSY,3/8,90,FEM,STR,FEM.....1 <i>components: 48812, 48816 and 48753 @ 378.09 inches</i>		35	48935GT	TEE,RUN,520428-8.....1	
11	61080GT	FITTING,6-6BLKHEADUNION 520601...1		36	49143-7029SGT	HOSE ASSY,1/2,90 FEM,STR FEM <i>components: 48822, 48827 and 48756 @ 68 inches</i>	
12	48932GT	FITTING,ELBOW,90D,520220-8***2		37	75657-2515SGT	HOSE ASSY,1-1/4" HOSE #81.....1 <i>components: 75655, 75655 and 75656 @ 18.75 inches</i>	
13	61352GT	KIT,FLANGE CODE 61 -20.....1		38	111436GT	HYRAULIC TUBE,BOOM CROSSOVER.....2	
14	49130-76382GT	HOSE ASSEMBLY, 3/8.....1 <i>components: 48812, 48812 and 48753 @ 762 inches</i>		--	111437GT	HYDRAULIC TWIN CLAMP	
15	48984GT	CONN,520120-16.....2		39	75257GT	STRAINER ASSY,#24 O-RING.....1	
16	61072-8326GT	HOSE ASSY,3/4,45 FEM,STR FEM <i>components: 48841, 48845 and 48762 @ 80 inches</i>		40	75254GT	UNION,STR.THREAD 24***1	
17	94374-5530GT	HOSE ASSY,3/4,90 FEM,STR FEM** <i>components: 48841, 48846 and 94358 @ 52 inches</i>		41	75256GT	VALVE BALL,24 FSAE-24 FSAE***1	
18	49143-2779SGT	HOSE ASSY,1/2,90 FEM,STR FEM.....1 <i>components: 48822, 48827 and 48756 @ 25 inches</i>		42	61083GT	CONN,520120-24.....1	
19	49130-72982GT	HOSE ASSEMBLY, 3/8.....1 <i>components: 48812, 48812 and 48753 @ 728 inches</i>		43	49126-1783GT	HOSE ASSY,3/8,45 FEM,STR FEM <i>components: 48812, 48815 and 48753 @ 15.5 inches</i>	
20	49143-3529GT	HOSE ASSY,1/2,90 FEM,STR FEM** <i>components: 48822, 48827 and 48756 @ 33 inches</i>		44	49128-1650GT	HOSE ASSEMBLY-3/8" <i>components: 48812, 48816 and 48753 @ 14.31 inches</i>	
21	49207GT	NIPPLE,DIAGNOSTIC,ORFS,FM,SWIV..3		45	75253GT	STRAINER ASSY,#16 O-RING.....1	
--	20224GT	DIAGNOSTIC FEMALE Q-DSCNT		46	48996GT	VALVE,BALL,16 MSAE-16 FSAE***1	
--	75098GT	HARNESS,PRESSURE TRANSDUCER		47	48985GT	ELBOW,45D,520320-16.....1	
22	48880GT	CAP,DIAGNOSTIC NIPPLE.....3		48	61259GT	ELBOW,90D,LONG,521520-4.....3	
23	75288-5538SGT	HOSE ASSY 1 1/2",90 FL FEMSTR*.....1 <i>components: 61130, 61336 and 61328 @ 50 inches</i>		49	48997GT	NIPPLE,DIAGNOSTIC,#4.....2	
				--	20224GT	DIAGNOSTIC FEMALE Q-DSCNT	



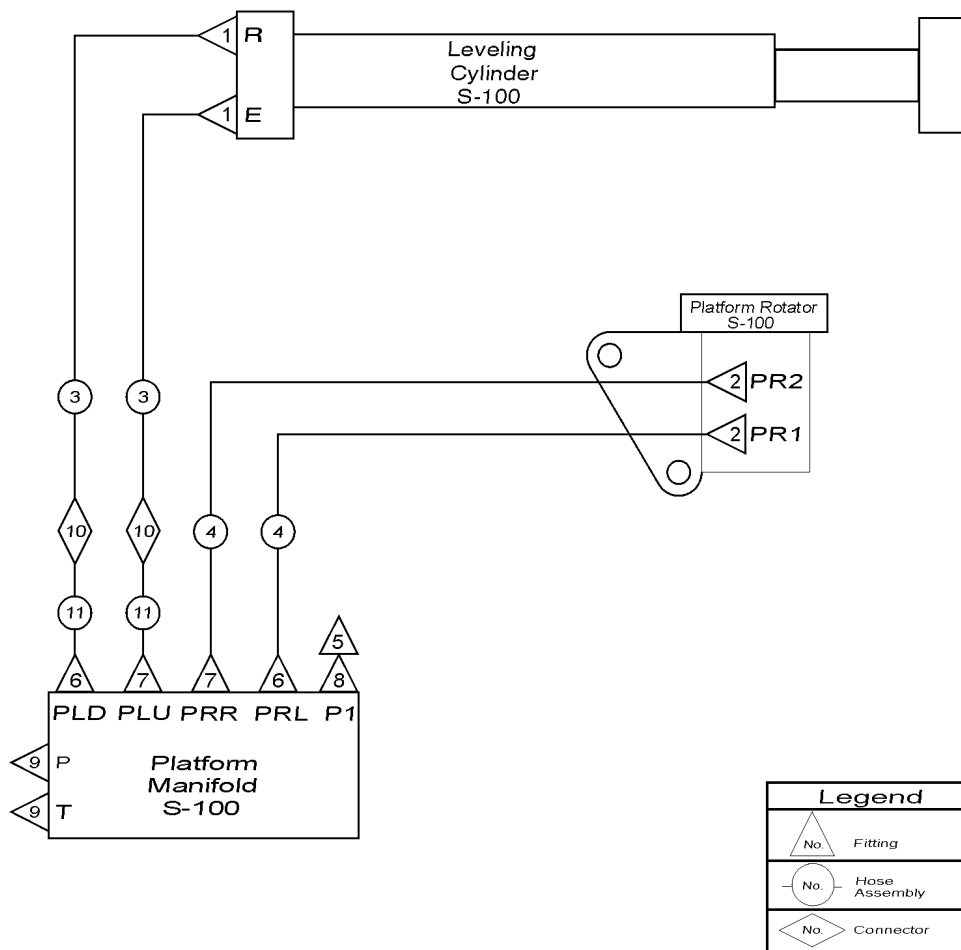
710.1 Hydraulic Hoses and Fittings - Turntable Components (continued)

Item	Part No.	Description	Qty.
--	75098GT	HARNESS,PRESSURE TRANSDUCER	
50	48946GT	CONN,520120-8-10	
51	61321GT	ELBOW,90D,BLKHD,ORFS-6-6 W/NUT.....	2
52	49130-5582GT	HOSE ASSY, 3/8..... (S-105); components: 48812, 48812 and 48753 @ 558 inches	2
--	49130-48782GT	HOSE ASSEMBLY, 3/8..... (S-100); components: 48812, 48812 and 48753 @ 486 inches	2
53	48915GT	ELBOW,90D,520220-6.....	2
54	48904GT	ELBOW,90D,520220-4-4.....	5
55	48920GT	ELBOW,45D,520320-6.....	2
56	48978GT	ELBOW,45D,520320-12-16	
57	48946GT	CONN,520120-8-10	
58	49130-37982GT	HOSE ASSY, 3/8,STR FEM,STR FEM.... components: 48812, 48812 and 48753 @ 378 inches	1

710.1 Hydraulic Hoses and Fittings - Turntable Components
(continued)

This Page Intentionally Left Blank

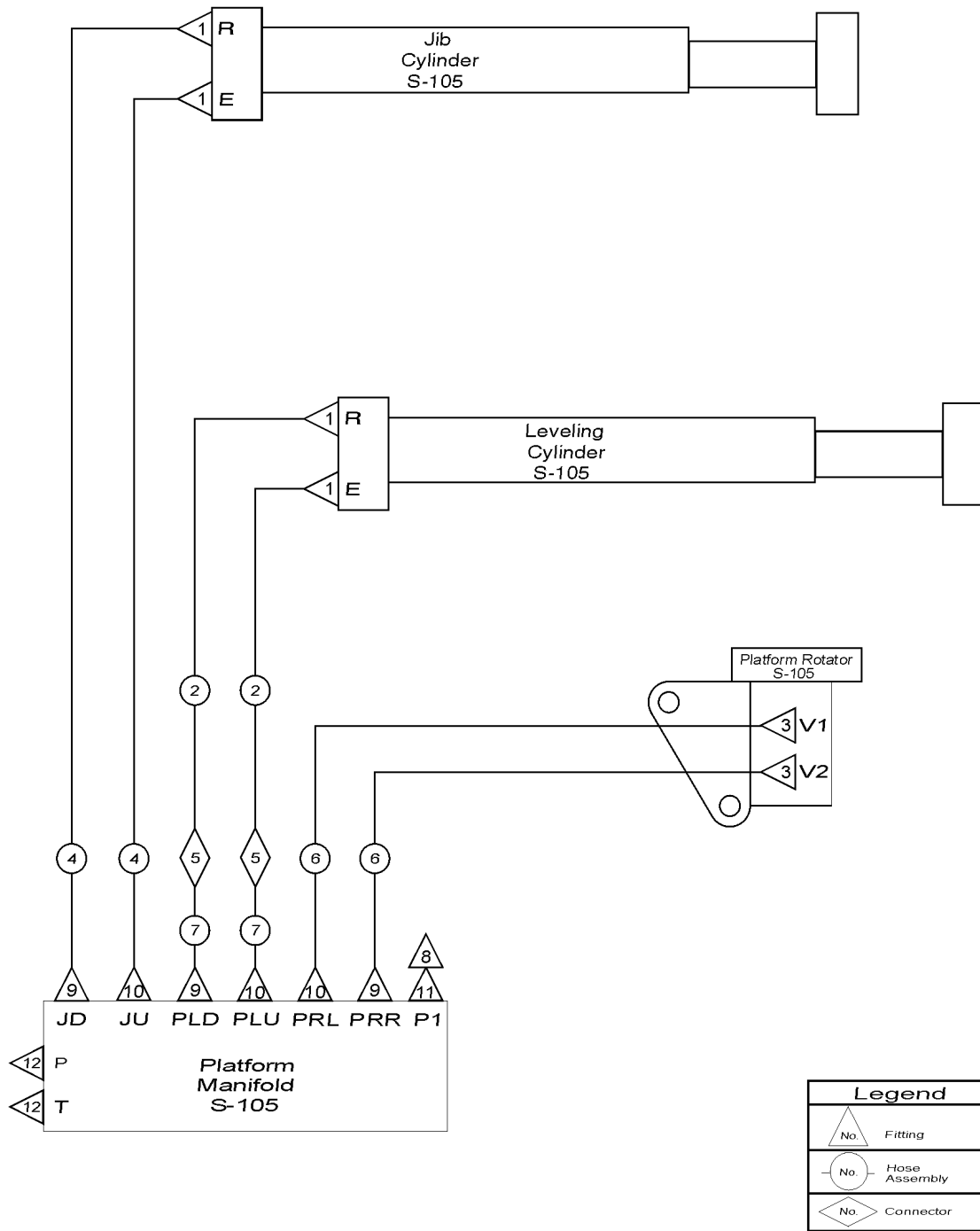
711.1 Hydraulic Hoses and Fittings - Platform Leveling and Rotation, S-100



711.1 Hydraulic Hoses and Fittings - Platform Leveling and Rotation, S-100

Item	Part No.	Description	Qty.
1	48912GT	CONN,520120-4-6***.....	2
2	48907GT	ELBOW,45D,520320-4.....	2
3	49117-3191GT	HOSE ASSY,1/4,90 FEM,STR FEM <i>components: 48800, 48802 and 48751 @ 30 inches</i>	
4	49119-3848GT	HOSE ASSY,1/4,STR FEM,STR FEM..... <i>components: 48800, 48800 and 48751 @ 37 inches</i>	2
5	48880GT	CAP,DIAGNOSTIC NIPPLE.....	1
6	48904GT	ELBOW,90D,520220-4-4.....	2
7	61259GT	ELBOW,90D,LONG,521520-4.....	2
8	48997GT	NIPPLE,DIAGNOSTIC,#4.....	1
--	20224GT	DIAGNOSTIC FEMALE Q-DSCNT	
--	75098GT	HARNESS,PRESSURE TRANSDUCER	
9	48915GT	ELBOW,90D,520220-6.....	2
10	61079GT	ELBOW,90D,BULKHEAD,520701-4.....	2
11	49117-5591GT	HOSE ASSY,1/4,90 FEM,STR FEM**..... <i>components: 48800, 48802 and 48751 @ 54 inches</i>	2

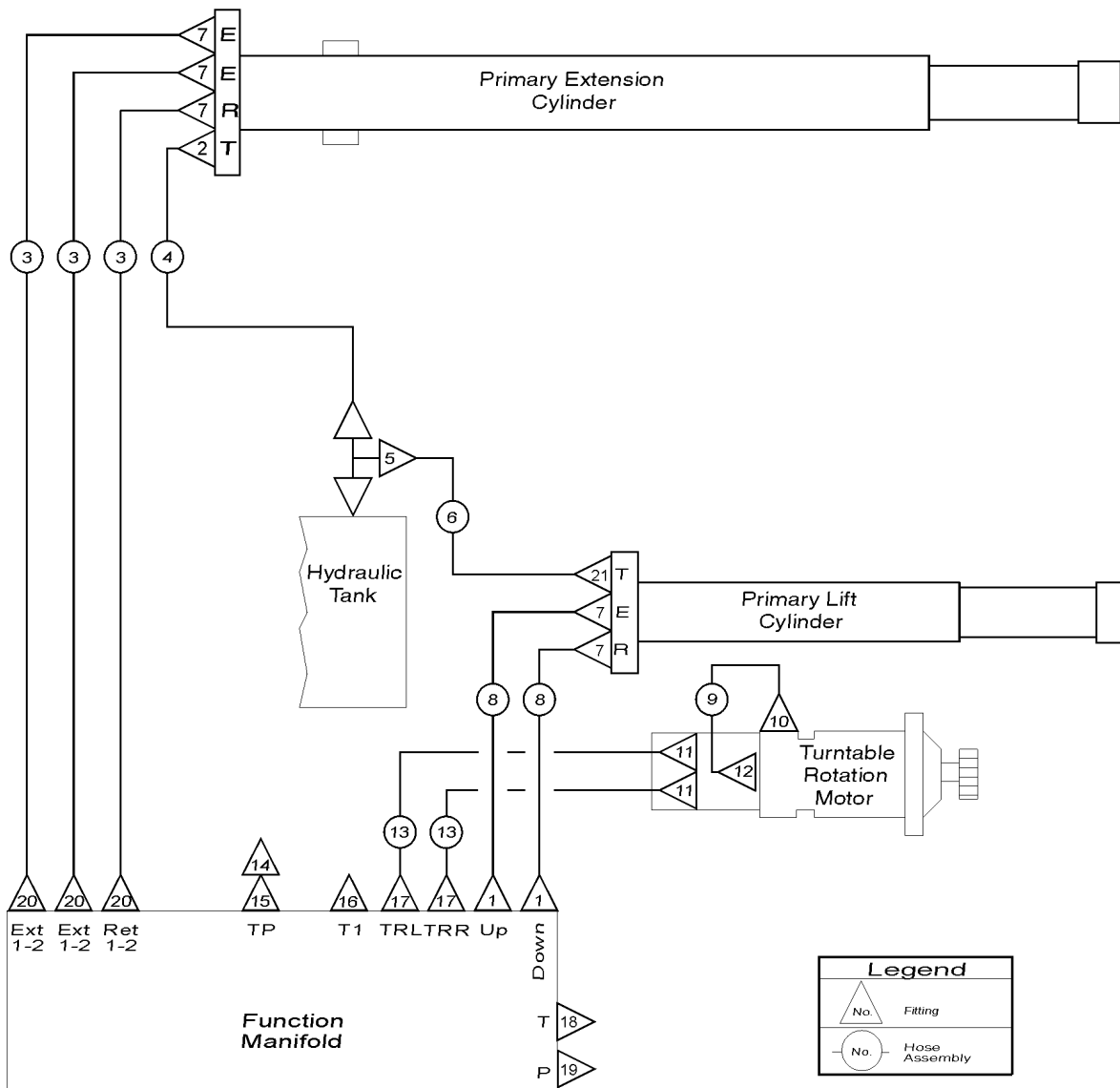
712.1 Hydraulic Hoses and Fittings - Platform Leveling and Rotation, S-105



712.1 Hydraulic Hoses and Fittings - Platform Leveling and Rotation, S-105

Item	Part No.	Description	Qty.
1	48912GT	CONN,520120-4-6***.....	4
2	49117-2091-SGT	HOSE ASSY,1/4,90 FEM,STR FEM..... <i>components: 48800, 48802 and 48751 @ 19 inches</i>	2
3	48907GT	ELBOW,45D,520320-4.....	5
4	49119-5648GT	HOSE ASSY,1/4,STR FEM,STR FEM..... <i>components: 48800, 48800 and 48751 @ 55 inches</i>	2
5	61079GT	ELBOW,90D,BULKHEAD,520701-4.....	2
6	49119-3848GT	HOSE ASSY,1/4,STR FEM,STR FEM..... <i>components: 48800, 48800 and 48751 @ 37 inches</i>	2
7	49117-12791-SGT	HOSE ASSY,1/4" (#111/112,S125)..... <i>components: 48800, 48802 and 48751 @ 126 inches</i>	2
8	48880GT	CAP,DIAGNOSTIC NIPPLE.....	1
9	48904GT	ELBOW,90D,520220-4-4.....	3
10	61259GT	ELBOW,90D,LONG,521520-4.....	3
11	48997GT	NIPPLE,DIAGNOSTIC,#4.....	1
--	20224GT	DIAGNOSTIC FEMALE Q-DSCNT	
--	75098GT	HARNESS,PRESSURE TRANSDUCER	
12	48915GT	ELBOW,90D,520220-6.....	2

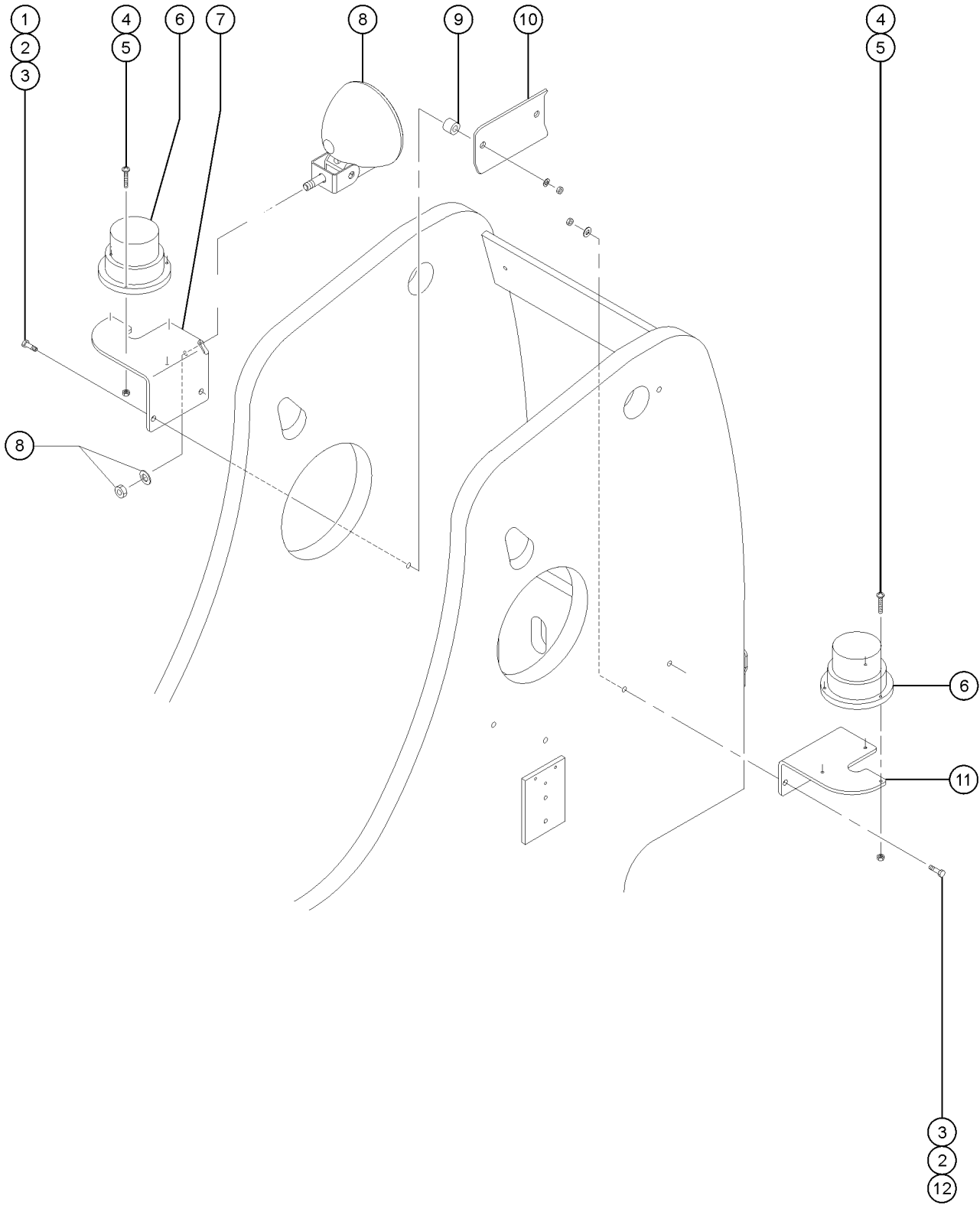
713.1 Hydraulic Hoses and Fittings - Boom Components



713.1 Hydraulic Hoses and Fittings - Boom Components

Item	Part No.	Description	Qty.
--	49612GT	O-RING KIT (ORFS FITTINGS)	
--	49613GT	PLUG AND CAP KIT-SERVICE,ORFS*	
1	48933GT	CONN,520120-8***.....	6
2	48907GT	ELBOW,45D,520320-4.....	1
3	49143-12192GT	Hose Assembly - Components: Genie part numbers 48822, 48822 and 48756 @ 120 inches..... <i>components: 48822, 48827 and 48756 @ 119.63 inches</i>	3
4	49120-12981 SGT	HOSE ASSEMBLY-1/4" (#100)..... <i>components: 48800, 48810 and 48751 @ 128 inches</i>	1
5	48915GT	ELBOW,90D,520220-6	
--	59335GT	CAP,520112-6	
6	49118-9708 SGT	HOSE ASSEMBLY,1/4" (#106)..... <i>components: 48800, 48811 and 48751 @ 95 inches</i>	1
7	48937GT	ELBOW,45D,520320-8.....	3
8	49183-10682 SGT	HOSE ASSY,1/2,STR FEM,STR FEM <i>components: 48822, 48822 and 48756 @ 105 inches</i>	
9	49117-1391 SGT	HOSE ASSEMBLY-1/4" (#89)..... <i>components: 48800, 48822 and 48751 @ 12 inches</i>	1
10	48904GT	ELBOW,90D,520220-4-4.....	1
11	48931GT	CONN,520120-6-10.....	2
12	48905GT	CONN,520120-4***.....	2
13	49128-3109 SGT	HOSE ASSEMBLY,3/8 <i>components: 48812, 48816 and 48751 @ 29 inches</i>	
14	48880GT	CAP,DIAGNOSTIC NIPPLE.....	1
15	48997GT	NIPPLE,DIAGNOSTIC,#4.....	1
--	20224GT	DIAGNOSTIC FEMALE Q-DSCNT	
--	75098GT	HARNESS,PRESSURE TRANSDUCER	
16	61260GT	REDUCER,520123-20-12.....	1
17	48916GT	FITTING,CONN,520120-6.....	2
18	48983GT	ELBOW,90D,520220-16.....	1
19	48960GT	FITTING,CONN,520120-12***.....	1
20	48933GT	CONN,520120-8***	
21	48907GT	ELBOW,45D,520320-4	

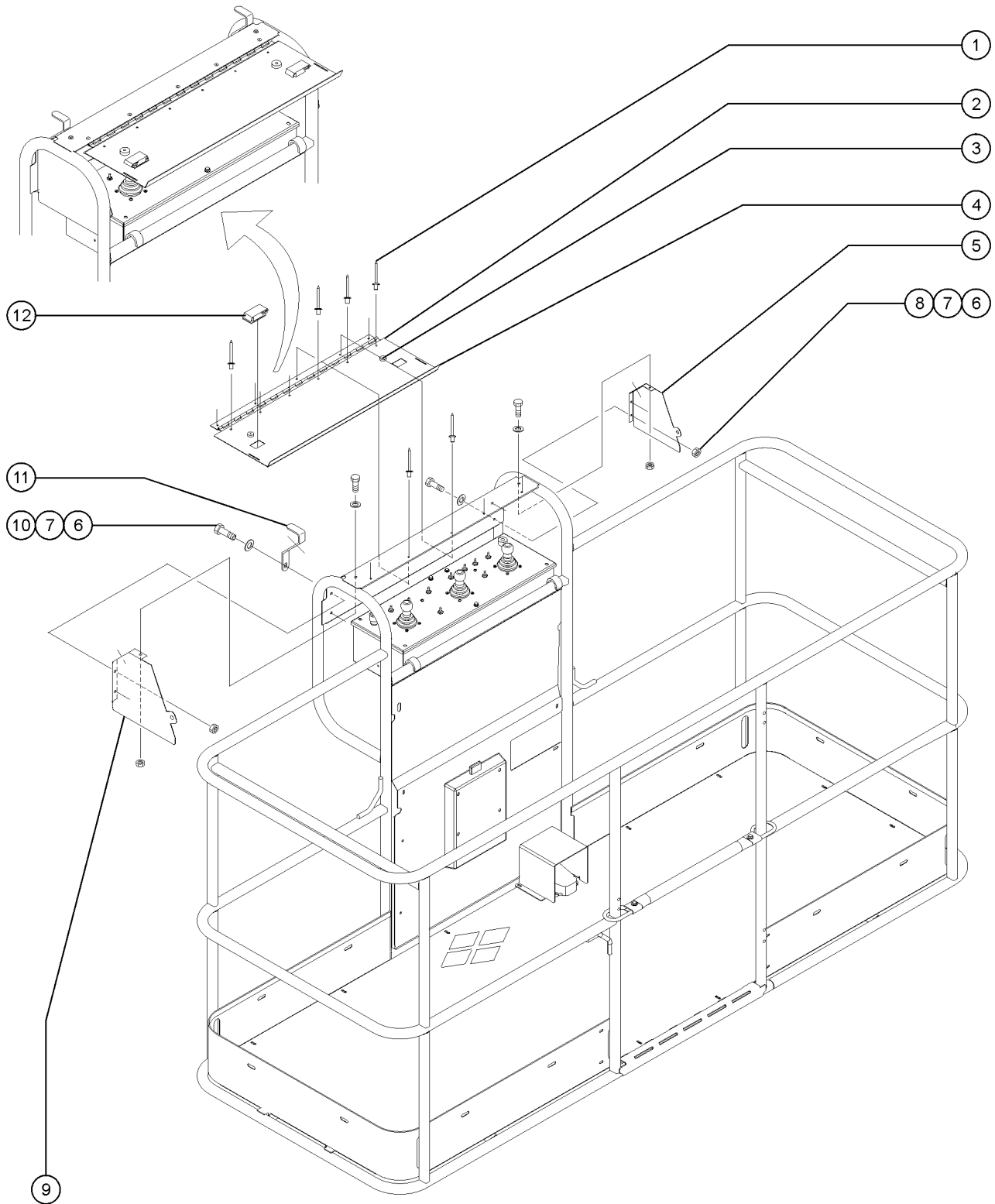
801.1 Alarm and Beacon Package, Driving Lights



801.1 Alarm and Beacon Package, Driving Lights

Item	Part No.	Description	Qty.
--	75641GT	HARNESS,FLASH BEACON SUB ASSY	
--	73121-SGT	OPTION,DRIVING LIGHTS,SB	
--	122323GT	ALARM PKG,S100/120	
1	6605GT	SCREW,HHC,3/8-16 X 3.5,GR5	
2	5397GT	WASHER,FLAT,USS,5/16",Y	
3	4828GT	NUT,NYLOCK,3/8-16	
4	49824GT	SCREW,PHILLIPS,FHM,10-32X1.00	
5	6178GT	NUT,NYLOCK,10-32	
6	56704GT	STROBE,FIREBOLT,12-80VDC,AMB**...2 <i>(replaced 56704)</i>	
--	122019GT	FLASHTUBE,U SHAPED,360DEG,BULB	
--	226393GT	FLASHTUBE,STRAIGHT,360DEG,BULB	
--	72282GT	LENS,AMBER,STROBE,FIREBOLT	
7	60819PGT	BRACKET,STROBE.....2	
--	60838GT	CLAMP,1.00,#16 X 7/16,RUB CUSH	
--	75249-PGT	BRACKET,BEACON,DRIVE LIGHTS,RH <i>shown</i>	
8	107858GT	WORKLIGHT,48 VOLT.....2	
8A	35960GT	BULB,WORKLIGHT,12V 35W	
8B	8255GT	SCREW,HHC,3/8-16 X .75	
8C	6097GT	WASHER,FLAT,USS,3/8",Y	
8D	7713GT	NUT, LP NYLOCK, 3/8-16	
9	122951GT	TUBE,RD,ALUMINUM,1.00X.50X.820	
10	122949GT	FORMING,CLAMP,SIDE PLATE HOSE	
11	60819PGT	BRACKET,STROBE.....2 <i>shown</i>	
--	60838GT	CLAMP,1.00,#16 X 7/16,RUB CUSH	
--	75250-PGT	Bracket, Tank side	
12	8178GT	SCREW,HHC,3/8-16 X 2.5	

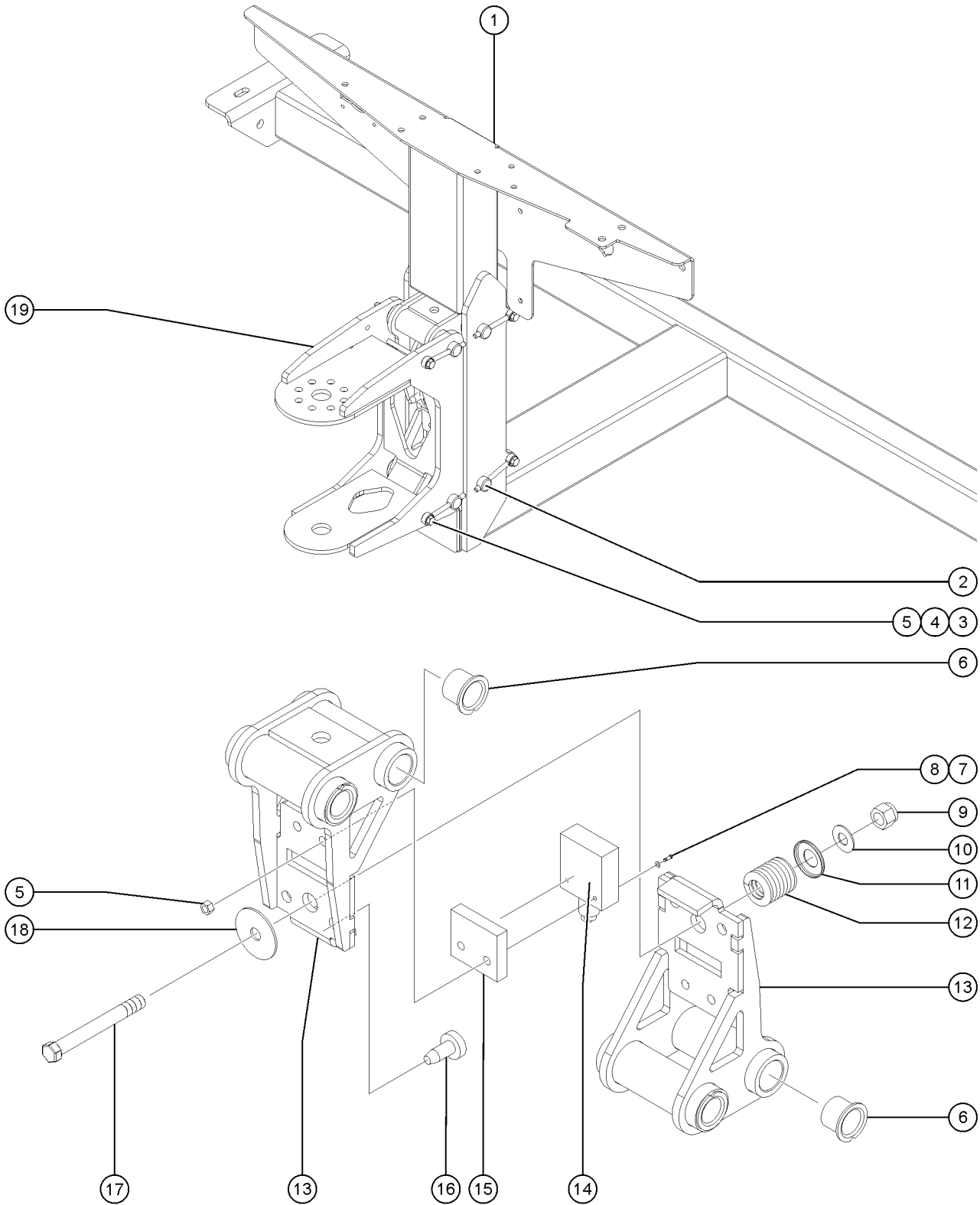
802.1 Platform Controls Cover



802.1 Platform Controls Cover

Item	Part No.	Description	Qty.
--	T109328GT	ACC,PLAT CONTROL COVER, SERV	
1	54486GT	RIVET,ALUM,ALUM,3/16BUTTONHEAD.11	
2	111526GT	HINGE,PLAT CONTROL BOX COVER...1	
3	43392GT	BUMPER,BATTERY BOX & RAILS.....2	
4	102785PGT	CONTROL BOX COVER,LID,PTD	
--	102676GT	LID ASSY,CONTROL BOX COVER PLT	
5	88606PGT	COVER,CONTROL BOX RIGHT SIDE**.....1	
6	6889GT	NUT,LP NYLOCK,1/4-20	
7	6638GT	WASHER,FLAT,USS,1/4"Y	
8	7339GT	SCREW, HHC, 1/4-20 X .5	
9	88607PGT	COVER,CONTROL BOX LEFT SIDE***.....1	
10	6888GT	SCREW,HHC,1/4-20 X 1	
11	102786PGT	FORMING,LATCH,CTRL BOX LID PTD.....2	
12	30468GT	LATCH,SLIDE, FLUSH MOUNT STYLE.....2	

803.1 Platform Overload

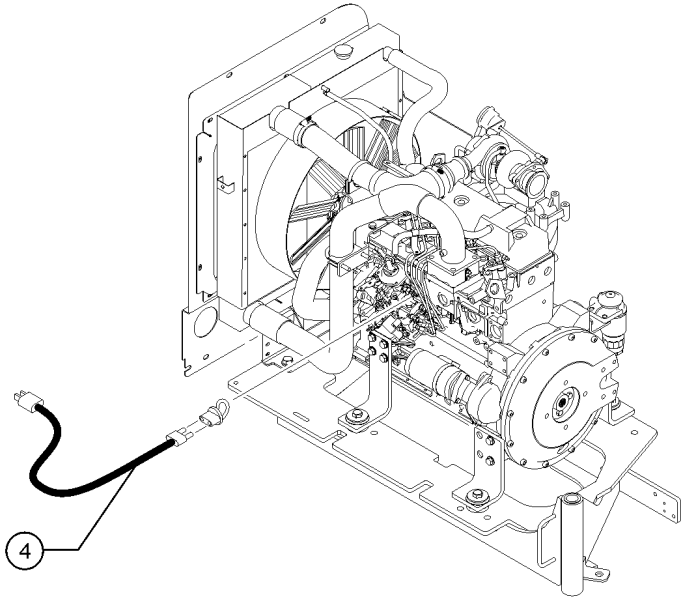


803.1 Platform Overload

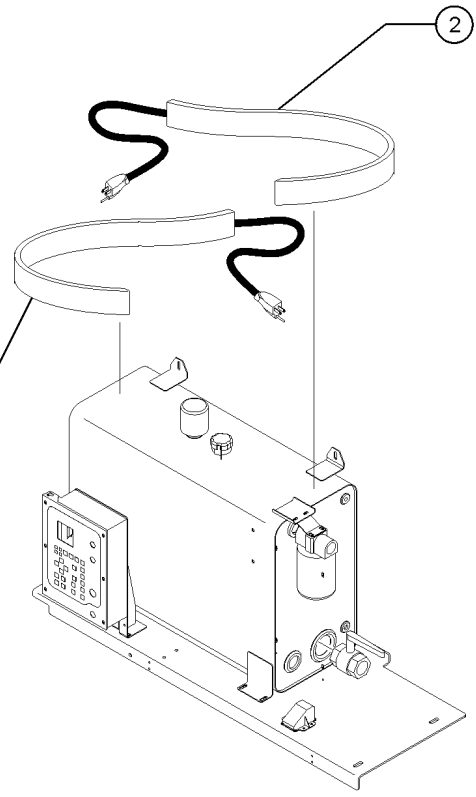
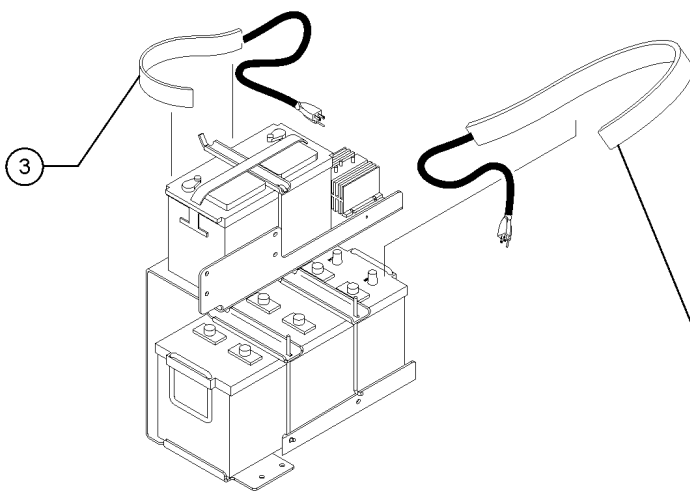
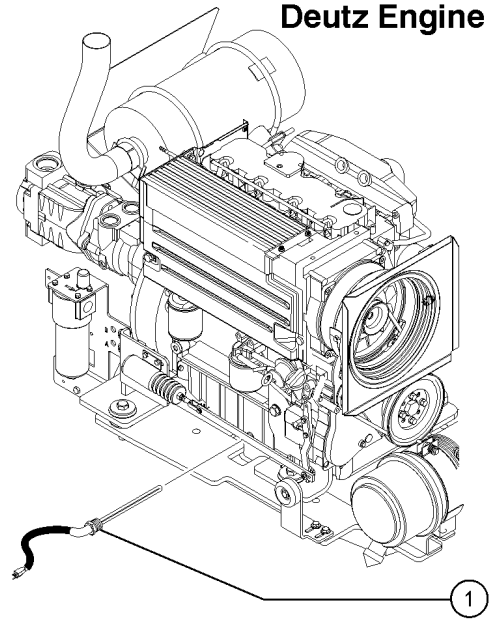
Item	Part No.	Description	Qty.
1	61997GT	WELDMENT,PLATFORM SUPPORT,CE.....1 <i>CE models</i>	1
2	61726GT	PIN,0.75DIA X 5.75LG,CHAMFER.....4	4
--	94643GT	ZERK,GREASE,5/16-24,STRAIT	
3	6888GT	SCREW,HHC,1/4-20 X 1	
4	45748GT	ROD END,.250 X 2.75 LG.....4	4
5	6091GT	NUT,NYLOCK,1/4-20	
6	25685GT	BEARING,GARLOCK,12FDU12.....4	4
7	49817GT	SCREW,PHILLIPS,PHM,10-32 X 1.25 (S-105)	
7	51063GT	SCREW,PHILLIPS,RHM,10-32 X 1.5 (S-100)	
8	6146GT	WASHER,FLAT,MS,#10,Y	
9	4828GT	NUT,NYLOCK,3/8-16	
10	6097GT	WASHER,FLAT,USS,3/8",Y	
11	61975GT	RETAINER,SPRING,1.21 X .375.....1 (S-105)	1
11	61977GT	RETAINER,SPRING,1.46 X .375.....1 (S-100)	1
12	61974GT	SPRING,COMP,1" OD,232 LB/IN.....1 (S-105)	1
12	61976GT	SPRING,COMP,1-1/4"OD 352 LB/IN.....1 (S-100)	1
13	89755GT	LOAD SUPPORT W/BEARINGS.....2 <i>includes item 6</i>	2
--	110789GT	WASHER,SHIM .0151 THK.	
14	146399GT	ASSY, LS, LOAD SENSE, ALC1000	
15	61972GT	MOUNT,SWITCH.....1	1
16	34619GT	BUMPER,RUBBER***2	2
17	21604GT	SCREW,HHC,3/8-16 X 3.25	
18	80605GT	WASHER,FLAT,3/8X1.5X.06	
19	101845GT	ROTATOR MOUNT KIT.....1 <i>includes item 6</i>	1
--	110789GT	WASHER,SHIM .0151 THK.	

804.1 Cold Start Package

Cummins Engine



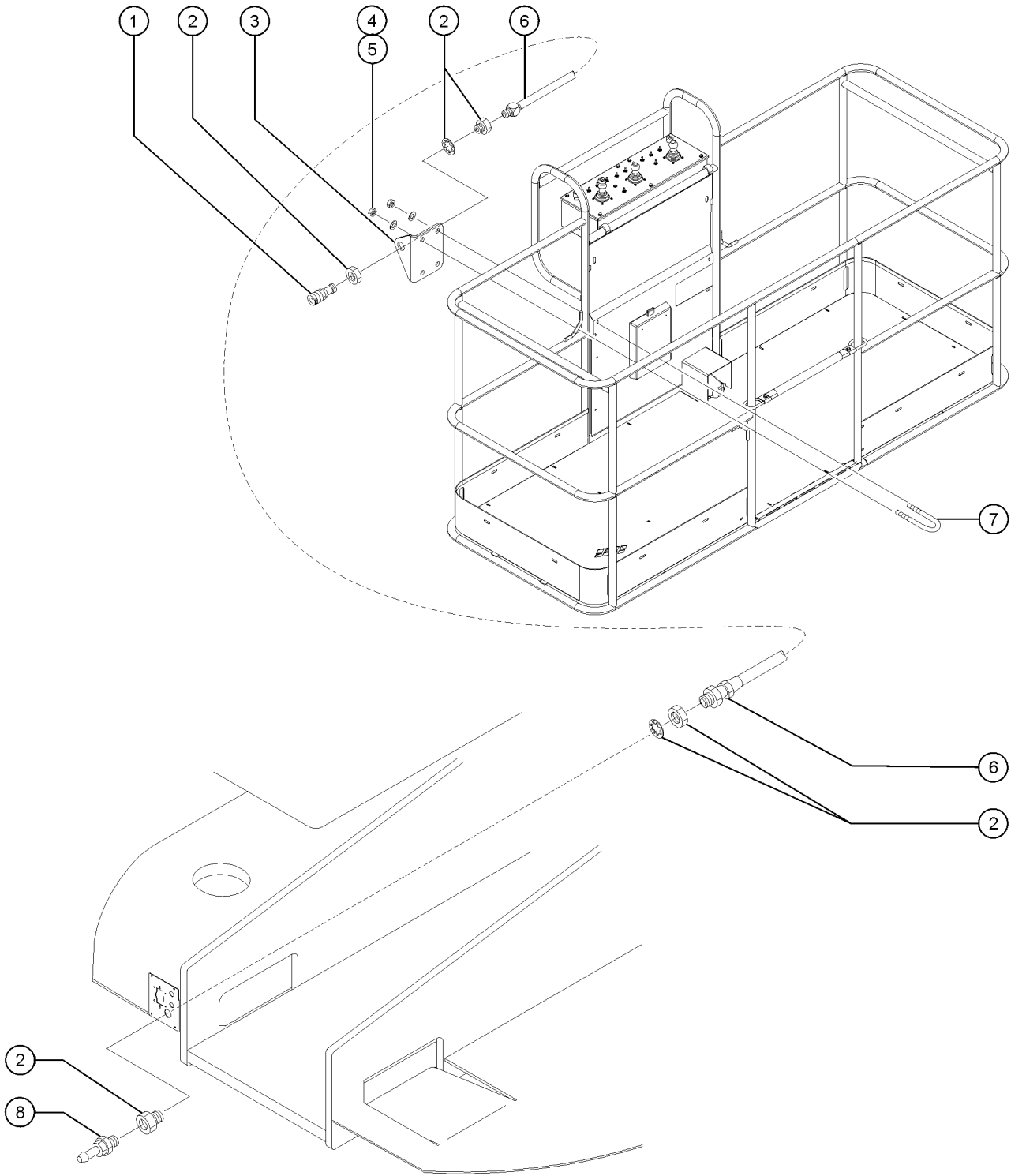
Deutz Engine



804.1 Cold Start Package

Item	Part No.	Description	Qty.
--	128373GT	COLD START PKG, 110V, DEUTZ <i>Deutz models</i>	
--	122771GT	COLD START PKG,110V,CUM.B3.3T <i>Cummins models</i>	
1	128274GT	OIL PAN HEATER,DEUTZ,120V,150W....	1
2	61245GT	BLANKET,BATTERY.....	3
--	75048GT	CABLE TIE,BLACK,36"	
3	28853GT	BLANKET,BATTERY.....	2
4	122768GT	FREEZE PLUG HEATER	

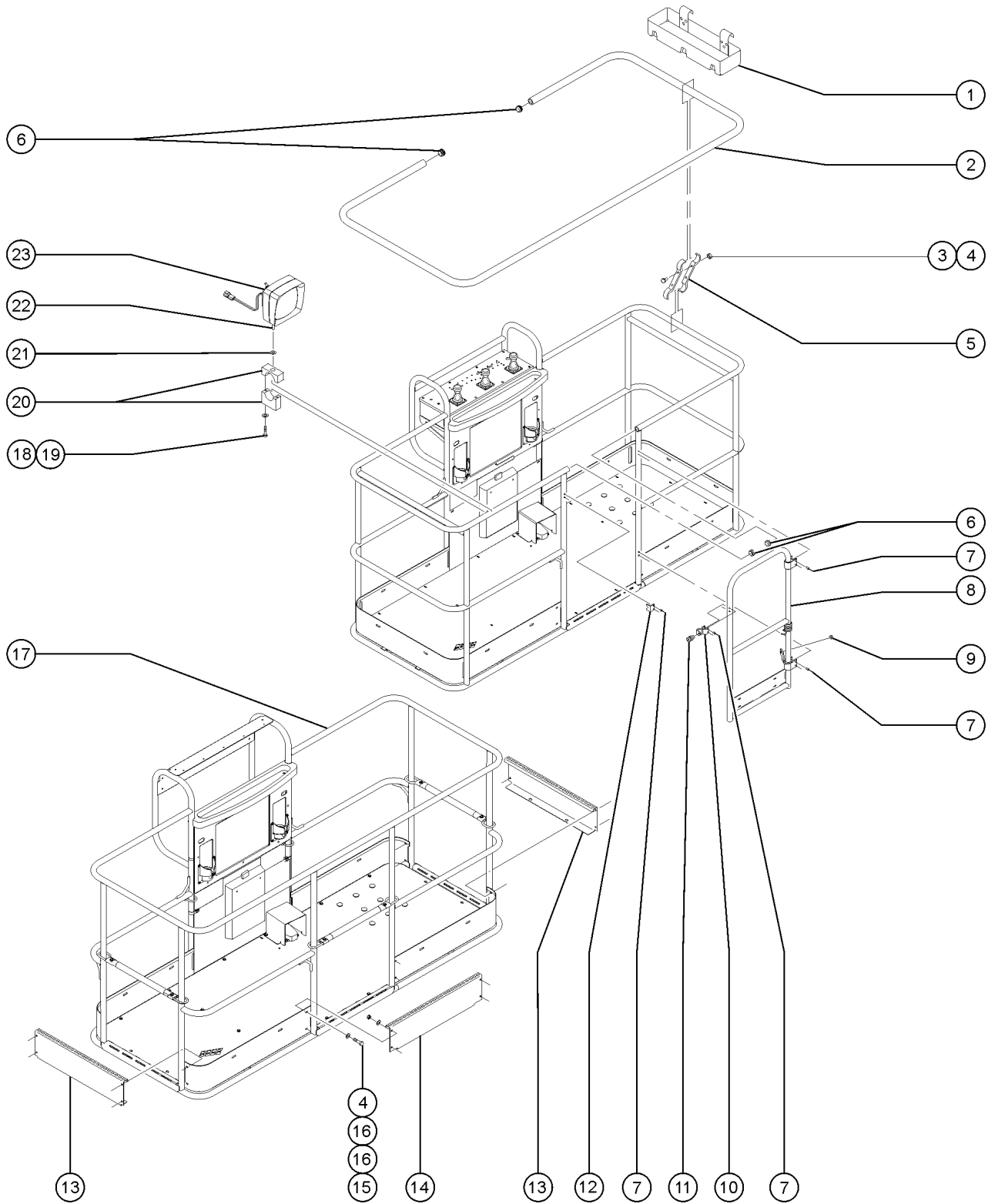
805.1 Air Line To Platform



805.1 Air Line To Platform

Item	Part No.	Description	Qty.
1	49215GT	MPT,CPLR,1/4"SER,3/8"X18.....1	1
2	49212GT	FEMALE BULKHEAD CONNECTOR-8...2	2
3	60886PGT	BRACKET,AIRLINE TO PLATFORM.....1	1
4	4828GT	NUT,NYLOCK,3/8-16	
5	5397GT	WASHER,FLAT,USS,5/16",Y	
6	3888-18300 GT	HOSE,1/2,LOW PRESSURE,801-8.....1	1
7	122755GT	UBOLT,FLATTENED,1.5DIA X 3/8 UNC	
8	49214GT	MALE PIPE THD,1/4" SER,3/8"X18.....1	1

806.1 Platform Options

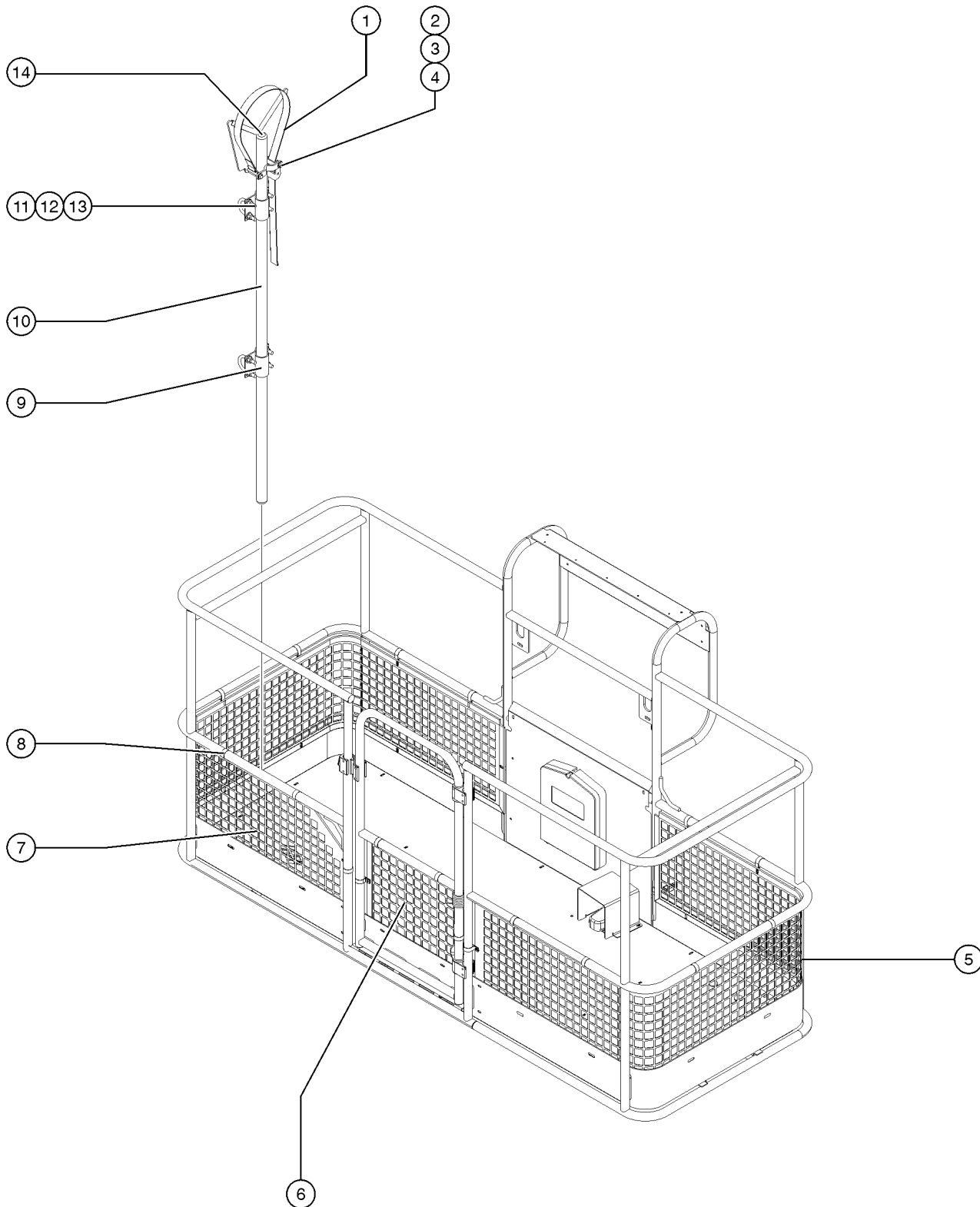


806.1 Platform Options

Item	Part No.	Description	Qty.	Item	Part No.	Description	Qty.
--	53807-SGT	AUX TOP RAIL,8'(1.25")SERVICE		10	1487GT	GATE LATCH CASTING--DRILLED.....1	
--	122279GT	AUX TOP RAIL,8',SWG GT, SRV		11	33674GT	PIN,LOCK,SHORT***.....1	
--	119950GT	KIT,FIELD INSTALL,SWING GATE <i>includes 128368, 1487, 1488, and 33674</i>		12	1488GT	RAILING CATCH CASTING--DRILLED...1	
--	75527GT	HARNESS,WORKLIGHT OPT		13	102721PGT	TOEBOARD,8'TRI ENTRY.....2	
--	T108991GT	HARNESS,PLAT,WORKLIGHT,12V <i>connects to work light</i>		--	139438GT	TOEBOARD, TRI ENTRY 6', EURO	
--	T108989GT	CABLE,12/3, WORKLIGHT,12V <i>connects harness T108991 to harness 75527</i>		14	94745PGT	TOEBOARD,ENTRY EUROPEAN PNTD**.....1	
--	102721PGT	TOEBOARD,8'TRI ENTRY <i>includes items 5, 13-16</i>		15	6090GT	SCREW,HHC,1/4-20 X .75	
--	111287GT	8' TRI-ENTRY ASSY ANSI <i>(S-100) USA/Canada Models</i>		16	6638GT	WASHER,FLAT,USS,1/4"Y	
--	111291GT	8' TRI-ENT ASSY ANSI <i>(S-105) USA/Canada Models</i>		17	111318GT	8' TRI-ENT RAIL W/DECALS ANSI <i>(S-100) USA/Canada Models</i>	
--	102447GT	8' TRI-ENTRY ASSY CE S105/125 <i>(S-105) European Models</i>		17	111320GT	8' TRI-ENT RAIL W/DECALS ANSI <i>(S-105) USA/Canada Models</i>	
--	111281GT	8' TRI-ENTRY ASSY CE/UK <i>(S-100) European Models</i>		--	107706GT	8' TRI-ENT RAIL W/DECALS CE/UK <i>(S-105) European Models</i>	
--	111289GT	8FT TRI-ENTRY ASSY AUST <i>(S-100) Australia Models</i>		--	111312GT	8' TRI-ENT RAIL W/DECALS CE/UK.....1 <i>(S-100) European Models</i>	
--	111293GT	8' TRI-ENT ASSY AUST <i>(S-105) Australia Models</i>		--	107708GT	8' TRI-ENT RAIL W/DECALS AUSTR <i>(S-105) Australia Models</i>	
--	102938GT	8' TRI-ENT ASSY A/SO.A S105125 <i>(S-105) Asia/South America Models</i>		--	111314GT	8' TRI-ENT RAIL W/DECALS AUSTR <i>(S-100) Australia Models</i>	
--	111285GT	8FT TRI-ENT ASSY A/SO.AM <i>(S-100) Asia/South America Models</i>		--	107710GT	8' TRI-ENT RAIL W/DECALS A/SOA <i>(S-105) Asia/South America Models</i>	
1	9599-SGT	TOOL TRAY.....1		--	111316GT	8' TRI-ENT RAIL W/DECALS A/SOA <i>(S-100) Asia/South America Models</i>	
2	1259704GT	PINCH GUARD RAIL,6' PLATFORM.....1 <i>includes item 6</i>		18	6145GT	SCREW,HHC,1/4-20 X 1.5	
--	111485PGT	AUX TOP RAIL,6FT,PTD.....2 <i>for use with swing gate</i>		19	6356GT	WASHER,LOCK,.25	
--	111486PGT	AUX TOP RAIL,8FT,PTD.....2 <i>for use with swing gate</i>		20	35956GT	BRACKET,WORK LIGHT MOUNT 5/16"	
--	52661GT	PINCH GUARD RAIL,8' PLATFORM**....1		21	5397GT	WASHER,FLAT,USS,5/16",Y	
3	122231GT	SCREW,BHSC,1/4-20 X 1		22	10107GT	SCREW,HHC,5/16-18 X .75	
4	6889GT	NUT,LP NYLOCK,1/4-20		23	71498GT	WORKLIGHT, 12V, DEUTSCH RECEPT.....2	
5	122073GT	SUPPORT, RAILING.....20					
6	55753GT	BUMPER, PLASTIC, 1.25 O.D.....4					
7	7265GT	RIVET,STEEL,P .25 X .375.....14					
8	128368GT	KIT,SWING GATE W/SPRING.....1					
--	119950GT	KIT,FIELD INSTALL,SWING GATE <i>includes 128368, 1487, 1488, and 33674</i>					
--	1487GT	GATE LATCH CASTING--DRILLED					
--	1488GT	RAILING CATCH CASTING--DRILLED					
--	33674GT	PIN,LOCK,SHORT***					
9	43392GT	BUMPER,BATTERY BOX & RAILS.....1					



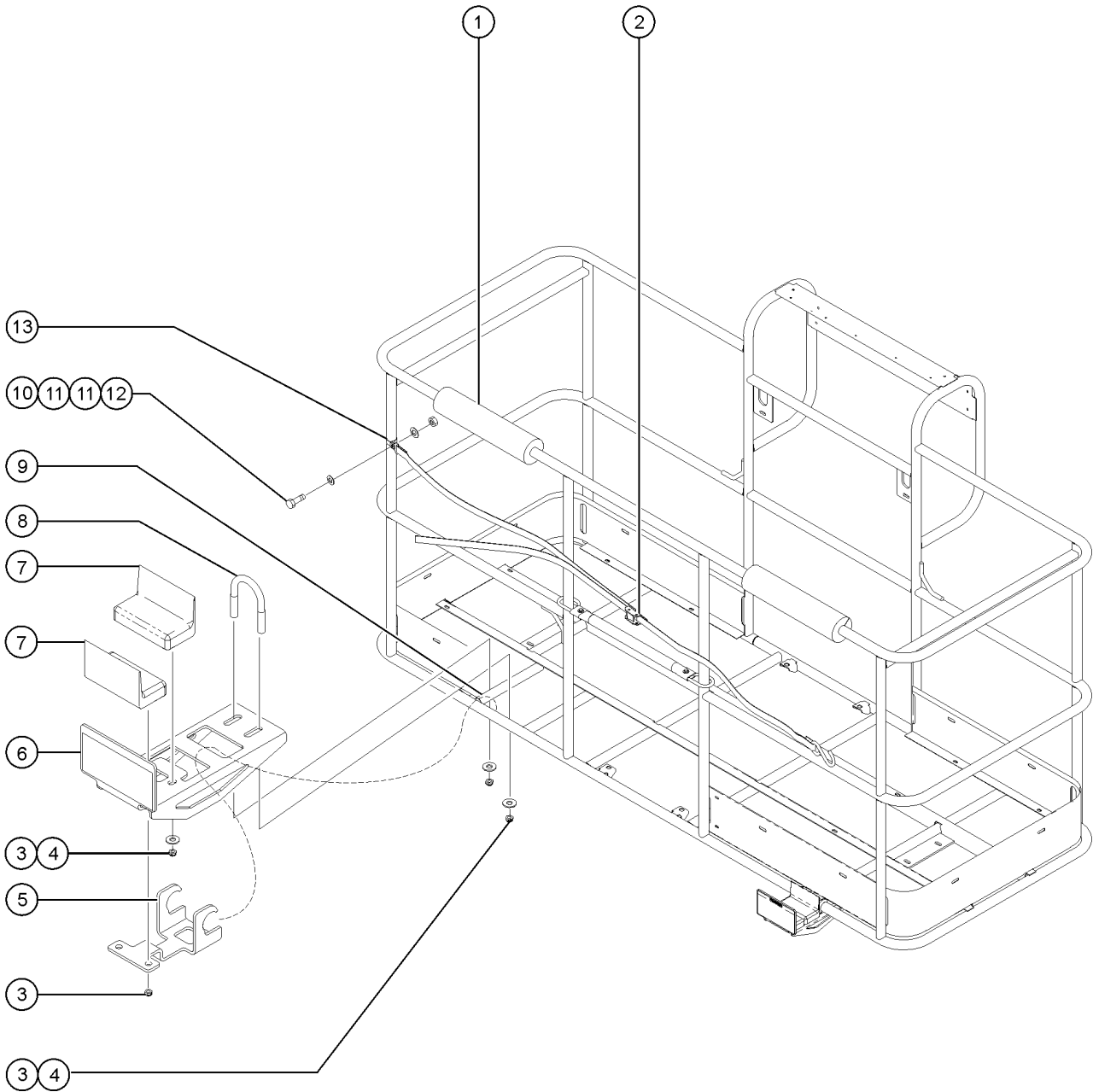
807.1 Half-mesh and Pipe Cradle Options



807.1 Half-mesh and Pipe Cradle Options

Item	Part No.	Description	Qty.
A	85300GT	PIPE CRADLE ASSY. SERV (ONE)**	
--	65630GT	INSTRUCTIONS-PIPE CRADLE,BOOMS	
--	72875GT	DECAL,WARNING,PIPE CRADLE,BOOM	
--		Ref. SWING GATE, COMPLETE (refer to 806.1)	
1	56570GT	STRAP, CONDUIT HOLDER 60****	1
2	824083GT	SCREW,HHF,1/4-20X2.5,8,ZAG	
3			
4	1277924GT	NUT,NYLOCK FLG,1/4-20,F,ZAG	
5	73500GT	HALF MESH,8'PLATFORM,RH***	1
6	54457GT	MESH,HALF,SWING GATE***	1
7	73501GT	HALF MESH,8'PLATFORM,LH.....	1
8	56424GT	CLAMP,1.25X.5 RUBBER-CUSHION	
--	6090GT	SCREW,HHC,1/4-20 X .75	
--	6091GT	NUT,NYLOCK,1/4-20	
--	6638GT	WASHER,FLAT,USS,1/4"Y	
9	81368GT	WELDMENT,PIPE CRADLE MOUNT.....	1
10	56525GT	WELDMENT, PIPE CRADLE.....	1
11	1251600GT	U-BOLT, FLATTENED, 1.5 X 3/8 UNC,ZAG.....	8
12	1274322GT	NUT,NYLOCK FLG,3/8-16,F,ZAG	
13			
14	55753GT	BUMPER, PLASTIC, 1.25 O.D.....	4

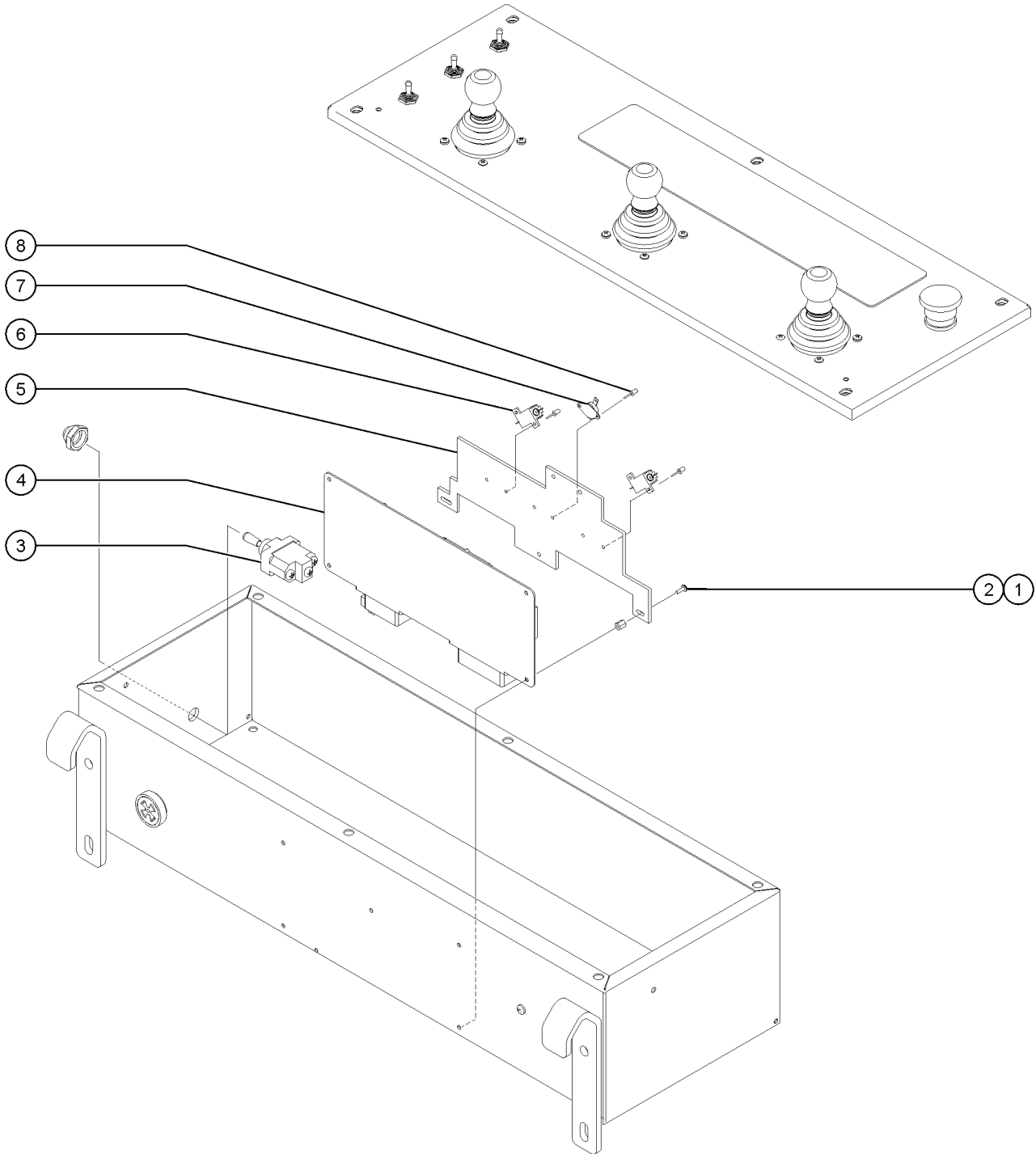
808.1 Panel Cradle Option



808.1 Panel Cradle Option

Item	Part No.	Description	Qty.
--	77683GT	ACCESSORY,PANEL CRADLE,ANSI (ANSI/CSA models)	
1	88377-1400GT	FOAM PAD, 3" OD X 1.25" ID X 14 IN.....2	
2	77664GT	ADJUSTABLE STRAP ASSY.....1	
3	1274322GT	NUT,NYLOCK FLG,3/8-16,F,ZAG.....8	
4	5397GT	WASHER,FLAT,USS,5/16",Y for machines before 2010	
5	228849GT	FORMING,SECONDARY SUPPORT.....2 77576P is no longer available. For machines before 2010, must install Qty 2 service kit 233992 (ANSI) or 233993 (CE) for initial replacement.	
6	228848GT	FORMING PANEL CRADLE.....2 89724 is no longer available. For machines before 2010, must install Qty 2 service kit 233992 (ANSI) or 233993 (CE) for initial replacement.	
--	233992GT	KIT,PANEL CRADLE BRACKET,WORD.....1 (ANSI models) (includes hook, panel support bracket and installation instructions)	
7	56934GT	PAD,REST,1"THICK,FLANGED.....4	
7A	824038GT	NUT,TL JAM,3/8-16,A,ZAG.....4 for 56934	
8	1251600GT	U-BOLT, FLATTENED, 1.5 X 3/8 UNC,ZAG.....2	
9	73463-1175GT	TUBE, RD, ALUM, 1.25 X .083 X 11.75...2	
10	1256855GT	SCREW,HHF,1/4-20X.625,8,ZAG.....1	
11	6638GT	WASHER,FLAT,USS,1/4"Y for machines before 2010	
12	1277924GT	NUT,NYLOCK FLG,1/4-20,F,ZAG.....1	
13	56424GT	CLAMP,1.25X.5 RUBBER-CUSHION.....1	

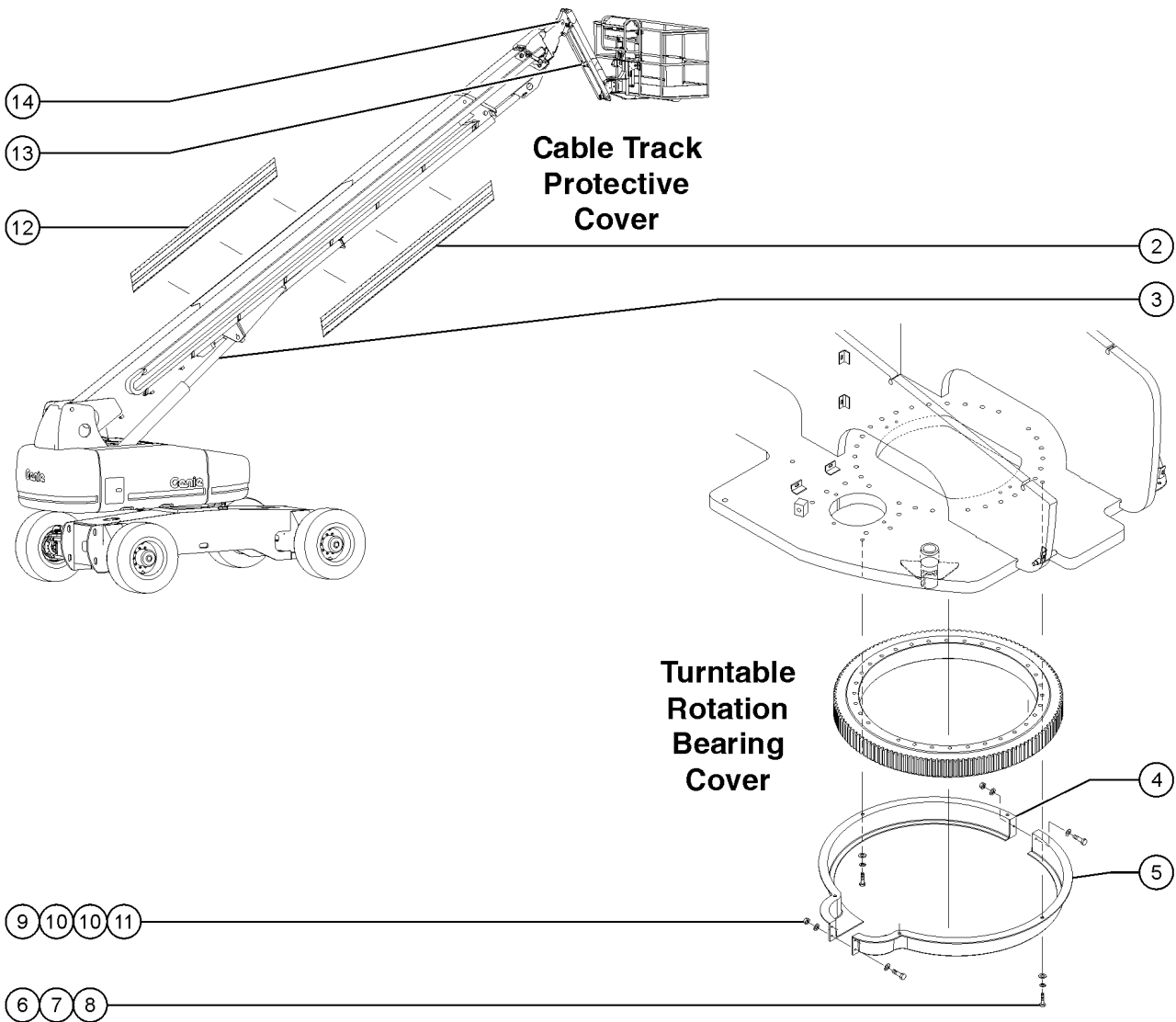
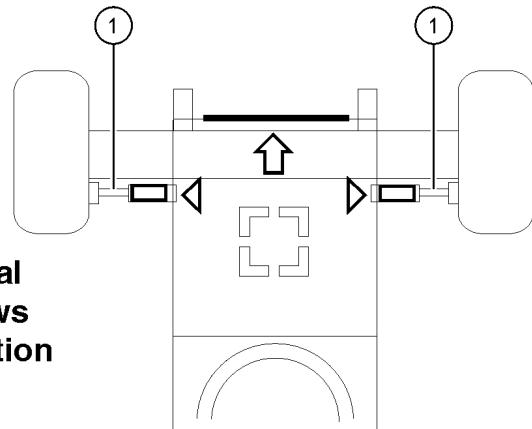
809.1 Circuit Board Heater Option



809.1 Circuit Board Heater Option

Item	Part No.	Description	Qty.
1	81551GT	SCREW,PHIL,PHM,6-32 X 1/4 SS.....4	
2	119534GT	STANDOFF,1/4X1/4 M-F 6-32 S/S.....4	
3	128204GT	SWITCH TOGGLE ASSY SPDT 2P MNT	
--	T115352GT	DECAL,OPTION CONTROL BOX HEATR	
4		Ref. PCB Assembly, PCON (refer to 603.1)	
5	122723GT	BRACKET,PLATFORM HEATER OPTION	
6	27287GT	RESISTOR,10 OHM,25 WATT.....2	
7	119641GT	SWITCH,THERMOSTAT 85F OPEN.....1	
8	6272GT	RIVET,STL,STL,P,.125 X .25	

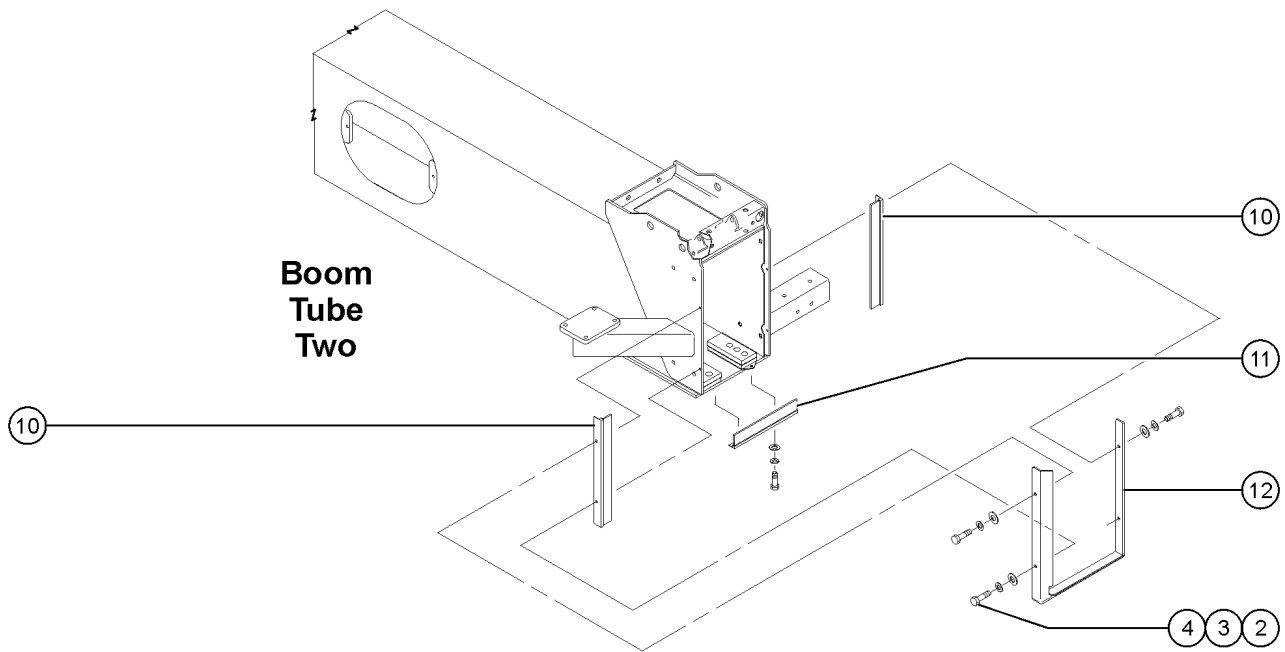
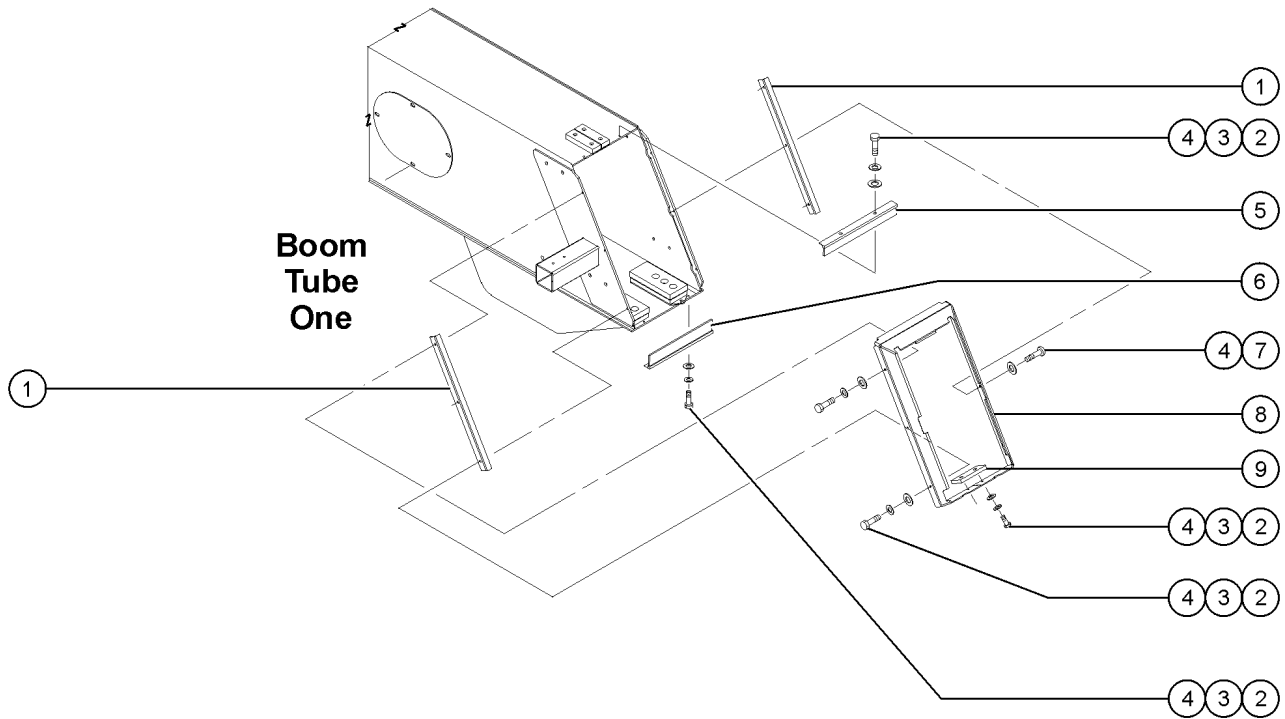
810.1 Hostile Environment Package - View 1



810.1 Hostile Environment Package - View 1

Item	Part No.	Description	Qty.
1	60627GT	COVER,PROTECTIVE,STEER CYL***...4	
--	22672GT	CLAMP,HOSE,1.75	
--	30489GT	CLAMP,HOSE,3.50	
2	61298GT	COVER,84 LINK TRACK.....1	
3	60326GT	COVER,PROTECTIVE,LIFT CYLINDER.....1	
--	31523GT	CLAMP,HOSE,8.50 DIA***	
--	35432GT	CLAMP,HOSE,6.50	
4	61118GT	COVER,SWING BEARING FRONT.....1	
5	61119GT	COVER,SWING BEARING REAR.....1	
6	10587GT	SCREW,HHC,1/2-13 X.75	
7	6033GT	WASHER,LOCK,0.5"	
8	6095GT	WASHER,FLAT,USS,1/2",Y	
9	6090GT	SCREW,HHC,1/4-20 X .75	
10	6638GT	WASHER,FLAT,USS,1/4"Y	
11	6091GT	NUT,NYLOCK,1/4-20	
12	61297GT	COVER,50 LINK TRACK.....1	
13	34505GT	COVER,PROTECTIVE,JIB CYLINDER...1	
--	22672GT	CLAMP,HOSE,1.75	
--	30971GT	CLAMP,HOSE,3.00"	
14	60628GT	COVER,PROTECTIVE,PLAT.LEVELING.1 (S-100)	
14	61393GT	COVER,PROTECTIVE,PLAT. LEVLING.....1 (S-105)	
--	22672GT	CLAMP,HOSE,1.75 (S-105)	
--	30489GT	CLAMP,HOSE,3.50 (S-105)	
--	30971GT	CLAMP,HOSE,3.00" (S-100)	
--	36208GT	CLAMP,HOSE,1.25*** (S-100)	

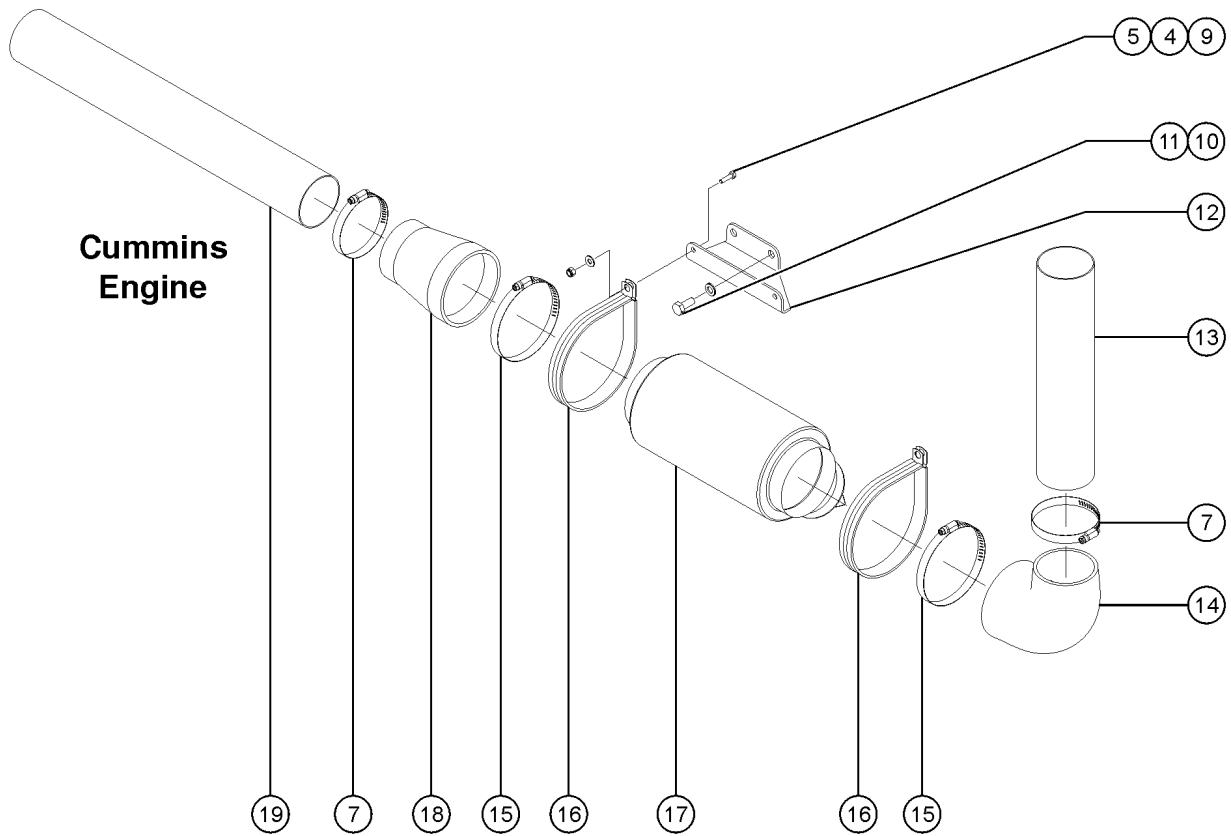
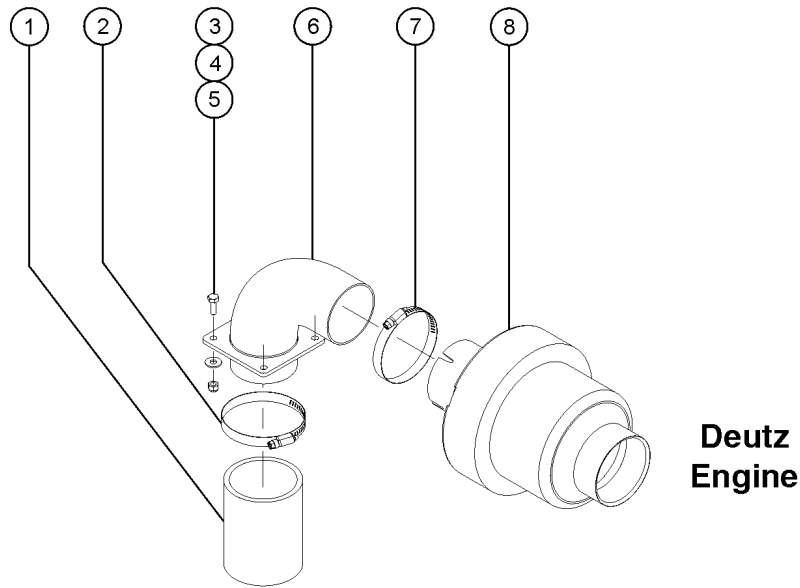
811.1 Hostile Environment Package - View 2



811.1 Hostile Environment Package - View 2

Item	Part No.	Description	Qty.
1	60234GT	BRUSH,SIDE,MAST #1.....	2
2	6090GT	SCREW,HHC,1/4-20 X .75	
3	6356GT	WASHER,LOCK,.25	
4	6638GT	WASHER,FLAT,USS,1/4"Y	
5	60235GT	BRUSH,TOP,MAST #1.....	1
6	60244GT	BRUSH,BOTTOM,MAST #1.....	1
7	14297GT	SCREW,BHHS,1/4-20 X .75	
8	60157GT	COVER MAST #2*.....	1
9	61099-SGT	RETAINER,MAST COVER.....	1
10	60236GT	BRUSH,SIDE,MAST #2.....	2
11	60237GT	BRUSH,BOTTOM,MAST #2.....	1
12	60156GT	COVER MAST #3.....	1

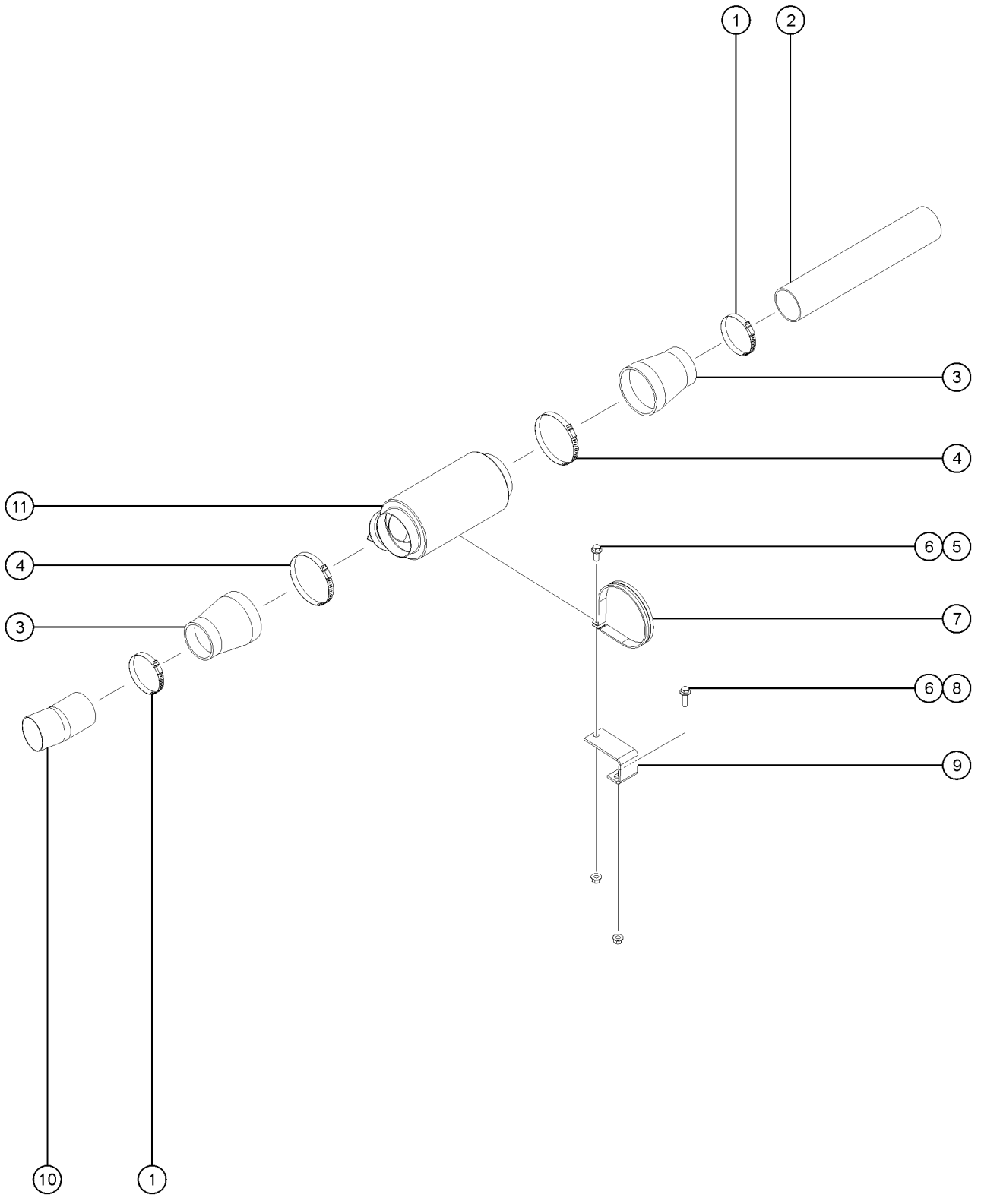
812.1 Engine Air Cleaners



812.1 Engine Air Cleaners

Item	Part No.	Description	Qty.
--	70515GT	KIT,PRECLEANER DEUTZ***	
--	122910GT	OPT,PRECLEANER CUMMINS B3.3T	
1	106211-400GT	HOSE,RUBBER 3"ID X .25 BLACK.....1	1
2	30489GT	CLAMP,HOSE,3.50.....4	4
3	6090GT	SCREW,HHC,1/4-20 X .75	
4	6638GT	WASHER,FLAT,USS,1/4"Y	
5	6091GT	NUT,NYLOCK,1/4-20	
6	102220GT	WELDMENT,PRECLEANER,DEUTZ.....1	1
7	30971GT	CLAMP,HOSE,3.00".....3	3
8	89959GT	PRECLEANER,INLINE 3".....2	2
9	6888GT	SCREW,HHC,1/4-20 X 1	
10	27034GT	SCREW,HHC,M10 X 25MM,GR 8.8	
11	22699GT	WASHER,FLAT,M10,ZINC PLTD.	
12	122914GT	BRACKET,PRECLEANER MNT B3.3T	
13	122912GT	TUBE,INTAKE,PRECLEANER B3.3T	
14	122913GT	REDUCER,90DEG,4.0 X 3.0	
15	34955GT	CLAMP,HOSE,5.00	
16	101639GT	CLAMP,5.38,#86 X 3/8,RUB CUSH.....2	2
17	88493GT	PRECLEANER,AIR INTAKE	
18	122432GT	REDUCER,RUBBER,4.0 X 3.0	
19	122911GT	TUBE,INTAKE,PRECLEANER B3.3T	

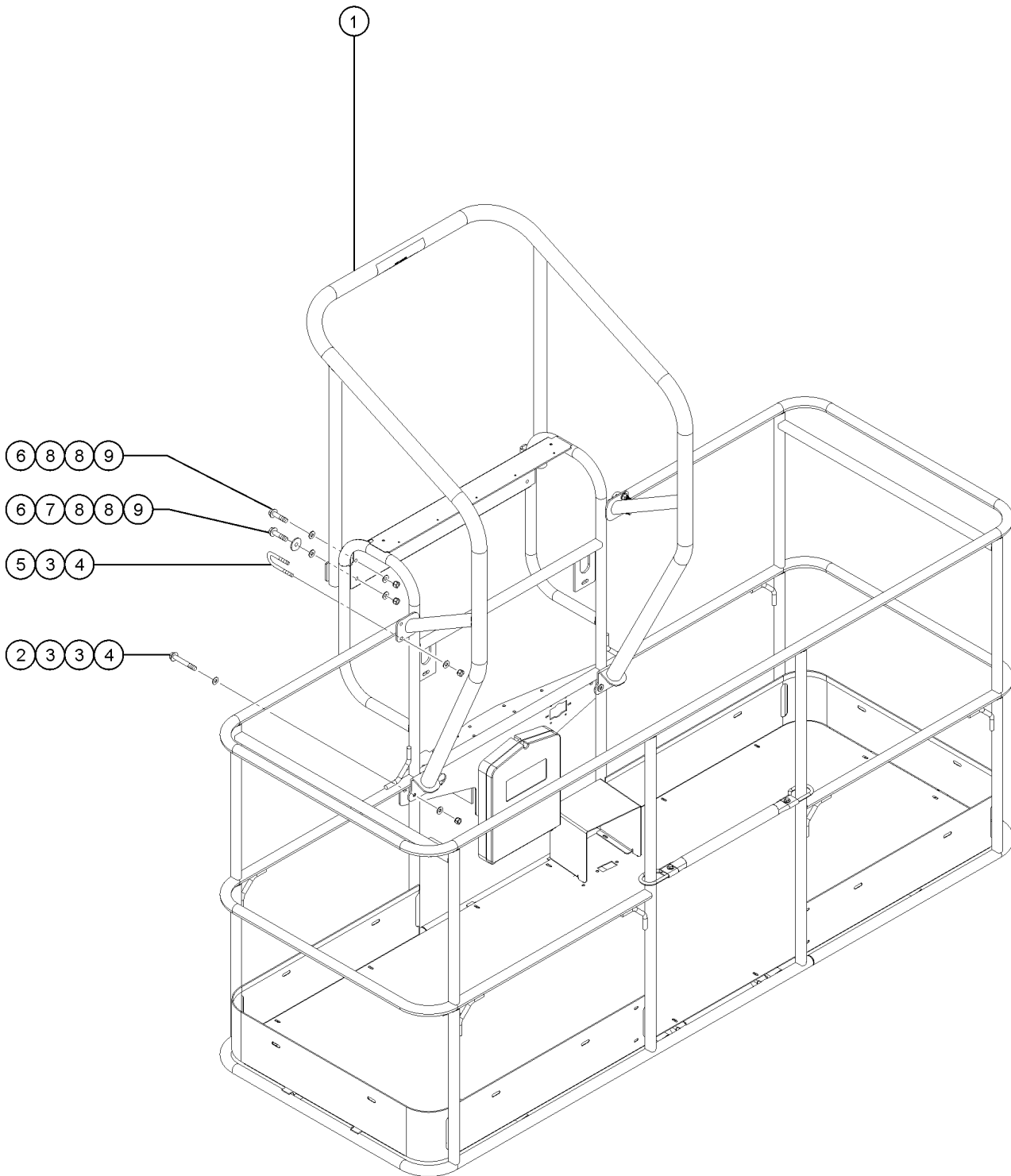
813.1 Engine Air Cleaners - TD2.9L4



813.1 Engine Air Cleaners - TD2.9L4

Item	Part No.	Description	Qty.
A	1262523GT	OPT,PRECLEANER,DEUTZ T4.....	1
1	30971GT	CLAMP,HOSE,3.00".....	2
2	1262524GT	TUBE,PRECLEANER,DEUTZ T4.....	1
3	122432GT	REDUCER,RUBBER,4.0 X 3.0.....	2
4	34955GT	CLAMP,HOSE,5.00.....	2
5	231530GT	SCREW,HHF,M10-1.5X25,DIN6921,10.9,ZAB.1	
6	231529GT	NUT,TL FLG,M10-1.5,DIN6927,10,ZAB.....	2
7	101639GT	CLAMP,5.38,#86 X 3/8,RUB CUSH.....	1
8	231533GT	SCREW,HHF,M10-1.5X35,DIN6921,10.9,ZAB.1	
9	1259039GT	FORMING,PRECLEANER,SB.....	1
10	824807GT	TUBE,INTAKE,PRECLEANER 2.9T.....	1
11	88493GT	PRECLEANER,AIR INTAKE.....	1

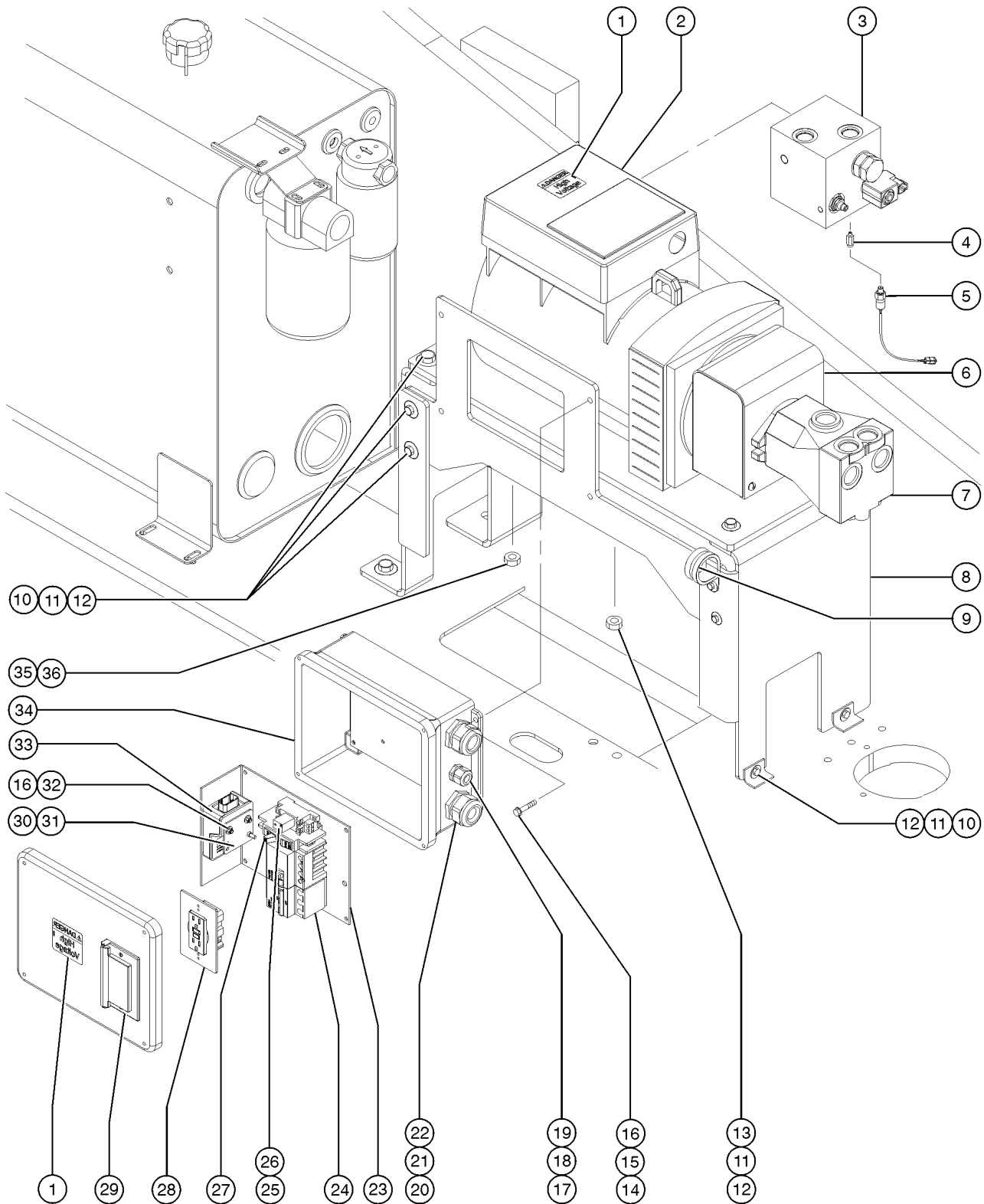
814.1 Operator Protection Structure



814.1 Operator Protection Structure

Item	Part No.	Description	Qty.
1	219158GT	ACCESSORY,OPERATOR PROT STRUCT.....1 <i>(Complete) includes all fasteners</i>	1
2	8178GT	SCREW,HHC,3/8-16 X 2.5.....4	4
3	6097GT	WASHER,FLAT,USS,3/8",Y.....12	12
4	4828GT	NUT,NYLOCK,3/8-16.....8	8
5	122755GT	UBOLT,FLATTENED,1.5DIA X 3/8 UNC...2	2
6	6888GT	SCREW,HHC,1/4-20 X 1.....4	4
7	15086GT	WASHER,FLAT,.375 X 1.5 X .125.....2 <i>Use only with the platform control box cover option</i>	2
8	6638GT	WASHER,FLAT,USS,1/4"Y.....8	8
9	6091GT	NUT,NYLOCK,1/4-20.....4	4

815.1 Welder Option, Chassis Components - View 1

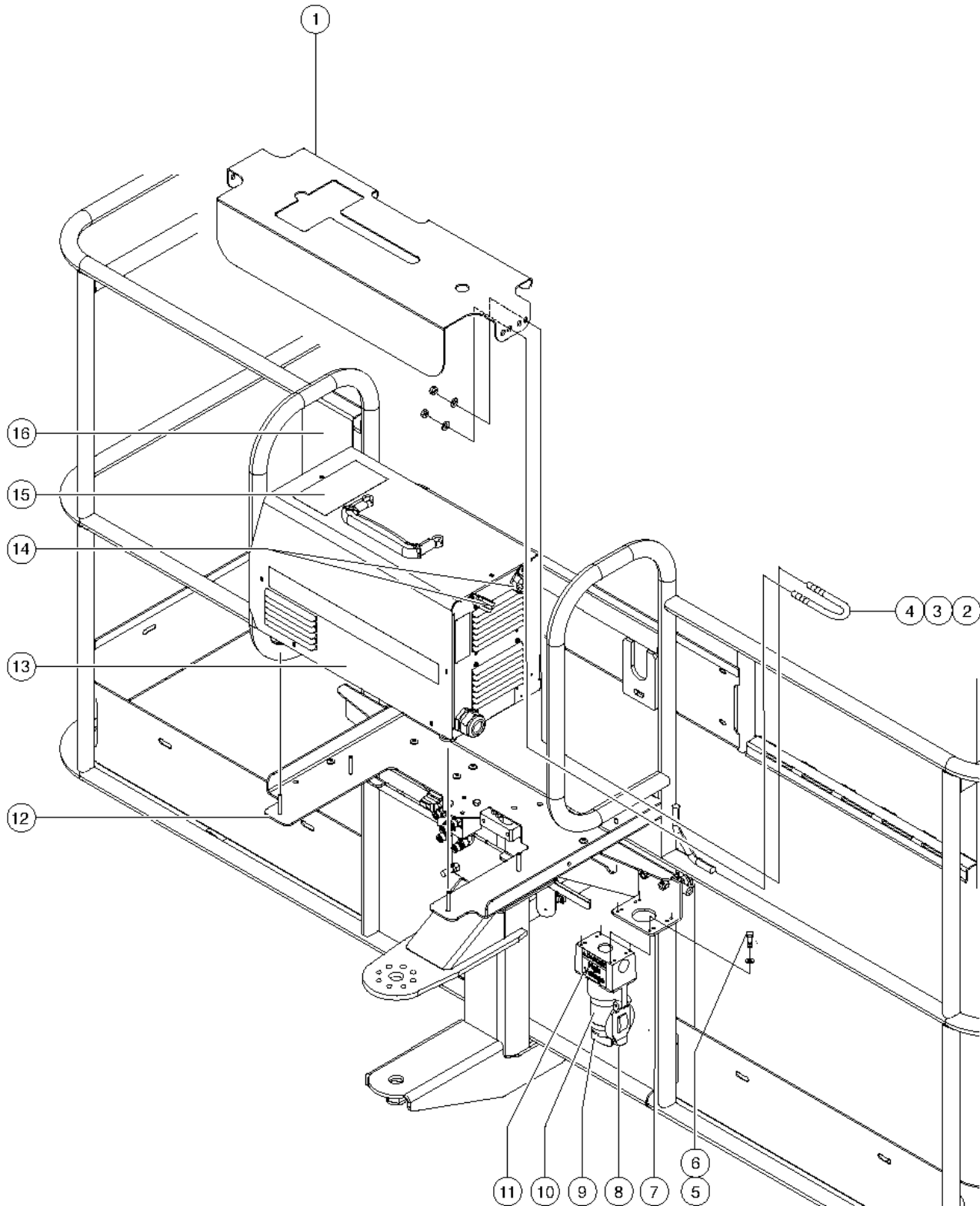


815.1 Welder Option, Chassis Components - View 1

Item	Part No.	Description	Qty.	Item	Part No.	Description	Qty.
--	226507GT	HARNESS, HYD GENERATOR,SB		11	6097GT	WASHER,FLAT,USS,3/8",Y	
--	226503GT	HARNESS,WELD GEN ENCLOSURE		12	4828GT	NUT,NYLOCK,3/8-16	
--	101506GT	WIRE CABLE,6GA/4 CONDUCTOR.....1560-inches		13	8516GT	SCREW, HCC, 3/8-16 X 1.50	
--	106637GT	MODULE,TIME DELAY ON BREAK 4S		14	6888GT	SCREW,HHC,1/4-20 X 1	
--	13097GT	FUSE,10 AMP		15	6638GT	WASHER,FLAT,USS,1/4"Y	
--	102746GT	VALVE,PILOT OPER DIRECTIONAL		16	6889GT	NUT,LP NYLOCK,1/4-20	
--	110220GT	DECAL,WARNING,WELDER SAFETY		17	7056GT	CONN, SQZ, 1/2NPT .38-.50, SM**.....1	
--	229402GT	KIT BONDED WELD LEAS S105 <i>(welder cable kit option only)</i>		18	6935GT	LOCKNUT,ELEC,1/2".....1	
--	229383GT	CABLE, 4/0 WELD LEAD,TWIN S105 <i>(part of kit option 229402)</i>		19	56237GT	O-RING,ORFS,-12.....1	
--	229401GT	KIT BONDED WELD LEAD, S100 <i>(welder cables kit option only)</i>		20	20776GT	CABLE SQUEEZE CONN.....2	
--	229382GT	CABLE,4/0 WELD LEAD,TWIN S100 <i>(part of kit option 229401)</i>		21	18665GT	LOCKNUT,ELECTRIC,1" NPT.....2	
1	82237GT	DECAL,DANGER,HIGH VOLTAGE.....2		22	106104GT	O-RING,SEAL RING,1" NPT (PKG OF 10).....2	
2	106113GT	GENERATOR,HYDRO-12KEP-21-3.....1 <i>includes item 7</i>		23	102314GT	PANEL, ENCLOSURE, LINCO WELDER.....1	
--	106274GT	GENERATOR,12.5 KW,W/O MOTOR***		24	106477GT	GFI/CIRCUIT BREAKER ASSEMBLY.....1	
--	110344GT	BRUSH BOX,ASSY,GEN***		25	33608GT	RELAY,SOCKET,OMRON.....1	
--	122300GT	COVER,WELDER GENERATOR		26	33607GT	RELAY,OMRON,DPDT,12V.....1	
--	21187GT	PLUG,NYLON 1.38 BLACK DOMED		27	106073GT	CIRCUIT BREAKER,20A,SINGLE PH.....1	
--	T113655GT	COUPLING, 28MM (106113)		28	80543GT	RECEPTACLE, 120VAC, 20A, GFCI.....1	
--	T114022GT	SPIDER (106113)		29	74006GT	COVER,GFCI,HORIZONTAL,WEATHER.1 <i>includes mounting hardware</i>	
--	T114023GT	COUPLING (106113)		30	106140PGT	BRACKET,1K OHM 10-TURN POT,PNT.....1	
3		Ref. MANIFOLD,DRIVE OIL DIVERTER***.....1 <i>(refer to 817.1)</i>		31	102357GT	POTENTIOMETER ASSY, WELDER.....1	
4	146285GT	CONN, SAE#4-1/4" NPT.....1		32	36294GT	SCREW,HHC,1/4-20 X 2.75	
5A	146284GT	SWITCH,PRESS,#4NPT,200PSIF.....1 <i>for first time replacement, order service kit 1271398GT.</i>		33	106658GT	MODULE,SX CONTROLLER,LOW AMP	
5B	1271398GT	KIT,GEN. PRESSURE SWITCH <i>includes pressure switch, hose, fittings and installation instructions</i>		34	229346GT	ASSY,ENCLOSURE,WELDER,GEN.....1	
6	T111766GT	MOTOR MOUNT COUPLER (106274)....1		35	6782GT	NUT,NYLOCK,5/16-18	
7	106184GT	MOTOR,HYD 12.5KW GEN,21CC***.....1		36	13002GT	SCREW,HHC,5/16-18 X 1 GR5	
--	162006GT	SEAL KIT,HYD MOTOR(106184) <i>(for 106184)</i>					
8	102359PGT	PLATE,TOP,GENERATOR 12KW,PNTD.....1					
--	102390PGT	PLATE,FRNT,ENCLOSURE ASSY,PNTD					
--	102606PGT	FORMING,LF,GENERATOR 12KW,PNTD					
--	102607PGT	FORMING,RT,GENERATOR 12KW,PNTD					
9	77181GT	CLAMP,1.63,#26 X 3/8,RUB CUSH					
10	6019GT	SCREW,HHC,3/8-16 X 1.25 GRD 5					



816.1 Welder Option, Platform Components - View 2

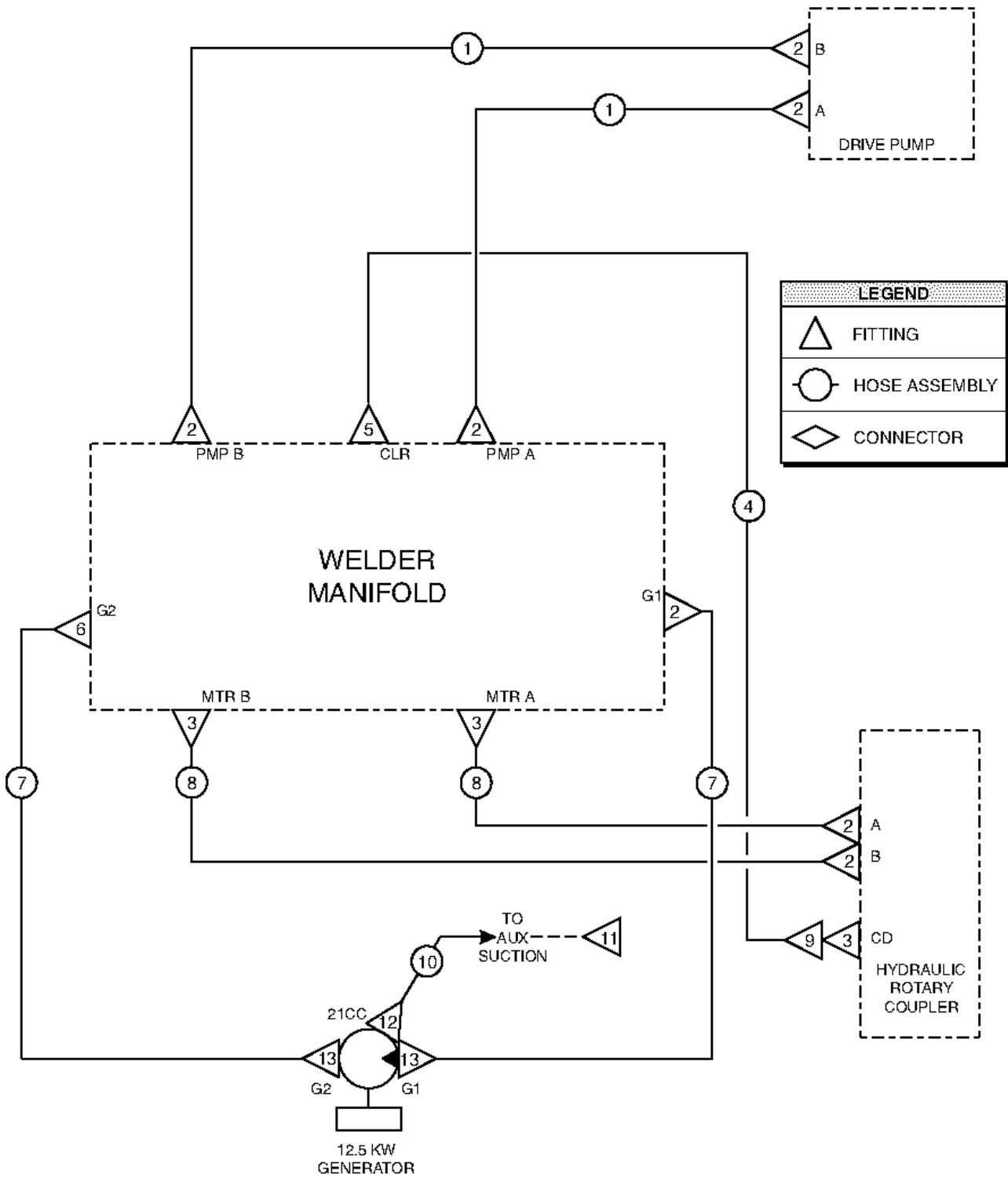


816.1 Welder Option, Platform Components - View 2

Item	Part No.	Description	Qty.	Item	Part No.	Description	Qty.
--	88406GT	FIRE EXTINGUISHER		--	4828GT	NUT,NYLOCK,3/8-16	
--	82862GT	DECAL,FIRE EXTINGUISHER		--	5397GT	WASHER,FLAT,USS,5/16",Y	
--	97579GT	DECAL,DANGER,TIP-OVER,WELDER**		--	6782GT	NUT,NYLOCK,5/16-18	
--	133518GT	DECAL, PATCH, GEN,ALC-500		13	101525GT	WELDER,INVERTEC V275-S.....1	
--	101547PGT	BRACKET,WELDER SUPPORT,PNT		--	106141GT	SCREW,SECURITY,1/4-20 X 1.75LG	
--	28443GT	CABLE TIE,11.5" BLACK		--	106183GT	FUSE,.6AMP,250V,WELDER,V275S	
--	110276-3600GT	FIRE SLEEVE, 1.25".....1 (S-100)		--	106275GT	KIT,WELD LEADS ASSY,V275S <i>includes both cables</i>	
--	110276-5800GT	FIRE SLEEVE, 1.25".....1 (S-100)		14	18666GT	CLAMP,1.00,#16 X 1/4,RUB CUSH.....2	
--	110276-7000GT	FIRE SLEEVE, 1.25".....1 (S-100)		15	110220GT	DECAL,WARNING,WELDER SAFETY...1	
--	110276-1500GT	FIRE SLEEVE, 1.25".....2 (S-100 and S-105)		16	106204PGT	BRACKET,V275S WELD LEADS.....1	
--	110276-1200GT	FIRE SLEEVE, 1.25".....2 (S-105)					
--	110276-2400GT	FIRE SLEEVE, 1.25",24"L.....1 (S-105)					
--	110276-2500GT	FIRE SLEEVE, 1.25".....1 (S-105)					
--	110276-4000GT	FIRE SLEEVE, 1.25".....1 (S-105)					
--	110276-4600GT	FIRE SLEEVE, 1.25".....1 (S-105)					
--	110277-4500GT	FIRE SLEEVE, 2.0".....1 (S-105)					
--	229925GT	ADAPTER,WELDER,208-220					
1	101547PGT	BRACKET,WELDER SUPPORT,PNT					
2	5397GT	WASHER,FLAT,USS,5/16",Y					
3	4828GT	NUT,NYLOCK,3/8-16					
4	122755GT	UBOLT,FLATTENED,1.5DIA X 3/8 UNC....2					
5	47363GT	SCREW,RHM,8-32 X .50					
6	35461GT	WASHER,FLAT,MS,#8,Y					
7	101731PGT	BRACKET,POWER TO PLAT TBOX,PNT.....1					
--	4828GT	NUT,NYLOCK,3/8-16					
--	5397GT	WASHER,FLAT,USS,5/16",Y					
--	6550GT	U-BOLT,3/8 X 1 YZ					
8	101732GT	COVER,WEATHERPROOF 3-PHASE					
9	106112GT	PLUG,4-WIRE,3-PHASE,50A,MALE.....1					
10	106110GT	T-BOX,2.75X4.5X2.63,3PH.....1					
--	106111GT	RECEPTCL,LOCK 3-PH,50A,4 WIRE					
11	82237GT	DECAL,DANGER,HIGH VOLTAGE.....2					
12	102408PGT	BRACKET,LINCOLN WELDER,PNTD....1					
--	102409PGT	BRACKET,WELDER MNT SUPPORT,PNT					
--	106043GT	SCREW,SECURITY,5/16-18X1.00					
--	106044GT	U-BOLT,3/8-16X4X4.63X3.00					



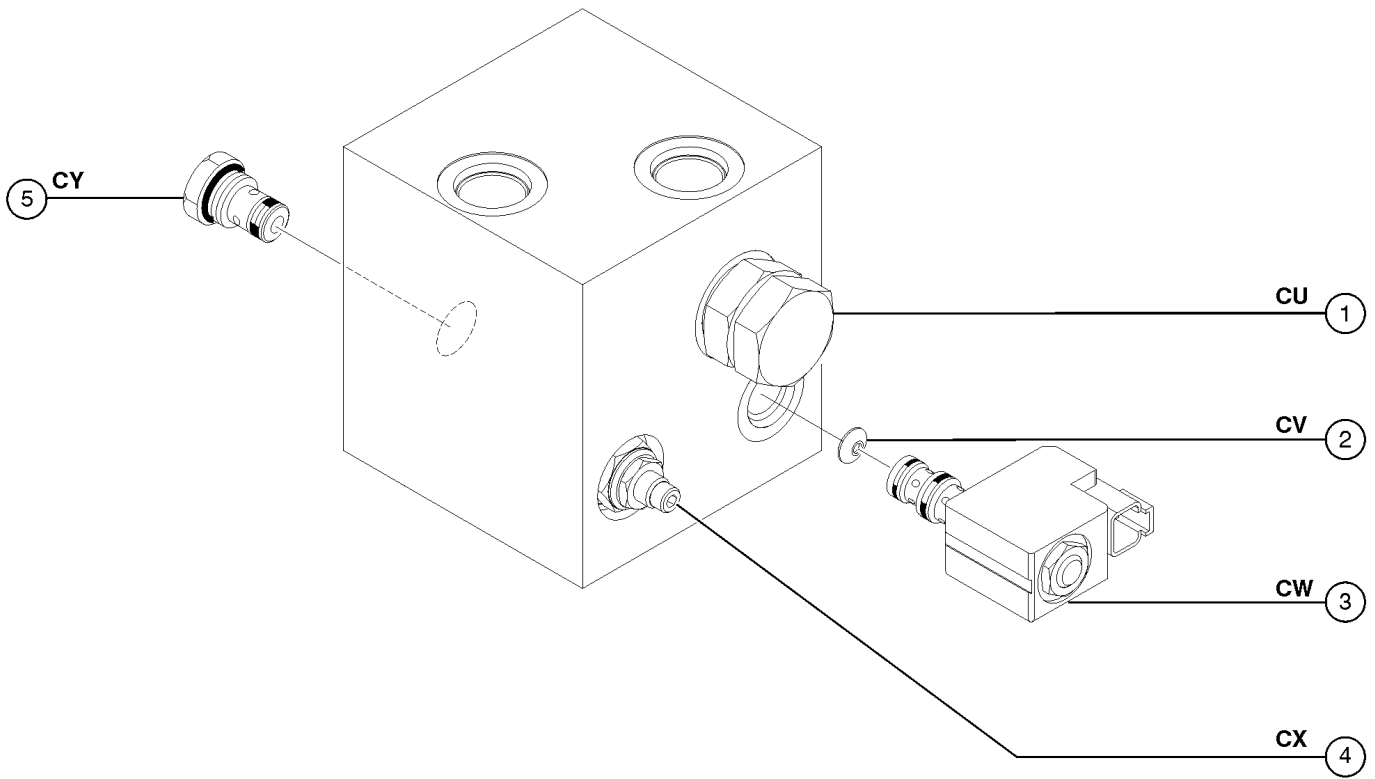
817.1 Welder Option, Hoses and Fittings - View 3



817.1 Welder Option, Hoses and Fittings - View 3

Item	Part No.	Description	Qty.
1	61134-7033GT	HOSE ASSY 3/4,90 FEM STR FEM.....2	
2	48963GT	FITTING,ELBOW,45D,520320-12***.....7	
3	48960GT	FITTING,CONN,520120-12***.....3	
4	49142-7062GT	HOSE ASSEMBLY,1/2".....1	
5	48933GT	CONN,520120-8***.....1	
6	48959GT	FITTING,ELBOW,90D,520220-12.....1	
7	102312-2088GT	HOSE ASSEMBLY,3/4",-10-12 90F,.....2	
8	102313-4626GT	HOSE ASSY,3/4,45 FEM,STR FEM.....2	
9	48964GT	FITTING,TEE,RUN,SWIVEL52043212....1	
10	49143-5629GT	HOSE ASSY,1/2,90 FEM,STR FEMM....1	
11	48938GT	FITTING,TEE,RUN,SWIVEL520432-8....1	
12	48948GT	CONN,520120-8-12.....1	
13	48958GT	CONN,520120-10-12.....2	

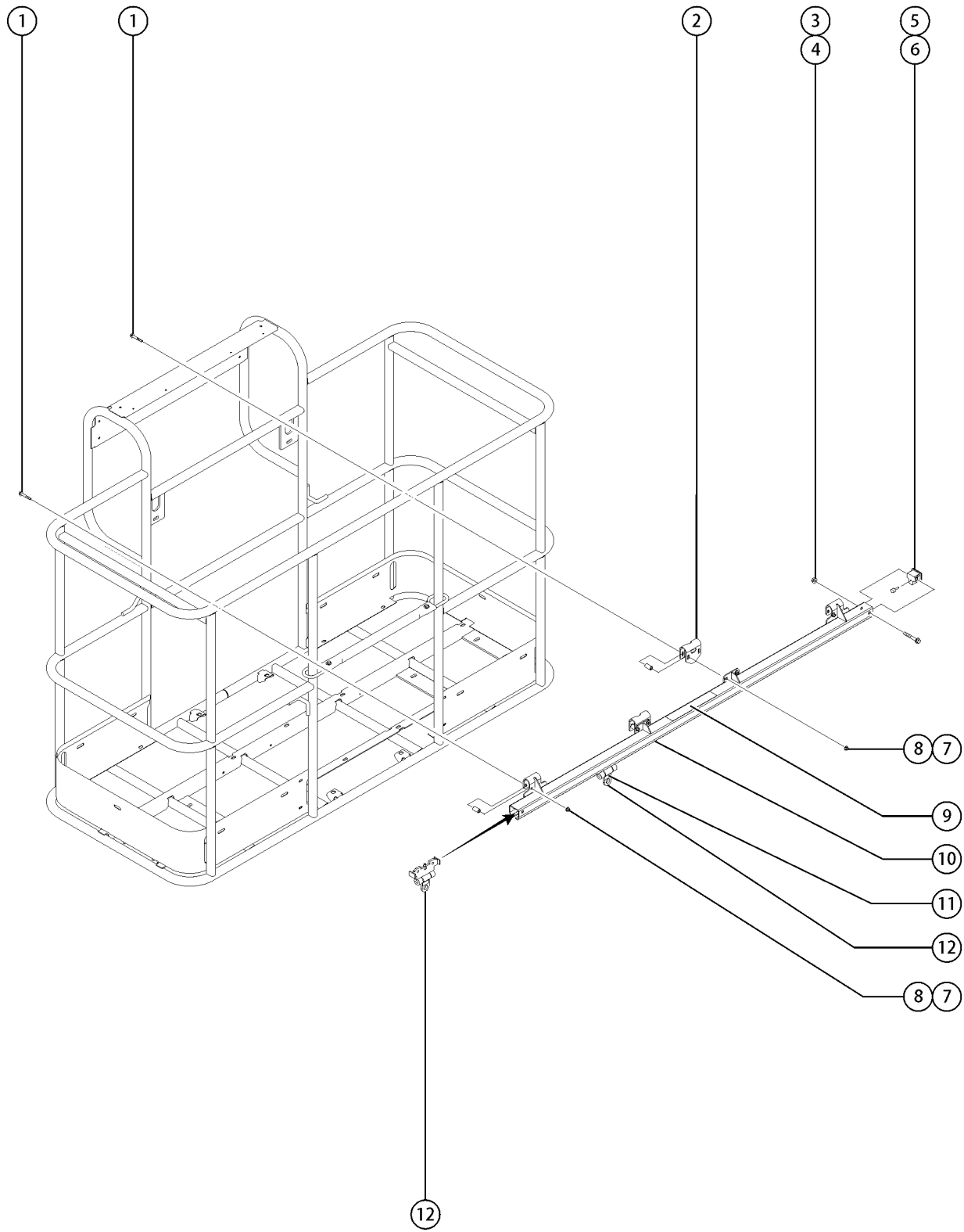
818.1 Welder Option, Oil Diverter Manifold - View 4



818.1 Welder Option, Oil Diverter Manifold - View 4

Item	Part No.	Description	Qty.
--	101516GT	MANIFOLD,DRIVE OIL DIVERTER <i>(complete)</i>	
1	102746GT	VALVE,PILOT OPER DIRECTIONAL <i>CU, Diverter valve</i>	
2	106394GT	ORIFICE DISC,.030,CONE <i>CV, Delays shift to drive</i>	
3	94760GT	VALVE,SOLENOID,10V,W/OUT COIL* <i>CW, Pilot valve to diverter</i>	
--	128419GT	Seal Kit	
--	94759GT	NUT,SOLENOID	
--	94765GT	COIL-10V DC***	
4	122302GT	RELIEF,VALVE 270 PSI <i>CX, Charge pressure circuit</i>	
--	128416GT	Seal Kit	
5	94757GT	VALVE,CHECK,3 PSI*** <i>CY, Prevents oil flow to generator</i>	
--	128416GT	Seal Kit	

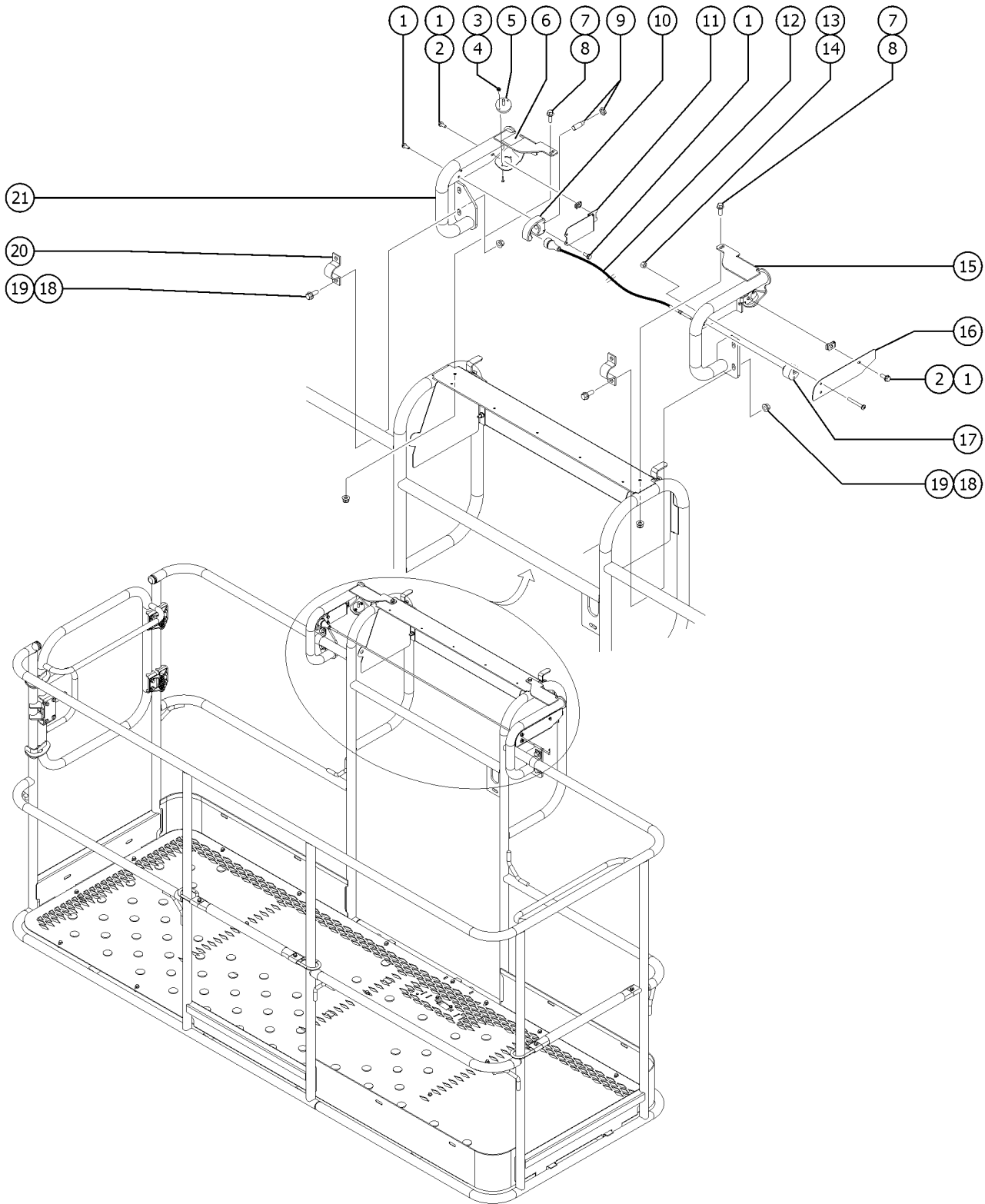
819.1 Fall Arrest Bar



819.1 Fall Arrest Bar

Item	Part No.	Description	Qty.
1	1256856GT	SCREW,HHF,3/8-16X2.5,8,ZAG.....	4
2	1256389GT	FORMING,INNER HANGER.....	2
3	1251997GT	NUT,TL FLG,1/2-13,G,ZAG.....	2
4	1256851GT	SCREW,HHF,1/2-13X3.5,8,ZAG.....	2
5	1260892GT	END STOP,TRACK,FALL ARREST BAR.....	2
6	36388GT	BUMPER,RUBBER,.75 X .50H,STUD....	2
7	1274322GT	NUT,NYLOCK FLG,3/8-16,F,ZAG.....	8
8	1256481GT	SPACER, HANGER BRACKET.....	8
9A	1256400GT	DECAL,TRACK,FALL ARREST BAR,WORD.....	1
9B	1260910GT	DECAL,TRACK,FALL ARREST BAR,SYMBOL.....	1
9C	1256400FRGT	DECAL,TRACK,FALL ARREST BAR,WORD FR.....	1
10A	1256377GT	ACC,FALL ARREST BAR,8FT WORD..... <i>includes instructions and decals</i>	1
--	1256379GT	ASSY,TRACK,FALL ARREST BAR,8FT WORD <i>includes decals</i>	
10B	1261022GT	ACC,FALL ARREST BAR,8FT SYM..... <i>includes instructions and decals</i>	1
--	1261024GT	ASSY,TRACK,FALL ARREST BAR,8FT SYM <i>includes decals</i>	
10C	1261018GT	ACC,FALL ARREST BAR,8FT FR..... <i>includes instructions and decals</i>	1
--	1261020GT	ASSY,TRACK,FALL ARREST BAR,8FT FR <i>includes decals</i>	
10D	1256378GT	ACC,FALL ARREST BAR,6FT WORD..... <i>includes instructions and decals</i>	1
--	1256380GT	ASSY,TRACK,FALL ARREST BAR,6FT WORD <i>includes decals</i>	
10E	1261023GT	ACC,FALL ARREST BAR,6FT SYM..... <i>includes instructions and decals</i>	1
--	1261025GT	ASSY,TRACK,FALL ARREST BAR,6FT SYM <i>includes decals</i>	
10F	1261019GT	ACC,FALL ARREST BAR,6FT FR..... <i>includes instructions and decals</i>	1
--	1261021GT	ASSY,TRACK,FALL ARREST BAR,6FT FR <i>includes decals</i>	
11	40434GT	DECAL,LANYARD ANCHORAGE POINT.....	1
12	1256439GT	TROLLEY, TRACK, FALL ARREST BAR.....	1

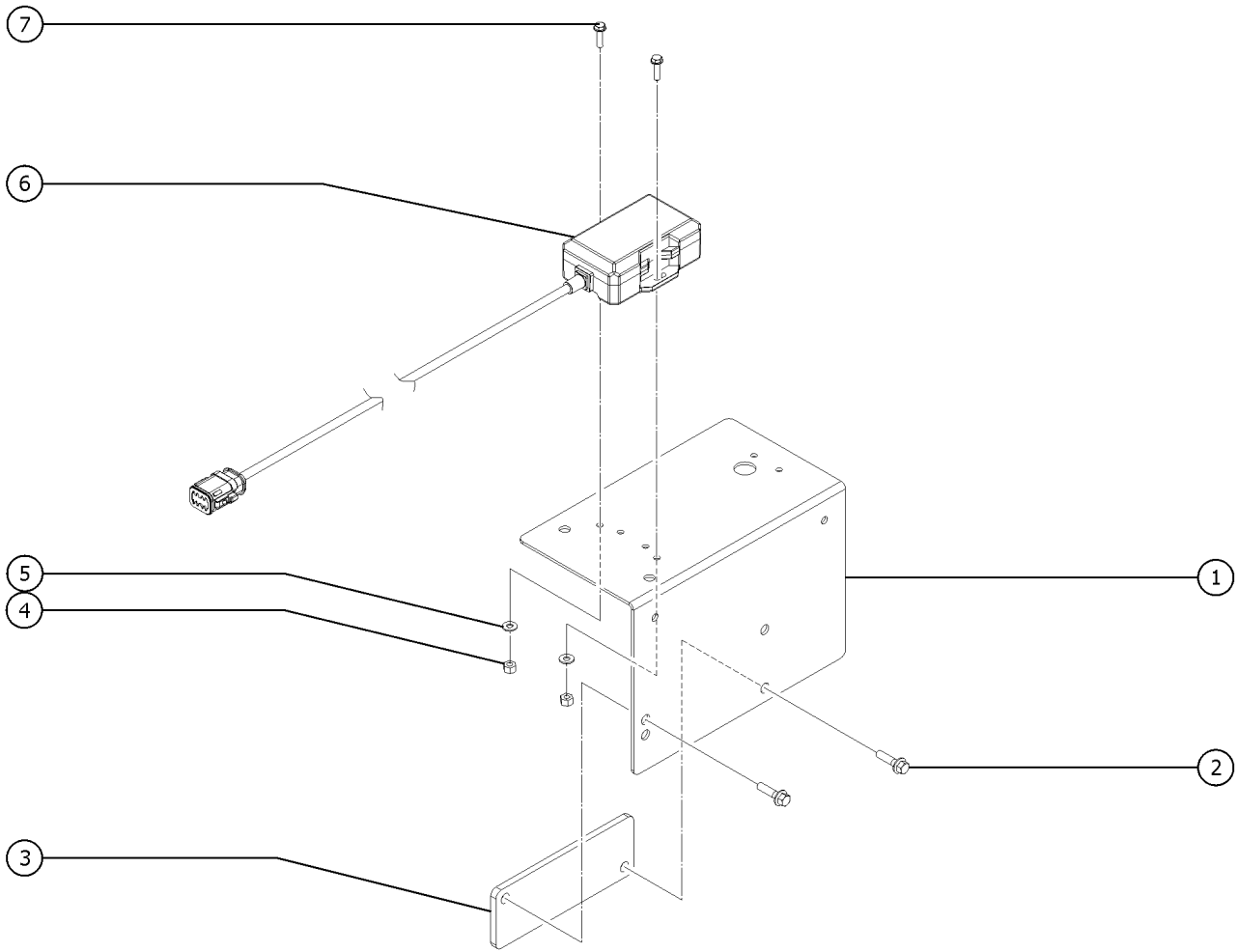
820.1 Lift Guard Contact Alarm Option (from January 2017)



820.1 Lift Guard Contact Alarm Option (from January 2017)

Item	Part No.	Description	Qty.
A	1279134GT	KIT, LIFT GUARD CONTACT ALARM,6'-8' PLATFORM,ALC1000	
B	1279672GT	HARNESS, CONTACT ALARM, ALC1000	
C	824037GT	NUT,HH JAM,1/4-20,A,ZAG	
D	1278121GT	MODULE, PLUS+1, CONTACT ALARM <i>located inside the Platform Control Box</i>	
E	824083GT	SCREW,HHF,1/4-20X2.5,8,ZAG	
1	1264934GT	SCREW,HHF,10-24X.5.....	7
2	73575GT	SPRING CLIP,10-24,.025-.125X.468,ZAG.....	2
3	12344GT	NUT,NYLOCK,6-32.....	4
4	1256859GT	SCREW,PHPM,6-32X.875,ZAG.....	4
5	1278111GT	ASSEMBLY, LIGHT, CONTACT ALARM.....	2
6	1278542GT	DECAL, INSTRUCTION, CONTACT ALARM.....	1
7	824078GT	SCREW,HHF,1/4-20X.75,8,ZAG.....	2
8	1277924GT	NUT,NYLOCK FLG,1/4-20,F,ZAG.....	2
9	1278119GT	ASSEMBLY, SENSOR, PROX, CONTACT ALARM.....	1
10	1278433GT	ASSY, SENSOR W/HOUSING..... <i>(Includes holder item 1277877 and sensor part 1278119)</i>	1
--	1277877GT	HOLDER, SENSOR	
11	1277873GT	FORMING, SENSOR HOLDER.....	1
12	1278416GT	ASSEMBLY,CONTACT ALARM CABLE, LARGE.....	1
--	1261184GT	NUT,1/4-20,8,ZAG <i>(part of assembly 1278416)</i>	
--	1278124GT	MAGNET, 1/4-20, 15 LB. <i>(part of assembly 1278416)</i>	
--	1278368GT	GRIP, CABLE <i>(part of assembly 1278416)</i>	
--	1278458GT	CONTACT ALARM WIRE ASSY, LARGE <i>(part of assembly 1278416)</i>	
13	1274168GT	NUT,NYLOCK,10-32,A,ZAG.....	2
14	824216GT	SCREW,PHPM,10-32X1.5,ZAG.....	2
15	1278138GT	WELDMENT, RIGHT CONTACT ALARM, LARGE.....	1
--	1277924GT	NUT,NYLOCK FLG,1/4-20,F,ZAG	
--	824037GT	NUT,HH JAM,1/4-20,A,ZAG	
16	1277875GT	PLATE, CABLE AND WIRE COVER.....	1
17	1277876GT	GUIDE, CABLE.....	1
18	1274322GT	NUT,NYLOCK FLG,3/8-16,F,ZAG.....	4
19	824090GT	SCREW,HHF,3/8-16X1,8,ZAG.....	4
20	1278363GT	CLAMP, 1.25 INCH TUBE.....	2
21	1278144GT	WELDMENT, LEFT CONTACT ALARM, LARGE.....	1

821.1 OPTION,SUNBELT,TELEMATICS,ALC1000



821.1 OPTION,SUNBELT,TELEMATICS,ALC1000

Item	Part No.	Description	Qty.
1	1260053GT	FORMING,TELEMATICS,TOPCON,ALC1000.1	
2	824079GT	SCREW,HHF,1/4-20X1,8,ZAG.....2	
3	1260052GT	SPACER,TELEMATICS,TOPCON.....1	
4	1274170GT	NUT, NYLOCK, 10-24, A, ZAG.....2	
5	1253185GT	WASHER,FLAT,#10,USS,ZAG.....2	
6	1281095GT	ASSEMBLY,TELEMATICS,TTU 2830.....1	
7	1262031GT	SCREW,HHF,10-24X.75,ZAG.....2	

Part Number Index

The Part Number Index is a numeric index of all part numbers included in this manual. The index shows what page(s) the part is used on.

Part Number	Page	Part Number	Page	Part Number	Page	Part Number	Page
1000256GT	16, 20	102447GT	163	106394GT	187	111637GT	45
101005GT	117	102449GT	29	106477GT	181	111639GT	55
101005HGT	117	102450GT	29	106637GT	181	111668GT	65
101068GT	137	102452GT	29	106658GT	181	111997GT	91, 97
101070GT	27	102496GT	119	10665GT	95	11209GT	41
10107GT	31, 37, 41, 49,	102534GT	77	106756GT	29	114112GT	11, 13, 16, 20
	163	102580GT	65	106873GT	29	11413GT	39
101174GT	115, 117	102581GT	65	106874GT	29	114236GT	16, 20
101174HGT	117	102582GT	65	106875GT	29	114247GT	11, 13
101175GT	115, 117	102584GT	65	106914GT	41	114249GT	11, 13
101175HGT	117	102586GT	65	106923GT	71	114251GT	11, 13
101382GT	113	102587GT	65	107706GT	163	114252GT	11, 13
101383GT	113	102590GT	65	107708GT	163	114258GT	16, 20
101384GT	113	102592GT	65	107710GT	163	114389GT	16, 20
101506GT	181	102593GT	65	10777GT	33, 107, 109	114390GT	16, 20
101516GT	187	102594GT	65	107830GT	27, 53	114416GT	16, 20
101525GT	183	102595GT	65	107858GT	153	114473GT	11, 13
101547PGT	183	102596GT	65	107860GT	111, 113	119534GT	169
101601GT	79	102597GT	65	110180GT	131, 133	119536PGT	105
101602GT	79	102598GT	81	110194GT	119	119542GT	105
101603PGT	77	102606PGT	181	110220GT	181, 183	119613GT	117
101604PGT	77	102607PGT	181	110276-1200GT	183	119619GT	25
101606PGT	77	102632GT	81	110276-1500GT	183	119620GT	25
101613GT	79	102638GT	81	110276-2400GT	183	119641GT	169
101628GT	77	102639GT	81	110276-2500GT	183	119915GT	117
101629GT	77, 79	102646GT	83	110276-3600GT	183	119950GT	163
101634GT	83	102659GT	49	110276-4000GT	183	121603GT	73
101639GT	175, 177	102671GT	107	110276-4600GT	183	121657GT	51
101640GT	69, 85	102675GT	107	110276-5800GT	183	122015GT	95
101644GT	77	102676GT	155	110276-7000GT	183	122016GT	95
101726GT	47	102684GT	29	110277-4500GT	183	122019GT	153
101731PGT	183	102701GT	121, 123	110304GT	77	122034GT	91, 97
101732GT	183	102704GT	31, 53	110344GT	181	122043GT	16, 20
101845GT	157	102705GT	53	110771-74B69GT	99	122073GT	163
101888GT	51, 53	102710GT	49	110771-74BJ9GT	37	122079GT	107, 109
101930PGT	85	102721PGT	163	110789GT	157	122114GT	91, 97
101931PGT	85	102728GT	25	111143GT	43	122225GT	97
101934GT	131, 133	102729GT	25, 31	111144GT	43	122231GT	163
101957GT	57, 61, 79, 83	102746GT	181, 187	111145GT	43	122247GT	31
101958GT	123	102785PGT	155	111149GT	95	122248GT	25, 31
101964GT	35	102786PGT	155	111189GT	107	122249GT	25
102020GT	97	102938GT	163	111193GT	107	122272GT	33, 35
102045GT	55, 63, 77, 79	102947GT	35	111205GT	109	122279GT	163
102052GT	97	102948GT	35	111209GT	109	122300GT	181
102053GT	91	102949GT	33	111213GT	109	122302GT	187
102064GT	27	102992GT	111, 113	111217GT	109	122321GT	97
102106GT	47	102993GT	37	111253GT	113	122322GT	97
102190PGT	45	102994GT	37	111261GT	111	122323GT	153
102200-SGT	111, 113	104030GT	115	111265GT	111	122335GT	55
102205PGT	37	104759GT	121	111269GT	111	122336GT	43
102208GT	63	104760GT	121	111273GT	111	122337GT	43
102209PGT	61	10587GT	41, 171	111278GT	111, 113	122366GT	51
102210PGT	75	10597GT	23, 31	111281GT	163	122402GT	55
102211GT	91, 97	106043GT	183	111285GT	163	122404GT	55
102212GT	91, 97	106044GT	183	111287GT	163	122407GT	57
102213GT	97	106073GT	181	111289GT	163	122408GT	57
102214GT	91, 97	106098GT	27	111291GT	163	122409GT	55
102215GT	91, 97	106104GT	181	111293GT	163	122410GT	55
102216GT	91, 97	106110GT	183	111312GT	163	122411GT	57
102218PGT	75	106111GT	183	111314GT	163	122412GT	55
102220GT	175	106112GT	183	111316GT	163	122413GT	57
102237PGT	63	106113GT	181	111318GT	163	122414GT	57, 69, 85
102312-2088GT	185	106118GT	27	111320GT	163	122415GT	55
102313-4626GT	185	106140PGT	181	111328GT	33	122423GT	57
102314GT	181	106141GT	183	111329GT	35	122424GT	55
102348GT	81	106183GT	183	111402GT	65	122425GT	57
102357GT	181	106184GT	181	111411GT	89	122427GT	57
102359PGT	181	106204PGT	183	111412GT	89	122428GT	55, 57
102390PGT	181	106211-300GT	69, 85	111436GT	143-144	122432GT	57, 175, 177
102394GT	125-126	106211-400GT	175	111437GT	143-144	122433GT	57
102395GT	125-126	106211-475GT	63	111445GT	65	122434GT	57
102396GT	125-126	106211-800GT	69	111485PGT	163	122435GT	57
102398GT	125-126	106226-4000GT	79	111486PGT	163	122438GT	55
102408PGT	183	106274GT	181	111523GT	95	122440GT	125-126
102409PGT	183	106275GT	183	111526GT	155	122466GT	57

Part Number	Page	Part Number	Page	Part Number	Page	Part Number	Page
122467GT	57	1253232GT	67	1261184GT	191	128419GT	187
122470GT	57	1253233GT	67	1261640GT	61	128421GT	79
122494GT	137	1253234GT	67	1262031GT	193	128424GT	79
122495GT	137	1253319GT	73	1262523GT	177	128447GT	43
122516GT	51	1253325GT	67	1262524GT	177	128454PGT	105
122517GT	51	1253326GT	73	1262525GT	69	128482GT	105
122519GT	51	1253327GT	71	1264656GT	69	128483GT	105
122551GT	105	1253498GT	81, 83	1264657GT	69	128505GT	55
122591GT	57	1253502GT	53, 67	1264934GT	191	128534GT	105
122592GT	57	1253600GT	69, 85	1267807GT	45	128554GT	79
122593GT	77	1253618GT	53	1268229GT	45	128555GT	79
122594GT	55	1253705GT	53	1269501GT	117	128636GT	37, 99
122602GT	57	1253706GT	53	1271398GT	181	128638GT	77
122603GT	57	1253707GT	53	1274045GT	53, 101, 103	128661GT	77
122604GT	57	1254081GT	67	1274116GT	101, 103	128724GT	105
122605GT	57	1254418GT	67	1274134GT	49	128801GT	77
122613GT	57	1254669GT	69	1274168GT	191	128829GT	45, 55, 61, 77
122614GT	57	1254826GT	65	1274170GT	193	128858GT	77
122615GT	57	1254949GT	67	1274322GT	165, 167, 189,		
122625GT	55	1255342GT	67		191	128953GT	16, 20
122701GT	77	1255451GT	67	1274511GT	103	128974GT	16, 20
122702GT	77	1255631GT	67	1276727GT	31	12906GT	33, 35
122708GT	55	1255653GT	65	1276728GT	31	12981GT	97
122709GT	55	1255665GT	69	1277873GT	191	13000GT	55
122723GT	169	1255666GT	69	1277875GT	191	13002GT	45, 55, 181
122755GT	107, 109, 161,	1255753GT	71	1277876GT	191	13003GT	63, 77, 79
	179, 183	1255806GT	67, 71	1277877GT	191	13004GT	55
122768GT	159	1256109GT	97, 99, 105	1277924GT	165, 167, 191	130187GT	81
122771GT	159	1256267GT	89	1277970GT	55	130341GT	83
122791GT	97	1256377GT	189	1278111GT	191	13037GT	115
122875GT	61	1256378GT	189	1278119GT	191	13064GT	41, 55, 63, 77,
122877GT	55	1256379GT	189	1278121GT	191		79, 95
122895GT	33	1256380GT	189	1278124GT	191	13066GT	27, 57, 63, 69,
122910GT	175	1256389GT	189	1278138GT	191		77, 95
122911GT	175	1256400FRGT	189	1278144GT	191	13097GT	181
122912GT	175	1256400GT	189	1278363GT	191	13268GT	115
122913GT	175	1256439GT	189	1278368GT	191	133067GT	11, 13
122914GT	175	1256480GT	67	1278416GT	191	133205GT	11, 13
122918GT	41	1256481GT	189	1278433GT	191	133278GT	16, 20
122919GT	41	1256583GT	73	1278458GT	191	133518GT	183
122944GT	101, 103	1256776GT	73	1278542GT	191	13585GT	107, 109
122949GT	153	1256805GT	73	1279134GT	191	13852GT	101, 135
122951GT	153	1256848GT	91, 93, 97	1279465GT	45	139066GT	77
122954GT	53	1256851GT	189	1279466GT	45	13918GT	41, 103
122964GT	131	1256855GT	167	1279672GT	191	139321GT	61
123081GT	83	1256856GT	189	128000GT	117	139322GT	61
123084GT	81	1256859GT	191	128001GT	117	139338GT	115
123351GT	81	1256911GT	71	128004GT	61, 69, 79	139438GT	163
12344GT	51, 115, 191	1257753GT	71	1280590GT	65	139451GT	111, 113
12443GT	111, 113	1257774GT	71	1280591GT	65	139455GT	63
12460GT	91	1257844GT	67	1281095GT	193	139598GT	117
124962GT	71	1257888GT	71	128200GT	115	139612GT	77
1251496GT	71	1257924GT	83	128204GT	169	139621GT	65
1251565GT	73	1258412GT	73	128207GT	79	139624GT	61
1251600GT	165, 167	1258460GT	51	128242GT	77	139666GT	61
1251705GT	73	1259039GT	177	128243GT	77	139709GT	65
1251708GT	69	1259253GT	53	128244GT	79	139798GT	57
1251720GT	67	1259484GT	27	128245GT	79	139983GT	63
1251893GT	67, 85	1259485GT	27	128246GT	79	14033GT	25, 37
1251894GT	67, 85	1259486GT	27	128247GT	77	14295GT	79
1251897GT	85	1259487GT	27	128248GT	79	14297GT	93, 173
1251899GT	73	1259704GT	163	128249GT	79	146044GT	57
1251902GT	83	1259950GT	27	128250GT	79	146045GT	57
1251983GT	67	1259951GT	27	128268GT	103	146046GT	55
1251997GT	83, 189	1260052GT	193	128274GT	159	146047GT	55
1252014GT	67	1260053GT	193	128280GT	77	146048GT	77
1252015GT	67	1260892GT	189	128314GT	73	146054GT	59, 75, 87
1252016GT	67	1260910GT	189	1283564GT	93, 97	146056GT	103
1252017GT	67	1261018GT	189	1283565GT	93, 97	146061GT	65
1252018GT	67	1261019GT	189	128368GT	163	146073GT	101, 103
1252019GT	67	1261020GT	189	128373GT	159	146089GT	89
1252978GT	101	1261021GT	189	128388GT	93, 97	146091GT	89
1253185GT	193	1261022GT	189	1283891GT	97	146093GT	89
1253218GT	67	1261023GT	189	1283892GT	99	146097GT	16, 20
1253230GT	67	1261024GT	189	1283995GT	67	146193GT	53, 125-126
1253231GT	67	1261025GT	189	128416GT	187	146195GT	51, 53
						146196GT	53, 99

Part Number Index (continued)

Part Number	Page	Part Number	Page	Part Number	Page	Part Number	Page
146197GT	53	217232GT	81	236260GT	71	33278GT	95, 97
146198GT	37, 53	217457GT	81, 85	236695GT	107, 109	33418GT	55, 63, 77, 79
146199GT	53, 99	217458GT	81, 85	236946GT	65	33428GT	23, 103
146284GT	181	217459GT	81	237068GT	45	33555GT	33, 35
146285GT	181	217460GT	67, 81, 85	237232GT	29	33607GT	181
146306GT	57	217500GT	73, 85	237233GT	29	33608GT	181
146324GT	89	217709GT	95, 97	237352GT	67	33674GT	163
146325GT	37, 99	218458GT	71	237730GT	67	33681GT	99
146352GT	57	218496GT	27	237832GT	69, 83	33987GT	49
146390GT	115	218715GT	67	24037GT	77	34052GT	51
146399GT	53, 157	219158GT	179	24038GT	77	34058GT	83
146418GT	11, 16	22558GT	61, 63	24514GT	111, 113	34127GT	27
146419GT	13, 20	22571GT	77	25553GT	115	34131GT	89
146423GT	16, 20	22578GT	61	25683GT	103	34243-500GT	91
146476GT	91, 97	226060GT	79	25685GT	157	34348GT	41, 89
146477GT	91, 97	226061GT	79	25994GT	15-16, 19-20	34505GT	171
146478GT	115	226103GT	65	27034GT	55, 57, 79, 175	34550GT	89
147121GT	111, 113	226104GT	65	27204GT	11, 13, 15-16, 19-20	34619GT	33, 157
147221GT	111, 113	226105GT	65	27205GT	11, 13, 15-16, 19-20	34955GT	175, 177
147290GT	49	226106GT	65	27206GT	11, 13, 15-16, 19-20	35418GT	47
1487GT	163	226127GT	79	27207GT	11, 13, 15-16, 19-20	35432GT	171
1488GT	163	226128GT	79	27287GT	169	35434GT	67, 79, 85
15086GT	179	226130GT	89	27584GT	55, 77, 79	35461GT	183
15243GT	33, 99	226131GT	89	27761GT	119	35675GT	59, 75, 87
15436GT	83	226393GT	153	27836GT	119	35956GT	163
160645GT	115	226503GT	181	27901GT	71	35960GT	153
161189GT	65	226507GT	181	28159GT	11, 13, 15-16, 19-20	36208GT	67, 171
162006GT	181	226519GT	16, 20	28161GT	15-16, 19-20	36294GT	181
162206GT	71	226627GT	83	28165GT	15-16, 19-20	36388GT	189
162207GT	71	22672GT	67, 85, 171	28174GT	11, 13, 15-16, 19-20	37187GT	49
162208GT	71	22697GT	57	28175GT	15-16, 19-20	37191GT	49
162209GT	71	22699GT	55, 57, 79, 175	28176GT	15-16, 19-20	38028GT	95
162425GT	53	22788GT	25, 31	28177GT	15-16, 19-20	38149GT	15-16, 19-20
16487GT	99	22832GT	99	28181GT	15-16, 19-20	38620GT	93, 97
18189GT	45	228848GT	167	28235GT	11, 13, 15-16, 19-20	38859GT	59
18383GT	95	228849GT	167	28236GT	15-16, 19-20	38922GT	77
18396GT	25	228866GT	131, 133	28443GT	183	39346GT	121
18596GT	23, 55, 63, 77, 79, 95	229346GT	181	28646GT	25, 31, 41, 49	39479GT	25, 37, 39, 95
18665GT	181	229382GT	181	28853GT	159	39653GT	71
18666GT	183	229383GT	181	29557GT	65	39888-183600GT	161
20224GT	125-126, 141, 143-144, 147, 149, 151	229389GT	115	29559GT	65	40265GT	37, 39
20262GT	111, 113	229401GT	181	29560GT	65	40434GT	11, 13, 15-16, 19-20, 189
20776GT	181	229402GT	181	29739GT	137	41468GT	77
20973GT	111, 113	229405GT	131, 133	29764GT	107, 109	41489GT	43
21121GT	111, 113	229406GT	131, 133	29868GT	37, 45, 49, 71, 73, 99	42941-11500GT	45
21130GT	57, 61, 83	229407GT	131, 133	29883GT	55	42941GT	47
21187GT	33, 181	229410GT	133	30080GT	19-20	43018GT	23, 101, 103, 135
214393GT	45	229411GT	131, 133	30143GT	45	43392GT	155, 163
21465GT	45, 47, 67	229768GT	111, 113	30217GT	101, 103	43594GT	15-16
214795GT	73	229925GT	183	30222GT	103	43955GT	33, 107, 109
21496GT	61	230073GT	67, 81, 85	30255GT	101, 103	44174GT	121, 125-126, 131, 133
215209GT	45	230074GT	67	30270GT	97, 101, 103	44175GT	121, 125-126
215210GT	45	23057GT	77, 79	30438GT	77	44178GT	125-126
215229GT	49	230983GT	131, 133	30468GT	155	44224GT	125-126
215496GT	83	230993GT	129	30489GT	63, 79, 85, 171, 175	44225GT	125-126, 131, 133
215500GT	83	231087GT	83	30490GT	55	44227GT	121, 123, 125-126, 131, 133
215509GT	83	231088GT	71	30748GT	39, 95	44228GT	131, 133
215510GT	83	231511GT	85	30971GT	115	44229GT	121
215511GT	85	231513GT	73, 83, 85	3106GT	101	44230GT	121, 125-126
215515GT	85	231513GT	73	31523GT	171	44236GT	121
215516GT	85	231532GT	83, 85	31658GT	47	44335GT	99
215517GT	69, 83	231533GT	69, 71, 81, 83, 85, 177	31788GT	15-16, 19-20	44714GT	55
215546GT	129	231533GT	69, 71, 81, 83, 85, 177	31817GT	77	44743GT	111, 113
215918GT	85	231993GT	45	33247GT	95	44981GT	11, 13, 15-16, 19-20
216036GT	69	232841GT	95	33277GT	77, 79	44986GT	15-16, 19-20
21604GT	157	232842GT	95			45076GT	95
216286GT	81	232874GT	69, 85			45209GT	39, 91
216564GT	81	232975GT	115			45363GT	49, 83
216597GT	67, 81, 85	233942GT	131, 133			45435GT	85
216758GT	83	233992GT	167			45495GT	41
217021GT	45	235068GT	45			45708GT	45
217022GT	45	236240GT	83				
217023GT	45	236259GT	71				

Part Number Index (continued)

Part Number	Page	Part Number	Page	Part Number	Page	Part Number	Page
45748GT	95, 157	49117-6291GT	141	5094GT	33	60171GT	95
45782GT	65	49117-6435GT	141	50974GT	37, 45, 49, 55,	60177-SGT	91, 97, 99
45916GT	125-126	49118-9708-SGT	151		61, 71, 77, 83	60179GT	95
46216GT	125-126, 131,	49119-10678GT	141	51063GT	37, 89, 157	60181-SGT	95
	133	49119-13978GT	141	51131GT	59, 75, 87	60192GT	93, 95, 97
47363GT	183	49119-3848GT	147, 149	51147GT	45	60194GT	97
47377GT	101, 103	49119-5648GT	149	52087GT	137	6019GT	25, 31, 37, 45,
4828GT	25, 33, 41, 45,	49120-12981-SGT	151	5224GT	89, 95, 103, 105		47, 49, 55, 59,
	47, 49, 55, 57,	49126-1783GT	143-144	52352GT	65		61, 75, 77, 83,
	61, 63, 77, 83,	49128-1650GT	143-144	52371GT	131, 133		87, 107, 109, 181
	89, 91, 95, 97,	49128-3109-SGT	151	52373GT	125-126	60205GT	95
	99, 101, 103,	49128-37809GT	143-144	52374GT	125-126	60208GT	95
	105, 107, 109,	49130-37982GT	144	52466GT	125-126	60215-SGT	95
	111, 113, 153,	49130-48782GT	144	52661GT	163	60216GT	95
	157, 161, 179,	49130-55982GT	144	52723GT	119	60217GT	97
	181, 183	49130-72982GT	143-144	52726GT	119	6021GT	25, 27, 31, 37,
48880GT	125-126, 141,	49130-76382GT	143-144	52768GT	49		39, 45, 49, 55,
	143-144, 147,	49141-2963-SGT	139, 141	52865GT	15-16, 19-20		57, 59, 75, 87
	149, 151	49141-4263-SGT	143-144	52866GT	61, 69, 79, 85	60222GT	93, 97
48885GT	25, 31, 41, 49	49141-5663GT	139	52905GT	126	60229GT	95
48894GT	139	49142-7062GT	185	52907GT	123, 125-126,	60231GT	95
48904GT	139, 144, 147,	49143-12192GT	151		131, 133	60234GT	173
	149, 151	49143-1929GT	143-144	53471GT	79	60235GT	173
48905GT	139, 141, 151	49143-2779-SGT	143-144	5361GT	39	60236GT	173
48907GT	147, 149, 151	49143-3529GT	143-144	5365GT	61, 83	60237GT	173
48908GT	141	49143-3829-SGT	143-144	53807-SGT	163	60239GT	93, 97
48911GT	141	49143-5629GT	185	5387GT	97	60240GT	95
48912GT	139, 141, 147,	49143-6329-SGT	143-144	5397GT	31, 37, 39, 41,	60244GT	173
	149	49143-7029-SGT	143-144		45, 49, 55, 57,	60245GT	91, 97
48915GT	49, 144, 147,	49143-8429GT	143-144		59, 61, 63, 75,	60247PGT	91
	149, 151	49159-6118-SGT	143-144		77, 87, 89, 91,	6024GT	55, 63, 77, 79
48916GT	143-144, 151	49183-10692-SGT	151		99, 105, 153,	60256-SGT	91
48918GT	49	49183-3292GT	139		161, 163, 167,	60297GT	89
48920GT	144	49183-4092GT	139		183	60302GT	89
48923GT	141	49183-5792GT	139	53983GT	23, 99	60322-SGT	81
48931GT	151	49189-2338GT	25, 31	54156GT	95	60326GT	171
48932GT	143-144	49207GT	125-126, 143-	54177GT	57, 69	60331GT	95
48933GT	139, 141, 143-		144	54205GT	77	60332GT	95
	144, 151, 185	49212GT	161	54274GT	111, 113	60334GT	45
48935GT	143-144	49214GT	161	54355GT	111	60335-SGT	95
48936GT	139	49215GT	161	54363GT	77	6033GT	23, 25, 31, 41,
48937GT	143-144, 151	49378GT	79	54380GT	45		49, 89, 95, 171
48938GT	185	49379GT	79	54428GT	69	60340-SGT	95
48946GT	144	49407GT	61	54457GT	165	60341-SGT	37
48947GT	143-144	49408GT	77, 79	54486GT	155	60342GT	91
48948GT	139, 143-144,	49410GT	41, 55, 77, 79	54692GT	115	60343-SGT	95, 97
	185	49411GT	61, 63	55753GT	163, 165	60346-SGT	95
48958GT	185	49612GT	135, 139, 141,	56237GT	181	60356-SGT	95
48959GT	143-144, 185		143-144, 151	56424GT	111, 113, 165,	60358GT	95
48960GT	139, 143-144,	49613GT	135, 139, 141,		167	6035GT	59, 75, 87
	151, 185		143-144, 151	56525GT	165	6036GT	59, 75, 87
48963GT	139, 141, 143-	49775GT	41	56570GT	165	60370-SGT	107
	144, 185	49816GT	45, 89, 111, 113	56704GT	153	60393-SGT	41
48964GT	185	49817GT	23, 27, 95, 157	56843GT	27, 41, 43	60418-SGT	31
48978GT	144	49819GT	23, 25	56912GT	25, 31, 33, 35,	60422GT	95
48983GT	151	49824GT	99, 153		39, 47, 49, 57,	60474GT	111, 113
48984GT	143-144	49857GT	107, 109		77, 79, 91, 105,	60475GT	111, 113
48985GT	143-144	49915GT	65		111, 113	60476GT	111, 113
48996GT	49, 143-144	49924GT	65	56927GT	111	60478GT	111, 113
48997GT	141, 143-144,	50035GT	41	56934GT	167	60483-SGT	39
	147, 149, 151	50060-SGT	25	57160GT	45	60496-SGT	37
49116-10337GT	141	50100GT	95	57201GT	107, 109	60508GT	49
49116-10937-SGT	139, 141	50117-SGT	97	58222GT	45	60521GT	45, 49
49116-11537-SGT	139, 141	50154GT	31	58223GT	45	60525GT	79
49116-12237GT	141	50160GT	91	58249GT	65	60526GT	79
49116-2637GT	141	50161GT	49	58256GT	65	6054GT	47
49116-5337-SGT	139	50207GT	101	58299GT	65	60556GT	25
49116-6037-SGT	139	50212GT	101	58566GT	65	60559GT	49
49117-12791-SGT	149	50243GT	95	58593GT	51	60561GT	57, 79
49117-1391-SGT	151	50245GT	93, 97	58630GT	65	60564GT	85
49117-2091-SGT	149	50246GT	93, 97	59335GT	151	60571-SGT	49
49117-3191GT	147	50247GT	95	6002GT	33, 35, 37, 39	60575PGT	41
49117-5035-SGT	141	50787-SGT	61	60156GT	99, 173	60576GT	85
49117-5591GT	147	50790GT	33, 35	60157GT	93, 173	60578GT	33, 35
49117-5835GT	139, 141	50811GT	51	60163-SGT	95	60583-SGT	39
49117-5935GT	139	50813GT	101, 103	60164GT	95	60584GT	45, 47, 71

Part Number Index (continued)

Part Number	Page	Part Number	Page	Part Number	Page	Part Number	Page
60585GT	77			61350-SGT	37	62360GT	129
60595-SGT	35		57, 61, 77, 83,	61352GT	143-144	62361GT	129
60596GT	57		89, 91, 93, 95,	61378-SGT	31	62362GT	129
60606-SGT	41		97, 99, 107, 109,	61379GT	97	62363GT	129
60618GT	25		111, 113, 153,	61384GT	95	62364GT	129
60625GT	59, 75, 87	60980GT	25	61385GT	95	62365GT	123
60627GT	171	60984GT	89	61393GT	171	62374GT	51
60628GT	171	60987GT	23, 53, 89	6145GT	101, 103, 163	62375GT	51
60637GT	59, 75, 87	60989GT	53	6146GT	33, 35, 41, 89,	62376GT	51
60649GT	85	61072-8326GT	143-144		111, 113, 157	62378GT	51
60655-SGT	37	61073-3230GT	143-144	6147GT	33	62379GT	51, 115
60670-SGT	37	61073-5430GT	143-144	61587GT	59	62382GT	115
60671GT	37	61073-6230-SGT	143-144	61598GT	103	62386GT	115
60697GT	95	61079GT	147, 149	61602GT	89, 103	62392GT	117
60708-SGT	45	61080GT	143-144	61604GT	23	62412GT	49
60711GT	45	61083GT	143-144	61610GT	139	62413GT	49
60721GT	45	61099-SGT	93, 173	61634-SGT	25	62414GT	49
60727-SGT	45, 49	61109GT	71, 83	61649-SGT	31	62416GT	23
60729-SGT	37, 45	61110GT	57	61654GT	25	62419GT	23
60729GT	55	61118GT	171	61662-SGT	27	62425GT	61, 69, 79, 85
60745GT	25	61119GT	171	61663PGT	31	62433GT	83
60747GT	25	61128GT	41	61682GT	23	62442GT	129
60757GT	79	61134-7033GT	185	61683GT	23	62443GT	129
60759-SGT	39	61141GT	37	61684GT	23	62449GT	89, 95
60778-SGT	61, 77	61143-11263GT	139	61688GT	23	62465GT	43
60802GT	97	61143-11563-SGT	139	61726GT	157	62466GT	43
60805GT	47	61143-5463-SGT	139	61742GT	31	62467GT	43
60815GT	41	61164GT	99	61745GT	97, 105	62468GT	43
60819PGT	153	61171GT	99	6175GT	33, 37, 45, 49,	62470-SGT	31
60822PGT	91	61174GT	99		59, 63, 75, 87	62471-SGT	31
60826GT	59, 75, 87	61176-SGT	99	61781GT	79	62476GT	61, 79
60829GT	91	61179GT	39	6178GT	23, 33, 35, 41,	62478GT	29
60838GT	37, 49, 69, 91,	61185GT	89		49, 89, 99, 111,	62506GT	135
	153	61189GT	45		113, 153	62507GT	135
60857GT	45	61216-SGT	111	61972GT	157	6272GT	169
60868GT	79	61222GT	41	61974GT	157	63213GT	103
6086GT	95	61223GT	41	61975GT	157	6326GT	25
60872GT	33, 35	61225GT	45	61976GT	157	63353GT	103
60874GT	33, 35	61227GT	11, 13, 15-16,	61977GT	157	6356GT	25, 27, 31, 33,
60875GT	37, 59, 67, 75,		19-20	6198GT	31, 37, 39, 41,		35, 39, 45, 47,
	85, 87	61233GT	89		91, 95		49, 91, 93, 95,
60884GT	33, 35	61236GT	47	61997GT	157		99, 101, 103,
60886PGT	161	61240GT	47	62252GT	119		111, 113, 115,
60890GT	47	61245GT	159	62253GT	119		163, 173
60892GT	33	61250GT	41	62321GT	41	65182GT	11, 13, 15-16,
60893GT	33	61259GT	143-144, 147,	62323GT	121, 125-126		19-20
60895-SGT	33		149	62324GT	121, 125-126,	65187GT	15-16, 19-20
6090GT	25, 39, 45, 49,	61260GT	151		131, 133	65266GT	11, 13, 15-16,
	57, 77, 79, 91,	61263GT	143-144	62325GT	125-126		19-20
	95, 101, 103,	61268GT	139	62326GT	125-126	65278GT	11, 13, 15-16,
	105, 107, 109,	61269GT	139	62327GT	125-126		19-20
	111, 113, 163,	6126GT	41	62329GT	125-126	65428GT	15-16, 19-20
	165, 171, 173,	61270GT	69, 85	62330GT	121, 125-126	65473GT	55, 77, 85
	175	61278GT	33	62332GT	125-126	6550GT	111, 113, 183
6091GT	31, 33, 35, 37,	61279-SGT	33	62333GT	125-126	65630GT	165
	45, 49, 57, 61,	61282GT	59	62334GT	125-126	6578GT	79
	79, 99, 105, 107,	61294PGT	99	62335GT	125-126	65792GT	89
	109, 111, 113,	61297GT	171	62336GT	125-126	65793GT	25
	157, 165, 171,	61298GT	171	62337GT	121, 125-126	65795GT	101
	175, 179	61302GT	31	62338GT	125-126	6584GT	61, 83
60928GT	45	61306-SGT	103	62339GT	125-126	65907GT	125-126
60930GT	45	61307GT	25, 31	62341GT	123, 125-126,	6595GT	33
60935-SGT	99	61308GT	25		131, 133	6605GT	153
60936-SGT	49	61309GT	25, 31	62344GT	125-126	6606GT	33, 35
60937-SGT	41	61310-SGT	31	62346GT	121, 123	6607GT	23, 25, 95, 111,
60938GT	47	61310GT	25	62347GT	121, 123		113
60940GT	45	61318GT	45	62349GT	125-126	6637GT	31
60950GT	115	61321GT	144	62350GT	129	6638GT	25, 27, 31, 33,
60956GT	27	61322GT	53, 111, 113	62351GT	129		35, 37, 39, 45,
60957GT	27	61324-12947GT	41	62353GT	129		47, 49, 55, 57,
6095GT	31, 37, 39, 171	61326GT	49	62354GT	129		61, 77, 79, 91,
60964GT	33	61339GT	107, 109	62355GT	129		93, 99, 101, 103,
60966GT	33	61340GT	89	62356GT	129		105, 107, 109,
6096GT	31, 41	61341GT	89	62357GT	129		111, 113, 155,
6097GT	25, 31, 33, 37,	61346GT	139	62358GT	129		163, 165, 167,
	45, 47, 49, 55,	61347GT	37	62359GT	129		

Part Number	Page	Part Number	Page	Part Number	Page	Part Number	Page
	171, 173, 175, 179, 181	73478PGT	111, 113	75327GT	81	82237GT	15-16, 19-20, 181, 183
66717GT	45	73500GT	165	75328GT	77, 81	82240GT	11, 13
66777GT	63, 77	73501GT	165	75330GT	81	82289GT	15-16, 19-20
66811GT	51	73575GT	191	75342GT	81	822955GT	83
66812GT	51, 115	73587GT	111, 113	75355GT	95	823259GT	57
66813GT	115	73610PGT	111, 113	75356GT	95	823260GT	57
66815GT	115	73711GT	79	75395GT	103	823420-1400GT	67
66816GT	51	73742GT	31	75396GT	95	823420-6300GT	71
66818GT	51, 115	73807GT	135	75397GT	95	823420-6500GT	71
66821GT	51, 115	73928GT	107, 109	75409GT	45, 49	823421-2701GT	71
67505GT	51	74006GT	107, 109, 181	75424GT	95	823421-3000GT	71
6782GT	31, 37, 45, 49, 55, 91, 181, 183	74052GT	33, 107, 109	75443GT	117	82366GT	15-16, 19-20
67897GT	83	74902GT	119	75444GT	117	824019GT	71
6833GT	49, 115	75007GT	41	75445GT	117	824027GT	71
6873GT	33	75008GT	41	75446GT	117	824029GT	85
6886GT	49	75011GT	89	75447GT	117	824032GT	83
6888GT	31, 33, 35, 37, 39, 47, 49, 57, 61, 99, 111, 113, 155, 157, 175, 179, 181	75014GT	49	75448GT	117	824037GT	191
6889GT	39, 155, 163, 181	75016PGT	101	75449GT	117	824038GT	167
6935GT	33, 181	75020GT	83	75450GT	61, 69, 79, 85	824062GT	71
69775GT	69	75031GT	53, 95, 99	75451GT	61, 69, 79, 85	824067GT	89, 93, 95, 97, 99, 101, 103
69873GT	119	75032GT	53, 89	75452-SGT	25	824078GT	191
7-121-07GT	47	75033GT	53, 89	75456GT	125-126	824079GT	193
70241GT	119	75036GT	23, 53	75457GT	125-126	824083GT	165, 191
70257GT	57, 79	75037GT	41, 53	75458GT	125-126	824089GT	71
70289GT	71	75038GT	23	75460GT	87	824090GT	191
70381GT	57, 69	75039-SGT	23	75527GT	163	824091GT	71, 73
70387GT	47	75040GT	23	75537PGT	111, 113	824093GT	85
70438PGT	63	75041GT	49	75554PGT	47	82410GT	15-16, 19-20
70439PGT	61	75048GT	159	75555GT	85	824113GT	71
70440GT	63, 73	75049PGT	95	75591GT	49	824122GT	85
70444GT	57, 63, 77, 83	75057-SGT	37	75607PGT	59, 87	824123GT	73, 85
70445GT	63	75058-SGT	37	75610GT	45	824131GT	67
70447GT	63	75060GT	23	75612GT	139	824132GT	67
70448PGT	61	75061GT	101, 103	75613GT	139, 141, 143-144	824133GT	69, 83
70449GT	63, 77, 83	75063GT	23	75627GT	103	824134GT	73
70483GT	63, 77, 83	75064GT	89	75641GT	53, 153	824144GT	71
70515GT	175	75065GT	91	75642-SGT	33	824214GT	71
70518GT	85	75066GT	91	75654GT	143-144	824216GT	191
70535GT	71	75069GT	33, 107, 109	75657-2515-SGT	143-144	82422GT	11, 13, 15-16, 19-20
7056GT	107, 109, 111, 113, 181	75073GT	33, 39	75682GT	43	824471GT	71
71259GT	37	75076GT	33, 35, 49	75719GT	45, 49	824635GT	71
71498GT	163	75087GT	25	75762GT	95	824673GT	71
71911GT	55, 61, 63, 77, 83	75088GT	25	75769GT	53	82472GT	11, 13
72043GT	119	75098GT	125-126, 141, 143-144, 147, 149, 151	75854GT	37	82473GT	11, 13
72088GT	11, 13, 15-16, 19-20	75105-SGT	101	75855GT	37	824807GT	177
72147GT	11, 15-16	75106-SGT	101	75910GT	23, 99	82481GT	11, 13
72148GT	13, 19-20	75108-SGT	33	75911GT	99	82487GT	11, 13
72149GT	11, 15-16	75110-SGT	33	75912GT	99	825019GT	25, 59, 75, 87, 95, 101, 103
72150GT	13, 19-20	75112-SGT	35	75913GT	23, 99	825030GT	15-16
72151GT	15-16, 19-20	75113GT	49	7713GT	37, 55, 57, 91, 97, 99, 153	825031GT	15-16
72152GT	11, 13, 15-16, 19-20	75116GT	43	77181GT	181	825032GT	19-20
72168GT	15-16, 19-20	75118GT	45	77489GT	119	825033GT	19-20
72169GT	15-16, 19-20	75121GT	45	77664GT	167	825109GT	15-16
72255GT	65	75129GT	41	77683GT	167	825110GT	15-16
72282GT	153	75130GT	41	77819GT	137	825111GT	19-20
72326GT	51	75134-SGT	103	79456GT	105	825112GT	19-20
7265GT	163	75141GT	115	80543GT	181	825127GT	15-16, 19-20
72875GT	15-16, 19-20, 165	75144GT	115	80605GT	157	825128GT	15-16, 19-20
72968GT	15-16, 19-20	75249-PGT	153	81175GT	103	82515GT	15-16, 20
72988GT	15-16, 19-20	75250-PGT	153	81368GT	165	825355GT	83
72999GT	15-16, 19-20	75253GT	49, 143-144	81467GT	61, 69, 79, 85	825357GT	71
73121-SGT	153	75254GT	49, 143-144	81468GT	61, 69, 79, 85	825365GT	15-16
7339GT	29, 39, 51, 115, 155	75256GT	49, 143-144	81476GT	59	825367GT	19-20
73461GT	93, 97	75257GT	49, 143-144	81551GT	51, 169	825373GT	15-16
73463-1175GT	167	75259GT	55, 85	81578GT	49	825375GT	19-20
		75260GT	85	81640GT	105	825383GT	15-16, 19-20
		75274GT	85	8170GT	45	82547GT	11
		75278-5529-SGT	139	81738-3300GT	79	82548GT	11, 13
		75278-5729GT	139	8177GT	31, 89	8255GT	27, 39, 45, 55, 57, 91, 153
		75278-6029GT	139	8178GT	153, 179	825718GT	11
		75288-5538-SGT	143-144	82160GT	15-16, 19-20		
		75297GT	85	82161GT	15-16, 19-20		
		75304GT	81	822087GT	71		
		75326GT	81	82224GT	115		

Part Number Index (continued)

Part Number	Page	Part Number	Page
825719GT	11	94643GT	157
825720GT	13	94745PGT	107, 109, 163
825721GT	13	94757GT	187
825726GT	11	94759GT	187
825727GT	11	94760GT	187
825728GT	13	94765GT	187
825729GT	13	9599-SGT	163
82577GT	11, 13	96770GT	67, 71
825984GT	115	97388GT	125-126
826000GT	71	97579GT	16, 20, 183
82601GT	13	97602GT	16, 20
82603GT	11, 13	97757GT	11, 13
82604GT	11, 13	97815GT	11, 13, 16, 20
826348GT	71	97875GT	16, 20
826351GT	69	97887GT	16, 20
826352GT	69	9997800	27
826516GT	83	T106485GT	115
82671GT	11, 13	T107736GT	131, 133
826793GT	89, 91, 93, 95, 97, 99, 101, 103, 105	T108075GT	101, 103
82862GT	11, 13, 16, 20, 183	T108076GT	103
83098GT	117	T108077GT	103
84134GT	119	T108078GT	101, 103
84135GT	119	T108732GT	65
85053GT	61	T108733GT	65
85064GT	77	T108734GT	65
8514GT	23	T108870GT	51
8516GT	37, 55, 59, 61, 75, 77, 87, 89, 101, 103, 111, 113, 181	T108989GT	163
85300GT	165	T108991GT	163
88091GT	47, 65	T109328GT	155
88150GT	51	T109430GT	51
88315GT	51	T110549CSGT	11, 13
88377-1400GT	167	T110549GT	16, 20
88406GT	183	T111766GT	181
88493GT	175, 177	T112626GT	117
88516GT	103, 135	T112773GT	16, 20
88606PGT	155	T113655GT	181
88607PGT	155	T114022GT	181
89105PGT	99	T114023GT	181
89106GT	99	T114285GT	16, 20
89107GT	99	T114286GT	11, 13
89109GT	53, 99	T114346GT	81
89110GT	53, 99	T114431GT	11
8914GT	27, 45, 49, 93, 99, 111, 113	T114432GT	13
8915GT	33, 35, 105	T114678GT	65
89164GT	99	T115352GT	169
89166-SGT	97		
89171PGT	99		
89310GT	119		
89425GT	107, 109		
89511-SGT	87		
89534GT	103		
89536GT	23		
89539PGT	33		
89755GT	157		
89792GT	65		
89833GT	41		
89845GT	93		
89846GT	93		
89847GT	93		
89959GT	175		
89997GT	45		
89998GT	79		
94324-500GT	77		
94374-3130GT	139		
94374-5530GT	143-144		
94390-SGT	109		
94397GT	103		
94400GT	101		
94524PGT	51		

The Part Description Index is an alphabetical index of all part descriptions included in this manual. The index shows what page(s) the part is used on.

(R e f e r e n c e)
VALVE, SOLENOID, 3POS4WAY, HYDAC.....129

8

8' TRI-ENT ASSY A/SO.A S105125.....163
8' TRI-ENT ASSY ANSI.....163
8' TRI-ENT ASSY AUST.....163
8' TRI-ENT RAIL W/DECALS A/SO.A.....163
8' TRI-ENT RAIL W/DECALS ANSI.....163
8' TRI-ENT RAIL W/DECALS AUSTR.....163
8' TRI-ENT RAIL W/DECALS CE/UK.....163
8' TRI-ENTRY ASSY ANSI.....163
8' TRI-ENTRY ASSY CE S105/125.....163
8' TRI-ENTRY ASSY CE/UK.....163
8FT TRI-ENT ASSY A/SO.AM.....163
8FT TRI-ENTRY ASSY AUST.....163

A

ACC,FALL ARREST BAR,6FT FR.....189
ACC,FALL ARREST BAR,6FT SYM.....189
ACC,FALL ARREST BAR,6FT WORD.....189
ACC,FALL ARREST BAR,8FT FR.....189
ACC,FALL ARREST BAR,8FT SYM.....189
ACC,FALL ARREST BAR,8FT WORD.....189
ACC,PLAT CONTROL COVER, SERV.....155
ACCESSORY, OPERATOR PROT STRUCT.....179
ACCESSORY,PANEL CRADLE,ANSI.....167
ACCUMULATOR, 5CU IN 500 CHARGE.....131
ACCUMULATOR, 500 PSI, HYDAC.....129
ACTIVATOR, STEER SENSOR.....25
ADAPTER, 1/4 FNPT X 1/2-20 UNF.....77
ADAPTER, WELDER, 208-220.....183
ADAPTER-FUEL FILTER, PERK 1104.....81
ADJUSTABLE STRAP ASSY.....167
AIR CLEANER CLIPS, SUPERBOOM.....61, 69, 79, 85
AIR CLEANER COVER, SUPERBOOM*.....61, 69, 79, 85
AIR CLEANER, CLAMP, CUM B3.3T.....57
AIR CLEANER, CUMMINS B3.3T.....57
AIR CLEANER, NELSON.....61, 69, 79, 85
AIR FILTER, PRIMARY ELEMENT.....57
AIR FILTER, SECONDARY ELEMENT.....57
AIR SUCTION PIPE, DIESEL, T4.....69, 85
ALARM PKG, S100/120.....153
ALARM, AUDIO, SUPERBOOM***.....51, 115
ALTERNATOR.....55, 77
ALTERNATOR, DEUTZ, BF4L2011***.....65
ALTERNATOR, PERKINS 1104C-44.....83
ARM, ANTI-ROTATION, SWIVEL ***.....41
ASSEMBLY, DIPSTICK TUBE.....79
ASSEMBLY, LIGHT, CONTACT ALARM.....191
ASSEMBLY, SENSOR, PROX, CONTACT ALARM.....191
ASSEMBLY, CONTACT ALARM CABLE, LARGE.....191
ASSEMBLY, FUEL TANK, 40 GAL***.....47
ASSEMBLY, TELEMATICS, TTU 2830.....193
ASSY / OIL TUBE.....83
ASSY, DEGAS TANK, AL, RCP-13-077.....67
ASSY, LS, LOAD SENSE, ALC1000.....53, 157
ASSY, MED. PRESS. FILTER, SAE8.....45

ASSY, RAD/CAC, CUMMINS B3.3T.....55
ASSY, SENSOR W/HOUSING.....191
ASSY, ENCLOSURE, WELDER, GEN.....181
ASSY, PCON, TOG SW, SB.....115
ASSY, TILT SENSOR, PCON, S100-125.....101, 103
ASSY, TRACK, FALL ARREST BAR, 6FT FR.....189
ASSY, TRACK, FALL ARREST BAR, 6FT SYM.....189
ASSY, TRACK, FALL ARREST BAR, 6FT WORD.....189
ASSY, TRACK, FALL ARREST BAR, 8FT FR.....189
ASSY, TRACK, FALL ARREST BAR, 8FT SYM.....189
ASSY, TRACK, FALL ARREST BAR, 8FT WORD.....189
AUX TOP RAIL, 6FT, PTD.....163
AUX TOP RAIL, 8'(1.25")SERVICE.....163
AUX TOP RAIL, 8', SWG GT, SRV.....163
AUX TOP RAIL, 8FT, PTD.....163

B

BACKING PLATE, HOSE BLOCK, JIB.....105
B A C K E T , R U B B E R BUMPER, ENG COVER.....77
RING, 71.60X67.20X1.40PTFE(60334).....45
BAFFLE, AIR INTAKE DIESEL, T4.....67
BAFFLE, AIR INTAKE, DEUTZ PAINTD.....75
BALL STUD**.....33, 35
BALL STUD, GAS STRUT (38593)***.....37, 39
BAR, RUBBER WIPER BACK-UP.....99
BASE, W/1 N.O. CONTACTS***.....115
BASE, WITHOUT CONTACTS.....51, 115
BATTERY 12V, AGM DC115-12, 115AH.....45
BATTERY 12V, AGM DC210-12, 220AH.....45
BATTERY CABLE.....45, 49
BATTERY CABLE, POSITIVE DEUTZ.....45
BATTERY, 12V GRP 4D, 190 AH, DRY*.....45
BATTERY, 12V, 1000 CCA GRP 31.....45
BEARING KIT, BREVINI (218496).....27
BEARING KIT, PLAT ROTATOR, SUPER.....103
BEARING KIT, RWD 1700TB***.....29
BEARING KIT, TURNTBL. ROT.DRVHUB.....43
Bearing, 1.5 x 2 x 1.81 inches.....95
BEARING, 1.25 ID X 1.5 OD X .75.....101, 103
BEARING, 1.25 X 1.5 X 2.....103
BEARING, 1.25IDX1.5ODX1.00L.....97, 101, 103
BEARING, 1.5IDX1.75ODX1.0L.....25
BEARING, 1.5IDX1.75ODX1.5L, PTFE.....25
BEARING, 1.75IDX2.00ODX1.50L.....25
BEARING, 2.50IDX3.00ODX2.00L.....89
BEARING, FL, 1.25X1.5X2.13.....103
BEARING, FL, 1.25IDX1.41ODX1.50L.....103
BEARING, FL, 1.25IDX1.5ODX1.25L.....59, 75, 87
BEARING, FL, 1.5IDX1.75ODX1.10LG.....95
BEARING, GARLOCK, 12FDU12.....157
BEARING, POLYGON, 20DU12.....103
BEARING, TURNTABLE.....41
BELL CRANK, ASSY. W/ BEARINGS.....103
BELT.....55
BELT, V,(2) PERKINS 1104C-44.....81
BLANKET, BATTERY.....159
BOLT, CARRIAGE, 1/4-20 X 1.00, G2.....105
BOLT, CARRIAGE, 1/4-20 X 2.75, G2.....105

BOOM #0 REST PAD.....89
BOOM TUBE ASSY #1 S100 W/SYM.....89
BOOM TUBE ASSY #1 S100 W/WORD.....89
BOOM TUBE ASSY #1 S105 W/SYM.....89
BOOM TUBE ASSY #1 S105 W/WORD.....89
BOOT(BELLOWS), E-STOP, BLACK.....115
BOOT, ROCKER JOYSTICK 75565.....117
BOOT, BATTERY TERMINAL, RED.....45
BOOT, CABLE TERMINAL, LG, RED, 2/0.....45
BOOT, JOYSTICK.....117
BOOT, PLUG 3 WAY.....31
BOOT, TOGGLE SWITCH.....115
BOX, EMPTY (122915).....51
BOX, INSTRUCTION STORAGE.....111, 113
BRACKET, CAC INTAKE TUBE MOUNT.....55
BRACKET, FAN SHROUD, LH.....79
BRACKET, SUPPORT, EXH. CUM T3.....55
Bracket, Tank side.....153
BRACKET, 1K OHM 10-TURN POT, PNT.....181
BRACKET, AIRLINE TO PLATFORM.....161
BRACKET, BATTERY CABLE.....71
BRACKET, BEACON, DRIVE LIGHTS, RH.....153
BRACKET, CABLE TRACK, FIXED END*.....91, 97
BRACKET, CABLE TRACK, MOVING END.....91, 97
BRACKET, CAC 2 TUBING MOUNT.....55
BRACKET, CNTL BOX MOUNTING***.....49
BRACKET, CONTACT CLAMP***.....51
BRACKET, ENG. MOUNT, FRT. PERKINS.....85
BRACKET, FAN SHROUD, RH, PAINTED.....77
BRACKET, FUEL SYSTEM, DEUTZ 2.9L.....71
BRACKET, HOSE CLAMP, PAINTED.....105
BRACKET, HYD. ROTATOR MOUNT MNT.....41
BRACKET, INTAKE MOUNT, CUM.....57
BRACKET, INTAKE TUBE SUPPORT.....57
BRACKET, LINCOLN WELDER, PNTD.....183
BRACKET, PANEL MOUNT.....33
BRACKET, PLATFORM HEATER OPTION.....169
BRACKET, POWER TO PLAT TBOX, PNT.....183
BRACKET, PRECLEANER MNT B3.3T.....175
BRACKET, RADIATOR SUPPORT PNTD.....77
BRACKET, REDUNDANT VALVE MOUNT.....31
BRACKET, RETURN FILTER.....49
B R A C K E T , R U B B E R BUMPER, ENG COVER.....77
BRACKET, STROBE.....153
BRACKET, SWITCH ROD MOUNT, PNTD.....23
BRACKET, V275S WELD LEADS.....183
B R A C K E T , W E L D E R M N T SUPPORT, PNT.....183
BRACKET, WELDER SUPPORT, PNT.....183
BRACKET, WORK LIGHT MOUNT 5/16".....163
BRAKE DISC KIT, 75090.....43
BRAKE KIT, BREVINI (218496).....27
BRAKE KIT, RWD 1700TB***.....29
BRAKE, SWING DRIVE (111145).....43
BREATHER PIPE, TD 2011L04I.....65
BREATHER, RESERVOIR 3 MICRON***.....49
BRUSH BOX, ASSY, GEN***.....181
BRUSH, BOTTOM, MAST #1.....173
BRUSH, BOTTOM, MAST #2.....173
BRUSH, SIDE, MAST #1.....173
BRUSH, SIDE, MAST #2.....173
BRUSH, TOP, MAST #1.....173
BULB, WORKLIGHT, 12V 35W.....153

Part Description Index (continued)

BUMPER, PLASTIC, 1.25 O.D.....163, 165	CLAMP, FIXED DIA. NYLON, .875".....73	CONNECTOR, BULKHEAD, FEMALE-4.....25, 31, 41, 49
BUMPER, BATTERY BOX & RAILS.....155, 163	CLAMP, HOSE, 1 EAR, 11/16.....67, 71	CONTACT ALARM WIRE ASSY, LARGE....191
BUMPER, RUBBER***.....33, 157	CLAMP, HOSE, 1.25****.....67, 171	CONTACT, N.O.***.....51
BUMPER, RUBBER, .75 X .50H, STUD.....189	CLAMP, HOSE, 1.75.....67, 85, 171	CONTACT, NC.....51, 115
BUMPER, RUBBER, COVERS.....37, 45, 49, 55, 61, 71, 77, 83	CLAMP, HOSE, 1 EAR, 25/32.....71	CONTROL BOX ASSY, DRIVE CHASSIS.....31
BUSHING, FLANGE, .375X.5.....99	CLAMP, HOSE, 2.00****.....67, 79, 85	CONTROL BOX ASSY, TCON PGMD.....51
BUSHING, FUEL TANK FITTING (SM).....47	CLAMP, HOSE, 2.50****.....85	CONTROL BOX COVER, LID, PTD.....155
BUSHING, RUBBER, LARGE.....47	CLAMP, HOSE, 3.00.....65, 69, 171, 175, 177	COOLANT, RECOVERY BOTTLE, 4 QT*.....45
BUTTON, PUSH, BLACK W/SEAL***.....115	CLAMP, HOSE, 3.50.....63, 79, 85, 171, 175	COOLING SYSTEM RCP-13-077.....67
BUTTON, PUSH, RED MUSHROOM HEAD.....51, 115	CLAMP, HOSE, 5.00.....175, 177	CORROSION INHIBITOR, FOAM.....115
	CLAMP, HOSE, 6.50.....171	COUNTERWEIGHT, S100/105.....59
	CLAMP, HOSE, 8.50 DIA***.....171	COUPLER, 15 TOOTH, FBA, SAE8***.....61, 69, 79
	CLAMP, HOSE, CT, SAE 48.2-9/16" TO 3-1/2".....61	COUPLING (106113).....181
	CLAMP, HOSE, SIZE .25 TO .63.....45, 47, 67	COUPLING, 28MM (106113).....181
	CLAMP, INTAKE EXTENSION, DEUTZ.....37	COUPLING, EXT. CABLE ADJUSTMENT*.....95
	CLAMP, JIB HOSE/CABLE, S105, S125.....105	COVER ASSY, DRIVE CHASSIS S120.....31
	CLAMP, LINK, LH WELD WIRE.....71	COVER ASSY, DRIVE CHASSIS S120*.....31
	CLAMP, MUFFLER, 2.50 INCH.....55, 61, 63, 77, 83	COVER ASSY, W/DECAL TURNTBL. ROT.....33
	CLAMP, MUFFLER, 2 1/4" ID.....77	COVER ASSY, W/DECALS, FUEL TANK.....35
	CLAMP, MUFFLER, CUM B3.3T.....57	COVER KIT, BREVINI (218496).....27
	CLAMP, MUFFLER, CUM B3.3T, 9" DIA.....57	COVER MAST #2*.....93, 173
	CLAMP, TWO HOSE.....105	COVER MAST #3.....99, 173
	CLEVIS YOKE-1/4-28, PLTD W/PIN.....57, 61, 83	COVER SUPPORT, WELDMENT.....33, 35
	CLIP, LCD, GRND. CONTROL.....51	COVER W/SYM DECALS ENG SIDE SB.....35
	COIL, 12VDC #10 DTSCH IP69 ECOIL.....121	COVER W/SYM DECALS TNK SIDE SB.....33
	COIL, 12VDC #8 DTSCH IP69 ECOIL.....121	COVER W/WRD DEC TNK SD 100/105.....33
	COIL, 62328/62330, SIZE 10, DIN*.....125-126	COVER W/WRD DECALS ENG SIDE SB.....35
	COIL, 62329, SIZE 12, W/FRAME, DIN*.....125-126	COVER, CONTROL BOX, SB SERV.....51
	COIL, DIN, REXROTH DO3 VALVE.....125-126	COVER, ENGINE, DEUTZ F4L2011.....65
	COIL, PROPORTIONAL, 62327, DIN.....125-126	COVER, FOOT SWITCH, LARGE.....111, 113
	COIL, PROPOR TNL. 62326, SIZE 8, DIN.....125-126	COVER, JIB HOSES/CABLES.....105
	COIL, SOLENOID VALVE.....131, 133	COVER, RELAY, SB T4.....73
	COIL, SOLENOID, HYDAC MANIFOLDS.....129	COVER, 50 LINK TRACK.....171
	COIL-10V DC***.....187	COVER, 84 LINK TRACK.....171
	COLD START PKG, 110V, DEUTZ.....159	COVER, BLANK.....33, 107, 109
	COLD START PKG, 110V, CUM. B3.3T.....159	COVER, BOOM SIDE.....91
	COLLAR, JOYSTICK, CENTER.....117	COVER, BOOM SIDE, PAINTED.....91, 97, 99
	COMPR. LINK, MACHINED, GND CONTR*..103	COVER, CENTER, SUPERBOOM.....39
	CONN, SAE#4-1/4" NPT.....181	COVER, CONTROL BOX LEFT SIDE***.....155
	CONN, SQZ, 1/2NPT .38-.50, SM**..107, 109, 111, 113, 181	COVER, CONTROL BOX RIGHT SIDE**.....155
	CONN, 090136-12-8.....139, 141, 143-144	COVER, DRIVE CHASSIS AXLE.....31
	CONN, 520120-10-12.....185	COVER, DRIVE CHASSIS END**.....31
	CONN, 520120-16.....143-144	COVER, FLYWHEEL CASTING.....57, 69
	CONN, 520120-20.....143-144	COVER, GFCI, HORIZONTAL, WEATHER..107, 109, 181
	CONN, 520120-24.....143-144	COVER, HOSE TRAY, 84".....91
	CONN, 520120-4***.....139, 141, 151	COVER, HOSE, PAINTED.....91
	CONN, 520120-4-6***.....139, 141, 147, 149	COVER, PROTECTIVE, JIB CYLINDER.....171
	CONN, 520120-6-10.....151	COVER, PROTECTIVE, LIFT CYLINDER.....171
	CONN, 520120-8***.....139, 141, 143-144, 151, 185	COVER, PROTECTIVE, PLAT. LEVELING.....171
	CONN, 520120-8-10.....144	COVER, PROTECTIVE, PLAT. LEVELING.....171
	CONN, 520120-8-12.....139, 143-144, 185	COVER, PROTECTIVE, STEER CYL***.....171
	CONN, BULKHEAD, 520601-8.....139	COVER, REAR MAST.....37
	CONN, BULKHEAD, 520801, -4.....139	COVER, ROTATION GEAR.....41
	CONN, BULKHEAD, 520801, -8.....139	COVER, SWING BEARING FRONT.....171
	CONN, LONG, 520122-12***.....139	COVER, SWING BEARING REAR.....171
	CONN, RECEP 4 WAY, 12-14GA.....79	COVER, TURNTABLE COVER ACCESS.....33
	CONN, SQZ, 1/2NPT .56-.63.....33	COVER, WEATHERPROOF 3-PHASE.....183
	CONN, MAZE PIPE/ORFS-4.....41	COVER, WELDER GENERATOR.....181
	CONN, SQZ, PG 11, .34-.47, W/ORING.....37, 99	CROSSBAR ALUM W/SELF TAP SCREW.....91, 97
	CONNECTOR, DEUTZ FUEL SHUTOFF*....65	CUP HOLDER, PLASTIC.....111, 113
	CONNECTOR, SAE10, QUICK CONN.....71	CYLINDER HEAD C.VR. DEUTZ BF4L20.....65
		CYLINDER, PLATFORM LEVEL.....103
		CYLINDER, PRIMARY LIFT.....89
		CYLINDER, AXLE EXTEND***.....23
		CYLINDER, JIB (STICK BOOMS).....103

C

CABLE ASSEMBLY, EXTEND SET.....95
CABLE ASSEMBLY, RETRACT SET.....95
CABLE SQUEEZE CONN.....181
CABLE TIE, 11.5" BLACK.....183
CABLE TIE, 4" BLK, HEAT RESISTNT.....111, 113
CABLE TIE, 7 3/8".....79
CABLE TIE, BLACK, 36".....159
CABLE TRACK, STEEL 50 LINKS.....91, 97
CABLE, 4/0 WELD LEAD, TWIN S105.....181
CABLE, 12/3, WORKLIGHT, 12V.....163
CABLE, 4/0 WELD LEAD, TWIN S100.....181
CABLE, BATTERY NEGATIVE.....45
CABLE, BATTERY POSITIVE.....45
CABLE, BATTERY POSITIVE 73".....45
CABLE, GROUND, 79" W/PIGTAIL.....45, 49
CAP, COOLANT RET SYS(60721).....45
CAP, 520112-6.....151
CAP, 520112-8.....69
CAP, DIAGNOSTIC NIPPLE.....125-126, 141, 143-144, 147, 149, 151
CAP, FUEL, DIESEL, 1/8" VENT (GRN).....47
CAP, MANUAL DISENGAGE (89212).....29
CAP, OIL FILLER, DEUTZ, DIESEL***.....65
CAP, RADIATOR, PERKINS/FORD.....55, 77, 85
CAP, VALVE COVER, OIL FILLER, PRK.....81
CASTING, SAE 4 PUMP MOUNT, MACHI.....79
CHANNEL, MOUNTING.....41
CHECK VALVE DISC.....131, 133
CIRCUIT BREAKER, 25 AMP.....45
CIRCUIT BREAKER, 20A, SINGLE PH.....181
CIRCUIT BRKR 15A TYPE 2 METAL.....45, 55, 61, 77
CLAMP, 1.25 INCH TUBE.....191
CLAMP, 3 INCH.....65
CLAMP, TUBE/HOSE, LOOP/OFFSET, 12.7 OD.....67
CLAMP, 0.50, #8 X 1/4, RUB CUSH.....49, 115
CLAMP, 0.56, #9 X 3/8, RUB CUSH.....83
CLAMP, 0.75, #12 X 1/4, RUB CUSH.....115
CLAMP, 1.00, #16 X 1/4, RUB CUSH.....183
CLAMP, 1.00, #16 X 7/16, RUB CUSH.....37, 49, 69, 91, 153
CLAMP, 1.25" DIA NON-CUSHIONED.....111, 113
CLAMP, 1.25, #20 X 7/16, RUB CSH.....71, 83
CLAMP, 1.25X.5 RUBBER-CUSHION.....111, 113, 165, 167
CLAMP, 1.63, #26 X 3/8, RUB CUSH.....181
CLAMP, 2.25, #36 X 3/8, RUB CUSH.....97, 105
CLAMP, 3.0, #48 X 1/4, RUB CUSH.....57, 79
CLAMP, 5.38, #86 X 3/8, RUB CUSH.....175, 177
CLAMP, BATTERY CABLE.....67, 81, 85
CLAMP, CONST TRQ 2.25"-3.13" OD.....57
CLAMP, CONST TRQ 2.75"-3.63" OD.....57

CYLINDER,PLATFORM LEVELING.....101
 CYLINDER,PRIMARY EXTEND.....95
 CYLINDER,STEERING W/DECAL.....25

D

DECAL KIT,S100,COMP,SYM,ANSI.....11
 DECAL KIT,S100,COMP,SYM,CE.....11
 DECAL KIT,S100,COMP,WRD,ANSI.....15-16
 DECAL KIT,S100,COMP,WRD,AUS.....15-16
 DECAL KIT,S100/120,PLAT,ANSI,SYM.....11
 DECAL KIT,S100/120,PLAT,ANSI,WRD.....15-16
 DECAL KIT,S100/120,PLAT,AUS,WRD.....15-16
 DECAL KIT,S100/120,PLAT,CE,SYM.....11
 DECAL KIT,S105,COMP,SYM,ANSI.....13
 DECAL KIT,S105,COMP,SYM,CE.....13
 DECAL KIT,S105,COMP,WRD,ANSI.....19-20
 DECAL KIT,S105,COMP,WRD,AUS.....19-20
 DECAL KIT,S105/125,PLAT,ANSI,SYM.....13
 DECAL KIT,S105/125,PLAT,ANSI,WRD.....19-20
 DECAL KIT,S105/125,PLAT,AUS,WR.....19-20
 DECAL KIT,S105/125,PLAT,CE,SYM.....13
 DECAL PLATE ASSY W/WORD DECALS.....111, 113
 DECAL PLATE W/SYMB DECALS S120...111, 113
 DECAL, INSTRUCTION, CONTACT ALARM.....191
 DECAL, LABEL - CHEVRON RANDO.....15-16, 19-20
 DECAL, PATCH, GEN,ALC-500.....183
 DECAL, POWER TO PLATFORM 230V**...11, 13, 15-16, 19-20
 DECAL, SYMBOL - READ THE MANUAL...11, 13
 DECAL,ANNUAL INSP***.....15-16, 19-20
 DECAL,ARROW BLUE.....11, 13, 15-16, 19-20
 DECAL,ARROW YELLOW LRG 9".....11, 13, 15-16, 19-20
 DECAL,CAUTION,NO STEP.....11, 13, 15-16, 19-20
 DECAL,CONTROL PANEL PROTECTOR...11, 13, 15-16, 19-20
 DECAL,COSMETIC,4X4.....11, 13, 15-16, 19-20
 DECAL,COSMETIC,GENIE S-100.....11, 15-16
 DECAL,COSMETIC,GENIE S-105.....13, 19-20
 DECAL,COSMETIC,S-100.....11, 15-16
 DECAL,COSMETIC,S-105.....13, 19-20
 DECAL,DANGER DO NOT ALTER SWTC.....15-16, 19-20
 DECAL,DANGER,BATTERY SAFETY***...15-16, 19-20
 DECAL,DANGER,ELEC.HAZ.STAY CLR...11, 13
 DECAL,DANGER,ELECT HAZARD***.....16, 20
 DECAL,DANGER,GENERAL SAFETY.....16, 20
 DECAL,DANGER,HIGH VOLTAGE.....15-16, 19-20, 181, 183
 DECAL,DANGER,MAX LOAD 340 KG.....11
 DECAL,DANGER,NO SMOKING.....16, 20
 DECAL,DANGER,SIDE FRC 400N.....11, 13
 DECAL,DANGER,TIP-OVER,TIRES.....15-16, 19-20
 DECAL,DANGER,TIP-OVER,WELDER**....16, 20, 183

DECAL,DANGER,TIPOVER,TILT.....16, 20
 DECAL,DANGER,TIPOVER,TILT,SYM.....11, 13
 DECAL,DRIVE ENABLE PATCH***.....11, 13
 DECAL,ENGINE SPEC,DEUTZ,TD2011.....16, 20
 DECAL,ENGINE SPEC,PERKINS,804T.....16, 20
 DECAL,EXPLOSION HAZARD.....16, 20
 DECAL,FAULT CODES,SB/SY.....11, 13, 16, 20
 DECAL,FIRE EXTINGUISHER.....11, 13, 16, 20, 183
 DECAL,GROUND CONTROL PANEL.....11, 13, 15-16, 19-20
 DECAL,INST,OPER INST,SB,AUS.....16, 20
 DECAL,INSTR,ENG.SPECS,CUMMINS.....16, 20
 DECAL,INSTR,MAX SIDE FRC,ANSI.....16, 20
 DECAL,INSTR,SIDE FRC/WIND,AUS.....15-16, 19-20
 DECAL,INSTR,FOOTSWITCH OPER.....15-16, 19-20
 DECAL,LABEL, ELECTRO HAZARD.....11, 13
 DECAL,LABEL, WHEEL LOAD, S-100.....11, 16
 DECAL,LABEL, WHEEL LOAD, S-105.....13, 20
 DECAL,LABEL,105 DB.....11, 13
 DECAL,LABEL,25A CB.....15-16, 19-20
 DECAL,LABEL,AIR LINE 110 PSI...11, 13, 15-16, 19-20
 DECAL,LABEL,CB SYMBOL.....16, 20
 DECAL,LABEL,CONTROLS BATTERY.....15-16, 19-20
 DECAL,LABEL,DIESEL FUEL...11, 13, 15-16, 19-20
 DECAL,LABEL,FALL HAZARD***.....11, 13
 DECAL,LABEL,LOWER MIDRAIL...11, 13, 16, 20
 DECAL,LABEL,MANUAL NOT HERE...15-16, 19-20
 DECAL,LABEL,MAX CAPACITY***.....13
 DECAL,LABEL,NO SMOKING,SYMB.....11, 13
 DECAL,LABEL,OIL LEVEL IND.....11, 13
 DECAL,LABEL,PATENTS.....15-16, 19-20
 DECAL,LABEL,PETRO CANADA***.....15-16, 19-20
 DECAL,LABEL,QUINTOLUBRIK.....15-16, 19-20
 DECAL,LABEL,ROM CHART,100/105.....11, 13, 15-16, 19-20
 DECAL,LABEL,STARTER BATTERY.....15-16, 19-20
 DECAL,LABEL,STATOIL HYDRA WAY.....15-16, 19-20
 DECAL,LABEL,TIP OVER LMT SWTCH.....11, 13
 DECAL,LABEL,TIPOVER,TIRES,SYMB.....11, 13
 DECAL,LABEL,TRANSPORT DIAGRAM.....11, 13, 16, 20
 DECAL,LABEL,UCON HYDROLUBE.....15-16, 19-20
 DECAL,LABEL,WELD LINE INST,SYM.....11, 13
 DECAL,LANYARD ANCHORAGE POINT...11, 13, 15-16, 19-20, 189

DECAL,LOW/ULTRA LOW SULFR FUEL...16, 20
 DECAL,NOTICE,MAX LOAD 500 LBS....19-20
 DECAL,NOTICE,MAX LOAD 750 LBS....15-16
 DECAL,NOTICE,OPERATING INST.....16, 20
 DECAL,NOTICE,SHUTOFF VALVES.....15-16, 19-20
 DECAL,NOTICE,TIRE SPECS....15-16, 19-20
 DECAL,OIL,HYD,CHEVRON AVIATION.....15-16, 20
 DECAL,OPTION CONTROL BOX HEATR.....169
 DECAL,PATCH,DRIVING LIGHT.....11, 13, 15-16, 19-20
 DECAL,PLATFORM CONTROL PANEL.....11, 13, 15-16, 19-20
 DECAL,PLATFORM OVERLOAD PATCH...11, 13
 DECAL,POWER TO PLATFORM 115V.....11, 13, 15-16, 19-20
 DECAL,SOLID TIRE,385/65-24.....16, 20
 DECAL,SYMBOL-BATTERY SAFETY.....11, 13
 DECAL,SYMBOL-COMP ACCESS.....11, 13
 DECAL,TRACK,FALL ARREST BAR,SYMBOL.....189
 DECAL,TRACK,FALL ARREST BAR,WORD.....189
 DECAL,TRACK,FALL ARREST BAR,WORD FR.....189
 DECAL,TRIANGLE,BLUE...11, 13, 15-16, 19-20
 DECAL,TRIANGLE,YELLOW...11, 13, 15-16, 19-20
 DECAL,WARN,CRUSH HAZARD HAND....15-16, 19-20
 DECAL,WARN,CRUSH HAZARD PLAT.....11, 13, 15-16, 19-20
 DECAL,WARN,FALL HAZARD.....15-16, 19-20
 DECAL,WARN,IMPROPER OPERATION...15-16, 19-20
 DECAL,WARN,INSTAL COVER,SYM.....16, 20
 DECAL,WARN.WELD LINE INST.WORD....16, 20
 DECAL,WARNING,CRUSHING HAZARD...11, 13
 DECAL,WARNING,PANEL CRADLE.....15-16, 19-20
 DECAL,WARNING,PIPE CRADLE,BOOM.....15-16, 19-20, 165
 DECAL,WARNING,WELDER SAFETY.....181, 183
 DECAL,WARNING-COMPART ACCESS....15-16, 19-20
 DECAL,WARN,INSTAL COVER,SYM.....11, 13
 DIAGNOSTIC FEMALE Q-DSCNT....125-126, 141, 143-144, 147, 149, 151
 DIFFERENTIAL SENS VLV,8,150PSI.....131, 133
 DIODE,6 AMP,200 PIV,BULK.....65
 DIPSTICK,OIL,PERKINS 1104C-44T.....83
 DIPSTICK-F3L1011F (DEUTZ).....65
 DISC KIT DRIVE TURNABLE Z-60°.....43
 DISCONNECT KIT, BREVINI (21849).....27

E

ECM, DEUTZ.....73
 EDC ASSY,SAUER M46***.....137
 ELBOW,45 DEG, CAC,2.5".....57

GAUGE, MED. PRESSUR FILTER, 50530.....49	HOOK, BATT HOLD DOWN, 10".....45	HOSE, FUEL, 1/2, GATES RLA 30".....71
GENERATOR, 12.5 KW, W/O MOTOR***.....181	HORN, 12VDC, SPADE TERMINALS***.....49	HOSE, 1/2, LOW PRESSURE, 801-8.....161
GENERATOR, HYDRO-12KEP-21-3.....181	HOSE AND CABLE CLAMP, STD.....91, 97	HOSE, 1/4 FUEL LINE, SAE 30R7.....55
GFI/CIRCUIT BREAKER ASSEMBLY.....181	HOSE AND CABLE CLAMP, STD, TOP.....91, 97	HOSE, 3/8", FUEL, 30R7.....45, 47
GRIP, CABLE.....191	Hose Assembly - Components: Genie part numbers 48822, 48822 and 48756 @ 120 inches.....151	HOSE, CAC, 2.5" ID X 4.0".....57
GRND. CNTRLS ACCESS COVER.....33	HOSE ASSEMBLY 3/4 HOSE #75.....143-144	HOSE, FUEL, 3/16, SAE 30R7.....47
GROMMET, RUBBER .38X1.38X1.0.....71	HOSE ASSEMBLY, 3/8.....143-144	HOSE, FUEL, 3/8, GATES RLA 60".....71
GROMMET, RUBBER .75 X .19 X 1**.....45, 47, 71	HOSE ASSEMBLY, 1/2".....185	HOSE, FUEL, 3/8, GATES RLA 65".....71
GROMMET, RUBBER .75 X .38 X 1.13.....45	HOSE ASSEMBLY, 1/4" (#106).....151	HOSE, HEATER, 3/8" 14".....67
GROMMET, RUBBER, 1.0 X 1.25X1.5.....71	HOSE ASSEMBLY, 3/4", -10-12 90F.....185	HOSE, LOWER RADIATOR, CUMMINS.....57
GROMMET, RUBBER, 1.0X0.094X1.375.....111, 113	HOSE ASSEMBLY, 3/8.....151	HOSE, RADIATOR, LOWER, PERKINS.....79
GUARD, FOOT SWITCH, W/DECAL ALUM.....111, 113	HOSE ASSEMBLY-1/4" (#100).....151	HOSE, RADIATOR, UPPER, PERKINS.....79
GUARD, JIB HOSE, PAINTED.....101	HOSE ASSEMBLY-1/4" (#89).....151	HOSE, REDUCER, TURBO INLET, DEUTZ.....69
GUIDE, CABLE.....191	HOSE ASSEMBLY-3/8".....143-144	HOSE, RUBBER 3" ID X .25 BLACK.....63, 69, 85, 175
GUSSET, TOOL HOLDER, PLASTIC.....111, 113	HOSE ASSY 1 1/2", 90 FL FEMSTR*.....143-144	HOSE, RUBBER 3" ID X .25 X 8" BLACK.....69
	HOSE ASSY 1/2" 45 FEM, STR FEM.....139	HOSE, UPPER RADIATOR, CUMMINS.....57
	HOSE ASSY 3/4, 90 FEM STR FEM.....185	HOSE, WEAR PAD.....91
	HOSE ASSY, 3/8.....144	HUB, WHEEL COVER, Z135 (106756).....29
	HOSE ASSY, 3/8, STR FEM, STR FEM.....144	HYDRAULIC TWIN CLAMP.....143-144
	HOSE ASSY, 1" HOSE #92.....143-144	HYRAULIC TUBE, BOOM CROSSOVER...143-144
	HOSE ASSY, 1-1/4" HOSE #81.....143-144	
	HOSE ASSY, 1/2 STR FEM, 45 DEG**.....139	I
	HOSE ASSY, 1/2" HOSE #77.....143-144	INJECTOR, FUEL (DEUTZ F3L2011F).....65
	HOSE ASSY, 1/2" HOSE #83.....143-144	INLET REDUCER, TD 2011L04I.....65
	HOSE ASSY, 1/2" HOSE #90.....143-144	INSTRUCTIONS, INSTALL, COMP, WORD...15-16, 19-20
	HOSE ASSY, 1/2, 45 FEM STR FEM.....139	INSTRUCTIONS, INSTALL, PLAT, WORD.....15-16, 19-20
	HOSE ASSY, 1/2, 45 FEM, STR FEM.....139, 141	INSTRUCTIONS-PIPE CRADLE, BOOMS...165
	HOSE ASSY, 1/2, 90 FEM, STR FEM.....139, 143-144	INTAKE BAFFLE, PAINTED.....59, 87
	HOSE ASSY, 1/2, 90 FEM, STR FEM**.....143-144	ISOLATOR ASSY RCP RADIATOR.....67
	HOSE ASSY, 1/2, 90 FEM, STR FEMEM.....143-144	ISOLATOR, ENGINE VIBRATION.....73, 85
	HOSE ASSY, 1/2, 90 FEM, STR FEMM.....185	ISOLATOR, M10-1.50, 5/8" HIGH.....67
	HOSE ASSY, 1/2, STR FEM, STR FEM.....139, 151	ISOLATOR, VIBRATION DAMPENERS.....67
	HOSE ASSY, 1/4".....41	ISOLATOR, CENTER BONDED.....55, 85
	HOSE ASSY, 1/4" (#111/112, S125).....149	ISOLATOR, ENGINE VIBRATION.....55, 63, 77, 79
	HOSE ASSY, 1/4, 45 FEM, STR FEM.....139, 141	ISOLATOR, FLEX-BOLT SANDWICH***.....85
	HOSE ASSY, 1/4, 90 FEM, STR FEM.....139, 141, 147, 149	ISOLATOR, VIBRATION, M8 MALE/FEM.....77
	HOSE ASSY, 1/4, 90 FEM, STR FEM**.....147	
	HOSE ASSY, 1/4, STR FEM, STR.....25, 31	J
	HOSE ASSY, 1/4, STR FEM, STR FEM.....141, 147, 149	JIB BOOM ASSY W/WORD DECAL.....105
	HOSE ASSY, 3/4, 45 FEM, STR FEM.....143-144, 185	JOYSTICK, 1 AXIS ROCKER, DEUTSCH.....117
	HOSE ASSY, 3/4, 90 FEM, STR FEM.....139	JOYSTICK, 1 AXIS, DEUTSCH.....115, 117
	HOSE ASSY, 3/4, 90 FEM, STR FEM**.....143-144	JOYSTICK, 2 AXIS, DEUTSCH.....115, 117
	HOSE ASSY, 3/8, 45 FEM, STR FEM.....143-144	JOYSTICK, DUAL AXIS W/KNOB.....117
	HOSE ASSY, 3/8, 90, FEM, STR, FEM.....143-144	JOYSTICK, SINGLE AXIS W/KNOB.....117
	HOSE ASSY, 3/4", 90° FEM, STR FEM.....143-144	JOYSTICK, SINGLE AXIS W/STEER.....117
	HOSE CLAMP, WEAR PAD.....91	
	HOSE END, BARB, 1/4 MNPTX5/16, 90.....77	K
	HOSE END, BARBED, RIGID, -6-6.....71	KEEPER, LATCH (45363).....33, 35, 49
	HOSE GUIDE, JIB.....105	KEYSWITCH, 3 POS. MOM. DR, W/KEY**.....51
	HOSE INLET.....57	KEYSWITCH, 3 POS. MNTND. DR WKEY**.....51
	HOSE, 20R4, LOWER.....67	KEYSWITCH, CONTACTS LOCK.....51
	HOSE, 20R4, UPPER.....67	KIT CB 15A T2 RPM SOLENOID 3W.....77
	HOSE, AIR INTAKE, 804T.....79	KIT BONDED WELD LEAD, S100.....181
	HOSE, CRANKCASE BREATHER.....77	KIT BONDED WELD LEAS S105.....181
	HOSE, DEGAS RETURN, 22MM ID.....67	KIT, BATT SEPARATOR, ANSI/CSA.....45
	HOSE, FUEL, 1/2, GATES RLA 27".....71	KIT, BATT SEPARATOR, AS.....45
		KIT, BATT SEPARATOR, CE.....45
		KIT, HEAT GUARD, DEUTZ STARTER.....65
		KIT, ISOLATION, 3 JOYSTICK.....117
		KIT, LIFT GUARD CONTACT ALARM, 6'-8" PLATFORM, ALC1000.....191
		KIT, 2 LINK REPAIR W/HARDWARE.....91, 97
		KIT, ESTOP SVC LARGE BOOM.....51

Part Description Index (continued)

KIT,EXT/RET CABLE REPLMNT,SB.....95, 97
 KIT,FIELD INSTALL,SWING GATE.....163
 KIT,FLANGE CODE 61 -20.....143-144
 KIT,GEN. PRESSURE SWITCH.....181
 KIT,KEYSWITCH SVC S100/120.....51
 KIT,OP SWITCH,DEUTZ.....61
 KIT,PANEL CRADLE BRACKET,WORD.....167
 KIT,PCB,ASSY,ECM,SB TCON V3.12.....51
 KIT,PRECLEANER DEUTZ***.....175
 KIT,RECOVERY SVC LARGE BOOMS.....51
 KIT,SEALS & WEAR PLATE, PUMP.....137
 KIT,SERVICE,CLAMP MOUNTS.....91, 97
 KIT,SERVICE,SOLENOID MODULE.....79
 KIT,SWING GATE W/SPRING.....163
 KIT,WELD LEADS ASSY,V275S.....183
 KNOB,JOYSTICK, 62390/62391.....117
 KNOB,ROCKER JOYSTICK 75565.....117

L

LATCH,FLEXIBLE.....49, 83
 LATCH,PANEL.....33
 LATCH,PLATE,CONTROL BOX COVER.....33
 LATCH,SLIDE, FLUSH MOUNT STYLE.....155
 LENS,AMBER,STROBE,FIREBOLT.....153
 LENS,LCD,GRND.CONTROL.....51
 LEVER, GOVERNOR ACTUATOR.....61
 LID ASSY,CONTROL BOX COVER PLT.....155
 LID, PCON, TOG SW, SUPERBOOM.....115
 LIFT PUMP,FUEL,DEUTZ.....71
 LIMIT SWITCH, OPERATION,LSB2RO.....53
 LIMIT SWITCH, SAFETY,NO WIRE.....23, 99
 LIMIT SWITCH,OPERATION,NO WIRE.....99
 LIMIT SWITCH,OPERATIONAL.....41, 53, 89, 99
 LIMIT SWITCH,SAFETY.....23, 37, 53, 89, 95, 99
 LOAD SUPPORT W/BEARINGS.....157
 LOCK,RECEP 4 WAY,12-14GA.....79
 LOCKNUT,ELEC,1/2".....33, 181
 LOCKNUT,ELECTRIC,1" NPT.....181

M

MACHINING, COMPRESSION LINK.....103
 MACHINING,INNER AXLE.....25
 MAGNET, 1/4-20, 15 LB.....191
 MALE PIPE THD,1/4" SER,3/8"X18.....161
 MANIFOLD PLATFORM W/JIB.....131, 133
 MANIFOLD, RETURN BLOCK.....83
 MANIFOLD,4 WHEEL STEER.....121, 123
 MANIFOLD,DRIVE OIL DIVERTER.....187
 MANIFOLD,FUNCTION,S100/105.....125-126
 MANIFOLD,ROTATOR,CB***.....135
 MANIFOLD,TRACTION,4WD.....119
 MANIFOLD,TURNABLE ROTATION.....43
 MANUAL BOX W/DECALS***.....111, 113
 MESH,HALF,SWING GATE***.....165
 MICROSWITCH,13482 FOOTSWITCH.....111, 113
 MIDRAIL GUIDE (HOOK).....111, 113
 MODULE, PLUS+1, CONTACT ALARM.....191
 MODULE,SX CONTROLLER,LOW AMP.....181
 MODULE,TIME DELAY ON BREAK 4S.....181
 MOTOR MOUNT COUPLER (106274).....181
 MOTOR, 60511, APU, 12VDC.....49
 MOTOR,HYD 12.5KW GEN,21CC***.....181
 MOTOR,PISTON,2 SPEED,45CC.....27
 MOTOR,SWING DRIVE (111145).....43
 MOUNT,1"FLEX-BOLT SANDWICH.....55, 57

MOUNT,CABLE TRACK CLAMP.....99
 MOUNT,ENGINE,LEFT SIDE.....73
 MOUNT,PANEL BACKING.....33
 MOUNT,PANEL,PAINTED.....33
 MOUNT,PERKINS 1104 LF PAINTED.....85
 MOUNT,PERKINS 1104 RH PAINTED.....85
 MOUNT,SWITCH.....157
 MOUNTING BAND,AIR CLEANER.....61, 69, 79, 85
 MPT,CPLR,1/4"SER,3/8"X18.....161
 MUFFLER,2.5"INLET/OUTLET.....57, 63, 77, 83
 MUFFLER,2.5"INLET/OUTLET,9"DIA.....57
 MUFFLER,CATALYTIC,2.5 I/O.....83

N

NIPPLE,1/8 NPT X 3.0 FFS-S.....25
 NIPPLE,DIAGNOSTIC,#4.....141, 143-144, 147, 149, 151
 NIPPLE,DIAGNOSTIC,ORFS,FM,SWIV.....125-126, 143-144
 NIPPLE,PIPE,LONG 1/8 X 1.5.....31
 NUT - PLASTIC,RING FOR ALARMS.....51
 NUT HEX M5-0.8 CLASS 8 ZINC.....115
 NUT, LP NYLOCK, 3/8-16.....37, 55, 57, 91, 97, 99, 153
 NUT, NYLOCK, 10-24, A, ZAG.....193
 NUT, TL FLG, 3/8-16, G, ZAG.....85
 NUT,1/4-20,8,ZAG.....191
 NUT,COIL,DOMED,SIZE 12, 62329.....125-126
 NUT,COIL,PROPORTNL.VALVE.....125-126
 NUT,FAN BLADE,PERKINS 1004-42.....81
 NUT,FLG,M5-0.8,DIN6923,8,ZAB.....71
 NUT,HEX,1/4-28.....61
 NUT,HEX,3/8-24.....47
 NUT,HEX,JAM,3/4-10.....41
 NUT,HEX,JAM,5/8-11.....95
 NUT,HEX,M8 X 1.25.....77
 NUT,HH JAM,1/4-20,A,ZAG.....191
 NUT,LP NYLOCK,1/2-13.....95
 NUT,LP NYLOCK,1/4-20.....39, 155, 163, 181
 NUT,LP NYLOCK,5/16-18.....33, 35, 37, 39
 NUT,LP NYLOCK,5/8-11.....95
 NUT,LUG,3/4-16 X 7/8 RADIUS.....27
 NUT,NYLOCK FLG,1/4-20,F,ZAG.....165, 167, 191
 NUT,NYLOCK FLG,3/8-16,F,ZAG.....165, 167, 189, 191
 NUT,NYLOCK,1-8.....107, 109
 NUT,NYLOCK,1/2-13.....31, 37, 39, 41, 91, 95
 NUT,NYLOCK,1/4-20.....31, 33, 35, 37, 45, 49, 57, 61, 79, 99, 105, 107, 109, 111, 113, 157, 165, 171, 175, 179
 NUT,NYLOCK,10-24.....61, 83
 NUT,NYLOCK,10-32.....23, 33, 35, 41, 49, 89, 99, 111, 113, 153
 NUT,NYLOCK,10-32,A,ZAG.....191
 NUT,NYLOCK,3/8-16.....25, 33, 41, 45, 47, 49, 55, 57, 61, 63, 77, 83, 89, 91, 95, 97, 99, 101, 103, 105, 107, 109, 111, 113, 153, 157, 161, 179, 181, 183
 NUT,NYLOCK,5/16-18.....31, 37, 45, 49, 55, 91, 181, 183
 NUT,NYLOCK,5/8-11.....55, 63, 77, 79
 NUT,NYLOCK,6-32.....51, 115, 191
 NUT,PROPORTNL. COIL,52372,GS68.....125-126
 NUT,SOLENOID.....187
 NUT,SOLENOID VALVE,HYDAC.....129

NUT,TL FLG,1/2-13,G,ZAG.....83, 189
 NUT,TL FLG,1/4-20,G,ZAG.....71
 NUT,TL FLG,10-32,F,ZAG.....83
 NUT,TL FLG,M10-1.5,DIN6927,10,ZAB.....67, 69, 71, 81, 83, 85, 177
 NUT,TL FLG,M6-1.0,DIN6927,10,ZAB.....73, 83, 85
 NUT,TL FLG,M8-1.25,DIN6927,10,ZAB.....69, 83
 NUT,TL JAM,3/8-16,A,ZAG.....167
 NUT,TL,6-32,A,ZAG.....71
 NUT,TL,FLG,5/8-11,G,ZAG.....73
 NUT,TL,FLG,M16-2.0,DIN6927,10,ZAB.....67, 85
 NUT,TOP LOCK,1/2-13.....63, 77
 NUT,WING,1/4-20.....45
 NUT-COIL SHORT.....121, 125-126, 131, 133
 NUT-COIL,REXROTH DO3 VALVE.....125-126

O

O-RING KIT (ORFS FITTINGS).....135, 139, 141, 143-144, 151
 O-RING, FUEL LIFT PUMP.....65
 O-RING, M16, ISO.....77
 O-RING, ROTATOR MANIFOLD.....135
 O-RING, WHEEL COVER (237233).....29
 O-RING,2-044 BUNA***.....137
 O-RING,2-157,VITON***.....27
 O-RING,67.95X2.62-NBR-70SH(HF2P)(60334).45
 O-RING,COIL NUT, HYDAC.....129
 O-RING,FILTER ASSY (60334)***.....45
 O-RING,ORFS,-12.....181
 O-RING,SEAL RING,1" NPT (PKG OF 10).....181
 OIL COOLER W/FAN, 12VDC.....37
 OIL FILTER.....55
 OIL PAN HEATER,DEUTZ,120V,150W.....159
 OIL PAN,DEUTZ F4L2011.....65
 OIL SEAL,(111145).....43
 OPT,HOSE AND CABLE CLAMP.....91, 97
 OPT,PRECLEANER CUMMINS B3.3T.....175
 OPT,PRECLEANER,DEUTZ T4.....177
 OPTION,DRIVING LIGHTS,SB.....153
 OPTION,PLAT SUPPORT,STD,LRG BM.....107, 109
 ORIFICE DISC,.030,CONE.....187
 ORIFICE PLUG, 0.040.....125-126
 ORIFICE PLUG,.03,PLATF. HYDAC.....129
 ORIFICE,PLUG 0.030.....119
 OUTLET, 110V.....107, 109

P

PAD,REST,1"THICK,FLANGED.....167
 PAD,REST,2"THICK,W/STUDS*.....111
 PANEL, ENCLOSURE, LINCO WELDER.....181
 PCB, LED/TOGGLE SWITCH, ALC100.....115
 PCB,ASSY,ECM,PLATFORM,VER 3.00.....115
 PCB,ASSY,LCD,GROUND,SUPERBOOM.....51
 PIN,.75DIA X2.89LG,1HOLE.....95
 PIN,0.75DIA X5.75LG,CHAMFER.....157
 PIN,1.25DIA X14.45LG,2HOLE.....103
 PIN,1.25DIA X15.63LG,CHAMFER.....59, 75, 87
 PIN,1.25DIA X5.25LG,1HOLE.....101, 103
 PIN,1.25DIA X6.50LG,1HOLE.....101
 PIN,1.25DIA X7.00LG,1HOLE.....103
 PIN,1.25DIA X7.88LG,1HOLE.....103
 PIN,1.25DIA X7.9LG,2RING.....101, 103
 PIN,1.25DIA X9.50LG,1HOLE.....101, 103

PIN,1.50DIAX2.92LG,2RING.....95	PLATE,TAP BLOCK HINGE MNT PTD.....33	RELAY,SEALED 30/40 AMP.....45, 49
PIN,1.50DIAX4.13LG,THREADED.....25	P L A T E , T O G G L E S W I T C H	RELAY,SOCKET,OMRON.....181
PIN,1.50DIAX5.88LG,1HOLE.....95	MOUNT,PCON.....115	RELAY,SPDT,12V(AUTO) PLUG IN**.....51
PIN,2.50DIAX11.00LG,1HOLE.....89	PLATE,TOP,GENERATOR 12KW,PNTD.....181	RELIEF,VALVE 270 PSI.....187
PIN,2.50DIAX19.875LG,THREADED.....89	PLATE,WEAR PAD RETENTION.....31	REPAIR LINK W/ ROLLER.....91, 97
PIN,AXLE KING.....25	PLATFORM RAIL ASSY,8FT,CE/UK.....113	REPAIR LINK W/HARDWARE.....97
PIN,AXLE STOP.....23	P L A T F O R M S U P P O R T	RESISTOR,10 OHM,25 WATT.....169
PIN,CLEVIS, 1.50 X 4.465LONG.....23	WELDMNT-SERV*.....107	RETAINER,MAST COVER.....93, 173
PIN,CLEVIS, .844X2.25 RET.CABLE.....95	PLATFORM,LEVELING LEVER,ASSY.....101	RETAINER,SPRING,1.21 X .375.....157
PIN,CLEVIS,1.18X3.18 EXT.CABLE.....95	PLATFORM,LEVELING LINK ASSY.....101	RETAINER,SPRING,1.46 X .375.....157
PIN,COTTER, .125 X 1.5.....39	PLUG AND CAP KIT-SERVICE,ORFS*.....135,	RIVET,ALUM,ALUM,3/16BUTTONHEAD....155
PIN,COTTER, .188 X 1.75 LONG.....95	139, 141, 143-144, 151	RIVET,STEEL,P .25 X .375.....163
PIN,COTTER, .188 X 2.00 LONG.....23	PLUG,090109A-6.....141	RIVET,STL,STL,P.125 X .25.....169
PIN,COTTER, .188X2.25 RET.CABLE.....95	PLUG,4-WIRE,3-PHASE,50A,MALE.....183	ROCKER ASSY, MAGNETIC 75565.....117
PIN,COTTER, .25 X3.18 EXT.CABLE.....95	PLUG,CAVITY,T-11A,1-2 OPEN.....125-126	ROCKER,RETAINER, 75565.....117
PIN,DISENGAGE CAP, 89212.....29	PLUG,DRAIN,RR TRANS.DRIVE HUBS.....29	ROD END, .250 X 2.75 LG.....95, 157
PIN,EXTENSION CYLINDER MOUNT.....93,	PLUG,ELECTRICAL,DOMESTIC.....33	ROD END, .375X3.69,ZAG.....25, 59, 75, 87,
95, 97	PLUG,ENGINE OIL,DEUTZ F4L2011.....65	95, 101, 103
PIN,LOCK,SHORT***.....163	PLUG,ENGINE OIL,PERKIN 1004-42.....81	ROD END, .5 X 3.75,ZAG.....89
PIN,PRI.Boom PIVOT. 2.50X25.50.....89	PLUG,HEX,130109E,1/2 NPT***.....49	ROD END, .75 X 5.00.....89
PIN,RETRACTION CABLE.....95	PLUG,NYLON .875 BLACK DOMED.....33, 99	ROD END,RETRACTION CABLE.....95
PIN,ROLL, .25 X 1.5***.....95	PLUG,NYLON 1.38 BLACK DOMED.....33, 181	ROD,SWITCH ACTIVATING.....23
PIN,TRANSPORT STORAGE HANDLE.....41	PLUG,PIPE HEXHEAD 130109E-1/8.....41	ROLLER,ARM,LIMIT SWITCH,ZCY500.....37,
PIN,TRANSPORT STORAGE LOCK.....41	PLUG,SEAL,12-18 GA.....79	99
PINCH GUARD RAIL,6' PLATFORM.....163	POTENTIOMETER ASSY, WELDER.....181	ROTATOR MOUNT KIT.....157
PINCH GUARD RAIL,8' PLATFORM**.....163	PRE-FILTER,FUEL,DEUTZ.....71	ROTATOR,NON-JIB,160 DEG.....101
PIPE CRADLE ASSY. SERV (ONE)**.....165	PRECLEANER,AIR INTAKE.....175, 177	ROTATOR,PLAT JIB,160 DEG***.....103
PLASTIC FILTER HEAD.....65	PRECLEANER,INLINE 3".....175	RUBBER SLEEVES, TD 2011L041.....65
PLAT ASSEMBLY,8FT,ASIA/S AM.....113	PRESSURE CAP RCP.....67	
PLAT ASSY, 8FT, A/SA, S120.....107	PRO.DIR.CNRL,VLV,5WY,3POS.....133	S
PLAT ASSY, 8FT, A/SA, S125.....109	PRO.DIR.CTRL,VLV,5WY,3POS.....131, 133	S-100 CS DECALS.....11
PLAT ASSY, 8FT, AUST, S120.....107	P U L L E Y , A L T E R N A T O R , D E U T Z	S-105 CS DECALS.....13
PLAT ASSY, 8FT, AUST, S125.....109	BF4L2011.....65	S100/120 PLAT MNFLD SRV KIT.....129
PLAT ASSY, 8FT, CE/UK, S120.....107	PULLEY,FAN,PERKINS 1004-42.....81	S105/125 PLAT MNFD SRV KIT.....129
PLAT ASSY, 8FT, CE/UK, S125.....109	PUMP,(102710 APU).....49	SB BOOM #3 ASSY SYMBOL UNITS.....97
PLAT RAIL ASSY,8FT,AUSTRALIA**.....113	PUMP,2 SEC,29CC X 19CC,FE.....137	SB BOOM #3 ASSY W/WORD DECALS.....97
PLAT RAILW/DECALS 8FT 500 ANSI.....113	PUMP,AUXILIARY,DUAL,12V.....49	SCREW PH M5-0.8X20 DIN 7500CE.....115
PLAT RAILW/DECALS 8FT 750 ANSI.....111	PUMP,FUEL 2011 DEUTZ ***.....65	SCREW SHEET METAL HHF X1/2 X
PLAT RAILW/DECALS 8FT 750 AUST.....111	PUMP,FUEL INJ,DEUTZ BF4L20.....65	.180D.....67
PLAT RAILW/DECALS 8FT 750 EURO.....111	PUMP,PISTON,46CC,B MOUNT,13T**.....137	SCREW, HCC, 3/8-16 X 1.50.....37, 55, 59, 61,
PLAT RAILW/DECALS 8FT 750A/SOA.....111	PUMP,WATER,PERKINS 804D-33T.....79	75, 77, 87, 89, 101, 103, 111, 113, 181
PLAT. ASSY, 8FT,SERV,S120.....107		SCREW, HHC, 1/4-20 X .5.....29, 39, 51, 115,
PLAT. ASSY, 8FT,SERV,S125.....109	R	155
PLATE, CABLE AND WIRE COVER.....191	RADIATOR.....85	SCREW, M8x16, GB5783 GRADE 8.8.....45
PLATE, FUEL TANK BULKHEAD.....73	RADIATOR HOSE,LOWER-PERKINS.....85	SCREW, PHM, #6-32 X .625 ZINC.....117
PLATE, FUEL TRAY BULKHEAD, PTD.....47	RADIATOR HOSE,UPPER-PERKINS.....85	SCREW, PHPM, 10-32 X 1.0, ZAG.....83
PLATE, LIMIT SWITCH MOUNT.....89	RADIATOR RCP.....67	SCREW,6-32 X 7/8 PPMS ZINC.....33, 107, 109
PLATE, PIN RETAINER.....89	RADIATOR STRUT,LEFT.....57	SCREW,BHHS,1/4-20 X .75.....93, 173
PLATE, SOLENOID MOUNT.....79	RADIATOR STRUT,RIGHT.....55	SCREW,BHSC,1/4-20 X 1.....163
PLATE,ANGLE LIMIT SWITCH,MACH.....37	RADIATOR,FORD/PERKINS***.....77	SCREW,BLEEDER,M5X0.8.....103, 135
PLATE,AXLE PIN RETAINER.....23	RAILING CATCH CASTING--DRILLED.....163	SCREW,FHM,10-32 X 1.....33
PLATE,AXLE WEAR STEEL.....25, 31	RECEPTACLE, 120VAC, 20A, GFCL.....181	SCREW,FHS,1/4-20 X .75.....23
PLATE,BACKING.....107, 109	RECEPTCL,LOCK 3-PH,50A,4 WIRE.....183	SCREW,HEX HD FLANGE 1/4-20X1/2.....23
PLATE,COVER LATCH BACKING.....33, 35	REDUCER, RUBBER, 2.5 TO 2.25.....85	SCREW,HHC,1-8 X 11,GRD 5***.....107, 109
P L A T E , D O C U M E N T B O X	REDUCER,45 DEG, 3.75"-3.00".....57	SCREW,HHC,1-8 X 9.5,GD2,YEL.....59
MOUNT,PAINT.....111, 113	REDUCER,520123-20-12.....151	SCREW,HHC,1/2-13 X 1, GR 5.....49
PLATE,EXT.CABLE ,PAINTED.....95, 97	REDUCER,90 DEG,CAC, 3.0"-2.5".....57	SCREW,HHC,1/2-13 X 1.25 GR5.....23, 31
PLATE,EXT.CABLE ANCHOR.....95	REDUCER,90DEG,4.0 X 3.0.....175	SCREW,HHC,1/2-13 X 1.5.....31, 89
PLATE,EXT.CABLE ATTACH.MACHINE.....95	REDUCER,RUBBER 3.0 - 2.5.....69, 85	SCREW,HHC,1/2-13 X 1.5 GRD 8.....57, 69
PLATE,EXT.CABLE EQUALIZER MACH.....95	REDUCER,RUBBER,4.0 X 3.0.....57, 175, 177	SCREW,HHC,1/2-13 X 1.75.....25, 31
PLATE,FRNT,ENCLOSURE ASSY,PNTD...181	REFLECTIVE INSULATING SLEEVE,	SCREW,HHC,1/2-13 X 2 GR5.....31, 41
PLATE,KING PIN RETAINER.....25	INTAKE.....69	SCREW,HHC,1/2-13 X 2.75.....25, 37, 39, 95
PLATE,PLAT.CONTROL BOX SPACER.....111,	REFLECTIVE INSULATING SLEEVE,	SCREW,HHC,1/2-13 X 5.25.....95
113	PRESSURIZER.....69	SCREW,HHC,1/2-13 X 6.5.....91
PLATE,PUMP MOUNT.....81	REGULATOR,PRESS-COMP 0.30 GPM...131,	SCREW,HHC,1/2-13 X.75.....41, 171
PLATE,PUMP STRUT.....83	133	SCREW,HHC,1/4-20 X .625.....27, 45, 49, 93,
PLATE,RADIATOR,STRUT.....85	RELAY MODULE(89996,89998).....45	99, 111, 113
PLATE,RETRACT CABLE EQUALIZER.....95	RELAY,12VDC,70AMP,SEALED.....45	
PLATE,SWING CHASSIS BULKHEAD.....49	RELAY,OMRON,DPDT,12V.....181	

Part Description Index (continued)

SCREW,HHC,1/4-20 X .75.....25, 39, 45, 49, 57, 77, 79, 91, 95, 101, 103, 105, 107, 109, 111, 113, 163, 165, 171, 173, 175	SCREW,HHF,1/4-20X1,8,ZAG.....193	SCREW,SHC,5/16-18 X 2,PLATED.....43
SCREW,HHC,1/4-20 X 1.....31, 33, 35, 37, 39, 47, 49, 57, 61, 99, 111, 113, 155, 157, 175, 179, 181	SCREW,HHF,1/4-20X2.5,8,ZAG.....165, 191	SCREW,SHC,5/8-11 X 3.00,A574.....41
SCREW,HHC,1/4-20 X 1.25.....33, 35, 105	SCREW,HHF,10-24X.5.....191	SCREW,SHC,5/8-11 X 3.75,A574.....41
SCREW,HHC,1/4-20 X 1.5.....101, 103, 163	SCREW,HHF,10-24X.75,ZAG.....193	SCREW,SHC,7/16-14 X .75,61342.....41
SCREW,HHC,1/4-20 X 1.75.....31	SCREW,HHF,3/8-16X.75,8,ZAG.....71	SCREW,SHC,M10-1.5X20,DIN912,12.9,ZAB.69
SCREW,HHC,1/4-20 X 2.75.....181	SCREW,HHF,3/8-16X1,8,ZAG.....191	SCREW,SHC,M10-1.5X30,DIN912,12.9,ZAB.69
SCREW,HHC,1/4-20 X 3.75.....91	SCREW,HHF,3/8-16X1.25,8,ZAG.....71, 73	SCREW,SHC,M10X1.5X20MM (75090).....61, 79
SCREW,HHC,1/4-20 X 4.....39	SCREW,HHF,3/8-16X2.5,8,ZAG.....189	SCREW,SHC,M10X1.5X30 GR 12.9.....57
SCREW,HHC,1/4-20X1.5,8,ZAG.....71	SCREW,HHF,5/8-11X3.5,8,ZAG.....73	SCREW,SHC,M12-1.75X25 DIN 912, 12.9, ZAB.....71
SCREW,HHC,3/4-10 X 3 GRD.8.....41, 89	SCREW,HHF,M10-1.5X16,DIN6921,10.9,ZAB.67	SCREW,SHC,M16 X 50MM,BLACK.....27
SCREW,HHC,3/4-10 X 4 FULL THRD.....41	SCREW,HHF,M10-1.5X20,DIN6921,10.9,ZAB.71	SCREW,SHC,M8 X 1.25 X 16 MM.....77
SCREW,HHC,3/4-10 X 7 FULL THRD.....97	SCREW,HHF,M10-1.5X25,DIN6921,10.9,ZAB.81, 83, 177	SCREW,SHS,1/2-13 X 1.50.....95
SCREW,HHC,3/4-10X6,GR5,FULL TH.....95	SCREW,HHF,M10-1.5X30,DIN6921,10.9,ZAB.69, 85	SCREW,SHS,1/4-20 X .25 ZINC.....51
SCREW,HHC,3/8-16 X .625.....99	SCREW,HHF,M10-1.5X35,DIN6921,10.9,ZAB.69, 71, 81, 83, 85, 177	SCREW,SHS,10-24 X .625.....61, 83
SCREW,HHC,3/8-16 X .75.....27, 39, 45, 55, 57, 91, 153	SCREW,HHF,M10-1.5X60,DIN6921,10.9,ZAB.69	SCREW,SHS,3/4-10 X 1.5.....41
SCREW,HHC,3/8-16 X .88,GRD 8.....107, 109	SCREW,HHF,M12-1.75X20,DIN6921,10.9,ZAB.67, 71	SCREW,STEP BOLT,1/4-20 X .75.....111, 113
SCREW,HHC,3/8-16 X 1.....33, 37, 45, 49, 59, 63, 75, 87	SCREW,HHF,M12-1.75X25,DIN6921,10.9,ZAB.83	Seal Kit.....187
SCREW,HHC,3/8-16 X 1.25 GRD 5.....25, 31, 37, 45, 47, 49, 55, 59, 61, 75, 77, 83, 87, 107, 109, 181	SCREW,HHF,M12-1.75X30,DIN6921,10.9,ZAB.73	SEAL KIT (39345).....23, 101, 103, 135
SCREW,HHC,3/8-16 X 1.75,GRD.8.....41, 103	SCREW,HHF,M12-1.75X35,DIN6921,10.9,ZAB.85	SEAL KIT (89534).....103
SCREW,HHC,3/8-16 X 2.....89, 95, 103, 105	SCREW,HHF,M14-2.0X35,DIN6921,10.9,ZAB.73	SEAL KIT CYL ***.....25
SCREW,HHC,3/8-16 X 2.5.....153, 179	SCREW,HHF,M14-2.0X40,DIN6921,10.9,ZAB.73	SEAL KIT CYL.S100/120 (50078).....89
SCREW,HHC,3/8-16 X 2.75.....25, 37	SCREW,HHF,M16-2.0X45,DIN6921,10.9,ZAB.67, 85	SEAL KIT CYL.S100/120 (50100).....95
SCREW,HHC,3/8-16 X 3.....25	SCREW,HHF,M16-2.0X90,DIN6921,10.9,ZAB.85	SEAL KIT, 37185 PUMP.....49
SCREW,HHC,3/8-16 X 3.25.....157	SCREW,HHF,M5-0.8X20,DIN6921,10.9,ZAB.71	SEAL KIT, SOLENOID VALVE.....119
SCREW,HHC,3/8-16 X 3.5,GR5.....153	SCREW,HHF,M6-1.0X16,DIN6921,10.9,ZAB.67	SEAL KIT, VALVE.....119, 121, 123, 125-126, 131, 133
SCREW,HHC,3/8-16 X 4.....97	SCREW,HHF,M6-1.0X20,DIN6921,10.9,ZAB.83, 85	SEAL KIT, VALVE, #10.....119
SCREW,HHC,3/8-16 X 4.5.....97	SCREW,HHF,M6-1.0X30,DIN6921,10.9,ZAB.73	SEAL KIT,52372,SOLENOID VALVE.....125-126
SCREW,HHC,3/8-16 X 6.....99	SCREW,HHF,M6-1.0X50,DIN6921,10.9,ZAB.67, 81, 85	SEAL KIT,52907,SIZE 4, 2 WAY.....123, 125-126, 131, 133
SCREW,HHC,3/8-16X.75,8,ZAG.....97, 99, 105	SCREW,HHF,M8-1.25X16,DIN6921,10.9,ZAB.67	SEAL KIT,62328,SIZE 12,2 PORT.....125-126
SCREW,HHC,3/8-16X1,8,ZAG.....89, 93, 95, 97, 99	SCREW,HHF,M8-1.25X20,DIN6921,10.9,ZAB.67	SEAL KIT,62329,SIZE 12, 3 WAY.....125-126
SCREW,HHC,3/8-16X1.25,8,ZAG...89, 93, 95, 97, 99, 101, 103	SCREW,HHF,M8-1.25X25,DIN6921,10.9,ZAB.69, 83	SEAL KIT,8K ROTATOR***.....101, 103
SCREW,HHC,3/8-16X2.25,8,ZAG.....101	SCREW,LOCKING FLANGE 6/32X.375.....115	SEAL KIT,AXLE EXTEND CYL,61381.....23
SCREW,HHC,3/8-16X2.75,8,ZAG.....91, 93, 97	SCREW,M8X1.5X20MM GR8.8(89212).....29	SEAL KIT,BRAKE,TURNTABLE ROT**.....43
SCREW,HHC,5/16-18 X .75.....31, 37, 41, 49, 163	SCREW,PERKINS 1004-42.....81	SEAL KIT,BREVINI (218496).....27
SCREW,HHC,5/16-18 X 1 GR5.....45, 55, 181	SCREW,PHIL,10-24 X .75.....111, 113	SEAL KIT,CYL,S100/120 (50207).....101
SCREW,HHC,5/16-18 X 1.25.....55	SCREW,PHIL,PHM,6-32 X 1/4 SS.....51, 169	SEAL KIT,CYL,S65 (63213).....103
SCREW,HHC,5/8-11 X 1.75 GRD.8.....55	SCREW,PHILLIPS,FHM,10-32X1.00.....99, 153	SEAL KIT,DRIVE HUB,TURNTBL.ROT.....43
SCREW,HHC,5/8-11 X 2.5.....59, 75, 87	SCREW,PHILLIPS,PHM,10-32 X .5.....23, 25	SEAL KIT,HYD MOTOR(106184).....181
SCREW,HHC,5/8-11 X 3 GRD.8.....55	SCREW,PHILLIPS,PHM,10-32 X .75.....45, 89, 111, 113	SEAL KIT,HYD SWIVEL (75126)**.....41
SCREW,HHC,5/8-11 X 3.5 GRD.8.....63, 77, 79	SCREW,PHILLIPS,PHM,10-32 X 1.....49	SEAL KIT,MOTOR,LC/KC***.....27
SCREW,HHC,M10 X 1.5 X70,GR 8.8.....61	SCREW,PHILLIPS,PHM,10-32 X1.25...23, 27, 95, 157	SEAL KIT,PLAT.LEVEL CYL(61387).....103
SCREW,HHC,M10 X 25MM,GR 8.8.....55, 57, 79, 175	SCREW,PHILLIPS,PHM,10-32X 1.75.....41	SEAL KIT,REXROTH DO3 VALVE.....125-126
SCREW,HHC,M10 X 65MM,GR8.8.....57	SCREW,PHILLIPS,PHM,8-32 X .875.....45	SEAL KIT,RWD 1700TB***.....29
SCREW,HHC,M12 X 35MM.....55, 77, 79	SCREW,PHILLIPS,RHM,10-32 X 1.5.....37, 89, 157	SEAL KIT,SAUER-DANFOSS M46***.....137
SCREW,HHC,M12 X 45.....79	SCREW,PHPM,10-32X1.5,ZAG.....191	SEAL KIT,SOLENOID VALVE.....119
SCREW,HHC,M14 X 40MM,GR 8.8.....61, 63	SCREW,PHPM,6-32X.5,ZAG.....71	SEAL KIT,SOLENOID VALVES,HYDAC.....129
SCREW,HHC,M6 X 20MM,GR8.8.....61	SCREW,PHPM,6-32X.875,ZAG.....191	SEAL KIT,SUN "CWCA" CB VALVES*.....89, 95
SCREW,HHC,M6-1.0X80,DIN931,10.....83	SCREW,RHM,10-32 X .5.....33	SEAL KIT,SUN "CWEA" CB VALVES.....95
SCREW,HHC,M8 X 1.25 X 25.....79	SCREW,RHM,10-32 X .75.....33, 35	SEAL KIT,TURNTABL.ROT.MOTOR.....43
SCREW,HHC,M8 X 10MM.....77, 79	SCREW,RHM,10-32 X 1.....33	SEAL KIT,VALVE 62356, HYDAC.....129
SCREW,HHC,M8 X 16.....79	SCREW,RHM,10-32 X 1.5.....99	SEAL KIT,VALVE 62357, HYDAC.....129
SCREW,HHC,M8 X 20MM.....77, 79	SCREW,RHM,8-32 X .50.....183	SEAL KIT,VALVE 62359, HYDAC.....129
SCREW,HHC,M8-1.25X95,DIN931,10.....71	SCREW,SECURITY,1/4-20 X 1.75LG.....183	SEAL KIT,P.N.44169,44172,44171....121, 125-126
SCREW,HHF,1/2-13X1.5,8,ZAG.....81, 83	SCREW,SECURITY,5/16-18X1.00.....183	SEAL, CONNECTOR (DT JOYSTICKS).....117
SCREW,HHF,1/2-13X3.5,8,ZAG.....189	SCREW,SHC,1/2-13 X 1.50,A574.....27, 41, 43	SEAL, SHAFT, 60511 APU.....49
SCREW,HHF,1/4-20X.625,8,ZAG.....167	SCREW,SHC,10-24 X 1.250 (D01).....125-126	SEAL,FILTER ASSY (60334)**.....45
SCREW,HHF,1/4-20X.75,8,ZAG.....191	SCREW,SHC,3/8-24 X .75,BO.....81	SEAL,INJECTOR,DEUTZ F4L2011.....65

- SENSOR, PRESSURE, DEUTZ 2.9.....71
 SENSOR, TEMP. SENDER, M16X1.5.....77
 SENSOR, COOLANT LEVEL, DEUTZ.....67
 SENSOR, TILT TURNTABLE (PLSTC).....49
 SENSOR, TILT, PCON (PLASTIC)****.....101, 103
 SEPARATOR, DUAL BATTERY, 100A.....45
 SEPRTR/FLTR, FUEL DSL, 15GPH, .30.....83
 SHAFT SEAL, APU.....49
 SHAFT-OUTPUT (60810).....43
 SHEAVE MOUNT, EXT. CABLE MACHIN.....95
 SHEAVE, EXTENSION CABLE.....95
 SHEAVE, RETRACT CABLE.....95
 SHIM, ANGLE LIMIT SWITCH MOUNT.....37
 SHIM, AXLE PIN.....23
 SHIM, BOOM PIVOT.....89
 SHIM, CBL TRK SPRT WLDT, 22 GA.....97
 SHIM, GALVANIZED STEER YOKE.....25
 SHIM, INNER AXLE WEAR PAD.....25, 31
 SHIM, PAD 2.0 X 6.60.....25
 SHIM, PAD, 10 X 6.10.....25, 31
 SHIM, PAD, 4 X 3.60.....31
 SHIM, PROX SWITCH.....89
 SHIM, SIDE PAD, .059THK.....97
 SHIM, SIDE WEAR PAD, 20X2, 14GA**.....93
 SHIM, SIDE WEAR PAD, 20X2, 16GA**.....93
 SHIM, STEER SENSOR ACTIVATOR.....25
 SHIM, TOP WEAR PAD, THIN.....99
 SHIM, WEAR PAD ENGINE TRAY.....59, 75, 87
 SHIM, WEAR PAD, 5 X 1.5, 14GA.....93, 97
 SHIM, WEAR PAD, 5X1.5, 16GA.....93, 97
 SHIM, WEAR PAD, 7 X 3, 12GA.....93, 97
 SHIM, WEAR PAD, 7 X 3, 16GA.....93, 97
 SHOCK MOUNT, LARGE**.....77
 SHOCK MOUNT, SMALL.....77
 SHROUD, FAN (FIBERGLASS).....85
 SHROUD, FAN, PERKINS PAINTED.....77
 SHUTDOWN SOLENOID, 12V, DEUTZ.....65
 SIGHT GLASS DEGAS RCP.....67
 SLEEVE, CONNECTOR, DT JOYSTICKS.....117
 SLIDING MIDRAIL KIT, PTD.....111, 113
 SNAP RING, EXTERNAL, 1.25 DIA.**.....101, 103
 SNAP RING, EXTERNAL, 1.5 DIA***.....95
 SOLENOID CABLE ASSY***.....65
 SOLENOID, MOTOR START, 60511, APU.....49
 SOLENOID, THROTTLE, ASSY. TROMB.....57, 61, 79, 83
 SOLENOID-STARTR DEUTZF4L1011F*.....65
 SPACER, HANGER BRACKET.....189
 SPACER, ALT PULLEY, DEUTZ BF4L2011.....65
 SPACER, NYLON, 718 X .526 X .219.....115
 SPACER, TELEMATICS, TOPCON.....193
 SPACER, WEAR PAD.....93, 97
 SPACER-DUAL COIL, #10, SCISSORS.....121, 125-126
 SPACER-DUAL COIL, #8***.....121
 SPIDER (106113).....181
 SPRING CLIP, 1/4-20, .025-.15X.54, ZAG.....25, 31, 33, 35, 39, 47, 49, 57, 77, 79, 91, 105, 111, 113
 SPRING CLIP, 10-24, .025-.125X.468, ZAG...191
 SPRING CLIP, 3/8-16, .05-.20X.73, ZAG.....37, 45, 49, 71, 73, 99
 SPRING CLIP, M10-1.5, 1-6X19, ZAB.....67
 SPRING CLIP, M6-1.0, 0.8-4MM PAN.....67, 81, 85
 SPRING WASHER 8 GB93.....45
 SPRING, 1.00 DIA X .105.....99
 SPRING, COMP, 1" OD, 232 LB/IN.....157
 SPRING, COMP, 1-1/4" OD 352 LB/IN.....157
 SPRING, JOYSTK CENTR, 62390/91.....117
 SPRING, SWITCH CENTERING, 75565.....117
 STANDOFF, 1/4X1/4 M-F 6-32 S/S.....169
 STARTER, 12V.....65
 STARTER, 12V, CUMMINS B3.3T.....57
 STARTER, ENG, PERK T3 6/8/10K.....83
 STEP PLATFORM ENTRY PAINTED**.....111, 113
 STRAIN RELIEF, PG13, 5.....23, 99
 STRAINER ASSY, #16 O-RING.....49, 143-144
 STRAINER ASSY, #24 O-RING.....49, 143-144
 STRAP ASSY, FUEL TANK 52".....47
 STRAP, CONDUIT HOLDER 60***.....165
 STROBE, FIREBOLT, 12-80VDC, AMB**.....153
 STRUT SUPPORT.....37
 STRUT SUPPORT, TANK SIDE.....37
 STUD, WHEEL, 3/4-16 X 3***.....29
 STUD, FAN SPACR, PERKINS 1004-42.....81
 STUD, WHEEL, 3/4-16 (218496).....27
 SUBASSY, STEER SENSOR***.....27, 53
 SUPPORT, RAILING.....163
 SUPPORT, COVER (61112, 61117).....33, 35
 SUPPORT, ENGINE COVER GRAY.....35
 SUPPORT, FUEL TANK COVER.....39
 SUPPORT, HYDRAULIC SWIVEL.....41
 SUPPORT, SENSOR, JOYSTICK.....117
 SWING COVER BRACKET, DEUTZ.....37
 SWING COVER, DEUTZ.....37
 SWING DRIVE ASSEMBLY.....43
 SWITCH SHIELD, ROCK JOYSTK75565.....117
 SWITCH TOGGLE ASSY SPDT 2P MNT.....169
 SWITCH TOGGLE ASSY SPDT 3P MOM.....115
 SWITCH TOGGLE SPDT 3POS MOM.....115
 SWITCH, OIL PRESSURE 1.5 BAR.....61
 SWITCH, LIMIT, PROX (OPERATIONAL).....23, 53, 89
 SWITCH, LIMIT, ROLLER NO/NC GOLD.....37, 99
 S W I T C H , M E M B R A N E , G R O U N D CONTROL.....51
 SWITCH, PRESS, #4NPT, 200PSIF.....181
 SWITCH, THERMOSTAT 85F OPEN.....169
 SWIVEL, ELECTRIC 10 CONTACT***.....41
 SWIVEL, HYD/ELEC 5 PORT/10 CONT.....41
- T**
- T-BOX 2.75 X 4.5 X 2.5.....33, 107, 109
 T-BOX, 2.75X4.5X2.63, 3PH.....183
 TAIL PIPE, DEUTZ.....63
 TAIL PIPE, PERKINS 1104.....83
 TANK, HYD, 55GALLON.....49
 TAPE, PROTECTIVE MASK.....16, 20
 TEE, BRANCH, 520429-8.....139
 TEE, BRASS STREET, 12 NPT.....77
 TEE, BULKHEAD, 52N9959-8.....139
 TEE, RUN, 520428-6.....49
 TEE, RUN, 520428-8.....143-144
 TERM, AMP MTE, SOC, 22-26 GA BULK.....117
 TERM, DEUTSCH, PIN #12-14.....79
 THERMOSTAT - OIL COOLER (71259).....37
 THERMOSTAT, 180 DEG.F.....79
 THROTTLE LINK, STEEL.....57
 THROTTLE LINKAGE, DSL.....61
 THROTTLE LINKAGE, PERKINS 1104.....83
 THROTTLE, LINKAGE.....79
 TIRE & WHEEL ASSY, LEFT, FOAM.....27
 TIRE & WHEEL ASSY, RIGHT, FOAM.....27
- TOEBOARD, TRI ENTRY 6', EURO.....163
 TOEBOARD, 8'TRI ENTRY.....163
 TOEBOARD, ENTRY EUROPEAN
 PNTD**.....107, 109, 163
 TOOL HOLDER, PLASTIC.....111, 113
 TOOL TRAY.....163
 TRAY, HOSE, 84".....91
 TRIM MOLDING.....37, 59, 67, 75, 85, 87
 TRIMLOCK, 1/16.....59
 TRIMLOCK, 1/4.....33, 35
 TROLLEY, TRACK, FALL ARREST BAR.....189
 TUBE ASSY, FUEL TANK, 20.75" LG.....47
 TUBE, EXHAUST CUMMINS B3.3T.....57
 TUBE, RD, ALUM, 1.25 X .083 X 11.75.....167
 TUBE, AIR INTAKE 1, CUM, B3.3T.....57
 TUBE, AIR INTAKE, DEUTZ.....63
 TUBE, AIR INTAKE, UPPER.....57
 TUBE, CAC 1 CUM, B3.3T.....57
 TUBE, EXHAUST CUMMINS T3.....57
 TUBE, INTAKE, FILTER TO TURBO.....85
 TUBE, INTAKE, CUMMINS T3.....57
 TUBE, INTAKE, DEUTZ 2.9L.....69
 TUBE, INTAKE, PRECLEANER 2.9T.....177
 TUBE, INTAKE, PRECLEANER B3.3T.....175
 TUBE, PRECLEANER, DEUTZ T4.....177
 TUBE, RADIATOR MOUNT.....85
 TUBE, RD, ALUMINUM, 1.00X.50X.820.....153
 TUBE, RD, STL 3 X 18GA ALUMINIZD.....79
 TUBE, RD, STL, ALUMIZD, 2.5 X .065.....77
 TUBE, SLIDING MIDRAIL, PAINTED.....111, 113
 TUBE, UHMW, 1 X .25 X 5.00.....91
 TUBING, VINYL, 1/2" CLEAR.....79
 TURNTABLE COVER MOUNT ASSY.....37
 TURNTABLE COVER MOUNT ASSY SYM...37
 TURNTABLE COVER W/SYM DECAL LT.....33
- U**
- U-BOLT, FLATTENED, 1.5 X 3/8 UNC, ZAG.....165, 167
 U-BOLT, 1/2-13 X 8.5.....63, 77, 83
 U-BOLT, 3/8 X 1 YZ.....111, 113, 183
 U-BOLT, 3/8-16X4X4.63X3.00.....183
 U-BOLT, GUILLOTINE, 3".....57, 69, 85
 UBOLT, FLATTENED, 1.5DIA X 3/8 UNC.....107, 109, 161, 179, 183
 UNION, BULKHEAD, ORFS, 520601, -4.....139
 UNION, STR. THREAD 20.....143-144
 UNION, STR. THREAD 24***.....49, 143-144
- V**
- V-BELT GUARD, DEUTZ 2011.....65
 V-BELT, DEUTZ TD2011 LOAI.....65
 V-BELT, PERKINS 804C-33.....77
 VALVE - COUNTERBALANCE**.....135
 VALVE ASSY, BLEED***.....101, 135
 VALVE ASSY, D03, REX, 3POS 4WAY.....125-126
 VALVE BALL, 24 FSAE-24 FSAE***.....49, 143-144
 VALVE COIL 10V.....131, 133
 VALVE COUNTERBAL. CBBB-LJN@5000...89
 VALVE, CHECK.....119
 VALVE, COMPENSATOR, 80 PSI.....131, 133
 VALVE, COUNTERBALANCE, CWCG-LGN.5000.....89
 VALVE, FLOW DIVIDER COMBINER.....119
 VALVE, AXLE REDUNDANT, CIRCUIT.....31

Part Description Index (continued)

VALVE,BALL,16 MSAE-16 FSAE***.....49, 143-144	WASHER,.375X1.25X.100.....55	WASHER,SHIM,1.56X2.5X.061,ZAG.....73
VALVE,CB,CBBC-LHN@2200*.....23	WASHER,FENDER,.25 X 1.25 X.062.....33, 35	WASHER,THRUST 5 X 1.81 BRONZE.....25
VALVE,CHECK,3 PSI***.....187	WASHER,FLAT,#10,USS,ZAG.....193	WATER PUMP,CUMMINS,B3.3.....55
VALVE,CHECK,5 PSI.....119	WASHER,FLAT,.375 X 1.5 X .125.....179	WEAR PAD,BOOM REST.....95
VALVE,CHECK,5 PSI**.....125-126	WASHER,FLAT,.375X1.25X.062,ZAG.....85	WEAR PAD,20X 1.5X.875 W/INST**.....93
VALVE,CHECK,DUAL PILOT,135 PSI.....123	WASHER,FLAT,.5 HARDENED.....27, 57, 63, 69, 77, 95	WEAR PAD,3 X 1.5 X.625 W/NUTS.....105
VALVE,CHECK,IWP-S/CWP PWR ASSI...125-126, 131, 133	WASHER,FLAT,.625 HARDENED.....41, 55, 63, 77, 79, 95	WEAR PAD,3.5 X 2 X .625 W/INST.....97
VALVE,CHECK,PLAT.MANIFLD,HYDAC.....129	WASHER,FLAT,.625 X 2.25 X.15.....55, 63, 77, 79	WEAR PAD,4X2X.5 W/INSERT***.....39, 91
VALVE,CNTERBAL,CBBB-LHN@3000**.....101	WASHER,FLAT,.625X2.25X.188,ZAG.....73, 85	WEAR PAD,5 X 1.5 X .875 W/NUTS.....93, 97
VALVE,COUNTERBAL,CBBB-LHN@2000.101, 103	WASHER,FLAT,.75 HARDENED.....95, 97	WEAR PAD,7 X 3 X 3.625 W/INSERT.....93, 97
VALVE,COUNTERBAL,CBBB-LHN@3500..89, 103	WASHER,FLAT,.81 X 2.00 X .38.....41	WEAR PAD,7 X 3 X.75 W/NUTS.....93, 97
VALVE,COUNTERBAL,CWCA-LIN@600*.....95	WASHER,FLAT,1.000,HARDENED.....107, 109	WEAR PAD,BOOM #2 TOP.....99
VALVE,COUNTERBAL,CWEK-LIN @600.....95	WASHER,FLAT,1.56 X 2.5 X .061.....23, 55, 63, 77, 79, 95	WEAR PAD,ENGINE SUPPORT.....59, 75, 87
VALVE,COUNTERBALANCE.....23, 103	WASHER,FLAT,3/8,SAE,HRD,ZAG.....89, 91, 93, 95, 97, 99, 101, 103, 105	WEAR PAD,EXT.CABLE.....95
VALVE,DIFFERENTIAL SENSE,N.O.....129	WASHER,FLAT,3/8X1.5X.06.....157	WEAR PAD,EXT.CABLE SHEAVE.....95
VALVE,DIFFERENTIAL SENSE,N.C.....129	WASHER,FLAT,313, HARDENED.....107, 109	WEAR PAD,INNER AXLE.....25, 31
VALVE,DIFFERENTIAL SENSE110PSI.....121, 125-126	WASHER,FLAT,M10,ZINC PLTD.....55, 57, 79, 175	WEAR PAD,INNER AXLE SIDE.....25, 31
VALVE,FLOW CONTROL, 0.1GPM*.....121, 125-126, 131, 133	WASHER,FLAT,M12.....41, 55, 77, 79	WEAR PAD,LIMIT SWITCH MNT.LONG.....99
VALVE,FLOW CONTROL,3GPM, HYDAC.....129	WASHER,FLAT,M14.....61, 63	WEAR PAD,LIMIT SWITCH MNT.SHOR.....99
VALVE,FLOW DIVIDER/COMBINER.....119	WASHER,FLAT,M4,DIN125,ZAB.....71	WEAR PAD,SHEAVE MOUNT.....95
VALVE,FLOW REGULATOR, 2.0 GPM*.....121, 123	WASHER,FLAT,M6,DIN125,ZAB.....83	WEAR PAD,UPPER CABLE TRACK.....97
VALVE,PILOT OPER DIRECTIONAL.....181, 187	WASHER,FLAT,M8,DIN125,ZAB.....71	WEARPAD,ACTIVATING ROD.....23
VALVE,PROPORTIONAL SOLENOID*.....125-126	WASHER,FLAT,M8,YELLOW ZINC.....77, 79	WELDER,INVERTEC V275-S.....183
VALVE,RELIEF,1800 PSI,AXLE EXT.....123	WASHER,FLAT,MS,#10,Y.....33, 35, 41, 89, 111, 113, 157	WELDMENT,ENGINE MNT, RF.....77
VALVE,RELIEF,250 PSI.....119	WASHER,FLAT,MS,#8,Y.....183	WELDMENT,ENGINE TRAY.....73
VALVE,RELIEF,2600 PSI,SIZE 10.....125-126	WASHER,FLAT,NYLON.25 X.68 X.03.....83	WELDMENT,EXHAUST SUPPORT.....77
VALVE,RELIEF,3000PSI,GS68PUMP1.....125-126	WASHER,FLAT,NYLON.257X.5X.032.....83	WELDMENT,EXHAUST, 804T.....77
VALVE,SHUTTLE.....119	WASHER,FLAT,SAE 1/4",ZINC.....115	WELDMENT,LEFT CONTACT ALARM, LARGE.....191
VALVE,SHUTTLE, HYDAC.....129	WASHER,FLAT,SAE,3/8",Y.....111	WELDMENT,MUFFLER MOUNT.....83
VALVE,SOLENOID 2 POS.3 WAY.....119	WASHER,FLAT,USS,1",Y.....59	WELDMENT,PIPE CRADLE.....165
VALVE,SOLENOID 3 POS.4 WAY***.....121	WASHER,FLAT,USS,1/2",Y.....31, 37, 39, 171	WELDMENT,RADIATOR MOUNT.....67
VALVE,SOLENOID, 2POS 3WAY*.....125-126	WASHER,FLAT,USS,1/4"Y.....25, 27, 31, 33, 35, 37, 39, 45, 47, 49, 55, 57, 61, 77, 79, 91, 93, 99, 101, 103, 105, 107, 109, 111, 113, 155, 163, 165, 167, 171, 173, 175, 179, 181	WELDMENT,RIGHT CONTACT ALARM, LARGE.....191
VALVE,SOLENOID,10V,W/OUT COIL*.....187	WASHER,FLAT,USS,1/4,ZAG.....71	WELDMENT,AIR BOX,DEUTZ PAINTED.....75
VALVE,SOLENOID,2 POS 2 WAY.....131, 133	WASHER,FLAT,USS,3/8",Y.....25, 31, 33, 37, 45, 47, 49, 55, 57, 61, 77, 83, 89, 91, 93, 95, 97, 99, 107, 109, 111, 113, 153, 157, 179, 181	WELDMENT,AXLE SWITCH.....23
VALVE,SOLENOID,2POS3WAY,SUPRB...125-126	WASHER,FLAT,USS,5/16",Y.....31, 37, 39, 41, 45, 49, 55, 57, 59, 61, 63, 75, 77, 87, 89, 91, 99, 105, 153, 161, 163, 167, 183	WELDMENT,BATTERY TRAY.....45
VALVE,SOLENOID,3POS 4WAY***.....121, 125-126	WASHER,FLAT,USS,5/8",Y.....59, 75, 87	WELDMENT,CABLE RETAINER.....95
VALVE,SOLENOID,3POS4WAY,HYDAC.....129	WASHER,FLAT,USS,7/16",Y.....41	WELDMENT,CABLE TRACK SUPPORT.....97
VALVE,SOLENOID,PROPORT. N.C.*.....125-126	WASHER,LOCK,#10 PLTD.....23, 25, 95, 111, 113	WELDMENT,CABLE TRAY.....39
VALVE-CHECK SIZE 12(SUPRBOOM)*...125-126	WASHER,LOCK,.25.....25, 27, 31, 33, 35, 39, 45, 47, 49, 91, 93, 95, 99, 101, 103, 111, 113, 115, 163, 173	WELDMENT,EXHAUST TUBE.....35
VALVE-CHECK, #4 SAE, 5 PSI*.....123, 125-126, 131, 133	WASHER,LOCK,.313.....49	WELDMENT,EXTENSION BOOM #2.....97
VALVE-FLOW REGULATOR 2 GPM.....119	WASHER,LOCK,375.....25, 27, 31, 37, 39, 45, 49, 55, 57, 59, 75, 87	WELDMENT,GUIDE BRACKET.....27
VALVE-FLOW REGULATOR 3.0 GPM.....125-126	WASHER,LOCK,625 PLTD.....59, 75, 87	WELDMENT,HEADER PIPE, PERKINS.....83
VALVE-FLOW REGULATOR, 1.4 GPM*.....121, 123	WASHER,LOCK,.75 PLTD.....89	WELDMENT,INTAKE EXT.DEUTZ.....37
VALVE-RELIEF,1800 PSI.....126	WASHER,LOCK,0.5".....23, 25, 31, 41, 49, 89, 95, 171	WELDMENT,PCON BOX.....115
VITON SEAL KIT, VALVE.....131, 133	WASHER,LOCK,M6.....61	WELDMENT,PIPE CRADLE MOUNT.....165
VLV,SOL,DO3,REXROTH,3POS 4 WAY125-126	WASHER,LOCK,M8.....77, 79	WELDMENT,PLAT. STOWED SUPPORT.....111
	WASHER,SHIM .0151 THK.....157	WELDMENT,PLATF.MANFLD.SUPPORT..107, 109
	WASHER,SHIM,.265 X .5 X .030.....79	WELDMENT,PLATFORM SUPPORT,CE.....157
	WASHER,SHIM,1.01 X 1.63 X.062.....39, 95	WELDMENT,PRECLEANER,DEUTZ.....175
	WASHER,SHIM,1.27 X 2.13 X .062.....101, 103	WELDMENT,RADIATOR MOUNT**.....85
		WELDMENT,RADIATOR MOUNT,CUM.....55
		WELDMENT,REAR ENGINE MOUNT.....63, 73
		WELDMENT,WEAR PAD MOUNTING.....97
		WHEEL DRIVE W/BRAKE,76:1.....29
		WHEEL DRIVE W/BRAKE,76:1,BREVI.....27
		WIPER,RUBBER BOOM #3 TOP.....99
		WIRE ASSEMBLY,16/4SJO,9.5"PLUG.....23, 99
		WIRE ASSEMBLY,16/4SJO,9.5"RECP.....99
		WIRE CABLE,12/3 CON.TPE JKT.....33, 107, 109
		WIRE CABLE,6GA/4 CONDUCTOR.....181
		WIRE LOOM,3/8 NYLON,HI TEMP.....79
		WIRE LOOM,3/8 POLY SLIT.....111, 113
		WLDMNT,CABLE TRACK GUIDE LONG*...91, 97

W

WLDMNT,CABLE TRACK GUIDE,SHORT....97
WLDMNT,RET.CABLE SHEAV.GARD.LH.....95
WLDMNT,RET.CABLE SHEAV.GARD.RH.....95
WLDT, AIR CLEANER/SOLENOID MNT.....57
WLDT, MUFFLER BRKT, CUMMINS T3.....57
WLDT, MUFFLER BRKT, PERK T3.....77
WORKLIGHT, 12V, DEUTSCH RECEPT.....163
WORKLIGHT,48 VOLT.....153

Y

YOKE ASSEMBLY,SUPERBOOM,NRRW.....25

Z

ZERK,GREASE,1/8 NPT.....25, 31, 41, 49
ZERK,GREASE,5/16-24,STRAIT.....157

Fitting Cross References

Genie PN	Parker PN	Description	Genie PN	Parker PN	Description
12342	6-4 F5OX-S	CONNECTOR,STRAIGHT THREAD TO FLARE TUBE	42794	1 CR-S	ELBOW,90°,MALE PIPE
13757	4 R6X-S	RUN TEE,SWIVEL NUT,ORFS	42795	BV-0839	BALL VALVE
19685	12-10 C5OX-S	ELBOW,90°,STRAIGHT THREAD TO FLARE TUBE	42796	BV-0838	BALL VALVE
22664	12-10 C5OX	ELBOW,90°,STRAIGHT THREAD TO FLARE TUBE	42874	6-8 CLO-S	ELBOW,90°,MALE PIPE TO ORFS
27431	8-12 F5OX-S	CONNECTOR,STRAIGHT THREAD TO FLARE TUBE	42912	13943-6-4	HOSE END,90° FEMALE SWIVEL,JIC
28678	AS-B-33	SLEEVE,NYLON,1.81" ID	42920	BV-0840	BALL VALVE,90°
39871	6 WETX-WLN-S	UNION,90° BULKHEAD W/NUT,FLARE TUBE	42932	AS-B-17	SLEEVE,NYLON,1.22" ID
39872	4 R5OX-S	RUN TEE,STRAIGHT THREAD	42936	10243-2-4	HOSE END,FEMALE PIPE
39873	6 C5OX-S	ELBOW,90°,STRAIGHT THREAD TO FLARE TUBE	42953	1/2 DD-S	ELBOW,90°,FEMALE PIPE
39874	8-6 C5OX-S	ELBOW,90°,STRAIGHT THREAD TO FLARE TUBE	42956	6 WELO-WLNL-S	UNION,90° BULKHEAD W/NUT,ORFS
39875	4-6 C5OX-S	ELBOW,90°,STRAIGHT THREAD TO FLARE TUBE	45349	8 V5OX-S	ELBOW,45°,STRAIGHT THREAD TO FLARE TUBE
39876	6-8 C5OX-S	ELBOW,90°,STRAIGHT THREAD TO FLARE TUBE	45351	4 V5OX-S	ELBOW,45°,STRAIGHT THREAD TO FLARE TUBE
39877	4 F5OX-S	CONNECTOR,STRAIGHT THREAD TO FLARE TUBE	47223	10343-6-6	HOSE END,MALE,JIC
39878	6 F5OX-S	CONNECTOR,STRAIGHT THREAD TO FLARE TUBE	47419	PS690503-6-6	SWIVEL,90°,STRAIGHT THREAD TO 37° FLARE
39879	4-8 F5OX-S	CONNECTOR,STRAIGHT THREAD TO FLARE TUBE	48750	421-4	HOSE,1/4 INCH ID
39880	6-10 F5OX-S	CONNECTOR,STRAIGHT THREAD TO FLARE TUBE	48751	481TC-4	HOSE,1/4 INCH ID
39881	4-6 F5OX-S	CONNECTOR,STRAIGHT THREAD TO FLARE TUBE	48752	482TC-4	HOSE,1/4 INCH ID
39882	4-HP5ON-S	PLUG,STRAIGHT THREAD	48753	451TC-6	HOSE,3/8 INCH ID
39883	8-8 FTX-S	CONNECTOR,MALE PIPE TO FLARE TUBE	48754	482TC-6	HOSE,3/8 INCH ID
39885	269HB 12-12	ELBOW,90°,BEADED HOSE BARB TO MALE PIPE	48755	381-6	HOSE,3/8 INCH ID
39886	431-6	HOSE,3/8 INCH ID	48756	451TC-8	HOSE,1/2 INCH ID
39887	540N-2	HOSE,1/8 INCH ID	48757	482TC-8	HOSE,1/2 INCH ID
39888	801-8	HOSE,1/2 INCH ID	48758	381-8	HOSE,1/2 INCH ID
39889	801-12	HOSE,3/4 INCH ID	48759	381-10	HOSE,5/8 INCH ID
39890	10643-6-6	HOSE END,FEMALE SWIVEL,JIC	48760	451TC-10	HOSE,5/8 INCH ID
39891	13943-6-6	HOSE END,90° FEMALE SWIVEL,JIC	48761	482TC-12	HOSE,3/4 INCH ID
39892	13743-6-6	HOSE END,45° FEMALE SWIVEL,JIC	48762	451TC-12	HOSE,3/4 INCH ID
39894	30682-8-8	HOSE END,FEMALE SWIVEL,JIC	48763	772-12	HOSE,3/4 INCH ID
39895	30682-10-12	HOSE END,FEMALE SWIVEL,JIC	48764	881-16	HOSE,1 INCH ID
42286	8-8 CTX-S	ELBOW,90°,MALE PIPE TO FLARE TUBE	48765	772-16	HOSE,1 INCH ID
42756	8-12 CLO-S	ELBOW,90,MALE PIPE TO ORFS	48766	AS-B-15	SLEEVE,NYLON,1.06" ID
42757	8-12 FLO-S	CONNECTOR,MALE PIPE TO ORFS	48767	AS-B-22	SLEEVE,NYLON,1.42" ID
42758	4 JLO-S	UNION TEE,ORFS	48770	881-8	HOSE,1/2 INCH ID
42759	4-4 FLO-S	CONNECTOR,MALE PIPE TO ORFS			
42760	6-8 FLO-S	CONNECTOR,MALE PIPE TO ORFS			
42761	1J143-6-4	HOSE END,90° FEMALE SWIVEL,SEAL LOK			
42762	1J743-6-4	HOSE END,45° FEMALE SWIVEL,SEAL LOK			
42768	1JO43-4-4	HOSE END,MALE,SEAL LOK			
42776	601-8	HOSE,1/2 INCH ID			
42777	1J743-16-16	HOSE END,45° FEMALE SWIVEL,SEAL LOK			
42786	16 CLO-S	ELBOW,90°,MALE PIPE TO ORFS			
42787	16 R6LO-S	RUN TEE,SWIVEL NUT,ORFS			
42788	16-8 TRLO-BL-S	REDUCER,TUBE END TO SWIVEL,ORFS			
42789	6-6 CLO-S	ELBOW,90°,MALE PIPE TO ORFS			
42790	8-10 V5OLO-S	ELBOW,45°,STRAIGHT THREAD TO ORFS			
42791	3/4 CD-S	ELBOW,90°,MALE TO FEMALE PIPE			
42792	3/4 X 1/2 PTR-S	REDUCER,MALE TO FEMALE PIPE			
42793	1/2 CR-S	ELBOW,90°,MALE PIPE			

Fitting Cross References (Continued)

Genie PN	Parker PN	Description
48771	881-10	HOSE,5/8 INCH ID
48772	381-4	HOSE,1/4 INCH ID
48773	AS-B-13	SLEEVE,NYLON,.86" ID
48800	1JC43-4-4	HOSE END,FEMALE SWIVEL,SEAL LOK
48801	1J743-4-4	HOSE END,45° FEMALE SWIVEL,SEAL LOK
48802	1J943-4-4	HOSE END,90° FEMALE SWIVEL,SEAL LOK
48804	1JM43-4-4	HOSE END,MALE,SEAL LOK, NO O-RING
48805	10643-4-4	HOSE END,FEMALE SWIVEL,JIC
48806	13943-4-4	HOSE END,90° FEMALE SWIVEL,JIC
48807	1JS43-4-4	HOSE END,FEMALE SWIVEL,SEAL LOK
48808	3JC82-8-8	HOSE END,FEMALE SWIVEL,SEAL LOK
48809	3JC82-12-12	HOSE END,FEMALE SWIVEL,SEAL LOK
48810	1JC43-6-4	HOSE END,FEMALE SWIVEL,SEAL LOK
48811	1J943-6-4	HOSE END,90° FEMALE SWIVEL,SEAL LOK
48812	1JC43-6-6	HOSE END,FEMALE SWIVEL,SEAL LOK
48813	1J143-6-6	HOSE END,90° FEMALE SWIVEL,SEAL LOK
48814	1J543-6-6	HOSE END,90° FEMALE SWIVEL,SEAL LOK
48815	1J743-6-6	HOSE END,45° FEMALE SWIVEL,SEAL LOK
48816	1J943-6-6	HOSE END,90° FEMALE SWIVEL,SEAL LOK
48817	1JS43-6-8	HOSE END,FEMALE SWIVEL,SEAL LOK
48818	1J943-8-4	HOSE END,90° FEMALE SWIVEL,SEAL LOK
48819	1JC43-8-6	HOSE END,FEMALE SWIVEL,SEAL LOK
48820	1J743-8-6	HOSE END,45° FEMALE SWIVEL,SEAL LOK
48821	1J943-8-6	HOSE END,90° FEMALE SWIVEL,SEAL LOK
48822	1JC43-8-8	HOSE END,FEMALE SWIVEL,SEAL LOK
48823	1JS43-8-8	HOSE END,FEMALE SWIVEL,SEAL LOK
48824	1J143-8-8	HOSE END,90° FEMALE SWIVEL,SEAL LOK
48825	1J543-8-8	HOSE END,90° FEMALE SWIVEL,SEAL LOK
48826	1J743-8-8	HOSE END,45° FEMALE SWIVEL,SEAL LOK
48827	1J943-8-8	HOSE END,90° FEMALE SWIVEL,SEAL LOK
48828	1JC43-10-8	HOSE END,FEMALE SWIVEL,SEAL LOK
48829	1JS43-10-8	HOSE END,FEMALE SWIVEL,SEAL LOK
48830	1J743-10-8	HOSE END,45° FEMALE SWIVEL,SEAL LOK
48831	1J943-10-8	HOSE END,90° FEMALE SWIVEL,SEAL LOK
48833	1JC43-10-10	HOSE END,FEMALE SWIVEL,SEAL LOK
48834	1J943-10-10	HOSE END,90° FEMALE SWIVEL,SEAL LOK
48835	1JS43-10-12	HOSE END,FEMALE SWIVEL,SEAL LOK
48836	1JC43-12-8	HOSE END,FEMALE SWIVEL,SEAL LOK
48837	1JS43-12-8	HOSE END,FEMALE SWIVEL,SEAL LOK
48838	1J743-12-8	HOSE END,45° FEMALE SWIVEL,SEAL LOK
48839	1J943-12-8	HOSE END,90° FEMALE SWIVEL,SEAL LOK
48840	1J943-12-10	HOSE END,90° FEMALE SWIVEL,SEAL LOK
48841	1JC43-12-12	HOSE END,FEMALE SWIVEL,SEAL LOK
48842	1JO43-12-12	HOSE END,MALE,SEAL LOK
48843	1J143-12-12	HOSE END,90° FEMALE SWIVEL,SEAL LOK
48844	1J543-12-12	HOSE END,90° FEMALE SWIVEL,SEAL LOK
48845	1J743-12-12	HOSE END,45° FEMALE SWIVEL,SEAL LOK
48846	1J943-12-12	HOSE END,90° FEMALE SWIVEL,SEAL LOK

Genie PN	Parker PN	Description
48847	13943-12-12	HOSE END,90° FEMALE SWIVEL,JIC
48848	10543-12-12	HOSE END,MALE,STRAIGHT THREAD
48849	1JC71-12-12	HOSE END,FEMALE SWIVEL,SEAL LOK
48850	1JS71-12-12	HOSE END,FEMALE SWIVEL,SEAL LOK
48851	1J171-12-12	HOSE END,90° FEMALE SWIVEL,SEAL LOK
48852	1J771-12-12	HOSE END,45° FEMALE SWIVEL,SEAL LOK
48853	1J971-12-12	HOSE END,90° FEMALE SWIVEL,SEAL LOK
48854	1JC43-16-16	HOSE END,FEMALE SWIVEL,SEAL LOK
48855	1J943-16-16	HOSE END,90° FEMALE SWIVEL,SEAL LOK
48856	1J171-16-16	HOSE END,90° FEMALE SWIVEL,SEAL LOK
48857	1J971-16-16	HOSE END,90° FEMALE SWIVEL,SEAL LOK
48859	1JS43-8-4	HOSE END,FEMALE SWIVEL,SEAL LOK
48867	PD36BTL	DIAGNOSTIC NIPPLE,SEAL-LOK SWIVEL
48873	6 PNLO-S	PLUG,TUBE END,ORFS
48874	6 PNTX-S	PLUG,FLARE TUBE
48875	6 R6LO-S	RUN TEE,SWIVEL NUT,ORFS
48877	4 F5OLO-SW/.025	CONNECTOR,STRAIGHT THREAD TO ORFS, W/.025 ORI
48878	16-12 C5OLO-S	ELBOW,90°,STRAIGHT THREAD TO ORFS
48879	8 C6LO-S	ELBOW,90°,SWIVEL NUT ORFS
48880	PD6-285	CAP,DIAGNOSTIC NIPPLE
48881	6 HLO-S	UNION,ORFS
48883	8 P5ON-S	PLUG,STRAIGHT THREAD
48884	8M18F87OMLO-S	CONNECTOR,METRIC,STRAIGHT THREAD TO ORFS
48885	4 WGTX-WLN-S	CONNECTOR,BULKHEAD,FEMALE PIPE TO FLARE TUBE
48886	4 F5OLO-SW/2MM	CONNECTOR,MACHINED STRAIGHT THREAD TO ORFS
48887	4 CTX-S	ELBOW,90°,MALE PIPE TO FLARE TUBE
48888	10-12 V5OLO-S	ELBOW,45°,STRAIGHT THREAD TO ORFS
48890	4 S5OLO-S	BRANCH TEE,STRAIGHT THREAD TO ORFS
48891	4 S6LO-S	BRANCH TEE,SWIVEL NUT TO ORFS

Fitting Cross References (Continued)

Genie PN	Parker PN	Description	Genie PN	Parker PN	Description
48892	6 C6LO-S	ELBOW,90°,SWIVEL NUT ORFS	48938	8 R6LO-S	RUN TEE,SWIVEL NUT,ORFS
48893	6 F5OHAO-S	UNION,STRAIGHT THREAD	48939	8 S6LO-S	BRANCH TEE,SWIVEL NUT TO ORFS
48894	8 WLO-WLNL-S	UNION,BULKHEAD,ORFS	48940	8 WJLO-WLNL-S	RUN TEE, BULKHEAD,ORFS
48895	DT-370-MSMO-5	VALVE,CHECK	48941	8-4 TRLO-S	REDUCER,TUBE END TO SWIVEL,ORFS
48896	6 JLO-S	UNION,TEE,ORFS	48942	8-6 C5OLO-S	ELBOW,90°,STRAIGHT THREAD TO ORFS
48897	DT-750-MSMS-5	VALVE,CHECK	48943	8-6 F5OLO-S	CONNECTOR,STRAIGHT THREAD TO ORFS
48898	DT-750-MOMS-5	VALVE,CHECK	48944	8-8 FLO-S	CONNECTOR,MALE PIPE TO ORFS
48899	DT-620-MOMS-5	VALVE,CHECK	48945	8 FTX-S	CONNECTOR,MALE PIPE TO FLARE TUBE
48900	4-6 F5OLO-SW/.035	CONNECTOR,STRAIGHT THREAD TO ORFS, W/.035 ORI	48946	8-10 F5OLO-S	CONNECTOR,STRAIGHT THREAD TO ORFS
48902	16-1 AOE4G-S	ELBOW,90° LONG,FEMALE PIPE TO STRAIGHT THREAD	48947	8-12 C5OLO-S	ELBOW,90°,STRAIGHT THREAD TO ORFS
48903	1 FF-S	NIPPLE,PIPE	48948	8-12 F5OLO-S	CONNECTOR,STRAIGHT THREAD TO ORFS
48904	4 C5OLO-S	ELBOW,90°,STRAIGHT THREAD TO ORFS	48949	8-16 F5OLO-S	CONNECTOR,STRAIGHT THREAD TO ORFS
48905	4 F5OLO-S	CONNECTOR,STRAIGHT THREAD TO ORFS	48950	10 C5OLO-S	ELBOW,90°,STRAIGHT THREAD TO ORFS
48906	4 R5OLO-S	RUN TEE,STRAIGHT THREAD	48951	10 CC5OLO-S	ELBOW,90° LONG,STRAIGHT THREAD TO ORFS
48907	4 V5OLO-S	ELBOW,45°,STRAIGHT THREAD TO ORFS	48952	10 F5OLO-S	CONNECTOR,STRAIGHT THREAD TO ORFS
48908	4 R6LO-S	RUN TEE,SWIVEL NUT,ORFS	48953	10 R5OLO-S	RUN TEE,STRAIGHT THREAD
48909	4 WJLO-WLNL-S	RUN TEE, BULKHEAD,ORFS	48954	10 S5OLO-S	BRANCH TEE,STRAIGHT THREAD TO ORFS
48910	4 GTX-S W/.030	CONNECTOR,FEMALE PIPE TO FLARE TUBE	48955	10 R6LO-S	RUN TEE,SWIVEL NUT,ORFS
48911	4-6 C5OLO-S	ELBOW,90°,STRAIGHT THREAD TO ORFS	48956	10-4 TRLO-BL-S	REDUCER,TUBE END TO SWIVEL,ORFS
48912	4-6 F5OLO-S	CONNECTOR,STRAIGHT THREAD TO ORFS	48957	10-6 TRLO-BL-S	REDUCER,TUBE END TO SWIVEL,ORFS
48913	4-6 F5OLO-SW/.030	CONNECTOR,STRAIGHT THREAD TO ORFS, W/.030 ORI	48958	10-12 F5OLO-S	CONNECTOR,STRAIGHT THREAD TO ORFS
48914	4-8 F5OLO-S	CONNECTOR,STRAIGHT THREAD TO ORFS	48959	12 C5OLO-S	ELBOW,90°,STRAIGHT THREAD TO ORFS
48915	6 C5OLO-S	ELBOW,90°,STRAIGHT THREAD TO ORFS	48960	12 F5OLO-S	CONNECTOR,STRAIGHT THREAD TO ORFS
48916	6 F5OLO-S	CONNECTOR,STRAIGHT THREAD TO ORFS	48961	12 R5OLO-S	RUN TEE,STRAIGHT THREAD
48917	6 FF5OLO-S	CONNECTOR,LONG,STRAIGHT THREAD TO ORFS	48962	12 S5OLO-S	BRANCH TEE,STRAIGHT THREAD TO ORFS
48918	6 R5OLO-S	RUN TEE,STRAIGHT THREAD	48963	12 V5OLO-S	ELBOW,45°,STRAIGHT THREAD TO ORFS
48919	6 S5OLO-S	BRANCH TEE,STRAIGHT THREAD TO ORFS	48964	12 R6LO-S	RUN TEE,SWIVEL NUT,ORFS
48920	6 V5OLO-S	ELBOW,45°,STRAIGHT THREAD TO ORFS	48965	12 CLO-S	ELBOW,90°,MALE PIPE TO ORFS
48921	6 FLO-S	CONNECTOR,MALE PIPE TO ORFS	48966	12 FLO-S	CONNECTOR,MALE PIPE TO ORFS
48922	6-6 FLO-S	CONNECTOR,MALE PIPE TO ORFS	48967	12 JLO-S	UNION TEE,ORFS
48923	6 P5ON-S	PLUG,STRAIGHT THREAD	48968	12 WLO-WLNL-S	UNION,BULKHEAD,ORFS
48925	6 WELO-S	UNION,90° BULKHEAD,ORFS	48969	12 WJLO-WLNL-S	RUN TEE, BULKHEAD,ORFS
48926	6-4 C5OLO-S	ELBOW,90°,STRAIGHT THREAD TO ORFS	48970	12 WELO-WLNL-S	UNION,90° BULKHEAD W/NUT,ORFS
48927	6-4 F5OLO-S	CONNECTOR,STRAIGHT THREAD TO ORFS			
48928	6-4 V5OLO-S	ELBOW,45°,STRAIGHT THREAD TO ORFS			
48929	6-8 C5OLO-S	ELBOW,90°,STRAIGHT THREAD TO ORFS			
48930	6-8 F5OLO-S	CONNECTOR,STRAIGHT THREAD TO ORFS			
48931	6-10 F5OLO-S	CONNECTOR,STRAIGHT THREAD TO ORFS			
48932	8 C5OLO-S	ELBOW,90°,STRAIGHT THREAD TO ORFS			
48933	8 F5OLO-S	CONNECTOR,STRAIGHT THREAD TO ORFS			
48934	8 FF5OLO-S	CONNECTOR,LONG,STRAIGHT THREAD TO ORFS			
48935	8 R5OLO-S	RUN TEE,STRAIGHT THREAD			
48936	8 S5OLO-S	BRANCH TEE,STRAIGHT THREAD TO ORFS			
48937	8 V5OLO-S	ELBOW,45°,STRAIGHT THREAD TO ORFS			

Fitting Cross References (Continued)

Genie PN	Parker PN	Description	Genie PN	Parker PN	Description
48971	12 G5G5JG5-S	TEE,FEMALE STRAIGHT THREAD	49612	PKT02586	O-RING KIT (ORFS FITTINGS)
48972	12 XHL6-S	ADAPTER, 37° MALE TO SWIVEL ORFS	49613	PKT06276	PLUG AND CAP KIT-SERVICE,ORFS
48973	12-1/2 F5OG-S	ADAPTER,FEMALE PIPE TO STRAIGHT THREAD	49728	10143-12-12	HOSE END, MALE PIPE
48974	12-10 C5OLO-S	ELBOW,90°,STRAIGHT THREAD TO ORFS	49729	16-1 F5OG-S	ADAPTER,FEMALE PIPE TO STRAIGHT THREAD
48975	12-10 F5OLO-S	CONNECTOR,STRAIGHT THREAD TO ORFS	49814	12-8 FLO-S	CONNECTOR,MALE PIPE TO ORFS
48976	12-16 C5OLO-S	ELBOW,90°,STRAIGHT THREAD TO ORFS	49829	DT-500-MOMF-5	VALVE,CHECK
48977	12-16 F5OLO-S	CONNECTOR,STRAIGHT THREAD TO ORFS	49831	881-12	HOSE,3/4 INCH ID
48978	12-16 V5OLO-S	ELBOW,45°,STRAIGHT THREAD TO ORFS	49834	16 JLO-S	UNION TEE,ORFS
48980	12-16 FLO-S	CONNECTOR,MALE PIPE TO ORFS	49838	12-8 TRLO-BL-S	REDUCER,TUBE END TO SWIVEL,ORFS
48983	16 C5OLO-S	ELBOW,90°,STRAIGHT THREAD TO ORFS	49840	8 JLO-S	UNION TEE,ORFS
48984	16 F5OLO-S	CONNECTOR,STRAIGHT THREAD TO ORFS	49844	10-8 TRLO-BL-S	REDUCER,TUBE END TO SWIVEL,ORFS
48985	16 V5OLO-S	ELBOW,45°,STRAIGHT THREAD TO ORFS	49854	8 P5ON-S	PLUG,STRAIGHT THREAD
48986	16 FLO-S	CONNECTOR,MALE PIPE TO ORFS	49855	1JC43-16-12	HOSE END,FEMALE SWIVEL,SEAL LOK
48988	16 CD45-S	ELBOW,45°,MALE TO FEMALE PIPE	49859	4 P5ON-S	PLUG,STRAIGHT THREAD
48989	12 CD45-S	ELBOW,45°,MALE TO FEMALE PIPE	49861	4 FF5OLO-S	CONNECTOR,LONG,STRAIGHT THREAD TO ORFS
48990	8 CD45-S	ELBOW,45°,MALE TO FEMALE PIPE	49867	12-3/4 F5OG-S	ADAPTER,FEMALE PIPE TO STRAIGHT THREAD
48991	16-12 FLO-S	CONNECTOR,MALE PIPE TO ORFS	51152	6 R6X-S	RUN TEE,SWIVEL NUT,ORFS
48992	16-12 V5OLO-S	ELBOW,45°,STRAIGHT THREAD TO ORFS	51153	6-4 TRTX-S	REDUCER,TUBE END TO SWIVEL,ORFS
48993	XV501-12	BALL VALVE	51154	4-4 GTX	CONNECTOR,FEMALE PIPE TO FLARE TUBE
48994	XV501-16	BALL VALVE	51264	881-12	HOSE,3/4 INCH ID
48995	XV510P-12	BALL VALVE	51265	8 JLO-S	UNION TEE,ORFS
48996	XV510P-16	BALL VALVE	51508	6 BTX-S	NUT,FLARE TUBE
48997	PD341	DIAGNOSTIC NIPPLE, STRAIGHT THREAD	51580	12-8 TRLO-BL-S	TUBE END REDUCER,ORFS
48998	PD 361	DIAGNOSTIC NIPPLE, STRAIGHT THREAD	51628	6 R6X-S	RUN TEE,SWIVEL NUT,ORFS
48999	DT-500-MOMS-5	VALVE,CHECK	51735	3/8 HHP	PLUG,PIPE THREAD
49201	10 V5OLO-S	ELBOW,45°,STRAIGHT THREAD TO ORFS	51803	1J943-6-8	HOSE END,90° FEMALE SWIVEL,SEAL LOK
49202	1JC43-12-10	HOSE END,FEMALE SWIVEL,SEAL LOK	53023	125HBL-5-4	FITTING,HOSE BARB TO MALE PIPE
49203	10-8 V5OLO-S	ELBOW,45°,STRAIGHT THREAD TO ORFS	53497	PKT02585	O-RING KIT
49205	6 F5OHAO-S	UNION,STRAIGHT THREAD	53499	1JC71-16-16	HOSE END,FEMALE SWIVEL,SEAL LOK
49207	PD34BTL	DIAGNOSTIC NIPPLE,SEAL-LOK SWIVEL	53500	3-904	O-RING,STRAIGHT THREAD,-4
49209	8M18F870MX-S	CONNECTOR,METRIC,STRAIGHT THREAD TO FLARE TUBE	53501	3-906	O-RING,STRAIGHT THREAD,-6
49212	8 WGTX-WLN-S	CONNECTOR,BULKHEAD,FEMALE PIPE TO FLARE TUBE	53502	3-908	O-RING,STRAIGHT THREAD,-8
49213	30682-8-8	HOSE END,FEMALE SWIVEL,JIC	53503	3-910	O-RING,STRAIGHT THREAD,-10
49216	831-8	HOSE,1/2 INCH ID			
49217	33982-8-8	HOSE END,90° FEMALE SWIVEL,JIC			
49219	PS-B-35	SLEEVE,NYLON,2.19" ID			
49418	4-6 V5OLO-S	ELBOW,45°,STRAIGHT THREAD TO ORFS			
49511	DT370-MOMS-5	VALVE,CHECK			
49512	1 DD-S	ELBOW,90°,FEMALE PIPE			
49513	1 FF-S	NIPPLE,PIPE			
49514	10 HP5ON-S	PLUG,STRAIGHT THREAD			
49515	12-16 CLO-S	ELBOW,90°,MALE PIPE TO ORFS			
49517	6 HP5ON-S	PLUG,STRAIGHT THREAD			
49519	16-12 F5OLO-S	CONNECTOR,STRAIGHT THREAD TO ORFS			
49520	4 VTX-S	ELBOW,45°,MALE PIPE TO FLARE TUBE			
49530	16 C6LO-S	ELBOW,90°,SWIVEL NUT ORFS			

Fitting Cross References (Continued)

Genie PN	Parker PN	Description	Genie PN	Parker PN	Description
53535	3-912	O-RING, STRAIGHT THREAD, -12	61083	24 F5OLO-S	CONNECTOR, STRAIGHT THREAD TO ORFS
53536	4-PNLO-S	PLUG, TUBE END, ORFS	61086	20 R5OLO-S	RUN TEE, STRAIGHT THREAD
53537	6 PNLO-S	PLUG, TUBE END, ORFS	61090	24-20 F5OLO-S	CONNECTOR, STRAIGHT THREAD TO ORFS
53538	8 PNLO-S	PLUG, TUBE END, ORFS	61091	1J943 24-24	HOSE END, 90° FEMALE SWIVEL, SEAL LOK
53539	10 PNLO-S	PLUG, TUBE END, ORFS	61093	1J978-12-12	HOSE END, 90° FEMALE SWIVEL, JIC
53540	12 PNLO-S	PLUG, TUBE END, ORFS	61095	1JS43-20-16	HOSE END, FEMALE SWIVEL, SEAL LOK
53946	129HB-5-4	FITTING, 90° HOSE BARB TO MALE PIPE	61100	811-24	HOSE, 1 1/2 INCH ID
53951	8-1/4F50G-S	ADAPTER, FEMALE PIPE TO STRAIGHT THREAD	61130	1JS43-24-24	HOSE END, FEMALE SWIVEL, SEAL LOK
53980	6 S6LO-S	BRANCH TEE, SWIVEL NUT TO ORFS	61131	1JS78 12-12	HOSE END, FEMALE SWIVEL, SEAL LOK
54132	4 C6LO-S	ELBOW, 90°, SWIVEL NUT ORFS	61132	1J778-12-12	HOSE END, 45° FEMALE SWIVEL, JIC
54135	11343-16-16	HOSE END, MALE SWIVEL, PIPE	61152	139HB-6-4	ELBOW, 45°, BARB TO MALE PIPE
54283	8-10 C5OLO-S	ELBOW, 90°, STRAIGHT THREAD TO ORFS	61251	BV-0750	BALL VALVE
54428	8M18C870MLO-S	ELBOW, 90° METRIC, STRAIGHT THREAD TO ORFS	61259	4 CC5OLO-S	ELBOW, 90° LONG, STRAIGHT THREAD TO ORFS
54803	FS-F-16-10	SLEEVE, FIRE, .96" ID	61260	20-12 TRLO-BL	REDUCER, TUBE END TO SWIVEL, ORFS
54954	10143-2-4	HOSE END, MALE PIPE	61262	12 C6LO-S	ELBOW, 90°, SWIVEL NUT ORFS
55190	3/8 HP-S	PLUG, PIPE THREAD	61263	20 F5OHAO-S	UNION, STRAIGHT THREAD
55448	8 HLO-S	UNION, ORFS	61264	6-10 C5OLO-S	ELBOW, 90°, STRAIGHT THREAD TO ORFS
55839	6 F65OX-S	CONNECTOR, STRAIGHT THREAD TO 37° SWIVEL	61265	6 WNLO-WLNL-S	UNION, BULKHEAD 45°, ORFS
55968	10 C5OX-S	ELBOW, 90°, STRAIGHT THREAD TO FLARE TUBE	61268	4 WNLO-WLNL-S	UNION, BULKHEAD 45°, ORFS
56003	6 CC5OLO-S	ELBOW, 90° LONG, STRAIGHT THREAD TO ORFS	61269	4 WLO-WLNL-S	UNION, BULKHEAD, ORFS
56166	BV-0837	BALL VALVE, 90°	61272	12 AOEL6	ELBOW, 90°, STRAIGHT THREAD TO ORFS SWIVEL
56188	10143-8-6	HOSE END, MALE PIPE	61316	482TC-16	HOSE, 1 INCH ID
56233	2-011	O-RING, ORFS, -4	61321	6 JLO-S	UNION TEE, ORFS
56234	2-012	O-RING, ORFS, -6	61327	782-12	HOSE, 3/4 INCH ID
56235	2-014	O-RING, ORFS, -8	61328	881-24	HOSE, 1 1/2 INCH ID
56236	2-016	O-RING, ORFS, -10	61336	11943-20-24	HOSE END, 90° FLANGE HEAD
56237	2-018	O-RING, ORFS, -12	61345	12 WJLO-WLNL-S	RUN TEE, BULKHEAD, ORFS
56238	2-021	O-RING, ORFS, -16	61346	8 WNLO-WLNL-S 4	UNION, BULKHEAD 45°, ORFS
56352	6 WLNL-S	LOCKNUT, BULKHEAD	61569	33782-8-8	HOSE END, 45° FEMALE SWIVEL, JIC
56353	3J782-12-12	HOSE END, 45° FEMALE SWIVEL, SEAL LOK	61610	12 FF5OLO-S	CONNECTOR, LONG, STRAIGHT THREAD TO ORFS
56354	3J982-12-12	HOSE END, 90° FEMALE SWIVEL, SEAL LOK	61742	1/8 X 1.5 FFF	NIPPLE, PIPE
56604	10-8 F5OLO-S	CONNECTOR, STRAIGHT THREAD TO ORFS	63426	8 PNTX-S	PLUG, FLARE TUBE
56639	3JC82-10-10	HOSE END, FEMALE SWIVEL, SEAL LOK			
56640	3J982-10-10	HOSE END, 90° FEMALE SWIVEL, SEAL LOK			
56655	3JC82-8-10	HOSE END, FEMALE SWIVEL, SEAL LOK			
56676	10-8 C5OLO-S	ELBOW, 90°, STRAIGHT THREAD TO ORFS			
56776	471TC-6	HOSE, 3/8 INCH ID			
56777	471TC-8	HOSE, 1/2 INCH ID			
56789	811-16	HOSE, 1 INCH ID			
57884	3/8 FF	NIPPLE, PIPE			
59335	6 FNL-S	CAP, TUBE END			
59342	4 FNL-S	CAP, TUBE END			
59371	8 HP5ON-S	PLUG, STRAIGHT THREAD			
60653	BV-0751	BALL VALVE			
60806	125HB-3-4	FITTING, HOSE BARB TO MALE PIPE			
61064	5-1/4 F50G-S	ADAPTER, FEMALE PIPE TO STRAIGHT THREAD			
61079	4 WELO-WLNL-S	UNION, 90° BULKHEAD W/NUT, ORFS			
61080	6 WLO-WLNL-S	UNION, BULKHEAD, ORFS			

Fitting Cross References (Continued)

Genie PN	Parker PN	Description	Genie PN	Parker PN	Description
64271	4 WLO-WLNL-S	UNION,BULKHEAD,ORFS	75631	801-6	HOSE,3/8 INCH ID
64272	6 WLO-WLNL-S	UNION,BULKHEAD,ORFS	75654	20 F5OLO-S	CONNECTOR,STRAIGHT THREAD TO ORFS
65776	8 F65OL-S	CONNECTOR,STRAIGHT THREAD TO ORFS SWIVEL	75655	1J943-20-20	HOSE END,90° FEMALE SWIVEL,SEAL LOK
65880	6001012	O-RING KIT	75656	881-20	HOSE,1-1/4 INCH ID
66154	6 WTX-WLNS	UNION,BULKHEAD,FLARE TUBE	75971	8 F5OHAO-S	UNION,STRAIGHT THREAD
66155	6 WETX-S	UNION,BULKHEAD 90°,FLARE TUBE	77307	1JB43-8-8	HOSE END,BULKHEAD,SEAL LOK
66156	6 WLN-S	BULKHEAD LOCKNUT	77309	8 WLNL-S	BULKHEAD LOCKNUT
66389	6-8 F5OX-S	CONNECTOR,STRAIGHT THREAD TO FLARE TUBE	77379	8M18C87OMX-S	ELBOW,90° METRIC,STRAIGHT THREAD TO FLARE TUBE
66392	6 R5OX-S	RUN TEE,STRAIGHT THREAD	77703	3J982-8-8	HOSE END,90° FEMALE SWIVEL,SEAL LOK
66396	811-12	HOSE,3/4 INCH ID	77711	801-10	HOSE,5/8 INCH ID
66829	H3174PP	CLAMP,TUBE	77758	12 WNLO-WLNL-S	UNION,BULKHEAD 45°,ORFS
67217	4 KLO-S	UNION,CROSS,ORFS	78091	6 C6X-S	ELBOW,90°,SWIVEL NUT TO FLARE TUBE
67339	10-6 F5OX-S	CONNECTOR,STRAIGHT THREAD TO FLARE TUBE	78684	30582-8-8B	HOSE END,PUSH LOK,MALE
67357	13943-8-6	HOSE END,90° FEMALE SWIVEL,JIC	78852	549-2	HOSE,1/8 INCH ID
67358	10 HP5ON-S	PLUG,STRAIGHT THREAD	78855	10657-4-2	HOSE END,FEMALE SWIVEL,JIC
67371	12 S6LO-S	BRANCH TEE,SWIVEL NUT TO ORFS	79138	PS-B-37	SLEEVE,NYLON,2.38" ID
67498	4 FNL-S	CAP, TUBE END	79476	1JS43-6-8	HOSE END,FEMALE SWIVEL,SEAL LOK
67906	DC-370-F0F0-5	VALVE,CHECK	79847	12-3/4 A0EG-S	ELBOW,90°,STRAIGHT THREAD TO FEMALE PIPE
69316	8 FLO-S	CONNECTOR,MALE PIPE TO ORFS	80044	8 CLO-S	ELBOW,90°,MALE PIPE TO ORFS
69333	H3174PP	CLAMP,HYDRAULIC HOSE	80502	8 F5OX-S	CONNECTOR,STRAIGHT THREAD TO FLARE TUBE
69503	4 F65OX-S	CONNECTOR,STRAIGHT THREAD TO 37° SWIVEL	80503	8 C5OX-S	ELBOW,90°,STRAIGHT THREAD TO FLARE TUBE
69775	8 FNL-S	CAP, TUBE END	81010	AS-B-27	SLEEVE,NYLON,1.63" ID
71038	1/4X1/4F3HG-S	ADAPTER,CONVERSION	83052	821-6	HOSE,3/8 INCH ID
71196	12-8 F5OLO-S	CONNECTOR,STRAIGHT THREAD TO ORFS	83053	821-8	HOSE,1/2 INCH ID
71383	1/4 CD45-S	ELBOW,45°,MALE TO FEMALE PIPE	83054	821-12	HOSE,3/4 INCH ID
72270	12FNL-S	CAP, TUBE END	83055	30682-6-6	HOSE END,FEMALE SWIVEL,JIC
73436	60C-4	SLEEVE,COMPRESSION	83056	30682-12-12	HOSE END,FEMALE SWIVEL,JIC
73437	61C-4	NUT,COMPRESSION	83057	33782-6-6	HOSE END,45° FEMALE SWIVEL,JIC
73438	33482-4-4B	HOSE END,PUSH LOK,MALE	83058	33982-6-6	HOSE END,90° FEMALE SWIVEL,JIC
73767	1CD-S	ELBOW,90°,MALE TO FEMALE PIPE	83060	33982-12-12	HOSE END,90° FEMALE SWIVEL,JIC
73768	20-16-F5OG5-S	ADAPTER,FEMALE PIPE TO STRAIGHT THREAD	83063	13743-4-4	HOSE END,45° FEMALE SWIVEL,JIC
73769	16-20 F5OLO-S	CONNECTOR,STRAIGHT THREAD TO ORFS			
74660	6-8 F42EDMLO-S	CONNECTOR,MALE BSPP TO ORFS			
74661	8-8 F42EDMLO-S	CONNECTOR,MALE BSPP TO ORFS			
75007	4 FLO-S	CONNECTOR,MALE PIPE TO ORFS			
75008	1/8 HP-S	PLUG,PIPE THREAD			
75014	1/2 HP-S	PLUG,PIPE THREAD			
75042	8 WELO-WLNL-S	UNION,90° BULKHEAD W/NUT,ORFS			
75043	3/4 FF-S	NIPPLE,PIPE			
75254	24 F5OHAO-S	UNION,STRAIGHT THREAD			
75255	12 F5OHAO-S	UNION,STRAIGHT THREAD			
75256	XV506P-24	BALL VALVE			
75574	4 WLNL-S	BULKHEAD LOCKNUT			
75612	8 WJLO-WLNL-S	RUN TEE, BULKHEAD,ORFS			
75613	12-8 F5OG5-S	ADAPTER,FEMALE PIPE TO STRAIGHT THREAD			
75614	8 CC5OLO-S	ELBOW,90° LONG,STRAIGHT THREAD TO ORFS			
75628	1JB43-4-4	HOSE END,BULKHEAD,SEAL LOK			

Fitting Cross References (Continued)

Genie PN	Parker PN	Description	Genie PN	Parker PN	Description
83064	13743-8-8	HOSE END,45° FEMALE SWIVEL,JIC	89449	6 WJLO-WLNL-S	RUN TEE, BULKHEAD,ORFS
83065	13743-12-12	HOSE END,45° FEMALE SWIVEL,JIC	89489	4 WJMLO-S	BRANCH TEE,BULKHEAD,ORFS
83066	13943-8-8	HOSE END,90° FEMALE SWIVEL,JIC	89551	1JB43-6-6	HOSE END,BULKHEAD,SEAL LOK
83067	14143-6-6	HOSE END,90° FEMALE SWIVEL,JIC	89552	1JB43-8-8	HOSE END,BULKHEAD,SEAL LOK
83068	14143-8-8	HOSE END,90° FEMALE SWIVEL,JIC	89593	20 C5OLO-S	ELBOW,90°,STRAIGHT THREAD TO ORFS
83069	14143-12-12	HOSE END,90° FEMALE SWIVEL,JIC	94161	8-8 CLO-S	ELBOW,90°,MALE PIPE TO ORFS
83070	772-8	HOSE,1/2 INCH ID	94358	351TC-12	HOSE,3/4 INCH ID
83071	10671-8-8	HOSE END,FEMALE SWIVEL,JIC	94418	20 FLO-S	CONNECTOR,MALE PIPE TO ORFS
83072	10671-12-12	HOSE END,FEMALE SWIVEL,JIC	96358	12 TX-S	SLEEVE,FLARE TUBE
83073	13771-8-8	HOSE END,45° FEMALE SWIVEL,JIC	96359	12 BTX-S	NUT,FLARE TUBE
83074	13771-12-12	HOSE END,45° FEMALE SWIVEL,JIC	96397	8 F5OX-S	CONNECTOR,STRAIGHT THREAD TO FLARE TUBE
83075	13971-8-8	HOSE END,90° FEMALE SWIVEL,JIC	96398	12-8 F5OX-S	CONNECTOR,STRAIGHT THREAD TO FLARE TUBE
83076	13971-12-12	HOSE END,90° FEMALE SWIVEL,JIC	96402	10343-6-6	HOSE END,MALE,JIC
83077	14171-8-8	HOSE END,90° FEMALE SWIVEL,JIC	96407	30382-6-6B	HOSE END,MALE,JIC
83078	14171-12-12	HOSE END,90° FEMALE SWIVEL,JIC			
83080	13943-16-16	HOSE END,90° FEMALE SWIVEL,JIC			
83103	10671-16-12	HOSE END,FEMALE SWIVEL,JIC			
83104	10671-10-12	HOSE END,FEMALE SWIVEL,JIC			
83112	1JC71-8-8	HOSE END,FEMALE SWIVEL,SEAL LOK			
83113	1JS71-16-12	HOSE END,FEMALE SWIVEL,SEAL LOK			
83114	1JS71-10-12	HOSE END,FEMALE SWIVEL,SEAL LOK			
83115	1J971-8-8	HOSE END,90° FEMALE SWIVEL,SEAL LOK			
83116	1J171-8-8	HOSE END,90° FEMALE SWIVEL,SEAL LOK			
83117	1J771-8-8	HOSE END,45° FEMALE SWIVEL,SEAL LOK			
83127	1J543-6-8	HOSE END,90° FEMALE SWIVEL,JIC			
83128	1JC43-6-8	HOSE END,FEMALE SWIVEL,SEAL LOK			
87033	12-6 TRLO-S	REDUCER,TUBE END TO SWIVEL,ORFS			
87034	3J782-8-8	HOSE END,45° FEMALE SWIVEL,SEAL LOK			
87172	12 HP5ON-S	PLUG,STRAIGHT THREAD			
87185	8 WNLO-WLNL-S	UNION,BULKHEAD 45°,ORFS			
87246	4 C6X-S	ELBOW,90°,SWIVEL NUT TO FLARE TUBE			
87679	6 LHP-S	FLANGE SEAL FITTING, MALE			
87681	6PLS N0702	BONDED SEAL			
88100	SR88100	ADAPTER,OIL DRAIN,GM 3.0L			
88311	1JS43-20-20	HOSE END,FEMALE SWIVEL,SEAL LOK			
88353	20 V5OLO-S	ELBOW,45°,STRAIGHT THREAD TO ORFS			
88474	10081-20	Crimp Shell, 1.25"			
88475	1988-20-24	HOSE END,90° FLANGE HEAD			
88476	JS88-24-24	HOSE END,FEMALE SWIVEL,SEAL LOK			
88477	1JC88-20-20	HOSE END,FEMALE SWIVEL,SEAL LOK			
88478	811-20	HOSE,11/4 INCH ID			
88936	20-16 F5OLO-S	CONNECTOR,STRAIGHT THREAD TO ORFS			
88937	20-16 FLO-S	CONNECTOR,MALE PIPE TO ORFS			
88938	1JC88-16-16	HOSE END,FEMALE SWIVEL,SEAL LOK			
88939	1J988-16-16	HOSE END,90° FEMALE SWIVEL,ORFS			
88940	811-16	HOSE,1 INCH ID			
88944	1J988-20-20	HOSE END,90° FEMALE SWIVEL,ORFS			
89403	16 VLO-S	ELBOW,45°,MALE PIPE TO ORFS			

California Proposition 65



WARNING

Operating, servicing and maintaining this equipment can expose you to chemicals including engine exhaust, carbon monoxide, phthalates, and lead, which are known to the State of California to cause cancer and birth defects or other reproductive harm. These chemicals can be emitted from or contained in other various parts and systems, fluids and some component wear by-products. To minimize exposure, avoid breathing exhaust, do not idle the engine except as necessary, service your equipment and vehicle in a well-ventilated area and wear gloves or wash your hands frequently when servicing your equipment or vehicle and after operation. For more information go to www.P65Warnings.ca.gov/passenger-vehicle.

Breathing diesel engine exhaust exposes you to chemicals known to the State of California to cause cancer and birth defects or other reproductive harm.

- Always start and operate the engine in a well-ventilated area.
- If in an enclosed area, vent the exhaust to the outside.
- Do not modify or tamper with the exhaust system.
- Do not idle the engine except as necessary.

For more information go to www.P65warnings.ca.gov/diesel.

Parts Manual

S-100

S-105

from SN S10011D-101 to S10016D-1549

from SN S10511D-101 to S10016D-1549

from SN S100D-1550

from SN S105D-1550

Part No.
226126

Rev B

Genie
A TEREX BRAND