



RX 70 Technical Data Diesel and LPG Forklift Trucks

[RX 70-22](#)

[RX 70-25](#)

[RX 70-30](#)

[RX 70-35](#)

[RX 70-30 Hybrid](#)

[RX 70-35 Hybrid](#)



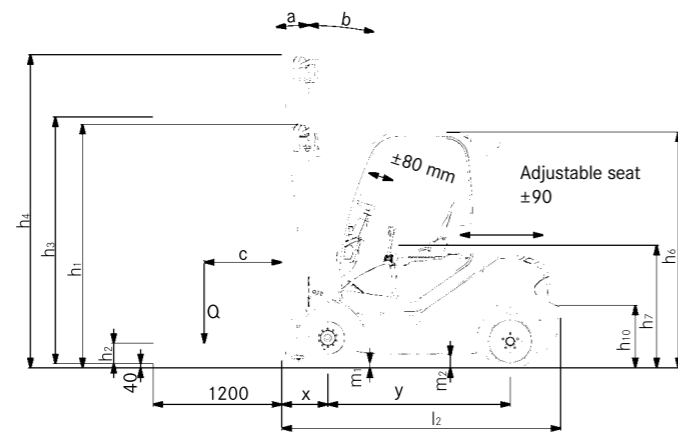


		1.1			STILL	STILL	STILL	STILL	STILL	STILL	STILL	STILL	STILL		
Distinguishing marks	1.1	Manufacturer			STILL	STILL	STILL	STILL	STILL	STILL	STILL	STILL	STILL		
	1.2	Manufacturer's model designation			RX 70-22	RX 70-22 T	RX 70-25	RX 70-25 T	RX 70-30	RX 70-30 H	RX 70-30 T	RX 70-35	RX 70-35 H	RX 70-35 T	
	1.2.1	Manufacturer's type designation			7361	7365	7362	7366	7363	7363	7367	7364	7364	7368	
	1.3	Drive			Diesel	LP gas	Diesel	LP gas	Diesel	Diesel/Hybrid	LP gas	Diesel	Diesel/Hybrid	LP gas	
	1.4	Operation			Rider seated	Rider seated	Rider seated	Rider seated	Rider seated	Rider seated	Rider seated	Rider seated	Rider seated	Rider seated	
	1.5	Rated capacity	Q	kg	2200	2200	2500	2500	3000	3000	3000	3500	3500	3500	
	1.6	Load centre	c	mm	500	500	500	500	500	500	500	500	500	500	
	1.8	Load distance	x	mm	455	455	455	455	475	475	475	475	475	475	
	1.9	Wheel base	y	mm	1712	1712	1712	1712	1712	1712	1712	1712	1712	1712	
Weights	2.1	Truck weight incl. battery			kg	3677	3677	3792	3792	4188	4238	4188	4503	4553	4503
	2.2	Axle load, laden	front	kg	5114	5114	5560	5560	6402	6447	6402	7110	7155	7110	
	2.2.1	Axle load, laden	rear	kg	763	763	731	731	786	791	786	893	898	893	
	2.3	Axle load, unladen	front	kg	1687	1687	1666	1666	1694	1709	1694	1616	1631	1616	
	2.3.1	Axle load, unladen	rear	kg	1990	1990	2126	2126	2494	2529	2494	2886	2921	2886	
Tyres/chassis	3.1	Tyres			Superelastic	Superelastic	Superelastic	Superelastic	Superelastic	Superelastic	Superelastic	Superelastic	Superelastic	Superelastic	
	3.2	Tyre size	front		23 x 9-10	23 x 9-10	23 x 9-10	23 x 9-10	23 x 9-10	23 x 9-10	23 x 9-10	23 x 10-12	23 x 10-12	23 x 10-12	
	3.3	Tyre size	rear		21 x 8-9	21 x 8-9	21 x 8-9	21 x 8-9	21 x 8-9	21 x 8-9	21 x 8-9	21 x 8-9	21 x 8-9	21 x 8-9	
	3.5	Number of wheels (x = driven)	front		2x	2x	2x	2x	2x	2x	2x	2x	2x	2x	
	3.5.1	Number of wheels (x = driven)	rear		2	2	2	2	2	2	2	2	2	2	
	3.6	Track width	front	b ₁₀	mm	984	984	984	984	984	984	984	975	975	975
	3.7	Track width	rear	b ₁₁	mm	920	920	920	920	920	920	920	920	920	920
Dimensions	4.1	Tilt Mast/fork carriage	forward	°	6	6	6	6	6	6	6	6	6	6	
	4.1.1	Tilt Mast/fork carriage	back	°	7	7	7	7	7	7	7	7	7	7	
	4.2	Height, mast lowered	h ₁	mm	2175	2175	2175	2175	2175	2175	2175	2175	2175	2175	
	4.3	Free lift	h ₂	mm	160	160	160	160	160	160	160	160	160	160	
	4.4	Lift	h ₃	mm	2970	2970	2970	2970	2970	2970	2970	2970	2970	2970	
	4.5	Height, mast raised	h ₄	mm	3600	3600	3600	3600	3750	3750	3750	3750	3750	3750	
	4.7	Height over overhead guard (cab)	h ₆	mm	2190	2190	2190	2190	2190	2190	2190	2195	2195	2195	
	4.8	Seat height/stand height rel. to SIP	h ₇	mm	1074	1074	1074	1074	1074	1074	1074	1074	1074	1074	
	4.12	Coupling height	h ₁₀	mm	425	425	425	425	425	425	425	425	425	425	
	4.19	Overall length	l ₁	mm	3595	3595	3625	3625	3730	3730	3730	3795	3795	3795	
	4.20	Length including fork backs	l ₂	mm	2595	2595	2625	2625	2730	2730	2730	2795	2795	2795	
	4.21	Overall width	b ₁	mm	1180	1180	1180	1180	1180	1180	1180	1224	1224	1224	
	4.22	Fork thickness	s	mm	40	40	40	40	50	50	50	50	50	50	
	4.22.1	Fork width	e	mm	100	100	100	100	100	100	100	100	100	100	
	4.22.2	Fork length	l	mm	1000	1000	1000	1000	1000	1000	1000	1000	1000	1000	
	4.23	Fork carriage ISO 2328, Class/Form A, B			Cl. II, Form A	Cl. II, Form A	Cl. II, Form A	Cl. II, Form A	Cl. III, Form A	Cl. III, Form A	Cl. III, Form A	Cl. III, Form A	Cl. III, Form A	Cl. III, Form A	Cl. III, Form A
	4.24	Fork carriage width	b ₃	mm	1040	1040	1040	1040	1100	1100	1100	1100	1100	1100	
	4.31	Floor clearance under mast, laden	m ₁	mm	125	125	125	125	125	125	125	125	125	125	
	4.32	Floor clearance, centre of wheel base	m ₂	mm	150	150	150	150	150	150	150	150	150	150	
	4.33	Working aisle - 1000 x 1200 pallet crosswise	A _{st}	mm	3937	3937	3967	3967	4062	4062	4062	4152	4152	4152	
4.34	Working aisle - 800 x 1200 pallet lengthways	A _{st}	mm	4137	4137	4167	4167	4262	4262	4262	4352	4352	4352		
4.35	Turning radius	W _a	mm	2282	2282	2312	2312	2387	2387	2387	2477	2477	2477		
4.36	Smallest pivot point distance	b ₁₃	mm	589	589	589	589	589	589	589	589	589	589		
Performance data	5.1	Travel speed	laden	km/h	21	21	21	21	21	21	21	21	21	21	
	5.1.1	Travel speed	unladen	km/h	21	21	21	21	21	21	21	21	21	21	
	5.2	Hoist speed	laden	m/s	0.57	0.53	0.55	0.53	0.50	0.55	0.48	0.43	0.48	0.48	
	5.2.1	Hoist speed	unladen	m/s	0.60	0.55	0.60	0.55	0.53	0.55	0.50	0.53	0.55	0.50	
	5.3	Lowering speed	laden	m/s	0.60	0.60	0.60	0.60	0.60	0.60	0.60	0.60	0.60	0.60	
	5.3.1	Lowering speed	unladen	m/s	0.53	0.53	0.53	0.53	0.53	0.53	0.53	0.53	0.53	0.53	
	5.5	Drawbar pull	laden	N	17500	17500	17500	17500	17600	18300	17500	17400	18300	17000	
	5.5.1	Drawbar pull	unladen	N	12140	12140	12140	12140	12300	12300	12300	13400	13400	13400	
	5.7	Max. gradeability	laden	%	29	29	29	29	23	23	25	21	23	24	
	5.7.1	Max. gradeability	unladen	%	26	26	26	26	24	24	24	20	20	20	
5.9	Acceleration time	laden	s	5.1	5.1	5.1	5.1	5.4	5.1	5.1	5.8	5.4	5.4		
5.9.1	Acceleration time	unladen	s	4.5	4.5	4.5	4.5	4.7	4.3	4.5	5.1	4.6	4.8		
5.10	Service brake			Electric/hydraulic	Electric/hydraulic	Electric/hydraulic	Electric/hydraulic	Electric/hydraulic	Electric/hydraulic	Electric/hydraulic	Electric/hydraulic	Electric/hydraulic	Electric/hydraulic		
Engine	7.1	Engine manufacturer			VW	VW	VW	VW	VW	VW	VW	VW	VW		
	7.1.1	Type			BXT	BEF	BXT	BEF	BXT	BEF	BXT	BEF	BEF		
	7.2	Engine rating to ISO 1585			kW	30	36	30	36	30	38	30	38		
	7.2.1	Additional power of electrical energy storage			kW					8			8		
	7.3	Nominal speed			1/min	2600	2600	2600	2600	2600	2600	2600	2600	2600	
	7.4	Number of cylinders				4	4	4	4	4	4	4	4	4	
	7.4.1	Swept volume			cm ³	1900	2000	1900	2000	1900	2000	1900	2000	2000	
	7.5	Fuel consumption to VDI Cycle (60 runs/h)			l/h	2.4		2.5		3.1	2.8		3.3	2.9	3.1
	7.9	On-board voltage			kg/h				2.6						
8.1	Drive control			V	12	12	12	12	12	12	12	12	12		
Miscellaneous	10.1	Working pressure for attachments			bar	250	250	250	250	250	250	250	250	250	
	10.2	Oil volume for attachments			l/min	30	30	30	30	30	30	30	30	30	
	10.4	Volume fuel tank			l/kg	58	11	58	11	58	11	58	11		
	10.7	Sound pressure level L _{PAZ} ¹ (driver's seat)			dB (A)	<77	<77	<77	<77	<77	<77	<77	<77	<77	
	10.7.1	Sound power level LWAZ (work cycle)			dB (A)	<99	<97	<99	<97	<99	<97	<99	<99	<97	
		Body vibrations in accordance with EN 13059			m/s ²	0.58	0.58	0.58	0.58	0.58	0.58	0.58	0.58	0.58	
	10.8	Towing coupler, Type/Model DIN			Pin	Pin	Pin	Pin	Pin	Pin	Pin	Pin	Pin	Pin	

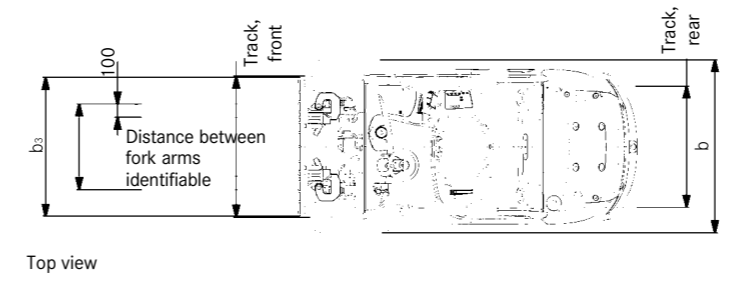
¹ No cab, different values with cab



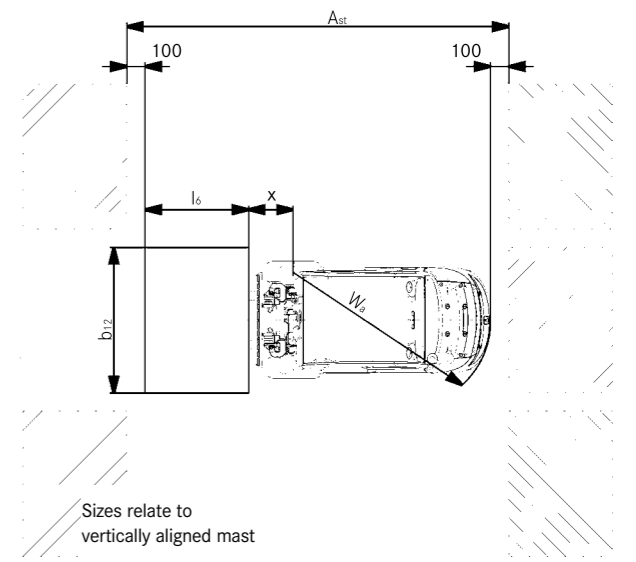
			Duplex mast								NiHo mast						Triplex mast									
			2870	2970	3170	3270	3670	4170	4570	5070	2990	3090	3290	3690	4090	4590	4440	4590	4890	5390	5690	6040	6640	7390		
RX 70-22	Nominal lift	h_3	mm	2870	2970	3170	3270	3670	4170	4570	5070	2990	3090	3290	3690	4090	4590	4440	4590	4890	5390	5690	6040	6640	7390	
	Overall height	h_1	mm	2125	2175	2275	2325	2525	2775	2975	3225	2125	2175	2275	2475	2675	2925	2125	2175	2275	2475	2575	2725	2925	3175	
	Free lift	h_2	mm	160	160	160	160	160	160	160	160	1500	1550	1650	1850	2050	2300	1500	1550	1650	1850	1950	2100	2300	2550	
	Maximum height	h_4	mm	3500	3600	3800	3900	4300	4800	5200	5700	3650	3750	3950	4350	4750	5250	5120	5270	5570	6070	6370	6720	7320	8070	
	Tilt angle, forwards	α	°	6								6						6								
	Tilt angle, backwards	β	°	7								7						7								
	Tyres	front		23 x 9-10								23 x 9-10						23 x 9-10								
	Tyres	rear		21 x 8-9								21 x 8-9						21 x 8-9								
	Track	front	mm	984								984						984								
	Track	rear	mm	920								920						920								
Maximum width	b	mm	1180								1180						1180									
RX 70-25	Nominal lift	h_3	mm	2870	2970	3170	3270	3670	4170	4570	5070	2990	3090	3290	3690	4090	4590	4440	4590	4890	5390	5690	6040	6640	7390	
	Overall height	h_1	mm	2125	2175	2275	2325	2525	2775	2975	3225	2125	2175	2275	2475	2675	2925	2125	2175	2275	2475	2575	2725	2925	3175	
	Free lift	h_2	mm	160	160	160	160	160	160	160	160	1500	1550	1650	1850	2050	2300	1500	1550	1650	1850	1950	2100	2300	2550	
	Maximum height	h_4	mm	3500	3600	3800	3900	4300	4800	5200	5700	3650	3750	3950	4350	4750	5250	5120	5270	5570	6070	6370	6720	7320	8070	
	Tilt angle, forwards	α	°	6								6						6								
	Tilt angle, backwards	β	°	7								7						7								
	Tyres	front		23 x 9-10								23 x 9-10						23 x 9-10								
	Tyres	rear		21 x 8-9								21 x 8-9						21 x 8-9								
	Track	front	mm	984								984						984								
	Track	rear	mm	920								920						920								
Maximum width	b	mm	1180								1180						1180									
RX 70-30	Nominal lift	h_3	mm	2870	2970	3170	3270	3670	4170	4570	5070	2990	3090	3290	3690	4090	4590	4440	4590	4890	5190	5390	5690	6040	6640	7390
	Overall height	h_1	mm	2125	2175	2275	2325	2525	2775	2975	3225	2125	2175	2275	2475	2675	2925	2125	2175	2275	2375	2475	2575	2725	2925	3175
	Free lift	h_2	mm	160	160	160	160	160	160	160	160	1470	1520	1620	1820	2020	2270	1470	1520	1620	1720	1820	1920	2070	2270	2520
	Maximum height	h_4	mm	3650	3750	3950	4050	4450	4950	5350	5850	3680	3780	3980	4380	4780	5280	5140	5290	5590	5890	6090	6390	6740	7340	8090
	Tilt angle, forwards	α	°	6								6						6								
	Tilt angle, backwards	β	°	7								7						7								
	Tyres	front		23 x 9-10								23 x 9-10						23 x 9-10		23 x 10-12		315/45-12				
	Tyres	rear		21 x 8-9								21 x 8-9						21 x 8-9								
	Track	front	mm	984								984						984		1048		1100				
	Track	rear	mm	920								920						920								
Maximum width	b	mm	1180								1180						1180		1280		1385					
RX 70-35	Nominal lift	h_3	mm	2870	2970	3170	3270	3670	4170	4570	5070	2990	3090	3290	3690	4090	4590	4440	4590	4890	5190	5390	5690	6040	6640	7390
	Overall height	h_1	mm	2125	2175	2275	2325	2525	2775	2975	3225	2125	2175	2275	2475	2675	2925	2125	2175	2275	2375	2475	2575	2725	2925	3175
	Free lift	h_2	mm	160	160	160	160	160	160	160	160	1470	1520	1620	1820	2020	2270	1470	1520	1620	1720	1820	1920	2070	2270	2520
	Maximum height	h_4	mm	3650	3750	3950	4050	4450	4950	5350	5850	3680	3780	3980	4380	4780	5280	5140	5290	5590	5890	6090	6390	6740	7340	8090
	Tilt angle, forwards	α	°	6								6						6								
	Tilt angle, backwards	β	°	7								7						7								
	Tyres	front		23 x 10-12								23 x 10-12						23 x 10-12								
	Tyres	rear		21 x 8-9								21 x 8-9						21 x 8-9								
	Track	front	mm	975								975						975		1048		1100				
	Track	rear	mm	920								920						920								
Maximum width	b	mm	1224								1224						1224		1280		1385					



Side view



Top view



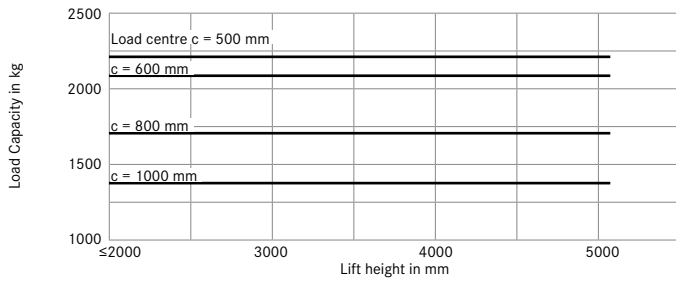
Top view

Sizes relate to vertically aligned mast

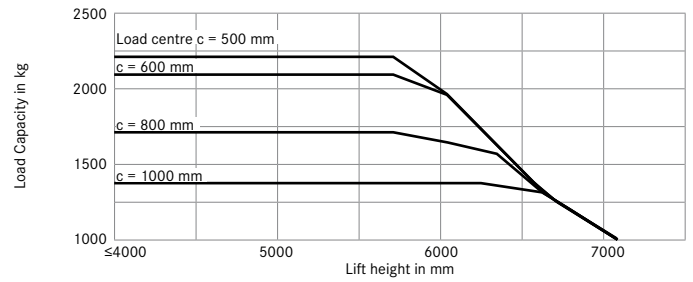
RX 70 Diesel and LPG Forklift Trucks

Basic Load Capacities

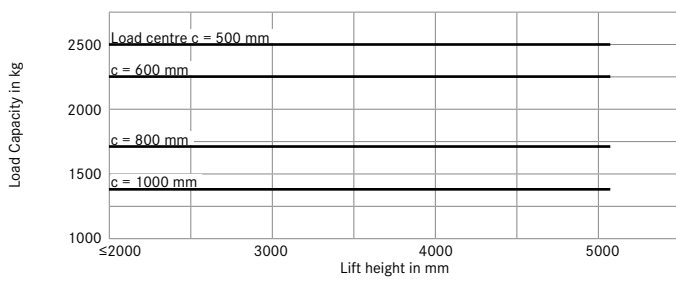
Load Capacity RX 70-22
Duplex/NiHo mast – single SE tyres



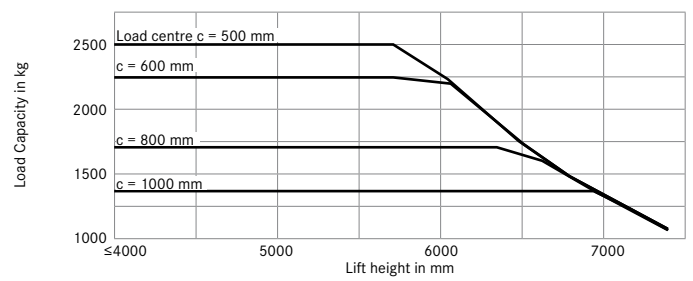
Load Capacity RX 70-22
Triplex mast – single SE tyres



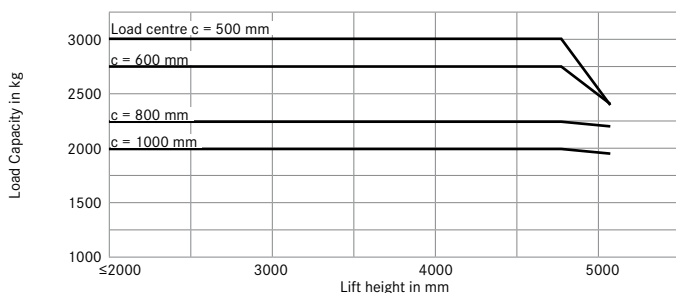
Load Capacity RX 70-25
Duplex/NiHo mast – single SE tyres



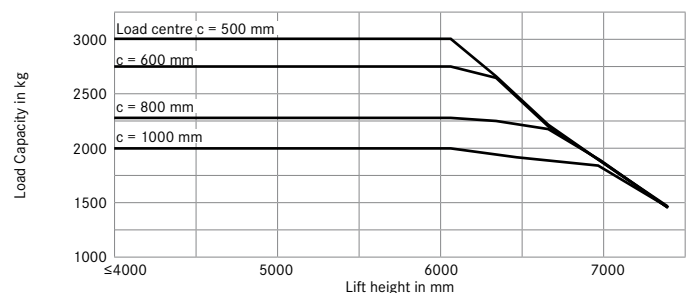
Load Capacity RX 70-25
Triplex mast – single SE tyres



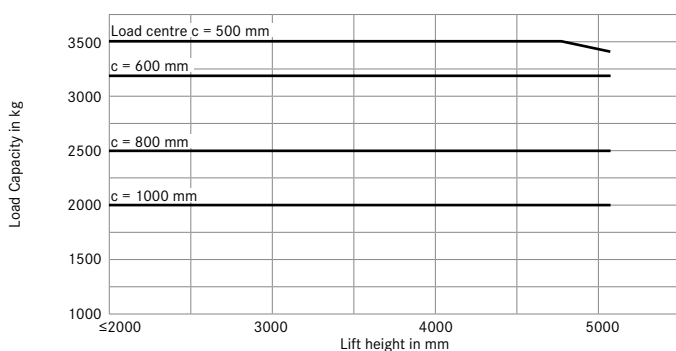
Load Capacity RX 70-30
Duplex/NiHo mast – single SE tyres



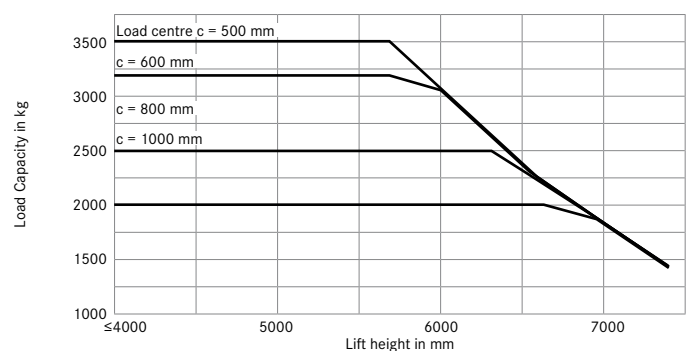
Load Capacity RX 70-30
Triplex mast – single SE tyres



Load Capacity RX 70-35
Duplex/NiHo mast – single SE tyres



Load Capacity RX 70-35
Triplex mast – single SE tyres



RX 70 Diesel and LPG Forklift Trucks
Detailed Photos



Air conditioning system ensures a comfortable temperature in any work environment



Joystick 4Plus for comfortable and fatigue-free operation



Narrow profile of protective roof and mast optimises forward visibility



Driver's cab set high for an improved all-round view



Large steps and grip for safe entry and exit

RX 70 Diesel and LPG Forklift Trucks
Saving energy has never been easier



RX 70 Diesel and LPG Forklift Trucks

Saving energy has never been easier

Safety by nature – particularly stable driving behaviour due to truck's low centre of gravity

Diesel-electric drive with hybrid technology – most efficient forklift in its class: only 2.5 l/h

Excellent visibility, partly due to the narrow mast design



With a lifting capacity of 2.2 to 3.5 tonnes, the RX 70 stands out not just because of its wide field of vision, compact dimensions, and precise and sensitive ease of use – it is also a milestone in sustainability. Thanks to the diesel-electric drive, all RX 70 forklifts are unbeatable for energy-efficiency. That also applies to the multi-award-winning RX 70 hybrid: this hybrid truck obtains its fuel firstly from a diesel tank and secondly from electrical energy stores, the Ultra-Caps.

The electrical current generated when braking is stored in these dual layer capacitors and then made available for driving or lifting procedures. This reduces the fuel consumption by up to 20 per cent – with the same performance! And lower fuel consumption also means lower CO₂ emissions. Discover the new generation of smart energy saving. The RX 70 Hybrid will pay dividends.

Extensive Equipment

Power

- Can lift up to 3.5 tonnes with a load centre of 500 mm
- Move goods effectively: driving speed of up to 21 km/h
- Power meets endurance: maintenance-free rotary current drive
- Perfect power control: electrically adjustable hydraulic pump

Precision

- Select maximum turnover or maximum efficiency: with 5 driving programmes you stay flexible at all times
- Adjustable to suit every task: speed, acceleration and braking can all be individually set
- The latest hydraulic technology for particularly sensitive and precise load handling

Ergonomics

- Comfortable workstation: spacious, comfortable driver's cab that can be individually set up and offering numerous storage compartments
- Welcome home: standard, easy-to-use operating concept across the whole RX product line
- Simple and safe: entry and exit via large non-slip steps that are also visible from above, and grab handles on the protective roof.
- Choose from a range of individual control concepts: mini-lever, Fingertip or Joystick 4Plus
- High degree of driving comfort: comfortable and health-orientated driving due to very low human vibration values

Compactness

- Ideal in the smallest of spaces: compact truck dimensions and very high manoeuvrability allow for optimum use of warehouse space

Safety

- Perfect all-round view: large viewing window, also in the protective roof
- Transport loads safely: narrow mast profile and low tilt cylinder give uninterrupted view of prongs and fork carriage
- Extremely stable: truck has low centre of gravity
- Stays firmly on track: outstanding driving stability when turning

Environmental Responsibility

- Low operating costs: low fuel consumption and long service intervals
- Sustainable: very low CO₂ emissions
- Strong and intelligent: Blue-Q efficiency mode saves up to 10 percent energy at the press of a button with no loss of performance
- Recyclable: over 95 per cent of all installed materials are recyclable

RX 70 Diesel and LPG Forklift Trucks
Equipment Variants



	RX 70-22	RX 70-22 T**	RX 70-25	RX 70-25 T**	RX 70-30	RX 70-30 T**	RX 70-30 H*	RX 70-35	RX 70-35 T**	RX 70-35 H*	
Driver's seat	Impact-absorbing driver's seat for optimal comfort on uneven routes	●	●	●	●	●	●	●	●	●	
	Steel protective roof	●	●	●	●	●	●	●	●	●	
	Weather protection design in different variants	○	○	○	○	○	○	○	○	○	
	Driver's cab or tarpaulin cab	○	○	○	○	○	○	○	○	○	
	Tinted front windscreen, rear and roof windows, windscreen washing/wiping facility	○	○	○	○	○	○	○	○	○	
	Driver's cab set low, height approx. 2120 mm	○	○	○	○	○	○	○	○	○	
	Driver's cab set high, height approx. 2540 mm	—	—	—	○	—	○	—	—	○	
	Single-pedal transmission control	●	●	●	●	●	●	●	●	●	●
	Double-pedal transmission control	○	○	○	○	○	○	○	○	○	○
	Built-in storage and drink holder	●	●	●	●	●	●	●	●	●	●
	Display and function buttons protected from water spray	●	●	●	●	●	●	●	●	●	●
	Grammer driver's seat with leatherette cover	●	●	●	●	●	●	●	●	●	●
	Comfort driver's seat with textile cover and lumbar support	○	○	○	○	○	○	○	○	○	○
	Swivel seat for a healthy body posture when reversing	○	○	○	○	○	○	○	○	○	○
	Driver's seat excl. with leatherette or textile cover, mechanical or airsprung, extra-wide seat pad, large suspension travel, lumbar support, height-adjustable back extension and heated seat	○	○	○	○	○	○	○	○	○	○
	Horizontal spring plate for driver's seat to minimise human vibrations	○	○	○	○	○	○	○	○	○	○
	Roof liner with interior lighting	○	○	○	○	○	○	○	○	○	○
	Radio/MP3 player with USB connection	○	○	○	○	○	○	○	○	○	○
	Adjustable roof window	○	○	○	○	○	○	○	○	○	○
	Protective sunshade and sun blind	○	○	○	○	○	○	○	○	○	○
	Water heating with blower and defroster nozzles for front windscreen and footwell	○	○	○	○	○	○	○	○	○	○
	Air conditioning	○	○	○	○	○	○	○	○	○	○
	Mast	Duplex free view mast with and without full free lift	○	○	○	○	○	○	○	○	○
Triplex mast		○	○	○	○	○	○	○	○	○	
Fork wear protection		○	○	○	○	○	○	○	○	○	
Different fork carriage widths and integrated side shifter		○	○	○	○	○	○	○	○	○	
Load backrest		○	○	○	○	○	○	○	○	○	
Automatic mast vertical position		○	○	○	○	○	○	○	○	○	
Hydraulic accumulator in the lifting cylinder to attenuate pressure peaks in the hydraulic system		○	○	○	○	○	○	○	○	○	
Angle of incline 6/7 degrees front/rear incline		●	●	●	●	●	●	●	●	●	
Bellows protect the tilt cylinder from dust and moisture		○	○	○	○	○	○	○	○	○	
Super elastic tyres, SIT system, single or twin		●	●	●	●	●	●	●	●	●	
Tyres	Super elastic tyres, SIT system, natural colour or anti-static	○	○	○	○	○	○	○	○	○	
	Pneumatic tyres, single or twin	○	○	○	○	○	○	○	○	○	
	Proportional valve technology for especially sensitive movements	●	●	●	●	●	●	●	●	●	
Hydraulics	Up to three hydraulic circuits for controlling accessories	○	○	○	○	○	○	○	○	○	
	Custom parametrisation of hydraulic functions	●	●	●	●	●	●	●	●	●	
	Mini-lever with armrest, two levers	●	●	●	●	●	●	●	●	●	
	Mini-lever with armrest, three or four levers	○	○	○	○	○	○	○	○	○	
	Joystick 4Plus	○	○	○	○	○	○	○	○	○	
	Touch	○	○	○	○	○	○	○	○	○	
Drives	Five driving programmes for different driving and braking behaviour	●	●	●	●	●	●	●	●	●	
	Blue-Q energy saving mode	●	●	●	●	●	●	●	●	●	
	Smooth acceleration and reversing	●	●	●	●	●	●	●	●	●	
	Maintenance-free drives for driving, steering and lifting	●	●	●	●	●	●	●	●	●	
	Travel and lift drive components enclosed to protect against dust and dirt	●	●	●	●	●	●	●	●	●	
	Dry air filter with maintenance indicator	●	●	●	●	●	●	●	●	●	
	Additional air filter or cyclone pre-separator	○	○	○	○	○	○	○	○	○	
	Gas forklift with LPG cylinders	—	●	—	●	—	●	—	●	—	
	LPG tanks 40/55/70 l	—	○	—	○	—	○	—	○	—	
	Automatic motor shutdown	○	○	○	○	○	○	○	○	○	
	Motor preheating via external power connection	○	○	○	○	○	○	○	○	○	
	Regulated 3-way catalytic converter	—	○	—	○	—	○	—	○	—	
Brake	Diesel particle filter	○	○	○	○	○	○	○	○	○	
	Wear-free disc brakes that run in an oil bath	●	●	●	●	●	●	●	●	●	
	Energy recovery when braking	●	●	●	●	●	●	●	●	●	
Safety	Hydraulic parking brake	●	●	●	●	●	●	●	●	●	
	Forklift has a low centre of gravity and steering axle with high self-aligning bearing for optimum levels of safety	●	●	●	●	●	●	●	●	●	
	Simple and safe entry and exit via large non-slip steps	●	●	●	●	●	●	●	●	●	
	Protective grille roof	○	○	○	○	○	○	○	○	○	
	Narrow protective roof profile for an optimum all-round view	●	●	●	●	●	●	●	●	●	
	Easybelt restraint system for quick and safe fastening and unfastening	○	○	○	○	○	○	○	○	○	
	IWS restraint system with strap opening located on both sides	○	○	○	○	○	○	○	○	○	
	Lighting system in halogen or LED design, approvable	○	○	○	○	○	○	○	○	○	
	Working lights in halogen or LED design	○	○	○	○	○	○	○	○	○	
	Roof window in rear protective roof area, improved visibility when reversing	●	●	●	●	●	●	●	●	●	
	STILL Safety Light warning device, illuminated blue	○	○	○	○	○	○	○	○	○	
	Seat belt control, drive unit only enabled when seat belt is fastened	○	○	○	○	○	○	○	○	○	
	Speed limiter adjustable by driver	○	○	○	○	○	○	○	○	○	
	Tempomat cruise control	○	○	○	○	○	○	○	○	○	
	Load measuring with ±2 per cent precision	○	○	○	○	○	○	○	○	○	
FleetManager: Access rights, shock detection and reporting	○	○	○	○	○	○	○	○	○		
STILLProActive, quickly recognises electrical faults via long-distance data transmission	○	○	○	○	○	○	○	○	○		

● Standard ○ Option — Not available

* Hybrid // ** LPG variants

STILL



STILL Materials Handling Ltd
Aston Way
Leyland Preston
PR26 7UX
Tel.: +44 (0)845 603 6827
Fax: +44 (0)1772 454668

STILL Materials Handling Ltd
19 Hennock Road
Marsh Barton Trading Estate
Exeter
EX2 8RU
Tel.: +44 (0)1392 435151
Fax: +44 (0)1392 824328
info@still.co.uk

For further information please visit:
www.still.co.uk

STILL is certified in the following areas: Quality management, occupational safety, environmental protection and energy management.



first in intralogistics