

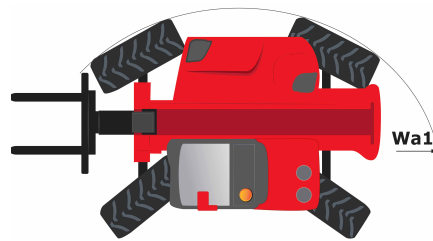
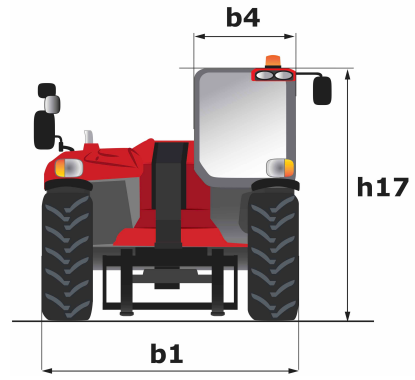
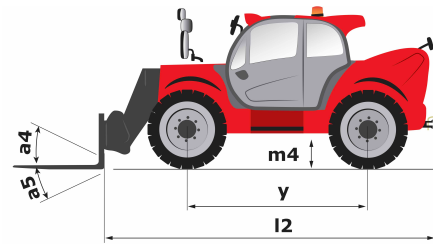
Technical sheet

MHT-X 10180

Telehandlers

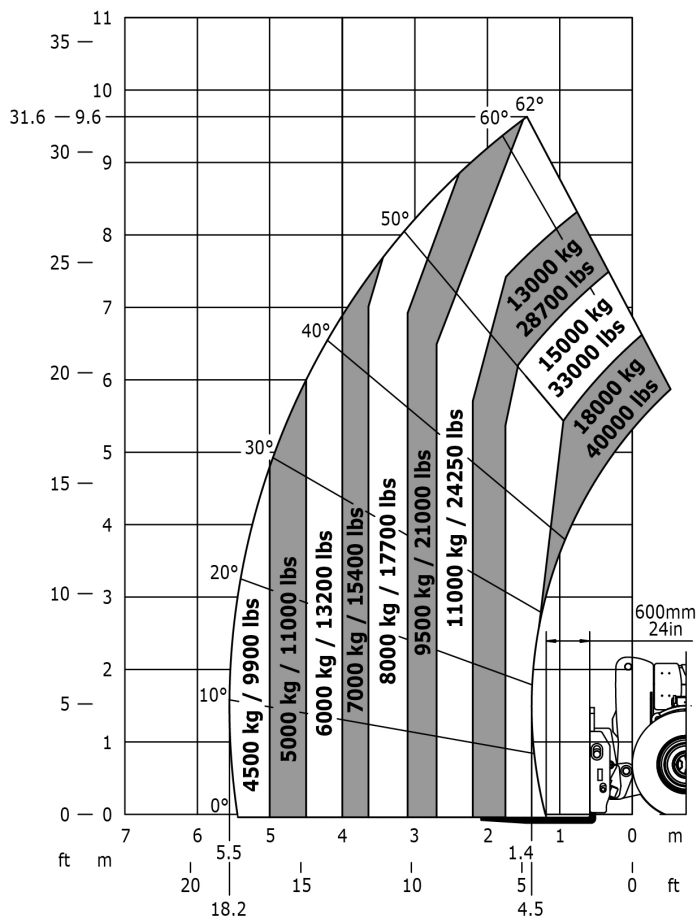


Capacities	Metric	Imperial
Max. capacity	18000 kg	39600 lbs
Max. lift height	9.63 m	31 ft 7 in
Max. reach	5.56 m	18 ft 3 in
Weight and dimensions		
l2 - Overall length of fork carriage	6.65 m	21 ft 8 in
b1 - Overall width	2.52 m	8 ft 2 in
h17 - Overall height	3 m	9 ft 10 in
y - Wheelbase	3.75 m	12 ft 4 in
m4 - Ground clearance	0.44 m	1 ft 5 in
b4 - Overall cab width	0.93 m	3 ft 1 in
a4 - Tilt-up angle	12 °	12 °
a5 - Tilt-down angle	105 °	105 °
Wa1 - Frame outer turning radius	5.50 m	18 ft
Unladen weight (with forks)	24000 kg	52910.94 lbs
Standard forks	1200 x 200 x 80	48 x 9 x 3
Performances		
Lifting	33 s	33 s
Lowering	25 s	25 s
Telescope extension	13.50 s	13.50 s
Retracting the telescope	13.40 s	13.40 s
Scoop	7 s	7 s
Dump	7 s	7 s
Engine		
Brand	Mercedes	Mercedes
Environmental standards	Stage 3A	Stage 3A
Model	OM 904 LA. E3A/1	OM 904 LA. E3A/1
Number of cylinders - Capacity	4 - 4250 cm ³	4 - 259.35 in ³
Power	176 hp / 129 kW	176 hp / 129 kW
Max. torque	675 Nm at 1600 rpm	497.85 ft.lbs at 1600 rpm
Laden drawbar pull	15970 daN	35901 lbf
Transmission		
Type	Hydrostatic	Hydrostatic
Number of gears (forward/reverse)	2/2	2/2
Max. speed of travel (may vary according to the applicable regulation)	25 km/h	15.50 mph
Parking brake	Automatic negative parking brake	Automatic negative parking brake
Service brake	Hydraulic	Hydraulic
Hydraulics		
Type of pump	Load sensing pump	Load sensing pump
Hydraulic flow rate - Pressure	205 l/min - 350 bar	47.55 gpm - 5076.32 psi
Tank capacities		
Engine oil	21 l	5.50 US gal.
Hydraulic oil	290 l	76.60 US gal.
Fuel	315 l	83.21 US gal.
Noise & vibration		
Noise at driving position (LpA)	80 dB(A)	80 dB(A)
Noise to environment (LwA)	107 dB(A)	107 dB(A)
Vibration on hands/arms	<2.5 m/s ²	<8.2 ft/s ²
Miscellaneous		
Steering wheels / Driving wheels	4 / 4	4 / 4
Safety	Standard EN 15000 Cab ROPS - FOPS Level 2	Standard EN 15000 Cab ROPS - FOPS Level 2
Controls	JSM	JSM

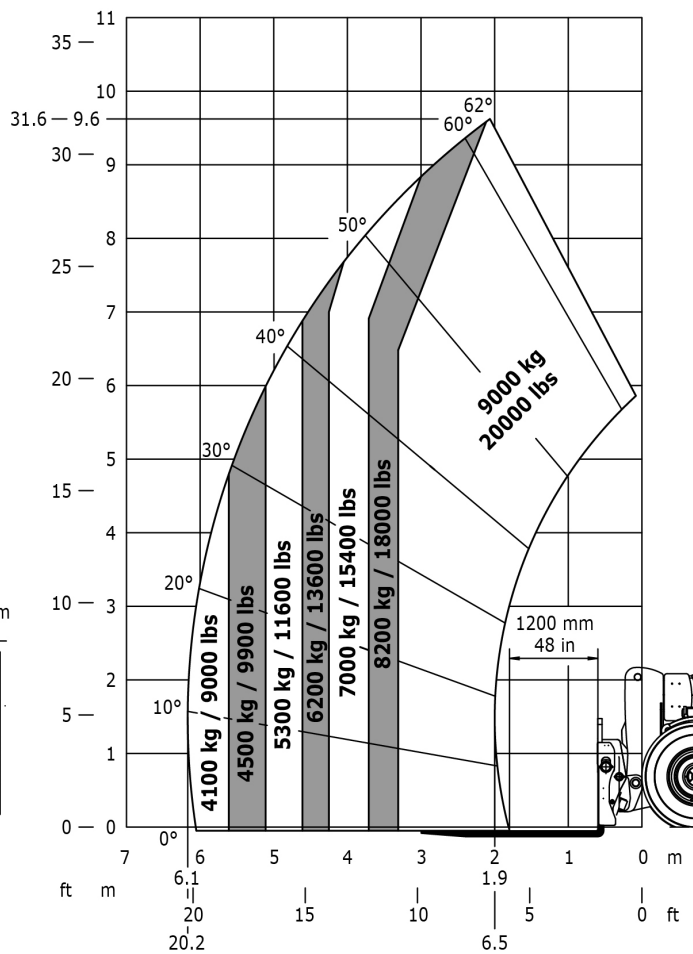


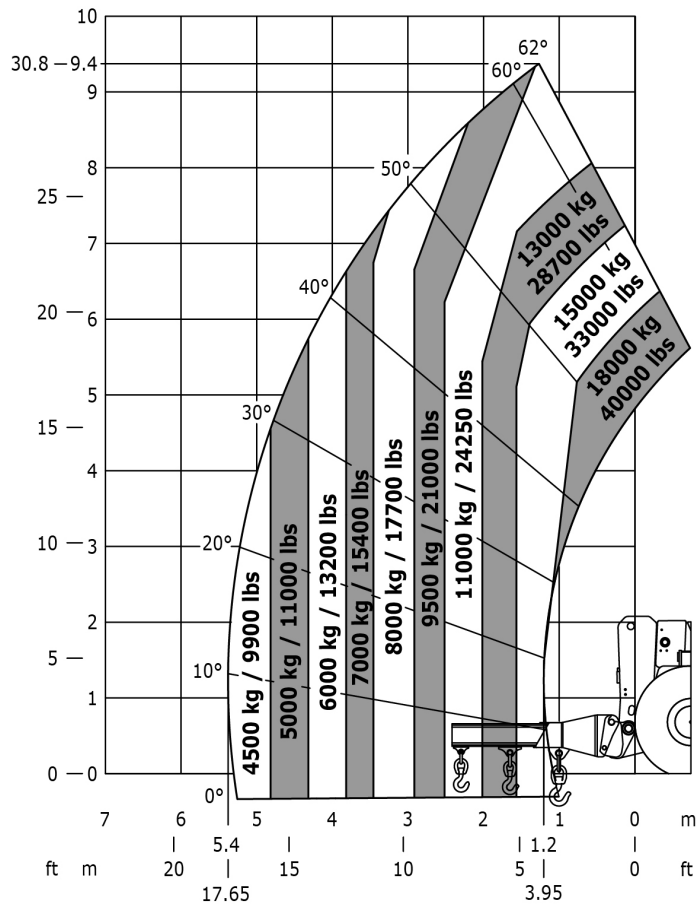
Load chart

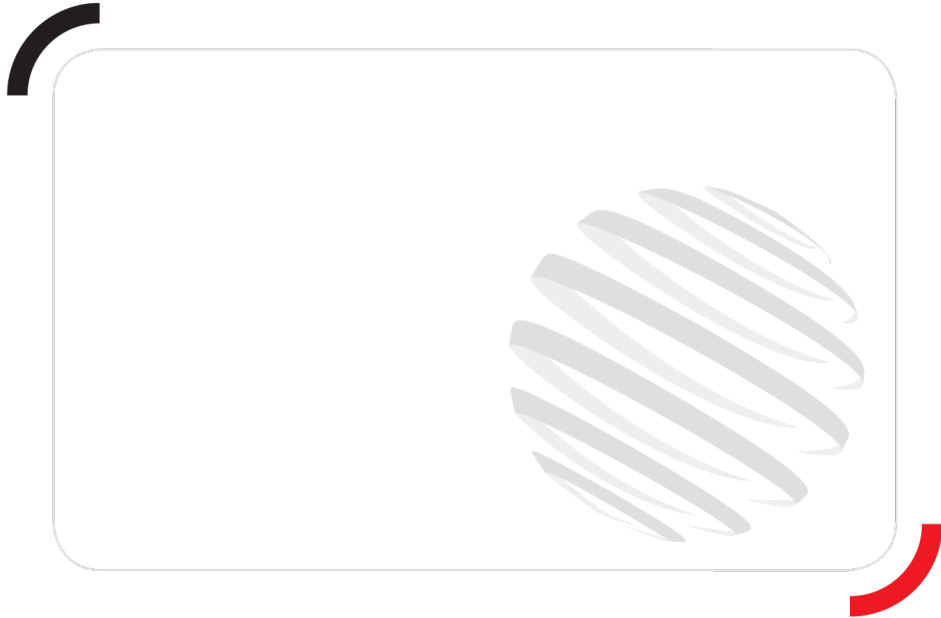
Machine on tyres with forks - CoG 600 mm



Machine on tyres with forks







Siège Social
430 rue de l'Aubinière - 44150 Ancenis Cedex - France
Tel: +33(0)2 40 09 10 11 - Fax: +33 (0)2 40 09 10 97
www.manitou.com



This brochure describes versions and configuration options for Manitou products which may be fitted with different equipment. The equipment described in this brochure may be standard, optional or not available depending on version. Manitou reserves the right to change the specifications shown and described at any time and without prior warning. The manufacturer is not liable for the specifications given. For more information, contact your Manitou dealer. Non-contractual document. Product descriptions may differ from actual products. List of specifications is not comprehensive. The logos and visual identity of the company are the property of Manitou and may not be used without authorisation. All rights reserved. The photos and diagrams contained in this brochure are provided for information only.

MANITOU BF SA - Limited company with board of directors - Share capital: 39,547,824 euros - 857 802 508 RCS Nantes