

TECHNICAL DATA SHEET

**MT 1840**

**Manitou Telescopic**

*easy*

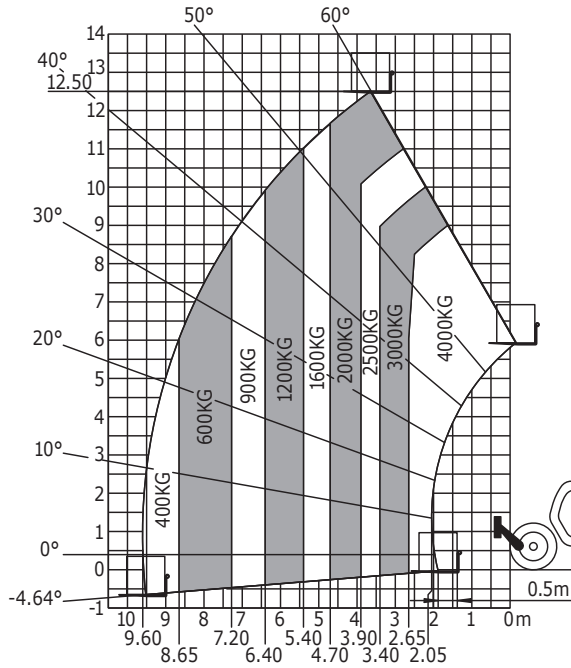


 **MANITOU**  
HANDLING YOUR WORLD

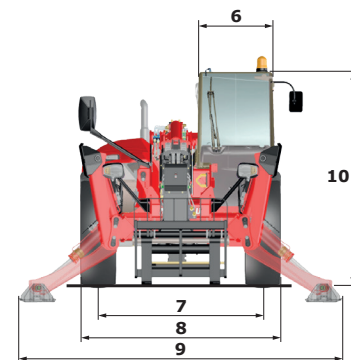
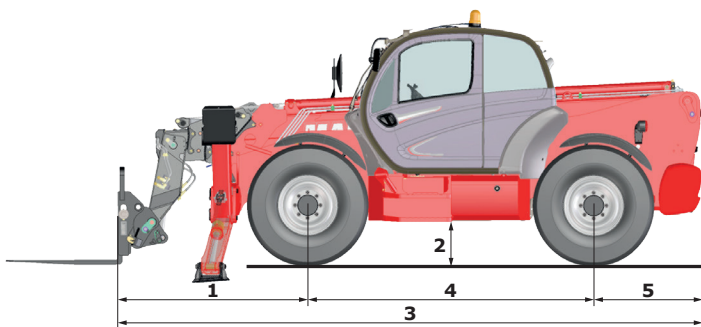
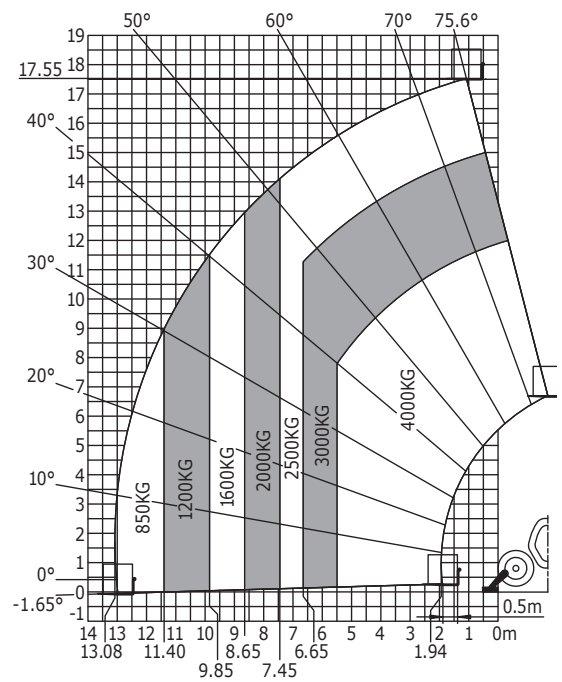
MT 1840 Easy	
<b>Lifting</b>	
Max. capacity	4000 kg
Max. lifting height	17.55 m
Max. outreach	13.08 m
Break-out force with bucket (ISO 8313)	8 150 daN
<b>Unladen time</b>	
Lifting	16 s
Lowering	12 s
Extension	16 s
Retraction	9.5 s
Crowd	4.0 s
Dump	4.0 s
<b>Tyres</b>	440 / 80 -24
<b>Braking</b>	
Service brake	oil immersed multidisc braking on front and rear axles
Parking brake	automatic negative parking brake
<b>Engine</b>	
DEUTZ - STAGE 3B - FINAL TIER 4	
Type	TD 3.6 L
Cubic capacity	3621 cm <sup>3</sup>
Power	75 HP/55.4 kW
Max torque	330 Nm
Injection	electronic
Cooling	water
Laden drawbar pull	8 500 daN
<b>Transmission</b>	
torque converter	
Reversing shift	electrohydraulic control
Number of gears (forward/reverse)	4/4
Drive wheels	4 wheel drive
Steering mode	4 wheel steer - 3 steering modes
Max. travel speed (may vary according to applicable regulations)	25 kph
<b>Hydraulics</b>	
Pump	gear type with priority valve 170 l/min – 270 bar
<b>Capacities</b>	
Hydraulic oil	135 l
Fuel	140 l
<b>Unladen weight</b>	
11 700 kg	
<b>Dimensions</b>	
1. Front wheel centre to carriage	2.04 m
2. Ground clearance	0.42 m
3. Overall length to carriage	6.27 m
4. Wheelbase	3.07 m
5. Rear wheel centre to rear face	1.16 m
6. Overall width of cab	0.89 m
7. Inside tyre width	1.96 m
8. Overall width	2.42 m
9. Overall width (stabilizers lowered)	3.79 m
10. Overall height	2.50 m
Turning radius (over tyres)	4.01 m
Carriage rotation (crowd / dump)	12° /114°
Standard forks (length x width x thickness)	1200 x 125 x 50 mm
<b>Frame levelling</b>	in option
<b>Controls</b>	
JSM <sup>*</sup> (Multi-function joystick)	
Load limiter cut off system - EN 15000 norm	
ROPS FOPS level II standard cab	
<b>Safety</b>	
<b>Noise and vibrations</b>	
Noise at driving position (LpA)	78 dB
Environmental noise (LwA)	103 dB
Vibration to whole hand/arm	<2.50 m/s <sup>2</sup>

**Rough terrain load chart**  
Standard EN1459 B

**Machine on tyres with forks**  
LC 500 mm  
(with frame levelling)



**Machine on stabilizers with forks**  
LC 500 mm



Your MANITOU dealer



Head office :  
B.P. 249 - 430 rue de l'Aubinière - 44158 Ancenis Cedex - France  
Phone.: +33 (0)2 40 09 10 11 - Fax: +33 (0)2 40 09 10 97  
[www.manitou.com](http://www.manitou.com)

