



A TEREX BRAND

Parts Manual

Serial Number Range

GS-3384

from SN GS8416F-45000

GS-3390

to GS8416F-45499

GS-4390

from SN GS84F-45500

GS-5390

from SN GS9016F-5200

to SN GS9016F-53299

from SN GS90F-53300

Part No. 1267840GT

Rev: B

March 2021

Technical Publications

Genie has endeavored to deliver the highest degree of accuracy possible. However, continuous improvement of our products is a Genie policy. Therefore, product specifications are subject to change without notice.

Readers are encouraged to notify Genie of errors and send in suggestions for improvement. All communications will be carefully considered for future printings of this and all other manuals.

Contact Us:

Internet: www.genielift.com
e-mail: awp.techpub@terex.com

Find a Manual for this Model

Go to <http://www.genielift.com>

Use the links to locate Operator's, Parts, Maintenance, and Service and Repair Manuals.

Copyright © 2017 by Terex Corporation

1267840GT Rev B April 2020
Second Edition, First Printing

Genie is a registered trademark of Terex South Dakota, Inc. in the USA and many other countries. "GS" is a trademark of Terex South Dakota, Inc.

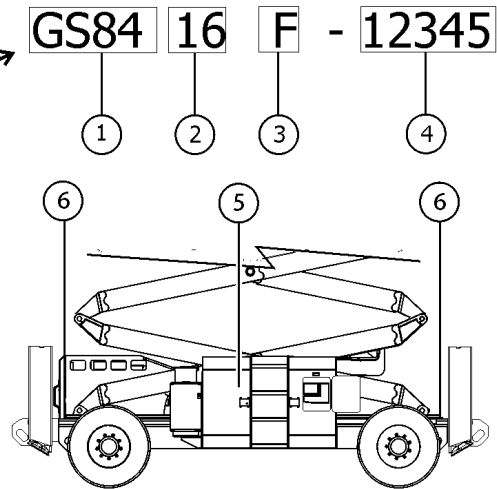


Printed on recycled paper

To August 31, 2016

Genie
A TEREX BRAND

Model:
Serial number: GS8416F-12345
Manufacture date: 1/2/16 **Model year:** 2016
Electrical schematic number:
Machine unladen weight:
Rated work load (including occupants):
Maximum number of platform occupants:
Maximum allowable inclination of the chassis:
Outrigger retracted:
Outrigger deployed:



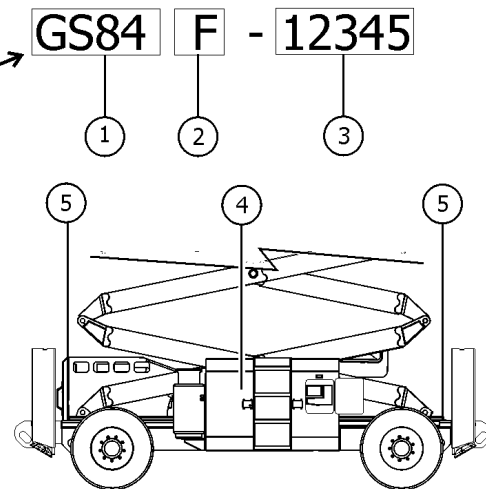
- 1 Model
- 2 Model year
- 3 Facility code

- 4 Sequence number
- 5 Serial label (located inside cover)
- 6 Serial number (stamped on chassis)

From September 1, 2016

Genie
A TEREX BRAND

Model:
Serial number: GS84F-12345
Year of manufacture: 2016
Electrical schematic number:
Machine unladen weight:
Rated work load (including occupants):
Maximum number of platform occupants:
Maximum allowable inclination of the chassis:
Outrigger retracted:
Outrigger deployed:



- 1 Model
- 2 Facility code
- 3 Sequence number

- 4 Serial label (located inside cover)
- 5 Serial number (stamped on chassis)

How to Order Parts

Please be prepared with the following information when ordering replacement parts for your Terex or Genie product.

- Machine model number
- Machine serial number
- Part number
- Part description and quantity
- Purchase order number
- "Ship to" address
- Desired method of shipment
- Name and telephone number of the authorized distributor in your area

Use the Service Parts Fax Order Form on the next page and fax your order to our Parts Department.

If you don't know the name of your authorized distributor, or if your area is not currently serviced by an authorized distributor, please call Terex or Genie Industries.

Machine Information

Model

Serial Number

Date of Purchase

Authorized Genie Distributor

Phone Number

North America

Telephone (425)881-1800
 Toll Free (800)536-1800 in US and Canada
 Fax (425)556-8659
 Toll Free fax (888)274-6192
 Email AWP.PartsSalesPO@terex.com
<http://genielift.com/en>

EMEAR (Europe, Middle East, Africa and Russia)

Telephone (31)(165)519 313
 Fax (31)(165)511 148
<http://genielift.co.uk>

Asia Pacific (Genie Singapore)

Telephone +65 6692 7777
 Fax +65 6261 8893
<http://genielift.com.sg/>

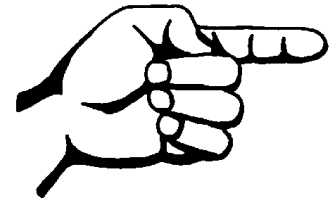
Australia

Telephone (61)(7)3456 4444
 Fax (61)(7)3456 4466
<http://genielift.com.au>

South America

Telephone (55)(11)4082 5600
 Fax (55)(11)4082 5630

Please refer to section 001 for the Recommended Spare Parts List.



This page intentionally left blank.

Service Parts Fax Order Form



Fax to: (425) 556-8659 or Toll Free: 888-274-6192
International: +1-425-556-8659

Please fill out completely

Date _____ Account Number _____
Your Name _____ Your Fax Number _____
_____ Your Phone Number _____
Bill To _____ Ship To _____

Purchase Order Number _____ Ship Via _____

Model(s) _____ Serial No.(s) _____
Optional Equipment _____

Part Number	Description	Quantity	Price

All back-ordered parts will be shipped when available via the same ship method as the original order unless Noted below:
 Ship complete order only - No back orders
 Ship all available parts and contact customer on disposition of back-ordered parts
 Other (please specify)



Description	Page
001 Parts Stocking List	12
001.1 Parts Stocking List	12
100 Decals	16
101.1 Words, GS-3384 RT, Ground Control Side (to SN GS84F-45999)	16
102.1 Words, GS-3384 RT, Hydraulic Tank Side (to SN GS84F-45999)	20
103.1 Words, GS-3384 RT, Outrigger and Links (to SN GS84F-45999)	22
104.1 Words, GS-3384 RT, Platform - Ground Control Side, ANSI & CSA (to SN GS84F-45999)	24
105.1 Words, GS-3384 RT, Platform - Hydraulic Tank Side, ANSI & CSA (to SN GS84F-45999)	26
106.1 Words, GS-3384 RT, Platform - Ground Control Side, Australia (to SN GS84F-45999)	28
107.1 Words, GS-3384 RT, Platform - Hydraulic Tank Side, Australia (to SN GS84F-45999)	30
108.1 Symbols, GS-3384 RT, Ground Control Side (to SN GS84F-45999)	32
109.1 Symbols, GS-3384 RT, Hydraulic Tank Side (to SN GS84F-45999)	34
110.1 Symbols, GS-3384 RT, Outrigger and Links (to SN GS84F-45999)	36
111.1 Symbols, GS-3384 RT, Platform - Ground Control Side, ANSI & CSA (to SN GS84F-45999)	38
112.1 Symbols, GS-3384 RT, Platform - Hydraulic Tank Side, ANSI & CSA (to SN GS84F-45999)	40
113.1 Symbols, GS-3384 RT, Platform - Ground Control Side, CE (to SN GS84F-45999)	42
114.1 Symbols, GS-3384 RT, Platform - Hydraulic Tank Side, CE (to SN GS84F-45999)	44
115.1 Words, GS-3390 RT, GS-4390 RT and GS-5390 RT, Ground Control Side (to SN GS90F-55999)	46
115.2 Words, GS-3390 RT, GS-4390 RT and GS-5390 RT, Ground Control Side (to SN GS90F-55999)	50
116.1 Words, GS-3390 RT, GS-4390 RT and GS-5390 RT, Hydraulic Tank Side (to SN GS90F-55999)	54
116.2 Words, GS-3390 RT, GS-4390 RT and GS-5390 RT, Hydraulic Tank Side (to SN GS90F-55999)	56
117.1 Words, GS-3390 RT, GS-4390 RT and GS-5390 RT, Outrigger and Links (to SN GS90F-55999)	58
117.2 Words, GS-3390 RT, GS-4390 RT and GS-5390 RT, Outrigger and Links (to SN GS90F-55999)	60
117.3 Words, GS-3390 RT, GS-4390 RT and GS-5390 RT, Outrigger and Links (to SN GS90F-55999)	62
118.1 Words, GS-3390 RT, GS-4390 RT and GS-5390 RT, Platform - Ground Control Side, ANSI & CSA (to SN GS90F-55999)	64
118.2 Words, GS-3390 RT, GS-4390 RT and GS-5390 RT, Platform - Ground Control Side, ANSI & CSA (to SN GS90F-55999)	66
118.3 Words, GS-3390 RT, GS-4390 RT and GS-5390 RT, Platform - Ground Control Side, ANSI & CSA (to SN GS90F-55999)	68
119.1 Words, GS-3390 RT, GS-4390 RT and GS-5390 RT, Platform - Hydraulic Tank Side, ANSI & CSA (to SN GS90F-55999)	70
119.2 Words, GS-3390 RT, GS-4390 RT and GS-5390 RT, Platform - Hydraulic Tank Side, ANSI & CSA (to SN GS90F-55999)	72
119.3 Words, GS-3390 RT, GS-4390 RT and GS-5390 RT, Platform - Hydraulic Tank Side, ANSI & CSA (to SN GS90F-55999)	74
120.1 Words, GS-3390 RT, GS-4390 RT and GS-5390 RT, Platform - Ground Control Side, Australia (to SN GS90F-55999)	76
120.2 Words, GS-3390 RT, GS-4390 RT and GS-5390 RT, Platform - Ground Control Side, Australia (to SN GS90F-55999)	78
120.3 Words, GS-3390 RT, GS-4390 RT and GS-5390 RT, Platform - Ground Control Side, Australia (to SN GS90F-55999)	80

Table of Contents

Description	Page
121.1 Words, GS-3390 RT, GS-4390 RT and GS-5390 RT, Platform - Hydraulic Tank Side, Australia (to SN GS90F-55999)	82
121.2 Words, GS-3390 RT, GS-4390 RT and GS-5390 RT, Platform - Hydraulic Tank Side, Australia (to SN GS90F-55999)	84
121.3 Words, GS-3390 RT, GS-4390 RT and GS-5390 RT, Platform - Hydraulic Tank Side, Australia (to SN GS90F-55999)	86
122.1 Symbols, GS-3390 RT, GS-4390 RT and GS-5390 RT, Ground Control Side (to SN GS90F-55999)	88
122.2 Symbols, GS-3390 RT, GS-4390 RT and GS-5390 RT, Ground Control Side (to SN GS90F-55999)	90
123.1 Symbols, GS-3390 RT, GS-4390 RT and GS-5390 RT, Hydraulic Tank Side (to SN GS90F-55999)	92
123.2 Symbols, GS-3390 RT, GS-4390 RT and GS-5390 RT, Hydraulic Tank Side (to SN GS90F-55999)	94
124.1 Symbols, GS-3390 RT, GS-4390 RT and GS-5390 RT, Outrigger and Links (to SN GS90F-55999)	96
124.2 Symbols, GS-3390 RT, GS-4390 RT and GS-5390 RT, Outrigger and Links (to SN GS90F-55999)	98
124.3 Symbols, GS-3390 RT, GS-4390 RT and GS-5390 RT, Outrigger and Links (to SN GS90F-55999)	100
125.1 Symbols, GS-3390 RT, GS-4390 RT and GS-5390 RT, Platform - Ground Control Side, ANSI & CSA (to SN GS90F-55999)	102
125.2 Symbols, GS-3390 RT, GS-4390 RT and GS-5390 RT, Platform - Ground Control Side, ANSI & CSA (to SN GS90F-55999)	104
125.3 Symbols, GS-3390 RT, GS-4390 RT and GS-5390 RT, Platform - Ground Control Side, ANSI & CSA (to SN GS90F-55999)	106
126.1 Symbols, GS-3390 RT, GS-4390 RT and GS-5390 RT, Platform - Hydraulic Tank Side, ANSI & CSA (to SN GS90F-55999)	108
126.2 Symbols, GS-3390 RT, GS-4390 RT and GS-5390 RT, Platform - Hydraulic Tank Side, ANSI & CSA (to SN GS90F-55999)	110
126.3 Symbols, GS-3390 RT, GS-4390 RT and GS-5390 RT, Platform - Hydraulic Tank Side, ANSI & CSA (to SN GS90F-55999)	112
127.1 Symbols, GS-3390 RT, GS-4390 RT and GS-5390 RT, Platform - Ground Control Side, CE (to SN GS90F-55999)	114
127.2 Symbols, GS-3390 RT, GS-4390 RT and GS-5390 RT, Platform - Ground Control Side, CE (to SN GS90F-55999)	116
127.3 Symbols, GS-3390 RT, GS-4390 RT and GS-5390 RT, Platform - Ground Control Side, CE (to SN GS90F-55999)	118
128.1 Symbols, GS-3390 RT, GS-4390 RT and GS-5390 RT, Platform - Hydraulic Tank Side, CE (to SN GS90F-55999)	120
128.2 Symbols, GS-3390 RT, GS-4390 RT and GS-5390 RT, Platform - Hydraulic Tank Side, CE (to SN GS90F-55999)	122
128.3 Symbols, GS-3390 RT, GS-4390 RT and GS-5390 RT, Platform - Hydraulic Tank Side, CE (to SN GS90F-55999)	124
129.1 Decals with Word, Ground Control Side (from SN GS84F-46000 and SN GS90F-56000)	126
130.1 Decals with Word, Hydraulic Tank Side (from SN GS84F-46000 and SN GS90F-56000)	130
131.1 Decals with Word, Outriggers & Link Assembly (from SN GS84F-46000 and SN GS90F-56000)	132
132.1 Decals with Word, Platform (from SN GS84F-46000 and SN GS90F-56000)	134
133.1 Decals with Symbol, Ground Control Side (from SN GS84F-46000 and SN GS90F-56000)	138
134.1 Decals with Symbol, Hydraulic Tank Side (from SN GS84F-46000 and SN GS90F-56000)	142
135.1 Decals with Symbol, Outriggers & Link Assembly (from SN GS84F-46000 and SN GS90F-56000)	144
136.1 Decals with Symbol, Platform (from SN GS84F-46000 and SN GS90F-56000)	146

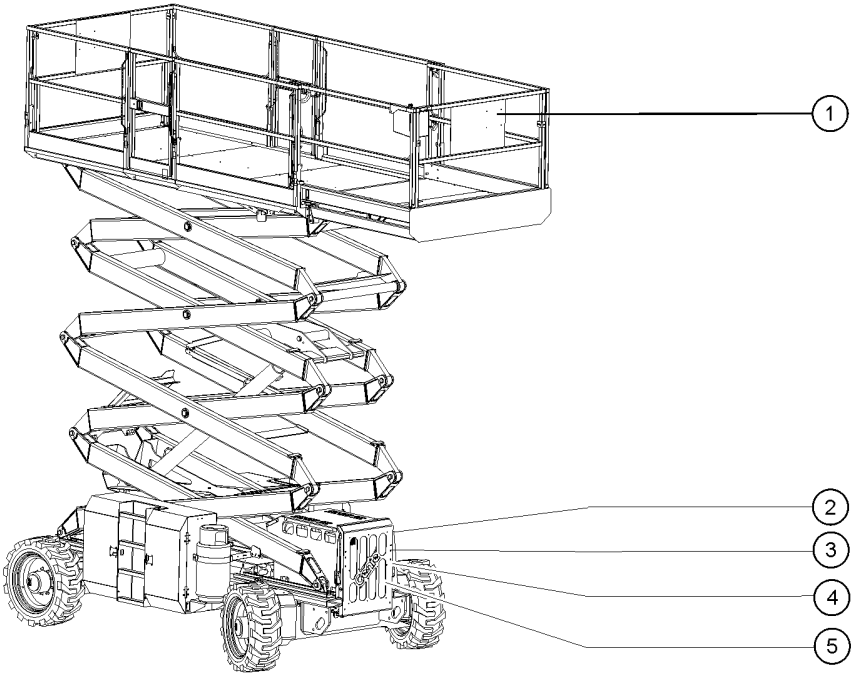
Description	Page
200 Drive Chassis Components.....	150
201.1 Steer Axle Linkage, Wheels and Drive Hubs - GS-3384	150
202.1 Steer Axle Linkage, Wheels and Drive Hubs - GS-3390 RT, GS-4390 RT and GS-5390	154
203.1 Steer Axle Oscillate (option) - GS-3390 RT, GS-4390 RT and GS-5390	160
204.1 Non-steer Axle, Wheels and Drive Hubs (all models), GS-3384 RT	164
204.2 Non-steer Axle, Wheels and Drive Hubs GS-3390, GS-4390 and GS-5390	166
205.1 Non-steer Axle Oscillate (option) - GS-3390, GS-4390 and GS-5390	168
206.1 Drive Manifold (all models)	170
207.1 Function Manifold, Models with Outriggers (all models)	172
208.1 Function Manifold, Models without Outriggers (all models)	176
209.1 Oscillate Manifold (option) - GS-3390 RT, GS-4390 RT and GS-5390	178
210.1 Hydraulic Hoses and Fittings, Function Manifold - GS-3384	180
211.1 Hydraulic Hoses and Fittings, 4WD Manifold - GS-3384	184
212.1 Hydraulic Hoses and Fittings, GS-3390, GS-4390 and GS-5390 Function Manifold	190
212.2 Hydraulic Hoses and Fittings, GS-3390, GS-4390 and GS-5390 Function Manifold	194
213.1 Hydraulic Hoses and Fittings, GS-3390, GS-4390 and GS-5390 4WD Manifold	198
214.1 Hydraulic Hoses and Fittings, GS-3390, GS-4390 and GS-5390 Oscillate Manifold	204
215.1 Electrical Wiring and Power Cables (GS84 to SN 84F-45999 , GS90 to SN 90F-55999)	206
215.2 Electrical Wiring and Power Cables (GS84 from SN 84F-46000 , GS90 from SN 90F-56000)	212
216.1 Power Cables (all models)	218
300 Engine Components	220
301.1 Ford MSG-425 EFI Engine, View 1	220
302.1 Ford MSG-425 EFI Engine, View 2	224
303.1 Ford MSG-425 EFI Engine, View 3	228
304.1 Ford MSG-425 EFI Engine, View 4	234
305.1 Deutz D2011L03i Engine, View 1	240
306.1 Deutz D2011L03i Engine, View 2	244
307.1 Deutz D2011L03i Engine, View 3	250
308.1 Deutz D2.9L4 Engine, View 1	254
309.1 Deutz D2.9L4 Engine, View 2	258
310.1 Deutz D2.9L4 Engine, View 3	262
311.1 Deutz D2.9L4 Engine, View 4 (to SN GS84F-45572, GS90F-54232)	268
311.2 Deutz D2.9L4 Engine, View 4 (from SN GS84F-45573, GS90F-54233)	272
312.1 Deutz D2.9L4 Engine, View 5	274
400 Chassis and Engine Tray Components	278
401.1 Engine Tray Components	278
402.1 Engine Covers	282
403.1 Cable Track	284
404.1 Drive Chassis Trays	286

Table of Contents

Description	Page
405.1 Tank Side, View 1, Ford MSG-425 Gasoline/LPG Models	288
406.1 Tank Side, View 1, Deutz D2011L03i Diesel Models	290
407.1 Tank Side, View 1, Deutz D2.9L4 Diesel Models	292
408.1 Tank Side, View 2, All Models, GS-3384, GS-3390	294
408.2 Tank Side, View 2, All Models, GS-4390, GS-5390	296
409.1 Fuel Pump Installation, Gasoline/LPG Models (Ford)	298
410.1 Fuel Pump and Filter Installation, Deutz D2.9L4 Models	302
411.1 Ground Controls Side, View 1	304
412.1 Ground Controls Side, View 2	306
413.1 Filters and Accumulator Installation, GS-3384, GS-3390, GS-4390	308
413.2 Filters and Accumulator Installation, GS-5390	310
414.1 Ground Controls, Models with Hour Meter	312
415.1 Ground Controls, Models with LCD Display	316
500 Scissor Components	320
501.1 Scissor to Chassis Installation (all models), GS-3384, GS-3390	320
501.2 Scissor to Chassis Installation (all models), GS-4390	324
501.3 Scissor to Chassis Installation (all models), GS-5390	328
502.1 Cylinders and Pins Installation (all models), GS-3384, GS-3390	332
502.2 Cylinders and Pins Installation (all models), GS-4390	336
502.3 Cylinders and Pins Installation (all models), GS-5390	340
503.1 Inner Arm, Cable Routing (all models), GS-3384, GS-3390	344
503.2 Inner Arm, Cable Routing (all models), GS-4390	346
503.3 Inner Arm, Cable Routing (all models), GS-5390	348
504.1 Arms and Links Installation, GS-3384 and GS-3390	350
505.1 Arms and Links Installation, GS-4390	352
506.1 Arms and Links Installation, GS-5390	354
507.1 Chock Installation (all models)	356
600 Platform Components	358
601.1 Platform Installation, GS-3384	358
601.2 Platform Installation, GS-3390	362
601.3 Platform Installation, GS-4390	366
601.4 Platform Installation, GS-5390	370
602.1 Platform Rails and Entry Gate	374
603.1 Platform Extension Deck, Steer End	378
604.1 Platform Extension Deck, Non-steer End, View 1, GS-3384, GS-3390	382
604.2 Platform Extension Deck, Non-steer End, View 1, GS-4390	384
604.3 Platform Extension Deck, Non-steer End, View 1, GS-5390	386
605.1 Platform Extension Deck, Non-steer End, View 2	388
606.1 Platform Extension Deck, Non-steer End, View 3	392
607.1 Platform End Rail Installation	396

Description	Page
608.1 Platform Flooring and Super Deck Roller Brackets	398
609.1 Platform Controls Installation	400
610.1 Platform Controls	402
611.1 Joystick Controller	404
700 Accessories	406
701.1 Power to Platform (all models)	406
702.1 Hydraulic Hoses and Fittings, Outriggers (all models)	408
703.1 Outrigger Cylinder and Footpad Assembly (all models)	410
704.1 Outrigger Components, View 1, GS-3384	412
704.2 Outrigger Components, View 1, GS-3390, GS-4390, GS-5390	414
705.1 Outrigger Components, View 2 (all models), GS-3384, GS-3390	416
705.2 Outrigger Components, View 2 (all models), GS-5390	418
706.1 Link Guard Assembly - GS-3384 and GS-3390	420
707.1 Link Guard Assembly - GS-4390 and GS-5390	422
708.1 Generator (all models)	424
709.1 Hydraulic Hoses and Fittings, Generator option	426
710.1 Hydraulic Hoses and Fittings, Oscillate Manifold with Generator option	428
711.1 Flashing Beacon (all models)	430
712.1 Oil Cooler (all models)	432
713.1 Hydraulic Hoses and Fittings, Oil Cooler	436
714.1 Air Line to Platform (all models), GS-3384, GS-3390	438
714.2 Air Line to Platform (all models), GS-4390	440
714.3 Air Line to Platform (all models), GS-5390	442
715.1 Spare LPG Tank (all models)	444
716.1 Cold Start Package, Ford and Deutz Engines (all models)	446
717.1 Platform Work Light	448
718.1 Telematics Option	450
800 Platform Overload Components	452
801.1 Platform Overload Components, GS-3384	452
801.2 Platform Overload Components, GS-3390	454
801.3 Platform Overload Components, GS-4390	456
801.4 Platform Overload Components, GS-5390	460
802.1 Platform Overload Hydraulic Components, GS-3384, GS-3390, GS-4390	462
802.2 Platform Overload Hydraulic Components, GS-5390	464
Part Number Index	466

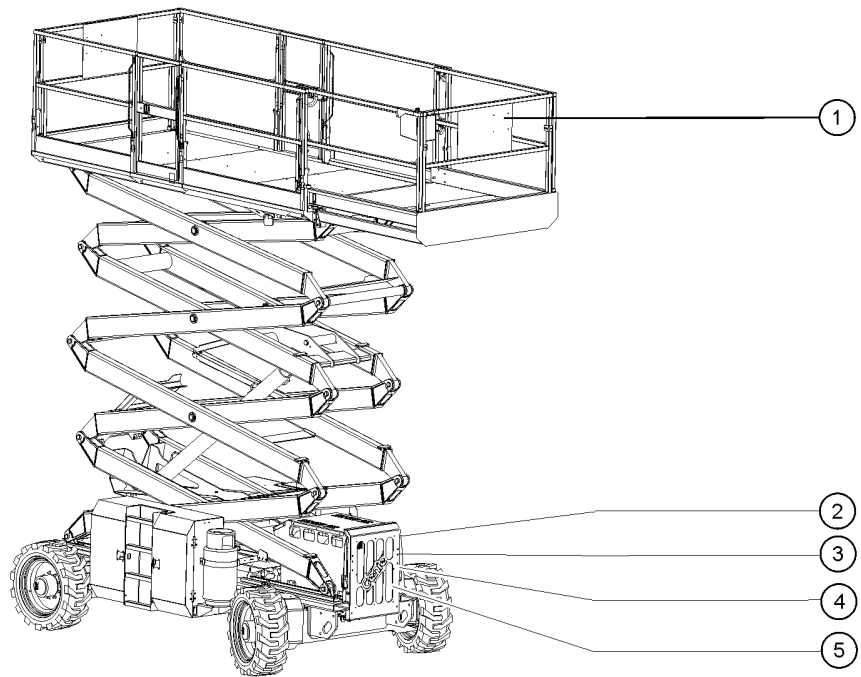
001.1 Parts Stocking List



Item	Part No.	Description	Qty.
A		—INSPECTION SERVICE KITS—	
A-	1278708GT	KIT,ENGINE SERVICE,500 HOUR,DEUTZ D2.9,,Z45/S40/S60/Z62/RT90 models with Deutz D2.9L4 engine	
A-	1278709GT	KIT,ENGINE SERVICE,250 HOUR,FDMSG425,Z45/S40/S60/Z62/RT90 models with Ford MSG425 engine	
B		— GENERAL SERVICE PARTS —	
B-	1484GT	PAINT,AEROSOL,BRIGHT BLUE*** 12-ounce spray paint	
B-	1268GT	PAINT,AEROSOL,GENIE GRAY*** 12-ounce spray paint	
B-	1258567GT	PAINT, AEROSOL, TRAFFIC BLACK 12-ounce spray paint	
B-	32150GT	PAINT,WET,GENIE BLUE (1 GL)** 1-gallon	
B-	32151GT	PAINT,WET,GENIE GRAY (1 GL)** 1-gallon	
B-	1257733GT	TRAFFIC BLACK,GL 1-gallon	
B-	66399GT	GREASE,DIELECTRIC 4 OZ**	
B-	1283776GT	SEAL MARKER,CROSS CHECK,BLUE,TUBE	
B-	93500GT	PARKER DIGITAL PRESSURE GAUGE	
B-	49612GT	O-RING KIT (ORFS FITTINGS) O-ring kit, ORFS	
B-	49613GT	PLUG AND CAP KIT-SERVICE,ORFS* Plug and cap kit, ORFS	
B-	28750GT	O-RING KIT,FIELD SVC,ALL PROD* O-ring kit, SAE	
1		— MANUALS —	
1-	27581GT	MANUAL,AEM SAFETY	
1-	44163GT	MANUAL,RESPON,A92.6 SCISSOR	
2		— FILTERS —	
2-	1285416GT	KIT,ANNUAL INSPECTION,GS84/90 from SN GS84-40268 to 45059, from SN GS90-41644 to 52459	
2-	1285418GT	KIT,ANNUAL INSPECTION,GS84/90 from SN GS8416F-45060, from SN GS9016F-52460	
2-	1259055GT	FILTER ELEMENT, 10 MICRON (Genie aftermarket part) for filter assembly 87070	
2-	131323GT	FILTER ELEMENT,10 MICRON (Genie genuine part) for filter assembly 87070	
2-	1268229GT	ELEMENT-5 MIC, PAPER, W/ BYPASS for filter assembly 1267807	
2-	60857GT	FILTER,ELEMENT,BETA(5)=1000 for filter assembly 77139 or 71201	
3		— Ford MSG-425 EFI MODELS —	
3-	52179GT	FILTER, FUEL LRG 425/423 EFI	



001.1 Parts Stocking List

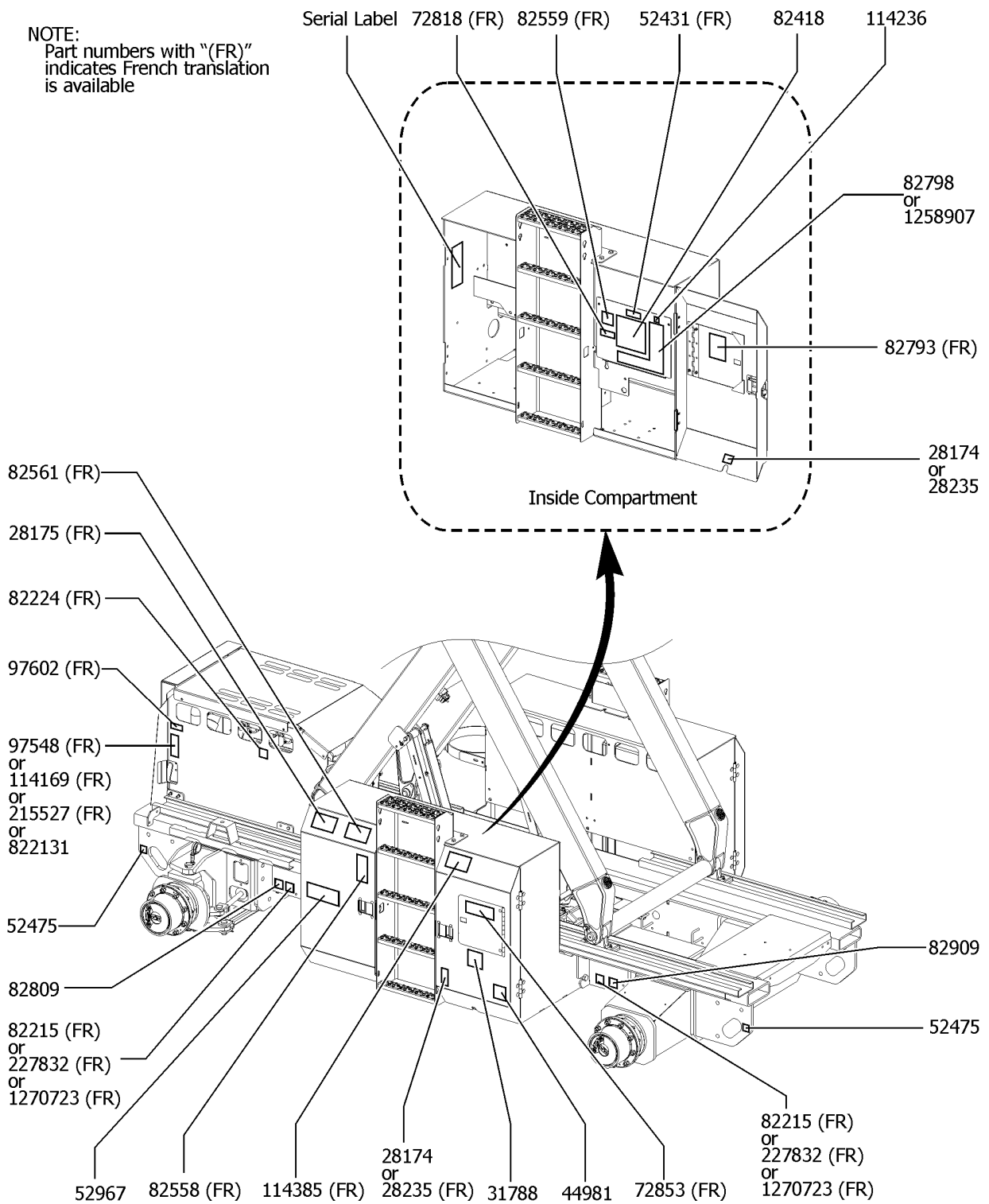


<i>Item</i>	<i>Part No.</i>	<i>Description</i>	<i>Qty.</i>
3-	119139GT	OIL FILTER,DSG-423	
3-	77295GT	FILTER ELEMENT,AIR,NOLFF LPG	
3-	119474GT	VALVE,PCV FORD DSG-423	
3-	215291GT	BELT, FEAD, MSG425	
3-	215274GT	FAN DRIVE BELT, MSG425	
3-	215287GT	SPARK PLUG, MSG425	
4		— Deutz D2011LO3i MODELS —	
4-	139320GT	MANUAL, OPERATION, DEUTZ TD2011	
4-	62420GT	FILTER,AIR***	
4-	29560GT	FILTER,FUEL/WTR SEP, DTZ 1008	
4-	49924GT	FILTER,OIL,DEUTZ F4L1011F	
4-	32698GT	BELT,V, DEUTZ DIESEL ENGINE	
5		— Deutz D2.9L4 MODELS —	
5-	62420GT	FILTER,AIR***	
5-	236260GT	FILTER, FUEL PRE-FILTER, SPIN-ON, DEUTZ	
5-	214228GT	FILTER, DEUTZ 2.9, FUEL	
5-	49924GT	FILTER,OIL,DEUTZ F4L1011F	
5-	1262867GT	V-BELT, DEUTZ	
5-	1262866GT	FAN BELT, ALTERANTOR	



101.1 Words, GS-3384 RT, Ground Control Side (to SN GS84F-45999)

NOTE:
Part numbers with "(FR)"
indicates French translation
is available



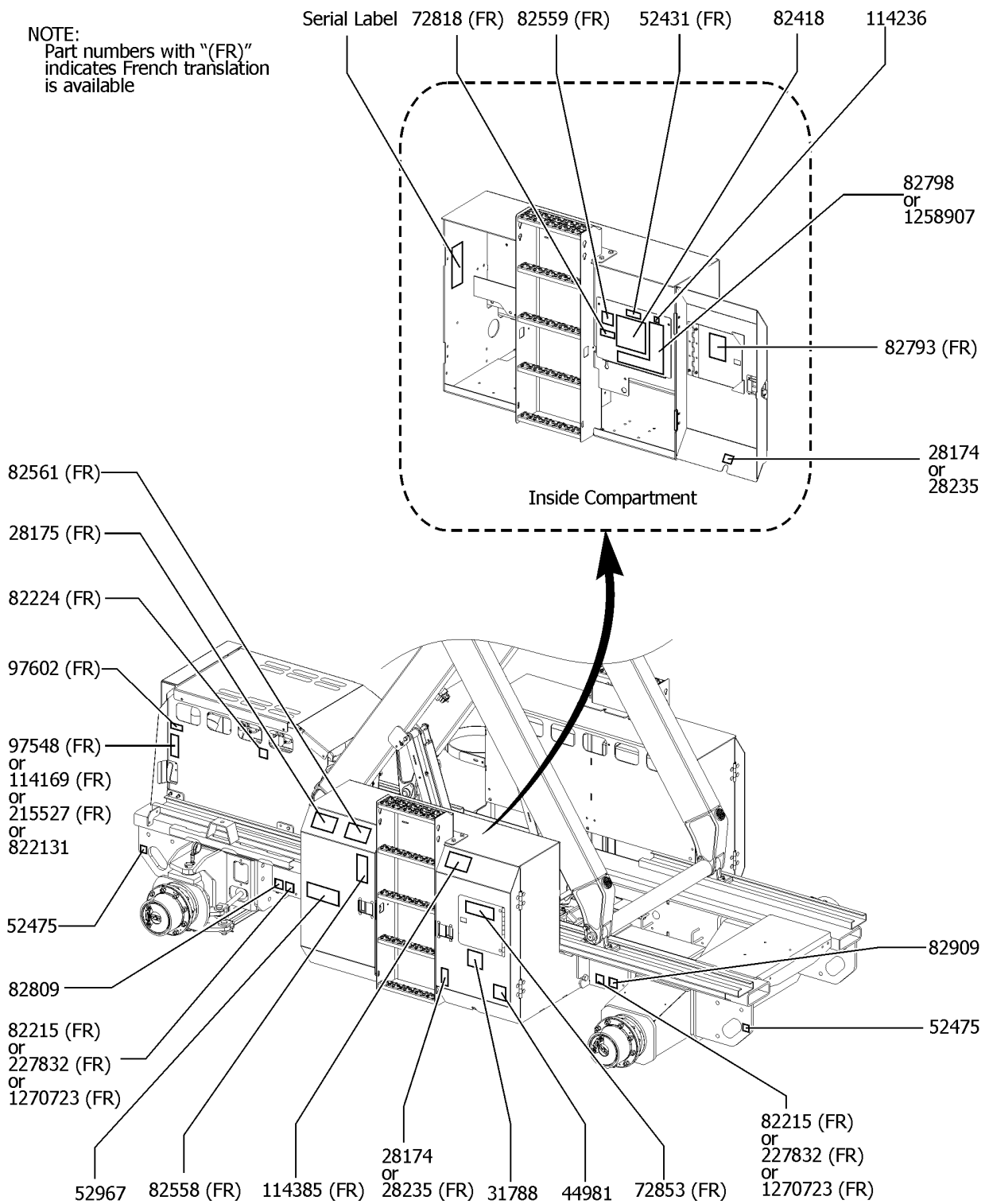
101.1 Words, GS-3384 RT, Ground Control Side (to SN GS84F-45999)

Item	Part No.	Description	Qty.
1	28174GT	DECAL, POWER TO PLATFORM 230V**	2
2	28175GT	DECAL,WARNING-COMPART ACCESS	1
3	28235GT	DECAL, POWER TO PLATFORM 115V**	2
4	31788GT	DECAL,DANGER,BATTERY SAFETY***	
5	44981GT	DECAL LABEL AIRLINE 110PSI Option, airline to platform	1
6	52431GT	DECAL,LABEL,GROUND CONTROL PNL	1
7	52475GT	DECAL LABEL TRANSPORT TIE DOWN*	2
8	52967GT	DECAL,COSMETIC,4 X 4	1
9	72818GT	DECAL,LABEL, TEST MODE	1
10	72853GT	DECAL,DANGER,IMPROPER USE HAZ.	1
11	82215GT	DECAL,NOTICE,TIRE SPECS GS-3384, foam-filled	
12	82224GT	DECAL,LABEL,HOT	1
13	82418GT	DECAL,GROUND CONTROL PANEL	1
14	82558GT	DECAL,SKIN INJECTION	1
15	82559GT	DECAL,INSTRUCT-ANNUAL INSP REQ	1
16	82561GT	DECAL,DANGER-USE SAFETY ARM	1
17	82793GT	DECAL,NOTICE,OP INST,GROUND	1
18	82798GT	DECAL,GROUND CONTROL PANEL*** (models without LCD screen)	1
19	82809GT	DECAL,LABEL,WHEEL LOAD,3384***	
20	97548GT	DECAL,ENGINE SPEC,DEUTZ 2011 (Deutz F3L 2011 and Deutz D2011L03i)	1
21	97602GT	DECAL,EXPLOSION HAZARD	1
22	114169GT	DECAL,FORD ENGINE SPEC DSG423 Ford DSG-423	1
23	114236GT	DECAL,LABEL,CB SYMBOL	
24	114385GT	DECAL,DANGER,ELEC HAZARD,GS	1
25	215527GT	DECAL,FORD ENGINE SPEC MSG425 Ford MSG-425	1
26	227832GT	DECAL,NOTICE,TIRE SPECS,RT84 non-marking	
27	822131GT	DECAL, ENGINE SPEC, D2.9 Deutz D2.9 L4	1
28	1258907GT	DECAL, GROUND CONTROL PANEL, D2.9 (models with LCD screen)	1



101.1 Words, GS-3384 RT, Ground Control Side (to SN GS84F-45999)

NOTE:
Part numbers with "(FR)"
indicates French translation
is available

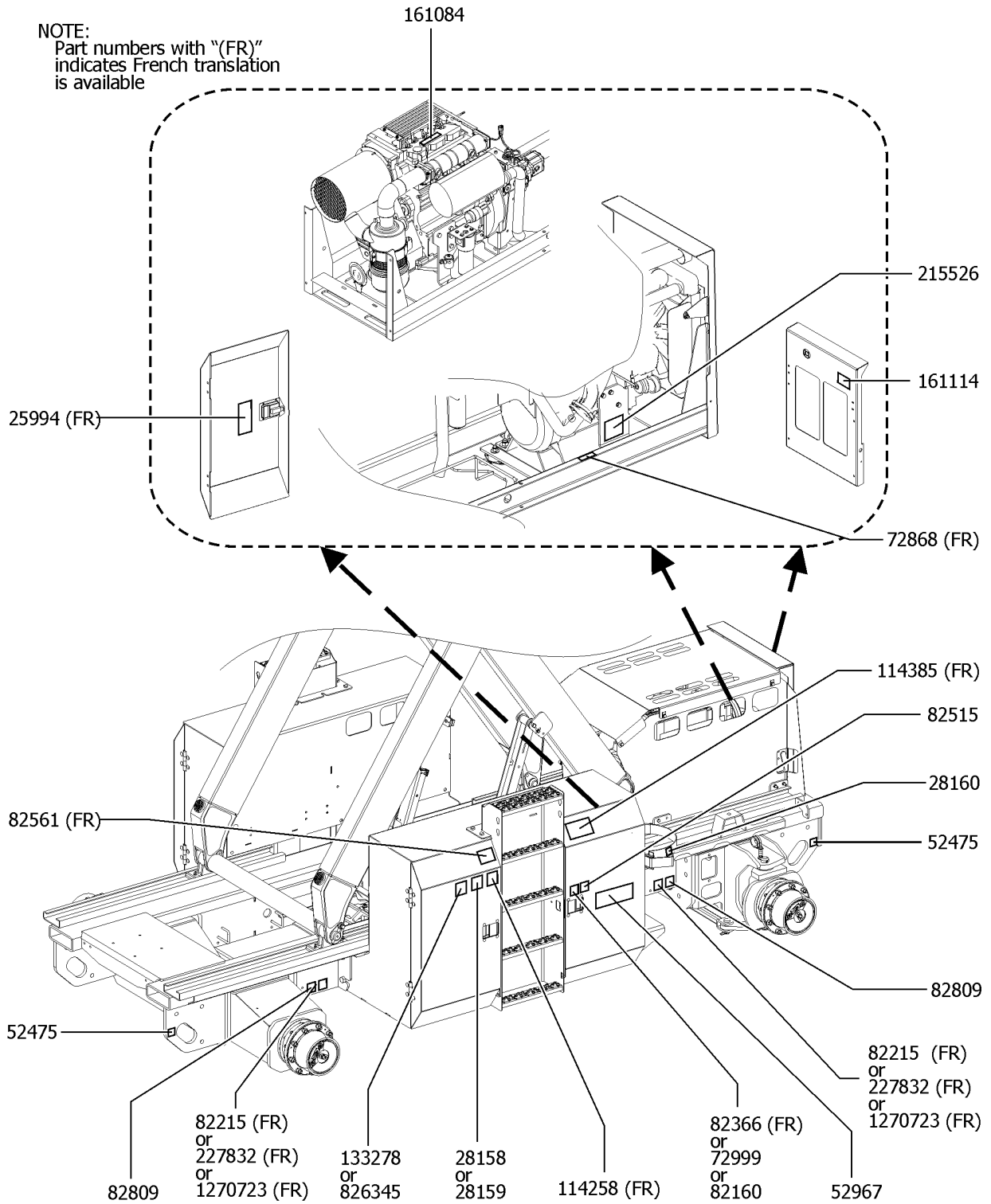


101.1 Words, GS-3384 RT, Ground Control Side (to SN GS84F-45999)

<i>Item</i>	<i>Part No.</i>	<i>Description</i>	<i>Qty.</i>
29	1270723GT	DECAL,DANGER,TIP,FOAM TIRES,RT (ANSI models with foam filled tires)(from SN GS8416F-45067)	2



102.1 Words, GS-3384 RT, Hydraulic Tank Side (to SN GS84F-45999)

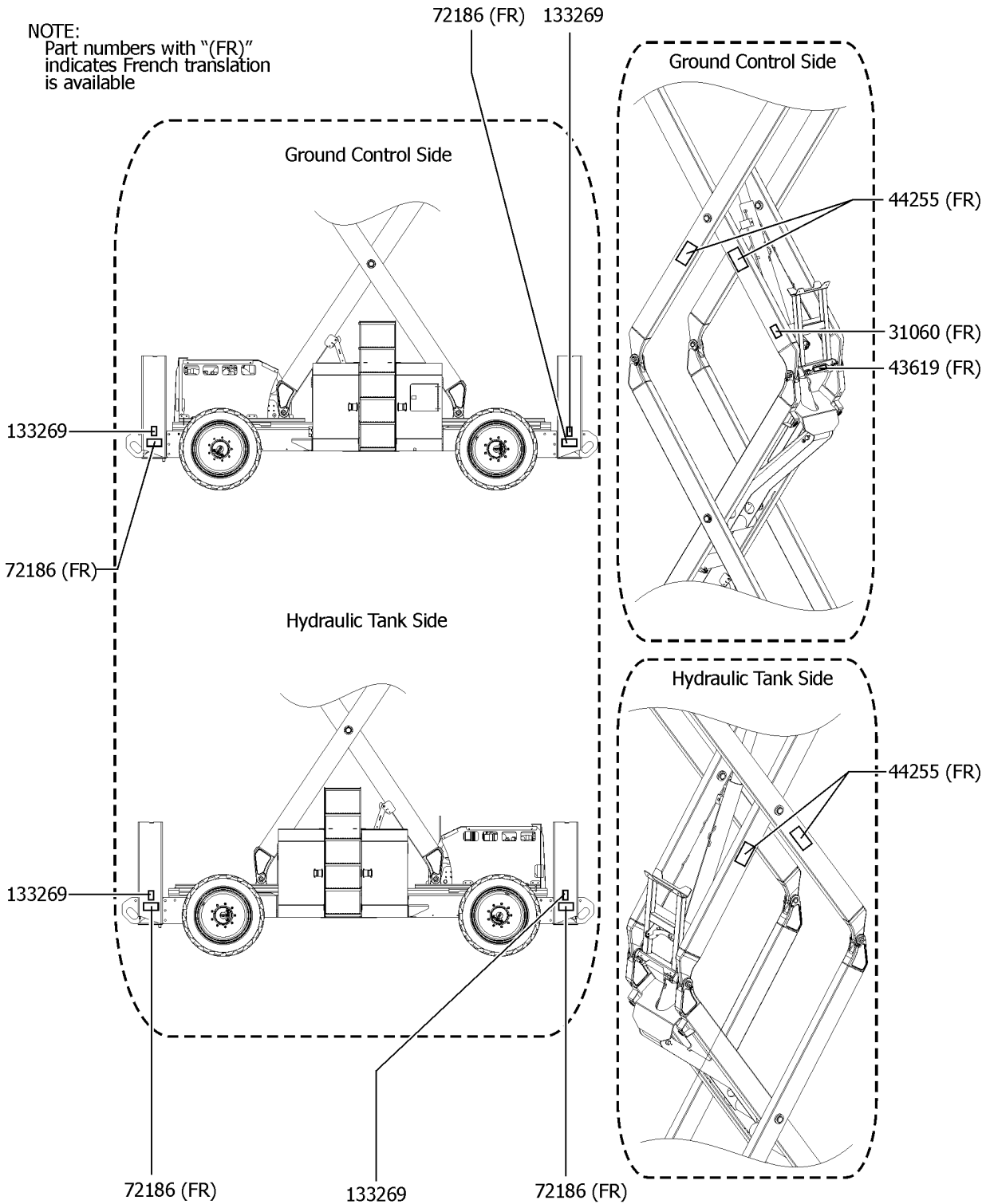


102.1 Words, GS-3384 RT, Hydraulic Tank Side (to SN GS84F-45999)

Item	Part No.	Description	Qty.
1	25994GT	DECAL,NOTICE,SHUTOFF VALVES	1
2	28158GT	DECAL,LABEL,UNLEADED GAS ONLY	1
		Option, Fuel	
3	28159GT	DECAL,LABEL,DIESEL FUEL	1
		Option, Fuel	
4	28160GT	DECAL,LABEL,LIQUID PROPANE	1
		Option, LPG Tank	
5	52475GT	DECAL LABEL TRANSPORT TIE DOWN*	2
6	52967GT	DECAL,COSMETIC,4 X 4	1
7	72868GT	DECAL,LABEL,ENGINE TRAY PROP	1
8	72999GT	DECAL,LABEL,PETRO CANADA***	1
		Option, hydraulic oil	
9	82160GT	DECAL,LABEL,STATOIL HYDRA WAY	1
		Option, hydraulic oil	
10	82215GT	DECAL,NOTICE,TIRE SPECS	4
		GS-3384, foam-filled	
11	82366GT	DECAL,CHEVRON RANDO HD	1
		Option, hydraulic oil	
12	82515GT	DECAL,OIL,HYD,CHEVRON AVIATION	1
		Option, hydraulic oil	
13	82561GT	DECAL,DANGER-USE SAFETY ARM	1
14	82809GT	DECAL,LABEL,WHEEL LOAD,3384***	4
15	114258GT	DECAL,DANGER,NO SMOKING	1
16	114385GT	DECAL,DANGER,ELEC HAZARD,GS	1
17	133278GT	DECAL,LOW/ULTRA LOW SULFR FUEL	1
		Deutz D2011L03i	
18	161084GT	DECAL, DEUTZ ROW RELABEL	1
		Deutz D2011L03i	
19	161114GT	DECAL, TPDM 2013	1
		Deutz D2011L03i. Decal is supplied with the engine by supplier per engine specs and not intended to be sold by Genie	
20	215526GT	DECAL,LABEL,BELT,MSG425	1
		Ford MSG-425	
21	227832GT	DECAL,NOTICE,TIRE SPECS,RT84	4
		non-marking	
22	826345GT	DECAL,ULS DIESEL ONLY,TIER 4	1
		Deutz D2.9 L4	
23	1270723GT	DECAL,DANGER,TIP,FOAM TIRES,RT	2
		(ANSI models with foam filled tires)(from SN GS8416F-45067)	



103.1 Words, GS-3384 RT, Outrigger and Links (to SN GS84F-45999)



103.1 Words, GS-3384 RT, Outrigger and Links (to SN GS84F-45999)

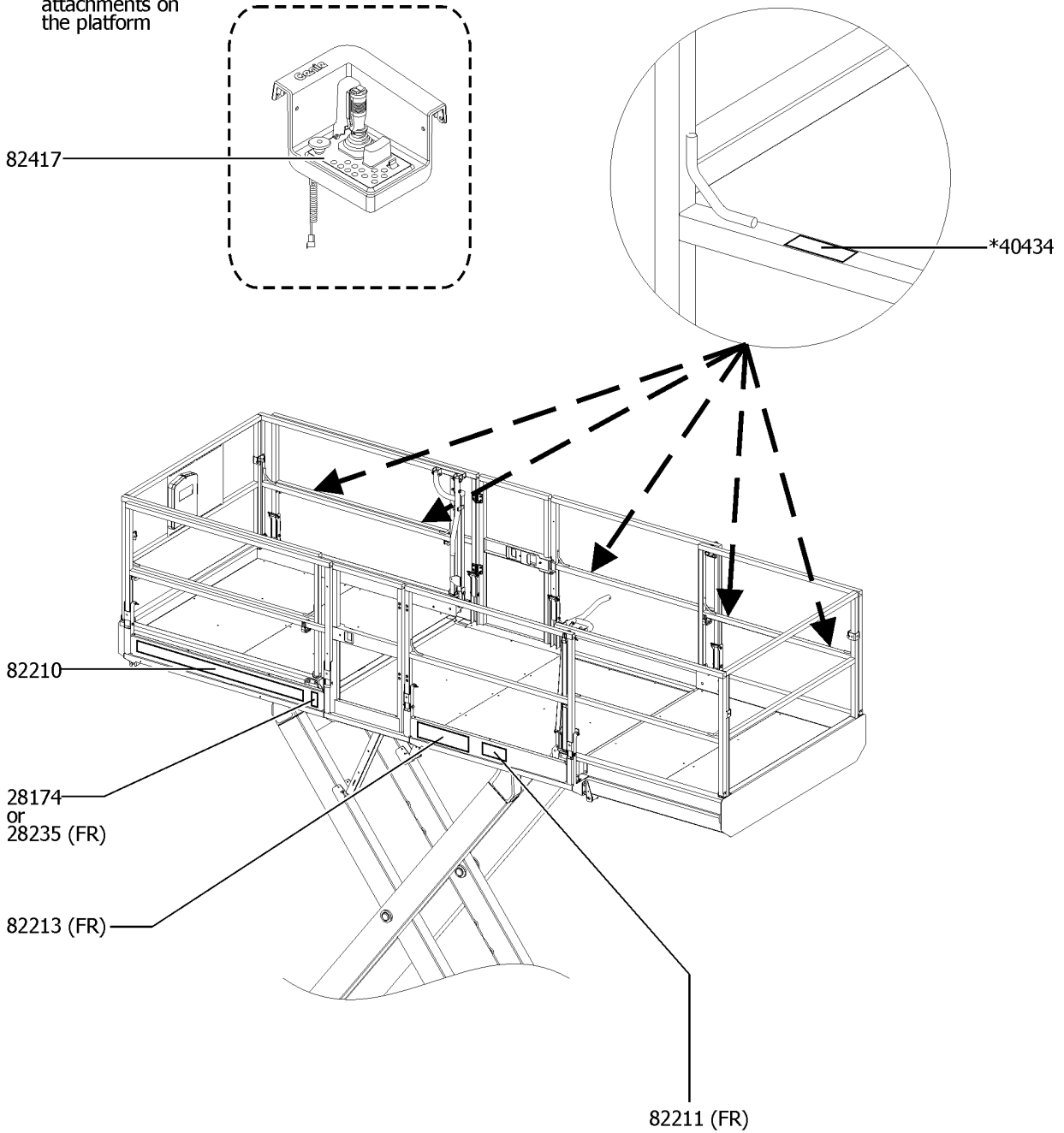
<i>Item</i>	<i>Part No.</i>	<i>Description</i>	<i>Qty.</i>
1	31060GT	DECAL,DANGER DO NOT ALTER SWTC	1
2	43619GT	DECAL,LABEL,SAFETY ARM	1
3	44255GT	DECAL,DANGER,CRUSHING HAZARD	4
4	72186GT	DECAL,WARNING,CRUSHING HAZARD	4
5	133269GT	DECAL,LABEL,OUTRIGGER LD 3384	4
		AUS Only	



104.1 Words, GS-3384 RT, Platform - Ground Control Side, ANSI & CSA (to SN GS84F-45999)

NOTE:
Part numbers with "(FR)"
indicates French translation
is available

*apply this decal to all
lanyard anchorage
attachments on
the platform



104.1 Words, GS-3384 RT, Platform - Ground Control Side, ANSI & CSA (to SN GS84F-45999)

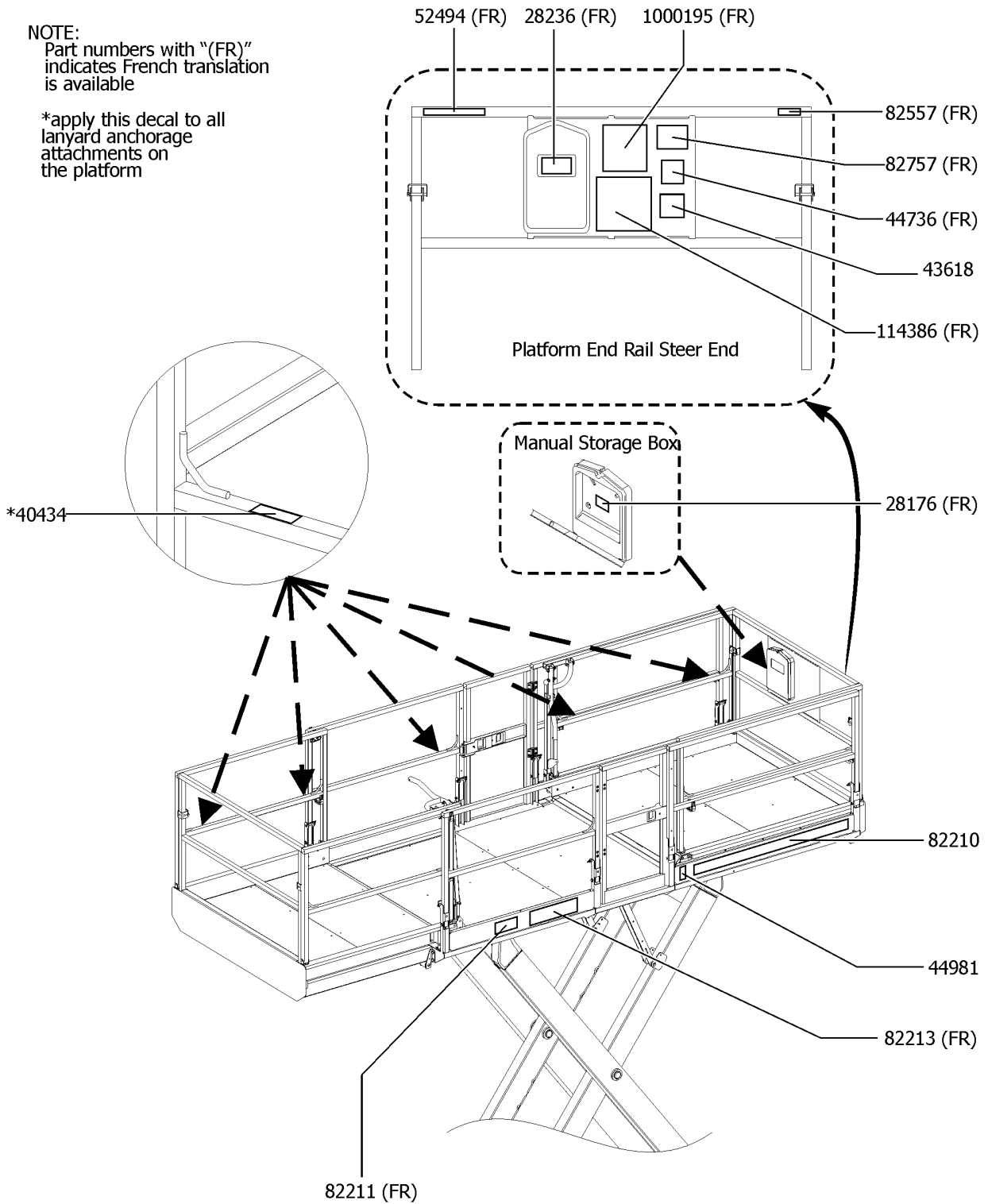
<i>Item</i>	<i>Part No.</i>	<i>Description</i>	<i>Qty.</i>
1	28174GT	DECAL, POWER TO PLATFORM 230V**	1
2	28235GT	DECAL, POWER TO PLATFORM 115V**	1
3	40434GT	DECAL,LANYARD ANCHORAGE POINT	5
4	82211GT	DECAL,NOTICE,SIDE FORCE ANSI (GS-3390 RT, GS-3384 RT)	1
5	82213GT	DECAL,NOTICE,MX CP,GS84 1&2 DK (GS-3390 RT, GS-3384 RT)	1
6	82417GT	DECAL,PLATFORM CONTROL PANEL	1



105.1 Words, GS-3384 RT, Platform - Hydraulic Tank Side, ANSI & CSA (to SN GS84F-45999)

NOTE:
Part numbers with "(FR)" indicates French translation is available

*apply this decal to all lanyard anchorage attachments on the platform



105.1 Words, GS-3384 RT, Platform - Hydraulic Tank Side, ANSI & CSA (to SN GS84F-45999)

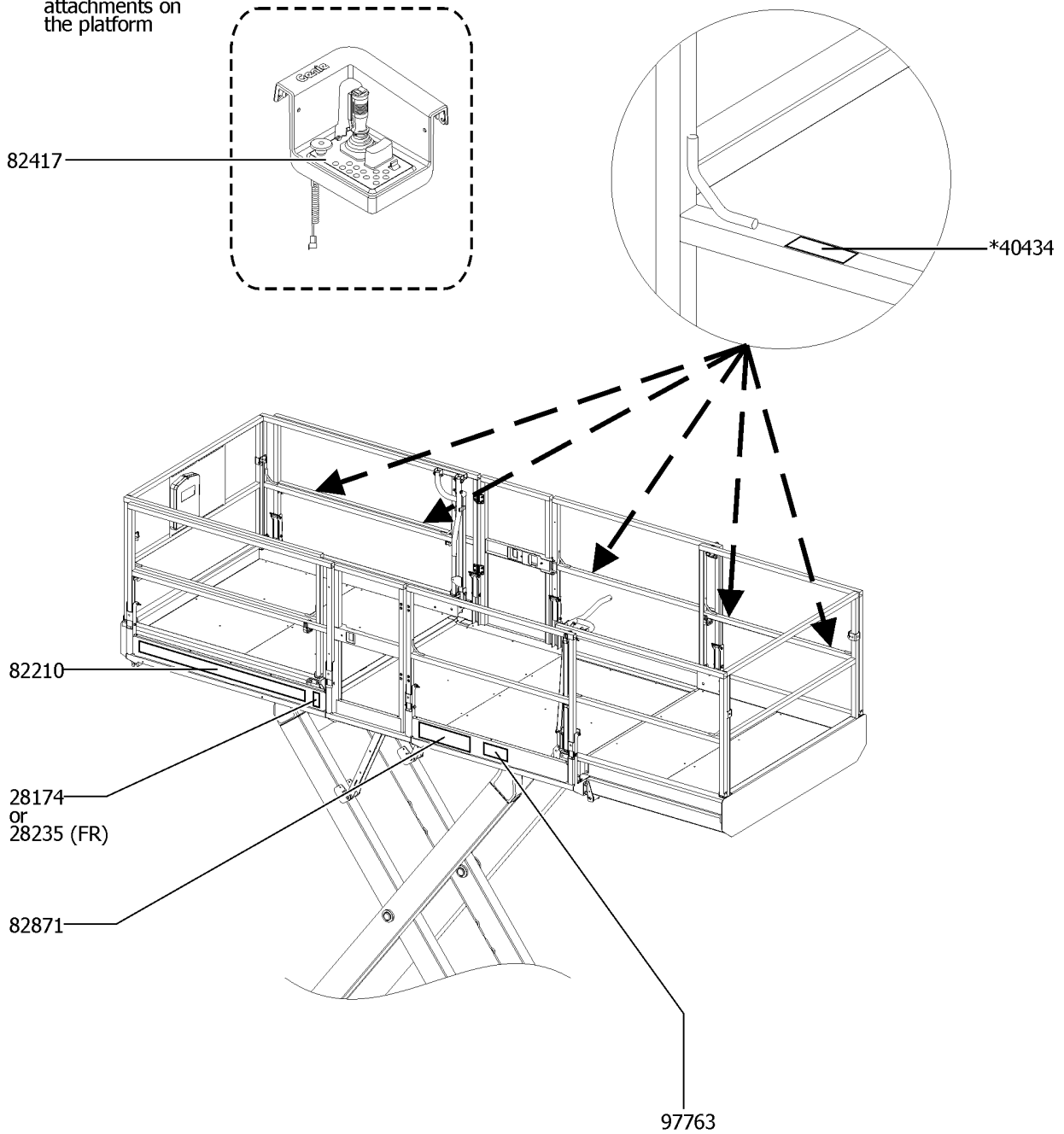
<i>Item</i>	<i>Part No.</i>	<i>Description</i>	<i>Qty.</i>
1	28176GT	DECAL,LABEL,MANUAL NOT HERE	1
2	28236GT	DECAL,WARN,IMPROPER OPERATION	1
3	40434GT	DECAL,LANYARD ANCHORAGE POINT	5
4	43618GT	DECAL, LABEL - DIRECTION ARROWS	1
5	44736GT	DECAL,DANGER,TIP-OVER,TILT	1
6	44981GT	DECAL LABEL AIRLINE 110PSI	1
		Option, airline to platform	
7	52494GT	DECAL,CAUTION,CRUSH HAZ, RAILS	1
10	82211GT	DECAL,NOTICE,SIDE FORCE ANSI	1
		(GS-3390 RT, GS-3384 RT)	
11	82210GT	DECAL,COSMETIC,GENIE GS-3384	
12	82213GT	DECAL,NOTICE,MX CP,GS84 1&2 DK	1
		(GS-3390 RT, GS-3384 RT)	
13	82557GT	DECAL,LABEL,PLAT CONT LOCATION	1
14	82757GT	DECAL,DANGER,OUTRIGGER SAFETY	1
15	114386GT	DECAL,DANGER-GEN SAFETY	1
16	1000195GT	DECAL,NOTICE,OP INST,PLATFORM	1



106.1 Words, GS-3384 RT, Platform - Ground Control Side, Australia (to SN GS84F-45999)

NOTE:
Part numbers with "(FR)"
indicates French translation
is available

*apply this decal to all
lanyard anchorage
attachments on
the platform



106.1 Words, GS-3384 RT, Platform - Ground Control Side, Australia (to SN GS84F-45999)

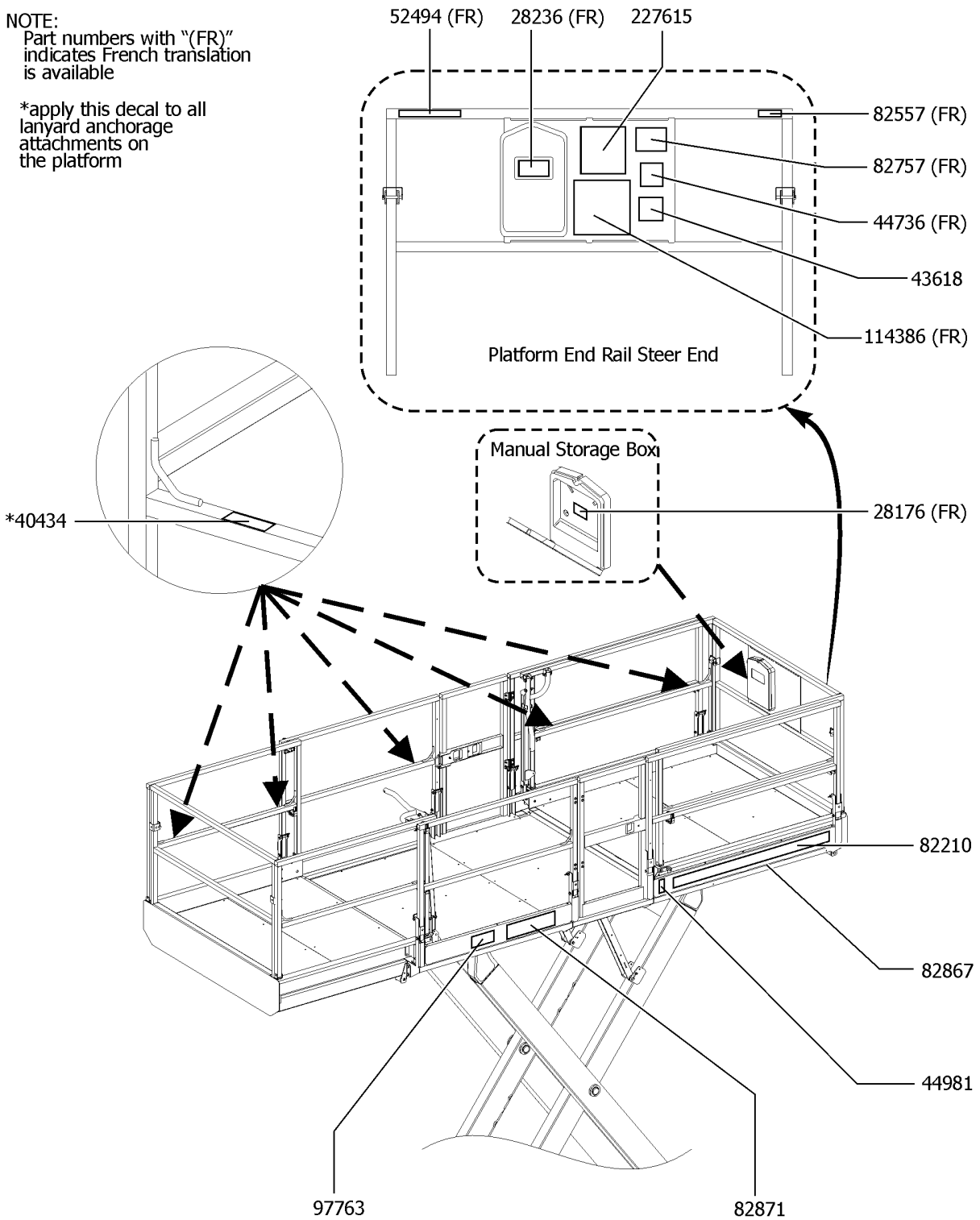
<i>Item</i>	<i>Part No.</i>	<i>Description</i>	<i>Qty.</i>
1	28174GT	DECAL, POWER TO PLATFORM 230V**	1
2	28235GT	DECAL, POWER TO PLATFORM 115V**	1
3	40434GT	DECAL,LANYARD ANCHORAGE POINT	5
4	82210GT	DECAL,COSMETIC,GENIE GS-3384	1
5	82417GT	DECAL,PLATFORM CONTROL PANEL	1
6	97763GT	DECAL,NOTICE,MAN FORCE,AUSTRAL (GS-3390 RT, GS-4390 RT and GS-3384)	1



107.1 Words, GS-3384 RT, Platform - Hydraulic Tank Side, Australia (to SN GS84F-45999)

NOTE:
Part numbers with "(FR)"
indicates French translation
is available

*apply this decal to all
lanyard anchorage
attachments on
the platform

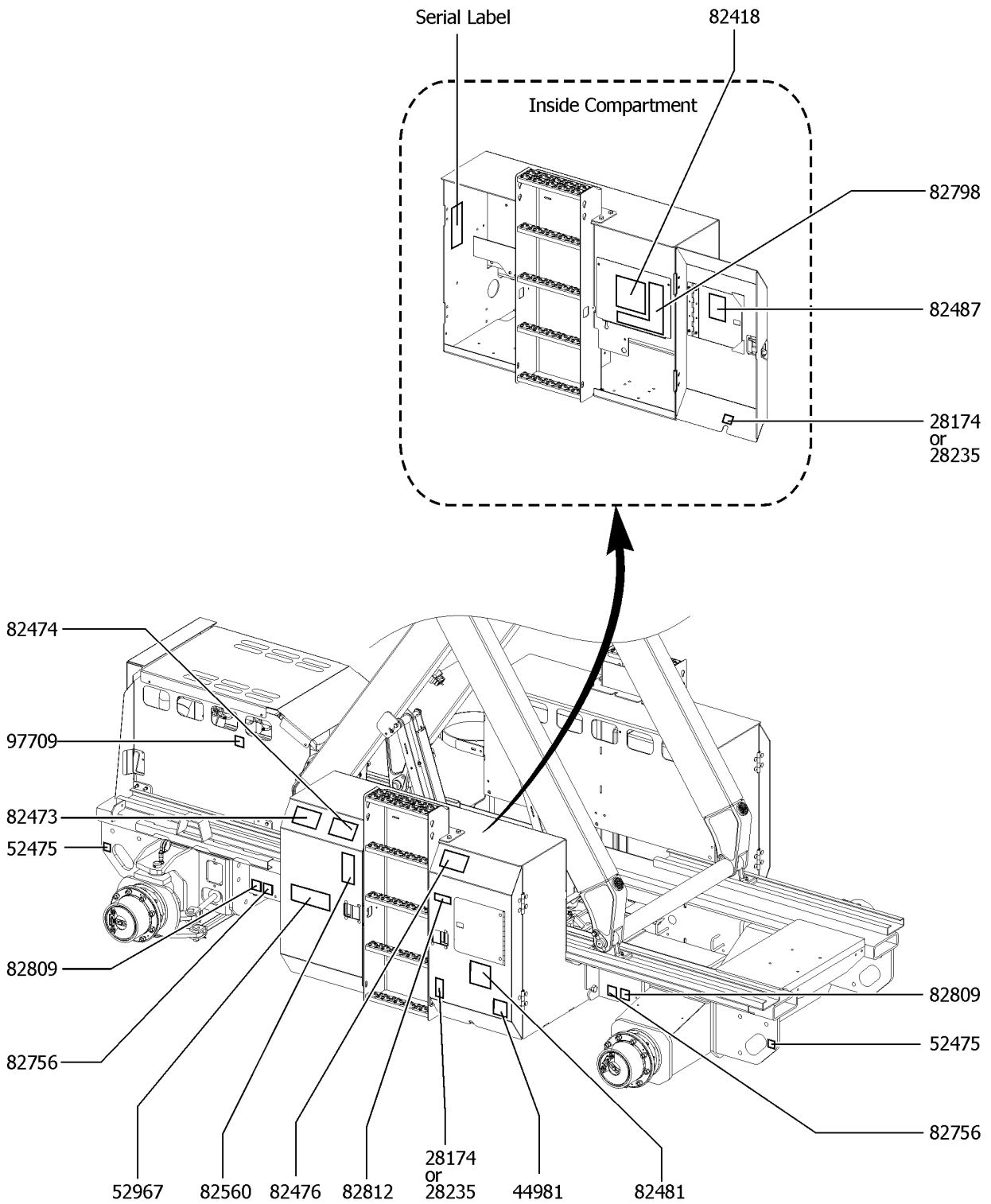


107.1 Words, GS-3384 RT, Platform - Hydraulic Tank Side, Australia (to SN GS84F-45999)

<i>Item</i>	<i>Part No.</i>	<i>Description</i>	<i>Qty.</i>
1	28176GT	DECAL,LABEL,MANUAL NOT HERE	1
2	28236GT	DECAL,WARN,IMPROPER OPERATION	1
3	40434GT	DECAL,LANYARD ANCHORAGE POINT	5
4	43618GT	DECAL, LABEL - DIRECTION ARROWS	1
5	44736GT	DECAL,DANGER,TIP-OVER,TILT	1
6	44981GT	DECAL LABEL AIRLINE 110PSI	1
		Option, airline to platform	
7	52494GT	DECAL,CAUTION,CRUSH HAZ, RAILS	1
8	82210GT	DECAL,COSMETIC,GENIE GS-3384	1
9	82557GT	DECAL,LABEL,PLAT CONT LOCATION	1
10	82757GT	DECAL,DANGER,OUTRIGGER SAFETY	1
11	82867GT	DECAL,LABEL,CAP INDICATOR,3384	1
		(GS-3390 RT, GS-3384 RT)	
12	82871GT	DECAL,DANGER,MAXCAP CE GS3384*	1
		(GS-3390 RT, GS-3384 RT)	
13	97763GT	DECAL,NOTICE,MAN FORCE,AUSTRAL	1
		(GS-3390 RT, GS-4390 RT, and GS-3384 RT)	
14	114386GT	DECAL,DANGER-GEN SAFETY	1
15	227615GT	DECAL,NOTICE,OP INS,PLAT 84/90	1



108.1 Symbols, GS-3384 RT, Ground Control Side (to SN GS84F-45999)

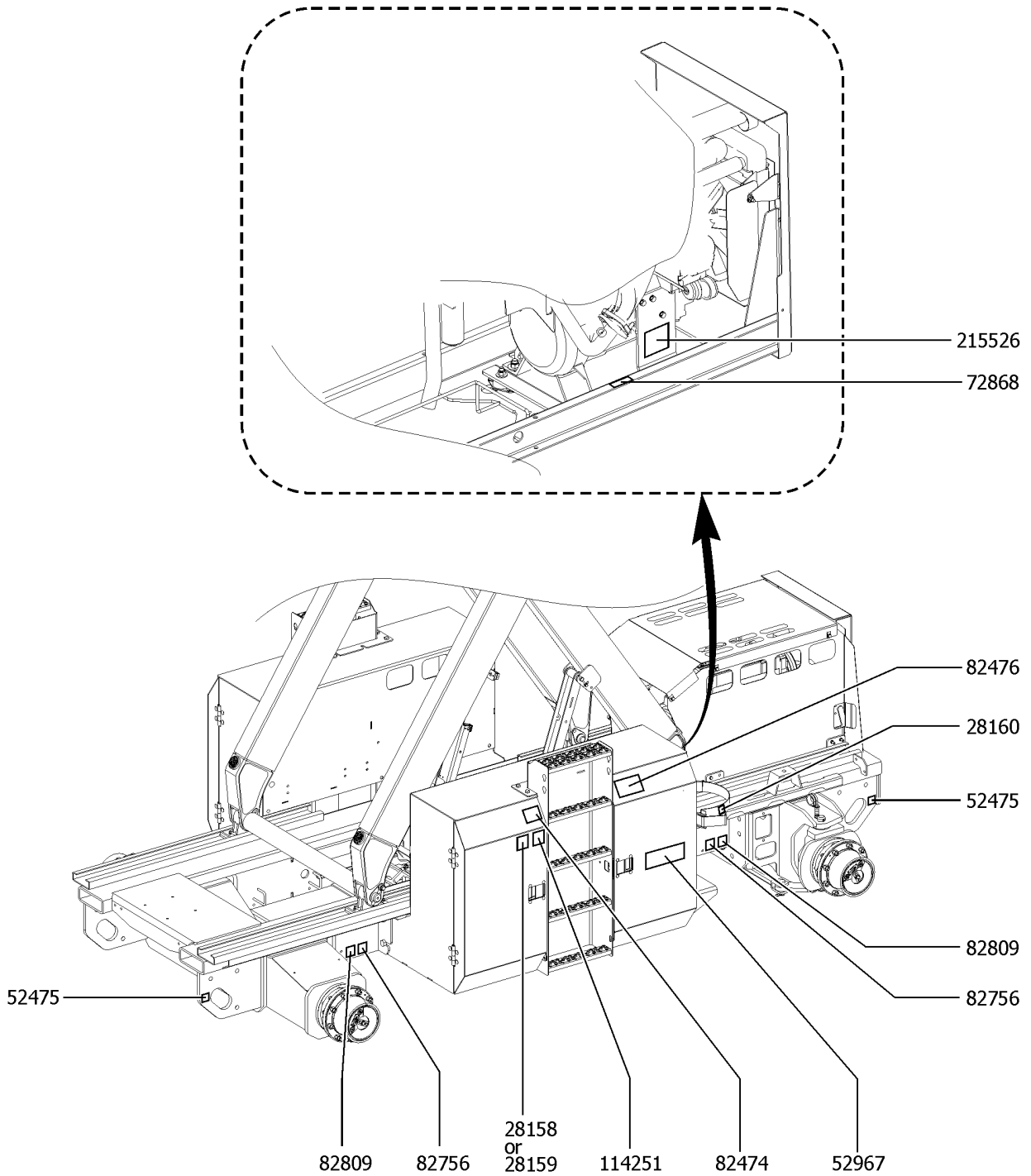


108.1 Symbols, GS-3384 RT, Ground Control Side (to SN GS84F-45999)

Item	Part No.	Description	Qty.
1	28174GT	DECAL, POWER TO PLATFORM 230V**	2
2	28235GT	DECAL, POWER TO PLATFORM 115V**	2
3	44981GT	DECAL LABEL AIRLINE 110PSI	1
		Option, airline to platform	
4	52475GT	DECAL LABEL TRANSPORT TIE DOWN*	2
5	52967GT	DECAL,COSMETIC,4 X 4	1
6	82418GT	DECAL,GROUND CONTROL PANEL	1
7	82473GT	DECAL,SYMBOL-COMP ACCESS	1
8	82474GT	DECAL SYMBOL USE SAFETY ARM	1
9	82476GT	DECAL SYMBOL ELECTRIC HAZARD GS	1
10	82481GT	DECAL SYMBOL BATTERY SAFETY	1
11	82487GT	DECAL, SYMBOL - READ THE MANUAL	1
12	82560GT	DECAL SYMBOL SKIN INJECT HAZARD	1
13	82756GT	DECAL,LABEL,TIRE PRESS,GS90 CE	2
		hi-floatation tires	
14	82798GT	DECAL,GROUND CONTROL PANEL ***	1
15	82809GT	DECAL,LABEL,WHEEL LOAD,3384***	2
16	82812GT	DECAL,LABEL,READ THE SERV MAN*	1
17	97709GT	DECAL,DANGER,HOT,SYMBOL	1



109.1 Symbols, GS-3384 RT, Hydraulic Tank Side (to SN GS84F-45999)

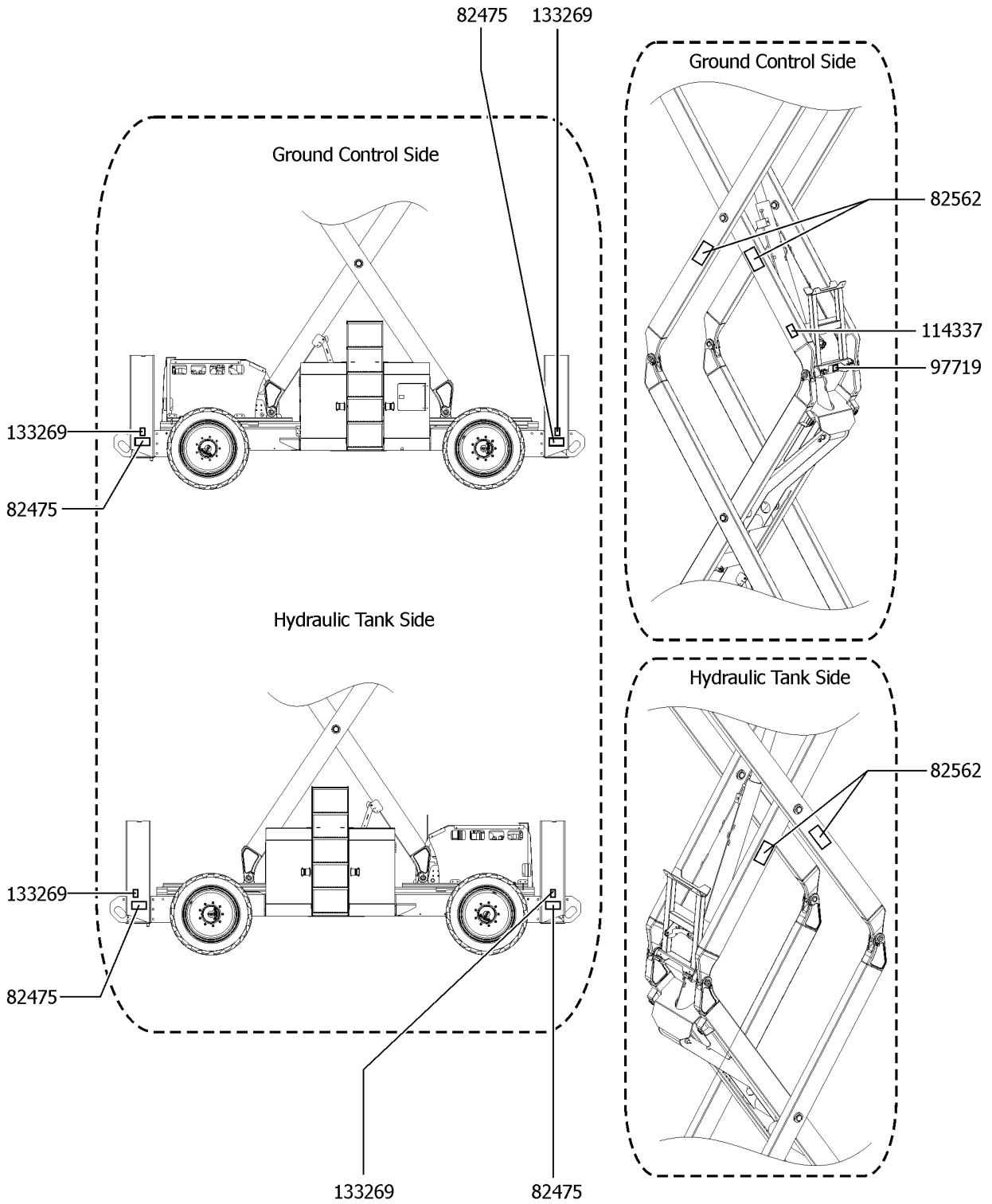


109.1 Symbols, GS-3384 RT, Hydraulic Tank Side (to SN GS84F-45999)

Item	Part No.	Description	Qty.
1	28158GT	DECAL,LABEL,UNLEADED GAS ONLY Option, Fuel	1
2	28159GT	DECAL,LABEL,DIESEL FUEL Option, Fuel	1
3	28160GT	DECAL,LABEL,LIQUID PROPANE Option, LPG Tank	1
4	52475GT	DECAL LABEL TRANSPORT TIE DOWN*	2
5	52967GT	DECAL,COSMETIC,4 X 4	1
6	72868GT	DECAL,LABEL,ENGINE TRAY PROP	1
7	82474GT	DECAL SYMBOL USE SAFETY ARM	1
8	82476GT	DECAL SYMBOL ELECTRIC HAZARD GS	1
9	82756GT	DECAL,LABEL,TIRE PRESS,GS90 CE hi-floatation tires	2
10	82809GT	DECAL,LABEL,WHEEL LOAD,3384***	2
11	114251GT	DECAL,LABEL,NO SMOKING,SYMB	1
12	215526GT	DECAL,LABEL,BELT,MSG425 Ford MSG	1



110.1 Symbols, GS-3384 RT, Outrigger and Links (to SN GS84F-45999)



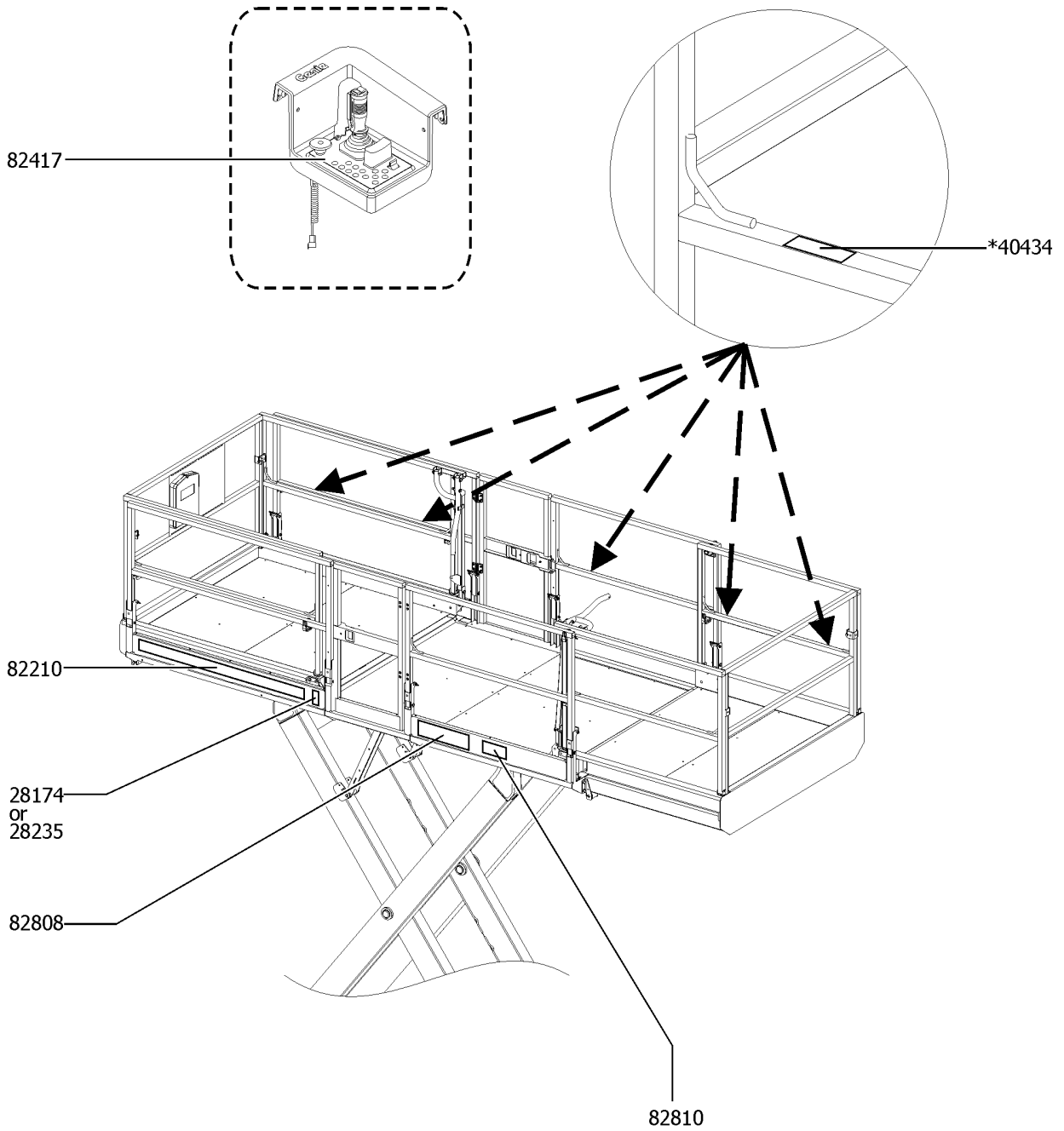
110.1 Symbols, GS-3384 RT, Outrigger and Links (to SN GS84F-45999)

<i>Item</i>	<i>Part No.</i>	<i>Description</i>	<i>Qty.</i>
1	82475GT	DECAL,WARNING,CRUSHING HAZARD	4
2	82562GT	DECAL, SYMBOL - CRUSHING HAZARD	4
3	97719GT	DECAL, LABEL, SAFETY ARM SYMBOL	1
4	114337GT	DECAL SYMBOL TIP OVER LIMIT SWITCH	1
5	133269GT	DECAL,LABEL,OUTRIGGER LD 3384	4



111.1 Symbols, GS-3384 RT, Platform - Ground Control Side, ANSI & CSA (to SN GS84F-45999)

NOTE:
*apply this decal to all
lanyard anchorage
attachments on
the platform



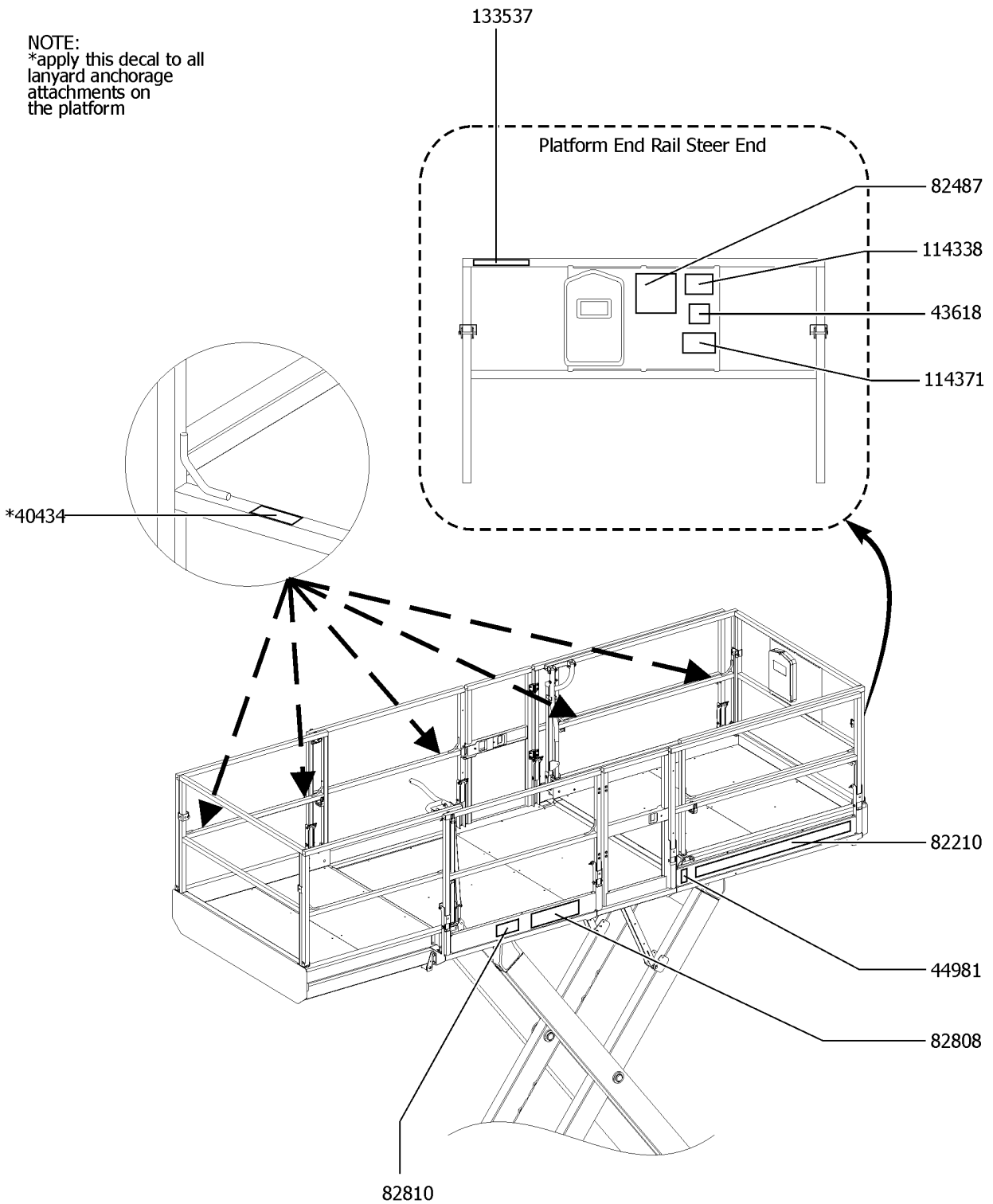
111.1 Symbols, GS-3384 RT, Platform - Ground Control Side, ANSI & CSA (to SN GS84F-45999)

<i>Item</i>	<i>Part No.</i>	<i>Description</i>	<i>Qty.</i>
1	28174GT	DECAL, POWER TO PLATFORM 230V**	1
2	28235GT	DECAL, POWER TO PLATFORM 115V**	1
3	40434GT	DECAL,LANYARD ANCHORAGE POINT	5
4	82210GT	DECAL,COSMETIC,GENIE GS-3384	1
5	82417GT	DECAL,PLATFORM CONTROL PANEL	1
6	82808GT	DECAL,DANGER,MAX CAP,3384 ANSI	1
7	82810GT	DECAL,DANGER,SIDE FRC,ANSI***	1



112.1 Symbols, GS-3384 RT, Platform - Hydraulic Tank Side, ANSI & CSA (to SN GS84F-45999)

NOTE:
*apply this decal to all
lanyard anchorage
attachments on
the platform



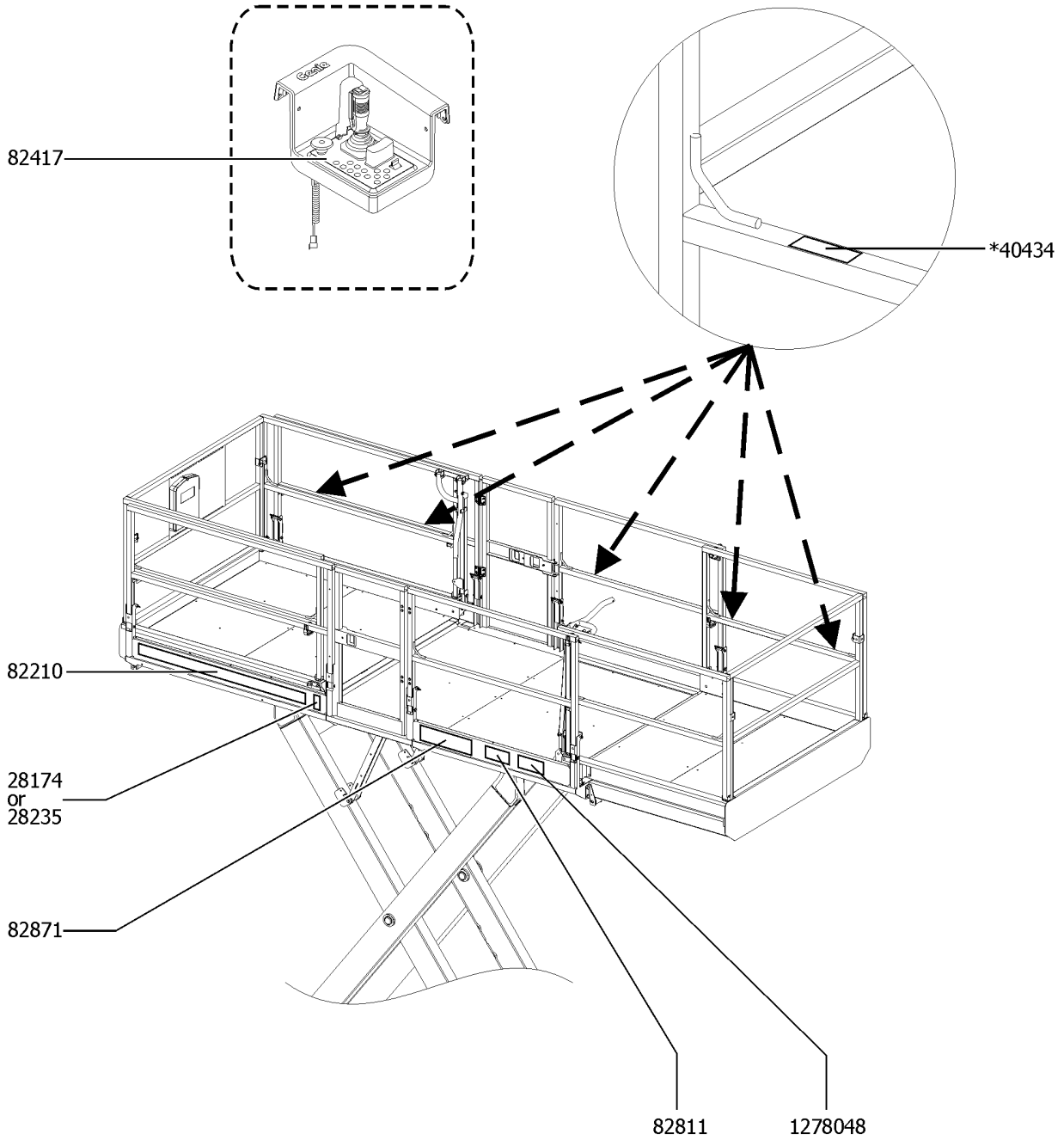
112.1 Symbols, GS-3384 RT, Platform - Hydraulic Tank Side, ANSI & CSA (to SN GS84F-45999)

<i>Item</i>	<i>Part No.</i>	<i>Description</i>	<i>Qty.</i>
1	40434GT	DECAL,LANYARD ANCHORAGE POINT	5
2	43618GT	DECAL, LABEL - DIRECTION ARROWS	1
3	44981GT	DECAL LABEL AIRLINE 110PSI	1
		Option, airline to platform	
4	82210GT	DECAL,COSMETIC,GENIE GS-3384	1
5	82487GT	DECAL, SYMBOL - READ THE MANUAL	1
6	82808GT	DECAL,DANGER,MAX CAP,3384 ANSI	1
7	82810GT	DECAL,DANGER,SIDE FRC,ANSI***	1
8	114338GT	DECAL SYMBOL TIP OVER TILT ALARM	1
9	114371GT	DECAL,DANGER,OUTRIGGER SAFETY	1
10	133537GT	DECAL,CRUSH HAZ RAILS SYMB	1



113.1 Symbols, GS-3384 RT, Platform - Ground Control Side, CE (to SN GS84F-45999)

NOTE:
*apply this decal to all lanyard anchorage attachments on the platform



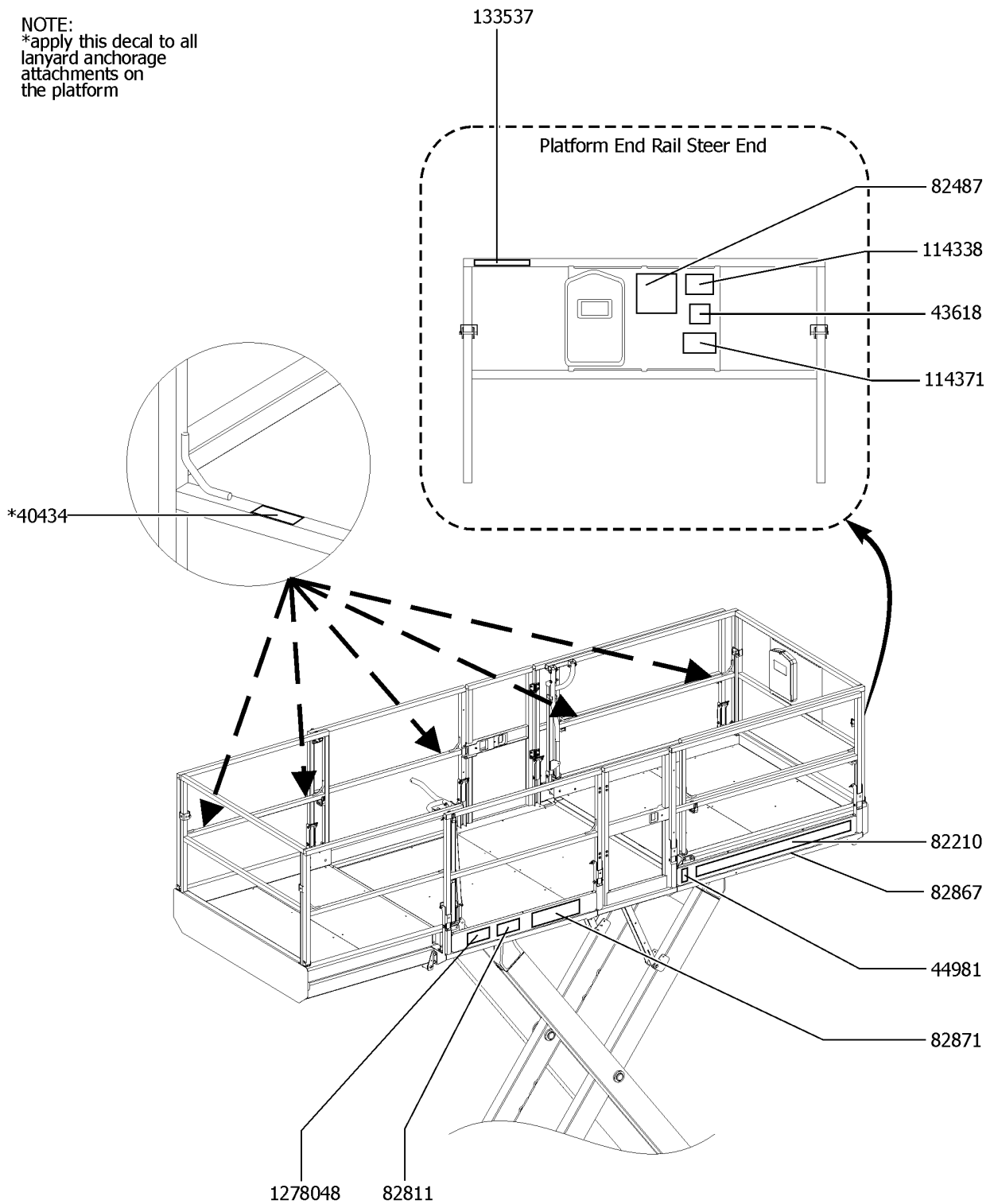
113.1 Symbols, GS-3384 RT, Platform - Ground Control Side, CE (to SN GS84F-45999)

<i>Item</i>	<i>Part No.</i>	<i>Description</i>	<i>Qty.</i>
1	28174GT	DECAL, POWER TO PLATFORM 230V**	1
2	28235GT	DECAL, POWER TO PLATFORM 115V**	1
3	40434GT	DECAL,LANYARD ANCHORAGE POINT	5
4	82210GT	DECAL,COSMETIC,GENIE GS-3384	1
5	82417GT	DECAL,PLATFORM CONTROL PANEL	1
6	82811GT	DECAL,DANGER,MANUAL FORCE,400N	1
7	82871GT	DECAL,DANGER,MAXCAP CE GS3384*	1
8	1278048GT	DECAL,DANGER,EXT DECK,GS84/90 (from SN 45548)	1



114.1 Symbols, GS-3384 RT, Platform - Hydraulic Tank Side, CE (to SN GS84F-45999)

NOTE:
*apply this decal to all
lanyard anchorage
attachments on
the platform



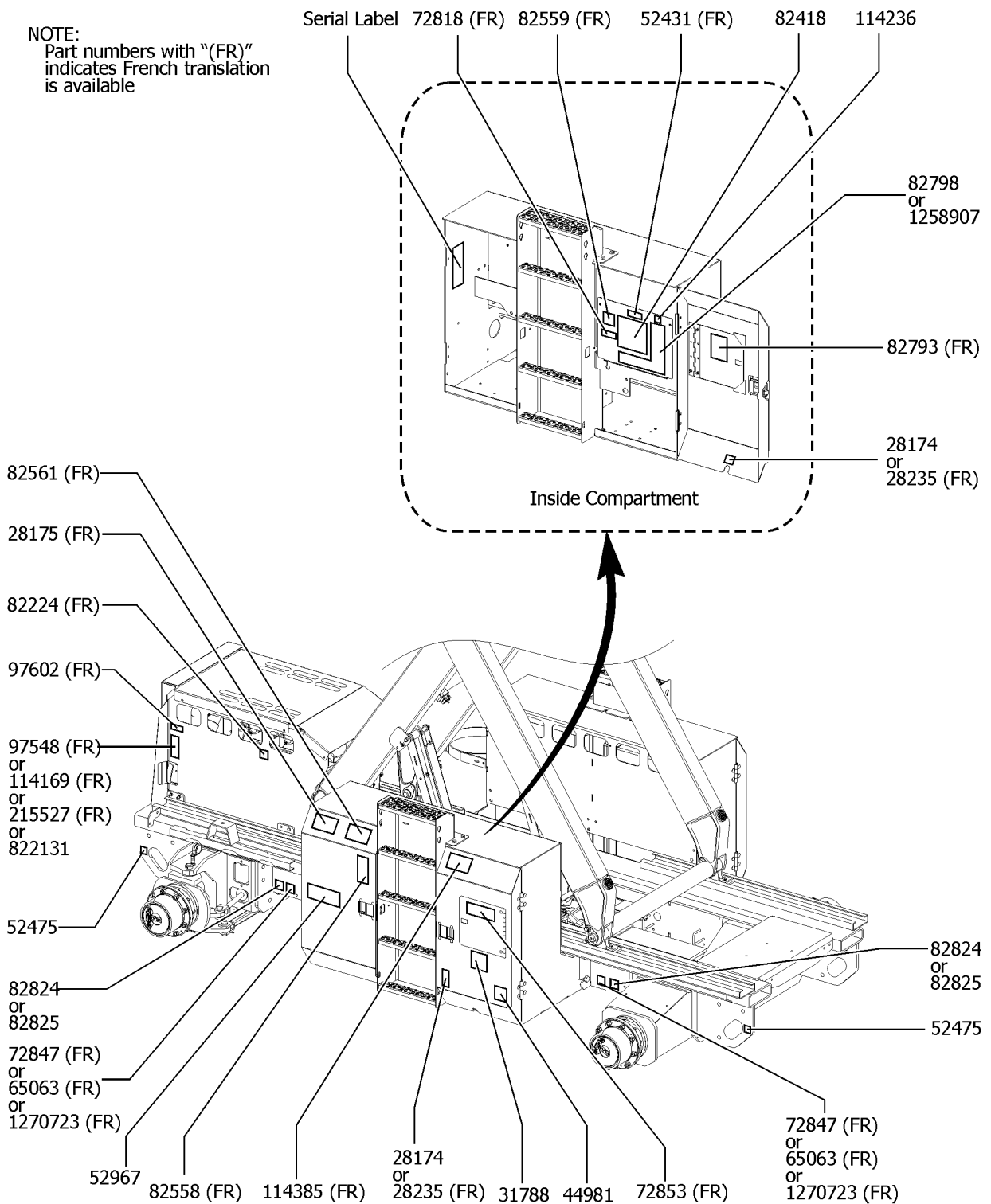
114.1 Symbols, GS-3384 RT, Platform - Hydraulic Tank Side, CE (to SN GS84F-45999)

<i>Item</i>	<i>Part No.</i>	<i>Description</i>	<i>Qty.</i>
1	40434GT	DECAL,LANYARD ANCHORAGE POINT	5
2	43618GT	DECAL, LABEL - DIRECTION ARROWS	1
3	44981GT	DECAL LABEL AIRLINE 110PSI	1
		Option, airline to platform	
4	82210GT	DECAL,COSMETIC,GENIE GS-3384	1
5	82487GT	DECAL, SYMBOL - READ THE MANUAL	1
6	82811GT	DECAL,DANGER,MANUAL FORCE,400N	1
7	82867GT	DECAL,LABEL,CAP INDICATOR,3384	1
8	82871GT	DECAL,DANGER,MAXCAP CE GS3384*	1
9	114338GT	DECAL SYMBOL TIP OVER TILT ALARM	1
10	114371GT	DECAL,DANGER,OUTRIGGER SAFETY	1
11	133537GT	DECAL,CRUSH HAZ RAILS SYMB	1
12	1278048GT	DECAL,DANGER,EXT DECK,GS84/90	1
		(from SN 45548)	



115.1 Words, GS-3390 RT, GS-4390 RT and GS-5390 RT, Ground Control Side (to SN GS90F-55999)

NOTE:
Part numbers with "(FR)"
indicates French translation
is available



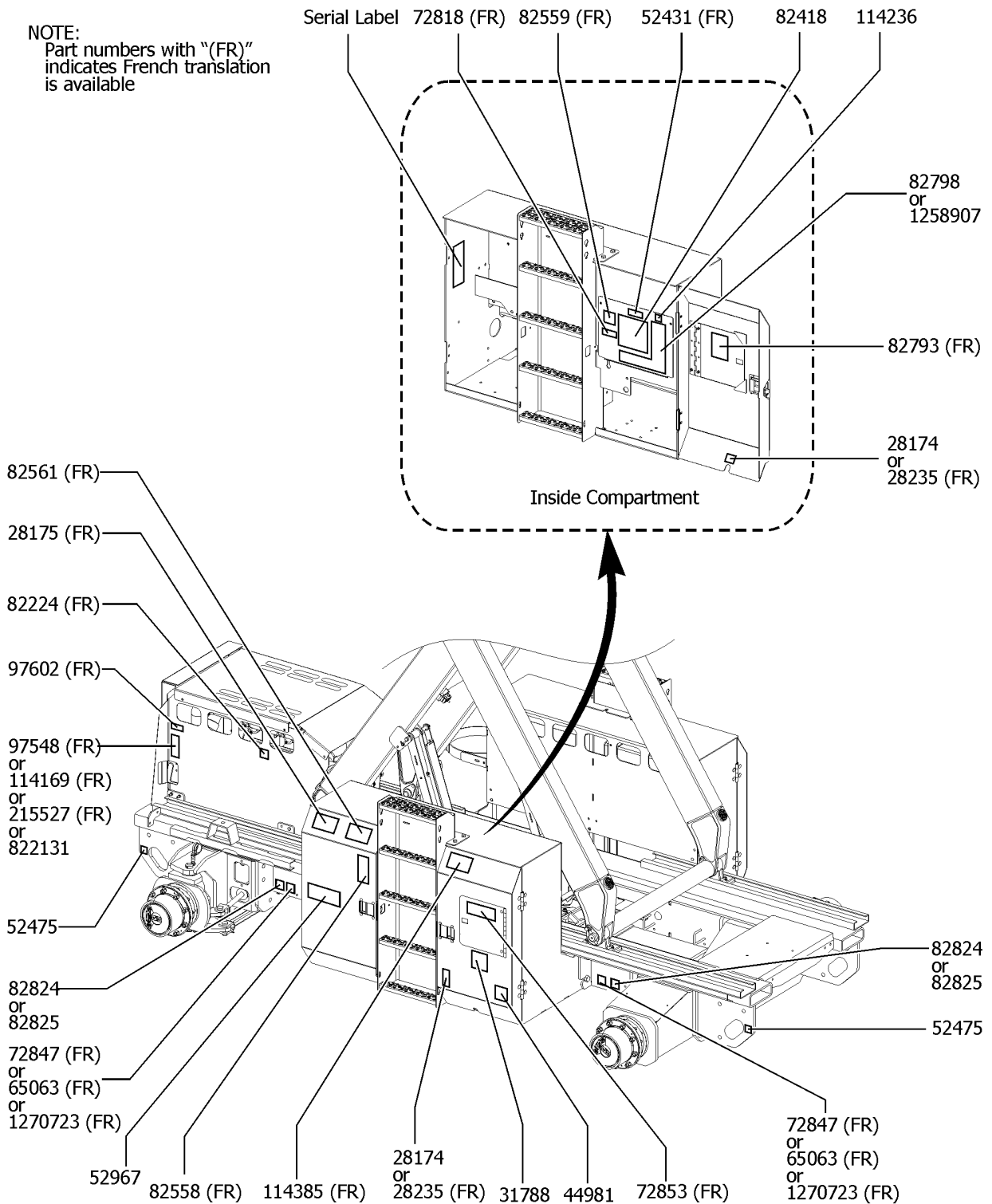
115.1 Words, GS-3390 RT, GS-4390 RT and GS-5390 RT, Ground Control Side (to SN GS90F-55999)

Item	Part No.	Description	Qty.
1	28174GT	DECAL, POWER TO PLATFORM 230V**	2
2	28175GT	DECAL,WARNING-COMPART ACCESS	1
3	28235GT	DECAL, POWER TO PLATFORM 115V**	2
4	31788GT	DECAL,DANGER,BATTERY SAFETY***	
5	44981GT	DECAL LABEL AIRLINE 110PSI Option, airline to platform	1
6	52431GT	DECAL,LABEL,GROUND CONTROL PNL	1
7	52475GT	DECAL LABEL TRANSPORT TIE DOWN*	2
8	52967GT	DECAL,COSMETIC,4 X 4	1
9	65063GT	DECAL,NOTICE,TIRE SPECS (foam filled)	2
10	72818GT	DECAL,LABEL, TEST MODE	1
11	72847GT	DECAL,NOTICE,HI FLOAT TIRES (ANSI Only) (high floatation tires)	2
12	72853GT	DECAL,DANGER,IMPROPER USE HAZ.	1
13	82224GT	DECAL,LABEL,HOT	1
14	82418GT	DECAL,GROUND CONTROL PANEL	1
15	82558GT	DECAL,SKIN INJECTION	1
16	82559GT	DECAL,INSTRUCT-ANNUAL INSP REQ	1
17	82561GT	DECAL,DANGER-USE SAFETY ARM	1
18	82793GT	DECAL,NOTICE,OP INST,GROUND	1
19	82798GT	DECAL,GROUND CONTROL PANEL *** (models without LCD screen)	1
20	82824GT	DECAL,LABEL,WHEEL LOAD GS4390* (GS-3390 RT, GS-4390 RT)	2
22	97548GT	DECAL,ENGINE SPEC,DEUTZ 2011 (Deutz F3L 2011 and Deutz D2011L03i)	1
23	97602GT	DECAL,EXPLOSION HAZARD	1
24	114169GT	DECAL,FORD ENGINE SPEC DSG423 Ford DSG-423	1
25	114236GT	DECAL,LABEL,CB SYMBOL	
26	114385GT	DECAL,DANGER,ELEC HAZARD,GS	1
27	215527GT	DECAL,FORD ENGINE SPEC MSG425 Ford MSG-425	1
28	822131GT	DECAL, ENGINE SPEC, D2.9 Deutz D2.9 L4	1
29	1258907GT	DECAL, GROUND CONTROL PANEL, D2.9 (models with LCD screen)	1



115.1 Words, GS-3390 RT, GS-4390 RT and GS-5390 RT, Ground Control Side (to SN GS90F-55999)

NOTE:
Part numbers with "(FR)" indicates French translation is available



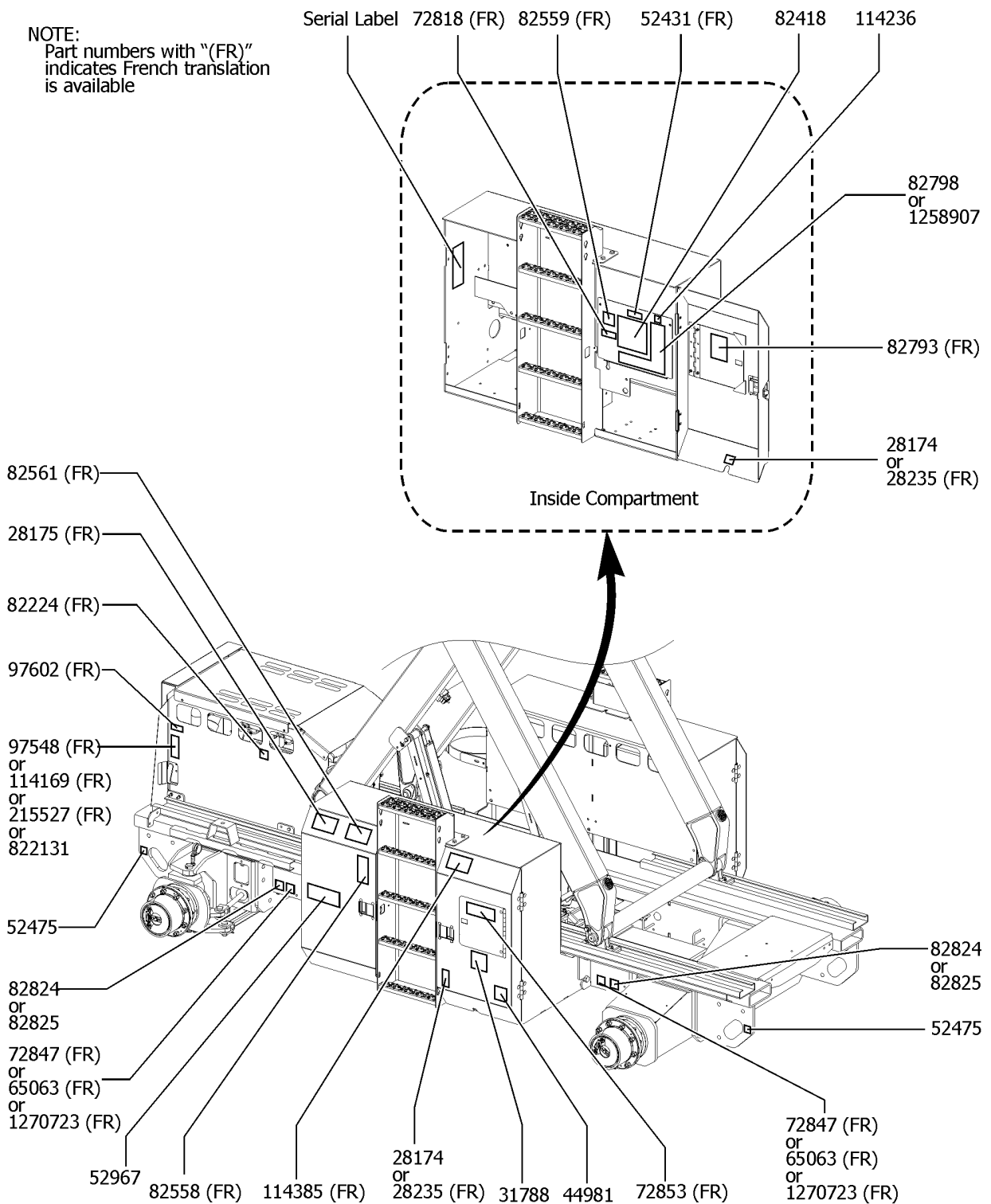
115.1 Words, GS-3390 RT, GS-4390 RT and GS-5390 RT, Ground Control Side (to SN GS90F-55999)

<i>Item</i>	<i>Part No.</i>	<i>Description</i>	<i>Qty.</i>
30	1270723GT	DECAL,DANGER,TIP,FOAM TIRES,RT (ANSI models with foam-filled tires)(from SN GS9016F-52582)	2



115.2 Words, GS-3390 RT, GS-4390 RT and GS-5390 RT, Ground Control Side (to SN GS90F-55999)

NOTE:
Part numbers with "(FR)"
indicates French translation
is available



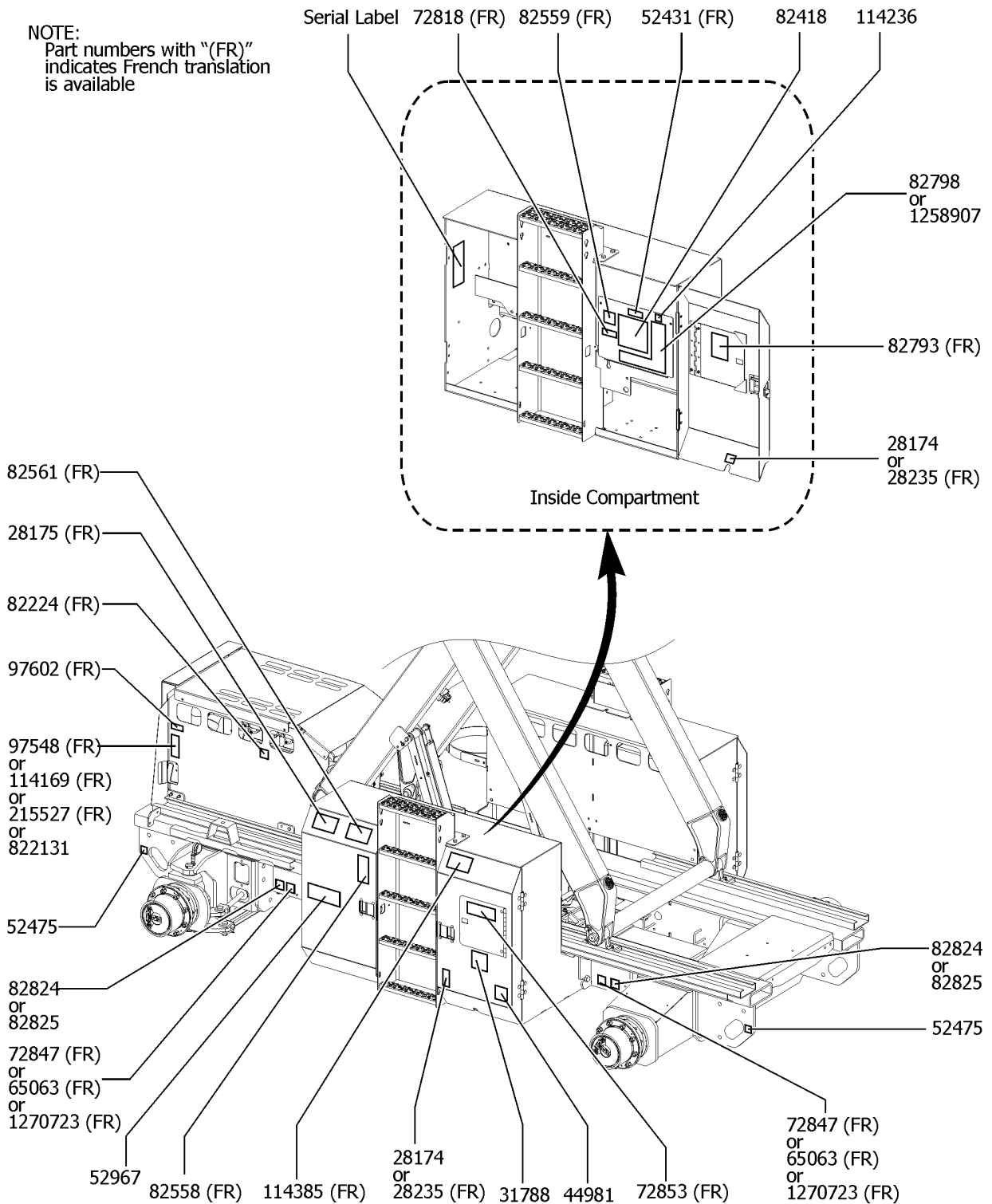
115.2 Words, GS-3390 RT, GS-4390 RT and GS-5390 RT, Ground Control Side (to SN GS90F-55999)

Item	Part No.	Description	Qty.
1	28174GT	DECAL, POWER TO PLATFORM 230V**	2
2	28175GT	DECAL,WARNING-COMPART ACCESS	1
3	28235GT	DECAL, POWER TO PLATFORM 115V**	2
4	31788GT	DECAL,DANGER,BATTERY SAFETY***	1
5	44981GT	DECAL LABEL AIRLINE 110PSI Option, airline to platform	1
6	52431GT	DECAL,LABEL,GROUND CONTROL PNL	1
7	52475GT	DECAL LABEL TRANSPORT TIE DOWN*	2
8	52967GT	DECAL,COSMETIC,4 X 4	1
9	65063GT	DECAL,NOTICE,TIRE SPECS (foam filled)	2
10	72818GT	DECAL,LABEL, TEST MODE	1
11	72847GT	DECAL,NOTICE,HI FLOAT TIRES (ANSI Only) (high floatation tires)	2
12	72853GT	DECAL,DANGER,IMPROPER USE HAZ.	1
13	82224GT	DECAL,LABEL,HOT	1
14	82418GT	DECAL,GROUND CONTROL PANEL	1
15	82558GT	DECAL,SKIN INJECTION	1
16	82559GT	DECAL,INSTRUCT-ANNUAL INSP REQ	1
17	82561GT	DECAL,DANGER-USE SAFETY ARM	1
18	82793GT	DECAL,NOTICE,OP INST,GROUND	1
19	82798GT	DECAL,GROUND CONTROL PANEL *** (models without LCD screen)	1
21	82825GT	DECAL,LABEL,WHEEL LOAD GS5390* (GS-5390 RT)	2
22	97548GT	DECAL,ENGINE SPEC,DEUTZ 2011 (Deutz F3L 2011 and Deutz D2011L03i)	1
23	97602GT	DECAL,EXPLOSION HAZARD	1
24	114169GT	DECAL,FORD ENGINE SPEC DSG423 Ford DSG-423	1
25	114236GT	DECAL,LABEL,CB SYMBOL	1
26	114385GT	DECAL,DANGER,ELEC HAZARD,GS	1
27	215527GT	DECAL,FORD ENGINE SPEC MSG425 Ford MSG-425	1
28	822131GT	DECAL, ENGINE SPEC, D2.9 Deutz D2.9 L4	1
29	1258907GT	DECAL, GROUND CONTROL PANEL, D2.9 (models with LCD screen)	1



115.2 Words, GS-3390 RT, GS-4390 RT and GS-5390 RT, Ground Control Side (to SN GS90F-55999)

NOTE:
Part numbers with "(FR)"
indicates French translation
is available

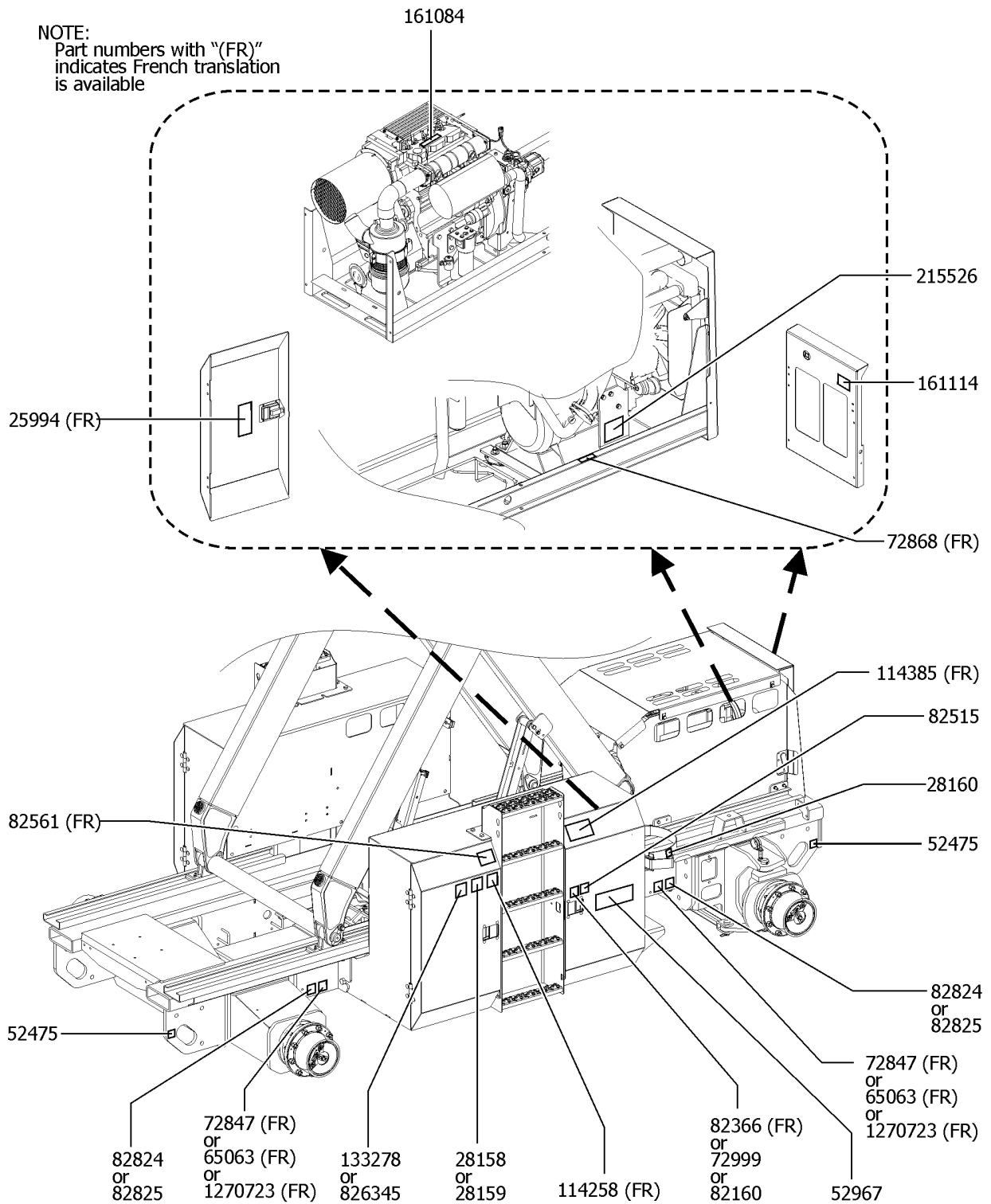


115.2 Words, GS-3390 RT, GS-4390 RT and GS-5390 RT, Ground Control Side (to SN GS90F-55999)

<i>Item</i>	<i>Part No.</i>	<i>Description</i>	<i>Qty.</i>
30	1270723GT	DECAL,DANGER,TIP,FOAM TIRES,RT (ANSI models with foam-filled tires)(from SN GS9016F-52582)	2



116.1 Words, GS-3390 RT, GS-4390 RT and GS-5390 RT, Hydraulic Tank Side (to SN GS90F-55999)

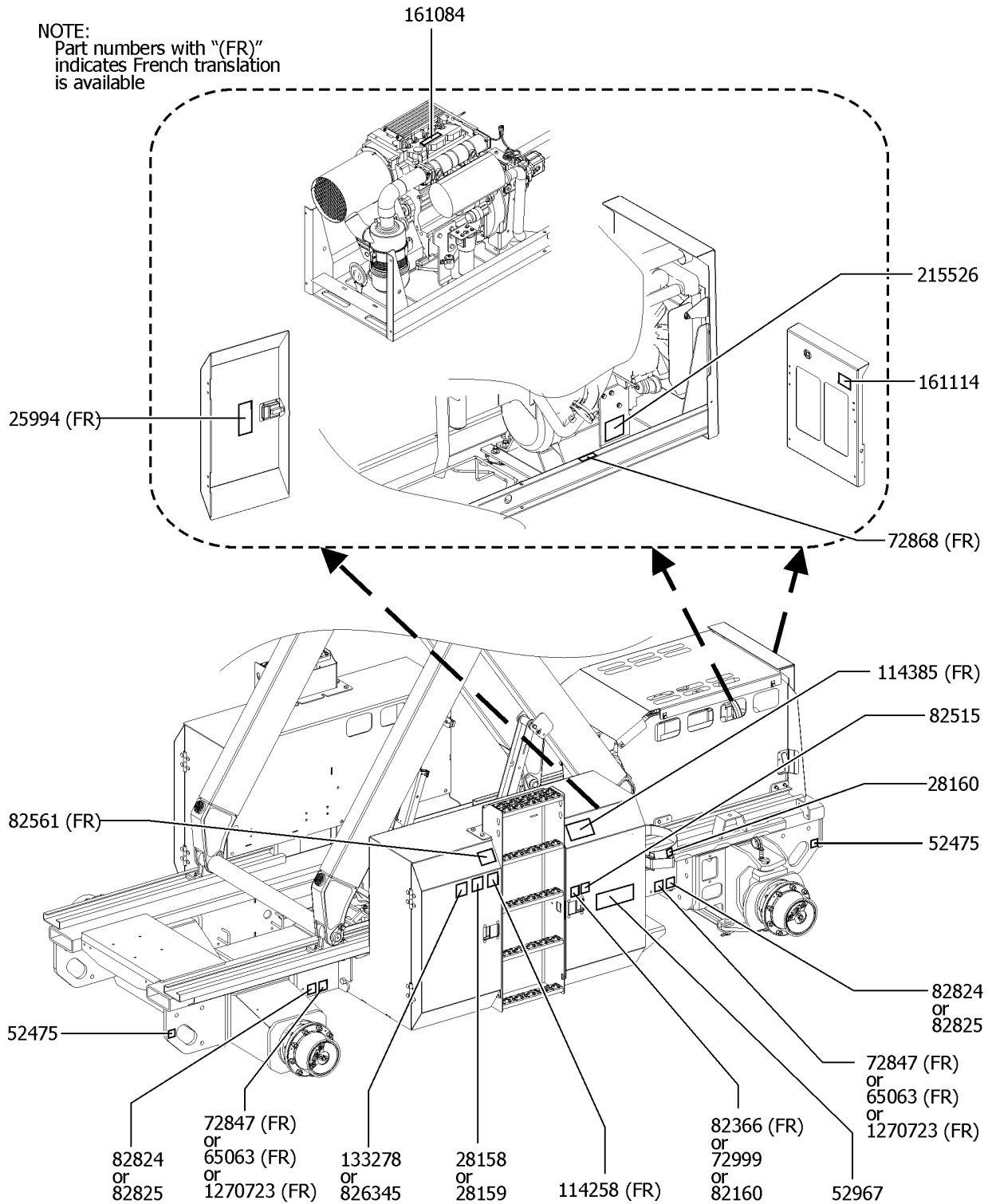


116.1 Words, GS-3390 RT, GS-4390 RT and GS-5390 RT, Hydraulic Tank Side (to SN GS90F-55999)

Item	Part No.	Description	Qty.
1	25994GT	DECAL,NOTICE,SHUTOFF VALVES	1
2	28158GT	DECAL,LABEL,UNLEADED GAS ONLY	1
		Option, Fuel	
3	28159GT	DECAL,LABEL,DIESEL FUEL	1
		Option, Fuel	
4	28160GT	DECAL,LABEL,LIQUID PROPANE	1
		Option, LPG Tank	
5	52475GT	DECAL LABEL TRANSPORT TIE DOWN*	2
6	52967GT	DECAL,COSMETIC,4 X 4	1
7	65063GT	DECAL,NOTICE,TIRE SPECS	2
		(foam filled)	
8	72847GT	DECAL,NOTICE,HI FLOAT TIRES	2
		(ANSI Only) (high floatation tires)	
9	72868GT	DECAL,LABEL,ENGINE TRAY PROP	1
10	72999GT	DECAL,LABEL,PETRO CANADA***	1
		Option, hydraulic oil	
11	82160GT	DECAL,LABEL,STATOIL HYDRA WAY	1
		Option, hydraulic oil	
12	82366GT	DECAL,CHEVRON RANDO HD	1
		Option, hydraulic oil	
13	82515GT	DECAL,OIL,HYD,CHEVRON AVIATION	1
		Option, hydraulic oil	
14	82561GT	DECAL,DANGER-USE SAFETY ARM	1
15	82824GT	DECAL,LABEL,WHEEL LOAD GS4390*	2
		(GS-3390 RT, GS-4390 RT)	
17	114258GT	DECAL,DANGER,NO SMOKING	1
18	114385GT	DECAL,DANGER,ELEC HAZARD,GS	1
19	133278GT	DECAL,LOW/ULTRA LOW SULFR FUEL	1
		Deutz D2011L03i	
20	161084GT	DECAL, DEUTZ ROW RELABEL	1
		Deutz D2011L03i	
21	161114GT	DECAL, TPEM 2013	1
		Deutz D2011L03i. Decal is supplied with the engine by supplier per engine specs and not intended to be sold by Genie	
22	215526GT	DECAL,LABEL,BELT,MSG425	1
		Ford MSG-425	
23	826345GT	DECAL,ULS DIESEL ONLY,TIER 4	1
		Deutz D2.9 L4	
24	1270723GT	DECAL,DANGER,TIP,FOAM TIRES,RT	2
		(ANSI models with foam-filled tires)(from SN GS9016F-52582)	



116.2 Words, GS-3390 RT, GS-4390 RT and GS-5390 RT, Hydraulic Tank Side (to SN GS90F-55999)

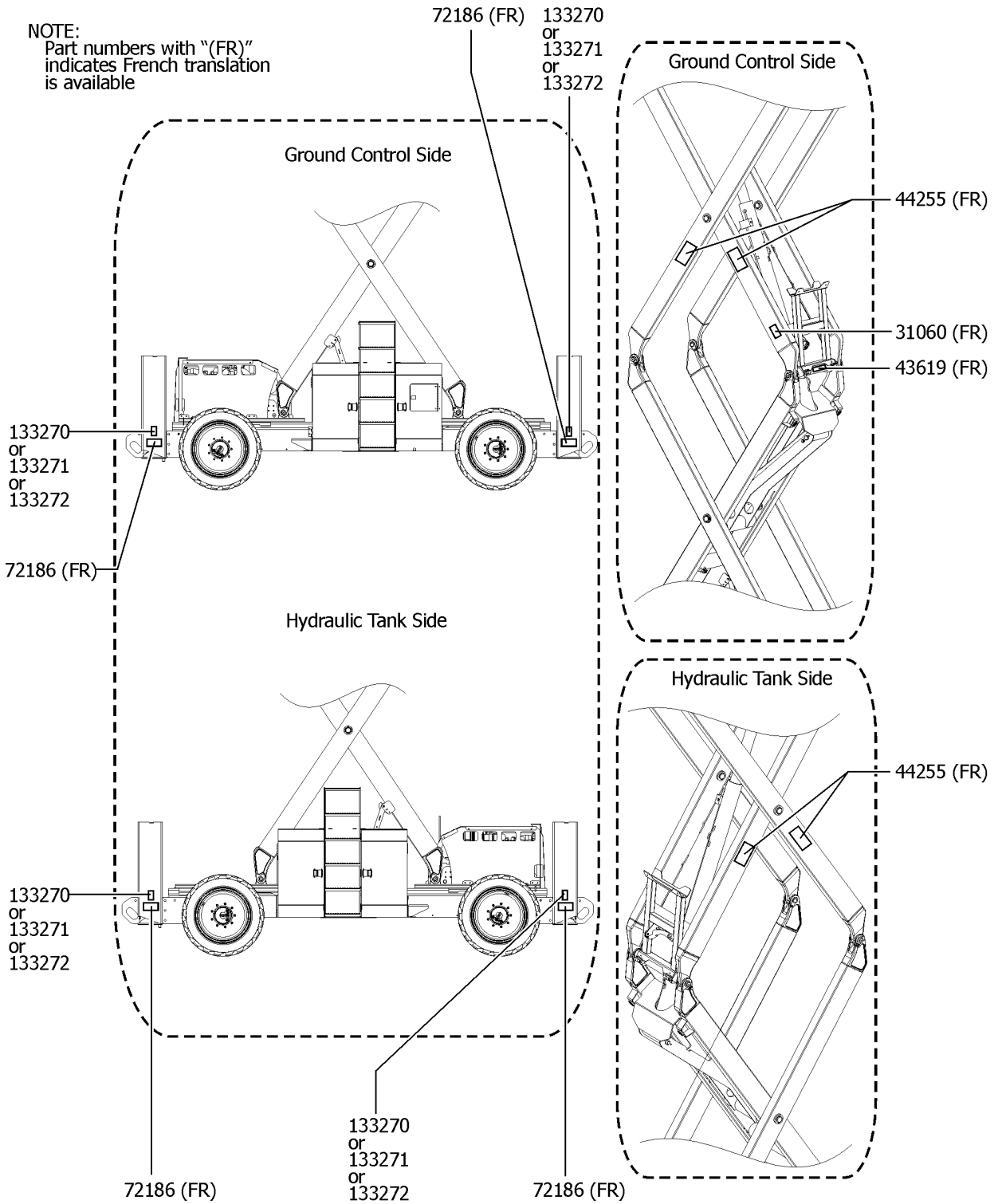


116.2 Words, GS-3390 RT, GS-4390 RT and GS-5390 RT, Hydraulic Tank Side (to SN GS90F-55999)

Item	Part No.	Description	Qty.
1	25994GT	DECAL,NOTICE,SHUTOFF VALVES	1
2	28158GT	DECAL,LABEL,UNLEADED GAS ONLY	1
		Option, Fuel	
3	28159GT	DECAL,LABEL,DIESEL FUEL	1
		Option, Fuel	
4	28160GT	DECAL,LABEL,LIQUID PROPANE	1
		Option, LPG Tank	
5	52475GT	DECAL LABEL TRANSPORT TIE DOWN*	2
6	52967GT	DECAL,COSMETIC,4 X 4	1
7	65063GT	DECAL,NOTICE,TIRE SPECS	2
		(foam filled)	
8	72847GT	DECAL,NOTICE,HI FLOAT TIRES	2
		(ANSI Only) (high floatation tires)	
9	72868GT	DECAL,LABEL,ENGINE TRAY PROP	1
10	72999GT	DECAL,LABEL,PETRO CANADA***	1
		Option, hydraulic oil	
11	82160GT	DECAL,LABEL,STATOIL HYDRA WAY	1
		Option, hydraulic oil	
12	82366GT	DECAL,CHEVRON RANDO HD	1
		Option, hydraulic oil	
13	82515GT	DECAL,OIL,HYD,CHEVRON AVIATION	1
		Option, hydraulic oil	
14	82561GT	DECAL,DANGER-USE SAFETY ARM	1
16	82825GT	DECAL,LABEL,WHEEL LOAD GS5390*	2
		(GS-5390 RT)	
17	114258GT	DECAL,DANGER,NO SMOKING	1
18	114385GT	DECAL,DANGER,ELEC HAZARD,GS	1
19	133278GT	DECAL,LOW/ULTRA LOW SULFR FUEL	1
		Deutz D2011L03i	
20	161084GT	DECAL, DEUTZ ROW RELABEL	1
		Deutz D2011L03i	
21	161114GT	DECAL, TPEM 2013	1
		Deutz D2011L03i. Decal is supplied with the engine by supplier per engine specs and not intended to be sold by Genie	
22	215526GT	DECAL,LABEL,BELT,MSG425	1
		Ford MSG-425	
23	826345GT	DECAL,ULS DIESEL ONLY,TIER 4	1
		Deutz D2.9 L4	
24	1270723GT	DECAL,DANGER,TIP,FOAM TIRES,RT	
		(ANSI models with foam-filled tires)(from SN GS9016F-52582)	



117.1 Words, GS-3390 RT, GS-4390 RT and GS-5390 RT, Outrigger and Links (to SN GS90F-55999)

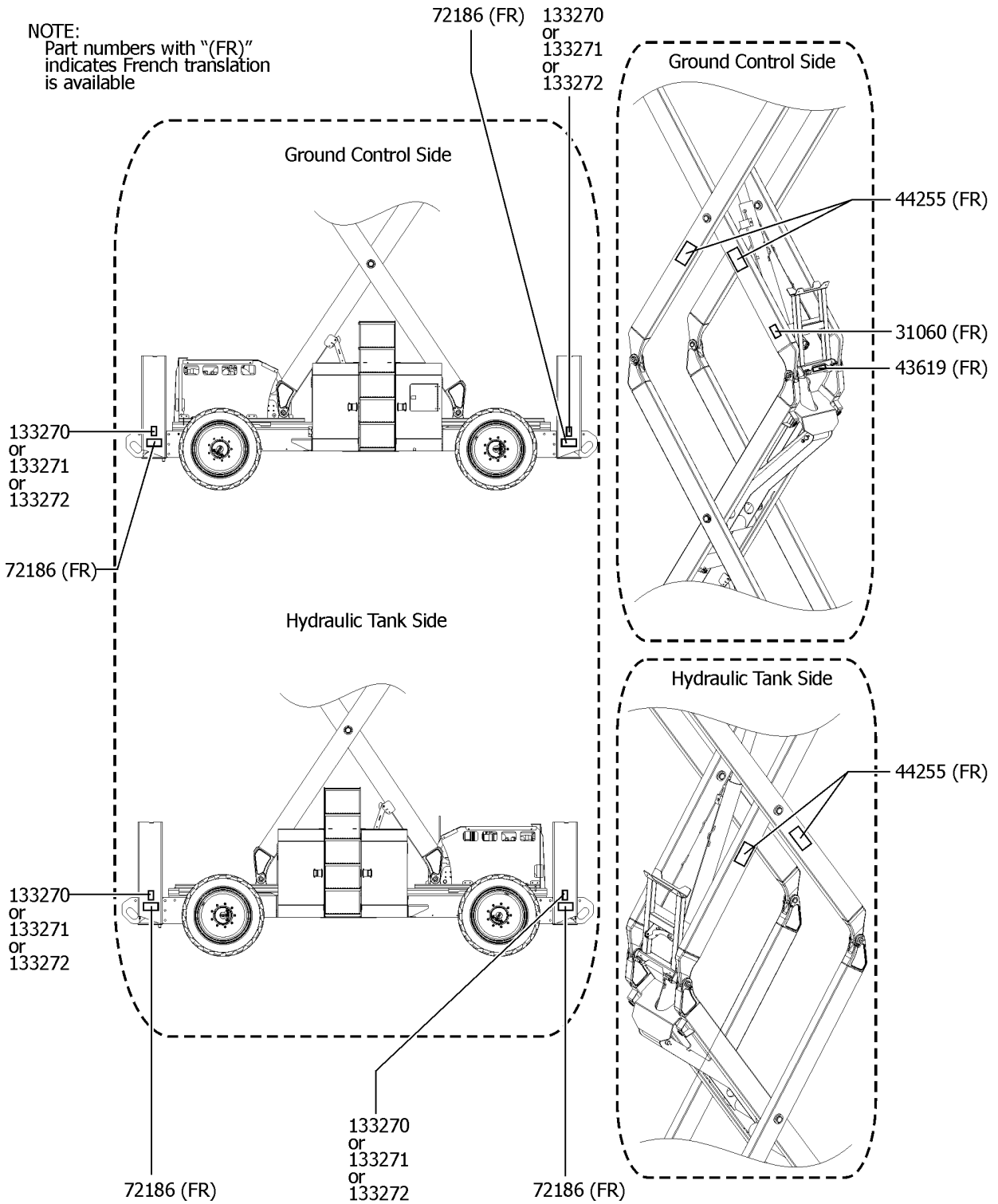


117.1 Words, GS-3390 RT, GS-4390 RT and GS-5390 RT, Outrigger and Links (to SN GS90F-55999)

<i>Item</i>	<i>Part No.</i>	<i>Description</i>	<i>Qty.</i>
1	31060GT	DECAL,DANGER DO NOT ALTER SWTC	1
2	43619GT	DECAL,LABEL,SAFETY ARM	1
3	44255GT	DECAL,DANGER,CRUSHING HAZARD	4
4	72186GT	DECAL,WARNING,CRUSHING HAZARD	4
5	133270GT	DECAL,LABEL,OUTRIGGER LD 3390	4
		(AUS Only) (GS-3390 RT)	
6	133271GT	DECAL,LABEL,OUTRIGGER LD 4390	4
		(AUS Only) (GS-4390 RT)	
7	133272GT	DECAL,LABEL,OUTRIGGER LD 5390	4
		(AUS Only) (GS-5390 RT)	



117.2 Words, GS-3390 RT, GS-4390 RT and GS-5390 RT, Outrigger and Links (to SN GS90F-55999)

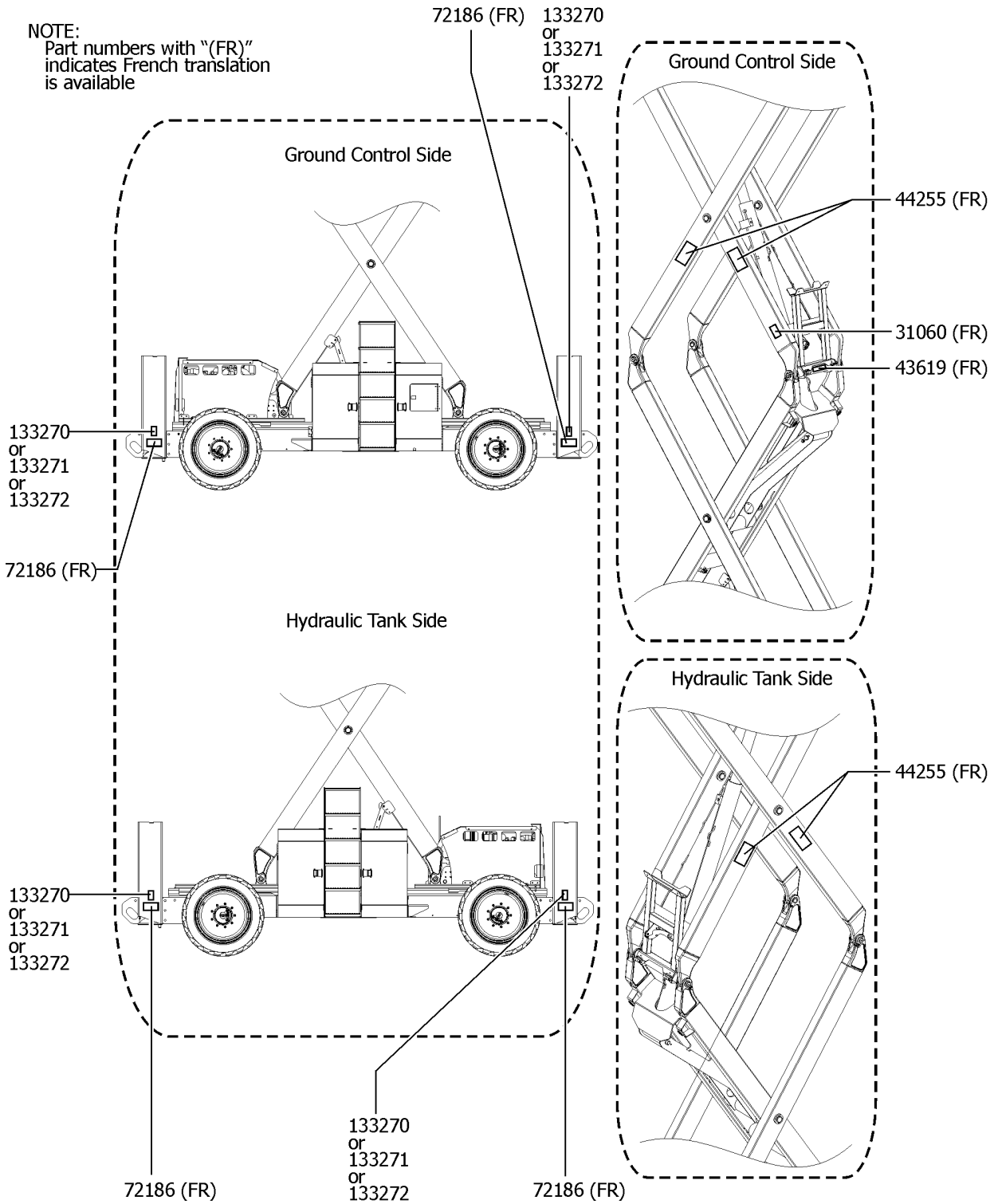


117.2 Words, GS-3390 RT, GS-4390 RT and GS-5390 RT, Outrigger and Links (to SN GS90F-55999)

<i>Item</i>	<i>Part No.</i>	<i>Description</i>	<i>Qty.</i>
1	31060GT	DECAL,DANGER DO NOT ALTER SWTC	1
2	43619GT	DECAL,LABEL,SAFETY ARM	1
3	44255GT	DECAL,DANGER,CRUSHING HAZARD	4
4	72186GT	DECAL,WARNING,CRUSHING HAZARD	4
5	133270GT	DECAL,LABEL,OUTRIGGER LD 3390	4
		(AUS Only) (GS-3390 RT)	
6	133271GT	DECAL,LABEL,OUTRIGGER LD 4390	4
		(AUS Only) (GS-4390 RT)	
7	133272GT	DECAL,LABEL,OUTRIGGER LD 5390	4
		(AUS Only) (GS-5390 RT)	



117.3 Words, GS-3390 RT, GS-4390 RT and GS-5390 RT, Outrigger and Links (to SN GS90F-55999)



117.3 Words, GS-3390 RT, GS-4390 RT and GS-5390 RT, Outrigger and Links (to SN GS90F-55999)

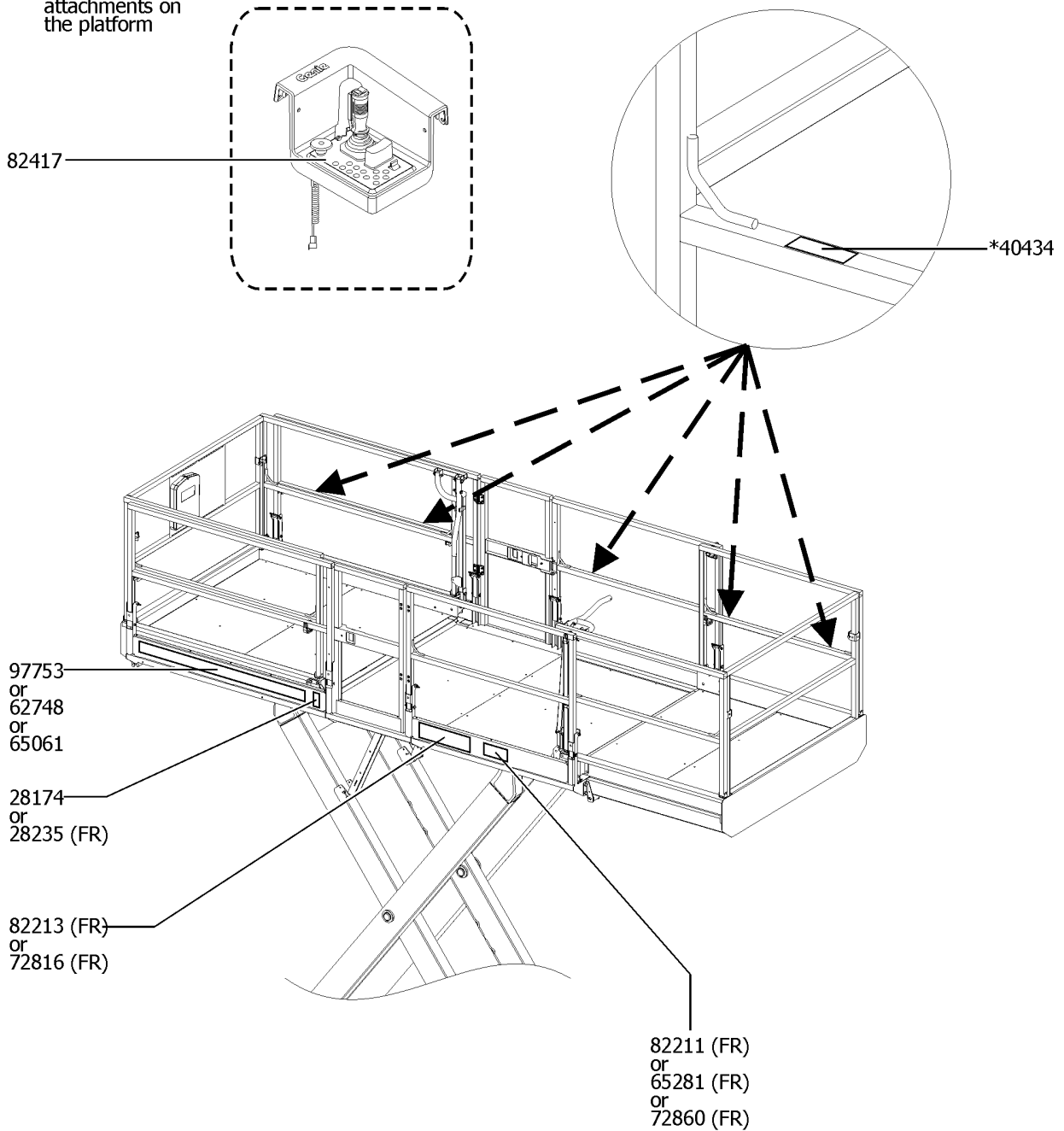
<i>Item</i>	<i>Part No.</i>	<i>Description</i>	<i>Qty.</i>
1	31060GT	DECAL,DANGER DO NOT ALTER SWTC	1
2	43619GT	DECAL,LABEL,SAFETY ARM	1
3	44255GT	DECAL,DANGER,CRUSHING HAZARD	4
4	72186GT	DECAL,WARNING,CRUSHING HAZARD	4
5	133270GT	DECAL,LABEL,OUTRIGGER LD 3390	4
		(AUS Only) (GS-3390 RT)	
6	133271GT	DECAL,LABEL,OUTRIGGER LD 4390	4
		(AUS Only) (GS-4390 RT)	
7	133272GT	DECAL,LABEL,OUTRIGGER LD 5390	4
		(AUS Only) (GS-5390 RT)	



118.1 Words, GS-3390 RT, GS-4390 RT and GS-5390 RT, Platform - Ground Control Side, ANSI & CSA (to SN GS90F-55999)

NOTE:
Part numbers with "(FR)"
indicates French translation
is available

*apply this decal to all
lanyard anchorage
attachments on
the platform



118.1 Words, GS-3390 RT, GS-4390 RT and GS-5390 RT, Platform - Ground Control Side, ANSI & CSA (to SN GS90F-55999)

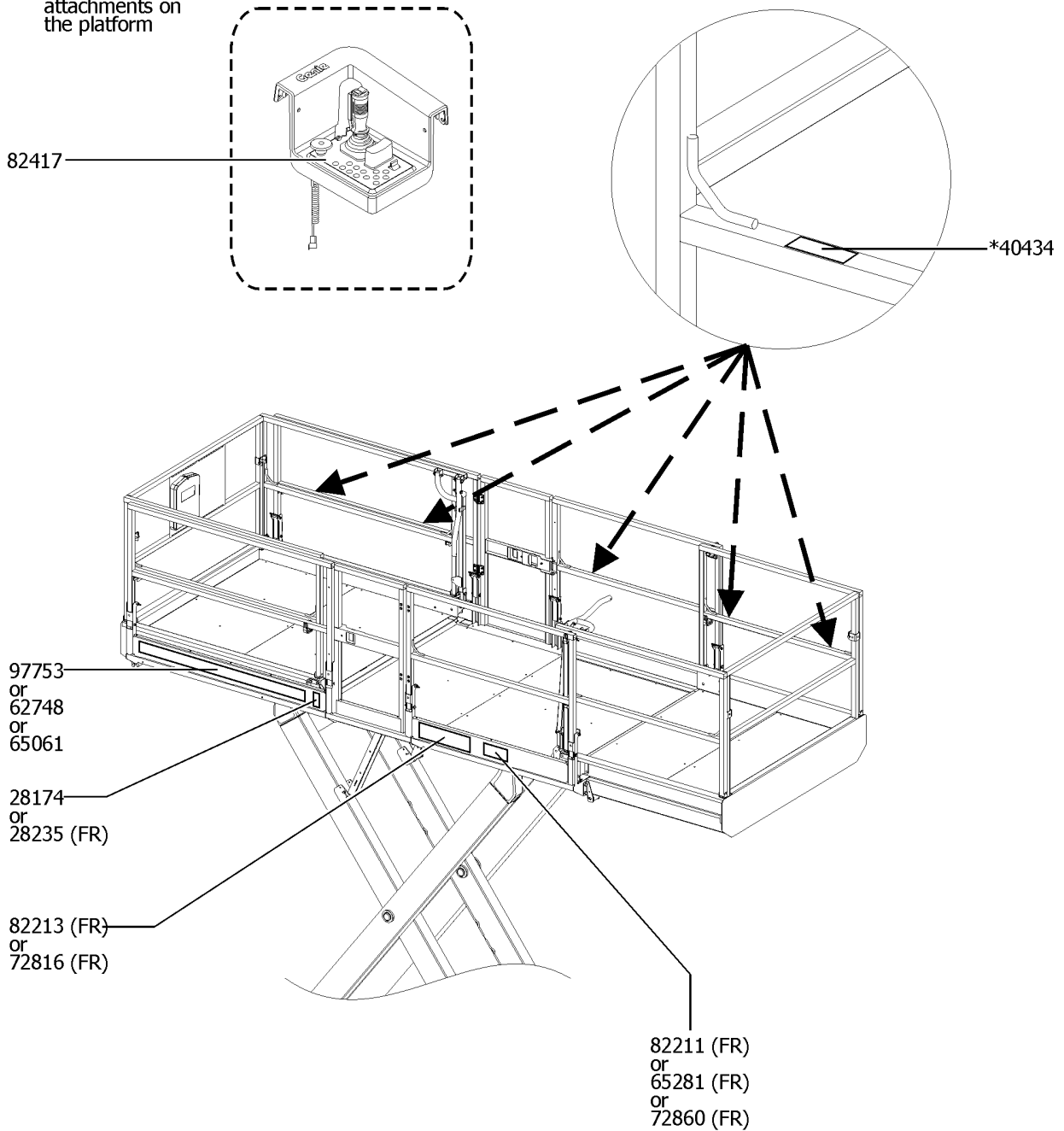
<i>Item</i>	<i>Part No.</i>	<i>Description</i>	<i>Qty.</i>
1	28174GT	DECAL, POWER TO PLATFORM 230V**	1
2	28235GT	DECAL, POWER TO PLATFORM 115V**	1
3	40434GT	DECAL,LANYARD ANCHORAGE POINT	5
9	82211GT	DECAL,NOTICE,SIDE FORCE ANSI	1
		(GS-3390 RT)	
10	82213GT	DECAL,NOTICE,MX CP,GS84 1&2 DK	1
		(GS-3390 RT)	
11	82417GT	DECAL,PLATFORM CONTROL PANEL	1
12	97753GT	DECAL,COSMETIC,GENIE GS-3390	1
		(GS-3390 RT)	



118.2 Words, GS-3390 RT, GS-4390 RT and GS-5390 RT, Platform - Ground Control Side, ANSI & CSA (to SN GS90F-55999)

NOTE:
Part numbers with "(FR)"
indicates French translation
is available

*apply this decal to all
lanyard anchorage
attachments on
the platform



118.2 Words, GS-3390 RT, GS-4390 RT and GS-5390 RT, Platform - Ground Control Side, ANSI & CSA (to SN GS90F-55999)

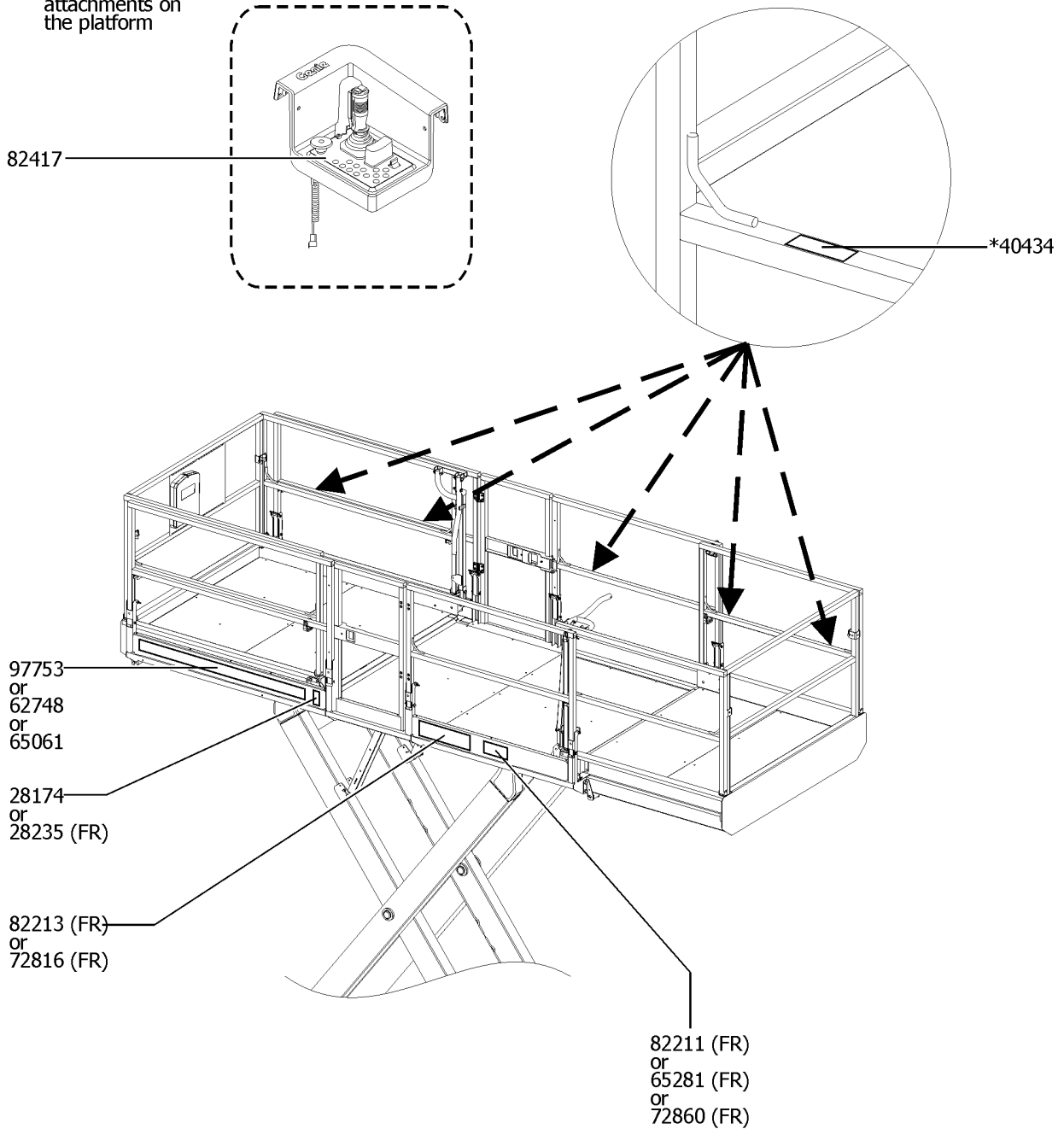
<i>Item</i>	<i>Part No.</i>	<i>Description</i>	<i>Qty.</i>
1	28174GT	DECAL, POWER TO PLATFORM 230V**	1
2	28235GT	DECAL, POWER TO PLATFORM 115V**	1
3	40434GT	DECAL,LANYARD ANCHORAGE POINT	5
4	62748GT	DECAL,COSMETIC,GENIE GS-4390	1
		(GS-4390 RT)	
6	65281GT	DECAL,NOTICE,SIDE FORCE,350 LB	1
		(GS-4390 RT)	
7	72816GT	DECAL,NOTICE,MAX CAP,1500 LBS	1
		(GS-4390 RT, GS-5390 RT)	
11	82417GT	DECAL,PLATFORM CONTROL PANEL	1



118.3 Words, GS-3390 RT, GS-4390 RT and GS-5390 RT, Platform - Ground Control Side, ANSI & CSA (to SN GS90F-55999)

NOTE:
Part numbers with "(FR)"
indicates French translation
is available

*apply this decal to all
lanyard anchorage
attachments on
the platform



118.3 Words, GS-3390 RT, GS-4390 RT and GS-5390 RT, Platform - Ground Control Side, ANSI & CSA (to SN GS90F-55999)

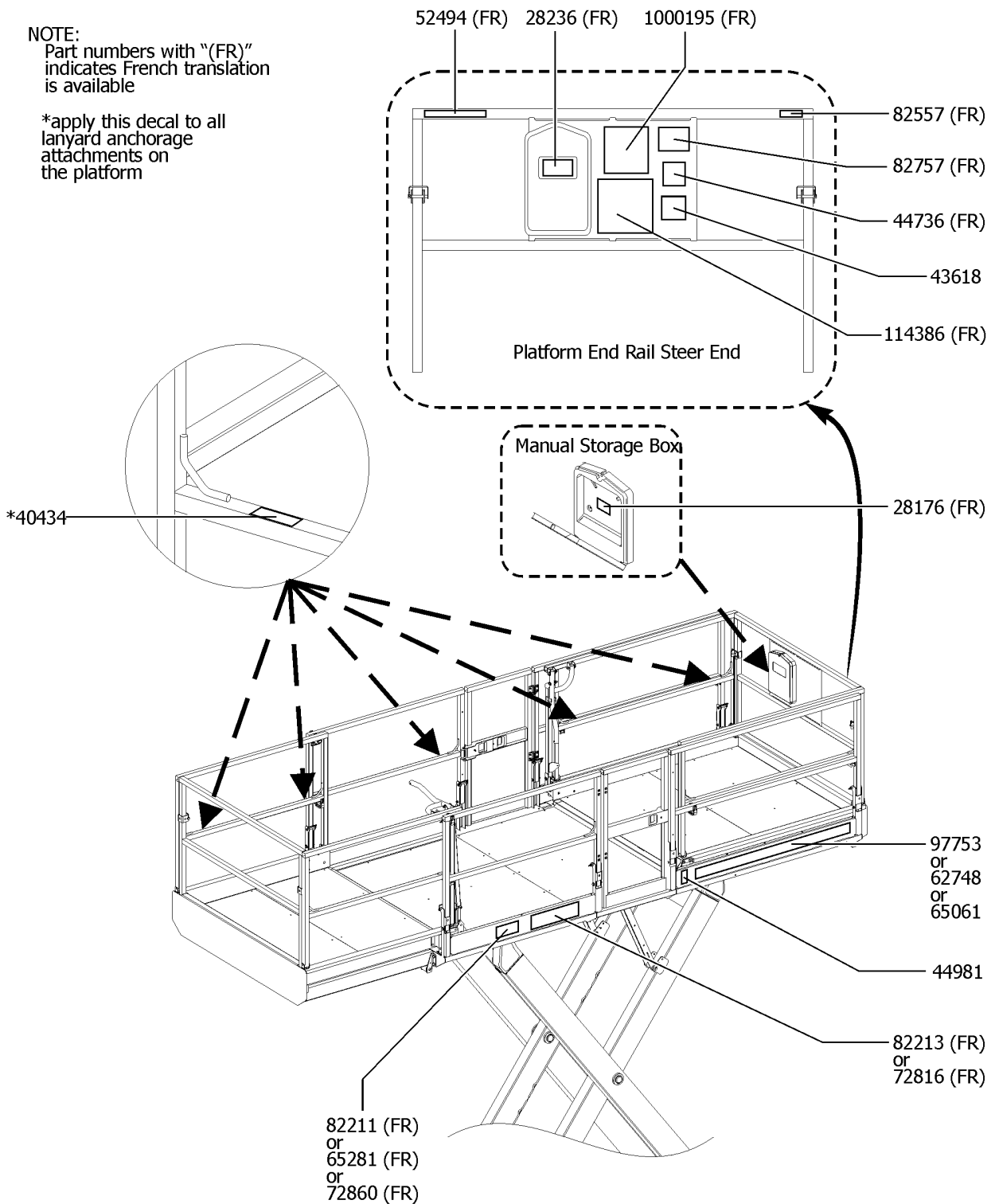
<i>Item</i>	<i>Part No.</i>	<i>Description</i>	<i>Qty.</i>
1	28174GT	DECAL, POWER TO PLATFORM 230V**	1
2	28235GT	DECAL, POWER TO PLATFORM 115V**	1
3	40434GT	DECAL,LANYARD ANCHORAGE POINT	5
5	65061GT	DECAL,COSMETIC,GENIE GS-5390	1
		(GS-5390 RT)	
7	72816GT	DECAL,NOTICE,MAX CAP,1500 LBS	1
		(GS-4390 RT, GS-5390 RT)	
8	72860GT	DECAL,NOTICE,SIDE FORCE,300 LB	1
		(GS-5390 RT)	
11	82417GT	DECAL,PLATFORM CONTROL PANEL	1



119.1 Words, GS-3390 RT, GS-4390 RT and GS-5390 RT, Platform - Hydraulic Tank Side, ANSI & CSA (to SN GS90F-55999)

NOTE:
Part numbers with "(FR)" indicates French translation is available

*apply this decal to all lanyard anchorage attachments on the platform



119.1 Words, GS-3390 RT, GS-4390 RT and GS-5390 RT, Platform - Hydraulic Tank Side, ANSI & CSA (to SN GS90F-55999)

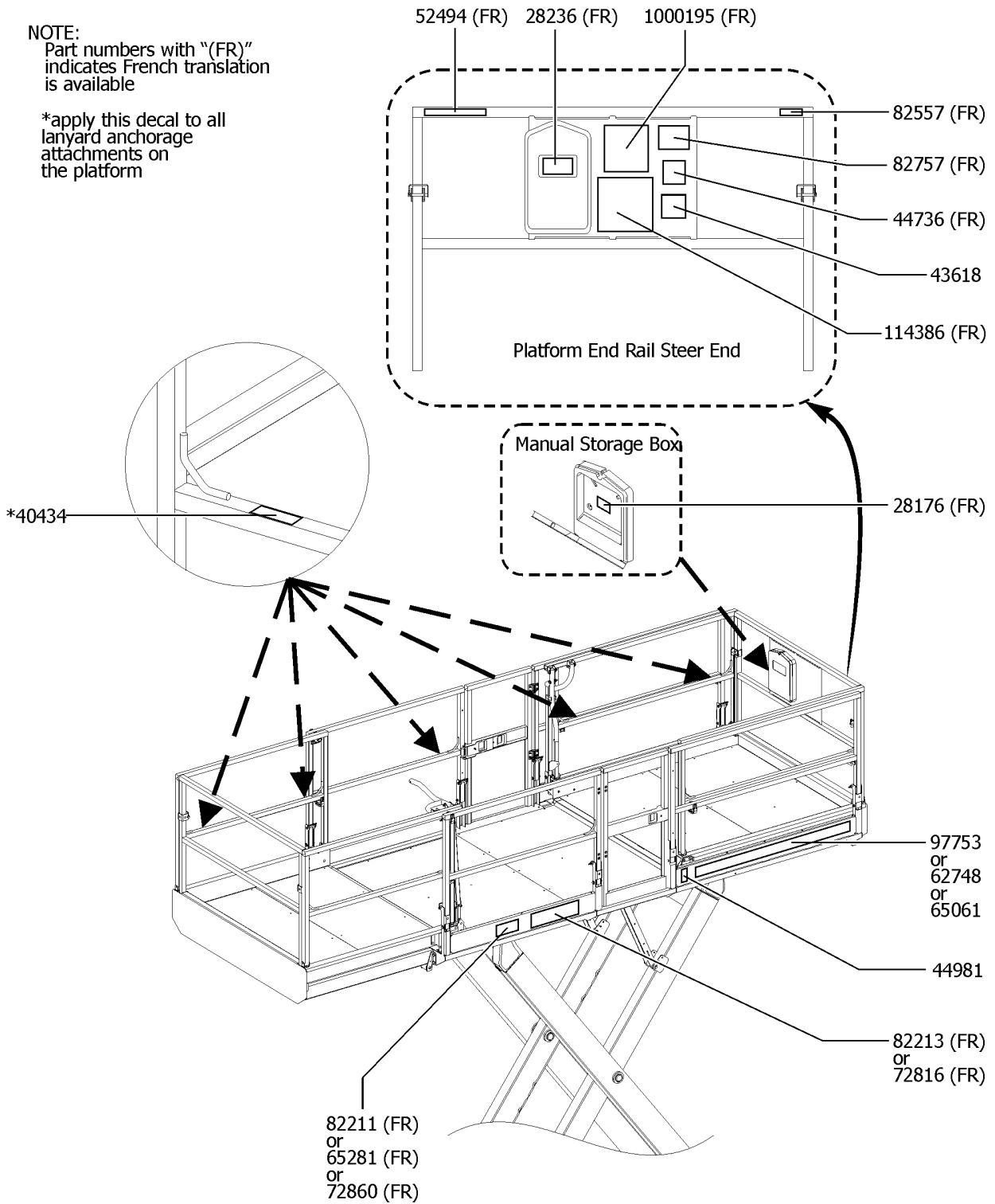
<i>Item</i>	<i>Part No.</i>	<i>Description</i>	<i>Qty.</i>
1	28176GT	DECAL,LABEL,MANUAL NOT HERE	1
2	28236GT	DECAL,WARN,IMPROPER OPERATION	1
3	40434GT	DECAL,LANYARD ANCHORAGE POINT	5
4	43618GT	DECAL, LABEL - DIRECTION ARROWS	1
5	44736GT	DECAL,DANGER,TIP-OVER,TILT	1
6	44981GT	DECAL LABEL AIRLINE 110PSI	1
		Option, airline to platform	
7	52494GT	DECAL,CAUTION,CRUSH HAZ, RAILS	1
13	82211GT	DECAL,NOTICE,SIDE FORCE ANSI	1
		(GS-3390 RT)	
14	82213GT	DECAL,NOTICE,MX CP,GS84 1&2 DK	1
		(GS-3390 RT)	
15	82557GT	DECAL,LABEL,PLAT CONT LOCATION	1
16	82757GT	DECAL,DANGER,OUTRIGGER SAFETY	1
17	97753GT	DECAL,COSMETIC,GENIE GS-3390	1
		(GS-3390 RT)	
18	114386GT	DECAL,DANGER-GEN SAFETY	1
19	1000195GT	DECAL,NOTICE,OP INST,PLATFORM	1



119.2 Words, GS-3390 RT, GS-4390 RT and GS-5390 RT, Platform - Hydraulic Tank Side, ANSI & CSA (to SN GS90F-55999)

NOTE:
Part numbers with "(FR)" indicates French translation is available

*apply this decal to all lanyard anchorage attachments on the platform



119.2 Words, GS-3390 RT, GS-4390 RT and GS-5390 RT, Platform - Hydraulic Tank Side, ANSI & CSA (to SN GS90F-55999)

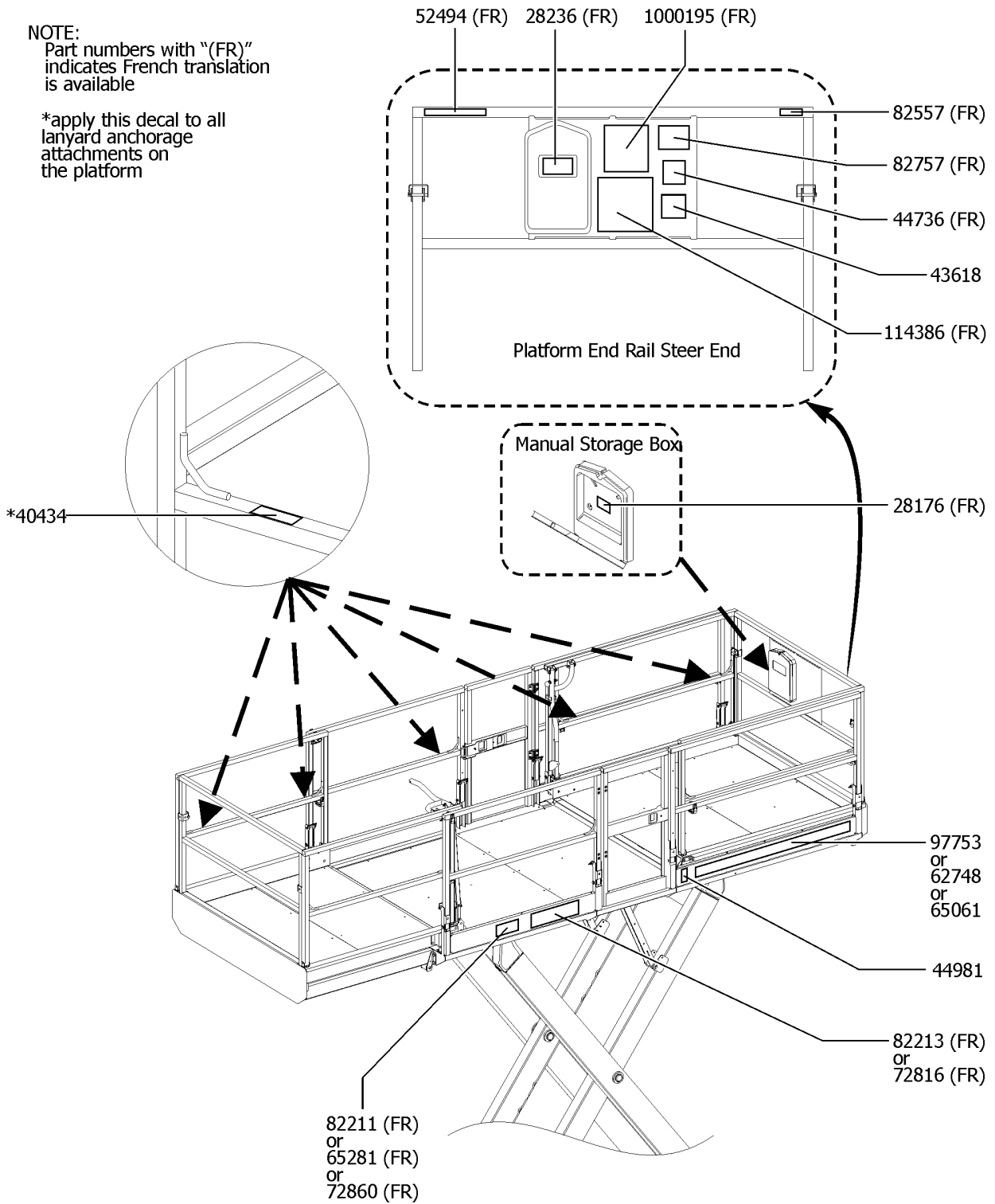
<i>Item</i>	<i>Part No.</i>	<i>Description</i>	<i>Qty.</i>
1	28176GT	DECAL,LABEL,MANUAL NOT HERE	1
2	28236GT	DECAL,WARN,IMPROPER OPERATION	1
3	40434GT	DECAL,LANYARD ANCHORAGE POINT	5
4	43618GT	DECAL, LABEL - DIRECTION ARROWS	1
5	44736GT	DECAL,DANGER,TIP-OVER,TILT	1
6	44981GT	DECAL LABEL AIRLINE 110PSI	1
		Option, airline to platform	
7	52494GT	DECAL,CAUTION,CRUSH HAZ, RAILS	1
8	62748GT	DECAL,COSMETIC,GENIE GS-4390	1
		(GS-4390 RT)	
10	65281GT	DECAL,NOTICE,SIDE FORCE,350 LB	1
		(GS-4390 RT)	
11	72816GT	DECAL,NOTICE,MAX CAP,1500 LBS	1
		(GS-4390 RT, GS-5390 RT)	
15	82557GT	DECAL,LABEL,PLAT CONT LOCATION	1
16	82757GT	DECAL,DANGER,OUTRIGGER SAFETY	1
18	114386GT	DECAL,DANGER-GEN SAFETY	1
19	1000195GT	DECAL,NOTICE,OP INST,PLATFORM	1



119.3 Words, GS-3390 RT, GS-4390 RT and GS-5390 RT, Platform - Hydraulic Tank Side, ANSI & CSA (to SN GS90F-55999)

NOTE:
Part numbers with "(FR)" indicates French translation is available

*apply this decal to all lanyard anchorage attachments on the platform



119.3 Words, GS-3390 RT, GS-4390 RT and GS-5390 RT, Platform - Hydraulic Tank Side, ANSI & CSA (to SN GS90F-55999)

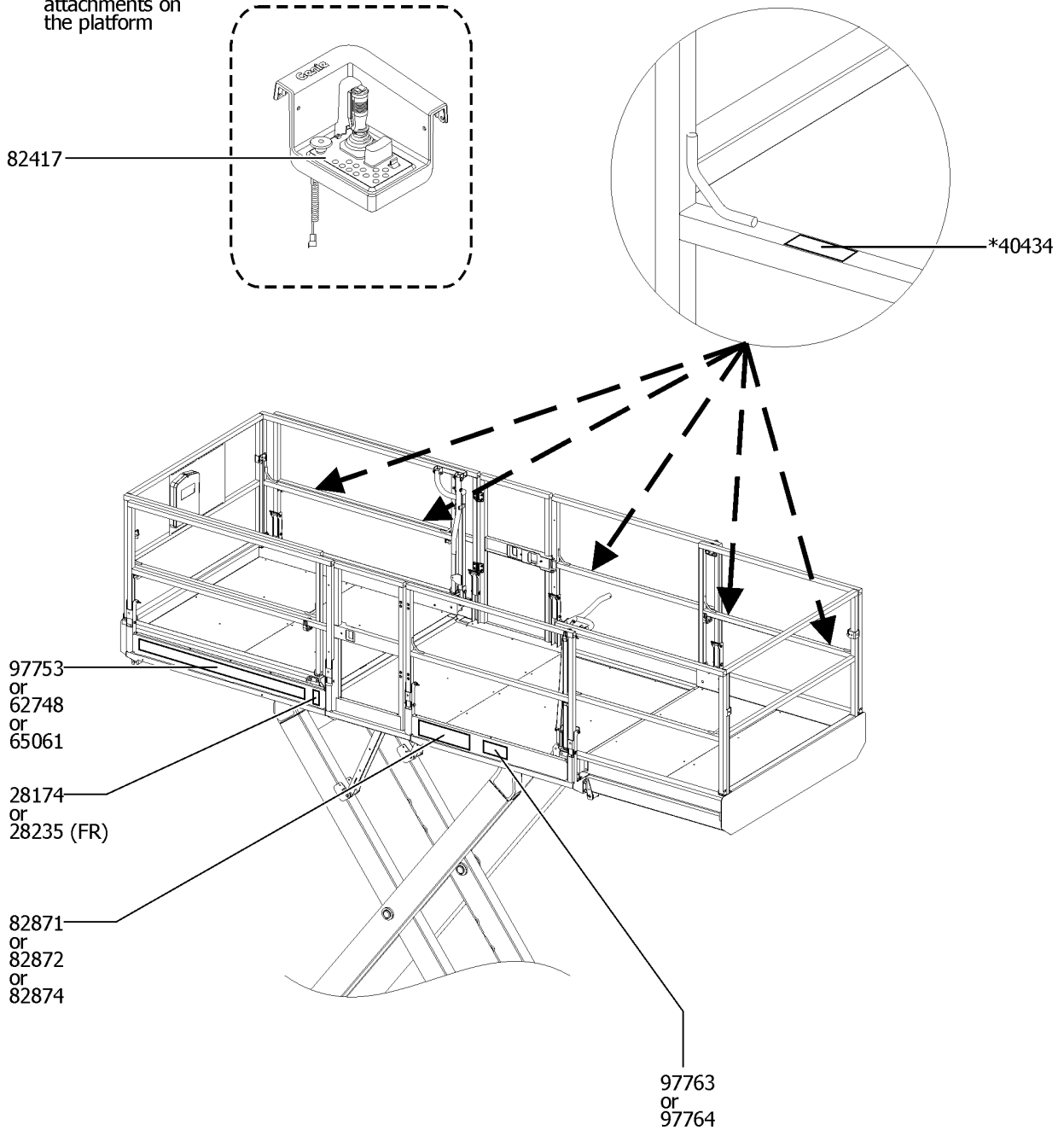
<i>Item</i>	<i>Part No.</i>	<i>Description</i>	<i>Qty.</i>
1	28176GT	DECAL,LABEL,MANUAL NOT HERE	1
2	28236GT	DECAL,WARN,IMPROPER OPERATION	1
3	40434GT	DECAL,LANYARD ANCHORAGE POINT	5
4	43618GT	DECAL, LABEL - DIRECTION ARROWS	1
5	44736GT	DECAL,DANGER,TIP-OVER,TILT	1
6	44981GT	DECAL LABEL AIRLINE 110PSI	1
		Option, airline to platform	
7	52494GT	DECAL,CAUTION,CRUSH HAZ, RAILS	1
9	65061GT	DECAL,COSMETIC,GENIE GS-5390	1
		(GS-5390 RT)	
11	72816GT	DECAL,NOTICE,MAX CAP,1500 LBS	1
		(GS-4390 RT, GS-5390 RT)	
12	72860GT	DECAL,NOTICE,SIDE FORCE,300 LB	1
		(GS-5390 RT)	
15	82557GT	DECAL,LABEL,PLAT CONT LOCATION	1
16	82757GT	DECAL,DANGER,OUTRIGGER SAFETY	1
18	114386GT	DECAL,DANGER-GEN SAFETY	1
19	1000195GT	DECAL,NOTICE,OP INST,PLATFORM	1



120.1 Words, GS-3390 RT, GS-4390 RT and GS-5390 RT, Platform - Ground Control Side, Australia (to SN GS90F-55999)

NOTE:
Part numbers with "(FR)"
indicates French translation
is available

*apply this decal to all
lanyard anchorage
attachments on
the platform



120.1 Words, GS-3390 RT, GS-4390 RT and GS-5390 RT, Platform - Ground Control Side, Australia (to SN GS90F-55999)

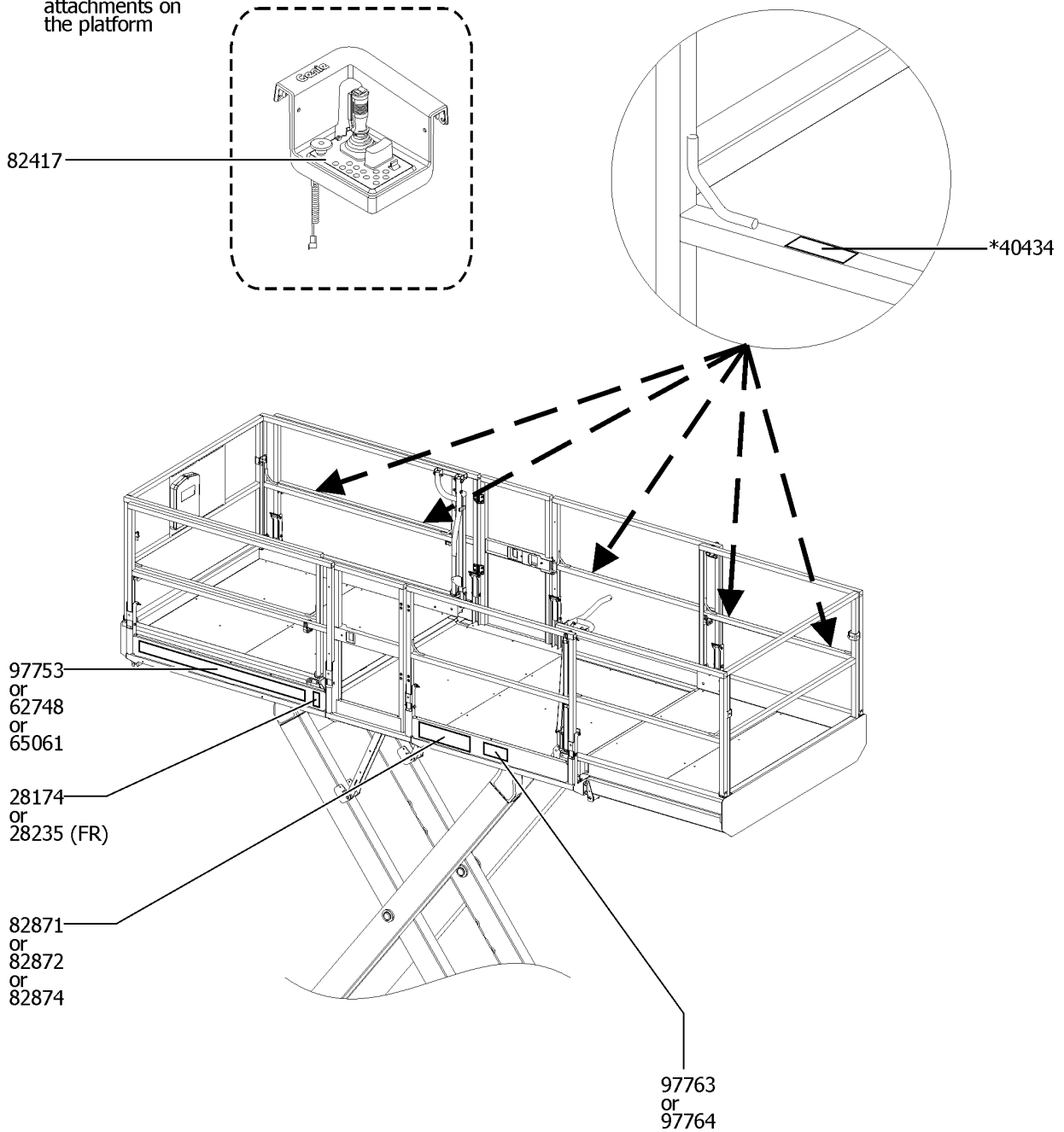
<i>Item</i>	<i>Part No.</i>	<i>Description</i>	<i>Qty.</i>
1	28174GT	DECAL, POWER TO PLATFORM 230V**	1
2	28235GT	DECAL, POWER TO PLATFORM 115V**	1
3	40434GT	DECAL,LANYARD ANCHORAGE POINT	5
6	82417GT	DECAL,PLATFORM CONTROL PANEL	1
7	82871GT	DECAL,DANGER,MAXCAP CE GS3384*	1
		(GS-3390 RT)	
10	97753GT	DECAL,COSMETIC,GENIE GS-3390	1
		(GS-3390 RT)	
11	97763GT	DECAL,NOTICE,MAN FORCE,AUSTRAL	1
		(GS-3390 RT, GS-4390 RT)	



120.2 Words, GS-3390 RT, GS-4390 RT and GS-5390 RT, Platform - Ground Control Side, Australia (to SN GS90F-55999)

NOTE:
Part numbers with "(FR)"
indicates French translation
is available

*apply this decal to all
lanyard anchorage
attachments on
the platform



120.2 Words, GS-3390 RT, GS-4390 RT and GS-5390 RT, Platform - Ground Control Side, Australia (to SN GS90F-55999)

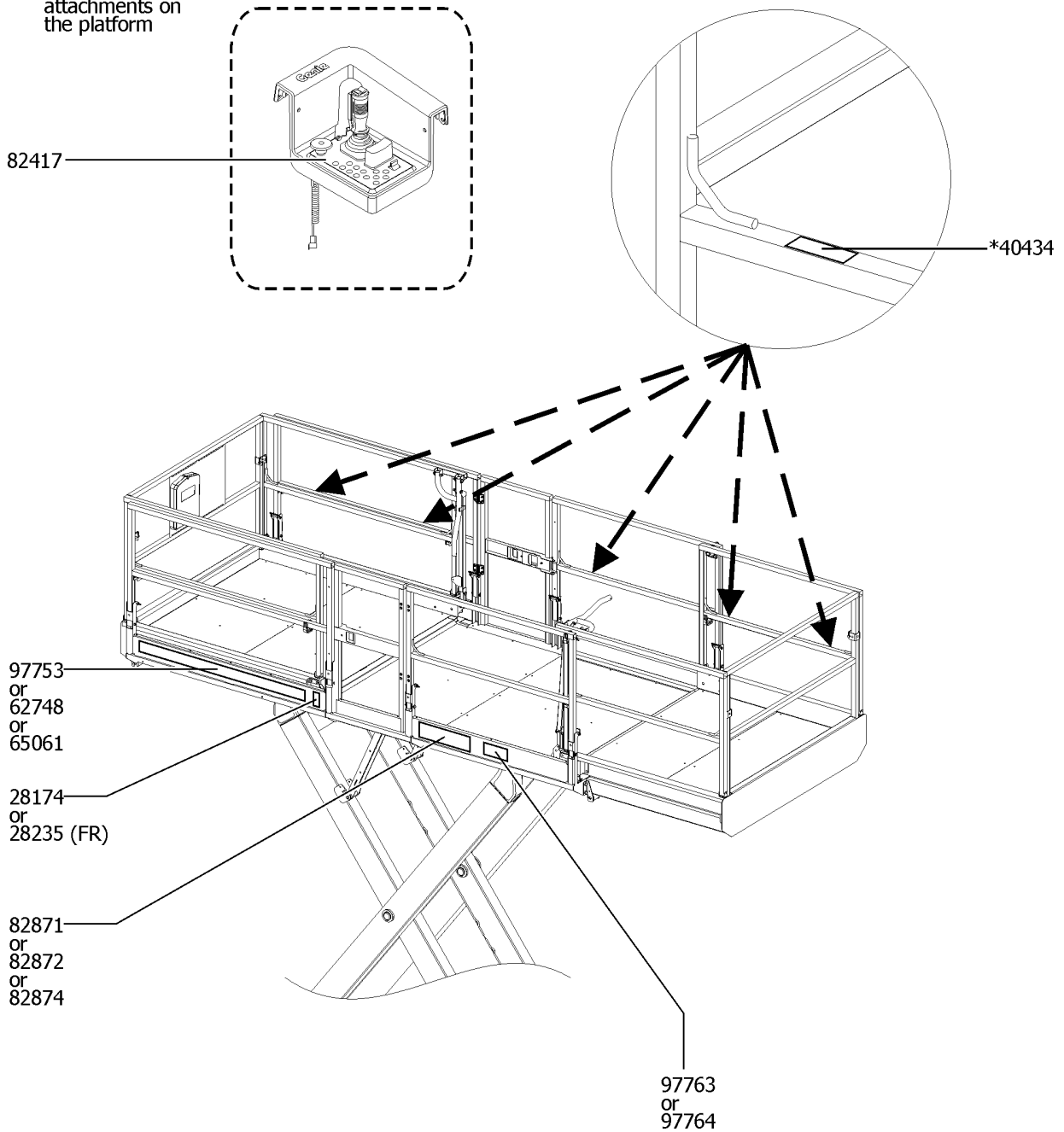
<i>Item</i>	<i>Part No.</i>	<i>Description</i>	<i>Qty.</i>
1	28174GT	DECAL, POWER TO PLATFORM 230V**	1
2	28235GT	DECAL, POWER TO PLATFORM 115V**	1
3	40434GT	DECAL,LANYARD ANCHORAGE POINT	5
4	62748GT	DECAL,COSMETIC,GENIE GS-4390	1
		(GS-4390 RT)	
6	82417GT	DECAL,PLATFORM CONTROL PANEL	1
8	82872GT	DECAL,DANGER,MAX CAP CE GS4390	1
		(GS-4390 RT)	
11	97763GT	DECAL,NOTICE,MAN FORCE,AUSTRAL	1
		(GS-3390 RT, GS-4390 RT)	



120.3 Words, GS-3390 RT, GS-4390 RT and GS-5390 RT, Platform - Ground Control Side, Australia (to SN GS90F-55999)

NOTE:
Part numbers with "(FR)"
indicates French translation
is available

*apply this decal to all
lanyard anchorage
attachments on
the platform



120.3 Words, GS-3390 RT, GS-4390 RT and GS-5390 RT, Platform - Ground Control Side, Australia (to SN GS90F-55999)

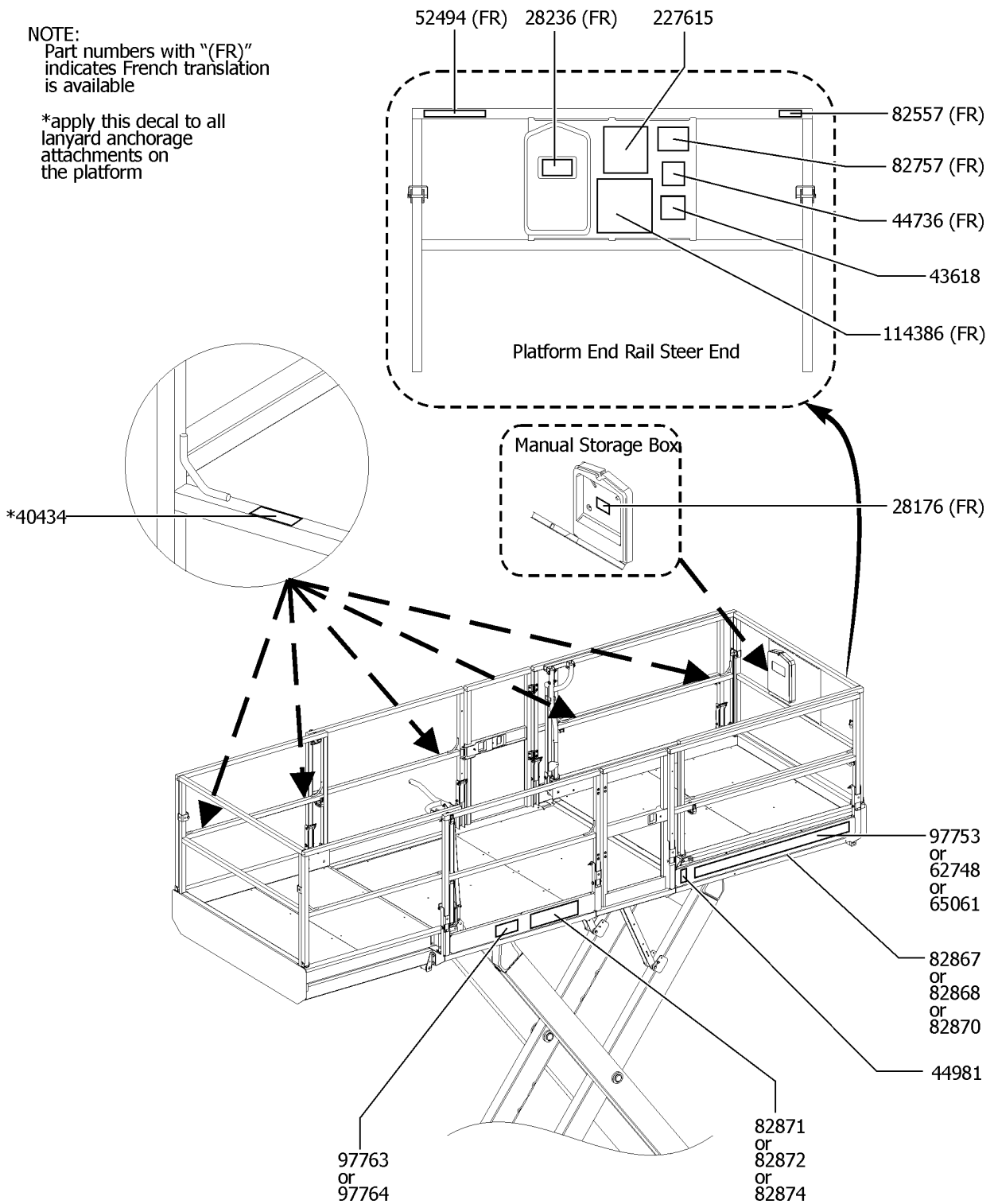
<i>Item</i>	<i>Part No.</i>	<i>Description</i>	<i>Qty.</i>
1	28174GT	DECAL, POWER TO PLATFORM 230V**	1
2	28235GT	DECAL, POWER TO PLATFORM 115V**	1
3	40434GT	DECAL,LANYARD ANCHORAGE POINT	5
5	65061GT	DECAL,COSMETIC,GENIE GS-5390	1
		(GS-5390 RT)	
6	82417GT	DECAL,PLATFORM CONTROL PANEL	1
9	82874GT	DECAL,DANGER,MAXCAP CE GS5390*	1
		(GS-5390 RT)	
12	97764GT	DECAL,NOTICE,MAN FORCE,AUSTRAL	1
		(GS-5390 RT)	



121.1 Words, GS-3390 RT, GS-4390 RT and GS-5390 RT, Platform - Hydraulic Tank Side, Australia (to SN GS90F-55999)

NOTE:
Part numbers with "(FR)" indicates French translation is available

*apply this decal to all lanyard anchorage attachments on the platform



121.1 Words, GS-3390 RT, GS-4390 RT and GS-5390 RT, Platform - Hydraulic Tank Side, Australia (to SN GS90F-55999)

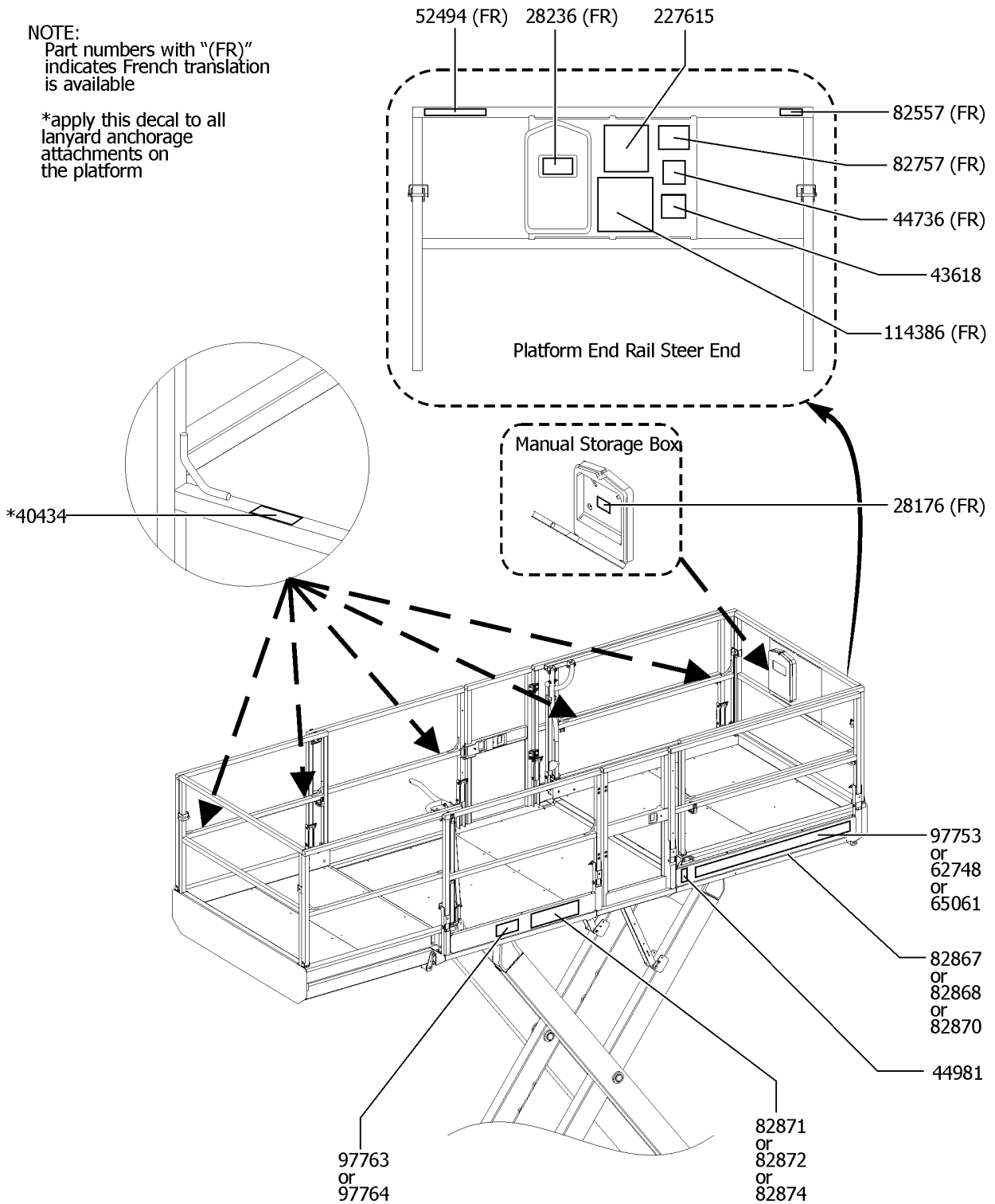
<i>Item</i>	<i>Part No.</i>	<i>Description</i>	<i>Qty.</i>
1	28176GT	DECAL,LABEL,MANUAL NOT HERE	1
2	28236GT	DECAL,WARN,IMPROPER OPERATION	1
3	40434GT	DECAL,LANYARD ANCHORAGE POINT	5
4	43618GT	DECAL, LABEL - DIRECTION ARROWS	1
5	44736GT	DECAL,DANGER,TIP-OVER,TILT	1
6	44981GT	DECAL LABEL AIRLINE 110PSI	1
		Option, airline to platform	
7	52494GT	DECAL,CAUTION,CRUSH HAZ, RAILS	1
10	82557GT	DECAL,LABEL,PLAT CONT LOCATION	1
11	82757GT	DECAL,DANGER,OUTRIGGER SAFETY	1
12	82867GT	DECAL,LABEL,CAP INDICATOR,3384	1
		(GS-3390 RT)	
15	82871GT	DECAL,DANGER,MAXCAP CE GS3384*	1
		(GS-3390 RT)	
18	97753GT	DECAL,COSMETIC,GENIE GS-3390	1
		(GS-3390 RT)	
19	97763GT	DECAL,NOTICE,MAN FORCE,AUSTRAL	1
		(GS-3390 RT, GS-4390 RT)	
21	114386GT	DECAL,DANGER-GEN SAFETY	1
22	227615GT	DECAL,NOTICE,OP INS,PLAT 84/90	1



121.2 Words, GS-3390 RT, GS-4390 RT and GS-5390 RT, Platform - Hydraulic Tank Side, Australia (to SN GS90F-55999)

NOTE:
Part numbers with "(FR)" indicates French translation is available

*apply this decal to all lanyard anchorage attachments on the platform



121.2 Words, GS-3390 RT, GS-4390 RT and GS-5390 RT, Platform - Hydraulic Tank Side, Australia (to SN GS90F-55999)

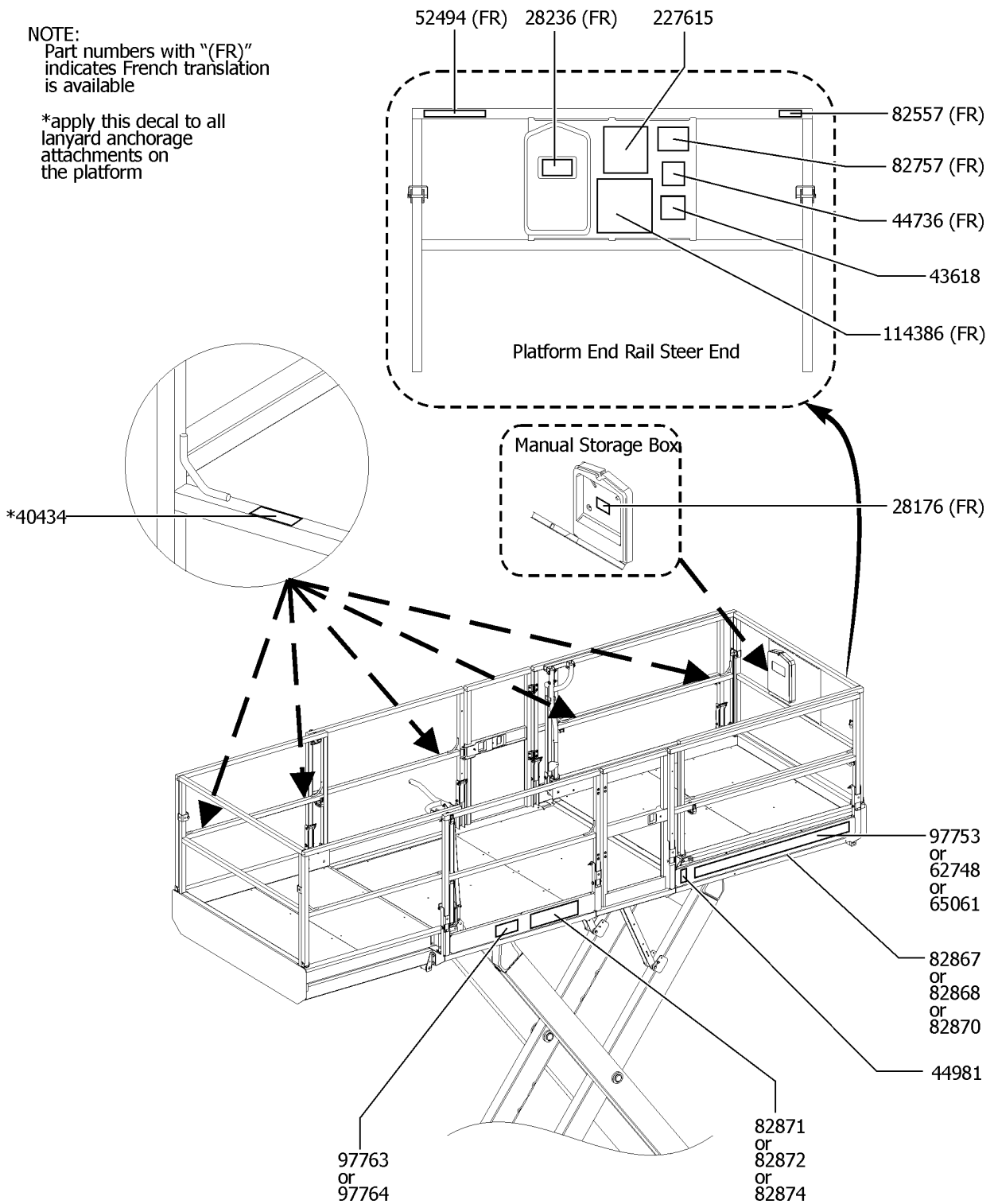
<i>Item</i>	<i>Part No.</i>	<i>Description</i>	<i>Qty.</i>
1	28176GT	DECAL,LABEL,MANUAL NOT HERE	1
2	28236GT	DECAL,WARN,IMPROPER OPERATION	1
3	40434GT	DECAL,LANYARD ANCHORAGE POINT	5
4	43618GT	DECAL, LABEL - DIRECTION ARROWS	1
5	44736GT	DECAL,DANGER,TIP-OVER,TILT	1
6	44981GT	DECAL LABEL AIRLINE 110PSI	1
		Option, airline to platform	
7	52494GT	DECAL,CAUTION,CRUSH HAZ, RAILS	1
8	62748GT	DECAL,COSMETIC,GENIE GS-4390	1
		(GS-4390 RT)	
10	82557GT	DECAL,LABEL,PLAT CONT LOCATION	1
11	82757GT	DECAL,DANGER,OUTRIGGER SAFETY	1
13	82868GT	DECAL,LABEL,CAP INDICATOR,4390	1
		(GS-4390 RT)	
16	82872GT	DECAL,DANGER,MAX CAP CE GS4390	1
		(GS-4390 RT)	
19	97763GT	DECAL,NOTICE,MAN FORCE,AUSTRAL	1
		(GS-3390 RT, GS-4390 RT)	
21	114386GT	DECAL,DANGER-GEN SAFETY	1
22	227615GT	DECAL,NOTICE,OP INS,PLAT 84/90	1



121.3 Words, GS-3390 RT, GS-4390 RT and GS-5390 RT, Platform - Hydraulic Tank Side, Australia (to SN GS90F-55999)

NOTE:
Part numbers with "(FR)" indicates French translation is available

*apply this decal to all lanyard anchorage attachments on the platform

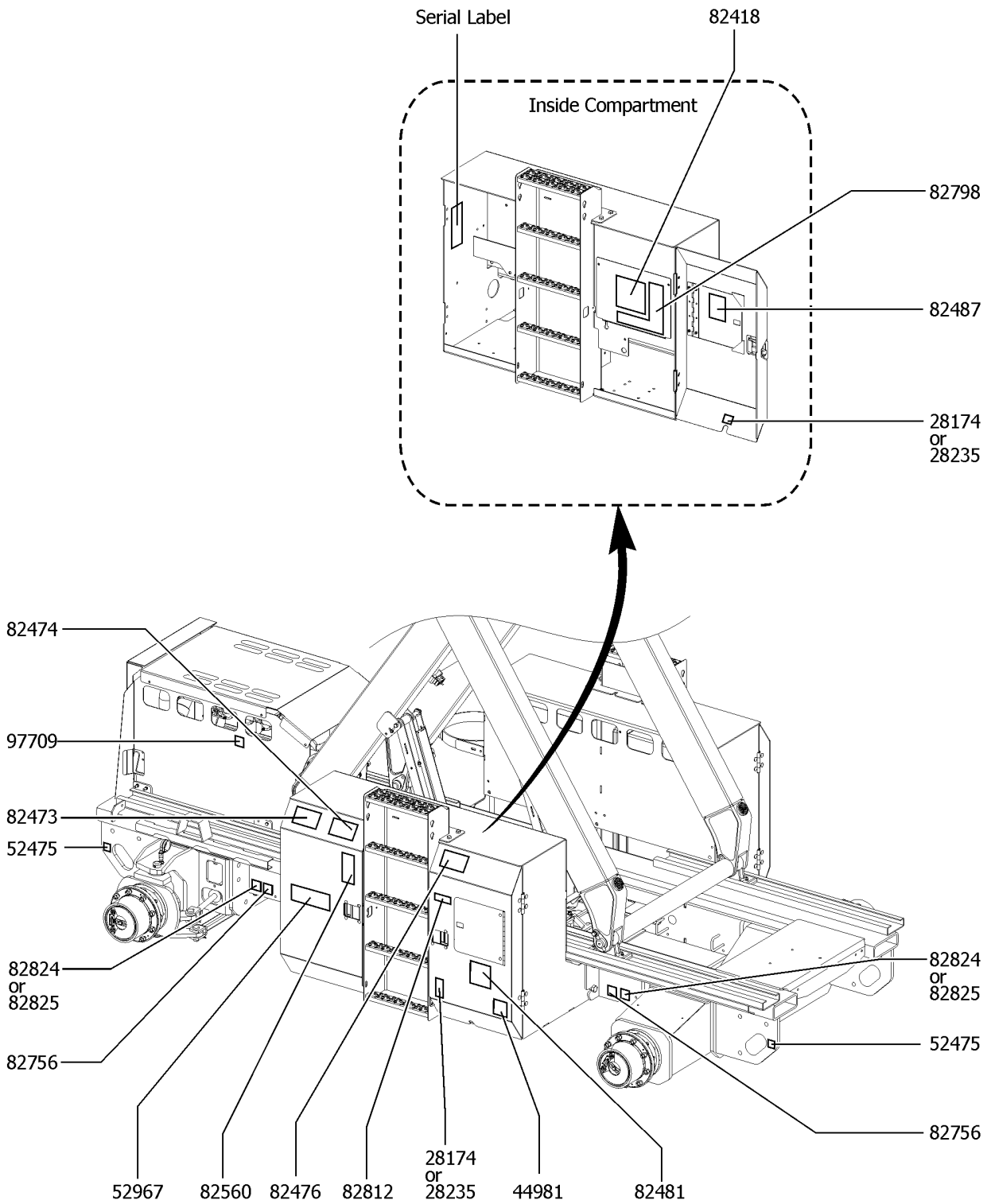


121.3 Words, GS-3390 RT, GS-4390 RT and GS-5390 RT, Platform - Hydraulic Tank Side, Australia (to SN GS90F-55999)

<i>Item</i>	<i>Part No.</i>	<i>Description</i>	<i>Qty.</i>
1	28176GT	DECAL,LABEL,MANUAL NOT HERE	1
2	28236GT	DECAL,WARN,IMPROPER OPERATION	1
3	40434GT	DECAL,LANYARD ANCHORAGE POINT	5
4	43618GT	DECAL, LABEL - DIRECTION ARROWS	1
5	44736GT	DECAL,DANGER,TIP-OVER,TILT	1
6	44981GT	DECAL LABEL AIRLINE 110PSI	1
		Option, airline to platform	
7	52494GT	DECAL,CAUTION,CRUSH HAZ, RAILS	1
9	65061GT	DECAL,COSMETIC,GENIE GS-5390	1
		(GS-5390 RT)	
10	82557GT	DECAL,LABEL,PLAT CONT LOCATION	1
11	82757GT	DECAL,DANGER,OUTRIGGER SAFETY	1
14	82870GT	DECAL,LABEL,CAP INDICATOR,5390	1
		(GS-5390 RT)	
17	82874GT	DECAL,DANGER,MAXCAP CE GS5390*	1
		(GS-5390 RT)	
20	97764GT	DECAL,NOTICE,MAN FORCE,AUSTRAL	1
		(GS-5390 RT)	
21	114386GT	DECAL,DANGER-GEN SAFETY	1
22	227615GT	DECAL,NOTICE,OP INS,PLAT 84/90	1



122.1 Symbols, GS-3390 RT, GS-4390 RT and GS-5390 RT, Ground Control Side (to SN GS90F-55999)

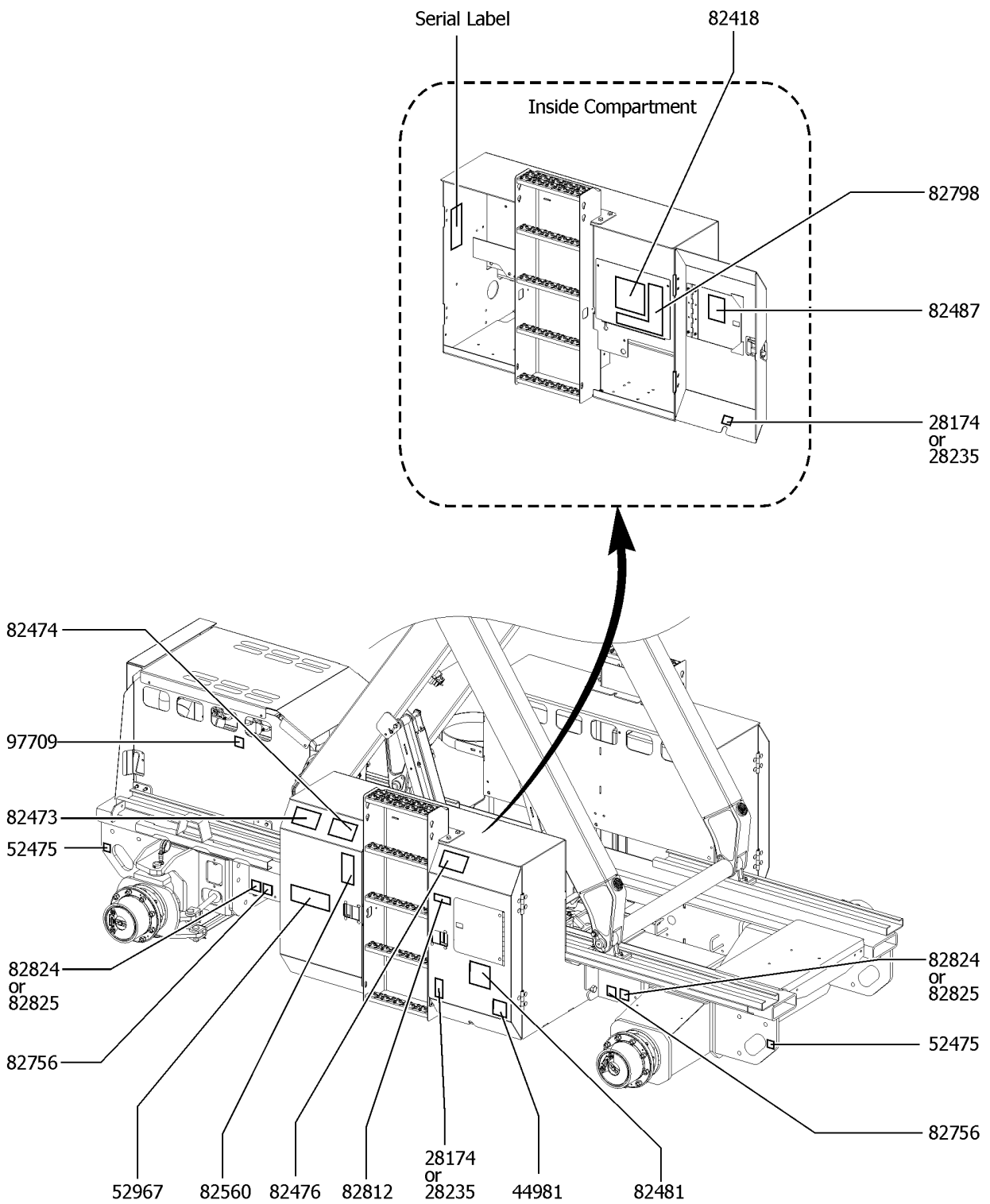


122.1 Symbols, GS-3390 RT, GS-4390 RT and GS-5390 RT, Ground Control Side (to SN GS90F-55999)

Item	Part No.	Description	Qty.
1	28174GT	DECAL, POWER TO PLATFORM 230V**	2
2	28235GT	DECAL, POWER TO PLATFORM 115V**	2
3	44981GT	DECAL LABEL AIRLINE 110PSI	1
		Option, airline to platform	
4	52475GT	DECAL LABEL TRANSPORT TIE DOWN*	2
5	52967GT	DECAL,COSMETIC,4 X 4	1
6	82418GT	DECAL,GROUND CONTROL PANEL	1
7	82473GT	DECAL,SYMBOL-COMP ACCESS	1
8	82474GT	DECAL SYMBOL USE SAFETY ARM	1
9	82476GT	DECAL SYMBOL ELECTRIC HAZARD GS	1
10	82481GT	DECAL SYMBOL BATTERY SAFETY	1
11	82487GT	DECAL, SYMBOL - READ THE MANUAL	1
12	82560GT	DECAL SYMBOL SKIN INJECT HAZARD	1
13	82756GT	DECAL,LABEL,TIRE PRESS,GS90 CE	2
		hi-floatation tires	
14	82798GT	DECAL,GROUND CONTROL PANEL ***	1
15	82812GT	DECAL,LABEL,READ THE SERV MAN*	1
16	82824GT	DECAL,LABEL,WHEEL LOAD GS4390*	2
		(GS-3390 RT, GS-4390 RT)	
18	97709GT	DECAL,DANGER,HOT,SYMBOL	1



122.2 Symbols, GS-3390 RT, GS-4390 RT and GS-5390 RT, Ground Control Side (to SN GS90F-55999)

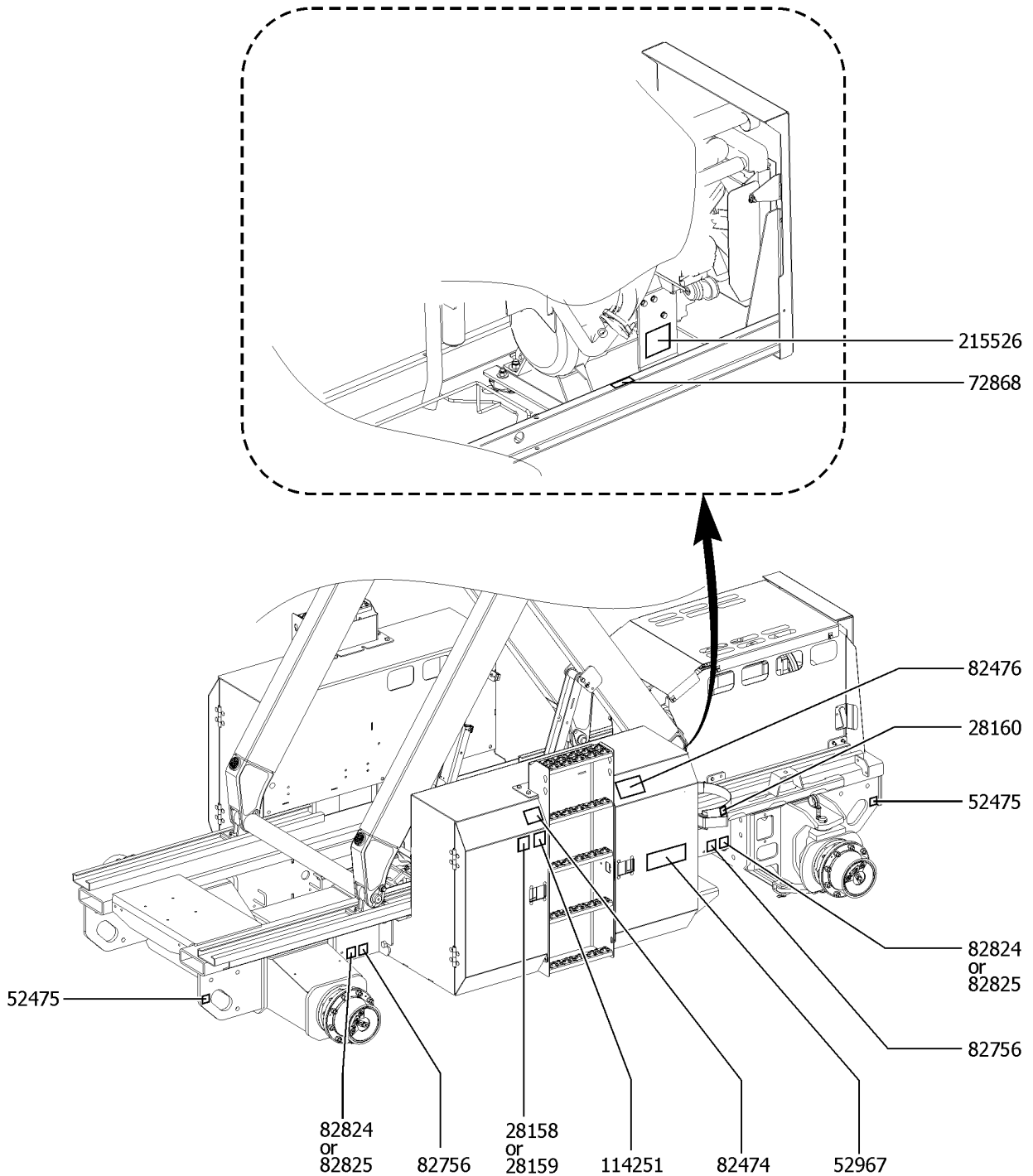


122.2 Symbols, GS-3390 RT, GS-4390 RT and GS-5390 RT, Ground Control Side (to SN GS90F-55999)

Item	Part No.	Description	Qty.
1	28174GT	DECAL, POWER TO PLATFORM 230V**	2
2	28235GT	DECAL, POWER TO PLATFORM 115V**	2
3	44981GT	DECAL LABEL AIRLINE 110PSI	1
		Option, airline to platform	
4	52475GT	DECAL LABEL TRANSPORT TIE DOWN*	2
5	52967GT	DECAL,COSMETIC,4 X 4	1
6	82418GT	DECAL,GROUND CONTROL PANEL	1
7	82473GT	DECAL,SYMBOL-COMP ACCESS	1
8	82474GT	DECAL SYMBOL USE SAFETY ARM	1
9	82476GT	DECAL SYMBOL ELECTRIC HAZARD GS	1
10	82481GT	DECAL SYMBOL BATTERY SAFETY	1
11	82487GT	DECAL, SYMBOL - READ THE MANUAL	1
12	82560GT	DECAL SYMBOL SKIN INJECT HAZARD	1
13	82756GT	DECAL,LABEL,TIRE PRESS,GS90 CE	2
		hi-floatation tires	
14	82798GT	DECAL,GROUND CONTROL PANEL ***	1
15	82812GT	DECAL,LABEL,READ THE SERV MAN*	1
17	82825GT	DECAL,LABEL,WHEEL LOAD GS5390*	2
		(GS-5390 RT)	
18	97709GT	DECAL,DANGER,HOT,SYMBOL	1



123.1 Symbols, GS-3390 RT, GS-4390 RT and GS-5390 RT, Hydraulic Tank Side (to SN GS90F-55999)

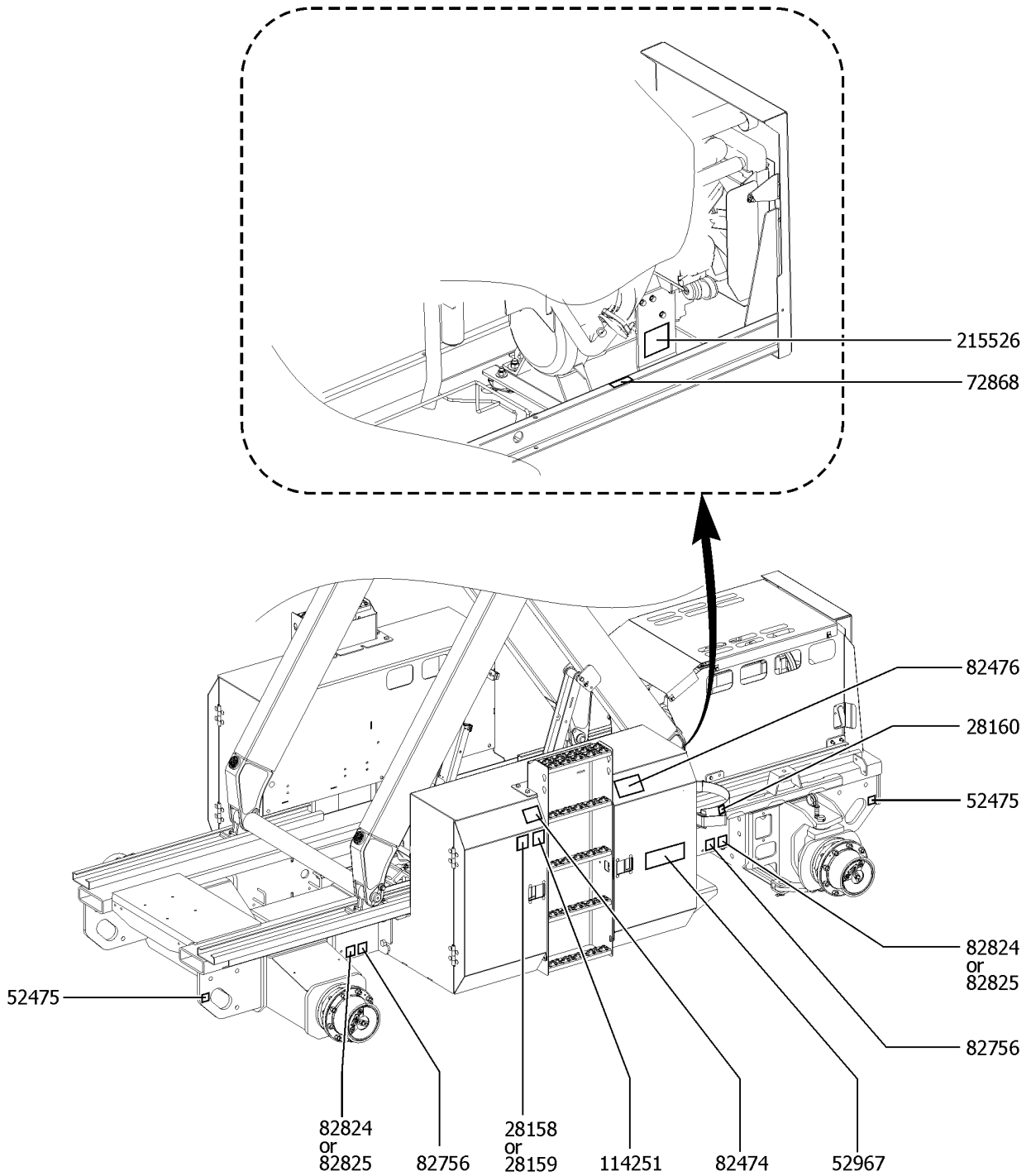


123.1 Symbols, GS-3390 RT, GS-4390 RT and GS-5390 RT, Hydraulic Tank Side (to SN GS90F-55999)

<i>Item</i>	<i>Part No.</i>	<i>Description</i>	<i>Qty.</i>
1	28158GT	DECAL,LABEL,UNLEADED GAS ONLY Option, Fuel	1
2	28159GT	DECAL,LABEL,DIESEL FUEL Option, Fuel	1
3	28160GT	DECAL,LABEL,LIQUID PROPANE Option, LPG Tank	1
4	52475GT	DECAL LABEL TRANSPORT TIE DOWN*	2
5	52967GT	DECAL,COSMETIC,4 X 4	1
6	72868GT	DECAL,LABEL,ENGINE TRAY PROP	1
7	82474GT	DECAL SYMBOL USE SAFETY ARM	1
8	82476GT	DECAL SYMBOL ELECTRIC HAZARD GS	1
9	82756GT	DECAL,LABEL,TIRE PRESS,GS90 CE hi-floatation tires	2
10	82824GT	DECAL,LABEL,WHEEL LOAD GS4390* (GS-3390 RT, GS-4390 RT)	2
12	114251GT	DECAL,LABEL,NO SMOKING,SYMB	1
13	215526GT	DECAL,LABEL,BELT,MSG425 Ford MSG	1



123.2 Symbols, GS-3390 RT, GS-4390 RT and GS-5390 RT, Hydraulic Tank Side (to SN GS90F-55999)

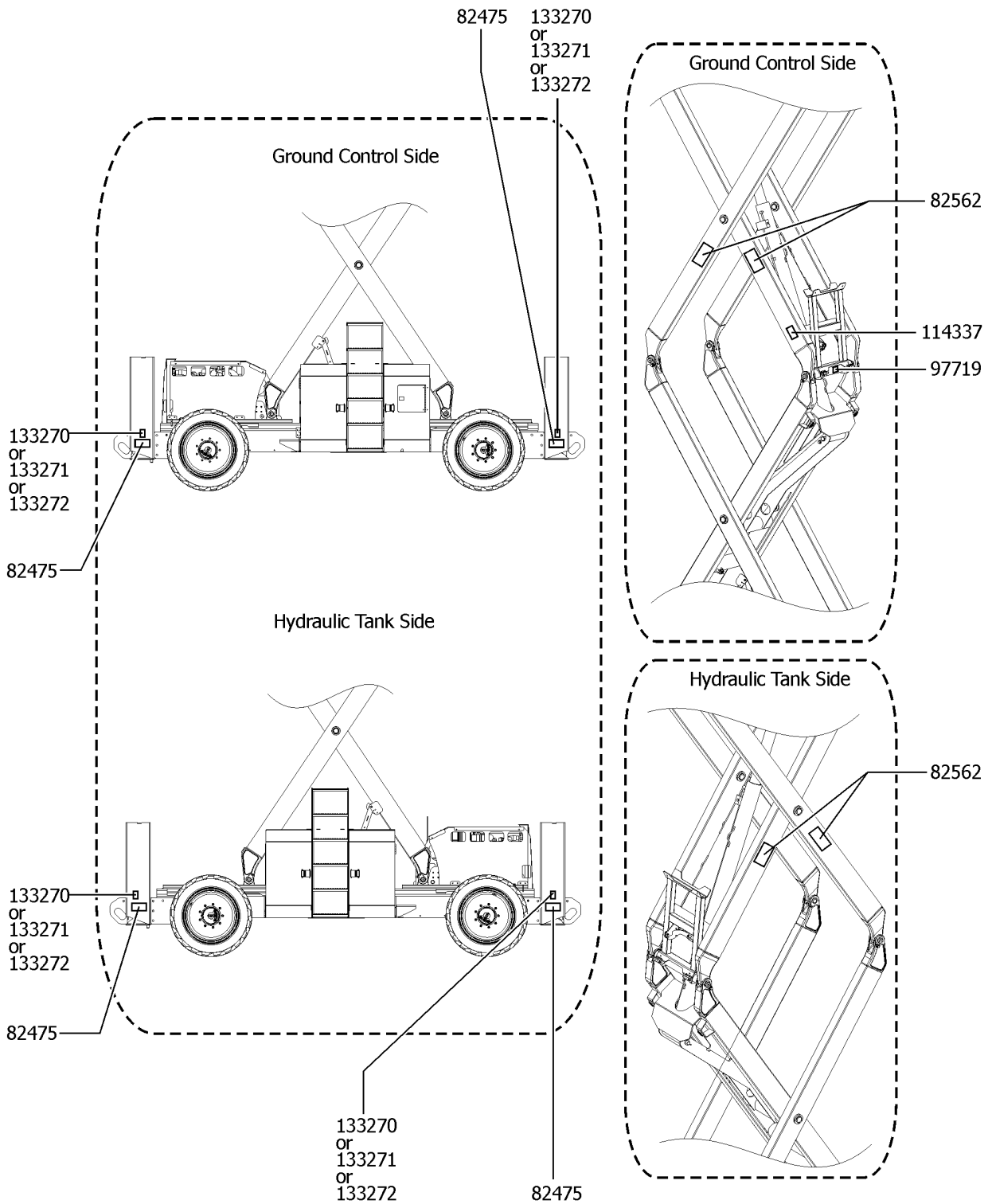


123.2 Symbols, GS-3390 RT, GS-4390 RT and GS-5390 RT, Hydraulic Tank Side (to SN GS90F-55999)

<i>Item</i>	<i>Part No.</i>	<i>Description</i>	<i>Qty.</i>
1	28158GT	DECAL,LABEL,UNLEADED GAS ONLY Option, Fuel	1
2	28159GT	DECAL,LABEL,DIESEL FUEL Option, Fuel	1
3	28160GT	DECAL,LABEL,LIQUID PROPANE Option, LPG Tank	1
4	52475GT	DECAL LABEL TRANSPORT TIE DOWN*	2
5	52967GT	DECAL,COSMETIC,4 X 4	1
6	72868GT	DECAL,LABEL,ENGINE TRAY PROP	1
7	82474GT	DECAL SYMBOL USE SAFETY ARM	1
8	82476GT	DECAL SYMBOL ELECTRIC HAZARD GS	1
9	82756GT	DECAL,LABEL,TIRE PRESS,GS90 CE hi-floatation tires	2
11	82825GT	DECAL,LABEL,WHEEL LOAD GS5390* (GS-5390 RT)	2
12	114251GT	DECAL,LABEL,NO SMOKING,SYMB	1
13	215526GT	DECAL,LABEL,BELT,MSG425 Ford MSG	1



124.1 Symbols, GS-3390 RT, GS-4390 RT and GS-5390 RT, Outrigger and Links (to SN GS90F-55999)

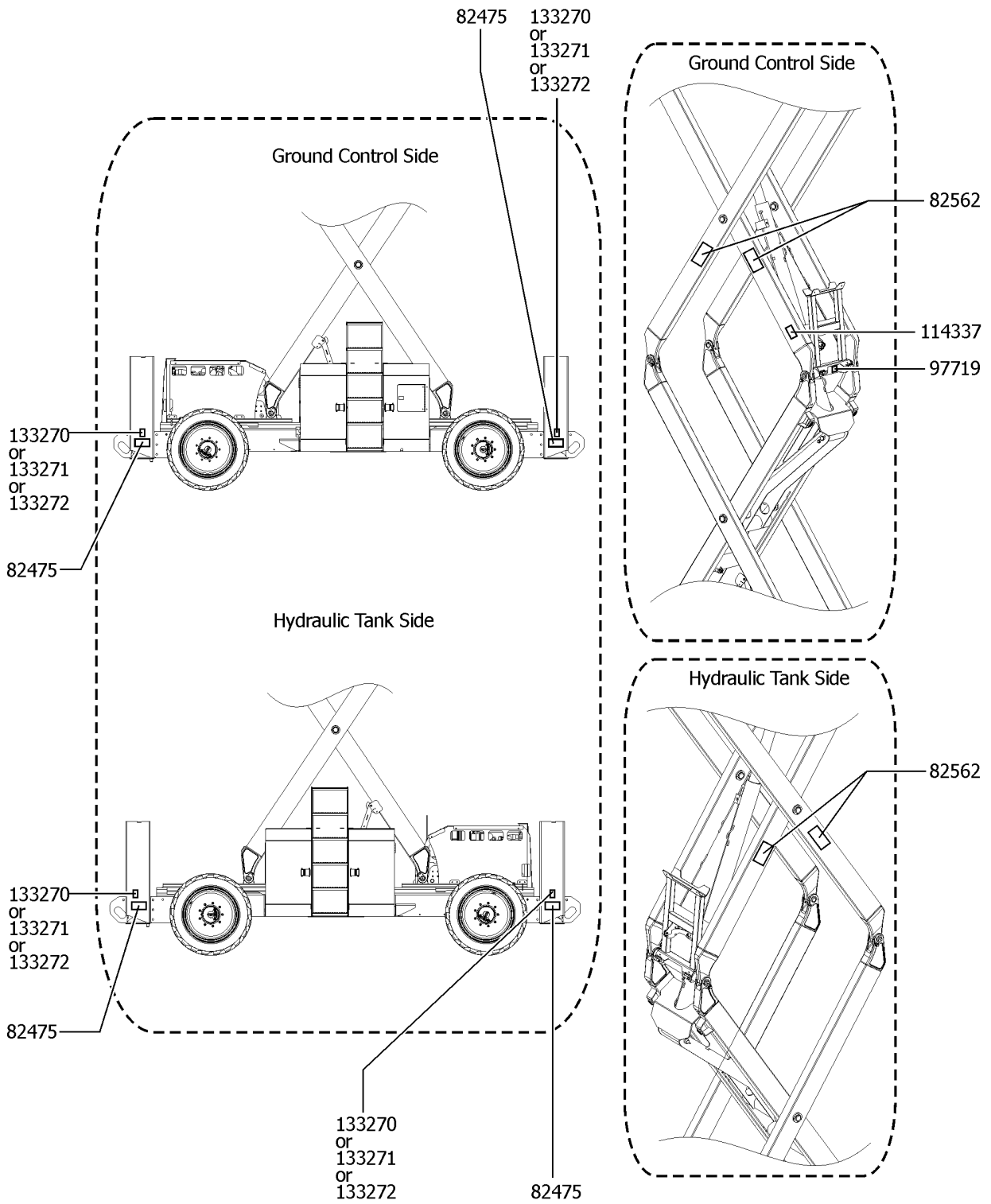


124.1 Symbols, GS-3390 RT, GS-4390 RT and GS-5390 RT, Outrigger and Links (to SN GS90F-55999)

<i>Item</i>	<i>Part No.</i>	<i>Description</i>	<i>Qty.</i>
1	82475GT	DECAL,WARNING,CRUSHING HAZARD	4
2	82562GT	DECAL, SYMBOL - CRUSHING HAZARD	4
3	97719GT	DECAL, LABEL, SAFETY ARM SYMBOL	1
4	114337GT	DECAL SYMBOL TIP OVER LIMIT SWITCH	1
5	133270GT	DECAL,LABEL,OUTRIGGER LD 3390	4
		(GS-3390 RT)	



124.2 Symbols, GS-3390 RT, GS-4390 RT and GS-5390 RT, Outrigger and Links (to SN GS90F-55999)

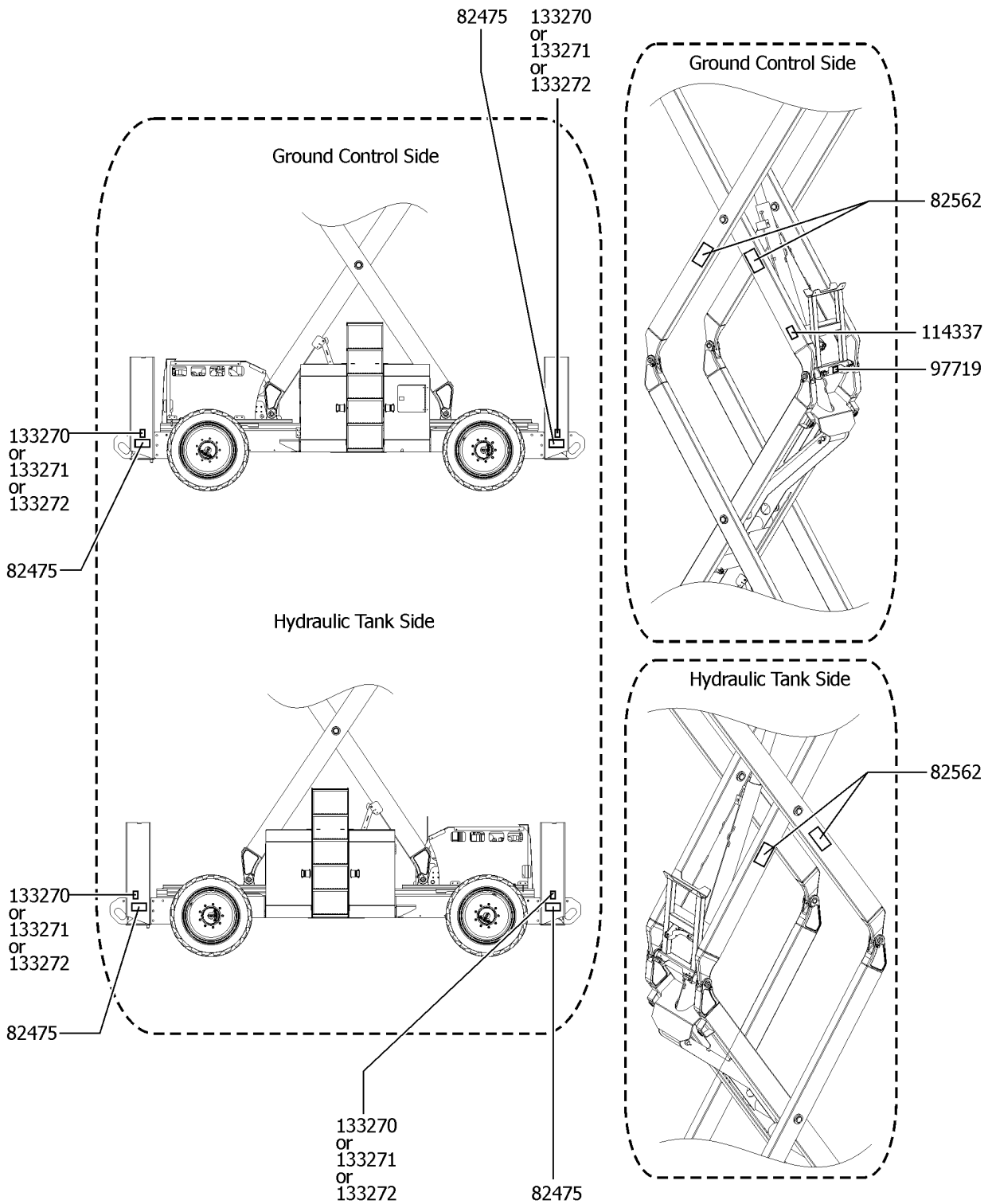


124.2 Symbols, GS-3390 RT, GS-4390 RT and GS-5390 RT, Outrigger and Links (to SN GS90F-55999)

<i>Item</i>	<i>Part No.</i>	<i>Description</i>	<i>Qty.</i>
1	82475GT	DECAL,WARNING,CRUSHING HAZARD	4
2	82562GT	DECAL, SYMBOL - CRUSHING HAZARD	4
3	97719GT	DECAL, LABEL, SAFETY ARM SYMBOL	1
4	114337GT	DECAL SYMBOL TIP OVER LIMIT SWITCH	1
6	133271GT	DECAL,LABEL,OUTRIGGER LD 4390 (GS-4390 RT)	4



124.3 Symbols, GS-3390 RT, GS-4390 RT and GS-5390 RT, Outrigger and Links (to SN GS90F-55999)



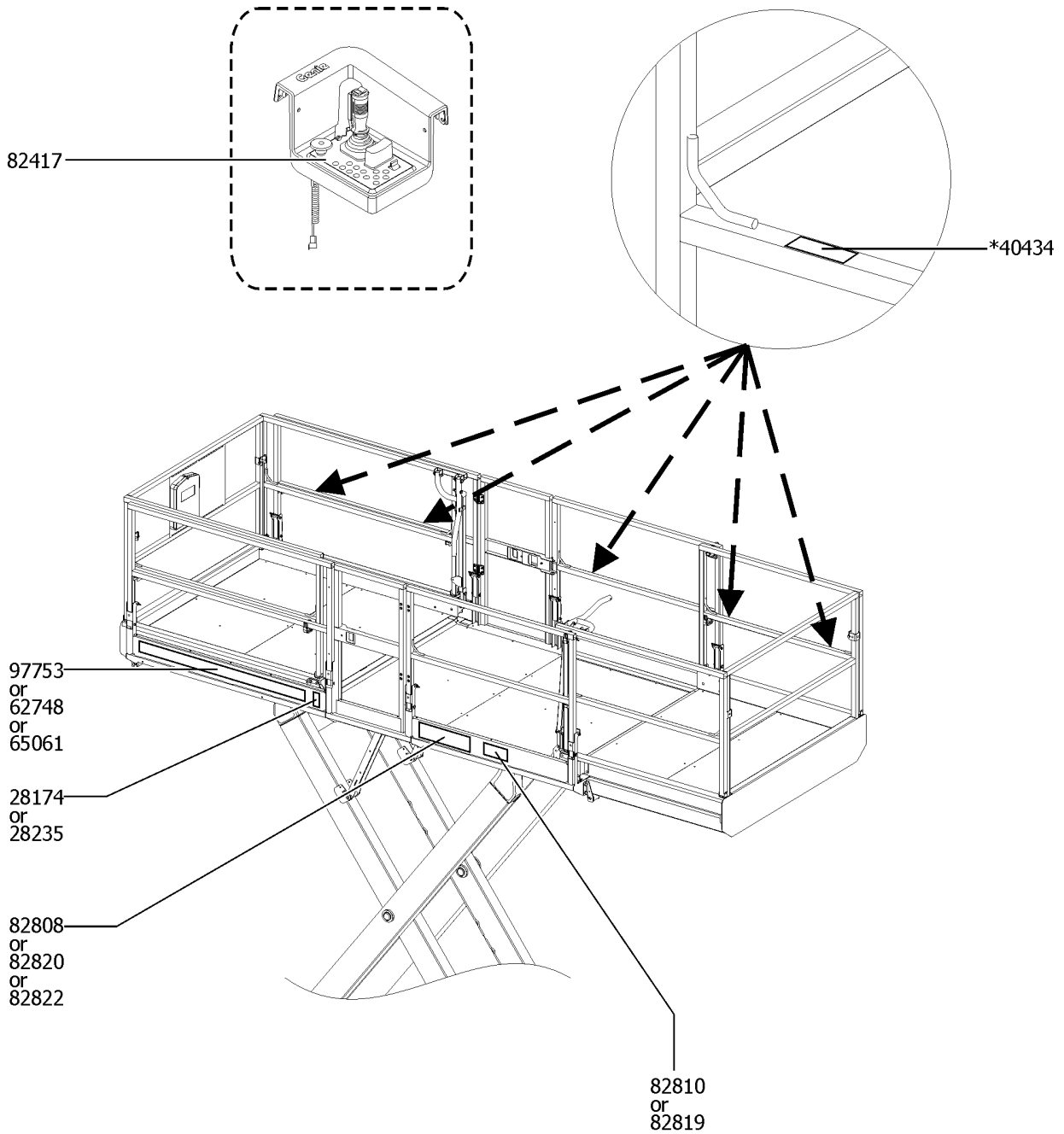
124.3 Symbols, GS-3390 RT, GS-4390 RT and GS-5390 RT, Outrigger and Links (to SN GS90F-55999)

<i>Item</i>	<i>Part No.</i>	<i>Description</i>	<i>Qty.</i>
1	82475GT	DECAL,WARNING,CRUSHING HAZARD	4
2	82562GT	DECAL, SYMBOL - CRUSHING HAZARD	4
3	97719GT	DECAL, LABEL, SAFETY ARM SYMBOL	1
4	114337GT	DECAL SYMBOL TIP OVER LIMIT SWITCH	1
7	133272GT	DECAL,LABEL,OUTRIGGER LD 5390 (GS-5390 RT)	4



125.1 Symbols, GS-3390 RT, GS-4390 RT and GS-5390 RT, Platform - Ground Control Side, ANSI & CSA (to SN GS90F-55999)

NOTE:
*apply this decal to all lanyard anchorage attachments on the platform



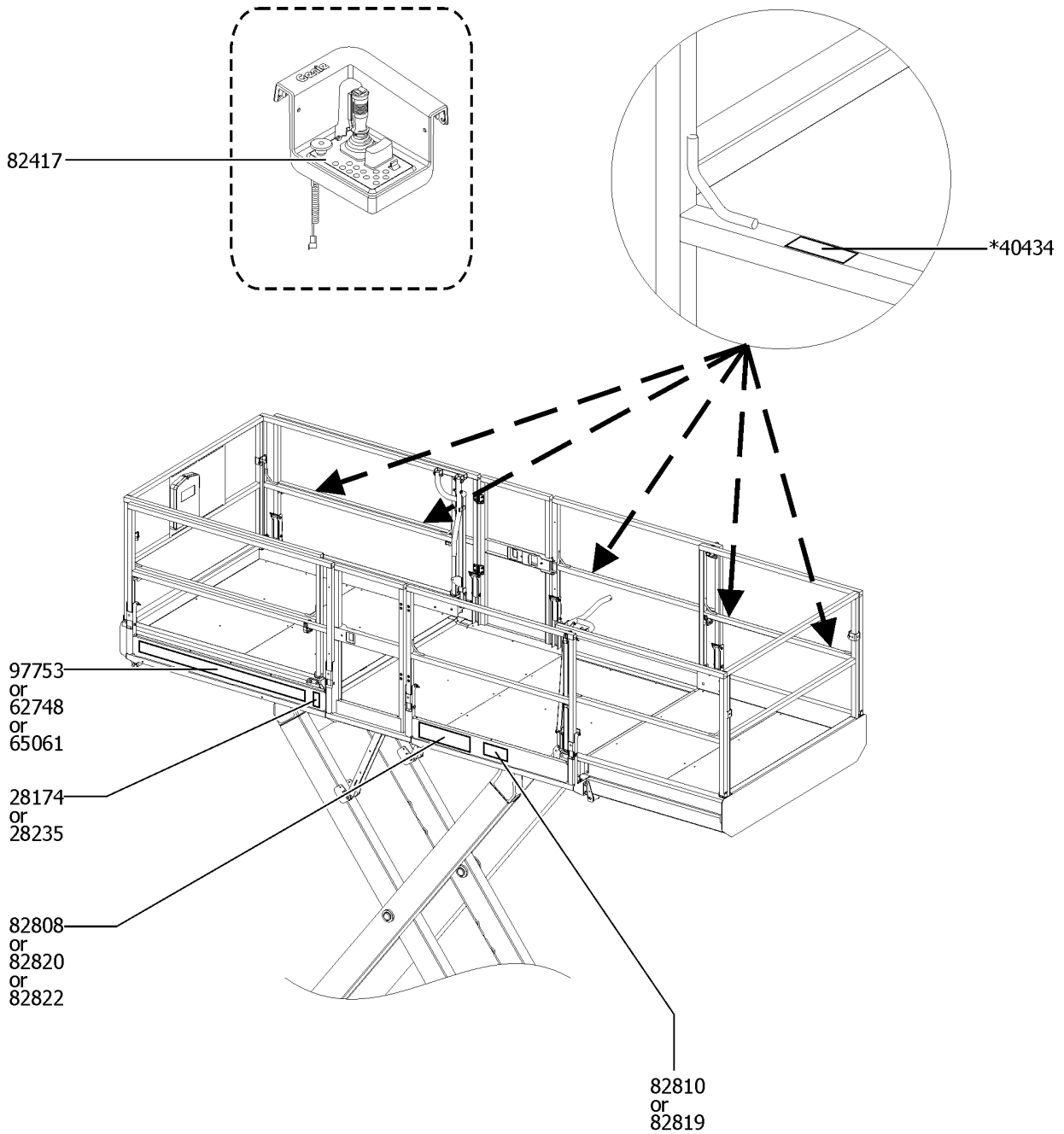
125.1 Symbols, GS-3390 RT, GS-4390 RT and GS-5390 RT, Platform - Ground Control Side, ANSI & CSA (to SN GS90F-55999)

<i>Item</i>	<i>Part No.</i>	<i>Description</i>	<i>Qty.</i>
1	28174GT	DECAL, POWER TO PLATFORM 230V**	1
2	28235GT	DECAL, POWER TO PLATFORM 115V**	1
3	40434GT	DECAL,LANYARD ANCHORAGE POINT	5
6	82417GT	DECAL,PLATFORM CONTROL PANEL	1
7	82808GT	DECAL,DANGER,MAX CAP,3384 ANSI (GS-3390 RT)	1
8	82810GT	DECAL,DANGER,SIDE FRC,ANSI*** (GS-3390 RT, GS-4390 RT)	1
12	97753GT	DECAL COSMETIC,GENIE GS-3390 (GS-3390 RT)	1



125.2 Symbols, GS-3390 RT, GS-4390 RT and GS-5390 RT, Platform - Ground Control Side, ANSI & CSA (to SN GS90F-55999)

NOTE:
*apply this decal to all lanyard anchorage attachments on the platform



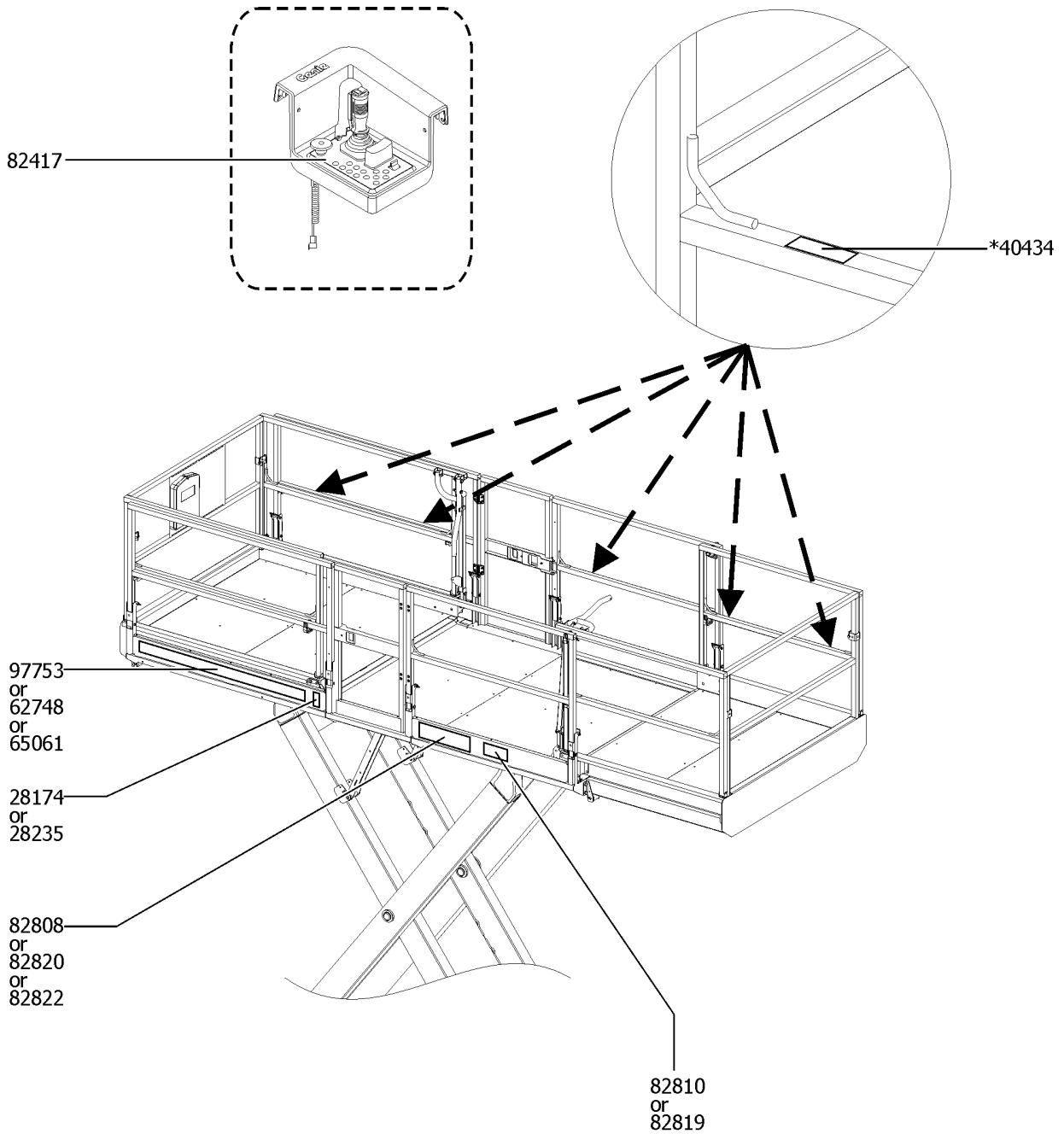
125.2 Symbols, GS-3390 RT, GS-4390 RT and GS-5390 RT, Platform - Ground Control Side, ANSI & CSA (to SN GS90F-55999)
Qty.

<i>Item</i>	<i>Part No.</i>	<i>Description</i>	<i>Qty.</i>
1	28174GT	DECAL, POWER TO PLATFORM 230V**	1
2	28235GT	DECAL, POWER TO PLATFORM 115V**	1
3	40434GT	DECAL,LANYARD ANCHORAGE POINT	5
4	62748GT	DECAL,COSMETIC,GENIE GS-4390	1
		(GS-4390 RT)	
6	82417GT	DECAL,PLATFORM CONTROL PANEL	1
8	82810GT	DECAL,DANGER,SIDE FRC,ANSI***	1
		(GS-3390 RT, GS-4390 RT)	
10	82820GT	DECAL,DANGER,MAX CAP,4390 ANSI	1
		(GS-4390 RT)	



125.3 Symbols, GS-3390 RT, GS-4390 RT and GS-5390 RT, Platform - Ground Control Side, ANSI & CSA (to SN GS90F-55999)

NOTE:
*apply this decal to all lanyard anchorage attachments on the platform



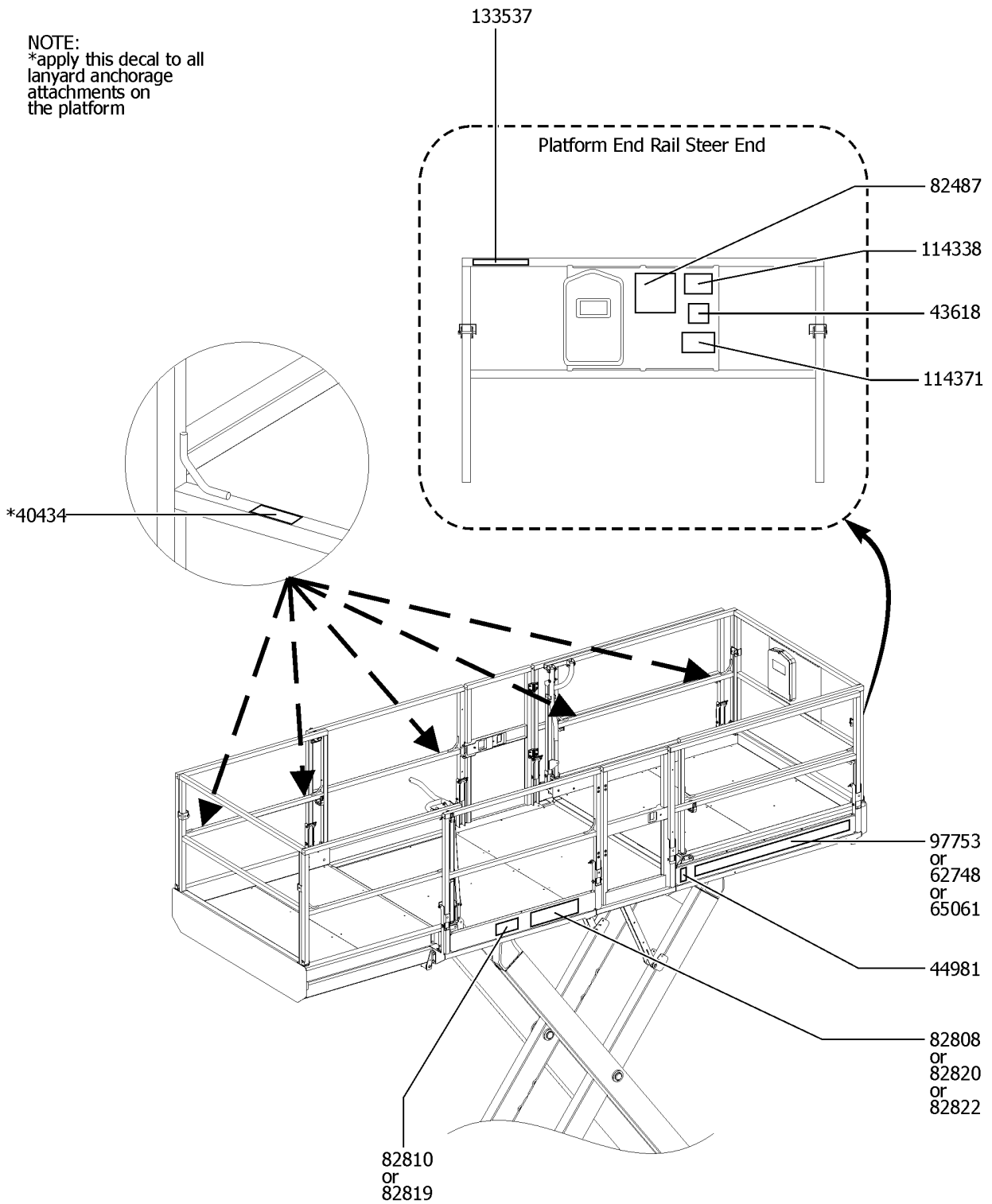
125.3 Symbols, GS-3390 RT, GS-4390 RT and GS-5390 RT, Platform - Ground Control Side, ANSI & CSA (to SN GS90F-55999)
Qty.

<i>Item</i>	<i>Part No.</i>	<i>Description</i>	<i>Qty.</i>
1	28174GT	DECAL, POWER TO PLATFORM 230V**	1
2	28235GT	DECAL, POWER TO PLATFORM 115V**	1
3	40434GT	DECAL,LANYARD ANCHORAGE POINT	5
5	65061GT	DECAL,COSMETIC,GENIE GS-5390	1
		(GS-5390 RT)	
6	82417GT	DECAL,PLATFORM CONTROL PANEL	1
9	82819GT	DECAL,DANGER,SIDE FRC,5390 ANS	1
		(GS-5390 RT)	
11	82822GT	DECAL,DANGER,MAX CAP,5390 ANSI	1
		(GS-5390 RT)	



126.1 Symbols, GS-3390 RT, GS-4390 RT and GS-5390 RT, Platform - Hydraulic Tank Side, ANSI & CSA (to SN GS90F-55999)

NOTE:
*apply this decal to all lanyard anchorage attachments on the platform



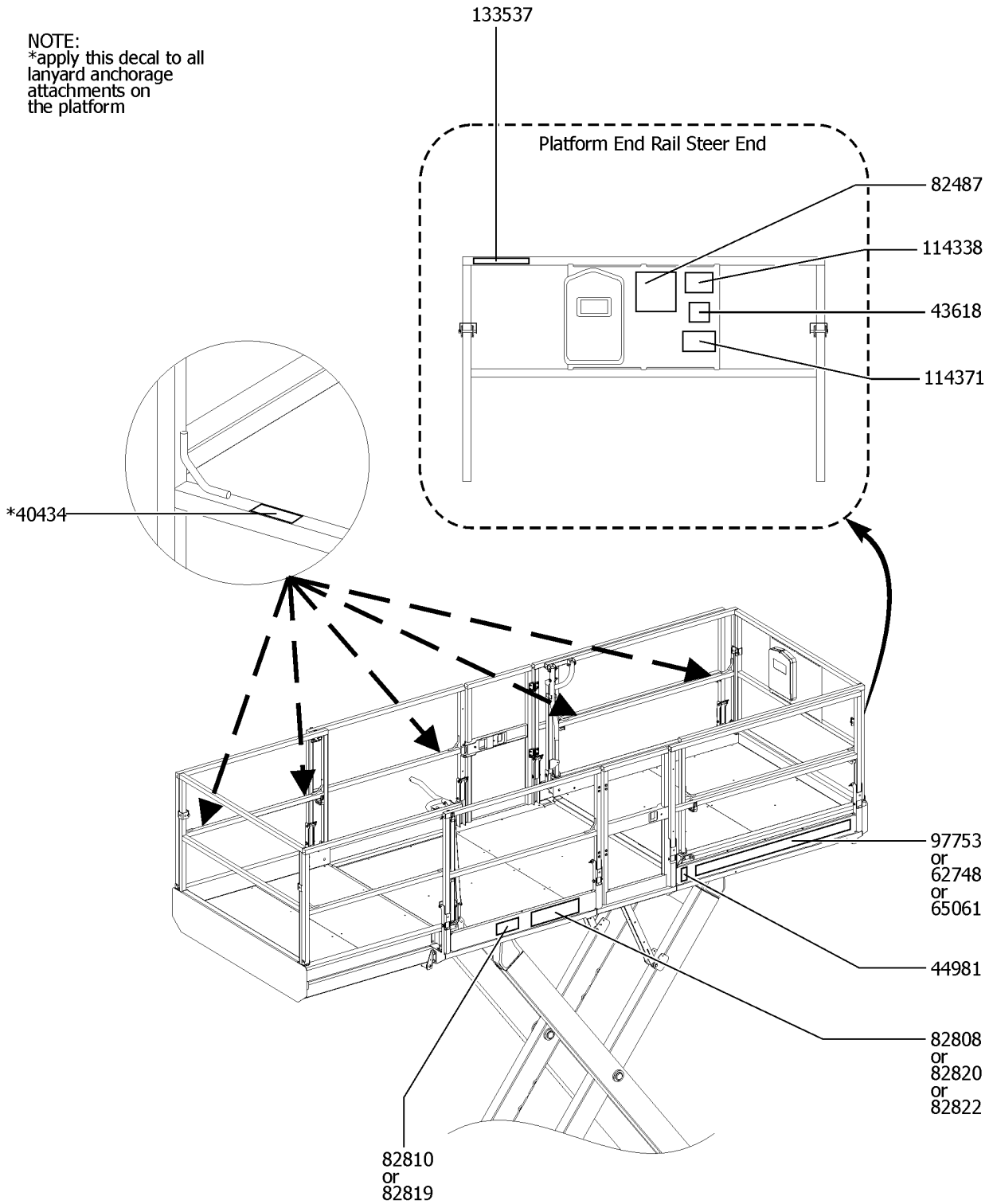
126.1 Symbols, GS-3390 RT, GS-4390 RT and GS-5390 RT, Platform - Hydraulic Tank Side, ANSI & CSA (to SN GS90F-55999)
Qty.

<i>Item</i>	<i>Part No.</i>	<i>Description</i>	<i>Qty.</i>
1	40434GT	DECAL,LANYARD ANCHORAGE POINT	5
2	43618GT	DECAL, LABEL - DIRECTION ARROWS	1
3	44981GT	DECAL LABEL AIRLINE 110PSI	1
		Option, airline to platform	
6	82487GT	DECAL, SYMBOL - READ THE MANUAL	1
7	82808GT	DECAL,DANGER,MAX CAP,3384 ANSI	1
		(GS-3390 RT)	
8	82810GT	DECAL,DANGER,SIDE FRC,ANSI***	1
		(GS-3390 RT, GS-4390 RT)	
12	97753GT	DECAL,COSMETIC,GENIE GS-3390	1
		(GS-3390 RT)	
13	114338GT	DECAL SYMBOL TIP OVER TILT ALARM	1
14	114371GT	DECAL,DANGER,OUTRIGGER SAFETY	1
15	133537GT	DECAL,CRUSH HAZ RAILS SYMB	1



126.2 Symbols, GS-3390 RT, GS-4390 RT and GS-5390 RT, Platform - Hydraulic Tank Side, ANSI & CSA (to SN GS90F-55999)

NOTE:
*apply this decal to all lanyard anchorage attachments on the platform



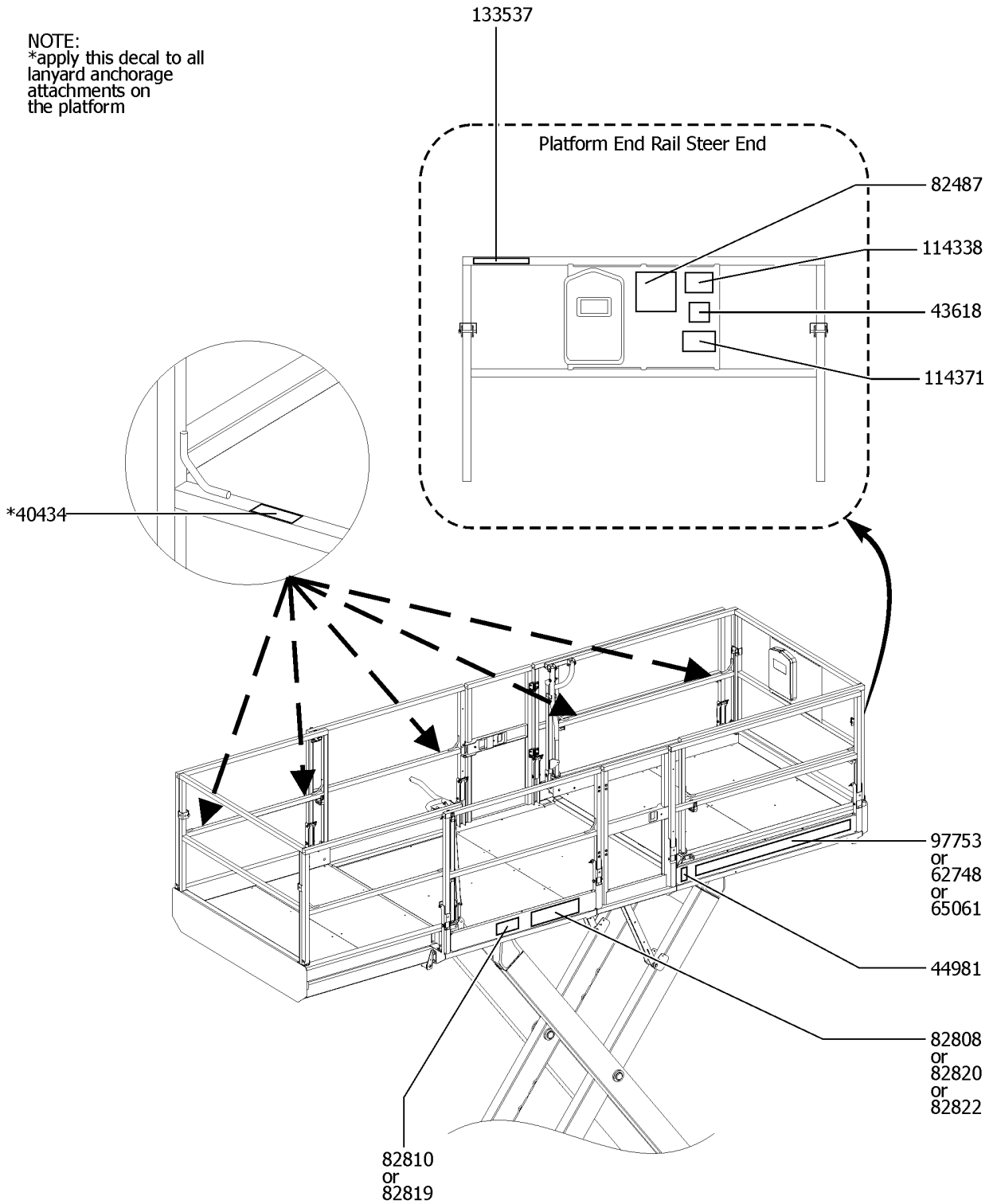
126.2 Symbols, GS-3390 RT, GS-4390 RT and GS-5390 RT, Platform - Hydraulic Tank Side, ANSI & CSA (to SN GS90F-55999)
Qty.

Item	Part No.	Description	Qty.
1	40434GT	DECAL,LANYARD ANCHORAGE POINT	5
2	43618GT	DECAL, LABEL - DIRECTION ARROWS	1
3	44981GT	DECAL LABEL AIRLINE 110PSI	1
		Option, airline to platform	
4	62748GT	DECAL,COSMETIC,GENIE GS-4390	1
		(GS-4390 RT)	
6	82487GT	DECAL, SYMBOL - READ THE MANUAL	1
8	82810GT	DECAL,DANGER,SIDE FRC,ANSI***	1
		(GS-3390 RT, GS-4390 RT)	
10	82820GT	DECAL,DANGER,MAX CAP,4390 ANSI	1
		(GS-4390 RT)	
13	114338GT	DECAL SYMBOL TIP OVER TILT ALARM	1
14	114371GT	DECAL,DANGER,OUTRIGGER SAFETY	1
15	133537GT	DECAL,CRUSH HAZ RAILS SYMB	1



126.3 Symbols, GS-3390 RT, GS-4390 RT and GS-5390 RT, Platform - Hydraulic Tank Side, ANSI & CSA (to SN GS90F-55999)

NOTE:
*apply this decal to all lanyard anchorage attachments on the platform



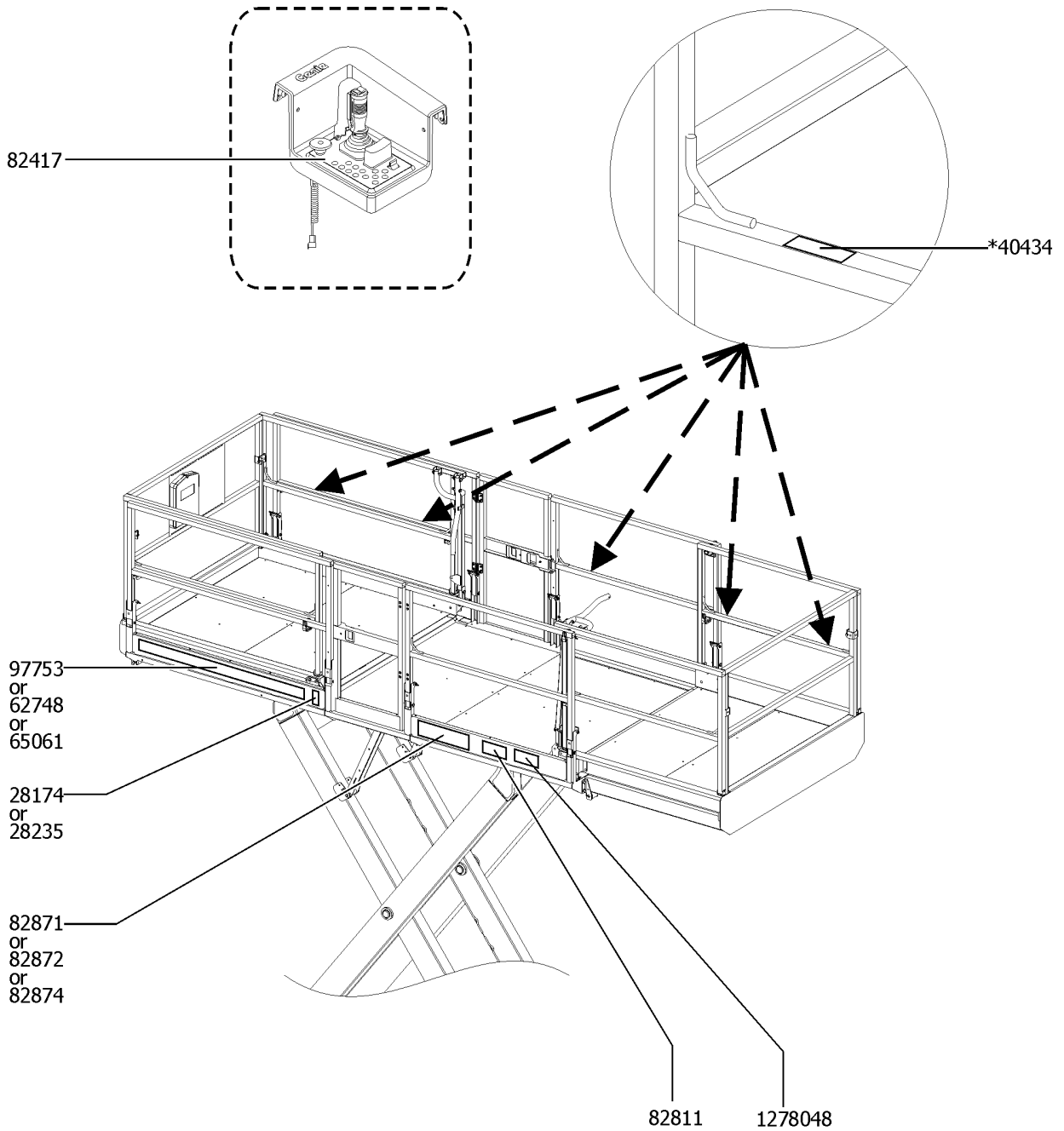
126.3 Symbols, GS-3390 RT, GS-4390 RT and GS-5390 RT, Platform - Hydraulic Tank Side, ANSI & CSA (to SN GS90F-55999)
Qty.

<i>Item</i>	<i>Part No.</i>	<i>Description</i>	<i>Qty.</i>
1	40434GT	DECAL,LANYARD ANCHORAGE POINT	5
2	43618GT	DECAL, LABEL - DIRECTION ARROWS	1
3	44981GT	DECAL LABEL AIRLINE 110PSI	1
		Option, airline to platform	
5	65061GT	DECAL,COSMETIC,GENIE GS-5390	1
		(GS-5390 RT)	
6	82487GT	DECAL, SYMBOL - READ THE MANUAL	1
9	82819GT	DECAL,DANGER,SIDE FRC,5390 ANS	1
		(GS-5390 RT)	
11	82822GT	DECAL,DANGER,MAX CAP,5390 ANSI	1
		(GS-5390 RT)	
13	114338GT	DECAL SYMBOL TIP OVER TILT ALARM	1
14	114371GT	DECAL,DANGER,OUTRIGGER SAFETY	1
15	133537GT	DECAL,CRUSH HAZ RAILS SYMB	1



127.1 Symbols, GS-3390 RT, GS-4390 RT and GS-5390 RT, Platform - Ground Control Side, CE (to SN GS90F-55999)

NOTE:
*apply this decal to all lanyard anchorage attachments on the platform



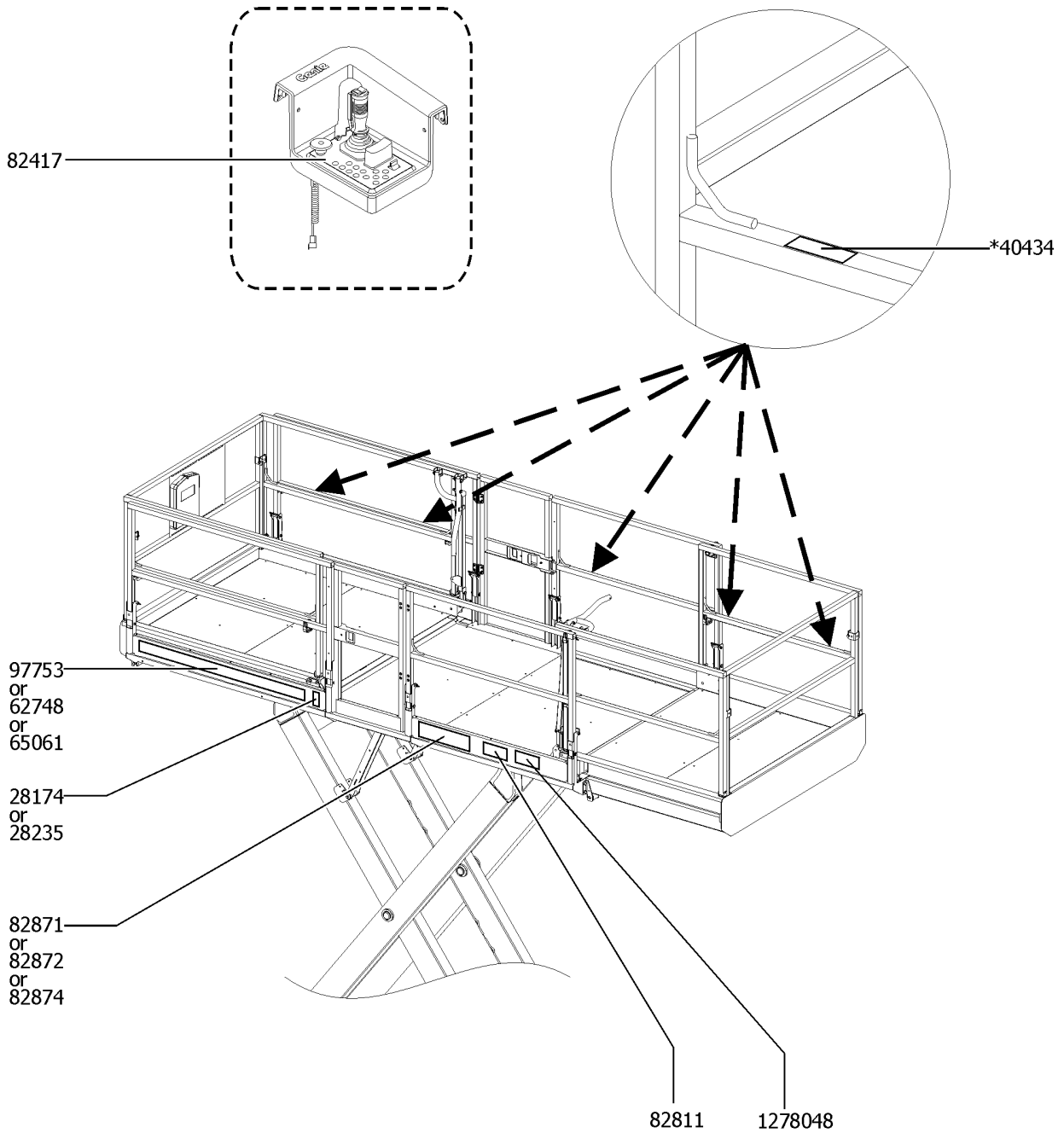
127.1 Symbols, GS-3390 RT, GS-4390 RT and GS-5390 RT, Platform - Ground Control Side, CE (to SN GS90F-55999)

<i>Item</i>	<i>Part No.</i>	<i>Description</i>	<i>Qty.</i>
1	28174GT	DECAL, POWER TO PLATFORM 230V**	1
2	28235GT	DECAL, POWER TO PLATFORM 115V**	1
3	40434GT	DECAL,LANYARD ANCHORAGE POINT	5
6	82417GT	DECAL,PLATFORM CONTROL PANEL	1
7	82811GT	DECAL,DANGER,MANUAL FORCE,400N	1
8	82871GT	DECAL,DANGER,MAXCAP CE GS3384*	1
		(GS-3390 RT)	
11	97753GT	DECAL,COSMETIC,GENIE GS-3390	1
		(GS-3390 RT)	
12	1278048GT	DECAL,DANGER,EXT DECK,GS84/90	1
		(from SN 53778)	



127.2 Symbols, GS-3390 RT, GS-4390 RT and GS-5390 RT, Platform - Ground Control Side, CE (to SN GS90F-55999)

NOTE:
*apply this decal to all lanyard anchorage attachments on the platform



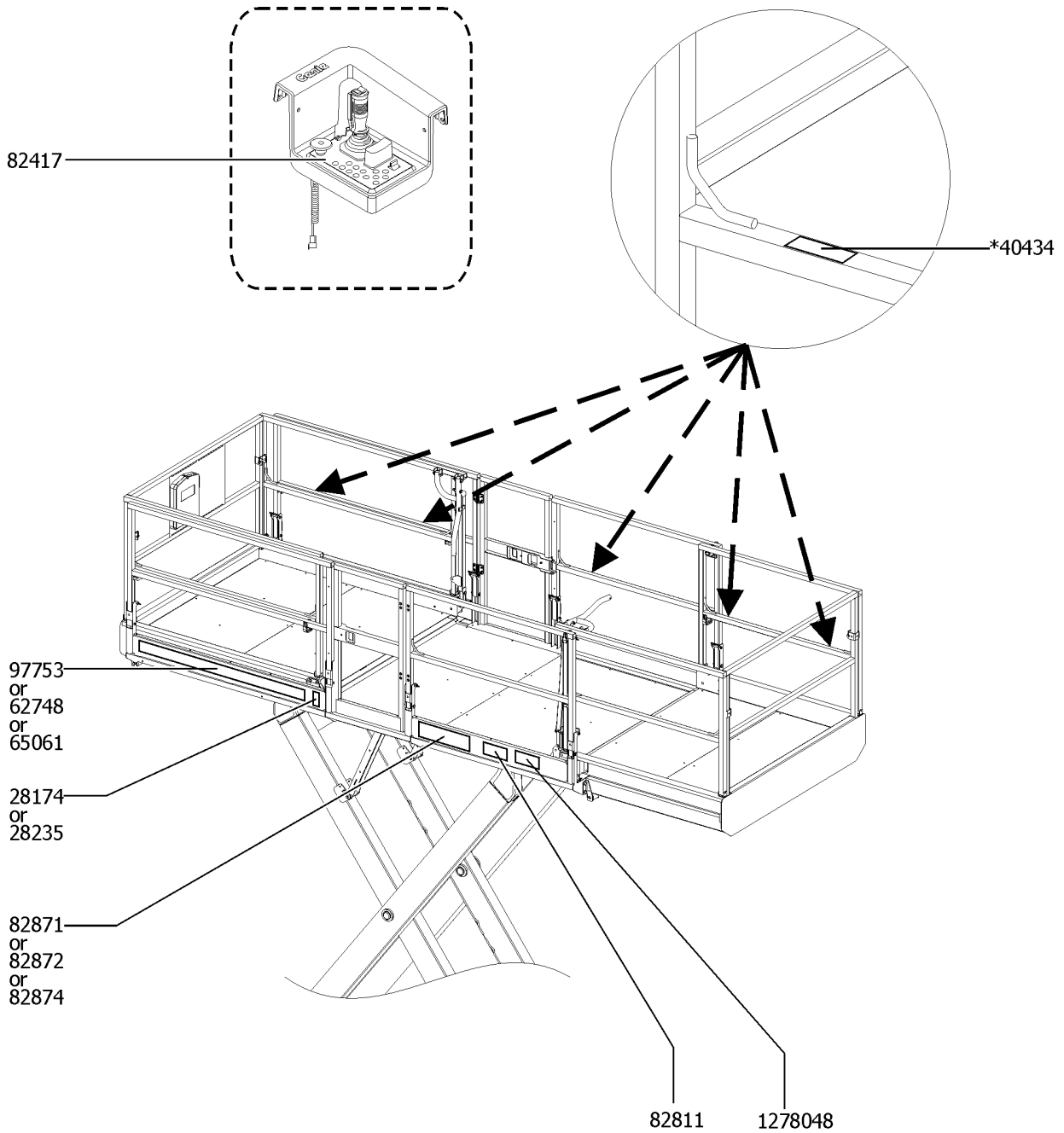
127.2 Symbols, GS-3390 RT, GS-4390 RT and GS-5390 RT, Platform - Ground Control Side, CE (to SN GS90F-55999)

<i>Item</i>	<i>Part No.</i>	<i>Description</i>	<i>Qty.</i>
1	28174GT	DECAL, POWER TO PLATFORM 230V**	1
2	28235GT	DECAL, POWER TO PLATFORM 115V**	1
3	40434GT	DECAL,LANYARD ANCHORAGE POINT	5
4	62748GT	DECAL,COSMETIC,GENIE GS-4390	1
		(GS-4390 RT)	
6	82417GT	DECAL,PLATFORM CONTROL PANEL	1
7	82811GT	DECAL,DANGER,MANUAL FORCE,400N	1
9	82872GT	DECAL,DANGER,MAX CAP CE GS4390	1
		(GS-4390 RT)	
12	1278048GT	DECAL,DANGER,EXT DECK,GS84/90	1
		(from SN 53778)	



127.3 Symbols, GS-3390 RT, GS-4390 RT and GS-5390 RT, Platform - Ground Control Side, CE (to SN GS90F-55999)

NOTE:
*apply this decal to all lanyard anchorage attachments on the platform



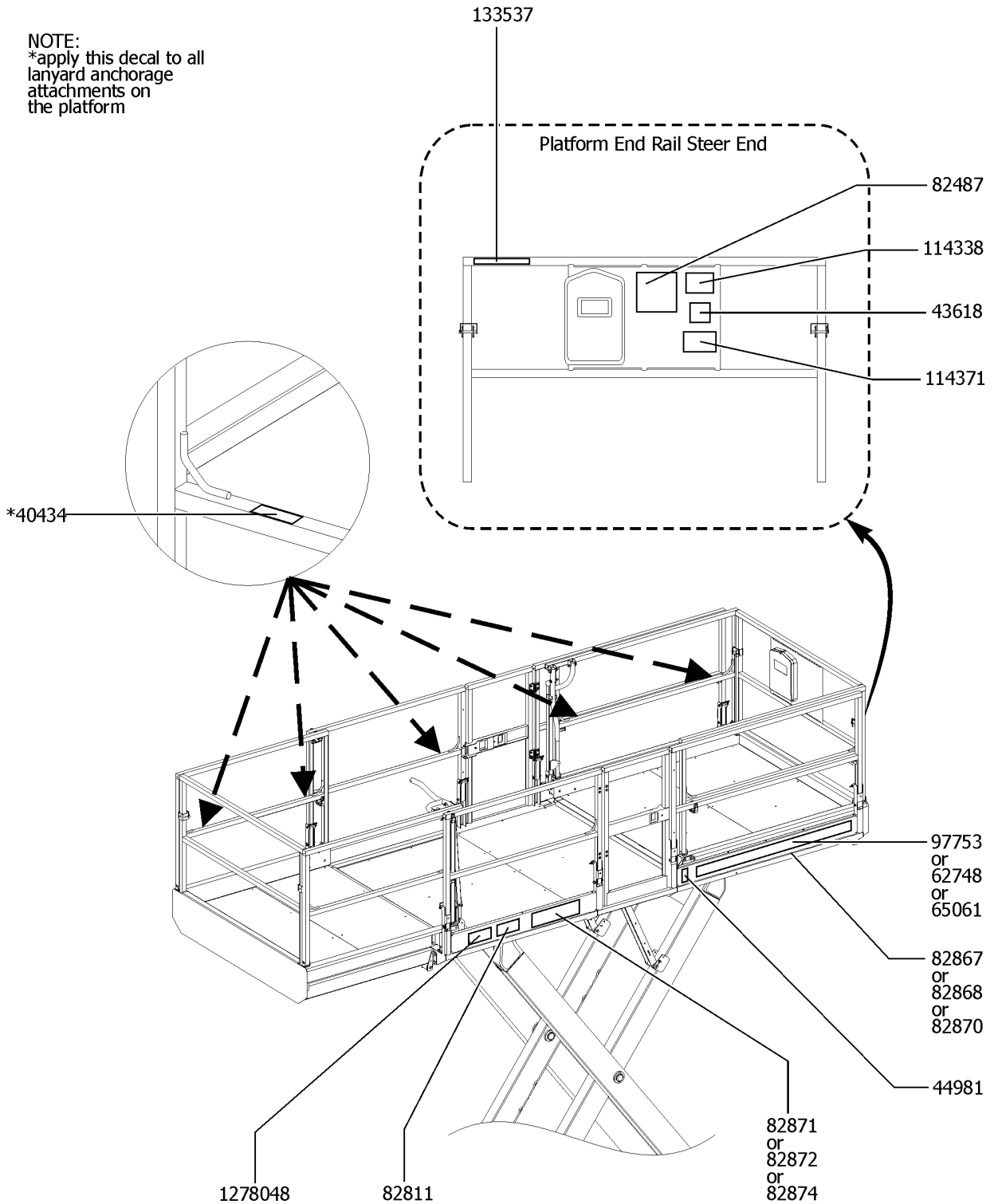
127.3 Symbols, GS-3390 RT, GS-4390 RT and GS-5390 RT, Platform - Ground Control Side, CE (to SN GS90F-55999)

<i>Item</i>	<i>Part No.</i>	<i>Description</i>	<i>Qty.</i>
1	28174GT	DECAL, POWER TO PLATFORM 230V**	1
2	28235GT	DECAL, POWER TO PLATFORM 115V**	1
3	40434GT	DECAL,LANYARD ANCHORAGE POINT	5
5	65061GT	DECAL,COSMETIC,GENIE GS-5390	1
		(GS-5390 RT)	
6	82417GT	DECAL,PLATFORM CONTROL PANEL	1
7	82811GT	DECAL,DANGER,MANUAL FORCE,400N	1
10	82874GT	DECAL,DANGER,MAXCAP CE GS5390*	1
		(GS-5390 RT)	
12	1278048GT	DECAL,DANGER,EXT DECK,GS84/90	1



128.1 Symbols, GS-3390 RT, GS-4390 RT and GS-5390 RT, Platform - Hydraulic Tank Side, CE (to SN GS90F-55999)

NOTE:
*apply this decal to all lanyard anchorage attachments on the platform



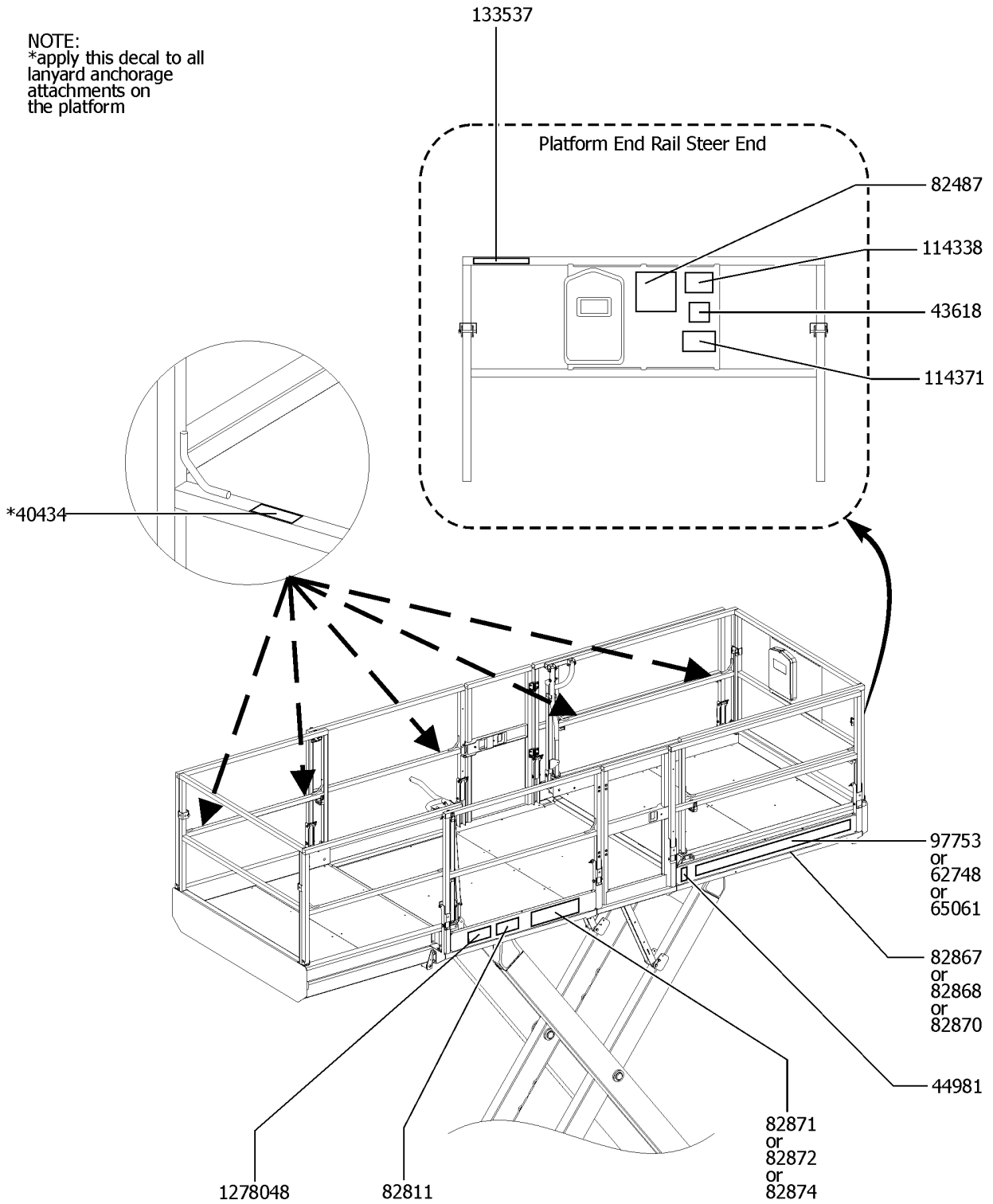
128.1 Symbols, GS-3390 RT, GS-4390 RT and GS-5390 RT, Platform - Hydraulic Tank Side, CE (to SN GS90F-55999)

<i>Item</i>	<i>Part No.</i>	<i>Description</i>	<i>Qty.</i>
1	40434GT	DECAL,LANYARD ANCHORAGE POINT	5
2	43618GT	DECAL, LABEL - DIRECTION ARROWS	1
3	44981GT	DECAL LABEL AIRLINE 110PSI	1
		Option, airline to platform	
6	82487GT	DECAL, SYMBOL - READ THE MANUAL	1
7	82811GT	DECAL,DANGER,MANUAL FORCE,400N	1
8	82867GT	DECAL,LABEL,CAP INDICATOR,3384	1
		(GS-3390 RT)	
11	82871GT	DECAL,DANGER,MAXCAP CE GS3384*	1
		(GS-3390 RT)	
14	97753GT	DECAL,COSMETIC,GENIE GS-3390	1
		(GS-3390 RT)	
15	114338GT	DECAL SYMBOL TIP OVER TILT ALARM	1
16	114371GT	DECAL,DANGER,OUTRIGGER SAFETY	1
17	133537GT	DECAL,CRUSH HAZ RAILS SYMB	1
18	1278048GT	DECAL,DANGER,EXT DECK,GS84/90	1
		(from SN 53778)	



128.2 Symbols, GS-3390 RT, GS-4390 RT and GS-5390 RT, Platform - Hydraulic Tank Side, CE (to SN GS90F-55999)

NOTE:
*apply this decal to all lanyard anchorage attachments on the platform



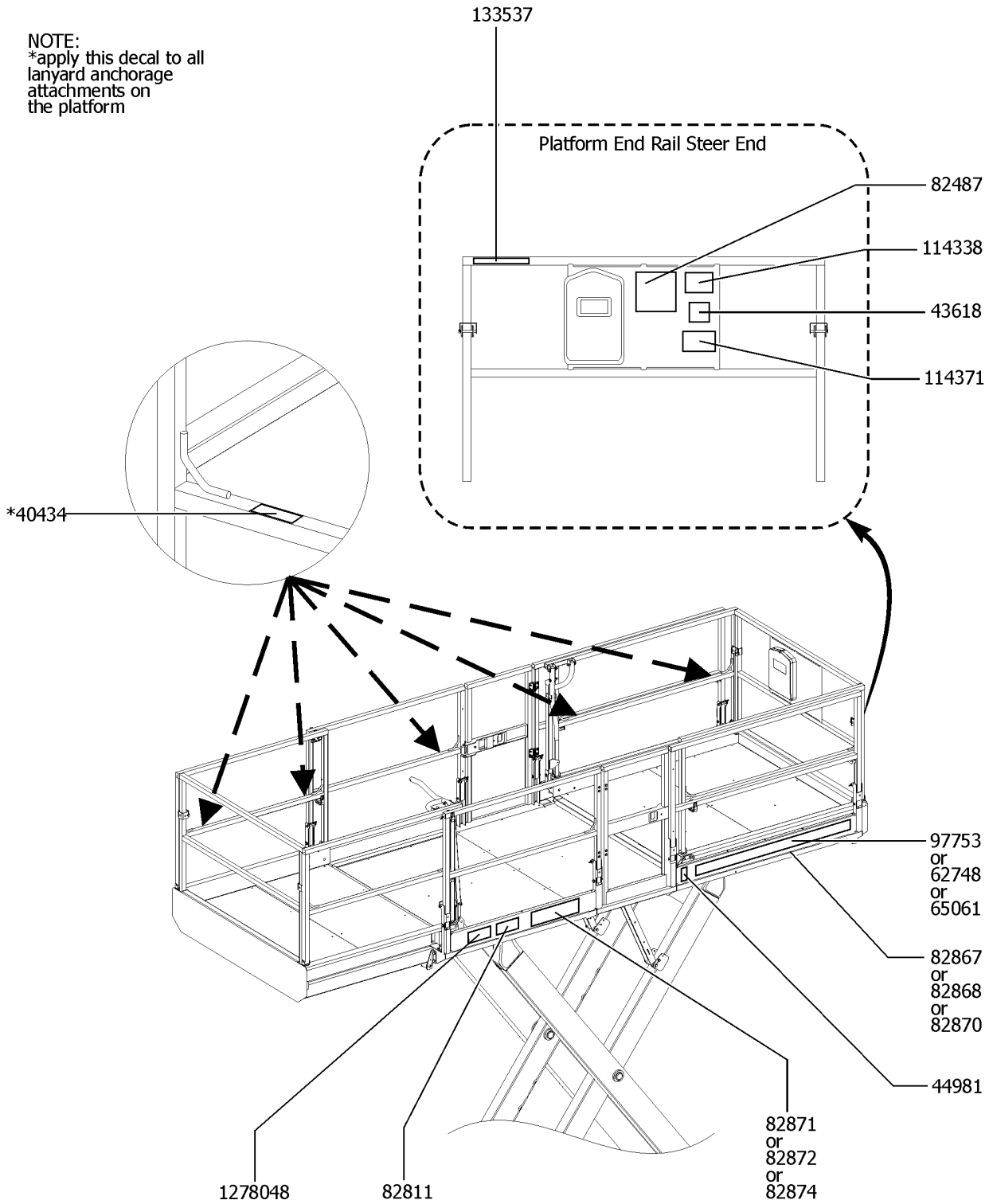
128.2 Symbols, GS-3390 RT, GS-4390 RT and GS-5390 RT, Platform - Hydraulic Tank Side, CE (to SN GS90F-55999)

<i>Item</i>	<i>Part No.</i>	<i>Description</i>	<i>Qty.</i>
1	40434GT	DECAL,LANYARD ANCHORAGE POINT	5
2	43618GT	DECAL, LABEL - DIRECTION ARROWS	1
3	44981GT	DECAL LABEL AIRLINE 110PSI	1
		Option, airline to platform	
4	62748GT	DECAL,COSMETIC,GENIE GS-4390	1
		(GS-4390 RT)	
6	82487GT	DECAL, SYMBOL - READ THE MANUAL	1
7	82811GT	DECAL,DANGER,MANUAL FORCE,400N	1
9	82868GT	DECAL,LABEL,CAP INDICATOR,4390	1
		(GS-4390 RT)	
12	82872GT	DECAL,DANGER,MAX CAP CE GS4390	1
		(GS-4390 RT)	
15	114338GT	DECAL SYMBOL TIP OVER TILT ALARM	1
16	114371GT	DECAL,DANGER,OUTRIGGER SAFETY	1
17	133537GT	DECAL,CRUSH HAZ RAILS SYMB	1
18	1278048GT	DECAL,DANGER,EXT DECK,GS84/90	1
		(from SN 53778)	



128.3 Symbols, GS-3390 RT, GS-4390 RT and GS-5390 RT, Platform - Hydraulic Tank Side, CE (to SN GS90F-55999)

NOTE:
*apply this decal to all lanyard anchorage attachments on the platform

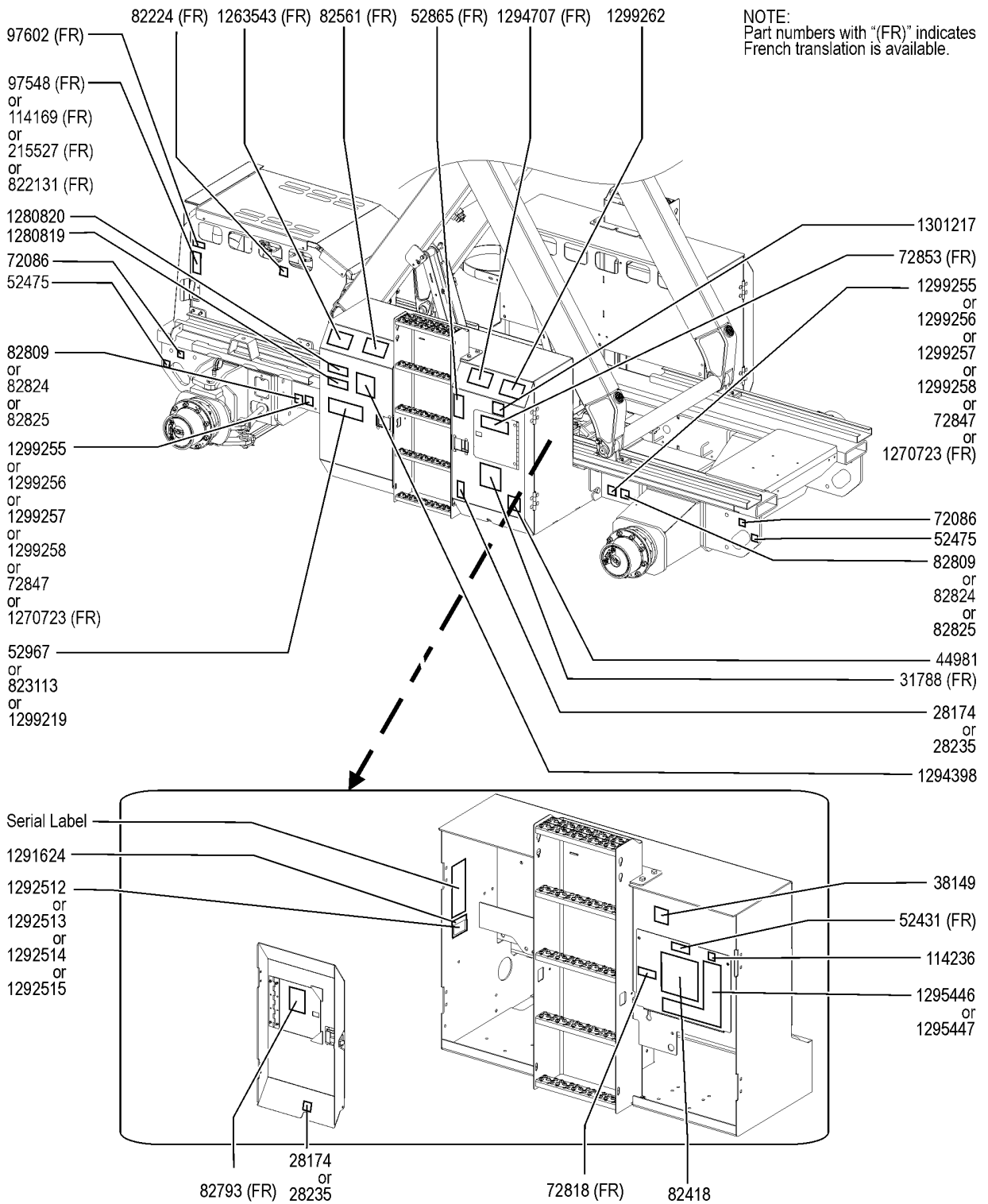


128.3 Symbols, GS-3390 RT, GS-4390 RT and GS-5390 RT, Platform - Hydraulic Tank Side, CE (to SN GS90F-55999)

<i>Item</i>	<i>Part No.</i>	<i>Description</i>	<i>Qty.</i>
1	40434GT	DECAL,LANYARD ANCHORAGE POINT	5
2	43618GT	DECAL, LABEL - DIRECTION ARROWS	1
3	44981GT	DECAL LABEL AIRLINE 110PSI	1
		Option, airline to platform	
5	65061GT	DECAL,COSMETIC,GENIE GS-5390	1
		(GS-5390 RT)	
6	82487GT	DECAL, SYMBOL - READ THE MANUAL	1
7	82811GT	DECAL,DANGER,MANUAL FORCE,400N	1
10	82870GT	DECAL LABEL,CAP INDICATOR,5390	1
		(GS-5390 RT)	
13	82874GT	DECAL,DANGER,MAXCAP CE GS5390*	1
		(GS-5390 RT)	
15	114338GT	DECAL SYMBOL TIP OVER TILT ALARM	1
16	114371GT	DECAL,DANGER,OUTRIGGER SAFETY	1
17	133537GT	DECAL,CRUSH HAZ RAILS SYMB	1
18	1278048GT	DECAL,DANGER,EXT DECK,GS84/90	1



129.1 Decals with Word, Ground Control Side (from SN GS84F-46000 and SN GS90F-56000)

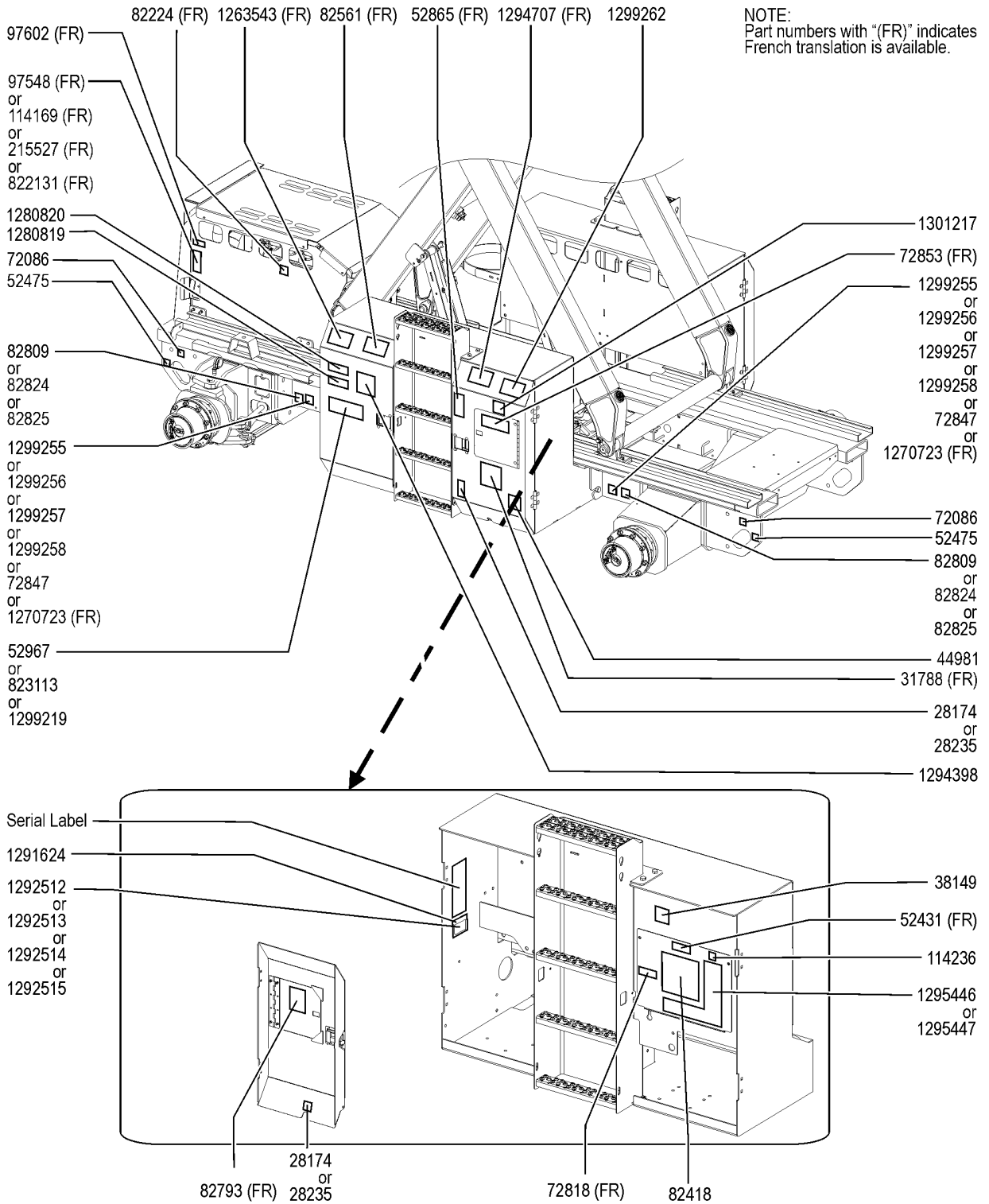


129.1 Decals with Word, Ground Control Side (from SN GS84F-46000 and SN GS90F-56000)

Item	Part No.	Description	Qty.
1	28174GT	DECAL, POWER TO PLATFORM 230V**	2
2	28235GT	DECAL, POWER TO PLATFORM 115V**	2
3	31788GT	DECAL,DANGER,BATTERY SAFETY***	1
4	38149GT	DECAL,LABEL,PATENTS (US Only)	1
5	44981GT	DECAL LABEL AIRLINE 110PSI Option, airline to plat	1
6	52431GT	DECAL,LABEL,GROUND CONTROL PNL	1
7	52475GT	DECAL LABEL TRANSPORT TIE DOWN*	2
8	52865GT	DECAL,ANNUAL INSP***	1
9	52967GT	DECAL,COSMETIC,4 X 4	1
10	72086GT	DECAL,LABEL,LIFTING EYE	2
11	72818GT	DECAL,LABEL, TEST MODE	1
12	72847GT	DECAL,NOTICE,HI FLOAT TIRES	2
13	72853GT	DECAL,DANGER,IMPROPER USE HAZ.	1
14	82224GT	DECAL,LABEL,HOT	1
15	82418GT	DECAL,GROUND CONTROL PANEL	1
16	82561GT	DECAL,DANGER-USE SAFETY ARM	1
17	82793GT	DECAL,NOTICE,OP INST,GROUND	1
18	82809GT	DECAL,LABEL,WHEEL LOAD,3384*** GS-3384	2
19	82824GT	DECAL,LABEL,WHEEL LOAD GS4390* GS-3390 and GS-4390	2
20	82825GT	DECAL,LABEL,WHEEL LOAD GS5390* GS-5390	2
21	97548GT	DECAL,ENGINE SPEC,DEUTZ 2011	1
22	97602GT	DECAL,EXPLOSION HAZARD	1
23	114169GT	DECAL,FORD ENGINE SPEC DSG423	1
24	114236GT	DECAL,LABEL,CB SYMBOL	1
25	215527GT	DECAL,FORD ENGINE SPEC MSG425	1
26	822131GT	DECAL, ENGINE SPEC, D2.9	1
27	823113GT	DECAL,COSM,4X4,BLACK	1
28	1263543GT	DECAL,COMPARTMENT ACCESS	1



129.1 Decals with Word, Ground Control Side (from SN GS84F-46000 and SN GS90F-56000)



129.1 Decals with Word, Ground Control Side (from SN GS84F-46000 and SN GS90F-56000)

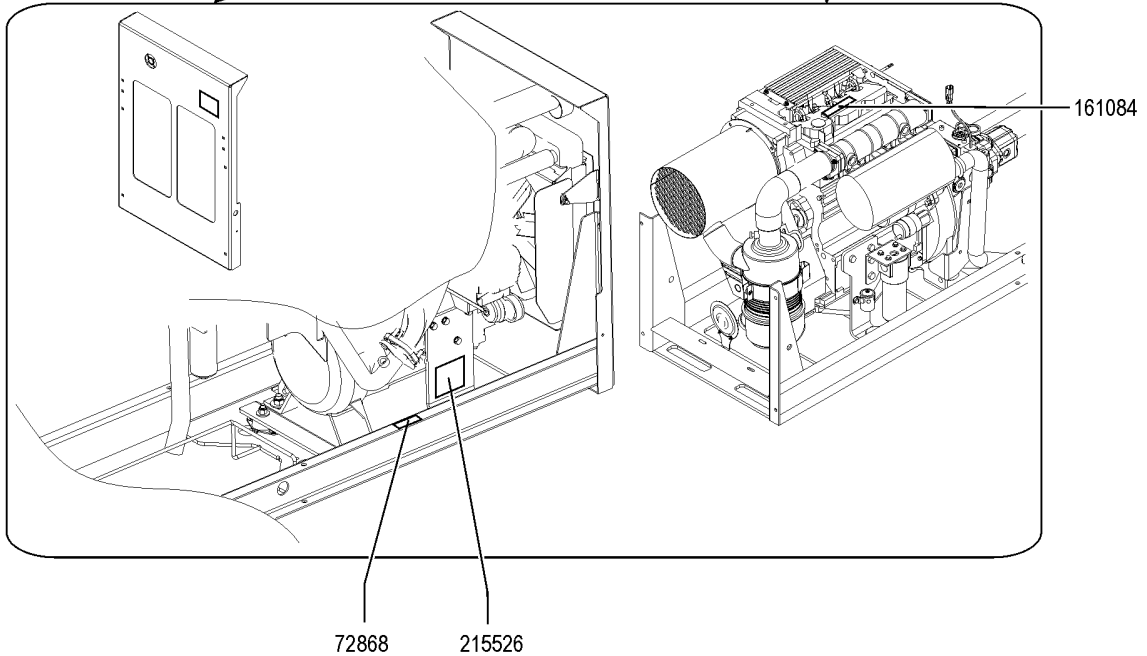
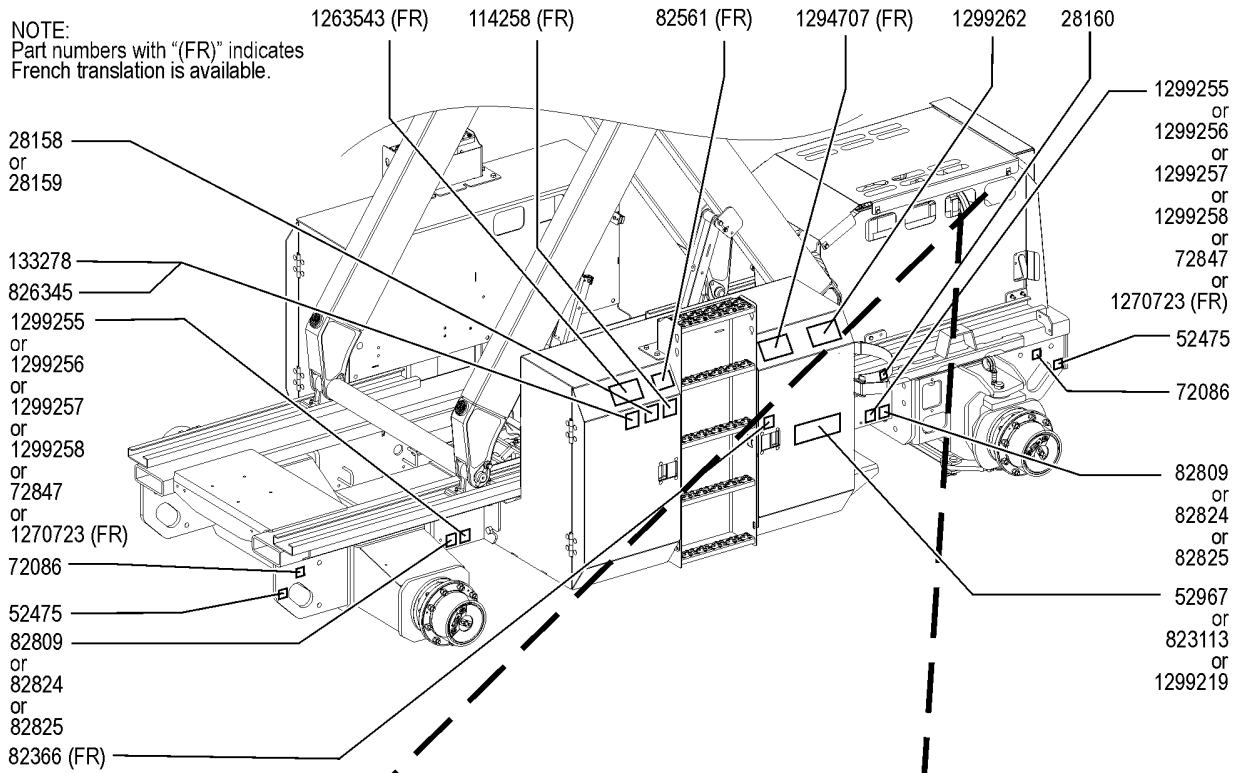
Item	Part No.	Description	Qty.
29	1270723GT	DECAL,DANGER,TIP,FOAM TIRES,RT	2
30	1280819GT	DECAL,WARNING,CANCER AND REPRODUCTIVE HARM, PROP 65 US ANSI Only	1
31	1280820GT	DECAL,FUEL,DIESEL EXHAUST, PROP 65 US ANSI Only	1
32	1291624GT	DECAL COSM,GENIE LIFT CONNECT,LEXAN COVER	1
33	1292512GT	DECAL COSM,GENIE LIFT CONNECT,ESN,SKU4-1	1
34	1292513GT	DECAL COSM,GENIE LIFT CONNECT,ESN,SKU4-2	1
35	1292514GT	DECAL COSM,GENIE LIFT CONNECT,ESN,SKU4-3	1
36	1292515GT	DECAL COSM,GENIE LIFT CONNECT,ESN,SKU4-4	1
37	1294398GT	DECAL, ANSI/CSA COMPLIANT	1
38	1294707GT	DECAL,DANGER,ELEC HAZARD,GS, MINI	1
39	1295446GT	DECAL, GROUND CONTROL PANEL, LS	1
40	1295447GT	DECAL, GROUND CONTROL PANEL, D2.9, LS	1
41	1299219GT	DECAL,COSMETIC,4 X 4, BLUE	1
42	1299255GT	DECAL, DANGER, TIP, GS84 FOAM FILLED	2
43	1299256GT	DECAL, DANGER, TIP, GS84 NON MARKING	2
44	1299257GT	DECAL, DANGER, TIP, GS90 FOAM FILLED	2
45	1299258GT	DECAL, DANGER, TIP, GS90 HI FLOAT FOAM FILLED	2
46	1299262GT	DECAL,LABEL,TRANSPORT TIE, GA84/90	1
47	1301217GT	DECAL, EMERGENCY LOWERING, GS90/GS69RT	1



130.1 Decals with Word, Hydraulic Tank Side (from SN GS84F-46000 and SN GS90F-56000)

NOTE:

Part numbers with "(FR)" indicates French translation is available.



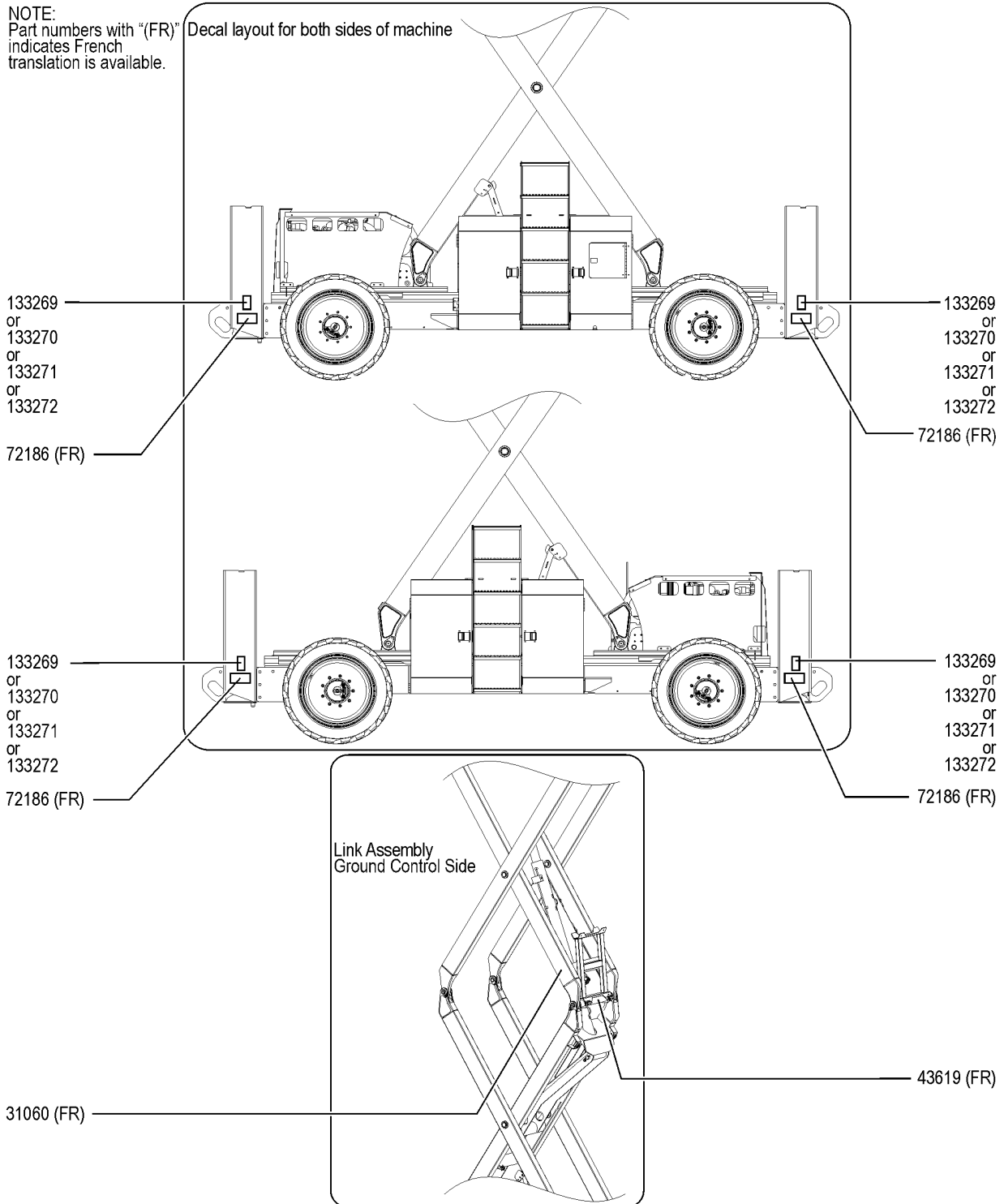
130.1 Decals with Word, Hydraulic Tank Side (from SN GS84F-46000 and SN GS90F-56000)

Item	Part No.	Description	Qty.
1	28158GT	DECAL,LABEL,UNLEADED GAS ONLY	1
2	28159GT	DECAL,LABEL,DIESEL FUEL	1
3	28160GT	DECAL,LABEL,LIQUID PROPANE	1
4	52475GT	DECAL LABEL TRANSPORT TIE DOWN*	2
5	52967GT	DECAL,COSMETIC,4 X 4	1
6	72086GT	DECAL,LABEL,LIFTING EYE	2
7	72847GT	DECAL,NOTICE,HI FLOAT TIRES	2
8	72868GT	DECAL,LABEL,ENGINE TRAY PROP	1
9	82366GT	DECAL,CHEVRON RANDO HD	1
10	82561GT	DECAL,DANGER-USE SAFETY ARM	1
11	82809GT	DECAL,LABEL,WHEEL LOAD,3384*** GS-3384	2
12	82824GT	DECAL,LABEL,WHEEL LOAD GS4390* GS-3390 and GS-4390	2
13	82825GT	DECAL,LABEL,WHEEL LOAD GS5390* GS-5390	2
14	114258GT	DECAL,DANGER,NO SMOKING	1
15	133278GT	DECAL,LOW/ULTRA LOW SULFR FUEL	1
16	161084GT	DECAL, DEUTZ ROW RELABEL	1
17	215526GT	DECAL,LABEL,BELT,MSG425	1
18	823113GT	DECAL,COSM,4X4,BLACK	1
19	826345GT	DECAL,ULS DIESEL ONLY,TIER 4	1
20	1263543GT	DECAL,COMPARTMENT ACCESS	1
21	1270723GT	DECAL,DANGER,TIP,FOAM TIRES,RT	2
22	1294707GT	DECAL,DANGER,ELEC HAZARD,GS, MINI	1
23	1299219GT	DECAL,COSMETIC,4 X 4, BLUE	1
24	1299255GT	DECAL, DANGER, TIP, GS84 FOAM FILLED	2
25	1299256GT	DECAL, DANGER, TIP, GS84 NON MARKING	2
26	1299257GT	DECAL, DANGER, TIP, GS90 FOAM FILLED	2
27	1299258GT	DECAL, DANGER, TIP, GS90 HI FLOAT FOAM FILLED	2
28	1299262GT	DECAL,LABEL,TRANSPORT TIE, GA84/90	1



131.1 Decals with Word, Outriggers & Link Assembly (from SN GS84F-46000 and SN GS90F-56000)

NOTE:
Part numbers with "(FR)" indicates French translation is available.

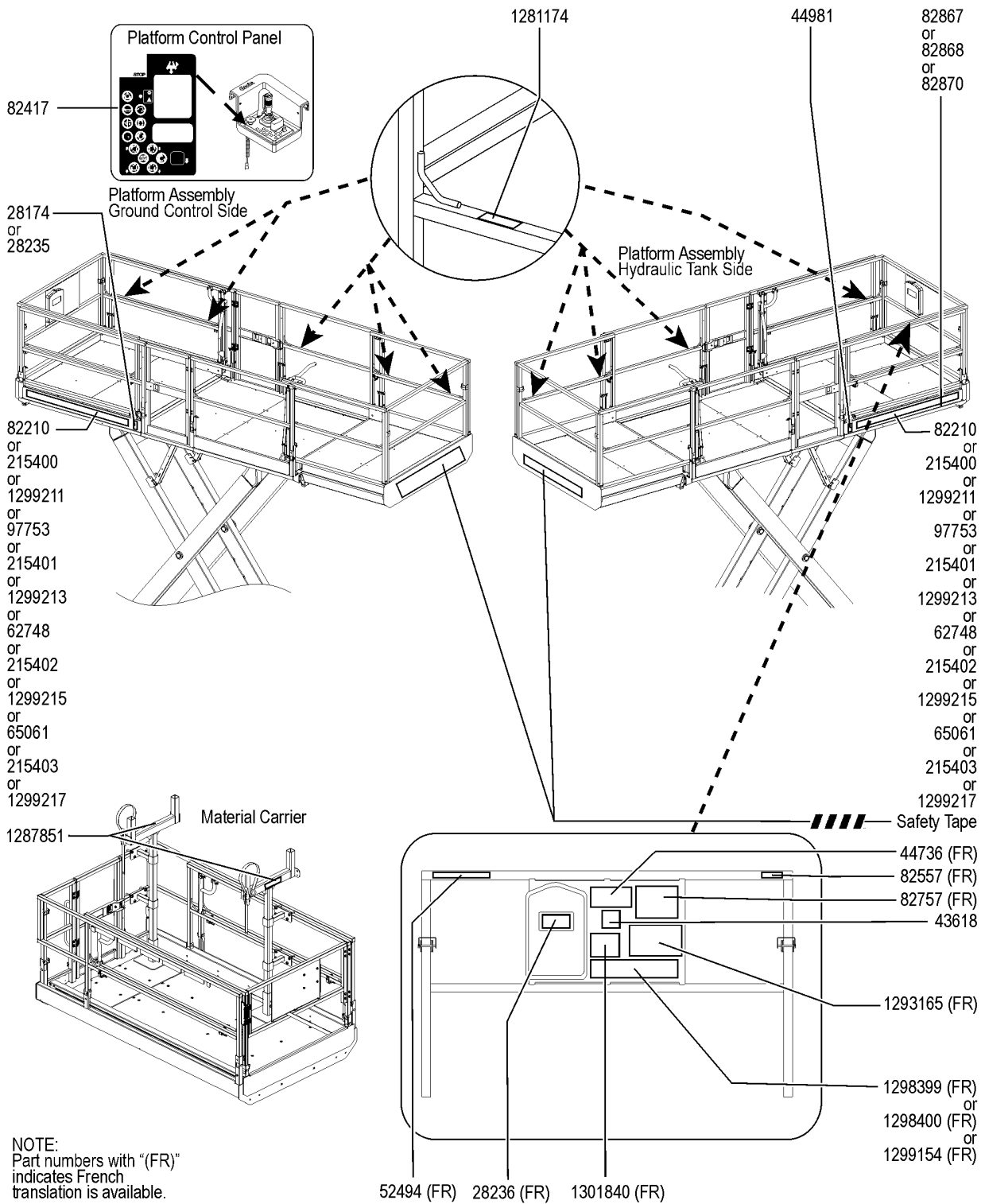


131.1 Decals with Word, Outriggers & Link Assembly (from SN GS84F-46000 and SN GS90F-56000)

<i>Item</i>	<i>Part No.</i>	<i>Description</i>	<i>Qty.</i>
1	31060GT	DECAL,DANGER DO NOT ALTER SWTC	1
2	43619GT	DECAL,LABEL,SAFETY ARM	1
3	72186GT	DECAL,WARNING,CRUSHING HAZARD	4
4	133269GT	DECAL,LABEL,OUTRIGGER LD 3384	4
		GS-3384	
5	133270GT	DECAL,LABEL,OUTRIGGER LD 3390	4
		GS-3390	
6	133271GT	DECAL,LABEL,OUTRIGGER LD 4390	4
		GS-4390	
7	133272GT	DECAL,LABEL,OUTRIGGER LD 5390	4
		GS-5390	



132.1 Decals with Word, Platform (from SN GS84F-46000 and SN GS90F-56000)

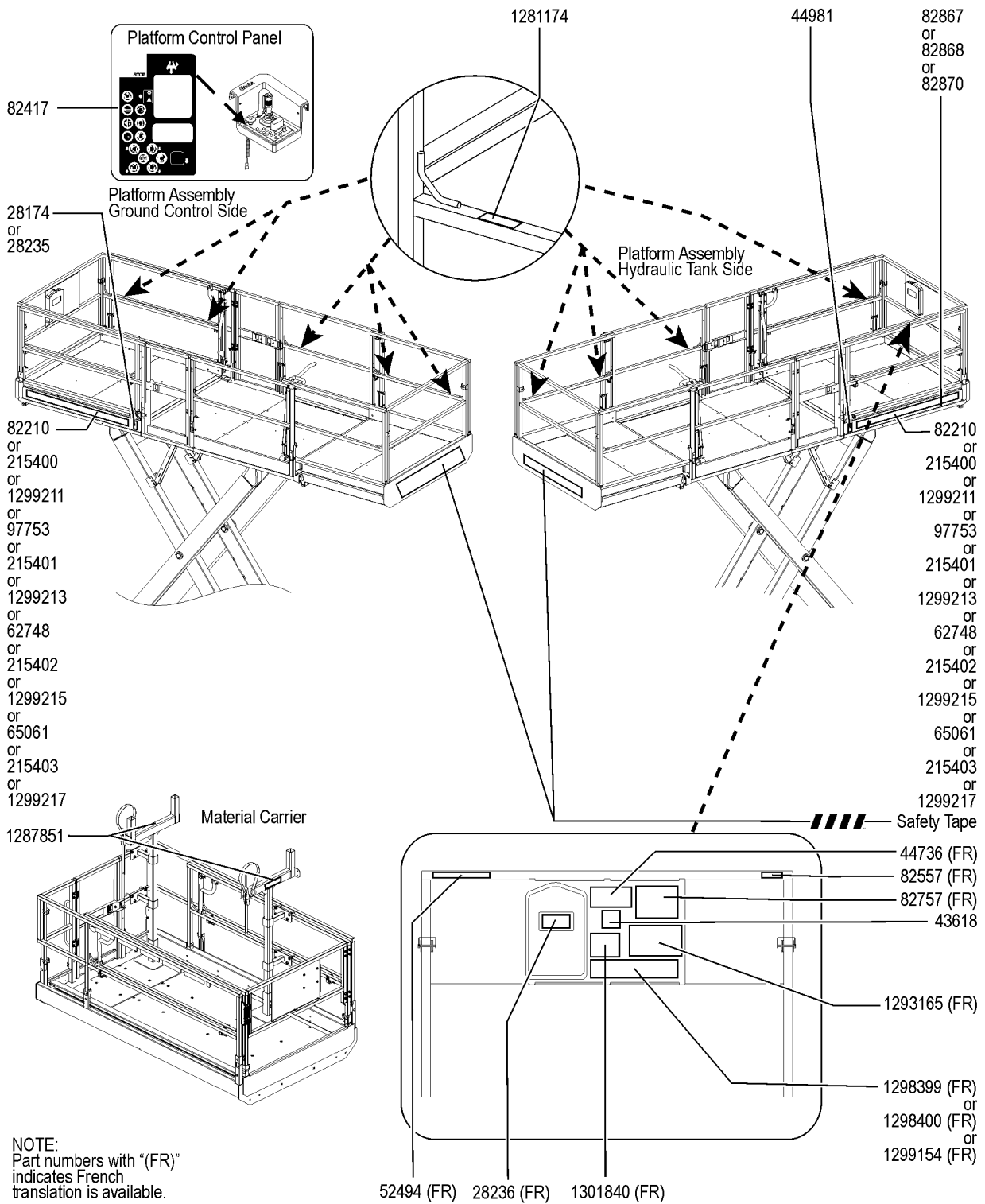


132.1 Decals with Word, Platform (from SN GS84F-46000 and SN GS90F-56000)

Item	Part No.	Description	Qty.
1	28174GT	DECAL, POWER TO PLATFORM 230V**	1
2	28235GT	DECAL, POWER TO PLATFORM 115V**	1
3	28236GT	DECAL,WARN,IMPROPER OPERATION	1
4	43618GT	DECAL, LABEL - DIRECTION ARROWS	1
5	44736GT	DECAL,DANGER,TIP-OVER,TILT	1
6	44981GT	DECAL LABEL AIRLINE 110PSI	1
		Option, airline to plat	
7	52494GT	DECAL,CAUTION,CRUSH HAZ, RAILS	1
8	62748GT	DECAL,COSMETIC,GENIE GS-4390	2
9	65061GT	DECAL,COSMETIC,GENIE GS-5390	2
10	82210GT	DECAL,COSMETIC,GENIE GS-3384	2
11	82417GT	DECAL,PLATFORM CONTROL PANEL	1
12	82557GT	DECAL,LABEL,PLAT CONT LOCATION	1
13	82757GT	DECAL,DANGER,OUTRIGGER SAFETY	1
14	82867GT	DECAL,LABEL,CAP INDICATOR,3384	1
		GS-3384 and GS-3390	
15	82868GT	DECAL,LABEL,CAP INDICATOR,4390	1
		GS-4390	
16	82870GT	DECAL,LABEL,CAP INDICATOR,5390	1
		GS-5390	
17	97753GT	DECAL,COSMETIC,GENIE GS-3390	2
18	215400GT	DECAL,COSM,BLK,GENIE GS3384RT	2
19	215401GT	DECAL,COSM,BLK,GENIE GS3390RT	2
20	215402GT	DECAL,COSM,BLK,GENIE GS4390RT	2
21	215403GT	DECAL,COSM,BLK,GENIE GS5390RT	2
22	1281174GT	DECAL,LANYARD,FALL ARREST/FALL RESTRAINED	1
23	1287851GT	DECAL, MAX CAPACITY	1
24	1293165GT	DECAL,DANGER/WARNING COMBO, GS-1330m	1
25	1298399GT	DECAL, NOTICE, MAX CAP AND SIDE FORCE, GS3390/84	1
		GS-3384 and GS-3390	
26	1298400GT	DECAL, NOTICE, MAX CAP AND SIDE FORCE, GS4390	1
		GS-4390	
27	1299154GT	DECAL, NOTICE, MAX CAP AND SIDE FORCE, GS5390	1
		GS-5390	
28	1299211GT	DECAL,COSMETIC,GENIE GS-3384, BLUE	2



132.1 Decals with Word, Platform (from SN GS84F-46000 and SN GS90F-56000)

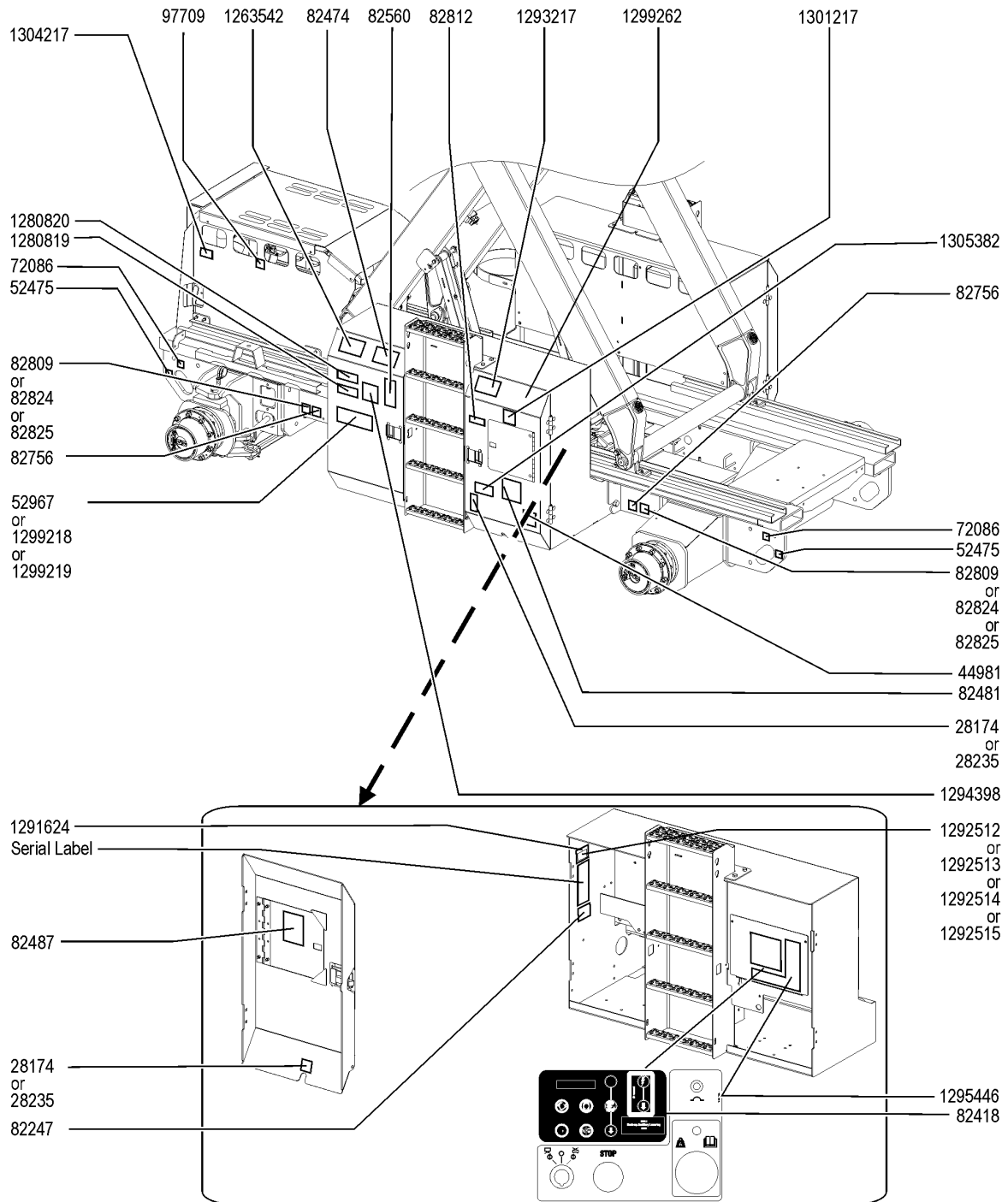


132.1 Decals with Word, Platform (from SN GS84F-46000 and SN GS90F-56000)

<i>Item</i>	<i>Part No.</i>	<i>Description</i>	<i>Qty.</i>
29	1299213GT	DECAL,COSMETIC,GENIE GS-3390, BLUE	2
30	1299215GT	DECAL,COSMETIC,GENIE GS-4390, BLUE	2
31	1299217GT	DECAL,COSMETIC,GENIE GS-5390, BLUE	2
32	1301840GT	DECAL, DANGER, OVERLOAD, RT SCISSORS	1



133.1 Decals with Symbol, Ground Control Side (from SN GS84F-46000 and SN GS90F-56000)

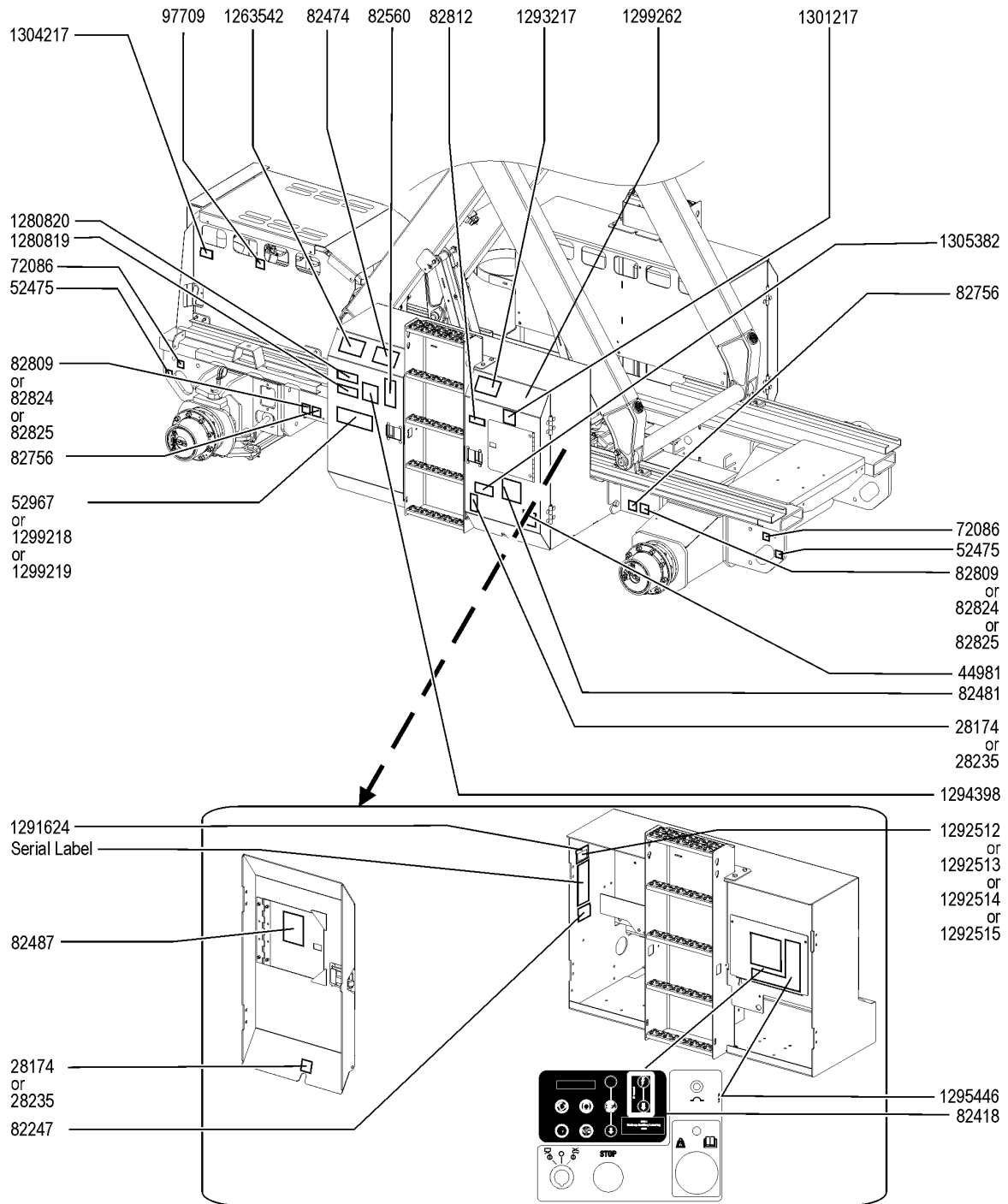


133.1 Decals with Symbol, Ground Control Side (from SN GS84F-46000 and SN GS90F-56000)

Item	Part No.	Description	Qty.
1	28174GT	DECAL, POWER TO PLATFORM 230V**	2
2	28235GT	DECAL, POWER TO PLATFORM 115V**	2
3	44981GT	DECAL LABEL AIRLINE 110PSI	1
		Option, airline to plat	
4	52475GT	DECAL LABEL TRANSPORT TIE DOWN*	2
5	52967GT	DECAL,COSMETIC,4 X 4	1
6	72086GT	DECAL,LABEL,LIFTING EYE	2
7	82247GT	DECAL,LABEL,107 DB***	1
		CE Only	
8	82418GT	DECAL,GROUND CONTROL PANEL	1
9	82474GT	DECAL SYMBOL USE SAFETY ARM	1
10	82481GT	DECAL SYMBOL BATTERY SAFETY	1
11	82487GT	DECAL, SYMBOL - READ THE MANUAL	1
12	82560GT	DECAL SYMBOL SKIN INJECT HAZARD	1
13	82756GT	DECAL,LABEL,TIRE PRESS,GS90 CE	2
14	82809GT	DECAL,LABEL,WHEEL LOAD,3384***	2
		GS-3384	
15	82812GT	DECAL,LABEL,READ THE SERV MAN*	1
16	82824GT	DECAL,LABEL,WHEEL LOAD GS4390*	2
		GS-3390 and GS-4390	
17	82825GT	DECAL,LABEL,WHEEL LOAD GS5390*	2
		GS-5390	
18	97709GT	DECAL,DANGER,HOT,SYMBOL	1
19	1263542GT	DECAL,IMPROPER OPERATION,SYMBOL	1
20	1280819GT	DECAL,WARNING,CANCER AND REPRODUCTIVE HARM, PROP 65	1
		US ANSI Only	
21	1280820GT	DECAL,FUEL,DIESEL EXHAUST, PROP 65	1
		US ANSI Only	
22	1291624GT	DECAL COSM,GENIE LIFT CONNECT,LEXAN COVER	1
23	1292512GT	DECAL COSM,GENIE LIFT CONNECT,ESN,SKU4-1	1
24	1292513GT	DECAL COSM,GENIE LIFT CONNECT,ESN,SKU4-2	1
25	1292514GT	DECAL COSM,GENIE LIFT CONNECT,ESN,SKU4-3	1
26	1292515GT	DECAL COSM,GENIE LIFT CONNECT,ESN,SKU4-4	1
27	1293217GT	DECAL SYMBOL ELECTRIC HAZARD GS-1330m	1
28	1294398GT	DECAL, ANSI/CSA COMPLIANT	1



133.1 Decals with Symbol, Ground Control Side (from SN GS84F-46000 and SN GS90F-56000)

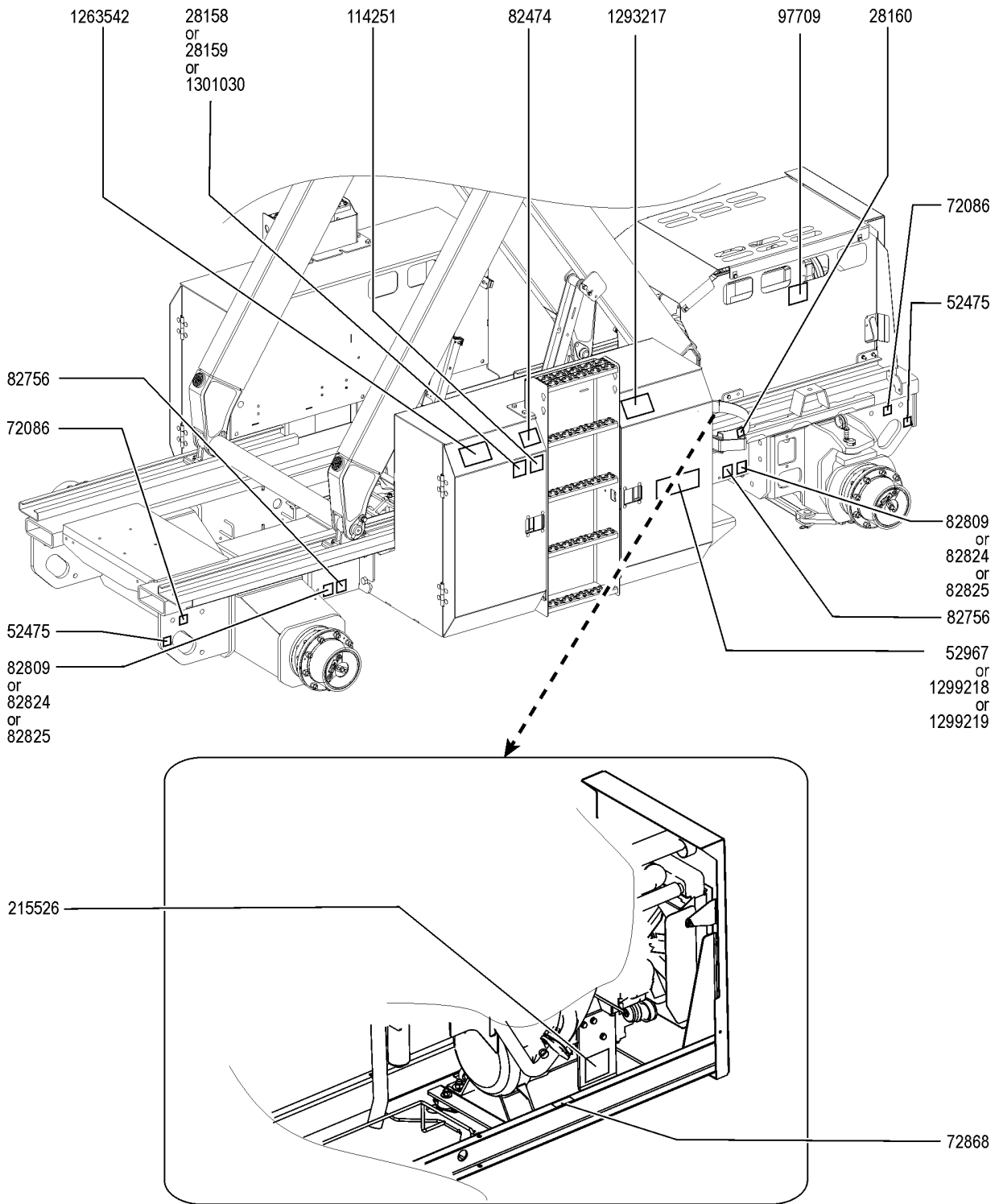


133.1 Decals with Symbol, Ground Control Side (from SN GS84F-46000 and SN GS90F-56000)

<i>Item</i>	<i>Part No.</i>	<i>Description</i>	<i>Qty.</i>
29	1295446GT	DECAL, GROUND CONTROL PANEL, LS	1
30	1299218GT	DECAL,COSMETIC,4 X 4, BLACK	1
31	1299219GT	DECAL,COSMETIC,4 X 4, BLUE	1
32	1301217GT	DECAL, EMERGENCY LOWERING, GS90/GS69RT	1
33	1304217GT	DECAL, EXPLOSION HAZARD	1
		CE Only	
34	1305382GT	STAGE V IDENTIFICATION LABEL	1



134.1 Decals with Symbol, Hydraulic Tank Side (from SN GS84F-46000 and SN GS90F-56000)

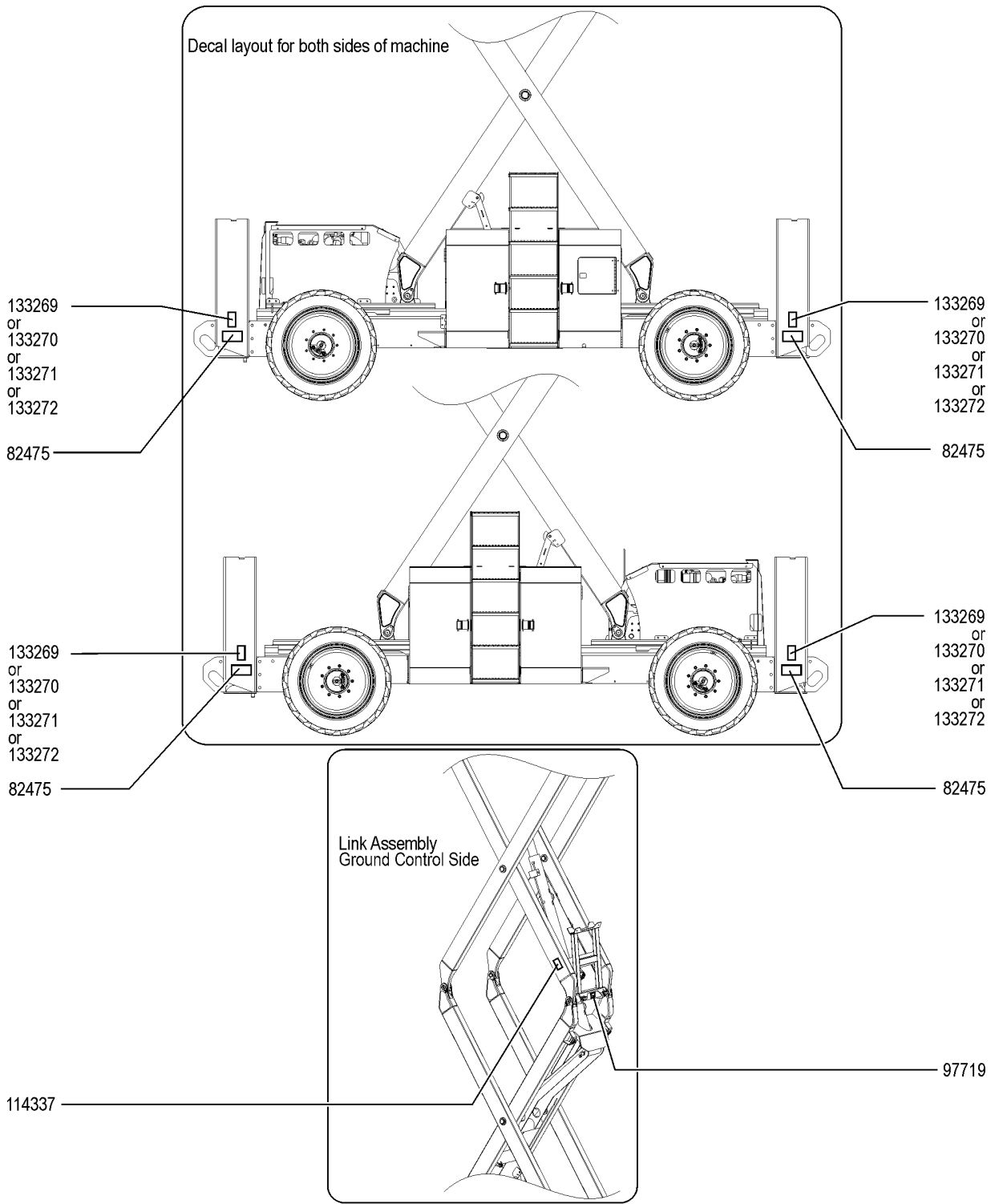


134.1 Decals with Symbol, Hydraulic Tank Side (from SN GS84F-46000 and SN GS90F-56000)

Item	Part No.	Description	Qty.
1	28158GT	DECAL,LABEL,UNLEADED GAS ONLY	1
2	28159GT	DECAL,LABEL,DIESEL FUEL	1
3	28160GT	DECAL,LABEL,LIQUID PROPANE	1
4	52475GT	DECAL LABEL TRANSPORT TIE DOWN*	2
5	52967GT	DECAL,COSMETIC,4 X 4	1
6	72086GT	DECAL,LABEL,LIFTING EYE	2
7	72868GT	DECAL,LABEL,ENGINE TRAY PROP	1
8	82474GT	DECAL SYMBOL USE SAFETY ARM	1
9	82756GT	DECAL,LABEL,TIRE PRESS,GS90 CE	2
10	82809GT	DECAL,LABEL,WHEEL LOAD,3384*** GS-3384	2
11	82824GT	DECAL,LABEL,WHEEL LOAD GS4390* GS-3390 and GS-4390	2
12	82825GT	DECAL,LABEL,WHEEL LOAD GS5390* GS-5390	2
13	97709GT	DECAL,DANGER,HOT,SYMBOL	1
14	114251GT	DECAL,LABEL,NO SMOKING,SYMB	1
15	215526GT	DECAL,LABEL,BELT,MSG425	1
16	1263542GT	DECAL,IMPROPER OPERATION,SYMBOL	1
17	1293217GT	DECAL SYMBOL ELECTRIC HAZARD GS-1330m	1
18	1299218GT	DECAL,COSMETIC,4 X 4, BLACK	1
19	1299219GT	DECAL,COSMETIC,4 X 4, BLUE	1
20	1301030GT	DECAL, LABEL, ULSD DIESEL FUEL	1



135.1 Decals with Symbol, Outriggers & Link Assembly (from SN GS84F-46000 and SN GS90F-56000)

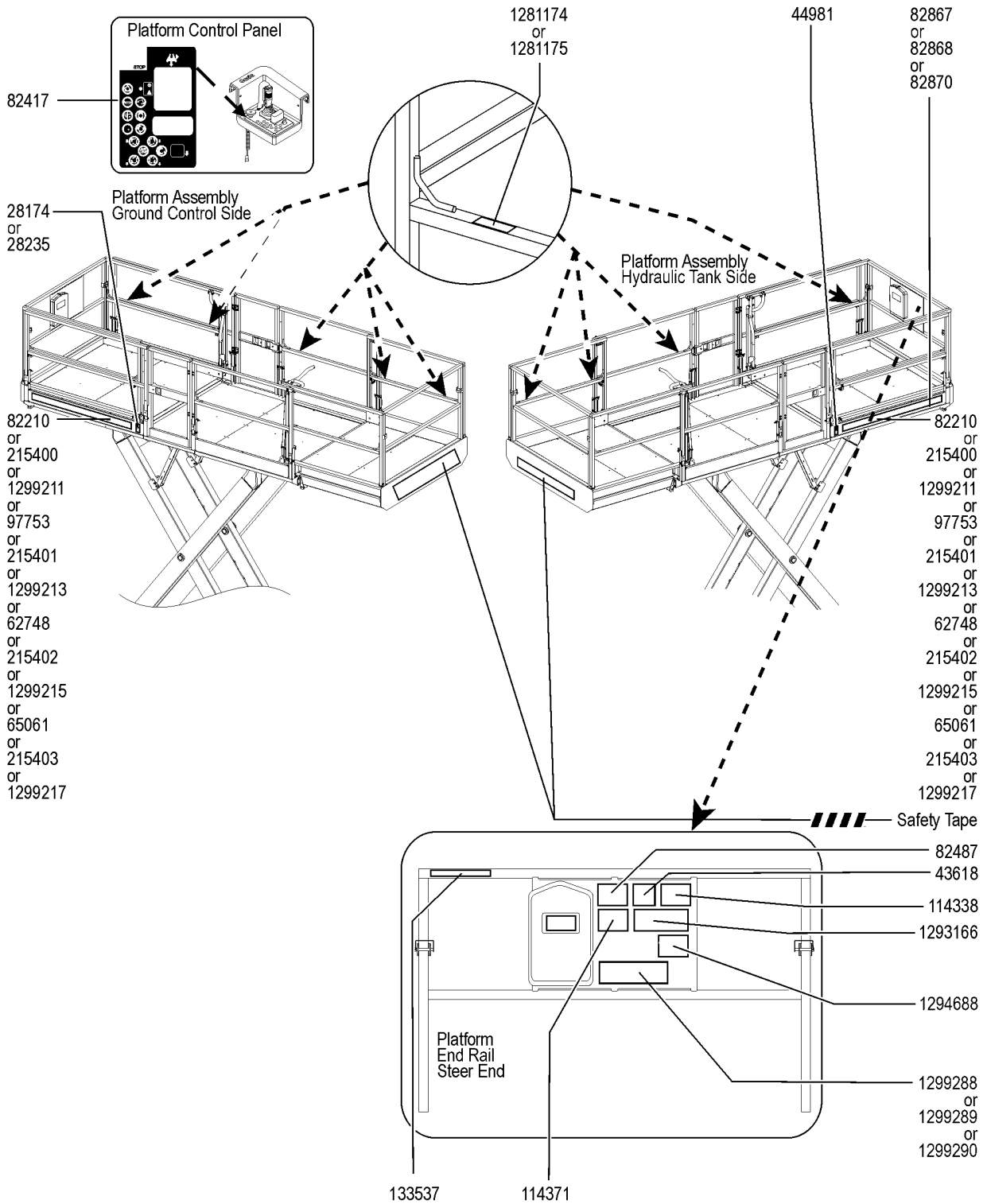


135.1 Decals with Symbol, Outriggers & Link Assembly (from SN GS84F-46000 and SN GS90F-56000)

<i>Item</i>	<i>Part No.</i>	<i>Description</i>	<i>Qty.</i>
1	82475GT	DECAL,WARNING,CRUSHING HAZARD	4
2	97719GT	DECAL, LABEL, SAFETY ARM SYMBOL	1
3	114337GT	DECAL SYMBOL TIP OVER LIMIT SWITCH	1
4	133269GT	DECAL,LABEL,OUTRIGGER LD 3384	4
		GS-3384	
5	133270GT	DECAL,LABEL,OUTRIGGER LD 3390	4
		GS-3390	
6	133271GT	DECAL,LABEL,OUTRIGGER LD 4390	4
		GS-4390	
7	133272GT	DECAL,LABEL,OUTRIGGER LD 5390	4
		GS-5390	



136.1 Decals with Symbol, Platform (from SN GS84F-46000 and SN GS90F-56000)

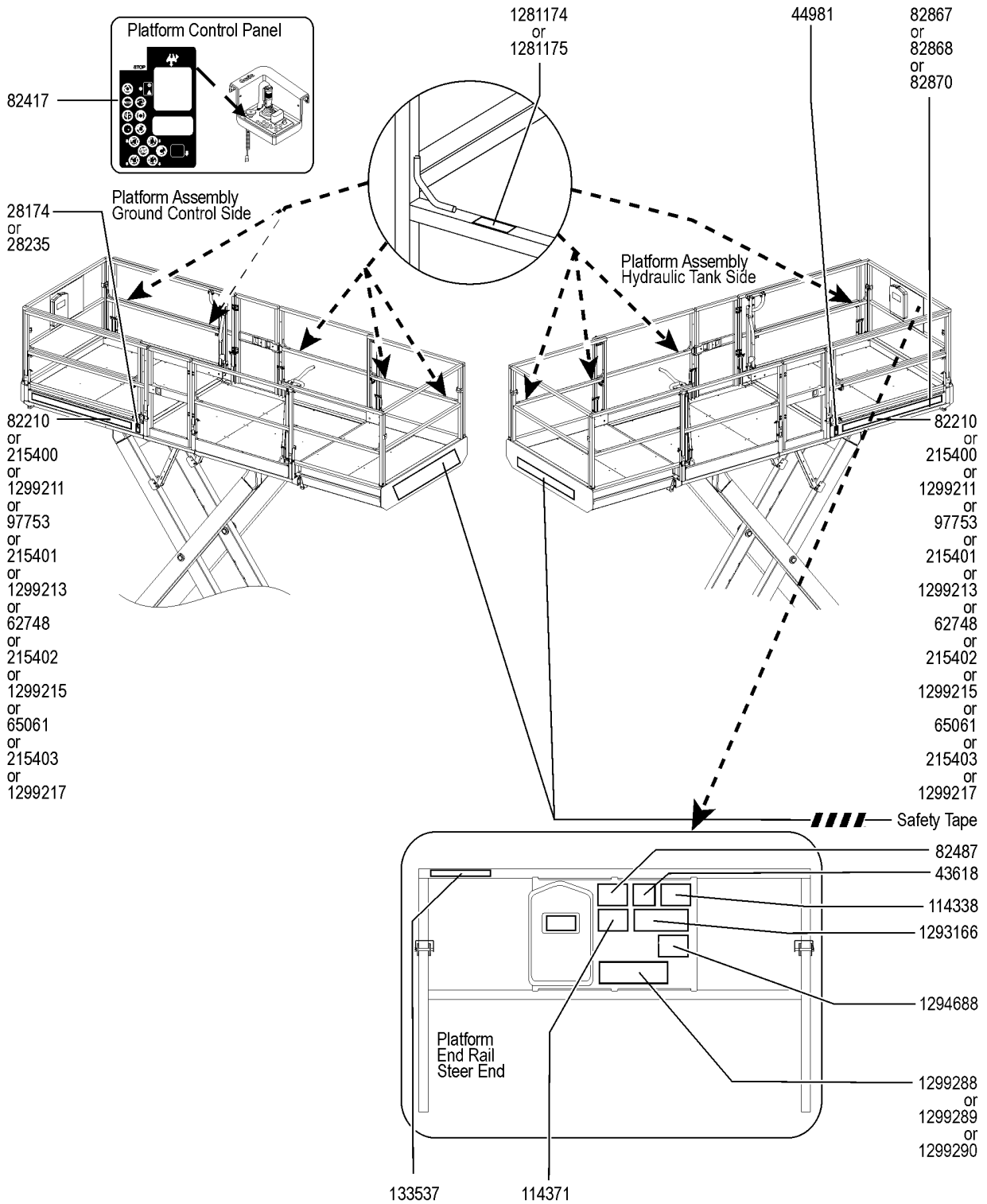


136.1 Decals with Symbol, Platform (from SN GS84F-46000 and SN GS90F-56000)

Item	Part No.	Description	Qty.
1	28174GT	DECAL, POWER TO PLATFORM 230V**	1
2	28235GT	DECAL, POWER TO PLATFORM 115V**	1
3	43618GT	DECAL, LABEL - DIRECTION ARROWS	1
4	44981GT	DECAL LABEL AIRLINE 110PSI	1
		Option, airline to plat	
5	62748GT	DECAL,COSMETIC,GENIE GS-4390	2
6	65061GT	DECAL,COSMETIC,GENIE GS-5390	2
7	82210GT	DECAL,COSMETIC,GENIE GS-3384	2
8	82417GT	DECAL,PLATFORM CONTROL PANEL	1
9	82487GT	DECAL, SYMBOL - READ THE MANUAL	1
10	82867GT	DECAL,LABEL,CAP INDICATOR,3384	1
		GS-3384 and GS-3390	
11	82868GT	DECAL,LABEL,CAP INDICATOR,4390	1
		GS-4390	
12	82870GT	DECAL,LABEL,CAP INDICATOR,5390	1
		GS-5390	
13	97753GT	DECAL,COSMETIC,GENIE GS-3390	2
14	114338GT	DECAL SYMBOL TIP OVER TILT ALARM	1
15	114371GT	DECAL,DANGER,OUTRIGGER SAFETY	1
16	133537GT	DECAL,CRUSH HAZ RAILS SYMB	1
17	215400GT	DECAL,COSM,BLK,GENIE GS3384RT	2
18	215401GT	DECAL,COSM,BLK,GENIE GS3390RT	2
19	215402GT	DECAL,COSM,BLK,GENIE GS4390RT	2
20	215403GT	DECAL,COSM,BLK,GENIE GS5390RT	2
21	1281174GT	DECAL,LANYARD,FALL ARREST/FALL RESTRAINED	1
		ANSI	
22	1281175GT	DECAL,LANYARD,FALL RESTRAINED	1
		CE	
23	1293166GT	DECAL,TIP-OVER,CRUSH, GS-1330m	1
24	1294688GT	DECAL,PLATFORM OVERLOAD, MINI	1
25	1299211GT	DECAL,COSMETIC,GENIE GS-3384, BLUE	2
26	1299213GT	DECAL,COSMETIC,GENIE GS-3390, BLUE	2
27	1299215GT	DECAL,COSMETIC,GENIE GS-4390, BLUE	2
28	1299217GT	DECAL,COSMETIC,GENIE GS-5390, BLUE	2



136.1 Decals with Symbol, Platform (from SN GS84F-46000 and SN GS90F-56000)

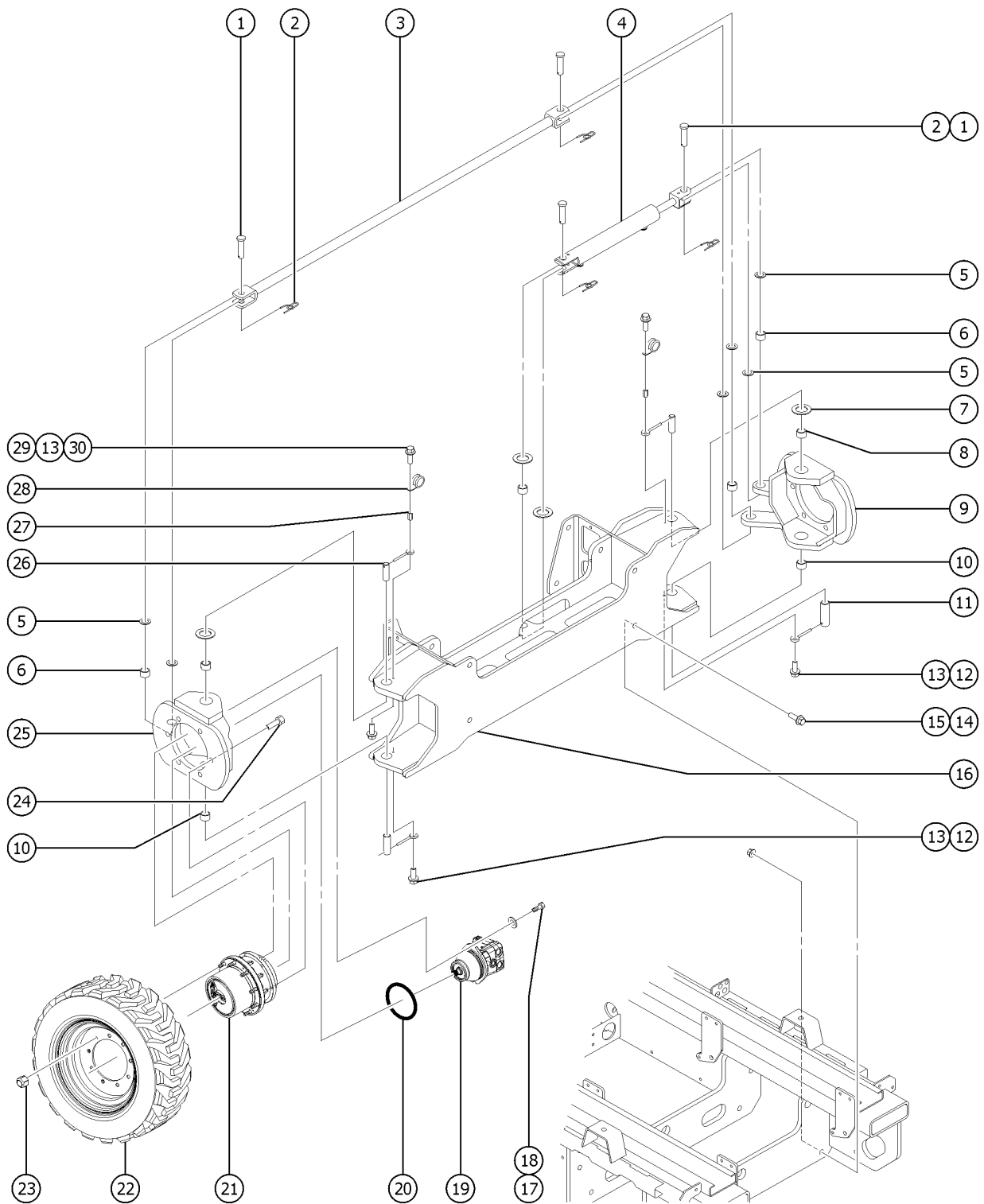


136.1 Decals with Symbol, Platform (from SN GS84F-46000 and SN GS90F-56000)

<i>Item</i>	<i>Part No.</i>	<i>Description</i>	<i>Qty.</i>
29	1299288GT	DECAL, NOTICE, SYMBOL, MAX CAP AND SIDE FORCE, GS3390/84 GS-3384 and GS-3390	1
30	1299289GT	DECAL, NOTICE, SYMBOL, MAX CAP AND SIDE FORCE, GS4390 GS-4390	1
31	1299290GT	DECAL, NOTICE, SYMBOL, MAX CAP AND SIDE FORCE, GS5390 GS-5390	1



201.1 Steer Axle Linkage, Wheels and Drive Hubs - GS-3384

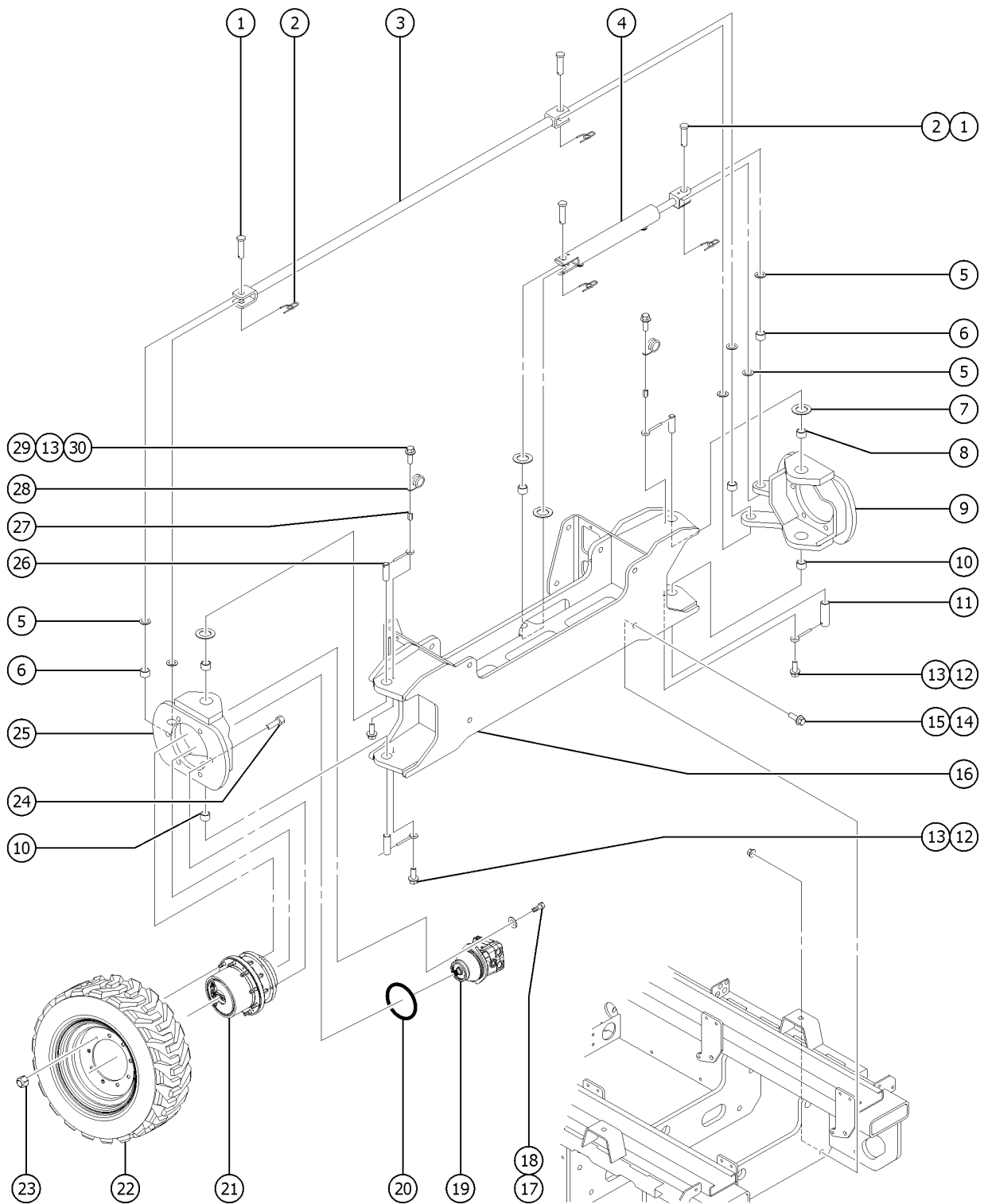


201.1 Steer Axle Linkage, Wheels and Drive Hubs - GS-3384

Item	Part No.	Description	Qty.
1	824127GT	PIN, CLEVIS, SAE 1.0 X 2.41, ZAG	4
2	824129GT	RUE RING, 1.0, ZAG	4
3	1254212GT	WELDMENT,TIE ROD,GS84	1
4	89065GT	CYLINDER,STEER***	1
4-	89066GT	SEAL KIT,STEER CYL (89065)	
5	35057GT	WASHER,THRUST,1.0 X 1.5 X .125	
6	51474GT	BEARING,1.00IDX1.25ODX0.75L	5
7	45074GT	WASHER,THRUST,1.5 X 3.5 X .187	
8	18396GT	BEARING,1.5IDX1.75ODX1.0L	2
9	1262768GT	YOKE ASSY,GRDCONTRL SIDE,GS84 ground control side, includes items 6, 8 and 10)	2
10	119621GT	BEARING,FL,1.50IDX1.75ODX1.10L	2
11	71309GT	PIN,1.50DIAX2.87LG,1HOLE	2
12	824091GT	SCREW,HHF,3/8-16X1.25,8,ZAG	2
13	1255452GT	ROD END,.375 X 2.25,ZAG	4
14	1260498GT	SCREW,HHF,3/4-10X2.75,8,ZAG	2
15	1257865GT	NUT,TL FLG,3/4-16,G,ZAG	2
16	1262769GT	STEER AXLE ASSEMBLY, GS84 includes item 6	1
17	824072GT	SCREW,HHC,7/16-14X1.25,ZAG	2
18	824117GT	WASHER,FLAT,7/16,SAE,HRD,ZAG	2
19	101586GT	MOTOR,PISTON,LC25,6.5 DEG,13T	2
19-	106098GT	SEAL KIT,MOTOR,LC/KC***	
19-	106117GT	O-RING,2-010,VITON	
20	102158GT	O-RING,.103 X 4.737,VITON, 75D	2
21	101584GT	WHEEL DRIVE W/BRAKE 57:1	2
21-	58320GT	KIT,TORQUE HUB COVER(101584)** for 101584	
21-	215777GT	INPUT CARRIER, SUB-ASSEMBLY for 101584	
21-	106117GT	O-RING,2-010,VITON for 101584 (Mating O-ring for Brake Port)(Extremely small)	
21-	106119GT	SEAL KIT, GEARBOX, 4HP for 101584	



201.1 Steer Axle Linkage, Wheels and Drive Hubs - GS-3384

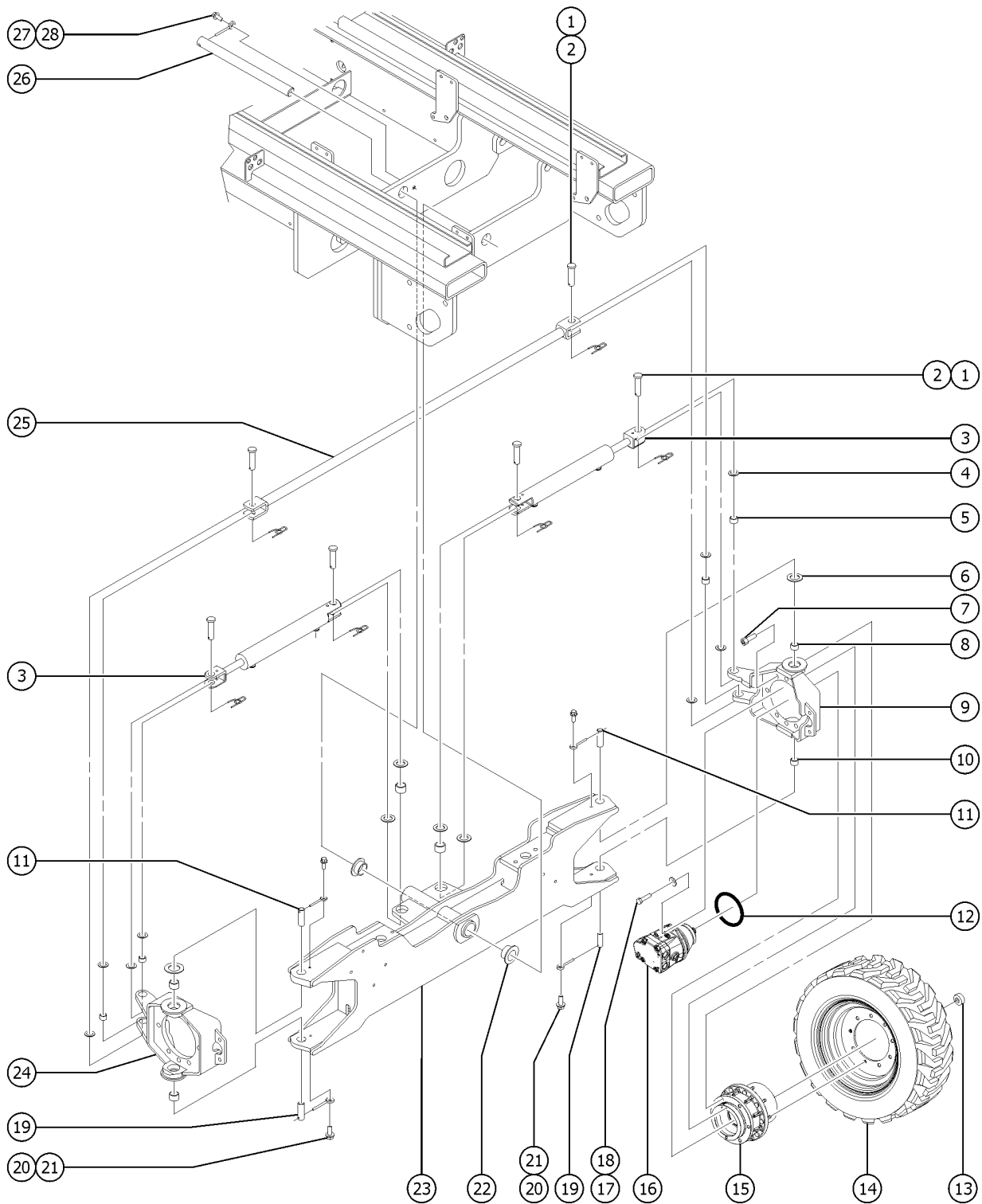


201.1 Steer Axle Linkage, Wheels and Drive Hubs - GS-3384

Item	Part No.	Description	Qty.
21-	106120GT	WHEEL STUD, 4HP, 5/8-18*** for 101584	
21-	106121GT	ROD,DISCONNECT 4HP/4HB*** for 101584	
21-	106122GT	CAP,DISENGAGE,4HP/4HB*** for 101584	
21-	106123GT	O-RING,END COVER,4HP/4HB*** for 101584	
21-	106124GT	LINING KIT, BRAKE, 4HP*** for 101584	
21-	106125GT	SEAL KIT, BRAKE, 4HP for 101584 (inventory limited to stock on hand as component is no longer available)	
21-	1286602GT	SEAL KIT,WHEEL DRIVE W/BRAKE (101584/101585) for 101584	
21-	106126GT	BEARING KIT,4HP for 101584 (inventory limited to stock on hand as component is no longer available)	
21-	1286603GT	BEARING KIT,WHEEL DRIVE W/BRAKE (101584/101585) for 101584	
21-	146051GT	BEARING NUT*** for 101584	
21-	146052GT	SET SCREW*** for 146051	
22A	131340GT	ASSY,TIRE&WHEEL,FF.RH RT, Foam-filled, right	1
22A-	131341GT	ASSY,TIRE&WHEEL,FF.LH RT, Foam-filled, left	
22B	87238GT	TIRE&WH ASSY,10-16.5 RT NM LT* RT, Foam-filled, Non-marking, left	1
22B-	87239GT	TIRE&WH ASSY,10-16.5 RT NM RT* RT, Foam-filled, Non-marking, right	
22C	73923GT	TIRE & WHEEL ASSY.,FLOTATION Turf, Air-filled	2
22C-	73924GT	WHEEL, 19.5X14.00 for 73923	
22C-	73925GT	TIRE,33/16LL500,10PLY LITEFOOT for 73923	
22D	79394GT	TIRE & WHEEL ASSY,HF,FOAM Turf, Foam-filled	2
23	824042GT	NUT,LUG,5/8-18X90 DEG,ZAG	18
24	1260511GT	SCREW,SHC,5/8-11X1.5,A574,ZAG	
25	1262770GT	YOKE ASSEMBLY,TANK SIDE,GS84 (tank side, includes items 6, 8 and 10)	2
26	36211GT	PIN,1.50DIAX3.25LG,1HOLE	2
27	1274611GT	SPACER,.406IDX.810ODX1.25L (replaces qty. 3 of PN 44723 from SN 45500 to 45505)	2
28	39518GT	CLAMP,2.00,#32 X 3/8,RUB CUSH	2
29	824090GT	SCREW,HHF,3/8-16X1,8,ZAG	2
30	824092GT	SCREW, HHF, 3/8-16 X 1.5, 8, ZAG	



202.1 Steer Axle Linkage, Wheels and Drive Hubs - GS-3390 RT, GS-4390 RT and GS-5390

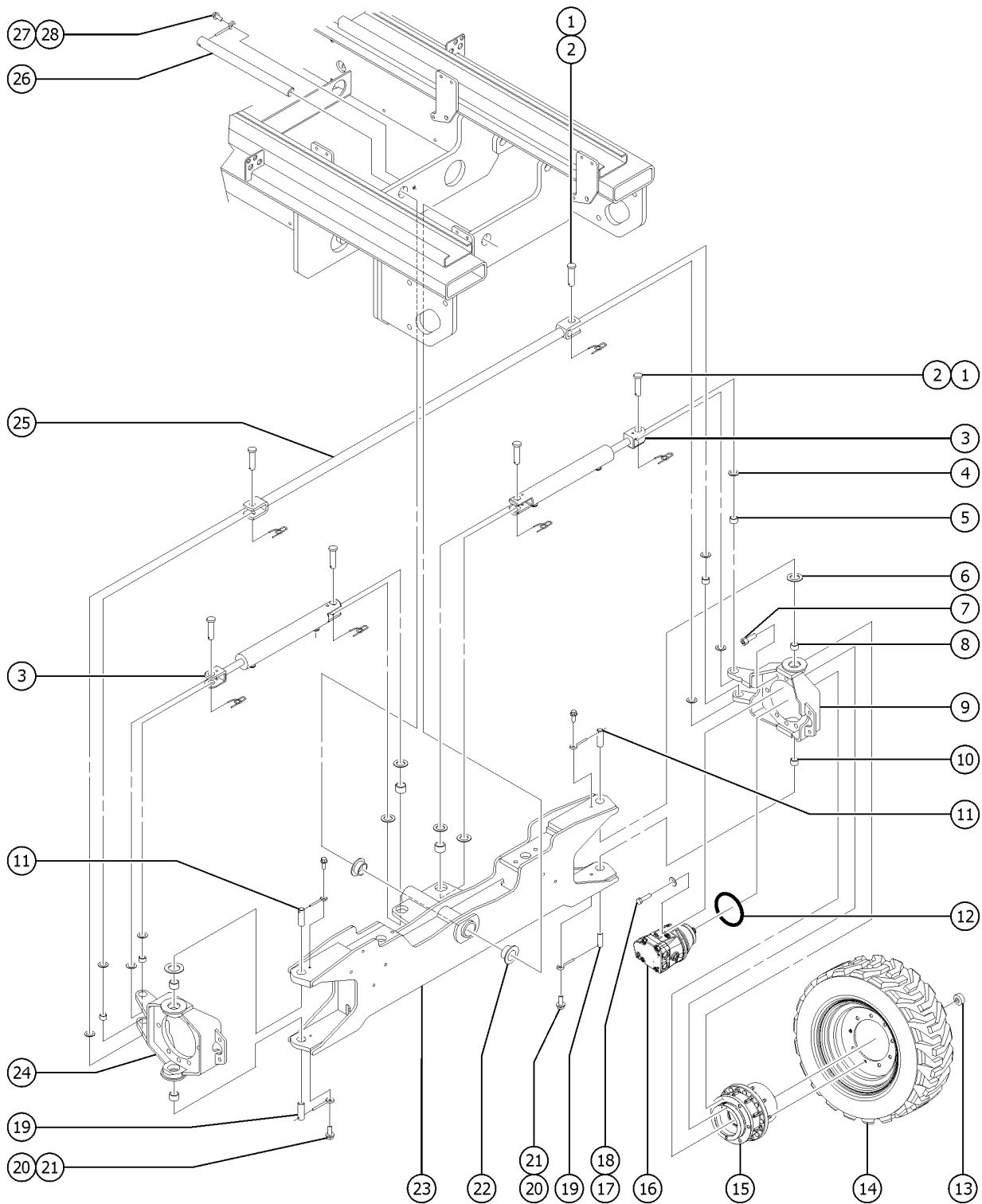


202.1 Steer Axle Linkage, Wheels and Drive Hubs - GS-3390 RT, GS-4390 RT and GS-5390

Item	Part No.	Description	Qty.
1	824127GT	PIN, CLEVIS, SAE 1.0 X 2.41, ZAG	6
2	824129GT	RUE RING, 1.0, ZAG	6
3	87295GT	CYLINDER,STEER,GS90	2
3-	87296GT	SEAL KIT,STEER CYL (87295)	
4	35057GT	WASHER,THRUST,1.0 X 1.5 X .125	
5	51474GT	BEARING,1.00IDX1.25ODX0.75L	6
6	45074GT	WASHER,THRUST,1.5 X 3.5 X .187	
7	1260511GT	SCREW,SHC,5/8-11X1.5,A574,ZAG	
8	18396GT	BEARING,1.5IDX1.75ODX1.0L	2
9	1262773GT	YOKE ASSY,GRDCONTRL SIDE,GS90 ground control side, includes items 6,9 and 11, to SN GS9016D-107	1
10	119621GT	BEARING,FL,1.50IDX1.75ODX1.10L	2
11	36211GT	PIN,1.50DIA X 3.25LG,1HOLE	2
12	102158GT	O-RING,.103 X 4.737,VITON, 75D	2
13	824042GT	NUT,LUG,5/8-18X90 DEG,ZAG	18
14A	1260036GT	WHEEL ASSY,FOAM,12X33,BLK,LH RT, Foam-filled, left (water-based foam)	1
14A-	1260037GT	WHEEL ASSY,FOAM,12X33,BLK,RH RT, Foam-filled, right (water-based foam)	
14B	1260038GT	WHEEL ASSY, FOAM,12X33,BLK,LH RT, Foam-filled, left (petroleum-based foam)	
14B-	1260039GT	WHEEL ASSY,FOAM,12X33,BLK,RH RT, Foam-filled, right (petroleum-based foam)	
14C	1260040GT	WHEEL ASSY,FOAM,12X33,NM,LH RT, Foam-filled, Non-marking, left (water-based foam)	
14C-	1260041GT	WHEEL ASSY,FOAM,12X33,NM,RH RT, Foam-filled, Non-marking, right (water-based foam)	
14D	1260042GT	WHEEL ASSY,FOAM,12X33,NM,LH RT, Foam-filled, Non-marking, left (petroleum-based foam)	
14D-	1260043GT	WHEEL ASSY,FOAM,12X33,NM,RH RT, Foam-filled, Non-marking, right (petroleum-based foam)	
14E	73923GT	TIRE & WHEEL ASSY.,FLOTATION Turf, Air-filled	2
14E-	73924GT	WHEEL, 19.5X14.00 for 73923	
14E-	73925GT	TIRE,33/16LL500,10PLY LITEFOOT for 73923	
14F	79394GT	TIRE & WHEEL ASSY,HF,FOAM Turf, Foam-filled	2
14G		FORM-FILLED WATTER BASED	
14G-	1258178GT	ASSY,TIRE&WHEEL,RT,ECOCRUMB,LH RT, Foam-filled, left (water-based foam)	1



202.1 Steer Axle Linkage, Wheels and Drive Hubs - GS-3390 RT, GS-4390 RT and GS-5390

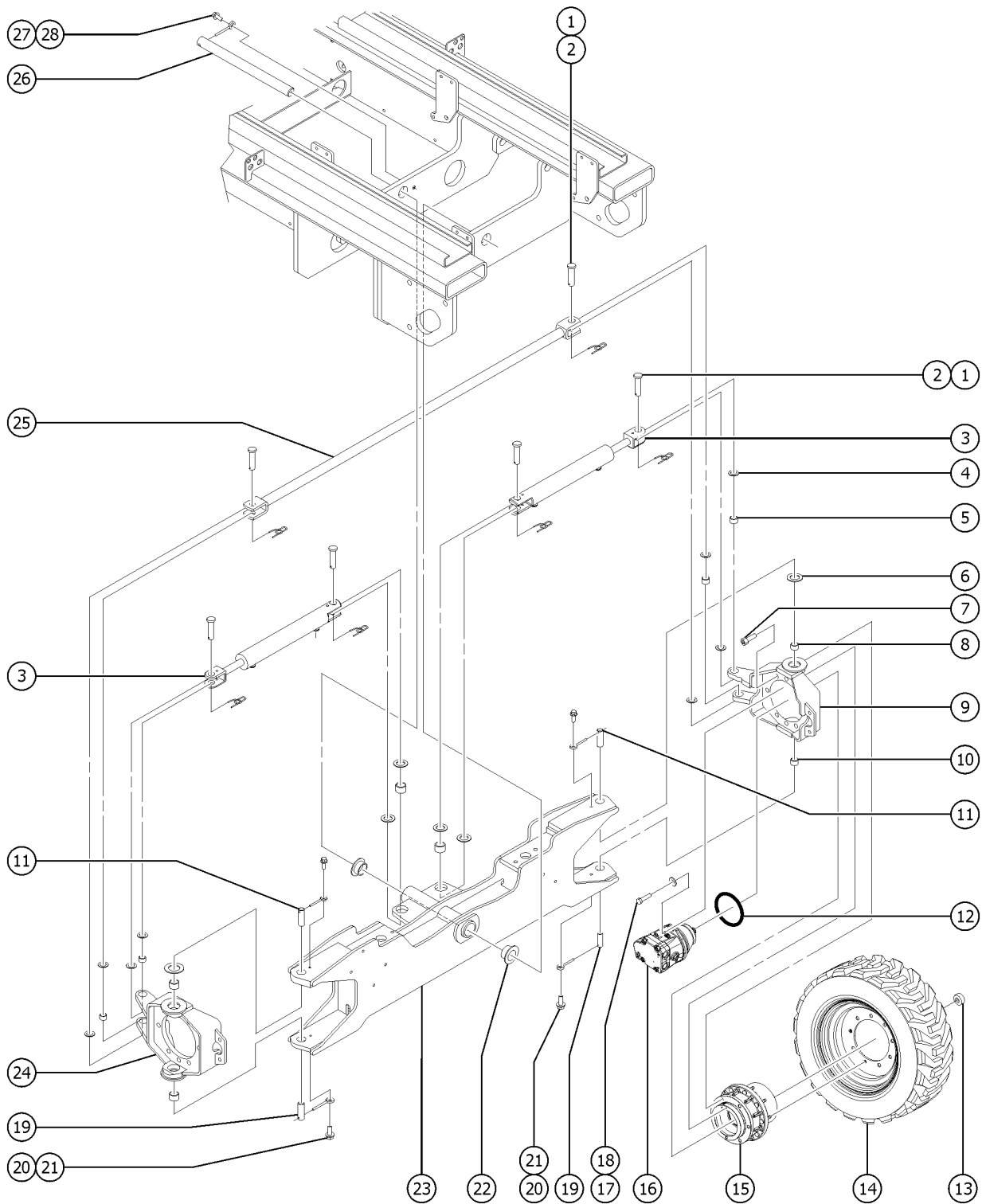


202.1 Steer Axle Linkage, Wheels and Drive Hubs - GS-3390 RT, GS-4390 RT and GS-5390

Item	Part No.	Description	Qty.
14G-	1258179GT	ASSY,TIRE&WHEEL,RT,ECOCRUMB,RH RT, Foam-filled, right (water-based foam)	1
15	101584GT	WHEEL DRIVE W/BRAKE 57:1	2
15-	58320GT	KIT,TORQUE HUB COVER(101584)** for 101584	
15-	215777GT	INPUT CARRIER, SUB-ASSEMBLY for 101584	
15-	106117GT	O-RING,2-010,VITON for 101584 (Mating O-ring for Brake Port)(Extremely small)	
15-	106119GT	SEAL KIT, GEARBOX, 4HP for 101584	
15-	106120GT	WHEEL STUD, 4HP, 5/8-18*** for 101584	
15-	106121GT	ROD,DISCONNECT 4HP/4HB*** for 101584	
15-	106122GT	CAP,DISENGAGE,4HP/4HB*** for 101584	
15-	106123GT	O-RING,END COVER,4HP/4HB*** for 101584	
15-	106124GT	LINING KIT, BRAKE, 4HP*** for 101584	
15-	106125GT	SEAL KIT, BRAKE, 4HP for 101584 (inventory limited to stock on hand as component is no longer available)	
15-	1286602GT	SEAL KIT,WHEEL DRIVE W/BRAKE (101584/101585) for 101584	
15-	106126GT	BEARING KIT,4HP for 101584 (inventory limited to stock on hand as component is no longer available)	
15-	1286603GT	BEARING KIT,WHEEL DRIVE W/BRAKE (101584/101585) for 101584	
15-	146051GT	BEARING NUT*** for 101584	
15-	146052GT	SET SCREW*** for 146051	
16	101586GT	MOTOR,PISTON,LC25,6.5 DEG,13T	1
16-	106098GT	SEAL KIT,MOTOR,LC/KC***	
16-	106117GT	O-RING,2-010,VITON	2
17	824072GT	SCREW,HHC,7/16-14X1.25,ZAG	
18	824117GT	WASHER,FLAT,7/16,SAE,HRD,ZAG	
19	71309GT	PIN,1.50DIAX2.87LG,1HOLE	2
20	824091GT	SCREW,HHF,3/8-16X1.25,8,ZAG	4
21	1255452GT	ROD END,.375 X 2.25,ZAG	4
22	55185GT	BEARING,FL,1.75IDX2.25ODX1.10L	2
23A		Ref. Oscillate Steer Axle (refer to 203.1)	1
23B	1262772GT	STEER AXLE ASSEMBLY, GS90 non-oscillate, includes items 5 and 22	1



202.1 Steer Axle Linkage, Wheels and Drive Hubs - GS-3390 RT, GS-4390 RT and GS-5390

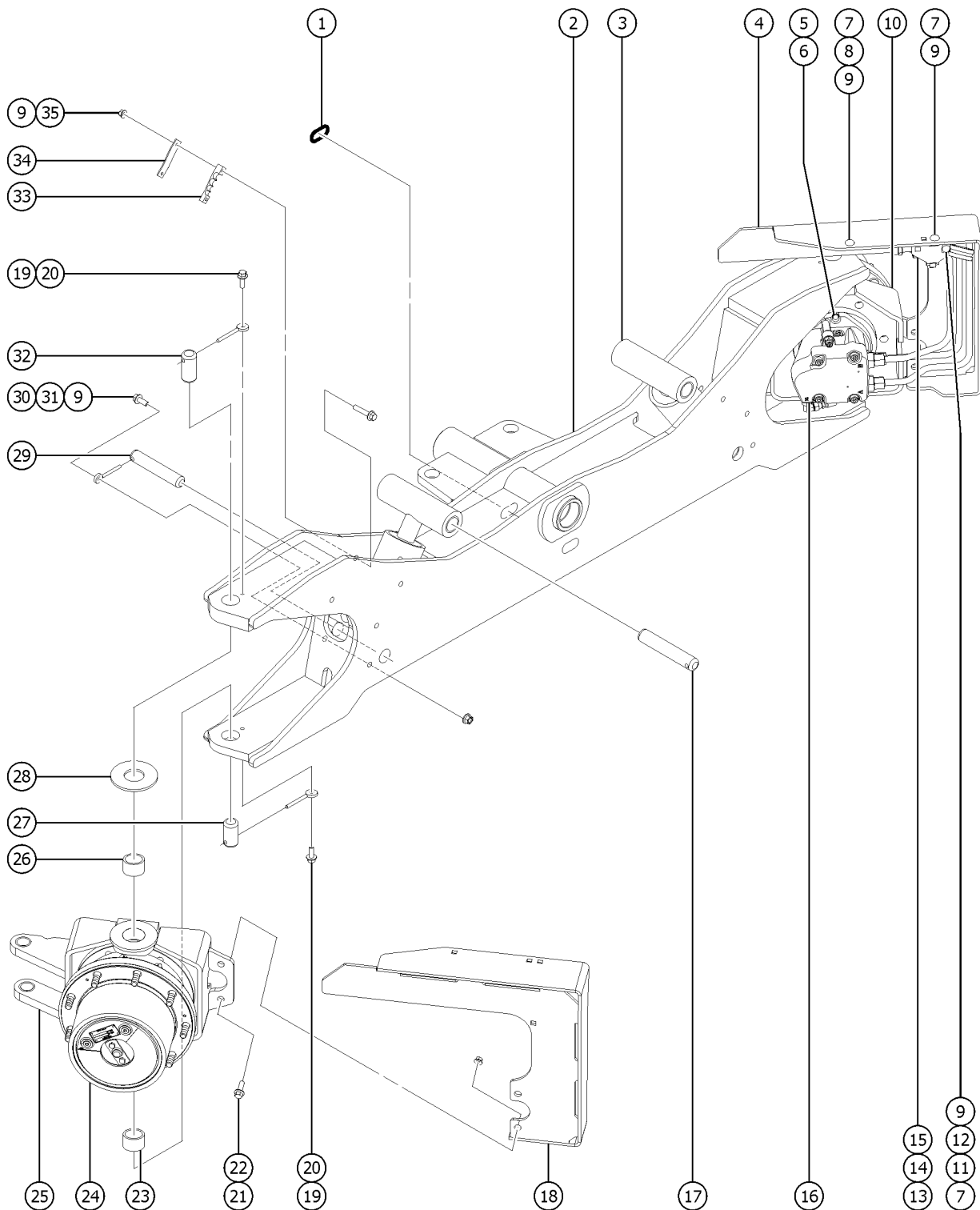


202.1 Steer Axle Linkage, Wheels and Drive Hubs - GS-3390 RT, GS-4390 RT and GS-5390

<i>Item</i>	<i>Part No.</i>	<i>Description</i>	<i>Qty.</i>
24	1262771GT	YOKE ASSY,TANK SIDE,GS90 tank side, includes items 6, 9 and 11, to SN GS9016D-107	1
25	1254217GT	WELDMENT,FIXED TIE ROD, GS90	1
26	150118GT	PIN,1.75DIAX17.88LG,CHAMFER	1
27	1253478GT	SCREW,HHF,3/8-16X2,8,ZAG	
28	825019GT	ROD END, .375X3.69, ZAG	4



203.1 Steer Axle Oscillate (option) - GS-3390 RT, GS-4390 RT and GS-5390

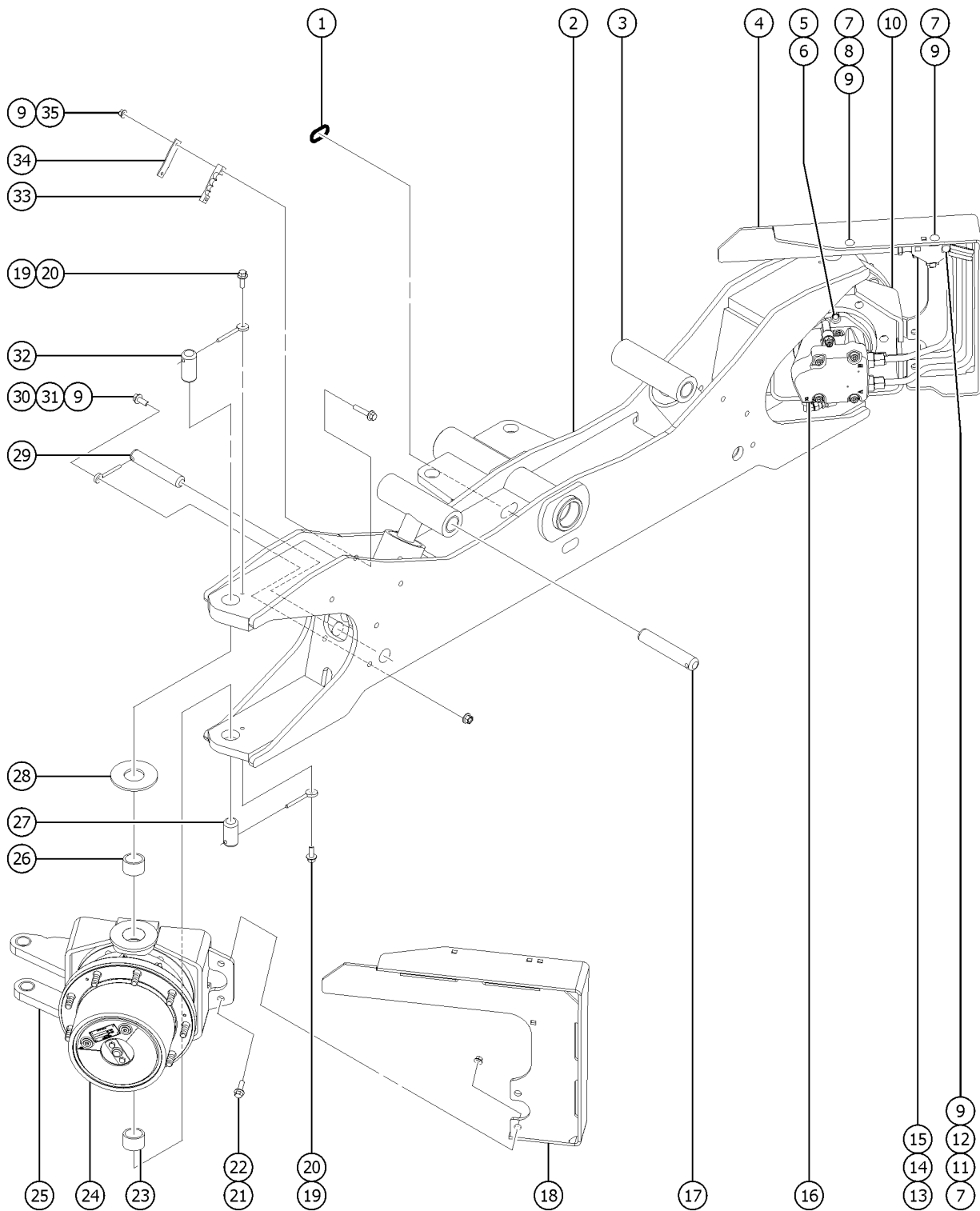


203.1 Steer Axle Oscillate (option) - GS-3390 RT, GS-4390 RT and GS-5390

Item	Part No.	Description	Qty.
1	71768GT	GROMMET,4.00 GRV. X .75 THK.	1
2A	1262774GT	STEER AXLE ASSY,OSC, GS90 oscillate models, bearings included	1
2B		Ref. Steer Axle Assy, Non-oscillate, GS90 non-oscillate models, refer to 202.1	1
3	112563GT	CYLINDER,OSCILLATE,GS90	2
3-	115402GT	VALVE,COUNTERBALNCE,3800 PSI	
3-	128085GT	CAP,SERIES 1 CB VALVE,SINGLE** for 115402	
3-	131564GT	SEAL KIT,OSCIL CYL(112563)****	
4	1254222GT	WELDMENT,YOKE GUARD LT ground controls side	1
5	824072GT	SCREW,HHC,7/16-14X1.25,ZAG	2
6	824117GT	WASHER,FLAT,7/16,SAE,HRD,ZAG	2
7	824125GT	BOLT,CARRIAGE,3/8-16X1,5,ZAG	
8	87188GT	CLAMP,2.38,#38 X 3/8 RUB CUSH	1
9	824029GT	NUT,TL FLG,3/8-16,G,ZAG	
10		Ref.Yoke Pivot Assembly (refer to 202.1) ground controls side	
11	49863GT	CLAMP,1.13,#18 X 3/8,RUB CUSH*	1
12	87684GT	PUSHRETAINER FOR 3/8"THRD SCREW	1
13	1254221GT	FORMING,HARDLINE CLAMP	1
14	104272GT	CLAMP,HARDLINE BASE	1
15	104273GT	CLAMP,HARDLINE TOP	1
16		Ref. Drive Motor, 25 cc (refer to 202.1)	
17	87860GT	PIN,1.25DIAX10.50LG,THREADED	2
18	1254223GT	WELDMENT,YOKE GUARD RT tank side	1
19	824091GT	SCREW,HHF,3/8-16X1.25,8,ZAG	
20	1255452GT	ROD END,.375 X 2.25,ZAG	4
21	1253498GT	SCREW,HHF,1/2-13X1.5,8,ZAG	2
22	1251997GT	NUT,TL FLG,1/2-13,G,ZAG	2
23	119621GT	BEARING,FL,1.50IDX1.75ODX1.10L	2
24		Ref. Drive Hub, 57:1 (refer to 202.1)	



203.1 Steer Axle Oscillate (option) - GS-3390 RT, GS-4390 RT and GS-5390

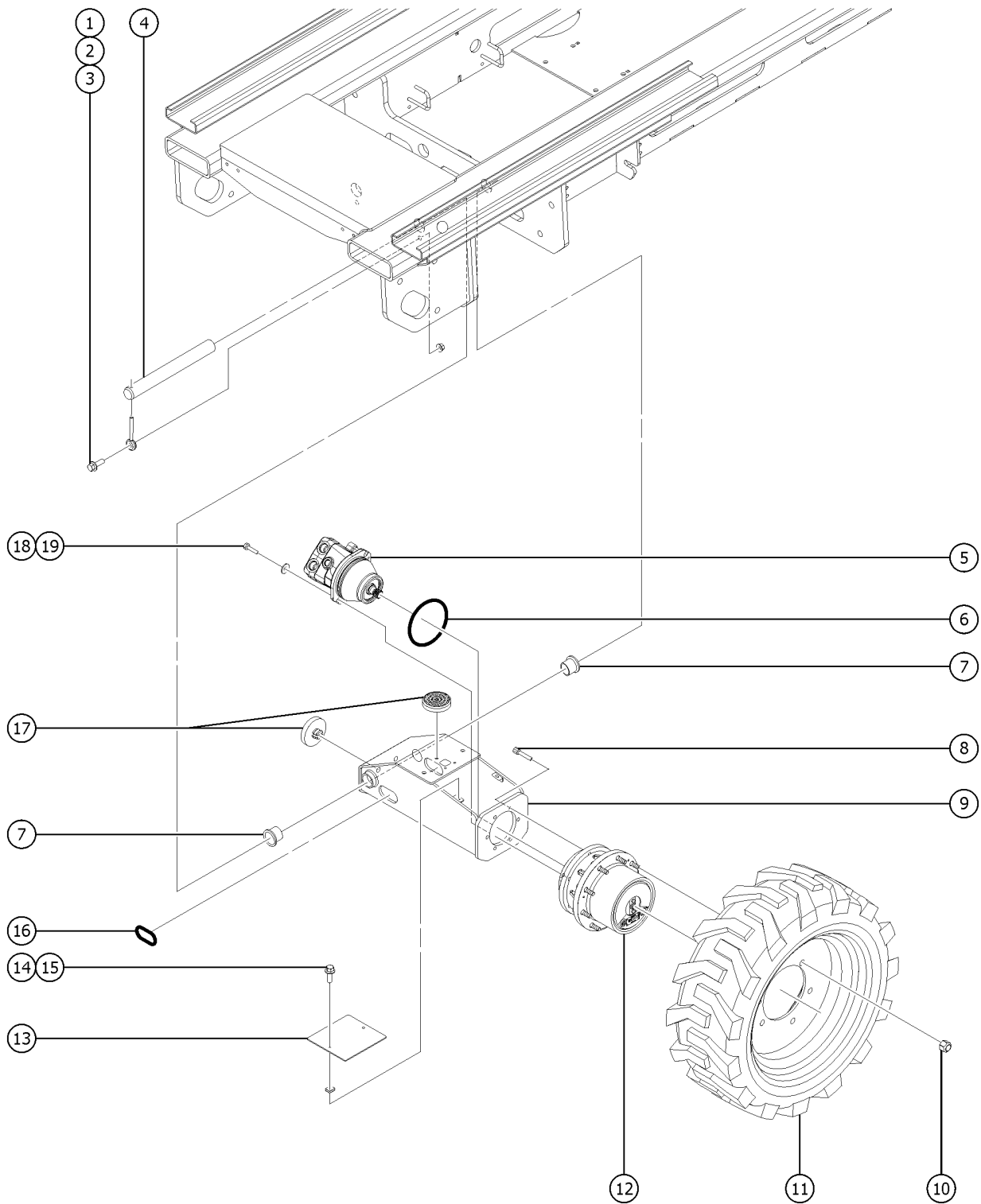


203.1 Steer Axle Oscillate (option) - GS-3390 RT, GS-4390 RT and GS-5390

Item	Part No.	Description	Qty.
25		Ref.Yoke Pivot Assembly (refer to 202.1) tank side	
26	18396GT	BEARING,1.5IDX1.75ODX1.0L	2
27	71309GT	PIN,1.50DIAX2.87LG,1HOLE	2
28	45074GT	WASHER,THRUST,1.5 X 3.5 X .187	
29	87859GT	PIN,1.25DIAX6.75LG,1HOLE	2
30	1253478GT	SCREW,HHF,3/8-16X2,8,ZAG	
31	825019GT	ROD END, .375X3.69, ZAG	4
32	36211GT	PIN,1.50DIAX3.25LG,1HOLE	2
33	104291GT	CLAMP,HOSE,GS90 FRONT MOTORS	2
34	1254224GT	FORMING,HOSE CLAMP CAP	2
35	1256856GT	SCREW,HHF,3/8-16X2.5,8,ZAG	



204.1 Non-steer Axle, Wheels and Drive Hubs (all models), GS-3384 RT

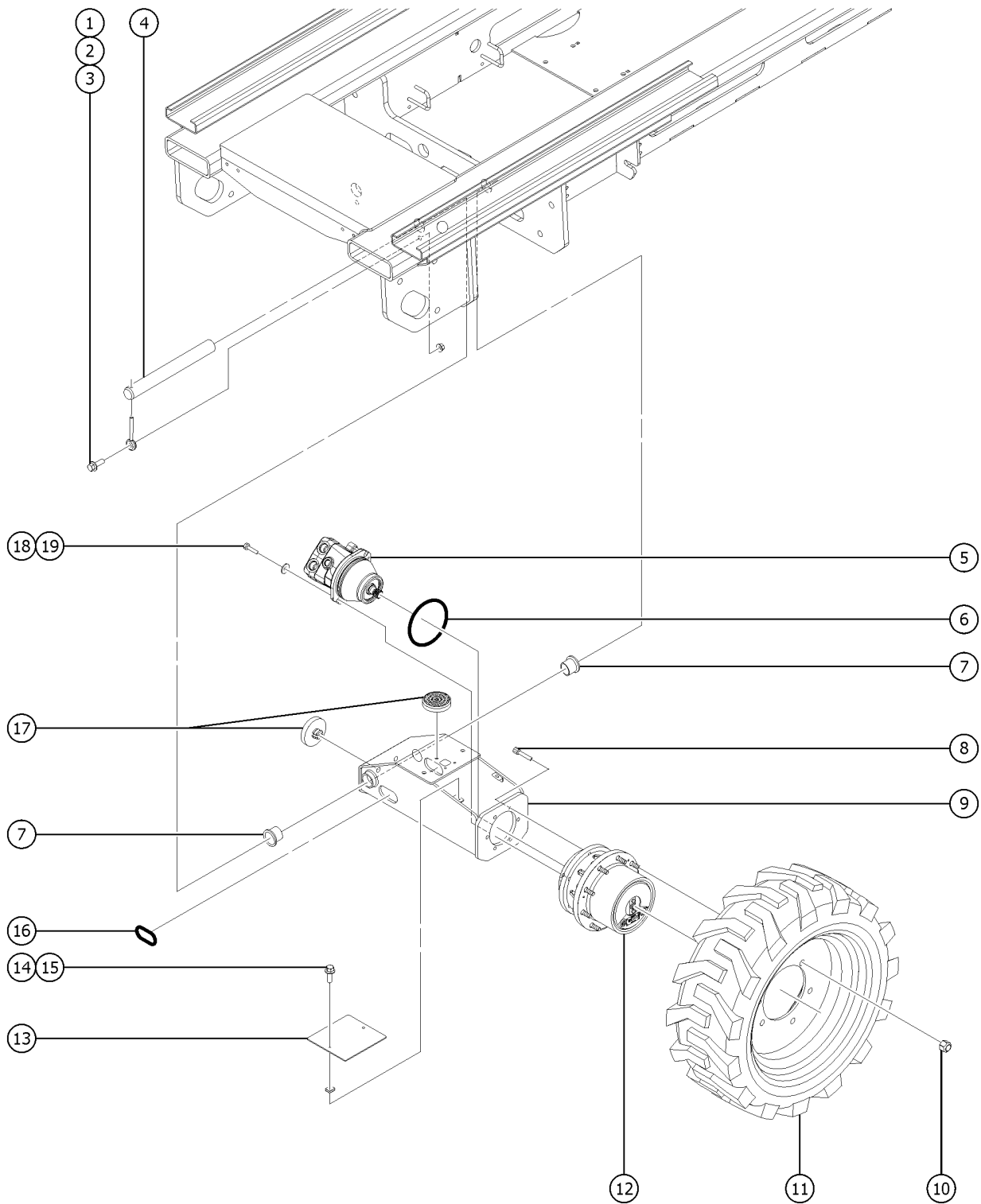


204.1 Non-steer Axle, Wheels and Drive Hubs (all models), GS-3384 RT

Item	Part No.	Description	Qty.
1	1253478GT	SCREW,HHF,3/8-16X2,8,ZAG	1
2	825019GT	ROD END, .375X3.69, ZAG	1
3	824029GT	NUT,TL FLG,3/8-16,G,ZAG	1
4	150118GT	PIN,1.75DIA X 17.88LG,CHAMFER	1
5		Ref. Drive Motor (refer to 201.1 and 202.1)	
6	102158GT	O-RING,.103 X 4.737,VITON, 75D	1
7	55185GT	BEARING,FL,1.75IDX2.25ODX1.10L	2
8	1260511GT	SCREW,SHC,5/8-11X1.5,A574,ZAG	6
9A	1262775GT	NON-STEER AXLE ASSY, GS84 GS-84, includes items 7, 13, 14 and 15	1
10	824042GT	NUT,LUG,5/8-18X90 DEG,ZAG	
11		Ref. Tire and Wheel Assembly (refer to 201.1 and 202.1)	
12		Ref. Drive Hub (refer to 201.1 and 202.1)	
13	1254214GT	PLATE, REAR AXLE COVER	1
14	824078GT	SCREW,HHF,1/4-20X.75,8,ZAG	2
15	56912GT	SPRING CLIP,1/4-20,.025-.15X.5	2
16	71768GT	GROMMET,4.00 GRV. X .75 THK.	2
17	55710GT	BUMPER,GS-90	5
18	824072GT	SCREW,HHC,7/16-14X1.25,ZAG	2
19	824117GT	WASHER,FLAT,7/16,SAE,HRD,ZAG	2



204.2 Non-steer Axle, Wheels and Drive Hubs GS-3390, GS-4390 and GS-5390

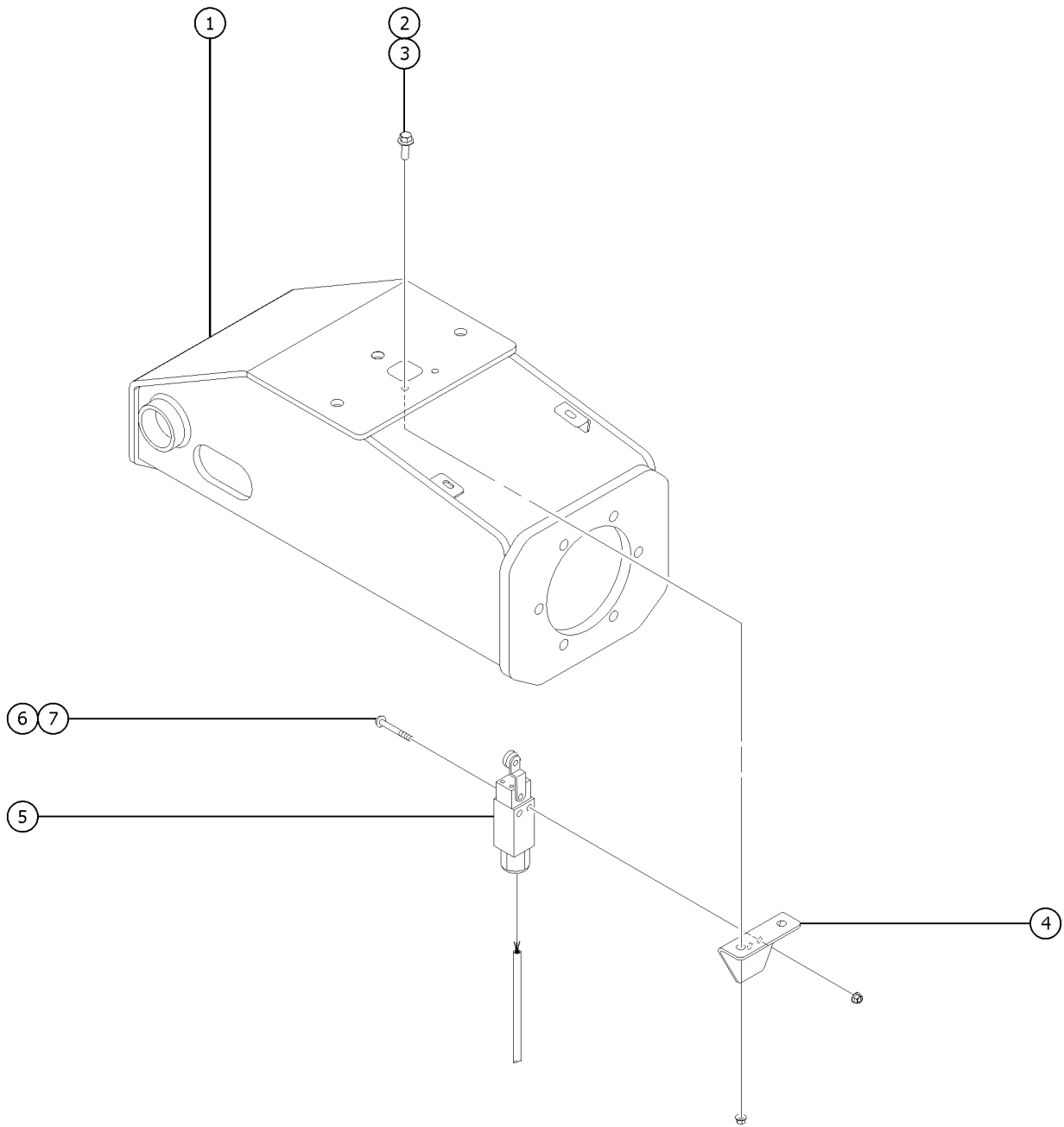


204.2 Non-steer Axle, Wheels and Drive Hubs GS-3390, GS-4390 and GS-5390

Item	Part No.	Description	Qty.
1	1253478GT	SCREW,HHF,3/8-16X2,8,ZAG	1
2	825019GT	ROD END, .375X3.69, ZAG	1
3	824029GT	NUT,TL FLG,3/8-16,G,ZAG	1
4	150118GT	PIN,1.75DIA X 17.88LG,CHAMFER	1
5		Ref. Drive Motor (refer to 201.1 and 202.1)	
6	102158GT	O-RING,.103 X 4.737,VITON, 75D	1
7	55185GT	BEARING,FL,1.75IDX2.25ODX1.10L	2
8	1260511GT	SCREW,SHC,5/8-11X1.5,A574,ZAG	6
9B	1262776GT	NON-STEER AXLE ASSY, GS90 GS-90, includes items 7, 13, 14 and 15	1
10	824042GT	NUT,LUG,5/8-18X90 DEG,ZAG	
11		Ref. Tire and Wheel Assembly (refer to 201.1 and 202.1)	
12		Ref. Drive Hub (refer to 201.1 and 202.1)	
13	1254214GT	PLATE, REAR AXLE COVER	1
14	824079GT	SCREW,HHF,1/4-20X1,8,ZAG	2
15	56912GT	SPRING CLIP,1/4-20,.025-.15X.5	2
16	71768GT	GROMMET,4.00 GRV. X .75 THK.	2
17	55710GT	BUMPER,GS-90	5
18	824072GT	SCREW,HHC,7/16-14X1.25,ZAG	2
19	824117GT	WASHER,FLAT,7/16,SAE,HRD,ZAG	2



205.1 Non-steer Axle Oscillate (option) - GS-3390, GS-4390 and GS-5390

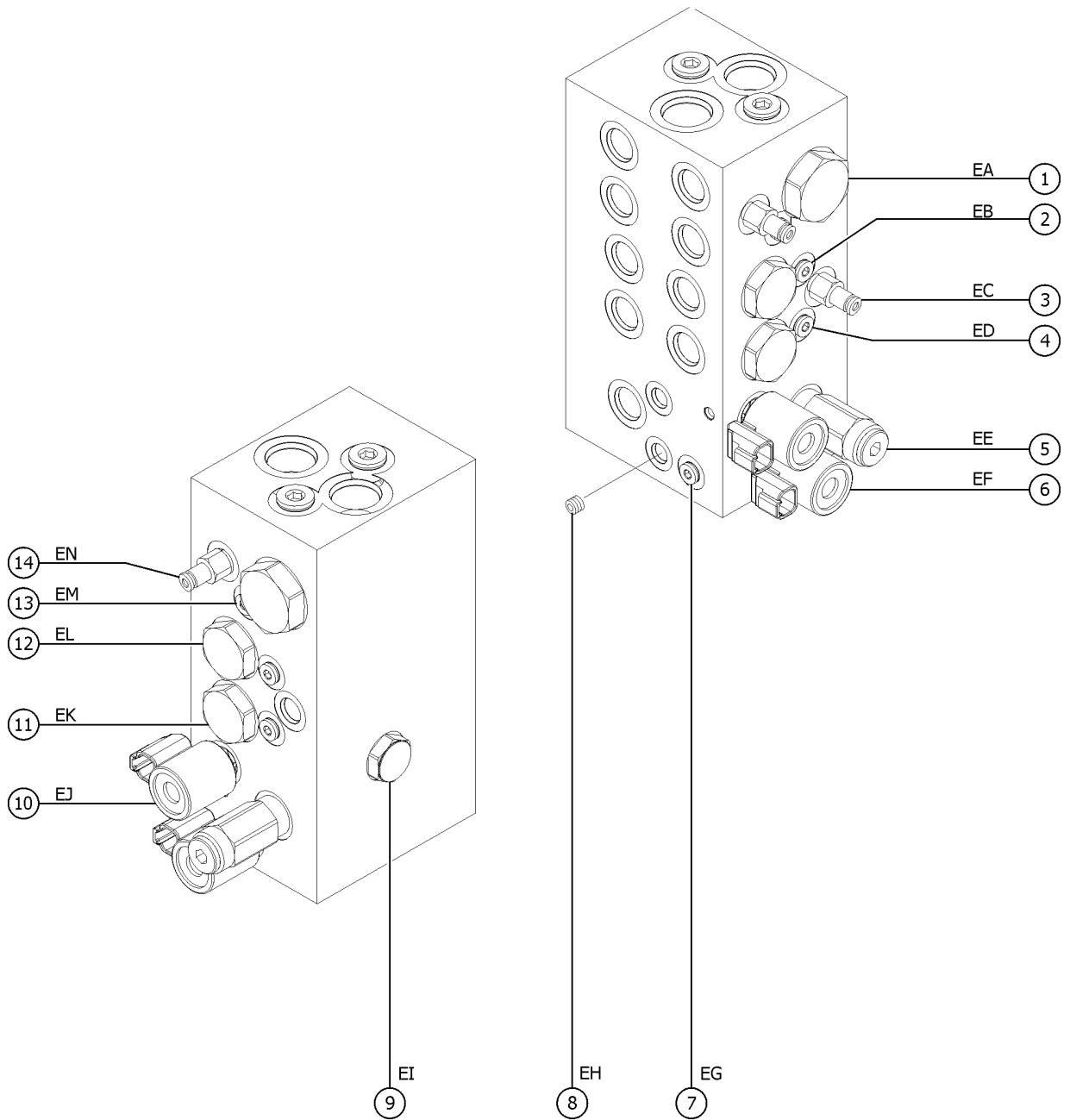


205.1 Non-steer Axle Oscillate (option) - GS-3390, GS-4390 and GS-5390

Item	Part No.	Description	Qty.
1		Ref. Non-steer Axle Assembly (refer to 204.2)	
2	824091GT	SCREW,HHF,3/8-16X1.25,8,ZAG	2
3	824029GT	NUT,TL FLG,3/8-16,G,ZAG	2
4	1254216GT	FORMING,AXLE SWITCH BRACKET	1
5	88356-116R3GT	SWITCH,LIMIT,W/ROLLER ARM***	1
5-		Roller Arm (not available)	
5-	110650GT	CONN. SQZ PG11 .30-.40 W/ORING	
5-	19491GT	CONTACTOR,LIMIT SWITCH	
6	824216GT	SCREW,PHPM,10-32X1.5,ZAG	2
7	1283005GT	NUT,NYLOCK FLG,10-32,A,ZAG	2



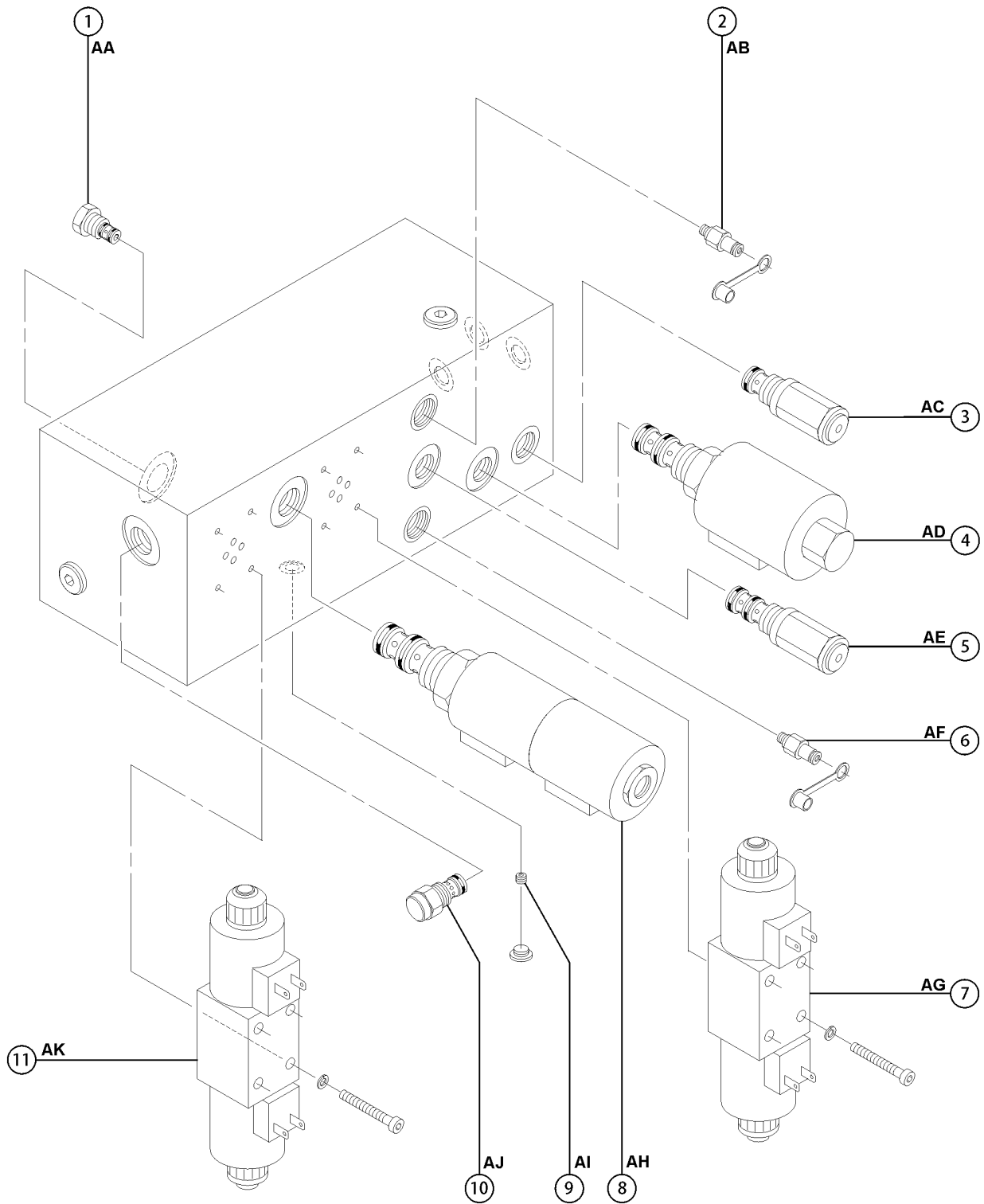
206.1 Drive Manifold (all models)



Item	Part No.	Description	Qty.
A-	104080GT	MANIFOLD,TRACTION,GS90	
B-	28750GT	O-RING KIT,FIELD SVC,ALL PROD*	
C-	49612GT	O-RING KIT (ORFS FITTINGS)	
D-	33994GT	PLUG AND CAP KIT-SERVICE,37 **	
D-	49613GT	PLUG AND CAP KIT-SERVICE,ORFS*	
1	84665GT	VALVE-FLOW DIVIDER/COMBINER (EA, Controls flow to front and rear drive motors)	
1-	65751GT	SEAL KIT,4WAY VALVE 65747,#16	
2	48660GT	ORIFICE PLUG,.043",SCISSORS (EB, Balances flow from flow divider/combiner (item EL) to front drive motors)	
3	48998GT	NIPPLE,DIAGNOSTIC,#6 PORT*** (EC, Testing "P2" pressure port)	
4	84666GT	ORIFICE PLUG, 0.046 (ED, Balances flow from flow divider/combiner (item EK) to rear drive motors)	
5	84664GT	VALVE - RELIEF, 280PSI (EE, Charge pressure circuit)	
5-	44227GT	SEAL KIT, VALVE	
6	89862GT	VALVE-SOLENOID,2POS 3WAY,JIB** (EF, 2-speed motor shift circuit)	
6-	89864GT	SEAL KIT,SOLENOID VALVE, SV07	
6-	104759GT	COIL,12VDC #8 DTSCH IP69 ECOIL	
6-	44174GT	NUT-COIL SHORT	
7	62207GT	ORIFICE PLUG, 0.035 (EG, Brake circuit)	
8	65742GT	ORIFICE PLUG, 0.045 (EH, 2-speed motor shift circuit)	
9	65748GT	VALVE, HOT OIL SHUTTLE, #10 (EI, Charge pressure circuit that gets hot oil out of low pressure side of drive pump and allows low pressure flow path for brake release and 2-speed motor shift)	
9-	65752GT	SEAL KIT,4WAY VALVE 65748,#10	
10	89862GT	VALVE-SOLENOID,2POS 3WAY,JIB** (EJ, Brake release circuit)	
10-	89864GT	SEAL KIT,SOLENOID VALVE, SV07	
10-	104759GT	COIL,12VDC #8 DTSCH IP69 ECOIL	
10-	44174GT	NUT-COIL SHORT	
11	1299621GT	FLOW DIVIDER/COMBINER (EK, Controls flow to non-steer end drive motors in forward and reverse)	
12	1299621GT	FLOW DIVIDER/COMBINER (EL, Controls flow to steer end drive motors in forward and reverse)	
13	97185GT	ORIFICE,0.090 INCH (EM, Balances flow from flow divider/ combiner (item EA) to front and rear drive motors)	
14	48998GT	NIPPLE,DIAGNOSTIC,#6 PORT*** (EN, Testing "P1" pressure port)	



207.1 Function Manifold, Models with Outriggers (all models)

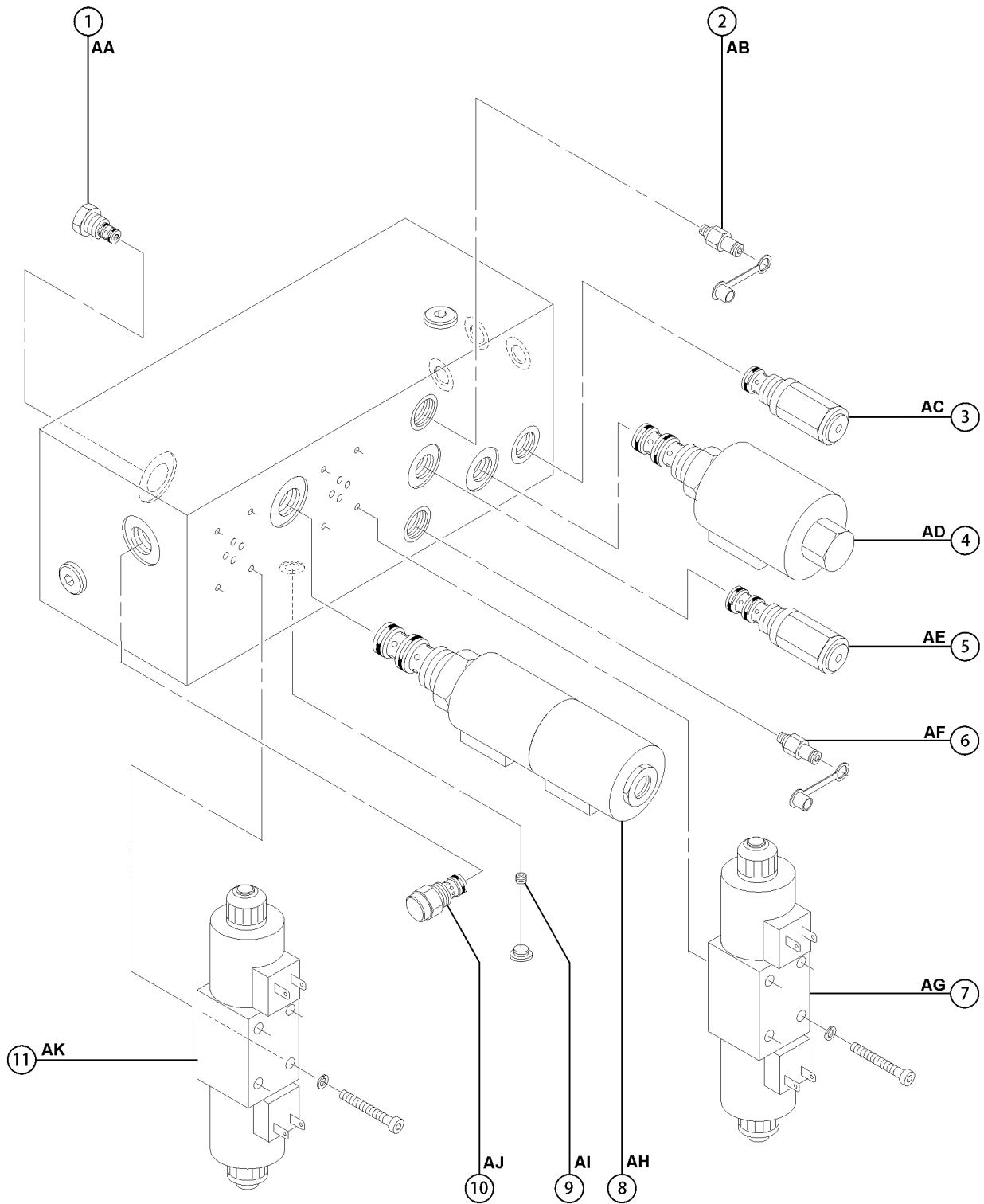


207.1 Function Manifold, Models with Outriggers (all models)

Item	Part No.	Description	Qty.
A-	104904GT	MANIFOLD,FUNC,W/OR,GS90***	
B-	49612GT	O-RING KIT (ORFS FITTINGS)	
1	44178GT	VALVE,CHECK,5 PSI** (AA, Platform down circuit)	
1-	44224GT	SEAL KIT, VALVE	
2	48997GT	NIPPLE,DIAGNOSTIC,#4 (AB, Testing)	
2-	48880GT	CAP,DIAGNOSTIC NIPPLE	
3	44167GT	VALVE,RELIEF,3500PSI(SCISRS)** (AC, System relief)	
4	84108GT	VALVE,PROP,N.C.,PRIORITY STYLE (AD, All functions)	
4-	62339GT	SEAL KIT,62329,SIZE 12, 3 WAY	
4-	104761GT	COIL,PROP,12VDC,#10 IP69,DTSCH	
4-	52466GT	NUT,PROPORTNL. COIL,52372,GS68	
5	84107GT	VALVE,PRESS. REDUCING 2000 PSI (AE, Steering and outrigger circuit)	
5-	84114GT	SEAL KIT	
6	48997GT	NIPPLE,DIAGNOSTIC,#4 (AF, Testing)	
6-	48880GT	CAP,DIAGNOSTIC NIPPLE	
7	102394GT	VLV,SOL,DO3,REXROTH,3POS 4 WAY (AG, Platform up/down) (valve doesn't come with the coils)	
7-	102395GT	SEAL KIT,REXROTH DO3 VALVE	
7-	104764GT	COIL,12V D03 ZENER DIODE	
7-	102396GT	NUT-COIL,REXROTH DO3 VALVE	
7-	102397GT	BOLT , REXROTH DO3 VALVE	
8	84109GT	VALVE,DIR,#10 SAE,3 POS. 4 WAY (AH, Steer left/right)	
8-	44230GT	SEAL KIT-P.N.44169,44172,44171	
8-	104760GT	COIL,12VDC #10DTSCH IP69 ECOIL	
8-	97373GT	E-COIL WASHER,#10,DUAL COIL	
8-	44174GT	NUT-COIL SHORT	
9	84113GT	PLUG,STEEL,ORIFICE,,15 ORIFICE (AI, Platform down circuit)	
10	62324GT	VALVE,FLOW CONTROL, 0.1GPM* (AJ, Bleeds off proportional)	
10-	44227GT	SEAL KIT, VALVE (valve to tank)	



207.1 Function Manifold, Models with Outriggers (all models)

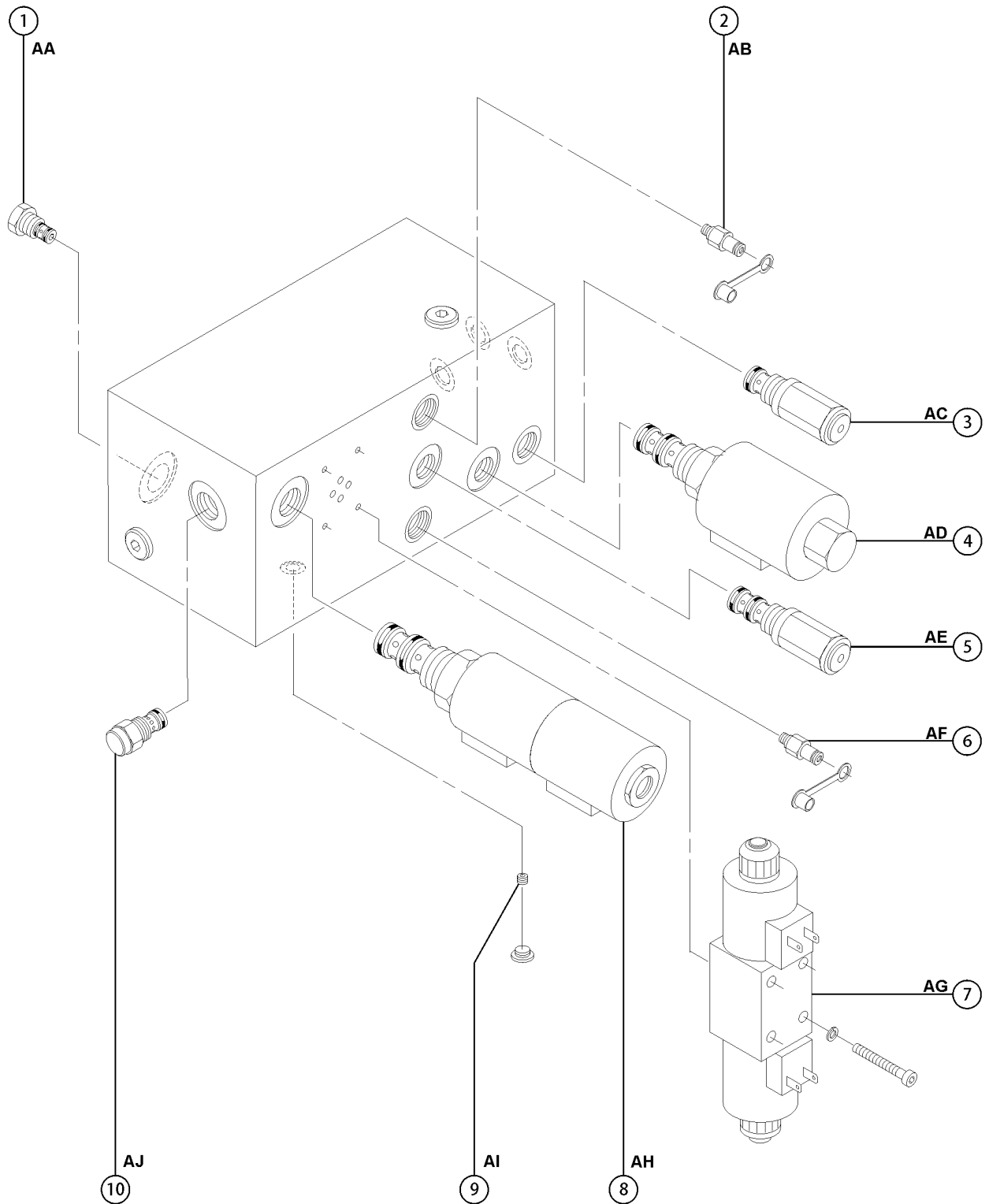


207.1 Function Manifold, Models with Outriggers (all models)

<i>Item</i>	<i>Part No.</i>	<i>Description</i>	<i>Qty.</i>
11	97368GT	VLV,SOL,DO3,REXROTH,3POS 4 WAY (AK, Outrigger up/down)	
11-	102395GT	SEAL KIT,REXROTH DO3 VALVE	
11-	104764GT	COIL,12V D03 ZENER DIODE	
11-	102396GT	NUT-COIL,REXROTH DO3 VALVE	
11-	102397GT	BOLT , REXROTH DO3 VALVE	



208.1 Function Manifold, Models without Outriggers (all models)

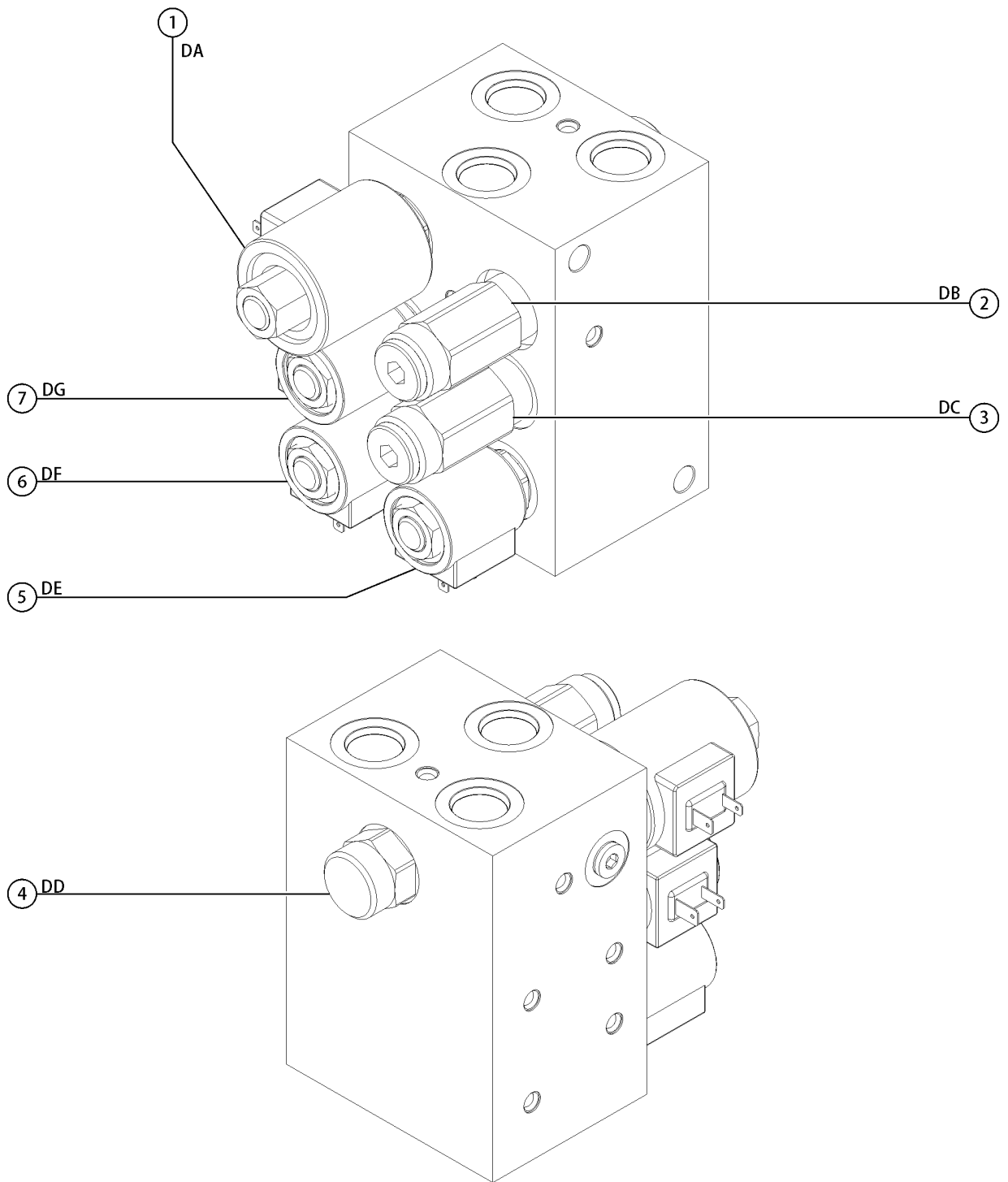


208.1 Function Manifold, Models without Outriggers (all models)

Item	Part No.	Description	Qty.
A-	104903GT	MANIFOLD,FUNC,NO O/R,GS90***	
B-	49612GT	O-RING KIT (ORFS FITTINGS)	
1	44178GT	VALVE,CHECK,5 PSI** (AA, Platform down circuit)	
1-	44224GT	SEAL KIT, VALVE	
2	48997GT	NIPPLE,DIAGNOSTIC,#4 (AB, Testing)	
2-	48880GT	CAP,DIAGNOSTIC NIPPLE	
3	44167GT	VALVE,RELIEF,3500PSI(SCISRS)** (AC, System relief)	
3-	44224GT	SEAL KIT, VALVE	
4	84108GT	VALVE,PROP,N.C.,PRIORITY STYLE (AD, All functions)	
4-	62339GT	SEAL KIT,62329,SIZE 12, 3 WAY	
4-	104761GT	COIL,PROP,12VDC,#10 IP69,DTSCH	
4-	52466GT	NUT,PROPORTNL. COIL,52372,GS68	
5	84107GT	VALVE,PRESS. REDUCING 2000 PSI (AE, Steering circuit)	
5-	84114GT	SEAL KIT	
6	48997GT	NIPPLE,DIAGNOSTIC,#4 (AF, Testing)	
6-	48880GT	CAP,DIAGNOSTIC NIPPLE	
7	102394GT	VLV,SOL,DO3,REXROTH,3POS 4 WAY (AG, Platform up/down) (valve doesn't come with the coils)	
7-	102395GT	SEAL KIT,REXROTH DO3 VALVE	
7-	104764GT	COIL,12V D03 ZENER DIODE	
7-	102396GT	NUT-COIL,REXROTH DO3 VALVE	
8	84109GT	VALVE,DIR,#10 SAE,3 POS. 4 WAY (AH, Steer left/right)	
8-	44230GT	SEAL KIT-P.N.44169,44172,44171	
8-	104760GT	COIL,12VDC #10DTSCH IP69 ECOIL	
8-	97373GT	E-COIL WASHER,#10,DUAL COIL	
8-	44174GT	NUT-COIL SHORT	
9	84113GT	PLUG,STEEL,ORIFICE,.15 ORIFICE (AI, Platform down circuit)	
10	62324GT	VALVE,FLOW CONTROL, 0.1GPM* (AJ, Bleeds off proportional valve to tank)	
10-	44228GT	SEAL KIT, VALVE	



209.1 Oscillate Manifold (option) - GS-3390 RT, GS-4390 RT and GS-5390

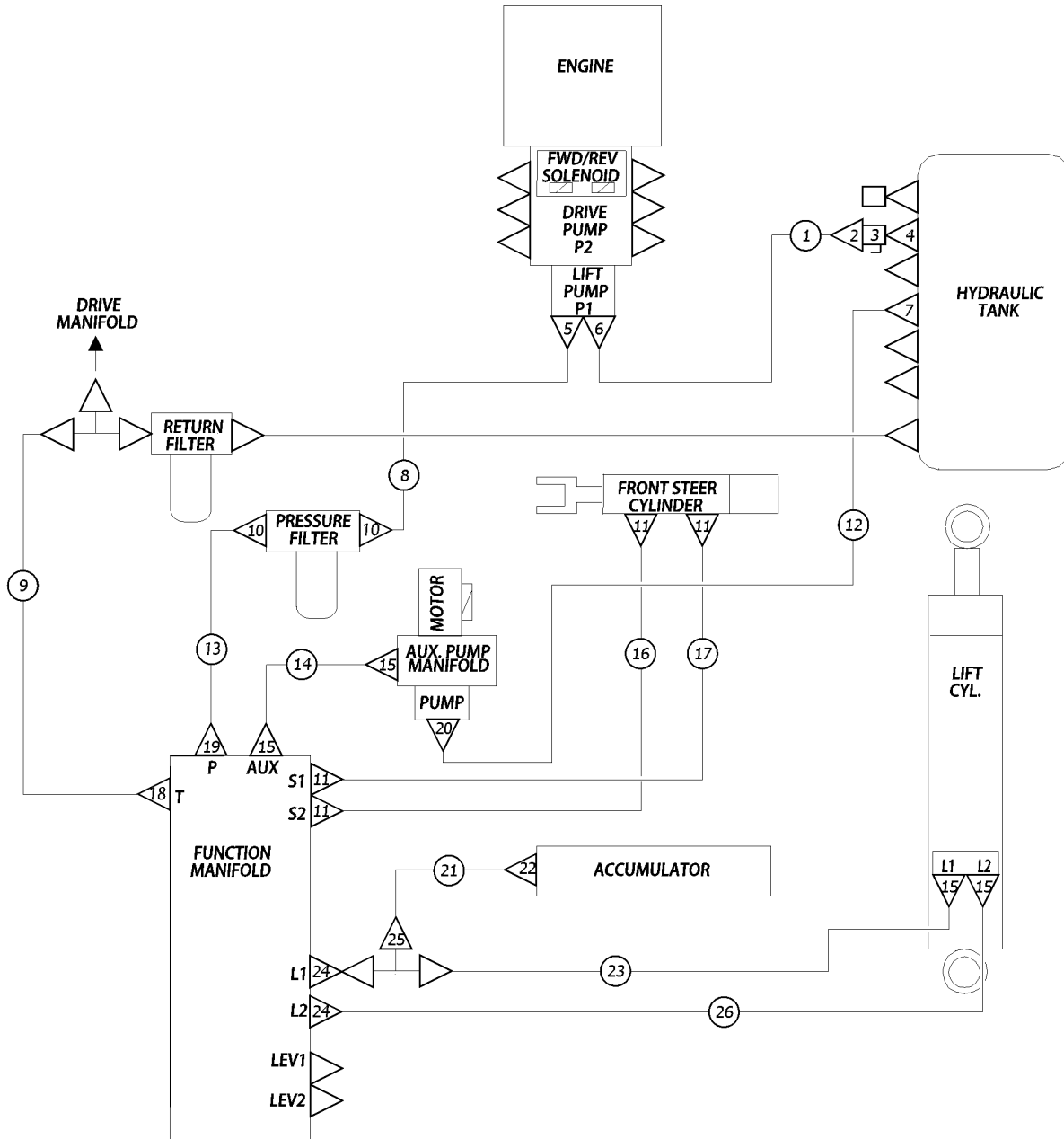


209.1 Oscillate Manifold (option) - GS-3390 RT, GS-4390 RT and GS-5390

Item	Part No.	Description	Qty.
A-	104905GT	MANIFOLD,OSCILLATING AXLE,GS90	
B-	49612GT	O-RING KIT (ORFS FITTINGS)	
1	52379GT	VALVE,SOLENOID N/O POPPT,GS68	
		(DA, Oscillate activation)	
1-	44224GT	SEAL KIT, VALVE	
1-	104760GT	COIL,12VDC #10DTSCH IP69 ECOIL	
1-	52484GT	NUT-COIL(SCISSORS) TALL	
2	52376GT	VALVE,RELIEF,3500PSI***	
		(DB, System relief)	
2-	44227GT	SEAL KIT, VALVE	
3	84796GT	VALVE-DIFF,AREA RELIEF, 900PSI	
		(DC, Float circuit relief)	
3-	44227GT	SEAL KIT, VALVE	
4	84795GT	VALVE - FLOW REGULATOR, 1.0GPM	
		(DD, Oscillate circuit)	
4-	44225GT	SEAL KIT, VALVE	
5	62815GT	VALVE,SOLENOID,2POS 3 WAY***	
		(DE, Right oscillate circuit)	
5-	52371GT	SEAL KIT, VALVE	
5-	104759GT	COIL,12VDC #8 DTSCH IP69 ECOIL	
5-	44174GT	NUT-COIL SHORT	
6	62815GT	VALVE,SOLENOID,2POS 3 WAY***	
		(DF, Left oscillate circuit) (Does not include a coil)	
6-	52371GT	SEAL KIT, VALVE	
6-	104759GT	COIL,12VDC #8 DTSCH IP69 ECOIL	
		(not a component of 62815)	
6-	44174GT	NUT-COIL SHORT	
7	52902GT	VALVE-SOLENOID,2POS/2WAY	
		(DG, Oscillate float)	
7-	44224GT	SEAL KIT, VALVE	
7-	104759GT	COIL,12VDC #8 DTSCH IP69 ECOIL	
7-	44174GT	NUT-COIL SHORT	



210.1 Hydraulic Hoses and Fittings, Function Manifold - GS-3384

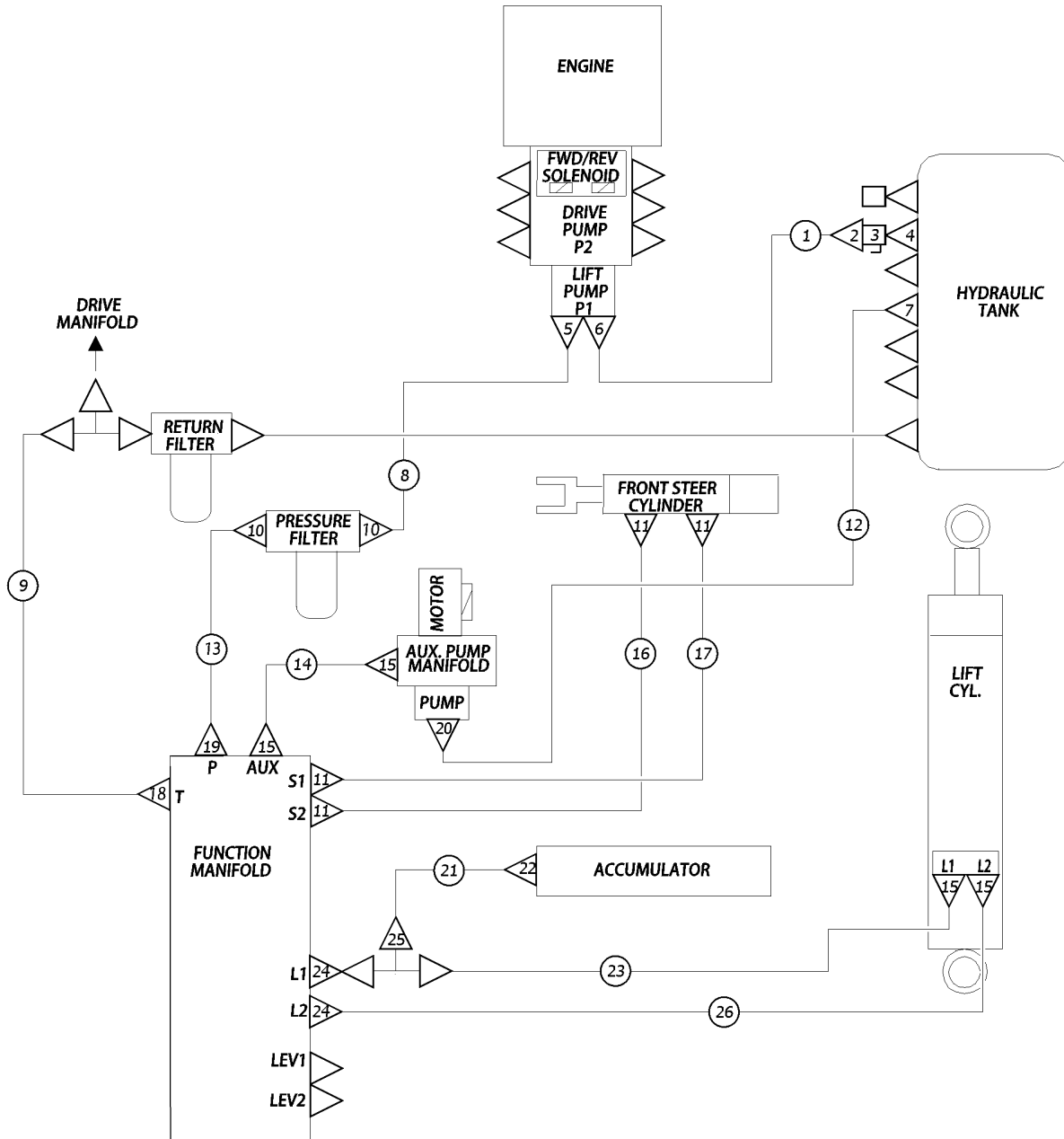


210.1 Hydraulic Hoses and Fittings, Function Manifold - GS-3384

Item	Part No.	Description	Qty.
		The hose lengths below reflect the length of the hose only. Refer to the 'Fittings Cross Reference' to match Genie part numbers to Parker part numbers.	
1	104256GT	HOSE, FUNC PUMP SUCTION (components: 48854, 48854, 48764 @ 92 inches)	1
2	48986GT	CONN, 520102-16	1
3	48994GT	VALVE, BALL, 16 MPT-16 FPT***	1
4	45161GT	STRAINER ASSEMBLY, 1.5" NPT	1
5	48946GT	CONN, 520120-8-10	1
6	49519GT	CONN, 520120-16-12	1
7	48944GT	CONN, 520102-8-8	1
8	104249GT	HOSE, FUNC PUMP TO FILTER (components: 48822, 48822, 56777 @ 127 inches)	1
9	104546GT	TUBE ASSY, 7.5"W/12 SW NUTS* GS-3384	
10	48947GT	ELBOW, 90D, 520220-8-12	2
11	48912GT	CONN, 520120-4-6***	4
12	55821GT	HOSE, AUX PUMP TANK (components: 48822, 48827, 56777 @ 72 inches)	1
13	71197GT	HOSE, PRESSURE FILTER TO MANFLD (components: 48827, 48827, 56777 @ 26.50 inches)	1
14	55820-SGT	HOSE, AUX PUMP PRESSURE (components: 48816, 48816, 56776 @ 36 inches)	1
15	48916GT	CONN, 520120-6	4
16A	79717GT	HOSE, STEER, S2 (components: 48800, 48802, 48751 @ 78 inches)	1
16B	131068GT	HOSE ASSY, S2 STEER, LO-TEMP (components: 48800, 48802, 101697 @ 84 inches) (models with arctic package only)	1
17A	79718GT	HOSE, STEER, S1 (components: 48802, 48800, 48751 @ 66 inches)	1
17B	131069GT	HOSE ASSY, S1 STEER, LO-TEMP (components: 48802, 48800, 101697 @ 72 inches) (models with arctic package only)	1
18	48960GT	FITTING, CONN, 520120-12***	1
19	48933GT	CONN, 520120-8***	1
20	48943GT	FITTING, CONN, 520120-8-6	1
21	71916-SGT	HOSE, ACCUMULATOR TO TEE (components: 48812, 48812, 56776 @ 25.50 inches)	1
22	48932GT	FITTING, ELBOW, 90D, 520220-8***	1
23A	112575GT	HOSE, LIFT CYLINDR, RET, GS84/90 (components: 48812, 48812, 56776 @ 191 inches)	1
23B	131070GT	HOSE ASSY, LIFT, GS84/90, LO-TEMP (components: 48812, 48812, 101698 @ 191 inches) (models with arctic package only)	1
24	48930GT	CONN, 520120-6-8	2



210.1 Hydraulic Hoses and Fittings, Function Manifold - GS-3384

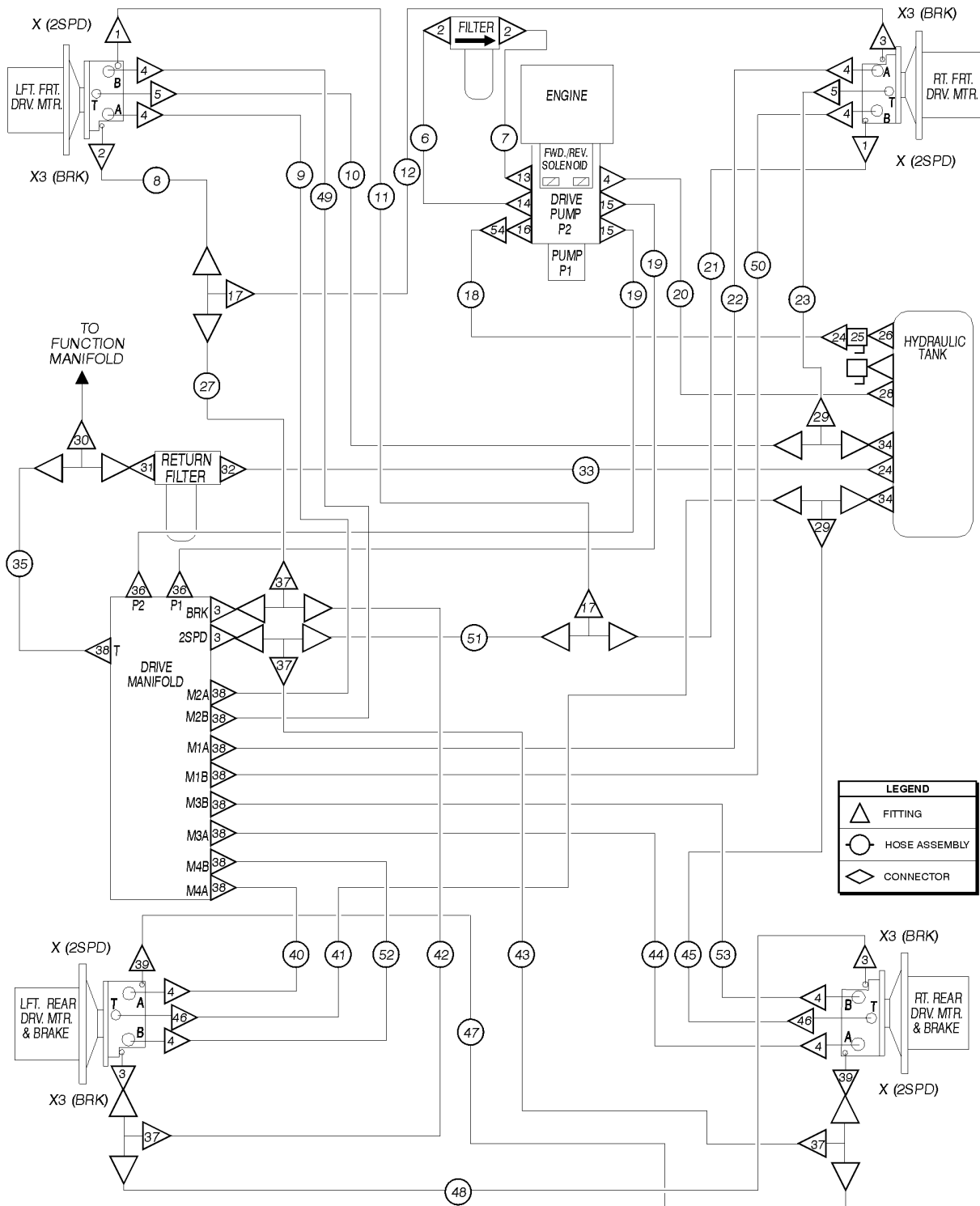


210.1 Hydraulic Hoses and Fittings, Function Manifold - GS-3384

<i>Item</i>	<i>Part No.</i>	<i>Description</i>	<i>Qty.</i>
25	48875GT	TEE,RUN,SWIVEL,520432-6	1
26	131351GT	HOSE,LIFT CYLINDR,EXT,GS84/90 (components: 48812, 48812, 56776 @ 208 inches)	1



211.1 Hydraulic Hoses and Fittings, 4WD Manifold - GS-3384



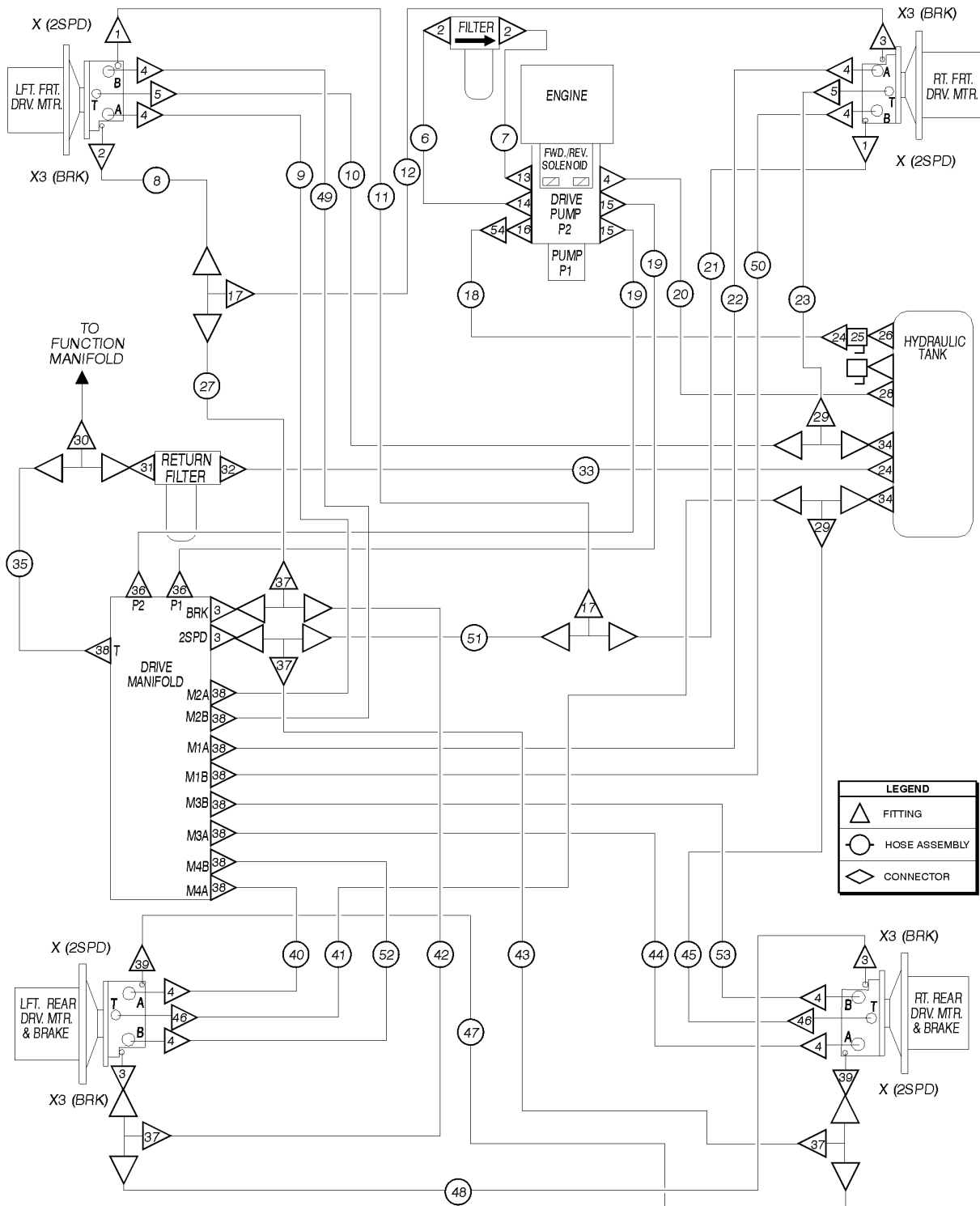
LEGEND	
△	FITTING
○	HOSE ASSEMBLY
◇	CONNECTOR

211.1 Hydraulic Hoses and Fittings, 4WD Manifold - GS-3384

Item	Part No.	Description	Qty.
		The hose lengths below reflect the length of the hose only. Refer to the 'Fittings Cross Reference' to match Genie part numbers to Parker part numbers.	
1	48911GT	ELBOW,90D,520220-4-6***	2
2A	48932GT	FITTING,ELBOW,90D,520220-8*** (Ford and Deutz F3L 2011 and D2011L03i models)	2
2B	48933GT	CONN,520120-8*** (Deutz D2.9L4 models)	2
3	48905GT	CONN,520120-4***	6
4	48948GT	CONN,520120-8-12	9
5	48930GT	CONN,520120-6-8	2
6A	104199GT	HOSE,PUMP TO CHARGE FILTER,DF (Ford MSG-425 models) (components: 48822, 48827, 56777 @ 42 inches)	1
6B	1254794GT	HOSE,PUMP TO CHRGE FILT, D2.9 (Deutz D2.9L4 models) (components: 48822, 48827, 56777 @ 30 inches)(to SN 45571)	1
6C	104267GT	HOSE,PUMP TO CHARGE FILTER,DSL (Deutz D2011L03i models) (components: 48822, 48822, 56777 @ 44 inches)	1
6D	1284755GT	HOSE ASSY,PUMP OUT-CHRG.FILT D2.9 (Deutz D2.9L4 models) (components: 48822, 48827, 56777 @ 26 inches)(from SN 45572)	1
7A	104198GT	HOSE,CHARGE FILTER TO PUMP,DF (Ford MSG-425 models) (components: 48822, 48827, 56777 @ 35 inches)	1
7B	1254793GT	HOSE, CHRGE FILT TO PUMP,D2.9 (Deutz D2.9L4 models) (components: 48822, 48826, 56777 @ 17 inches)(to SN 45571)	1
7C	104266GT	HOSE,CHARGE FILTER TO PUMP,DSL (Deutz D2011L03i models) (components: 48822, 48822, 56777 @ 48 inches)	1
7D	1284756GT	HOSE ASSY, CHRG. FILT TO PUMP,D2.9 (Deutz D2.9L4 models) (components: 48825, 48827, 56777 @ 10 inches)(from SN 45572)	1
8A	104252GT	HOSE,M2 BRAKE TO TEE (components: 48800, 48802, 48751 @ 51 inches)	1
8B	131072GT	HOSE ASSY,M2 BRK TO TEE,LO-TMP (components: 48800, 48802, 101697 @ 51 inches) (models with arctic package only)	1
9A	104282GT	HOSE,M2 A-B TO MANIFOLD,GS84 (components: 48822, 48826, 56777 @ 100 inches)	1
9B	131073GT	HOSE ASSY,M2 A-B TO MAN,LO-TMP (components: 48822, 48826, 101699 @ 100 inches) (models with arctic package only)	1
10A	104255GT	HOSE,M2 CASE TO TANK,GS84 (components: 48812, 48812, 56776 @ 112 inches)	1
10B	131074GT	HOSE,M2 CASE TO TANK,LO-TEMP (components: 48812, 48812, 101698 @ 112 inches) (models with arctic package only)	1
11A	104257GT	HOSE,M1 SHIFT TO TEE (components: 48800, 48800, 48751 @ 56 inches)	1
11B	131075GT	HOSE,M2X SHIFT TO TEE,LO-TEMP (components: 48800, 48800, 101697 @ 56 inches) (models with arctic package only)	1
12A	104251GT	HOSE,M1 BRAKE TO TEE (components: 48800, 48802, 48751 @ 75 inches)	1
12B	131076GT	HOSE,M1 BRAKE TO TEE,LO-TEMP (components: 48800, 48802, 101697 @ 75 inches) (models with arctic package only)	1
13	48946GT	CONN,520120-8-10	1
14A	48949GT	CONN,520120-8-16 to SN 45568	1
14B	48946GT	CONN,520120-8-10 from SN 45569	1



211.1 Hydraulic Hoses and Fittings, 4WD Manifold - GS-3384



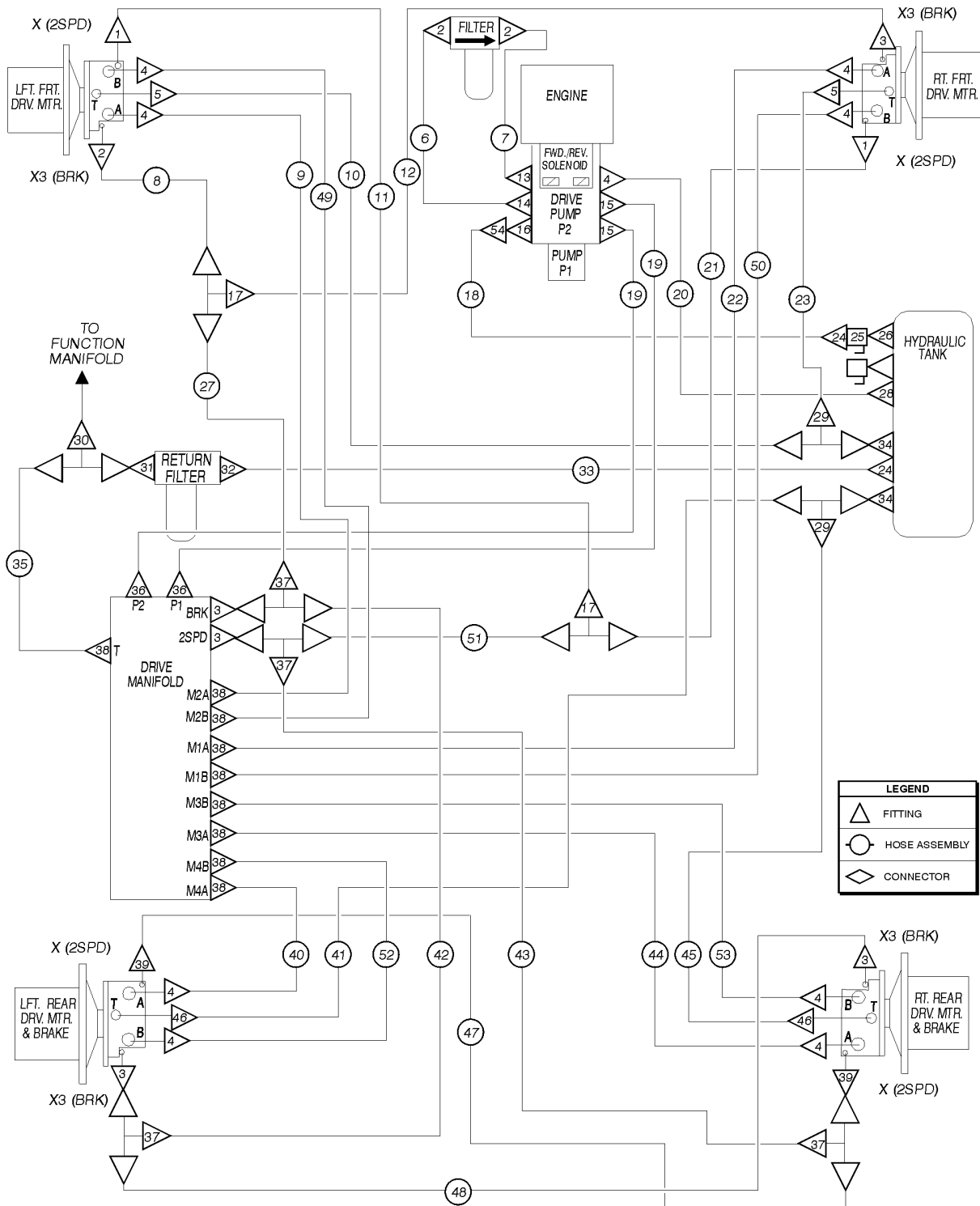
LEGEND	
△	FITTING
○	HOSE ASSEMBLY
◇	CONNECTOR

211.1 Hydraulic Hoses and Fittings, 4WD Manifold - GS-3384

Item	Part No.	Description	Qty.
15	48976GT	ELBOW,90D,520220-12-16	2
16	48984GT	CONN,520120-16	1
17	48909GT	TEE,BULKHEAD,RUN,520958-4	2
18	87661GT	HOSE,SUCTION,DRIVE PUMP (components: 48854, 48855, 48764 @ 98.50 inches)	1
19	104296GT	HOSE,DRIVE PUMP TO MANIFOLD (components: 48841, 48846, 94358 @ 125 inches)	2
20	99093GT	HOSE,PUMP CASE DRAIN,GS90 (components: 48827, 48822, 56777 @ 124 inches)	1
21A	104258GT	HOSE,M2 SHIFT TO TEE (components: 48800, 48800, 48751 @ 71 inches)	1
21B	131077GT	HOSE,M1X TO TEE,2SPD,LO-TEMP (components: 48800, 48800, 101697 @ 71 inches) (models with arctic package only)	1
22A	104283GT	HOSE,M1 A-B TO MANIFOLD,GS84 (components: 48822, 48826, 56777 @ 122 inches)	1
22B	131078GT	HOSE,M1B TO MAN,LO TEMP,GS84 (components: 48822, 48826, 101699 @ 122 inches) (models with arctic package only)	1
23A	104254GT	HOSE,M1 CASE TO TANK,GS84 (components: 48812, 48812, 56776 @ 94 inches)	1
23B	131079GT	HOSE,M1 CASE TO TANK,LO-TEMP (components: 48812, 48812, 101698 @ 94 inches) (models with arctic package only)	1
24	48986GT	CONN,520102-16	2
25	48994GT	VALVE,BALL,16 MPT-16 FPT***	1
26	45161GT	STRAINER ASSEMBLY,1.5" NPT	1
27	104253GT	HOSE,MANIFOLD BRK TO TEE (components: 48800, 48802, 48751 @ 52 inches)	1
28	48944GT	CONN,520102-8-8	1
29	48875GT	TEE,RUN,SWIVEL,520432-6	2
30	48964GT	FITTING,TEE,RUN,SWIVEL52043212	1
31	48959GT	FITTING,ELBOW,90D,520220-12	1
32	48878GT	ELBOW,90D,520220-16-12	1
33	55811-SGT	HOSE,RETURN FILTER TO TANK (components: 48854, 48855, 48764 @ 91 inches)	1
34	48922GT	CONN,520102-6-6	2
35	99094GT	HOSE,DRV MFD TO RTN FILTER (components: 48822, 48836, 48756 @ 31 inches)	1
36	48960GT	FITTING,CONN,520120-12***	2
37	48908GT	FITTING,TEE,RUN,SWIVEL520432-4	2
38	48933GT	CONN,520120-8***	9
39	48912GT	CONN,520120-4-6***	2



211.1 Hydraulic Hoses and Fittings, 4WD Manifold - GS-3384

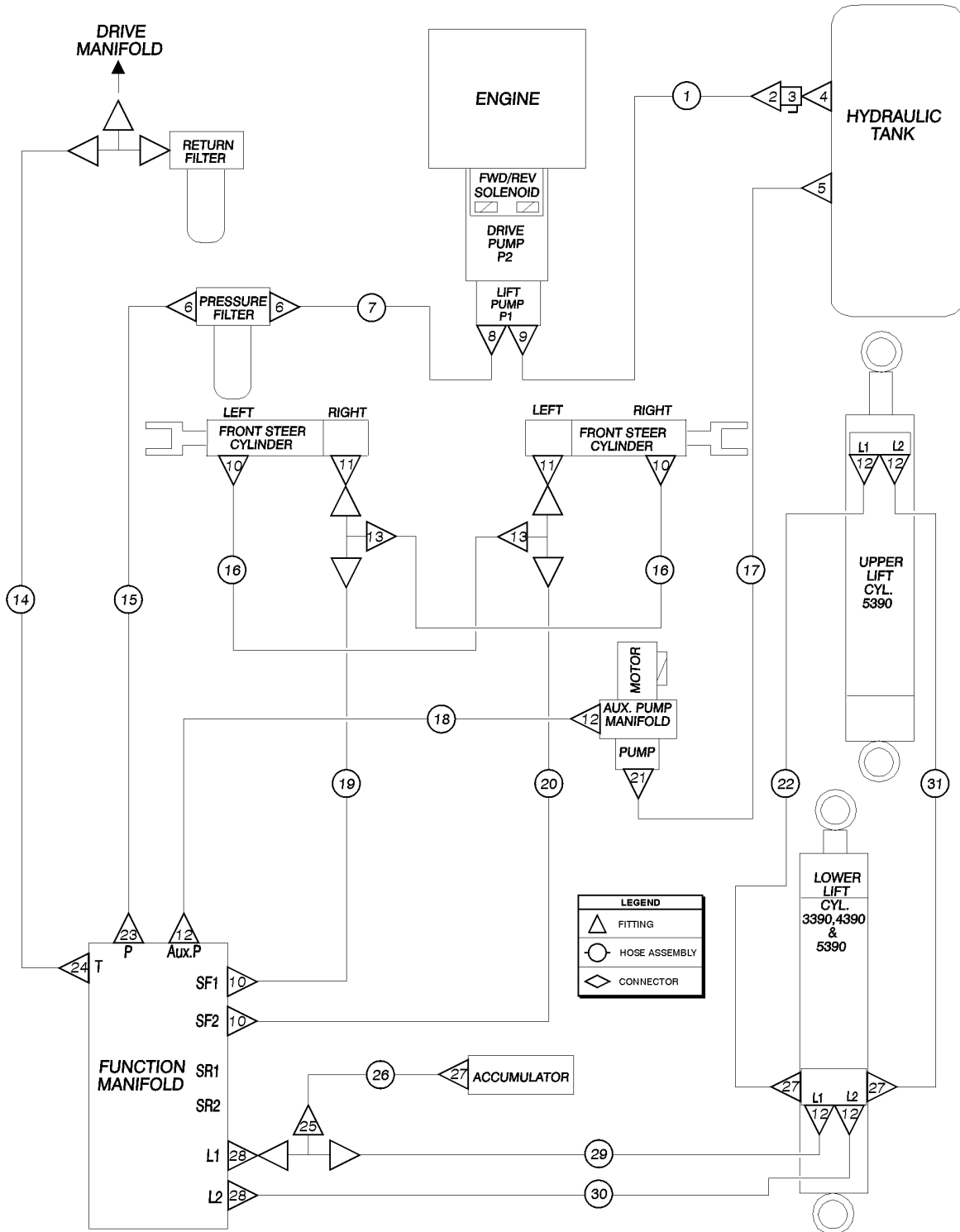


211.1 Hydraulic Hoses and Fittings, 4WD Manifold - GS-3384

Item	Part No.	Description	Qty.
40	87049GT	HOSE,M4 A TO MANIFOLD (components: 48822, 48827, 56777 @ 90 inches)	1
41	104286GT	HOSE,M4 CASE TO TANK (components: 48812, 48812, 56776 @ 94 inches)	1
42	87052GT	HOSE,M4 BRAKE TO MANIFOLD (components: 48800, 48802, 48751 @ 89 inches)	1
43	87050GT	HOSE, M3 SHIFT TO MANIFOLD (components: 48800, 48802, 48751 @ 106 inches)	1
44	87048GT	HOSE,M3 A TO MANIFOLD (components: 48822, 48827, 56777 @ 115 inches)	1
45	87055GT	HOSE, M3 CASE TO TANK (components: 48812, 48812, 56776 @ 72 inches)	1
46	48929GT	FITTING,ELBOW,90D,520220-6-8**	2
47	87051GT	HOSE, M3 SHIFT TO M4 SHIFT (components: 48800, 48800, 48751 @ 63 inches)	1
48	87053GT	HOSE,M4 BRAKE TO M3 BRAKE (components: 48800, 48800, 48751 @ 72 inches)	1
49	131345GT	HOSE, B TO MANIFOLD M2B (components: 48822, 48826, 56777 @ 100 inches)	1
50	131346GT	HOSE, B TO MANIFOLD M1B (components: 48822, 48826, 56777 @ 122 inches)	1
51	131355GT	HOSE,MANIFOLD SHFT TO TEE (components: 48800, 48802, 48751 @ 52 inches)	1
52	131347GT	HOSE,B TO MANIFOLD M4B (components: 48822, 48827, 56777 @ 90 inches)	1
53	131348GT	HOSE,B TO MANIFOLD M3B (components: 48822, 48827, 56777 @ 115 inches)	1
54	48983GT	ELBOW,90D,520220-16 Deutz 2.9L4 modelsfrom SN GS90F-54264, and from SN GS84F-45572	



212.1 Hydraulic Hoses and Fittings, GS-3390, GS-4390 and GS-5390 Function Manifold

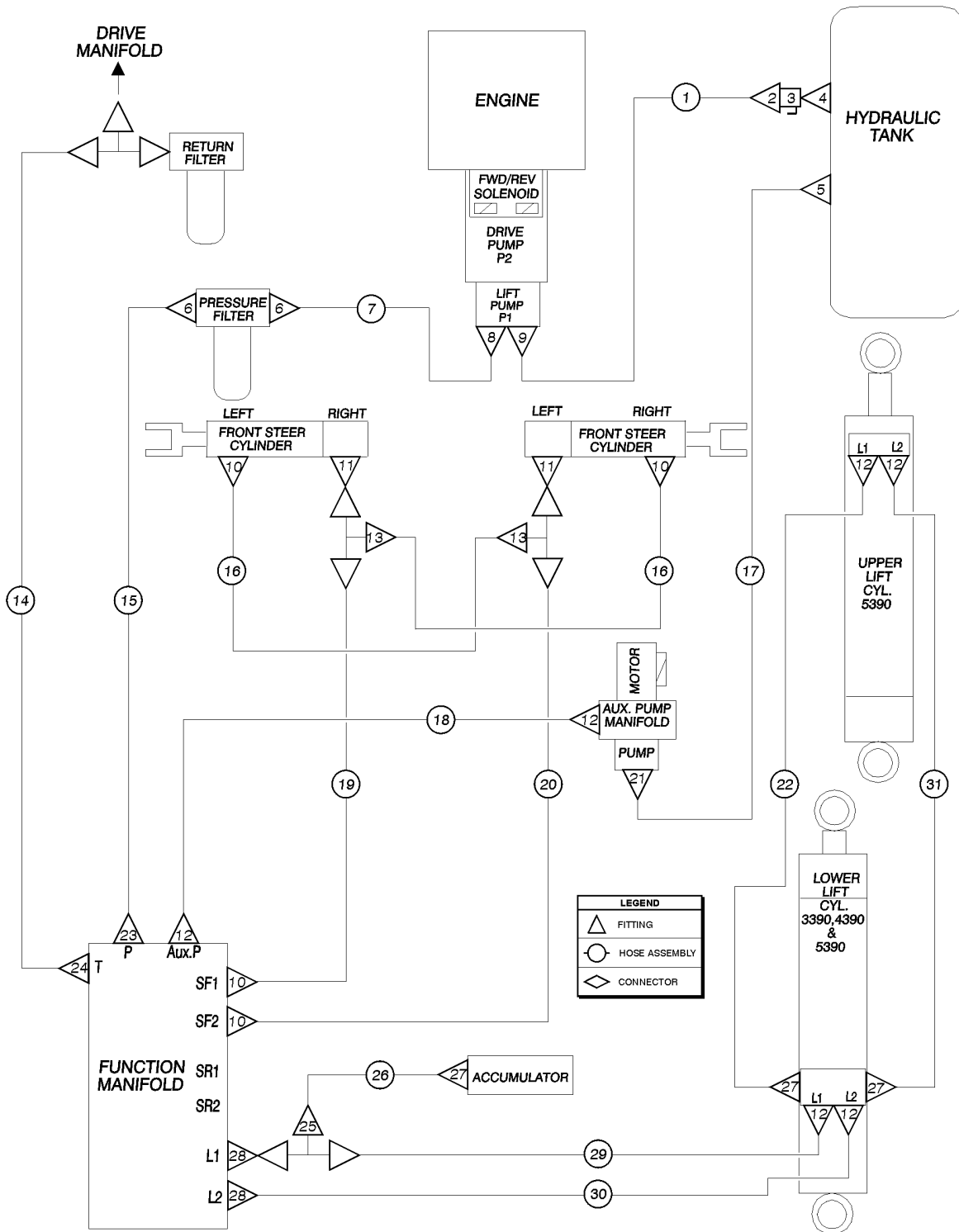


212.1 Hydraulic Hoses and Fittings, GS-3390, GS-4390 and GS-5390 Function Manifold

Item	Part No.	Description	Qty.
		The hose lengths below reflect the length of the hose only. Refer to the 'Fittings Cross Reference' to match Genie part numbers to Parker part numbers.	
1A	104256GT	HOSE, FUNC PUMP SUCTION (components: 48854, 48854, 48767 @ 92 inches) (models with Ford engine)	1
1B	162003GT	HOSE, FUNC. PUMP SUCT, 84/90, DEUT (components: 48854, 48854, 48767 @ 88 inches) (models with Deutz engine)	1
2	48986GT	CONN, 520102-16	1
3	48994GT	VALVE, BALL, 16 MPT-16 FPT***	1
4	45161GT	STRAINER ASSEMBLY, 1.5" NPT	1
5	48944GT	CONN, 520102-8-8	1
6	48947GT	ELBOW, 90D, 520220-8-12	2
7	104249GT	HOSE, FUNC PUMP TO FILTER	1
8	48946GT	CONN, 520120-8-10	1
9	49519GT	CONN, 520120-16-12	1
10	48912GT	CONN, 520120-4-6***	2
11	48911GT	ELBOW, 90D, 520220-4-6***	2
12	48916GT	CONN, 520120-6	8
13	48908GT	FITTING, TEE, RUN, SWIVEL 520432-4	2
14	104546GT	TUBE ASSY, 7.5"W/12 SW NUTS*	1
15	71197GT	HOSE, PRESSURE FILTER TO MANFLD (components: 48827, 48827, 56777 @ 26.5 inches)	1
16A	71198GT	HOSE, STEER CYL TO STEER CYL, 90 (components: 48800, 48802, 48751 @ 24 inches)	2
16B	131080GT	HOSE, STEER TO STEER, LO-TEMP (components: 48800, 48800, 101697 @ 24 inches) (models with arctic package only)	2
17	55821GT	HOSE, AUX PUMP TANK (components: 48822, 48827, 56777 @ 72 inches)	1
18	55820-SGT	HOSE, AUX PUMP PRESSURE (components: 48816, 48816, 56776 @ 36 inches)	1
19A	79718GT	HOSE, STEER, S1 (components: 48802, 48000, 48751 @ 66 inches)	1
19B	131069GT	HOSE ASSY, S1 STEER, LO-TEMP (components: 48802, 48000, 101697 @ 72 inches) (models with arctic package only)	1
20A	79717GT	HOSE, STEER, S2 (components: 48000, 48802, 48751 @ 78 inches)	1
20B	131068GT	HOSE ASSY, S2 STEER, LO-TEMP (components: 48000, 48802, 101697 @ 84 inches) (models with arctic package only)	1
21	48943GT	FITTING, CONN, 520120-8-6	1
23	48933GT	CONN, 520120-8***	1
24	48960GT	FITTING, CONN, 520120-12***	1



212.1 Hydraulic Hoses and Fittings, GS-3390, GS-4390 and GS-5390 Function Manifold

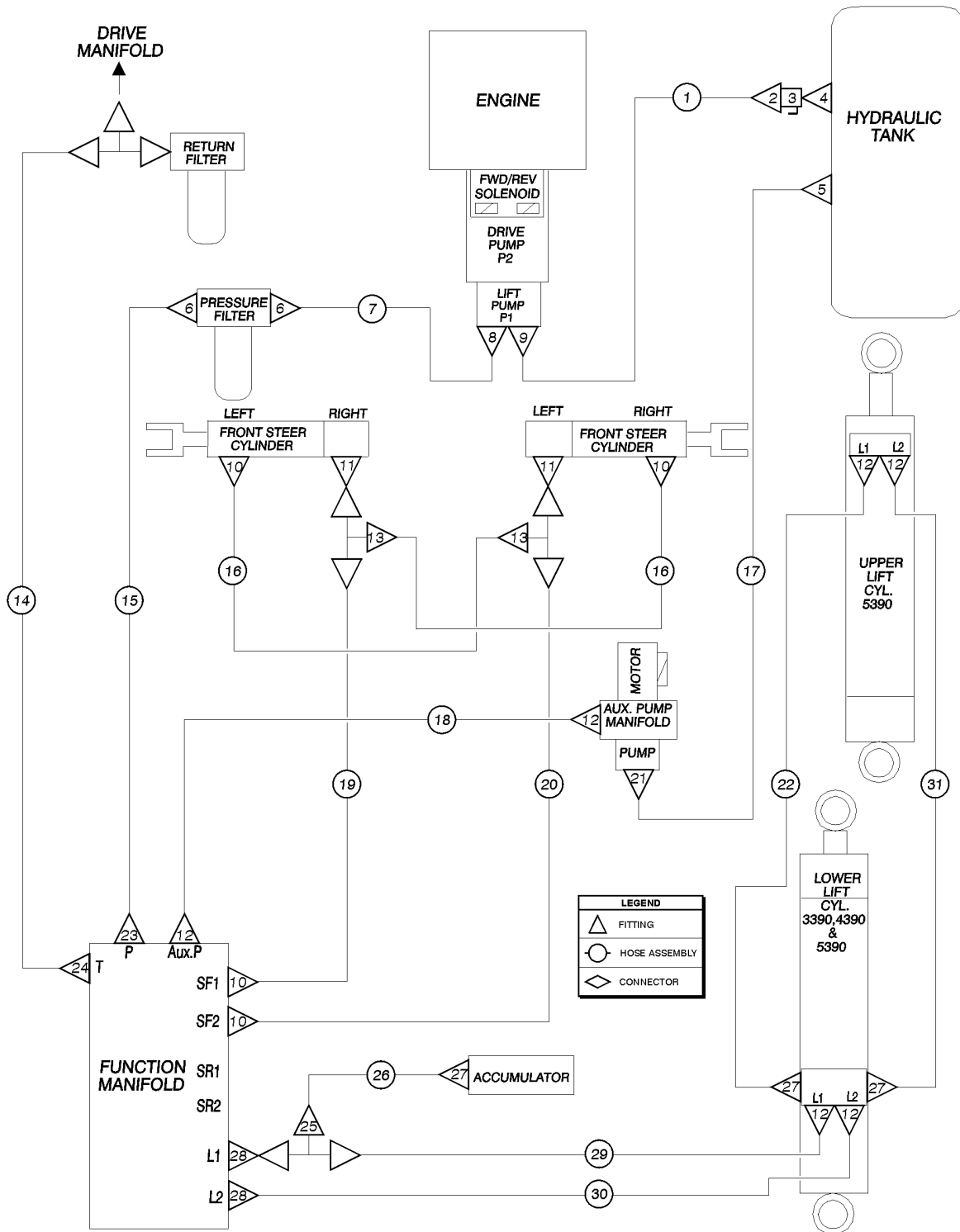


212.1 Hydraulic Hoses and Fittings, GS-3390, GS-4390 and GS-5390 Function Manifold

<i>Item</i>	<i>Part No.</i>	<i>Description</i>	<i>Qty.</i>
25	48875GT	TEE,RUN,SWIVEL,520432-6	1
26	99117GT	HOSE,ACCUMULATOR TO TEE*** (components: 48812, 48812, 56776 @ 30 inches)	1
27	48915GT	ELBOW,90D,520220-6	3
28	48930GT	CONN,520120-6-8	2
29A	112575GT	HOSE,LIFT CYLINDR,RET,GS84/90 (components: 48812, 48812, 56776 @ 191 inches)	1
29B	131070GT	HOSE ASSY,LIFT,GS84/90,LO-TEMP (components: 48812, 48812, 101698 @ 191 inches) (models with arctic package only)	1
30	131351GT	HOSE,LIFT CYLINDR,EXT,GS84/90 (components: 48812, 48812, 56776 @ 208 inches)	1



212.2 Hydraulic Hoses and Fittings, GS-3390, GS-4390 and GS-5390 Function Manifold

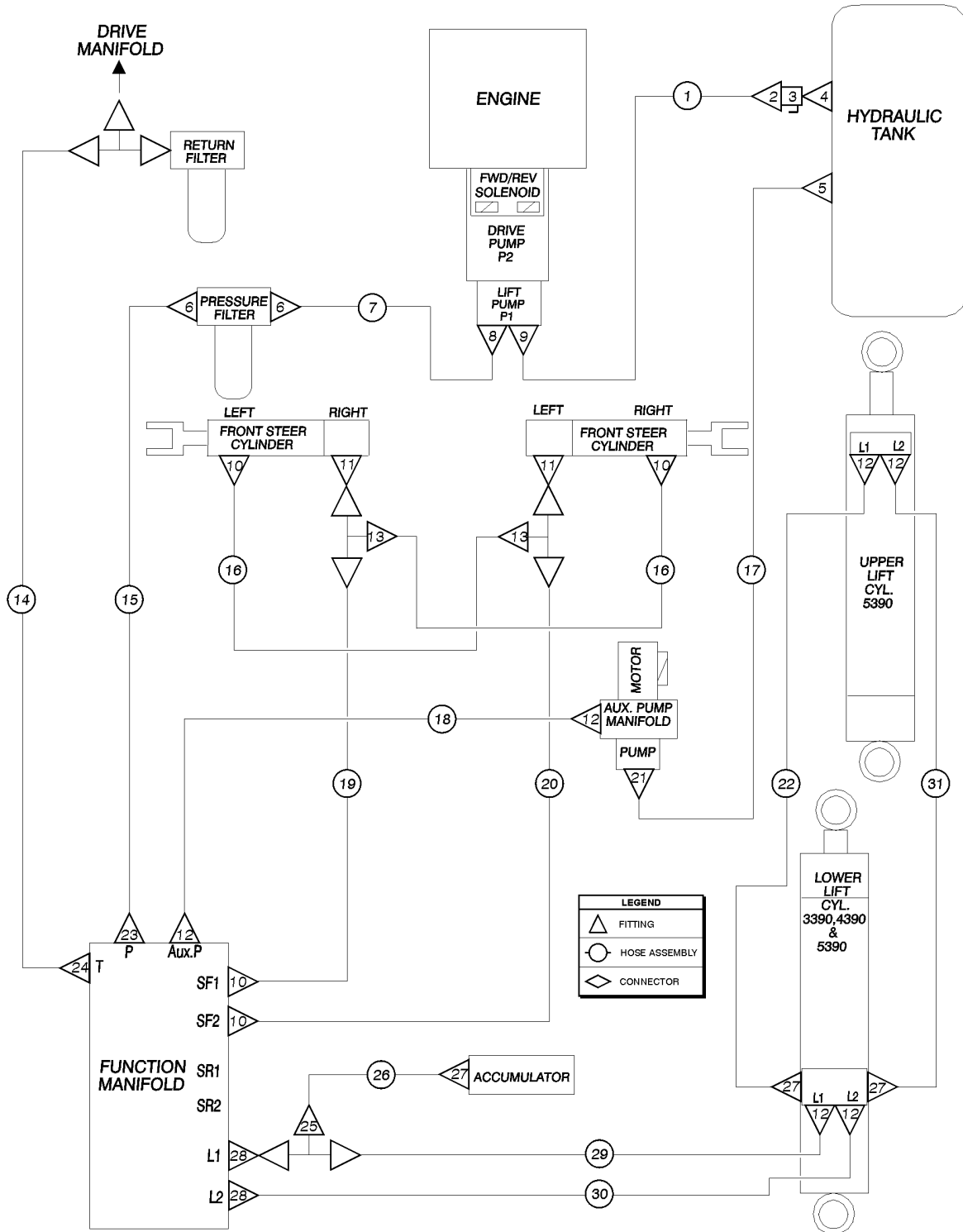


212.2 Hydraulic Hoses and Fittings, GS-3390, GS-4390 and GS-5390 Function Manifold

Item	Part No.	Description	Qty.
		The hose lengths below reflect the length of the hose only. Refer to the 'Fittings Cross Reference' to match Genie part numbers to Parker part numbers.	
1A	104256GT	HOSE, FUNC PUMP SUCTION (components: 48854, 48854, 48767 @ 92 inches) (models with Ford engine)	1
1B	162003GT	HOSE, FUNC. PUMP SUCT, 84/90, DEUT (components: 48854, 48854, 48767 @ 88 inches) (models with Deutz engine)	1
2	48986GT	CONN, 520102-16	1
3	48994GT	VALVE, BALL, 16 MPT-16 FPT***	1
4	45161GT	STRAINER ASSEMBLY, 1.5" NPT	1
5	48944GT	CONN, 520102-8-8	1
6	48947GT	ELBOW, 90D, 520220-8-12	2
7	104249GT	HOSE, FUNC PUMP TO FILTER	1
8	48946GT	CONN, 520120-8-10	1
9	49519GT	CONN, 520120-16-12	1
10	48912GT	CONN, 520120-4-6***	2
11	48911GT	ELBOW, 90D, 520220-4-6***	2
12	48916GT	CONN, 520120-6	8
13	48908GT	FITTING, TEE, RUN, SWIVEL 520432-4	2
14	104546GT	TUBE ASSY, 7.5"W/12 SW NUTS*	1
15	71197GT	HOSE, PRESSURE FILTER TO MANFLD (components: 48827, 48827, 56777 @ 26.5 inches)	1
16A	71198GT	HOSE, STEER CYL TO STEER CYL, 90 (components: 48800, 48802, 48751 @ 24 inches)	2
16B	131080GT	HOSE, STEER TO STEER, LO-TEMP (components: 48800, 48800, 101697 @ 24 inches) (models with arctic package only)	2
17	55821GT	HOSE, AUX PUMP TANK (components: 48822, 48827, 56777 @ 72 inches)	1
18	55820-SGT	HOSE, AUX PUMP PRESSURE (components: 48816, 48816, 56776 @ 36 inches)	1
19A	79718GT	HOSE, STEER, S1 (components: 48802, 48000, 48751 @ 66 inches)	1
19B	131069GT	HOSE ASSY, S1 STEER, LO-TEMP (components: 48802, 48000, 101697 @ 72 inches) (models with arctic package only)	1
20A	79717GT	HOSE, STEER, S2 (components: 48000, 48802, 48751 @ 78 inches)	1
20B	131068GT	HOSE ASSY, S2 STEER, LO-TEMP (components: 48000, 48802, 101697 @ 84 inches) (models with arctic package only)	1
21	48943GT	FITTING, CONN, 520120-8-6	1
22A	112576GT	HOSE, LIFT, PRIM TO SEC, EXTEND GS-5390 (components: 48812, 48812, 56776 @ 323 inches)	1



212.2 Hydraulic Hoses and Fittings, GS-3390, GS-4390 and GS-5390 Function Manifold

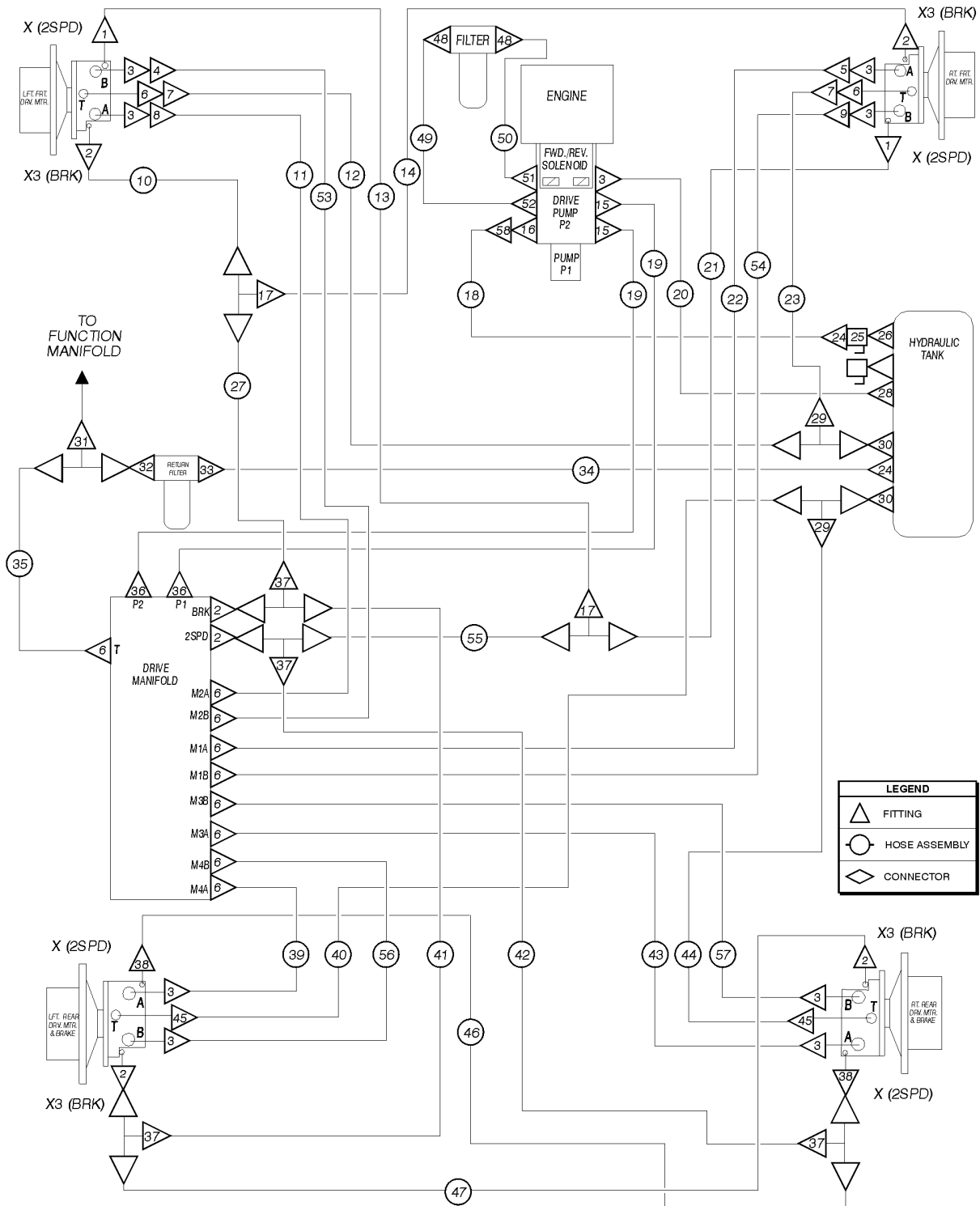


212.2 Hydraulic Hoses and Fittings, GS-3390, GS-4390 and GS-5390 Function Manifold

Item	Part No.	Description	Qty.
22B	131071GT	HOSE,LIFT,PRIM TO SEC,LO-TEMP GS-5390 (components: 48812, 48812, 101698 @ 323 inches) (models with arctic package only)	1
23	48933GT	CONN,520120-8***	1
24	48960GT	FITTING,CONN,520120-12***	1
25	48875GT	TEE,RUN,SWIVEL,520432-6	1
26	99117GT	HOSE,ACCUMULATOR TO TEE*** (components: 48812, 48812, 56776 @ 30 inches)	1
27	48915GT	ELBOW,90D,520220-6	3
28	48930GT	CONN,520120-6-8	2
29A	112575GT	HOSE,LIFT CYLINDR,RET,GS84/90 (components: 48812, 48812, 56776 @ 191 inches)	1
29B	131070GT	HOSE ASSY,LIFT,GS84/90,LO-TEMP (components: 48812, 48812, 101698 @ 191 inches) (models with arctic package only)	1
30	131351GT	HOSE,LIFT CYLINDR,EXT,GS84/90 (components: 48812, 48812, 56776 @ 208 inches)	1
31	131352GT	HOSE,LIFT,PRIM TO SEC,RETRACT GS-5390 (components: 48812, 48812, 56776 @ 323 inches)	1



213.1 Hydraulic Hoses and Fittings, GS-3390, GS-4390 and GS-5390 4WD Manifold

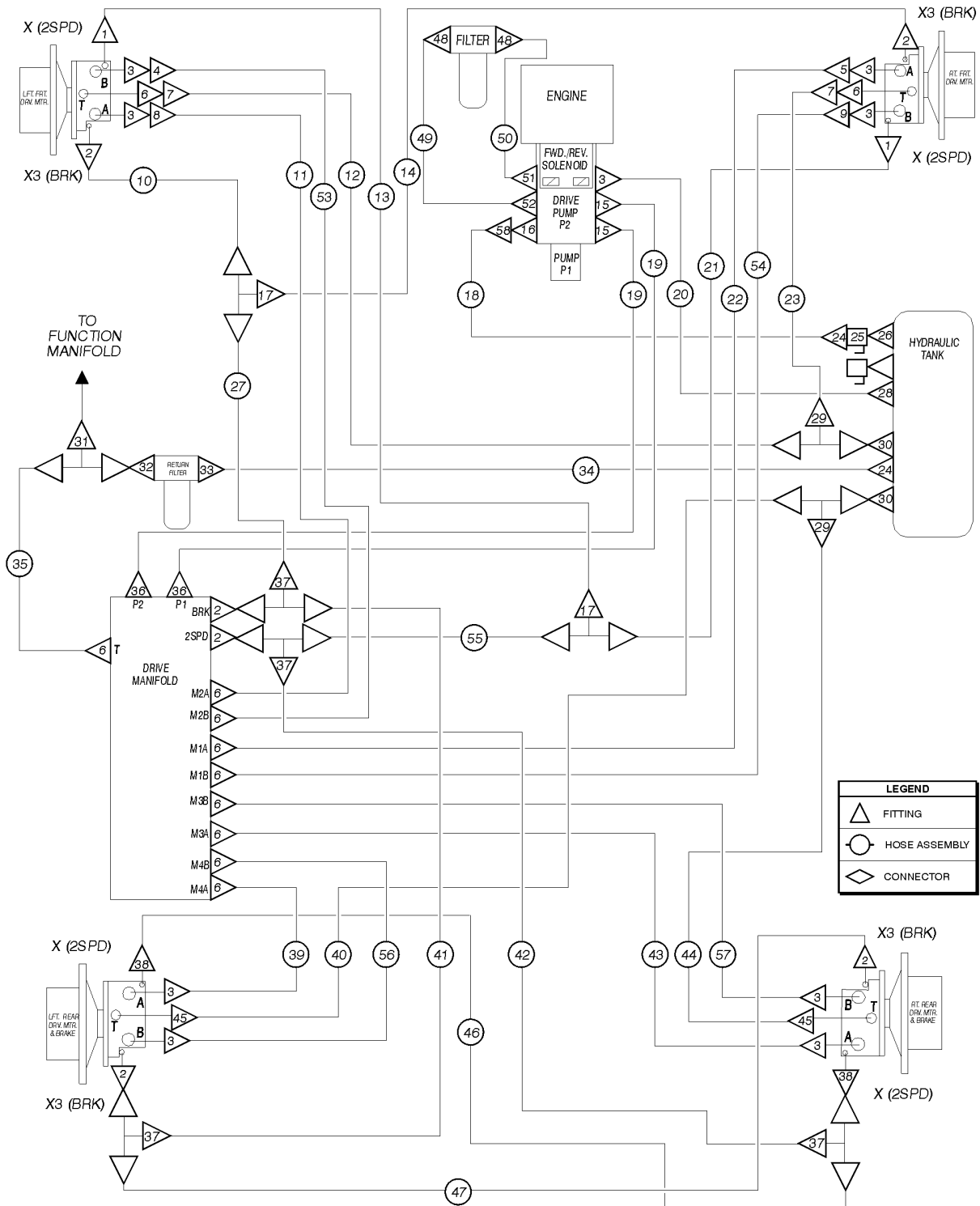


213.1 Hydraulic Hoses and Fittings, GS-3390, GS-4390 and GS-5390 4WD Manifold

Item	Part No.	Description	Qty.
		The hose lengths below reflect the length of the hose only. Refer to the 'Fittings Cross Reference' to match Genie part numbers to Parker part numbers.	
1	48911GT	ELBOW,90D,520220-4-6***	2
2A	48905GT	CONN,520120-4*** (Ford and Deutz F3L 2011 and D2011L03i models)	6
2B	48933GT	CONN,520120-8*** (Deutz D2.9L4 models)	2
3	48948GT	CONN,520120-8-12	9
4	104085GT	TUBE,ASSY,MOTOR,FRNT-LT,B-PORT	1
5	104081GT	TUBE,ASSY,MOTOR,FRNT-RT,A-PORT	1
6	48933GT	CONN,520120-8***	11
7	104083GT	TUBE,ASSY,MOTOR,FRNT,CASEDRAIN	2
8	104084GT	TUBE,ASSY,MOTOR,FRNT-LT,A-PORT	1
9	104082GT	TUBE,ASSY,MOTOR,FRNT-RT,B-PORT	1
10A	104294GT	HOSE,M2 BRAKE TO TEE,GS90	1
10B	131083GT	HOSE,M2 BRK TO TEE,LO-TMP,GS90 (models with arctic package only)	1
11A	104250GT	HOSE,M2 A TO MANIFOLD,GS90	1
11B	131084GT	HOSE,M2 A-B TO MAN,LO-TMP,GS90	1
12A	104262GT	HOSE,M2 CASE TO TANK,GS90	1
12B	131085GT	HOSE,M2 CSE TO TNK,LO-TEMP,GS9 (models with arctic package only)	1
13A	104295GT	HOSE,M2 2SPD TO TEE,GS90	1
13B	131086GT	HOSE,M2 2SPD TO TEE,LO-TEMP (models with arctic package only)	1
14A	104292GT	HOSE,M1 BRAKE TO TEE,GS90	1
14B	131087GT	HOSE,M1 BRK TO TEE,LO-TMP,GS90 (models with arctic package only)	1
15	48976GT	ELBOW,90D,520220-12-16	2
16	48984GT	CONN,520120-16	1
17	48909GT	TEE,BULKHEAD,RUN,520958-4	2
18	87661GT	HOSE,SUCTION,DRIVE PUMP	1
19	104296GT	HOSE,DRIVE PUMP TO MANIFOLD	2
20	99093GT	HOSE,PUMP CASE DRAIN,GS90	1
21A	104293GT	HOSE,M1 2SPD TO TEE,GS90	1



213.1 Hydraulic Hoses and Fittings, GS-3390, GS-4390 and GS-5390 4WD Manifold

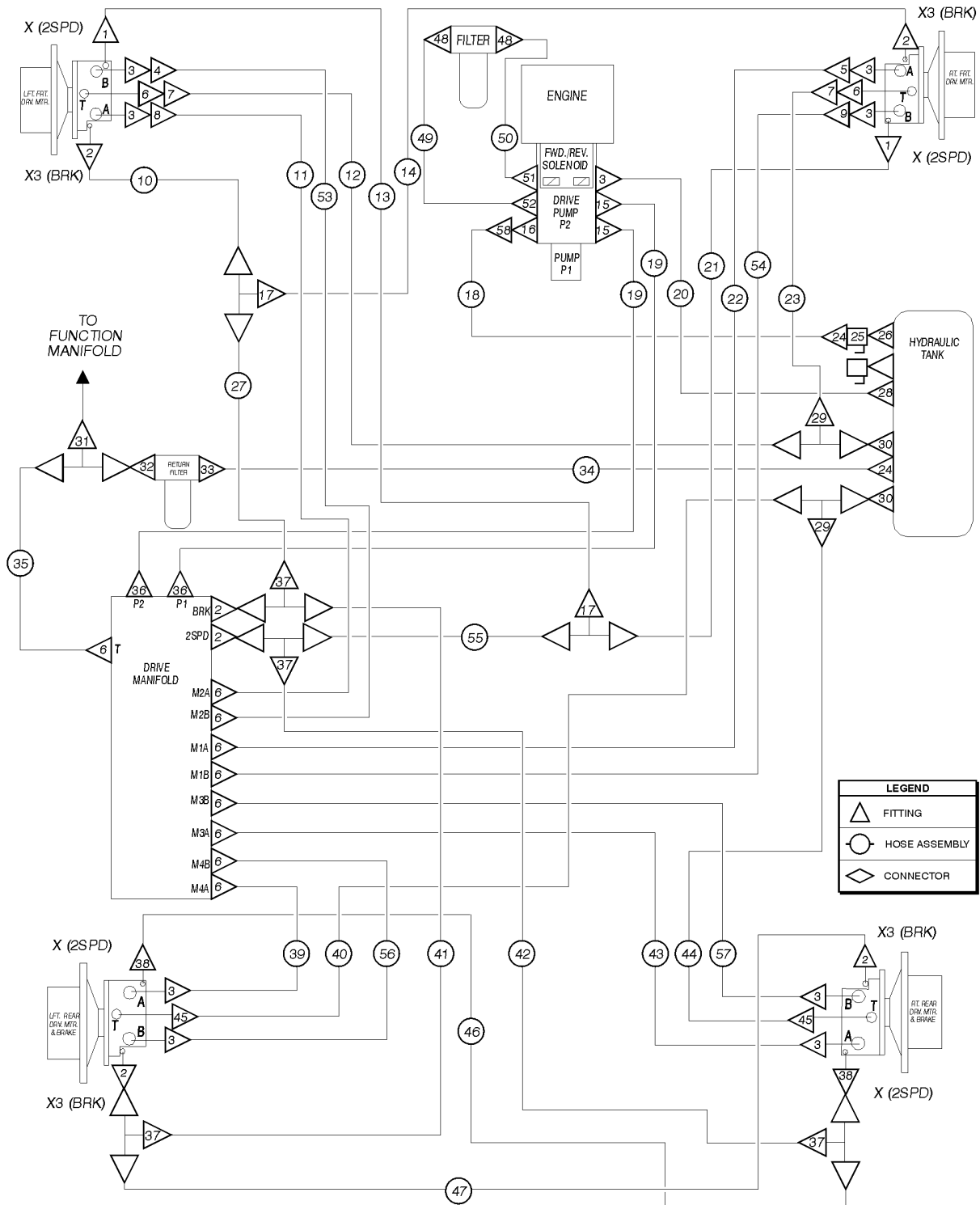


213.1 Hydraulic Hoses and Fittings, GS-3390, GS-4390 and GS-5390 4WD Manifold

Item	Part No.	Description	Qty.
21B	131088GT	HOSE,M1 2SPD TO TEE,LO-TEMP (models with arctic package only)	1
22A	104260GT	HOSE,M1-A TO MANIFOLD,GS90	1
22B	131089GT	HOSE,M1 A TO MAN,LO-TMP,GS90 (models with arctic package only)	1
23A	104261GT	HOSE,M1 CASE TO TANK,GS90	1
23B	131090GT	HOSE,M1 CSE TO TNK,LO-TMP,GS90 (models with arctic package only)	1
24	48986GT	CONN,520102-16	2
25	48994GT	VALVE,BALL,16 MPT-16 FPT***	1
26	45161GT	STRAINER ASSEMBLY,1.5" NPT	1
27	104253GT	HOSE,MANIFOLD BRK TO TEE	1
28	48944GT	CONN,520102-8-8	1
29	48875GT	TEE,RUN,SWIVEL,520432-6	2
30	48922GT	CONN,520102-6-6	2
31	48964GT	FITTING,TEE,RUN,SWIVEL52043212	1
32	48959GT	FITTING,ELBOW,90D,520220-12	1
33	48878GT	ELBOW,90D,520220-16-12	1
34	55811-SGT	HOSE,RETURN FILTER TO TANK	1
35	99094GT	HOSE,DRV MFD TO RTN FILTER	1
36	48960GT	FITTING,CONN,520120-12***	2
37	48908GT	FITTING,TEE,RUN,SWIVEL520432-4	2
38	48912GT	CONN,520120-4-6***	2
39	87049GT	HOSE,M4 A TO MANIFOLD	1
40	104286GT	HOSE,M4 CASE TO TANK	1
41	87052GT	HOSE,M4 BRAKE TO MANIFOLD	1
42	87050GT	HOSE, M3 SHIFT TO MANIFOLD	1
43	87048GT	HOSE,M3 A TO MANIFOLD	1
44	87055GT	HOSE, M3 CASE TO TANK	1
45	48929GT	FITTING,ELBOW,90D,520220-6-8**	2
46	87051GT	HOSE, M3 SHIFT TO M4 SHIFT	1



213.1 Hydraulic Hoses and Fittings, GS-3390, GS-4390 and GS-5390 4WD Manifold



LEGEND	
	FITTING
	HOSE ASSEMBLY
	CONNECTOR

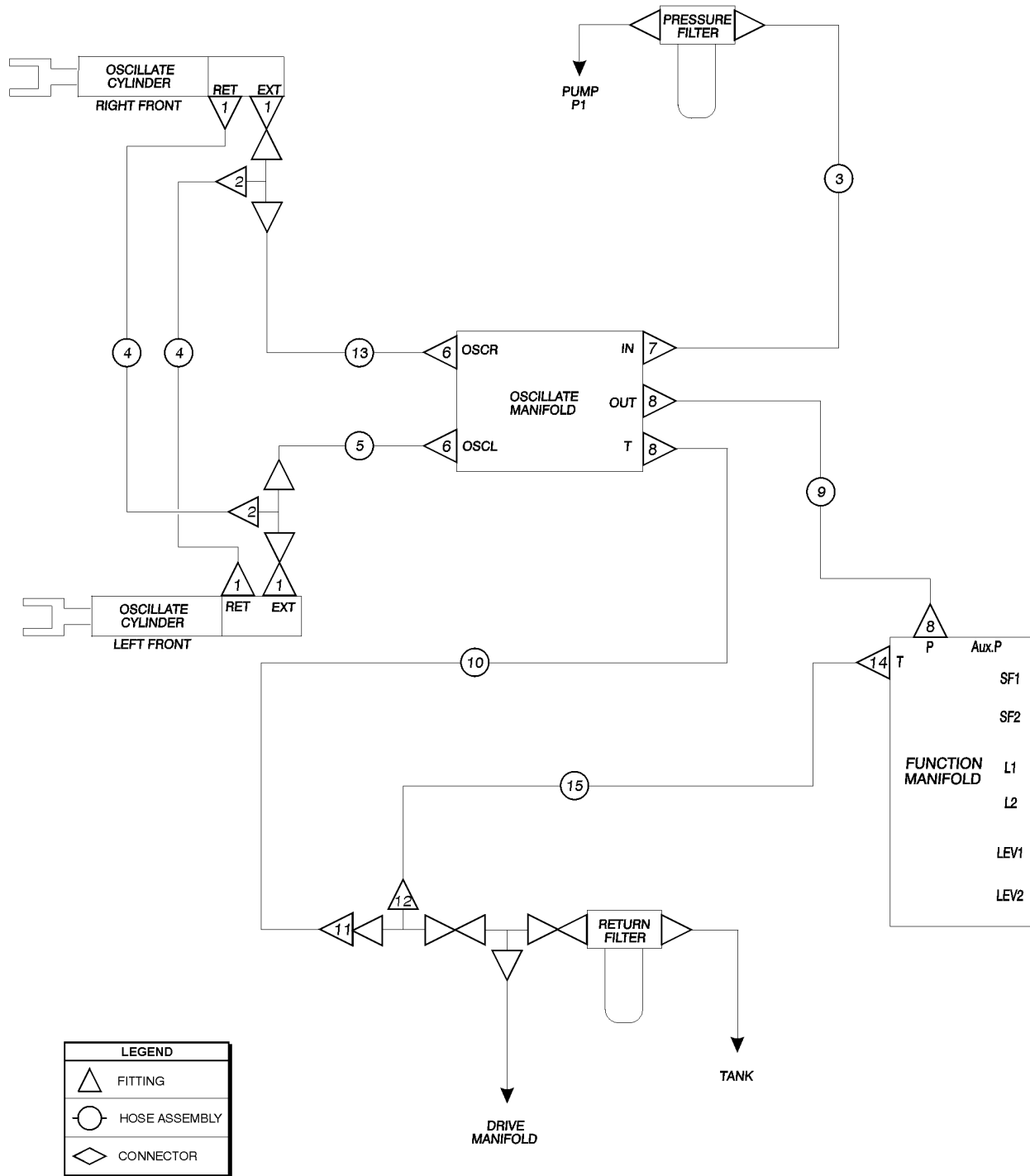


213.1 Hydraulic Hoses and Fittings, GS-3390, GS-4390 and GS-5390 4WD Manifold

Item	Part No.	Description	Qty.
47	87053GT	HOSE,M4 BRAKE TO M3 BRAKE	1
48	48932GT	FITTING,ELBOW,90D,520220-8***	2
49A	104199GT	HOSE,PUMP TO CHARGE FILTER,DF	1
		(Ford MSG-425 models)	
49B	1254794GT	HOSE,PUMP TO CHRGE FILT, D2.9	
		(Deutz D2.9L4 models)	
49C	104267GT	HOSE,PUMP TO CHARGE FILTER,DSL	
		(Deutz D2011L03i models)	
49D	1284755GT	HOSE ASSY,PUMP OUT-CHRG.FILT D2.9	
		(from SN 54264)	
50A	104198GT	HOSE,CHARGE FILTER TO PUMP,DF	
		(Ford MSG-425 models)	
50B	1254793GT	HOSE, CHRG FILT TO PUMP,D2.9	
		(Deutz D2.9L4 models)	
50C	104266GT	HOSE,CHARGE FILTER TO PUMP,DSL	
		(Deutz D2011L03i models)	
50D	1284756GT	HOSE ASSY, CHRG. FILT TO PUMP,D2.9	
		(Deutz D2.9L4 models) (from SN 54264)	
51	48946GT	CONN,520120-8-10	1
52A	48949GT	CONN,520120-8-16	1
		to SN 54158	
52B	48946GT	CONN,520120-8-10	1
		from SN 54159	
53	131359GT	HOSE,B TO MANIFOLD M2B,GS90	1
54	131356GT	HOSE,M1-B TO MANIFOLD,GS90	1
55	131355GT	HOSE,MANIFOLD SHFT TO TEE	1
56	131347GT	HOSE,B TO MANIFOLD M4B	1
57	131348GT	HOSE,B TO MANIFOLD M3B	1
58	48893GT	UNION,STR.THREAD-6	
		Deutz 2.9L4 models from SN GS90F-54264, and from SN GS84F-45572	



214.1 Hydraulic Hoses and Fittings, GS-3390, GS-4390 and GS-5390 Oscillate Manifold

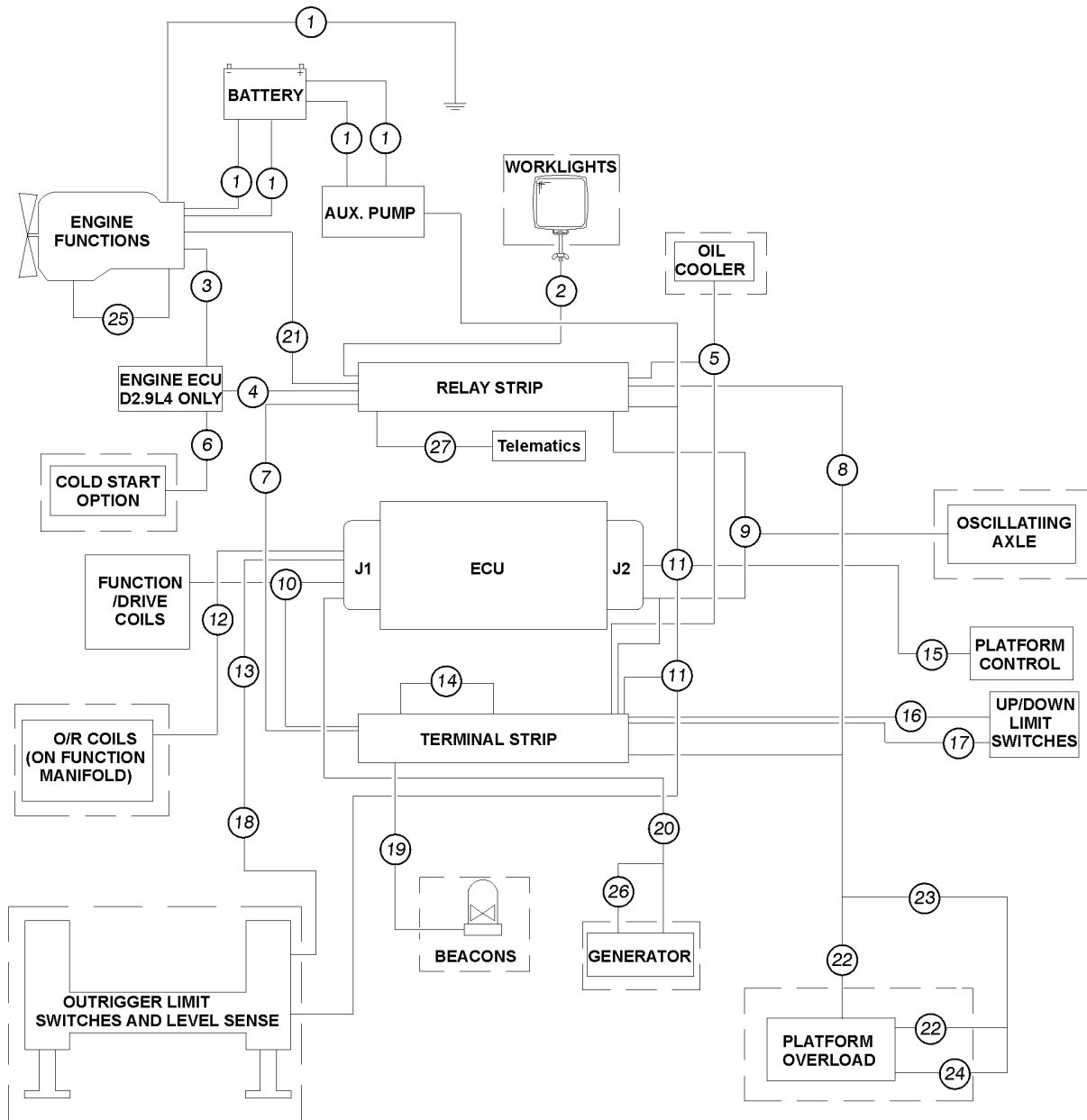


214.1 Hydraulic Hoses and Fittings, GS-3390, GS-4390 and GS-5390 Oscillate Manifold

Item	Part No.	Description	Qty.
		The hose lengths below reflect the length of the hose only. Refer to the 'Fittings Cross Reference' to match Genie part numbers to Parker part numbers.	
1	48905GT	CONN,520120-4***	4
2	48908GT	FITTING,TEE,RUN,SWIVEL520432-4	2
3	87854GT	HOSE ASSY,OSCILLATE IN (components: 48827, 48822, 56777 @ 28 inches)	1
4	87858GT	HOSE ASSY,OSC CYL TO CYL (components: 48800, 48802, 48751 @ 34 inches)	2
5	87857GT	HOSE,OSC MANIF TO CYL,LEFT (components: 48800, 48800, 48751 @ 112 inches)	1
6	48911GT	ELBOW,90D,520220-4-6***	2
7	48932GT	FITTING,ELBOW,90D,520220-8***	1
8	48933GT	CONN,520120-8***	2
9	87855GT	HOSE ASSY,OSCILLATE OUT (components: 48827, 48827, 56777 @ 32 inches)	1
10	87856GT	HOSE ASSY,OSCILLATE TANK (components: 48822, 48827, 56777 @ 40 inches)	1
11	51580GT	FITTING,REDUCER,520123-12-8***	1
12	48964GT	FITTING,TEE,RUN,SWIVEL52043212	1
13	112790GT	HOSE,OSC MANIF TO CYL,RIGHT GS-90 (components: 48800, 48800, 48751 @ 107 inches)	1
14	48960GT	FITTING,CONN,520120-12***	1
15	104546GT	TUBE ASSY,7.5"W/12 SW NUTS*	1



215.1 Electrical Wiring and Power Cables (GS84 to SN 84F-45999 , GS90 to SN 90F-55999)

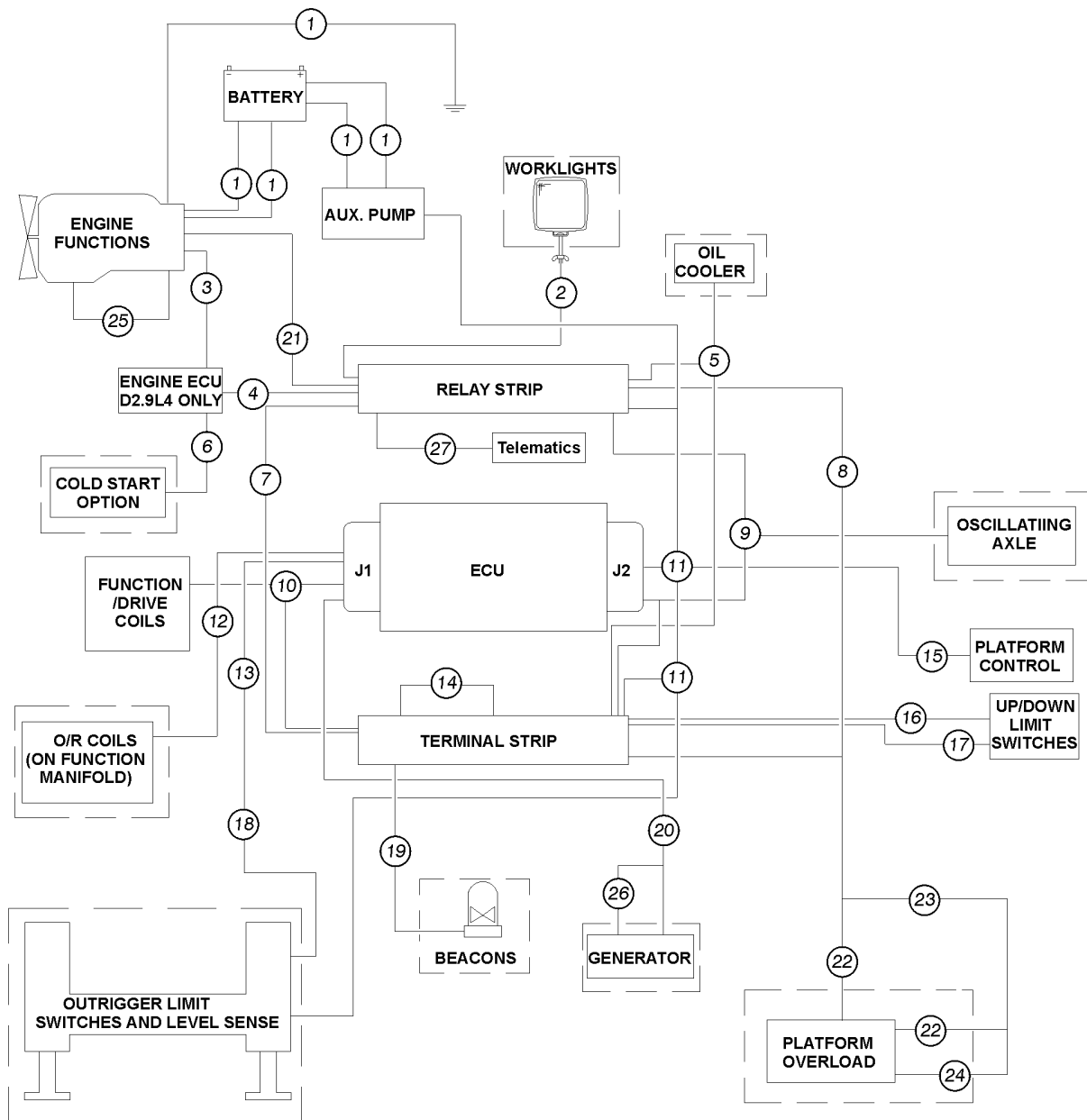


215.1 Electrical Wiring and Power Cables (GS84 to SN 84F-45999 , GS90 to SN 90F-55999)

Item	Part No.	Description	Qty.
A	58253GT	KIT,REPAIR,DEUTSCH PLUG,W/TUBE small kit	
B	83129GT	KIT,REPAIR,DEUTSH CONNECTORS** large kit, includes Item C	
C	61794GT	CRIMPER,DEUTSCH,LIGHT DUTY*** tool	
D	101191GT	WIRE LOOM,1"DIA.SLIT,HI TEMP	
E	1264822GT	KIT, TRC RETROFIT, STNDRD Telematics (includes 1264834)	
E-	1264834GT	INSTRN, TRC RETROFIT, STNDRD	
1		Ref. Wire Harness Assembly, Battery Cables refer to 216.1	
2	99922GT	HARNESS,GS3384 WORKLIGHTS*** GS-3384 and GS-3390	1
2B	99923GT	HARNESS,GS4390 WORKLIGHTS GS-4390	1
2C	99924GT	HARNESS,GS5390 WORKLIGHTS GS-5390	1
3	1258635GT	HARNESS, FORD MSG-425 ENGINE Ford MSG-425	1
3B	131100GT	HARNESS,DEUTZ ENGINE,GS84/90 Deutz D2011L03i	1
3B-	88151GT	FUSE,70 AMP for 131100	1
3B-	45782GT	DIODE,6 AMP,200 PIV,BULK for 131100	1
3B-	1278389GT	HARNESS,D2011 ENGINE,GS84/90 from SN 54159 (Deutz D2011L03i) GS-4390	1
3C	1253301GT	HARNESS,ENGINE,DEUTZ D2.9 Deutz D2.9L4	1
3D	1258635GT	HARNESS, FORD MSG-425 ENGINE to SN 54158 (Ford MSG-425) GS-4390	1
3D-	1278390GT	HARNESS,MSG425 ENGINE,GS84/90 from SN 54159 (Ford MSG-425) GS-4390	
3E	1253301GT	HARNESS,ENGINE,DEUTZ D2.9 to SN 54158 (Deutz D2.9L4)	1
3E-	1278391GT	HARNESS,D2.9 ENGINE,GS84/90 from SN 54159 (Deutz D2.9L4))	1
4	112496GT	HARNESS,FORD INTERFACE Ford MSG-425	1
4B	112478GT	HARNESS,DEUTZ ENGINE CABLE CB Deutz D2011L03i	1
4C	1253302GT	HARNESS,ECU,DEUTZ D2.9 Deutz D2.9L4	1
5	112822GT	HARNESS,OIL COOLER	1
6	99846GT	HARNESS,COLD STAR,DEUTZ***	1
7	104914GT	HARNESS,O/R RELAY,5390 CE GS-5390 CE models	1
8	112591GT	HARNESS ASSEMBLY,LOAD SENSE,90 to SN GS8415-42307 and GS9015-50112 (GS-3384, GS-3390 and GS-4390)	1
8A-	104937GT	HARNESS,LOAD SENSE,FULL HEIGHT for 112591(GS-3384, GS-3390 and GS-4390)	1



215.1 Electrical Wiring and Power Cables (GS84 to SN 84F-45999 , GS90 to SN 90F-55999)

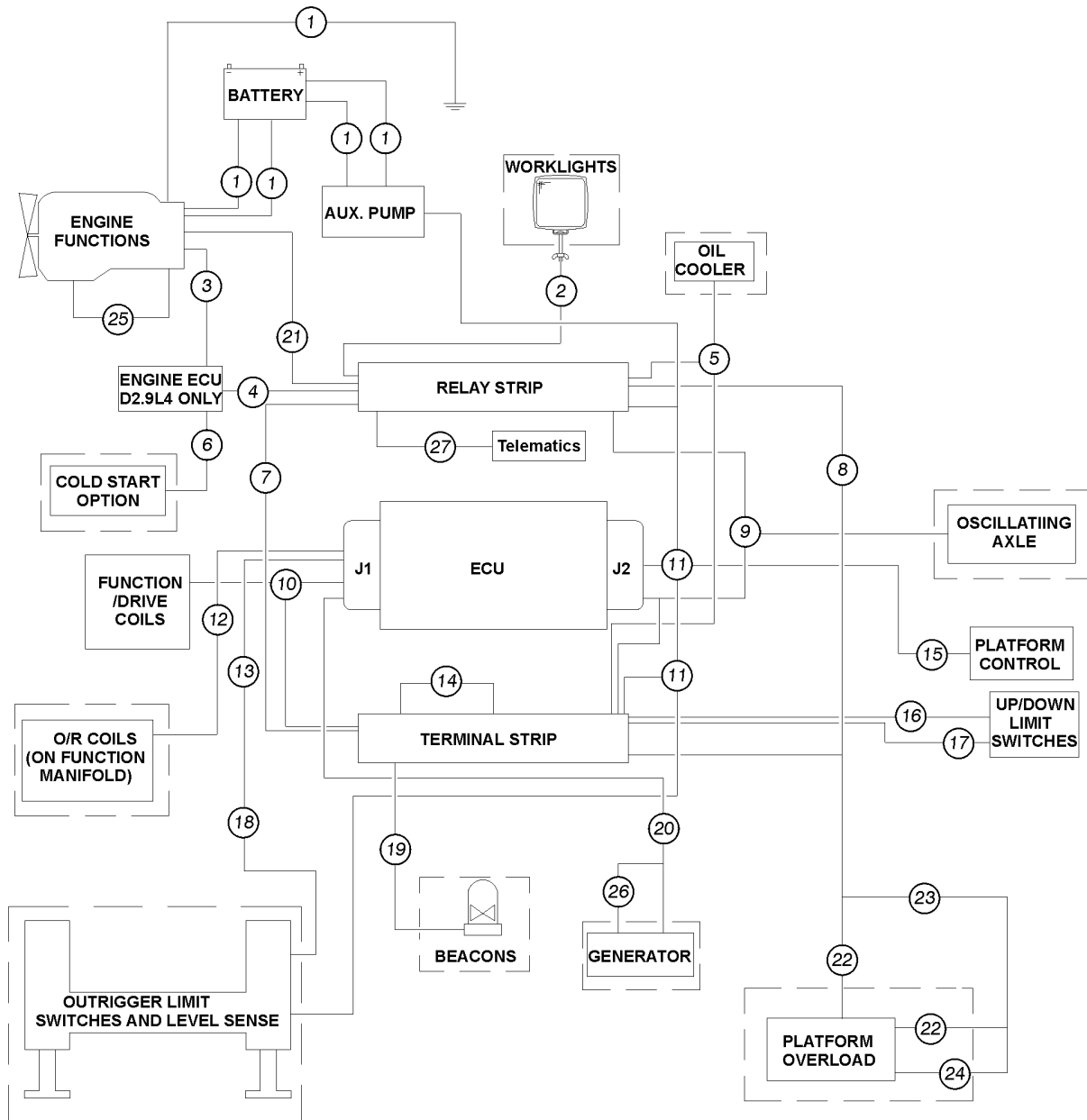


215.1 Electrical Wiring and Power Cables (GS84 to SN 84F-45999 , GS90 to SN 90F-55999)

Item	Part No.	Description	Qty.
8A-	104938GT	HARNESS,LOAD SENSE,INTERRUPT for 112591(GS-3384, GS-3390 and GS-4390)	1
8A-	104939GT	HARNESS,LOAD SENSE,RELAY for 112591(GS-3384, GS-3390 and GS-4390)	1
8A-	104941GT	HARNESS,LOAD SENSE,J1-ESTOP for 112591(GS-3384, GS-3390 and GS-4390)	1
8A-	104942GT	HARNESS,LOAD SENSE,CTRL-EXT for 112591(GS-3384, GS-3390 and GS-4390)	1
8A-	104972GT	HARNESS,RESISTOR,5 OHM,10W*** for 112591(GS-3384, GS-3390 and GS-4390)	1
8A-	112590GT	HARNESS,LOAD SENSE,EXTENSION for 112591(GS-3384, GS-3390 and GS-4390)	1
8B	825222GT	GS90, LOAD SENSE from SN GS8415-42308 and GS9015-50113	1
9	104721GT	HARNESS,OSCILLATING AXLE,GS90 includes limit switch	1
9-	1270885GT	HARNESS,OSC AXLE L.S.,GS90	
9-	1270886GT	HARNESS,OSC MANIFOLD,GS90	
9-	1270887GT	HRNS,TERM.STRIP-J1,GS90	
9-	1270888GT	HRNS,TERM.STRIP-L.S.,GS90	
9-	45782GT	DIODE,6 AMP,200 PIV,BULK	4
10	104720GT	HARNESS,J1,GS84/90 to SN GS8415-42307 and GS9015-50112 (GS-3384, GS-3390 and GS-5390)	1
10-	45782GT	DIODE,6 AMP,200 PIV,BULK	2
10-	13083GT	DIODE, 3 AMP	1
10B	825548GT	HARNESS, J1, CE from SN GS8415-42308 and GS9015-50113	1
10B-	45782GT	DIODE,6 AMP,200 PIV,BULK	2
10B-	13083GT	DIODE, 3 AMP	1
11	112418GT	HARNESS,J2,GS84/90 to SN GS84F-45671 and GS90F-54948	1
11-	67504GT	FUSE HOLDER,ATC 3-30 AMPS	
11-	67505GT	FUSE,10 AMP,ATC	
11B	1295753GT	HARNESS, J2, GS84/90 from SN GS84F-45672 and GS90F-54949 (GS-3384, GS-3390 and GS-5390)	1
11C	825256GT	HARNESS, J2, CE to SN GS84F-45671 and GS90F-54948	1
11C-	67504GT	FUSE HOLDER,ATC 3-30 AMPS	
11C-	67505GT	FUSE,10 AMP,ATC	
11D	1295771GT	HARNESS, J2, CE from SN GS84F-45672 and GS90F-54949 (GS-3384, GS-3390 and GS-5390)	1
12	104719GT	HARNESS,O/R MANIFOLD	1



215.1 Electrical Wiring and Power Cables (GS84 to SN 84F-45999 , GS90 to SN 90F-55999)

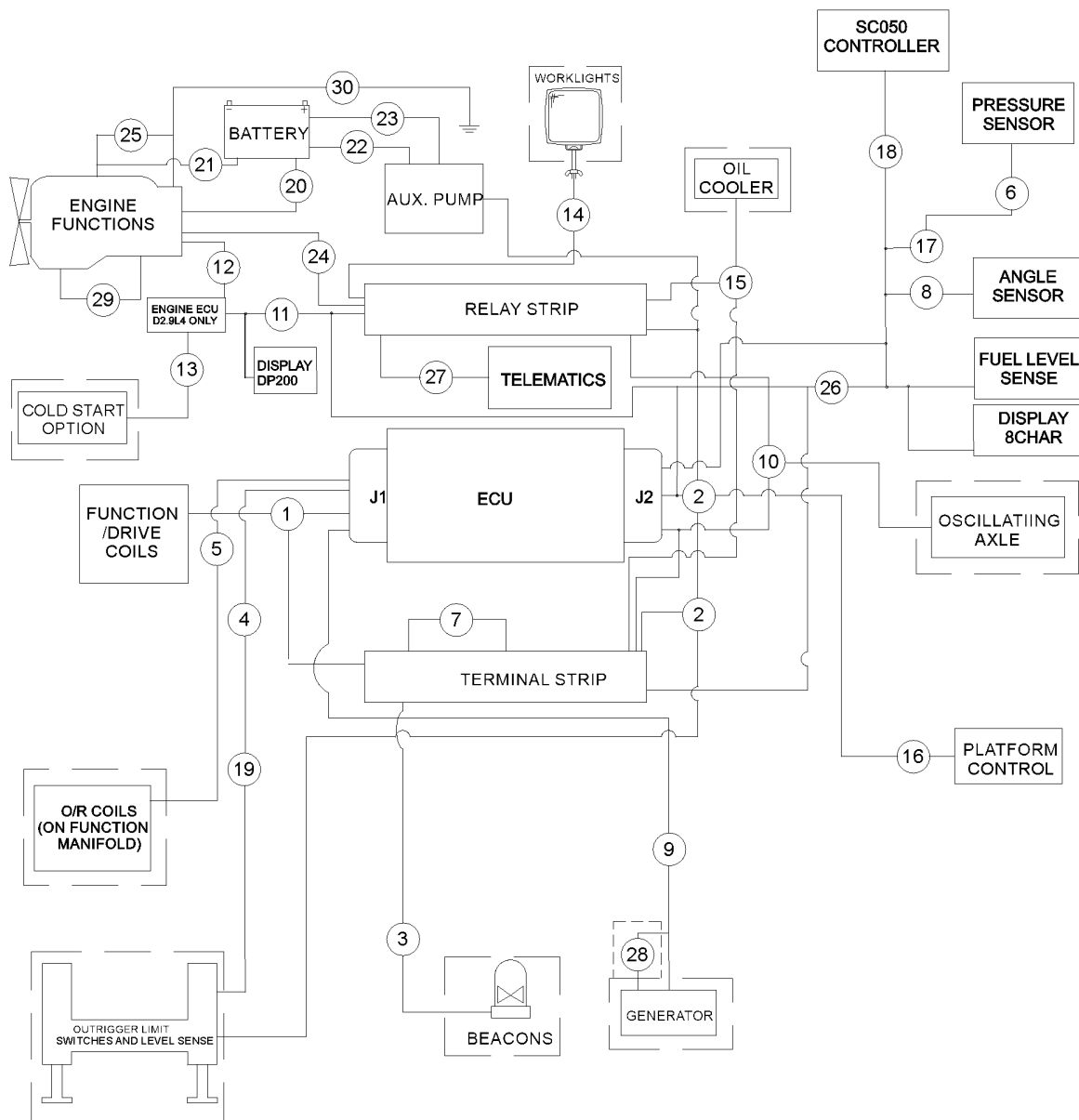


215.1 Electrical Wiring and Power Cables (GS84 to SN 84F-45999 , GS90 to SN 90F-55999)

Item	Part No.	Description	Qty.
13	104911GT	KIT,WIRE HARNESS,O/R EXTENSION	1
13-	104911-195GT	HARNESS,O/R EXTENSION,RF*** for right front outrigger	1
13-	104911-159GT	HARNESS,O/R EXTENSION,LF*** for left front outrigger	1
13-	104911-168GT	HARNESS,O/R EXTENSION,RR*** for right rear outrigger	1
13-	104911-136GT	HARNESS,O/R EXTENSION,LR*** for left rear outrigger	1
14	104910GT	HARNESS,O/R TS JUMPER	1
15	99298GT	CNTRL CABLE,CHAS.-PLAT,84/3390 GS-3384 and GS-3390	1
15B	99299GT	CNTRL CABLE,CHAS.TO PLAT,4390 GS-4390	1
15C	99300GT	CNTRL CABLE,CHAS.TO PLAT,5390 GS-5390	1
16	99355GT	HARNESS,UP LIMIT SWITCH	1
		includes limit switches	
17	99356GT	HARNESS,DOWN LIMIT SWITCH	1
		includes limit switch	
18	104912GT	HARNESS,O/R SWITCH	4
		includes limit switch, GS-3384, GS-3390 and GS4390	
18B	104913GT	HARNESS,O/R SWITCH,5390 CE***	4
		includes item 10 and limit switches, GS-5390 CE models	
19	99357GT	HARNESS,BEACONS***	1
19B	1266264GT	BEACON,LED, ASSY	
		CE Models, option	
20	99366GT	HARNESS,GENERATOR	1
		models without welder option	
20B	112826GT	HARNESS,WELDER CNTRL INTERFACE	
		models with welder option	
21	104963GT	HARNESS,DEUTZ STARTER CABLE	1
22	104571GT	HARNESS,PRESS.SWITCH	1
23	112578GT	HARNESS,DUAL PRESS.SWITCH,5390	1
		includes limit switch	
24	112577GT	HARNESS,L.S.SWITCH,5390CE-HI	1
		includes pressure switch	
25	131171GT	HARNESS,2ND GLOW PLUG,GS84/90	
26	112827GT	HARNESS,WELDER CNTRL BOX	
		welder option	
27	1256073GT	HARNESS, TELEMATICS, GS90	



215.2 Electrical Wiring and Power Cables (GS84 from SN 84F-46000 , GS90 from SN 90F-56000)

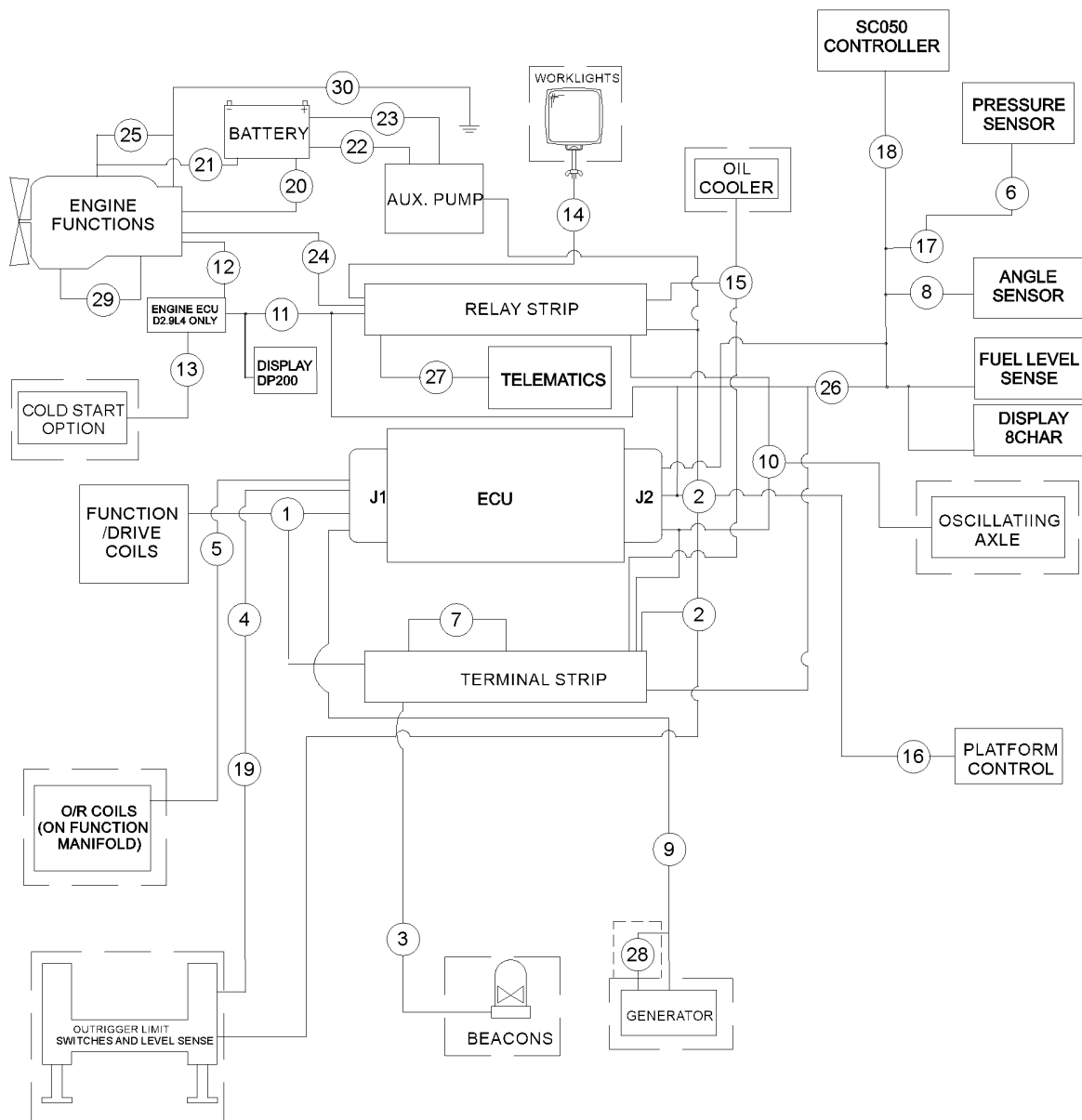


215.2 Electrical Wiring and Power Cables (GS84 from SN 84F-46000 , GS90 from SN 90F-56000)

Item	Part No.	Description	Qty.
A	58253GT	KIT,REPAIR,DEUTSCH PLUG,W/TUBE small kit	
B	83129GT	KIT,REPAIR,DEUTSH CONNECTORS** large kit, includes Item C	
C	61794GT	CRIMPER,DEUTSCH,LIGHT DUTY*** tool	
D	101191GT	WIRE LOOM,1"DIA.SLIT,HI TEMP	
E	1264822GT	KIT, TRC RETROFIT, STNDRD Telematics (includes 1264834)	
E-	1264834GT	INSTRN, TRC RETROFIT, STNDRD	
1	1300108GT	HARNESS,J1,FUNCTION,GS84/90	1
2	1295771GT	HARNESS, J2, CE	1
2B	1295753GT	HARNESS, J2, GS84/90	1
3	1265370GT	HARNESS, LED BEACON, GS90	1
4	104911GT	KIT,WIRE HARNESS,O/R EXTENSION	4
5	104719GT	HARNESS,O/R MANIFOLD	1
6	1298946GT	HARNESS,JUMPER,DT04 TO M12	1
7	104910GT	HARNESS,O/R TS JUMPER	1
8	1297464GT	CABLE, ANGLE SENSOR	1
9	99366GT	HARNESS,GENERATOR	1
9-	112826GT	HARNESS,WELDER CNTRL INTERFACE	1
10	104721GT	HARNESS,OSCILLATING AXLE,GS90	1
10B	1270885GT	HARNESS,OSC AXLE L.S.,GS90	1
10C	1270886GT	HARNESS,OSC MANIFOLD,GS90	1
10D	1270887GT	HRNS,TERM.STRIP-J1,GS90	1
10E	1270888GT	HRNS,TERM.STRIP-L.S.,GS90	1
11	112478GT	HARNESS,DEUTZ ENGINE CABLE CB	1
11B	112496GT	HARNESS,FORD INTERFACE	1
11C	1299136GT	HARNESS, ECU, DEUTZ D2.9	1
11D	1278154GT	HARNESS, DEUTZ ENGINE CN3 CABLE, GS84/90	1
12	1278389GT	HARNESS,D2011 ENGINE,GS84/90	1
12B	1278390GT	HARNESS,MSG425 ENGINE,GS84/90	1



215.2 Electrical Wiring and Power Cables (GS84 from SN 84F-46000 , GS90 from SN 90F-56000)

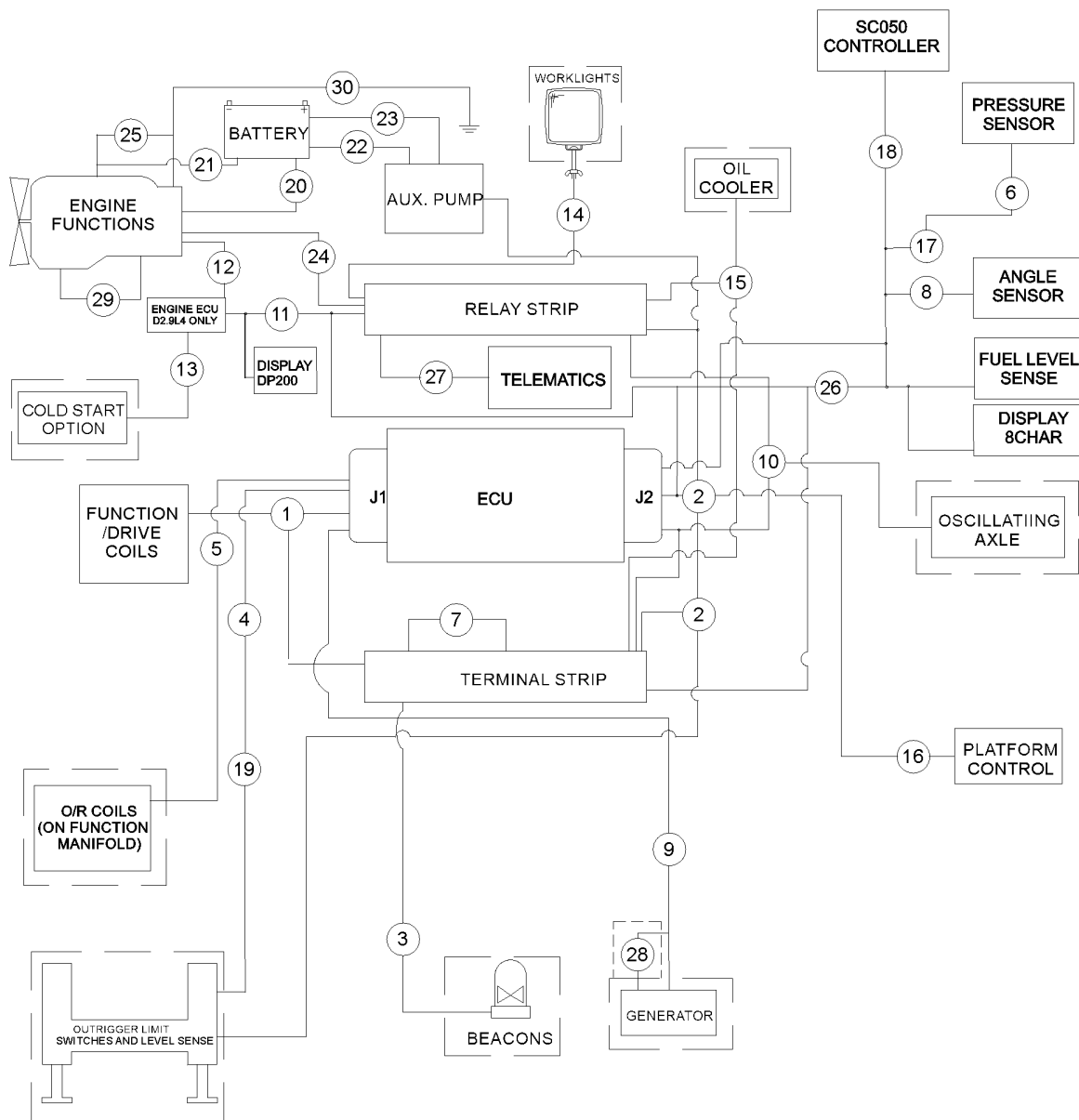


215.2 Electrical Wiring and Power Cables (GS84 from SN 84F-46000 , GS90 from SN 90F-56000)

Item	Part No.	Description	Qty.
12C	1278391GT	HARNESS,D2.9 ENGINE,GS84/90	1
12D	1286385GT	HARNESS, DEUTZ ENGINE CN3, GS84/90	1
12E	1278189GT	KIT,650W CHARGER,AGM,GR	1
13	99846GT	HARNESS,COLD STAR,DEUTZ***	1
14	99922GT	HARNESS,GS3384 WORKLIGHTS*** GS-3384 and GS-3390	1
14B	99923GT	HARNESS,GS4390 WORKLIGHTS GS-4390	1
14C	99924GT	HARNESS,GS5390 WORKLIGHTS GS-5390	1
15	112822GT	HARNESS,OIL COOLER	1
16	99298GT	CNTRL CABLE,CHAS.-PLAT,84/3390 GS-3384 and GS-3390	1
16B	99299GT	CNTRL CABLE,CHAS.TO PLAT,4390 GS-4390	1
16C	99300GT	CNTRL CABLE,CHAS.TO PLAT,5390 GS-5390	1
17	1297463GT	CABLE, PRESSURE SENSOR	1
18	1297462GT	HARNESS,SC050 CTRL, GS84/90	1
19	104912GT	HARNESS,O/R SWITCH	4
19B	104913GT	HARNESS,O/R SWITCH,5390 CE***	4
20	104962GT	BATT.CBLE ASSY, DUETZ STARTER	1
20B	1254831GT	ASSY,BATTERY POS TO STARTER	1
20C	84771GT	BATT. CBLE ASSY, FORD STARTER	1
21	84772GT	BATTERY CABLE ASSY, 13'1"BLACK	1
21B	1254833GT	ASSY,BATTERY NEG TO ENG GRND	1
21C	1290452GT	BATTERY, NEG. CABLE ASSEMBLY, FORD ENGINE	1
22	84773GT	BATTERY CABLE ASSY, 2'6"BLACK	1
23	84774GT	BATTERY CABLE ASSY, AUX PUMP	1
24	104963GT	HARNESS,DEUTZ STARTER CABLE	1
25	1290451GT	CABLE, GND JUMPER	1
26	1299137GT	HARNESS, FUEL SENSE, RT90	1
27	1291595GT	HARNESS, JUMPER, TELEMATICS	1
27-	1294153GT	HARNESS, HERC TELEMATICS, GS69,90,84	1



215.2 Electrical Wiring and Power Cables (GS84 from SN 84F-46000 , GS90 from SN 90F-56000)

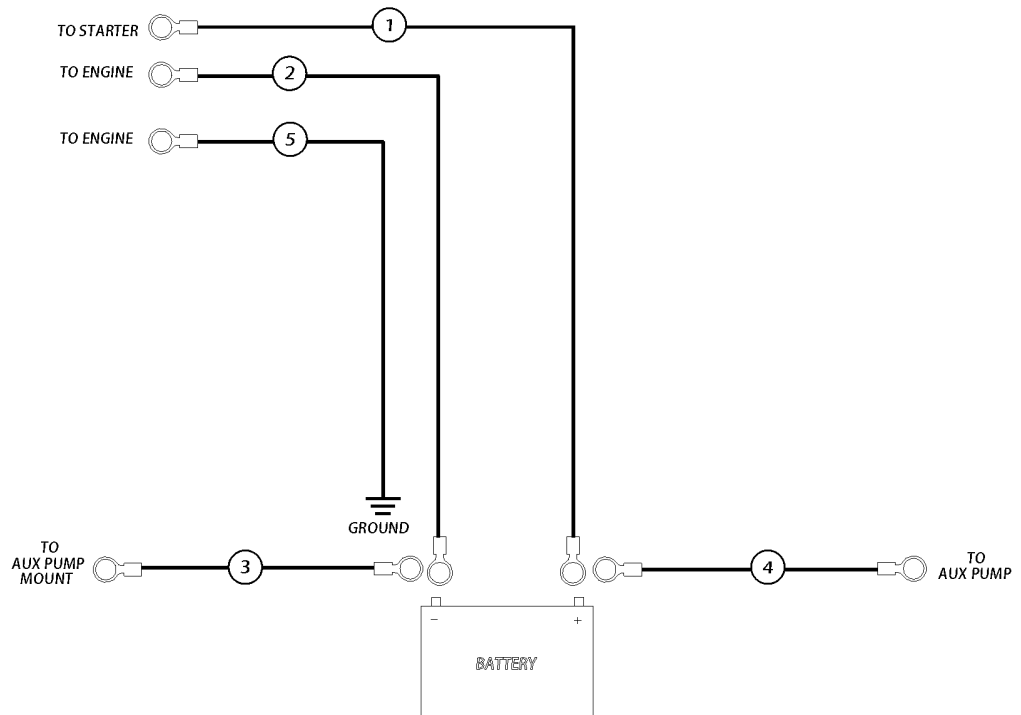


215.2 Electrical Wiring and Power Cables (GS84 from SN 84F-46000 , GS90 from SN 90F-56000)

<i>Item</i>	<i>Part No.</i>	<i>Description</i>	<i>Qty.</i>
27-	1303918GT	HARNESS, ADAPTOR, DEUTCH 8 PIN TO 12 PIN, 6", GS	1
27-	1304132GT	HARNESS, TELEMATICS, EQUIPMENT SHARE, 63"	1
28	112827GT	HARNESS,WELDER CNTRL BOX	1
29	131171GT	HARNESS,2ND GLOW PLUG,GS84/90	1
29-	1254832GT	ASSY,STARTER TO ALTERNATOR	1
30	131791GT	BATTERY CABLE ASSY,12'1" BLACK	1



216.1 Power Cables (all models)

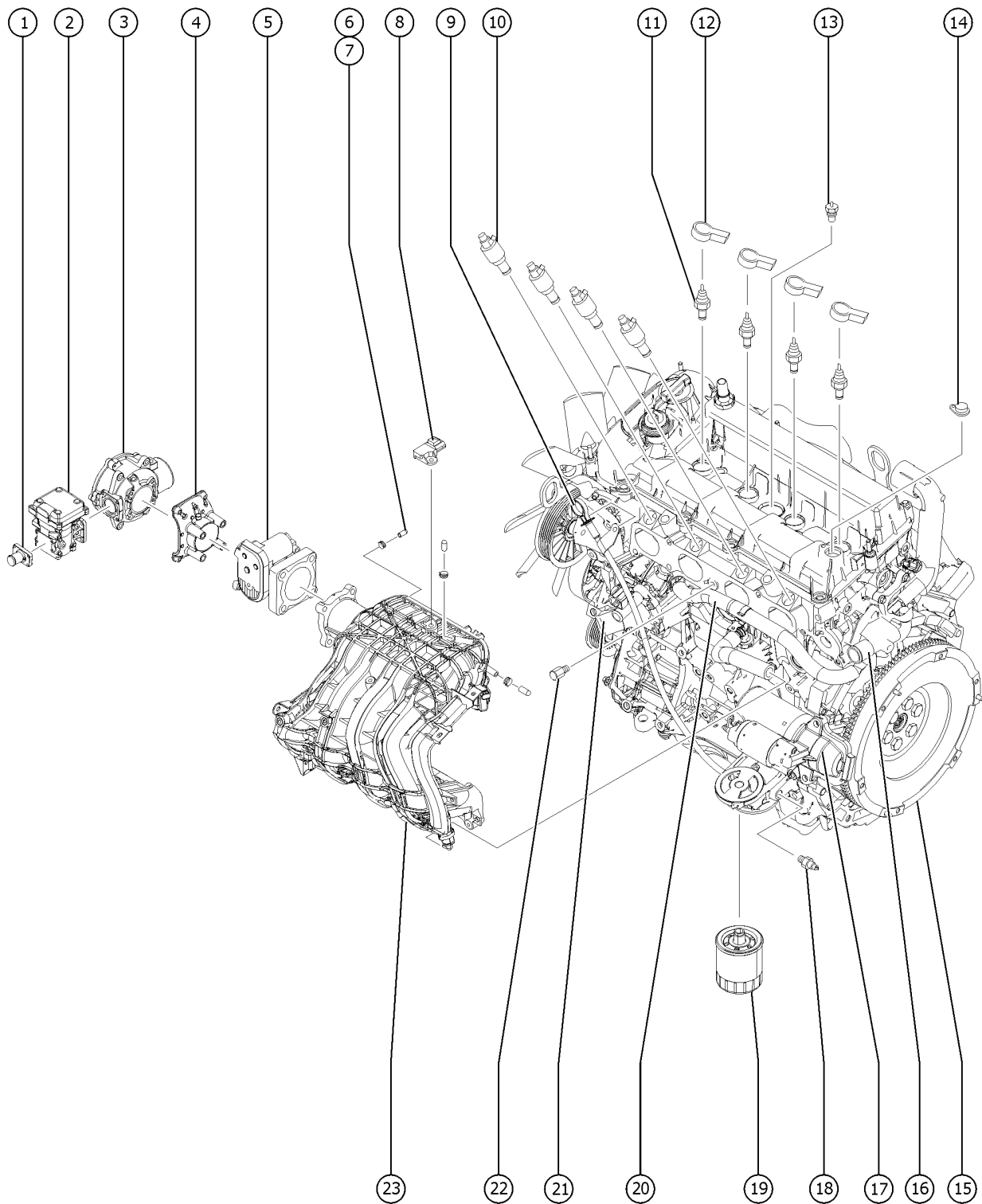


216.1 Power Cables (all models)

Item	Part No.	Description	Qty.
1	84771GT	BATT. CBLE ASSY, FORD STARTER Ford MSG-425	1
1-	94652GT	WIRE LOOM, 1/2DIA.SLIT HI-TEMP 160	160
1B	104962GT	BATT.CBLE ASSY, DUETZ STARTER Deutz D2011L03i	1
1B-	94652GT	WIRE LOOM, 1/2DIA.SLIT HI-TEMP 120	120
1C	1254831GT	ASSY,BATTERY POS TO STARTER Deutz D2.9L4	1
2	84772GT	BATTERY CABLE ASSY, 13'1"BLACK Ford MSG-425 (to SN GS90F-55048)	1
2A	84772GT	BATTERY CABLE ASSY, 13'1"BLACK Deutz D2011L03i	1
2B	1254833GT	ASSY,BATTERY NEG TO ENG GRND Deutz D2.9L4	1
2C	1290452GT	BATTERY, NEG. CABLE ASSEMBLY, FORD ENGINE Ford MSG-425 (from SN GS90F-55049)	1
3	84773GT	BATTERY CABLE ASSY, 2'6"BLACK 1	1
4	84774GT	BATTERY CABLE ASSY, AUX PUMP 1	1
5	131791GT	BATTERY CABLE ASSY, 12'1" BLACK Ford MSG-425 and Deutz D2011L03i	1
6	1290451GT	CABLE, GND JUMPER Ford MSG-425 (bellhousing to battery ground) (from SN GS90F-55049) (not shown)	1



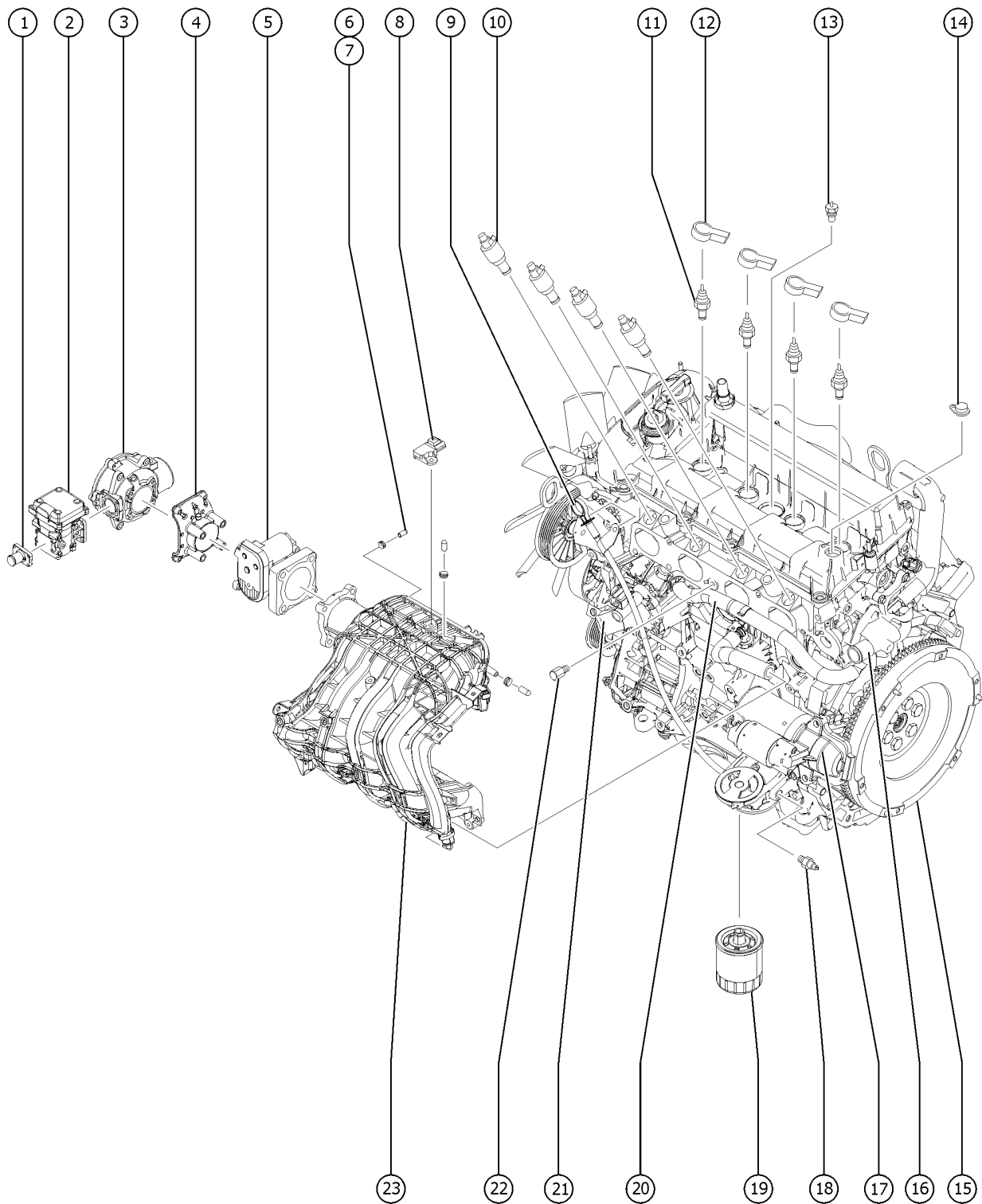
301.1 Ford MSG-425 EFI Engine, View 1



Item	Part No.	Description	Qty.
A-	128165GT	RELAY,PWR/FUEL,FORD DSG423	
1	215285GT	FITTING, DEPR LP, MSG425 (sold seperately) (for 215284)	1
2	215284GT	REGULATOR,LP PRESSURE,MSG425	1
2-	215286GT	FITTING, DEPR COOLANT, MSG425 (sold seperately) (for 215284)	
3	215280GT	MIXER, MSG425	1
3-	119546GT	KIT,FITTING,REGULATOR DSG-423 for 215280	
3-	215281GT	O-RING, SMOOTH, MSG425	
3-	215282GT	O-RING, RIBBED, MSG425	
3B	102119GT	HOSE,3/4,LP vapor hose	16
3B	30348GT	CLAMP,HOSE,1.00 for 102119	
4	215283GT	ADAPTER, MIXER/THRO, MSG425	1
5	88451GT	THROTTLE ACTUATOR*(BOSCH)	1
5-	88452GT	GASKET,THROTTLE ACTUATOR***	
6	217820GT	CAP, INT. MFLD. VAC, MSG425	2
7	119568GT	CLAMP,SPRING,1/2"	3
8	119475GT	MAP SENSOR, DSG-423	1
9	215297GT	OIL INDICATOR, MSG425	1
10	215299GT	INJECTOR, FUEL, MSG425	4
11	215287GT	SPARK PLUG, MSG425	4
12	215314GT	COIL ASSY, MSG425	4
13	215300GT	SENSOR, CYL. HEAD TEMP, MSG425	1
14	215308GT	SENSOR, CAM POS, MSG425	1
15	215278GT	FLYWHEEL ASSY, MSG425	1
16	215275GT	ADAPTER, WATER CONN, MSG425	1
17A	1264894GT	KIT, HD STARTER INSTALL, MSG-4	1
17B	128166GT	RELAY,STARTER,FORD DSG/MSG for 215293	
17C	217823GT	STARTER PLUG SEAL, MSG425 for 215293	
18	215301GT	SWITCH, OIL PRES, MSG425	1

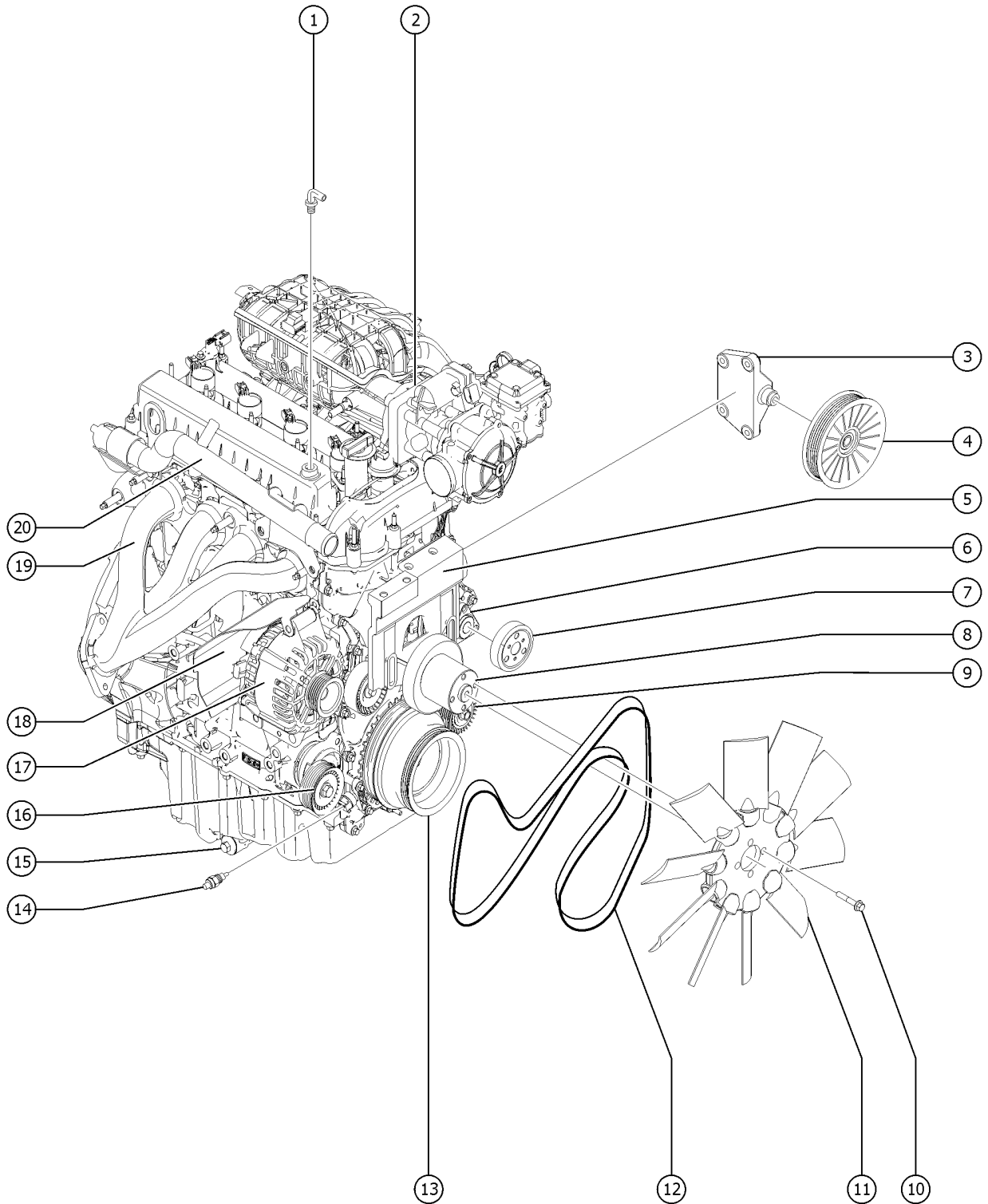


301.1 Ford MSG-425 EFI Engine, View 1



<i>Item</i>	<i>Part No.</i>	<i>Description</i>	<i>Qty.</i>
19	119139GT	OIL FILTER,DSG-423	1
20	215302GT	HOSE, COOLANT BYPASS, MSG425	1
21	215310GT	THERMOSTAT W/HOUSING, MSG425	1
22	215309GT	SENSOR, KNOCK, MSG425	1
23	215305GT	INTAKE MANIFOLD, MSG425	1

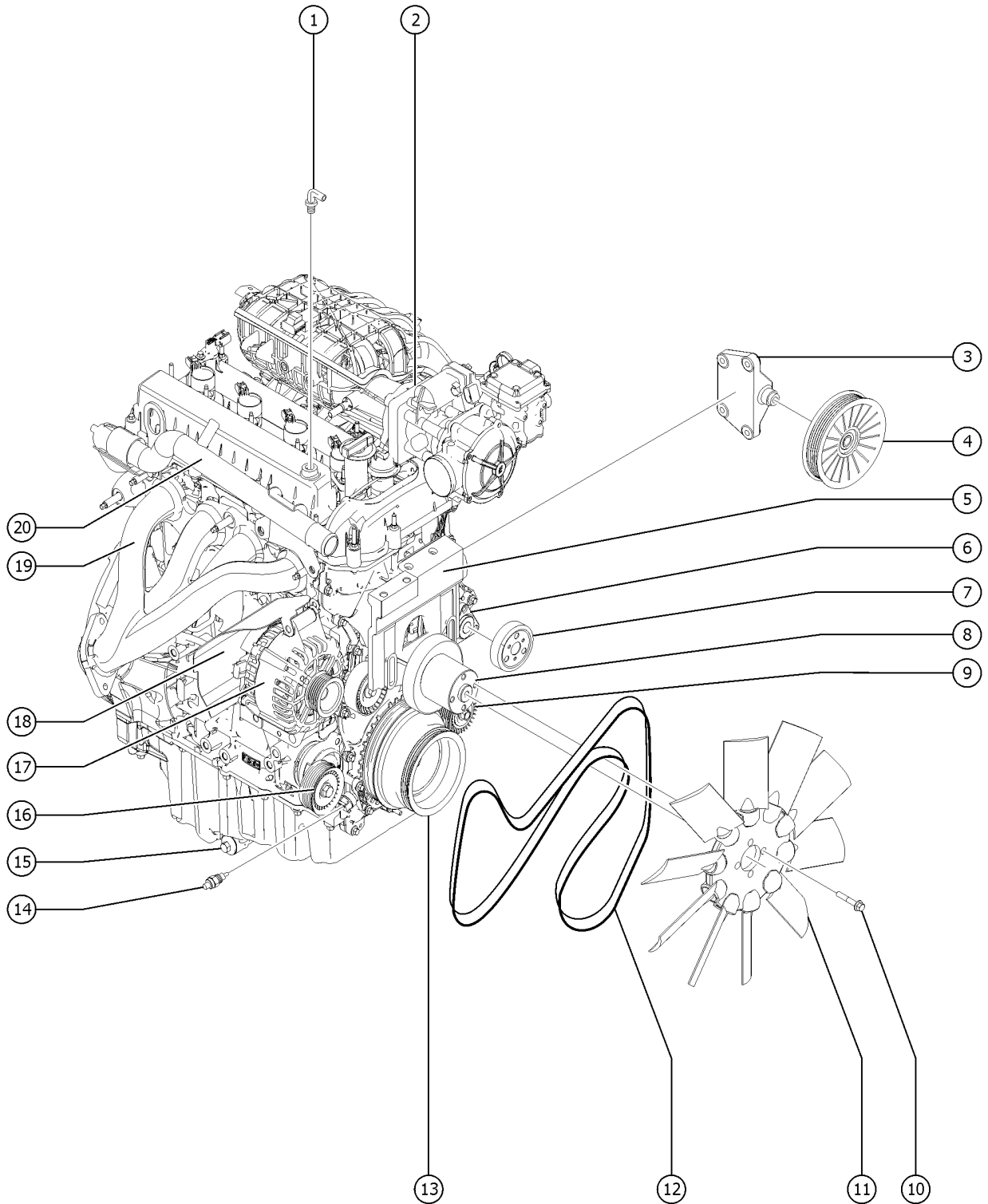
302.1 Ford MSG-425 EFI Engine, View 2



Item	Part No.	Description	Qty.
1	119474GT	VALVE,PCV FORD DSG-423	1
1-	75631GT	HOSE,AIR 3/8	
2	215279GT	PLATE, INT. MFLD ADAP, MSG425	1
3	119477GT	IDLER BRACKET	1
4	215298GT	UPPER IDLER PULLEY, MSG425	1
5	1283575GT	KIT,FAN SUPPORT RETRO,FORD MSG For first time replacement	1
5-	1283571GT	BRACKET,FAN,FORD MSG included in kit 1283575GT	1
5-	1283572GT	BRACKET,IDLER,FORD MSG included in kit 1283575GT	1
5-	1283573GT	BOLT, BRACKET, SUPPORT,FORD MSG included in kit 1283575GT	2
5-	1283574GT	SCREW,HHC,M8X1.25.80 included in kit 1283575GT	1
6	215288GT	WATER PUMP, MSG425	1
7	215289GT	WATER PUMP PULLEY, MSG425	1
8	215271GT	FAN PULLEY, MSG425	1
8-	215270GT	FAN SPACER, MSG425	
9	215313GT	LOWER IDLER PULLEY, MSG425	1
10	824081GT	SCREW,HHF,1/4-20X1.5,8,ZAG	4
11	215269GT	FAN, MSG425	1
12	215291GT	BELT, FEAD, MSG425	1
12-	215274GT	FAN DRIVE BELT, MSG425	1
13	215273GT	CRANK PULLEY, EXT, MSG425	1
14	215307GT	SENSOR, CRANK POS, MSG425	1
15	215311GT	PLUG, OIL DRAIN, MSG425	1
16	215290GT	PULLEY/TENSIONER, MSG425	1
17	119140GT	ALTERNATOR,FORD DSG423,MSG425	1
17-	217824GT	CHARGE WIRE, MSG425	
18	227309GT	HEAT SHIELD,ALTERNATOR,FORD	1
19	215276GT	EXHAUST MANIFOLD, MSG425	1
19-	215277GT	GASKET, MSG425	

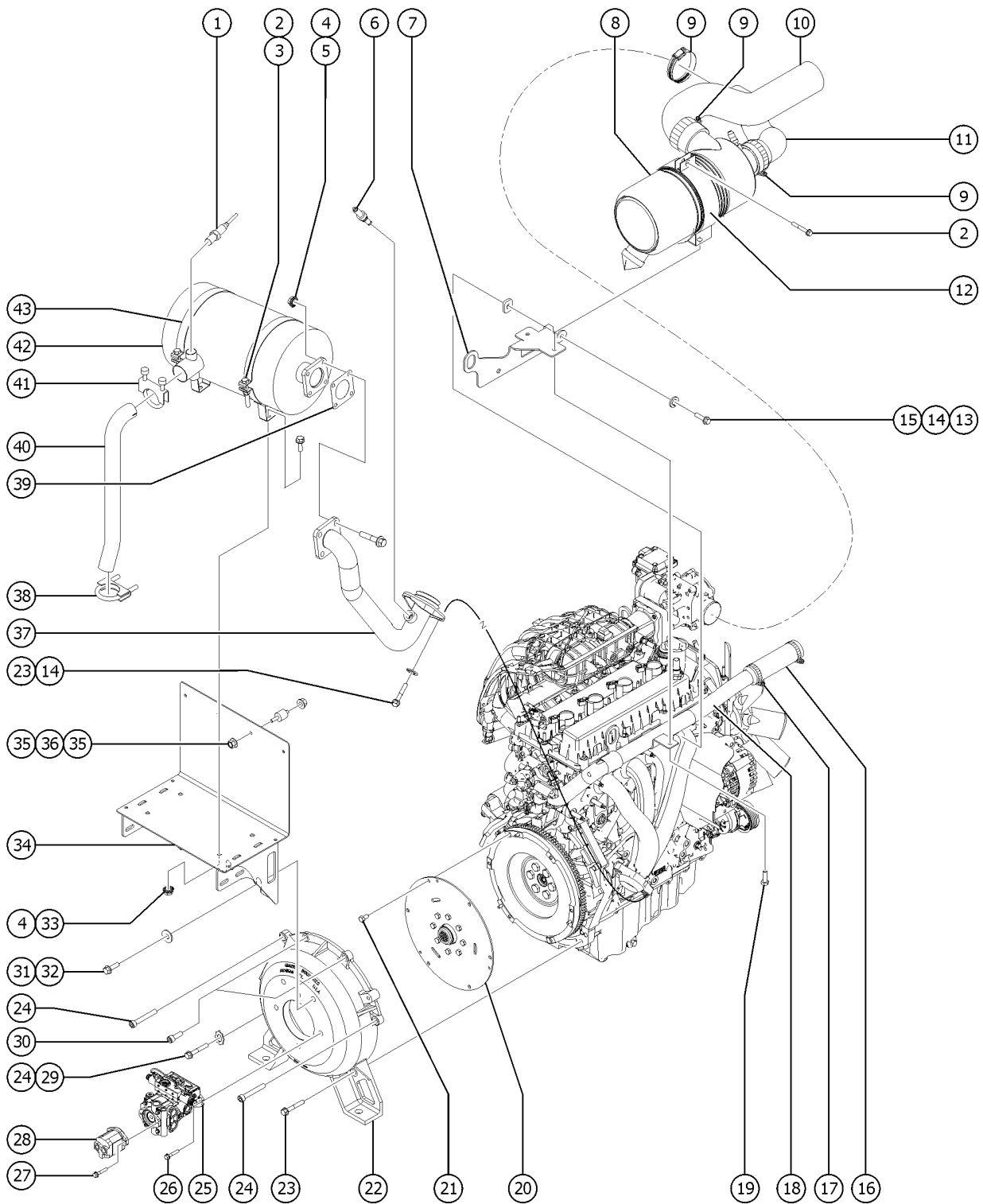


302.1 Ford MSG-425 EFI Engine, View 2



<i>Item</i>	<i>Part No.</i>	<i>Description</i>	<i>Qty.</i>
19-	217822GT	NUT, EXH. MANIFOLD, MSG425	
20	236373GT	PIPE,COOLANT RETURN, MSG425	1

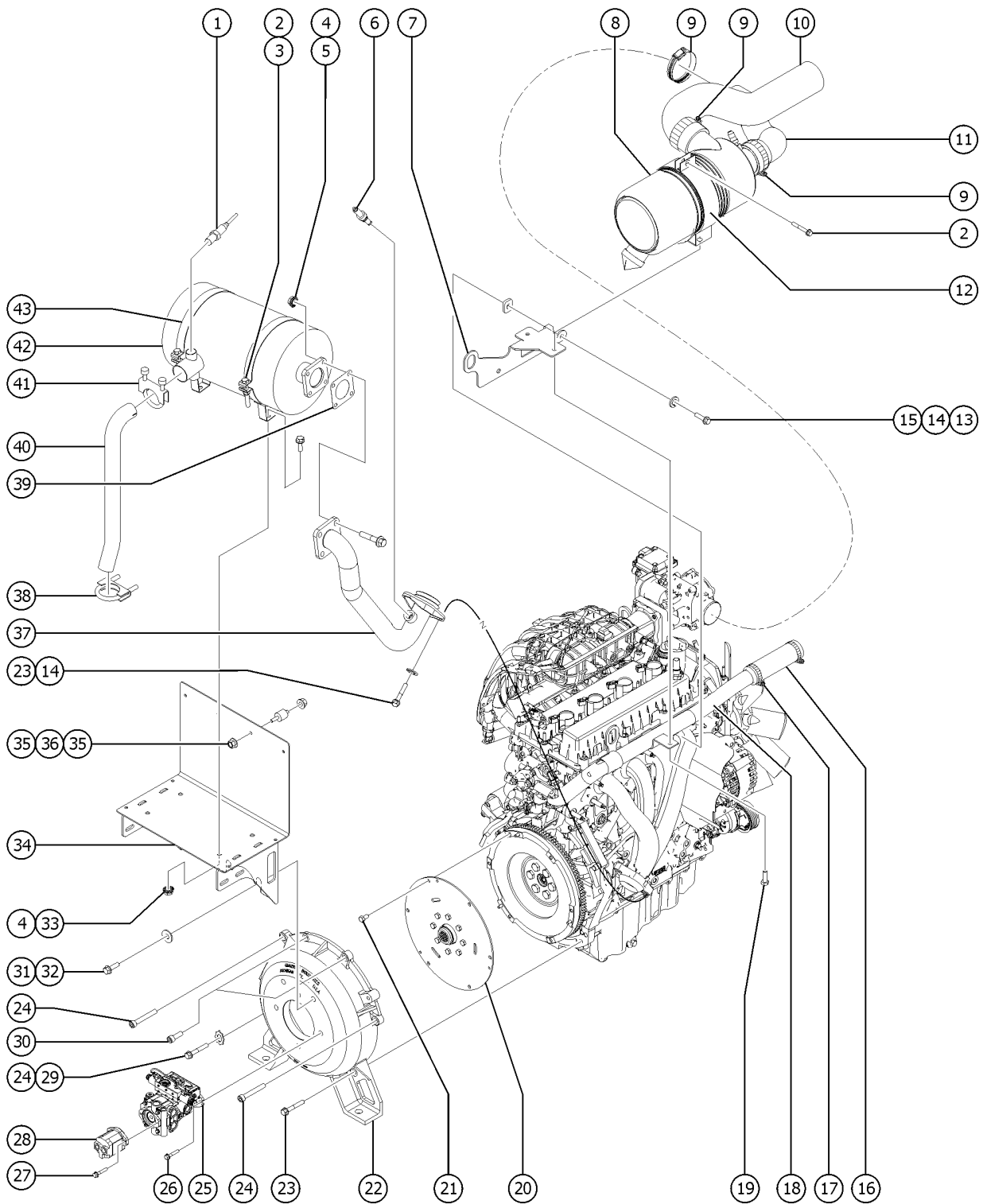
303.1 Ford MSG-425 EFI Engine, View 3



Item	Part No.	Description	Qty.
1	139610GT	SENSOR,AIR,CAT MONITOR	1
2	1253485GT	SCREW,HHF,1/4-20X2,8,ZAG	3
3	824113GT	WASHER,FLAT,USS,1/4,ZAG	2
4	1255805GT	NUT,SERRATED,5/16-18,8,ZAG	8
5	824087GT	SCREW, HHF, 5/16-18 X 1.25, 8, ZAG	4
6	215320GT	SENSOR, O2, MSG425	1
7	236825GT	FORMING, AIR CLNR MNT, MSG425	1
8	111634GT	AIR CLEANER,FORD,T3	1
8-	1277991GT	CLIP,AIR CLEANER COVER (58247) for 58247	
8-	227988GT	VACUATOR VALVE	
		(for 111634)	
8-	38922GT	ELBOW,90DEG.1/8MPT-5/16 BARB	
		(for 111634)	
8-	58247GT	AIR CLEANER CAP/ FORD/NOLFF***	
		(for 111634)	
8-	77295GT	FILTER ELEMENT,AIR,NOLFF LPG	
9	45435GT	CLAMP,HOSE,2.50****	4
10	110421GT	HOSE,AIR INTAKE	1
11	237146GT	HOSE, CLEAN AIR, MSG425	1
12	218573GT	CLAMP, CAT. MUFFLER	1
13	232874GT	SCREW, HHF, M10-1.5X30,DIN6921	
14	824142GT	WASHER,LOCK,M10,ZAB	
15	215776GT	SPACER, AIR CLEANER, MSG425	1
16	236338GT	HOSE, UPPER RADIATOR, MSG425	1
17	36208GT	CLAMP,HOSE,1.25***	
18	236373GT	PIPE,COOLANT RETURN, MSG425	1
19	824059GT	SCREW, HHC, 1/4-20 X .75, 8, ZAG	
20	214446GT	COUPLER,15T,FBA,SAE 8,MSG425	1
21	148117GT	SCREW,SHCS,M8-1.25X1612.9	6
22	119052GT	PUMP MOUNT,FORD DSG423	1
23	1257486GT	SCREW,HHF,M10-1.5X55,DIN6921,1	4



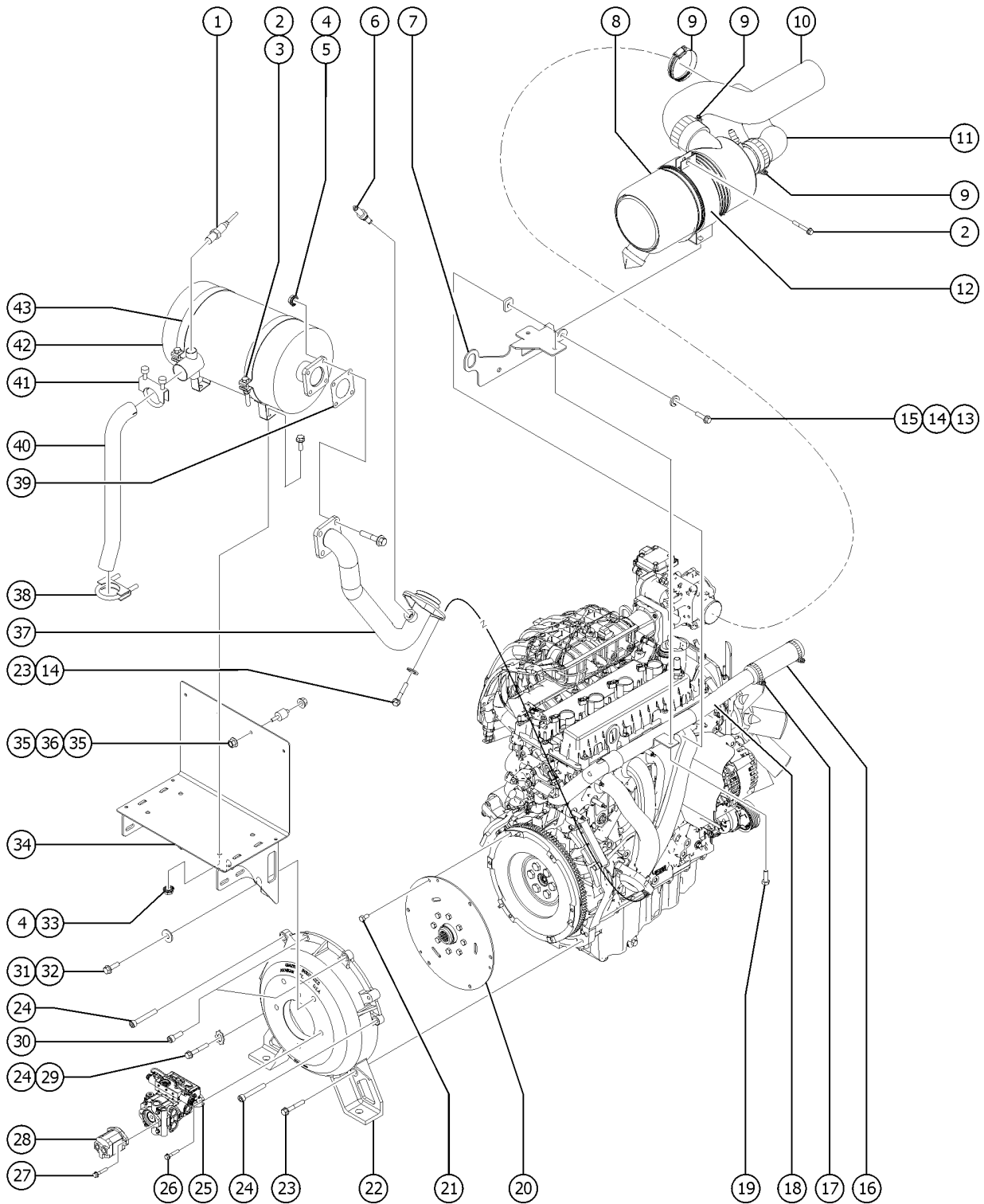
303.1 Ford MSG-425 EFI Engine, View 3



Item	Part No.	Description	Qty.
24	1257481GT	SCREW,SHC,M10-1.5X60,DIN912,12.9,ZAB	2
25	77788GT	PUMP,PISTON,49CC*** from SN 45000 to 45568 GS-3384, SN 52000 to 54158 GS-90	1
25A-	101294GT	KIT,CHARGE PUMP	
25A-	106835GT	CONTROLLER W/O COILS (77788)	
25A-	106836GT	O-RING,STEM,EATON	
25A-	106837GT	NUT,STEM,EATON***	
25A-	107813GT	SPACER,EATON PUMP SHAFT SEAL**	
25A-	107814GT	SEAL,SHAFT,EATON PUMP***	
25A-	107815GT	SNAP RING,PUMP SHAFT SEAL ***	
25A-	107842GT	KIT,PUMP SHAFT SEAL W/INST***	
25A-	1263939GT	SEAL KIT,PUMP SHAFT (EATON) for pump with model stamp starting at 72400-STE-04	
25A-	43683GT	O-RING,2-042 N674-70***	
25A-	58431GT	SEAL KIT,PUMP SHAFT (EATON)*** for pump with model stamp starting at 72400-RUK-04	
25A-	1286043GT	KIT,SOLENOID REPLACEMENT,EATON (77788)	
		includes two coils	
25A-	9990606GT	COVER PLATE GASKET (Component of 77788GT)	
		(QTY 2 per pump)	
25A-	9990607GT	WASHER SEAL(Component of 77788GT)	
		(use on Cover Plate)	
25A-	9990608GT	NUT, JAM (Component of 77788GT)	
		(use on Cover Plate)	
25B	1275747GT	PUMP,HYD,PISTON,M46,HI CURRENT	1
		from SN 54159 GS-3384, SN 54159 GS-90	
25B-	T107233GT	SHAFT,REPLACEMENT (81647)	
25B-	29739GT	SEAL KIT,SAUER-DANFOSS M46***	
25B-	1272536GT	KIT, EDC REPLACEMENT, SAUER M46	
25B-	83141GT	O-RING, .103 X 3.237, NBR/NTRL, 90D	
26	826171GT	SCREW,HHF,1/2-13X1.75,ZAG	2
27	824091GT	SCREW,HHF,3/8-16X1.25,8,ZAG	2
28	104070GT	PUMP,GEAR,16CC,11T,AXIAL PORT	1
		to SN GS84F-45685, GS90F-55252	
28-	104593GT	SEAL KIT,GEAR PUMP (104070)	1
		for 104070	
28B	1295260GT	PUMP, GEAR, 16CC	
		from SN GS84F-45686, GS90F-55253	
28B-	1295922GT	SEAL KIT, GEAR, PUMP (1295260)	
		for 1295260	



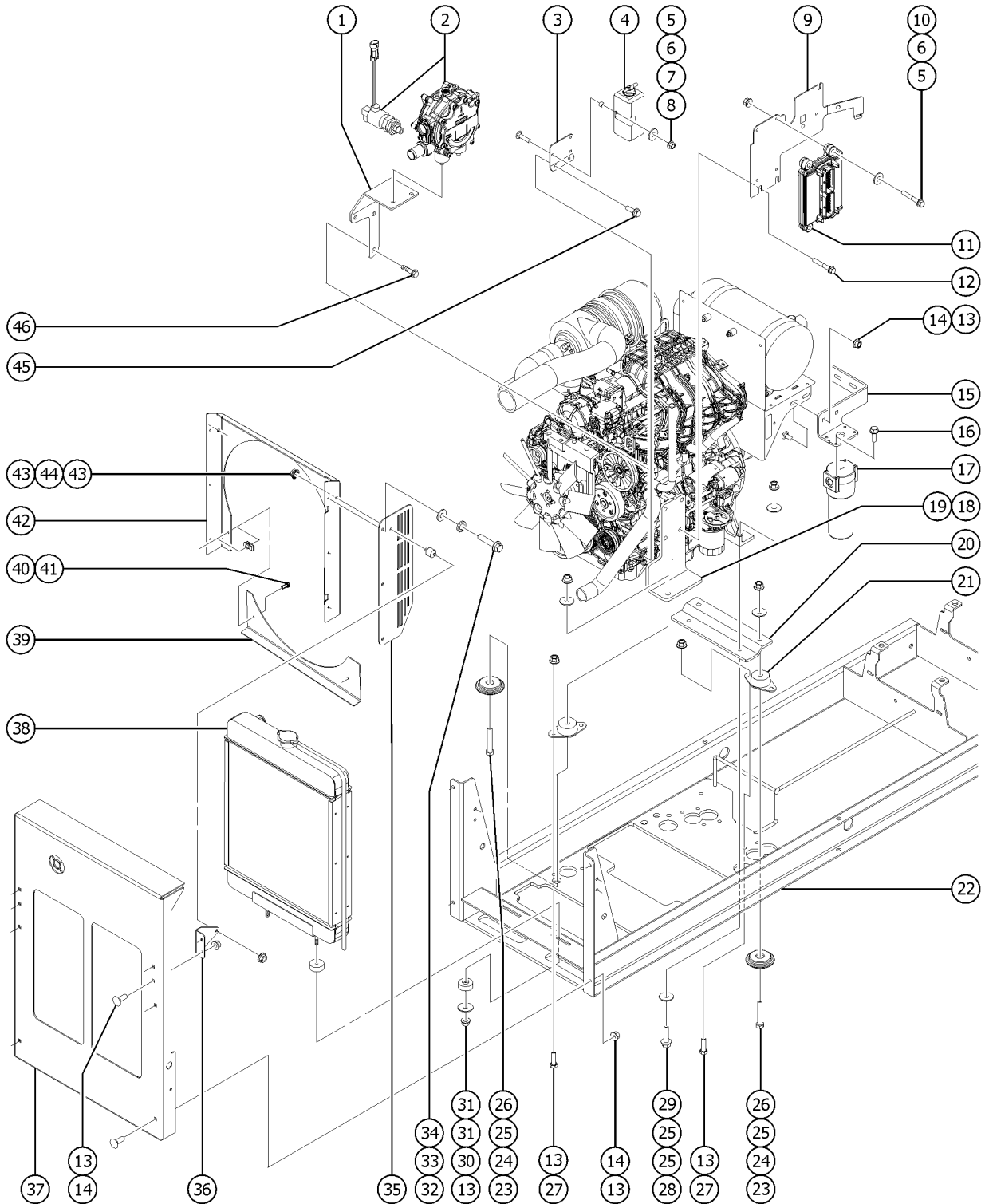
303.1 Ford MSG-425 EFI Engine, View 3



Item	Part No.	Description	Qty.
29	1273148GT	WASHER,STAR,EXTERNAL,M10	1
30	61110GT	SCREW,SHC,M10X1.5X30 GR 12.9	2
31	1255469GT	SCREW,HHF,1/2-13X1.25,8,ZAG	
32	1255760GT	WASHER,FLAT,1/2,USS,ZAG	
33	824085GT	SCREW,HHF,5/16-18X.75,8,ZAG	4
34	112396GT	WELDMENT,MUFFLER MOUNT	1
35	231513GT	NUT,TL FLG,M6-1.0,DIN6927,10,Z	
36	217825GT	ISOLATOR, VAP. REG, MSG425	2
37	110407GT	WELDMENT,HEADER PIPE	1
38	102121GT	CLAMP,MUFFLER,1-7/8 IN.	1
39	72343GT	GASKET,EXH FLANGE-FORD/PERKINS	1
40A	104927GT	TAILPIPE,FORD to SN 45568 GS-3384, SN 54158 GS-90	1
40B	1276591GT	TAILPIPE,FORD DF,GS90 from SN 45569 GS-3384, SN 54159 GS-90 (not shown)	1
40B-	1277213GT	FORMING,TAILPIPE MNT, FORD,GS90 (mounts to 112936GT item 30) (not shown)	1
40B-	824029GT	NUT,TL FLG,3/8-16,G,ZAG	2
40B-	824125GT	BOLT,CARRIAGE,3/8-16X1,5,ZAG	2
40C	1296570GT	KIT, HEAT SHIELD, RT84/90 FORD ENGINE GS-84 from SN 45568 to 45668, GS-90 from SN 54159 to 54926	
41	32064GT	CLAMP,MUFFLER,1.75 INCH	1
42	111666GT	WELDMENT,MUFFLER,DSG423	1
43	119051GT	MOUNTING BAND,MUFFLER,8.0"	2



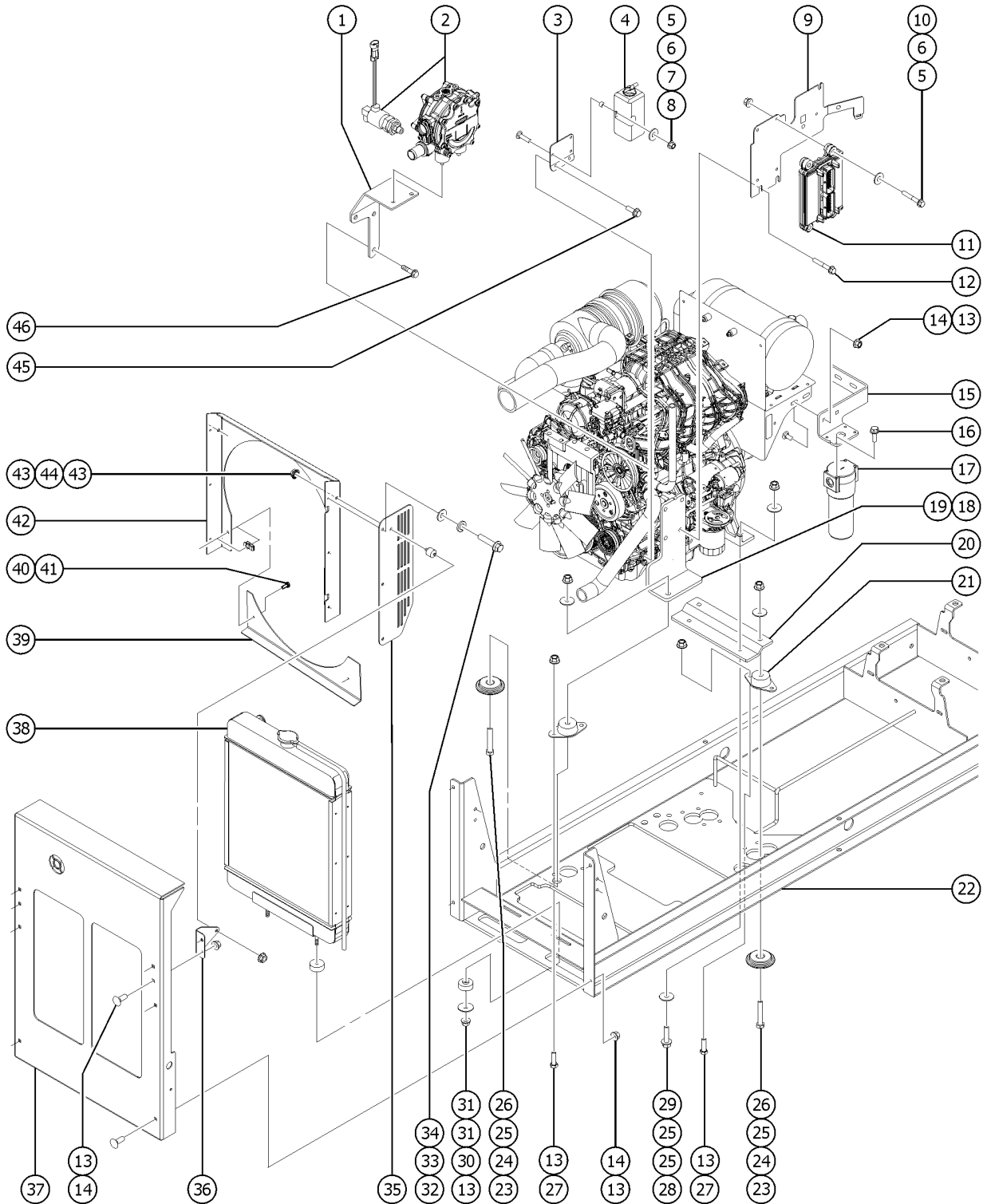
304.1 Ford MSG-425 EFI Engine, View 4



Item	Part No.	Description	Qty.
A-	236339GT	HOSE, LOWER RADIATOR, MSG425	1
B-	1271652GT	FILTER, FUEL, GM3.0L	1
1	216628GT	FORMING,VAPORIZOR MOUNT	1
2	215316GT	REGULATOR, LP, MSG425	1
2-	219477GT	ISOLATOR, DEPR	
2-	119232GT	LOCKOFF,LP,FORD DSG/MSG	1
3	217976GT	FORMING, COOLANT BOTTLE, MSG42	1
4	94532GT	BOTTLE,COOLANT RECOVERY,1.4***	1
5	824027GT	NUT,TL FLG,1/4-20,G,ZAG	6
6	824113GT	WASHER,FLAT,USS,1/4,ZAG	6
7	100905GT	SPACER,TUBE,1/4X3/8X.40" LG	4
8	1256463GT	BOLT,CARRIAGE,1/4-20X1.25,5,ZA	
9	1263359GT	ASSY,ECU MT,FORD ENG,GS84/90	1
10	824081GT	SCREW,HHF,1/4-20X1.5,8,ZAG	4
11	215317GT	CONTROL MODULE, MSG425 original ECM; component no longer available limited inventory on hand	1
11B	1294827GT	CONTROL MODULE, MSG425 replacement ECM	1
12	1257486GT	SCREW,HHF,M10-1.5X55,DIN6921,1	8
13	824029GT	NUT,TL FLG,3/8-16,G,ZAG	
14	824125GT	BOLT,CARRIAGE,3/8-16X1.5,ZAG	
15	112302GT	FORMING,HYD.FILTER MOUNT,FORD from SN 45000 to 45568 GS-3384, SN 52000 to 54158 GS-90	
15B	1276595GT	FORMING,CHRG FILTER,FORD,GS90 from SN 54159 GS-3384, SN 54159 GS-90	1
16	1256855	WASHER FLAT BONDED RUB	4
17	1267807GT	ASSEMBLY, MED. PRESS. FILTER,	1
17-	58222GT	O-RING,FILTER ASSY (60334)***	
17-	58223GT	SEAL,FILTER ASSY (60334)***	
17-	60857GT	FILTER,ELEMENT,BETA(5)=1000	
18	237728GT	FRMG, LEFT ENG SUPPORT (right side when viewed from rear of machine)	1
18B	237729GT	FRMG, RIGHT ENG SUPPORT (left side when viewed from rear of machine)	1



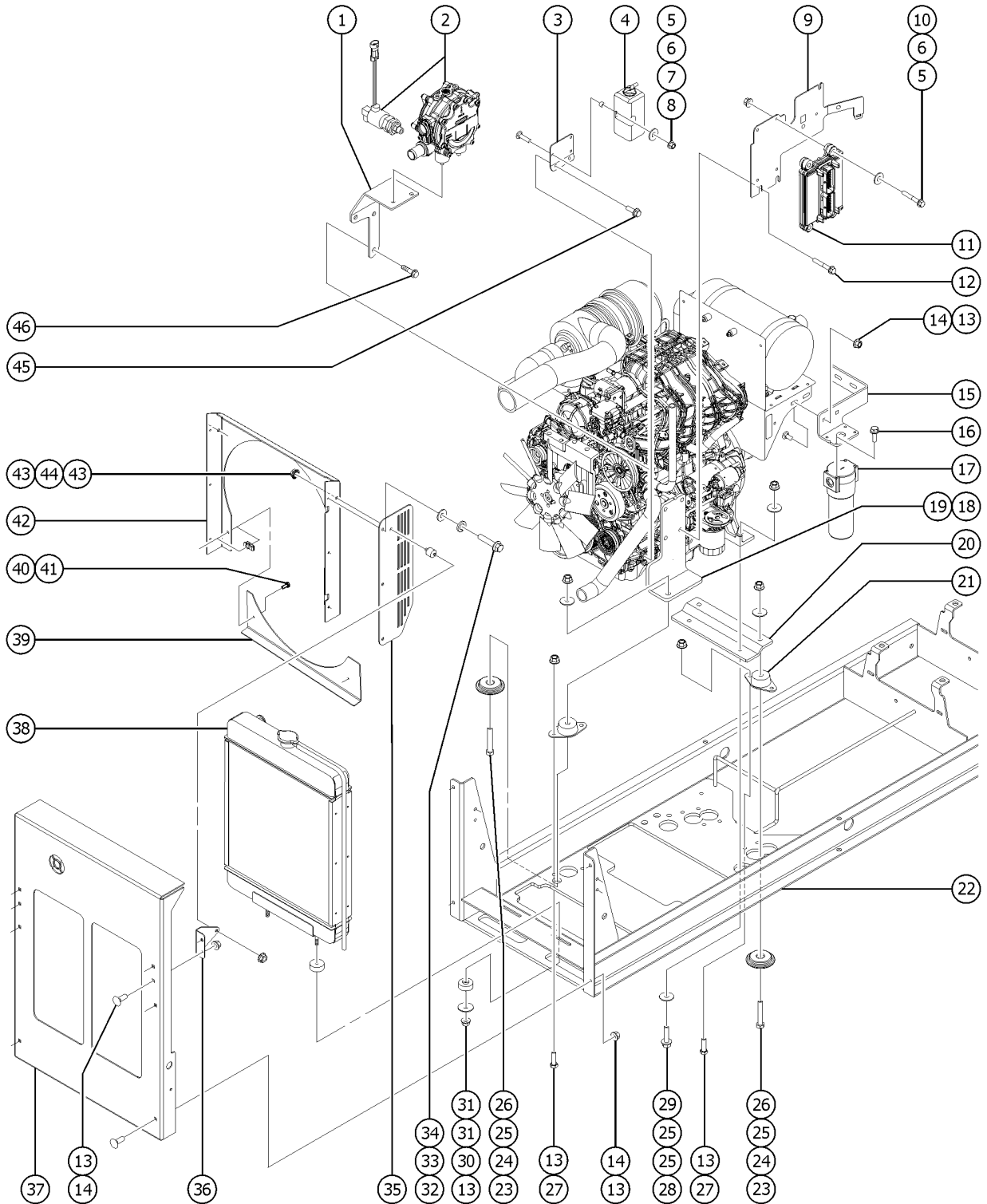
304.1 Ford MSG-425 EFI Engine, View 4



Item	Part No.	Description	Qty.
18C	231533GT	SCREW, HHF, M10-1.5X35,DIN6921 for 237728, 237729	1
18C	232874GT	SCREW, HHF, M10-1.5X30,DIN6921 for 237728, 237729	7
19	110477GT	PLATE,ENGINE SUPPORT SPACER	
20	215921GT	FORMING,ENGINE MOUNT,REAR FORD	
21	70452GT	ISOLATOR,ENGINE	4
22		Ref: Engine Tray refer to 401.1	
23	1259701GT	SCREW,HHC,1/2-13X3,8,ZAG	
24	102066GT	CASTING,WASHER,REBOUND	4
25	1255760GT	WASHER,FLAT,1/2,USS,ZAG	
26	1251997GT	NUT,TL FLG,1/2-13,G,ZAG	
27	824091GT	SCREW,HHF,3/8-16X1.25,8,ZAG	
28	1256126GT	SCREW,HHF,5/8-11X2,8,ZAG	2
29	1253319GT	NUT,TL FLG,5/8-11,G,ZAG	2
30	824120GT	WASHER,FLAT,,375X1.50X.125,ZAG	
31	24038GT	SHOCK MOUNT,SMALL	2
32	1260223GT	SCREW,HEX UNSLOTTED,10-24X.75,	
33	1256312GT	WASHER,LOCK,#10,ZAG	
34	1253185GT	WASHER,FLAT,#10,USS,ZAG	
35	216230GT	PLATE,FAN GUARD	2
36	216207GT	FORMING,RADIATOR MOUNT SIDE	2
37	112459GT	WELDMENT,ENGINE GRIL,DSG-423	1
38	110406GT	RADIATOR,FORD DSG423 & MSG425	1
38-	119073GT	HOSE,COOLANT,REG INTAKE (sold seperately)	
38-	65473GT	CAP,RADIATOR,PERKINS/FORD (sold seperately)	
39	112304GT	FORMING,RADIATOR SHROUD,LOWER	1
40	824227GT	SCREW,BHC,1/4-20X1,F835,ZAG	2
41	56912GT	SPRING CLIP,1/4-20,.025-.15X.5	2
42	112303GT	FORMING,RADIATOR SHROUD,MAIN	1

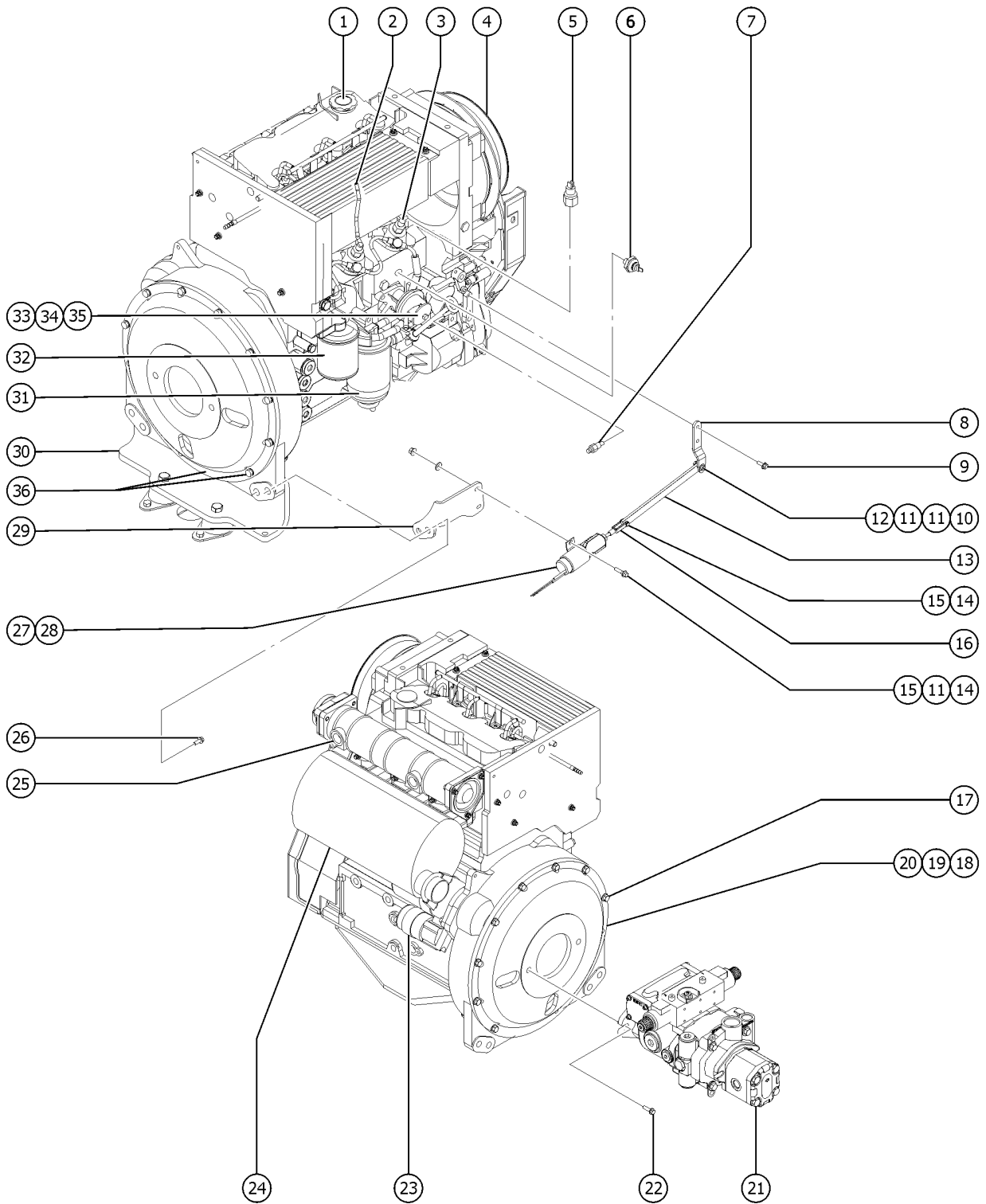


304.1 Ford MSG-425 EFI Engine, View 4



<i>Item</i>	<i>Part No.</i>	<i>Description</i>	<i>Qty.</i>
43	1255805GT	NUT,SERRATED,5/16-18,8,ZAG	1
44	219437GT	ISOLATOR, VIBRATION	2
45	824132GT	SCREW,HHF,M8-1.25X20,DIN6921,10.9,ZAB	2
46	228859GT	SCREW, FLANGE, 5/16"-18 x 1"	

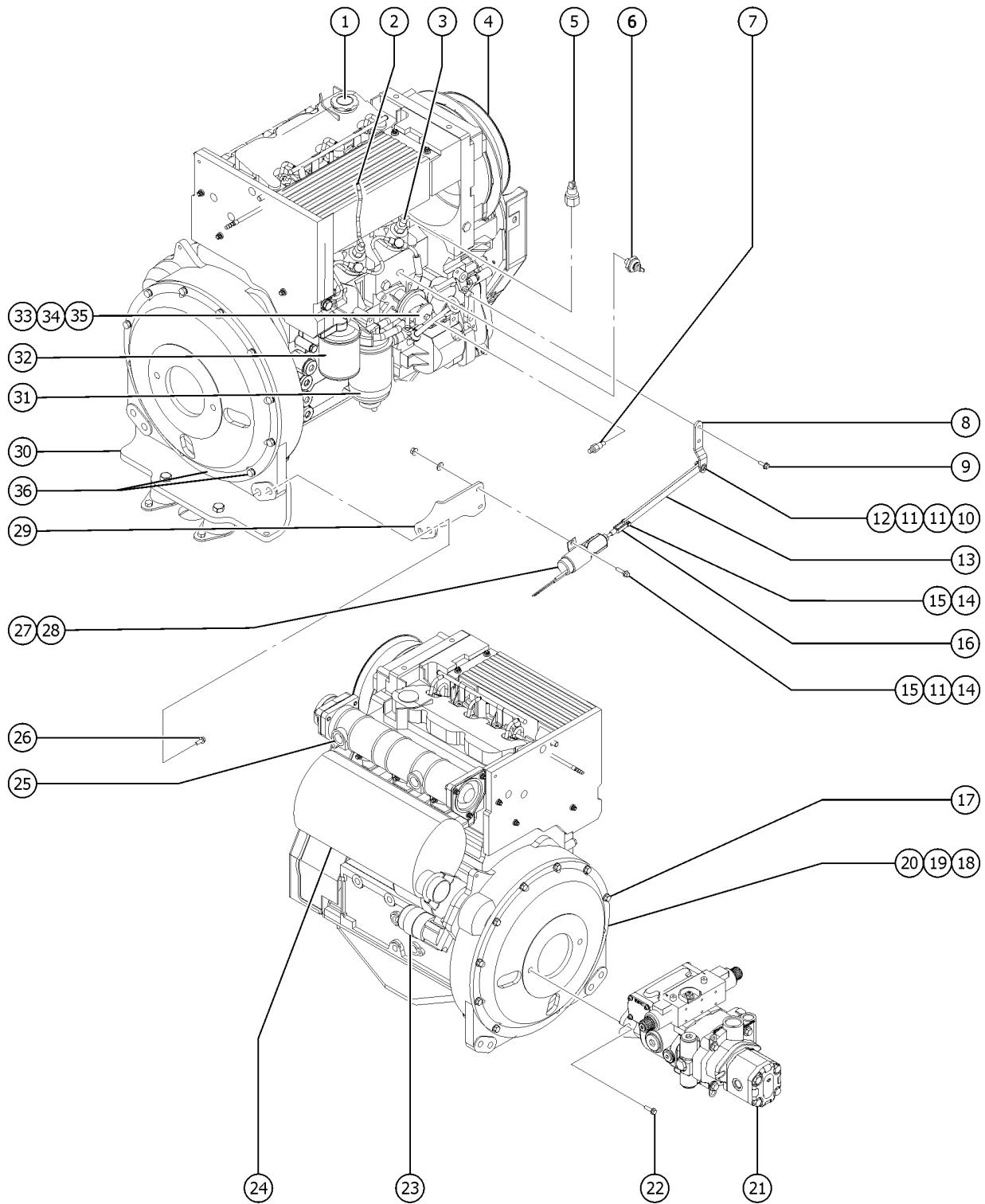
305.1 Deutz D2011L03i Engine, View 1



Item	Part No.	Description	Qty.
A		for internal engine components, contact engine dealer	
B		Ref.Wire Harness Assembly (refer to 215.1)	
C	70453GT	ENGINE,DEUTZ D2011L03I	
1	29557GT	CAP,OIL FILLER,DEUTZ,DIESEL ***	1
2	89780GT	FUEL LINE, DEUTZ F3L 2011F,1 METER LG	1
3	52352GT	DIPSTICK-F3L1011F (DEUTZ)	1
3-	111668GT	PUMP,FUEL 2011 DEUTZ ***	
3-	89792GT	INJECTOR, FUEL(DEUTZ F3L2011F)	
3-	1288561GT	O-RING,FUEL INJECTOR,DEUTZ (89792) for 89792	
4	35586GT	ALTERNATOR, DEUTZ F3L10/F4L10* (does not include belt)	1
4-	32698GT	BELT,V, DEUTZ DIESEL ENGINE (must order seperately)	
5	102588GT	OIL TEMP SENSOR, DEUTZ F4L2011	1
6	139624GT	SWITCH, OIL PRESSURE 1.5 BAR	
7	T114678GT	SHUTDOWN SOLENOID,12V, DEUTZ (does not include o-ring, reuse or special order from Deutz)	1
7-	45782GT	DIODE,6 AMP,200 PIV,BULK	
7-	58256GT	SOLENOID CABLE ASSY***	
7-	72255GT	CONNECTOR, DEUTZ FUEL SHUTOFF* (does not include diode, 45782)	
8	112515GT	FORMING,THROTTLE LEVER,DEUTZ	
9	824131GT	SCREW,HHF,M6-1.0X16,DIN6921,10	2
10	1257076GT	BOLT,SHS,1/4-28X4,ZAG	
11	824113GT	WASHER,FLAT,USS,1/4,ZAG	
12	1256467GT	NUT,TL FLG,10-24,F,ZAG	
13	94485GT	THROTTLE LINKAGE,DIESEL***	
14	824079GT	SCREW,HHF,1/4-20X1,8,ZAG	3
15	824027GT	NUT,TL FLG,1/4-20,G,ZAG	3
16	824211GT	CLEVIS YOKE, 1/4-28, ZAG	
17	232874GT	SCREW, HHF, M10-1.5X30,DIN6921	8
18	30806GT	FLYWHEEL COVER,CASTING***	1



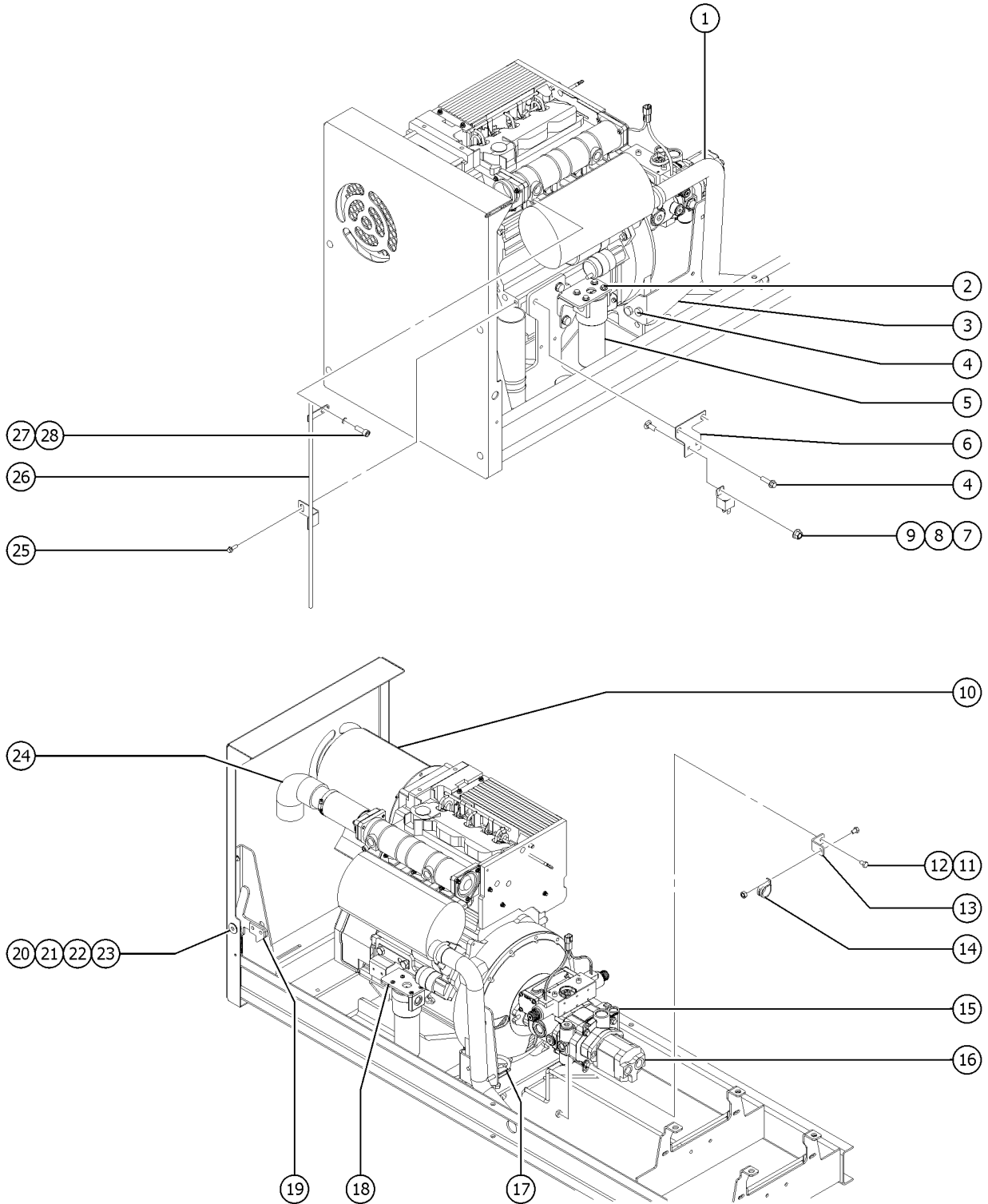
305.1 Deutz D2011L03i Engine, View 1



Item	Part No.	Description	Qty.
19	37003GT	COUPLER,HUB,15 TOOTH 7/16BOLT*	1
20	33024GT	FLYWHEEL FLANGE,GREEN PLASTIC	1
21		Ref. PUMP,PISTON,49CC***	
		(refer to 306.1)	
22	1253498GT	SCREW,HHF,1/2-13X1.5,8,ZAG	2
23	139709GT	STARTER, 12V	1
		(replaced 70376)	
24A	32695GT	MUFFLER,DEUTZ	1
24A-	29559GT	GASKET,EXHAUST	3
24B	148107GT	KIT,SPARK ARREST,DEUTZ	1
24B-	148106GT	FORMING,EXHAUST BRKT,DEUTZ	1
24B-	32064GT	CLAMP,MUFFLER,1.75 INCH	1
24B-	54821GT	SCRUBBER,SPARK ARRESTOR,DEUTZ*	1
24B-	71911GT	CLAMP,MUFFLER, 2.50 INCH	1
25	31408GT	GLOW PLUG,L1011	1
26	1260225GT	SCREW,HHC,M14-2.0X40,DIN933,10.9,ZAB	2
27	77402GT	SOLENOID,THROTTLE ACTUATOR DSL	
28	824041GT	NUT, 1/4-28, 8, ZAG	
29	112517GT	FORMING,THROTTLE SOLENOID BRKT	
30	1285239GT	FORMING, REAR ENGINE MOUNT, DEUTZ D2011L03i	
31A	29560GT	FILTER,FUEL/WTR SEP, DTZ 1008	1
		Genie Genuine Part. See PN 1254826 for compatible aftermarket replacement.	
31B	1254826GT	FUEL FILTER W/SEP,DEUTZ,1008	1
		Genie Aftermarket Part. Filter for Deutz F3L 1011F Engine.	
32A	49924GT	FILTER,OIL,DEUTZ F4L1011F	1
		GENIE GENUINE PART. SEE PN 1255653 FOR COMPATIBLE AFTERMARKET REPLACEMENT	
32B	1255653GT	FILTER,OIL,DEUTZ,REPLACEMENT	1
		GENIE AFTERMARKET PART. COMPATIBLE WITH GENIE GENUINE PART 49924	
33	70496GT	STRAINER,FUEL 40 MICRON	1
34	44909GT	CLAMP,HOSE,.25	2
35	27089GT	HOSE,5/16 FUEL,SAE 30R7	20- in ches
36	1273148GT	WASHER,STAR,EXTERNAL,M10	
		not shown	



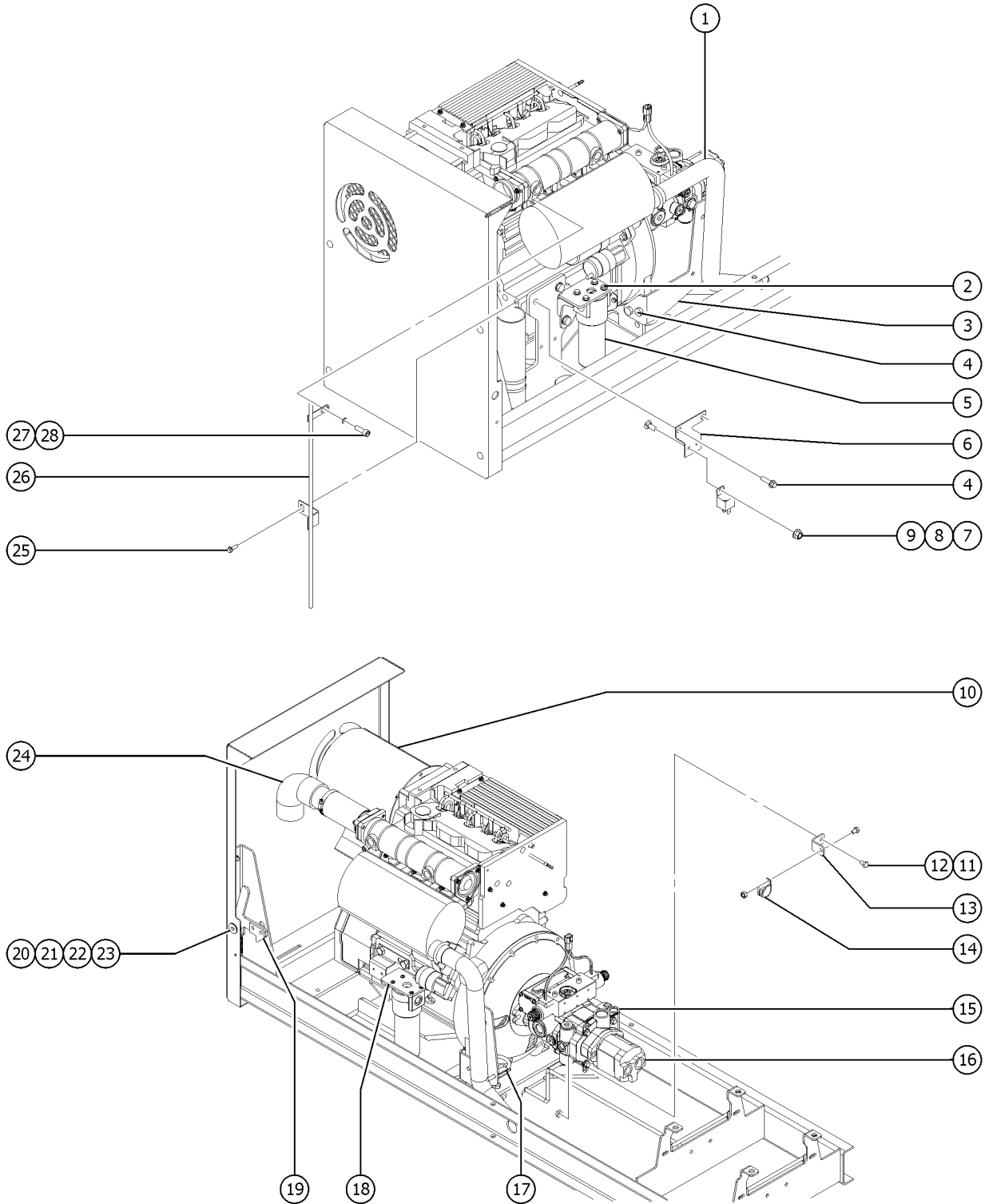
306.1 Deutz D2011L03i Engine, View 2



Item	Part No.	Description	Qty.
A		for internal engine components, contact engine dealer	
1	104568GT	TAILPIPE, 84/90 DSL	1
2	1256855	WASHER FLAT BONDED RUB	
3	104569GT	FORMING, TAILPIPE, 84/90 DSL	1
4	1256776GT	SCREW, HHF, M14-2.0X35, DIN6921, 10.9, ZAB	
5A		FILTER ASY, M PRESS, SAE8, WOIND* (77139) to SN GS8416F-45059 and GS9016F-52459 (component no longer available)	1
5A-	60857GT	FILTER, ELEMENT, BETA(5)=1000 for 77139	
5B	1267807GT	ASSEMBLY, MED. PRESS. FILTER, from SN GS8416F-45060 and GS9016-52460	
5B-	1268229GT	ELEMENT-5 MIC, PAPER, W/ BYPASS for 1267807	
6	131101GT	FORMING, RELAY MOUNT, DEUTZ	
7	1256467GT	NUT, TL FLG, 10-24, F, ZAG	
8	61225GT	RELAY, 12VDC, 70AMP, SEALED	1
9	1256282GT	BOLT, CARRIAGE, 10-24X.5, 5, ZAG	
10	104563GT	WELDMENT, AIR INTAKE, 84/90 DS	1
10-	31523GT	CLAMP, FAN GUARD, DEUTZ F4L1011 (order seperately)	1
10-	33239GT	SHEET, RUBBER, AIR INTAKE (order seperately)	1
11	1268953GT	SCREW, HHC, 1/4-20X.50, 8, ZAG	
12	1260224GT	NUT, TL JAM, 1/4-20, A, ZAG	
13	104953GT	FORMING, L-BRKT, FUNC. PUMP	1
14	39518GT	CLAMP, 2.00, #32 X 3/8, RUB CUSH	1
14-	28131GT	WIRE LOOM, 1.25 DIA. (not shown) (not included with 39518)	
15	77788GT	PUMP, PISTON, 49CC*** from SN 45000 to 45568 GS-3384, SN 52000 to 54158 GS-90	1
15A-	101294GT	KIT, CHARGE PUMP	
15A-	106835GT	CONTROLLER W/O COILS (77788) (first time replacement requires 1285505GT)	
15A-	106836GT	O-RING, STEM, EATON	
15A-	106837GT	NUT, STEM, EATON***	
15A-	107813GT	SPACER, EATON PUMP SHAFT SEAL**	
15A-	107814GT	SEAL, SHAFT, EATON PUMP***	



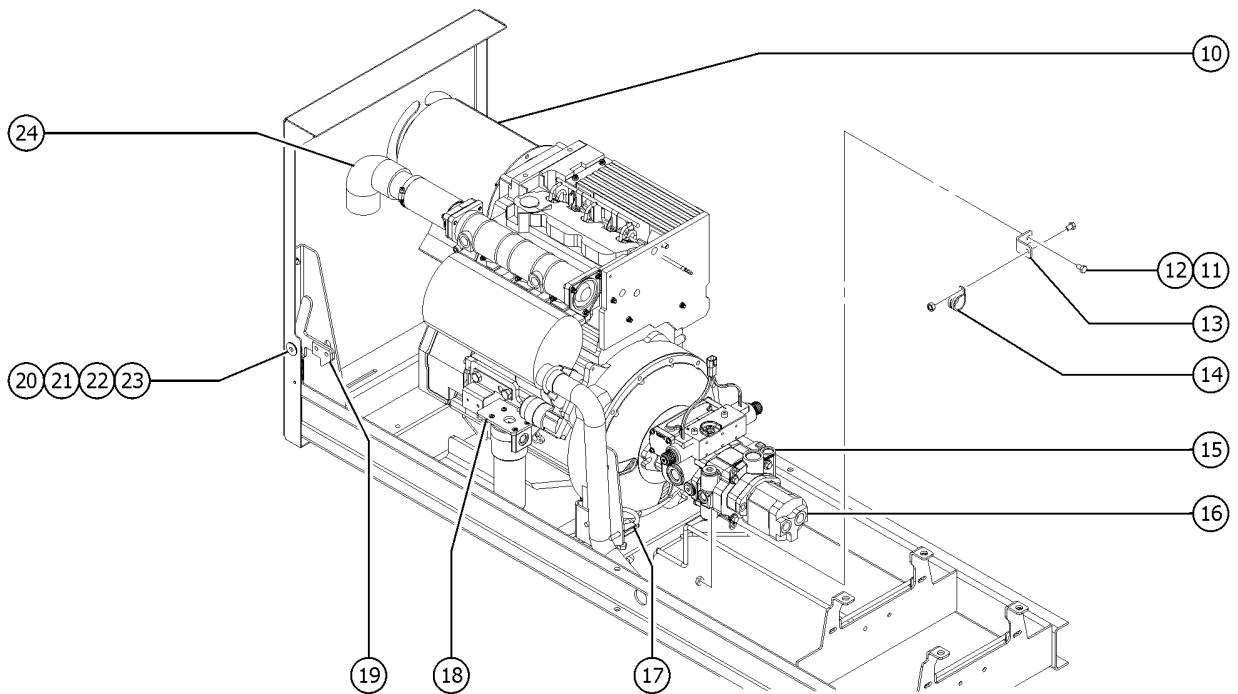
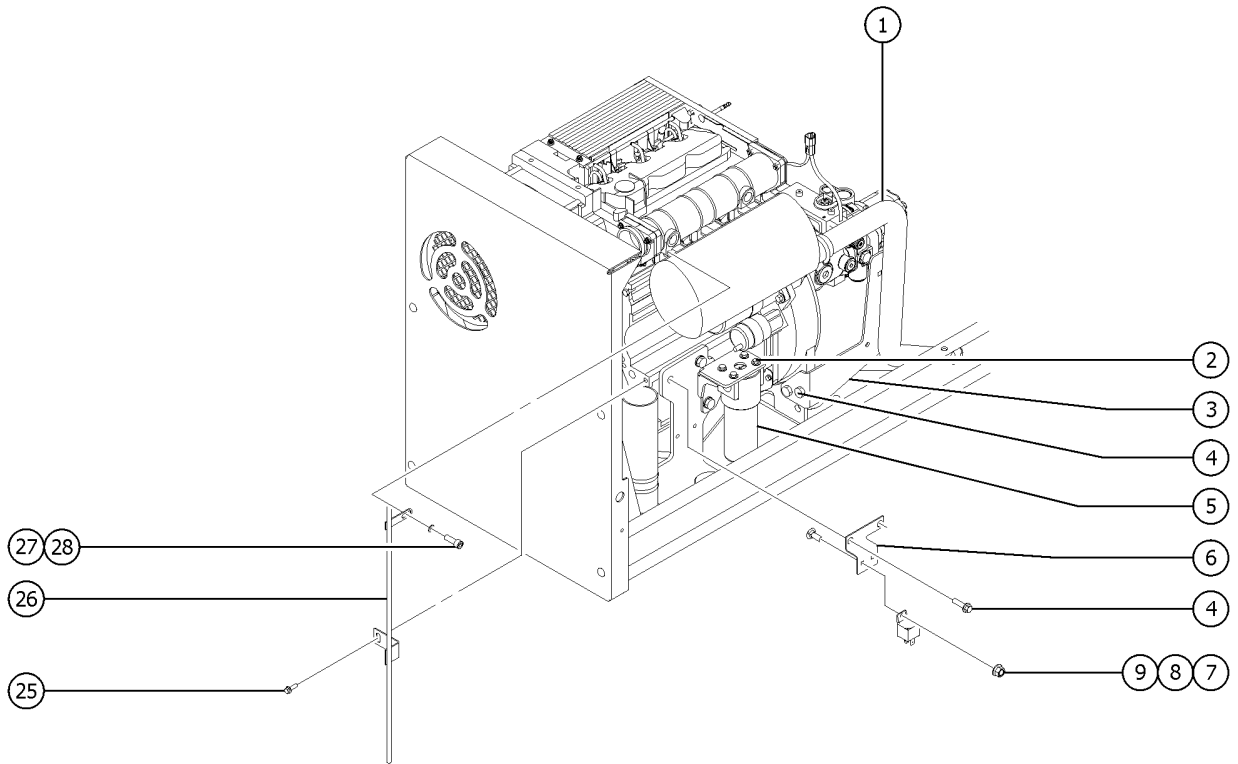
306.1 Deutz D2011L03i Engine, View 2



Item	Part No.	Description	Qty.
15A-	107815GT	SNAP RING,PUMP SHAFT SEAL***	
15A-	107842GT	KIT,PUMP SHAFT SEAL W/INST***	
15A-	1263939GT	SEAL KIT,PUMP SHAFT (EATON) for pump with model stamp starting at 72400-STE-04	
15A-	43683GT	O-RING,2-042 N674-70***	
15A-	58431GT	SEAL KIT,PUMP SHAFT (EATON)*** for pump with model stamp starting at 72400-RUK-04	
15A-	1286043GT	KIT,SOLENOID REPLACEMENT,EATON (77788) includes two coils	
15A-	1285506GT	SEAL RING,SOLENOID CONTROL (for 1286043GT)	
15A-	9990606GT	COVER PLATE GASKET (Component of 77788GT) (QTY 2 per pump)	
15A-	9990607GT	WASHER SEAL(Component of 77788GT) (use on Cover Plate)	
15A-	9990608GT	NUT, JAM (Component of 77788GT) (use on Cover Plate)	
15B-	826171GT	SCREW,HHF,1/2-13X1.75,ZAG	2
15B-	T107233GT	SHAFT,REPLACEMENT (81647)	
15B-	29739GT	SEAL KIT,SAUER-DANFOSS M46***	
15B-	1272536GT	KIT, EDC REPLACEMENT, SAUER M46	
15B-	83141GT	O-RING, .103 X 3.237, NBR/NTRL, 90D	
16	104070GT	PUMP,GEAR,16CC,11T,AXIAL PORT to SN GS84F-45685, GS90F-55252	1
16-	104593GT	SEAL KIT,GEAR PUMP (104070) for 104070	1
16B	1295260GT	PUMP, GEAR, 16CC from SN GS84F-45686, GS90F-55253	
16B-	1295922GT	SEAL KIT, GEAR, PUMP (1295260) for 1295260	
17	71911GT	CLAMP,MUFFLER, 2.50 INCH	1
18	150152GT	WELDMENT,HYD FILTER BRKT,DEUTZ	1
19A	112529GT	WELDMENT,TRAY HANDLE,RIGHT shown	1
19B	112530GT	WELDMENT,TRAY HANDLE,LEFT not shown	1
20	1259694GT	BOLT,SSHS,.75X.5X5/8-11,ZAG	2
21	99114GT	SPACER,ENGINE TRAY LATCH	2
22	48075GT	SPRING, OUTRIGGER	2
23	1259684GT	NUT,TL JAM,5/8-11,A,ZAG	2
24		REF: Air Intake Assembly refer to 307.1	

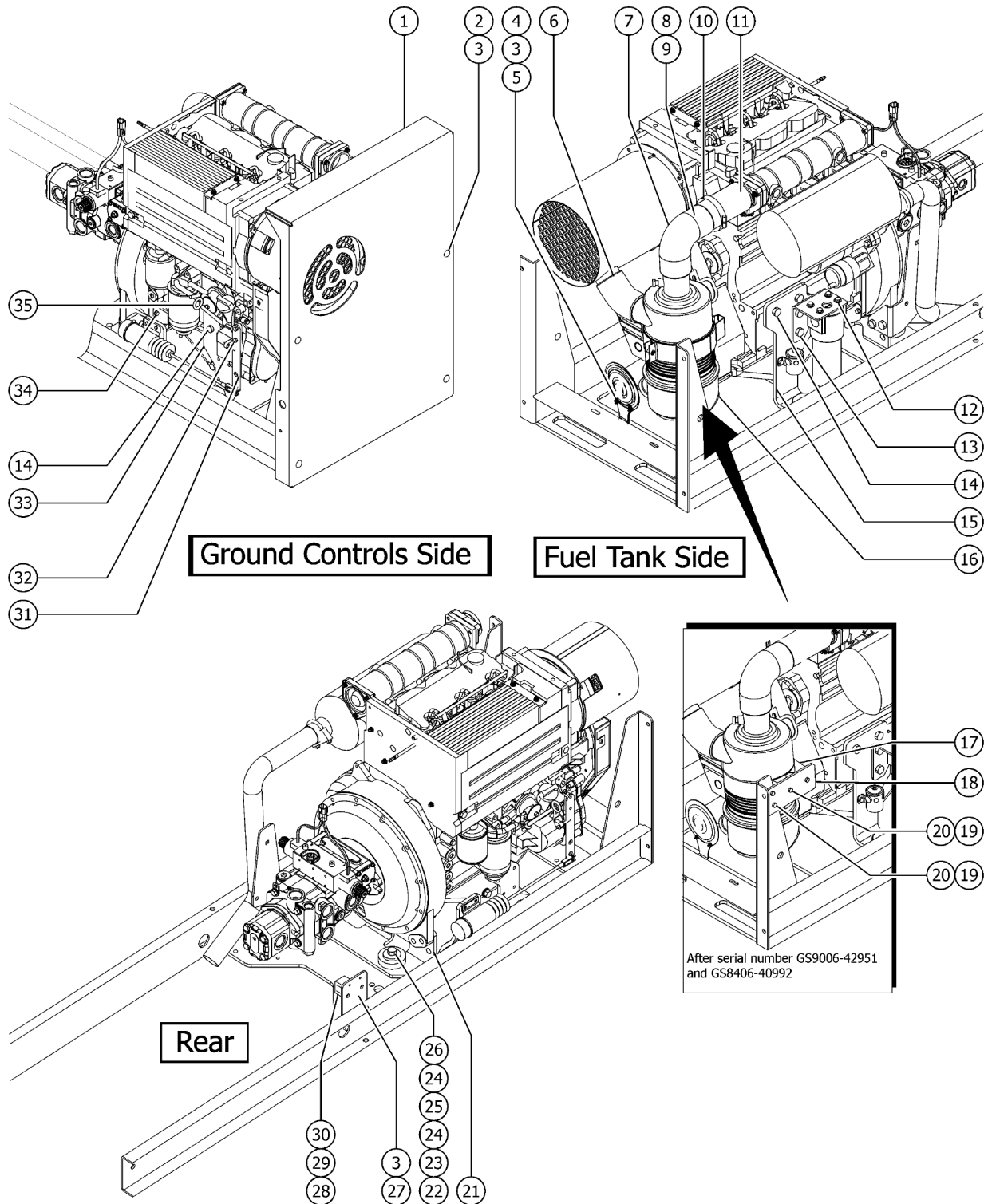


306.1 Deutz D2011L03i Engine, View 2



<i>Item</i>	<i>Part No.</i>	<i>Description</i>	<i>Qty.</i>
25	231088GT	SCREW,HHF,M10-1.5X20,DIN6921,1	
26	104908GT	WELDMENT,DEUTZ HARNESS GUIDE	1
27	1260002GT	SCREW,SHC,M8-1.25X16,DIN912, 1	
28	824144GT	WASHER,FLAT,M8,DIN125,ZAB	

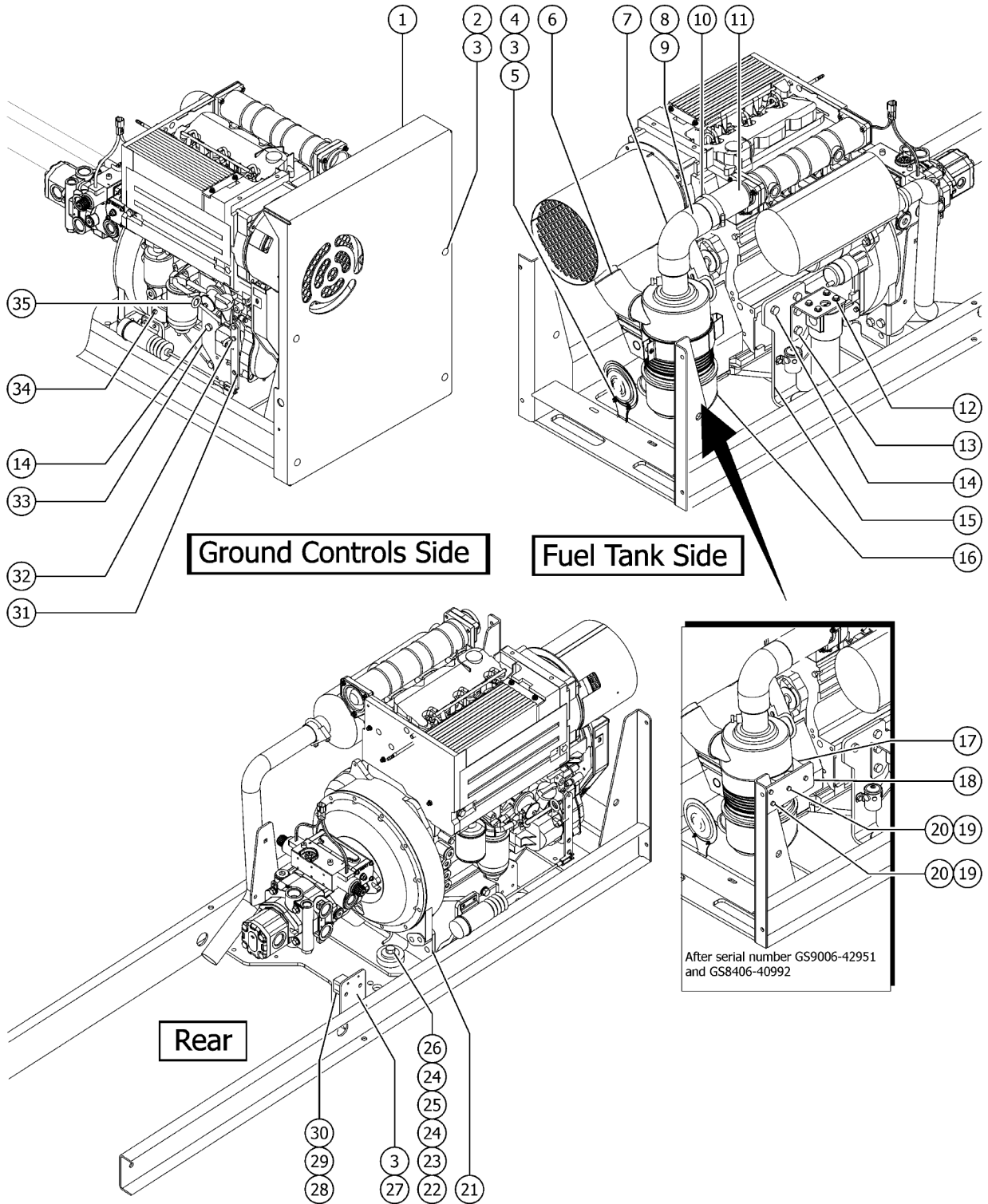
307.1 Deutz D2011L03i Engine, View 3



Item	Part No.	Description	Qty.
A		for internal engine components, contact engine dealer	
1	112479GT	WELDMENT,DEUTZ ENGINE GRILL	
2	824125GT	BOLT,CARRIAGE,3/8-16X1,5,ZAG	
3	824029GT	NUT,TL FLG,3/8-16,G,ZAG	
4	81578GT	HORN,12VDC,SPADE TERMINALS***	1
5	824091GT	SCREW,HHF,3/8-16X1.25,8,ZAG	1
6	33361GT	ELBOW,45 DEGR,RUBBER,2.5" I.D.	1
7	34164GT	ELBOW,90 DEGR,RUBBER,2.5" I.D.*	1
8	79199GT	HOSE,ADAPTER,2.5 ID TO 2.75	1
9	35067GT	TUBE,RD,ALUM 2.5 X .083	2
10	30971GT	CLAMP,HOSE,3.00"	2
11	30967GT	HOSE,AIR INTAKE 2.75" I.D.*** cut to 5.5 inches	6
12	824078GT	SCREW,HHF,1/4-20X.75,8,ZAG	
13	1260225GT	SCREW,HHC,M14-2.0X40,DIN933,10.9,ZAB	
14	1256776GT	SCREW,HHF,M14-2.0X35,DIN6921,10.9,ZAB	
15	112645GT	FORMING,ENGINE MOUNT,LEFT	
16	104822GT	AIR CLEANER,DEUTZ/DONALDSON***	1
16-	77295GT	FILTER ELEMENT,AIR,NOLFF LPG	
17	53952GT	BRKT,AIR CLEANER ORIENTATION**	1
18	112051GT	PLATE,AIR FILTER MOUNT,DEUTZ	1
19	824086GT	SCREW, HHF, 5/16-18 X 1, 8, ZAG	4
20	824028GT	NUT,TL FLG,5/16-18,G,ZAG	4
21		Ref. Engine Mount Bracket, Rear	
		(refer to 305.1)	
22	1259701GT	SCREW,HHC,1/2-13X3,8,ZAG	
23	102066GT	CASTING,WASHER,REBOUND	4
24	1255760GT	WASHER,FLAT,1/2,USS,ZAG	
25	24037GT	SHOCK MOUNT,LARGE**	8
26	1251997GT	NUT,TL FLG,1/2-13,G,ZAG	



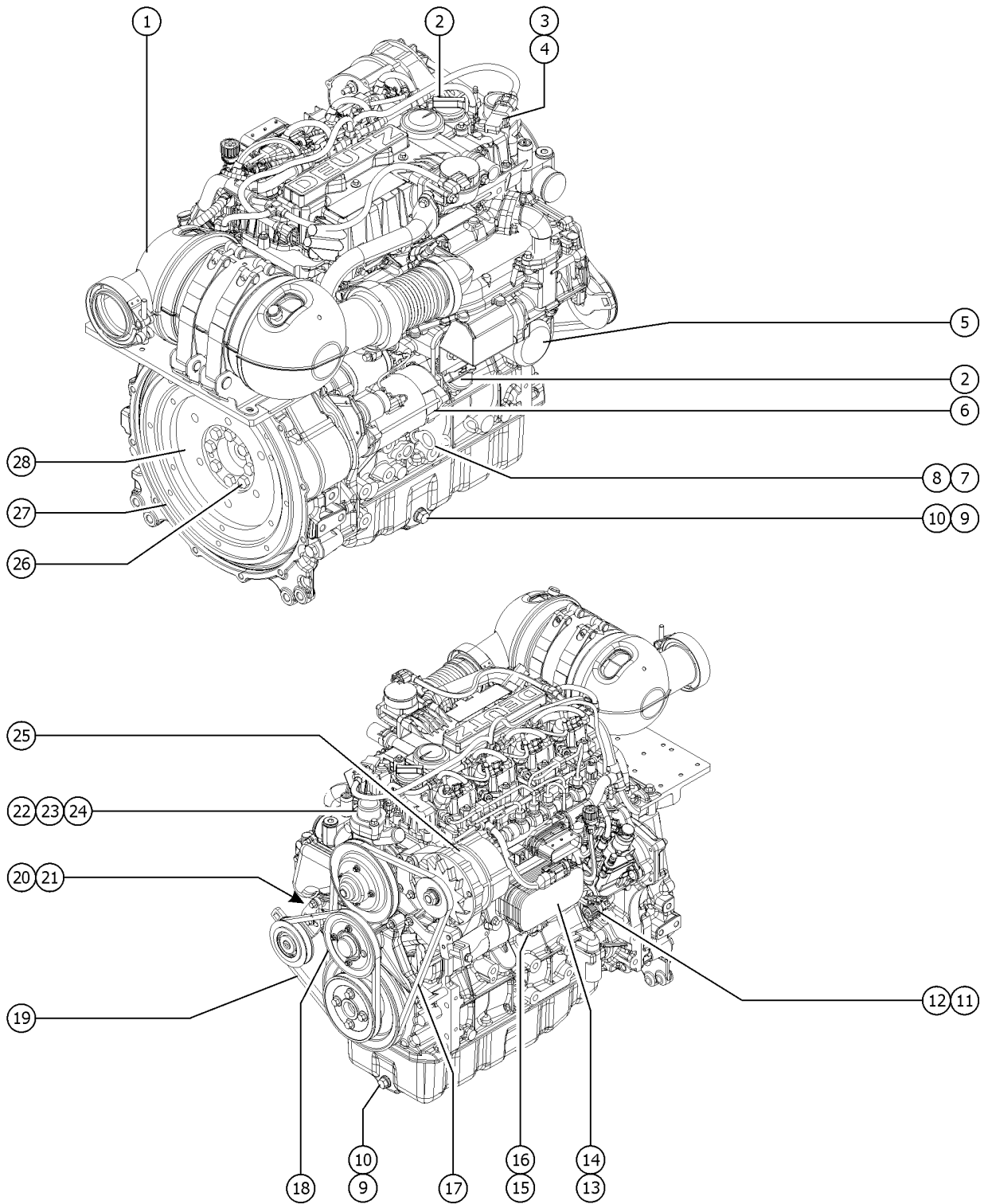
307.1 Deutz D2011L03i Engine, View 3



<i>Item</i>	<i>Part No.</i>	<i>Description</i>	<i>Qty.</i>
27	71957GT	BRKT, DIESEL RELAY, GS90 ***	1
28	34052GT	RELAY,SPDT,12V(AUTO) PLUG IN**	1
28-	34053GT	ASSY,RELAY SOCKET, AUTO	
29	5094GT	SCREW,RHM,10-32 X .5	
30	824032GT	NUT,TL FLG,10-32,F,ZAG	
31		Ref. Throttle Lever	
		(refer to 305.1)	
32	824131GT	SCREW,HHF,M6-1.0X16,DIN6921,10	
33	112646GT	FORMING,ENGINE MOUNT,RIGHT	
34	49392GT	SCREW,SHC,M14X2.00X40	
35	147243GT	DIPSTICK, OIL, D2011	



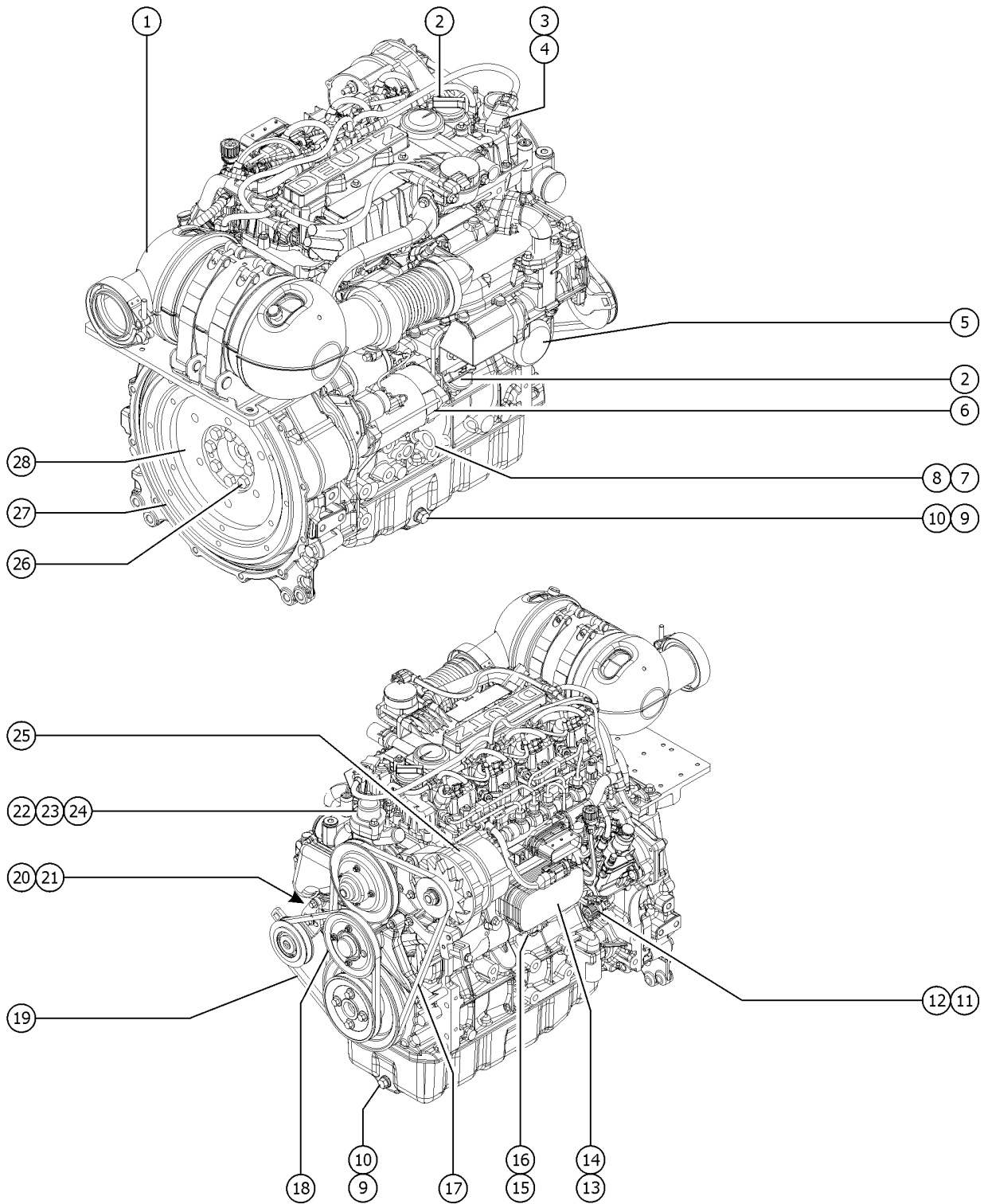
308.1 Deutz D2.9L4 Engine, View 1



Item	Part No.	Description	Qty.
-		Due to Tier 4 regulations, many engine replacement parts require the engine serial number at time of order placement. When ordering engine parts please have both machine and engine serial numbers available. For internal engine parts, contact engine dealer	
A	237188GT	ENGINE KIT, DEUTZ D2.9L4	
B	1259717GT	MANUAL, DEUTZ D2.9 ENGINE	1
C	1262870GT	GLOW PLUG, DEUTZ	4
D	1262871GT	SEAL, FRONT ENGINE,DEUTZ	1
E	1262872GT	SEAL, REAR ENGINE,DEUTZ	1
F	1272624GT	KIT,WATER PUMP 2.9 L4 includes fasteners and 1262874 pump	1
F-	1262874GT	WATER PUMP	1
F-	1289895GT	WASHER,WATER PUMP (1272624) for 1272624	
F-	1262878GT	GASKET, THERMOSTAT HOUSING	1
F-	1265319GT	HEX BOLT, WATER PUMP 2.9L4	4
F-	1265320GT	PLUG, WATER PUMP 2.9L4	1
F-	1273636GT	PLUG,WATER PUMP 2.9L4	1
G	1262875GT	O-RING, WATER PUMP	1
G-	1259654GT	INTAKE BREATHER	1
1		Ref. OXIDATION CATALYST,DEUTZ Due to Tier 4 regulations, many engine replacement parts require the engine serial number at time of order placement. When ordering engine parts please have both machine and engine serial numbers available. For internal engine parts, contact engine dealer	1
2	29557GT	CAP,OIL FILLER,DEUTZ,DIESEL***	2
3	1262896GT	SENSOR,INTAKE AIR PRESSURE	1
4	1262897GT	O-RING, INTAKE AIR PRESSURE SENSOR	1
5	49924GT	FILTER,OIL,DEUTZ F4L1011F	1
6	1254594GT	STARTER,3.2KW,DEUTZ D2.9	1
6-	1262868GT	BOLT, DEUTZ STARTER not included sold seperately	
7	825708GT	DIPSTICK,TD2.9	1
8	1262881GT	ORING, OIL DIP STICK	1
9	102587GT	PLUG,ENGINE OIL,DEUTZ F4L2011	2
10	108538GT	RING / SEALING	2
11	1262894GT	SENSOR,CAM/CRANKSHAFT POSITION (crankshaft)	1



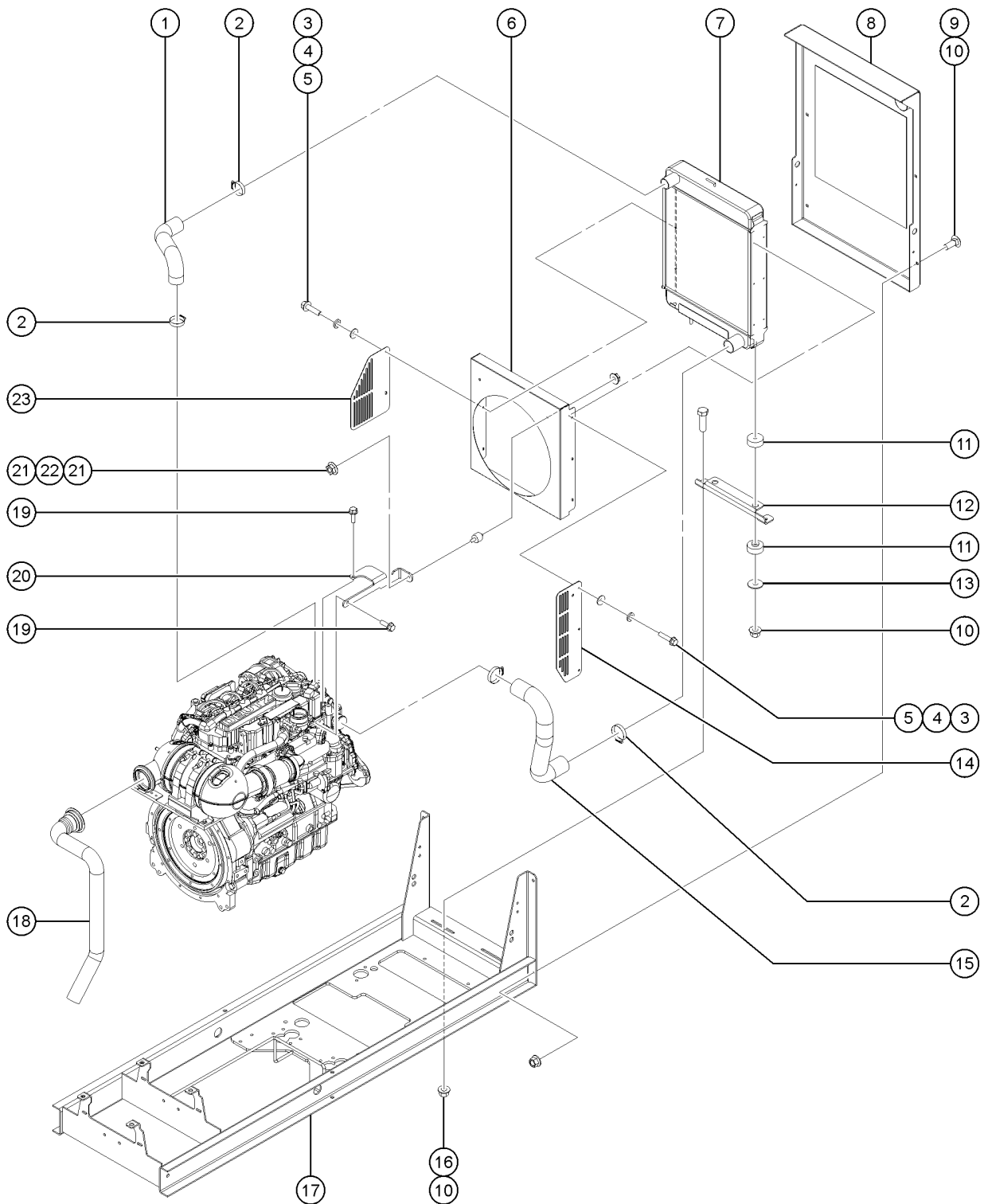
308.1 Deutz D2.9L4 Engine, View 1



<i>Item</i>	<i>Part No.</i>	<i>Description</i>	<i>Qty.</i>
12	1262895GT	O-RING, CRANKSHAFT POSITION SENSOR	1
13	1260357GT	OIL COOLER,TD2.9	1
14	1262883GT	GASKET, OIL COOLER, DEUTZ	1
15	824673GT	SENSOR,FUEL PRESSURE,DEUTZ 2.9L	1
16	1262893GT	O-RING, OIL PRESSURE SENSOR	1
17	1262866GT	FAN BELT, ALTERANTOR	1
18	236248GT	PULLEY ASSEMBLY,ALTERNATOR,TCD3.6	1
19	1262867GT	V-BELT, DEUTZ	1
20	1262894GT	SENSOR,CAM/CRANKSHAFT POSITION	1
		hidden from view (camshaft)	
21	1262899GT	O-RING, CAMSHAFT POSITION SENSOR	1
		hidden from view	
22	1262877GT	THERMOSTAT HOUSING	1
23	1262876GT	THERMOSTAT,DEUTZ	1
24	1262878GT	GASKET, THERMOSTAT HOUSING	1
25	236251GT	ALTERNATOR,95 AMP,DEUTZ	1
26	1262873GT	BOLT, DEUTZ FLYWHEEL	8
27	89785GT	RING GEAR,DEUTZ F3L2011F	1
28	1259660GT	FLYWHEEL, SAE 8/10	1
		order with item #26, PN 1262873, qty 8	



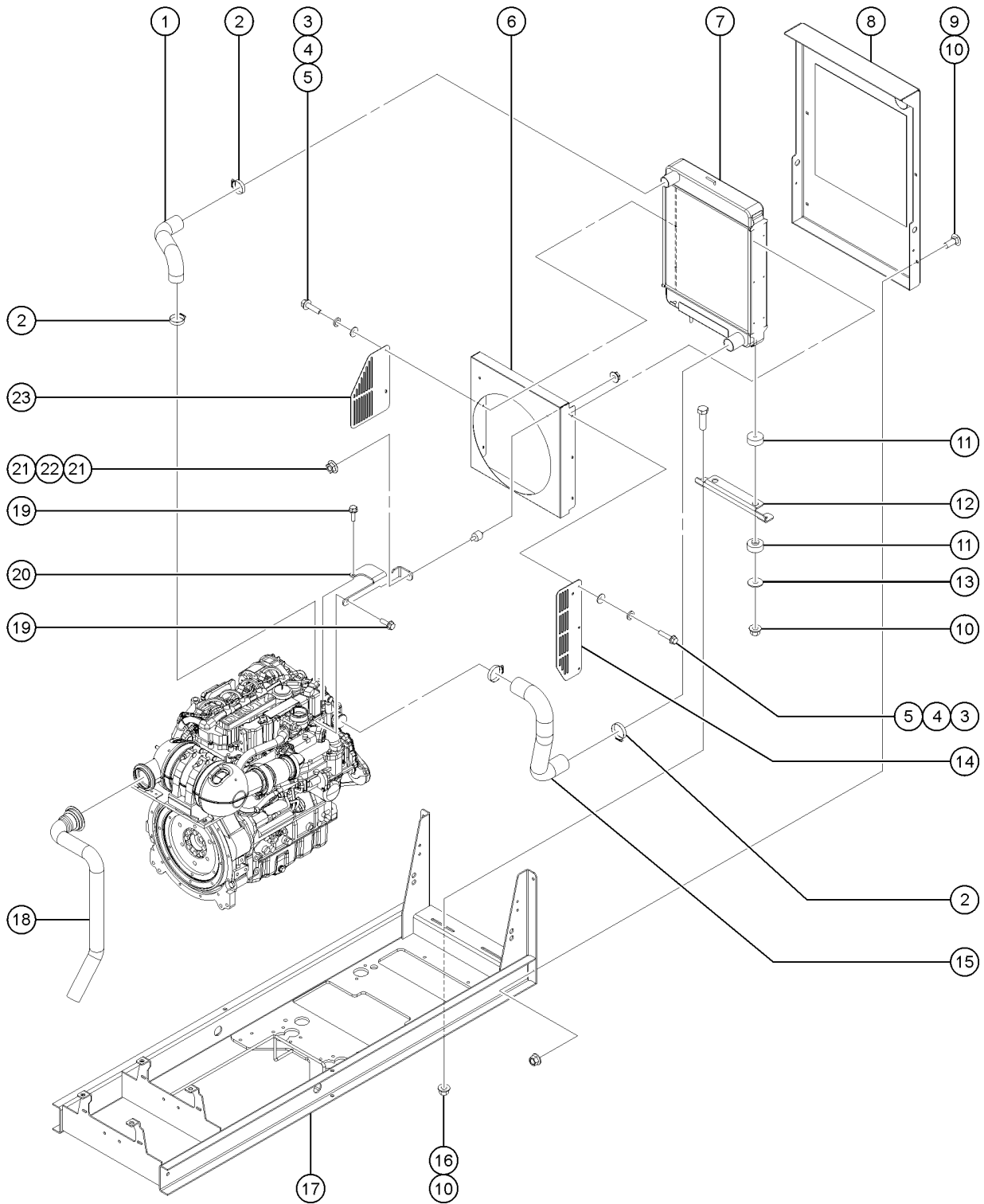
309.1 Deutz D2.9L4 Engine, View 2



Item	Part No.	Description	Qty.
-		Due to Tier 4 regulations, many engine replacement parts require the engine serial number at time of order placement. When ordering engine parts please have both machine and engine serial numbers available. For internal engine parts, contact engine dealer	
A	237188GT	ENGINE KIT, DEUTZ D2.9L4	
B	1275561GT	ASSEMBLY,RADIATOR/SHROUD,D2.9L includes items 6B & 7B	
1A	237193GT	HOSE,UPPER RADIATOR,DEUTZ D2.9 (to SN GS84F-45571, GS90F-54231)	1
1B	1264348GT	HOSE,UPPER RADIATOR W/INTEGRATED TANK,DEUTZ D2.9 (from SN GS84F-45572, GS90F-54232)	1
2	35434GT	CLAMP,HOSE,2.00***	4
3	1260226GT	SCREW,HEX UNSLOTTED,10-24X.625,TYPE C,ZAG	6
4	1256312GT	WASHER,LOCK,#10,ZAG	6
5	1253185GT	WASHER,FLAT,#10,USS,ZAG	6
6A	237192GT	FAN SHROUD,DEUTZ D2.9 (to SN GS84F-45571, GS90F-54231)	1
6B	1262324GT	SHROUD, FAN, DEUTZ 2.9L (from SN GS84F-45572, GS90F-54232)	1
7A	214685GT	RADIATOR, CAPLESS, DEUTZ D 2.9 (to SN GS84F-45571, GS90F-54231)	1
7B	1262308GT	RADIATOR/EXPANSION TANK, DEUTZ (from SN GS84F-45572, GS90F-54232)	1
8	1253294GT	WLDMT,ENGINE GRILL,DEUTZ D2.9	1
9	824125GT	BOLT,CARRIAGE,3/8-16X1.5,ZAG	4
10	824029GT	NUT,TL FLG,3/8-16,G,ZAG	8
11	24038GT	SHOCK MOUNT,SMALL	4
12	1253289GT	FRMG,RAD SPACER,DEUTZ D2.9	1
13	824120GT	WASHER,FLAT,,375X1.50X.125,ZAG	2
14	216230GT	PLATE,FAN GUARD	1
15	237194GT	HOSE,LOWER RADIATOR,DEUTZ D2.9	1
16	824068GT	SCREW,HHC,3/8-16X1.25,8,ZAG	2
17		Ref. Engine Tray Assembly (refer to 401.1)	
18	1253285GT	WLDMT,EXHAUST PIPE,DEUTZ D2.9	1
19	824131GT	SCREW,HHF,M6-1.0X16,DIN6921,10	2
20	214237GT	FORMING,RAD BRACE,DEUTZ D2.9	1
21	1255805GT	NUT,SERRATED,5/16-18,8,ZAG	2

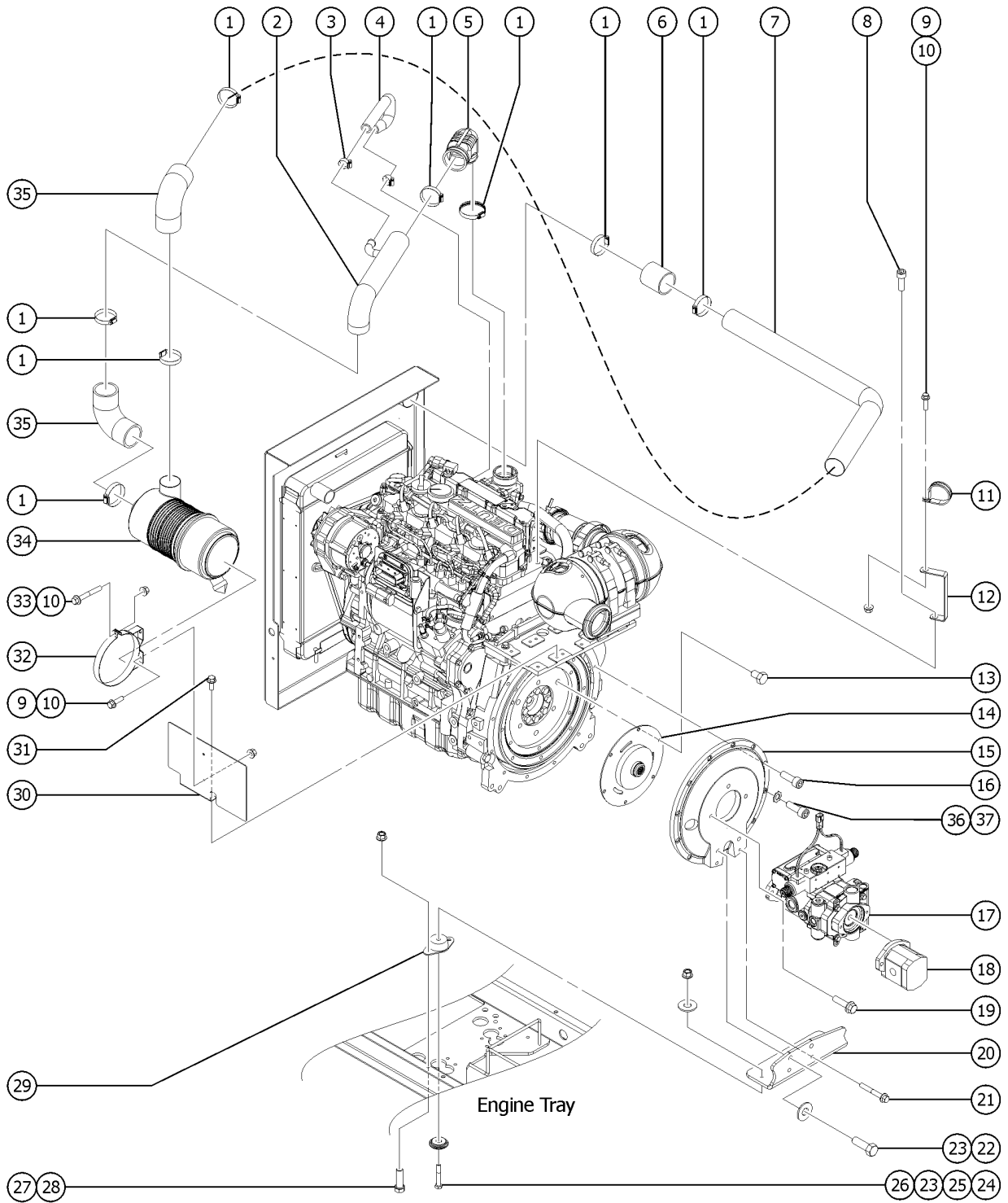


309.1 Deutz D2.9L4 Engine, View 2



<i>Item</i>	<i>Part No.</i>	<i>Description</i>	<i>Qty.</i>
22	219437GT	ISOLATOR, VIBRATION	1
23	162063GT	SHEET, FAN GUARD, Z45	1

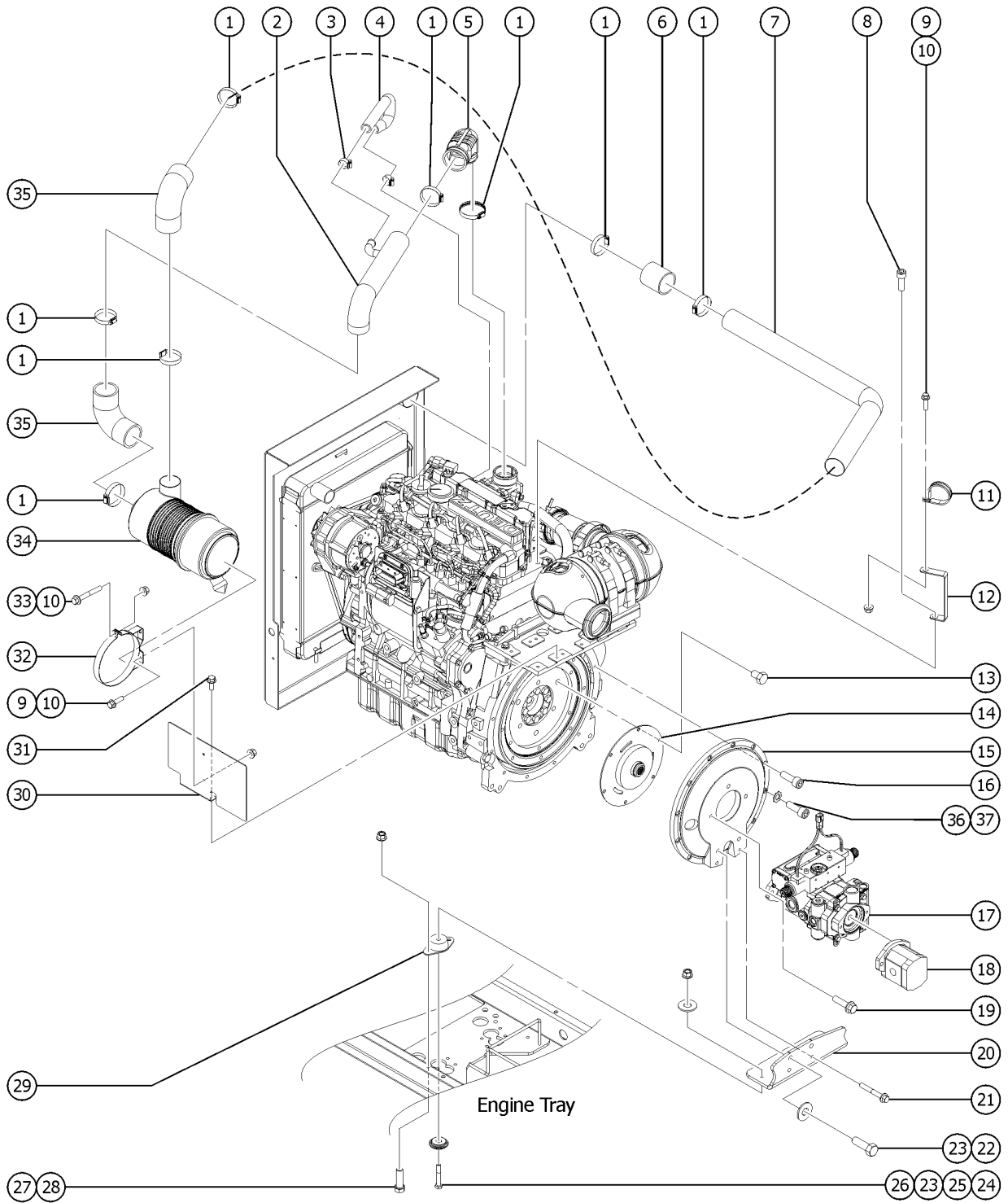
310.1 Deutz D2.9L4 Engine, View 3



Item	Part No.	Description	Qty.
-		Due to Tier 4 regulations, many engine replacement parts require the engine serial number at time of order placement. When ordering engine parts please have both machine and engine serial numbers available. For internal engine parts, contact engine dealer	
1	45435GT	CLAMP,HOSE,2.50****	
2	1253297GT	WLDMT,CLEAN AIR,STL,DEUTZ D2.9	
3	30348GT	CLAMP,HOSE,1.00	
4	823526GT	HOSE,PCV,DEUTZ,LNG	
5	214686GT	AIR INTAKE ELBOW,90 DEGREE	
6	34162-300GT	HOSE,AIR INTAKE 2.50" ID	
7	1253300GT	HOSE,AIR INTAKE,STL,DEUTZ D2.9	
8	1260500GT	SCREW,SHC,M12-1.75X25,DIN912,12.9,ZAB	
8B	1256286GT	WASHER,LOCK, M12,ZAB for 1260500	1
9	824078GT	SCREW,HHF,1/4-20X.75,8,ZAG	
10	824027GT	NUT,TL FLG,1/4-20,G,ZAG	
11	101626GT	CLAMP,2.5,#40 x 1/4,RUB CUSH	
12	1255785GT	FORMING,AIR IN HOSE SUPPORT	
13	1257421GT	SCREW,HHC,M10-1.5X16,DIN933,10	
14	128004GT	COUPLER, 15 TOOTH, FBA, SAE 8	
15	70381GT	COVER, FLYWHEEL CASTING	
16	1255666GT	SCREW,SHC,M10-1.5X30,DIN912,12.9,ZAB	
17	77788GT	PUMP,PISTON,49CC*** from SN 45000 to 45568 GS-3384, SN 52000 to 54158 GS-90	
17A-	101294GT	KIT,CHARGE PUMP	
17A-	106835GT	CONTROLLER W/O COILS (77788) (first time replacement requires 1285505GT)	
17A-	106836GT	O-RING,STEM,EATON	
17A-	106837GT	NUT,STEM,EATON***	
17A-	107813GT	SPACER,EATON PUMP SHAFT SEAL**	
17A-	107814GT	SEAL,SHAFT,EATON PUMP***	
17A-	107815GT	SNAP RING,PUMP SHAFT SEAL***	
17A-	107842GT	KIT,PUMP SHAFT SEAL W/INST*** includes PNs 107812, 107813, 107814, 107815	



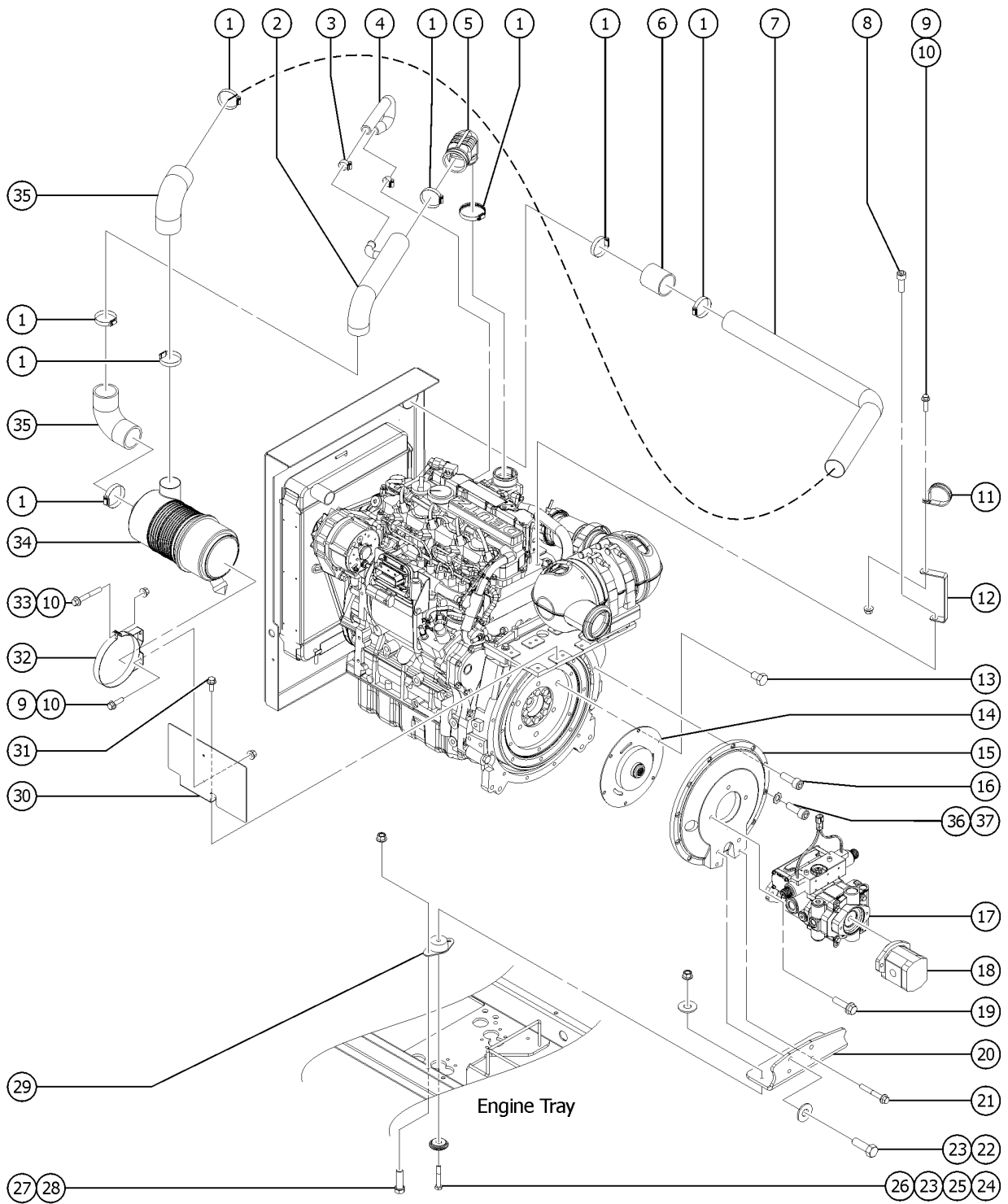
310.1 Deutz D2.9L4 Engine, View 3



Item	Part No.	Description	Qty.
17A-	128423GT	KIT,CHARGE PUMP HOUSING	
17A-	43683GT	O-RING,2-042 N674-70***	
17A-	58431GT	SEAL KIT,PUMP SHAFT (EATON)*** for pump with model stamp starting at 72400-RUK-04	
17A-	82431GT	HOSE ASM-JCAF310-06-41	
17A-	1286043GT	KIT,SOLENOID REPLACEMENT,EATON (77788)	
		includes two coils	
17A-	1285506GT	SEAL RING,SOLENOID CONTROL	
		(for 1286043GT)	
17A-	1263939GT	SEAL KIT,PUMP SHAFT (EATON) for pump with model stamp starting at 72400-STE-04	
17A-	9990606GT	COVER PLATE GASKET (Component of 77788GT)	
17A-	9990607GT	WASHER SEAL(Component of 77788GT)	
17A-	9990608GT	NUT, JAM (Component of 77788GT)	
17B	1275747GT	PUMP,HYD,PISTON,M46,HI CURRENT	1
		from SN 54159 GS-3384, SN 54159 GS-90	
17B-	826171GT	SCREW,HHF,1/2-13X1.75,ZAG	2
17B-	T107233GT	SHAFT,REPLACEMENT (81647)	
17B-	29739GT	SEAL KIT,SAUER-DANFOSS M46***	
17B-	1272536GT	KIT, EDC REPLACEMENT, SAUER M46	
17B-	83141GT	O-RING, .103 X 3.237, NBR/NTRL, 90D	
18A	87918GT	PUMP,GEAR,16CC***	
18A-	85197GT	SEAL KIT,BOSCH PUMP***	
18B	104070GT	PUMP,GEAR,16CC,11T,AXIAL PORT	
		to SN GS84F-45685, GS90F-55252	
18B-	104593GT	SEAL KIT,GEAR PUMP (104070)	
		for 104070	
18C	1295260GT	PUMP, GEAR, 16CC	
		from SN GS84F-45686, GS90F-55253	
18C-	1295922GT	SEAL KIT, GEAR, PUMP (1295260)	
		for 1295260	
19	1253498GT	SCREW,HHF,1/2-13X1.5,8,ZAG	
20	1253288GT	FRMG,REAR ENG MOUNT,DEUTZ D2.9	
21	238347GT	SCREW,HHF,M10-1.5X70,DIN6921,10.9,ZAB	
22	1256844GT	SCREW,HHC,1/2-13X1.5,8,ZAG	
23	1255760GT	WASHER,FLAT,1/2,USS,ZAG	
24	1259701GT	SCREW,HHC,1/2-13X3,8,ZAG	

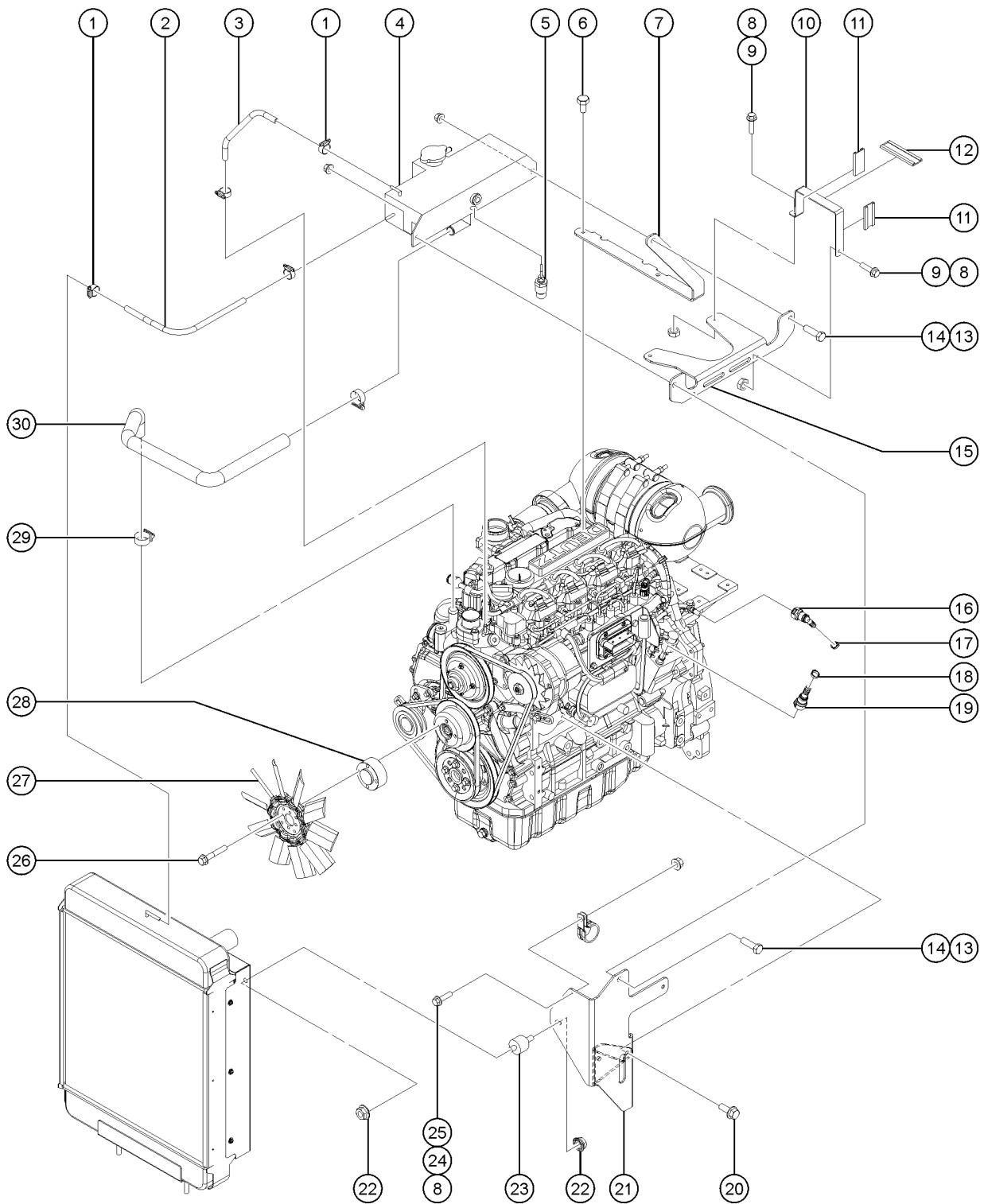


310.1 Deutz D2.9L4 Engine, View 3



Item	Part No.	Description	Qty.
25	102066GT	CASTING,WASHER,REBOUND	
26	1251997GT	NUT,TL FLG,1/2-13,G,ZAG	
27	824068GT	SCREW,HHC,3/8-16X1.25,8,ZAG	
28	824029GT	NUT,TL FLG,3/8-16,G,ZAG	
29	70452GT	ISOLATOR,ENGINE	
30	1253292GT	FORMING,HEAT SHIELD,DEUTZ D2.9	
31	1251983GT	SCREW,HHF,M8-1.25X16,DIN6921,10.9,ZAB	
32	33931GT	MOUNTING BAND (27915)	
33	1253485GT	SCREW,HHF,1/4-20X2,8,ZAG	
34	63463GT	AIR CLEANER,NELSON	
34-	58415GT	CLIP,AIR CLEANER END CAP***	
34-	62420GT	FILTER,AIR***	
34-	65810GT	BAFFLE, AIR CLEANER (27915)**	
34-	52866GT	EVACUATOR VALVE-AIR CLEANER	
35	34164GT	ELBOW,90 DEGR,RUBBER,2.5" I.D.*	
36A	1273148GT	WASHER,STAR,EXTERNAL,M10	2
		to SN 54489	
36B	22700GT	WASHER,LOCK,M10	1
		from SN 54490	
37	1288291GT	SCREW,SHC,M10-1.5X30,ISO4762,12.9,ZINC	1
		from SN 54490	

311.1 Deutz D2.9L4 Engine, View 4 (to SN GS84F-45572, GS90F-54232)

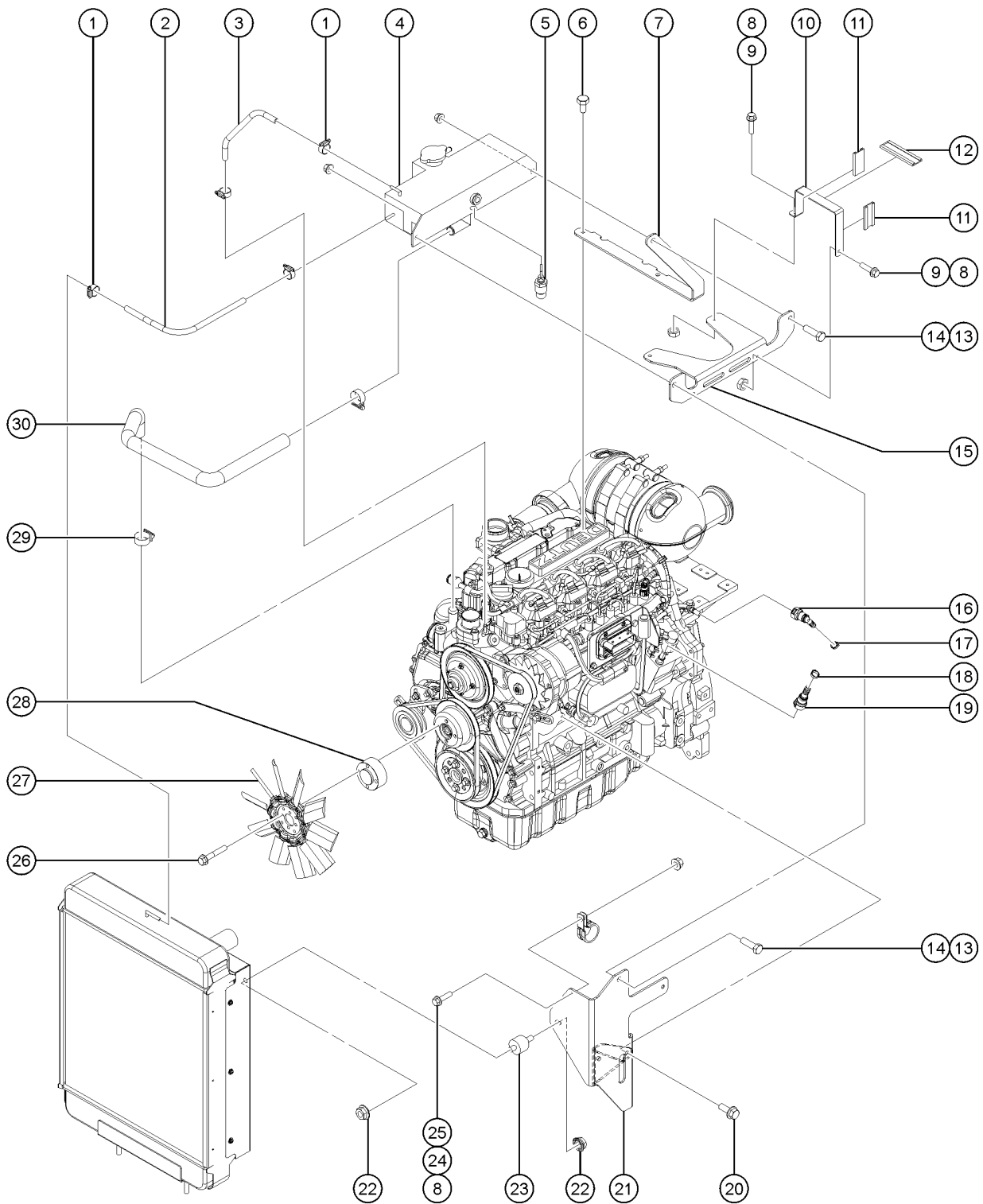


311.1 Deutz D2.9L4 Engine, View 4 (to SN GS84F-45572, GS90F-54232)

Item	Part No.	Description	Qty.
-		Due to Tier 4 regulations, many engine replacement parts require the engine serial number at time of order placement. When ordering engine parts please have both machine and engine serial numbers available. For internal engine parts, contact engine dealer	
1	44909GT	CLAMP,HOSE,.25	4
2	823523GT	HOSE,RADIATOR VENT,DEUTZ D2.9	1
3	823524GT	HOSE,ENGINE VENT,DEUTZ D2.9	1
4	823970GT	EXPANSION TANK,METAL,D2.9,Z45	1
5	218715GT	SENSOR,COOLANT LEVEL, DEUTZ	1
6	1257421GT	SCREW,HHC,M10-1.5X16,DIN933,10	2
7	1253290GT	FRMG,EXPSN TANK SUPPORT	1
8	824078GT	SCREW,HHF,1/4-20X.75,8,ZAG	5
9	1260224GT	NUT,TL JAM,1/4-20,A,ZAG	4
10	1253922GT	FORMING,EXP TANK BAND,D2.9	2
11	1254453GT	EXTRUSION,RUBBER STRIP,SM,D2.9	4
12	1254452GT	EXTRUSION,RUBBER STRIP,LG,D2.9	2
13	824068GT	SCREW,HHC,3/8-16X1.25,8,ZAG	2
14	824029GT	NUT,TL FLG,3/8-16,G,ZAG	2
15	1253921GT	FORMING,EXP TANK SUPPORT,D2.9	1
16	826000GT	CONNECTOR, SAE10, QUICK CONNECT	1
17	96770GT	CLAMP, HOSE, 1 EAR, 11/16	1
18	822087GT	CLAMP,HOSE,1EAR,25/32	1
19	1255651GT	CONNECTOR,SAE12,QUICK CONNECT	1
20	1251983GT	SCREW,HHF,M8-1.25X16,DIN6921,10.9,ZAB	2
21	214934GT	FORMING,RAD EXPSN TANK SUPT	1
22	1255805GT	NUT,SERRATED,5/16-18,8,ZAG	2
23	219437GT	ISOLATOR, VIBRATION	1
24	119394GT	CLAMP,1.38,#212X3/8,RUB CUSH	1
25	824027GT	NUT,TL FLG,1/4-20,G,ZAG	1
26	1257231GT	SCREW,HHF,M8-1.25X50,DIN6921,1	



311.1 Deutz D2.9L4 Engine, View 4 (to SN GS84F-45572, GS90F-54232)

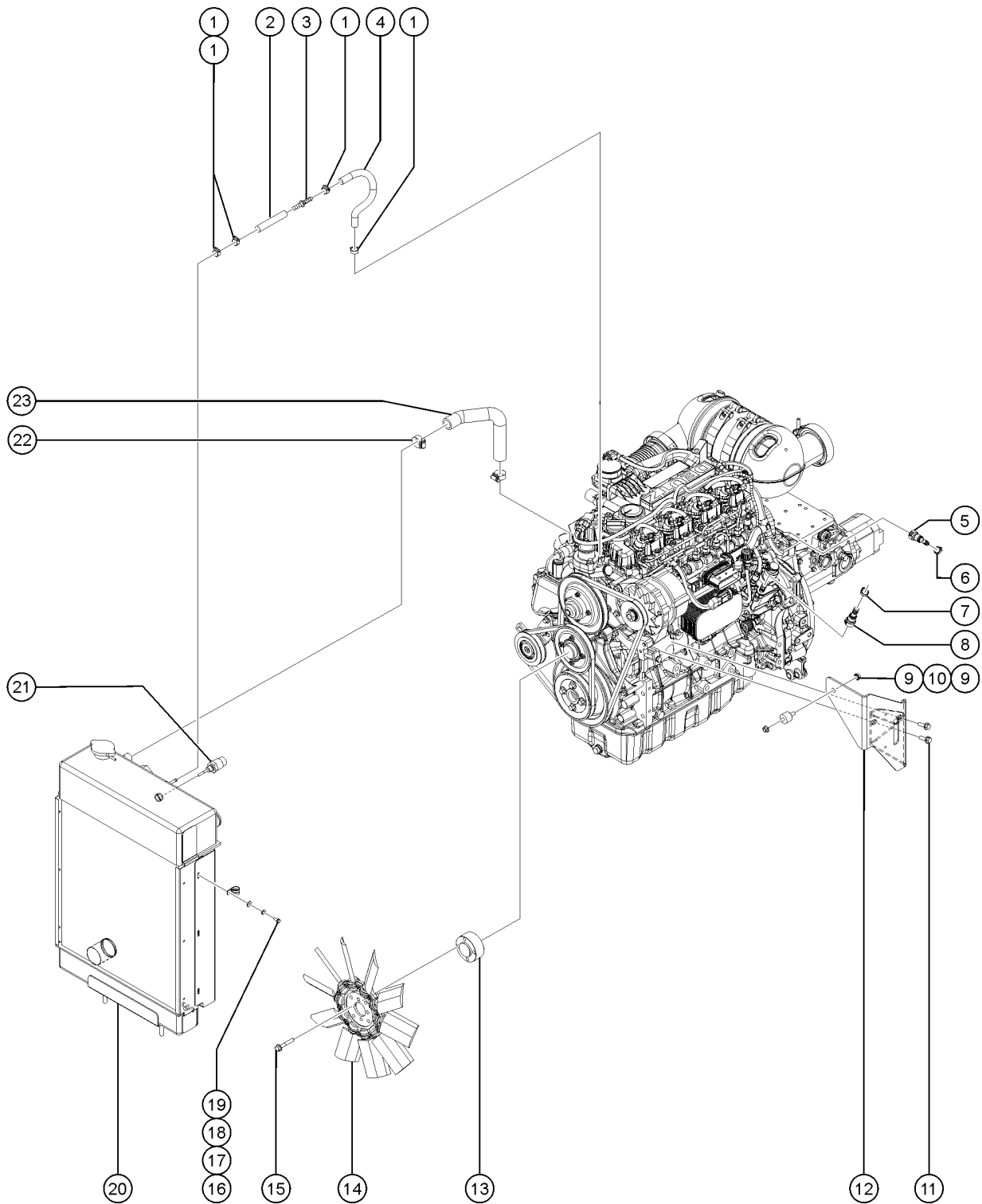


311.1 Deutz D2.9L4 Engine, View 4 (to SN GS84F-45572, GS90F-54232)

<i>Item</i>	<i>Part No.</i>	<i>Description</i>	<i>Qty.</i>
27	214682GT	FAN, 10 BLADE, 15"	1
28	1256599GT	SPACER, FAN, DEUTZ, 29.5MM LNG	1
29	30348GT	CLAMP,HOSE,1.00	2
30	1251731GT	HOSE,EXPANSION TANK,D2.9	1



311.2 Deutz D2.9L4 Engine, View 4 (from SN GS84F-45573, GS90F-54233)

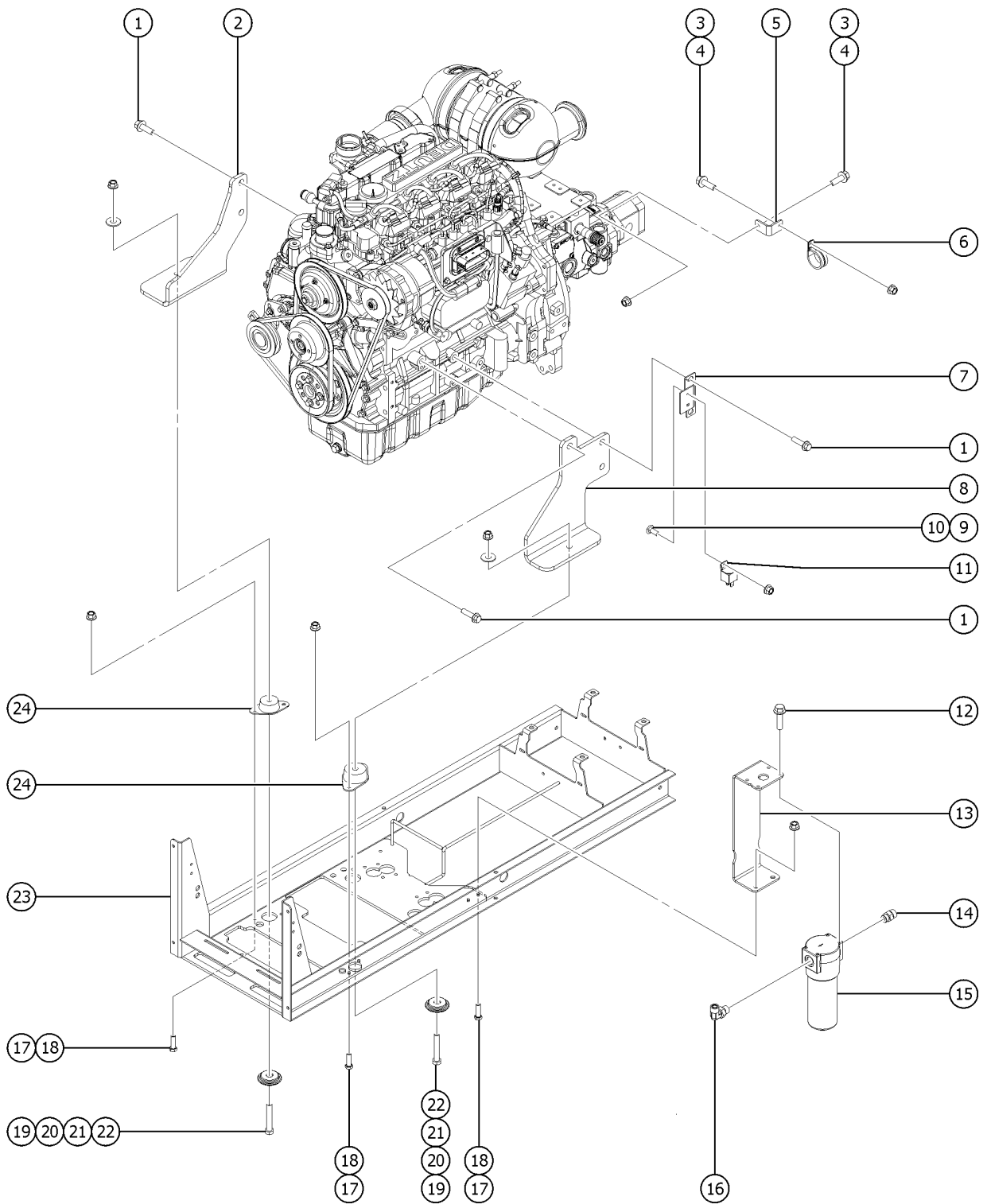


311.2 Deutz D2.9L4 Engine, View 4 (from SN GS84F-45573, GS90F-54233)

Item	Part No.	Description	Qty.
1	44909GT	CLAMP,HOSE,.25	4
2	1282122GT	HOSE 2, RADIATOR VENT, DEUTZ D2.9	1
3	1282119GT	2MM ORIFICE UNION, 1/4" HOSE	1
4	1282120GT	HOSE, RADIATOR VENT, DEUTZ D2.9	1
5	826000GT	CONNECTOR, SAE10, QUICK CONNECT	1
6	96770GT	CLAMP, HOSE, 1 EAR, 11/16	1
7	822087GT	CLAMP,HOSE,1EAR,25/32	1
8	1255651GT	CONNECTOR,SAE12,QUICK CONNECT	1
9	1255805GT	NUT,SERRATED,5/16-18,8,ZAG	2
10	219437GT	ISOLATOR, VIBRATION	1
11	824133GT	SCREW,HHF,M8-1.25X25,DIN6921,10.9,ZAB	2
12	1256165GT	FORMING,RADIATOR SUPPORT,LH	1
13	1256599GT	SPACER, FAN, DEUTZ, 29.5MM LNG	1
14	214682GT	FAN, 10 BLADE, 15"	1
15	1257231GT	SCREW,HHF,M8-1.25X50,DIN6921,1	4
16	1260226GT	SCREW,HEX UNSLOTTED,10-24X.625,TYPE C,ZAG	1
17	1256312GT	WASHER,LOCK,#10,ZAG	1
18	1253185GT	WASHER,FLAT,#10,USS,ZAG	1
19	16073GT	CLAMP,0.63,#10 X 1/4,RUB CUSH	1
20		Ref. RADIATOR/EXPANSION TANK, DEUTZ	
		(refer to 309.1)	
21	218715GT	SENSOR,COOLANT LEVEL, DEUTZ	1
22	30348GT	CLAMP,HOSE,1.00	2
23	1265738GT	HOSE EXPANSION TNK, D2.9	1



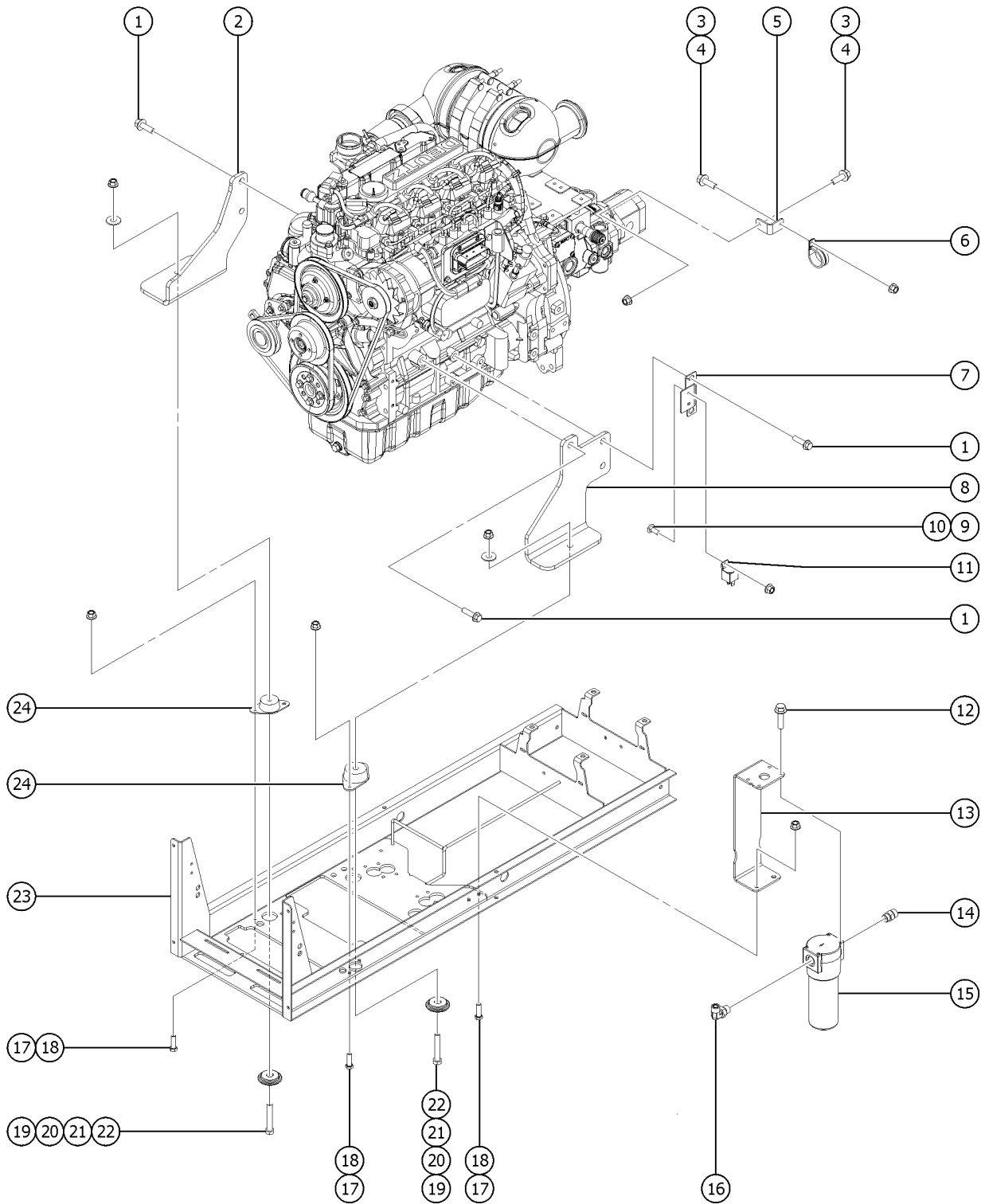
312.1 Deutz D2.9L4 Engine, View 5



Item	Part No.	Description	Qty.
-		Due to Tier 4 regulations, many engine replacement parts require the engine serial number at time of order placement. When ordering engine parts please have both machine and engine serial numbers available. For internal engine parts, contact engine dealer	
1	1256776GT	SCREW,HHF,M14-2.0X35,DIN6921,10.9,ZAB	5
2	1253287GT	FRMG,RT ENG MOUNT,DEUTZ D2.9	1
3	824078GT	SCREW,HHF,1/4-20X.75,8,ZAG	2
4	824027GT	NUT,TL FLG,1/4-20,G,ZAG	2
5	104953GT	FORMING,L-BRKT,FUNC.PUMP	1
6	119394GT	CLAMP,1.38,#212X3/8,RUB CUSH	1
7	131101GT	FORMING,RELAY MOUNT,DEUTZ	1
8	1253286GT	FRMG,LEFT ENG MOUNT,DEUTZ D2.9	1
9	1256282GT	BOLT,CARRIAGE,10-24X.5,5,ZAG	1
10	1256467GT	NUT,TL FLG,10-24,F,ZAG	1
11	61225GT	RELAY,12VDC,70AMP,SEALED	1
12	1256855	WASHER FLAT BONDED RUB	4
13	1253291GT	FRMG,HYD FILTER MNT,DEUTZ D2.9	1
14	48933GT	CONN,520120-8***	1
15A		FILTER ASY,M PRESS,SAE8,WOIND* (77139) to SN GS8416F-45059 and GS9016F-52459 (component no longer available)	1
15A-	60857GT	FILTER,ELEMENT,BETA(5)=1000 for 77139	
15B	1267807GT	ASSEMBLY, MED. PRESS. FILTER, from SN GS8416F-45060 and GS9016-52460	
15B-	1268229GT	ELEMENT-5 MIC, PAPER, W/ BYPASS for 1267807	
16	48932GT	FITTING,ELBOW,90D,520220-8***	1
17	824068GT	SCREW,HHC,3/8-16X1.25,8,ZAG	6
18	824029GT	NUT,TL FLG,3/8-16,G,ZAG	6
19	1259701GT	SCREW,HHC,1/2-13X3,8,ZAG	2
20	102066GT	CASTING,WASHER,REBOUND	2
21	1255760GT	WASHER,FLAT,1/2,USS,ZAG	2
22	1251997GT	NUT,TL FLG,1/2-13,G,ZAG	2
23		Ref. Engine Tray Assembly (refer to 401.1)	

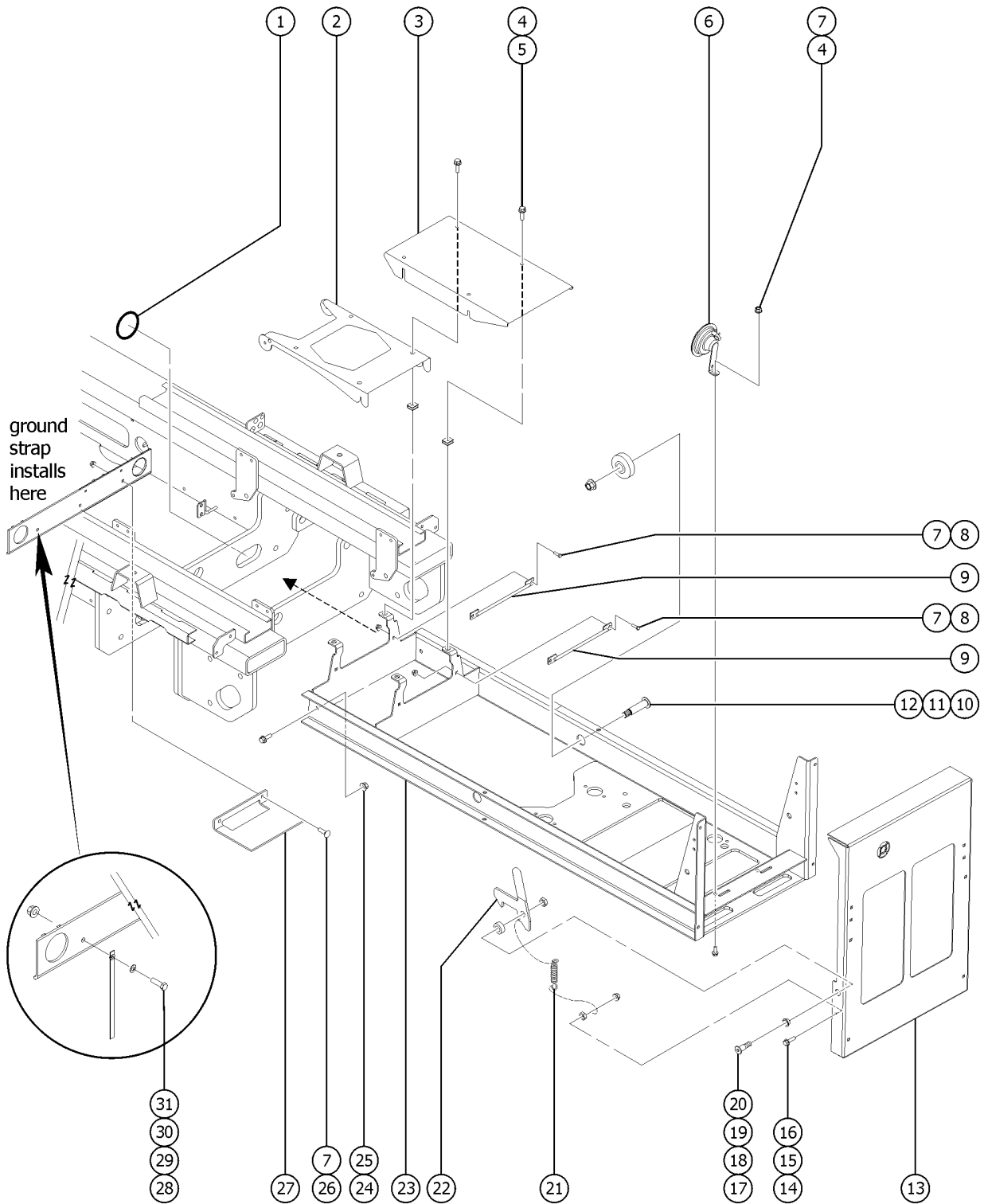


312.1 Deutz D2.9L4 Engine, View 5



<i>Item</i>	<i>Part No.</i>	<i>Description</i>	<i>Qty.</i>
24	70452GT	ISOLATOR,ENGINE	2

401.1 Engine Tray Components

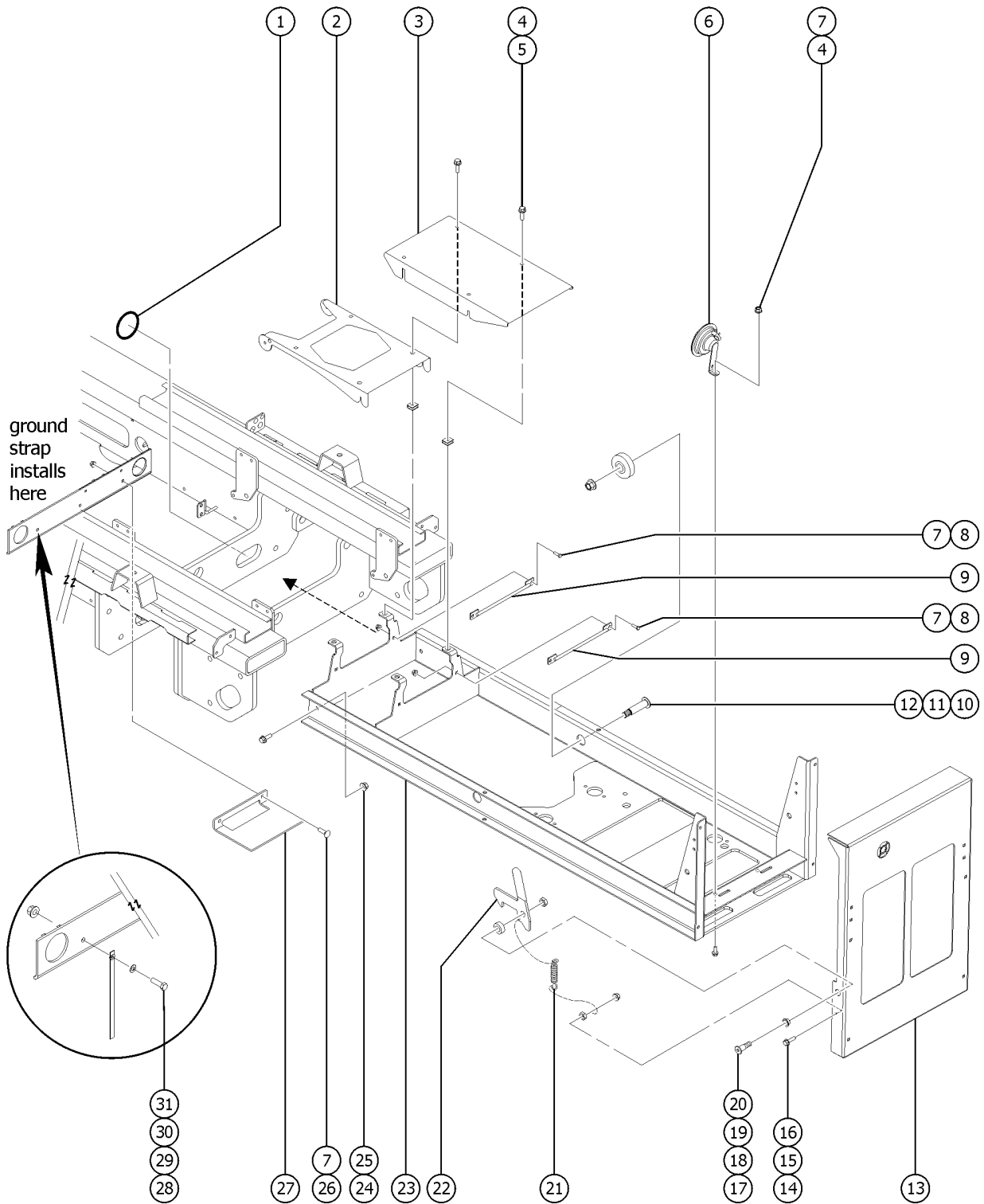


401.1 Engine Tray Components

Item	Part No.	Description	Qty.
1	46436GT	GROMMET,RUBBER 2.5 X .25 X2.75	1
2		Ref. Cable Track Mount	
		(refer to 403.1)	
3		Ref. Cable Track Cover	
		(refer to 403.1)	
4	824091GT	SCREW,HHF,3/8-16X1.25,8,ZAG	5
5	29868GT	SPRING CLIP,3/8-16,.05-.20X.73,ZAG	4
6	81578GT	HORN,12VDC,SPADE TERMINALS***	1
7	824029GT	NUT,TL FLG,3/8-16,G,ZAG	7
8	824067GT	SCREW, HHC, 3/8-16 X 1, 8, ZAG	4
9	T107101GT	WELDMENT,ROUTING BAR,GS84/90	2
10	47792GT	BOLT,SHOULDER 3/4-16 X 1.688LG	2
11A	87853GT	WEAR PAD,ENGINE TRAY GUIDE	4
11B	64334GT	ROLLER, ENGINE TRAY, GS90	4
12	1253319GT	NUT,TL FLG,5/8-11,G,ZAG	2
13		Ref. Engine Grill	
		(refer to 304.1, 307.1 and 309.1)	
14	824227GT	SCREW,BHC,1/4-20X1,F835,ZAG	2
15	1277924GT	NUT,NYLOCK FLG,1/4-20,F,ZAG	2
15B	824113GT	WASHER,FLAT,USS,1/4,ZAG	2
16	1260224GT	NUT,TL JAM,1/4-20,A,ZAG	2
17	1259694GT	BOLT,SSHS,.75X.5X5/8-11,ZAG	2
18	64245GT	BUSHING,FLANGE, .75 X .875 X.5	2
19	99114GT	SPACER,ENGINE TRAY LATCH	2
20	1259684GT	NUT,TL JAM,5/8-11,A,ZAG	2
21	48075GT	SPRING, OUTRIGGER	2
22A	112529GT	WELDMENT,TRAY HANDLE,RIGHT	1
22B	112530GT	WELDMENT,TRAY HANDLE,LEFT	1
22C	44733GT	HANDLE COVER,PLASTIC	
		(not shown)	
23	215923GT	WELDMENT,ENGINE TRAY GS90,FORD	1
		(gasoline/LPG models and diesel models) (decals not included, see section 100)	
24	1251997GT	NUT,TL FLG,1/2-13,G,ZAG	2



401.1 Engine Tray Components

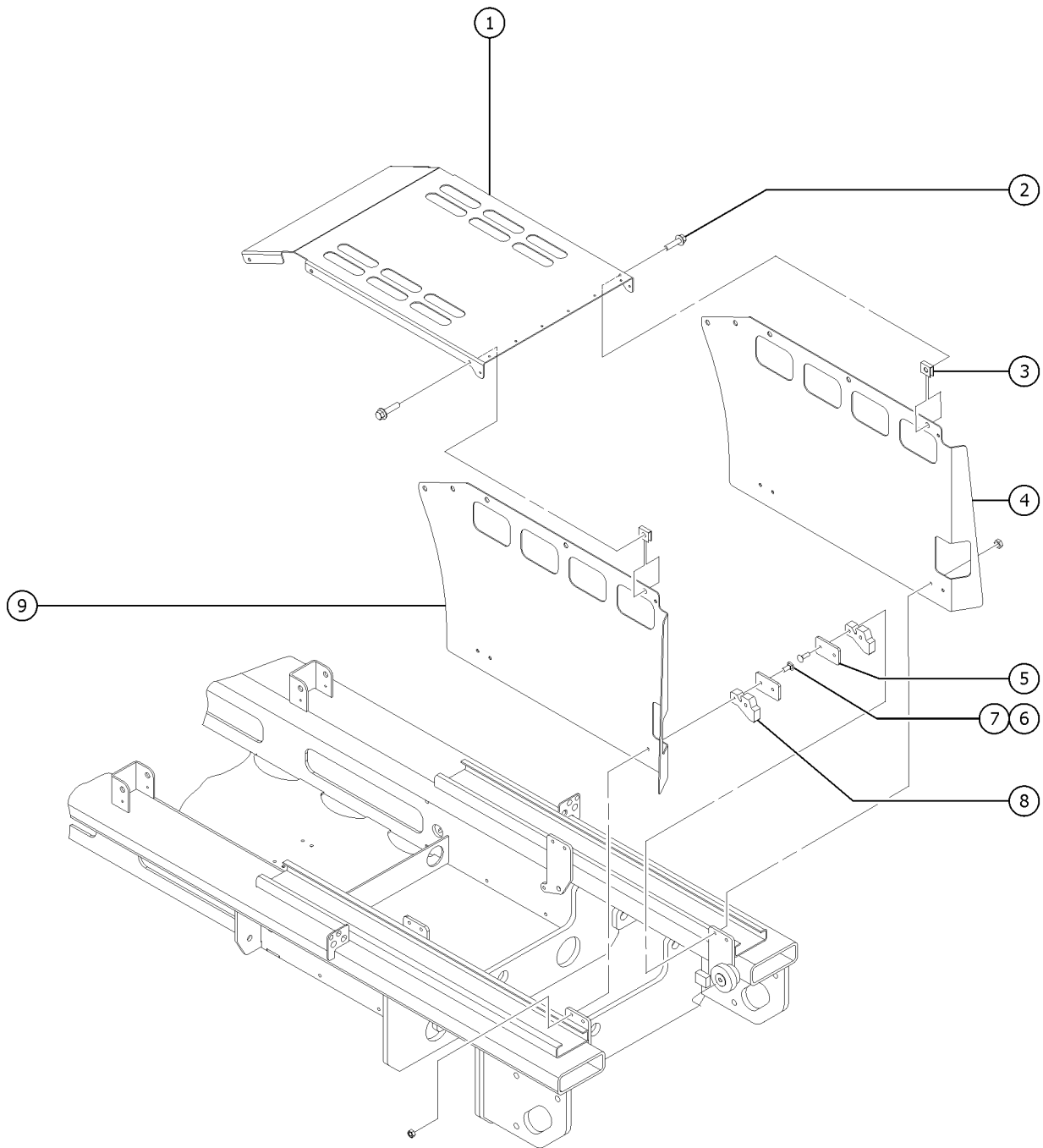


401.1 Engine Tray Components

<i>Item</i>	<i>Part No.</i>	<i>Description</i>	<i>Qty.</i>
25	1253498GT	SCREW,HHF,1/2-13X1.5,8,ZAG	2
26	824125GT	BOLT,CARRIAGE,3/8-16X1,5,ZAG	2
27	1276595GT	FORMING,CHRG FILTER,FORD,GS90	1
28	824090GT	SCREW,HHF,3/8-16X1,8,ZAG (mounting fastener for ground strap)	1
29	1255758GT	WASHER,FLAT,3/8,USS,ZAG (mounting fastener for ground strap)	1
30	107578GT	GROUND STRAP,24"LONG	
31	1274322GT	NUT,NYLOCK FLG,3/8-16,G,ZAG (mounting fastener for ground strap)	1



402.1 Engine Covers

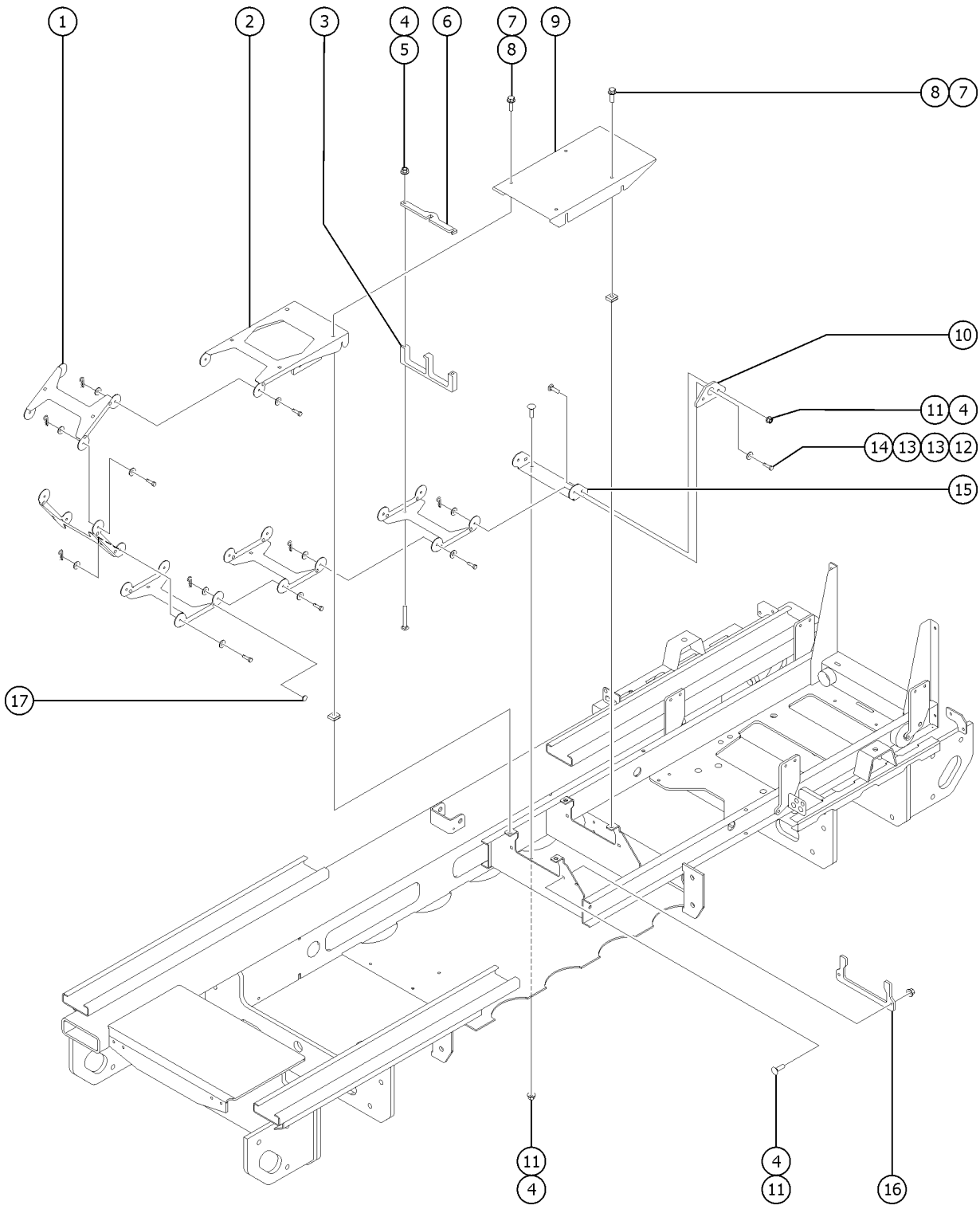


402.1 Engine Covers

<i>Item</i>	<i>Part No.</i>	<i>Description</i>	<i>Qty.</i>
1	112461GT	FORMING,ENGINE BOX,TOP,GS90	1
2	824090GT	SCREW,HHF,3/8-16X1,8,ZAG	10
3	29868GT	SPRING CLIP,3/8-16,.05-.20X.73,ZAG	10
4A	97440GT	COVER ASSY,ENGINE/LS GAS GS90	1
		(gasoline/LPG models)	
4B	97441GT	COVER ASSY,ENG/LS DIESEL GS90	1
		(diesel models)	
5	112527GT	PLATE,TRAY LATCH STOP	2
6	1256756GT	BOLT,CARRIAGE,3/8-16X1.5,5,ZAG	4
7	824038GT	NUT, TL JAM, 3/8-16, A, ZAG	4
8	112526GT	CATCH,ENGINE TRAY	2
9	47784PGT	COVER-ENG BOX RS 4390	1
		(tank side)	



403.1 Cable Track

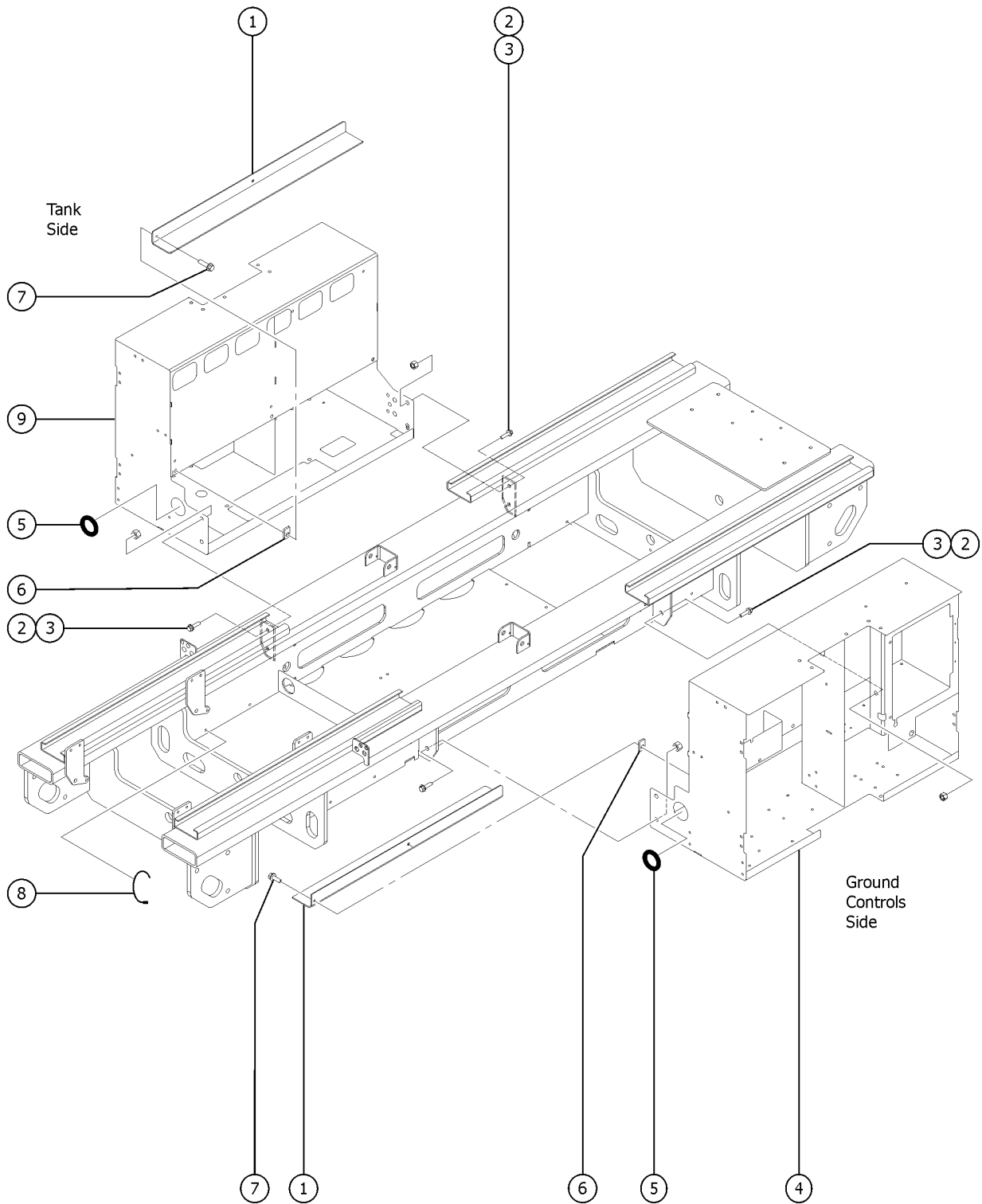


403.1 Cable Track

<i>Item</i>	<i>Part No.</i>	<i>Description</i>	<i>Qty.</i>
1	1254229GT	FORMING,CABLE TRACK SECTION	5
2	1254227GT	FORMING,CABLE TRACK MOUNT	1
3	87368GT	CLAMP,CABLE TRACK,HDPE	6
4	824029GT	NUT,TL FLG,3/8-16,G,ZAG	22
5	1256917GT	BOLT,CARRIAGE,3/8-16X4.0,5,ZAG	12
6	87527GT	SWING CLAMP,UHMW,CABLE TRACK	6
7	824090GT	SCREW,HHF,3/8-16X1,8,ZAG	4
8	29868GT	SPRING CLIP,3/8-16,.05-.20X.73,ZAG	4
9	1254230GT	FORMING,CABLE TRACK COVER	1
10	87547GT	HOSE GUARD PLATE,UHMW	2
11	824125GT	BOLT,CARRIAGE,3/8-16X1,5,ZAG	10
12	1259687GT	PIN,CLEVIS,.313X.75,ZAG	12
13	79134GT	WASHER,NYLON .35 X .98 X .065	24
14	1259690GT	CLIP,HAIR PIN,.080X1.19,.25-.3	12
15	1254228GT	FORMING,CABLE TRACK END	1
16	87361GT	HOSE CLAMP PLATE,UHMW,GS90	2
17	47502GT	BUMPER,1.25 INCH O.D.,SCISSORS	14



404.1 Drive Chassis Trays

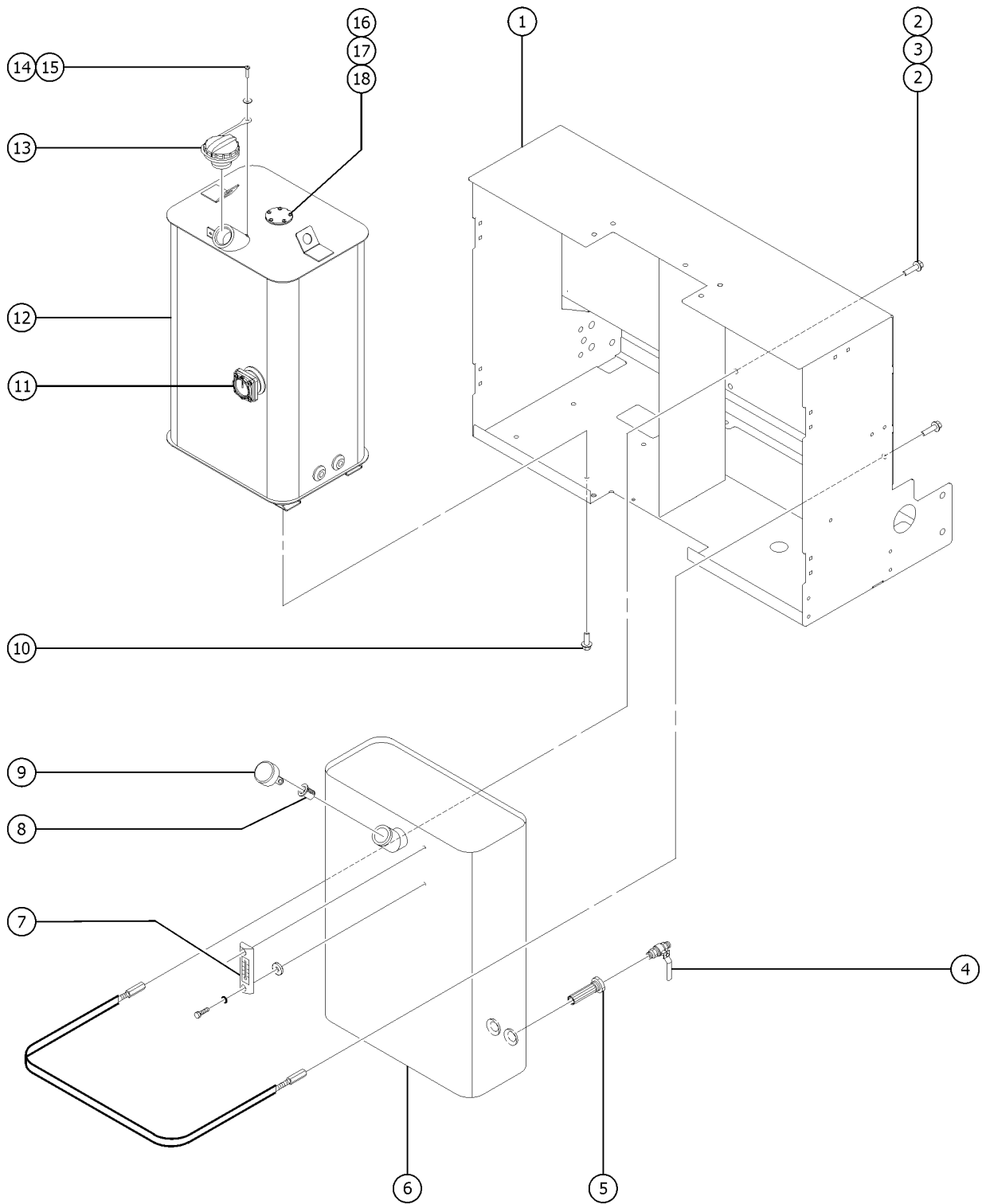


404.1 Drive Chassis Trays

<i>Item</i>	<i>Part No.</i>	<i>Description</i>	<i>Qty.</i>
1	1254231GT	FORMING,RT MOD TRAYCOVER,GS90	2
2	1259695GT	SCREW,HHF,3/4-10X1.75,8,ZAG	8
3	1257458GT	NUT,TL,3/4-10,C,ZAGG	8
4		Ref. Ground Control Tray Weldment	1
		(refer to 411.1)	
5	55067GT	GROMMET,RUBBER 3 X .19 X 3.5	3
6	29868GT	SPRING CLIP,3/8-16,.05-.20X.73,ZAG	4
7	824090GT	SCREW,HHF,3/8-16X1,8,ZAG	4
8A	56361GT	CABLE TIE,BUTTON,BLACK,14.75LG	9
8B	28443GT	CABLE TIE,11.5" BLACK	9
9		Ref. Fuel and Hydraulic Tank Tray Weldment	1
		(refer to 405.1)	



405.1 Tank Side, View 1, Ford MSG-425 Gasoline/LPG Models

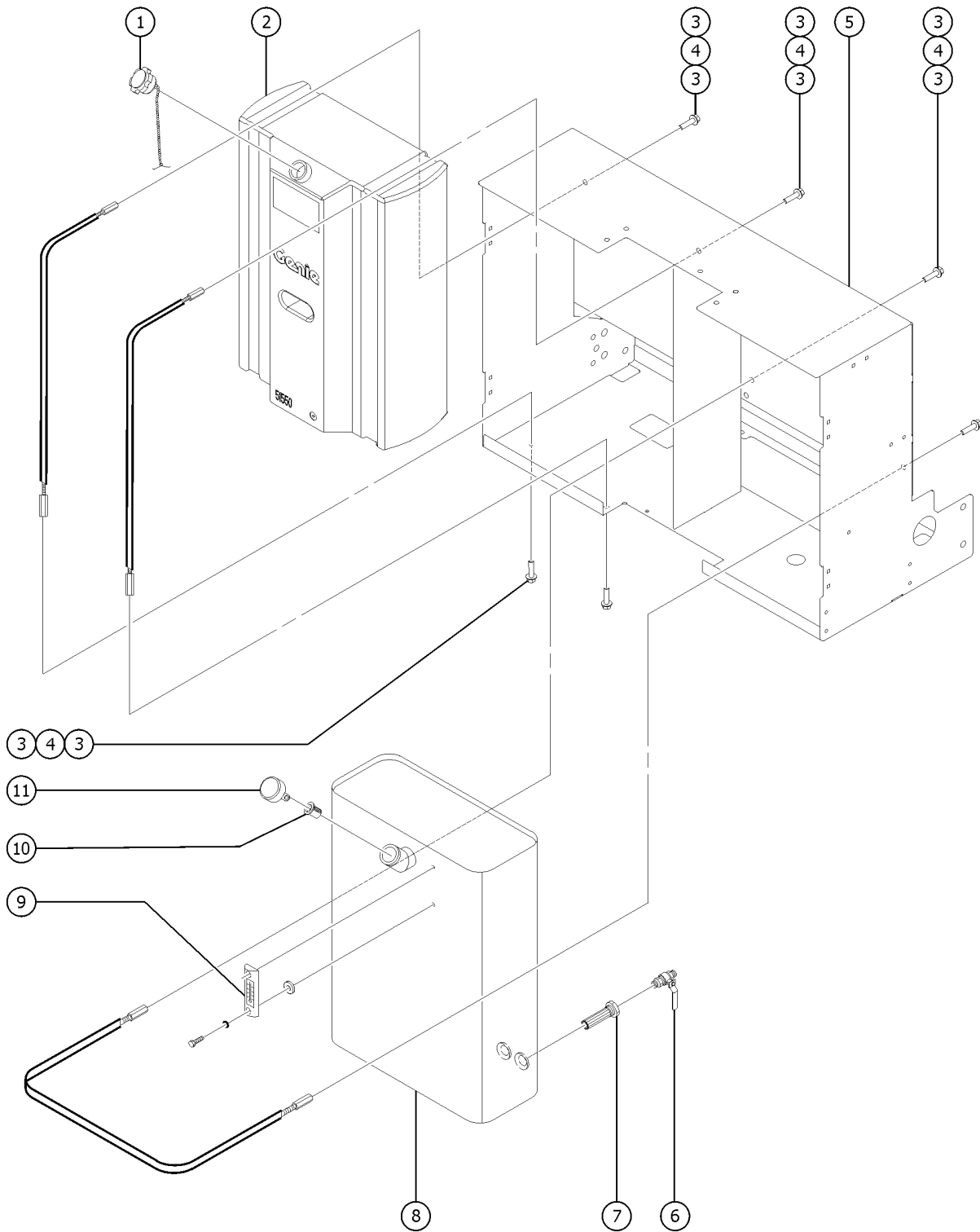


405.1 Tank Side, View 1, Ford MSG-425 Gasoline/LPG Models

Item	Part No.	Description	Qty.
1	1254236GT	WELDMENT, FUEL TRAY, GS90 to SN 84F-45666, 90F-54892 (decal not included, refer to section 100)	1
1B	1289217GT	WELDMENT, FUEL TRAY, GS90 from SN 84F-45667, 90F-54893 (decal not included, refer to section 100)	
2	824091GT	SCREW,HHF,3/8-16X1.25,8,ZAG	4
3	65943GT	TANK STRAP ASSY, 84,90	1
3-	71410GT	TANK STRAP,BOLT STYLE,GS90*** (39.75 inches)	1
3-	1260022GT	STANDOFF,3/8-16,5/8 FEMALE HEX	2
3B	1268357GT	TANK STRAP ASSY,GS84/90	1
3B-	31658GT	EXTRUSION,RUBBER BUMPER STRIP	18
4	48994GT	VALVE,BALL,16 MPT-16 FPT***	2
5	45161GT	STRAINER ASSEMBLY,1.5" NPT	2
6	131879GT	HYD OIL TANK KIT,RTSC	1
6-	51735GT	PLUG,HOLLOW HEX 3/8" NPT	
7	215229GT	GAUGE,HYDRAULIC TANK T/L VL	1
8	31506GT	STRAINER,FILLER NECK	1
9	1282994GT	BREATHER CAP,HYD TANK,IFH,GS84/90	1
10	824090GT	SCREW,HHF,3/8-16X1,8,ZAG	4
11	146413GT	GAUGE, FUEL LEVEL, 20/30 GAL for 214221	
11-	146550GT	GASKET, FUEL LEVEL GAUGE, GAS for 146413	
12	214221GT	TANK ASSY, GAS, 20 GAL assembly without fuel sensor cap (to SN GS84F-45575 and GS90F-54382)	1
12B	214221GT	TANK ASSY, GAS, 20 GAL assembly with fuel sensor cap (from SN GS84F-45576 and GS90F-54383)	
13	119918GT	CAP,FUEL,GASOLINE 3.5PSI	1
14	824215GT	SCREW,PHPM,10-32X.75,ZAG	1
15	1253185GT	WASHER,FLAT,#10,USS,ZAG	1
16	1251757GT	SCREW,PHPM,10-32X.50,ZAG	5
17	1271772GT	CAP, TANK, FUEL SENSOR	1
18	1271773GT	GASKET, TANK, FUEL SENSOR	1



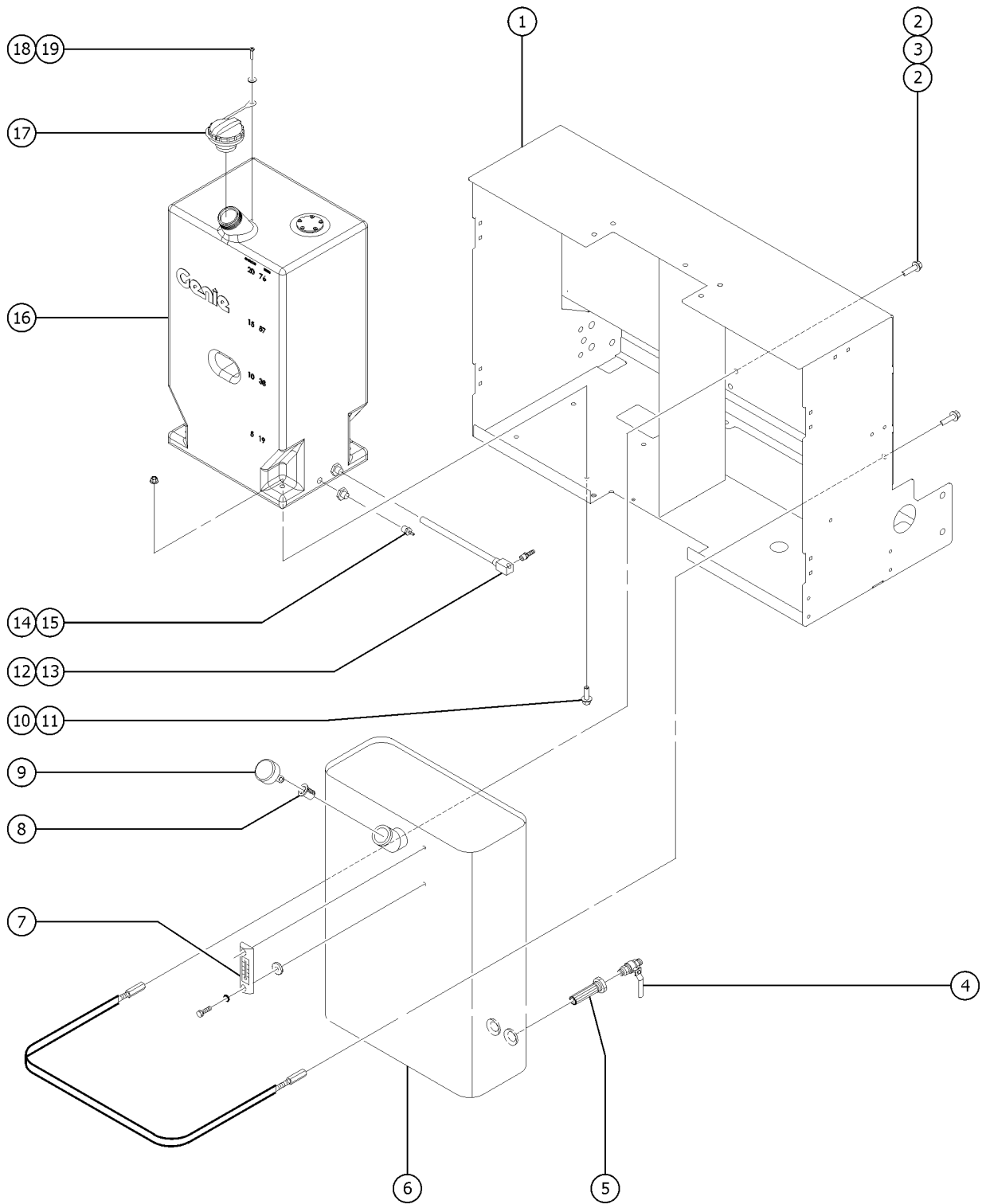
406.1 Tank Side, View 1, Deutz D2011L03i Diesel Models



Item	Part No.	Description	Qty.
A	131816GT	KIT,FUEL TANK,DIESEL,GS84/90 (includes items 1, 2 and 4)	
1	101726GT	CAP,FUEL,DIESEL,1/8"VENT(GRN) 1	1
2A	51550GT	FUEL TANK, GSRT90 1 to SN GS90F-53316 and GS84F-45518 (shown)	1
2B		Ref. FUEL TANK, PLASTIC, 20 G 1 from SN GS90F-53317 and GS84F-45519 (refer to 407.1)	1
3	824091GT	SCREW,HHF,3/8-16X1.25,8,ZAG 12	12
4A	65943GT	TANK STRAP ASSY, 84,90 3 (includes item 3)	3
4A-	71410GT	TANK STRAP,BOLT STYLE,GS90*** 3 (39.75 inches)	3
4A-	1260022GT	STANDOFF,3/8-16,5/8 FEMALE HEX 6	6
4B	1268357GT	TANK STRAP ASSY,GS84/90 3	3
4B-	31658GT	EXTRUSION,RUBBER BUMPER STRIP 54	54
5	1254236GT	WELDMENT, FUEL TRAY, GS90 1 to SN 84F-45666, 90F-54892 (decal not included, refer to section 100)	1
5-	46436GT	GROMMET,RUBBER 2.5 X .25 X2.75 1 not included, order separately	1
5-	46718GT	TRIMLOCK,BLACK,3/16 not included, order separately	
5-	55067GT	GROMMET,RUBBER 3 X .19 X 3.5 1 not included, order separately	1
5B	1289217GT	WELDMENT, FUEL TRAY, GS90 1 from SN 84F-45667, 90F-54893 (decal not included, refer to section 100)	1
5B-	46436GT	GROMMET,RUBBER 2.5 X .25 X2.75 1	1
5B-	46718GT	TRIMLOCK,BLACK,3/16 1	1
5B-	55067GT	GROMMET,RUBBER 3 X .19 X 3.5 1	1
6	48994GT	VALVE,BALL,16 MPT-16 FPT*** 2	2
7	45161GT	STRAINER ASSEMBLY,1.5" NPT 2	2
8	131879GT	HYD OIL TANK KIT,RTSC 1 (includes items 4, 9, 10 and 11)	1
8-	51735GT	PLUG,HOLLOW HEX 3/8" NPT 1	1
9	215229GT	GAUGE,HYDRAULIC TANK T/L VL 1	1
10	31506GT	STRAINER,FILLER NECK 1	1
11	1282994GT	BREATHER CAP,HYD TANK,IFH,GS84/90 1	1



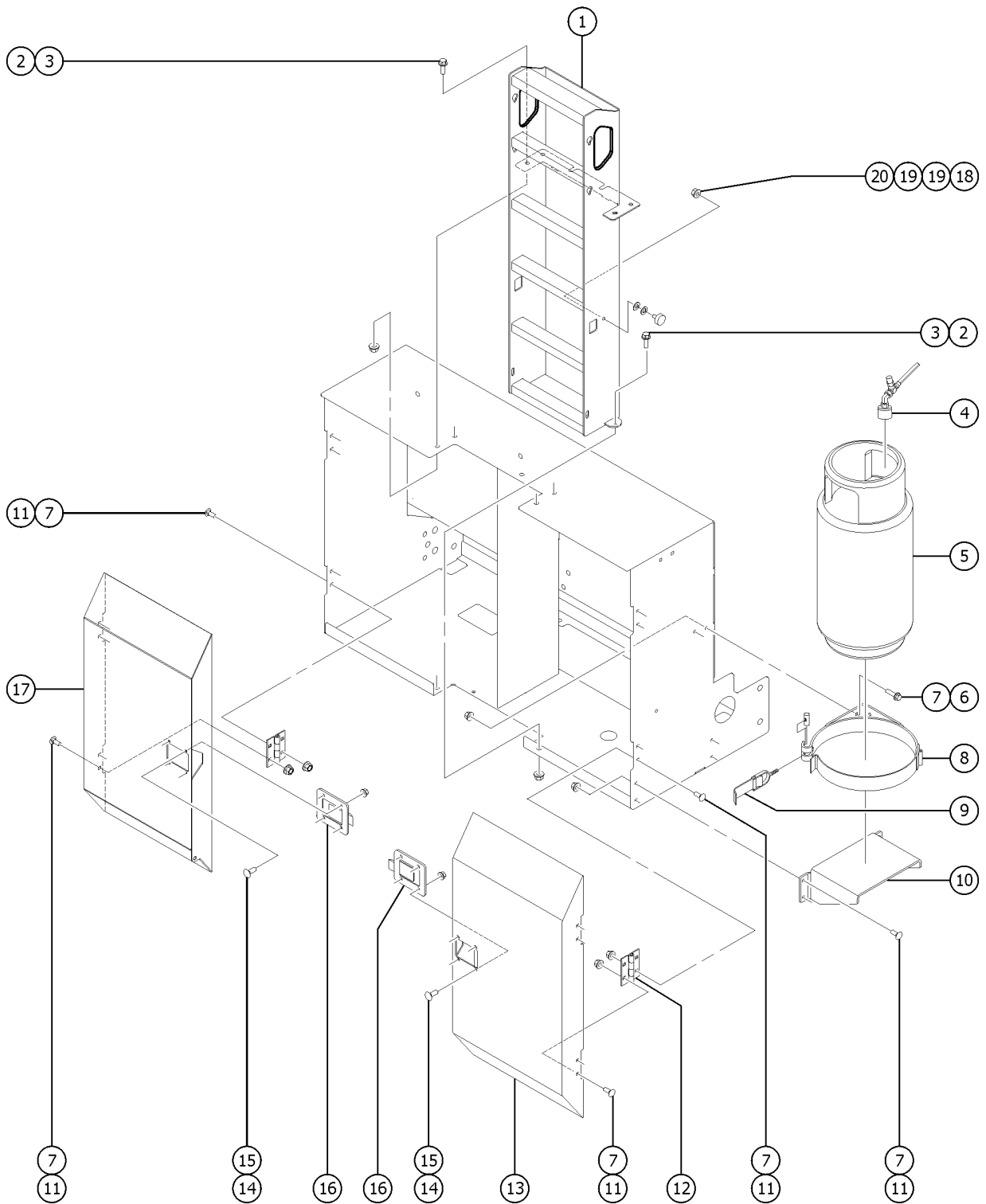
407.1 Tank Side, View 1, Deutz D2.9L4 Diesel Models



Item	Part No.	Description	Qty.
1		Ref. Fuel and Hydraulic Tank Tray Weldment (refer to 405.1)	1
2	824091GT	SCREW,HHF,3/8-16X1.25,8,ZAG	4
3A	65943GT	TANK STRAP ASSY, 84,90 (includes item 2)	1
3A-	71410GT	TANK STRAP,BOLT STYLE,GS90*** (39.75 inches)	1
3A-	1260022GT	STANDOFF,3/8-16,5/8 FEMALE HEX	2
3B	1268357GT	TANK STRAP ASSY,GS84/90 replaced 31658 and 71410	
3B-	31658GT	EXTRUSION,RUBBER BUMPER STRIP	18
4	48994GT	VALVE,BALL,16 MPT-16 FPT***	2
5	45161GT	STRAINER ASSEMBLY,1.5" NPT	2
6	131879GT	HYD OIL TANK KIT,RTSC	1
6-	51735GT	PLUG,HOLLOW HEX 3/8" NPT	
7	215229GT	GAUGE,HYDRAULIC TANK T/L VL includes mounting fasteners and O-ring	1
8	31506GT	STRAINER,FILLER NECK	1
9	1282994GT	BREATHER CAP,HYD TANK,IFH,GS84/90	1
10	824069GT	SCREW,HHC,3/8-16X2.5,8,ZAG	4
11	824029GT	NUT,TL FLG,3/8-16,G,ZAG	4
12	54333GT	TUBE,FUEL PICKUP,3/8NPTX1/4PT (from SN GS-84F-45548, from SN GS-90F-53784)	1
13	53023GT	FITTING,1/4 MPT 5/16 BARB (from SN GS-84F-45548, from SN GS-90F-53784)	1
14A	1263199GT	CONN, 3/16" BARBED, 3/8" MNPT (to SN GS-84F-45547, to SN GS-90F-53783)	
14B	34940GT	HOSE END .375 MPT X .25 HOSE (from SN GS-84F-45548, from SN GS-90F-53784)	
15	54324GT	FITTING,BULKHEAD,3/8NPT,FUELTK	
16	825070GT	FUEL, TANK, PLASTIC, 20G Deutz D2.9L4 (from SN GS90F-53317 and GS84F-45519)	1
16-	54324GT	FITTING,BULKHEAD,3/8NPT,FUELTK for 825070	
17	101726GT	CAP,FUEL,DIESEL,1/8"VENT(GRN)	1
18	824215GT	SCREW,PHPM,10-32X.75,ZAG	1
19	1253185GT	WASHER,FLAT,#10,USS,ZAG	1



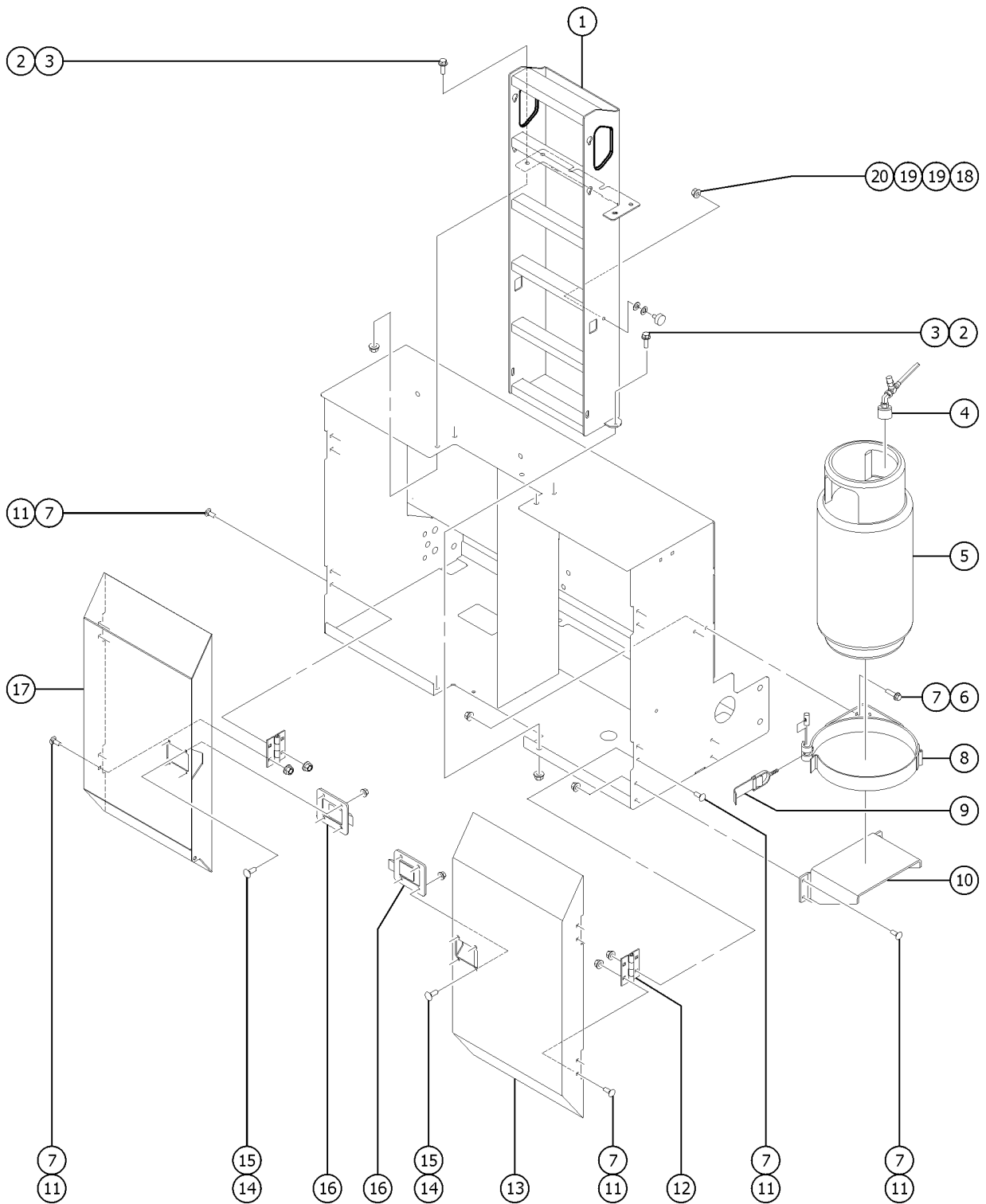
408.1 Tank Side, View 2, All Models, GS-3384, GS-3390



Item	Part No.	Description	Qty.
1A	1262783GT	LADDER ASSY GS3384/3390 GS-3384 and GS-3390	1
2	1255469GT	SCREW,HHF,1/2-13X1.25,8,ZAG	6
3	1251997GT	NUT,TL FLG,1/2-13,G,ZAG	6
4	112457GT	HOSE ASSY,LP GAS,204"LONG	1
4-	104057GT	VALVE, 1/4" HYDROSTATIC RELIEF for 112457	
5	53605GT	TANK, 7 GAL/33.5 POUND, LP	1
6	824090GT	SCREW,HHF,3/8-16X1,8,ZAG	
7	1274322GT	NUT,NYLOCK FLG,3/8-16,G,ZAG	
8	51547GT	WELDMENT, UPPER LP TNK SUPPORT	1
9	49000GT	L.P.TANK LATCH	1
10	1254225GT	FORMING, LP BRACKET BOTTOM	1
11	824125GT	BOLT,CARRIAGE,3/8-16X1,5,ZAG LP Bracket	4
11B	1256835GT	BOLT,CARRIAGE,3/8-16X.75,5,ZAG Door hinges	16
12	55517GT	HINGE, GSRT90 BOX	4
13	1262785GT	DOOR ASSY,TANK SIDE,RH decals not included, refer to section 100, includes items 12 and 16	1
14	824124GT	BOLT,CARRIAGE,1/4-20X.75,5,ZAG	8
15	824027GT	NUT,TL FLG,1/4-20,G,ZAG	8
16	55675GT	LATCH, LRG PADDLE HANDLE GS90	2
17	1262786GT	DOOR ASSY,TANK & GRND SIDE,LH decals not included, refer to section 100, includes items 12 and 16	1
18A	824028GT	NUT,TL FLG,5/16-18,G,ZAG (for 79090) through July 2017	2
18B	6091GT	NUT,NYLOCK,1/4-20 (for 26785) from August 2017	
19	824113GT	WASHER,FLAT,USS,1/4,ZAG (for 79090) through July 2017	4
20A	79090GT	BUMPER, 1.00 X .375 X 5/16 (for 79090) through July 2017	2
20B	26785GT	BUMPER,RUBBER (for 26785) from August 2017	2



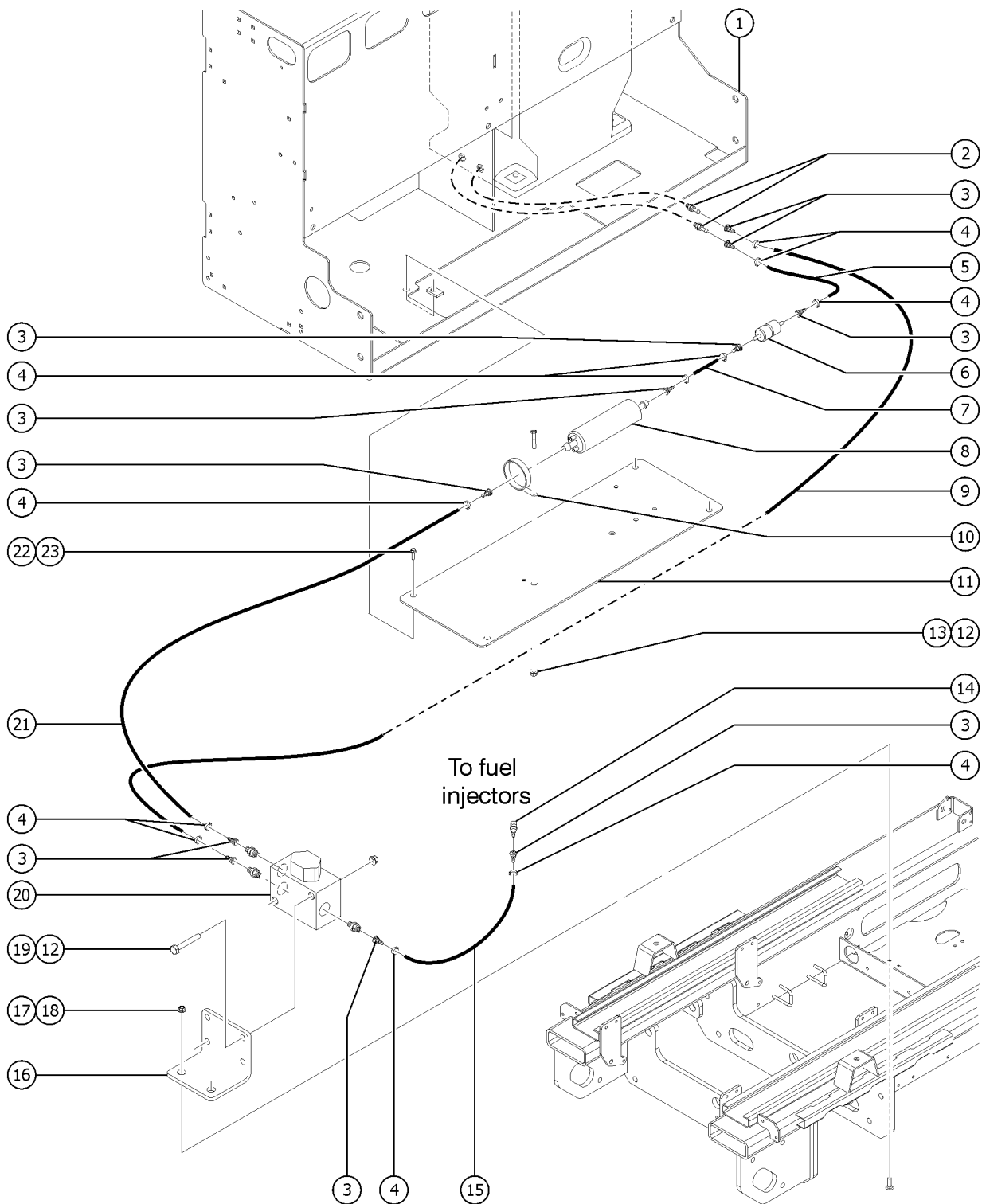
408.2 Tank Side, View 2, All Models, GS-4390, GS-5390



Item	Part No.	Description	Qty.
1B	1262784GT	LADDER ASSY GS4390/5390 GS-4390 and GS-5390	1
1B-	46718GT	TRIMLOCK,BLACK,3/16	
2	1255469GT	SCREW,HHF,1/2-13X1.25,8,ZAG	6
3	1251997GT	NUT,TL FLG,1/2-13,G,ZAG	6
4	112457GT	HOSE ASSY,LP GAS,204"LONG	1
4-	104057GT	VALVE, 1/4" HYDROSTATIC RELIEF for 112457	
5	53605GT	TANK, 7 GAL/33.5 POUND, LP	1
6	824090GT	SCREW,HHF,3/8-16X1,8,ZAG	
7	824029GT	NUT,TL FLG,3/8-16,G,ZAG	
8	51547GT	WELDMENT, UPPER LP TNK SUPPORT	1
9	49000GT	L.P.TANK LATCH	1
10	1254225GT	FORMING, LP BRACKET BOTTOM	1
11	824125GT	BOLT,CARRIAGE,3/8-16X1,5,ZAG LP Bracket	4
11B	1256835GT	BOLT,CARRIAGE,3/8-16X.75,5,ZAG Door hinges	16
12	55517GT	HINGE, GSRT90 BOX	4
13	1262785GT	DOOR ASSY,TANK SIDE,RH decals not included, refer to section 100, includes items 12 and 16	1
14	824124GT	BOLT,CARRIAGE,1/4-20X.75,5,ZAG	8
15	824027GT	NUT,TL FLG,1/4-20,G,ZAG	8
16	55675GT	LATCH, LRG PADDLE HANDLE GS90	2
17	1262786GT	DOOR ASSY,TANK & GRND SIDE,LH decals not included, refer to section 100, includes items 12 and 16	1
18A	824028GT	NUT,TL FLG,5/16-18,G,ZAG (for 79090) through July 2017	2
18B	6091GT	NUT,NYLOCK,1/4-20 (for 26785) from August 2017	
19	824113GT	WASHER,FLAT,USS,1/4,ZAG (for 79090) through July 2017	4
20A	79090GT	BUMPER, 1.00 X .375 X 5/16 (for 79090) through July 2017	2
20B	26785GT	BUMPER,RUBBER (for 26785) from August 2017	2



409.1 Fuel Pump Installation, Gasoline/LPG Models (Ford)

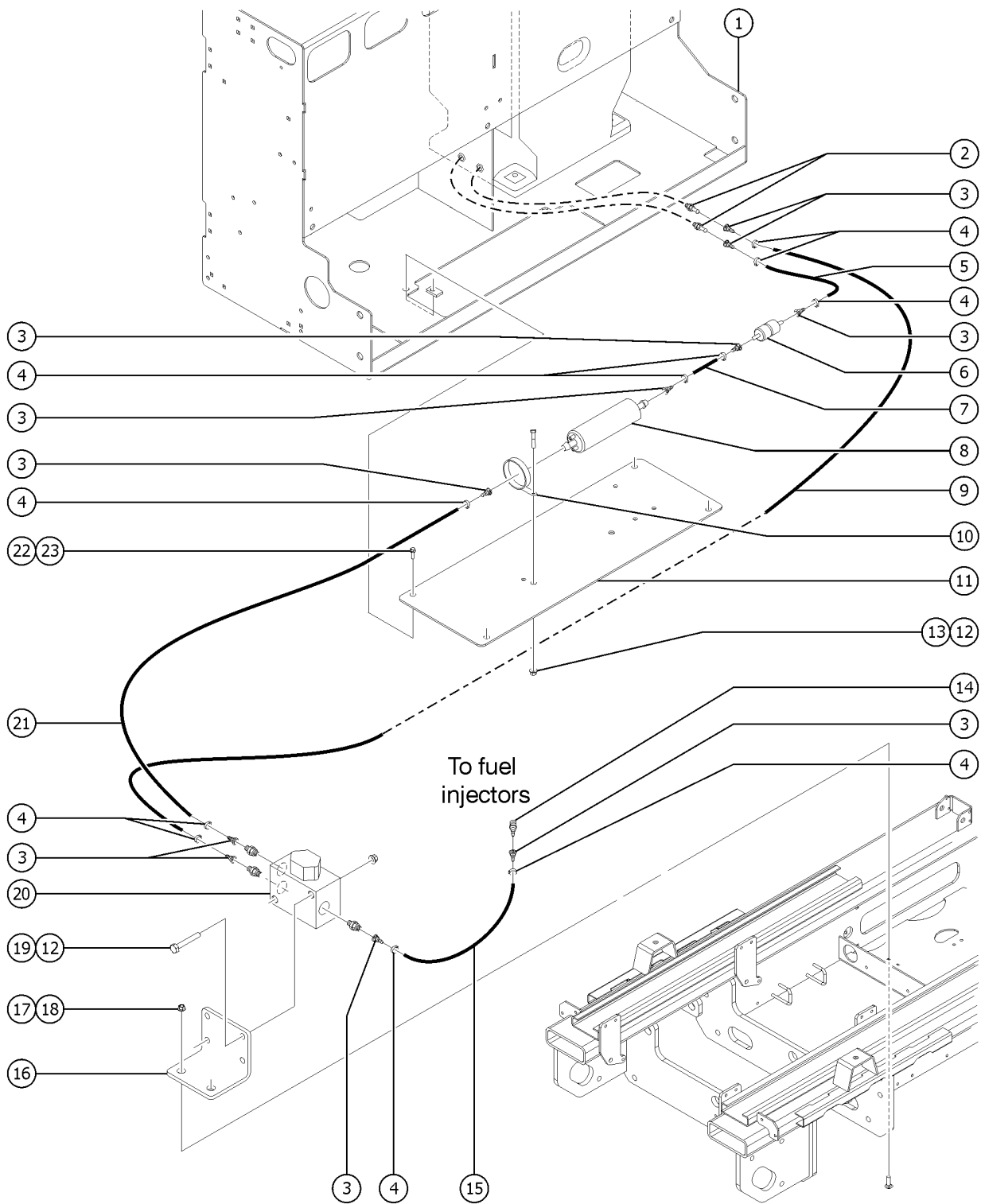


409.1 Fuel Pump Installation, Gasoline/LPG Models (Ford)

Item	Part No.	Description	Qty.
1		Ref. Fuel Tray Assembly (refer to 405.1)	
2	111818GT	FITTING,1/4 NPT X SAE J2044	2
3	111819GT	FITTING,SAE J2044F X5/16 BARB	10
4	65887GT	CLAMP,HOSE,1 EAR,1/2 (high pressure)	10
5	71909GT	HOSE,FUEL,5/16 HIGH PRESSURE** to SN GS90F-54942	36
5-	111817-3600GT	HOSE ASSY,SAE J2260/J2044,2END from SN GS90F-54943	36
6	52179GT	FILTER, FUEL LRG 425/423 EFI	1
7	71909GT	HOSE,FUEL,5/16 HIGH PRESSURE** to SN GS90F-54942	4
-	111817-0400GT	HOSE ASSY,SAE J2260/J2044,2END from SN GS90F-54943	4
8	119168GT	FUEL PUMP,DSG-423 AND MSG-425	1
9	71909GT	HOSE,FUEL,5/16 HIGH PRESSURE** to SN GS90F-54942	48
-	111817-4800GT	HOSE ASSY,SAE J2260/J2044 from SN GS90F-54943	48
10	66031GT	CLAMP,1.88,#30 X 3/8,RUB CUSH	
11	1254233GT	PLATE, FUEL PUMP ASSY, GS90	1
12	824027GT	NUT,TL FLG,1/4-20,G,ZAG	3
13	824061GT	SCREW,HHC,1/4-20X1.25,8,ZAG	1
14	65888GT	CONN. BODY, 6.35 X 14.1, FORD	1
15	71909GT	HOSE,FUEL,5/16 HIGH PRESSURE** 150	
-	111817-15000GT	HOSE ASSY,SAE J2260/J2044 150	
16	112524GT	to SN GS90F-54942 FORMING,FUEL BLOCK MOUNT 1	
17	824029GT	NUT,TL FLG,3/8-16,G,ZAG	2
18	824125GT	BOLT,CARRIAGE,3/8-16X1,5,ZAG	2
19	824064GT	SCREW, HHC, 1/4-20 X 2.25, 8, ZAG	2
20	119170GT	FUEL SENSOR ASSY. 1	
21	71909GT	HOSE,FUEL,5/16 HIGH PRESSURE** 30	
-	111817-2200GT	to SN GS90F-54942 HOSE ASSY, SAE J2260/J2044 22	
22	824090GT	from SN GS90F-54943 SCREW,HHF,3/8-16X1,8,ZAG 4	



409.1 Fuel Pump Installation, Gasoline/LPG Models (Ford)

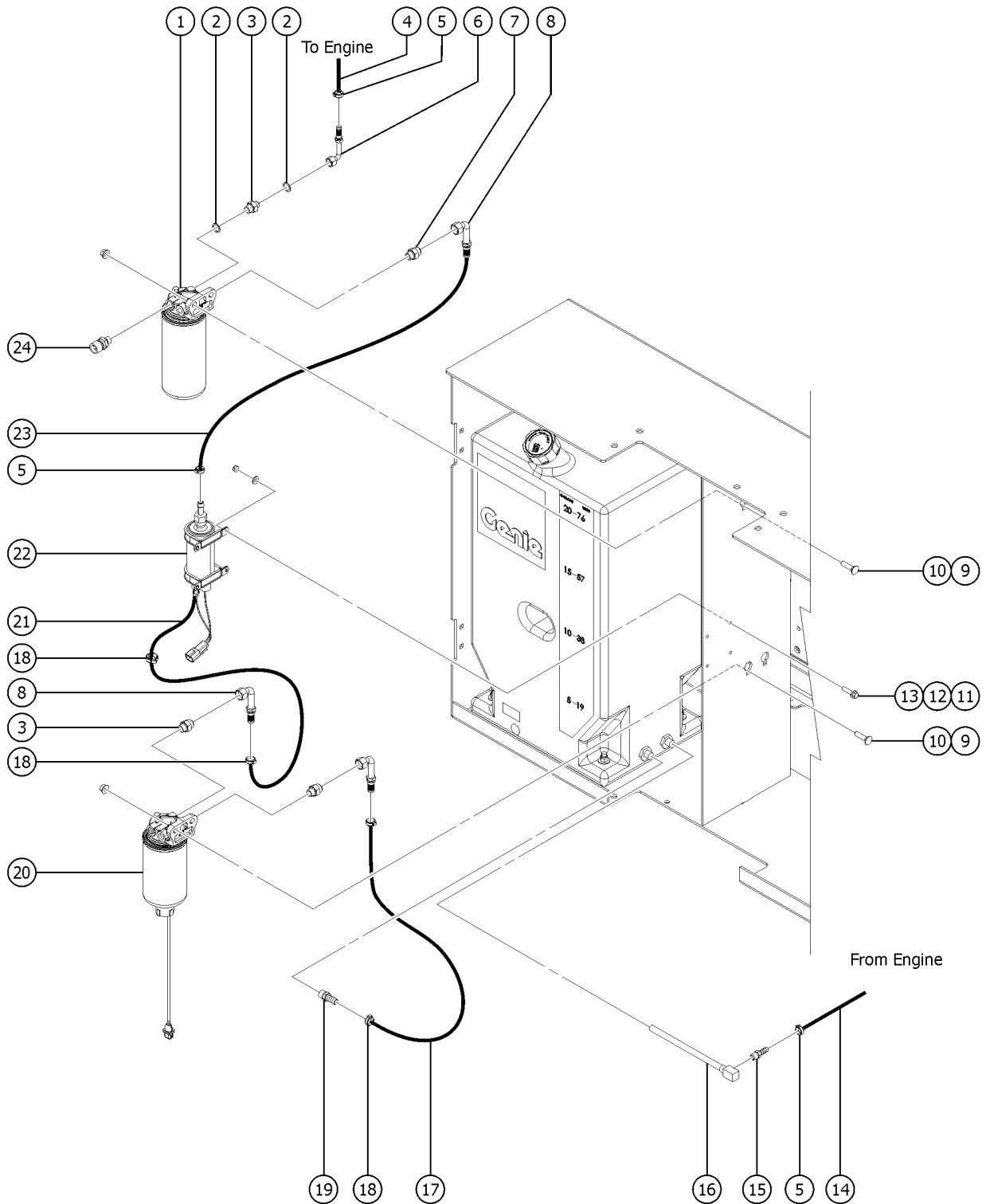


409.1 Fuel Pump Installation, Gasoline/LPG Models (Ford)

<i>Item</i>	<i>Part No.</i>	<i>Description</i>	<i>Qty.</i>
23	29868GT	SPRING CLIP,3/8-16,.05-.20X.73,ZAG	4



410.1 Fuel Pump and Filter Installation, Duetz D2.9L4 Models

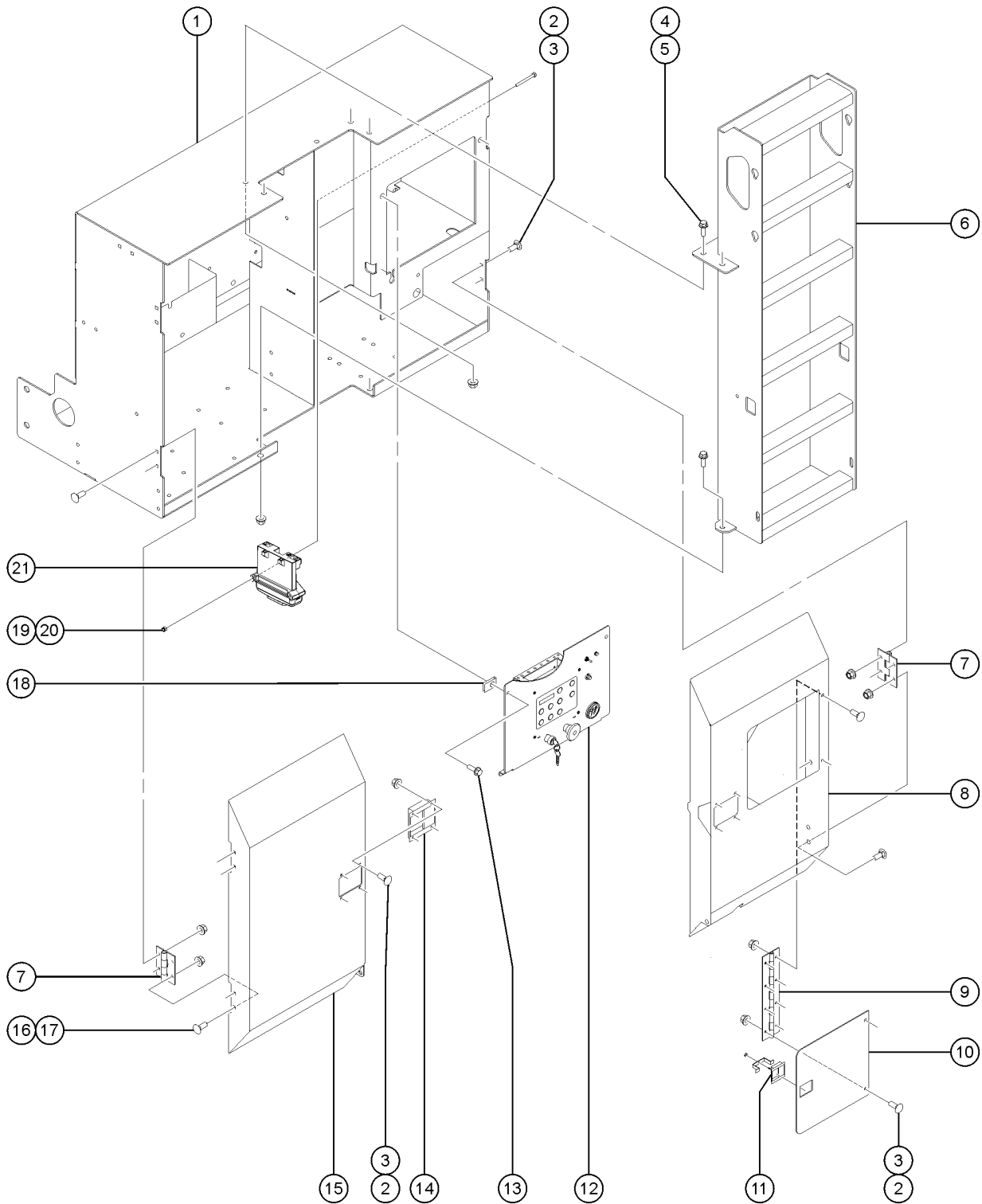


410.1 Fuel Pump and Filter Installation, Deutz D2.9L4 Models

Item	Part No.	Description	Qty.
1	214228GT	FILTER, DEUTZ 2.9, FUEL	1
2	1255400GT	WASHER,COPPER,DEUTZ,QC	2
3	162209GT	FITTING,CONN,16MM-8MJ	3
4	1254789GT	HOSE, FUEL FILTER TO ENGINE	182
5	96770GT	CLAMP, HOSE, 1 EAR, 11/16	3
6A	162206GT	FITTING,ELBOW,6GS-6FJX90S	1
		barbed, check before ordering	
6B	1255651GT	CONNECTOR,SAE12,QUICK CONNECT	
		check before ordering	
7	162208GT	FITTING,CONN,16MM-6MJ	1
8	162207GT	FITTING,ELBOW,8GS-8FJX90S	3
9	1256756GT	BOLT,CARRIAGE,3/8-16X1.5,5,ZAG	4
10	824029GT	NUT,TL FLG,3/8-16,G,ZAG	4
11	1262031GT	SCREW,HHF,10-24X.75,ZAG	4
12	1253185GT	WASHER,FLAT,#10,USS,ZAG	4
13	1251566GT	NUT, TL, 10-24, A, ZAG	4
14	1254792GT	HOSE, ENGINE TO TANK	160
15	60807GT	FITTING,1/4 NPT 3/8 BARB	1
16	54333GT	TUBE,FUEL PICKUP,3/8NPTX1/4PT	1
17	1254791GT	HOSE, TANK TO FUEL SEPERATOR	18
18	822087GT	CLAMP,HOSE,1EAR,25/32	4
19	824471GT	FITTING,3/8 NPT TO 1/2 BARB	1
20	1261239GT	ASSY,FUEL PREFILTER,DEUTZ 2.9	1
20-	236260GT	FILTER, FUEL PRE-FILTER, SPIN-ON, DEUTZ	1
21	1254788GT	HOSE, FUEL SEP TO FUEL PUMP	27
22	236259GT	LIFT PUMP,FUEL,DEUTZ	1
23	1254790GT	HOSE, FUEL PUMP TO FUEL FILTER	23
24	824673GT	SENSOR,FUEL PRESSURE,DEUTZ 2.9L	1



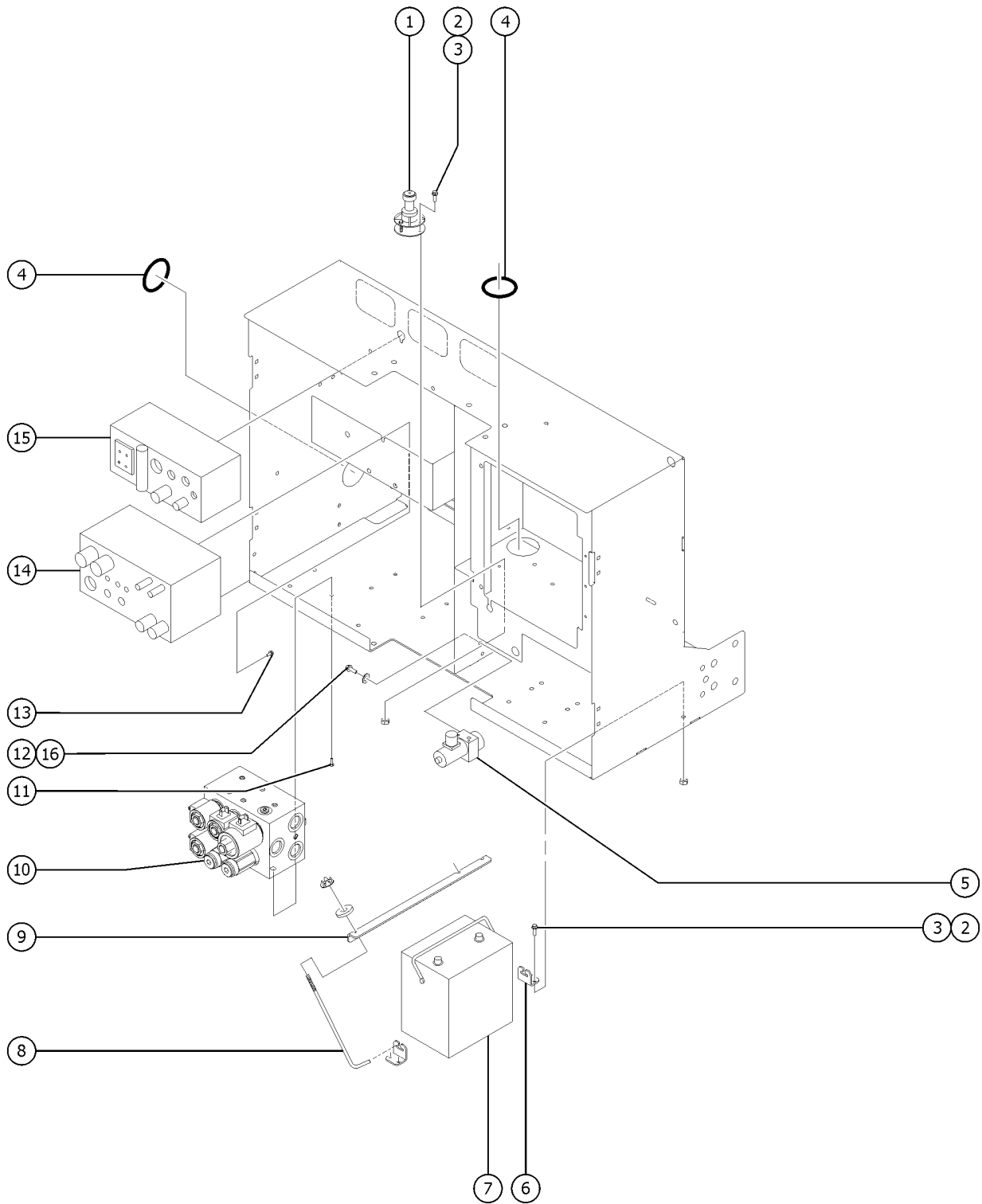
411.1 Ground Controls Side, View 1



Item	Part No.	Description	Qty.
A	1289561GT	BRACKET, TELEMATICS	
A-	1289520GT	MODULE, TELEMATICS, ZTR, M7, NORTH AMERICA	
A-	1289521GT	MODULE, TELEMATICS, ZTR, M7, EMEA/APAC	
1	1259807GT	WELDMENT, CONTROLS TRAY, GS90 to SN GS84F-45666, GS90F-54892 (decals not included, refer to section 100)	1
1B	1289218GT	WELDMENT, CONTROLS TRAY, GS90 from SN GS84F-45667, GS90F-54893 (decals not included, refer to section 100)	
2	824124GT	BOLT, CARRIAGE, 1/4-20X.75,5,ZAG	16
3	824027GT	NUT, TL FLG, 1/4-20,G,ZAG	16
4	1255469GT	SCREW, HHF, 1/2-13X1.25,8,ZAG	6
5	1251997GT	NUT, TL FLG, 1/2-13,G,ZAG	6
6		Ref. Ladder (refer to 408.1)	
7	55517GT	HINGE, GSRT90 BOX	4
8	1262789GT	DOOR ASSY, GRND CONTROL, RH decals not included, refer to section 100, includes items 2, 3, 7-11 and 14	1
9	47569GT	HINGE, 11"X 2.5"X.44"	1
10	1262790GT	GROUND CONTROL COVER ASSY	1
11	87069GT	LATCH, SMALL PADDLE HANDLE includes mounting bracket)	1
12		Ref. Ground Control Panel (refer to 414.1 or 415.1)	
13	824090GT	SCREW, HHF, 3/8-16X1,8,ZAG	2
14	55675GT	LATCH, LRG PADDLE HANDLE GS90	2
15	1262786GT	DOOR ASSY, TANK & GRND SIDE, LH decals not included, refer to section 100, includes items 2, 3, 7 and 14	1
15B		Ref. Door assembly - Oil cooler option (refer to 712.1)	
16	1256835GT	BOLT, CARRIAGE, 3/8-16X.75,5,ZAG	16
17	1274322GT	NUT, NYLOCK FLG, 3/8-16,G,ZAG	16
18	29868GT	SPRING CLIP, 3/8-16,.05-.20X.73,ZAG	2
19	6091GT	NUT, NYLOCK, 1/4-20 from SN GS69F-18000	4
20	36294GT	SCREW, HHC, 1/4-20 X 2.75 from SN GS69F-18000	2
21	1299365GT	CONTROLLER ASSY, RT LOAD SENSE SCON from SN GS69F-18000	1



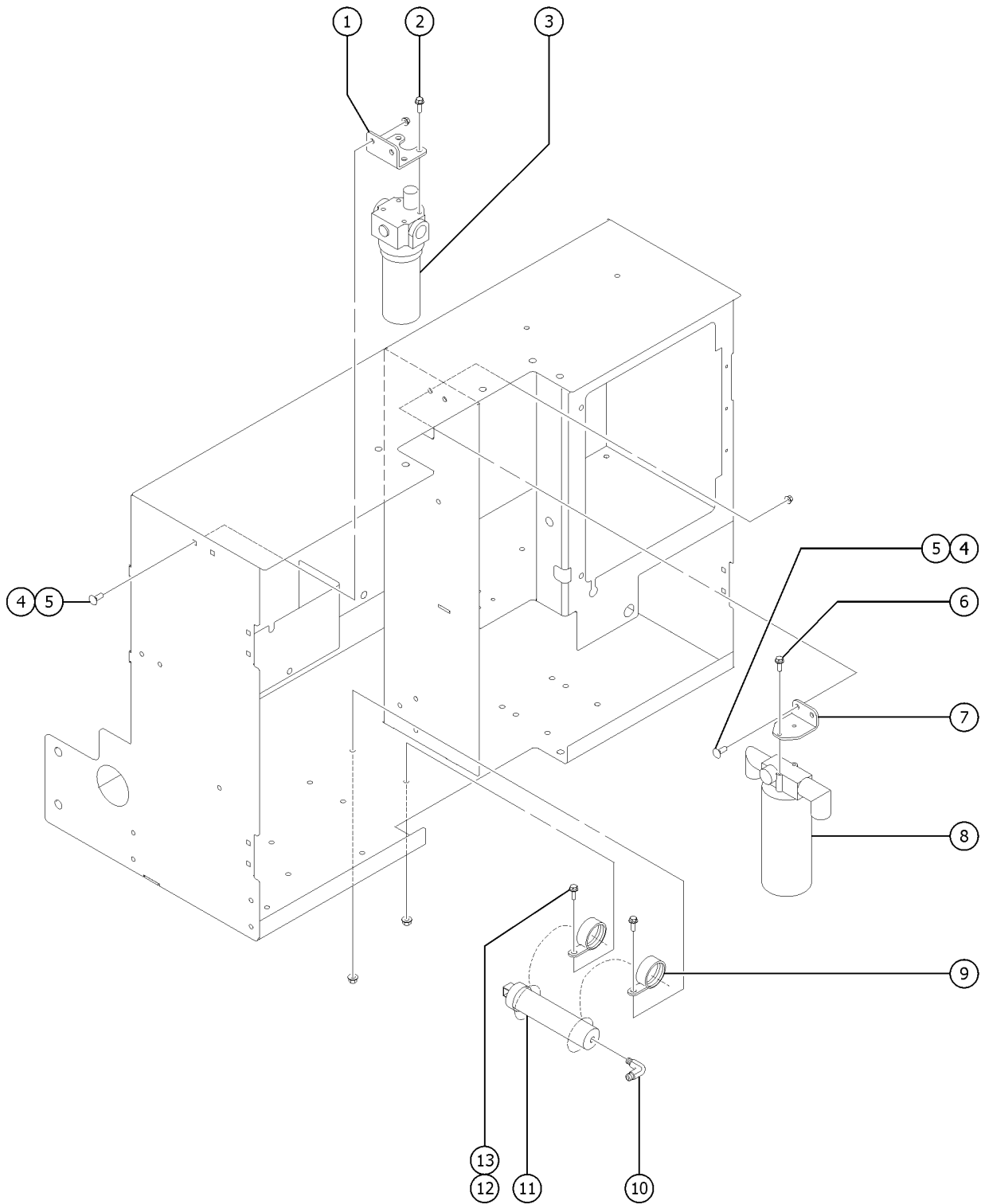
412.1 Ground Controls Side, View 2



Item	Part No.	Description	Qty.
1A	78674GT	LEVEL SENSOR,LS60,BLUE,2X3** (models without outriggers)	1
1B	71484GT	SENSOR,LEVEL, ANALOG (models with outriggers)	
2	1256855	WASHER FLAT BONDED RUB	8
3	1260224GT	NUT,TL JAM,1/4-20,A,ZAG	8
4	55067GT	GROMMET,RUBBER 3 X .19 X 3.5	6
5	112379GT	POWER UNIT,12VDC AUX***	1
5-	112308GT	SOLENOID,12V,APU	
5-	13083GT	DIODE, 3 AMP	
5-	38156GT	VALVE,RELIEF KIT,MONARCH**	
5-	43687GT	MOTOR,12VDC (42185)	
5-	43688GT	PUMP ASSY (42185)	
6	1254241GT	FORMING, BATTERY BRACKET,GS90	2
7	67325GT	BATTERY,12V 1000CCA,5/16STUD W	1
8	45708GT	HOOK,BATT HOLD DOWN,10" (includes mounting fasteners)	2
9	1254240GT	FORMING,BATTERY KEEPER	1
10		Ref. Oscillate Manifold (refer to 209.1)	
11	1256109GT	SCREW,HHC,3/8-16X.75,8,ZAG	4
12	824085GT	SCREW,HHF,5/16-18X.75,8,ZAG	2
13	1257454GT	SCREW,HHF,1/2-13X.75,8,ZAG	
14		Ref. Drive Manifold (refer to 206.1)	
15		Ref. Function Manifold (refer to 207.1 or 208.1)	
16	1273148GT	WASHER,STAR,EXTERNAL,M10	2



413.1 Filters and Accumulator Installation, GS-3384, GS-3390, GS-4390

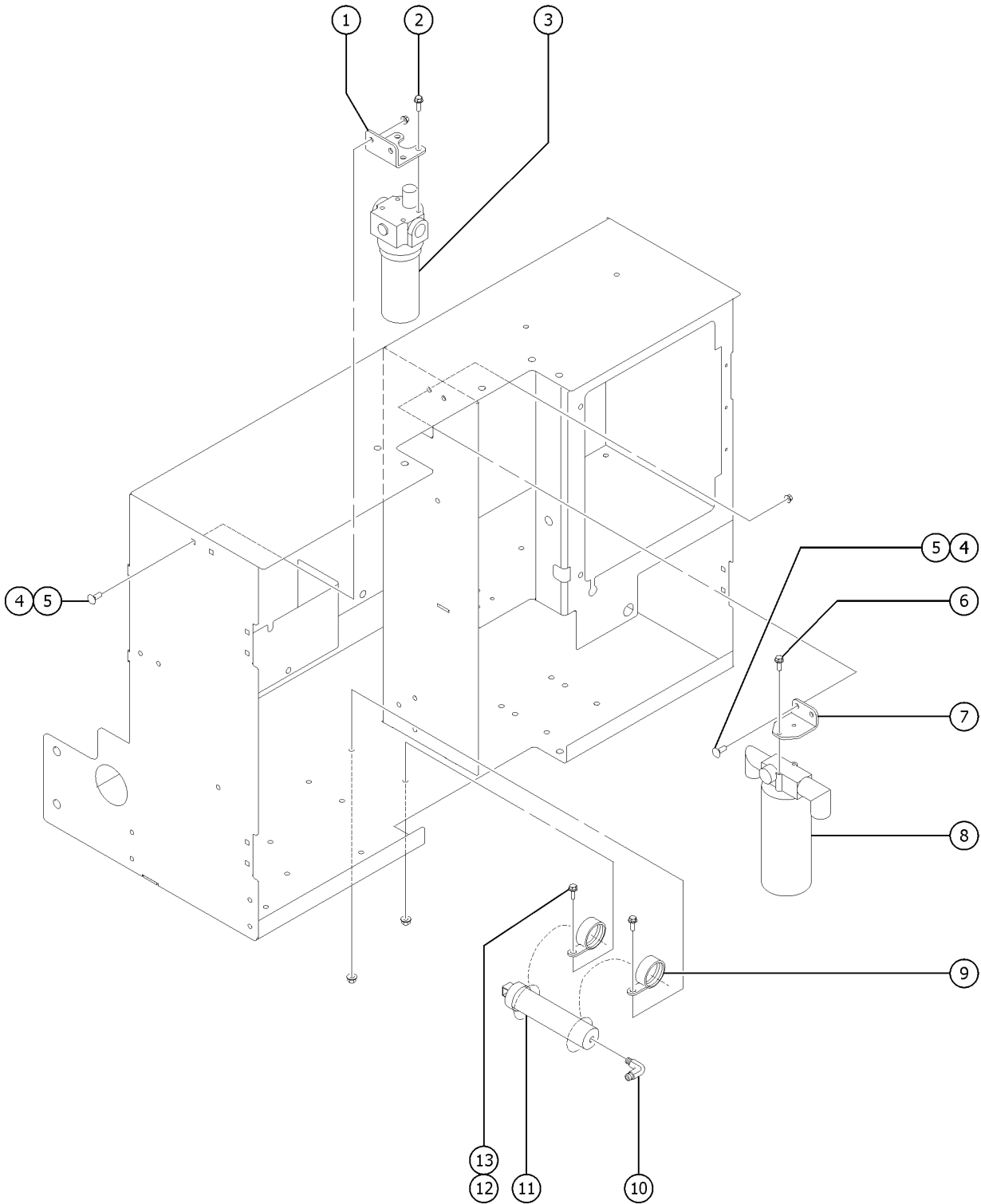


413.1 Filters and Accumulator Installation, GS-3384, GS-3390, GS-4390

Item	Part No.	Description	Qty.
1	1254246GT	FORMING,HIGH PRESS FILTER BRKT	1
2	824090GT	SCREW,HHF,3/8-16X1,8,ZAG	4
3	71201GT	FILTER ASSY,HIGH PRESS,NO INDC	1
3-	60857GT	FILTER,ELEMENT,BETA(5)=1000	
4	824125GT	BOLT,CARRIAGE,3/8-16X1,5,ZAG	4
5	1274322GT	NUT,NYLOCK FLG,3/8-16,G,ZAG	4
6	1256855	WASHER FLAT BONDED RUB	6
7	1254242GT	FORMING, OIL FILTER BRACKET	1
8	87070GT	FILTER ASSY,SAE 12 NO INDICAT*	1
8-	1259055GT	FILTER ELEMENT, 10 MICRON Genie aftermarket part	
8-	131323GT	FILTER ELEMENT,10 MICRON Genie genuine part	
9	32339GT	CLAMP,1.75,#28 X 3/8,RUB CUSH*	2
10	48932GT	FITTING,ELBOW,90D,520220-8***	1
11A	99118GT	ACCUM,1800PSI,20CUIN,3900MAWP* GS-3384, GS-3390 and GS-4390	1
12	824090GT	SCREW,HHF,3/8-16X1,8,ZAG	2
13	1274322GT	NUT,NYLOCK FLG,3/8-16,G,ZAG	2



413.2 Filters and Accumulator Installation, GS-5390

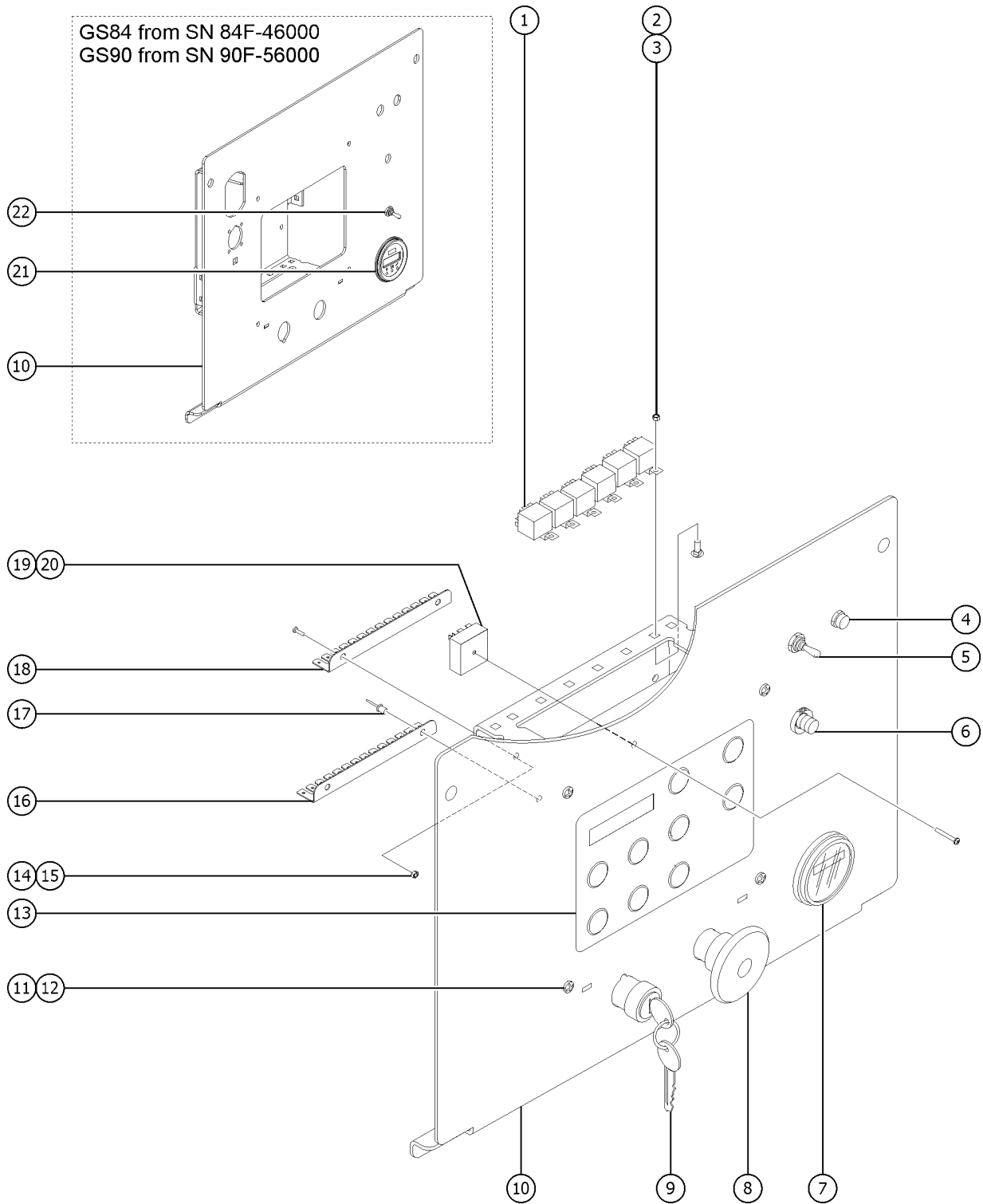


413.2 Filters and Accumulator Installation, GS-5390

<i>Item</i>	<i>Part No.</i>	<i>Description</i>	<i>Qty.</i>
1	1254246GT	FORMING,HIGH PRESS FILTER BRKT	1
2	824090GT	SCREW,HHF,3/8-16X1,8,ZAG	4
3	71201GT	FILTER ASSY,HIGH PRESS,NO INDC	1
3-	60857GT	FILTER,ELEMENT,BETA(5)=1000	
4	824125GT	BOLT,CARRIAGE,3/8-16X1,5,ZAG	4
5	824029GT	NUT,TL FLG,3/8-16,G,ZAG	4
6	1256855	WASHER FLAT BONDED RUB	6
7	1254242GT	FORMING, OIL FILTER BRACKET	1
8	87070GT	FILTER ASSY,SAE 12 NO INDICAT*	1
8-	1259055GT	FILTER ELEMENT, 10 MICRON	
		Genie aftermarket part	
8-	131323GT	FILTER ELEMENT,10 MICRON	
		Genie genuine part	
9	32339GT	CLAMP,1.75,#28 X 3/8,RUB CUSH*	2
10	48932GT	FITTING,ELBOW,90D,520220-8***	1
11B	99111GT	ACCUM,1100PSI,20CUIN,3900MAWP*	
		GS-5390	
12	824085GT	SCREW,HHF,5/16-18X.75,8,ZAG	2
13	824028GT	NUT,TL FLG,5/16-18,G,ZAG	2



414.1 Ground Controls, Models with Hour Meter

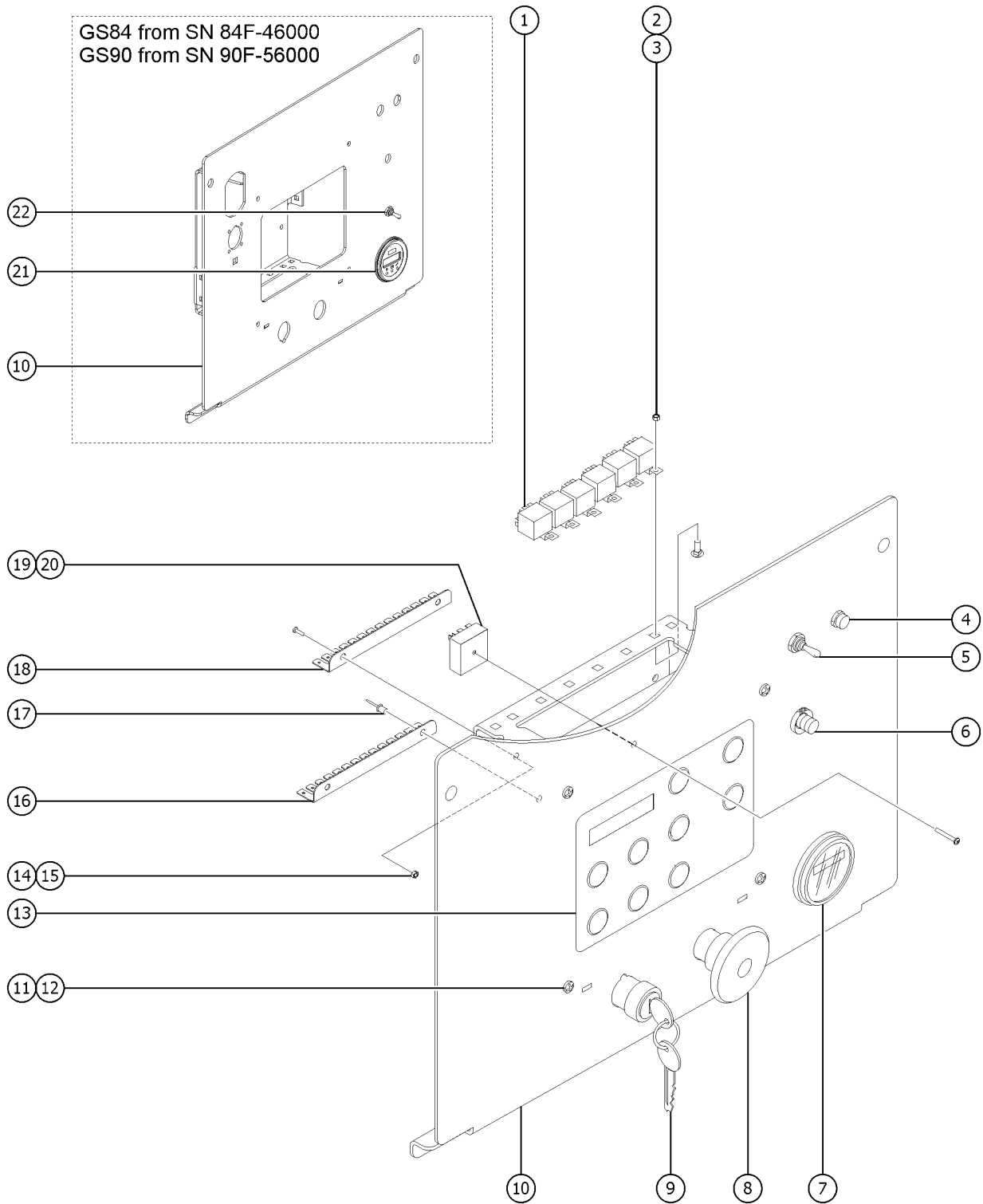


414.1 Ground Controls, Models with Hour Meter

Item	Part No.	Description	Qty.
1	19274GT	RELAY,SPDT,12V(AUTO)**	7
2	1256282GT	BOLT,CARRIAGE,10-24X.5,5,ZAG	
3	1251566GT	NUT, TL, 10-24, A, ZAG	
4	824882GT	LT.LAMP IND. AMBER 12V ENG.NH (gasoline/ LPG models) GS-84	
4-	122994GT	NICKEL PLATED JAM NUT	
4-	229445GT	KNURL NUT,3/8-27UNS-2B	
4-	56848GT	WASHER,LOCK,IND,LAMP RETAINER	
4B	45384GT	PLUG,NYLON .50 BLACK DOMED (diesel models) GS-84	
4C	112392GT	CIRCUIT BREAKER,25A (gasoline/LPG models)	
4D	96452GT	CIRCUIT BREAKER,7.0 AMP*** (diesel models)	
4D-	122994GT	NICKEL PLATED JAM NUT	
4D-	229445GT	KNURL NUT,3/8-27UNS-2B	
5	13480-SGT	SWITCH,TOGGLE,DPDT,2POS MOMEN (includes mounting fasteners) (gasoline/LPG models) (self test switch)	1
5-	122994GT	NICKEL PLATED JAM NUT	
5-	229445GT	KNURL NUT,3/8-27UNS-2B	
5-	47479GT	BUMPER,PLASTIC, .625 OD (diesel models)	
6	147095GT	ASSY, CIRCUIT BREAKER 20A	1
6-	122994GT	NICKEL PLATED JAM NUT	
6-	6700GT	WASHER,STAR,EXTERNAL,.375	
7	19506GT	HOUR METER, 10-80 VOLTS*** (includes mounting bracket)	1
8	66812GT	BUTTON,PUSH,RED MUSHROOM HEAD	1
8-	66817GT	BASE WITH 1 NC CONTACT, E-STOP (includes 1 N.C. Contact)	
9	96008-SGT	KEYSWITCH,3 POS. W/KEYS*** standard key switch	1
9-	37947GT	KEYS,10 PACK***	
9-	83093GT	KEY SINGLE***	
9-	83131GT	KEYSWITCH,3 POS W/KEYS,LOCKING lockable key switch	
9-	85239GT	NUT,RETAINER (96008)	
9-	96009GT	WASHER,NITRILE GS84 to SN 45570, GS90 to SN 54156	



414.1 Ground Controls, Models with Hour Meter

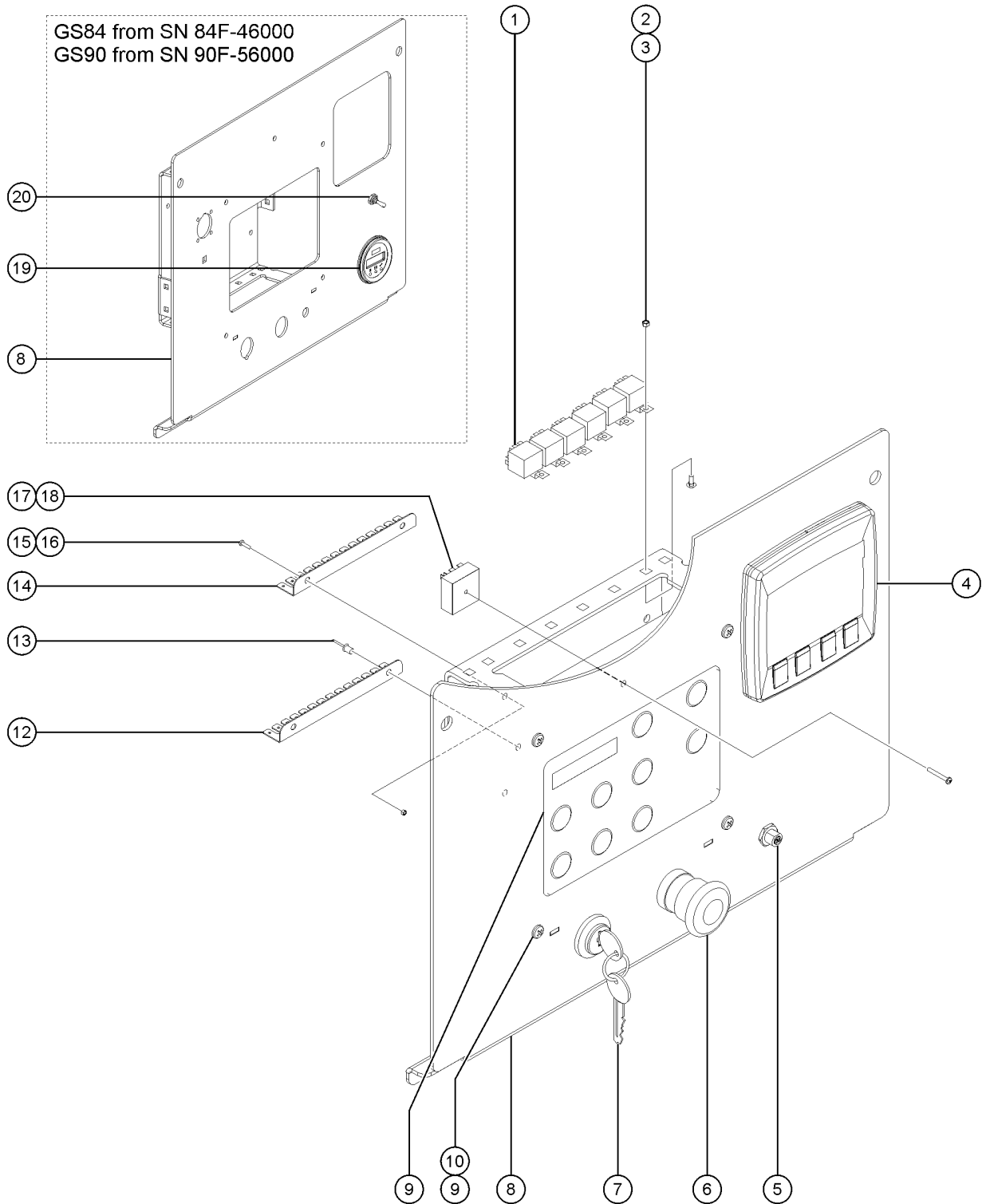


414.1 Ground Controls, Models with Hour Meter

Item	Part No.	Description	Qty.
9-	88827GT	GASKET,KEYSWITCH,PLASTIC*** GS84 from SN 45571, GS90 from SN 54157	
10	1254238GT	WELDMENT,CONTROL PANEL decals not included, refer to section 100 (GS84 to SN 84F-45999 , GS90 from SN 90F-55999)	1
10B	1295471GT	WELDMENT, CONTROL PANEL, GS90, LS GS84 from SN 84F-46000 , GS90 from SN 90F-56000	1
11	824215GT	SCREW,PHPM,10-32X.75,ZAG	4
12	824032GT	NUT,TL FLG,10-32,F,ZAG	4
13	84738GT	SERVICE KIT,ECM-68RT,84,90***	1
14	824214GT	SCREW,PHPM,6-32X.5,ZAG	2
15	824019GT	NUT,TL,6-32,A,ZAG	2
16	79386GT	FORMING,TERMINAL STRIP 14 P	1
17	87085GT	RIVET,ALUM,P,.188 X .25	2
18	87314GT	TERMINAL STRIP,15POS.,SPADE***	2
19	121846GT	RELAY,TIME DELAY,2 SEC,10A	1
20	51063GT	SCREW,PHILLIPS,RHM,10-32 X 1.5	
21	1275431GT	DISPLAY, 8 CHAR, 12V, CAN GS84 from SN 84F-46000 , GS90 from SN 90F-56000	1
22	128200GT	SWITCH TOGGLE ASSY SPDT 3P MOM GS84 from SN 84F-46000 , GS90 from SN 90F-56000	1



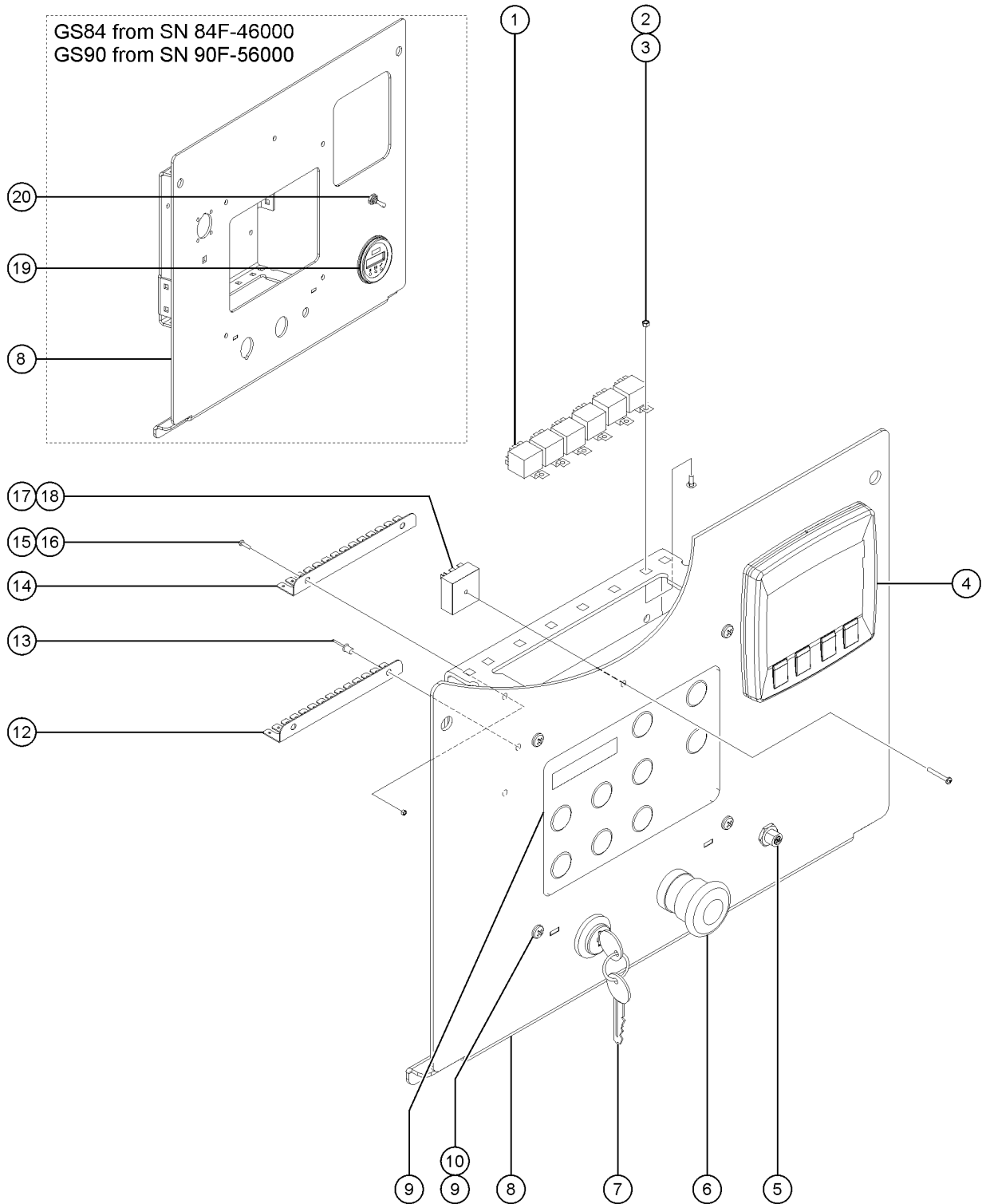
415.1 Ground Controls, Models with LCD Display



Item	Part No.	Description	Qty.
A-	104656-SGT	ACCESS, LOCKING KEY, PRIDE-SPE	
B-	104657-SGT	ACCESSORY, KEY, STANDARD	
1	19274GT	RELAY,SPDT,12V(AUTO)**	7
2	1251566GT	NUT, TL, 10-24, A, ZAG	
3	1256282GT	BOLT,CARRIAGE,10-24X.5,5,ZAG	
4	1251984GT	ASSY,DISPLAY,DP200 DEUTZ T4	1
5	147095GT	ASSY, CIRCUIT BREAKER 20A	1
5-	122994GT	NICKEL PLATED JAM NUT	
5-	6700GT	WASHER,STAR,EXTERNAL,,375	
6	66812GT	BUTTON,PUSH,RED MUSHROOM HEAD	1
6-	66817GT	BASE WITH 1 NC CONTACT, E-STOP (includes 1 N.C. contact)	
7	96008-SGT	KEYSWITCH,3 POS. W/KEYS***	1
7-	37947GT	KEYS,10 PACK***	
7-	83093GT	KEY SINGLE***	
7-	83131GT	KEYSWITCH,3 POS W/KEYS,LOCKING	
7-	85239GT	NUT,RETAINER (96008)	
7-	96009GT	WASHER,NITRILE GS84 to SN 45570, GS90 to SN 54156	
7-	88827GT	GASKET,KEYSWITCH,PLASTIC*** GS84 from SN 45571, GS90 from SN 54157	
8	1253331GT	WLDMT,CONT PANEL DEUTZ D2.9 GS84 to SN 84F-45999 , GS90 from SN 90F-55999	1
8B	1295470GT	WELDMENT, CONTROL PANEL, DEUTZ D2.9, LS GS84 from SN 84F-46000 , GS90 from SN 90F-56000	1
9	824215GT	SCREW,PHPM,10-32X.75,ZAG	4
10	824032GT	NUT,TL FLG,10-32,F,ZAG	4
11	84738GT	SERVICE KIT,ECM-68RT,84,90***	1
12	79386GT	FORMING,TERMINAL STRIP 14 P	1
13	87085GT	RIVET,ALUM,P,,188 X .25	2
14	87314GT	TERMINAL STRIP,15POS.,SPADE***	2
15	824214GT	SCREW,PHPM,6-32X.5,ZAG	2
16	824019GT	NUT,TL,6-32,A,ZAG	2



415.1 Ground Controls, Models with LCD Display

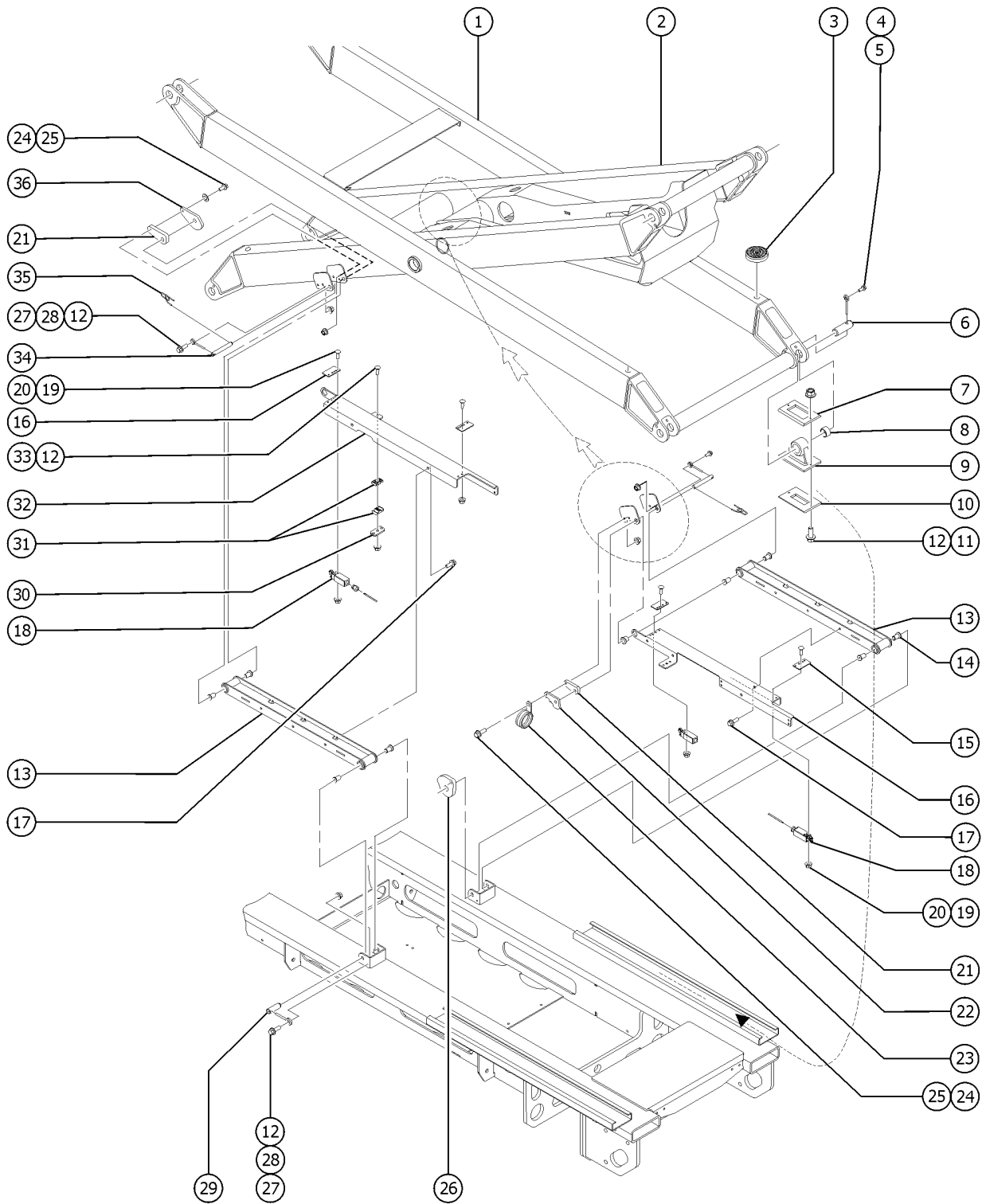


415.1 Ground Controls, Models with LCD Display

<i>Item</i>	<i>Part No.</i>	<i>Description</i>	<i>Qty.</i>
17	121846GT	RELAY,TIME DELAY,2 SEC,10A	1
18	51063GT	SCREW,PHILLIPS,RHM,10-32 X 1.5	
19	1275431GT	DISPLAY, 8 CHAR, 12V, CAN GS84 from SN 84F-46000 , GS90 from SN 90F-56000	1
20	128200GT	SWITCH TOGGLE ASSY SPDT 3P MOM GS84 from SN 84F-46000 , GS90 from SN 90F-56000	1



501.1 Scissor to Chassis Installation (all models), GS-3384, GS-3390

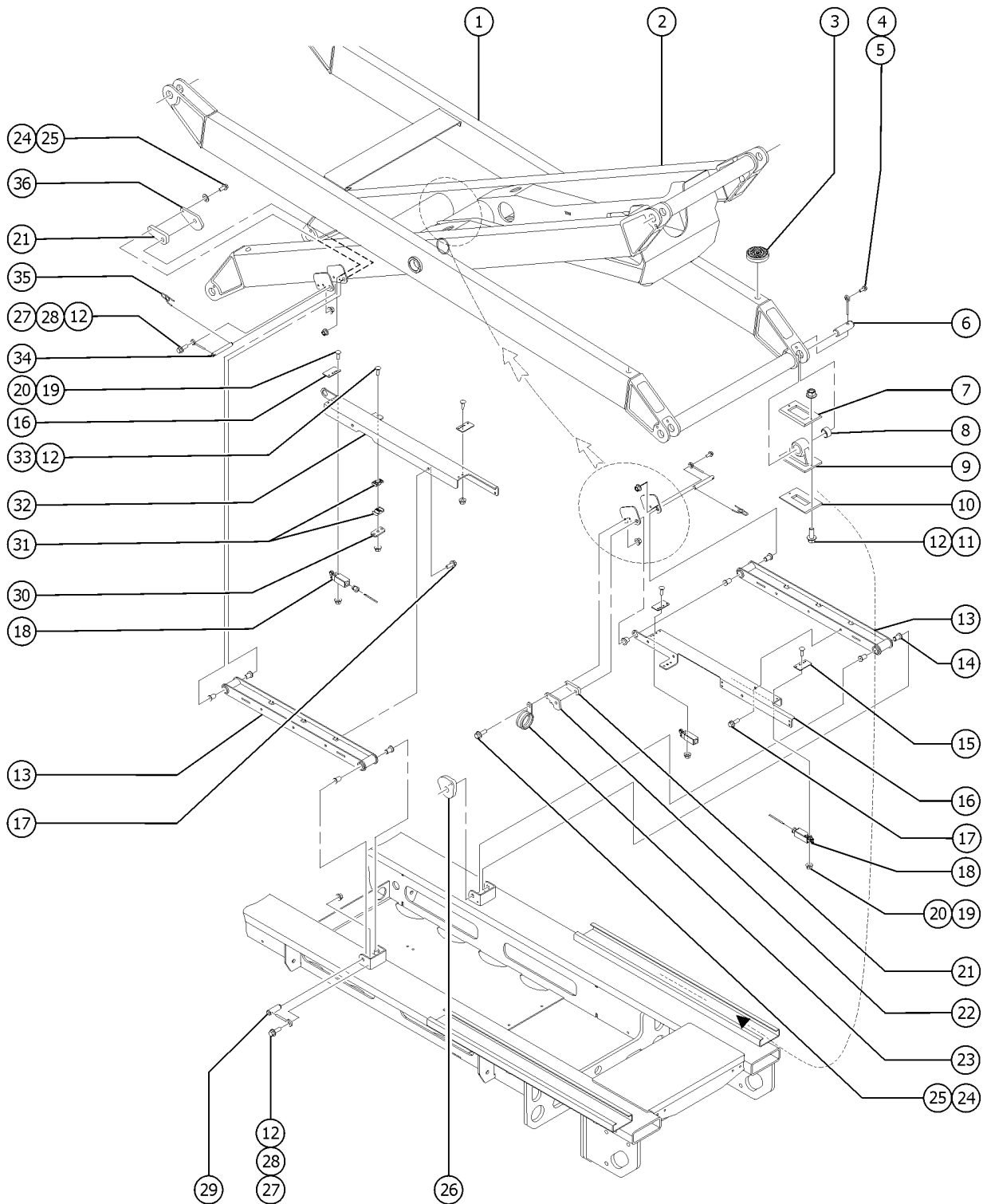


501.1 Scissor to Chassis Installation (all models), GS-3384, GS-3390

Item	Part No.	Description	Qty.
1		Ref. Outer Arm Assembly, Number One (refer to 504.1, 505.1 and 506.1)	
2		Ref. Inner Arm Assembly, Number One (refer to 504.1, 505.1 and 506.1)	
3	55710GT	BUMPER,GS-90 GS-3384, GS-3390	8
4	1255469GT	SCREW,HHF,1/2-13X1.25,8,ZAG	
5	1256267GT	ROD END, 5 X 3.75,ZAG GS-3384, GS-3390	18
6	51901GT	PIN,1.75DIA X 5.75LG,CHAMFER GS-3384, GS-3390	12
7	112004GT	WEARPAD,LINK SLIDER,GS90	2
8	55761GT	BEARING,1.75IDX2.00ODX2.25L GS-3384, GS-3390	2
9	1262787GT	LINK SLIDER ASSEMBLY includes items 7, 8 and 10-12	2
10	71126GT	WEARPAD, LINK SLIDER, BOTTOM	2
11	1260024GT	SCREW,FHPM,1/4-20X1.75,ZAG	
12	824027GT	NUT,TL FLG,1/4-20,G,ZAG excludes link slider assy	
12	1277924GT	NUT,NYLOCK FLG,1/4-20,F,ZAG for link slider assy	8
13	1262788GT	CENTERING LINK ASSY GS84/GS90 includes item 17	4
14	47548GT	BEARING,FLANGE,0.75IDX1.00ODX0.49L GS-3384, GS-3390, GS-4390	23
15	1254311GT	PLATE,LIMIT SWITCH COVER GS84 to SN 84F-45999 , GS90 to SN 90F-55999	4
16	84064GT	CABLE ROUTING ASSY W/BEARINGS includes item 17	1
17	824090GT	SCREW,HHF,3/8-16X1,8,ZAG	
18	88356- 116R3GT	SWITCH,LIMIT,W/ROLLER ARM*** GS84 to SN 84F-45999 , GS90 to SN 90F-55999	1
18-	19491GT	CONTACTOR,LIMIT SWITCH	
19	824124GT	BOLT,CARRIAGE,1/4-20X.75,5,ZAG GS84 to SN 84F-45999 , GS90 to SN 90F-55999	
20	1256177GT	SCREW,PHPM,10-32X1.75,ZAG GS84 to SN 84F-45999 , GS90 to SN 90F-55999	
21	71076GT	SPACER, LIFT ARM CAM GS90 GS-3384, GS-3390 and GS-4390 (GS84 to SN 84F-45999 , GS90 to SN 90F-55999)	1
23	39518GT	CLAMP,2.00,#32 X 3/8,RUB CUSH	
24	824069GT	SCREW,HHC,3/8-16X2.5,8,ZAG	
25	824029GT	NUT,TL FLG,3/8-16,G,ZAG	
27	824079GT	SCREW,HHF,1/4-20X1,8,ZAG	
28	825020GT	ROD END,.250X2.75,ZAG GS-3384 and GS-3390	11



501.1 Scissor to Chassis Installation (all models), GS-3384, GS-3390

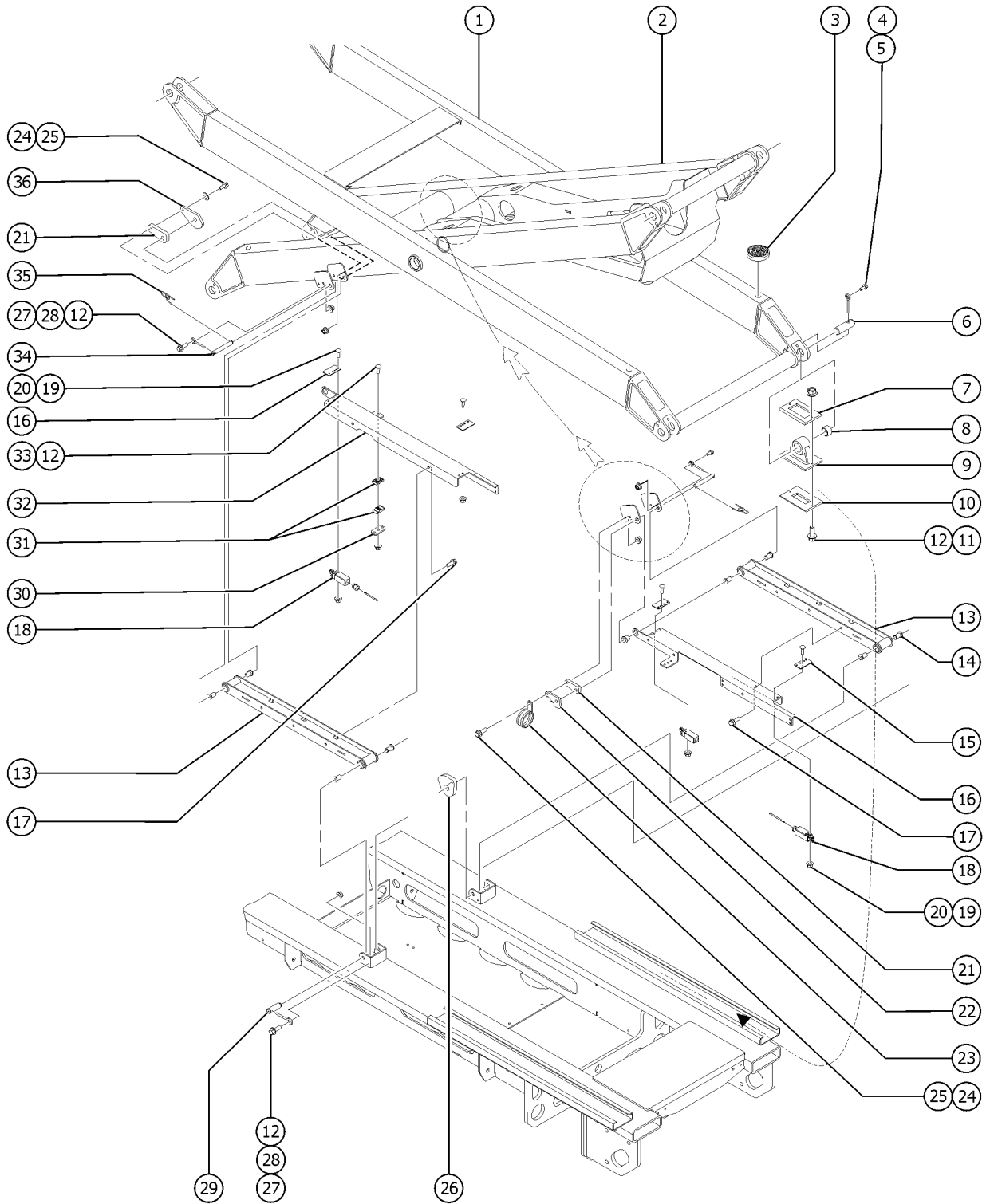


501.1 Scissor to Chassis Installation (all models), GS-3384, GS-3390

Item	Part No.	Description	Qty.
29	71168GT	PIN,0.75DIAX5.35LG,CHAMFER GS-3384, GS-3390 and GS-4390	1
30	1254245GT	PLATE,HOSE ROUTING,BULKHEAD black	4
31	78736GT	CLAMP,2 HOSE,PLASTIC,5/8	8
32	84065GT	CABLE ROUTING ASSY W/BRNG,GS90 includes item 17 (GS84 to SN 84F-45999 , GS90 to SN 90F-55999)	1
32B	1295636GT	FORMING, CABLE ROUTING BRACKET GS84 from SN 84F-46000 , GS90 from SN 90F-56000	
33	1258676GT	BOLT,CARRIAGE,1/4-20X2.5,5,ZAG	
34	79031GT	PIN,0.75DIAX8.06LG,CHAMFER GS-3384, GS-3390 and GS-4390 (GS84 to SN 84F-45999 , GS90 to SN 90F-55999)	1
34B	71168GT	PIN,0.75DIAX5.35LG,CHAMFER GS84 from SN 84F-46000 , GS90 from SN 90F-56000	
35	824128GT	RUE RING,3/4,ZAG GS84 to SN 84F-45999 , GS90 to SN 90F-55999	2
36	79032GT	CAM, GS90 DOWN LIMIT GS84 to SN 84F-45999 , GS90 to SN 90F-55999	



501.2 Scissor to Chassis Installation (all models), GS-4390

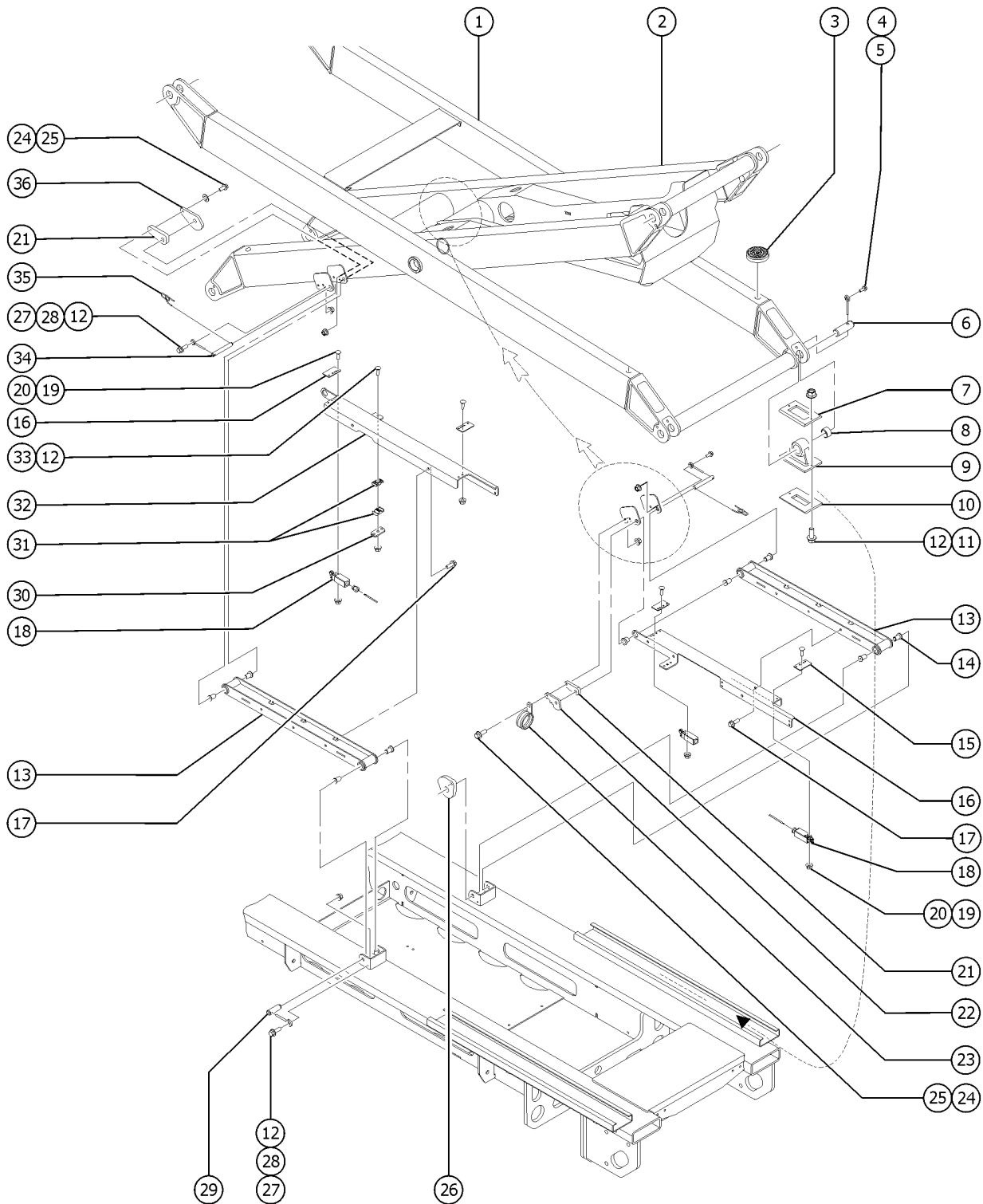


501.2 Scissor to Chassis Installation (all models), GS-4390

Item	Part No.	Description	Qty.
1		Ref. Outer Arm Assembly, Number One (refer to 504.1, 505.1 and 506.1)	
2		Ref. Inner Arm Assembly, Number One (refer to 504.1, 505.1 and 506.1)	
3	55710GT	BUMPER,GS-90 GS-4390	12
4	1255469GT	SCREW,HHF,1/2-13X1.25,8,ZAG	
5	1256267GT	ROD END,.5 X 3.75,ZAG GS-4390, GS-5390	28
6	51901GT	PIN,1.75DIA X 5.75LG,CHAMFER GS-4390	20
7	112004GT	WEARPAD,LINK SLIDER,GS90	2
8	55761GT	BEARING,1.75IDX2.00ODX2.25L GS-4390	2
9	1262787GT	LINK SLIDER ASSEMBLY includes items 7, 8 and 11-13	2
10	71126GT	WEARPAD, LINK SLIDER, BOTTOM	2
11	1260024GT	SCREW,FHPM,1/4-20X1.75,ZAG	
12	824027GT	NUT,TL FLG,1/4-20,G,ZAG	
13	1262788GT	CENTERING LINK ASSY GS84/GS90 includes item 17	4
14	47548GT	BEARING,FLANGE,0.75IDX1.00ODX0.49L GS-3384, GS-3390, GS-4390	23
15	1254311GT	PLATE,LIMIT SWITCH COVER	4
16	84064GT	CABLE ROUTING ASSY W/BEARINGS includes item 17	1
17	824090GT	SCREW,HHF,3/8-16X1,8,ZAG	
18	88356- 116R3GT	SWITCH,LIMIT,W/ROLLER ARM*** GS84 to SN 84F-45999 , GS90 to SN 90F-55999	1
18-	19491GT	CONTACTOR,LIMIT SWITCH	
19	824124GT	BOLT,CARRIAGE,1/4-20X.75,5,ZAG GS84 to SN 84F-45999 , GS90 to SN 90F-55999	
20	1256177GT	SCREW,PHPM,10-32X1.75,ZAG GS84 to SN 84F-45999 , GS90 to SN 90F-55999	
21	71076GT	SPACER, LIFT ARM CAM GS90 GS-3384, GS-3390 and GS-4390 (GS84 to SN 84F-45999 , GS90 to SN 90F-55999)	1
23	39518GT	CLAMP,2.00,#32 X 3/8,RUB CUSH	
24	824069GT	SCREW,HHC,3/8-16X2.5,8,ZAG	
25	824029GT	NUT,TL FLG,3/8-16,G,ZAG	
27	824079GT	SCREW,HHF,1/4-20X1,8,ZAG	
28	825020GT	ROD END,.250X2.75,ZAG GS-4390	8
29	71168GT	PIN,0.75DIA X 5.35LG,CHAMFER GS84 to SN 84F-45999 , GS90 to SN 90F-55999	1



501.2 Scissor to Chassis Installation (all models), GS-4390

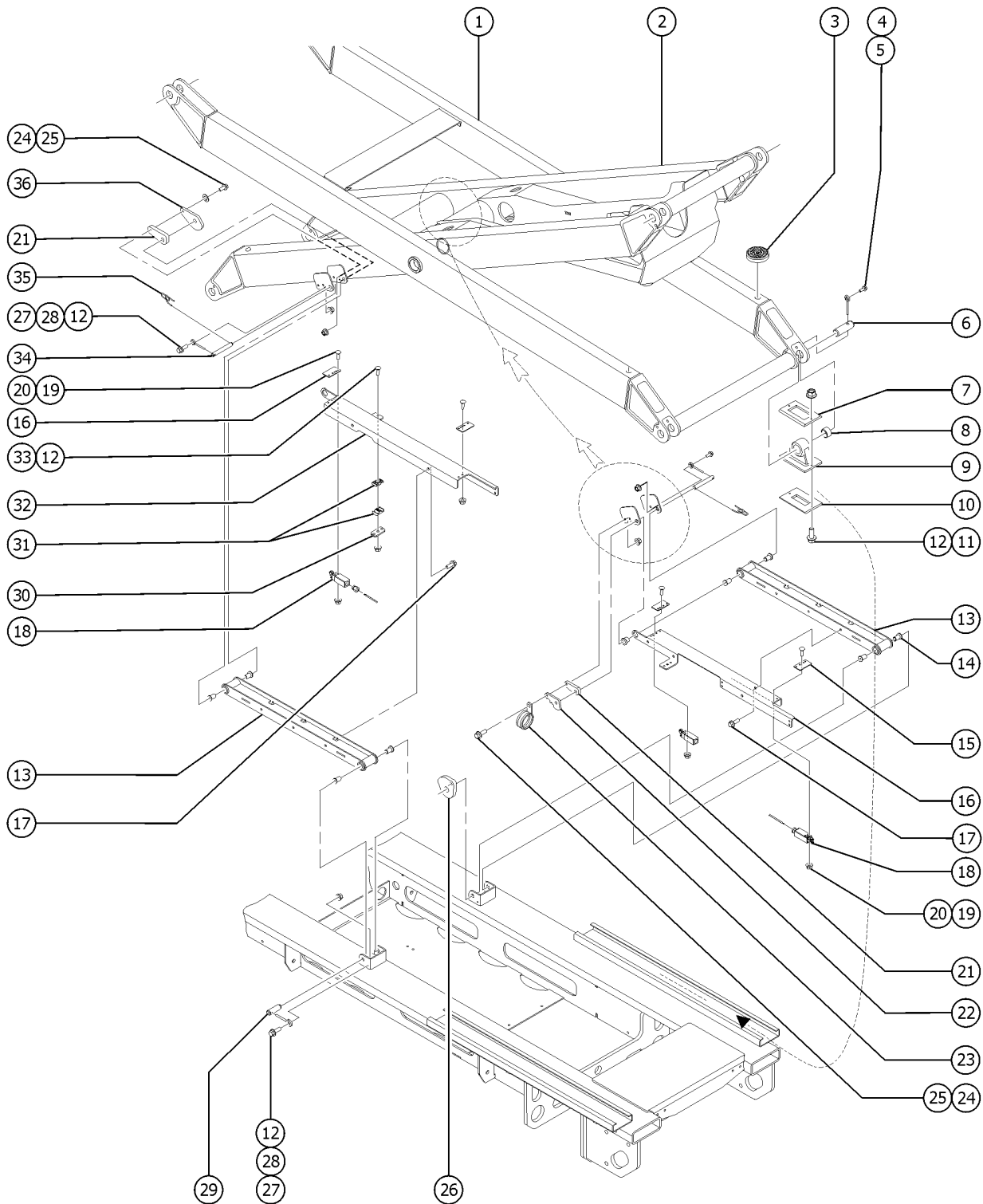


501.2 Scissor to Chassis Installation (all models), GS-4390

Item	Part No.	Description	Qty.
30	1254245GT	PLATE,HOSE ROUTING,BULKHEAD black	4
31	78736GT	CLAMP,2 HOSE,PLASTIC,5/8	8
32	84065GT	CABLE ROUTING ASSY W/BRNG,GS90 includes tiem 17 (GS84 to SN 84F-45999 , GS90 to SN 90F-55999)	1
32B	1295636GT	FORMING, CABLE ROUTING BRACKET GS84 from SN 84F-46000 , GS90 from SN 90F-56000	
33	1258676GT	BOLT,CARRIAGE,1/4-20X2.5,5,ZAG	
34	79031GT	PIN,0.75DIAx8.06LG,CHAMFER GS-3384, GS-3390 and GS-4390 (GS84 to SN 84F-45999 , GS90 to SN 90F-55999)	1
34B	71168GT	PIN,0.75DIAx5.35LG,CHAMFER GS84 from SN 84F-46000 , GS90 from SN 90F-56000	
35	824128GT	RUE RING,3/4,ZAG GS84 to SN 84F-45999 , GS90 to SN 90F-55999	2
36	79032GT	CAM, GS90 DOWN LIMIT GS84 to SN 84F-45999 , GS90 to SN 90F-55999	



501.3 Scissor to Chassis Installation (all models), GS-5390

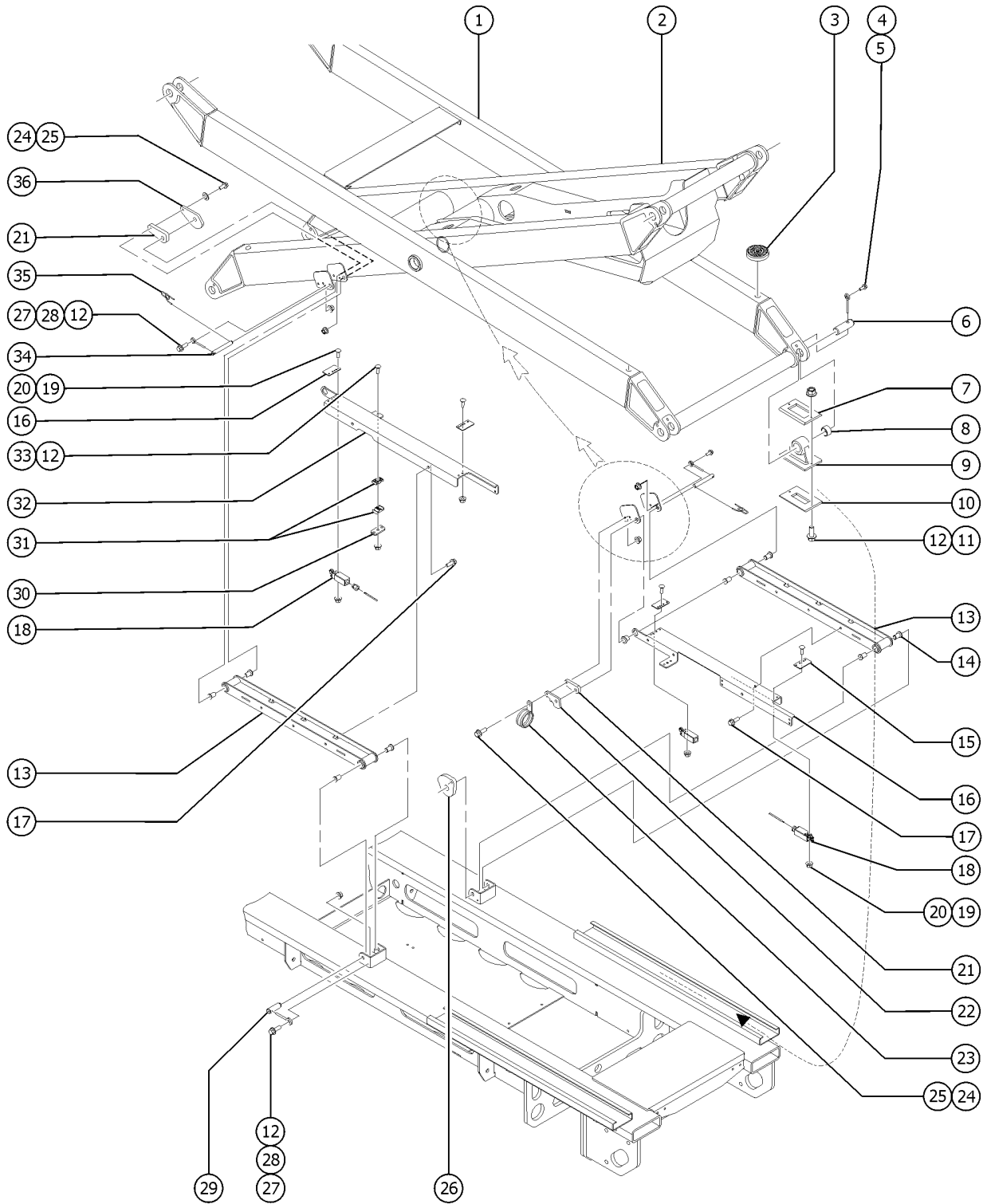


501.3 Scissor to Chassis Installation (all models), GS-5390

Item	Part No.	Description	Qty.
1		Ref. Outer Arm Assembly, Number One (refer to 504.1, 505.1 and 506.1)	
2		Ref. Inner Arm Assembly, Number One (refer to 504.1, 505.1 and 506.1)	
3	55710GT	BUMPER,GS-90 GS-5390	16
4	1255469GT	SCREW,HHF,1/2-13X1.25,8,ZAG	
5	1256267GT	ROD END, 5 X 3.75,ZAG GS-4390, GS-5390	28
6	51901GT	PIN,1.75DIA X 5.75LG,CHAMFER GS-5390	24
7	112004GT	WEARPAD,LINK SLIDER,GS90	2
8	55761GT	BEARING,1.75IDX2.00ODX2.25L GS-5390	2
9	1262787GT	LINK SLIDER ASSEMBLY includes items 7, 8, and 11-13	2
10	71126GT	WEARPAD, LINK SLIDER, BOTTOM	2
11	1260024GT	SCREW,FHPM,1/4-20X1.75,ZAG	
12	824027GT	NUT,TL FLG,1/4-20,G,ZAG	
13	1262788GT	CENTERING LINK ASSY GS84/GS90 includes item 17	4
14	47548GT	BEARING,FLANGE,0.75IDX1.00ODX0.49L GS-5390	30
15	1254311GT	PLATE,LIMIT SWITCH COVER GS84 to SN 84F-45999 , GS90 to SN 90F-55999	4
16	84064GT	CABLE ROUTING ASSY W/BEARINGS includes item 17	1
17	824090GT	SCREW,HHF,3/8-16X1,8,ZAG	
18	88356- 116R3GT	SWITCH,LIMIT,W/ROLLER ARM*** GS84 to SN 84F-45999 , GS90 to SN 90F-55999	1
18-	19491GT	CONTACTOR,LIMIT SWITCH	
19	824124GT	BOLT,CARRIAGE,1/4-20X.75,5,ZAG GS84 to SN 84F-45999 , GS90 to SN 90F-55999	
20	1256177GT	SCREW,PHPM,10-32X1.75,ZAG GS84 to SN 84F-45999 , GS90 to SN 90F-55999	
21	71076GT	SPACER, LIFT ARM CAM GS90 GS-5390 (GS84 to SN 84F-45999 , GS90 to SN 90F-55999)	2
22	79373GT	CAM,GS5390 30' UP LIMIT GS-5390 (GS84 to SN 84F-45999 , GS90 to SN 90F-55999)	1
23	39518GT	CLAMP,2.00,#32 X 3/8,RUB CUSH	
24	824069GT	SCREW,HHC,3/8-16X2.5,8,ZAG	
25	824029GT	NUT,TL FLG,3/8-16,G,ZAG	
26	87589GT	CAM,DOWN LIMIT SWITCH GS-5390 (GS84 to SN 84F-45999 , GS90 to SN 90F-55999)	
27	824079GT	SCREW,HHF,1/4-20X1,8,ZAG	



501.3 Scissor to Chassis Installation (all models), GS-5390

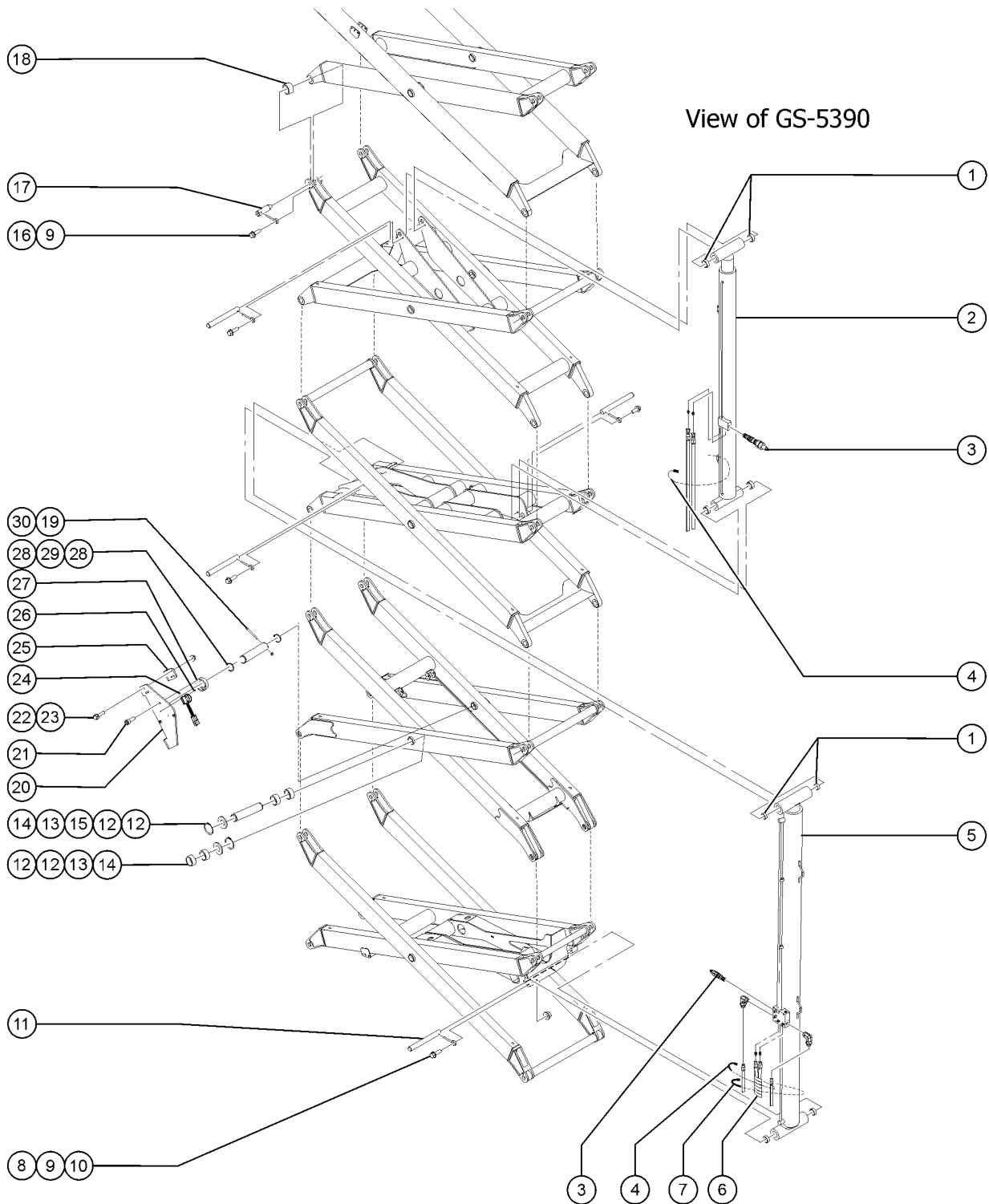


501.3 Scissor to Chassis Installation (all models), GS-5390

Item	Part No.	Description	Qty.
28	825020GT	ROD END,.250X2.75,ZAG GS-5390	14
29	71168GT	PIN,0.75DIA X5.35LG,CHAMFER GS-5390	2
30	1254245GT	PLATE,HOSE ROUTING,BULKHEAD black	4
31	78736GT	CLAMP,2 HOSE,PLASTIC,5/8	8
32	84065GT	CABLE ROUTING ASSY W/BRNG,GS90 includes item 17 (GS84 to SN 84F-45999 , GS90 to SN 90F-55999)	1
32B	1295636GT	FORMING, CABLE ROUTING BRACKET GS84 from SN 84F-46000 , GS90 from SN 90F-56000	
33	1258676GT	BOLT,CARRIAGE,1/4-20X2.5,5,ZAG	
34	79031GT	PIN,0.75DIA X8.06LG,CHAMFER GS-5390 (GS84 to SN 84F-45999 , GS90 to SN 90F-55999)	2
34B	71168GT	PIN,0.75DIA X5.35LG,CHAMFER GS84 from SN 84F-46000 , GS90 from SN 90F-56000	
35	824128GT	RUE RING,3/4,ZAG GS84 to SN 84F-45999 , GS90 to SN 90F-55999	2
36	79032GT	CAM, GS90 DOWN LIMIT GS84 to SN 84F-45999 , GS90 to SN 90F-55999	



502.1 Cylinders and Pins Installation (all models), GS-3384, GS-3390

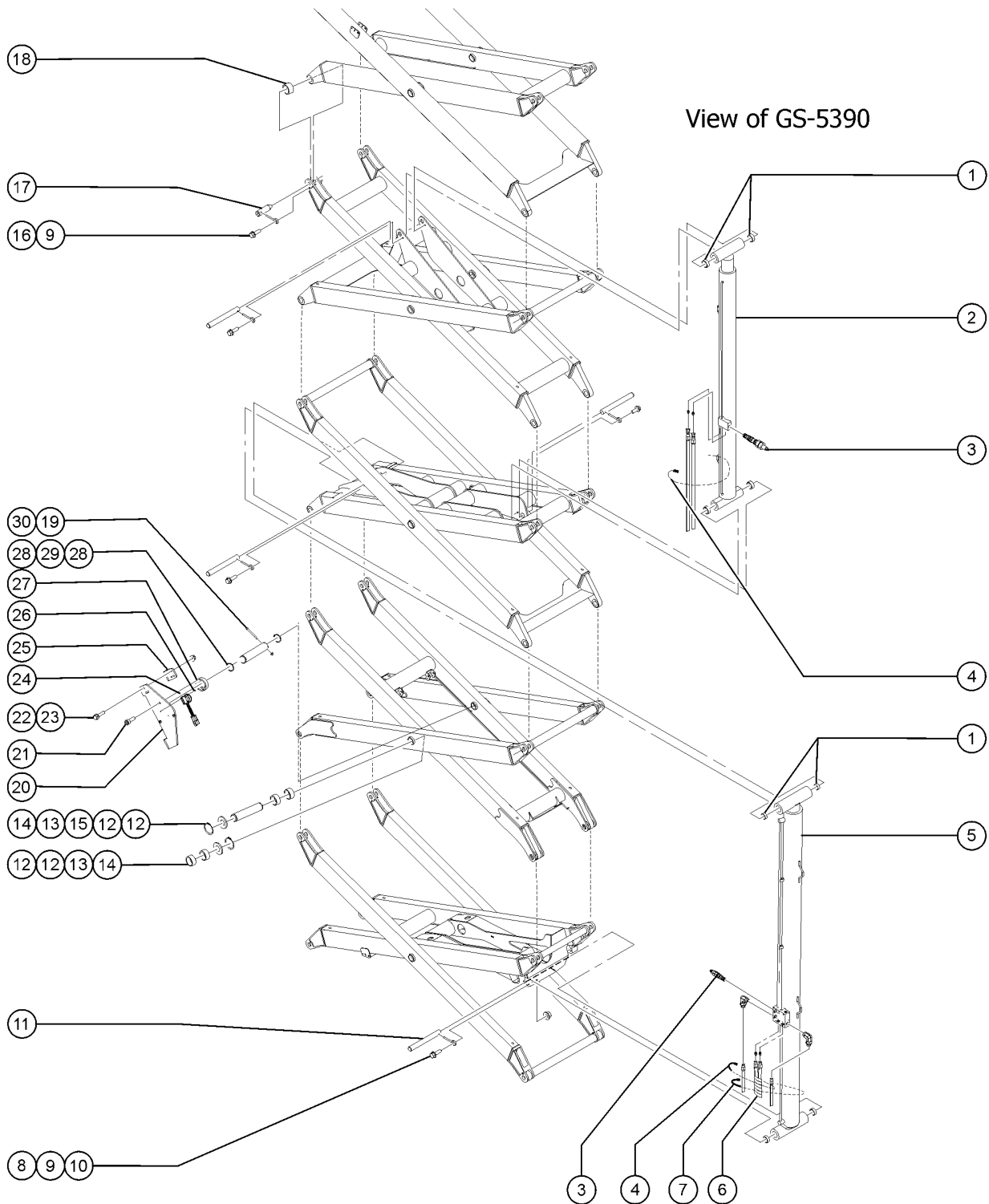


502.1 Cylinders and Pins Installation (all models), GS-3384, GS-3390

Item	Part No.	Description	Qty.
1	65881GT	BEARING,1.75 X 2 X 2.25	8
3	71787GT	VALVE,COUNTERBALANCE,2900 PSI GS-3384, GS-3390 and GS-4390	1
3-	43018GT	SEAL KIT (39345)	
4	28443GT	CABLE TIE,11.5" BLACK (qty as needed)	
5	112017GT	CYLINDER,LIFT,GS84/90*** (includes items 1 and 3)	
5-	84023GT	SEAL KIT,LOWER CYLINDER 5390** (use for all models)	
6	45540GT	WIRE LOOM,BLACK SPIRAL 1" (qty as needed)	
7	23877GT	CABLE TIE,28" (qty as needed)	
8	1256172GT	SCREW,HHF,1/2-13X 2,8,ZAG	
9	1256267GT	ROD END, 5 X 3.75,ZAG GS-3384 and GS-3390	18
10	1251997GT	NUT,TL FLG,1/2-13,G,ZAG	
11	55411GT	PIN,1.75 DIA X 15.13LG GS-3384, GS-3390 and GS-4390	2
12	71029GT	BEARING,2.25IDX2.50ODX1.25L GS-3384 and GS-3390	24
13	1257080GT	WASHER,FLAT,2.27X3.5X.06,ZAG	
14	1254639GT	SNAP RING,EXTERNAL,2.25,ZAG GS-3384 and GS-3390	12
15	51669GT	PIN,2.25DIAX11.29LG,2RING GS-3384 and GS-3390	6
16	1255469GT	SCREW,HHF,1/2-13X1.25,8,ZAG	
17	51901GT	PIN,1.75DIAX5.75LG,CHAMFER GS-3384 and GS-3390	12
18	55761GT	BEARING,1.75IDX2.00ODX2.25L GS-3384 and GS-3390	12
19	824029GT	NUT,TL FLG,3/8-16,G,ZAG GS84 from SN 84F-46000 , GS90 from SN 90F-56000	1
20	1294134GT	FORMING, ANGLE SENSOR LOCK PLATE GS84 from SN 84F-46000 , GS90 from SN 90F-56000	1
21	1295341GT	SCREW,SHC,10-24X.625,F837,18-8,SS GS84 from SN 84F-46000 , GS90 from SN 90F-56000	3
22	1269641GT	SCREW,HHF-S,10-24X1,5,ZAG GS84 from SN 84F-46000 , GS90 from SN 90F-56000	2
23	1283004GT	NUT,NYLOCK FLG,10-24,A,ZAG GS84 from SN 84F-46000 , GS90 from SN 90F-56000	2
24	1293266GT	ASSY,ROTARY SENSOR,130DEG,CW,CCW GS84 from SN 84F-46000 , GS90 from SN 90F-56000	1
25	1294135GT	FORMING, ANGLE SENSOR BEND PLATE GS84 from SN 84F-46000 , GS90 from SN 90F-56000	1
26	1295340GT	SCREW,FHS,M3-.5X14,DIN7991,A2-70,SS GS84 from SN 84F-46000 , GS90 from SN 90F-56000	2
27	1275974GT	HOUSING,ANGLE SENSOR,3.75OD GS84 from SN 84F-46000 , GS90 from SN 90F-56000	1



502.1 Cylinders and Pins Installation (all models), GS-3384, GS-3390

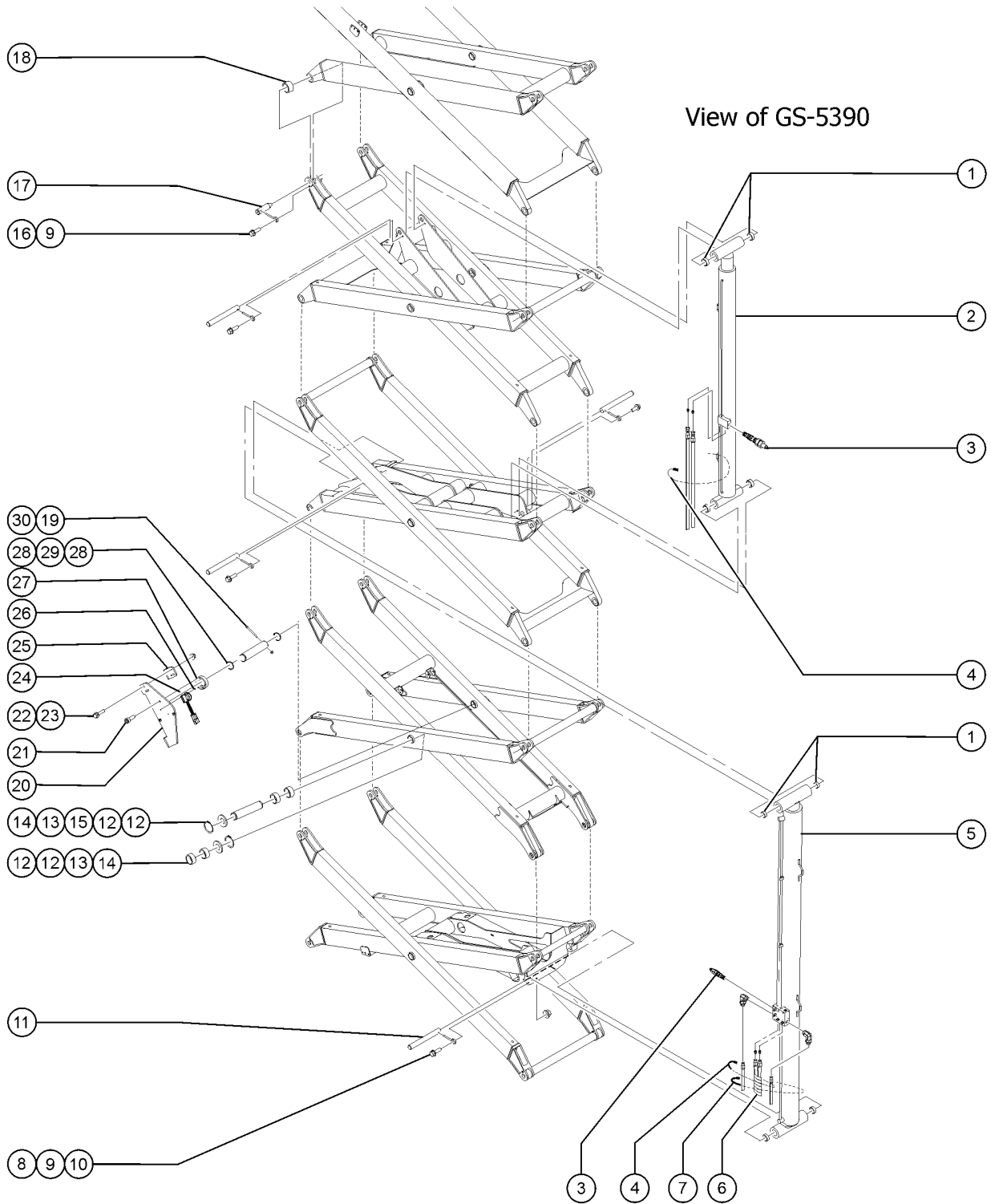


502.1 Cylinders and Pins Installation (all models), GS-3384, GS-3390

<i>Item</i>	<i>Part No.</i>	<i>Description</i>	<i>Qty.</i>
28	18383GT	SNAP RING,EXTERNAL,1.5 DIA*** GS84 from SN 84F-46000 , GS90 from SN 90F-56000	1
29	1298619GT	PIN,ANGLE SENSOR,LINK GS84 from SN 84F-46000 , GS90 from SN 90F-56000	2
30	1256122GT	SCREW,HHC,3/8-16X4,8,ZAG GS84 from SN 84F-46000 , GS90 from SN 90F-56000	1



502.2 Cylinders and Pins Installation (all models), GS-4390

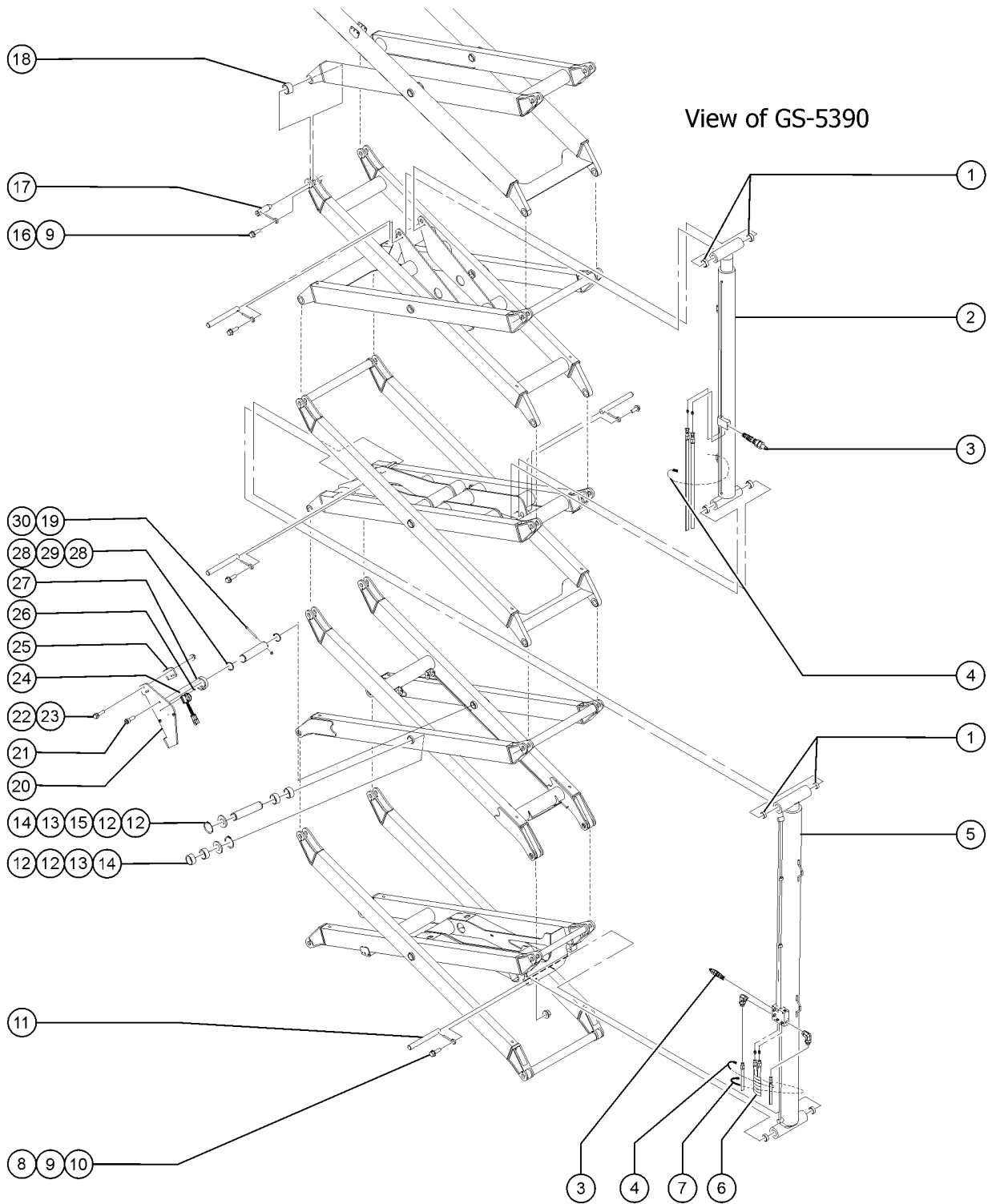


502.2 Cylinders and Pins Installation (all models), GS-4390

Item	Part No.	Description	Qty.
1	65881GT	BEARING,1.75 X 2 X 2.25	8
3	71787GT	VALVE,COUNTERBALANCE,2900 PSI GS-3384, GS-3390 and GS-4390	1
3-	43018GT	SEAL KIT (39345)	
4	28443GT	CABLE TIE,11.5" BLACK (qty as needed)	
5	112017GT	CYLINDER,LIFT,GS84/90*** (includes items 1 and 3)	
5-	84023GT	SEAL KIT,LOWER CYLINDER 5390** (use for all models)	
6	45540GT	WIRE LOOM,BLACK SPIRAL 1" (qty as needed)	
7	23877GT	CABLE TIE,28" (qty as needed)	
8	1256172GT	SCREW,HHF,1/2-13X 2,8,ZAG	
9	1256267GT	ROD END, 5 X 3.75,ZAG GS-4390 and GS-5390	28
10	1251997GT	NUT,TL FLG,1/2-13,G,ZAG	
11	55411GT	PIN,1.75 DIA X 15.13LG GS-3384, GS-3390 and GS-4390	2
12	71029GT	BEARING,2.25IDX2.50ODX1.25L GS-4390	32
13	1257080GT	WASHER,FLAT,2.27X3.5X.06,ZAG	
14	1254639GT	SNAP RING,EXTERNAL,2.25,ZAG GS-4390	16
15	51669GT	PIN,2.25DIAX11.29LG,2RING GS-4390	10
16	1255469GT	SCREW,HHF,1/2-13X1.25,8,ZAG	
17	51901GT	PIN,1.75DIAX5.75LG,CHAMFER GS-4390	12
18	55761GT	BEARING,1.75IDX2.00ODX2.25L GS-4390	16
19	824029GT	NUT,TL FLG,3/8-16,G,ZAG GS84 from SN 84F-46000 , GS90 from SN 90F-56000	1
20	1294134GT	FORMING, ANGLE SENSOR LOCK PLATE GS84 from SN 84F-46000 , GS90 from SN 90F-56000	1
21	1295341GT	SCREW,SHC,10-24X.625,F837,18-8,SS GS84 from SN 84F-46000 , GS90 from SN 90F-56000	3
22	1269641GT	SCREW,HHF-S,10-24X1,5,ZAG GS84 from SN 84F-46000 , GS90 from SN 90F-56000	2
23	1283004GT	NUT,NYLOCK FLG,10-24,A,ZAG GS84 from SN 84F-46000 , GS90 from SN 90F-56000	2
24	1293266GT	ASSY,ROTARY SENSOR,130DEG,CW,CCW GS84 from SN 84F-46000 , GS90 from SN 90F-56000	1
25	1294135GT	FORMING, ANGLE SENSOR BEND PLATE GS84 from SN 84F-46000 , GS90 from SN 90F-56000	1
26	1295340GT	SCREW,FHS,M3-.5X14,DIN7991,A2-70,SS GS84 from SN 84F-46000 , GS90 from SN 90F-56000	2
27	1275974GT	HOUSING,ANGLE SENSOR,3.75OD GS84 from SN 84F-46000 , GS90 from SN 90F-56000	1



502.2 Cylinders and Pins Installation (all models), GS-4390

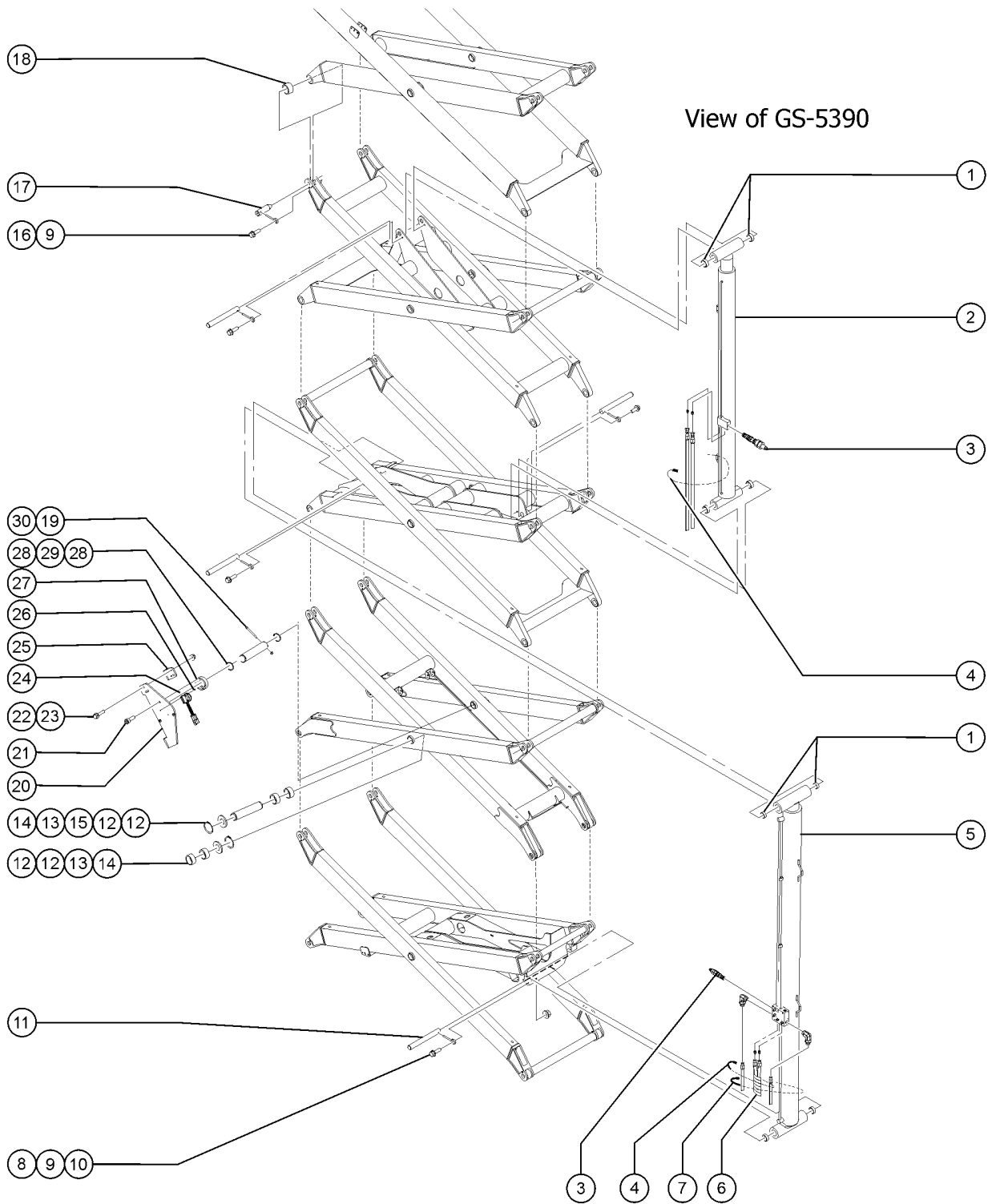


502.2 Cylinders and Pins Installation (all models), GS-4390

<i>Item</i>	<i>Part No.</i>	<i>Description</i>	<i>Qty.</i>
28	18383GT	SNAP RING,EXTERNAL,1.5 DIA*** GS84 from SN 84F-46000 , GS90 from SN 90F-56000	1
29	1298619GT	PIN,ANGLE SENSOR,LINK GS84 from SN 84F-46000 , GS90 from SN 90F-56000	2
30	1256122GT	SCREW,HHC,3/8-16X4,8,ZAG GS84 from SN 84F-46000 , GS90 from SN 90F-56000	1



502.3 Cylinders and Pins Installation (all models), GS-5390

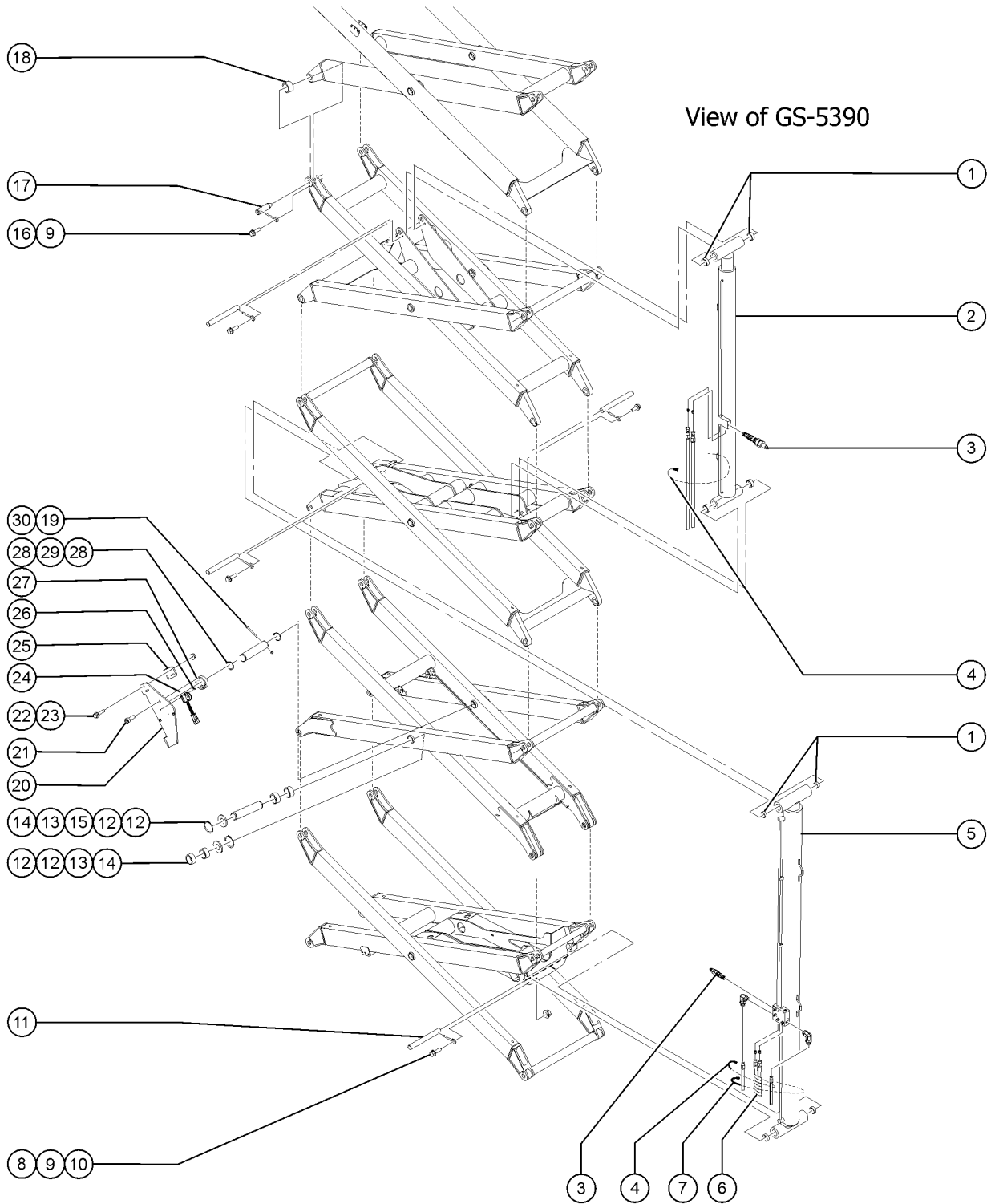


502.3 Cylinders and Pins Installation (all models), GS-5390

Item	Part No.	Description	Qty.
1	65881GT	BEARING,1.75 X 2 X 2.25	8
2	71427GT	CYLINDER,LIFT,2ND, GS5390 GS-5390 (includes items 1 and 3)	1
2-	84013GT	SEAL KIT,UPPER CYLINDER,GS5390	
3	71787GT	VALVE,COUNTERBALANCE,2900 PSI GS-5390	2
3-	43018GT	SEAL KIT (39345)	
4	28443GT	CABLE TIE,11.5" BLACK (qty as needed)	
5	112017GT	CYLINDER,LIFT,GS84/90*** (includes items 1 and 3)	
5-	84023GT	SEAL KIT,LOWER CYLINDER 5390** (use for all models)	
6	45540GT	WIRE LOOM,BLACK SPIRAL 1" (qty as needed)	
7	23877GT	CABLE TIE,28" (qty as needed)	
8	1256172GT	SCREW,HHF,1/2-13X 2,8,ZAG	
9	1256267GT	ROD END,.5 X 3.75,ZAG GS-4390 and GS-5390	28
10	1251997GT	NUT,TL FLG,1/2-13,G,ZAG	
11	55411GT	PIN,1.75 DIA X 15.13LG GS-5390	4
12	71029GT	BEARING,2.25IDX2.50ODX1.25L GS-5390	40
13	1257080GT	WASHER,FLAT,2.27X3.5X.06,ZAG	
14	1254639GT	SNAP RING,EXTERNAL,2.25,ZAG GS-5390	
15	51669GT	PIN,2.25DIA X 11.29LG,2RING GS-5390	12
16	1255469GT	SCREW,HHF,1/2-13X1.25,8,ZAG	
17	51901GT	PIN,1.75DIA X 5.75LG,CHAMFER GS-5390	24
18	55761GT	BEARING,1.75IDX2.00ODX2.25L GS-5390	20
19	824029GT	NUT,TL FLG,3/8-16,G,ZAG GS84 from SN 84F-46000 , GS90 from SN 90F-56000	1
20	1294134GT	FORMING, ANGLE SENSOR LOCK PLATE GS84 from SN 84F-46000 , GS90 from SN 90F-56000	1
21	1295341GT	SCREW,SHC,10-24X.625,F837,18-8,SS GS84 from SN 84F-46000 , GS90 from SN 90F-56000	3
22	1269641GT	SCREW,HHF-S,10-24X1.5,ZAG GS84 from SN 84F-46000 , GS90 from SN 90F-56000	2
23	1283004GT	NUT,NYLOCK FLG,10-24,A,ZAG GS84 from SN 84F-46000 , GS90 from SN 90F-56000	2
24	1293266GT	ASSY,ROTARY SENSOR,130DEG,CW,CCW GS84 from SN 84F-46000 , GS90 from SN 90F-56000	1
25	1294135GT	FORMING, ANGLE SENSOR BEND PLATE GS84 from SN 84F-46000 , GS90 from SN 90F-56000	1



502.3 Cylinders and Pins Installation (all models), GS-5390

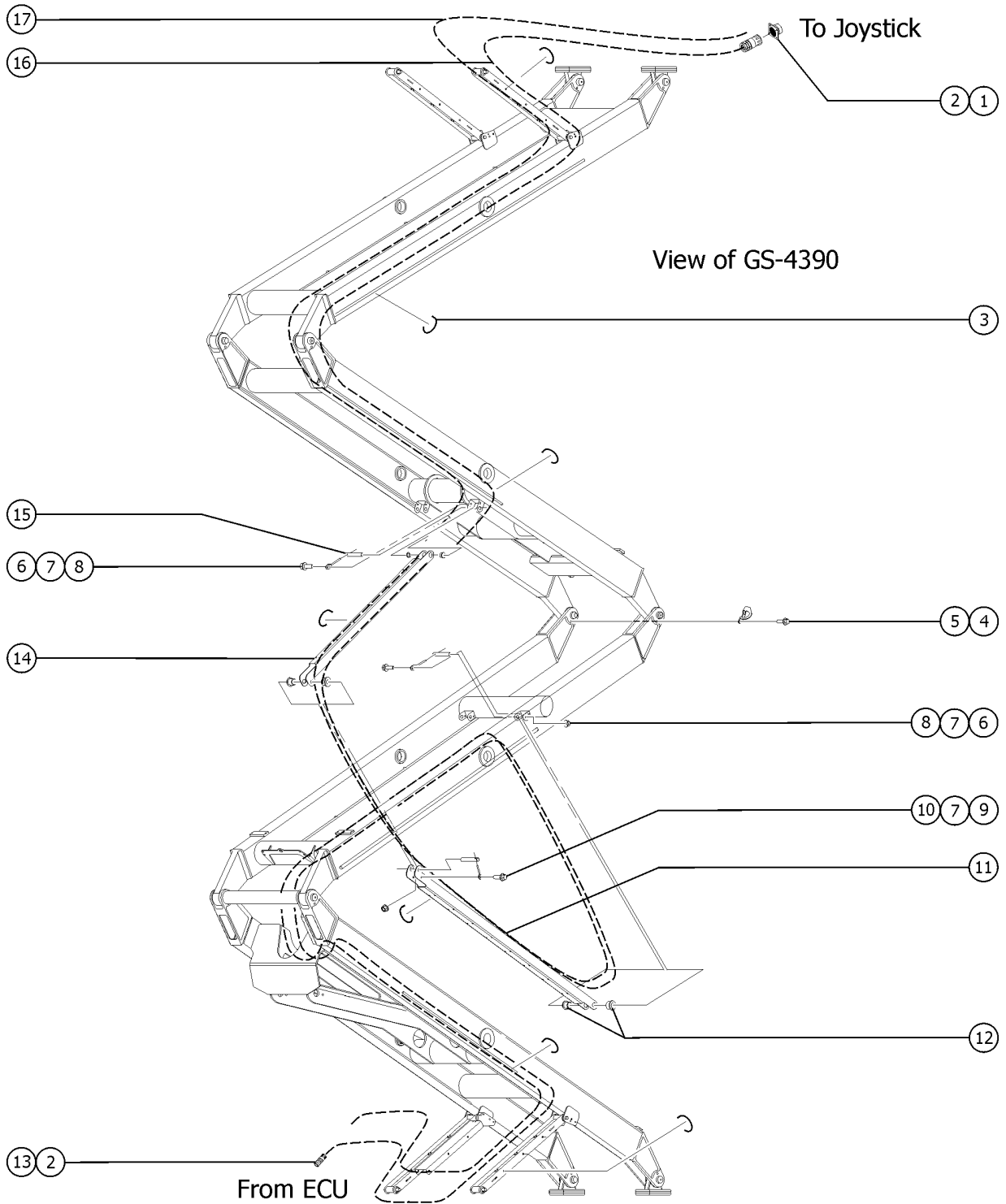


502.3 Cylinders and Pins Installation (all models), GS-5390

<i>Item</i>	<i>Part No.</i>	<i>Description</i>	<i>Qty.</i>
26	1295340GT	SCREW,FHS,M3-.5X14,DIN7991,A2-70,SS GS84 from SN 84F-46000 , GS90 from SN 90F-56000	2
27	1275974GT	HOUSING,ANGLE SENSOR,3.75OD GS84 from SN 84F-46000 , GS90 from SN 90F-56000	1
28	18383GT	SNAP RING,EXTERNAL,1.5 DIA*** GS84 from SN 84F-46000 , GS90 from SN 90F-56000	1
29	1298619GT	PIN,ANGLE SENSOR,LINK GS84 from SN 84F-46000 , GS90 from SN 90F-56000	2
30	1256122GT	SCREW,HHC,3/8-16X4,8,ZAG GS84 from SN 84F-46000 , GS90 from SN 90F-56000	1



503.1 Inner Arm, Cable Routing (all models), GS-3384, GS-3390

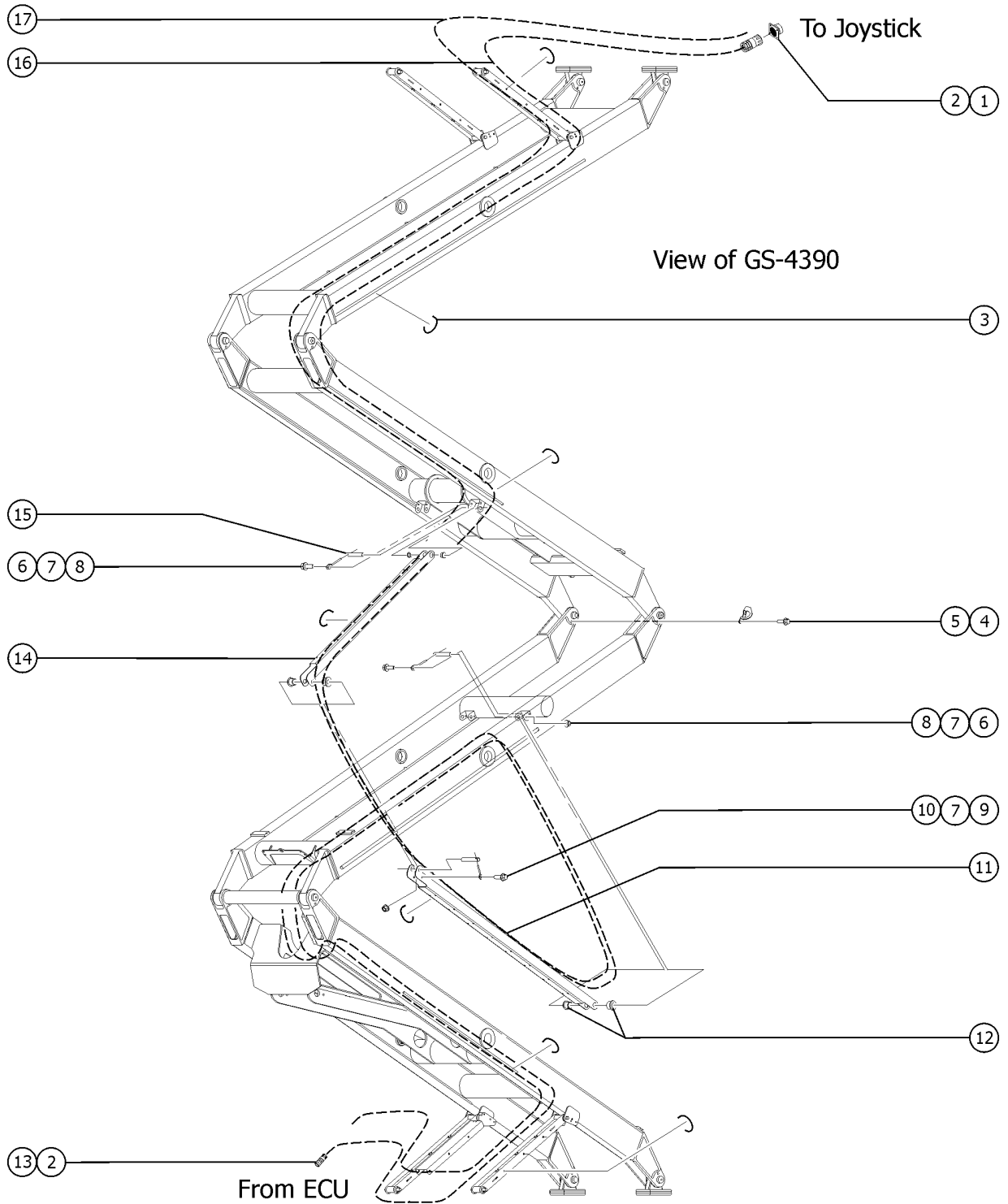


503.1 Inner Arm, Cable Routing (all models), GS-3384, GS-3390

Item	Part No.	Description	Qty.
1	39534GT	CONNECTOR,RECEPTACLE 8 PIN	1
2	39549GT	CONNECTOR,CABLE CLAMP SEALED	2
3	28443GT	CABLE TIE,11.5" BLACK	
		(qty as needed)	
4	1255469GT	SCREW,HHF,1/2-13X1.25,8,ZAG	
6	824027GT	NUT,TL FLG,1/4-20,G,ZAG	
7A	825020GT	ROD END,.250X2.75,ZAG	11
		GS-3384 and GS-3390	
8	824079GT	SCREW,HHF,1/4-20X1,8,ZAG	
9	824078GT	SCREW,HHF,1/4-20X.75,8,ZAG	
10	1260224GT	NUT,TL JAM,1/4-20,A,ZAG	
11A	1262794GT	CABLE BRIDGE-BOTTOM,W/BEARINGS	1
		GS-3384, GS-3390 and GS-4390, includes item 13 (shown)	
12A	47548GT	BEARING,FLANGE,0.75IDX1.00ODX0.49L	23
		GS-3384, GS-3390 and GS-4390 (shown)	
13	47088GT	CONNECTOR,PLUG 8 PIN	1
14A	1262795GT	CABLE BRIDGE-TOP,WITH BEARINGS	1
		GS-3384, GS-3390 and GS-4390, includes item 13 (shown)	
15A	39250GT	PIN,0.75DIAX4.28LG,CHAMFER	3
		GS-3384, GS-3390 and GS-4390 (shown)	
16		Ref. Control Cable Assembly	
		(refer to 215.1)	
17A	43956GT	WIRE CABLE,14/3 CON.TPE JKT*	64
		GS-3384 and GS-3390	0- i nc hes



503.2 Inner Arm, Cable Routing (all models), GS-4390

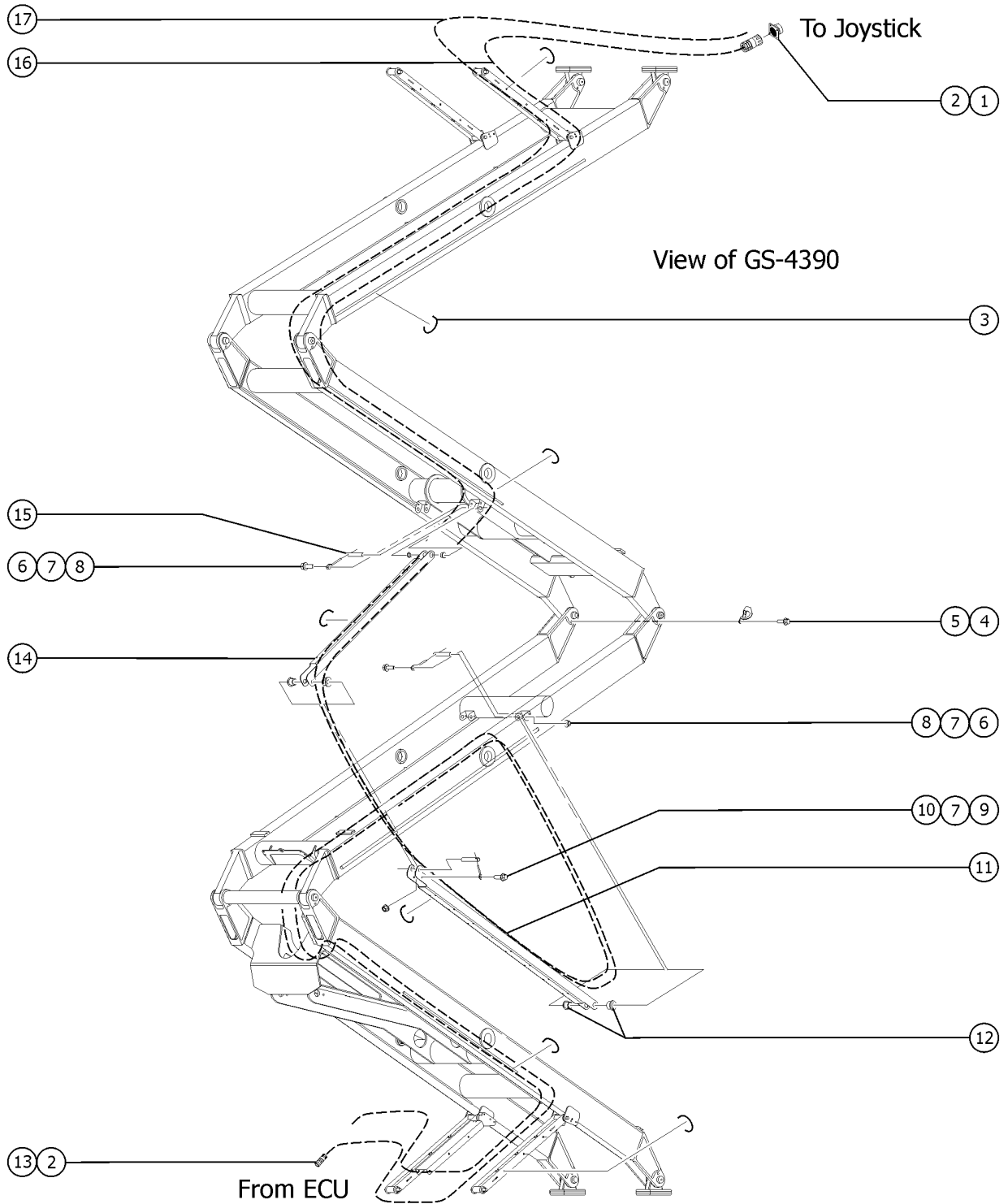


503.2 Inner Arm, Cable Routing (all models), GS-4390

Item	Part No.	Description	Qty.
1	39534GT	CONNECTOR,RECEPTACLE 8 PIN	1
2	39549GT	CONNECTOR,CABLE CLAMP SEALED	2
3	28443GT	CABLE TIE,11.5" BLACK	
		(qty as needed)	
4	1255469GT	SCREW,HHF,1/2-13X1.25,8,ZAG	
5A	1254307GT	FORMING,CABLE ROUTING CLIP	1
		GS-4390 (shown)	
6	824027GT	NUT,TL FLG,1/4-20,G,ZAG	
7B	825020GT	ROD END,.250X2.75,ZAG	8
		GS-4390 (shown)	
8	824079GT	SCREW,HHF,1/4-20X1,8,ZAG	
9	824078GT	SCREW,HHF,1/4-20X.75,8,ZAG	
10	1260224GT	NUT,TL JAM,1/4-20,A,ZAG	
11A	1262794GT	CABLE BRIDGE-BOTTOM,W/BEARINGS	1
		GS-3384, GS-3390 and GS-4390, includes item 13 (shown)	
12A	47548GT	BEARING,FLANGE,0.75IDX1.00ODX0.49L	23
		GS-3384, GS-3390 and GS-4390 (shown)	
13	47088GT	CONNECTOR,PLUG 8 PIN	1
14A	1262795GT	CABLE BRIDGE-TOP,WITH BEARINGS	1
		GS-3384, GS-3390 and GS-4390, includes item 13 (shown)	
15A	39250GT	PIN,0.75DIAX4.28LG,CHAMFER	3
		GS-3384, GS-3390 and GS-4390 (shown)	
16		Ref. Control Cable Assembly	
		(refer to 215.1)	
17B	43956GT	WIRE CABLE,14/3 CON.TPE JKT*	77
		GS-4390 (shown)	8- i nc hes



503.3 Inner Arm, Cable Routing (all models), GS-5390

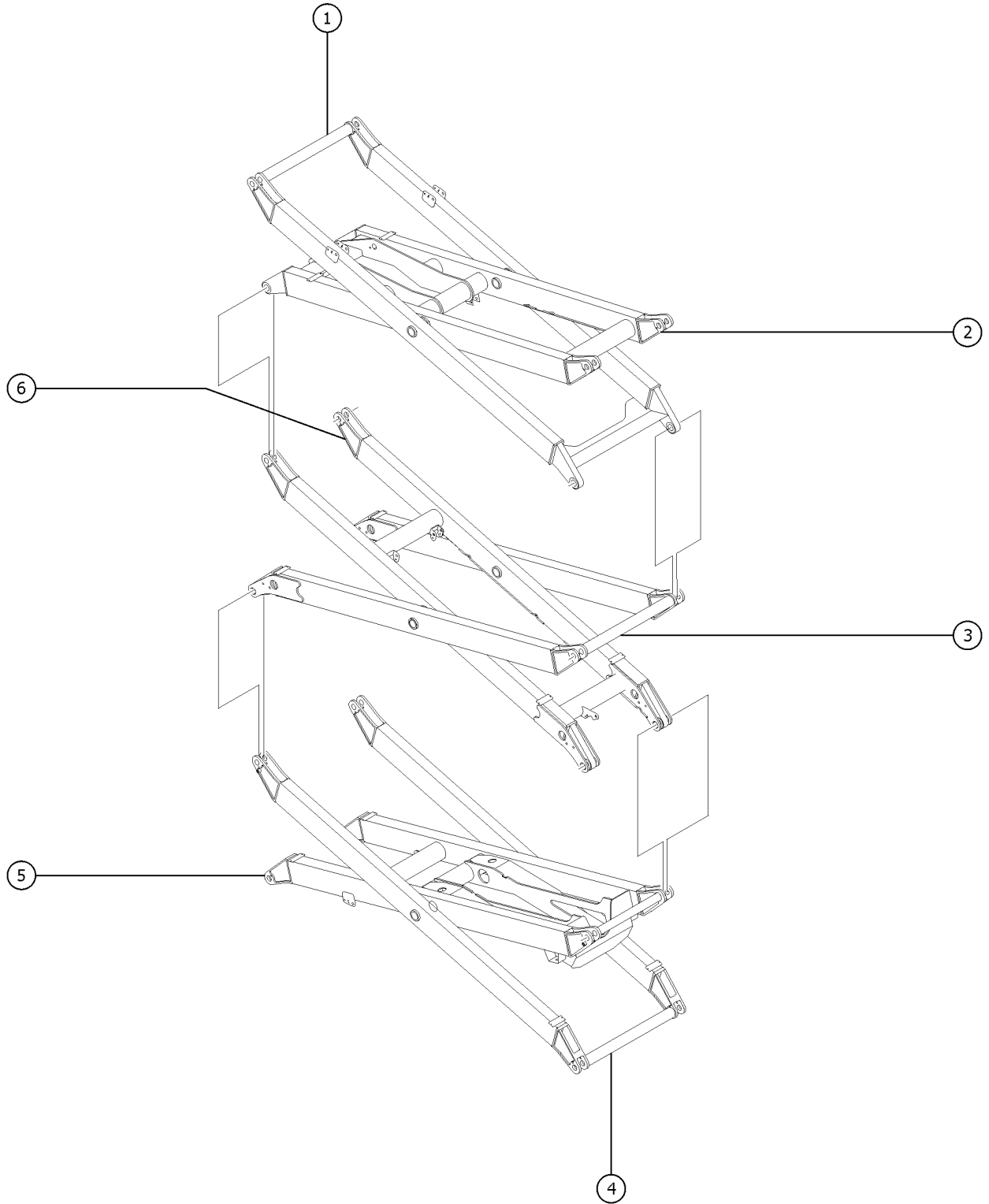


503.3 Inner Arm, Cable Routing (all models), GS-5390

Item	Part No.	Description	Qty.
1	39534GT	CONNECTOR,RECEPTACLE 8 PIN	1
2	39549GT	CONNECTOR,CABLE CLAMP SEALED	2
3	28443GT	CABLE TIE,11.5" BLACK	
		(qty as needed)	
4	1255469GT	SCREW,HHF,1/2-13X1.25,8,ZAG	
5B	1254307GT	FORMING,CABLE ROUTING CLIP	2
		GS-5390	
6	824027GT	NUT,TL FLG,1/4-20,G,ZAG	
7C	825020GT	ROD END,.250X2.75,ZAG	14
		GS-5390	
8	824079GT	SCREW,HHF,1/4-20X1,8,ZAG	
9	824078GT	SCREW,HHF,1/4-20X.75,8,ZAG	
10	1260224GT	NUT,TL JAM,1/4-20,A,ZAG	
11B	1262794GT	CABLE BRIDGE-BOTTOM,W/BEARINGS	2
		GS-5390, includes item 13	
12B	47548GT	BEARING,FLANGE,0.75IDX1.00ODX0.49L	30
		GS-5390	
13	47088GT	CONNECTOR,PLUG 8 PIN	1
14B	1262795GT	CABLE BRIDGE-TOP,WITH BEARINGS	2
		GS-5390, includes item 13	
15B	39250GT	PIN,0.75DIAX4.28LG,CHAMFER	
		GS-5390	
16		Ref. Control Cable Assembly	
		(refer to 215.1)	
17C	43956GT	WIRE CABLE,14/3 CON.TPE JKT*	91
		GS-5390	8- i nc hes



504.1 Arms and Links Installation, GS-3384 and GS-3390

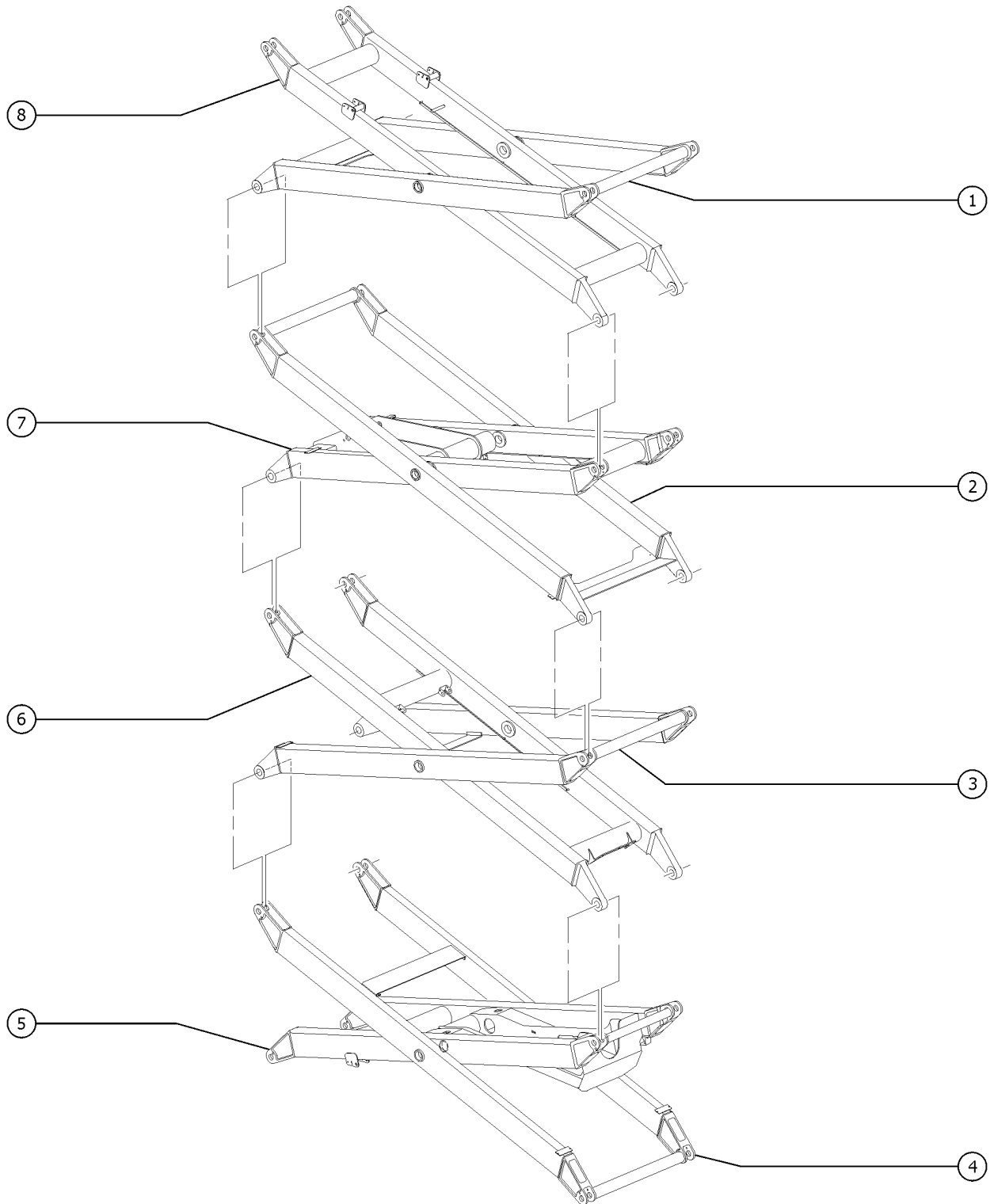


504.1 Arms and Links Installation, GS-3384 and GS-3390

Item	Part No.	Description	Qty.
-		Ref: Bearings refer to 502.1	
1	1262801GT	ARM,5TH OUTER W/BEARING	1
2	1262800GT	ARM,3RD INNER W/BEARING	1
3	1290820GT	ASSY, 2ND OUTER ARM, 0.188, GS33/43/53 decal not included, refer to section 100 (GS84 to SN 84F-45999 , GS90 from SN 90F-55999)	1
3B	1290888GT	ARM,2ND OUTER W/BEARINGS decal not included, refer to section 100 from SN GS69F-18000 (GS84 from SN 84F-46000 , GS90 from SN 90F-56000)	1
4	1262797GT	ARM,1ST OUTER W/BEARINGS	1
5	1262796GT	ARM,1ST INNER W/BEARINGS	1
6	1262798GT	ARM,2ND INNER W/BEARINGS decals not included, refer to section 100	1
7	71029GT	BEARING,2.25IDX2.50ODX1.25L for all scissor arms (not shown)	



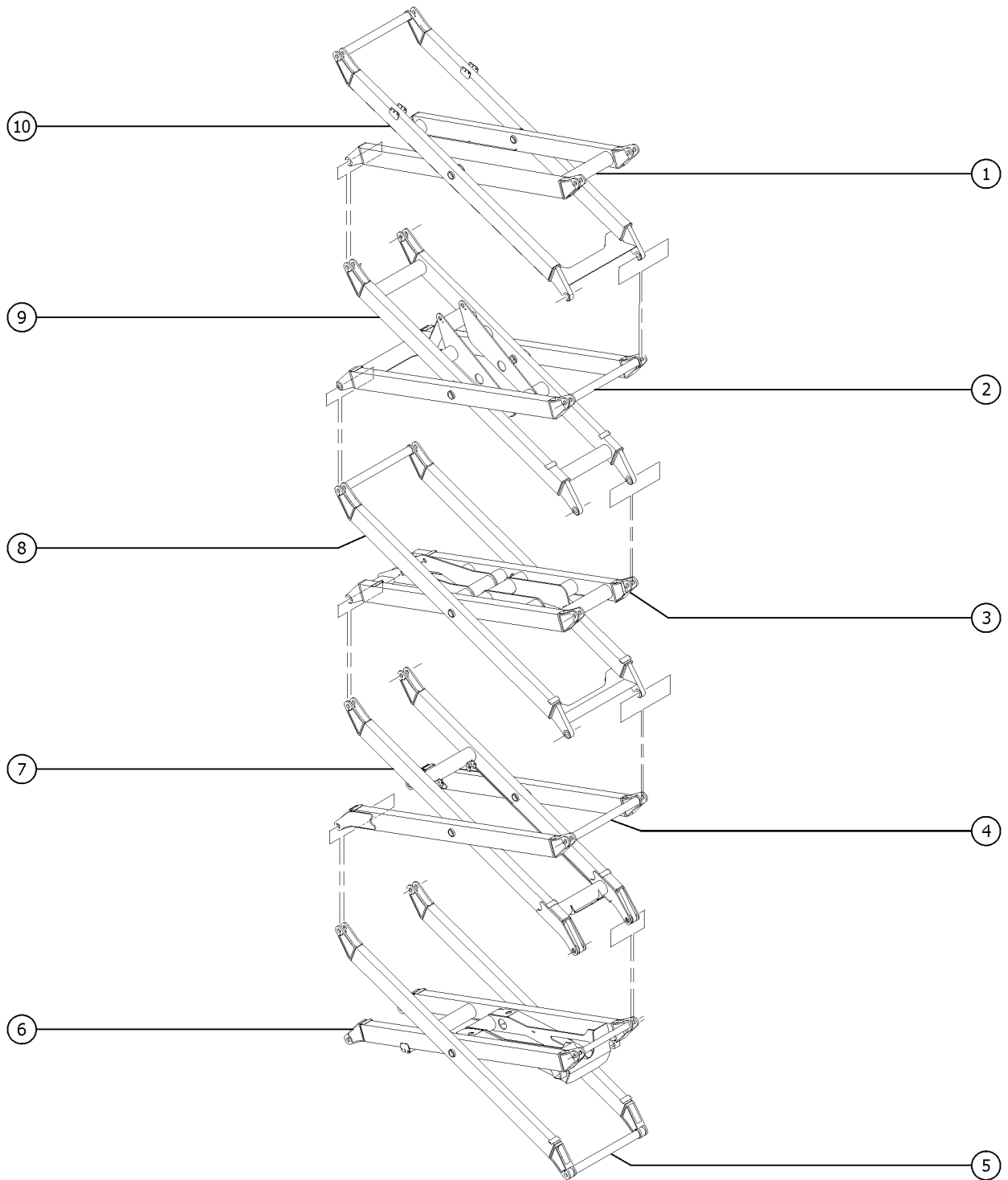
505.1 Arms and Links Installation, GS-4390



Item	Part No.	Description	Qty.
-		Ref: Bearings	
1	1262804GT	ARM,4TH OUTER W/BEARINGS,4390 refer to 502.1	1
2	1262802GT	ARM,3RD OUTER W/BEARINGS,4390	1
3	1290820GT	ASSY, 2ND OUTER ARM, 0.188, GS33/43/53 decal not included, refer to section 100 (GS84 to SN 84F-45999 , GS90 from SN 90F-55999)	
3B	1290888GT	ARM,2ND OUTER W/BEARINGS decal not included, refer to section 100 from SN GS69F-18000 (GS84 from SN 84F-46000 , GS90 from SN 90F-56000)	1
4	1262797GT	ARM,1ST OUTER W/BEARINGS	1
5	1262796GT	ARM,1ST INNER W/BEARINGS	1
6	1262798GT	ARM,2ND INNER W/BEARINGS decal not included, refer to section 100	1
7	1262800GT	ARM,3RD INNER W/BEARING	1
8	1262803GT	ARM,4TH INNER W/BEARINGS,4390	1
9	71029GT	BEARING,2.25IDX2.50ODX1.25L for all scissor arms (not shown)	



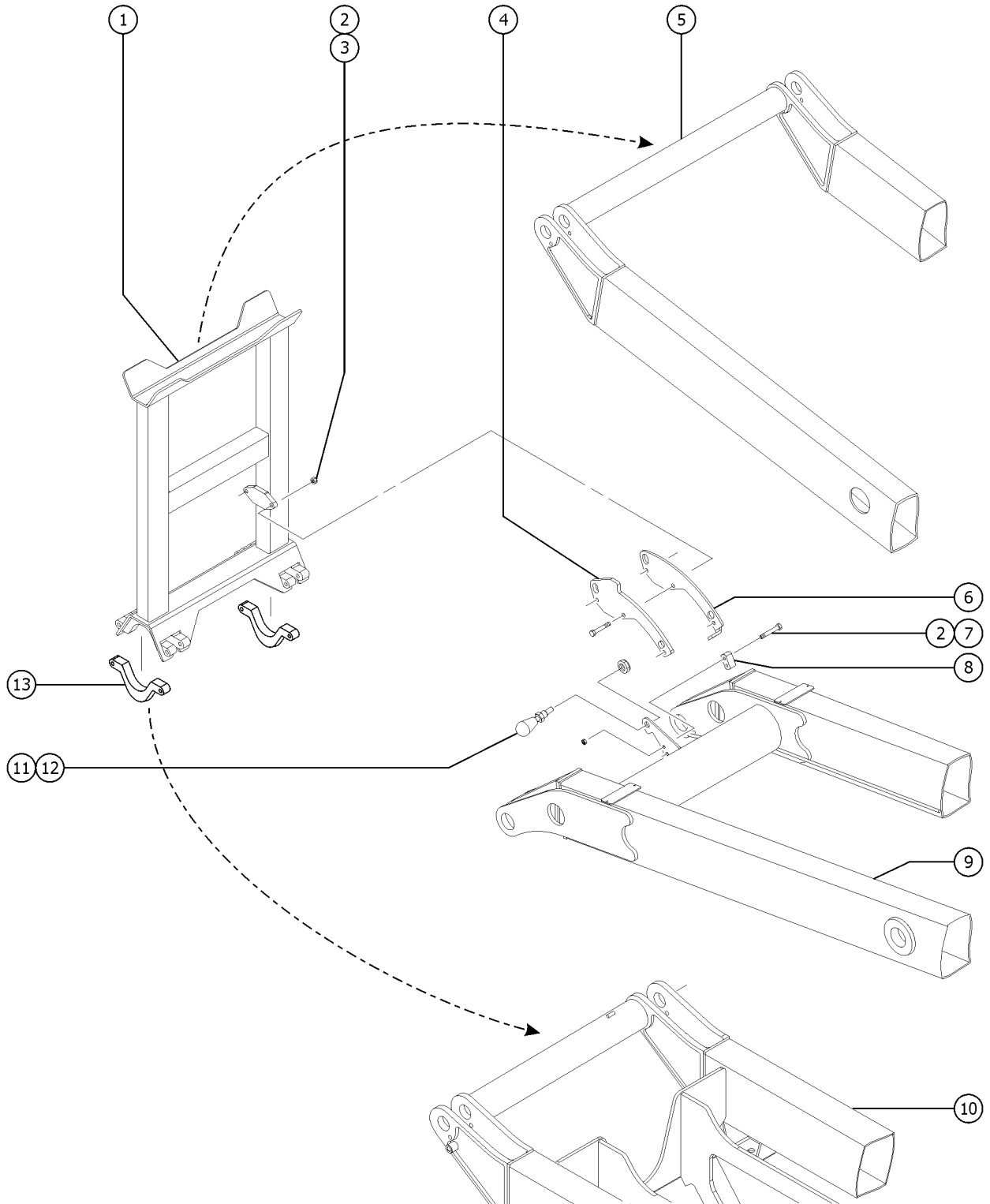
506.1 Arms and Links Installation, GS-5390



Item	Part No.	Description	Qty.
-		Ref: Bearings refer to 502.1	
1	1262809GT	ARM,5TH INNER W/BEARINGS,5390	1
2	1262808GT	ARM,4TH OUTER W/BEARINGS,5390	1
3	1262805GT	ARM,3RD INNER W/BEARINGS,5390	1
4	1290820GT	ASSY, 2ND OUTER ARM, 0.188, GS33/43/53 decal not included, refer to section 100 (GS84 to SN 84F-45999 , GS90 from SN 90F-55999)	1
4B	1290888GT	ARM,2ND OUTER W/BEARINGS decal not included, refer to section 100 (GS84 from SN 84F-46000 , GS90 from SN 90F-56000)	1
5	1262797GT	ARM,1ST OUTER W/BEARINGS	1
6	1262796GT	ARM,1ST INNER W/BEARINGS	1
7	1262798GT	ARM,2ND INNER W/BEARINGS decal not included, refer to section 100	1
8	1262806GT	ARM,3RD OUTER W/BEARINGS,5390	1
9	1262807GT	ARM,4TH INNER W/BEARINGS,5390	1
10	1262801GT	ARM,5TH OUTER W/BEARING	1
11	71029GT	BEARING,2.25IDX2.50ODX1.25L for all scissor arms (not shown)	



507.1 Chock Installation (all models)

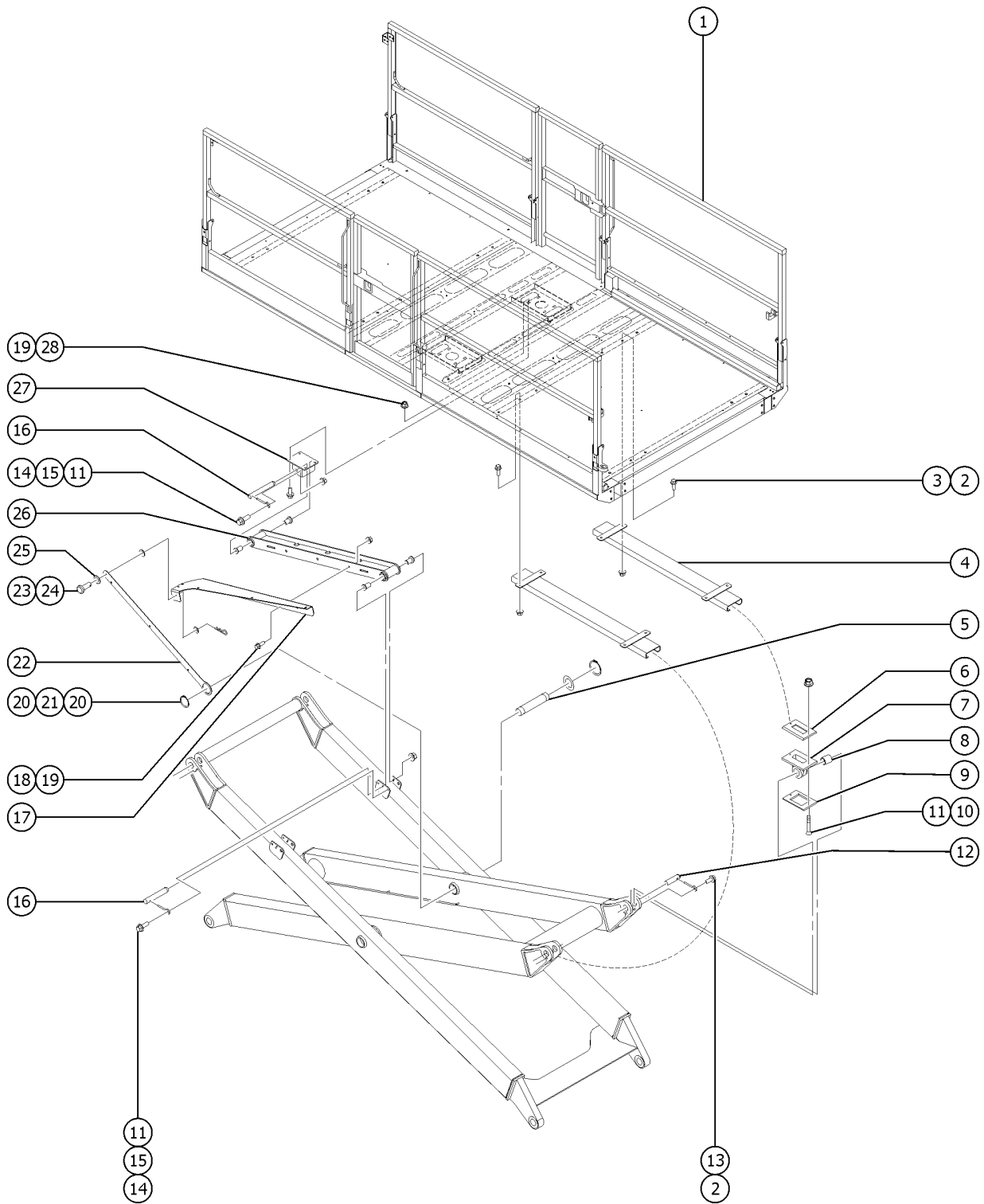


507.1 Chock Installation (all models)

Item	Part No.	Description	Qty.
1	1254286GT	WELDMENT,CHOCK	1
2	824029GT	NUT,TL FLG,3/8-16,G,ZAG	
3	13918GT	SCREW,HHC,3/8-16 X 1.75,GRD.8	8
4	79207GT	SLIDE SURFACE,CHOCK LATCH PIN	1
5		Ref. Outer Arm Assembly, Number Two (refer to 504.1, 505.1 and 506.1)	
6	1254319GT	CAM PLATE,CHOCK LOCK	1
7	1253478GT	SCREW,HHF,3/8-16X2,8,ZAG	
8	79839GT	WEAR PAD,2 X 1 X 1	1
9		Ref. Inner Arm Assembly, Number Two (refer to 504.1, 505.1 and 506.1)	
10		Ref. Inner Arm Assembly, Number One (refer to 504.1, 505.1 and 506.1)	
11	62290GT	LOCK PIN ASSY,3.25"	1
11-	40835GT	KNOB,OVAL TAPERED	1
11-	41630GT	HOUSING,LOCK PIN	1
11-	56464GT	LOCK PIN	1
11-	39469GT	SPRING,COMPRESSION.485 X1.75**	1
12	8538GT	NUT,LP NYLOCK,3/4-10	
13	87358GT	WEAR PAD,CHOCK PIVOT	6
13B	1254308GT	SPACER,SAFETY CHOCK LOCK installed between the chock pivot wear pads just below the chock latch pin bracket	1



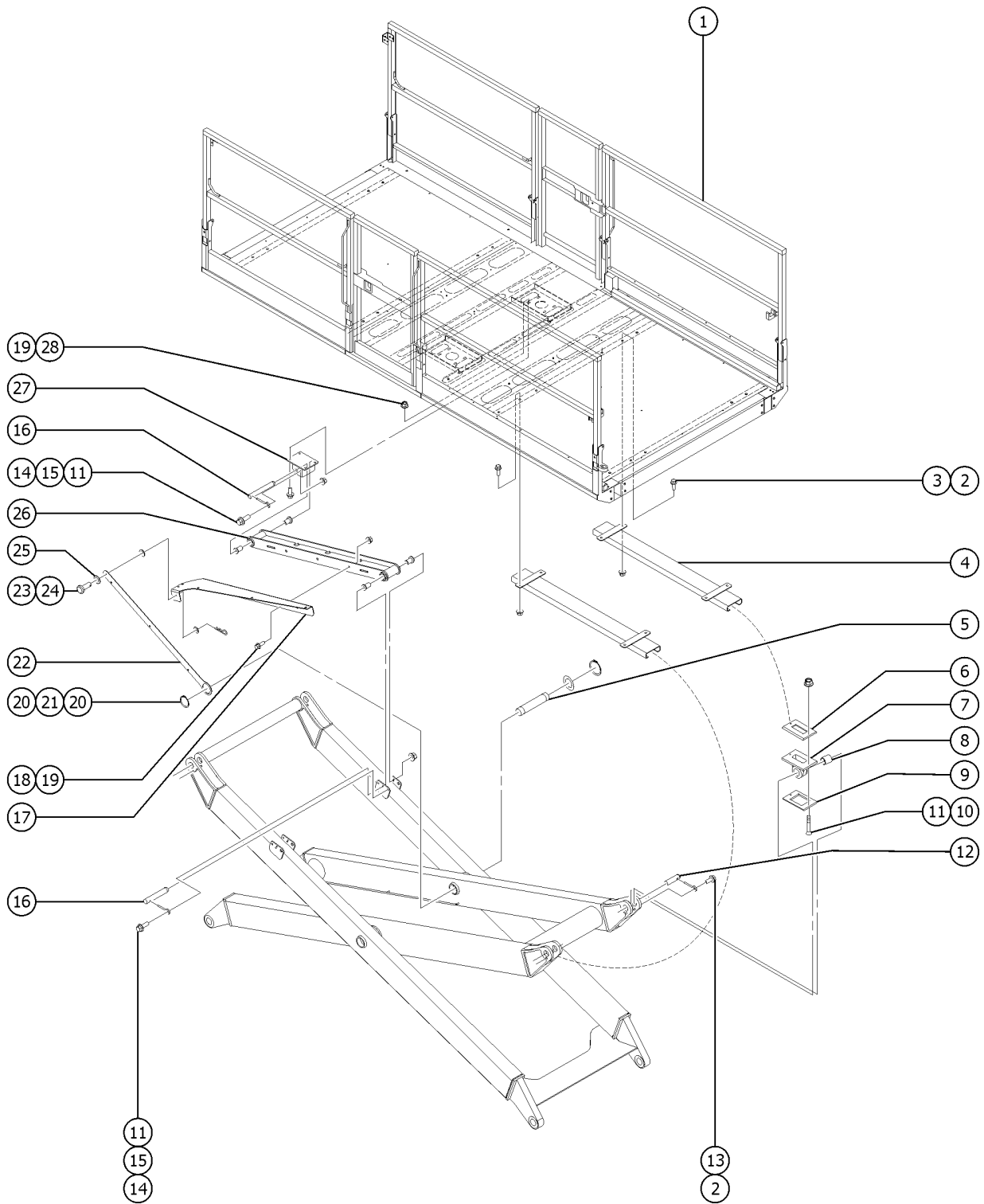
601.1 Platform Installation, GS-3384



Item	Part No.	Description	Qty.
A	115000GT	PLAT ASSY W/W DEC, 84 1DECK,AN GS-3384 (models with 1 extension deck; Assemblies with Word Decals; Usa and Canadian models) (Complete)	
B	115004GT	PLAT ASSY W/W DEC, 84 2DECK,AN GS-3384 (models with 2 extension decks; Assemblies with Word Decals; Usa and Canadian models) (Complete)	
C	115008GT	PLAT ASSY W/W DEC, 84 1DECK,AU GS-3384 (models with 1 extension deck; Australian models) (Complete)	
D	115012GT	PLAT ASSY W/W DEC, 84 2DECK,AU GS-3384 (models with 2 extension deck; Australian models) (Complete)	
E	84485GT	PLAT ASSY W/CE SY DEC,84 1DECK GS-3384 (models with 1 extension deck; Assemblies with Word Decals; European models)	
F	84498GT	PLAT ASSY W/CE SY DEC, 84 2DECK GS-3384 (models with 2 extension decks; Assemblies with Word Decals; European models)	
G	84504GT	PLAT ASSY W/CESY DEC,84,SUDECK GS-3384 (models with super extension deck; Assemblies with Word Decals; European models)	
H	84482GT	PLAT ASSY W/SY DEC,84 1DECK,AN GS-3384 (models with 1 extension deck; Asian and South American models)	
J	84495GT	PLAT ASSY W/SY DEC,84 2DECK,AN GS-3384 (models with 2 extension deck; Asian and South American models)	
1A	65955GT	PLAT MAIN DECK ASSY,ANSI,84 GS-3384 (USA and Canadian models)	1
1B	84829GT	PLAT MAIN DECK ASSY,AUS,84 GS-3384 (Australian models)	1
1C	84831GT	PLAT MAIN DECK ASSY,CE SYM, 84 GS-3384 (European models)	1
1D	84830GT	PLAT MAIN DECK ASSY,SYM,84 GS-3384 (Asian and South American models)	1
2	1255469GT	SCREW,HHF,1/2-13X1.25,8,ZAG	
3	1251997GT	NUT,TL FLG,1/2-13,G,ZAG	
4	55713GT	WELD,SLIDER CHANNEL,PLTFRM****	4
5A	51669GT	PIN,2.25DIAX11.29LG,2RING GS-3384 and GS-3390	6
6	71126GT	WEARPAD, LINK SLIDER, BOTTOM	8
7		Ref. Link Slider Assembly (refer to 501.1)	
8A	55761GT	BEARING,1.75IDX2.00ODX2.25L GS-3384 and GS-3390	16
9	112004GT	WEARPAD,LINK SLIDER,GS90 (7.5 x 5.1 x 0.31 inch)	8
10	1260024GT	SCREW,FHPM,1/4-20X1.75,ZAG	
11	824027GT	NUT,TL FLG,1/4-20,G,ZAG	
12A	51901GT	PIN,1.75DIAX5.75LG,CHAMFER GS-3384 and GS-3390	12
13	1256267GT	ROD END,.5 X 3.75,ZAG	28
14	824079GT	SCREW,HHF,1/4-20X1,8,ZAG	
15A	825020GT	ROD END,.250X2.75,ZAG GS-3384 and GS-3390	11



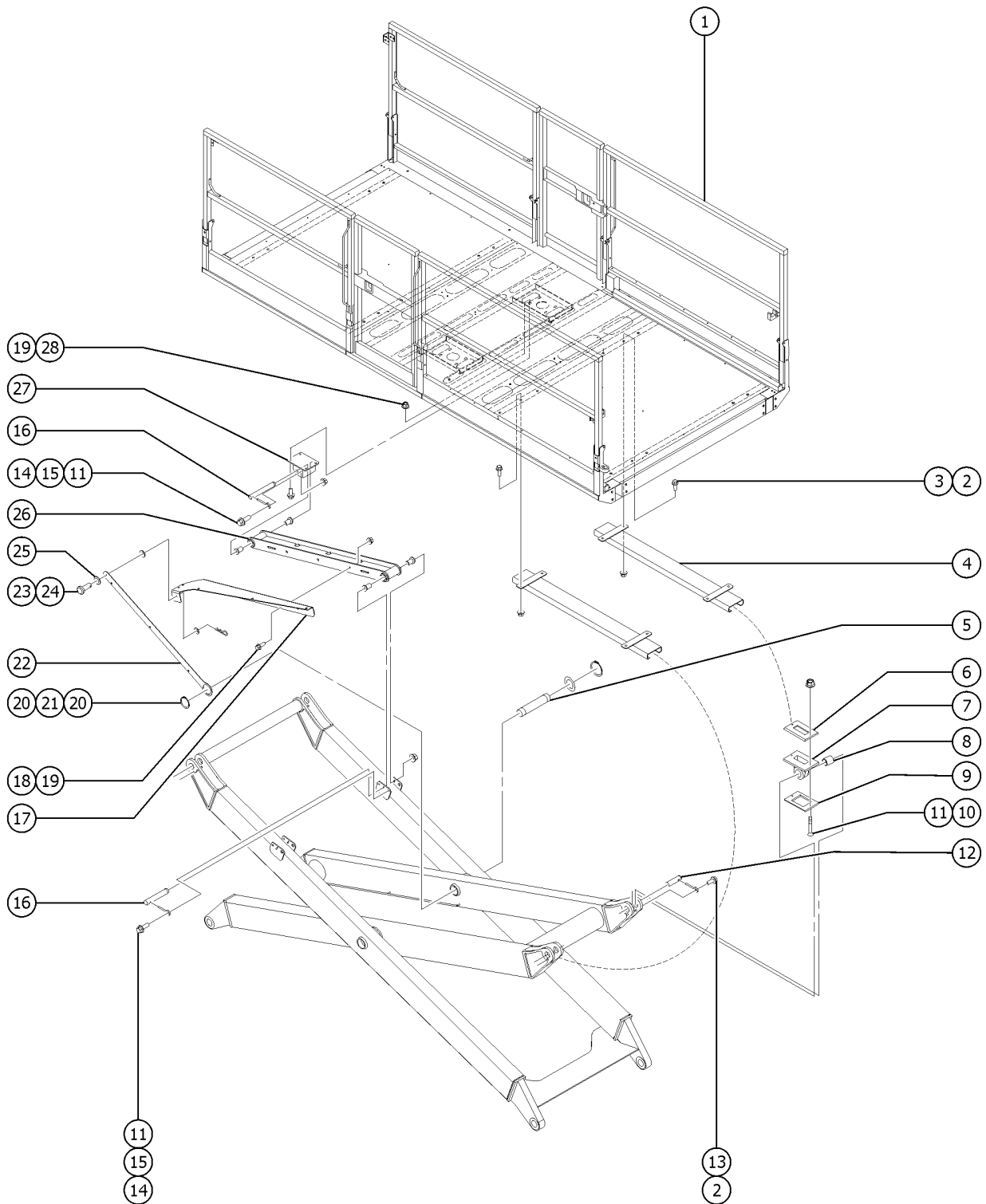
601.1 Platform Installation, GS-3384



<i>Item</i>	<i>Part No.</i>	<i>Description</i>	<i>Qty.</i>
16A	71168GT	PIN,0.75DIA X 5.35LG,CHAMFER GS-3384, GS-3390 and GS-4390	7
18	824090GT	SCREW,HHF,3/8-16X1,8,ZAG	
19	824029GT	NUT,TL FLG,3/8-16,G,ZAG	
20A	1254639GT	SNAP RING,EXTERNAL,2.25,ZAG GS-3384 and GS-3390	12
21	1257080GT	WASHER,FLAT,2.27X3.5X.06,ZAG	
22	1254318GT	PLATE,CABLE BRIDGE, TOP GS5390 GS-3384, GS-3390 and GS-5390	1
23	1259687GT	PIN,CLEVIS,.313X.75,ZAG GS-3384, GS-3390 and GS-5390	
24	1259690GT	CLIP,HAIR PIN,.080X1.19,.25-.3 GS-3384, GS-3390 and GS-5390	
25	79134GT	WASHER,NYLON .35 X .98 X .065 GS-3384, GS-3390 and GS-5390	
26		Ref. Centering Link Assembly (refer to 501.1)	
27	47851GT	WELDMENT,LINK ANCHOR PLATFORM	2
28	824091GT	SCREW,HHF,3/8-16X1.25,8,ZAG	



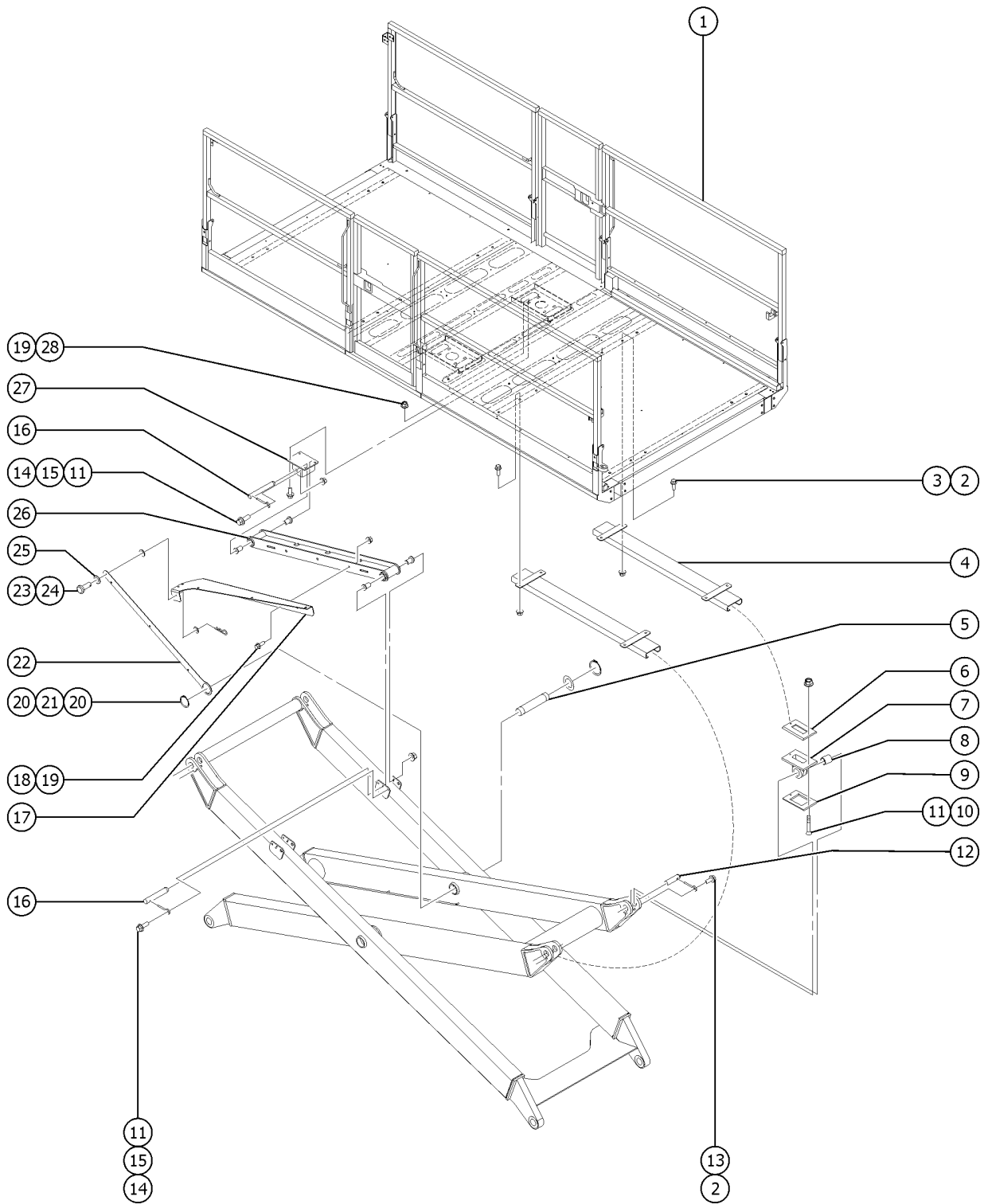
601.2 Platform Installation, GS-3390



Item	Part No.	Description	Qty.
K	115001GT	PLAT ASSY,W/W DEC,33 1DECK,AN GS-3390 (models with 1 extension deck; Assemblies with Word Decals; Usa and Canadian models) (Complete)
M	115005GT	PLAT ASSY W/W DEC,33 2DECK,AN GS-3390 (models with 2 extension decks; Assemblies with Word Decals; Usa and Canadian models) (Complete)
N	115009GT	PLAT ASSY W/W DEC, 33 1DECK,AU GS-3390 (models with 1 extension deck; Australian models) (Complete)
P	115013GT	PLAT ASSY W/W DEC,33 2DECK,AU GS-3390 (models with 2 extension deck; Australian models) (Complete)
R	97448GT	PLAT ASSY W/CE SY DEC,33 1DECK GS-3390 (models with 1 extension deck; Assemblies with Word Decals; European models)
S	97449GT	PLAT ASSY W/CE SY DEC,33 2DECK GS-3390 (models with 2 extension decks; Assemblies with Word Decals; European models)
T	97450GT	PLAT ASSY W/CESY DEC,33,SUDECK GS-3390 (models with super extension decks; Assemblies with Word Decals; European models)	..
U	97451GT	PLAT ASSY W/SY DEC,33 1DECK,AN GS-3390 (models with 1 extension deck; Asian and South American models)
V	97452GT	PLAT ASSY W/SY DEC,33 2DECK,AN GS-3390 (models with 2 extension deck; Asian and South American models)
1E	97463GT	PLAT MAIN DECK ASSY,ANSI,3390 GS-3390 (USA and Canadian models)	1
1F	97464GT	PLAT MAIN DECK ASSY,AUS, 3390 GS-3390 (Australian models)	1
1G	97466GT	PLAT MAIN DECK ASSY,AUS, 3390 GS-3390 (European models)	1
1H	97465GT	PLAT MAIN DECK ASSY,SYM,3390 GS-3390 (Asian and South American models)	1
2	1255469GT	SCREW,HHF,1/2-13X1.25,8,ZAG
3	1251997GT	NUT,TL FLG,1/2-13,G,ZAG
4	55713GT	WELD,SLIDER CHANNEL,PLTFRM****	4
5A	51669GT	PIN,2.25DIAx11.29LG,2RING GS-3384 and GS-3390	6
6	71126GT	WEARPAD, LINK SLIDER, BOTTOM	8
7		Ref. Link Slider Assembly (refer to 501.1)
8A	55761GT	BEARING,1.75IDx2.00ODx2.25L GS-3384 and GS-3390	16
9	112004GT	WEARPAD,LINK SLIDER,GS90 (7.5 x 5.1 x 0.31 inch)	8
10	1260024GT	SCREW,FHPM,1/4-20X1.75,ZAG
11	824027GT	NUT,TL FLG,1/4-20,G,ZAG
12A	51901GT	PIN,1.75DIAx5.75LG,CHAMFER GS-3384 and GS-3390	12
13	1256267GT	ROD END,.5 X 3.75,ZAG	28
14	824079GT	SCREW,HHF,1/4-20X1,8,ZAG
15A	825020GT	ROD END,.250X2.75,ZAG GS-3384 and GS-3390	11



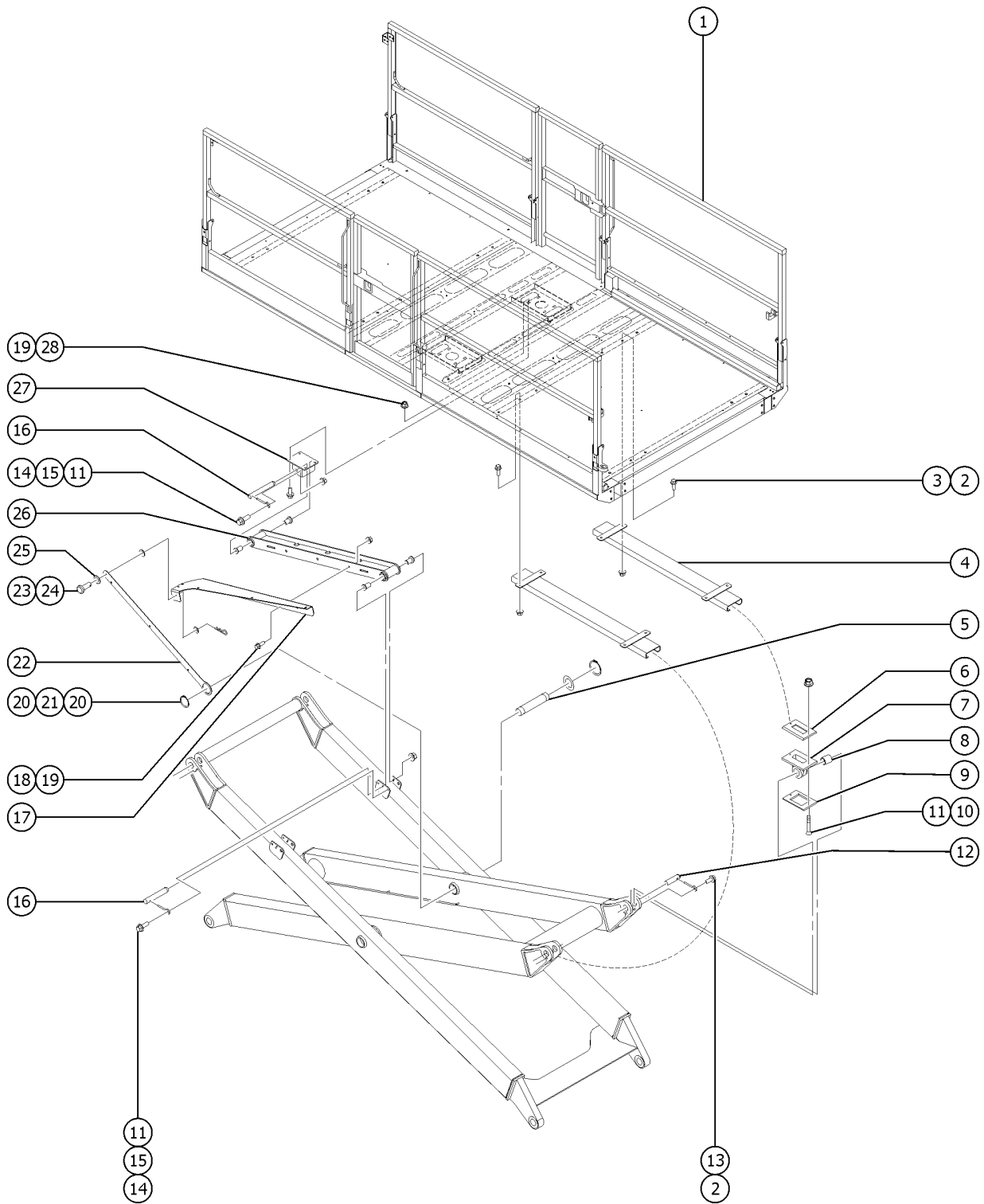
601.2 Platform Installation, GS-3390



<i>Item</i>	<i>Part No.</i>	<i>Description</i>	<i>Qty.</i>
16A	71168GT	PIN,0.75DIA X 5.35LG,CHAMFER GS-3384, GS-3390 and GS-4390	7
18	824090GT	SCREW,HHF,3/8-16X1,8,ZAG	
19	824029GT	NUT,TL FLG,3/8-16,G,ZAG	
20A	1254639GT	SNAP RING,EXTERNAL,2.25,ZAG GS-3384 and GS-3390	12
21	1257080GT	WASHER,FLAT,2.27X3.5X.06,ZAG	
22	1254318GT	PLATE,CABLE BRIDGE, TOP GS5390 GS-3384, GS-3390 and GS-5390	1
23	1259687GT	PIN,CLEVIS,.313X.75,ZAG GS-3384, GS-3390 and GS-5390	
24	1259690GT	CLIP,HAIR PIN,.080X1.19,.25-.3 GS-3384, GS-3390 and GS-5390	
25	79134GT	WASHER,NYLON .35 X .98 X .065 GS-3384, GS-3390 and GS-5390	
26		Ref. Centering Link Assembly (refer to 501.1)	
27	47851GT	WELDMENT,LINK ANCHOR PLATFORM	2
28	824091GT	SCREW,HHF,3/8-16X1.25,8,ZAG	



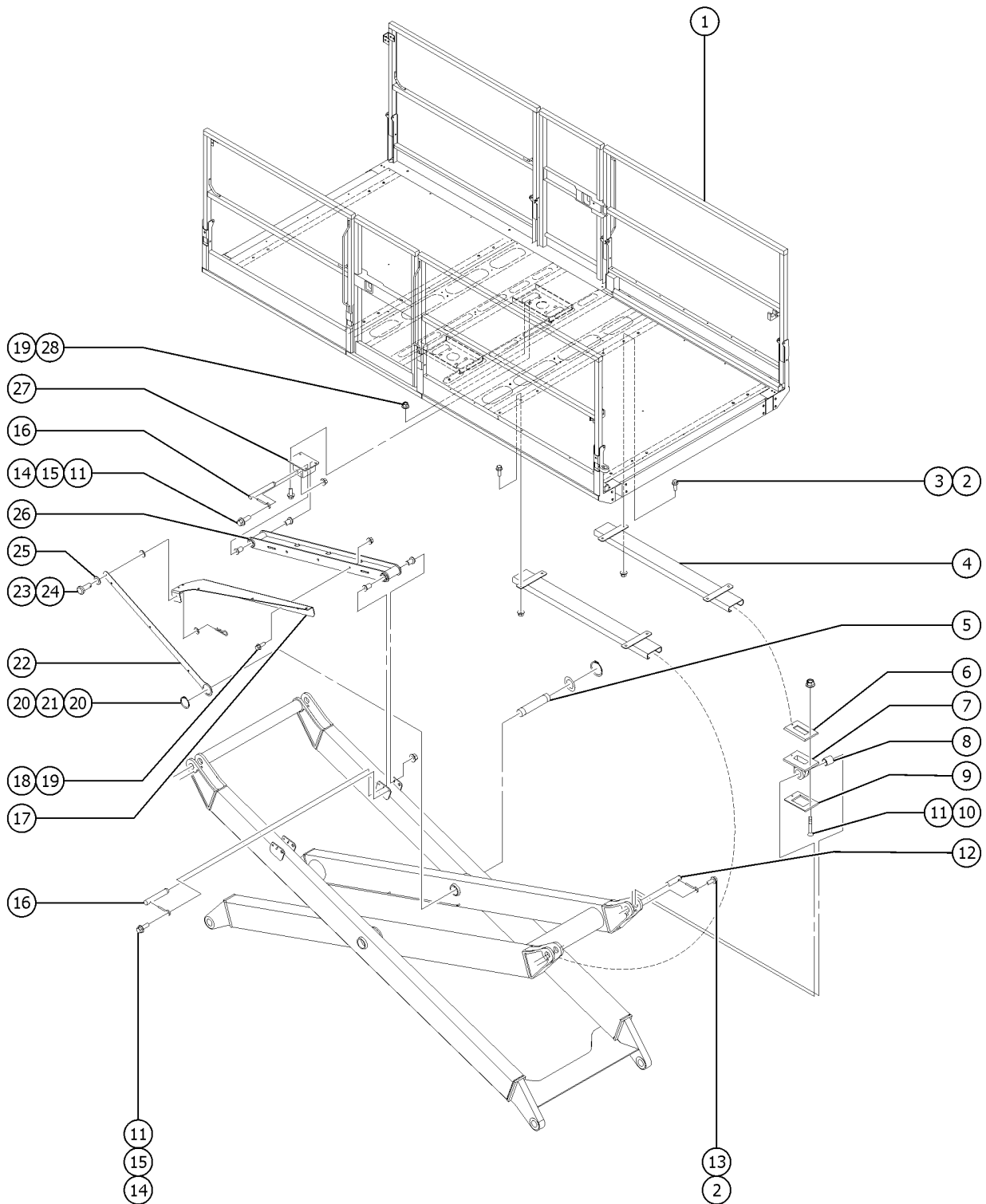
601.3 Platform Installation, GS-4390



Item	Part No.	Description	Qty.
W	115002GT	PLAT ASSY W/W DEC, 43 1DECK,AN GS-4390 (models with 1 extension deck) (Assemblies with Word Decals) (Usa and Canadian models) (Complete)
X	115006GT	PLAT ASSY W/W DEC, 43 2DECK,AN GS-4390 (models with 2 extension decks) (Assemblies with Word Decals) (Usa and Canadian models) (Complete)
Y	115010GT	PLAT ASSY W/W DEC, 43 1DECK,AU GS-4390 (models with 1 extension deck) (Australian models) (Complete)
Z	115014GT	PLAT ASSY W/W DEC, 43 2DECK,AU GS-4390 (models with 2 extension deck) (Australian models) (Complete)
AA	84486GT	PLAT ASSY W/CE SY DEC,43 1DECK GS-4390 (models with 1 extension deck) (Assemblies with Word Decals) (European models)
AB	84487GT	PLAT ASSY W/CESY DEC,43 EX CAP GS-4390 (models with extra capacity option) (Assemblies with Word Decals) (European models)	..
AC	1290363GT	PLATFORM ASSEMBLY COMPLETE, GS4390 DUAL DECK, CE GS-4390 (models with 2 extension decks) (Assemblies with Symbol Decals) (European models)	...
AD	84505GT	PLAT ASSY,W/CESY DEC,43 SUDECK GS-4390 (models with super extension deck) (Assemblies with Word Decals) (European models)	..
AE	84483GT	PLAT ASSY W/SY DEC,43 1DECK,AN GS-4390 (models with 1 extension deck) (Asian and South American models)
AF	84496GT	PLAT ASSY W/SY DEC,43 2DECK,AN GS-4390 (models with 2 extension decks) (Asian and South American models)
1J	84756GT	PLAT MAIN DECK ASSY,ANSI,4390 GS-4390 (USA and Canadian models)	1
1K	84757GT	PLAT MAIN DECK ASSY,AUS,4390 GS-4390 (Australian models)	1
1M	84762GT	PLAT MAIN DECK ASSY,CESYM,4390 GS-4390 (European models)	1
1N	84763GT	PLAT MAIN DECK ASSY,CESYM,4390 GS-4390 (models with extra capacity option) (European models)	1
1P	84760GT	PLAT MAIN DECK ASSY,SYM,4390 GS-4390 (Asian and South American models)	1
2	1255469GT	SCREW,HHF,1/2-13X1.25,8,ZAG
3	1251997GT	NUT,TL FLG,1/2-13,G,ZAG
4	55713GT	WELD,SLIDER CHANNEL,PLTFRM****	4
5B	51669GT	PIN,2.25DIAX11.29LG,2RING GS-4390	8
6	71126GT	WEARPAD, LINK SLIDER, BOTTOM	8
7		Ref. Link Slider Assembly (refer to 501.1)
8B	55761GT	BEARING,1.75IDX2.00ODX2.25L GS-4390	20
9	112004GT	WEARPAD,LINK SLIDER,GS90 (7.5 x 5.1 x 0.31 inch)	8
10	1260024GT	SCREW,FHPM,1/4-20X1.75,ZAG
11	824027GT	NUT,TL FLG,1/4-20,G,ZAG
12B	51901GT	PIN,1.75DIAX5.75LG,CHAMFER GS-4390	20



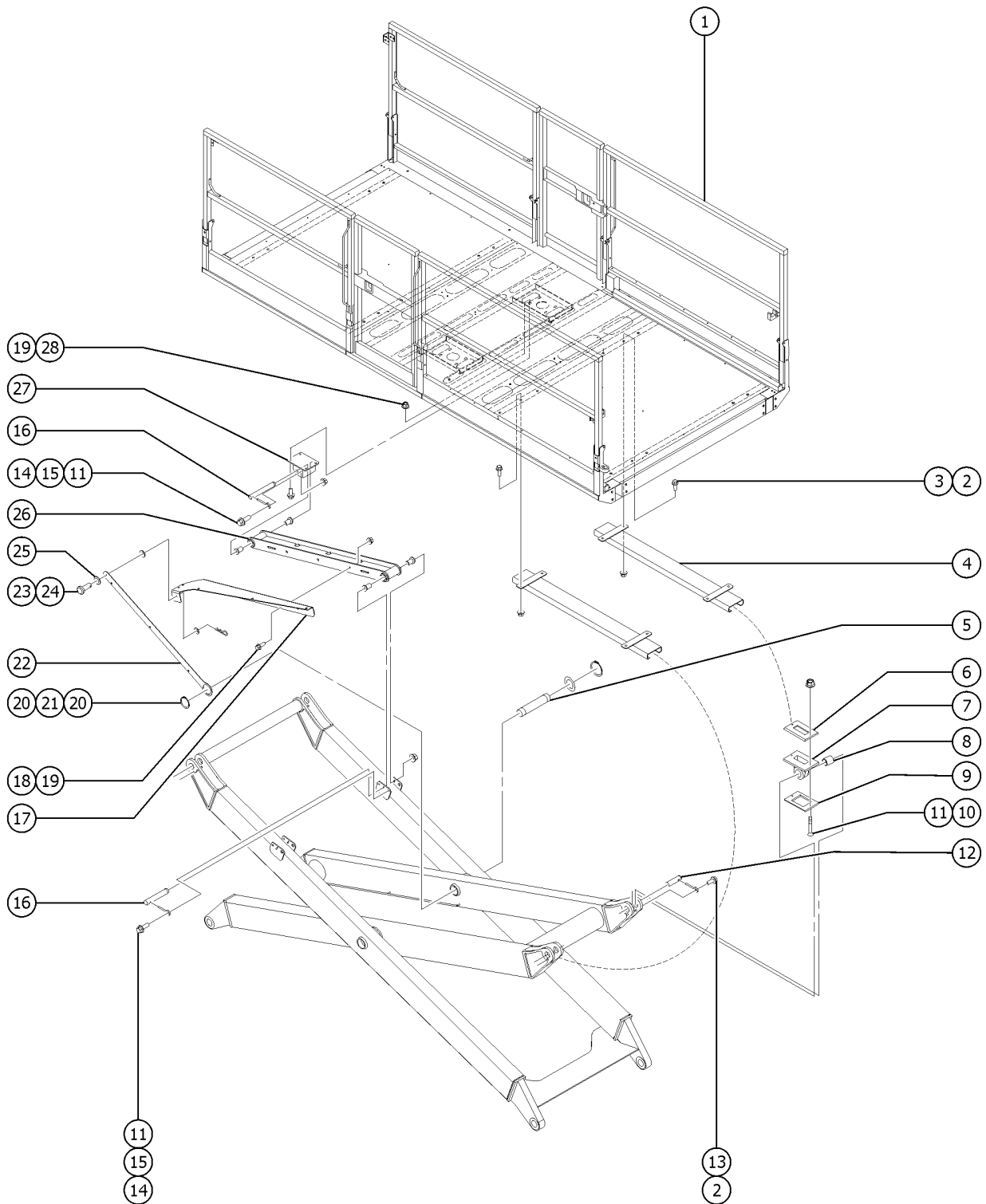
601.3 Platform Installation, GS-4390



<i>Item</i>	<i>Part No.</i>	<i>Description</i>	<i>Qty.</i>
13	1256267GT	ROD END,.5 X 3.75,ZAG	28
14	824079GT	SCREW,HHF,1/4-20X1,8,ZAG	
15B	825020GT	ROD END,.250X2.75,ZAG	8
		GS-4390	
16A	71168GT	PIN,0.75DIAX5.35LG,CHAMFER	7
		GS-3384, GS-3390 and GS-4390	
18	824090GT	SCREW,HHF,3/8-16X1,8,ZAG	
19	824029GT	NUT,TL FLG,3/8-16,G,ZAG	
20B	1254639GT	SNAP RING,EXTERNAL,2.25,ZAG	16
		GS-4390	
21	1257080GT	WASHER,FLAT,2.27X3.5X.06,ZAG	
26		Ref. Centering Link Assembly	
		(refer to 501.1)	
27	47851GT	WELDMENT,LINK ANCHOR PLATFORM	2
28	824091GT	SCREW,HHF,3/8-16X1.25,8,ZAG	



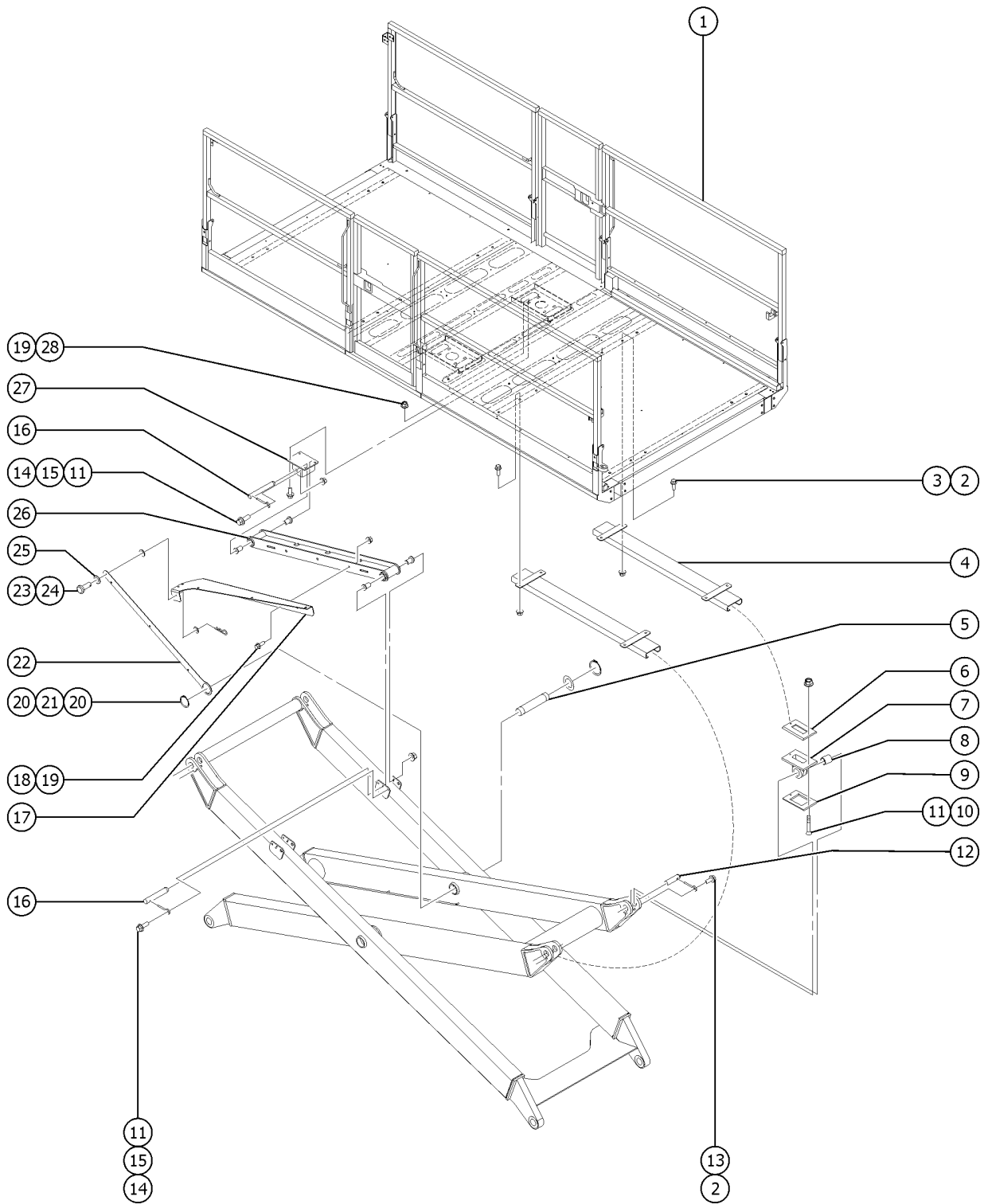
601.4 Platform Installation, GS-5390



Item	Part No.	Description	Qty.
AG	115003GT	PLAT ASSY W/W DEC, 53 1DECK,AN GS-5390 (models with 1 extension deck; Assemblies with Word Decals; Usa and Canadian models) (Complete)
AH	115007GT	PLAT ASSY W/W DEC, 53 2DECK,AN GS-5390 (models with 2 extension decks; Assemblies with Word Decals; Usa and Canadian models) (Complete)
AJ	115011GT	PLAT ASSY W/W DEC, 53 1DECK,AU GS-5390 (models with 1 extension deck; Australian models) (Complete)
AK	115015GT	PLAT ASSY W/W DEC, 53 2DECK,AU GS-5390 (models with 2 extension deck; Australian models) (Complete)
AM	84488GT	PLAT ASSY W/CE SY DEC,53 1DECK GS-5390 (models with 1 extension deck; Assemblies with Word Decals; European models)
AN	71572-SGT	GS90 PLATFORM,DUAL EXT. DECK GS-5390 (models with 2 extension decks; Assemblies with Word Decals; European models)
AP	84506GT	PLAT ASSY W/CESY DEC,53,SUDECK GS-5390 (models with super extension deck; Assemblies with Word Decals; European models)
AR	1290335GT	PLATFORM ASSEMBLY COMPLETE, GS5390 SINGLE DECK, ANSI SYMBOL GS-5390 (models with 1 extension deck; Asian and South American models)
AS	84497GT	PLAT ASSY W/SY DEC,53 2DECK,AN GS-5390 (models with 2 extension decks; Asian and South American models)
1R	84758GT	PLAT MAIN DECK ASSY,ANSI,5390 GS-5390 (USA and Canadian models)	1
1S	84759GT	PLAT MAIN DECK ASSY,AUS,5390 GS-5390 (Australian models)	1
1T	84764GT	PLAT MAIN DECK ASSY,CESYM,5390 GS-5390 (European models)	1
1U	84761GT	PLAT MAIN DECK ASSY,SYM,5390 GS-5390 (Asian and South American models)	1
2	1255469GT	SCREW,HHF,1/2-13X1.25,8,ZAG
3	1251997GT	NUT,TL FLG,1/2-13,G,ZAG
4	55713GT	WELD,SLIDER CHANNEL,PLTFRM****	4
5C	51669GT	PIN,2.25DIA X11.29LG,2RING GS-5390	10
6	71126GT	WEARPAD, LINK SLIDER, BOTTOM	8
7		Ref. Link Slider Assembly (refer to 501.1)
8C	55761GT	BEARING,1.75IDX2.00ODX2.25L GS-5390	24
9	112004GT	WEARPAD,LINK SLIDER,GS90 (7.5 x 5.1 x 0.31 inch)	8
10	1260024GT	SCREW,FHPM,1/4-20X1.75,ZAG
11	824027GT	NUT,TL FLG,1/4-20,G,ZAG
12C	51901GT	PIN,1.75DIA X5.75LG,CHAMFER GS-5390	24
13	1256267GT	ROD END,.5 X 3.75,ZAG	28
14	824079GT	SCREW,HHF,1/4-20X1,8,ZAG
15C	825020GT	ROD END,.250X2.75,ZAG GS-5390	14



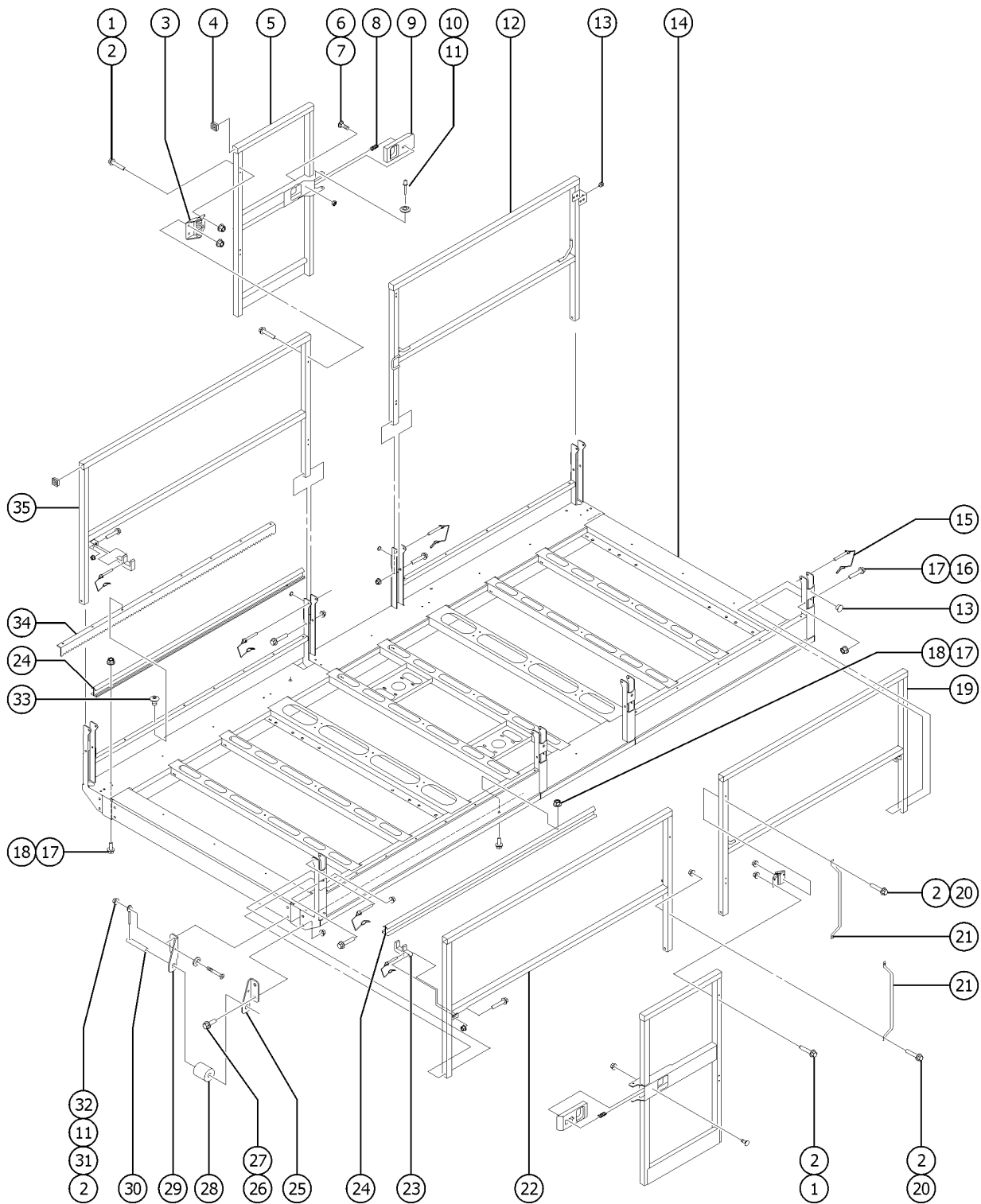
601.4 Platform Installation, GS-5390



<i>Item</i>	<i>Part No.</i>	<i>Description</i>	<i>Qty.</i>
16B	71168GT	PIN,0.75DIA X 5.35LG, CHAMFER GS-5390	6
17	1254320GT	FORMING, CABLE BRIDGE, TOP LT GS-5390	1
18	824090GT	SCREW, HHF, 3/8-16 X 1.8, ZAG	
19	824029GT	NUT, TL FLG, 3/8-16, G, ZAG	
20C	1254639GT	SNAP RING, EXTERNAL, 2.25, ZAG GS-5390	20
21	1257080GT	WASHER, FLAT, 2.27 X 3.5 X .06, ZAG	
22	1254318GT	PLATE, CABLE BRIDGE, TOP GS5390 GS-3384, GS-3390 and GS-5390	1
23	1259687GT	PIN, CLEVIS, .313 X .75, ZAG GS-3384, GS-3390 and GS-5390	
24	1259690GT	CLIP, HAIR PIN, .080 X 1.19, .25-.3 GS-3384, GS-3390 and GS-5390	
25	79134GT	WASHER, NYLON .35 X .98 X .065 GS-3384, GS-3390 and GS-5390	
26		Ref. Centering Link Assembly (refer to 501.1)	
27	47851GT	WELDMENT, LINK ANCHOR PLATFORM	2
28	824091GT	SCREW, HHF, 3/8-16 X 1.25, 8, ZAG	



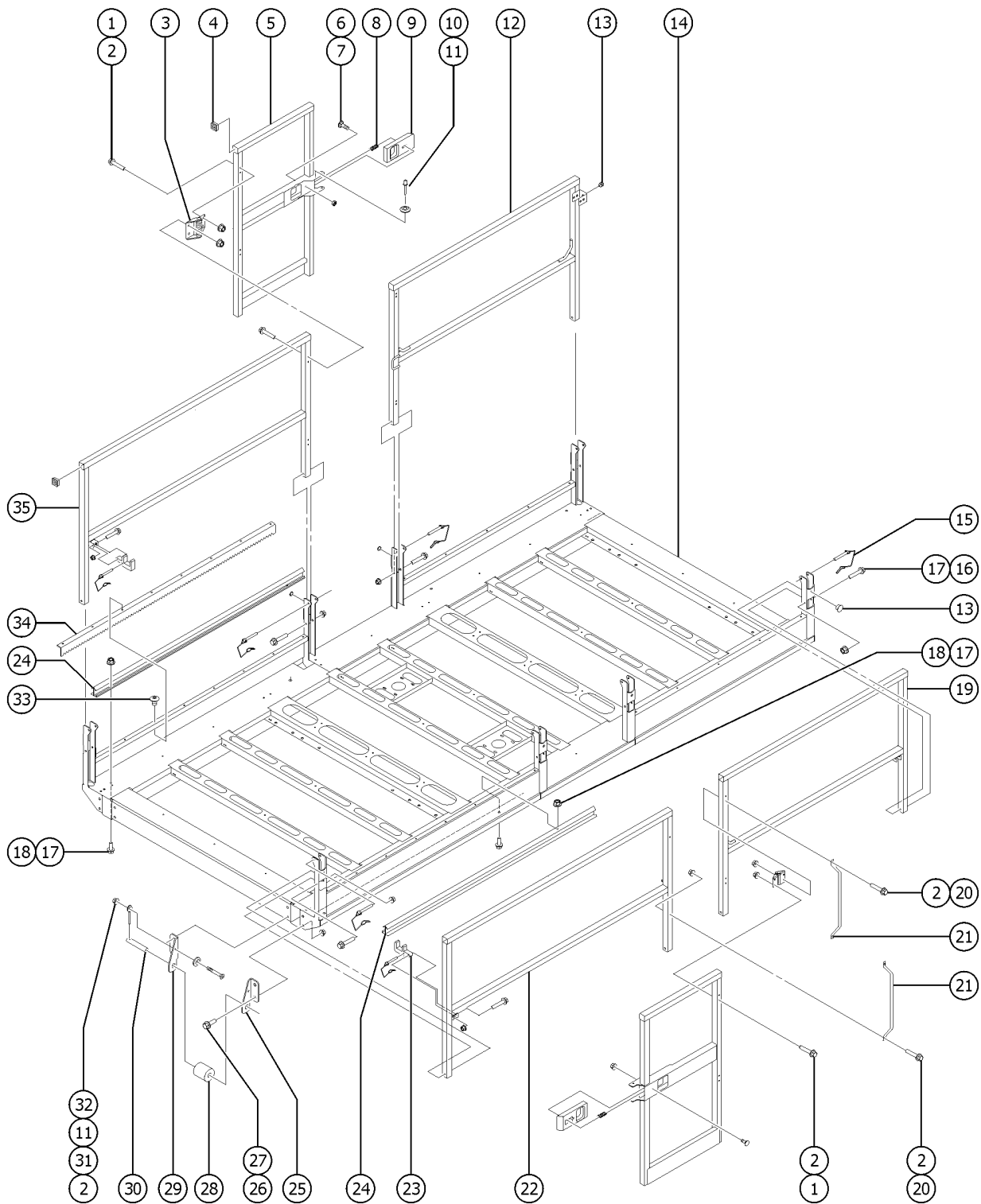
602.1 Platform Rails and Entry Gate



Item	Part No.	Description	Qty.
1	1257866GT	SCREW,HHF,1/4-20X2.25,8,ZAG	
2	824027GT	NUT,TL FLG,1/4-20,G,ZAG	
3	104804GT	HINGE, SPRING, LONG LEG	4
4	79355GT	PLUG,TUBE,SQ 1.50X.065	16
5	84153GT	ENTRY GATE ASSEMBLY*** (includes items 2, 4, and 6-10)	2
6	1258623GT	BOLT,CARRIAGE,3/8-16X2.0,5,ZAG	1
7	824038GT	NUT, TL JAM, 3/8-16, A, ZAG	1
8	22446GT	SPRING,COMPRESSION .835 X 2	2
9	112543GT	SLIDER, GATE CATCH	2
10	87085GT	RIVET,ALUM,P.,188 X .25	2
11	47793GT	BUMPER, MODULE TRAY	4
12A	84150GT	MAIN PLAT SR ASSY RR,1 DECK (models with single extension deck tank side)	1
12B	84189GT	GS90 MAIN PLAT SR ASSY REAR (models with dual or super extension deck tank side)	1
13	47478GT	BUMPER, RUBBER, 1"OD X .461H	12
14		Ref. Platform Deck Assembly	
		(refer to 601.1)	
15	1259182GT	PIN,WIRE LOCK 3/8 X 2.5,ZAG	8
		(lanyard not included)	
15-	78022GT	LANYARD,BLACK NYLON,TYPE 1*** CE and Australia (sold seperately)	
16	824094GT	SCREW,HHF,3/8-16X2.75,8,ZAG	
17	824029GT	NUT,TL FLG,3/8-16,G,ZAG	
18	824090GT	SCREW,HHF,3/8-16X1,8,ZAG	
19A	84152GT	MAIN PLAT SR ASSY RT LR,1 DECK (models without extension deck or with single extension deck ground controls side)	1
19B	84151GT	MAIN PLAT SR ASSY LR,2/SUP DK (models with dual or super extension deck ground controls side)	1
20	824083GT	SCREW,HHF,1/4-20X2.5,8,ZAG	
21	87014GT	GRAB HANDLE,STEEL,COATED	4
22	87328-SGT	WELDMENT,SIDERAIL,LF,5FT DECK* (ground controls side)	1
23	71376GT	RAIL SPACER, GS90	2
24	71958GT	V-ROLLER TRACK,ALUM, 5FT	2
25A	71338GT	FORMING,LEFT ROLLER BRKT GS90 (models without extension deck or with single extension deck)	2



602.1 Platform Rails and Entry Gate

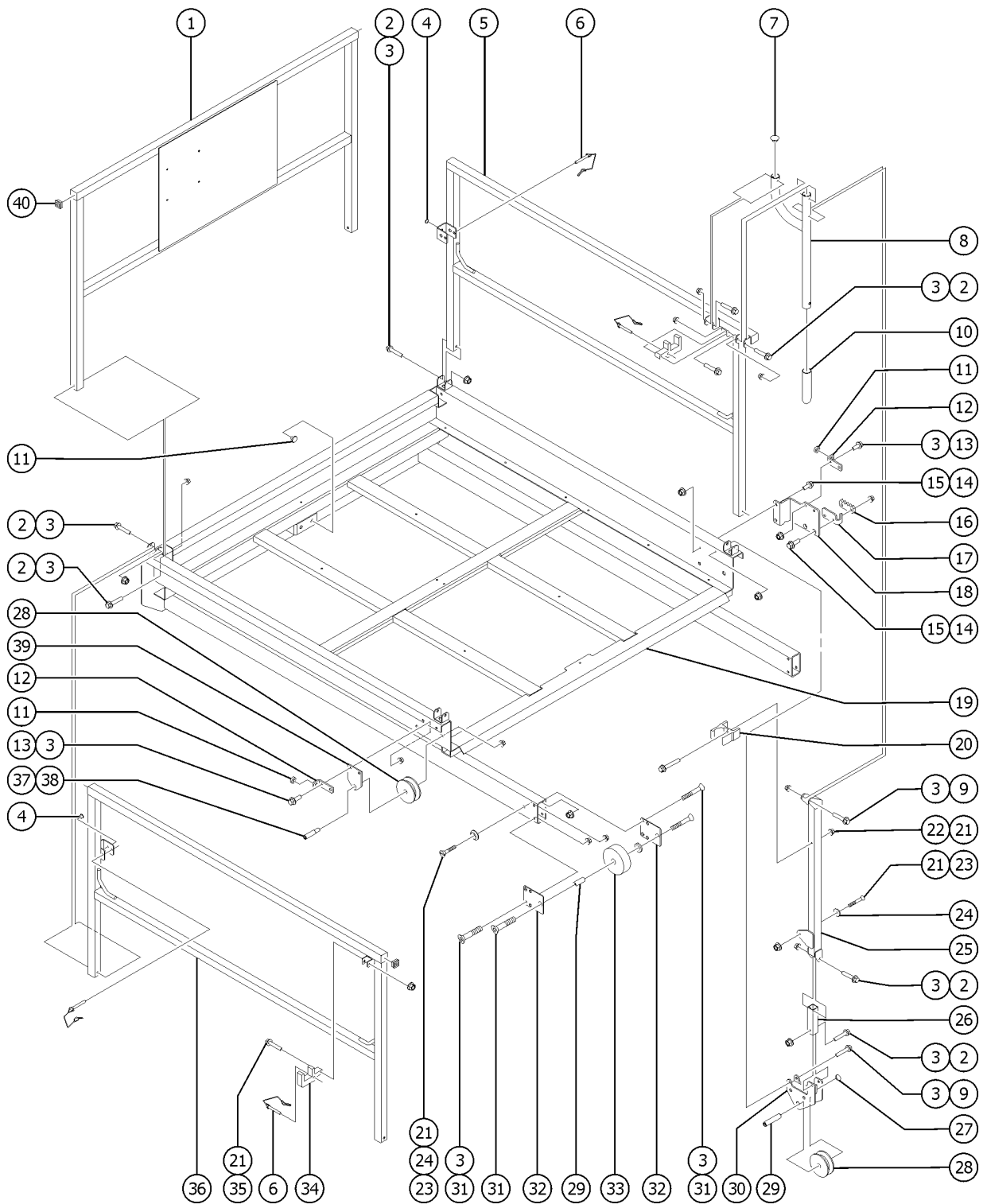


602.1 Platform Rails and Entry Gate

<i>Item</i>	<i>Part No.</i>	<i>Description</i>	<i>Qty.</i>
25B	79338GT	FORMING,ROLLER BRKT LH, SUPER (models with dual or super extension deck)	2
26	824091GT	SCREW,HHF,3/8-16X1.25,8,ZAG	
27	1251997GT	NUT,TL FLG,1/2-13,G,ZAG	
28	55490GT	ROLLER, MAIN PLAT EXT DECK	2
29A	71339PGT	BRACKET RREAR ROLLER 4390 (models without extension deck or with single extension deck)	2
29B	79338GT	FORMING,ROLLER BRKT LH, SUPER (models with dual or super extension deck)	2
30	51972GT	PIN, 0.75 X 4.25 LG,1HOLE	2
31	825020GT	ROD END,.250X2.75,ZAG	2
32	1260704GT	SCREW,FHS,1/4-20X1,F835,ZAG	
33	824207GT	RIVET, STL, STL, DOME, 1/4 X .375, ZAG	
34	71389GT	FORMING,EXT DECK LOCK TOOTH	1
35	87325GT	WELDMENT,SIDERAIL,RF,5FT DECK* (fuel tank side)	1



603.1 Platform Extension Deck, Steer End

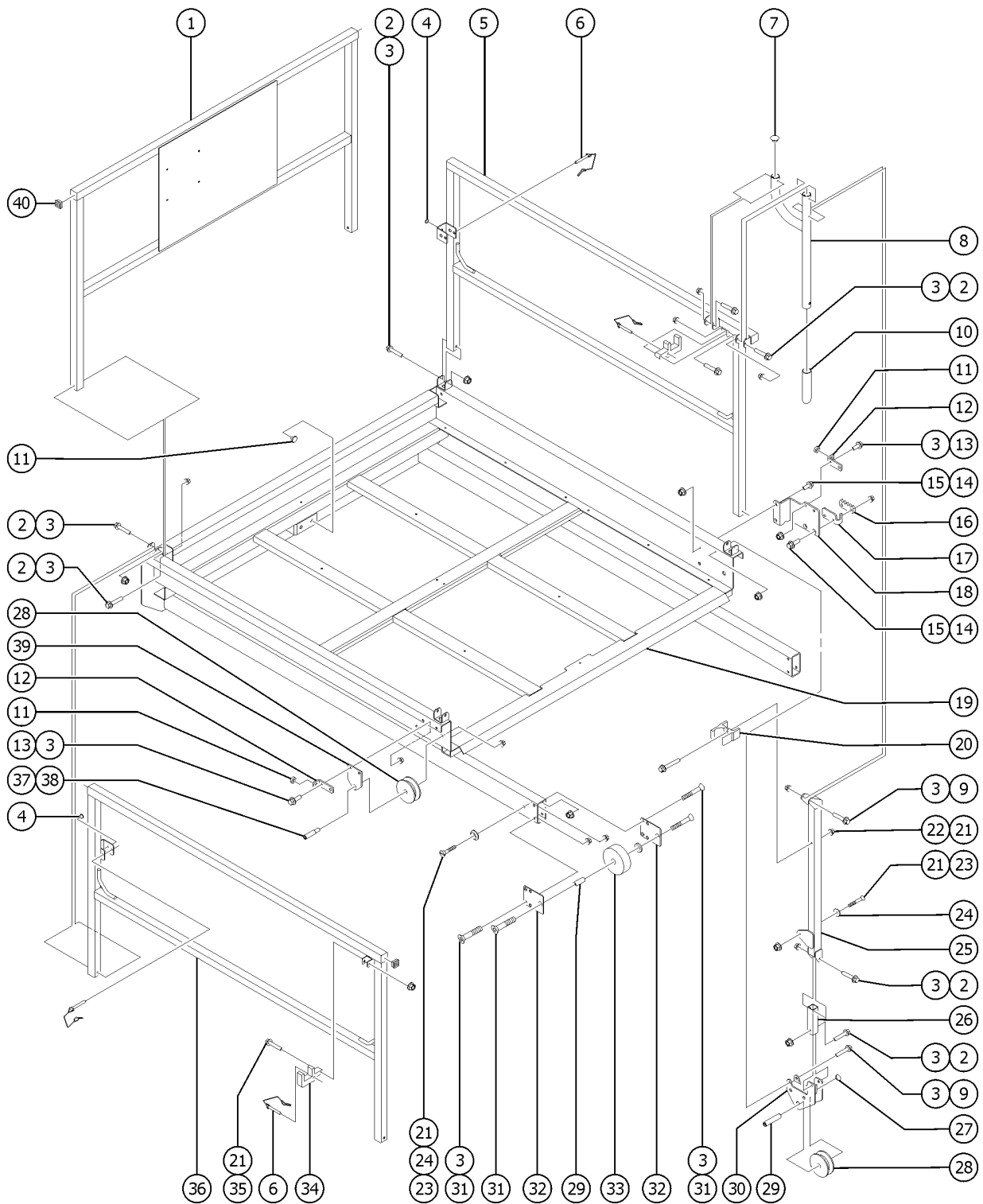


603.1 Platform Extension Deck, Steer End

Item	Part No.	Description	Qty.
A	64014GT	5 FT EXTENSION DECK ASSY, GS90 (with rails. does not include decals or instruction box. refer to Section 1)	
B	79313GT	WELDMENT, SUPER EXT PLAT, 5 FT (with rails. does not include decals or instruction box. refer to Section 1)	
1	84753GT	PLAT EXT DECK END RAIL ASSY WO (USA, Canada and Australia)	1
1B	84754GT	PLAT EXT DECK END RAIL ASSY SY (Europe, Asia and South America)	1
2	1256856GT	SCREW,HHF,3/8-16X2.5,8,ZAG	
3	1274322GT	NUT,NYLOCK FLG,3/8-16,G,ZAG for inside extension deck frame near 51995 wheel	8
3B	824029GT	NUT,TL FLG,3/8-16,G,ZAG all other locations	
4	47478GT	BUMPER, RUBBER, 1"OD X .461H	2
5	65934-SGT	FR EXT.DECK SR ASSY-RFRONT4390 (shown) (tank side)	1
5B	84193GT	SUPER EXTDECK SR ASSY STEER,RF (tank side)	1
6	1259182GT	PIN,WIRE LOCK 3/8 X 2.5,ZAG (lanyard not included)	6
6-	78022GT	LANYARD,BLACK NYLON,TYPE 1*** CE and Australia (sold seperately)	
7	55753GT	BUMPER, PLASTIC, 1.25 O.D.	2
8	104968-SGT	LOCK HANDLE ASSY,GS90*** (includes items 7 and 10)	1
9	824094GT	SCREW,HHF,3/8-16X2.75,8,ZAG	
10	51415GT	GRIP,HANDLE EXT PLATFORM LOCK	1
11	43392GT	BUMPER,BATTERY BOX & RAILS	4
12	71461PGT	BRACKET-EXTENSION STOP 4390	2
13	824091GT	SCREW,HHF,3/8-16X1.25,8,ZAG	
14	1255469GT	SCREW,HHF,1/2-13X1.25,8,ZAG	
15	1251997GT	NUT,TL FLG,1/2-13,G,ZAG	
16	87678GT	RACK,EXTENSION LOCK,GS90****	2
17	79898GT	FORMING,EXT DECK LATCH SPCR	1
18	71390GT	FORMING,EXT DECK TOOTH BRKT	1
19	71453GT	WELDMENT, EXT PLAT, 5 FT	1
19B	79313GT	WELDMENT, SUPER EXT PLAT, 5 FT	1
20	71545GT	CATCH CLIP, EXT. DECK ARM,GS90	1
21	824027GT	NUT,TL FLG,1/4-20,G,ZAG for 71378	1



603.1 Platform Extension Deck, Steer End

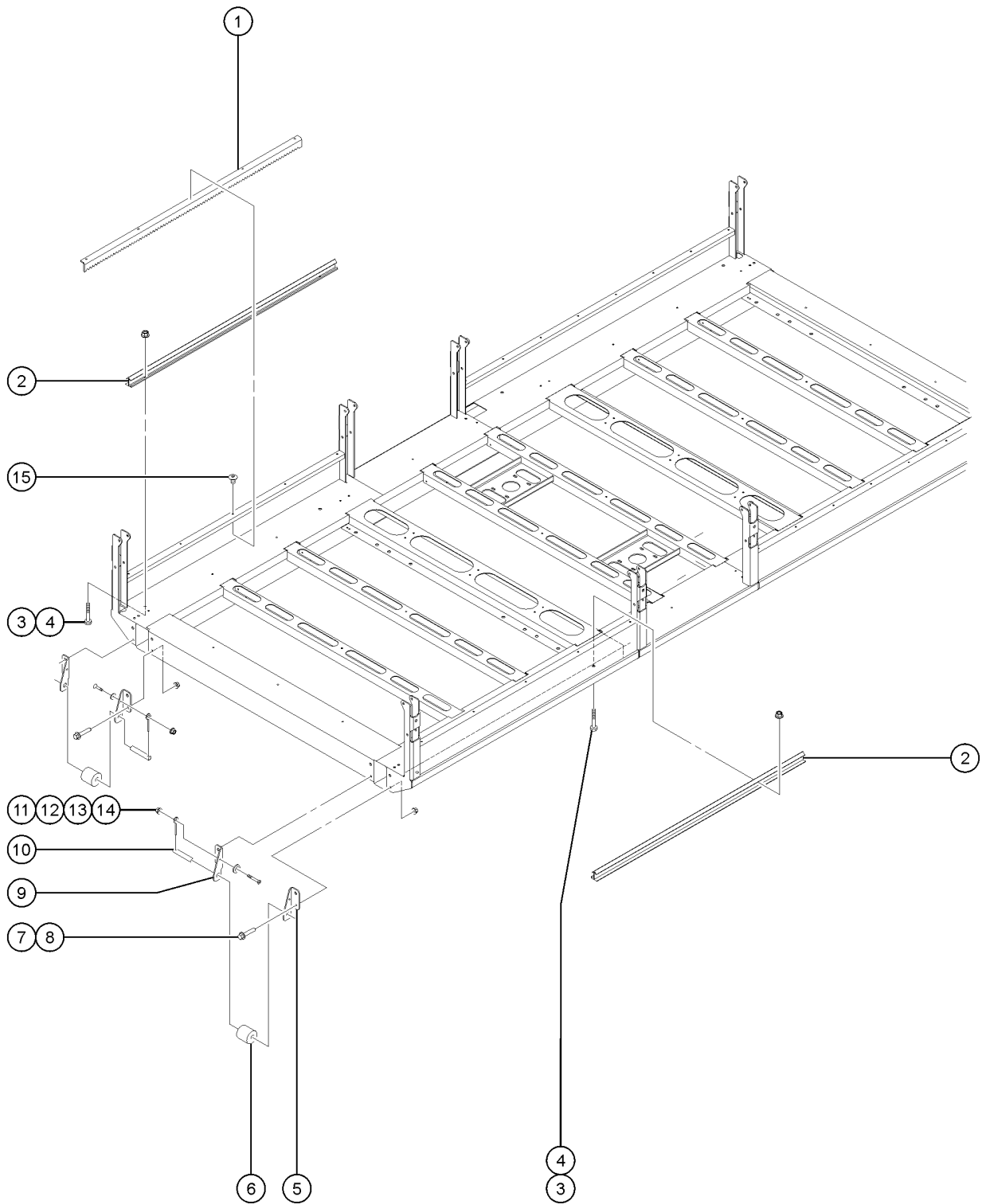


603.1 Platform Extension Deck, Steer End

Item	Part No.	Description	Qty.
21B	1274165GT	NUT,NYLOCK,1/4-20,C,ZAG for 71545	1
22	1257866GT	SCREW,HHF,1/4-20X2.25,8,ZAG	
23	1260704GT	SCREW,FHS,1/4-20X1,F835,ZAG	
24	47793GT	BUMPER, MODULE TRAY	5
25	71378PGT	WELDMENT, EXT DECK ACTUATOR	1
26	71419GT	TUBE, EXT DECK LATCH ROD, GS90	1
27	47502GT	BUMPER,1.25 INCH O.D.,SCISSORS	5
28	55665GT	V-ROLLER, EXT PLAT, GS90	1
		(left side)	
28B	131416GT	V-ROLLER,NARROW,EXT DECK	1
		(right side)	
29	51973GT	PIN, EXT ROLLER, GS90	3
30	71420GT	WELDMENT, ROLLER SWINGARM	1
31	1260703GT	SCREW,FHS,3/8-16X1,F835,ZAG	
32	55486GT	BRACKET, EXT PLAT ROLLER,GS90	4
33	51995GT	WHEEL, EXT PLAT ROLLER, GS90	2
34	71376GT	RAIL SPACER, GS90	
35	824082GT	SCREW,HHF,1/4-20X1.75,8,ZAG	
36	65935GT	FR EXT DECK SIDE RAIL ASSY,LF	1
		(ground controls side)	
36B	84194GT	SUPER EXTDECK SR ASSY STEER,LF	1
		(ground controls side)	
37	55870GT	PIN, V-ROLLER, GS90	1
38	1253319GT	NUT,TL FLG,5/8-11,G,ZAG	
39	55667GT	V-ROLLER HANGER BRACKET, GS90	1
40	79355GT	PLUG,TUBE,SQ 1.50X.065	7



604.1 Platform Extension Deck, Non-steer End, View 1, GS-3384, GS-3390

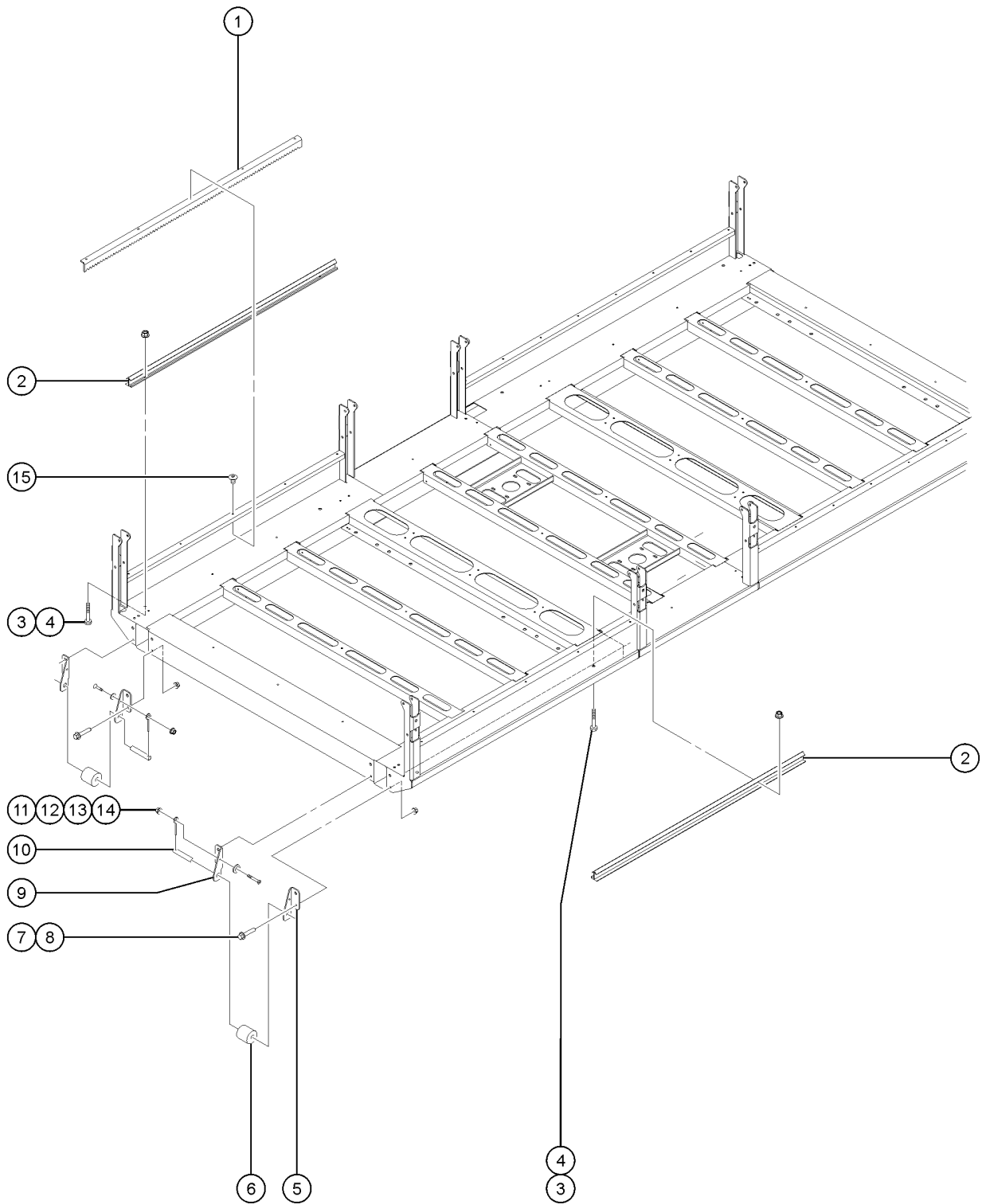


604.1 Platform Extension Deck, Non-steer End, View 1, GS-3384, GS-3390

Item	Part No.	Description	Qty.
1	71785GT	FORMING,EXT. DECK TOOTH, 4FT	1
2	71959GT	V-ROLLER TRACK,ALUM, 4FT	2
3	824067GT	SCREW, HHC, 3/8-16 X 1, 8, ZAG	4
4	824029GT	NUT,TL FLG,3/8-16,G,ZAG	4
5A	71338GT	FORMING,LEFT ROLLER BRKT GS90	2
5B	79344GT	FORMING,ROLLER BRKT RH,SUPER (models with super extension deck)	2
6	55490GT	ROLLER, MAIN PLAT EXT DECK	2
7	1255469GT	SCREW,HHF,1/2-13X1.25,8,ZAG	4
8	1251997GT	NUT,TL FLG,1/2-13,G,ZAG	4
9A	71339PGT	BRACKET RREAR ROLLER 4390	2
9B	79338GT	FORMING,ROLLER BRKT LH, SUPER (models with super extension deck)	2
10	51972GT	PIN, 0.75 X 4.25 LG,1HOLE	2
11	824027GT	NUT,TL FLG,1/4-20,G,ZAG	2
12A	825020GT	ROD END,.250X2.75,ZAG	11
		GS-3384 and GS-3390	
13	47793GT	BUMPER, MODULE TRAY	4
14	1260704GT	SCREW,FHS,1/4-20X1,F835,ZAG	2
15	824207GT	RIVET, STL, STL, DOME, 1/4 X .375, ZAG	



604.2 Platform Extension Deck, Non-steer End, View 1, GS-4390

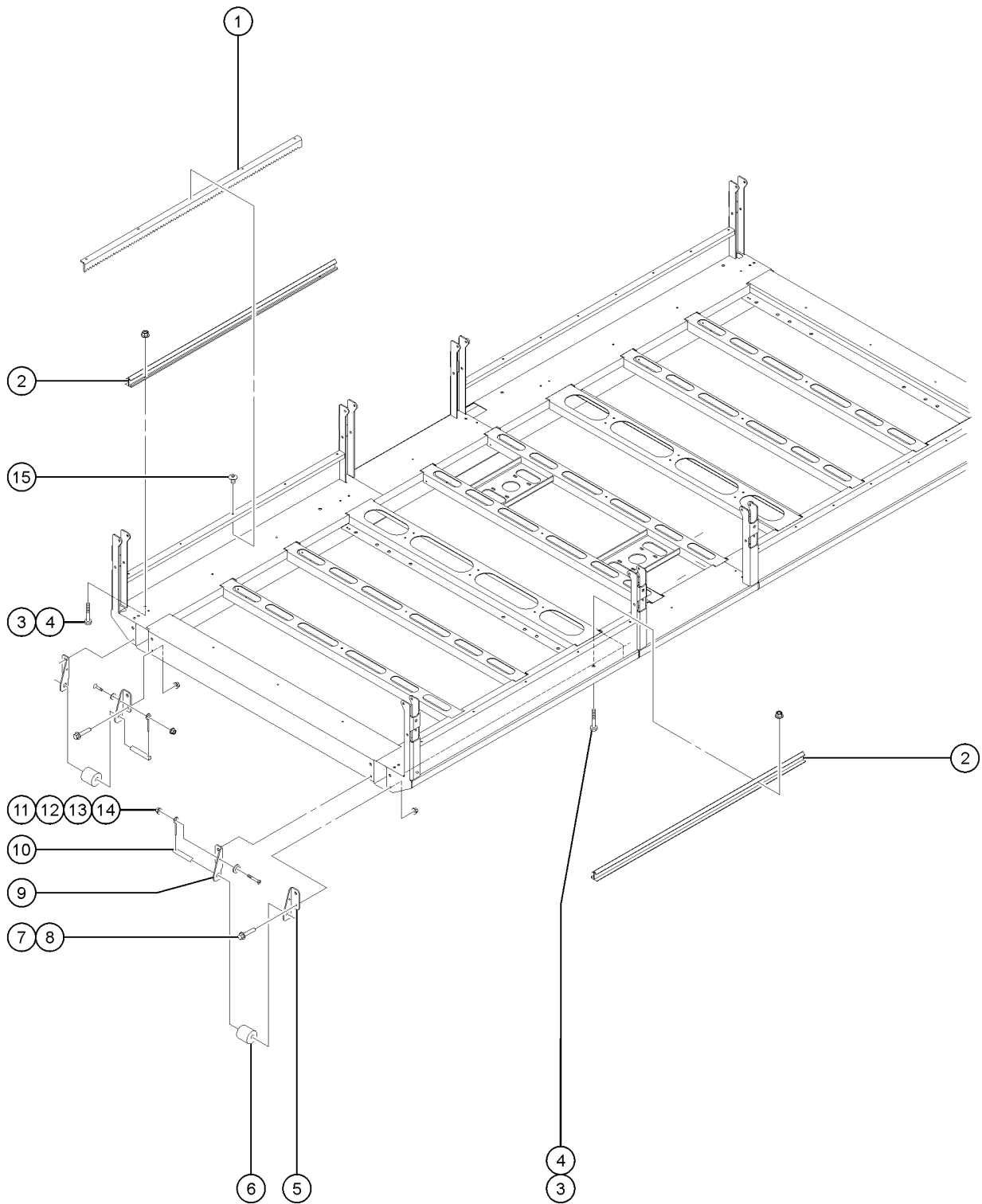


604.2 Platform Extension Deck, Non-steer End, View 1, GS-4390

Item	Part No.	Description	Qty.
1	71785GT	FORMING,EXT. DECK TOOTH, 4FT	1
2	71959GT	V-ROLLER TRACK,ALUM, 4FT	2
3	824067GT	SCREW, HHC, 3/8-16 X 1, 8, ZAG	4
4	824029GT	NUT,TL FLG,3/8-16,G,ZAG	4
5A	71338GT	FORMING,LEFT ROLLER BRKT GS90	2
5B	79344GT	FORMING,ROLLER BRKT RH,SUPER (models with super extension deck)	2
6	55490GT	ROLLER, MAIN PLAT EXT DECK	2
7	1255469GT	SCREW,HHF,1/2-13X1.25,8,ZAG	4
8	1251997GT	NUT,TL FLG,1/2-13,G,ZAG	4
9A	71339PGT	BRACKET RREAR ROLLER 4390	2
9B	79338GT	FORMING,ROLLER BRKT LH, SUPER (models with super extension deck)	2
10	51972GT	PIN, 0.75 X 4.25 LG,1HOLE	2
11	824027GT	NUT,TL FLG,1/4-20,G,ZAG	2
12B	825020GT	ROD END,.250X2.75,ZAG GS-4390	8
13	47793GT	BUMPER, MODULE TRAY	4
14	1260704GT	SCREW,FHS,1/4-20X1,F835,ZAG	2
15	824207GT	RIVET, STL, STL, DOME, 1/4 X .375, ZAG	



604.3 Platform Extension Deck, Non-steer End, View 1, GS-5390

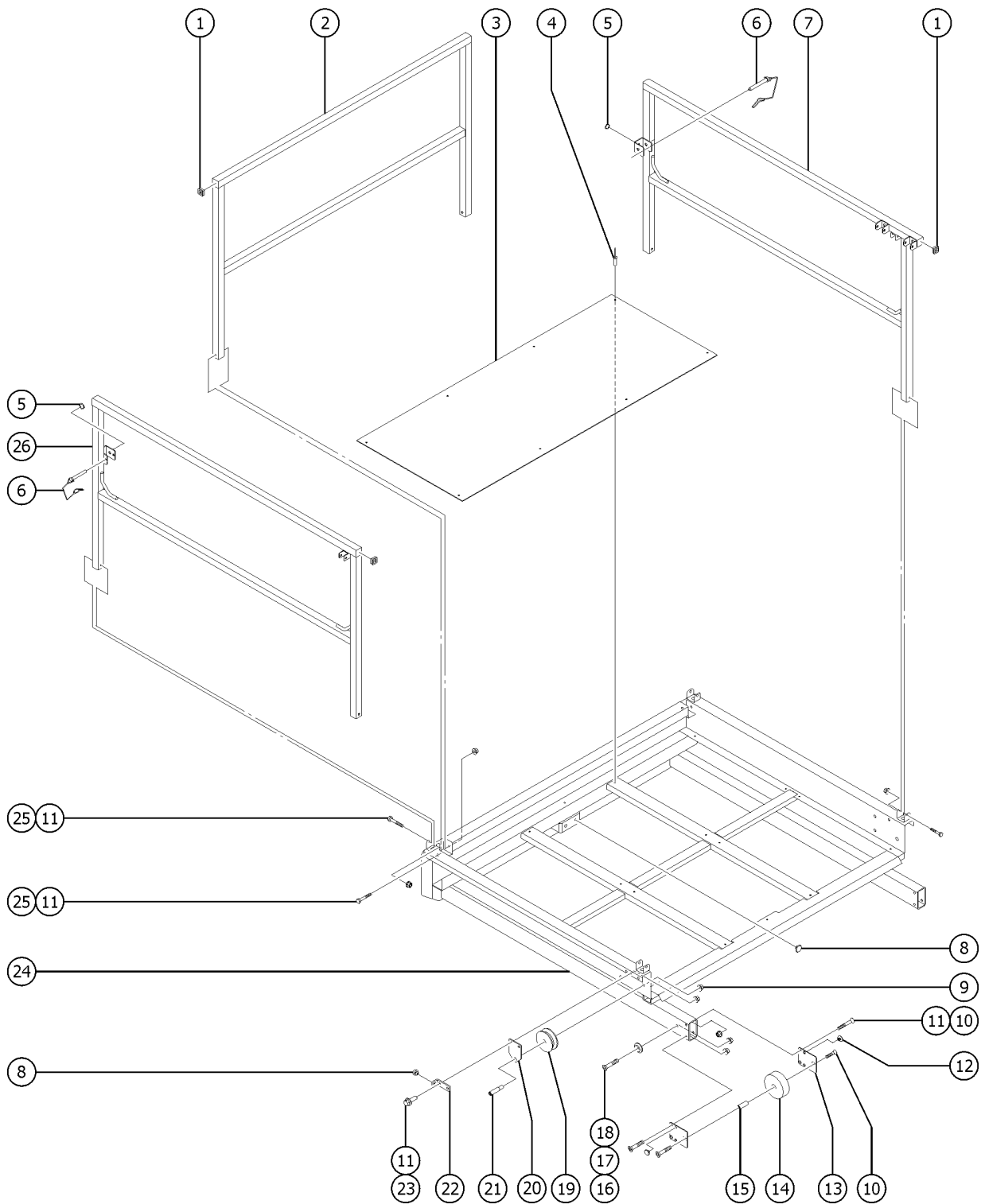


604.3 Platform Extension Deck, Non-steer End, View 1, GS-5390

Item	Part No.	Description	Qty.
1	71785GT	FORMING,EXT. DECK TOOTH, 4FT	1
2	71959GT	V-ROLLER TRACK,ALUM, 4FT	2
3	824067GT	SCREW, HHC, 3/8-16 X 1, 8, ZAG	4
4	824029GT	NUT,TL FLG,3/8-16,G,ZAG	4
5A	71338GT	FORMING,LEFT ROLLER BRKT GS90	2
5B	79344GT	FORMING,ROLLER BRKT RH,SUPER (models with super extension deck)	2
6	55490GT	ROLLER, MAIN PLAT EXT DECK	2
7	1255469GT	SCREW,HHF,1/2-13X1.25,8,ZAG	4
8	1251997GT	NUT,TL FLG,1/2-13,G,ZAG	4
9A	71339PGT	BRACKET RREAR ROLLER 4390	2
9B	79338GT	FORMING,ROLLER BRKT LH, SUPER (models with super extension deck)	2
10	51972GT	PIN, 0.75 X 4.25 LG,1HOLE	2
11	824027GT	NUT,TL FLG,1/4-20,G,ZAG	2
12C	825020GT	ROD END,.250X2.75,ZAG GS-5390	14
13	47793GT	BUMPER, MODULE TRAY	4
14	1260704GT	SCREW,FHS,1/4-20X1,F835,ZAG	2
15	824207GT	RIVET, STL, STL, DOME, 1/4 X .375, ZAG	



605.1 Platform Extension Deck, Non-steer End, View 2

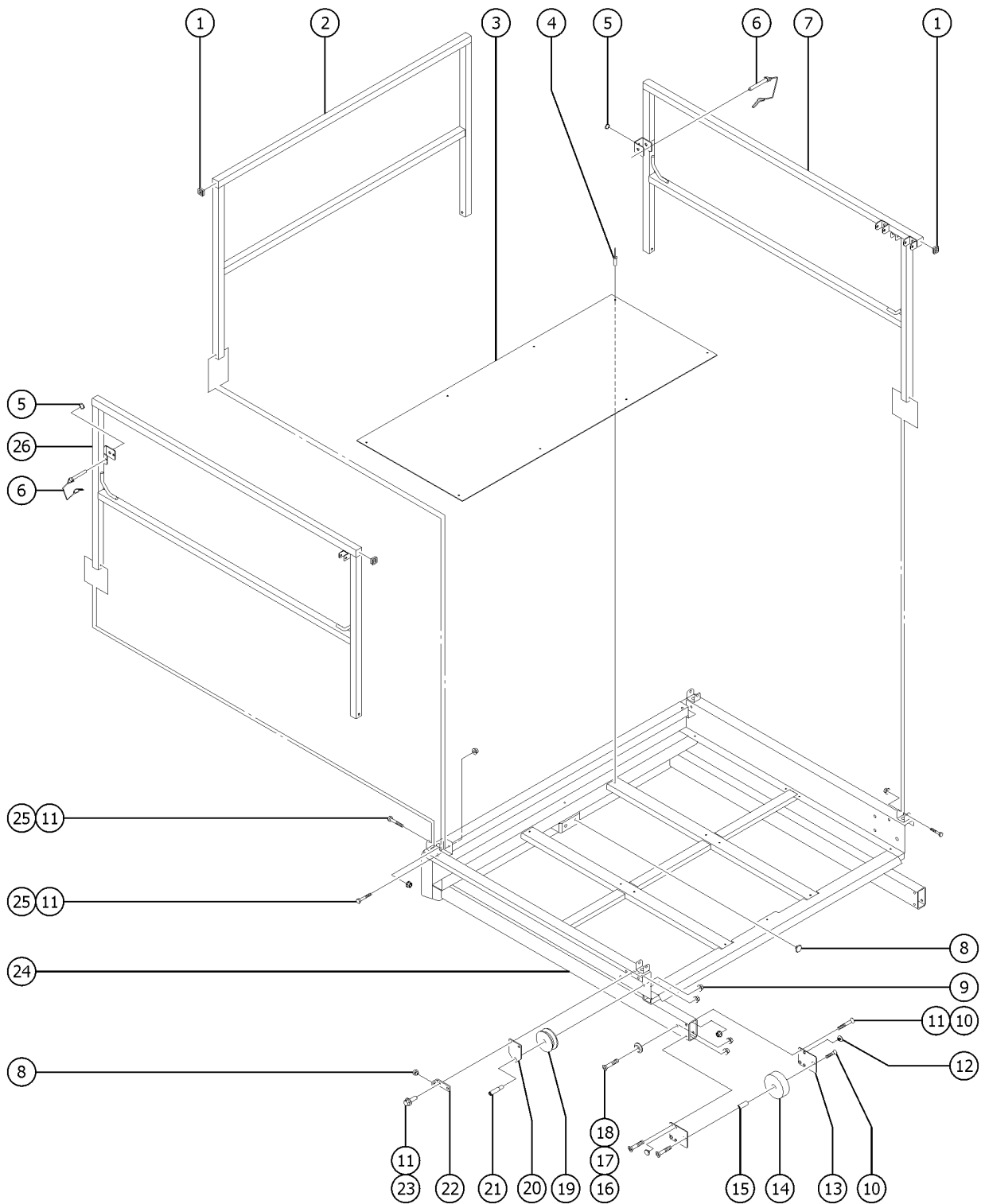


605.1 Platform Extension Deck, Non-steer End, View 2

Item	Part No.	Description	Qty.
1	79355GT	PLUG,TUBE,SQ 1.50X.065	6
2	87580GT	WELDMENT,EXT REAR RAIL,GS90**	1
3A	71776GT	EXT PLAT DECK, 4 FT, GS90	2
3B	79324GT	EXT PLAT DECK,4 FT SUPER super deck models (CE models only)	2
4	71315GT	RIVET,DRIVE, .25 X .25	16
5	47478GT	BUMPER, RUBBER, 1"OD X .461H	4
6	1259182GT	PIN,WIRE LOCK 3/8 X 2.5,ZAG (lanyard not included)	6
6-	78022GT	LANYARD,BLACK NYLON,TYPE 1*** CE and Australia (sold seperately)	
7	65883GT	PLAT EXT SR ASSY, NON-STEER, LH (Standard, Extension Side Rail) (ground controls side)	1
7-	84196GT	PLAT SUPER EXT SR ASSY LEFT (Super Deck, Extension Side Rail) (ground controls side)	1
8	43392GT	BUMPER,BATTERY BOX & RAILS	4
9	1253319GT	NUT,TL FLG,5/8-11,G,ZAG	
10	1260703GT	SCREW,FHS,3/8-16X1,F835,ZAG	
11	824029GT	NUT,TL FLG,3/8-16,G,ZAG	
12	47793GT	BUMPER, MODULE TRAY (0.266 x 1.25 x 0.25 inch)	4
13	55486GT	BRACKET, EXT PLAT ROLLER,GS90	4
14	51995GT	WHEEL, EXT PLAT ROLLER, GS90	2
15	51973GT	PIN, EXT ROLLER, GS90	3
16	1260704GT	SCREW,FHS,1/4-20X1,F835,ZAG	4
17	47793GT	BUMPER, MODULE TRAY	4
18	824027GT	NUT,TL FLG,1/4-20,G,ZAG	4
19	55665GT	V-ROLLER, EXT PLAT, GS90	1
20	55667GT	V-ROLLER HANGER BRACKET, GS90	1
21	55870GT	PIN, V-ROLLER, GS90	1
22	71461PGT	BRACKET-EXTENSION STOP 4390	2
23	824091GT	SCREW,HHF,3/8-16X1.25,8,ZAG	
24A	84197GT	PLATFORM EXT DECK ASSY REAR (includes items 3 and 4)	1
24B	84198GT	PLAT SUPER EXT DECK ASSY REAR (includes items 3 and 4) (models with super extension deck)	1



605.1 Platform Extension Deck, Non-steer End, View 2

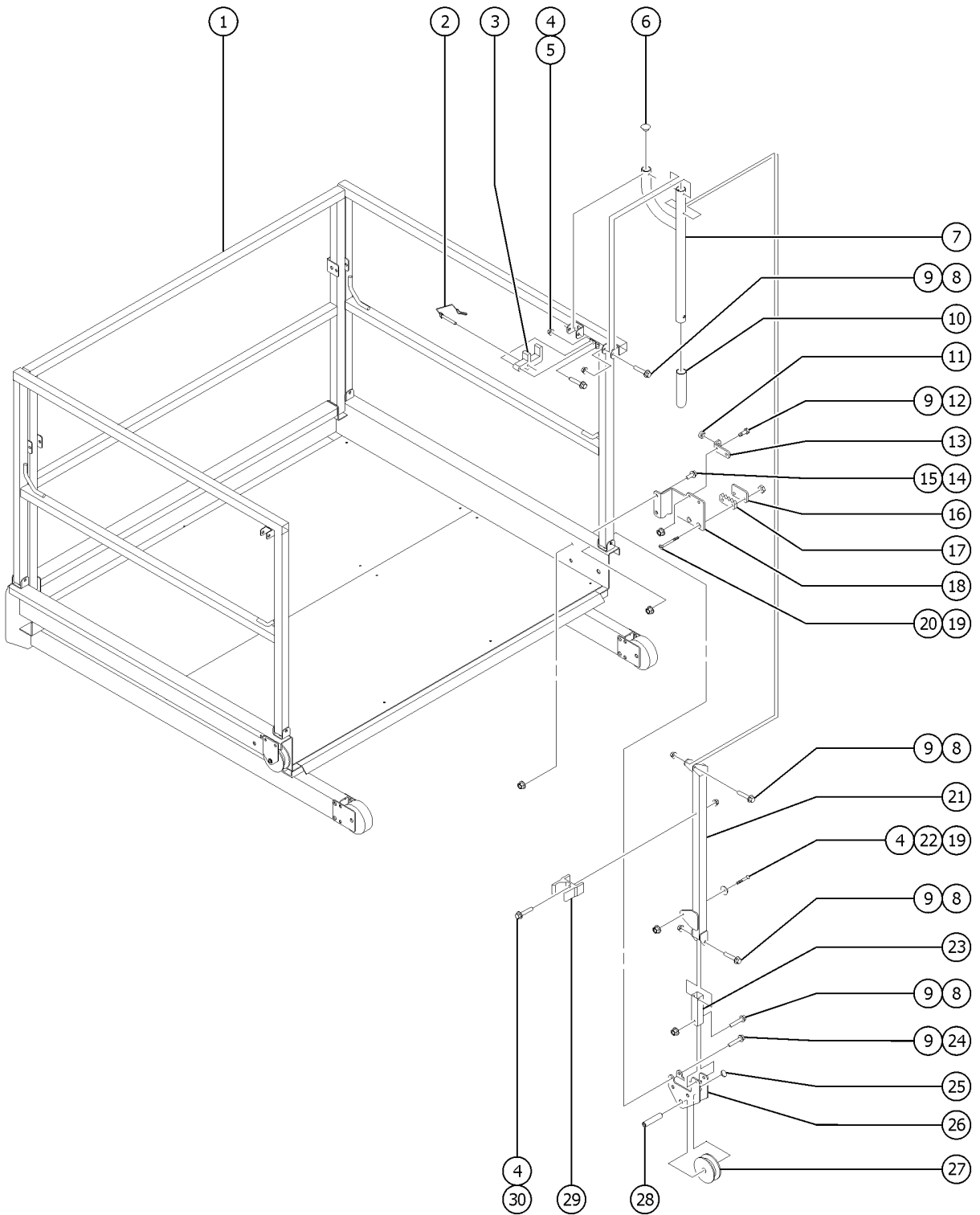


605.1 Platform Extension Deck, Non-steer End, View 2

<i>Item</i>	<i>Part No.</i>	<i>Description</i>	<i>Qty.</i>
25	1256848GT	SCREW,HHC,3/8-16X2.75,8,ZAG	
26	65884GT	PLAT EXT SR ASSY NON-STEER,RH	1
26-*	84195GT	PLAT EXT SR ASSY,NON-STEER	1



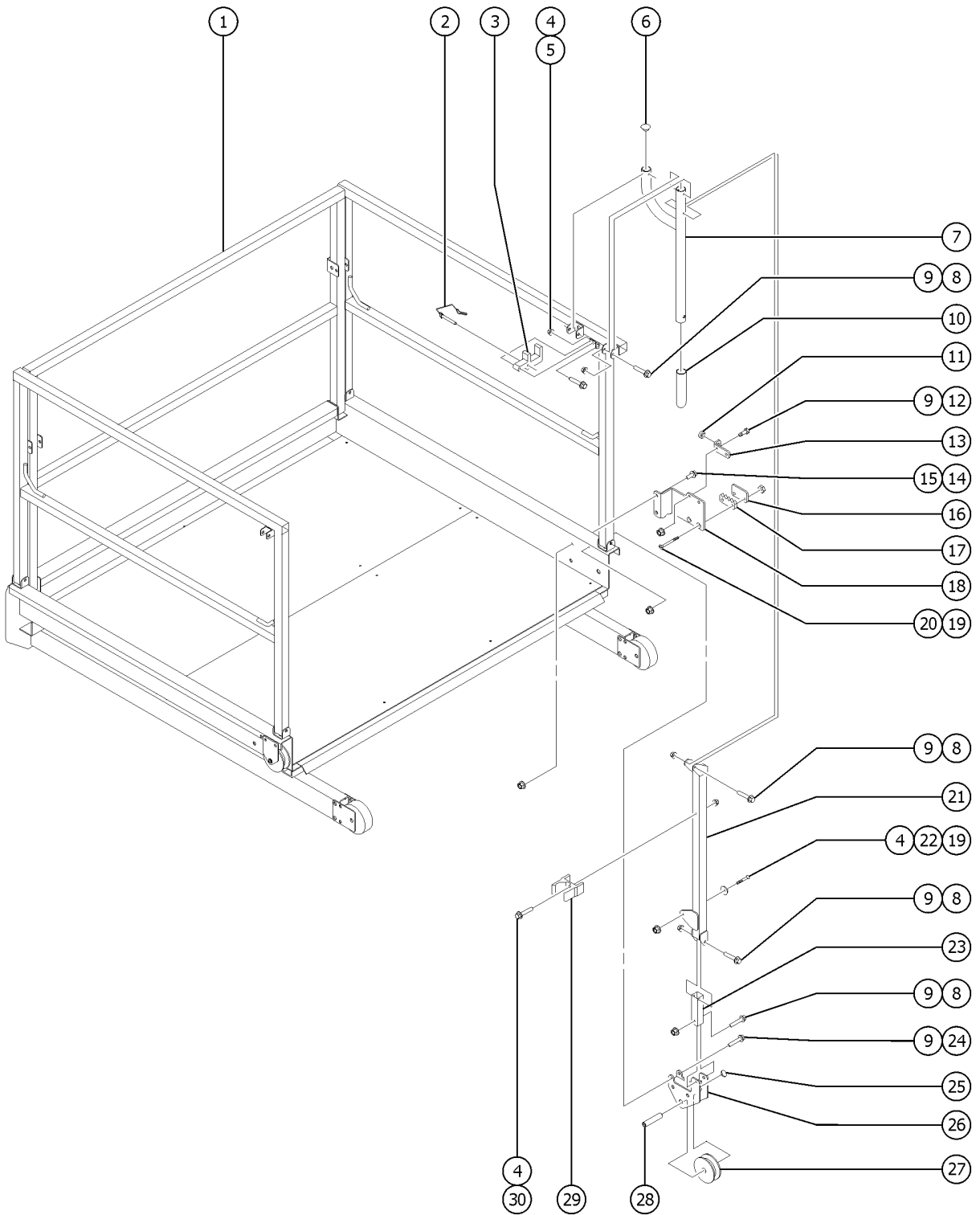
606.1 Platform Extension Deck, Non-steer End, View 3



Item	Part No.	Description	Qty.
1		Ref. Platform Super Extension Deck Assembly (refer to 605.1)	
2A	1259182GT	PIN,WIRE LOCK 3/8 X 2.5,ZAG (lanyard not included)	6
2B	78022GT	LANYARD,BLACK NYLON,TYPE 1*** CE and Australia (sold seperately)	6
3	71376GT	RAIL SPACER, GS90	2
4	824027GT	NUT,TL FLG,1/4-20,G,ZAG	
5	824082GT	SCREW,HHF,1/4-20X1.75,8,ZAG	
6	55753GT	BUMPER, PLASTIC, 1.25 O.D.	2
7		Ref. Lock Handle Assembly (refer to 603.1)	
8	1256856GT	SCREW,HHF,3/8-16X2.5,8,ZAG	
9	824029GT	NUT,TL FLG,3/8-16,G,ZAG	
10	51415GT	GRIP,HANDLE EXT PLATFORM LOCK	1
11	47478GT	BUMPER, RUBBER, 1"OD X .461H	4
12	824067GT	SCREW, HHC, 3/8-16 X 1, 8, ZAG	
13	71461PGT	BRACKET-EXTENSION STOP 4390	2
14	1255469GT	SCREW,HHF,1/2-13X1.25,8,ZAG	2
15	1251997GT	NUT,TL FLG,1/2-13,G,ZAG	2
16	79898GT	FORMING,EXT DECK LATCH SPCR	1
17	87678GT	RACK,EXTENSION LOCK,GS90****	2
18	71390GT	FORMING,EXT DECK TOOTH BRKT	1
19	1270664GT	SCREW,FHS,3/8-16-16X1.5,F835,ZAG	
20	824038GT	NUT, TL JAM, 3/8-16, A, ZAG	
21	71378PGT	WELDMENT, EXT DECK ACTUATOR	1
22	47793GT	BUMPER, MODULE TRAY (0.266 x 1.25 x 0.25 inch)	1
23	71419GT	TUBE, EXT DECK LATCH ROD, GS90	1
24	824094GT	SCREW,HHF,3/8-16X2.75,8,ZAG	1
25	47502GT	BUMPER,1.25 INCH O.D.,SCISSORS	5
26	71420GT	WELDMENT, ROLLER SWINGARM	1
27	131416GT	V-ROLLER,NARROW,EXT DECK	1



606.1 Platform Extension Deck, Non-steer End, View 3

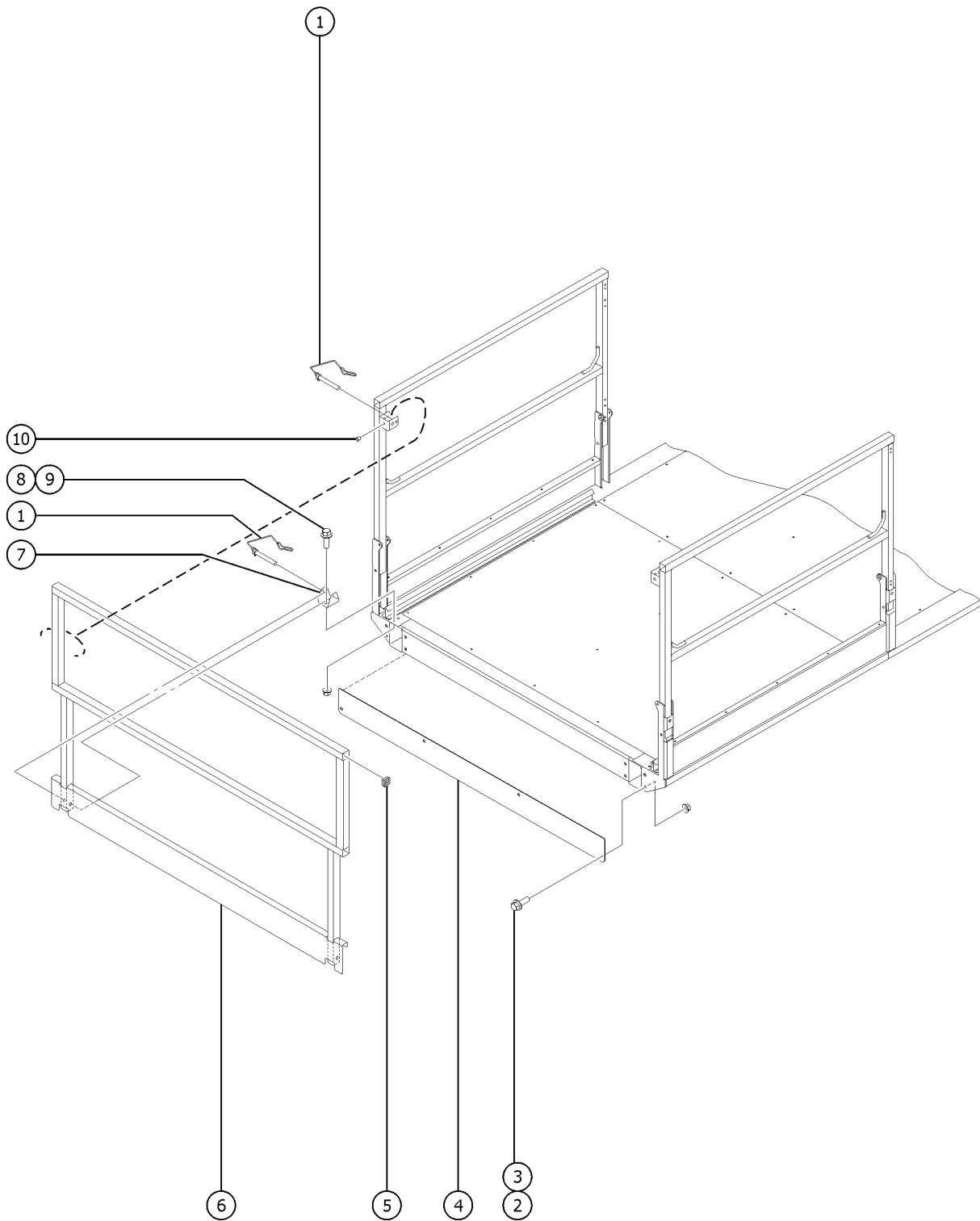


606.1 Platform Extension Deck, Non-steer End, View 3

<i>Item</i>	<i>Part No.</i>	<i>Description</i>	<i>Qty.</i>
28	51973GT	PIN, EXT ROLLER, GS90	3
29	71545GT	CATCH CLIP, EXT. DECK ARM,GS90	1
30	1257866GT	SCREW,HHF,1/4-20X2.25,8,ZAG	1



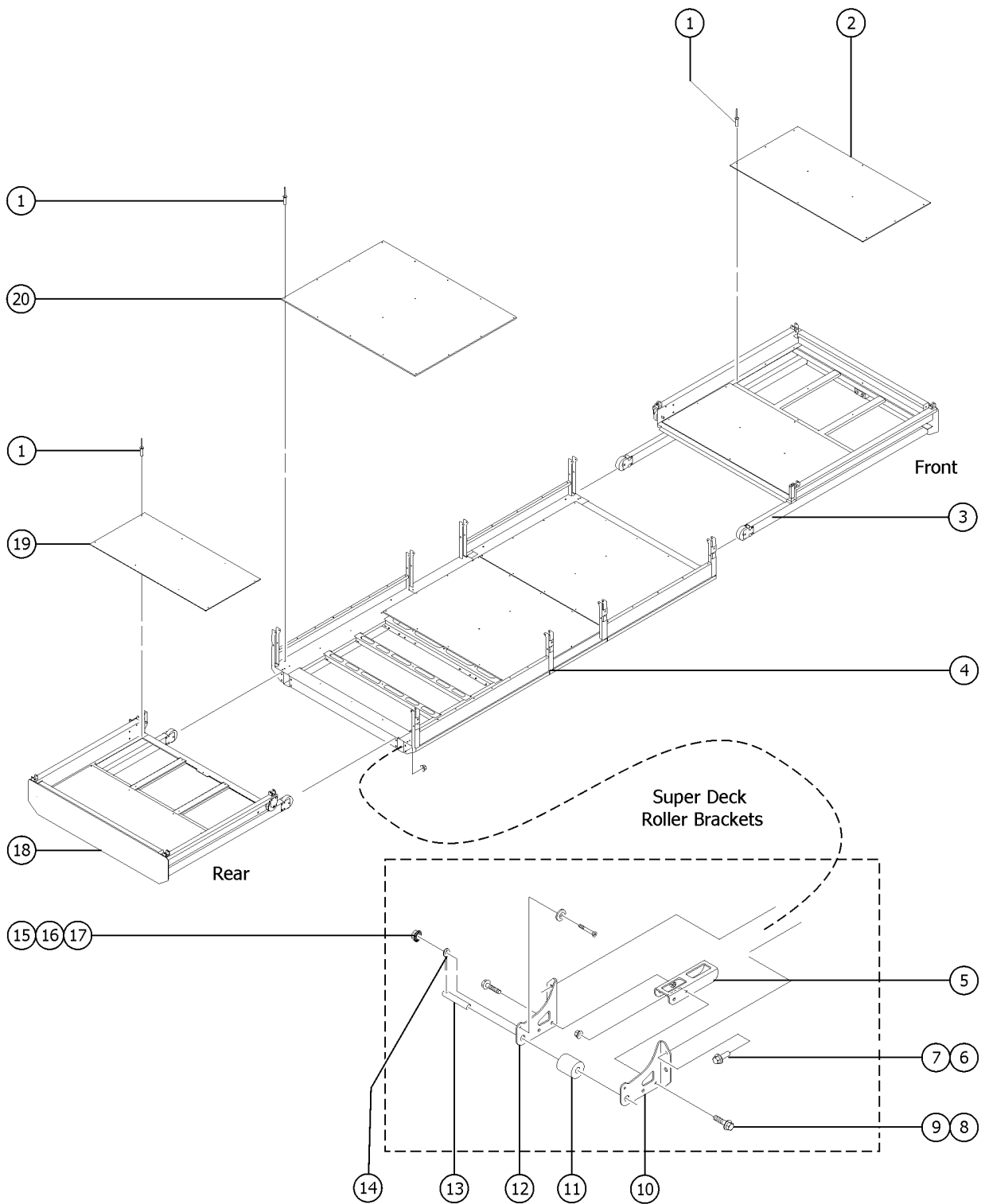
607.1 Platform End Rail Installation



<i>Item</i>	<i>Part No.</i>	<i>Description</i>	<i>Qty.</i>
1A	1259182GT	PIN,WIRE LOCK 3/8 X 2.5,ZAG (lanyard not included)	4
1B	78022GT	LANYARD,BLACK NYLON,TYPE 1*** CE and Australia (sold seperately)	4
2	1255469GT	SCREW,HHF,1/2-13X1.25,8,ZAG	2
3	1251997GT	NUT,TL FLG,1/2-13,G,ZAG	2
4	79347GT	PLATE,REAR PLATFORM COVER	1
5	79355GT	PLUG,TUBE,SQ 1.50X.065	5
6	71452-SGT	WELDMENT,ENDRAIL.MAIN PLAT	1
7	71327GT	FORMING, END GATE HINGE,GS90	2
8	824090GT	SCREW,HHF,3/8-16X1,8,ZAG	4
9	824029GT	NUT,TL FLG,3/8-16,G,ZAG	4
10	47478GT	BUMPER, RUBBER, 1"OD X .461H	12



608.1 Platform Flooring and Super Deck Roller Brackets

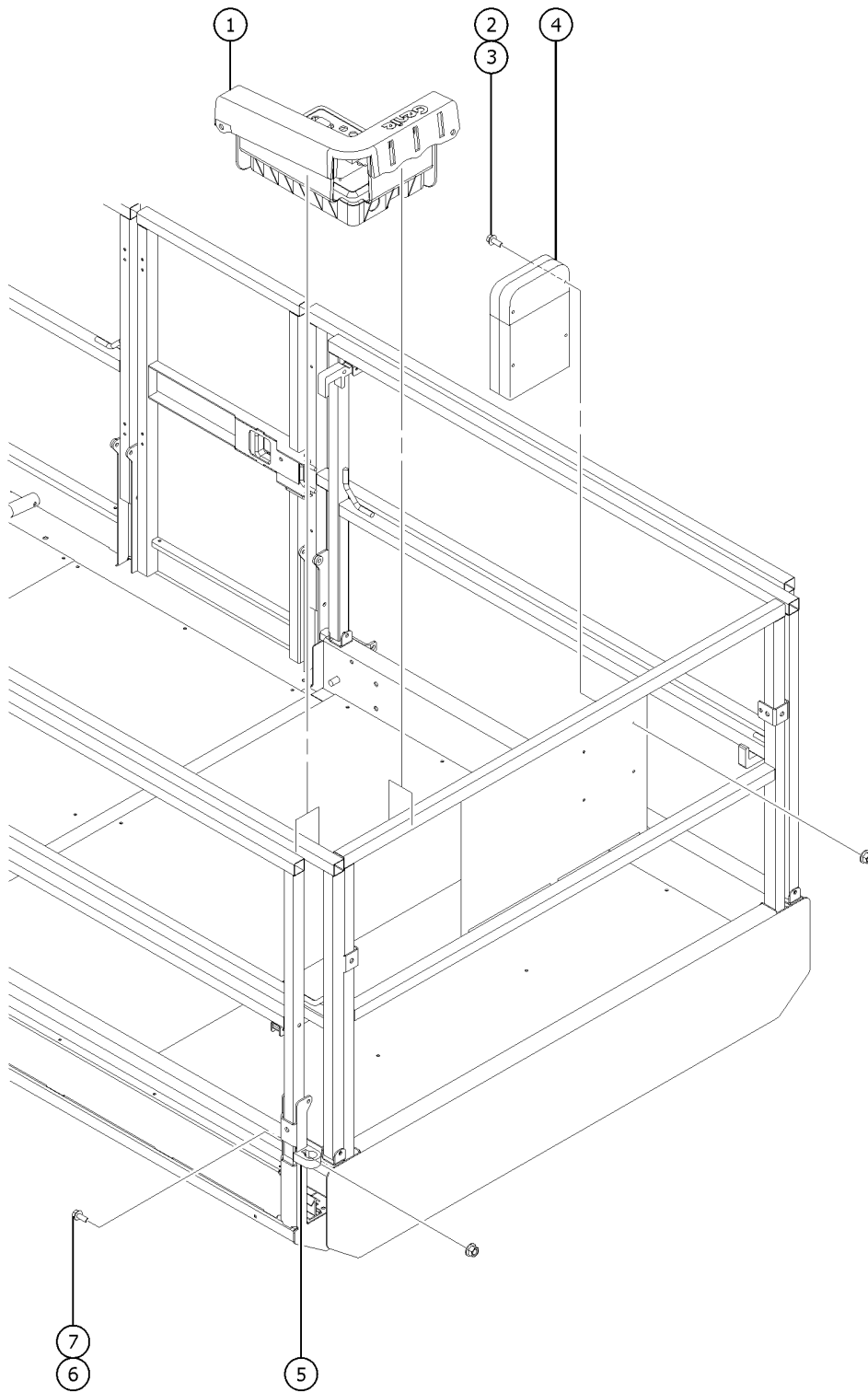


608.1 Platform Flooring and Super Deck Roller Brackets

Item	Part No.	Description	Qty.
1	71315GT	RIVET,DRIVE, .25 X .25	84
2A	71413GT	EXT PLAT DECK, 5 FT	2
2B	79323GT	EXT PLAT DECK,5 FT SUPER super deck models (CE models only)	2
3		Ref. Platform Extension Assembly, Steer End (refer to 603.1)	
4		Ref. Platform Deck Assembly (refer to 601.1)	
5	79341GT	FORMING,LWR ROLLER CTR BRKT super deck models (CE models only)	4
6	1255469GT	SCREW,HHF,1/2-13X1.25,8,ZAG	8
7	1251997GT	NUT,TL FLG,1/2-13,G,ZAG	8
8	824090GT	SCREW,HHF,3/8-16X1,8,ZAG	8
9	824029GT	NUT,TL FLG,3/8-16,G,ZAG	8
10	79338GT	FORMING,ROLLER BRKT LH, SUPER super deck models (CE models only)	4
11	55490GT	ROLLER, MAIN PLAT EXT DECK	
12	79344GT	FORMING,ROLLER BRKT RH,SUPER super deck models (CE models only)	4
13	51972GT	PIN, 0.75 X 4.25 LG,1HOLE	
14	825020GT	ROD END,.250X2.75,ZAG	
15	1256679GT	NUT,SERRATED,1/4-20,8,ZAG	2
16	47793GT	BUMPER, MODULE TRAY	2
17	1260704GT	SCREW,FHS,1/4-20X1,F835,ZAG	2
18		Ref. Platform Extension Assembly, Non-steer End (refer to 605.1)	
19A	71776GT	EXT PLAT DECK, 4 FT, GS90	2
19B	79324GT	EXT PLAT DECK,4 FT SUPER super deck models (CE models only)	2
20	71445GT	MAIN PLAT DECK, GS90	3



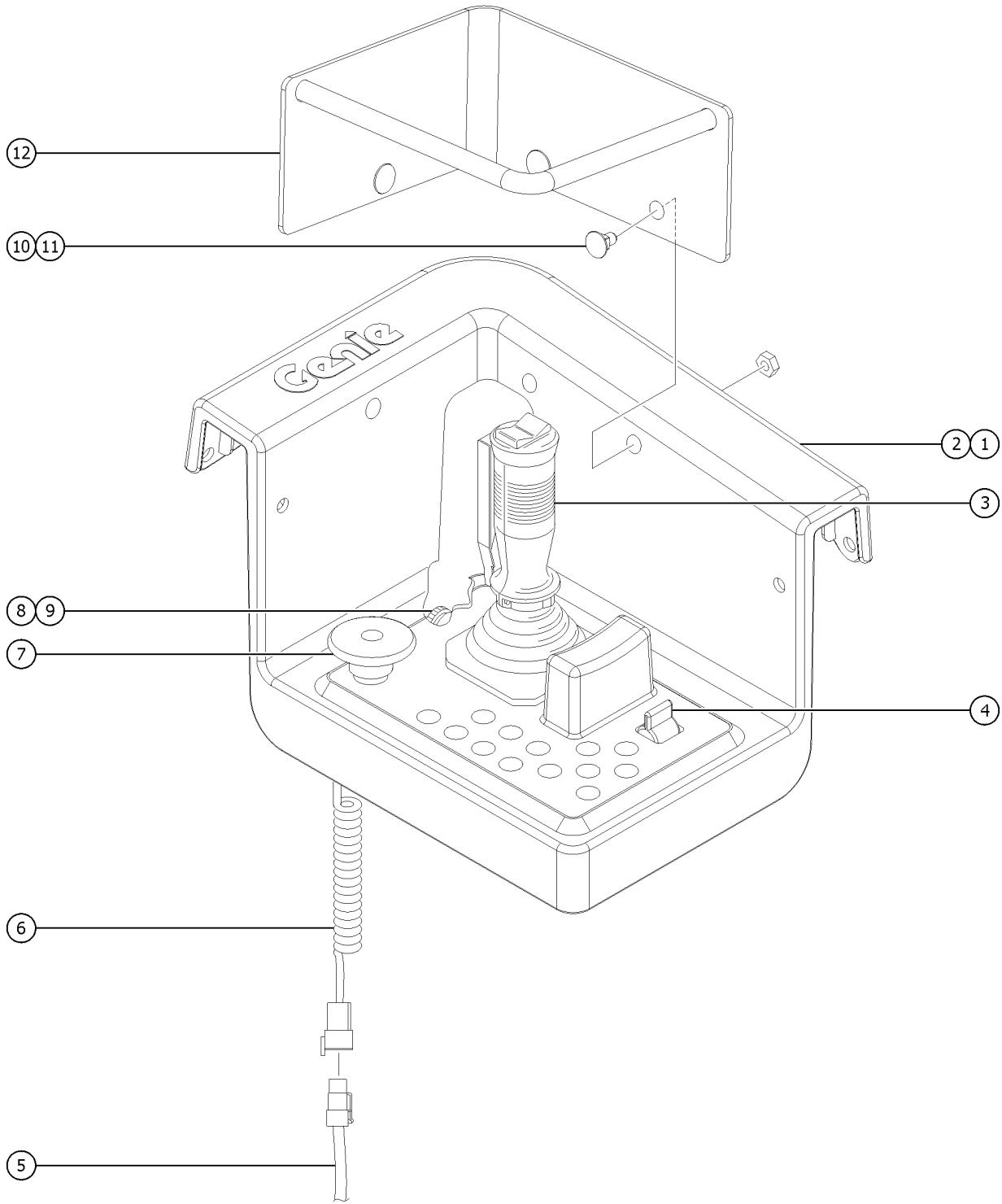
609.1 Platform Controls Installation



<i>Item</i>	<i>Part No.</i>	<i>Description</i>	<i>Qty.</i>
1		Ref. Platform Control Box Assembly (refer to 610.1)	
2	824078GT	SCREW,HHF,1/4-20X.75,8,ZAG	4
3	824027GT	NUT,TL FLG,1/4-20,G,ZAG	4
4A	44743GT	MANUAL BOX W/DECALS*** (ANSI and CSA models)	1
4B	24514GT	BOX,INSTRUCTION STORAGE (CE; UK and Asia/S. America models)	1
5	71757GT	COIL CORD CLIP, GS90	
6	824090GT	SCREW,HHF,3/8-16X1,8,ZAG	
7	824029GT	NUT,TL FLG,3/8-16,G,ZAG	



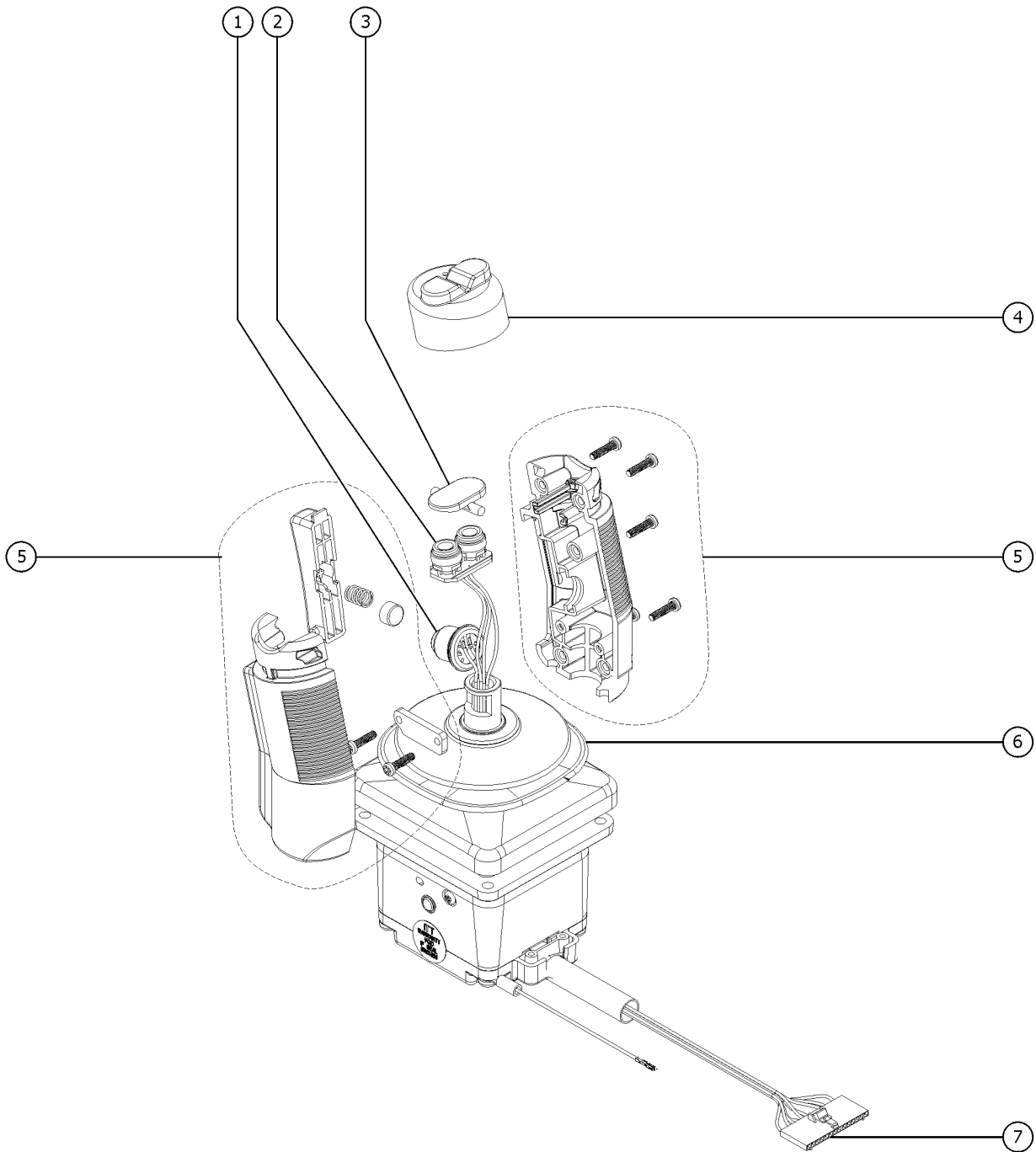
610.1 Platform Controls



Item	Part No.	Description	Qty.
A		Ref. Assembly - Complete Platform Controls Overlay Decal	
B	105662GT	CLEAR SWITCH ACTUATOR	
C	99161GT	PLAT CONTROL BOX,RT GEN 2***	
D	99163GT	PCB,RT PLATFORM CONTROLS***	
E	T108044GT	CLEAR SWITCH ACTUATOR(QTY 10)	
1	87566GT	HOUSING,RT PLATFORM CONTROLS**	1
2	87567GT	COVER,RT PLATFORM CONTROLS***	1
3		Ref. Joystick Controller	
		(refer to 611.1)	
4	99164GT	ANALOG ROCKER ASSEMBLY***	1
5		Ref. Wire Harness Assembly	1
		(refer to 215.1)	
6	144065GT	KIT,GEN 5 COIL CORD	1
		(kit, includes connector, coil cord, instructions, dielectric grease and cable tie; see below)	
7	66812GT	BUTTON,PUSH,RED MUSHROOM HEAD	1
7-	66817GT	BASE WITH 1 NC CONTACT, E-STOP	
7-	66818GT	CONTACT,NC	
8	62164GT	ALARM ASSY,12VDC,ITT,4 PIN****	1
		(includes retainer nut)	
9	72326GT	BASE,W/2 NC CONTACTS***	1
10	1256857GT	SCREW,HHF,3/8-16X5/8,8,ZAG	2
11	826793GT	WASHER,FLAT,3/8,SAE,HRD,ZAG	2
11B	1283028GT	NUT,LP NYLOCK,3/8-16,2,ZAG	2
12	1294010GT	KIT, PCON GUARD RT	1
		includes fasteners and 1294003	
12-	1294003GT	WELDMENT, PCON GUARD	



611.1 Joystick Controller

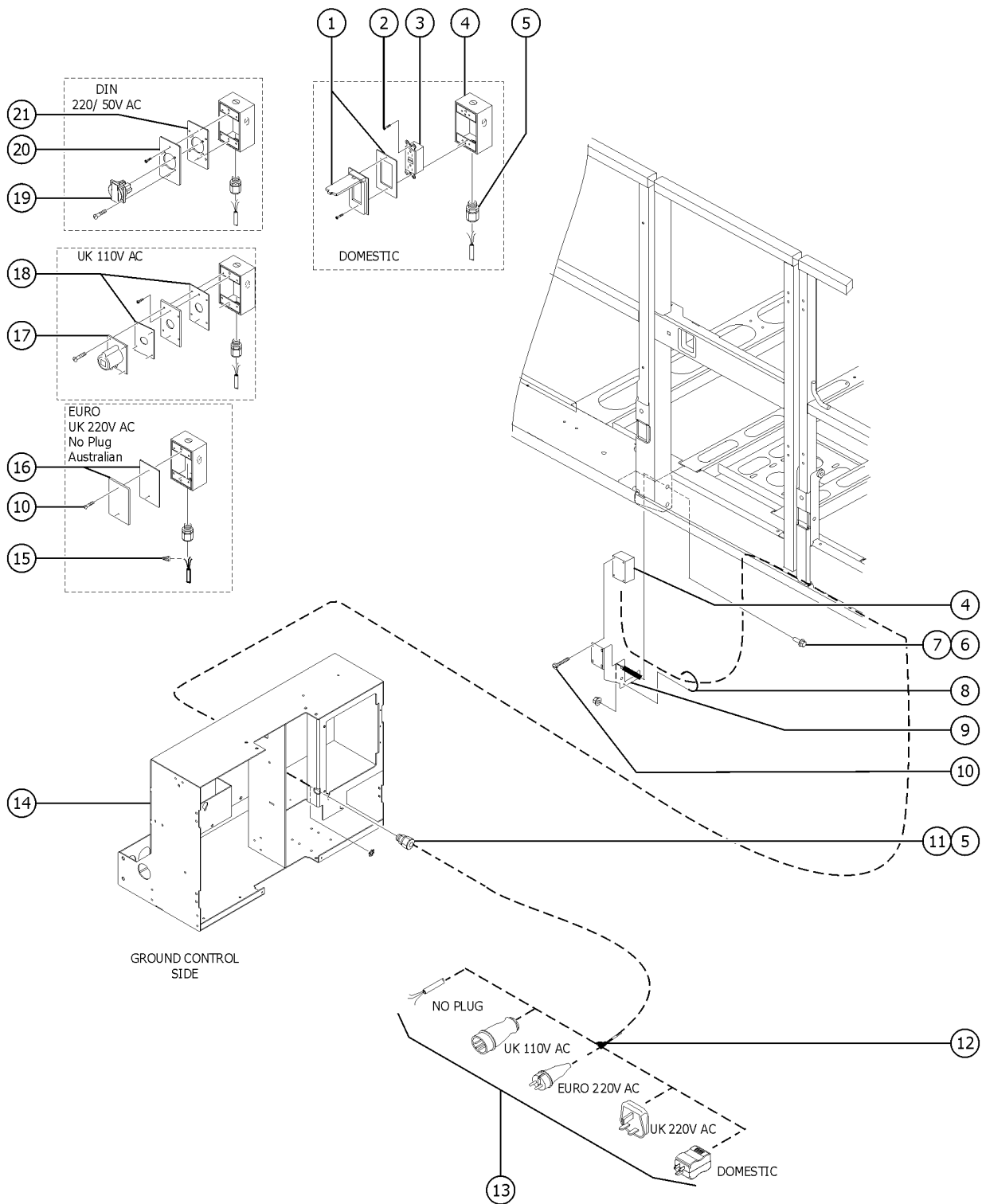


611.1 Joystick Controller

<i>Item</i>	<i>Part No.</i>	<i>Description</i>	<i>Qty.</i>
A-	78903GT	JOYSTICK,SINGL AXIS,HALL,SLAB* OEM joystick	
B-	78903HGT	JOYSTICK,SINGL AXIS,POT,SLAB aftermarket joystick	
1	105171GT	KIT,JOYSTICK ENABLE SWITCH	1
2	105108GT	STEER SWITCH REPAIR KIT***	1
3	105109GT	TURN SWITCH ACTUATOR,JOYSTICK**	1
4	97015GT	BOOT,THUMB ROCKER***	1
5	97014GT	JOYSTICK HANDLE SET, COMPLETE	1
6	97013GT	BOOT, JOYSTICK~	1
7	105172GT	KIT, PLATFORM PC RECEPT/SOC	1



701.1 Power to Platform (all models)

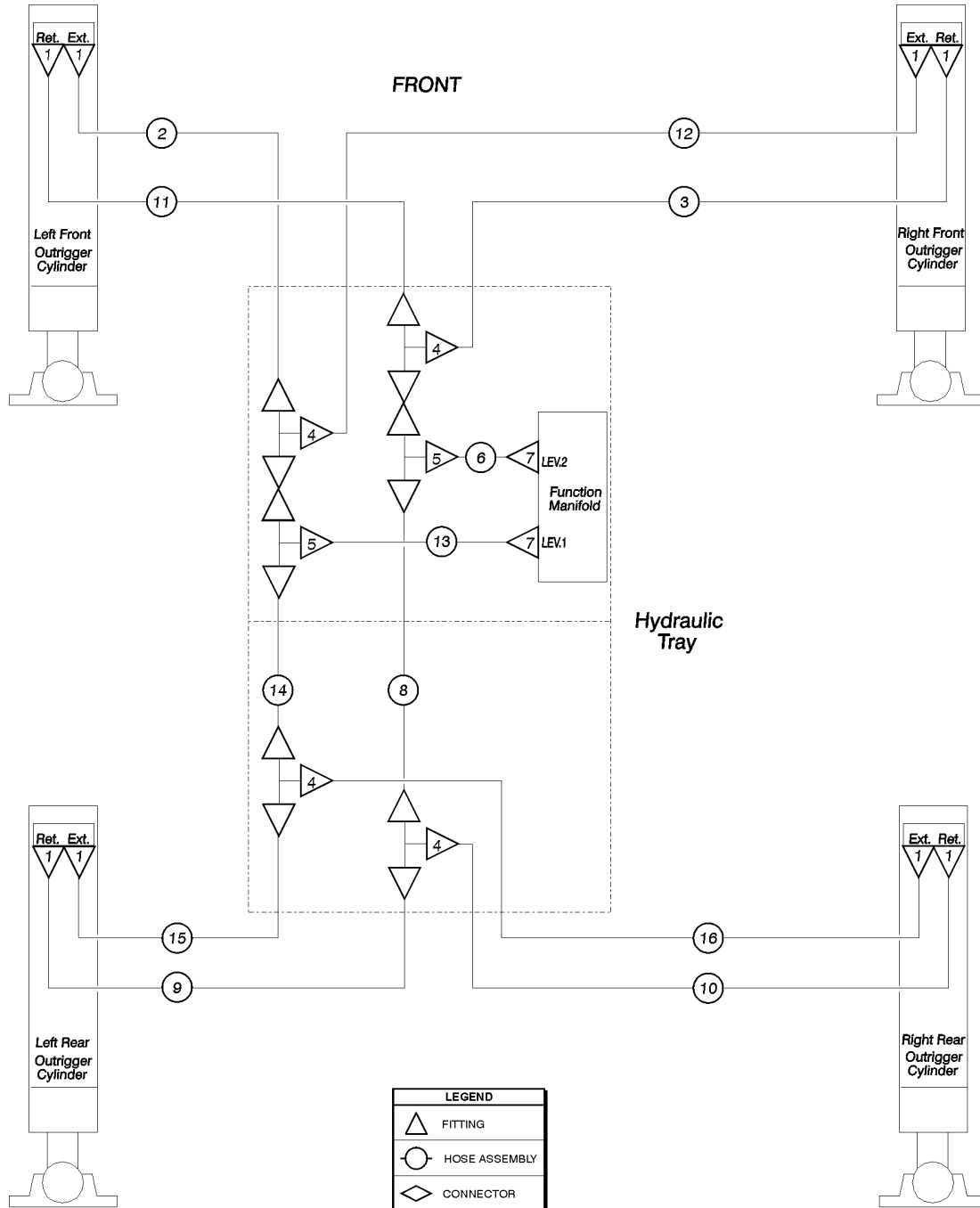


701.1 Power to Platform (all models)

Item	Part No.	Description	Qty.
1	45437GT	COVER,GFCI,WEATHERPROOF (includes mounting fasteners and gasket)	1
2	7127GT	SCREW,PHILLIPS,PHM,6-32 X .75	2
3	13585GT	OUTLET,110V GFCI***	1
4	10775GT	T-BOX,2.75 X 4.5 X 2.0	1
5	7056GT	CONN,SQUEEZE,1/2NPT .38-.50,SM	2
6	1255469GT	SCREW,HHF,1/2-13X1.25,8,ZAG	
7	1251997GT	NUT,TL FLG,1/2-13,G,ZAG	
8	28443GT	CABLE TIE,11.5" BLACK (quantities vary)	
9	71733PGT	BRACKET, POWER TO PLAT 4390	1
10	112772GT	SCREW,PHM,8-32X.438	
11	6935GT	LOCKNUT,ELEC,1/2"	1
12		Ref. Electrical Cord, 14 Gauge, 3 Conductor 13 (refer to 503.1)	
13	6595GT	PLUG,ELECTRICAL,DOMESTIC	1
13-		FUSE,13 AMP,220V PLUG (component no longer available) refer to BS1362 BUSS TDC180-13A	
13-	144161GT	PLUG,PWR,UK,16AMP,3PIN,BLK (3 pin)	
13-	25388GT	PLUG,FUSED,250V,13AMP,U.K.** (3 pin)	
13-	1280665GT	PLUG, TYPE F, 230A, 50HZ, 16A, IP44 (2 pin)	
14		Ref. Ground Control Tray (refer to 413.1)	
15	6626GT	WIRE CAP,ORANGE	3
16	10777GT	COVER,BLANK (220V AC)	1
17	T112563GT	SVC KIT,UK RECEPT.REPLACEMENT (includes mounting plate, gasket and fasteners) for Europe	1
18	33724GT	KIT,GASKET,UK POWER TO PLAT. (includes one each p/n 66355 and 66356)	1
18-	66355GT	GASKET, UK & DIN PWR. TO PLAT. 4.6 x 2.9 inches	
18-	66356GT	GASKET, UK RECEPTACLE 2.9 x 2.9 inches	
19	66353GT	RECEPTACLE, DIN, 220V 50A	1
20	96236GT	PLATE,AC ADAPTER,DIN/UK***	1
21	66355GT	GASKET, UK & DIN PWR. TO PLAT.	1



702.1 Hydraulic Hoses and Fittings, Outriggers (all models)

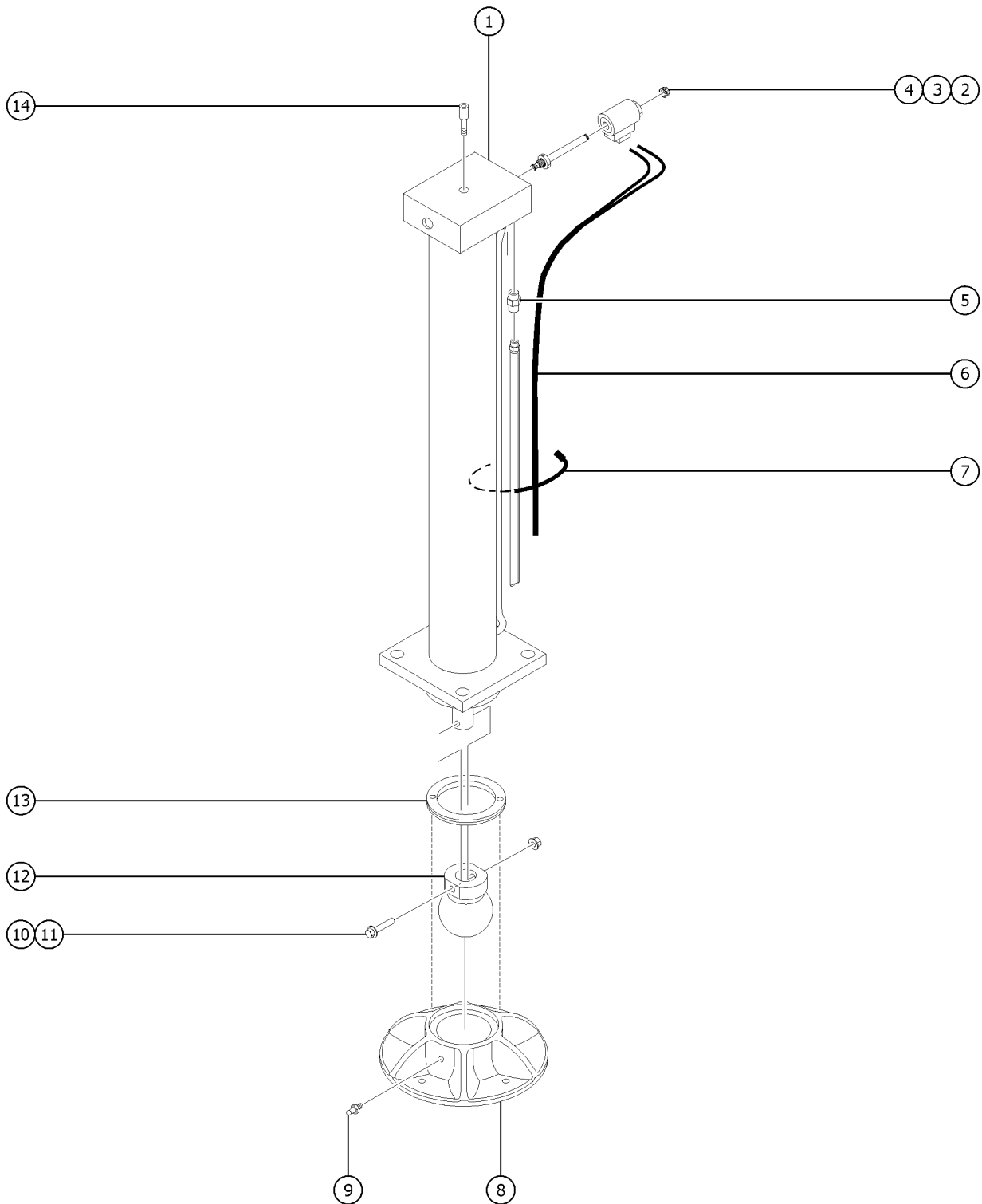


702.1 Hydraulic Hoses and Fittings, Outriggers (all models)

Item	Part No.	Description	Qty.
1	48916GT	CONN, 520120-6	8
2	65905GT	HOSE, TEE TO LF O/R CYL, EXTEND (components: 48812, 48812, 56776 @ 118 inches)	1
3	65903GT	HOSE ASSY, TEE TO RF CYL. (components: 48812, 48812, 56776 @ 161 inches)	1
4	48875GT	TEE, RUN, SWIVEL, 520432-6	4
5	48896GT	CONN, TEE, UNION, 520401-6, ORFS	2
6	65901GT	HOSE, TEE TO FUNC MFLD, LEF1RET (components: 48812, 48812, 56776 @ 16 inches)	1
7	48930GT	CONN, 520120-6-8	2
8	65902GT	HOSE ASSY, TEE TO TEE (components: 48812, 48812, 56776 @ 25 inches)	1
9	65906GT	HOSE ASSY, TEE TO LR CYL. (components: 48812, 48812, 56776 @ 110 inches)	1
10	65904GT	HOSE ASSY, TEE TO RR CYL. (components: 48812, 48812, 56776 @ 150 inches)	1
11	131349GT	HOSE, TEE TO LF O/R CYL, RET (components: 48812, 48812, 56776 @ 118 inches)	1
12	131350GT	HOSE, TEE TO RF O/R CYL, EXTEND (components: 48812, 48812, 56776 @ 161 inches)	1
13	131353GT	HOSE, TEE TO FUNC MFLD, LEV1EXT (components: 48812, 48812, 56776 @ 317 inches)	1
14	131354GT	HOSE, TEE TO TEE, LEV1EXT, O/R (components: 48812, 48812, 56776 @ 25 inches)	1
15	131357GT	HOSE, TEE TO LR O/R CYL, EXTEND (components: 48812, 48812, 56776 @ 110 inches)	1
16	131358GT	HOSE, TEE TO RR O/R CYL, EXTEND (components: 48812, 48812, 56776 @ 150 inches)	1



703.1 Outrigger Cylinder and Footpad Assembly (all models)

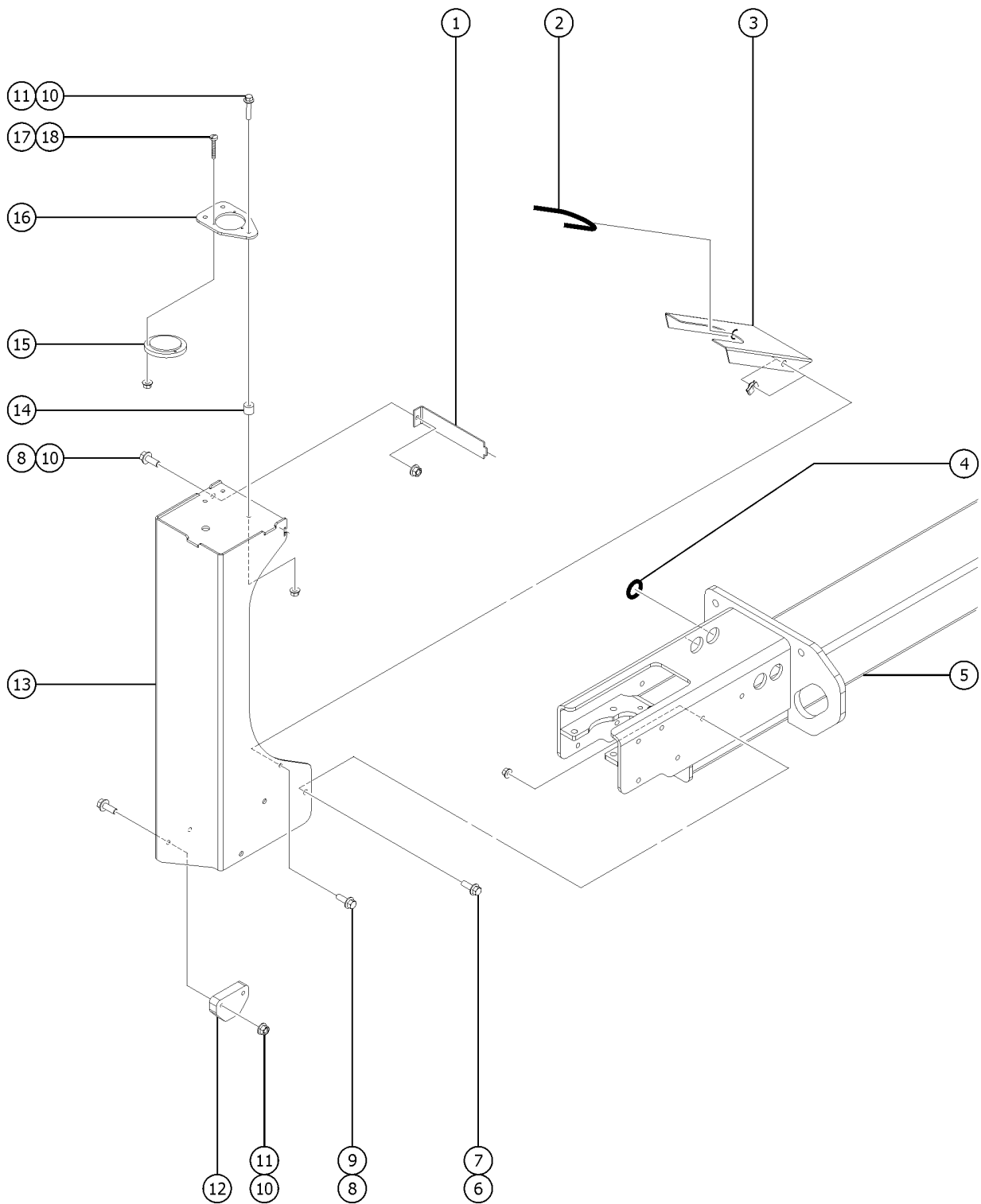


703.1 Outrigger Cylinder and Footpad Assembly (all models)

Item	Part No.	Description	Qty.
A	112537GT	FOOTPAD ASSY,RTSC OUTRIGGER (includes items 8, 12 and 13)	
1	87353GT	CYLINDER,OUTRIGGER,GS84/90***	4
1-	71925GT	PILOT CHECK VALVE	
1-	87354GT	SEAL KIT,OUTRIGGER,GS84/90***	
2	72097GT	NUT,SOLENOID VALVE,OUTRIGGERS	4
3	79831GT	COIL, 12VDC,DIODE,DEUTSCH	
4	67933GT	VALVE,NC,BI-DI,CART***	4
4-	72098GT	SEAL KIT, SOLENOID VALVE	
5	48916GT	CONN, 520120-6	2
6		Ref.Wire Harness Assembly (refer to 215.1)	
7	28443GT	CABLE TIE,11.5" BLACK (quantities vary)	
8	51814GT	CASTING,OUTRIGGER FOOTPAD *** order 1280156 separately	4
8B	1280156GT	KIT,OUTRIGGER PAD LOCTITE,RT order footpad separately	
9	28646GT	ZERK,GREASE,1/8 NPT	4
10	1256848GT	SCREW,HHC,3/8-16X2.75,8,ZAG	
11	824029GT	NUT,TL FLG,3/8-16,G,ZAG	
12	55485GT	CASTING, BALL, GS OUTRIGGER	4
13	55484GT	RETAINER, GS68 O/R FOOTPAD***	4
14	1259685GT	PIN, SHOULDER, 0.75X1.0X5/8-11,ZAG	



704.1 Outrigger Components, View 1, GS-3384

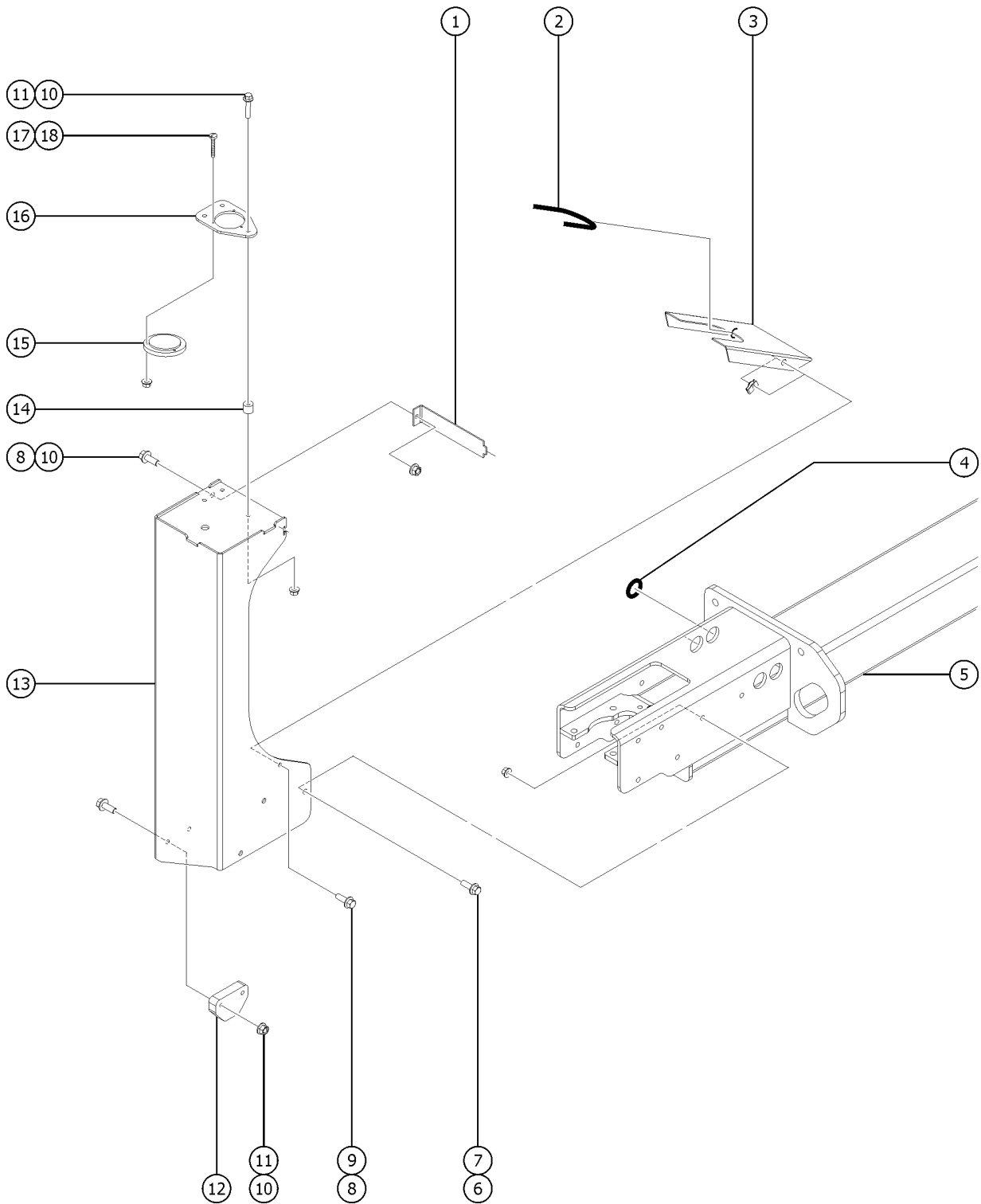


704.1 Outrigger Components, View 1, GS-3384

Item	Part No.	Description	Qty.
1	112588GT	FORMING,OUTRIG COIL COVER	1
2	46718GT	TRIMLOCK,BLACK,3/16	16- in ches
3	112573GT	FORMING,LIMIT SWITCH COVER	1
4	131582GT	GROMMET,RUBBER,1.50IDX.375	2
		(replaced 47238)	
5A	79744GT	WELDMENT,OUTRIGGER,GS84	1
		decals not included, refer to section 100	
6	1253498GT	SCREW,HHF,1/2-13X1.5,8,ZAG	
7	1256106GT	NUT,TL,1/2-13,C,ZAG	
8	824091GT	SCREW,HHF,3/8-16X1.25,8,ZAG	
9	29868GT	SPRING CLIP,3/8-16,.05-.20X.73,ZAG	
10	824029GT	NUT,TL FLG,3/8-16,G,ZAG	
11	1253478GT	SCREW,HHF,3/8-16X2,8,ZAG	
12	71698GT	BUMPER,FOOTPAD RETRACT, GS90	1
13A	112631GT	WELDMENT,OUTRIG CYL HOUSING,RT	1
		(steer end, tank side -&- non-steer end, ground controls side)decals not included, refer to section 100	
13B	112630GT	WELDMENT,OUTRIG CYL HOUSING,LF	1
		(steer end, ground controls side -&- non-steer end, tank side)decals not included, refer to section 100	
14	59568GT	RUBBER, VIBRATION MOUNT	3
15A	6714GT	LEVEL,BUBBLE	1
		(ANSI and CSA models)	
15B	1259500GT	KIT,BUBBLE LEVEL UPDATE	1
		(CE and Australia models)	
15B-	1275562GT	LEVEL,BUBBLE,3 DEG,BOSS	
16	87002GT	PLATE,BUBBLE LEVEL MOUNT	1
17	826516GT	SCREW, PHPM, 10-32 X 1.0, ZAG	
18	1275810GT	NUT,SERRATED,10-32,SS	



704.2 Outrigger Components, View 1, GS-3390, GS-4390, GS-5390

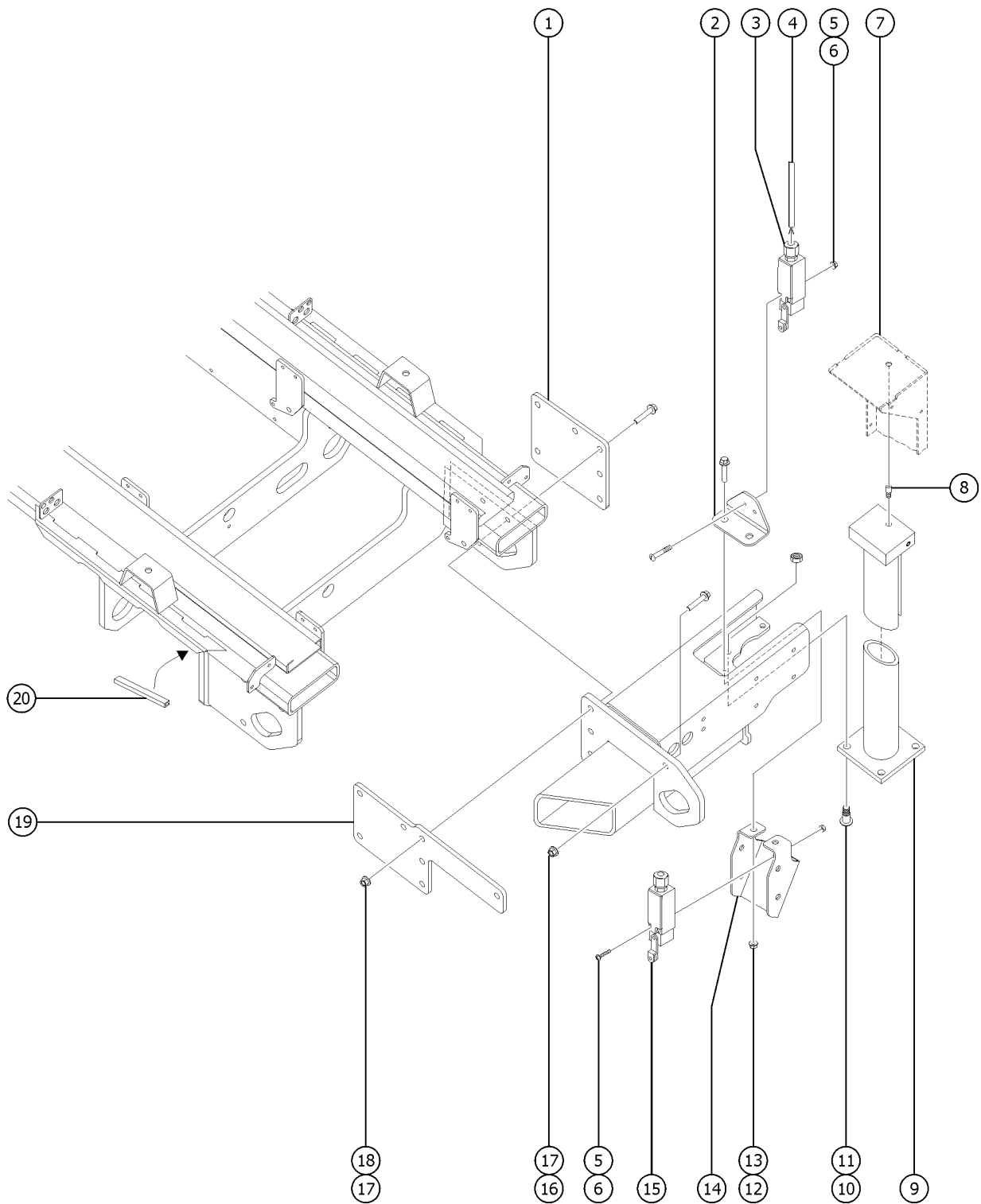


704.2 Outrigger Components, View 1, GS-3390, GS-4390, GS-5390

Item	Part No.	Description	Qty.
1	112588GT	FORMING,OUTRIG COIL COVER	1
2	46718GT	TRIMLOCK,BLACK,3/16	16- in ches
3	112573GT	FORMING,LIMIT SWITCH COVER	1
4	131582GT	GROMMET,RUBBER,1.50IDX.375	2
		(replaced 47238)	
5B	51810GT	WELDMENT, OUTRIGGER, GS90	1
		decals not included, refer to section 100	
6	1253498GT	SCREW,HHF,1/2-13X1.5,8,ZAG	
7	1256106GT	NUT,TL,1/2-13,C,ZAG	
8	824091GT	SCREW,HHF,3/8-16X1.25,8,ZAG	
9	29868GT	SPRING CLIP,3/8-16,.05-.20X.73,ZAG	
10	824029GT	NUT,TL FLG,3/8-16,G,ZAG	
11	1253478GT	SCREW,HHF,3/8-16X2,8,ZAG	
12	71698GT	BUMPER,FOOTPAD RETRACT, GS90	1
13A	112631GT	WELDMENT,OUTRIG CYL HOUSING,RT	1
		(steer end, tank side -&- non-steer end, ground controls side)decals not included, refer to section 100	
13B	112630GT	WELDMENT,OUTRIG CYL HOUSING,LF	1
		(steer end, ground controls side -&- non-steer end, tank side)decals not included, refer to section 100	
14	59568GT	RUBBER, VIBRATION MOUNT	3
15A	6714GT	LEVEL,BUBBLE	1
		(ANSI and CSA models)	
15B	1259500GT	KIT,BUBBLE LEVEL UPDATE	1
		(CE and Australia models)	
15B-	1275562GT	LEVEL,BUBBLE,3 DEG,BOSS	
16	87002GT	PLATE,BUBBLE LEVEL MOUNT	1
17	826516GT	SCREW, PHPM, 10-32 X 1.0, ZAG	
18	1275810GT	NUT,SERRATED,10-32,SS	



705.1 Outrigger Components, View 2 (all models), GS-3384, GS-3390

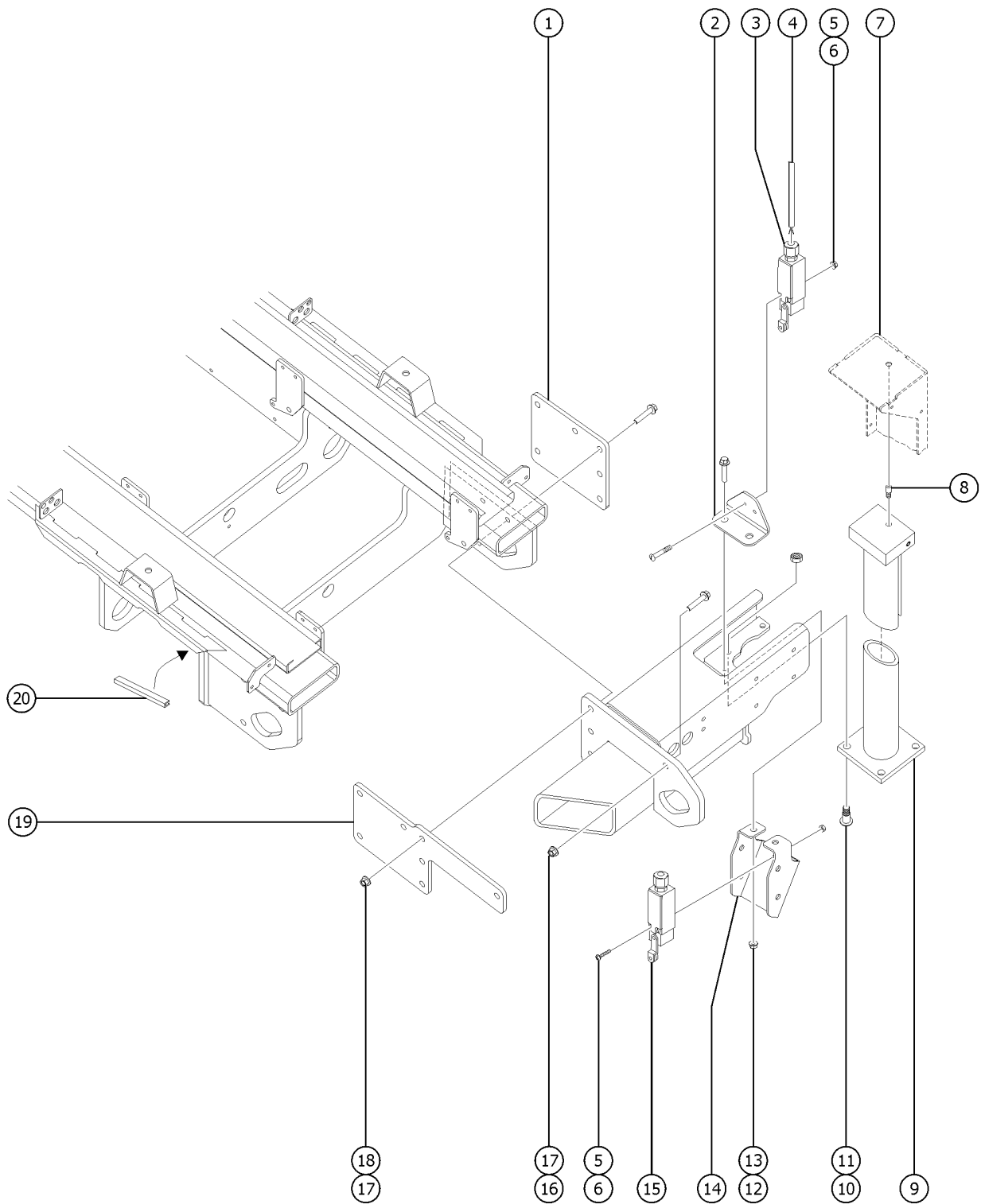


705.1 Outrigger Components, View 2 (all models), GS-3384, GS-3390

Item	Part No.	Description	Qty.
1	71254GT	PLATE,OUTSIDE ATTACHEMNT, GS90	4
2	87559GT	FORMING,OUTRIGGER LIM.SWITCH	4
3	88356-116R3GT	SWITCH,LIMIT,W/ROLLER ARM***	4
3-	19491GT	CONTACTOR,LIMIT SWITCH	
4		Ref. Wire Harness Assembly, Outrigger Switch	
		(refer to 215.1)	
5	1283005GT	NUT,NYLOCK FLG,10-32,A,ZAG	
6	824216GT	SCREW,PHPM,10-32X1.5,ZAG	
7		Ref. Outrigger Housing Assembly	
		(refer to 704.1)	
8		Ref. Shoulder Pin, 5/8 -11 x 1 inch	
		(refer to 703.1)	
9		Ref. Outrigger Cylinder	
		(refer to 703.1)	
10	71912GT	BOLT,SHOULDER,5/8-11 X 1.19 LT	
11	1259684GT	NUT,TL JAM,5/8-11,A,ZAG	
12	824029GT	NUT,TL FLG,3/8-16,G,ZAG	
13	824092GT	SCREW,HHF, 3/8-16 X 1.5, 8, ZAG	
15	88356-11203GT	SWITCH,LIMIT,W/RLLR ARM,NO/NC*	4
15-	19491GT	CONTACTOR,LIMIT SWITCH	
15-	97128GT	ROLLER ARM,LIMIT SWITCH***	
16	1273412GT	SCREW,HHF,3/4-10X2.50,8,ZAG	
17	824030GT	NUT,TL FLG,3/4-10,G,ZAG	
		(to SN GS84F-45686 and SN GS90F-55302)	
17B	1283009GT	NUT,NYLOCK FLG,3/4-10,F,ZAG	
		(from SN GS84F-45687 and SN GS90F-55303)	
18	1273411GT	SCREW,HHF,3/4-10X3.00,8,ZAG	
19	71255PGT	OUTRIGGER ATTATCHMENT PLATE/90	4
19-	71255PGT	OUTRIGGER ATTATCHMENT PLATE/90	2
		(models with high flotation tires)	
19-	104578GT	PLATE,OUTRIG MNT IN,GS84 HF	
		(models with high flotation tires)	
20A	46718GT	TRIMLOCK,BLACK,3/16	6
		2 required	
20B	46718GT	TRIMLOCK,BLACK,3/16	3
		2 required	



705.2 Outrigger Components, View 2 (all models), GS-5390

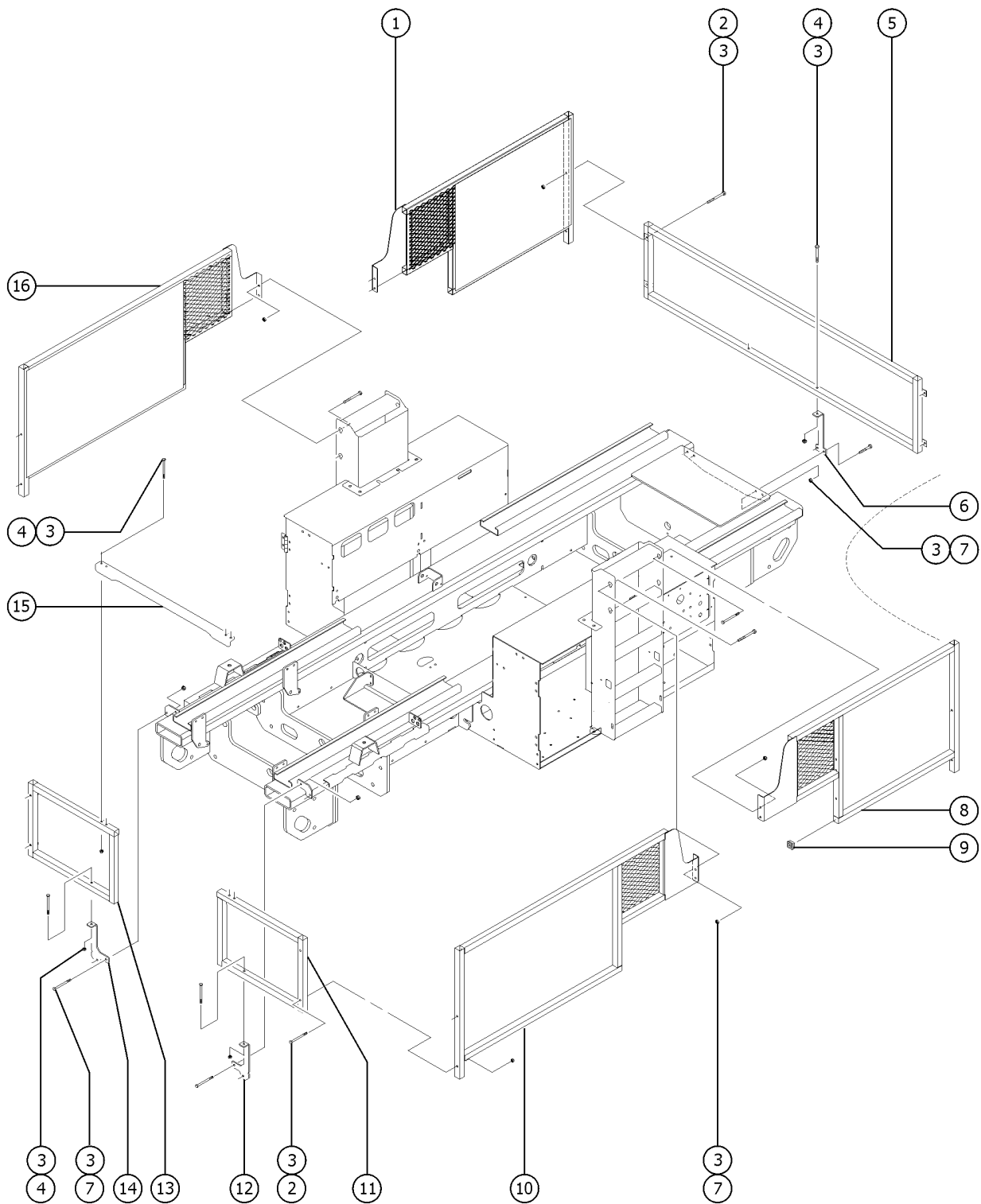


705.2 Outrigger Components, View 2 (all models), GS-5390

Item	Part No.	Description	Qty.
1	71254GT	PLATE,OUTSIDE ATTACHEMNT, GS90	4
2	87559GT	FORMING,OUTRIGGER LIM.SWITCH	4
3	88356-116R3GT	SWITCH,LIMIT,W/ROLLER ARM***	4
3-	19491GT	CONTACTOR,LIMIT SWITCH	
4		Ref. Wire Harness Assembly, Outrigger Switch	
		(refer to 215.1)	
5	1283005GT	NUT,NYLOCK FLG,10-32,A,ZAG	
6	824216GT	SCREW,PHPM,10-32X1.5,ZAG	
7		Ref. Outrigger Housing Assembly	
		(refer to 704.1)	
8		Ref. Shoulder Pin, 5/8 -11 x 1 inch	
		(refer to 703.1)	
9		Ref. Outrigger Cylinder	
		(refer to 703.1)	
10	71912GT	BOLT,SHOULDER,5/8-11 X 1.19 LT	
11	1259684GT	NUT,TL JAM,5/8-11,A,ZAG	
12	824029GT	NUT,TL FLG,3/8-16,G,ZAG	
13	824092GT	SCREW,HHF, 3/8-16 X 1.5, 8, ZAG	
14	87691GT	FORMING,OUTRIGGER SWITCH BRKT	4
		GS-5390 (CE and Australia models)	
15	88356-11203GT	SWITCH,LIMIT,W/RLLR ARM,NO/NC*	4
15-	19491GT	CONTACTOR,LIMIT SWITCH	
15-	97128GT	ROLLER ARM,LIMIT SWITCH***	
16	1273412GT	SCREW,HHF,3/4-10X2.50,8,ZAG	
17	824030GT	NUT,TL FLG,3/4-10,G,ZAG	
		(to SN GS90F-55302)	
17B	1283009GT	NUT,NYLOCK FLG,3/4-10,F,ZAG	
		(from SN GS90F-55303)	
18	1273411GT	SCREW,HHF,3/4-10X3.00,8,ZAG	
19	71255PGT	OUTRIGGER ATTACHMENT PLATE/90	4
19-	71255PGT	OUTRIGGER ATTACHMENT PLATE/90	2
		(models with high flotation tires)	
19-	104578GT	PLATE,OUTRIG MNT IN,GS84 HF	
		(models with high flotation tires)	
20A	46718GT	TRIMLOCK,BLACK,3/16	6
		2 required	
20B	46718GT	TRIMLOCK,BLACK,3/16	3
		2 required	



706.1 Link Guard Assembly - GS-3384 and GS-3390

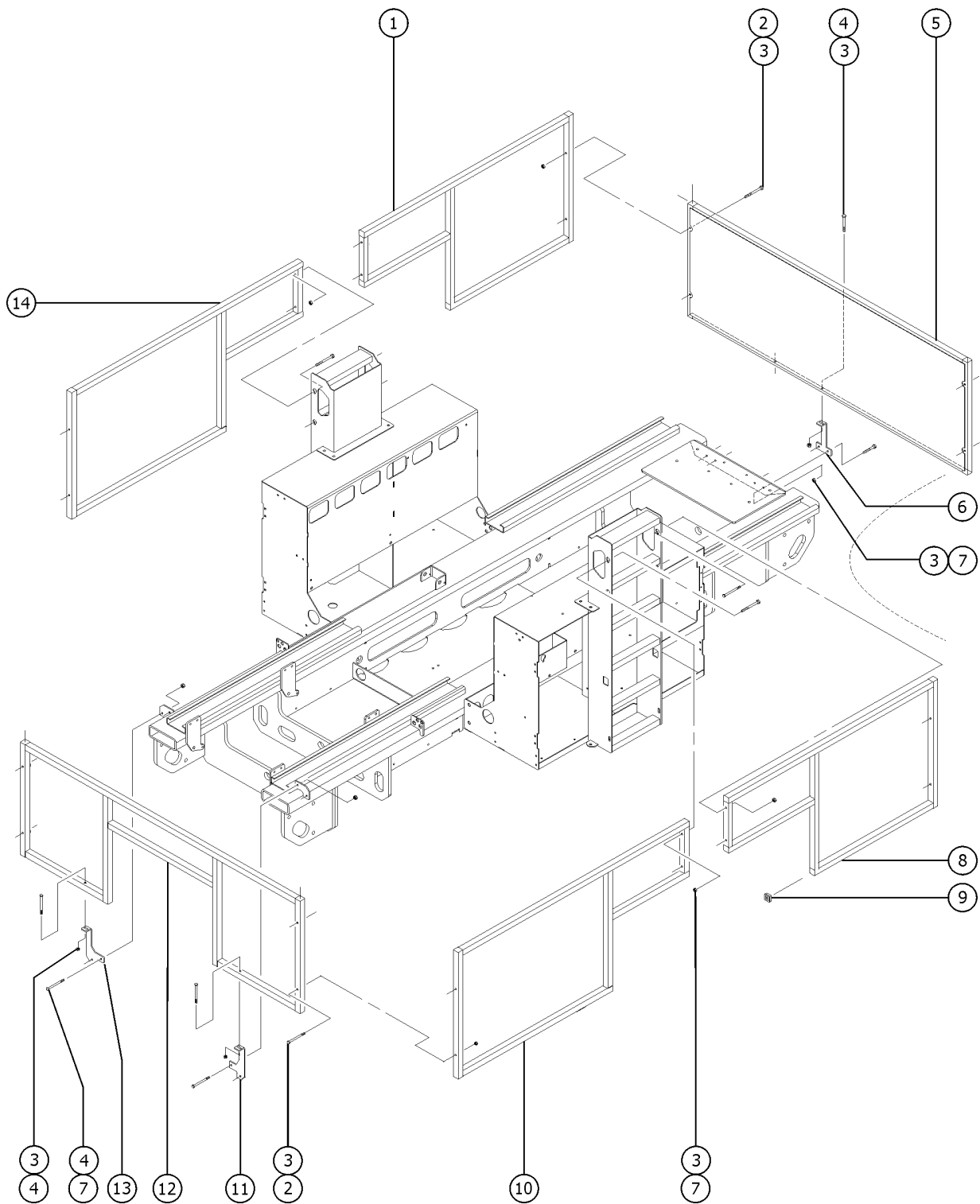


706.1 Link Guard Assembly - GS-3384 and GS-3390

Item	Part No.	Description	Qty.
A-	79958-SGT	GS84 ACCESSORY LINK GUARD (complete)	
B-	33550GT	TAPE,WARNING,BLK/YEL, 50****	1
1	104277GT	WELDMNT,SIDE-RR LINK GUARD,84 (tank side)	1
2	1258395GT	SCREW, HHF, 3/8-16, 4, 8, ZAG	
3	824029GT	NUT,TL FLG,3/8-16,G,ZAG	
4	1256856GT	SCREW,HHF,3/8-16X2.5,8,ZAG	
5	87123GT	WLDMNT,REAR LINK GUARD,3384 (non-steer end)	1
6	87274GT	FORMING,BRACKET,REAR LG,33 (non-steer end)	2
7	824091GT	SCREW,HHF,3/8-16X1.25,8,ZAG	
8	104276GT	WELDMNT,SIDE-RL LINK GUARD,84 (ground controls side)	1
9	79355GT	PLUG,TUBE,SQ 1.50X.065	14
10	104274GT	WELDMNT,SIDE-FL LINK GUARD,84 (ground controls side)	1
11	87117GT	WLDMNT,FRONT LT LINK GUARD, 33 (ground controls side)	1
12	87273GT	FORMING,BRKT RF, LG,33 (ground controls side)	1
13	87118GT	WLDMNT,FRONT RT LINK GUARD,33 (tank side)	1
14	87272GT	FORMING,BRKT LF,LG,33 (tank side)	1
15	87176GT	FORMING,FRONT CROSS,LG,33	1
16	104275GT	WELDMNT,SIDE-FR LINK GUARD,84 (tank side)	1



707.1 Link Guard Assembly - GS-4390 and GS-5390

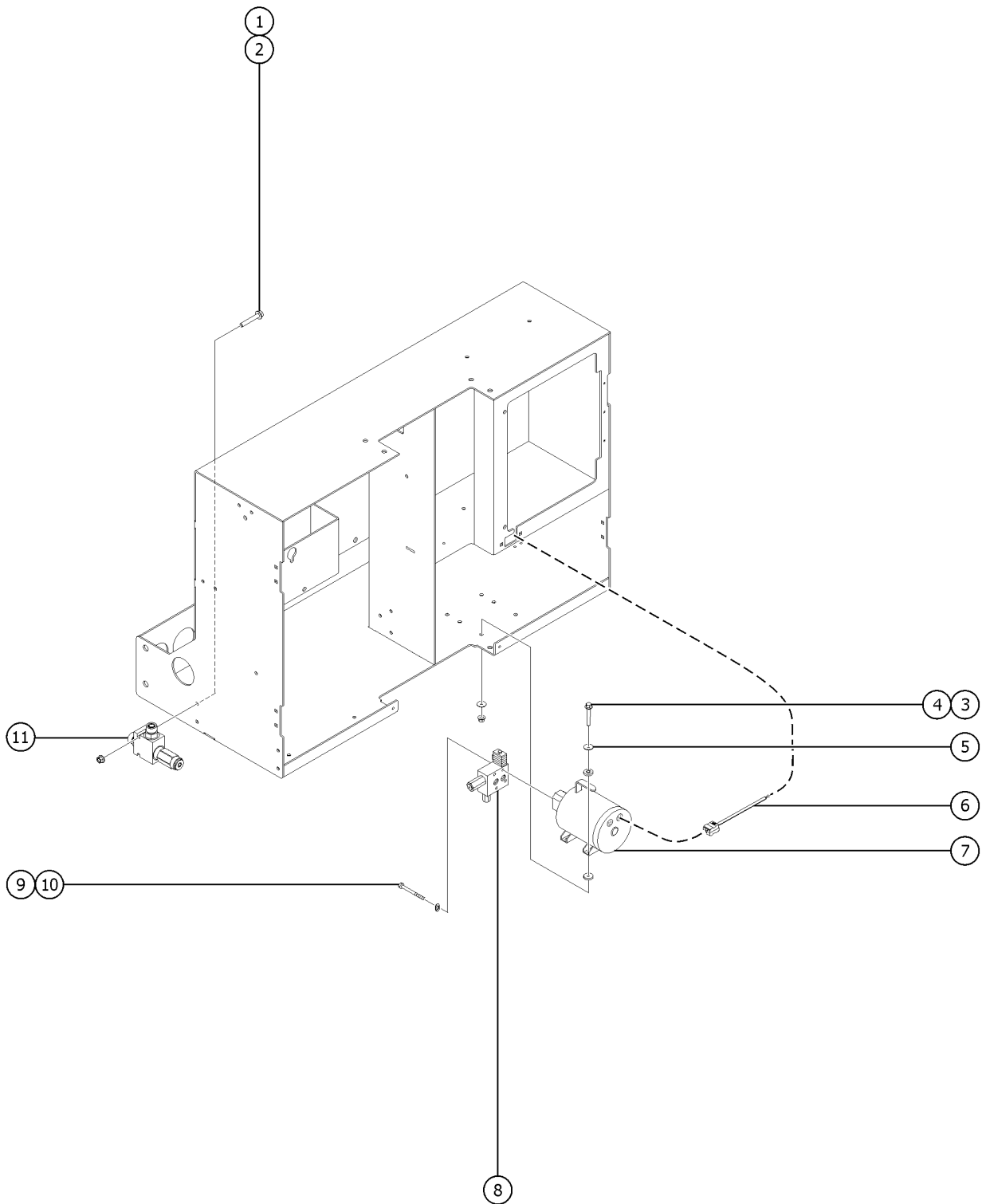


707.1 Link Guard Assembly - GS-4390 and GS-5390

Item	Part No.	Description	Qty.
A-	72940-SGT	LINK GUARD, RIGID, GS4390	
B-	46718GT	TRIMLOCK,BLACK,3/16	50
C-	33550GT	TAPE,WARNING,BLK/YEL, 50****	1
1	72933-SGT	LINK GUARD ASSEMBLY-R REAR (tank side)	1
2	1258395GT	SCREW, HHF, 3/8-16, 4, 8, ZAG	
3	824029GT	NUT,TL FLG,3/8-16,G,ZAG	
4	1256856GT	SCREW,HHF,3/8-16X2.5,8,ZAG	
5	72934-SGT	LINK GUARD ASSEMBLY-REAR (non-steer end)	1
6	71652GT	FORMING,REAR LINK GUARD BRKT. (non-steer end)	2
7	824091GT	SCREW,HHF,3/8-16X1.25,8,ZAG	
8	72935-SGT	LINK GUARD ASSEMBLY-L REAR (non-steer end, ground controls side)	1
9	79355GT	PLUG,TUBE,SQ 1.50X.065	16
10	72936-SGT	LINK GUARD ASSEMBLY-L FRONT (steer end, ground controls side)	1
11	71921GT	FORMING,RF BRACKET,LINK GUARD (steer end)	1
12	72937-SGT	LINK GUARD ASSEMBLY-FRONT (tank side)	1
13	71920GT	FOMRING,LF BRACKET,LINK GUARD (steer end, tank side)	1
14	72938-SGT	LINK GUARD ASSEMBLY-R FRONT (steer end, tank side)	1



708.1 Generator (all models)

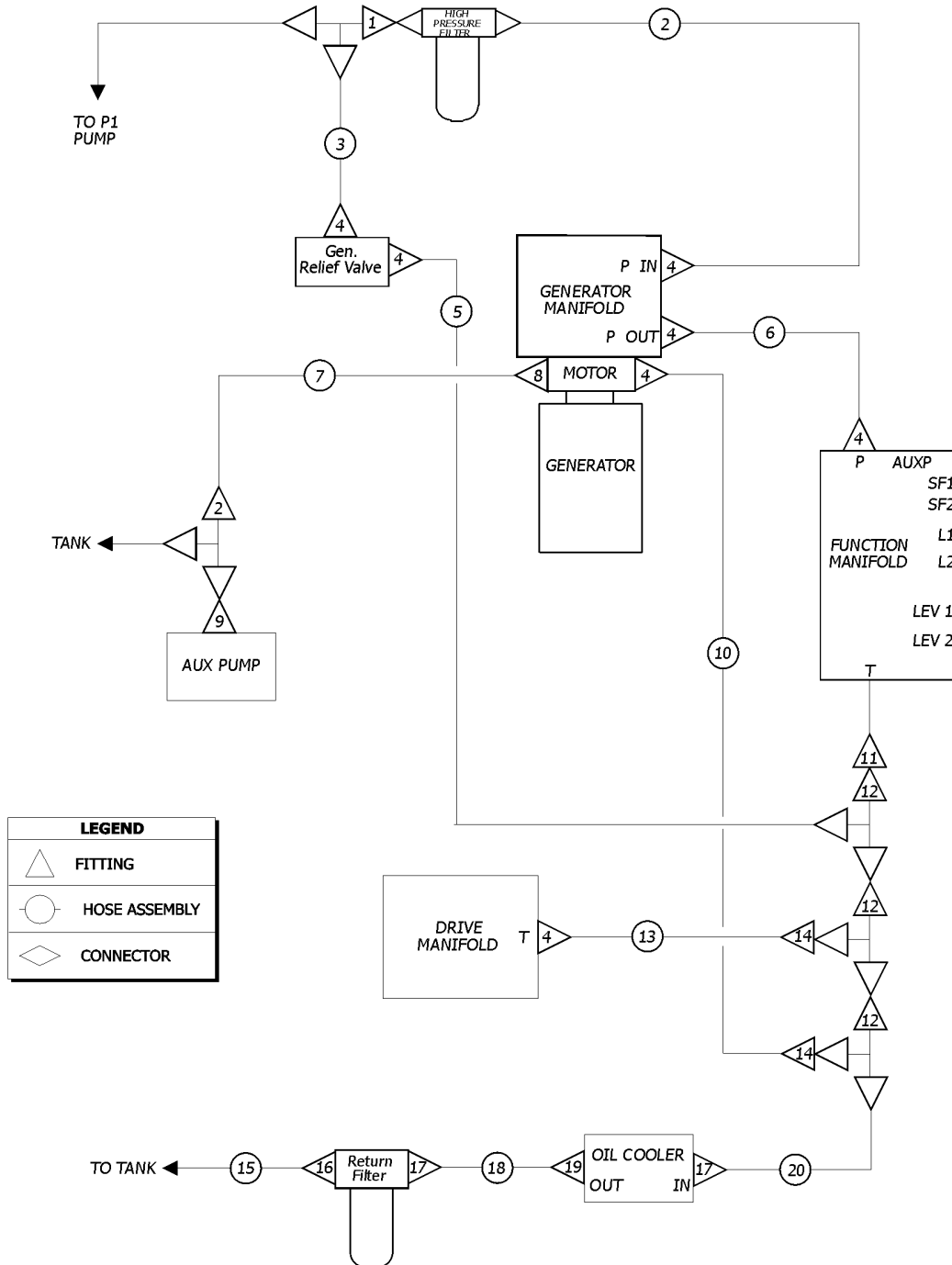


708.1 Generator (all models)

Item	Part No.	Description	Qty.
A	79184GT	GS90 AC GENERATOR (complete)	
B	112045GT	GEN,KIT,2KW,HYD,W/MNFLD*** (includes items 4-7)	
1	1253485GT	SCREW,HHF,1/4-20X2,8,ZAG	2
2	824027GT	NUT,TL FLG,1/4-20,G,ZAG	2
3	824068GT	SCREW,HHC,3/8-16X1.25,8,ZAG	4
4	824029GT	NUT,TL FLG,3/8-16,G,ZAG	4
5	1255758GT	WASHER,FLAT,3/8,USS,ZAG	4
6		Ref. HARNESS,GENERATOR (refer to 215.1)	
7	112044GT	GENERATOR,2KW,HYD,NO VALVE*** (110 V AC, 60 hz)	1
7-	9990626GT	BRUSHES FOR PN 112044GT for 112044	
8	79122GT	MANIFOLD, 2KW GENERATOR	1
8-	110209GT	VALVE, RELIEF, 2400 PSI (165.5 bar)	
8-	1257086GT	VALVE,FLOW REG,PRIORITY,4.3GPM (16.3 L/min)	
8-	29744GT	COIL,10V for 84082	
8-	74902GT	SEAL KIT, VALVE	
8-	84082GT	VALVE-SOLENOID,2 POS 3 WAY,10V	
8-	89310GT	SEAL KIT, SOLENOID VALVE	
9	824065GT	SCREW,HHC,1/4-20X4,8,ZAG	4
10	824109GT	WASHER,LOCK,1/4,ZAG	4
11	1262199GT	ASSY,MANIFOLD,3500PSI RELIEF V	1
11-	115206GT	RELIEF VALVE	1
11-	48933GT	CONN,520120-8***	2



709.1 Hydraulic Hoses and Fittings, Generator option

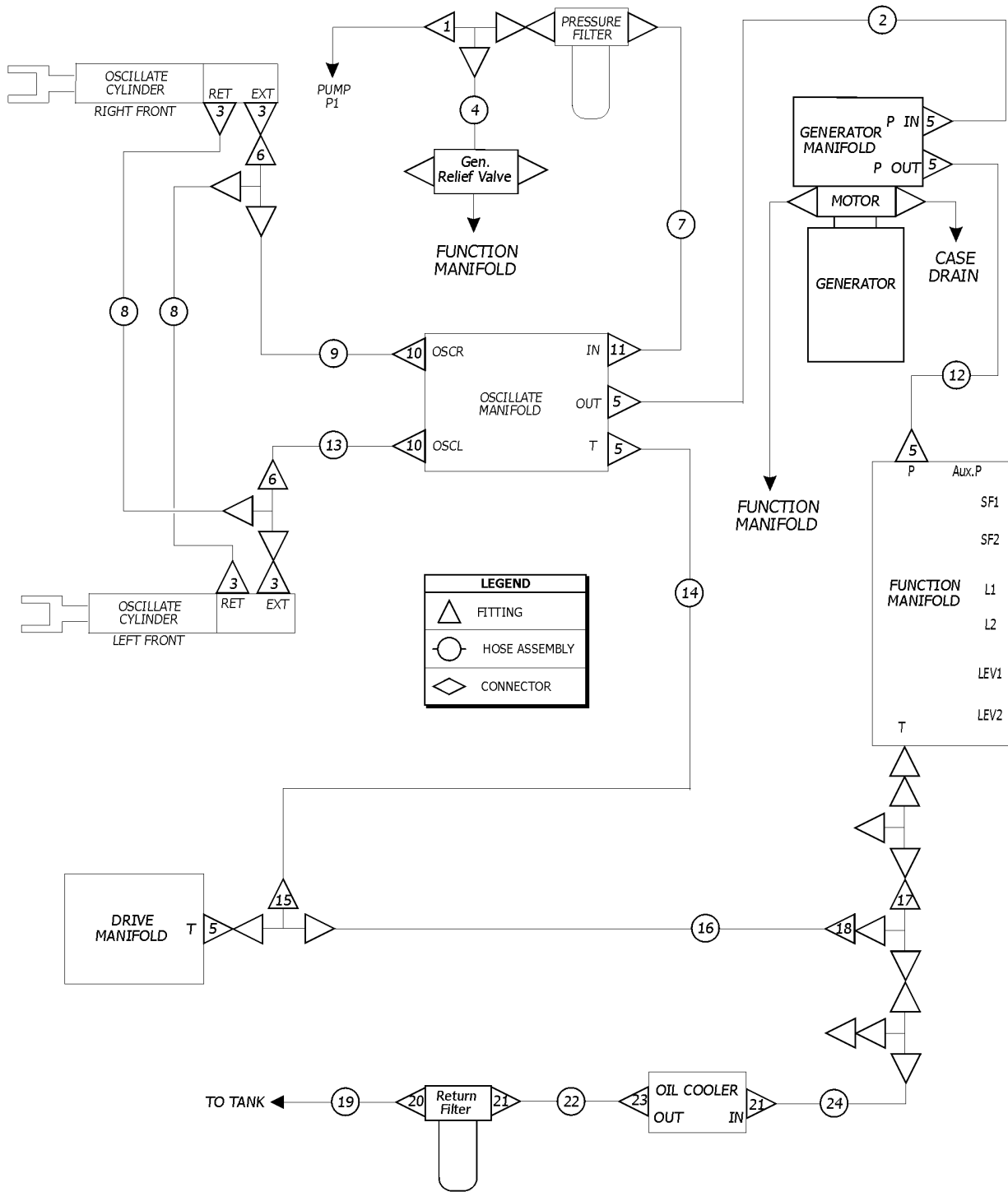


709.1 Hydraulic Hoses and Fittings, Generator option

Item	Part No.	Description	Qty.
		The hose lengths below reflect the length of the hose only. Refer to the 'Fittings Cross Reference' to match Genie part numbers to Parker part numbers.	
1	48938GT	FITTING,TEE,RUN,SWIVEL520432-8	1
2	75278-7446GT	ASSY, HOSE, HYD, -8, 4250, STR, 90	1
3	1262197GT	HOSE ASSY, GEN RV#2- HP FILTER (from SN GS9015-50185)	1
4	48933GT	CONN,520120-8***	3
5	1262196GT	HOSE ASSY, GEN RV#1-RETURN TEE (from SN GS9015-50185)	1
6	71814GT	HOSE ASSY,MANIFOLD	1
7	79151GT	HOSE ASSY,GEN CASE DRN, GS90	1
8	48905GT	CONN,520120-4***	1
9	48916GT	CONN, 520120-6	1
10	75278-4746GT	ASSY, HOSE, HYD, -8, 4250, STR, 90	1
11	48970GT	ELBOW,90D,BULKHEAD,520701-12	1
12	48964GT	FITTING,TEE,RUN,SWIVEL52043212	1
13	1262261GT	HOSE ASSY,DRIVE MAN-RETURN TEE	1
14	51580GT	FITTING,REDUCER,520123-12-8***	1
15	55811GT	HOSE,RETURN FILTER TO TANK	15
16	48878GT	ELBOW,90D,520220-16-12	1
17	48959GT	FITTING,ELBOW,90D,520220-12	1
18	1262200GT	HOSE ASSY, OIL COOLER OUT-LP to SN 84F-45666, 90F-54892	1
18B	1290211GT	HOSE ASSY,OUT(OC)-RETURN FILT from SN 84F-45667, 90F-54893	
19	48960GT	FITTING,CONN,520120-12***	1
20	1262201GT	HOSE ASSY,RTN TEE-OIL COOLR IN to SN 84F-45666, 90F-54892	1
20B	1290212GT	HOSE ASSY,RTN TEE-OIL COOLR IN from SN 84F-45667, 90F-54893	1



710.1 Hydraulic Hoses and Fittings, Oscillate Manifold with Generator option

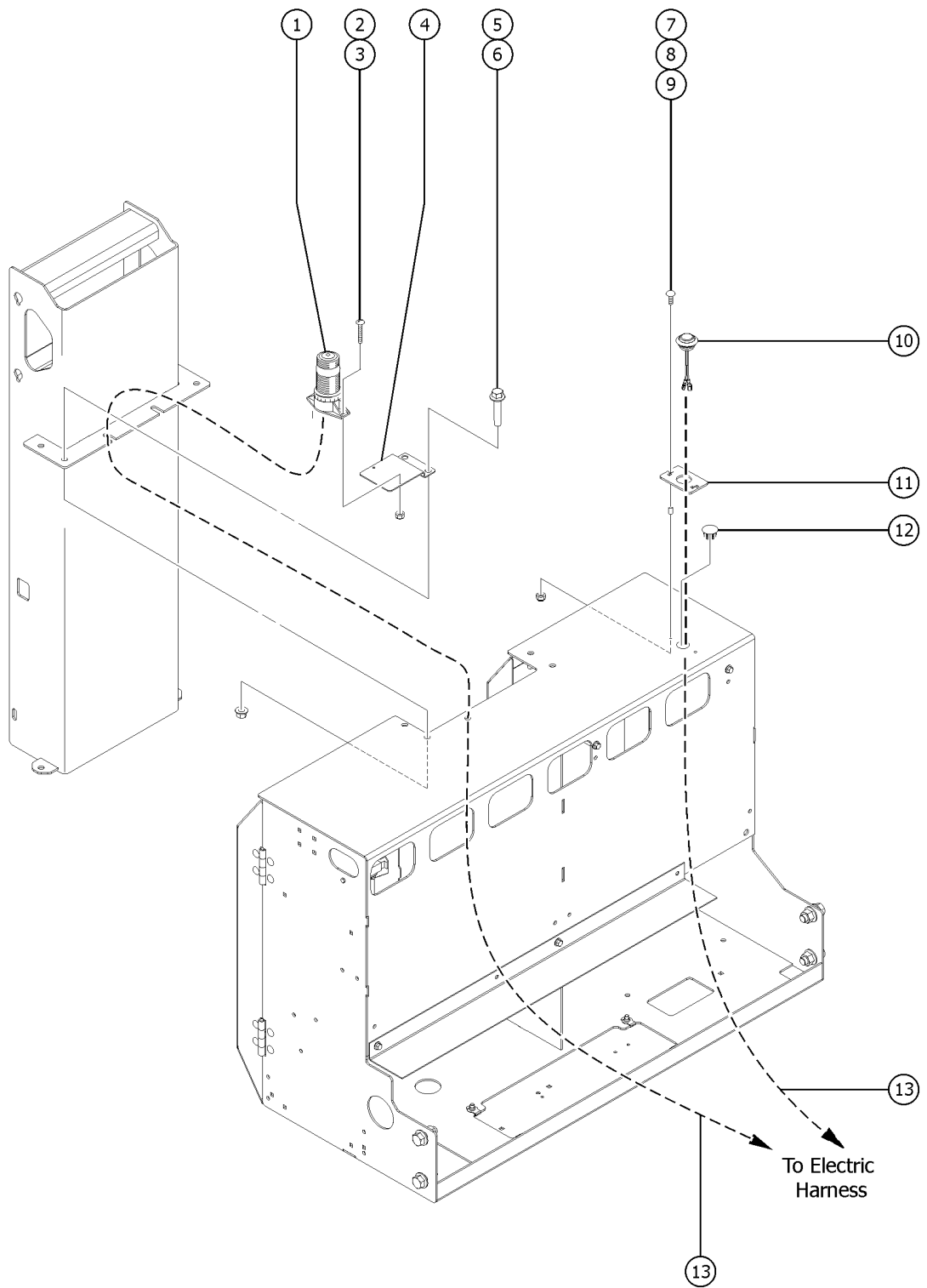


710.1 Hydraulic Hoses and Fittings, Oscillate Manifold with Generator option

Item	Part No.	Description	Qty.
1	48938GT	FITTING,TEE,RUN,SWIVEL520432-8	1
2	87855GT	HOSE ASSY,OSCILLATE OUT	1
3	48905GT	CONN,520120-4***	4
4	1262197GT	HOSE ASSY, GEN RV#2- HP FILTER	1
5	48933GT	CONN,520120-8***	5
6	48908GT	FITTING,TEE,RUN,SWIVEL520432-4	1
7	112867GT	HOSE ASSY,1/2,90FEM,STR FEM	1
8	87858GT	HOSE ASSY,OSC CYL TO CYL	2
9	112790GT	HOSE,OSC MANIF TO CYL,RIGHT	1
10	48911GT	ELBOW,90D,520220-4-6***	2
11	48932GT	FITTING,ELBOW,90D,520220-8***	1
12	71814GT	HOSE ASSY,MANIFOLD	1
13	87857GT	HOSE,OSC MANIF TO CYL,LEFT	1
14	87856GT	HOSE ASSY,OSCILLATE TANK	1
15	48935GT	TEE,RUN,520428-8	1
16	1262261GT	HOSE ASSY,DRIVE MAN-RETURN TEE	1
17	48964GT	FITTING,TEE,RUN,SWIVEL52043212	1
18	51580GT	FITTING,REDUCER,520123-12-8***	1
19	55811GT	HOSE,RETURN FILTER TO TANK	1
20	48878GT	ELBOW,90D,520220-16-12	1
21	48959GT	FITTING,ELBOW,90D,520220-12	2
22	1262200GT	HOSE ASSY, OIL COOLER OUT-LP	1
		to SN 84F-45666, 90F-54892	
22B	1290211GT	HOSE ASSY,OUT(OC)-RETURN FILT	1
		from SN 84F-45667, 90F-54893	
23	48960GT	FITTING,CONN,520120-12***	1
24	1262201GT	HOSE ASSY,RTN TEE-OIL COOLR IN	1
		to SN 84F-45666, 90F-54892	
24B	1290212GT	HOSE ASSY,RTN TEE-OIL COOLR IN	1
		from SN 84F-45667, 90F-54893	



711.1 Flashing Beacon (all models)

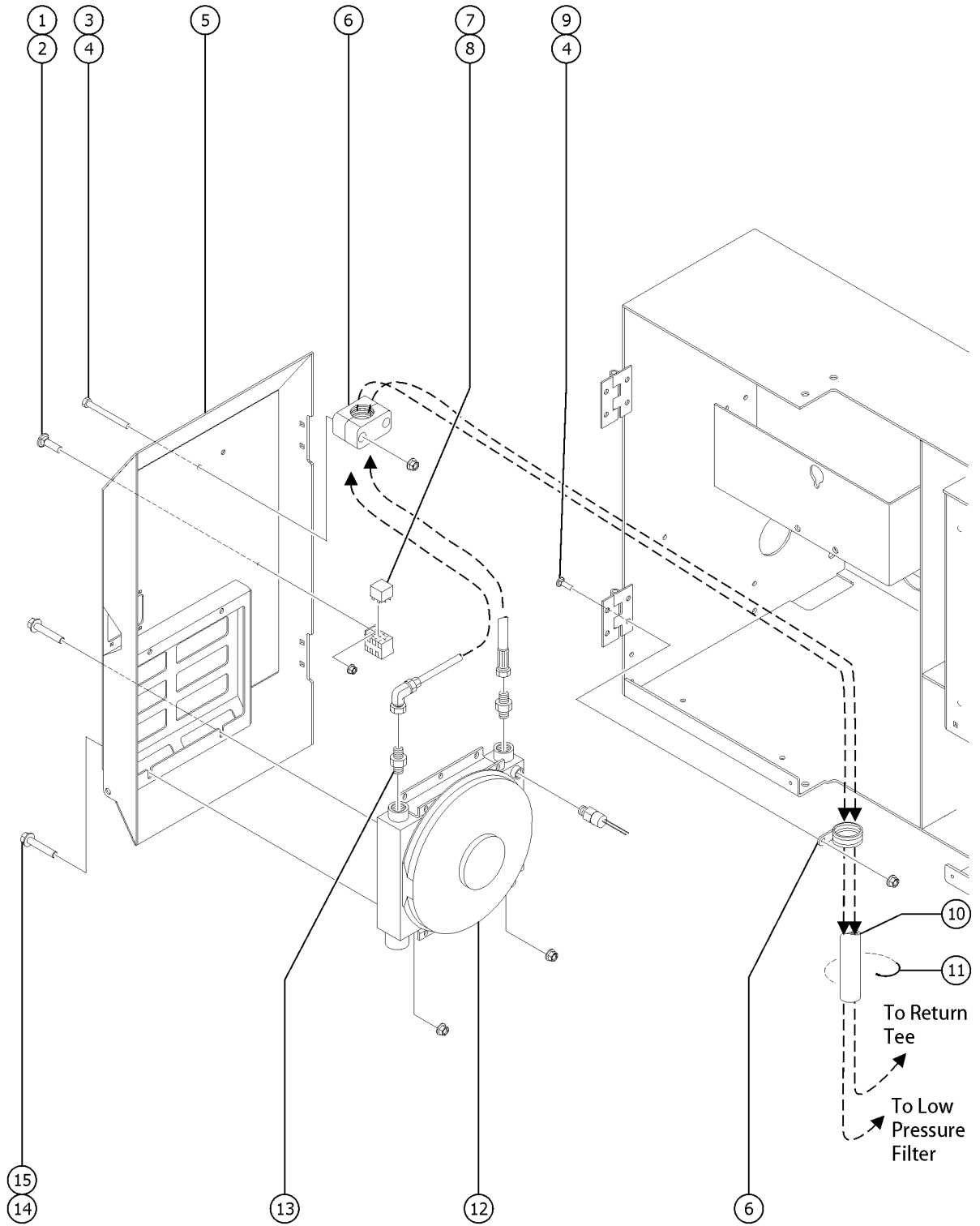


711.1 Flashing Beacon (all models)

Item	Part No.	Description	Qty.
A	71576-SGT	GS90 AC BEACONS, STANDARD	
1	231931GT	STROBE,BEACON, AC COMP 12-80V	2
1-	105556GT	LENS,FLASHING BEACON	
		for 231931	
1-	105557GT	BULB,FLASHING BEACON	
		for 231931	
2	1256460GT	SCREW,PHPM,10-24X1,ZAG	4
3	1251566GT	NUT, TL, 10-24, A, ZAG	4
4	1254296GT	FORMING, BEACON MOUNT	2
5	1255469GT	SCREW,HHF,1/2-13X1.25,8,ZAG	4
6	1251997GT	NUT,TL FLG,1/2-13,G,ZAG	4
7	1255756GT	BOLT,CARRIAGE,1/4-20X1.5,5,ZAG	
		CE Models, option	
8	96699GT	SLEEVE,TANK SUPPORT	
		CE Models, option	
9	824027GT	NUT,TL FLG,1/4-20,G,ZAG	
		CE Models, option	
10	1266264GT	BEACON,LED, ASSY	
		CE Models, option	
10-	1254572GT	LIGHT,TURN SIGNAL,1.25" LED,AM	
		CE Models, option	
11	1267469GT	PLATE,VISUAL IND LIGHT MOUNT,BLK	
		CE Models, option	
12	219471GT	PLUG,PLASTIC CAP,1"DIA,.3/8THK	
		CE Models without beacon option	
13		Ref.Wire Harness Assembly, Beacons	
		(refer to 215.1)	



712.1 Oil Cooler (all models)

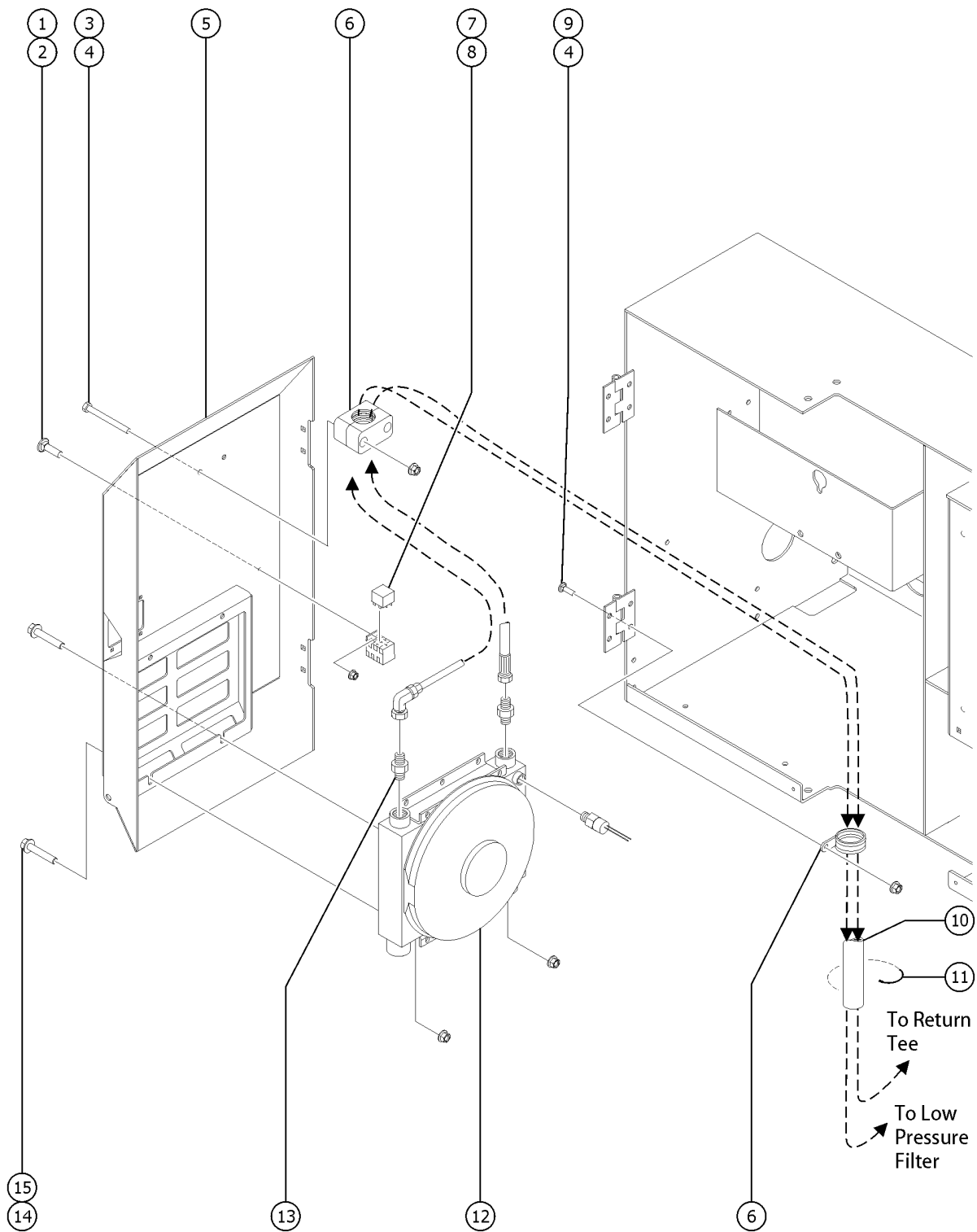


712.1 Oil Cooler (all models)

Item	Part No.	Description	Qty.
A		REF: Kit, Service, Oil Cooler Hoses (refer to 713.1)	
A-	67504GT	FUSE HOLDER,ATC 3-30 AMPS for 79015	
A-	79015GT	FUSE,20 AMP,ATC	
B		Ref.Wire Harness Assembly (refer to 215.1)	
C	1264351GT	KIT,OIL COOL&GEN VALVE,GS90,BK	
1	1256282GT	BOLT,CARRIAGE,10-24X.5,5,ZAG	
2	1256467GT	NUT,TL FLG,10-24,F,ZAG	
3	824065GT	SCREW,HHC,1/4-20X4,8,ZAG	
4	824027GT	NUT,TL FLG,1/4-20,G,ZAG	
5	1264024GT	OIL COOLER DOOR ASSY,GS90,BLK to SN 84F-45666, 90F-54892 (decals not included, refer to section 100. Includes latch and fasteners)	1
5-	55675GT	LATCH, LRG PADDLE HANDLE GS90	
5-	6091GT	NUT,NYLOCK,1/4-20	4
5-	6878GT	BOLT,CARRIAGE,1/4-20 X .75,G2	4
5B	1290578GT	OIL COOLER DOOR ASSY,GS90,BLK from SN 84F-45667, 90F-54893 (decals not included, refer to section 100. Includes latch and fasteners)	1
5B-	55675GT	LATCH, LRG PADDLE HANDLE GS90	
5B-	824124GT	BOLT,CARRIAGE,1/4-20X.75,5,ZAG	
5B-	1256679GT	NUT,SERRATED,1/4-20,8,ZAG	
6	117773GT	1-1/8T TUBE CLAMP	4
7	34052GT	RELAY,SPDT,12V(AUTO) PLUG IN**	1
8	34053GT	ASSY,RELAY SOCKET, AUTO	1
9	824125GT	BOLT,CARRIAGE,3/8-16X1,5,ZAG	
10	79138GT	SLEEVE,NYLON,2.38 ID,BULK 100' (order this part by the inch as needed)	
11	21121GT	CABLE TIE, 4" BLK, HEAT RESISTANT quantities vary	
12	71259GT	OIL COOLER W/FAN, 12VDC	1
12-	75854GT	FAN - VENTED	
12-	75855GT	THERMOSTAT -OIL COOLER (71259)	
13	48960GT	FITTING,CONN,520120-12***	2



712.1 Oil Cooler (all models)



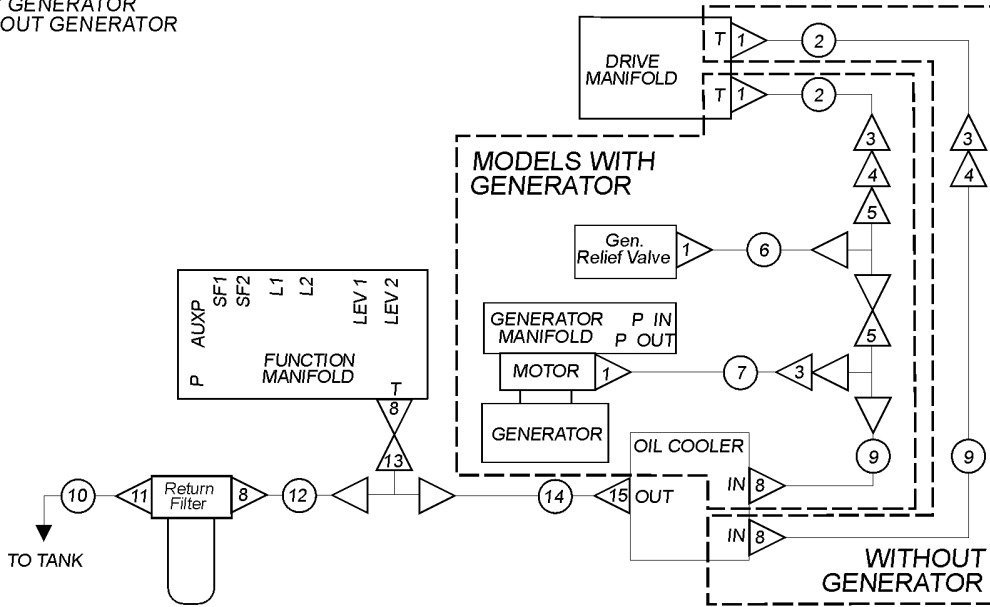
712.1 Oil Cooler (all models)

<i>Item</i>	<i>Part No.</i>	<i>Description</i>	<i>Qty.</i>
14	824090GT	SCREW,HHF,3/8-16X1,8,ZAG	4
15	824029GT	NUT,TL FLG,3/8-16,G,ZAG	4

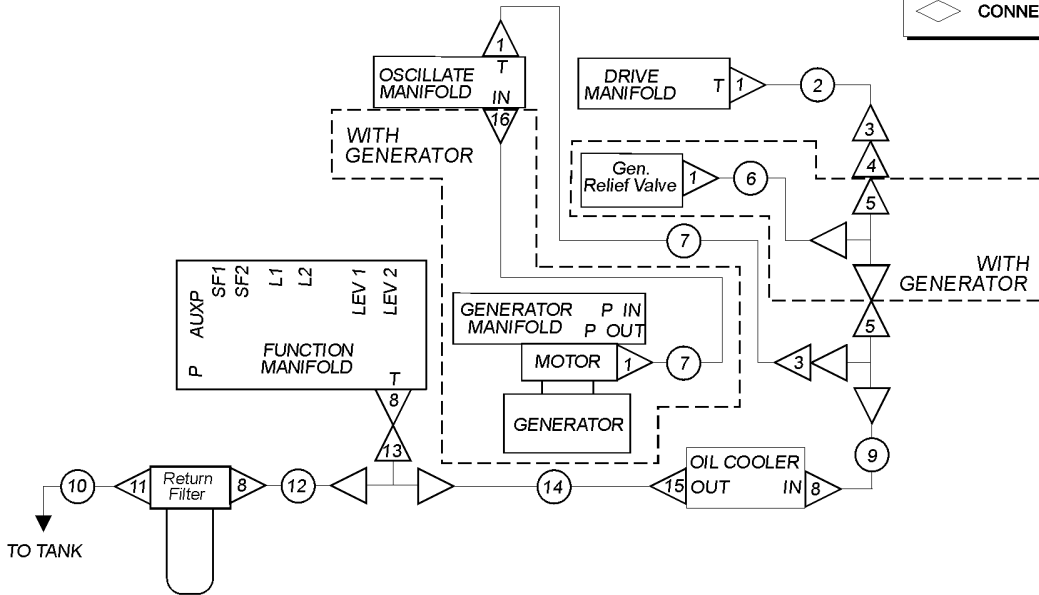


713.1 Hydraulic Hoses and Fittings, Oil Cooler

- MODELS WITHOUT OSCILLATE AXLE
 • WITH GENERATOR
 • WITHOUT GENERATOR



- MODELS WITH OSCILLATE AXLE
 • WITH GENERATOR
 • WITHOUT GENERATOR



LEGEND	
	FITTING
	HOSE ASSEMBLY
	CONNECTOR

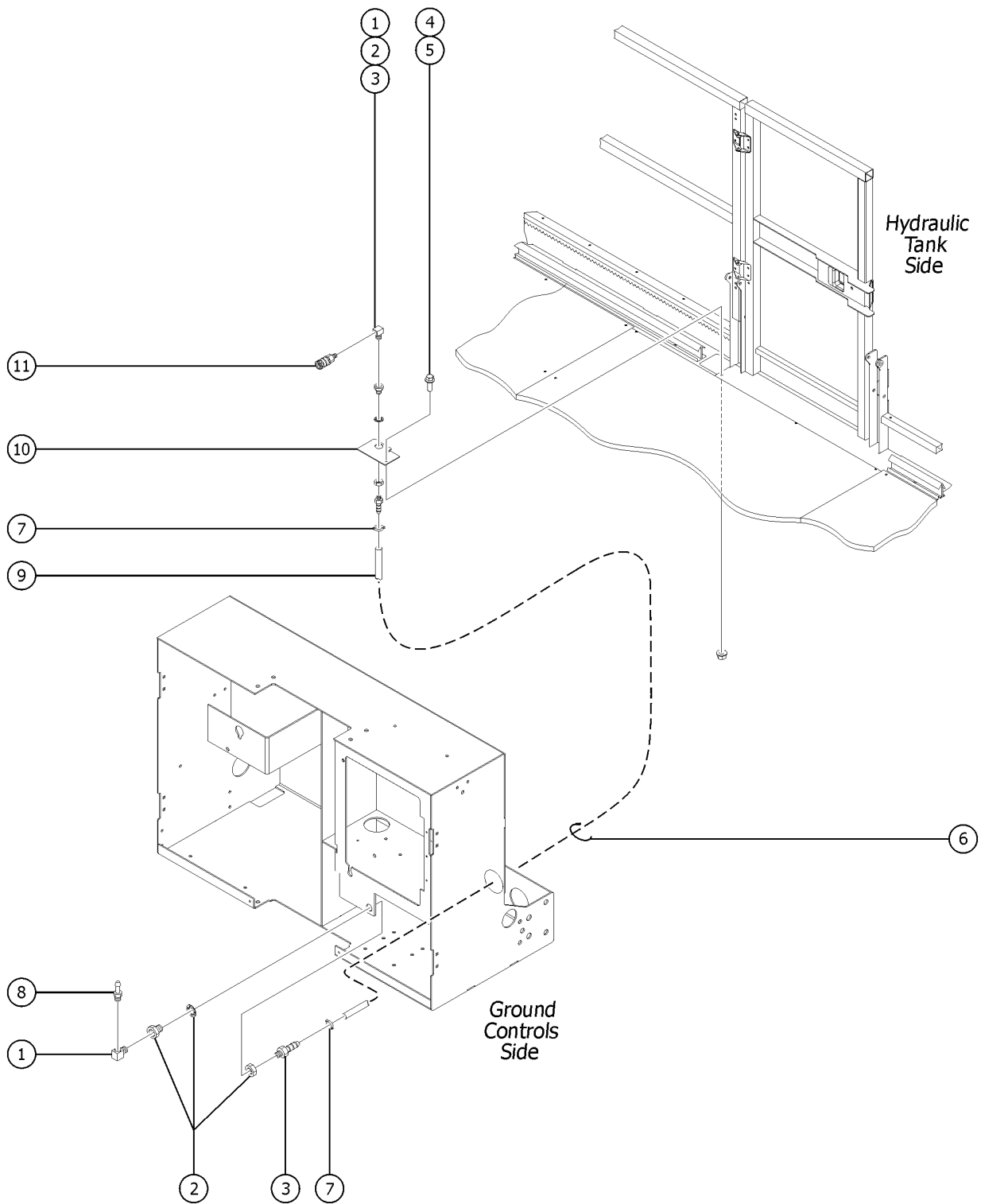


713.1 Hydraulic Hoses and Fittings, Oil Cooler

Item	Part No.	Description	Qty.
1	48933GT	CONN,520120-8***	8
2	1262261GT	HOSE ASSY,DRIVE MAN-RETURN TEE	3
3	51580GT	FITTING,REDUCER,520123-12-8***	5
4	48970GT	ELBOW,90D,BULKHEAD,520701-12	3
5	48964GT	FITTING,TEE,RUN,SWIVEL52043212	4
6	1262196GT	HOSE ASSY, GEN RV#1-RETURN TEE	2
7	75278-4746GT	ASSY, HOSE, HYD, -8, 4250, STR, 90	3
8	48959GT	FITTING,ELBOW,90D,520220-12	7
9	1262201GT	HOSE ASSY,RTN TEE-OIL COOLR IN to SN 84F-45666, 90F-54892	3
9B	1290212GT	HOSE ASSY,RTN TEE-OIL COOLR IN from SN 84F-45667, 90F-54893	3
10	55811GT	HOSE,RETURN FILTER TO TANK	2
11	48878GT	ELBOW,90D,520220-16-12	2
12	1271789GT	TUBE ASSY,5.75"W/12 SW NUTS	2
13	67371GT	TEE,BRANCH,520433-12	2
14	1262200GT	HOSE ASSY, OIL COOLER OUT-LP to SN 84F-45666, 90F-54892	2
14B	1290211GT	HOSE ASSY,OUT(OC)-RETURN FILT from SN 84F-45667, 90F-54893	2
15	48960GT	FITTING,CONN,520120-12***	2
16	48932GT	FITTING,ELBOW,90D,520220-8***	1



714.1 Air Line to Platform (all models), GS-3384, GS-3390

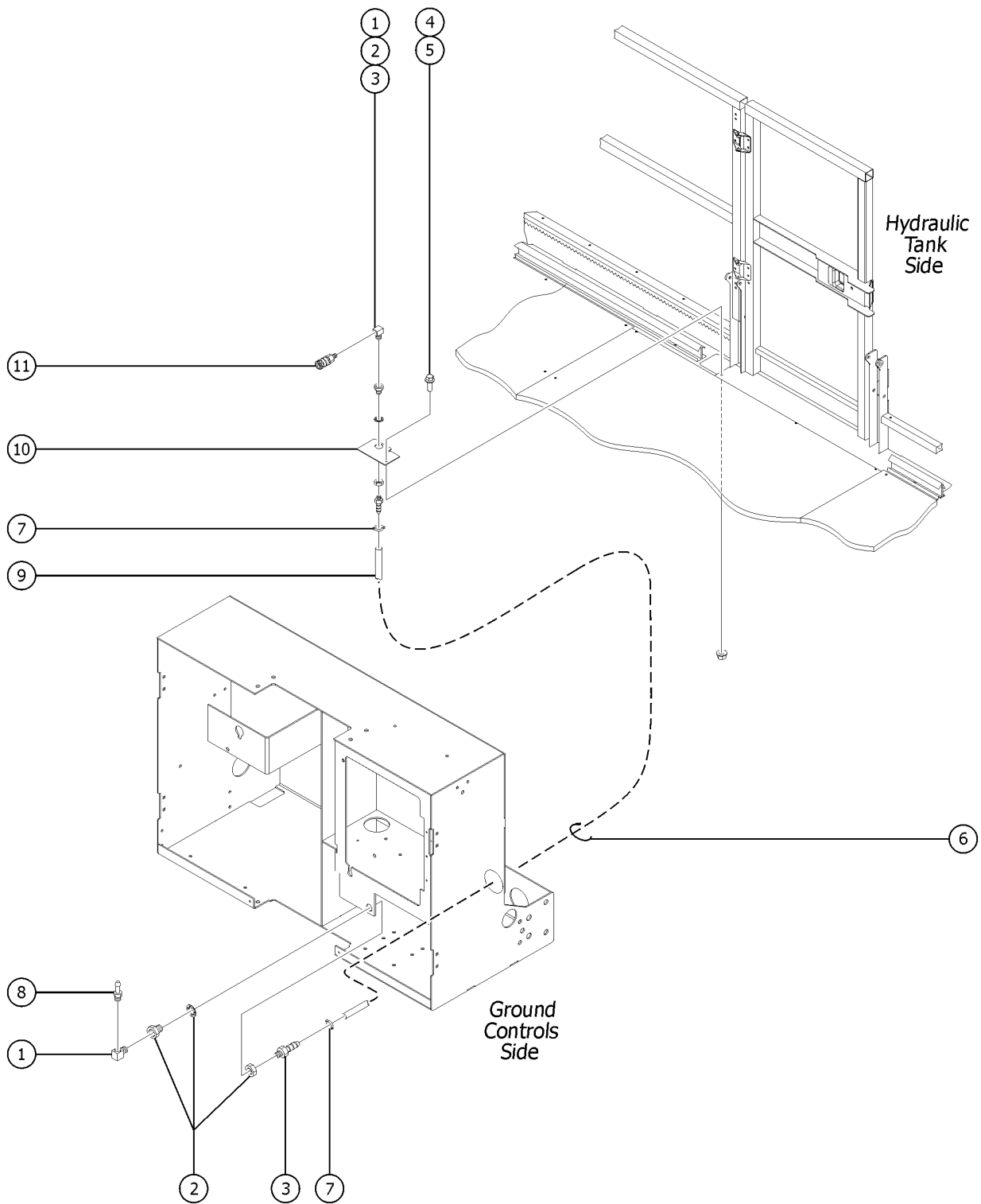


714.1 Air Line to Platform (all models), GS-3384, GS-3390

Item	Part No.	Description	Qty.
A	87241-SGT	GS84 ACCESSORY AIR TO PLAT GS-3384 and GS-3390 (complete)	
1	79383GT	BRASS STREET ELBOW	2
2	27900GT	BULKHEAD,FEMALE X 6 X 6 (includes mounting fasteners)	2
3	27901GT	HOSE END,BARBED,RIGID,-6-6	1
4	824091GT	SCREW,HHF,3/8-16X1.25,8,ZAG	
5	824029GT	NUT,TL FLG,3/8-16,G,ZAG	
6	28443GT	CABLE TIE,11.5" BLACK (quantities vary)	
7	27902GT	CLAMP,HOSE,2 EAR, 5/8	2
8	27894GT	PLUG,1/4"SERIES,3/8 MPT	1
9A	27903GT	HOSE,LOW PRESSURE,.375 ID,BLK GS-3384 and GS-3390	64 0- i nc hes
10	79378GT	PLATE, AIR TO PLAT	1
11	27895GT	COUPLER,1/4"SERIES 3/8 MPT	1



714.2 Air Line to Platform (all models), GS-4390

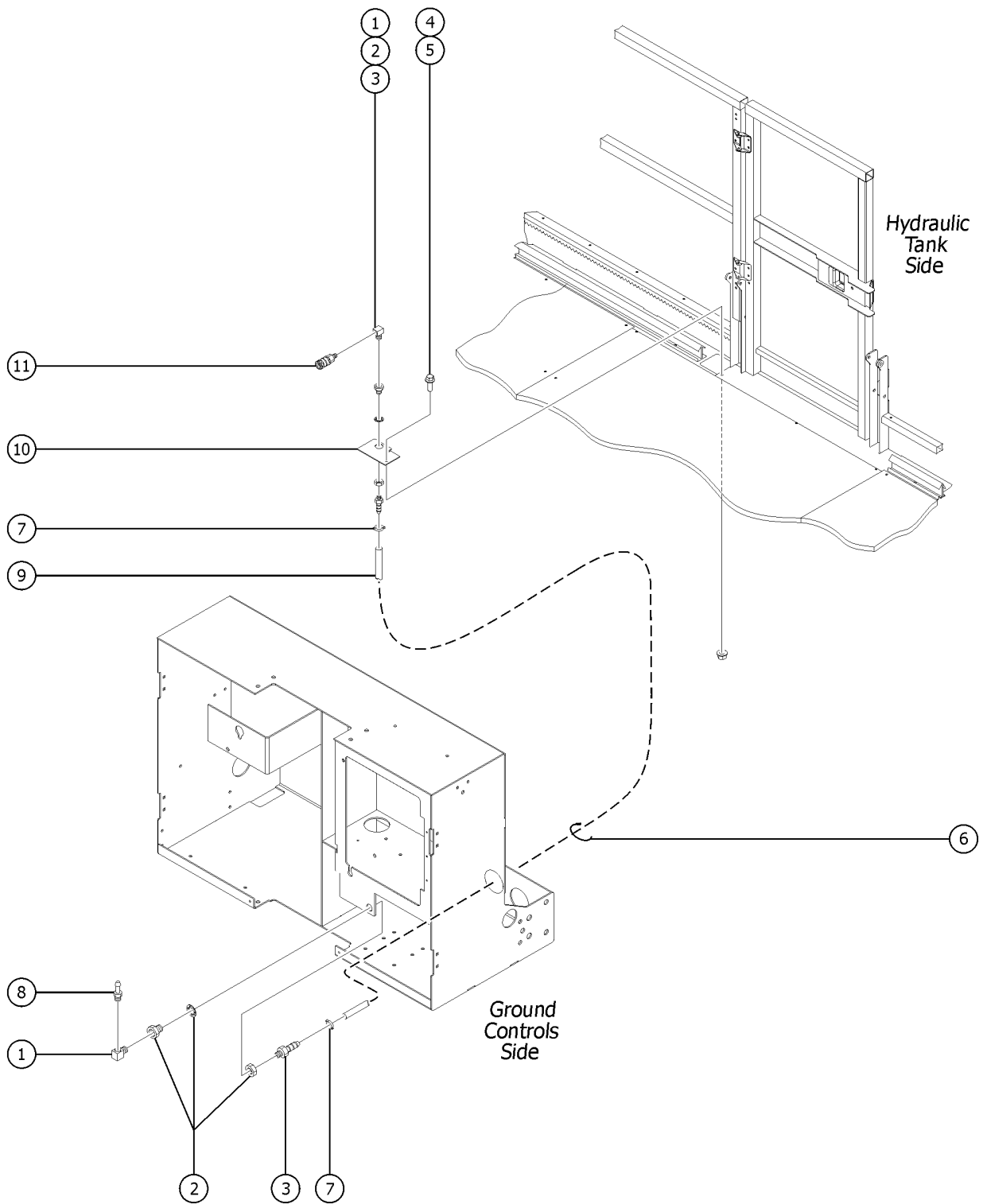


714.2 Air Line to Platform (all models), GS-4390

Item	Part No.	Description	Qty.
B	79379-SGT	GS4390 AIR TO PLAT ACCESSORY GS-4390 (complete)	
1	79383GT	BRASS STREET ELBOW	2
2	27900GT	BULKHEAD,FEMALE X 6 X 6 (includes mounting fasteners)	2
3	27901GT	HOSE END,BARBED,RIGID,-6-6	1
4	824091GT	SCREW,HHF,3/8-16X1.25,8,ZAG	
5	824029GT	NUT,TL FLG,3/8-16,G,ZAG	
6	28443GT	CABLE TIE,11.5" BLACK (quantities vary)	
7	27902GT	CLAMP,HOSE,2 EAR, 5/8	2
8	27894GT	PLUG,1/4"SERIES,3/8 MPT	1
9B	27903GT	HOSE,LOW PRESSURE,.375 ID,BLK GS-4390	77 8-i nc hes
10	79378GT	PLATE, AIR TO PLAT	1
11	27895GT	COUPLER,1/4"SERIES 3/8 MPT	1



714.3 Air Line to Platform (all models), GS-5390

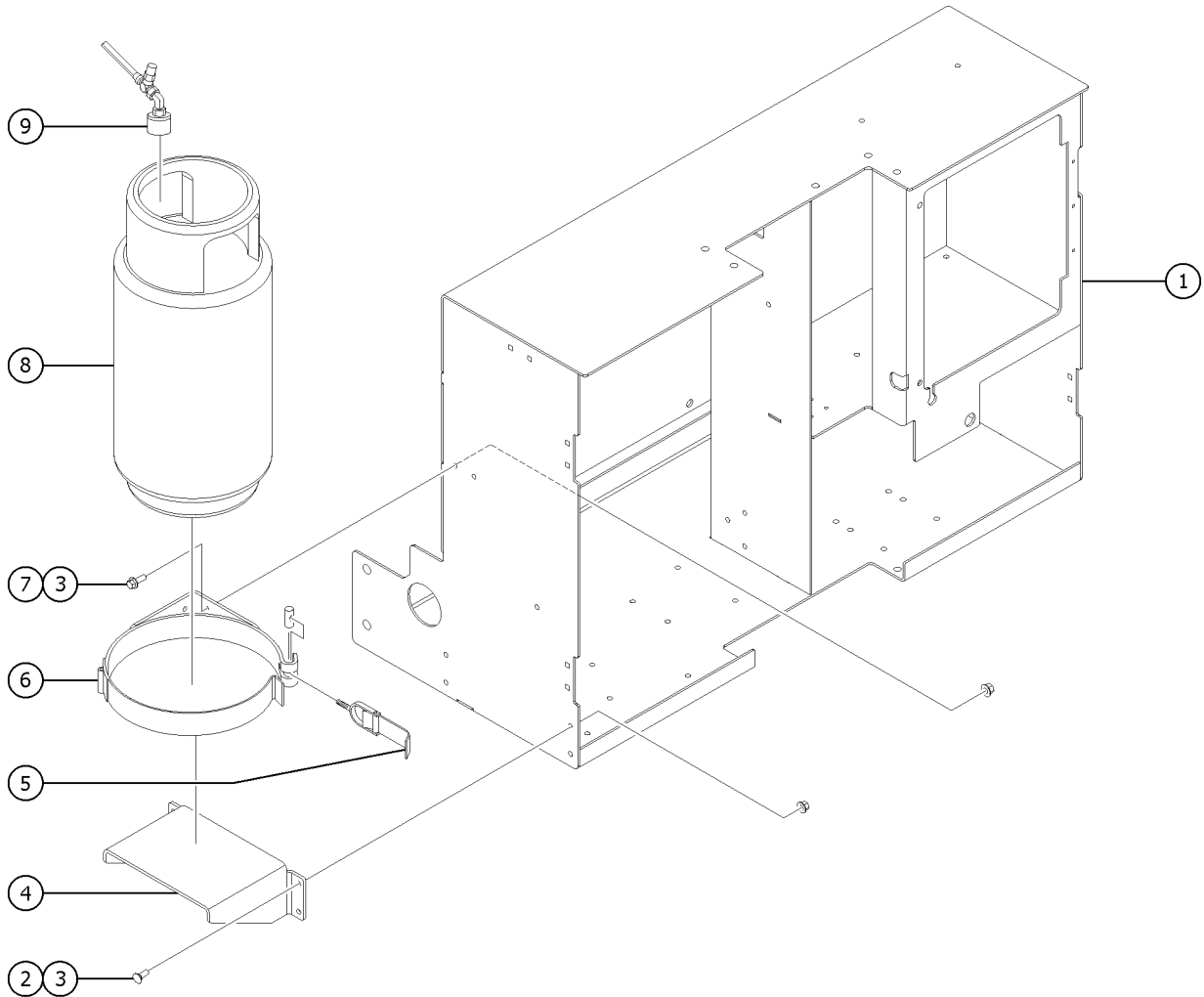


714.3 Air Line to Platform (all models), GS-5390

Item	Part No.	Description	Qty.
C	112905-SGT	GS5390,AC,AIR TO PLAT. GS-5390 (complete)	
1	79383GT	BRASS STREET ELBOW	2
2	27900GT	BULKHEAD,FEMALE X 6 X 6	2
		(includes mounting fasteners)	
3	27901GT	HOSE END,BARBED,RIGID,-6-6	1
4	824091GT	SCREW,HHF,3/8-16X1.25,8,ZAG	
5	824029GT	NUT,TL FLG,3/8-16,G,ZAG	
6	28443GT	CABLE TIE,11.5" BLACK	
		(quantities vary)	
7	27902GT	CLAMP,HOSE,2 EAR, 5/8	2
8	27894GT	PLUG,1/4"SERIES,3/8 MPT	1
9C	27903GT	HOSE,LOW PRESSURE,.375 ID,BLK	91
		GS-5390	8- i nc hes
10	79378GT	PLATE, AIR TO PLAT	1
11	27895GT	COUPLER,1/4"SERIES 3/8 MPT	1



715.1 Spare LPG Tank (all models)

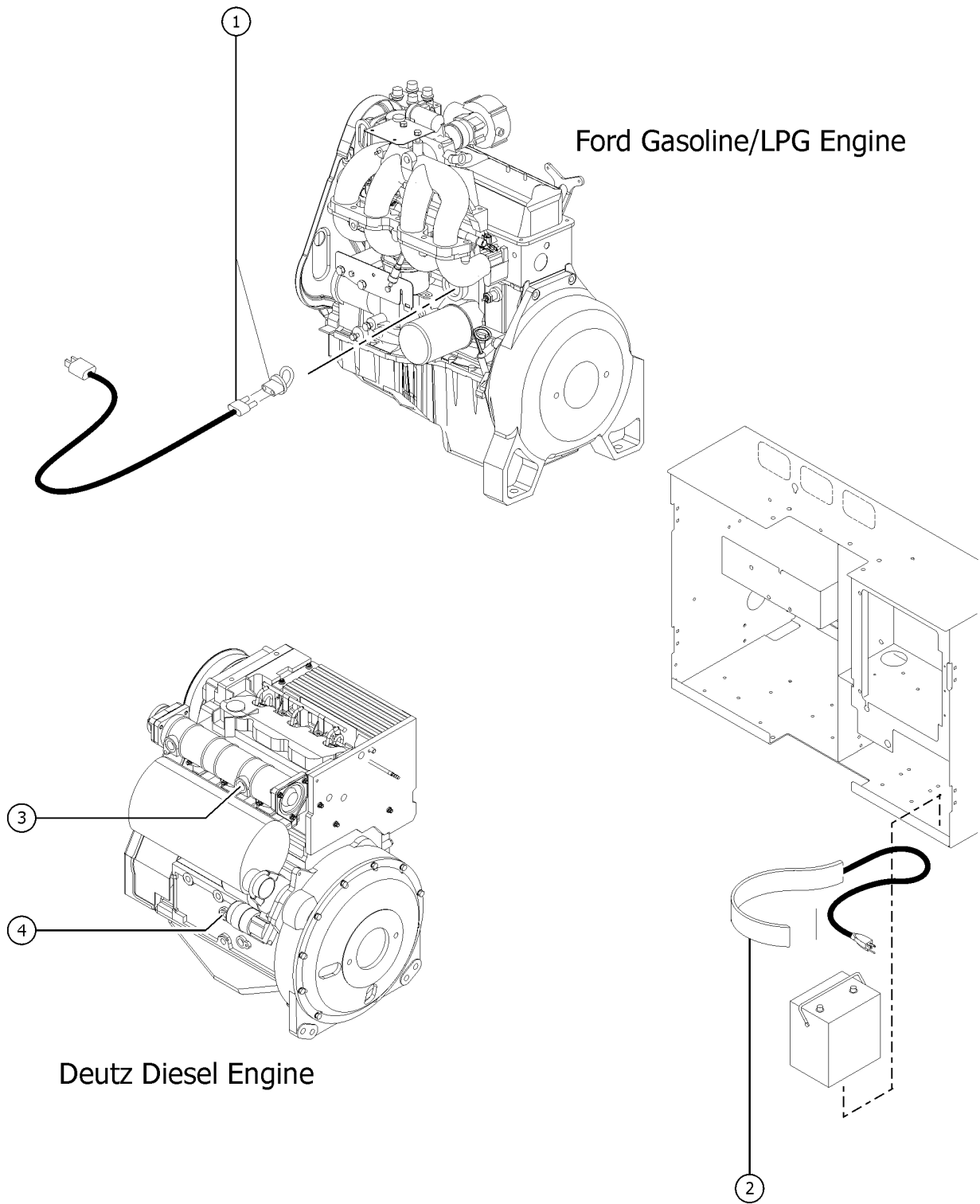


715.1 Spare LPG Tank (all models)

<i>Item</i>	<i>Part No.</i>	<i>Description</i>	<i>Qty.</i>
1		Ref. Ground Control Tray (refer to 411.1)	
2	824125GT	BOLT,CARRIAGE,3/8-16X1,5,ZAG	4
3	824029GT	NUT,TL FLG,3/8-16,G,ZAG	6
4	1254225GT	FORMING, LP BRACKET BOTTOM	1
5	49000GT	L.P.TANK LATCH	1
6	1273062GT	WELDMENT, UPPER LP TANK SUPPORT black	1
7	824090GT	SCREW,HHF,3/8-16X1,8,ZAG	2
8	53605GT	TANK, 7 GAL/33.5 POUND, LP	1
9	104120GT	HOSE ASSEMBLY,LP GAS-120" LONG	1



716.1 Cold Start Package, Ford and Deutz Engines (all models)

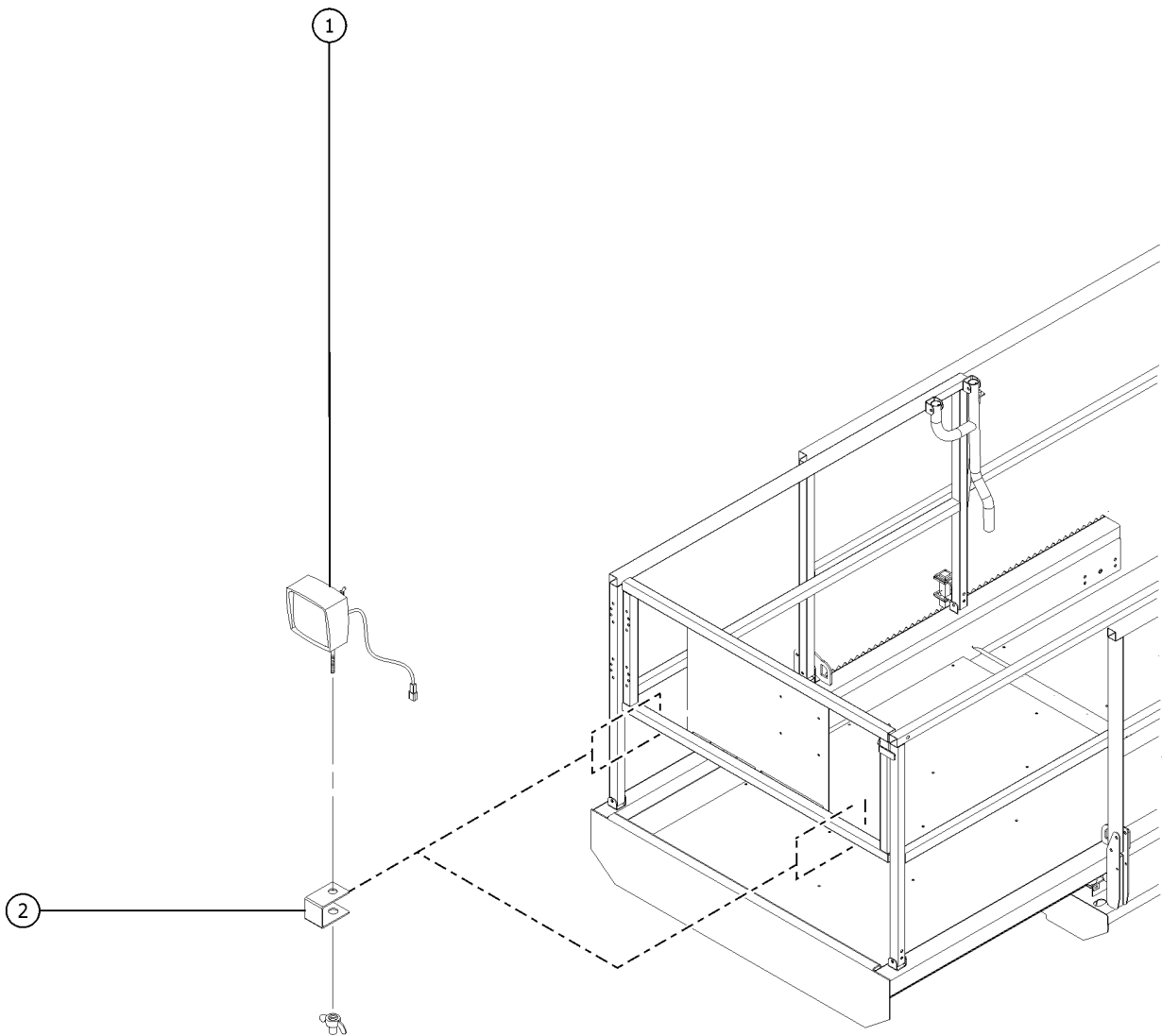


716.1 Cold Start Package, Ford and Deutz Engines (all models)

<i>Item</i>	<i>Part No.</i>	<i>Description</i>	<i>Qty.</i>
1	35610GT	HEATER,FREEZE PLUG,FORD LRG423 (gasoline/LPG models)	1
1A	119231GT	BLOCK HEATER,FORD DSG-423 (gasoline/LPG models) (screw-in type)	
2	28853GT	BLANKET,BATTERY (gasoline/LPG and diesel models)	1
3A	31408GT	GLOW PLUG,L1011	1
3B	131171GT	HARNES,2ND GLOW PLUG,GS84/90	1
3B-	61225GT	RELAY,12VDC,70AMP,SEALED for 131171	1
3B-	88151GT	FUSE,70 AMP for 131171	1
4	1298190GT	OIL PAN HEATER WITH PLUG,DEUTZ,120V,200W	



717.1 Platform Work Light

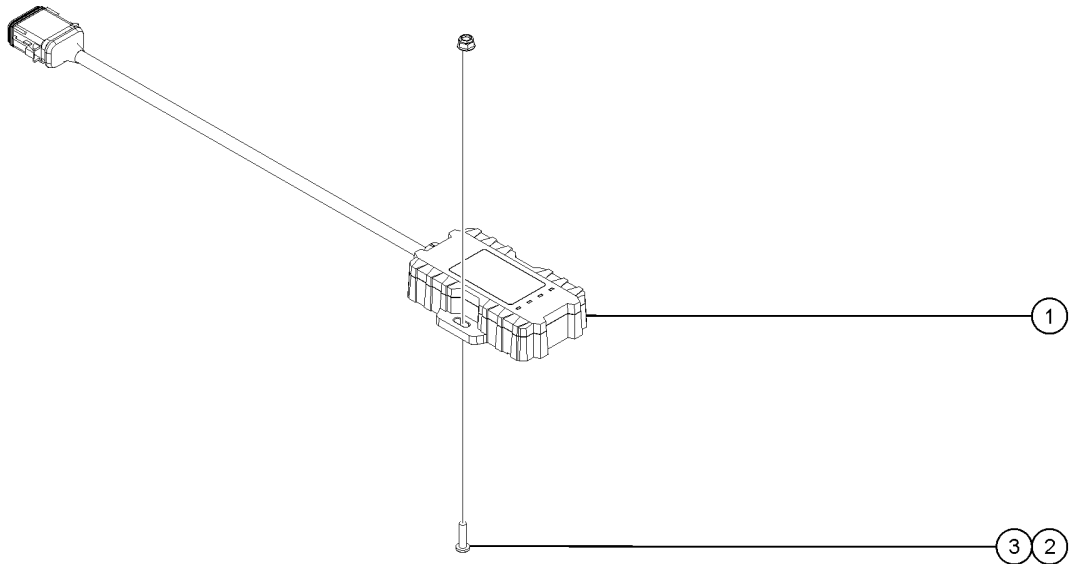


717.1 Platform Work Light

<i>Item</i>	<i>Part No.</i>	<i>Description</i>	<i>Qty.</i>
A	99919GT	WORKLIGHTS,ACCESSORY,GS3384	1
A-	99922GT	HARNESS,GS3384 WORKLIGHTS***	1
B	99920GT	WORKLIGHTS,ACCESSORY,GS4390	1
B-	99923GT	HARNESS,GS4390 WORKLIGHTS	1
C	99921GT	WORKLIGHTS,ACCESSORY,GS5390	1
C-	99924GT	HARNESS,GS5390 WORKLIGHTS	1
1	71498GT	WORKLIGHT, 12V, DEUTSCH RECEPT	2
2	71382GT	BRACKET, WORK LIGHTS, OPTION	2
3	28443GT	CABLE TIE,11.5" BLACK	
		not shown	



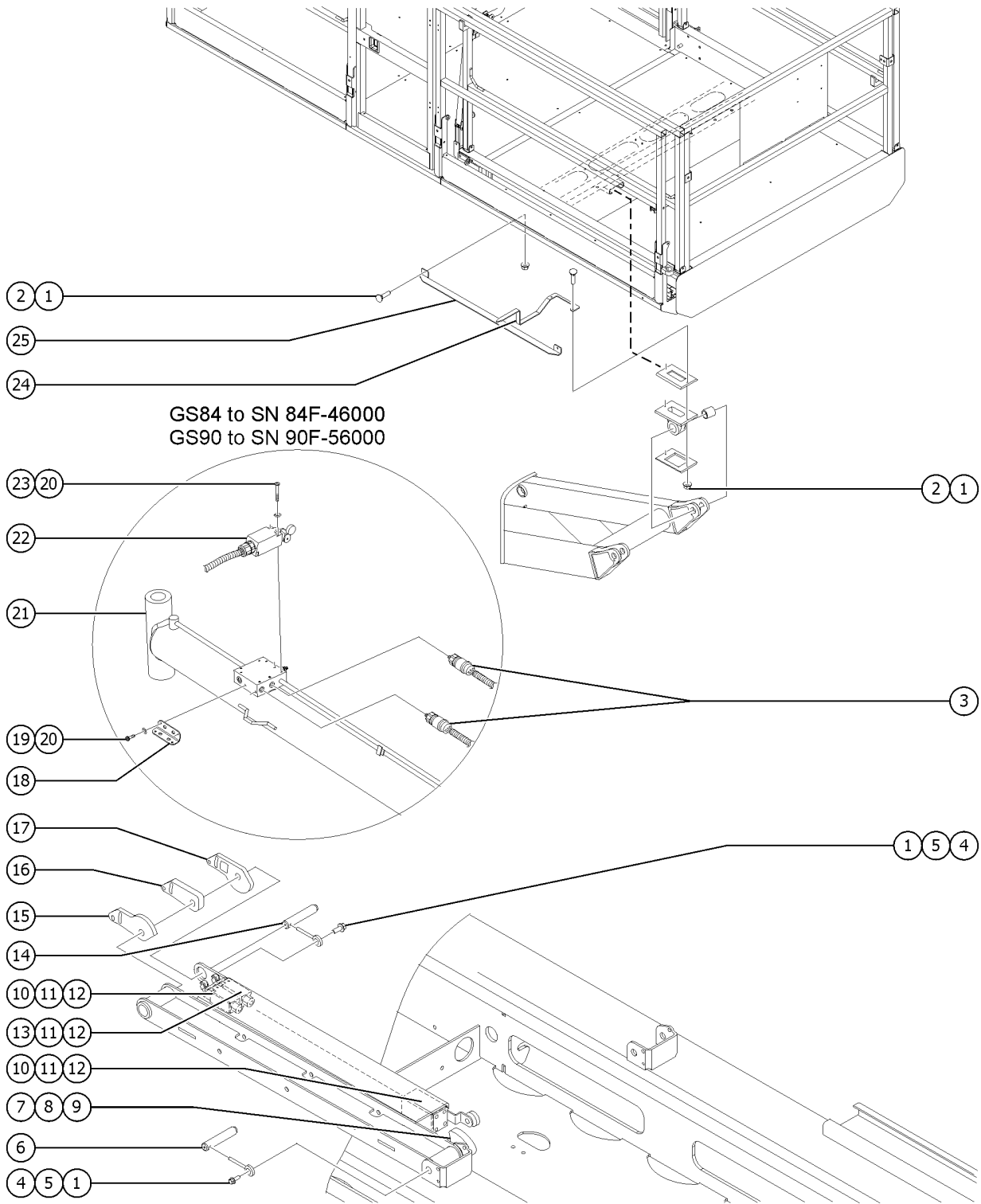
718.1 Telematics Option



Item	Part No.	Description	Qty.
-	1294153GT	HARNESS, HERC TELEMATICS, GS69,90,84 (from SN GS84F-45672 & GS90F-54949)	1
-	1291595GT	HARNESS, JUMPER, TELEMATICS	1
-	1293982GT	TELEMATICS, FUEL LEVEL, GS90 GAS (fuel level, gas) (from SN GS84F-45672 & GS90F-54949)	
-	1271771GT	SENSOR, FUEL LEVEL, 24" GAS (fuel level, gas) (from SN GS84F-45672 & GS90F-54949)	
-	1274035GT	CAN CONVERTER, 1.34 - 4.50 V RANGE (fuel level, gas) (from SN GS84F-45672 & GS90F-54949)	
-	1293983GT	TELEMATICS, FUEL LEVEL, GS90 DIESEL (fuel level, diesel) (from SN GS84F-45672 & GS90F-54949)	
-	1274036GT	CAN CONVERTER, 1.41-4.50 V RANGE (fuel level, diesel) (from SN GS84F-45672 & GS90F-54949)	
-	1271770GT	SENSOR, FUEL LEVEL, 30" DIESEL (fuel level, diesel) (from SN GS84F-45672 & GS90F-54949)	
-	1274948GT	HARNESS, FUEL SENSE, RT90 (fuel level, gas & diesel) (from SN GS84F-45672 & GS90F-54949)	
1	1289520GT	MODULE, TELEMATICS, ZTR, M7, NORTH AMERICA North America	1
1B	1289521GT	MODULE, TELEMATICS, ZTR, M7, EMEA/APAC EMEA/APAC	
1C	1289522GT	MODULE, TELEMATICS, ZTR, M7, APAC/ANZ APAC/ANZ	
1D	1289523GT	MODULE, TELEMATICS, ZTR, M7, JAPAN Japan	
2	824215GT	SCREW,PHPM,10-32X.75,ZAG	2
3	1283005GT	NUT,NYLOCK FLG,10-32,A,ZAG	2



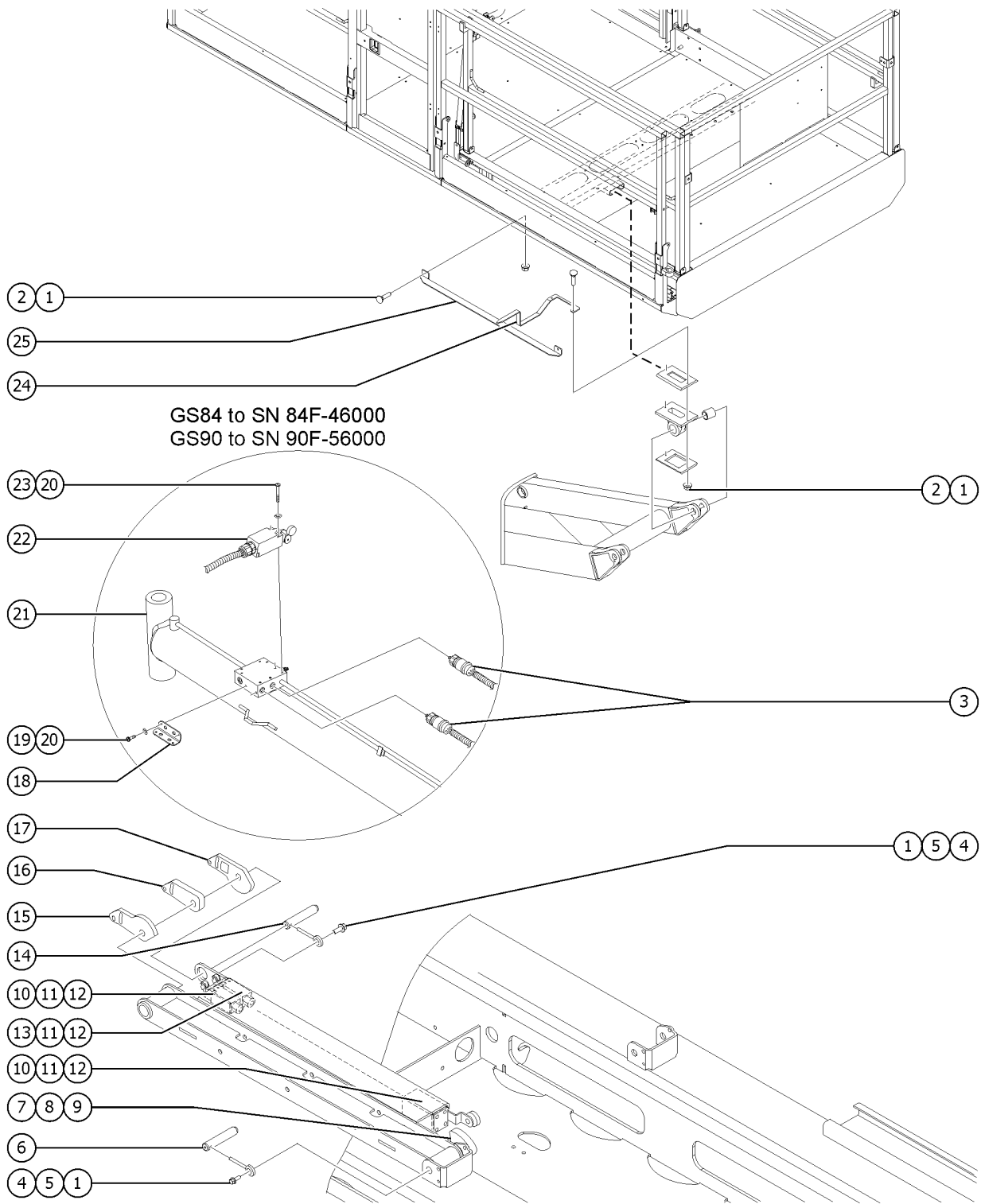
801.1 Platform Overload Components, GS-3384



Item	Part No.	Description	Qty.
1	824027GT	NUT,TL FLG,1/4-20,G,ZAG	6
2	1260963GT	BOLT,CARRIAGE,1/4-20X.63,5,ZAG	4
3		Ref. Pressure Switch (refer to 802.1) GS84 to SN 84F-45999 , GS90 to SN 90F- 55999	
4	824060GT	SCREW, HHC, 1/4-20 X 1, 8, ZAG	2
5	825020GT	ROD END,.250X2.75,ZAG	2
6	71168GT	PIN,0.75DIAX5.35LG,CHAMFER	1
7	99306GT	CAM,FULL HEIGHT	1
8	824092GT	SCREW, HHF, 3/8-16 X 1.5, 8, ZAG	
9	824029GT	NUT,TL FLG,3/8-16,G,ZAG	
10	88356-136R3GT	SWITCH,LIMIT,TABULATED,BLUE***	2
10-	19491GT	CONTACTOR,LIMIT SWITCH	
11	1256177GT	SCREW,PHPM,10-32X1.75,ZAG	
12	1283005GT	NUT,NYLOCK FLG,10-32,A,ZAG	
13		Ref. Limit Switch	
		(refer to 501.1)	
14	79031GT	PIN,0.75DIAX8.06LG,CHAMFER	1
15	99305GT	CAM,DOWN INTERRUPT	1
16	99303GT	SPACER,LOAD SENSE CAM	1
17		Ref. Cam, Load Sense Down Limit	1
		(refer to 501.1)	
18	112510GT	FORMING,LOAD SENSE PLUG MOUNT	1
		GS84 to SN 84F-45999 , GS90 to SN 90F- 55999	
18B	1254312GT	FORMING,LOAD SENSE PLUG MOUNT	1
		GS84 to SN 84F-45999 , GS90 to SN 90F- 55999	
19	1251757GT	SCREW,PHPM,10-32X.50,ZAG	2
		GS84 to SN 84F-45999 , GS90 to SN 90F- 55999	
20	1256312GT	WASHER,LOCK,#10,ZAG	4
		GS84 to SN 84F-45999 , GS90 to SN 90F- 55999	
21		Ref. Lift Cylinder	
		(refer to 502.1) GS84 to SN 84F-45999 , GS90 to SN 90F- 55999	
22	88356-42163GT	SWITCH,LIMIT,W/ROLLER,NO/NC	1
		GS84 to SN 84F-45999 , GS90 to SN 90F- 55999	
22-	97128GT	ROLLER ARM,LIMIT SWITCH***	1
		GS84 to SN 84F-45999 , GS90 to SN 90F- 55999	
23	825352GT	SCREW,PHPM,10-32X1.25,ZAG	1
		GS84 to SN 84F-45999 , GS90 to SN 90F- 55999	
24	99416GT	FORMING,POINTER, 3384-5390	1
		GS-3384 and GS-5390	
25	84835GT	LOAD SCALE BRCKT ASSY,GS-3384	1
		GS-3384 and GS-3390 (Europe)	



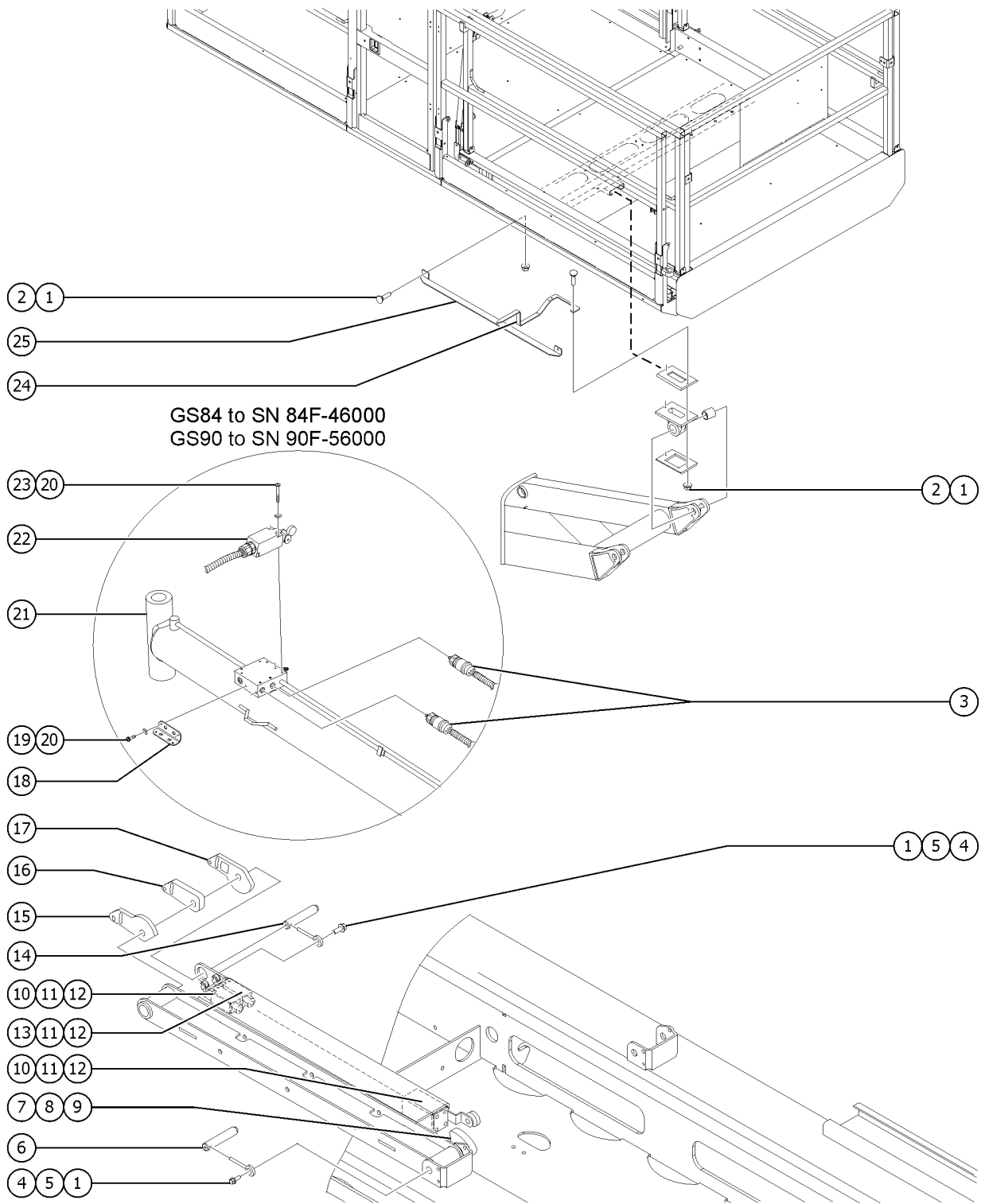
801.2 Platform Overload Components, GS-3390



Item	Part No.	Description	Qty.
1	824027GT	NUT,TL FLG,1/4-20,G,ZAG	6
2	1260963GT	BOLT,CARRIAGE,1/4-20X.63,5,ZAG	4
3		Ref. Pressure Switch (refer to 802.1) GS84 to SN 84F-45999 , GS90 to SN 90F- 55999	
4	824060GT	SCREW, HHC, 1/4-20 X 1, 8, ZAG	2
5	825020GT	ROD END,.250X2.75,ZAG	2
6	71168GT	PIN,0.75DIAX5.35LG,CHAMFER	1
7	99306GT	CAM,FULL HEIGHT	1
8	824092GT	SCREW, HHF, 3/8-16 X 1.5, 8, ZAG	
9	824029GT	NUT,TL FLG,3/8-16,G,ZAG	
10	88356-136R3GT	SWITCH,LIMIT,TABULATED,BLUE***	2
10-	19491GT	CONTACTOR,LIMIT SWITCH	
11	1256177GT	SCREW,PHPM,10-32X1.75,ZAG	
12	1283005GT	NUT,NYLOCK FLG,10-32,A,ZAG	
13		Ref. Limit Switch	
		(refer to 501.1)	
14	79031GT	PIN,0.75DIAX8.06LG,CHAMFER	1
15	99305GT	CAM,DOWN INTERRUPT	1
16	99303GT	SPACER,LOAD SENSE CAM	1
17		Ref. Cam, Load Sense Down Limit	1
		(refer to 501.1)	
18	112510GT	FORMING,LOAD SENSE PLUG MOUNT	1
		GS84 to SN 84F-45999 , GS90 to SN 90F- 55999	
18B	1254312GT	FORMING,LOAD SENSE PLUG MOUNT	1
		GS84 to SN 84F-45999 , GS90 to SN 90F- 55999	
19	1251757GT	SCREW,PHPM,10-32X.50,ZAG	2
		GS84 to SN 84F-45999 , GS90 to SN 90F- 55999	
20	1256312GT	WASHER,LOCK,#10,ZAG	4
		GS84 to SN 84F-45999 , GS90 to SN 90F- 55999	
21		Ref. Lift Cylinder	
		(refer to 502.1) GS84 to SN 84F-45999 , GS90 to SN 90F- 55999	
22	88356-42163GT	SWITCH,LIMIT,W/ROLLER,NO/NC	1
		GS84 to SN 84F-45999 , GS90 to SN 90F- 55999	
22-	97128GT	ROLLER ARM,LIMIT SWITCH***	1
		GS84 to SN 84F-45999 , GS90 to SN 90F- 55999	
23	825352GT	SCREW,PHPM,10-32X1.25,ZAG	1
		GS84 to SN 84F-45999 , GS90 to SN 90F- 55999	
24	99417GT	FORMING,POINTER,4390	1
		GS-3390 and GS-4390	
25	84835GT	LOAD SCALE BRCKT ASSY,GS-3384	1
		GS-3384 and GS-3390 (Europe)	



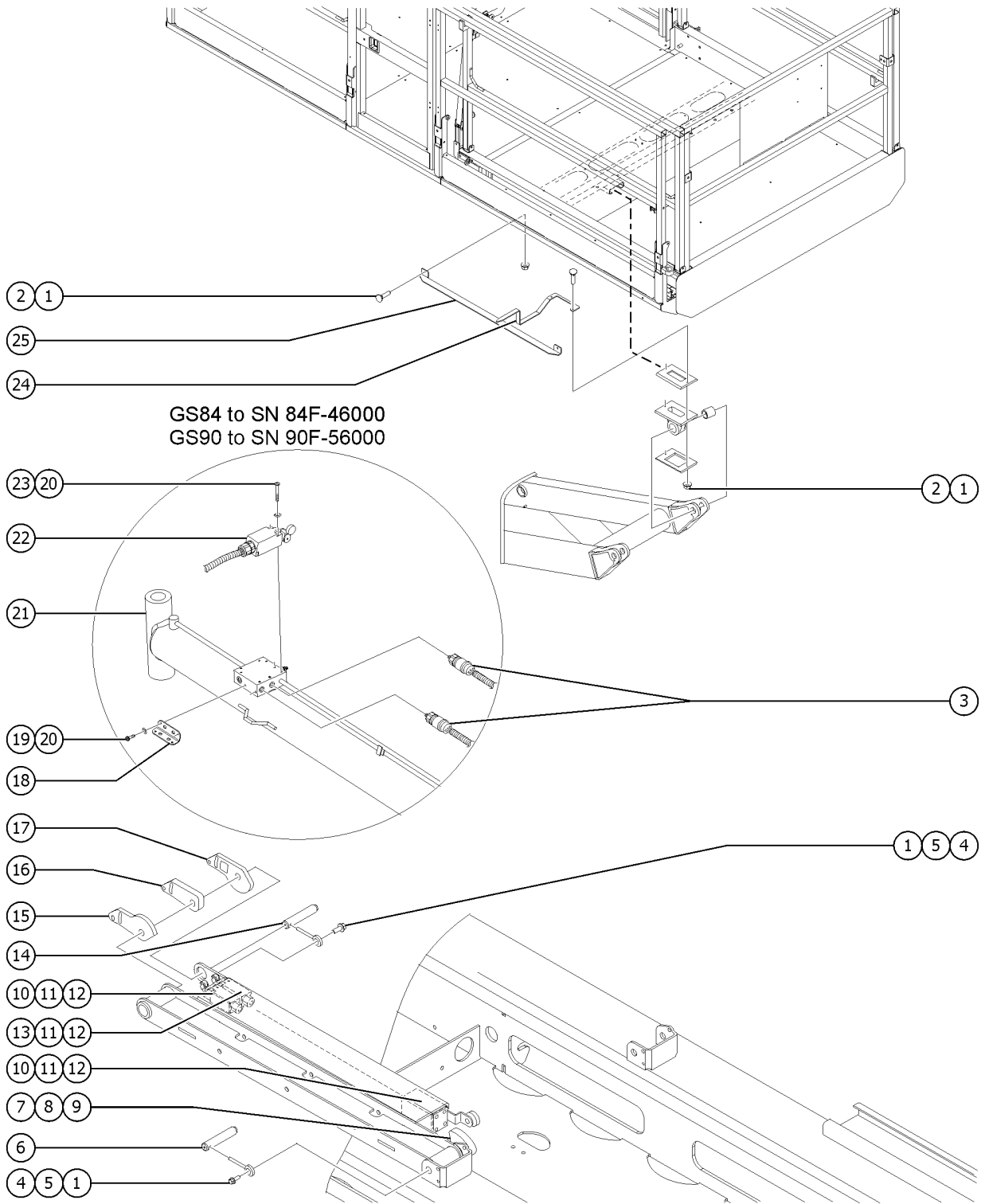
801.3 Platform Overload Components, GS-4390



Item	Part No.	Description	Qty.
1	824027GT	NUT,TL FLG,1/4-20,G,ZAG	6
2	1260963GT	BOLT,CARRIAGE,1/4-20X.63,5,ZAG	4
3		Ref. Pressure Switch (refer to 802.1) GS84 to SN 84F-45999 , GS90 from SN 90F-55999	
4	824060GT	SCREW, HHC, 1/4-20 X 1, 8, ZAG	2
5	825020GT	ROD END,.250X2.75,ZAG	2
6	71168GT	PIN,0.75DIAX5.35LG,CHAMFER	1
7	99306GT	CAM,FULL HEIGHT	1
8	824092GT	SCREW, HHF, 3/8-16 X 1.5, 8, ZAG	
9	824029GT	NUT,TL FLG,3/8-16,G,ZAG	
10	88356-136R3GT	SWITCH,LIMIT,TABULATED,BLUE***	2
10-	19491GT	CONTACTOR,LIMIT SWITCH	
11	1256177GT	SCREW,PHPM,10-32X1.75,ZAG	
12	1283005GT	NUT,NYLOCK FLG,10-32,A,ZAG	
13		Ref. Limit Switch	
		(refer to 501.1)	
14	79031GT	PIN,0.75DIAX8.06LG,CHAMFER	1
15	99305GT	CAM,DOWN INTERRUPT	1
16	99303GT	SPACER,LOAD SENSE CAM	1
17		Ref. Cam, Load Sense Down Limit	1
		(refer to 501.1)	
18	112510GT	FORMING,LOAD SENSE PLUG MOUNT	1
		GS84 to SN 84F-45999 , GS90 from SN 90F-55999	
18B	1254312GT	FORMING,LOAD SENSE PLUG MOUNT	1
19	1251757GT	SCREW,PHPM,10-32X.50,ZAG	2
		GS84 to SN 84F-45999 , GS90 from SN 90F-55999	
20	1256312GT	WASHER,LOCK,#10,ZAG	4
		GS84 to SN 84F-45999 , GS90 from SN 90F-55999	
21		Ref. Lift Cylinder	
		(refer to 502.1) GS84 to SN 84F-45999 , GS90 from SN 90F-55999	
22	88356-42163GT	SWITCH,LIMIT,W/ROLLER,NO/NC	1
		GS84 to SN 84F-45999 , GS90 from SN 90F-55999	
22-	97128GT	ROLLER ARM,LIMIT SWITCH***	1
23	825352GT	SCREW,PHPM,10-32X1.25,ZAG	1
		GS84 to SN 84F-45999 , GS90 from SN 90F-55999	
24	99417GT	FORMING,POINTER,4390	1
		GS-3390 and GS-4390	
25	84755GT	LOAD SCALE BRCKT ASSY, 4390	1
		GS-4390 (Europe)	



801.3 Platform Overload Components, GS-4390

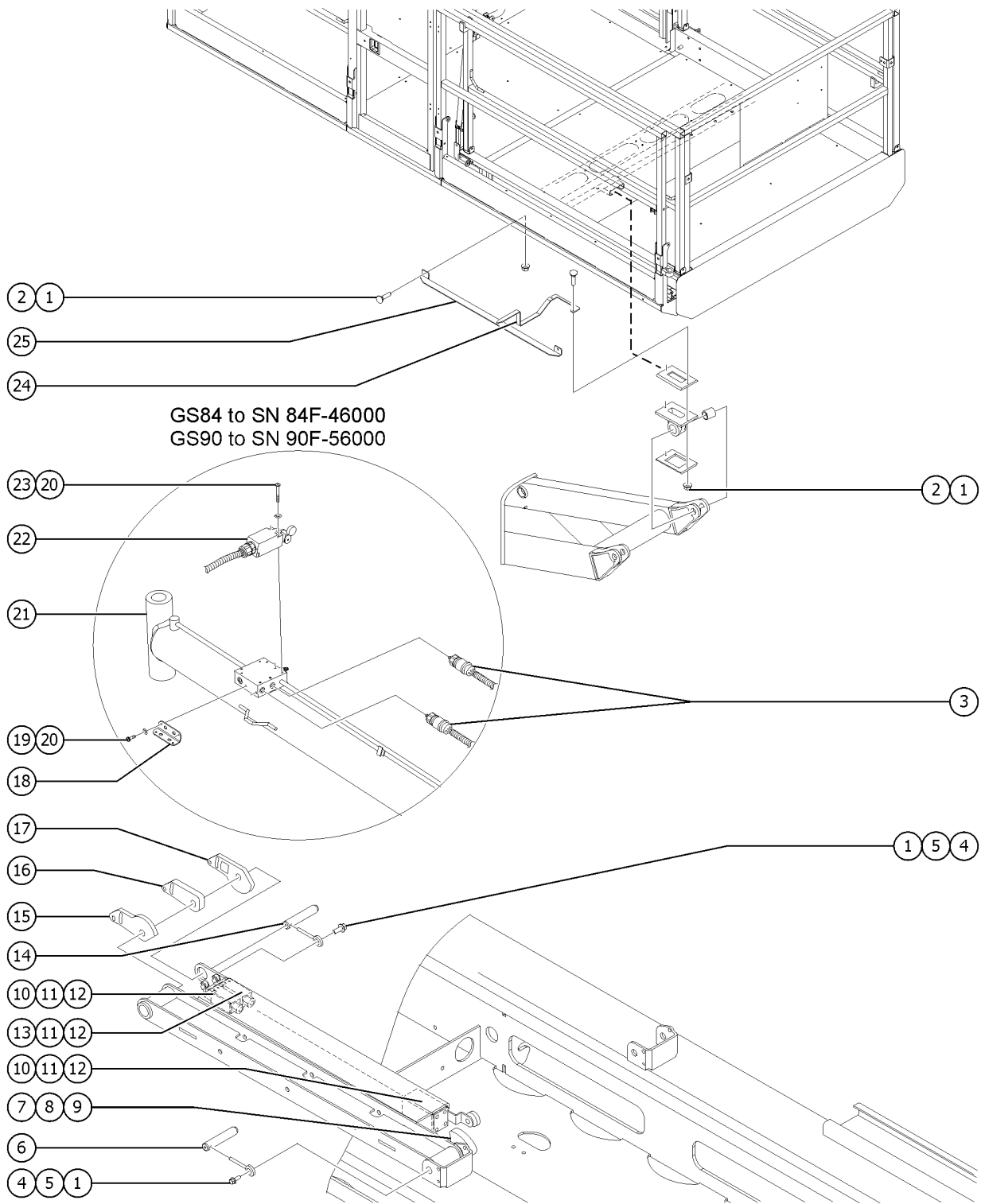


801.3 Platform Overload Components, GS-4390

<i>Item</i>	<i>Part No.</i>	<i>Description</i>	<i>Qty.</i>
25B	84767GT	LOAD SCALE BRCKT ASSY,4390 1DK GS-4390 (models with extra capacity option) (Europe)	1



801.4 Platform Overload Components, GS-5390

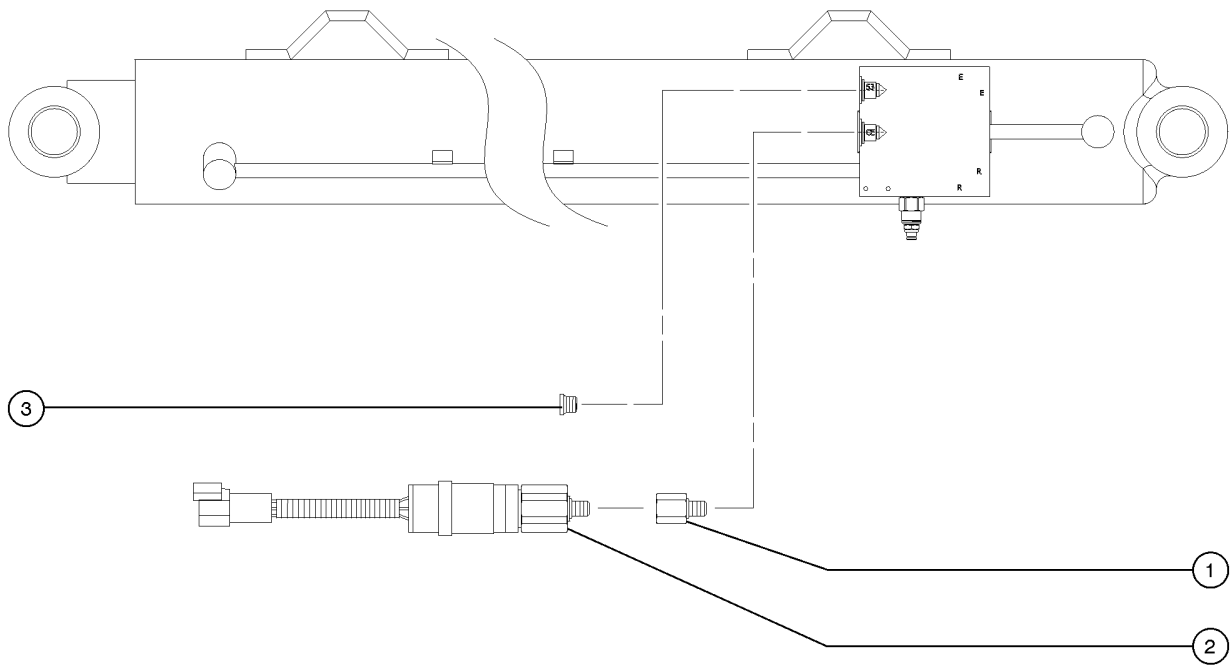


801.4 Platform Overload Components, GS-5390

Item	Part No.	Description	Qty.
1	824027GT	NUT,TL FLG,1/4-20,G,ZAG	6
2	1260963GT	BOLT,CARRIAGE,1/4-20X.63,5,ZAG	4
3		Ref. Pressure Switch (refer to 802.1) GS84 to SN 84F-45999 , GS90 to SN 90F- 55999	
4	824060GT	SCREW, HHC, 1/4-20 X 1, 8, ZAG	2
5	825020GT	ROD END,.250X2.75,ZAG	2
6	71168GT	PIN,0.75DIAX5.35LG,CHAMFER	1
7	99306GT	CAM,FULL HEIGHT	1
8	824092GT	SCREW, HHF, 3/8-16 X 1.5, 8, ZAG	
9	824029GT	NUT,TL FLG,3/8-16,G,ZAG	
10	88356-136R3GT	SWITCH,LIMIT,TABULATED,BLUE***	2
10-	19491GT	CONTACTOR,LIMIT SWITCH	
11	1256177GT	SCREW,PHPM,10-32X1.75,ZAG	
12	1283005GT	NUT,NYLOCK FLG,10-32,A,ZAG	
13		Ref. Limit Switch	
		(refer to 501.1)	
14	79031GT	PIN,0.75DIAX8.06LG,CHAMFER	1
15	99305GT	CAM,DOWN INTERRUPT	1
16	99303GT	SPACER,LOAD SENSE CAM	1
17		Ref. Cam, Load Sense Down Limit	1
		(refer to 501.1)	
18	112510GT	FORMING,LOAD SENSE PLUG MOUNT	1
		GS84 to SN 84F-45999 , GS90 to SN 90F- 55999	
18B	1254312GT	FORMING,LOAD SENSE PLUG MOUNT	1
		GS84 to SN 84F-45999 , GS90 to SN 90F- 55999	
19	1251757GT	SCREW,PHPM,10-32X.50,ZAG	2
		GS84 to SN 84F-45999 , GS90 to SN 90F- 55999	
20	1256312GT	WASHER,LOCK,#10,ZAG	4
		GS84 to SN 84F-45999 , GS90 to SN 90F- 55999	
21		Ref. Lift Cylinder	
		(refer to 502.1) GS84 to SN 84F-45999 , GS90 to SN 90F- 55999	
22	88356-42163GT	SWITCH,LIMIT,W/ROLLER,NO/NC	1
		GS84 to SN 84F-45999 , GS90 to SN 90F- 55999	
22-	97128GT	ROLLER ARM,LIMIT SWITCH***	1
23	825352GT	SCREW,PHPM,10-32X1.25,ZAG	1
		GS84 to SN 84F-45999 , GS90 to SN 90F- 55999	
24	99416GT	FORMING,POINTER, 3384-5390	1
		GS-3384 and GS-5390	
25	84768GT	LOAD SCALE BRCKT ASSY, 5390	1
		GS-5390 (Europe)	



802.1 Platform Overload Hydraulic Components, GS-3384, GS-3390, GS-4390

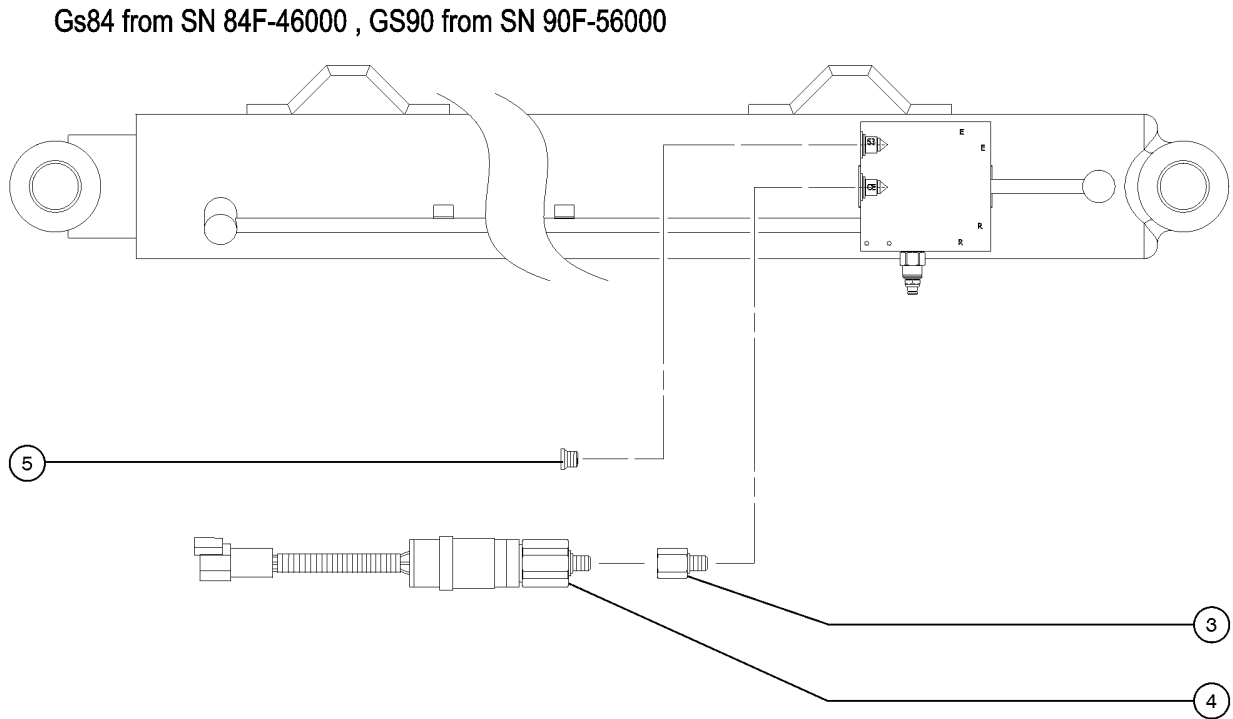
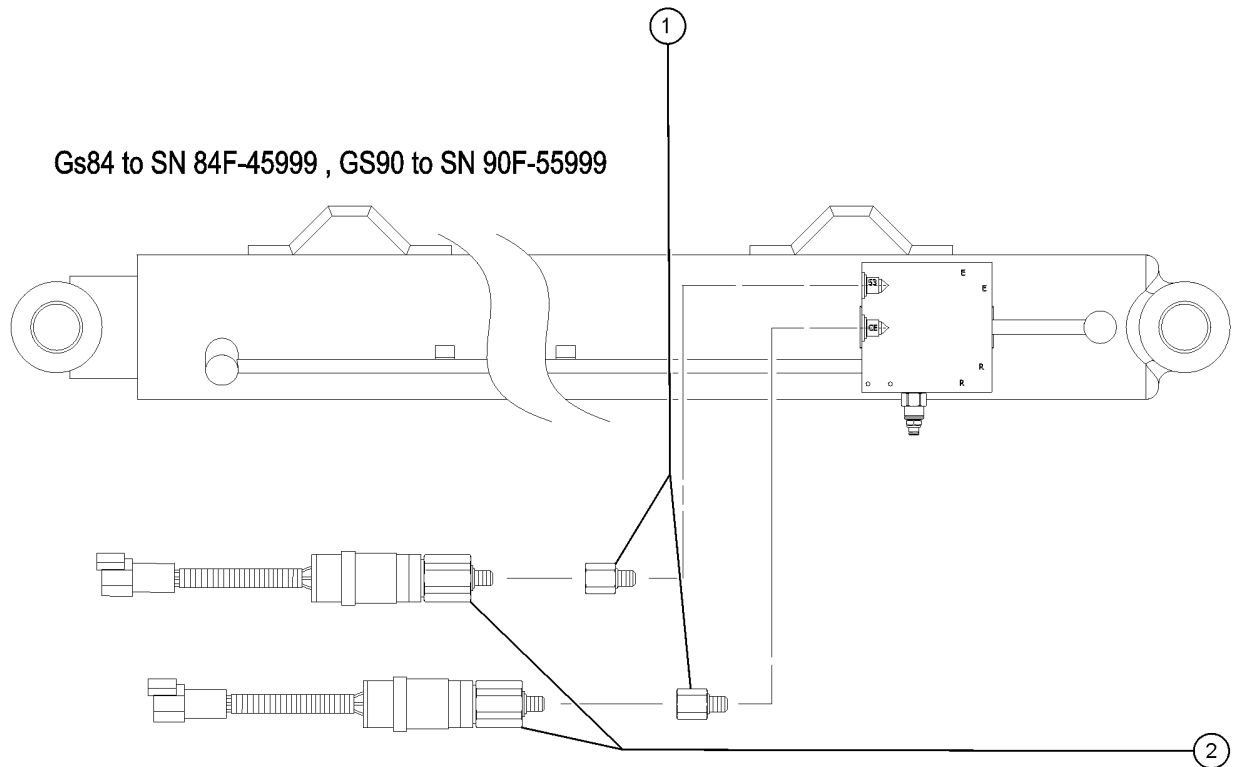


802.1 Platform Overload Hydraulic Components, GS-3384, GS-3390, GS-4390

<i>Item</i>	<i>Part No.</i>	<i>Description</i>	<i>Qty.</i>
1	131393GT	REDUCER,MORB-FORB,04-04**** GS-3384, GS-3390 and GS-4390	1
2	104935GT	SWITCH, PRESSURE,0-3000PSI ADJ GS-3384, GS-3390 and GS-4390 (GS84 to SN 84F-45999 , GS90 to SN 90F-55999)	1
2-		Ref. Wire Harness Assembly, Pressure Switch (refer to 215.1)	
2-		Ref. Wire Harness Assembly, Pressure Switch (refer to 215.1)	
2B	1293267GT	SENSOR,PRESSURE,3625PSI,P92S GS84 from SN 84F-46000 , GS90 from SN 90F-56000	1
3	39882GT	PLUG,HEX SOCKET,090109B-4 GS-3384, GS-3390 and GS-4390	1



802.2 Platform Overload Hydraulic Components, GS-5390



802.2 Platform Overload Hydraulic Components, GS-5390

Item	Part No.	Description	Qty.
1	131393GT	REDUCER,MORB-FORB,04-04**** GS84 to SN 84F-45999 , GS90 to SN 90F-55999	2
2	104935GT	SWITCH, PRESSURE,0-3000PSI ADJ GS84 to SN 84F-45999 , GS90 to SN 90F-55999	2
2-		Ref. Wire Harness Assembly, Pressure Switch (refer to 215.1)	
2-		Ref. Wire Harness Assembly, Pressure Switch (refer to 215.1)	
3	131393GT	REDUCER,MORB-FORB,04-04**** GS84 from SN 84F-46000 , GS90 from SN 90F-56000	1
4	1293267GT	SENSOR,PRESSURE,3625PSI,P92S GS84 from SN 84F-46000 , GS90 from SN 90F-56000	1
5	39882GT	PLUG,HEX SOCKET,090109B-4 GS84 from SN 84F-46000 , GS90 from SN 90F-56000	1



<u>Part no.</u>	<u>Page Number</u>	<u>Part no.</u>	<u>Page Number</u>	<u>Part no.</u>	<u>Page Number</u>
1268GT	13	27903GT	439, 441, 443	33994GT	171
1484GT	13	28131GT	245	34052GT	253, 433
5094GT	253	28158GT	21, 35, 55, 57, 93, 95...	34053GT	253, 433
6091GT	295, 297, 305, 433	28159GT	21, 35, 55, 57, 93, 95...	34162-300GT	263
6595GT	407	28160GT	21, 35, 55, 57, 93, 95...	34164GT	251, 267
6626GT	407	28174GT	17, 25, 29, 33, 39, 43...	34940GT	293
6700GT	313, 317	28175GT	17, 47, 51	35057GT	151, 155
6714GT	413, 415	28176GT	27, 31, 71, 73, 75, 83...	35067GT	251
6878GT	433	28235GT	17, 25, 29, 33, 39, 43...	35434GT	259
6935GT	407	28236GT	27, 31, 71, 73, 75, 83...	35586GT	241
7056GT	407	28443GT	281, 333, 331, 341, 345, 347...	35610GT	447
7127GT	407	28646GT	411	36208GT	229
8538GT	357	28750GT	13, 171	36211GT	153, 155, 163
10775GT	407	28853GT	447	36294GT	305
10777GT	407	29557GT	241, 255	37003GT	243
13083GT	209, 307	29559GT	243	37947GT	313, 317
13480-SGT	313	29560GT	15, 243	38149GT	127
13585GT	407	29739GT	231, 247, 265	38156GT	307
13918GT	357	29744GT	425	38922GT	229
16073GT	273	29868GT	219, 283, 283, 281, 301, 305...	39250GT	345, 347, 349
18383GT	335, 339, 343	30348GT	221, 263, 271, 273	39469GT	357
18396GT	151, 155, 163	30806GT	241	39518GT	133, 243, 321, 323, 329
19274GT	313, 317	30967GT	251	39534GT	345, 347, 349
19491GT	189, 321, 323, 329, 417, 419...	30971GT	251	39549GT	345, 347, 349
19506GT	313	31060GT	23, 59, 61, 63, 133	39882GT	463, 465
21121GT	433	31408GT	243, 447	40434GT	25, 27, 29, 31, 39, 41...
22446GT	375	31506GT	289, 291, 293	40835GT	357
22700GT	267	31523GT	245	41630GT	357
23877GT	333, 337, 341	31658GT	289, 291, 293	43018GT	333, 337, 341
24037GT	251	31788GT	17, 47, 51, 127	43392GT	379, 389
24038GT	237, 259	32064GT	233, 243	43618GT	27, 31, 41, 45, 71, 73...
24514GT	401	32150GT	13	43619GT	23, 59, 61, 63, 133
25388GT	407	32151GT	13	43683GT	231, 247, 265
25994GT	21, 55, 57	32339GT	309, 311	43687GT	307
26785GT	295, 297	32695GT	243	43688GT	307
27089GT	243	32698GT	15, 241	43956GT	345, 347, 349
27581GT	13	33024GT	243	44163GT	13
27894GT	439, 441, 443	33239GT	245	44167GT	173, 177
27895GT	439, 441, 443	33361GT	251	44174GT	171, 173, 177, 179
27900GT	439, 441, 443	33550GT	421, 423	44178GT	173, 177
27901GT	439, 441, 443	33724GT	407	44224GT	173, 177, 179
27902GT	439, 441, 443	33931GT	267	44225GT	179



<u>Part no.</u>	<u>Page Number</u>	<u>Part no.</u>	<u>Page Number</u>	<u>Part no.</u>	<u>Page Number</u>
44227GT	171, 173, 179	48916GT	181, 191, 195, 409, 411, 427	51901GT	321, 323, 329, 333, 337, 341, 383, 385, 387, 399
44228GT	177	48922GT	187, 201	51972GT	381, 389, 395
44230GT	173, 177	48929GT	189, 201	51973GT	381, 389
44255GT	23, 59, 61, 63	48930GT	181, 183, 193, 197, 409	51995GT	381, 389
44733GT	279	48932GT	181, 183, 203, 205, 275, 309, 387, 389, 187, 189, 191, 195, 197, 199...	52179GT	13, 299
44736GT	27, 31, 71, 73, 75, 83...	48933GT	197, 199...	52352GT	241
44743GT	401	48935GT	429	52371GT	179
44909GT	243, 269, 273	48938GT	427, 429	52376GT	179
44981GT	17, 27, 31, 33, 41, 45...	48943GT	181, 191, 195	52379GT	179
45074GT	151, 155, 163	48944GT	181, 187, 191, 195, 201	52431GT	17, 47, 51, 127
45161GT	181, 187, 191, 195, 201, 289...	48946GT	181, 183, 191, 195, 203	52466GT	173, 177
45384GT	313	48947GT	181, 191, 195	52475GT	17, 21, 33, 35, 47, 51...
45435GT	229, 263	48948GT	185, 199	52484GT	179
45437GT	407	48949GT	185, 203	52494GT	27, 31, 71, 73, 75, 83...
45540GT	333, 337, 341	48959GT	181, 201, 427, 429, 437	52865GT	127
45708GT	307	48960GT	181, 187, 191, 195, 201, 205, 207, 209, 211, 213, 215, 217, 219, 221, 223, 225, 227, 229, 231, 233, 235, 237, 239, 241, 243, 245, 247, 249, 251, 253, 255, 257, 259, 261, 263, 265, 267, 269, 271, 273, 275, 277, 279, 281, 283, 285, 287, 289, 291, 293, 295, 297, 299, 301, 303, 305, 307, 309, 311, 313, 315, 317, 319, 321, 323, 325, 327, 329, 331, 333, 335, 337, 339, 341, 343, 345, 347, 349, 351, 353, 355, 357, 359, 361, 363, 365, 367, 369, 371, 373, 375, 377, 379, 381, 383, 385, 387, 389, 391, 393, 395, 397, 399, 401, 403, 405, 407, 409, 411, 413, 415, 417, 419, 421, 423, 425, 427, 429, 431, 433, 435, 437, 439, 441, 443, 445, 447, 449, 451, 453, 455, 457, 459, 461, 463, 465, 467, 469, 471, 473, 475, 477, 479, 481, 483, 485, 487, 489, 491, 493, 495, 497, 499, 501, 503, 505, 507, 509, 511, 513, 515, 517, 519, 521, 523, 525, 527, 529, 531, 533, 535, 537, 539, 541, 543, 545, 547, 549, 551, 553, 555, 557, 559, 561, 563, 565, 567, 569, 571, 573, 575, 577, 579, 581, 583, 585, 587, 589, 591, 593, 595, 597, 599, 601, 603, 605, 607, 609, 611, 613, 615, 617, 619, 621, 623, 625, 627, 629, 631, 633, 635, 637, 639, 641, 643, 645, 647, 649, 651, 653, 655, 657, 659, 661, 663, 665, 667, 669, 671, 673, 675, 677, 679, 681, 683, 685, 687, 689, 691, 693, 695, 697, 699, 701, 703, 705, 707, 709, 711, 713, 715, 717, 719, 721, 723, 725, 727, 729, 731, 733, 735, 737, 739, 741, 743, 745, 747, 749, 751, 753, 755, 757, 759, 761, 763, 765, 767, 769, 771, 773, 775, 777, 779, 781, 783, 785, 787, 789, 791, 793, 795, 797, 799, 801, 803, 805, 807, 809, 811, 813, 815, 817, 819, 821, 823, 825, 827, 829, 831, 833, 835, 837, 839, 841, 843, 845, 847, 849, 851, 853, 855, 857, 859, 861, 863, 865, 867, 869, 871, 873, 875, 877, 879, 881, 883, 885, 887, 889, 891, 893, 895, 897, 899, 901, 903, 905, 907, 909, 911, 913, 915, 917, 919, 921, 923, 925, 927, 929, 931, 933, 935, 937, 939, 941, 943, 945, 947, 949, 951, 953, 955, 957, 959, 961, 963, 965, 967, 969, 971, 973, 975, 977, 979, 981, 983, 985, 987, 989, 991, 993, 995, 997, 999	48960GT	201, 205
45782GT	207, 209, 241	48964GT	429, 437	52902GT	179
46436GT	279, 291	48970GT	427, 437	52967GT	17, 21, 33, 35, 47, 51...
46718GT	291, 297, 413, 415, 417, 419...	48976GT	187, 199	53023GT	293
47088GT	345, 347, 349	48983GT	189	53605GT	295, 297, 445
47478GT	313, 317, 389, 393, 397	48984GT	187, 199	53952GT	251
47479GT	313	48986GT	181, 187, 191, 195, 201	54324GT	293
47502GT	285, 381, 393	48994GT	181, 187, 191, 195, 201, 289...	54333GT	293, 303
47548GT	321, 323, 329, 343, 347, 349	48997GT	173, 177	54821GT	243
47569GT	305	48998GT	171	55067GT	287, 291, 307
47784PGT	283	49000GT	295, 297, 445	55185GT	157, 165, 167
47792GT	279	49392GT	253	55411GT	333, 337, 341
47793GT	313, 381, 383, 385, 387, 389...	49519GT	181, 191, 195	55484GT	411
47851GT	361, 365, 369, 373	49612GT	13, 171, 173, 177, 179	55485GT	411
48075GT	247, 279	49613GT	13, 171	55486GT	381, 389
48660GT	171	49863GT	161	55490GT	311, 383, 385, 387, 399
48875GT	183, 187, 193, 197, 201, 409, 187, 201, 427, 429, 437	49924GT	15, 243, 255	55517GT	295, 297, 305
48878GT	437	51063GT	315, 319	55665GT	381, 389
48880GT	173, 177	51415GT	379, 393	55667GT	381, 389
48893GT	203	51474GT	151, 155	55675GT	295, 297, 305, 433
48896GT	409	51547GT	295, 297	55710GT	183, 187, 321, 323, 329
48905GT	183, 199, 203, 427, 429	51550GT	291	55713GT	359, 363, 367, 371
48908GT	187, 191, 195, 201, 205, 429	51580GT	205, 427, 429, 437	55753GT	379, 393
48909GT	187, 199	51669GT	333, 337, 341, 353, 363, 367...	55761GT	321, 323, 329, 333, 337, 341...
48911GT	183, 191, 195, 199, 205, 429	51735GT	289, 291, 293	55811GT	427, 429, 437
48912GT	187, 189, 191, 195, 201	51810GT	415	55811-SGT	187, 201
48915GT	193, 197	51814GT	411	55820-SGT	181, 191, 195



<u>Part no.</u>	<u>Page Number</u>	<u>Part no.</u>	<u>Page Number</u>	<u>Part no.</u>	<u>Page Number</u>
55821GT	181, 191, 195	65883GT	389	71315GT	389, 399
55870GT	381, 389	65884GT	391	71327GT	397
56361GT	287	65887GT	299	71338GT	375, 383, 385, 387
56464GT	357	65888GT	299	71339PGT	377, 383, 385, 387
56848GT	313	65901GT	409	71376GT	375, 381, 393
56912GT	165, 167, 237	65902GT	409	71378PGT	381, 393
58222GT	235	65903GT	409	71382GT	449
58223GT	235	65904GT	409	71389GT	377
58247GT	229	65905GT	409	71390GT	379, 393
58253GT	207, 213	65906GT	409	71410GT	289, 291, 293
58256GT	241	65934-SGT	379	71413GT	399
58320GT	151, 157	65935GT	381	71419GT	381, 393
58415GT	267	65943GT	289, 291, 293	71420GT	381, 393
58431GT	231, 247, 265	65955GT	359	71427GT	341
59568GT	413, 415	66031GT	299	71445GT	399
60807GT	303	66353GT	407	71452-SGT	397
60857GT	13, 233, 243, 213, 309, 311	66355GT	407	71453GT	379
61110GT	233	66356GT	407	71461PGT	379, 389, 393
61225GT	245, 275, 447	66399GT	13	71484GT	307
61794GT	207, 213	66812GT	313, 317, 403	71498GT	449
62164GT	403	66817GT	313, 317, 403	71545GT	379, 395
62207GT	171	66818GT	403	71572-SGT	371
62290GT	357	67325GT	307	71576-SGT	431
62324GT	173, 177	67371GT	437	71652GT	423
62339GT	173, 177	67504GT	209, 433	71698GT	413, 415
62420GT	15, 267	67505GT	209	71733PGT	407
62748GT	11, 13, 19, 83, 103, 111...	67933GT	411	71757GT	401
62815GT	179	70381GT	263	71768GT	161, 165, 167
63463GT	267	70452GT	237, 267, 277	71776GT	389, 399
64014GT	379	70453GT	241	71785GT	383, 385, 387
64245GT	279	70496GT	243	71787GT	333, 337, 341
64334GT	279	71029GT	333, 337, 341, 353, 355	71814GT	427, 429
65061GT	113, 13, 81, 87, 107, 113...	71076GT	321, 325, 329	71909GT	299
65063GT	47, 51, 55, 57	71126GT	321, 325, 329, 333, 337	71911GT	243, 247
65281GT	67, 73	71168GT	323, 325, 327, 331, 361, 365...	71912GT	417, 419
65473GT	237	71197GT	181, 191, 195	71916-SGT	181
65742GT	171	71198GT	191, 195	71920GT	423
65748GT	171	71201GT	309, 311	71921GT	423
65751GT	171	71254GT	417, 419	71925GT	411
65752GT	171	71255PGT	417, 419	71957GT	253
65810GT	267	71259GT	433	71958GT	375
65881GT	333, 337, 341	71309GT	151, 157, 163	71959GT	383, 385, 387



<u>Part no.</u>	<u>Page Number</u>	<u>Part no.</u>	<u>Page Number</u>	<u>Part no.</u>	<u>Page Number</u>
72086GT	127, 131, 139, 143	79122GT	425	82475GT	37, 97, 99, 101, 145
72097GT	411	79134GT	285, 361, 365, 373	82476GT	33, 35, 89, 91, 93, 95
72098GT	411	79138GT	433	82481GT	33, 89, 91, 139
72186GT	23, 59, 61, 63, 133	79151GT	427	82487GT	55, 41, 45, 89, 91, 109...
72255GT	241	79184GT	425	82515GT	21, 55, 57
72326GT	403	79199GT	251	82557GT	27, 31, 71, 73, 75, 83...
72343GT	233	79207GT	357	82558GT	17, 47, 51
72816GT	67, 69, 73, 75	79313GT	379	82559GT	17, 47, 51
72818GT	17, 47, 51, 127	79323GT	399	82560GT	33, 89, 91, 139
72847GT	41, 51, 55, 57, 121, 131	79324GT	389, 399	82561GT	17, 21, 47, 51, 55, 57...
72853GT	17, 47, 51, 127	79338GT	511, 583, 585, 587, 399	82562GT	37, 97, 99, 101
72860GT	69, 75	79341GT	399	82756GT	33, 35, 89, 91, 93, 95...
72868GT	21, 35, 55, 57, 93, 95...	79344GT	383, 385, 387, 399	82757GT	27, 31, 71, 73, 75, 83...
72933-SGT	423	79347GT	397	82793GT	17, 47, 51, 127
72934-SGT	423	79355GT	515, 581, 589, 591, 421, 423	82798GT	17, 33, 47, 51, 89, 91
72935-SGT	423	79373GT	329	82808GT	39, 41, 103, 109
72936-SGT	423	79378GT	439, 441, 443	82809GT	11, 21, 55, 57, 121, 131
72937-SGT	423	79379-SGT	441	82810GT	39, 41, 103, 109, 111
72938-SGT	423	79383GT	439, 441, 443	82811GT	43, 45, 115, 117, 119, 121...
72940-SGT	423	79386GT	315, 317	82812GT	33, 89, 91, 139
72999GT	21, 55, 57	79394GT	153, 155	82819GT	107, 113
73923GT	153, 155	79717GT	181, 191, 195	82820GT	105, 111
73924GT	153, 155	79718GT	181, 191, 195	82822GT	107, 113
73925GT	153, 155	79744GT	413	82824GT	41, 55, 89, 93, 121, 131
74902GT	425	79831GT	411	82825GT	31, 51, 91, 93, 121, 131
75278-4746GT	427, 437	79839GT	357	82867GT	31, 45, 85, 121, 155, 147
75278-7446GT	427	79898GT	379, 393	82868GT	85, 123, 135, 147
75631GT	225	79958-SGT	421	82870GT	87, 125, 135, 147
75854GT	433	81578GT	251, 279	82871GT	51, 45, 45, 11, 85, 115...
75855GT	433	82160GT	21, 55, 57	82872GT	79, 85, 117, 123
77295GT	15, 229, 251	82210GT	27, 29, 31, 39, 41, 43...	82874GT	81, 87, 119, 125
77402GT	243	82211GT	25, 27, 65, 71	83093GT	313, 317
77788GT	231, 245, 263	82213GT	25, 27, 65, 71	83129GT	207, 213
78022GT	515, 519, 589, 595, 397	82215GT	17, 21	83131GT	313, 317
78674GT	307	82224GT	17, 47, 51, 127	83141GT	231, 247, 265
78736GT	323, 327, 331	82247GT	139	84013GT	341
78903GT	405	82366GT	21, 55, 57, 131	84023GT	333, 337, 341
78903HGT	405	82417GT	25, 29, 39, 43, 65, 67...	84064GT	321, 325, 329
79015GT	433	82418GT	17, 33, 47, 51, 89, 91...	84065GT	323, 327, 331
79031GT	325, 327, 351, 455, 455, 457...	82431GT	265	84082GT	425
79032GT	323, 327, 331	82473GT	33, 89, 91	84107GT	173, 177
79090GT	295, 297	82474GT	33, 35, 89, 91, 93, 95...	84108GT	173, 177



<u>Part no.</u>	<u>Page Number</u>	<u>Part no.</u>	<u>Page Number</u>	<u>Part no.</u>	<u>Page Number</u>
84109GT	173, 177	84764GT	371	87328-SGT	375
84113GT	173, 177	84767GT	459	87353GT	411
84114GT	173, 177	84768GT	461	87354GT	411
84150GT	375	84771GT	215, 219	87358GT	357
84151GT	375	84772GT	215, 219	87361GT	285
84152GT	375	84773GT	215, 219	87368GT	285
84153GT	375	84774GT	215, 219	87527GT	285
84189GT	375	84795GT	179	87547GT	285
84193GT	379	84796GT	179	87559GT	417, 419
84194GT	381	84829GT	359	87566GT	403
84195GT	391	84830GT	359	87567GT	403
84196GT	389	84831GT	359	87580GT	389
84197GT	389	84835GT	453, 455	87589GT	329
84198GT	389	85197GT	265	87661GT	187, 199
84482GT	359	85239GT	313, 317	87678GT	379, 393
84483GT	367	87002GT	413, 415	87684GT	161
84485GT	359	87014GT	375	87691GT	419
84486GT	367	87048GT	189, 201	87853GT	279
84487GT	367	87049GT	189, 201	87854GT	205
84488GT	371	87050GT	189, 201	87855GT	205, 429
84495GT	359	87051GT	189, 201	87856GT	205, 429
84496GT	367	87052GT	189, 201	87857GT	205, 429
84497GT	371	87053GT	189, 203	87858GT	205, 429
84498GT	359	87055GT	189, 201	87859GT	163
84504GT	359	87069GT	305	87860GT	161
84505GT	367	87070GT	309, 311	87918GT	265
84506GT	371	87085GT	315, 317, 375	88151GT	207, 447
84664GT	171	87117GT	421	88356- 116R3GT	321, 325, 329
84665GT	171	87118GT	421	88356-116R3GT	169, 417, 419
84666GT	171	87123GT	421	88356-136R3GT	453, 455, 457, 461
84738GT	315, 317	87176GT	421	88356-11203GT	417, 419
84753GT	379	87188GT	161	88356-42163GT	453, 455, 457, 461
84754GT	379	87238GT	153	88451GT	221
84755GT	457	87239GT	153	88452GT	221
84756GT	367	87241-SGT	439	88827GT	315, 317
84757GT	367	87272GT	421	89065GT	151
84758GT	371	87273GT	421	89066GT	151
84759GT	371	87274GT	421	89310GT	425
84760GT	367	87295GT	155	89780GT	241
84761GT	371	87296GT	155	89785GT	257
84762GT	367	87314GT	315, 317	89792GT	241
84763GT	367	87325GT	377	89862GT	171



<u>Part no.</u>	<u>Page Number</u>	<u>Part no.</u>	<u>Page Number</u>	<u>Part no.</u>	<u>Page Number</u>
89864GT	171	99161GT	403	104081GT	199
93500GT	13	99163GT	403	104082GT	199
94485GT	241	99164GT	403	104083GT	199
94532GT	235	99298GT	211, 215	104084GT	199
94652GT	219	99299GT	211, 215	104085GT	199
96008-SGT	313, 317	99300GT	211, 215	104120GT	445
96009GT	313, 317	99303GT	453, 455, 457, 461	104198GT	185, 203
96236GT	407	99305GT	453, 455, 457, 461	104199GT	185, 203
96452GT	313	99306GT	453, 455, 457, 461	104249GT	181, 191, 195
96699GT	431	99355GT	211	104250GT	199
96770GT	269, 273, 303	99356GT	211	104251GT	185
97013GT	405	99357GT	211	104252GT	185
97014GT	405	99366GT	211, 213	104253GT	187, 201
97015GT	405	99416GT	453, 461	104254GT	187
97128GT	411, 419, 453, 455, 457, 461	99417GT	455, 457	104255GT	185
97185GT	171	99846GT	207, 215	104256GT	181, 191, 195
97368GT	175	99919GT	449	104257GT	185
97373GT	173, 177	99920GT	449	104258GT	187
97440GT	283	99921GT	449	104260GT	201
97441GT	283	99922GT	207, 215, 449	104261GT	201
97448GT	363	99923GT	207, 215, 449	104262GT	199
97449GT	363	99924GT	207, 215, 449	104266GT	185, 203
97450GT	363	100905GT	235	104267GT	185, 203
97451GT	363	101191GT	207, 213	104272GT	161
97452GT	363	101294GT	231, 245, 263	104273GT	161
97463GT	363	101584GT	151, 157	104274GT	421
97464GT	363	101586GT	151, 157	104275GT	421
97465GT	363	101626GT	263	104276GT	421
97466GT	363	101726GT	291, 293	104277GT	421
97548GT	17, 47, 51, 127	102066GT	237, 251, 267, 275	104282GT	185
97602GT	17, 47, 51, 127	102119GT	221	104283GT	187
97709GT	33, 89, 91, 139, 143	102121GT	233	104286GT	189, 201
97719GT	37, 97, 99, 101, 145	102158GT	151, 155, 165, 167	104291GT	163
97753GT	83, 111, 111, 83, 103, 109...	102394GT	173, 177	104292GT	199
97763GT	29, 31, 77, 79, 83, 85	102395GT	173, 175, 177	104293GT	199
97764GT	81, 87	102396GT	173, 175, 177	104294GT	199
99093GT	187, 199	102397GT	173, 175	104295GT	199
99094GT	187, 201	102587GT	255	104296GT	187, 199
99111GT	311	102588GT	241	104546GT	181, 191, 195, 205
99114GT	247, 279	104057GT	295, 297	104563GT	245
99117GT	193, 197	104070GT	231, 247, 265	104568GT	245
99118GT	309	104080GT	171	104569GT	245



<u>Part no.</u>	<u>Page Number</u>	<u>Part no.</u>	<u>Page Number</u>	<u>Part no.</u>	<u>Page Number</u>
104571GT	211	105172GT	405	112045GT	425
104578GT	417, 419	105556GT	431	112051GT	251
104593GT	231, 247, 265	105557GT	431	112302GT	235
104656-SGT	317	105662GT	403	112303GT	237
104657-SGT	317	106098GT	151, 157	112304GT	237
104719GT	209, 213	106117GT	151, 157	112308GT	307
104720GT	209	106119GT	151, 157	112379GT	307
104721GT	209, 213	106120GT	153, 157	112392GT	313
104759GT	171, 179	106121GT	153, 157	112396GT	233
104760GT	173, 177, 179	106122GT	153, 157	112418GT	209
104761GT	173, 177	106123GT	153, 157	112457GT	295, 297
104764GT	173, 175, 177	106124GT	153, 157	112459GT	237
104804GT	375	106125GT	153, 157	112461GT	283
104822GT	251	106126GT	153, 157	112478GT	207, 213
104903GT	177	106835GT	231, 245, 263	112479GT	251
104904GT	173	106836GT	231, 245, 263	112496GT	207, 213
104905GT	179	106837GT	231, 245, 263	112510GT	453, 455, 457, 461
104908GT	249	107578GT	281	112515GT	241
104910GT	211, 213	107813GT	231, 245, 263	112517GT	243
104911-136GT	211	107814GT	231, 245, 263	112524GT	299
104911-159GT	211	107815GT	231, 247, 263	112526GT	283
104911-168GT	211	107842GT	231, 247, 263	112527GT	283
104911-195GT	211	108538GT	255	112529GT	247, 279
104911GT	211, 213	110209GT	425	112530GT	247, 279
104912GT	211, 215	110406GT	237	112537GT	411
104913GT	211, 215	110407GT	233	112543GT	375
104914GT	207	110421GT	229	112563GT	161
104927GT	233	110477GT	237	112573GT	413, 415
104935GT	463, 465	110650GT	169	112575GT	181, 193, 197
104937GT	207	111634GT	229	112576GT	195
104938GT	209	111666GT	233	112577GT	211
104939GT	209	111668GT	241	112578GT	211
104941GT	209	111817-0400GT	299	112588GT	413, 415
104942GT	209	111817-2200GT	299	112590GT	209
104953GT	245, 275	111817-3600GT	299	112591GT	207
104962GT	215, 219	111817-4800GT	299	112630GT	413, 415
104963GT	211, 215	111817-15000GT	299	112631GT	413, 415
104968-SGT	379	111818GT	299	112645GT	251
104972GT	209	111819GT	299	112646GT	253
105108GT	405	112004GT	321, 323, 329, 339, 363, 367...	112772GT	407
105109GT	405	112017GT	333, 337, 341	112790GT	205, 429
105171GT	405	112044GT	425	112822GT	207, 215



<u>Part no.</u>	<u>Page Number</u>	<u>Part no.</u>	<u>Page Number</u>	<u>Part no.</u>	<u>Page Number</u>
112826GT	211, 213	119474GT	15, 225	131345GT	189
112827GT	211, 217	119475GT	221	131346GT	189
112867GT	429	119477GT	225	131347GT	189, 203
112905-SGT	443	119546GT	221	131348GT	189, 203
114169GT	17, 47, 51, 127	119568GT	221	131349GT	409
114236GT	17, 47, 51, 127	119621GT	151, 155, 161	131350GT	409
114251GT	35, 93, 95, 143	119918GT	289	131351GT	183, 193, 197
114258GT	21, 55, 57, 131	121846GT	315, 319	131352GT	197
114337GT	37, 97, 99, 101, 145	122994GT	313, 317	131353GT	409
114338GT	41, 45, 109, 111, 113, 121	128004GT	263	131354GT	409
114371GT	41, 45, 109, 111, 113, 121...	128085GT	161	131355GT	189, 203
114385GT	17, 21, 47, 51, 55, 57	128165GT	221	131356GT	203
114386GT	27, 31, 71, 73, 75, 83...	128166GT	221	131357GT	409
115000GT	359	128200GT	315, 319	131358GT	409
115001GT	363	128423GT	265	131359GT	203
115002GT	367	131068GT	181, 191, 195	131393GT	463, 465
115003GT	371	131069GT	181, 191, 195	131416GT	381, 393
115004GT	359	131070GT	181, 193, 197	131564GT	161
115005GT	363	131071GT	197	131582GT	413, 415
115006GT	367	131072GT	185	131791GT	217, 219
115007GT	371	131073GT	185	131816GT	291
115008GT	359	131074GT	185	131879GT	289, 291, 293
115009GT	363	131075GT	185	133269GT	23, 37, 133, 145
115010GT	367	131076GT	185	133270GT	59, 61, 63, 97, 133, 145
115011GT	371	131077GT	187	133271GT	59, 61, 63, 97, 133, 145
115012GT	359	131078GT	187	133272GT	59, 61, 63, 101, 133, 145
115013GT	363	131079GT	187	133278GT	21, 55, 57, 131
115014GT	367	131080GT	191, 195	133537GT	41, 45, 109, 111, 113, 121...
115015GT	371	131083GT	199	139320GT	15
115206GT	425	131084GT	199	139610GT	229
115402GT	161	131085GT	199	139624GT	241
117773GT	433	131086GT	199	139709GT	243
119051GT	233	131087GT	199	144065GT	403
119052GT	229	131088GT	201	144161GT	407
119073GT	237	131089GT	201	146051GT	153, 157
119139GT	15, 223	131090GT	201	146052GT	153, 157
119140GT	225	131100GT	207	146413GT	289
119168GT	299	131101GT	245, 275	146550GT	289
119170GT	299	131171GT	211, 217, 447	147095GT	313, 317
119231GT	447	131323GT	13, 309, 311	147243GT	253
119232GT	235	131340GT	153	148106GT	243
119394GT	269, 275	131341GT	153	148107GT	243



<u>Part no.</u>	<u>Page Number</u>	<u>Part no.</u>	<u>Page Number</u>	<u>Part no.</u>	<u>Page Number</u>
148117GT	229	215297GT	221	227615GT	31, 83, 85, 87
150118GT	159, 165, 167	215298GT	225	227832GT	17, 21
150152GT	247	215299GT	221	227988GT	229
161084GT	21, 55, 57, 131	215300GT	221	228859GT	239
161114GT	21, 55, 57	215301GT	221	229445GT	313
162003GT	191, 195	215302GT	223	231088GT	249
162063GT	261	215305GT	223	231513GT	233
162206GT	303	215307GT	225	231533GT	237
162207GT	303	215308GT	221	231931GT	431
162208GT	303	215309GT	223	232874GT	229, 237, 241
162209GT	303	215310GT	223	236248GT	257
214221GT	289	215311GT	225	236251GT	257
214228GT	15, 303	215313GT	225	236259GT	303
214237GT	259	215314GT	221	236260GT	15, 303
214446GT	229	215316GT	235	236338GT	229
214682GT	271, 273	215317GT	235	236339GT	235
214685GT	259	215320GT	229	236373GT	227, 229
214686GT	263	215400GT	135, 147	236825GT	229
214934GT	269	215401GT	135, 147	237146GT	229
215229GT	289, 291, 293	215402GT	135, 147	237188GT	255, 259
215269GT	225	215403GT	135, 147	237192GT	259
215270GT	225	215526GT	21, 35, 55, 57, 93, 95...	237193GT	259
215271GT	225	215527GT	17, 47, 51, 127	237194GT	259
215273GT	225	215776GT	229	237728GT	235
215274GT	15, 225	215777GT	151, 157	237729GT	235
215275GT	221	215921GT	237	238347GT	265
215276GT	225	215923GT	279	822087GT	269, 273, 303
215277GT	225	216207GT	237	822131GT	17, 47, 51, 127
215278GT	221	216230GT	237, 259	823113GT	127, 131
215279GT	225	216628GT	235	823523GT	269
215280GT	221	217820GT	221	823524GT	269
215281GT	221	217822GT	227	823526GT	263
215282GT	221	217823GT	221	823970GT	269
215283GT	221	217824GT	225	824019GT	315, 317
215284GT	221	217825GT	233	824027GT	233, 241, 203, 209, 275, 295...
215285GT	221	217976GT	235	824028GT	251, 295, 297, 311
215286GT	221	218573GT	229	824029GT	101, 103, 101, 103, 233, 235...
215287GT	15, 221	218715GT	269, 273	824030GT	417, 419
215288GT	225	219437GT	239, 261, 269, 273	824032GT	253, 315, 317
215289GT	225	219471GT	431	824038GT	283, 375, 393
215290GT	225	219477GT	235	824041GT	243
215291GT	15, 225	227309GT	225	824042GT	153, 155, 165, 167



<u>Part no.</u>	<u>Page Number</u>	<u>Part no.</u>	<u>Page Number</u>	<u>Part no.</u>	<u>Page Number</u>
824059GT	229	824673GT	257, 303	1253922GT	269
824060GT	453, 455, 457, 461	824882GT	313	1254212GT	151
824061GT	299	825019GT	159, 163, 165, 167	1254214GT	165, 167
824064GT	299	825020GT	321, 323, 331, 343, 347, 349...	1254216GT	169
824065GT	425, 433	825070GT	293	1254217GT	159
824067GT	219, 383, 385, 387, 393	825222GT	209	1254221GT	161
824068GT	233, 261, 269, 273, 425	825256GT	209	1254222GT	161
824069GT	293, 321, 325, 329	825352GT	453, 455, 457, 461	1254223GT	161
824072GT	131, 137, 151, 153, 167	825548GT	209	1254224GT	163
824078GT	165, 231, 263, 269, 275, 345...	825708GT	255	1254225GT	295, 297, 445
824079GT	167, 241, 321, 323, 329, 345...	826000GT	269, 273	1254227GT	285
824081GT	225, 235	826171GT	231, 247, 265	1254228GT	285
824082GT	381, 393	826345GT	21, 55, 57, 131	1254229GT	285
824083GT	375	826516GT	413, 415	1254230GT	285
824085GT	233, 307, 311	826793GT	403	1254231GT	287
824086GT	251	1000195GT	27, 71, 73, 75	1254233GT	299
824087GT	229	1251566GT	303, 313, 317, 431	1254236GT	289, 291
824090GT	133, 281, 283, 285, 287, 289	1251731GT	271	1254238GT	315
824091GT	191, 197, 151, 159, 231, 237	1251757GT	289, 433, 435, 437, 461	1254240GT	307
824092GT	133, 417, 419, 433, 455, 457...	1251983GT	267, 269	1254241GT	307
824094GT	375, 379, 393	1251984GT	317	1254242GT	309, 311
824109GT	425	1251997GT	151, 237, 239, 275, 279	1254245GT	323, 327, 331
824113GT	229, 233, 241, 219, 295, 297	1253185GT	237, 239, 213, 269, 293, 303	1254246GT	309, 311
824117GT	137, 137, 151, 153, 167	1253285GT	259	1254286GT	357
824120GT	237, 259	1253286GT	275	1254296GT	431
824124GT	293, 297, 303, 321, 325, 329	1253287GT	275	1254307GT	347, 349
824125GT	167, 233, 233, 233, 259, 281...	1253288GT	265	1254308GT	357
824127GT	151, 155	1253289GT	259	1254311GT	321, 325, 329
824128GT	323, 327, 331	1253290GT	269	1254312GT	453, 455, 457, 461
824129GT	151, 155	1253291GT	275	1254318GT	361, 365, 373
824131GT	241, 253, 259	1253292GT	267	1254319GT	357
824132GT	239	1253294GT	259	1254320GT	373
824133GT	273	1253297GT	263	1254452GT	269
824142GT	229	1253300GT	263	1254453GT	269
824144GT	249	1253301GT	207	1254572GT	431
824207GT	377, 383, 385, 387	1253302GT	207	1254594GT	255
824211GT	241	1253319GT	237, 279, 381, 389	1254639GT	333, 337, 341, 351, 365, 369...
824214GT	315, 317	1253331GT	317	1254788GT	303
824215GT	289, 293, 313, 317, 451	1253478GT	139, 153, 153, 157, 357, 413...	1254789GT	303
824216GT	169, 417, 419	1253485GT	229, 267, 425	1254790GT	303
824227GT	237, 279	1253498GT	151, 243, 253, 257, 413, 415	1254791GT	303
824471GT	303	1253921GT	269	1254792GT	303



<u>Part no.</u>	<u>Page Number</u>	<u>Part no.</u>	<u>Page Number</u>	<u>Part no.</u>	<u>Page Number</u>
1254793GT	185, 203	1256917GT	285	1260040GT	155
1254794GT	185, 203	1257076GT	241	1260041GT	155
1254826GT	243	1257080GT	353, 351, 341, 301, 365. 369...	1260042GT	155
1254831GT	215, 219	1257086GT	425	1260043GT	155
1254832GT	217	1257231GT	269, 273	1260223GT	237
1254833GT	215, 219	1257421GT	263, 269	1260224GT	243, 209, 219, 301, 345. 347...
1255400GT	303	1257454GT	307	1260225GT	243, 251
1255452GT	151, 157, 161	1257458GT	287	1260226GT	259, 273
1255469GT	233, 232, 231, 303, 321. 325...	1257481GT	231	1260357GT	257
1255651GT	269, 273, 303	1257486GT	229, 235	1260498GT	151
1255653GT	243	1257733GT	13	1260500GT	263
1255666GT	263	1257865GT	151	1260511GT	153, 155, 165, 167
1255756GT	431	1257866GT	375, 381, 395	1260703GT	381, 389
1255758GT	281, 425	1258178GT	155	1260704GT	311, 301, 303, 305, 387. 389...
1255760GT	233, 231, 231, 263, 275	1258179GT	157	1260963GT	453, 455, 457, 461
1255785GT	263	1258395GT	421, 423	1261239GT	303
1255805GT	229, 239, 239, 269, 273	1258567GT	13	1262031GT	303
1256073GT	211	1258623GT	375	1262196GT	427, 437
1256106GT	413, 415	1258635GT	207	1262197GT	427, 429
1256109GT	307	1258676GT	323, 327, 331	1262199GT	425
1256122GT	335, 339, 343	1258907GT	17, 47, 51	1262200GT	427, 429, 437
1256126GT	237	1259055GT	13, 309, 311	1262201GT	427, 429, 437
1256165GT	273	1259182GT	313, 319, 309, 333, 397	1262261GT	427, 429, 437
1256172GT	333, 337, 341	1259500GT	413, 415	1262308GT	259
1256177GT	321, 323, 329, 433, 455, 457	1259654GT	255	1262324GT	259
1256267GT	321, 323, 329, 333, 337, 341	1259660GT	257	1262768GT	151
1256282GT	337, 341, 313, 311, 433	1259684GT	247, 279, 417, 419	1262769GT	151
1256286GT	263	1259685GT	411	1262770GT	153
1256312GT	231, 239, 213, 433, 455. 457...	1259687GT	285, 361, 365, 373	1262771GT	159
1256460GT	431	1259690GT	285, 361, 365, 373	1262772GT	157
1256463GT	235	1259694GT	247, 279	1262773GT	155
1256467GT	241, 245, 275, 433	1259695GT	287	1262774GT	161
1256599GT	271, 273	1259701GT	237, 251, 265, 275	1262775GT	165
1256679GT	399, 433	1259717GT	255	1262776GT	167
1256756GT	283, 303	1259807GT	305	1262783GT	295
1256776GT	245, 251, 275	1260002GT	249	1262784GT	297
1256835GT	295, 297, 305	1260022GT	289, 291, 293	1262785GT	295, 297
1256844GT	265	1260024GT	321, 323, 329, 333, 363. 367...	1262786GT	295, 297, 305
1256848GT	391, 411	1260036GT	155	1262787GT	321, 325, 329
1256855	233, 243, 213, 301, 309, 311	1260037GT	155	1262788GT	321, 325, 329
1256856GT	183, 313, 333, 421, 423	1260038GT	155	1262789GT	305
1256857GT	403	1260039GT	155	1262790GT	305



<u>Part no.</u>	<u>Page Number</u>	<u>Part no.</u>	<u>Page Number</u>	<u>Part no.</u>	<u>Page Number</u>
1262794GT	345, 347, 349	1264351GT	433	1275562GT	413, 415
1262795GT	345, 347, 349	1264822GT	207, 213	1275747GT	231, 265
1262796GT	351, 353, 355	1264834GT	207, 213	1275810GT	413, 415
1262797GT	351, 353, 355	1264894GT	221	1275974GT	333, 337, 343
1262798GT	351, 353, 355	1265319GT	255	1276591GT	233
1262800GT	351, 353	1265320GT	255	1276595GT	235, 281
1262801GT	351, 355	1265370GT	213	1277213GT	233
1262802GT	353	1265738GT	273	1277924GT	279, 321
1262803GT	353	1266264GT	211, 431	1277991GT	229
1262804GT	353	1267469GT	431	1278048GT	43, 45, 115, 117, 119, 121...
1262805GT	355	1267807GT	235, 245, 275	1278154GT	213
1262806GT	355	1268229GT	13, 245, 275	1278189GT	215
1262807GT	355	1268357GT	289, 291, 293	1278389GT	207, 213
1262808GT	355	1268953GT	245	1278390GT	207, 213
1262809GT	355	1269641GT	333, 337, 341	1278391GT	207, 215
1262866GT	15, 257	1270664GT	393	1278708GT	13
1262867GT	15, 257	1270723GT	19, 21, 49, 53, 55, 57...	1278709GT	13
1262868GT	255	1270885GT	209, 213	1280156GT	411
1262870GT	255	1270886GT	209, 213	1280665GT	407
1262871GT	255	1270887GT	209, 213	1280819GT	129, 139
1262872GT	255	1270888GT	209, 213	1280820GT	129, 139
1262873GT	257	1271652GT	235	1281174GT	135, 147
1262874GT	255	1271770GT	451	1281175GT	147
1262875GT	255	1271771GT	451	1282119GT	273
1262876GT	257	1271772GT	289	1282120GT	273
1262877GT	257	1271773GT	289	1282122GT	273
1262878GT	255, 257	1271789GT	437	1282994GT	289, 291, 293
1262881GT	255	1272536GT	231, 247, 265	1283004GT	333, 337, 341
1262883GT	257	1272624GT	255	1283005GT	109, 417, 419, 451, 453, 455...
1262893GT	257	1273062GT	445	1283009GT	417, 419
1262894GT	255, 257	1273148GT	233, 243, 267, 307	1283028GT	403
1262895GT	257	1273411GT	417, 419	1283571GT	225
1262896GT	255	1273412GT	417, 419	1283572GT	225
1262897GT	255	1273636GT	255	1283573GT	225
1262899GT	257	1274035GT	451	1283574GT	225
1263199GT	293	1274036GT	451	1283575GT	225
1263359GT	235	1274165GT	381	1283776GT	13
1263542GT	139, 143	1274322GT	281, 285, 305, 309, 379	1284755GT	185, 203
1263543GT	127, 131	1274611GT	153	1284756GT	185, 203
1263939GT	231, 247, 265	1274948GT	451	1285239GT	243
1264024GT	433	1275431GT	315, 319	1285416GT	13
1264348GT	259	1275561GT	259	1285418GT	13



<u>Part no.</u>	<u>Page Number</u>	<u>Part no.</u>	<u>Page Number</u>	<u>Part no.</u>	<u>Page Number</u>
1285506GT	247, 265	1294153GT	215, 451	1299365GT	305
1286043GT	231, 247, 265	1294398GT	129, 139	1299621GT	171
1286385GT	215	1294688GT	147	1300108GT	213
1286602GT	153, 157	1294707GT	129, 131	1301030GT	143
1286603GT	153, 157	1294827GT	235	1301217GT	129, 141
1287851GT	135	1295260GT	231, 247, 265	1301840GT	137
1288291GT	267	1295340GT	333, 337, 343	1303918GT	217
1288561GT	241	1295341GT	333, 337, 341	1304132GT	217
1289217GT	289, 291	1295446GT	129, 141	1304217GT	141
1289218GT	305	1295447GT	129	1305382GT	141
1289520GT	305, 451	1295470GT	317	9990606GT	231, 247, 265
1289521GT	305, 451	1295471GT	315	9990607GT	231, 247, 265
1289522GT	451	1295636GT	323, 327, 331	9990608GT	231, 247, 265
1289523GT	451	1295753GT	209, 213	9990626GT	425
1289561GT	305	1295771GT	209, 213	T107101GT	279
1289895GT	255	1295922GT	231, 247, 265	T107233GT	231, 247, 265
1290211GT	427, 429, 437	1296570GT	233	T108044GT	403
1290212GT	427, 429, 437	1297462GT	215	T112563GT	407
1290335GT	371	1297463GT	215	T114678GT	241
1290363GT	367	1297464GT	213		
1290451GT	215, 219	1298190GT	447		
1290452GT	215, 219	1298399GT	135		
1290578GT	433	1298400GT	135		
1290820GT	351, 353, 355	1298619GT	335, 339, 343		
1290888GT	351, 353, 355	1298946GT	213		
1291595GT	215, 451	1299136GT	213		
1291624GT	129, 139	1299137GT	215		
1292512GT	129, 139	1299154GT	135		
1292513GT	129, 139	1299211GT	135, 147		
1292514GT	129, 139	1299213GT	137, 147		
1292515GT	129, 139	1299215GT	137, 147		
1293165GT	135	1299217GT	137, 147		
1293166GT	147	1299218GT	141, 143		
1293217GT	139, 143	1299219GT	129, 131, 141, 143		
1293266GT	333, 337, 341	1299255GT	129, 131		
1293267GT	463, 465	1299256GT	129, 131		
1293982GT	451	1299257GT	129, 131		
1293983GT	451	1299258GT	129, 131		
1294003GT	403	1299262GT	129, 131		
1294010GT	403	1299288GT	149		
1294134GT	333, 337, 341	1299289GT	149		
1294135GT	333, 337, 341	1299290GT	149		



California Proposition 65

 **WARNING**

Operating, servicing and maintaining this equipment, passenger vehicle or off-highway motor vehicle can expose you to chemicals including engine exhaust, carbon monoxide, phthalates, and lead, which are known to the State of California to cause cancer and birth defects or other reproductive harm. These chemicals can be emitted from or contained in other various parts and systems, fluids and some component wear by-products. To minimize exposure, avoid breathing exhaust, do not idle the engine except as necessary, service your equipment and vehicle in a well-ventilated area and wear gloves or wash your hands frequently when servicing your equipment or vehicle and after operation. For more information go to www.P65Warnings.ca.gov/passenger-vehicle.

Breathing diesel engine exhaust exposes you to chemicals known to the State of California to cause cancer and birth defects or other reproductive harm.

- Always start and operate the engine in a well-ventilated area.
- If in an enclosed area, vent the exhaust to the outside.
- Do not modify or tamper with the exhaust system.
- Do not idle the engine except as necessary.

For more information go to www.P65warnings.ca.gov/diesel.

www.genielift.com

Distributed By:

Parts Manual
GS-3384; GS-3390; GS-4390; GS-5390

(from SN GS8416F-45000 to GS8416F-45499
from SN GS84F-45500
from SN GS9016F-5200 to SN GS9016F-53299
from SN GS90F-53300)

Part No.
1267840GT

Rev B

