



A TEREX BRAND

Parts Manual

Serial Number Range

GS-2669RT
GS-3369RT
GS-4069RT

from SN GS69M-101

Part No. 1308934GT
Rev: A
September 2021

Technical Publications

Genie has endeavored to deliver the highest degree of accuracy possible. However, continuous improvement of our products is a Genie policy. Therefore, product specifications are subject to change without notice.

Readers are encouraged to notify Genie of errors and send in suggestions for improvement. All communications will be carefully considered for future printings of this and all other manuals.

Contact Us:

Internet: www.genielift.com
e-mail: awp.techpub@terex.com


Find a Manual for this Model

Go to <http://www.genielift.com>

Use the links to locate Operator's, Parts, Maintenance, and Service and Repair Manuals.

Copyright © 2021 by Terex Corporation
1308934 Rev A September 2021
Second Edition, First Printing

Genie is a registered trademark of Terex South Dakota in the USA and many other countries. "GS" is a trademark of South Dakota, Inc.

 Printed on recycled paper



Model:

Serial number: GS69M-101

Year of manufacture: 2021

Electrical schematic number:

Machine unladen weight:

Rated work load (including occupants):

Maximum number of platform occupants:

Maximum allowable inclination of the chassis:

Outrigger retracted:

Outrigger deployed:

GS69 M - 101

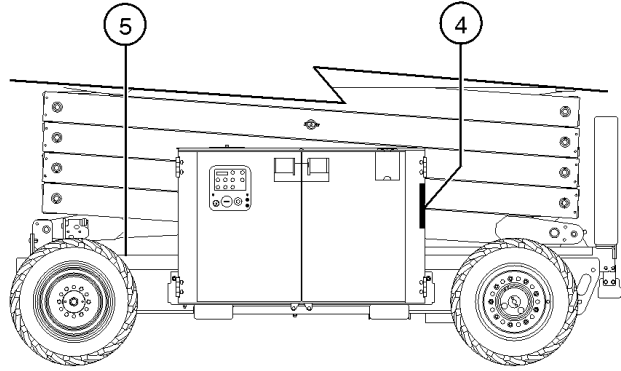
1

2

3

5

4



1 Model

2 Facility code

3 Sequence number

4 Serial label (located inside compartment)

5 Serial number (stamped on chassis)

How to Order Parts

Please be prepared with the following information when ordering replacement parts for your Terex or Genie product.

- Machine model number
- Machine serial number
- Part number
- Part description and quantity
- Purchase order number
- "Ship to" address
- Desired method of shipment
- Name and telephone number of the authorized distributor in your area

Use the Service Parts Fax Order Form on the next page and fax your order to our Parts Department.

If you don't know the name of your authorized distributor, or if your area is not currently serviced by an authorized distributor, please call Terex or Genie Industries.

Machine Information

Model

Serial Number

Date of Purchase

Authorized Genie Distributor

Phone Number

North America

Telephone (425)881-1800

Toll Free (800)536-1800 in US and Canada

Fax (425)556-8659

Toll Free fax (888)274-6192

Email AWP.PartsSalesPO@terex.com

<http://genielift.com/en>

EMEAR (Europe, Middle East, Africa and Russia)

Telephone (31)(165)519 313

Fax (31)(165)511 148

<http://genielift.co.uk>

Asia Pacific (Genie Singapore)

Telephone +65 6692 7777

Fax +65 6261 8893

<http://genielift.com.sg/>

Australia

Telephone (61)(7)3456 4444

Fax (61)(7)3456 4466

<http://genielift.com.au>

South America

Telephone (55)(11)4082 5600

Fax (55)(11)4082 5630

Required Parts

The following parts are required to perform maintenance procedures as outlined in the Genie GS-69DC Service Manual.

Description	Part No.
Plug and Cap Kit (for ORFS fittings).....	49613
Dielectric Grease	66399
Hydraulic Filter.....	60857
Cotter Pin.....	45114
Hydraulic Tank Cap (models w/opt. hyd fluid)	131658

Recommended Parts

Description	Part No.
Genie Blue Paint, 1 Gallon	32150
Genie Blue Paint, 12 Ounce Aerosol.....	1484
Genie Gray Paint, 1 Gallon.....	32151
Genie Gray Paint, 12 Ounce Aerosol	1268

Manuals

Genie also offers the following support documents:

EMI Safety Manual	27581
Manual of Responsibilities ANSI A92.6	44163

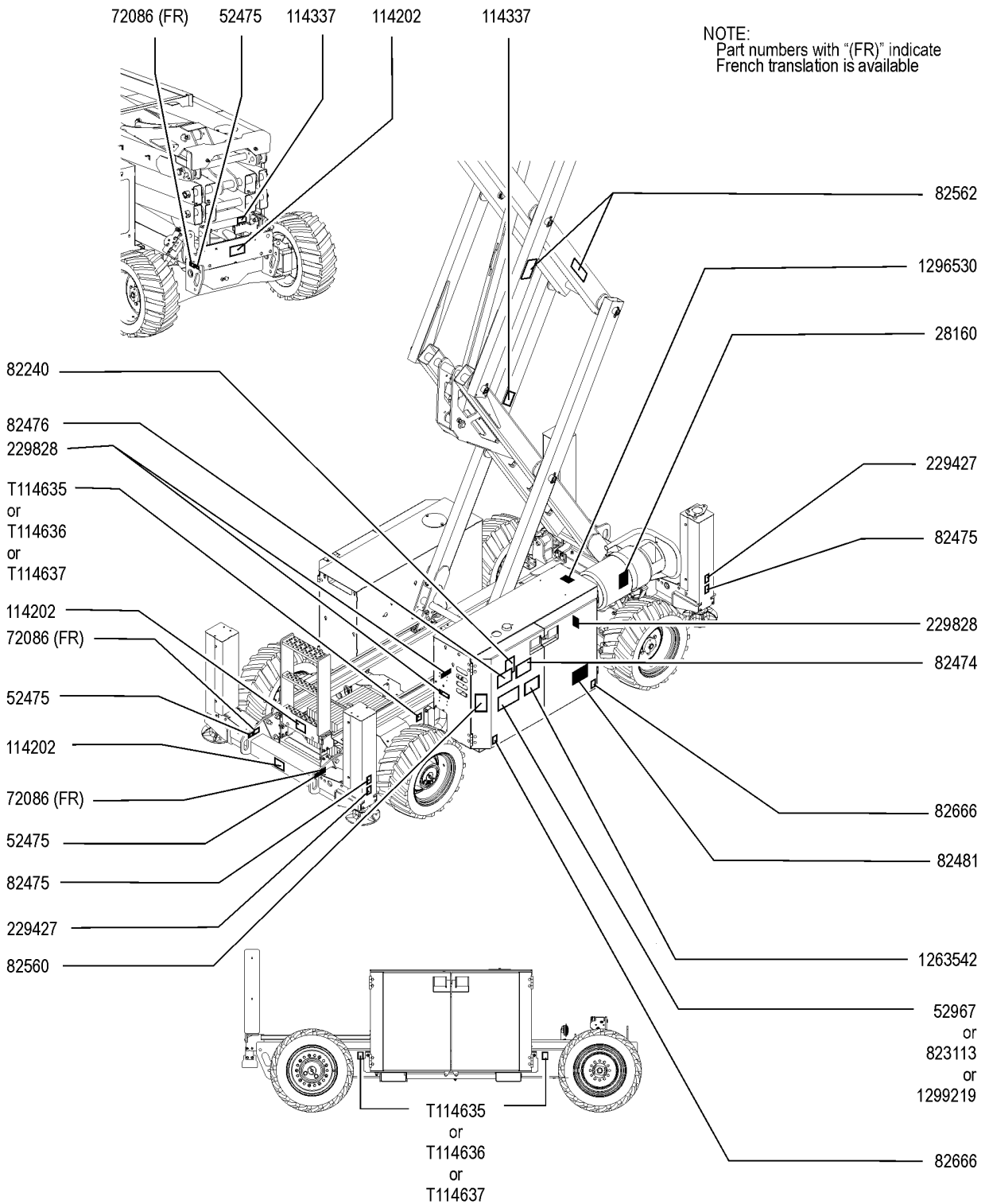
Description	Page
100 Decals	10
101.1 Decals with Symbol, Engine Side	10
102.1 Decals with Symbol, Controls Side	12
103.1 Decals with Symbol, Platform Side	16
200 Drive Chassis Components	18
201.1 Steer Axle Linkage, Wheels and Drive Motors	18
202.1 Steer Axle Linkage, Oscillation	22
203.1 Non-Steer Axle and Drive Motors, GS-2669, GS-3369	24
203.2 Non-Steer Axle and Drive Motors, GS-4069	30
204.1 Ladder and Counterweight, GS-2669, GS-3369	36
204.2 Ladder and Counterweight, GS-4069	38
205.1 Drive Chassis, Safety Components	40
300 Engine Components	42
301.1 Kubota D-1105 Engine, View 1	42
302.1 Kubota D-1105 Engine, View 2	46
303.1 Kubota D-1105 Engine, View 3	50
304.1 Kubota D-1105 Engine, View 4	54
400 Chassis Tray Components	58
401.1 Engine Tray Components, View 1	58
402.1 Engine Tray Components, View 2	60
403.1 Hydraulic Tank, Fuel Tank, and Ground Controls Installation	64
404.1 Hydraulic Tray Components	70
405.1 Ground Controls	72
406.1 Chassis Cover Installation	76
407.1 Electrical Wiring and Power Cables, GS-2669	78
407.2 Electrical Wiring and Power Cables, GS-3369	82
407.3 Electrical Wiring and Power Cables, GS-4069	86
500 Scissor Components	90
501.1 Scissor Components, GS-2669 RT	90
502.1 Scissor Components, GS-3369 RT, View 1	94
503.1 Scissor Components, GS-3369 RT, View 2	96
504.1 Scissor Components, GS-4069 RT, View 1	98
505.1 Scissor Components, GS-4069 RT, View 2	100
600 Platform Components	104
601.1 Platform Installation, GS-2669 RT, View 1	104
602.1 Platform Installation, GS-3369 RT and GS-4069 RT, View 2	106

Table of Contents

Description	Page
603.1 Platform Railing Installation	108
604.1 Platform Entry Gate	112
605.1 Platform Side Exit	114
606.1 Platform Extension	116
607.1 Platform Extension Deck Lock	120
608.1 Power to Platform, GS-2669	122
608.2 Power to Platform, GS-3369	124
608.3 Power to Platform, GS-4069	126
609.1 Platform Controls	128
610.1 Platform Controls Joystick	130
700 Hydraulic Components	132
701.1 Function Manifold	132
702.1 Traction Manifold, View 1	136
703.1 Traction Manifold, View 2	140
704.1 Oscillate Cylinders, All Models	142
705.1 Lift Cylinders, GS-2669, GS-3369	144
705.2 Lift Cylinders, GS-4069	146
706.1 Hydraulic Hoses and Fittings, Lift Cylinder, GS-4069 RT	148
707.1 Hydraulic Hoses and Fittings, View 1	150
708.1 Hydraulic Hoses and Fittings, View 2	154
800 Accessories	158
801.1 Flashing Motion Beacon	158
802.1 Generator Installation	160
803.1 Generator	162
804.1 Hydraulic Hoses and Fittings, Generator	164
805.1 Oil Cooler	166
806.1 Hydraulic Hoses and Fittings, Oil Cooler	168
807.1 Cold Start Installation	170
808.1 Outrigger Installation, View 1	172
809.1 Outrigger Installation, View 2	174
810.1 Outrigger Manifold	176
811.1 Outrigger Cylinders, All Models	178
812.1 Hydraulic Hoses and Fittings, Outrigger	180
813.1 Air to Platform, GS-2669	182
813.2 Air to Platform, GS-3369	184
813.3 Air to Platform, GS-4069	186
814.1 Link Guard, CE GS-2669	188
814.2 Link Guard, CE GS-3369	190
814.3 Link Guard, CE GS-4069	192
815.1 Platform Work Light	194

Description	Page
816.1 Telematics Option	196
817.1 Lift Tool Material Carrier	198
Part Number Index	200

101.1 Decals with Symbol, Engine Side

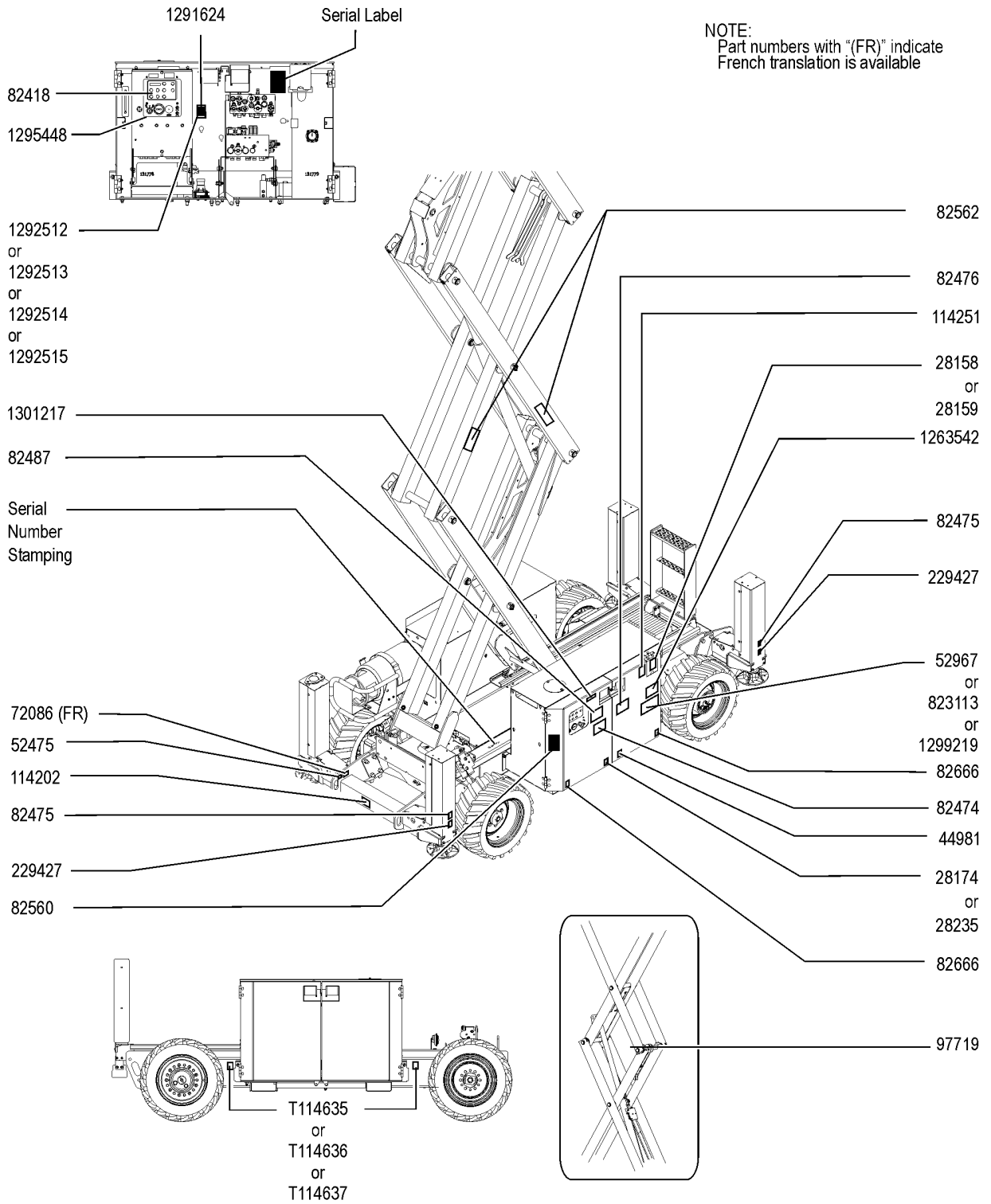


101.1 Decals with Symbol, Engine Side

Item	Part No.	Description	Qty.
-	1306823GT	INSTRUCTIONS,INSTALL,COMP,SYMBOL, GS-69 RT	1
1	28160GT	DECAL,LABEL,LIQUID PROPANE	1
2	52475GT	DECAL,LABEL,TRANSPORT TIEDOWN*	3
3	52967GT	DECAL,COSMETIC,4 X 4	1
4	72086GT	DECAL,LABEL,LIFTING EYE	3
5	82240GT	DECAL,LABEL,105 DB	1
		CE Only	
6	82474GT	DECAL,SYMBOL-USE SAFETY ARM	1
7	82475GT	DECAL,SYMBOL-FOOT CRUSHING	2
8	82476GT	DECAL,SYMBOL-ELEC HAZARD,GS	1
9	82481GT	DECAL,SYMBOL-BATTERY SAFETY	1
10	82560GT	DECAL,SYMBOL-SKIN INJECT HAZRD	1
11	82562GT	DECAL,SYMBOL-CRUSHING HAZARD	1
12	82666GT	DECAL,LABEL,FORKLIFT POCKET	2
13	114202GT	DECAL,LABEL,TRANSPORT TIE 68	1
14	114337GT	DECAL, COMPARTMENT ACCESS	2
15	229427GT	DECAL,LABEL,OUTRIGGER LD	2
16	229828GT	DECAL,LABEL,HOT,SYMBOL	3
17	823113GT	DECAL,COSM,4X4,BLACK	1
18	1263542GT	DECAL, COMPARTMENT ACCESS	1
19	1296530GT	DECAL, EPA/CARB EMISSIONS 2019	1
20	1299219GT	DECAL,COSMETIC,4 X 4, BLUE	1
21	T114635GT	DECAL,LABEL,WHEEL LD,GS2669RT	2
22	T114636GT	DECAL,LABEL,WHEEL LD,GS3369RT	2
23	T114637GT	DECAL,LABEL,WHEEL LD,GS4069RT	2



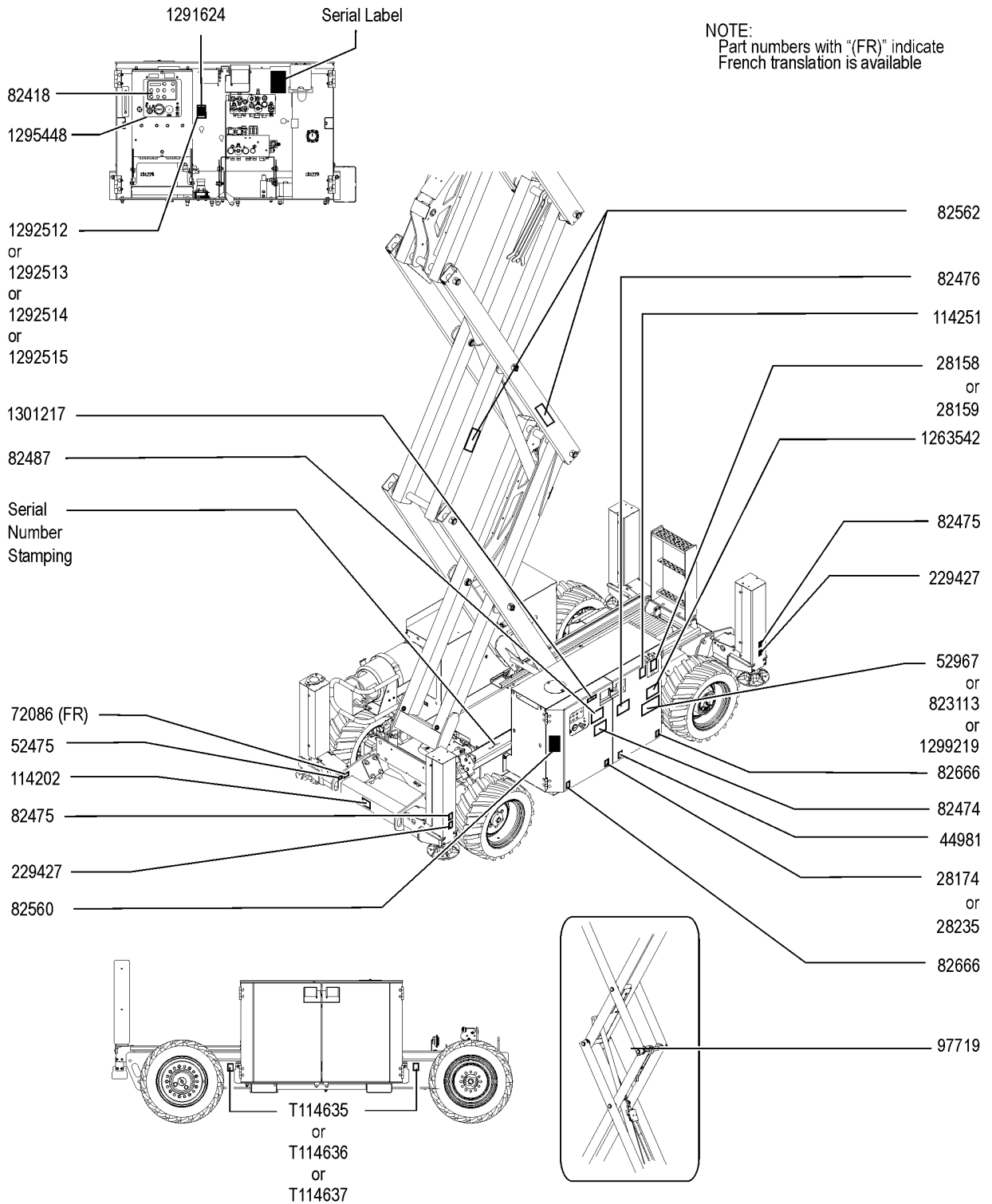
102.1 Decals with Symbol, Controls Side



Item	Part No.	Description	Qty.
1	28158GT	DECAL,LABEL,UNLEADED GAS ONLY	1
2	28159GT	DECAL,DIESEL	1
3	28174GT	DECAL,POWER TO PLATFORM 230V	1
4	28235GT	DECAL,POWER TO PLATFORM 115V	1
5	44981GT	DECAL,LABEL,AIRLINE 110 PSI	1
6	52475GT	DECAL,LABEL,TRANSPORT TIEDOWN*	1
7	52967GT	DECAL,COSMETIC,4 X 4	1
8	72086GT	DECAL,LABEL,LIFTING EYE	1
9	82418GT	DECAL,GROUND CONTROL PANEL	1
10	82474GT	DECAL,SYMBOL-USE SAFETY ARM	1
11	82475GT	DECAL,SYMBOL-FOOT CRUSHING	2
12	82476GT	DECAL,SYMBOL-ELEC HAZARD,GS	1
13	82487GT	DECAL,SYMBOL-READ THE MANUAL	1
14	82560GT	DECAL,SYMBOL-SKIN INJECT HAZRD	1
15	82562GT	DECAL,SYMBOL-CRUSHING HAZARD	1
16	82666GT	DECAL,LABEL,FORKLIFT POCKET	2
17	97719GT	DECAL, LABEL, SAFETY ARM SYMB	1
18	114202GT	DECAL,LABEL,TRANSPORT TIE 68	1
19	114251GT	DECAL,LABEL,NO SMOKING,SYMB	1
20	229427GT	DECAL,LABEL,OUTRIGGER LD	2
21	823113GT	DECAL,COSM,4X4,BLACK	1
22	1263542GT	DECAL, COMPARTMENT ACCESS	1
23	1291624GT	DECAL COSM,GENIE LIFT CONNECT,LEXAN COVER	1
24	1292512GT	DECAL COSM,GENIE LIFT CONNECT,ESN,SKU4-1	1
25	1292513GT	DECAL COSM,GENIE LIFT CONNECT,ESN,SKU4-2	1
26	1292514GT	DECAL COSM,GENIE LIFT CONNECT,ESN,SKU4-3	1
27	1292515GT	DECAL COSM,GENIE LIFT CONNECT,ESN,SKU4-4	1
28	1295448GT	DECAL, GROUND CONTROL PANEL, LS	1



102.1 Decals with Symbol, Controls Side

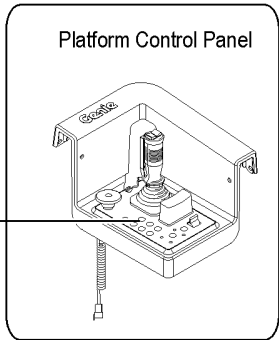


102.1 Decals with Symbol, Controls Side

<i>Item</i>	<i>Part No.</i>	<i>Description</i>	<i>Qty.</i>
29	1299219GT	DECAL,COSMETIC,4 X 4, BLUE	1
30	1301217GT	DECAL, EMERGENCY LOWERING, GS90/GS69RT	1
31	T114635GT	DECAL,LABEL,WHEEL LD,GS2669RT	2
32	T114636GT	DECAL,LABEL,WHEEL LD,GS3369RT	2
33	T114637GT	DECAL,LABEL,WHEEL LD,GS4069RT	2



103.1 Decals with Symbol, Platform Side



*Install decal on both sides of the chassis

230808

1299285
or
1299286
or
1299287

1281175

44981

Safety Tape

28174
or
28235

133537

114371

82487

1293217

43618

114338

1306152

or
1306176

1293166

1294688

Safety Tape

228327*

or
215398*

or
1298391*

or
228328*

or
215399*

or
1298393*

or
228329*

or
215406*

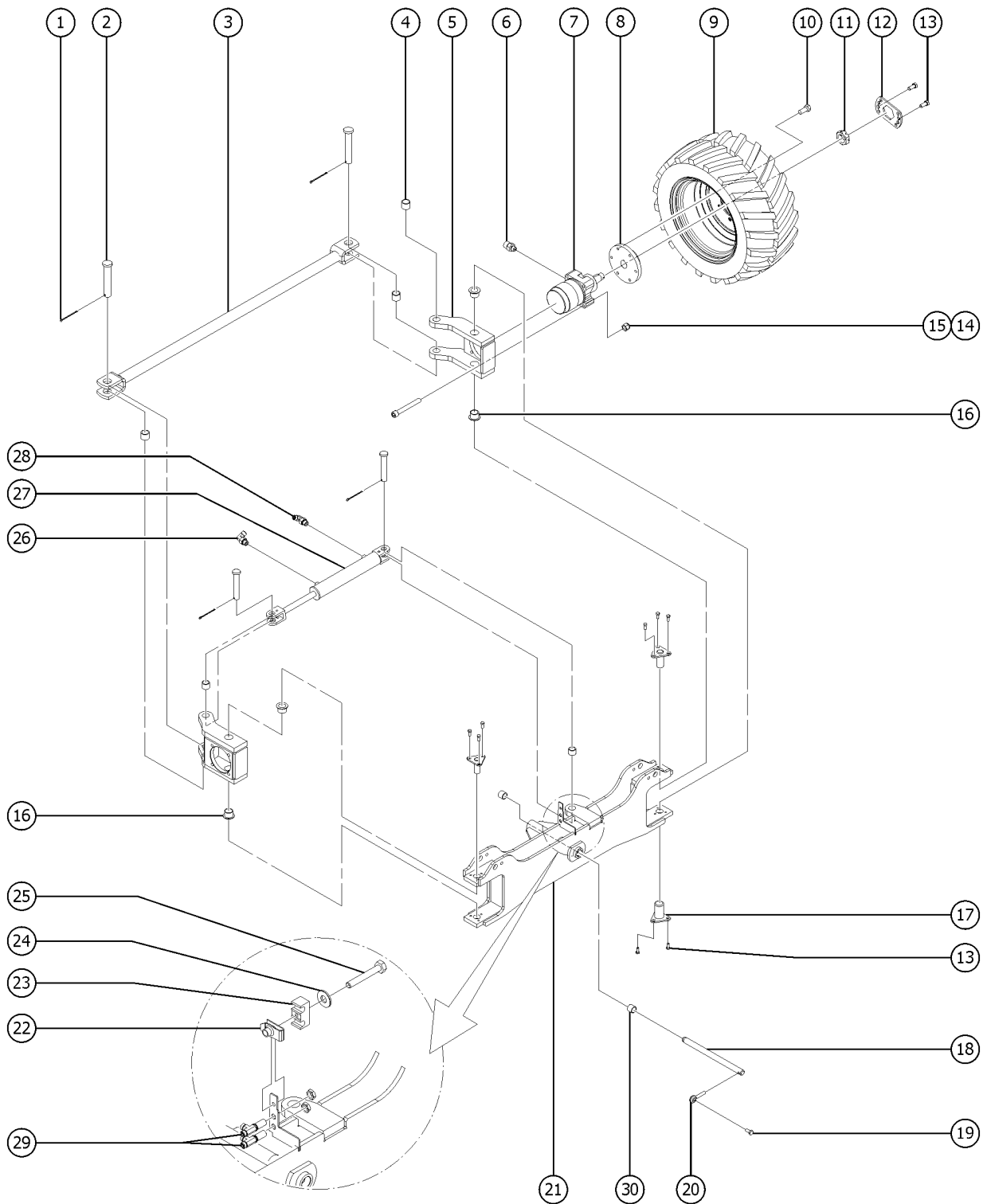
or
1298395*



Item	Part No.	Description	Qty.
-	1306825GT	INSTRUCTIONS,INSTALL,PLAT,SYMBOL, GS-69RT	1
1	28174GT	DECAL,POWER TO PLATFORM 230V	1
2	28235GT	DECAL,POWER TO PLATFORM 115V	1
3	43618GT	DECAL,LABEL-DIRECTION ARROWS	1
4	44981GT	DECAL,LABEL,AIRLINE 110 PSI	1
5	82487GT	DECAL,SYMBOL-READ THE MANUAL	1
6	114338GT	DECAL,SYM-TIP-OVR,TILT ALARM	1
7	114371GT	DECAL,SYM-TIP-OVER,OUTRGR	1
8	133537GT	DECAL,CRUSH HAZ RAILS SYMB	1
9	215398GT	DECAL,COSM,BLK,GENIE GS2669RT	2
10	215399GT	DECAL,COSM,BLK,GENIE GS3369RT	2
11	215406GT	DECAL,COSM,BLK,GENIE GS4069RT	2
12	228327GT	DECAL,COSMETIC,GENIE GS-2669RT	2
13	228328GT	DECAL,COSMETIC,GENIE GS-3369RT	2
14	228329GT	DECAL,COSMETIC,GENIE GS-4069RT	2
15	230808GT	DECAL,PLAT CONTROL PANEL GS69	1
16	1281175GT	DECAL, LANYARD, FALL RESTRAINED	6
17	1293166GT	DECAL,TIP-OVER,CRUSH, GS-1330m	1
18	1293217GT	DECAL SYMBOL ELECTRIC HAZARD GS-1330m	1
19	1294688GT	DECAL,PLATFORM OVERLOAD, MINI	1
20	1298391GT	DECAL, COSMETIC,GENIE GS-2669RT, BLUE	2
21	1298393GT	DECAL, COSMETIC,GENIE GS-3369RT, BLUE	2
22	1298395GT	DECAL, COSMETIC,GENIE GS-4069RT, BLUE	2
23	1299285GT	DECAL, NOTICE, SYMBOL, MAX CAP AND SIDE FORCE, GS2669	1
24	1299286GT	DECAL, NOTICE, SYMBOL, MAX CAP AND SIDE FORCE, GS3369	1
25	1299287GT	DECAL, NOTICE, SYMBOL, MAX CAP AND SIDE FORCE, GS4069	1
26	1306152GT	DECAL, RUNAWAY, GS69RT	1
27	1306176GT	DECAL, RUNAWAY, GS33/4069RT	1



201.1 Steer Axle Linkage, Wheels and Drive Motors

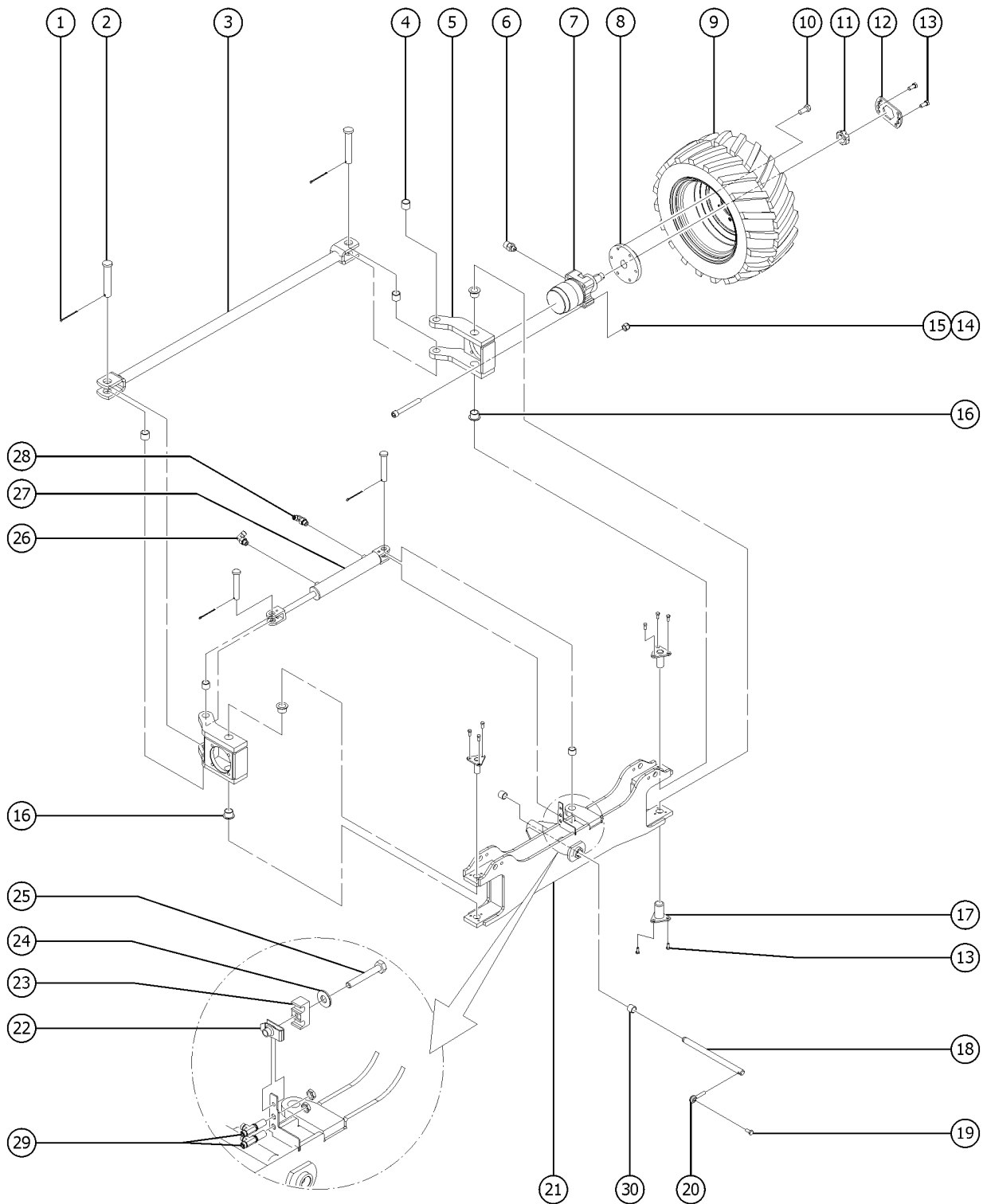


201.1 Steer Axle Linkage, Wheels and Drive Motors

Item	Part No.	Description	Qty.
1	74389GT	RUE RING,1.00	4
2	19440GT	PIN,CLEVIS,1 X 2.5 LG	4
3	1254181GT	WELDMENT,TIE ROD,GS69	1
4	25817GT	BEARING,1.00IDX1.25ODX1.00L	7
5	1254182GT	ASSY, PAINT,STEER YOKE, RT	2
6	48943GT	FITTING,CONN,520120-8-6	4
7	T109593GT	MOTOR,22.8 CI/REV,GEROTOR	2
7-	44782GT	SEAL KIT,DR MTR.GS15/19,Z20*** for T109593	
8	47312GT	ADAPTER,WHEEL,GS68/GS69	2
9	1258626GT	WHEEL ASSY,FOAM,12X26,BLK,LF RT, Foam-filled, controls side (left front) (water-based foam)	1
9A	1258627GT	WHEEL ASSY,FOAM,12X26,BLK,RF RT, Foam-filled, engine side (right front) (water-based foam)	1
9B	1258751GT	WHEEL ASSY,FOAM,12X26,BLK,LF RT, Foam-filled, controls side (left front) (petroleum-based foam)	
9B-	1258752GT	WHEEL ASSY,FOAM,12X26,BLK,RF RT, Foam-filled, engine side (right front) (petroleum-based foam)	
9C	1258630GT	WHEEL ASSY,FOAM,12X26,NM,LF RT, Foam-filled, Non-marking, controls side (left front) (water-based foam)	
9C-	1258631GT	WHEEL ASSY,FOAM,12X26,NM,RF RT, Foam-filled, Non-marking, engine side (right front) (water-based foam)	
9D	1258755GT	WHEEL ASSY,FOAM,12X26,NM,LF RT, Foam-filled, Non-marking, controls side (left front) (petroleum-based foam)	
9D-	1258756GT	WHEEL ASSY,FOAM,12X26,NM,RF RT, Foam-filled, Non-marking, engine side (right front) (petroleum-based foam)	
10	148426GT	LUG BOLT,45 DEG,1/2-20 UNF	12
11	44780GT	NUT,CASTLE,1.125-18 UNEF	2
12	T109085GT	PLATE, CASTLE NUT LOCK	2
13	49857GT	SCREW,HHC,3/8-16 X .88,GRD 8	16
14	6198GT	NUT,NYLOK,1/2-13	8
15	42360GT	SCREW,SHC,1/2-13 X 4 ZINC	8
16	148353GT	BEARING,BRZ,FL,1.25X1.50X1.1	4
17	131616GT	WELDMENT,KING PIN	4
18		Ref. PIN,OSC PIVOT (for replacement, please call factory)	1
19	6175GT	SCREW,HHC,3/8-16 X 1	1
20	1255452GT	ROD END,.375*2.25,ZAG	1



201.1 Steer Axle Linkage, Wheels and Drive Motors

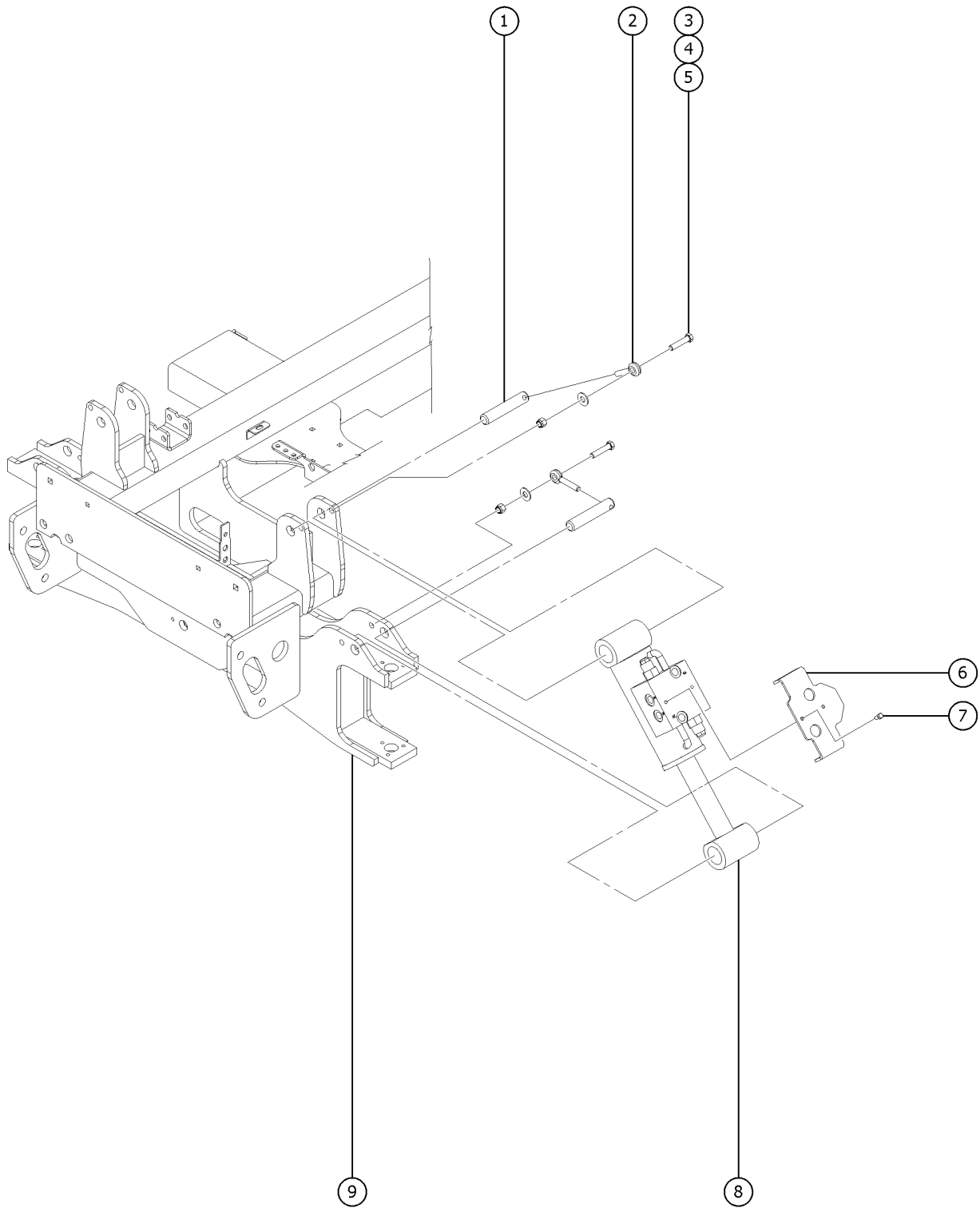


201.1 Steer Axle Linkage, Wheels and Drive Motors

<i>Item</i>	<i>Part No.</i>	<i>Description</i>	<i>Qty.</i>
21	1254180GT	WELDMENT,OSC.AXLE	1
22	56912GT	SPRING CLIP,1/4-20,.025-.15X.5	1
23	148396GT	CLAMP,HOSE,2X#4,GS69	1
24	6638GT	WASHER,FLAT,USS,1/4"Y	1
25	6637GT	SCREW,HHC,1/4-20 X 1.75	1
26	48911GT	ELBOW,90D,520220-4-6***	2
27	1305757GT	CYLINDER,STEER***	1
27-	89066GT	SEAL KIT,STEER CYL (89065)	
28	48912GT	CONN,520120-4-6***	1
29	48909GT	TEE,BULKHEAD,RUN,520958-4	2
30	51474GT	BEARING,1.00IDX1.25ODX0.75L	2



202.1 Steer Axle Linkage, Oscillation

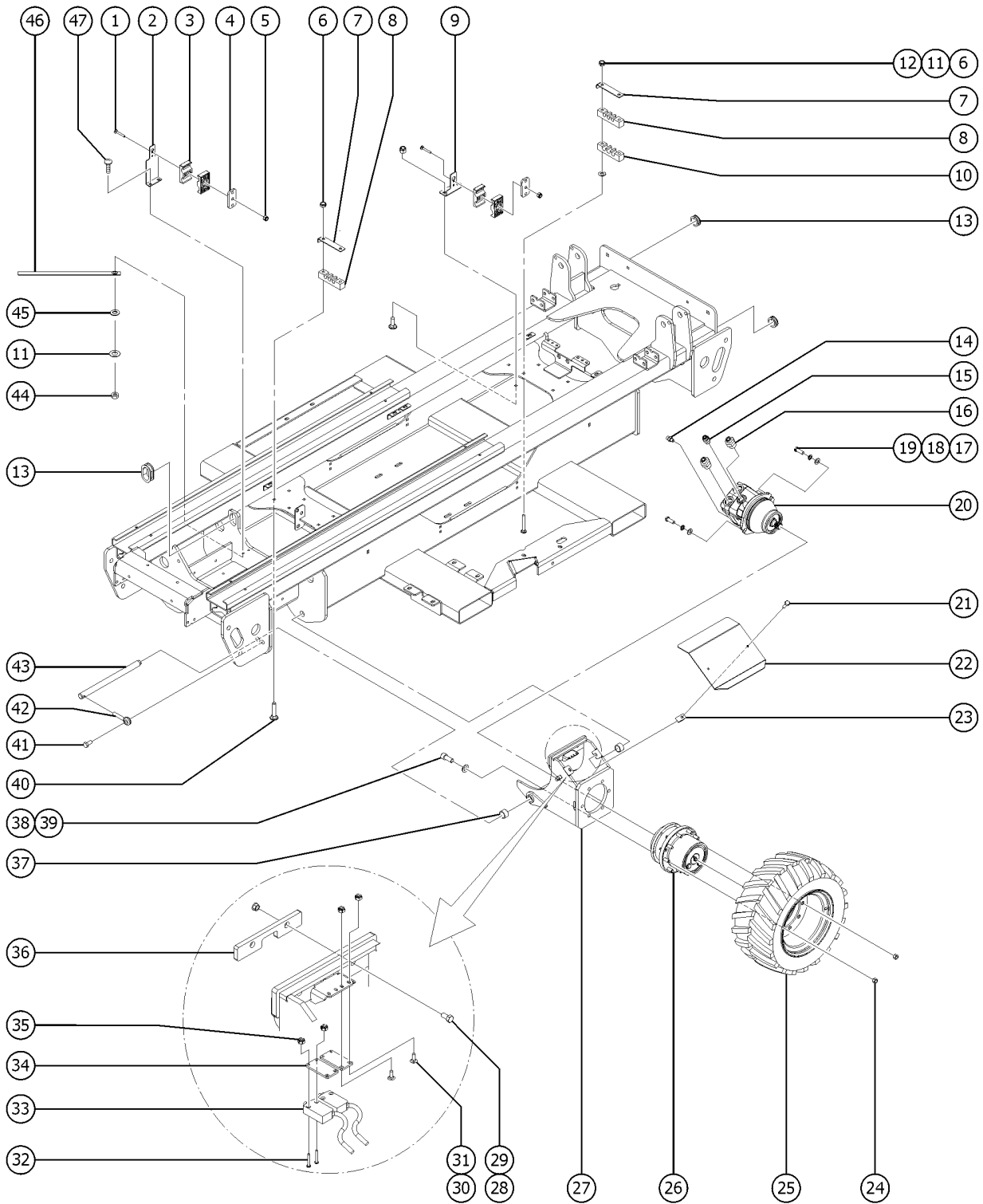


202.1 Steer Axle Linkage, Oscillation

<i>Item</i>	<i>Part No.</i>	<i>Description</i>	<i>Qty.</i>
1	67387GT	PIN,1.00DIAX5.27LG,1HOLE	4
2	1255452GT	ROD END,.375*2.25,ZAG	4
3	13918GT	SCREW,HHC,3/8-16 X 1.75,GRD.8	4
4	6097GT	WASHER,FLAT,USS,3/8",Y	4
5	4828GT	NUT,NYLOCK,3/8-16	4
6	1304111GT	FORMING, OSC COVER, SHORT	2
7	7339GT	SCREW,HHC,1/4-20 X .5	4
8		Ref. CYLINDER,OSCILATING,GS69	
		(refer to 704.1)	
9		Ref. WELDMENT,OSC.AXLE	1
		(refer to 201.1)	



203.1 Non-Steer Axle and Drive Motors, GS-2669, GS-3369

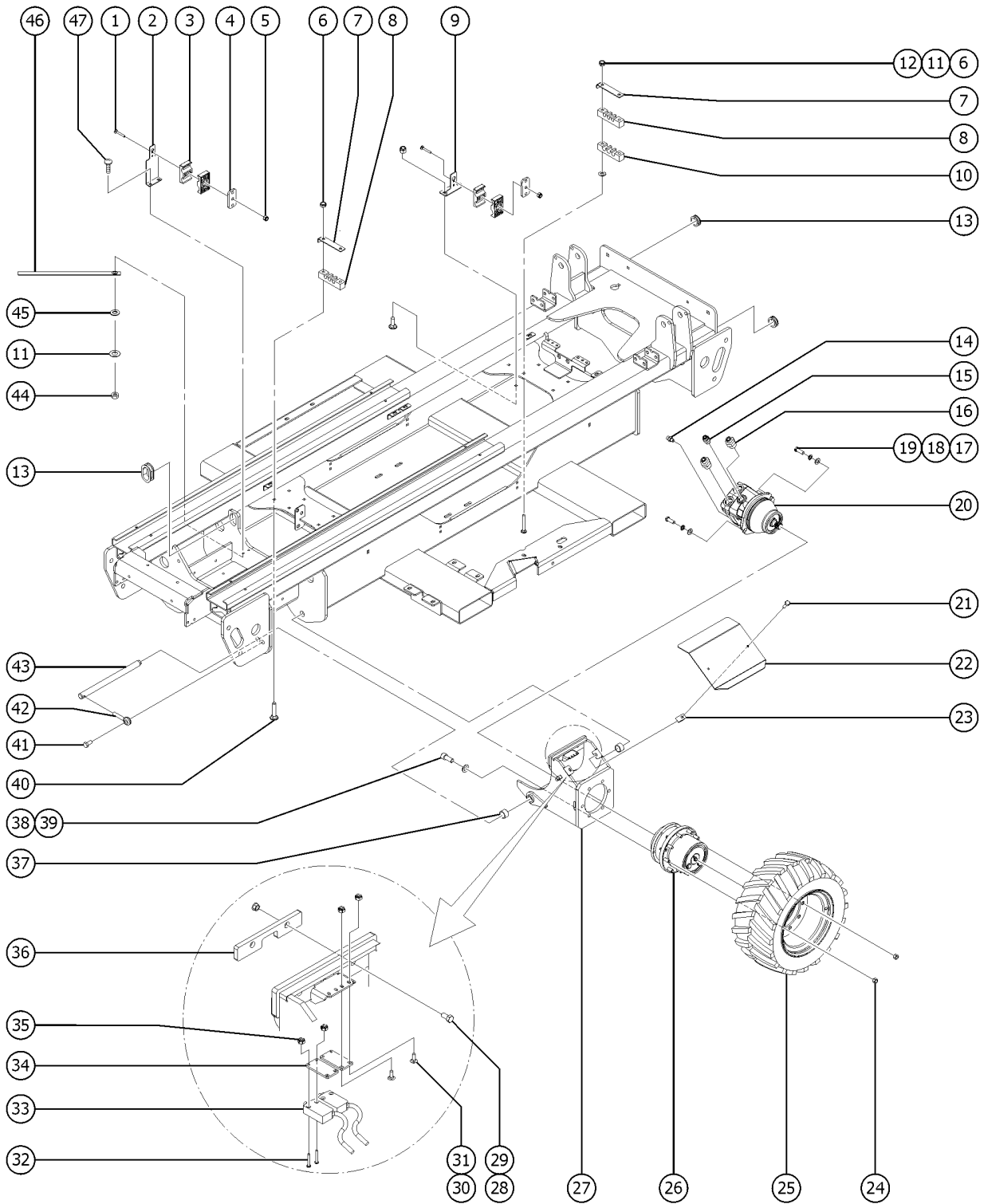


203.1 Non-Steer Axle and Drive Motors, GS-2669, GS-3369

Item	Part No.	Description	Qty.
1	73464GT	BOLT,CARRIAGE,1/4-20 X 1.75,G2	4
2	1254437GT	FORMING,REAR DRIVE HOSE CLAMP (GS-2669RT & GS-3369RT)	
3	1296928GT	CLAMP, 2 HOSE, PLASTIC, 5/8	8
4	1254245GT	PLATE,HOSE ROUTING,BULKHEAD (GS-2669RT & GS-3369RT)	4
5	6091GT	NUT,NYLOCK,1/4-20 (GS-2669RT & GS-3369RT)	4
6	7713GT	NUT, LP NYLOCK, 3/8-16 (GS-2669RT & GS-3369RT)	8
7	1254175GT	FORMING,CLAMP,CHASSIS,FRONT	4
8	T109744GT	CLAMP,HOSE,FRONT,3X#4	4
9	1254176GT	FORMING,DRIVE HOSE CLAMP MOUNT	2
10	T109745GT	CLAMP,HOSE,FRONT,2X#4,#6	2
11	87684GT	PUSHRETAINER FOR 3/8"THRD SCREW	4
12	112476GT	BOLT,CARRIAGE,3/8-16X2.75,G5	4
13	T109739GT	GROMMET,RUBBER,1.75 ID	12
14	48905GT	CONN,520120-4***	4
15	48930GT	CONN,520120-6-8	2
16	48948GT	CONN,520120-8-12	4
17	88296GT	SCREW,HHC,7/16-14 X 1.25	4
18	20912GT	WASHER,LOCK, .437,PLTD	4
19	106134GT	WASHER,FLAT,HARDENED 7/16	4
20	101586GT	MOTOR,PISTON,LC25,6.5 DEG,13T	2
20-	106098GT	SEAL KIT,MOTOR,LC/KC***	
20-	106118GT	O-RING,2-157,VITON***	
20-	106117GT	O-RING,2-010,VITON	
21	6090GT	SCREW,HHC,1/4-20 X .75	4
22	1254178GT	COVER,REAR AXLE	2
23	56912GT	SPRING CLIP,1/4-20,.025-.15X.5	4
24	54627GT	NUT,LUG,5/8-18 X 90 DEGREE,Z45	18
25	1258624GT	WHEEL ASSY,FOAM,12X26,BLK,LR RT, Foam-filled, controls side (left rear) (water-based foam)	1



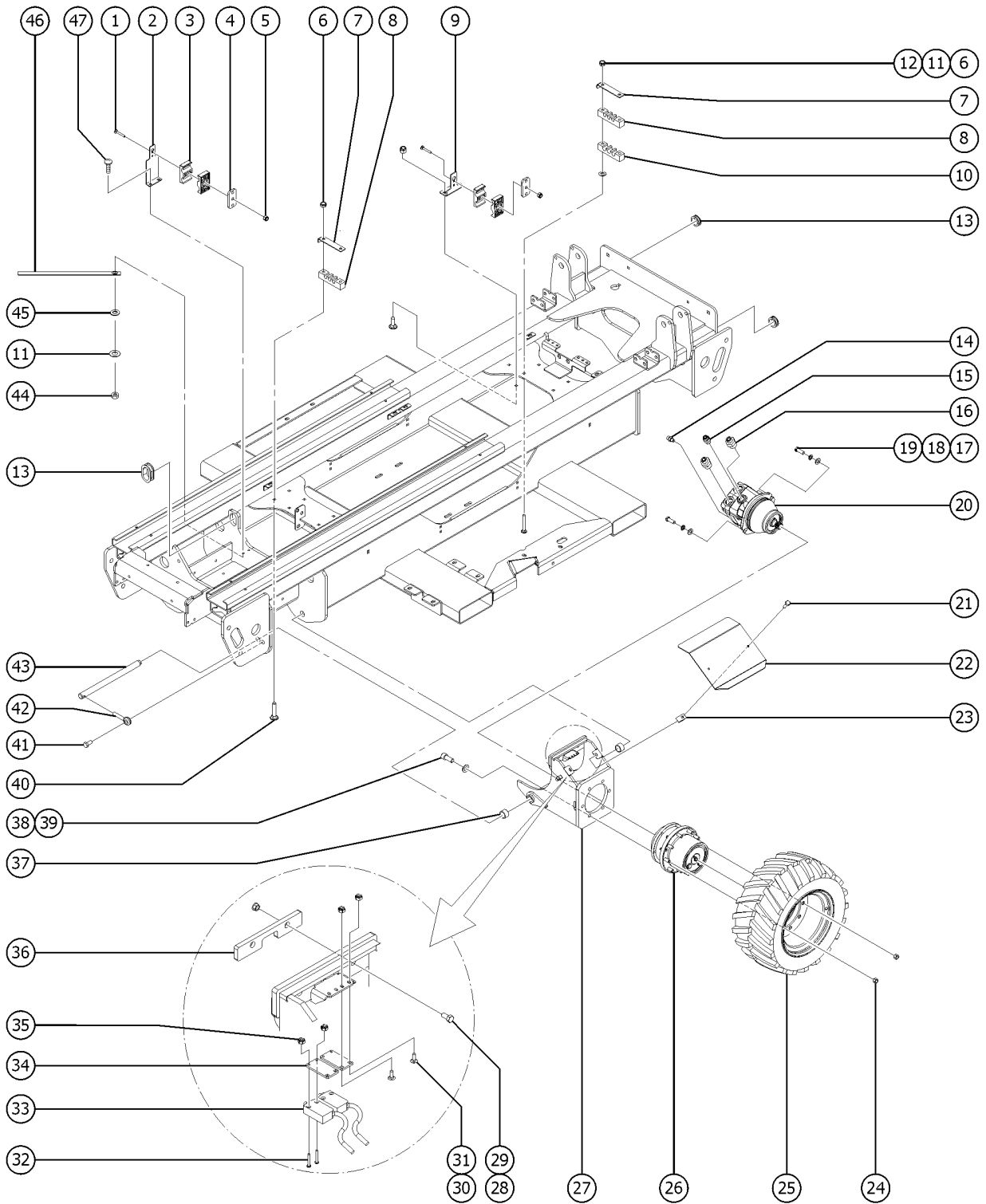
203.1 Non-Steer Axle and Drive Motors, GS-2669, GS-3369



203.1 Non-Steer Axle and Drive Motors, GS-2669, GS-3369

Item	Part No.	Description	Qty.
25A	1258625GT	WHEEL ASSY,FOAM,12X26,BLK,RR RT, Foam-filled, engine side (right rear) (water-based foam)	1
25B	1258749GT	WHEEL ASSY,FOAM,12X26,BLK,LR RT, Foam-filled, controls side (left rear) (petroleum-based foam)	1
25B-	1258750GT	WHEEL ASSY,FOAM,12X26,BLK,RR RT, Foam-filled, engine side (right rear) (petroleum-based foam)	1
25C	1258628GT	WHEEL ASSY,FOAM,12X26,NM,LR RT, Foam-filled, Non-marking, controls side (left rear) (water-based foam)	1
25C-	1258629GT	WHEEL ASSY,FOAM,12X26,NM,RR RT, Foam-filled, Non-marking, engine side (right rear) (water-based foam)	1
25D	1258753GT	WHEEL ASSY,FOAM,12X26,NM,LR RT, Foam-filled, Non-marking, controls side (left rear) (petroleum-based foam)	1
25D-	1258754GT	WHEEL ASSY,FOAM,12X26,NM,RR RT, Foam-filled, Non-marking, engine side (right rear) (petroleum-based foam)	1
26	T110637GT	WHEEL DRIVE W/ BRAKE,48.1	2
26-	230849GT	WHEEL STUD,5/8-18X67MM	9
26-	233041GT	SEAL KIT, WHEEL DRIVE	
26-	139968GT	O-RING,END COVER,OMNI***	
26-	106118GT	O-RING,2-157,VITON*** (Motor to Hub O-ring)	
26-	139966GT	ROD,DISCONNECT,OMNI***	
26-	139967GT	CAP,DISENGAGE,OMNI***	
26-	139969GT	LINING KIT,BRAKE,OMNI***	
26-	139970GT	SEAL KIT,BRAKE,OMNI***	
26-	139971GT	BEARING KIT,OMNI***	
26-	147033GT	O-RING,PIPE PLUG KIT,OMNI***	
26-	147034GT	PIPE PLUG KIT,OMNI***	
26-	106117GT	O-RING,2-010,VITON (Mating O-ring for Brake Port)(Extremely small)	
27	1267290GT	SUBASSY, IC REAR AXLE (includes item 37)	2
28	33987GT	SCREW,HHC,1/2-13 X 1, GR 5	4
29	96320GT	NUT,LOCKING-LG.FLANGE, 1/2-13	4
30	1283121GT	BOLT,CARRIAGE,#10-24X 5/8",G2	8
31	5365GT	NUT,NYLOCK,10-24	8
32	18540GT	SCREW,RHM,8-32 X 1	8
33	148236GT	SWITCH,LIMIT,PLUNGER,SMALL	4
34	1254177GT	PLATE,SENSE AXLE SWITCH	4

203.1 Non-Steer Axle and Drive Motors, GS-2669, GS-3369



203.1 Non-Steer Axle and Drive Motors, GS-2669, GS-3369

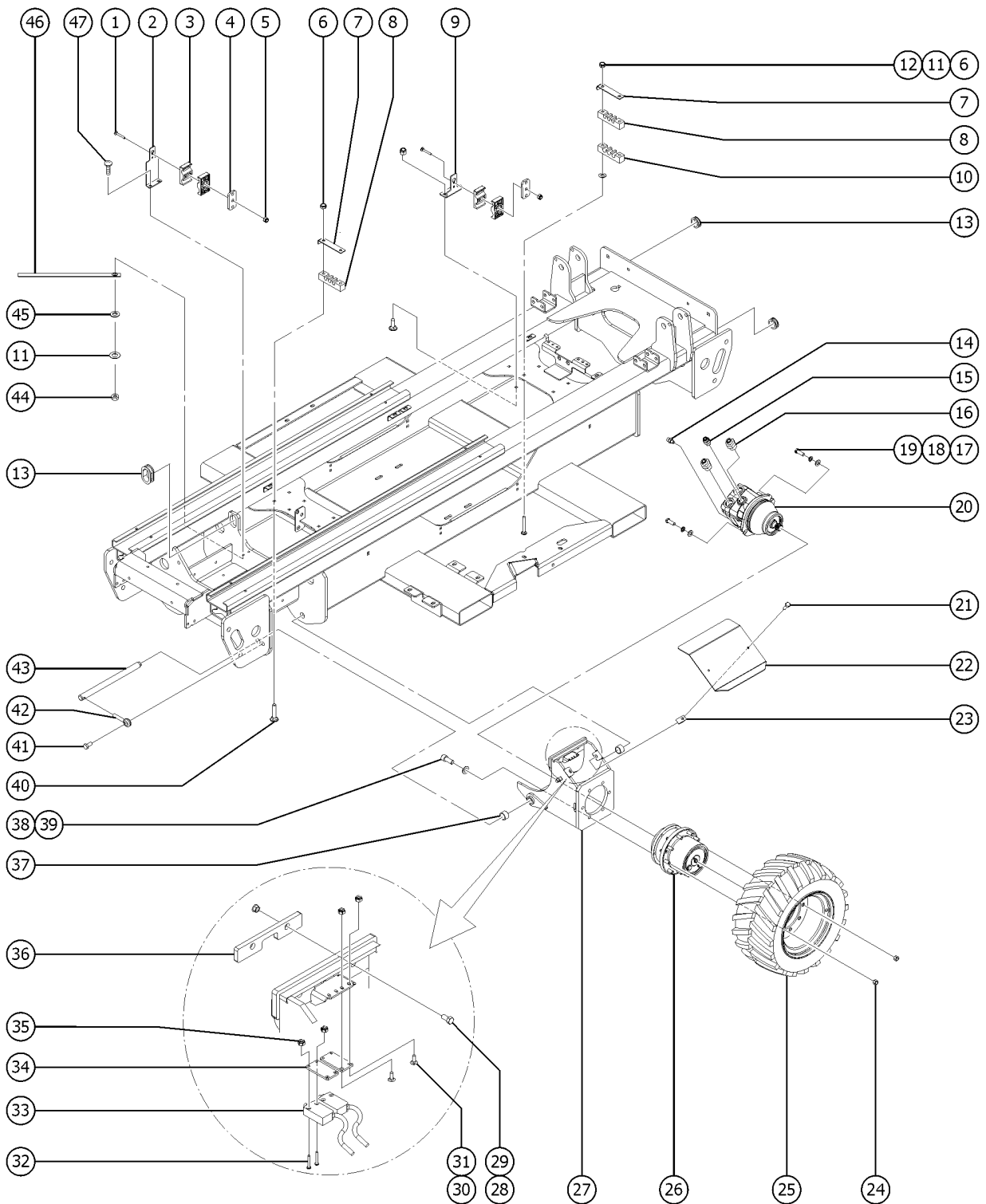
<i>Item</i>	<i>Part No.</i>	<i>Description</i>	<i>Qty.</i>
35	18605GT	NUT,NYLOCK,8-32	4
36	131639GT	PAD,SENSE AXLE REST	2
37	51474GT	BEARING,1.00IDX1.25ODX0.75L	4
38	112512GT	SCREW,SHC,5/8-11 X 1.5 NDPATCH	12
39	13064GT	WASHER,FLAT,.625 HARDENED	12
40	1258623GT	BOLT,CARRIAGE,3/8-16X1.75	4
41	8255GT	SCREW,HHC,3/8-16 X .75	2
42	1255452GT	ROD END,.375*2.25,ZAG	2
43	237340GT	PIN,OSC PIVOT	2
44	4828GT	NUT,NYLOCK,3/8-16	
45	6097GT	WASHER,FLAT,USS,3/8",Y	
46	107578GT	GROUND STRAP,24"LONG	
47	105092GT	BOLT,CARRIAGE,3/8-16X1.25,GR5	



203.2 Non-Steer Axle and Drive Motors, GS-4069

Item	Part No.	Description	Qty.
1	73464GT	BOLT,CARRIAGE,1/4-20 X 1.75,G2	4
2	1254437GT	FORMING,REAR DRIVE HOSE CLAMP (GS-2669RT & GS-3369RT)	
3	1296928GT	CLAMP, 2 HOSE, PLASTIC, 5/8	8
4	1254245GT	PLATE,HOSE ROUTING,BULKHEAD (GS-2669RT & GS-3369RT)	4
5	6091GT	NUT,NYLOCK,1/4-20 (GS-2669RT & GS-3369RT)	4
6	7713GT	NUT, LP NYLOCK, 3/8-16	8
7	1254175GT	FORMING,CLAMP,CHASSIS,FRONT	4
8	T109744GT	CLAMP,HOSE,FRONT,3X#4	4
9	1254176GT	FORMING,DRIVE HOSE CLAMP MOUNT	2
10	T109745GT	CLAMP,HOSE,FRONT,2X#4,#6	2
11	87684GT	PUSHRETAINER FOR 3/8"THRD SCREW	4
12	112476GT	BOLT,CARRIAGE,3/8-16X2.75,G5	4
13	T109739GT	GROMMET,RUBBER,1.75 ID	12
14	48905GT	CONN,520120-4***	4
15	48930GT	CONN,520120-6-8	2
16	48948GT	CONN,520120-8-12	4
17	88296GT	SCREW,HHC,7/16-14 X 1.25	4
18	20912GT	WASHER,LOCK,.,437,PLTD	4
19	106134GT	WASHER,FLAT,HARDENED 7/16	4
20	101586GT	MOTOR,PISTON,LC25,6.5 DEG,13T	2
20-	106098GT	SEAL KIT,MOTOR,LC/KC***	
20-	106118GT	O-RING,2-157,VITON***	
20-	106117GT	O-RING,2-010,VITON	
21	6090GT	SCREW,HHC,1/4-20 X .75	4
22	1254178GT	COVER,REAR AXLE	2
23	56912GT	SPRING CLIP,1/4-20,.025-.15X.5	4
24	54627GT	NUT,LUG,5/8-18 X 90 DEGREE,Z45	18
25	1258624GT	WHEEL ASSY,FOAM,12X26,BLK,LR RT, Foam-filled, controls side (left rear) (water-based foam)	1

203.2 Non-Steer Axle and Drive Motors, GS-4069

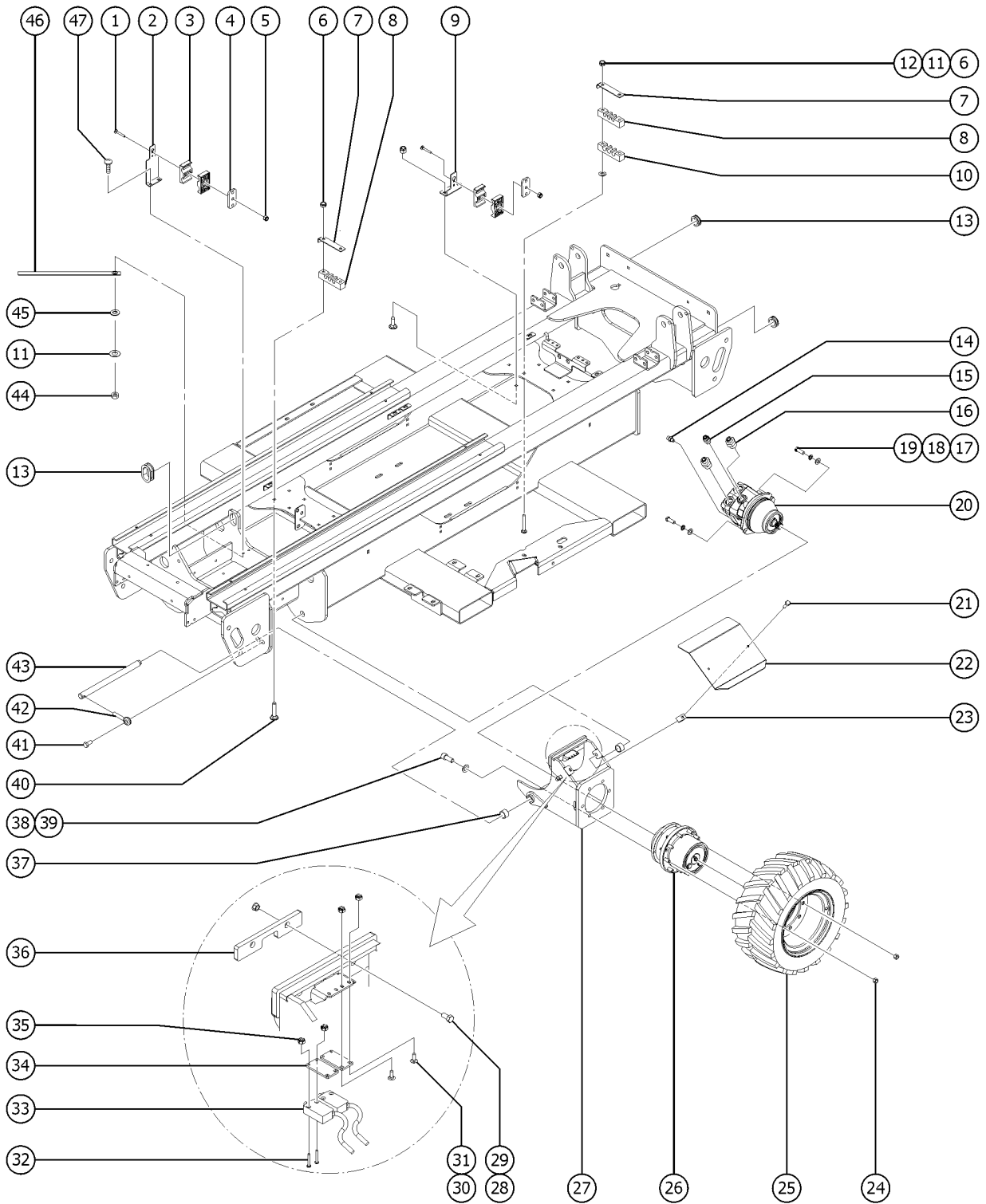


203.2 Non-Steer Axle and Drive Motors, GS-4069

Item	Part No.	Description	Qty.
25A	1258625GT	WHEEL ASSY,FOAM,12X26,BLK,RR RT, Foam-filled, engine side (right rear) (water-based foam)	1
25B	1258749GT	WHEEL ASSY,FOAM,12X26,BLK,LR RT, Foam-filled, controls side (left rear) (petroleum-based foam)	1
25B-	1258750GT	WHEEL ASSY,FOAM,12X26,BLK,RR RT, Foam-filled, engine side (right rear) (petroleum-based foam)	1
25C	1258628GT	WHEEL ASSY,FOAM,12X26,NM,LR RT, Foam-filled, Non-marking, controls side (left rear) (water-based foam)	1
25C-	1258629GT	WHEEL ASSY,FOAM,12X26,NM,RR RT, Foam-filled, Non-marking, engine side (right rear) (water-based foam)	1
25D	1258753GT	WHEEL ASSY,FOAM,12X26,NM,LR RT, Foam-filled, Non-marking, controls side (left rear) (petroleum-based foam)	1
25D-	1258754GT	WHEEL ASSY,FOAM,12X26,NM,RR RT, Foam-filled, Non-marking, engine side (right rear) (petroleum-based foam)	1
26	T110637GT	WHEEL DRIVE W/ BRAKE,48.1	2
26-	230849GT	WHEEL STUD,5/8-18X67MM	9
26-	233041GT	SEAL KIT, WHEEL DRIVE	
26-	139968GT	O-RING,END COVER,OMNI***	
26-	139966GT	ROD,DISCONNECT,OMNI***	
26-	139967GT	CAP,DISENGAGE,OMNI***	
26-	139969GT	LINING KIT,BRAKE,OMNI***	
26-	139970GT	SEAL KIT,BRAKE,OMNI***	
26-	139971GT	BEARING KIT,OMNI***	
26-	147033GT	O-RING,PIPE PLUG KIT,OMNI***	
26-	147034GT	PIPE PLUG KIT,OMNI***	
26-	106118GT	O-RING,2-157,VITON*** (Motor to Hub O-ring)	
26-	106117GT	O-RING,2-010,VITON (Mating O-ring for Brake Port)(Extremely small)	
27	1267290GT	SUBASSY, IC REAR AXLE	2
28	33987GT	SCREW,HHC,1/2-13 X 1, GR 5	4
29	96320GT	NUT,LOCKING-LG.FLANGE, 1/2-13	4
30	1283121GT	BOLT,CARRIAGE,#10-24X 5/8",G2	8
31	5365GT	NUT,NYLOCK,10-24	8
32	18540GT	SCREW,RHM,8-32 X 1	8
33	148236GT	SWITCH,LIMIT,PLUNGER,SMALL	4
34	1254177GT	PLATE,SENSE AXLE SWITCH	4



203.2 Non-Steer Axle and Drive Motors, GS-4069

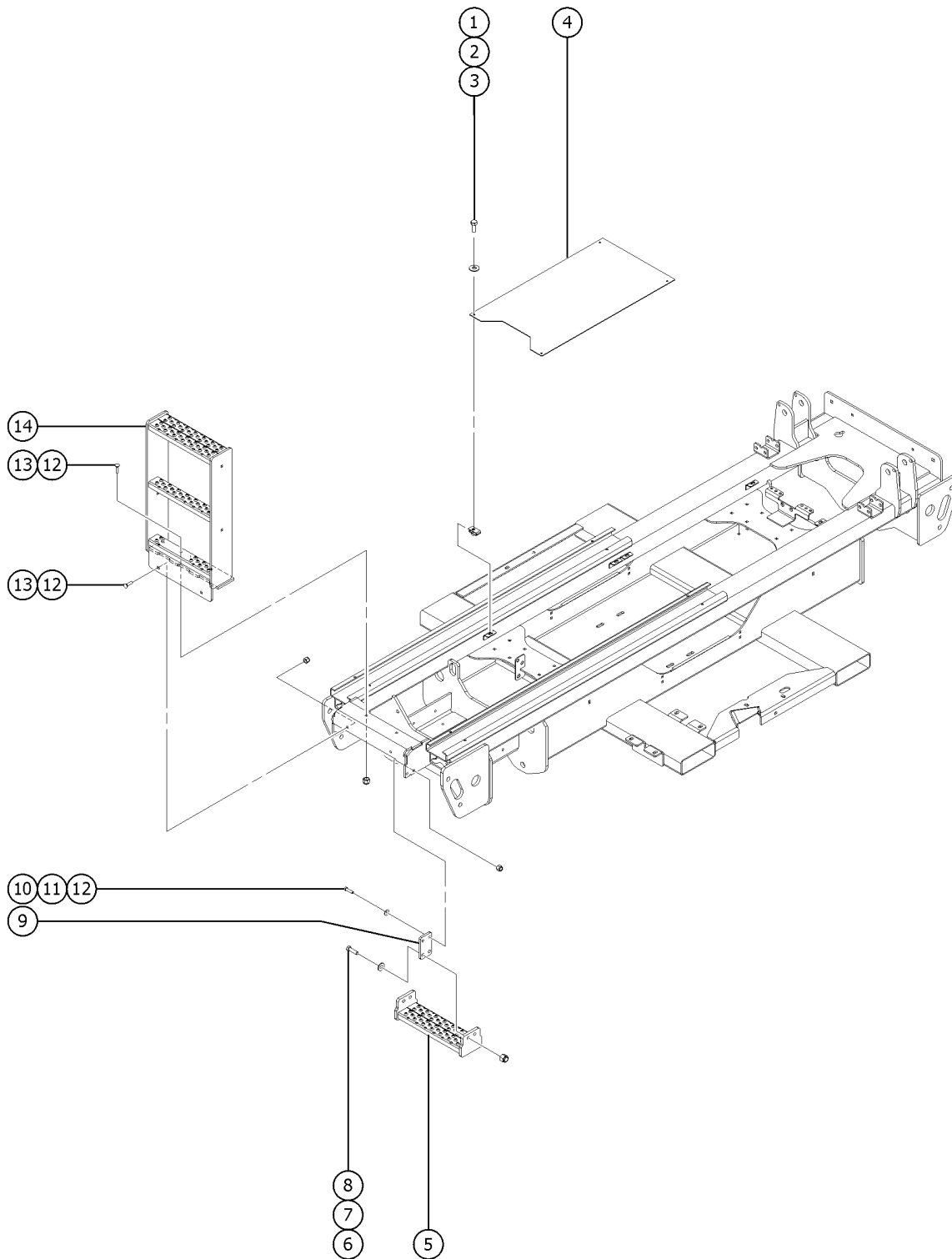


203.2 Non-Steer Axle and Drive Motors, GS-4069

<i>Item</i>	<i>Part No.</i>	<i>Description</i>	<i>Qty.</i>
35	18605GT	NUT,NYLOCK,8-32	4
36	131639GT	PAD,SENSE AXLE REST	2
37	51474GT	BEARING,1.00IDX1.25ODX0.75L	4
38	112512GT	SCREW,SHC,5/8-11 X 1.5 NDPATCH	12
39	13064GT	WASHER,FLAT,.625 HARDENED	12
40	112572GT	BOLT,CARRIAGE,3/8-16X1.75	4
41	8255GT	SCREW,HHC,3/8-16 X .75	2
42	1255452GT	ROD END,.375*2.25,ZAG	2
43	237340GT	PIN,OSC PIVOT	2
44	4828GT	NUT,NYLOCK,3/8-16	
45	6097GT	WASHER,FLAT,USS,3/8",Y	
46	54436GT	GROUND STRAP,18"LG for non-marking tires only	1
47	105092GT	BOLT,CARRIAGE,3/8-16X1.25,GR5	



204.1 Ladder and Counterweight, GS-2669, GS-3369

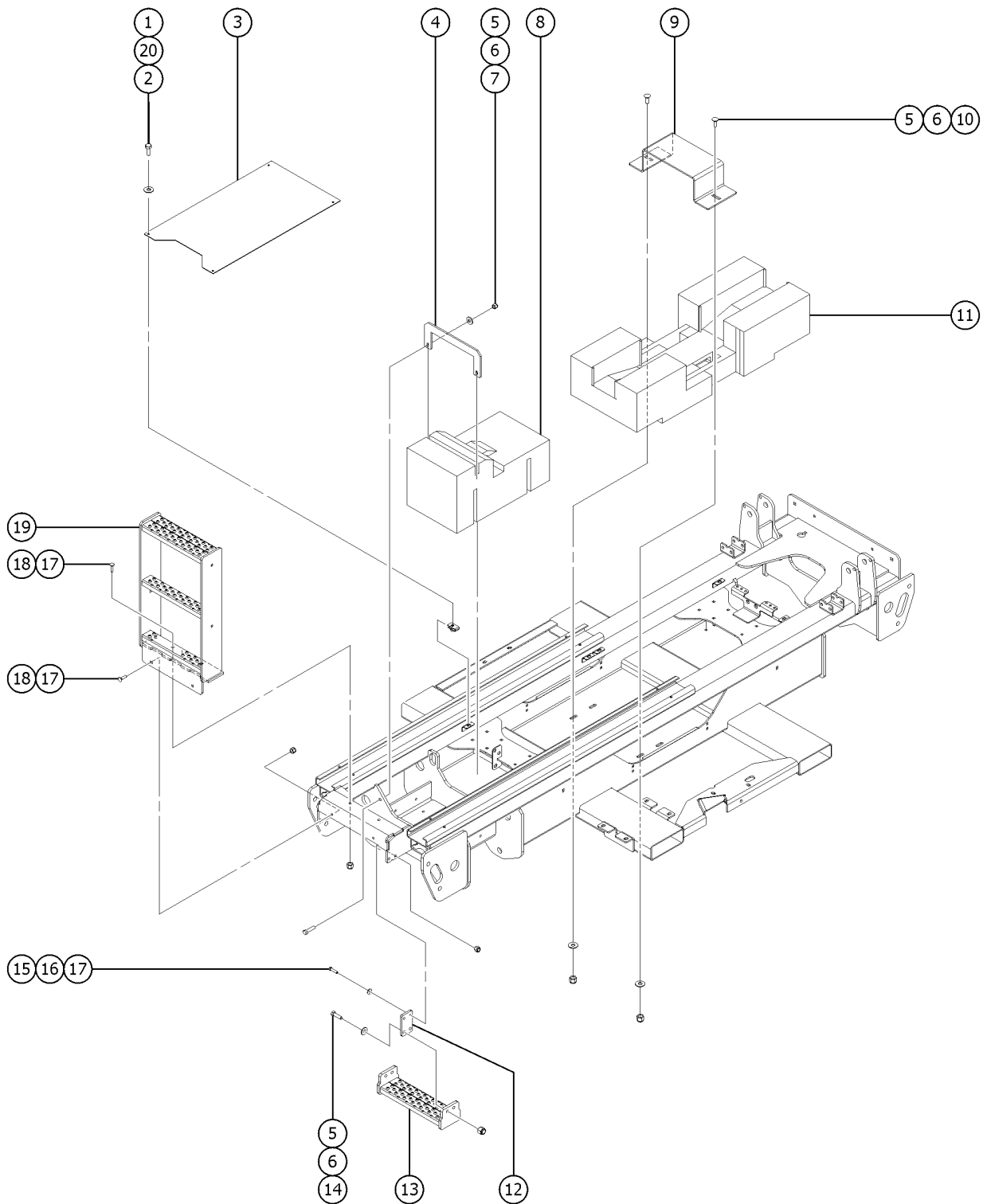


204.1 Ladder and Counterweight, GS-2669, GS-3369

Item	Part No.	Description	Qty.
1	6090GT	SCREW,HHC,1/4-20 X .75	8
2	6638GT	WASHER,FLAT,USS,1/4"Y	4
3	56912GT	SPRING CLIP,1/4-20,.025-.15X.5	8
4	1254174GT	FORMING,CHASSIS COVER	2
5	1254187GT	WELDMENT,LOWER LADDER STEP (Assembled only with NO OUTRIGGER OPTION)	1
6	13918GT	SCREW,HHC,3/8-16 X 1.75,GRD.8	4
7	6095GT	WASHER, FLAT, 1/2 PLTD	4
8	6198GT	NUT,NYLOK,1/2-13	4
9	1295596GT	RUBBER STEP SUPPORT (Assembled only with NO OUTRIGGER OPTION)	2
10	8516GT	SCREW, HCC, 3/8-16 X 1.50	4
11	6097GT	WASHER,FLAT,USS,3/8",Y	4
12	4828GT	NUT,NYLOCK,3/8-16	8
13	60790GT	BOLT,CARRIAGE,3/8-16 X1.50,G5	4
14	1254189GT	WELDMENT,LADDER,GS26/3369 (GS-2669 RT and GS-3369 RT) (decals not included, refer to 100)	1



204.2 Ladder and Counterweight, GS-4069

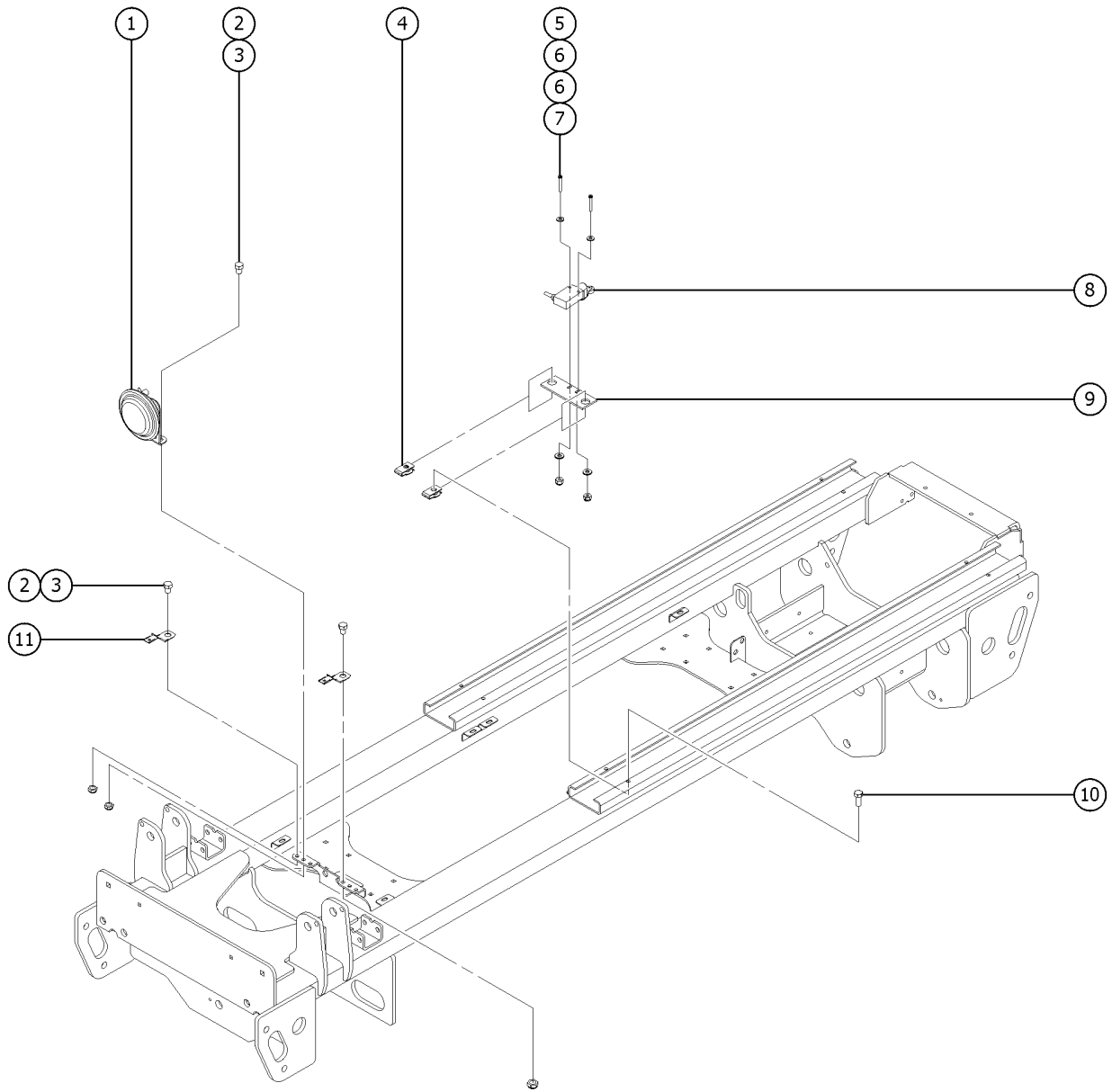


204.2 Ladder and Counterweight, GS-4069

Item	Part No.	Description	Qty.
1	6090GT	SCREW,HHC,1/4-20 X .75	8
2	56912GT	SPRING CLIP,1/4-20,.025-.15X.5	8
3	1254174GT	FORMING,CHASSIS COVER	2
4	1254436GT	PLATE,REAR CW BRACKET	1
		(GS-4069 RT)	
5	6198GT	NUT,NYLOK,1/2-13	8
6	6095GT	WASHER, FLAT, 1/2 PLTD	8
7	6096GT	SCREW,HHC,1/2-13 X 2 GR5	2
8	232537GT	CASTING,CW,REAR,4069	1
		.36+3	
9	1254462GT	FORMING,MID CW BRACKET	1
		(GS-4069 RT)	
10	96977GT	BOLT,CARRIAGE,1/2-13X1.50,GR5	2
11	232536GT	CASTING,CW,MID,4069	1
		(GS-4069 RT)	
12	1295596GT	RUBBER STEP SUPPORT	2
		(Assembled only with NO OUTRIGGER OPTION)	
13	1254187GT	WELDMENT,LOWER LADDER STEP	1
		(Assembled only with NO OUTRIGGER OPTION)	
14	13918GT	SCREW,HHC,3/8-16 X 1.75,GRD.8	4
15	8516GT	SCREW, HCC, 3/8-16 X 1.50	4
16	6097GT	WASHER,FLAT,USS,3/8",Y	4
17	4828GT	NUT,NYLOCK,3/8-16	8
18	60790GT	BOLT,CARRIAGE,3/8-16 X1.50,G5	4
19	1254188GT	WELDMENT,LADDER,GS4069	1
		(GS-4069 RT) (decals not included, refer to 100)	
20	6638GT	WASHER,FLAT,USS,1/4"Y	4



205.1 Drive Chassis, Safety Components

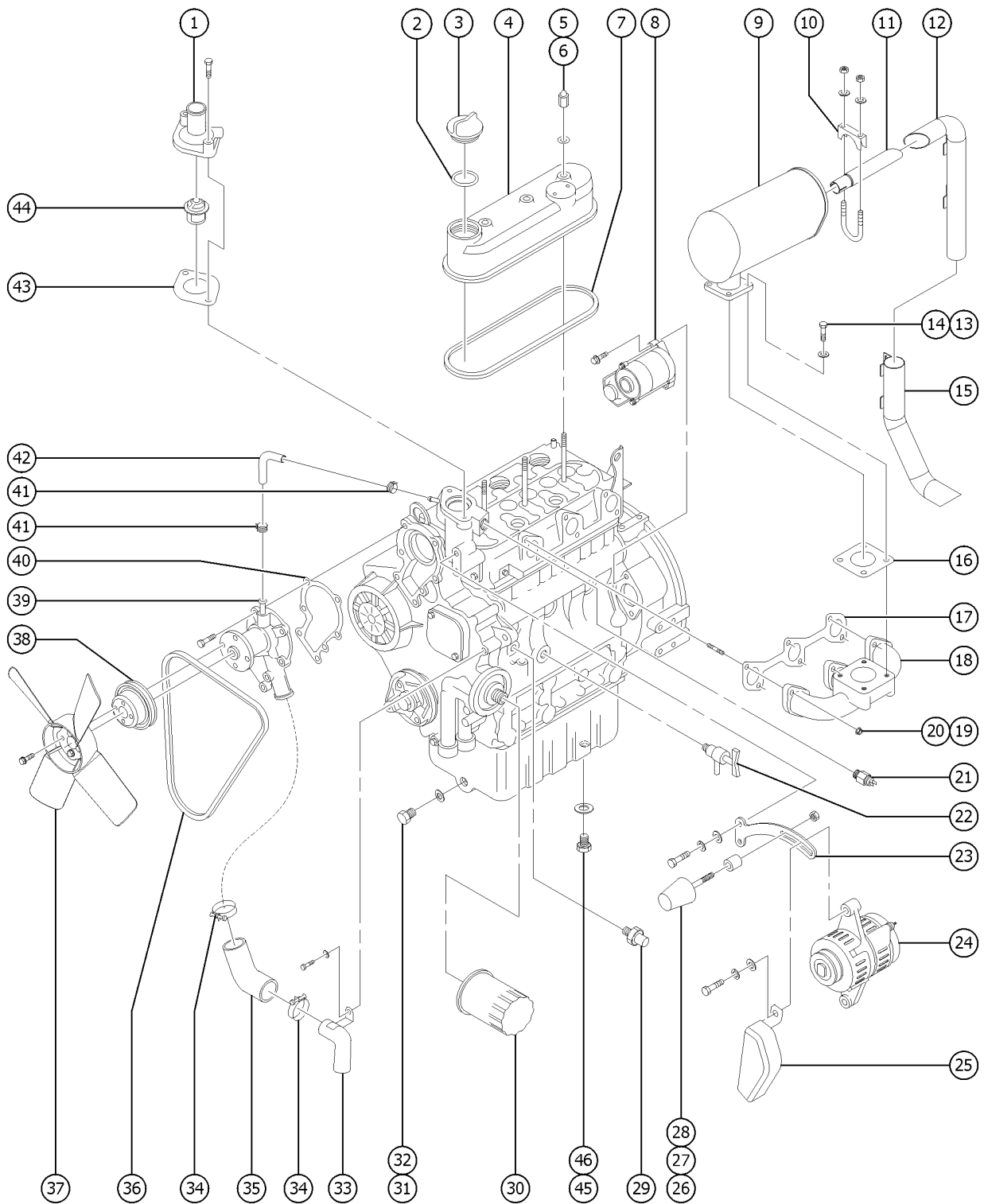


205.1 Drive Chassis, Safety Components

<i>Item</i>	<i>Part No.</i>	<i>Description</i>	<i>Qty.</i>
1	81578GT	HORN,12VDC	1
2	71508GT	SCREW, HHC, 3/8-16X .50 GR5 (YELLOW ZINC)	2
3	7713GT	NUT, LP NYLOCK, 3/8-16	2
4	4828GT	NUT,NYLOCK,3/8-16	2
5	49821GT	SCREW,PHILLIPS,PHM,8-32 X 1.25	2
6	35461GT	WASHER,FLAT,MS,#8,Y	4
7	18605GT	NUT,NYLOCK,8-32	2
8	220237GT	SWITCH,LIMIT,ZCY15 ARM	1
9	1254170GT	PLATE,LIMIT SWITCH,LS	1
10	64154GT	BOLT,CARRIAGE,3/8-16 X1.00,G5	2
11	99346GT	CLIP, METAL MOUNTING	3



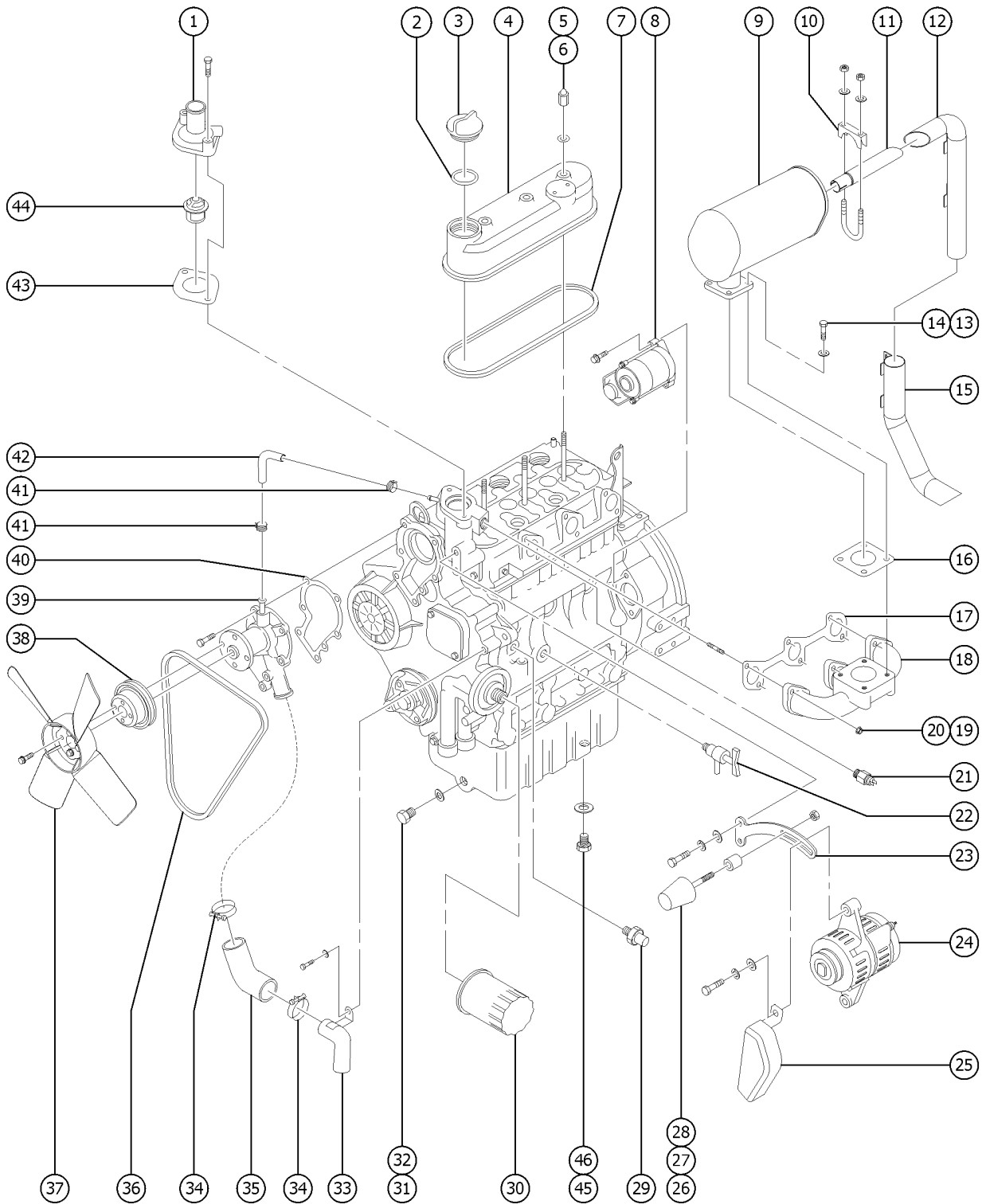
301.1 Kubota D-1105 Engine, View 1



Item	Part No.	Description	Qty.
--		for internal engine components, contact engine dealer	
--	139280GT	OIL PAN	
--	139282GT	INNER OIL FILTER (located inside oil pan)	
--	139273GT	MANIFOLD, INLET	
--	22934GT	SWITCH,OIL,PRESSURE,KUBOTA	
--	52532GT	PLUG,ENGINE OIL DRAIN,D-905***	
--	52533GT	GASKET (52532) OIL DRAIN, D905	
1	139279GT	THERMOSTAT COVER	1
2	22903GT	O-RING,OIL FILLER PLUG,KUBOTA*	1
3	839151GT	KUBOTA OIL FILLER PLUG,V1305	1
4	44191GT	VALVE COVER, D905	1
5	44193GT	NUT,VALVE COVER CAP, D905	3
6	44192GT	GASKET,VALVE COVER CAP, D905	3
7	32189GT	GASKET,VALVE COVER,KUBOTA D905	1
8	65837GT	STARTER,KUBOTA D905 VERS 2***	1
8-	32194GT	SOLENOID,32193 STARTER,D905	
9	131378GT	MUFFLER ASSEMBLY	1
10	62160GT	CLAMP,TAILPIPE, 1 1/2*** Includes mounting fasteners	1
11	131945GT	TAILPIPE,DIESEL,GS69	1
12	148416GT	TAILPIPE,EXTENSION,UNIV.	1
13	25929GT	SCREW,HHC,M8 X 30MM,GRD 8.8	4
14	49408GT	WASHER,LOCK,M8	4
15	228974GT	TAILPIPE,END,UNIV	1
16	832128GT	GASKET,MUFFLER,KUBOTA D905/11	1
17	32191GT	GASKET,EXHAUST MANIFOLD,D905	1
18	32192GT	MANIFOLD,EXHAUST,KUBOTA D905	1
19	101209GT	NUT,EXHAUST MANIFOLD	6
20	101208GT	STUD,EXHAUST MANIFOLD	6



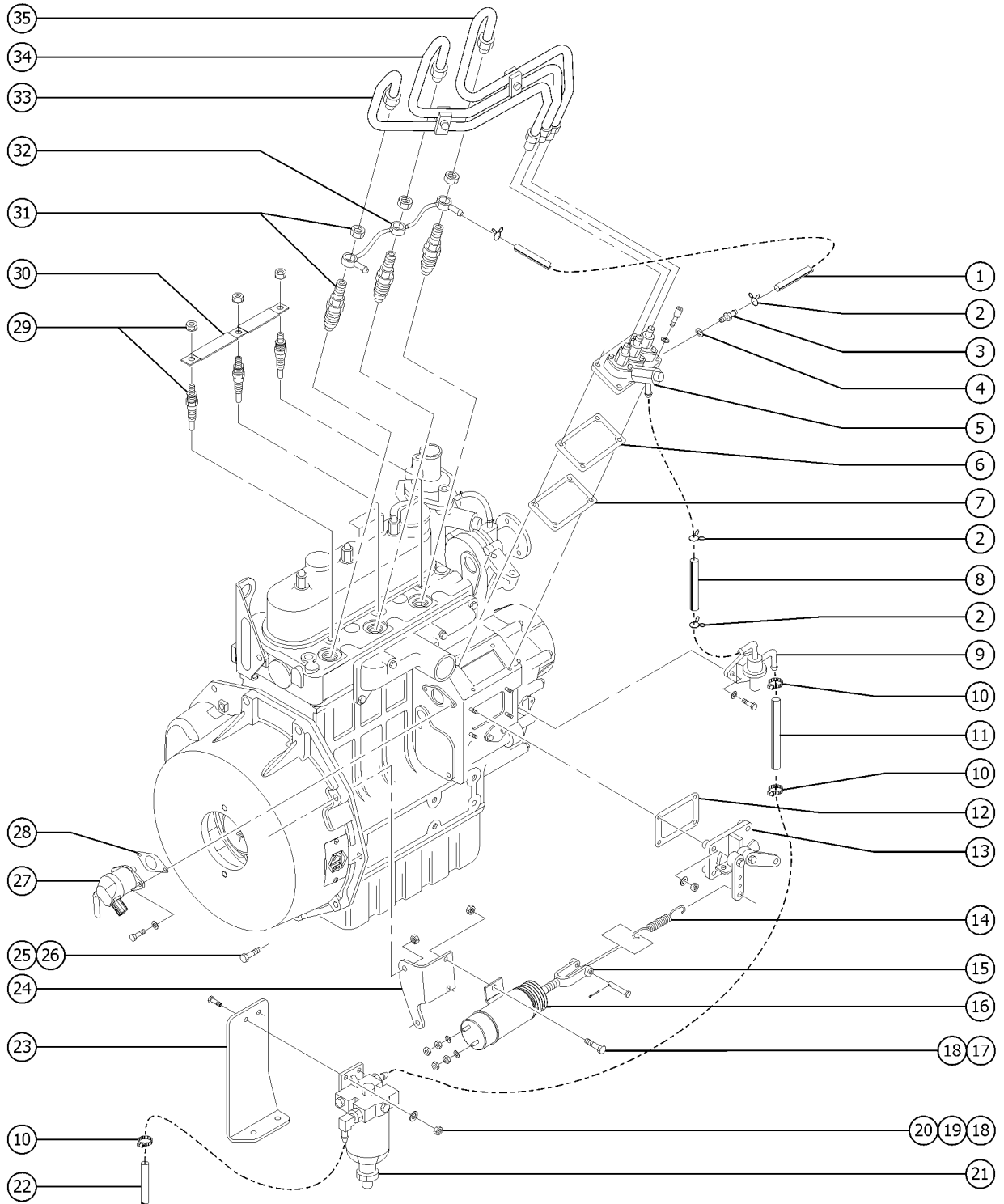
301.1 Kubota D-1105 Engine, View 1



Item	Part No.	Description	Qty.
21	54332GT	SWITCH,WATER TEMP	1
22	32077GT	PETCOCK,DRAIN,KUBOTA WG750B	1
23	231231GT	STAY,ALTERNATOR,D-1105	1
24	101203GT	ALTERNATOR,40 AMP,INT REG	1
25	148099GT	COVER,V-BELT,D1105,KUBOTA	1
26	30973GT	BUMPER,RUBBER-1 X 1.25	1
27	116503GT	BUSHING, 630DX.328ID .375T	1
28	6002GT	NUT,LP NYLOCK,5/16-18	1
29	22934GT	SWITCH,OIL,PRESSURE,KUBOTA	1
30	866050GT	FILTER,OIL,KUBOTA	1
31	234842GT	PLUG, ENGINE OIL, D1105	1
32	234843GT	GASKET (52532) OIL DRAIN, D905	1
33	234844GT	HOSE,LOWER RADIATOR,DF752	1
34	32185GT	CLAMP,HOSE	2
35	116523GT	KUBOTA HOSE,D905, D1105	1
36	839209GT	V-BELT,KUBOTA	1
37	231232GT	RAD. FAN,7-BLADE,D-1105	1
38	52531GT	PULLEY,FAN,KUBOTA, D-905,GS68	1
38-	101200GT	FAN DRIVE PULLEY,KUBOTA	
38A	231929GT	COLLAR, 7 BLADE FAN, D1105	1
39	101201GT	WATER PUMP ASSY,KUBOTA	1
40	32199GT	GASKET,WATER PUMP	1
41	32069GT	CLAMP,HOSE,KUBOTA WG750	2
42	32200GT	HOSE,WATER PUMP RETURN,D905	1
43	28092GT	GASKET,THERMOSTAT-28091	1
44	139278GT	THERMOSTAT	1
45	162455GT	PLUG PLUGENGINEOIL,D1105 BTM	1
46	162456GT	GSKT, PLUENGINEOIL,D1105 BTM	1



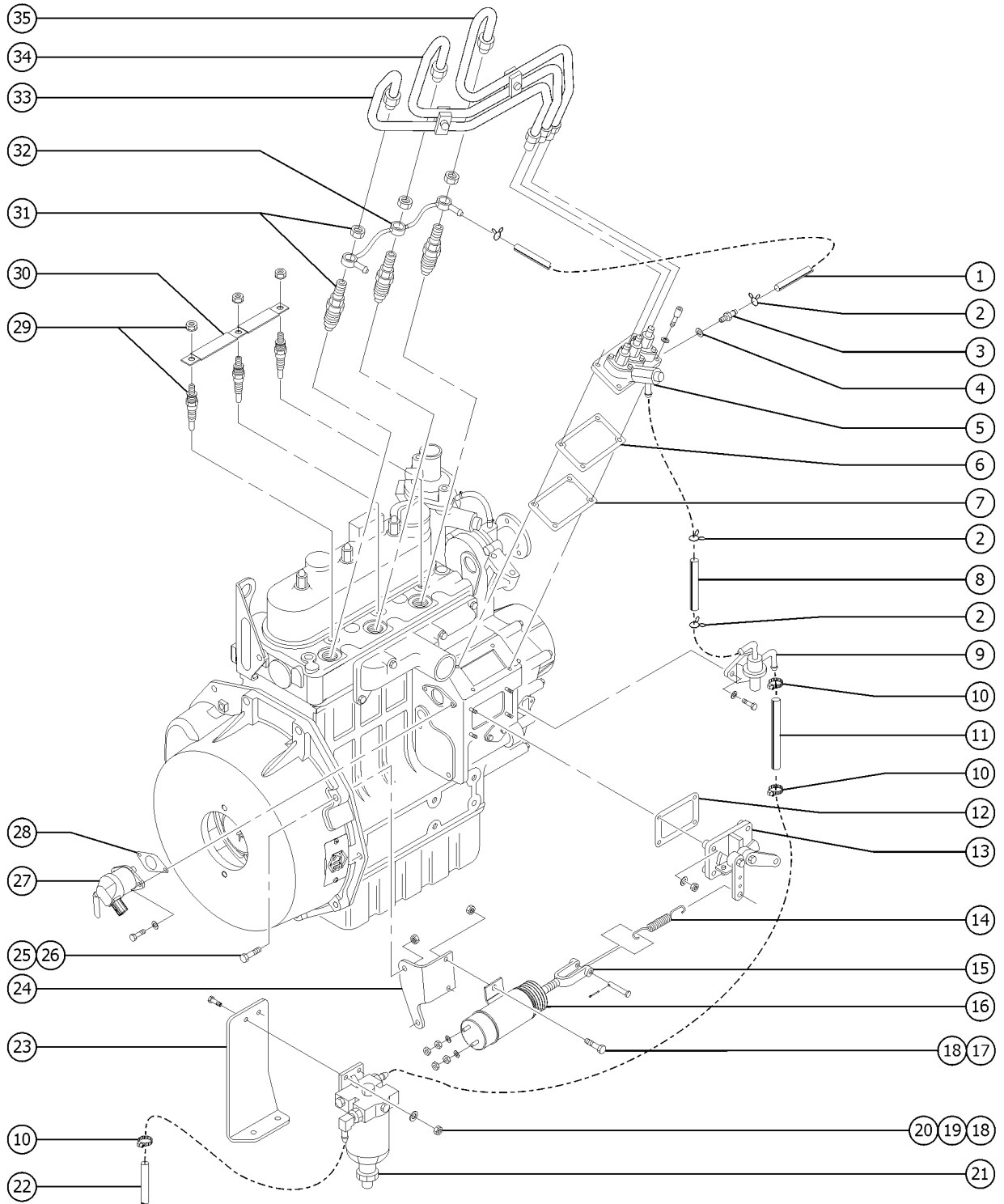
302.1 Kubota D-1105 Engine, View 2



Item	Part No.	Description	Qty.
-		for internal engine components, contact engine dealer	
1	35418GT	HOSE,FUEL,3/16,SAE 30R7 injector pump to injector pipe assy	3
2	52834GT	CLAMP-HOSE, .375, FUEL PUMP	3
3	62119GT	SCREW-AIR BREATHER, D905	
4	44181GT	GASKET,VALVE COVER CAP, WG750	1
5	839149GT	KUBOTA INJECTOR PUMP, D1105	1
6	32103GT	GASKET,INJECTION PUMP	1
7	32182GT	GASKET,INJECTION PUMP	1
8	236007GT	HOSE, FUEL PUMP TO INJ, D1105 lift pump to injector pump	1
9	866070GT	FUEL PUMP, MECHANICAL	1
9-	839233GT	KUBOTA FUEL PUMP GASKET	1
10	87584GT	CLAMP,HOSE,SELF TIGHT, 7/16	5
11	27089GT	HOSE,5/16 FUEL,SAE 30R7 fuel/water separator to lift pump	18
12	44202GT	GASKET,SPEED CONTROL ASSY,D905	1
13	234867GT	SPEED CONTROL ASSY	1
13-	44201GT	SPRING,RETURN,SPEED CONTR,D905	
14	31379GT	SPRING,TENSION-1.25 X.438 DIA	1
15	21130GT	CLEVIS YOKE-1/4-28,PLTD W/PIN	1
16	20780GT	SOLENOID,2 SPEED TROMBETTA***	1
17	6090GT	SCREW,HHC,1/4-20 X .75	
18	6091GT	NUT,NYLOCK,1/4-20	
19	6888GT	SCREW,HHC,1/4-20 X 1	
20	6638GT	WASHER,FLAT,USS,1/4"Y	
21	56949GT	FILTER/SEPARATOR,FUEL DIESEL**	1
21-	65853GT	FILTER,FUEL/WATER SEPARATOR***	
22	27089GT	HOSE,5/16 FUEL,SAE 30R7 fuel tank to fuel/water separator	89
23		Ref. Fuel Filter MNT (refer to 308.1)	1
24	1254113GT	FORMING,SOLENOID MNT,KD	1

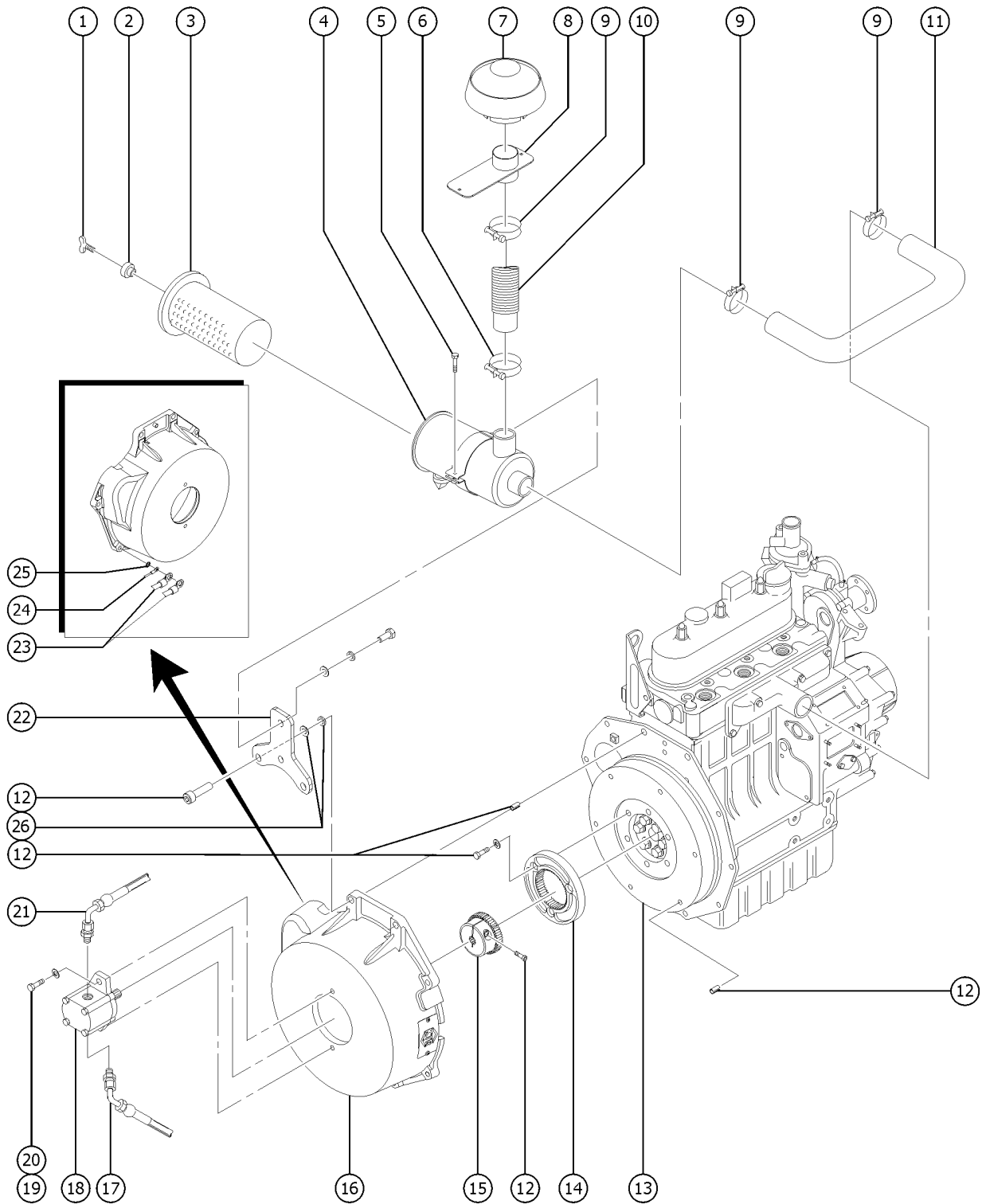


302.1 Kubota D-1105 Engine, View 2



<i>Item</i>	<i>Part No.</i>	<i>Description</i>	<i>Qty.</i>
25	61741GT	SCREW,HHC,5/16-18 X 1.50	
26	6782GT	NUT, NYLOCK, 5/16-18	
27	99199GT	SOLENOID,FUEL SHUTOFF,D905***	1
27B	1305362GT	SOLENOID,FUEL SHUTOFF,D9/1105 Genie aftermarket part, Compatible with 99199	
28	866040GT	KUBOTA GASKET FOR SOLENOID	1
29	839119GT	KUBOTA GLOW PLUG	3
30	62118GT	JUMPER-GLOW PLUG	1
31	865257GT	KUBOTA KIT, NOZZLE	3
32	62117GT	PIPE ASSY-OVERFLOW-D905	1
32A	35418GT	HOSE,FUEL,3/16,SAE 30R7	89
		injector pipe assy to tank	
33	44196GT	PIPE,INJECTOR 1,D905,D1105	1
34	44197GT	PIPE,INJECTOR 2,D905,D1105	1
35	44198GT	PIPE,INJECTOR 3,D905,D1105	1

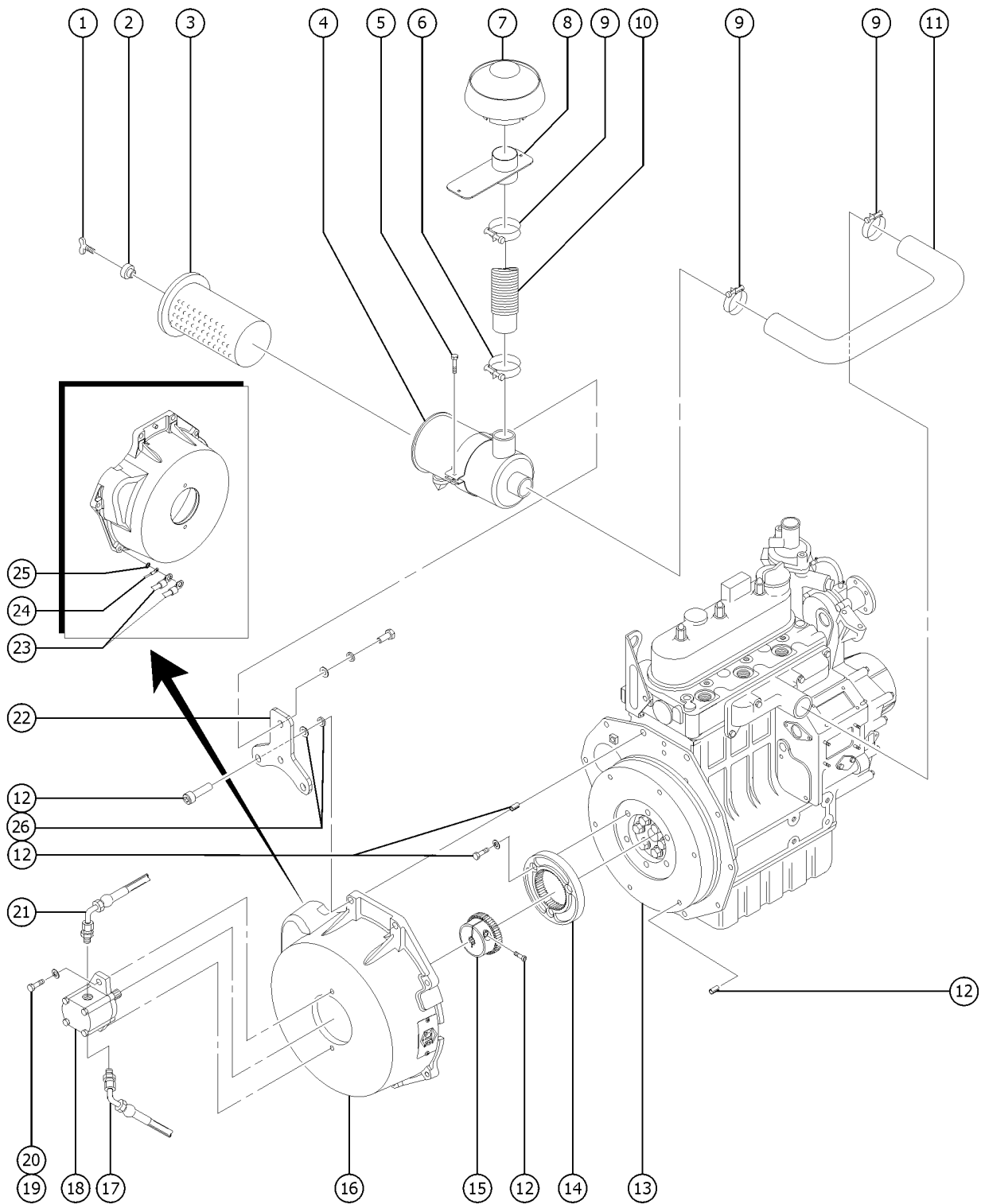
303.1 Kubota D-1105 Engine, View 3



Item	Part No.	Description	Qty.
-		for internal engine components, contact engine dealer	
-	139273GT	MANIFOLD, INLET	
1	44203GT	BOLT,WING,FILTER ELEMENT, D905	1
2	44204GT	WASHER ASSY,FILTER ELEMNT,D905	1
3	236095GT	FILTER,AIR,D1105	1
4	101202GT	AIR CLEANER ASSY includes items 1-5	1
5	62296GT	SCREW,M8 X 35MM	1
5	101204GT	AIR CLEANER STAY	1
6	45435GT	CLAMP,HOSE,2.50"	1
7	52420GT	CAP,RAIN,AIR CLEANER, GS68RT**	1
8	1254107GT	WELDMENT,RAIN CAP MNT, KUB	1
9	22672GT	CLAMP,HOSE,1.75	3
10	131372GT	HOSE,1.75ID,2.50IDX12.0"	1
11	43700GT	PIPE,INLET, D905	1
12		HRDWKIT,BELLHSING,KD-1105,GRDN 162463 (kit no longer available) hardware kit no longer available	1
13	139274GT	COMP. FLYWHEEL	1
13-	99882GT	BOLT,FLYWHEEL,KUBOTA D905	
14	94688GT	ADAPTER, FLANGE GEAR, 3 HOLE	1
15	1268809GT	COUPLER, SPLINED,9 TOOTH, 30MM	1
16	161695GT	KIT,HOUSING,COUPLER,APILOT,GDN	
17	227475GT	HOSE ASSY,SUCT(TANK)-IN(PUMP)	1
18	1270697GT	PUMP, GEAR, 16CC/REV from SN GS6916F-9033	1
18-	1273258GT	SEAL KIT,CASAPPA for pump 1270697	
18B	87918GT	PUMP, GEAR, 16CC*** to SN GS6916F-9032 (no longer available)	
18B-	85197GT	SEAL KIT,BOSCH PUMP*** for pump 87918	
19	6175GT	SCREW,HHC,3/8-16 X 1	2
20	219210GT	WASHER,FLAT,SAE,3/8,Y	2
21	227476GT	HOSE ASSY,OUT(PUMP)-HP FILTER	1

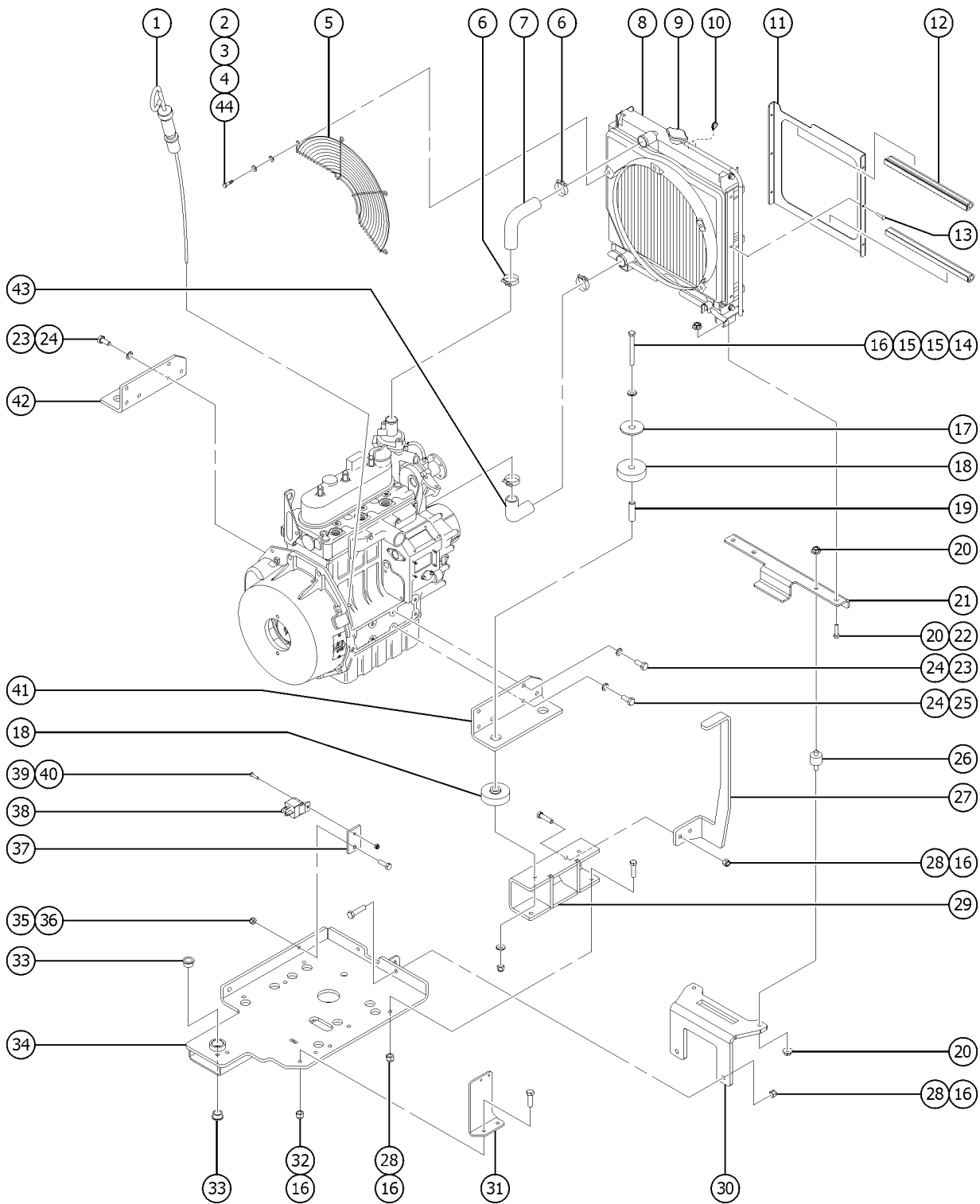


303.1 Kubota D-1105 Engine, View 3



<i>Item</i>	<i>Part No.</i>	<i>Description</i>	<i>Qty.</i>
22	1254425GT	BRKT. AIR CLEANER MOUNT	1
23		Ref. HARNESS,BATTERY	
		(refer to 408.1)	
24		Ref. HARNESS,ENGINE	
		(refer to 408.1)	
25	6700GT	WASHER,STAR,EXTERNAL,,375	
26	6097GT	WASHER,FLAT,USS,3/8",Y	2

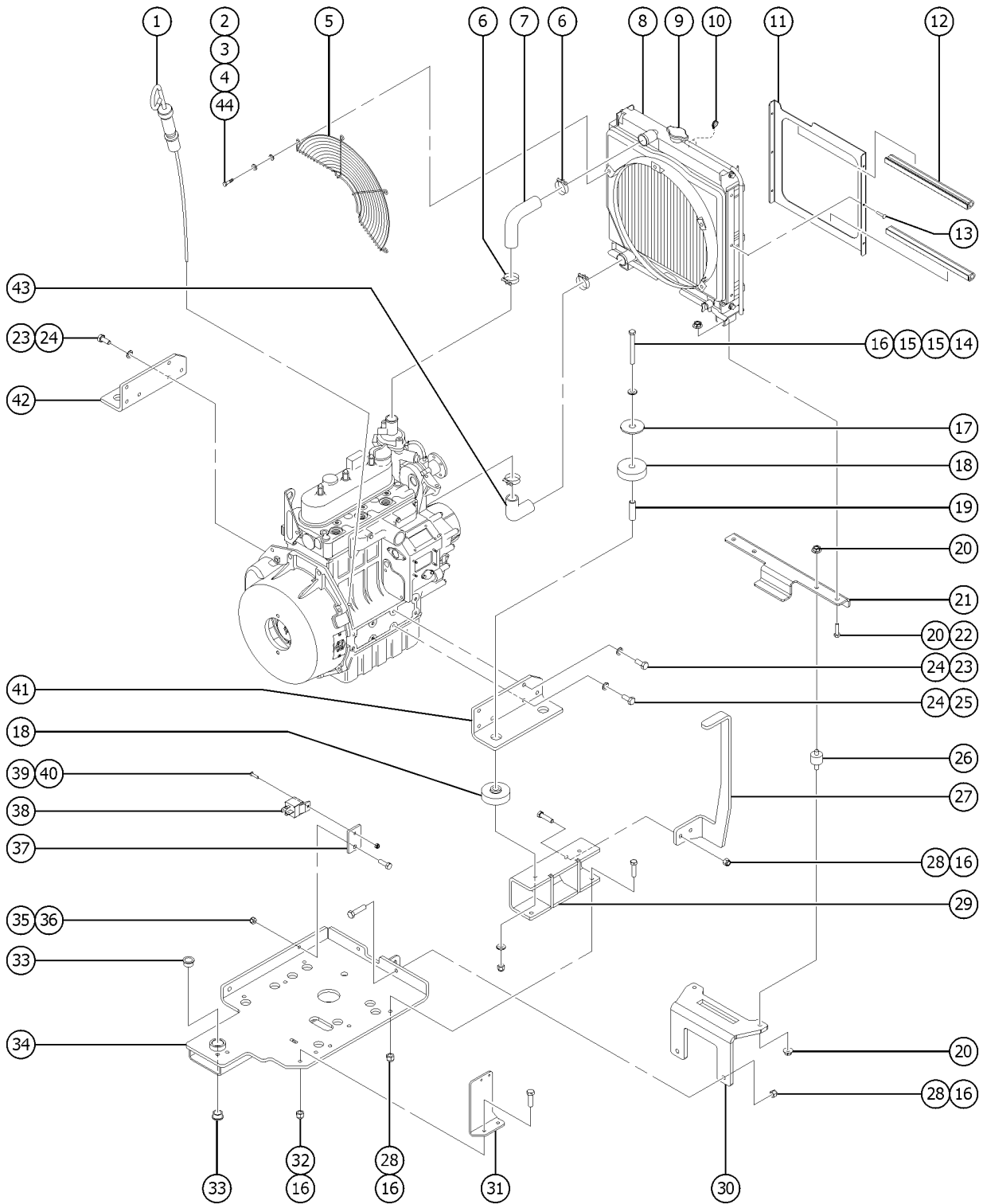
304.1 Kubota D-1105 Engine, View 4



Item	Part No.	Description	Qty.
-		for internal engine components, contact engine dealer	
-	139277GT	COMP. WATER FLANGE	1
1	231226GT	DIPSTICK,D-1105	1
1-	231227GT	DIPSTICK GUIDE,D-1105	
2	234845GT	BOLT, FAN COVER, D1105	
3	234846GT	WASHER, FAN COVER, D1105	
4	234847GT	WASHER, LOCK, FAN COVER, D1105	
5	131373GT	COVER, FAN	1
6	32185GT	CLAMP,HOSE	4
7	32205GT	HOSE,UPPR RADIATOR,KUBOTA D905	1
8	112531GT	RADIATOR ASSY,ALUM.D-905	1
8-	94532GT	BOTTLE,COOLANT RECOVERY,1.4***	
8-	115431GT	CAP ASSY, COOLANT BOTTLE for 94532	
8-	131581GT	HOSE,RAD.OVERFLOW,KD-1105,50"	
9	23061GT	CAP,RADIATOR,13 PSI	1
10	87854GT	HOSE ASSY,OSCILLATE IN	2
10B	44909GT	CLAMP,HOSE,.25	4
11	1254137GT	FORMING, RAD SHROUD KD	1
12	233822GT	SEAL, RUBBER 90D BULB, 15IN	2
13	51738GT	SCREW,RHM,M6 X 12MM	
14	6605GT	SCREW,HHC,3/8-16 X 3.5,GR5	
15	5397GT	WASHER, FLAT, .313	
16	4828GT	NUT,NYLOCK,3/8-16	
17	33418GT	WASHER,FLAT,.625 X 2.25 X3/16	
18	24037GT	SHOCK MOUNT,LARGE**	4
19	139230GT	SPACER, SHOCK MOUNT	
20	18503GT	NUT, LOCKING - LG FLANGE 5/16 - 18	
21	1254424GT	FORMING, RAD SUPPORT, KD	



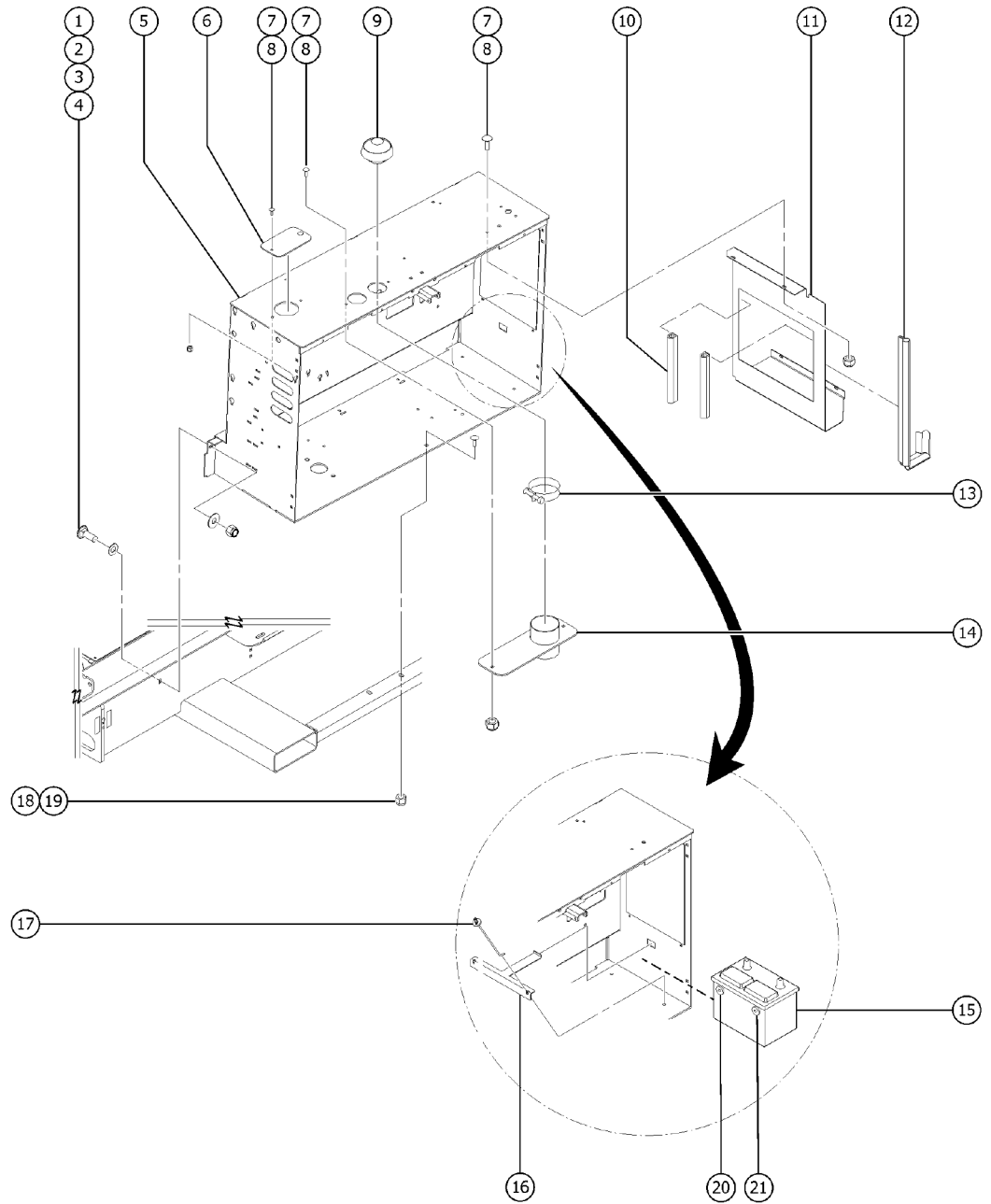
304.1 Kubota D-1105 Engine, View 4



Item	Part No.	Description	Qty.
22	13000GT	SCREW,HHC,5/16-18 X 1.25	
23	22676GT	SCREW,HHC,M10 X 1.25 X 30MM**	
24	22700GT	WASHER,LOCK,M10	
25	228698GT	SCREW,HHC,M10 X 1.25 X 35MM	
26	219437GT	ISOLATOR, VIBRATION	2
27	1254108GT	FORMING, PULL HANDLE, KD	
28	8516GT	SCREW, HCC, 3/8-16 X 1.50	
29	1254109GT	WELDMENT, RISE BRKT, KD	
30	1254110GT	FORMING, RADIATOR MOUNT, KD	
31	1270142GT	FORMING, FUEL FILTER MOUNT, KD	
32	6019GT	SCREW,HHC,3/8-16 X 1.25 GRD 5	
33	131813GT	BEARING,BRZ,FL,1.0IDX1.25OD	2
34		Ref: Engine Swing Tray Weldment (refer to 402.1)	1
35	6782GT	NUT, NYLOCK, 5/16-18	
36	13022GT	SCREW,HHC,5/16-18 X 1 INCH	
37	1254111GT	PLATE,GLWPLUG,RELAY MT,KD	
38	61225GT	RELAY,12VDC,70AMP,SEALED	1
39	6606GT	SCREW,RHM,10-32 X .75	
40	6178GT	NUT,NYLOCK,10-32	
41	1254115GT	FORMING, ENGINE MNT, RT, KD	
42	1254116GT	FORMING, ENGINE MNT, LFT, KD	
43	131427GT	HOSE,RADIATOR,LOWER,D905	1
44	234848GT	NUT, FAN COVER, D1105	



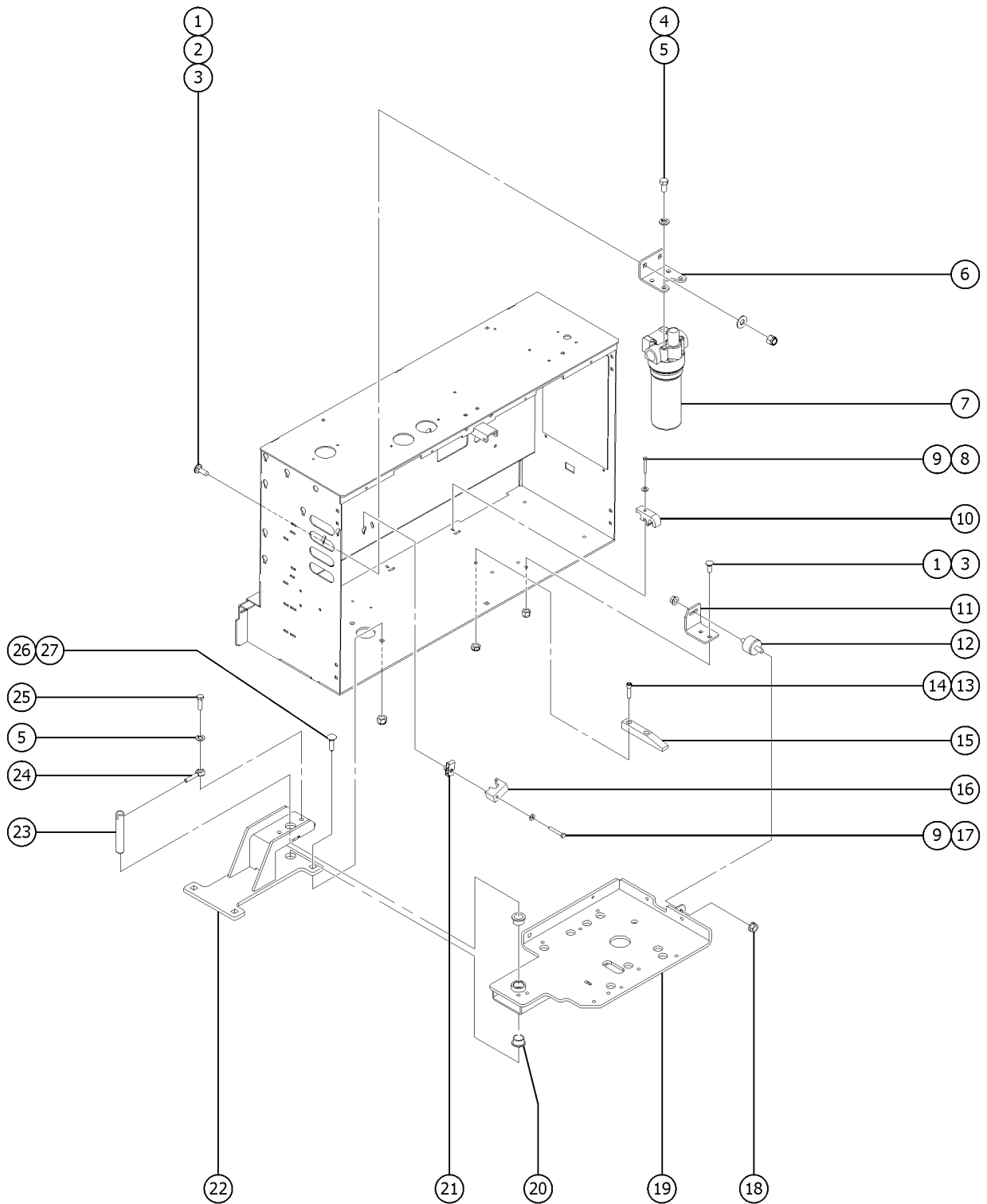
401.1 Engine Tray Components, View 1



Item	Part No.	Description	Qty.
1	64154GT	BOLT,CARRIAGE,3/8-16 X1.00,G5	2
2	87684GT	PUSHRETAINER FOR 3/8"THRD SCREW	2
3	6097GT	WASHER,FLAT,USS,3/8",Y	2
4	4828GT	NUT,NYLOCK,3/8-16	2
5	1253427GT	WELDMENT,BOX,ENGINE	1
6	1269612GT	PLATE, RAIN HAT COVER, GS69	1
7	6878GT	BOLT,CARRIAGE,1/4-20 X .75,G2	6
8	6091GT	NUT,NYLOCK,1/4-20	6
9	52420GT	CAP,RAIN,AIR CLEANER, GS68RT**	1
10	233821GT	SEAL, RUBBER 90D BULB, 14IN	2
11	1254112GT	FORMING,RAD.INTERFACE,KD,PD	1
12	233823GT	SEAL, RUBBER STRT BULB, 21"	1
12B	233824GT	SEAL, RUBBER STRT BULB, 9.5"	1
13	45435GT	CLAMP,HOSE,2.50"	1
14	99097GT	WELDMENT,RAIN CAP MNT, KUBOTA	1
15	36872GT	BATTERY, 12V,900 CCA	1
16	1254421GT	FORMING,BATTERY TIE DOWN	1
17	45708GT	HOOK,BATT HOLD DOWN,10"	2
18	6198GT	NUT,NYLOK,1/2-13	1
19	96203GT	BOLT,CARRIAGE,1/2-13X1.75, G5	1
20	71508GT	SCREW, HHC, 3/8-16X .50 GR5 (YELLOW ZINC) (needed to mount cable 160905GT,160906GT and 161214GT)	2
21	6021GT	WASHER,LOCK,.375 (needed to mount cable 160905GT,160906GT and 161214GT)	2

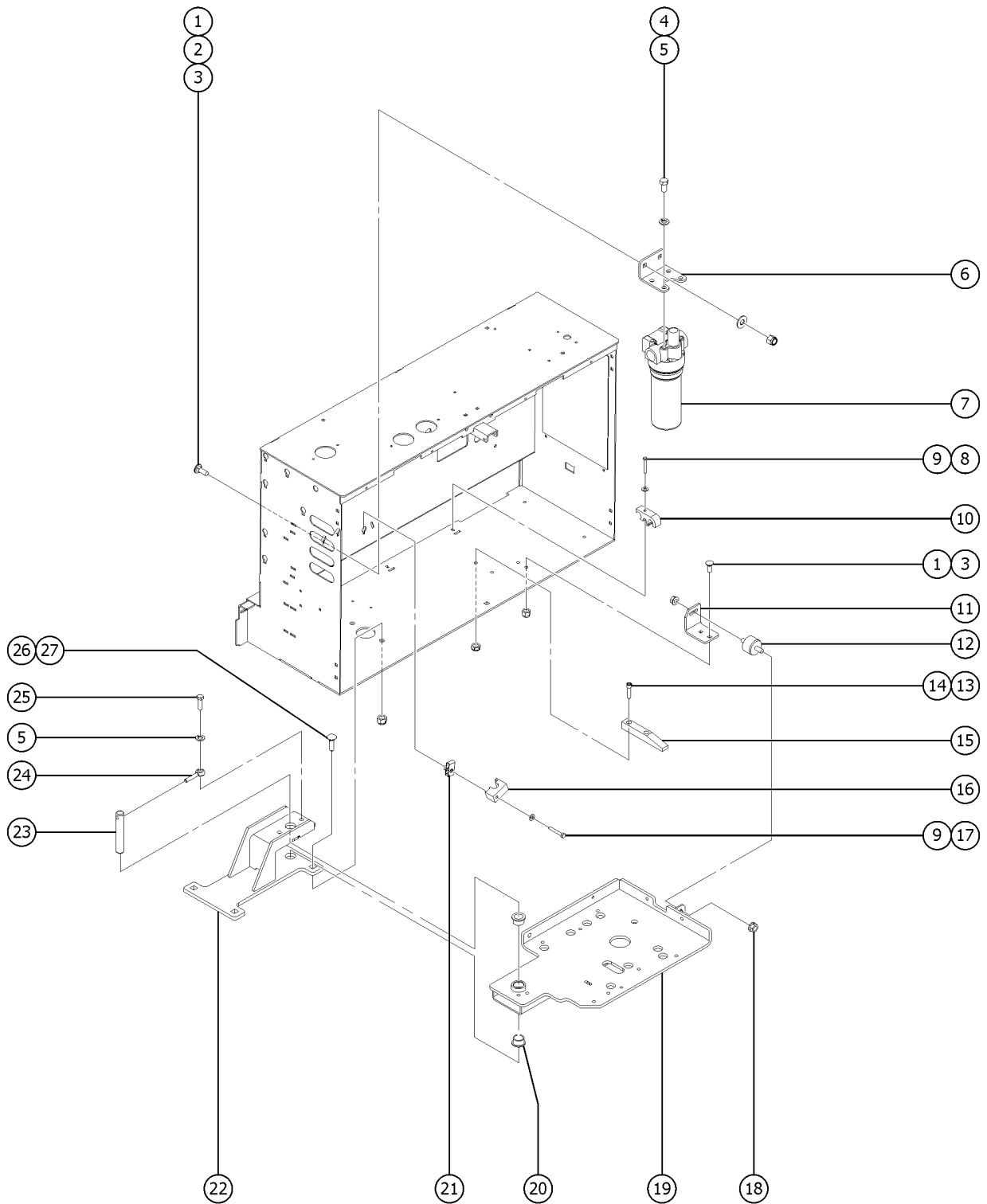


402.1 Engine Tray Components, View 2



Item	Part No.	Description	Qty.
1	64154GT	BOLT,CARRIAGE,3/8-16 X1.00,G5	2
2	5397GT	WASHER, FLAT, .313	2
3	4828GT	NUT,NYLOCK,3/8-16	4
4	8255GT	SCREW,HHC,3/8-16 X .75	4
5	6021GT	WASHER,LOCK,.375	5
6	1254246GT	FORMING,HIGH PRESS FILTER BRKT	1
7	60334GT	FILTER ASSY,HIGH PRESS SAE-12*	1
7-	60857GT	FILTER,ELEMENT,BETA(5)=1000	
7-	1279465GT	BACKUP RING,71.60X67.20X1.40PTFE(60334)	
7-	1279466GT	O-RING,67.95X2.62-NBR-70SH(HF2P)(60334)	
8	4266GT	SCREW,HHC,1/4-20 X 2	2
9	6638GT	WASHER,FLAT,USS,1/4"Y	
10	229771GT	CABLE CLAMP,3 WAY,HDPE	2
11	1254419GT	FORMING ENGINE TRAY STOP	1
12	75260GT	ISOLATOR,FLEX-BOLT SANDWICH***	1
13	29447GT	SCREW,SHC,3/8-16 X 1.5	2
14	7713GT	NUT, LP NYLOCK, 3/8-16	2
15	148008GT	SLIDE BLOCK,ENGINE TRAY	1
16	T112283GT	CLAMP,1X#8 HOSE	2
17	4266GT	SCREW,HHC,1/4-20 X 2	2
18	121422GT	NUT,HEX,FLG,3/8-16	2
19	1264810GT	WELDMENT,ENGINE SWING TRAY,GS69	1
20	131813GT	BEARING,BRZ,FL,1.0IDX1.25OD	2
21	56912GT	SPRING CLIP,1/4-20,.025-.15X.5	2
22	1254420GT	WELDMENT,ENGINE PIVOT MOUNT	1
23	67387GT	PIN,1.00DIA X5.27LG,1HOLE	1
24	1255452GT	ROD END,.375*2.25,ZAG	1
25	6019GT	SCREW,HHC,3/8-16 X 1.25 GRD 5	1

402.1 Engine Tray Components, View 2

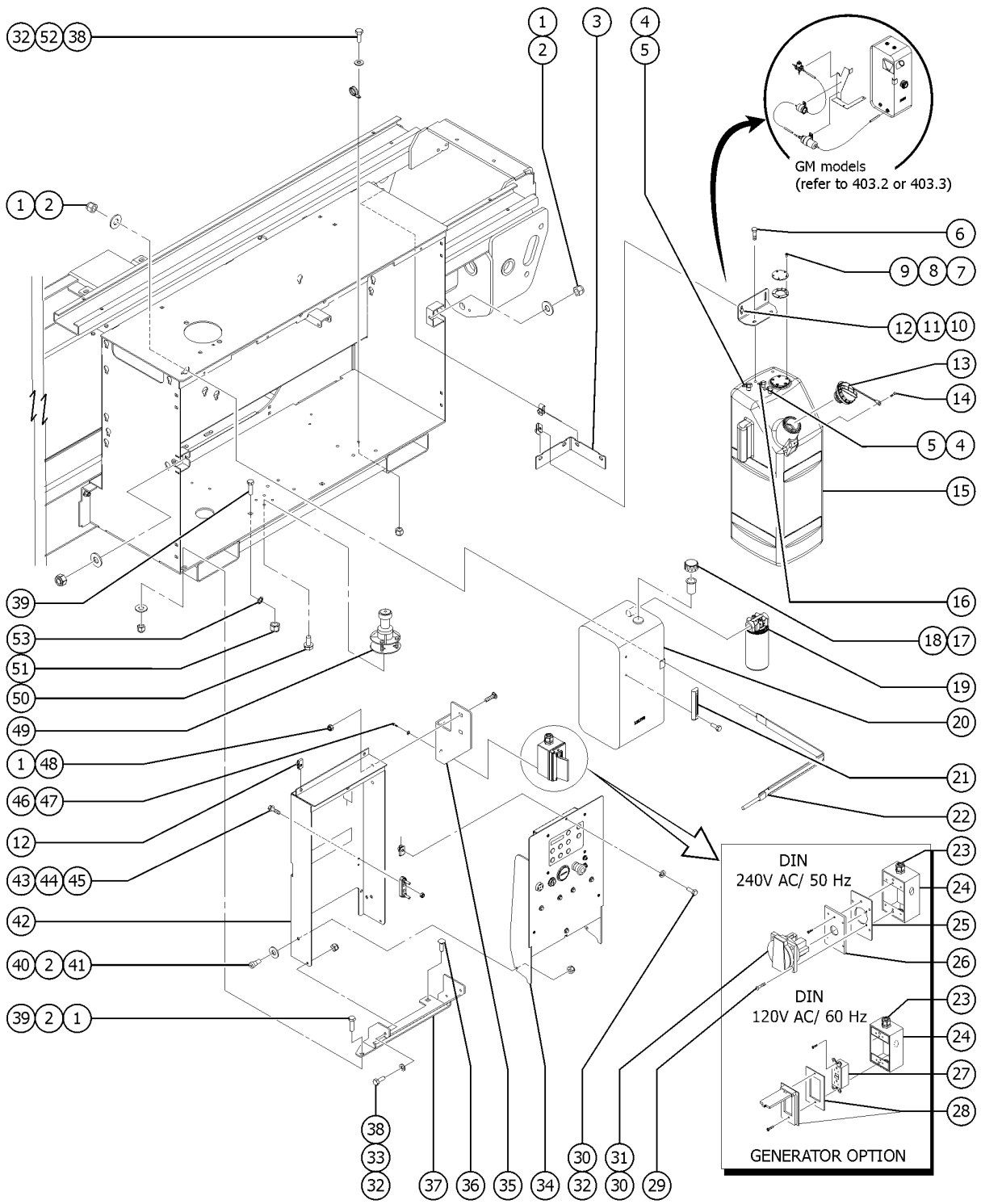


402.1 Engine Tray Components, View 2

<i>Item</i>	<i>Part No.</i>	<i>Description</i>	<i>Qty.</i>
26	96203GT	BOLT,CARRIAGE,1/2-13X1.75, G5	4
27	6198GT	NUT,NYLOK,1/2-13	4



403.1 Hydraulic Tank, Fuel Tank, and Ground Controls Installation

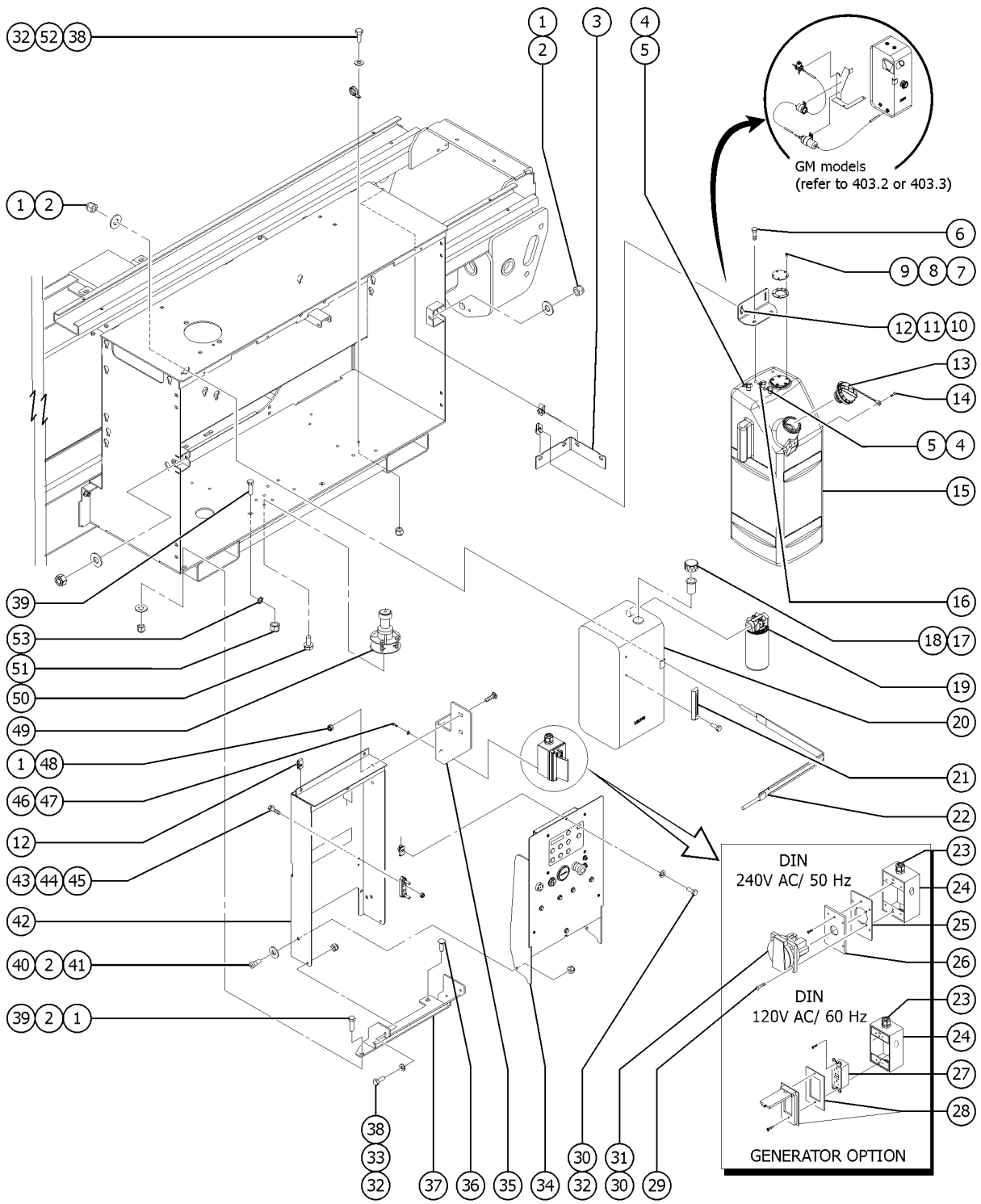


403.1 Hydraulic Tank, Fuel Tank, and Ground Controls Installation

Item	Part No.	Description	Qty.
A	1289561GT	BRACKET, TELEMATICS	
A-	1289521GT	MODULE, TELEMATICS, ZTR, M7, EMEA/APAC	
B	1308916GT	ASSY GCON,GS69IC	
		(Complete)	
1	4828GT	NUT,NYLOCK,3/8-16	5
2	6097GT	WASHER,FLAT,USS,3/8",Y	7
3	1279270GT	FORMING,TANK SUPPORT,BULKHD	1
4	1276927GT	FUEL PICKUP, 3/8 X 1/4 NPT X 25.5	1
5	54437GT	HOSE END,BARB,1/4 MNPTX5/16,ST	1
6	824089GT	SCREW,HHF,3/8-16X.75,8,ZAG	
7	1251757GT	SCREW,PHPM,10-32X.50,ZAG	
8	1271772GT	CAP, TANK, FUEL SENSOR	
9	1271773GT	GASKET, TANK, FUEL SENSOR	
10	1279269GT	FORMING,TANK SUPPORT,TANK	
11	824078GT	SCREW,HHF,1/4-20X.75,8,ZAG	
12	56912GT	SPRING CLIP,1/4-20,.025-.15X.5	
13	1309375GT	CAP,FUEL,DIESEL,CEE 70/221	
14	824077GT	SCREW,HHF,1/4-20X.5,8,ZAG	
15	1309376GT	ASSEMBLY, FUEL TANK, CERT.	
16	1276928GT	VALVE, BRASS, ROLLOVER, 1/4 BARB X 3/8 NPT	
17	131658GT	CAP,HYDRAULIC TANK,GS68/84/90	1
18	31506GT	STRAINER,FILLER NECK	1
19	87070GT	FILTER ASSY,SAE 12 NO INDICAT*	1
19-	1259055GT	FILTER ELEMENT, 10 MICRON	
		(Genie aftermarket part)	
19-	131323GT	FILTER ELEMENT,10 MICRON	
		(Genie genuine part)	
20	131778GT	TANK,HYDRAULIC,18 GALLON***	1
21	215229GT	GAUGE,HYDRAULIC TANK T/L VL	1
22	T106782GT	TANK STRAP,BOLT STYLE,HYD,GS69	1
22-	31658GT	EXTRUSION,RUBBER BUMPER STRIP	20



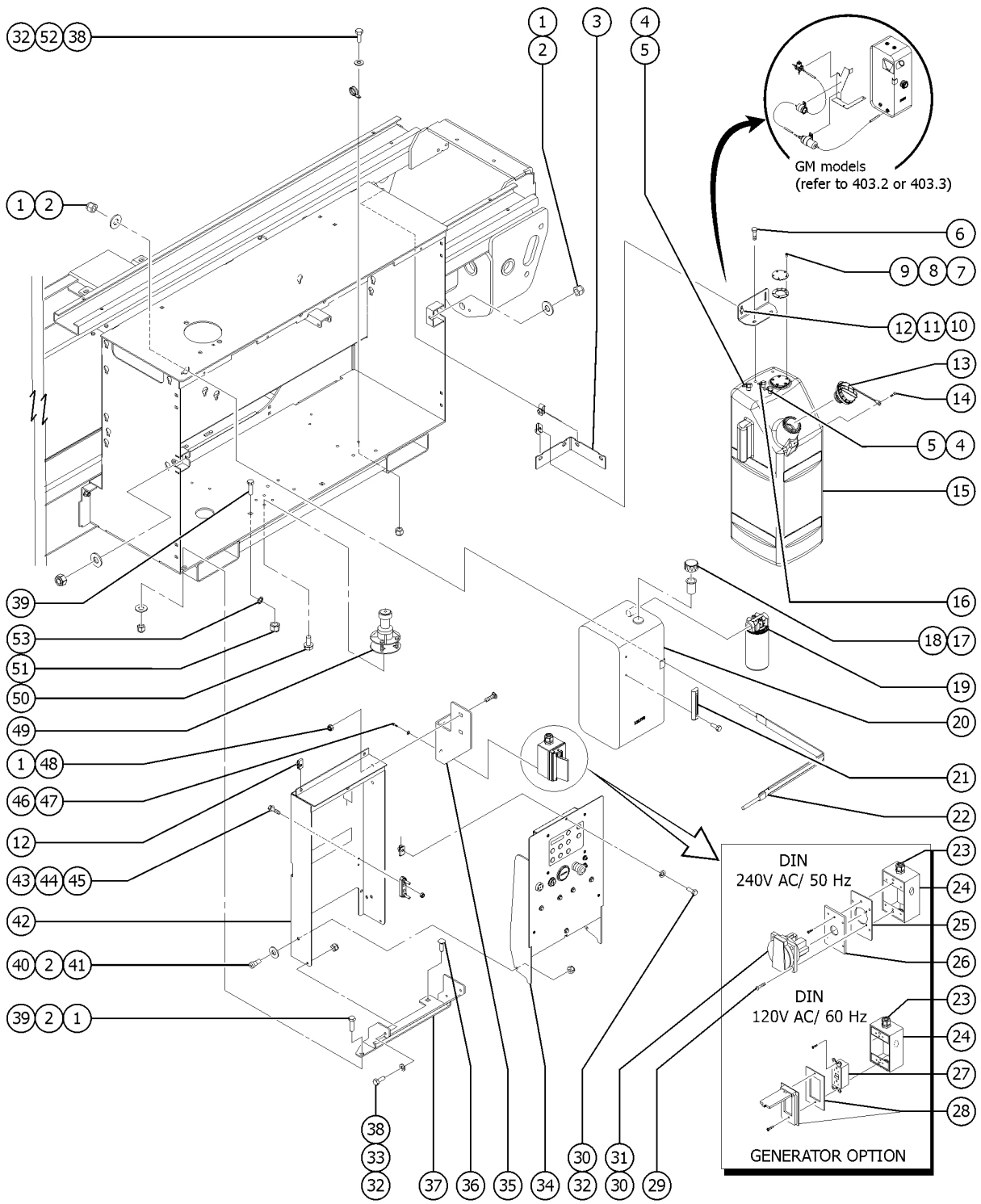
403.1 Hydraulic Tank, Fuel Tank, and Ground Controls Installation



403.1 Hydraulic Tank, Fuel Tank, and Ground Controls Installation

Item	Part No.	Description	Qty.
23	7056GT	CONN,SQUEEZE,1/2NPT .38-.50,SM (generator option)	2
24	10775GT	T-BOX, 2.75 x 4.5 x 2.0 (generator option)	2
25	66355GT	GASKET, UK & DIN PWR. TO PLAT (generator option)	1
26	96236GT	PLATE,AC ADAPTER,DIN/UK*** (generator option)	1
27	13585GT	OUTLET, 110V (generator option)	1
28	74006GT	COVER,GFCI,HORIZONTAL,WEATHER (generator option) (includes gasket and mounting fasteners)	1
29	229740GT	SCREW,PPH,8-32X.50,ZINC,TRS (generator option)	
30	66353GT	RECEPTACLE, DIN, 220V 50A (generator option)	1
31	63375GT	SCREW,FHM,6-32 X .75 (generator option)	
32	6090GT	SCREW,HHC,1/4-20 X .75	5
33	6356GT	WASHER,LOCK,.25	5
34		Ref., GROUND CONTROLS (refer to 405.1)	1
35	1254166GT	FORMING,GENERATOR,GFCI,GS69 (generator option)	1
36	96203GT	BOLT,CARRIAGE,1/2-13X1.75, G5	1
37	1256582GT	WELDMENT,GRND CONT,LWR MT	1
38	6091GT	NUT,NYLOCK,1/4-20	2
39	6019GT	SCREW,HHC,3/8-16 X 1.25 GRD 5	2
40	T115706GT	BOLT,SHLDR,3/8X5/16X5/16-18S/S	2
41	6782GT	NUT, NYLOCK, 5/16-18	2
42	1254440GT	WELDMENT,MOUNT,LCP,GS69	1
43	6873GT	SCREW,FHM,10-32 X 1	
44	66717GT	FUSE BLOCK, ANN & ANL FUSE	
45	6178GT	NUT,NYLOCK,10-32	
46	56912GT	SPRING CLIP,1/4-20,.025-.15X.5	3
47	57075GT	SCREW,PHIL,8-32X.50,SELF TAP (generator option)	
48	64154GT	BOLT,CARRIAGE,3/8-16 X1.00,G5 (generator option)	
49	78674GT	LEVEL SENSOR,LS60,BLUE,2X3** (models without outriggers)	1
49B	71484GT	SENSOR,LEVEL, ANALOG (models with outriggers)	1

403.1 Hydraulic Tank, Fuel Tank, and Ground Controls Installation

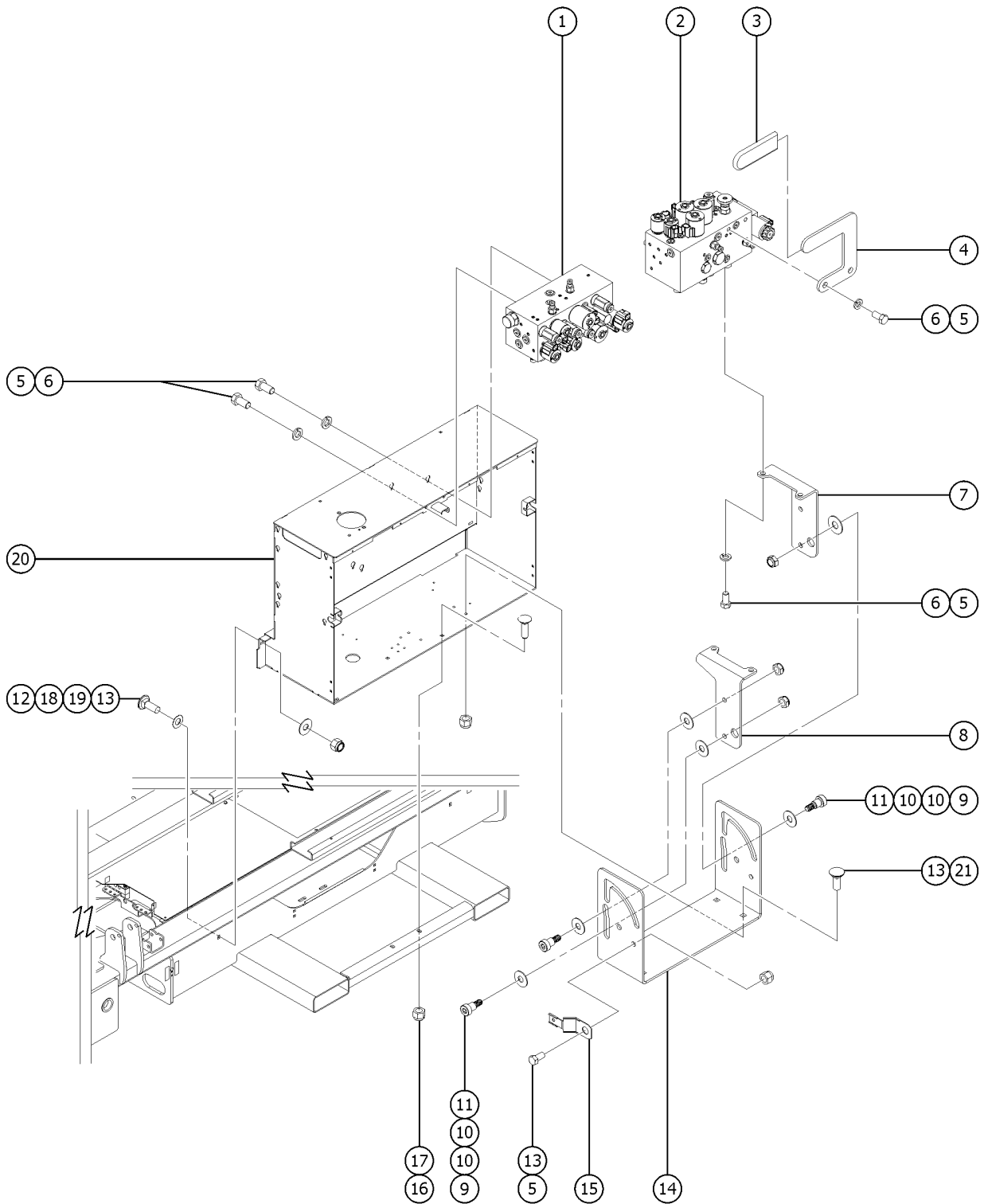


403.1 Hydraulic Tank, Fuel Tank, and Ground Controls Installation

<i>Item</i>	<i>Part No.</i>	<i>Description</i>	<i>Qty.</i>
50	230850GT	SCREW, WASH HEAD, 20-9X5/8	4
51	6198GT	NUT,NYLOK,1/2-13	1
52	6638GT	WASHER,FLAT,USS,1/4"Y	
53	6700GT	WASHER,STAR,EXTERNAL,.375 (Needed to mount grd engine cable 160907GT)	1



404.1 Hydraulic Tray Components

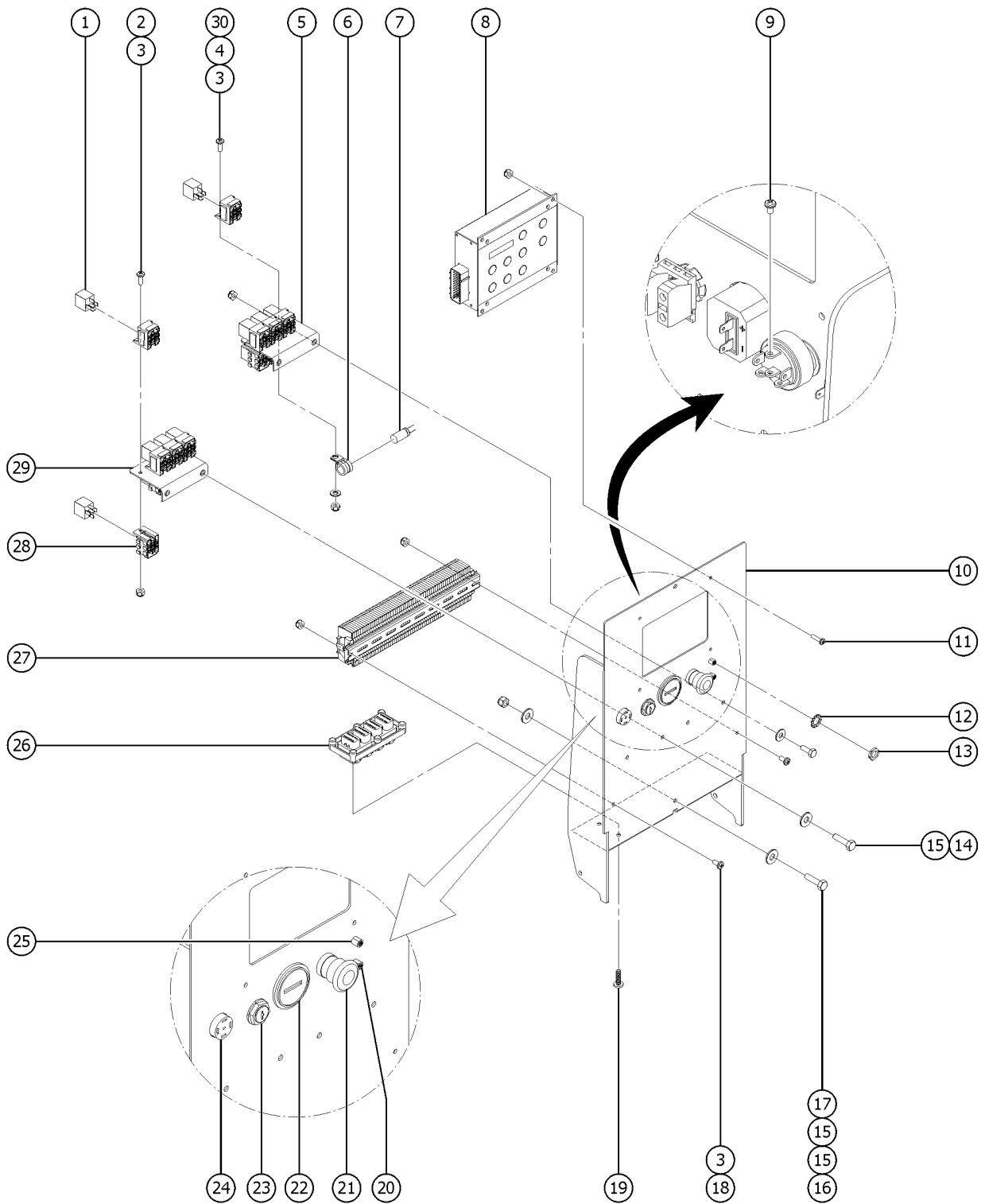


404.1 Hydraulic Tray Components

Item	Part No.	Description	Qty.
1		Ref. Function Manifold (refer to 701.1)	
2		Ref. Traction Manifold (refer to 702.1)	
3	44733GT	HANDLE COVER,PLASTIC	1
4	1254446GT	MANIFOLD HANDLE,GS69	
5	8255GT	SCREW,HHC,3/8-16 X .75	
6	58486GT	WASHER,FLAT,3/8,HARDENED,YZ	2
7	1254444GT	FORMING,TRACT MAN MOUNT,RIGHT	
8	1254445GT	FORMING,TRACT MAN MOUNT,LEFT	
9	11335GT	SCREW,SHS,3/8-16 X .5	
10	87075GT	WASHER,NYLON .50 X 1.25 X .063	
11	7713GT	NUT, LP NYLOCK, 3/8-16	
12	64154GT	BOLT,CARRIAGE,3/8-16 X1.00,G5	
13	4828GT	NUT,NYLOCK,3/8-16	
14	1254443GT	FORMING,TRACTION MANIFOLD BASE	
15	99346GT	CLIP, METAL MOUNTING	
16	6198GT	NUT,NYLOK,1/2-13	
17	96203GT	BOLT,CARRIAGE,1/2-13X1.75, G5	
18	87684GT	PUSHRETAINER FOR 3/8"THRD SCREW	
19	6097GT	WASHER,FLAT,USS,3/8",Y	
20	1307074GT	WELDMENT,BOX,HYD	1
21	1256756GT	BOLT,CARRIAGE,3/8-16X1.5,5,ZAG	4



405.1 Ground Controls

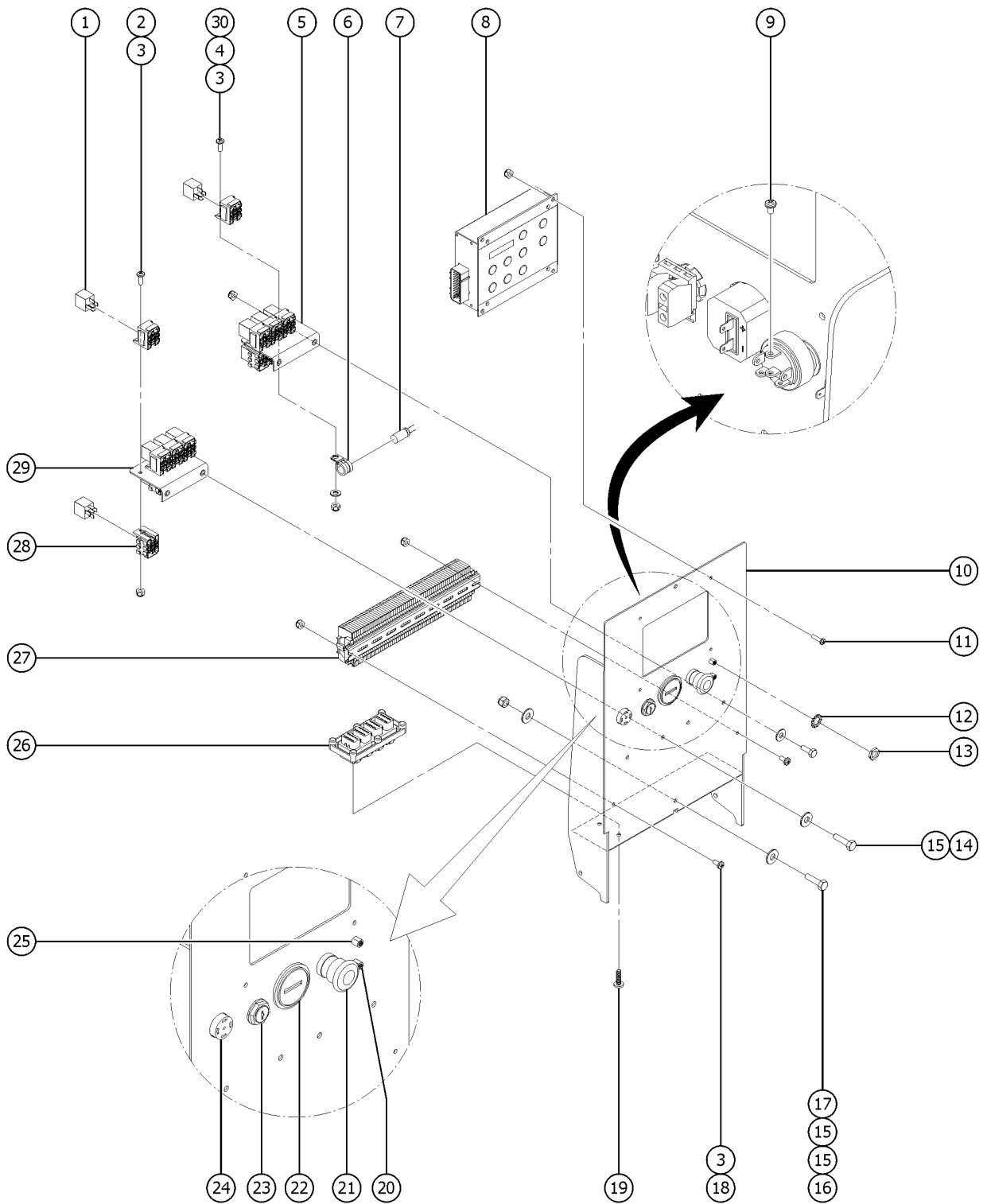


405.1 Ground Controls

Item	Part No.	Description	Qty.
-		ASSY,LCP,GS69 (must supply serial number to order this part) (includes control panel and harness, the LCP weldment will be black)	1
-	13083GT	DIODE, 3 AMP	4
-	229291GT	RESISTOR, 620 OHM 1/4 WATT	1
-	67504GT	FUSE HOLDER,ATC 3-30 AMPS	1
-	229435GT	RESISTOR, 1000 OHM 1/4 WATT	2
-	69864GT	FUSE,5 AMP,ATC	1
-	232845GT	KIT,BEACON RESISTOR,GS69	1
1	34052GT	RELAY,SPDT,12V(AUTO) PLUG IN**	16
2	49819GT	SCREW,PHILLIPS,PHM,10-32 X .5	7
3	6178GT	NUT,NYLOCK,10-32	10
4	6146GT	WASHER,FLAT,MS,#10,Y	1
5	54534GT	ANGLE,RELAY MNT,W/NUTSERTS,PNT	2
6	45454GT	CLAMP,RUB CUSH,0.75,#12 X 3/8*	1
6-	49816GT	SCREW,PHILLIPS,PHM,10-32 X .75	1
7	99089GT	CAPACITOR,4700MFD 25V	1
7B	1255881GT	CAPACITOR,1000UF,25V	1
8	231084GT	ECU,GS69 IC, GEN 2	1
9	96010GT	SCREW,PHILLIPS,PHM,8-32 X.25**	5
10	1254441GT	WELDMENT,LCP,GS69 (decals not included, refer to section 100)	1
11	49816GT	SCREW,PHILLIPS,PHM,10-32 X .75	4
12	6700GT	WASHER,STAR,EXTERNAL,,.375	2
13	122994GT	NICKEL PLATED JAM NUT	2
14	6090GT	SCREW,HHC,1/4-20 X .75	4
15	6638GT	WASHER,FLAT,USS,1/4"Y	6
16	6888GT	SCREW,HHC,1/4-20 X 1	1
17	6091GT	NUT,NYLOCK,1/4-20	1
18	49818GT	SCREW,PHILLIPS,PHM,10-32 X .38	2
19	73803GT	SCREW,SHM,PHP, #12 X .75	8



405.1 Ground Controls

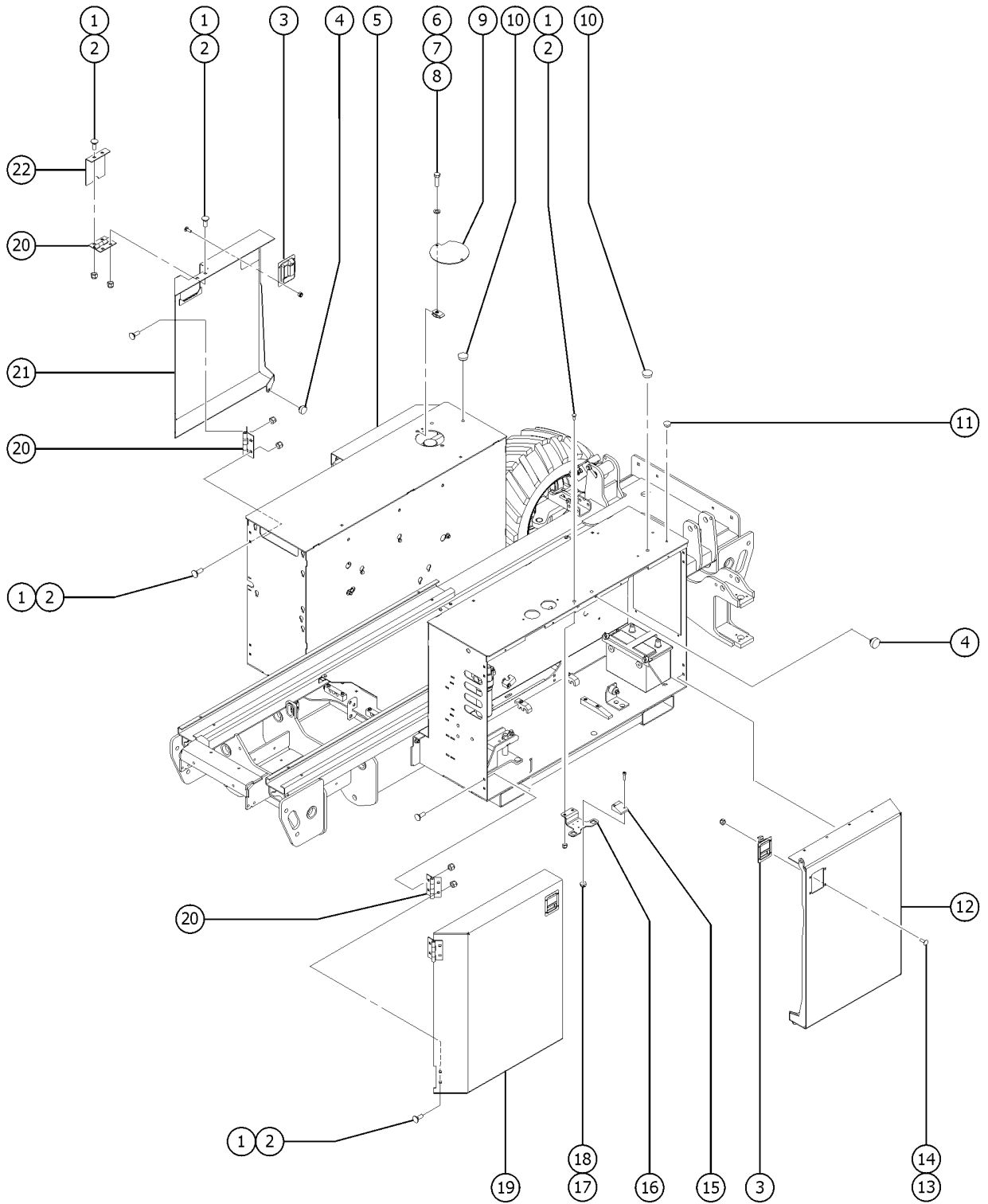


405.1 Ground Controls

Item	Part No.	Description	Qty.
20	147090GT	CIRCUIT BREAKER, 15A	1
21	66812GT	E-STOP BUTTON	1
21-	66817GT	BASE WITH 1 NC CONTACT, E-STOP	
21-	66818GT	CONTACT,NC	
22A	19506GT	HOUR METER, 10-80 VOLTS***	1
22B	1272569GT	PLATE, SPACER, HOUR METER	
23	96008-SGT	KEYSWITCH,3 POS. W/KEYS***	1
23-	37947GT	KEYS,10 PACK***	
23-	83093GT	KEY SINGLE***	
23-	83131GT	KEYSWITCH,3 POS W/KEYS,LOCKING	
23-	96009GT	WASHER,NITRILE	
23-	88827GT	GASKET,KEYSWITCH,PLASTIC***	
24	39540GT	ALARM, STEADY TONE***	1
25	147091GT	CIRCUIT BREAKER, 20A	1
26	73736GT	CONN,RECEP 48 WAY,4 X 12	2
27	T108147GT	TERMINAL RAIL,GS69	1
28	34053GT	ASSY,RELAY SOCKET, AUTO	13
29	T106699GT	BRACKET,RELAY MOUNT W/INSERTS	1
		bracket only; relay sold separately	
30	49816GT	SCREW,PHILLIPS,PHM,10-32 X .75	2



406.1 Chassis Cover Installation

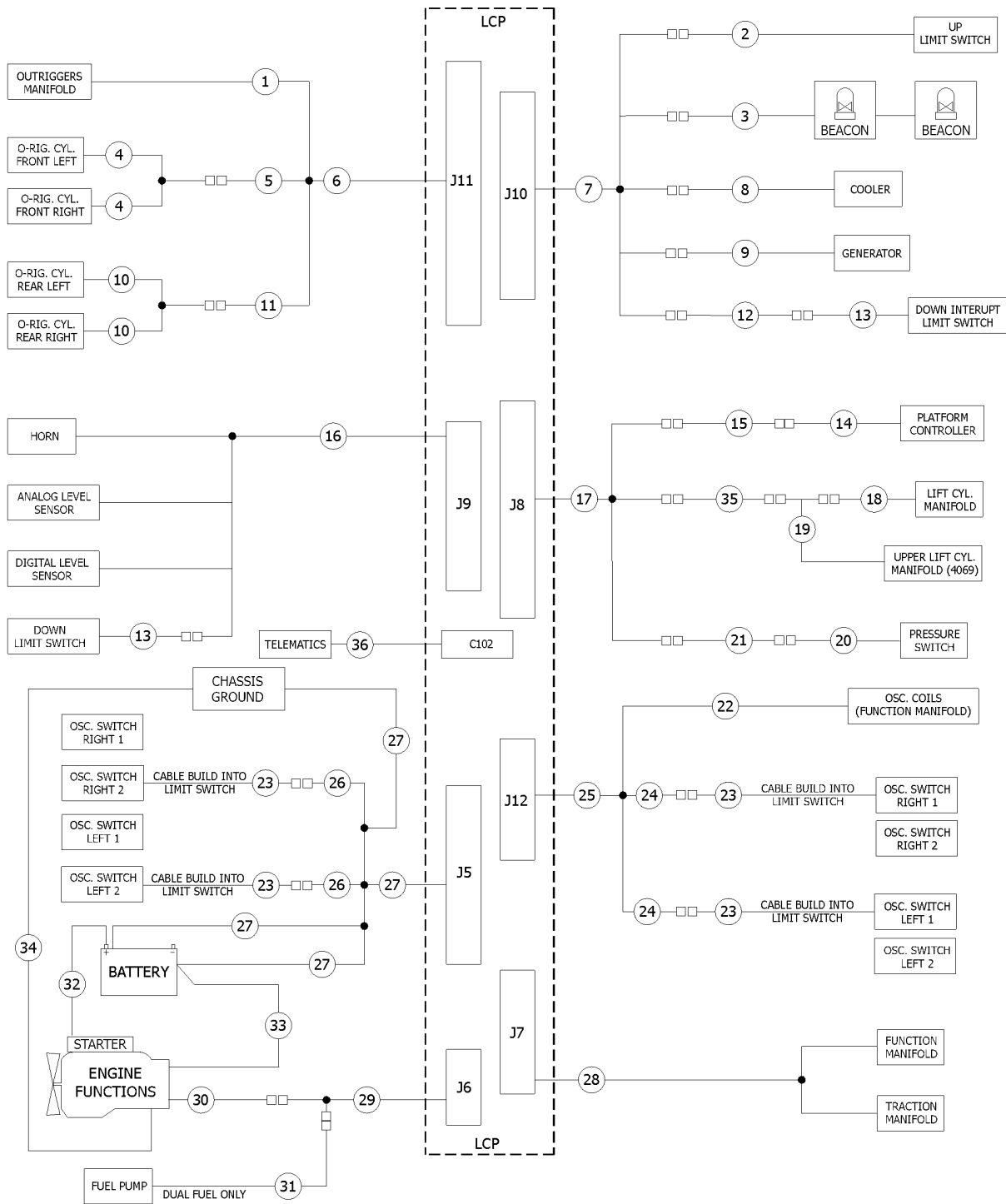


406.1 Chassis Cover Installation

Item	Part No.	Description	Qty.
1	64154GT	BOLT,CARRIAGE,3/8-16 X1.00,G5	
2	4828GT	NUT,NYLOCK,3/8-16	
3	55675GT	LATCH, LRG PADDLE HANDLE GS90	
4	43392GT	BUMPER,BATTERY BOX & RAILS	8
5	1253424GT	WELDMENT,BOX DOOR,LT,WINDOW (decals not included, refer to section 100)	1
6	6019GT	SCREW,HHC,3/8-16 X 1.25 GRD 5	
7	6021GT	WASHER,LOCK,.375	
8	29868GT	SPRING CLIP,3/8-16,.05-.20X.73,ZAG	
9	1254428GT	PLATE,HYD TANK FILLER COVER	1
10	45384GT	PLUG,NYLON .50 BLACK DOMED	2
11	81329GT	PLUG,ALARM BEACON HOLE	4
12	1253422GT	WELDMENT,BOX DOOR,RT (decals not included, refer to section 100)	1
13	6878GT	BOLT,CARRIAGE,1/4-20 X .75,G2	
14	6091GT	NUT,NYLOCK,1/4-20	
15	1253479GT	SLIDE BLOCK,DOOR WEDGE,HDPE 1 of 2 shown	2
16	1253349GT	FORMING, LATCH CATCH 1 of 2 shown	2
17	14392GT	NUT,LP NYLOCK,10-32	
18	219112GT	SCREW,SHC,10-32 X .75	
19	1253423GT	WELDMENT,BOX DOOR,LT (decals not included, refer to section 100)	1
20	55517GT	HINGE, GSRT90 BOX	9
21	1253425GT	WELDMENT,BOX DOOR,RT,FUEL (decals not included, refer to section 100)	1
22	1254427GT	FORMING,GAS DOOR	1



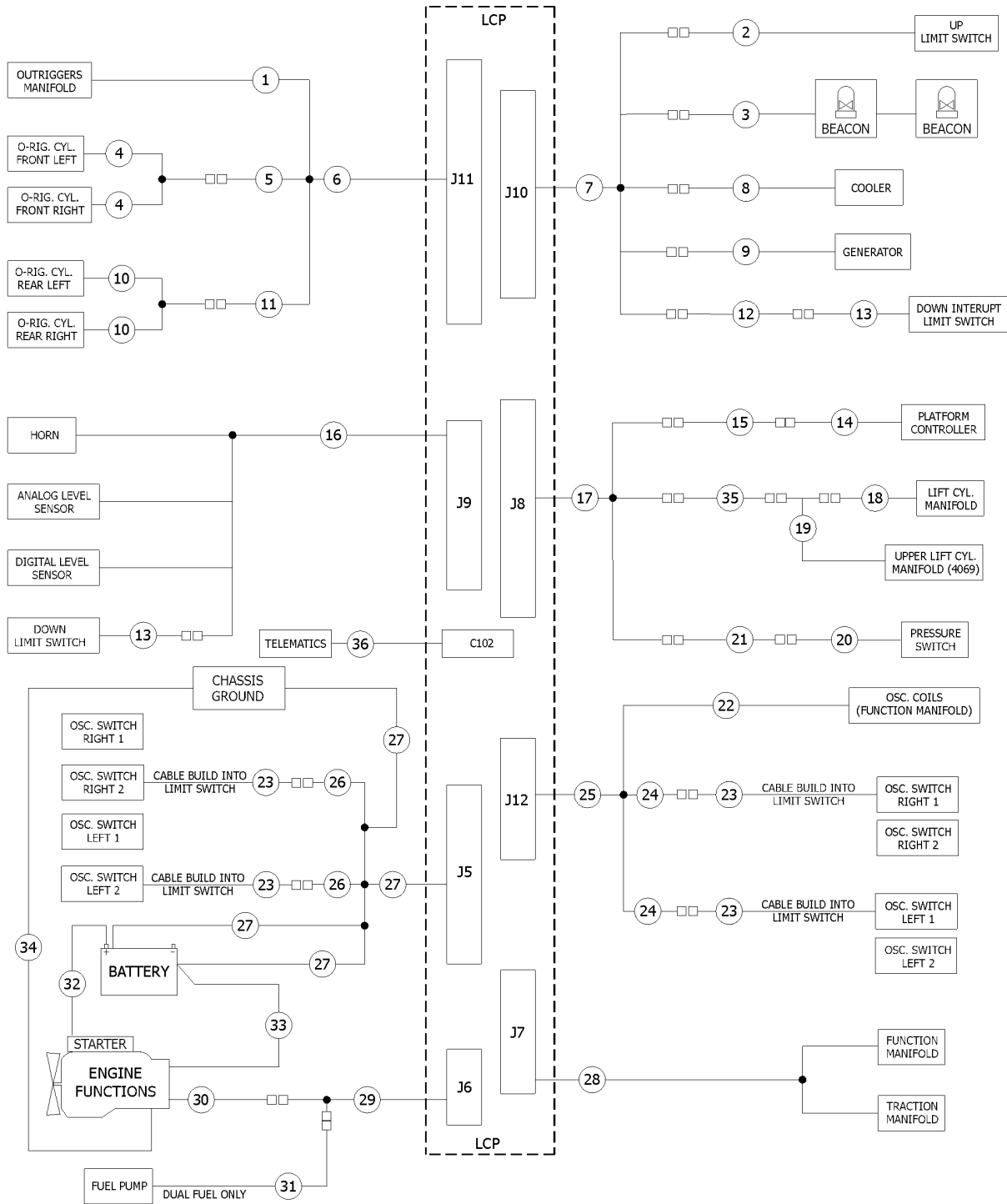
407.1 Electrical Wiring and Power Cables, GS-2669



Item	Part No.	Description	Qty.
A	1264822GT	KIT, TRC RETROFIT, STNDRD Telematics (includes 1264834)	
A-	1264834GT	INSTRN, TRC RETROFIT, STNDRD	
B	1292674GT	TELEMATIC LEADS, GS69RT	1
1	148068GT	HARNESS,O/R MNFLD,GS69	1
2	160566GT	HARNESS, UP LIMIT SWITCH	1
3	1267806GT	HARNESS, LED BEACON, GS69	
4	148090GT	HARNESS,OUTRIGGERS,FRNT,GS69	1
5	148069GT	CABLE,OUTRIGGER,FRNT,GS69	1
6	161213GT	HARNESS, OR HARNESS, J11	1
		(includes items 1, 5, and 11)	
7	T109743GT	HARNESS,OPTIONS,J10,GS69	1
8	148080GT	HARNESS,OIL COOLER,GS69	1
9	148081GT	HARNESS,GENERATOR,GS69	1
10	148091GT	HARNESS,OUTRIGGERS,REAR,GS69	1
11	148070GT	CABLE,OUTRIGGER,REAR,GS69	1
12	T109750GT	CABLE,DWN INT LIMIT SWITCH	1
13	1267113GT	LIMIT SWITCH, DOWN, ASSY, GS69	1
14	148084GT	CABLE,CONTROL,BASE,GS4069	1
		GS-4069 (669 inches, base to platform)	
15	148079GT	CABLE,CONTROL JUMPER,GS69	1
16	1267270GT	HARNESS, J9, GS69IC	2
17	1266174GT	HARNESS, LINKS, GS69IC	
18	1259447GT	CABLE,PROP. DOWN COIL 26/3369	
19	1259448GT	CABLE,PROP. DOWN COIL 4069	
20	104571GT	HARNESS,PRESS.SWITCH	1
21	T109749GT	CABLE,PRESSURE SWITCH	1
22	148088GT	HARNESS,OSC.MNFLD,GS69	1
23	148414GT	HARNESS,OSC SWITCH REAR	1
24	148210GT	ASSY,LIMITSWITCH,OSC.AXLE,GS69	1
25	T109747GT	HARNESS,OSCILLATE,J12,GS69	1



407.1 Electrical Wiring and Power Cables, GS-2669

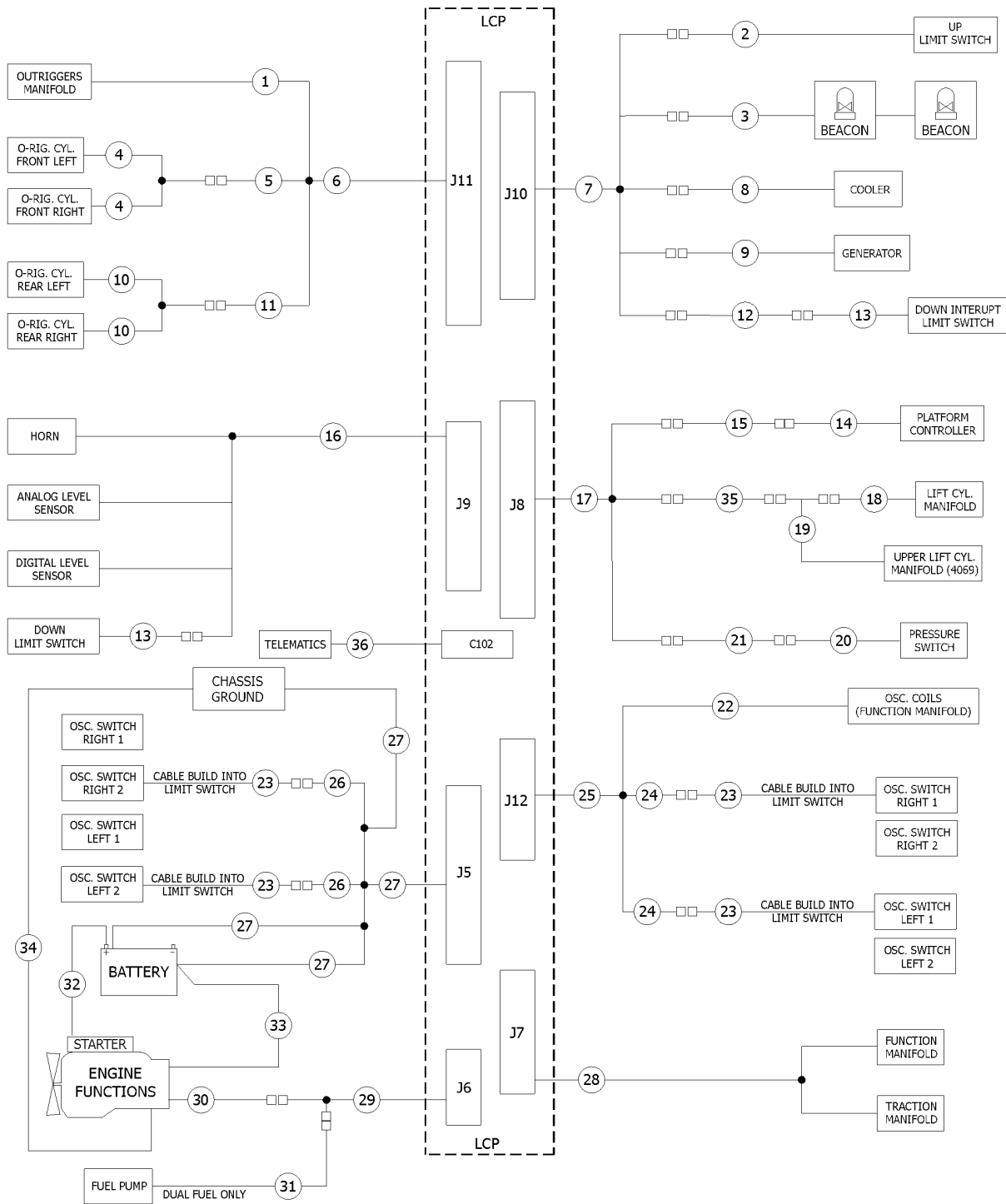


407.1 Electrical Wiring and Power Cables, GS-2669

<i>Item</i>	<i>Part No.</i>	<i>Description</i>	<i>Qty.</i>
26	148077GT	HARNESS,OSC LIMIT SWITCH 2	2
27	161214GT	HARNESS, BATTERY, J5	1
28	148089GT	CABLE,FUNCTION MANIFOLD,GS69	1
29	148093GT	HARNESS,ENGINE,IC	1
30	148072GT	HARNESS,ENGINE,DIESEL	1
		(Kubota D1105 Engine)	
31	160905GT	CABLE ASSY, B+ TO STRT, GS69IC	1
		(Kubota Engine)	
32	160906GT	CABLE ASSY, ENG TO B-, GS69IC	1
33	160907GT	CABLE ASSY, ENG. TO GRD, GS69IC	1
34	1294153GT	HARNESS, HERC TELEMATICS, GS69,90,84	1
34-	1291595GT	HARNESS, JUMPER, TELEMATICS	1
35	1256130GT	TELEMATICS LEADS, GS69RT	1
35-	67504GT	FUSE HOLDER,ATC 3-30 AMPS	
35-	69864GT	FUSE,5 AMP,ATC	



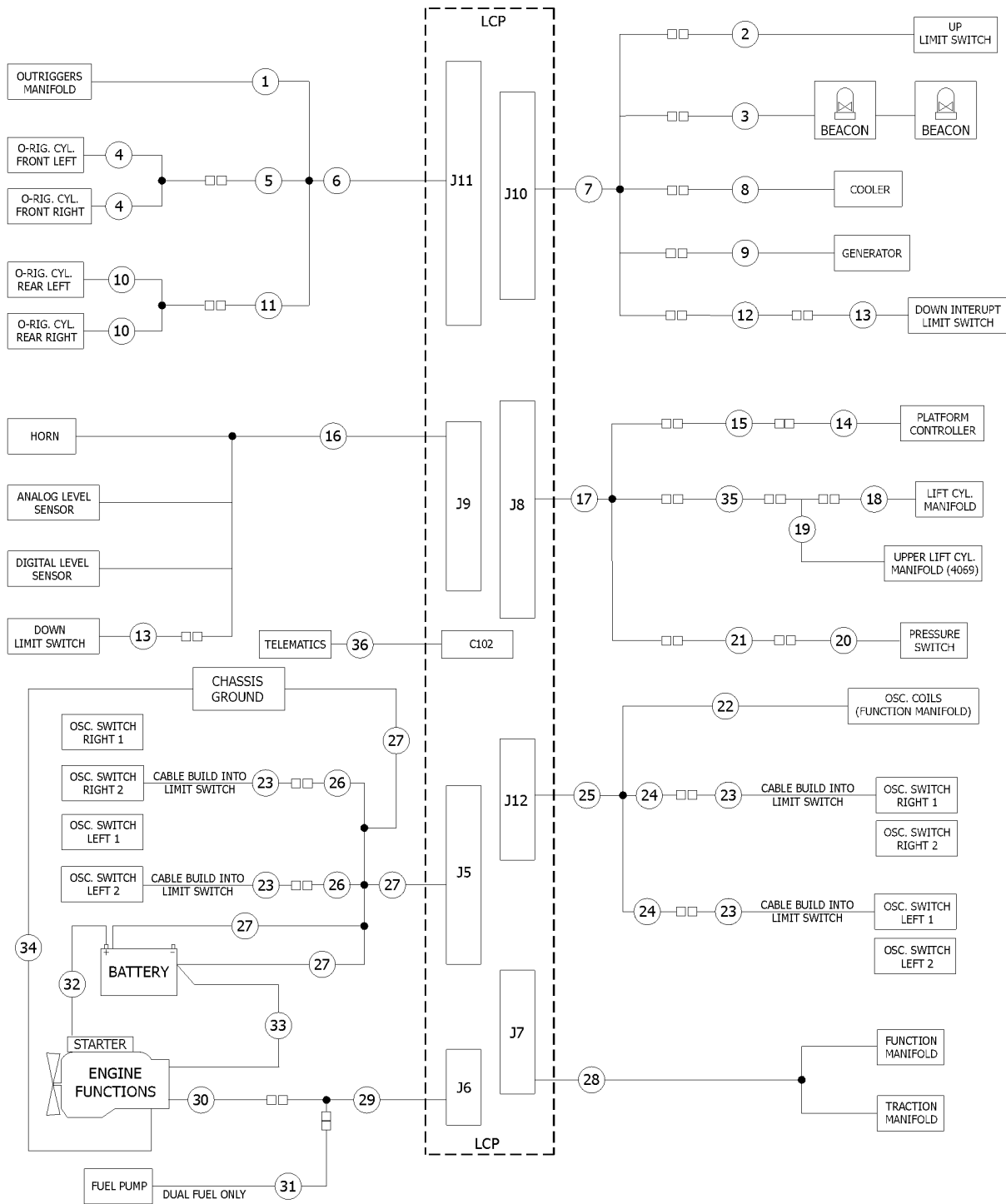
407.2 Electrical Wiring and Power Cables, GS-3369



Item	Part No.	Description	Qty.
A	1264822GT	KIT, TRC RETROFIT, STNDRD Telematics (includes 1264834)	
A-	1264834GT	INSTRN, TRC RETROFIT, STNDRD	
B	1292674GT	TELEMATIC LEADS, GS69RT	1
1	148068GT	HARNESS,O/R MNFLD,GS69	1
2	160566GT	HARNESS, UP LIMIT SWITCH	1
3	1267806GT	HARNESS, LED BEACON, GS69	
4	148090GT	HARNESS,OUTRIGGERS,FRNT,GS69	1
5	148069GT	CABLE,OUTRIGGER,FRNT,GS69	1
6	161213GT	HARNESS, OR HARNESS, J11 (includes items 1, 5, and 11)	1
7	T109743GT	HARNESS,OPTIONS,J10,GS69	1
8	148080GT	HARNESS,OIL COOLER,GS69	1
9	148081GT	HARNESS,GENERATOR,GS69	1
10	148091GT	HARNESS,OUTRIGGERS,REAR,GS69	1
11	148070GT	CABLE,OUTRIGGER,REAR,GS69	1
12	T109750GT	CABLE,DWN INT LIMIT SWITCH	1
13	1267113GT	LIMIT SWITCH, DOWN, ASSY, GS69	1
14	148083GT	CABLE,CONTROL,BASE,GS3369 GS-3369 (542 inches, base to platform)	1
15	148079GT	CABLE,CONTROL JUMPER,GS69	1
16	1267270GT	HARNESS, J9, GS69IC	2
17	1266174GT	HARNESS, LINKS, GS69IC	
18	1259447GT	CABLE,PROP. DOWN COIL 26/3369	
19	1259448GT	CABLE,PROP. DOWN COIL 4069	
20	104571GT	HARNESS,PRESS.SWITCH	1
21	T109749GT	CABLE,PRESSURE SWITCH	1
22	148088GT	HARNESS,OSC.MNFLD,GS69	1
23	148414GT	HARNESS,OSC SWITCH REAR	1
24	148210GT	ASSY,LIMITSWITCH,OSC.AXLE,GS69	1
25	T109747GT	HARNESS,OSCILLATE,J12,GS69	1



407.2 Electrical Wiring and Power Cables, GS-3369

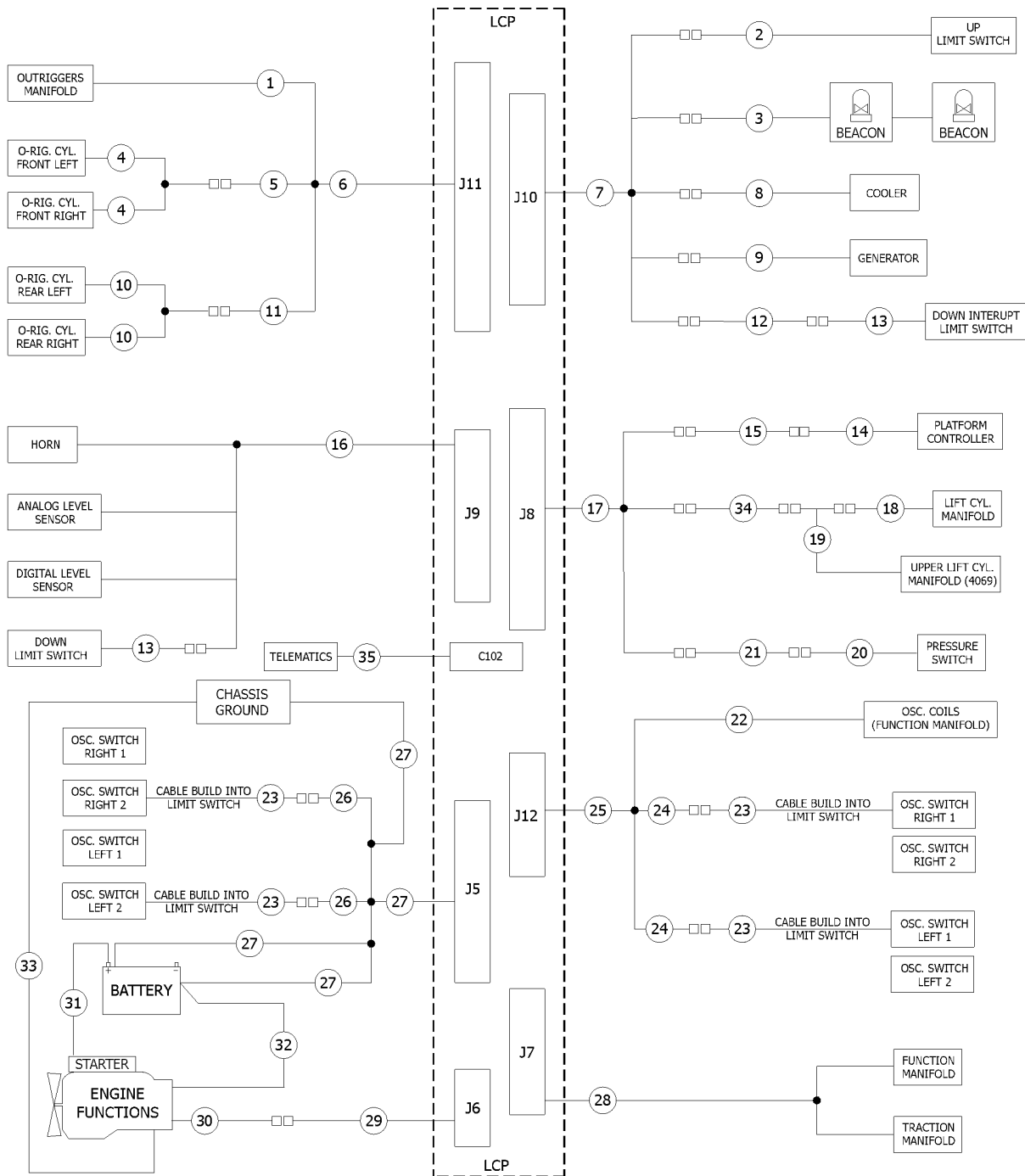


407.2 Electrical Wiring and Power Cables, GS-3369

<i>Item</i>	<i>Part No.</i>	<i>Description</i>	<i>Qty.</i>
26	148077GT	HARNESS,OSC LIMIT SWITCH 2	2
27	161214GT	HARNESS, BATTERY, J5	1
28	148089GT	CABLE,FUNCTION MANIFOLD,GS69	1
29	148093GT	HARNESS,ENGINE,IC	1
30	148072GT	HARNESS,ENGINE,DIESEL	1
		(Kubota D1105 Engine)	
31	148078GT	HARNESS,FUEL PUMP,DUAL FUEL	1
32	160905GT	CABLE ASSY, B+ TO STRT, GS69IC	1
33	160906GT	CABLE ASSY, ENG TO B-, GS69IC	1
34	160907GT	CABLE ASSY, ENG. TO GRD, GS69IC	1
35	1294153GT	HARNESS, HERC TELEMATICS, GS69,90,84	1
35-	1291595GT	HARNESS, JUMPER, TELEMATICS	
36	1256130GT	TELEMATICS LEADS, GS69RT	1
36-	67504GT	FUSE HOLDER,ATC 3-30 AMPS	
36-	69864GT	FUSE,5 AMP,ATC	

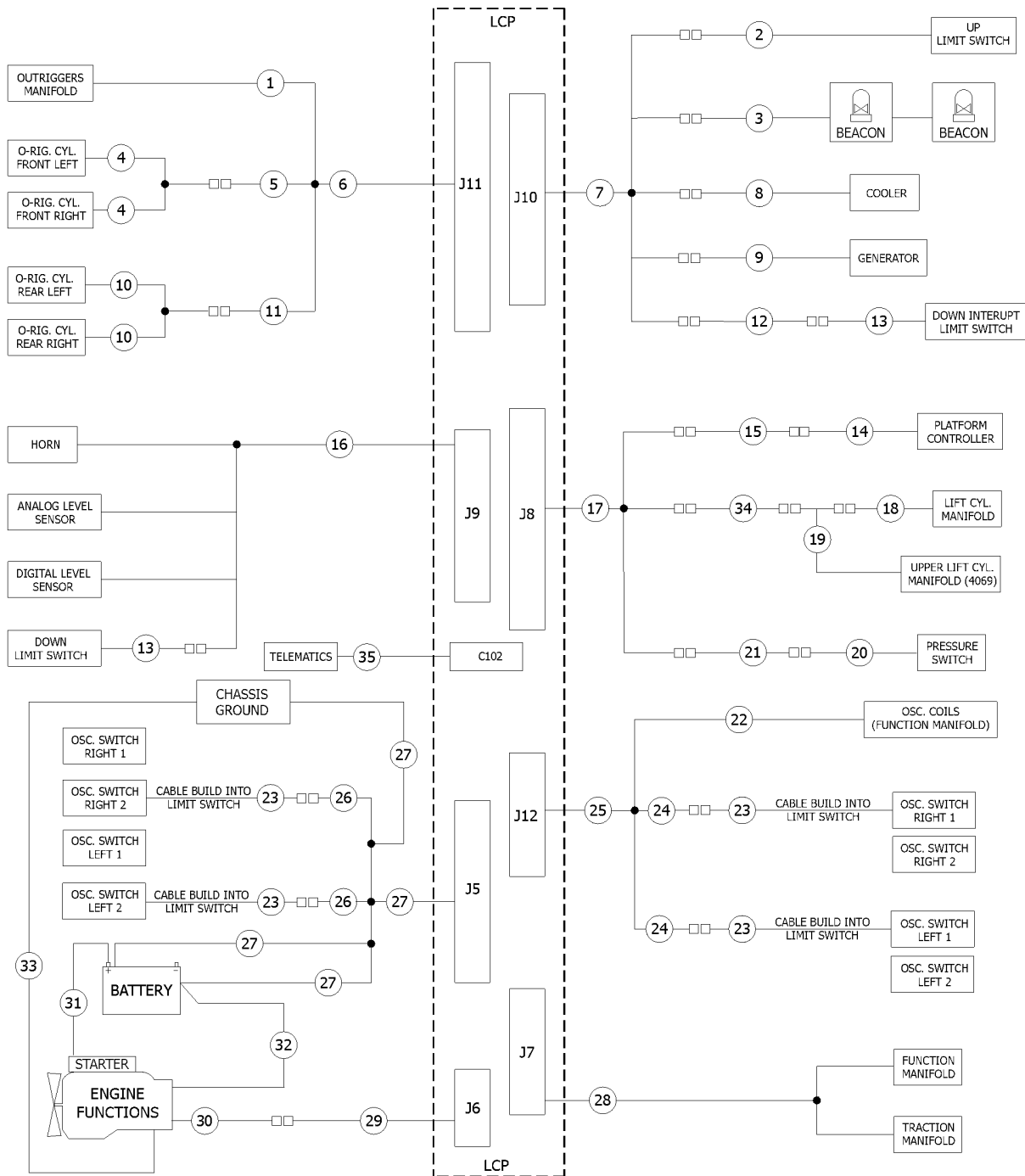


407.3 Electrical Wiring and Power Cables, GS-4069



<i>Item</i>	<i>Part No.</i>	<i>Description</i>	<i>Qty.</i>
A	1264822GT	KIT, TRC RETROFIT, STNDRD Telematics (includes 1264834)	
A-	1264834GT	INSTRN, TRC RETROFIT, STNDRD	
B	1292674GT	TELEMATIC LEADS, GS69RT	1
1	148068GT	HARNESS,O/R MNFLD,GS69	1
2	160566GT	HARNESS, UP LIMIT SWITCH	1
3	1267806GT	HARNESS, LED BEACON, GS69	
4	148090GT	HARNESS,OUTRIGGERS,FRNT,GS69	1
5	148069GT	CABLE,OUTRIGGER,FRNT,GS69	1
6	161213GT	HARNESS, OR HARNESS, J11	1
		(includes items 1, 5, and 11)	
7	T109743GT	HARNESS,OPTIONS,J10,GS69	1
8	148080GT	HARNESS,OIL COOLER,GS69	1
9	148081GT	HARNESS,GENERATOR,GS69	1
10	148091GT	HARNESS,OUTRIGGERS,REAR,GS69	1
11	148070GT	CABLE,OUTRIGGER,REAR,GS69	1
12	T109750GT	CABLE,DWN INT LIMIT SWITCH	1
13	1267113GT	LIMIT SWITCH, DOWN, ASSY, GS69	1
14	148084GT	CABLE,CONTROL,BASE,GS4069	1
		GS-4069 (669 inches, base to platform)	
15	148079GT	CABLE,CONTROL JUMPER,GS69	1
16	1267270GT	HARNESS, J9, GS69IC	2
17	1266174GT	HARNESS, LINKS, GS69IC	
18	1259447GT	CABLE,PROP. DOWN COIL 26/3369	
19	1259448GT	CABLE,PROP. DOWN COIL 4069	
20	104571GT	HARNESS,PRESS.SWITCH	1
21	T109749GT	CABLE,PRESSURE SWITCH	1
22	148088GT	HARNESS,OSC.MNFLD,GS69	1
23	148414GT	HARNESS,OSC SWITCH REAR	1
24	148210GT	ASSY,LIMITSWITCH,OSC.AXLE,GS69	1
25	T109747GT	HARNESS,OSCILLATE,J12,GS69	1

407.3 Electrical Wiring and Power Cables, GS-4069

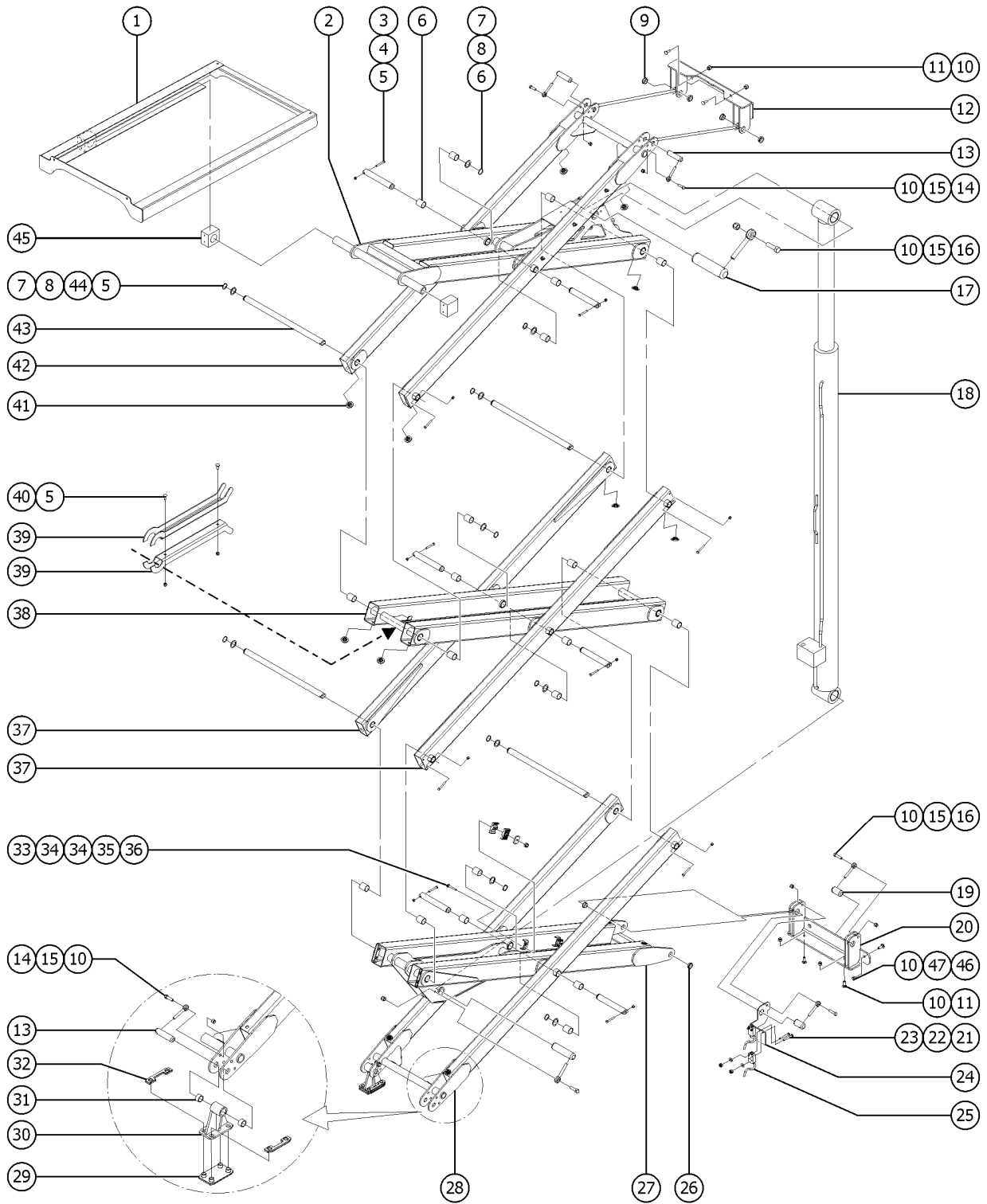


407.3 Electrical Wiring and Power Cables, GS-4069

<i>Item</i>	<i>Part No.</i>	<i>Description</i>	<i>Qty.</i>
26	148077GT	HARNESS,OSC LIMIT SWITCH 2	2
27	161214GT	HARNESS, BATTERY, J5	1
28	148089GT	CABLE,FUNCTION MANIFOLD,GS69	1
29	148093GT	HARNESS,ENGINE,IC	1
30	148072GT	HARNESS,ENGINE,DIESEL	1
		(Kubota D1105 Engine)	
31	160905GT	CABLE ASSY, B+ TO STRT, GS69IC	1
		(Kubota Engine)	
32	160906GT	CABLE ASSY, ENG TO B-, GS69IC	1
33	160907GT	CABLE ASSY, ENG. TO GRD, GS69IC	1
34	1294153GT	HARNESS, HERC TELEMATICS, GS69,90,84	1
34-	1291595GT	HARNESS, JUMPER, TELEMATICS	1
35	1256130GT	TELEMATICS LEADS, GS69RT	1
35-	67504GT	FUSE HOLDER,ATC 3-30 AMPS	
35-	69864GT	FUSE,5 AMP,ATC	



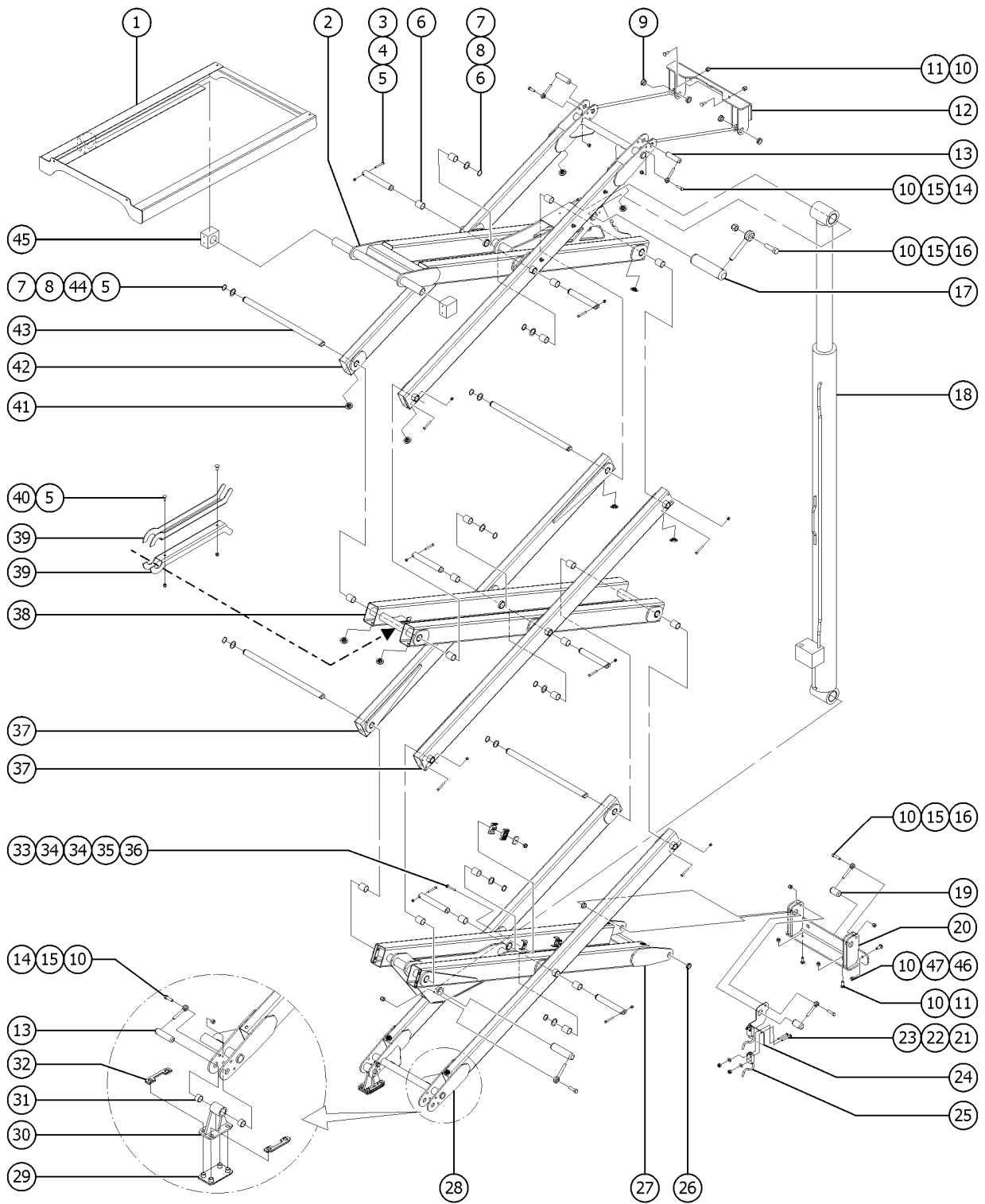
501.1 Scissor Components, GS-2669 RT



501.1 Scissor Components, GS-2669 RT

Item	Part No.	Description	Qty.
1		Ref. Platform Spacer Weldment (refer to 601.1)	1
2	112127GT	ASSY, LINK, INNER #3, BLUE, 2669 (includes item #6)	1
3	14033GT	SCREW, HHC, 3/8-16 X 2.75	6
4	148433GT	PIN, CENTER LINK, GS69	9
5	4828GT	NUT, NYLOCK, 3/8-16	12
6	T108138GT	BEARING, 1.50IDX1.75ODX2.00L	20
7	18383GT	SNAP RING, EXTERNAL, 1.5 DIA	10
8	T108139GT	WASHER, FLAT, 1.510X2.125	10
9	112375GT	BEARING, FL, 1.25IDX1.50ODX.44LG	4
10	6198GT	NUT, NYLOK, 1/2-13	14
11	96977GT	BOLT, CARRIAGE, 1/2-13X1.50, GR5	6
12		Ref. Platform Pivot Weldment, GS-2669 (refer to 601.1)	1
13	112115GT	PIN, 1.25 DIA X 5.00 LG, 1 HOLE	4
14	22788GT	SCREW, HHC, 1/2-13 X 1.75	4
15	1256267GT	ROD END, .5 X 3.75, ZAG	8
16	6096GT	SCREW, HHC, 1/2-13 X 2 GR5	4
17	112121GT	PIN, CYLINDER, LONG	2
18		Ref. Lift Cylinders (refer to 705.1)	
19	112116GT	PIN, 1.5 DIA X 2.75 LG, 1 HOLE	2
20	1254207GT	WELDMENT, CHASSIS LINK PVT, 2669	1
21	49821GT	SCREW, PHILLIPS, PHM, 8-32 X 1.25	4
22	35461GT	WASHER, FLAT, MS, #8, Y	4
23	18605GT	NUT, NYLOCK, 8-32	4
24	1254202GT	FORMING, DOWN LIMIT SWITCH MNT	1
25	148236GT	SWITCH, LIMIT, PLUNGER, SMALL	2
26	112350GT	BEARING, FLG, 1.50IDX1.75ODX.5LG	2
27	112123GT	ASSY, LINK, INNER #1, GS69 (includes item #6 and #26)	1
28	1254190GT	WELDMENT, LINK, OUTER #1	1

501.1 Scissor Components, GS-2669 RT

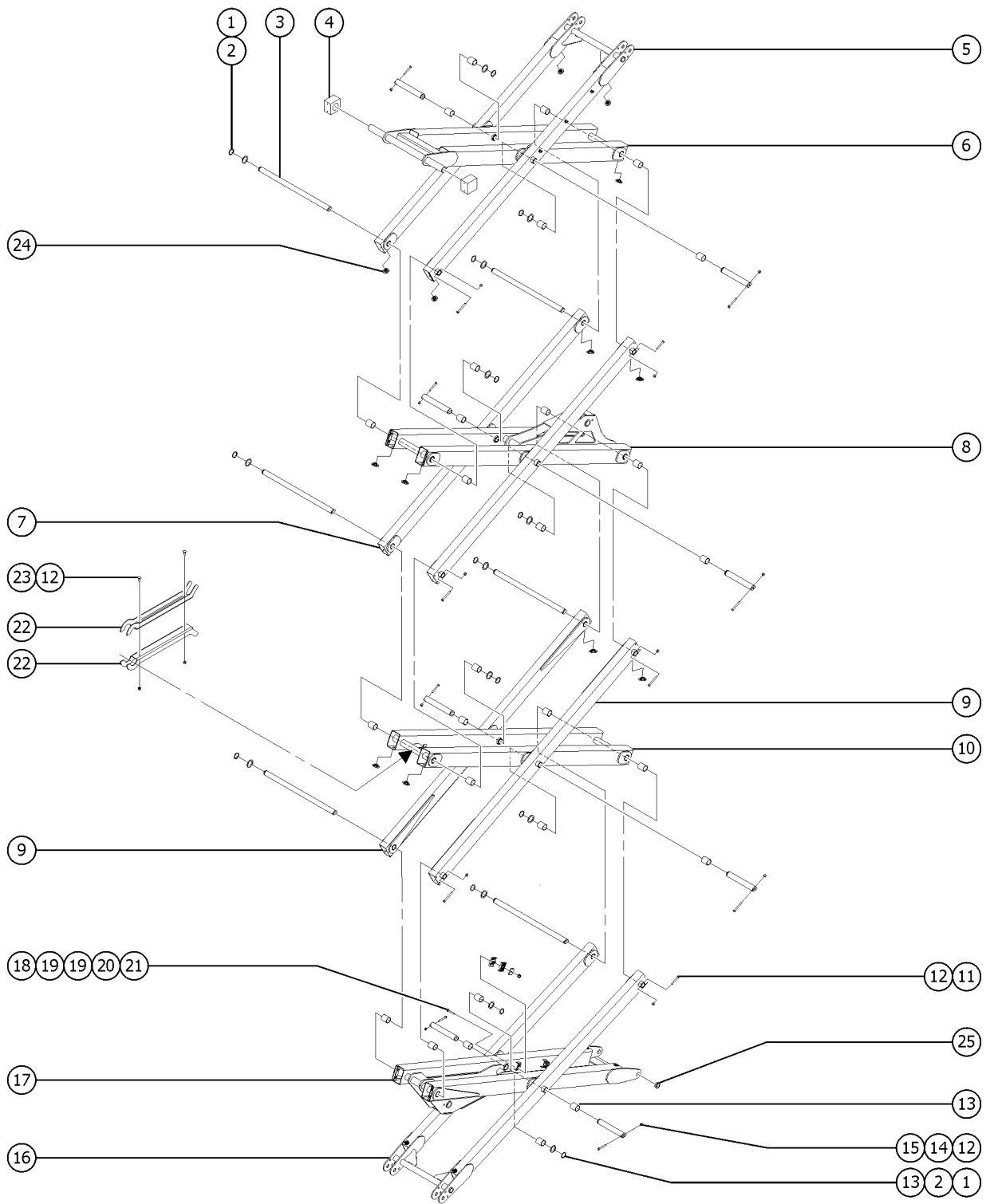


501.1 Scissor Components, GS-2669 RT

Item	Part No.	Description	Qty.
29	112099GT	WEAR PAD,SLIDER FOOT,LOWER	2
30	1254208GT	WELDMENT,SLIDER FOOT, GS2669	2
31	30434GT	BEARING,1.25IDX1.50ODX0.88L	4
32	112100GT	WEAR PAD,SLIDER FOOT,UPPER	4
33	73464GT	BOLT,CARRIAGE,1/4-20 X 1.75,G2	4
34	78736GT	CLAMP,2 HOSE,PLASTIC,5/8	8
35	96196GT	PLATE,HOSE ROUTING,BULKHEAD	4
36	6889GT	NUT,LP NYLOCK,1/4-20	4
37	235092GT	ARM, 2ND OUTER,W/BEARINGS,WO (ANSI, CSA & Australia models with word decals)	2
37A	235093GT	ARM, 2ND OUTER,W/BEARINGS,SY (Asia, S. America and CE models with symbol decals)	2
37B	1254204GT	WLDMT,LINK,OUTER,#2 (decals not included, refer to section 100)	1
38	235094GT	ARM,2ND INNER ASSY,W/BEARINGS (models with word & symbol decals)	1
38B	112124GT	ASSY,LINK,INNER #2,GS69 (includes item #6)	1
39	1254192GT	FORMING,SERVICE CHOCK	2
40	64154GT	BOLT,CARRIAGE,3/8-16 X1.00,G5	2
41	T109734GT	BUMPER,LINK,GS69	16
42	1254199GT	WELDMENT,LINK,TOP OUTER,GS69	1
43	148434GT	PIN,END LINK,GS69	4
44	6326GT	SCREW,HHC,3/8-16 X 3	4
45	112708GT	SLIDER BLOCK, GS69	2
46	96203GT	BOLT,CARRIAGE,1/2-13X1.75, G5	
47	6095GT	WASHER, FLAT, 1/2 PLTD	



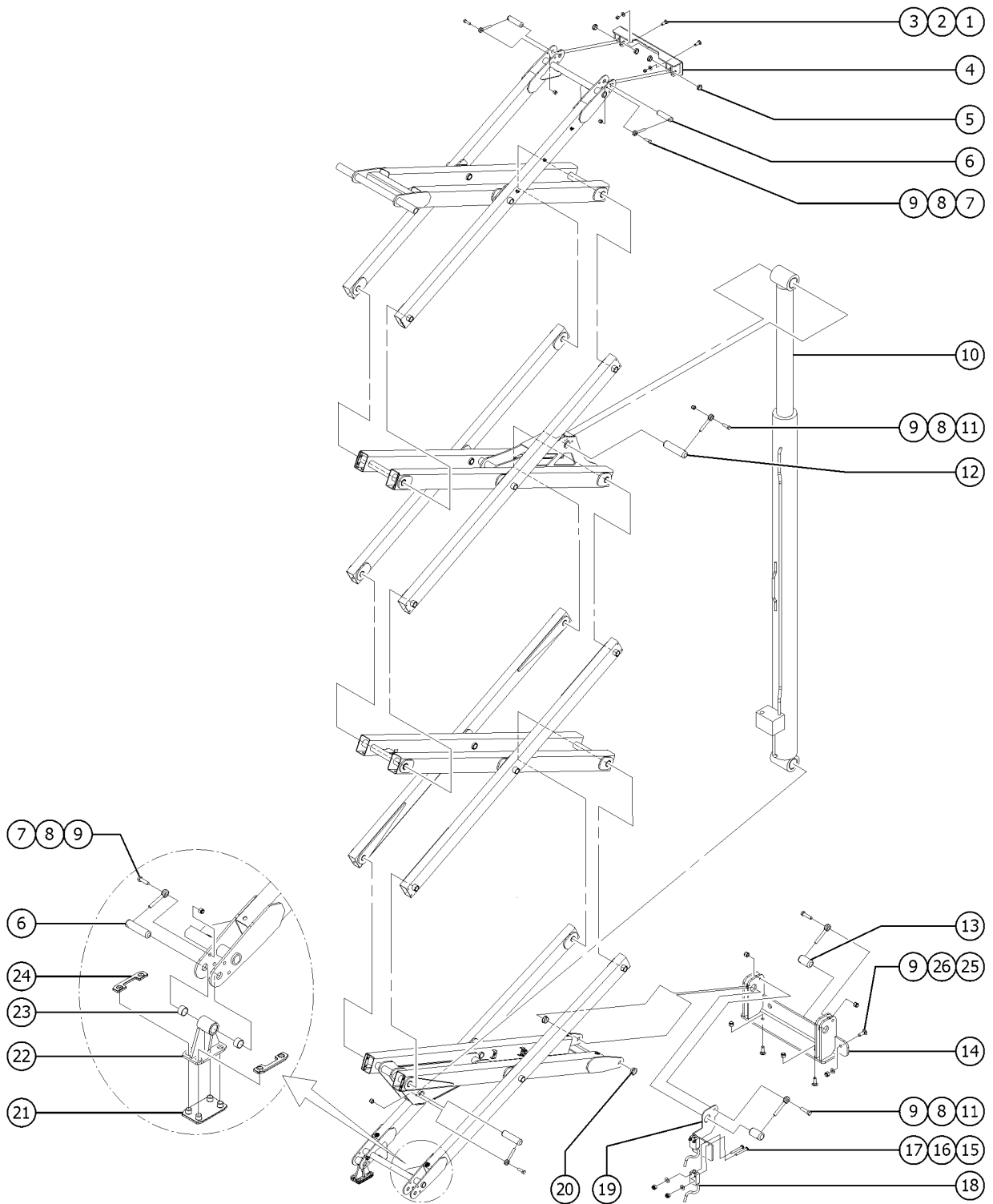
502.1 Scissor Components, GS-3369 RT, View 1



Item	Part No.	Description	Qty.
1	18383GT	SNAP RING,EXTERNAL,1.5 DIA	14
2	T108139GT	WASHER,FLAT,1.510X2.125	14
3	148434GT	PIN,END LINK,GS69	6
4	112708GT	SLIDER BLOCK, GS69	2
5	1254199GT	WELDMENT,LINK,TOP OUTER,GS69	
6	1256593GT	ASSY,LINK,INR #4-3369,#5-4069 (includes item #13)	
7	1254198GT	WELDMENT,LINK,OUTER #2,3,4	
8	131687GT	ASSY,LINK,INNER #3, 3369 (includes item #13)	
9	1254204GT	WLDMT,LINK,OUTER,#2 (decals not included, refer to section 100)	
10	112124GT	ASSY,LINK,INNER #2,GS69 (includes item #13)	
11	6326GT	SCREW,HHC,3/8-16 X 3	
12	4828GT	NUT,NYLOCK,3/8-16	
13	T108138GT	BEARING,1.50IDX1.75ODX2.00L	28
14	148433GT	PIN,CENTER LINK,GS69	8
15	14033GT	SCREW, HHC, 3/8-16 X 2.75	
16	1254190GT	WELDMENT,LINK,OUTER #1	
17	12123GT	ASSY,LINK,INNER #1,GS69 (includes items #13 and #33)	
18	73464GT	BOLT,CARRIAGE,1/4-20 X 1.75,G2	
19	78736GT	CLAMP,2 HOSE,PLASTIC,5/8	8
20	96196GT	PLATE,HOSE ROUTING,BULKHEAD	4
21	6889GT	NUT,LP NYLOCK,1/4-20	4
22	1254192GT	FORMING,SERVICE CHOCK	2
23	64154GT	BOLT,CARRIAGE,3/8-16 X1.00,G5	2
24	T109734GT	BUMPER,LINK,GS69	
25	112350GT	BEARING,FLG,1.50IDX1.75ODX.5LG	

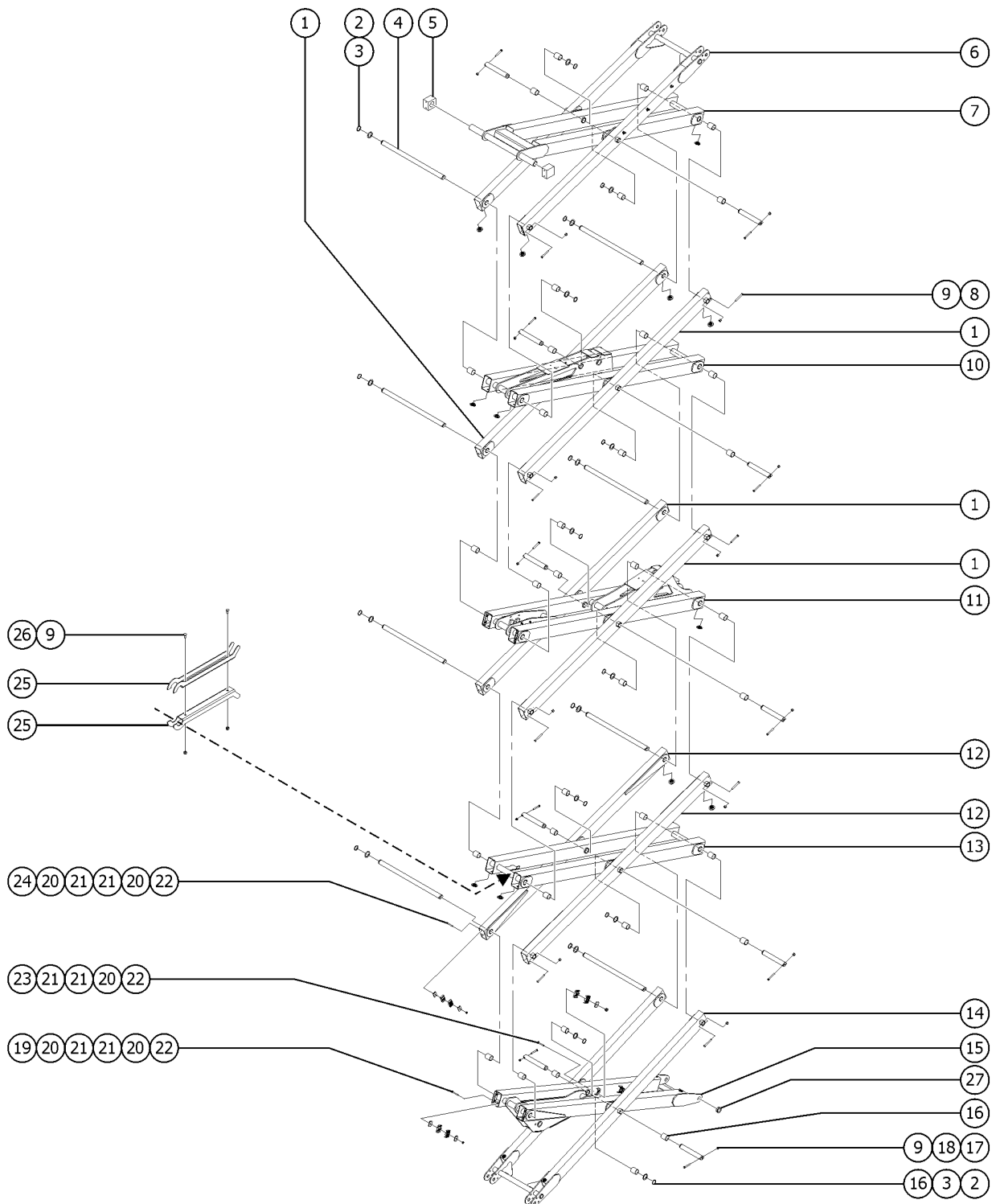


503.1 Scissor Components, GS-3369 RT, View 2



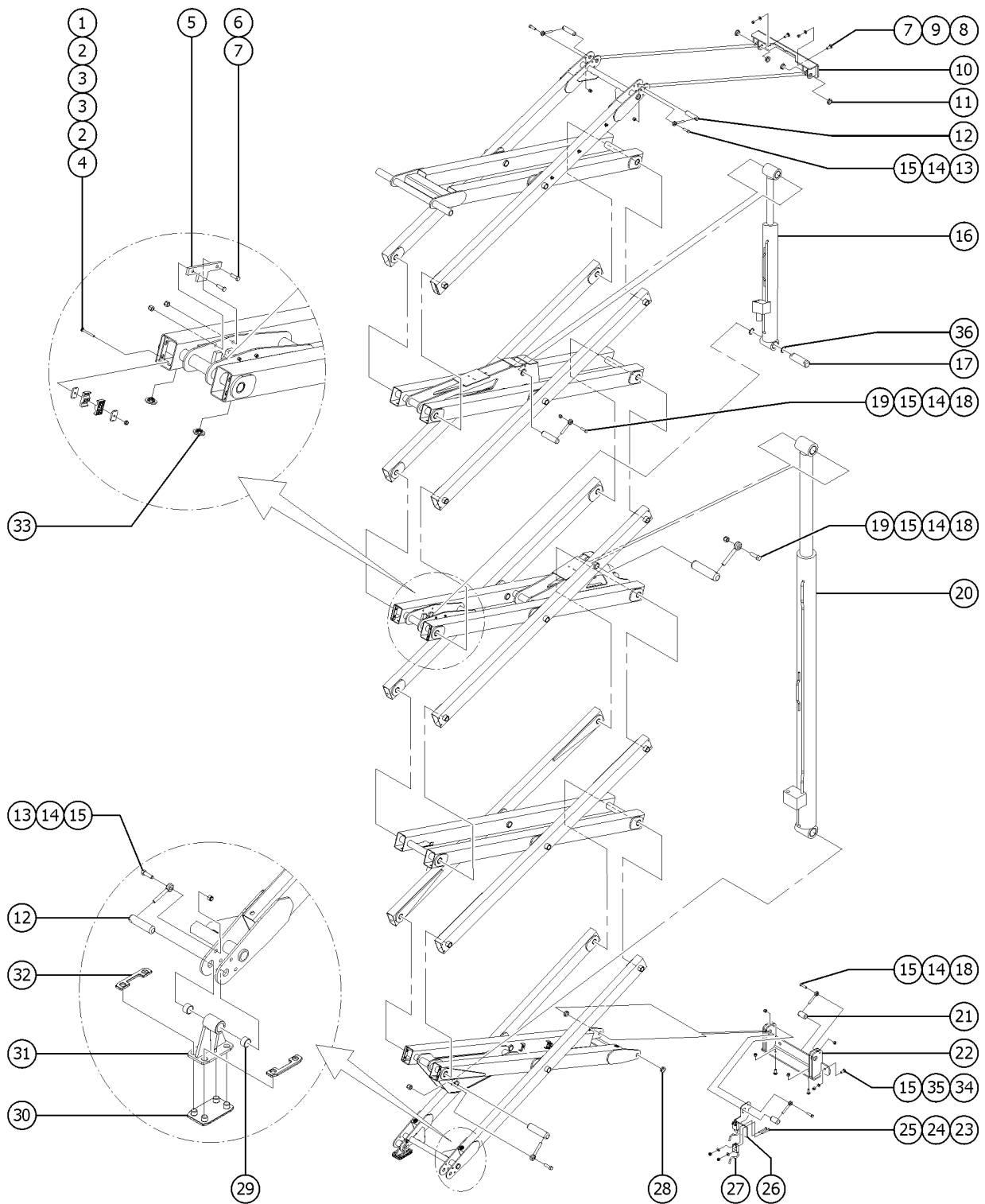
Item	Part No.	Description	Qty.
1	96977GT	BOLT,CARRIAGE,1/2-13X1.50,GR5	
2	6097GT	WASHER,FLAT,USS,3/8",Y	
3	4828GT	NUT,NYLOCK,3/8-16	
4		Ref. Platform Pivot Weldment,33/4069 (refer to 602.1)	1
5	112375GT	BEARING,FL,1.25IDX1.50ODX.44LG	4
6	112115GT	PIN,1.25 DIA X 5.00 LG,1 HOLE	4
7	22788GT	SCREW,HHC,1/2-13 X 1.75	
8	1256267GT	ROD END,.5 X 3.75,ZAG	8
9	6198GT	NUT,NYLOK,1/2-13	
10		Ref. Lift Cylinders (refer to 705.1)	
11	6096GT	SCREW,HHC,1/2-13 X 2 GR5	
12	112121GT	PIN,CYLINDER,LONG	2
13	112116GT	PIN,1.5 DIA X 2.75 LG,1 HOLE	2
14	1254203GT	WLDMT,CHASSIS LINK PVT,33/4069	1
15	49821GT	SCREW,PHILLIPS,PHM,8-32 X 1.25	
16	35461GT	WASHER,FLAT,MS,#8,Y	
17	18605GT	NUT,NYLOCK,8-32	
18	148236GT	SWITCH,LIMIT,PLUNGER,SMALL	2
19	1254202GT	FORMING,DOWN LIMIT SWITCH MNT	1
20	112350GT	BEARING,FLG,1.50IDX1.75ODX.5LG	2
21	112099GT	WEAR PAD,SLIDER FOOT,LOWER	2
22	1254191GT	WELDMENT,SLIDER FT, GS33/4069	2
23	30434GT	BEARING,1.25IDX1.50ODX0.88L	4
24	112100GT	WEAR PAD,SLIDER FOOT,UPPER	4
25	96203GT	BOLT,CARRIAGE,1/2-13X1.75, G5	
26	6095GT	WASHER, FLAT, 1/2 PLTD	

504.1 Scissor Components, GS-4069 RT, View 1



Item	Part No.	Description	Qty.
1	1254198GT	WELDMENT, LINK, OUTER #2,3,4	4
2	18383GT	SNAP RING, EXTERNAL, 1.5 DIA	18
3	T108139GT	WASHER, FLAT, 1.510X2.125	
4	148434GT	PIN, END LINK, GS69	8
5	112708GT	SLIDER BLOCK, GS69	2
6	1254199GT	WELDMENT, LINK, TOP OUTER, GS69	1
7	112134GT	ASSY, LINK, INR #4-3369, #5-4069 (includes item #16)	1
8	6326GT	SCREW, HHC, 3/8-16 X 3	
9	4828GT	NUT, NYLOCK, 3/8-16	
10	112126GT	ASSY, LINK, INNER #4, 4069 (includes item #16)	1
11	112125GT	ASSY, LINK, INNER #3, 4069 (Genie blue) (includes item #16)	1
12	1254204GT	WLDMT, LINK, OUTER, #2 (decals not included, refer to section 100)	1
13	112124GT	ASSY, LINK, INNER #2, GS69 (includes item #16)	1
14	1254190GT	WELDMENT, LINK, OUTER #1	1
15	112123GT	ASSY, LINK, INNER #1, GS69 (includes item #16 and #35)	1
16	T108138GT	BEARING, 1.50IDX1.75ODX2.00L	
17	14033GT	SCREW, HHC, 3/8-16 X 2.75	
18	148433GT	PIN, CENTER LINK, GS69	10
19	141958GT	BOLT, CARRIAGE, 1/4-20 X 2.5, G2	
20	96196GT	PLATE, HOSE ROUTING, BULKHEAD	8
21	78736GT	CLAMP, 2 HOSE, PLASTIC, 5/8	12
22	6889GT	NUT, LP NYLOCK, 1/4-20	
23	73464GT	BOLT, CARRIAGE, 1/4-20 X 1.75, G2	
24	4266GT	SCREW, HHC, 1/4-20 X 2	
25	1254192GT	FORMING, SERVICE CHOCK	2
26	64154GT	BOLT, CARRIAGE, 3/8-16 X 1.00, G5	
27	112350GT	BEARING, FLG, 1.50IDX1.75ODX.5LG	2

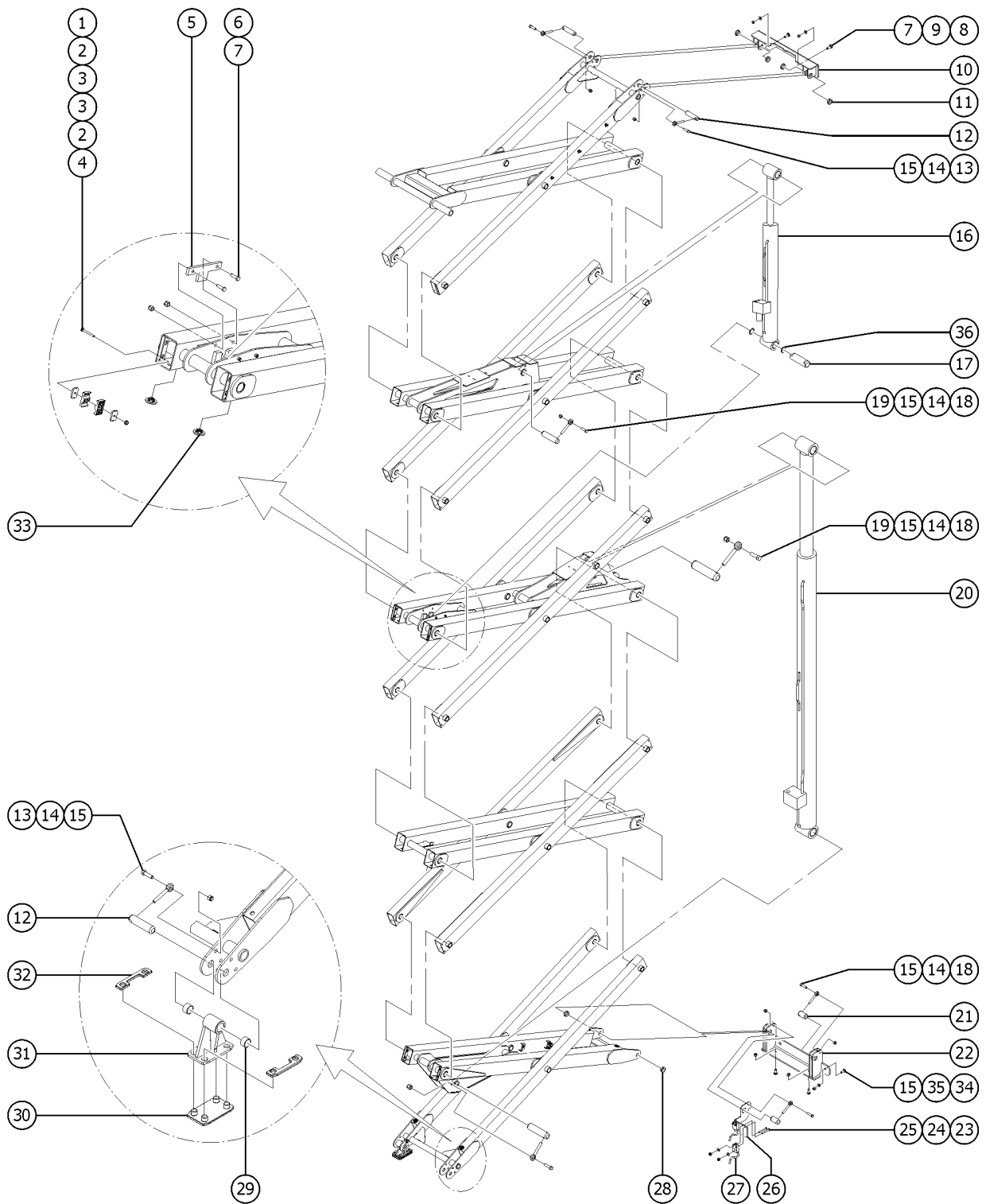
505.1 Scissor Components, GS-4069 RT, View 2



Item	Part No.	Description	Qty.
1	141958GT	BOLT,CARRIAGE,1/4-20 X 2.5,G2	
2	96196GT	PLATE,HOSE ROUTING,BULKHEAD	6
3	78736GT	CLAMP,2 HOSE,PLASTIC,5/8	6
4	6889GT	NUT,LP NYLOCK,1/4-20	
5	1254201GT	PLATE,UPR CYL,PIN RETAINR 4069	2
6	6019GT	SCREW,HHC,3/8-16 X 1.25 GRD 5	
7	4828GT	NUT,NYLOCK,3/8-16	
8	96977GT	BOLT,CARRIAGE,1/2-13X1.50,GR5	
9	6097GT	WASHER,FLAT,USS,3/8",Y	
10		Ref. Platform Pivot Weldment,33/4069 (refer to 602.1)	1
11	112375GT	BEARING,FL,1.25IDX1.50ODX.44LG	
12	112115GT	PIN,1.25 DIA X 5.00 LG,1 HOLE	4
13	22788GT	SCREW,HHC,1/2-13 X 1.75	
14	1256267GT	ROD END,.5 X 3.75,ZAG	9
15	6198GT	NUT,NYLOK,1/2-13	
16		Ref. Lift Cylinders (refer to 705.1)	
17	235122GT	PIN,UPPER CYLINDER	1
18	6096GT	SCREW,HHC,1/2-13 X 2 GR5	
19	112121GT	PIN,CYLINDER,LONG	3
20		Ref. Lift Cylinders (refer to 705.1)	
21	112116GT	PIN,1.5 DIA X 2.75 LG,1 HOLE	2
22	1254203GT	WLDMT,CHASSIS LINK PVT,33/4069	1
23	49821GT	SCREW,PHILLIPS,PHM,8-32 X 1.25	
24	35461GT	WASHER,FLAT,MS,#8,Y	
25	18605GT	NUT,NYLOCK,8-32	
26	1254202GT	FORMING,DOWN LIMIT SWITCH MNT	1
27	148236GT	SWITCH,LIMIT,PLUNGER,SMALL	2
28	112350GT	BEARING,FLG,1.50IDX1.75ODX.5LG	2



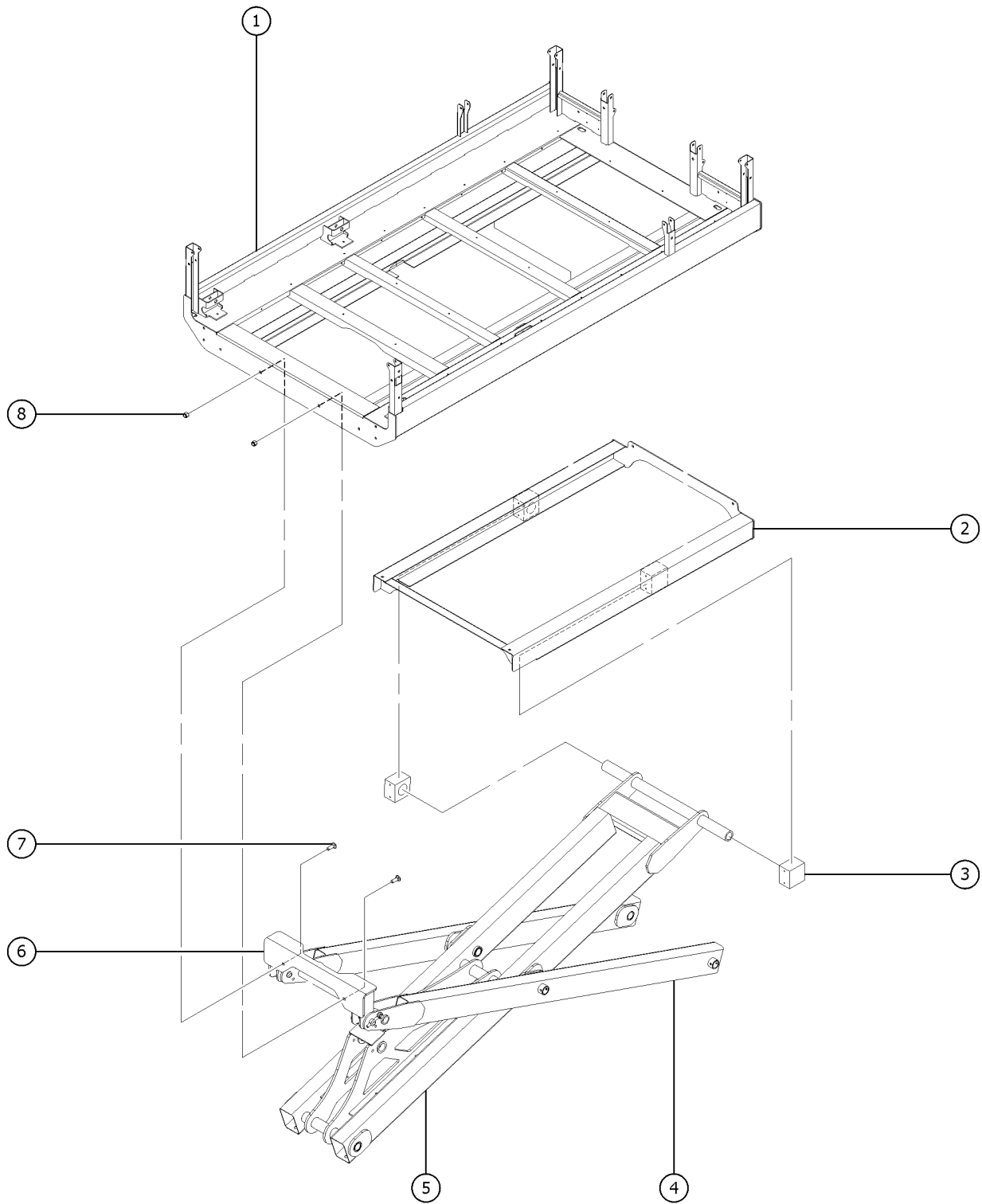
505.1 Scissor Components, GS-4069 RT, View 2



<i>Item</i>	<i>Part No.</i>	<i>Description</i>	<i>Qty.</i>
29	30434GT	BEARING,1.25IDX1.50ODX0.88L	4
30	112099GT	WEAR PAD,SLIDER FOOT,LOWER	2
31	1254191GT	WELDMENT,SLIDER FT, GS33/4069	2
32	112100GT	WEAR PAD,SLIDER FOOT,UPPER	4
33	T109734GT	BUMPER,LINK,GS69	32
34	96203GT	BOLT,CARRIAGE,1/2-13X1.75, G5	
35	6095GT	WASHER, FLAT, 1/2 PLTD	
36	39127GT	WASHER, SCIS ARM,1.79X2.25X.120 (Both side of barrel)	4



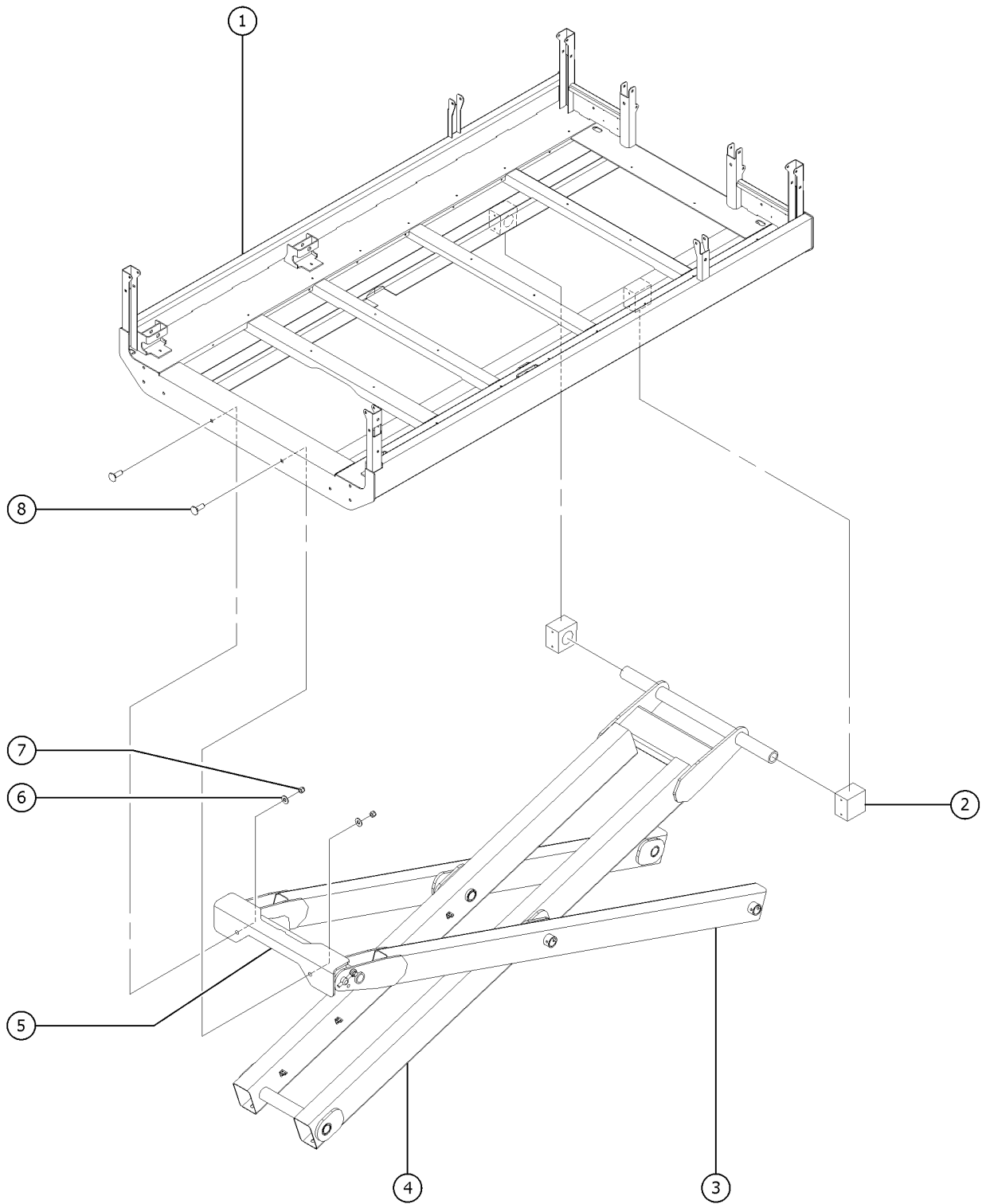
601.1 Platform Installation, GS-2669 RT, View 1



<i>Item</i>	<i>Part No.</i>	<i>Description</i>	<i>Qty.</i>
1	112703GT	WELDMENT,MAIN PLATFORM,GS69 (decals not included, refer to section 100)	1
2	131874GT	WLDMNT,PLATFORM SPACER, 2669	1
3	112708GT	SLIDER BLOCK, GS69	2
4	112706GT	WELDMENT,LINK, TOP OUTER,GS69	1
5	112127GT	ASSY,LINK,INNER #3,BLUE,2669 (bearings included)	1
6	1254206GT	WELDMENT,PLATFORM PIVOT,2669	1
7	96977GT	BOLT,CARRIAGE,1/2-13X1.50,GR5	2
8	6198GT	NUT,NYLOK,1/2-13	2



602.1 Platform Installation, GS-3369 RT and GS-4069 RT, View 2

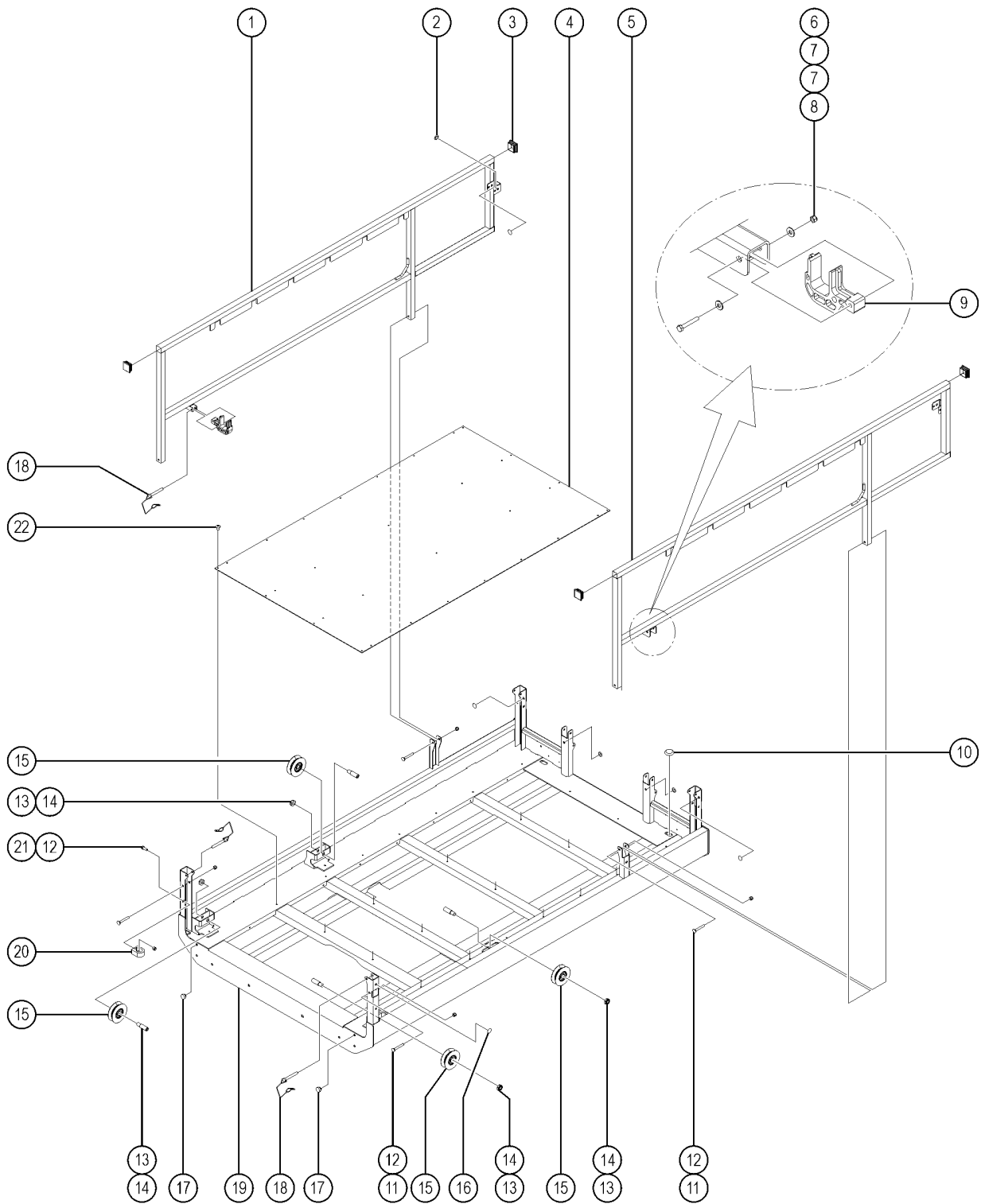


602.1 Platform Installation, GS-3369 RT and GS-4069 RT, View 2

<i>Item</i>	<i>Part No.</i>	<i>Description</i>	<i>Qty.</i>
1	112703GT	WELDMENT,MAIN PLATFORM,GS69 (decals not included, refer to section 100)	1
2	112708GT	SLIDER BLOCK, GS69	2
3	112706GT	WELDMENT,LINK,TOP OUTER,GS69	1
4	112134GT	ASSY,LINK,INR #4-3369,#5-4069 (bearings included)	1
5	1254196GT	WELDMENT,PLAT PIVOT,33/4069	1
6	6097GT	WASHER,FLAT,USS,3/8",Y	2
7	4828GT	NUT,NYLOCK,3/8-16	2
8	96977GT	BOLT,CARRIAGE,1/2-13X1.50,GR5	2



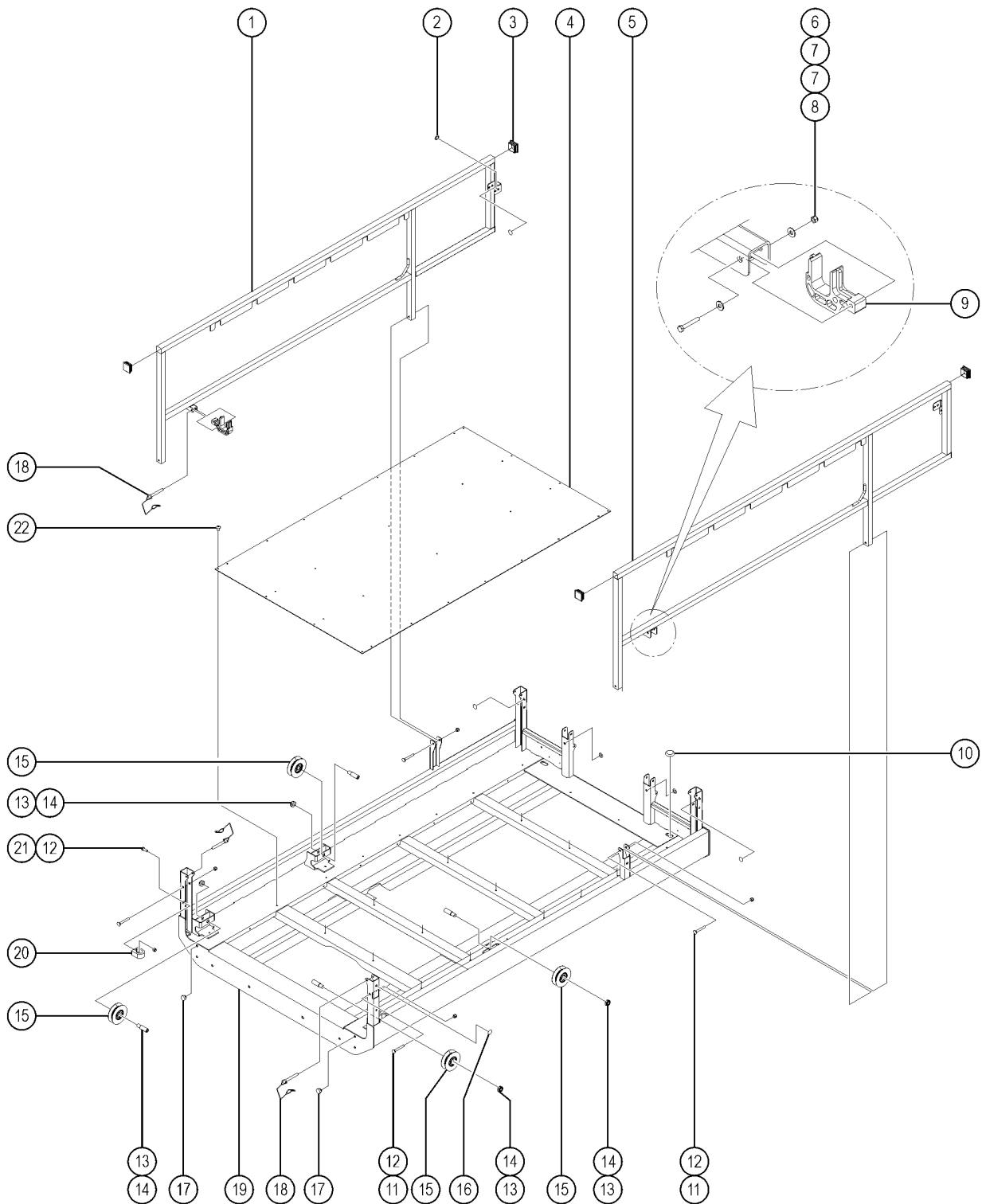
603.1 Platform Railing Installation



Item	Part No.	Description	Qty.
1	235331GT	MAIN PLAT RAIL ASSY,RT	
1-	131744GT	WELDMENT,MAIN RAIL,RIGHT (decals not included, refer to section 100)	1
1B	1286408GT	WELDMENT, PARALLEL GATE, MAIN RAIL, RIGHT	1
1B-	6708GT	SCREW,HHC,3/8-16 X 2.25	2
1B-	6097GT	WASHER,FLAT,USS,3/8",Y	4
1B-	29080GT	SHIM,WEAR PAD,5X 1.5 16GA	2
1B-	7713GT	NUT, LP NYLOCK, 3/8-16	2
2	47478GT	BUMPER,RUBBER, 1"OD X .461 H	10
3	79355GT	PLUG,TUBE,SQ 1.50X.065	5
4	131749GT	PLATE,GS69 DECK	1
5	235332GT	MAIN PLAT RAIL ASSY,LT	
5-	131745GT	WELDMENT,MAIN RAIL,LEFT (decals not included, refer to section 100)	1
6	6091GT	NUT,NYLOCK,1/4-20	4
7	6638GT	WASHER,FLAT,USS,1/4"Y	8
8	6637GT	SCREW,HHC,1/4-20 X 1.75	4
9	71376GT	RAIL SPACER, GS90	4
10	231251GT	PLUG,PLASTIC,1.00"DIA	1
11	112476GT	BOLT,CARRIAGE,3/8-16X2.75,G5	4
12	4828GT	NUT,NYLOCK,3/8-16	5
13	38028GT	NUT,LP NYLOCK,5/8-11	4
14	87568GT	PIN, SHOULDER, 5/8-11 X 1.77	4
15	131416GT	V-ROLLER,NARROW,EXT DECK	4
16	47478GT	BUMPER,RUBBER, 1"OD X .461 H	2
17	47230GT	BUMPER,RUBBER	2
18	66030GT	PIN, WIRE LOCK 3/8 X 2 -1/2	6
19	112703GT	WELDMENT,MAIN PLATFORM,GS69 (refer to 601.1 & 602.1)	1
20	87523GT	COIL CORD CLIP	1
21	6175GT	SCREW,HHC,3/8-16 X 1	1



603.1 Platform Railing Installation

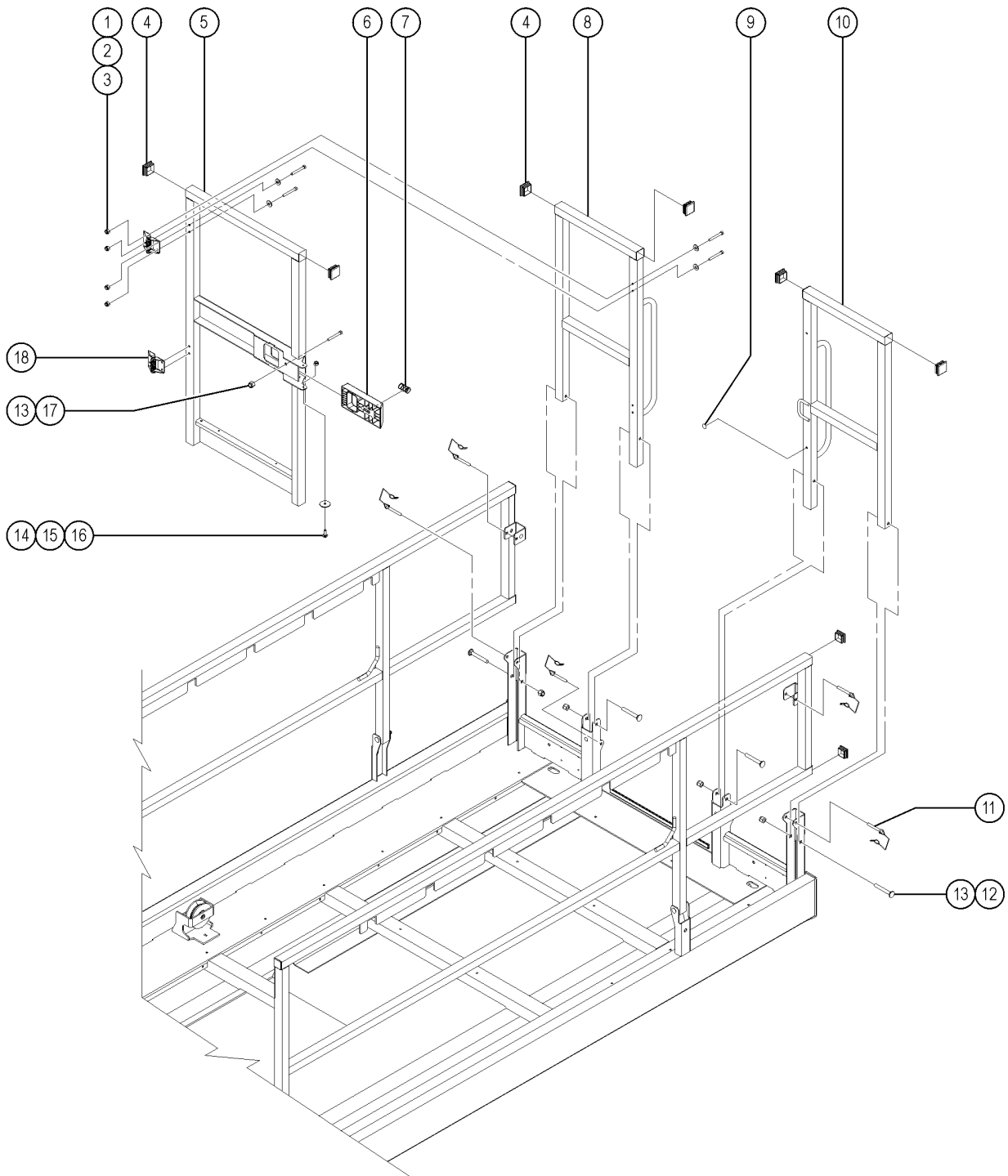


603.1 Platform Railing Installation

<i>Item</i>	<i>Part No.</i>	<i>Description</i>	<i>Qty.</i>
22	71315GT	RIVET,DRIVE, .25 X .25	24



604.1 Platform Entry Gate

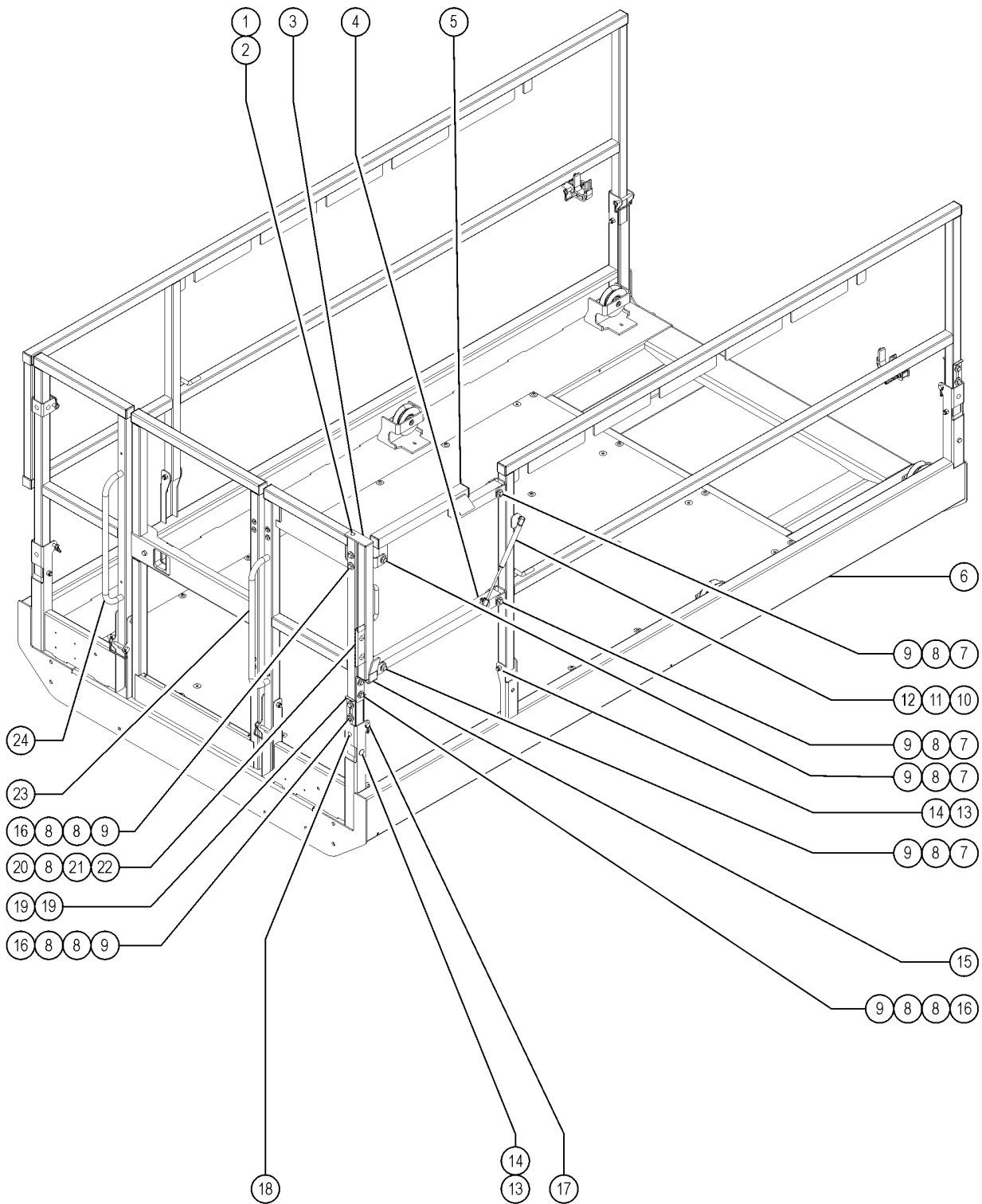


604.1 Platform Entry Gate

Item	Part No.	Description	Qty.
1	6889GT	NUT,LP NYLOCK,1/4-20 gate	8
2	6638GT	WASHER,FLAT,USS,1/4"Y door latch	8
3	4266GT	SCREW,HHC,1/4-20 X 2	8
4	79355GT	PLUG,TUBE,SQ 1.50X.065	10
5	87320-SGT	WELDMENT,ENTRY GATE	1
6	112543GT	SLIDER, GATE CATCH	1
7	22446GT	SPRING, COMPRESSION .835 X 2	1
8	131747GT	WELDMENT,MAIN,A-RAIL,RIGHT	1
8B	1286406GT	REF. WELDMENT, PARALLEL GATE, MAIN, A-RAIL, RIGHT	1
9	87475GT	CABLE,PARKING BRAKE LEFT	6
10	131746GT	REF. WELDMENT,MAIN,A-RAIL,LEFT	1
11	66030GT	PIN, WIRE LOCK 3/8 X 2 -1/2	5
12	112476GT	BOLT,CARRIAGE,3/8-16X2.75,G5	4
13	4828GT	NUT,NYLOCK,3/8-16	5
14	1251567GT	SCREW,PHPM SEMS ET,10-24X.75,ZAG	1
15	47793GT	BUMPER, MODULE TRAY	1
16	5365GT	NUT,NYLOCK,10-24	1
17	6708GT	SCREW,HHC,3/8-16 X 2.25	1
17B	8178GT	SCREW,HHC,3/8-16 X 2.5	1
18	104804GT	HINGE, SPRING, LONG LEG	2



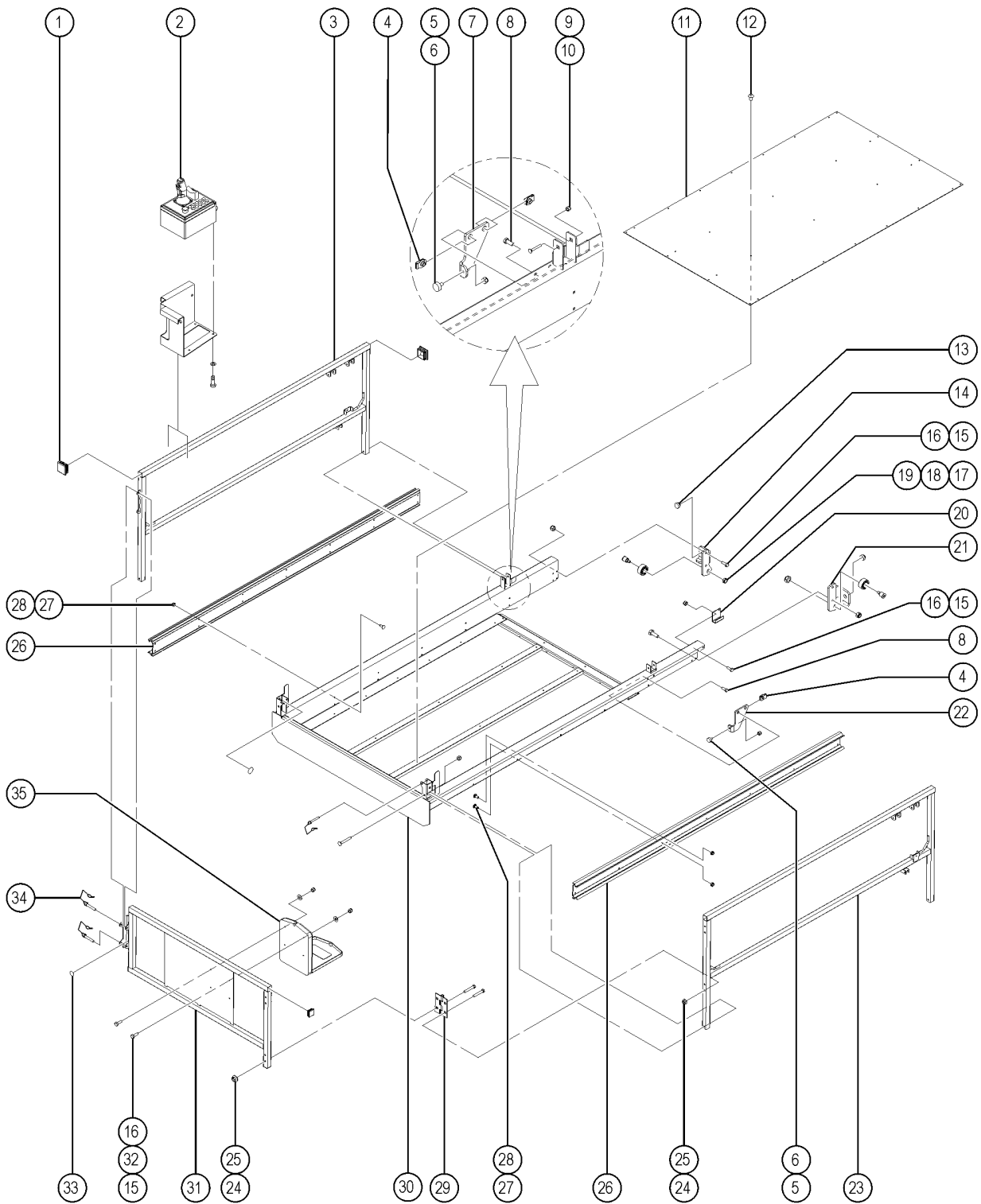
605.1 Platform Side Exit



Item	Part No.	Description	Qty.
1	124576GT	BOLT,CARRIAGE,1/4-20X1.00 G5	1
2	6889GT	NUT,LP NYLOCK,1/4-20	1
3	1286414GT	WELDMENT, PARALLEL GATE SIDE	1
3-	79355GT	PLUG,TUBE,SQ 1.50X.065	1
4	1286413GT	WELDMENT, PARALLEL GATE BOTTOM	1
5	1286397GT	WELDMENT, PARALLEL GATE TOP	1
5-	79355GT	PLUG,TUBE,SQ 1.50X.065	3
6	112703GT	WELDMENT,MAIN PLATFORM,GS69 does not include decals, please refer to Section 1	1
7	8178GT	SCREW,HHC,3/8-16 X 2.5	4
8	6097GT	WASHER,FLAT,USS,3/8",Y	18
9	7713GT	NUT, LP NYLOCK, 3/8-16	10
10	226802GT	GAS STRUT,20LB,13"EXT-9"CLOSED	1
11	40265GT	BALL STUD,GAS STRUT (38593)***	1
12	6002GT	NUT,LP NYLOCK,5/16-18	1
13	112476GT	BOLT,CARRIAGE,3/8-16X2.75,G5	2
14	4828GT	NUT,NYLOCK,3/8-16	2
15	1286403GT	FORMING, BASE STOPPER	1
16	6708GT	SCREW,HHC,3/8-16 X 2.25	6
17	66030GT	PIN, WIRE LOCK 3/8 X 2 -1/2	1
18	47478GT	BUMPER,RUBBER, 1"OD X .461 H	1
19	29080GT	SHIM,WEAR PAD,5X 1.5 16GA	2
20	49772GT	WEAR PAD,6 X 1.5 X.50,W/INSERT	1
20-	48425GT	NUT,FLG-LRG,3/8-16,YZ	2
21	22700 GT	WASHER,LOCK,M10	2
22	5224GT	SCREW,HHC,3/8-16 X 2	2
23	1286406GT	REF. WELDMENT, PARALLEL GATE, MAIN, A-RAIL, RIGHT (refer to 604.1)	1
24	131746GT	REF. WELDMENT,MAIN,A-RAIL,LEFT (refer to 604.1)	



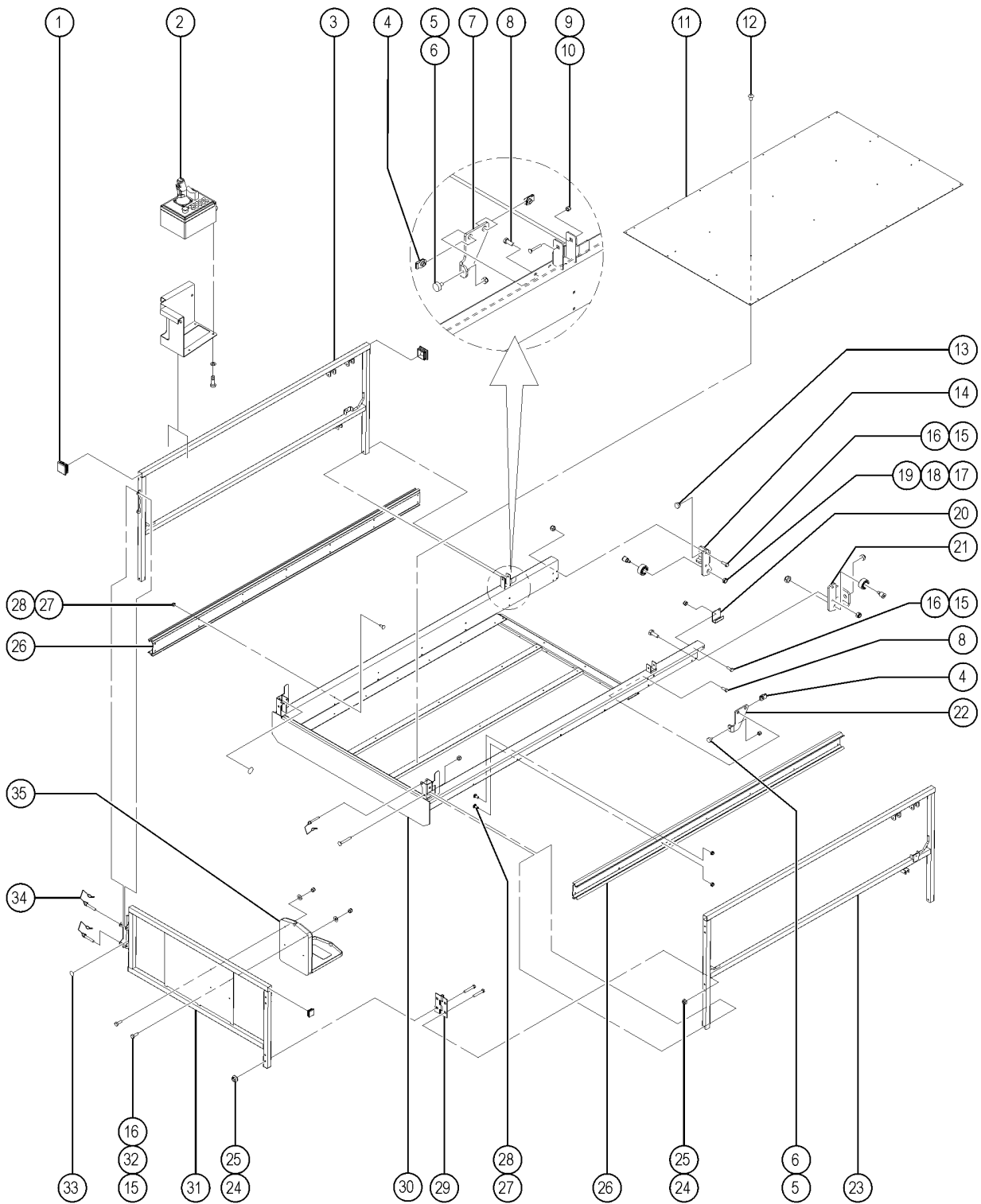
606.1 Platform Extension



Item	Part No.	Description	Qty.
-	33550GT	TAPE,WARNING,BLK/YEL, 50****	1
1	79355GT	PLUG,TUBE,SQ 1.50X.065	8
2	231083GT	PLAT.CONTROL BOX.GS69 GEN.2*** (refer to 609.1)	1
3	235090GT	PLAT SIDE EXT RAIL ASSY,RT	
3-	131743GT	WELDMENT,SIDE EXT RAIL,RIGHT (decals not included, refer to section 100)	1
4	29868GT	SPRING CLIP,3/8-16,.05-.20X.73,ZAG	4
5	79090GT	BUMPER, 1.00 X .375 X 5/16	2
6	6782GT	NUT, NYLOCK, 5/16-18	2
7	99268GT	FORMING,PLATFORM STOP.LEFT (CE models with no outriggers only)	1
8	6175GT	SCREW,HHC,3/8-16 X 1	4
9	112476GT	BOLT,CARRIAGE,3/8-16X2.75,G5	4
10	4828GT	NUT,NYLOCK,3/8-16	4
11	131749GT	PLATE,GS69 DECK	1
12	71315GT	RIVET,DRIVE, .25 X .25	24
13	47230GT	BUMPER,RUBBER	2
14	87570GT	FORMING,EXT DECK STOP,RIGHT	1
15	6090GT	SCREW,HHC,1/4-20 X .75	12
16	6091GT	NUT,NYLOCK,1/4-20	12
17	7713GT	NUT, LP NYLOCK, 3/8-16	2
18	38016GT	ROLLER,PLASTIC,AWP96**	2
19	35706GT	BOLT,ROLLER,.470"(SHORT)	2
20	87675GT	FORMING,EXT DECK CATCH	2
21	87571GT	FORMING,EXT DECK STOP,LEFT	1
22	99267GT	FORMING,PLATFORM STOP,RIGHT (CE models only)	1
23	235100GT	PLAT SIDE EXT RAIL ASSY,LT	
23-	131741GT	WELDMENT,SIDE EXT RAIL,LEFT (decals not included, refer to section 100)	1
24	48425GT	NUT,FLG-LRG,3/8-16,YZ	8
25	87564GT	BOLT,CARRIAGE,3/8-16 X 2.00,G2	8



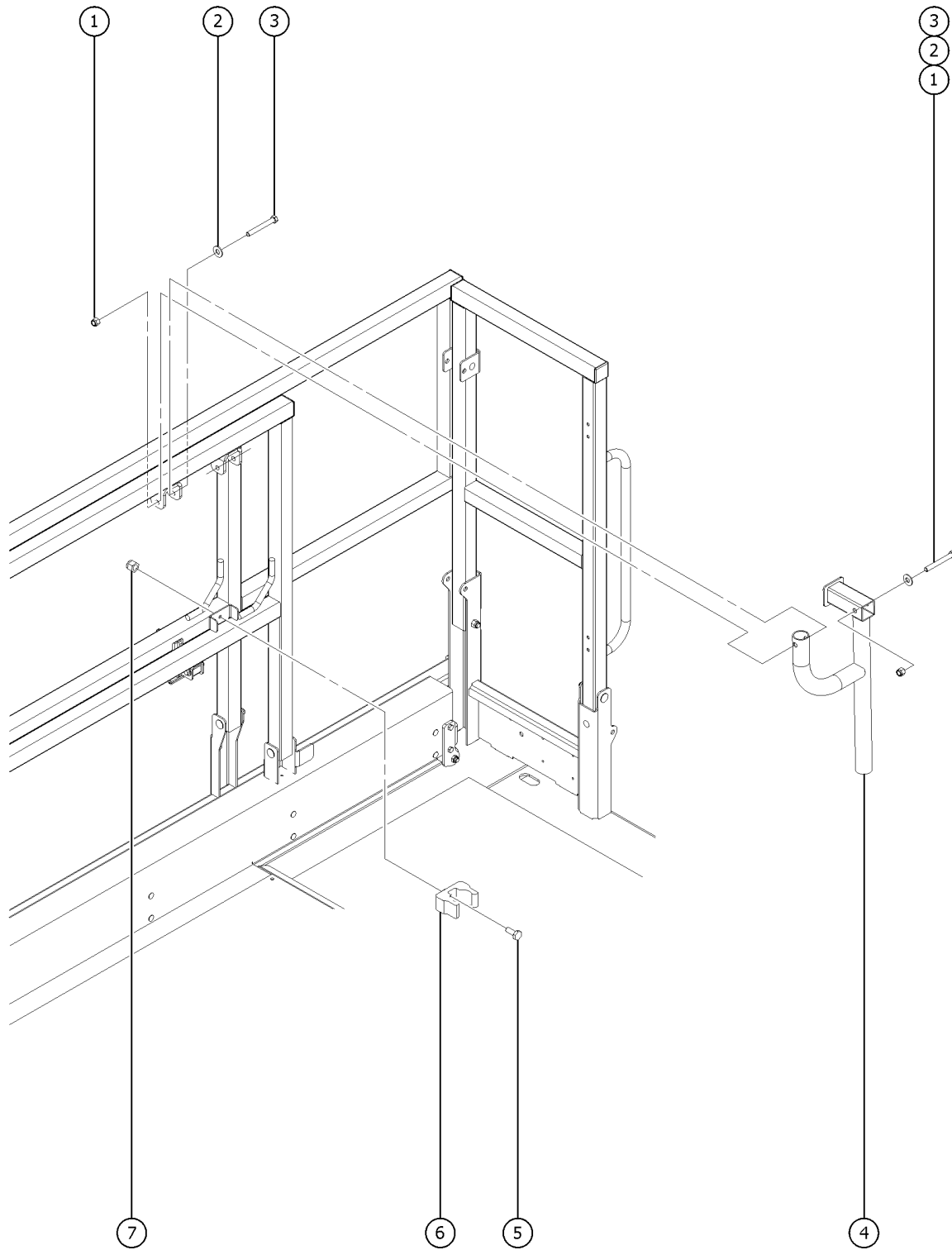
606.1 Platform Extension



<i>Item</i>	<i>Part No.</i>	<i>Description</i>	<i>Qty.</i>
26	131751GT	EXTRUSION,ALUM,V-ROLLER TRK	2
27	87645GT	BOLT,CARRIAGE,1/4-20 X .63,G2	28
28	6889GT	NUT,LP NYLOCK,1/4-20	28
29	55517GT	HINGE, GSRT90 BOX	2
30	131735GT	WELDMENT,EXT.DECK,GS69	1
31	235099GT	PLAT EXT DECK RAIL ASSY,END,SY	1
31-	131742GT	WELDMENT,EXT DECK RAIL,END (decals not included, refer to section 100)	1
32	6638GT	WASHER,FLAT,USS,1/4"Y	4
33	47478GT	BUMPER,RUBBER, 1"OD X .461 H	6
34	66030GT	PIN, WIRE LOCK 3/8 X 2 -1/2	4
35	24514GT	BOX,INSTRUCTION STORAGE	1



607.1 Platform Extension Deck Lock

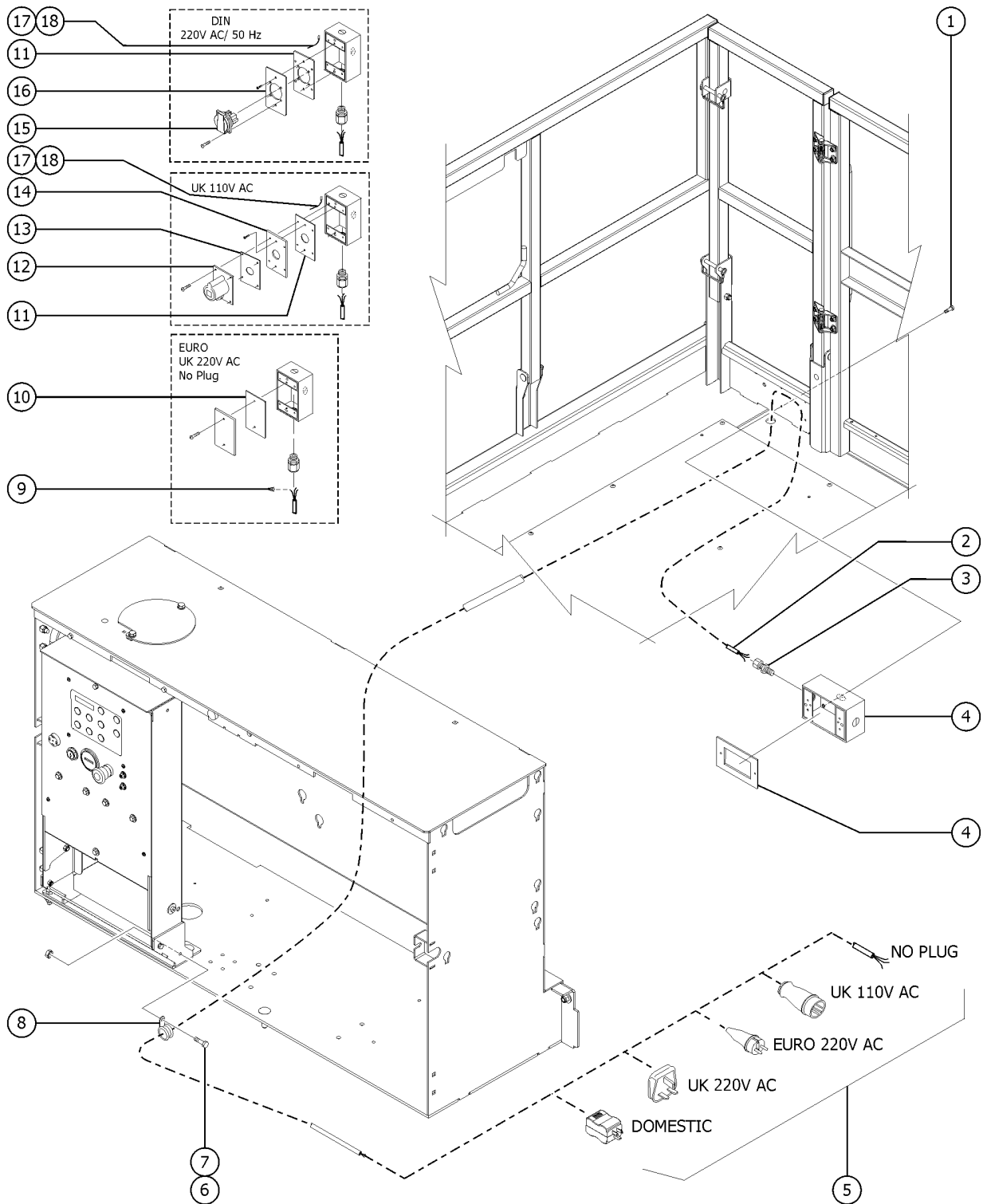


607.1 Platform Extension Deck Lock

<i>Item</i>	<i>Part No.</i>	<i>Description</i>	<i>Qty.</i>
1	4828GT	NUT,NYLOCK,3/8-16	4
2	6097GT	WASHER,FLAT,USS,3/8",Y	4
3	6326GT	SCREW,HHC,3/8-16 X 3	4
4	148422GT	WLDMT,EXT DECK HANDLE,R	1
4B	T108039GT	WLDMT,EXT DECK HANDLE,L (left side)	1
5	8914GT	SCREW,HHC,1/4-20 X .625	2
6	T108074GT	UHMW,EXT LATCH ARM CATCH	2
7	6889GT	NUT,LP NYLOCK,1/4-20	2

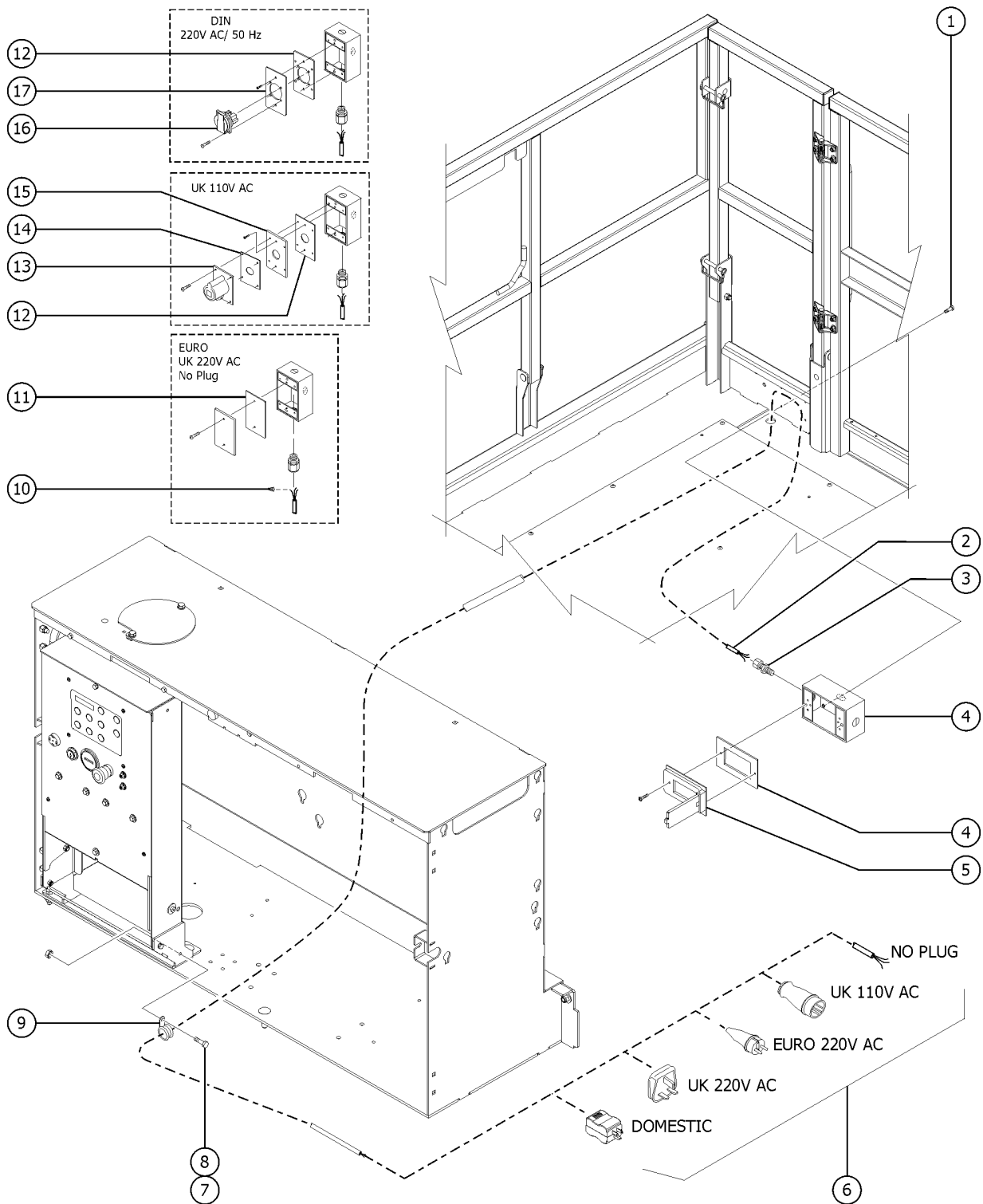


608.1 Power to Platform, GS-2669



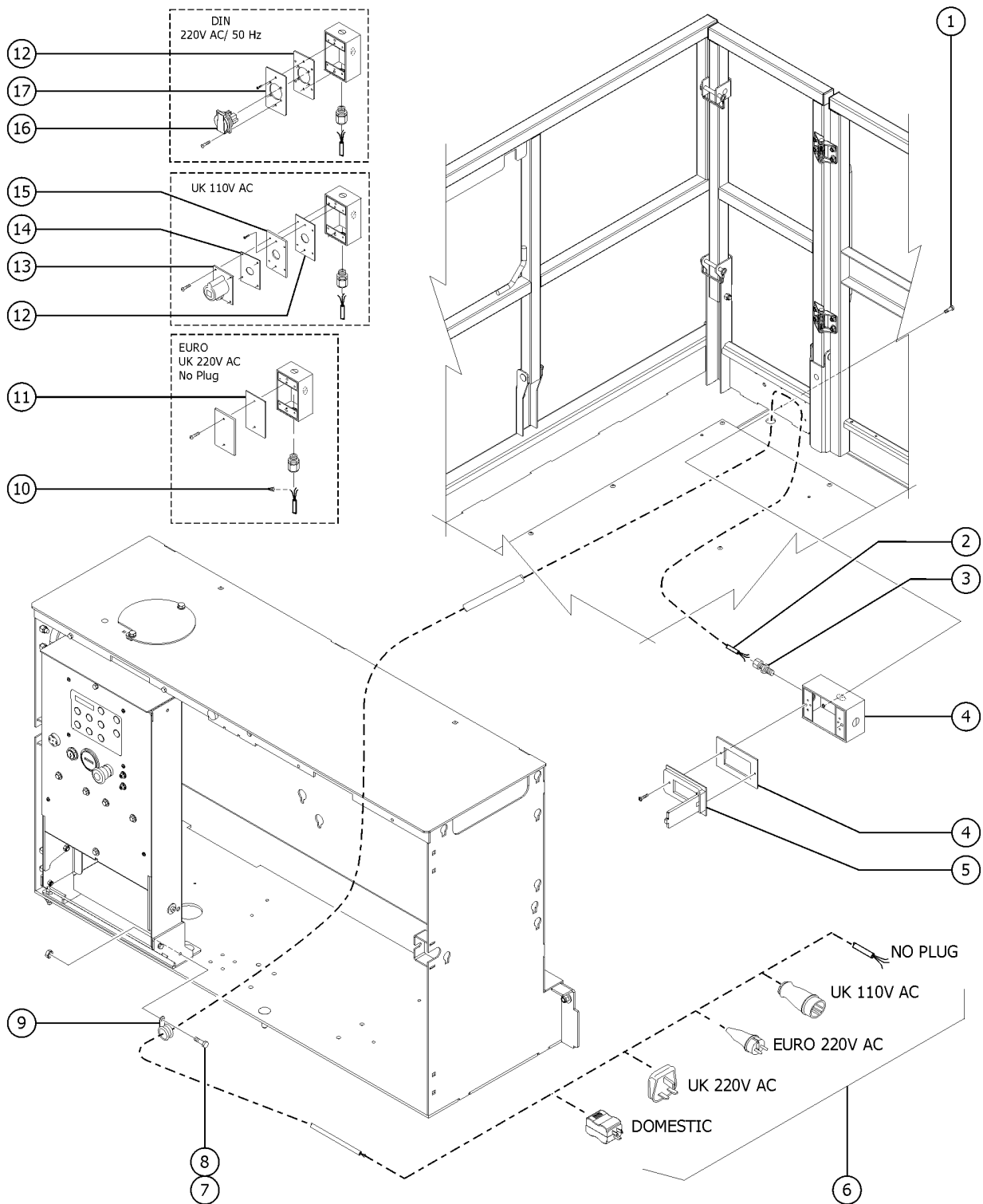
Item	Part No.	Description	Qty.
--	33724GT	KIT,GASKET,UK POWER TO PLAT (includes items 14 and 16)	
--	1309421GT	CABLE, POWER TO PLAT, GS2669 (includes item 2A)	
1	112772GT	SCREW,PHM,8-32X.438	
2	43956GT	WIRE CABLE,14/3 CON.TPE JKT* GS-2669	624
3	7056GT	CONN,SQUEEZE,1/2NPT .38-.50,SM	
4	10775GT	T-BOX, 2.75 x 4.5 x 2.0	1
5	6595GT	PLUG,ELECTRICAL,DOMESTIC	1
5-	1280665GT	PLUG, TYPE F, 230A, 50HZ, 16A, IP44	
5-	144161GT	PLUG,PWR,UK,16AMP,3PIN,BLK	
5-	25388GT	PLUG,FUSED,250V,13AMP,U.K.**	
5-		FUSE,13 AMP,220V PLUG (component no longer available for plug 25388) refer to BS1362 BUSS TDC180-13A	
5-		NO PLUG Ref. No Plug - Consult Factory	
6	6090GT	SCREW,HHC,1/4-20 X .75	
7	6091GT	NUT,NYLOCK,1/4-20	
8	45470GT	CLAMP,0.31,#5 X 1/4,RUB CUSH	1
9	6626GT	WIRE CAP,ORANGE	3
10	10777GT	COVER,BLANK (includes mounting fasteners)	1
11	66355GT	GASKET, UK & DIN PWR. TO PLAT	1
12	T112560GT	RECEPTACLE,UK,110V	
13	66356GT	GASKET, UK RECEPTACLE	1
14	33629GT	PLATE,UK POWER TO PLATFORM	1
15	66353GT	RECEPTACLE, DIN, 220V 50A	1
16	96236GT	PLATE,AC ADAPTER,DIN/UK***	1
17	55089GT	WIRE,14 GA,GREEN/YELLOW,THHN**	6
18	13597GT	TERMINAL,#10 RING,BLUE	1

608.2 Power to Platform, GS-3369



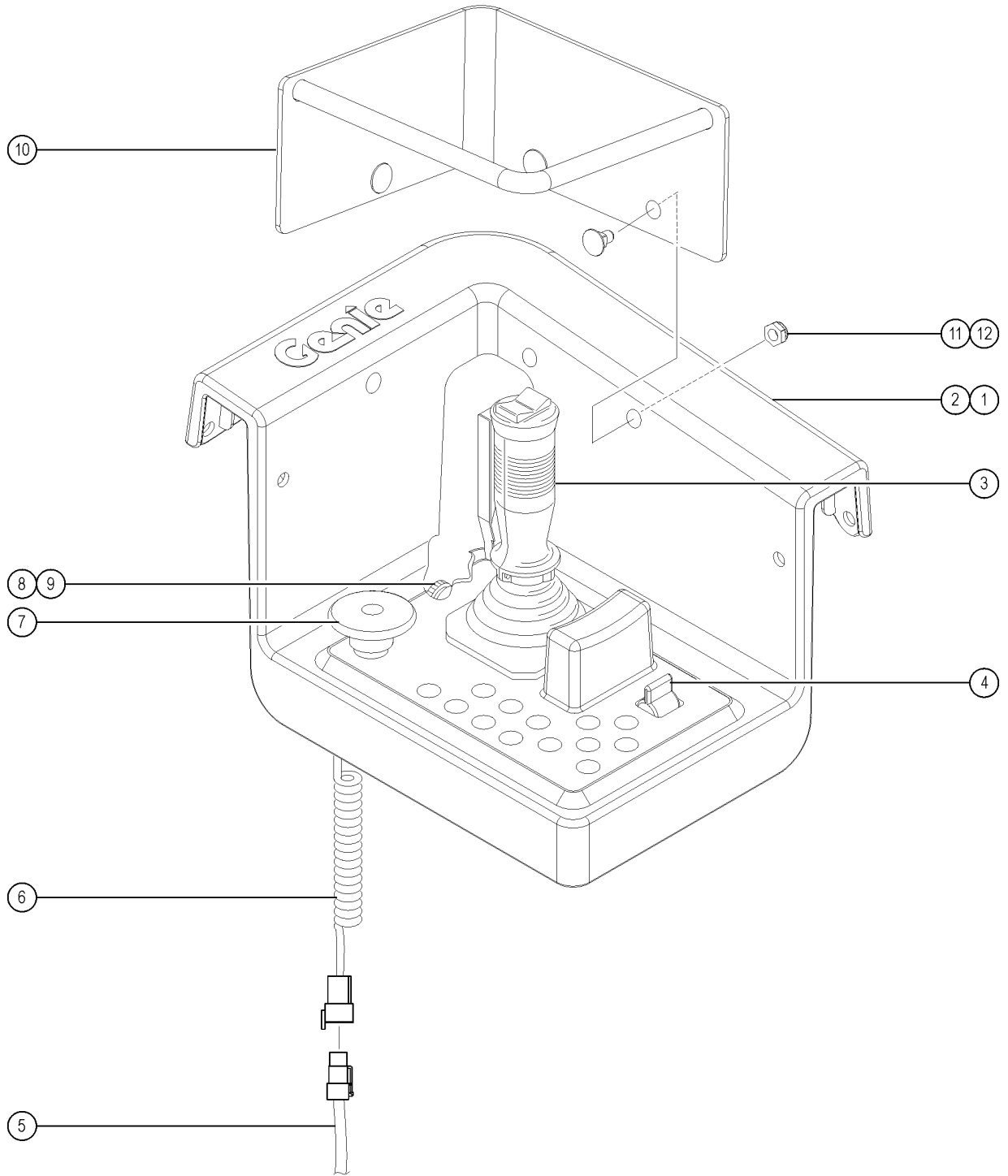
Item	Part No.	Description	Qty.
--	33724GT	KIT,GASKET,UK POWER TO PLAT (includes items 14 and 16)	
--	1309422GT	CABLE, POWER TO PLAT, GS3369 (includes item 2B)	
1	112772GT	SCREW,PHM,8-32X.438	
2B	43956GT	WIRE CABLE,14/3 CON.TPE JKT* GS-3369	756
3	7056GT	CONN,SQUEEZE,1/2NPT .38-.50,SM	
4	10775GT	T-BOX, 2.75 x 4.5 x 2.0	1
5	45437GT	COVER,GFCI,WEATHERPROOF	1
6	6595GT	PLUG,ELECTRICAL,DOMESTIC	1
6-	1280665GT	PLUG, TYPE F, 230A, 50HZ, 16A, IP44	
6-	144161GT	PLUG,PWR,UK,16AMP,3PIN,BLK	
6-	25388GT	PLUG,FUSED,250V,13AMP,U.K.**	
6-		FUSE,13 AMP,220V PLUG (component no longer available) refer to BS1362 BUSS TDC180-13A	
6-		NO PLUG Ref. No Plug - Consult Factory	
7	6090GT	SCREW,HHC,1/4-20 X .75	
8	6091GT	NUT,NYLOCK,1/4-20	
9	45470GT	CLAMP,0.31,#5 X 1/4,RUB CUSH	1
10	6626GT	WIRE CAP,ORANGE	3
11	10777GT	COVER,BLANK (includes mounting fasteners)	1
12	66355GT	GASKET, UK & DIN PWR. TO PLAT	1
13	T112560GT	RECEPTACLE,UK,110V	1
14	66356GT	GASKET, UK RECEPTACLE	1
15	33629GT	PLATE,UK POWER TO PLATFORM	1
16	66353GT	RECEPTACLE, DIN, 220V 50A	1
17	96236GT	PLATE,AC ADAPTER,DIN/UK***	1

608.3 Power to Platform, GS-4069



Item	Part No.	Description	Qty.
--	33724GT	KIT,GASKET,UK POWER TO PLAT (includes items 14 and 16)	
--	1309423GT	CABLE, POWER TO PLAT, GS4069 (includes item 2C)	1
1	112772GT	SCREW,PHM,8-32X.438	
2C	43956GT	WIRE CABLE,14/3 CON.TPE JKT* GS-4069	950
3	7056GT	CONN,SQUEEZE,1/2NPT .38-.50,SM	
4	10775GT	T-BOX, 2.75 x 4.5 x 2.0	1
5	45437GT	COVER,GFCI,WEATHERPROOF	1
6	6595GT	PLUG,ELECTRICAL,DOMESTIC	1
6-	1280665GT	PLUG, TYPE F, 230A, 50HZ, 16A, IP44	
6-	144161GT	PLUG,PWR,UK,16AMP,3PIN,BLK	
6-	25388GT	PLUG,FUSED,250V,13AMP,U.K.**	
6-		FUSE,13 AMP,220V PLUG (component no longer available) refer to BS1362 BUSS TDC180-13A	
6-		No Plug Ref. No Plug - Consult Factory	
7	6090GT	SCREW,HHC,1/4-20 X .75	
8	6091GT	NUT,NYLOCK,1/4-20	
9	45470GT	CLAMP,0.31,#5 X 1/4,RUB CUSH	1
10	6626GT	WIRE CAP,ORANGE	3
11	10777GT	COVER,BLANK (includes mounting fasteners)	1
12	66355GT	GASKET, UK & DIN PWR. TO PLAT	1
13	T112560GT	RECEPTACLE,UK,110V	1
14	66356GT	GASKET, UK RECEPTACLE	1
15	33629GT	PLATE,UK POWER TO PLATFORM	1
16	66353GT	RECEPTACLE, DIN, 220V 50A	1
17	96236GT	PLATE,AC ADAPTER,DIN/UK***	1

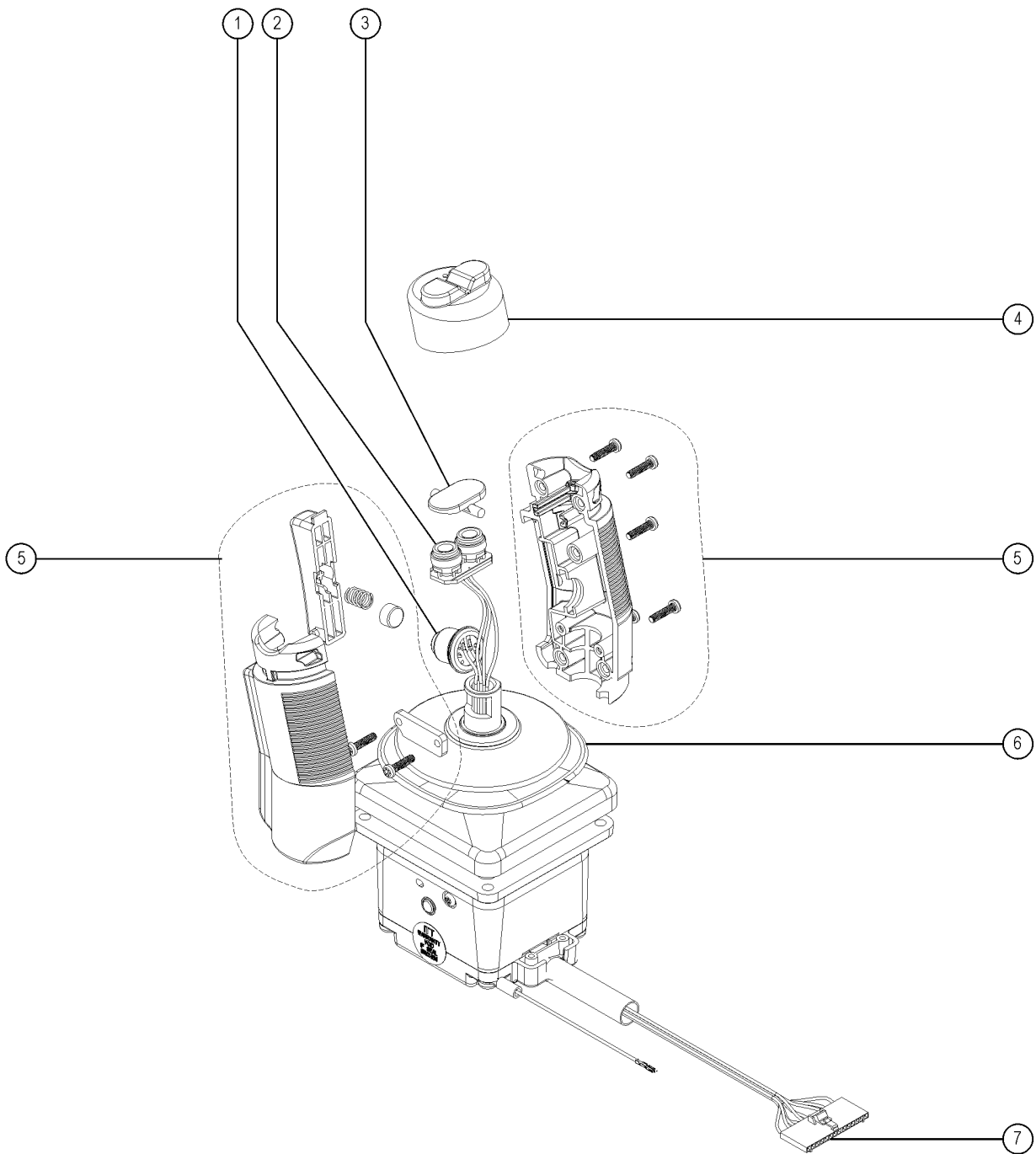
609.1 Platform Controls



Item	Part No.	Description	Qty.
-	231083GT	PLAT.CONTROL BOX.GS69 GEN.2*** Complete	
-	230808GT	DECAL,PLAT CONTROL PANEL GS69	
-	99163GT	PCB,RT PLATFORM CONTROLS***	
-	105662GT	CLEAR SWITCH ACTUATOR	
-	T108044GT	CLEAR SWITCH ACTUATOR(QTY 10)	
1	87566GT	HOUSING,RT PLATFORM CONTROLS** (top)	1
2	87567GT	COVER,RT PLATFORM CONTROLS*** (bottom)	1
3		Ref. Joystick Controller (refer to 609.1)	
4	99164GT	ANALOG ROCKER ASSEMBLY***	1
5		Ref. Control Cable Assembly (refer to 408.1)	
6	144065GT	KIT,GEN 5 COIL CORD (kit, includes connector, coil cord, instructions, dielectric grease and cable tie; see below)	1
7	66812GT	E-STOP BUTTON	1
7-	66817GT	BASE WITH 1 NC CONTACT, E-STOP	
7-	66818GT	CONTACT,NC	
8	62164GT	ALARM ASSY,12VDC,ITT,4 PIN**** 72326 nut included	1
9	72326GT	NUT,PLASTIC,RING FOR ALARMS	1
10	823341GT	KIT, PLAT CTRL GUARD RT includes items 11 and 12	1
10-	825187GT	WELDMENT, PLT CTRL GUARD	1
11	1260963GT	BOLT,CARRIAGE,1/4-20X.63,5,ZAG	3
12	1277924GT	NUT,NYLOCK FLG,1/4-20,F,ZAG	3



610.1 Platform Controls Joystick

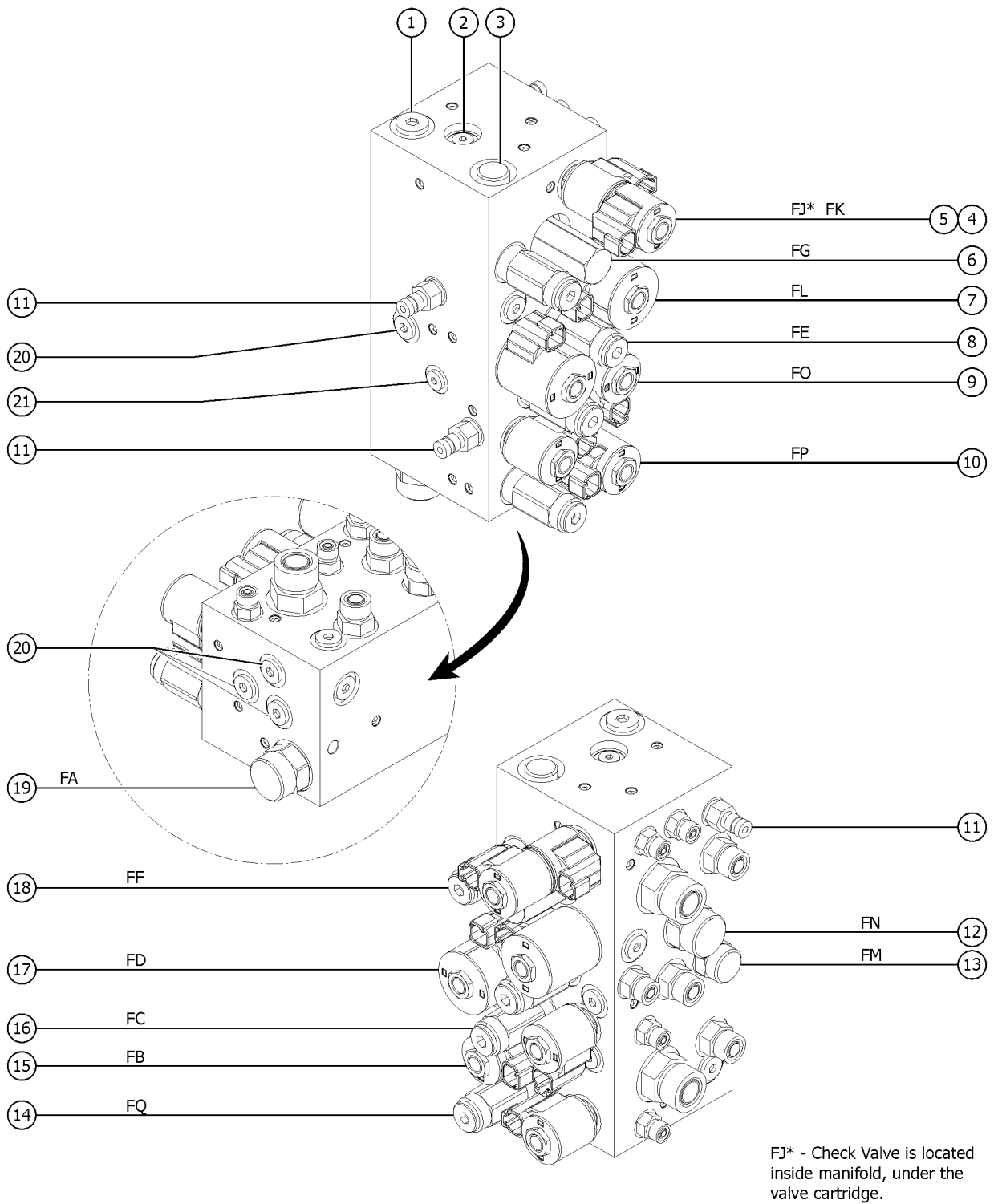


610.1 Platform Controls Joystick

<i>Item</i>	<i>Part No.</i>	<i>Description</i>	<i>Qty.</i>
A-	78903GT	JOYSTICK,SINGL AXIS,HALL,SLAB* OEM Joystick	
B-	78903HGT	JOYSTICK,SINGL AXIS,POT,SLAB aftermarket joystick	
1	105171GT	KIT,JOYSTICK ENABLE SWITCH	1
2	105108GT	STEER SWITCH REPAIR KIT***	1
3	105109GT	TURN SWITCH ACTUATOR,JOYSTICK**	1
4	97015GT	BOOT,THUMB ROCKER***	1
5	97014GT	JOYSTICK HANDLE SET, COMPLETE	1
6	97013GT	BOOT, JOYSTICK~	1
7	105172GT	KIT, PLATFORM PC RECEPT/SOC	1



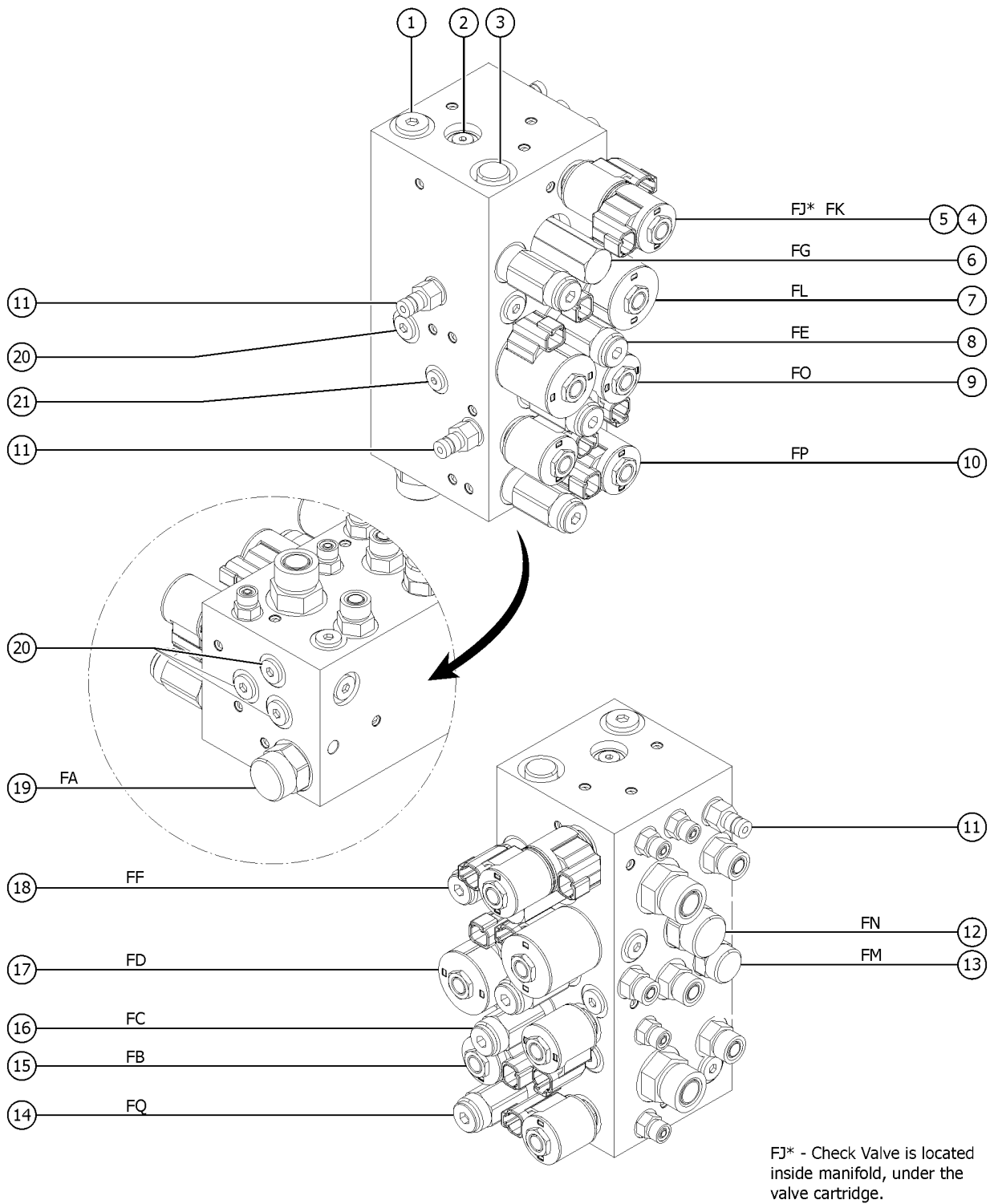
701.1 Function Manifold



Item	Part No.	Description	Qty.
--		Use the letter callouts to cross-reference with the Service Manual.	
--	T107408GT	ASSY,FUNCTION MANIFOLD,GS69 (manifold, complete)	
--	49612GT	O-RING KIT (ORFS FITTINGS)	
--	49613GT	PLUG AND CAP KIT-SERVICE,ORFS*	
1	234613GT	PLUG, PORT SAE #8 HEX SOCKET	1
2	52907GT	VALVE-CHECK, #4 SAE, 5 PSI* (FH, Differential sensing circuit)	1
2-	62341GT	SEAL KIT,52907,SIZE 4, 2 WAY	
3	234598GT	REGULATOR, FLOW 2GPM (FI, Controls flow to steer circuit)	1
3-	44228GT	SEAL KIT, VALVE	
4	234600GT	VALVE, SOLENOID, 5W-3P (FK, Steer left / right)	1
4-	230983GT	VITON SEAL KIT, VALVE	
4-	44174GT	NUT-COIL SHORT	
4-	104759GT	COIL,12VDC #8 DTSCH IP69 ECOIL (sold separately)	
4-	97372GT	SPACER, COIL	
5	234599GT	VALVE, CHECK, DROP IN (FJ, Steer circuit)	1
6	234602GT	VALVE, DIRECTIONAL, P-COMP (FG, Proportional valve circuit)	
6-	234601GT	KIT, SEAL	
7	234603GT	VALVE, ELEC-PROP, 2W NC (FL, Lift / Drive circuit)	
7-	44224GT	SEAL KIT, VALVE	
7-	44174GT	NUT-COIL SHORT	
7-	231092GT	COIL,10VDC #10 DTSCH NO DIODE (sold separately)	
8	52374GT	VALVE,RELIEF,3000PSI,GS68PUMP1 (FE, Lift circuit)	
8-	44227GT	SEAL KIT, VALVE	
9	62815GT	VALVE,SOLENOID,2POS 3 WAY*** (FO, Oscillate right)	1
9-	52371GT	SEAL KIT, VALVE	
9-	44174GT	NUT-COIL SHORT	
9-	104759GT	COIL,12VDC #8 DTSCH IP69 ECOIL (sold separately)	
10	62815GT	VALVE,SOLENOID,2POS 3 WAY*** (FP, Oscillate left)	1



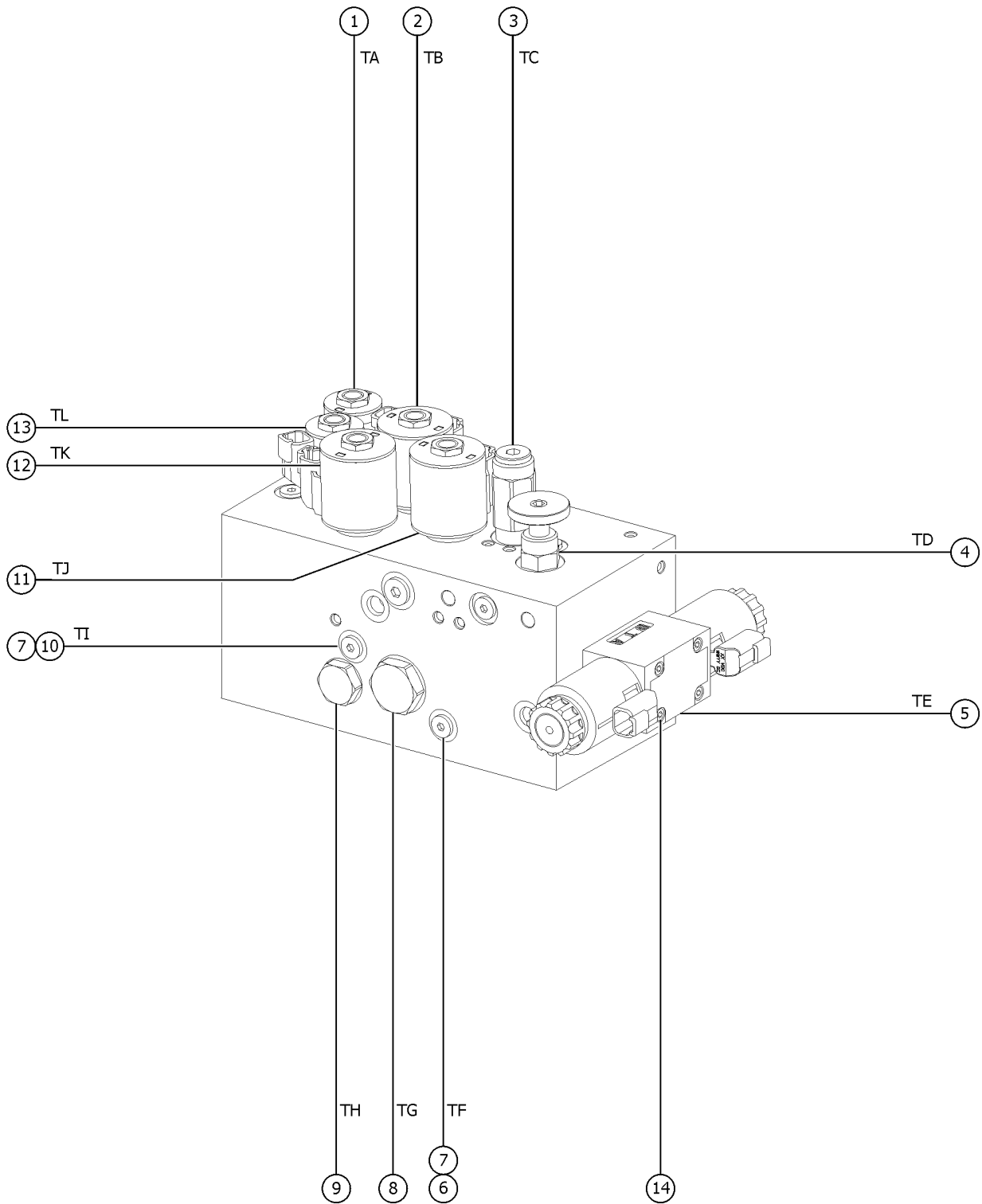
701.1 Function Manifold



Item	Part No.	Description	Qty.
10-	52371GT	SEAL KIT, VALVE	
10-	44174GT	NUT-COIL SHORT	
10-	104759GT	COIL,12VDC #8 DTSCH IP69 ECOIL	
		(sold separately)	
11	48997GT	NIPPLE,DIAGNOSTIC,#4 PORT	
		(testing port)	
11-	20224GT	DIAGNOSTIC FEMALE Q-DSCNT	
		(pressure guage not included)	
11-	48880GT	CAP,DIAGNOSTIC NIPPLE	
12	234605GT	VALVE, FLOW CONTROL, P-COMP	1
		(FN, Lift / Drive Circuit)	
12-	234604GT	KIT, SEAL	
13	234606GT	REGULATOR, FLOW, 6GPM	1
		(FM, Meters flow to functions)	
13-	52378GT	SEAL KIT,SOLENOID(52377)	
14	234607GT	VALVE, PRESS. CNTRL 15GPM	1
		(FQ, Oscillate circuit)	
14-	62337GT	SEAL KIT, VALVE	
15	52902GT	VALVE-SOLENOID,2POS/2WAY	1
		(FB, Oscillate float)	
15-	44228GT	SEAL KIT, VALVE	
15-	44174GT	NUT-COIL SHORT	
15-	104759GT	COIL,12VDC #8 DTSCH IP69 ECOIL	
		(sold separately)	
16	234608GT	VALVE, RELIEF, 3300 PSI	1
		(FC, Oscillate circuit)	
16-	44227GT	SEAL KIT, VALVE	
17	234609GT	VALVE, SOLENOID 3W-2P	1
		(FD, Platform up)	
17-	62337GT	SEAL KIT, VALVE	
17-	44174GT	NUT-COIL SHORT	
17-	231092GT	COIL,10VDC #10 DTSCH NO DIODE	
		(sold separately)	
18	115206GT	RELIEF VALVE	1
		(FF, System relief)	
18-	44224GT	SEAL KIT, VALVE	
19	234610GT	REGULATOR, FLOW, 25GPM	1
		(FA, Oscillate circuit)	
19-	62339GT	SEAL KIT,62329,SIZE 12, 3 WAY	
20	234611GT	PLUG, PORT SAE#6 HX SOCK.	10
21	234612GT	PLUG, PORT SAE#4 HX SOCK.	1



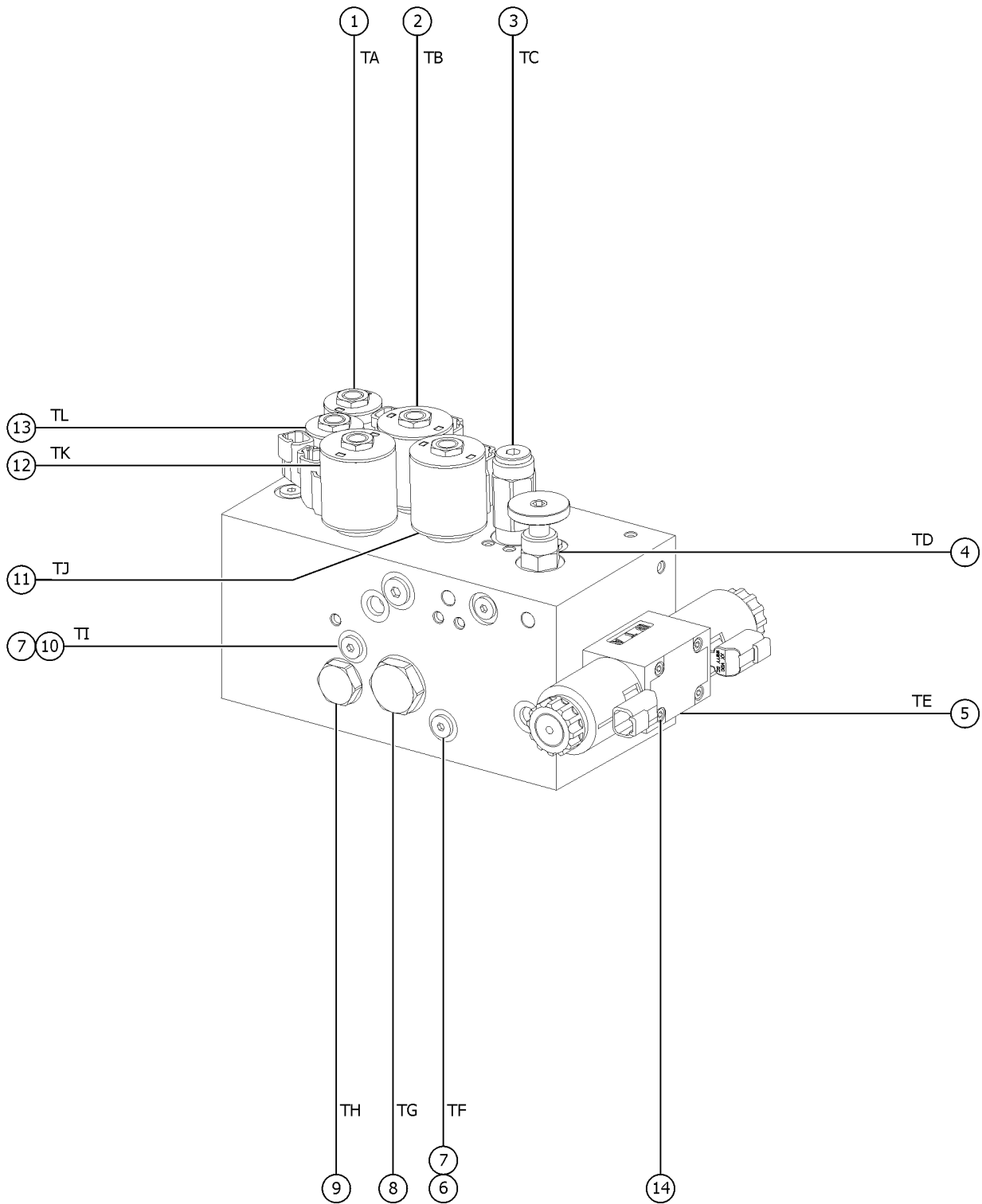
702.1 Traction Manifold, View 1



Item	Part No.	Description	Qty.
--		Use the letter callouts to cross-reference with the Service Manual.	
--	T113085GT	ASSY, TRACTION MANIFOLD, GS69 (manifold, complete)	
1	52897GT	VALVE, SOLENOID, 2POS/3WAY*** (TA, Brake release)	1
1-	52371GT	SEAL KIT, VALVE	
1-	104759GT	COIL, 12VDC #8 DTSCH IP69 ECOIL	
1-	44174GT	NUT-COIL SHORT	
2	234769GT	VALVE, SOLENOID, 4W-2P (TB, Steer end drive motor circuit)	1
2-	44230GT	SEAL KIT-P.N.44169,44172,44171	
2-	104760GT	COIL, 12VDC #10DTSCH IP69 ECOIL	
2-	44174GT	NUT-COIL SHORT	
3	234770GT	VALVE, RELIEF, BI-DIR 8GPM (TC, Drive pressure circuit)	1
3-	52371GT	SEAL KIT, VALVE	
4	234771GT	VALVE, NEEDLE, 10GPM (TD, Enables towing ability)	
4-	44228GT	SEAL KIT, VALVE	
5	97368GT	VLV, SOL, DO3, REXROTH, 3POS 4 WAY (TE, Drive forward / reverse)	1
5-	102395GT	SEAL KIT, REXROTH DO3 VALVE	
5-	104764GT	COIL, 12V D03 ZENER DIODE	
5-	102396GT	NUT-COIL, REXROTH DO3 VALVE	
6	52910GT	ORIFICE PLUG, 0.060 (TF, Equalizes pressure on both sides of flow divider/combiner valve 17)	1
7	234612GT	PLUG, PORT SAE#4 HX SOCK.	2
8	234773GT	VALVE, FLOW DIV/COMB, 75-25 (TG, Controls flow to flow divider / combiner valves 8 and 17)	1
8-	234772GT	KIT, SEAL	
9	234774GT	VALVE, FLOW DIV/COMB, 50-50, 12GPM (TH, Controls flow to steer end drive motors in forward and reverse)	1
9-	44230GT	SEAL KIT-P.N.44169,44172,44171	
10	52910GT	ORIFICE PLUG, 0.060 (TI, Equalizes pressure on both sides of flow divider/combiner valve 8)	1
11	52377GT	VALVE, SOLENOID, 2POS2WY, NCGS68* (TJ, Allows flow to bypass divider/combiner valve 7 in high drive)	1
11-	52378GT	SEAL KIT, SOLENOID(52377)	
11-	104760GT	COIL, 12VDC #10DTSCH IP69 ECOIL	



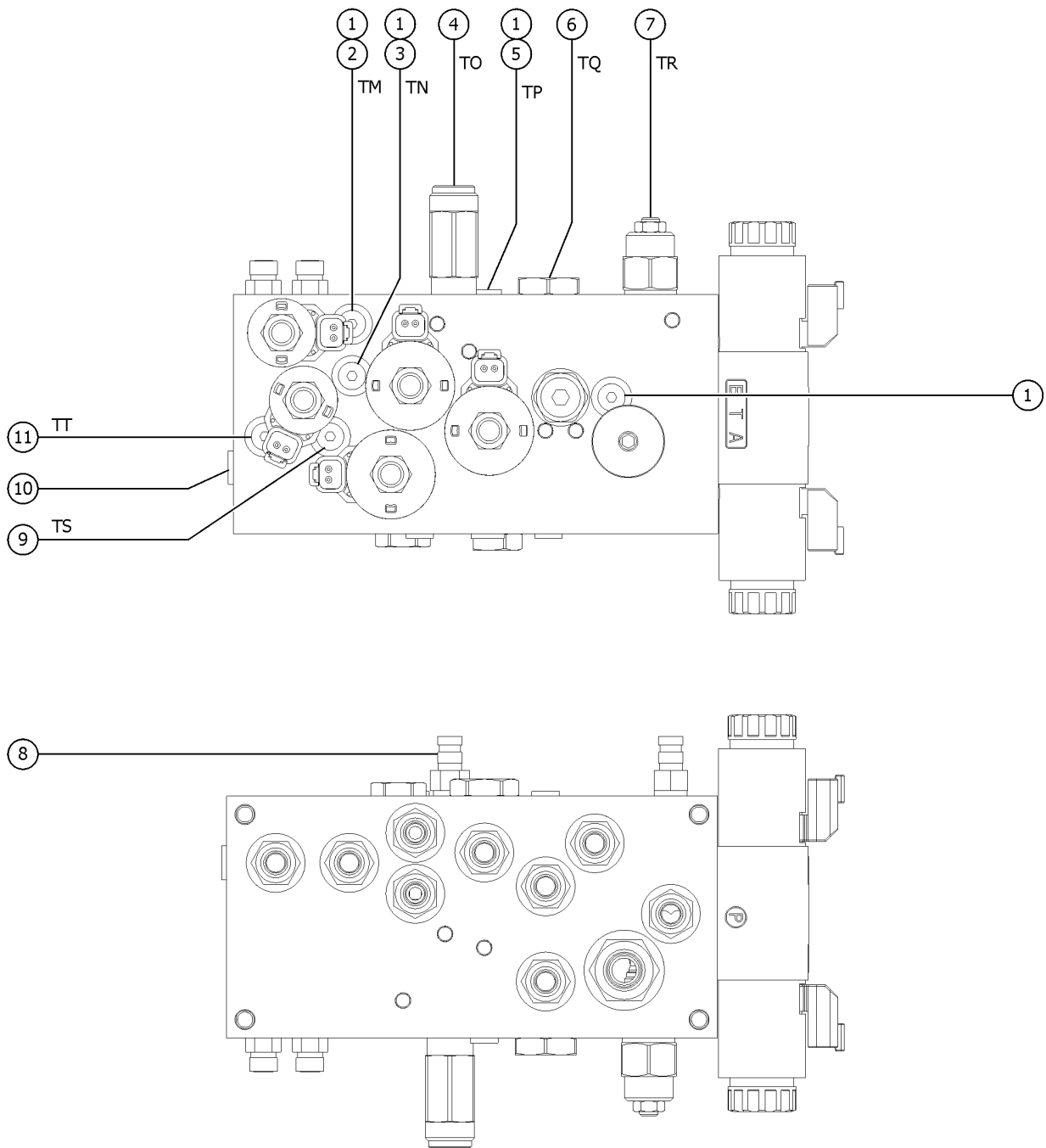
702.1 Traction Manifold, View 1



<i>Item</i>	<i>Part No.</i>	<i>Description</i>	<i>Qty.</i>
11-	44174GT	NUT-COIL SHORT	
12	52377GT	VALVE,SOLENOID,2POS2WY,NCGS68* (TK, Allows flow to loop the steer end motors in high drive)	1
12-	52378GT	SEAL KIT,SOLENOID(52377)	
12-	104760GT	COIL,12VDC #10DTSCH IP69 ECOIL	
12-	44174GT	NUT-COIL SHORT	
13	52897GT	VALVE,SOLENOID, 2POS/3WAY*** (TL, Two speed circuit)	1
13-	52371GT	SEAL KIT, VALVE	
13-	104759GT	COIL,12VDC #8 DTSCH IP69 ECOIL	
13-	44174GT	NUT-COIL SHORT	
14	234777GT	BOLT, D03 MOUNTING	4



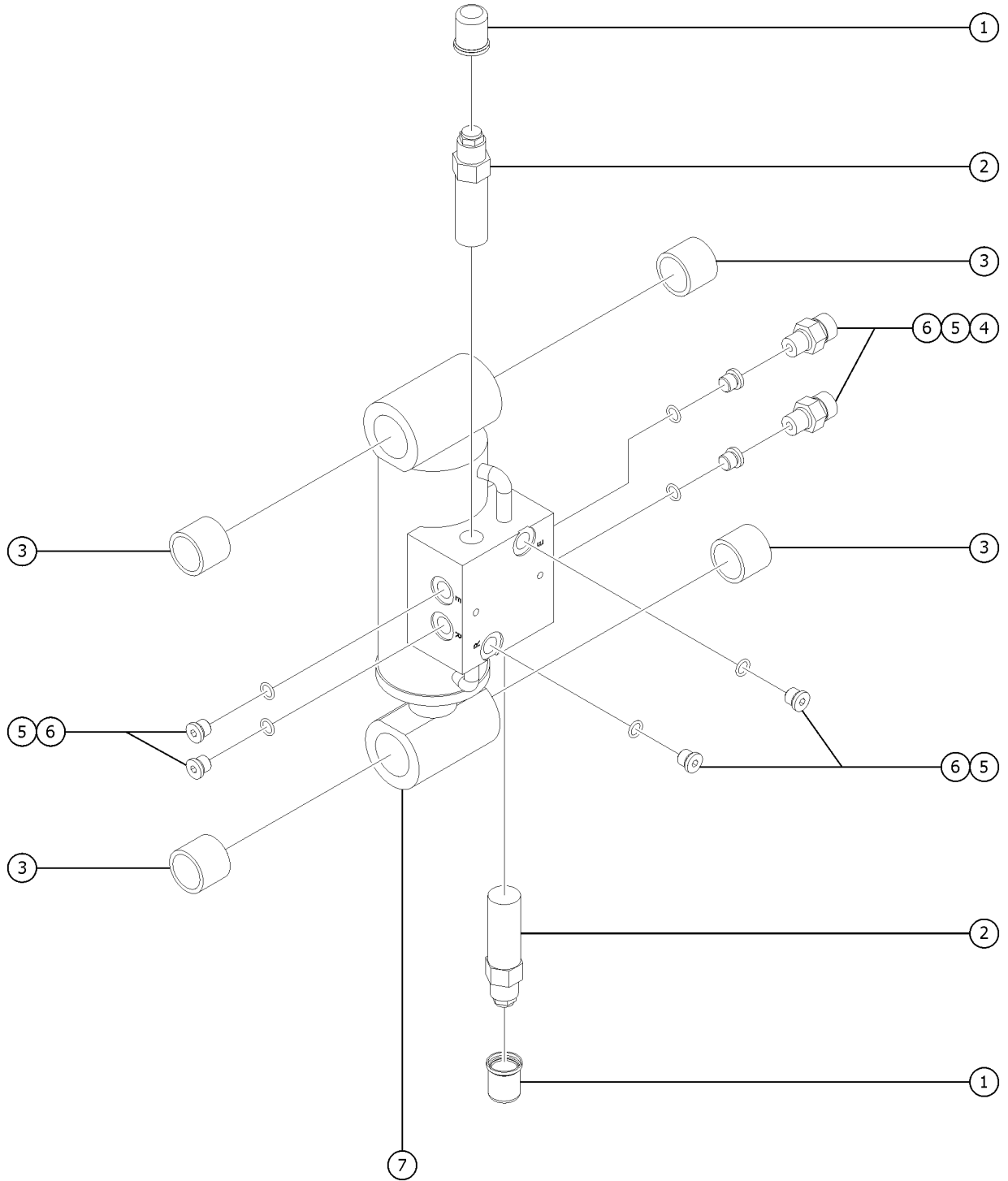
703.1 Traction Manifold, View 2



Item	Part No.	Description	Qty.
-		Use the letter callouts to cross-reference with the Service Manual.	
-		Ref., ASSY, TRACTION MANIFOLD, GS69 (refer to 702.1)	
1	234612GT	PLUG, PORT SAE#4 HX SOCK.	4
2	101067GT	ORIFICE PLUG, 030, 1/16-27 NPT (TM, Brake release)	1
3	101067GT	ORIFICE PLUG, 030, 1/16-27 NPT (TN, Two-speed circuit)	1
4	234775GT	VALVE, PRESS. REDUCING, 250PSI (TO, Two-speed and brake circuit)	1
4-	105695GT	SEAL KIT	
5	62207GT	ORIFICE PLUG, 0.035 (TP, Equalizes pressure on both sides of flow divider/combiner valve 7)	1
6	234776GT	VALVE, FLOW DIV/COMB, 50-50, 24GPM (TQ, Controls flow to non-steer end drive motors in forward and reverse)	1
6-	234772GT	KIT, SEAL	
7	229079GT	VALVE, CV 4.5:1, 3500 PSI (TR, Traction relief)	1
7-	102685GT	SEAL KIT, SUN T-2A CP VALVE	
8	48997GT	NIPPLE, DIAGNOSTIC, #4 PORT (testing port)	1
9	52907GT	VALVE-CHECK, #4 SAE, 5 PSI* (TS, Two-speed circuit)	1
9-	62341GT	SEAL KIT, 52907, SIZE 4, 2 WAY	
10	234611GT	PLUG, PORT SAE#6 HX SOCK.	1
11	52907GT	VALVE-CHECK, #4 SAE, 5 PSI* (TT, Brake circuit)	1
11-	62341GT	SEAL KIT, 52907, SIZE 4, 2 WAY	



704.1 Oscillate Cylinders, All Models

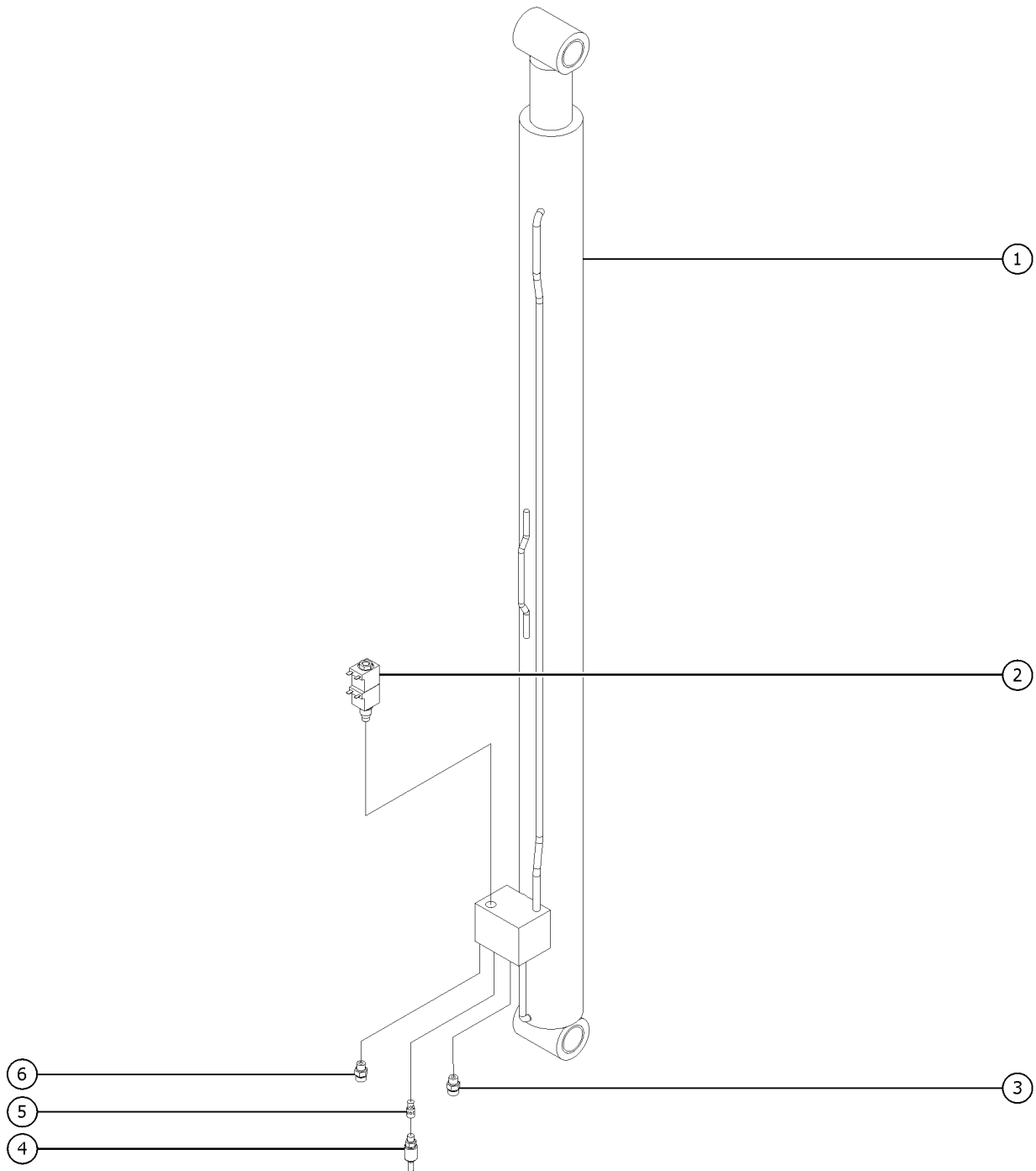


704.1 Oscillate Cylinders, All Models

<i>Item</i>	<i>Part No.</i>	<i>Description</i>	<i>Qty.</i>
1	128085GT	CAP,SERIES 1 CB VALVE,SINGLE**	2
2	115402GT	VALVE,COUNTERBALNCE,3800 PSI	2
3	227492GT	BEARING,1.00IDX1.25ODX1.00L	4
4	48905GT	CONN,520120-4***	2
5	39882GT	PLUG,HEX SOCKET,090109B-4	6
6	53500GT	O-RING-4	6
7	131621GT	CYLINDER,OSCILATING,GS69	1
		(includes items 1, 2, and 5)	
7-	226380GT	SEAL KIT,226380	



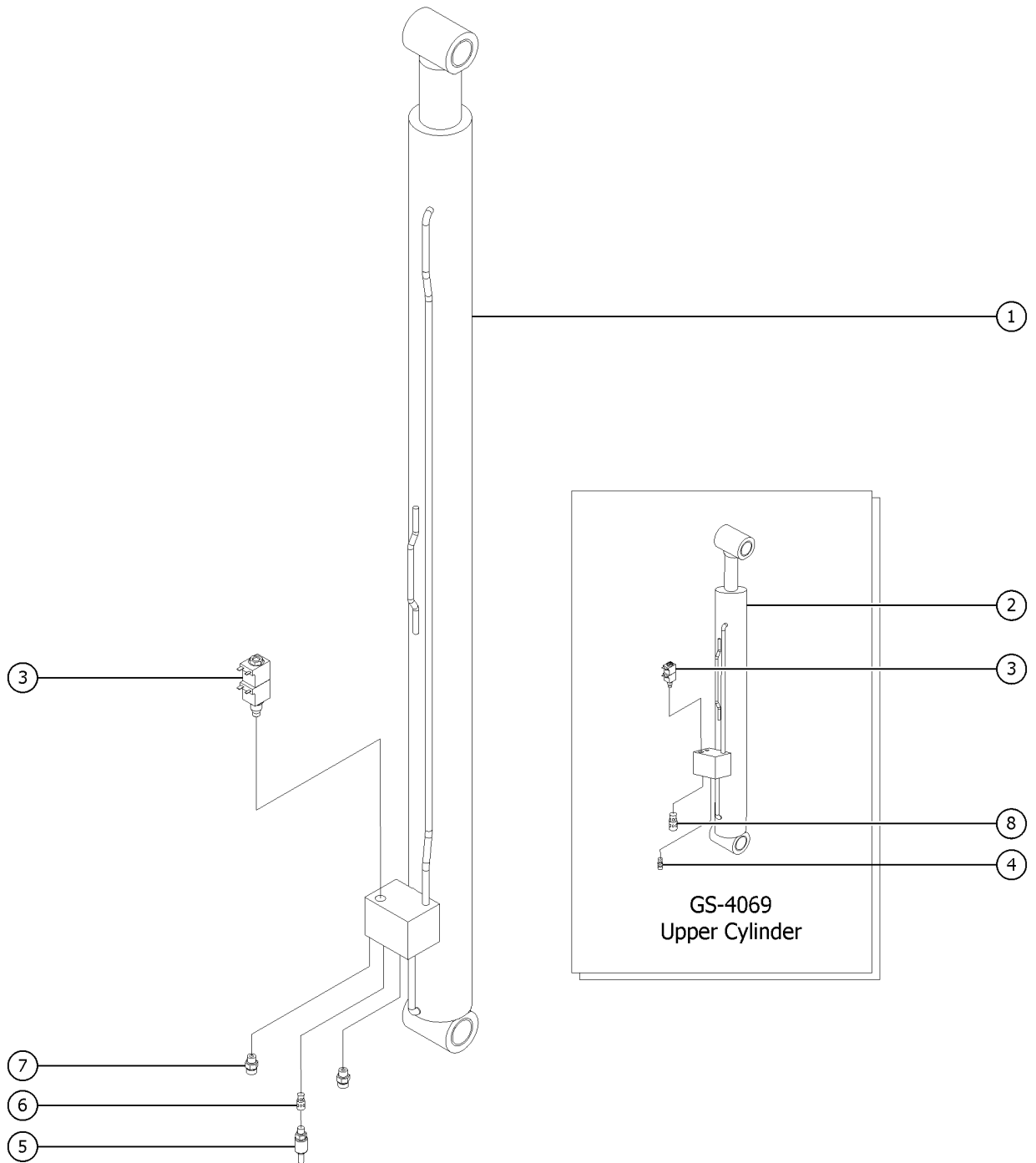
705.1 Lift Cylinders, GS-2669, GS-3369



Item	Part No.	Description	Qty.
1	131920GT	CYLINDER, LIFT, LOWER, GS69	1
1-	226378GT	SEAL KIT,LIFT,LOWER (131920) for 131920	
2	1265332GT	VALVE, NC PROP POPPET, 12VDC (valve assy w/12V coil)	
2-	104759GT	COIL,12VDC #8 DTSCH IP69 ECOIL	
2-	1265367GT	VALVE, NC PROPORTIONAL POPPET for 1265332 (valve only)	
2-	44227GT	SEAL KIT, VALVE	
2-	44973GT	NUT,COIL (39909)	
3	55558GT	ORIFICE,LONG, .037***	1
4	104935GT	SWITCH, PRESSURE,0-3000PSI ADJ (refer to 408.1 for harness assembly)	1
5	214817GT	ORIFICE, LONG, .076"	
6	48916GT	FITTING,CONN,520120-6	1



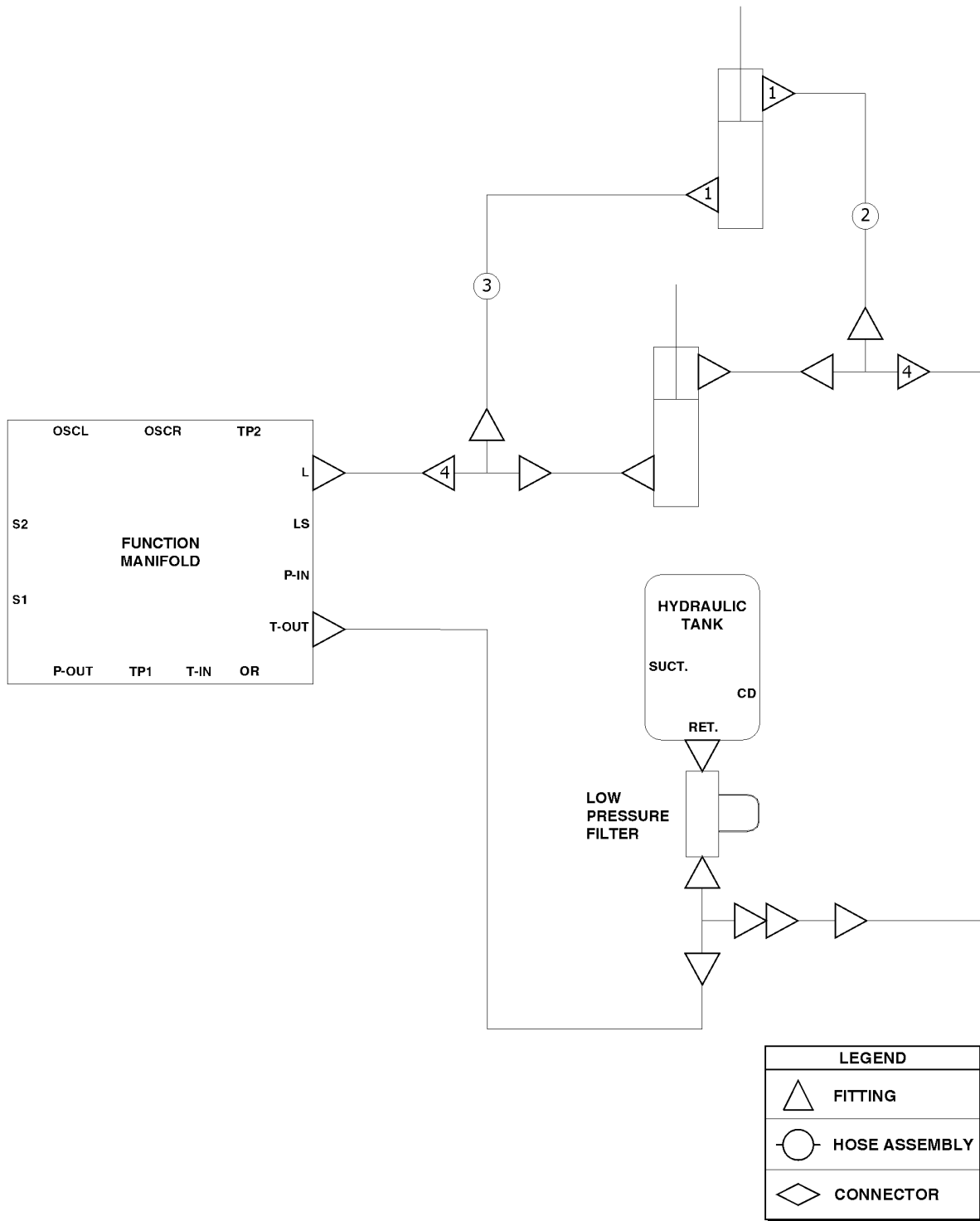
705.2 Lift Cylinders, GS-4069



Item	Part No.	Description	Qty.
1	131920GT	CYLINDER, LIFT, LOWER, GS69	1
1-	226378GT	SEAL KIT, LIFT, LOWER (131920) for 131920	
2	131921GT	CYLINDER, LIFT, UPPER, 4069	1
		GS-4069 RT	
2-	226379GT	SEAL KIT, LIFT, UPPER (131921) (for 131921)	
2-	44227GT	SEAL KIT, VALVE	
		for 97130	
3	1265332GT	VALVE, NC PROP POPPET, 12VDC	
		(valve assy w/single 12V coil)	
3-	1265367GT	VALVE, NC PROPORTIONAL POPPET	
		for 1265332 (valve only)	
3-	104759GT	COIL, 12VDC #8 DTSCH IP69 ECOIL	
		for 1265332	
3-	44973GT	NUT, COIL (39909)	
		for 1265332	
3-	44227GT	SEAL KIT, VALVE	
		for 1265332	
4	55558GT	ORIFICE, LONG, .037***	1
5	104935GT	SWITCH, PRESSURE, 0-3000PSI ADJ	1
		(refer to 408.1 for harness assembly)	
6	214817GT	ORIFICE, LONG, .076"	
7	48916GT	FITTING, CONN, 520120-6	1
8	1309602GT	VALVE, RELIEF, 2500PSI	
		for 131921 (sold separately)	



706.1 Hydraulic Hoses and Fittings, Lift Cylinder, GS-4069 RT

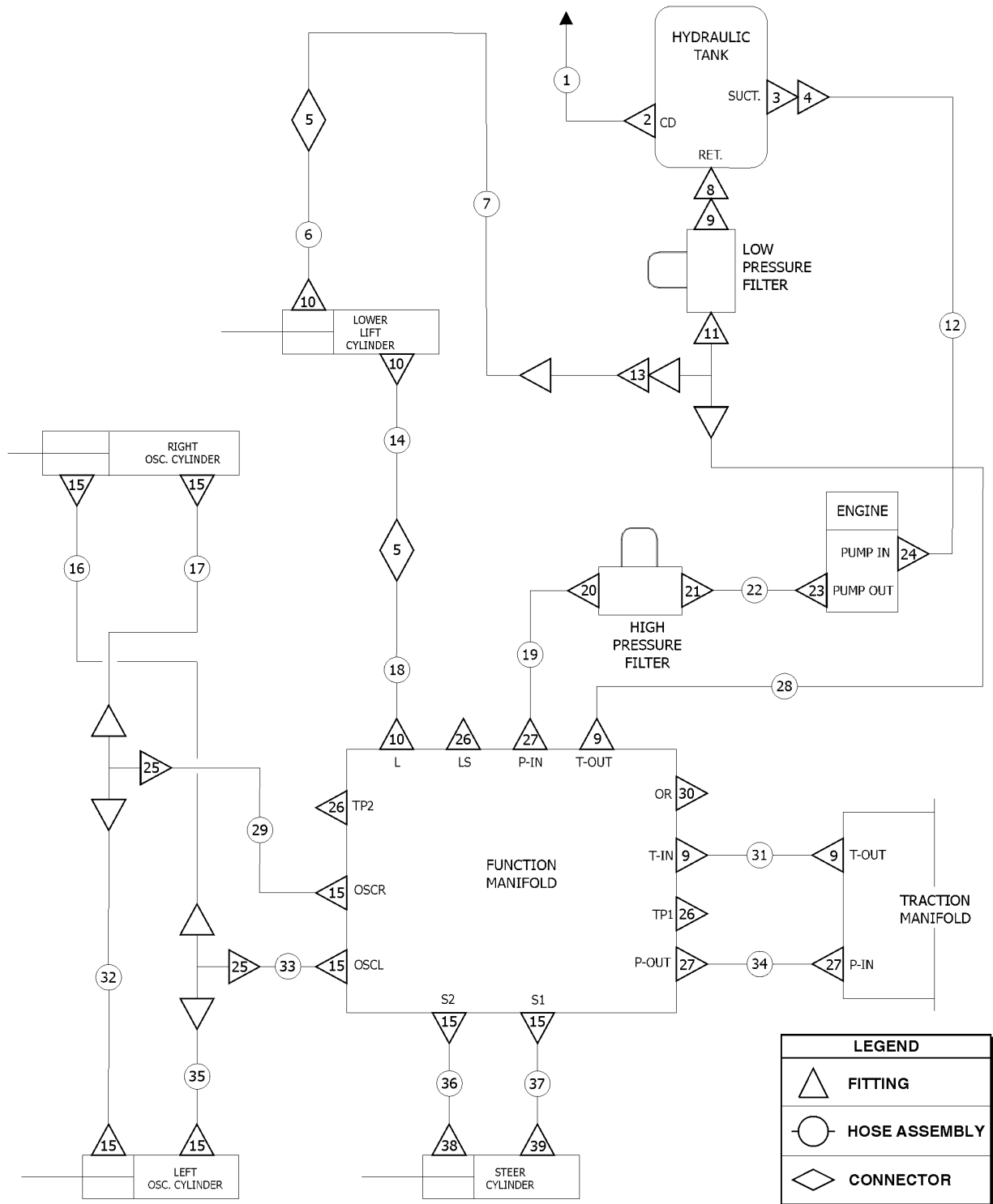


706.1 Hydraulic Hoses and Fittings, Lift Cylinder, GS-4069 RT

<i>Item</i>	<i>Part No.</i>	<i>Description</i>	<i>Qty.</i>
1	48916GT	FITTING,CONN,520120-6	2
2	227479GT	HOSE ASSY,RET(ULCYL)-RET(TEE) (components: 48812, 48816, 48753 @ 410 inches)	1
3	227478GT	HOSE ASSY,PRESS(TEE)-PRESS(ULC (components: 48812, 48816, 56776 @ 410 inches)	1
4	227614GT	TEE, BULKHEAD, RUN, 520120-6	2



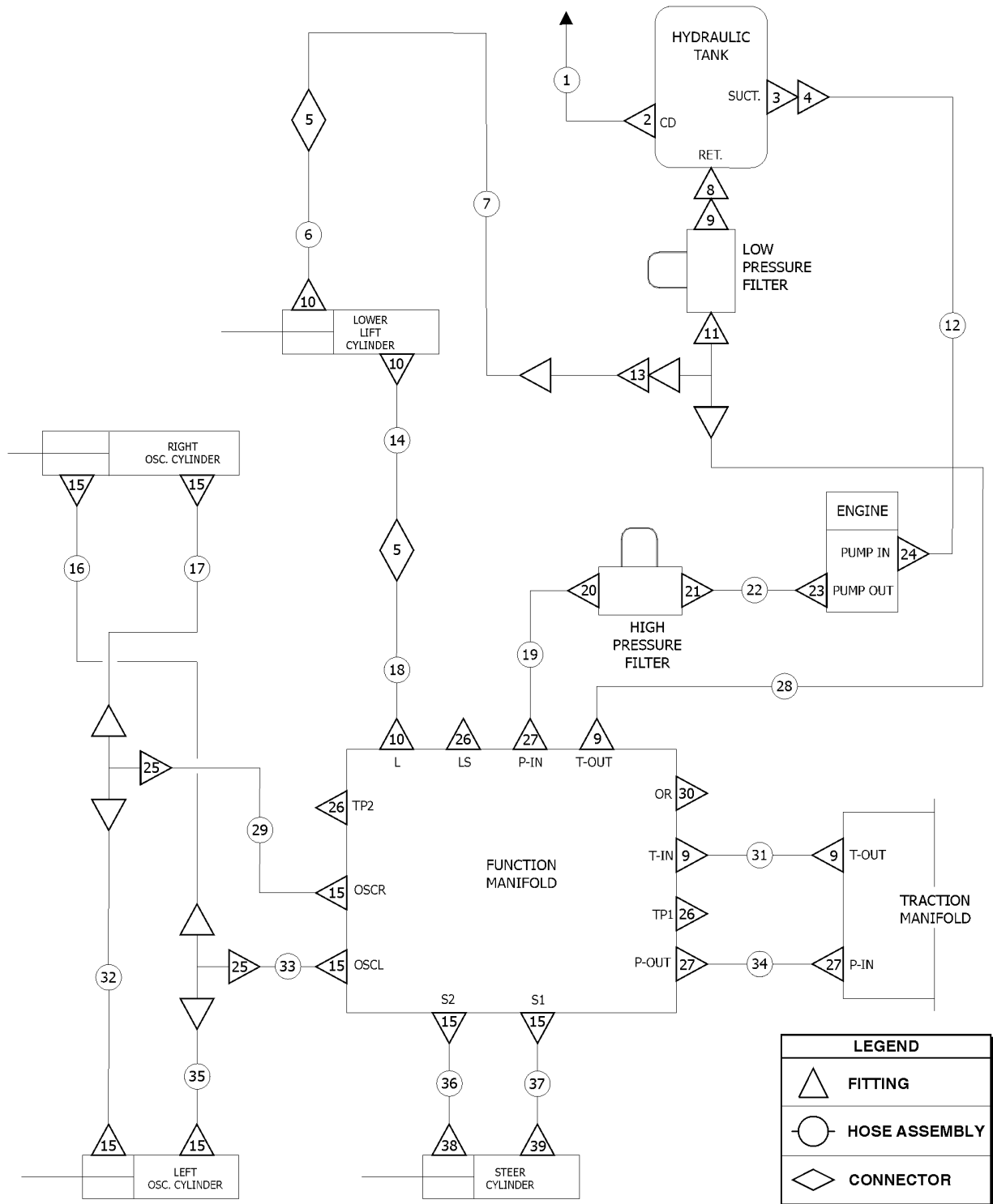
707.1 Hydraulic Hoses and Fittings, View 1



Item	Part No.	Description	Qty.
1	227462GT	HOSE ASSY, CD(TEE)-CD(TANK) (components: 77949, 77949, 75631 @ 72 inches)	1
2	48915GT	ELBOW,90D,520220-6	1
3	147419GT	KIT,STRAINER REPLACEMENT	1
4	229625GT	CONN, LONG, ORFS-ORB, -16-16	1
5	227613GT	UNION,BULKHEAD,ORFS,-6-6	2
6	227473GT	HOSE ASSY,RET(LLCYL)-RET(TEE) (components: 48812, 48812, 48753 @ 128 inches)	1
7	227474GT	HOSE ASSY,RET(TEE)-TANK (components: 48812, 48812, 48753 @ 75 inches)	1
8	229305GT	CONN, FFSS-MORB, 520181-12	1
9	48960GT	CONN,520120-12	3
10	48916GT	FITTING,CONN,520120-6	3
11	48961GT	TEE,RUN,520428-12	1
12	1273617GT	HOSE ASSY, HYD, 90D,90D,PERP (components: 229624, 229624, 48764 @ 48 inches) (diesel only)	1
12B	1273618GT	HOSE ASSY, HYD, 90D,90D,PRLL (components: 229624, 229624, 48764@48 inches) (dual fuel only)	1
13	87033GT	REDUCER,520123-12-6	1
14	227472GT	HOSE ASSY,PRESS(TEE)-PRESS(LLC (components: 48812, 48812, 56776 @ 128 inches)	1
15	48905GT	CONN,520120-4***	8
16	227611GT	HOSE ASSY,OSC(TEE)-E(R.OSC.CYL (components: 48800, 48802, 48751 @ 19.5 inches)	1
17	227612GT	HOSE ASSY,OSC(TEE)-R(R.OSC.CYL (components: 48800, 48802, 48751 @ 19.5 inches)	1
18	227471GT	HOSE ASSY,LIFT(F.MF)-P(TEE) (components: 48812, 48812, 56776 @ 62 inches)	1
19	227477GT	HOSE ASSY,HP FILTER-P.IN(F.MF) (components: 48822, 48826, 56777 @ 65 inches)	1
20	48947GT	ELBOW,90D,520220-8-12	1
21	48948GT	CONN,520120-8-12	1
22	227476GT	HOSE ASSY,OUT(PUMP)-HP FILTER (components: 48822, 48826, 56777 @ 43 inches)	1
23	139877GT	ELBOW,90D,520220-8-10	1
24	48984GT	CONN,520120-16 (Diesel only)	1
24B	48983GT	ELBOW,90D,520220-16 (Dual fuel only)	1
25	48909GT	TEE,BULKHEAD,RUN,520958-4	2
26	48997GT	NIPPLE,DIAGNOSTIC,#4 PORT	3



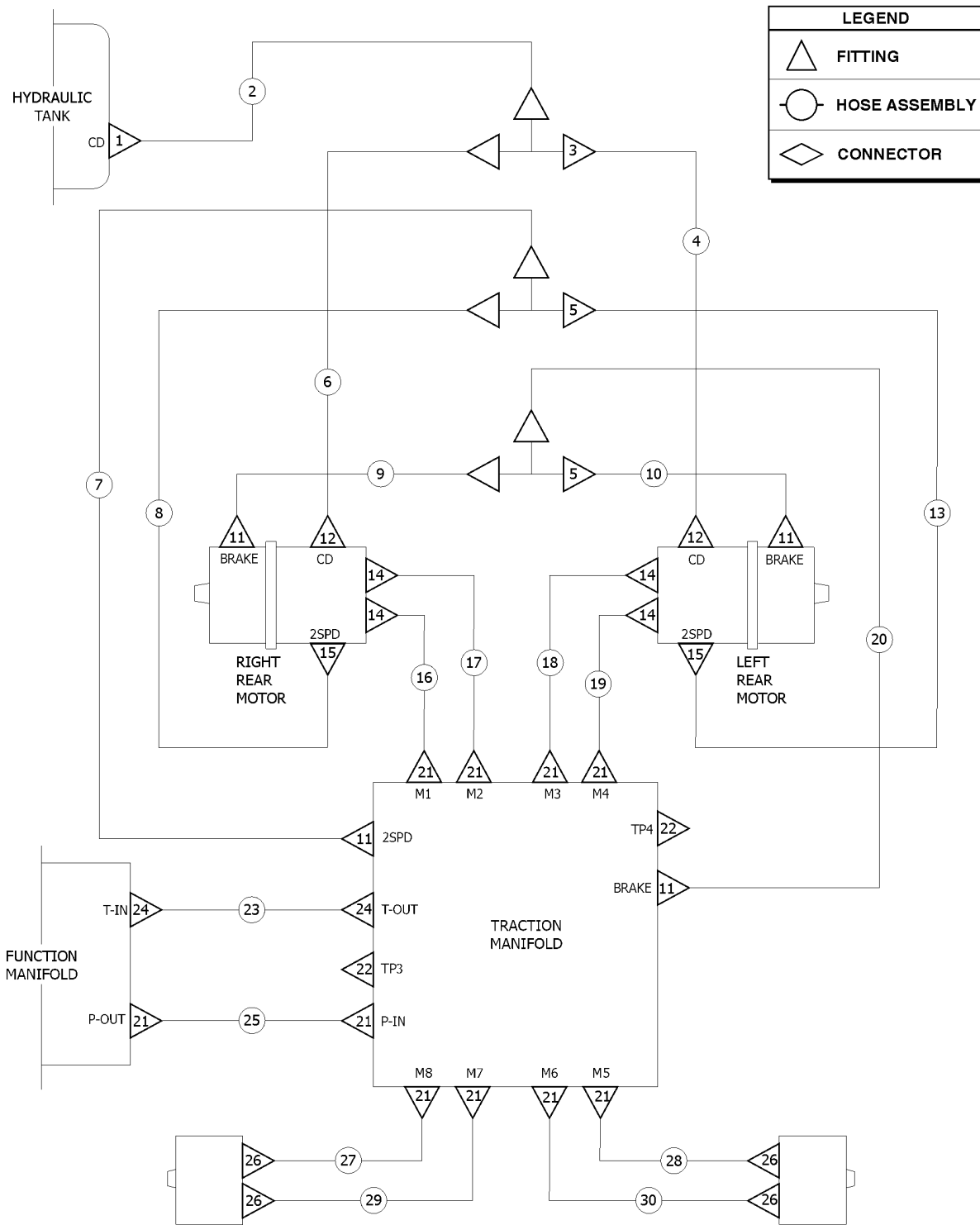
707.1 Hydraulic Hoses and Fittings, View 1



Item	Part No.	Description	Qty.
27	48933GT	CONN,520120-8***	2
28	227470GT	HOSE ASSY,T.OUT(F.MF)-TANK (components: 48809, 56354, 39889 @ 22 inches)	1
29	227609GT	HOSE ASSY,OSCR(F.MF)-OSC(TEE) (components: 48800, 48800, 48751 @ 74 inches)	1
30	48883GT	PLUG,HEX,090109A-8***	1
31	227465GT	HOSE ASSY,T.OUT(T.MF)-T.IN(F.M) (components: 48841, 48841, 48761 @ 24 inches)	1
32	227610GT	HOSE ASSY,OSC(TEE)-R(L.OSC.CYL (components: 48800, 48802, 48751 @ 19.5 inches)	1
33	227468GT	HOSE ASSY,OSC(F.MF)-OSC(TEE) (components: 48800, 48800, 48751 @ 74 inches)	1
34	227464GT	HOSE ASY,P.OUT(F.MF)-P.IN(T.MF) (components: 48822, 48822, 56777 @ 24 inches)	1
35	227469GT	HOSE ASSY,OSC(TEE)-E(L.OSC.CYL (components: 48800, 48802, 48751 @ 19.5 inches)	1
36	227467GT	HOSE ASSY,S2(F.MF)-R(STRCYL) (components: 48800, 48801, 48751 @ 81 inches)	1
37	227466GT	HOSE ASSY,S1(F.MF)-B(STRCYL) (components: 48800, 48801, 48751 @ 74 inches)	1
38	48911GT	ELBOW,90D,520220-4-6***	1
39	48912GT	CONN,520120-4-6***	1



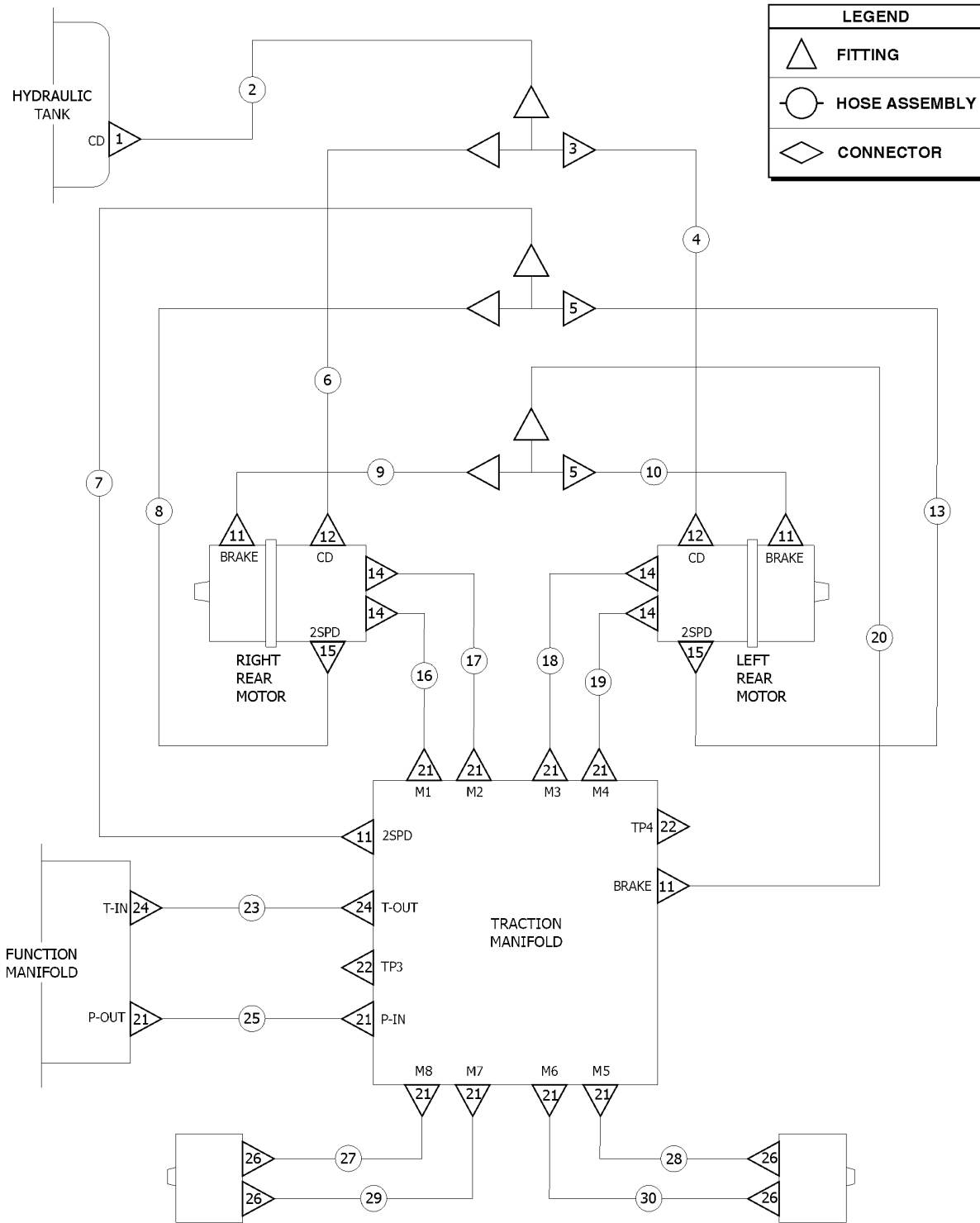
708.1 Hydraulic Hoses and Fittings, View 2



Item	Part No.	Description	Qty.
1	48915GT	ELBOW,90D,520220-6	
2	227462GT	HOSE ASSY, CD(TEE)-CD(TANK) (components: 77949, 77949, 75631 @ 72 inches)	
3	227614GT	TEE, BULKHEAD, RUN, 520120-6	1
4	227463GT	HOSE ASSY, CD(LR.MTR)-CD(TEE) (components: 77949, 77949, 75631 @ 28 inches)	1
5	48909GT	TEE, BULKHEAD, RUN, 520958-4	2
6	227608GT	HOSE ASSY, CD(RR.MTR)-CD(TEE) (components: 77949, 77949, 75631 @ 28 inches)	1
7	227604GT	HOSE ASSY, 2SPD(T.MF)-2SPD(TEE) (components: 48800, 48802, 48751 @ 56 inches)	1
8	227607GT	HOSE ASSY, 2SP(TEE)-2SP(RR.MTR) (components: 48800, 48800, 48751 @ 30 inches)	1
9	227605GT	HOSE ASSY, BRK(TEE)-BRK(RR.MTR) (components: 48800, 48800, 48751 @ 30 inches)	1
10	227461GT	HOSE ASSY, BRK(TEE)-BRK(LR.MTR) (components: 48800, 48800, 48751 @ 30 inches)	1
11	48905GT	CONN, 520120-4***	4
12	48929GT	FITTING, ELBOW, 90D, 520220-6-8	2
13	227606GT	HOSE ASSY, 2SP(TEE)-2SP(LR.MTR) (components: 48800, 48800, 48751 @ 30 inches)	1
14	48947GT	ELBOW, 90D, 520220-8-12	4
15	48912GT	CONN, 520120-4-6***	2
16	227602GT	HOSE ASSY, M1(T.MF)-B(RR.MTR) (components: 48822, 48822, 56777 @ 76 inches)	1
17	227603GT	HOSE ASSY, M2(T.MF)-A(RR.MTR) (components: 48822, 48822, 56777 @ 76 inches)	1
18	227459GT	HOSE ASSY, M3(T.MF)-A(LR.MTR) (components: 48822, 48822, 56777 @ 76 inches)	1
19	227601GT	HOSE ASSY, M4(T.MF)-B(LR.MTR) (components: 48822, 48822, 56777 @ 76 inches)	1
20	227460GT	HOSE ASSY, BRK(T.MF)-BRK(TEE) (components: 48800, 48802, 48751 @ 56 inches)	1
21	48933GT	CONN, 520120-8***	9
22	48997GT	NIPPLE, DIAGNOSTIC, #4 PORT	2
23	227465GT	HOSE ASSY, T.OUT(T.MF)-T.IN(F.M) (components: 48841, 48841, 48761 @ 24 inches)	1
24	48960GT	CONN, 520120-12	1
25	227464GT	HOSE ASSY, P.OUT(F.MF)-P.IN(T.MF) (components: 48822, 48822, 56777 @ 24 inches)	1
26	48943GT	FITTING, CONN, 520120-8-6	4
27	227600GT	HOSE ASSY, M8(T.MF)-A(RF.MTR) (components: 48822, 48825, 56777 @ 86 inches)	1
28	227458GT	HOSE ASSY, M5(T.MF)-A(LF.MTR) (components: 48812, 48815, 56776 @ 19 inches)	1



708.1 Hydraulic Hoses and Fittings, View 2

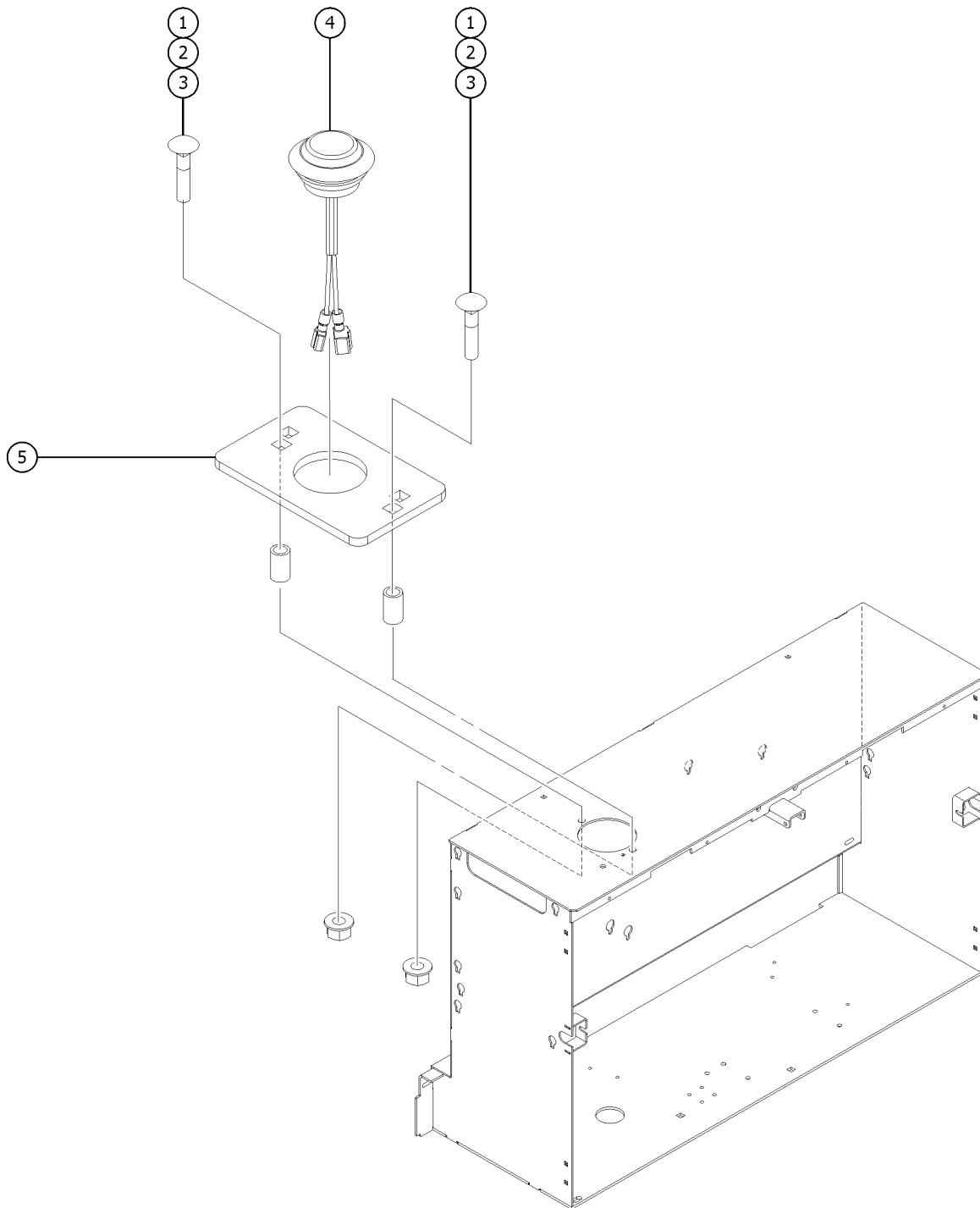


708.1 Hydraulic Hoses and Fittings, View 2

<i>Item</i>	<i>Part No.</i>	<i>Description</i>	<i>Qty.</i>
29	227599GT	HOSE ASSY, M7(T.MF)-B(RF.MTR) (components: 48822, 48825, 56777 @ 86 inches)	1
30	227598GT	HOSE ASSY, M6(T.MF)-B(LF.MTR) (components: 48822, 48825, 56777 @ 86 inches)	1



801.1 Flashing Motion Beacon

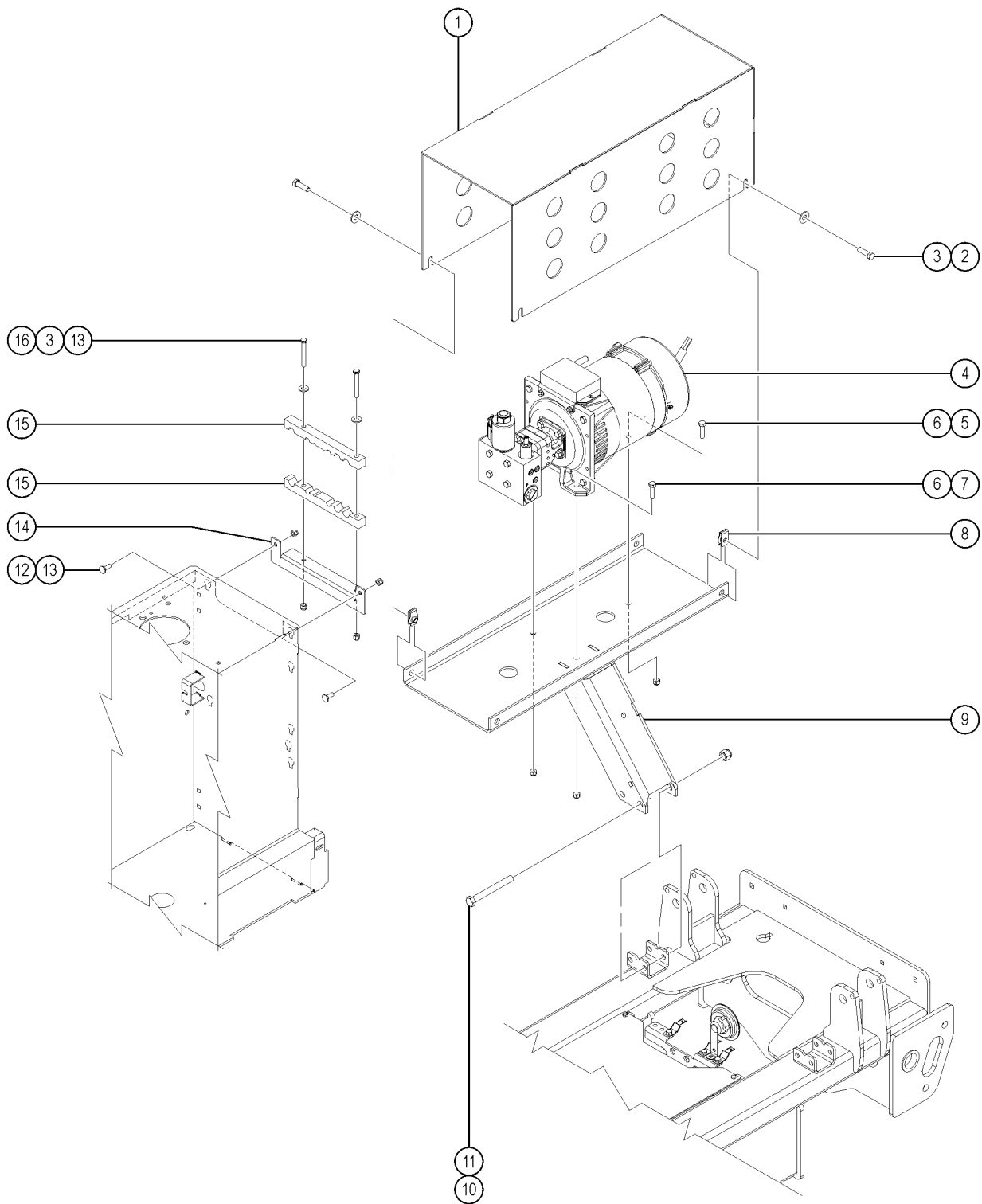


801.1 Flashing Motion Beacon

<i>Item</i>	<i>Part No.</i>	<i>Description</i>	<i>Qty.</i>
1	1256463GT	BOLT,CARRIAGE,1/4-20X1.25,5,ZAG	2
2	96699GT	SLEEVE,TANK SUPPORT	2
3	824027GT	NUT,TL FLG,1/4-20,G,ZAG	2
4	12666264GT	BEACON, LED, ASSY (one each box)	1
5	1267469GT	PLATE,VISUAL IND LIGHT MOUNT,BLK	1



802.1 Generator Installation

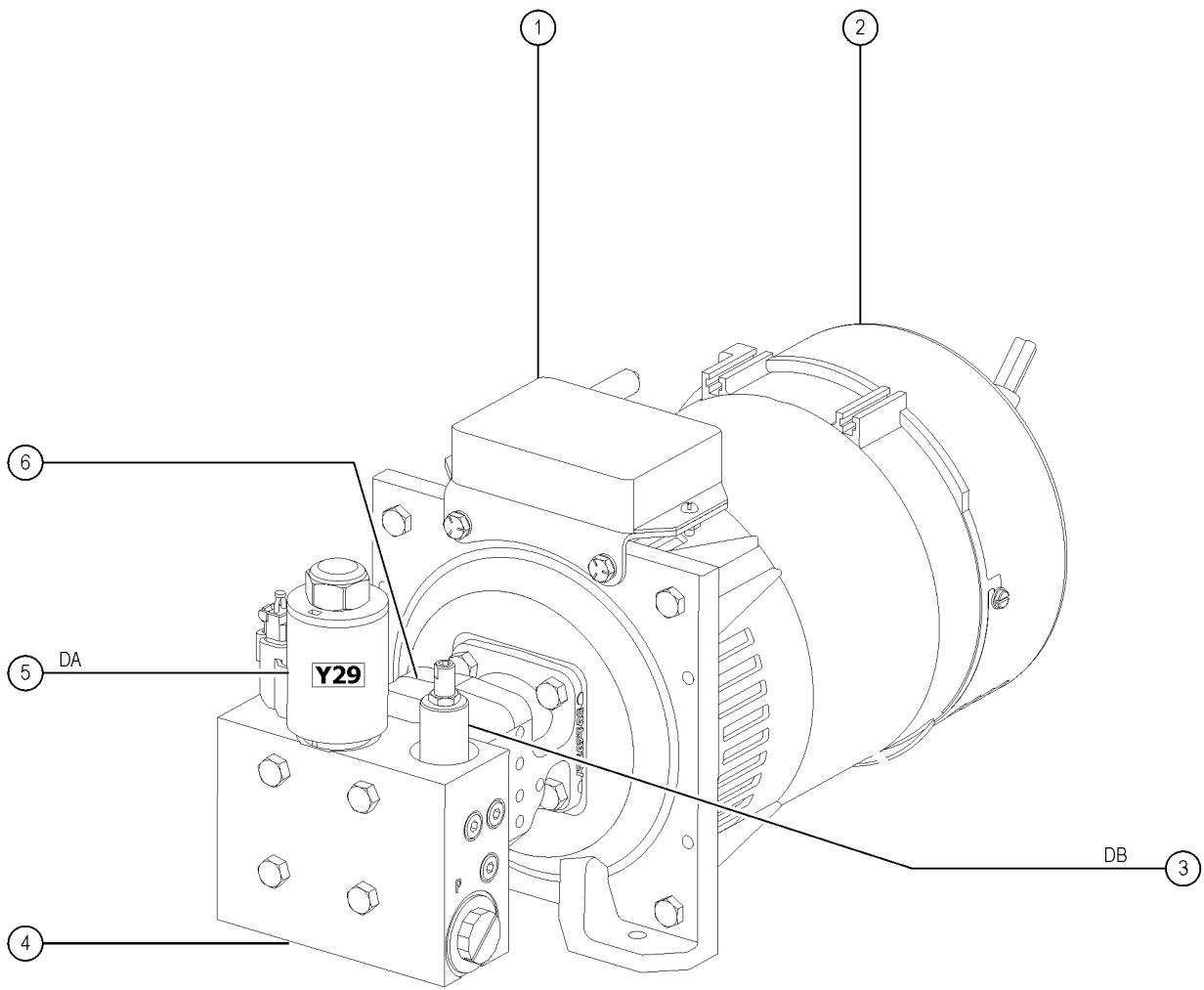


802.1 Generator Installation

Item	Part No.	Description	Qty.
-		WIRE HARNESS (refer to 408.1)	
-	45470GT	CLAMP,0.31,#5 X 1/4,RUB CUSH	1
1	1254163GT	WELDMENT,GEN COVER,GS69	1
2	6019GT	SCREW,HHC,3/8-16 X 1.25 GRD 5	
3	6097GT	WASHER,FLAT,USS,3/8",Y	
4		Ref. Generator (refer to 803.1)	
5	13002GT	SCREW,HHC,5/16-18 X 1 GR5	
6	13000GT	SCREW,HHC,5/16-18 X 1.25	
7	6782GT	NUT, NYLOCK, 5/16-18	
8	29868GT	SPRING CLIP,3/8-16,.05-.20X.73,ZAG	4
9	1254165GT	WELDMENT,GEN MOUNT,GS69	1
10	13854GT	SCREW,HHC,1/2-13 X 4.5,GRD.8	2
11	6198GT	NUT,NYLOK,1/2-13	
12	73466GT	BOLT,CARRIAGE,3/8-16 X 1.00,G2	
13	4828GT	NUT,NYLOCK,3/8-16	
14	1254164GT	FORMING,GEN HOSE CLAMP MOUNT	1
15	215475GT	CLAMP,GENERATOR HOSE,GS69	2
16	6326GT	SCREW,HHC,3/8-16 X 3	

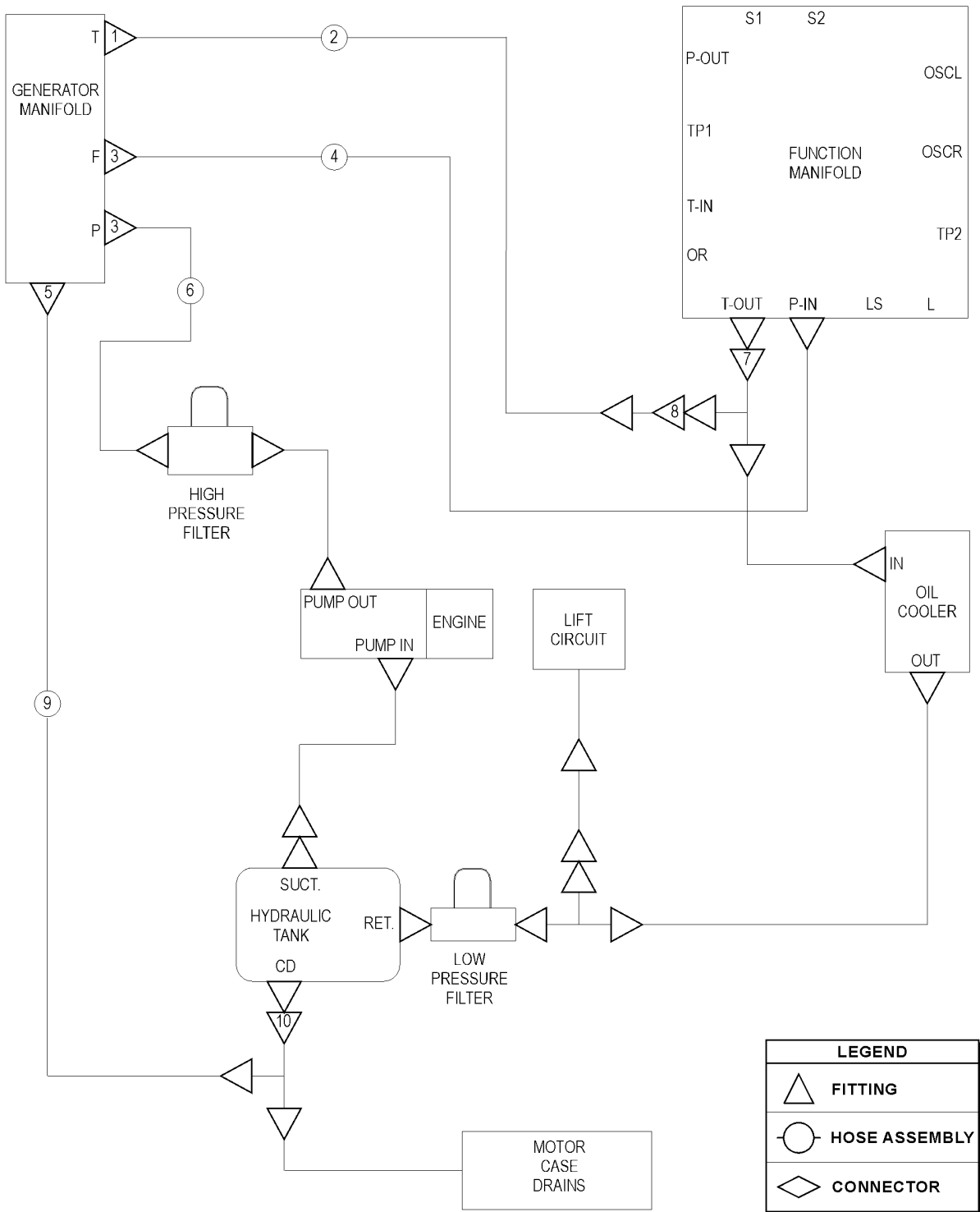


803.1 Generator



Item	Part No.	Description	Qty.
A	139954GT	GENERATOR,3kW,240V/50Hz 50 Hz	
B	139953GT	GENERATOR, 3kW, 120V/60Hz 60 Hz	
A-	147258GT	BREAKER,15 AMP,GEN 50 Hz	
B-	147239GT	BREAKER, 25 AMP, GEN 60 Hz	
B-	1285230GT	CAPACITOR 12.5μF, GEN	
B-	147242GT	SCREW, GEN ROTOR	
B-	119067GT	CONN,RECEP 4 WAY ENDCAP DT	
1	1269693GT	CONTROL BOX,2KW,120/240V,50HZ	1
1-	147228GT	CONTROLLER BOX, 120/240V, 60H	
2	147262GT	COVER, END, GENERATOR, 240V 50 Hz	1
2-	147241GT	COVER, END, GEN, 120V 60 Hz	
3	147233GT	VALVE, RELIEF, GEN, 3.0kW (DB, Generator circuit)	1
4	147229GT	MANIFOLD ASSEMBLY, GEN complete (includes items 3 & 5)	1
5	147232GT	12VDC PROPORTIONAL VALVE (DA, Generator speed)	1
6	147230GT	207 HYD MOTOR ASSY, GEN	1
6-	147231GT	SEAL KIT, HYD MOTOR, GEN	

804.1 Hydraulic Hoses and Fittings, Generator

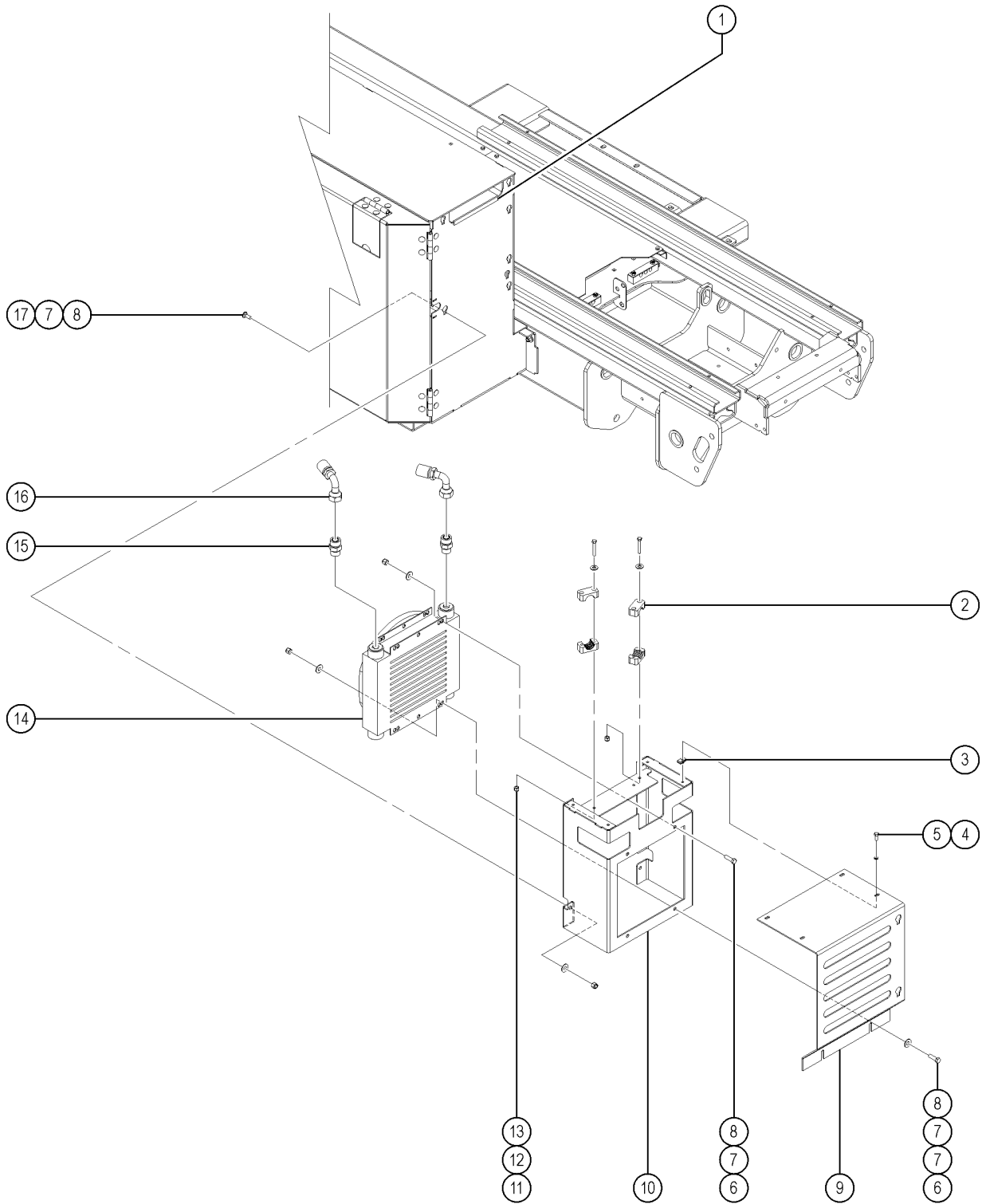


804.1 Hydraulic Hoses and Fittings, Generator

Item	Part No.	Description	Qty.
1	48933GT	CONN,520120-8***	1
2	227484GT	HOSE ASSY,T(GEN)-T.OUT(F.MF) (components: 48822, 48825, 48756 @ 78 inches)	1
3	48947GT	ELBOW,90D,520220-8-12	2
4	227483GT	HOSE ASSY,F(GEN)-P.IN(F.MF) (components: 48822, 48822, 56777 @ 78 inches)	1
5	49861GT	CONN,LONG,520122-4	1
6	227482GT	HOSE ASSY,HPFILTER-P(GEN) (components: 48822, 48826, 56777 @ 122 inches)	1
7	227720GT	TEE,RUN,FEMSW,520432-12	1
8	51580GT	FITTING,REDUCER,520123-12-8***	1
9	227485GT	HOSE ASSY,CD(GEN)-CD(TANK) (components: 48800, 48811, 48751 @ 48 inches)	1
10	48875GT	TEE,RUN,SWIVEL,520432-6	1



805.1 Oil Cooler

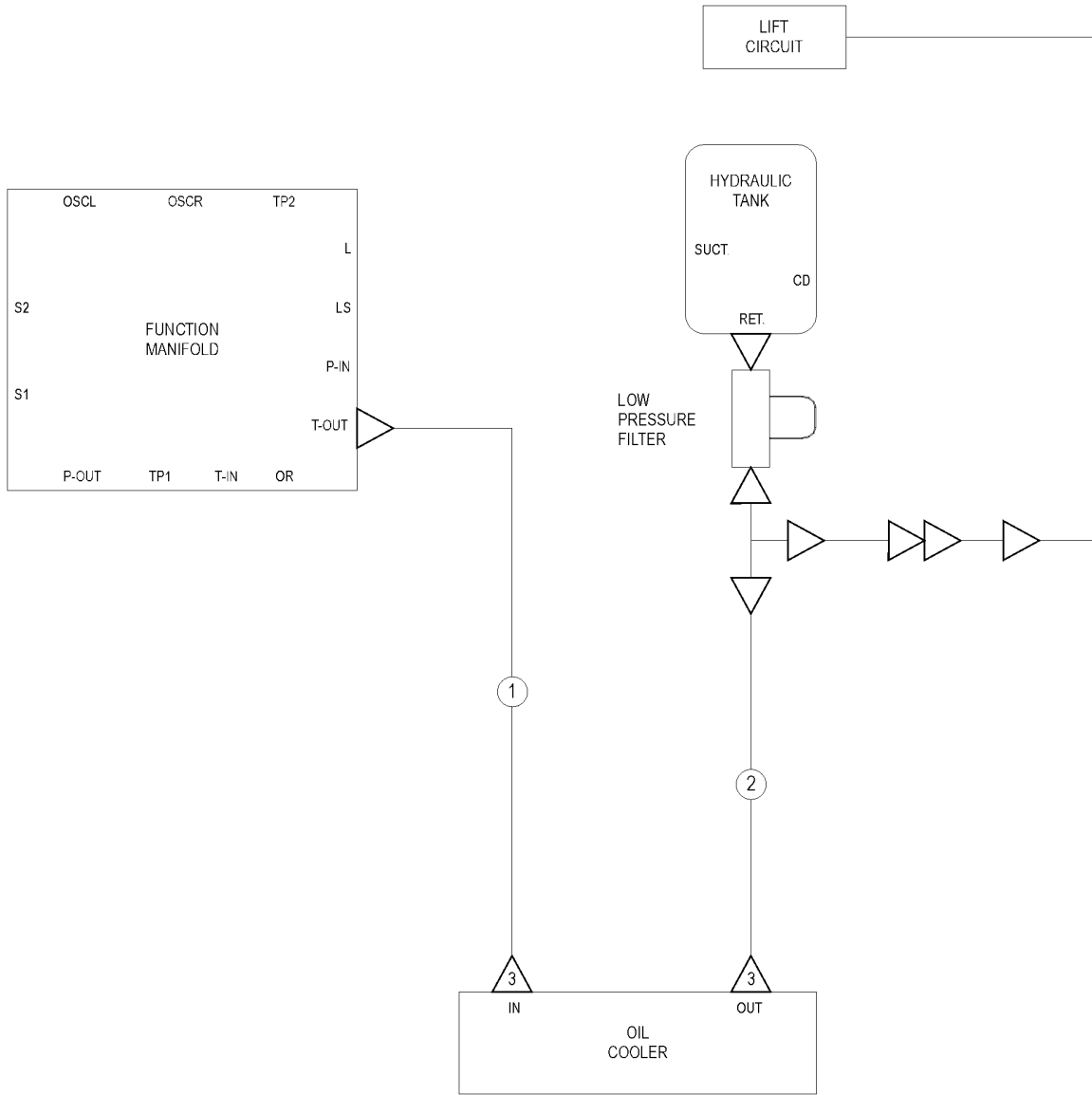


805.1 Oil Cooler

Item	Part No.	Description	Qty.
-		Ref. Oil Cooler Wire Harness (refer to 408.1)	
A	34053GT	ASSY,RELAY SOCKET, AUTO	
B	34052GT	RELAY,SPDT,12V(AUTO) PLUG IN**	
C	79015GT	FUSE,20 AMP,ATC	
D	67504GT	FUSE HOLDER,ATC 3-30 AMPS	
1	46718GT	TRIMLOCK,BLACK,3/16	9.5
2	117773GT	1-1/8T TUBE CLAMP two halves	4
3	56912GT	SPRING CLIP,1/4-20,.025-.15X.5	4
4	6090GT	SCREW,HHC,1/4-20 X .75	
5	6356GT	WASHER,LOCK,.25	
6	6019GT	SCREW,HHC,3/8-16 X 1.25 GRD 5	
7	6097GT	WASHER,FLAT,USS,3/8",Y	
8	4828GT	NUT,NYLOCK,3/8-16	
9	1254167GT	FORMING,OIL COOLER COVER,GS69	1
10	1254168GT	WELDMENT,OIL COOLER MOUNT,GS69	1
11	6091GT	NUT,NYLOCK,1/4-20	
12	6638GT	WASHER,FLAT,USS,1/4"Y	
13	8179GT	SCREW,HHC,1/4-20 X 2.25	
14	71259GT	OIL COOLER W/FAN, 12VDC	1
14-	75854GT	FAN - VENTED	
14-	75855GT	THERMOSTAT -OIL COOLER (71259)	
15	48960GT	CONN,520120-12	2
16	48846GT	HOSE END,FEMSW,90D,ORFS,-12-12	2
17	64154GT	BOLT,CARRIAGE,3/8-16 X1.00,G5	



806.1 Hydraulic Hoses and Fittings, Oil Cooler



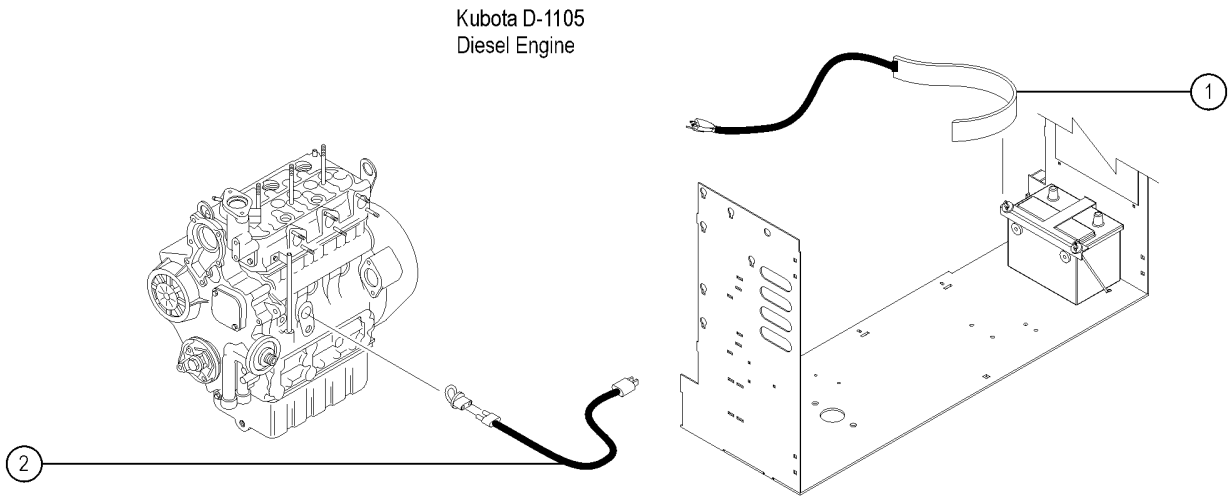
LEGEND	
	FITTING
	HOSE ASSEMBLY
	CONNECTOR

806.1 Hydraulic Hoses and Fittings, Oil Cooler

<i>Item</i>	<i>Part No.</i>	<i>Description</i>	<i>Qty.</i>
1	227480GT	HOSE ASSY,T.OUT(F.MF)-IN(OC) (components: 48809, 56354, 39889 @ 50 inches)	1
2	227481GT	HOSE ASSY,OUT(OC)-TANK (components: 48809, 56354, 39889 @ 34 inches)	1
3	48960GT	CONN,520120-12	2



807.1 Cold Start Installation

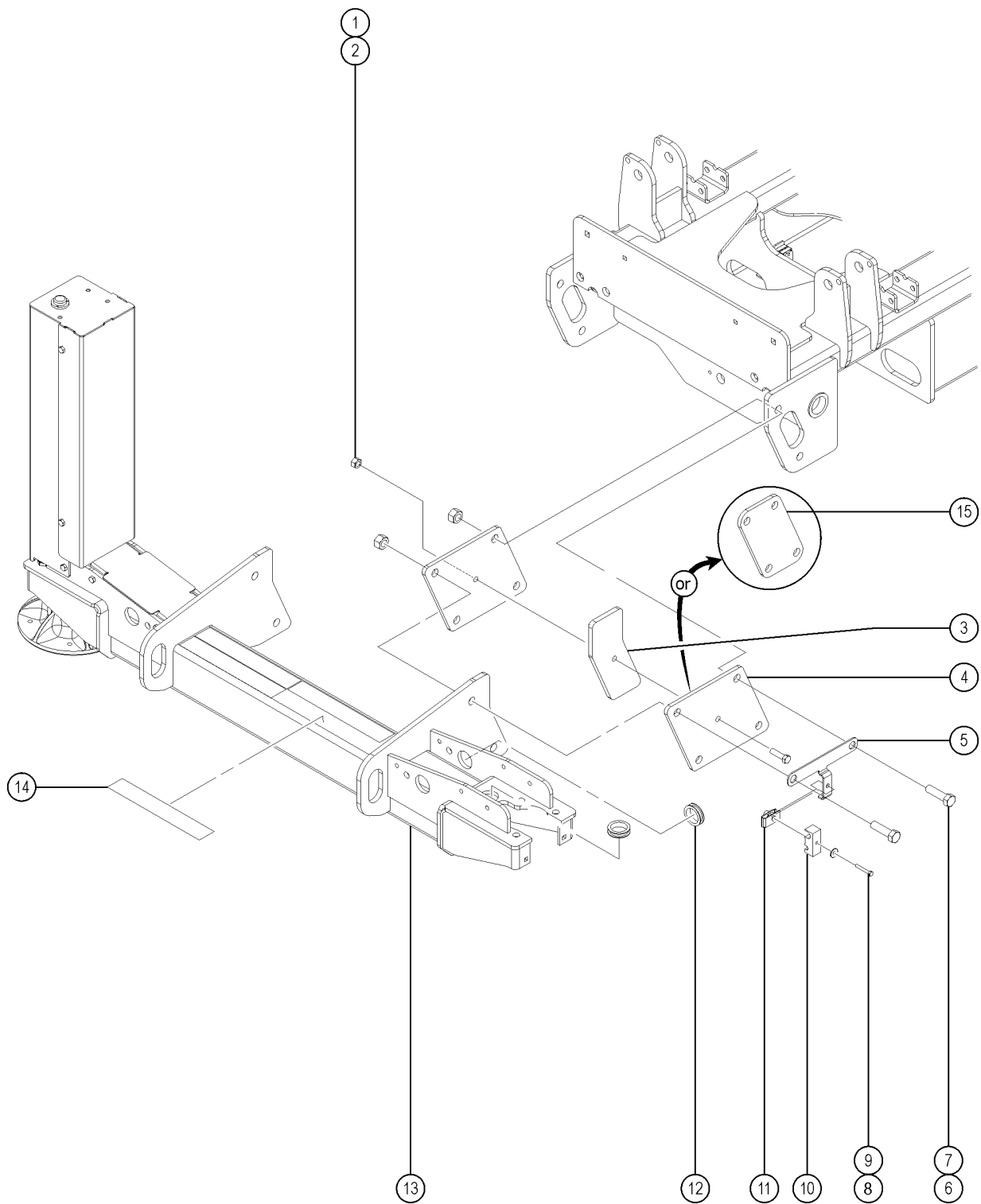


807.1 Cold Start Installation

<i>Item</i>	<i>Part No.</i>	<i>Description</i>	<i>Qty.</i>
1	28853GT	BLANKET,BATTERY	1
2	42489GT	FREEZE PLUG HEATER Kubota D-1105 Diesel models	1



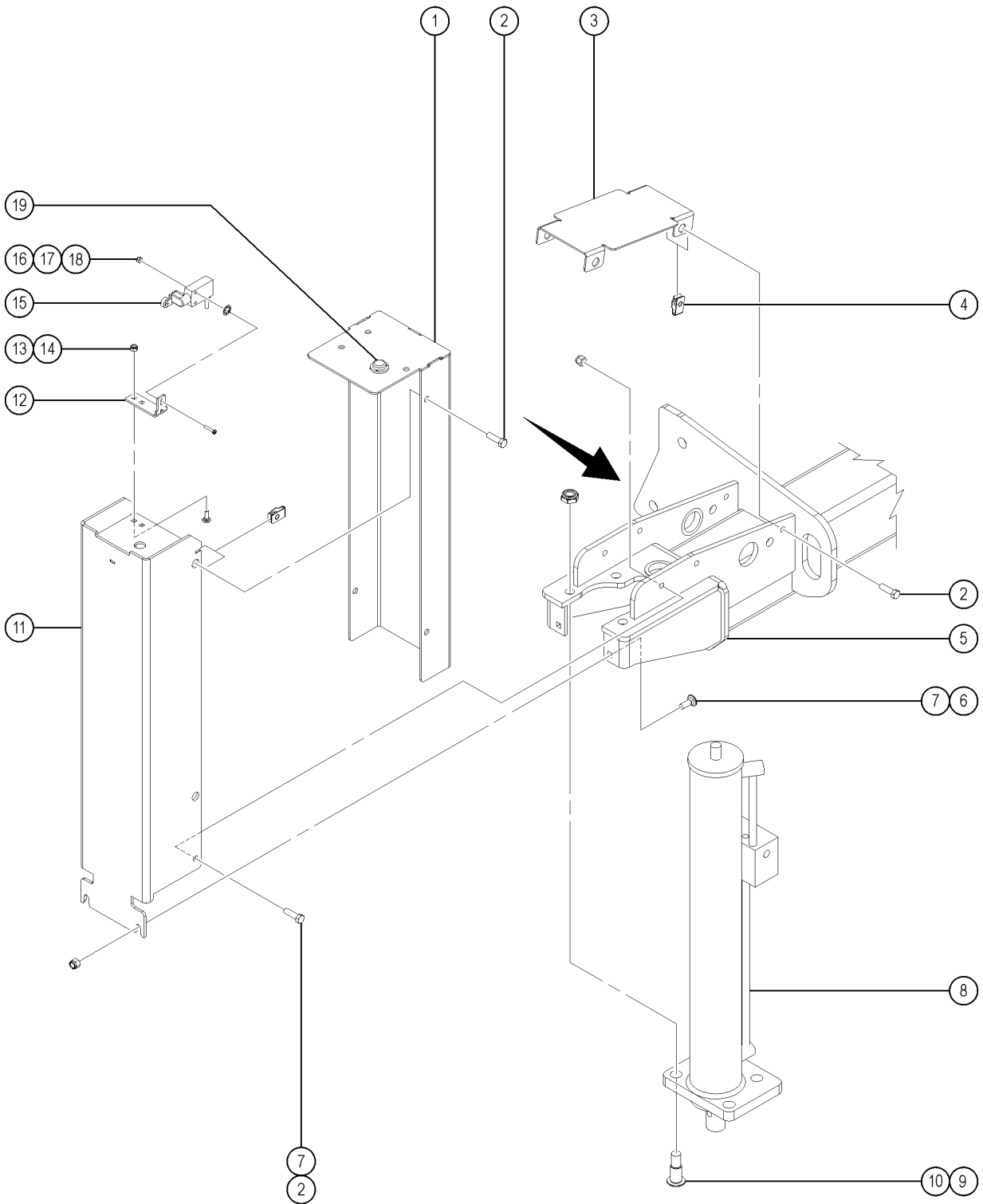
808.1 Outrigger Installation, View 1



Item	Part No.	Description	Qty.
A	1256151GT	KIT, HI FLOAT TIRE,O/R SPACER for models with hi floatation tires	
1	6198GT	NUT,NYLOK,1/2-13 (steer end)(models with high floatation tires)	2
2	6096GT	SCREW,HHC,1/2-13 X 2 GR5 (steer end)(models with high floatation tires)	2
3	160740GT	PLATE,O/R SPACER, HI FLOAT (steer end)(models with high floatation tires)	2
4	160739GT	PLATE, O/R MOUNT, HI FLOAT (steer end)(models with high floatation tires)	4
5	160744GT	FORM,O/R FRONT CLAMP,HI FLOAT (steer end) (models with high floatation tires)	2
5B	148409GT	FORMING,O/R FRONT CLAMP (steer end) (models without high floatation tires)	2
6	51428GT	SCREW,HHC,3/4-10 X 2.75	8
7	10258GT	NUT,NYLOCK,3/4-10,GRD.2	8
8	6637GT	SCREW,HHC,1/4-20 X 1.75 (steer end)	2
9	6638GT	WASHER,FLAT,USS,1/4"Y (steer end)	2
10	148410GT	CLAMP,#4 HOSE,CLAMP (steer end)	2
11	56912GT	SPRING CLIP,1/4-20,.025-.15X.5 (steer end)	2
12	47238GT	GROMMET,RUBBER 1.5 ID	8
13		Ref. WELDMENT,OUTRIGGER YOKE (refer to 809.1)	
14	148329GT	TAPE,NON-SKID,2"X14"	2
15	148046GT	PLATE,OUTRIGGER MOUNT (non-steer end and steer end models without high floatation tires)	4



809.1 Outrigger Installation, View 2

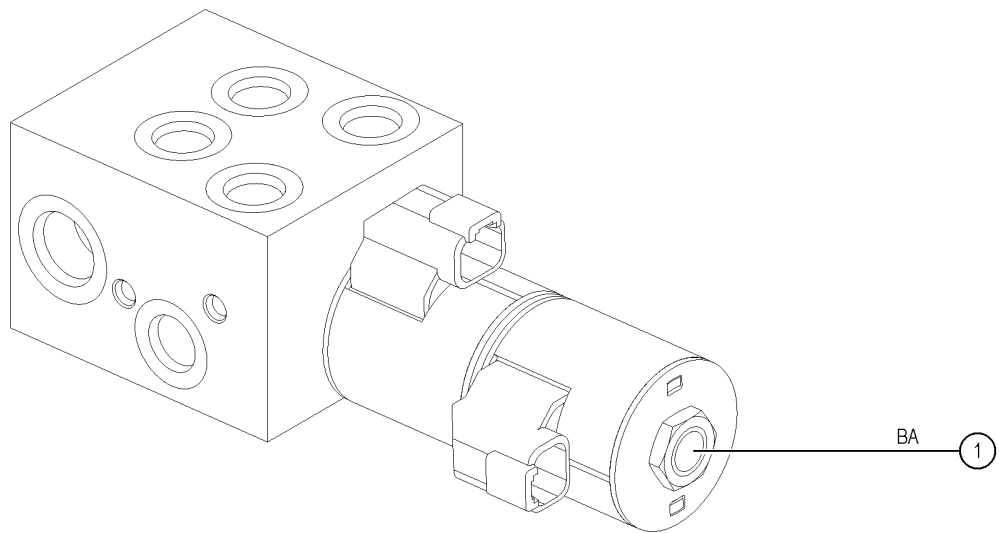


809.1 Outrigger Installation, View 2

Item	Part No.	Description	Qty.
1	148001GT	WELDMENT,O/R SWITCH COVER	4
2	6019GT	SCREW,HHC,3/8-16 X 1.25 GRD 5	
3	131972GT	FORMING,O/R HOSE COVER	4
4	29868GT	SPRING CLIP,3/8-16,.05-.20X.73,ZAG	
5	148027GT	WELDMENT,OUTRIGGER YOKE	1
		steer end	
5B	148044GT	WELDMENT,OUTRIGGER YOKE	
		non-steer end	
6	64154GT	BOLT,CARRIAGE,3/8-16 X1.00,G5	
7	4828GT	NUT,NYLOCK,3/8-16	
8		Ref. CYLINDER,OUTRIGGER,GS69	
		(refer to 811.1)	
9	71912GT	BOLT,SHOULDER,5/8-11 X 1.19 LT	
10	38028GT	NUT,LP NYLOCK,5/8-11	
11	235089GT	HOUSING ASSY,OUTRIGGER,WO	
11-	235091GT	HOUSING ASSY,OUTRIGGER,SY	
11-	148000GT	WELDMENT,OUTRIGGER COVER	4
11B	1289877GT	WELDMENT, OUTRIGGER COVER	4
12	148024GT	FORMING,O/R LIM SWTCH BRACKET	1
12B	1288967GT	FORMING,O/R LIM SWTCH BRACKET	1
13	6091GT	NUT,NYLOCK,1/4-20	
14	6878GT	BOLT,CARRIAGE,1/4-20 X .75,G2	
15	105692GT	SWITCH,LIMIT,W/ROLLER ARM	1
		(limit switch body XCMN2115L1) (verify limit switch body before ordering) (markings: 8B1807, 8B1820)	
15B	1289888GT	SWITCH,LIMIT,W/ROLLER ARM	1
		(limit switch body B81843) (verify limit switch body before ordering) (markings: 8B1817, 8B1822)	
16	18605GT	NUT,NYLOCK,8-32	
17	T106385GT	SCREW,PHILLIPS,PHM,8-32 X 1.00	
18	44936GT	WASHER,STAR,EXTERNAL,#8	
19	6714GT	LEVEL,BUBBLE	
		(attached with glue 1310202GT over outrigger cover)	



810.1 Outrigger Manifold

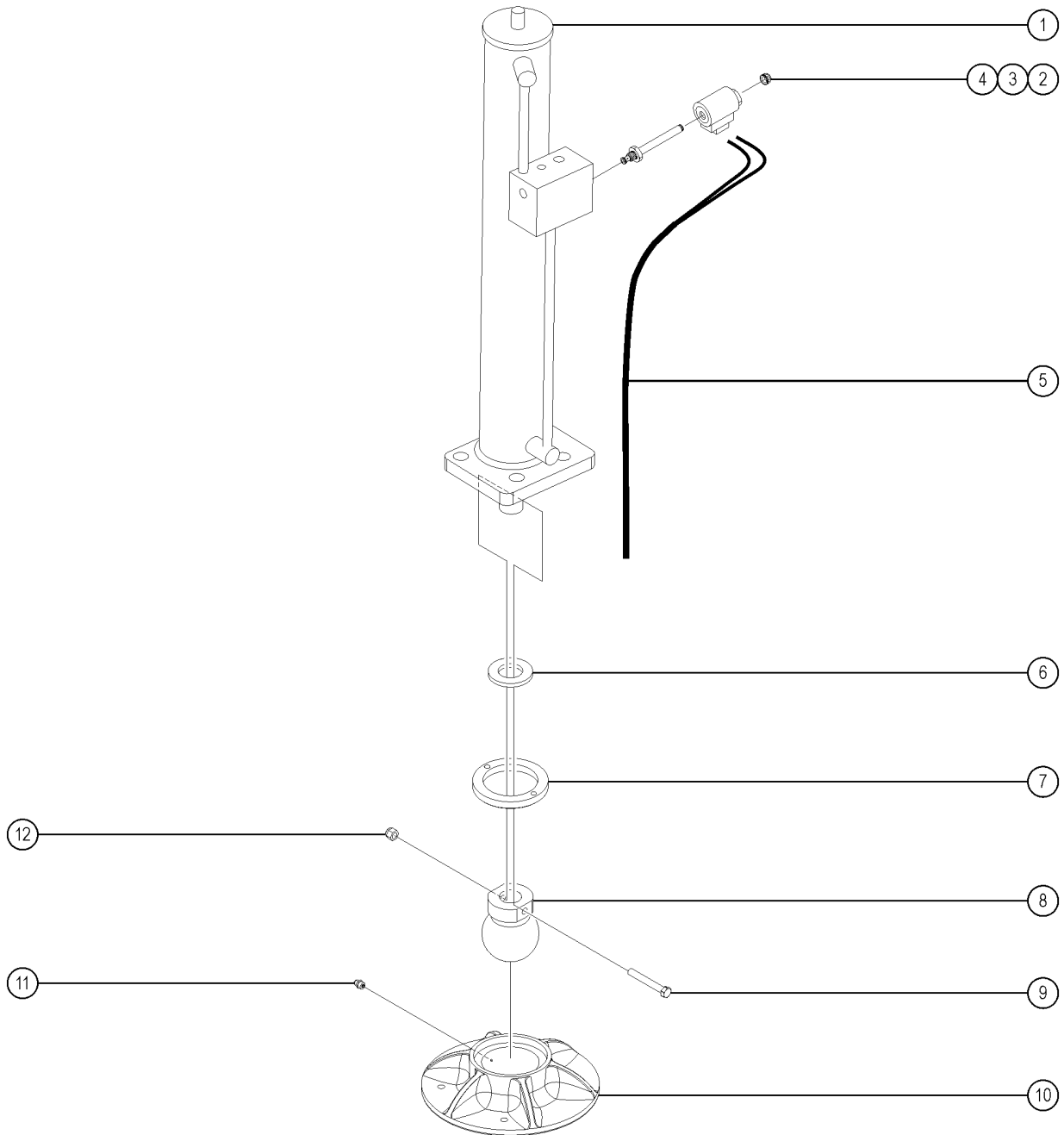


810.1 Outrigger Manifold

<i>Item</i>	<i>Part No.</i>	<i>Description</i>	<i>Qty.</i>
--	T110624GT	MANIFOLD,OUTRIGGER,GS69 (manifold, complete)	
1	84109GT	VALVE,DIR,#10 SAE,3 POS. 4 WAY (BA, Outriggers in / out)	1
1-	44230GT	SEAL KIT-P.N.44169,44172,44171	
1-	104760GT	COIL,12VDC #10DTSCH IP69 ECOIL	
1-	44174GT	NUT-COIL SHORT	
1-	44175GT	SPACER-DUAL COIL,#10, SCISSORS	



811.1 Outrigger Cylinders, All Models

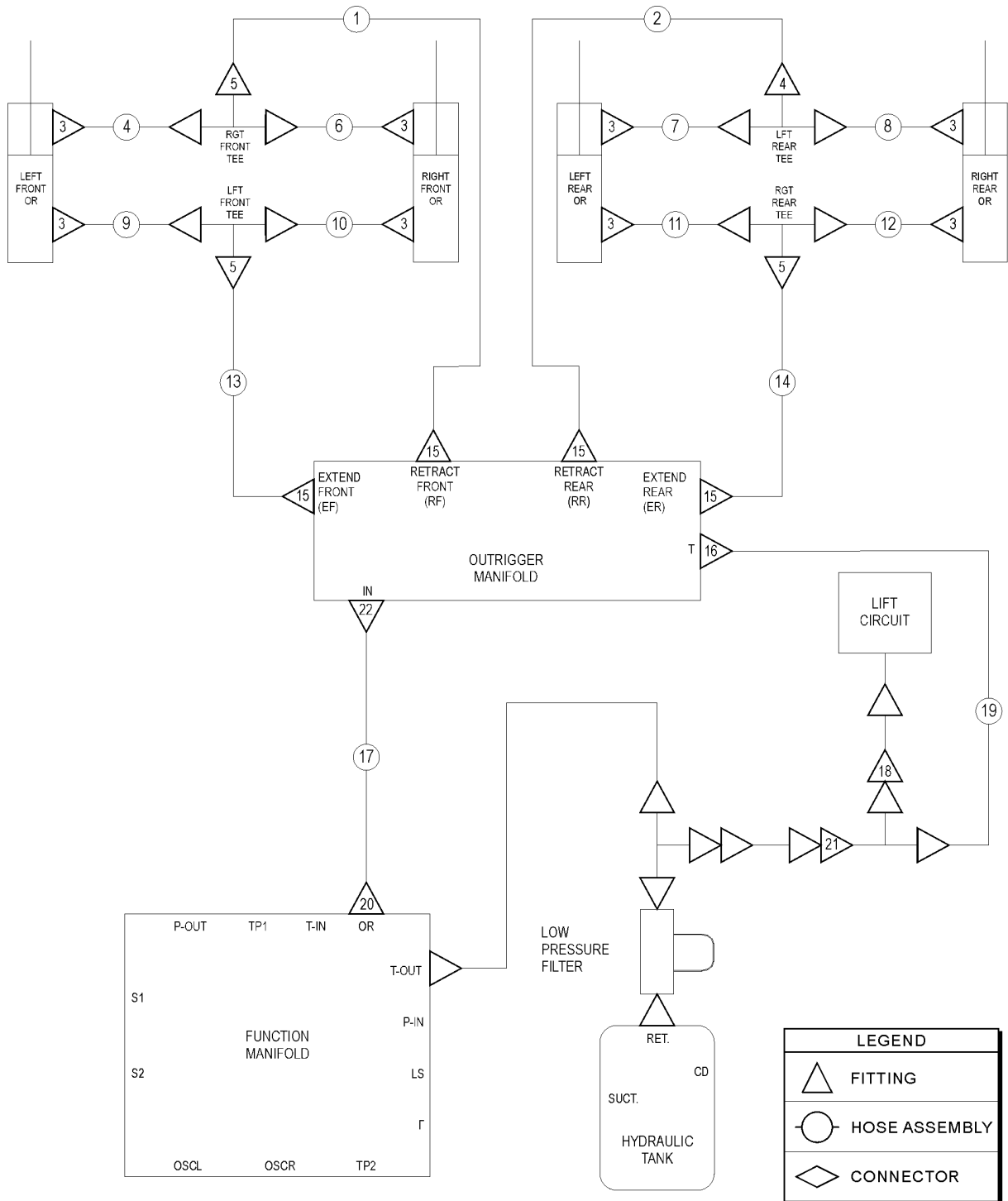


811.1 Outrigger Cylinders, All Models

Item	Part No.	Description	Qty.
--	112537GT	FOOTPAD ASSY,RTSC OUTRIGGER (includes items 6, 7 & 9)	
A-	1307781GT	ASSY, VALVE, NC,BI-DI CART AND COIL, 12VDC (includes 3 and 4)	1
1	131428GT	CYLINDER,OUTRIGGER,GS69 order valve and coil separately	1
1-	226381GT	SEAL KIT,(131428) (for 131428)	
2	72097GT	NUT,SOLENOID VALVE,OUTRIGGERS	1
3	67933GT	VALVE,NC,BI-DI,CART***	1
4	79831GT	VALVE,NC,BI-DI,CART***	1
4A	71925GT	PILOT CHECK VALVE	
5		Ref. Outrigger Wire Harness (refer to 408.1)	
6	55682GT	PLATE, CYL UP LIMIT	1
7	55484GT	RETAINER, GS68 O/R FOOTPAD***	1
8	55485GT	CASTING, BALL, GS OUTRIGGER	1
9	6326GT	SCREW,HHC,3/8-16 X 3	1
10	51814GT	CASTING,OUTRIGGER FOOTPAD *** order 1280156 separately	1
10B	1280156GT	KIT,OUTRIGGER PAD LOCTITE,RT order footpad separately	
11	28646GT	ZERK,GREASE,1/8 NPT	1
12	4828GT	NUT,NYLOCK,3/8-16	1



812.1 Hydraulic Hoses and Fittings, Outrigger

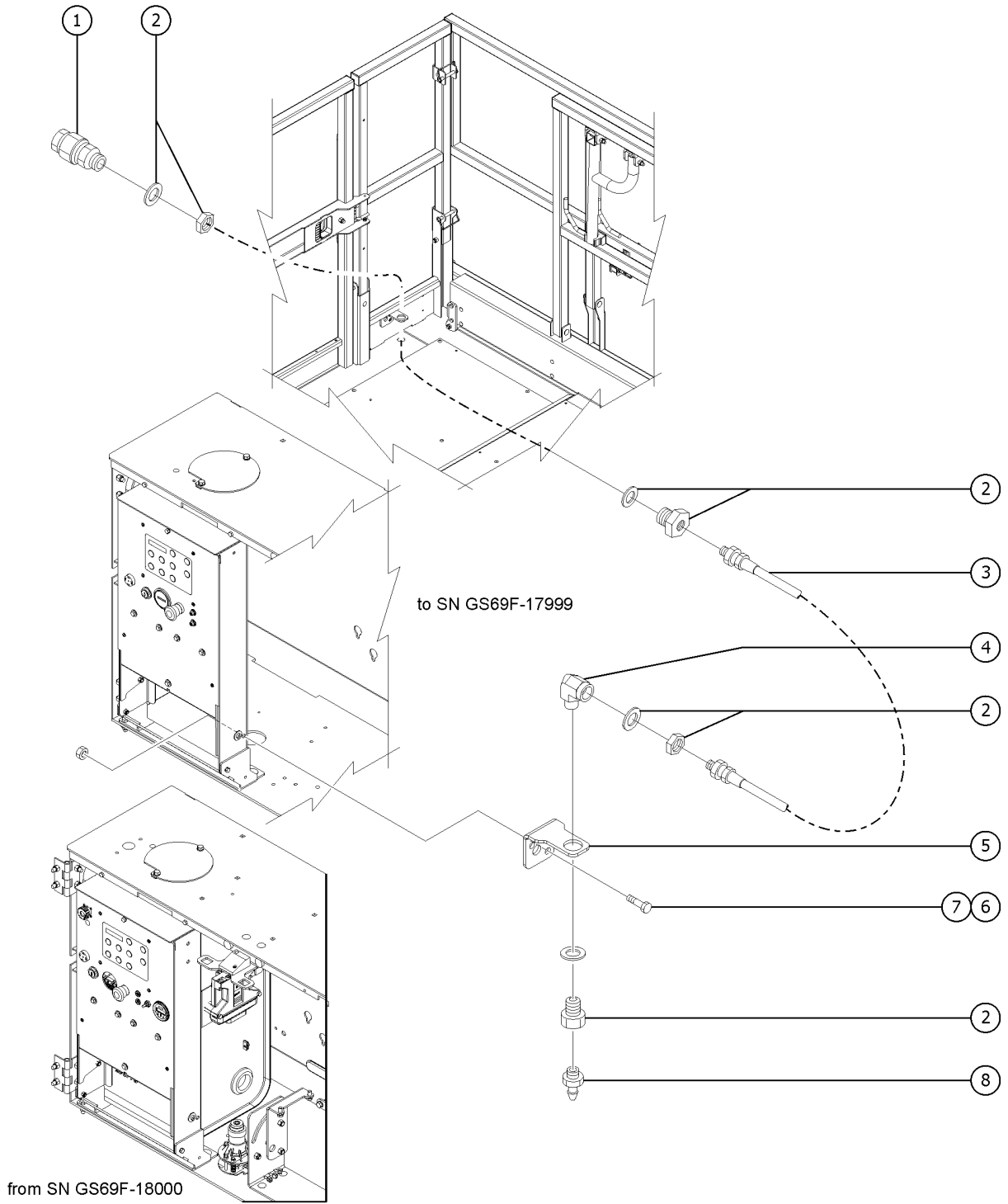


812.1 Hydraulic Hoses and Fittings, Outrigger

Item	Part No.	Description	Qty.
1	227726GT	HOSE ASSY,FR(OR.MF)-RF.OR.TEE (components: 48812, 48815, 56776 @ 98 inches)	1
2	227735GT	HOSE ASSY,RR(OR.MF)-RR.OR.TEE (components: 48812, 48815, 56776 @ 98 inches)	1
3	48912GT	CONN,520120-4-6***	8
4	227730GT	HOSE ASSY,RF.OR.TEE-R(LF.OR.CY (components: 48800, 48800, 48751 @ 75 inches)	1
5	48909GT	TEE,BULKHEAD,RUN,520958-4	4
6	227740GT	HOSE ASSY,RF.OR.TEE-R(RF.OR.CY (components: 48800, 48802, 48751 @ 20 inches)	1
7	227732GT	HOSE ASSY,RR.OR.TEE-R(LR.OR.CY (components: 48800, 48800, 48751 @ 20 inches)	1
8	227742GT	HOSE ASSY,RR.OR.TEE-R(RR.OR.CY (components: 48800, 48802, 48751 @ 75 inches)	1
9	227489GT	HOSE ASSY,LF.OR.TEE-E(LF.OR.CY (components: 48800, 48802, 48751 @ 20 inches)	1
10	227490GT	HOSE ASSY,LF.OR.TEE-E(RF.OR.CY (components: 48800, 48800, 48751 @ 75 inches)	1
11	227738GT	HOSE ASSY,LR.OR.TEE-E(LR.OR.CY (components: 48800, 48802, 48751 @ 75 inches)	1
12	227728GT	HOSE ASSY,LR.OR.TEE-E(RR.OR.CY (components: 48800, 48800, 48751 @ 20 inches)	1
13	227487GT	HOSE ASSY,EF(OR.MF)-LF.OR.TEE (components: 48812, 227488, 56776 @ 98 inches)	1
14	227724GT	HOSE ASSY,ER(OR.MF)-LR.OR.TEE (components: 48812, 48815, 56776 @ 98 inches)	1
15	48916GT	FITTING,CONN,520120-6	4
16	48933GT	CONN,520120-8***	1
17	227486GT	HOSE ASSY,OR(F.MF)-IN(OR.MF) (components: 48812, 48815, 56776 @ 19 inches)	1
17B	1254068GT	HOSE ASSY,OR(F.MF)-IN(OR.MF) (components: 2x 48812, 48756 @ 17.5 in)	1
18	48892GT	ELBOW,SWIVEL 90D, 520221-6	1
19	227491GT	HOSE ASSY,T(OR.MF)-TANK (components: 48817, 48828, 48756 @ 8 inches)	1
20	48930GT	CONN,520120-6-8	1
21	48875GT	TEE,RUN,SWIVEL,520432-6	1
22	48915GT	ELBOW,90D,520220-6	



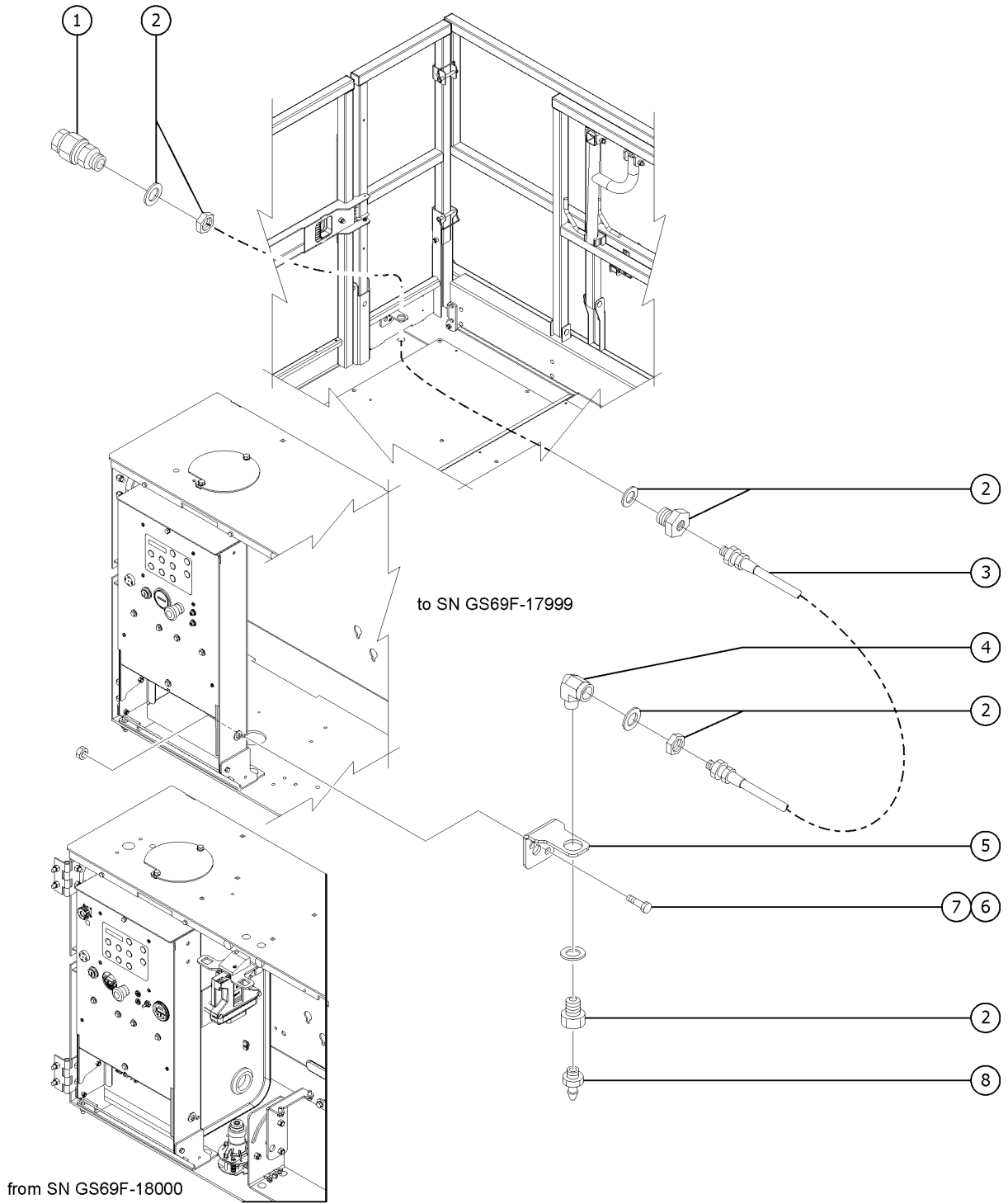
813.1 Air to Platform, GS-2669



<i>Item</i>	<i>Part No.</i>	<i>Description</i>	<i>Qty.</i>
1	27895GT	COUPLER,1/4"SERIES 3/8 MPT	1
2	27900GT	BULKHEAD,FEMALE X 6 X 6	2
3	27903GT	HOSE,LOW PRESSURE,.375 ID,BLK	676
		GS-2669 RT	
3-	27901GT	HOSE END,BARBED,RIGID,-6-6	2
4	79383GT	BRASS STREET ELBOW	1
5	1254162GT	BRACKET,AIRLINE MOUNTING	2
6	8255GT	SCREW,HHC,3/8-16 X .75	
7	4828GT	NUT,NYLOCK,3/8-16	
8	27894GT	PLUG,1/4"SERIES,3/8 MPT	1

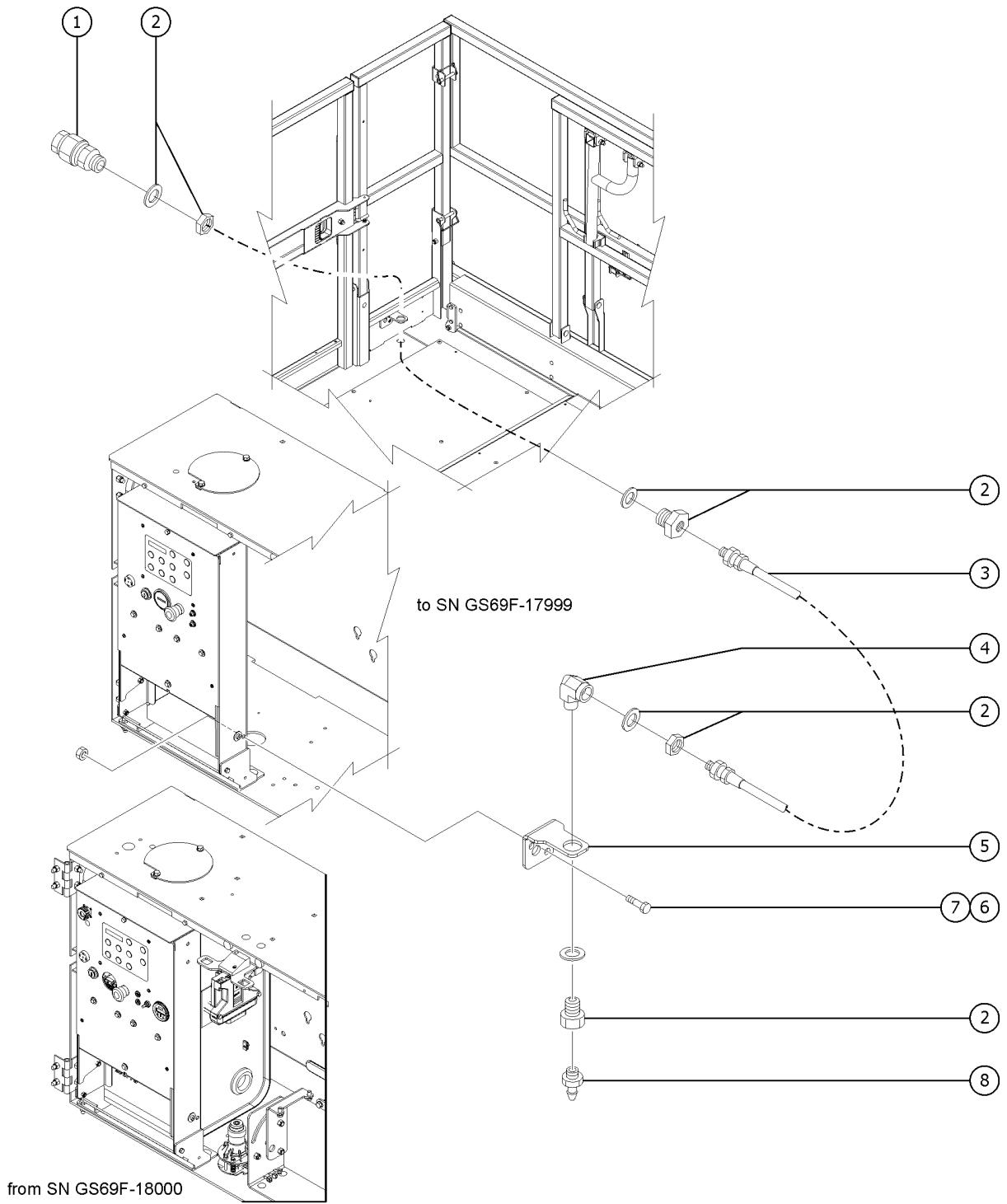


813.2 Air to Platform, GS-3369



<i>Item</i>	<i>Part No.</i>	<i>Description</i>	<i>Qty.</i>
1	27895GT	COUPLER,1/4"SERIES 3/8 MPT	1
2	27900GT	BULKHEAD,FEMALE X 6 X 6	2
3	27903GT	HOSE,LOW PRESSURE,.375 ID,BLK	790
		GS-3369 RT	
3-	27901GT	HOSE END,BARBED,RIGID,-6-6	2
4	79383GT	BRASS STREET ELBOW	1
5	47077GT	BRACKET,AIRLINE MOUNTING	2
6	8255GT	SCREW,HHC,3/8-16 X .75	
7	4828GT	NUT,NYLOCK,3/8-16	
8	27894GT	PLUG,1/4"SERIES,3/8 MPT	1

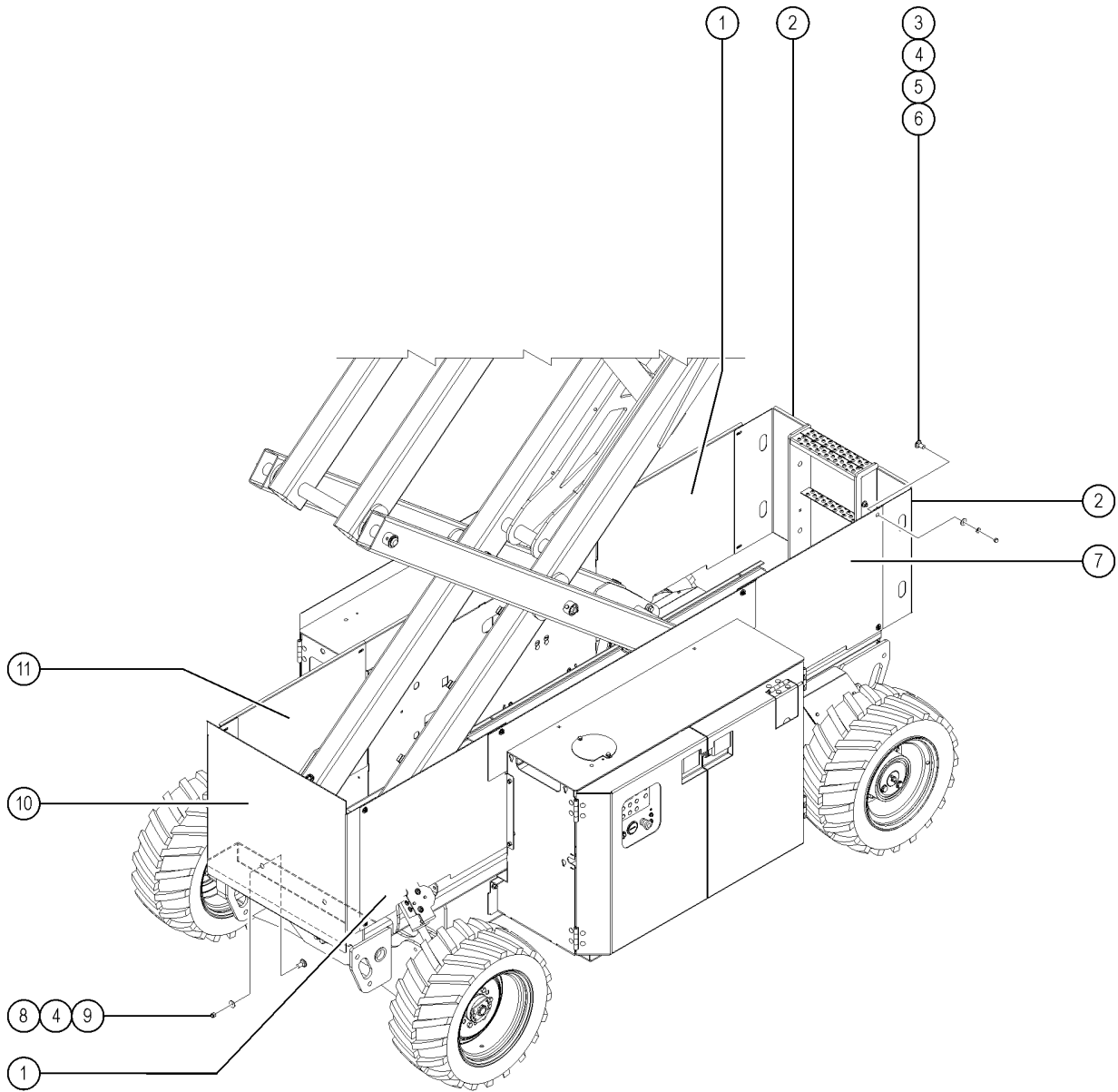
813.3 Air to Platform, GS-4069



<i>Item</i>	<i>Part No.</i>	<i>Description</i>	<i>Qty.</i>
1	27895GT	COUPLER,1/4"SERIES 3/8 MPT	1
2	27900GT	BULKHEAD,FEMALE X 6 X 6	2
3	27903GT	HOSE,LOW PRESSURE,.375 ID,BLK	900
		GS-4069 RT	
3-	27901GT	HOSE END,BARBED,RIGID,-6-6	2
4	79383GT	BRASS STREET ELBOW	1
5	47077GT	BRACKET,AIRLINE MOUNTING	2
6	8255GT	SCREW,HHC,3/8-16 X .75	
7	4828GT	NUT,NYLOCK,3/8-16	
8	27894GT	PLUG,1/4"SERIES,3/8 MPT	1



814.1 Link Guard, CE GS-2669

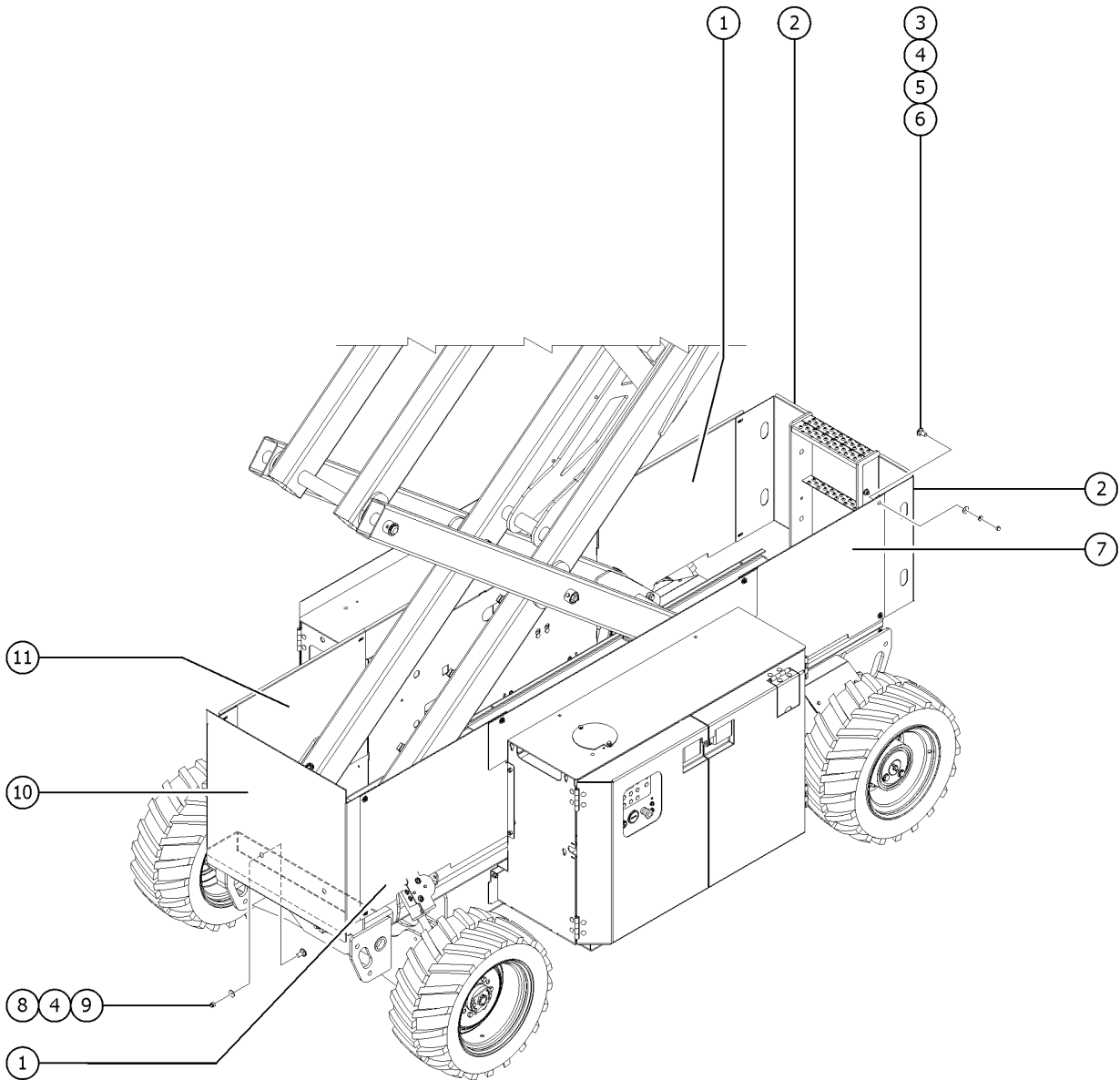


814.1 Link Guard, CE GS-2669

Item	Part No.	Description	Qty.
1	227768GT	FORMING, LINK GUARD, SIDE, 26/33 for GS-2669 RT & GS-3369 RT (ground controls side, front & engine side, rear)	2
2	227713GT	FORMING, LINK GUARD, BACK, 26/33	2
3	101718GT	BOLT,CARRIAGE,3/8-16 X .75,G2	
4	6097GT	WASHER,FLAT,USS,3/8",Y	
5	6021GT	WASHER,LOCK,.375	
6	45444GT	NUT,ACORN 3/8-16 PLATED	
7	227716GT	FORMING, LINK GUARD, SIDE, 26/33 for GS-2669 RT & GS-3369 RT without oil cooler option (ground controls side, rear)	1
7A	227714GT	FORMING,LNK GRD,SIDE,OPT,26/33 for GS-2669 RT & GS-3369 RT with oil cooler option (ground controls side, rear)	1
8	4828GT	NUT,NYLOCK,3/8-16	
9	73466GT	BOLT,CARRIAGE,3/8-16 X 1.00,G2	
10	227715GT	FORMING, LINK GUARD, FRONT, 26/33 for GS-2669 RT & GS-3369 RT	1
11	227716GT	FORMING, LINK GUARD, SIDE, 26/33 for GS-2669 RT & GS-3369 RT without oil cooler option (engine side, front)	1
11A	227716GT	FORMING, LINK GUARD, SIDE, 26/33 for GS-2669 RT & GS-3369 RT with oil cooler option (engine side, front)	1



814.2 Link Guard, CE GS-3369

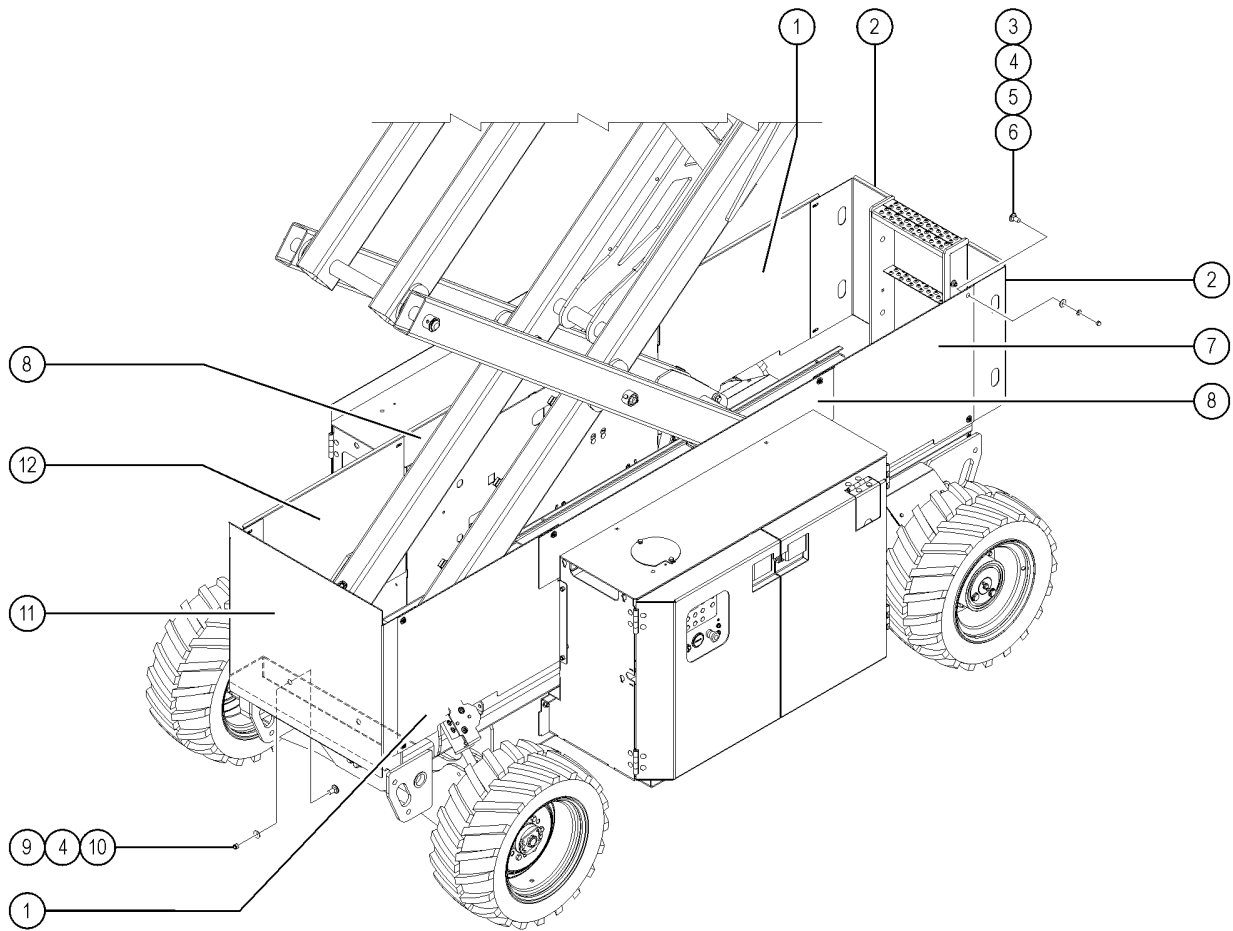


814.2 Link Guard, CE GS-3369

Item	Part No.	Description	Qty.
1	227768GT	FORMING, LINK GUARD, SIDE, 26/33 for GS-2669 RT & GS-3369 RT (ground controls side, front & engine side, rear)	2
2	227713GT	FORMING, LINK GUARD, BACK, 26/33	
3	101718GT	BOLT,CARRIAGE,3/8-16 X .75,G2	
4	6097GT	WASHER,FLAT,USS,3/8",Y	
5	6021GT	WASHER,LOCK,.375	
6	45444GT	NUT,ACORN 3/8-16 PLATED	
7	227716GT	FORMING, LINK GUARD, SIDE, 26/33 for GS-2669 RT & GS-3369 RT without oil cooler option (ground controls side, rear)	1
7A	227714GT	FORMING,LNK GRD,SIDE,OPT,26/33 for GS-2669 RT & GS-3369 RT with oil cooler option (ground controls side, rear)	1
8	4828GT	NUT,NYLOCK,3/8-16	
9	73466GT	BOLT,CARRIAGE,3/8-16 X 1.00,G2	
10	227715GT	FORMING, LINK GUARD, FRONT, 26/33 for GS-2669 RT & GS-3369 RT	1
11	227716GT	FORMING, LINK GUARD, SIDE, 26/33 for GS-2669 RT & GS-3369 RT without oil cooler option (ground controls side, front)	1
11A	227716GT	FORMING, LINK GUARD, SIDE, 26/33 for GS-2669 RT & GS-3369 RT with oil cooler option (ground controls side, front)	1



814.3 Link Guard, CE GS-4069

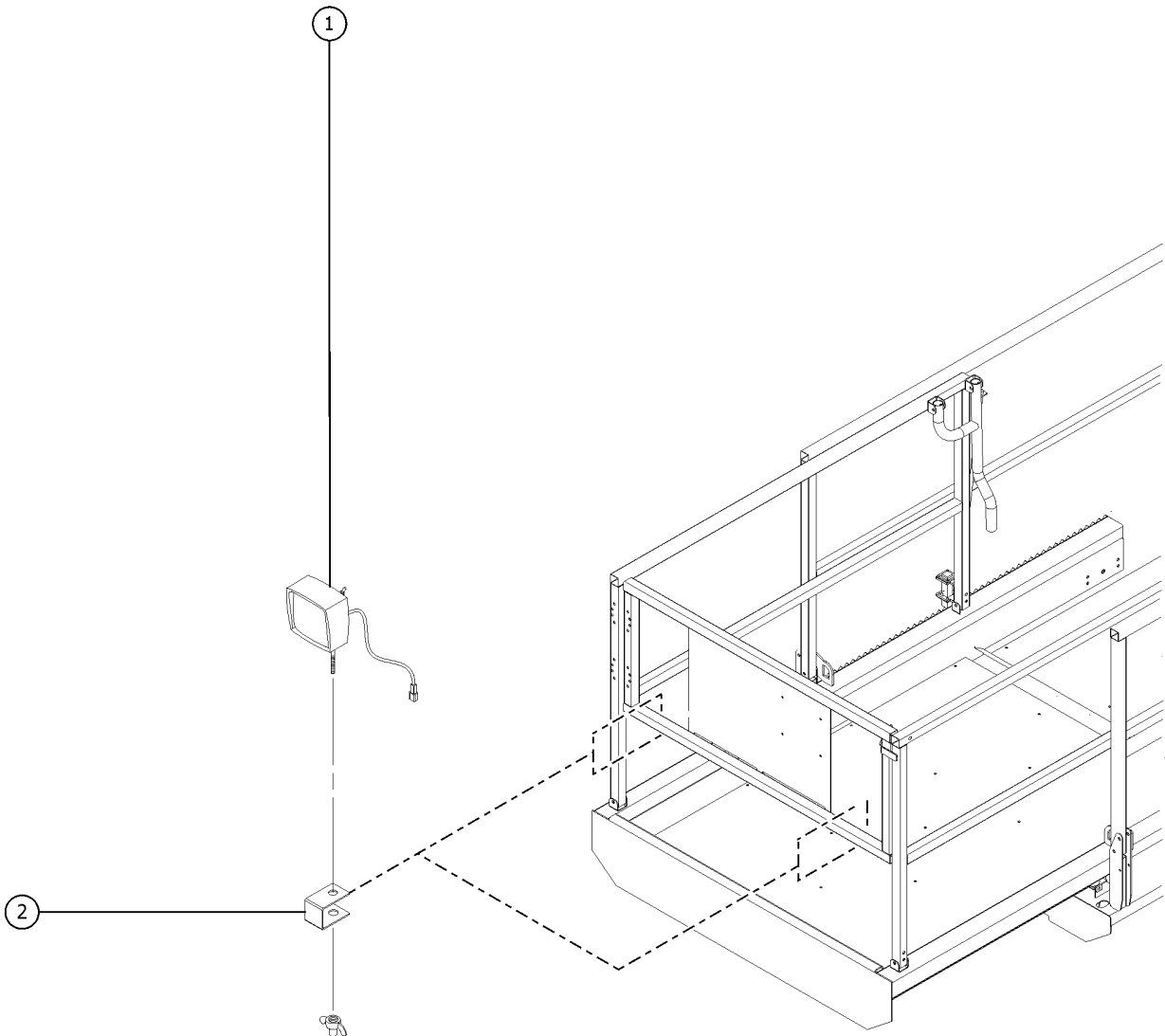


814.3 Link Guard, CE GS-4069

Item	Part No.	Description	Qty.
1	T114354GT	FORMING, LINKGUARD, SIDE, 40 for GS-4069 RT (ground controls side, front & engine side, rear)	2
2	T114357GT	FORMING, LINKGUARD, END, 40 for GS-4069 RT	2
3	101718GT	BOLT, CARRIAGE, 3/8-16 X .75, G2	
4	6097GT	WASHER, FLAT, USS, 3/8", Y	
5	6021GT	WASHER, LOCK, .375	
6	45444GT	NUT, ACORN 3/8-16 PLATED	
7	T114353GT	FORMING, LINKGUARD, SIDE, 40 for GS-4069 RT without oil cooler option (engine side, rear)	1
7D	227717GT	FORMING, LINK GUARD, SIDE, OPT, 40 for GS-4069 RT with oil cooler option (engine side, rear)	1
8	T114358GT	FORMING, LINKGUARD, BOXTOP for GS-4069 RT	2
9	4828GT	NUT, NYLOCK, 3/8-16	
10	73466GT	BOLT, CARRIAGE, 3/8-16 X 1.00, G2	
11	T114356GT	FORMING, LINKGUARD, SIDE, 40 for GS-4069 RT	1
12	T114353GT	FORMING, LINKGUARD, SIDE, 40 for GS-4069 RT without oil cooler option (ground controls side, front)	1
12D	T114353GT	FORMING, LINKGUARD, SIDE, 40 for GS-4069 RT with oil cooler option (ground controls side, front)	1



815.1 Platform Work Light

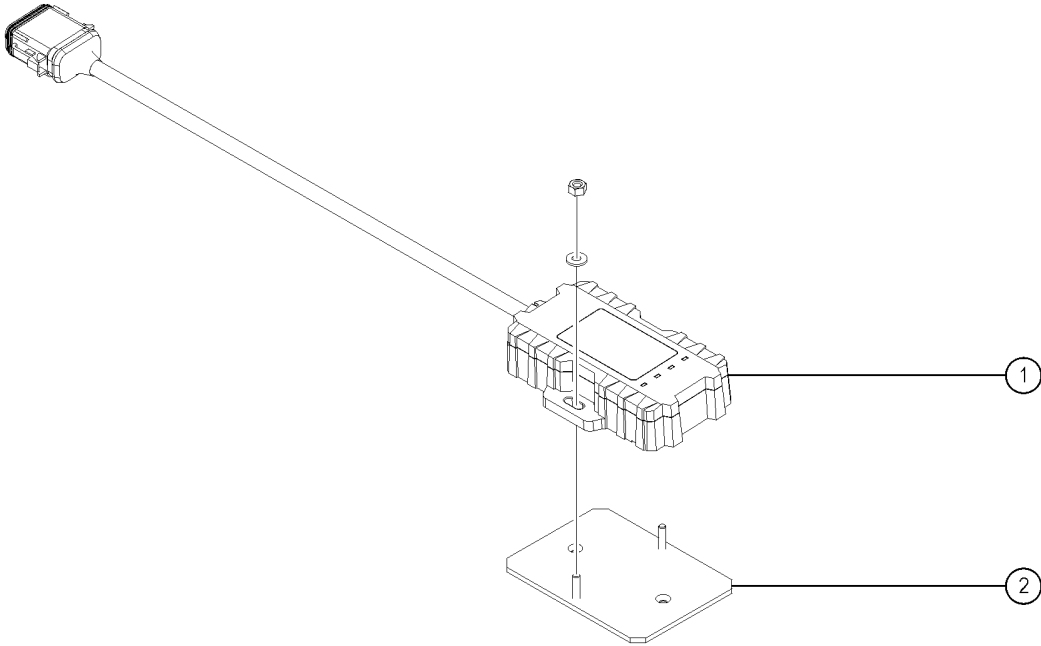


815.1 Platform Work Light

<i>Item</i>	<i>Part No.</i>	<i>Description</i>	<i>Qty.</i>
A	823041GT	WORKLIGHTS,FIELD KIT,GS-2669	1
A-	823044GT	HARNESS,GS2669 WORKLIGHTS	1
B	823042GT	WORKLIGHTS,FIELD KIT,GS-3369	1
B-	823045GT	HARNESS,GS3369 WORKLIGHTS	1
C	823043GT	WORKLIGHTS,FIELD KIT,GS-4069	1
C-	823046GT	HARNESS,GS4069 WORKLIGHTS	1
1	71498GT	WORKLIGHT, 12V, DEUTSCH RECEPT	2
2	71382GT	BRACKET, WORK LIGHTS, OPTION	2
3	28443GT	CABLE TIE,11.5" BLACK	
		not shown	



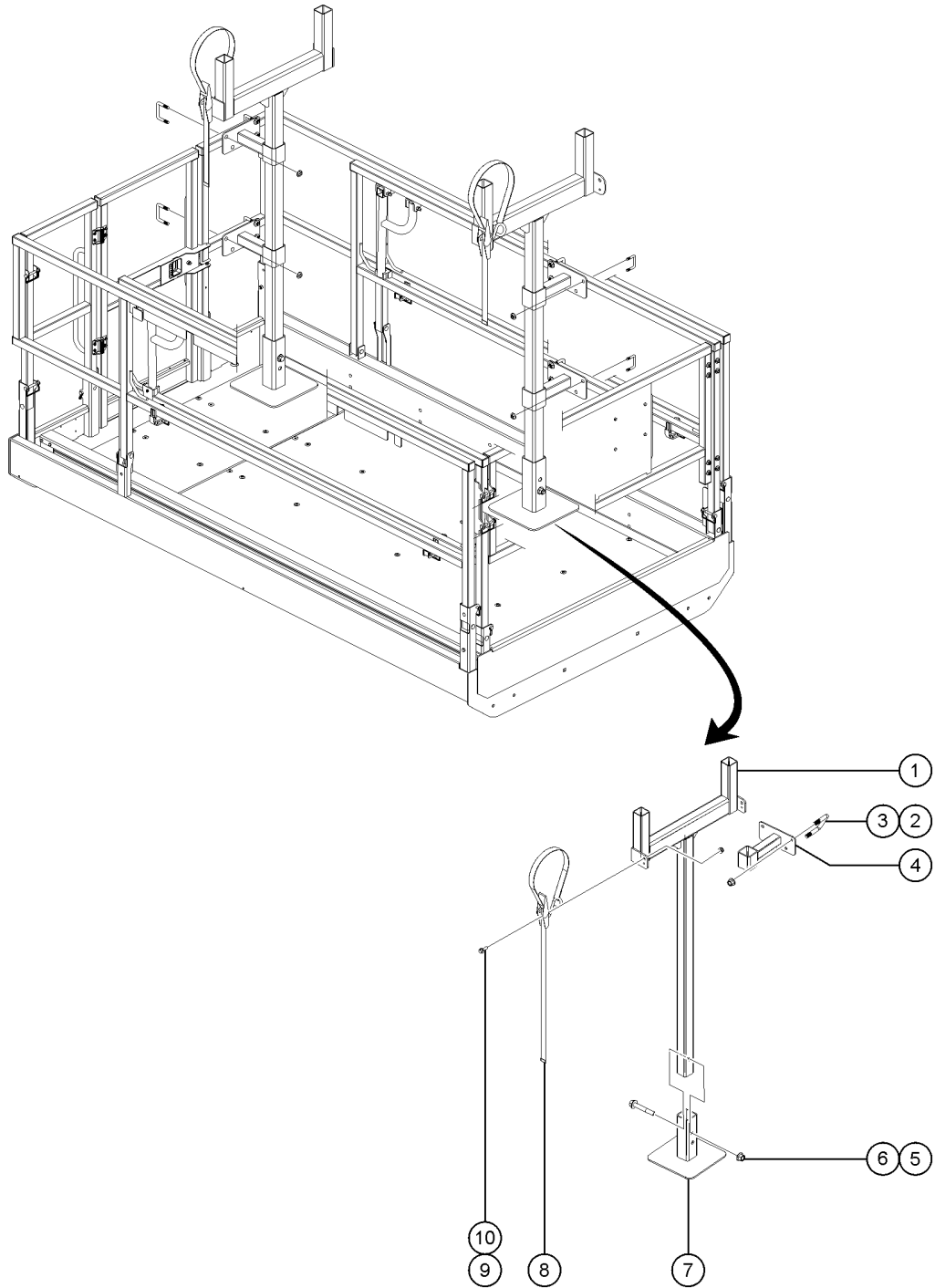
816.1 Telematics Option



<i>Item</i>	<i>Part No.</i>	<i>Description</i>	<i>Qty.</i>
-	1293652GT	HARNESS, RETROFIT, 76" M7 for first time insulation, must order this kit with one of the models 1289520GT, 1289521GT, 1289522GT, or 1289523GT	1
-	1289899GT	HARNESS, GATEWAY, GS	
-	1293985GT	TELEMATICS, FUEL LEVEL, GS69 DIESEL	
		(fuel level, diesel)	
-	1271770GT	SENSOR, FUEL LEVEL, 30" DIESEL	
		(fuel level, diesel)	
-	1283904GT	CAN CONVERTER, 1.15 - 4.14 V RANGE	
		(fuel level, diesel)	
-	1293984GT	TELEMATICS, FUEL LEVEL, GS69 GAS	
		(fuel level, gas)	
-	1271771GT	SENSOR, FUEL LEVEL, 24" GAS	
		(fuel level, gas)	
-	1283928GT	CAN CONVERTER,1.15-4.15V RANGE	
		(fuel level, gas)	
-	1274947GT	HARNESS, FUEL SENSE, RT69	
		(fuel level, diesel & Gas)	
-	824215GT	SCREW,PHPM,10-32X.75,ZAG	
		(fuel level, diesel & Gas)	
-	1293347GT	BRACKET, CAN CONVERTER	
		(fuel level, diesel & Gas)	
1	1289521GT	MODULE, TELEMATICS, ZTR, M7, EMEA/APAC	
2	1289561GT	BRACKET, TELEMATICS	1



817.1 Lift Tool Material Carrier



817.1 Lift Tool Material Carrier

<i>Item</i>	<i>Part No.</i>	<i>Description</i>	<i>Qty.</i>
-	1288239GT	KIT, LIFT TOOL MATERIAL CARRIER	1
-	1289762GT	ASSY, MATERIAL CARRIER POST	2
		(includes items 1 and 8-10)	
1	1288627GT	WELDMENT, MATERIAL CARRIER POST	2
2	131681GT	U-BOLT,SQR,3/8-16X2X3,PLTD	8
3	1274322GT	NUT,NYLOCK FLG,3/8-16,G,ZAG	16
4	1288628GT	WELDMENT, MATERIAL CARRIER, RAIL ATTACHMENT	4
5	1274172GT	NUT,NYLOCK FLG,1/2-13,G,ZAG	2
6	1256850GT	SCREW,HHF,1/2-13X3.25,8,ZAG	2
7	1288629GT	WELDMENT, MATERIAL CARRIER, BASE	2
8	1288205GT	STRAPS, RATCHET	2
9	824078GT	SCREW,HHF,1/4-20X.75,8,ZAG	2
10	1277924GT	NUT,NYLOCK FLG,1/4-20,F,ZAG	2



<u>Part no.</u>	<u>Page Number</u>	<u>Part no.</u>	<u>Page Number</u>	<u>Part no.</u>	<u>Page Number</u>
4266GT	61, 99, 113	10775GT	67, 123, 125, 127	27900GT	183, 185, 187
4828GT	23, 29, 35, 37, 39, 41...	10777GT	123, 125, 127	27901GT	183, 185, 187
5224GT	115	11335GT	71	27903GT	183, 185, 187
5365GT	27, 33, 113	12123GT	95	28092GT	45
5397GT	55, 61	13000GT	57, 161	28158GT	13
6002GT	45, 115	13002GT	161	28159GT	13
6019GT	51, 61, 61, 11, 101, 161	13022GT	57	28160GT	11
6021GT	59, 61, 11, 189, 191, 193	13064GT	29, 35	28174GT	13, 17
6090GT	25, 31, 37, 39, 47, 67...	13083GT	73	28235GT	13, 17
6091GT	25, 31, 47, 59, 67, 73...	13585GT	67	28443GT	195
6095GT	37, 39, 93, 97, 103	13597GT	123	28646GT	179
6096GT	39, 91, 97, 101, 173	13854GT	161	28853GT	171
6097GT	23, 29, 35, 37, 39, 53...	13918GT	23, 37, 39	29080GT	109, 115
6146GT	73	14033GT	91, 95, 99	29447GT	61
6175GT	19, 51, 109, 117	14392GT	77	29868GT	77, 117, 161, 175
6178GT	57, 67, 73	18383GT	91, 95, 99	30434GT	93, 97, 103
6198GT	19, 37, 39, 59, 63, 69...	18503GT	55	30973GT	45
6326GT	93, 93, 99, 121, 161, 179	18540GT	27, 33	31379GT	47
6356GT	67, 167	18605GT	29, 35, 41, 91, 91, 101...	31506GT	65
6595GT	123, 125, 127	19440GT	19	31658GT	65
6605GT	55	19506GT	75	32069GT	45
6606GT	57	20224GT	135	32077GT	45
6626GT	123, 125, 127	20780GT	47	32103GT	47
6637GT	21, 109, 173	20912GT	25, 31	32182GT	47
6638GT	21, 37, 39, 47, 61, 69...	21130GT	47	32185GT	45, 55
6700GT	53, 69, 73	22446GT	113	32189GT	43
6708GT	109, 113, 115	22672GT	51	32191GT	43
6714GT	175	22676GT	57	32192GT	43
6782GT	49, 57, 67, 117, 161	22700 GT	115	32194GT	43
6873GT	67	22700GT	57	32199GT	45
6878GT	59, 77, 175	22788GT	91, 97, 101	32200GT	45
6888GT	47, 73	22903GT	43	32205GT	55
6889GT	93, 93, 99, 101, 113, 115...	22934GT	43, 45	33418GT	55
7056GT	67, 123, 125, 127	23061GT	55	33550GT	117
7339GT	23	24037GT	55	33629GT	123, 125, 127
7713GT	23, 31, 41, 61, 11, 109...	24514GT	119	33724GT	123, 125, 127
8178GT	113, 115	25388GT	123, 125, 127	33987GT	27, 33
8179GT	167	25817GT	19	34052GT	73, 167
8255GT	29, 35, 61, 11, 183, 185...	25929GT	43	34053GT	75, 167
8516GT	37, 39, 57	27089GT	47	35418GT	47, 49
8914GT	121	27894GT	183, 185, 187	35461GT	41, 91, 97, 101
10258GT	173	27895GT	183, 185, 187	35706GT	117



<u>Part no.</u>	<u>Page Number</u>	<u>Part no.</u>	<u>Page Number</u>	<u>Part no.</u>	<u>Page Number</u>
36872GT	59	45454GT	73	49861GT	165
37947GT	75	45470GT	123, 125, 127, 161	51428GT	173
38016GT	117	45708GT	59	51474GT	21, 29, 35
38028GT	109, 175	46718GT	167	51580GT	165
39127GT	103	47077GT	185, 187	51738GT	55
39540GT	75	47230GT	109, 117	51814GT	179
39882GT	143	47238GT	173	52371GT	133, 135, 137, 139
40265GT	115	47312GT	19	52374GT	133
42360GT	19	47478GT	109, 115, 119	52377GT	137, 139
42489GT	171	47793GT	113	52378GT	135, 137, 139
43392GT	77	48425GT	115, 117	52420GT	51, 59
43618GT	17	48846GT	167	52475GT	11, 13
43700GT	51	48875GT	165, 181	52531GT	45
43956GT	123, 125, 127	48880GT	135	52532GT	43
44174GT	133, 135, 137, 139, 177	48883GT	153	52533GT	43
44175GT	177	48892GT	181	52834GT	47
44181GT	47	48905GT	25, 31, 143, 151, 155	52897GT	137, 139
44191GT	43	48909GT	21, 151, 155, 181	52902GT	135
44192GT	43	48911GT	21, 153	52907GT	133, 141
44193GT	43	48912GT	21, 153, 155, 181	52910GT	137
44196GT	49	48915GT	151, 155, 181	52967GT	11, 13
44197GT	49	48916GT	143, 147, 149, 151, 181	53500GT	143
44198GT	49	48929GT	155	54332GT	45
44201GT	47	48930GT	25, 31, 181	54436GT	35
44202GT	47	48933GT	153, 155, 165, 181	54437GT	65
44203GT	51	48943GT	19, 155	54534GT	73
44204GT	51	48947GT	151, 155, 165	54627GT	25, 31
44224GT	133, 135	48948GT	25, 31, 151	55089GT	123
44227GT	133, 135, 145, 147	48960GT	151, 155, 167, 169	55484GT	179
44228GT	133, 135, 137	48961GT	151	55485GT	179
44230GT	137, 177	48983GT	151	55517GT	77, 119
44733GT	71	48984GT	151	55558GT	145, 147
44780GT	19	48997GT	135, 141, 151, 155	55675GT	77
44782GT	19	49408GT	43	55682GT	179
44909GT	55	49612GT	133	56912GT	21, 25, 31, 37, 39, 61...
44936GT	175	49613GT	133	56949GT	47
44973GT	145, 147	49772GT	115	57075GT	67
44981GT	13, 17	49816GT	73, 75	58486GT	71
45384GT	77	49818GT	73	60334GT	61
45435GT	51, 59	49819GT	73	60790GT	37, 39
45437GT	125, 127	49821GT	41, 91, 97, 101	60857GT	61
45444GT	189, 191, 193	49857GT	19	61225GT	57



<u>Part no.</u>	<u>Page Number</u>	<u>Part no.</u>	<u>Page Number</u>	<u>Part no.</u>	<u>Page Number</u>	
61741GT	49	73736GT	75	87570GT	117	
62117GT	49	73803GT	73	87571GT	117	
62118GT	49	74006GT	67	87584GT	47	
62119GT	47	74389GT	19	87645GT	119	
62160GT	43	75260GT	61	87675GT	117	
62164GT	129	75854GT	167	87684GT	25, 31, 59, 71	
62207GT	141	75855GT	167	87854GT	55	
62296GT	51	78674GT	67	87918GT	51	
62337GT	135	78736GT	93, 95, 99, 101	88296GT	25, 31	
62339GT	135	78903GT	131	88827GT	75	
62341GT	133, 141	78903HGT	131	89066GT	21	
62815GT	133	79015GT	167	94532GT	55	
63375GT	67	79090GT	117	94688GT	51	
64154GT	41, 59, 61, 67, 71, 77...	79355GT	109, 113, 115, 117	96008-SGT	75	
65837GT	43	79383GT	183, 185, 187	96009GT	75	
65853GT	47	79831GT	179	96010GT	73	
66030GT	109, 113, 115, 119	81329GT	77	96196GT	93, 95, 99, 101	
66353GT	67, 123, 125, 127	81578GT	41	96203GT	59, 63, 67, 71, 93, 97...	
66355GT	67, 123, 125, 127	82240GT	11	96236GT	67, 123, 125, 127	
66356GT	123, 125, 127	82418GT	13	96320GT	27, 33	
66717GT	67	82474GT	11, 13	96699GT	159	
66812GT	75, 129	82475GT	11, 13	96977GT	107, 108, 109, 110, 111, 112, 113, 114, 115, 116, 117, 118, 119, 120, 121, 122, 123, 124, 125, 126, 127, 128, 129, 130, 131, 132, 133, 134, 135, 136, 137, 138, 139, 140, 141, 142, 143, 144, 145, 146, 147, 148, 149, 150, 151, 152, 153, 154, 155, 156, 157, 158, 159, 160, 161, 162, 163, 164, 165, 166, 167, 168, 169, 170, 171, 172, 173, 174, 175, 176, 177, 178, 179, 180, 181, 182, 183, 184, 185, 186, 187, 188, 189, 190, 191, 192, 193, 194, 195, 196, 197, 198, 199, 200, 201, 202, 203, 204, 205, 206, 207, 208, 209, 210, 211, 212, 213, 214, 215, 216, 217, 218, 219, 220, 221, 222, 223, 224, 225, 226, 227, 228, 229, 230, 231, 232, 233, 234, 235, 236, 237, 238, 239, 240, 241, 242, 243, 244, 245, 246, 247, 248, 249, 250, 251, 252, 253, 254, 255, 256, 257, 258, 259, 260, 261, 262, 263, 264, 265, 266, 267, 268, 269, 270, 271, 272, 273, 274, 275, 276, 277, 278, 279, 280, 281, 282, 283, 284, 285, 286, 287, 288, 289, 290, 291, 292, 293, 294, 295, 296, 297, 298, 299, 300, 301, 302, 303, 304, 305, 306, 307, 308, 309, 310, 311, 312, 313, 314, 315, 316, 317, 318, 319, 320, 321, 322, 323, 324, 325, 326, 327, 328, 329, 330, 331, 332, 333, 334, 335, 336, 337, 338, 339, 340, 341, 342, 343, 344, 345, 346, 347, 348, 349, 350, 351, 352, 353, 354, 355, 356, 357, 358, 359, 360, 361, 362, 363, 364, 365, 366, 367, 368, 369, 370, 371, 372, 373, 374, 375, 376, 377, 378, 379, 380, 381, 382, 383, 384, 385, 386, 387, 388, 389, 390, 391, 392, 393, 394, 395, 396, 397, 398, 399, 400, 401, 402, 403, 404, 405, 406, 407, 408, 409, 410, 411, 412, 413, 414, 415, 416, 417, 418, 419, 420, 421, 422, 423, 424, 425, 426, 427, 428, 429, 430, 431, 432, 433, 434, 435, 436, 437, 438, 439, 440, 441, 442, 443, 444, 445, 446, 447, 448, 449, 450, 451, 452, 453, 454, 455, 456, 457, 458, 459, 460, 461, 462, 463, 464, 465, 466, 467, 468, 469, 470, 471, 472, 473, 474, 475, 476, 477, 478, 479, 480, 481, 482, 483, 484, 485, 486, 487, 488, 489, 490, 491, 492, 493, 494, 495, 496, 497, 498, 499, 500, 501, 502, 503, 504, 505, 506, 507, 508, 509, 510, 511, 512, 513, 514, 515, 516, 517, 518, 519, 520, 521, 522, 523, 524, 525, 526, 527, 528, 529, 530, 531, 532, 533, 534, 535, 536, 537, 538, 539, 540, 541, 542, 543, 544, 545, 546, 547, 548, 549, 550, 551, 552, 553, 554, 555, 556, 557, 558, 559, 560, 561, 562, 563, 564, 565, 566, 567, 568, 569, 570, 571, 572, 573, 574, 575, 576, 577, 578, 579, 580, 581, 582, 583, 584, 585, 586, 587, 588, 589, 590, 591, 592, 593, 594, 595, 596, 597, 598, 599, 600, 601, 602, 603, 604, 605, 606, 607, 608, 609, 610, 611, 612, 613, 614, 615, 616, 617, 618, 619, 620, 621, 622, 623, 624, 625, 626, 627, 628, 629, 630, 631, 632, 633, 634, 635, 636, 637, 638, 639, 640, 641, 642, 643, 644, 645, 646, 647, 648, 649, 650, 651, 652, 653, 654, 655, 656, 657, 658, 659, 660, 661, 662, 663, 664, 665, 666, 667, 668, 669, 670, 671, 672, 673, 674, 675, 676, 677, 678, 679, 680, 681, 682, 683, 684, 685, 686, 687, 688, 689, 690, 691, 692, 693, 694, 695, 696, 697, 698, 699, 700, 701, 702, 703, 704, 705, 706, 707, 708, 709, 710, 711, 712, 713, 714, 715, 716, 717, 718, 719, 720, 721, 722, 723, 724, 725, 726, 727, 728, 729, 730, 731, 732, 733, 734, 735, 736, 737, 738, 739, 740, 741, 742, 743, 744, 745, 746, 747, 748, 749, 750, 751, 752, 753, 754, 755, 756, 757, 758, 759, 760, 761, 762, 763, 764, 765, 766, 767, 768, 769, 770, 771, 772, 773, 774, 775, 776, 777, 778, 779, 780, 781, 782, 783, 784, 785, 786, 787, 788, 789, 790, 791, 792, 793, 794, 795, 796, 797, 798, 799, 800, 801, 802, 803, 804, 805, 806, 807, 808, 809, 810, 811, 812, 813, 814, 815, 816, 817, 818, 819, 820, 821, 822, 823, 824, 825, 826, 827, 828, 829, 830, 831, 832, 833, 834, 835, 836, 837, 838, 839, 840, 841, 842, 843, 844, 845, 846, 847, 848, 849, 850, 851, 852, 853, 854, 855, 856, 857, 858, 859, 860, 861, 862, 863, 864, 865, 866, 867, 868, 869, 870, 871, 872, 873, 874, 875, 876, 877, 878, 879, 880, 881, 882, 883, 884, 885, 886, 887, 888, 889, 890, 891, 892, 893, 894, 895, 896, 897, 898, 899, 900, 901, 902, 903, 904, 905, 906, 907, 908, 909, 910, 911, 912, 913, 914, 915, 916, 917, 918, 919, 920, 921, 922, 923, 924, 925, 926, 927, 928, 929, 930, 931, 932, 933, 934, 935, 936, 937, 938, 939, 940, 941, 942, 943, 944, 945, 946, 947, 948, 949, 950, 951, 952, 953, 954, 955, 956, 957, 958, 959, 960, 961, 962, 963, 964, 965, 966, 967, 968, 969, 970, 971, 972, 973, 974, 975, 976, 977, 978, 979, 980, 981, 982, 983, 984, 985, 986, 987, 988, 989, 990, 991, 992, 993, 994, 995, 996, 997, 998, 999, 1000	107
66817GT	75, 129	82476GT	11, 13	97013GT	131	
66818GT	75, 129	82481GT	11	97014GT	131	
67387GT	23, 61	82487GT	13, 17	97015GT	131	
67504GT	73, 81, 85, 89, 167	82560GT	11, 13	97368GT	137	
67933GT	179	82562GT	11, 13	97372GT	133	
69864GT	73, 81, 85, 89	82666GT	11, 13	97719GT	13	
71259GT	167	83093GT	75	99089GT	73	
71315GT	111, 117	83131GT	75	99097GT	59	
71376GT	109	84109GT	177	99163GT	129	
71382GT	195	85197GT	51	99164GT	129	
71484GT	67	87033GT	151	99199GT	49	
71498GT	195	87070GT	65	99267GT	117	
71508GT	41, 59	87075GT	71	99268GT	117	
71912GT	175	87320-SGT	113	99346GT	41, 71	
71925GT	179	87475GT	113	99882GT	51	
72086GT	11, 13	87523GT	109	101067GT	141	
72097GT	179	87564GT	117	101200GT	45	
72326GT	129	87566GT	129	101201GT	45	
73464GT	25, 31, 93, 95, 99	87567GT	129	101202GT	51	
73466GT	161, 189, 191, 193	87568GT	109	101203GT	45	



<u>Part no.</u>	<u>Page Number</u>	<u>Part no.</u>	<u>Page Number</u>	<u>Part no.</u>	<u>Page Number</u>
101204GT	51	112531GT	55	131744GT	109
101208GT	43	112537GT	179	131745GT	109
101209GT	43	112543GT	113	131746GT	113, 115
101586GT	25, 31	112572GT	35	131747GT	113
101718GT	189, 191, 193	112703GT	105, 107, 109, 115	131749GT	109, 117
102395GT	137	112706GT	105, 107	131751GT	119
102396GT	137	112708GT	93, 95, 99, 105, 107	131778GT	65
102685GT	141	112772GT	123, 125, 127	131813GT	57, 61
104571GT	79, 83, 87	114202GT	11, 13	131874GT	105
104759GT	133, 135, 137, 139, 145, 147	114251GT	13	131920GT	145, 147
104760GT	137, 139, 177	114337GT	11	131921GT	147
104764GT	137	114338GT	17	131945GT	43
104804GT	113	114371GT	17	131972GT	175
104935GT	145, 147	115206GT	135	133537GT	17
105092GT	29, 35	115402GT	143	139230GT	55
105108GT	131	115431GT	55	139273GT	43, 51
105109GT	131	116503GT	45	139274GT	51
105171GT	131	116523GT	45	139277GT	55
105172GT	131	117773GT	167	139278GT	45
105662GT	129	119067GT	163	139279GT	43
105692GT	175	121422GT	61	139280GT	43
105695GT	141	122994GT	73	139282GT	43
106098GT	25, 31	124576GT	115	139877GT	151
106117GT	25, 27, 31, 33	128085GT	143	139953GT	163
106118GT	25, 27, 31, 33	131323GT	65	139954GT	163
106134GT	25, 31	131372GT	51	139966GT	27, 33
107578GT	29	131373GT	55	139967GT	27, 33
112099GT	93, 97, 103	131378GT	43	139968GT	27, 33
112100GT	93, 97, 103	131416GT	109	139969GT	27, 33
112115GT	91, 97, 101	131427GT	57	139970GT	27, 33
112116GT	91, 97, 101	131428GT	179	139971GT	27, 33
112121GT	91, 97, 101	131581GT	55	141958GT	99, 101
112123GT	91, 99	131616GT	19	144065GT	129
112124GT	93, 95, 99	131621GT	143	144161GT	123, 125, 127
112125GT	99	131639GT	29, 35	147033GT	27, 33
112126GT	99	131658GT	65	147034GT	27, 33
112127GT	91, 105	131681GT	199	147090GT	75
112134GT	99, 107	131687GT	95	147091GT	75
112350GT	91, 95, 97, 99, 101	131735GT	119	147228GT	163
112375GT	91, 97, 101	131741GT	117	147229GT	163
112476GT	25, 31, 109, 113, 115, 117	131742GT	119	147230GT	163
112512GT	29, 35	131743GT	117	147231GT	163



<u>Part no.</u>	<u>Page Number</u>	<u>Part no.</u>	<u>Page Number</u>	<u>Part no.</u>	<u>Page Number</u>
147232GT	163	148426GT	19	227470GT	153
147233GT	163	148433GT	91, 95, 99	227471GT	151
147239GT	163	148434GT	93, 95, 99	227472GT	151
147241GT	163	160566GT	79, 83, 87	227473GT	151
147242GT	163	160739GT	173	227474GT	151
147258GT	163	160740GT	173	227475GT	51
147262GT	163	160744GT	173	227476GT	51, 151
147419GT	151	160905GT	81, 85, 89	227477GT	151
148000GT	175	160906GT	81, 85, 89	227478GT	149
148001GT	175	160907GT	81, 85, 89	227479GT	149
148008GT	61	161213GT	79, 83, 87	227480GT	169
148024GT	175	161214GT	81, 85, 89	227481GT	169
148027GT	175	161695GT	51	227482GT	165
148044GT	175	162455GT	45	227483GT	165
148046GT	173	162456GT	45	227484GT	165
148068GT	79, 83, 87	214817GT	145, 147	227485GT	165
148069GT	79, 83, 87	215229GT	65	227486GT	181
148070GT	79, 83, 87	215398GT	17	227487GT	181
148072GT	81, 85, 89	215399GT	17	227489GT	181
148077GT	81, 85, 89	215406GT	17	227490GT	181
148078GT	85	215475GT	161	227491GT	181
148079GT	79, 83, 87	219112GT	77	227492GT	143
148080GT	79, 83, 87	219210GT	51	227598GT	157
148081GT	79, 83, 87	219437GT	57	227599GT	157
148083GT	83	220237GT	41	227600GT	155
148084GT	79, 87	226378GT	145, 147	227601GT	155
148088GT	79, 83, 87	226379GT	147	227602GT	155
148089GT	81, 85, 89	226380GT	143	227603GT	155
148090GT	79, 83, 87	226381GT	179	227604GT	155
148091GT	79, 83, 87	226802GT	115	227605GT	155
148093GT	81, 85, 89	227458GT	155	227606GT	155
148099GT	45	227459GT	155	227607GT	155
148210GT	79, 83, 87	227460GT	155	227608GT	155
148236GT	27, 33, 91, 97, 101	227461GT	155	227609GT	153
148329GT	173	227462GT	151, 155	227610GT	153
148353GT	19	227463GT	155	227611GT	151
148396GT	21	227464GT	153, 155	227612GT	151
148409GT	173	227465GT	153, 155	227613GT	151
148410GT	173	227466GT	153	227614GT	149, 155
148414GT	79, 83, 87	227467GT	153	227713GT	189, 191
148416GT	43	227468GT	153	227714GT	189, 191
148422GT	121	227469GT	153	227715GT	189, 191



<u>Part no.</u>	<u>Page Number</u>	<u>Part no.</u>	<u>Page Number</u>	<u>Part no.</u>	<u>Page Number</u>
227716GT	189, 191	232845GT	73	235092GT	93
227717GT	193	233041GT	27, 33	235093GT	93
227720GT	165	233821GT	59	235094GT	93
227724GT	181	233822GT	55	235099GT	119
227726GT	181	233823GT	59	235100GT	117
227728GT	181	233824GT	59	235122GT	101
227730GT	181	234598GT	133	235331GT	109
227732GT	181	234599GT	133	235332GT	109
227735GT	181	234600GT	133	236007GT	47
227738GT	181	234601GT	133	236095GT	51
227740GT	181	234602GT	133	237340GT	29, 35
227742GT	181	234603GT	133	823041GT	195
227768GT	189, 191	234604GT	135	823042GT	195
228327GT	17	234605GT	135	823043GT	195
228328GT	17	234606GT	135	823044GT	195
228329GT	17	234607GT	135	823045GT	195
228698GT	57	234608GT	135	823046GT	195
228974GT	43	234609GT	135	823113GT	11, 13
229079GT	141	234610GT	135	823341GT	129
229291GT	73	234611GT	135, 141	824027GT	159
229305GT	151	234612GT	135, 137, 141	824077GT	65
229427GT	11, 13	234613GT	133	824078GT	65, 199
229435GT	73	234769GT	137	824089GT	65
229625GT	151	234770GT	137	824215GT	197
229740GT	67	234771GT	137	825187GT	129
229771GT	61	234772GT	137, 141	832128GT	43
229828GT	11	234773GT	137	839119GT	49
230808GT	17, 129	234774GT	137	839149GT	47
230849GT	27, 33	234775GT	141	839151GT	43
230850GT	69	234776GT	141	839209GT	45
230983GT	133	234777GT	139	839233GT	47
231083GT	117, 129	234842GT	45	865257GT	49
231084GT	73	234843GT	45	866040GT	49
231092GT	133, 135	234844GT	45	866050GT	45
231226GT	55	234845GT	55	866070GT	47
231227GT	55	234846GT	55	1251567GT	113
231231GT	45	234847GT	55	1251757GT	65
231232GT	45	234848GT	57	1253349GT	77
231251GT	109	234867GT	47	1253422GT	77
231929GT	45	235089GT	175	1253423GT	77
232536GT	39	235090GT	117	1253424GT	77
232537GT	39	235091GT	175	1253425GT	77



<u>Part no.</u>	<u>Page Number</u>	<u>Part no.</u>	<u>Page Number</u>	<u>Part no.</u>	<u>Page Number</u>
1253427GT	59	1254206GT	105	1258751GT	19
1253479GT	77	1254207GT	91	1258752GT	19
1254068GT	181	1254208GT	93	1258753GT	27, 33
1254107GT	51	1254245GT	25, 31	1258754GT	27, 33
1254108GT	57	1254246GT	61	1258755GT	19
1254109GT	57	1254419GT	61	1258756GT	19
1254110GT	57	1254420GT	61	1259055GT	65
1254111GT	57	1254421GT	59	1259447GT	79, 83, 87
1254112GT	59	1254424GT	55	1259448GT	79, 83, 87
1254113GT	47	1254425GT	53	1260963GT	129
1254115GT	57	1254427GT	77	1263542GT	11, 13
1254116GT	57	1254428GT	77	1264810GT	61
1254137GT	55	1254436GT	39	1264822GT	79, 83, 87
1254162GT	183	1254437GT	25, 31	1264834GT	79, 83, 87
1254163GT	161	1254440GT	67	1265332GT	145, 147
1254164GT	161	1254441GT	73	1265367GT	145, 147
1254165GT	161	1254443GT	71	1266174GT	79, 83, 87
1254166GT	67	1254444GT	71	1267113GT	79, 83, 87
1254167GT	167	1254445GT	71	1267270GT	79, 83, 87
1254168GT	167	1254446GT	71	1267290GT	27, 33
1254170GT	41	1254462GT	39	1267469GT	159
1254174GT	37, 39	1255452GT	19, 23, 29, 35, 61	1267806GT	79, 83, 87
1254175GT	25, 31	1255881GT	73	1268809GT	51
1254176GT	25, 31	1256130GT	81, 85, 89	1269612GT	59
1254177GT	27, 33	1256151GT	173	1269693GT	163
1254178GT	25, 31	1256267GT	91, 97, 101	1270142GT	57
1254180GT	21	1256463GT	159	1270697GT	51
1254181GT	19	1256582GT	67	1271770GT	197
1254182GT	19	1256593GT	95	1271771GT	197
1254187GT	37, 39	1256756GT	71	1271772GT	65
1254188GT	39	1256850GT	199	1271773GT	65
1254189GT	37	1258623GT	29	1272569GT	75
1254190GT	91, 95, 99	1258624GT	25, 31	1273258GT	51
1254191GT	97, 103	1258625GT	27, 33	1273617GT	151
1254192GT	93, 95, 99	1258626GT	19	1273618GT	151
1254196GT	107	1258627GT	19	1274172GT	199
1254198GT	95, 99	1258628GT	27, 33	1274322GT	199
1254199GT	93, 95, 99	1258629GT	27, 33	1274947GT	197
1254201GT	101	1258630GT	19	1276927GT	65
1254202GT	91, 97, 101	1258631GT	19	1276928GT	65
1254203GT	97, 101	1258749GT	27, 33	1277924GT	129, 199
1254204GT	93, 95, 99	1258750GT	27, 33	1279269GT	65



<u>Part no.</u>	<u>Page Number</u>	<u>Part no.</u>	<u>Page Number</u>	<u>Part no.</u>	<u>Page Number</u>
1279270GT	65	1294688GT	17	T109734GT	93, 95, 103
1279465GT	61	1295448GT	13	T109739GT	25, 31
1279466GT	61	1295596GT	37, 39	T109743GT	79, 83, 87
1280156GT	179	1296530GT	11	T109744GT	25, 31
1280665GT	123, 125, 127	1296928GT	25, 31	T109745GT	25, 31
1281175GT	17	1298391GT	17	T109747GT	79, 83, 87
1283121GT	27, 33	1298393GT	17	T109749GT	79, 83, 87
1283904GT	197	1298395GT	17	T109750GT	79, 83, 87
1283928GT	197	1299219GT	11, 15	T110624GT	177
1285230GT	163	1299285GT	17	T110637GT	27, 33
1286397GT	115	1299286GT	17	T112283GT	61
1286403GT	115	1299287GT	17	T112560GT	123, 125, 127
1286406GT	113, 115	1301217GT	15	T113085GT	137
1286408GT	109	1304111GT	23	T114353GT	193
1286413GT	115	1305362GT	49	T114354GT	193
1286414GT	115	1305757GT	21	T114356GT	193
1288205GT	199	1306152GT	17	T114357GT	193
1288239GT	199	1306176GT	17	T114358GT	193
1288627GT	199	1306823GT	11	T114635GT	11, 15
1288628GT	199	1306825GT	17	T114636GT	11, 15
1288629GT	199	1307074GT	71	T114637GT	11, 15
1288967GT	175	1307781GT	179	T115706GT	67
1289521GT	65, 197	1308916GT	65		
1289561GT	65, 197	1309375GT	65		
1289762GT	199	1309376GT	65		
1289877GT	175	1309421GT	123		
1289888GT	175	1309422GT	125		
1289899GT	197	1309423GT	127		
1291595GT	81, 85, 89	1309602GT	147		
1291624GT	13	12666264GT	159		
1292512GT	13	T106385GT	175		
1292513GT	13	T106699GT	75		
1292514GT	13	T106782GT	65		
1292515GT	13	T107408GT	133		
1292674GT	79, 83, 87	T108039GT	121		
1293166GT	17	T108044GT	129		
1293217GT	17	T108074GT	121		
1293347GT	197	T108138GT	91, 95, 99		
1293652GT	197	T108139GT	91, 95, 99		
1293984GT	197	T108147GT	75		
1293985GT	197	T109085GT	19		
1294153GT	81, 85, 89	T109593GT	19		



California Proposition 65

 **WARNING**

Operating, servicing and maintaining this equipment, passenger vehicle or off-highway motor vehicle can expose you to chemicals including engine exhaust, carbon monoxide, phthalates, and lead, which are known to the State of California to cause cancer and birth defects or other reproductive harm. These chemicals can be emitted from or contained in other various parts and systems, fluids and some component wear by-products. To minimize exposure, avoid breathing exhaust, do not idle the engine except as necessary, service your equipment and vehicle in a well-ventilated area and wear gloves or wash your hands frequently when servicing your equipment or vehicle and after operation. For more information go to www.P65Warnings.ca.gov/passenger-vehicle.

Breathing diesel engine exhaust exposes you to chemicals known to the State of California to cause cancer and birth defects or other reproductive harm.

- Always start and operate the engine in a well-ventilated area.
- If in an enclosed area, vent the exhaust to the outside.
- Do not modify or tamper with the exhaust system.
- Do not idle the engine except as necessary.

For more information go to www.P65warnings.ca.gov/diesel.

www.genielift.com

Distributed By: