



A TEREX BRAND

Parts Manual

Serial Number Range

GS-2669DC
GS-3369DC
GS-4069DC

from SN GS69M-101

Part No. 1308932GT
Rev: A
September 2021

Technical Publications

Genie has endeavored to deliver the highest degree of accuracy possible. However, continuous improvement of our products is a Genie policy. Therefore, product specifications are subject to change without notice.

Readers are encouraged to notify Genie of errors and send in suggestions for improvement. All communications will be carefully considered for future printings of this and all other manuals.

Contact Us:

Internet: www.genielift.com
e-mail: awp.techpub@terex.com


Find a Manual for this Model

Go to <http://www.genielift.com>

Use the links to locate Operator's, Parts, Maintenance, and Service and Repair Manuals.

Copyright © 2021 by Terex Corporation
1308932 Rev A September 2021
Second Edition, First Printing

Genie is a registered trademark of Terex South Dakota in the USA and many other countries. "GS" is a trademark of South Dakota, Inc.

 Printed on recycled paper



Model:

Serial number: GS69M-101

Year of manufacture: 2021

Electrical schematic number:

Machine unladen weight:

Rated work load (including occupants):

Maximum number of platform occupants:

Maximum allowable inclination of the chassis:

Outrigger retracted:

Outrigger deployed:

GS69 M - 101

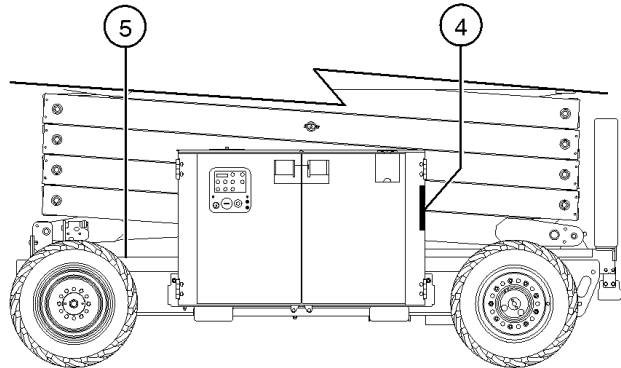
1

2

3

5

4



1 Model

2 Facility code

3 Sequence number

4 Serial label (located inside compartment)

5 Serial number (stamped on chassis)

How to Order Parts

Please be prepared with the following information when ordering replacement parts for your Terex or Genie product.

- Machine model number
- Machine serial number
- Part number
- Part description and quantity
- Purchase order number
- "Ship to" address
- Desired method of shipment
- Name and telephone number of the authorized distributor in your area

Use the Service Parts Fax Order Form on the next page and fax your order to our Parts Department.

If you don't know the name of your authorized distributor, or if your area is not currently serviced by an authorized distributor, please call Terex or Genie Industries.

Machine Information

_____ **Model**

_____ **Serial Number**

_____ **Date of Purchase**

_____ **Authorized Genie Distributor**

_____ **Phone Number**

North America

Telephone (425)881-1800
 Toll Free (800)536-1800 in US and Canada
 Fax (425)556-8659
 Toll Free fax (888)274-6192
 Email AWP.PartsSalesPO@terex.com
<http://genielift.com/en>

EMEAR (Europe, Middle East, Africa and Russia)

Telephone (31)(165)519 313
 Fax (31)(165)511 148
<http://genielift.co.uk>

Asia Pacific (Genie Singapore)

Telephone +65 6692 7777
 Fax +65 6261 8893
<http://genielift.com.sg/>

Australia

Telephone (61)(7)3456 4444
 Fax (61)(7)3456 4466
<http://genielift.com.au>

South America

Telephone (55)(11)4082 5600
 Fax (55)(11)4082 5630



Required Parts

The following parts are required to perform maintenance procedures as outlined in the Genie GS-69DC Service Manual.

Description	Part No.
Plug and Cap Kit (for ORFS fittings).....	49613
Dielectric Grease	66399
Hydraulic Filter.....	60857
Cotter Pin.....	45114
Hydraulic Tank Cap (models w/opt. hyd fluid)	131658

Recommended Parts

Description	Part No.
Genie Blue Paint, 1 Gallon	32150
Genie Blue Paint, 12 Ounce Aerosol.....	1484
Genie Gray Paint, 1 Gallon.....	32151
Genie Gray Paint, 12 Ounce Aerosol	1268

Manuals

Genie also offers the following support documents:

EMI Safety Manual	27581
Manual of Responsibilities ANSI A92.6	44163



Service Parts Fax Order Form

Fax to: (425) 556-8659 or Toll Free: 888-274-6192
International: +1-425-556-8659

Please fill out completely

Date _____ Account Number _____
 Your Name _____ Your Fax Number _____
 _____ Your Phone Number _____
 Bill To _____ Ship To _____

 Purchase Order Number _____ Ship Via _____

Model(s) _____ Serial No.(s) _____
 Optional Equipment _____

Part Number	Description	Quantity	Price

All back-ordered parts will be shipped when available via the same ship method as the original order unless Noted below:

- Ship complete order only - No back orders
- Ship all available parts and contact customer on disposition of back-ordered parts
- Other (please specify)



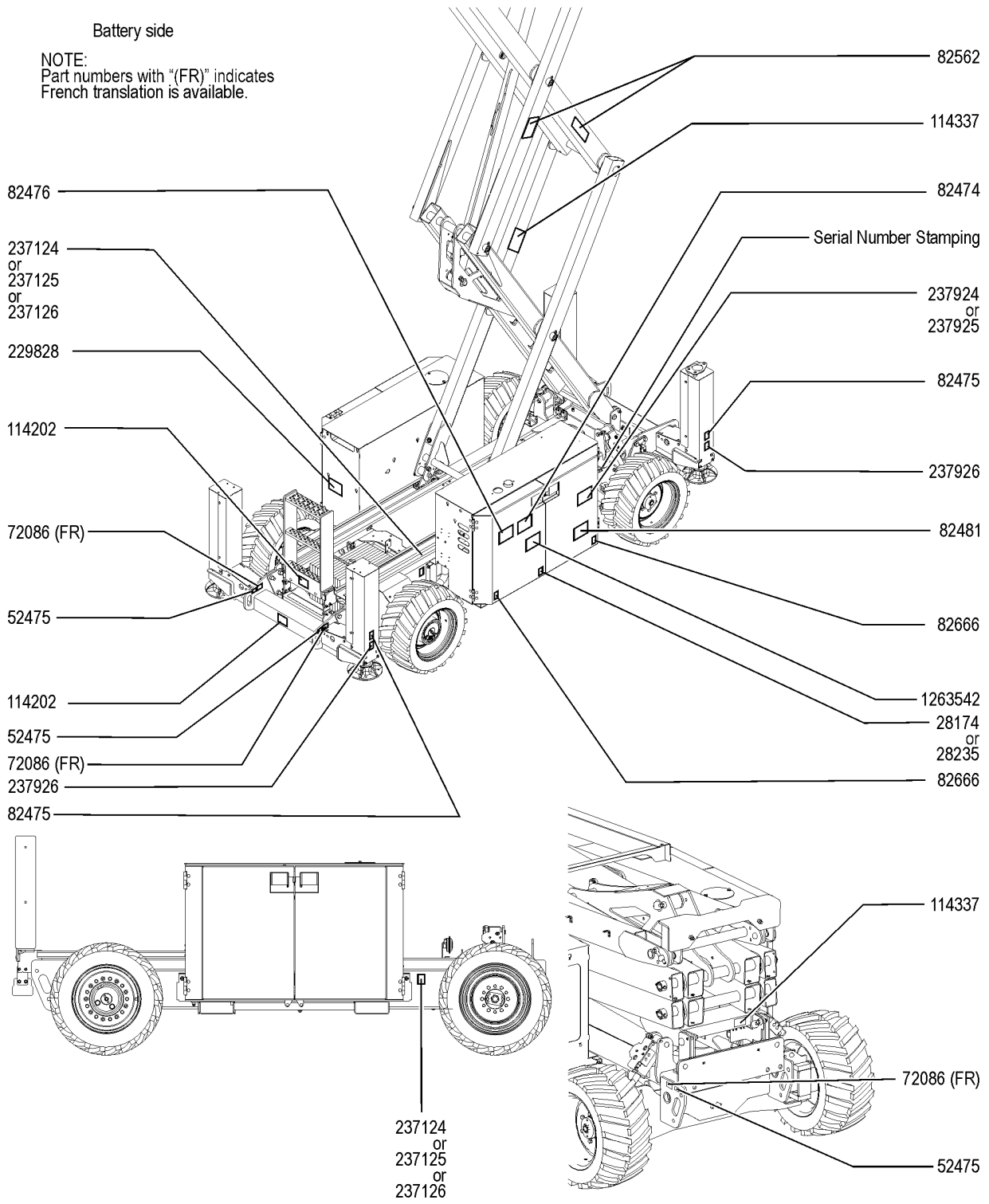
Description	Page
100 Decals	10
101.1 Decals with Symbol, Battery Side	10
102.1 Decals with Symbol, Controls Side	12
103.1 Decals with Symbol, Platform	16
200 Drive Chassis Components.....	20
201.1 Steer Axle Linkage, Wheels and Drive Motors	20
202.1 Steer Axle Linkage, Oscillation	26
203.1 Non-Steer Axle and Drive Motors	28
204.1 Ladder and Counterweight	34
205.1 Drive Chassis, Safety Components	36
300 Chassis Tray Components	38
301.1 Hydraulic Tank and Ground Controls Installation	38
302.1 Hydraulic Tray Components, View 1	42
303.1 Hydraulic Tray Components, View 2	46
304.1 Battery Tray Components, View 1	48
305.1 Battery Tray Components, View 2	52
306.1 Ground Controls	56
307.1 Chassis Cover Installation	62
308.1 Power Cables	64
309.1 Electrical Wiring	66
400 Scissor Components	70
401.1 Scissor Components, GS-2669DC	70
402.1 Scissor Components, GS-3369DC, View 1	74
403.1 Scissor Components, GS-3369DC, View 2	76
404.1 Scissor Components, GS-4069DC, View 1	78
405.1 Scissor Components, GS-4069DC, View 2	80
500 Platform Components	84
501.1 Platform Installation, GS-2669DC	84
502.1 Platform Installation, GS-3369DC & GS-4069DC	86
503.1 Platform Railing Installation	88
504.1 Platform Entry Gate	90
505.1 Platform Extension	92
506.1 Platform Extension Deck Lock	96
507.1 Power to Platform	98
508.1 Platform Controls, 7 and 5 Button (2-Speed Lift)	100
509.1 Platform Controls, 5 and 3 Button (Proportional Lift)	104
510.1 Joystick Controller	108

Table of Contents

Description	Page
600 Hydraulic Components	110
601.1 Function Manifold	110
601.2 Function Manifold	112
602.1 Oscillate Cylinder Assembly	114
603.1 Lift Cylinders	116
604.1 Hoses and Fittings	118
604.2 Hoses and Fittings	122
605.1 Hoses and Fittings, Lift Cylinders, GS-4069DC	126
700 Accessories	128
701.1 Air Line to Platform	128
702.1 Flashing Motion Beacon	130
702.2 Flashing Motion Beacon	132
703.1 Link Guard, CE and AUS	134
704.1 Outrigger Installation, View .1	136
705.1 Outrigger Installation, View 2	138
706.1 Outrigger Cylinders	142
707.1 Outrigger Hoses and Fittings	144
708.1 Outrigger Manifold	146
709.1 Platform Work Light	148
710.1 Telematics Option	150
711.1 Lift Tool Material Carrier	152
Part Number Index	154



101.1 Decals with Symbol, Battery Side

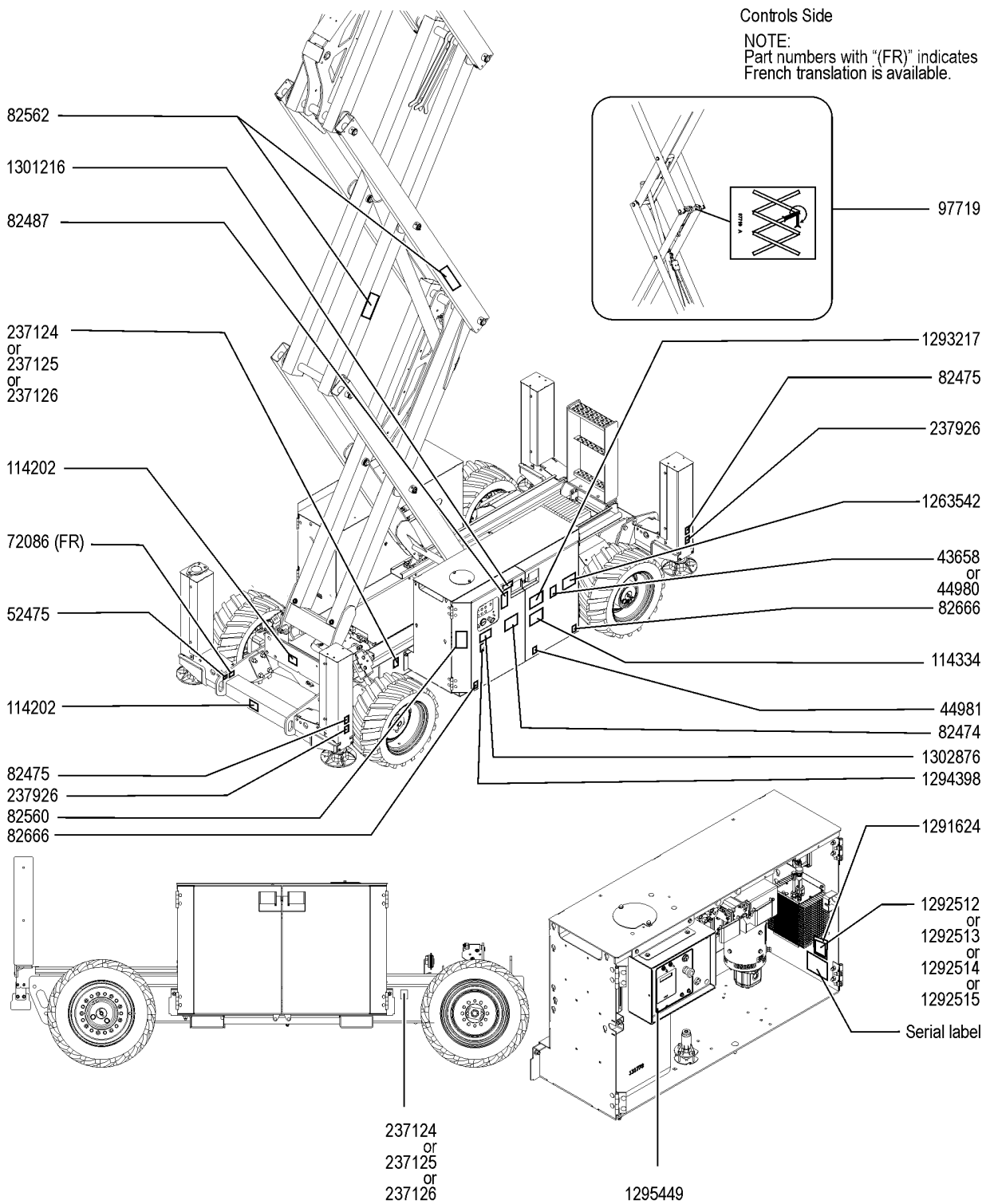


101.1 Decals with Symbol, Battery Side

Item	Part No.	Description	Qty.
-	1306767GT	INSTRUCTIONS,INSTALL,COMP,SYMBOL, GS-69 DC	1
1	28174GT	DECAL,POWER TO PLATFORM 230V	1
2	28235GT	DECAL,POWER TO PLATFORM 115V	1
3	52475GT	DECAL,LABEL,TRANSPORT TIEDOWN*	3
4	72086GT	DECAL,LABEL,LIFTING EYE	3
5	82474GT	DECAL,SYMBOL-USE SAFETY ARM	1
6	82475GT	DECAL,SYMBOL-FOOT CRUSHING	2
7	82476GT	DECAL,SYMBOL-ELEC HAZARD,GS	1
8	82481GT	DECAL,SYMBOL-BATTERY SAFETY	1
9	82562GT	DECAL,SYMBOL-CRUSHING HAZARD	2
10	82666GT	DECAL,LABEL,FORKLIFT POCKET	2
11	114202GT	DECAL,LABEL,TRANSPORT TIE 68	2
12	114337GT	DECAL, COMPARTMENT ACCESS	2
13	229828GT	DECAL,LABEL,HOT,SYMBOL	1
14	237124GT	DECAL,LABEL,WHEEL LD,GS2669DC	2
15	237125GT	DECAL,LABEL,WHEEL LD,GS3369DC	2
16	237126GT	DECAL,LABEL,WHEEL LD,GS4069DC	2
17	237924GT	DECAL,DNGR-TIP-OVR,BATT,T105CE	1
18	237925GT	DECAL,DNGR-TIP-OVR,BATT,J305CE	1
19	237926GT	DECAL,LABEL,OUTRIGGER LD	2
20	1263542GT	DECAL, COMPARTMENT ACCESS	1



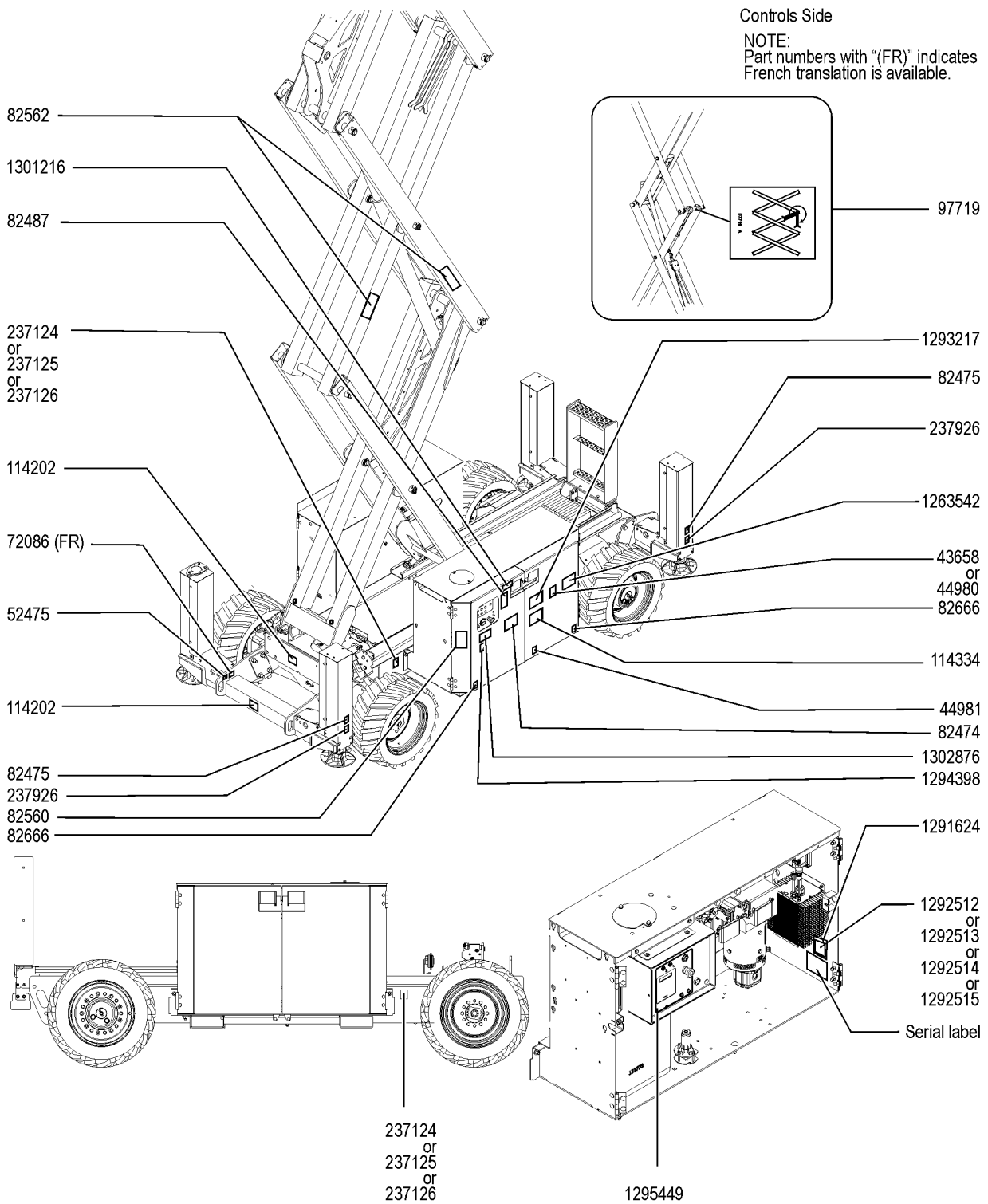
102.1 Decals with Symbol, Controls Side



Item	Part No.	Description	Qty.
1	43658GT	DECAL,LABEL,PWR TO CHARGR 230V	1
2	44980GT	DECAL,LABEL,PWR TO CHARGR 115V	1
3	44981GT	DECAL,LABEL,AIRLINE 110 PSI	1
4	52475GT	DECAL,LABEL,TRANSPORT TIEDOWN*	1
5	72086GT	DECAL,LABEL,LIFTING EYE	1
6	82474GT	DECAL,SYMBOL-USE SAFETY ARM	1
7	82475GT	DECAL,SYMBOL-FOOT CRUSHING	2
8	82487GT	DECAL,SYMBOL-READ THE MANUAL	1
9	82560GT	DECAL,SYMBOL-SKIN INJECT HAZRD	1
10	82562GT	DECAL,SYMBOL-CRUSHING HAZARD	2
11	82666GT	DECAL,LABEL,FORKLIFT POCKET	2
12	97719GT	DECAL, LABEL, SAFETY ARM SYMB	1
13	114202GT	DECAL,LABEL,TRANSPORT TIE 68	2
14	114334GT	DECAL SYMBOL ELECTRIC HAZARD PLUG	1
15	237124GT	DECAL,LABEL,WHEEL LD,GS2669DC	2
16	237125GT	DECAL,LABEL,WHEEL LD,GS3369DC	2
17	237126GT	DECAL,LABEL,WHEEL LD,GS4069DC	2
18	237926GT	DECAL,LABEL,OUTRIGGER LD	2
19	1263542GT	DECAL, COMPARTMENT ACCESS	1
20	1291624GT	DECAL COSM,GENIE LIFT CONNECT,LEXAN COVER	1
21	1292512GT	DECAL COSM,GENIE LIFT CONNECT,ESN,SKU4-1	1
22	1292513GT	DECAL COSM,GENIE LIFT CONNECT,ESN,SKU4-2	1
23	1292514GT	DECAL COSM,GENIE LIFT CONNECT,ESN,SKU4-3	1
24	1292515GT	DECAL COSM,GENIE LIFT CONNECT,ESN,SKU4-4	1
25	1293217GT	DECAL SYMBOL ELECTRIC HAZARD GS-1330m	1
26	1294398GT	DECAL, ANSI/CSA COMPLIANT	1
27	1295449GT	DECAL, GROUND CONTROL PANEL, GS69 DC, LS	1
28	1301216GT	DECAL, EMERGENCY LOWERING, GS69 DC/BE	1



102.1 Decals with Symbol, Controls Side

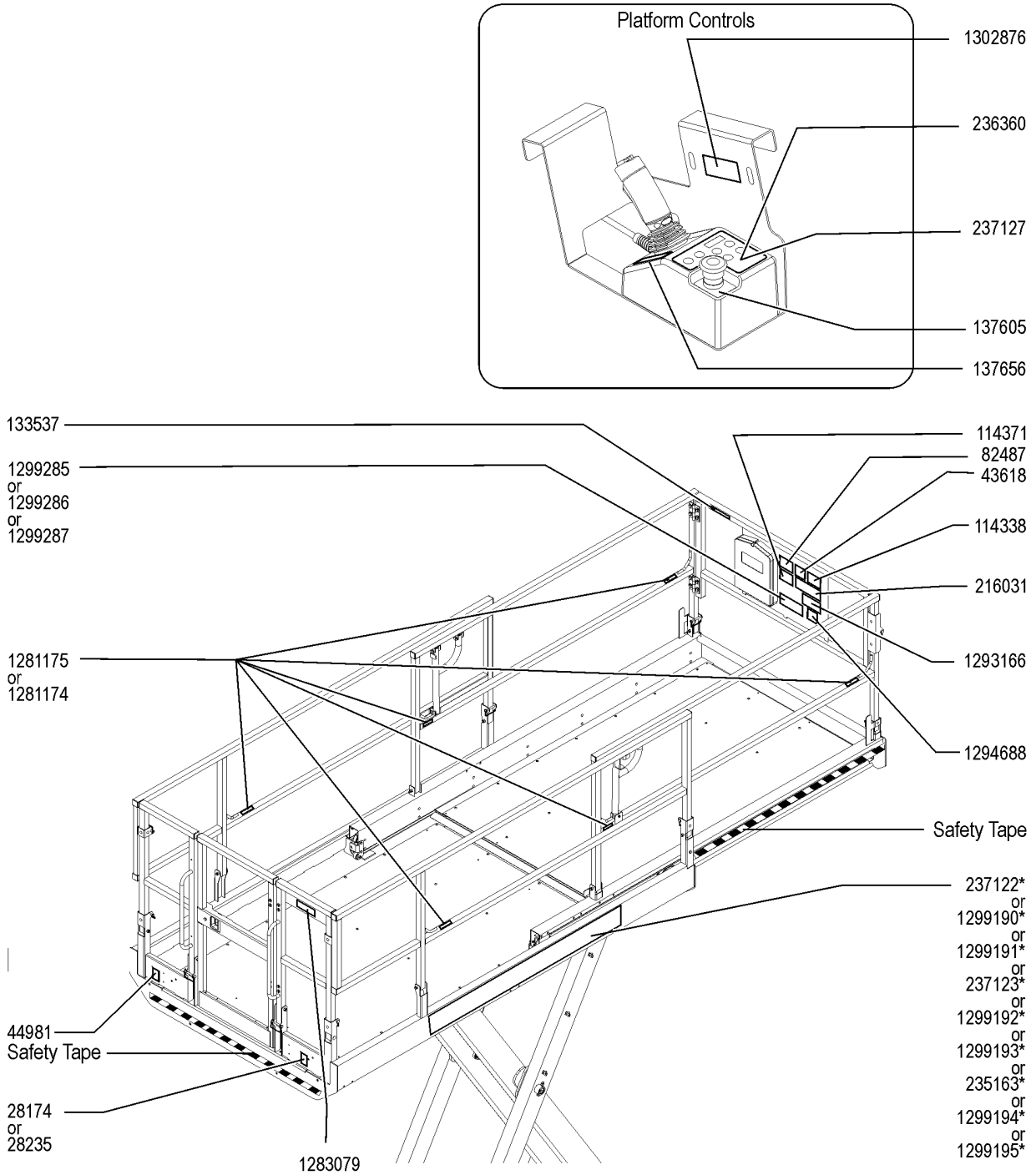


102.1 Decals with Symbol, Controls Side

<i>Item</i>	<i>Part No.</i>	<i>Description</i>	<i>Qty.</i>
29	1302876GT	DECAL, GS69 SMARTLINK UPDATE	1



103.1 Decals with Symbol, Platform

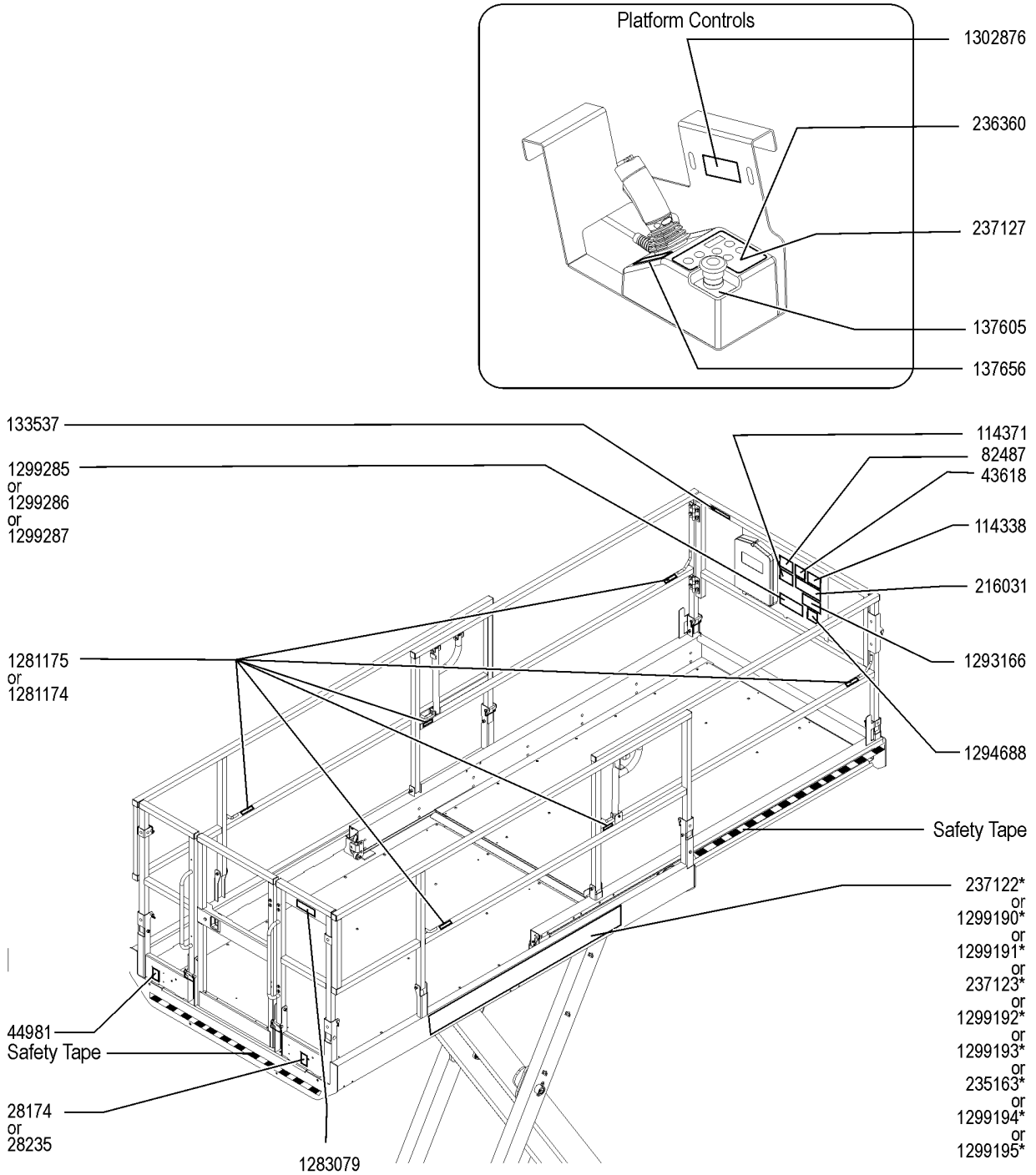


103.1 Decals with Symbol, Platform

Item	Part No.	Description	Qty.
-	1306769GT	INSTRUCTIONS,INSTALL,PLAT,SYMBOL, GS-69 DC	1
-	1306770GT	DECAL KIT, GS-69 DC,PLAT,SYMBOL,ANSI & CE	1
1	28174GT	DECAL,POWER TO PLATFORM 230V	1
2	28235GT	DECAL,POWER TO PLATFORM 115V	1
3	43618GT	DECAL,LABEL-DIRECTION ARROWS	1
4	44981GT	DECAL,LABEL,AIRLINE 110 PSI	1
5	82487GT	DECAL,SYMBOL-READ THE MANUAL	1
6	114338GT	DECAL,SYM-TIP-OVR,TILT ALARM	1
7	114371GT	DECAL,SYM-TIP-OVER,OUTRGR	1
8	133537GT	DECAL,CRUSH HAZ RAILS SYMB	1
9	137605GT	DECAL,E-STOP,GR/GRC/GS PCON	1
10	137656GT	DECAL,PROPEL,GR/GRC/GS,PCON	1
11	216031GT	DECAL,SYMBOL-RUNAWAY HAZ	1
12	235163GT	DECAL,COSMETIC,GENIE GS4069DC	2
13	236360GT	DECAL, UI, GS69DC,PCON	1
14	237122GT	DECAL,COSMETIC GENIE GS-2669DC	2
15	237123GT	DECAL,COSMETIC GENIE GS-3369DC	2
16	237127GT	DECAL,UI,GS69DC W/OR,PCON	1
17	1281174GT	DECAL,LANYARD,FALL ARREST/FALL RESTRAINED	6
18	1281175GT	DECAL, LANYARD, FALL RESTRAINED	6
19	1283079GT	DECAL, FALL HAZARD, SYM	1
20	1293166GT	DECAL,TIP-OVER,CRUSH, GS-1330m	1
21	1294688GT	DECAL,PLATFORM OVERLOAD, MINI	1
22	1299190GT	DECAL, COSMETIC,GENIE GS-2669DC, BLACK	2
23	1299191GT	DECAL, COSMETIC,GENIE GS-2669DC, BLUE	2
24	1299192GT	DECAL, COSMETIC,GENIE GS-3369DC, BLACK	2
25	1299193GT	DECAL, COSMETIC,GENIE GS-3369DC, BLUE	2
26	1299194GT	DECAL, COSMETIC,GENIE GS-409DC, BLACK	2



103.1 Decals with Symbol, Platform

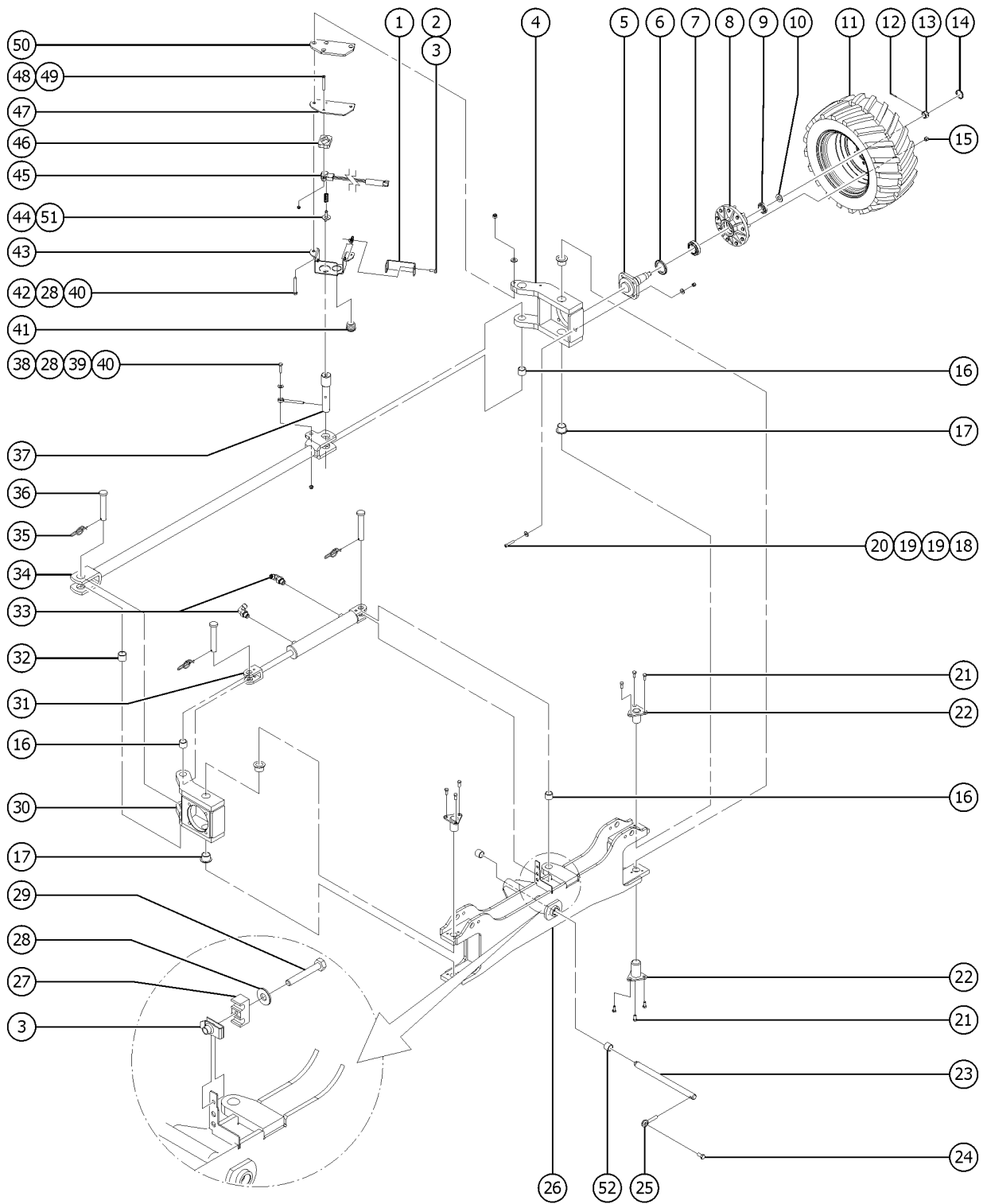


103.1 Decals with Symbol, Platform

<i>Item</i>	<i>Part No.</i>	<i>Description</i>	<i>Qty.</i>
27	1299195GT	DECAL, COSMETIC,GENIE GS-4069DC, BLUE	2
28	1299285GT	DECAL, NOTICE, SYMBOL, MAX CAP AND SIDE FORCE, GS2669	1
29	1299286GT	DECAL, NOTICE, SYMBOL, MAX CAP AND SIDE FORCE, GS3369	1
30	1299287GT	DECAL, NOTICE, SYMBOL, MAX CAP AND SIDE FORCE, GS4069	1
31	1302876GT	DECAL, GS69 SMARTLINK UPDATE	1



201.1 Steer Axle Linkage, Wheels and Drive Motors

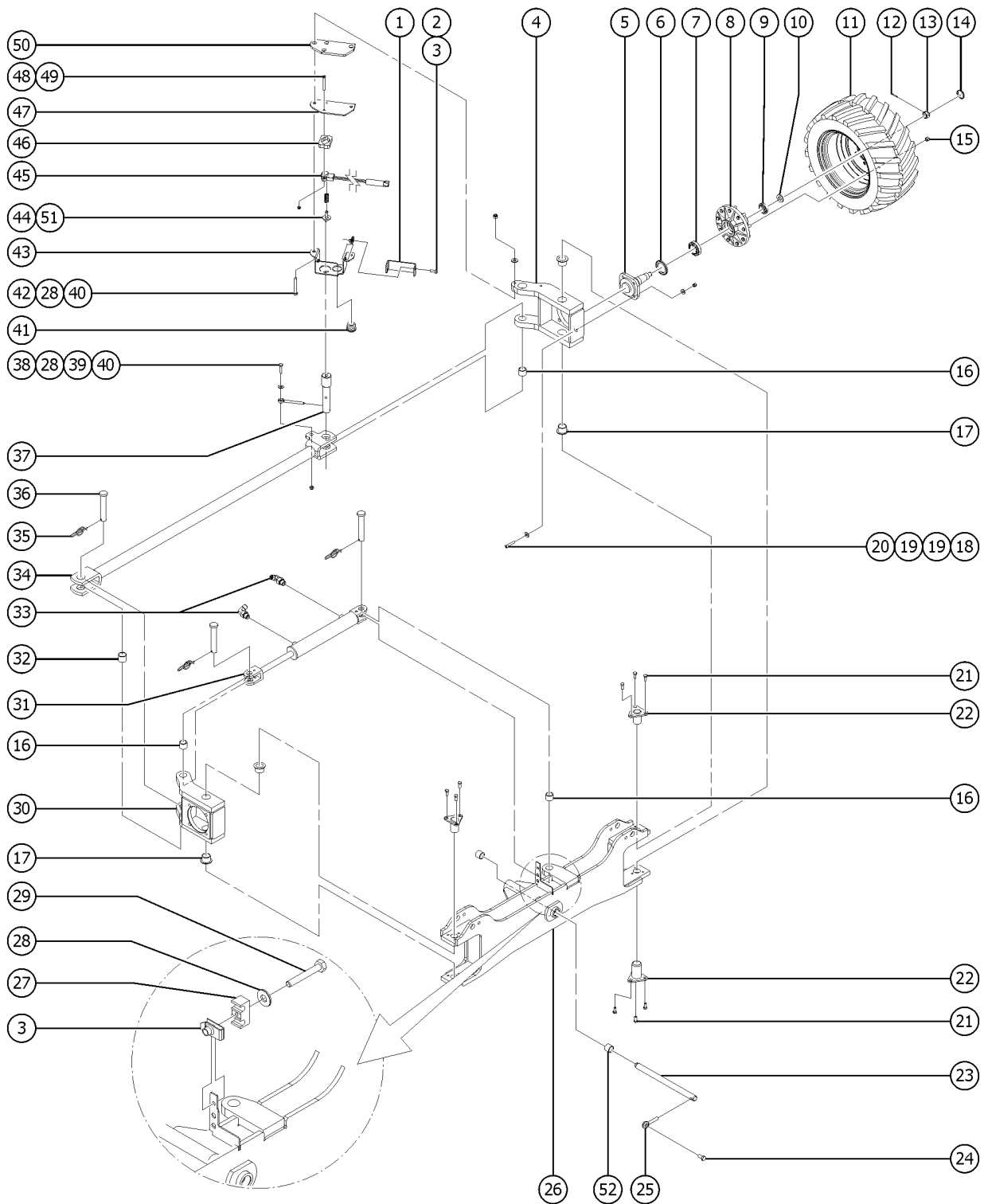


201.1 Steer Axle Linkage, Wheels and Drive Motors

Item	Part No.	Description	Qty.
1	1254431GT	FORMING, STEER SENSOR COVER PL	1
2	6090GT	SCREW,HHC,1/4-20 X .75	
3	56912GT	SPRING CLIP,1/4-20,.025-.15X.5	
4	235375GT	ASSEMBLY, STEER YOKE, LFT	1
		includes items 16 and 17	
5	1267409GT	WELDMENT,FRONT STEER,GS69DC	1
6	54960GT	SEAL-GREASE,9-BOLT HUB 54840	1
7	54961GT	BEARING,INNER,9 BOLT HUB***	1
8	54958GT	HUB,SUB ASSEMBLY,9 BOLT***	1
9	54962GT	BEARING,OUTER,9 BOLT HUB***	1
10	45112GT	WASHER,SPINDLE	1
11	1258632GT	WHEEL ASSY,FOAM,12X26,NM,LF	1
		RT, Foam-filled, Non-marking, control side (left front) (water-based foam)	
11B	1258633GT	WHEEL ASSY,FOAM,12X26,NM,RF	1
		RT, Foam-filled, Non-marking, engine side (right front) (water-based foam)	
11C	1258759GT	WHEEL ASSY,FOAM,12X26,NM,LF	1
		RT, Foam-filled, Non-marking, controls side (left front) (petroleum-based foam)	
11D	1258760GT	WHEEL ASSY,FOAM,12X26,NM,RF	1
		RT, Foam-filled, Non-marking, engine side (right front) (petroleum-based foam)	
11E	T112503GT	ASSY,HI FLOAT TIRE/WHEEL FRONT	2
12	45114GT	PIN,COTTER,.219 X 1.75	1
13	45113GT	NUT,SPINDLE,1-14	1
14	54959GT	CAP,DUST (54840 HUB ASSY)	1
15	54627GT	NUT,LUG,5/8-18 X 90 DEGREE,Z45	1
16	25817GT	BEARING,1.00IDX1.25ODX1.00L	5
17	148353GT	BEARING,BRZ,FL,1.25X1.50X1.1	4
18	236813GT	SCREW,SHC,1/2-13 x 2.5 ZINC	
19	229167GT	WASHER,FLAT .56 X 1.375 X .11	
20	104328GT	NUT,HEX,1/2-13 GRD 8	
21	49857GT	SCREW,HHC,3/8-16 X .88,GRD 8	16
22	131616GT	WELDMENT,KING PIN	4
23	237340GT	PIN,OSC PIVOT	1
24	6175GT	SCREW,HHC,3/8-16 X 1	



201.1 Steer Axle Linkage, Wheels and Drive Motors

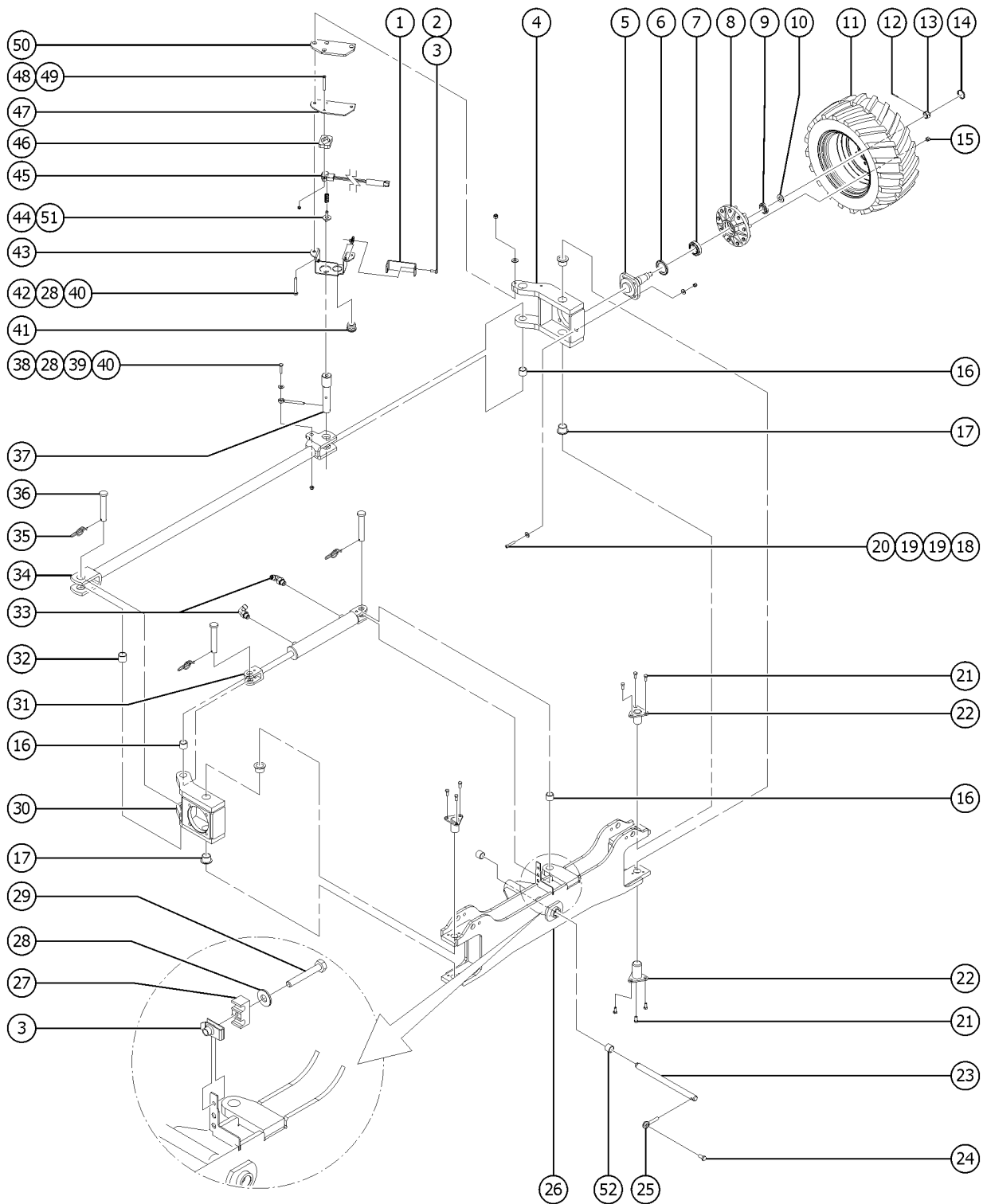


201.1 Steer Axle Linkage, Wheels and Drive Motors

Item	Part No.	Description	Qty.
25	1255452GT	ROD END,.375*2.25,ZAG	1
26	1254180GT	WELDMENT,OSC.AXLE	1
27	148396GT	CLAMP,HOSE,2X#4,GS69	1
28	6638GT	WASHER,FLAT,USS,1/4"Y	
29	6637GT	SCREW,HHC,1/4-20 X 1.75	1
30	238299GT	ASSEMBLY, STEER YOKE, RT	1
		includes items 16, 17 and 32	
31	1305757GT	CYLINDER,STEER***	1
31-	89066GT	SEAL KIT,STEER CYL (89065)	
32	53452GT	BEARING,1.00IDX1.50ODX1.00L	1
33	48911GT	ELBOW,90D,520220-4-6***	2
34	1254181GT	WELDMENT,TIE ROD,GS69	1
35	74389GT	RUE RING,1.00	3
36	19440GT	PIN,CLEVIS,1 X 2.5 LG	3
37	219206GT	PIN,CLEVIS,1X5.55 LG,GS69DC	1
38	8915GT	SCREW,HHC,1/4-20 X 1.25	1
39	825020GT	ROD END,.250X2.75,ZAG	1
40	6091GT	NUT,NYLOCK,1/4-20	1
41	60746GT	BUSHING, STRAIN RELIEF, 1"	1
42	8179GT	SCREW,HHC,1/4-20 X 2.25	1
43	1254434GT	FORMING, STEER SENSOR COVER	1
44	110556GT	STEER SENSOR ACTUATOR,HEX	1
45	1299634GT	ASSY,STEER SENSOR,GS69,BLUE	
45B	233767GT	STEER SENSOR ASSEMBLY	1
		(complete assembly; includes items 3, 28, 37-41, 44-51)	
45-	237254GT	ASSY,STEER SENSOR, GS69DC	1
		includes steer sensor and pigtail	
46	219279GT	SPACER,STEER SENSOR,UHMW	
47	1254432GT	PLATE, STEER SENSOR BRACKET	1
48	49775GT	SCREW,PHILLIPS,PHM,10-32X 1.75	1
49	14392GT	NUT,LP NYLOCK,10-32	1



201.1 Steer Axle Linkage, Wheels and Drive Motors

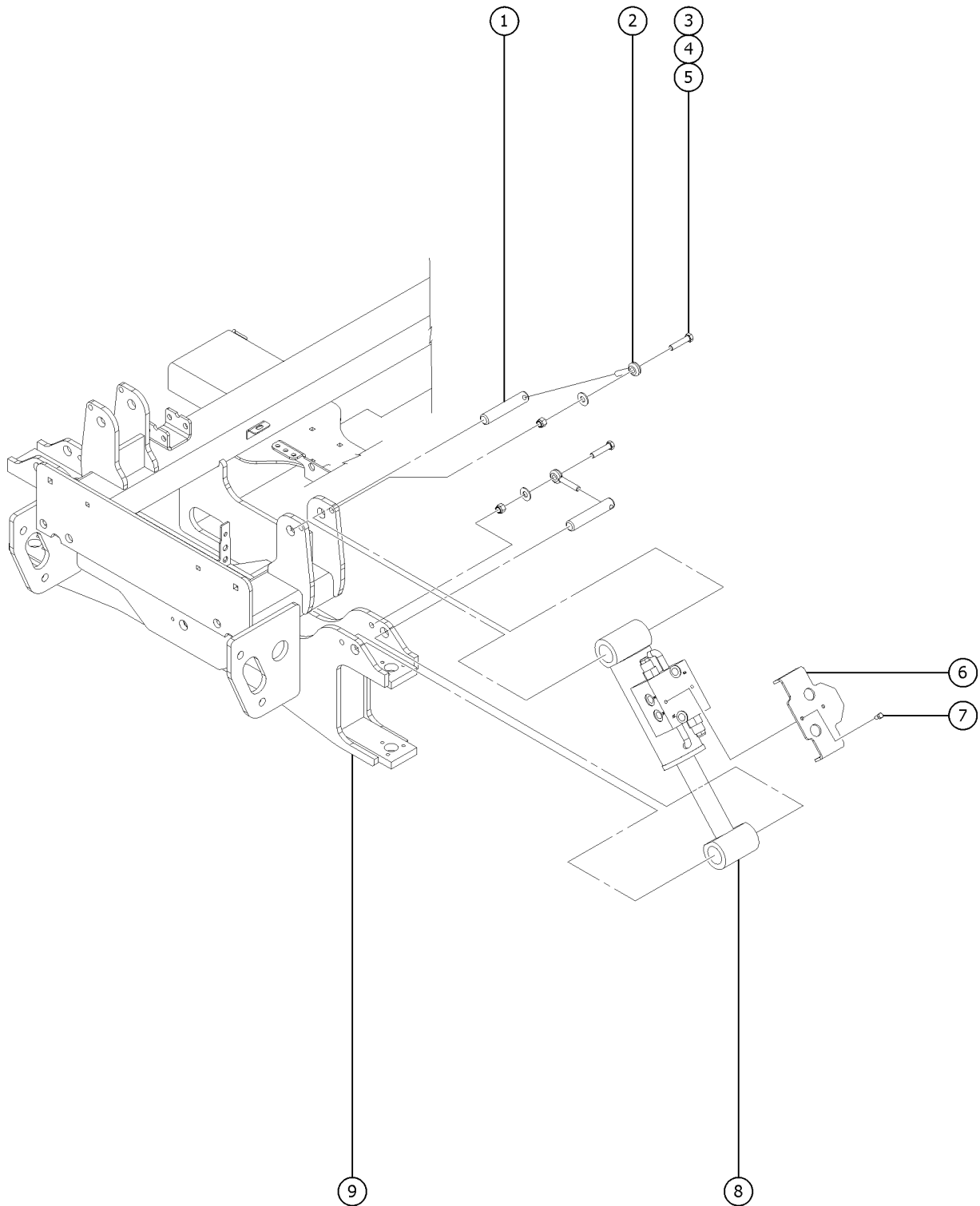


201.1 Steer Axle Linkage, Wheels and Drive Motors

<i>Item</i>	<i>Part No.</i>	<i>Description</i>	<i>Qty.</i>
50	1254433GT	PLATE,STEER SENSOR SPACER,GS69	1
51	119910GT	SPRING,COMP,300 OD X .63LG	1
52	51474GT	BEARING,1.00IDX1.25ODX0.75L	2



202.1 Steer Axle Linkage, Oscillation

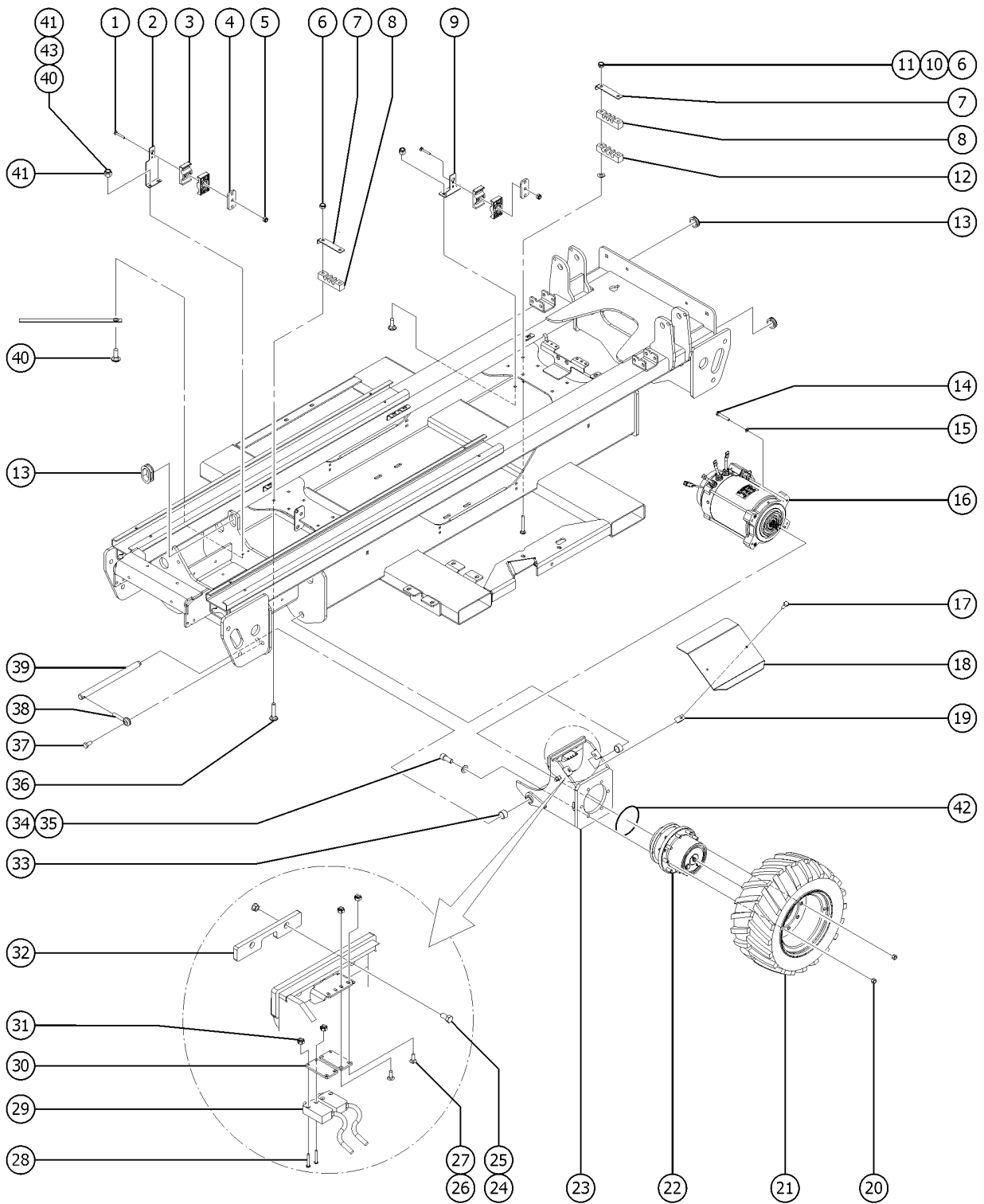


202.1 Steer Axle Linkage, Oscillation

<i>Item</i>	<i>Part No.</i>	<i>Description</i>	<i>Qty.</i>
1	67387GT	PIN,1.00DIAX5.27LG,1HOLE	4
2	1255452GT	ROD END,.375*2.25,ZAG	4
3	13918GT	SCREW,HHC,3/8-16 X 1.75,GRD.8	4
4	6097GT	WASHER,FLAT,USS,3/8",Y	4
5	4828GT	NUT,NYLOCK,3/8-16	4
6	1304111GT	FORMING, OSC COVER, SHORT	2
7	7339GT	SCREW,HHC,1/4-20 X .5	4
8		Ref. CYLINDER, OSCILATING,GS69	
		refer to 602.1	
9		Ref. WELDMENT,OSC.AXLE	
		refer to 201.1	



203.1 Non-Steer Axle and Drive Motors

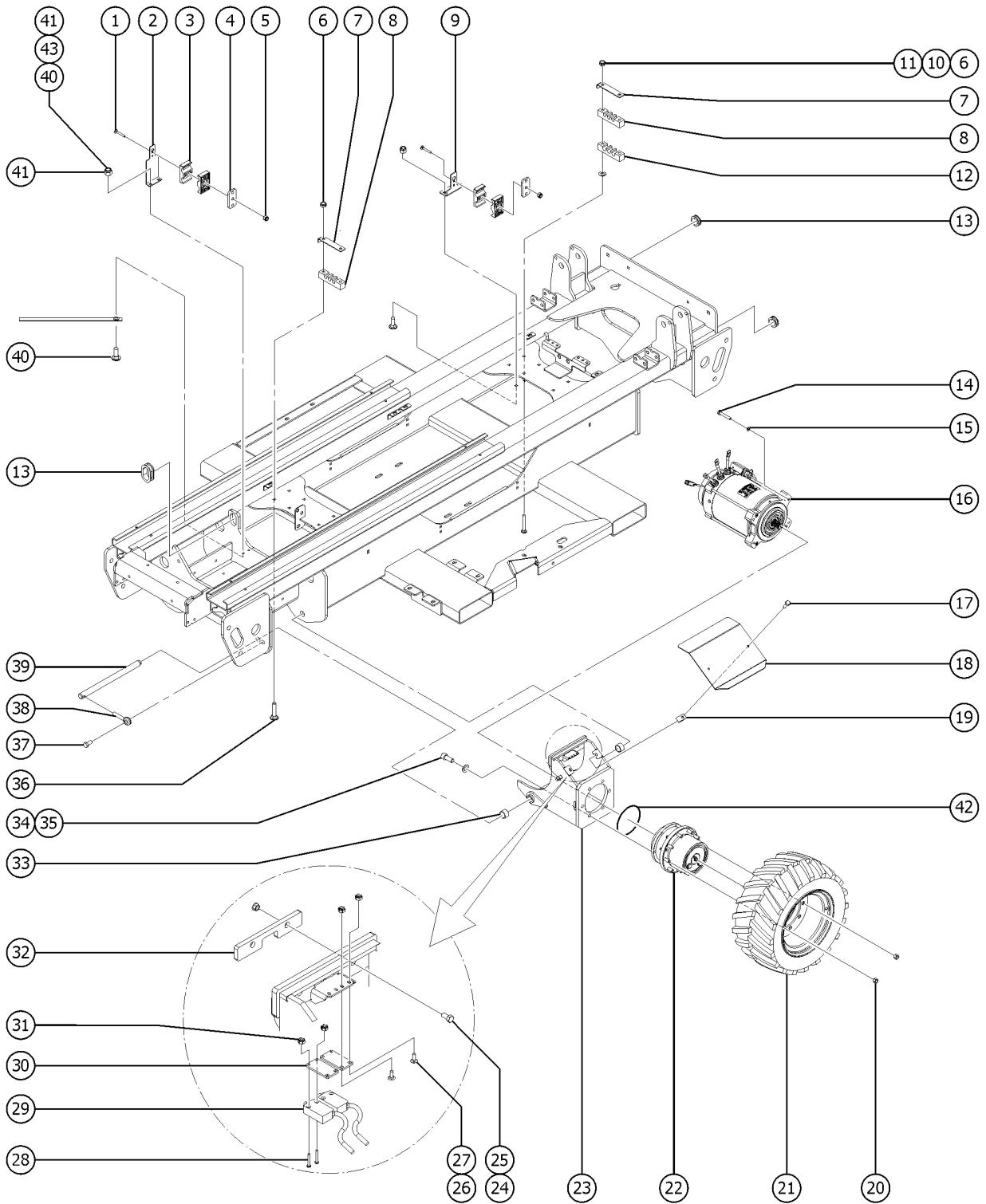


203.1 Non-Steer Axle and Drive Motors

Item	Part No.	Description	Qty.
1	73464GT	BOLT,CARRIAGE,1/4-20 X 1.75,G2	4
2	1254437GT	FORMING,REAR DRIVE HOSE CLAMP	2
3	78736GT	CLAMP,2 HOSE,PLASTIC,5/8	8
4	1254245GT	PLATE,HOSE ROUTING,BULKHEAD	4
5	6091GT	NUT,NYLOCK,1/4-20	
6	7713GT	NUT, LP NYLOCK, 3/8-16	
7	1254175GT	FORMING,CLAMP,CHASSIS,FRONT	4
8	T109744GT	CLAMP,HOSE,FRONT,3X#4	4
9	1254176GT	FORMING,DRIVE HOSE CLAMP MOUNT	2
10	87684GT	PUSHRETAINER FOR 3/8"THRD SCREW	4
11	112476GT	BOLT,CARRIAGE,3/8-16X2.75,G5	4
12	T109745GT	CLAMP,HOSE,FRONT,2X#4,#6	2
13	T109739GT	GROMMET,RUBBER,1.75 ID	12
14	50793GT	SCREW,HHC,5/16-18 X 2	
15	6886GT	WASHER,LOCK,.313	
16	232523GT	MOTOR,DRIVE,AC,INT. BRAKE,IP67	1
17	6090GT	SCREW,HHC,1/4-20 X .75	
18	1254178GT	COVER,REAR AXLE	
19	56912GT	SPRING CLIP,1/4-20,.025-.15X.5	4
20	54627GT	NUT,LUG,5/8-18 X 90 DEGREE,Z45	18
21A	1258628GT	WHEEL ASSY,FOAM,12X26,NM,LR RT, Foam-filled, Non-marking, control side (left rear) (water-based foam)	1
21B	1258629GT	WHEEL ASSY, FOAM,12X26,NM,RR RT, Foam-filled, Non-marking, engine side (right rear) (water-based foam)	1
21C	1258753GT	WHEEL ASSY,FOAM,12X26,NM,LR RT, Foam-filled, Non-marking, controls side (left rear) (petroleum-based foam)	1
21D	1258754GT	WHEEL ASSY,FOAM,12X26,NM,RR RT, Foam-filled, Non-marking, engine side (right rear) (petroleum-based foam)	1
21E	131695GT	ASSY, HI FLOAT TIRE/WHEEL REAR	2
22	106445GT	WHEEL DRIVE,4HB,57:1***	2
22-	106121GT	ROD,DISCONNECT 4HP/4HB*** for 106445	
22-	106122GT	CAP,DISENGAGE,4HP/4HB*** for 106445	



203.1 Non-Steer Axle and Drive Motors

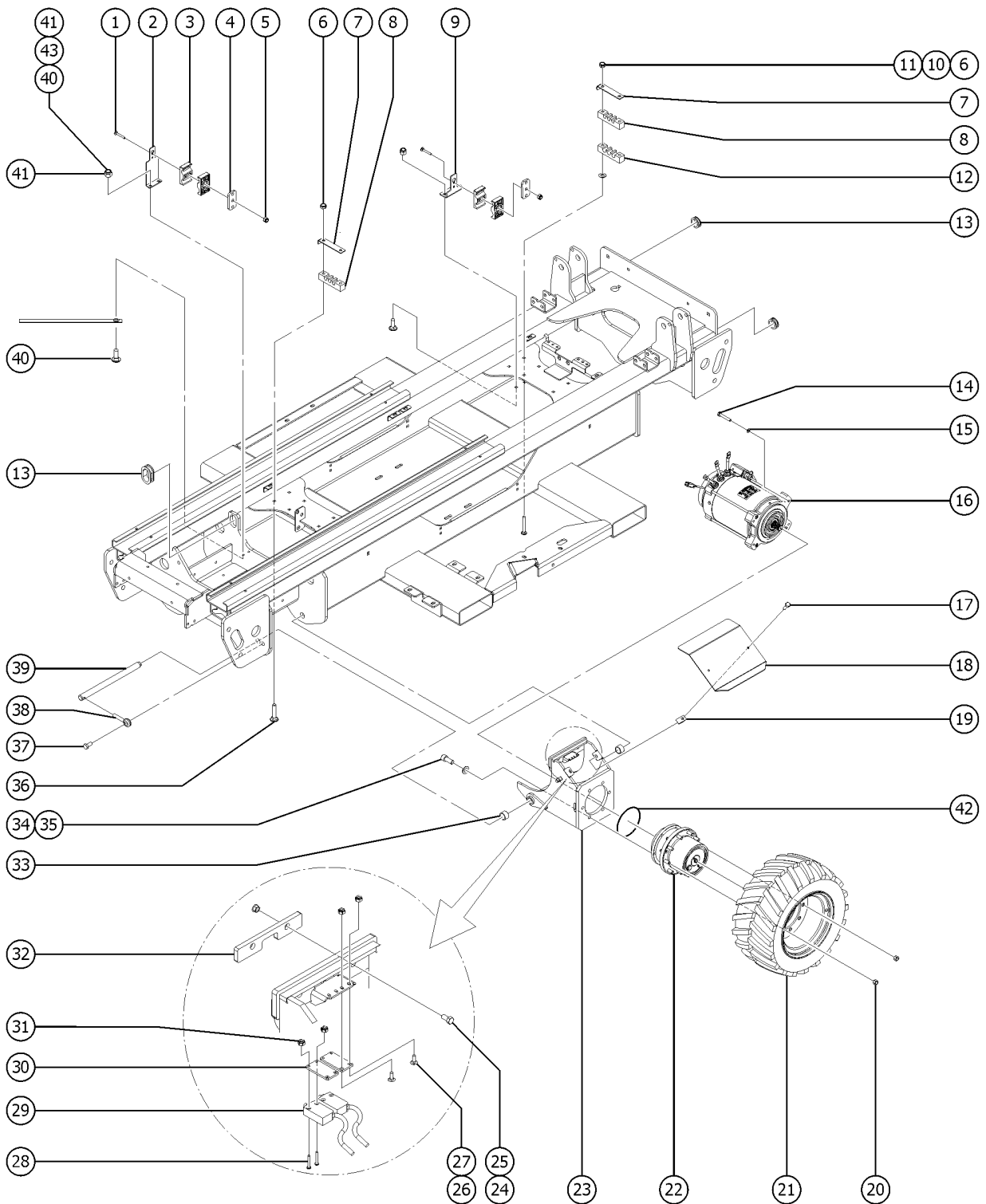


203.1 Non-Steer Axle and Drive Motors

Item	Part No.	Description	Qty.
22-	106123GT	O-RING,END COVER,4HP/4HB*** for 106445	
22-	1286600GT	SEAL KIT,WHEEL DRIVE (106148/106445/107712) for 106445 (inventory limited to stock on hand as component is no longer available)	
22-	1286600GT	SEAL KIT,WHEEL DRIVE (106148/106445/107712) for 106445	
22-	21149GT	LUG,WHEEL STUD,5/8-18,W1/4HB** for 106445	
22-	58320GT	KIT,TORQUE HUB COVER(101584)** for 106445	
22-	74714GT	BEARING KIT-74097 TORQUE HUB** for 106445 (inventory limited to stock on hand as component is no longer available)	
22-	1286601GT	BEARING KIT,WHEEL DRIVE (106148/106445/107712) for 106445	
22-	83092GT	SNAP RING (74097) for 106445	
23	235377GT	SUBASSY,DC REAR AXLE includes item 33	2
24	33987GT	SCREW,HHC,1/2-13 X 1, GR 5	
25	96320GT	NUT,LOCKING-LG.FLANGE, 1/2-13	
26	1283121GT	BOLT,CARRIAGE,#10-24X 5/8",G2	
27	5365GT	NUT,NYLOCK,10-24	
28	18540GT	SCREW,RHM,8-32 X 1	
29	148236GT	SWITCH,LIMIT,PLUNGER,SMALL	4
30	1254177GT	PLATE,SENSE AXLE SWITCH	4
31	18605GT	NUT,NYLOCK,8-32	
32	131639GT	PAD,SENSE AXLE REST	2
33	51474GT	BEARING,1.00IDX1.25ODX0.75L	4
34	112512GT	SCREW,SHC,5/8-11 X 1.5 NDPATCH	
35	13064GT	WASHER,FLAT,.625 HARDENED	
36	1258623GT	BOLT,CARRIAGE,3/8-16X1.75	
37	8255GT	SCREW,HHC,3/8-16 X .75	
38	1255452GT	ROD END,.375*2.25,ZAG	2
39	237340GT	PIN,OSC PIVOT	2
40	73466GT	BOLT,CARRIAGE,3/8-16 X 1.00,G2	8
41	4828GT	NUT,NYLOCK,3/8-16	8
42	110965GT	O-RING,.188 X 5'OD,BUNA N,70A	1



203.1 Non-Steer Axle and Drive Motors

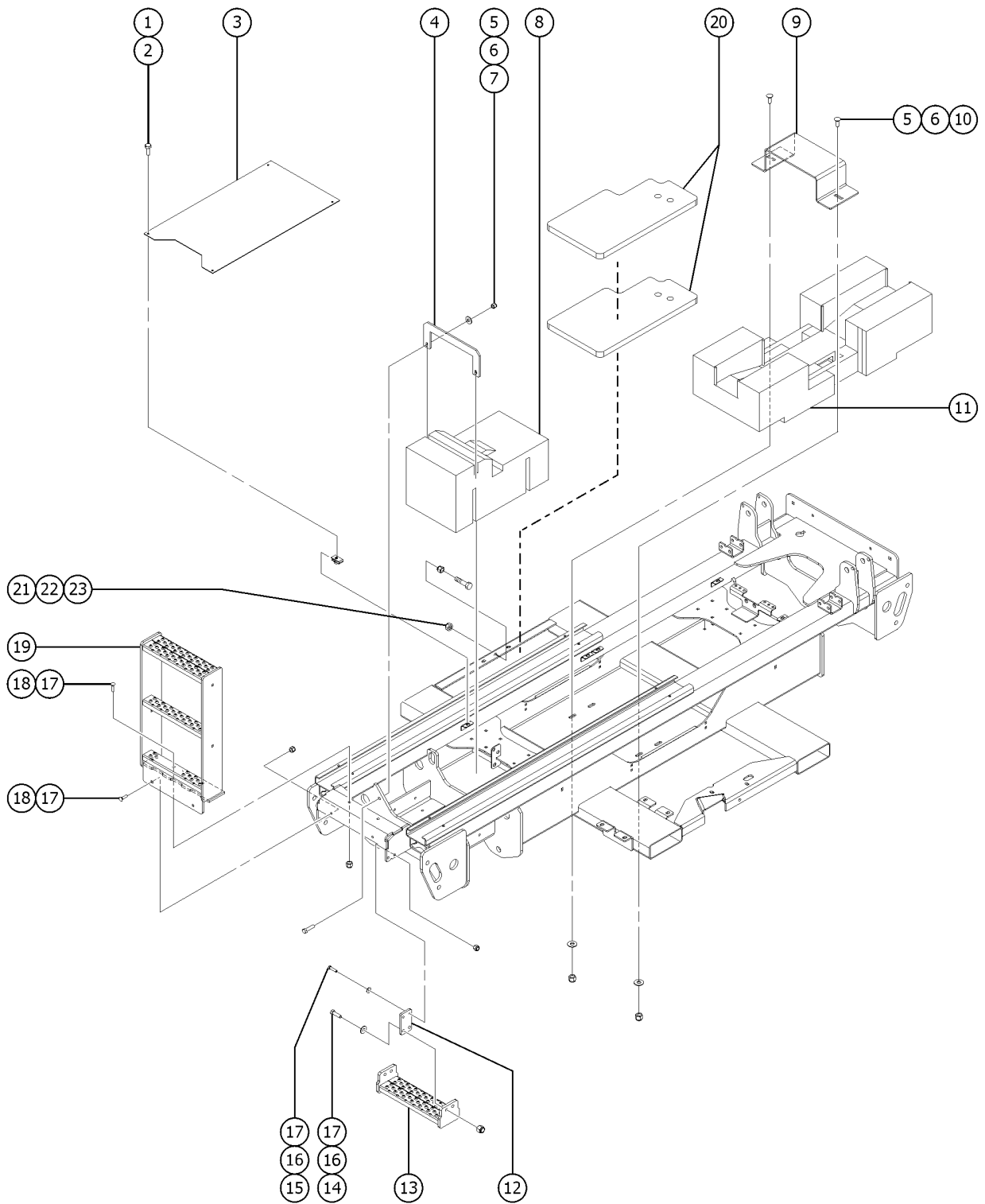


203.1 Non-Steer Axle and Drive Motors

<i>Item</i>	<i>Part No.</i>	<i>Description</i>	<i>Qty.</i>
43	54436GT	GROUND STRAP,18"LG	
43-	87684GT	PUSHRETAINER FOR 3/8"THRD SCREW	
		not included, sold separately	



204.1 Ladder and Counterweight

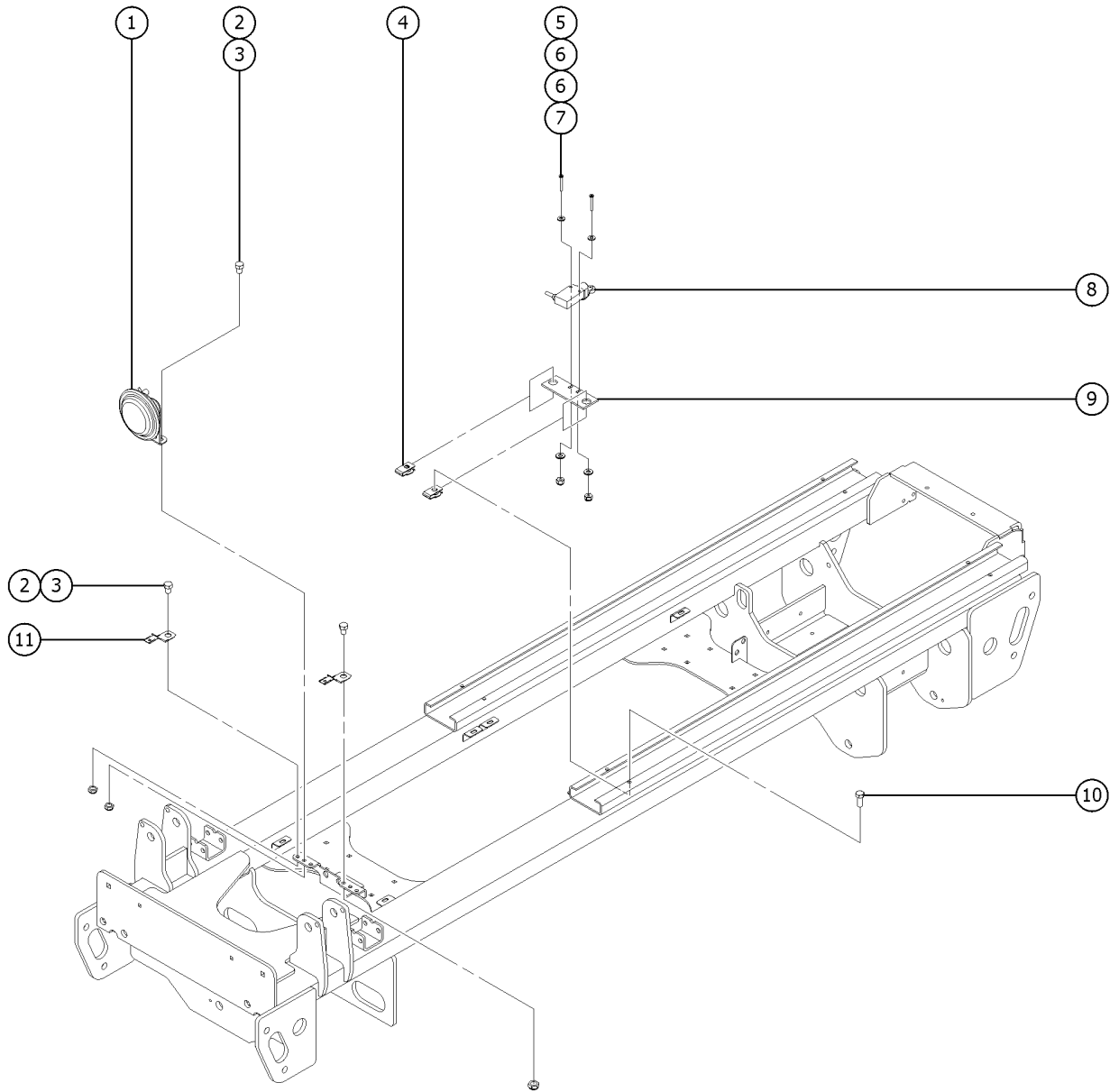


204.1 Ladder and Counterweight

Item	Part No.	Description	Qty.
1	6090GT	SCREW,HHC,1/4-20 X .75	8
2	56912GT	SPRING CLIP,1/4-20,.025-.15X.5	8
3	1254174GT	FORMING,CHASSIS COVER	2
4	1254436GT	PLATE,REAR CW BRACKET	1
		GS-2669 and GS-4069	
5	6198GT	NUT,NYLOK,1/2-13	4
6	6095GT	WASHER, FLAT, 1/2 PLTD	4
7	6096GT	SCREW,HHC,1/2-13 X 2 GR5	2
8	232537GT	CASTING,CW,REAR,4069	1
		GS-2669 and GS-4069	
9	1254462GT	FORMING,MID CW BRACKET	1
		GS-4069	
10	96977GT	BOLT,CARRIAGE,1/2-13X1.50,GR5	2
11	232536GT	CASTING,CW,MID,4069	1
		GS-4069	
12	1295596GT	RUBBER STEP SUPPORT	2
		(Assembled only with NO OUTRIGGER OPTION)	
13	1254187GT	WELDMENT,LOWER LADDER STEP	1
14	13918GT	SCREW,HHC,3/8-16 X 1.75,GRD.8	4
		(Assembled only with NO OUTRIGGER OPTION)	
15	8516GT	SCREW, HCC, 3/8-16 X 1.50	4
16	6097GT	WASHER,FLAT,USS,3/8",Y	8
17	4828GT	NUT,NYLOCK,3/8-16	12
18	60790GT	BOLT,CARRIAGE,3/8-16 X1.50,G5	4
19	1254189GT	WELDMENT,LADDER,GS26/3369	1
		GS-2669 and GS-3369 (decals not included, refer to section 100)	
19B	1254188GT	WELDMENT,LADDER,GS4069	1
		GS-4069 (decals not included, refer to section 100)	
20	1254464GT	PLATE,COUNTERWEIGHT,DC69	
		GS-4069	
21	104235GT	SCREW,HHC,1/2-13X2.25 GRD 8	1
		GS-4069	
22	104328GT	NUT,HEX,1/2-13 GRD 8	1
		GS-4069	
23	6086GT	NUT,LP NYLOCK,1/2-13	



205.1 Drive Chassis, Safety Components

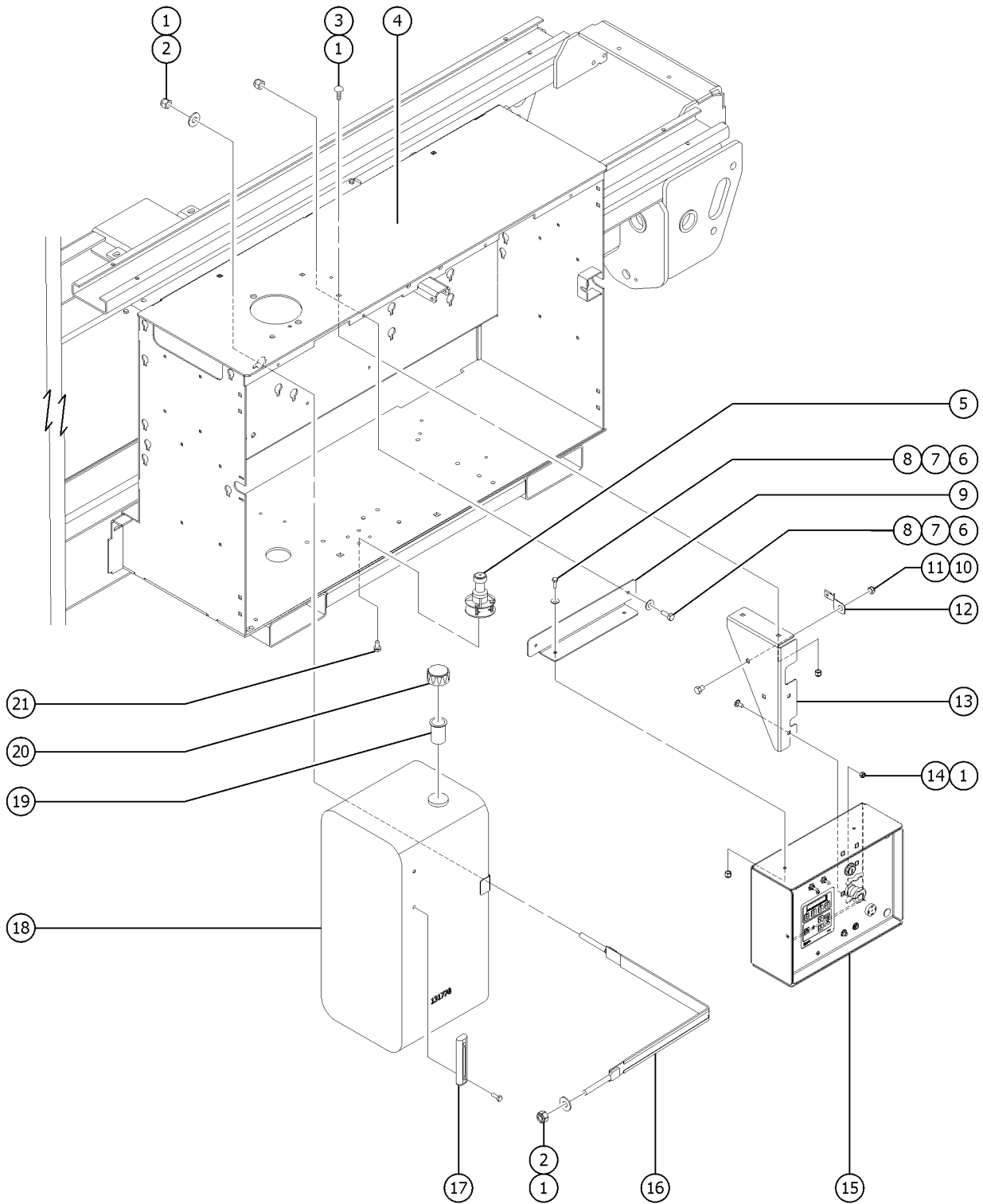


205.1 Drive Chassis, Safety Components

<i>Item</i>	<i>Part No.</i>	<i>Description</i>	<i>Qty.</i>
1	81579GT	DECAL,MACHINE REGISTRATION/OWN	1
2	71508GT	SCREW, HHC, 3/8-16X .50 GR5 (YELLOW ZINC)	2
3	7713GT	NUT, LP NYLOCK, 3/8-16	2
4	4828GT	NUT,NYLOCK,3/8-16	2
5	49821GT	SCREW,PHILLIPS,PHM,8-32 X 1.25	2
6	35461GT	WASHER,FLAT,MS,#8,Y	4
7	18605GT	NUT,NYLOCK,8-32	2
8	220237GT	SWITCH,LIMIT,ZCY15 ARM	1
9	1254169GT	PLATE,UP L.S. MOUNT	1
10	64154GT	BOLT,CARRIAGE,3/8-16 X1.00,G5	2
11	99346GT	CLIP, METAL MOUNTING	3



301.1 Hydraulic Tank and Ground Controls Installation

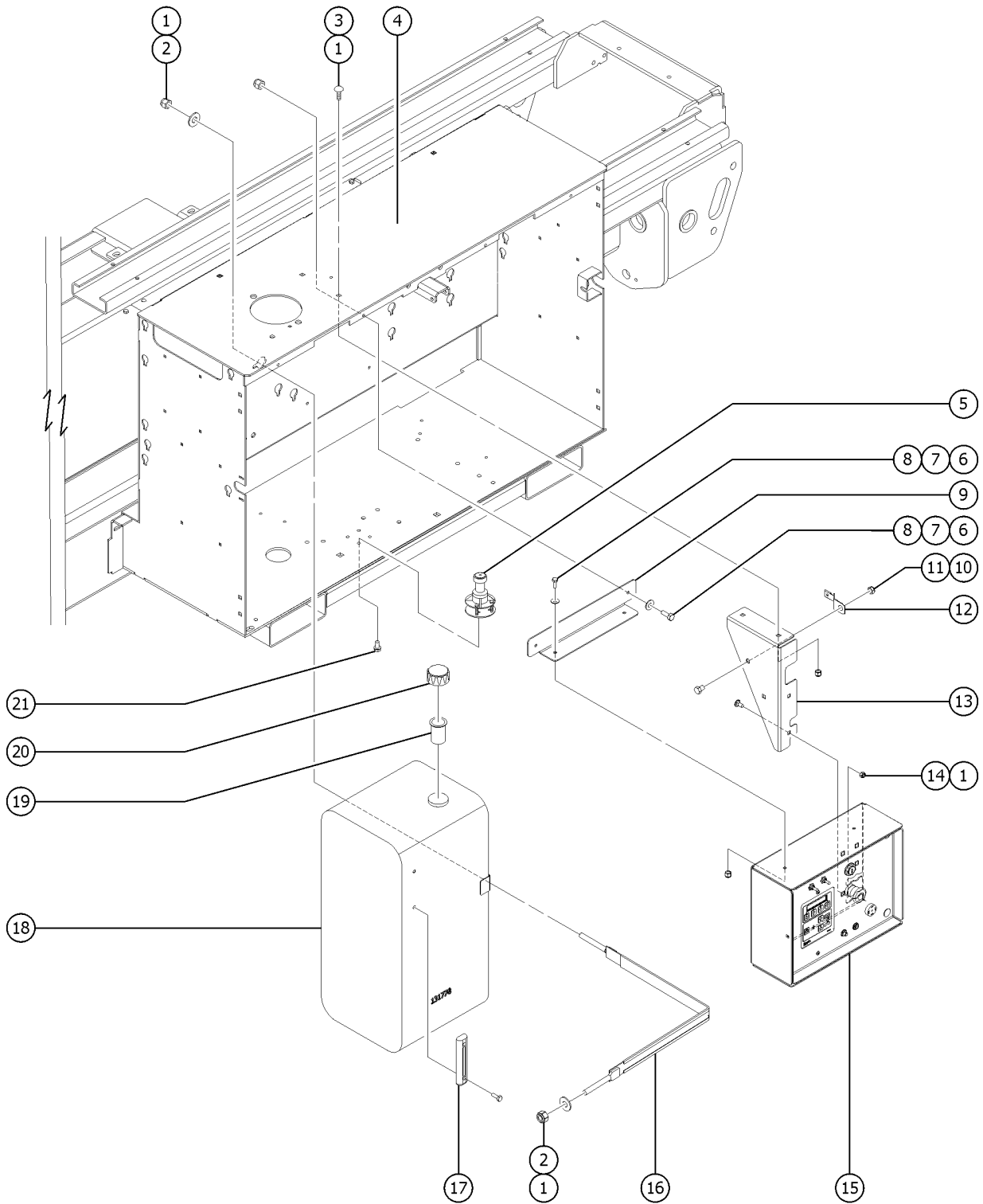


301.1 Hydraulic Tank and Ground Controls Installation

Item	Part No.	Description	Qty.
A	1289561GT	BRACKET, TELEMATICS	
A	1289520GT	MODULE, TELEMATICS, ZTR, M7, NORTH AMERICA	
A	1289521GT	MODULE, TELEMATICS, ZTR, M7, EMEA/APAC	
1	4828GT	NUT, NYLOCK, 3/8-16	6
2	6097GT	WASHER, FLAT, USS, 3/8", Y	2
3	64154GT	BOLT, CARRIAGE, 3/8-16 X1.00, G5	1
4		Ref. WLDMT, BOX, HYD refer to 302.1	
5A	71484GT	SENSOR, LEVEL, ANALOG	1
		models with outriggers	
5B	78674GT	LEVEL SENSOR, LS60, BLUE, 2X3**	1
		models without outriggers	
6	6090GT	SCREW, HHC, 1/4-20 X .75	4
7	6638GT	WASHER, FLAT, USS, 1/4"Y	4
8	6091GT	NUT, NYLOCK, 1/4-20	4
9	232549GT	FORMING, BRACKET, CONTROL BOX,	1
		Genie blue)	
9B	1272484GT	FORMING, BRACKET, CONTROL BOX	1
		(Traffic black)	
9C	1293236GT	FORMING, BRACKET, CONTROLS BOX, TOP	
		black	
10	7713GT	NUT, LP NYLOCK, 3/8-16	1
11	71508GT	SCREW, HHC, 3/8-16X .50 GR5 (YELLOW ZINC)	1
12	99346GT	CLIP, METAL MOUNTING	1
13A	235697GT	FORMING, BRACE, 69DC CONTROLS BO	1
		(Genie blue)	
13B	1272485GT	FORMING, BRACE, 69DC CONTROLS BO	1
		(Traffic black)	
13C	1293237GT	FORMING, BRACE, GS69 DC CONTROLS BOX	
		black	
14	101718GT	BOLT, CARRIAGE, 3/8-16 X .75, G2	2
15		Ref. GROUND CONTROLS	
		refer to 306.1	
16	T106782GT	TANK STRAP, BOLT STYLE, HYD, GS69	1
16-	31658GT	EXTRUSION, RUBBER BUMPER STRIP	20
17	215229GT	GAUGE, HYDRAULIC TANK T/L VL	1
18	T106793GT	ASSY, HYD. TANK, GS69	1
19	31506GT	STRAINER, FILLER NECK	1



301.1 Hydraulic Tank and Ground Controls Installation



301.1 Hydraulic Tank and Ground Controls Installation

<i>Item</i>	<i>Part No.</i>	<i>Description</i>	<i>Qty.</i>
20	131658GT	CAP, HYDRAULIC TANK, GS68/84/90	1
21	230850GT	SCREW, WASH HEAD, 20-9X5/8	4



302.1 Hydraulic Tray Components, View 1



Item	Part No.	Description	Qty.
1	64154GT	BOLT,CARRIAGE,3/8-16 X1.00,G5	4
2	87684GT	PUSHRETAINER FOR 3/8"THRD SCREW	2
3A	6097GT	WASHER,FLAT,USS,3/8",Y	2
		2669DC, 4069DC models	
3B	6097GT	WASHER,FLAT,USS,3/8",Y	2
		3369DC	
3C	6097GT	WASHER,FLAT,USS,3/8",Y	4
		3369DC	
4A	4828GT	NUT,NYLOCK,3/8-16	10
		2669DC, 4069DC models	
4B	4828GT	NUT,NYLOCK,3/8-16	10
		3369DC	
4C	4828GT	NUT,NYLOCK,3/8-16	12
		3369DC	
5	6878GT	BOLT,CARRIAGE,1/4-20 X .75,G2	4
6	6091GT	NUT,NYLOCK,1/4-20	4
7	8255GT	SCREW,HHC,3/8-16 X .75	6
8	58486GT	WASHER,FLAT,3/8,HARDENED,YZ	2
9	105092GT	BOLT,CARRIAGE,3/8-16X1.25,GR5	2
10	1307074GT	WELDMENT,BOX,HYD	1
11	238382GT	PLATE, MTG, MOTOR CONTROLLER	1
12	230488GT	MOTOR CONTROLLER,48VAC,3PH	1
13	238383GT	SCREW,SHC,1/4-20 X .875	4
14	6889GT	NUT,LP NYLOCK,1/4-20	4
15		Ref. Function Manifold	
		refer to 601.1	
16	96203GT	BOLT,CARRIAGE,1/2-13X1.75, G5	
17	6198GT	NUT,NYLOK,1/2-13	
18	1254449GT	WELDMENT,MOTOR SPRAY GUARD	1
19	1254246GT	FORMING,HIGH PRESS FILTER BRKT	1
20	60334GT	FILTER ASSY,HIGH PRESS SAE-12*	1
20-	1279465GT	BACKUP RING,71.60X67.20X1.40PTFE(60334)	
20-	1279466GT	O-RING,67.95X2.62-NBR-70SH(HF2P)(60334)	
20-	60857GT	FILTER,ELEMENT,BETA(5)=1000	
21	230485GT	MOTOR W/TACH,48VDC,12.25 HP	1

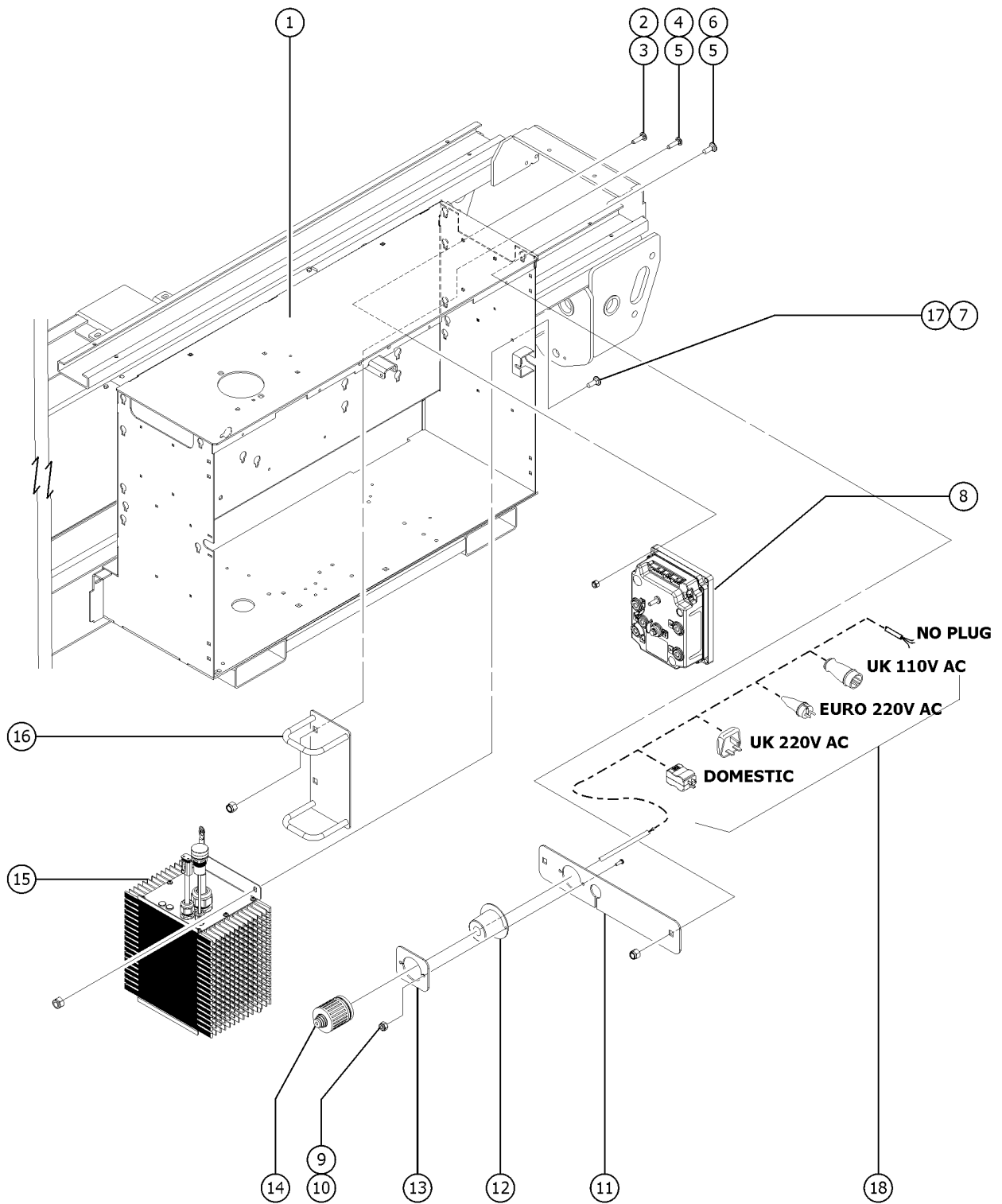
302.1 Hydraulic Tray Components, View 1



Item	Part No.	Description	Qty.
21-	128009GT	SENSOR KIT, SPEED (110573) includes sensor, magnet and fasteners	
22	55921GT	SCREW,SHC,3/8-24 X 1.25"	2
23	22699GT	WASHER,FLAT,M10,ZINC PLTD.	2
24	214222GT	PUMP, GEAR, 6CC	1
24-	1302043GT	SEAL KIT, PUMP, 214222GT	
24B	1295542GT	PUMP, 6CC GEAR, CCW	1
24B-	233568GT	SEAL KIT,PUMP,GRH,(231572GT)	
25	13002GT	SCREW,HHC,5/16-18 X 1 GR5	4
26	5397GT	WASHER, FLAT, .313	8
27	6782GT	NUT, NYLOCK, 5/16-18	4
28	1254426GT	FORMING, MOTOR BRACKET	1
29	160536GT	CONN,BLANK,L MTR CTRL,GS69DC	1
30	T113139GT	CLIP,DTM,RECEPTACLE	1
31	6326GT	SCREW,HHC,3/8-16 X 3 3369DC	2
32	1268468GT	WASHER,FLAT,.406X1.50X.125,ZAG 3369DC	2
33	1275782GT	PLATE,COUNTERWEIGHT,GS3369DC 3369DC	2



303.1 Hydraulic Tray Components, View 2



Item	Part No.	Description	Qty.
A-	25388GT	PLUG,FUSED,250V,13AMP,U.K.** for UK 220	
B-	65737GT	FUSE,13 AMP,220V PLUG*** for 25388	
C-	1280665GT	PLUG, TYPE F, 230A, 50HZ, 16A, IP44 for Euro 220	
D-		Ref. NO PLUG Ref. No Plug - Consult Factory	
1		Ref. WLDMT,BOX,HYD refer to 302.1	
2	238383GT	SCREW,SHC,1/4-20 X .875	
3	6889GT	NUT,LP NYLOCK,1/4-20	
4	101718GT	BOLT,CARRIAGE,3/8-16 X .75,G2	
5	4828GT	NUT,NYLOCK,3/8-16	
6	64154GT	BOLT,CARRIAGE,3/8-16 X1.00,G5	
7	6878GT	BOLT,CARRIAGE,1/4-20 X .75,G2	
8		Ref. Motor Controller refer to 302.1	1
9	55906GT	SCREW, PHILLIPS, PHM, 8-32 X .5	
10	18605GT	NUT,NYLOCK,8-32	
11A	235719GT	PLATE,RECESSED PLUG MOUNT,GS69 (Genie blue)	1
11B	1272486GT	PLATE,RECESSED PLUG MOUNT,GS69 (Traffic black)	1
12	105117GT	PLUG,FLG INLET,15A/125V,2PWGD	1
13A	1254172GT	PLT,RECESSED PLUG BACKING,GS69 for US 110 models	1
13B	1254171GT	PLATE,STR RELIEF BACK, DC69 for models with UK 110, UK 220, Euro 220 and no plug	1
14	105118GT	GASKET,(BOOT) FLANGE INLET PLG	1
15	1309427GT	CHARGER, 48V 1500W	1
15-	128376GT	CORD EURO AC IEC320-C19PIGTAIL (not shown) for Euro and UK models	
15-	228947GT	CLIP,RETAINING,IES CHARGER	
15-	228973GT	KIT,ASSY,LED,IES CHARGER	
16	1254430GT	WLDMNT,MTR CNTRL CABLE GUIDE	1
17	6091GT	NUT,NYLOCK,1/4-20	
18	144161GT	PLUG,PWR,UK,16AMP,3PIN,BLK for UK 110	



304.1 Battery Tray Components, View 1



Item	Part No.	Description	Qty.
1	6889GT	NUT,LP NYLOCK,1/4-20	
2	6878GT	BOLT,CARRIAGE,1/4-20 X .75,G2	
3	1254447GT	PLATE, BLOCKOFF, ENGINE VENT	1
4	1254448GT	PLATE,BLOCKOFF,CLEARANCE HOLES	1
5	1256581GT	PLATE, RAIN CAP, GS69	1
6	1253428GT	WELDMENT,BOX,BATTERY,DC	1
7	8915GT	SCREW,HHC,1/4-20 X 1.25	
8	66094GT	NUT-THIN HEAVY HEX, 1/4-20	
9	6145GT	SCREW,HHC,1/4-20 X 1.5	
10	6638GT	WASHER,FLAT,USS,1/4"Y	
11	119065GT	CONN,RECEP 2 WAY ENDCAP DT	
12	60424GT	CONN,PLUG 2 WAY,14-18GA	
13	99346GT	CLIP, METAL MOUNTING	
14	6091GT	NUT,NYLOCK,1/4-20	
15	66397GT	QUICK DISCONNECT CASING,BATT**	1
15-	19436GT	CONNECTOR,ANDERSON SB 175***	
16	74651GT	FORMING,HANDLE BATTERY CONN	1
17	17626GT	SCREW,FHM,10-32 X .75	8
18	66717GT	FUSE BLOCK, ANN & ANL FUSE	4
18-	36372GT	FUSE,50 AMP,VERY FAST ACTING	1
19	18503GT	NUT, LOCKING - LG FLANGE 5/16 - 18	8
20	216005GT	FUSE,40 AMP,NON TIME DELAY,ANL	1
21	215488GT	FUSE,325 AMP,VERY FAST ACTING	1
22	74267GT	CONTACTOR,DRIVE,24V,180A***	1
23	49818GT	SCREW,PHILLIPS,PHM,10-32 X .38	
24	236019GT	FORMING, BATTERY BALANCER BRAC (Genie blue)	1
24B	1272487GT	FORMING, BATTERY BALANCER BRAC (Traffic black)	1
24B	1293238GT	FORMING, BATTERY BALANCER BRACKET	



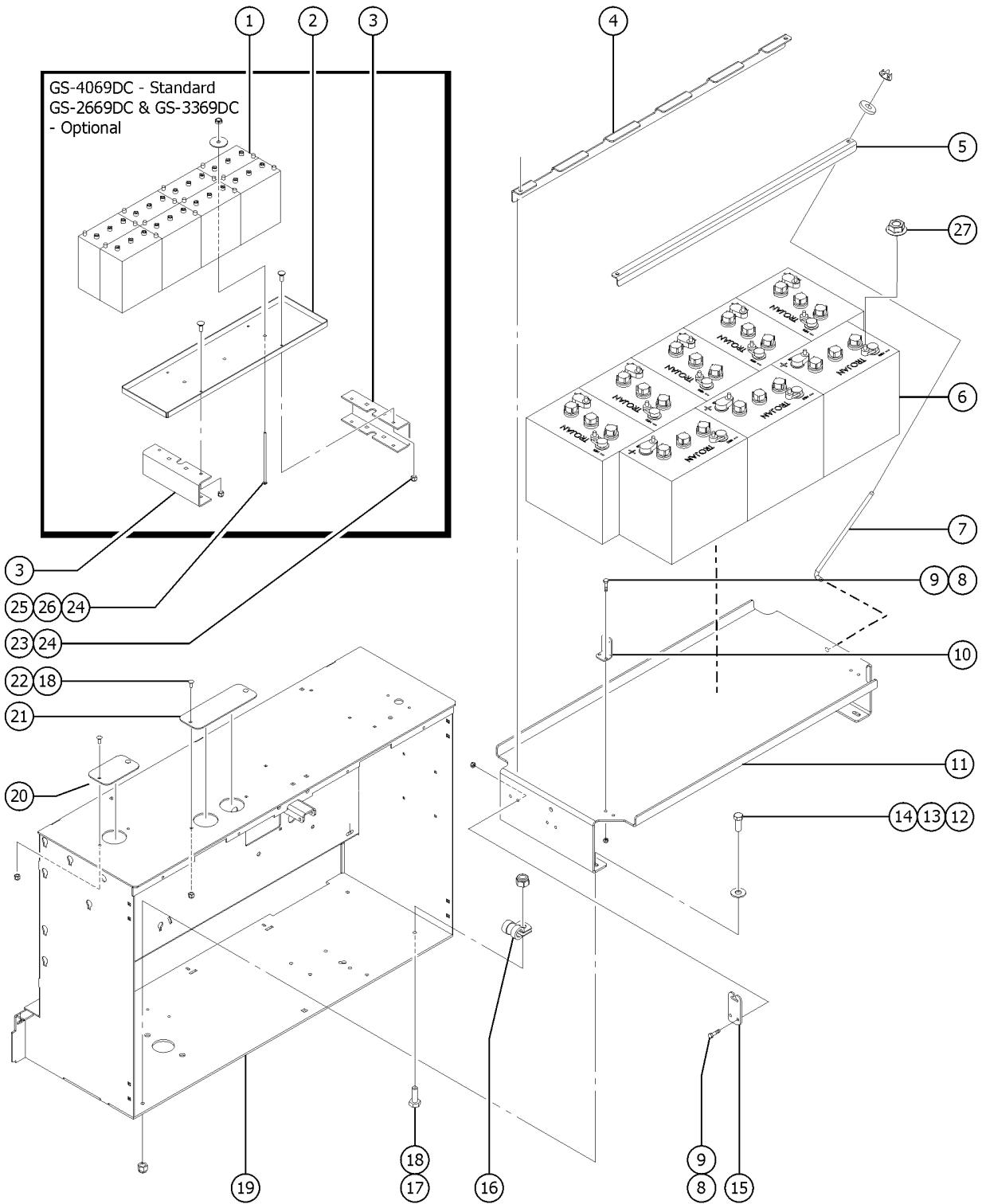
304.1 Battery Tray Components, View 1



<i>Item</i>	<i>Part No.</i>	<i>Description</i>	<i>Qty.</i>
25	229642GT	BATTERY,EQUALIZER,48V-24V,3WIR	1
26	12344GT	NUT,NYLOCK,6-32	
27	49820GT	SCREW,PHILLIPS,PHM,6-32 X .5	
28A	71874GT	BOLT,CARRIAGE,#10-24X.50,G2	
28B	49817GT	SCREW,PHILLIPS,PHM,10-32 X1.25	
29A	5365GT	NUT,NYLOCK,10-24	
29B	6178GT	NUT,NYLOCK,10-32	
30	6178GT	NUT,NYLOCK,10-32	
31	6873GT	SCREW,FHM,10-32 X 1	
32	236018GT	FORMING,FUSE BOX blue	
32B	1293224GT	FORMING, FUSE BOX black	
33	14041GT	LOCKNUT,ELECTRIC,3/4"	
34	70684GT	STRAIN RELIEF, 3/4, NPT, GRY	
35	36372GT	FUSE,50 AMP,VERY FAST ACTING	1
36A	119432GT	FORMING,FUSE MOUNT BRACKET (Genie blue)	1
36B	1272488GT	FORMING,FUSE MOUNT BRACKET (Traffic black)	1
37	150026GT	INVERTER,48VDC,120VAC/60HZ	1
38	1269612GT	PLATE, RAIN HAT COVER, GS69	1
39	6878GT	BOLT,CARRIAGE,1/4-20 X .75,G2	4
39B	87645GT	BOLT,CARRIAGE,1/4-20 X .63,G2	4

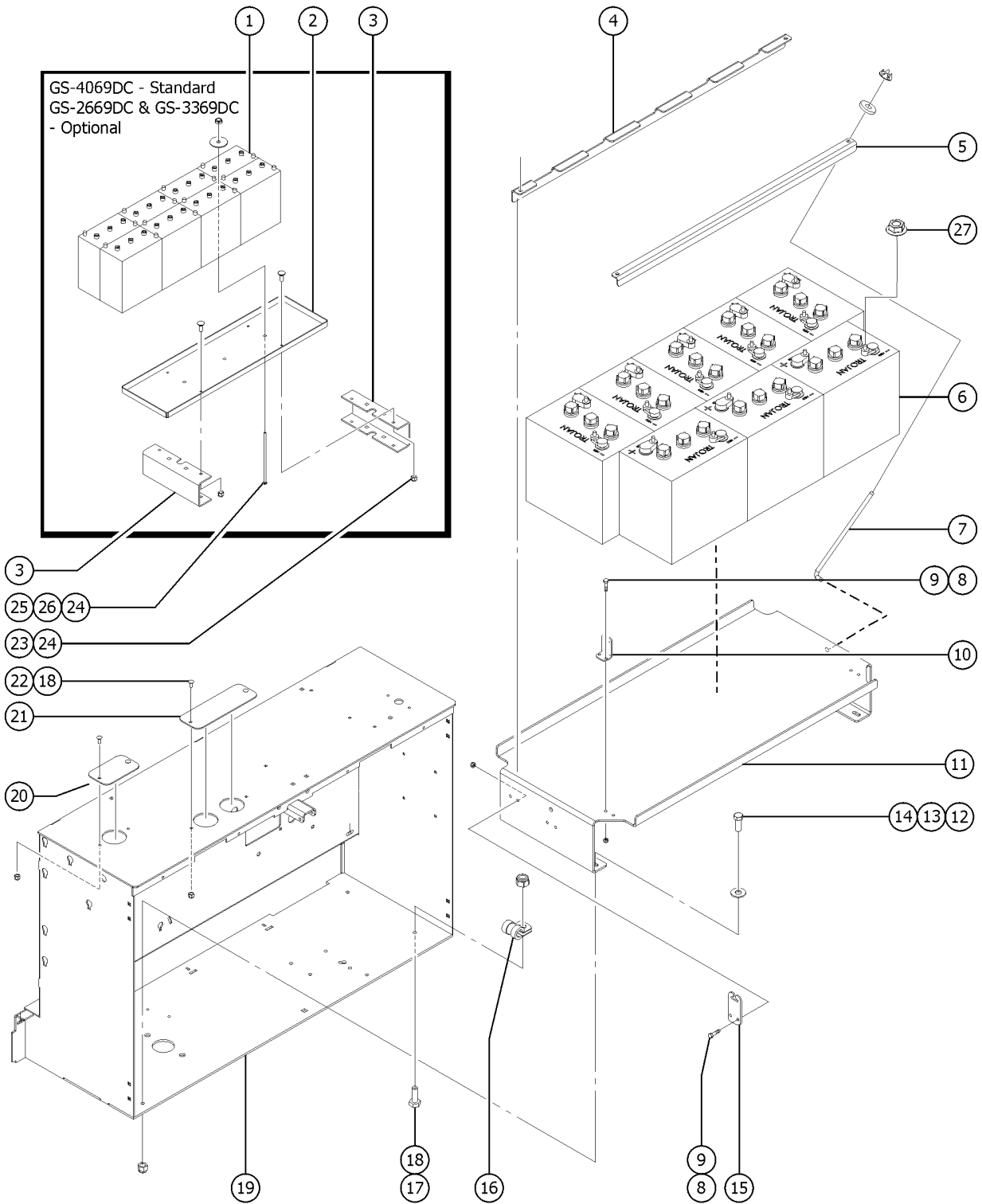


305.1 Battery Tray Components, View 2



Item	Part No.	Description	Qty.
1	56462GT	BATTERY, J 305GH, 315AH (option) GS-2669DC & GS-3369DC; (standard) GS-4069DC	8
1-	137770GT	BATTERY WATERING KIT, 24V UNIV (to watch the installation video, copy and paste this link to your web browser) https://www.youtube.com/watch?v=13zTfl-hWik	
1-	137769GT	BATTERY WATERING HAND PUMP	
2	1254118GT	FORMING, BATT TRAY, J305, GS69DC (option) GS-2669DC & GS-3369DC; (standard) GS-4069DC	1
3	1254119GT	FORMING, TRAY SUP, J305, GS69DC (option) GS-2669DC & GS-3369DC; (standard) GS-4069DC	2
4	1254121GT	FORMING, BATT HOLDER, REAR GS-2669DC & GS-3369DC only	1
5	1254122GT	FORMING, BATTERY HOLDER FRONT GS-2669DC & GS-3369DC only	1
6	76494GT	BATT, 6V, 225AH T105 LPT\3CAP (option) GS-2669DC & GS-3369DC only	8
6-	137770GT	BATTERY WATERING KIT, 24V UNIV (to watch the installation video, copy and paste this link to your web browser) https://www.youtube.com/watch?v=13zTfl-hWik	
6-	137769GT	BATTERY WATERING HAND PUMP	
7	87312GT	HOOK-BATT HOLD DOWN 12" LG includes mounting fasteners	4
7-	6086GT	NUT, LP NYLOCK, 1/2-13	
8	8914GT	SCREW, HHC, 1/4-20 X .625	
9	6889GT	NUT, LP NYLOCK, 1/4-20	
10	1254241GT	FORMING, BATTERY BRACKET, GS90	2
11	1254120GT	FORMING, BATTERY SHELF GS-2669DC & GS-3369DC only	4
12	6175GT	SCREW, HHC, 3/8-16 X 1	
13	6097GT	WASHER, FLAT, USS, 3/8", Y	
14	4828GT	NUT, NYLOCK, 3/8-16	
15	1256580GT	PLATE, BATTERY BRACKET, GS69	2
16	45470GT	CLAMP, 0.31, #5 X 1/4, RUB CUSH	1
17	6090GT	SCREW, HHC, 1/4-20 X .75	
18	6091GT	NUT, NYLOCK, 1/4-20	
19		Ref. BATTERY BOX refer to 304.1	
20	1269612GT	PLATE, RAIN HAT COVER, GS69	1
21	1256581GT	PLATE, RAIN CAP, GS69	1
22	9878GT	BOLT, CARRIAGE, 1/4-20 X .75, G2	

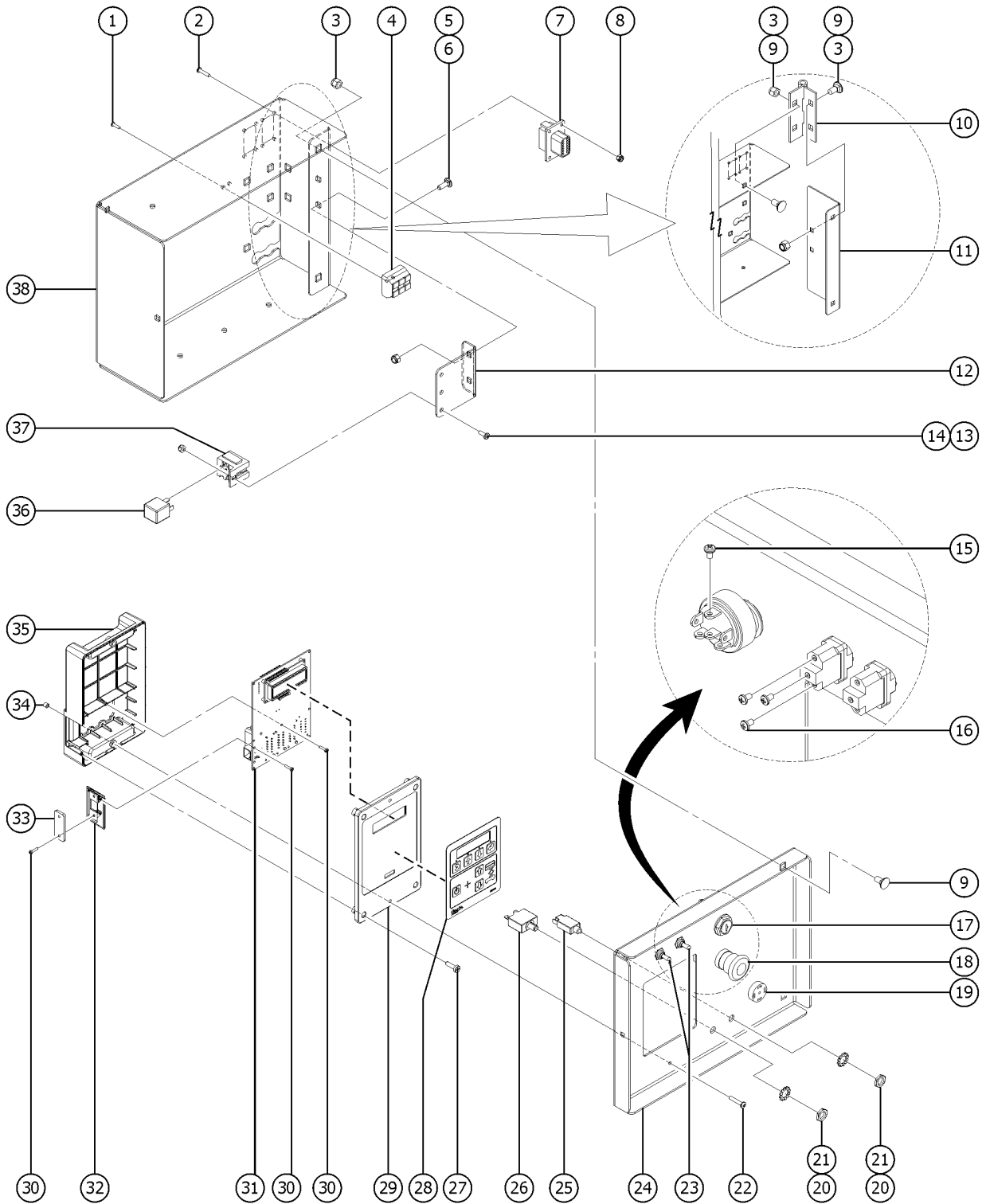
305.1 Battery Tray Components, View 2



<i>Item</i>	<i>Part No.</i>	<i>Description</i>	<i>Qty.</i>
23	6198GT	NUT,NYLOK,1/2-13	
24	96203GT	BOLT,CARRIAGE,1/2-13X1.75, G5	
25	238385GT	BOLT,CARRIAGE,1/2-13X15	
26	238384GT	WASHER, FENDER, .125X.531X2.5	
27	18503GT	NUT, LOCKING - LG FLANGE 5/16 - 18 (Needed to assembly jumpers)	16



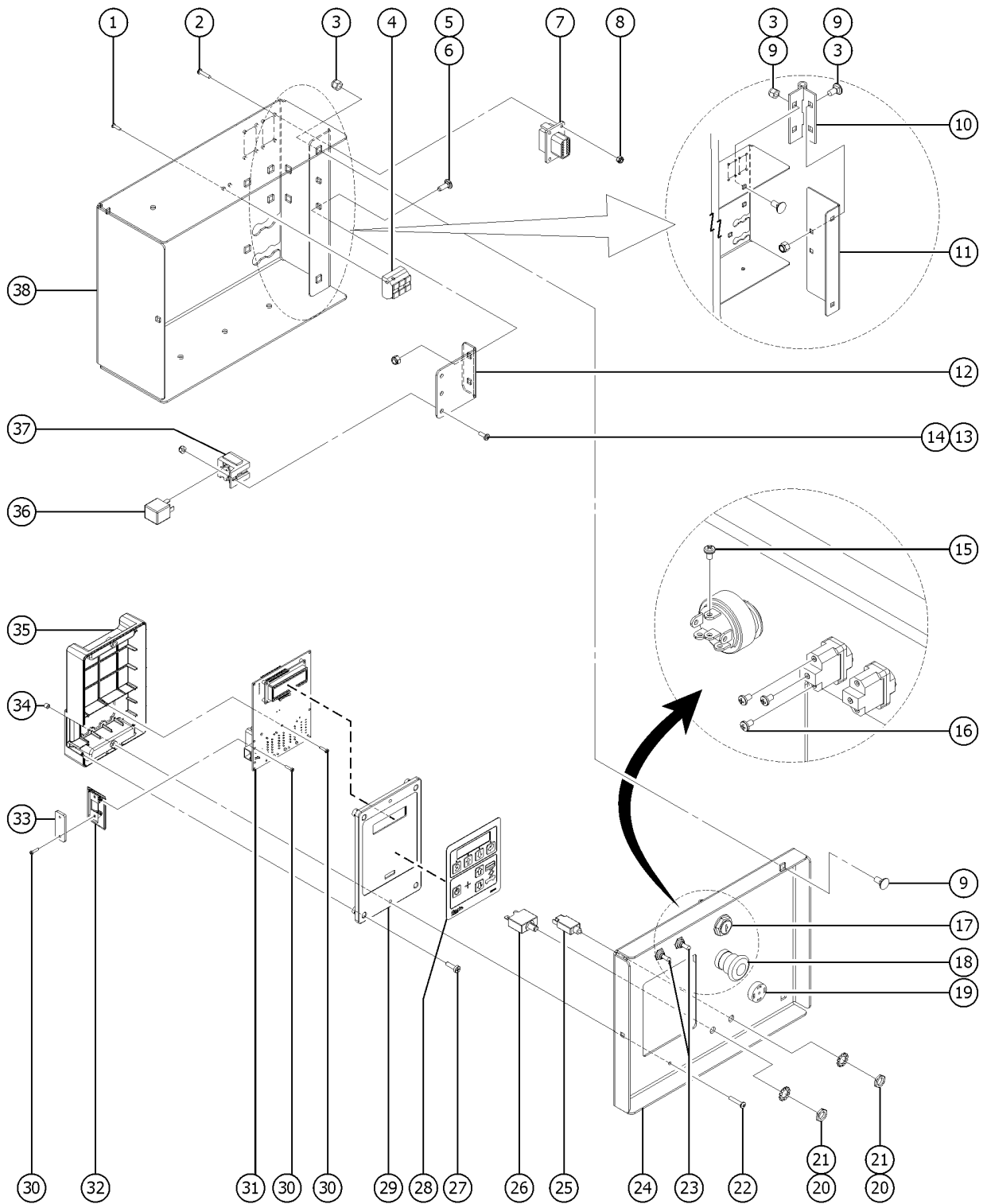
306.1 Ground Controls



Item	Part No.	Description	Qty.
A-	1308917GT	ASSY GCON GS69DC 2 speed controller without outriggers(includes items 27 thru 35)	
B-	1284285GT	GCON,STD,DUAL ZONE proportional controller without outriggers (includes items 27 thru 35)	
C-	1256722GT	GCON,O/R,PROP LIFT proportional controller with outriggers (includes items 27 thru 35)	
1	49820GT	SCREW,PHILLIPS,PHM,6-32 X .5	2
2	45645GT	SCREW,RHM,8-32 X .75	8
3	4828GT	NUT,NYLOCK,3/8-16	6
4	214542GT	TERM BLK,3 POLE/12 POS,LCP	1
5	124580GT	BOLT,CARRIAGE,1/4X.75,G5	2
6	6091GT	NUT,NYLOCK,1/4-20	2
7	73730GT	CONN,RECEP 12 WAY,GRY FLANGE	2
8	18605GT	NUT,NYLOCK,8-32	8
9	101718GT	BOLT,CARRIAGE,3/8-16 X .75,G2	4
10	55517GT	HINGE, GSRT90 BOX	1
11	235381GT	FORMING, DOOR, BULKHEAD MOUNT (Genie blue)	1
11B	1272489GT	FORMING, DOOR, BULKHEAD MOUNT (Traffic black)	1
12	235383GT	FORMING, BRACKET, RELAY MOUNT (Genie blue)	1
12B	1272490GT	FORMING, BRACKET, RELAY MOUNT (Traffic black)	1
12C	1295454GT	FORMING, BRACKET, RELAY MOUNT, LS	1
13	49819GT	SCREW,PHILLIPS,PHM,10-32 X .5	2
14	6178GT	NUT,NYLOCK,10-32	2
15	96010GT	SCREW,PHILLIPS,PHM,8-32 X.25**	6
16	128578GT	SCREW T-SWITCH PH/PH 6-32X1/4	6
17	96008-SGT	KEYSWITCH,3 POS. W/KEYS***	1
17-	37947GT	KEYS,10 PACK***	
17-	83093GT	KEY SINGLE***	
17-	83131GT	KEYSWITCH,3 POS W/KEYS,LOCKING	
17-	96009GT	WASHER,NITRILE	
17-	88827GT	GASKET,KEYSWITCH,PLASTIC***	

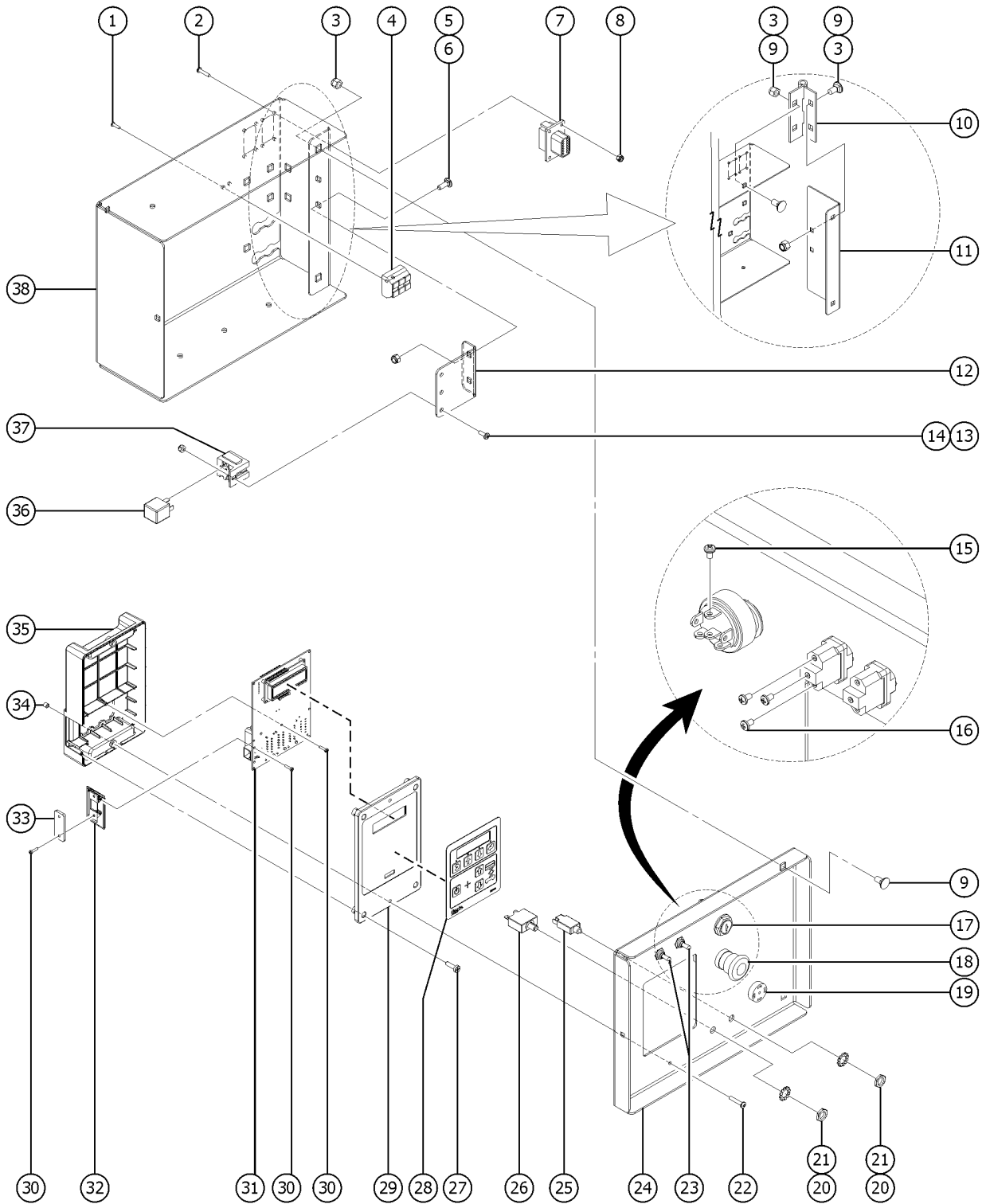


306.1 Ground Controls



Item	Part No.	Description	Qty.
18	66812GT	E-STOP BUTTON	1
18-	66821GT	BASE,WITHOUT CONTACTS	
18-	66818GT	CONTACT,NC	
19	39540GT	ALARM, STEADY TONE***	1
20	6700GT	WASHER,STAR,EXTERNAL,,375	2
21	122994GT	NICKEL PLATED JAM NUT	2
22	75041GT	SCREW,PHILLIPS,PHM,10-32 X 1	2
23	128200GT	SWITCH TOGGLE ASSY SPDT 3P MOM	2
23-	128578GT	SCREW T-SWITCH PH/PH 6-32X1/4	
23-	128580GT	SWITCH TOGGLE SPDT 3P MOM SHDR	
23-	27246GT	BOOT,TOGGLE SWITCH,SHORT*	
24	1254591GT	FRMNG,LCP FRONT,GS69DC/BE	1
		blue	
24B	1293239GT	FRMNG,LCP FRONT,GS69DC/BE	
		black	
24B-	15243GT	PLUG,NYLON .875 BLACK DOMED	
24C	1295451GT	FORMING, LCP FRONT, GS69 DC/BE, LS	1
25	1277226GT	ASSEMBLY,CIRCUIT BREAKER,15AMP	
26	96452GT	CIRCUIT BREAKER,7.0 AMP***	1
27	137668GT	SCREW,PHM,6-19X.75, 48-2 TRI-L	4
28	137562GT	DECAL,MEMBRANE, GR/GRC/GS GCON	1
29	T106366GT	ENCLOSURE,GC27-25/GC21-19,FRNT	1
30	137637GT	SCREW,PHM,4-20X.5, 48-2 TRI-L	3
31	137604GT	PCBA, GC21-19 for 137692, models without outriggers	1
31B	137564GT	PCBA, GC27-25 for 137644, models with outriggers	1
31C	1256719GT	PCBA,GCON STD,PROP LIFT	1
		for 1256721	
31D	1256720GT	PCBA,GCON O/R,PROP LIFT	1
		for 1256722	
32	T106363GT	ADAPTER, RJ45, GC27-25/GC21-19	1
33	T106362GT	COVER, RJ45, GC27-25/GC21-19	1
34	66842GT	INSERT, 10-32 X .25	2

306.1 Ground Controls

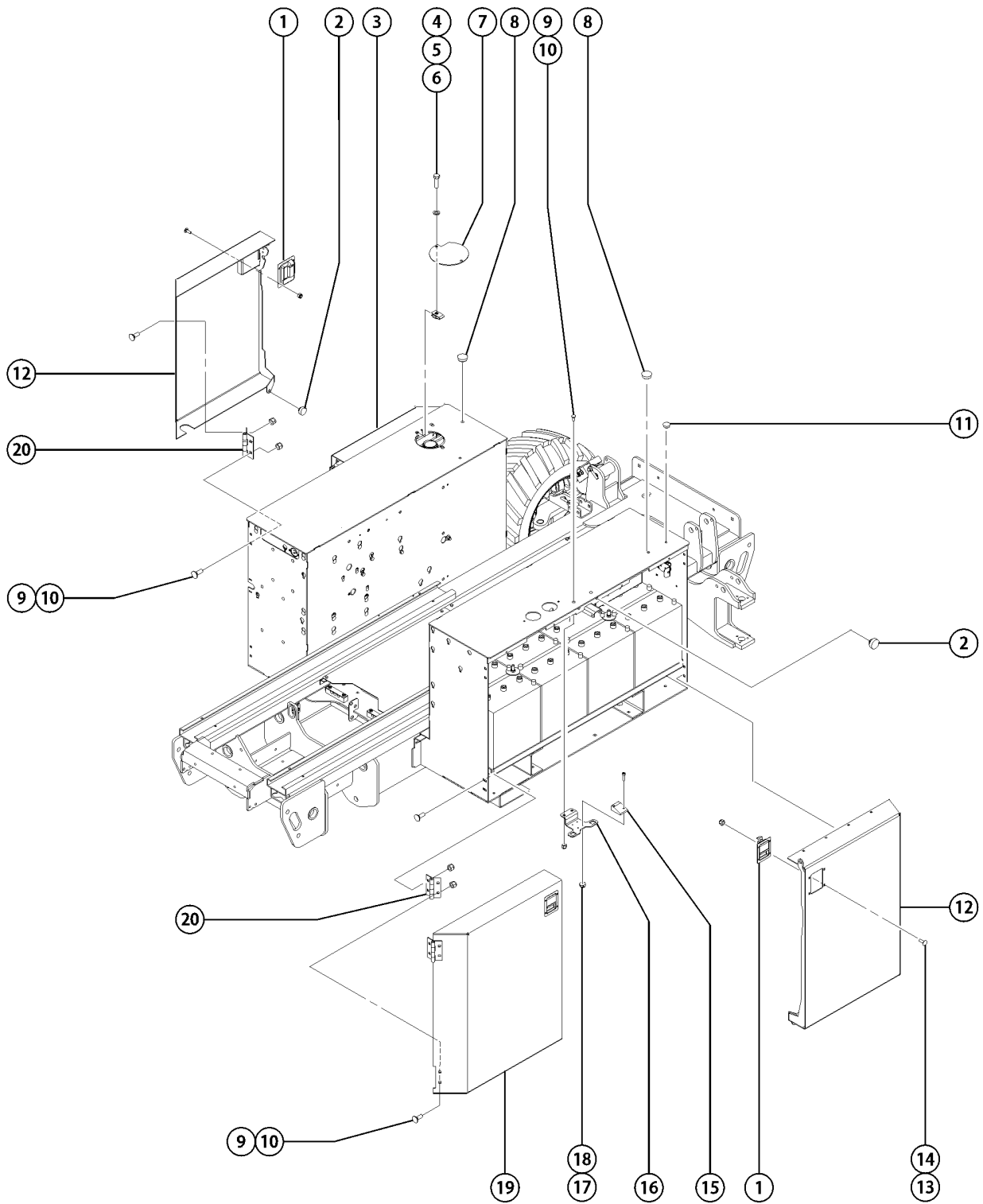


306.1 Ground Controls

<i>Item</i>	<i>Part No.</i>	<i>Description</i>	<i>Qty.</i>
35	T106372GT	ENCLOSURE, GC21-19, BK models without outriggers	1
35B	T106371GT	ENCLOSURE, GC27-25, BK models with outriggers	1
36	56302GT	RELAY,24VDC,40/30A,SEALED***	2
37	34053GT	ASSY,RELAY SOCKET, AUTO	2
38	235380GT	FORMING, BOX, CONTROL ENCLOSUR Genie blue	1
38B	1282278GT	FORMING, BOX, CNTRL ENCLOSURE Traffic black	

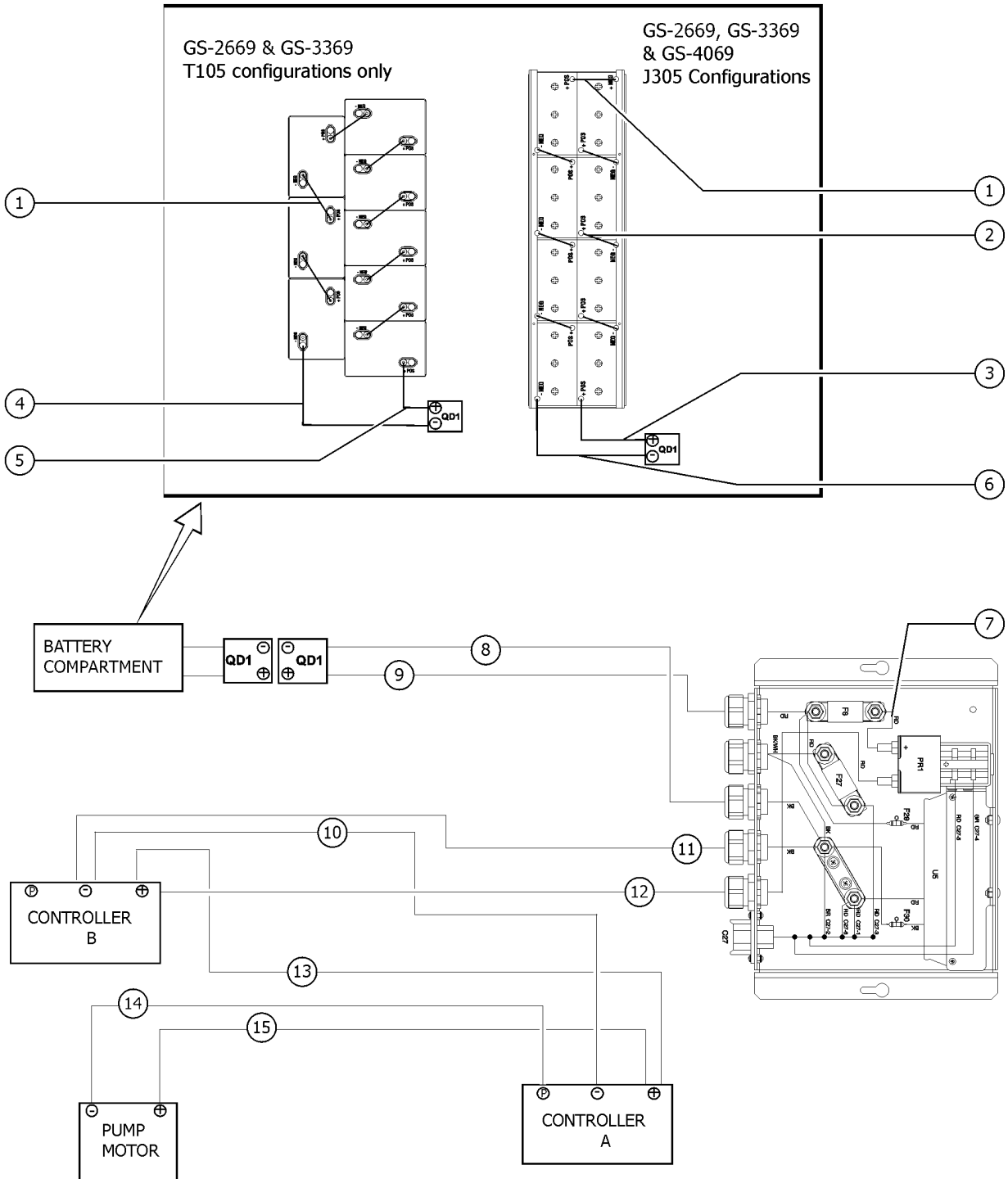


307.1 Chassis Cover Installation



<i>Item</i>	<i>Part No.</i>	<i>Description</i>	<i>Qty.</i>
1	55675GT	LATCH, LRG PADDLE HANDLE GS90	
2	43392GT	BUMPER,BATTERY BOX & RAILS	8
3	1253424GT	WELDMENT,BOX DOOR,LT,WINDOW (decals not included, refer to section 100)	1
4	6019GT	SCREW,HHC,3/8-16 X 1.25 GRD 5	
5	6021GT	WASHER,LOCK,.375	
6	29868GT	SPRING CLIP,3/8-16,.05-.20X.73,ZAG	
7	1254428GT	PLATE,HYD TANK FILLER COVER	1
8	45384GT	PLUG,NYLON .50 BLACK DOMED	2
9	64154GT	BOLT,CARRIAGE,3/8-16 X1.00,G5	
10	4828GT	NUT,NYLOCK,3/8-16	
11	81329GT	PLUG,ALARM BEACON HOLE	4
12	1253422GT	WELDMENT,BOX DOOR,RT (decals not included, refer to section 100)	2
13	6878GT	BOLT,CARRIAGE,1/4-20 X .75,G2	
14	6091GT	NUT,NYLOCK,1/4-20	
15	1253479GT	SLIDE BLOCK,DOOR WEDGE,HDPE 1 of 2 shown	2
16	1253349GT	FORMING, LATCH CATCH 1 of 2 shown	2
17	14392GT	NUT,LP NYLOCK,10-32	
18	219112GT	SCREW,SHC,10-32 X .75	
19	1253423GT	WELDMENT,BOX DOOR,LT (decals not included, refer to section 100)	1
20	55517GT	HINGE, GSRT90 BOX	8

308.1 Power Cables



<i>Item</i>	<i>Part No.</i>	<i>Description</i>	<i>Qty.</i>
--	67504GT	FUSE HOLDER,ATC 3-30 AMPS	
--	67505GT	FUSE,10 AMP,ATC	
1A	238364GT	CABLE ASSY, BATTERY JUMPERS T105 battery configuration; GS-2669DC and GS-3369DC only	7
1B	238364GT	CABLE ASSY, BATTERY JUMPERS J305 battery configuration; all GS-69DC	1
2	160545GT	CABLE ASSY, BATTERY JMPR LONG	
3	160903GT	CABLE ASSY, B+ TO AN. PLG,J305	
4	238366GT	CABLE ASSY, B- TO ANDERSON PLU	1
5	238365GT	CABLE ASSY, B+ TO ANDERSON PLU	1
6	160904GT	CABLE ASSY, B- TO AN. PLG,J305	
7	238369GT	CABLE ASSY, CONTA FUSE TO CONT	1
8	238368GT	CABLE ASSY, ANDERSON TO GRND L	1
9	238367GT	CABLE ASSY. ANDERSON TO CONTA	1
10	238374GT	CABLE ASSY, CONTR A B- TO CONT	1
11	238373GT	CABLE ASSY, GRND LUG TO CONTR	1
12	238370GT	CABLE ASSY, CONTA TO PUMP MOTO	1
13	238372GT	CABLE ASSY, CONTR A B+ TO CONT	1
14	238375GT	CABLE ASSY, CONTR A P- TO PUMP	1
15	238371GT	CABLE ASSY, PUMP MT+ TO CONTR	1



309.1 Electrical Wiring



Item	Part No.	Description	Qty.
A	137587GT	HARNESS, ESTOP, GR/GRC/GS PCON	
B	137611GT	ASSY, COIL CORD, GR/GRC/GS	
C	1264822GT	KIT, TRC RETROFIT, STNDRD	
		Telematics (includes 1264834)	
C-	1264834GT	INSTRN, TRC RETROFIT, STNDRD	
1	234837GT	HARNESS, MOTOR/BRAKE,GS69DC	2
2A	236066GT	CABLE,CNTRL,LINKS,GS2669DC	1
		GS-2669DC (420")	
2B	236067GT	CABLE,CNTRL,LINKS,GS3369DC	1
		GS-3369DC (542")	
2C	236068GT	CABLE,CNTRL,LINKS,GS4069DC	1
		GS-4069DC (660")	
3	235398GT	HARNESS, CONTROL POWER,GS69DC	1
4	237476GT	CABLE,CONTROL,EXTEND,GS69DC	1
5A	148076GT	HARNESS,BEACON,GS69	1
		option	
5B	1273392GT	HARNESS, LED BEACON, GS69DC	
6A	234830GT	HARNESS,LCP,GS69DC	1
6A-	67504GT	FUSE HOLDER,ATC 3-30 AMPS	
6A-	67505GT	FUSE,10 AMP,ATC	
6B	1266273GT	HARNESS, LCP, GS69DC/BE	1
6C	1292673GT	HARNESS, LCP, GS69DC/BE	
7	234832GT	HARNESS,MOTOR CONTROL,GS69DC	1
7B	1299498GT	HARNESS,MOTOR CTRL,GS69DC,LS	
8	235399GT	HARNESS,EXTEND,OSC LS,GS69DC	1
9	148414GT	HARNESS,OSC SWITCH REAR	2
10	234831GT	HARNESS,SENSORS,GS69DC	1
10B	1299650GT	HARNESS,SENSOR,GS69DC/BE,LS	
11A	148087GT	CABLE,DOWN COILS,GS4069	
		GS-4069DC	
11B	1259448GT	CABLE,PROP. DOWN COIL 4069	
		GS-4069DC	
12A	234833GT	HARNESS,FUNCTION,HYD,GS69DC	1
13A	148086GT	CABLE,DOWN COILS,GS3369	
13B	1259447GT	CABLE,PROP. DOWN COIL 26/3369	



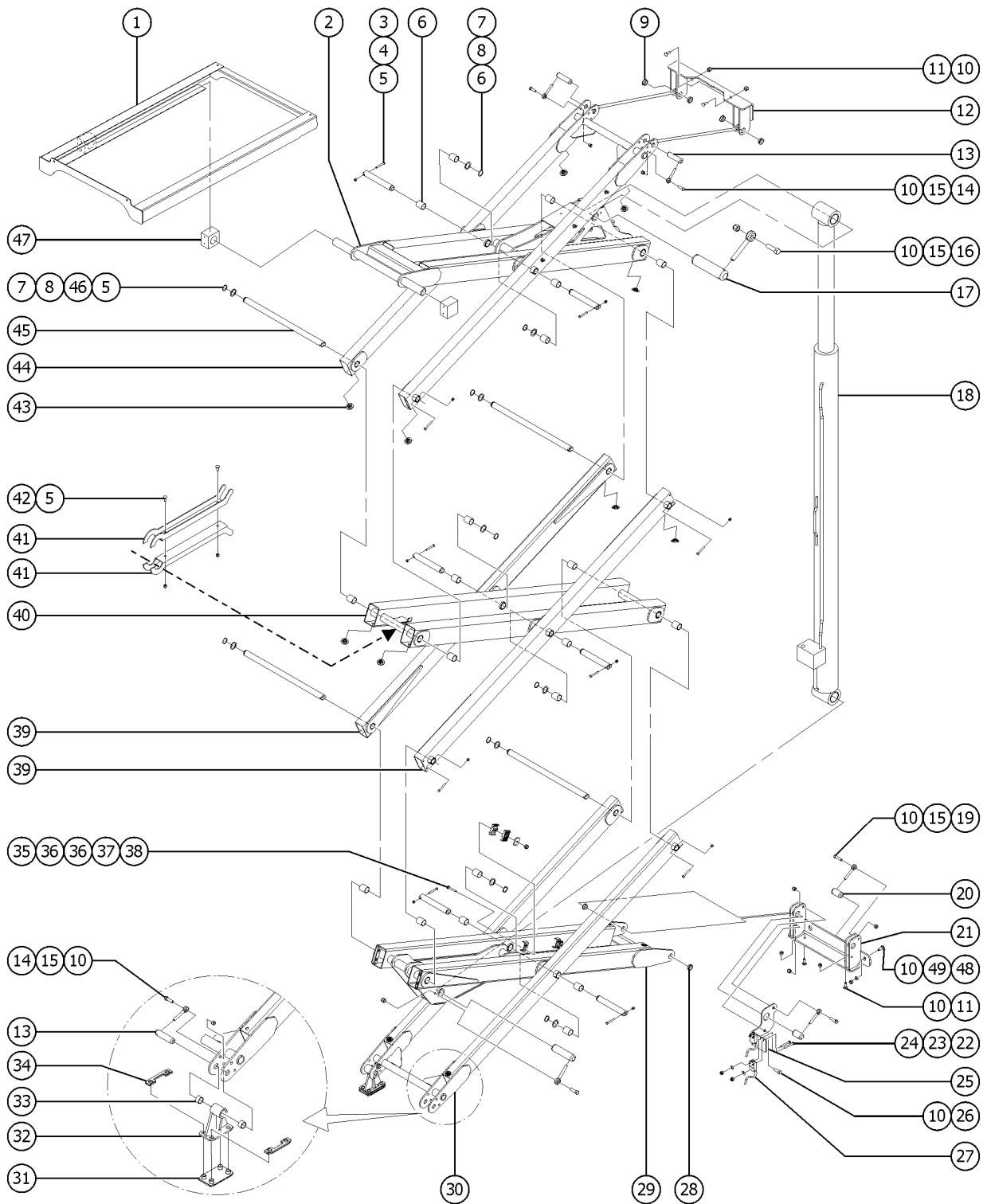
309.1 Electrical Wiring



<i>Item</i>	<i>Part No.</i>	<i>Description</i>	<i>Qty.</i>
14	219973GT	CABLE,PRESSURE SWITCH, 6S	1
15	148092GT	HARNESS,DOWN LIMIT SENSOR,GS69	1
16	234834GT	HARNESS, OUTRIGGER,MAIN,GS69DC	1
		option	
17	T114634GT	HARNESS,UP LIMIT SWITCH	1
		CE only	
18	104571GT	HARNESS,PRESS.SWITCH	1
		CE only	
19	161213GT	HARNESS, OR HARNESS, J11	1
		option	
20	161213GT	HARNESS, OR HARNESS, J11	1
		option	
21	218245GT	JUMPER,SENSOR,TERMINAL	1
22A	1259498GT	KIT,PROP. DOWN,GS26/3369 DC/BE	1
		(includes proportional down harnesses, valve and instructions)	
22B	1259991GT	KIT,PROP. DOWN,GS4069 DC/BE	1
		(includes proportional down harnesses, valve and instructions)	
22C	1259499GT	HARNESS, PROP, DOWN, GS69	1
22D	1258731GT	FLASH DRIVE,SL1K2.0 SOFTWARE	1
22E	219205GT	FLASH DRIVE,SL1K1.0 SOFTWARE	1
22F	1259447GT	CABLE,PROP. DOWN COIL 26/3369	
22G	1259448GT	CABLE,PROP. DOWN COIL 4069	
23	1294153GT	HARNESS, HERC TELEMATICS, GS69,90,84	1
23-	1291595GT	HARNESS, JUMPER, TELEMATICS	1
24	1292837GT	HARNESS, JUMPER, GS69DC/BE TELEMATICS	1
25	1289899GT	HARNESS, GATEWAY, GS	1



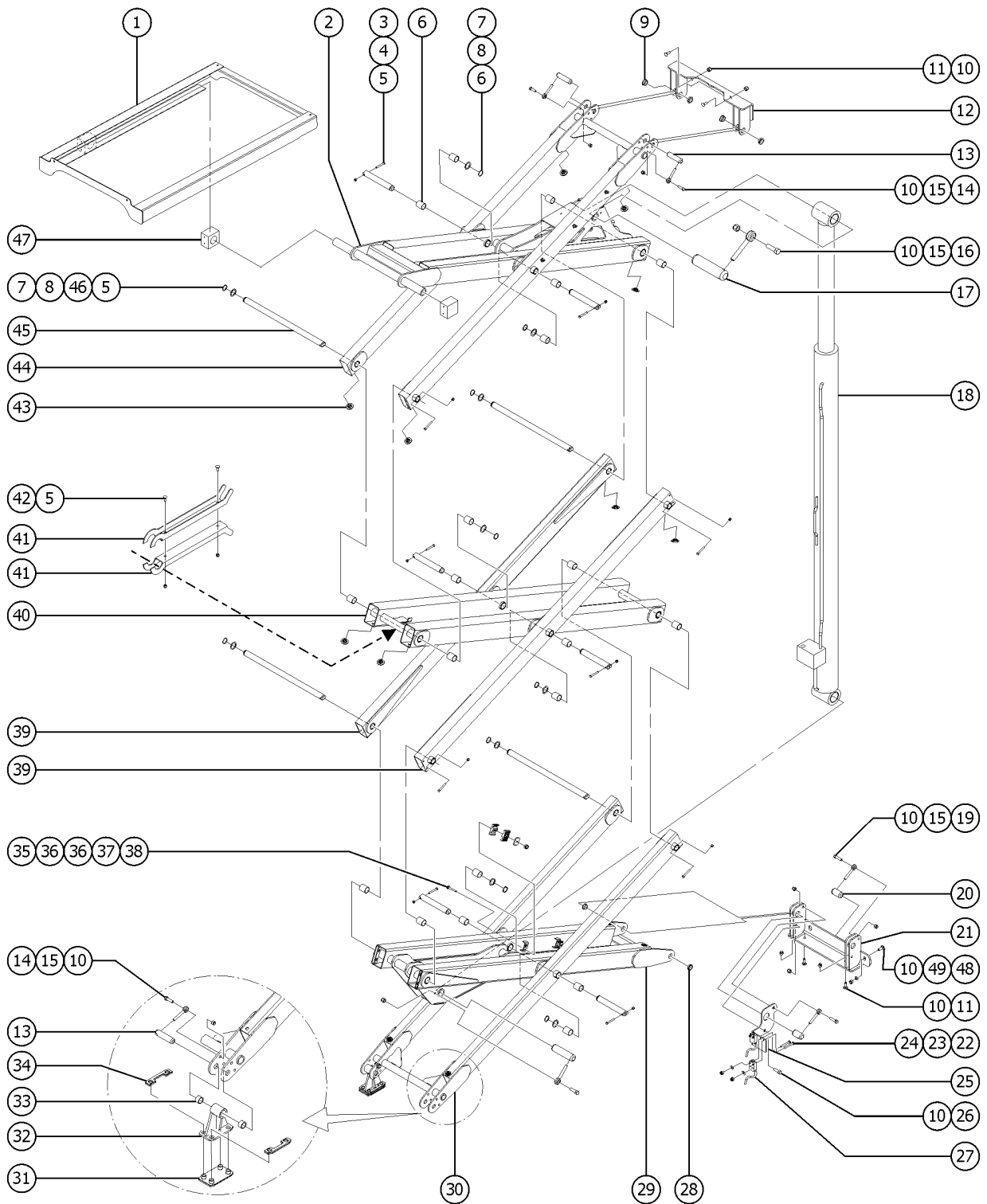
401.1 Scissor Components, GS-2669DC



Item	Part No.	Description	Qty.
1	131874GT	WLDMNT,PLATFORM SPACER, 2669	1
2	112127GT	ASSY,LINK,INNER #3,BLUE,2669	1
		includes item 6	
2-	105214GT	CABLE TIE MOUNT, WINGED	
2-	28443GT	CABLE TIE,11.5" BLACK	
3	14033GT	SCREW, HHC, 3/8-16 X 2.75	6
4	148433GT	PIN,CENTER LINK,GS69	9
5	4828GT	NUT,NYLOCK,3/8-16	12
6	T108138GT	BEARING,1.50IDX1.75ODX2.00L	20
7	18383GT	SNAP RING,EXTERNAL,1.5 DIA	10
8	T108139GT	WASHER,FLAT,1.510X2.125	10
9	112375GT	BEARING,FL,1.25IDX1.50ODX.44LG	4
10	6198GT	NUT,NYLOK,1/2-13	14
11	96977GT	BOLT,CARRIAGE,1/2-13X1.50,GR5	6
12	1254206GT	WELDMENT,PLATFORM PIVOT,2669	1
13	112115GT	PIN,1.25 DIA X 5.00 LG,1 HOLE	4
14	22788GT	SCREW,HHC,1/2-13 X 1.75	4
15	30418GT	ROD END,0.5 X 3.75***	8
16	6096GT	SCREW,HHC,1/2-13 X 2 GR5	4
17	112121GT	PIN,CYLINDER,LONG	2
18	06_1308932_401. 1_200	Ref. Lift Cylinders	
		refer to 603.1	
19	10598GT	SCREW,HHC,1/2-13 X 3	2
20	112116GT	PIN,1.5 DIA X 2.75 LG,1 HOLE	2
21	1254207GT	WELDMENT,CHASSIS LINK PVT,2669	1
22	49821GT	SCREW,PHILLIPS,PHM,8-32 X 1.25	4
23	35461GT	WASHER,FLAT,MS,#8,Y	4
24	18605GT	NUT,NYLOCK,8-32	4
25	1254202GT	FORMING,DOWN LIMIT SWITCH MNT	1
26	8177GT	SCREW,HHC,1/2-13 X 1.5	1

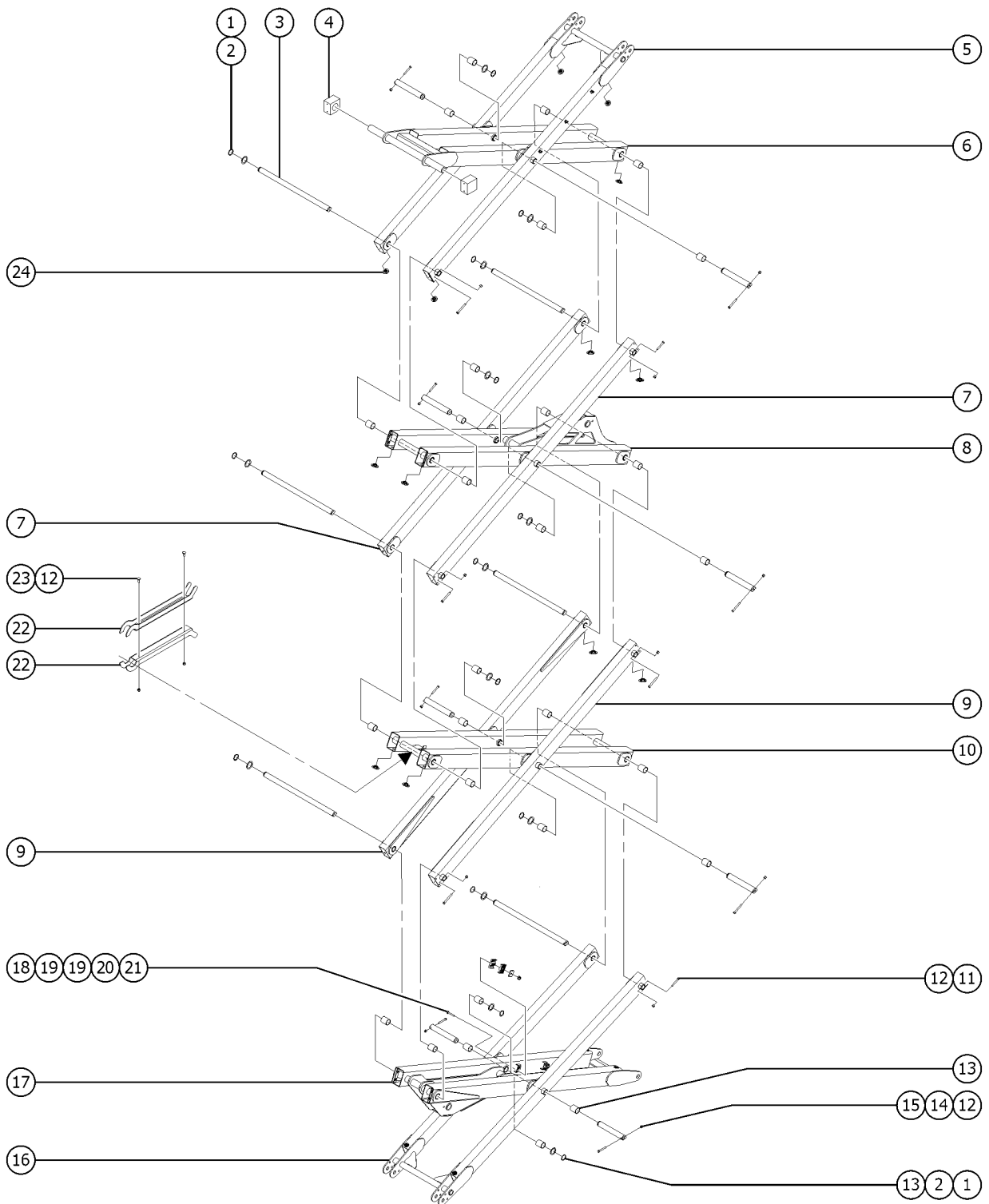


401.1 Scissor Components, GS-2669DC



Item	Part No.	Description	Qty.
27	148236GT	SWITCH,LIMIT,PLUNGER,SMALL	2
28	112350GT	BEARING,FLG,1.50IDX1.75ODX.5LG	2
29	112123GT	ASSY,LINK,INNER #1,GS69	1
		includes item 6 and item 28	
30	1254190GT	WELDMENT,LINK,OUTER #1	1
31	112099GT	WEAR PAD,SLIDER FOOT,LOWER	2
32	1254208GT	WELDMENT,SLIDER FOOT, GS2669	2
33	30434GT	BEARING,1.25IDX1.50ODX0.88L	4
34	112100GT	WEAR PAD,SLIDER FOOT,UPPER	4
35	141958GT	BOLT,CARRIAGE,1/4-20 X 2.5,G2	
36	78736GT	CLAMP,2 HOSE,PLASTIC,5/8	8
37	96196GT	PLATE,HOSE ROUTING,BULKHEAD	4
38	6091GT	NUT,NYLOCK,1/4-20	
39	1254204GT	WLDMT,LINK,OUTER,#2	1
		decals not included, refer to section 100	
40	112124GT	ASSY,LINK,INNER #2,GS69	1
		decals not included, refer to section 100; includes item 6	
41	1254192GT	FORMING,SERVICE CHOCK	2
42	64154GT	BOLT,CARRIAGE,3/8-16 X1.00,G5	2
43	T109734GT	BUMPER,LINK,GS69	16
44	112076GT	WELDMENT,LINK,TOP OUTER,GS69	1
44-	28443GT	CABLE TIE,11.5" BLACK	
45	148434GT	PIN,END LINK,GS69	4
46	6326GT	SCREW,HHC,3/8-16 X 3	4
47	112708GT	SLIDER BLOCK, GS69	2
48	96203GT	BOLT,CARRIAGE,1/2-13X1.75, G5	
49	6095GT	WASHER, FLAT, 1/2 PLTD	

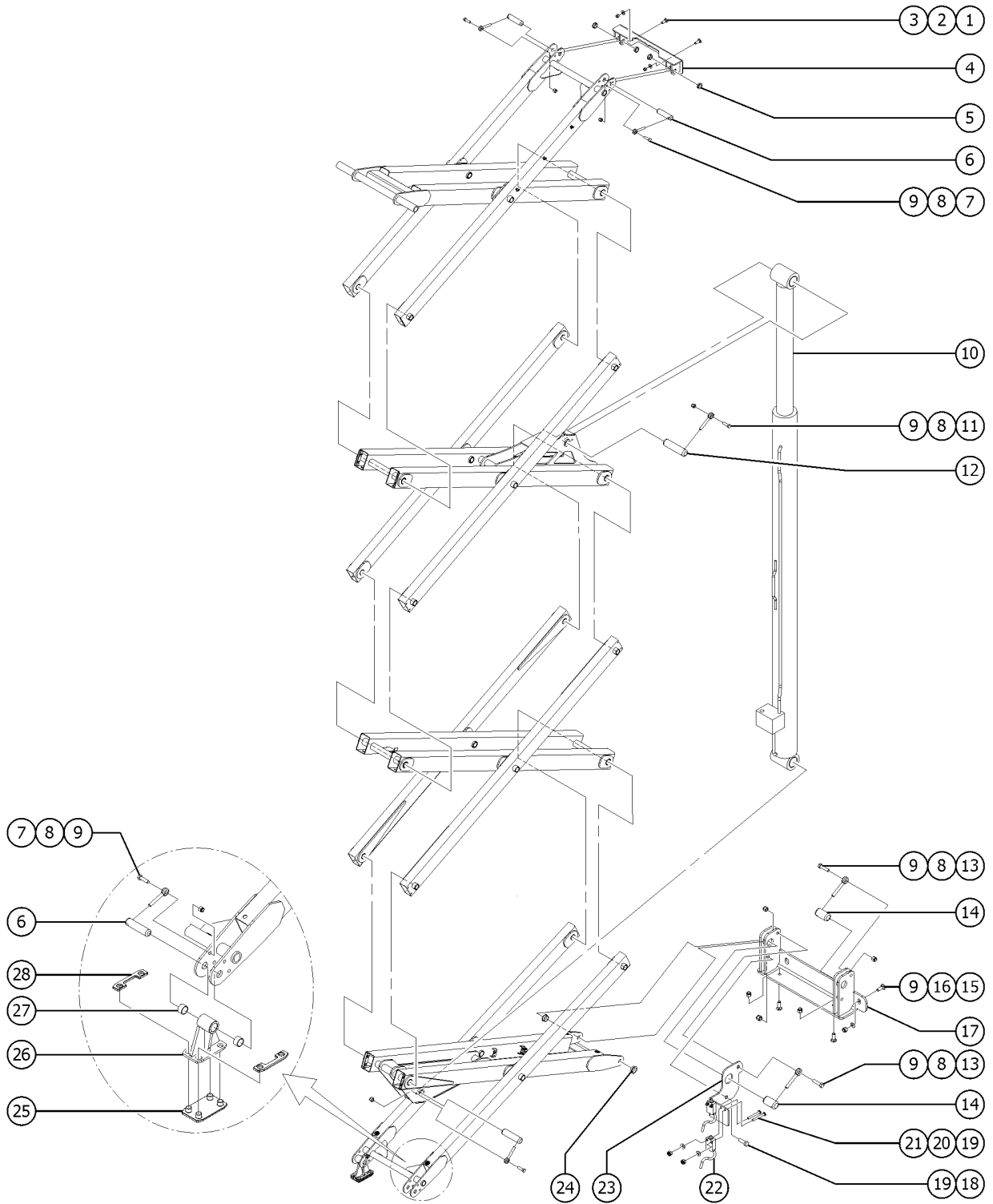
402.1 Scissor Components, GS-3369DC, View 1



Item	Part No.	Description	Qty.
1	18383GT	SNAP RING,EXTERNAL,1.5 DIA	14
2	T108139GT	WASHER,FLAT,1.510X2.125	14
3	148434GT	PIN,END LINK,GS69	6
4	112708GT	SLIDER BLOCK, GS69	2
5	112076GT	WELDMENT,LINK,TOP OUTER,GS69	1
5-	40928GT	CABLE TIE, BUTTON, BLACK, 10.00 LG	
6	112134GT	ASSY,LINK,INR #4-3369,#5-4069 includes item 13	1
7	1254198GT	WELDMENT,LINK,OUTER #2,3,4	2
8	131687GT	ASSY,LINK,INNER #3, 3369 includes item 13	1
9	1254204GT	WLDMT,LINK,OUTER,#2 decals not included, refer to section 100	1
10	112124GT	ASSY,LINK,INNER #2,GS69 includes item 13	1
11	6326GT	SCREW,HHC,3/8-16 X 3	
12	4828GT	NUT,NYLOCK,3/8-16	
13	T108138GT	BEARING,1.50IDX1.75ODX2.00L	28
14	148433GT	PIN,CENTER LINK,GS69	8
15	14033GT	SCREW, HHC, 3/8-16 X 2.75	
16	1254190GT	WELDMENT,LINK,OUTER #1	1
17	112123GT	ASSY,LINK,INNER #1,GS69 includes item 13	1
18	141958GT	BOLT,CARRIAGE,1/4-20 X 2.5,G2	4
19	78736GT	CLAMP,2 HOSE,PLASTIC,5/8	8
20	96196GT	PLATE,HOSE ROUTING,BULKHEAD	4
21	6091GT	NUT,NYLOCK,1/4-20	4
22	1254192GT	FORMING,SERVICE CHOCK	2
23	64154GT	BOLT,CARRIAGE,3/8-16 X1.00,G5	2
24	T109734GT	BUMPER,LINK,GS69	24



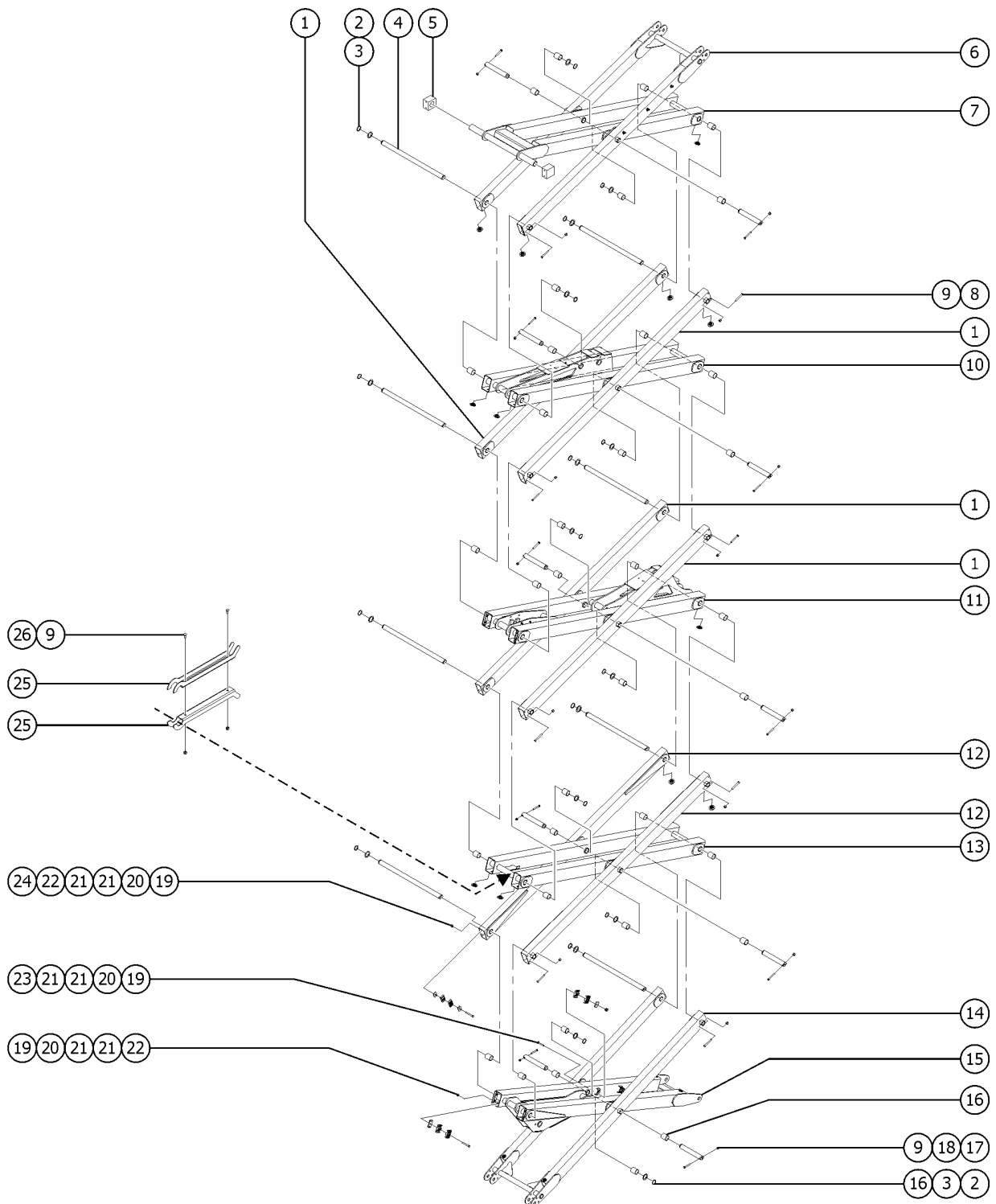
403.1 Scissor Components, GS-3369DC, View 2



Item	Part No.	Description	Qty.
1	96977GT	BOLT,CARRIAGE,1/2-13X1.50,GR5	
2	6097GT	WASHER,FLAT,USS,3/8",Y	
3	4828GT	NUT,NYLOCK,3/8-16	
4	1254196GT	WELDMENT,PLAT PIVOT,33/4069	1
5	112375GT	BEARING,FL,1.25IDX1.50ODX.44LG	4
6	112115GT	PIN,1.25 DIA X 5.00 LG,1 HOLE	4
7	22788GT	SCREW,HHC,1/2-13 X 1.75	
8	30418GT	ROD END,0.5 X 3.75***	8
9	6198GT	NUT,NYLOK,1/2-13	
10		Ref. Lift Cylinders	
		refer to 603.1	
11	6096GT	SCREW,HHC,1/2-13 X 2 GR5	
12	112121GT	PIN,CYLINDER,LONG	2
13	10598GT	SCREW,HHC,1/2-13 X 3	2
14	112116GT	PIN,1.5 DIA X 2.75 LG,1 HOLE	2
15	96203GT	BOLT,CARRIAGE,1/2-13X1.75, G5	2
16	6095GT	WASHER, FLAT, 1/2 PLTD	
17	1254203GT	WLDMT,CHASSIS LINK PVT,33/4069	1
18	8177GT	SCREW,HHC,1/2-13 X 1.5	
19	49821GT	SCREW,PHILLIPS,PHM,8-32 X 1.25	
20	35461GT	WASHER,FLAT,MS,#8,Y	
21	18605GT	NUT,NYLOCK,8-32	
22	148236GT	SWITCH,LIMIT,PLUNGER,SMALL	2
23	1254202GT	FORMING,DOWN LIMIT SWITCH MNT	1
24	112350GT	BEARING,FLG,1.50IDX1.75ODX.5LG	2
25	112099GT	WEAR PAD,SLIDER FOOT,LOWER	2
26	1254191GT	WELDMENT,SLIDER FT, GS33/4069	2
27	30434GT	BEARING,1.25IDX1.50ODX0.88L	4
28	112100GT	WEAR PAD,SLIDER FOOT,UPPER	4

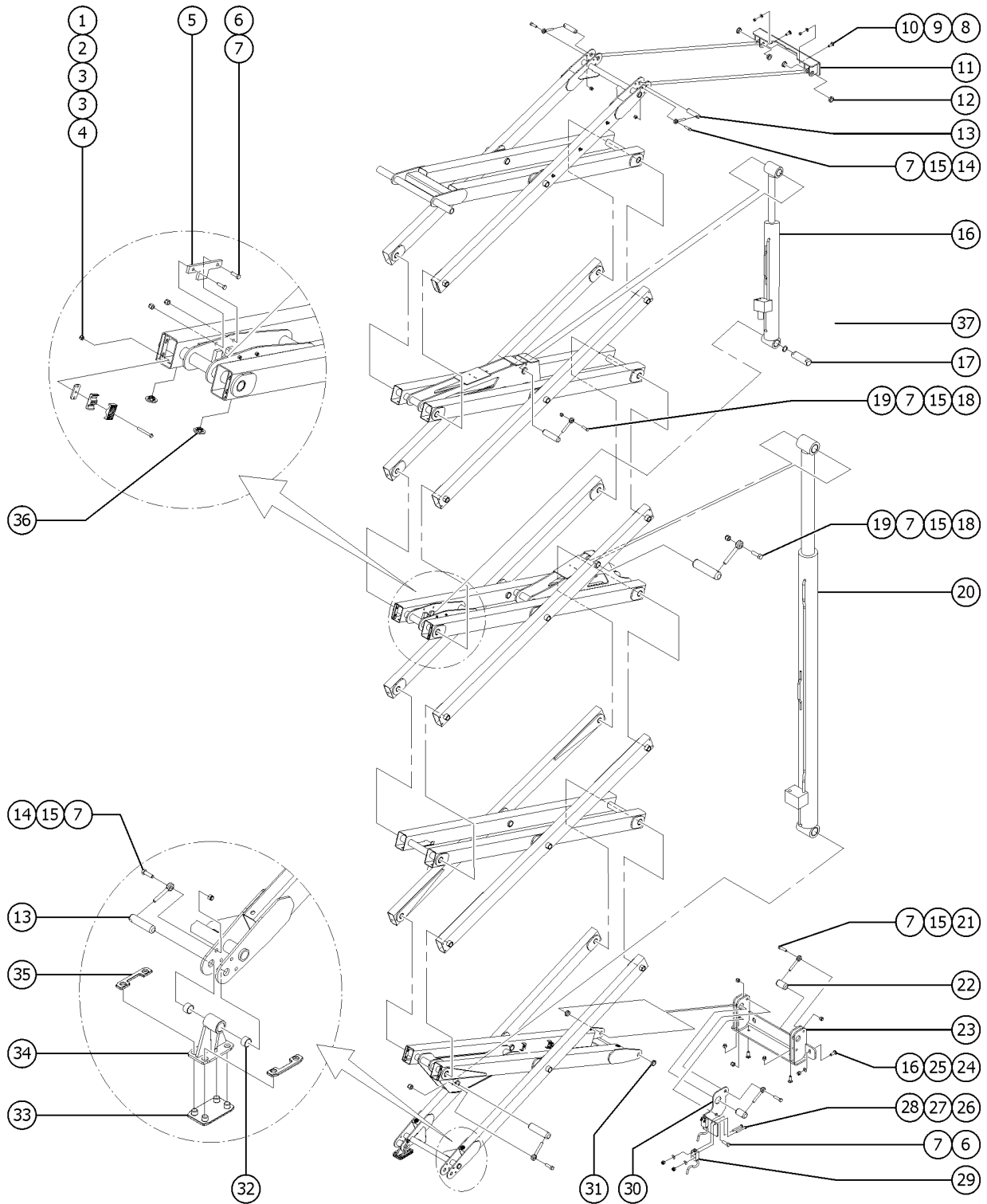


404.1 Scissor Components, GS-4069DC, View 1



Item	Part No.	Description	Qty.
1	1254198GT	WELDMENT, LINK, OUTER #2,3,4	4
2	18383GT	SNAP RING, EXTERNAL, 1.5 DIA	18
3	T108139GT	WASHER, FLAT, 1.510X2.125	
4	148434GT	PIN, END LINK, GS69	8
5	112708GT	SLIDER BLOCK, GS69	2
6	112076GT	WELDMENT, LINK, TOP OUTER, GS69	1
7	112134GT	ASSY, LINK, INR #4-3369, #5-4069 includes item 16	1
8	6326GT	SCREW, HHC, 3/8-16 X 3	
9	4828GT	NUT, NYLOCK, 3/8-16	
10	112126GT	ASSY, LINK, INNER #4, 4069 includes item 16	1
11	112125GT	ASSY, LINK, INNER #3, 4069 includes item 16	1
12	1254204GT	WLDMT, LINK, OUTER, #2 decals not included, refer to section 100	1
13	112124GT	ASSY, LINK, INNER #2, GS69 includes item 16	1
14	1254190GT	WELDMENT, LINK, OUTER #1	1
15	112123GT	ASSY, LINK, INNER #1, GS69	1
15-	40928GT	CABLE TIE, BUTTON, BLACK, 10.00 LG	
16	T108138GT	BEARING, 1.50ID X 1.75OD X 2.00L	
17	14033GT	SCREW, HHC, 3/8-16 X 2.75	
18	148433GT	PIN, CENTER LINK, GS69	10
19	6091GT	NUT, NYLOCK, 1/4-20	
20	96196GT	PLATE, HOSE ROUTING, BULKHEAD	7
21	78736GT	CLAMP, 2 HOSE, PLASTIC, 5/8	14
22	4266GT	SCREW, HHC, 1/4-20 X 2	
23	141958GT	BOLT, CARRIAGE, 1/4-20 X 2.5, G2	
24	228103GT	PLATE, BACKING, LINKS	
25	1254192GT	FORMING, SERVICE CHOCK	2
26	64154GT	BOLT, CARRIAGE, 3/8-16 X 1.00, G5	2

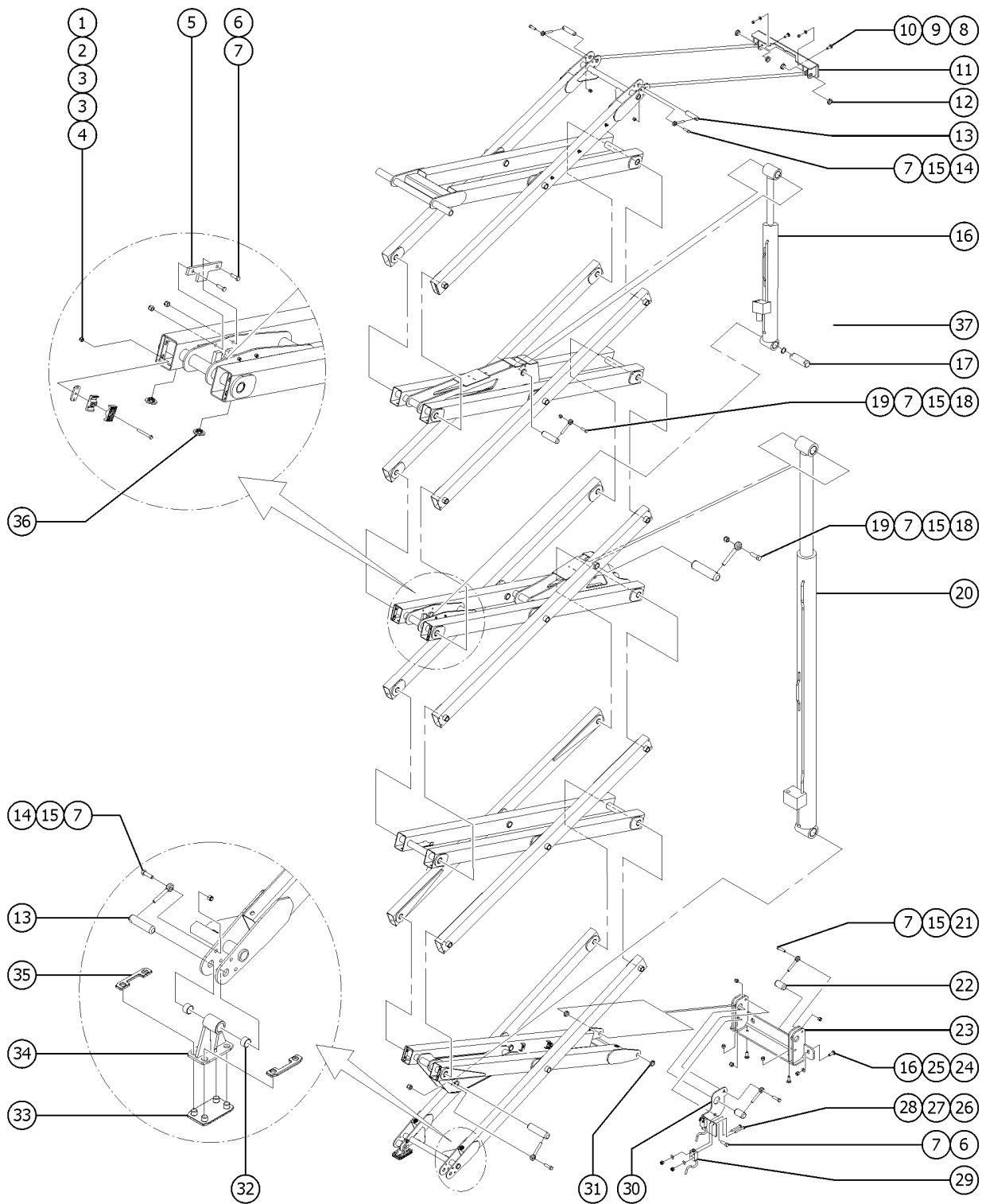
405.1 Scissor Components, GS-4069DC, View 2



Item	Part No.	Description	Qty.
1	6091GT	NUT,NYLOCK,1/4-20	
2	96196GT	PLATE,HOSE ROUTING,BULKHEAD	1
3	78736GT	CLAMP,2 HOSE,PLASTIC,5/8	2
4	4266GT	SCREW,HHC,1/4-20 X 2	
5	1254201GT	PLATE,UPR CYL,PIN RETAINR 4069	2
6	8177GT	SCREW,HHC,1/2-13 X 1.5	
7	6198GT	NUT,NYLOK,1/2-13	
8	96977GT	BOLT,CARRIAGE,1/2-13X1.50,GR5	
9	6097GT	WASHER,FLAT,USS,3/8",Y	
10	4828GT	NUT,NYLOCK,3/8-16	
11	1254196GT	WELDMENT,PLAT PIVOT,33/4069	1
12	112375GT	BEARING,FL,1.25IDX1.50ODX.44LG	
13	112115GT	PIN,1.25 DIA X 5.00 LG,1 HOLE	4
14	22788GT	SCREW,HHC,1/2-13 X 1.75	
15	30418GT	ROD END,0.5 X 3.75***	9
16		Ref. Lift Cylinders, Upper refer to 603.1	
17	235122GT	PIN,UPPER CYLINDER	1
18	6096GT	SCREW,HHC,1/2-13 X 2 GR5	
19	112121GT	PIN,CYLINDER,LONG	3
20		Ref. Lift Cylinders refer to 603.1	
21	10598GT	SCREW,HHC,1/2-13 X 3	
22	112116GT	PIN,1.5 DIA X 2.75 LG,1 HOLE	2
23	1254203GT	WLDMT,CHASSIS LINK PVT,33/4069	1
24	96203GT	BOLT,CARRIAGE,1/2-13X1.75, G5	
25	6095GT	WASHER, FLAT, 1/2 PLTD	
26	49821GT	SCREW,PHILLIPS,PHM,8-32 X 1.25	
27	35461GT	WASHER,FLAT,MS,#8,Y	
28	18605GT	NUT,NYLOCK,8-32	



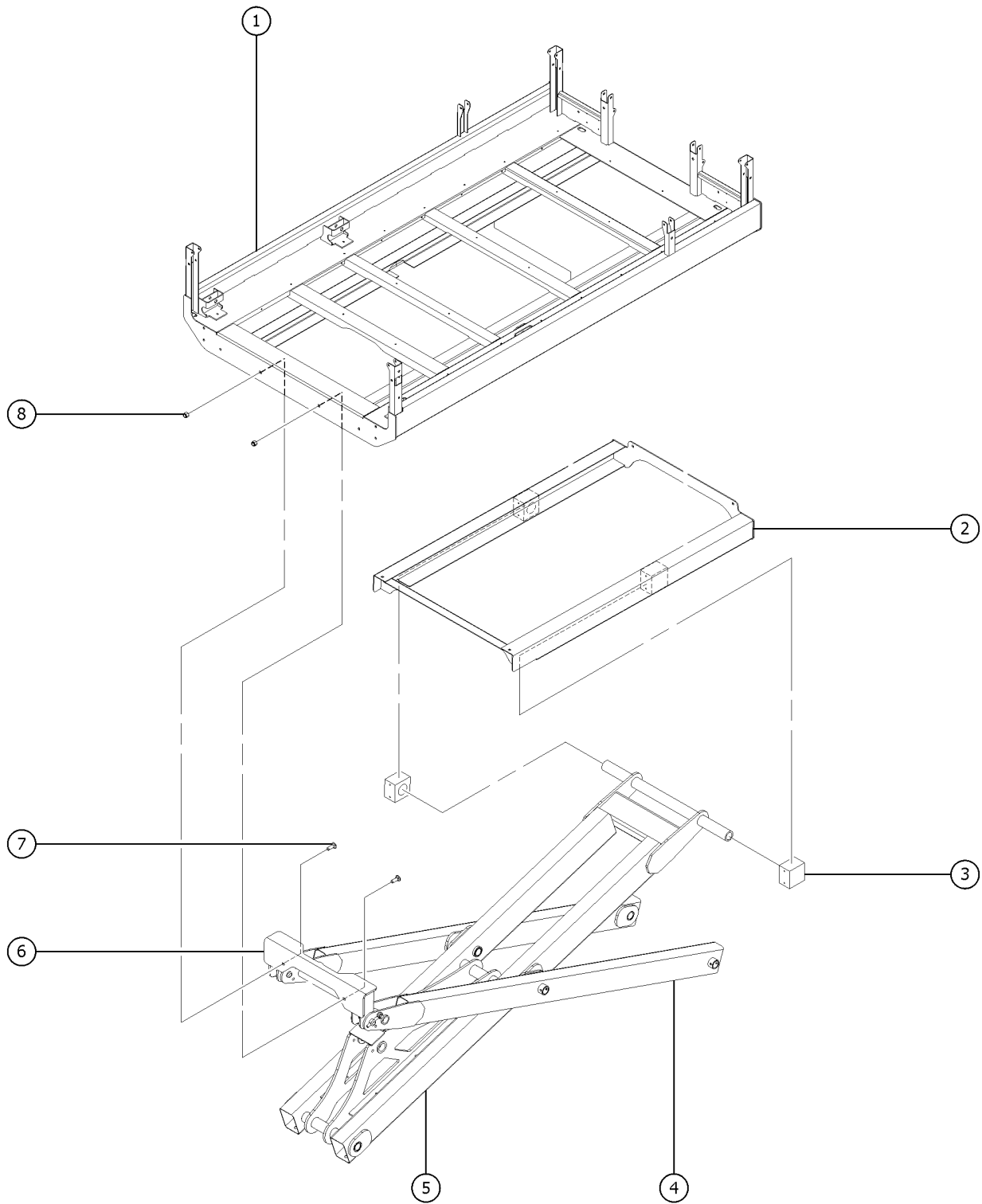
405.1 Scissor Components, GS-4069DC, View 2



<i>Item</i>	<i>Part No.</i>	<i>Description</i>	<i>Qty.</i>
29	148236GT	SWITCH,LIMIT,PLUNGER,SMALL	2
30	1254202GT	FORMING,DOWN LIMIT SWITCH MNT	1
31	112350GT	BEARING,FLG,1.50IDX1.75ODX.5LG	2
32	30434GT	BEARING,1.25IDX1.50ODX0.88L	4
33	112099GT	WEAR PAD,SLIDER FOOT,LOWER	2
34	1254191GT	WELDMENT,SLIDER FT, GS33/4069	2
35	112100GT	WEAR PAD,SLIDER FOOT,UPPER	4
36	T109734GT	BUMPER,LINK,GS69	32
37	39127GT	WASHER, SCIS ARM,1.79X2.25X.120 (Both side of barrel)	4



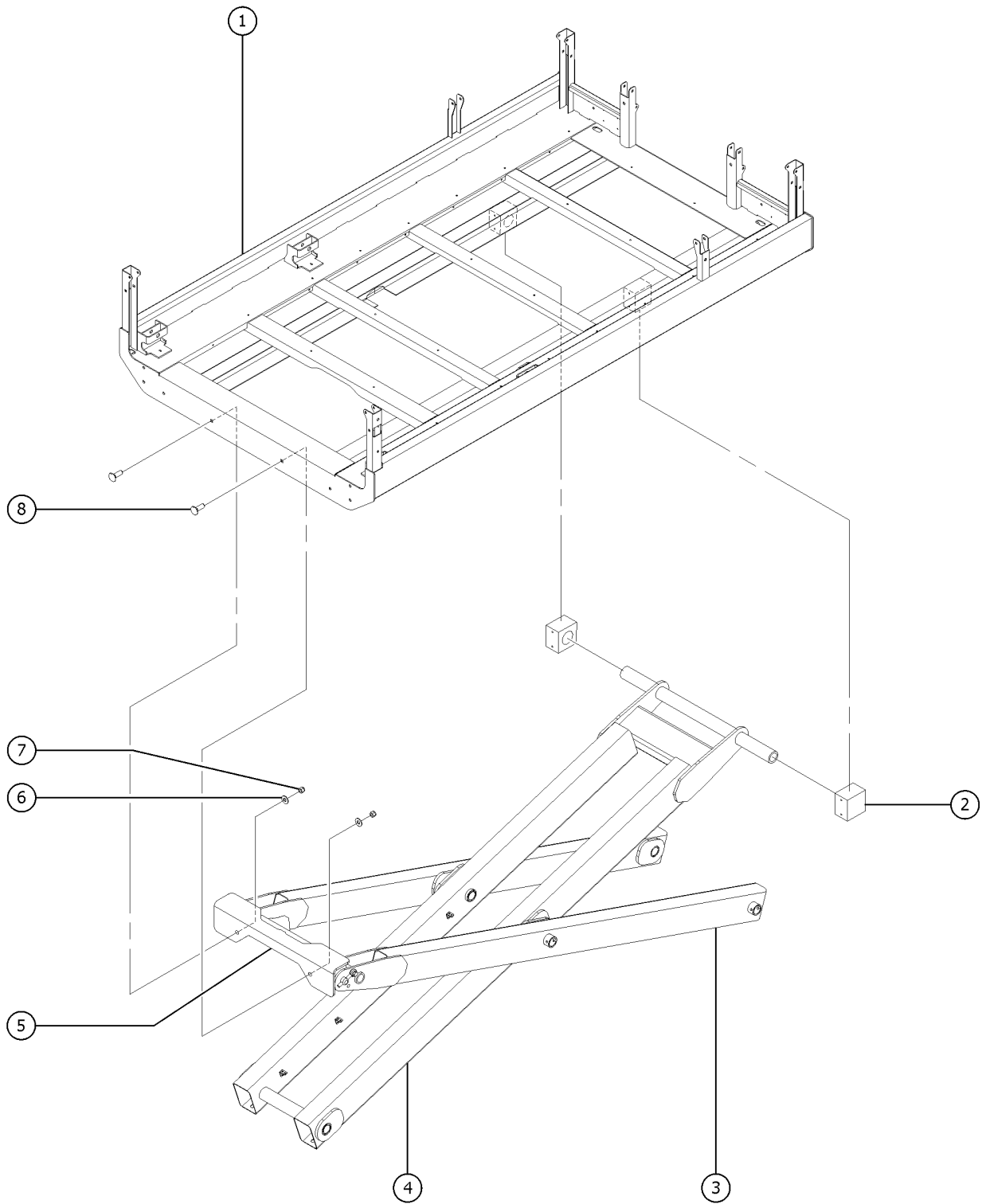
501.1 Platform Installation, GS-2669DC



<i>Item</i>	<i>Part No.</i>	<i>Description</i>	<i>Qty.</i>
1	112703GT	WELDMENT,MAIN PLATFORM,GS69 decals not included, refer to section 100	1
2		Ref. WLDMNT,PLATFORM SPACER, 2669 refer to 401.1	1
3	112708GT	SLIDER BLOCK, GS69	2
4	112706GT	WELDMENT,LINK,TOP OUTER,GS69	1
5	1254205GT	WELDMNT,LINK,TOP INNER,4069	1
6	1254196GT	WELDMENT,PLAT PIVOT,33/4069	1
7	96977GT	BOLT,CARRIAGE,1/2-13X1.50,GR5	2
8	6198GT	NUT,NYLOK,1/2-13	2



502.1 Platform Installation, GS-3369DC & GS-4069DC

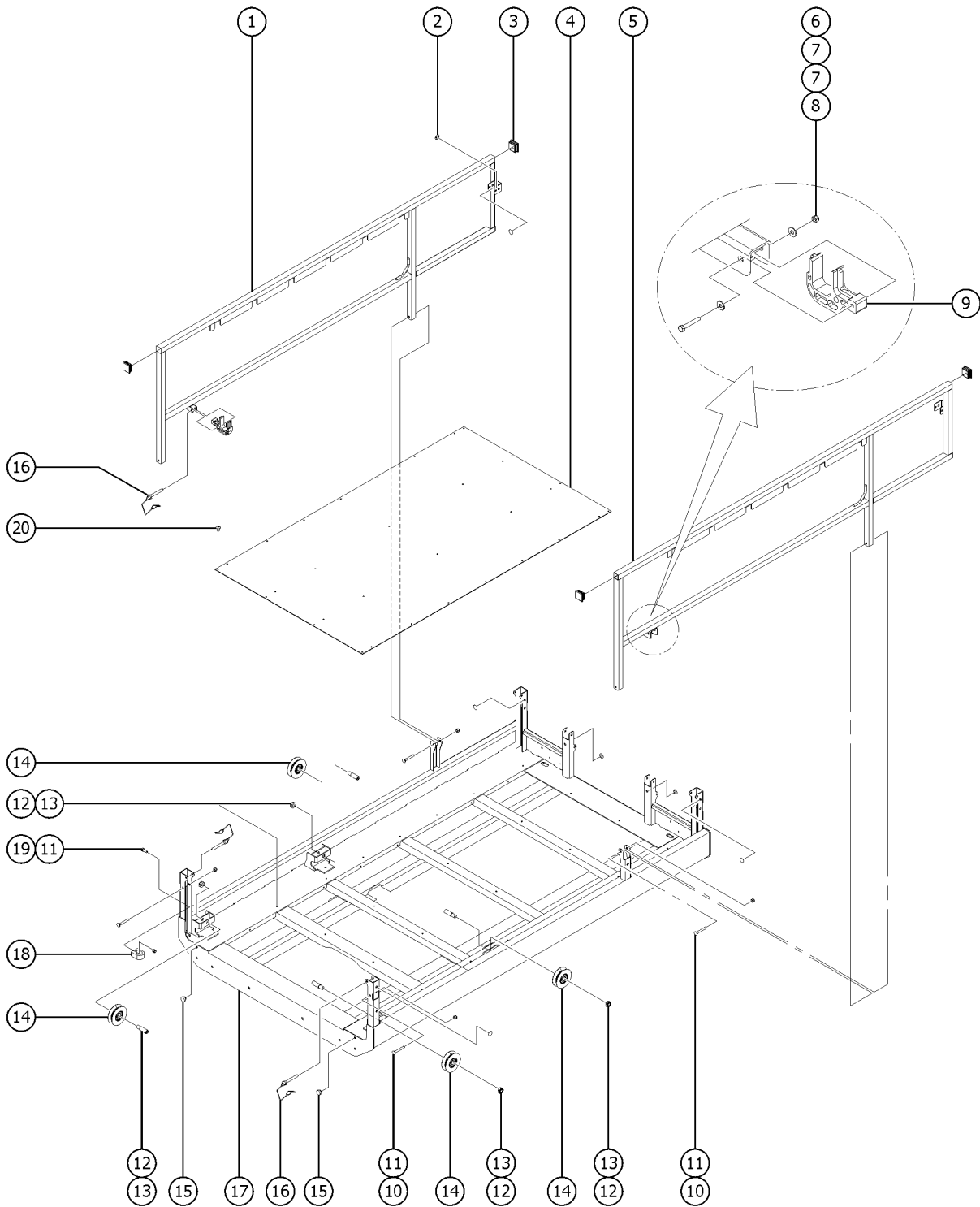


502.1 Platform Installation, GS-3369DC & GS-4069DC

<i>Item</i>	<i>Part No.</i>	<i>Description</i>	<i>Qty.</i>
1	112703GT	WELDMENT,MAIN PLATFORM,GS69 decals not included, refer to section 100	1
2	112708GT	SLIDER BLOCK, GS69	2
3	112706GT	WELDMENT,LINK,TOP OUTER,GS69	1
4	112134GT	ASSY,LINK,INR #4-3369,#5-4069 bearings included	1
5	148450GT	ASSY,LINK MOUNT,TOP,GS69	1
6	6097GT	WASHER,FLAT,USS,3/8",Y	
7	4828GT	NUT,NYLOCK,3/8-16	
8	96977GT	BOLT,CARRIAGE,1/2-13X1.50,GR5	



503.1 Platform Railing Installation

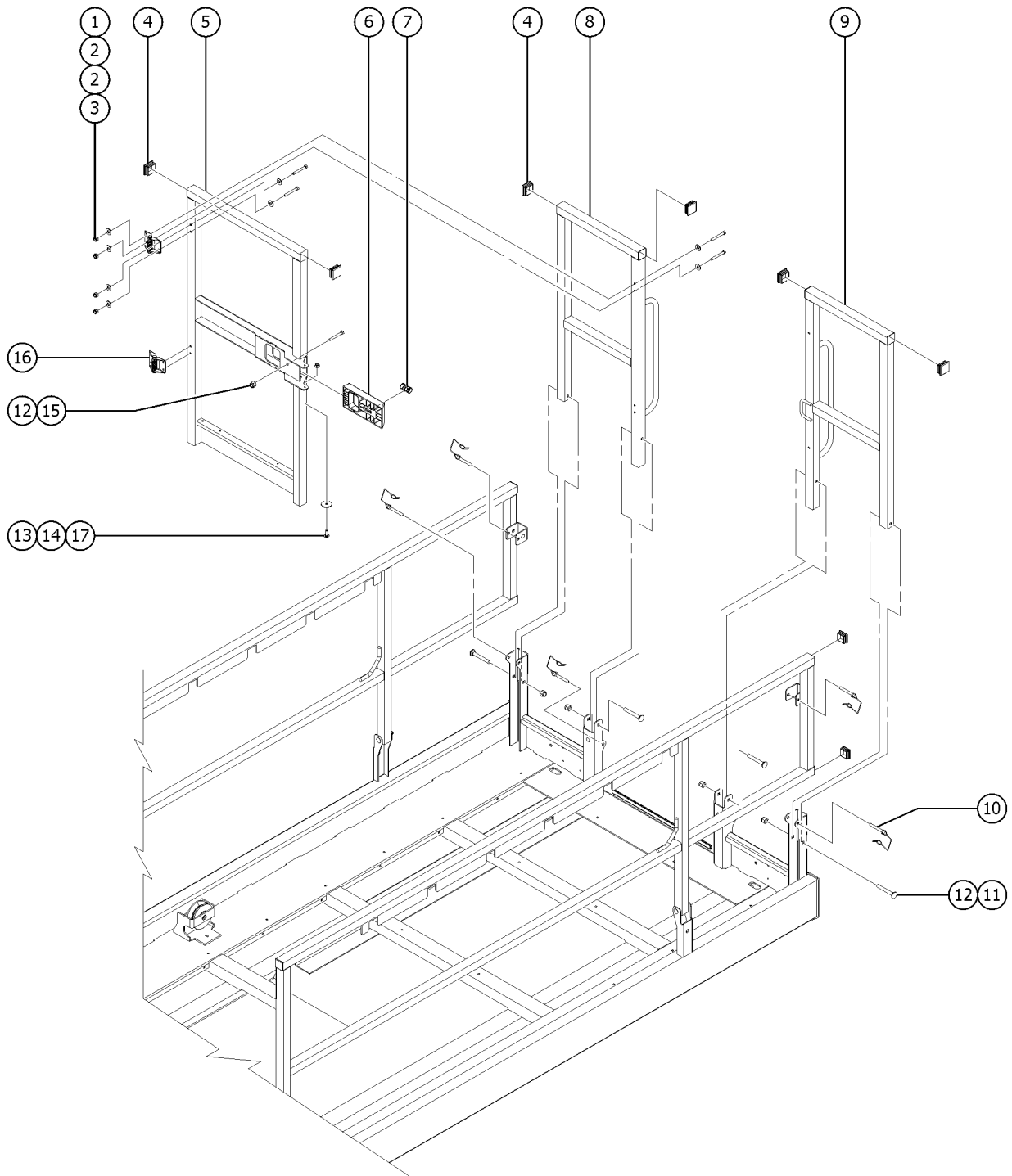


503.1 Platform Railing Installation

Item	Part No.	Description	Qty.
1	131744GT	WELDMENT,MAIN RAIL,RIGHT decals not included, refer to section 100	1
2	47478GT	BUMPER,RUBBER, 1"OD X .461 H	10
3	79355GT	PLUG,TUBE,SQ 1.50X.065	6
4	131749GT	PLATE,GS69 DECK	1
5	131745GT	WELDMENT,MAIN RAIL,LEFT decals not included, refer to section 100	1
6	6091GT	NUT,NYLOCK,1/4-20	
7	6638GT	WASHER,FLAT,USS,1/4"Y	
8	6637GT	SCREW,HHC,1/4-20 X 1.75	
9	71376GT	RAIL SPACER, GS90	2
10	112476GT	BOLT,CARRIAGE,3/8-16X2.75,G5	
11	4828GT	NUT,NYLOCK,3/8-16	
12	38028GT	NUT,LP NYLOCK,5/8-11	
13	87568GT	PIN, SHOULDER, 5/8-11 X 1.77	4
14	131416GT	V-ROLLER,NARROW,EXT DECK	4
15	47230GT	BUMPER,RUBBER	2
16	66030GT	PIN, WIRE LOCK 3/8 X 2 -1/2	4
17		Ref. WELDMENT, MAIN PLATFORM refer to 501.1 and 502.1	
18	87523GT	COIL CORD CLIP	1
19	6175GT	SCREW,HHC,3/8-16 X 1	
20	71315GT	RIVET,DRIVE, .25 X .25	24



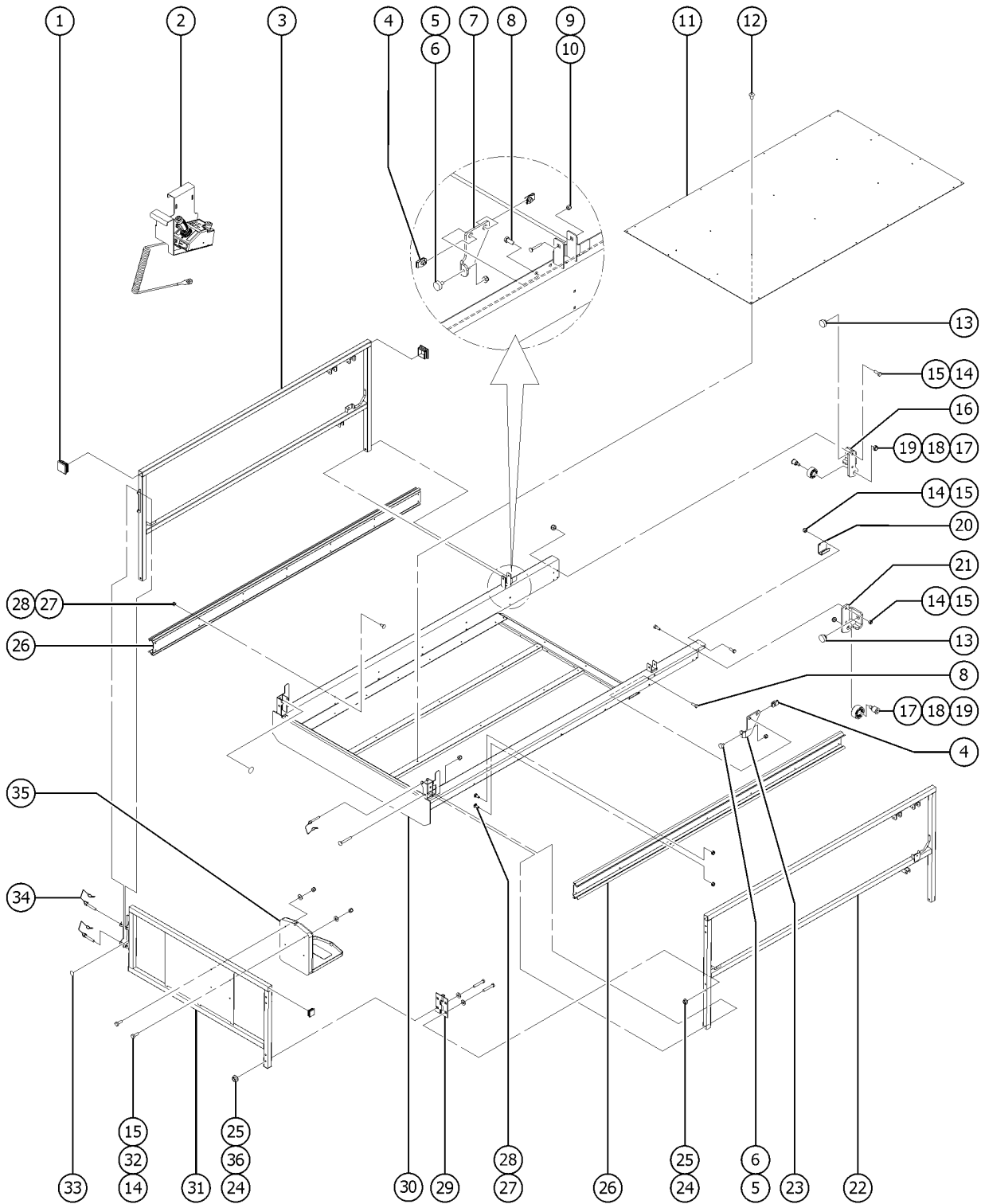
504.1 Platform Entry Gate



<i>Item</i>	<i>Part No.</i>	<i>Description</i>	<i>Qty.</i>
1	6889GT	NUT,LP NYLOCK,1/4-20	
2	6638GT	WASHER,FLAT,USS,1/4"Y	
3	4266GT	SCREW,HHC,1/4-20 X 2	8
4	79355GT	PLUG,TUBE,SQ 1.50X.065	10
5	87320-SGT	WELDMENT,ENTRY GATE	1
6	112543GT	SLIDER, GATE CATCH	1
7	22446GT	SPRING, COMPRESSION .835 X 2	1
8	131747GT	WELDMENT,MAIN,A-RAIL,RIGHT	1
9	131746GT	REF. WELDMENT,MAIN,A-RAIL,LEFT	1
10	66030GT	PIN, WIRE LOCK 3/8 X 2 -1/2	4
11	112476GT	BOLT,CARRIAGE,3/8-16X2.75,G5	
12	4828GT	NUT,NYLOCK,3/8-16	
13	1251567GT	SCREW,PHPM SEMS ET,10-24X.75,ZAG	1
14	47793GT	BUMPER, MODULE TRAY	1
15	6708GT	SCREW,HHC,3/8-16 X 2.25	
16	104804GT	HINGE, SPRING, LONG LEG	2
17	5365GT	NUT,NYLOCK,10-24	1



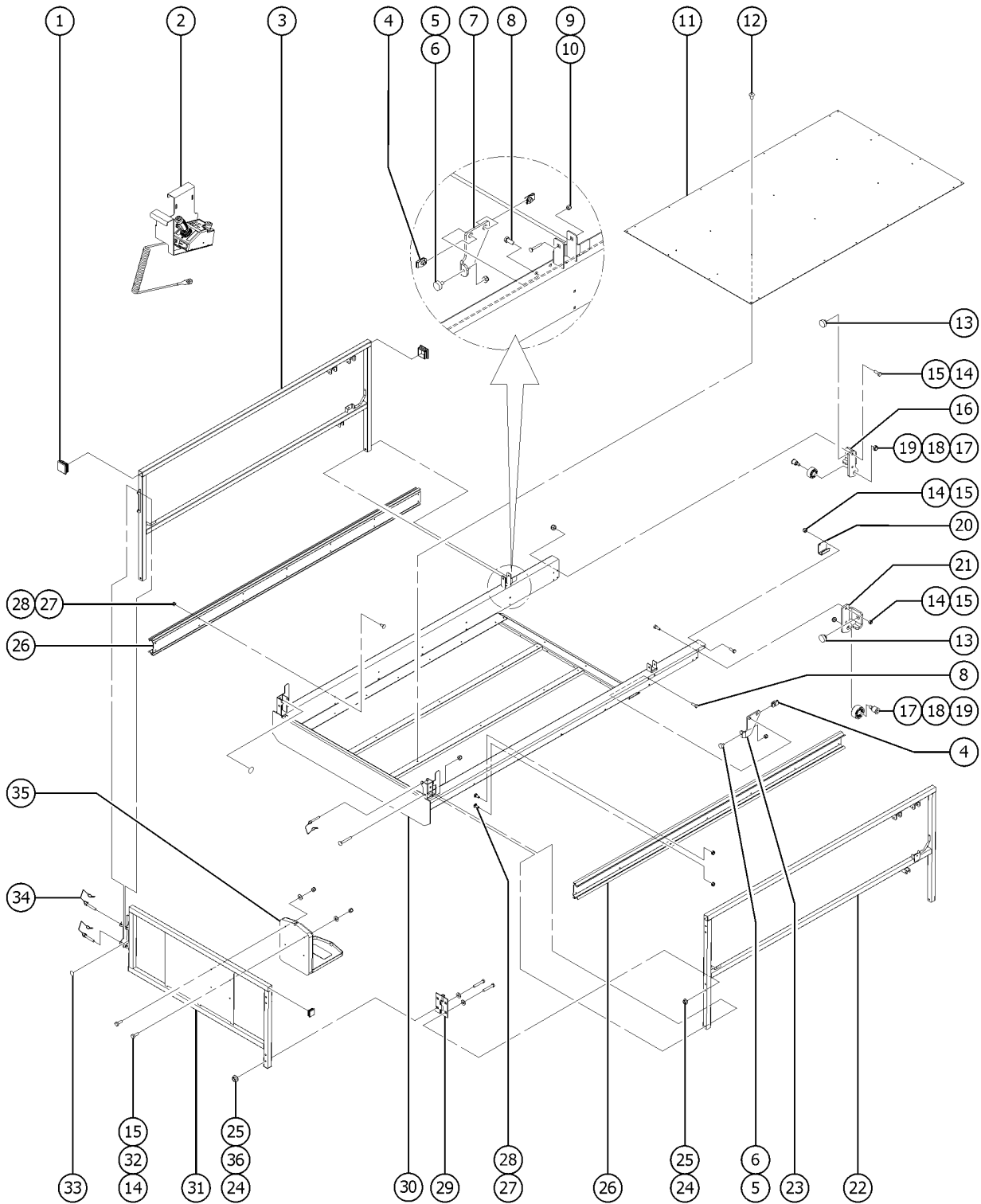
505.1 Platform Extension



Item	Part No.	Description	Qty.
--	33550GT	TAPE,WARNING,BLK/YEL, 50**** CE and AUS models only	1
1	79355GT	PLUG,TUBE,SQ 1.50X.065	8
2		Ref. Platform Controller refer to 508.1	
3	131743GT	WELDMENT,SIDE EXT RAIL,RIGHT decals not included, refer to section 100	1
4	29868GT	SPRING CLIP,3/8-16,.05-.20X.73,ZAG	4
5	79090GT	BUMPER, 1.00 X .375 X 5/16	2
6	6782GT	NUT, NYLOCK, 5/16-18	
7	99268GT	FORMING,PLATFORM STOP.LEFT	1
8	6175GT	SCREW,HHC,3/8-16 X 1	
9	112476GT	BOLT,CARRIAGE,3/8-16X2.75,G5	
10	4828GT	NUT,NYLOCK,3/8-16	
11	131749GT	PLATE,GS69 DECK	1
12	71315GT	RIVET,DRIVE, .25 X .25	24
13	47230GT	BUMPER,RUBBER	2
14	6090GT	SCREW,HHC,1/4-20 X .75	
15	6091GT	NUT,NYLOCK,1/4-20	
16	87570GT	FORMING,EXT DECK STOP,RIGHT	1
17	7713GT	NUT, LP NYLOCK, 3/8-16	
18	38016GT	ROLLER,PLASTIC,AWP96**	2
19	35706GT	BOLT,ROLLER,.470"(SHORT)	2
20	87675GT	FORMING,EXT DECK CATCH	2
21	87571GT	FORMING,EXT DECK STOP,LEFT	2
22	131741GT	WELDMENT,SIDE EXT RAIL,LEFT decals not included, refer to section 100	1
23	99267GT	FORMING,PLATFORM STOP,RIGHT	1
24	48425GT	NUT,FLG-LRG,3/8-16,YZ	
25	6708GT	SCREW,HHC,3/8-16 X 2.25	
26	131751GT	EXTRUSION,ALUM,V-ROLLER TRK	2
27	87645GT	BOLT,CARRIAGE,1/4-20 X .63,G2	



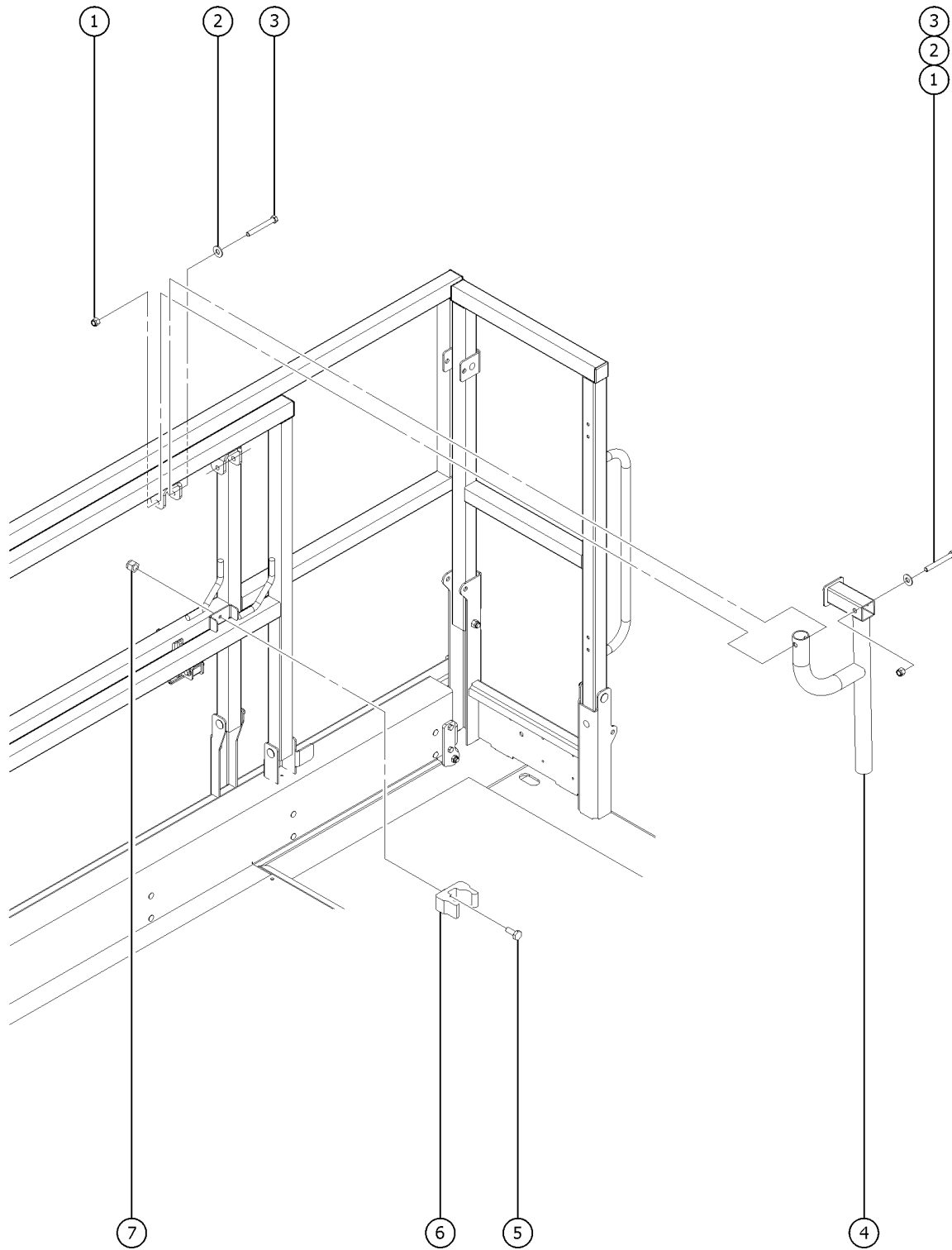
505.1 Platform Extension



<i>Item</i>	<i>Part No.</i>	<i>Description</i>	<i>Qty.</i>
28	6889GT	NUT,LP NYLOCK,1/4-20	
29	55517GT	HINGE, GSRT90 BOX	2
30	131735GT	WELDMENT,EXT.DECK,GS69	2
31	131742GT	WELDMENT,EXT DECK RAIL,END decals not included, refer to section 100	1
32	6638GT	WASHER,FLAT,USS,1/4"Y	
33	47478GT	BUMPER,RUBBER, 1"OD X .461 H	4
34	66030GT	PIN, WIRE LOCK 3/8 X 2 -1/2	4
35	24514GT	BOX,INSTRUCTION STORAGE (decals required; refer to Section100)	
36	219210GT	WASHER,FLAT,SAE,3/8,Y	



506.1 Platform Extension Deck Lock

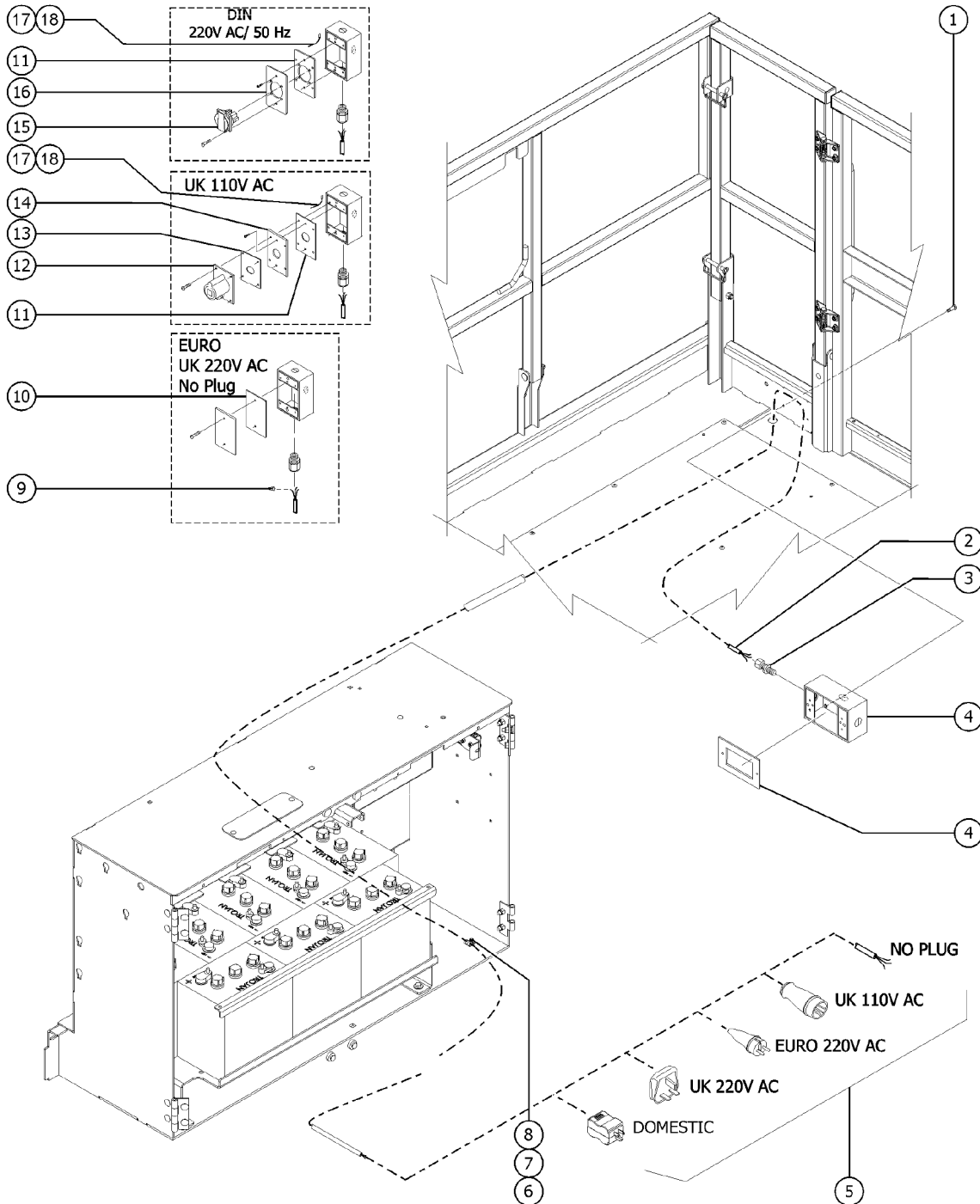


506.1 Platform Extension Deck Lock

<i>Item</i>	<i>Part No.</i>	<i>Description</i>	<i>Qty.</i>
1	4828GT	NUT,NYLOCK,3/8-16	
2	6097GT	WASHER,FLAT,USS,3/8",Y	
3	6326GT	SCREW,HHC,3/8-16 X 3	4
4A	148422GT	WLDMT,EXT DECK HANDLE,R right side	1
4B	T108039GT	WLDMT,EXT DECK HANDLE,L left side	1
5	8914GT	SCREW,HHC,1/4-20 X .625	2
6	T108074GT	UHMW,EXT LATCH ARM CATCH	2
7	6889GT	NUT,LP NYLOCK,1/4-20	

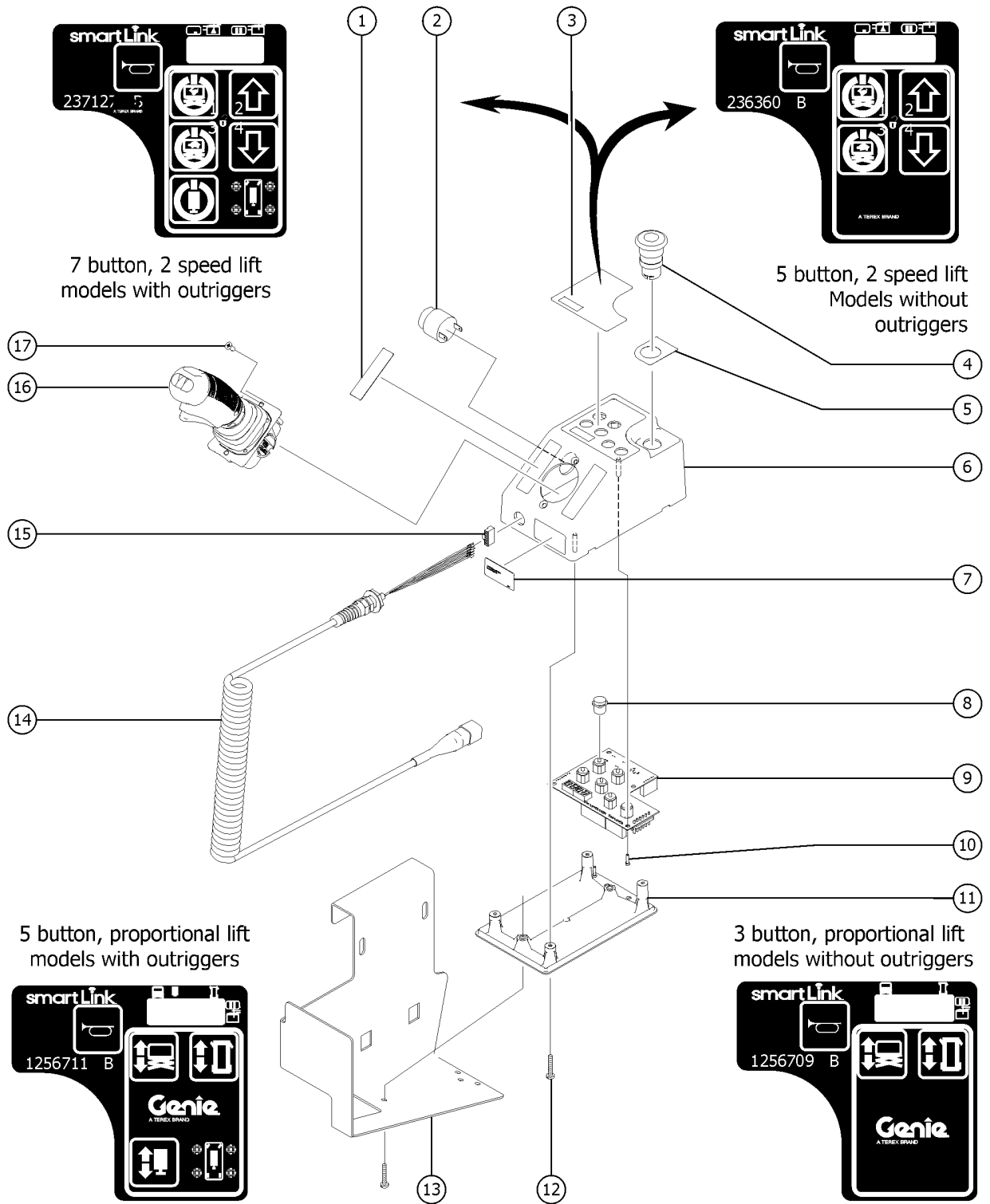


507.1 Power to Platform



Item	Part No.	Description	Qty.
	33724GT	KIT,GASKET,UK POWER TO PLAT includes items 14 and 16	
1	112772GT	SCREW,PHM,8-32X.438	
2A	1309421GT	CABLE, POWER TO PLAT, GS2669 GS-2669DC	1
2B	1309422GT	CABLE, POWER TO PLAT, GS3369 GS-3369DC	1
2C	1309423GT	CABLE, POWER TO PLAT, GS4069 GS-4069DC	1
3	7056GT	CONN,SQUEEZE,1/2NPT .38-.50,SM	
4	10775GT	T-BOX, 2.75 x 4.5 x 2.0	1
5	6595GT	PLUG,ELECTRICAL,DOMESTIC	1
5-	1280665GT	PLUG, TYPE F, 230A, 50HZ, 16A, IP44	
5-	87193GT	PLUG, AUSTRALIAN	
5-	144161GT	PLUG,PWR,UK,16AMP,3PIN,BLK	
5-	25388GT	PLUG,FUSED,250V,13AMP,U.K.**	
5-	65737GT	FUSE,13 AMP,220V PLUG***	
6	6090GT	SCREW,HHC,1/4-20 X .75	
7	6091GT	NUT,NYLOCK,1/4-20	
8	45470GT	CLAMP,0.31,#5 X 1/4,RUB CUSH	1
9	6626GT	WIRE CAP,ORANGE	3
10	10777GT	COVER,BLANK includes mounting fasteners	1
11	66355GT	GASKET, UK & DIN PWR. TO PLAT	1
12	T112560GT	RECEPTACLE,UK,110V	
13	66356GT	GASKET, UK RECEPTACLE	1
14	33629GT	PLATE,UK POWER TO PLATFORM	1
15	66353GT	RECEPTACLE, DIN, 220V 50A	1
16	96236GT	PLATE,AC ADAPTER,DIN/UK***	1
17	55089GT	WIRE,14 GA,GREEN/YELLOW,THHN**	6
18	13597GT	TERMINAL,#10 RING,BLUE	1

508.1 Platform Controls, 7 and 5 Button (2-Speed Lift)

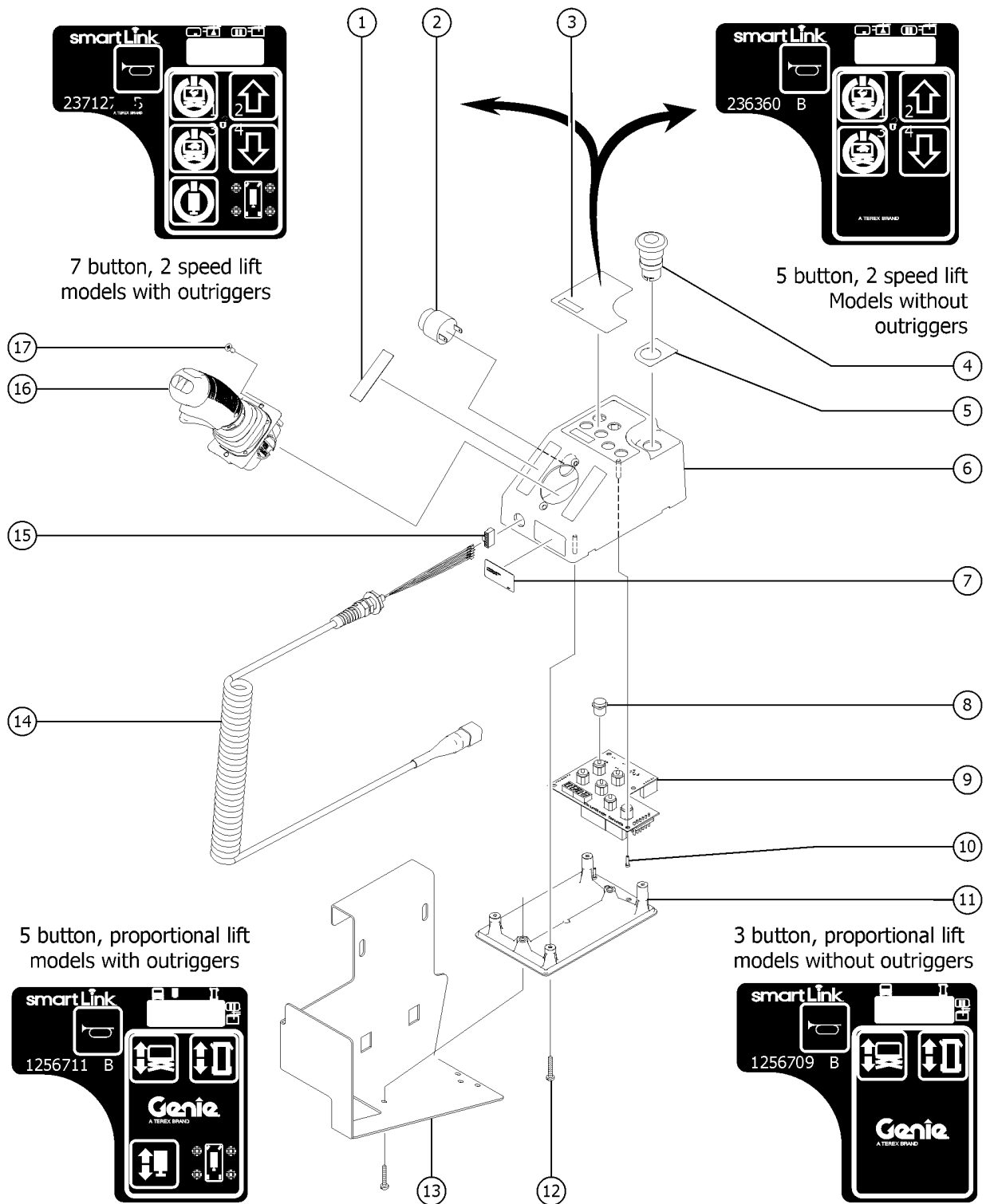


508.1 Platform Controls, 7 and 5 Button (2-Speed Lift)

Item	Part No.	Description	Qty.
A-		Platform controls with 2 speed lift - no longer available, replace with proportional upgrade kit for first time replacement	
B-	1258347GT	KIT, SL PROP UPGRD, ANSI, 69DC models without outriggers (For 2 speed to proportional lift conversion. Software upgrade is required and available on-line or refer to 509.1 for USB flash drive)	
C-	1258348GT	KIT, SL PROP UPGRD, AUS, 69DC models without outriggers (For 2 speed to proportional lift conversion. Software upgrade is required and available on-line or refer to 509.1 for USB flash drive)	
D-	1258349GT	KIT, SL PROP UPGRD, CE, 69DC models without outriggers (For 2 speed to proportional lift conversion. Software upgrade is required and available on-line or refer to 509.1 for USB flash drive)	
E-	1258521GT	KIT, SL PROP UPGRD ANSI SYM 69 models without outriggers (For 2 speed to proportional lift conversion. Software upgrade is required and available on-line or refer to 509.1 for USB flash drive)	
F-	1258352GT	KIT, SL PROP UPGRD, ANSI, 69DC models with outriggers (For 2 speed to proportional lift conversion. Software upgrade is required and available on-line or refer to 405.1 for USB flash drive)	...
G-	1258353GT	KIT, SL PROP UPGRD, AUS, 69DC models with outriggers (For 2 speed to proportional lift conversion. Software upgrade is required and available on-line or refer to 405.1 for USB flash drive)	...
H-	1258354GT	KIT, SL PROP UPGRD, CE, 69DC O models with outriggers (For 2 speed to proportional lift conversion. Software upgrade is required and available on-line or refer to 405.1 for USB flash drive)	...
K-	1258522GT	KIT, SL PROP UPGRD ANSI SYM 69 models with outriggers (For 2 speed to proportional lift conversion. Software upgrade is required and available on-line or refer to 405.1 for USB flash drive)	...
1	137656GT	DECAL,PROPEL,GR/GRC/GS,PCON	1
2	39540GT	ALARM, STEADY TONE*** order 72326 mounting ring separately	1
2-	72326GT	NUT,PLASTIC,RING FOR ALARMS for 39540	
3A	236360GT	DECAL, UI, GS69DC,PCON models without outriggers and 2 speed lift	1
3B	237127GT	DECAL,UI,GS69DC W/OR,PCON models with outriggers and 2 speed lift	1
3C	1256709GT	DECAL, STD, PROP LIFT, 69DC, U models without outriggers and converted to proportional lift	1
3D	1256711GT	DECAL, O/R, PROP LIFT, 69DC, U models with outriggers and converted to proportional lift	1
4	66812GT	E-STOP BUTTON	1
4-	66817GT	BASE WITH 1 NC CONTACT, E-STOP	
4-	66818GT	CONTACT,NC	
5	137605GT	DECAL,E-STOP,GR/GRC/GS PCON	1
6A	214253GT	ENCLOSURE,GC14-1,TOP models without outriggers	1
6B	214254GT	ENCLOSURE,GC16-1,TOP models with outriggers	
7	237615GT	LABEL,SERIAL 69 DC PCON SL1K models without outriggers	1
8	T106373GT	CAP,BUTTON,K12	5
9A	137522GT	PCBA, GC14-1 models without outriggers	1
9B	137711GT	PCBA, GC16-1 models with outriggers	



508.1 Platform Controls, 7 and 5 Button (2-Speed Lift)

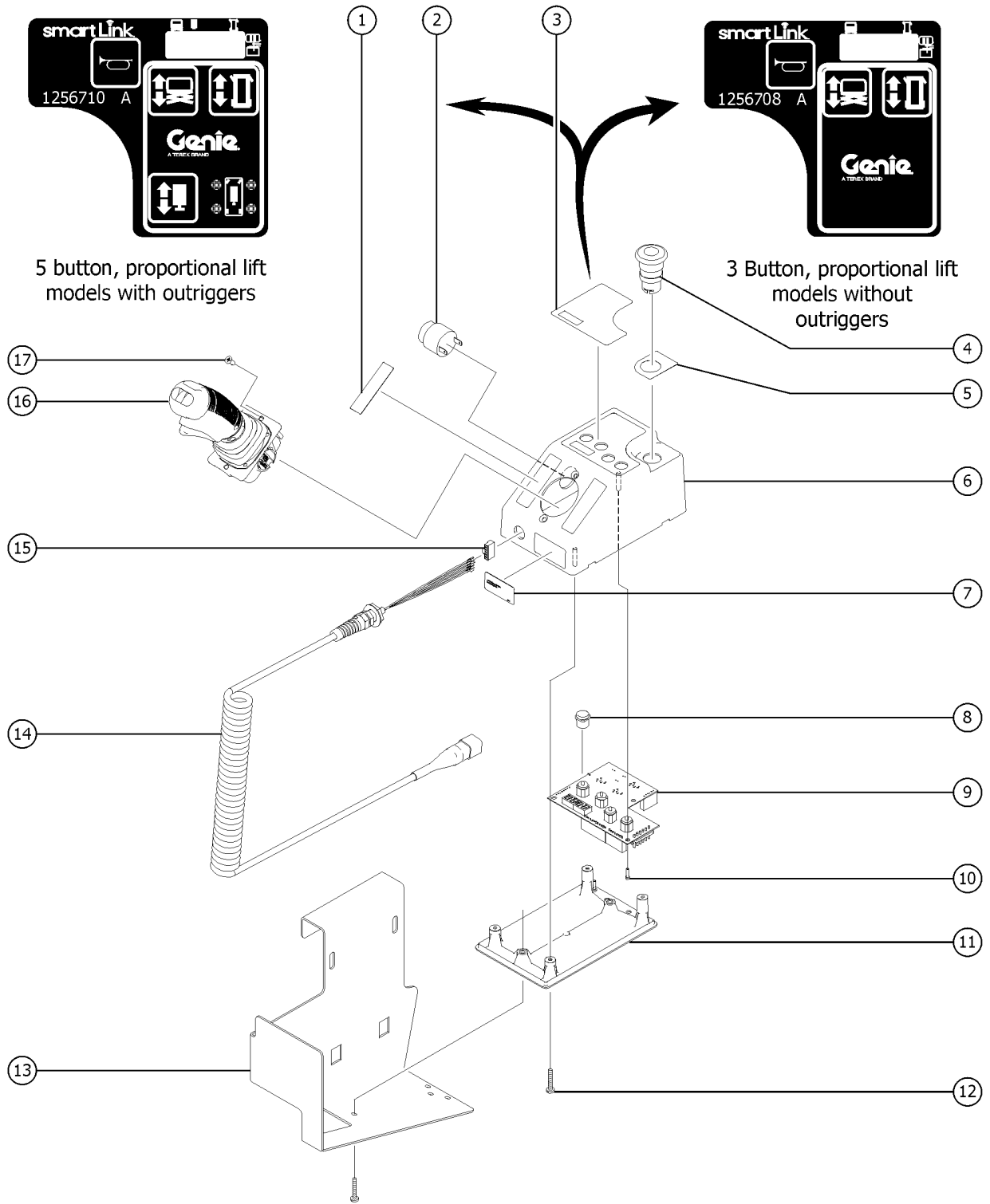


508.1 Platform Controls, 7 and 5 Button (2-Speed Lift)

<i>Item</i>	<i>Part No.</i>	<i>Description</i>	<i>Qty.</i>
10	137637GT	SCREW,PHM,4-20X.5, 48-2 TRI-L	
11	T106370GT	ENCLOSURE,GC14-1/GC16-1, BOT	1
11-	69853GT	INSERT, 1/4-20 X .5,ULTRASONIC	
12	137640GT	SCREW,PHM,8-16X.75, 48-2 TRI-L	
13	T114397GT	FORMING,PLAT CONTROL BOX decals not included, refer to section 100	1
14	235464GT	KIT,COIL CORD,CONTRLR,SL1000	1
		includes item 15	
14-	137611GT	ASSY, COIL CORD, GR/GRC/GS	
14-	231921GT	KIT,CONN,RECEPT W/PIN AND LOCK	
14-	231922GT	KIT,CONN,PLUG W/SCKT AND LOCK	
15	137699GT	PLUG, 6POS ECO PWR	1
16		Ref., JOYSTICK	1
		refer to 510.1	
17	229845GT	SCREW,BHSCS,M5X10,SS apply Loctite 243 or equivalent before installation	



509.1 Platform Controls, 5 and 3 Button (Proportional Lift)

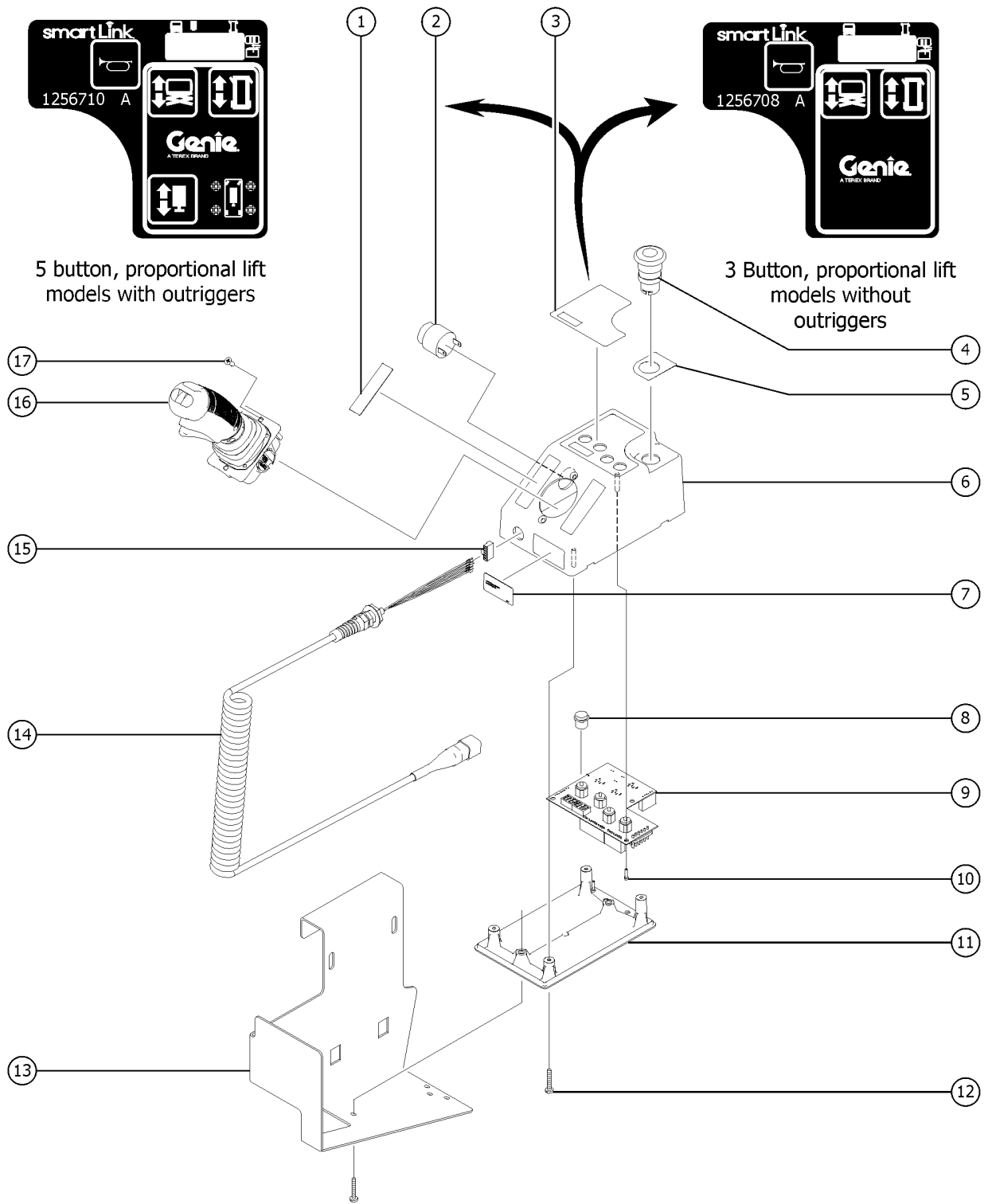


509.1 Platform Controls, 5 and 3 Button (Proportional Lift)

Item	Part No.	Description	Qty.
A	1256729GT	PCON,STD,PROP LIFT,69DC models without outriggers	
A-	1258731GT	FLASH DRIVE,SL1K2.0 SOFTWARE For proportional lift or upgrade kits only. Software update available on-line. Flash drive sold separately.	
A-	137587GT	HARNESS, ESTOP, GR/GRC/GS PCON	
B	1256730GT	PCON,O/R,PROP LIFT,69DC models with outriggers	
B-	128731GT	FLASH DRIVE,SL1K2.0 SOFTWARE For proportional lift or upgrade kits only. Software update available on-line. Flash drive sold separately.	
B-	137587GT	HARNESS, ESTOP, GR/GRC/GS PCON	
1	137656GT	DECAL,PROPEL,GR/GRC/GS,PCON	1
2	39540GT	ALARM, STEADY TONE*** order 72326 mounting ring separately	1
2-	72326GT	NUT,PLASTIC,RING FOR ALARMS for 39540	
3A	1256708GT	DECAL,STD,PROP LIFT,69DC,UI models without outriggers	1
3B	1256710GT	DECAL,O/R,PROP LIFT,69DC,UI models with outriggers	1
4	66812GT	E-STOP BUTTON	1
4-	66817GT	BASE WITH 1 NC CONTACT, E-STOP	
4-	66818GT	CONTACT,NC	
5	137605GT	DECAL,E-STOP,GR/GRC/GS PCON	1
6A	1256655GT	ENCLOSURE,STD 3-BUTTON,TOP models without outriggers	
6B	1256657GT	ENCLOSURE,O/R 4-BUTTON,TOP models with outriggers	
8	T106373GT	CAP,BUTTON,K12	5
9A	1256725GT	PCBA,PCON STD,PROP LIFT models without outriggers	
9B	1256726GT	PCBA,PCON O/R,PROP LIFT models with outriggers	
10	137637GT	SCREW,PHM,4-20X.5, 48-2 TRI-L	
11	T106370GT	ENCLOSURE,GC14-1/GC16-1, BOT	1
11-	69853GT	INSERT, 1/4-20 X .5,ULTRASONIC	
12	137640GT	SCREW,PHM,8-16X.75, 48-2 TRI-L	
13	T114397GT	FORMING,PLAT CONTROL BOX decals not included, refer to section 100	1
14	235464GT	KIT,COIL CORD,CONTRLR,SL1000 includes item 15	1
14-	137611GT	ASSY, COIL CORD, GR/GRC/GS	



509.1 Platform Controls, 5 and 3 Button (Proportional Lift)

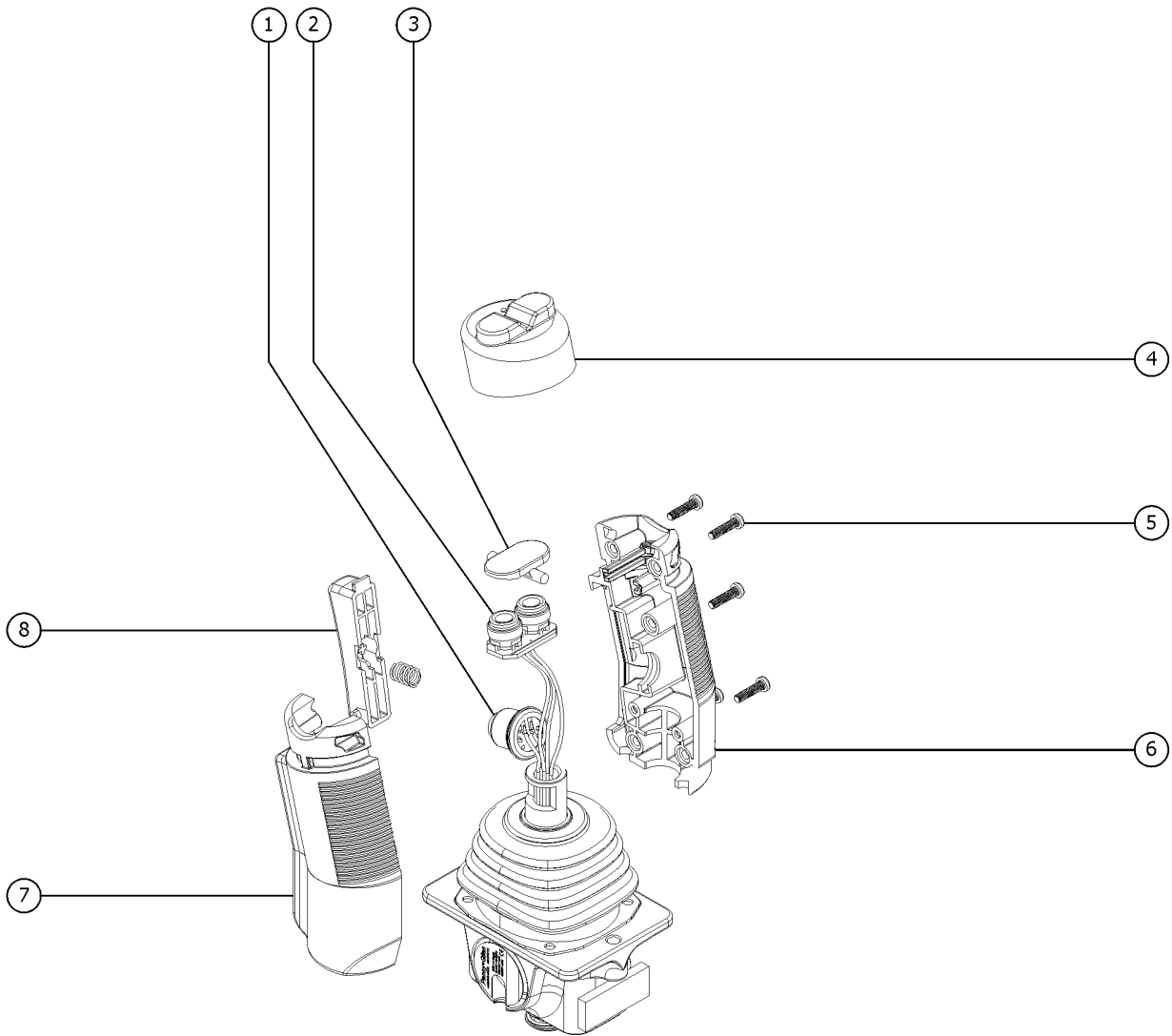


509.1 Platform Controls, 5 and 3 Button (Proportional Lift)

<i>Item</i>	<i>Part No.</i>	<i>Description</i>	<i>Qty.</i>
14-	231921GT	KIT,CONN,RECEPT W/PIN AND LOCK	
14-	231922GT	KIT,CONN,PLUG W/SCKT AND LOCK	
15	137699GT	PLUG, 6POS ECO PWR	1
16		Ref. JOYSTICK	1
		refer to 510.1	
17	229845GT	SCREW,BHSCS,M5X10,SS	
		apply Loctite 243 or equivalent before installation	



510.1 Joystick Controller

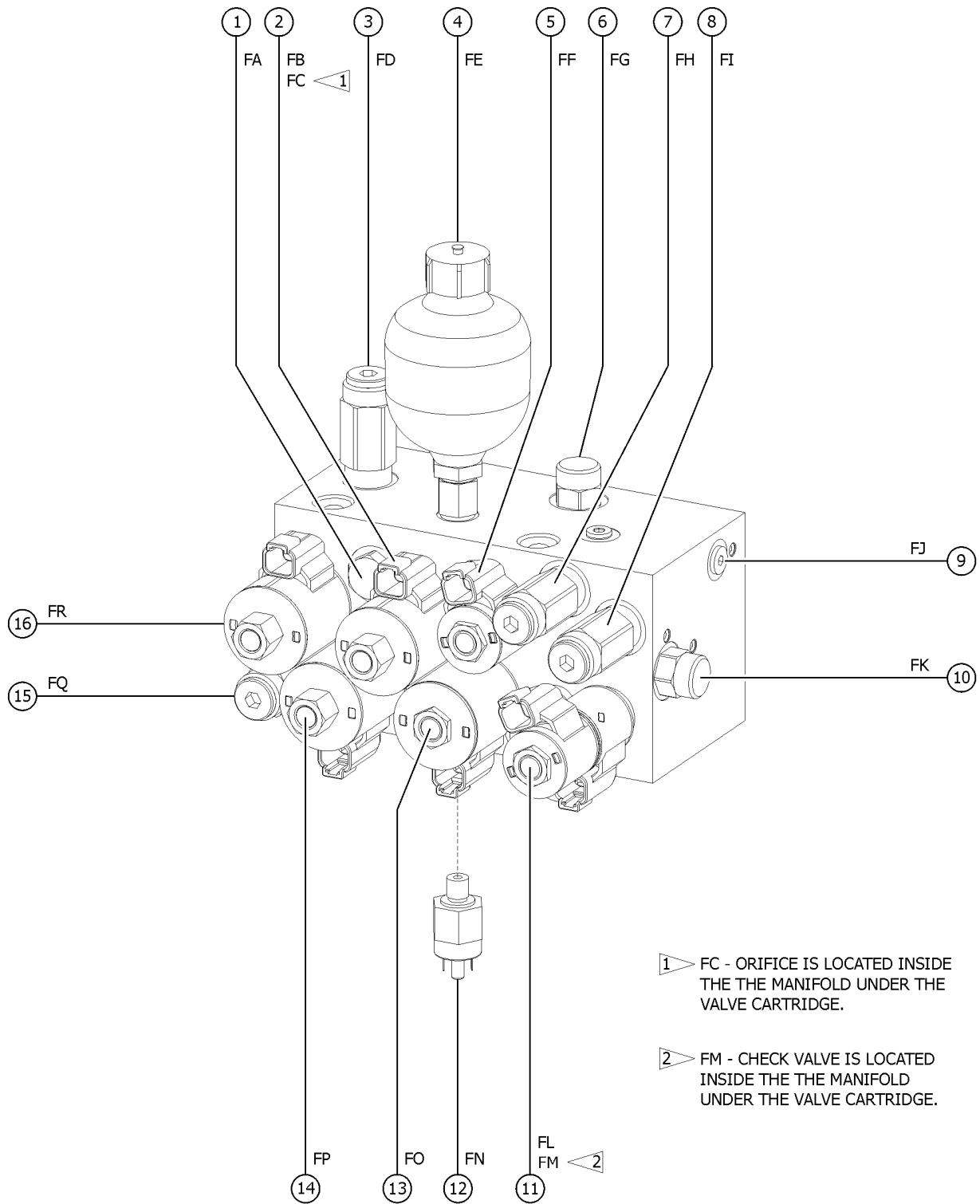


510.1 Joystick Controller

Item	Part No.	Description	Qty.
A-	137634GT	JOYSTICK, HALL EFFECT, SINGLE	
B-	229097GT	TERMINAL, SPLINE (AMP)	
C-	214544GT	KIT,BOOT,JOYSTICK,SL1000	
		joystick boot	
1	235463GT	KIT,SWITCH,JYSTK,SL1000	
		function enable and steer switches	
2	235463GT	KIT,SWITCH,JYSTK,SL1000	
		function enable and steer switches	
3	229092GT	ROCKER,2 SWITCH	1
4	229093GT	BOOT, 2 SWITCH, SILICON	1
5	229086GT	SCREW, SELF TAP	5
6A	229087GT	HANDLE HALF,RIGHT,W/TOP SWITCH	1
6B	229091GT	SCREW,GRUB,M5X8MM,HLF DOG,BZP	
		not included with handle	
7A	229088GT	HANDLE HALF,LEFT,W/TOP SWITCH	1
7B	229090GT	SCREW,GRUB,M5X8MM CUP(BLK)	1
		not included with handle	
8	229089GT	TRIGGER, EXTENDED	1
8-	229094GT	SPRING, HANDLE TRIGGER	1

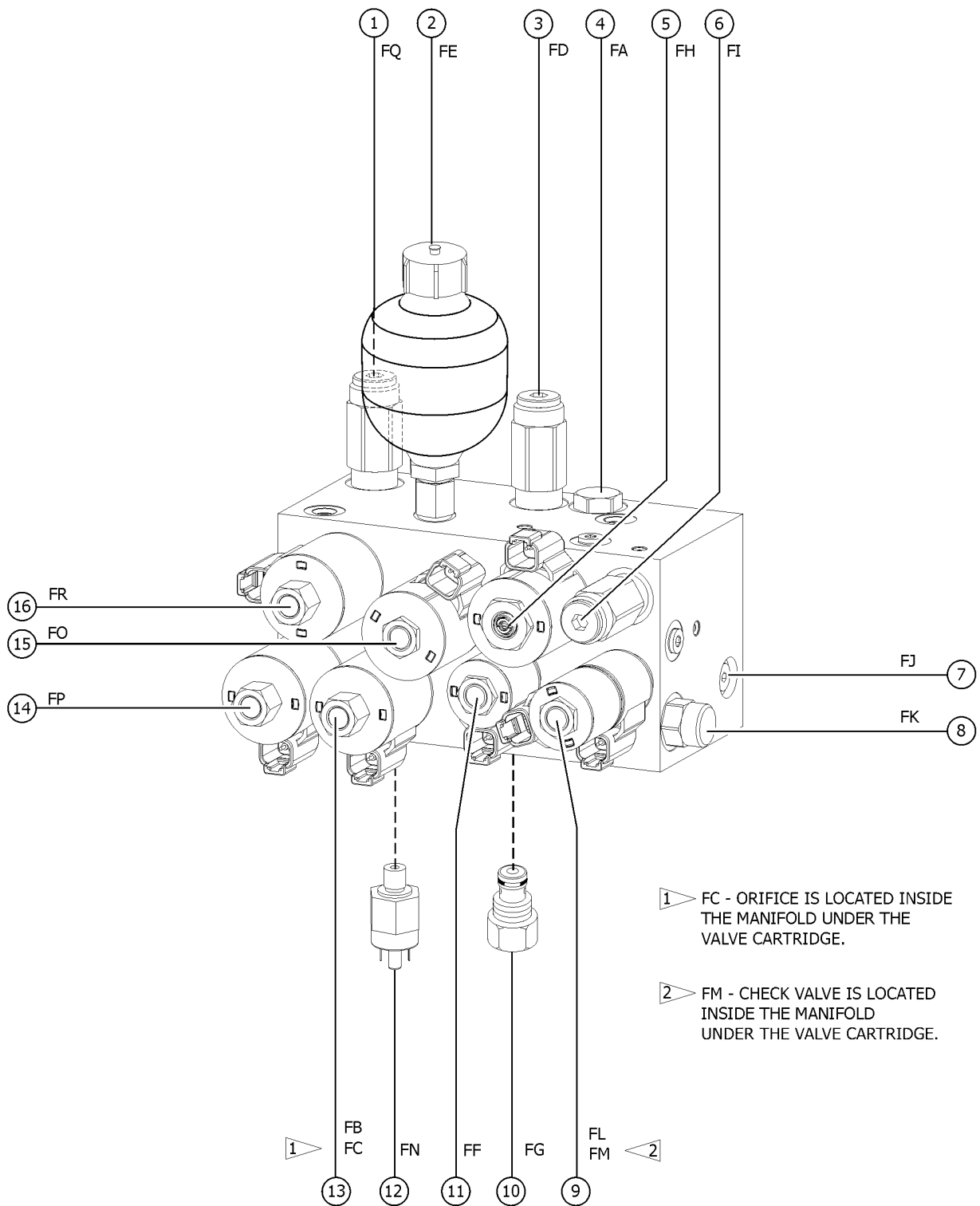


601.1 Function Manifold



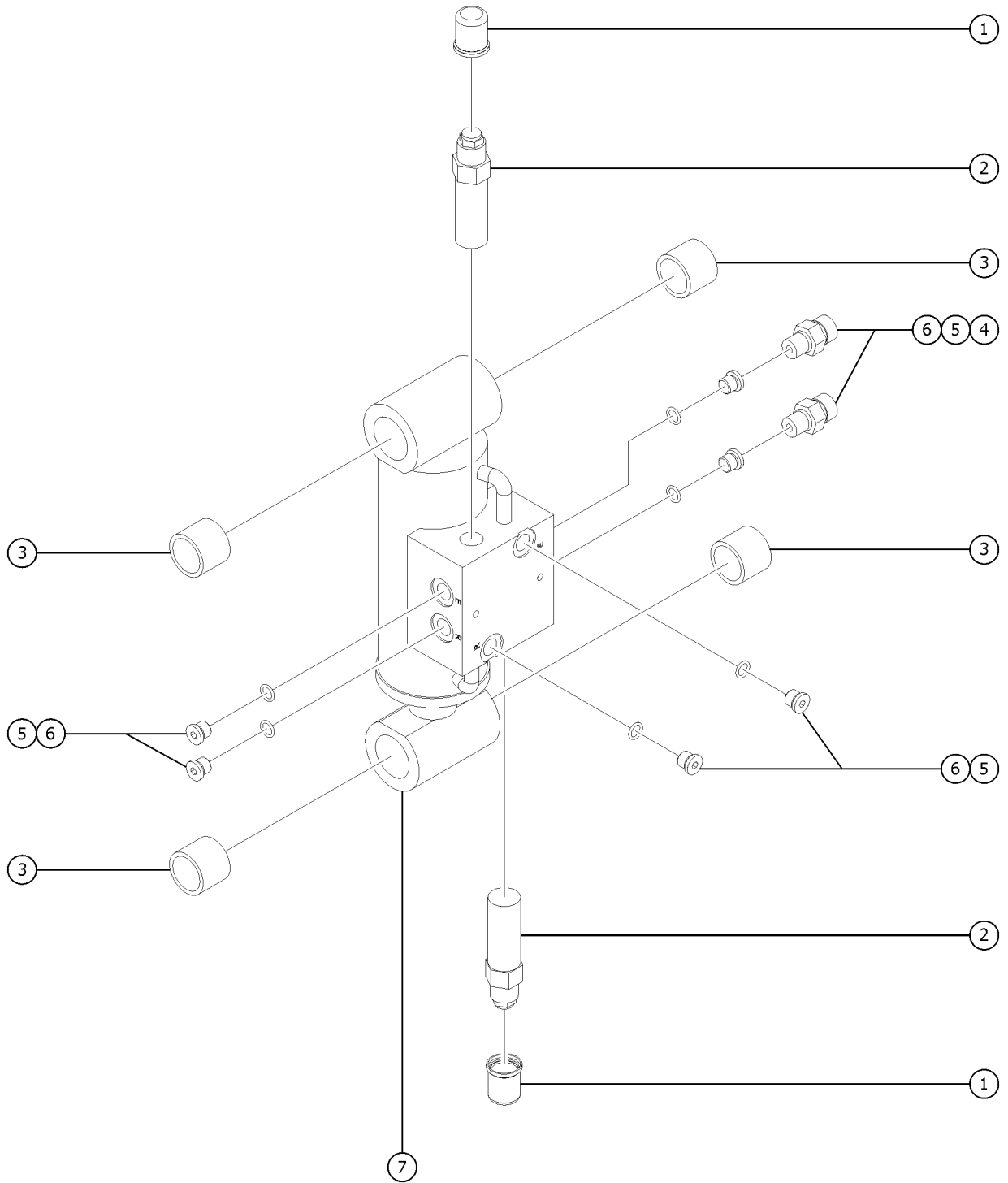
Item	Part No.	Description	Qty.
--	230861GT	MANIFOLD,FUNCTION,GS69,DC Complete (does not include fittings)	1
1	218730GT	VALVE,CHECK,10 PSI FA, oscillate circuit	1
2	218616GT	VALVE,DIRECTION,2-POS,3WAY,SCRN FB, oscillate/accumulator	1
2-	101069GT	ORIFICE DISK,.030 FC	
2-	104763GT	COIL,24VDC #10DTSCH IP69 ECOIL	
3	97172GT	VALVE-RELIEF,3500PSI FD, lift circuit	1
4	94499GT	ACCUMULATOR,10CC,1000PSI,#6SAE FE, oscillate circuit	1
5	218617GT	VALVE,SOLENOID, 2POS,3WAY,SCRN FF, oscillate circuit	1
5-	104762GT	COIL,24VDC #8DTSCH IP69 ECOIL	
6	1257080GT	WASHER,FLAT,2.27X3.5X.06,ZAG FG, controls flow to the oscillate circuit	1
7	97172GT	VALVE-RELIEF,3500PSI FH, system relief	1
8	218732GT	VALVE, CROSS RELIEF, 1500 PSI FI, steer circuit	1
9	52907GT	VALVE-CHECK, #4 SAE, 5 PSI* FJ, load sense	1
10	218733GT	VALVE,FLOW REG,2.0 GPM FK, controls flow to the steer circuit	1
11	234600GT	VALVE, SOLENOID, 5W-3P FL, steer circuit	1
11-	234599GT	VALVE, CHECK, DROP IN FM	1
11-	104762GT	COIL,24VDC #8DTSCH IP69 ECOIL	
12	237797GT	SWITCH,PRESS,#4SAE,1500 PSI FN, oscillate/accumulator	1
13	218735GT	VALVE,SOLENOID,2-POS,3-WAY FO, lift circuit	1
13-	104763GT	COIL,24VDC #10DTSCH IP69 ECOIL	
14	218616GT	VALVE,DIRECTION,2-POS,3WAY,SCRN FP, oscillate right	1
14-	101069GT	ORIFICE DISK,.030	
14-	104763GT	COIL,24VDC #10DTSCH IP69 ECOIL	
15	218734GT	VALVE,RELIEF,3300 PSI FQ, oscillate relief	1
16	218616GT	VALVE,DIRECTION,2-POS,3WAY,SCRN FR, oscillate left	1
16-	101069GT	ORIFICE DISK,.030	
16-	104763GT	COIL,24VDC #10DTSCH IP69 ECOIL	

601.2 Function Manifold



Item	Part No.	Description	Qty.
--	230861GT	MANIFOLD,FUNCTION,GS69,DC Complete (does not include fittings)	1
1	218730GT	VALVE,CHECK,10 PSI FA, oscillate circuit	1
2	218616GT	VALVE,DIRECTION,2-POS,3WAY,SCRN FB, oscillate/accumulator	1
2-	101069GT	ORIFICE DISK,.030 FC	
2-	104763GT	COIL,24VDC #10DTSCH IP69 ECOIL	
3	97172GT	VALVE-RELIEF,3500PSI FD, lift circuit	1
4	94499GT	ACCUMULATOR,10CC,1000PSI,#6SAE FE, oscillate circuit	1
5	218617GT	VALVE,SOLENOID, 2POS,3WAY,SCRN FF, oscillate circuit	1
5-	104762GT	COIL,24VDC #8DTSCH IP69 ECOIL	
6	1257080GT	WASHER,FLAT,2.27X3.5X.06,ZAG FG, controls flow to the oscillate circuit	1
7	97172GT	VALVE-RELIEF,3500PSI FH, system relief	1
8	218732GT	VALVE, CROSS RELIEF, 1500 PSI FI, steer circuit	1
9	52907GT	VALVE-CHECK, #4 SAE, 5 PSI* FJ, load sense	1
10	218733GT	VALVE,FLOW REG,2.0 GPM FK, controls flow to the steer circuit	1
11	234600GT	VALVE, SOLENOID, 5W-3P FL, steer circuit	1
11-	234599GT	VALVE, CHECK, DROP IN FM	1
11-	104762GT	COIL,24VDC #8DTSCH IP69 ECOIL	
12	237797GT	SWITCH,PRESS,#4SAE,1500 PSI FN, oscillate/accumulator	1
13	218735GT	VALVE,SOLENOID,2-POS,3-WAY FO, lift circuit	1
13-	104763GT	COIL,24VDC #10DTSCH IP69 ECOIL	
14	218616GT	VALVE,DIRECTION,2-POS,3WAY,SCRN FP, oscillate right	1
14-	101069GT	ORIFICE DISK,.030	
14-	104763GT	COIL,24VDC #10DTSCH IP69 ECOIL	
15	218734GT	VALVE,RELIEF,3300 PSI FQ, oscillate relief	1
16	218616GT	VALVE,DIRECTION,2-POS,3WAY,SCRN FR, oscillate left	1
16-	101069GT	ORIFICE DISK,.030	
16-	104763GT	COIL,24VDC #10DTSCH IP69 ECOIL	

602.1 Oscillate Cylinder Assembly

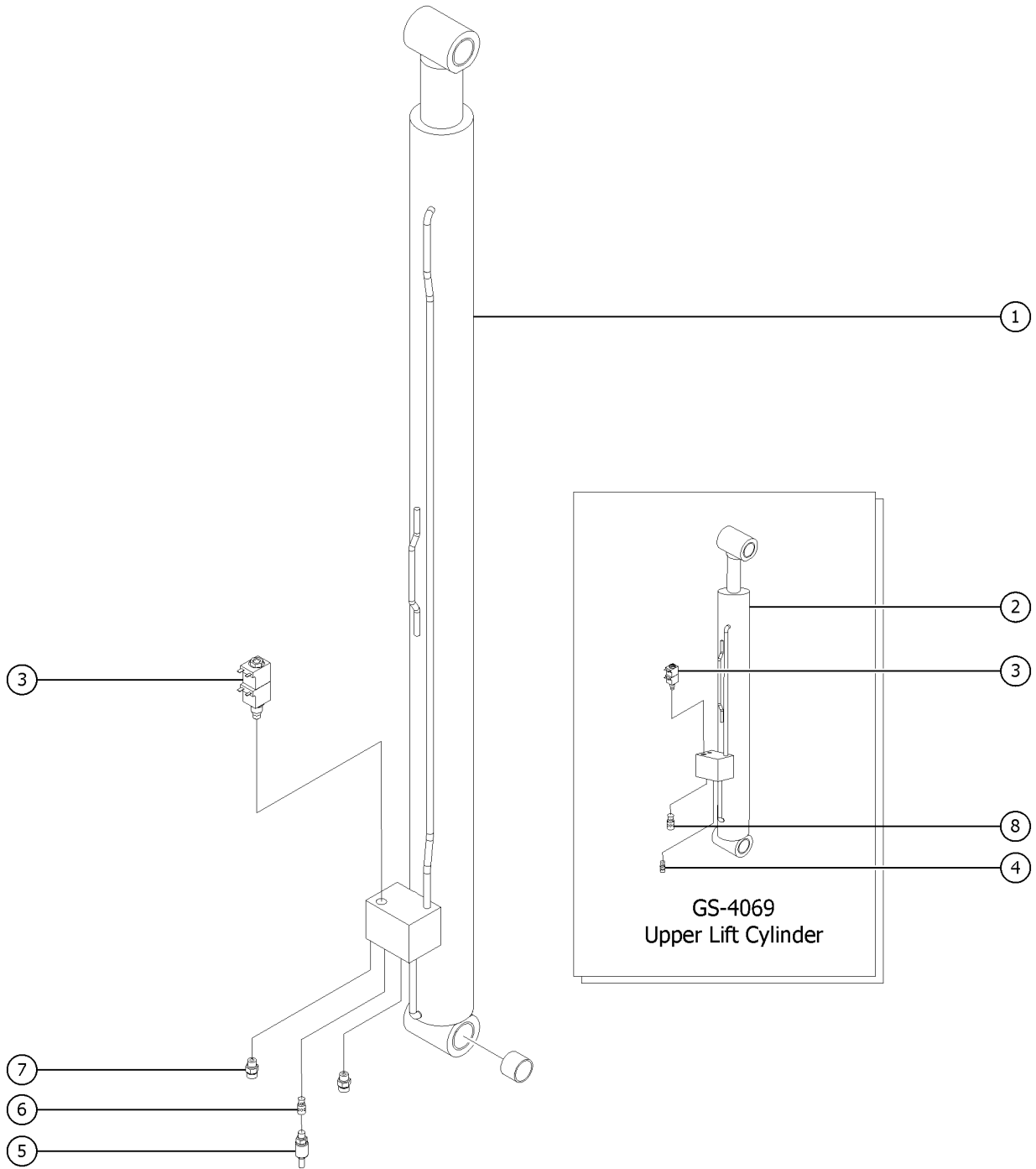


602.1 Oscillate Cylinder Assembly

Item	Part No.	Description	Qty.
--	128142GT	SERV KIT,CAP,SERIES 1CB VALVE package of 4	
1	128085GT	CAP,SERIES 1 CB VALVE,SINGLE**	2
2	115402GT	VALVE,COUNTERBALNCE,3800 PSI	2
3	25817GT	BEARING,1.00IDX1.25ODX1.00L	4
4	48905GT	CONN,520120-4***	2
5	39882GT	PLUG,HEX SOCKET,090109B-4	6
6	53500GT	O-RING-4	6
7	131621GT	CYLINDER,OSCILATING,GS69	1
		includes valves and bearings	
7-	226380GT	SEAL KIT,226380	
		for 131621	



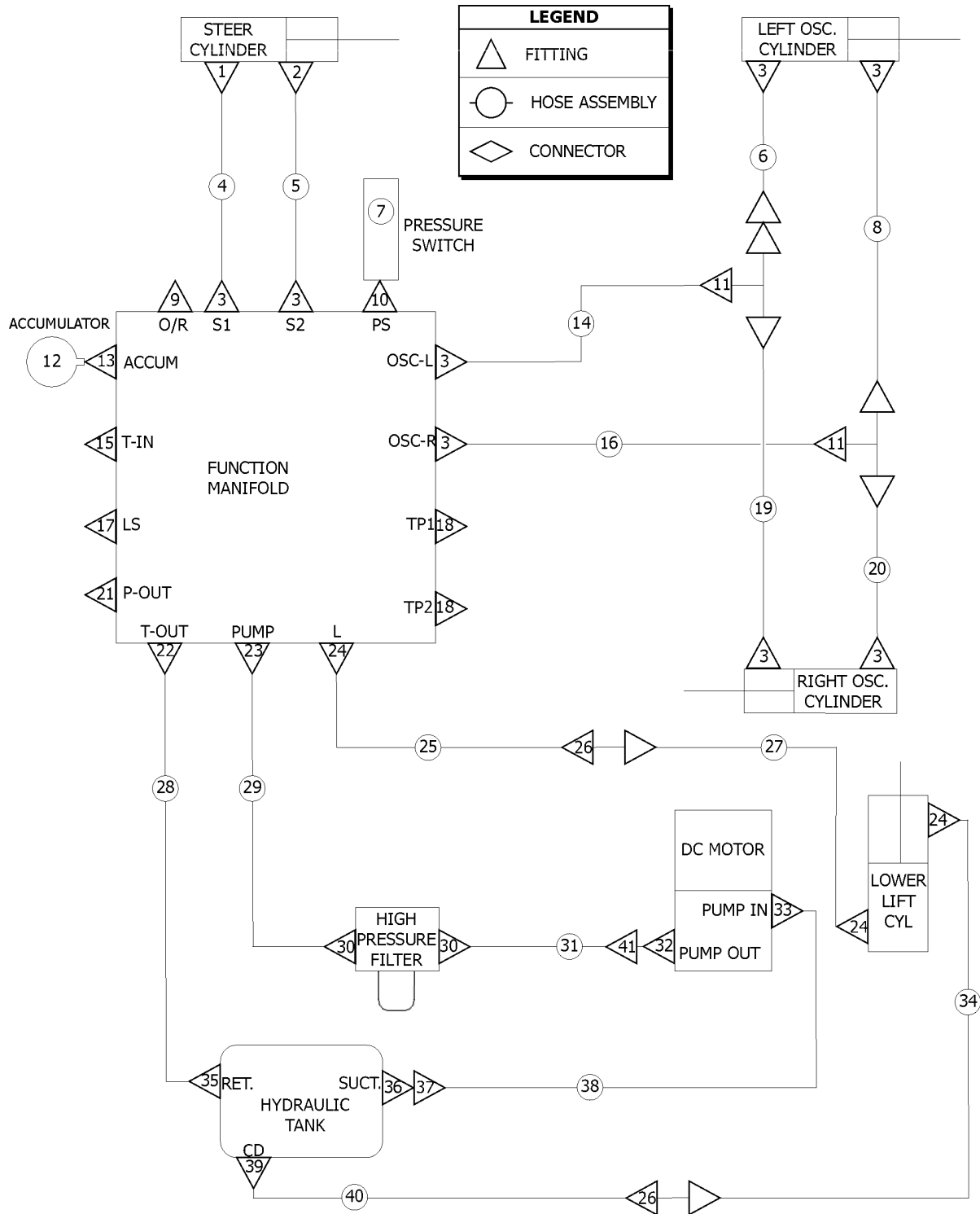
603.1 Lift Cylinders



Item	Part No.	Description	Qty.
1	131920GT	CYLINDER, LIFT, LOWER, GS69	1
1-	226378GT	SEAL KIT,LIFT,LOWER (131920) for 131920	
1-	1293267GT	SENSOR,PRESSURE,3625PSI,P92S	
2	131921GT	CYLINDER,LIFT,UPPER,4069 GS-4069DC	1
2-	226379GT	SEAL KIT,LIFT,UPPER (131921) for 131921	
3	66683GT	VALVE,DBL PULL S-NOID 20V*** (valve assy w/20V coil) (shown)	1
3A-	84423GT	VALVE,2 POSITION 2 WAY*** for 66683 (valve only)	
3A-	84422GT	COIL-SOLENOID VALVE,20V DC*** for 66683	
3A-	84421GT	WASHER-SOLENOID VALVE (66683)* for 66683	
3A-	44973GT	NUT,COIL (39909) for 66683	
3B	1265331GT	VALVE, NC PROP POPPET, 20VDC (valve assy w/20V coil)	
3B-	1265367GT	VALVE, NC PROPORTIONAL POPPET for 1265331 (valve only)	
3B-	119827GT	COIL, 20V, ZENER DIODE DEUTSCH for 1265331	
3B-	44973GT	NUT,COIL (39909) for 1265331	
3B-	44227GT	SEAL KIT, VALVE for 1265331	
3C	1259498GT	KIT,PROP. DOWN,GS26/3369 DC/BE converts 2 speed to proportional control (GS-2669DC & GS-3369DC)	1
3D	1259991GT	KIT,PROP. DOWN,GS4069 DC/BE converts 2 speed to proportional control (GS-4069DC)	
4	55558GT	ORIFICE, LONG, .037***	1
5		Ref. HARNESS, PRESSURE SWITCH refer to 309.1	1
6	214817GT	ORIFICE, LONG, .076" CE/AUS	1
7	48916GT	FITTING,CONN,520120-6	2
8	1309602GT	VALVE, RELIEF, 2500PSI for 131921 (sold separately)	



604.1 Hoses and Fittings

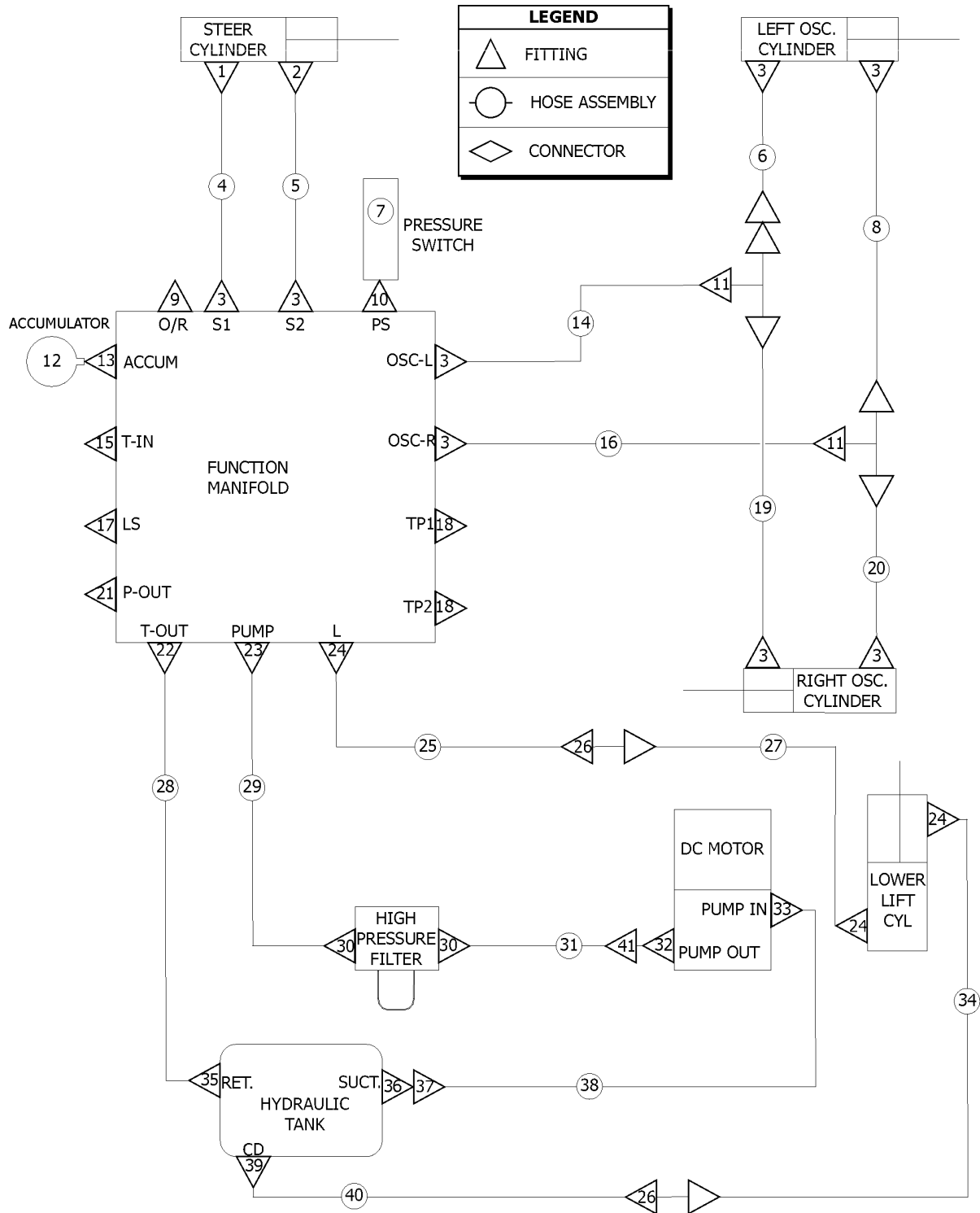


604.1 Hoses and Fittings

Item	Part No.	Description	Qty.
1	48912GT	CONN,520120-4-6***	1
2	39875GT	ELBOW,070220-4-6	2
3	48905GT	CONN,520120-4***	8
4	227466GT	HOSE ASSY,S1(F.MF)-B(STRCYL) components: 48800, 48801, 48751 @ 74 inches	1
5	227467GT	HOSE ASSY,S2(F.MF)-R(STRCYL) components: 48800, 48801, 48751 @ 81 inches	1
6	227469GT	HOSE ASSY,OSC(TEE)-E(L.OSC.CYL) components: 48800, 48802, 48751 @ 19.5 inches	1
7	237797GT	SWITCH,PRESS,#4SAE,1500 PSI	1
8	227610GT	HOSE ASSY,OSC(TEE)-R(L.OSC.CYL) components: 48800, 48802, 48751 @ 19.5 inches	1
9	49517GT	PLUG,HEX SOCKET,090109B-6***	1
10	131393GT	REDUCER,MORB-FORB,04-04****	1
11	48909GT	TEE,BULKHEAD,RUN,520958-4	1
12	94499GT	ACCUMULATOR,10CC,1000PSI,#6SAE	2
13	83020GT	COUPLER,090136, 4-6	1
14	227468GT	HOSE ASSY,OSC(F.MF)-OSC(TEE) components: 48800, 48800, 48751 @ 74 inches	1
15	87172GT	PLUG,HEX SOCKET,090109B-12	1
16	227609GT	HOSE ASSY,OSCR(F.MF)-OSC(TEE) components: 48800, 48800, 48751 @ 74 inches	1
17	39882GT	PLUG,HEX SOCKET,090109B-4	1
18	48997GT	NIPPLE,DIAGNOSTIC,#4 PORT	2
19	227612GT	HOSE ASSY,OSC(TEE)-R(R.OSC.CYL) components: 48800, 48802, 48751 @ 19.5 inches	1
20	227611GT	HOSE ASSY,OSC(TEE)-E(R.OSC.CYL) components: 48800, 48802, 48751 @ 19.5 inches	1
21	238256GT	PLUG,HEX SOCKET,090109B-8	1
22	48960GT	CONN,520120-12	1
23	48933GT	CONN,520120-8***	1
24	48916GT	FITTING,CONN,520120-6	3
25	227471GT	HOSE ASSY,LIFT(F.MF)-P(TEE) components: 48812, 48812, 56776 @ 62 inches	1
26	227613GT	UNION,BULKHEAD,ORFS,-6-6	2
27	227472GT	HOSE ASSY,PRESS(TEE)-PRESS(LLC) components: 48812, 48812, 56776 @ 128 inches	1
28	215214GT	HOSE,ASSY,T-OUT(F.MF)-RET(TNK) components: 48809, 48809, 39889 @ 34 inches	1



604.1 Hoses and Fittings

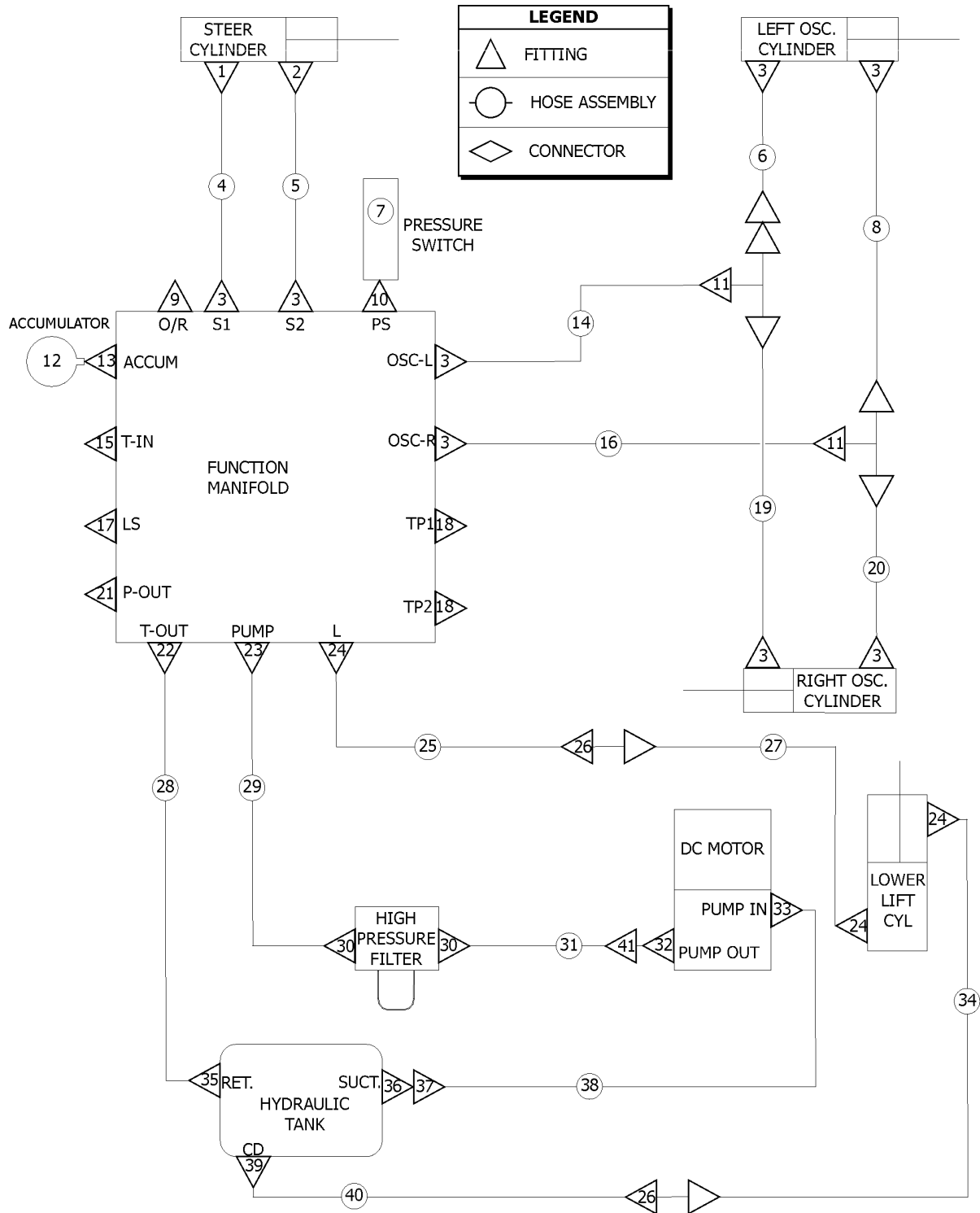


604.1 Hoses and Fittings

Item	Part No.	Description	Qty.
29	215215GT	HOSE,ASSY,FIL-P,IN(F,MF) components: 48822, 48822, 56777 @ 8 inches	1
30	48947GT	ELBOW,90D,520220-8-12	2
31	237932GT	HOSE,ASSY,OUT(PUMP)-FIL components: 48822, 48822, 56777 @ 11 inches	1
32A	48946GT	CONN,520120-8-10	1
32B	1274950GT	FITTING,REDUCER, #10MORB-#8FORB	1
33	48878GT	ELBOW,90D,520220-16-12	1
34	227473GT	HOSE ASSY,RET(LLCYL)-RET(TEE) components: 48812, 48812, 48753 @ 128 inches	1
35	48959GT	ELBOW,90D,520220-12	1
36	147419GT	KIT,STRAINER REPLACEMENT	1
37	48984GT	CONN,520120-16	1
38	237931GT	HOSE,ASSY,SUCT(TANK)-IN(PUMP) components: 48854, 48854, 48764 @ 19.5 inches	1
39	48915GT	ELBOW,90D,520220-6	1
40	227474GT	HOSE ASSY,RET(TEE)-TANK components: 48812, 48812, 48753 @ 75 inches	1
41	48999GT	VALVE,CHK,#8PORT-#8MALEORFS	1



604.2 Hoses and Fittings

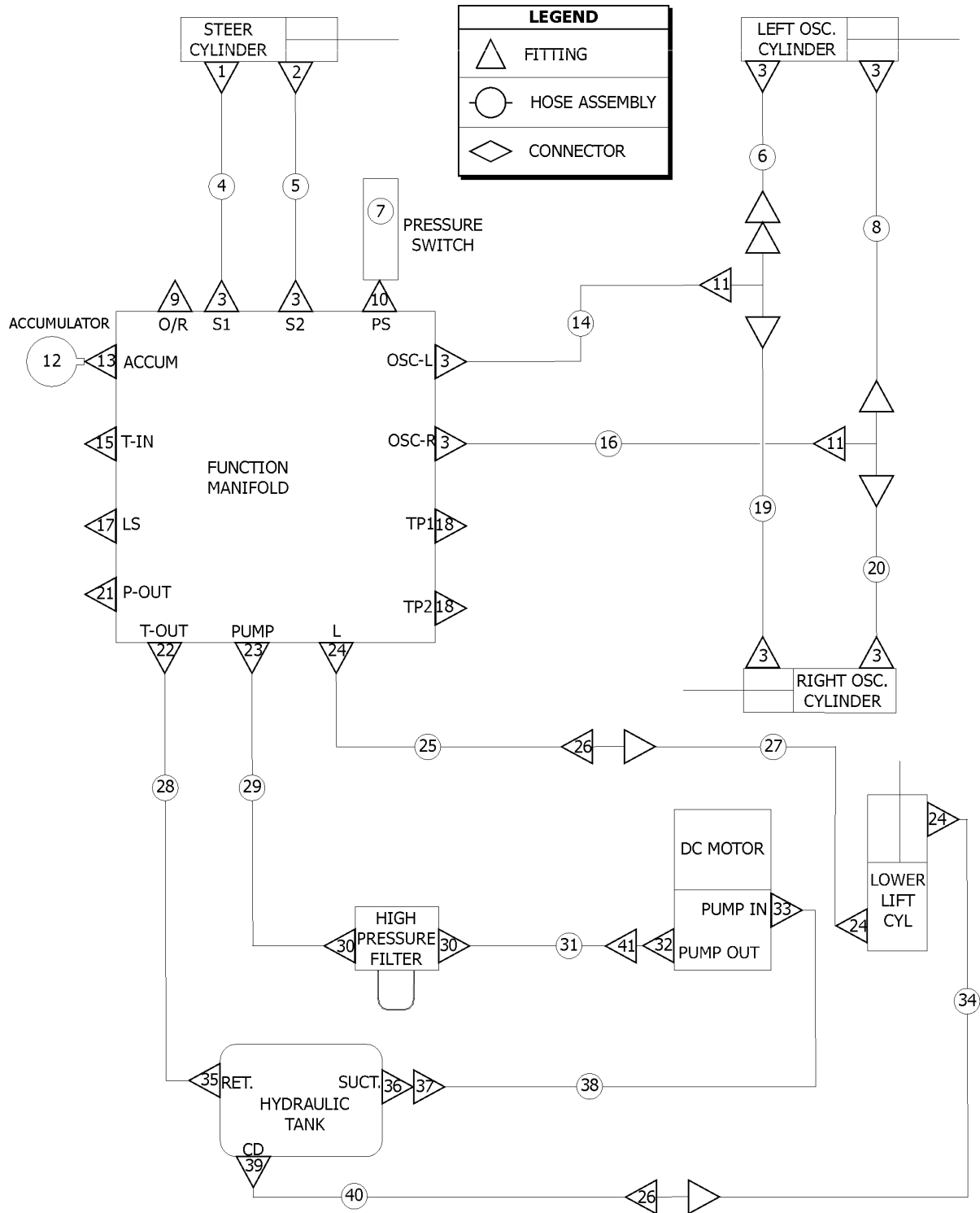


604.2 Hoses and Fittings

Item	Part No.	Description	Qty.
1	48912GT	CONN,520120-4-6***	1
2	39875GT	ELBOW,070220-4-6	2
3	48905GT	CONN,520120-4***	8
4	227466GT	HOSE ASSY,S1(F.MF)-B(STRCYL) components: 48800, 48801, 48751 @ 74 inches	1
5	227467GT	HOSE ASSY,S2(F.MF)-R(STRCYL) components: 48800, 48801, 48751 @ 81 inches	1
6	227469GT	HOSE ASSY,OSC(TEE)-E(L.OSC.CYL) components: 48800, 48802, 48751 @ 19.5 inches	1
7	237797GT	SWITCH,PRESS,#4SAE,1500 PSI	1
8	227610GT	HOSE ASSY,OSC(TEE)-R(L.OSC.CYL) components: 48800, 48802, 48751 @ 19.5 inches	1
9	49517GT	PLUG,HEX SOCKET,090109B-6***	1
10	131393GT	REDUCER,MORB-FORB,04-04****	1
11	48909GT	TEE,BULKHEAD,RUN,520958-4	1
12	94499GT	ACCUMULATOR,10CC,1000PSI,#6SAE	2
13	83020GT	COUPLER,090136, 4-6	1
14	227468GT	HOSE ASSY,OSC(F.MF)-OSC(TEE) components: 48800, 48800, 48751 @ 74 inches	1
15	87172GT	PLUG,HEX SOCKET,090109B-12	1
16	227609GT	HOSE ASSY,OSCR(F.MF)-OSC(TEE) components: 48800, 48800, 48751 @ 74 inches	1
17	39882GT	PLUG,HEX SOCKET,090109B-4	1
18	48997GT	NIPPLE,DIAGNOSTIC,#4 PORT	2
19	227612GT	HOSE ASSY,OSC(TEE)-R(R.OSC.CYL) components: 48800, 48802, 48751 @ 19.5 inches	1
20	227611GT	HOSE ASSY,OSC(TEE)-E(R.OSC.CYL) components: 48800, 48802, 48751 @ 19.5 inches	1
21	238256GT	PLUG,HEX SOCKET,090109B-8	1
22	48960GT	CONN,520120-12	1
23	48933GT	CONN,520120-8***	1
24	48916GT	FITTING,CONN,520120-6	3
25	227471GT	HOSE ASSY,LIFT(F.MF)-P(TEE) components: 48812, 48812, 56776 @ 62 inches	1
26	227613GT	UNION,BULKHEAD,ORFS,-6-6	2
27	227472GT	HOSE ASSY,PRESS(TEE)-PRESS(LLC) components: 48812, 48812, 56776 @ 128 inches	1
28	215214GT	HOSE,ASSY,T-OUT(F.MF)-RET(TNK) components: 48809, 48809, 39889 @ 34 inches	1



604.2 Hoses and Fittings

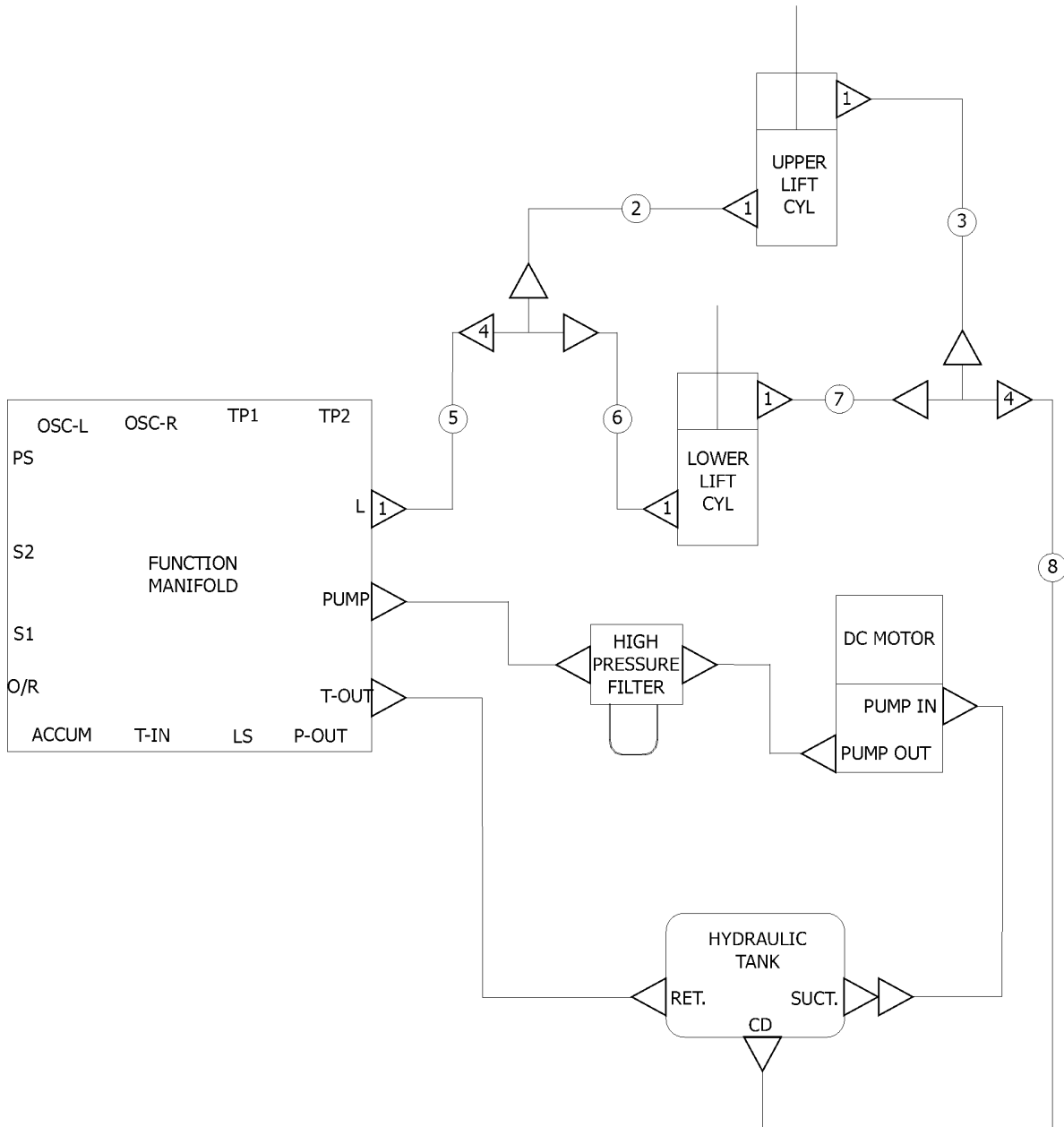


604.2 Hoses and Fittings

Item	Part No.	Description	Qty.
29	215215GT	HOSE,ASSY,FIL-P,IN(F,MF) components: 48822, 48822, 56777 @ 8 inches	1
30	48947GT	ELBOW,90D,520220-8-12	2
31	237932GT	HOSE,ASSY,OUT(PUMP)-FIL components: 48822, 48822, 56777 @ 11 inches	1
32B	1274950GT	FITTING,REDUCER, #10MORB-#8FORB	1
33	48878GT	ELBOW,90D,520220-16-12	1
34	227473GT	HOSE ASSY,RET(LLCYL)-RET(TEE) components: 48812, 48812, 48753 @ 128 inches	1
35	48959GT	ELBOW,90D,520220-12	1
36	147419GT	KIT,STRAINER REPLACEMENT	1
37	48984GT	CONN,520120-16	1
38	237931GT	HOSE,ASSY,SUCT(TANK)-IN(PUMP) components: 48854, 48854, 48764 @ 19.5 inches	1
39	48915GT	ELBOW,90D,520220-6	1
40	227474GT	HOSE ASSY,RET(TEE)-TANK components: 48812, 48812, 48753 @ 75 inches	1
41	48999GT	VALVE,CHK,#8PORT-#8MALEORFS	1



605.1 Hoses and Fittings, Lift Cylinders, GS-4069DC



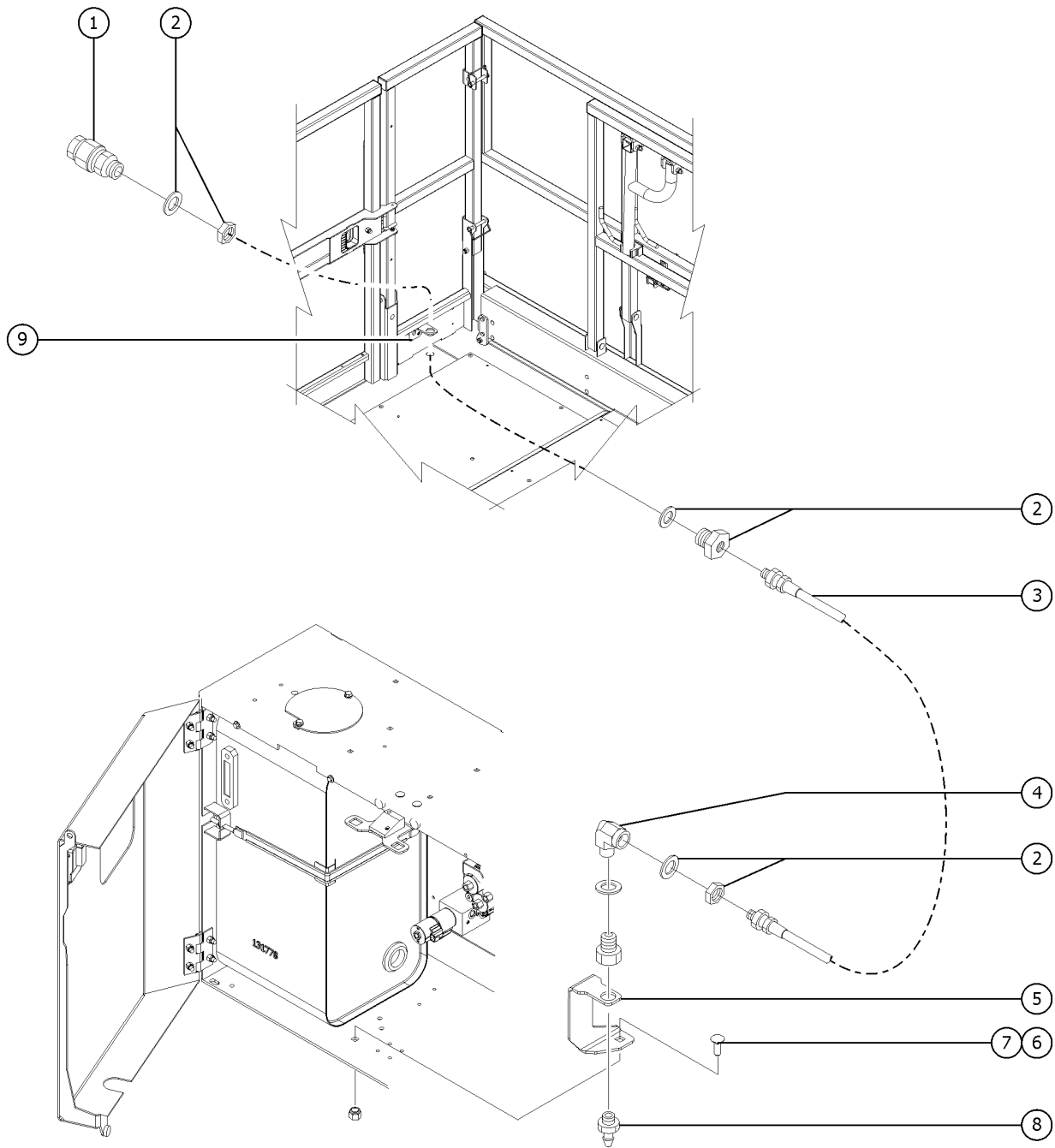
LEGEND	
	FITTING
	HOSE ASSEMBLY
	CONNECTOR

605.1 Hoses and Fittings, Lift Cylinders, GS-4069DC

<i>Item</i>	<i>Part No.</i>	<i>Description</i>	<i>Qty.</i>
1	48916GT	FITTING,CONN,520120-6	2
2	227479GT	HOSE ASSY,RET(ULCYL)-RET(TEE) components: 48812, 48816, 48753 @ 410 inches	1
3	227478GT	HOSE ASSY,PRESS(TEE)-PRESS(ULC components: 48812, 48816, 56776 @ 410 inches	1
4	227614GT	TEE, BULKHEAD, RUN, 520120-6	2
5	227471GT	HOSE ASSY,LIFT(F.MF)-P(TEE)	
6	227472GT	HOSE ASSY,PRESS(TEE)-PRESS(LLC)	
7	227473GT	HOSE ASSY,RET(LLCYL)-RET(TEE)	
8	227474GT	HOSE ASSY,RET(TEE)-TANK	



701.1 Air Line to Platform

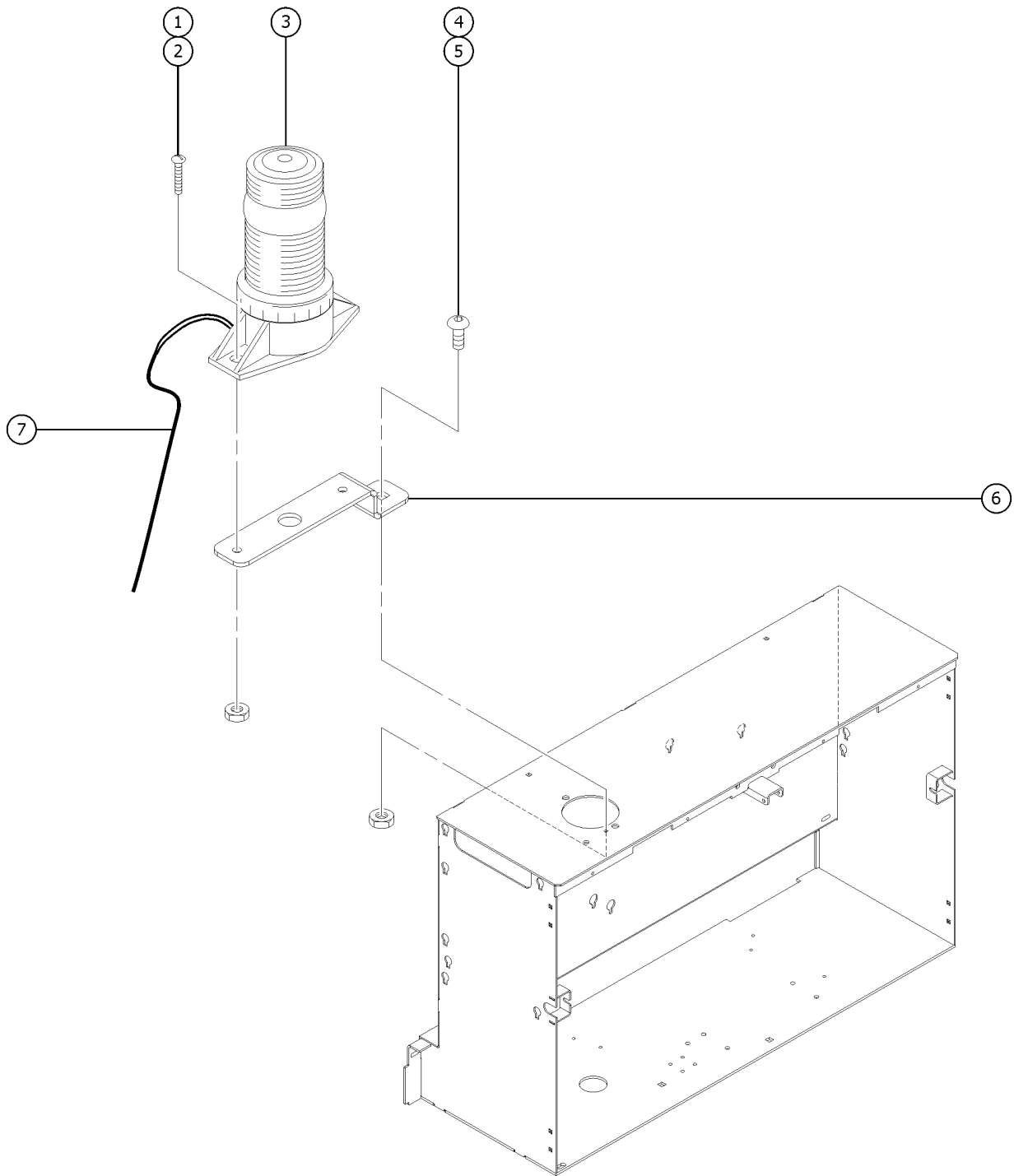


701.1 Air Line to Platform

<i>Item</i>	<i>Part No.</i>	<i>Description</i>	<i>Qty.</i>
1	27895GT	COUPLER,1/4"SERIES 3/8 MPT	1
2	27900GT	BULKHEAD,FEMALE X 6 X 6	2
3A	27903GT	HOSE,LOW PRESSURE,.375 ID,BLK GS-2669DC	676
3A-	27901GT	HOSE END,BARBED,RIGID,-6-6	2
3B	27903GT	HOSE,LOW PRESSURE,.375 ID,BLK GS-3369DC	790
3B-	27901GT	HOSE END,BARBED,RIGID,-6-6	2
3C	27903GT	HOSE,LOW PRESSURE,.375 ID,BLK GS-4069DC	900
3C-	27901GT	HOSE END,BARBED,RIGID,-6-6	2
4	79383GT	BRASS STREET ELBOW	1
5	1256645GT	FORMING,AIRLINE MOUNTING	1
5-	218681GT	FORMING,AIRLINE MOUNTING	1
6	96977GT	BOLT,CARRIAGE,1/2-13X1.50,GR5	1
7	6198GT	NUT,NYLOK,1/2-13	1
8	27894GT	PLUG,1/4"SERIES,3/8 MPT	1
9	47077GT	BRACKET,AIRLINE MOUNTING	1



702.1 Flashing Motion Beacon

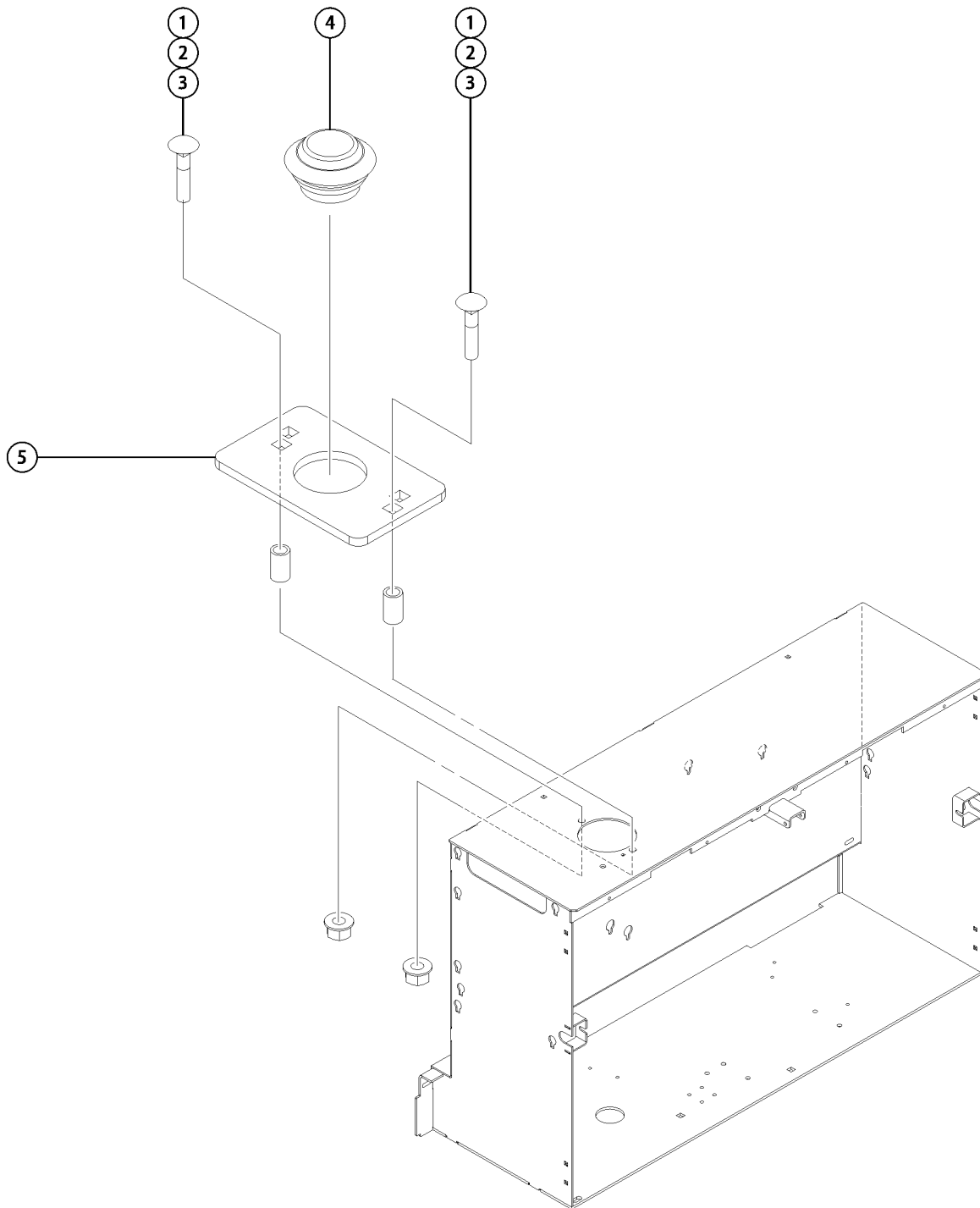


702.1 Flashing Motion Beacon

<i>Item</i>	<i>Part No.</i>	<i>Description</i>	<i>Qty.</i>
1	49816GT	SCREW,PHILLIPS,PHM,10-32 X .75	
2	6178GT	NUT,NYLOCK,10-32	
3	87265GT	BEACON LIGHT ASSY.	2
3-	105557GT	BULB,FLASHING BEACON for 87265	
3-	105556GT	LENS,FLASHING BEACON for 87265	
4	6878GT	BOLT,CARRIAGE,1/4-20 X .75,G2	
5	6091GT	NUT,NYLOCK,1/4-20	
6	79374GT	FORMING,BEACON MOUNT	2
7	148076GT	HARNES,BEACON,GS69	



702.2 Flashing Motion Beacon

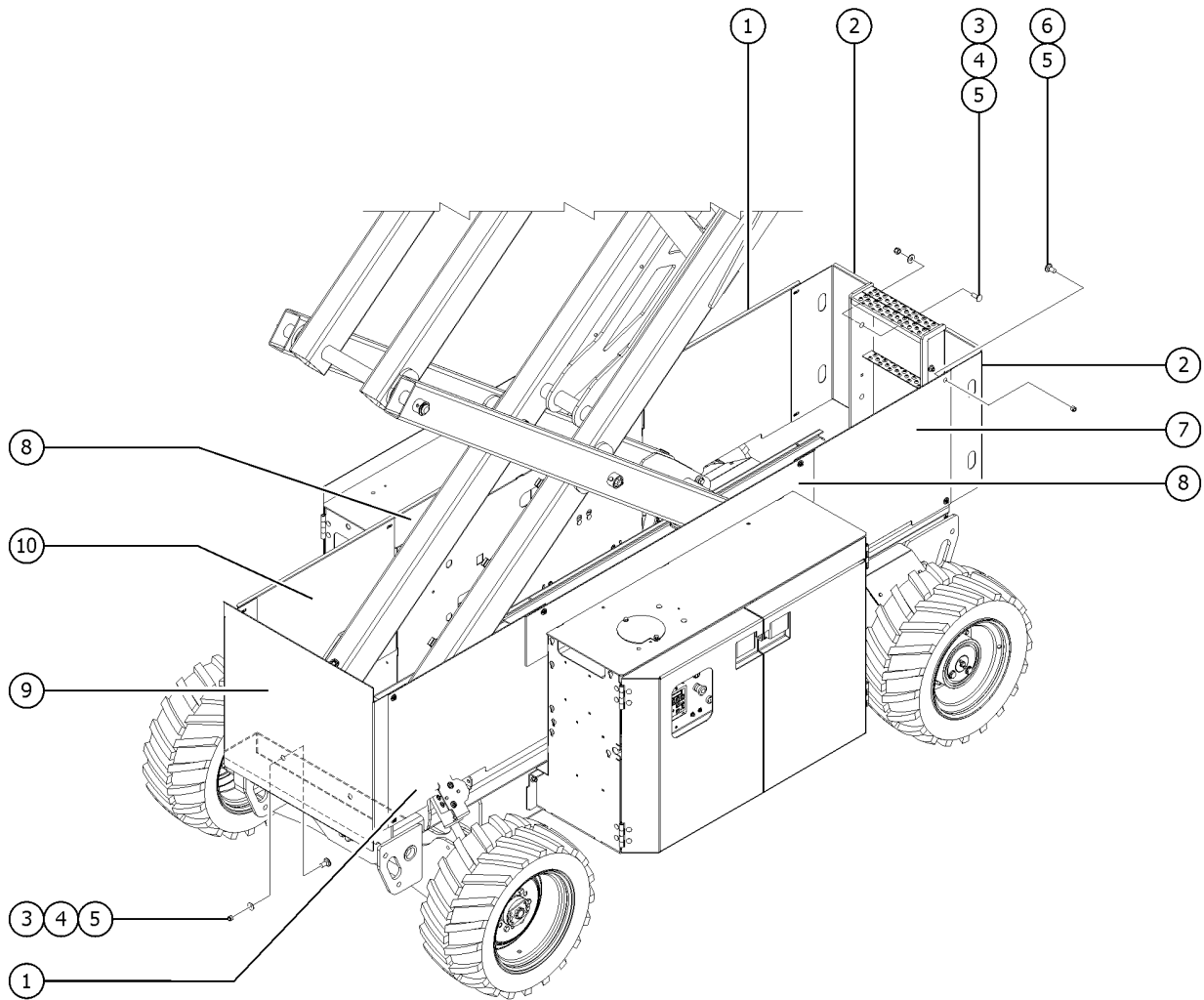


702.2 Flashing Motion Beacon

<i>Item</i>	<i>Part No.</i>	<i>Description</i>	<i>Qty.</i>
1	1256463GT	BOLT,CARRIAGE,1/4-20X1.25,5,ZAG	2
2	96699GT	SLEEVE,TANK SUPPORT	2
3	824027GT	NUT,TL FLG,1/4-20,G,ZAG	2
4	1254572GT	LIGHT,TURN SIGNAL,1.25" LED,AM	1
5	1267469GT	PLATE,VISUAL IND LIGHT MOUNT,BLK	1
6	1273392GT	HARNESS, LED BEACON, GS69DC	1



703.1 Link Guard, CE and AUS

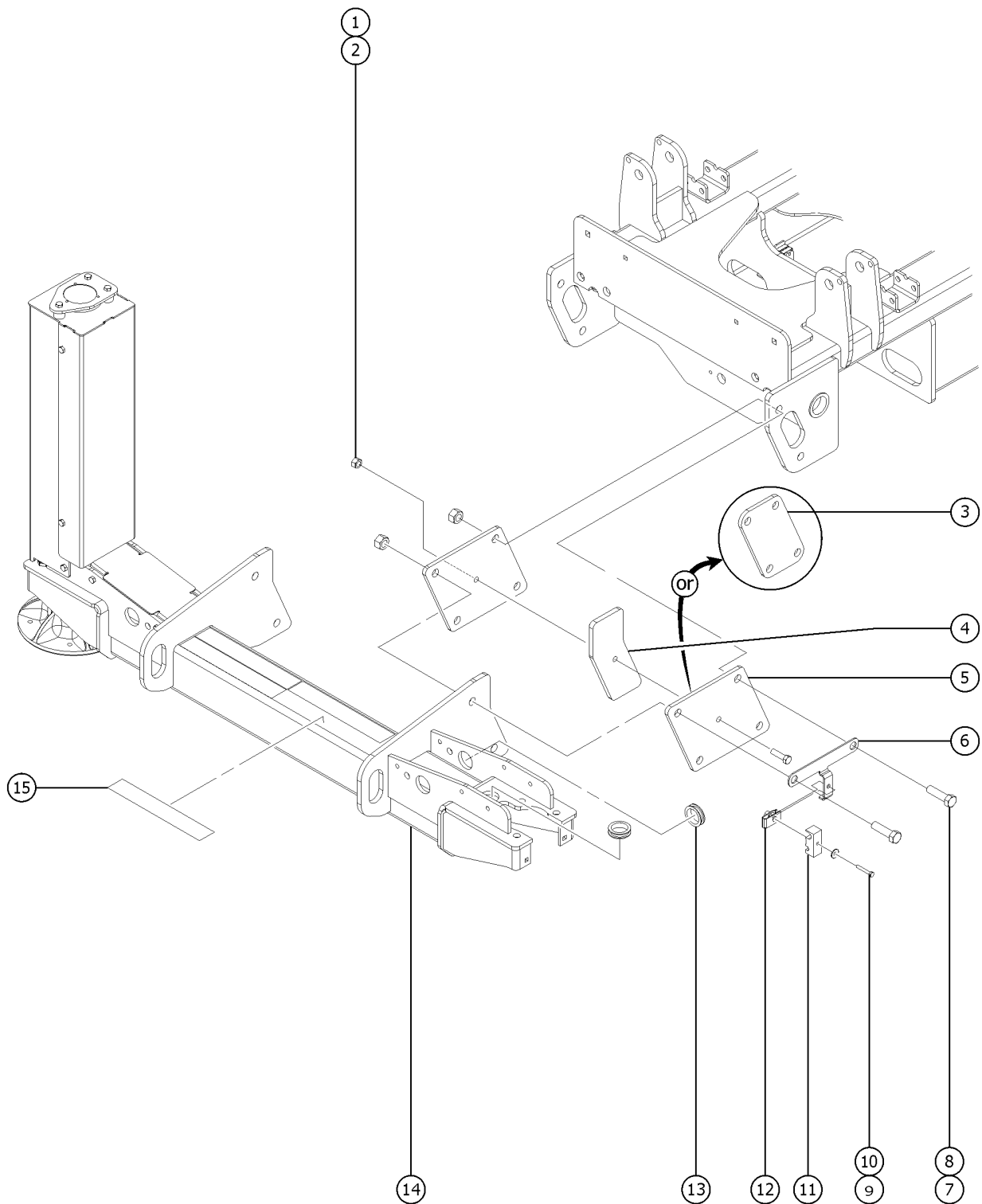


703.1 Link Guard, CE and AUS

Item	Part No.	Description	Qty.
1A	227768GT	FORMING, LINK GUARD, SIDE, 26/33 for GS-2669DC & GS-3369DC (ground controls side, front & battery pack side, rear)	2
1B	T114354GT	FORMING, LINK GUARD, SIDE, 40 for GS-4069DC (ground controls side, front & battery pack side, rear)	2
2A	227713GT	FORMING, LINK GUARD, BACK, 26/33 for GS-2669DC & GS-3369DC	2
2B	T114357GT	FORMING, LINK GUARD, END, 40 for GS-4069DC	2
3	105092GT	BOLT, CARRIAGE, 3/8-16X1.25, GR5	
4	6097GT	WASHER, FLAT, USS, 3/8", Y	
5	4828GT	NUT, NYLOCK, 3/8-16	
6	73466GT	BOLT, CARRIAGE, 3/8-16 X 1.00, G2	
7A	227716GT	FORMING, LINK GUARD, SIDE, 26/33 for GS-2669DC & GS-3369DC without oil cooler option (ground controls side, rear)	1
7B	227714GT	FORMING, LNK GRD, SIDE, OPT, 26/33 for GS-2669DC & GS-3369DC with oil cooler option (ground controls side, rear)	1
7C	T114353GT	FORMING, LINK GUARD, SIDE, 40 for GS-4069DC without oil cooler option (ground controls side, rear)	1
7D	227717GT	FORMING, LINK GUARD, SIDE, OPT, 40 for GS-4069DC with oil cooler option (ground controls side, rear)	1
8	T114358GT	FORMING, LINK GUARD, BOXTOP for GS-4069DC	2
9A	227715GT	FORMING, LINK GUARD, FRONT, 26/33 for GS-2669DC & GS-3369DC	1
9B	T114356GT	FORMING, LINK GUARD, SIDE, 40 for GS-4069DC	1
10A	227716GT	FORMING, LINK GUARD, SIDE, 26/33 for GS-2669DC & GS-3369DC (battery pack side, front)	1
10B	T114353GT	FORMING, LINK GUARD, SIDE, 40 for GS-4069DC (battery pack side, front)	1



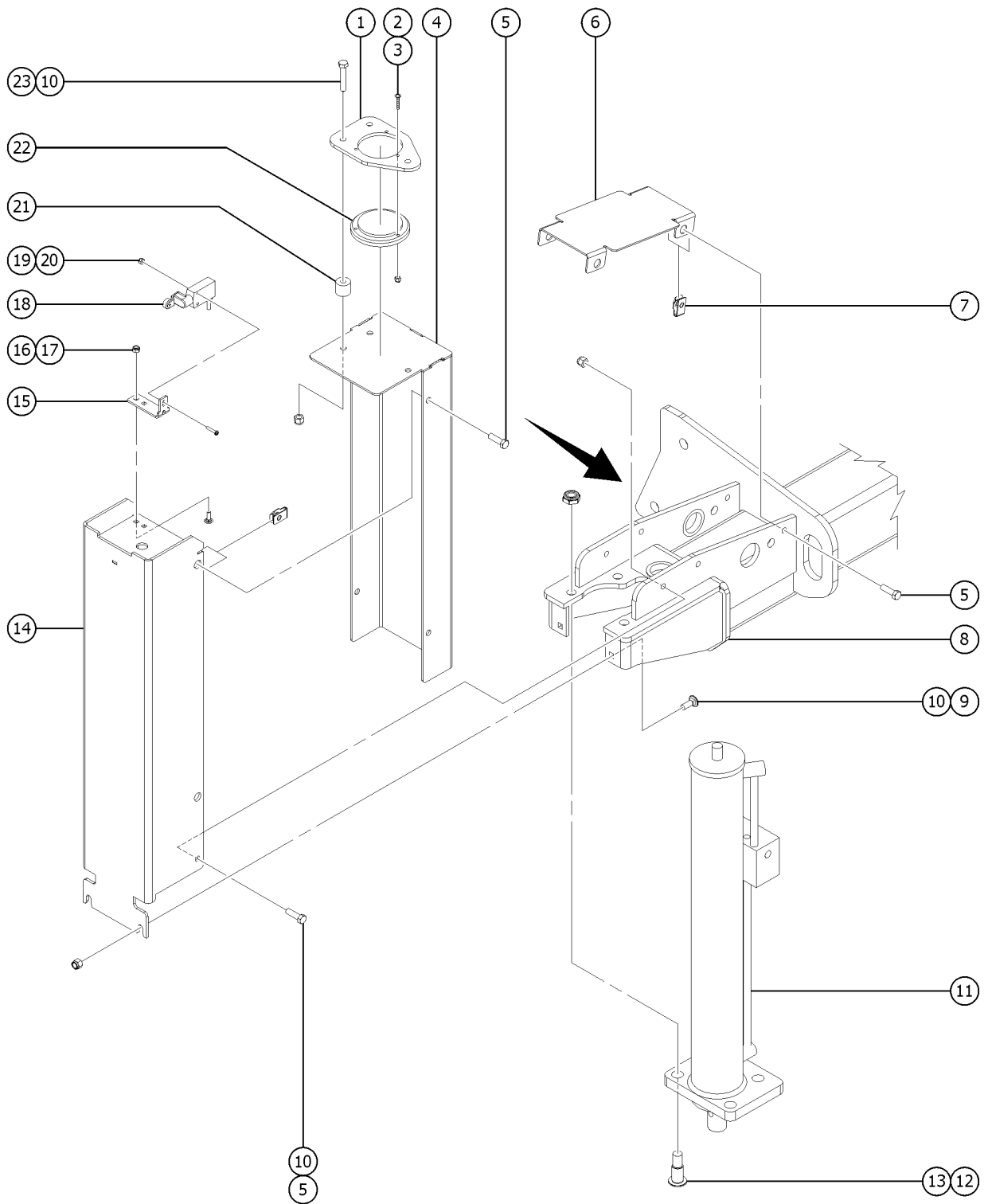
704.1 Outrigger Installation, View .1



Item	Part No.	Description	Qty.
1	6178GT	NUT,NYLOCK,10-32 steer end (models with high floatation tires)	2
2	6096GT	SCREW,HHC,1/2-13 X 2 GR5 steer end (models with high floatation tires)	2
3	148046GT	PLATE,OUTRIGGER MOUNT models without high floatation tires	4
4	160740GT	PLATE,O/R SPACER, HI FLOAT steer end (models with high floatation tires)	2
5	160739GT	PLATE, O/R MOUNT, HI FLOAT steer end (models with high floatation tires)	4
6A	160744GT	FORM,O/R FRONT CLAMP,HI FLOAT steer end (models with high floatation tires)	2
6B	148409GT	FORMING,O/R FRONT CLAMP steer end (models without high floatation tires)	2
7	51428GT	SCREW,HHC,3/4-10 X 2.75	8
8	10258GT	NUT,NYLOCK,3/4-10,GRD.2	8
9	6637GT	SCREW,HHC,1/4-20 X 1.75 steer end	2
10	6638GT	WASHER,FLAT,USS,1/4"Y steer end	2
11	148410GT	CLAMP,#4 HOSE,CLAMP steer end	2
12	56912GT	SPRING CLIP,1/4-20,.025-.15X.5 steer end	2
13	47238GT	GROMMET,RUBBER 1.5 ID	8
14		Ref. WELDMENT,OUTRIGGER YOKE refer to 705.1	
15	148329GT	TAPE,NON-SKID,2"X14"	2



705.1 Outrigger Installation, View 2

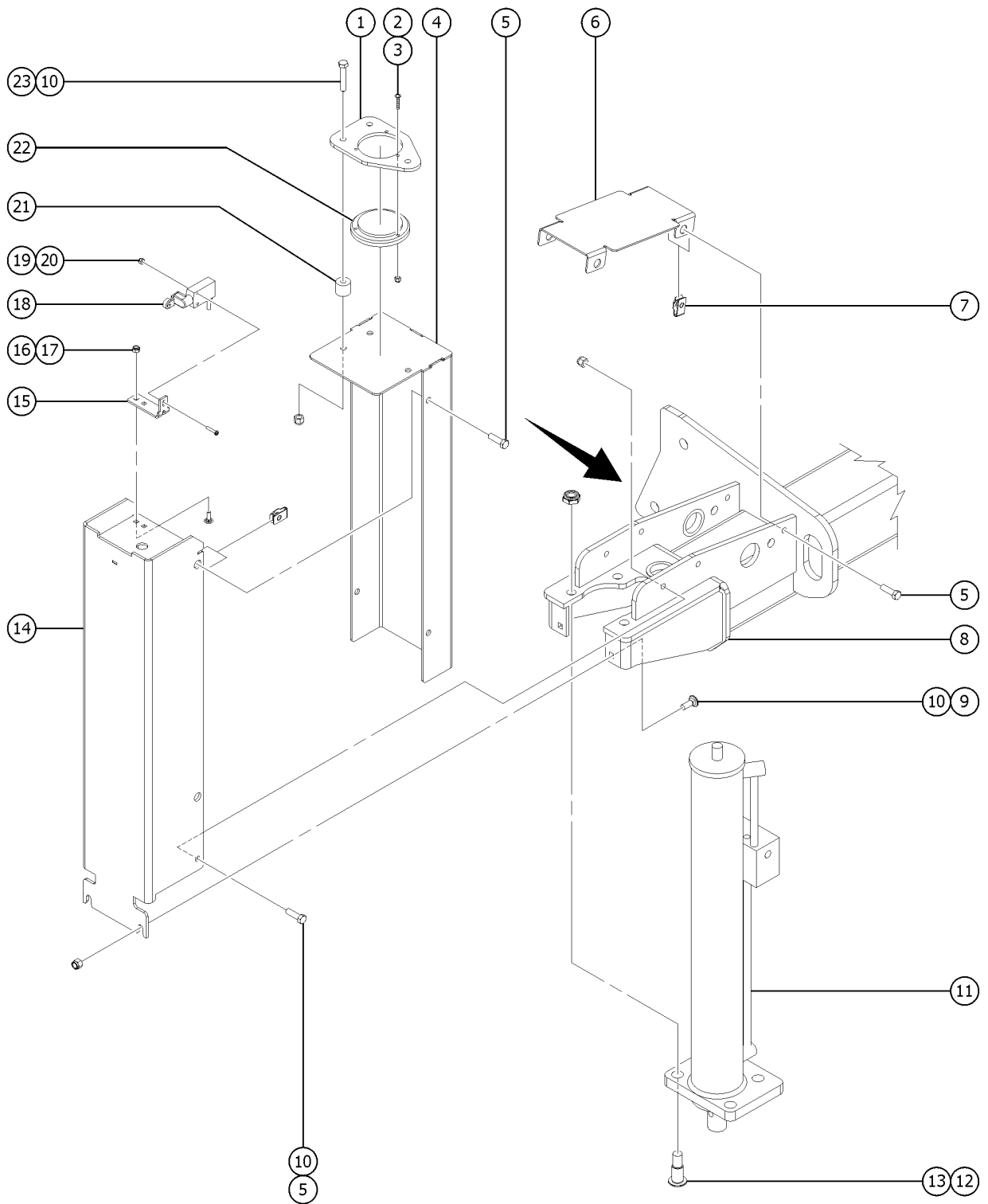


705.1 Outrigger Installation, View 2

Item	Part No.	Description	Qty.
1	87002GT	PLATE,BUBBLE LEVEL MOUNT	1
2A	49816GT	SCREW,PHILLIPS,PHM,10-32 X .75	3
2B	826516GT	SCREW, PHPM, 10-32 X 1.0, ZAG	3
3A	6178GT	NUT,NYLOCK,10-32	3
3B	1275810GT	NUT,SERRATED,10-32,SS	3
4	148001GT	WELDMENT,O/R SWITCH COVER	4
5	6019GT	SCREW,HHC,3/8-16 X 1.25 GRD 5	
6	131972GT	FORMING,O/R HOSE COVER	4
7	29868GT	SPRING CLIP,3/8-16,.05-.20X.73,ZAG	
8A	148027GT	WELDMENT,OUTRIGGER YOKE steer end	1
8B	148044GT	WELDMENT,OUTRIGGER YOKE non-steer end	
9	64154GT	BOLT,CARRIAGE,3/8-16 X1.00,G5	
10	4828GT	NUT,NYLOCK,3/8-16	
11		Ref. CYLINDER,OUTRIGGER,GS69 refer to 706.1	
12	71912GT	BOLT,SHOULDER,5/8-11 X 1.19 LT	
13	38028GT	NUT,LP NYLOCK,5/8-11	
14	235089GT	HOUSING ASSY,OUTRIGGER,WO	
14-	235091GT	HOUSING ASSY,OUTRIGGER,SY	
14-	148000GT	WELDMENT,OUTRIGGER COVER decals not included, refer to section 100	4
14B	1289877GT	WELDMENT, OUTRIGGER COVER	4
15	148024GT	FORMING,O/R LIM SWTCH BRACKET	1
15B	1288967GT	FORMING,O/R LIM SWTCH BRACKET	1
16	6091GT	NUT,NYLOCK,1/4-20	
17	6878GT	BOLT,CARRIAGE,1/4-20 X .75,G2	
18	105692GT	SWITCH,LIMIT,W/ROLLER ARM (limit switch body XCMN2115L1) (markings: 8B1807, 8B1820)	4
18B	1289888GT	SWITCH,LIMIT,W/ROLLER ARM (limit switch body B81843) (markings: 8B1817, 8B1822)	4
19	18605GT	NUT,NYLOCK,8-32	
20	54380GT	SCREW,PHILLIPS,PHM,8-32 X .875	



705.1 Outrigger Installation, View 2

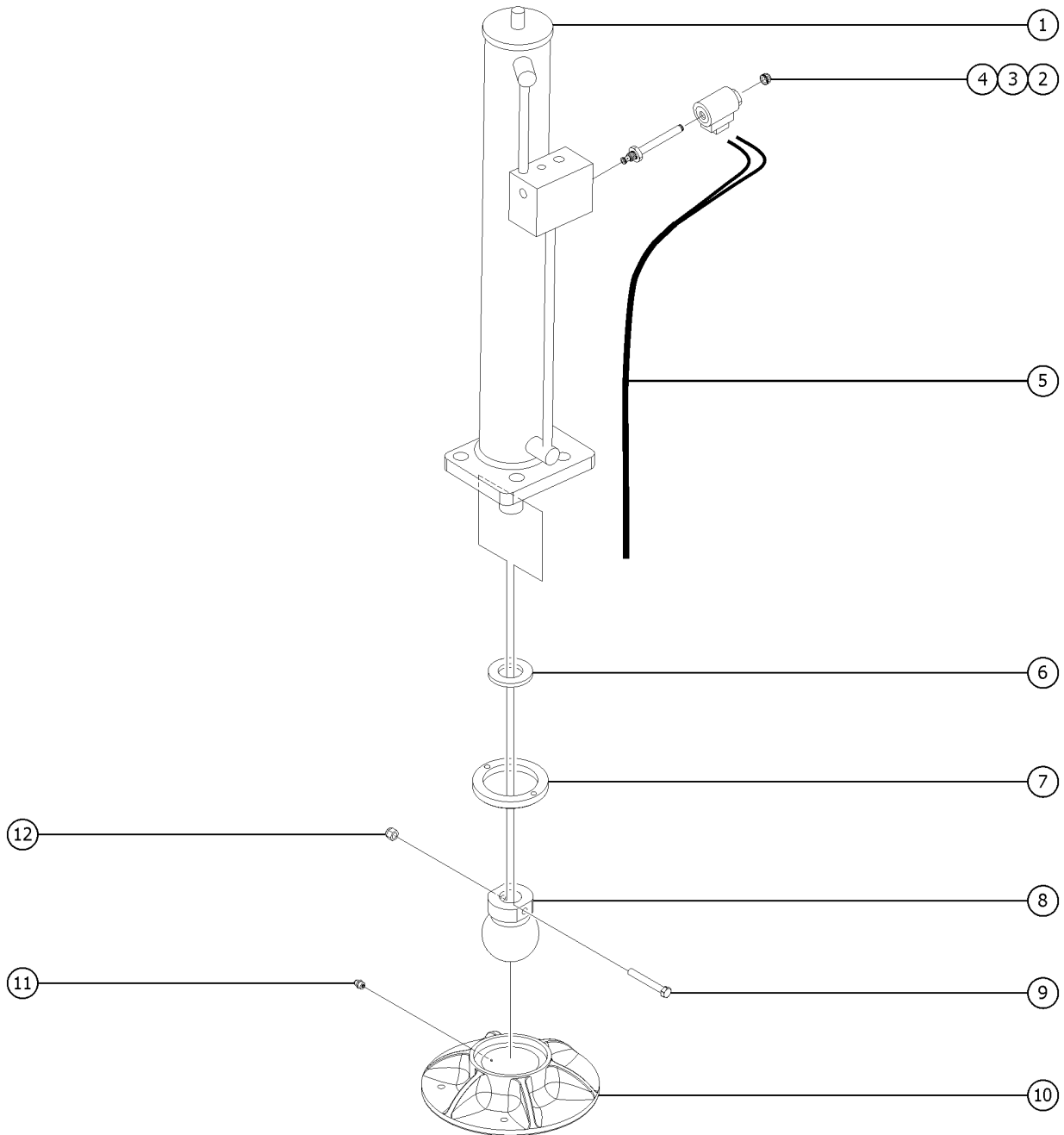


705.1 Outrigger Installation, View 2

<i>Item</i>	<i>Part No.</i>	<i>Description</i>	<i>Qty.</i>
21	59568GT	RUBBER, VIBRATION MOUNT	3
22A		KIT,BUBBLE LEVEL UPDATE	
22B	1275562GT	LEVEL,BUBBLE,3 DEG,BOSS	
22C	6714GT	LEVEL,BUBBLE ANSI/CSA models	
22D	1275562GT	LEVEL,BUBBLE,3 DEG,BOSS CE/AUS models	
23	5224GT	SCREW,HHC,3/8-16 X 2	



706.1 Outrigger Cylinders

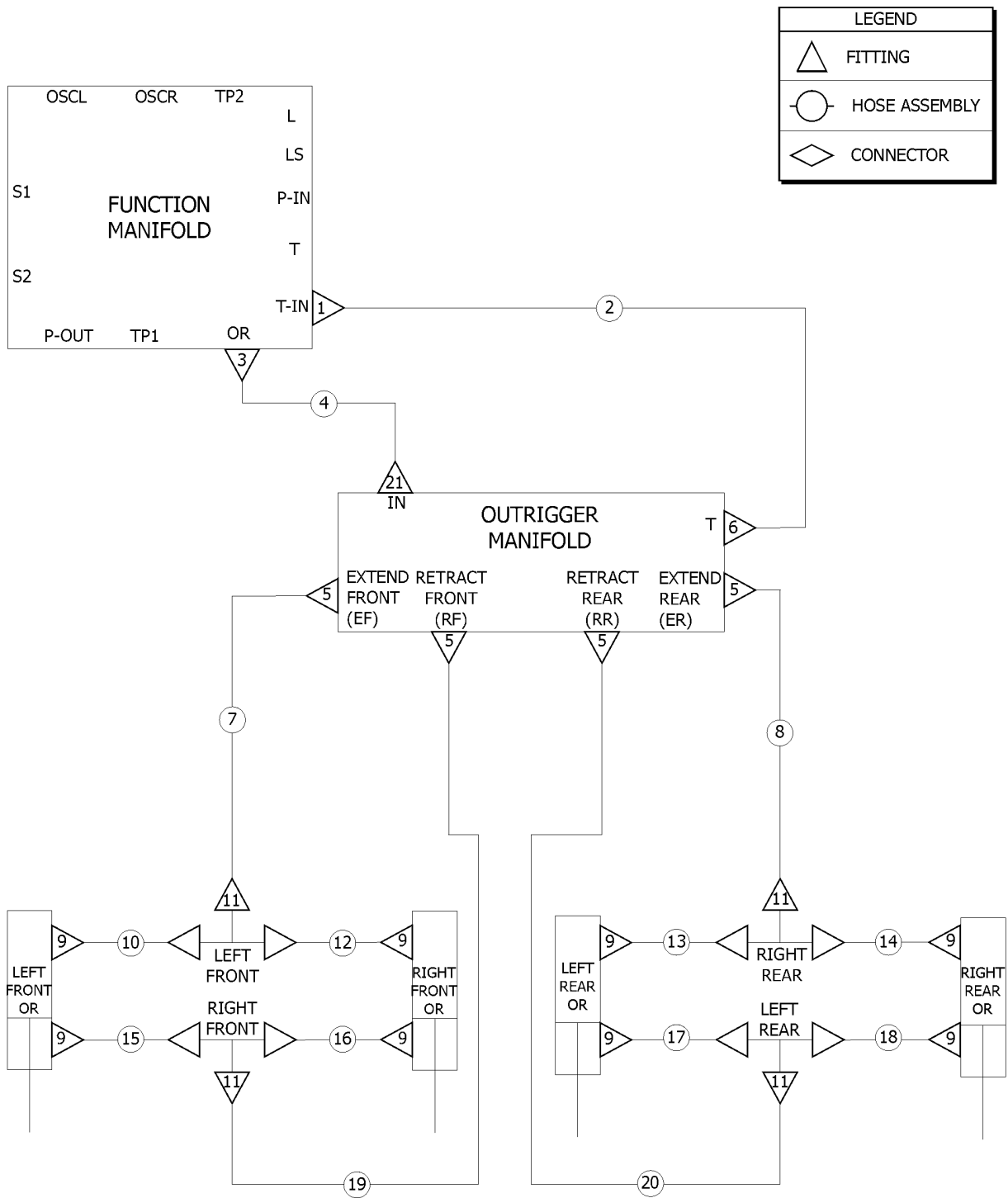


706.1 Outrigger Cylinders

Item	Part No.	Description	Qty.
-	112537GT	FOOTPAD ASSY,RTSC OUTRIGGER includes items 6, 7 and 9	
A-	1307805GT	ASSY,VALVE,NC,BI-DI,CART AND COIL, 24VDC (includes 3 and 4)	1
1	131428GT	CYLINDER,OUTRIGGER,GS69 order valve and coil separately	1
1-	226381GT	SEAL KIT,(131428) for 131428	
2	72097GT	NUT,SOLENOID VALVE,OUTRIGGERS 1	
3	67933GT	VALVE,NC,BI-DI,CART*** 1	
4	217978GT	COIL,24VDC,DIODE,DEUTSCH 1	
5		Ref. Outrigger Wire Harness refer to 309.1	
6	55682GT	PLATE, CYL UP LIMIT 1	
7	55484GT	RETAINER, GS68 O/R FOOTPAD*** 1	
8	55485GT	CASTING, BALL, GS OUTRIGGER 1	
9	6326GT	SCREW,HHC,3/8-16 X 3 1	
10	51814GT	CASTING,OUTRIGGER FOOTPAD *** order 1280156 separately	1
10B	1280156GT	KIT,OUTRIGGER PAD LOCTITE,RT order footpad separately	
11	28646GT	ZERK,GREASE,1/8 NPT 1	
12	4828GT	NUT,NYLOCK,3/8-16 1	



707.1 Outrigger Hoses and Fittings

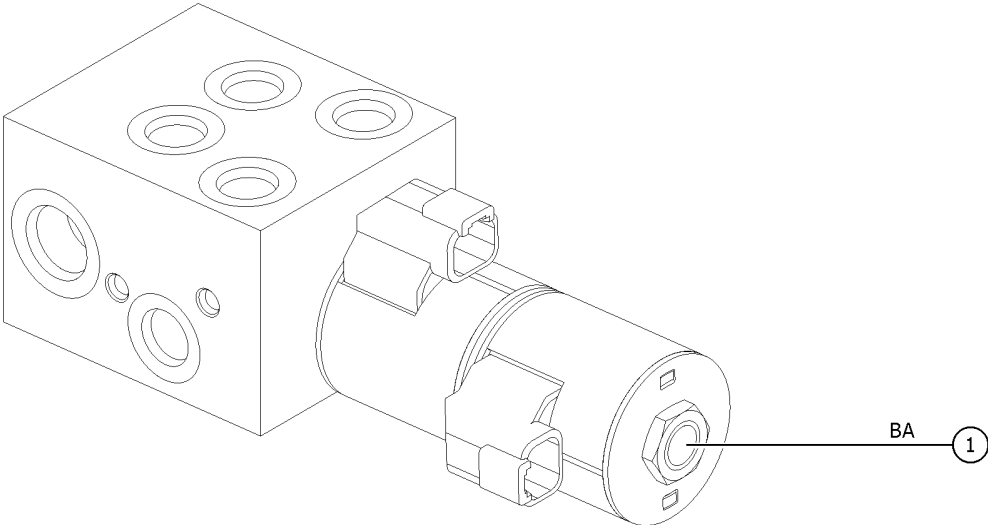


707.1 Outrigger Hoses and Fittings

Item	Part No.	Description	Qty.
1	48948GT	CONN,520120-8-12	1
2	1254069GT	HOSE,ASSY,T(OR,MF)-TIN(F,MF) components: 2x 48822, 48756 @ 17.5 inches	1
3	48930GT	CONN,520120-6-8	1
4	1254068GT	HOSE ASSY,OR(F,MF)-IN(OR,MF) components: 2x 48812, 56776 @ 17.5 inches	1
5	48916GT	FITTING,CONN,520120-6	4
6	48932GT	FITTING,ELBOW,90D,520220-8***	1
7	227487GT	HOSE ASSY,EF(OR,MF)-LF.OR.TEE components: 48812, 227488, 56776 @ 98 inches	1
8	227724GT	HOSE ASSY,ER(OR,MF)-LR.OR.TEE	1
9	48912GT	CONN,520120-4-6***	8
10	227489GT	HOSE ASSY,LF.OR.TEE-E(LF.OR.CY components: 48812, 227488, 56776 @ 98 inches	1
11	48909GT	TEE,BULKHEAD,RUN,520958-4	4
12	227490GT	HOSE ASSY,LF.OR.TEE-E(RF.OR.CY components: 48800, 48800, 48751 @ 75 inches	1
13	227738GT	HOSE ASSY,LR.OR.TEE-E(LR.OR.CY components: 48800, 48802, 48751 @ 75 inches	1
14	227728GT	HOSE ASSY,LR.OR.TEE-E(RR.OR.CY components: 48800, 48800, 48751 @ 20 inches	1
15	227730GT	HOSE ASSY,RF.OR.TEE-R(LF.OR.CY components: 48800, 48800, 48751 @ 75 inches	1
16	227740GT	HOSE ASSY,RF.OR.TEE-R(RF.OR.CY components: 48800, 48802, 48751 @ 20 inches	1
17	227732GT	HOSE ASSY,RR.OR.TEE-R(LR.OR.CY components: 48800, 48800, 48751 @ 20 inches	1
18	227742GT	HOSE ASSY,RR.OR.TEE-R(RR.OR.CY components: 48800, 48802, 48751 @ 75 inches	1
19	227726GT	HOSE ASSY,FR(OR,MF)-RF.OR.TEE components: 48812, 227488, 56776 @ 98 inches	1
20	227735GT	HOSE ASSY,RR(OR,MF)-RR.OR.TEE components: 48812, 227488, 56776 @ 98 inches	1
21	48915GT	ELBOW,90D,520220-6	1



708.1 Outrigger Manifold

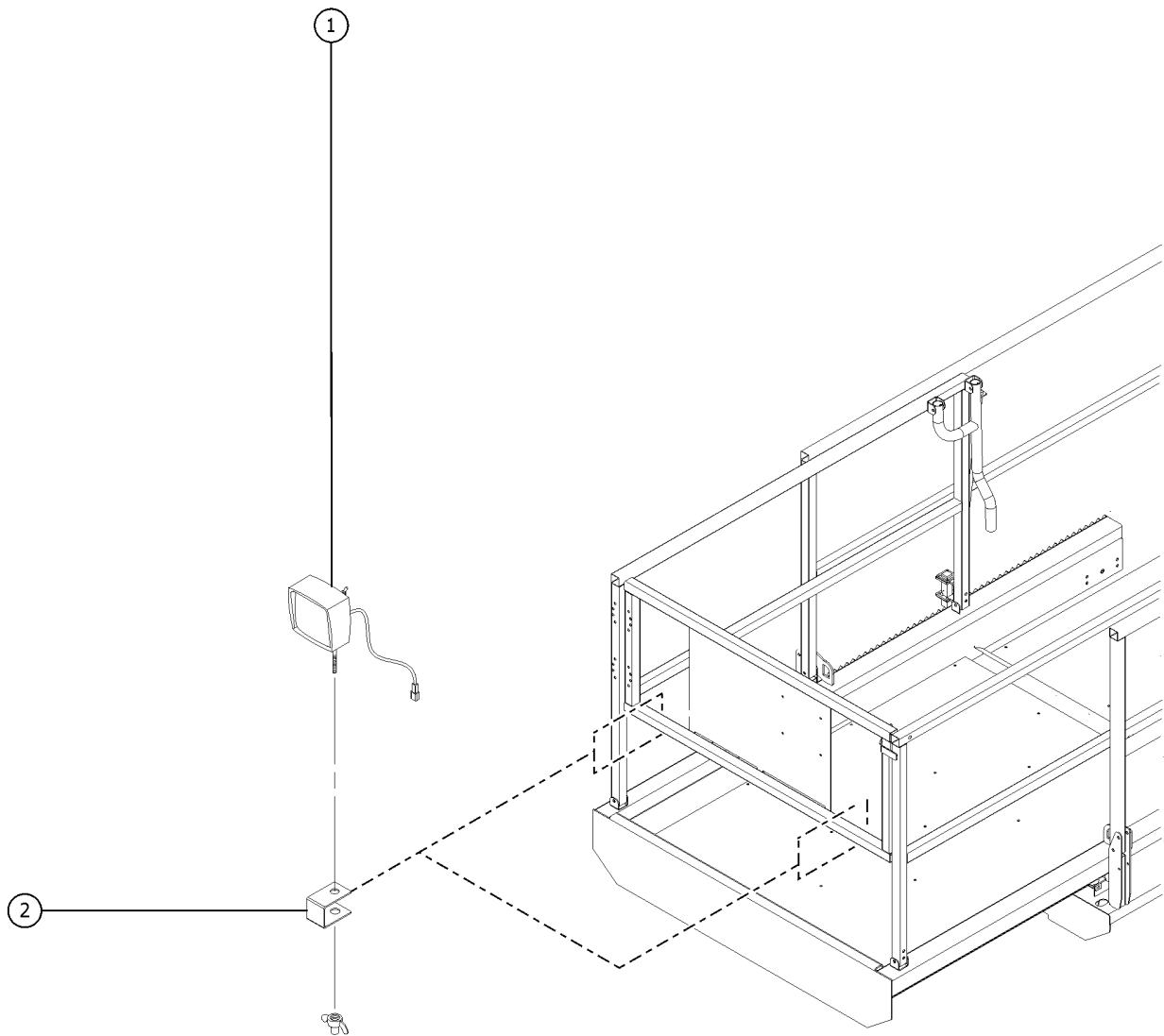


708.1 Outrigger Manifold

<i>Item</i>	<i>Part No.</i>	<i>Description</i>	<i>Qty.</i>
--	234999GT	MANIFOLD,OUTRIGGER,GS69DC complete	
1	84109GT	VALVE,DIR,#10 SAE,3 POS. 4 WAY BA, Outriggers in/out	1
1-	44230GT	SEAL KIT-P.N.44169,44172,44171	
1-	104763GT	COIL,24VDC #10DTSCH IP69 ECOIL	
1-	44174GT	NUT-COIL SHORT	
1-	44175GT	SPACER-DUAL COIL,#10, SCISSORS	



709.1 Platform Work Light

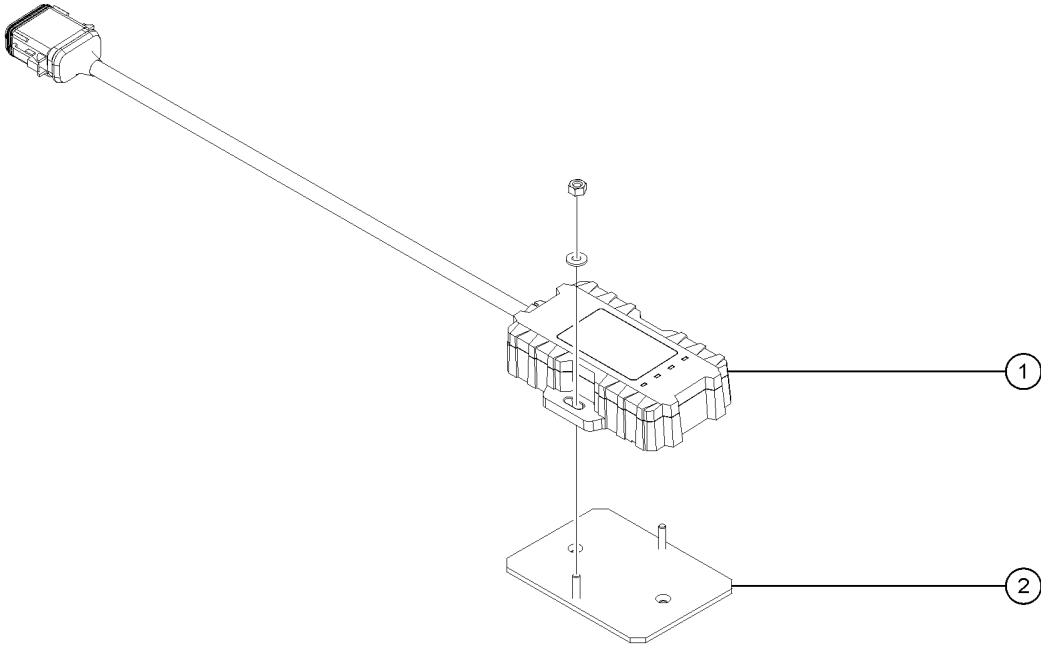


709.1 Platform Work Light

<i>Item</i>	<i>Part No.</i>	<i>Description</i>	<i>Qty.</i>
A	823041GT	WORKLIGHTS,FIELD KIT,GS-2669	1
A-	823044GT	HARNESS,GS2669 WORKLIGHTS	1
B	823042GT	WORKLIGHTS,FIELD KIT,GS-3369	1
B-	823045GT	HARNESS,GS3369 WORKLIGHTS	1
C	823043GT	WORKLIGHTS,FIELD KIT,GS-4069	1
C-	823046GT	HARNESS,GS4069 WORKLIGHTS	1
1	71498GT	WORKLIGHT, 12V, DEUTSCH RECEPT	2
2	71382GT	BRACKET, WORK LIGHTS, OPTION	2
3	28443GT	CABLE TIE,11.5" BLACK	
		not shown	



710.1 Telematics Option

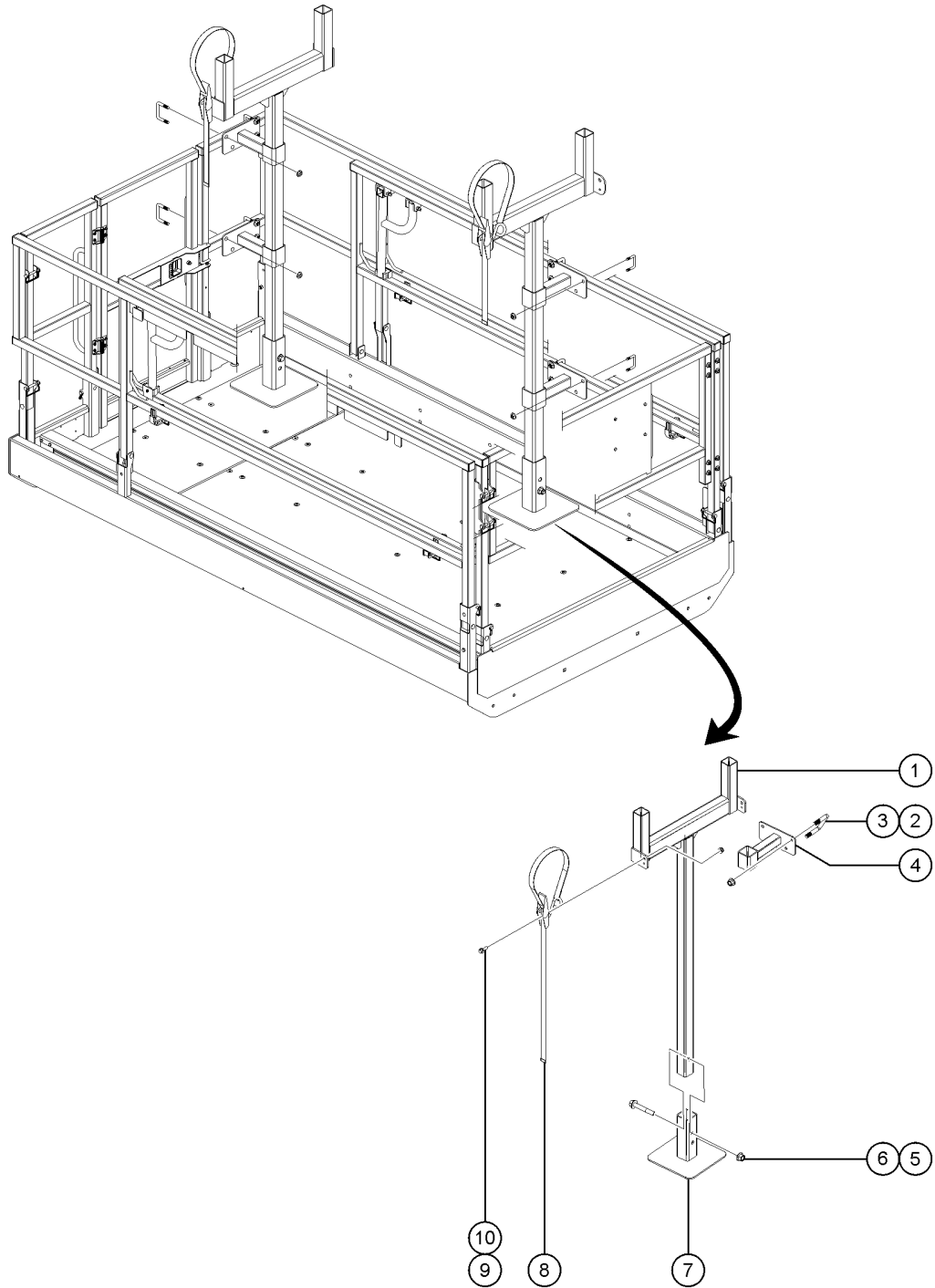


710.1 Telematics Option

<i>Item</i>	<i>Part No.</i>	<i>Description</i>	<i>Qty.</i>
-	1295970GT	KIT, RETROFIT, HARNESS, GS69 DC/BE, LIFT CONNECT for units for first time insulation, must order this kit with one of the models 1289520GT, 1289521GT, 1289522GT, or 1289523GT	1
-	1289899GT	HARNESS, GATEWAY, GS	
-	1293512GT	JUMPER, PIN SWITCH, GS69 DC/BE	
1	1289521GT	MODULE, TELEMATICS, ZTR, M7, EMEA/APAC	
2	1289561GT	BRACKET, TELEMATICS	1



711.1 Lift Tool Material Carrier



711.1 Lift Tool Material Carrier

<i>Item</i>	<i>Part No.</i>	<i>Description</i>	<i>Qty.</i>
-	1288239GT	KIT, LIFT TOOL MATERIAL CARRIER	1
-	1289762GT	ASSY, MATERIAL CARRIER POST	2
		(includes items 1 and 8-10)	
1	1288627GT	WELDMENT, MATERIAL CARRIER POST	2
2	131681GT	U-BOLT,SQR,3/8-16X2X3,PLTD	8
3	1274322GT	NUT,NYLOCK FLG,3/8-16,G,ZAG	16
4	1288628GT	WELDMENT, MATERIAL CARRIER, RAIL ATTACHMENT	4
5	1274172GT	NUT,NYLOCK FLG,1/2-13,G,ZAG	2
6	1256850GT	SCREW,HHF,1/2-13X3.25,8,ZAG	2
7	1288629GT	WELDMENT, MATERIAL CARRIER, BASE	2
8	1288205GT	STRAPS, RATCHET	2
9	824078GT	SCREW,HHF,1/4-20X.75,8,ZAG	2
10	1277924GT	NUT,NYLOCK FLG,1/4-20,F,ZAG	2



<u>Part no.</u>	<u>Page Number</u>	<u>Part no.</u>	<u>Page Number</u>	<u>Part no.</u>	<u>Page Number</u>
06_1308932_401.1	71	10598GT	71, 77, 81	33629GT	99
200		10775GT	99	33724GT	99
4266GT	79, 81, 91	10777GT	99	33987GT	31
4828GT	27, 31, 35, 37, 39, 43...	12344GT	51	34053GT	61
5224GT	141	13002GT	45	35461GT	37, 71, 77, 81
5365GT	31, 51, 91	13064GT	31	35706GT	93
5397GT	45	13597GT	99	36372GT	49, 51
6019GT	63, 139	13918GT	27, 35	37947GT	57
6021GT	63	14033GT	71, 75, 79	38016GT	93
6086GT	35, 53	14041GT	51	38028GT	89, 139
6090GT	21, 29, 35, 39, 53, 93...	14392GT	23, 63	39127GT	83
6091GT	23, 29, 39, 43, 47, 49...	15243GT	59	39540GT	59, 101, 105
6095GT	35, 73, 77, 81	17626GT	49	39875GT	119, 123
6096GT	35, 71, 77, 81, 137	18383GT	71, 75, 79	39882GT	115, 119, 123
6097GT	27, 35, 39, 43, 53, 77...	18503GT	49, 55	40928GT	75, 79
6145GT	49	18540GT	31	43392GT	63
6175GT	21, 53, 89, 93	18605GT	31, 37, 47, 57, 71, 77...	43618GT	17
6178GT	51, 57, 131, 137, 139	19436GT	49	43658GT	13
6198GT	35, 43, 55, 71, 77, 81...	19440GT	23	44174GT	147
6326GT	45, 73, 75, 79, 97, 143	21149GT	31	44175GT	147
6595GT	99	22446GT	91	44227GT	117
6626GT	99	22699GT	45	44230GT	147
6637GT	23, 89, 137	22788GT	71, 77, 81	44973GT	117
6638GT	23, 39, 49, 89, 91, 95...	24514GT	95	44980GT	13
6700GT	59	25388GT	47, 99	44981GT	13, 17
6708GT	91, 93	25817GT	21, 115	45112GT	21
6714GT	141	27246GT	59	45113GT	21
6782GT	45, 93	27894GT	129	45114GT	21
6873GT	51	27895GT	129	45384GT	63
6878GT	43, 47, 49, 53, 91, 95, 131...	27900GT	129	45470GT	53, 99
6886GT	29	27901GT	129	45645GT	57
6889GT	43, 47, 49, 53, 91, 95...	27903GT	129	47077GT	129
7056GT	99	28174GT	11, 17	47230GT	89, 93
7339GT	27	28235GT	11, 17	47238GT	137
7713GT	29, 37, 39, 93	28443GT	71, 73, 149	47478GT	89, 95
8177GT	71, 77, 81	28646GT	143	47793GT	91
8179GT	23	29868GT	63, 93, 139	48425GT	93
8255GT	31, 43	30418GT	71, 77, 81	48878GT	121, 125
8516GT	35	30434GT	73, 77, 83	48905GT	115, 119, 123
8914GT	53, 97	31506GT	39	48909GT	119, 123, 145
8915GT	23, 49	31658GT	39	48911GT	23
9878GT	53	33550GT	93	48912GT	119, 123, 145
10258GT	137				



<u>Part no.</u>	<u>Page Number</u>	<u>Part no.</u>	<u>Page Number</u>	<u>Part no.</u>	<u>Page Number</u>
48915GT	121, 125, 145	55558GT	117	71508GT	37, 39
48916GT	117, 119, 123, 127, 145	55675GT	63	71874GT	51
48930GT	145	55682GT	143	71912GT	139
48932GT	145	55906GT	47	72086GT	11, 13
48933GT	119, 123	55921GT	45	72097GT	143
48946GT	121	56302GT	61	72326GT	101, 105
48947GT	121, 125	56462GT	53	73464GT	29
48948GT	145	56912GT	21, 29, 35, 137	73466GT	31, 135
48959GT	121, 125	58320GT	31	73730GT	57
48960GT	119, 123	58486GT	43	74267GT	49
48984GT	121, 125	59568GT	141	74389GT	23
48997GT	119, 123	60334GT	43	74651GT	49
48999GT	121, 125	60424GT	49	74714GT	31
49517GT	119, 123	60746GT	23	75041GT	59
49775GT	23	60790GT	35	76494GT	53
49816GT	131, 139	60857GT	43	78674GT	39
49817GT	51	64154GT	37, 39, 43, 47, 63, 73...	78736GT	29, 73, 75, 79, 81
49818GT	49	65737GT	47, 99	79090GT	93
49819GT	57	66030GT	89, 91, 95	79355GT	89, 91, 93
49820GT	51, 57	66094GT	49	79374GT	131
49821GT	37, 71, 77, 81	66353GT	99	79383GT	129
49857GT	21	66355GT	99	81329GT	63
50793GT	29	66356GT	99	81579GT	37
51428GT	137	66397GT	49	82474GT	11, 13
51474GT	25, 31	66683GT	117	82475GT	11, 13
51814GT	143	66717GT	49	82476GT	11
52475GT	11, 13	66812GT	59, 101, 105	82481GT	11
52907GT	111, 113	66817GT	101, 105	82487GT	13, 17
53452GT	23	66818GT	59, 101, 105	82560GT	13
53500GT	115	66821GT	59	82562GT	11, 13
54380GT	139	66842GT	59	82666GT	11, 13
54436GT	33	67387GT	27	83020GT	119, 123
54627GT	21, 29	67504GT	65, 67	83092GT	31
54958GT	21	67505GT	65, 67	83093GT	57
54959GT	21	67933GT	143	83131GT	57
54960GT	21	69853GT	103, 105	84109GT	147
54961GT	21	70684GT	51	84421GT	117
54962GT	21	71315GT	89, 93	84422GT	117
55089GT	99	71376GT	89	84423GT	117
55484GT	143	71382GT	149	87002GT	139
55485GT	143	71484GT	39	87172GT	119, 123
55517GT	57, 63, 95	71498GT	149	87193GT	99



<u>Part no.</u>	<u>Page Number</u>	<u>Part no.</u>	<u>Page Number</u>	<u>Part no.</u>	<u>Page Number</u>
87265GT	131	105692GT	139	128085GT	115
87312GT	53	106121GT	29	128142GT	115
87320-SGT	91	106122GT	29	128200GT	59
87523GT	89	106123GT	31	128376GT	47
87568GT	89	106445GT	29	128578GT	57, 59
87570GT	93	110556GT	23	128580GT	59
87571GT	93	110965GT	31	128731GT	105
87645GT	51, 93	112076GT	73, 75, 79	131393GT	119, 123
87675GT	93	112099GT	73, 77, 83	131416GT	89
87684GT	29, 33, 43	112100GT	73, 77, 83	131428GT	143
88827GT	57	112115GT	71, 77, 81	131616GT	21
89066GT	23	112116GT	71, 77, 81	131621GT	115
94499GT	111, 113, 119, 123	112121GT	71, 77, 81	131639GT	31
96008-SGT	57	112123GT	73, 75, 79	131658GT	41
96009GT	57	112124GT	73, 75, 79	131681GT	153
96010GT	57	112125GT	79	131687GT	75
96196GT	73, 75, 79, 81	112126GT	79	131695GT	29
96203GT	43, 55, 73, 77, 81	112127GT	71	131735GT	95
96236GT	99	112134GT	75, 79, 87	131741GT	93
96320GT	31	112350GT	73, 77, 83	131742GT	95
96452GT	59	112375GT	71, 77, 81	131743GT	93
96699GT	133	112476GT	29, 89, 91, 93	131744GT	89
96977GT	35, 71, 77, 81, 85, 87...	112512GT	31	131745GT	89
97172GT	111, 113	112537GT	143	131746GT	91
97719GT	13	112543GT	91	131747GT	91
99267GT	93	112703GT	85, 87	131749GT	89, 93
99268GT	93	112706GT	85, 87	131751GT	93
99346GT	37, 39, 49	112708GT	73, 75, 79, 85, 87	131874GT	71
101069GT	111, 113	112772GT	99	131920GT	117
101718GT	39, 47, 57	114202GT	11, 13	131921GT	117
104235GT	35	114334GT	13	131972GT	139
104328GT	21, 35	114337GT	11	133537GT	17
104571GT	69	114338GT	17	137522GT	101
104762GT	111, 113	114371GT	17	137562GT	59
104763GT	111, 113, 147	115402GT	115	137564GT	59
104804GT	91	119065GT	49	137587GT	67, 105
105092GT	43, 135	119432GT	51	137604GT	59
105117GT	47	119827GT	117	137605GT	17, 101, 105
105118GT	47	119910GT	25	137611GT	67, 103, 105
105214GT	71	122994GT	59	137634GT	109
105556GT	131	124580GT	57	137637GT	59, 103, 105
105557GT	131	128009GT	45	137640GT	103, 105



<u>Part no.</u>	<u>Page Number</u>	<u>Part no.</u>	<u>Page Number</u>	<u>Part no.</u>	<u>Page Number</u>
137656GT	17, 101, 105	214542GT	57	227490GT	145
137668GT	59	214544GT	109	227609GT	119, 123
137699GT	103, 107	214817GT	117	227610GT	119, 123
137711GT	101	215214GT	119, 123	227611GT	119, 123
137769GT	53	215215GT	121, 125	227612GT	119, 123
137770GT	53	215229GT	39	227613GT	119, 123
141958GT	73, 75, 79	215488GT	49	227614GT	127
144161GT	47, 99	216005GT	49	227713GT	135
147419GT	121, 125	216031GT	17	227714GT	135
148000GT	139	217978GT	143	227715GT	135
148001GT	139	218245GT	69	227716GT	135
148024GT	139	218616GT	111, 113	227717GT	135
148027GT	139	218617GT	111, 113	227724GT	145
148044GT	139	218681GT	129	227726GT	145
148046GT	137	218730GT	111, 113	227728GT	145
148076GT	67, 131	218732GT	111, 113	227730GT	145
148086GT	67	218733GT	111, 113	227732GT	145
148087GT	67	218734GT	111, 113	227735GT	145
148092GT	69	218735GT	111, 113	227738GT	145
148236GT	31, 73, 77, 83	219112GT	63	227740GT	145
148329GT	137	219205GT	69	227742GT	145
148353GT	21	219206GT	23	227768GT	135
148396GT	23	219210GT	95	228103GT	79
148409GT	137	219279GT	23	228947GT	47
148410GT	137	219973GT	69	228973GT	47
148414GT	67	220237GT	37	229086GT	109
148422GT	97	226378GT	117	229087GT	109
148433GT	71, 75, 79	226379GT	117	229088GT	109
148434GT	73, 75, 79	226380GT	115	229089GT	109
148450GT	87	226381GT	143	229090GT	109
150026GT	51	227466GT	119, 123	229091GT	109
160536GT	45	227467GT	119, 123	229092GT	109
160545GT	65	227468GT	119, 123	229093GT	109
160739GT	137	227469GT	119, 123	229094GT	109
160740GT	137	227471GT	119, 123, 127	229097GT	109
160744GT	137	227472GT	119, 123, 127	229167GT	21
160903GT	65	227473GT	121, 125, 127	229642GT	51
160904GT	65	227474GT	121, 125, 127	229828GT	11
161213GT	69	227478GT	127	229845GT	103, 107
214222GT	45	227479GT	127	230485GT	43
214253GT	101	227487GT	145	230488GT	43
214254GT	101	227489GT	145	230850GT	41



<u>Part no.</u>	<u>Page Number</u>	<u>Part no.</u>	<u>Page Number</u>	<u>Part no.</u>	<u>Page Number</u>
230861GT	111, 113	237124GT	11, 13	1251567GT	91
231921GT	103, 107	237125GT	11, 13	1253349GT	63
231922GT	103, 107	237126GT	11, 13	1253422GT	63
232523GT	29	237127GT	17, 101	1253423GT	63
232536GT	35	237254GT	23	1253424GT	63
232537GT	35	237340GT	21, 31	1253428GT	49
232549GT	39	237476GT	67	1253479GT	63
233568GT	45	237615GT	101	1254068GT	145
233767GT	23	237797GT	111, 113, 119, 123	1254069GT	145
234599GT	111, 113	237924GT	11	1254118GT	53
234600GT	111, 113	237925GT	11	1254119GT	53
234830GT	67	237926GT	11, 13	1254120GT	53
234831GT	67	237931GT	121, 125	1254121GT	53
234832GT	67	237932GT	121, 125	1254122GT	53
234833GT	67	238256GT	119, 123	1254169GT	37
234834GT	69	238299GT	23	1254171GT	47
234837GT	67	238364GT	65	1254172GT	47
234999GT	147	238365GT	65	1254174GT	35
235089GT	139	238366GT	65	1254175GT	29
235091GT	139	238367GT	65	1254176GT	29
235122GT	81	238368GT	65	1254177GT	31
235163GT	17	238369GT	65	1254178GT	29
235375GT	21	238370GT	65	1254180GT	23
235377GT	31	238371GT	65	1254181GT	23
235380GT	61	238372GT	65	1254187GT	35
235381GT	57	238373GT	65	1254188GT	35
235383GT	57	238374GT	65	1254189GT	35
235398GT	67	238375GT	65	1254190GT	73, 75, 79
235399GT	67	238382GT	43	1254191GT	77, 83
235463GT	109	238383GT	43, 47	1254192GT	73, 75, 79
235464GT	103, 105	238384GT	55	1254196GT	77, 81, 85
235697GT	39	238385GT	55	1254198GT	75, 79
235719GT	47	823041GT	149	1254201GT	81
236018GT	51	823042GT	149	1254202GT	71, 77, 83
236019GT	49	823043GT	149	1254203GT	77, 81
236066GT	67	823044GT	149	1254204GT	73, 75, 79
236067GT	67	823045GT	149	1254205GT	85
236068GT	67	823046GT	149	1254206GT	71
236360GT	17, 101	824027GT	133	1254207GT	71
236813GT	21	824078GT	153	1254208GT	73
237122GT	17	825020GT	23	1254241GT	53
237123GT	17	826516GT	139	1254245GT	29

<u>Part no.</u>	<u>Page Number</u>	<u>Part no.</u>	<u>Page Number</u>	<u>Part no.</u>	<u>Page Number</u>
1254246GT	43	1258354GT	101	1277226GT	59
1254426GT	45	1258521GT	101	1277924GT	153
1254428GT	63	1258522GT	101	1279465GT	43
1254430GT	47	1258623GT	31	1279466GT	43
1254431GT	21	1258628GT	29	1280156GT	143
1254432GT	23	1258629GT	29	1280665GT	47, 99
1254433GT	25	1258632GT	21	1281174GT	17
1254434GT	23	1258633GT	21	1281175GT	17
1254436GT	35	1258731GT	69, 105	1282278GT	61
1254437GT	29	1258753GT	29	1283079GT	17
1254447GT	49	1258754GT	29	1283121GT	31
1254448GT	49	1258759GT	21	1284285GT	57
1254449GT	43	1258760GT	21	1286600GT	31
1254462GT	35	1259447GT	67, 69	1286601GT	31
1254464GT	35	1259448GT	67, 69	1288205GT	153
1254572GT	133	1259498GT	69, 117	1288239GT	153
1254591GT	59	1259499GT	69	1288627GT	153
1255452GT	23, 27, 31	1259991GT	69, 117	1288628GT	153
1256463GT	133	1263542GT	11, 13	1288629GT	153
1256580GT	53	1264822GT	67	1288967GT	139
1256581GT	49, 53	1264834GT	67	1289520GT	39
1256645GT	129	1265331GT	117	1289521GT	39, 151
1256655GT	105	1265367GT	117	1289561GT	39, 151
1256657GT	105	1266273GT	67	1289762GT	153
1256708GT	105	1267409GT	21	1289877GT	139
1256709GT	101	1267469GT	133	1289888GT	139
1256710GT	105	1268468GT	45	1289899GT	69, 151
1256711GT	101	1269612GT	51, 53	1291595GT	69
1256719GT	59	1272484GT	39	1291624GT	13
1256720GT	59	1272485GT	39	1292512GT	13
1256722GT	57	1272486GT	47	1292513GT	13
1256725GT	105	1272487GT	49	1292514GT	13
1256726GT	105	1272488GT	51	1292515GT	13
1256729GT	105	1272489GT	57	1292673GT	67
1256730GT	105	1272490GT	57	1292837GT	69
1256850GT	153	1273392GT	67, 133	1293166GT	17
1257080GT	111, 113	1274172GT	153	1293217GT	13
1258347GT	101	1274322GT	153	1293224GT	51
1258348GT	101	1274950GT	121, 125	1293236GT	39
1258349GT	101	1275562GT	141	1293237GT	39
1258352GT	101	1275782GT	45	1293238GT	49
1258353GT	101	1275810GT	139	1293239GT	59



<u>Part no.</u>	<u>Page Number</u>	<u>Part no.</u>	<u>Page Number</u>	<u>Part no.</u>	<u>Page Number</u>
1293267GT	117	T106370GT	103, 105		
1293512GT	151	T106371GT	61		
1294153GT	69	T106372GT	61		
1294398GT	13	T106373GT	101, 105		
1294688GT	17	T106782GT	39		
1295449GT	13	T106793GT	39		
1295451GT	59	T108039GT	97		
1295454GT	57	T108074GT	97		
1295542GT	45	T108138GT	71, 75, 79		
1295596GT	35	T108139GT	71, 75, 79		
1295970GT	151	T109734GT	73, 75, 83		
1299190GT	17	T109739GT	29		
1299191GT	17	T109744GT	29		
1299192GT	17	T109745GT	29		
1299193GT	17	T112503GT	21		
1299194GT	17	T112560GT	99		
1299195GT	19	T113139GT	45		
1299285GT	19	T114353GT	135		
1299286GT	19	T114354GT	135		
1299287GT	19	T114356GT	135		
1299498GT	67	T114357GT	135		
1299634GT	23	T114358GT	135		
1299650GT	67	T114397GT	103, 105		
1301216GT	13	T114634GT	69		
1302043GT	45				
1302876GT	15, 19				
1304111GT	27				
1305757GT	23				
1306767GT	11				
1306769GT	17				
1306770GT	17				
1307074GT	43				
1307805GT	143				
1308917GT	57				
1309421GT	99				
1309422GT	99				
1309423GT	99				
1309427GT	47				
1309602GT	117				
T106362GT	59				
T106363GT	59				
T106366GT	59				



California Proposition 65



Operating, servicing and maintaining this equipment, passenger vehicle or off-highway motor vehicle can expose you to chemicals including engine exhaust, carbon monoxide, phthalates, and lead, which are known to the State of California to cause cancer and birth defects or other reproductive harm. These chemicals can be emitted from or contained in other various parts and systems, fluids and some component wear by-products. To minimize exposure, avoid breathing exhaust, do not idle the engine except as necessary, service your equipment and vehicle in a well-ventilated area and wear gloves or wash your hands frequently when servicing your equipment or vehicle and after operation. For more information go to www.P65Warnings.ca.gov/passenger-vehicle.

Breathing diesel engine exhaust exposes you to chemicals known to the State of California to cause cancer and birth defects or other reproductive harm.

- Always start and operate the engine in a well-ventilated area.
- If in an enclosed area, vent the exhaust to the outside.
- Do not modify or tamper with the exhaust system.
- Do not idle the engine except as necessary.

For more information go to www.P65warnings.ca.gov/diesel.

www.genielift.com

Distributed By: