



A TEREX BRAND

Parts Manual

Serial Number Range

GS-2046

GS-2646

GS-3246

GS-4046

from SN GS46P-200101

Part No. 1310144GT
Rev: A
May 2021

Technical Publications

Genie has endeavored to deliver the highest degree of accuracy possible. However, continuous improvement of our products is a Genie policy. Therefore, product specifications are subject to change without notice.

Readers are encouraged to notify Genie of errors and send in suggestions for improvement. All communications will be carefully considered for future printings of this and all other manuals.

Contact Us:

Internet: www.genielift.com
e-mail: awp.techpub@terex.com

Find a Manual for this Model


Go to <http://www.genielift.com>

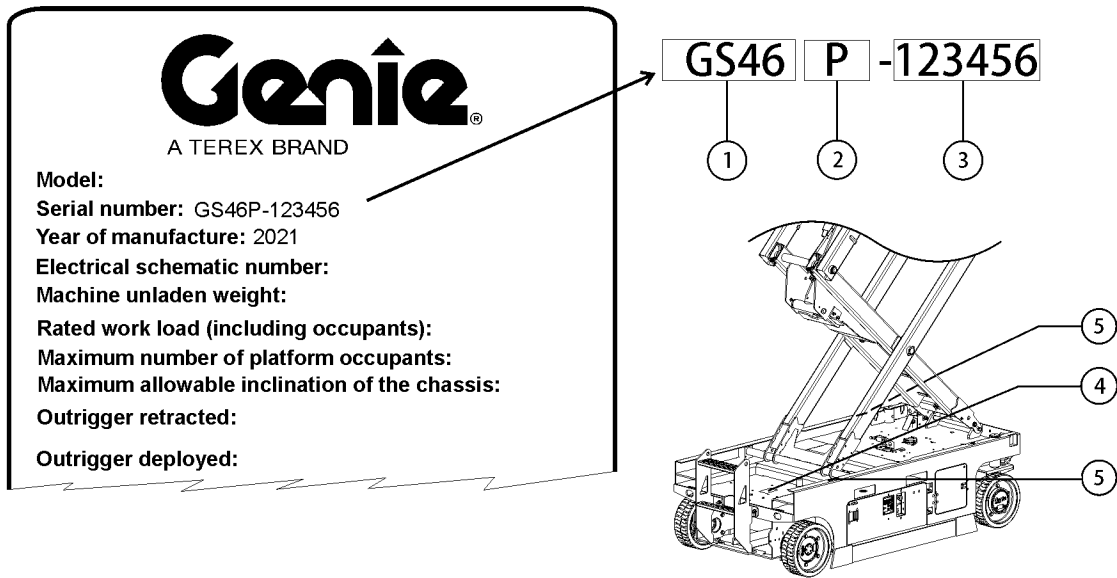
Use the links to locate Operator's, Parts, Maintenance, and Service and Repair Manuals.

Copyright © 2021 by Terex Corporation

1310144GT Rev A May 2021
First Edition, First Printing

Genie is a registered trademark of Terex South Dakota in the USA and many other countries. "GS" is a trademark of Terex South Dakota, Inc.

 Printed on recycled paper



- 1 Model
- 2 Facility code
- 3 Sequence number

- 4 Serial label (located on chassis)
- 5 Serial number (stamped on chassis)

How to Order Parts

Please be prepared with the following information when ordering replacement parts for your Terex or Genie product.

- Machine model number
- Machine serial number
- Part number
- Part description and quantity
- Purchase order number
- "Ship to" address
- Desired method of shipment
- Name and telephone number of the authorized distributor in your area

Use the Service Parts Fax Order Form on the next page and fax your order to our Parts Department.

If you don't know the name of your authorized distributor, or if your area is not currently serviced by an authorized distributor, please call Terex or Genie Industries.

Machine Information

Model

Serial Number

Date of Purchase

Authorized Genie Distributor

Phone Number

North America

Telephone (425)881-1800

Toll Free (800)536-1800 in US and Canada

Fax (425)556-8659

Toll Free fax (888)274-6192

Email AWP.PartsSalesPO@terex.com

<http://genielift.com/en>

EMEAR (Europe, Middle East, Africa and Russia)

Telephone (31)(165)519 313

Fax (31)(165)511 148

<http://genielift.co.uk>

Asia Pacific (Genie Singapore)

Telephone +65 6692 7777

Fax +65 6261 8893

<http://genielift.com.sg/>

Australia

Telephone (61)(7)3456 4444

Fax (61)(7)3456 4466

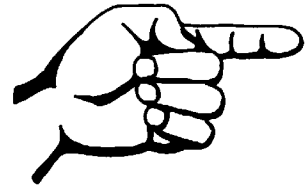
<http://genielift.com.au>

South America

Telephone (55)(11)4082 5600

Fax (55)(11)4082 5630

Please refer to section 001 for the Recommended Spare



This page intentionally left blank.



Service Parts Fax Order Form

Fax to: (425) 556-8659 or Toll Free: 888-274-6192
International: +1-425-556-8659

Please fill out completely

Date _____	Account Number _____
Your Name _____	Your Fax Number _____
_____	Your Phone Number _____
Bill To _____	Ship To _____
_____	_____
_____	_____
Purchase Order Number _____	Ship Via _____

Model(s) _____ Serial No.(s) _____

Optional Equipment _____

Part Number	Description	Quantity	Price

All back-ordered parts will be shipped when available via the same ship method as the original order unless Noted below:

- Ship complete order only - No back orders
- Ship all available parts and contact customer on disposition of back-ordered parts
- Other (please specify)

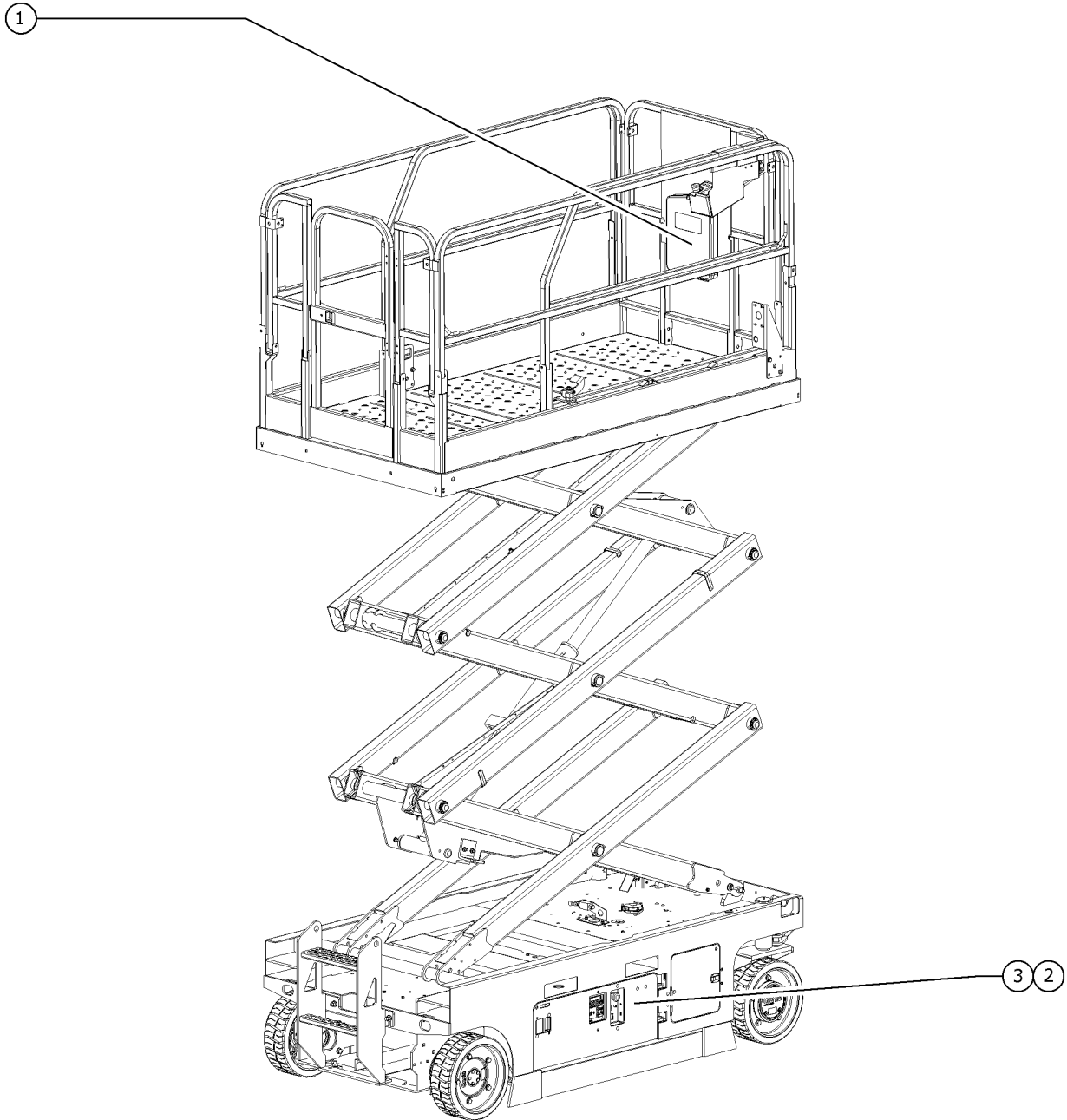


Description	Page
001 Parts Stocking List	10
001.1 Parts Stocking List	10
100 Decals	12
101.1 Word Decals, GS-2046, Battery Side, ANSI & Australia	12
102.1 Word Decals, GS-2046, Ground Control Side, ANSI and Australia	14
103.1 Word Decals, GS-2646, Battery Side, ANSI & Australia	18
104.1 Word Decals, GS-2646, Ground Control Side, ANSI and Australia	20
105.1 Word Decals, GS-3246, Battery Side, ANSI and Australia	24
106.1 Word Decals, GS-3246, Ground Control Side, ANSI and Australia	26
107.1 Word Decals, GS-4046, Battery Side, ANSI and Australia	30
108.1 Word Decals, GS-4046, Ground Control Side, ANSI and Australia	32
109.1 Word Decals, Platform, ANSI and Australia, All Models	36
110.1 Symbol Decals, GS-2046, Battery Side, ANSI & CE	40
111.1 Symbol Decals, GS-2046, Ground Control Side, ANSI & CE	42
112.1 Symbol Decals, GS-2646, Battery Side, ANSI & CE	46
113.1 Symbol Decals, GS-2646, Ground Control Side, ANSI & CE	48
114.1 Symbol Decals, GS-3246, Battery Side, ANSI & CE	52
115.1 Symbol Decals, GS-3246, Ground Control Side, ANSI & CE	54
116.1 Symbol Decals, GS-4046, Battery Side, ANSI & CE	58
117.1 Symbol Decals, GS-4046, Ground Control Side, ANSI & CE	60
118.1 Symbol Decals, Platform, ANSI and CE, All Models	64
200 Drive Chassis Components.....	66
201.1 Steer Linkage and Wheels	66
202.1 Non-Steer Axle Installation	70
203.1 Level Sensor Installation	74
204.1 Pothole Protection Assembly	76
205.1 Battery Pack Module (E-Drive)	80
205.2 Battery Pack Module (GS-4046)	82
206.1 Battery Charger (GS-4046)	84
207.1 Power Unit Module	86
208.1 Ground Controls	88
209.1 Electrical Wiring	92
210.1 Power Cables (GS-2046, GS-2646 and GS-3246)	96
210.2 Power Cables (GS-4046)	98
300 Scissor Components	100
301.1 Scissor Assembly Installation	100
302.1 Scissor Assembly, GS-2046	102
303.1 Scissor Assembly, GS-2646	106

Table of Contents

Description	Page
304.1 Scissor Assembly, GS-3246	110
305.1 Scissor Assembly, GS-4046	114
400 Platform Components	120
401.1 Platform Components	120
402.1 Power to Platform	124
403.1 Platform Controls	128
404.1 Joystick Controller	130
500 Hydraulic Components	132
501.1 Hydraulic Components	132
502.1 Power Unit	134
503.1 Lift Cylinder Assembly (GS2046, GS2646, GS3246)	138
503.2 Lift Cylinder Assembly (GS4046)	142
504.1 Hydraulic Hoses and Fittings (GS2046, GS2646, GS3246)	144
504.2 Hydraulic Hoses and Fittings (GS4046)	146
600 Accessories	148
601.1 Alarm, Horn and Flashing Beacons	148
602.1 RCBO	150
603.1 PCON Guard	152
604.1 Voltage Inverter (GS-2046, GS-2646 and GS-3246)	154
604.2 Voltage Inverter (GS-4046)	156
605.1 Lift Guard Contact Alarm, View-1	158
606.1 Lift Guard Contact Alarm, View-1	160
607.1 Tool Tray Options	162
700 Platform Overload	164
701.1 Platform Overload	164
Part Number Index	166

001.1 Parts Stocking List

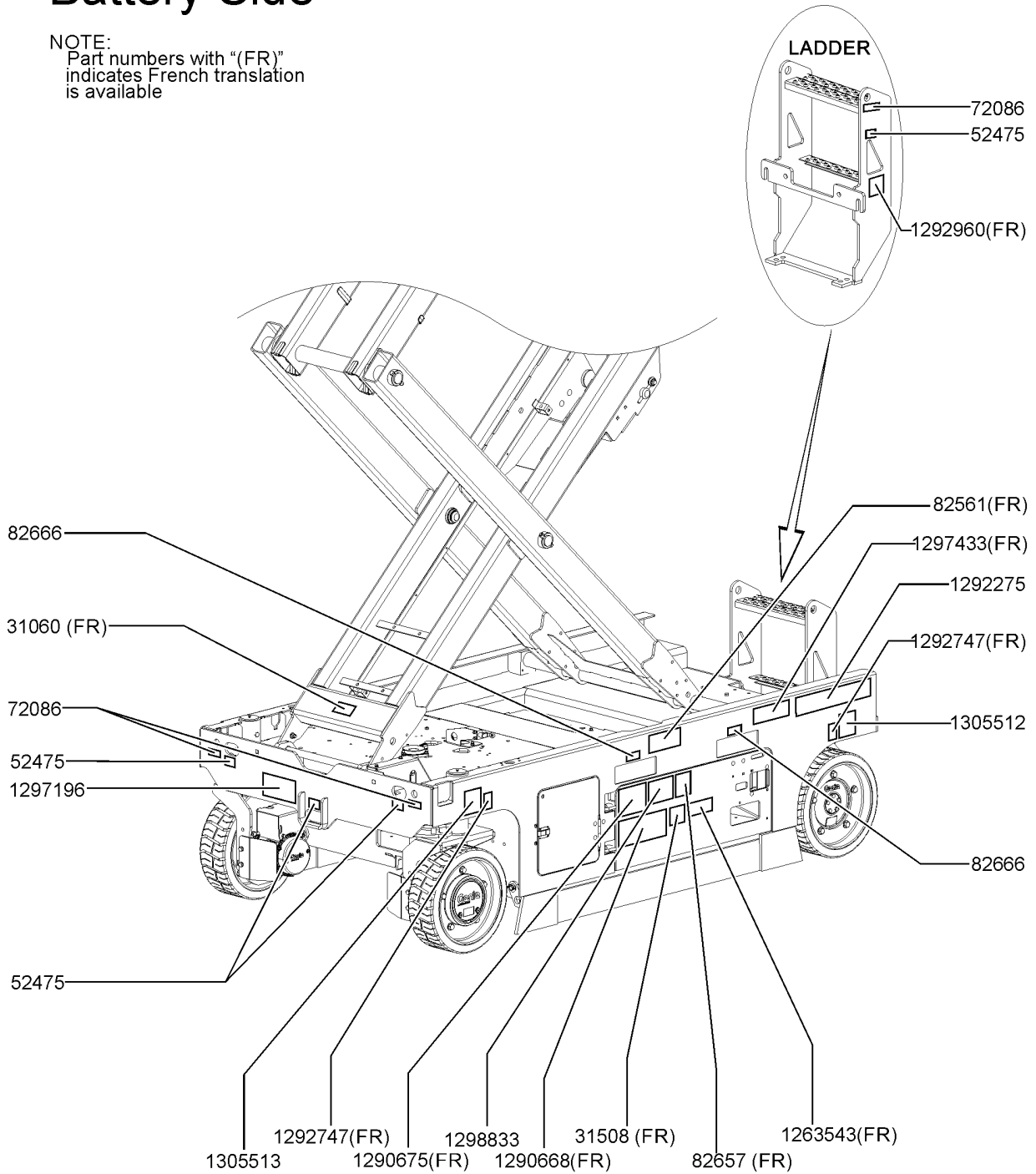


Item	Part No.	Description	Qty.
--	66399GT	GREASE, DIELECTRIC 4 OZ**	
--		Ref. CHEVRON ULTRA-DUTY GREASE (LITHIUM), OR EQUIVALENT, EP NLGI 1	
		(source locally)	
--	1258567GT	PAINT, AEROSOL, TRAFFIC BLACK	
		12-ounce spray paint	
--	1268GT	PAINT, AEROSOL, GENIE GRAY***	
		12-ounce spray paint	
--	1484GT	PAINT, AEROSOL, BRIGHT BLUE***	
		12-ounce spray paint	
--	1257733GT	PAINT, WET, TRAFFIC BLACK(1 GL)**	
		1-gallon	
--	32150GT	PAINT, WET, GENIE BLUE (1 GL)**	
		1-gallon	
--	32151GT	PAINT, WET, GENIE GRAY (1GL)**	
		1-gallon	
--	49613GT	PLUG AND CAP KIT-SERVICE,ORFS*	
1	27581GT	MANUAL, SAFTY MANNAL	
1B	44163GT	MANUAL,RESPON,A92.6 SCISSOR	
2	1300318GT	FILTER, ELEMENT, SPIN ON	
3	78546GT	BREATHER CAP, HYD. TANK, 1/4 NPT	



Battery Side

NOTE:
Part numbers with "(FR)"
indicates French translation
is available



101.1 Word Decals, GS-2046, Battery Side, ANSI & Australia

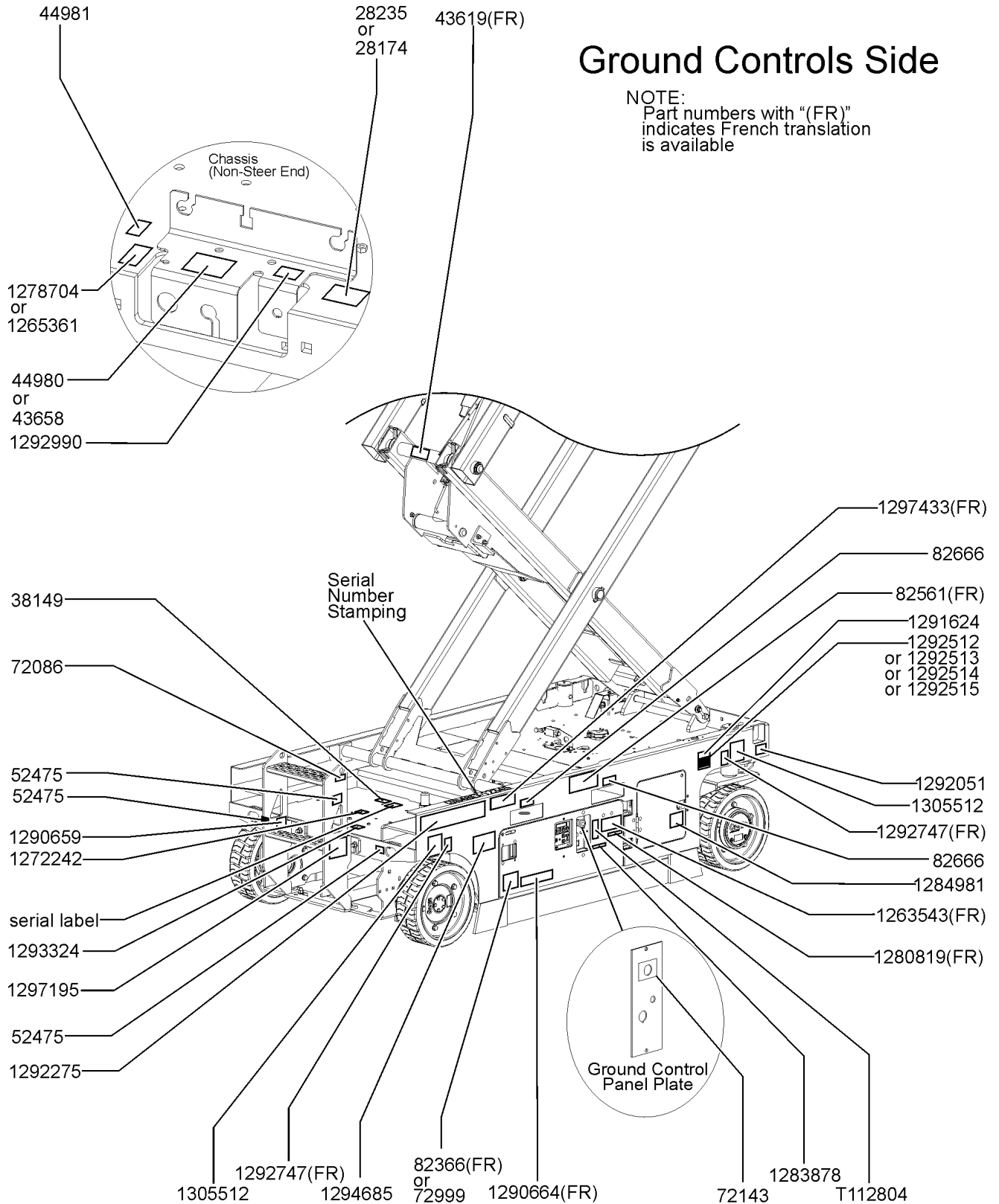
<i>Item</i>	<i>Part No.</i>	<i>Description</i>	<i>Qty.</i>
1	31060GT	DECAL,DANGER DO NOT ALTER SWTC	1
2	31508GT	DECAL,DANGER,ELECT HAZARD,PLUG	1
3	52475GT	DECAL,LABEL,TRANSPORT TIEDOWN*	4
4	72086GT	DECAL,LABEL,LIFTING EYE	3
5	82561GT	DECAL,DANGER-USE SAFETY ARM	1
6	82657GT	DECAL,INSTRUCT,BATTERY CONNECT	1
7	82666GT	DECAL,LABEL,FORKLIFT POCKET	2
8	1263543GT	DECAL, IMPROPER OPERATION	1
9	1290668GT	DECAL,INSTRUCTIONS-CHARGER OP, GS-1330m	1
10	1290675GT	DECAL,DANGER,BATTERY SAFETY***, GS-1330m	1
11	1292275GT	DECAL, ELECTRIC DRIVE, E-DRIVE	1
12	1292747GT	DECAL,LABEL-TIRE SPECS	2
13	1292960GT	DECAL DANGER BRAKE REL SAFETY, GS-1330m	1
14	1297196GT	DECAL, LABEL-TRANSPORT DIAGRAM	1
15	1297433GT	DECAL, DANGER, ELECTRICAL HAZARD, SLAB	1
16	1298833GT	DECAL, DANGER, TIP-OVER, BATTERY	1
17	1305512GT	DECAL, LABEL, WHEEL LOAD, E-DRIVE, GS-2046	2



102.1 Word Decals, GS-2046, Ground Control Side, ANSI and Australia

Ground Controls Side

NOTE:
Part numbers with "(FR)"
indicates French translation
is available



102.1 Word Decals, GS-2046, Ground Control Side, ANSI and Australia

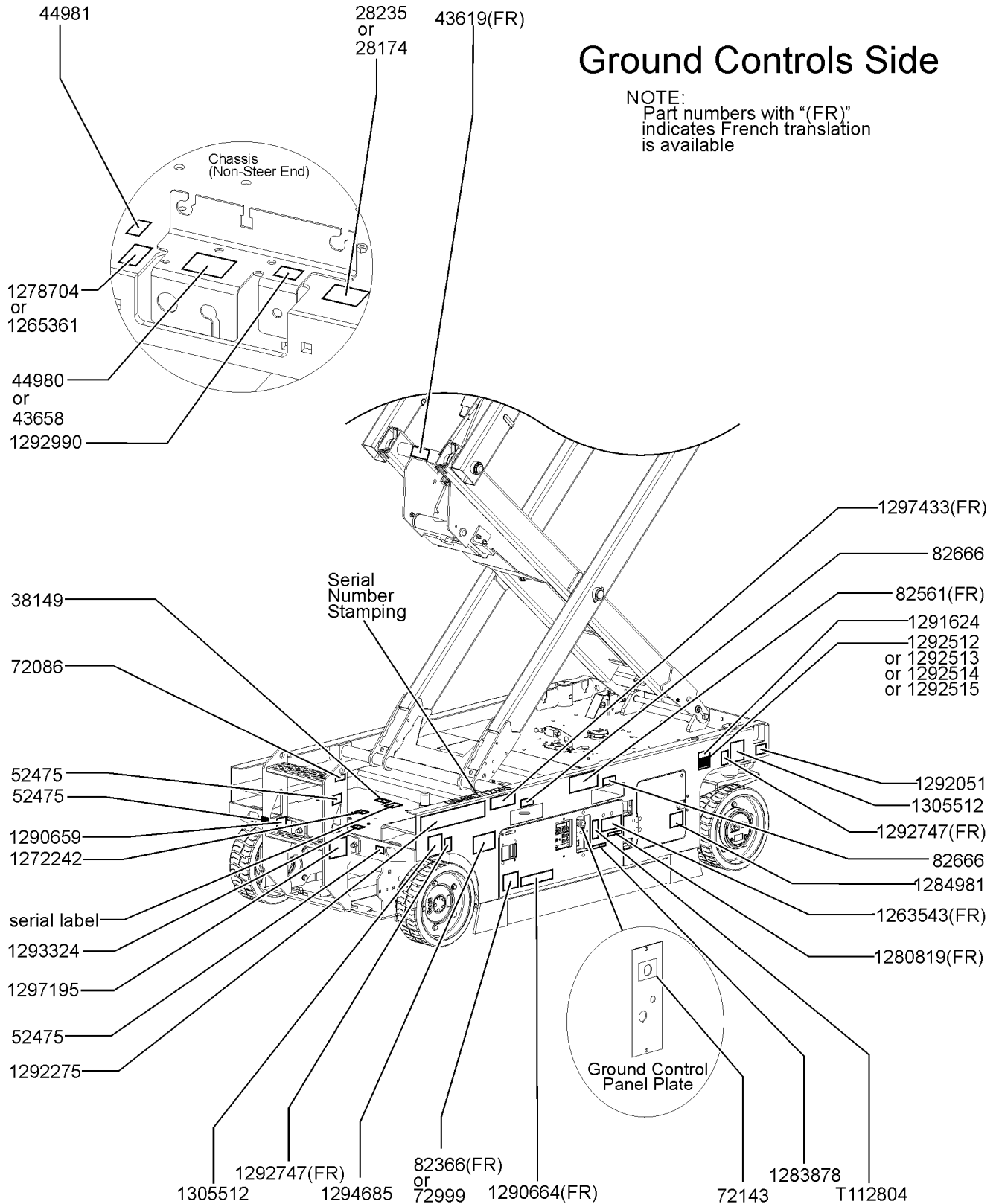
Item	Part No.	Description	Qty.
1	28174GT	DECAL, POWER TO PLATFORM 230V**	1
2	28235GT	DECAL,POWER TO PLATFORM 115V	1
3	38149GT	DECAL,LABEL,PATENTS	1
4	43619GT	DECAL,LABEL,SAFETY ARM	1
5	43658GT	DECAL,LABEL,PWR TO CHARGR 230V	1
6	44980GT	DECAL,LABEL,PWR TO CHARGR 115V	1
7	44981GT	DECAL,LABEL, AIR LINE 110 PSI	1
8	52475GT	DECAL,LABEL,TRANSPORT TIEDOWN*	3
9	72086GT	DECAL,LABEL,LIFTING EYE	1
10	72143GT	DECAL,EMERGENCY STOP,GR	1
11	72999GT	DECAL,LABEL,PETRO CANADA***	1
12	82366GT	DECAL,LABEL-CHEVRON RANDO	1
13	82561GT	DECAL,DANGER-USE SAFETY ARM	1
14	82666GT	DECAL,LABEL,FORKLIFT POCKET	2
15	1263543GT	DECAL, IMPROPER OPERATION	1
16	1265361GT	DECAL, BATTERY CHARGER INDICAT	1
17	1272242GT	DECAL,MACHINE REGISTRATION/OWN	1
18	1278704GT	DECAL,CHARGE STATUS IND.	1
19	1280819GT	DECAL,WARNING,CANCER AND REPRODUCTIVE HARM, PROP 65	1
20	1283878GT	DECAL, TECHPRO LINK	1
21	1284981GT	DECAL,ACCUMULATOR EXPLOSION HAZARD,WORD	1
22	1290659GT	DECAL,DANGER,ELECT HAZARD,PLUG, GS-1330m	1
23	1290664GT	DECAL,OP INST,GCON, GS-1330m	1
24	1291624GT	DECAL COSM,GENIE LIFT CONNECT,LEXAN COVER	1
25	1292051GT	DECAL,EMERGENCY LOWERING, GS-1330m	1
26	1292275GT	DECAL, ELECTRIC DRIVE, E-DRIVE	1
27	1292512GT	DECAL COSM,GENIE LIFT CONNECT,ESN,SKU4-1	1
28	1292513GT	DECAL COSM,GENIE LIFT CONNECT,ESN,SKU4-2	1



102.1 Word Decals, GS-2046, Ground Control Side, ANSI and Australia

Ground Controls Side

NOTE:
Part numbers with "(FR)"
indicates French translation
is available



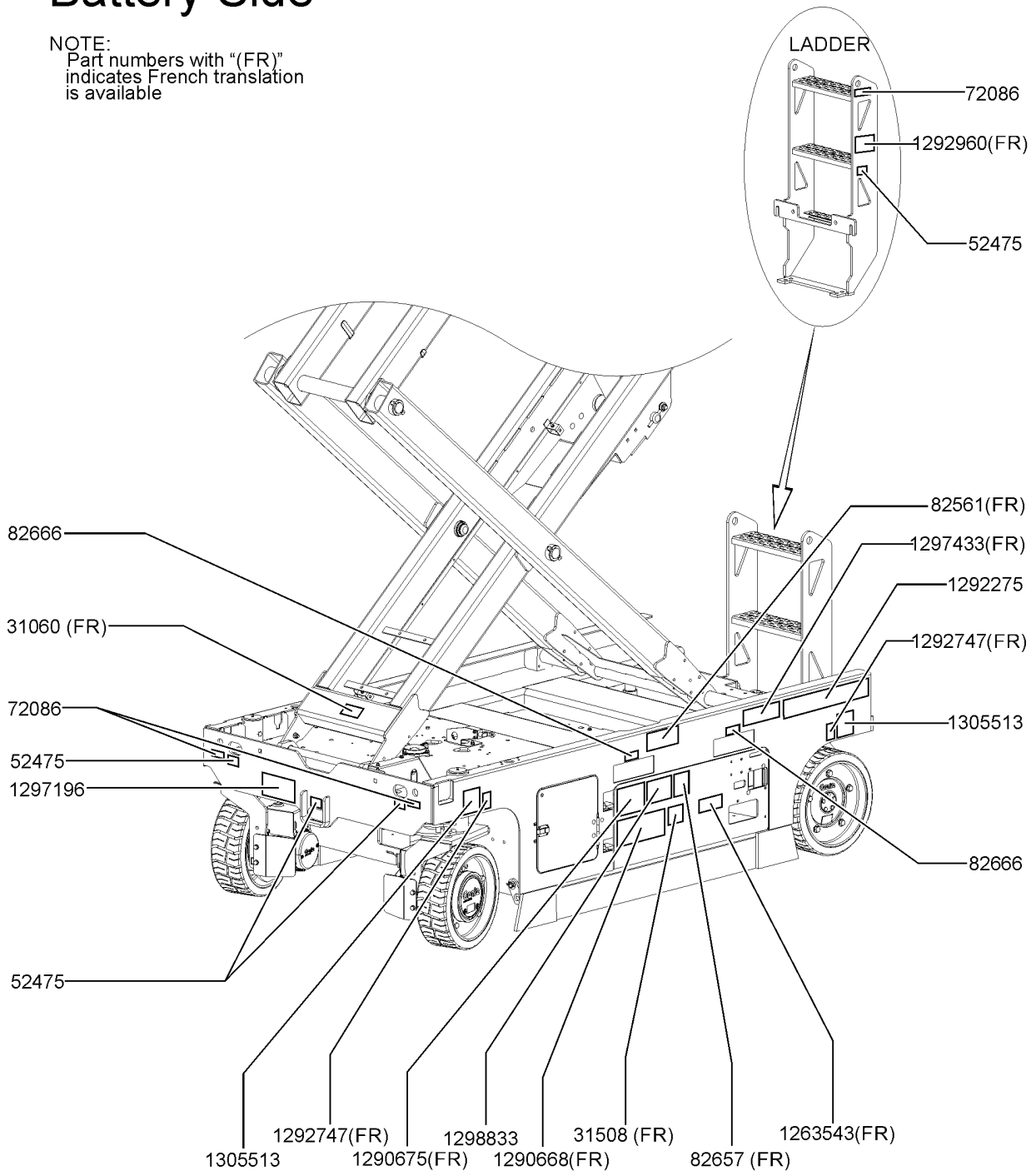
102.1 Word Decals, GS-2046, Ground Control Side, ANSI and Australia

<i>Item</i>	<i>Part No.</i>	<i>Description</i>	<i>Qty.</i>
29	1292514GT	DECAL COSM,GENIE LIFT CONNECT,ESN,SKU4-3	1
30	1292515GT	DECAL COSM,GENIE LIFT CONNECT,ESN,SKU4-4	1
31	1292747GT	DECAL,LABEL-TIRE SPECS	2
32	1292990GT	DECAL,RELEASE BRAKE	1
33	1293324GT	DECAL, ICES-2/CAN-2 COMPLIANCE	1
34	1294685GT	DECAL,ANNUAL INSP***, MINI	1
35	1297195GT	DECAL, LABEL-TRANSPORT DIAGRAM	1
36	1297433GT	DECAL, DANGER, ELECTRICAL HAZARD, SLAB	1
37	1305512GT	DECAL, LABEL, WHEEL LOAD, E-DRIVE, GS-2046	2
38	T112804GT	DECAL,GCON PANEL,GS	1



Battery Side

NOTE:
Part numbers with "(FR)"
indicates French translation
is available



103.1 Word Decals, GS-2646, Battery Side, ANSI & Australia

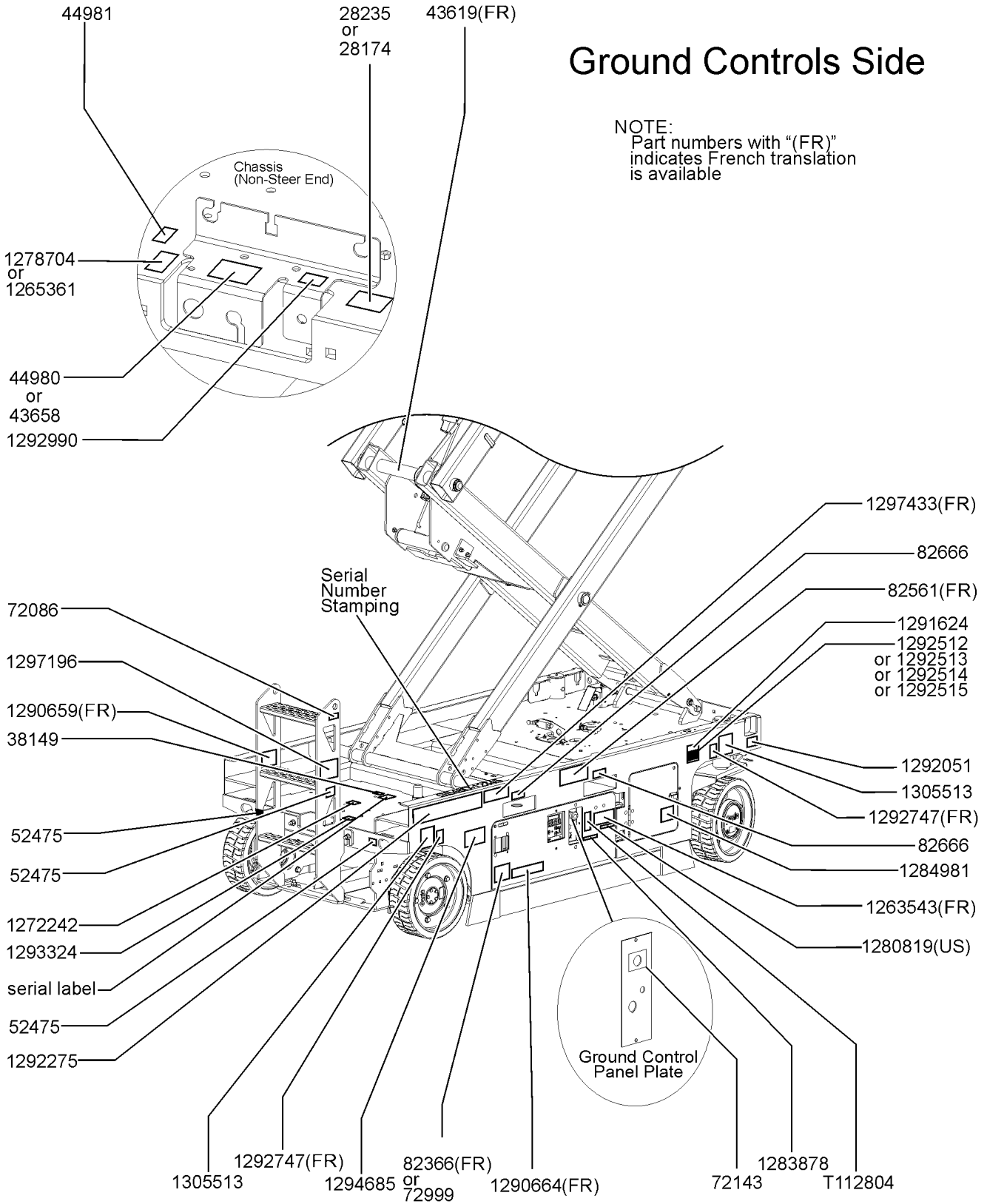
<i>Item</i>	<i>Part No.</i>	<i>Description</i>	<i>Qty.</i>
1	31060GT	DECAL,DANGER DO NOT ALTER SWTC	1
2	31508GT	DECAL,DANGER,ELECT HAZARD,PLUG	1
3	52475GT	DECAL,LABEL,TRANSPORT TIEDOWN*	4
4	72086GT	DECAL,LABEL,LIFTING EYE	3
5	82561GT	DECAL,DANGER-USE SAFETY ARM	1
6	82657GT	DECAL,INSTRUCT,BATTERY CONNECT	1
7	82666GT	DECAL,LABEL,FORKLIFT POCKET	2
8	1263543GT	DECAL, IMPROPER OPERATION	1
9	1290668GT	DECAL,INSTRUCTIONS-CHARGER OP, GS-1330m	1
10	1290675GT	DECAL,DANGER,BATTERY SAFETY***, GS-1330m	1
11	1292275GT	DECAL, ELECTRIC DRIVE, E-DRIVE	1
12	1292747GT	DECAL,LABEL-TIRE SPECS	2
13	1292960GT	DECAL DANGER BRAKE REL SAFETY, GS-1330m	1
14	1297196GT	DECAL, LABEL-TRANSPORT DIAGRAM	1
15	1297433GT	DECAL, DANGER, ELECTRICAL HAZARD, SLAB	1
16	1298833GT	DECAL, DANGER, TIP-OVER, BATTERY	1
17	1305513GT	DECAL, LABEL, WHEEL LOAD, E-DRIVE, GS-2646	2



104.1 Word Decals, GS-2646, Ground Control Side, ANSI and Australia

Ground Controls Side

NOTE:
Part numbers with "(FR)"
indicates French translation
is available



104.1 Word Decals, GS-2646, Ground Control Side, ANSI and Australia

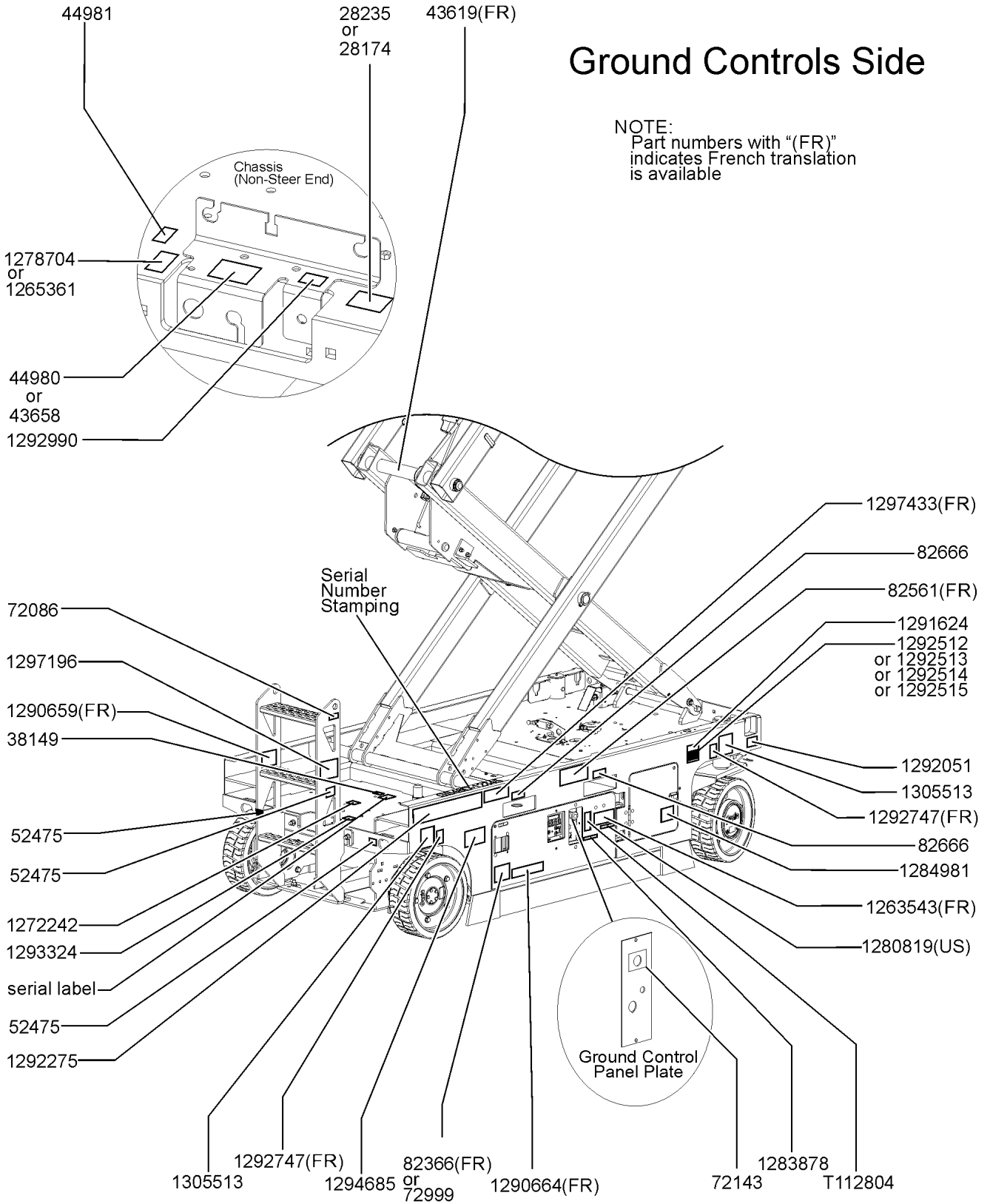
Item	Part No.	Description	Qty.
1	28174GT	DECAL, POWER TO PLATFORM 230V**	1
2	28235GT	DECAL,POWER TO PLATFORM 115V	1
3	38149GT	DECAL,LABEL,PATENTS	1
4	43619GT	DECAL,LABEL,SAFETY ARM	1
5	43658GT	DECAL,LABEL,PWR TO CHARGR 230V	1
6	44980GT	DECAL,LABEL,PWR TO CHARGR 115V	1
7	44981GT	DECAL,LABEL, AIR LINE 110 PSI	1
8	52475GT	DECAL,LABEL,TRANSPORT TIEDOWN*	3
9	72086GT	DECAL,LABEL,LIFTING EYE	1
10	72143GT	DECAL,EMERGENCY STOP,GR	1
11	72999GT	DECAL,LABEL,PETRO CANADA***	1
12	82366GT	DECAL,LABEL-CHEVRON RANDO	1
13	82561GT	DECAL,DANGER-USE SAFETY ARM	1
14	82666GT	DECAL,LABEL,FORKLIFT POCKET	2
15	1263543GT	DECAL, IMPROPER OPERATION	1
16	1265361GT	DECAL, BATTERY CHARGER INDICAT	1
17	1272242GT	DECAL,MACHINE REGISTRATION/OWN	1
18	1278704GT	DECAL,CHARGE STATUS IND.	1
19	1280819GT	DECAL,WARNING,CANCER AND REPRODUCTIVE HARM, PROP 65	1
20	1283878GT	DECAL, TECHPRO LINK	1
21	1284981GT	DECAL,ACCUMULATOR EXPLOSION HAZARD,WORD	1
22	1290659GT	DECAL,DANGER,ELECT HAZARD,PLUG, GS-1330m	1
23	1290664GT	DECAL,OP INST,GCON, GS-1330m	1
24	1291624GT	DECAL COSM,GENIE LIFT CONNECT,LEXAN COVER	1
25	1292051GT	DECAL,EMERGENCY LOWERING, GS-1330m	1
26	1292275GT	DECAL, ELECTRIC DRIVE, E-DRIVE	1
27	1292512GT	DECAL COSM,GENIE LIFT CONNECT,ESN,SKU4-1	1
28	1292513GT	DECAL COSM,GENIE LIFT CONNECT,ESN,SKU4-2	1



104.1 Word Decals, GS-2646, Ground Control Side, ANSI and Australia

Ground Controls Side

NOTE:
Part numbers with "(FR)"
indicates French translation
is available



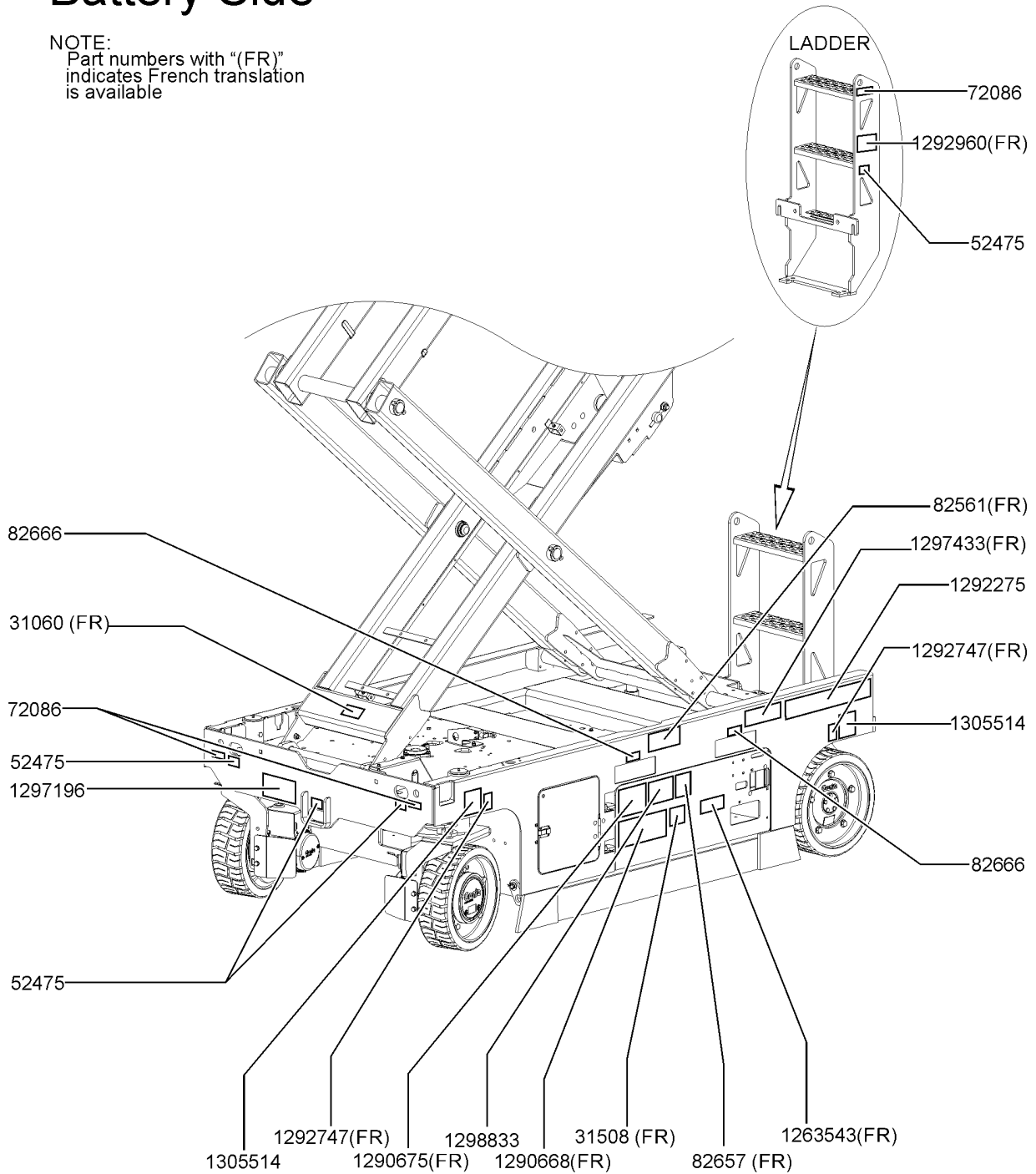
104.1 Word Decals, GS-2646, Ground Control Side, ANSI and Australia

<i>Item</i>	<i>Part No.</i>	<i>Description</i>	<i>Qty.</i>
29	1292514GT	DECAL COSM,GENIE LIFT CONNECT,ESN,SKU4-3	1
30	1292515GT	DECAL COSM,GENIE LIFT CONNECT,ESN,SKU4-4	1
31	1292747GT	DECAL,LABEL-TIRE SPECS	2
32	1292990GT	DECAL,RELEASE BRAKE	1
33	1293324GT	DECAL, ICES-2/CAN-2 COMPLIANCE	1
34	1294685GT	DECAL,ANNUAL INSP***, MINI	1
35	1297196GT	DECAL, LABEL-TRANSPORT DIAGRAM	1
36	1297433GT	DECAL, DANGER, ELECTRICAL HAZARD, SLAB	1
37	1305513GT	DECAL, LABEL, WHEEL LOAD, E-DRIVE, GS-2646	2
38	T112804GT	DECAL,GCON PANEL,GS	1



Battery Side

NOTE:
Part numbers with "(FR)"
indicates French translation
is available

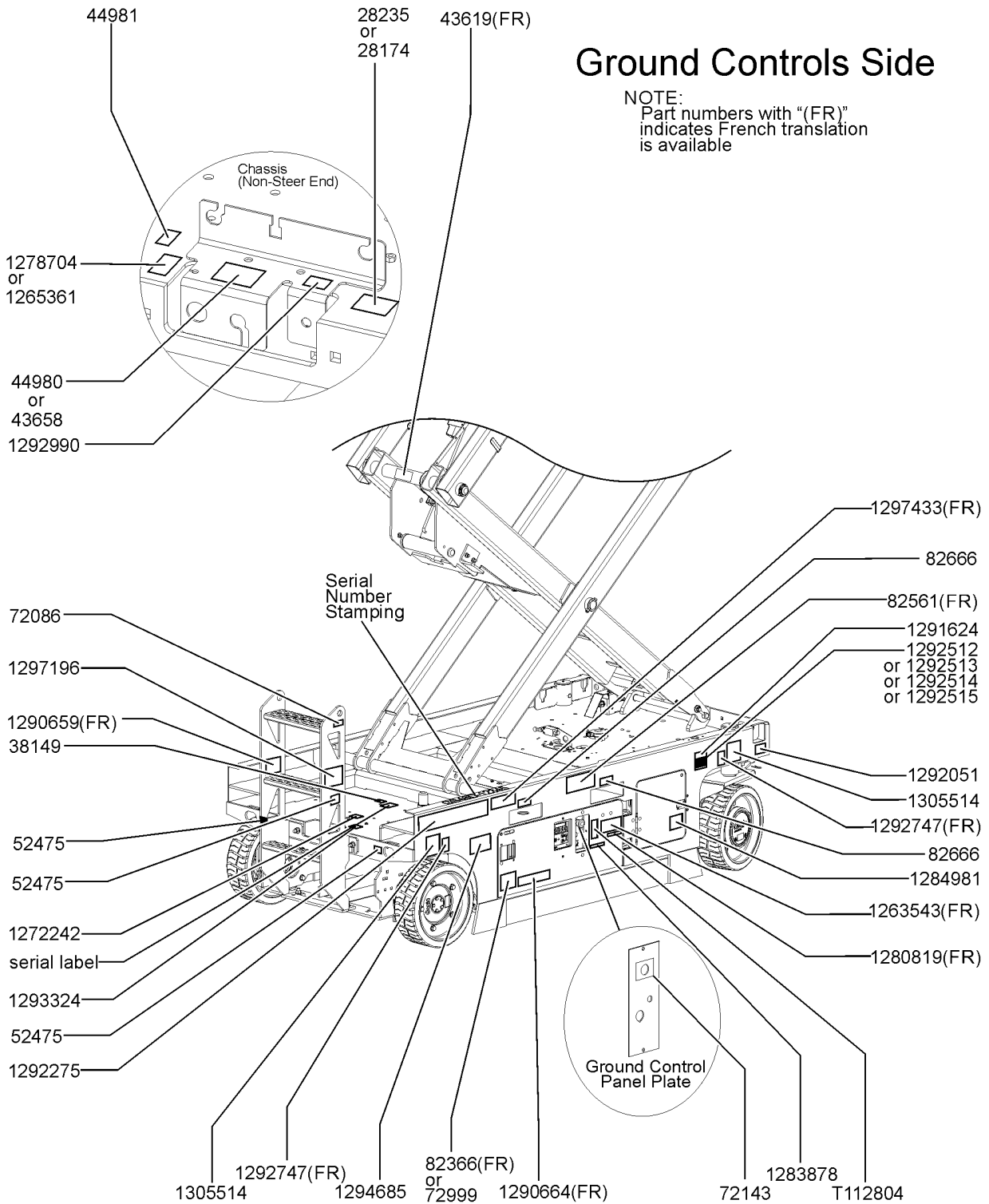


105.1 Word Decals, GS-3246, Battery Side, ANSI and Australia

<i>Item</i>	<i>Part No.</i>	<i>Description</i>	<i>Qty.</i>
1	31060GT	DECAL,DANGER DO NOT ALTER SWTC	1
2	31508GT	DECAL,DANGER,ELECT HAZARD,PLUG	1
3	52475GT	DECAL,LABEL,TRANSPORT TIEDOWN*	4
4	72086GT	DECAL,LABEL,LIFTING EYE	3
5	82561GT	DECAL,DANGER-USE SAFETY ARM	1
6	82657GT	DECAL,INSTRUCT,BATTERY CONNECT	1
7	82666GT	DECAL,LABEL,FORKLIFT POCKET	2
8	1263543GT	DECAL, IMPROPER OPERATION	1
9	1290668GT	DECAL,INSTRUCTIONS-CHARGER OP, GS-1330m	1
10	1290675GT	DECAL,DANGER,BATTERY SAFETY***, GS-1330m	1
11	1292275GT	DECAL, ELECTRIC DRIVE, E-DRIVE	1
12	1292747GT	DECAL,LABEL-TIRE SPECS	2
13	1292960GT	DECAL DANGER BRAKE REL SAFETY, GS-1330m	1
14	1297196GT	DECAL, LABEL-TRANSPORT DIAGRAM	1
15	1297433GT	DECAL, DANGER, ELECTRICAL HAZARD, SLAB	1
16	1298833GT	DECAL, DANGER, TIP-OVER, BATTERY	1
17	1305514GT	DECAL, LABEL, WHEEL LOAD, E-DRIVE, GS-3246	2



106.1 Word Decals, GS-3246, Ground Control Side, ANSI and Australia

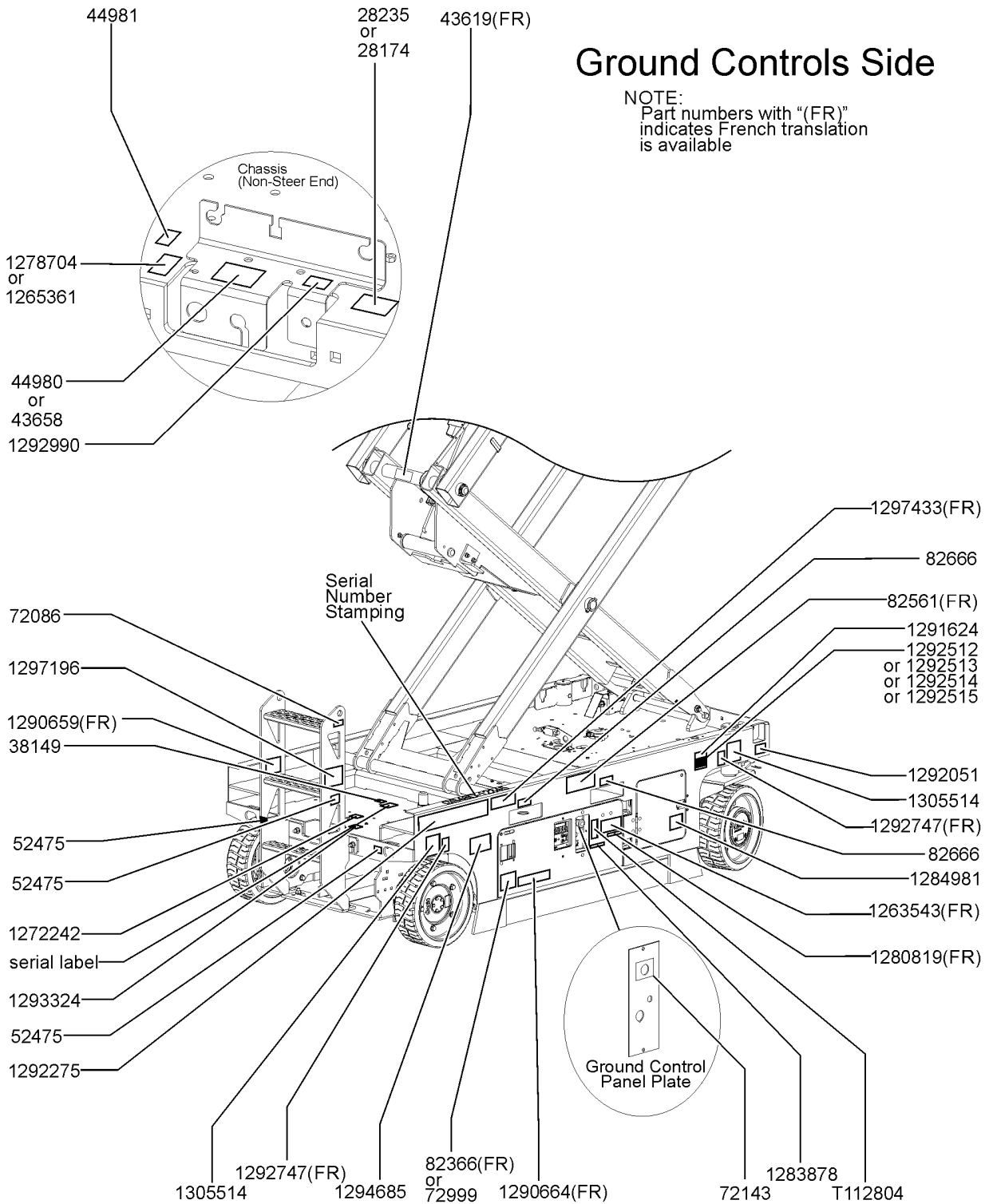


106.1 Word Decals, GS-3246, Ground Control Side, ANSI and Australia

Item	Part No.	Description	Qty.
1	28174GT	DECAL, POWER TO PLATFORM 230V**	1
2	28235GT	DECAL,POWER TO PLATFORM 115V	1
3	38149GT	DECAL,LABEL,PATENTS	1
4	43619GT	DECAL,LABEL,SAFETY ARM	1
5	43658GT	DECAL,LABEL,PWR TO CHARGR 230V	1
6	44980GT	DECAL,LABEL,PWR TO CHARGR 115V	1
7	44981GT	DECAL,LABEL, AIR LINE 110 PSI	1
8	52475GT	DECAL,LABEL,TRANSPORT TIEDOWN*	3
9	72086GT	DECAL,LABEL,LIFTING EYE	1
10	72143GT	DECAL,EMERGENCY STOP,GR	1
11	72999GT	DECAL,LABEL,PETRO CANADA***	1
12	82366GT	DECAL,LABEL-CHEVRON RANDO	1
13	82561GT	DECAL,DANGER-USE SAFETY ARM	1
14	82666GT	DECAL,LABEL,FORKLIFT POCKET	2
15	1263543GT	DECAL, IMPROPER OPERATION	1
16	1265361GT	DECAL, BATTERY CHARGER INDICAT	1
17	1272242GT	DECAL,MACHINE REGISTRATION/OWN	1
18	1278704GT	DECAL,CHARGE STATUS IND.	1
19	1280819GT	DECAL,WARNING,CANCER AND REPRODUCTIVE HARM, PROP 65	1
20	1283878GT	DECAL, TECHPRO LINK	1
21	1284981GT	DECAL,ACCUMULATOR EXPLOSION HAZARD,WORD	1
22	1290659GT	DECAL,DANGER,ELECT HAZARD,PLUG, GS-1330m	1
23	1290664GT	DECAL,OP INST,GCON, GS-1330m	1
24	1291624GT	DECAL COSM,GENIE LIFT CONNECT,LEXAN COVER	1
25	1292051GT	DECAL,EMERGENCY LOWERING, GS-1330m	1
26	1292275GT	DECAL, ELECTRIC DRIVE, E-DRIVE	1
27	1292512GT	DECAL COSM,GENIE LIFT CONNECT,ESN,SKU4-1	1
28	1292513GT	DECAL COSM,GENIE LIFT CONNECT,ESN,SKU4-2	1



106.1 Word Decals, GS-3246, Ground Control Side, ANSI and Australia



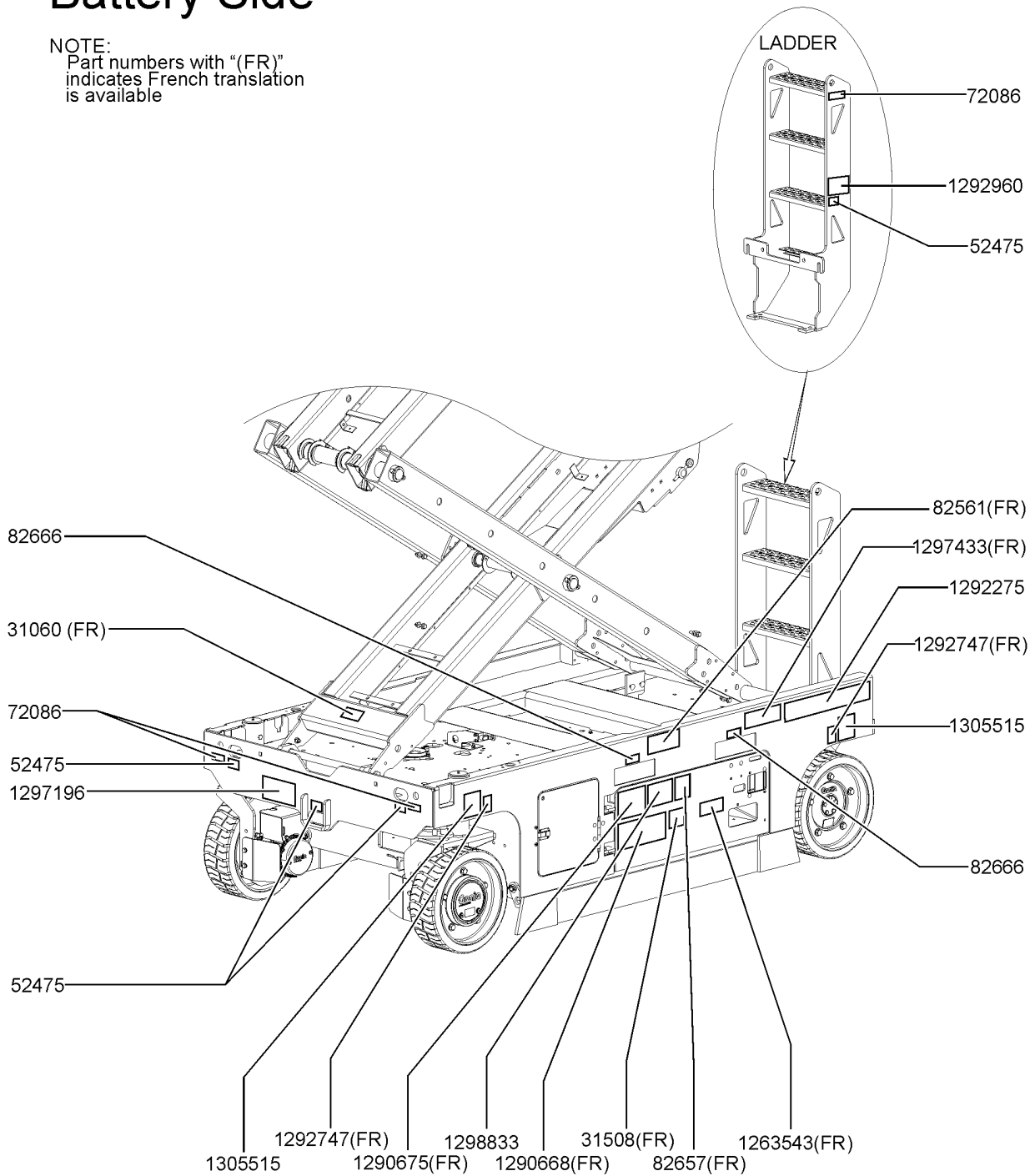
106.1 Word Decals, GS-3246, Ground Control Side, ANSI and Australia

<i>Item</i>	<i>Part No.</i>	<i>Description</i>	<i>Qty.</i>
29	1292514GT	DECAL COSM,GENIE LIFT CONNECT,ESN,SKU4-3	1
30	1292515GT	DECAL COSM,GENIE LIFT CONNECT,ESN,SKU4-4	1
31	1292747GT	DECAL,LABEL-TIRE SPECS	2
32	1292990GT	DECAL,RELEASE BRAKE	1
33	1293324GT	DECAL, ICES-2/CAN-2 COMPLIANCE	1
34	1294685GT	DECAL,ANNUAL INSP***, MINI	1
35	1297196GT	DECAL, LABEL-TRANSPORT DIAGRAM	1
36	1297433GT	DECAL, DANGER, ELECTRICAL HAZARD, SLAB	1
37	1305514GT	DECAL, LABEL, WHEEL LOAD, E-DRIVE, GS-3246	2
38	T112804GT	DECAL,GCON PANEL,GS	1



Battery Side

NOTE:
Part numbers with "(FR)"
indicates French translation
is available

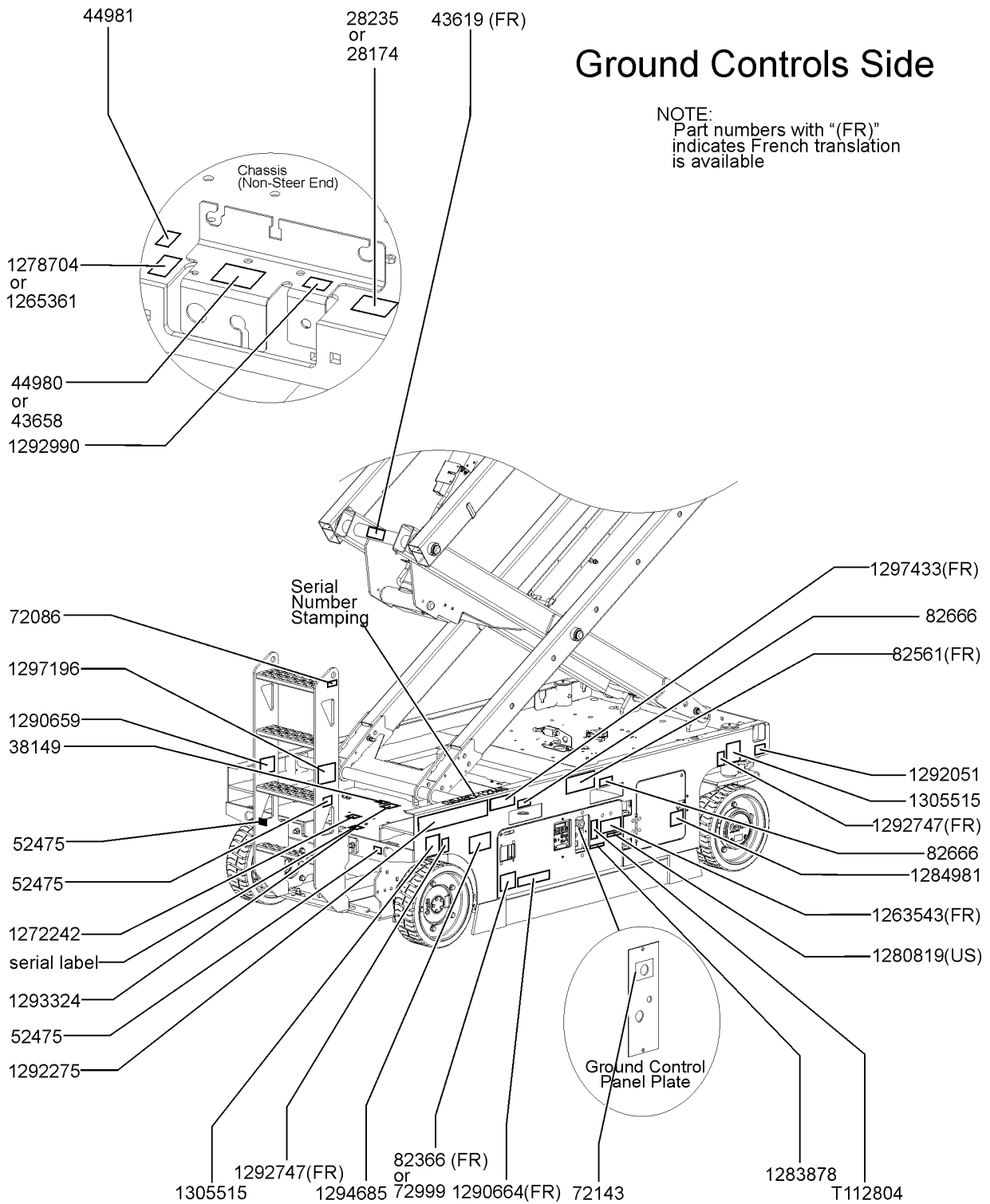


107.1 Word Decals, GS-4046, Battery Side, ANSI and Australia

<i>Item</i>	<i>Part No.</i>	<i>Description</i>	<i>Qty.</i>
1	31060GT	DECAL,DANGER DO NOT ALTER SWTC	1
2	31508GT	DECAL,DANGER,ELECT HAZARD,PLUG	1
3	52475GT	DECAL,LABEL,TRANSPORT TIEDOWN*	4
4	72086GT	DECAL,LABEL,LIFTING EYE	3
5	82561GT	DECAL,DANGER-USE SAFETY ARM	1
6	82657GT	DECAL,INSTRUCT,BATTERY CONNECT	1
7	82666GT	DECAL,LABEL,FORKLIFT POCKET	2
8	1263543GT	DECAL, IMPROPER OPERATION	1
9	1290668GT	DECAL,INSTRUCTIONS-CHARGER OP, GS-1330m	1
10	1290675GT	DECAL,DANGER,BATTERY SAFETY***, GS-1330m	1
11	1292275GT	DECAL, ELECTRIC DRIVE, E-DRIVE	1
12	1292747GT	DECAL,LABEL-TIRE SPECS	2
13	1292960GT	DECAL DANGER BRAKE REL SAFETY, GS-1330m	1
14	1297196GT	DECAL, LABEL-TRANSPORT DIAGRAM	1
15	1297433GT	DECAL, DANGER, ELECTRICAL HAZARD, SLAB	1
16	1298833GT	DECAL, DANGER, TIP-OVER, BATTERY	1
17	1305515GT	DECAL, LABEL, WHEEL LOAD, E-DRIVE, GS-4046	2



108.1 Word Decals, GS-4046, Ground Control Side, ANSI and Australia

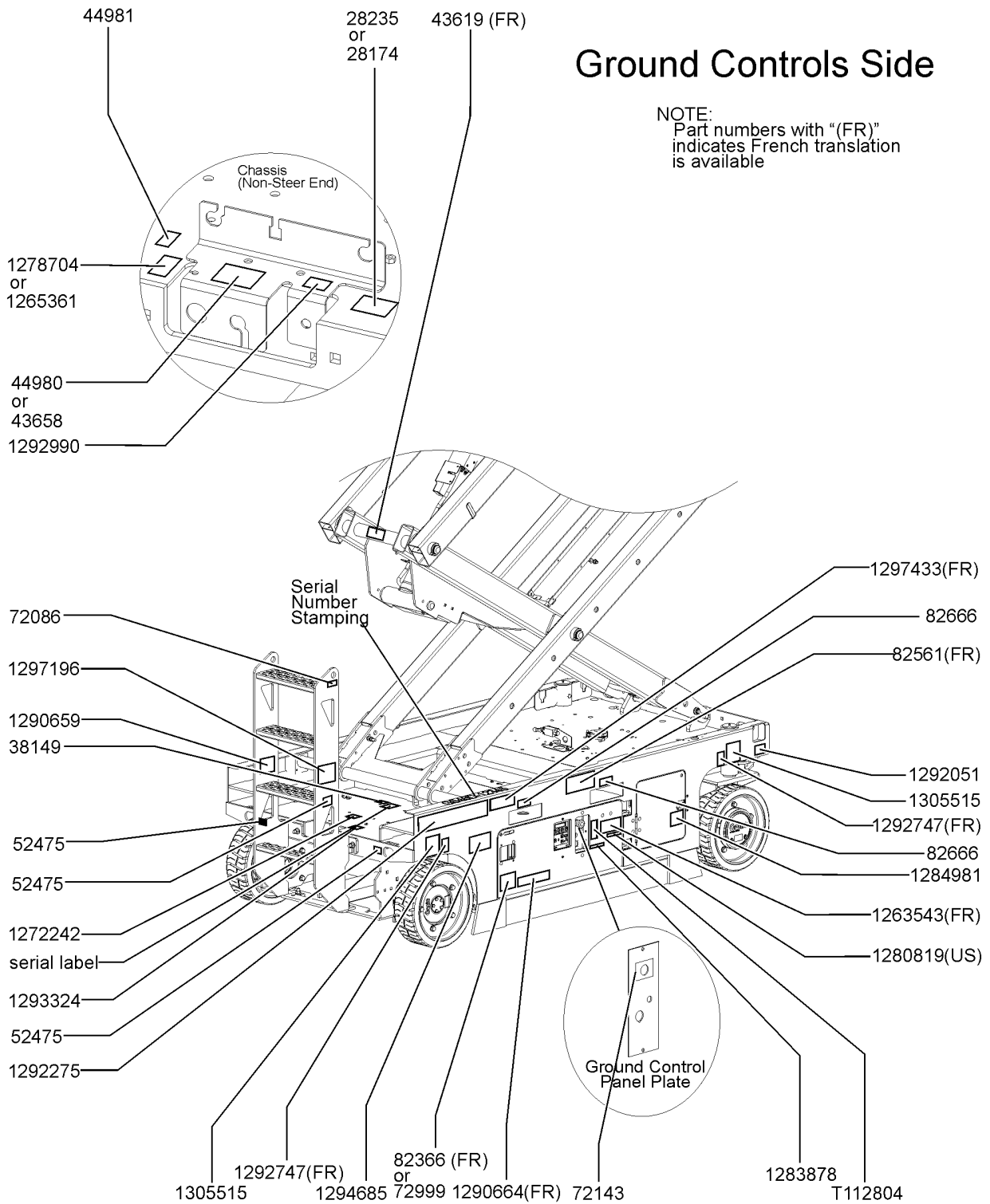


108.1 Word Decals, GS-4046, Ground Control Side, ANSI and Australia

Item	Part No.	Description	Qty.
1	28174GT	DECAL, POWER TO PLATFORM 230V**	1
2	28235GT	DECAL,POWER TO PLATFORM 115V	1
3	38149GT	DECAL,LABEL,PATENTS	1
4	43619GT	DECAL,LABEL,SAFETY ARM	1
5	43658GT	DECAL,LABEL,PWR TO CHARGR 230V	1
6	44980GT	DECAL,LABEL,PWR TO CHARGR 115V	1
7	44981GT	DECAL,LABEL, AIR LINE 110 PSI	1
8	52475GT	DECAL,LABEL,TRANSPORT TIEDOWN*	3
9	72086GT	DECAL,LABEL,LIFTING EYE	1
10	72143GT	DECAL,EMERGENCY STOP,GR	1
11	72999GT	DECAL,LABEL,PETRO CANADA***	1
12	82366GT	DECAL,LABEL-CHEVRON RANDO	1
13	82561GT	DECAL,DANGER-USE SAFETY ARM	1
14	82666GT	DECAL,LABEL,FORKLIFT POCKET	2
15	1263543GT	DECAL, IMPROPER OPERATION	1
16	1265361GT	DECAL, BATTERY CHARGER INDICAT	1
17	1272242GT	DECAL,MACHINE REGISTRATION/OWN	1
18	1278704GT	DECAL,CHARGE STATUS IND.	1
19	1280819GT	DECAL,WARNING,CANCER AND REPRODUCTIVE HARM, PROP 65	1
20	1283878GT	DECAL, TECHPRO LINK	1
21	1284981GT	DECAL,ACCUMULATOR EXPLOSION HAZARD,WORD	1
22	1290659GT	DECAL,DANGER,ELECT HAZARD,PLUG, GS-1330m	1
23	1290664GT	DECAL,OP INST,GCON, GS-1330m	1
24	1291624GT	DECAL COSM,GENIE LIFT CONNECT,LEXAN COVER	1
25	1292051GT	DECAL,EMERGENCY LOWERING, GS-1330m	1
26	1292275GT	DECAL, ELECTRIC DRIVE, E-DRIVE	1
27	1292512GT	DECAL COSM,GENIE LIFT CONNECT,ESN,SKU4-1	1
28	1292513GT	DECAL COSM,GENIE LIFT CONNECT,ESN,SKU4-2	1



108.1 Word Decals, GS-4046, Ground Control Side, ANSI and Australia



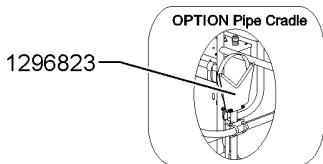
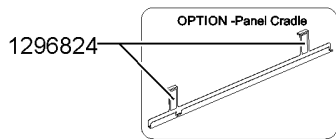
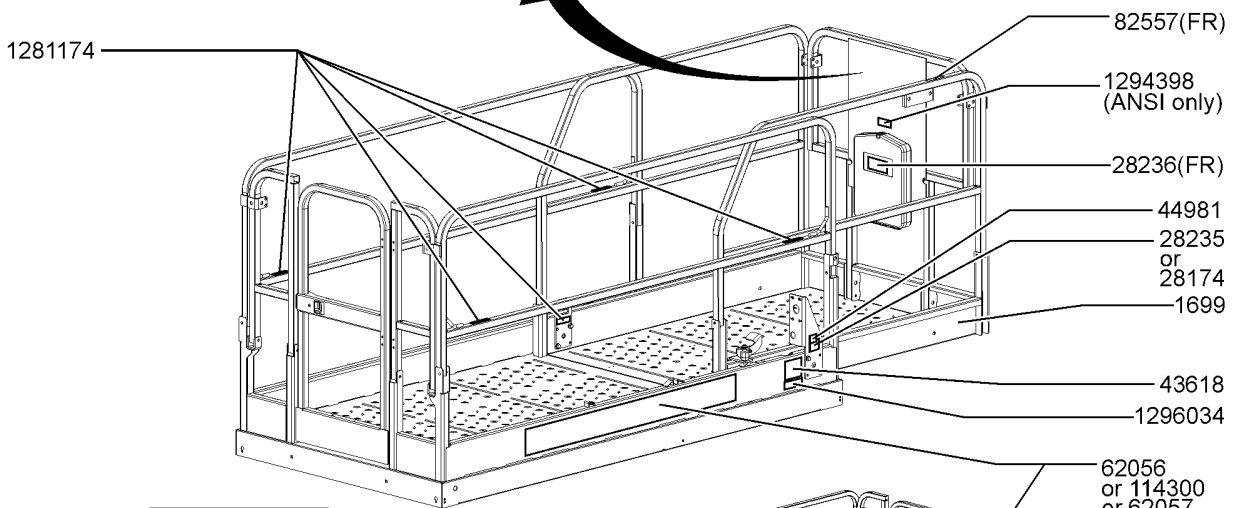
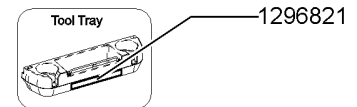
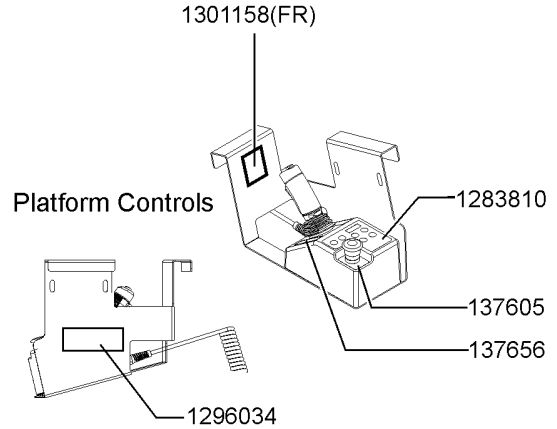
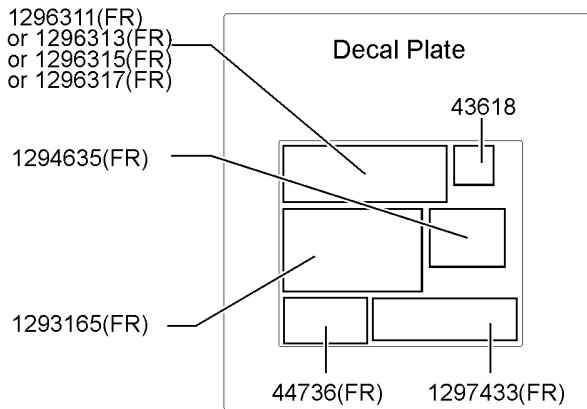
108.1 Word Decals, GS-4046, Ground Control Side, ANSI and Australia

<i>Item</i>	<i>Part No.</i>	<i>Description</i>	<i>Qty.</i>
29	1292514GT	DECAL COSM,GENIE LIFT CONNECT,ESN,SKU4-3	1
30	1292515GT	DECAL COSM,GENIE LIFT CONNECT,ESN,SKU4-4	1
31	1292747GT	DECAL,LABEL-TIRE SPECS	2
32	1292990GT	DECAL,RELEASE BRAKE	1
33	1293324GT	DECAL, ICES-2/CAN-2 COMPLIANCE	1
34	1294685GT	DECAL,ANNUAL INSP***, MINI	1
35	1297196GT	DECAL, LABEL-TRANSPORT DIAGRAM	1
36	1297433GT	DECAL, DANGER, ELECTRICAL HAZARD, SLAB	1
37	1305515GT	DECAL, LABEL, WHEEL LOAD, E-DRIVE, GS-4046	2
38	T112804GT	DECAL,GCON PANEL,GS	1

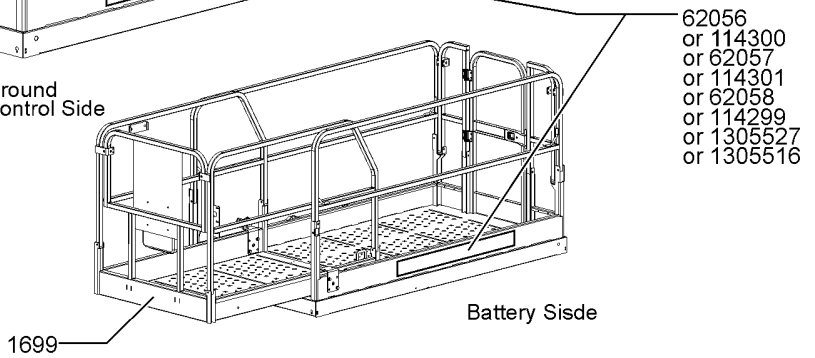


Platform, ANSI and Australia models

NOTE:
Part numbers with "(FR)" indicates French translation is available



Ground Control Side



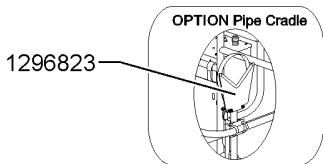
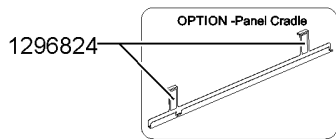
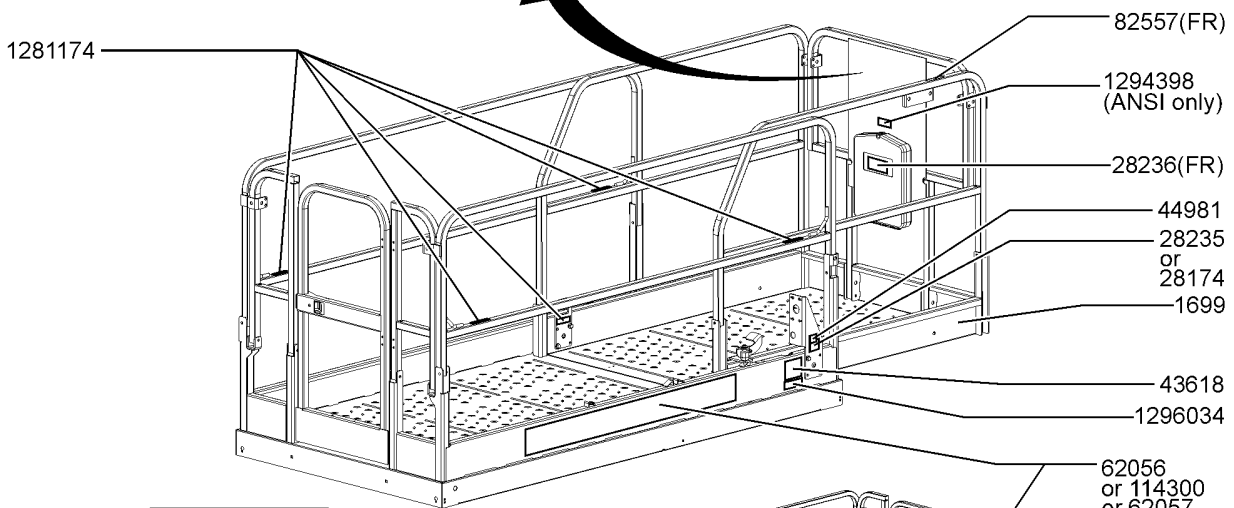
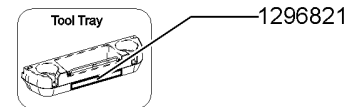
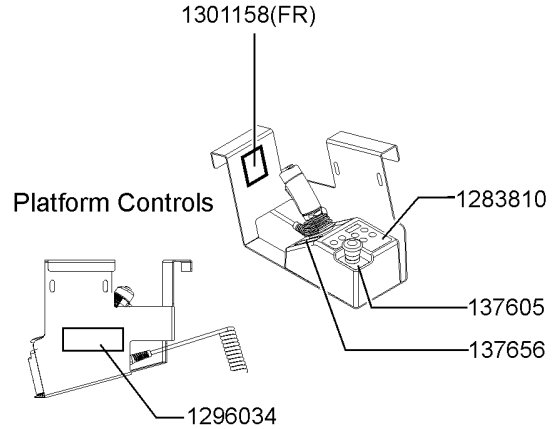
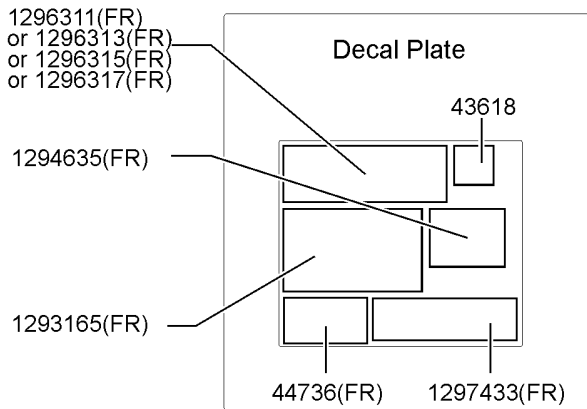
109.1 Word Decals, Platform, ANSI and Australia, All Models

Item	Part No.	Description	Qty.
1	1699GT	TAPE,WARNING,BLK/YEL,108****	139
2	28174GT	DECAL, POWER TO PLATFORM 230V**	1
3	28235GT	DECAL,POWER TO PLATFORM 115V	1
4	28236GT	DECAL,WARN,IMPROPER OPERATION	1
5	43618GT	DECAL, LABEL - DIRECTION ARROWS	2
6	44736GT	DECAL,DANGER,TIP-OVER,TILT	1
7	44981GT	DECAL,LABEL, AIR LINE 110 PSI (Option)	1
8	62056GT	DECAL,COSMETIC,GENIE GS-2046**	2
9	62057GT	DECAL,COSMETIC,GENIE GS-2646	2
10	62058GT	DECAL,COSMETIC,GENIE GS-3246	2
11	82557GT	DECAL,LABEL,PLAT CONT LOCATION	1
12	114299GT	DECAL,COSM,3246 BLACK	1
13	114300GT	DECAL,COSM,2046 BLACK	1
14	114301GT	DECAL,COSM,2646 BLACK	1
15	137605GT	DECAL,E-STOP,GR/GRC/GS PCON	1
16	137656GT	DECAL,PROPEL,GR/GRC/GS,PCON	1
17	1281174GT	DECAL,LANYARD,FALL ARREST/FALL RESTRAINED	5
18	1283810GT	DECAL,STD,DUAL ZONE,GR/GS,UI	1
19	1293165GT	DECAL,DANGER/WARNING COMBO, GS-1330m	1
20	1294398GT	DECAL, ANSI/CSA COMPLIANT (ANSI only)	1
21	1294635GT	DECAL, PLATFORM OVERLOAD LED INDICATOR LIGHT	1
22	1296034GT	DECAL, SMARTLINK, DUAL ZONE	2
23	1296311GT	DECAL, DANGER, MAX CAPACITY 1200LBS, SIDE FORCE 45/90LBS	1
24	1296313GT	DECAL, DANGER, MAX CAPACITY 1000LBS, SIDE FORCE 45/90LBS	1
25	1296315GT	DECAL, DANGER, MAX CAPACITY 700LBS, SIDE FORCE 45/90LBS	1
26	1296317GT	DECAL, DANGER, MAX CAPACITY 770LBS, SIDE FORCE 45/90LBS	1
27	1296821GT	DECAL, WARNING, TOOL TRAY	1
28	1296823GT	DECAL, WARNING, PIPE CRADLE	1

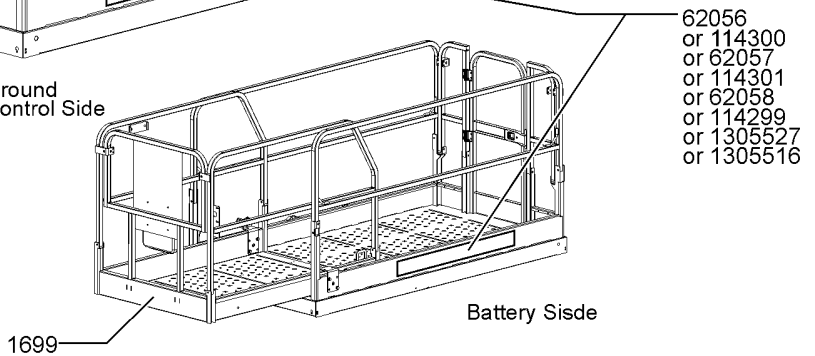


Platform, ANSI and Australia models

NOTE:
Part numbers with "(FR)" indicates French translation is available



Ground Control Side



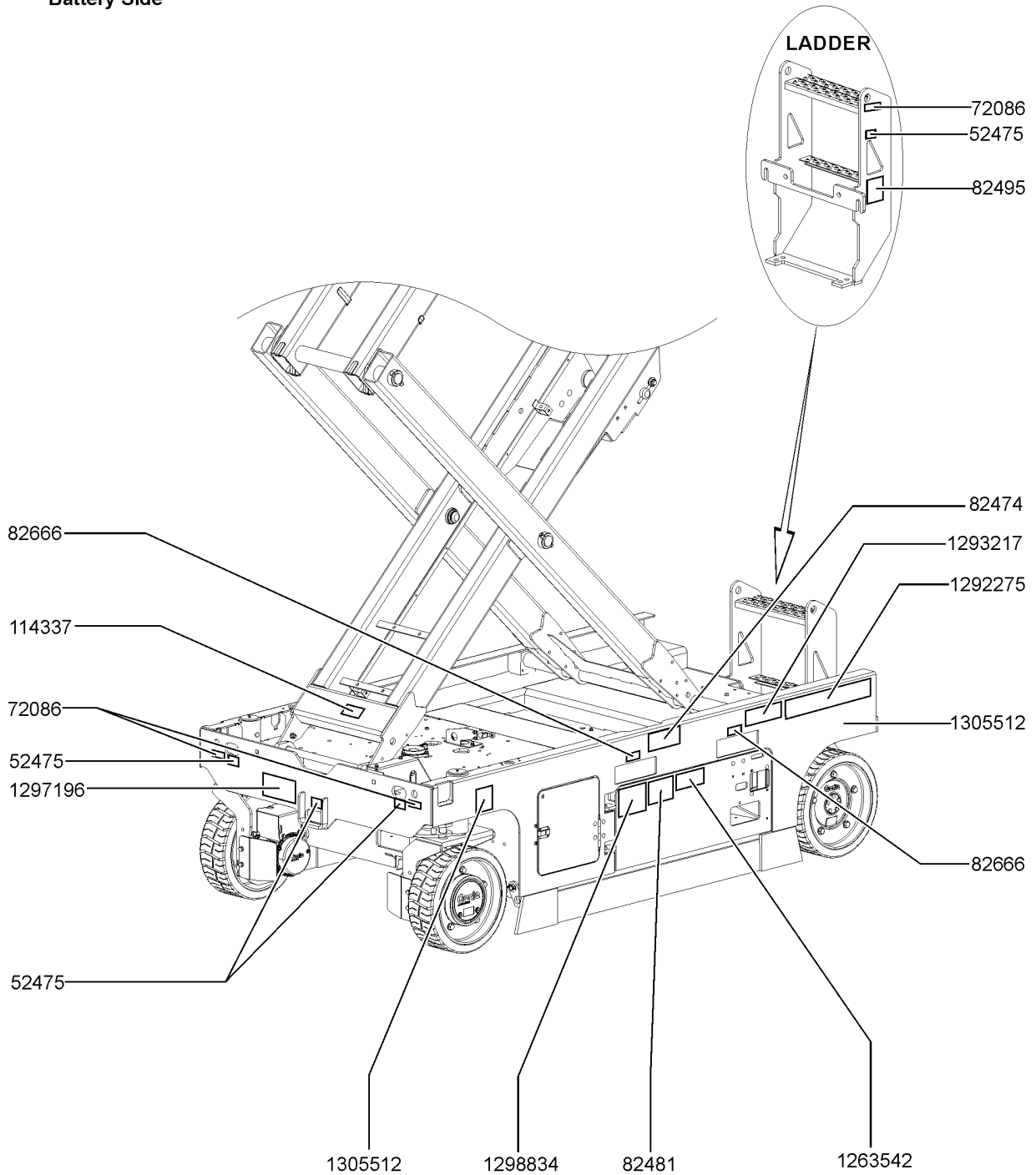
109.1 Word Decals, Platform, ANSI and Australia, All Models

<i>Item</i>	<i>Part No.</i>	<i>Description</i>	<i>Qty.</i>
29	1296824GT	DECAL, WARNING, PANEL CARRIER	1
30	1297433GT	DECAL, DANGER, ELECTRICAL HAZARD, SLAB	1
31	1301158GT	DECAL,LABEL,FAULT CODES	1
32	1305516GT	DECAL,COSMETIC,GS-4046	1
33	1305527GT	DECAL,COSMETIC,GS-4046, BLACK	1



110.1 Symbol Decals, GS-2046, Battery Side, ANSI & CE

Battery Side

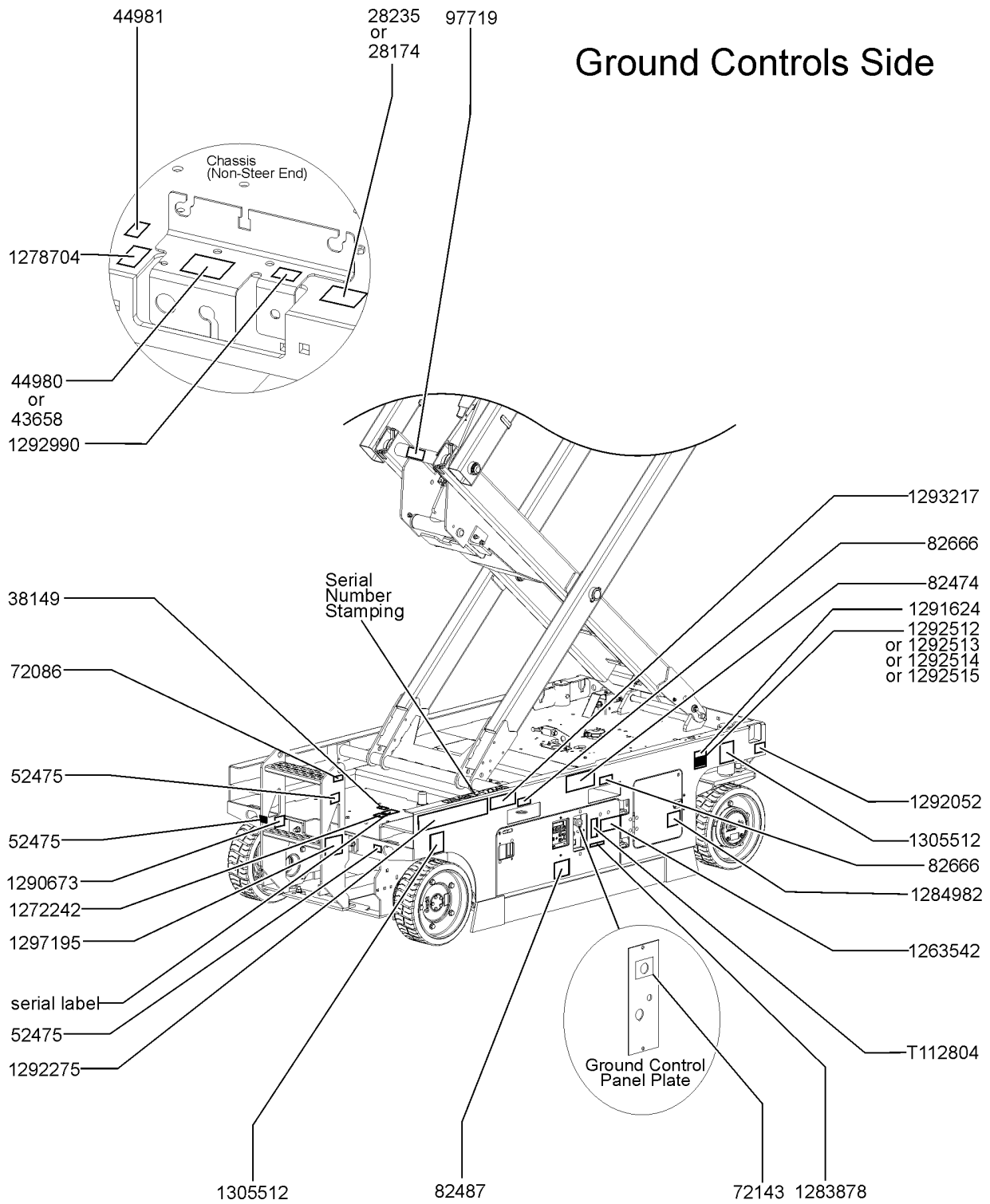


110.1 Symbol Decals, GS-2046, Battery Side, ANSI & CE

<i>Item</i>	<i>Part No.</i>	<i>Description</i>	<i>Qty.</i>
1	52475GT	DECAL,LABEL,TRANSPORT TIEDOWN*	4
2	72086GT	DECAL,LABEL,LIFTING EYE	3
3	82474GT	DECAL,SYMBOL-USE SAFETY ARM	1
4	82481GT	DECAL,SYMBOL-BATTERY SAFETY	1
5	82495GT	DECAL,SYMBOL-BRAKE REL SAFETY	1
6	82666GT	DECAL,LABEL,FORKLIFT POCKET	2
7	114337GT	DECAL,SYM-TIP-OVER,LIM SWITCH	1
8	1263542GT	DECAL, COMPARTMENT ACCESS	1
9	1292275GT	DECAL, ELECTRIC DRIVE, E-DRIVE	1
10	1293217GT	DECAL SYMBOL ELECTRIC HAZARD GS-1330m	1
11	1297196GT	DECAL, LABEL-TRANSPORT DIAGRAM	1
12	1298834GT	DECAL, DANGER, TIP-OVER, BATTERY	1
13	1305512GT	DECAL, LABEL, WHEEL LOAD, E-DRIVE, GS-2046	2



111.1 Symbol Decals, GS-2046, Ground Control Side, ANSI & CE



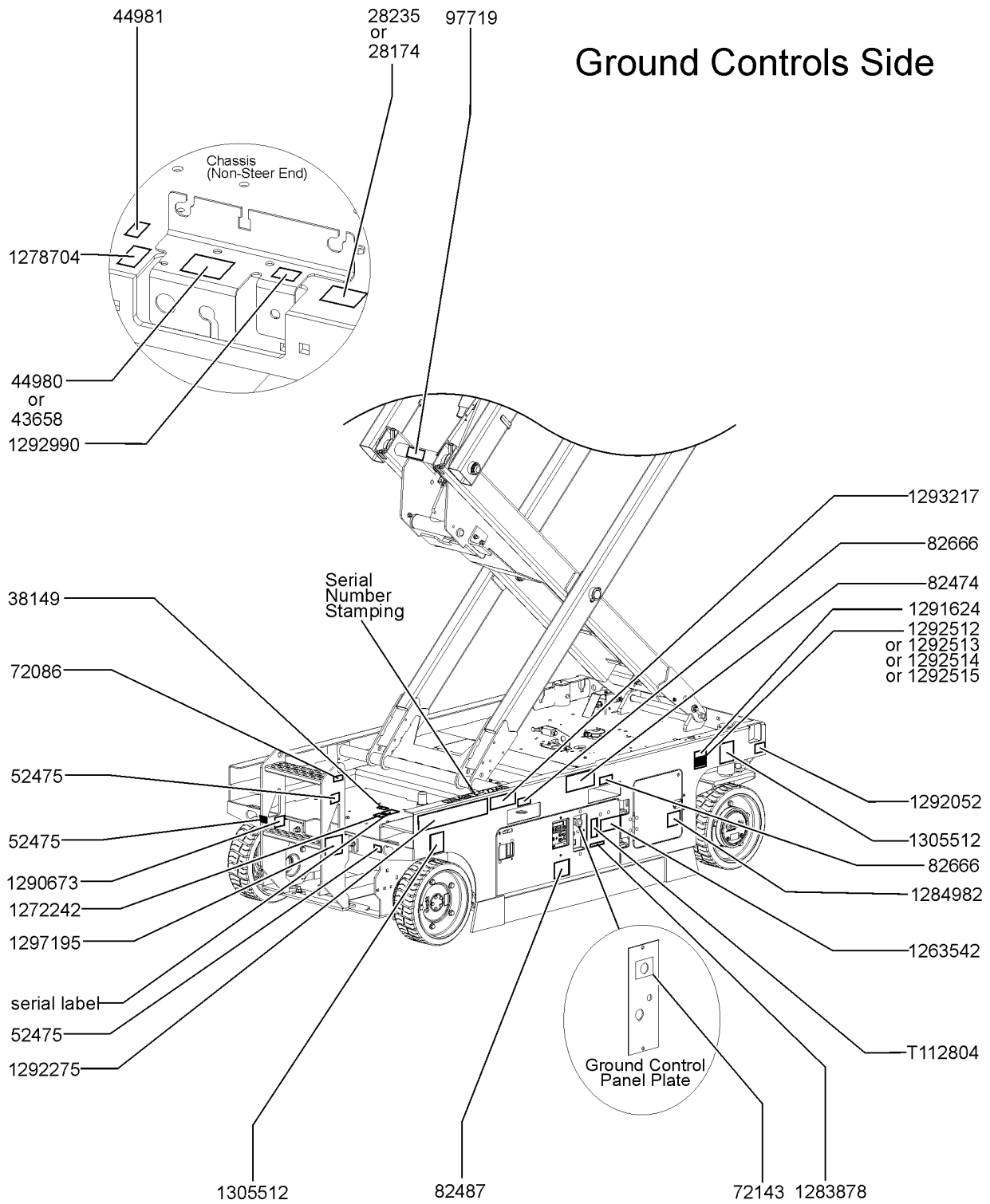
111.1 Symbol Decals, GS-2046, Ground Control Side, ANSI & CE

Item	Part No.	Description	Qty.
1	28174GT	DECAL, POWER TO PLATFORM 230V**	1
2	28235GT	DECAL,POWER TO PLATFORM 115V	1
3	38149GT	DECAL,LABEL,PATENTS	1
4	43658GT	DECAL,LABEL,PWR TO CHARGR 230V	1
5	44980GT	DECAL,LABEL,PWR TO CHARGR 115V	1
6	44981GT	DECAL,LABEL, AIR LINE 110 PSI	1
7	52475GT	DECAL,LABEL,TRANSPORT TIEDOWN*	3
8	72086GT	DECAL,LABEL,LIFTING EYE	1
9	72143GT	DECAL,EMERGENCY STOP,GR	1
10	82474GT	DECAL,SYMBOL-USE SAFETY ARM	1
11	82487GT	DECAL,SYMBOL-READ THE MANUAL	1
12	82666GT	DECAL,LABEL,FORKLIFT POCKET	2
13	97719GT	DECAL, LABEL, SAFETY ARM SYMB	1
14	1263542GT	DECAL, COMPARTMENT ACCESS	1
15	1272242GT	DECAL,MACHINE REGISTRATION/OWN	1
16	1278704GT	DECAL,CHARGE STATUS IND.	1
17	1283878GT	DECAL, TECHPRO LINK	1
18	1284982GT	DECAL, LABEL, WHEEL LOAD, E-DRIVE, GS-2032	1
19	1290673GT	DECAL SYMBOL ELECTRIC HAZARD PLUG, GS-1330m	1
20	1291624GT	DECAL COSM,GENIE LIFT CONNECT,LEXAN COVER	1
21	1292052GT	DECAL LABEL AUX LOWERING	1
22	1292275GT	DECAL, ELECTRIC DRIVE, E-DRIVE	1
23	1292512GT	DECAL COSM,GENIE LIFT CONNECT,ESN,SKU4-1	1
24	1292513GT	DECAL COSM,GENIE LIFT CONNECT,ESN,SKU4-2	3
25	1292514GT	DECAL COSM,GENIE LIFT CONNECT,ESN,SKU4-3	3
26	1292515GT	DECAL COSM,GENIE LIFT CONNECT,ESN,SKU4-4	3
27	1292990GT	DECAL,RELEASE BRAKE	1
28	1293217GT	DECAL SYMBOL ELECTRIC HAZARD GS-1330m	1



111.1 Symbol Decals, GS-2046, Ground Control Side, ANSI & CE

Ground Controls Side

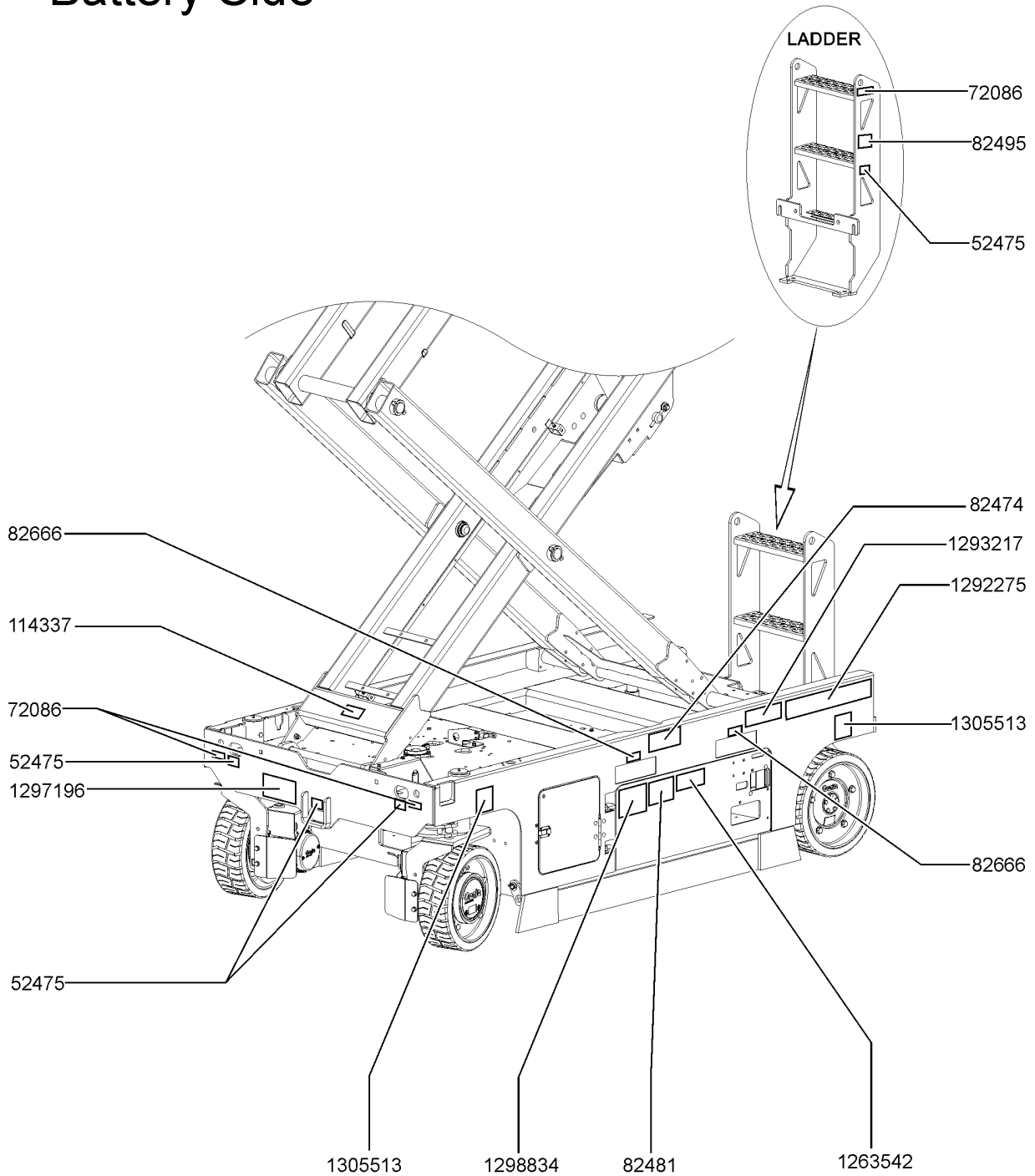


111.1 Symbol Decals, GS-2046, Ground Control Side, ANSI & CE

<i>Item</i>	<i>Part No.</i>	<i>Description</i>	<i>Qty.</i>
29	1297195GT	DECAL, LABEL-TRANSPORT DIAGRAM	1
30	1305512GT	DECAL, LABEL, WHEEL LOAD, E-DRIVE, GS-2046	2
31	T112804GT	DECAL,GCON PANEL,GS	1



Battery Side

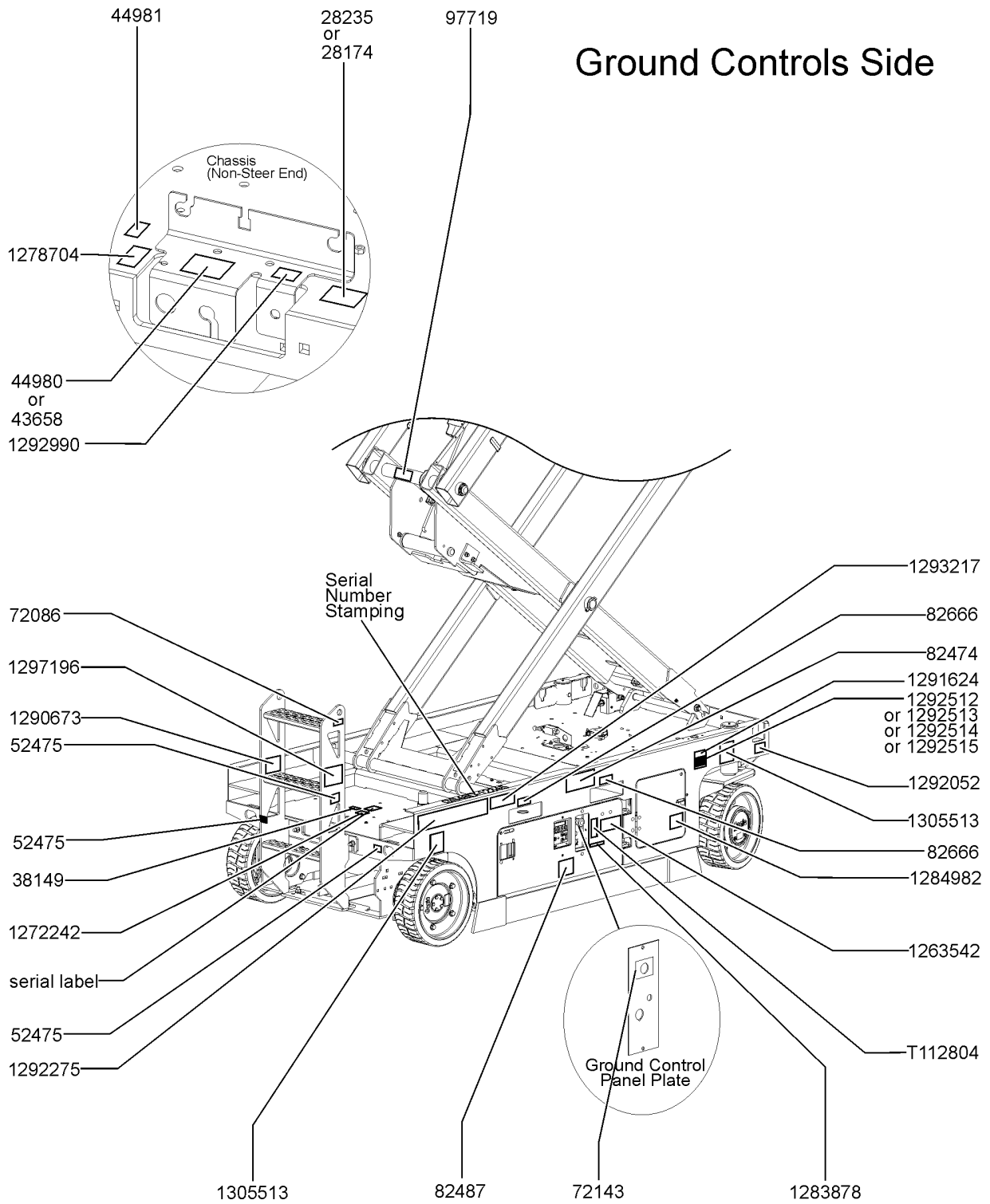


112.1 Symbol Decals, GS-2646, Battery Side, ANSI & CE

<i>Item</i>	<i>Part No.</i>	<i>Description</i>	<i>Qty.</i>
1	52475GT	DECAL,LABEL,TRANSPORT TIEDOWN*	4
2	72086GT	DECAL,LABEL,LIFTING EYE	3
3	82474GT	DECAL,SYMBOL-USE SAFETY ARM	1
4	82481GT	DECAL,SYMBOL-BATTERY SAFETY	1
5	82495GT	DECAL,SYMBOL-BRAKE REL SAFETY	1
6	82666GT	DECAL,LABEL,FORKLIFT POCKET	2
7	114337GT	DECAL,SYM-TIP-OVER,LIM SWITCH	1
8	1263542GT	DECAL, COMPARTMENT ACCESS	1
9	1292275GT	DECAL, ELECTRIC DRIVE, E-DRIVE	1
10	1293217GT	DECAL SYMBOL ELECTRIC HAZARD GS-1330m	1
11	1297196GT	DECAL, LABEL-TRANSPORT DIAGRAM	1
12	1298834GT	DECAL, DANGER, TIP-OVER, BATTERY	1
13	1305513GT	DECAL, LABEL, WHEEL LOAD, E-DRIVE, GS-2646	2



113.1 Symbol Decals, GS-2646, Ground Control Side, ANSI & CE

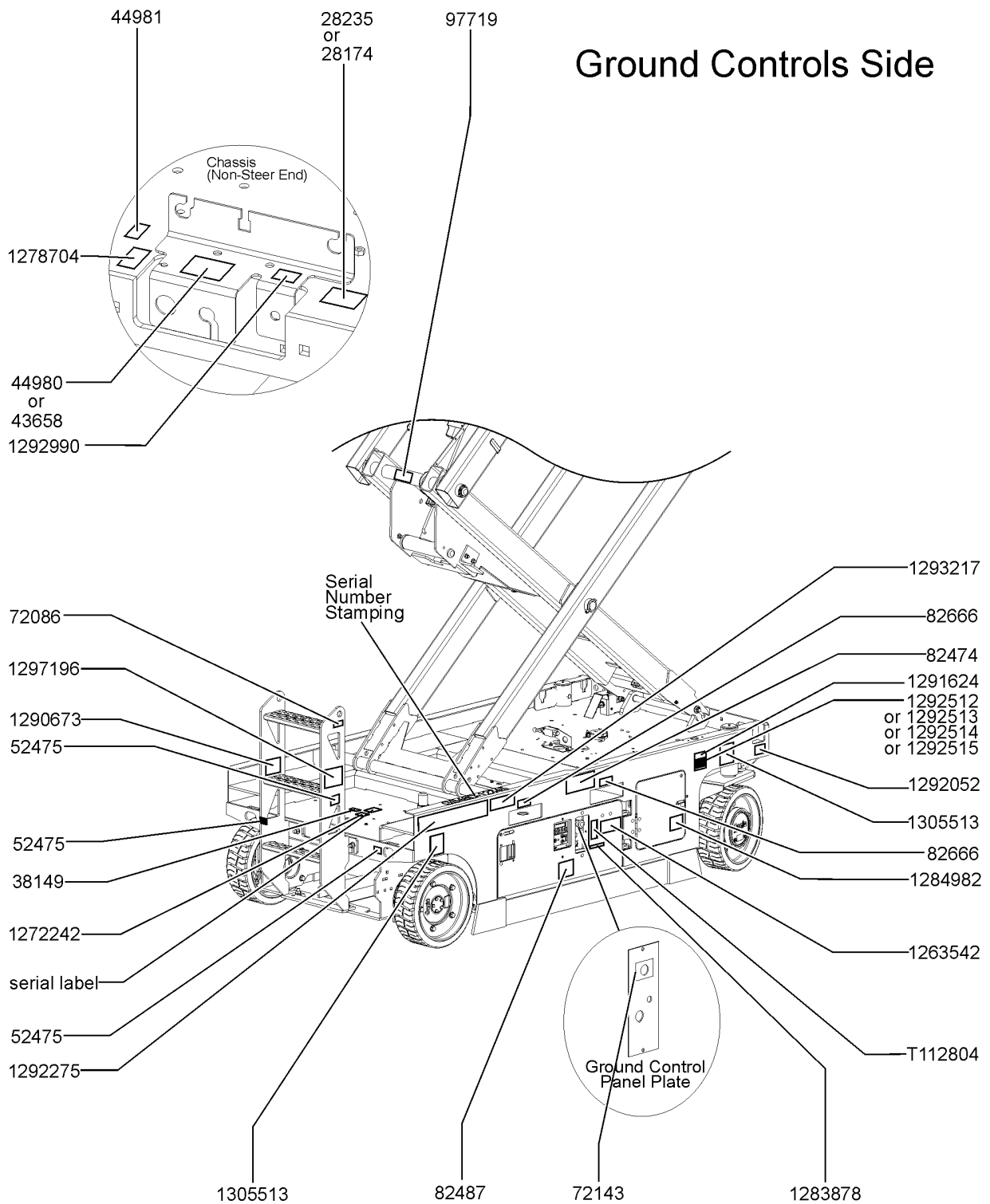


113.1 Symbol Decals, GS-2646, Ground Control Side, ANSI & CE

Item	Part No.	Description	Qty.
1	28174GT	DECAL, POWER TO PLATFORM 230V**	1
2	28235GT	DECAL,POWER TO PLATFORM 115V	1
3	38149GT	DECAL,LABEL,PATENTS	1
4	43658GT	DECAL,LABEL,PWR TO CHARGR 230V	1
5	44980GT	DECAL,LABEL,PWR TO CHARGR 115V	1
6	44981GT	DECAL,LABEL, AIR LINE 110 PSI	1
7	52475GT	DECAL,LABEL,TRANSPORT TIEDOWN*	3
8	72086GT	DECAL,LABEL,LIFTING EYE	1
9	72143GT	DECAL,EMERGENCY STOP,GR	1
10	82474GT	DECAL,SYMBOL-USE SAFETY ARM	1
11	82487GT	DECAL,SYMBOL-READ THE MANUAL	1
12	82666GT	DECAL,LABEL,FORKLIFT POCKET	2
13	97719GT	DECAL, LABEL, SAFETY ARM SYMB	1
14	1263542GT	DECAL, COMPARTMENT ACCESS	1
15	1272242GT	DECAL,MACHINE REGISTRATION/OWN	1
16	1278704GT	DECAL,CHARGE STATUS IND.	1
17	1283878GT	DECAL, TECHPRO LINK	1
18	1284982GT	DECAL, LABEL, WHEEL LOAD, E-DRIVE, GS-2032	1
19	1290673GT	DECAL SYMBOL ELECTRIC HAZARD PLUG, GS-1330m	1
20	1291624GT	DECAL COSM,GENIE LIFT CONNECT,LEXAN COVER	1
21	1292052GT	DECAL LABEL AUX LOWERING	1
22	1292275GT	DECAL, ELECTRIC DRIVE, E-DRIVE	1
23	1292512GT	DECAL COSM,GENIE LIFT CONNECT,ESN,SKU4-1	1
24	1292513GT	DECAL COSM,GENIE LIFT CONNECT,ESN,SKU4-2	1
25	1292514GT	DECAL COSM,GENIE LIFT CONNECT,ESN,SKU4-3	1
26	1292515GT	DECAL COSM,GENIE LIFT CONNECT,ESN,SKU4-4	1
27	1292990GT	DECAL,RELEASE BRAKE	1
28	1293217GT	DECAL SYMBOL ELECTRIC HAZARD GS-1330m	1



113.1 Symbol Decals, GS-2646, Ground Control Side, ANSI & CE

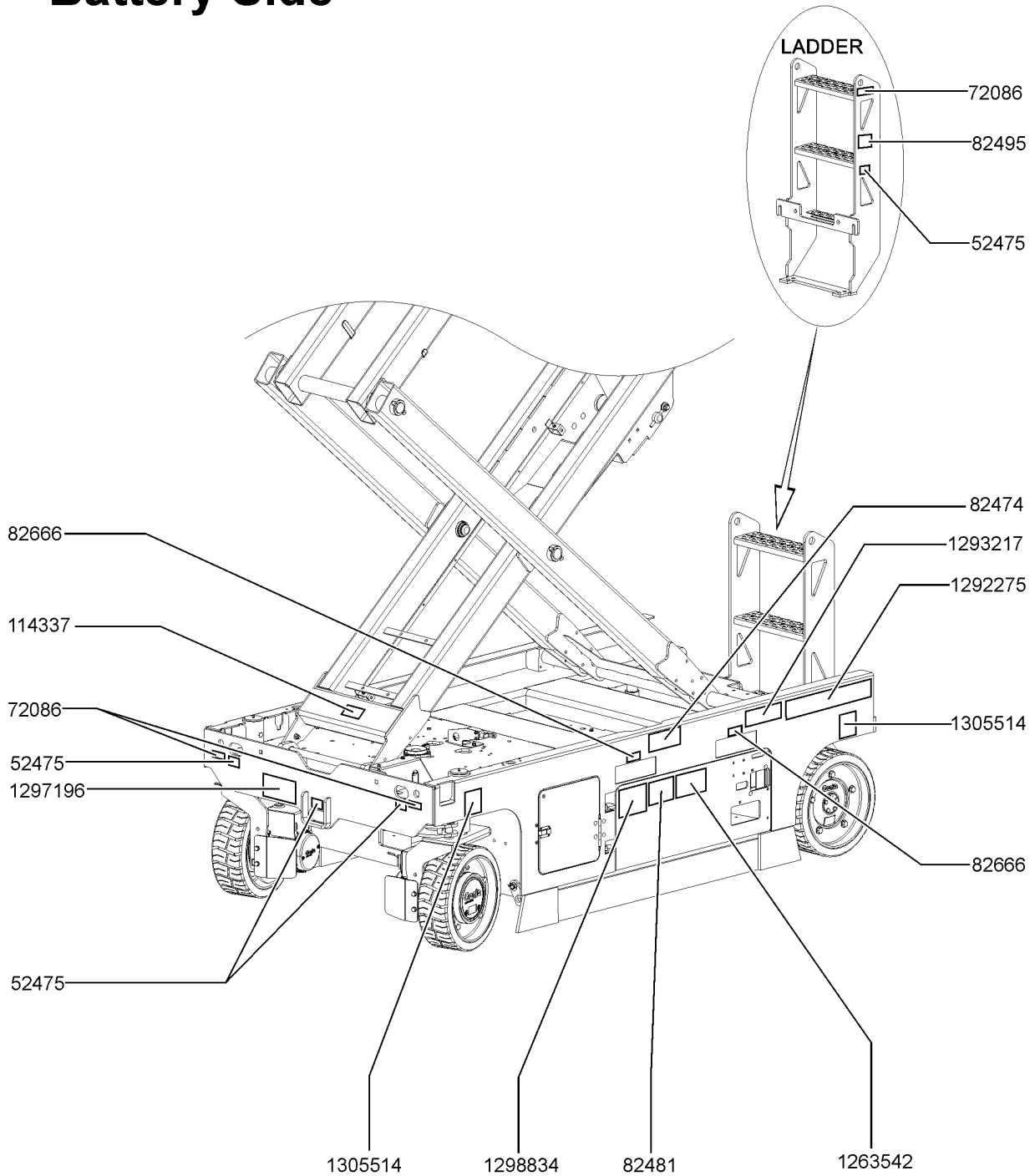


113.1 Symbol Decals, GS-2646, Ground Control Side, ANSI & CE

<i>Item</i>	<i>Part No.</i>	<i>Description</i>	<i>Qty.</i>
29	1297196GT	DECAL, LABEL-TRANSPORT DIAGRAM	1
30	1305513GT	DECAL, LABEL, WHEEL LOAD, E-DRIVE, GS-2646	2
31	T112804GT	DECAL,GCON PANEL,GS	1



Battery Side

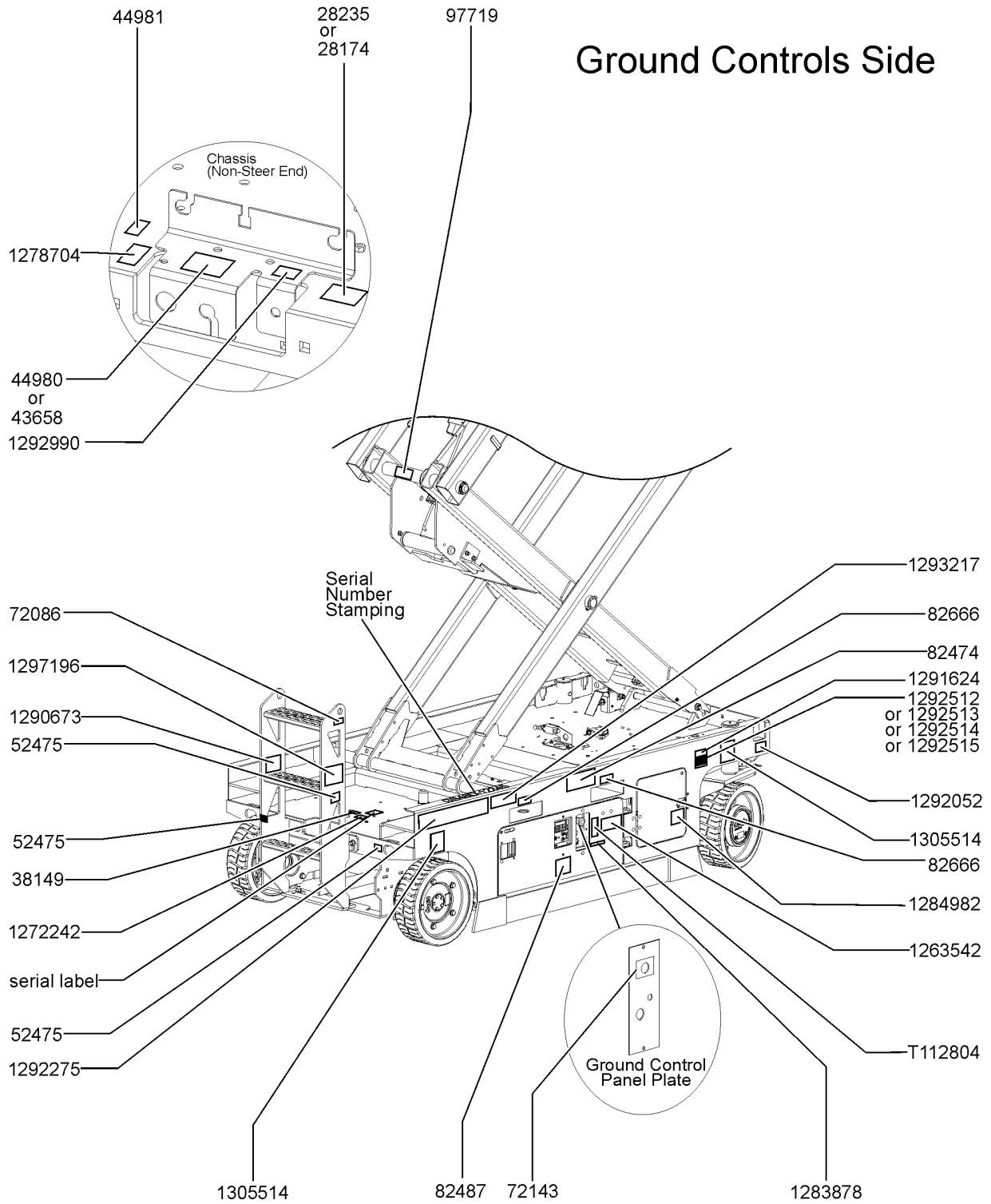


114.1 Symbol Decals, GS-3246, Battery Side, ANSI & CE

<i>Item</i>	<i>Part No.</i>	<i>Description</i>	<i>Qty.</i>
1	52475GT	DECAL,LABEL,TRANSPORT TIEDOWN*	4
2	72086GT	DECAL,LABEL,LIFTING EYE	3
3	82474GT	DECAL,SYMBOL-USE SAFETY ARM	1
4	82481GT	DECAL,SYMBOL-BATTERY SAFETY	1
5	82495GT	DECAL,SYMBOL-BRAKE REL SAFETY	1
6	82666GT	DECAL,LABEL,FORKLIFT POCKET	2
7	114337GT	DECAL,SYM-TIP-OVER,LIM SWITCH	1
8	1263542GT	DECAL, COMPARTMENT ACCESS	1
9	1292275GT	DECAL, ELECTRIC DRIVE, E-DRIVE	1
10	1293217GT	DECAL SYMBOL ELECTRIC HAZARD GS-1330m	1
11	1297196GT	DECAL, LABEL-TRANSPORT DIAGRAM	1
12	1298834GT	DECAL, DANGER, TIP-OVER, BATTERY	1
13	1305514GT	DECAL, LABEL, WHEEL LOAD, E-DRIVE, GS-3246	2



115.1 Symbol Decals, GS-3246, Ground Control Side, ANSI & CE

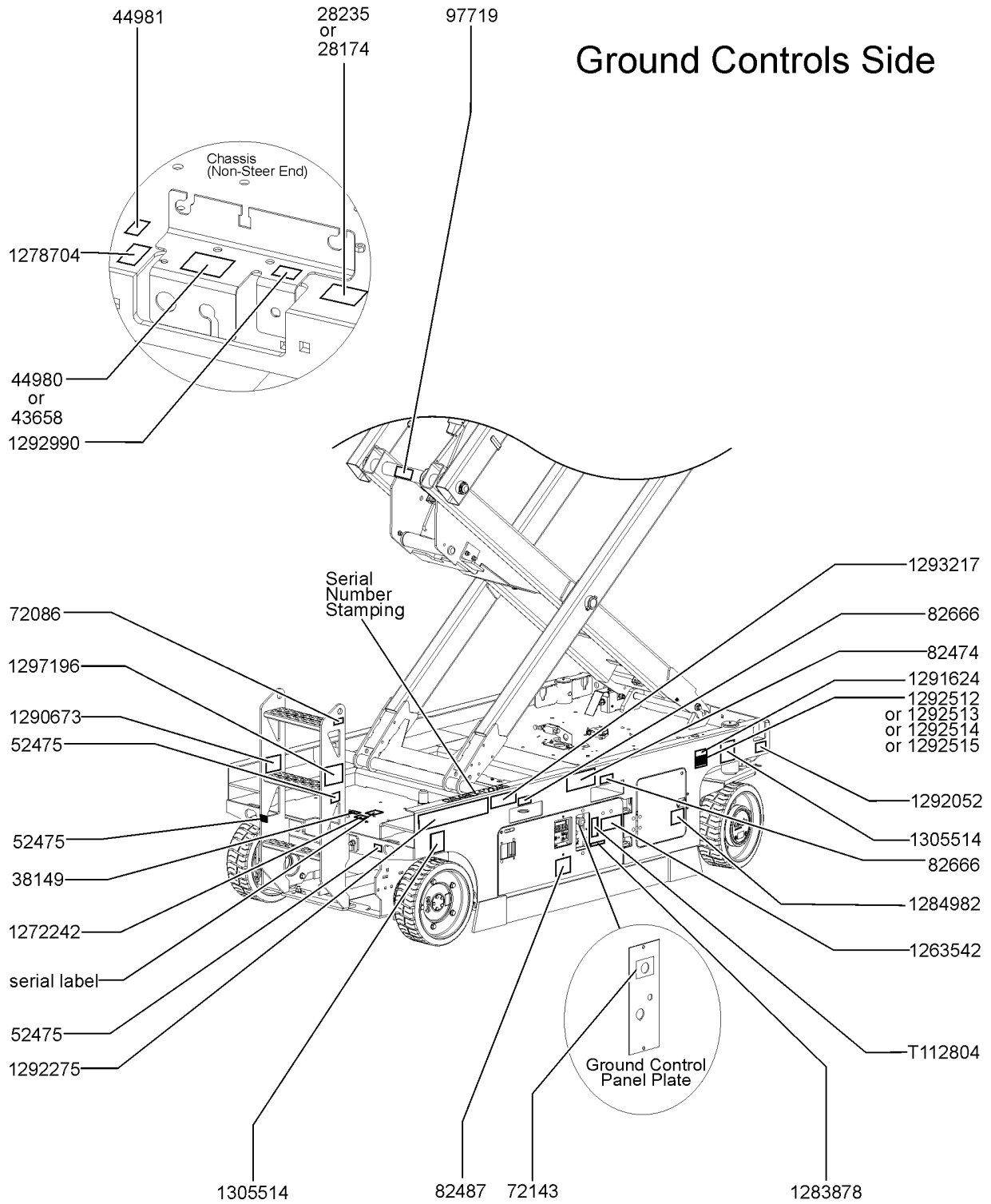


115.1 Symbol Decals, GS-3246, Ground Control Side, ANSI & CE

Item	Part No.	Description	Qty.
1	28174GT	DECAL, POWER TO PLATFORM 230V**	1
2	28235GT	DECAL,POWER TO PLATFORM 115V	1
3	38149GT	DECAL,LABEL,PATENTS	1
4	43658GT	DECAL,LABEL,PWR TO CHARGR 230V	1
5	44980GT	DECAL,LABEL,PWR TO CHARGR 115V	1
6	44981GT	DECAL,LABEL, AIR LINE 110 PSI	1
7	52475GT	DECAL,LABEL,TRANSPORT TIEDOWN*	3
8	72086GT	DECAL,LABEL,LIFTING EYE	1
9	72143GT	DECAL,EMERGENCY STOP,GR	1
10	82474GT	DECAL,SYMBOL-USE SAFETY ARM	1
11	82487GT	DECAL,SYMBOL-READ THE MANUAL	1
12	82666GT	DECAL,LABEL,FORKLIFT POCKET	2
13	97719GT	DECAL, LABEL, SAFETY ARM SYMB	1
14	1263542GT	DECAL, COMPARTMENT ACCESS	1
15	1272242GT	DECAL,MACHINE REGISTRATION/OWN	1
16	1278704GT	DECAL,CHARGE STATUS IND.	1
17	1283878GT	DECAL, TECHPRO LINK	1
18	1284982GT	DECAL, LABEL, WHEEL LOAD, E-DRIVE, GS-2032	1
19	1290673GT	DECAL SYMBOL ELECTRIC HAZARD PLUG, GS-1330m	1
20	1291624GT	DECAL COSM,GENIE LIFT CONNECT,LEXAN COVER	1
21	1292052GT	DECAL LABEL AUX LOWERING	1
22	1292275GT	DECAL, ELECTRIC DRIVE, E-DRIVE	1
23	1292512GT	DECAL COSM,GENIE LIFT CONNECT,ESN,SKU4-1	1
24	1292513GT	DECAL COSM,GENIE LIFT CONNECT,ESN,SKU4-2	1
25	1292514GT	DECAL COSM,GENIE LIFT CONNECT,ESN,SKU4-3	1
26	1292515GT	DECAL COSM,GENIE LIFT CONNECT,ESN,SKU4-4	1
27	1292990GT	DECAL,RELEASE BRAKE	1
28	1293217GT	DECAL SYMBOL ELECTRIC HAZARD GS-1330m	1



115.1 Symbol Decals, GS-3246, Ground Control Side, ANSI & CE

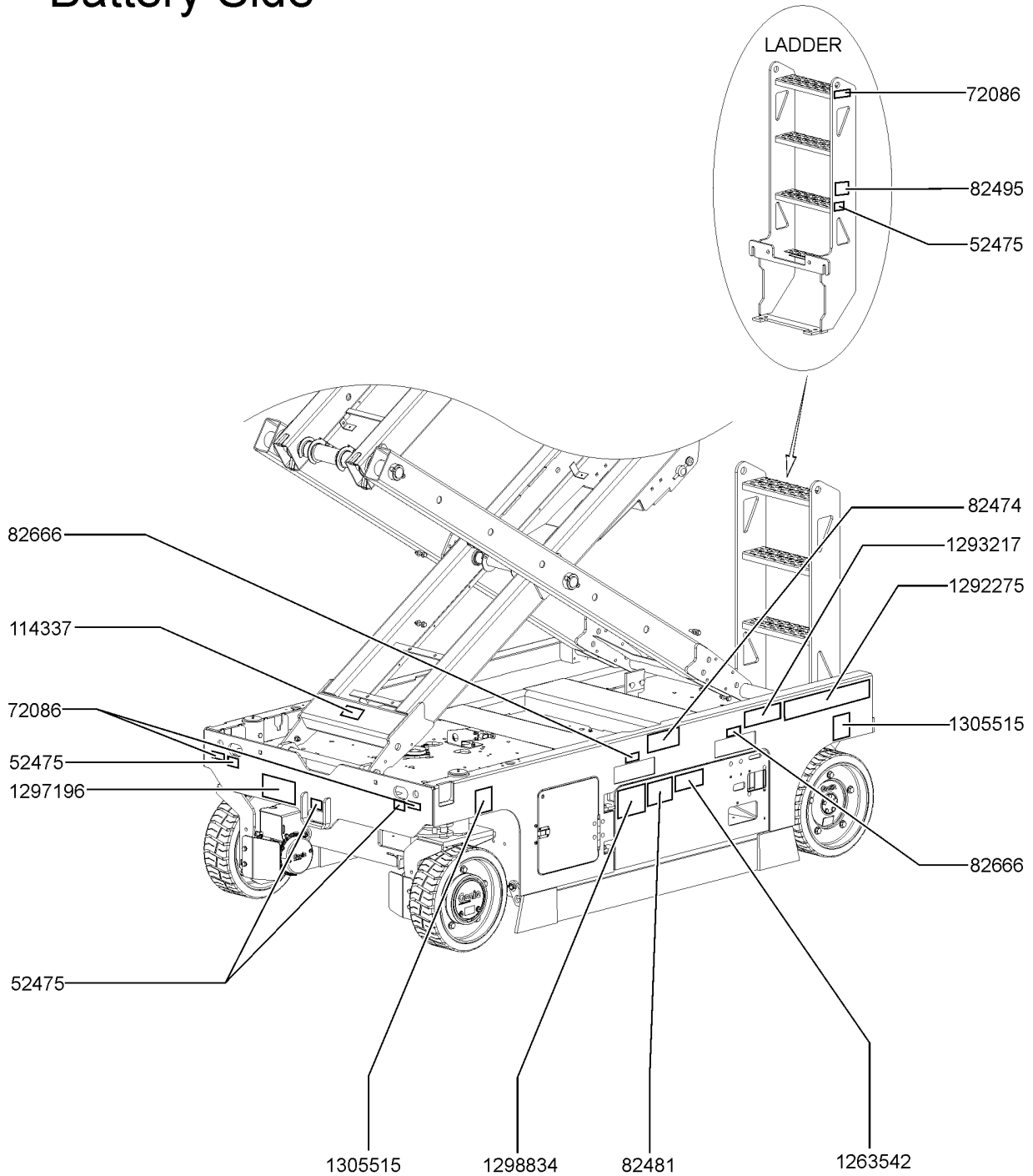


115.1 Symbol Decals, GS-3246, Ground Control Side, ANSI & CE

<i>Item</i>	<i>Part No.</i>	<i>Description</i>	<i>Qty.</i>
29	1297196GT	DECAL, LABEL-TRANSPORT DIAGRAM	1
30	1305514GT	DECAL, LABEL, WHEEL LOAD, E-DRIVE, GS-3246	2
31	T112804GT	DECAL,GCON PANEL,GS	1



Battery Side



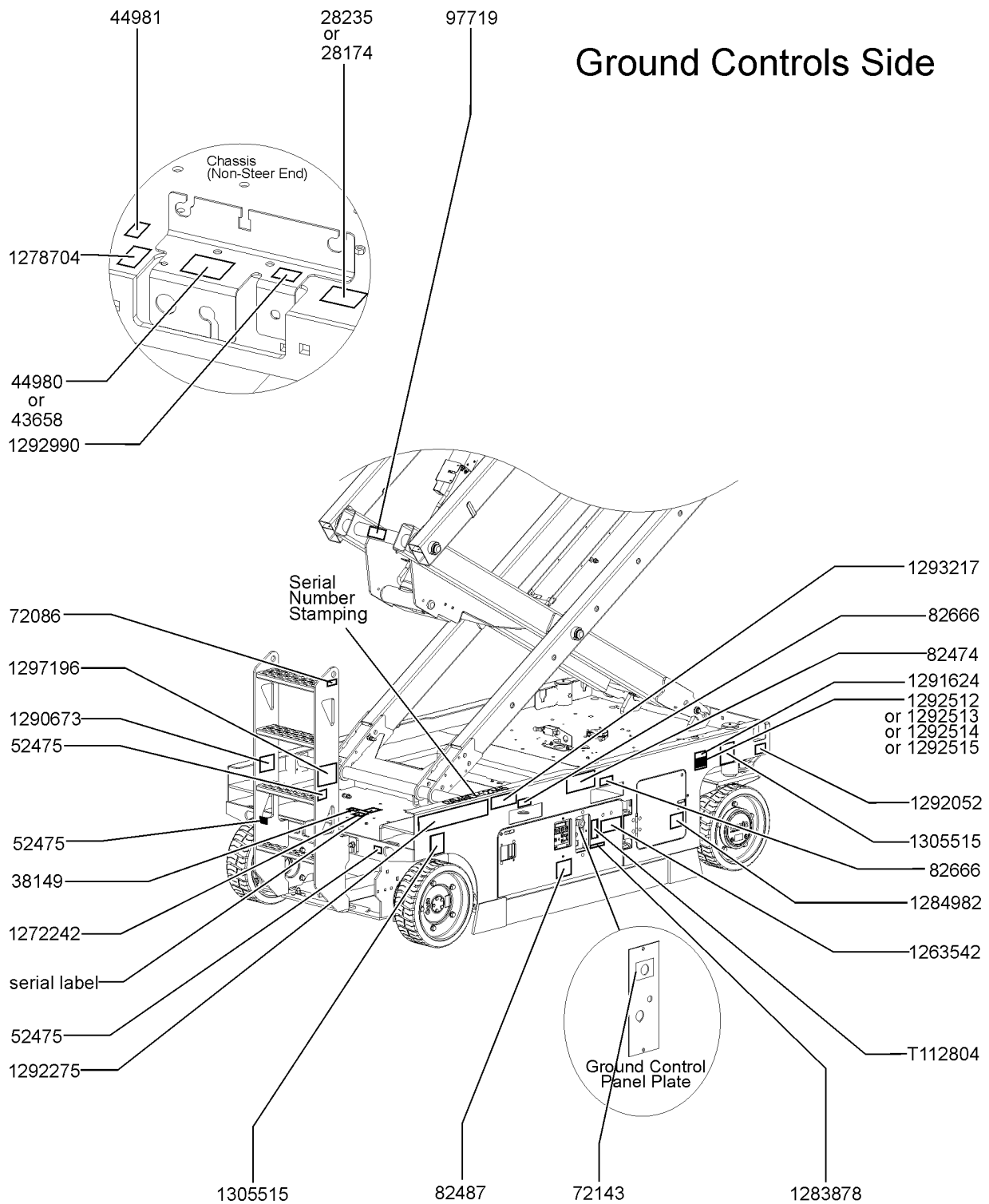
116.1 Symbol Decals, GS-4046, Battery Side, ANSI & CE

<i>Item</i>	<i>Part No.</i>	<i>Description</i>	<i>Qty.</i>
1	52475GT	DECAL,LABEL,TRANSPORT TIEDOWN*	4
2	72086GT	DECAL,LABEL,LIFTING EYE	3
3	82474GT	DECAL,SYMBOL-USE SAFETY ARM	1
4	82481GT	DECAL,SYMBOL-BATTERY SAFETY	1
5	82495GT	DECAL,SYMBOL-BRAKE REL SAFETY	1
6	82666GT	DECAL,LABEL,FORKLIFT POCKET	2
7	114337GT	DECAL,SYM-TIP-OVER,LIM SWITCH	1
8	1263542GT	DECAL, COMPARTMENT ACCESS	1
9	1292275GT	DECAL, ELECTRIC DRIVE, E-DRIVE	1
10	1293217GT	DECAL SYMBOL ELECTRIC HAZARD GS-1330m	1
11	1297196GT	DECAL, LABEL-TRANSPORT DIAGRAM	1
12	1298834GT	DECAL, DANGER, TIP-OVER, BATTERY	1
13	1305515GT	DECAL, LABEL, WHEEL LOAD, E-DRIVE, GS-4046	2



117.1 Symbol Decals, GS-4046, Ground Control Side, ANSI & CE

Ground Controls Side



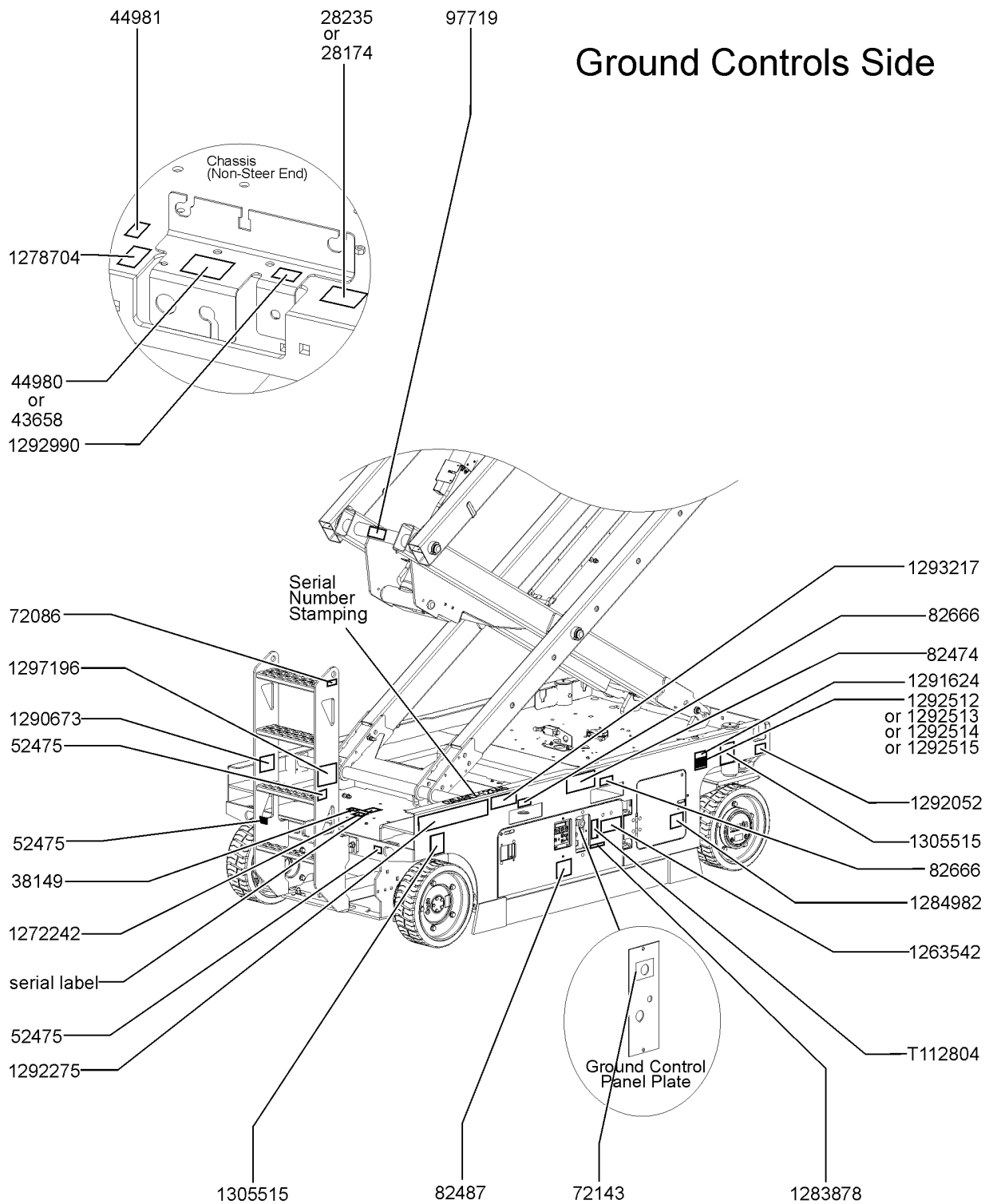
117.1 Symbol Decals, GS-4046, Ground Control Side, ANSI & CE

Item	Part No.	Description	Qty.
1	28174GT	DECAL, POWER TO PLATFORM 230V**	1
2	28235GT	DECAL,POWER TO PLATFORM 115V	1
3	38149GT	DECAL,LABEL,PATENTS	1
4	43658GT	DECAL,LABEL,PWR TO CHARGR 230V	1
5	44980GT	DECAL,LABEL,PWR TO CHARGR 115V	1
6	44981GT	DECAL,LABEL, AIR LINE 110 PSI	1
7	52475GT	DECAL,LABEL,TRANSPORT TIEDOWN*	3
8	72086GT	DECAL,LABEL,LIFTING EYE	1
9	72143GT	DECAL,EMERGENCY STOP,GR	1
10	82474GT	DECAL,SYMBOL-USE SAFETY ARM	1
11	82487GT	DECAL,SYMBOL-READ THE MANUAL	1
12	82666GT	DECAL,LABEL,FORKLIFT POCKET	2
13	97719GT	DECAL, LABEL, SAFETY ARM SYMB	1
14	1263542GT	DECAL, COMPARTMENT ACCESS	1
15	1272242GT	DECAL,MACHINE REGISTRATION/OWN	1
16	1278704GT	DECAL,CHARGE STATUS IND.	1
17	1283878GT	DECAL, TECHPRO LINK	1
18	1284982GT	DECAL, LABEL, WHEEL LOAD, E-DRIVE, GS-2032	1
19	1290673GT	DECAL SYMBOL ELECTRIC HAZARD PLUG, GS-1330m	1
20	1291624GT	DECAL COSM,GENIE LIFT CONNECT,LEXAN COVER	1
21	1292052GT	DECAL LABEL AUX LOWERING	1
22	1292275GT	DECAL, ELECTRIC DRIVE, E-DRIVE	1
23	1292512GT	DECAL COSM,GENIE LIFT CONNECT,ESN,SKU4-1	1
24	1292513GT	DECAL COSM,GENIE LIFT CONNECT,ESN,SKU4-2	1
25	1292514GT	DECAL COSM,GENIE LIFT CONNECT,ESN,SKU4-3	1
26	1292515GT	DECAL COSM,GENIE LIFT CONNECT,ESN,SKU4-4	1
27	1292990GT	DECAL,RELEASE BRAKE	1
28	1293217GT	DECAL SYMBOL ELECTRIC HAZARD GS-1330m	1



117.1 Symbol Decals, GS-4046, Ground Control Side, ANSI & CE

Ground Controls Side

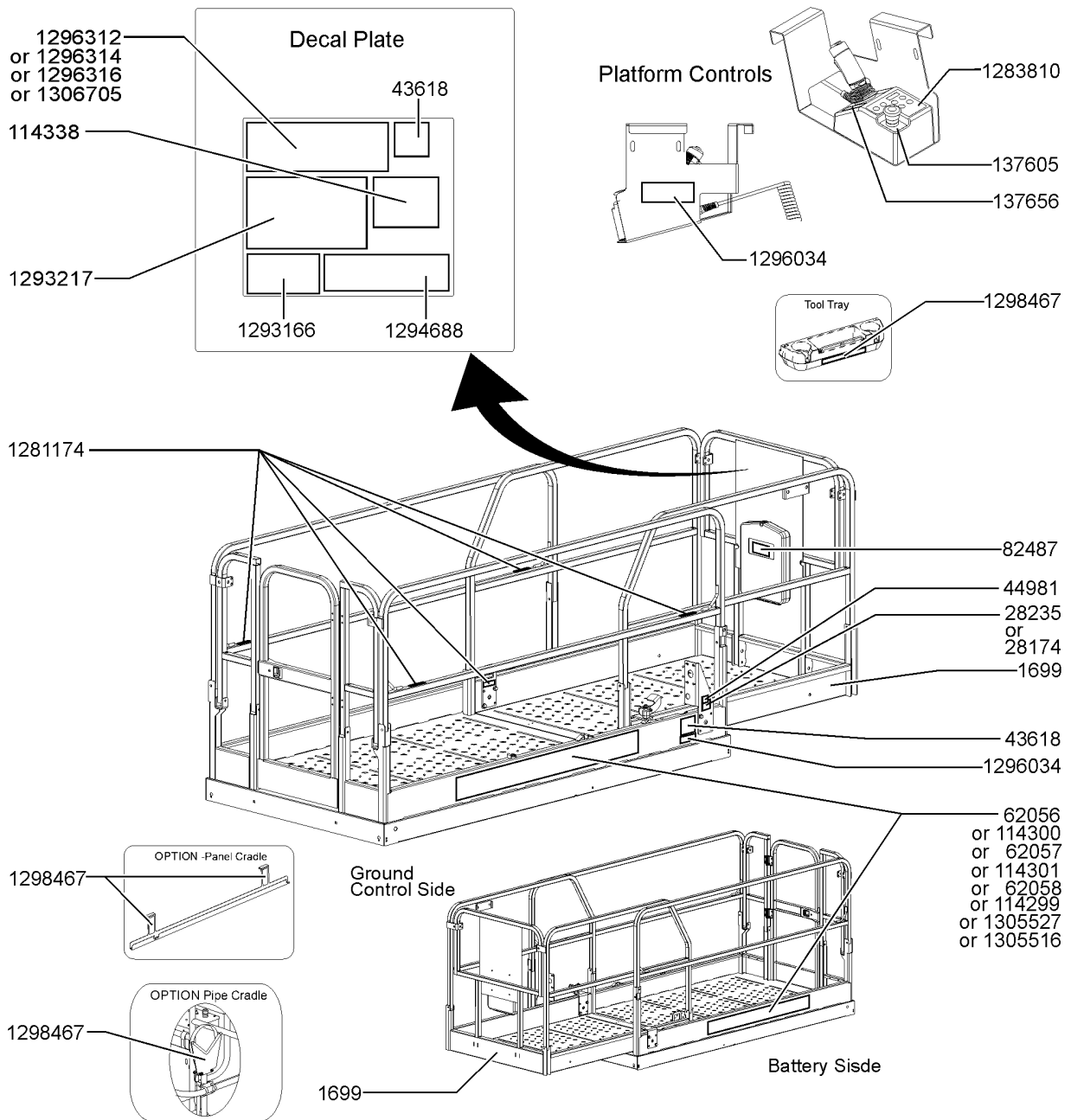


117.1 Symbol Decals, GS-4046, Ground Control Side, ANSI & CE

<i>Item</i>	<i>Part No.</i>	<i>Description</i>	<i>Qty.</i>
29	1297196GT	DECAL, LABEL-TRANSPORT DIAGRAM	1
30	1305515GT	DECAL, LABEL, WHEEL LOAD, E-DRIVE, GS-4046	2
31	T112804GT	DECAL,GCON PANEL,GS	1



Platform, ANSI and CE models

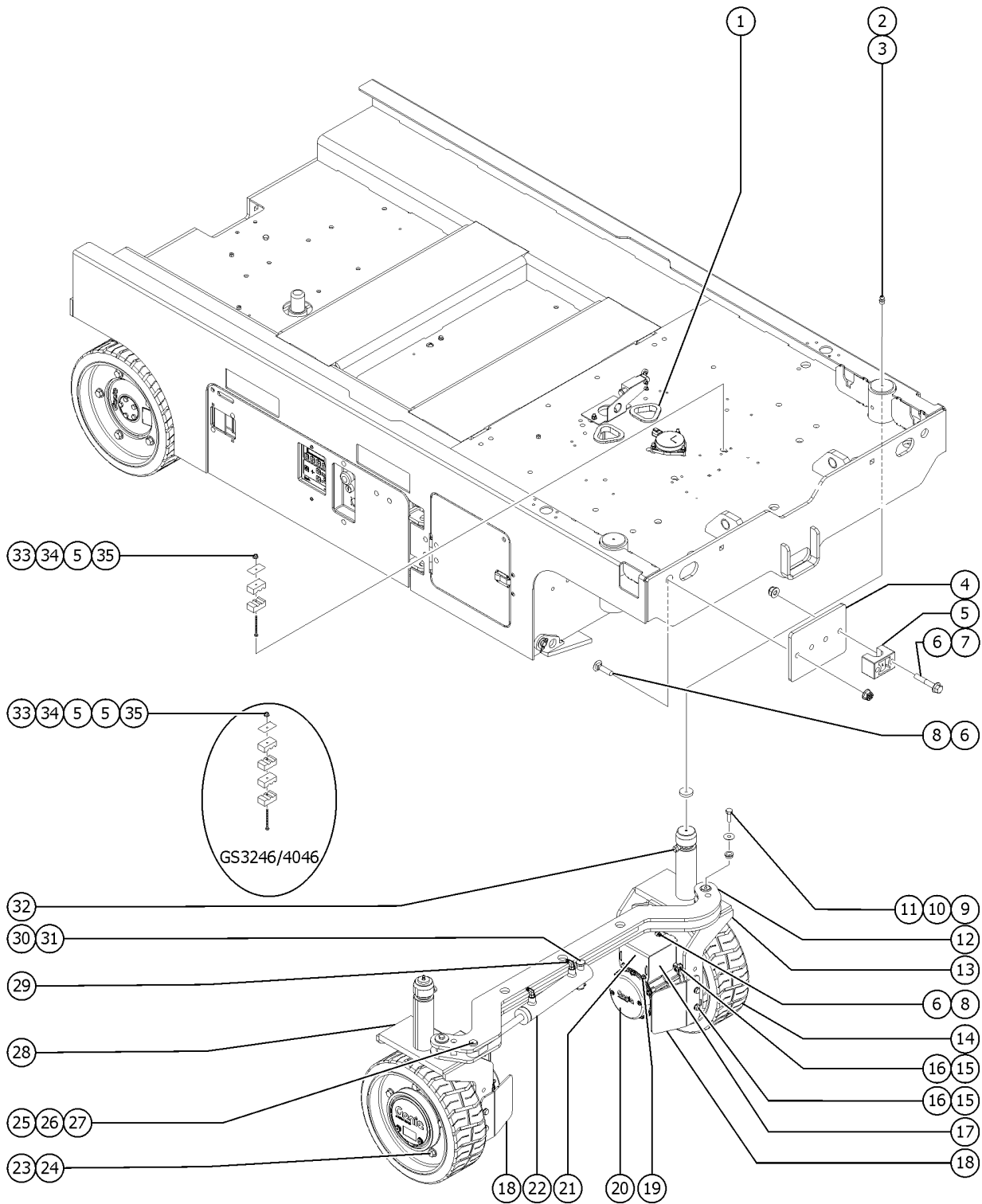


118.1 Symbol Decals, Platform, ANSI and CE, All Models

Item	Part No.	Description	Qty.
1	1699GT	TAPE,WARNING,BLK/YEL,108****	139
2	28174GT	DECAL, POWER TO PLATFORM 230V**	1
3	28235GT	DECAL,POWER TO PLATFORM 115V	1
4	43618GT	DECAL, LABEL - DIRECTION ARROWS	2
5	44981GT	DECAL,LABEL, AIR LINE 110 PSI	1
6	62056GT	DECAL,COSMETIC,GENIE GS-2046**	2
7	62057GT	DECAL,COSMETIC,GENIE GS-2646	2
8	62058GT	DECAL,COSMETIC,GENIE GS-3246	2
9	82487GT	DECAL,SYMBOL-READ THE MANUAL	2
10	114299GT	DECAL,COSM,3246 BLACK	2
11	114300GT	DECAL,COSM,2046 BLACK	2
12	114301GT	DECAL,COSM,2646 BLACK	2
13	114338GT	DECAL,SYM-TIP-OVER,TILT ALARM	1
14	137605GT	DECAL,E-STOP,GR/GRC/GS PCON	1
15	137656GT	DECAL,PROPEL,GR/GRC/GS,PCON	1
16	1281174GT	DECAL,LANYARD,FALL ARREST/FALL RESTRAINED	5
17	1283810GT	DECAL,STD,DUAL ZONE,GR/GS,UI	1
18	1293166GT	DECAL,TIP-OVER,CRUSH, GS-1330m	1
19	1293217GT	DECAL SYMBOL ELECTRIC HAZARD GS-1330m	1
20	1294688GT	DECAL,PLATFORM OVERLOAD, MINI	1
21	1296034GT	DECAL, SMARTLINK, DUAL ZONE	2
22	1296312GT	DECAL, SMARTLINK, DUAL ZONE GS2046 ONLY	1
23	1296314GT	DECAL, DANGER, MAX CAPACITY 454KG, SIDE FORCE 200/400N GS2646 ONLY	1
24	1296316GT	DECAL, DANGER, MAX CAPACITY 318KG, SIDE FORCE 200/400N GS3246 ONLY	1
25	1298467GT	DECAL, SYMBOL, READ THE MANUAL, 2.38x1.25	4
26	1305516GT	DECAL,COSMETIC,GS-4046	2
27	1305527GT	DECAL,COSMETIC,GS-4046, BLACK	2
28	1296318GT	DECAL, DANGER, MAX CAPACITY 350KG, SIDE FORCE 200/400N GS4046 ONLY	1



201.1 Steer Linkage and Wheels

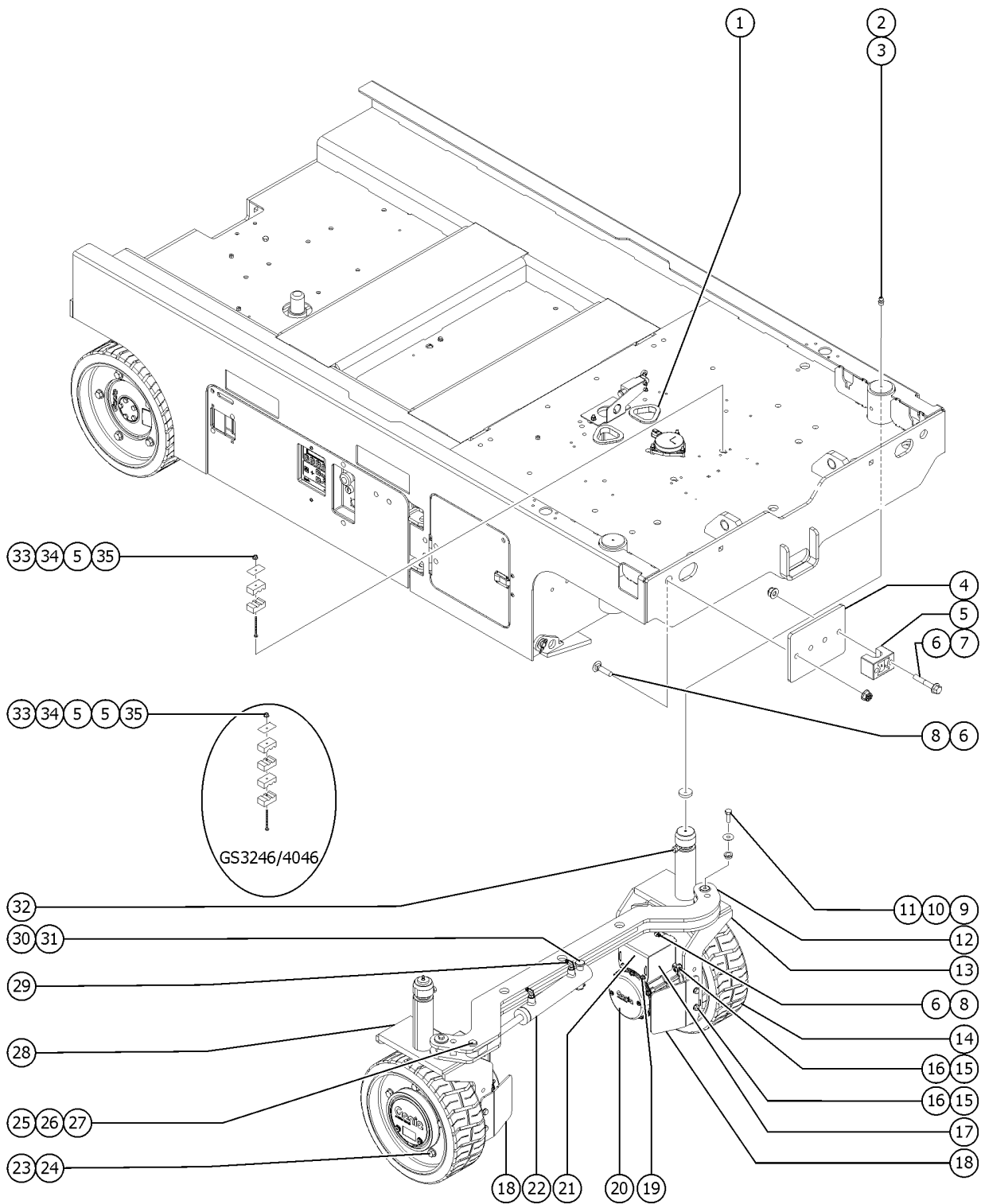


201.1 Steer Linkage and Wheels

Item	Part No.	Description	Qty.
1	105440GT	GROMMET,RUBBER 2.5 X 3.0	2
2	66770GT	FITTING,STRAIGHT DRIVE-IN ZERK	2
3	105565GT	WASHER,THRUST, GS	2
4	1307414GT	PLATE, CABLE CLAMP GS46	1
5	1306358GT	CLAMP, ONE HOLE, 0.65-0.70	2
6	1277924GT	NUT,NYLOCK FLG,1/4-20,F,ZAG	
7	1253485GT	SCREW,HHF,1/4-20X2,8,ZAG	4
8	1256127GT	BOLT,CARRIAGE,1/4-20X1",GR 5,ZAG	
9	1256109GT	SCREW,HHC,3/8-16X.75,8,ZAG	
10	824120GT	WASHER,FLAT,,375X1.50X.125,ZAG	2
11	47946GT	BEARING,1.00IDX1.25ODX0.49L	4
12	96574GT	WLDMT,TIE ROD,GS46	1
12-	47946GT	BEARING,1.00IDX1.25ODX0.49L	
13	1303530GT	WELDMENT, STEER YOKE, GS46, E-DRIVE, L (battery pack side)	1
14	1299494GT	TIRE/WHEEL, NON-MARKING, 5-BOLT, 15x5"	2
15	824068GT	SCREW,HHC,3/8-16X1.25,8,ZAG	
16	1304156GT	WASHER,FLAT,3/8,SAE,HRD,ZAG	
17	1304173GT	FORMING, TERMINAL COVER, CABLE MOUNT	2
18	1304171GT	PLATE MOTOR GUARD, GS	2
19	237238GT	SCREW,HHF,M6-1.0X12,DIN6921,10	
20	1299259GT	DRIVETRAIN, MOTOR, GEARBOX, HS	2
20-	1296211GT	SPEED SENSOR SERVICE KIT (WITH SCREWS & GASKET)	1
20-	1296213GT	BRAKE SERVICE KIT	1
20-	1296210GT	BEARING SERVICE KIT	1
20-	1296215GT	BRAKE COVER SERVICE KIT	1
20-	1308069GT	SEAL KIT, GEARBOX, DRIVETRAIN	1
20-	1308074GT	BEARING KIT, GEARBOX, DRIVETRAIN	1
21	1304172GT	FORMING, TERMINAL COVER	2



201.1 Steer Linkage and Wheels

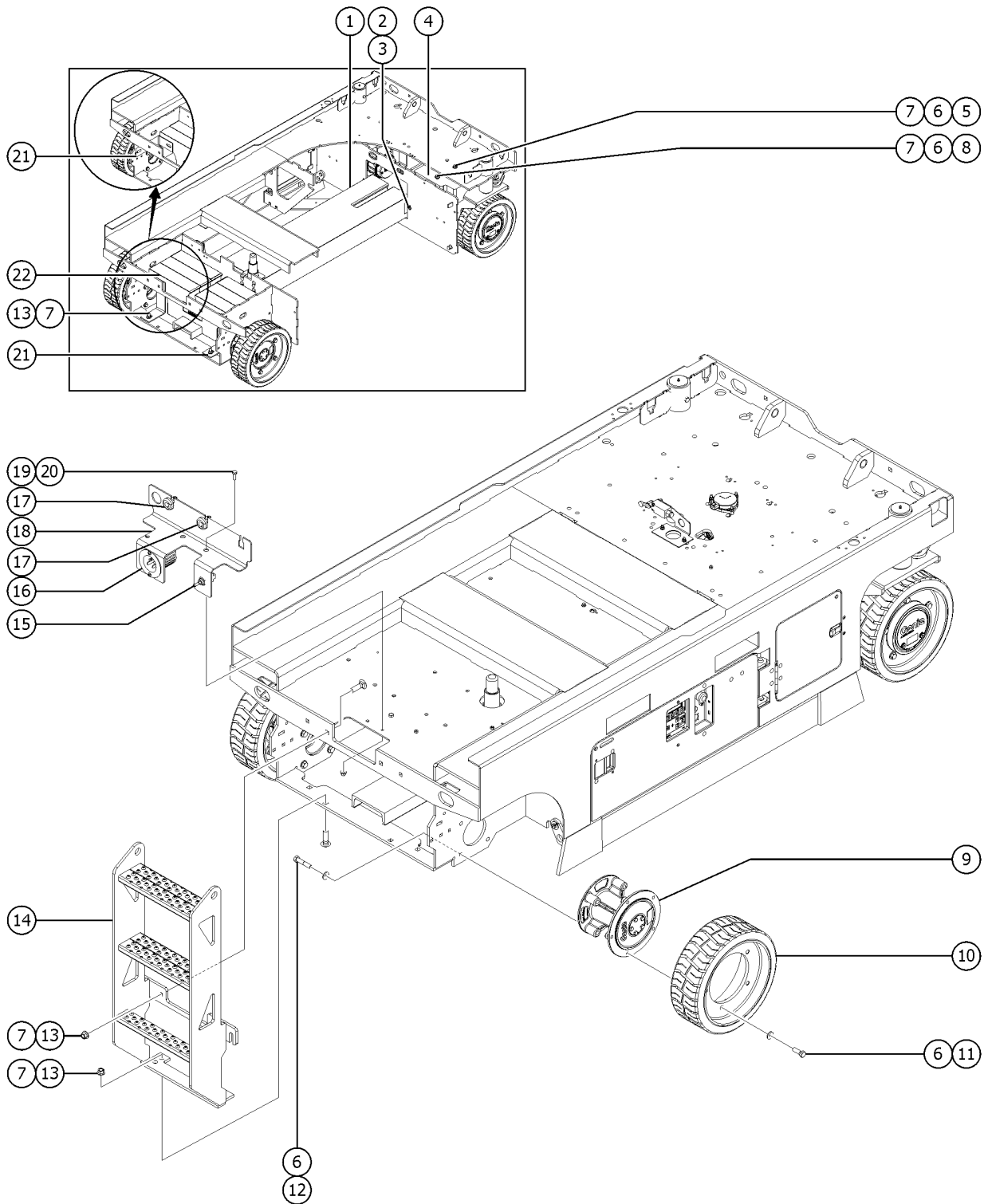


201.1 Steer Linkage and Wheels

Item	Part No.	Description	Qty.
22		Ref. Steer Cylinder (refer to 501.1)	
23	1256844GT	SCREW,HHC,1/2-13X1.5,8,ZAG	10
24	825353GT	WASHER,FLAT,1/2,SAE,HRD,ZAG	10
25	1259193GT	PIN,CLEVIS,3/4X2,ZAG	1
26	1259686GT	WASHER,FLAT,.765X1.312X.093,ZA	1
27	1259194GT	CLIP,HAIR PIN,.125X2,.5-.75,ZA	1
28	1303529GT	WELDMENT, STEER YOKE, GS46, E-DRIVE, R (ground controls side)	1
29	13921GT	ELBOW,070220-4-4	2
30	1259195GT	PIN,CLEVIS,3/4X3.25,ZAG	1
31	824128GT	RUE RING,3/4,ZAG	1
32	1259192GT	SCREW, YOKE LOCK, ZAG	2
33	1256679GT	NUT,SERRATED,1/4-20,8,ZAG	1
34	58592GT	PLATE,HOSE ROUTG,BULKHEAD(PTD) (as required)	
35	1255797GT	BOLT,CARRIAGE,1/4-20X2.5,ZAG (GS2046, 2646 only)	1
35B	1258676GT	BOLT,CARRIAGE,1/4-20X2.5,5,ZAG (GS3246, 4046 only)	1



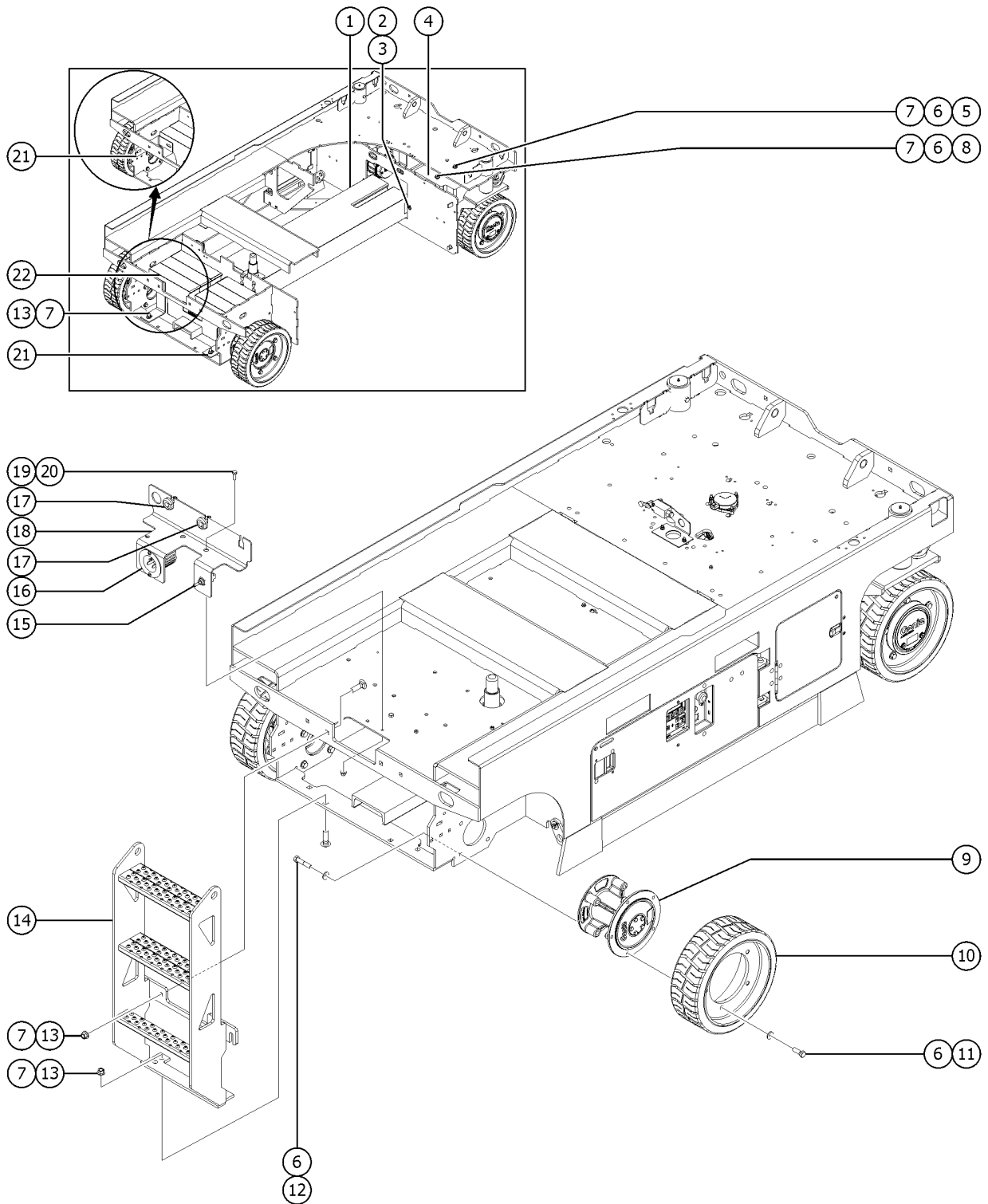
202.1 Non-Steer Axle Installation



Item	Part No.	Description	Qty.
1	1301444GT	LARGE COUNTERWEIGHT, BELLY,GS46 (GS4046, GS3246 XH only)	1
1B	1301445GT	LARGE MEDIUM COUNTERWEIGHT, BELLY (GS3246 New ANSI/CSA/CE only)	1
1B-	1301445GT	LARGE MEDIUM COUNTERWEIGHT, BELLY (GS2646 XH only)	1
2	1256118GT	SCREW,HHC,3/8-16X1.5,8,ZAG	2
3	826793GT	WASHER,FLAT,3/8,SAE,HRD,ZAG	2
4	1301172GT	LARGE COUNTERWEIGHT, FRONT, RIGHT, G32/46 (GS2646,3246,4046 only)	1
5	1256287GT	SCREW,HHC,1/2-13X3.5,8,ZAG	1
6	825353GT	WASHER,FLAT,1/2,SAE,HRD,ZAG	
7	1274172GT	NUT,NYLOCK FLG,1/2-13,G,ZAG	
8	1256112GT	SCREW,HHC,1/2-13X6,8,ZAG	1
9	1300538GT	ASSY,SPINDLE,CHASSIS,LARGE	2
9-	1308089GT	BEARING KIT, SPINDLE, LG SLAB	1
10	1299494GT	TIRE/WHEEL, NON-MARKING, 5-BOLT, 15x5"	2
11	1256844GT	SCREW,HHC,1/2-13X1.5,8,ZAG	10
12	1306174GT	SCREW,HHC,1/2-12X2.75,8,ZAG	8
13	1256115GT	BOLT,CARRIAGE,1/2-13X1.75,5,ZA.	
14	132364GT	WELDMENT,20XX LADDER (GS2046 only, decals not included refer to section one)	1
14B	132373GT	WLDMT,GS32/46 LADDER*** (GS2646, 3246 only, decals not included refer to section one)	1
14C	228367GT	WELDMENT, LADDER (GS2046 only, decals not included refer to section one)	1
15	128584GT	SWITCH TOGGLE SPDT 2P MNT SHDR	1
16		Ref. Electrical Plugs and Cords (refer to 402.1)	1
17	128118GT	BUSHING,STRAIN RELIEF,.875/.40	2
18	1303685GT	FORMING,REAR BRKT,E-DRIVE	1
18B	1303686GT	FORMING,REAR BRKT,E-DRIVE,US PLUG (US Plug option)	1
19	824067GT	SCREW,HHC,3/8-16X1,8,ZAG	2
20	1274322GT	NUT,NYLOCK FLG,3/8-16,G,ZAG	2
21	1299696GT	FORMING BRACKET ,CW,GS46	2
22	1299677GT	LARGE COUNTERWEIGHT, REAR, GS46 (GS2646, 3246 AUS)	2



202.1 Non-Steer Axle Installation

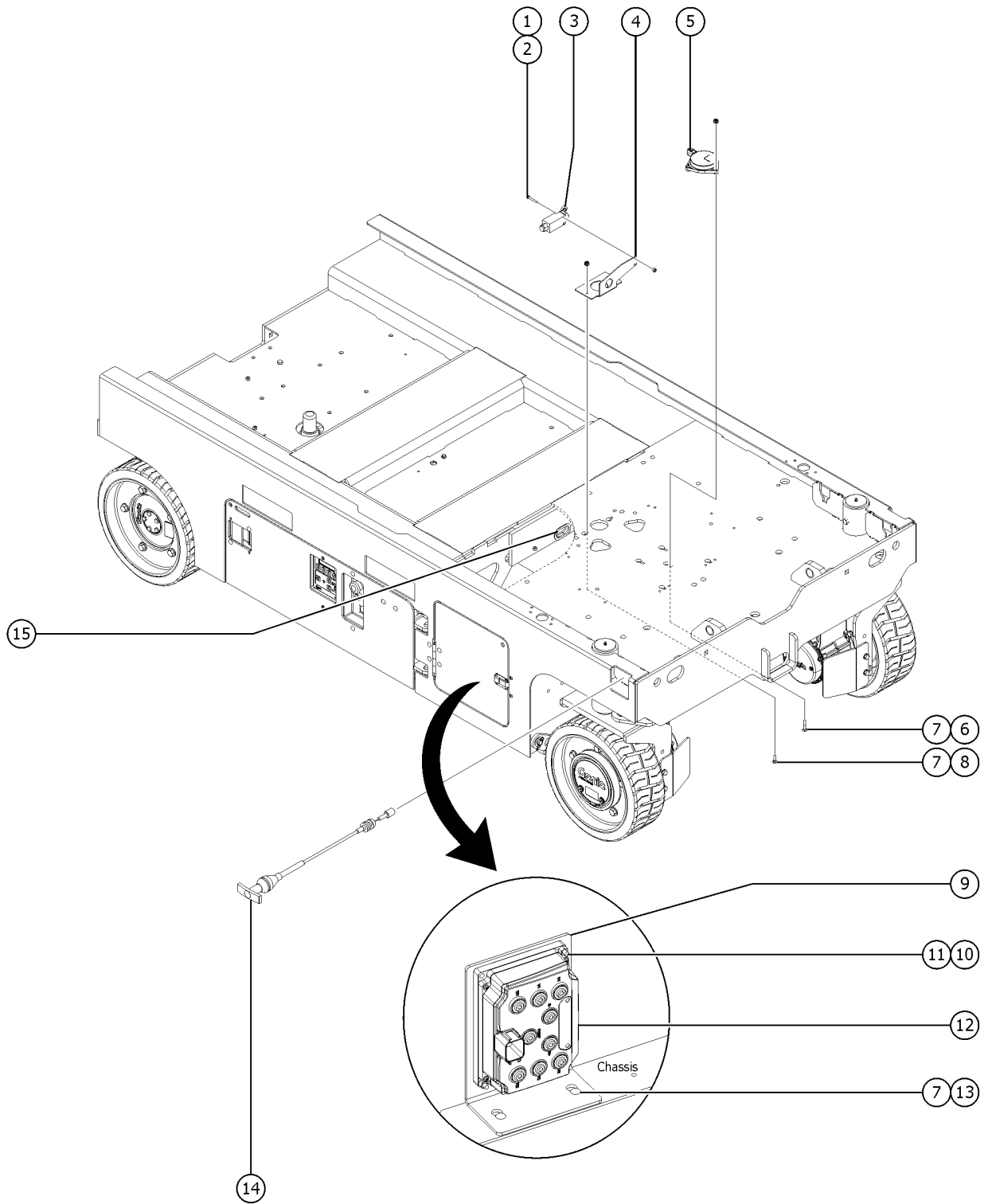


202.1 Non-Steer Axle Installation

<i>Item</i>	<i>Part No.</i>	<i>Description</i>	<i>Qty.</i>
22B	1299677GT	LARGE COUNTERWEIGHT, REAR, GS46 (GS2646 XH New ANSI/CSA/CE only)	2
22B-	1299677GT	LARGE COUNTERWEIGHT, REAR, GS46 (GS2646 XH AUS only)	3
22B-	1299677GT	LARGE COUNTERWEIGHT, REAR, GS46 (GS4046,3246 XH only)	3
22B-	1258511GT	SCREW,HHC,1/2-13X5.5,8,ZAG	1



203.1 Level Sensor Installation

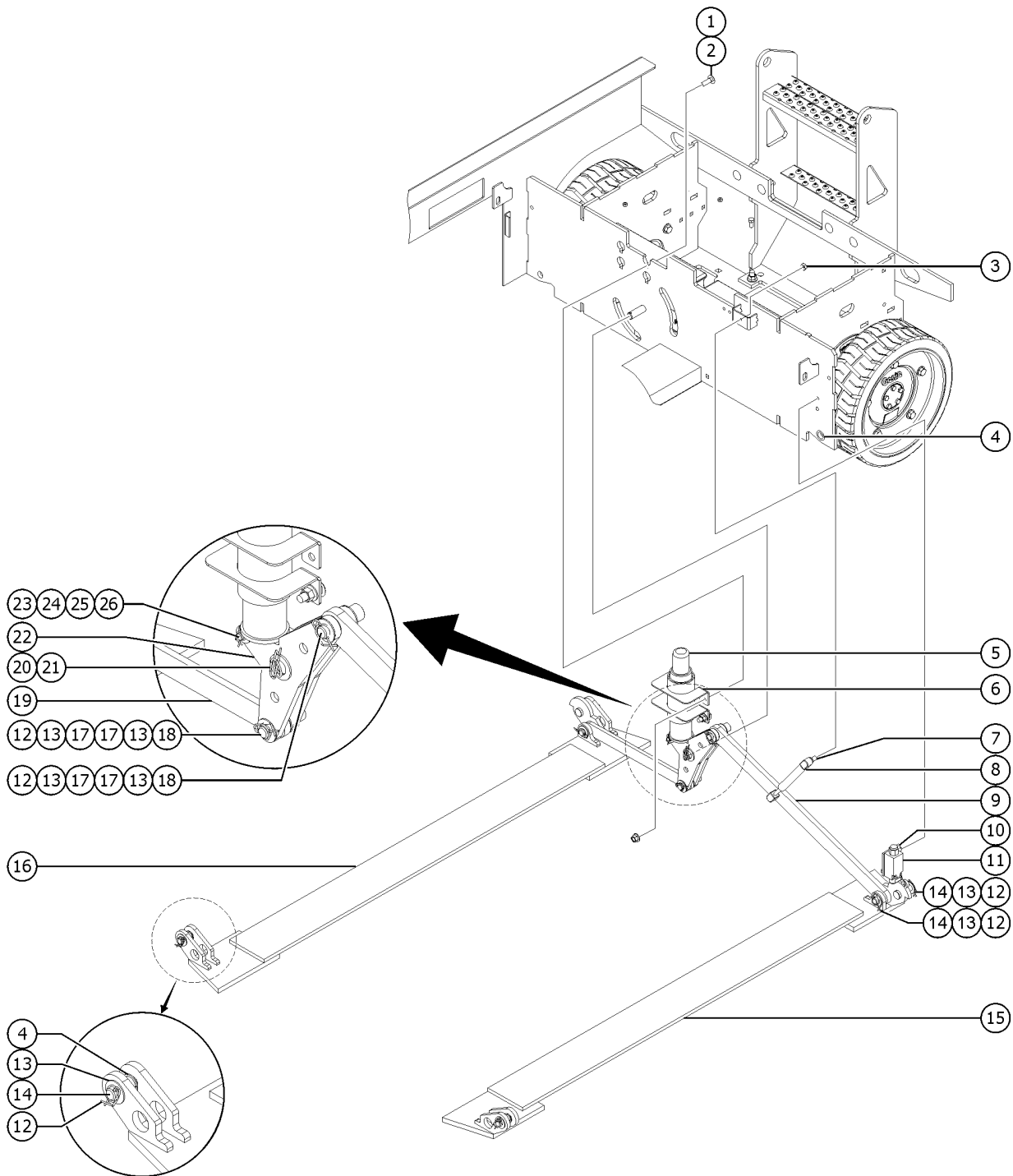


203.1 Level Sensor Installation

Item	Part No.	Description	Qty.
1	824216GT	SCREW, PHPM, 10-32 X 1.5, ZAG	2
2	1274168GT	NUT,NYLOCK,10-32,A,ZAG	2
3	T112507GT	ASSEMBLY, DOWN LIMIT, GS (Includes plug)	1
3-	19491GT	CONTACTOR,LIMIT SWITCH	
3-	96948GT	SWITCH,LIMIT,W/ROLLER ARM***	
3-	97128GT	ROLLER ARM,LIMIT SWITCH***	
4	1299642GT	LIMIT SWITCH BRACKET, LARGE	1
5	823368GT	SENSOR,LEVEL,UNIVERSAL	1
6	1255756GT	BOLT,CARRIAGE,1/4-20X1.5,5,ZAG	3
7	1277924GT	NUT,NYLOCK FLG,1/4-20,F,ZAG	5
8	1256127GT	BOLT,CARRIAGE,1/4-20X1",GR 5,ZAG	2
9	1299051GT	FORMING, MC BRACKET GS32/46	1
10	1256463GT	BOLT,CARRIAGE,1/4-20X1.25,5,ZAG	2
11	1274165GT	NUT,NYLOCK,1/4-20,C,ZAG	2
12	1303778GT	MOTOR CONTROLLER,24V,120A DUAL AC,200A PUMP	1
13	824124GT	BOLT, CARRIAGE, 1/4-20 X .75, 5, ZAG	2
14	39232GT	CABLE,EMERGENCY DOWN	1
15	47238GT	GROMMET,RUBBER 1.5 ID	1



204.1 Pothole Protection Assembly

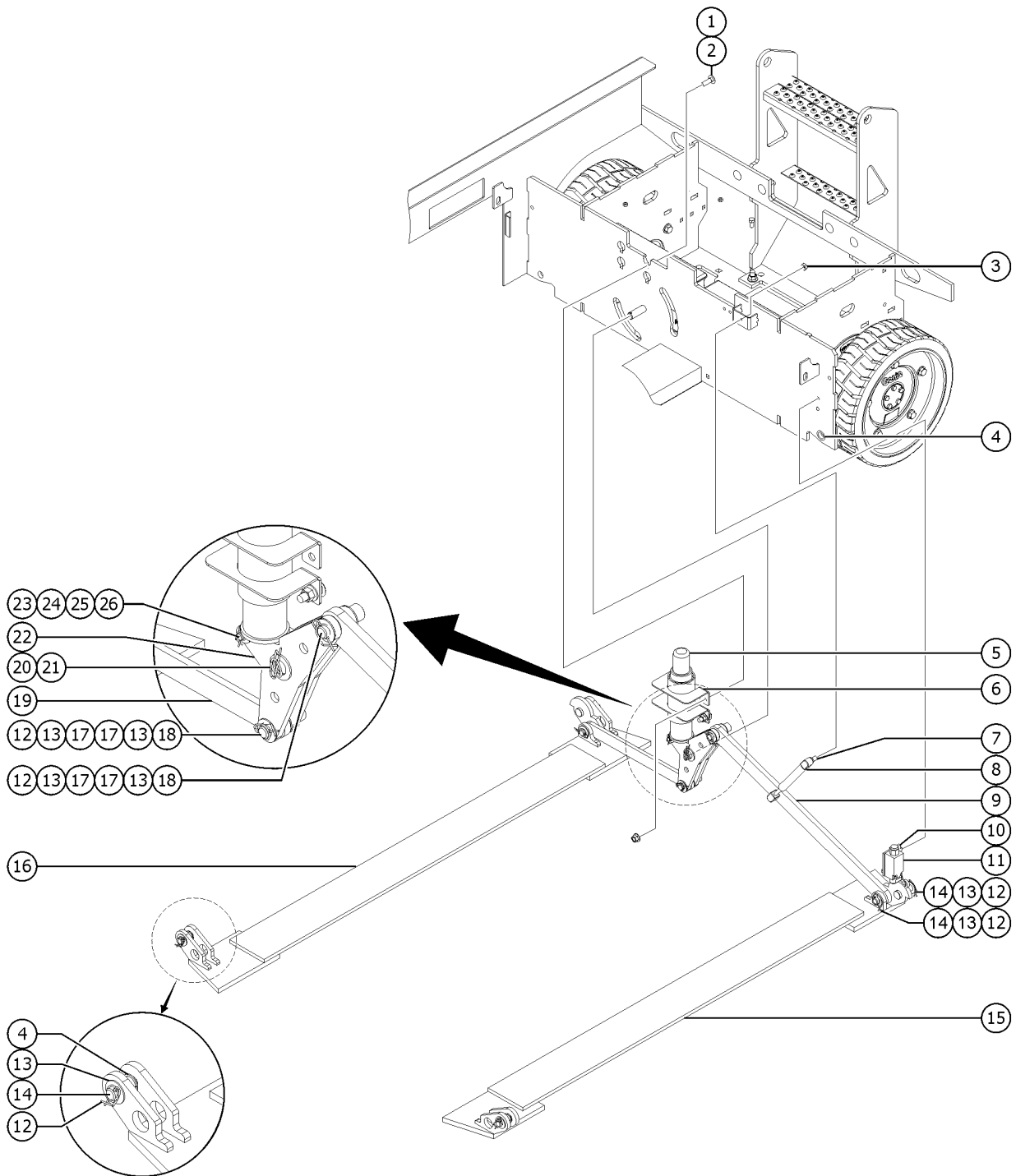


204.1 Pothole Protection Assembly

Item	Part No.	Description	Qty.
--	1307880GT	ASSY, POTHOLE SYSTEM,GS46	1
1	1255757GT	BOLT,CARRIAGE,3/8-16X1.25,5,ZAG	4
2	1274322GT	NUT,NYLOCK FLG,3/8-16,G,ZAG	4
3	1283028GT	NUT,LP NYLOCK,3/8-16,2,ZAG	1
4	105156GT	BUSHING,FLNGD,.63 X .77 X .38	2
5	1300036GT	ASSY,POT HOLE PUSHER	1
6	1300053GT	WLDMT/ASSY,PH GUIDE,E-DRIVE	1
6-	96408GT	BEARING,1.523IDX1.75ODX0.63L	
6-	1300540GT	BEARING,2.03IDX2.25ODX1.00L	2
7	78086GT	BALL STUD, GAS STRUT, 3/8-16	2
8	39542GT	GAS SHOCK,SCISSORS***	1
9	1300586GT	PLATE,POTHOLE LINK	1
10	1302399GT	PLATE, SWITCH BRACKET	1
11	96948GT	SWITCH,LIMIT,W/ROLLER ARM*** (down limit switch)	1
11-	1257264GT	SCREW,BHC,10-32X1.5,F835,ZAG	
11-	19491GT	CONTACTOR,LIMIT SWITCH	
11-	1274168GT	NUT,NYLOCK,10-32,A,ZAG	
11-	97128GT	ROLLER ARM,LIMIT SWITCH***	
12	1259177GT	RUE RING,5/8,ZAG	8
13	1259180GT	WASHER,SHIM,.625X1.188X.064,ZA	10
14	1259197GT	PIN,CLEVIS,.625X1.88,ZAG	6
15	1300620GT	WELDMENT,POTHOLE,LEFT SIDE (battery pack side)	1
16	1300619GT	WELDMENT,POTHOLE,RIGHT SIDE (ground controls side)	1
16-	105156GT	BUSHING,FLNGD,.63 X .77 X .38	4
17	96085GT	WASHER,THRUST,.63 X 1.13 X .06	4
18	1259179GT	PIN,CLEVIS,.625X1.79,ZAG	2
19	1300621GT	PLATE,POTHOLE LINK	1
20	824128GT	RUE RING,3/4,ZAG	1



204.1 Pothole Protection Assembly

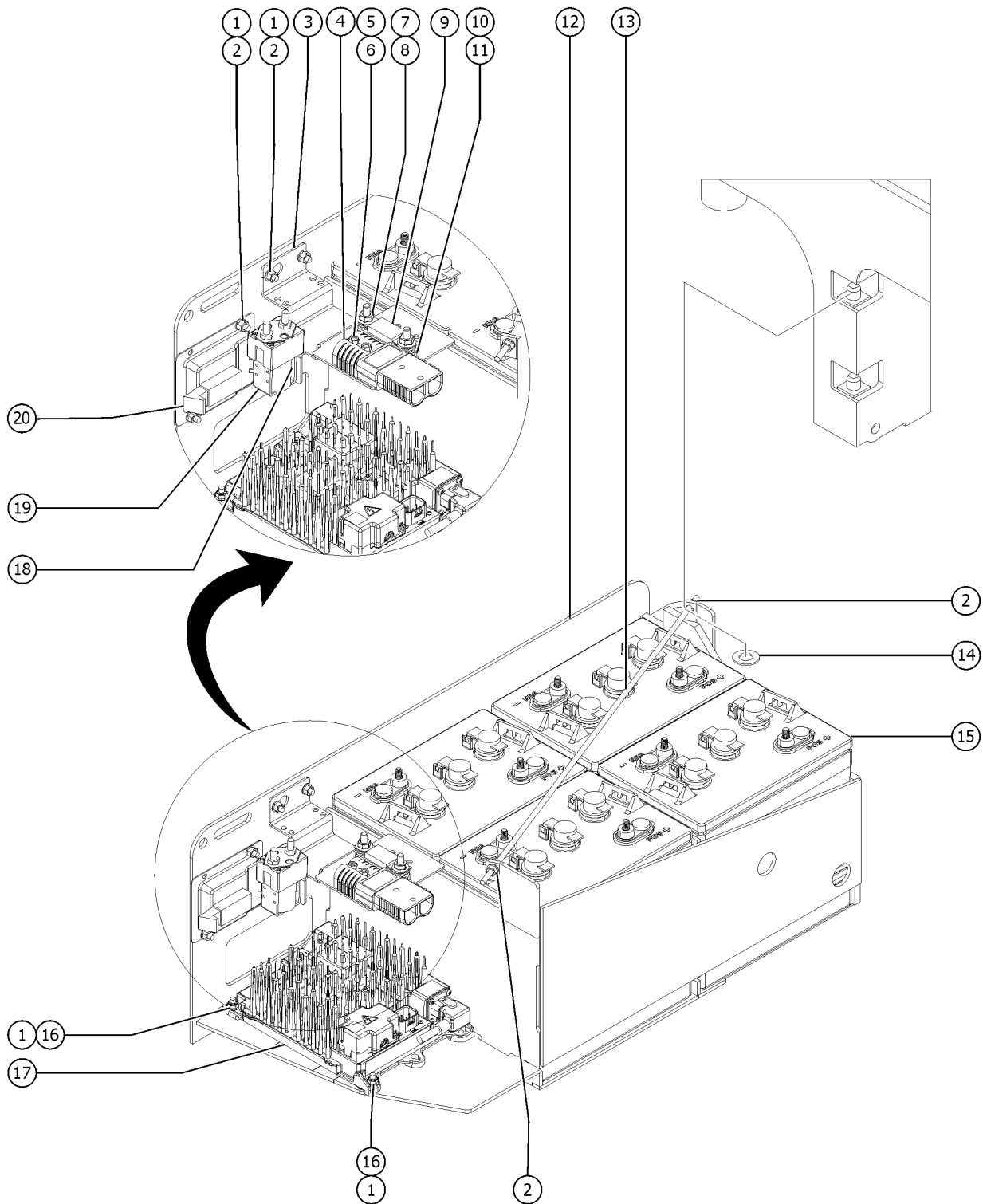


204.1 Pothole Protection Assembly

<i>Item</i>	<i>Part No.</i>	<i>Description</i>	<i>Qty.</i>
21	1259686GT	WASHER,FLAT, .765X1.312X.093,ZA	1
22	1300616GT	WLDMT/ASSY,PH BELLCRANK LINK	1
22-	105156GT	BUSHING,FLNGD,.63 X .77 X .38	2
22-	105720GT	BUSHING,FLANGE,.75X1X1.38	1
23	12016GT	PIN,COTTER,.125 X .75	1
24	825358GT	WASHER,FLAT,5/16,USS,ZAG	1
25	1259178GT	PIN,CLEVIS,.375X1.75,ZAG	1
26	96541GT	CAM FOLLOWER,1.125X.375,DELRIN	1



205.1 Battery Pack Module (E-Drive)

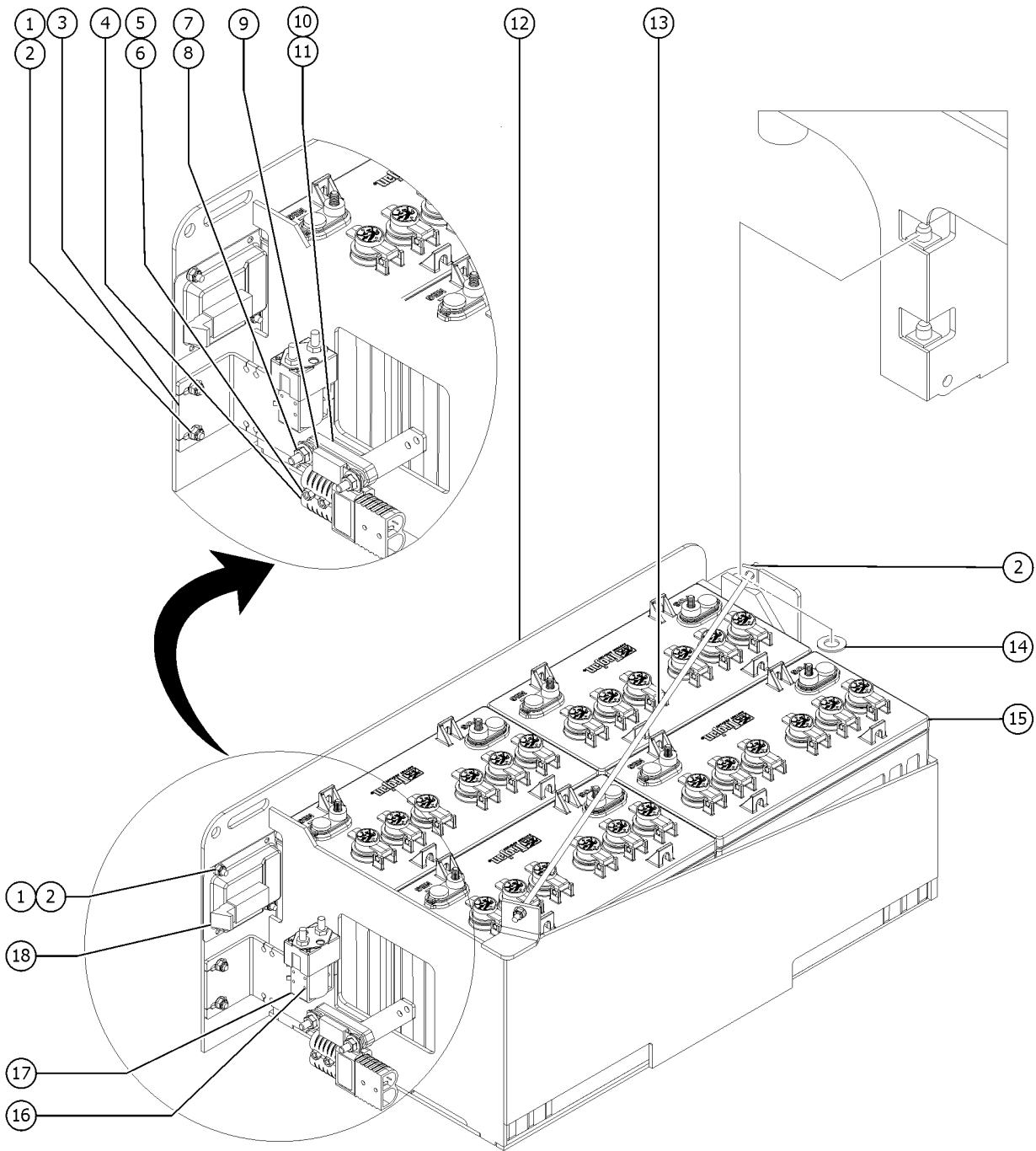


205.1 Battery Pack Module (E-Drive)

Item	Part No.	Description	Qty.
1	824124GT	BOLT, CARRIAGE, 1/4-20 X .75, 5, ZAG	
2	1277924GT	NUT,NYLOCK FLG,1/4-20,F,ZAG	
3	1290574GT	FORMING,CONTACTOR/FUSE BRACKET	1
4	1288481GT	QUICK DISCONNECT CASING, BATT SB120	1
5	826516GT	SCREW, PHPM, 10-32 X 1.0, ZAG	2
6	1274168GT	NUT,NYLOCK,10-32,A,ZAG	2
7	18503GT	NUT, LOCKING - LG FLANGE 5/16 - 18	
8	825358GT	WASHER,FLAT,5/16,USS,ZAG	2
9	40833GT	FUSE,275 AMP,VERY FAST ACTING	1
10	66717GT	FUSE BLOCK, ANN & ANL FUSE (includes mounting fasteners)	1
11	1259266GT	SCREW,HEX UNSLOTTED,14-10X.5,T	2
12	1307960GT	WELDMENT, BATTERY TRAY,GS	1
13	30784-2550GT	THREADED ROD,(1/4-20),25.50	1
14	1256863GT	WASHER,FLAT,.75,F436,HRD,ZAG	2
15	1299390GT	BATT,6V,210AH T605 LPT3CAP	4
15-	1255805GT	NUT,SERRATED,5/16-18,8,ZAG	
16	1256127GT	BOLT,CARRIAGE,1/4-20X1",GR 5,ZAG	2
17		Ref. Battery Charger (refer to 206.1)	1
18	824217GT	SCREW, PHPM SEMS ET, M4-.7 X 8, ZAB	3
19	74268GT	CONTACTOR,AUX PUMP 24V,80A***	1
20	55675GT	LATCH, LRG PADDLE HANDLE GS90	1



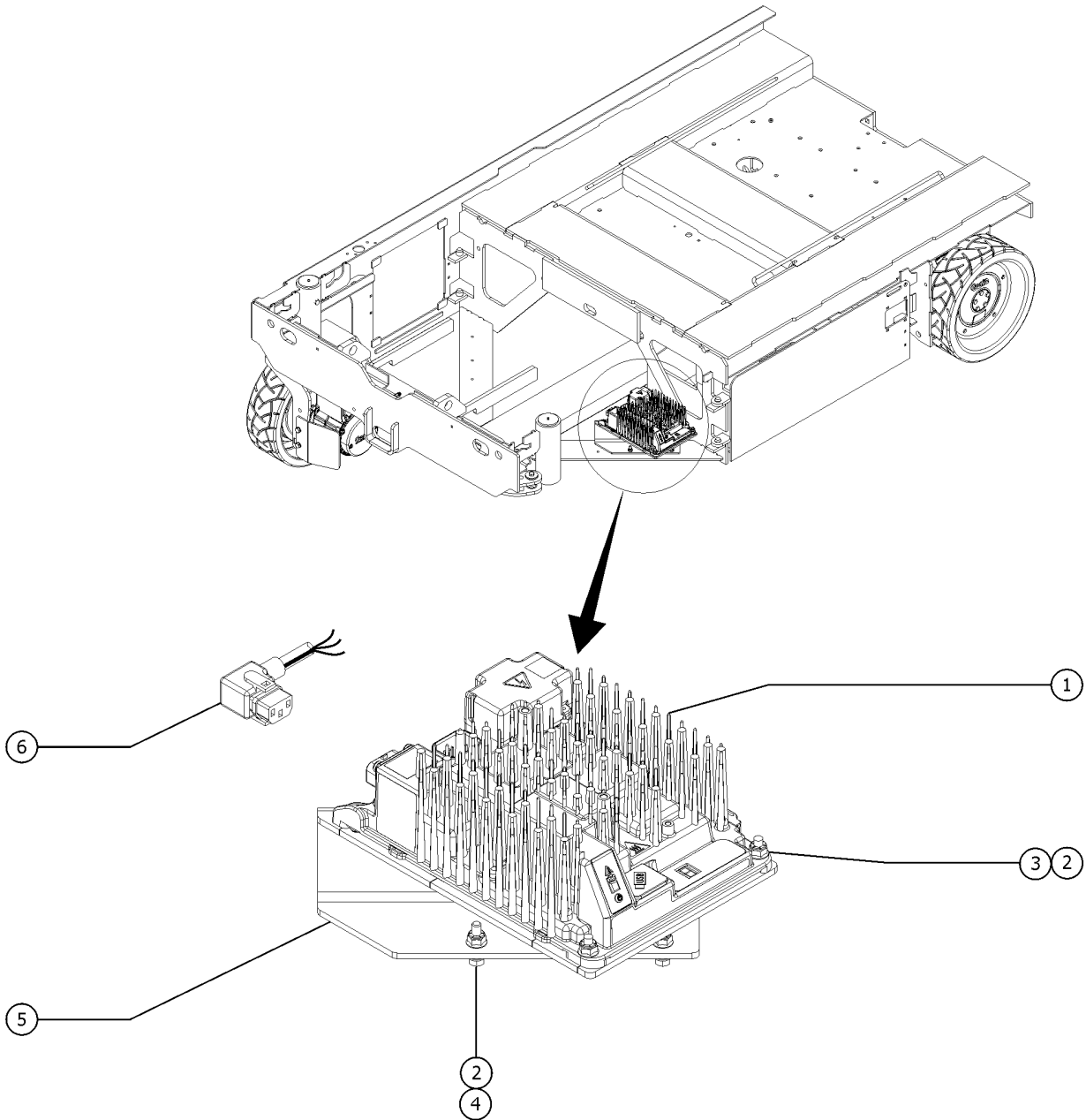
205.2 Battery Pack Module (GS-4046)



Item	Part No.	Description	Qty.
--		Ref. Battery Charger (refer to 206.1)	1
1	824124GT	BOLT, CARRIAGE, 1/4-20 X .75, 5, ZAG	
2	1277924GT	NUT,NYLOCK FLG,1/4-20,F,ZAG	
3	1308749GT	FORMING, FUSE BRACKET,E-DRIVE	1
4	1288481GT	QUICK DISCONNECT CASING, BATT SB120	2
5	826516GT	SCREW, PHPM, 10-32 X 1.0, ZAG	2
6	1274168GT	NUT,NYLOCK,10-32,A,ZAG	2
7	18503GT	NUT, LOCKING - LG FLANGE 5/16 - 18	
8	825358GT	WASHER,FLAT,5/16,USS,ZAG	2
9	40833GT	FUSE,275 AMP,VERY FAST ACTING	1
10	66717GT	FUSE BLOCK, ANN & ANL FUSE (includes mounting fasteners)	1
11	1259266GT	SCREW,HEX UNSLOTTED,14-10X.5,T	2
12	1309093GT	WELDMENT, T1275 BATTERY TRAY, GS	1
13	237165GT	THREADED ROD, M6 X 736MM	1
14	1256863GT	WASHER,FLAT,.75,F436,HRD,ZAG	2
15	T113971GT	BATTERY,12V,150AH, T1275 (GS4046 only)	4
15-	1255805GT	NUT,SERRATED,5/16-18,8,ZAG	
16	824217GT	SCREW, PHPM SEMS ET, M4-.7 X 8, ZAB	4
17	74268GT	CONTACTOR,AUX PUMP 24V,80A***	1
18	55675GT	LATCH, LRG PADDLE HANDLE GS90	1



206.1 Battery Charger (GS-4046)

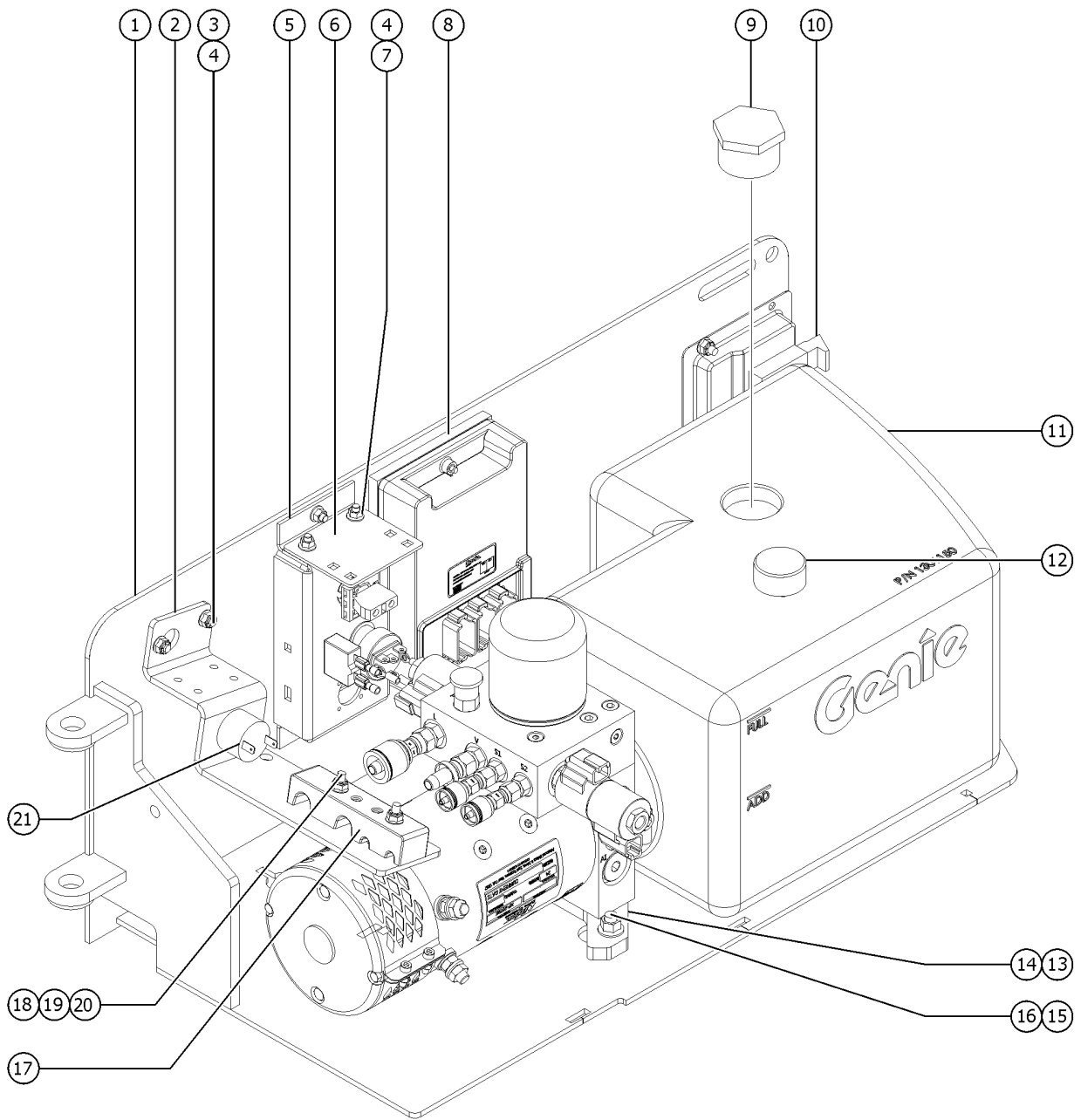


206.1 Battery Charger (GS-4046)

Item	Part No.	Description	Qty.
A		REF. Side Door (refer to 208.1 Ground Controls)	
1	1264372GT	CHARGER,24V,650W,USB	1
1-	1278366GT	CABLE ASSY, CHARGER/BATTERY,4047 for standard 'flooded' batteries	1
1-		ASSEMBLY,CHARGER STATUS LED,2V (refer to 209.1) (for 1264372)	
1-		HARNES,LED CHARGER,GS46 (refer to 209.1) (for 1264372)	
2	1277924GT	NUT,NYLOCK FLG,1/4-20,F,ZAG	
3	1256127GT	BOLT,CARRIAGE,1/4-20X1",GR 5,ZAG	2
4	824079GT	SCREW,HHF,1/4-20X1,8,ZAG	2
5	1272847GT	PLATE,CHARGER MOUNT	1
6	1272557GT	POWER CORD, IEC 320, 90	



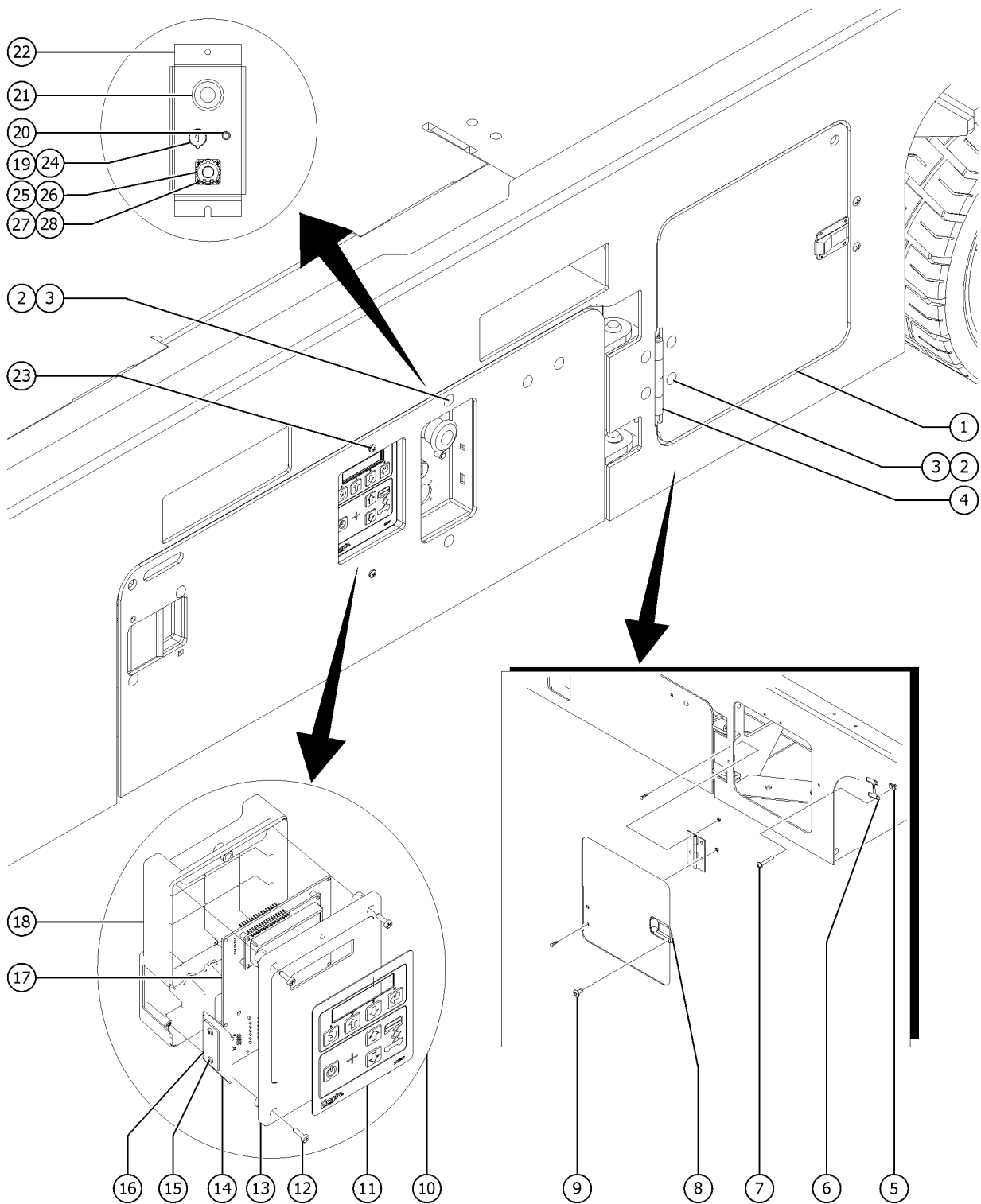
207.1 Power Unit Module



Item	Part No.	Description	Qty.
1	1300908GT	ASSEMBLY, HYDRAULIC TRAY, GS46	1
1-	1298923GT	WELDMENT, HYDRAULIC TRAY, E-DRIVE	1
2	1303364GT	FORMING, BRACKET, HYD HOSE CLAMP	1
3	1268954GT	BOLT, CARRIAGE, 1/4-20X1.75, 5, ZAG	2
4	1277924GT	NUT, NYLOCK FLG, 1/4-20, F, ZAG	
5		Ref. FORMING, CONTROL PANEL	
		(refer to 208.1)	
6	T108326GT	PLATE, HARNESS MOUNT	1
7	824124GT	BOLT, CARRIAGE, 1/4-20 X .75, 5, ZAG	2
8		Ref. GCON, GR/GRC/GS	
		(refer to 208.1)	
9	66204GT	FILLER CAP (PLUG 1-1/2" NPT HEX	1
10	55675GT	LATCH, LRG PADDLE HANDLE GS90	1
11	1299666GT	POWER UNIT, 4046 SLAB	1
		(GS-4046)	
11B	1303255GT	POWER UNIT, GS3246, E-DRIVE	1
		(GS-2046, GS-2646, GS-3246)	
12	78546GT	BREATHER CAP, HYD. TANK, 1/4 NPT	1
13	1287951GT	PLATE, POWER UNIT MOUNT	1
14	1260703GT	SCREW, FHS, 3/8-16X1, F835, ZAG	2
15	1255757GT	BOLT, CARRIAGE, 3/8-16X1.25, 5, ZAG	2
16	1274322GT	NUT, NYLOCK FLG, 3/8-16, G, ZAG	2
17	1304152GT	CLAMP, HOSE, HYD TRAY	1
18	1255797GT	BOLT, CARRIAGE, 1/4-20X2, 5, ZAG	2
19	1277924GT	NUT, NYLOCK FLG, 1/4-20, F, ZAG	2
20	824113GT	WASHER, FLAT, USS, 1/4, ZAG	2
21	39540GT	ALARM, STEADY TONE***	1
21-	72326GT	NUT, PLASTIC, RING FOR ALARMS	
		for 39540	



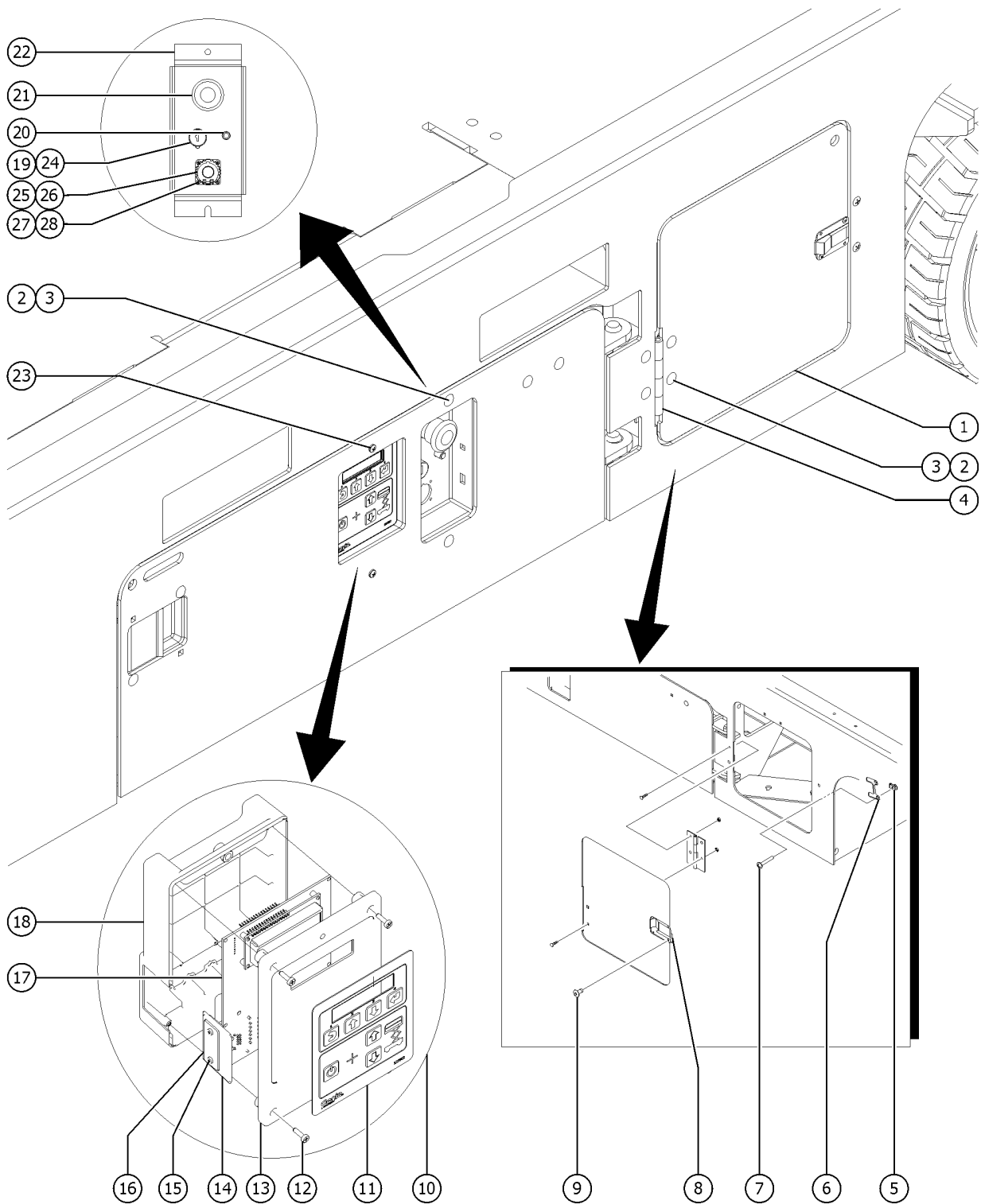
208.1 Ground Controls



Item	Part No.	Description	Qty.
A	1252764GT	SPACER, GROUND CONTROL ECU	1
B	824216GT	SCREW, PHPM, 10-32 X 1.5, ZAG	
1	1299643GT	PLATE, SIDE DOOR	
2	824124GT	BOLT, CARRIAGE, 1/4-20 X .75, 5, ZAG	6
3	1277924GT	NUT, NYLOCK FLG, 1/4-20, F, ZAG	4
4	105734GT	HINGE, ACCESS DOOR(13G)	1
5	56912GT	SPRING CLIP, 1/4-20, .025-.15X.5	2
6	132557GT	PLATE, SIDE DOOR STOP***	
7	1260984GT	SCREW, PHPM, 1/4-20X.75, ZAG	2
8	105759GT	LATCH, COMPRESSION, SMALL	1
9	824206GT	RIVET, STL, STL, DOME, 1/8X.25, ZAG	2
10	1284285GT	GCON, STD, DUAL ZONE	
11	137562GT	DECAL, MEMBRANE, GR/GRC/GS GCON	1
12	137668GT	SCREW, PHM, 6-19X.75, 48-2 TRI-L	4
13	T106366GT	ENCLOSURE, GC27-25/GC21-19, FRNT	1
14	T106363GT	ADAPTER, RJ45, GC27-25/GC21-19	1
15	137637GT	SCREW, PHM, 4-20X.5, 48-2 TRI-L	2
16	T106362GT	COVER, RJ45, GC27-25/GC21-19	1
17	1284287GT	PCBA, GCON, STD, DUAL ZONE	1
18	T106372GT	ENCLOSURE, GC21-19, BK	1
19	96008-SGT	KEYSWITCH, 3 POS. W/KEYS***	1
19-	37947GT	KEYS, 10 PACK*** (sold seperately)	
19-	83093GT	KEY SINGLE*** (sold seperately)	
19-	85239GT	NUT, RETAINER (96008) (sold seperately)	
19-	96009GT	WASHER, NITRILE (sold seperately)	
19-	96010GT	SCREW, PHILLIPS, PHM, 8-32 X.25** (sold seperately)	
20	96452GT	CIRCUIT BREAKER, 7.0 AMP***	1
20-	122994GT	NICKEL PLATED JAM NUT	



208.1 Ground Controls

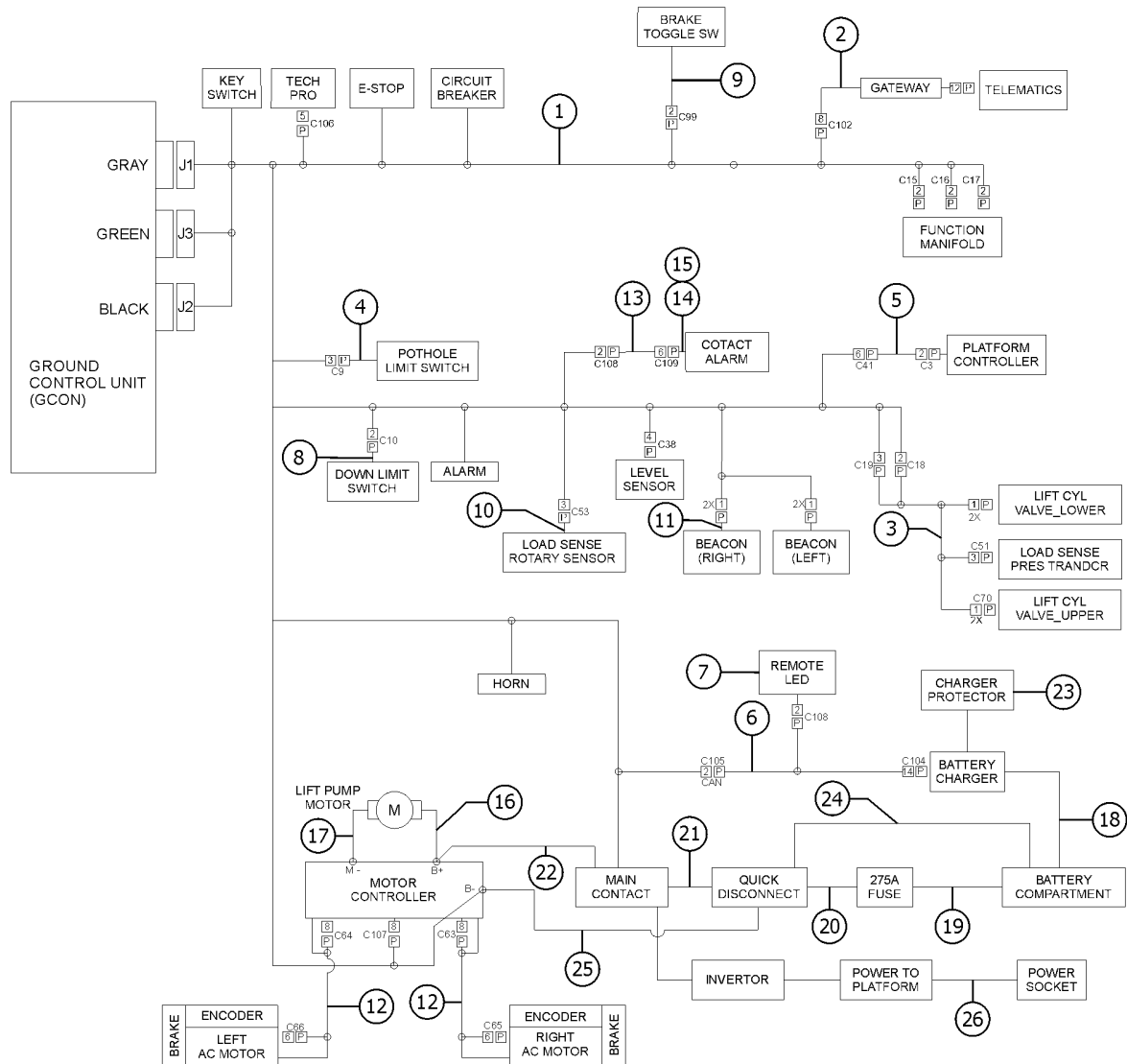


208.1 Ground Controls

<i>Item</i>	<i>Part No.</i>	<i>Description</i>	<i>Qty.</i>
20-	6700GT	WASHER,STAR,EXTERNAL,,375	1
21	66812GT	BUTTON,PUSH,RED MUSHROOM HEAD	1
21-	58627GT	NUT	
21-	66817GT	BASE WITH 1 NC CONTACT, E-STOP	
22	1283213GT	FORMING, CONTROL PANEL, TECH PRO	1
23	824216GT	SCREW, PHPM, 10-32 X 1.5, ZAG	2
24	96010GT	SCREW,PHILLIPS,PHM,8-32 X.25**	3
25	1272122GT	CONN, RECEP, 5 WAY, DEUTSCH, HD10	1
26	1272123GT	DUST CAP, RECEPTACLE, 5 WAY, CIRCULAR	1
27	1253477GT	SCREW,PHPM,4-40X.5,ZAG	4
28	826854GT	NUT,NYLOCK,4-40	4



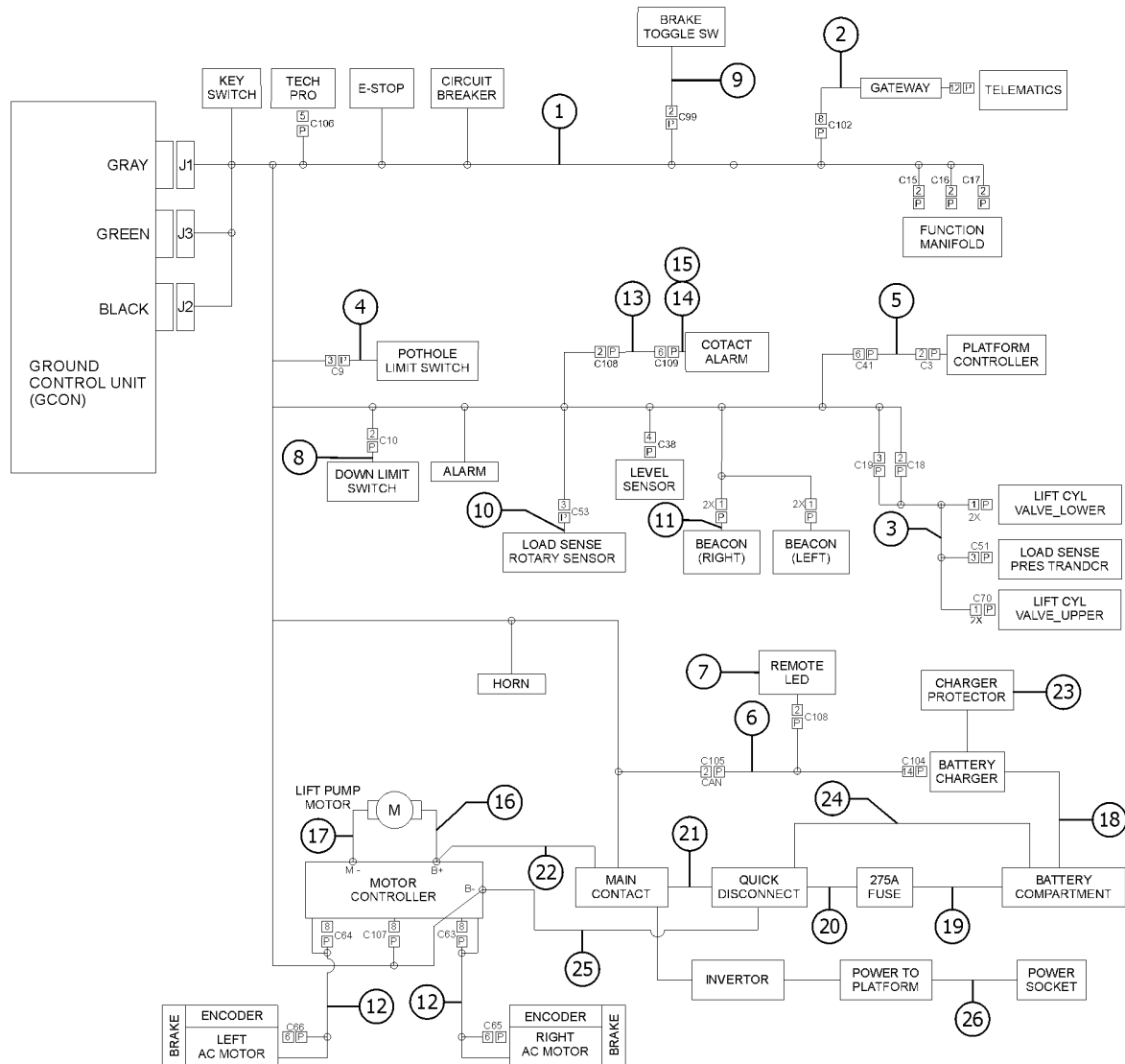
209.1 Electrical Wiring



Item	Part No.	Description	Qty.
1	1307802GT	HARNESS,GS GROUND CONTROLLER,GS32/46	1
2	1289899GT	HARNESS, GATEWAY, GS	1
3	233055GT	CABLE,LIFT CYL DWN, 32XX,W/LS (GS-3246)	1
3B	233053GT	CABLE,LFT CYL DN,20/26XX,W/LS (GS-2046, GS-2646)	
3C	236781GT	CABLE,LIFT CYL,GS4047 (GS-4046)	
4	1307876GT	ASSY,POTHOLE HARNESS,GS32/46, E-DRIVE	1
5	233052GT	CABLE, PLATFORM CONTROL, 32XX (GS-3246)	1
5B	238006GT	CABLE,PLAT CNTRL,GS4047 (GS-4046)	
5C	233050GT	CABLE, PLATFORM CONTROL, 20XX (GS-2046)	
5D	233051GT	CABLE, PLATFORM CONTROL, 26XX (GS-2646)	
6	1272121GT	HARNESS,LED CHARGER,GS46	1
7	1270281PGT	ASSEMBLY, CHARGER STATUS LED, 2V, BCI	1
8	T112507GT	ASSEMBLY, DOWN LIMIT, GS	1
9	1301854GT	CABLE, BRAKE RELEASE SWITCH	1
10	T113136GT	ASSY,ROT SENSR W/ HARNESS	1
11	1270162GT	ASSEMBLY, BEACON LED, 24V	2
12	1307808GT	COMPOSITE MOTOR CABLE LARGE,E-DRIVE	2
13	1288729GT	CABLE,CONTACT ALARM,CHASSIS TO PLAT,32XX (GS-3246)	1
13B	1288574GT	CABLE,CONTACT ALARM,45IN LINK	1
13C	1288727GT	CABLE,CONTACT ALARM,CHASSIS TO PLAT,20XX (GS-2046)	
13D	1288728GT	CABLE,CONTACT ALARM,CHASSIS TO PLAT,26XX (GS-2646)	
14	1288574GT	CABLE,CONTACT ALARM,45IN LINK	1
15	1291053GT	HARNESS,CONTACT ALARM,GS46 PLATFORM	1
16	1297793GT	CABLE ASSY,MC TO POWER UNIT,RED	1
17	1297796GT	CABLE ASSY,MC TO POWER UNIT,BLK	1
18	1278366GT	CABLE ASSY, CHARGER/BATTERY,4047	1
19	1297791GT	CABLE ASSY,BATT,5.50"RED	3
20	1308210GT	CABLE ASSY,FUSE TO QUIK,RED	1



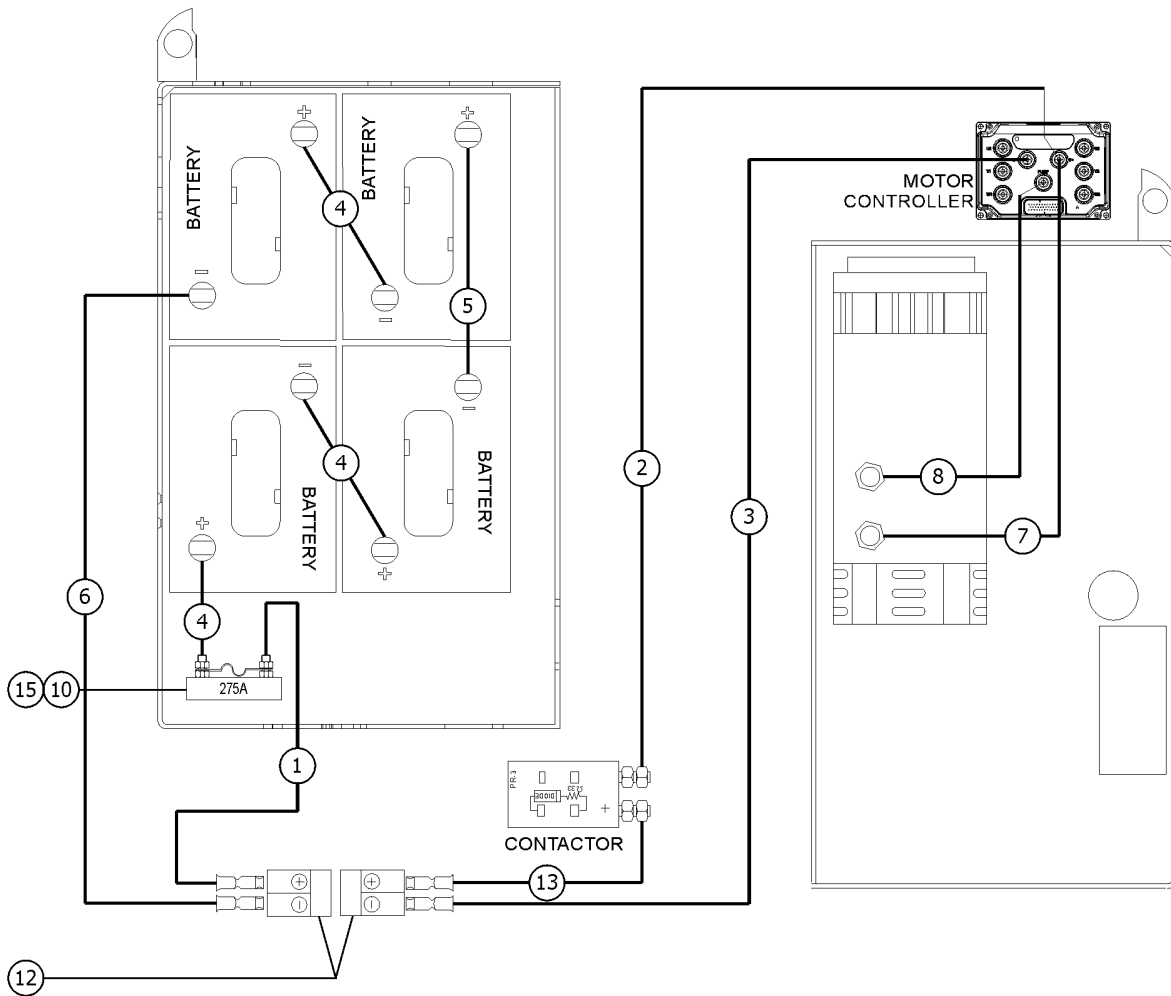
209.1 Electrical Wiring



<i>Item</i>	<i>Part No.</i>	<i>Description</i>	<i>Qty.</i>
21	1308219GT	CABLE ASSY,QUIK TO CONT,RED	1
22	1297795GT	CABLE ASSY,CONT TO MC,RED	1
23	1272557GT	POWER CORD, IEC 320, 90	1
24	1308213GT	CABLE ASSY,BATT TO QUIK,BLK	1
25	1308212GT	CABLE ASSY,QUIK TO MC,BLK	1
26	43956GT	WIRE CABLE,14/3 CON.TPE JKT* (GS-3546 only)	604
26A	43956GT	WIRE CABLE,14/3 CON.TPE JKT* (GS-4046 only)	724
26B	43956GT	WIRE CABLE,14/3 CON.TPE JKT* (GS-2046 only)	415
26C	43956GT	WIRE CABLE,14/3 CON.TPE JKT* (GS-2646 only)	510



210.1 Power Cables (GS-2046, GS-2646 and GS-3246)

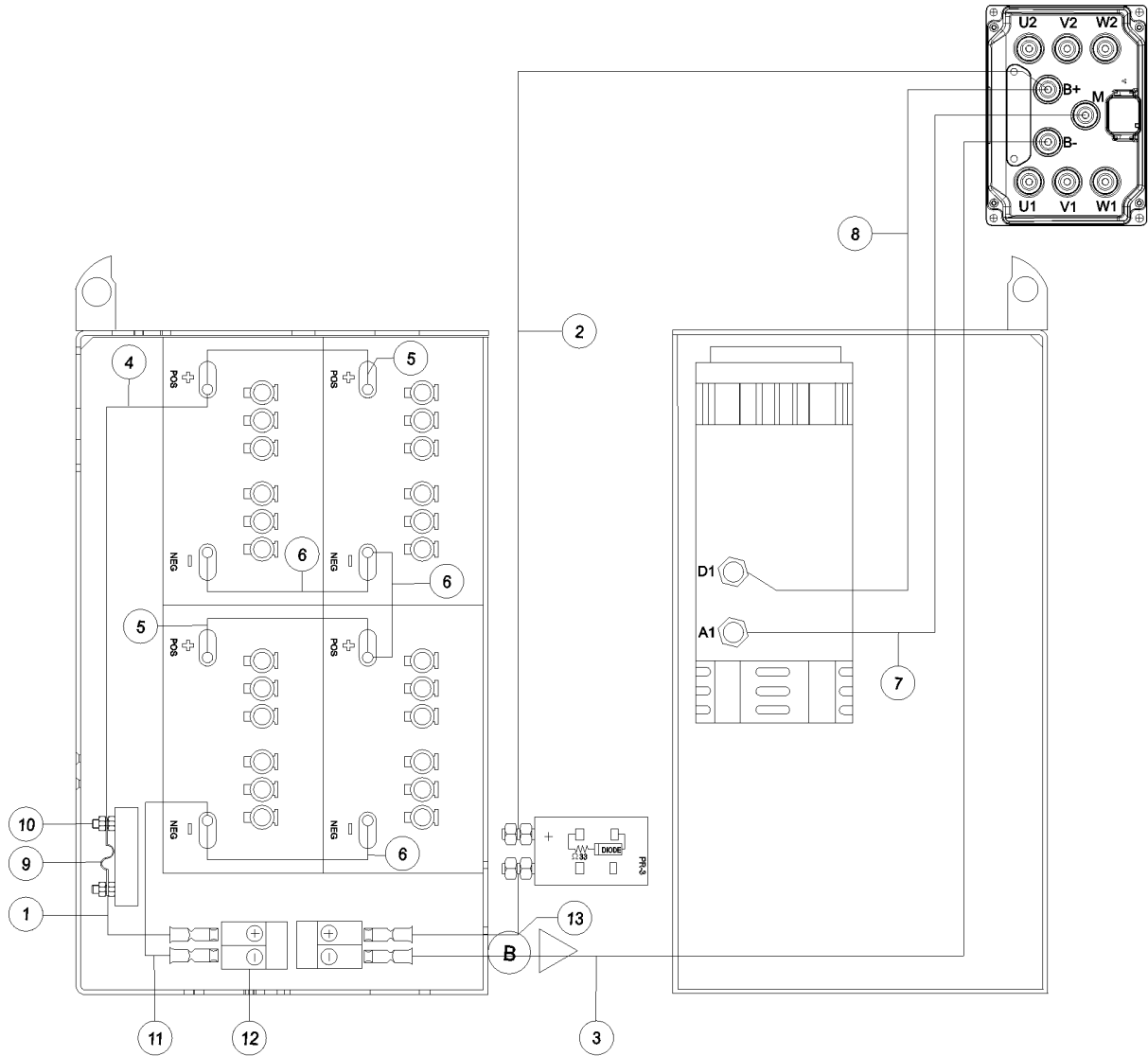


210.1 Power Cables (GS-2046, GS-2646 and GS-3246)

Item	Part No.	Description	Qty.
1	1308210GT	CABLE ASSY,FUSE TO QUIK,RED	1
2	1297795GT	CABLE ASSY,CONT TO MC,RED	1
3	1308212GT	CABLE ASSY,QUIK TO MC,BLK	1
4	1297791GT	CABLE ASSY,BATT,5.50"RED	3
5	1297792GT	CABLE ASSY,BATT,9.50"RED	1
6	1308213GT	CABLE ASSY,BATT TO QUIK,BLK	1
7	1297793GT	CABLE ASSY,MC TO POWER UNIT,RED	1
8	1297796GT	CABLE ASSY,MC TO POWER UNIT,BLK	1
9	28131GT	WIRE LOOM,1.25 DIA. not shown	16
10	66717GT	FUSE BLOCK, ANN & ANL FUSE	1
11	96110GT	BOOT,CABLE TERMINAL COVER not shown	15
12	1288481GT	QUICK DISCONNECT CASING, BATT SB120	2
13	1308219GT	CABLE ASSY,QUIK TO CONT,RED	1
14	79140GT	BOOT,CABLE TERMINAL,RED,XL not shown	1
15	40833GT	FUSE,275 AMP,VERY FAST ACTING	1



210.2 Power Cables (GS-4046)

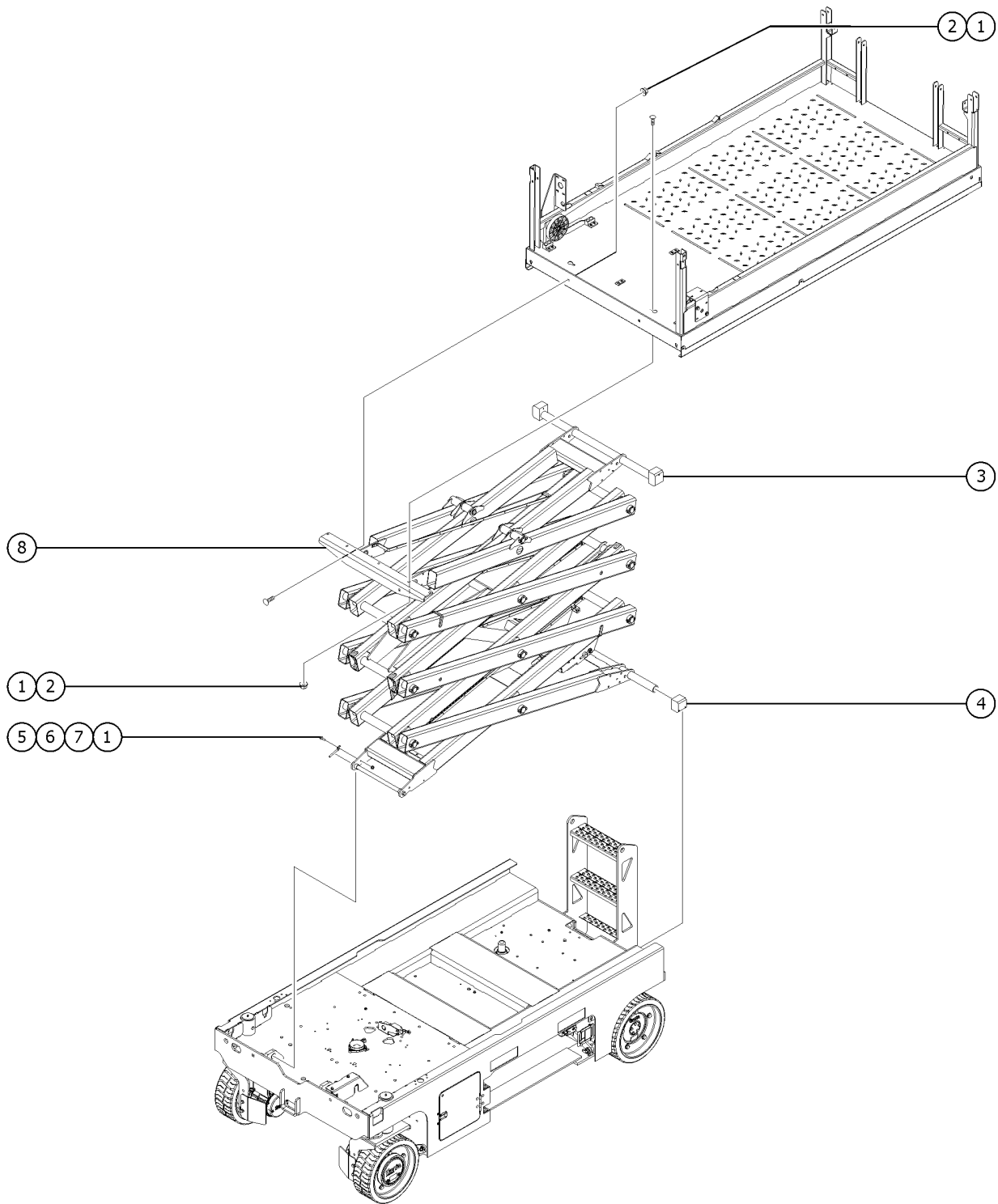


210.2 Power Cables (GS-4046)

Item	Part No.	Description	Qty.
1	1297905GT	CABLE ASSY,FUSE TO QUIK,RED	1
2	1297899GT	CABLE ASSY,CONT TO MC,RED	1
3	1297904GT	CABLE ASSY,QUIK TO MC,BLK	1
4	1297901GT	CABLE ASSY,BATT TO FUSE,RED	1
5	1297900GT	CABLE ASSY,JUMP,11"RED	2
6	1297902GT	CABLE ASSY,JUMP,11",BLK	3
7	1297796GT	CABLE ASSY,MC TO POWER UNIT,BLK	1
8	1297793GT	CABLE ASSY,MC TO POWER UNIT,RED	1
9	40833GT	FUSE,275 AMP,VERY FAST ACTING	1
10	66717GT	FUSE BLOCK, ANN & ANL FUSE	1
11	1297907GT	CABLE ASSY,BATT TO QUIK,BLK	1
12	1288481GT	QUICK DISCONNECT CASING, BATT SB120	2
13	1297906GT	CABLE ASSY,QUIK TO CONT,RED	1
14	96110GT	BOOT,CABLE TERMINAL COVER	13
		not shown	
15	79140GT	BOOT,CABLE TERMINAL,RED,XL	1
		not shown	
16	55748GT	BOOT,CABLE TERMINAL,SMALL	3
		not shown	
17	28131GT	WIRE LOOM,1.25 DIA.	16
		not shown	



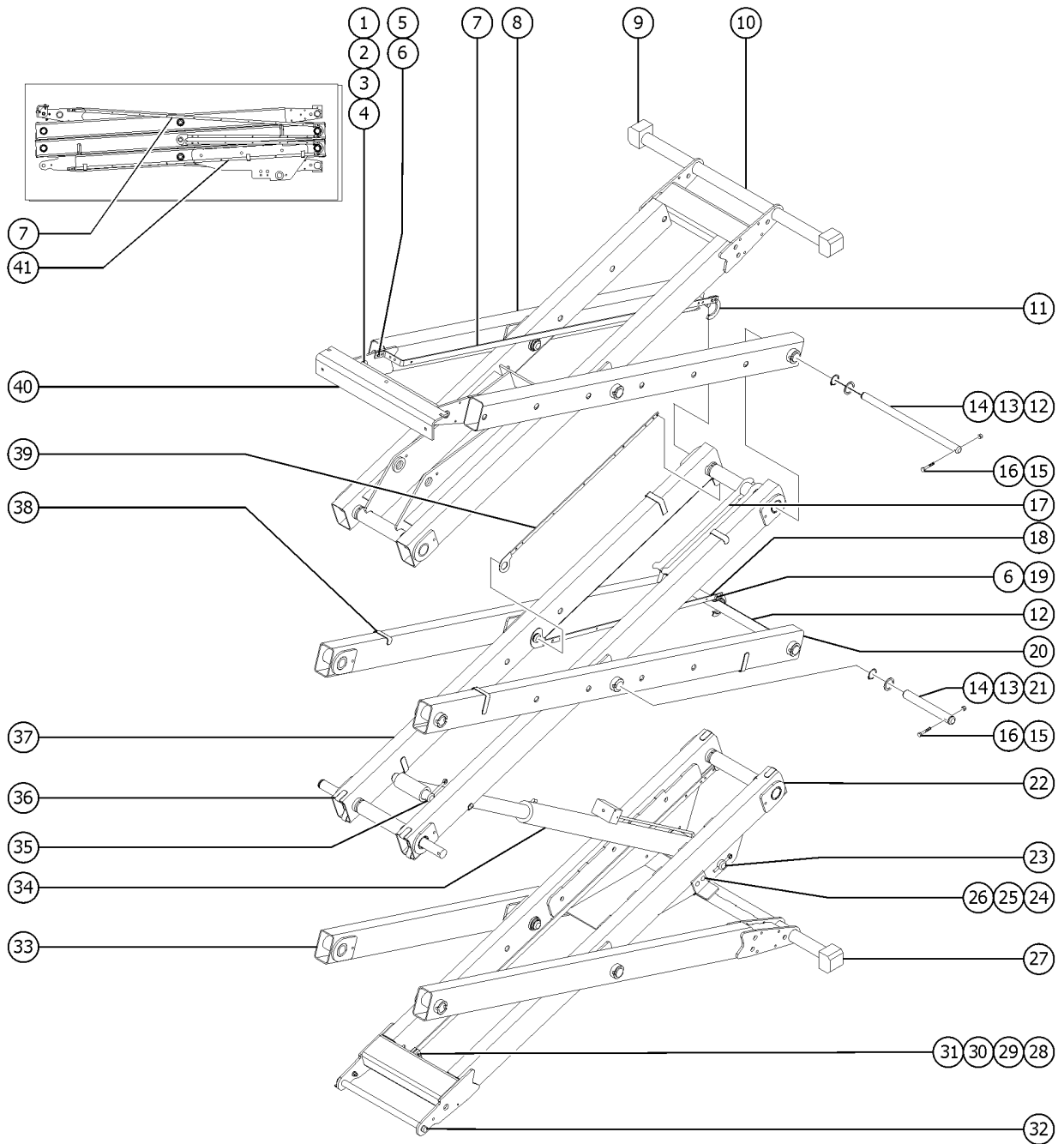
301.1 Scissor Assembly Installation



Item	Part No.	Description	Qty.
1	1274322GT	NUT,NYLOCK FLG,3/8-16,G,ZAG	5
2	1255757GT	BOLT,CARRIAGE,3/8-16X1.25,5,ZAG	4
3	1300939GT	SLIDER, UHMW, GSXX46 PLATFORM	2
4	96595GT	SLIDER,UHMW	2
5	824092GT	SCREW, HHF, 3/8-16 X 1.5, 8, ZAG	1
6	825019GT	ROD END, .375X3.69, ZAG	1
7	1302259GT	PIN,LINKSET MOUNT	1
8	1273417GT	PLATFORM MOUNT ASSEMBLY,GS	1
		(GS4046 only)	
8-	36369GT	BEARING,0.75IDX1.00ODX0.75L	2
8-	105078GT	WELDMENT,PLATFORM MOUNT	1
		(GS4046 only)	
8-	1276908GT	WELDMENT, PLATFORM MOUNT	1
		(GS3246, GS2646 & GS2046 only)	



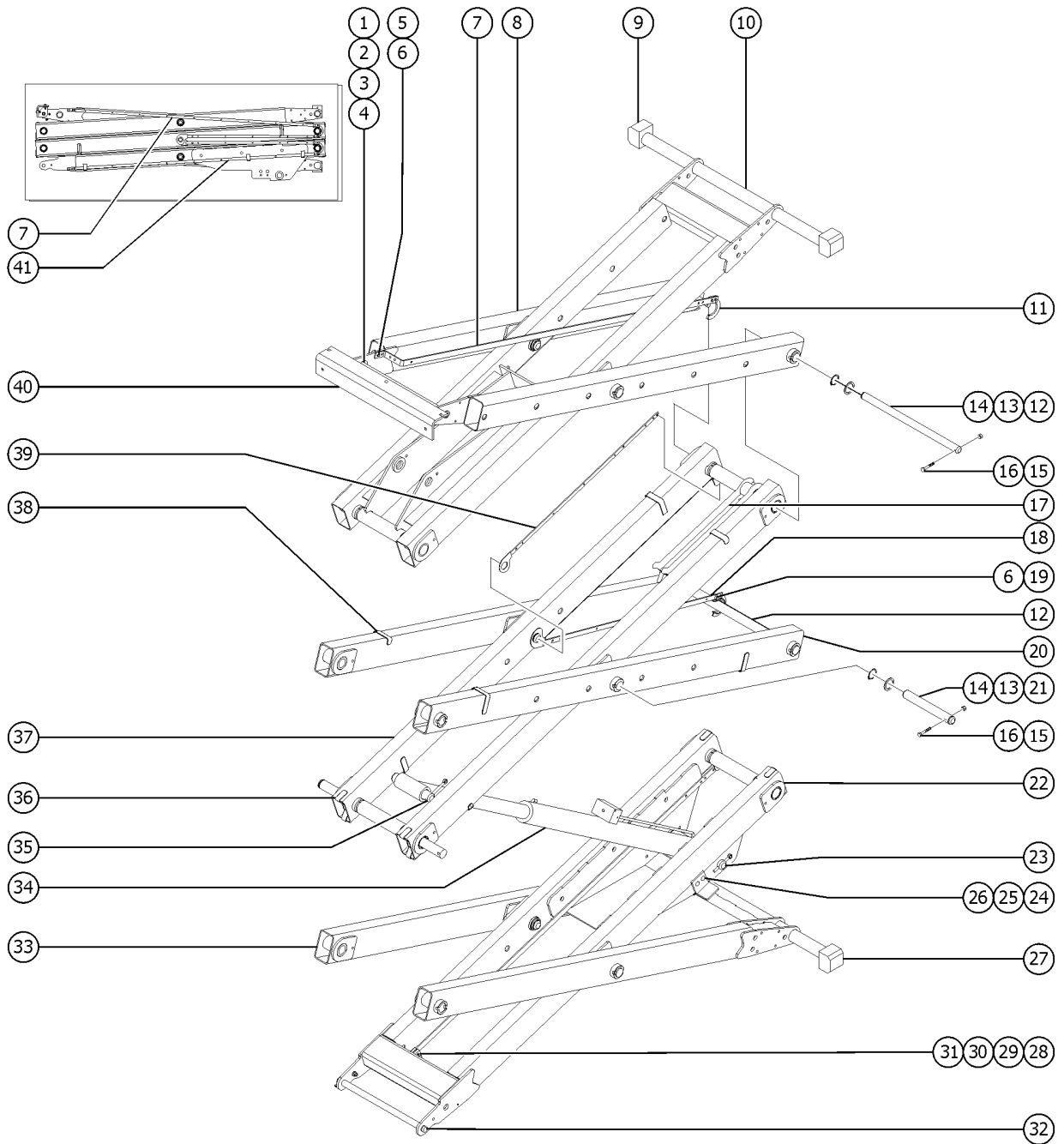
302.1 Scissor Assembly, GS-2046



Item	Part No.	Description	Qty.
1	96932GT	PIN, LINKSET MOUNT, 3/4"	1
2	825020GT	ROD END,.250X2.75,ZAG	2
3	824080GT	SCREW, HHF, 1/4-20 X 1.25, 8, ZAG	2
4	1277924GT	NUT,NYLOCK FLG,1/4-20,F,ZAG	2
5	1256127GT	BOLT,CARRIAGE,1/4-20X1",GR 5,ZAG	2
6	1256679GT	NUT,SERRATED,1/4-20,8,ZAG	5
7	105189GT	BAR,CABLE BRIDGE ARM,UPPER	1
8	96611GT	WLDMT,LNK,OUT #3-20XX,#5-32XX	2
9		Ref. Platform Slider (refer to 301.1)	
10	97233GT	INNER ARM ASSY, #3, 2046	1
10-	66055GT	BEARING,1.50IDX1.77ODX1.25L	6
10-	96606GT	WLDMT,LNK,INNER #3,2046	1
11	105193GT	CLIP,CABLEBRIDGE,GS32/46	2
12	96899GT	PIN, LONG, GS46	4
13	1260941GT	WASHER,SHIM,1.54X2.00X.125,ZAG	7
14	825796GT	SNAP RING,EXTERNAL,1.50,ZAG	8
15	1256848GT	SCREW,HHC,3/8-16X2.75,8,ZAG	10
16	1274166GT	NUT,NYLOCK,3/8-16,C,ZAG	10
17	58000GT	SAFETY CHOCK,SCISSOR	1
18	105190GT	WLDMT,CABLE BRIDGE,BOTTOM	1
19	1260963GT	BOLT,CARRIAGE,1/4-20X.63,5,ZAG	2
20	96605GT	WLDMT,LNK,OUTER #2,#3,#4	2
21	96900GT	PIN, SHORT, GS46	6
22	1300079GT	ASSEMBLY, LINK, INNER #1 (decal not included refer to section one)	1
22-	66055GT	BEARING,1.50IDX1.77ODX1.25L	6
22-	1299483GT	WELDMENT, LNK, LOWER1 ,E-DRIVE	1
23	96662GT	PIN, LOWER CYLINDER MOUNT	1
24	1256756GT	BOLT, CARRIEGE, 3/8-16X1.5,5,ZA	4



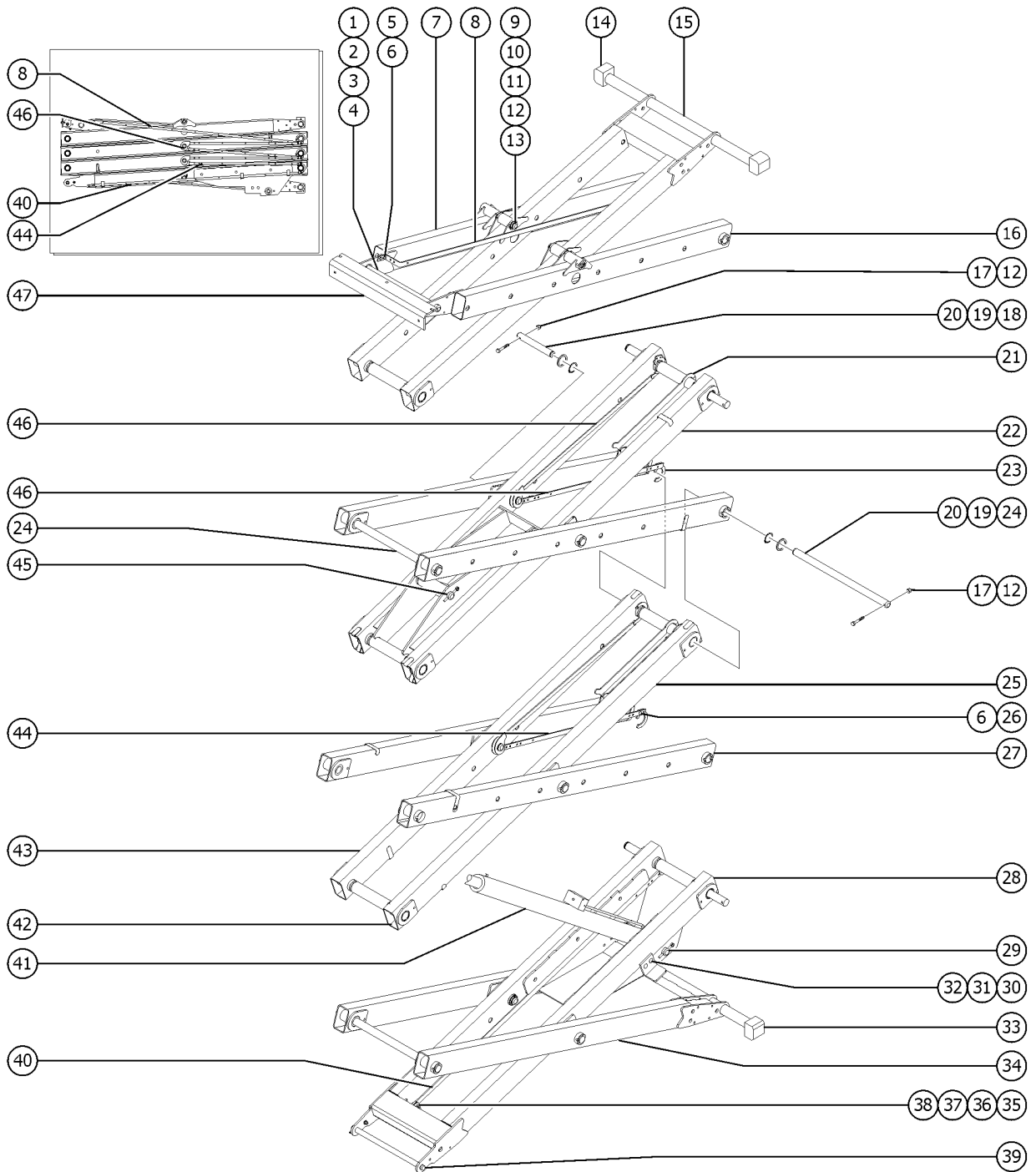
302.1 Scissor Assembly, GS-2046



Item	Part No.	Description	Qty.
25	105074GT	FORMING,PH PUSHER, GS46	2
26	1274322GT	NUT,NYLOCK FLG,3/8-16,G,ZAG	9
27		Ref. Chassis Slider	
		(refer to 301.1)	
28	132119GT	PLATE,HOSE ROUTING,BULKHEAD *	2
29	78736GT	CLAMP,2 HOSE,PLASTIC	4
30	1259201GT	BOLT,CARRIAGE,10-24X2,A,ZAG	3
31	1283004GT	NUT,NYLOCK FLG,10-24,A,ZAG	3
32		Ref. PIN,LINKSET MOUNT	1
		(refer to 301.1)	
33	96603GT	WLDMT,LNK,OUTER #1,XX46	1
34		Ref. Lift Cylinder	
		(refer to 503.1)	
35	96661GT	PIN, UPPER CYLINDER MOUNT	1
36	96735GT	LINK BUMPER, 5"	4
37	96604GT	WLDMT,LNK,INNER #2	1
37-	66055GT	BEARING,1.50IDX1.77ODX1.25L	8
38	96836GT	LINK BUMPER, SHORT TUBE	8
39	105191GT	WELDMENT.CABLE BRIDGE, TOP	1
40		Ref. Platform Mounting Assembly	
		(refer to 301.1)	
41	105186GT	WLDMNT,CABLE BRIDGE,LOWER	1



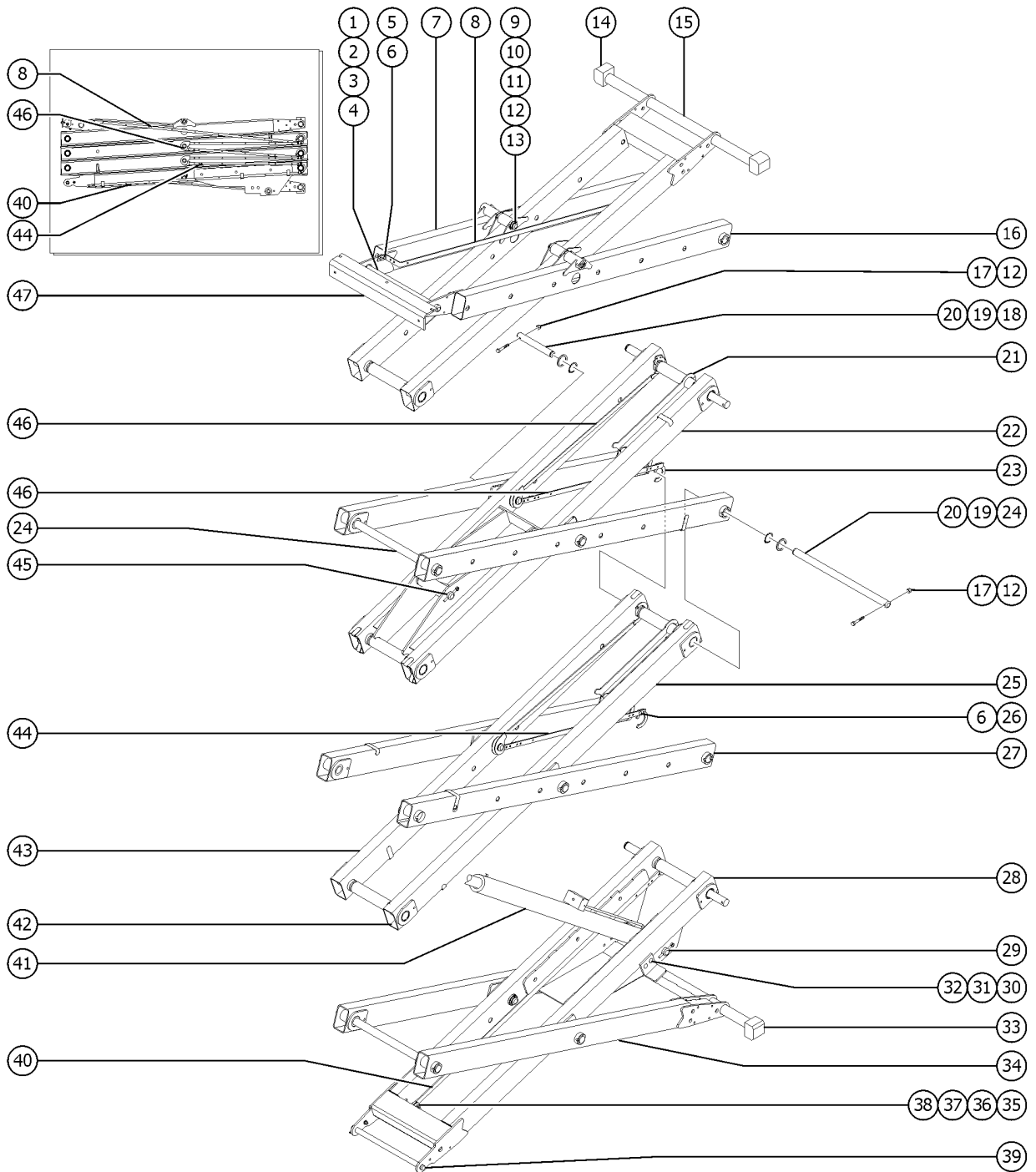
303.1 Scissor Assembly, GS-2646



Item	Part No.	Description	Qty.
1	96932GT	PIN, LINKSET MOUNT, 3/4"	1
2	825020GT	ROD END,.250X2.75,ZAG	2
3	824080GT	SCREW, HHF, 1/4-20 X 1.25, 8, ZAG	2
4	1277924GT	NUT,NYLOCK FLG,1/4-20,F,ZAG	2
5	1256127GT	BOLT,CARRIAGE,1/4-20X1",GR 5,ZAG	2
6	1256679GT	NUT,SERRATED,1/4-20,8,ZAG	6
7	96615GT	WLDMT,LNK,OUTER #4,26XX (ground controls side)	1
8	105189GT	BAR,CABLE BRIDGE ARM,UPPER	1
9	96130GT	PIN, MINI, CENTRE	2
10	824164GT	SNAP RING,EXTERNAL,1.25,ZAG	2
11	824151GT	WASHER,SHIM,1.270X2.130X.062,Z	2
12	1274166GT	NUT,NYLOCK,3/8-16,C,ZAG	14
13	1256848GT	SCREW,HHC,3/8-16X2.75,8,ZAG	2
14		Ref. Platform Slider (refer to 301.1)	
15	96614GT	WLDMT,LNK,INNER #4,2646	1
15-	66055GT	BEARING,1.50IDX1.77ODX1.25L	6
16	96616GT	WLDMT,LNK,OUTER #4,26XX,LEFT	1
17	1256848GT	SCREW,HHC,3/8-16X2.75,8,ZAG	12
18	96900GT	PIN, SHORT, GS46	6
19	1260941GT	WASHER,SHIM,1.54X2.00X.125,ZAG	10
20	825796GT	SNAP RING,EXTERNAL,1.50,ZAG	12
21	58000GT	SAFETY CHOCK,SCISSOR	1
22	96607GT	WLDMT,LNK,INNER #3, 26XX	1
22-	66055GT	BEARING,1.50IDX1.77ODX1.25L	8
23	105193GT	CLIP,CABLEBRIDGE,GS32/46	3
24	96899GT	PIN, LONG, GS46	6
25	96836GT	LINK BUMPER, SHORT TUBE	8
26	1260963GT	BOLT,CARRIAGE,1/4-20X.63,5,ZAG	3



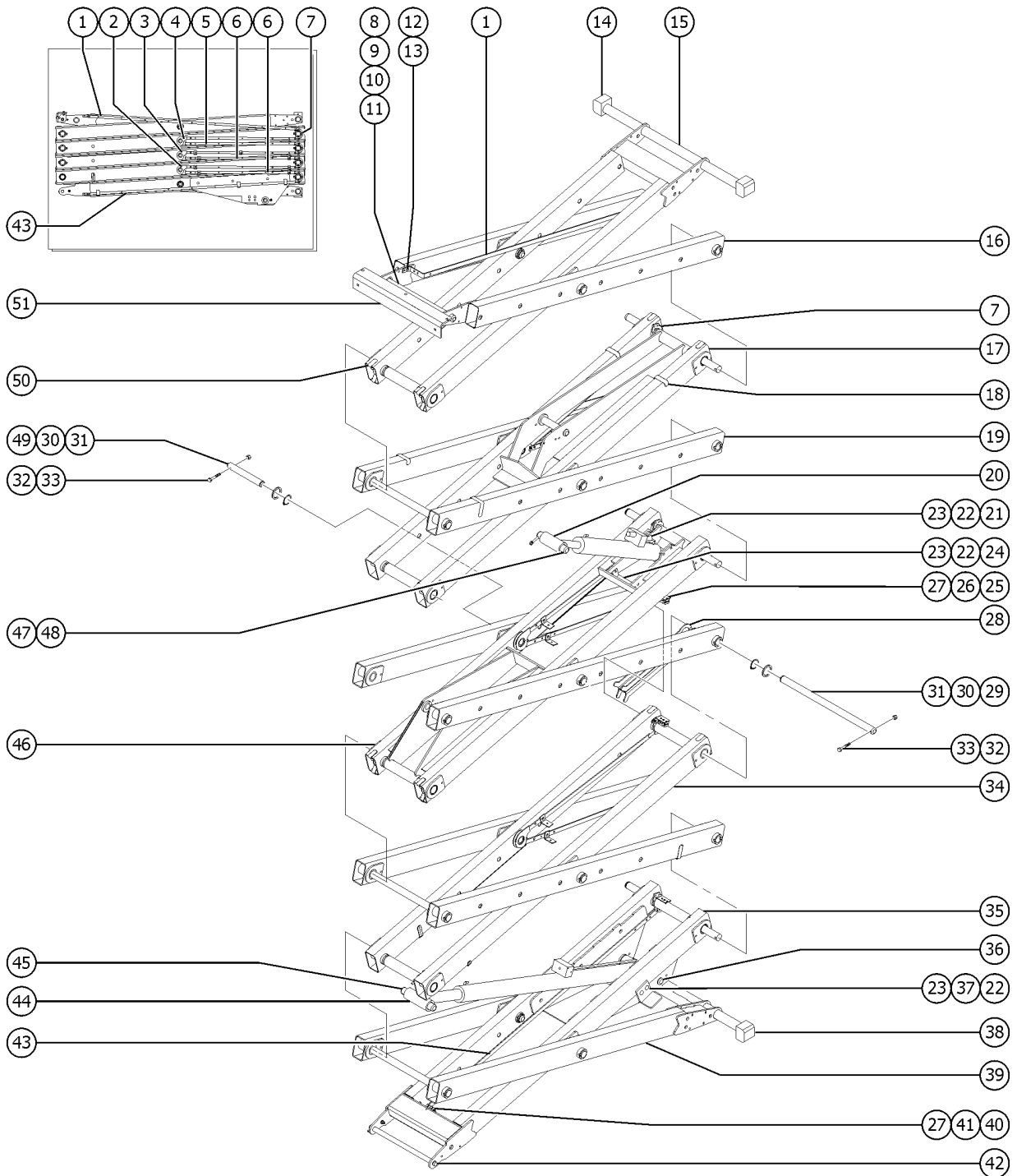
303.1 Scissor Assembly, GS-2646



Item	Part No.	Description	Qty.
27	96605GT	WLDMT,LNK,OUTER #2,#3,#4	4
28	1300079GT	ASSEMBLY, LINK, INNER #1 (decal not included refer to section one)	1
28-	66055GT	BEARING,1.50IDX1.77ODX1.25L	6
28-	1299483GT	WELDMENT, LNK, LOWER1 ,E-DRIVE	1
29	96662GT	PIN, LOWER CYLINDER MOUNT	1
30	1256756GT	BOLT, CARRIEGE, 3/8-16X1.5,5,ZA (GS-2646)	4
31	105074GT	FORMING,PH PUSHER, GS46	2
32	1274322GT	NUT,NYLOCK FLG,3/8-16,G,ZAG	9
33		Ref. Chassis Slider (refer to 301.1)	
34	96603GT	WLDMT,LNK,OUTER #1,XX46 (decal not included refer to section one)	1
35	58592GT	PLATE,HOSE ROUTG,BULKHEAD(PTD)	2
36	78736GT	CLAMP,2 HOSE,PLASTIC	4
37	1259201GT	BOLT,CARRIAGE,10-24X2,A,ZAG	3
38	1283004GT	NUT,NYLOCK FLG,10-24,A,ZAG	3
39		Ref. PIN,LINKSET MOUNT (refer to 301.1)	1
40	105186GT	WLDMNT,CABLE BRIDGE,LOWER	1
41		Ref. Lift Cylinder (refer to 503.1)	
42	96735GT	LINK BUMPER, 5"	4
43	96604GT	WLDMT,LNK,INNER #2	1
43-	66055GT	BEARING,1.50IDX1.77ODX1.25L	8
44	105190GT	WLDMT,CABLE BRIDGE,BOTTOM	2
45	96812GT	PIN, LOWER CYL, ROD END	1
46	105191GT	WELDMENT.CABLE BRIDGE,TOP	2
47		Ref. Platform Mount Assembly (refer to 301.1)	



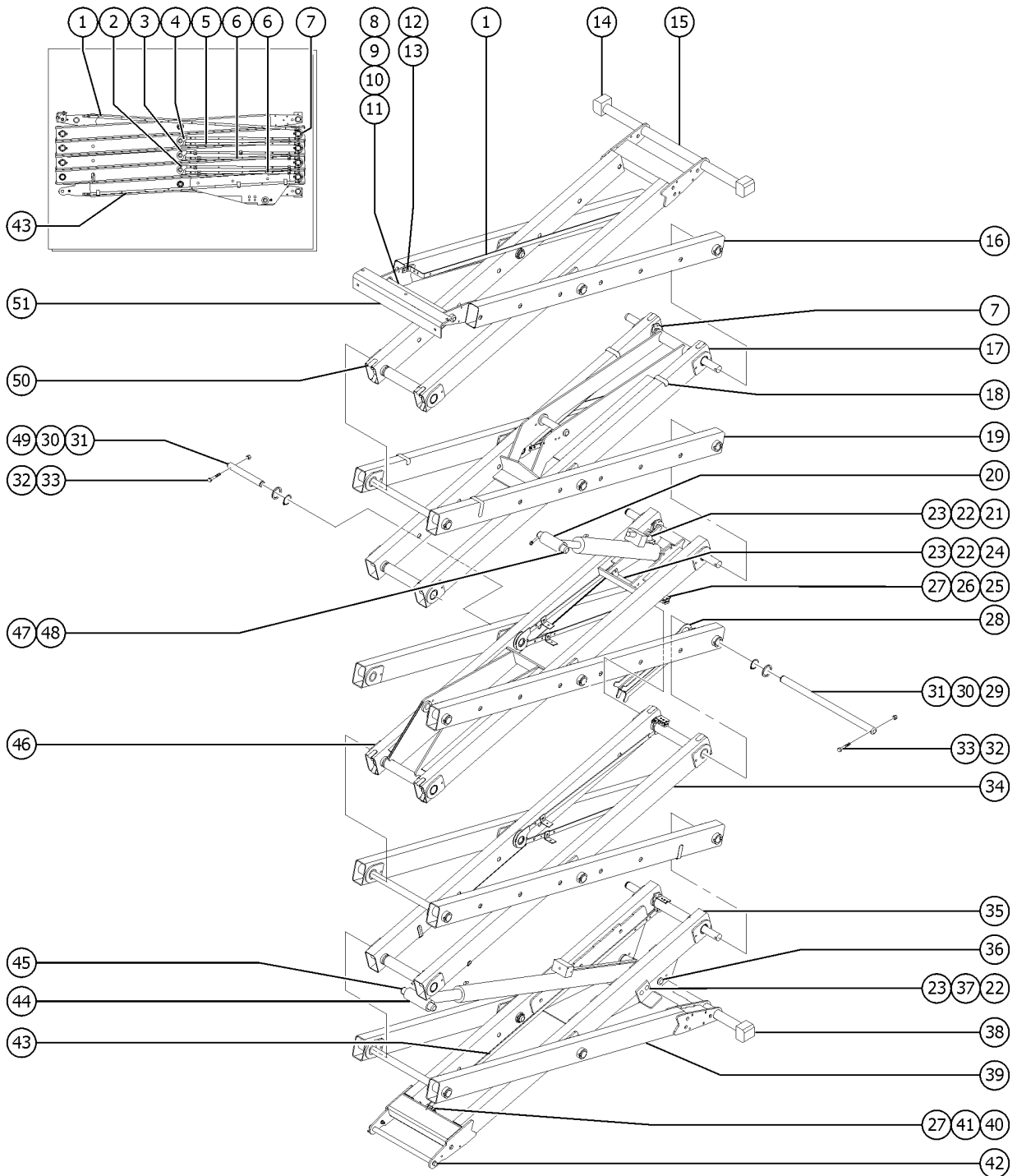
304.1 Scissor Assembly, GS-3246



Item	Part No.	Description	Qty.
1	105189GT	BAR,CABLE BRIDGE ARM,UPPER	1
2	105187GT	WELDMENT,CABLE BRIDGE, TOP,32XX	1
3	105192GT	WELDMENT,CABLE BRIDGE***	1
4	105191GT	WELDMENT.CABLE BRIDGE, TOP	1
5	105190GT	WLDMT,CABLE BRIDGE,BOTTOM	1
6	105188GT	WLDMT,CABLE BRIDGE,BOTTOM,3246	2
7	105193GT	CLIP,CABLEBRIDGE,GS32/46	4
8	96932GT	PIN, LINKSET MOUNT, 3/4"	1
9	825020GT	ROD END,.250X2.75,ZAG	2
10	824080GT	SCREW, HHF, 1/4-20 X 1.25, 8, ZAG	2
11	1277924GT	NUT,NYLOCK FLG,1/4-20,F,ZAG	4
12	1256127GT	BOLT,CARRIAGE,1/4-20X1",GR 5,ZAG	2
13	1256679GT	NUT,SERRATED,1/4-20,8,ZAG	7
14		Ref. Platform Slider	
		(refer to 301.1)	
15	96609GT	WLDMT,LNK,INNER #5,3246***	1
15-	66055GT	BEARING,1.50IDX1.77ODX1.25L	8
16	96611GT	WLDMT,LNK,OUT #3-20XX,#5-32XX	2
17	96613GT	WLDMT,LNK,INNER #4,32XX	1
17-	66055GT	BEARING,1.50IDX1.77ODX1.25L	8
18	96836GT	LINK BUMPER, SHORT TUBE	8
19	96605GT	WLDMT,LNK,OUTER #2,#3,#4	6
20		Ref. Lift Cylinder, Top	
		(refer to 503.2)	
21	96700GT	PLATE, PIN RETAINER	2
22	1256756GT	BOLT, CARRIEGE, 3/8-16X1.5,5,ZA	6
23	1274322GT	NUT,NYLOCK FLG,3/8-16,G,ZAG	10
24	96971GT	FORMING,HOSE CLAMP,UPPER CYL	1
25	78736GT	CLAMP,2 HOSE,PLASTIC	18
26	1259201GT	BOLT,CARRIAGE,10-24X2,A,ZAG	9



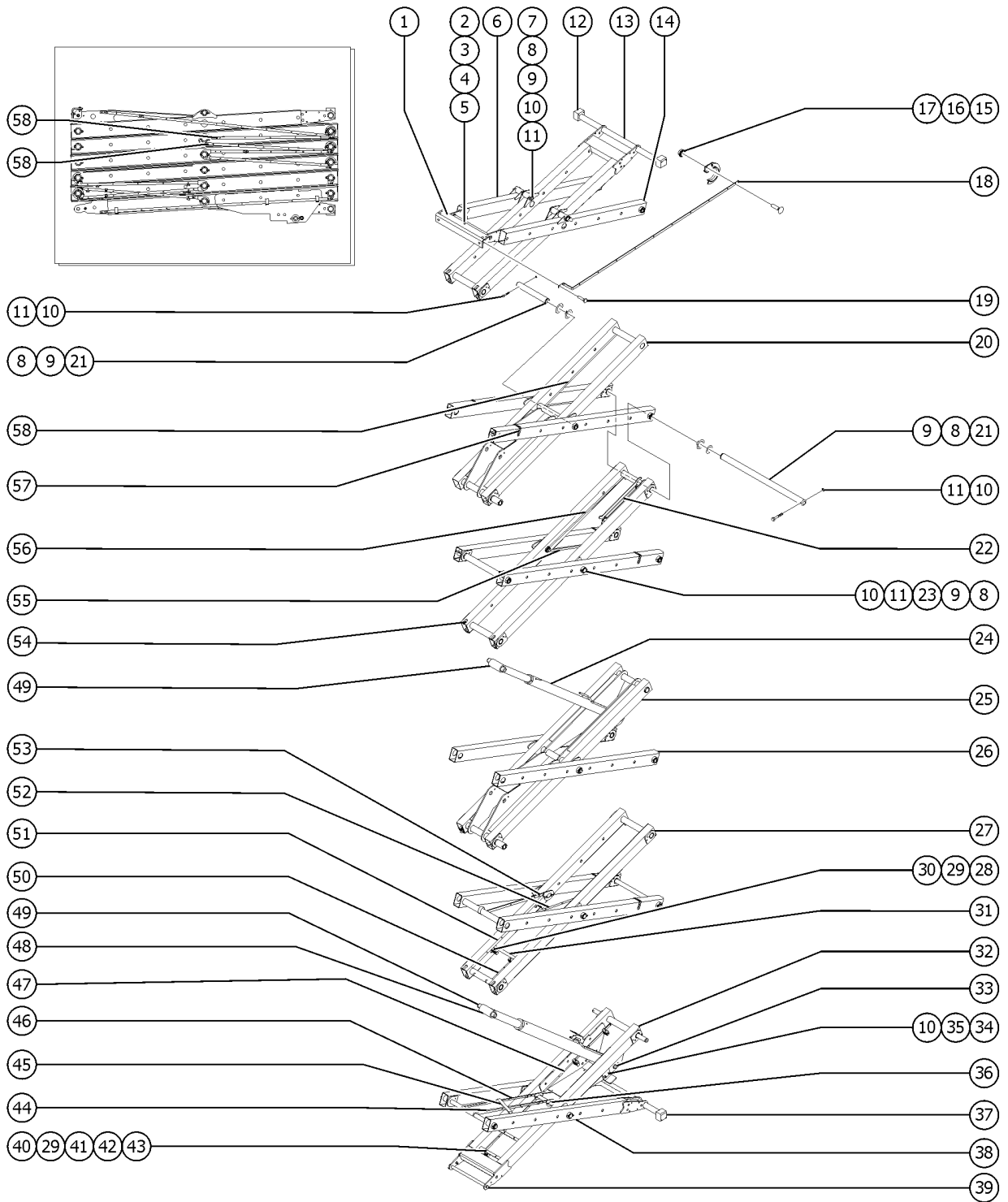
304.1 Scissor Assembly, GS-3246



Item	Part No.	Description	Qty.
27	1283004GT	NUT,NYLOCK FLG,10-24,A,ZAG	11
28	58000GT	SAFETY CHOCK,SCISSOR	1
29	96899GT	PIN, LONG, GS46	8
30	1260941GT	WASHER,SHIM,1.54X2.00X.125,ZAG	15
31	825796GT	SNAP RING,EXTERNAL,1.50,ZAG	18
32	1256848GT	SCREW,HHC,3/8-16X2.75,8,ZAG	12
33	1274166GT	NUT,NYLOCK,3/8-16,C,ZAG	18
34	96604GT	WLDMT,LNK,INNER #2	1
34-	66055GT	BEARING,1.50IDX1.77ODX1.25L	8
35	1300079GT	ASSEMBLY, LINK, INNER #1 (decal not included refer to section one)	1
35-	66055GT	BEARING,1.50IDX1.77ODX1.25L	6
35-	1299483GT	WELDMNT, LNK, LOWER1 ,E-DRIVE	
36	96662GT	PIN, LOWER CYLINDER MOUNT	1
37	105074GT	FORMING,PH PUSHER, GS46	2
38		Ref. Chassis Slider	
		(refer to 301.1)	
39	96603GT	WLDMT,LNK,OUTER #1,XX46	1
40	132119GT	PLATE,HOSE ROUTING,BULKHEAD *	3
41	1260962GT	BOLT,CARRIAGE,10-24X2.5,A,ZAG	2
42		Ref. PIN,LINKSET MOUNT	1
		(refer to 301.1)	
43	105186GT	WLDMNT,CABLE BRIDGE,LOWER	1
44		Ref. Lift Cylinder, Bottom	
		(refer to 503.2)	
45	96812GT	PIN, LOWER CYL, ROD END	1
46	96608GT	WLDMT,LNK,INNER #3,32XX	1
47	96661GT	PIN, UPPER CYLINDER MOUNT	1
48	96663GT	PIN, SADDLE CYLINDER MOUNT	1
49	96900GT	PIN, SHORT, GS46	6
50	96735GT	LINK BUMPER, 5"	8
51		Ref. Platform Mount Assembly	
		(refer to 301.1)	



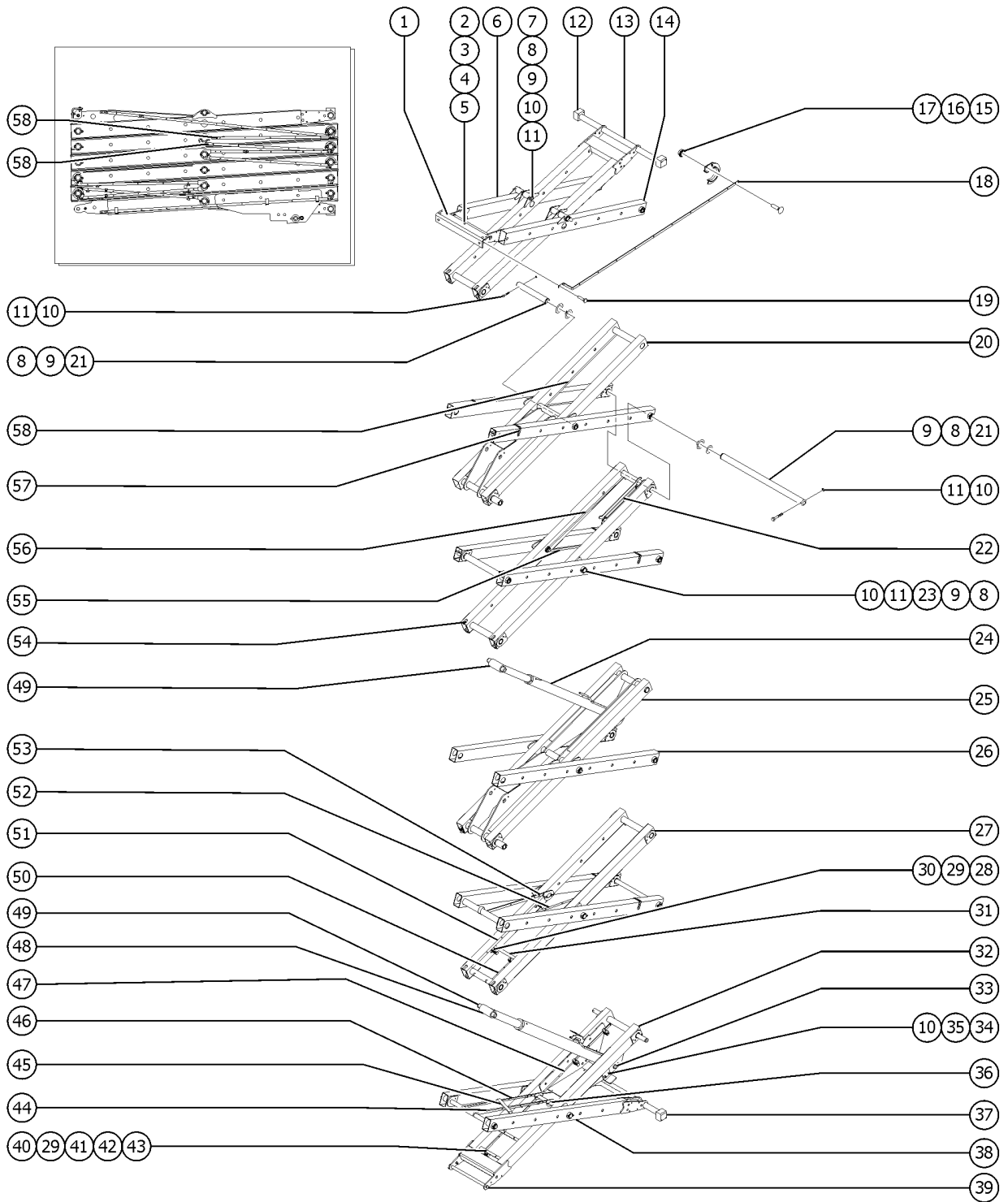
305.1 Scissor Assembly, GS-4046



Item	Part No.	Description	Qty.
1		Ref. Platform Mount Assembly (refer to 301.1)	
2	1302559GT	SEAL KIT	1
3	825020GT	ROD END,.250X2.75,ZAG	2
4	824080GT	SCREW, HHF, 1/4-20 X 1.25, 8, ZAG	2
5	1277924GT	NUT,NYLOCK FLG,1/4-20,F,ZAG	2
6	132383GT	WELDMENT,LNK,OUTER#4,RIGHT (ground controls side)	1
7	96130GT	PIN, MINI, CENTRE	2
8	825796GT	SNAP RING,EXTERNAL,1.50,ZAG	
9	1260941GT	WASHER,SHIM,1.54X2.00X.125,ZAG	
10	1274166GT	NUT,NYLOCK,3/8-16,C,ZAG	
11	1256848GT	SCREW,HHC,3/8-16X2.75,8,ZAG	
12		Ref. Platform Slider (refer to 301.1)	
13	1273427GT	ASSEMBLY,LINK,INNER #6	1
13-	132525GT	WLDMT,LNK,INNER #4,2646 (bearings not included)	
13-	66055GT	BEARING,1.50IDX1.77ODX1.25L	
13-	96487GT	BEARING,1.26IDX1.53ODX1.25L	
14	132385GT	WELDMENT,LNK,OUTER#4,LEFT (battery pack side)	1
15	1256679GT	NUT,SERRATED,1/4-20,8,ZAG	22
16	105193GT	CLIP,CABLEBRIDGE,GS32/46	12
17	1260963GT	BOLT,CARRIAGE,1/4-20X.63,5,ZAG	24
18	105189GT	BAR,CABLE BRIDGE ARM,UPPER	1
19	9116GT	BOLT,CARRIAGE,1/4-20 X 1.25,G2	2
20	1273419GT	ASSEMBLY,LINK,INNER #5	1
21	96899GT	PIN, LONG, GS46	13
22	58000GT	SAFETY CHOCK,SCISSOR	1
23	96900GT	PIN, SHORT, GS46	4
24		Ref. Lift Cylinder, Top (refer to 503.2)	
24-	66055GT	BEARING,1.50IDX1.77ODX1.25L	



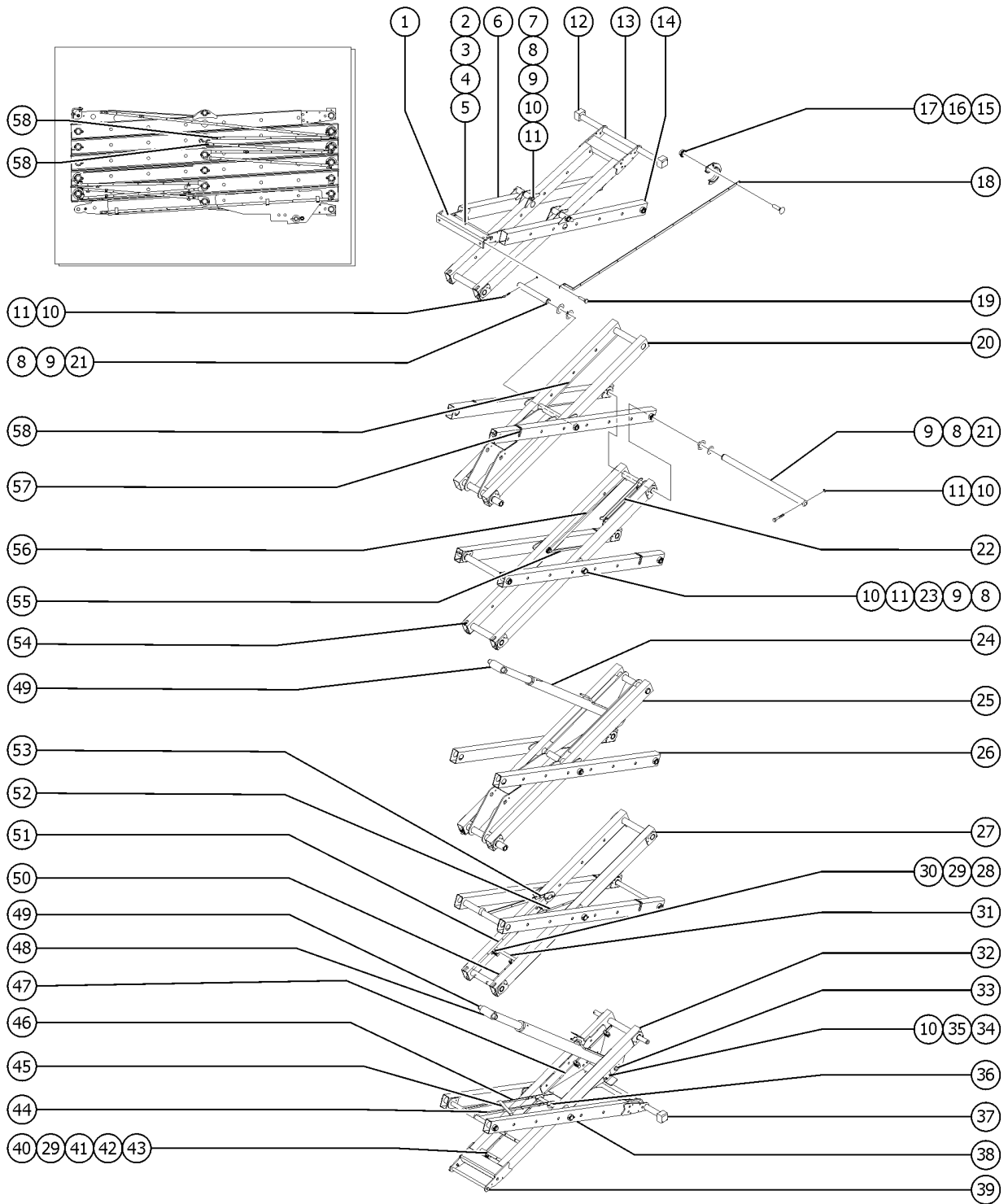
305.1 Scissor Assembly, GS-4046



Item	Part No.	Description	Qty.
25	1273421GT	ASSEMBLY, LINK, INNER #3	1
26	229579GT	WELDMENT, LINK, OUTER, #2,3,4,5	8
26-	66055GT	BEARING, 1.50IDX1.77ODX1.25L	
27	1273420GT	ASSEMBLY, LINK, INNER #2,4	1
28	1261822GT	BOLT, CARRIAGE, 10-24 X 1.5", G2	12
29	105213GT	RUBBER CUSHION, CLAMP, SHORT	
30	105206GT	CLAMP, SHORT	12
31	1273387GT	FORMING, END CONNECTING	1
32	1300079GT	ASSEMBLY, LINK, INNER #1 (decal not included refer to section one)	1
32-	1299483GT	WELDMENT, LNK, LOWER1 ,E-DRIVE	1
32-	66055GT	BEARING, 1.50IDX1.77ODX1.25L	
33	96662GT	PIN, LOWER CYLINDER MOUNT	1
34	1255757GT	BOLT, CARRIAGE, 3/8-16X1.25, 5, ZAG	4
35	105074GT	FORMING, PH PUSHER, GS46	2
36	1261823GT	BEARING, 1.5IDX1.75ODX2.4L	2
37		Ref. Chassis Slider (refer to 301.1)	
38	132517GT	WLDMT, LNK, OUTER #1, XX46 (decal not included refer to section one)	1
39		Ref. PIN, LINKSET MOUNT (refer to 301.1)	
40	105208GT	RUBBER CUSHION, SEPARATOR	5
41	105205GT	CLAMP, LONG	3
42	1283004GT	NUT, NYLOCK FLG, 10-24, A, ZAG	
43	1260962GT	BOLT, CARRIAGE, 10-24X2.5, A, ZAG	
44	1273370GT	WELDMENT, CABLE BRIDGE TOP	1
45	1273385GT	FORMING, END CONNECTING	2
46	1273367GT	WELDMENT, CABLE BRIDGE, TOP	1
47	105186GT	WLDMNT, CABLE BRIDGE, LOWER	1
48		Ref. Lift Cylinder, Bottom (refer to 503.2)	
49	96661GT	PIN, UPPER CYLINDER MOUNT	3



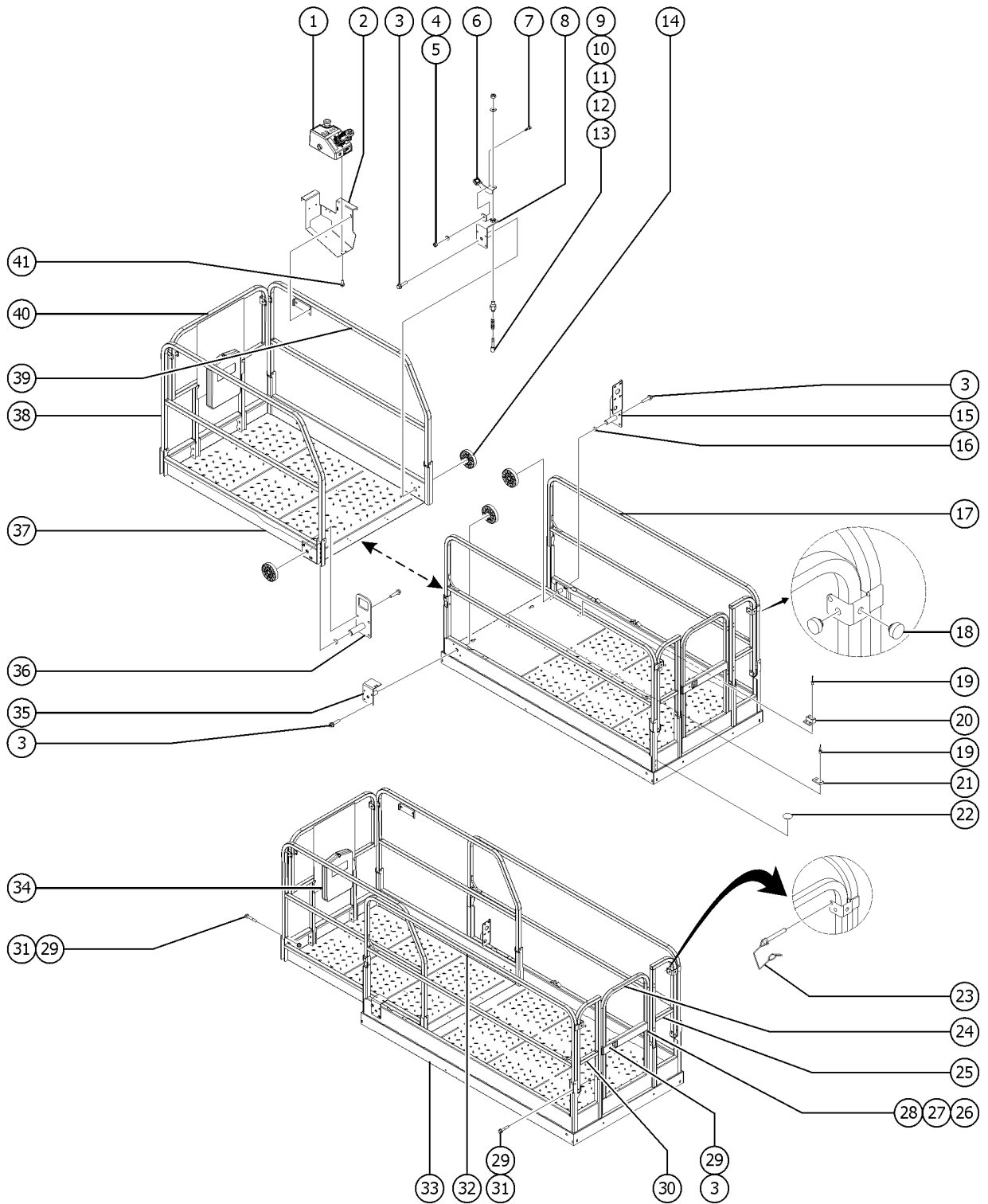
305.1 Scissor Assembly, GS-4046



<i>Item</i>	<i>Part No.</i>	<i>Description</i>	<i>Qty.</i>
50	1255939GT	DECAL KIT,S60,PLAT,SYM,ANSI	1
51	1273366GT	WELDMENT, CABLE BRIDGE, BOTTOM	1
52	1273365GT	WELDMENT, CABLE BRIDGE, TOP	1
53	1273364GT	WELDMENT, CABLE BRIDGE, TOP	1
54	96735GT	LINK BUMPER, 5"	10
55	1273573GT	WLDMT,CABLE BRIDGE,BOTTOM	1
56	105191GT	WELDMENT.CABLE BRIDGE, TOP	1
57	96836GT	LINK BUMPER, SHORT TUBE	8
58	1273386GT	BAR, CABLE BRIDGE ARM	1



401.1 Platform Components

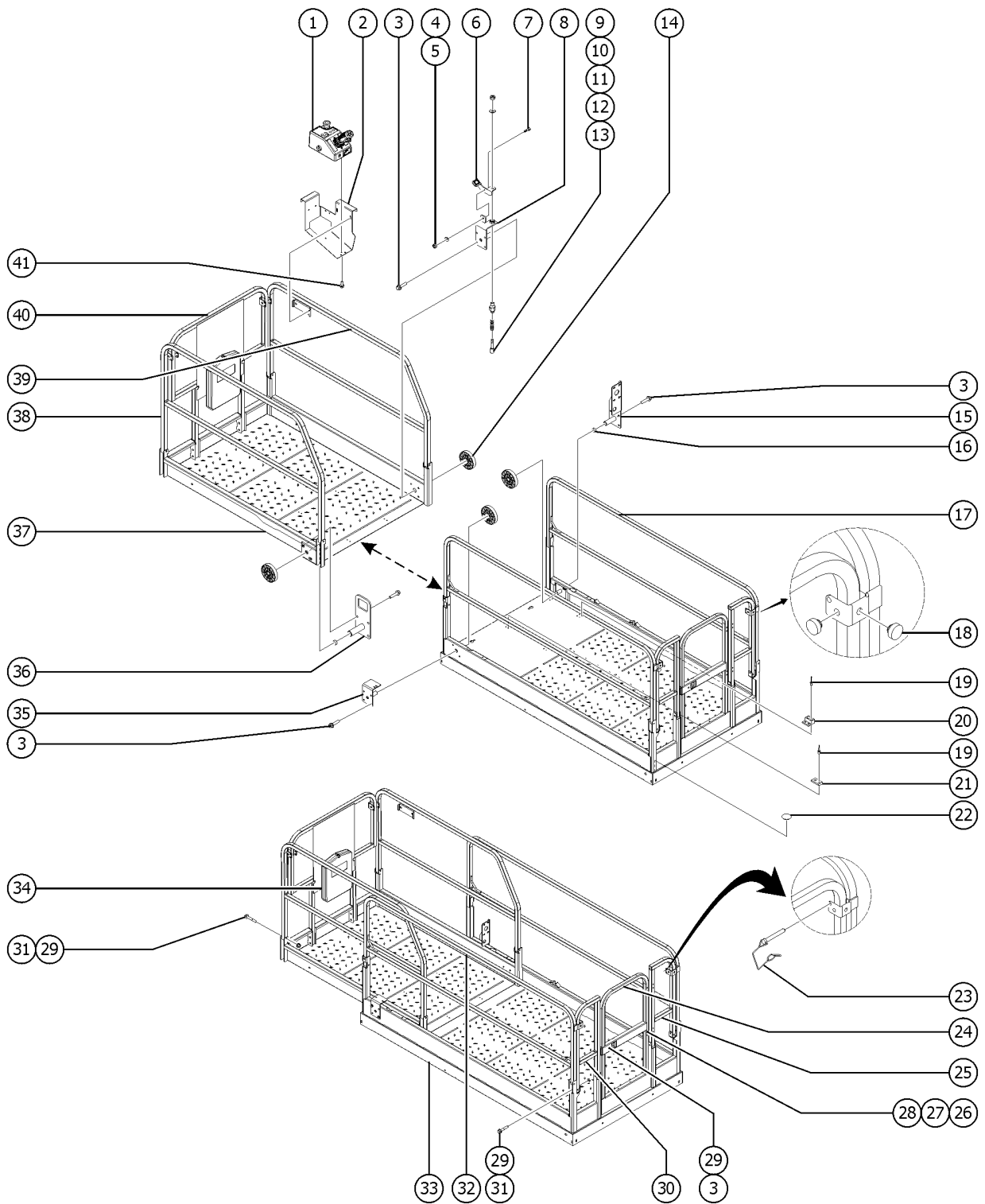


401.1 Platform Components

Item	Part No.	Description	Qty.
1	1280957GT	PCON ASSEMBLY, HARTING CONN OPTION	1
2		Ref. Platform Control Box Mount Bracket	
		(refer to 403.1)	
3	1253478GT	SCREW,HHF,3/8-16X2,8,ZAG	5
4	1283027GT	NUT,LP NYLOCK,5/16-18,2,ZAG	1
5	825358GT	WASHER,FLAT,5/16,USS,ZAG	1
6	46260GT	FOOTPEDAL W/NON-SKID TAPE,GS**	1
6-	47166GT	BRACKET,FOOT PEDAL	1
6-	47225GT	TAPE, NON-SKID, DIE CUT, 1.38 X 1.5	
		(not included sold separately)	
7	1259223GT	BOLT,SHS,3/8X.375X5/16-18,ZAG	1
8	96413GT	WLDMT,LOCKING ROLLER SUPPORT	1
9	1259181GT	PIN,LOCK,0.5X3.125,ZAG	1
10	39469GT	SPRING, COMPRESSION .485 X 1.75**	1
11	41630GT	HOUSING, LOCK PIN	1
12	1255758GT	WASHER,FLAT,3/8,USS,ZAG	2
13	1283028GT	NUT,LP NYLOCK,3/8-16,2,ZAG	1
14	47163GT	ROLLER, PLATFORM EXTENSION	4
15	96247GT	WELDMENT,ROLLER BRACKET,RT***	1
		(ground controls side)	
16	21279GT	BUTTON, .800 O.D. X .281	3
17	66925GT	WLDMT, MAIN SIDERAIL, RT***	1
18	43392GT	BUMPER,BATTERY BOX & RAILS	12
19	39579GT	RIVET,STL,STL,.188 X .45	1
20	39310GT	WEAR/GUIDE PAD MAIN PLATFORM	4
21	39474GT	WEAR PAD,PLATFORM	6
22	15243GT	PLUG,NYLON .875 BLACK DOMED	2
23	1259182GT	PIN,WIRE LOCK 3/8 X 2.5,ZAG	
23-	78022GT	LANYARD,BLACK NYLON,TYPE 1***	
		(CE & Australia models)	
24	66512GT	WLDMT, FULL HEIGHT GATE	1
24B	65990-SGT	KIT,GATE LATCH	
		(includes items 3 and 33)	



401.1 Platform Components

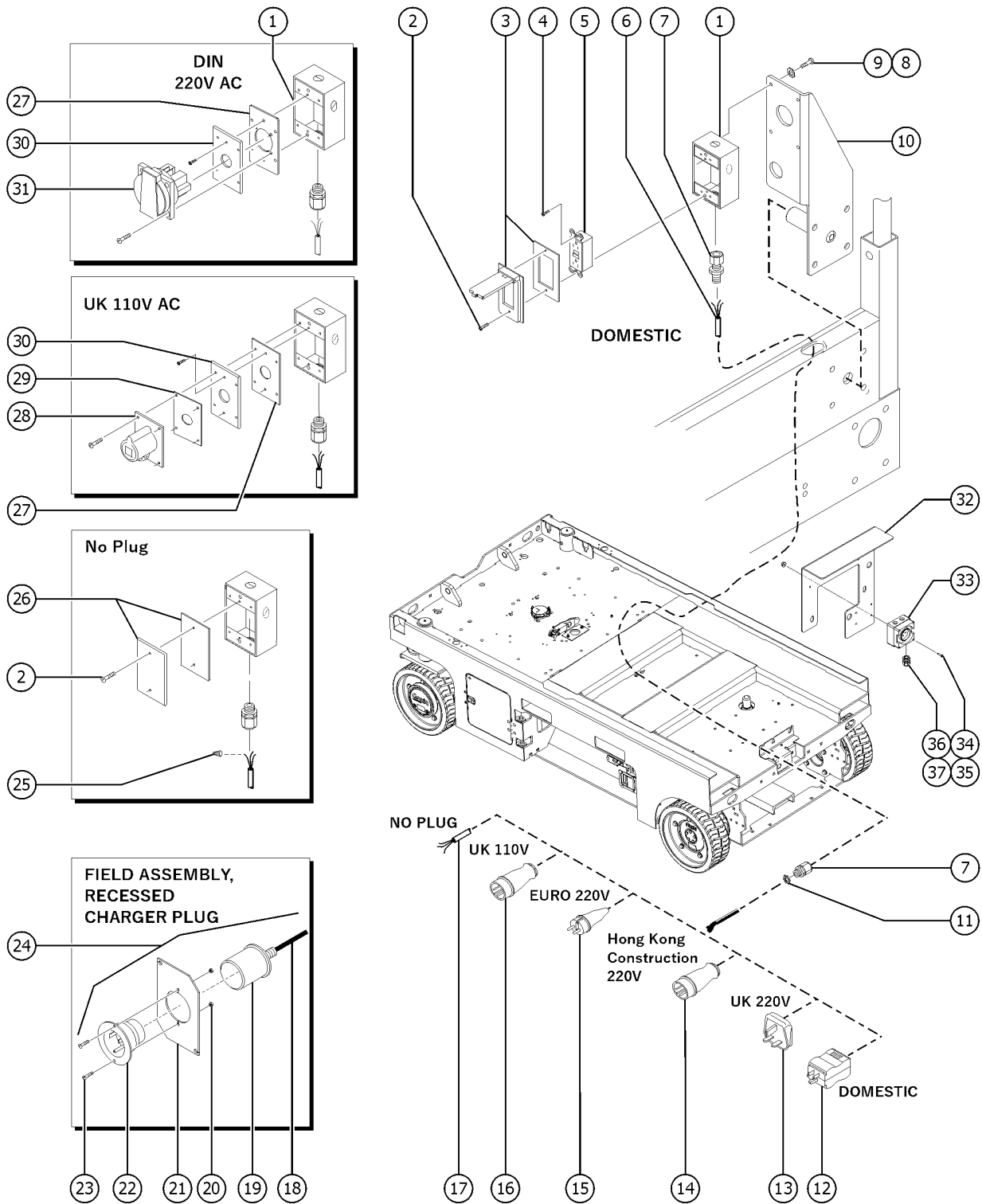


401.1 Platform Components

Item	Part No.	Description	Qty.
24B-	22446GT	SPRING, COMPRESSION .835 X 2 included in kit 65990-SGT	1
24B-	66544GT	LATCH HANDLE included in kit 65990-SGT	1
25	66923GT	WLDMT, ENTRY SIDERAIL, RT	1
25-	78038GT	CAP, TUBE, SQ,1.25 X .083	
26	1253485GT	SCREW,HHF,1/4-20X2,8,ZAG	8
27	104804GT	HINGE, SPRING, LONG LEG	2
28	1277924GT	NUT,NYLOCK FLG,1/4-20,F,ZAG	8
29	1274322GT	NUT,NYLOCK FLG,3/8-16,G,ZAG	
30	66920GT	WLDMT, ENTRY SIDERAIL, LT	1
30-	78038GT	CAP, TUBE, SQ,1.25 X .083 (not included sold separately)	
31	1256856GT	SCREW,HHF,3/8-16X2.5,8,ZAG	2
32	66919GT	WLDMT, MAIN SIDERAIL, LEFT	1
33	1302134GT	WLDMNT, PLATFORM, LARGE, PUNCHED (decals not included, refer to section one)	1
34	24514GT	BOX, INSTRUCTION STORAGE** (decals not included, refer to section one)	1
34-	1256855GT	SCREW,HHF,1/4-20X5/8,ZAG	4
34-	1277924GT	NUT,NYLOCK FLG,1/4-20,F,ZAG	4
34-	825358GT	WASHER,FLAT,5/16,USS,ZAG	4
35	96246GT	WELDMENT,ROLLER BRACKET,LT***	1
36	96200GT	WLDMT, LANYARD ROLLER BRKT	1
36-	21279GT	BUTTON, .800 O.D. X .281 (sold separately)	1
37	1302140GT	WLDMNT, EXT DECK, LARGE, PUNCHED	1
38	96761GT	WLDMT, EXT. SIDERAIL, LT	1
38-	43392GT	BUMPER,BATTERY BOX & RAILS	3
39	96762GT	WELDMENT,EXT SIDERAIL,RT***	1
39-	43392GT	BUMPER,BATTERY BOX & RAILS	3
40	96794GT	WLDMT, EXTENSION ENDRAIL	1
41	824078GT	SCREW,HHF,1/4-20X.75,8,ZAG	1



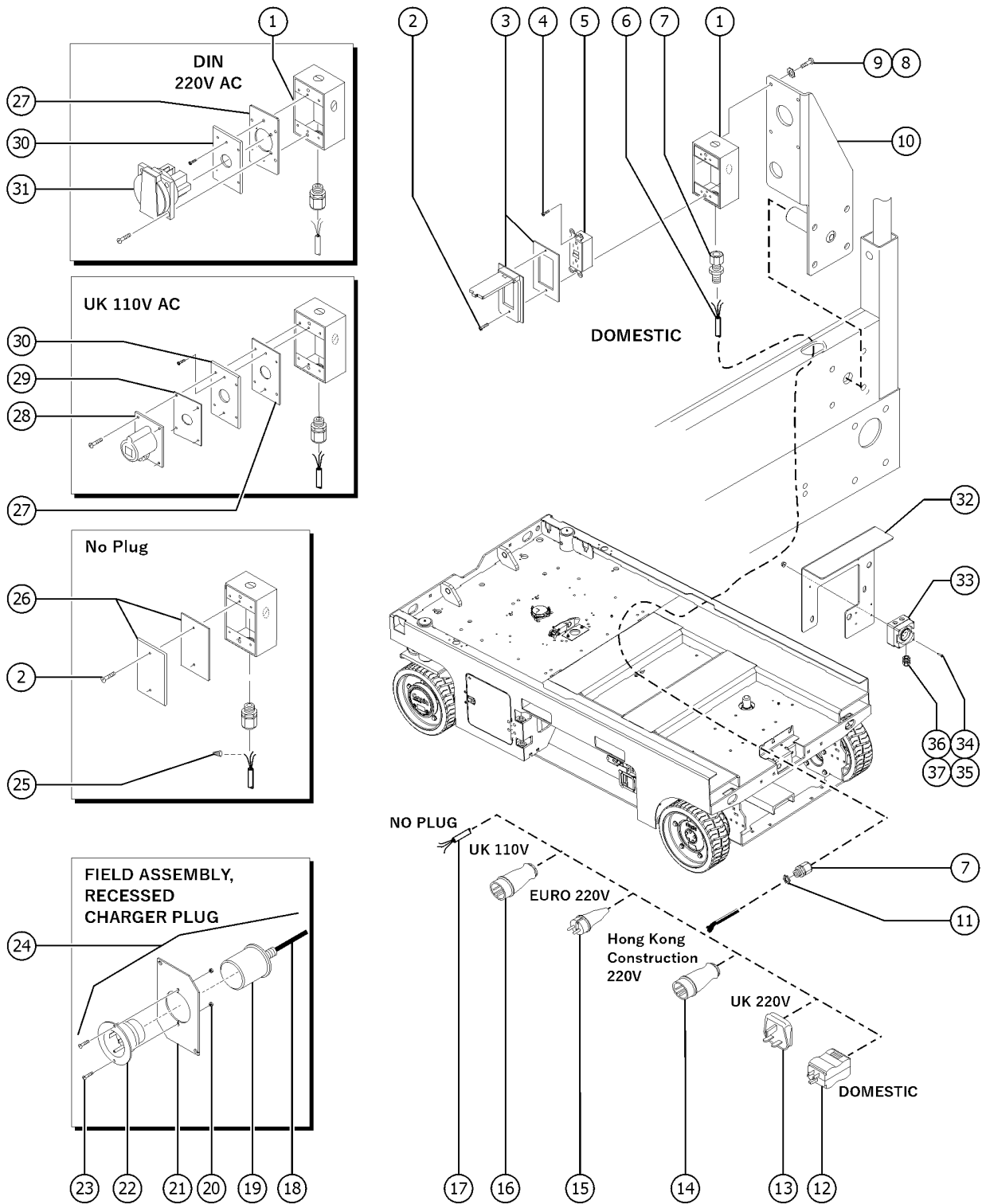
402.1 Power to Platform



Item	Part No.	Description	Qty.
A	33724GT	KIT,GASKET,UK POWER TO PLAT (includes 1 each, items 27 and 29)	
1	10775GT	T-BOX,2.75 X 4.5 X 2.0	1
2	1259259GT	SCREW,PHPM,6-32X.75,ZAG	
3	74006GT	COVER,GFCI,HORIZONTAL,WEATHER (ANSI and CSA models) (includes gasket and mounting fasteners)	1
3B	105812GT	COVER,T-BOX LOCKABLE EE rated (not shown)	1
4	45546GT	SCREW,RHM,6-32 X .5	
5	13585GT	OUTLET, 110V	1
6	43956GT	WIRE CABLE,14/3 CON.TPE JKT* GS-2046	415
6B	43956GT	WIRE CABLE,14/3 CON.TPE JKT* GS-2646	510
6C	43956GT	WIRE CABLE,14/3 CON.TPE JKT* GS-3246	604
6D	43956GT	WIRE CABLE,14/3 CON.TPE JKT*	724
7	7056GT	CONN,SQUEEZE,1/2NPT .38-.50,SM	1
8	1257296GT	SCREW,PHPM-ST,8.32X.50,TYPE F,	
9	44936GT	WASHER,STAR,EXTERNAL,#8	4
10		Ref. ROLLER BRACKET (refer to 401.1)	
11	6935GT	LOCKNUT,ELEC,1/2"	1
12	6595GT	PLUG,ELECTRICAL,DOMESTIC	1
13	25388GT	PLUG,FUSED,250V,13AMP,U.K.**	
14	1263471GT	PLUG,IEC60309 CEE, 3PIN 220-24 (Hong Kong Construction)	1
15	1280665GT	PLUG, TYPE F, 230A, 50HZ, 16A, IP44	
16	144161GT	PLUG,PWR,UK,16AMP,3PIN,BLK	
17	105117GT	PLUG,FLG INLET,15A/125V,2PWGD	
17-	105118GT	GASKET,(BOOT) FLANGE INLET PLG	
18	48282GT	POWER CORD, IEC 320 BLANK	1
19	105118GT	GASKET,(BOOT) FLANGE INLET PLG	1
20	1258187GT	NUT,TL,8-32,A,ZAG	2
21	105483-SGT	PLATE,AC ADAPTER(ANSI/CSA)	1
21-	1271081GT	NUT,NYLOCK,8-32,8,ZAG	2



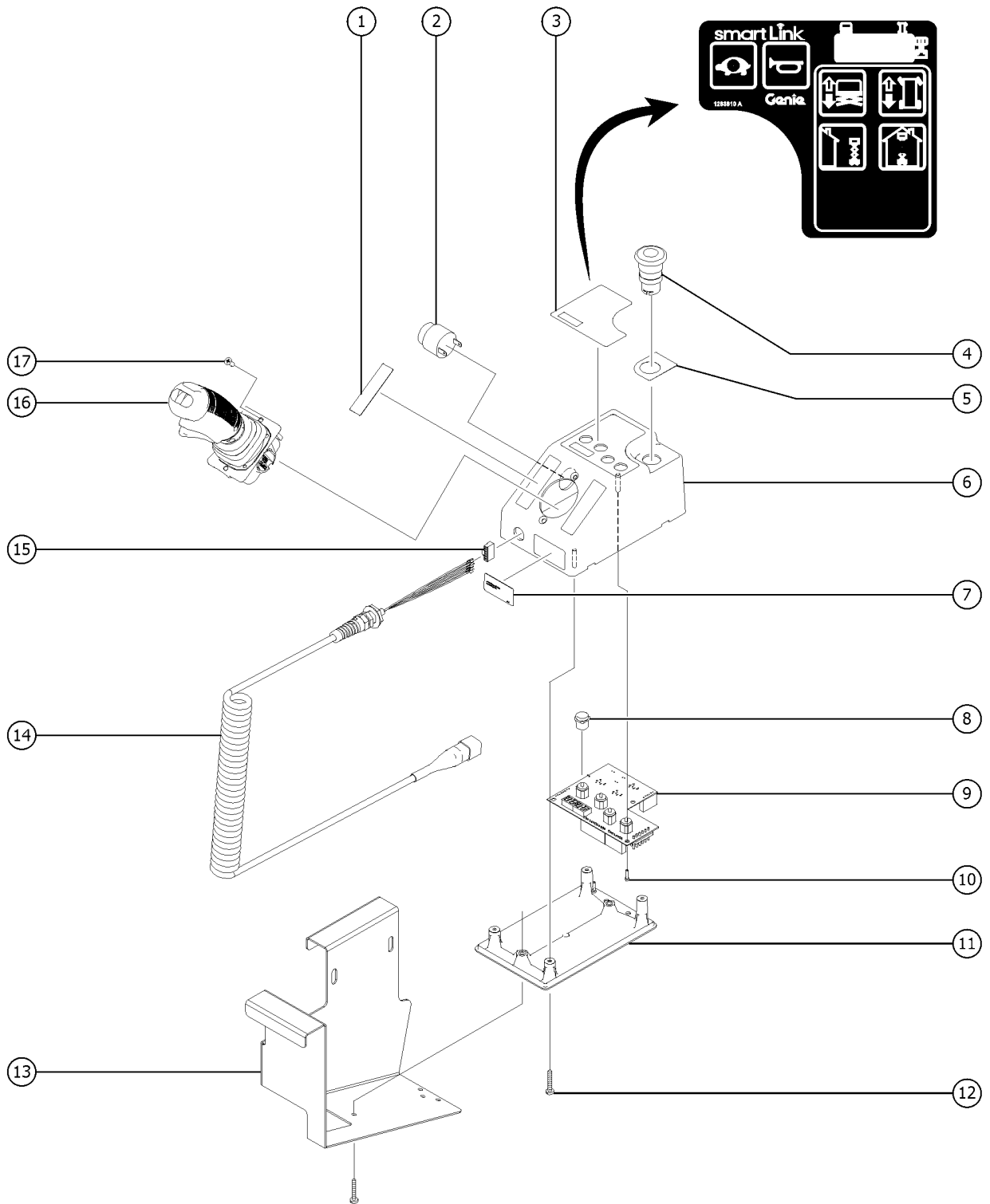
402.1 Power to Platform



Item	Part No.	Description	Qty.
21-	6878GT	BOLT,CARRIAGE,1/4-20 X .75,G2	2
22	105117GT	PLUG,FLG INLET,15A/125V,2PWGD	1
23	1268950GT	SCREW,PHPM,8-32X.50,ZAG	2
24	105448GT	FIELD ASSY,REC.CHARGER PLUG	1
25	6626GT	WIRE CAP,ORANGE	1
26	10777GT	COVER,BLANK	1
27	66355GT	GASKET, UK & DIN PWR. TO PLAT 2.9 x 2.9 inches	1
28	T112560GT	RECEPTACLE,UK,110V	1
29	66356GT	GASKET, UK RECEPTACLE 2.9 x 2.9 inches	1
30	105483-SGT	PLATE,AC ADAPTER(ANSI/CSA)	
30B	96236GT	PLATE,AC ADAPTER,DIN/UK***	
30C	T112561GT	PLATE,UK,POWER TO PLAT	
30D	105090GT	PLATE, AC ADAPTER(AUS)	
31	66353GT	RECEPTACLE, DIN, 220V 50A	1
32	1275425GT	FORMING, AUS RCD BRACKET, GS47	1
33	1284302GT	SCREW, PHPM, 10-32 X .75, ZAG	1
34	824215GT	SCREW,PHPM,10-32X.75,ZAG	8
35	824032GT	NUT,TL FLG,10-32,F,ZAG	8
36	160412GT	JOINT;PG13.5;M20×1.5	2
37	96009GT	WASHER,NITRILE	1



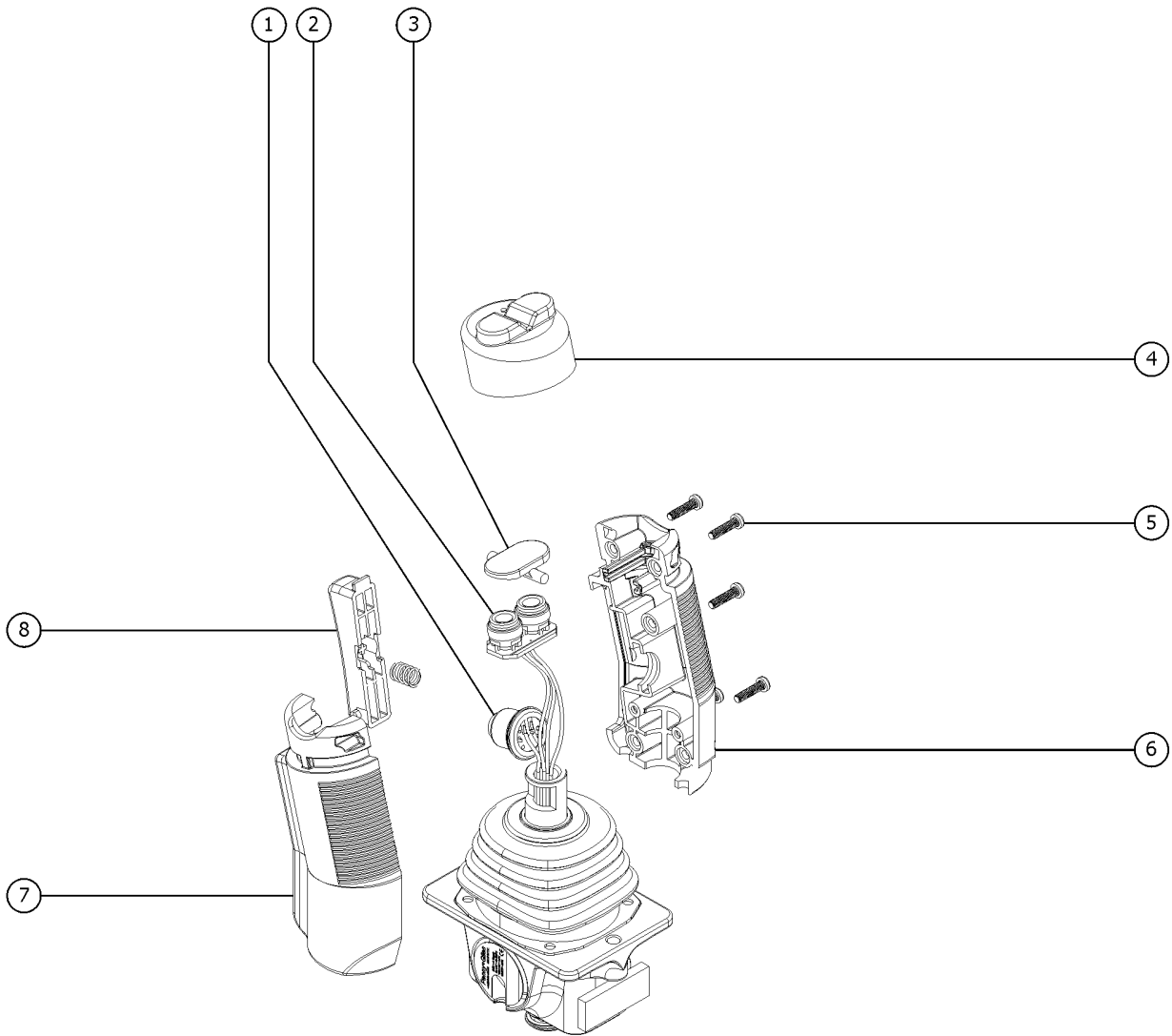
403.1 Platform Controls



Item	Part No.	Description	Qty.
A	1283792GT	PCON,STD,DUAL ZONE,GS/GR	
A-	1258731GT	FLASH DRIVE,SL1K2.0 SOFTWARE (For proportional lift or upgrade kits only. Software update available on-line. Flash drive sold separately.)	
A-	137587GT	HARNESS, ESTOP, GR/GRC/GS PCON	1
B	1280957GT	PCON ASSEMBLY, HARTING CONN OPTION	1
C	1280958GT	CABLE, PLATFORM CONTROL, GS, HARTING CONN OPTION	1
1	137656GT	DECAL,PROPEL,GR/GRC/GS,PCON	1
2	39540GT	ALARM,STEADY TONE*** order 72326 mounting ring separately	1
3	1283810GT	DECAL,STD,DUAL ZONE,GR/GS,UI	1
4	66812GT	BUTTON,PUSH,RED MUSHROOM HEAD	1
4-	66817GT	BASE WITH 1 NC CONTACT, E-STOP	1
5	137605GT	DECAL,E-STOP,GR/GRC/GS PCON	1
6	T106368GT	ENCLOSURE, GC14-1, TOP	1
7		(component no longer available) refer to 401.1	
8	T106373GT	CAP,BUTTON,K12	6
9	1283790GT	PCBA,PCON,STD,DUAL ZONE	1
10	137637GT	SCREW,PHM,4-20X.5, 48-2 TRI-L	4
11	T106370GT	ENCLOSURE,GC14-1/GC16-1, BOT	1
12	137640GT	SCREW,PHM,8-16X.75, 48-2 TRI-L	4
13	T114397GT	FORMING,PLAT CONTROL BOX (decals not included, refer to section one)	
14	137611GT	ASSY, COIL CORD, GR/GRC/GS	1
15	137699GT	PLUG, 6POS ECO PWR	1
16		Ref., JOYSTICK	1
17	229845GT	SCREW,BHSCS,M5X10,SS apply Loctite 243 or equivalent before installation	2



404.1 Joystick Controller

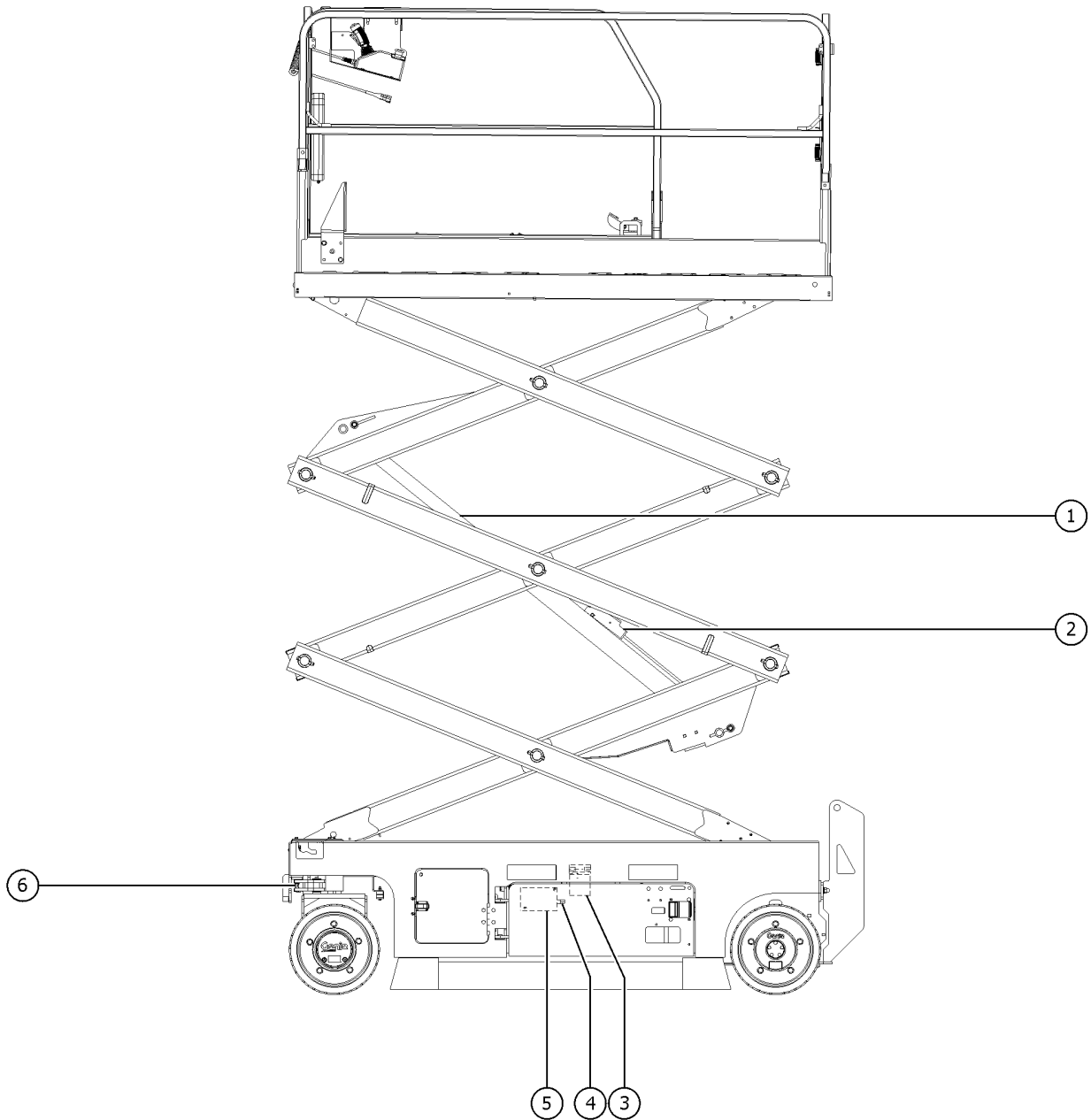


404.1 Joystick Controller

Item	Part No.	Description	Qty.
--	137634GT	JOYSTICK, HALL EFFECT, SINGLE	1
--	229097GT	TERMINAL, SPLINE (AMP)	5
--	214544GT	KIT,BOOT,JOYSTICK,SL1000	
		joystick boot	
1	235463GT	KIT,SWITCH,JYSTK,SL1000	
		function enable and steer switches	
2	235463GT	KIT,SWITCH,JYSTK,SL1000	
		function enable and steer switches	
3	229092GT	ROCKER,2 SWITCH	1
4	229093GT	BOOT, 2 SWITCH, SILICON	1
5	229086GT	SCREW, SELF TAP	5
6	229087GT	HANDLE HALF,RIGHT,W/TOP SWITCH	1
6B	229091GT	SCREW,GRUB,M5X8MM,HLF DOG,BZP	1
		for 229087GT	
7	229088GT	HANDLE HALF,LEFT,W/TOP SWITCH	1
7B	229090GT	SCREW,GRUB,M5X8MM CUP(BLK)	1
		for 229088GT	
8	229089GT	TRIGGER, EXTENDED	1
8-	229094GT	SPRING, HANDLE TRIGGER	1



501.1 Hydraulic Components

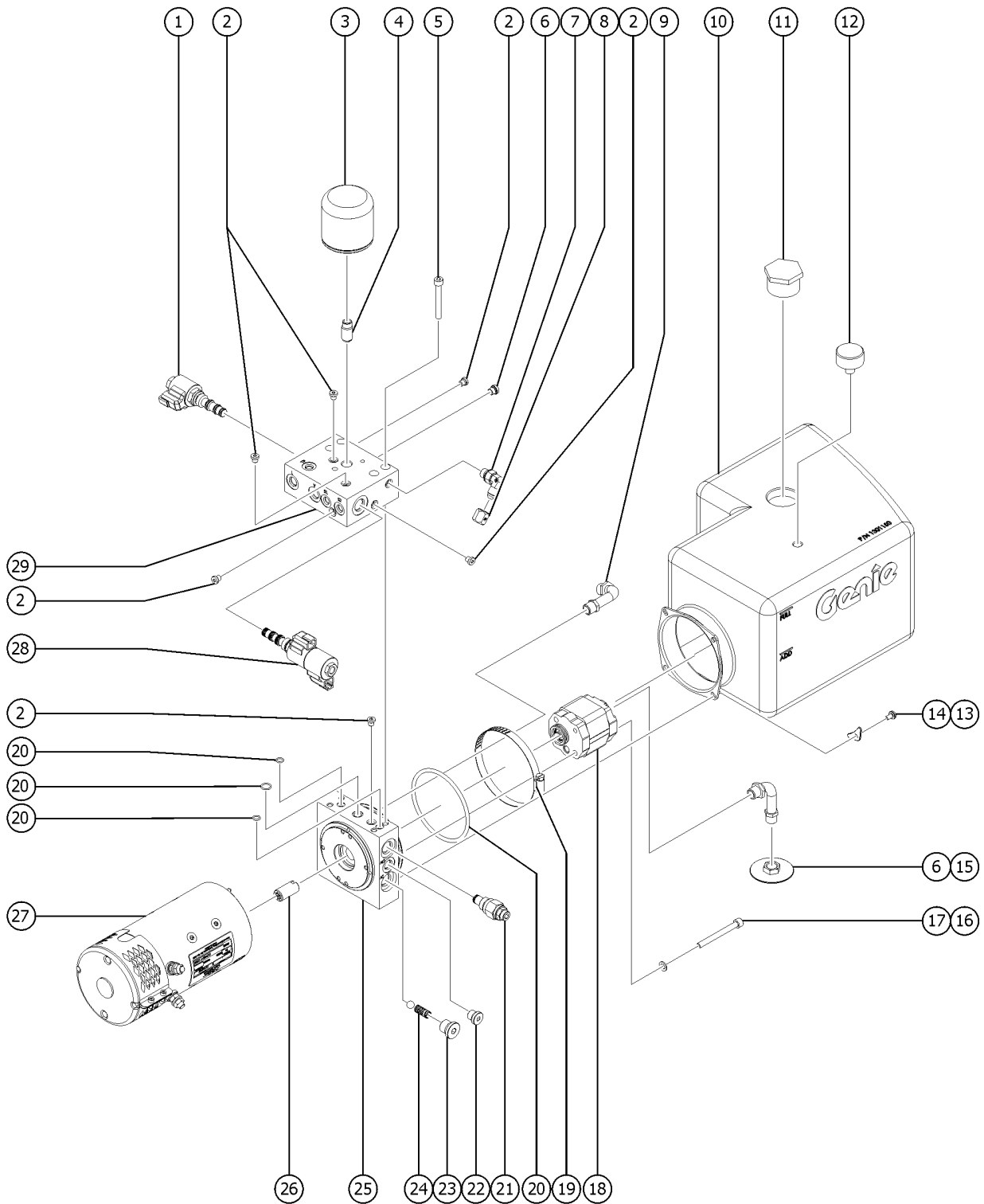


501.1 Hydraulic Components

Item	Part No.	Description	Qty.
1		Ref. Lift Cylinder Assembly (refer to 503.1, 503.2)	
2		Ref. Pressure Transducer (refer to 701.1)	
3		Ref. Filter, Element, Spin On (refer to 502.1)	
4		Ref. Check Valve (refer to 502.1)	
5		Ref. Power Unit (refer to 502.1)	
6	105547GT	CYLINDER,GS/GR STEER***	1
6-	105550GT	KIT,STEER CYL SEAL	
6-	105553GT	KIT,STEER CYL SEAL,040271P,HDM (for code H408147 and up)	
6-	105554GT	KIT,STEER CYL SEAL,040499P,HDM (for code H41109 and up)	
6-	105555GT	KIT,STEER CYL SEAL,040505P,HDM (for codes H41205, H41255, H51290, H501111, H505109, H509101, H60723 and H60870)	



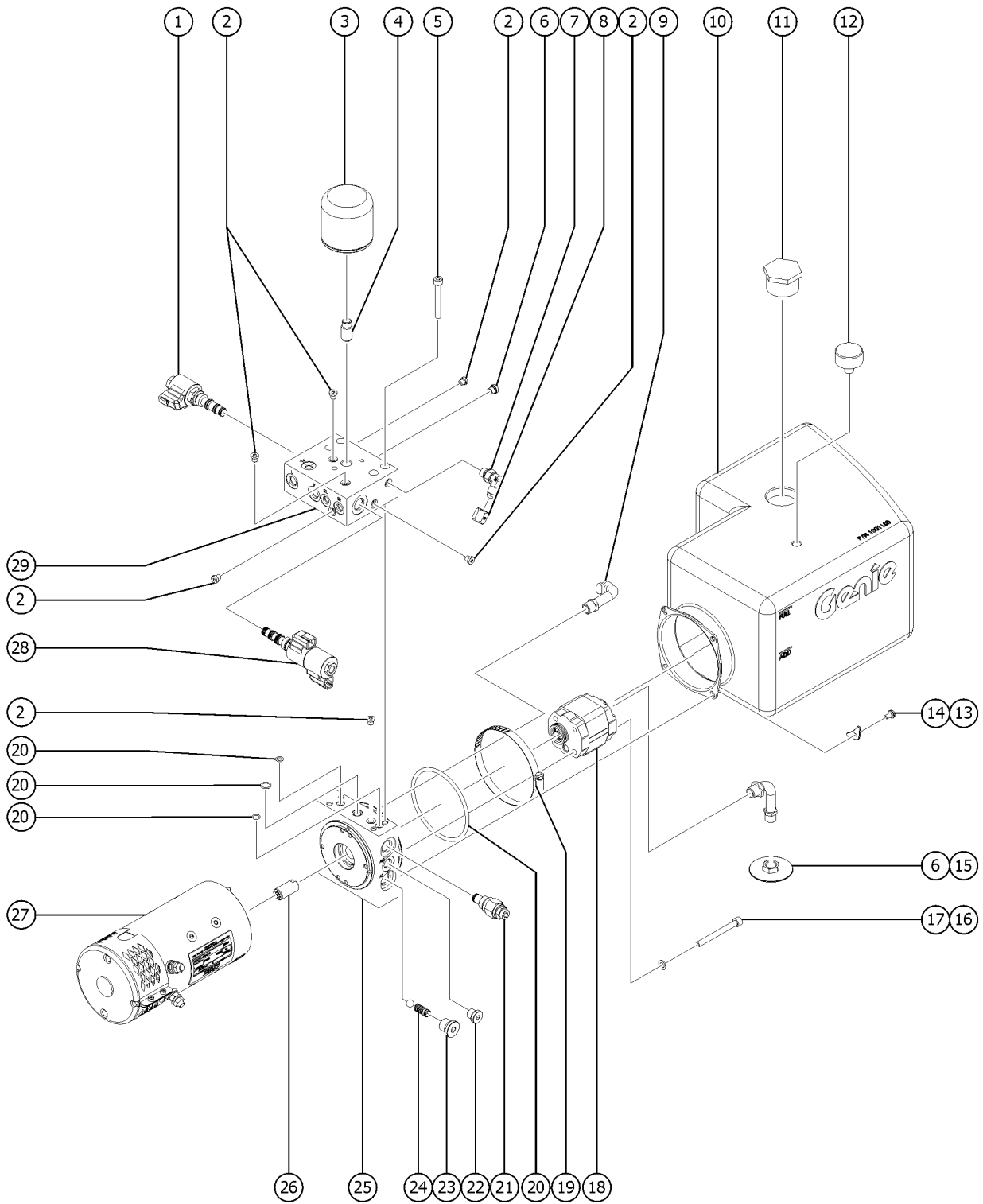
502.1 Power Unit



Item	Part No.	Description	Qty.
1	1303166GT	VALVE-SOLENOID, 2POS 4WAY, SV08-40-0-N-20ERZ	1
2	1302837GT	PLUG, M8X1, Y	6
3	1300318GT	FILTER, ELEMENT, SPIN ON	1
4	1300319GT	INSERT, THREADED, INTERNAL HEX	1
5	1302843GT	SCREW, GB/T70.1, M8X55, ZNCR, 12.9	4
6	1302836GT	PLUG, M10X1, Y	1
7	1307058GT	ELBOW, POWER UNIT	1
8	1307059GT	CAP, POWER UNIT	1
9	1302844GT	SUCTION TUBE, NPT3/8	2
10	1301150GT	TANK, HYD. POLYETHYLENE, GS4046 SLAB, E-DRIVE (GS-4046)	1
10B	1301149GT	TANK, HYD. POLYETHYLENE, MID/LARGE SLAB, E-DRIVE (GS-2046, GS-2646, GS-3246)	1
11	66204GT	FILLER CAP(PLUG 1-1/2" NPT HEX	1
12	78546GT	BREATHER CAP, HYD. TANK, 1/4 NPT	1
13	1302840GT	SCREW, GB/T5789, M6X8, 8.8	4
14	1302841GT	WASHER, TRIANGULAR, PU-**-04-P	4
15	1302845GT	SUCTION FILTER, PU-LW1	1
16	1302838GT	SCREW, GB/T70.1, M8X80, 12.9	2
17	1302839GT	WASHER, GB/T848, 8, BZN, 300HV	2
18	1301546GT	GEAR PUMP, 3.8CC, GS4046, E-DRIVE (GS-4046)	1
18B	1301545GT	GEAR PUMP, 2.9CC, MID/LARGE SLAB, E-DRIVE (GS-2046, GS-2646, GS-3246)	1
19	1302842GT	HOSECLAMP, 118-140MM	1
20	1302833GT	SEAL KITS, O-RING, 109X5.3, 12.5X1.8, 8.5X1.8	1
21	1303167GT	RELIEF VALVE, RV08-20H-0-N-33/29	1
22	1302834GT	PLUG, SAE9, 16-18, Y	1
23	1302835GT	PLUG, SAE3/4-16, 200Z60680	1
24	1303256GT	MANIFOLD BLOCK, CENTER BLOCK, POWER UNIT, E-DRIVE (GS2046, GS2646 & GS3246 only)	1
25	1301547GT	MANIFOLD BLOCK, CENTER BLOCK, POWER UNIT, E-DRIVE	1
26	1303167GT	RELIEF VALVE, RV08-20H-0-N-33/29	1



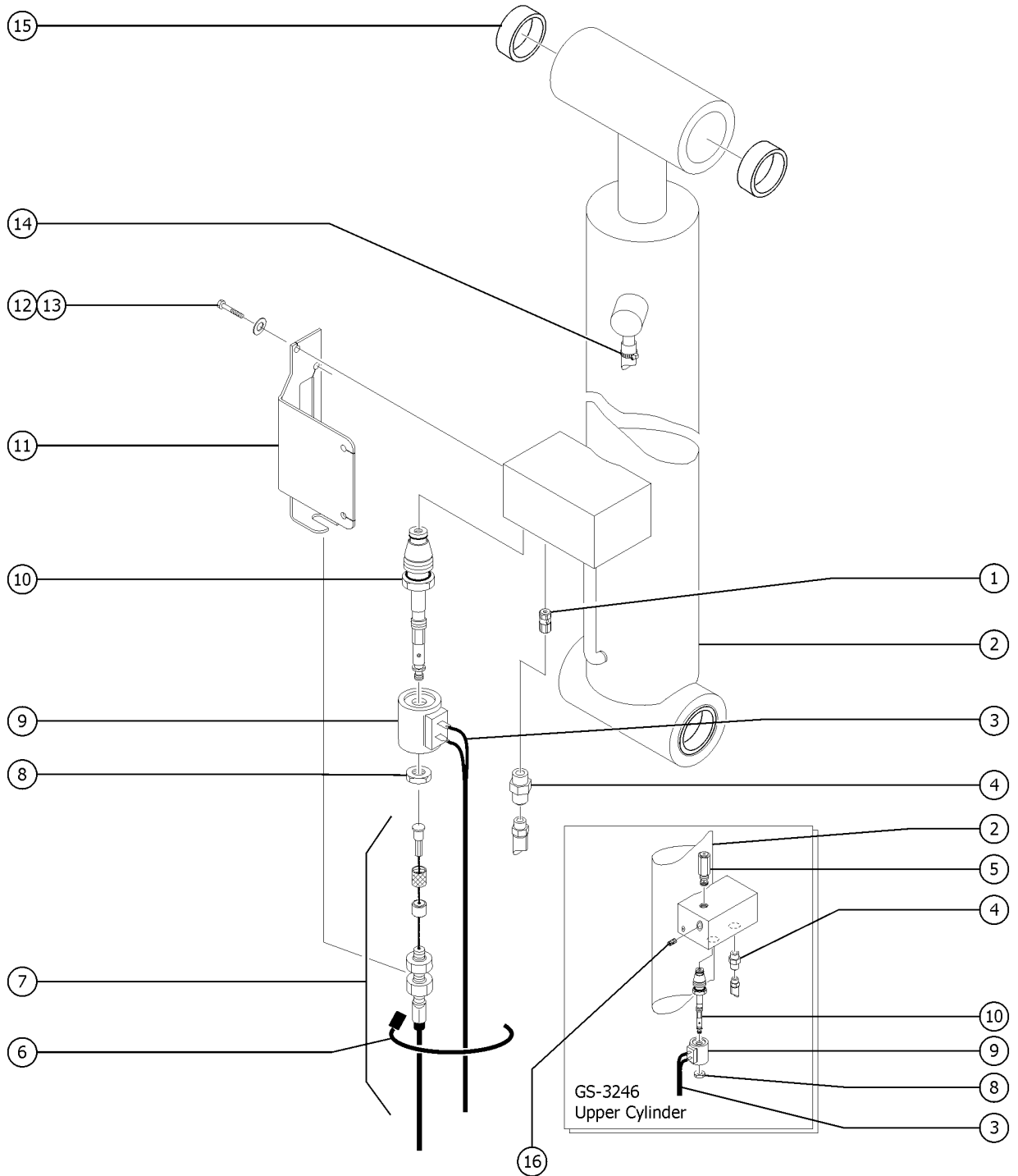
502.1 Power Unit



<i>Item</i>	<i>Part No.</i>	<i>Description</i>	<i>Qty.</i>
27	1300180GT	AMD,PUMP MOTOR,XP-2579,4046 E-DRIVE (GS-4046)	1
27B	1300179GT	AMD,PUMP MOTOR,XP-2545,LARGE E-DRIVE (GS-2046, GS-2646, GS-3246)	1
28	1303167GT	RELIEF VALVE, RV08-20H-0-N-33/29	1
29	1301548GT	MANIFOLD BLOCK, DEPUTY BLOCK, POWER UNIT, E-DRIVE	1



503.1 Lift Cylinder Assembly (GS2046, GS2646, GS3246)

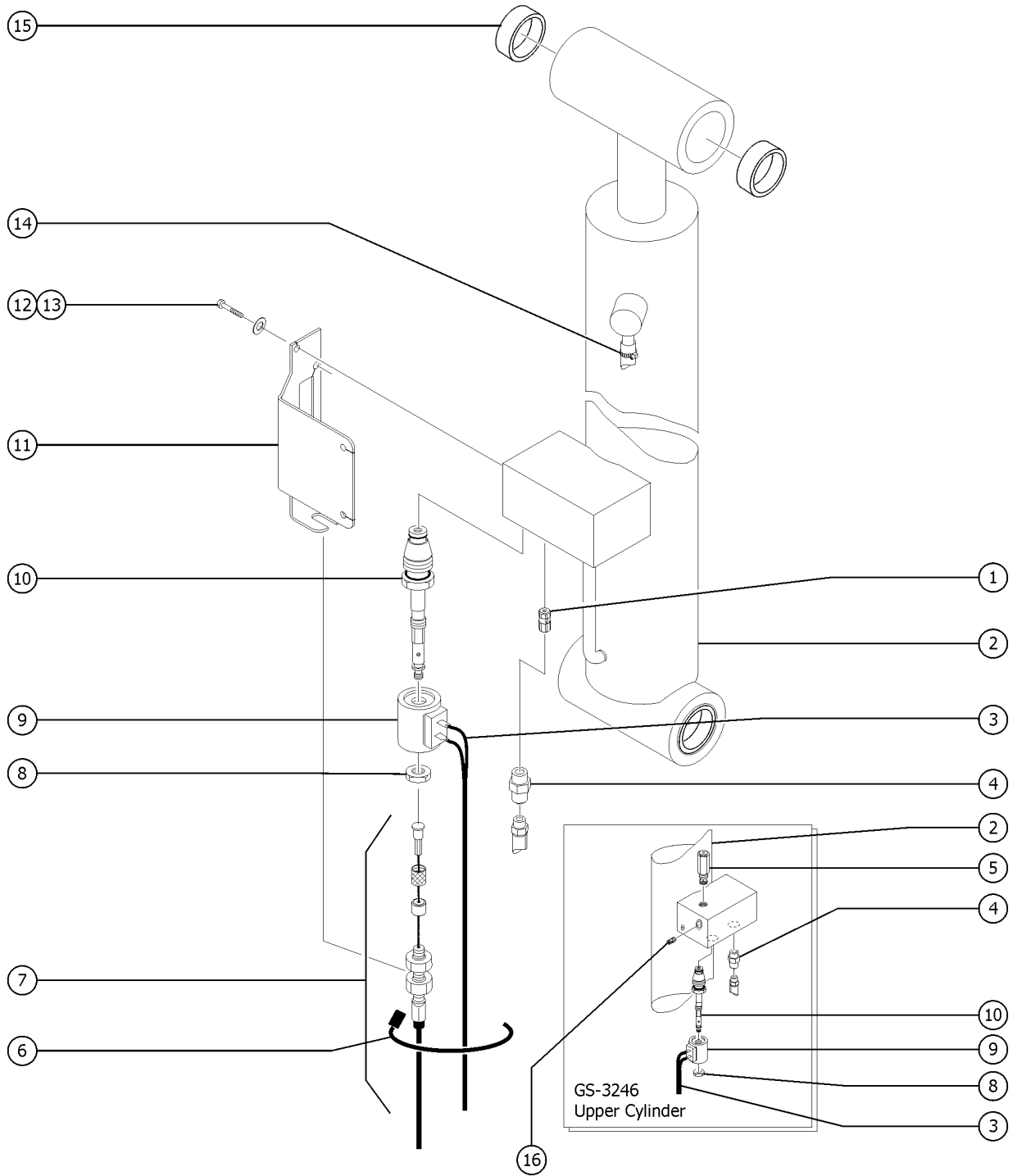


503.1 Lift Cylinder Assembly (GS2046, GS2646, GS3246)

Item	Part No.	Description	Qty.
1	55560GT	ORIFICE, LONG, .059"	
1-	105479GT	KIT, TWO ORIFICE, .059"	
1-	105481GT	KIT, ORIFICE, .059"	
2	105544GT	CYLINDER, 20XX LIFT	1
		(GS-2046)	
2-	105549	SEAL KIT (105545)	
		(for PN 105544GT)	
2B	105545	CYLINDER, 26XX/32XX LIFT	1
		(GS-2646)	
2B-	105549	SEAL KIT (105545)	
		(for PN 105545GT)	
2C	105546	CYLINDER, 32XX UPPER LIFT	1
		(GS-3246), (upper cylinder)	
2C-	105564	SEAL KIT (105546)	
		(for PN 105546GT)	
2D	105545	CYLINDER, 26XX/32XX LIFT	1
		(GS-3246), (lower cylinder)	
2D-	105549	SEAL KIT (105545)	
		(for PN 105545GT)	
3		Ref. Down Coil Wire Harness	1
		(refer to 210.1)	
4	39878GT	CONNECTOR, 070120-6-6	2
5	97130GT	VALVE-RELIEF, 2500PSI	
5-	44227GT	SEAL KIT, VALVE	
		for 97130	
5B	237455GT	VALVE, RELIEF, 2900 PSI, BOSCH	
6	28443GT	CABLE TIE, 11.5" BLACK	3
7		Ref. Emergency Down Cable	
		(refer to 203.1)	
8	44973GT	NUT, COIL (39909)	1
9	84422GT	COIL-SOLENOID VALVE, 20V DC***	1
10	66465GT	VALVE, W/20V NC SOLENOID, MANUAL	1
		(includes items 7 and 8)	
10-	40477GT	VALVE, CARTRIDGE***	
10-	44979GT	SEAL KIT, 39909, PLAT LWR VALVE*	
11	41557	FORMING, VERTICAL CABLE COVER	1
12	7339GT	SCREW, HHC, 1/4-20 X .5	
13	6356GT	WASHER, LOCK, .25	
14	96770GT	CLAMP, HOSE, 1 EAR, 11/16	1
15	105478GT	BEARING, 1.5025IDX1.5075ODX1.5L	4



503.1 Lift Cylinder Assembly (GS2046, GS2646, GS3246)

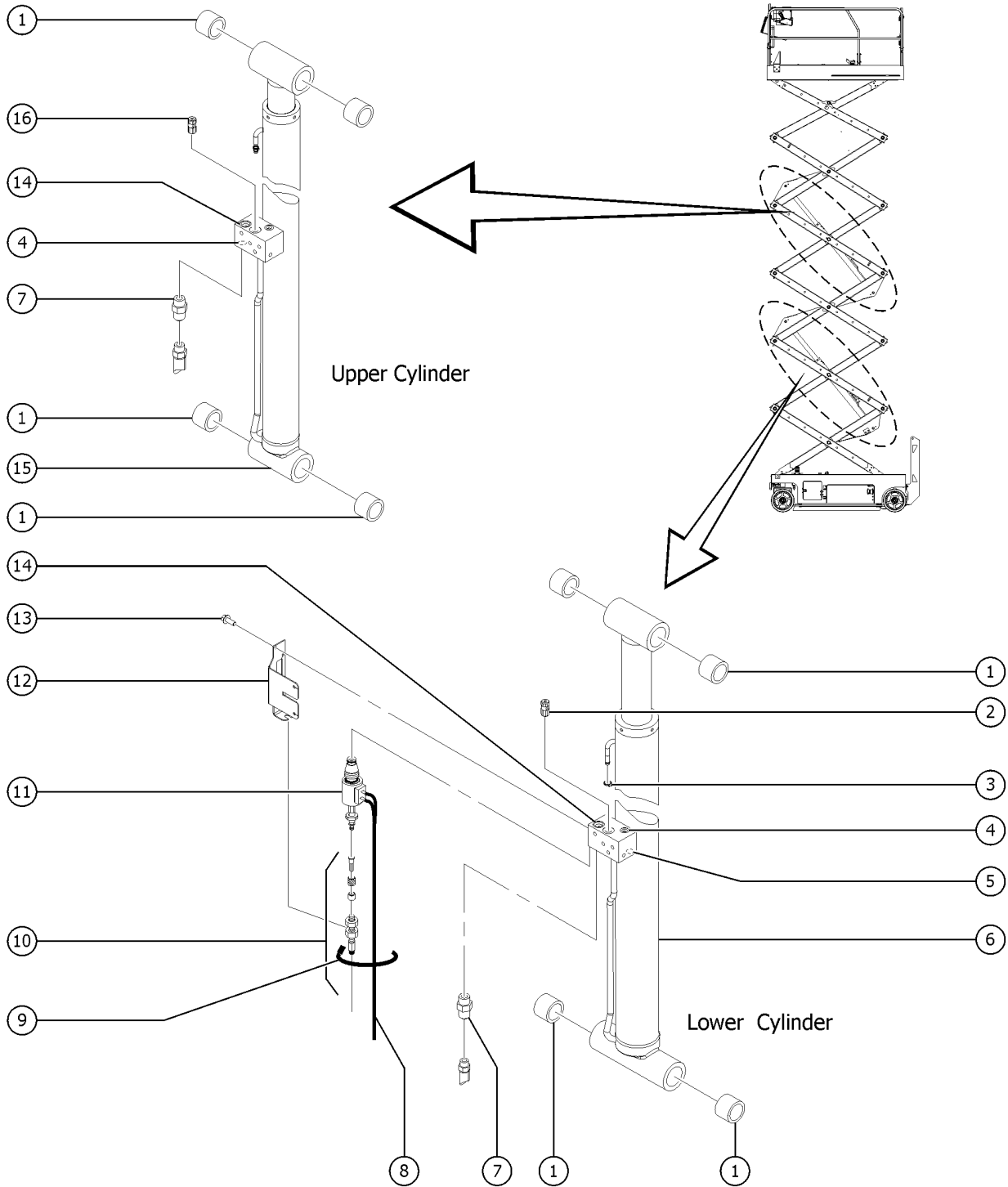


503.1 Lift Cylinder Assembly (GS2046, GS2646, GS3246)

<i>Item</i>	<i>Part No.</i>	<i>Description</i>	<i>Qty.</i>
16	55558GT	ORIFICE, LONG, .037*** GS-3246	1



503.2 Lift Cylinder Assembly (GS4046)

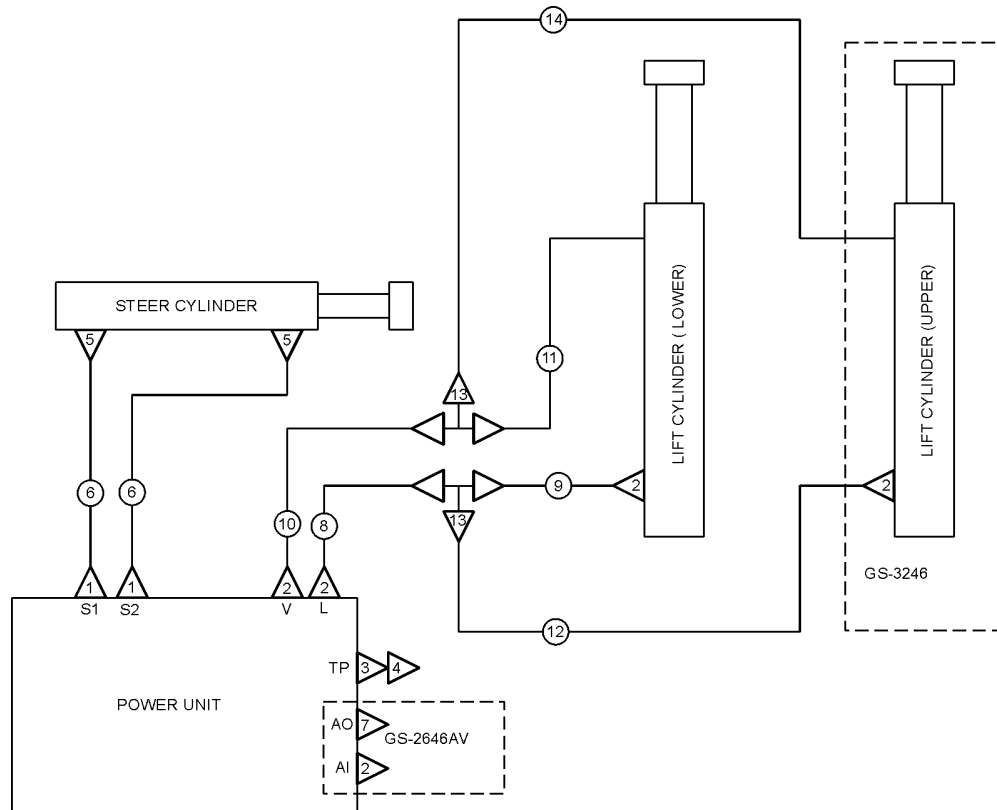


503.2 Lift Cylinder Assembly (GS4046)

Item	Part No.	Description	Qty.
1	66055GT	BEARING,1.50IDX1.77ODX1.25L	8
2	214817GT	ORIFICE, LONG, .076"	1
3	96770GT	CLAMP, HOSE, 1 EAR, 11/16	1
4	52368GT	VALVE,CHECK,GS68 (SIZE8 8)	2
5	237472GT	PRESSURE TRANSDUCER,1K-3K PSI	1
6	1264781GT	LOWER CYL,4047 LIFT,3.5" BORE,	1
6-	1282019GT	SEAL KIT,LOWER CYLINDER,4047 LIFT for 1264781	
7	39878GT	CONNECTOR,070120-6-6	4
		(two per cylinder)	
8		Ref. Down Coil Wire Harness	
		(refer to 210.1)	
9	28443GT	CABLE TIE,11.5" BLACK	3
10		Ref. Emergency Down Cable	
		(refer to 203.1)	
11	229615GT	VALVE, PROPORTIONAL, SP08-20	1
		(includes p/n 44973)	
12	41557GT	FORMING,VERTICAL CABLE COVER	1
13	824077GT	SCREW, HHF, 1/4-20 X .5, 8, ZAG	2
14	236279GT	VALVE,RELIEF,SIZE 8,3500 PSI	2
		(one per cylinder)	
15	1264780GT	UPPER CYL,4047 LIFT,3" BORE,DO	1
15-	1282018GT	SEAL KIT,UPPER CYLINDER,4047 LIFT for 1264780	
16	55560GT	ORIFICE,LONG, .059"	1



504.1 Hydraulic Hoses and Fittings (GS2046, GS2646, GS3246)



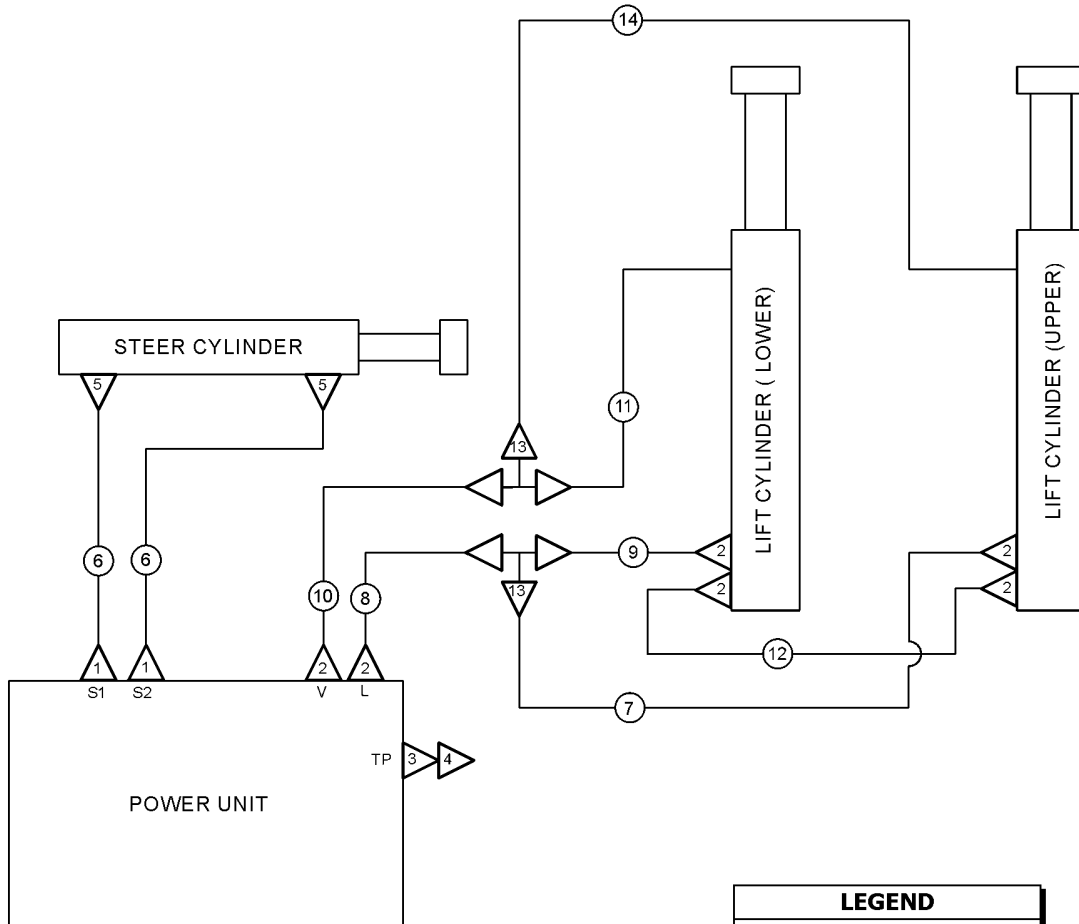
LEGEND	
	FITTING
	HOSE ASSEMBLY
	TEE-FITTING

504.1 Hydraulic Hoses and Fittings (GS2046, GS2646, GS3246)

<i>Item</i>	<i>Part No.</i>	<i>Description</i>	<i>Qty.</i>
1	39877GT	CONNECTOR,070120-4-4	2
2	39878GT	CONNECTOR,070120-6-6	2
3	48997GT	NIPPLE,DIAGNOSTIC,#4	1
4	48880GT	CAP,DIAGNOSTIC NIPPLE	1
5	13921GT	ELBOW,070220-4-4	2
6	1307652-5750GT	ASSY, HOSE, HYD, -4, 300, STR, STR	2
7	237086GT	HOSE,UPPER VENT	1
8	1288926-4600GT	HOSE ASSY, LIFT	1
9	105046GT	HOSE ASSY,LOWER LIFT	1
10	1307651-4400GT	ASSY, HOSE, AIR, -6, 300, STR, STR	1
11	1307724-17250GT	ASSY, HOSE, AIR, -6, 300, STR	1
12	96880GT	HOSE ASSY,UPPER LIFT	1
13	51152GT	TEE,RUN 070432-6***** (GS3246 & 4046 only)	2
14	96883GT	HOSE,UPPER VENT	1



504.2 Hydraulic Hoses and Fittings (GS4046)



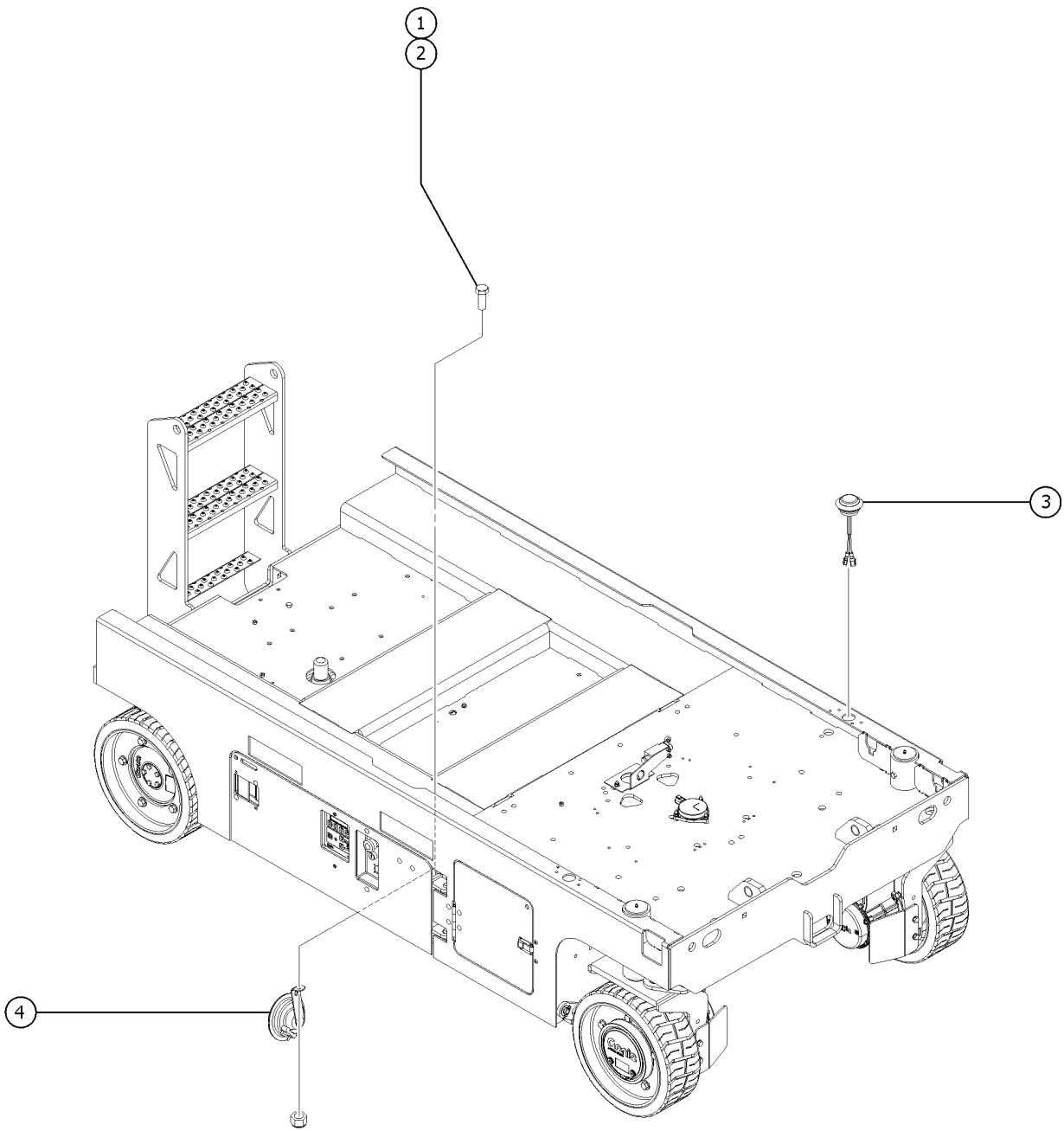
LEGEND	
#	FITTING
○	HOSE ASSEMBLY
△	TEE-FITTING

504.2 Hydraulic Hoses and Fittings (GS4046)

<i>Item</i>	<i>Part No.</i>	<i>Description</i>	<i>Qty.</i>
1	39877GT	CONNECTOR,070120-4-4	2
2	39878GT	CONNECTOR,070120-6-6	6
3	48997GT	NIPPLE,DIAGNOSTIC,#4	1
4	48880GT	CAP,DIAGNOSTIC NIPPLE	1
5	13921GT	ELBOW,070220-4-4	2
6	1307652-5750GT	ASSY, HOSE, HYD, -4, 300, STR, STR	2
7	1260604GT	HOSE,ASSY,UPPER LIFT	1
8	1290538-4450GT	ASSY, HOSE, HYD, -6, 5000, STR, STR	1
9	105046GT	HOSE ASSY,LOWER LIFT	1
10	1307651-4400GT	ASSY, HOSE, AIR, -6, 300, STR, STR	1
11	1307724-17250GT	ASSY, HOSE, AIR, -6, 300, STR	1
12	1260603GT	HOSE,ASSY,CYL TO CYL	1
13	51152GT	TEE,RUN 070432-6*****	2
14	1260605GT	HOSE,VENT,UPPER	1



601.1 Alarm, Horn and Flashing Beacons

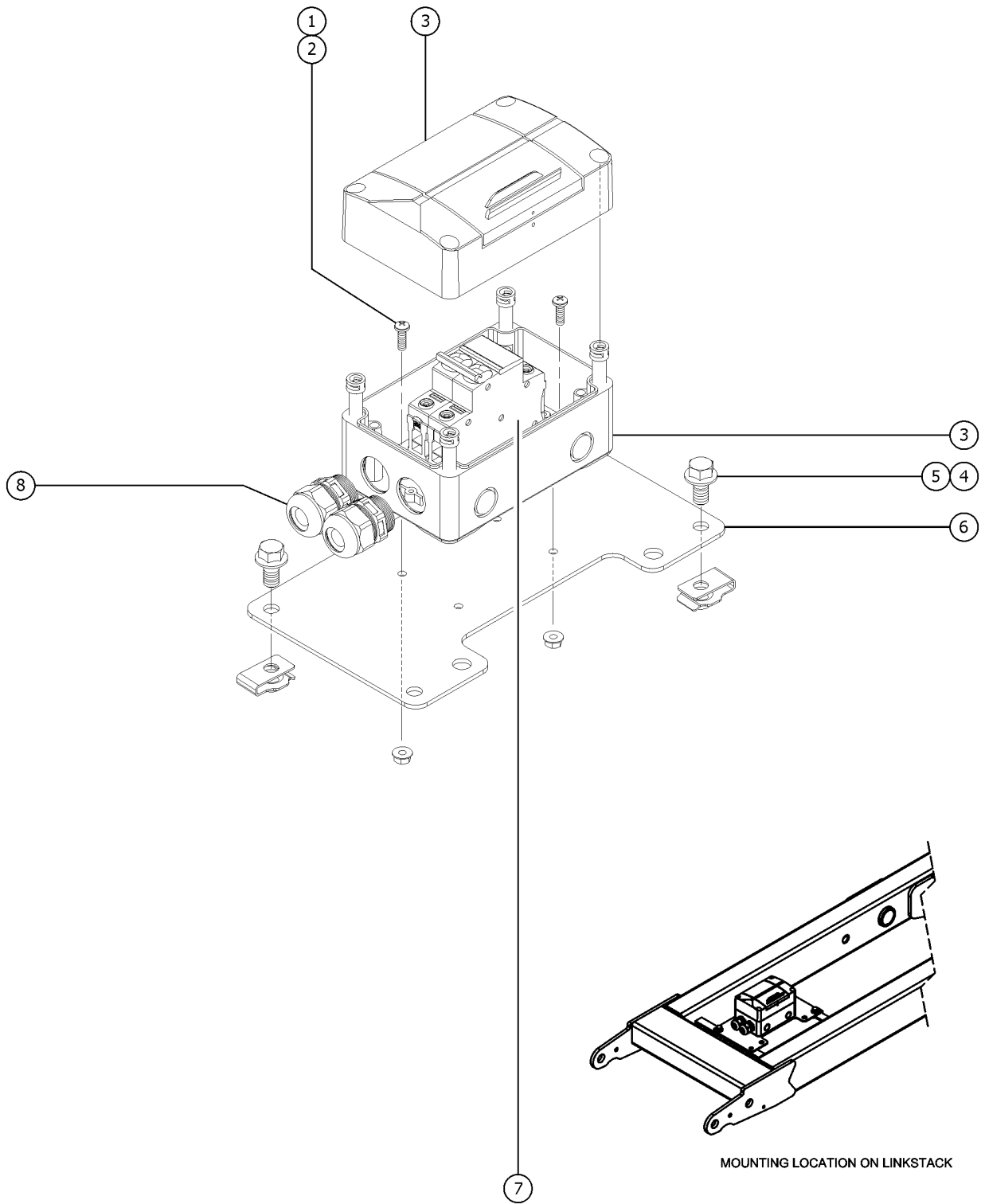


601.1 Alarm, Horn and Flashing Beacons

<i>Item</i>	<i>Part No.</i>	<i>Description</i>	<i>Qty.</i>
1	824124GT	BOLT, CARRIAGE, 1/4-20 X .75, 5, ZAG	1
2	1277924GT	NUT, NYLOCK FLG, 1/4-20, F, ZAG	1
3	1261183GT	ASSEMBLY, VISUAL IND LIGHT	2
3-	1254572GT	LIGHT, TURN SIGNAL, 1.25" LED, AM	2
3-	1270162GT	ASSEMBLY, BEACON LED, 24V for 1261183	2
3-	1271521GT	HARNES, BEACON, LED, MINI for 1261183	1
4	81579GT	HORN, 24VDC, SPADE TERMINALS***	1



602.1 RCBO

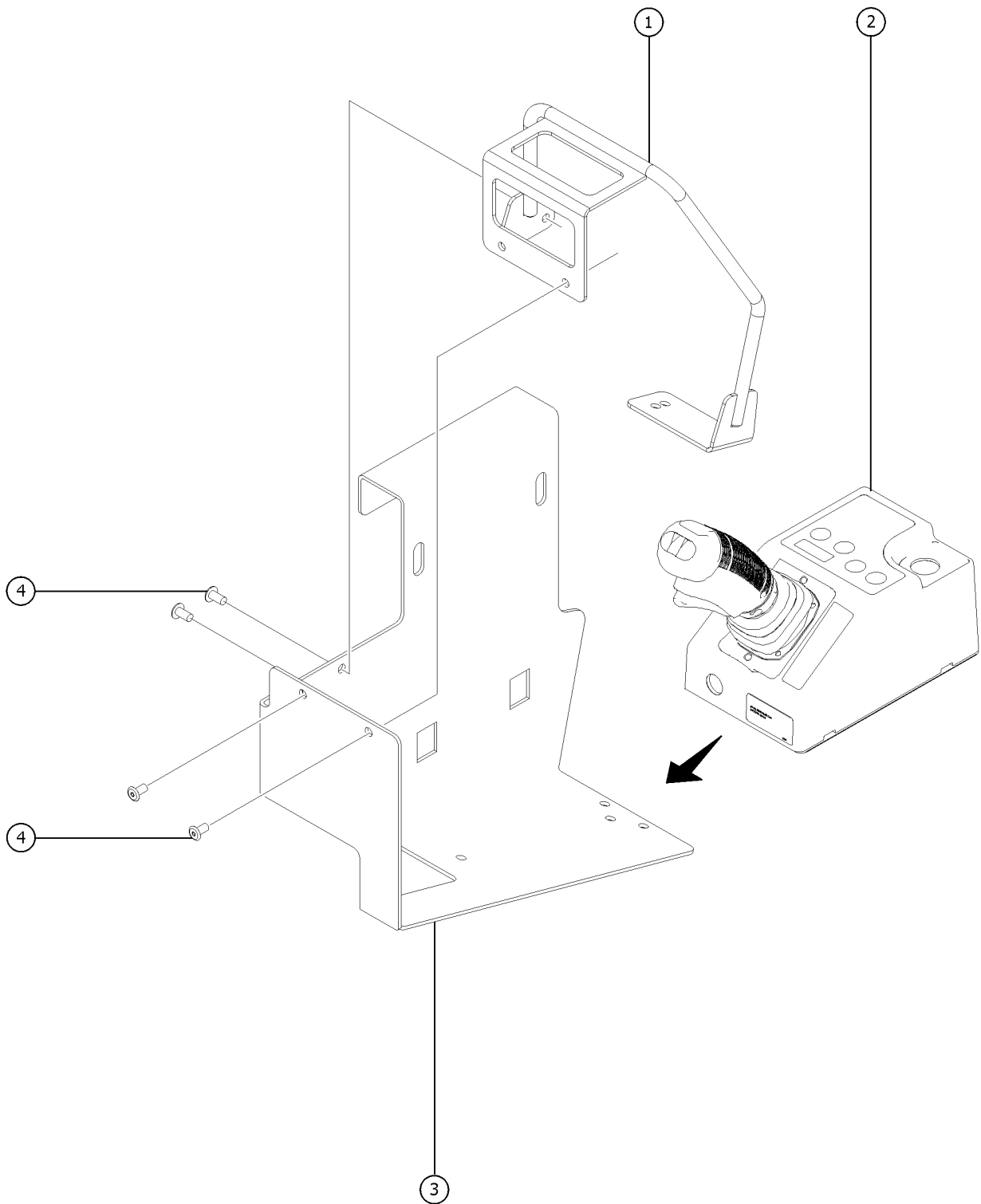


602.1 RCBO

<i>Item</i>	<i>Part No.</i>	<i>Description</i>	<i>Qty.</i>
1	1257227GT	SCREW,PHPM,10-32X.625,ZAG	2
2	1283004GT	NUT,NYLOCK FLG,10-24,A,ZAG	2
3	1269086GT	ENCLOSURE, FUSE, MODULAR, 150X	1
4	824089GT	SCREW, HHF, 3/8-16 X .75, 8, ZAG	2
5	29868GT	SPRING CLIP,3/8-16,.05-.20X.73,ZAG	2
6	1274540GT	PLATE, RCBO, GS	1
7	231868GT	RCBO,16A,30MA,6KA 110/230V AC	1
8	1280947GT	GLAND ASSY,M25, 6-13MM	2
9	43956GT	WIRE CABLE,14/3 CON.TPE JKT* not shown	115
10	1280948GT	SLEEVE, CABLE-END, 16AWG, 1.5MM not shown (for 43956)	6



603.1 PCON Guard

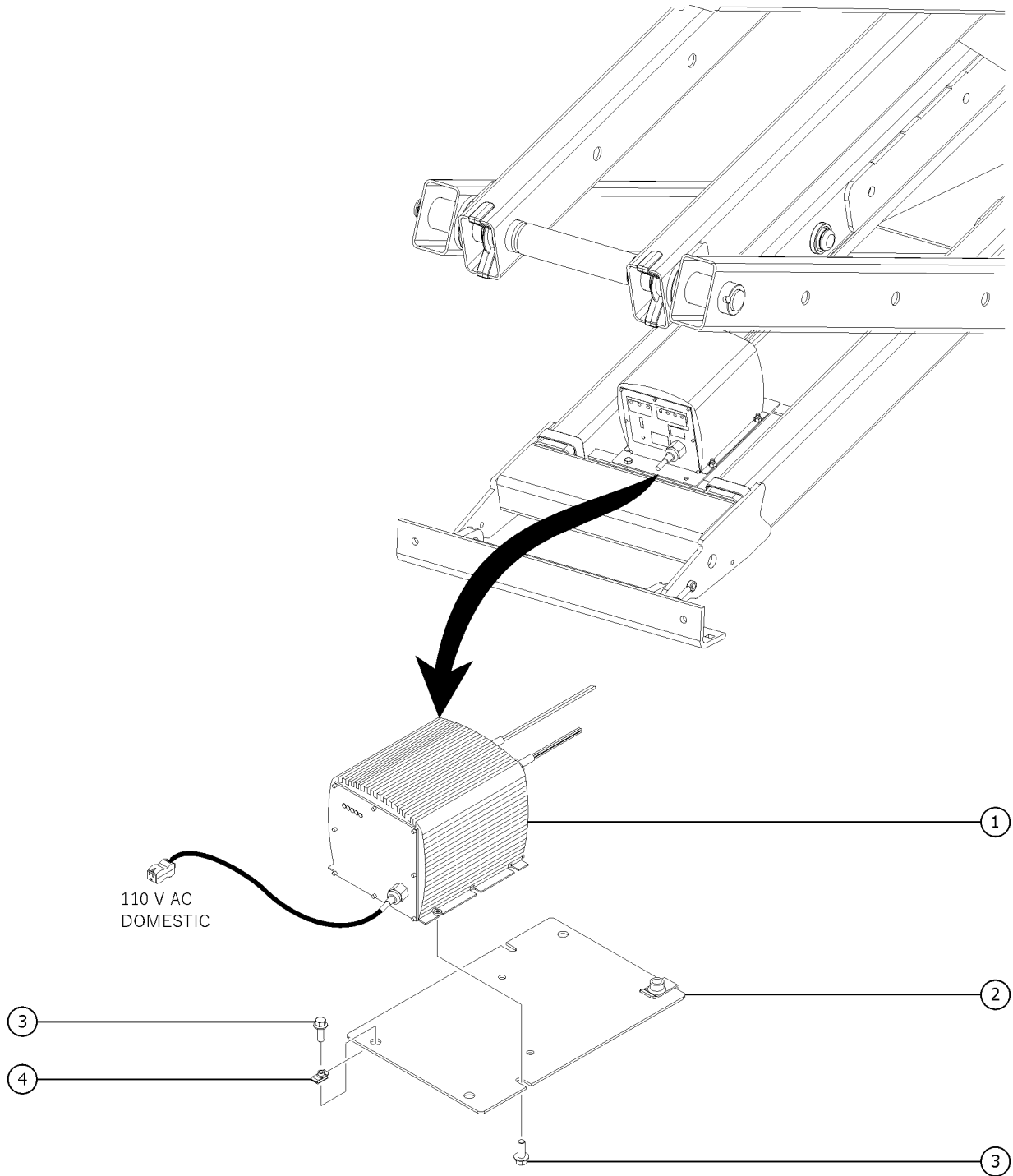


603.1 PCON Guard

<i>Item</i>	<i>Part No.</i>	<i>Description</i>	<i>Qty.</i>
1	1290292GT	WELDMENT, PCON GUARD ASSEMBLY, METRIC	1
2		Ref. PCON, GR/GRC/GS	
		(refer to 403.1)	
3		Ref. FORMING, PLAT CONTROL, GR/GRC	4
		(refer to 403.1), (holes drilled for PCON Guard option)	
4	6271GT	RIVET,STL,STL.MAN,P,.25 X .25	4



604.1 Voltage Inverter (GS-2046, GS-2646 and GS-3246)

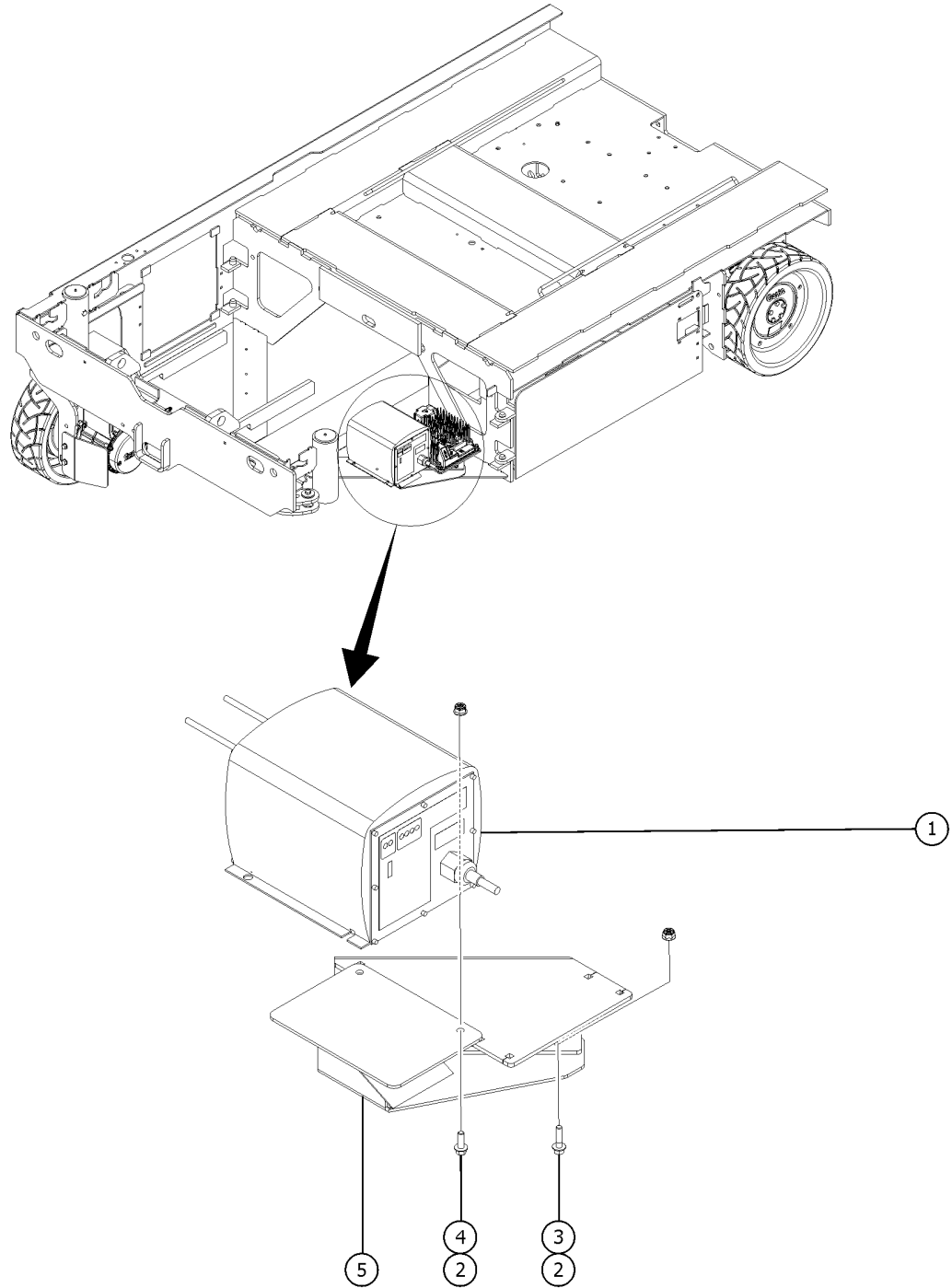


604.1 Voltage Inverter (GS-2046, GS-2646 and GS-3246)

<i>Item</i>	<i>Part No.</i>	<i>Description</i>	<i>Qty.</i>
1	96950GT	INVERTER,24VDC,110/230 VAC***	1
2	105129GT	PLATE, INVERTER MOUNT**	1
3	824078GT	SCREW,HHF,1/4-20X.75,8,ZAG	4
4	56912GT	SPRING CLIP,1/4-20,.025-.15X.5	2



604.2 Voltage Inverter (GS-4046)

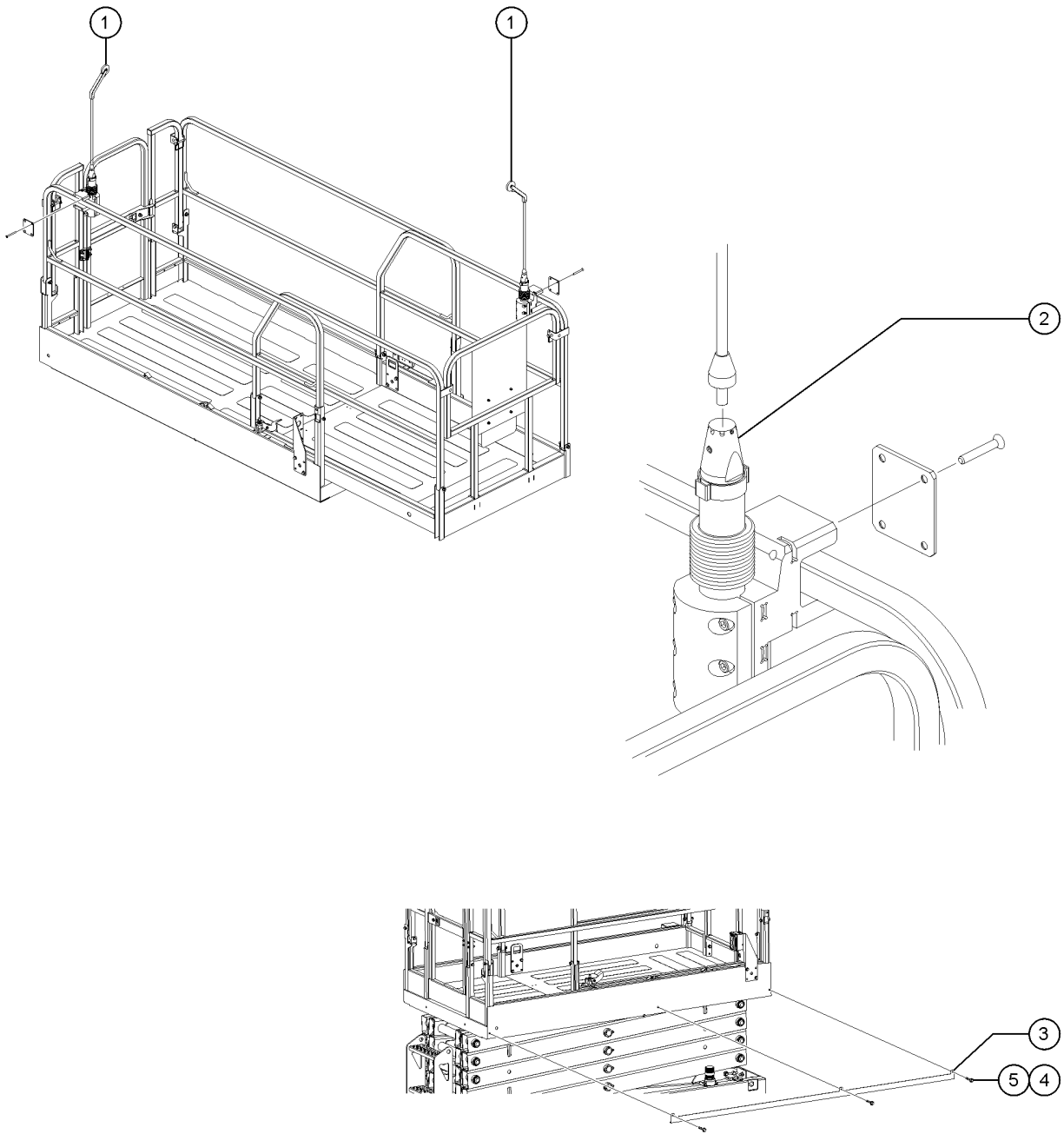


604.2 Voltage Inverter (GS-4046)

<i>Item</i>	<i>Part No.</i>	<i>Description</i>	<i>Qty.</i>
1	96950GT	INVERTER,24VDC,110/230 VAC***	1
2	1277924GT	NUT,NYLOCK FLG,1/4-20,F,ZAG	4
4	824079GT	SCREW,HHF,1/4-20X1,8,ZAG	2
3	824078GT	SCREW,HHF,1/4-20X.75,8,ZAG	2
5	1273456GT	INVERTER BRACKET,GS4047,ANSI	1



605.1 Lift Guard Contact Alarm, View-1

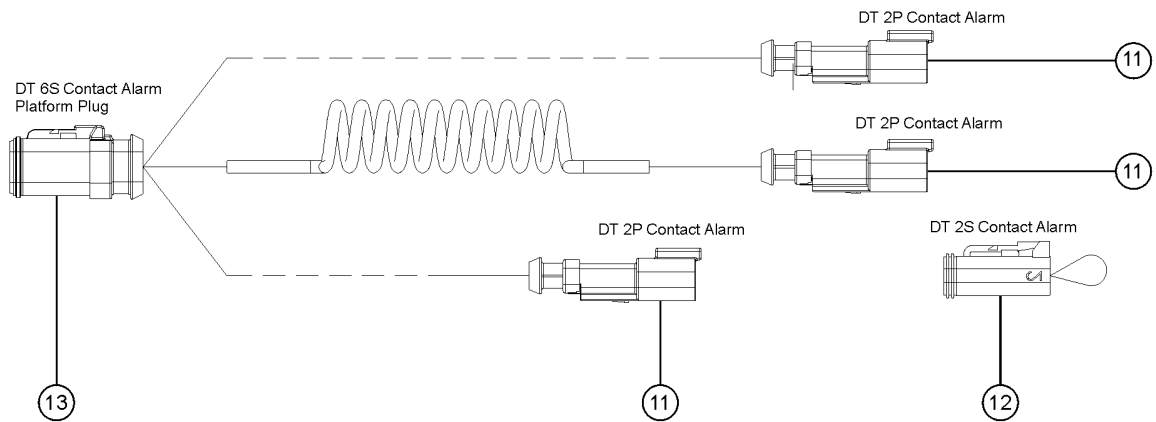
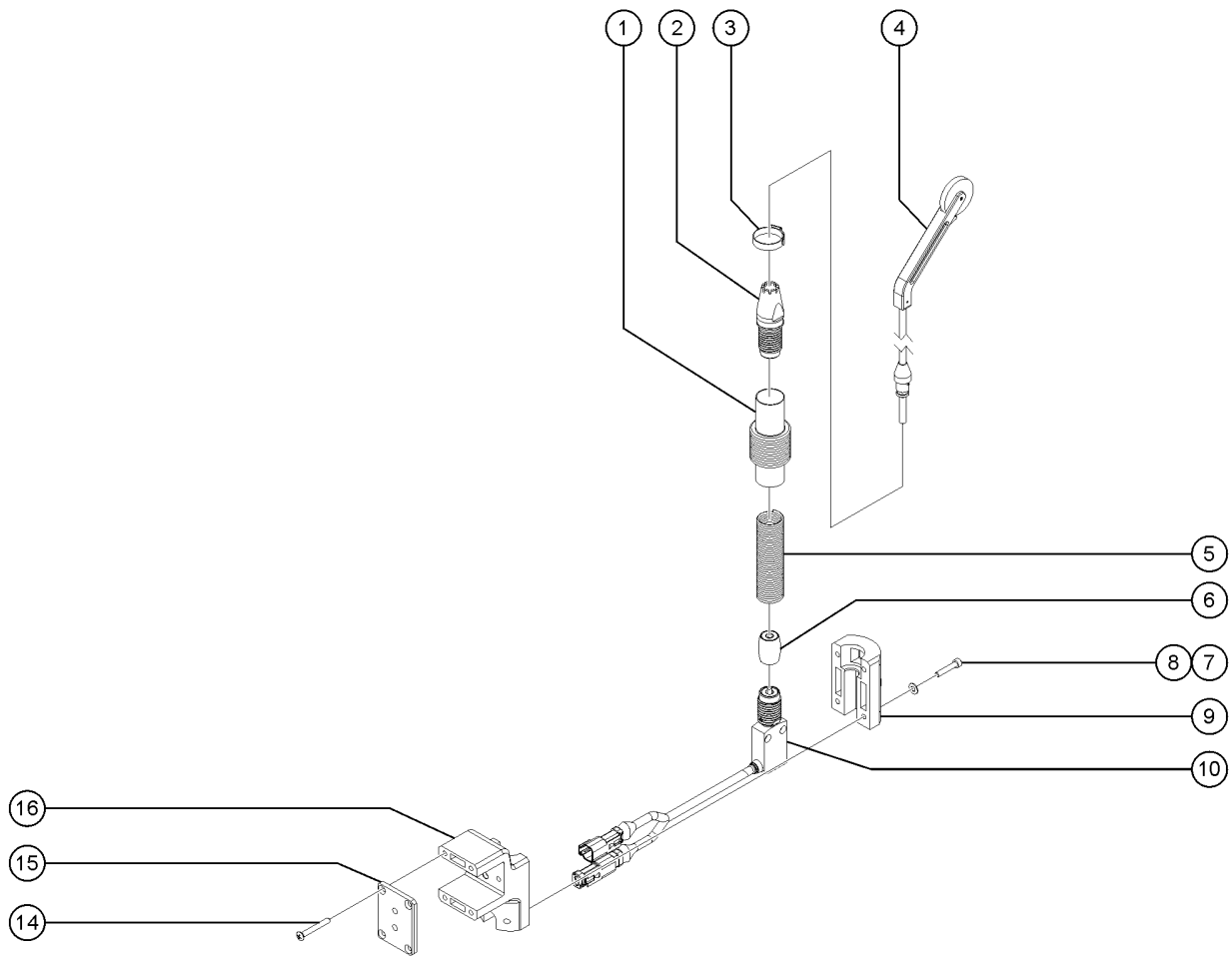


605.1 Lift Guard Contact Alarm, View-1

Item	Part No.	Description	Qty.
-	1288727GT	CABLE,CONTACT ALARM,CHASSIS TO PLAT,20XX GS-2046 Only	1
-	1288573GT	HARNESS,CONTACT ALARM,ESTOP SPLICE	1
-	1288574GT	CABLE,CONTACT ALARM,45IN LINK	1
-	1288728GT	CABLE,CONTACT ALARM,CHASSIS TO PLAT,26XX GS-2646 Only	1
-	1288729GT	CABLE,CONTACT ALARM,CHASSIS TO PLAT,32XX GS-3246 Only	1
1	1287673GT	ASSEMBLY, LIFTGUARD CONTACT ALARM (refer to 604.1)	2
2	1288530GT	ASSEMBLY, LIFTGUARD KNUCKLE (refer to 604.1)	1
3	1290505GT	FORMING,CABLE GUIDE,BAT,GS32	4
3B	1291462GT	FORMING,CABLE GUIDE,CNTRL,GS32	4
4	824078GT	SCREW,HHF,1/4-20X.75,8,ZAG GS-2046	4
4B	824078GT	SCREW,HHF,1/4-20X.75,8,ZAG GS-2646, GS-3246	6
5	1277924GT	NUT,NYLOCK FLG,1/4-20,F,ZAG GS-2046	4
5B	1277924GT	NUT,NYLOCK FLG,1/4-20,F,ZAG GS-2646, GS-3246	4



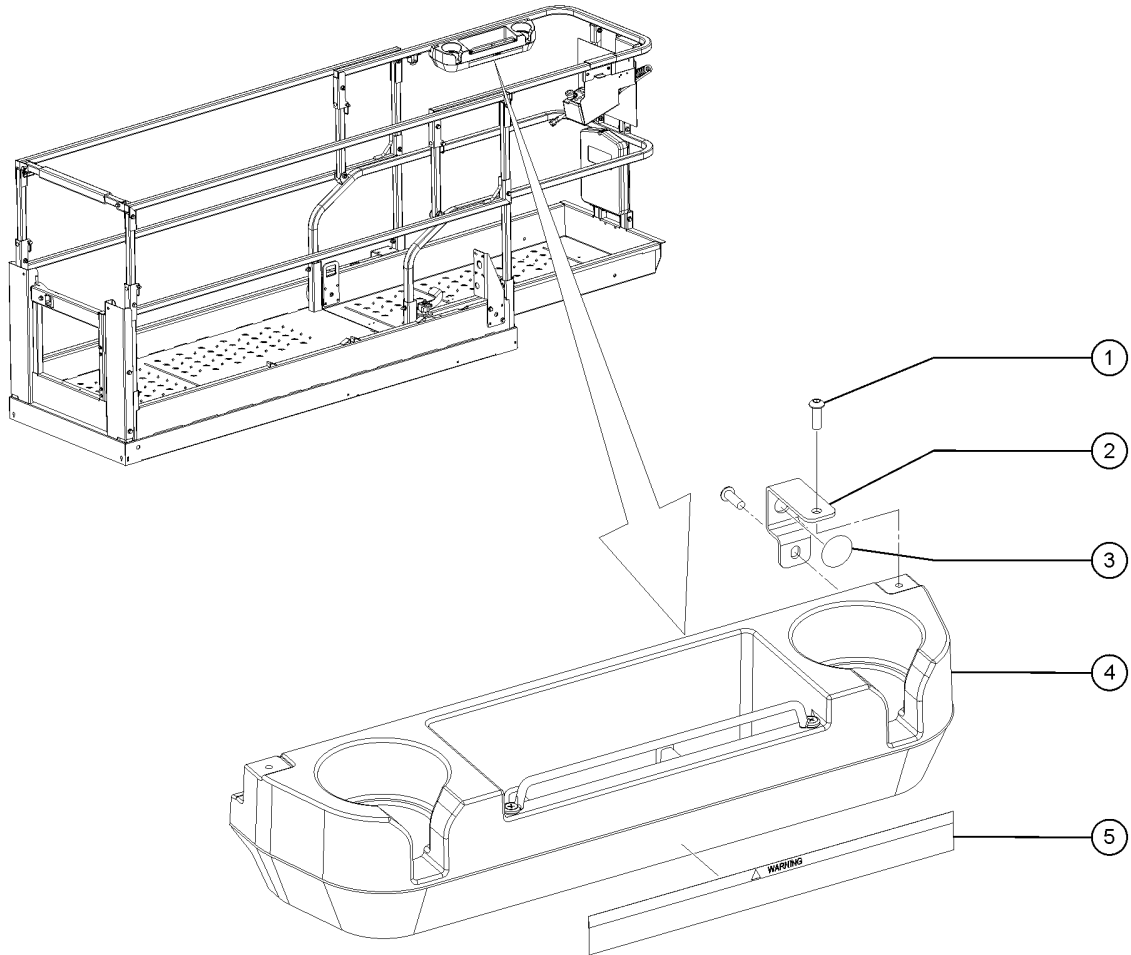
606.1 Lift Guard Contact Alarm, View-1



Item	Part No.	Description	Qty.
-	1287673GT	ASSEMBLY, LIFTGUARD CONTACT ALARM (Includes items 1-10, 14-16)	1
-	1288530GT	ASSEMBLY, LIFTGUARD KNUCKLE (part of assy 1287673, includes items 1-3, 5, 6 and 10)	1
-	1288741GT	HARNES, CONTACT ALARM, GS46 PLATFORM (Includes items 11 - 13)	1
1	1287687GT	BELLOW, LIFTGUARD CONTACT ALARM	1
2	1287678GT	ASSEMBLY, UPPER WHISKER MOUNTING	1
3	1298716GT	CLAMP, STEPLESS, ONE EAR	1
4	1287674GT	ASSEMBLY, WHISKER	1
5	1287691GT	SPRING, TENSION, CONTACT ALARM	1
6	1287680GT	ASSEMBLY, MAGNETIC SNAP BARREL	1
7	1288435GT	SCREW, SHC, 10-24X1, F837, 18.8, NYL, SS	4
8	1288438GT	WASHER, FLAT, 0.219X0.437X0.031, SS	4
9	1289608GT	BRACKET, RT LIFTGUARD, PART 2/2	1
10	1287682GT	ASSEMBLY, LIMIT SWITCH MOUNT	1
11	1288352GT	CONN, RECEP, 2 WAY, DT, 14-18GA, CE09	3
11-	60439GT	LOCK, RECEP 2 WAY, 14-18GA	
12	119056GT	CONN PLUG 2 WAY ENDCAP DT	1
12-	60425GT	LOCK, PLUG 2 WAY, 14-18GA	
13	1288576GT	CONN, PLUG, 6WAY, DT, 14-18GA, CE13	1
13-	60431GT	LOCK, PLUG 6 WAY, 14-18GA	
14	1288437GT	SCREW, OHPM, 10-24X1.5, NYL, SS	4
15	1287689GT	PLATE, LIFTGUARD BRACKET	1
16	1289603GT	BRACKET, RT LIFTGUARD, PART 1/2	1



607.1 Tool Tray Options

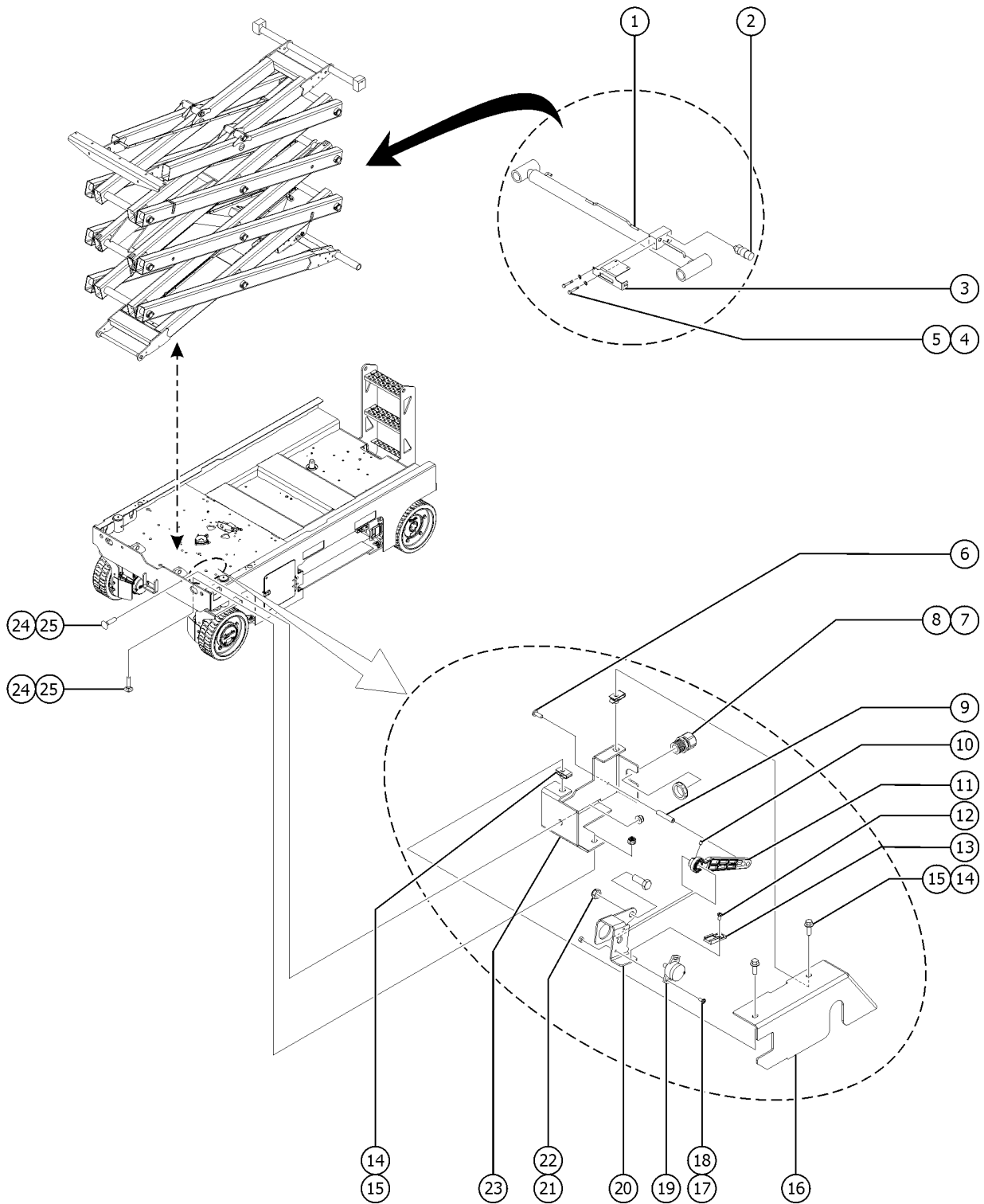


607.1 Tool Tray Options

<i>Item</i>	<i>Part No.</i>	<i>Description</i>	<i>Qty.</i>
1	824078GT	SCREW,HHF,1/4-20X.75,8,ZAG	4
2	1296036GT	FORMING, MOUNT, TOOL TRAY, GS	2
3	47478GT	BUMPER,RUBBER,1"OD X .461 H	2
4	1292944GT	TOOL TRAY, SLAB SCISSORS, GR	1
5	1296821GT	DECAL, WARNING, TOOL TRAY	1



701.1 Platform Overload



Item	Part No.	Description	Qty.
1		Ref: Lift Cylinder (refer to 503.1)	1
2	1291577GT	PRESSURE TRANSDUCER,0-5K PSI (includes transducer) (GS3246, GS2646 & GS4046 only)	1
3	41557-SGT	CABLE BRACKET,PAINTED	1
4	7339GT	SCREW,HHC,1/4-20 X .5	1
5	6356GT	WASHER,LOCK,.25	1
6	1251757GT	SCREW,PHPM,10-32X.50,ZAG	1
7	33576GT	CONN,SQZ,BLK,1/2NPT,.38-.50,SM	1
8	T115429GT	NUT,CORDGRIP,1/2 NPT	1
9	T113142GT	OFFSET, RDN, 1/4-1.25,10-32	1
10	229146GT	SCREW,SET,8-32X.25	1
11	T114082GT	LEVER ARM,ANGLE SENSR ACTUATOR	1
12	39579GT	RIVET,STL,STL,.188 X .45	1
13	T113139GT	CLIP,DTM,RECEPTACLE	1
14	824078GT	SCREW,HHF,1/4-20X.75,8,ZAG	2
15	56912GT	SPRING CLIP,1/4-20,.025-.15X.5	2
16	1304102GT	FORMING,SENSOR COVER	1
17	1257296GT	SCREW,PHPM-ST,8.32X.50,TYPE F,	2
18	1271081GT	NUT,NYLOCK,8-32,8,ZAG	2
19	T113136GT	ASSY,ROT SENSR W/ HARNESS	1
20	161981GT	FRMNG,ARM SENSOR BRCKT,32/46	1
21	1274322GT	NUT,NYLOCK FLG,3/8-16,G,ZAG	1
22	824068GT	SCREW,HHC,3/8-16X1.25,8,ZAG	1
23	1304101GT	FORMING,CHASSIS BRACKET	1
24	1256179GT	BOLT,CARRIAGE,1/2-13X1.5,5,ZAG	2
25	1277924GT	NUT,NYLOCK FLG,1/4-20,F,ZAG	2



<u>Part no.</u>	<u>Page Number</u>	<u>Part no.</u>	<u>Page Number</u>	<u>Part no.</u>	<u>Page Number</u>
1268GT	11	39232GT	75	52475GT	13, 15, 19, 21, 25, 27...
1484GT	11	39310GT	121	55558GT	141
1699GT	37, 65	39469GT	121	55560GT	139, 143
6271GT	153	39474GT	121	55675GT	81, 83, 87
6356GT	139, 165	39540GT	87, 129	55748GT	99
6595GT	125	39542GT	77	56912GT	89, 155, 165
6626GT	127	39579GT	121, 165	58000GT	103, 107, 113, 115
6700GT	91	39877GT	145, 147	58592GT	69, 109
6878GT	127	39878GT	139, 143, 145, 147	58627GT	91
6935GT	125	40477GT	139	60425GT	161
7056GT	125	40833GT	81, 83, 97, 99	60431GT	161
7339GT	139, 165	41557	139	60439GT	161
9116GT	115	41557GT	143	62056GT	37, 65
10775GT	125	41557-SGT	165	62057GT	37, 65
10777GT	127	41630GT	121	62058GT	37, 65
12016GT	79	43392GT	121, 123	65990-SGT	121
13585GT	125	43618GT	37, 65	66055GT	103, 105, 107, 109, 111, 113...
13921GT	69, 145, 147	43619GT	15, 21, 27, 33	66204GT	87, 135
15243GT	121	43658GT	15, 21, 27, 33, 43, 49...	66353GT	127
18503GT	81, 83	43956GT	95, 125, 151	66355GT	127
19491GT	75, 77	44163GT	11	66356GT	127
21279GT	121, 123	44227GT	139	66399GT	11
22446GT	123	44736GT	37	66465GT	139
24514GT	123	44936GT	125	66512GT	121
25388GT	125	44973GT	139	66544GT	123
27581GT	11	44979GT	139	66717GT	81, 83, 97, 99
28131GT	97, 99	44980GT	15, 21, 27, 33, 43, 49...	66770GT	67
28174GT	15, 21, 27, 33, 37, 43...	44981GT	15, 21, 27, 33, 37, 43...	66812GT	91, 129
28235GT	15, 21, 27, 33, 37, 43...	45546GT	125	66817GT	91, 129
28236GT	37	46260GT	121	66919GT	123
28443GT	139, 143	47163GT	121	66920GT	123
29868GT	151	47166GT	121	66923GT	123
30784-2550GT	81	47225GT	121	66925GT	121
31060GT	13, 19, 25, 31	47238GT	75	72086GT	13, 15, 19, 21, 25, 27...
31508GT	13, 19, 25, 31	47478GT	163	72143GT	15, 21, 27, 33, 43, 49...
32150GT	11	47946GT	67	72326GT	87
32151GT	11	48282GT	125	72999GT	15, 21, 27, 33
33576GT	165	48880GT	145, 147	74006GT	125
33724GT	125	48997GT	145, 147	74268GT	81, 83
36369GT	101	49613GT	11	78022GT	121
37947GT	89	51152GT	145, 147	78038GT	123
38149GT	15, 21, 27, 33, 43, 49...	52368GT	143	78086GT	77



<u>Part no.</u>	<u>Page Number</u>	<u>Part no.</u>	<u>Page Number</u>	<u>Part no.</u>	<u>Page Number</u>
78546GT	11, 87, 135	96614GT	107	105193GT	103, 107, 111, 115
78736GT	105, 109, 111	96615GT	107	105205GT	117
79140GT	97, 99	96616GT	107	105206GT	117
81579GT	149	96661GT	105, 113, 117	105208GT	117
82366GT	15, 21, 27, 33	96662GT	103, 109, 113, 117	105213GT	117
82474GT	41, 43, 47, 49, 53, 55...	96663GT	113	105440GT	67
82481GT	41, 47, 53, 59	96700GT	111	105448GT	127
82487GT	43, 49, 55, 61, 65	96735GT	105, 109, 113, 119	105478GT	139
82495GT	41, 47, 53, 59	96761GT	123	105479GT	139
82557GT	37	96762GT	123	105481GT	139
82561GT	13, 15, 19, 21, 25, 27...	96770GT	139, 143	105483-SGT	125, 127
82657GT	13, 19, 25, 31	96794GT	123	105544GT	139
82666GT	13, 15, 19, 21, 25, 27...	96812GT	109, 113	105545	139
83093GT	89	96836GT	105, 107, 111, 119	105546	139
84422GT	139	96880GT	145	105547GT	133
85239GT	89	96883GT	145	105549	139
96008-SGT	89	96899GT	103, 107, 113, 115	105550GT	133
96009GT	89, 127	96900GT	103, 107, 113, 115	105553GT	133
96010GT	89, 91	96932GT	103, 107, 111	105554GT	133
96085GT	77	96948GT	75, 77	105555GT	133
96110GT	97, 99	96950GT	155, 157	105564	139
96130GT	107, 115	96971GT	111	105565GT	67
96200GT	123	97128GT	75, 77	105720GT	79
96236GT	127	97130GT	139	105734GT	89
96246GT	123	97233GT	103	105759GT	89
96247GT	121	97719GT	43, 49, 55, 61	105812GT	125
96408GT	77	104804GT	123	114299GT	37, 65
96413GT	121	105046GT	145, 147	114300GT	37, 65
96452GT	89	105074GT	105, 109, 113, 117	114301GT	37, 65
96487GT	115	105078GT	101	114337GT	41, 47, 53, 59
96541GT	79	105090GT	127	114338GT	65
96574GT	67	105117GT	125, 127	119056GT	161
96595GT	101	105118GT	125	122994GT	89
96603GT	105, 109, 113	105129GT	155	128118GT	71
96604GT	105, 109, 113	105156GT	77, 79	128584GT	71
96605GT	103, 109, 111	105186GT	105, 109, 113, 117	132119GT	105, 113
96606GT	103	105187GT	111	132364GT	71
96607GT	107	105188GT	111	132373GT	71
96608GT	113	105189GT	103, 107, 111, 115	132383GT	115
96609GT	111	105190GT	103, 109, 111	132385GT	115
96611GT	103, 111	105191GT	105, 109, 111, 119	132517GT	117
96613GT	111	105192GT	111	132525GT	115



<u>Part no.</u>	<u>Page Number</u>	<u>Part no.</u>	<u>Page Number</u>	<u>Part no.</u>	<u>Page Number</u>
132557GT	89	237238GT	67	1255805GT	81, 83
137562GT	89	237455GT	139	1255939GT	119
137587GT	129	237472GT	143	1256109GT	67
137605GT	37, 65, 129	238006GT	93	1256112GT	71
137611GT	129	823368GT	75	1256115GT	71
137634GT	131	824032GT	127	1256118GT	71
137637GT	89, 129	824067GT	71	1256127GT	67, 103, 81, 85, 103, 107...
137640GT	129	824068GT	67, 165	1256179GT	165
137656GT	37, 65, 129	824077GT	143	1256287GT	71
137668GT	89	824078GT	123, 155, 157, 159, 163, 165	1256463GT	75
137699GT	129	824079GT	85, 157	1256679GT	69, 103, 107, 111, 115
144161GT	125	824080GT	103, 107, 111, 115	1256756GT	103, 109, 111
160412GT	127	824089GT	151	1256844GT	69, 71
161981GT	165	824092GT	101	1256848GT	103, 107, 113, 115
214544GT	131	824113GT	87	1256855GT	123
214817GT	143	824120GT	67	1256856GT	123
228367GT	71	824124GT	75, 81, 83, 87, 89, 149	1256863GT	81, 83
229086GT	131	824128GT	69, 77	1257227GT	151
229087GT	131	824151GT	107	1257264GT	77
229088GT	131	824164GT	107	1257296GT	125, 165
229089GT	131	824206GT	89	1257733GT	11
229090GT	131	824215GT	127	1258187GT	125
229091GT	131	824216GT	75, 89, 91	1258511GT	73
229092GT	131	824217GT	81, 83	1258567GT	11
229093GT	131	825019GT	101	1258676GT	69
229094GT	131	825020GT	103, 107, 111, 115	1258731GT	129
229097GT	131	825353GT	69, 71	1259177GT	77
229146GT	165	825358GT	79, 81, 83, 121, 123	1259178GT	79
229579GT	117	825796GT	103, 107, 113, 115	1259179GT	77
229615GT	143	826516GT	81, 83	1259180GT	77
229845GT	129	826793GT	71	1259181GT	121
231868GT	151	826854GT	91	1259182GT	121
233050GT	93	1251757GT	165	1259192GT	69
233051GT	93	1252764GT	89	1259193GT	69
233052GT	93	1253477GT	91	1259194GT	69
233053GT	93	1253478GT	121	1259195GT	69
233055GT	93	1253485GT	67, 123	1259197GT	77
235463GT	131	1254572GT	149	1259201GT	105, 109, 111
236279GT	143	1255756GT	75	1259223GT	121
236781GT	93	1255757GT	77, 87, 101, 117	1259259GT	125
237086GT	145	1255758GT	121	1259266GT	81, 83
237165GT	83	1255797GT	69, 87	1259686GT	69, 79



<u>Part no.</u>	<u>Page Number</u>	<u>Part no.</u>	<u>Page Number</u>	<u>Part no.</u>	<u>Page Number</u>
1260603GT	147	1273421GT	117	1287687GT	161
1260604GT	147	1273427GT	115	1287689GT	161
1260605GT	147	1273456GT	157	1287691GT	161
1260703GT	87	1273573GT	119	1287951GT	87
1260941GT	103, 107, 113, 115	1274165GT	75	1288352GT	161
1260962GT	113, 117	1274166GT	103, 107, 113, 115	1288435GT	161
1260963GT	103, 107, 115	1274168GT	75, 77, 81, 83	1288437GT	161
1260984GT	89	1274172GT	71	1288438GT	161
1261183GT	149	1274322GT	11, 11, 81, 101, 105, 109...	1288481GT	81, 83, 97, 99
1261822GT	117	1274540GT	151	1288530GT	159, 161
1261823GT	117	1275425GT	127	1288573GT	159
1263471GT	125	1276908GT	101	1288574GT	93, 159
1263542GT	41, 43, 47, 49, 53, 55...	1277924GT	67, 75, 81, 83, 85, 87...	1288576GT	161
1263543GT	13, 15, 19, 21, 25, 27...	1278366GT	85, 93	1288727GT	93, 159
1264372GT	85	1278704GT	15, 21, 27, 33, 43, 49...	1288728GT	93, 159
1264780GT	143	1280665GT	125	1288729GT	93, 159
1264781GT	143	1280819GT	15, 21, 27, 33	1288741GT	161
1265361GT	15, 21, 27, 33	1280947GT	151	1288926-4600GT	145
1268950GT	127	1280948GT	151	1289603GT	161
1268954GT	87	1280957GT	121, 129	1289608GT	161
1269086GT	151	1280958GT	129	1289899GT	93
1270162GT	93, 149	1281174GT	37, 65	1290292GT	153
1270281PGT	93	1282018GT	143	1290505GT	159
1271081GT	125, 165	1282019GT	143	1290538-4450GT	147
1271521GT	149	1283004GT	105, 109, 113, 117, 151	1290574GT	81
1272121GT	93	1283027GT	121	1290659GT	15, 21, 27, 33
1272122GT	91	1283028GT	77, 121	1290664GT	15, 21, 27, 33
1272123GT	91	1283213GT	91	1290668GT	13, 19, 25, 31
1272242GT	15, 21, 27, 33, 43, 49...	1283790GT	129	1290673GT	43, 49, 55, 61
1272557GT	85, 95	1283792GT	129	1290675GT	13, 19, 25, 31
1272847GT	85	1283810GT	37, 65, 129	1291053GT	93
1273364GT	119	1283878GT	15, 21, 27, 33, 43, 49...	1291462GT	159
1273365GT	119	1284285GT	89	1291577GT	165
1273366GT	119	1284287GT	89	1291624GT	15, 21, 27, 33, 43, 49...
1273367GT	117	1284302GT	127	1292051GT	15, 21, 27, 33
1273370GT	117	1284981GT	15, 21, 27, 33	1292052GT	43, 49, 55, 61
1273385GT	117	1284982GT	43, 49, 55, 61	1292275GT	13, 15, 19, 21, 25, 27...
1273386GT	119	1287673GT	159, 161	1292512GT	15, 21, 27, 33, 43, 49...
1273387GT	117	1287674GT	161	1292513GT	15, 21, 27, 33, 43, 49...
1273417GT	101	1287678GT	161	1292514GT	17, 23, 29, 35, 43, 49...
1273419GT	115	1287680GT	161	1292515GT	17, 23, 29, 35, 43, 49...
1273420GT	117	1287682GT	161	1292747GT	13, 17, 19, 23, 25, 29...

<u>Part no.</u>	<u>Page Number</u>	<u>Part no.</u>	<u>Page Number</u>	<u>Part no.</u>	<u>Page Number</u>
1292944GT	163	1297906GT	99	1301548GT	137
1292960GT	13, 19, 25, 31	1297907GT	99	1301854GT	93
1292990GT	17, 23, 29, 35, 43, 49...	1298467GT	65	1302134GT	123
1293165GT	37	1298716GT	161	1302140GT	123
1293166GT	65	1298833GT	13, 19, 25, 31	1302259GT	101
1293217GT	41, 43, 47, 49, 53, 55...	1298834GT	41, 47, 53, 59	1302399GT	77
1293324GT	17, 23, 29, 35	1298923GT	87	1302559GT	115
1294398GT	37	1299051GT	75	1302833GT	135
1294635GT	37	1299259GT	67	1302834GT	135
1294685GT	17, 23, 29, 35	1299390GT	81	1302835GT	135
1294688GT	65	1299483GT	103, 109, 113, 117	1302836GT	135
1296034GT	37, 65	1299494GT	67, 71	1302837GT	135
1296036GT	163	1299642GT	75	1302838GT	135
1296210GT	67	1299643GT	89	1302839GT	135
1296211GT	67	1299666GT	87	1302840GT	135
1296213GT	67	1299677GT	71, 73	1302841GT	135
1296215GT	67	1299696GT	71	1302842GT	135
1296311GT	37	1300036GT	77	1302843GT	135
1296312GT	65	1300053GT	77	1302844GT	135
1296313GT	37	1300079GT	103, 109, 113, 117	1302845GT	135
1296314GT	65	1300179GT	137	1303166GT	135
1296315GT	37	1300180GT	137	1303167GT	135, 137
1296316GT	65	1300318GT	11, 135	1303255GT	87
1296317GT	37	1300319GT	135	1303256GT	135
1296318GT	65	1300538GT	71	1303364GT	87
1296821GT	37, 163	1300540GT	77	1303529GT	69
1296823GT	37	1300586GT	77	1303530GT	67
1296824GT	39	1300616GT	79	1303685GT	71
1297195GT	17, 45	1300619GT	77	1303686GT	71
1297196GT	13, 19, 23, 25, 29, 31...	1300620GT	77	1303778GT	75
1297433GT	13, 17, 19, 23, 25, 29...	1300621GT	77	1304101GT	165
1297791GT	93, 97	1300908GT	87	1304102GT	165
1297792GT	97	1300939GT	101	1304152GT	87
1297793GT	93, 97, 99	1301149GT	135	1304156GT	67
1297795GT	95, 97	1301150GT	135	1304171GT	67
1297796GT	93, 97, 99	1301158GT	39	1304172GT	67
1297899GT	99	1301172GT	71	1304173GT	67
1297900GT	99	1301444GT	71	1305512GT	13, 17, 41, 45
1297901GT	99	1301445GT	71	1305513GT	19, 23, 47, 51
1297902GT	99	1301545GT	135	1305514GT	25, 29, 53, 57
1297904GT	99	1301546GT	135	1305515GT	31, 35, 59, 63
1297905GT	99	1301547GT	135	1305516GT	39, 65

<u>Part no.</u>	<u>Page Number</u>	<u>Part no.</u>	<u>Page Number</u>	<u>Part no.</u>	<u>Page Number</u>
1305527GT	39, 65				
1306174GT	71				
1306358GT	67				
1307058GT	135				
1307059GT	135				
1307414GT	67				
1307651-4400GT	145, 147				
1307652-5750GT	145, 147				
1307724-17250GT	145, 147				
1307802GT	93				
1307808GT	93				
1307876GT	93				
1307880GT	77				
1307960GT	81				
1308069GT	67				
1308074GT	67				
1308089GT	71				
1308210GT	93, 97				
1308212GT	95, 97				
1308213GT	95, 97				
1308219GT	95, 97				
1308749GT	83				
1309093GT	83				
T106362GT	89				
T106363GT	89				
T106366GT	89				
T106368GT	129				
T106370GT	129				
T106372GT	89				
T106373GT	129				
T108326GT	87				
T112507GT	75, 93				
T112560GT	127				
T112561GT	127				
T112804GT	17, 23, 29, 35, 45, 51...				
T113136GT	93, 165				
T113139GT	165				
T113142GT	165				
T113971GT	83				
T114082GT	165				
T114397GT	129				
T115429GT	165				

California Proposition 65

 **WARNING**

Operating, servicing and maintaining this equipment, passenger vehicle or off-highway motor vehicle can expose you to chemicals including engine exhaust, carbon monoxide, phthalates, and lead, which are known to the State of California to cause cancer and birth defects or other reproductive harm. These chemicals can be emitted from or contained in other various parts and systems, fluids and some component wear by-products. To minimize exposure, avoid breathing exhaust, do not idle the engine except as necessary, service your equipment and vehicle in a well-ventilated area and wear gloves or wash your hands frequently when servicing your equipment or vehicle and after operation. For more information go to www.P65Warnings.ca.gov/passenger-vehicle.

Breathing diesel engine exhaust exposes you to chemicals known to the State of California to cause cancer and birth defects or other reproductive harm.

- Always start and operate the engine in a well-ventilated area.
- If in an enclosed area, vent the exhaust to the outside.
- Do not modify or tamper with the exhaust system.
- Do not idle the engine except as necessary.

For more information go to www.P65warnings.ca.gov/diesel.

www.genielift.com

Distributed By: