



A TEREX BRAND

Parts Manual

Serial Number Range

GS-1530

from SN GS3015A-141946

GS-1532

to GS3016A-151486

GS-1930

from SN GS3016P-151487

GS-1932

to GS3016P-160599

from SN GS30P-160600

*Part No. 1275130GT
Rev: A12
September 2019*

Technical Publications

Genie has endeavored to deliver the highest degree of accuracy possible. However, continuous improvement of our products is a Genie policy. Therefore, product specifications are subject to change without notice.

Readers are encouraged to notify Genie of errors and send in suggestions for improvement. All communications will be carefully considered for future printings of this and all other manuals.

Contact Us:

Internet: www.genielift.com
e-mail: awp.techpub@terex.com

Find a Manual for this Model


Go to <http://www.genielift.com>

Use the links to locate Operator's, Parts, Maintenance, and Service and Repair Manuals.

Copyright © 2011 by Terex Corporation

1275130GT Rev A September 2016
Fourth Edition, First Printing

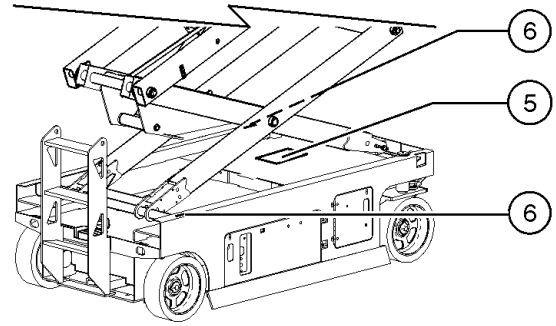
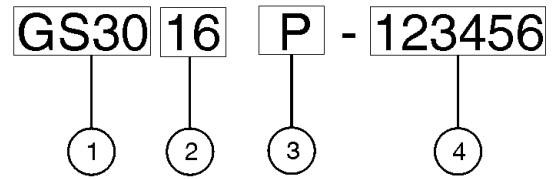
Genie is a registered trademark of Terex South Dakota in the USA and many other countries. "GS" is a trademark of Terex South Dakota, Inc.

 Printed on recycled paper

To August 31, 2016

Genie
A TEREX BRAND

Model:
 Serial number: GS3016P-123456
 Manufacture date: 1/2/16 Model year: 2016
 Electrical schematic number:
 Machine unladen weight:
 Rated work load (including occupants):
 Maximum number of platform occupants:
 Maximum allowable inclination of the chassis:
 Outrigger retracted:
 Outrigger deployed:



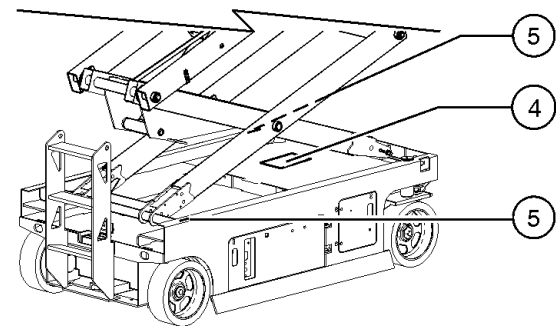
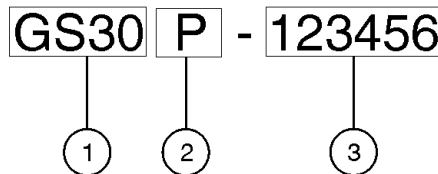
- 1 Model
- 2 Model year
- 3 Facility code

- 4 Sequence number
- 5 Serial label (located on chassis)
- 6 Serial number (stamped on chassis)

From September 1, 2016

Genie
A TEREX BRAND

Model:
 Serial number: GS30P-123456
 Year of manufacture: 2016
 Electrical schematic number:
 Machine unladen weight:
 Rated work load (including occupants):
 Maximum number of platform occupants:
 Maximum allowable inclination of the chassis:
 Outrigger retracted:
 Outrigger deployed:



- 1 Model
- 2 Facility code
- 3 Sequence number

- 4 Serial label (located on chassis)
- 5 Serial number (stamped on chassis)

How to Order Parts

Please be prepared with the following information when ordering replacement parts for your Terex or Genie product.

- Machine model number
- Machine serial number
- Part number
- Part description and quantity
- Purchase order number
- "Ship to" address
- Desired method of shipment
- Name and telephone number of the authorized distributor in your area

Use the Service Parts Fax Order Form on the next page and fax your order to our Parts Department.

If you don't know the name of your authorized distributor, or if your area is not currently serviced by an authorized distributor, please call Terex or Genie Industries.

Machine Information

Model

Serial Number

Date of Purchase

Authorized Genie Distributor

Phone Number

North America

Telephone (425)881-1800

Toll Free (800)536-1800 in US and Canada

Fax (425)556-8659

Toll Free fax (888)274-6192

Email AWP.PartsSalesPO@terex.com

<http://genielift.com/en>

EMEAR (Europe, Middle East, Africa and Russia)

Telephone (31)(165)519 313

Fax (31)(165)511 148

<http://genielift.co.uk>

Asia Pacific (Genie Singapore)

Telephone +65 6692 7777

Fax +65 6261 8893

<http://genielift.com.sg/>

Australia

Telephone (61)(7)3456 4444

Fax (61)(7)3456 4466

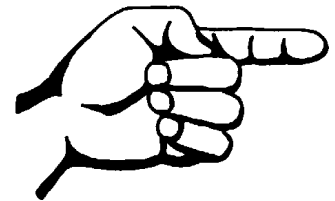
<http://genielift.com.au>

South America

Telephone (55)(11)4082 5600

Fax (55)(11)4082 5630

Please refer to section 001 for the Recommended Spare Parts List.



This page intentionally left blank.



Service Parts Fax Order Form

Fax to: (425) 556-8659 or Toll Free: 888-274-6192
International: +1-425-556-8659

Please fill out completely

Date _____ Account Number _____
Your Name _____ Your Fax Number _____

Your Phone Number _____
Bill To _____ Ship To _____

Purchase Order Number _____ Ship Via _____

Model(s) _____ Serial No.(s) _____
Optional Equipment _____

Part Number	Description	Quantity	Price

All back-ordered parts will be shipped when available via the same ship method as the original order unless Noted below:

- Ship complete order only - No back orders
- Ship all available parts and contact customer on disposition of back-ordered parts
- Other (please specify)



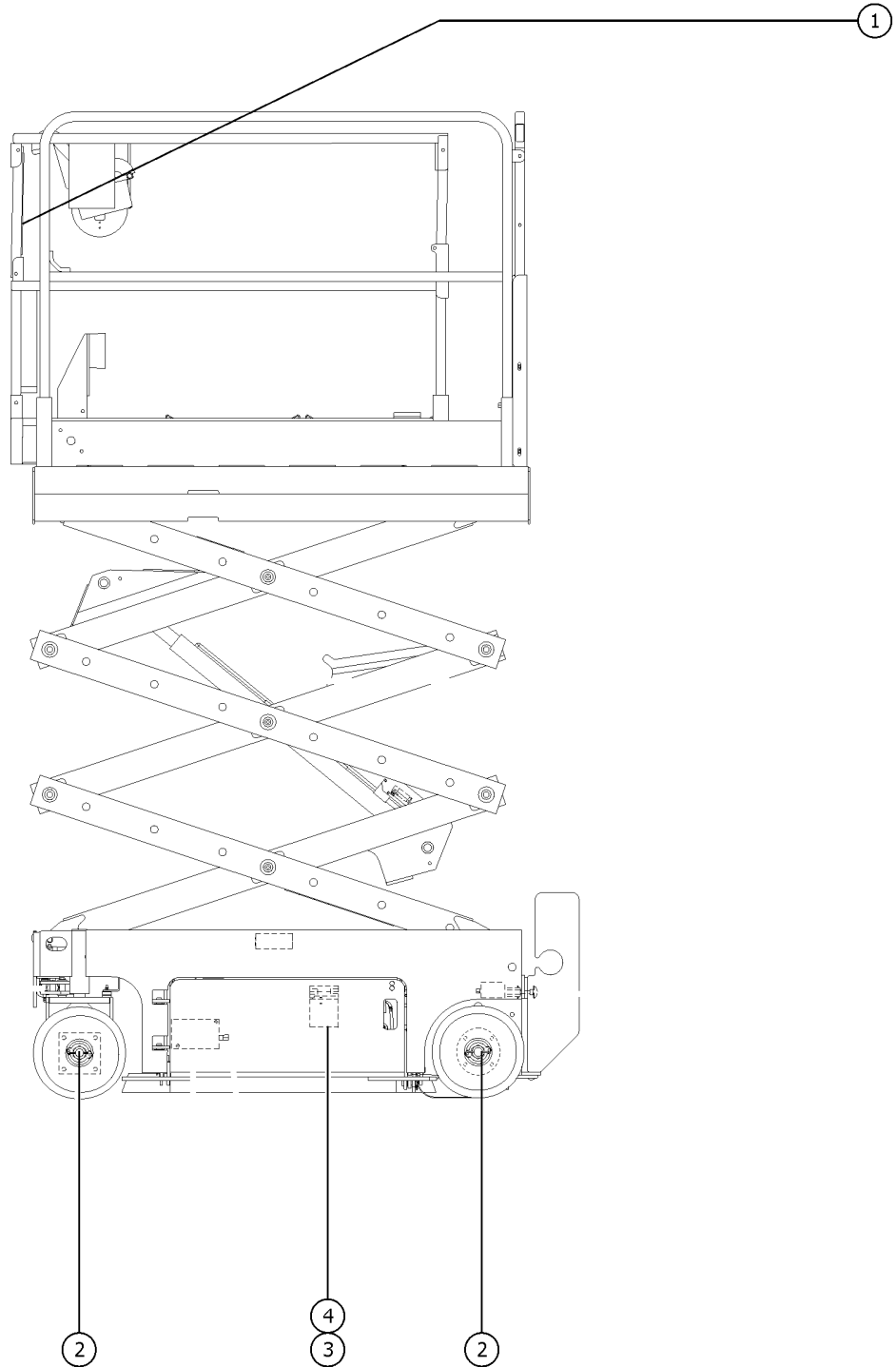
Description	Page
001 Parts Stocking List	10
001.1 Parts Stocking List	10
100 Decals	12
101.1 Decals with Words, GS-1530, Battery Side, ANSI & Austalia	12
102.1 Decals with Words, GS-1530, Ground Controls Side, ANSI & Australia	14
102.2 Decals with Words, GS-1530, Ground Controls Side, ANSI & Australia	18
103.1 Decals with Words, GS-1530, Platform, ANSI	22
104.1 Decals with Words, GS-1530, Platform, Austraila	24
105.1 Decals with Symbols, GS-1530 Battery Side, ANSI & CE	26
106.1 Decals with Symbols, GS-1530 Ground Control Side, ANSI & CE	28
106.2 Decals with Symbols, GS-1530 Ground Control Side, ANSI & CE	30
107.1 Decals with Symbols, GS-1530 Platform, ANSI	32
108.1 Decals with Symbols, GS-1530 Platform, CE	34
108.2 Decals with Symbols, GS-1530 Platform, CE	36
109.1 Decals with Words, GS-1532, Battery Side, Australia	38
110.1 Decals with Words, GS-1532 Ground Controls Side, Australia	40
110.2 Decals with Words, GS-1532 Ground Controls Side, Australia	42
111.1 Decals with Words, GS-1532 Platform, Austraila	44
112.1 Decals with Symbols, GS-1532 Battery Side, CE	46
113.1 Decals with Symbols, GS-1532 Ground Control Side, CE	48
113.2 Decals with Symbols, GS-1532 Ground Control Side, CE	50
114.1 Decals with Symbols, GS-1532 Platform, CE	52
114.2 Decals with Symbols, GS-1532 Platform, CE	54
115.1 Decals with Words, GS-1930 Battery Side, ANSI & Australia	56
116.1 Decals with Words, GS-1930 Ground Controls Side, ANSI & Australia	58
116.2 Decals with Words, GS-1930 Ground Controls Side, ANSI & Australia	62
117.1 Decals with Words, GS-1930 Platform, ANSI	66
118.1 Decals with Words, GS-1930 Platform, Austraila	68
119.1 Decals with Symbols, GS-1930 Battery Side, ANSI & CE	70
120.1 Decals with Symbols, GS-1930 Ground Control Side, ANSI & CE	72
120.2 Decals with Symbols, GS-1930 Ground Control Side, ANSI & CE	74
121.1 Decals with Symbols, GS-1930 Platform ANSI	76
122.1 Decals with Symbols, GS-1930 Platform CE	78
122.2 Decals with Symbols, GS-1930 Platform CE	80
123.1 Decals with Words, GS-1932 Battery Side, Australia	82
124.1 Decals with Words, GS-1932 Ground Controls Side, Australia	84
124.2 Decals with Words, GS-1932 Ground Controls Side, Australia	86
125.1 Decals with Words, GS-1932 Platform, Austraila	88
126.1 Decals with Symbols, GS-1932 Battery Side, CE	90
127.1 Decals with Symbols, GS-1932 Ground Control Side, CE	92

Table of Contents

Description	Page
127.2 Decals with Symbols, GS-1932 Ground Control Side, CE	94
128.1 Decals with Symbols, GS-1932 Platform CE	96
128.2 Decals with Symbols, GS-1932 Platform CE	98
200 Drive Chassis Components	100
201.1 Steer Linkage and Wheels	100
202.1 Non-steer Axle Installation	104
203.1 Level Sensor Installation, All Models	106
203.2 Level Sensor Installation, All Models	110
204.1 Pothole Protection Assembly	112
205.1 Battery Pack Module	116
205.2 Battery Pack Module	118
206.1 Battery Charger	120
206.2 Battery Charger	122
207.1 Power Unit Module (to SN GS3016P-159832)	124
207.2 Power Unit Module (from SN GS3016P-159833)	126
208.1 Ground Controls, All Models	130
209.1 Electrical Wiring, GS-1530	134
209.2 Electrical Wiring, GS-1532	138
209.3 Electrical Wiring, GS-1930	142
209.4 Electrical Wiring, GS-1932	146
210.1 Power Cables	150
210.2 Power Cables	152
211.1 Function Manifold and Accumulator Components	154
300 Scissor Components	156
301.1 Scissor Assembly Installation	156
302.1 Scissor Assembly, GS-1530/1532	158
303.1 Scissor Assembly, GS-1930/1932	162
400 Platform Components	166
401.1 Platform Components, GS-1530 (to SN GS30P-165149)	166
401.2 Platform Components, GS-1530 (from SN GS30P-165150)	172
402.1 Platform Components, GS-1532 (to SN GS30P-165149)	178
402.2 Platform Components, GS-1532 (to SN GS30P-165149)	184
402.3 Platform Components, GS-1532 (from SN GS30P-165150)	190
403.1 Platform Components, GS-1930 (to SN GS30P-165149)	196
403.2 Platform Components, GS-1930 (from SN GS30P-165150)	202
404.1 Platform Components, GS-1932 (to SN GS30P-165149)	208
404.2 Platform Components, GS-1932 (from SN GS30P-165150)	214
405.1 Platform Gates, GS-1530	220
405.2 Platform Gates, GS-1530	224

Description	Page
405.3 Platform Gates, GS-1532	228
405.4 Platform Gates, GS-1532	232
405.5 Platform Gates, GS-1930	236
405.6 Platform Gates, GS-1930	240
405.7 Platform Gates, GS-1932	244
405.8 Platform Gates, GS-1932	248
406.1 Power to Platform, GS-1530, GS-1532	252
406.2 Power to Platform, GS-1530, GS-1532	256
406.3 Power to Platform, GS-1930, GS-1932	260
406.4 Power to Platform, GS-1930, GS-1932	264
407.1 Platform Controls	268
408.1 Joystick Controller	270
500 Hydraulic Components	272
501.1 Hydraulic Components	272
502.1 Function Manifold	274
503.1 Check Valve Manifold	276
504.1 Brake Release Hand Pump Manifold	278
505.1 Hydraulic Power Unit, All Models	280
506.1 Lift Cylinder Assembly, All Models	282
507.1 Hydraulic Hoses and Fittings	284
600 Accessories	288
601.1 Alarm, Horn and Flashing Beacons	288
601.2 Alarm, Horn and Flashing Beacons	292
602.1 Air Line to Platform	294
603.1 Platform Work Light, GS-1530, GS-1532	296
603.2 Platform Work Light, GS-1930, GS-1932	298
604.1 Voltage Inverter	300
605.1 Padded Auxiliary Rail, GS-1930	302
606.1 PCON Guard	304
700 Platform Overload Components	306
701.1 Platform Overload	306
Part Number Index	308

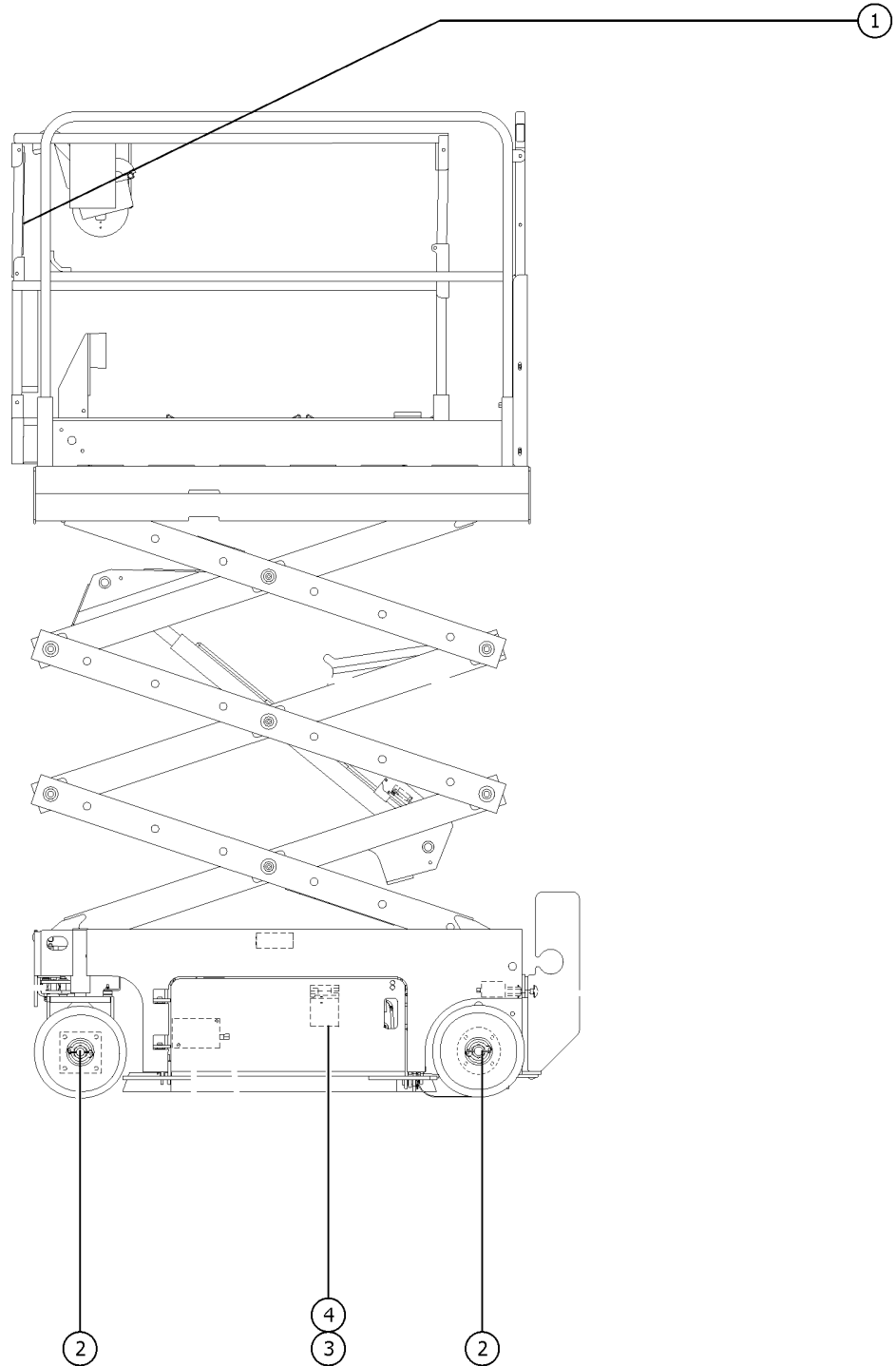
001.1 Parts Stocking List



Item	Part No.	Description	Qty.
A-	66399GT	GREASE,DIELECTRIC 4 OZ**	
A-	1484GT	PAINT,AEROSOL,BRIGHT BLUE*** 12-ounce spray paint	
A-	1268GT	PAINT,AEROSOL,GENIE GRAY*** 12-ounce spray paint	
A-	1258567GT	PAINT, AEROSOL, TRAFFIC BLACK 12-ounce spray paint	
A-	32150GT	PAINT,WET,GENIE BLUE (1 GL)** 1-gallon	
A-	32151GT	PAINT,WET,GENIE GRAY (1 GL)** 1-gallon	
A-	1257733GT	PAINT,WET,TRAFFIC BLACK (1 GL)** 1-gallon	
1A	27581GT	MANUAL,AEM SAFETY	
1B	44163GT	MANUAL,RESPON,A92.6 SCISSOR	
2	42079GT	PIN,COTTER,.156 X 2.5	
3	44788GT	FILTER ELEMENT,10MICRON,PAPER*	
4	78546GT	BREATHER CAP,HYD. TANK,1/4 NPT	



101.1 Decals with Words, GS-1530, Battery Side, ANSI & Australia



101.1 Decals with Words, GS-1530, Battery Side, ANSI & Australia

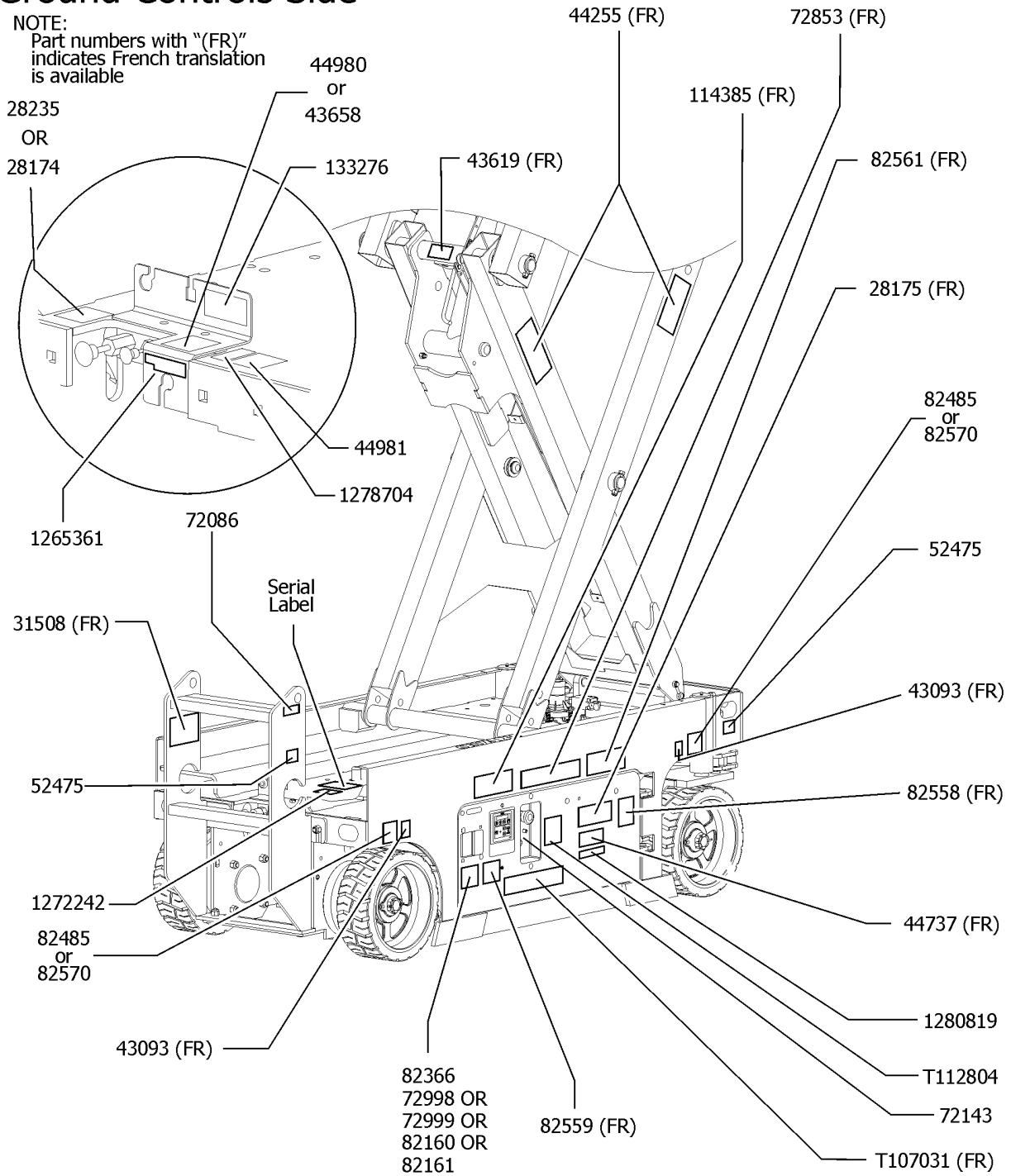
Item	Part No.	Description	Qty.
1	44255GT	DECAL,DANGER,CRUSHING HAZARD	2
2	31060GT	DECAL,DANGER DO NOT ALTER SWTC	1
3	31508GT	DECAL,DANGER,ELECT HAZARD,PLUG	1
		(Australia models)	
4	31788GT	DECAL,DANGER,BATTERY SAFETY***	1
5	43093GT	DECAL,LABEL,TIRE SPECS	2
6	43658GT	DECAL,LABEL,PWR TO CHARGR 230V	1
		(Australia models)	
7	44737GT	DECAL DANGER TIP OVER TRAYS	1
8	44980GT	DECAL,LABEL,PWR TO CHARGR 115V	1
		(Australia models)	
9	52475GT	DECAL,LABEL,TRANSPORT TIEDOWN*	3
10	72086GT	DECAL,LABEL,LIFTING EYE	3
11	72970GT	DECAL,INSTRUCTIONS-CHARGER OP	1
12	82485GT	DECAL,LABEL,WHEEL LOAD 1530	2
		(ANSI models)	
13	82561GT	DECAL,DANGER-USE SAFETY ARM	1
14	82570GT	DECAL,LABEL-WHEEL LOAD 1530/32	2
		(Australia models)	
15	82657GT	DECAL,INSTRUCT,BATTERY CONNECT	1
16	114360GT	DECAL,DANGER-TIP-OVER,BATT	1
17	114361GT	DECAL,LABEL-TRANSPORT DIGRAM	2
18	114385GT	DECAL,DANGER,ELEC HAZARD,GS	1
19	T107029GT	DECAL,DANGER,BRAKE REL SAFETY	1



102.1 Decals with Words, GS-1530, Ground Controls Side, ANSI & Australia

Ground Controls Side

NOTE:
Part numbers with "(FR)"
indicates French translation
is available



102.1 Decals with Words, GS-1530, Ground Controls Side, ANSI & Australia

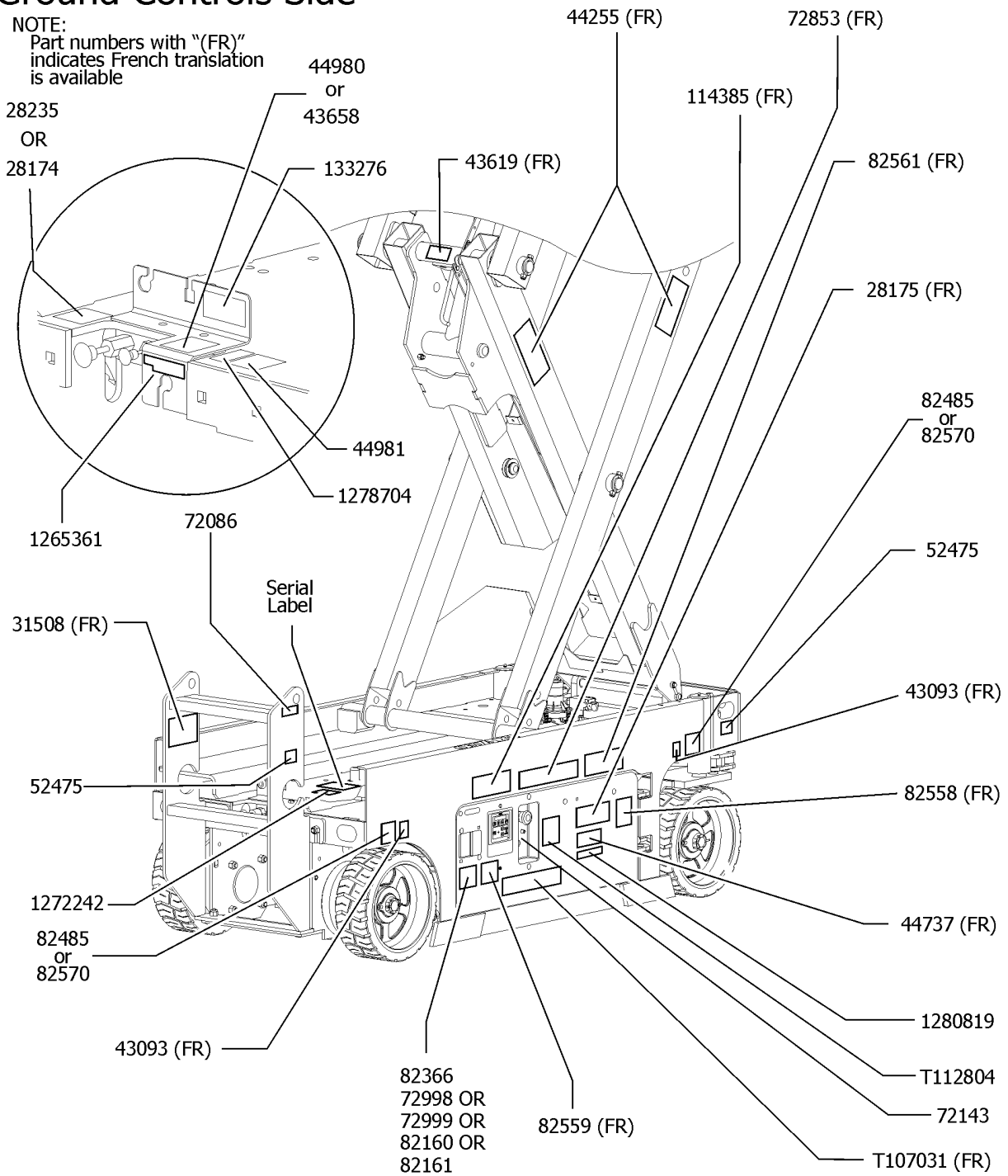
Item	Part No.	Description	Qty.
1	28174GT	DECAL,POWER TO PLATFORM 230V	1
2	28175GT	DECAL,WARNING-COMPART ACCESS	1
3	28235GT	DECAL,POWER TO PLATFORM 115V	1
4	31508GT	DECAL,DANGER,ELECT HAZARD,PLUG	1
		(ANSI models)	
5	43093GT	DECAL,LABEL,TIRE SPECS	2
6	43619GT	DECAL,LABEL,SAFETY ARM	1
7	43658GT	DECAL,LABEL,PWR TO CHARGR 230V	1
		(ANSI models)	
8	44255GT	DECAL,DANGER,CRUSHING HAZARD	2
9	44737GT	DECAL DANGER TIP OVER TRAYS	1
10	44980GT	DECAL,LABEL,PWR TO CHARGR 115V	1
		(ANSI models)	
11	44981GT	DECAL,LABEL,AIRLINE 110 PSI	1
		(option)	
12	52475GT	DECAL,LABEL,TRANSPORT TIEDOWN*	2
13	72086GT	DECAL,LABEL,LIFTING EYE	1
14	72143GT	DECAL,EMERGENCY STOP,GR	1
15	72853GT	DECAL,DANGER,IMPROPER USE HAZ	1
16	72998GT	DECAL,LABEL,QUINTOLUBRIK	1
		(models with Quintolub hydraulic oil)	
17	72999GT	DECAL,LABEL,PETRO CANADA***	1
		(models with Petro Canada hydraulic oil)	
18	82160GT	DECAL,LABEL,STATOIL HYDRA WAY	1
		(models with Statoil hydraulic oil)	
19	82161GT	DECAL,LABEL,UCON HYDROLUBE	1
		(models with UConn Hydrolube hydraulic oil)	
20	82366GT	DECAL,CHEVRON RANDO HD	1
		(models with Chevron Random hydraulic oil)	
21	82485GT	DECAL,LABEL,WHEEL LOAD 1530	2
		(ANSI models)	
22	82558GT	DECAL,WARN,SKIN INJECTION HAZ*	1
23	82559GT	DECAL,INSTRUCT-ANNUAL INSP REQ	1
24	82561GT	DECAL,DANGER-USE SAFETY ARM	1
25	82570GT	DECAL,LABEL-WHEEL LOAD 1530/32	2
		(Australia models)	
26	114385GT	DECAL,DANGER,ELEC HAZARD,GS	1
27	133276GT	DECAL,EMERGENCY LOWERING	1
28	1272242GT	DECAL,MACHINE REGISTRATION/OWN	1



102.1 Decals with Words, GS-1530, Ground Controls Side, ANSI & Australia

Ground Controls Side

NOTE:
Part numbers with "(FR)" indicates French translation is available



102.1 Decals with Words, GS-1530, Ground Controls Side, ANSI & Australia

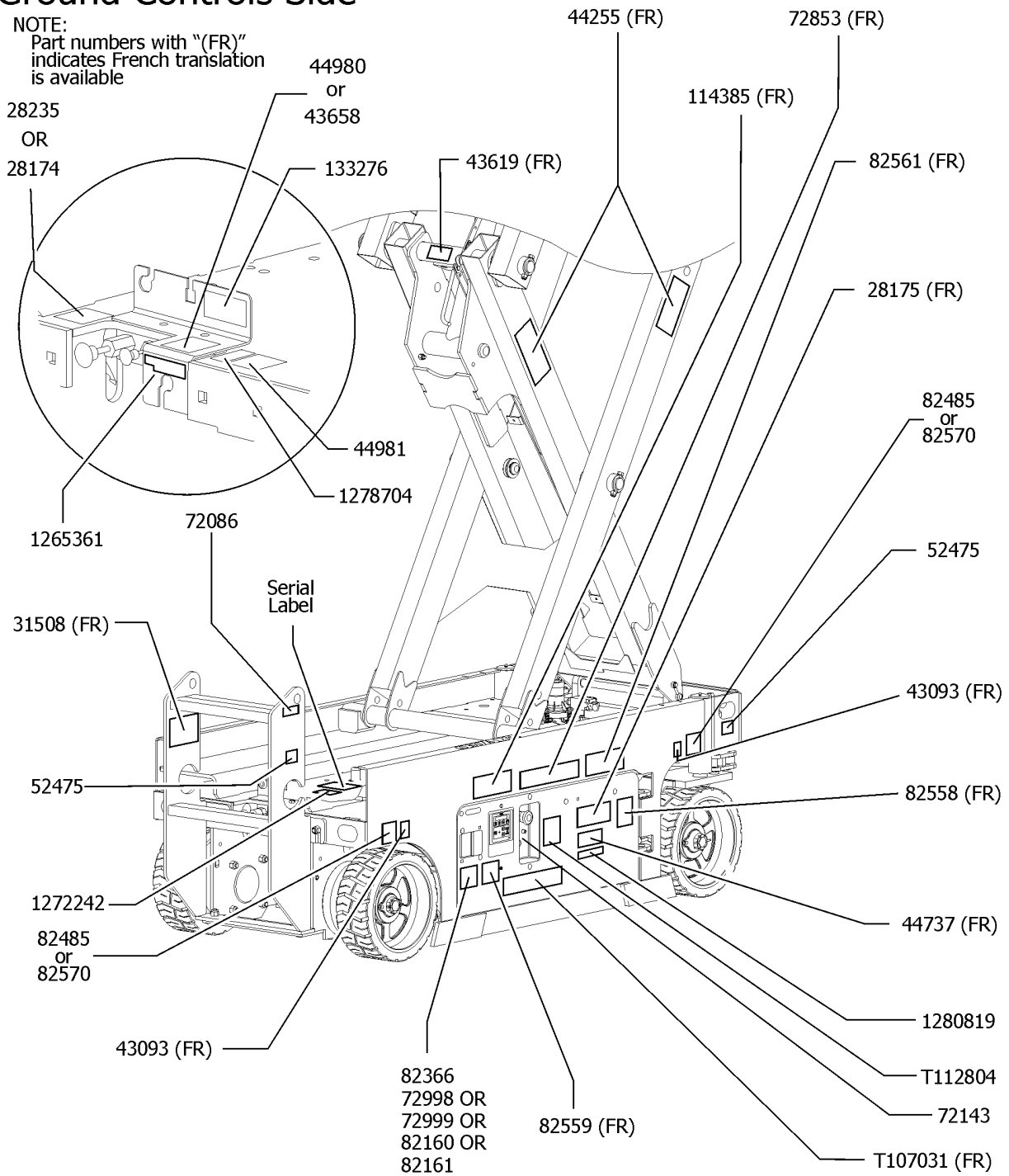
Item	Part No.	Description	Qty.
29	T107031GT	DECAL,OP INST,GCON	1
30	T112804GT	DECAL,GCON PANEL,GS	1
31	1265361GT	DECAL, BATTERY CHARGER INDICAT (ANSI from SN 158209 to 173672) (AUS from 158209)	1



102.2 Decals with Words, GS-1530, Ground Controls Side, ANSI & Australia

Ground Controls Side

NOTE:
Part numbers with "(FR)" indicates French translation is available



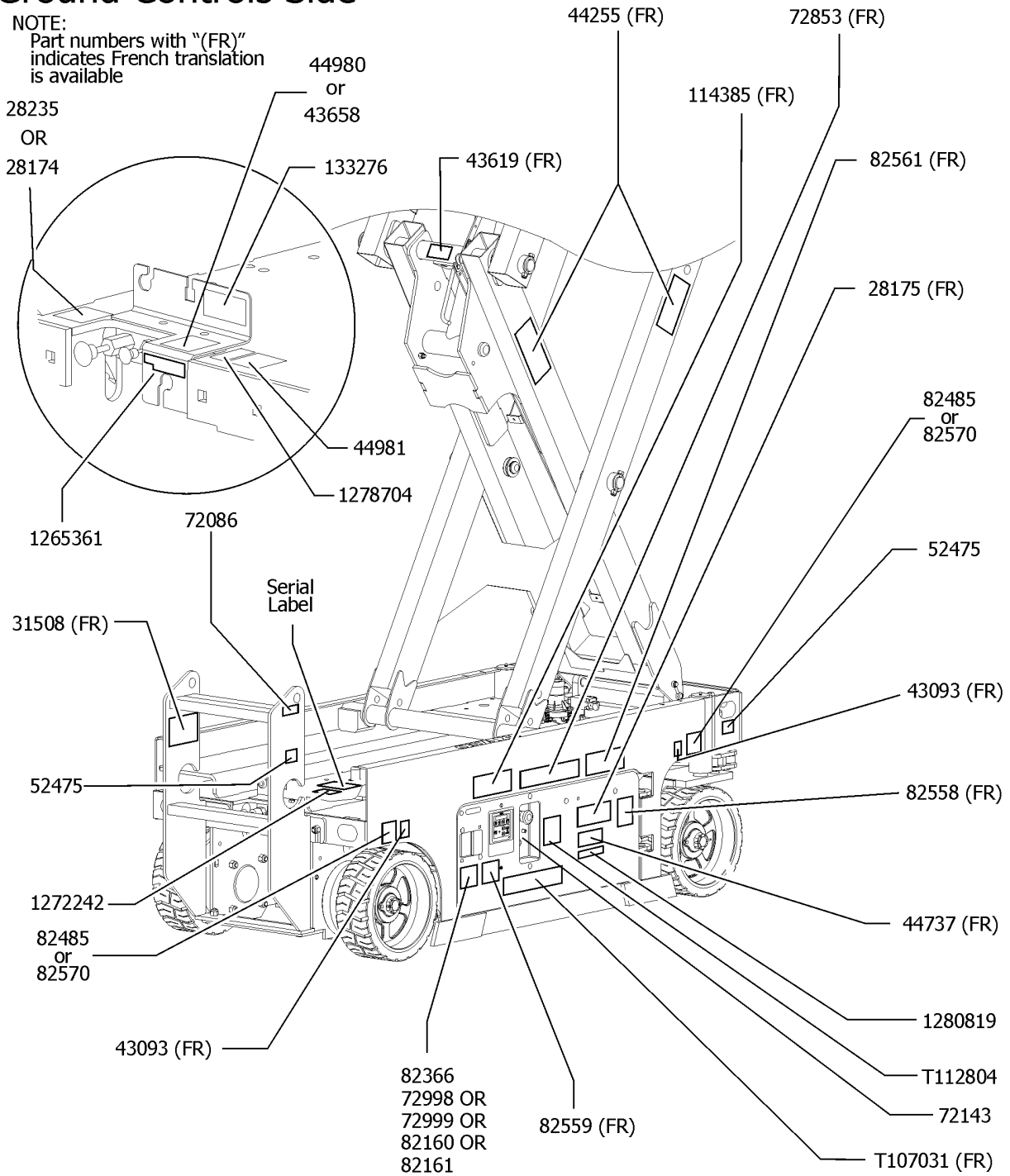
102.2 Decals with Words, GS-1530, Ground Controls Side, ANSI & Australia

Item	Part No.	Description	Qty.
1	28174GT	DECAL,POWER TO PLATFORM 230V	1
2	28175GT	DECAL,WARNING-COMPART ACCESS	1
3	28235GT	DECAL,POWER TO PLATFORM 115V	1
4	31508GT	DECAL,DANGER,ELECT HAZARD,PLUG	1
		(ANSI models)	
5	43093GT	DECAL,LABEL,TIRE SPECS	2
6	43619GT	DECAL,LABEL,SAFETY ARM	1
7	43658GT	DECAL,LABEL,PWR TO CHARGR 230V	1
		(ANSI models)	
8	44255GT	DECAL,DANGER,CRUSHING HAZARD	2
9	44737GT	DECAL DANGER TIP OVER TRAYS	1
10	44980GT	DECAL,LABEL,PWR TO CHARGR 115V	1
		(ANSI models)	
11	44981GT	DECAL,LABEL,AIRLINE 110 PSI	1
		(option)	
12	52475GT	DECAL,LABEL,TRANSPORT TIEDOWN*	2
13	72086GT	DECAL,LABEL,LIFTING EYE	1
14	72143GT	DECAL,EMERGENCY STOP,GR	1
15	72853GT	DECAL,DANGER,IMPROPER USE HAZ	1
16	72998GT	DECAL,LABEL,QUINTOLUBRIK	1
		(models with Quintolub hydraulic oil)	
17	72999GT	DECAL,LABEL,PETRO CANADA***	1
		(models with Petro Canada hydraulic oil)	
18	82160GT	DECAL,LABEL,STATOIL HYDRA WAY	1
		(models with Statoil hydraulic oil)	
19	82161GT	DECAL,LABEL,UCON HYDROLUBE	1
		(models with UConn Hydrolube hydraulic oil)	
20	82366GT	DECAL,CHEVRON RANDO HD	1
		(models with Chevron Random hydraulic oil)	
21	82485GT	DECAL,LABEL,WHEEL LOAD 1530	2
		(ANSI models)	
22	82558GT	DECAL,WARN,SKIN INJECTION HAZ*	1
23	82559GT	DECAL,INSTRUCT-ANNUAL INSP REQ	1
24	82561GT	DECAL,DANGER-USE SAFETY ARM	1
25	82570GT	DECAL,LABEL-WHEEL LOAD 1530/32	2
		(Australia models)	
26	114385GT	DECAL,DANGER,ELEC HAZARD,GS	1
27	133276GT	DECAL,EMERGENCY LOWERING	1
28	1272242GT	DECAL,MACHINE REGISTRATION/OWN	1



Ground Controls Side

NOTE:
Part numbers with "(FR)"
indicates French translation
is available

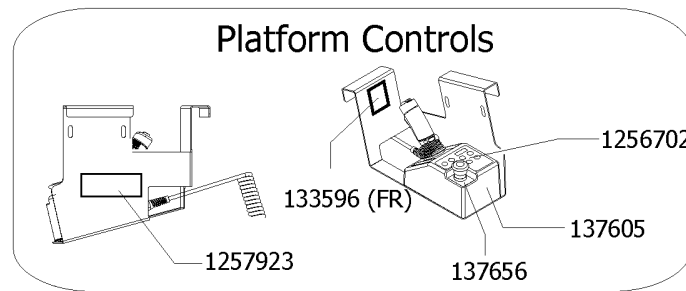
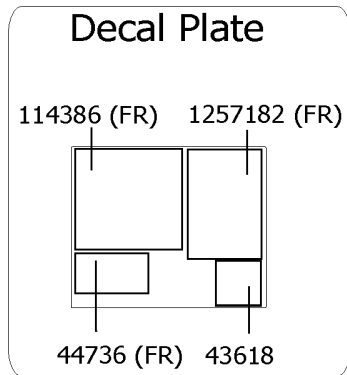


102.2 Decals with Words, GS-1530, Ground Controls Side, ANSI & Australia

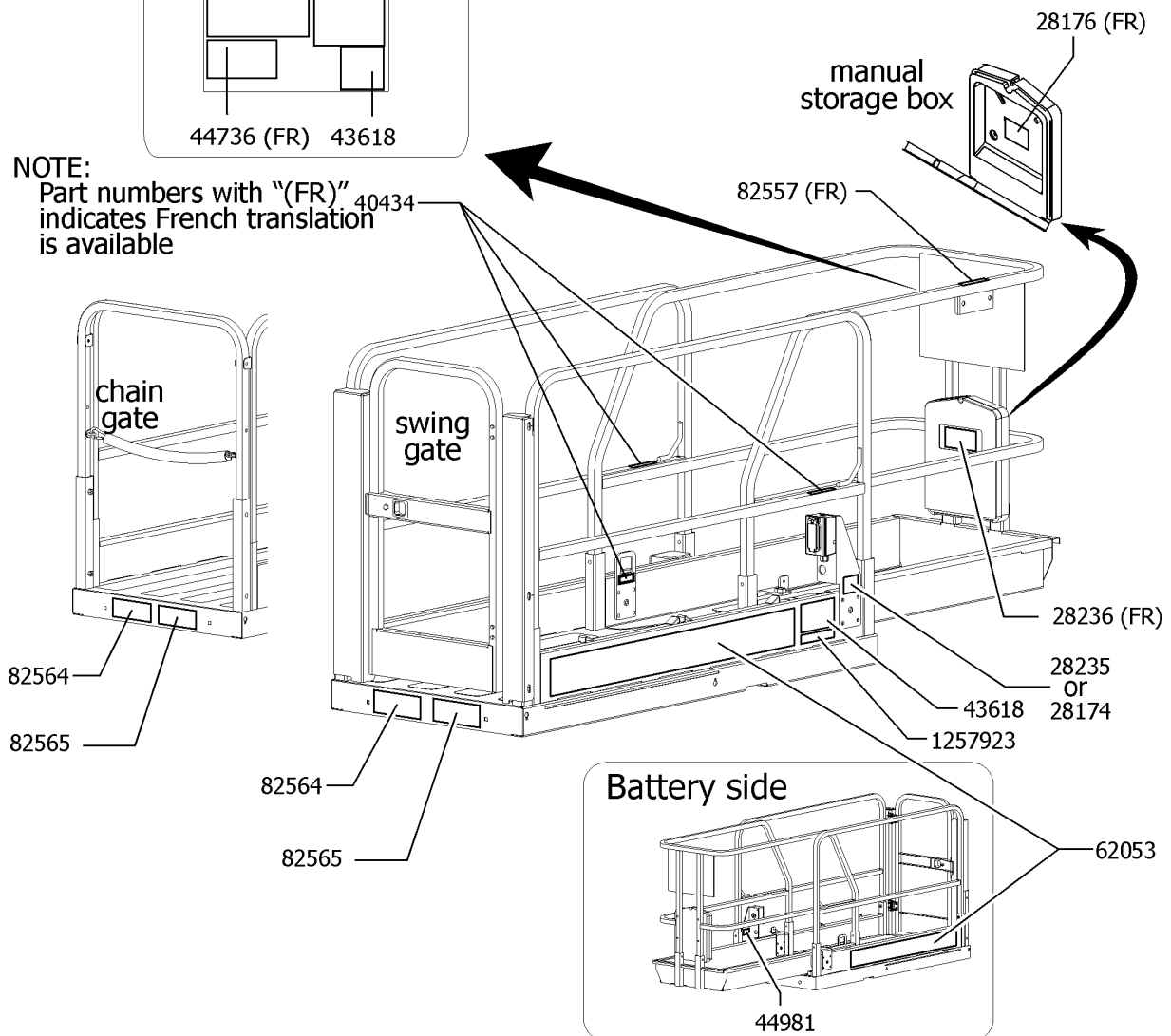
Item	Part No.	Description	Qty.
29	T107031GT	DECAL,OP INST,GCON	1
30	T112804GT	DECAL,GCON PANEL,GS	1
31	1265361GT	DECAL, BATTERY CHARGER INDICAT (ANSI from SN 158209 to 173672) (AUS from 158209)	1
32	1278704GT	DECAL,CHARGE STATUS IND. (ANSI from SN 173673)	1
33	1280819GT	DECAL,WARNING,CANCER AND REPRODUCTIVE HARM, PROP 65	1
		(ANSI Us only from SN 174629)	



Platform, ANSI models



NOTE:
Part numbers with "(FR)" 40434
indicates French translation
is available



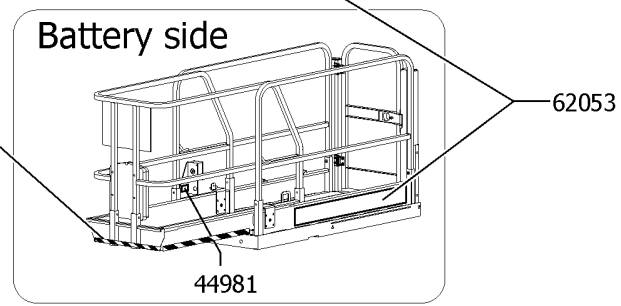
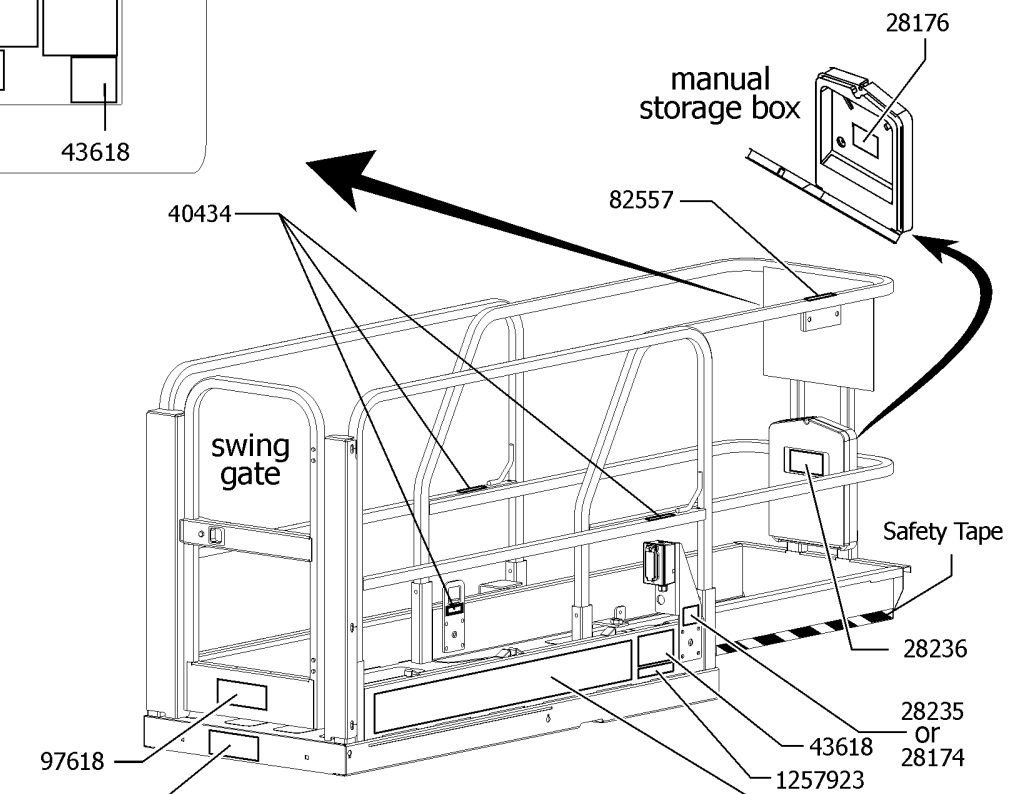
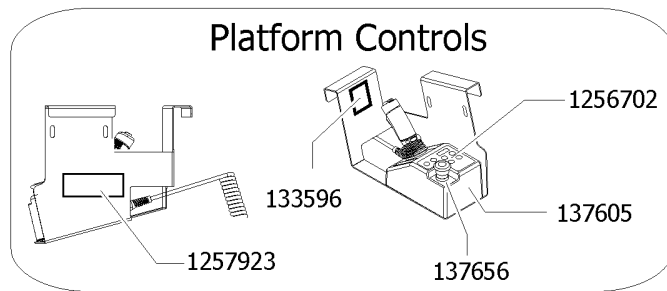
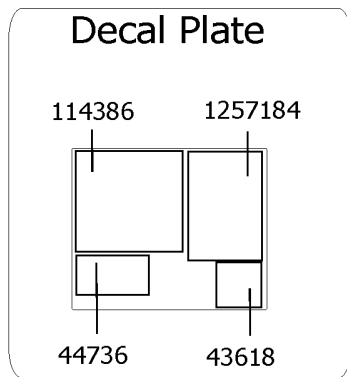
103.1 Decals with Words, GS-1530, Platform, ANSI

Item	Part No.	Description	Qty.
1	28174GT	DECAL,POWER TO PLATFORM 230V	1
2	28176GT	DECAL,LABEL,MANUAL NOT HERE	1
3	28235GT	DECAL,POWER TO PLATFORM 115V	1
4	28236GT	DECAL,WARN,IMPROPER OPERATION	1
5	40434GT	DECAL,LANYARD ANCHORAGE POINT	3
6	43618GT	DECAL,LABEL-DIRECTION ARROWS	2
7	44736GT	DECAL,DANGER,TIP-OVER,TILT	1
8	44981GT	DECAL,LABEL,AIRLINE 110 PSI	1
9	62053GT	DECAL,COSMETIC,GENIE GS-1530**	2
10	82557GT	DECAL,LABEL,PLAT CONT LOCATION	1
11	82564GT	DECAL,INSTR-MAX CAP 600LBS	1
12	82565GT	DECAL,INSTR-SIDE FRC,ANSI	1
13	114386GT	DECAL,DANGER-GEN SAFETY	1
14	133596GT	DECAL,LABEL,FAULT CODES	1
15	137605GT	DECAL,E-STOP,GR/GRC/GS PCON	1
16	137656GT	DECAL,PROPEL,GR/GRC/GS,PCON	1
17	1256702GT	DECAL, UI, GS/GR, PROP LIFT	1
18	1257182GT	DECAL, OP INST, PLAT, GS30, ANSI	1
19	1257923GT	DECAL, SMARTLINK PROPORTIONAL	2



104.1 Decals with Words, GS-1530, Platform, Australia

Platform, Australia Models

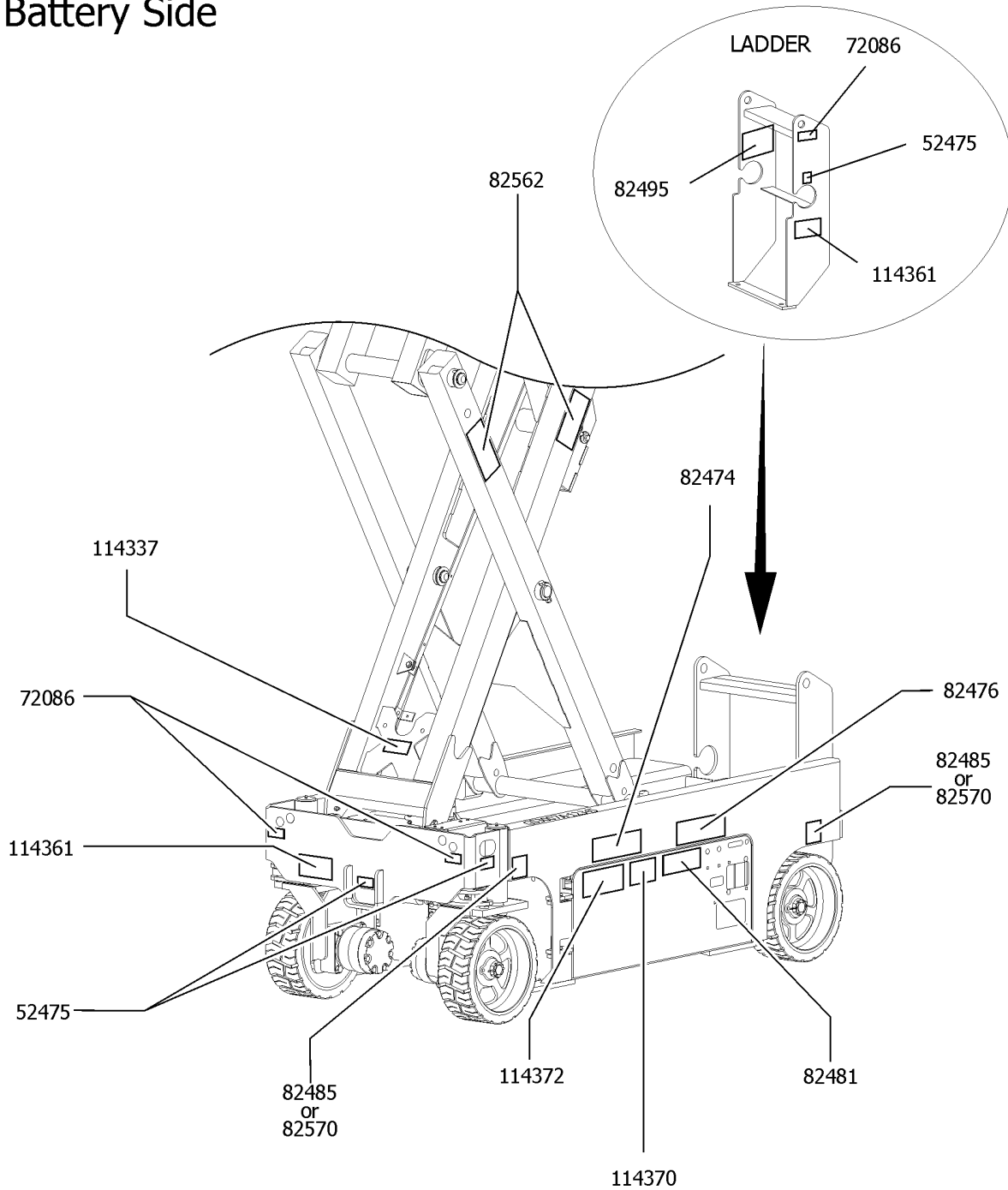


104.1 Decals with Words, GS-1530, Platform, Australia

Item	Part No.	Description	Qty.
1	28174GT	DECAL,POWER TO PLATFORM 230V	1
2	28176GT	DECAL,LABEL,MANUAL NOT HERE	1
3	28235GT	DECAL,POWER TO PLATFORM 115V	1
4	28236GT	DECAL,WARN,IMPROPER OPERATION	1
5	40434GT	DECAL,LANYARD ANCHORAGE POINT	3
6	43618GT	DECAL,LABEL-DIRECTION ARROWS	2
7	44736GT	DECAL,DANGER,TIP-OVER,TILT	1
8	44981GT	DECAL,LABEL,AIRLINE 110 PSI	1
9	62053GT	DECAL,COSMETIC,GENIE GS-1530**	2
10	82557GT	DECAL,LABEL,PLAT CONT LOCATION	1
11	97618GT	DECAL,INSTR-INDOOR USE,AUS	1
12	114386GT	DECAL,DANGER-GEN SAFETY	1
13	133596GT	DECAL,LABEL,FAULT CODES	1
14	137605GT	DECAL,E-STOP,GR/GRC/GS PCON	1
15	137656GT	DECAL,PROPEL,GR/GRC/GS,PCON	1
16	82564GT	DECAL,INSTR-MAX CAP 600LBS	1
17	1256702GT	DECAL, UI, GS/GR, PROP LIFT	1
18	1257184GT	DECAL, OP INST, PLAT, GS30, AUS	1
19	1257923GT	DECAL, SMARTLINK PROPORTIONAL	2



Battery Side



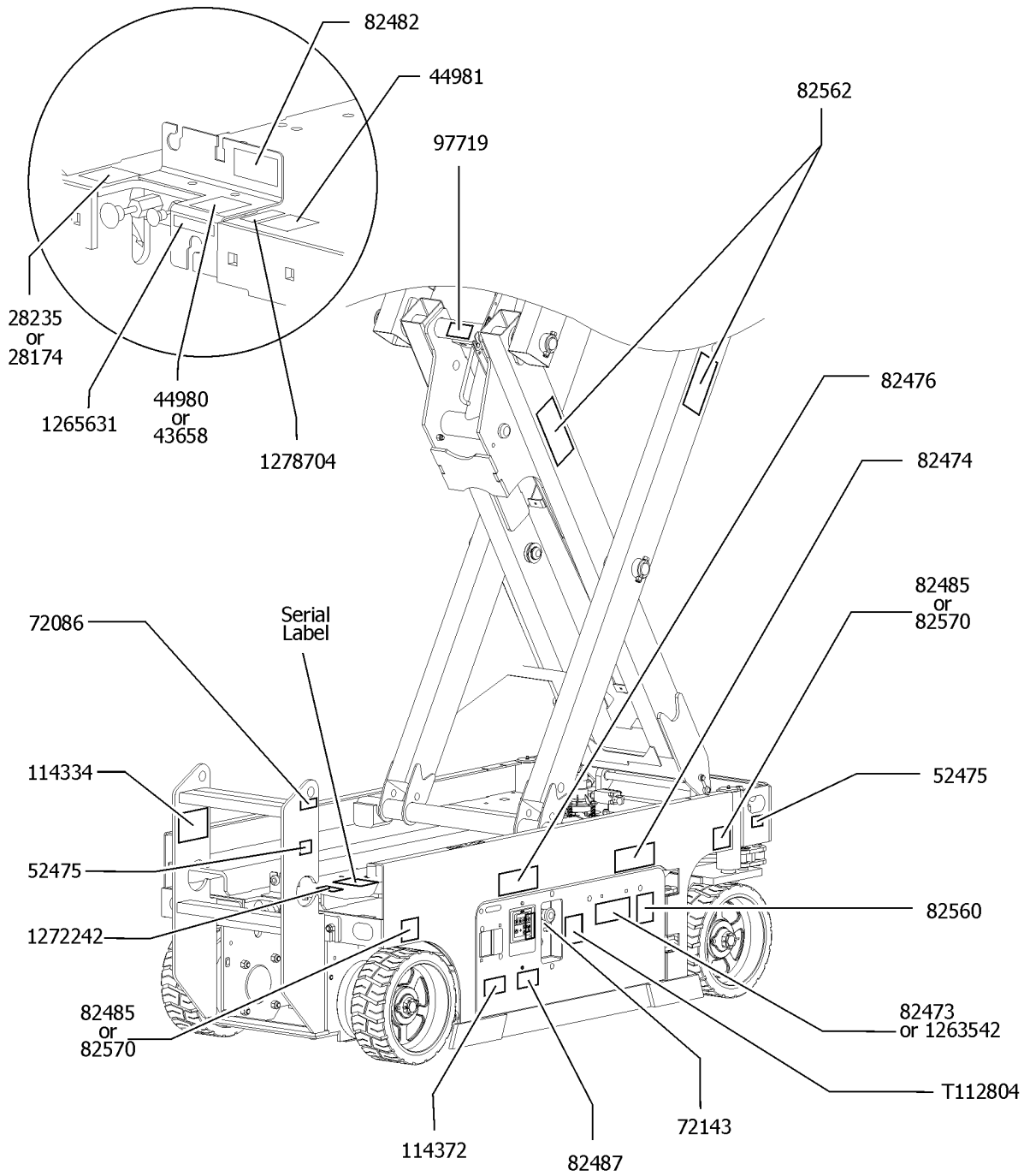
105.1 Decals with Symbols, GS-1530 Battery Side, ANSI & CE

Item	Part No.	Description	Qty.
1	52475GT	DECAL,LABEL,TRANSPORT TIEDOWN*	3
2	72086GT	DECAL,LABEL,LIFTING EYE	3
3	82474GT	DECAL,SYMBOL-USE SAFETY ARM	1
4	82476GT	DECAL,SYMBOL-ELEC HAZARD,GS	1
5	82481GT	DECAL,SYMBOL-BATTERY SAFETY	1
6	82485GT	DECAL,LABEL,WHEEL LOAD 1530	2
		(ANSI models)	
7	82495GT	DECAL,SYMBOL-BRAKE REL SAFETY	1
8	82562GT	DECAL,SYMBOL-CRUSHING HAZARD	2
9	82570GT	DECAL,LABEL-WHEEL LOAD 1530/32	2
		(CE models)	
10	114337GT	DECAL,SYM-TIP-OVR,LIM SWITCH	1
11	114361GT	DECAL,LABEL-TRANSPORT DIGRAM	2
12	114370GT	DECAL-SYM-TIP-OVR,BATTRIES	1
13	114372GT	DECAL,SYM-TIP-OVER,TRAYS	1



106.1 Decals with Symbols, GS-1530 Ground Control Side, ANSI & CE

Ground Controls Side

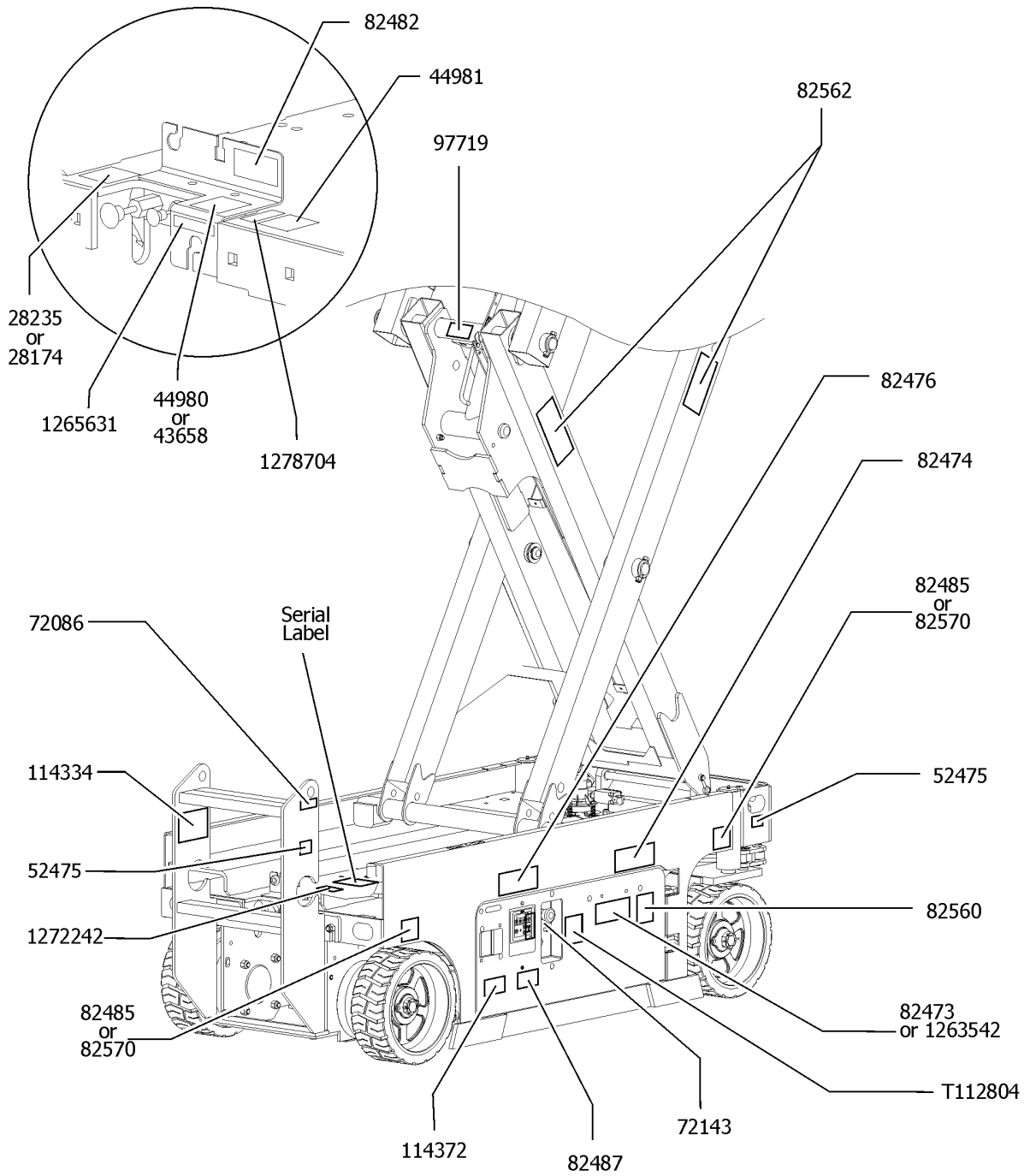


106.1 Decals with Symbols, GS-1530 Ground Control Side, ANSI & CE

Item	Part No.	Description	Qty.
1	28174GT	DECAL,POWER TO PLATFORM 230V	1
2	28235GT	DECAL,POWER TO PLATFORM 115V	1
3	43658GT	DECAL,LABEL,PWR TO CHARGR 230V	1
4	44980GT	DECAL,LABEL,PWR TO CHARGR 115V	1
5	44981GT	DECAL,LABEL,AIRLINE 110 PSI	1
6	52475GT	DECAL,LABEL,TRANSPORT TIEDOWN*	2
7	72086GT	DECAL,LABEL,LIFTING EYE	1
8	72143GT	DECAL,EMERGENCY STOP,GR	1
9A	82473GT	DECAL SYMBOL COMP ACCESS	1
		to SN GS30P-163976	
10	82474GT	DECAL,SYMBOL-USE SAFETY ARM	1
11	82476GT	DECAL,SYMBOL-ELEC HAZARD,GS	1
12	82482GT	DECAL, LABEL,AUX LOWERING	1
13	82485GT	DECAL,LABEL,WHEEL LOAD 1530	2
		(ANSI models)	
14	82487GT	DECAL,SYMBOL-READ THE MANUAL	1
15	82560GT	DECAL,SYMBOL-SKIN INJECT HAZRD	1
16	82562GT	DECAL,SYMBOL-CRUSHING HAZARD	2
17	82570GT	DECAL,LABEL-WHEEL LOAD 1530/32	2
		(CE models)	
18	97719GT	DECAL, LABEL, SAFETY ARM SYMB	1
19	114334GT	DECAL,SYM-ELEC HAZARD,PLUG	1
20	114372GT	DECAL,SYM-TIP-OVER,TRAYS	1
21	1272242GT	DECAL,MACHINE REGISTRATION/OWN	1
22	T112804GT	DECAL,GCON PANEL,GS	1
23	1265361GT	DECAL, BATTERY CHARGER INDICAT	1
		(ANSI from SN 158209 to 173672) (AUS from 158209)	



Ground Controls Side



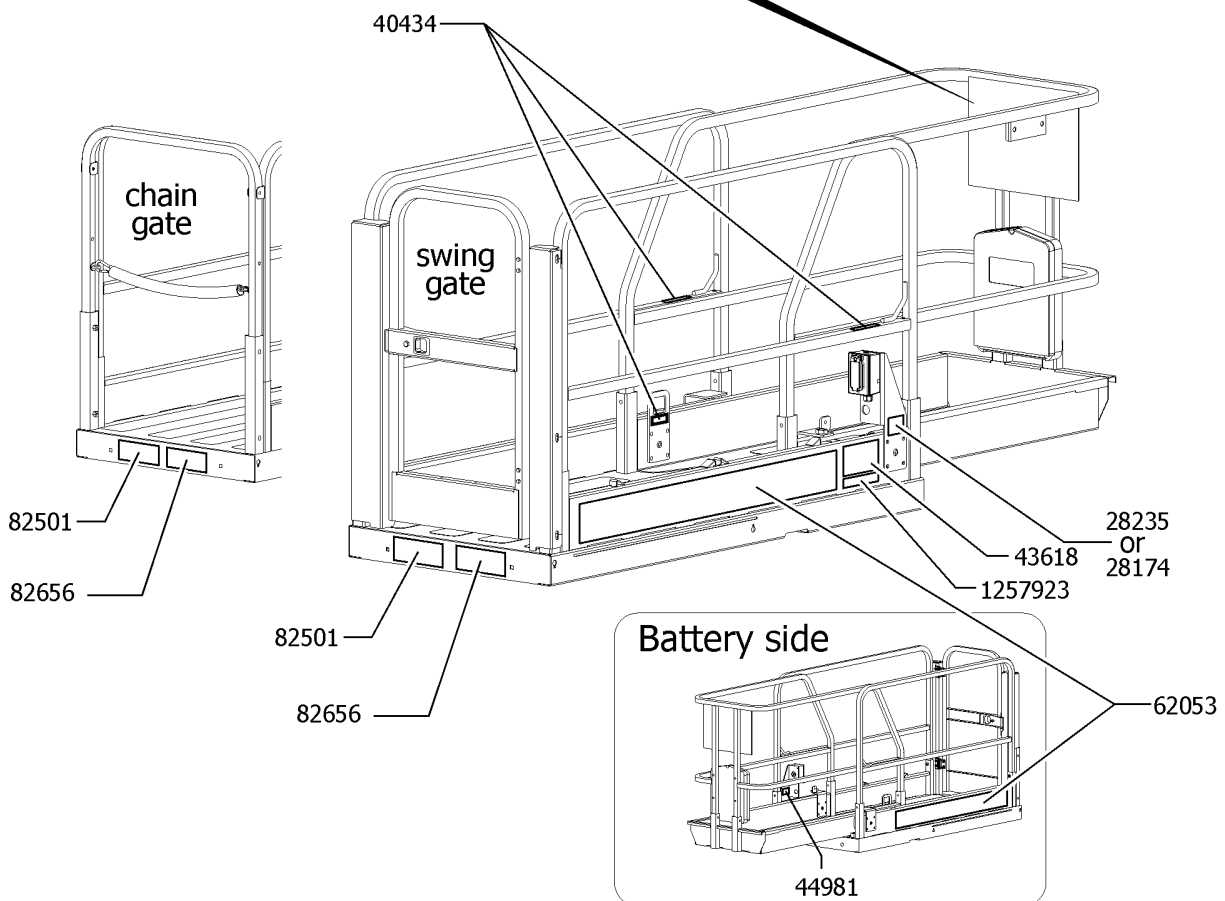
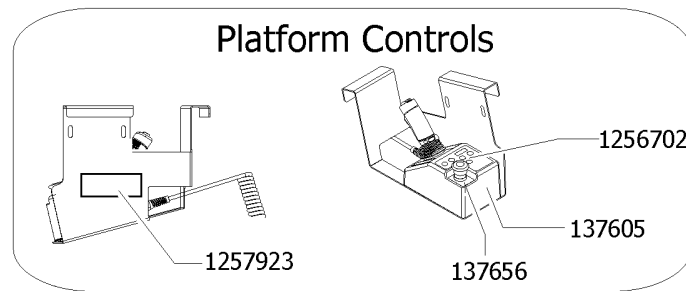
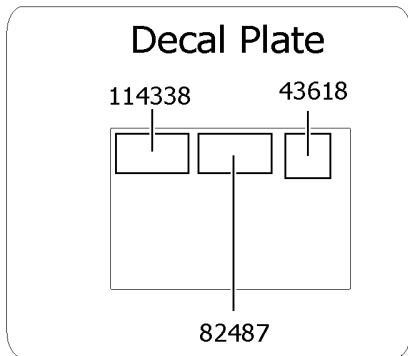
106.2 Decals with Symbols, GS-1530 Ground Control Side, ANSI & CE

Item	Part No.	Description	Qty.
1	28174GT	DECAL,POWER TO PLATFORM 230V	1
2	28235GT	DECAL,POWER TO PLATFORM 115V	1
3	43658GT	DECAL,LABEL,PWR TO CHARGR 230V	1
4	44980GT	DECAL,LABEL,PWR TO CHARGR 115V	1
5	44981GT	DECAL,LABEL,AIRLINE 110 PSI	1
6	52475GT	DECAL,LABEL,TRANSPORT TIEDOWN*	2
7	72086GT	DECAL,LABEL,LIFTING EYE	1
8	72143GT	DECAL,EMERGENCY STOP,GR	1
9A	82473GT	DECAL SYMBOL COMP ACCESS	1
		to SN GS30P-163976	
9B	1263542GT	DECAL, COMPARTMENT ACCESS	1
		from SN GS30P-163977	
10	82474GT	DECAL,SYMBOL-USE SAFETY ARM	1
11	82476GT	DECAL,SYMBOL-ELEC HAZARD,GS	1
12	82482GT	DECAL, LABEL,AUX LOWERING	1
13	82485GT	DECAL,LABEL,WHEEL LOAD 1530	2
		(ANSI models)	
14	82487GT	DECAL,SYMBOL-READ THE MANUAL	1
15	82560GT	DECAL,SYMBOL-SKIN INJECT HAZRD	1
16	82562GT	DECAL,SYMBOL-CRUSHING HAZARD	2
17	82570GT	DECAL,LABEL-WHEEL LOAD 1530/32	2
		(CE models)	
18	97719GT	DECAL, LABEL, SAFETY ARM SYMB	1
19	114334GT	DECAL,SYM-ELEC HAZARD,PLUG	1
20	114372GT	DECAL,SYM-TIP-OVER,TRAYS	1
21	1272242GT	DECAL,MACHINE REGISTRATION/OWN	1
22	T112804GT	DECAL,GCON PANEL,GS	1
23	1265361GT	DECAL, BATTERY CHARGER INDICAT	1
		(ANSI from SN 158209 to 173672) (AUS from 158209)	
24	1278704GT	DECAL,CHARGE STATUS IND.	1
		(ANSI from 173673)	



107.1 Decals with Symbols, GS-1530 Platform, ANSI

Platform, ANSI models



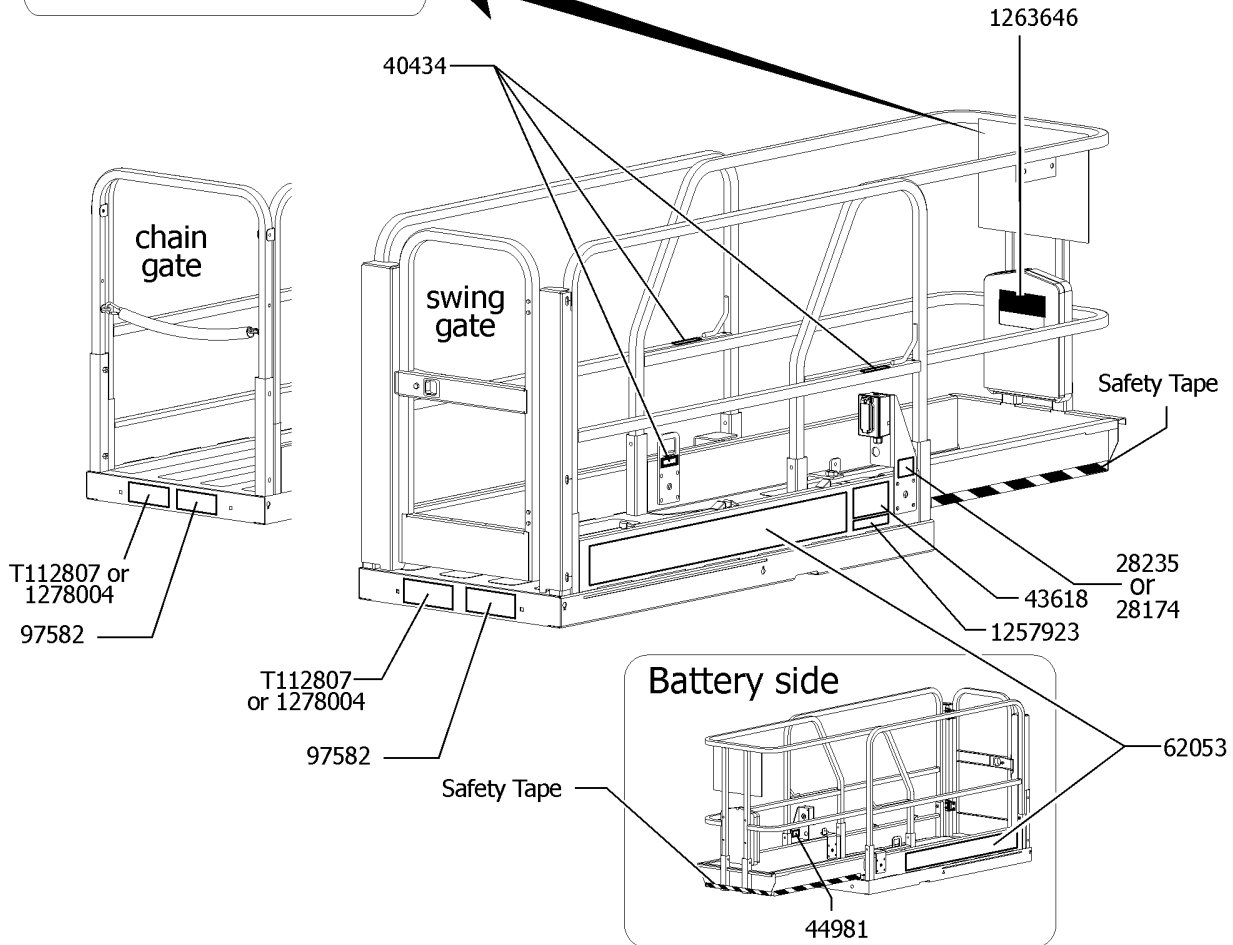
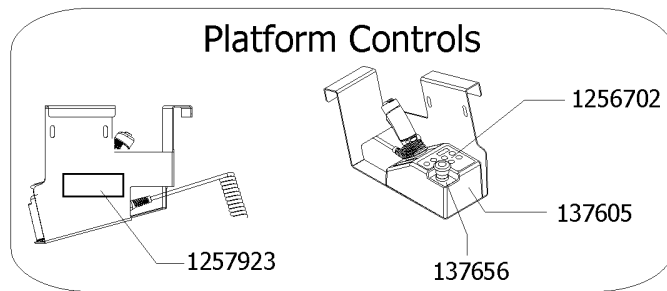
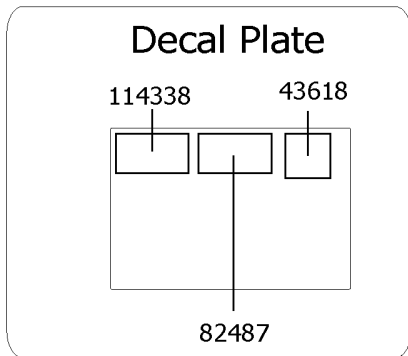
107.1 Decals with Symbols, GS-1530 Platform, ANSI

Item	Part No.	Description	Qty.
1	28174GT	DECAL,POWER TO PLATFORM 230V	1
2	28235GT	DECAL,POWER TO PLATFORM 115V	1
3	40434GT	DECAL,LANYARD ANCHORAGE POINT	3
4	43618GT	DECAL,LABEL-DIRECTION ARROWS	2
5	44981GT	DECAL,LABEL,AIRLINE 110 PSI	1
6	62053GT	DECAL,COSMETIC,GENIE GS-1530**	2
7	82487GT	DECAL,SYMBOL-READ THE MANUAL	1
8	82501GT	DECAL,SYM-MAXCAP 600	1
9	82656GT	DECAL,SYM-SIDE FORCE 445N	1
10	114338GT	DECAL,SYM-TIP-OVR,TILT ALARM	1
11	137605GT	DECAL,E-STOP,GR/GRC/GS PCON	1
13	137656GT	DECAL,PROPEL,GR/GRC/GS,PCON	1
14	1256702GT	DECAL, UI, GS/GR, PROP LIFT	1
16	1257923GT	DECAL, SMARTLINK PROPORTIONAL	2



108.1 Decals with Symbols, GS-1530 Platform, CE

Platform, CE models



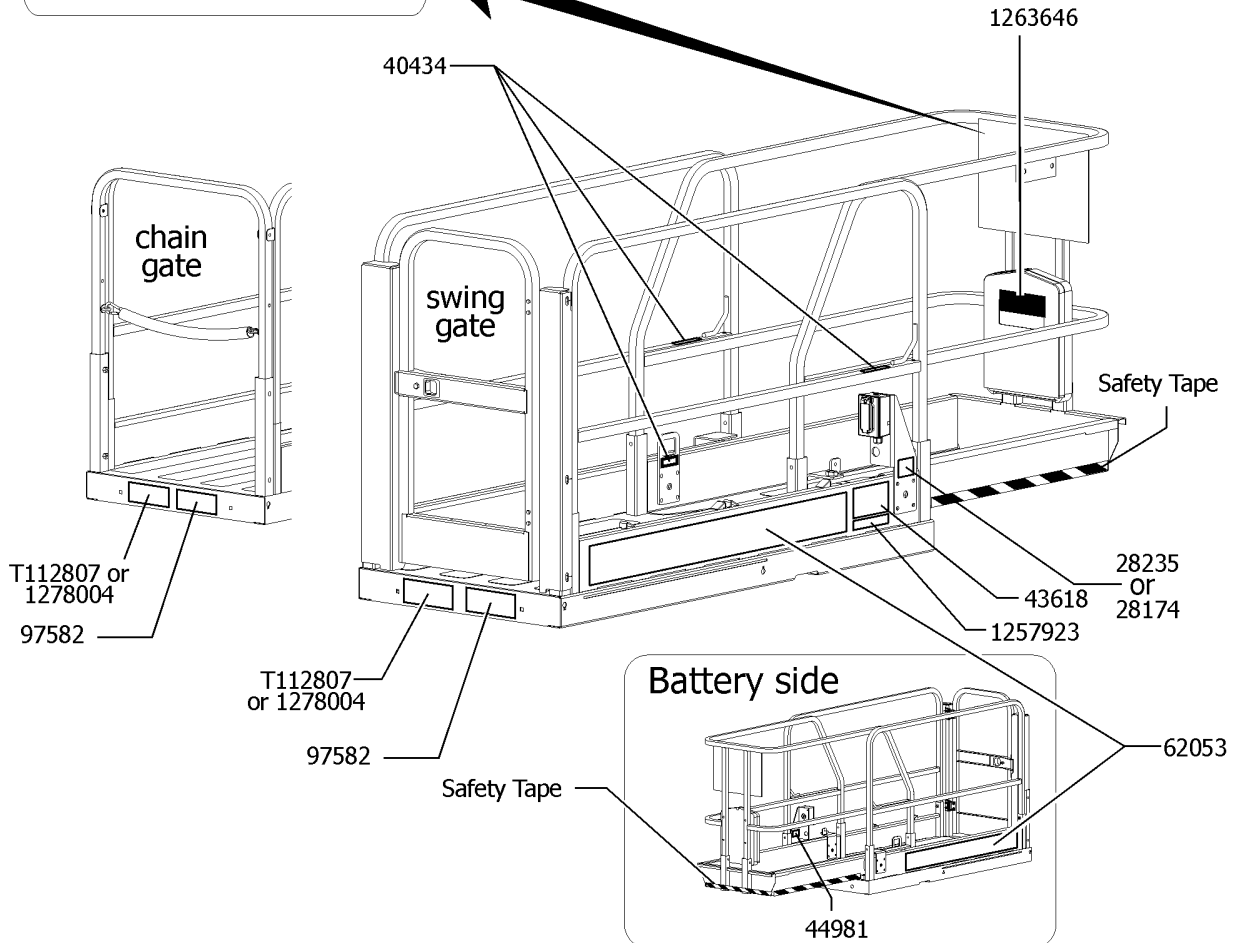
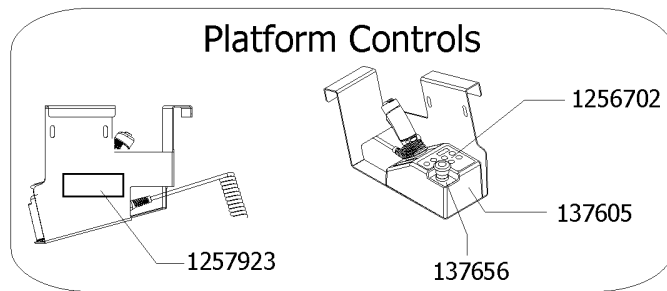
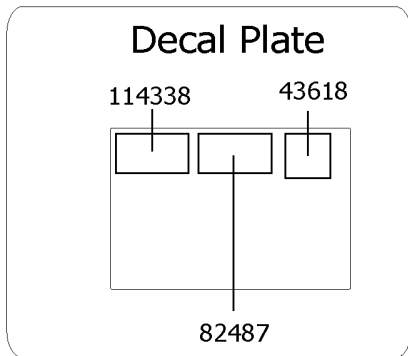
108.1 Decals with Symbols, GS-1530 Platform, CE

Item	Part No.	Description	Qty.
1	28174GT	DECAL,POWER TO PLATFORM 230V	1
2	28235GT	DECAL,POWER TO PLATFORM 115V	1
3	40434GT	DECAL,LANYARD ANCHORAGE POINT	3
4	43618GT	DECAL,LABEL-DIRECTION ARROWS	2
5	44981GT	DECAL,LABEL,AIRLINE 110 PSI	1
6	62053GT	DECAL,COSMETIC,GENIE GS-1530**	2
7	82487GT	DECAL,SYMBOL-READ THE MANUAL	1
8	97582GT	DECAL,SYM-SIDEFORCE 400N ID	1
9	114338GT	DECAL,SYM-TIP-OVR,TILT ALARM	1
10	137605GT	DECAL,E-STOP,GR/GRC/GS PCON	1
11	137656GT	DECAL,PROPEL,GR/GRC/GS,PCON	1
12	T112807GT	DECAL,SYM MAX CAP 272 KG,CE to SN GS30P-163976	1
13	1256702GT	DECAL, UI, GS/GR, PROP LIFT	1
14	1257923GT	DECAL, SMARTLINK PROPORTIONAL	1
15	1263646GT	DECAL,QR CODE,PARTS&SERVICE MANUAL	1



108.2 Decals with Symbols, GS-1530 Platform, CE

Platform, CE models



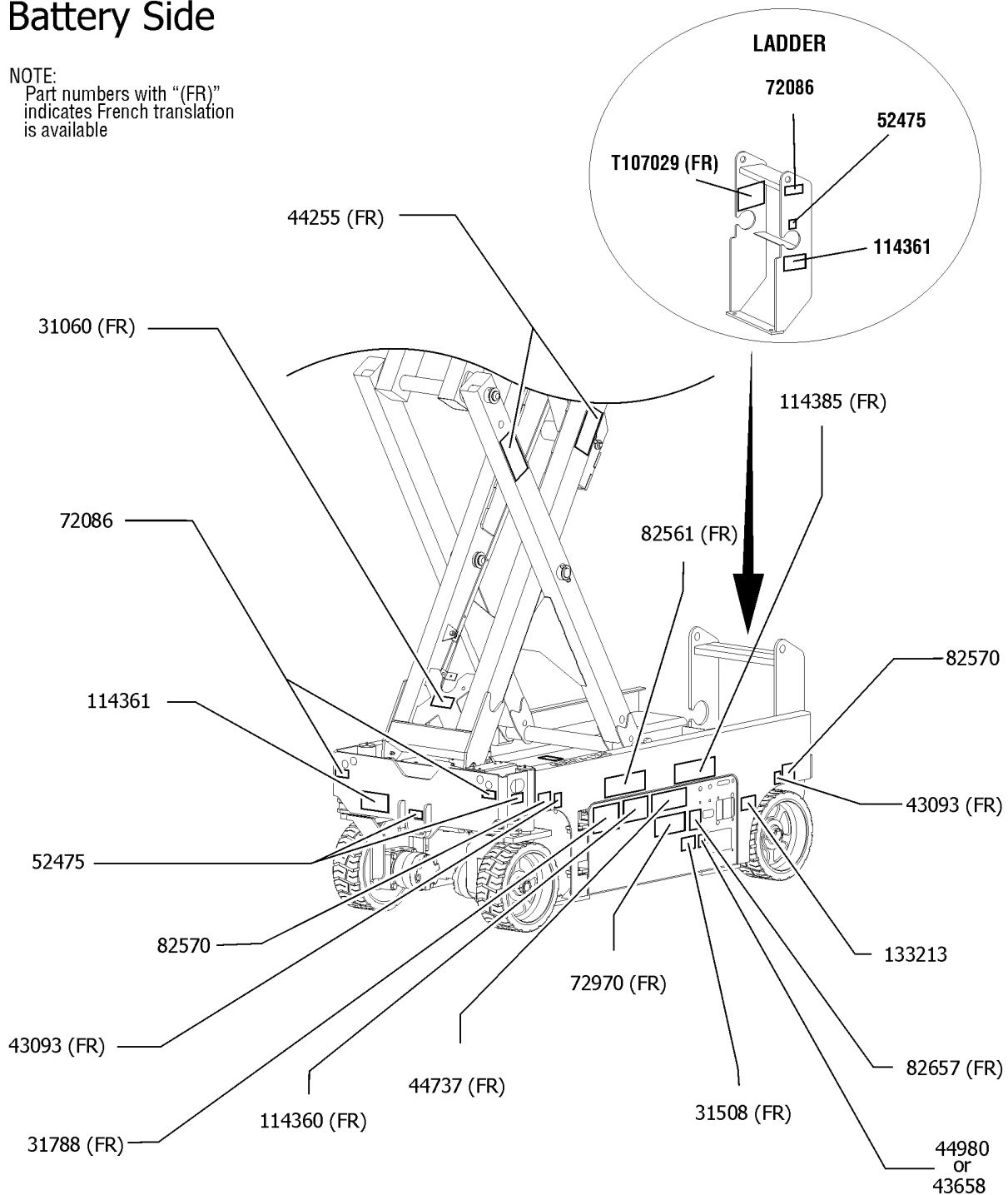
108.2 Decals with Symbols, GS-1530 Platform, CE

Item	Part No.	Description	Qty.
1	28174GT	DECAL,POWER TO PLATFORM 230V	1
2	28235GT	DECAL,POWER TO PLATFORM 115V	1
3	40434GT	DECAL,LANYARD ANCHORAGE POINT	3
4	43618GT	DECAL,LABEL-DIRECTION ARROWS	2
5	44981GT	DECAL,LABEL,AIRLINE 110 PSI	1
6	62053GT	DECAL,COSMETIC,GENIE GS-1530**	2
7	82487GT	DECAL,SYMBOL-READ THE MANUAL	1
8	97582GT	DECAL,SYM-SIDEFORCE 400N ID	1
9	114338GT	DECAL,SYM-TIP-OVR,TILT ALARM	1
10	137605GT	DECAL,E-STOP,GR/GRC/GS PCON	1
11	137656GT	DECAL,PROPEL,GR/GRC/GS,PCON	1
12	T112807GT	DECAL,SYM MAX CAP 272 KG,CE to SN GS30P-163976	1
13	1256702GT	DECAL, UI, GS/GR, PROP LIFT	1
14	1257923GT	DECAL, SMARTLINK PROPORTIONAL	1
15	1263646GT	DECAL,QR CODE,PARTS&SERVICE MANUAL	1
16	1278004GT	DECAL, SYMBOL, CE, MAXIMUM CAPACITY, 272KG from SN GS30P-163977	1



Battery Side

NOTE:
Part numbers with "(FR)"
indicates French translation
is available



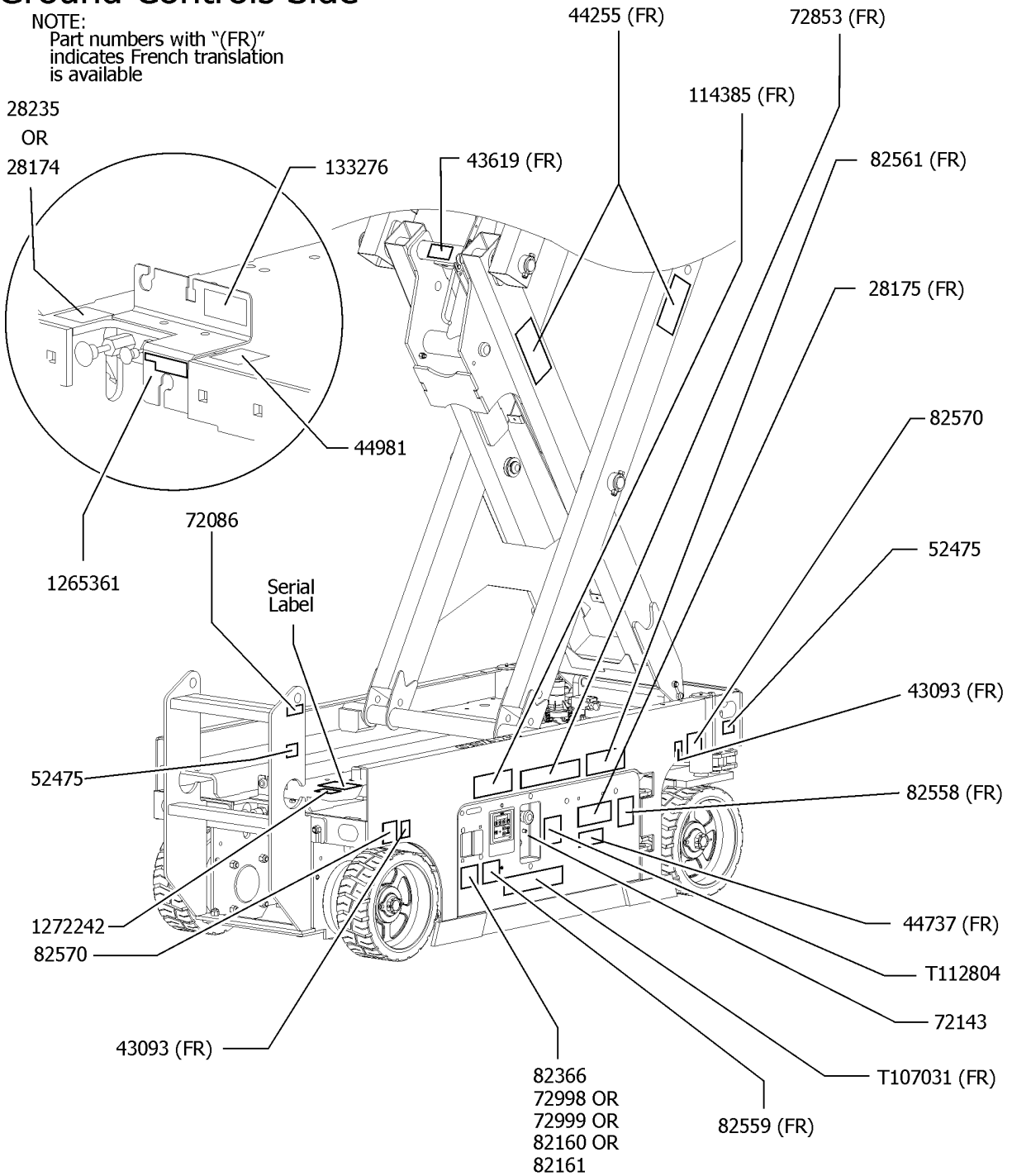
109.1 Decals with Words, GS-1532, Battery Side, Australia

Item	Part No.	Description	Qty.
1	44255GT	DECAL,DANGER,CRUSHING HAZARD	2
2	31060GT	DECAL,DANGER DO NOT ALTER SWTC	1
3	31508GT	DECAL,DANGER,ELECT HAZARD,PLUG	1
		(Australia models)	
4	31788GT	DECAL,DANGER,BATTERY SAFETY***	1
5	43093GT	DECAL,LABEL,TIRE SPECS	2
6	43658GT	DECAL,LABEL,PWR TO CHARGR 230V	1
		(Australia models)	
7	44737GT	DECAL DANGER TIP OVER TRAYS	1
8	44980GT	DECAL,LABEL,PWR TO CHARGR 115V	1
		(Australia models)	
9	52475GT	DECAL,LABEL,TRANSPORT TIEDOWN*	3
10	72086GT	DECAL,LABEL,LIFTING EYE	3
11	72970GT	DECAL,INSTRUCTIONS-CHARGER OP	1
12	82561GT	DECAL,DANGER-USE SAFETY ARM	1
13	82570GT	DECAL,LABEL-WHEEL LOAD 1530/32	2
		(Australia models)	
14	82657GT	DECAL,INSTRUCT,BATTERY CONNECT	1
15	114360GT	DECAL,DANGER-TIP-OVER,BATT	1
16	114361GT	DECAL,LABEL-TRANSPORT DIGRAM	2
17	114385GT	DECAL,DANGER,ELEC HAZARD,GS	1
18	133213GT	DECAL,NOTICE-DO NOT OPEN DOOR	1
19	T107029GT	DECAL,DANGER,BRAKE REL SAFETY	1



Ground Controls Side

NOTE:
Part numbers with "(FR)"
indicates French translation
is available



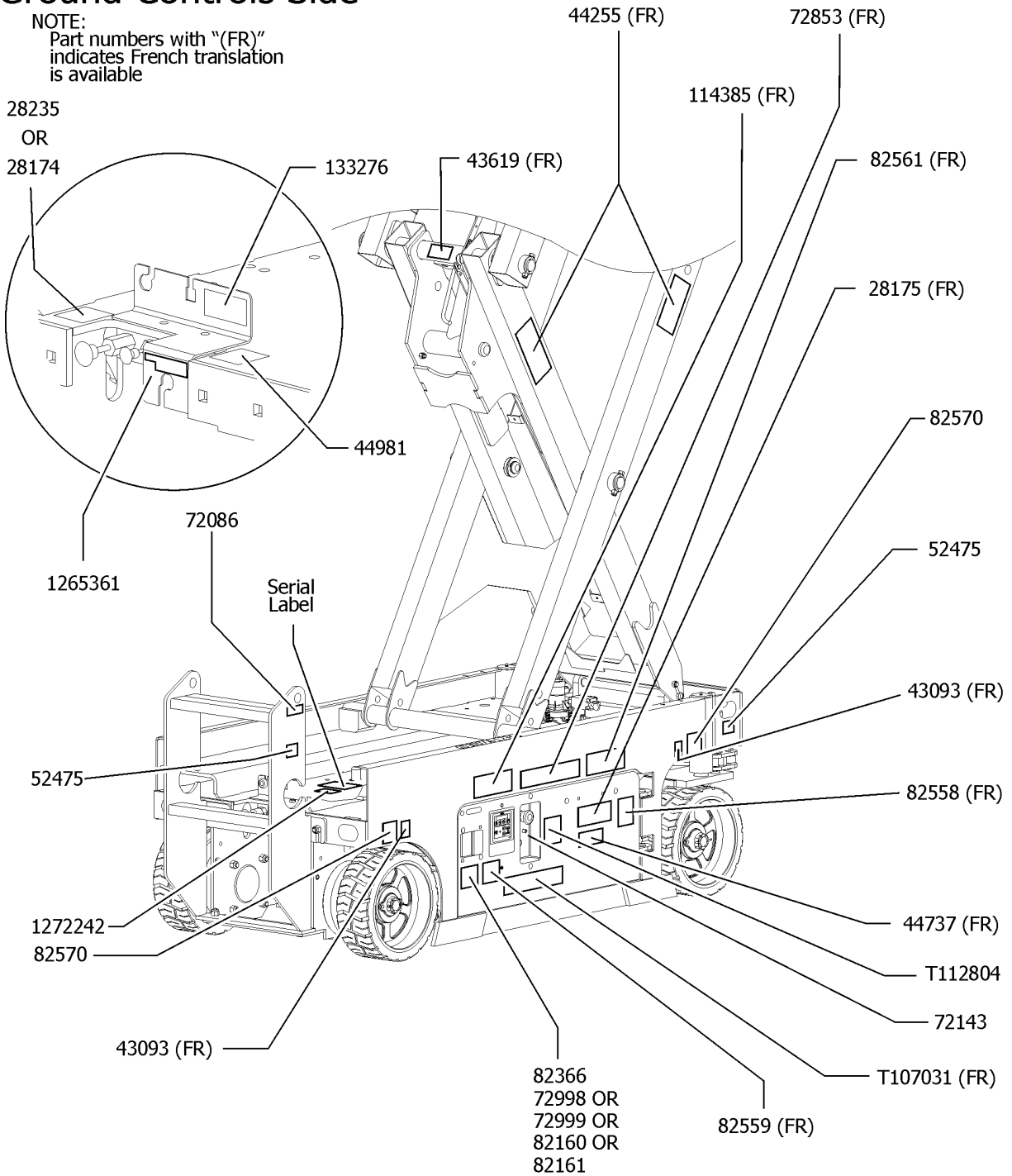
110.1 Decals with Words, GS-1532 Ground Controls Side, Australia

Item	Part No.	Description	Qty.
1	28174GT	DECAL,POWER TO PLATFORM 230V	1
2	28175GT	DECAL,WARNING-COMPART ACCESS	1
3	28235GT	DECAL,POWER TO PLATFORM 115V	1
4	43093GT	DECAL,LABEL,TIRE SPECS	2
5	43619GT	DECAL,LABEL,SAFETY ARM	1
7	44255GT	DECAL,DANGER,CRUSHING HAZARD	2
8	44737GT	DECAL DANGER TIP OVER TRAYS	1
9	44981GT	DECAL,LABEL,AIRLINE 110 PSI	1
		(option)	
10	52475GT	DECAL,LABEL,TRANSPORT TIEDOWN*	2
11	72086GT	DECAL,LABEL,LIFTING EYE	1
12	72143GT	DECAL,EMERGENCY STOP,GR	1
13	72853GT	DECAL,DANGER,IMPROPER USE HAZ	1
14	72998GT	DECAL,LABEL,QUINTOLUBRIK	1
		(models with Quintolub hydraulic oil)	
15	72999GT	DECAL,LABEL,PETRO CANADA***	1
		(models with Petro Canada hydraulic oil)	
16	82160GT	DECAL,LABEL,STATOIL HYDRA WAY	1
		(models with Statoil hydraulic oil)	
17	82161GT	DECAL,LABEL,UCON HYDROLUBE	1
		(models with Ucon Hydrolube hydraulic oil)	
18	82366GT	DECAL,CHEVRON RANDO HD	1
		(models with Chevron Random hydraulic oil)	
19	82558GT	DECAL,WARN,SKIN INJECTION HAZ*	1
20	82559GT	DECAL,INSTRUCT-ANNUAL INSP REQ	1
21	82561GT	DECAL,DANGER-USE SAFETY ARM	1
22	82570GT	DECAL,LABEL-WHEEL LOAD 1530/32	2
		(Australia models)	
23	114385GT	DECAL,DANGER,ELEC HAZARD,GS	1
24	133276GT	DECAL,EMERGENCY LOWERING	1
25	1272242GT	DECAL,MACHINE REGISTRATION/OWN	1
26	T107031GT	DECAL,OP INST,GCON	1
27	T112804GT	DECAL,GCON PANEL,GS	1
28	1265361GT	DECAL, BATTERY CHARGER INDICAT	1
		(AUS models from 158209)	



Ground Controls Side

NOTE:
Part numbers with "(FR)"
indicates French translation
is available



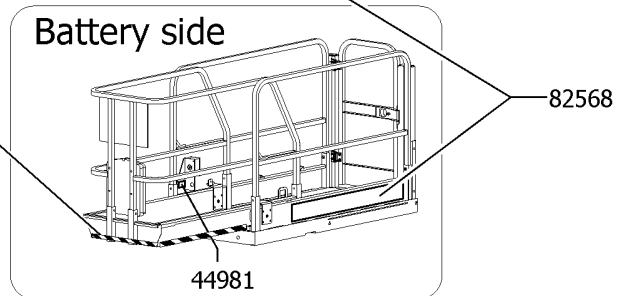
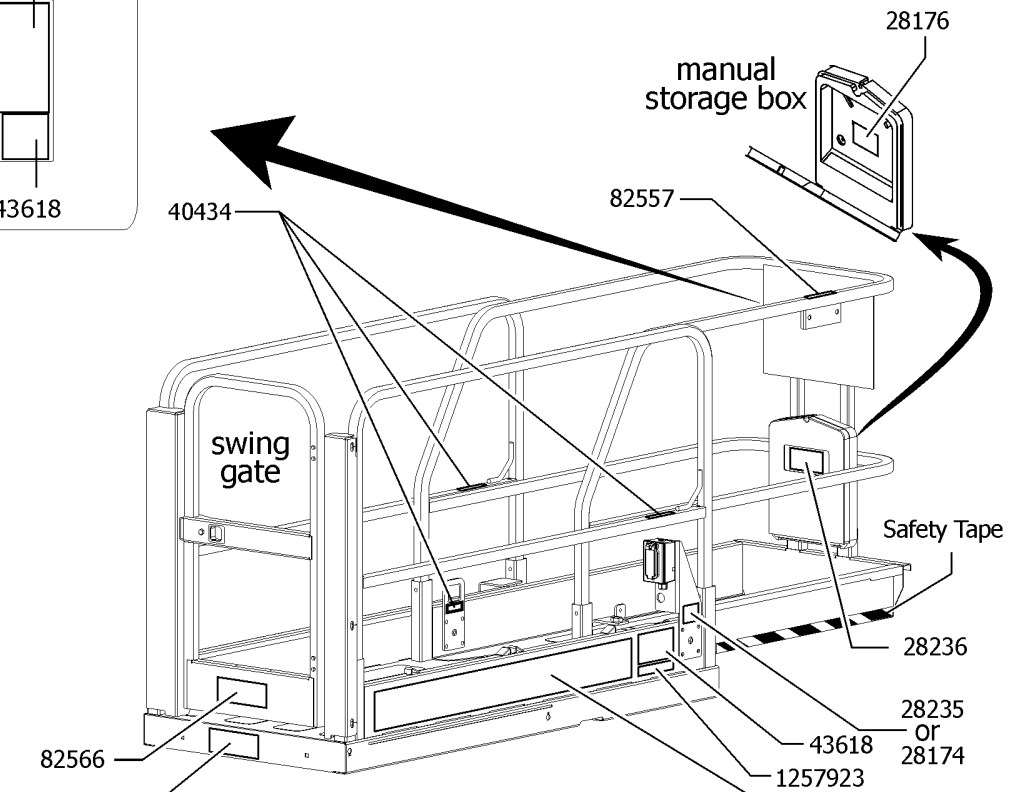
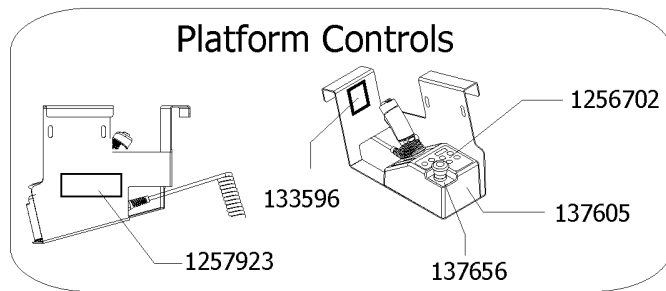
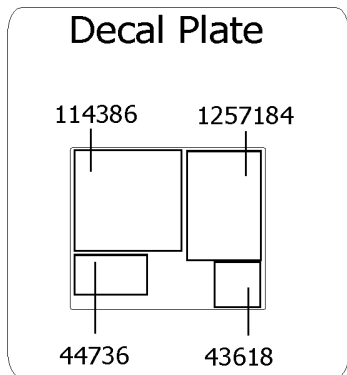
110.2 Decals with Words, GS-1532 Ground Controls Side, Australia

Item	Part No.	Description	Qty.
1	28174GT	DECAL,POWER TO PLATFORM 230V	1
2	28175GT	DECAL,WARNING-COMPART ACCESS	1
3	28235GT	DECAL,POWER TO PLATFORM 115V	1
4	43093GT	DECAL,LABEL,TIRE SPECS	2
5	43619GT	DECAL,LABEL,SAFETY ARM	1
7	44255GT	DECAL,DANGER,CRUSHING HAZARD	2
8	44737GT	DECAL DANGER TIP OVER TRAYS	1
9	44981GT	DECAL,LABEL,AIRLINE 110 PSI	1
		(option)	
10	52475GT	DECAL,LABEL,TRANSPORT TIEDOWN*	2
11	72086GT	DECAL,LABEL,LIFTING EYE	1
12	72143GT	DECAL,EMERGENCY STOP,GR	1
13	72853GT	DECAL,DANGER,IMPROPER USE HAZ	1
14	72998GT	DECAL,LABEL,QUINTOLUBRIK	1
		(models with Quintolub hydraulic oil)	
15	72999GT	DECAL,LABEL,PETRO CANADA***	1
		(models with Petro Canada hydraulic oil)	
16	82160GT	DECAL,LABEL,STATOIL HYDRA WAY	1
		(models with Statoil hydraulic oil)	
17	82161GT	DECAL,LABEL,UCON HYDROLUBE	1
		(models with Ucon Hydrolube hydraulic oil)	
18	82366GT	DECAL,CHEVRON RANDO HD	1
		(models with Chevron Random hydraulic oil)	
19	82558GT	DECAL,WARN,SKIN INJECTION HAZ*	1
20	82559GT	DECAL,INSTRUCT-ANNUAL INSP REQ	1
21	82561GT	DECAL,DANGER-USE SAFETY ARM	1
22	82570GT	DECAL,LABEL-WHEEL LOAD 1530/32	2
		(Australia models)	
23	114385GT	DECAL,DANGER,ELEC HAZARD,GS	1
24	133276GT	DECAL,EMERGENCY LOWERING	1
25	1272242GT	DECAL,MACHINE REGISTRATION/OWN	1
26	T107031GT	DECAL,OP INST,GCON	1
27	T112804GT	DECAL,GCON PANEL,GS	1
28	1265361GT	DECAL, BATTERY CHARGER INDICAT	1
		from SN GS30P-165150	



111.1 Decals with Words, GS-1532 Platform, Australia

Platform, Australia Models

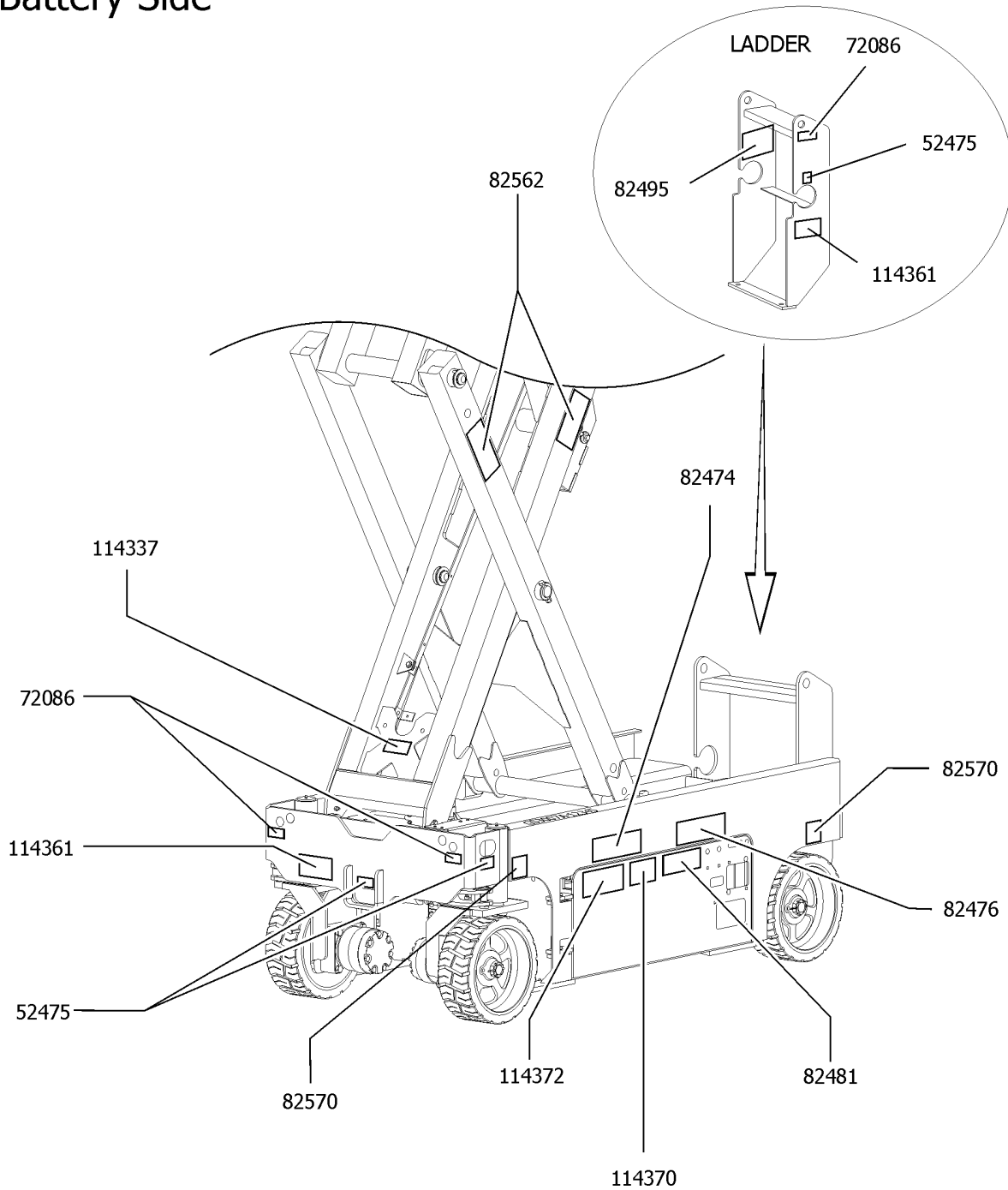


111.1 Decals with Words, GS-1532 Platform, Australia

Item	Part No.	Description	Qty.
1	28174GT	DECAL,POWER TO PLATFORM 230V	1
2	28176GT	DECAL,LABEL,MANUAL NOT HERE	1
3	28235GT	DECAL,POWER TO PLATFORM 115V	1
4	28236GT	DECAL,WARN,IMPROPER OPERATION	1
5	40434GT	DECAL,LANYARD ANCHORAGE POINT	3
6	43618GT	DECAL,LABEL-DIRECTION ARROWS	2
7	44736GT	DECAL,DANGER,TIP-OVER,TILT	1
8	44981GT	DECAL,LABEL,AIRLINE 110 PSI	1
9	82568GT	DECAL,COSMETIC,GENIE GS-1532	2
10	82557GT	DECAL,LABEL,PLAT CONT LOCATION	1
11	82566GT	DECAL,INSTR-MANUAL FRC,AUS	1
12	114386GT	DECAL,DANGER-GEN SAFETY	1
13	133596GT	DECAL,LABEL,FAULT CODES	1
14	137605GT	DECAL,E-STOP,GR/GRC/GS PCON	1
15	137656GT	DECAL,PROPEL,GR/GRC/GS,PCON	1
16	82564GT	DECAL,INSTR-MAX CAP 600LBS	1
17	1256702GT	DECAL, UI, GS/GR, PROP LIFT	1
18	1257184GT	DECAL, OP INST, PLAT, GS30, AUS	1
19	1257923GT	DECAL, SMARTLINK PROPORTIONAL	2



Battery Side



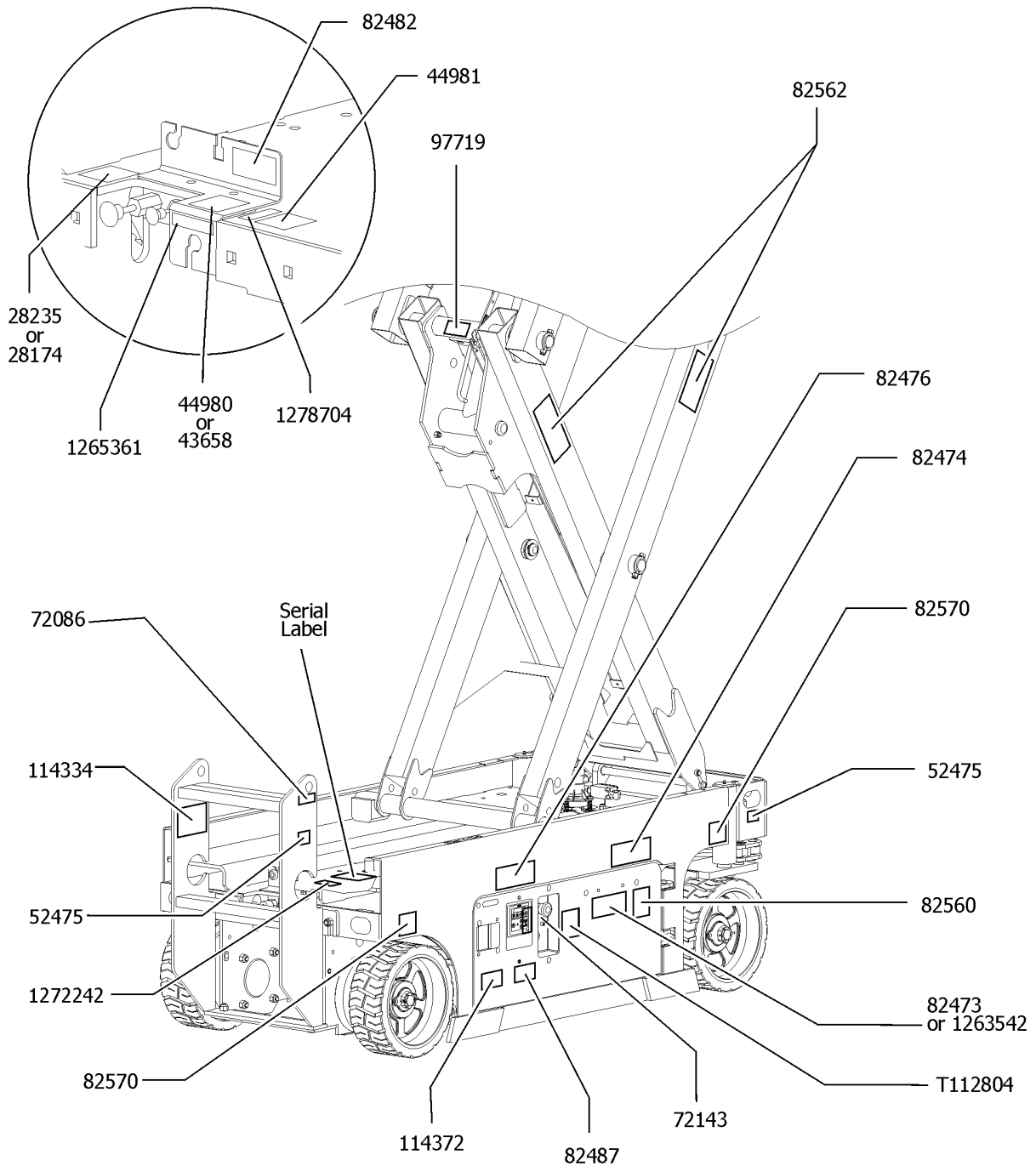
112.1 Decals with Symbols, GS-1532 Battery Side, CE

Item	Part No.	Description	Qty.
1	52475GT	DECAL,LABEL,TRANSPORT TIEDOWN*	3
2	72086GT	DECAL,LABEL,LIFTING EYE	3
3	82474GT	DECAL,SYMBOL-USE SAFETY ARM	1
4	82476GT	DECAL,SYMBOL-ELEC HAZARD,GS	1
5	82481GT	DECAL,SYMBOL-BATTERY SAFETY	1
6	82495GT	DECAL,SYMBOL-BRAKE REL SAFETY	1
7	82562GT	DECAL,SYMBOL-CRUSHING HAZARD	2
8	82570GT	DECAL,LABEL-WHEEL LOAD 1530/32	2
		(CE models)	
9	114337GT	DECAL,SYM-TIP-OVR,LIM SWITCH	1
10	114361GT	DECAL,LABEL-TRANSPORT DIGRAM	2
11	114370GT	DECAL-SYM-TIP-OVR,BATTRIES	1
12	114372GT	DECAL,SYM-TIP-OVER,TRAYS	1



113.1 Decals with Symbols, GS-1532 Ground Control Side, CE

Ground Controls Side

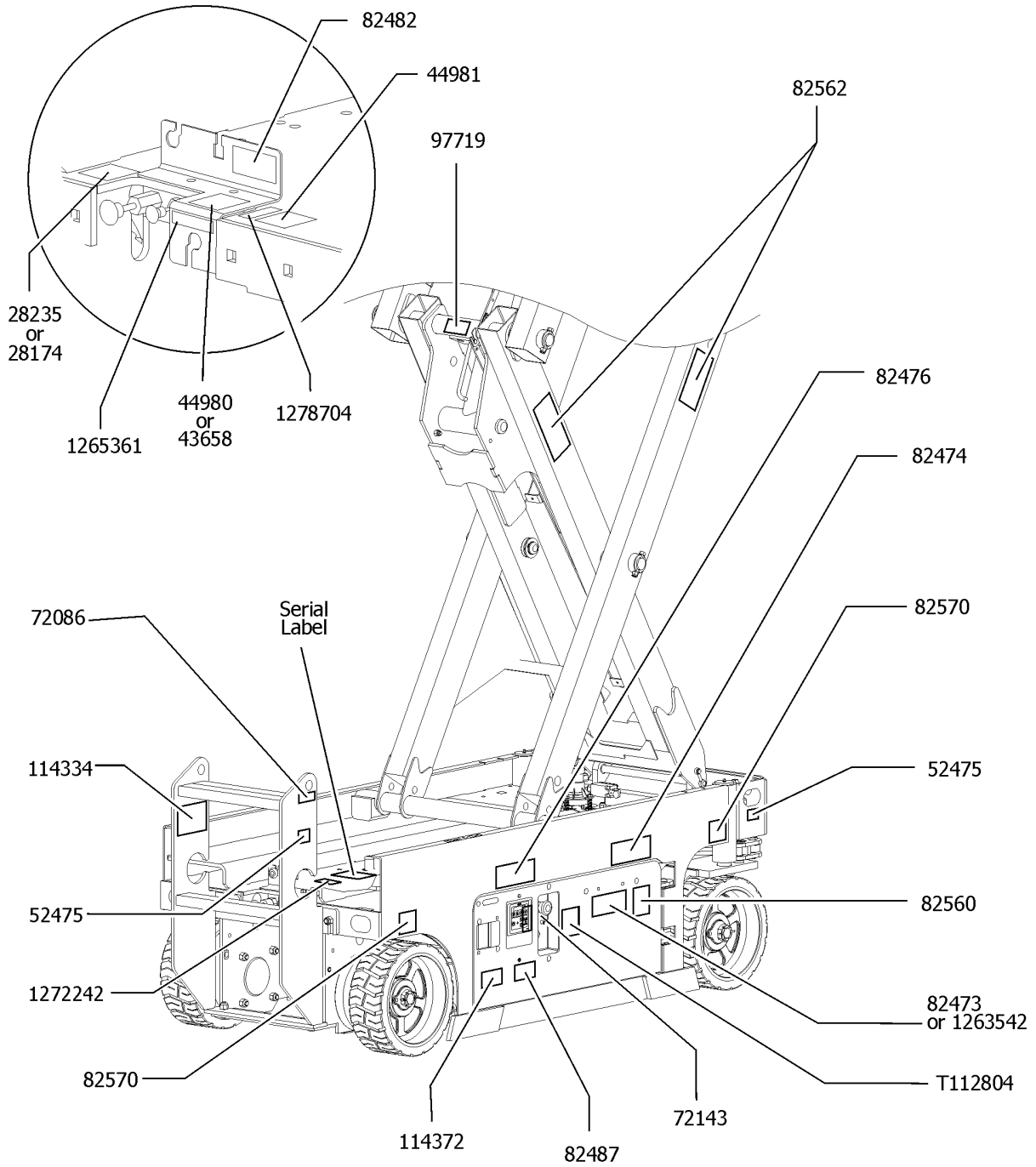


113.1 Decals with Symbols, GS-1532 Ground Control Side, CE

Item	Part No.	Description	Qty.
1	28174GT	DECAL,POWER TO PLATFORM 230V	1
2	28235GT	DECAL,POWER TO PLATFORM 115V	1
3	43658GT	DECAL,LABEL,PWR TO CHARGR 230V	1
4	44980GT	DECAL,LABEL,PWR TO CHARGR 115V	1
5	44981GT	DECAL,LABEL,AIRLINE 110 PSI	1
6	52475GT	DECAL,LABEL,TRANSPORT TIEDOWN*	2
7	72086GT	DECAL,LABEL,LIFTING EYE	1
8	72143GT	DECAL,EMERGENCY STOP,GR	1
9	82473GT	DECAL SYMBOL COMP ACCESS	1
		to SN GS30P-163976	
10	82474GT	DECAL,SYMBOL-USE SAFETY ARM	1
11	82476GT	DECAL,SYMBOL-ELEC HAZARD,GS	1
12	82482GT	DECAL, LABEL,AUX LOWERING	1
13	82487GT	DECAL,SYMBOL-READ THE MANUAL	1
14	82560GT	DECAL,SYMBOL-SKIN INJECT HAZRD	1
15	82562GT	DECAL,SYMBOL-CRUSHING HAZARD	2
16	82570GT	DECAL,LABEL-WHEEL LOAD 1530/32	2
		(CE models)	
17	97719GT	DECAL, LABEL, SAFETY ARM SYMB	1
18	114334GT	DECAL,SYM-ELEC HAZARD,PLUG	1
19	114372GT	DECAL,SYM-TIP-OVER,TRAYS	1
21	1272242GT	DECAL,MACHINE REGISTRATION/OWN	1
22	T112804GT	DECAL,GCON PANEL,GS	1
23	1265361GT	DECAL, BATTERY CHARGER INDICAT	1
		(from SN 158209 to 173672)	



Ground Controls Side



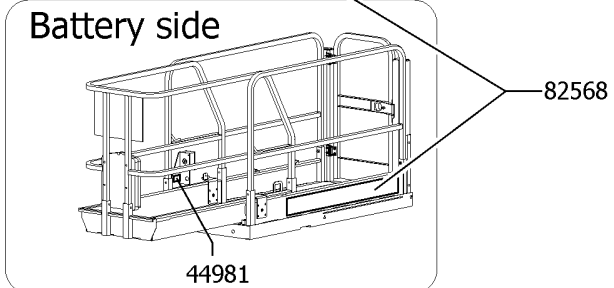
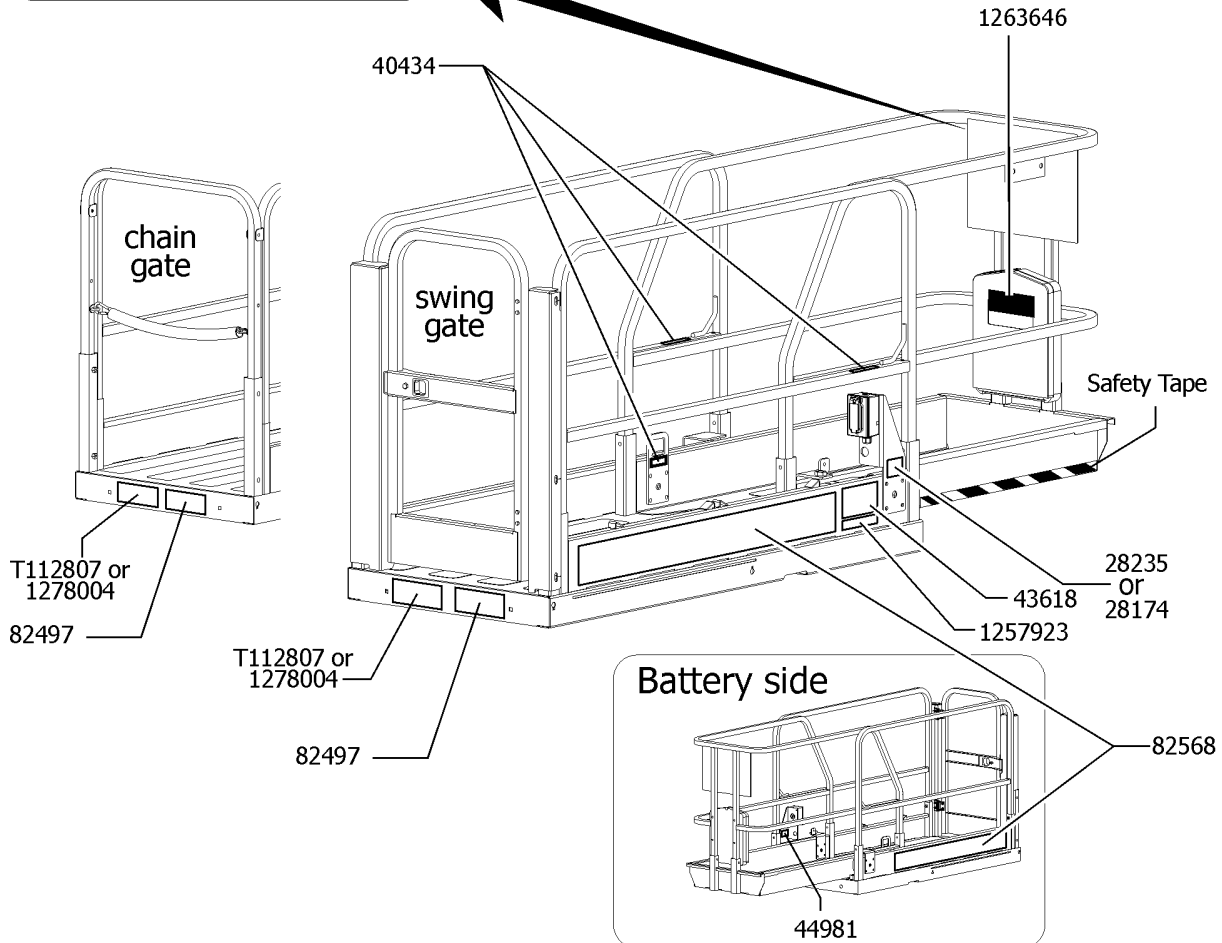
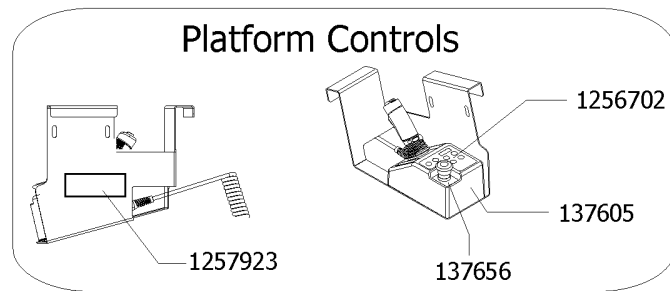
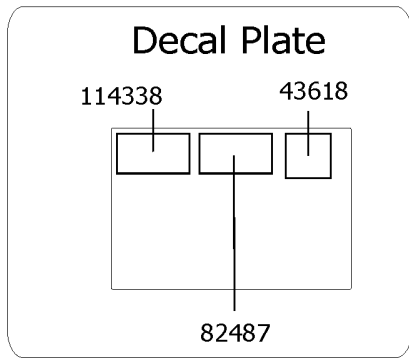
113.2 Decals with Symbols, GS-1532 Ground Control Side, CE

Item	Part No.	Description	Qty.
1	28174GT	DECAL,POWER TO PLATFORM 230V	1
2	28235GT	DECAL,POWER TO PLATFORM 115V	1
3	43658GT	DECAL,LABEL,PWR TO CHARGR 230V	1
4	44980GT	DECAL,LABEL,PWR TO CHARGR 115V	1
5	44981GT	DECAL,LABEL,AIRLINE 110 PSI	1
6	52475GT	DECAL,LABEL,TRANSPORT TIEDOWN*	2
7	72086GT	DECAL,LABEL,LIFTING EYE	1
8	72143GT	DECAL,EMERGENCY STOP,GR	1
10	82474GT	DECAL,SYMBOL-USE SAFETY ARM	1
11	82476GT	DECAL,SYMBOL-ELEC HAZARD,GS	1
12	82482GT	DECAL, LABEL,AUX LOWERING	1
13	82487GT	DECAL,SYMBOL-READ THE MANUAL	1
14	82560GT	DECAL,SYMBOL-SKIN INJECT HAZRD	1
15	82562GT	DECAL,SYMBOL-CRUSHING HAZARD	2
16	82570GT	DECAL,LABEL-WHEEL LOAD 1530/32	2
		(CE models)	
17	97719GT	DECAL, LABEL, SAFETY ARM SYMB	1
18	114334GT	DECAL,SYM-ELEC HAZARD,PLUG	1
19	114372GT	DECAL,SYM-TIP-OVER,TRAYS	1
20	1263542GT	DECAL, COMPARTMENT ACCESS	1
		from SN GS30P-163977	
21	1272242GT	DECAL,MACHINE REGISTRATION/OWN	1
22	T112804GT	DECAL,GCON PANEL,GS	1
23	1265361GT	DECAL, BATTERY CHARGER INDICAT	1
		(from SN 158209 to 173672)	
24	1278704GT	DECAL,CHARGE STATUS IND.	1
		(from 173673)	



114.1 Decals with Symbols, GS-1532 Platform, CE

Platform, CE models



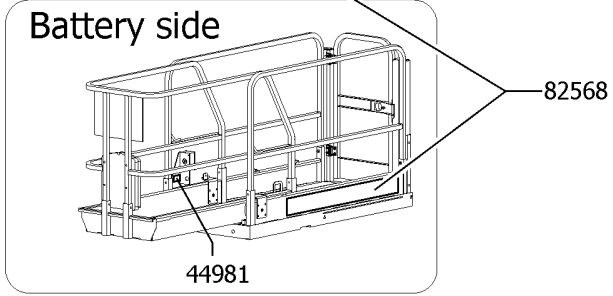
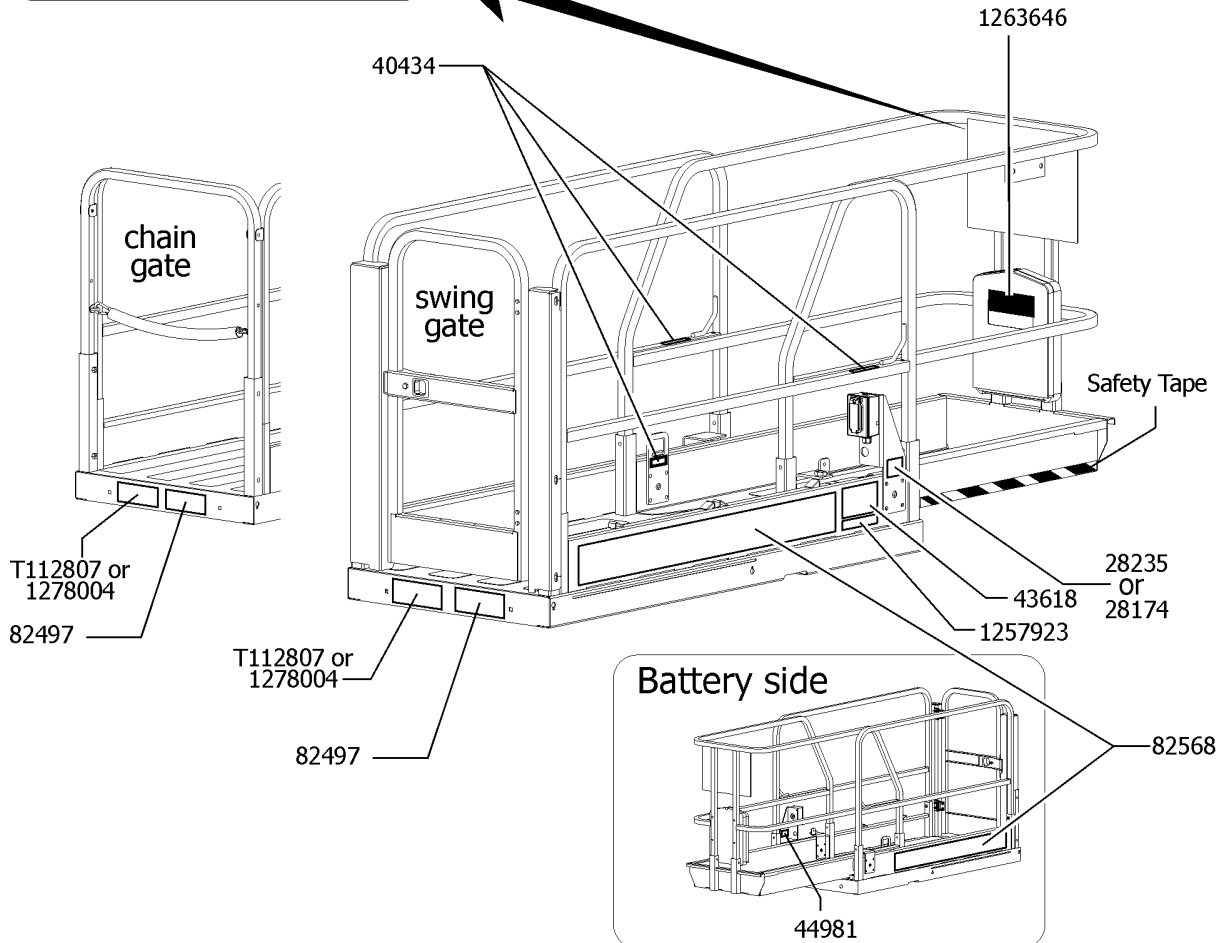
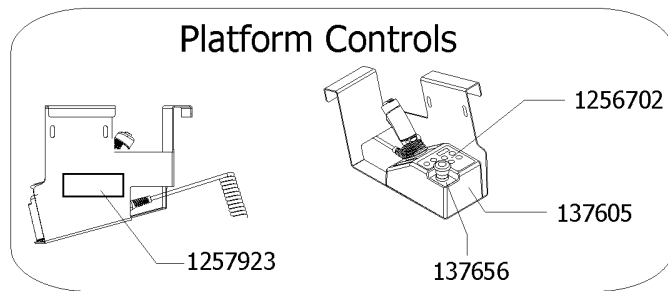
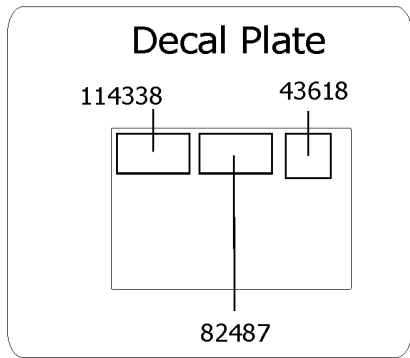
114.1 Decals with Symbols, GS-1532 Platform, CE

Item	Part No.	Description	Qty.
1	28174GT	DECAL,POWER TO PLATFORM 230V	1
2	28235GT	DECAL,POWER TO PLATFORM 115V	1
3	40434GT	DECAL,LANYARD ANCHORAGE POINT	3
4	43618GT	DECAL,LABEL-DIRECTION ARROWS	2
5	44981GT	DECAL,LABEL,AIRLINE 110 PSI	1
6	82487GT	DECAL,SYMBOL-READ THE MANUAL	1
7	82497GT	DECAL,SYM-SIDEFORCE 200400	1
8	82568GT	DECAL,COSMETIC,GENIE GS-1532	2
9	114338GT	DECAL,SYM-TIP-OVR,TILT ALARM	1
10	137605GT	DECAL,E-STOP,GR/GRC/GS PCON	1
11	137656GT	DECAL,PROPEL,GR/GRC/GS,PCON	1
12	T112807GT	DECAL,SYM MAX CAP 272 KG,CE to SN GS30P-163976	1
13	1256702GT	DECAL, UI, GS/GR, PROP LIFT	1
14	1257923GT	DECAL, SMARTLINK PROPORTIONAL	2
15	1263646GT	DECAL,QR CODE,PARTS&SERVICE MANUAL	1



114.2 Decals with Symbols, GS-1532 Platform, CE

Platform, CE models



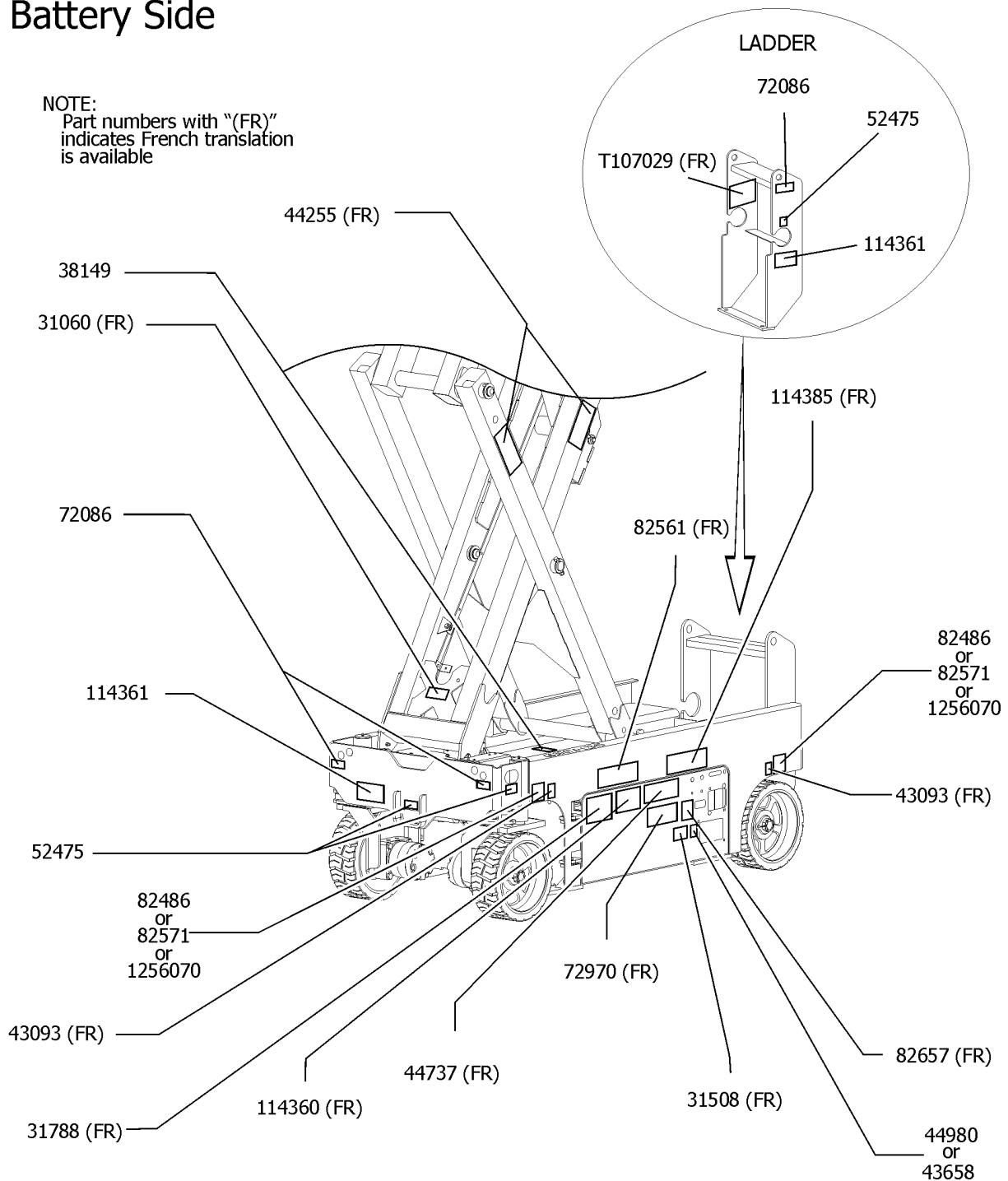
114.2 Decals with Symbols, GS-1532 Platform, CE

Item	Part No.	Description	Qty.
1	28174GT	DECAL,POWER TO PLATFORM 230V	1
2	28235GT	DECAL,POWER TO PLATFORM 115V	1
3	40434GT	DECAL,LANYARD ANCHORAGE POINT	3
4	43618GT	DECAL,LABEL-DIRECTION ARROWS	2
5	44981GT	DECAL,LABEL,AIRLINE 110 PSI	1
6	82487GT	DECAL,SYMBOL-READ THE MANUAL	1
7	82497GT	DECAL,SYM-SIDEFORCE 200400	1
8	82568GT	DECAL,COSMETIC,GENIE GS-1532	2
9	114338GT	DECAL,SYM-TIP-OVR,TILT ALARM	1
10	137605GT	DECAL,E-STOP,GR/GRC/GS PCON	1
11	137656GT	DECAL,PROPEL,GR/GRC/GS,PCON	1
13	1256702GT	DECAL, UI, GS/GR, PROP LIFT	1
14	1257923GT	DECAL, SMARTLINK PROPORTIONAL	2
15	1263646GT	DECAL,QR CODE,PARTS&SERVICE MANUAL	1
16	1278004GT	DECAL, SYMBOL, CE, MAXIMUM CAPACITY, 272KG from SN GS30P-163977	1



Battery Side

NOTE:
Part numbers with "(FR)" indicates French translation is available



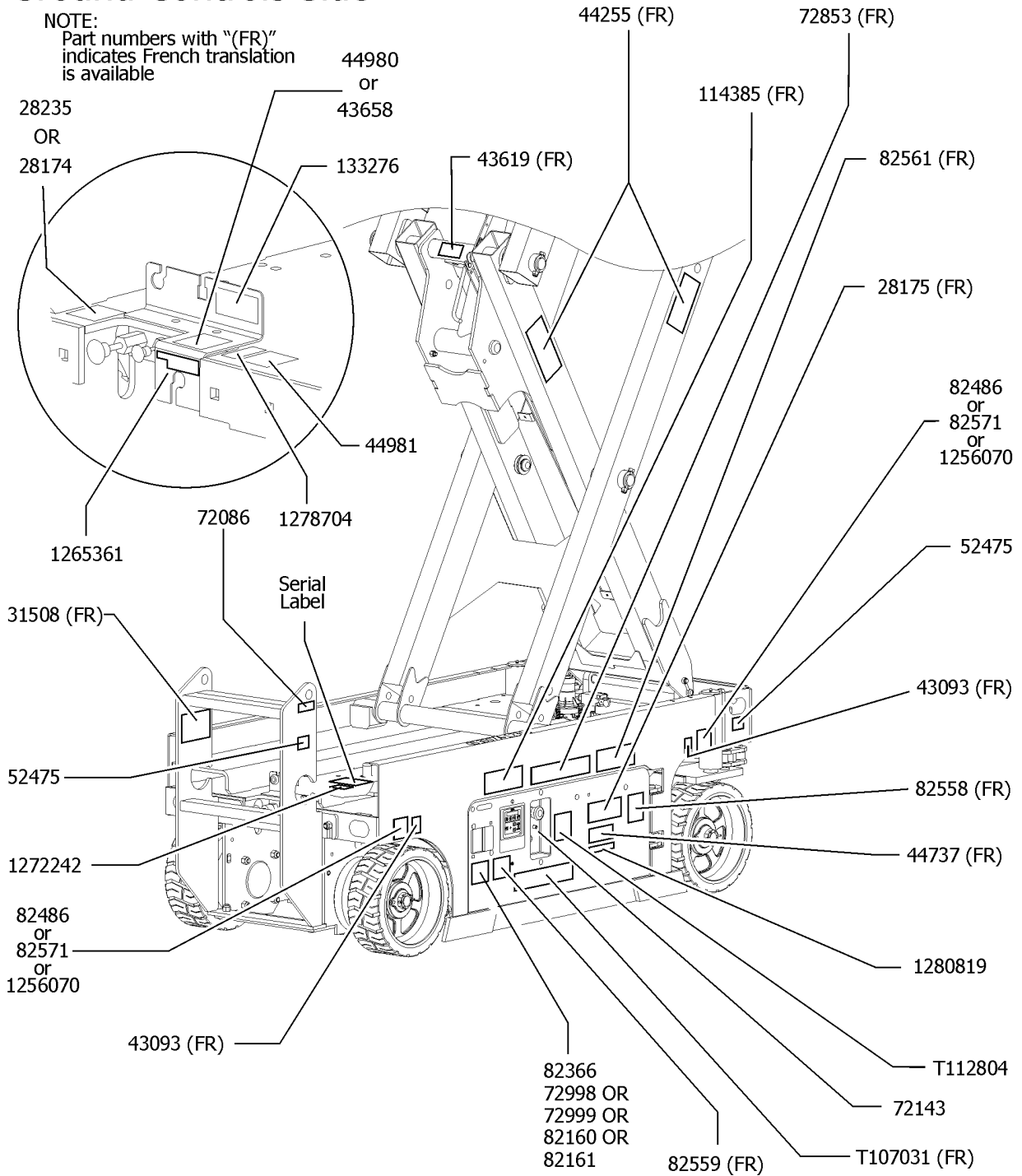
115.1 Decals with Words, GS-1930 Battery Side, ANSI & Australia

Item	Part No.	Description	Qty.
1	44255GT	DECAL,DANGER,CRUSHING HAZARD	2
2	31060GT	DECAL,DANGER DO NOT ALTER SWTC	1
3	31508GT	DECAL,DANGER,ELECT HAZARD,PLUG	1
		(Australia models)	
4	31788GT	DECAL,DANGER,BATTERY SAFETY***	1
5	43093GT	DECAL,LABEL,TIRE SPECS	2
6	43658GT	DECAL,LABEL,PWR TO CHARGR 230V	1
		(Australia models)	
7	44737GT	DECAL DANGER TIP OVER TRAYS	1
8	44980GT	DECAL,LABEL,PWR TO CHARGR 115V	1
		(Australia models)	
9	52475GT	DECAL,LABEL,TRANSPORT TIEDOWN*	3
10	72086GT	DECAL,LABEL,LIFTING EYE	3
11	72970GT	DECAL,INSTRUCTIONS-CHARGER OP	1
12	82486GT	DECAL,LABEL,WHEEL LOAD 1930	2
		(ANSI models)	
13	82561GT	DECAL,DANGER-USE SAFETY ARM	1
14	82571GT	DECAL,LABEL,WHEEL LOAD 19XX	2
		(Australia models)	
15	82657GT	DECAL,INSTRUCT,BATTERY CONNECT	1
16	114360GT	DECAL,DANGER-TIP-OVER,BATT	1
17	114361GT	DECAL,LABEL-TRANSPORT DIGRAM	2
18	114385GT	DECAL,DANGER,ELEC HAZARD,GS	1
19	1256070GT	DECAL,LABEL,WHEEL LOAD,1930PAR	2
		(ANSI models with padded auxiliary rail only)	
20	T107029GT	DECAL,DANGER,BRAKE REL SAFETY	1



Ground Controls Side

NOTE:
Part numbers with "(FR)"
indicates French translation
is available



116.1 Decals with Words, GS-1930 Ground Controls Side, ANSI & Australia

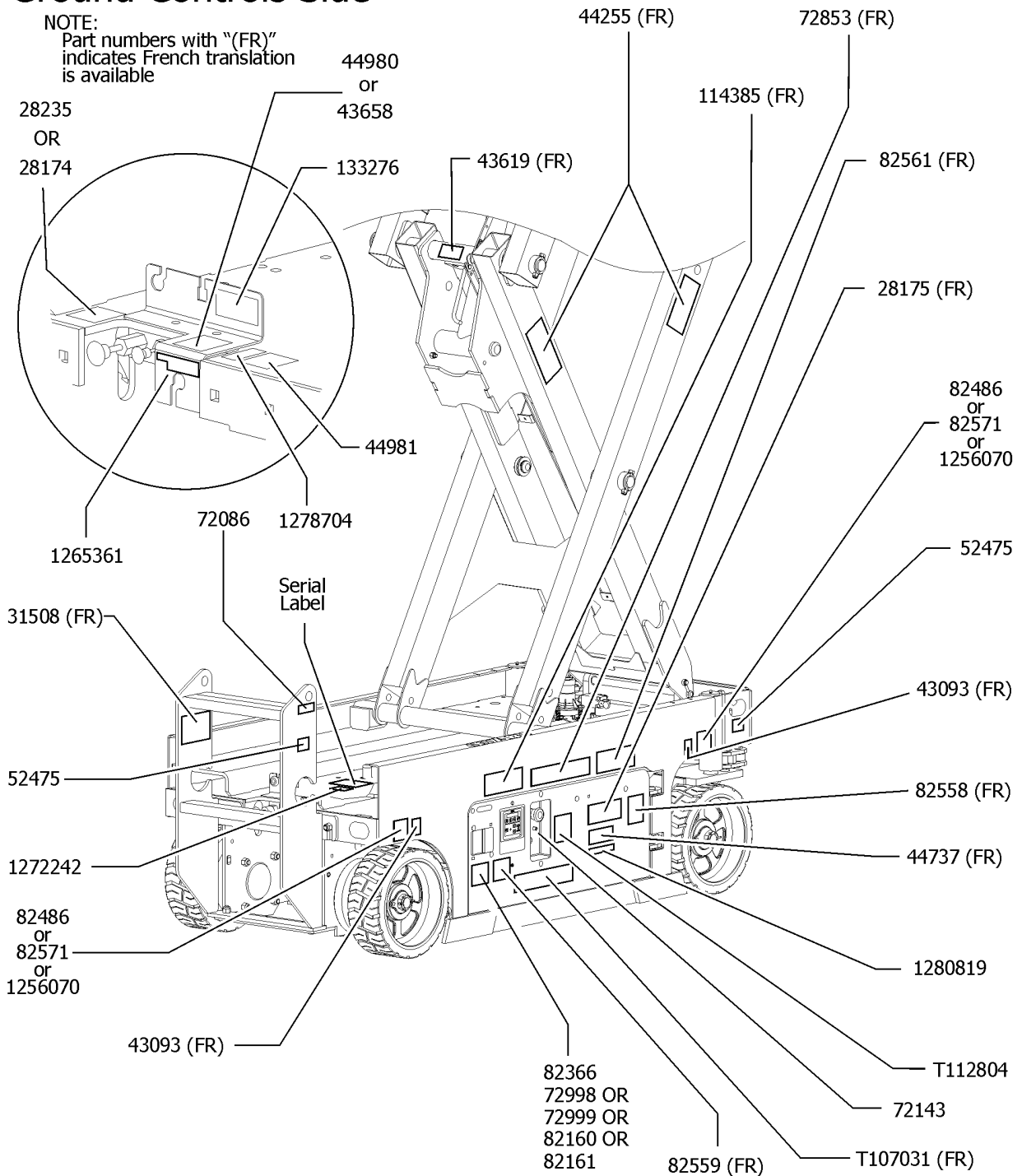
Item	Part No.	Description	Qty.
1	28174GT	DECAL,POWER TO PLATFORM 230V	1
2	28175GT	DECAL,WARNING-COMPART ACCESS	1
3	28235GT	DECAL,POWER TO PLATFORM 115V	1
4	31508GT	DECAL,DANGER,ELECT HAZARD,PLUG	1
		(ANSI models)	
5	43093GT	DECAL,LABEL,TIRE SPECS	2
6	43619GT	DECAL,LABEL,SAFETY ARM	1
7	43658GT	DECAL,LABEL,PWR TO CHARGR 230V	1
		(ANSI models)	
8	44255GT	DECAL,DANGER,CRUSHING HAZARD	2
9	44737GT	DECAL DANGER TIP OVER TRAYS	1
10	44980GT	DECAL,LABEL,PWR TO CHARGR 115V	1
		(ANSI models)	
11	44981GT	DECAL,LABEL,AIRLINE 110 PSI	1
		(option)	
12	52475GT	DECAL,LABEL,TRANSPORT TIEDOWN*	2
13	72086GT	DECAL,LABEL,LIFTING EYE	1
14	72143GT	DECAL,EMERGENCY STOP,GR	1
15	72853GT	DECAL,DANGER,IMPROPER USE HAZ	1
16	72998GT	DECAL,LABEL,QUINTOLUBRIK	1
		(models with Quintolub hydraulic oil)	
17	72999GT	DECAL,LABEL,PETRO CANADA***	1
		(models with Petro Canada hydraulic oil)	
18	82160GT	DECAL,LABEL,STATOIL HYDRA WAY	1
		(models with Statoil hydraulic oil)	
19	82161GT	DECAL,LABEL,UCON HYDROLUBE	1
		(models with UConn Hydrolube hydraulic oil)	
20	82366GT	DECAL,CHEVRON RANDO HD	1
		(models with Chevron Random hydraulic oil)	
21	82486GT	DECAL,LABEL,WHEEL LOAD 1930	2
		(ANSI models)	
22	82558GT	DECAL,WARN,SKIN INJECTION HAZ*	1
23	82559GT	DECAL,INSTRUCT-ANNUAL INSP REQ	1
24	82561GT	DECAL,DANGER-USE SAFETY ARM	1
25	82571GT	DECAL,LABEL,WHEEL LOAD 19XX	2
		(Australia models)	
26	114385GT	DECAL,DANGER,ELEC HAZARD,GS	1
27	133276GT	DECAL,EMERGENCY LOWERING	1
28	1256070GT	DECAL,LABEL,WHEEL LOAD,1930PAR	2
		(ANSI models with padded auxiliary rail only)	



116.1 Decals with Words, GS-1930 Ground Controls Side, ANSI & Australia

Ground Controls Side

NOTE:
Part numbers with "(FR)" indicates French translation is available



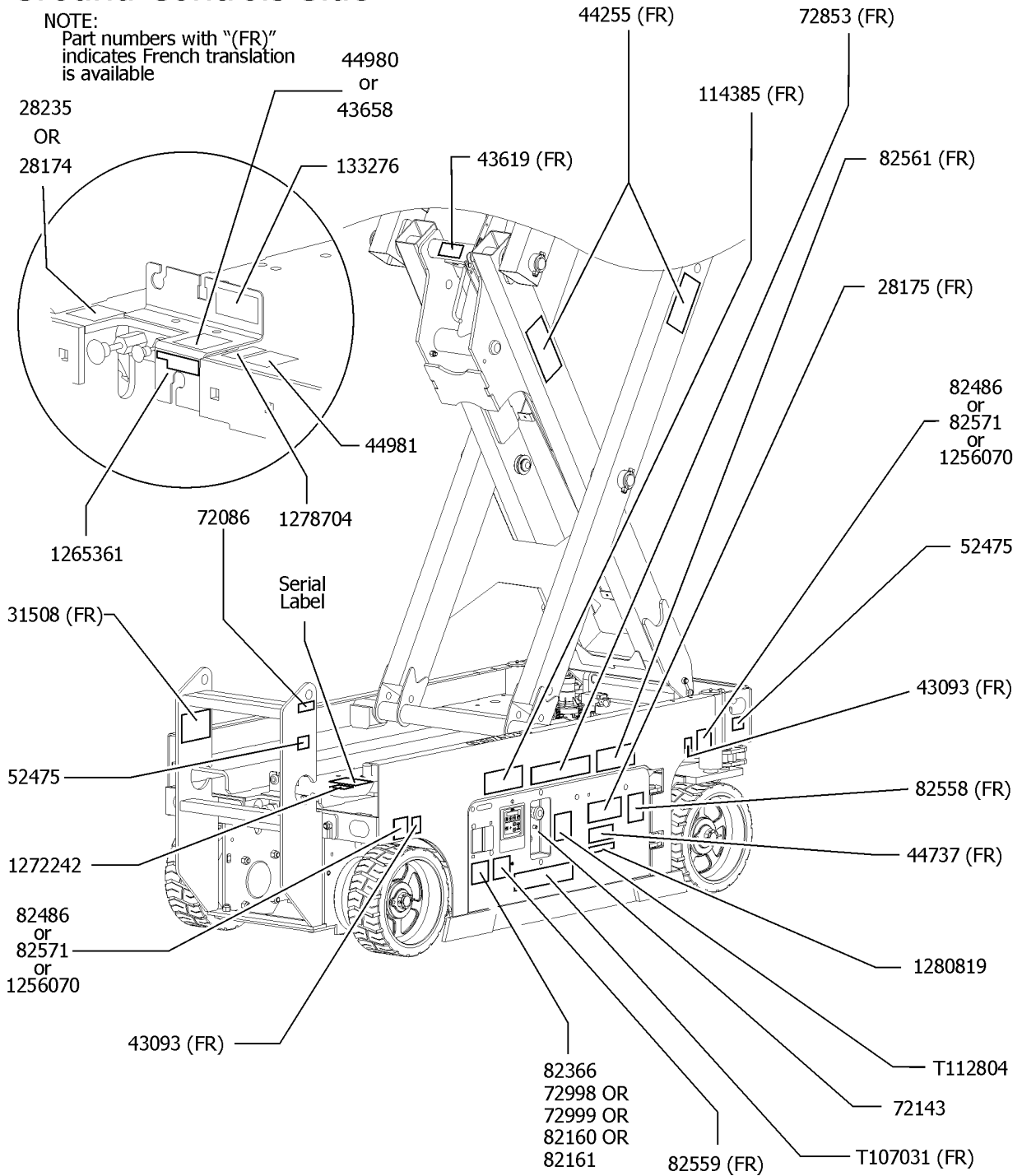
116.1 Decals with Words, GS-1930 Ground Controls Side, ANSI & Australia
Qty.

Item	Part No.	Description	Qty.
29	1272242GT	DECAL,MACHINE REGISTRATION/OWN	1
30	T107031GT	DECAL,OP INST,GCON	1
31	T112804GT	DECAL,GCON PANEL,GS	1
32	1265361GT	DECAL, BATTERY CHARGER INDICAT (ANSI from SN 158209 to 173672) (AUS from 158209)	1



Ground Controls Side

NOTE:
Part numbers with "(FR)" indicates French translation is available



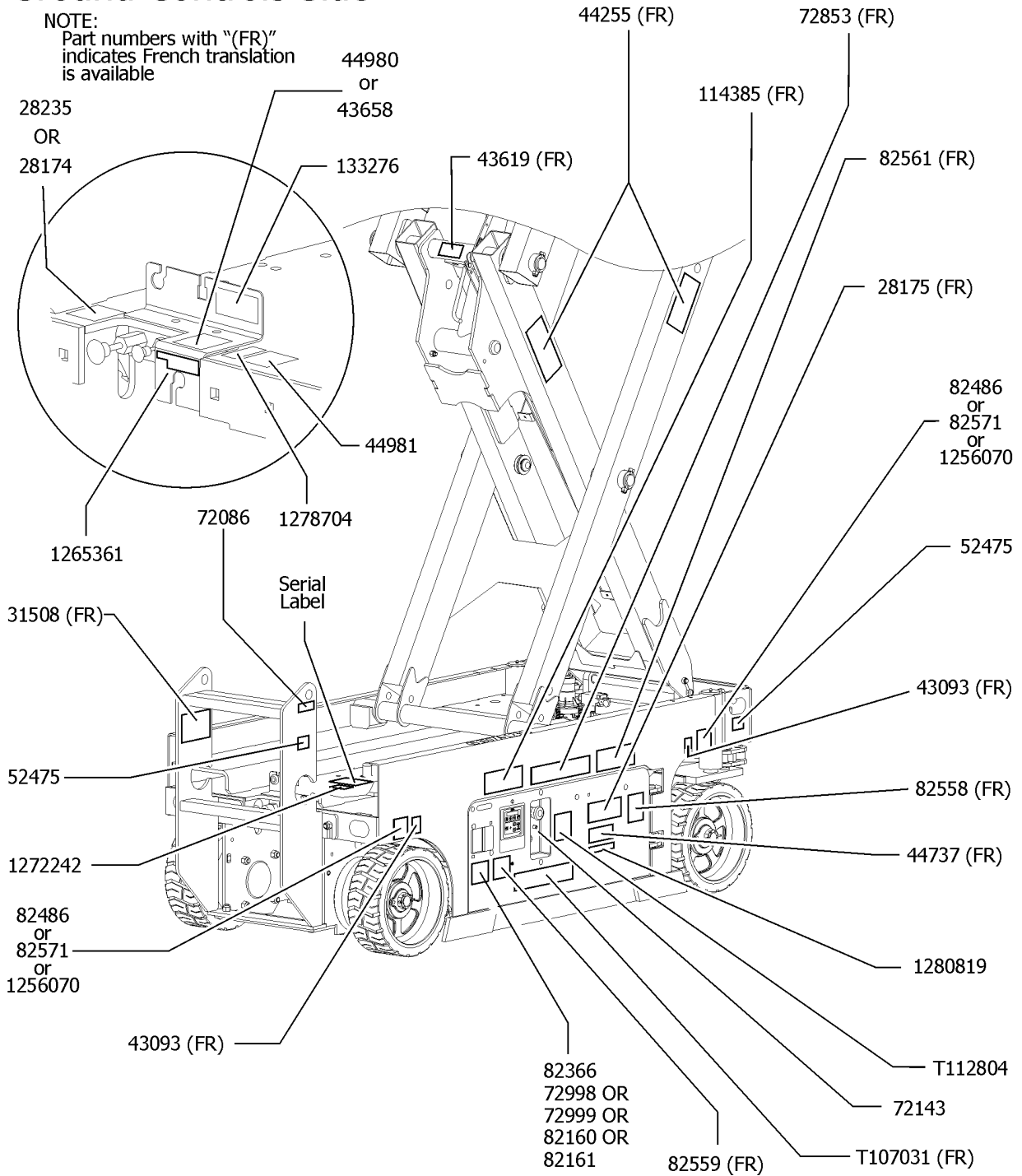
116.2 Decals with Words, GS-1930 Ground Controls Side, ANSI & Australia

Item	Part No.	Description	Qty.
1	28174GT	DECAL,POWER TO PLATFORM 230V	1
2	28175GT	DECAL,WARNING-COMPART ACCESS	1
3	28235GT	DECAL,POWER TO PLATFORM 115V	1
4	31508GT	DECAL,DANGER,ELECT HAZARD,PLUG	1
		(ANSI models)	
5	43093GT	DECAL,LABEL,TIRE SPECS	2
6	43619GT	DECAL,LABEL,SAFETY ARM	1
7	43658GT	DECAL,LABEL,PWR TO CHARGR 230V	1
		(ANSI models)	
8	44255GT	DECAL,DANGER,CRUSHING HAZARD	2
9	44737GT	DECAL DANGER TIP OVER TRAYS	1
10	44980GT	DECAL,LABEL,PWR TO CHARGR 115V	1
		(ANSI models)	
11	44981GT	DECAL,LABEL,AIRLINE 110 PSI	1
		(option)	
12	52475GT	DECAL,LABEL,TRANSPORT TIEDOWN*	2
13	72086GT	DECAL,LABEL,LIFTING EYE	1
14	72143GT	DECAL,EMERGENCY STOP,GR	1
15	72853GT	DECAL,DANGER,IMPROPER USE HAZ	1
16	72998GT	DECAL,LABEL,QUINTOLUBRIK	1
		(models with Quintolub hydraulic oil)	
17	72999GT	DECAL,LABEL,PETRO CANADA***	1
		(models with Petro Canada hydraulic oil)	
18	82160GT	DECAL,LABEL,STATOIL HYDRA WAY	1
		(models with Statoil hydraulic oil)	
19	82161GT	DECAL,LABEL,UCON HYDROLUBE	1
		(models with UConn Hydrolube hydraulic oil)	
20	82366GT	DECAL,CHEVRON RANDO HD	1
		(models with Chevron Random hydraulic oil)	
21	82486GT	DECAL,LABEL,WHEEL LOAD 1930	2
		(ANSI models)	
22	82558GT	DECAL,WARN,SKIN INJECTION HAZ*	1
23	82559GT	DECAL,INSTRUCT-ANNUAL INSP REQ	1
24	82561GT	DECAL,DANGER-USE SAFETY ARM	1
25	82571GT	DECAL,LABEL,WHEEL LOAD 19XX	2
		(Australia models)	
26	114385GT	DECAL,DANGER,ELEC HAZARD,GS	1
27	133276GT	DECAL,EMERGENCY LOWERING	1
28	1256070GT	DECAL,LABEL,WHEEL LOAD,1930PAR	2
		(ANSI models with padded auxiliary rail only)	



Ground Controls Side

NOTE:
Part numbers with "(FR)" indicates French translation is available

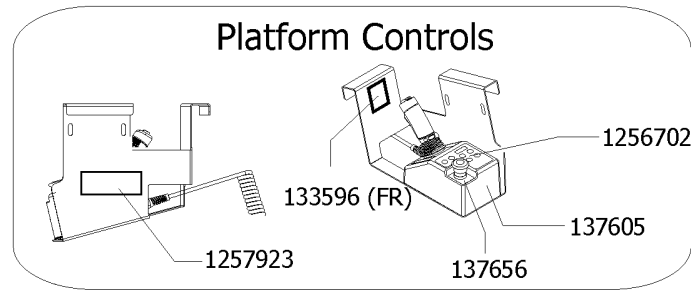
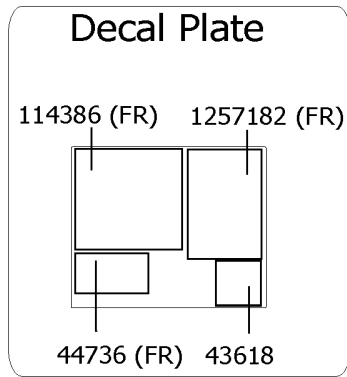


116.2 Decals with Words, GS-1930 Ground Controls Side, ANSI & Australia
 Qty.

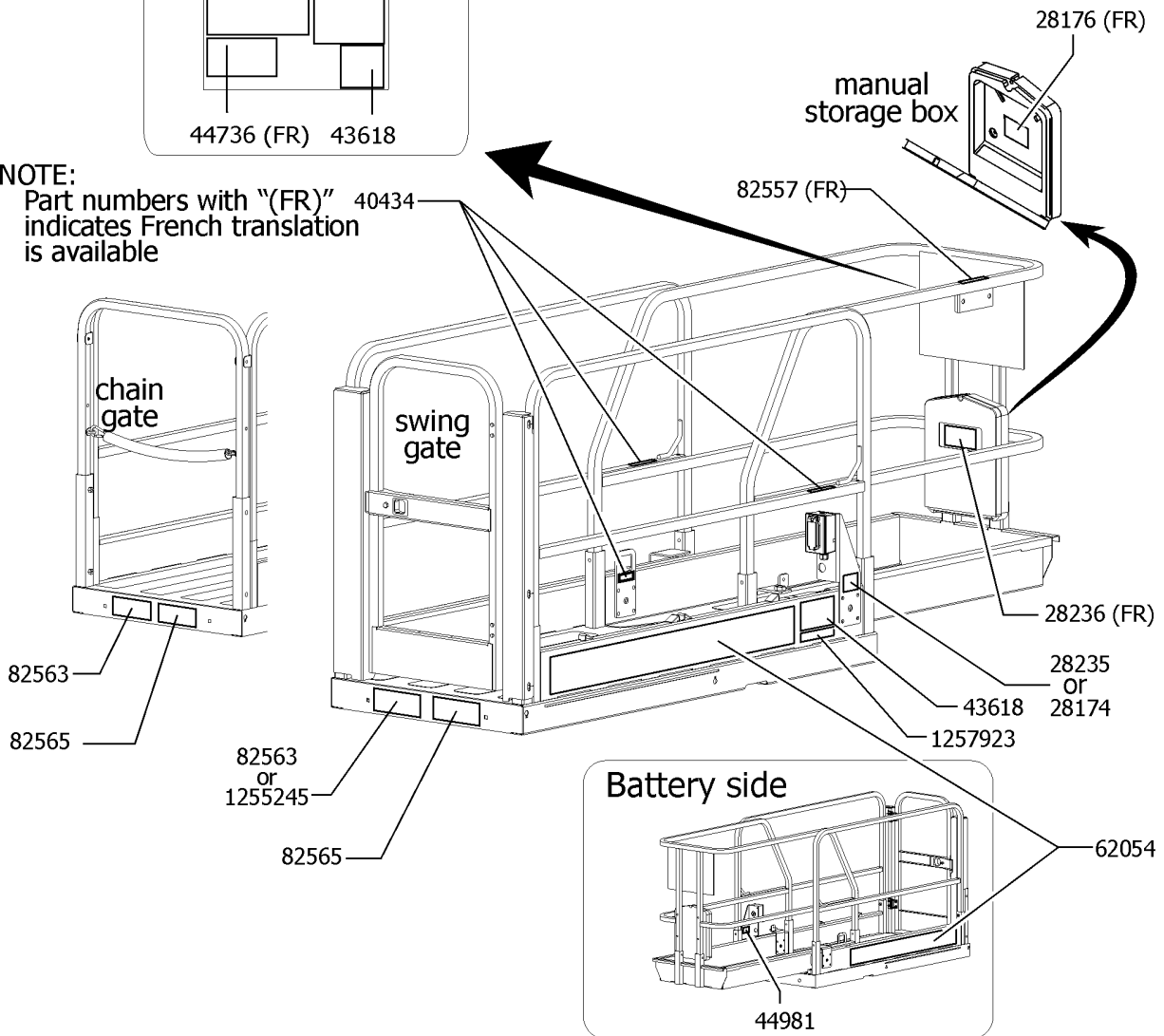
Item	Part No.	Description	Qty.
29	1272242GT	DECAL,MACHINE REGISTRATION/OWN	1
30	T107031GT	DECAL,OP INST,GCON	1
31	T112804GT	DECAL,GCON PANEL,GS	1
32	1265361GT	DECAL, BATTERY CHARGER INDICAT (ANSI from SN 158209 to 173672) (AUS from 158209)	1
33	1278704GT	DECAL,CHARGE STATUS IND. (ANSI from SN 173673)	1
34	1280819GT	DECAL,WARNING,CANCER AND REPRODUCTIVE HARM, PROP 65	1
		(ANSI US only from 174629)	



Platform, ANSI models



NOTE:
Part numbers with "(FR)" indicates French translation is available

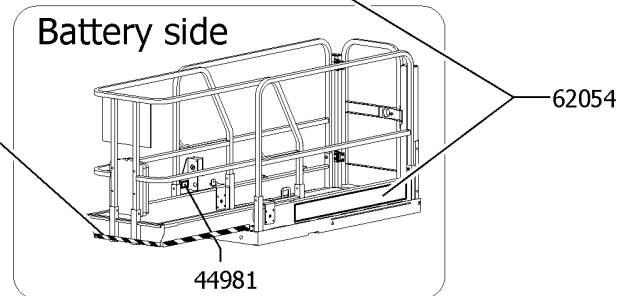
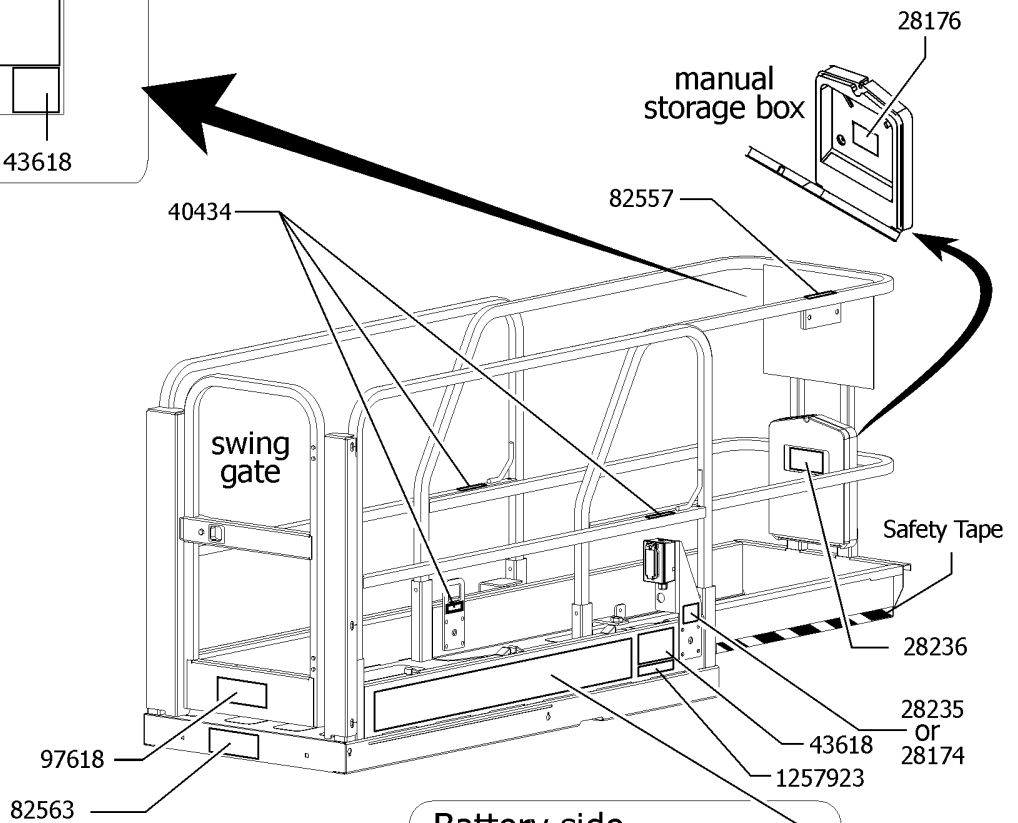
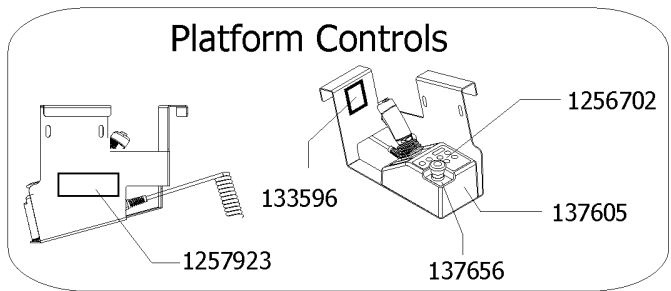
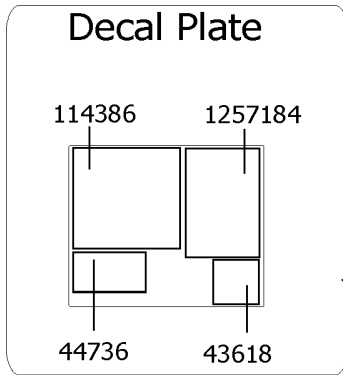


117.1 Decals with Words, GS-1930 Platform, ANSI

Item	Part No.	Description	Qty.
1	28174GT	DECAL,POWER TO PLATFORM 230V	1
2	28176GT	DECAL,LABEL,MANUAL NOT HERE	1
3	28235GT	DECAL,POWER TO PLATFORM 115V	1
4	28236GT	DECAL,WARN,IMPROPER OPERATION	1
5	40434GT	DECAL,LANYARD ANCHORAGE POINT	3
6	43618GT	DECAL,LABEL-DIRECTION ARROWS	2
7	44736GT	DECAL,DANGER,TIP-OVER,TILT	1
8	44981GT	DECAL,LABEL,AIRLINE 110 PSI	1
9	62054GT	DECAL,COSMETIC,GENIE GS-1930**	2
10	82557GT	DECAL,LABEL,PLAT CONT LOCATION	1
11	82563GT	DECAL,INSTR-MAX CAP 500 LBS (GS1930 and GS1932 models)	1
12	82565GT	DECAL,INSTR-SIDE FRC,ANSI	1
13	114386GT	DECAL,DANGER-GEN SAFETY	1
14	133596GT	DECAL,LABEL,FAULT CODES	1
15	137605GT	DECAL,E-STOP,GR/GRC/GS PCON	1
17	137656GT	DECAL,PROPEL,GR/GRC/GS,PCON	1
18	1255245GT	DECAL,INSTR-MAX CAP 400 LBS (models with padded auxiliary rail only)	1
19	1256702GT	DECAL, UI, GS/GR, PROP LIFT	1
21	1257182GT	DECAL, OP INST, PLAT, GS30, ANSI	1
22	1257923GT	DECAL, SMARTLINK PROPORTIONAL	2



Platform, Australia Models

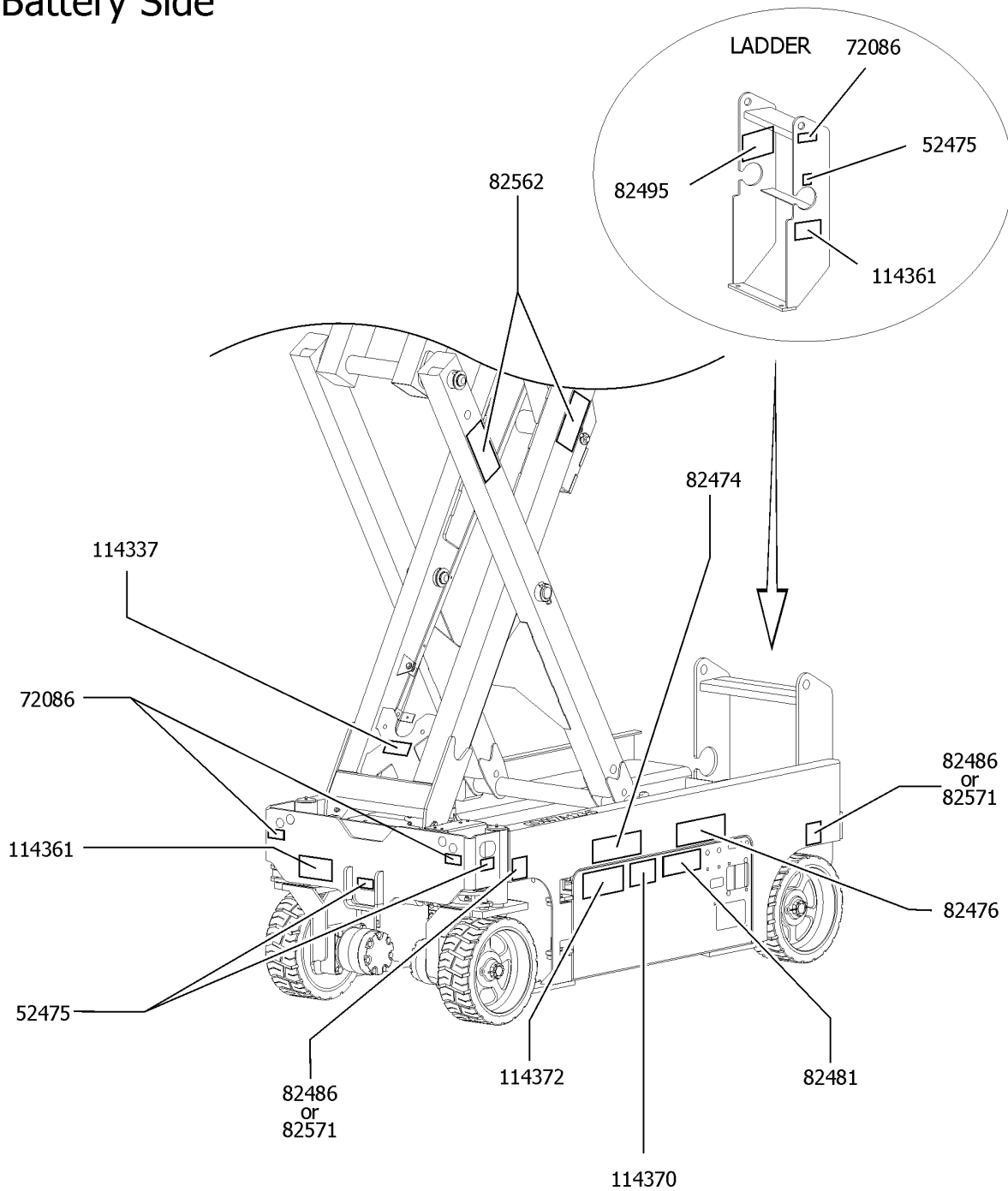


118.1 Decals with Words, GS-1930 Platform, Australia

Item	Part No.	Description	Qty.
1	28174GT	DECAL,POWER TO PLATFORM 230V	1
2	28176GT	DECAL,LABEL,MANUAL NOT HERE	1
3	28235GT	DECAL,POWER TO PLATFORM 115V	1
4	28236GT	DECAL,WARN,IMPROPER OPERATION	1
5	40434GT	DECAL,LANYARD ANCHORAGE POINT	3
6	43618GT	DECAL,LABEL-DIRECTION ARROWS	2
7	44736GT	DECAL,DANGER,TIP-OVER,TILT	1
8	44981GT	DECAL,LABEL,AIRLINE 110 PSI	1
9	62054GT	DECAL,COSMETIC,GENIE GS-1930**	2
10	82557GT	DECAL,LABEL,PLAT CONT LOCATION	1
11	97618GT	DECAL,INSTR-INDOOR USE,AUS	1
12	114386GT	DECAL,DANGER-GEN SAFETY	1
13	133596GT	DECAL,LABEL,FAULT CODES	1
14	137605GT	DECAL,E-STOP,GR/GRC/GS PCON	1
15	137656GT	DECAL,PROPEL,GR/GRC/GS,PCON	1
16	82563GT	DECAL,INSTR-MAX CAP 500 LBS (GS1930 and GS1932 models)	1
17	1256702GT	DECAL, UI, GS/GR, PROP LIFT	1
18	1257184GT	DECAL, OP INST, PLAT, GS30, AUS	1
19	1257923GT	DECAL, SMARTLINK PROPORTIONAL	2



Battery Side



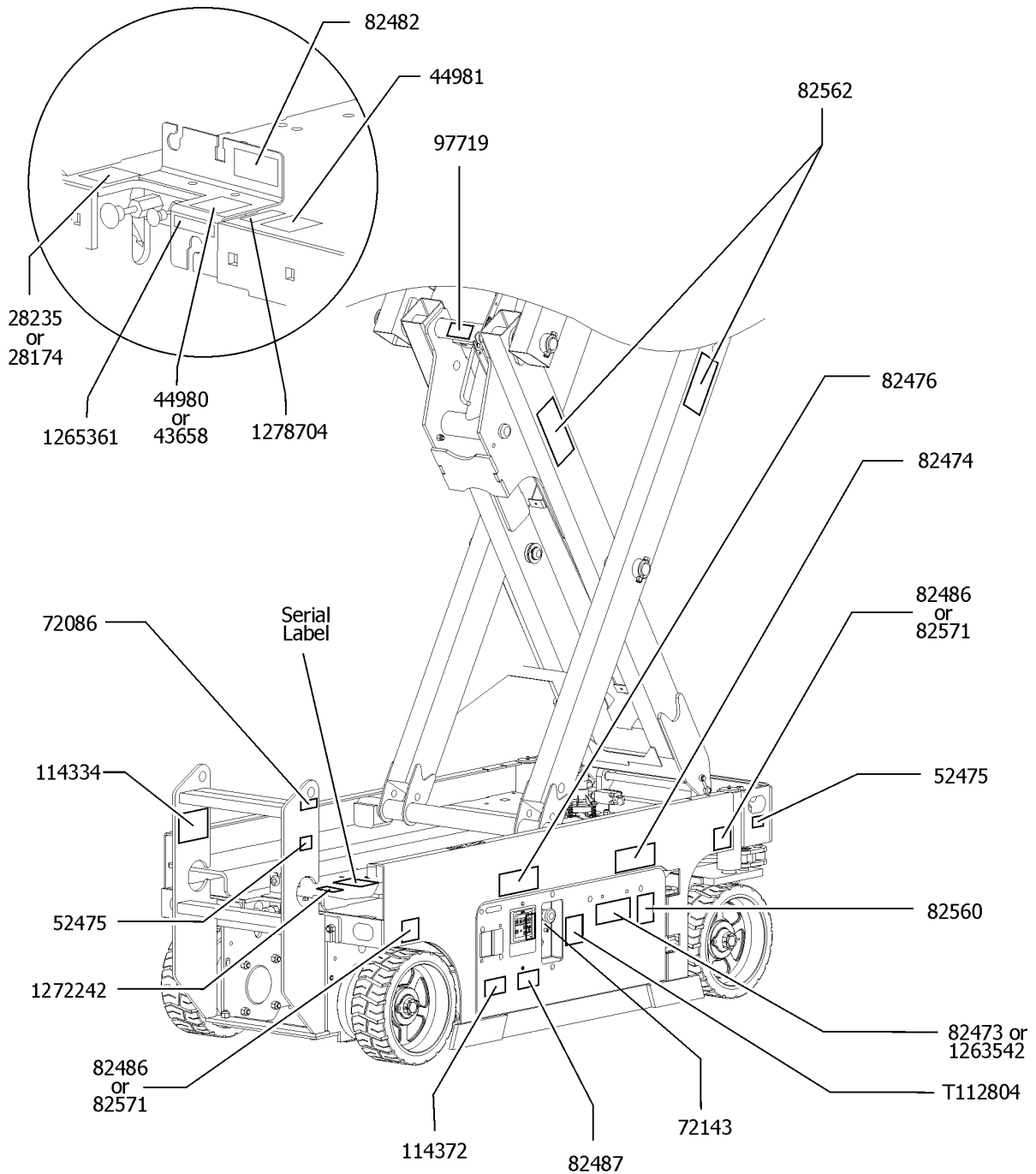
119.1 Decals with Symbols, GS-1930 Battery Side, ANSI & CE

Item	Part No.	Description	Qty.
1	52475GT	DECAL,LABEL,TRANSPORT TIEDOWN*	3
2	72086GT	DECAL,LABEL,LIFTING EYE	3
3	82474GT	DECAL,SYMBOL-USE SAFETY ARM	1
4	82476GT	DECAL,SYMBOL-ELEC HAZARD,GS	1
5	82481GT	DECAL,SYMBOL-BATTERY SAFETY	1
6	82486GT	DECAL,LABEL,WHEEL LOAD 1930	2
		(ANSI models)	
7	82495GT	DECAL,SYMBOL-BRAKE REL SAFETY	1
8	82562GT	DECAL,SYMBOL-CRUSHING HAZARD	2
9	82571GT	DECAL,LABEL,WHEEL LOAD 19XX	2
		(CE models)	
10	114337GT	DECAL,SYM-TIP-OVR,LIM SWITCH	1
11	114361GT	DECAL,LABEL-TRANSPORT DIGRAM	2
12	114370GT	DECAL-SYM-TIP-OVR,BATTRIES	1
13	114372GT	DECAL,SYM-TIP-OVER,TRAYS	1



120.1 Decals with Symbols, GS-1930 Ground Control Side, ANSI & CE

Ground Controls Side



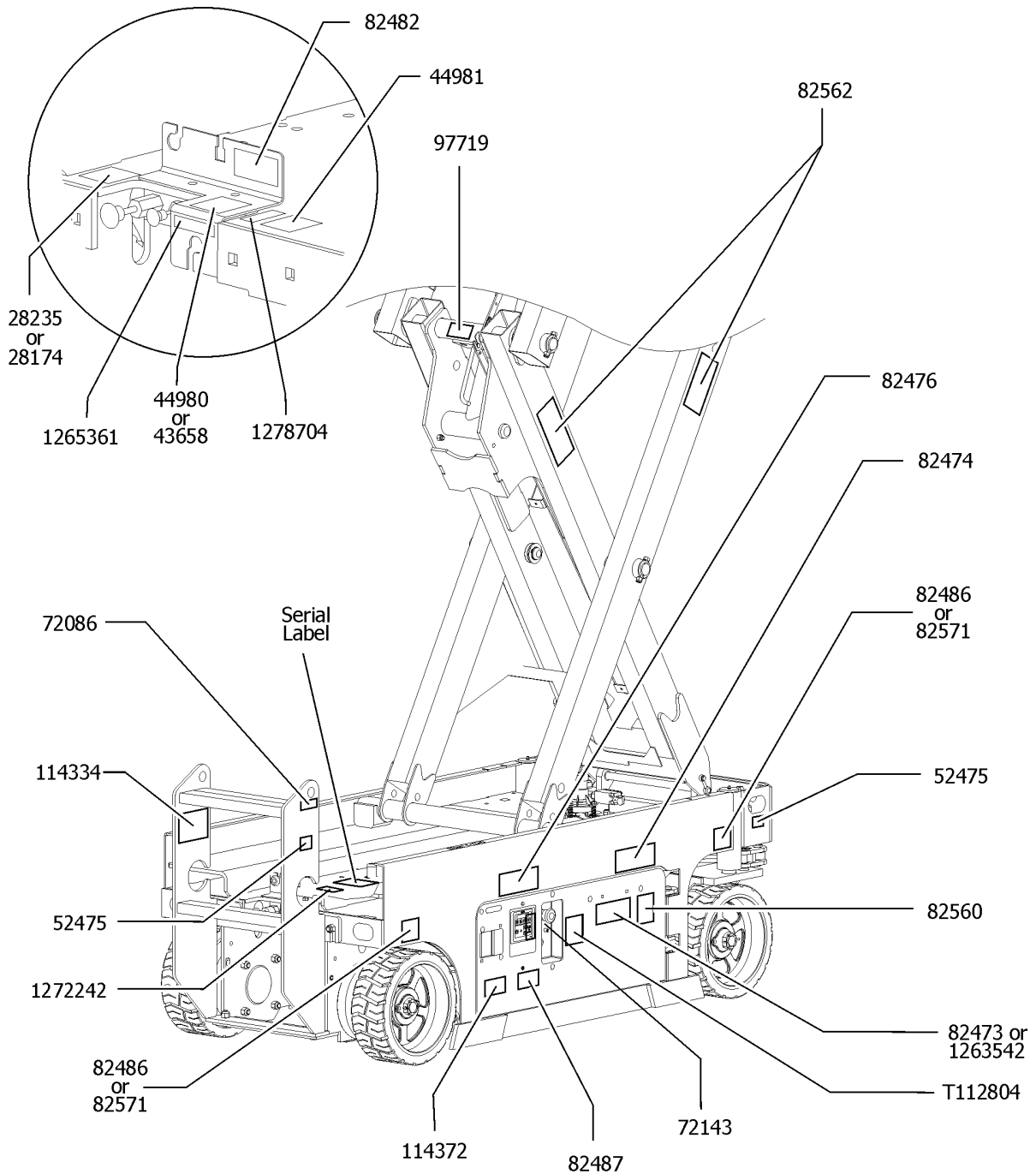
120.1 Decals with Symbols, GS-1930 Ground Control Side, ANSI & CE

Item	Part No.	Description	Qty.
1	28174GT	DECAL,POWER TO PLATFORM 230V	1
2	28235GT	DECAL,POWER TO PLATFORM 115V	1
3	43658GT	DECAL,LABEL,PWR TO CHARGR 230V	1
4	44980GT	DECAL,LABEL,PWR TO CHARGR 115V	1
5	44981GT	DECAL,LABEL,AIRLINE 110 PSI	1
6	52475GT	DECAL,LABEL,TRANSPORT TIEDOWN*	2
7	72086GT	DECAL,LABEL,LIFTING EYE	1
8	72143GT	DECAL,EMERGENCY STOP,GR	1
9	82473GT	DECAL SYMBOL COMP ACCESS	1
		to SN GS30P-163976	
10	82474GT	DECAL,SYMBOL-USE SAFETY ARM	1
11	82476GT	DECAL,SYMBOL-ELEC HAZARD,GS	1
12	82482GT	DECAL, LABEL,AUX LOWERING	1
13	82486GT	DECAL,LABEL,WHEEL LOAD 1930	2
		(ANSI Models)	
14	82487GT	DECAL,SYMBOL-READ THE MANUAL	1
15	82560GT	DECAL,SYMBOL-SKIN INJECT HAZRD	1
16	82562GT	DECAL,SYMBOL-CRUSHING HAZARD	2
17	82571GT	DECAL,LABEL,WHEEL LOAD 19XX	2
		(CE Models)	
18	97719GT	DECAL, LABEL, SAFETY ARM SYMB	1
19	114334GT	DECAL,SYM-ELEC HAZARD,PLUG	1
20	114372GT	DECAL,SYM-TIP-OVER,TRAYS	1
21	1263542GT	DECAL, COMPARTMENT ACCESS	1
23	T112804GT	DECAL,GCON PANEL,GS	1
24	1265361GT	DECAL, BATTERY CHARGER INDICAT	1
		(from SN 158209 to 173672)	



120.2 Decals with Symbols, GS-1930 Ground Control Side, ANSI & CE

Ground Controls Side



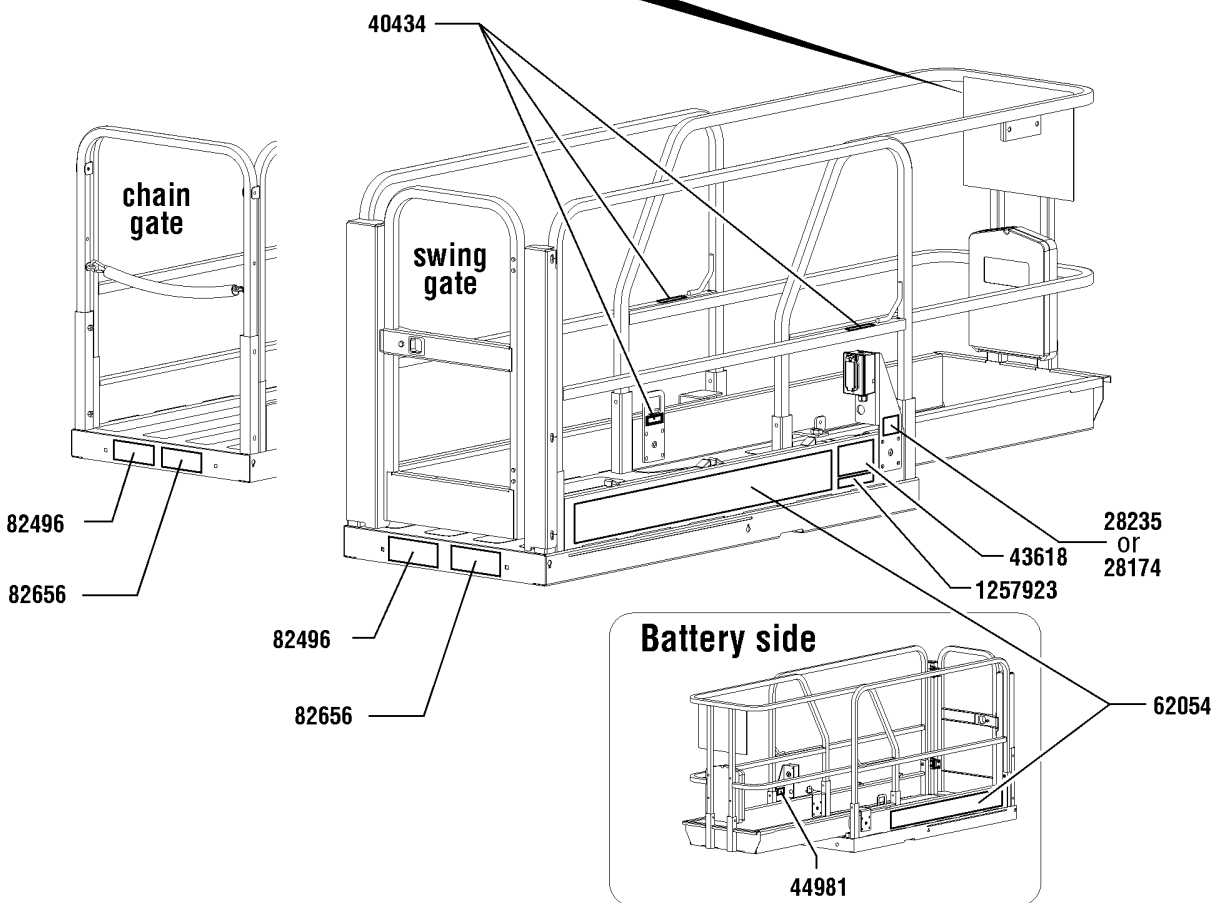
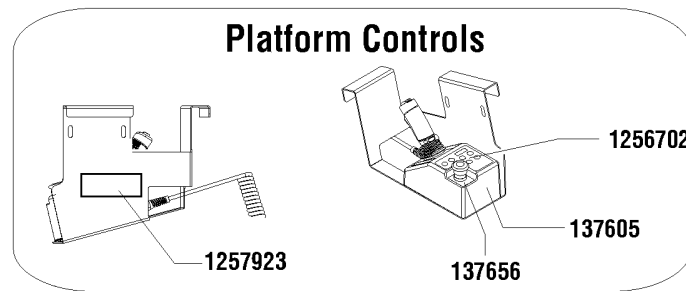
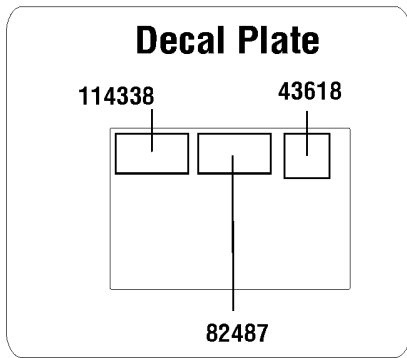
120.2 Decals with Symbols, GS-1930 Ground Control Side, ANSI & CE

Item	Part No.	Description	Qty.
1	28174GT	DECAL,POWER TO PLATFORM 230V	1
2	28235GT	DECAL,POWER TO PLATFORM 115V	1
3	43658GT	DECAL,LABEL,PWR TO CHARGR 230V	1
4	44980GT	DECAL,LABEL,PWR TO CHARGR 115V	1
5	44981GT	DECAL,LABEL,AIRLINE 110 PSI	1
6	52475GT	DECAL,LABEL,TRANSPORT TIEDOWN*	2
7	72086GT	DECAL,LABEL,LIFTING EYE	1
8	72143GT	DECAL,EMERGENCY STOP,GR	1
9	82473GT	DECAL SYMBOL COMP ACCESS	1
		to SN GS30P-163976	
10	82474GT	DECAL,SYMBOL-USE SAFETY ARM	1
11	82476GT	DECAL,SYMBOL-ELEC HAZARD,GS	1
12	82482GT	DECAL, LABEL,AUX LOWERING	1
13	82486GT	DECAL,LABEL,WHEEL LOAD 1930	2
		(ANSI Models)	
14	82487GT	DECAL,SYMBOL-READ THE MANUAL	1
15	82560GT	DECAL,SYMBOL-SKIN INJECT HAZRD	1
16	82562GT	DECAL,SYMBOL-CRUSHING HAZARD	2
17	82571GT	DECAL,LABEL,WHEEL LOAD 19XX	2
		(CE Models)	
18	97719GT	DECAL, LABEL, SAFETY ARM SYMB	1
19	114334GT	DECAL,SYM-ELEC HAZARD,PLUG	1
20	114372GT	DECAL,SYM-TIP-OVER,TRAYS	1
21	1263542GT	DECAL, COMPARTMENT ACCESS	1
22	1272242GT	DECAL,MACHINE REGISTRATION/OWN	1
		from SN GS30P-163977	
23	T112804GT	DECAL,GCON PANEL,GS	1
24	1265361GT	DECAL, BATTERY CHARGER INDICAT	1
		(from SN 158209 to 173672)	
25	1278704GT	DECAL,CHARGE STATUS IND.	1
		(from 173673)	



121.1 Decals with Symbols, GS-1930 Platform ANSI

Platform, ANSI models



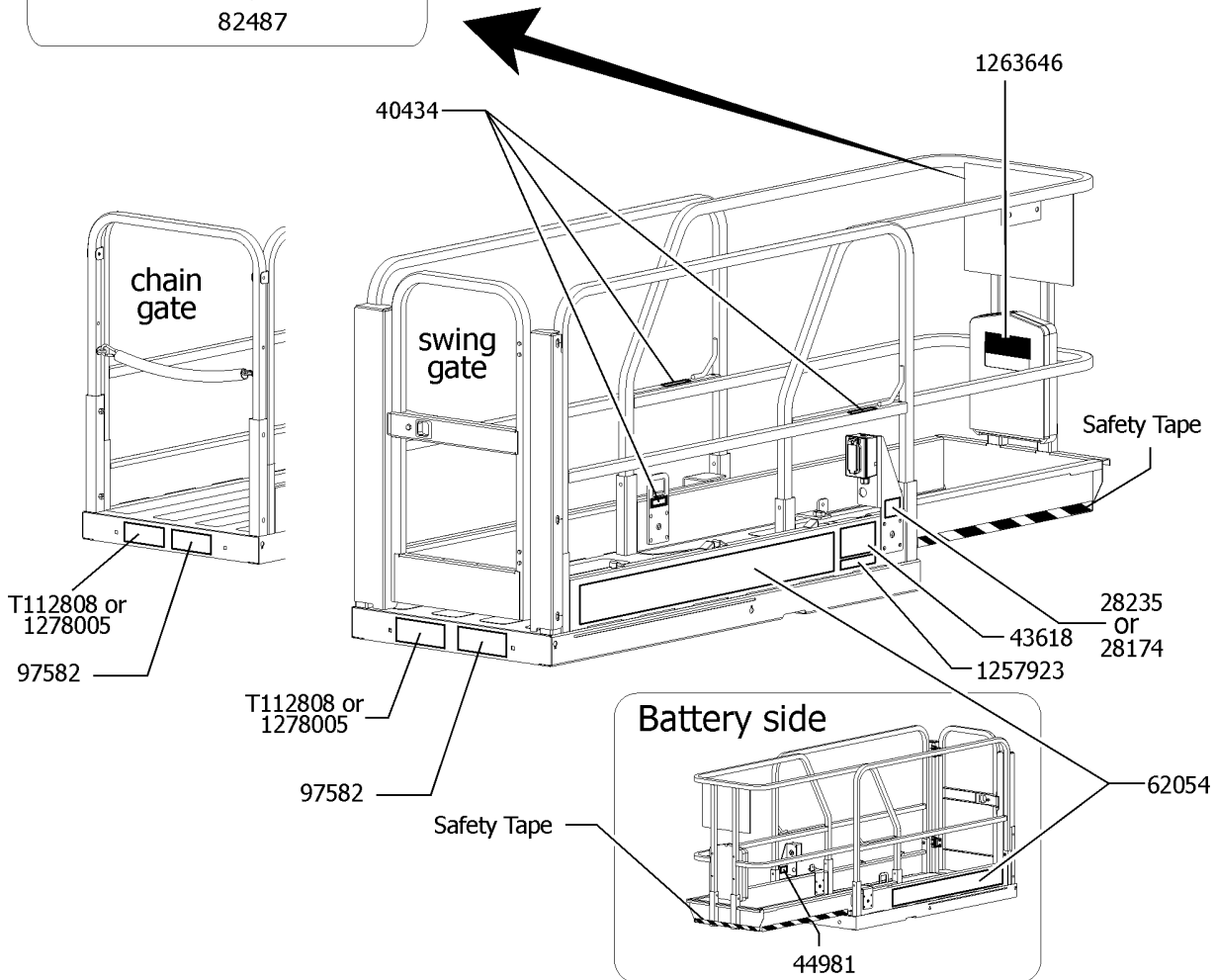
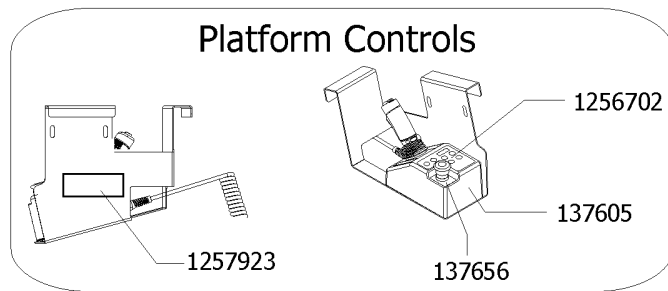
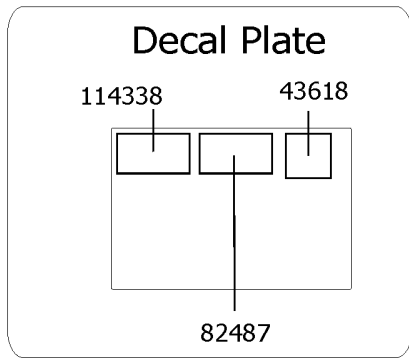
121.1 Decals with Symbols, GS-1930 Platform ANSI

Item	Part No.	Description	Qty.
1	28174GT	DECAL,POWER TO PLATFORM 230V	1
2	28235GT	DECAL,POWER TO PLATFORM 115V	1
3	40434GT	DECAL,LANYARD ANCHORAGE POINT	3
4	43618GT	DECAL,LABEL-DIRECTION ARROWS	2
5	44981GT	DECAL,LABEL,AIRLINE 110 PSI	1
6	62054GT	DECAL,COSMETIC,GENIE GS-1930**	2
7	82487GT	DECAL,SYMBOL-READ THE MANUAL	1
8	82496GT	DECAL,SYM-MAXCAP 500	1
9	82656GT	DECAL,SYM-SIDE FORCE 445N	1
10	114338GT	DECAL,SYM-TIP-OVR,TILT ALARM	1
11	137605GT	DECAL,E-STOP,GR/GRC/GS PCON	1
12	137636GT	DECAL, UI, GR/GRC/GS PCON	1
13	137656GT	DECAL,PROPEL,GR/GRC/GS,PCON	1
14	1256702GT	DECAL, UI, GS/GR, PROP LIFT	1
15	1257923GT	DECAL, SMARTLINK PROPORTIONAL	2



122.1 Decals with Symbols, GS-1930 Platform CE

Platform, CE models



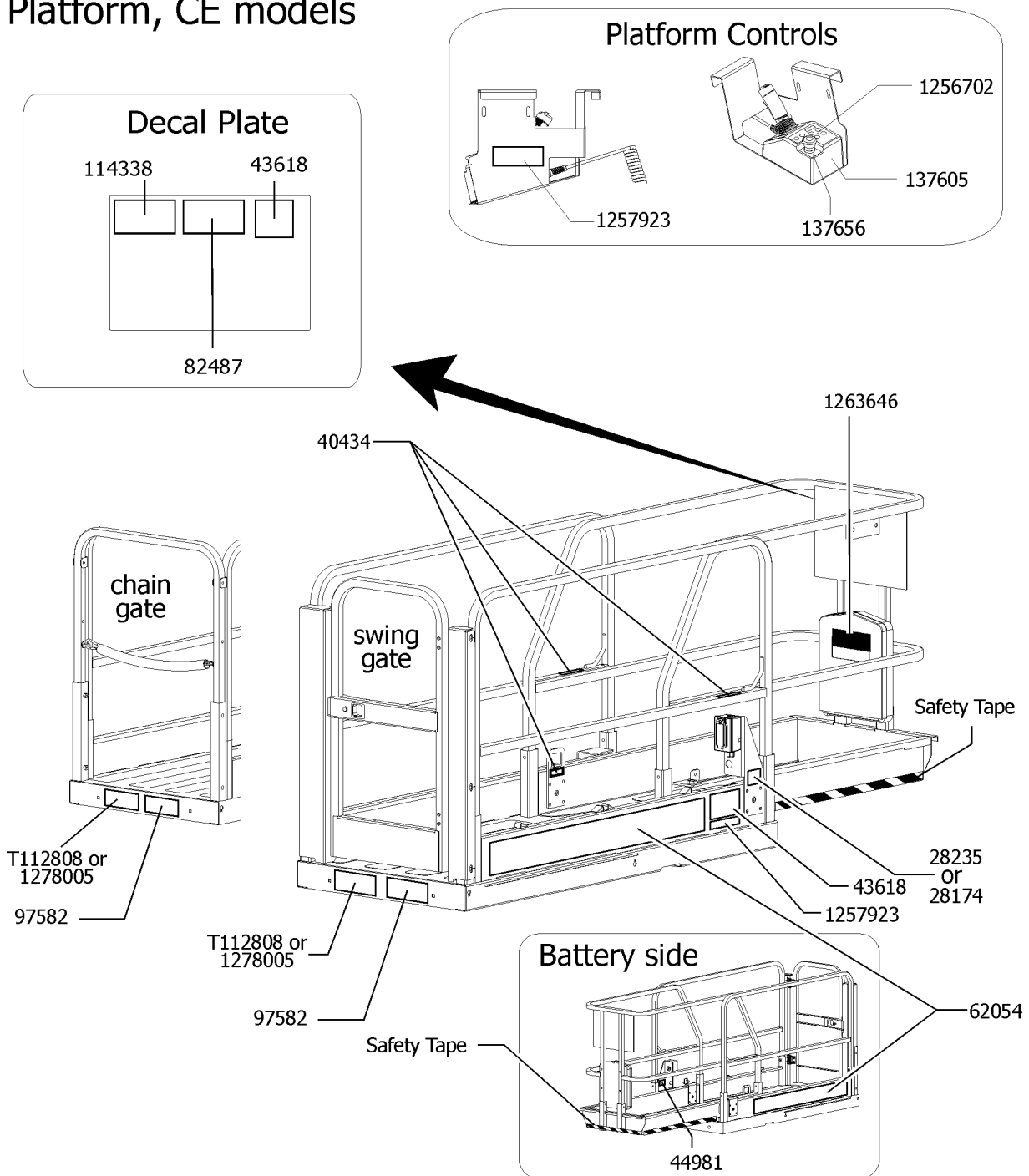
122.1 Decals with Symbols, GS-1930 Platform CE

Item	Part No.	Description	Qty.
1	28174GT	DECAL,POWER TO PLATFORM 230V	1
2	28235GT	DECAL,POWER TO PLATFORM 115V	1
3	40434GT	DECAL,LANYARD ANCHORAGE POINT	3
4	43618GT	DECAL,LABEL-DIRECTION ARROWS	2
5	44981GT	DECAL,LABEL,AIRLINE 110 PSI	1
6	62054GT	DECAL,COSMETIC,GENIE GS-1930**	2
7	82487GT	DECAL,SYMBOL-READ THE MANUAL	1
8	97582GT	DECAL,SYM-SIDEFORCE 400N ID	1
9	114338GT	DECAL,SYM-TIP-OVR,TILT ALARM	1
10	137605GT	DECAL,E-STOP,GR/GRC/GS PCON	1
11	137656GT	DECAL,PROPEL,GR/GRC/GS,PCON	1
12	T112808GT	DECAL,SYM MAX CAP 227 KG,CE to SN GS30P-163976	1
13	1256702GT	DECAL, UI, GS/GR, PROP LIFT	
14	1257923GT	DECAL, SMARTLINK PROPORTIONAL	2
15	1263646GT	DECAL,QR CODE,PARTS&SERVICE MANUAL	1



122.2 Decals with Symbols, GS-1930 Platform CE

Platform, CE models



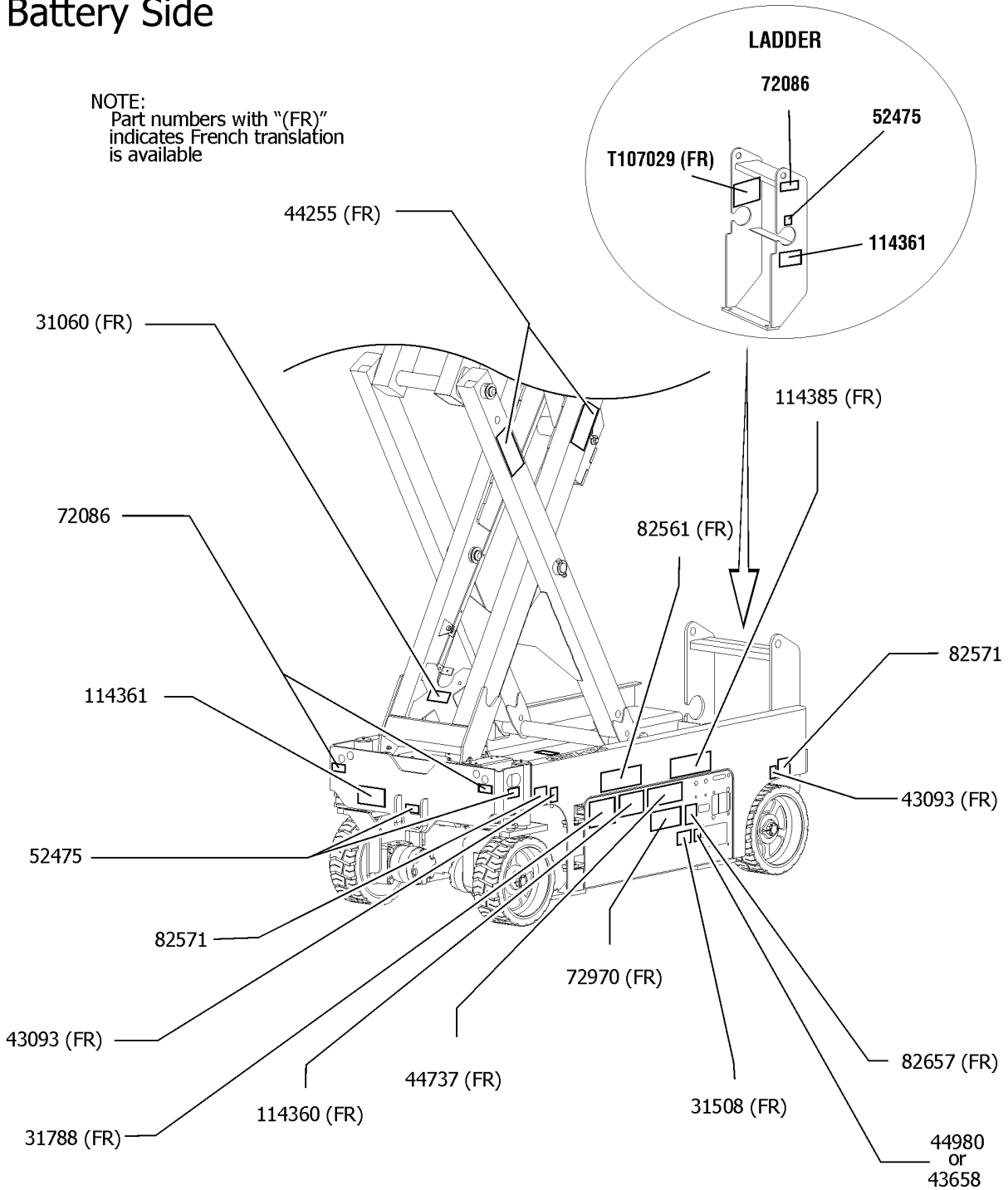
122.2 Decals with Symbols, GS-1930 Platform CE

Item	Part No.	Description	Qty.
1	28174GT	DECAL,POWER TO PLATFORM 230V	1
2	28235GT	DECAL,POWER TO PLATFORM 115V	1
3	40434GT	DECAL,LANYARD ANCHORAGE POINT	3
4	43618GT	DECAL,LABEL-DIRECTION ARROWS	2
5	44981GT	DECAL,LABEL,AIRLINE 110 PSI	1
6	62054GT	DECAL,COSMETIC,GENIE GS-1930**	2
7	82487GT	DECAL,SYMBOL-READ THE MANUAL	1
8	97582GT	DECAL,SYM-SIDEFORCE 400N ID	1
9	114338GT	DECAL,SYM-TIP-OVR,TILT ALARM	1
10	137605GT	DECAL,E-STOP,GR/GRC/GS PCON	1
11	137656GT	DECAL,PROPEL,GR/GRC/GS,PCON	1
12	T112808GT	DECAL,SYM MAX CAP 227 KG,CE to SN GS30P-163976	1
13	1256702GT	DECAL, UI, GS/GR, PROP LIFT	
14	1257923GT	DECAL, SMARTLINK PROPORTIONAL	2
15	1263646GT	DECAL,QR CODE,PARTS&SERVICE MANUAL	1
16	1278005GT	DECAL, SYMBOL, CE, MAXIMUM CAPACITY, 227KG from SN GS30P-163977	1



Battery Side

NOTE:
Part numbers with "(FR)"
indicates French translation
is available

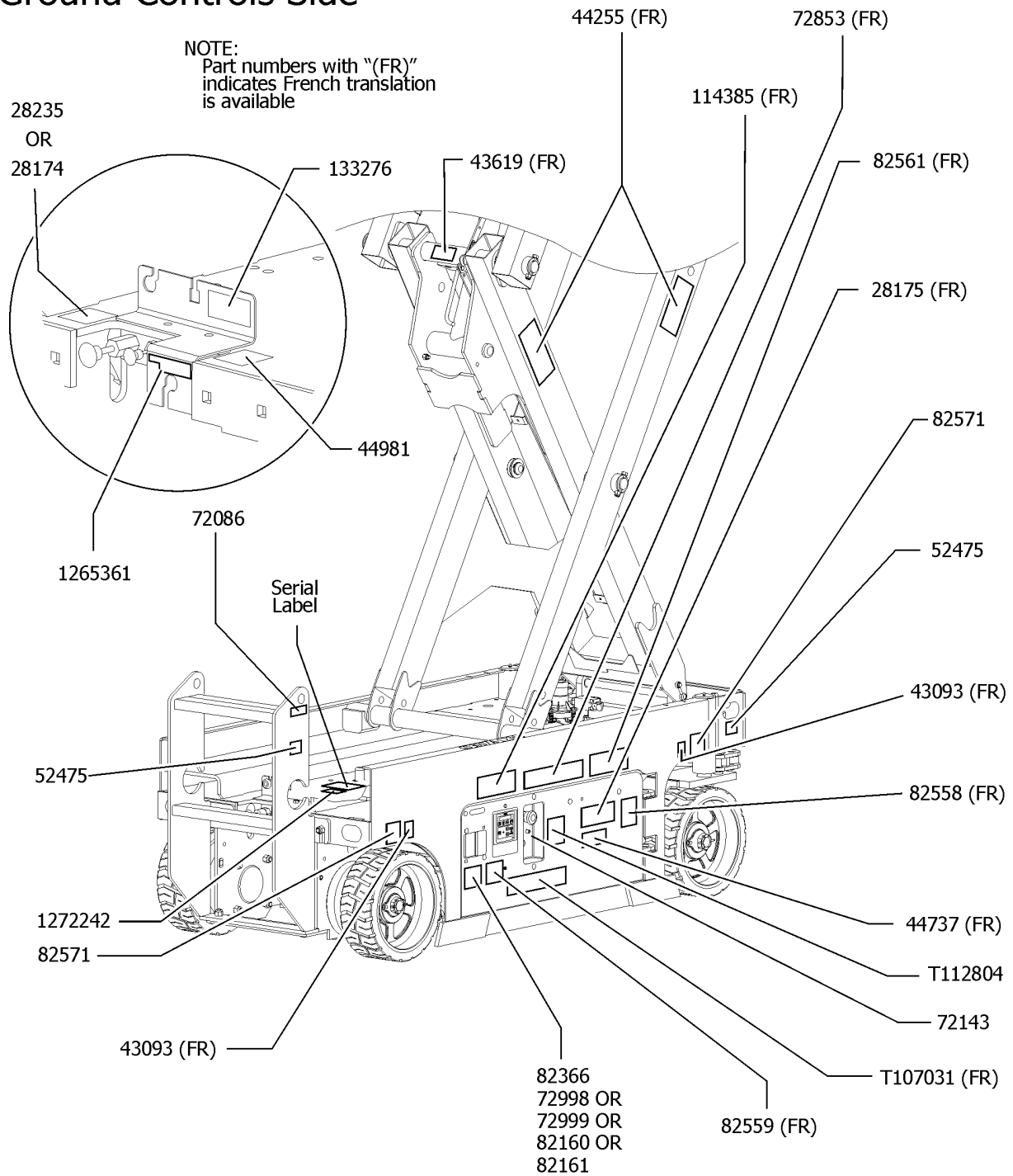


123.1 Decals with Words, GS-1932 Battery Side, Australia

Item	Part No.	Description	Qty.
1	44255GT	DECAL,DANGER,CRUSHING HAZARD	2
2	31060GT	DECAL,DANGER DO NOT ALTER SWTC	1
3	31508GT	DECAL,DANGER,ELECT HAZARD,PLUG	1
		(Australia models)	
4	31788GT	DECAL,DANGER,BATTERY SAFETY***	1
5	43093GT	DECAL,LABEL,TIRE SPECS	2
6	43658GT	DECAL,LABEL,PWR TO CHARGR 230V	1
		(Australia models)	
7	44737GT	DECAL DANGER TIP OVER TRAYS	1
8	44980GT	DECAL,LABEL,PWR TO CHARGR 115V	1
		(Australia models)	
9	52475GT	DECAL,LABEL,TRANSPORT TIEDOWN*	3
10	72086GT	DECAL,LABEL,LIFTING EYE	3
11	72970GT	DECAL,INSTRUCTIONS-CHARGER OP	1
12	82561GT	DECAL,DANGER-USE SAFETY ARM	1
13	82571GT	DECAL,LABEL,WHEEL LOAD 19XX	2
		(Australia models)	
14	82657GT	DECAL,INSTRUCT,BATTERY CONNECT	1
15	114360GT	DECAL,DANGER-TIP-OVER,BATT	1
16	114361GT	DECAL,LABEL-TRANSPORT DIGRAM	2
17	114385GT	DECAL,DANGER,ELEC HAZARD,GS	1
18	T107029GT	DECAL,DANGER,BRAKE REL SAFETY	1



Ground Controls Side

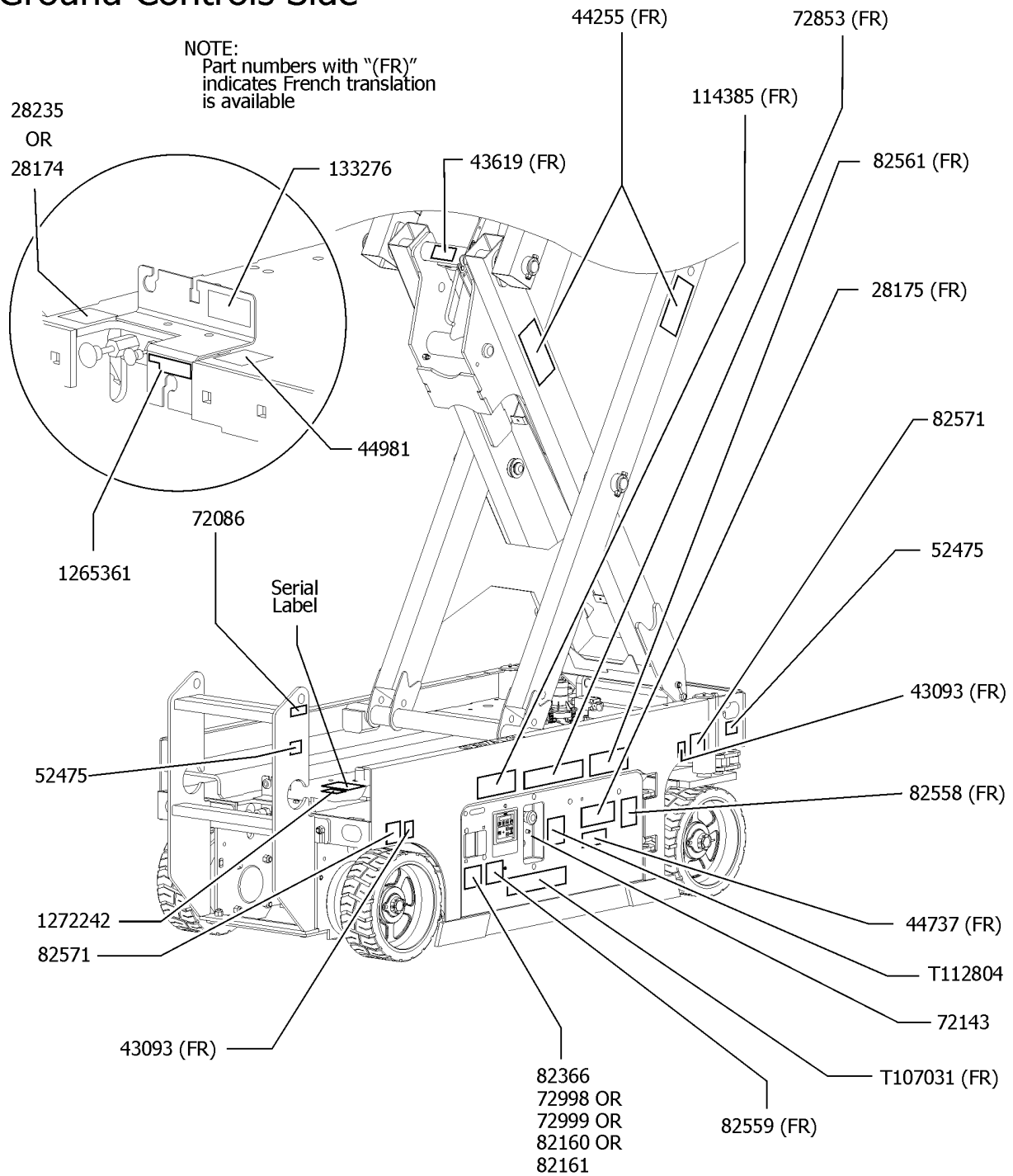


124.1 Decals with Words, GS-1932 Ground Controls Side, Australia

Item	Part No.	Description	Qty.
1	28174GT	DECAL,POWER TO PLATFORM 230V	1
2	28175GT	DECAL,WARNING-COMPART ACCESS	1
3	28235GT	DECAL,POWER TO PLATFORM 115V	1
4	43093GT	DECAL,LABEL,TIRE SPECS	2
5	43619GT	DECAL,LABEL,SAFETY ARM	1
6	44255GT	DECAL,DANGER,CRUSHING HAZARD	2
7	44737GT	DECAL DANGER TIP OVER TRAYS	1
8	44981GT	DECAL,LABEL,AIRLINE 110 PSI	1
		(option)	
9	52475GT	DECAL,LABEL,TRANSPORT TIEDOWN*	2
10	72086GT	DECAL,LABEL,LIFTING EYE	1
11	72143GT	DECAL,EMERGENCY STOP,GR	1
12	72853GT	DECAL,DANGER,IMPROPER USE HAZ	1
13	72998GT	DECAL,LABEL,QUINTOLUBRIK	1
		(models with Quintolub hydraulic oil)	
14	72999GT	DECAL,LABEL,PETRO CANADA***	1
		(models with Petro Canada hydraulic oil)	
15	82160GT	DECAL,LABEL,STATOIL HYDRA WAY	1
		(models with Statoil hydraulic oil)	
16	82161GT	DECAL,LABEL,UCON HYDROLUBE	1
		(models with UConn Hydrolube hydraulic oil)	
17	82366GT	DECAL,CHEVRON RANDO HD	1
		(models with Chevron Random hydraulic oil)	
18	82558GT	DECAL,WARN,SKIN INJECTION HAZ*	1
19	82559GT	DECAL,INSTRUCT-ANNUAL INSP REQ	1
20	82561GT	DECAL,DANGER-USE SAFETY ARM	1
21	82571GT	DECAL,LABEL,WHEEL LOAD 19XX	2
		(Australia models)	
22	114385GT	DECAL,DANGER,ELEC HAZARD,GS	1
23	133276GT	DECAL,EMERGENCY LOWERING	1
24	1272242GT	DECAL,MACHINE REGISTRATION/OWN	1
25	T107031GT	DECAL,OP INST,GCON	1
26	T112804GT	DECAL,GCON PANEL,GS	1



Ground Controls Side



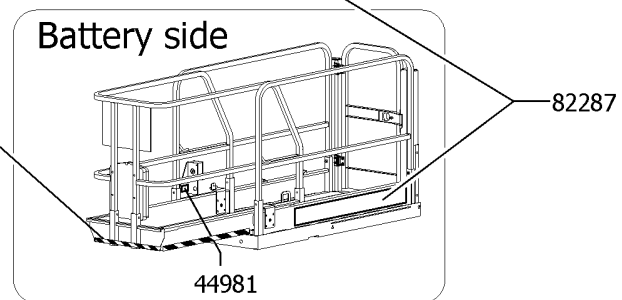
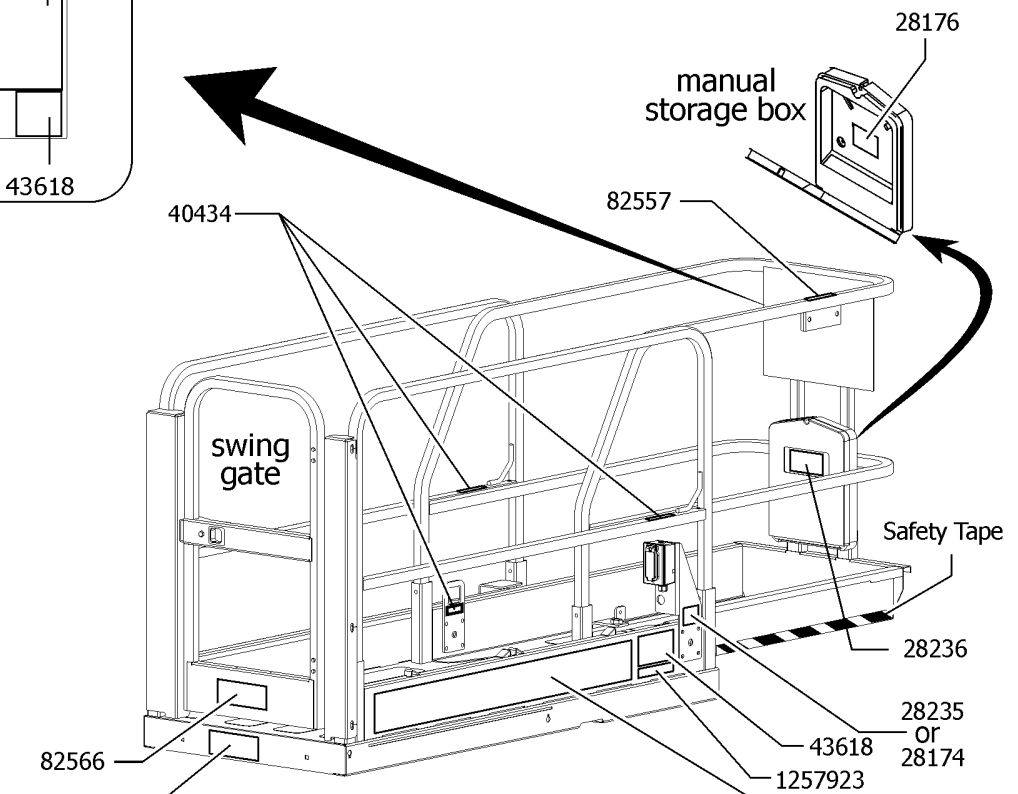
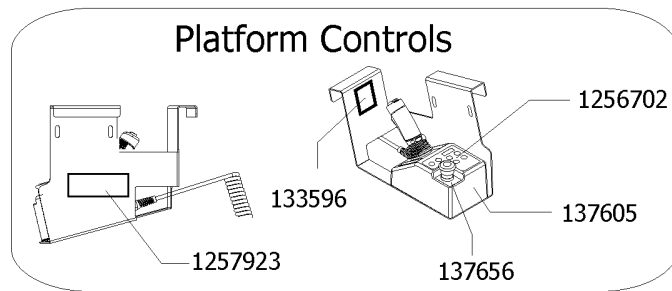
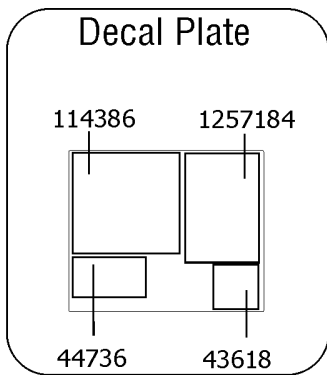
124.2 Decals with Words, GS-1932 Ground Controls Side, Australia

Item	Part No.	Description	Qty.
1	28174GT	DECAL,POWER TO PLATFORM 230V	1
2	28175GT	DECAL,WARNING-COMPART ACCESS	1
3	28235GT	DECAL,POWER TO PLATFORM 115V	1
4	43093GT	DECAL,LABEL,TIRE SPECS	2
5	43619GT	DECAL,LABEL,SAFETY ARM	1
6	44255GT	DECAL,DANGER,CRUSHING HAZARD	2
7	44737GT	DECAL DANGER TIP OVER TRAYS	1
8	44981GT	DECAL,LABEL,AIRLINE 110 PSI	1
		(option)	
9	52475GT	DECAL,LABEL,TRANSPORT TIEDOWN*	2
10	72086GT	DECAL,LABEL,LIFTING EYE	1
11	72143GT	DECAL,EMERGENCY STOP,GR	1
12	72853GT	DECAL,DANGER,IMPROPER USE HAZ	1
13	72998GT	DECAL,LABEL,QUINTOLUBRIK	1
		(models with Quintolub hydraulic oil)	
14	72999GT	DECAL,LABEL,PETRO CANADA***	1
		(models with Petro Canada hydraulic oil)	
15	82160GT	DECAL,LABEL,STATOIL HYDRA WAY	1
		(models with Statoil hydraulic oil)	
16	82161GT	DECAL,LABEL,UCON HYDROLUBE	1
		(models with UConn Hydrolube hydraulic oil)	
17	82366GT	DECAL,CHEVRON RANDO HD	1
		(models with Chevron Random hydraulic oil)	
18	82558GT	DECAL,WARN,SKIN INJECTION HAZ*	1
19	82559GT	DECAL,INSTRUCT-ANNUAL INSP REQ	1
20	82561GT	DECAL,DANGER-USE SAFETY ARM	1
21	82571GT	DECAL,LABEL,WHEEL LOAD 19XX	2
		(Australia models)	
22	114385GT	DECAL,DANGER,ELEC HAZARD,GS	1
23	133276GT	DECAL,EMERGENCY LOWERING	1
24	1272242GT	DECAL,MACHINE REGISTRATION/OWN	1
25	T107031GT	DECAL,OP INST,GCON	1
26	T112804GT	DECAL,GCON PANEL,GS	1
27	1265361GT	DECAL, BATTERY CHARGER INDICAT	1



125.1 Decals with Words, GS-1932 Platform, Australia

Platform, Australia Models

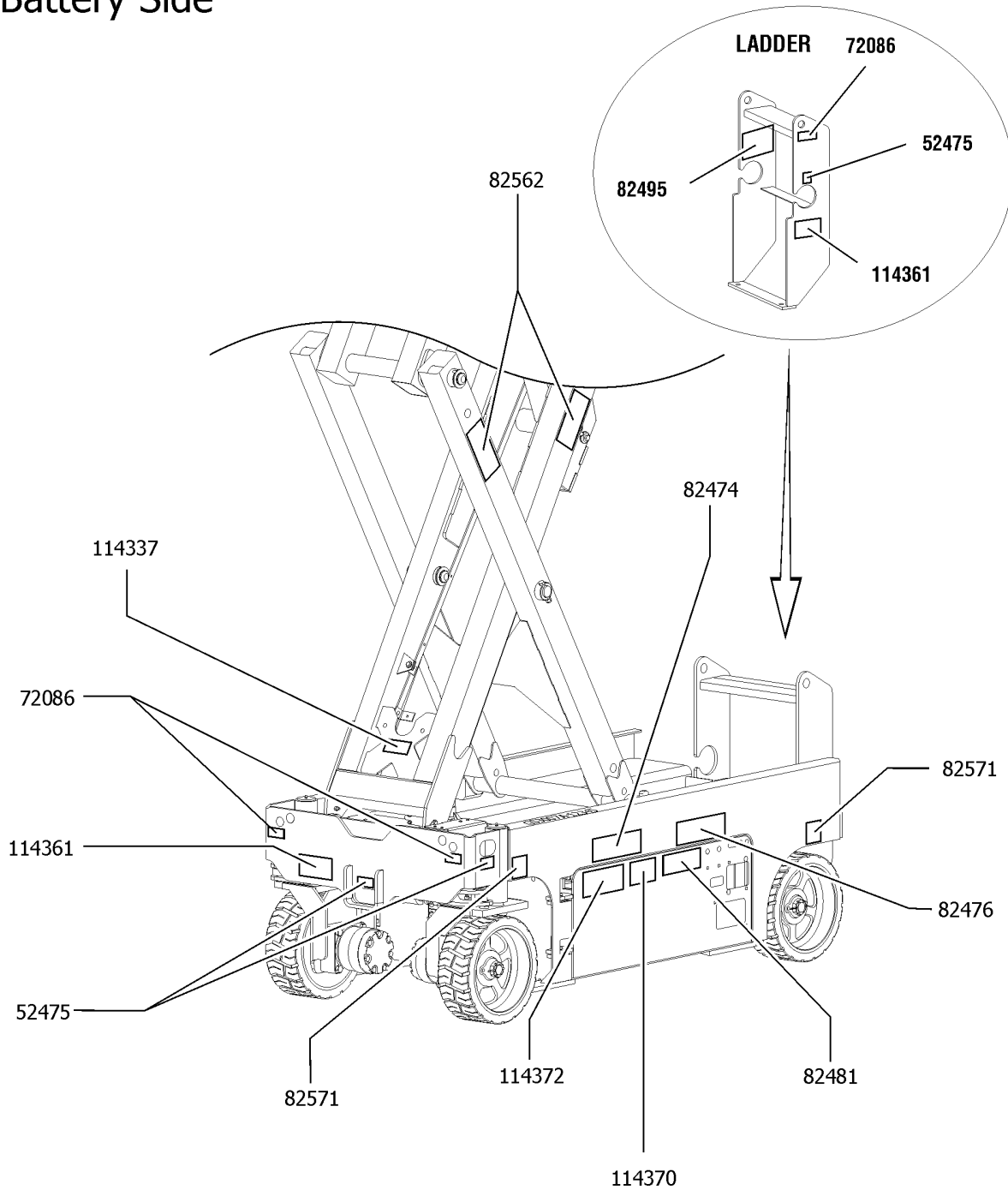


125.1 Decals with Words, GS-1932 Platform, Australia

Item	Part No.	Description	Qty.
1	28174GT	DECAL,POWER TO PLATFORM 230V	1
2	28176GT	DECAL,LABEL,MANUAL NOT HERE	1
3	28235GT	DECAL,POWER TO PLATFORM 115V	1
4	28236GT	DECAL,WARN,IMPROPER OPERATION	1
5	40434GT	DECAL,LANYARD ANCHORAGE POINT	3
6	43618GT	DECAL,LABEL-DIRECTION ARROWS	2
7	44736GT	DECAL,DANGER,TIP-OVER,TILT	1
8	44981GT	DECAL,LABEL,AIRLINE 110 PSI	1
9	82287GT	DECAL,COSMETIC,GENIE GS-1932	2
10	82557GT	DECAL,LABEL,PLAT CONT LOCATION	1
11	82566GT	DECAL,INSTR-MANUAL FRC,AUS	1
12	114386GT	DECAL,DANGER-GEN SAFETY	1
13	133596GT	DECAL,LABEL,FAULT CODES	1
14	137605GT	DECAL,E-STOP,GR/GRC/GS PCON	1
16	137656GT	DECAL,PROPEL,GR/GRC/GS,PCON	1
18	82563GT	DECAL,INSTR-MAX CAP 500 LBS	1
19	1256702GT	DECAL, UI, GS/GR, PROP LIFT	1
20	1256703GT	DECAL, STD, PROP LIFT, UI, SVC	1
21	1257184GT	DECAL, OP INST, PLAT, GS30, AUS	1
22	1257923GT	DECAL, SMARTLINK PROPORTIONAL	2



Battery Side



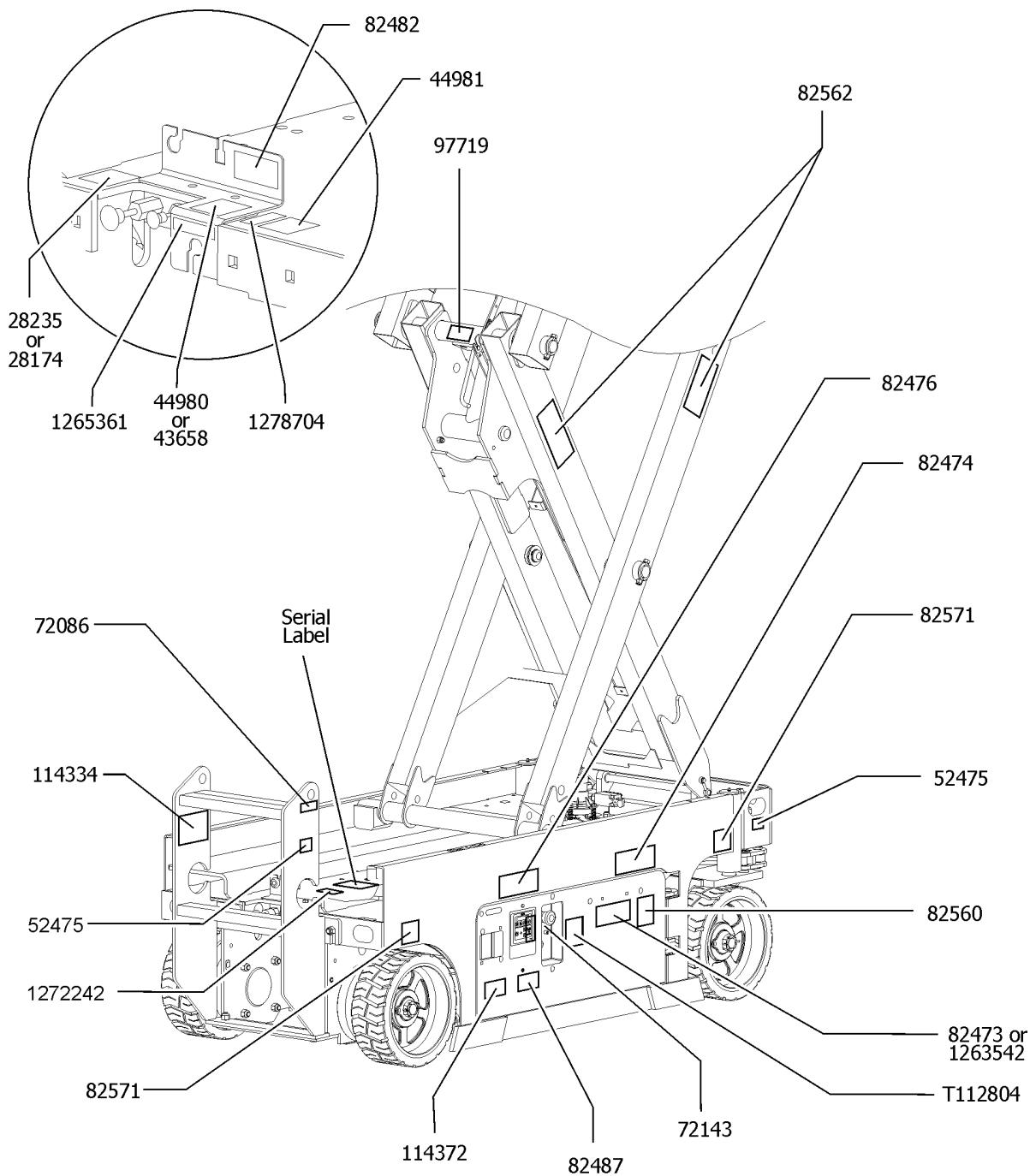
126.1 Decals with Symbols, GS-1932 Battery Side, CE

Item	Part No.	Description	Qty.
1	52475GT	DECAL,LABEL,TRANSPORT TIEDOWN*	3
2	72086GT	DECAL,LABEL,LIFTING EYE	3
3	82474GT	DECAL,SYMBOL-USE SAFETY ARM	1
4	82476GT	DECAL,SYMBOL-ELEC HAZARD,GS	1
5	82481GT	DECAL,SYMBOL-BATTERY SAFETY	1
6	82495GT	DECAL,SYMBOL-BRAKE REL SAFETY	1
7	82562GT	DECAL,SYMBOL-CRUSHING HAZARD	2
8	82571GT	DECAL,LABEL,WHEEL LOAD 19XX (CE models)	2
9	114337GT	DECAL,SYM-TIP-OVR,LIM SWITCH	1
10	114361GT	DECAL,LABEL-TRANSPORT DIGRAM	1
11	114370GT	DECAL-SYM-TIP-OVR,BATTRIES	1
12	114372GT	DECAL,SYM-TIP-OVER,TRAYS	1



127.1 Decals with Symbols, GS-1932 Ground Control Side, CE

Ground Controls Side



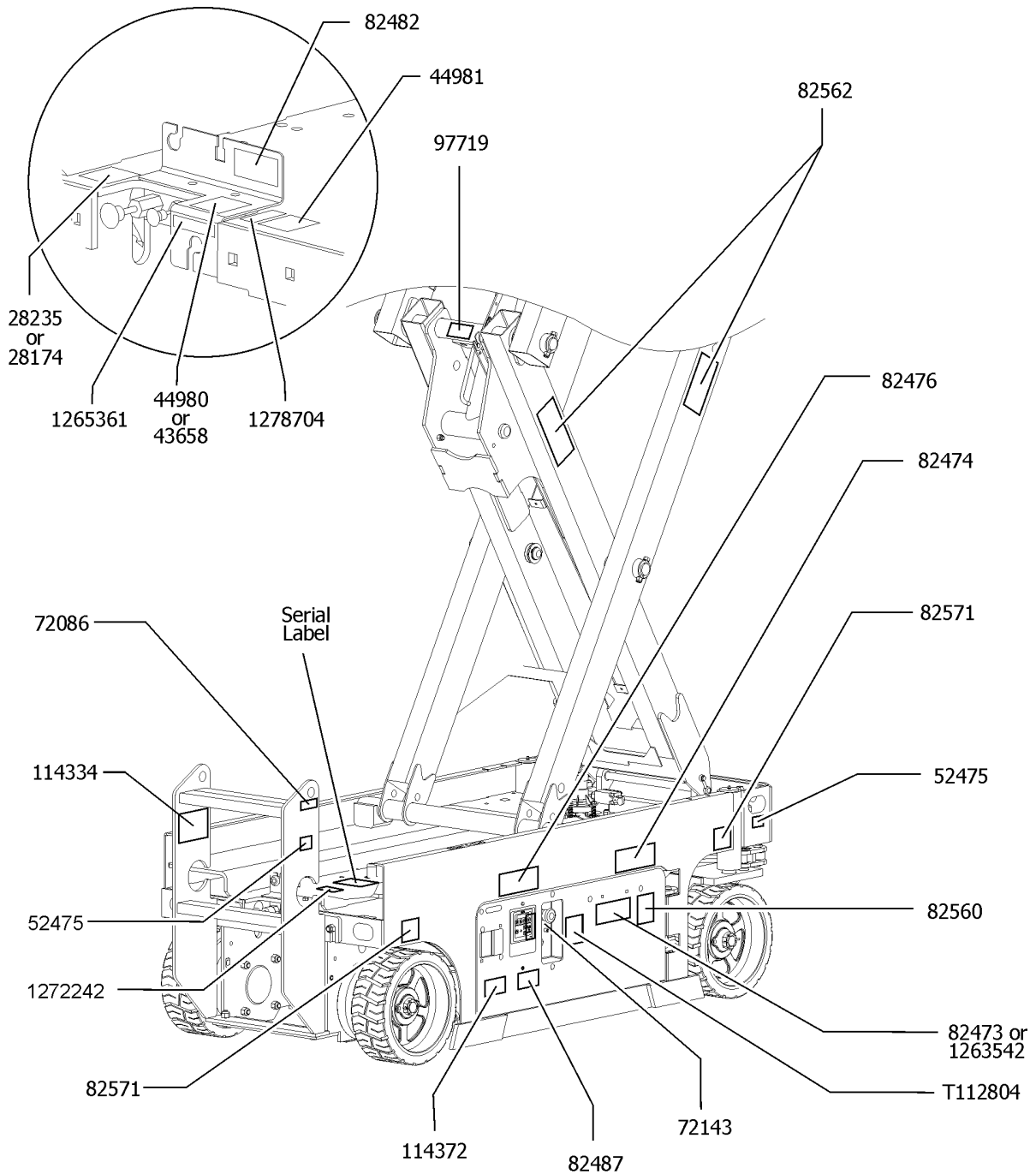
127.1 Decals with Symbols, GS-1932 Ground Control Side, CE

Item	Part No.	Description	Qty.
1	28174GT	DECAL,POWER TO PLATFORM 230V	1
2	28235GT	DECAL,POWER TO PLATFORM 115V	1
3	43658GT	DECAL,LABEL,PWR TO CHARGR 230V	1
4	44980GT	DECAL,LABEL,PWR TO CHARGR 115V	1
5	44981GT	DECAL,LABEL,AIRLINE 110 PSI	1
6	52475GT	DECAL,LABEL,TRANSPORT TIEDOWN*	2
7	72086GT	DECAL,LABEL,LIFTING EYE	1
8	72143GT	DECAL,EMERGENCY STOP,GR	1
9	82473GT	DECAL SYMBOL COMP ACCESS	1
		to SN GS30P-163976	
10	82474GT	DECAL,SYMBOL-USE SAFETY ARM	1
11	82476GT	DECAL,SYMBOL-ELEC HAZARD,GS	1
12	82482GT	DECAL, LABEL,AUX LOWERING	1
13	82487GT	DECAL,SYMBOL-READ THE MANUAL	1
14	82560GT	DECAL,SYMBOL-SKIN INJECT HAZRD	1
15	82562GT	DECAL,SYMBOL-CRUSHING HAZARD	2
16	82571GT	DECAL,LABEL,WHEEL LOAD 19XX	2
		(CE models)	
17	97719GT	DECAL, LABEL, SAFETY ARM SYMB	1
18	114334GT	DECAL,SYM-ELEC HAZARD,PLUG	1
19	114372GT	DECAL,SYM-TIP-OVER,TRAYS	1
21	1272242GT	DECAL,MACHINE REGISTRATION/OWN	1
20	T112804GT	DECAL,GCON PANEL,GS	1
24	1265361GT	DECAL, BATTERY CHARGER INDICAT	1
		(from SN 158209 to 173672)	



127.2 Decals with Symbols, GS-1932 Ground Control Side, CE

Ground Controls Side



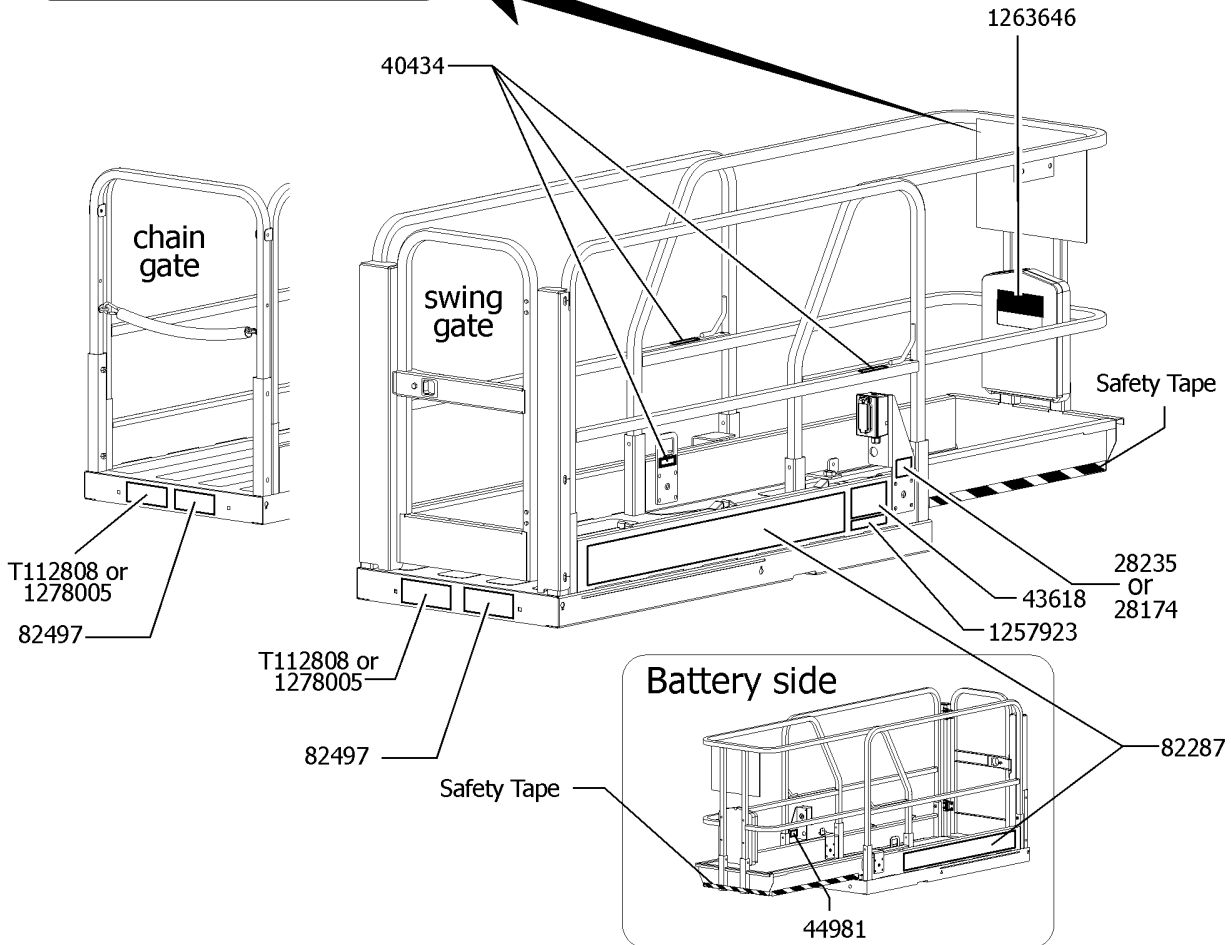
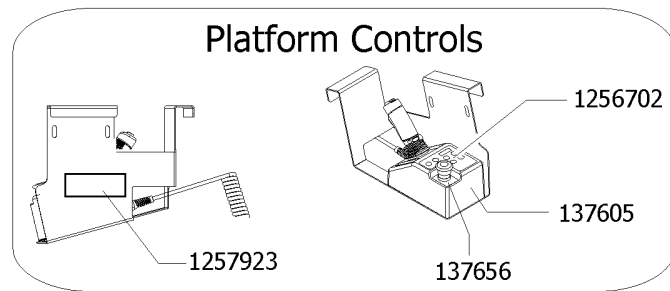
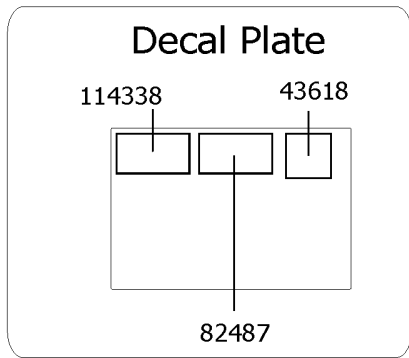
127.2 Decals with Symbols, GS-1932 Ground Control Side, CE

Item	Part No.	Description	Qty.
1	28174GT	DECAL,POWER TO PLATFORM 230V	1
2	28235GT	DECAL,POWER TO PLATFORM 115V	1
3	43658GT	DECAL,LABEL,PWR TO CHARGR 230V	1
4	44980GT	DECAL,LABEL,PWR TO CHARGR 115V	1
5	44981GT	DECAL,LABEL,AIRLINE 110 PSI	1
6	52475GT	DECAL,LABEL,TRANSPORT TIEDOWN*	2
7	72086GT	DECAL,LABEL,LIFTING EYE	1
8	72143GT	DECAL,EMERGENCY STOP,GR	1
9	82473GT	DECAL SYMBOL COMP ACCESS	1
		to SN GS30P-163976	
10	82474GT	DECAL,SYMBOL-USE SAFETY ARM	1
11	82476GT	DECAL,SYMBOL-ELEC HAZARD,GS	1
12	82482GT	DECAL, LABEL,AUX LOWERING	1
13	82487GT	DECAL,SYMBOL-READ THE MANUAL	1
14	82560GT	DECAL,SYMBOL-SKIN INJECT HAZRD	1
15	82562GT	DECAL,SYMBOL-CRUSHING HAZARD	2
16	82571GT	DECAL,LABEL,WHEEL LOAD 19XX	2
		(CE models)	
17	97719GT	DECAL, LABEL, SAFETY ARM SYMB	1
18	114334GT	DECAL,SYM-ELEC HAZARD,PLUG	1
19	114372GT	DECAL,SYM-TIP-OVER,TRAYS	1
20	1263542GT	DECAL, COMPARTMENT ACCESS	1
		from SN GS30P-163977	
21	1272242GT	DECAL,MACHINE REGISTRATION/OWN	1
20	T112804GT	DECAL,GCON PANEL,GS	1
24	1265361GT	DECAL, BATTERY CHARGER INDICAT	1
		(from SN 158209 to 173672)	
25	1278704GT	DECAL,CHARGE STATUS IND.	1
		(from 173673)	



128.1 Decals with Symbols, GS-1932 Platform CE

Platform, CE models

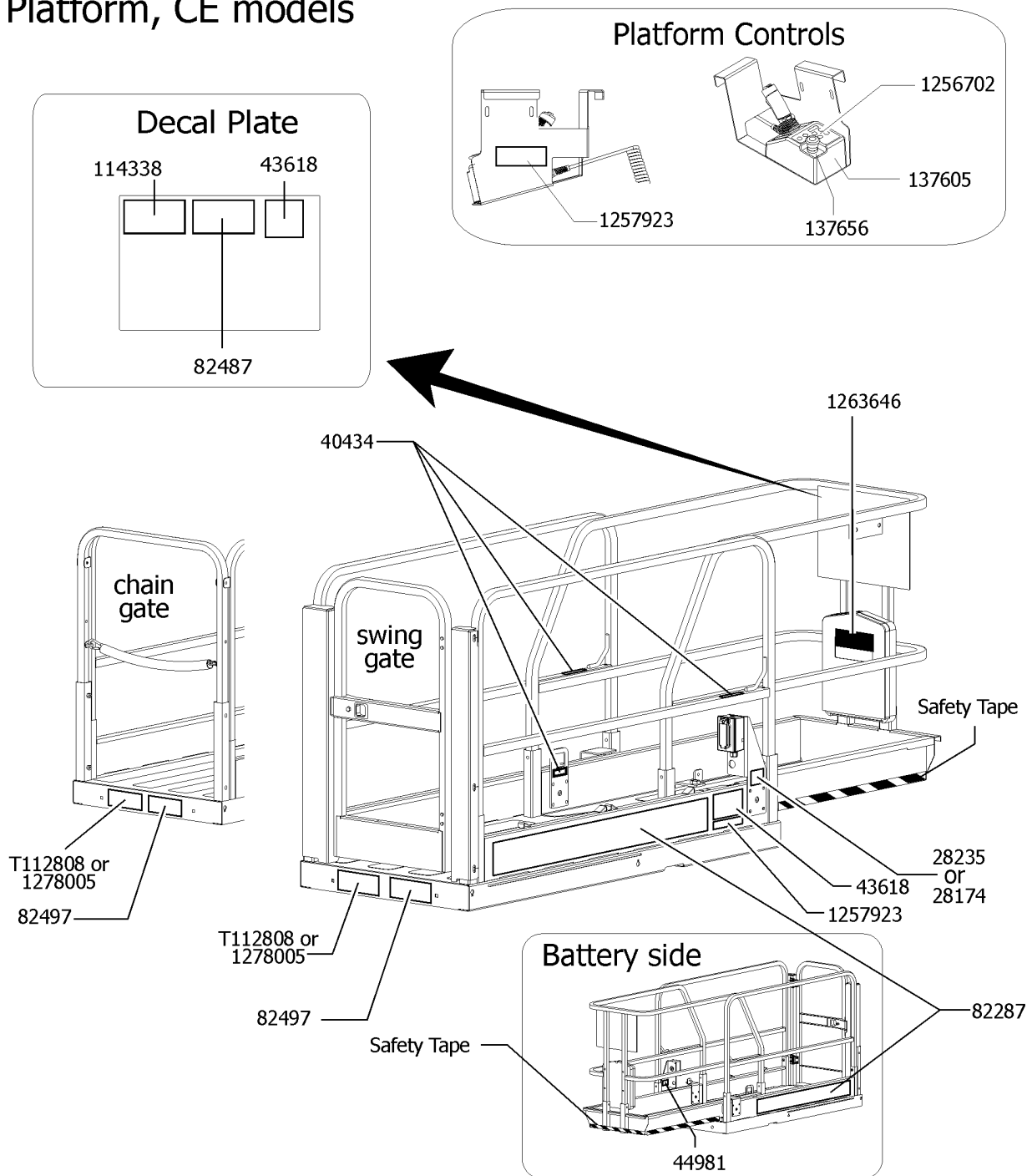


128.1 Decals with Symbols, GS-1932 Platform CE

Item	Part No.	Description	Qty.
1	28174GT	DECAL,POWER TO PLATFORM 230V	1
2	28235GT	DECAL,POWER TO PLATFORM 115V	1
3	40434GT	DECAL,LANYARD ANCHORAGE POINT	3
4	43618GT	DECAL,LABEL-DIRECTION ARROWS	2
5	44981GT	DECAL,LABEL,AIRLINE 110 PSI	1
6	82287GT	DECAL,COSMETIC,GENIE GS-1932	2
7	82487GT	DECAL,SYMBOL-READ THE MANUAL	1
8	82497GT	DECAL,SYM-SIDEFORCE 200400	1
9	114338GT	DECAL,SYM-TIP-OVR,TILT ALARM	1
10	137605GT	DECAL,E-STOP,GR/GRC/GS PCON	1
11	137656GT	DECAL,PROPEL,GR/GRC/GS,PCON	1
12	T112808GT	DECAL,SYM MAX CAP 227 KG,CE to SN GS30P-163976	1
13	1256702GT	DECAL, UI, GS/GR, PROP LIFT	1
14	1257923GT	DECAL, SMARTLINK PROPORTIONAL	2
15	1263646GT	DECAL,QR CODE,PARTS&SERVICE MANUAL	1



Platform, CE models

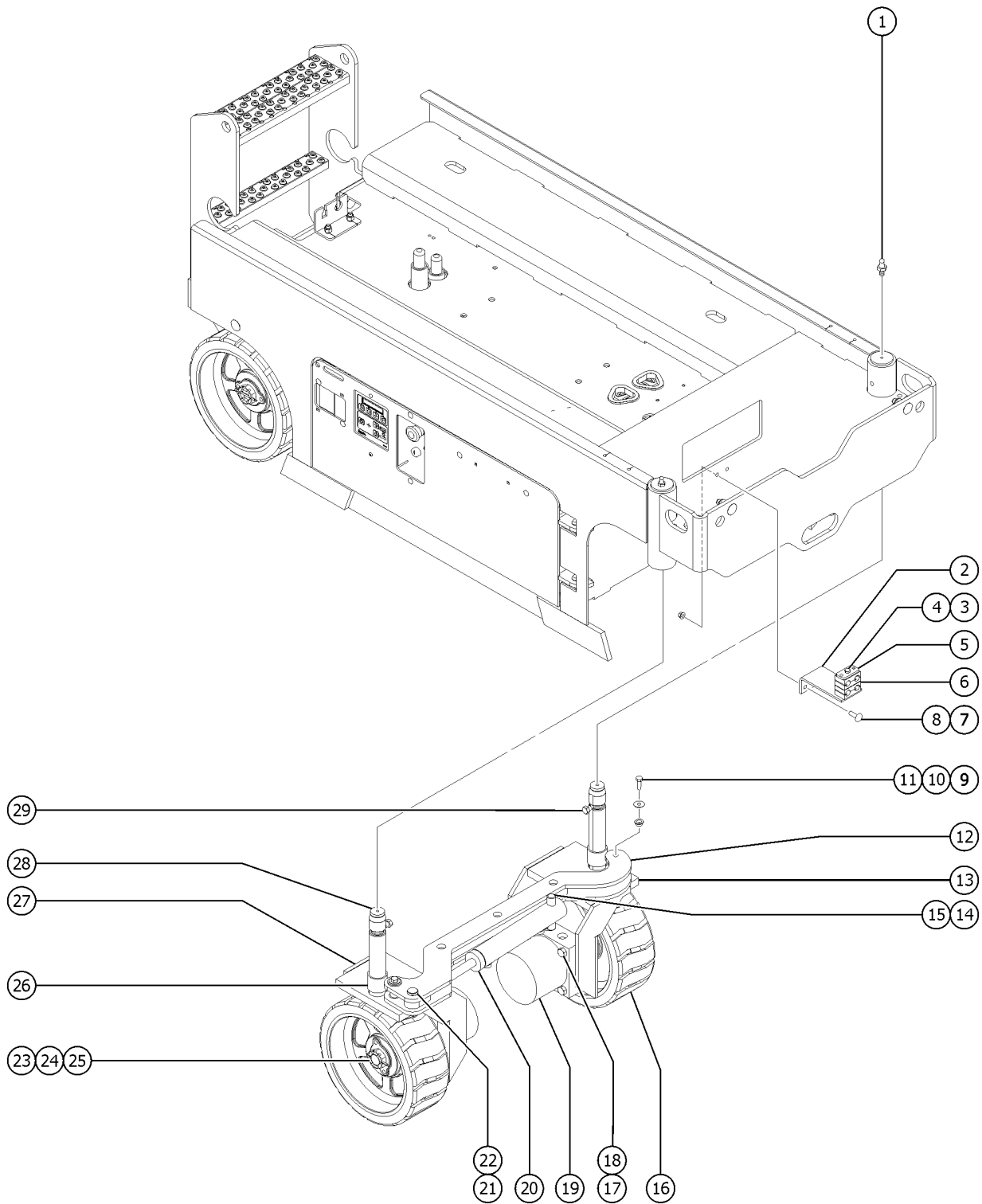


128.2 Decals with Symbols, GS-1932 Platform CE

Item	Part No.	Description	Qty.
1	28174GT	DECAL,POWER TO PLATFORM 230V	1
2	28235GT	DECAL,POWER TO PLATFORM 115V	1
3	40434GT	DECAL,LANYARD ANCHORAGE POINT	3
4	43618GT	DECAL,LABEL-DIRECTION ARROWS	2
5	44981GT	DECAL,LABEL,AIRLINE 110 PSI	1
6	82287GT	DECAL,COSMETIC,GENIE GS-1932	2
7	82487GT	DECAL,SYMBOL-READ THE MANUAL	1
8	82497GT	DECAL,SYM-SIDEFORCE 200400	1
9	114338GT	DECAL,SYM-TIP-OVR,TILT ALARM	1
10	137605GT	DECAL,E-STOP,GR/GRC/GS PCON	1
11	137656GT	DECAL,PROPEL,GR/GRC/GS,PCON	1
12	T112808GT	DECAL,SYM MAX CAP 227 KG,CE to SN GS30P-163976	1
13	1256702GT	DECAL, UI, GS/GR, PROP LIFT	1
14	1257923GT	DECAL, SMARTLINK PROPORTIONAL	2
15	1263646GT	DECAL,QR CODE,PARTS&SERVICE MANUAL	1
16	1278005GT	DECAL, SYMBOL, CE, MAXIMUM CAPACITY, 227KG from SN GS30P-163977	1



201.1 Steer Linkage and Wheels

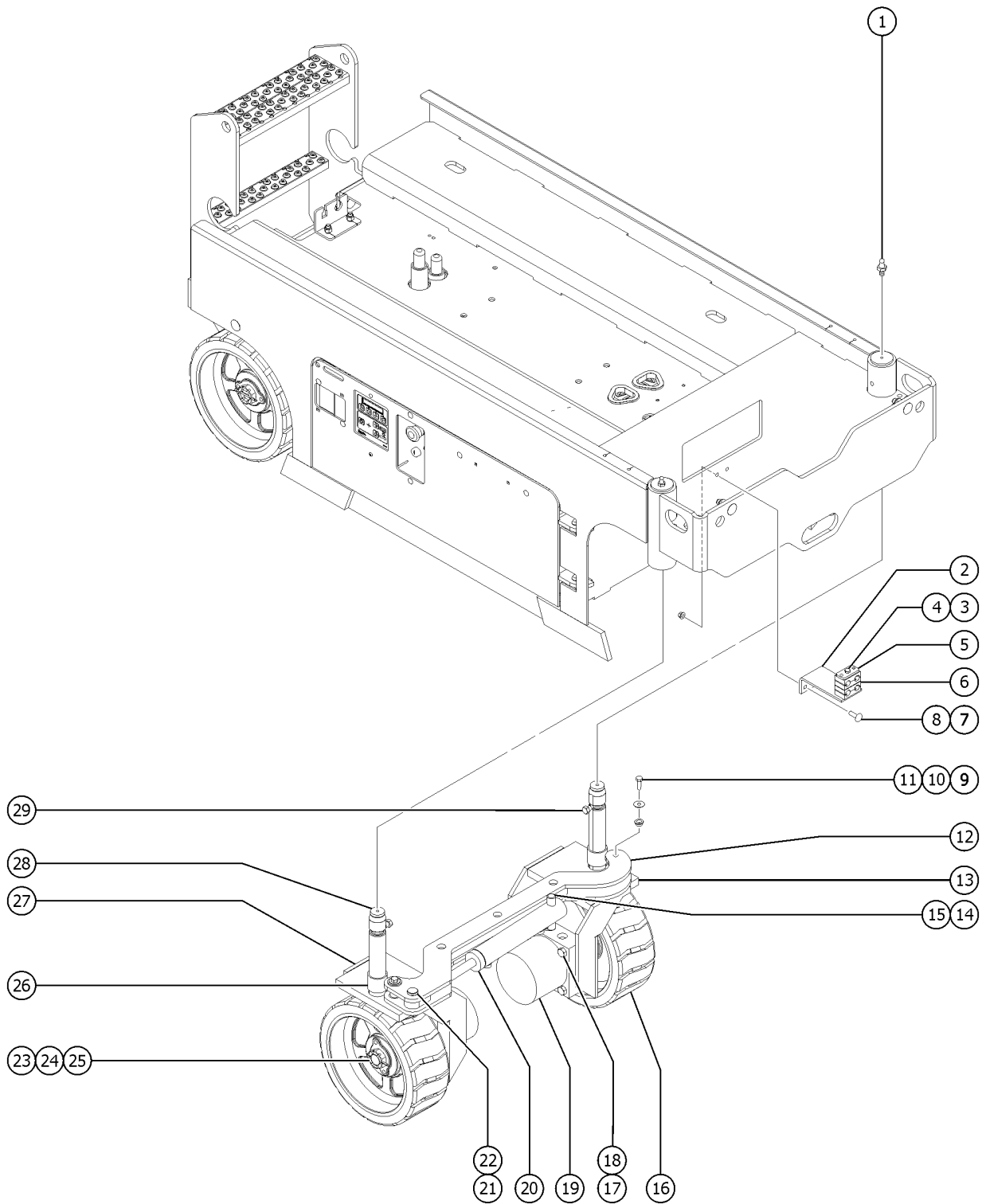


201.1 Steer Linkage and Wheels

Item	Part No.	Description	Qty.
1	66770GT	FITTING,STRAIGHT DRIVE-IN ZERK	2
2	105051GT	FORMING,HOSE CLAMP SUPPORT	1
3	1256123GT	SCREW,HHC,1/4-20X3.25,8,ZAG	1
4	824027GT	NUT,TL FLG,1/4-20,G,ZAG	1
5	58592GT	PLATE,HOSE ROUTG,BULKHEAD(PTD)	1
6	78736GT	CLAMP,2 HOSE,PLASTIC,5/8	4
7	1255757GT	BOLT,CARRIAGE,3/8-16X1.25,5,ZA	2
8	824029GT	NUT,TL FLG,3/8-16,G,ZAG	2
9	1256109GT	SCREW,HHC,3/8-16X.75,8,ZAG	2
10	1255758GT	WASHER,FLAT,3/8,USS,ZAG	2
11	47548GT	BEARING,FL,0.75ID X 1 OD X .49	4
12	84571GT	TIE ROD ASSEMBLY	1
12-	47548GT	BEARING,FL,0.75ID X 1 OD X .49	4
12-	96074GT	WELDMENT, TIE ROD, GS30 (bearings not included)	1
13	96068GT	WELDMENT, STR YOKE, 30 MINI LT GS-1530, GS-1930 (battery side)	1
13B	96066GT	WELDMENT, STR YOKE, 32 MINI LT GS-1532, GS-1932 (battery side)	1
14	1259195GT	PIN,CLEVIS,3/4X3.25,ZAG	1
15	824128GT	RUE RING,3/4,ZAG	1
16	105122GT	WHEEL & TIRE ASSY,LP,12"*****	2
17	1256287GT	SCREW,HHC,1/2-13X3.5,8,ZAG	4
18	1251997GT	NUT,TL FLG,1/2-13,G,ZAG	4
19	96388GT	MOTOR,HYDRAULIC,530,14.0CU.IN* (refer to 501.1)	2
20	105547GT	CYLINDER, GS/GR STEER (refer to 501.1)	1
21	1259193GT	PIN,CLEVIS,3/4X2,ZAG	1
22	1259194GT	CLIP,HAIR PIN,.125X2,.5-.75,ZA	1
23	44780GT	NUT,CASTLE,1.125-18 UNEF	2
24	44781GT	KEY,RECTANGULAR,.31X.28X1.25"*	2
25	42079GT	PIN,COTTER,.156 X 2.5	2



201.1 Steer Linkage and Wheels

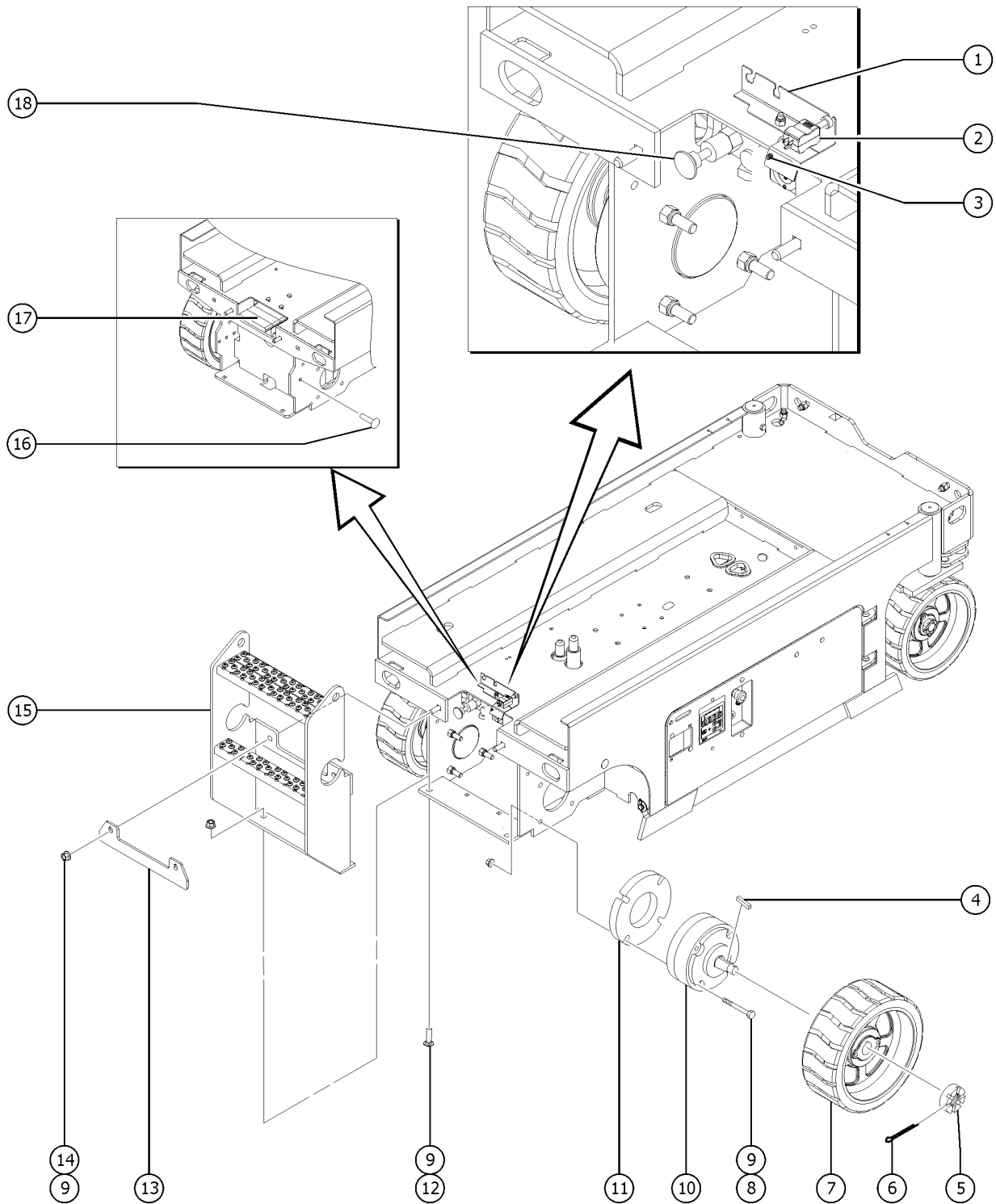


201.1 Steer Linkage and Wheels

Item	Part No.	Description	Qty.
26	119619GT	BEARING, 1.5IDX1.75ODX1.5L, PTFE	2
27	96069GT	WELDMENT, STR YOKE, 30 MINI RT GS-1530, GS-1930 (ground control side)	1
27B	96067GT	WELDMENT, STR YOKE, 32 MINI RT GS-1532, GS-1932 (ground control side)	
28	105565GT	WASHER, THRUST, GS	2



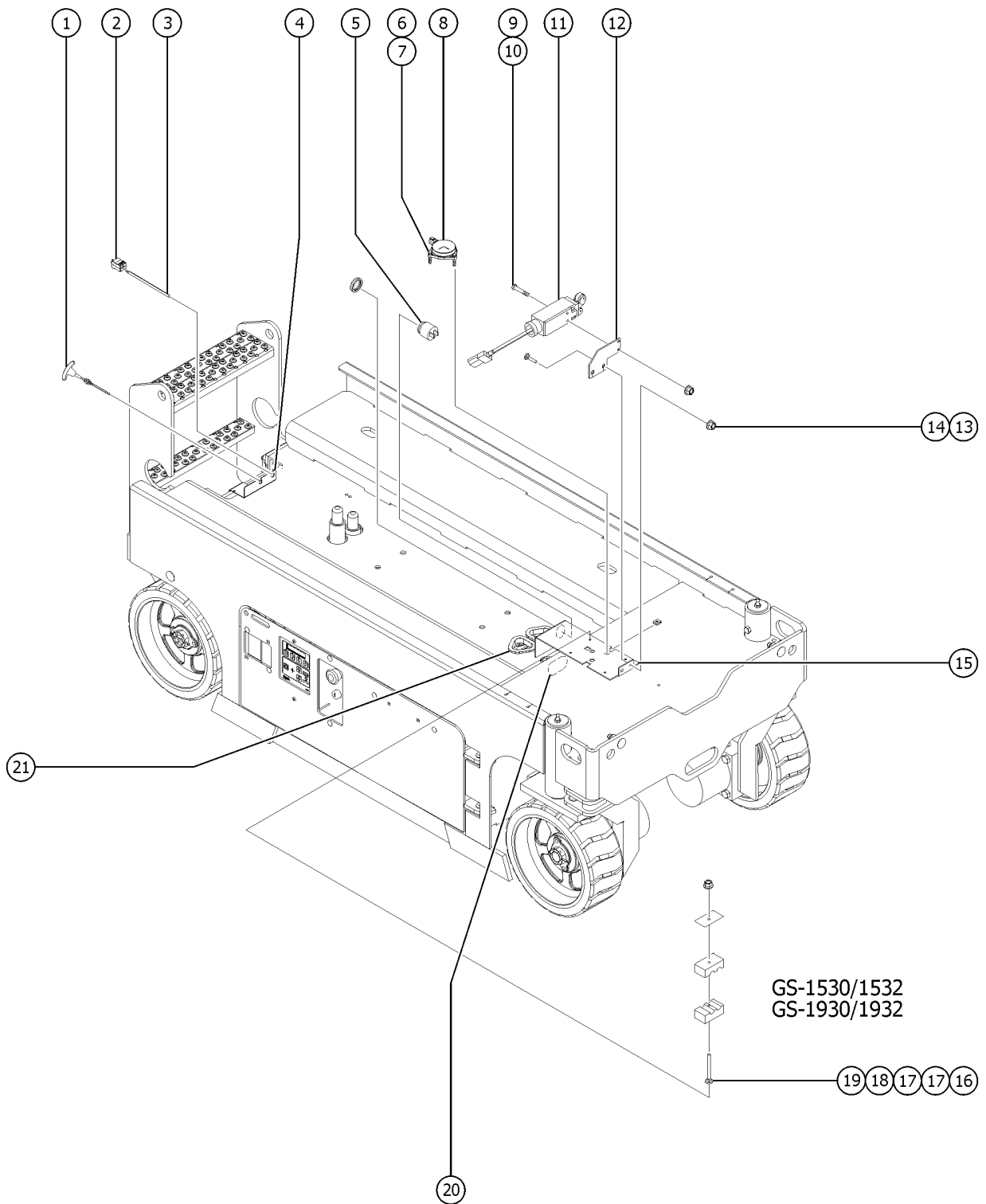
202.1 Non-steer Axle Installation



Item	Part No.	Description	Qty.
1	1273055GT	FORMING, PLUG/LED BRACKET	
2	6595GT	PLUG,ELECTRICAL,DOMESTIC	
		refer to 406.1 for all options	
3	1270281GT	ASSEMBLY, CHARGER STATUS LED, 2V	
4	44781GT	KEY,RECTANGULAR,.31X.28X1.25"*	2
5	44780GT	NUT,CASTLE,1.125-18 UNEF	2
6	42079GT	PIN,COTTER,.156 X 2.5	2
7	105122GT	WHEEL & TIRE ASSY,LP,12"*****	
8	1256287GT	SCREW,HHC,1/2-13X3.5,8,ZAG	
		GS-1530 & GS-1930 models only	
8A	1257102GT	SCREW,HHC,1/2-13X5,8,ZAG	4
		GS-1532 & GS-1932 models only	
9	1251997GT	NUT,TL FLG,1/2-13,G,ZAG	8
10	96257GT	BRAKE, HYDRAULIC***	2
11	78680GT	PLATE,BRAKE SPACER	2
		GS-1532 & GS-1932 models only	
12	1256179GT	BOLT,CARRIAGE,1/2-13X1.5,5,ZAG	2
13	1258393GT	PLATE, COUNTERWEIGHT LOCK	1
		CE and Australia	
14	1255759GT	BOLT,CARRIAGE,1/2-13X2,5,ZAG	2
15	144375GT	LADDER ASSY,GS30,WORD,ENG	1
		(USA, Canada and Australia)	
15-	96102GT	WELDMENT,MINI LADDER	
		(decals not included, refer to section one)	
15A	144379GT	LADDER ASSY,GS30,SYM	1
		(Europe, Asia and South America)	
15A-	96102GT	WELDMENT,MINI LADDER	
		(decals not included, refer to section one)	
16	1255757GT	BOLT,CARRIAGE,3/8-16X1.25,5,ZA	2
		GS-1530 & GS-1532 CE and Australia indoor)	
16A	1259191GT	SCREW,BHC,3/8-16X1.75,F835,ZAG	
		GS-1530 & GS-1930 models only	
17	96465GT	WELDMENT, 1532 COUNTERWT, CE	1
		GS-1530 & GS-1532 CE and Australia indoor)	
17A	96466GT	COUNTERWEIGHT,CAST,CE,1930/32	
		GS-1532 & GS-1932 models only	
18	105067GT	MANIFOLD,BRAKE RELEASE	1
		(refer to 504.1 for detail)	



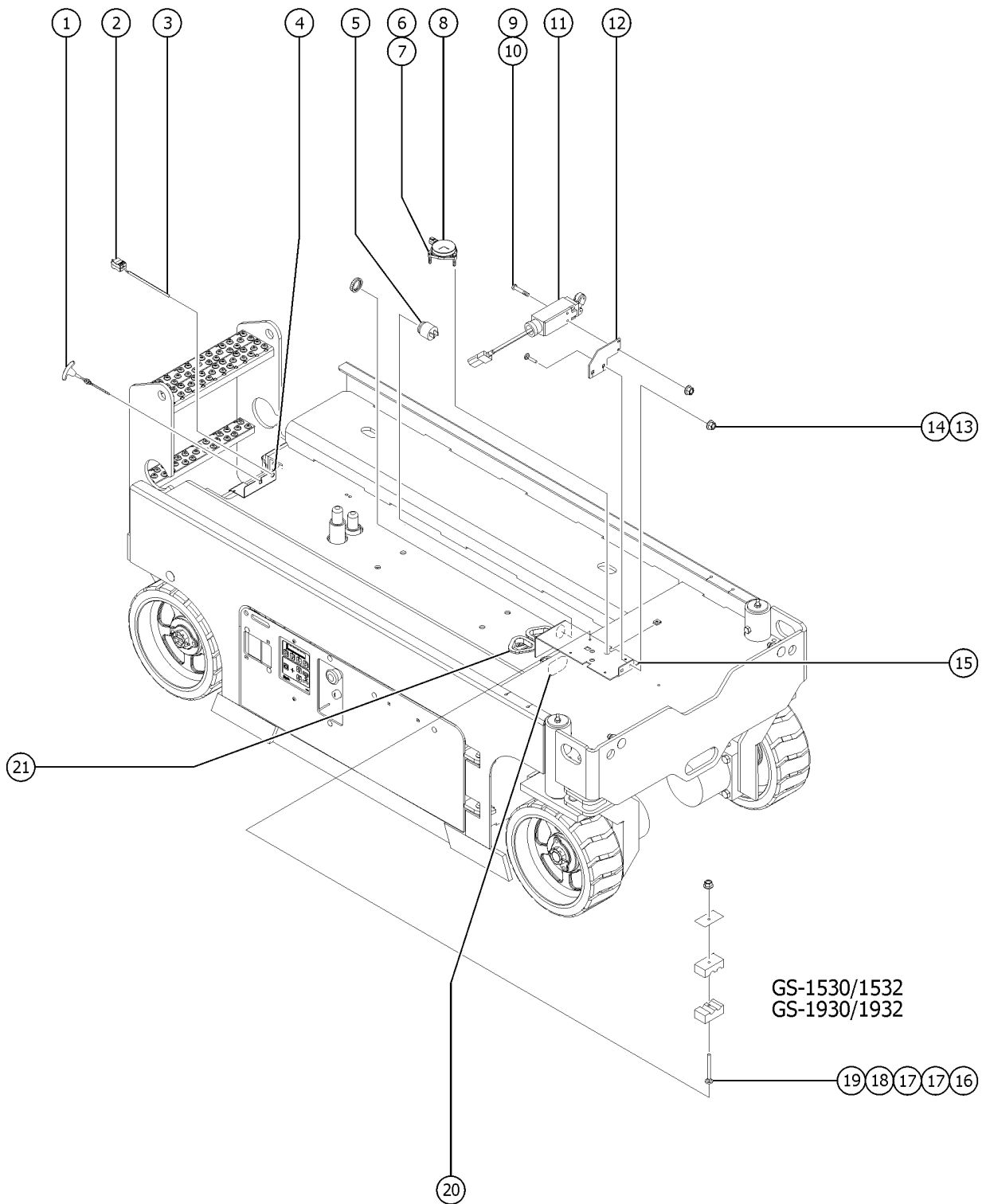
203.1 Level Sensor Installation, All Models



Item	Part No.	Description	Qty.
A	1289561GT	BRACKET, TELEMATICS	
A	1289520GT	MODULE, TELEMATICS, ZTR, M7, NORTH AMERICA	
A	1289521GT	MODULE, TELEMATICS, ZTR, M7, EMEA/APAC	
1	39232GT	CABLE,EMERGENCY DOWN	1
2		Ref. Electrical Plug	
		(refer to 406.1)	
3		Ref. Electrical Cord	
		(refer to 406.1)	
4A	144226GT	FORMING,REC.PLG BRKT	1
		to SN G3016P-158208	
4B	1273055GT	FORMING, PLUG/LED BRACKET	1
		from SN G3016P-158209	
5	39540GT	ALARM, STEADY TONE***	1
		Does not include 72326 nut	
5-	72326GT	NUT - PLASTIC, RING FOR ALARMS	
6A	6637GT	SCREW,HHC, 1/4-20 X 1.75	3
		(to SN G3016P-156293) (not shown)	
6B	1255756GT	BOLT,CARRIAGE, 1/4-20X1.5,5,ZAG	3
		(from SN G3016P-156294) (shown)	
7A	39469GT	SPRING,COMPRESSION.485 X1.75**	3
		(to SN G3016P-156293) (not shown)	
7A-	56912GT	SPRING CLIP, 1/4-20,.025-.15X.5	
		(to SN G3016P-156293) (not shown)	
7B	824027GT	NUT,TL FLG, 1/4-20,G,ZAG	3
		(from SN G3016P-156294) (shown)	
8A	228406GT	ASSY,LVL SNSR W/ CONNECTOR	1
		(to SN G3016P-156293) (not shown)	
8B	823368GT	SENSOR,LEVEL, UNIVERSAL	1
		(from SN G3016P-156294) (shown)	
9	824216GT	SCREW,PHPM, 10-32X1.5,ZAG	2
10	1274168GT	NUT,NYLOCK, 10-32,A,ZAG	2
11	T112507GT	ASSEMBLY, DOWN LIMIT, GS	1
11-	19491GT	CONTACTOR,LIMIT SWITCH	
		(Includes plug)	
11-	96948GT	SWITCH,LIMIT,W/ROLLER ARM***	
11-	97128GT	ROLLER ARM,LIMIT SWITCH***	
12	96493GT	PLATE, LIMIT SWITCH MOUNT	1
13	824029GT	NUT,TL FLG, 3/8-16,G,ZAG	2
14	824125GT	BOLT,CARRIAGE, 3/8-16X1,5,ZAG	2
15	105310GT	FORMING, ALARM BRACKET,MINI	1
16	1255797GT	BOLT,CARRIAGE, 1/4-20X2,5,ZAG	1



203.1 Level Sensor Installation, All Models

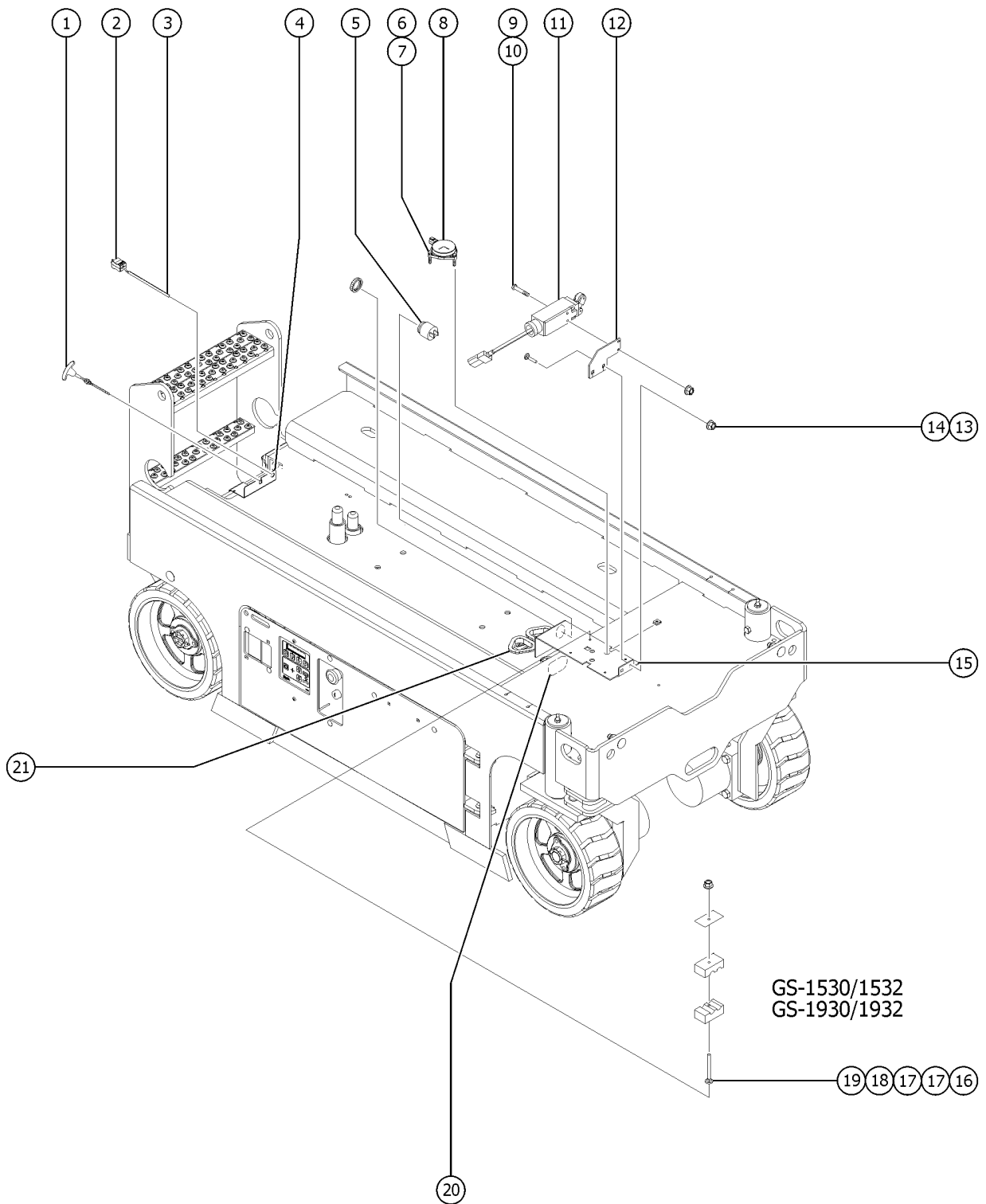


203.1 Level Sensor Installation, All Models

<i>Item</i>	<i>Part No.</i>	<i>Description</i>	<i>Qty.</i>
17	78736GT	CLAMP,2 HOSE,PLASTIC,5/8	2
18	58592GT	PLATE,HOSE ROUTG,BULKHEAD(PTD)	1
19	1256679GT	NUT,SERRATED,1/4-20,8,ZAG	1
20	131582GT	GROMMET,RUBBER,1.50IDX.375	1
21	105440GT	GROMMET,RUBBER 2.5 X 3.0	2



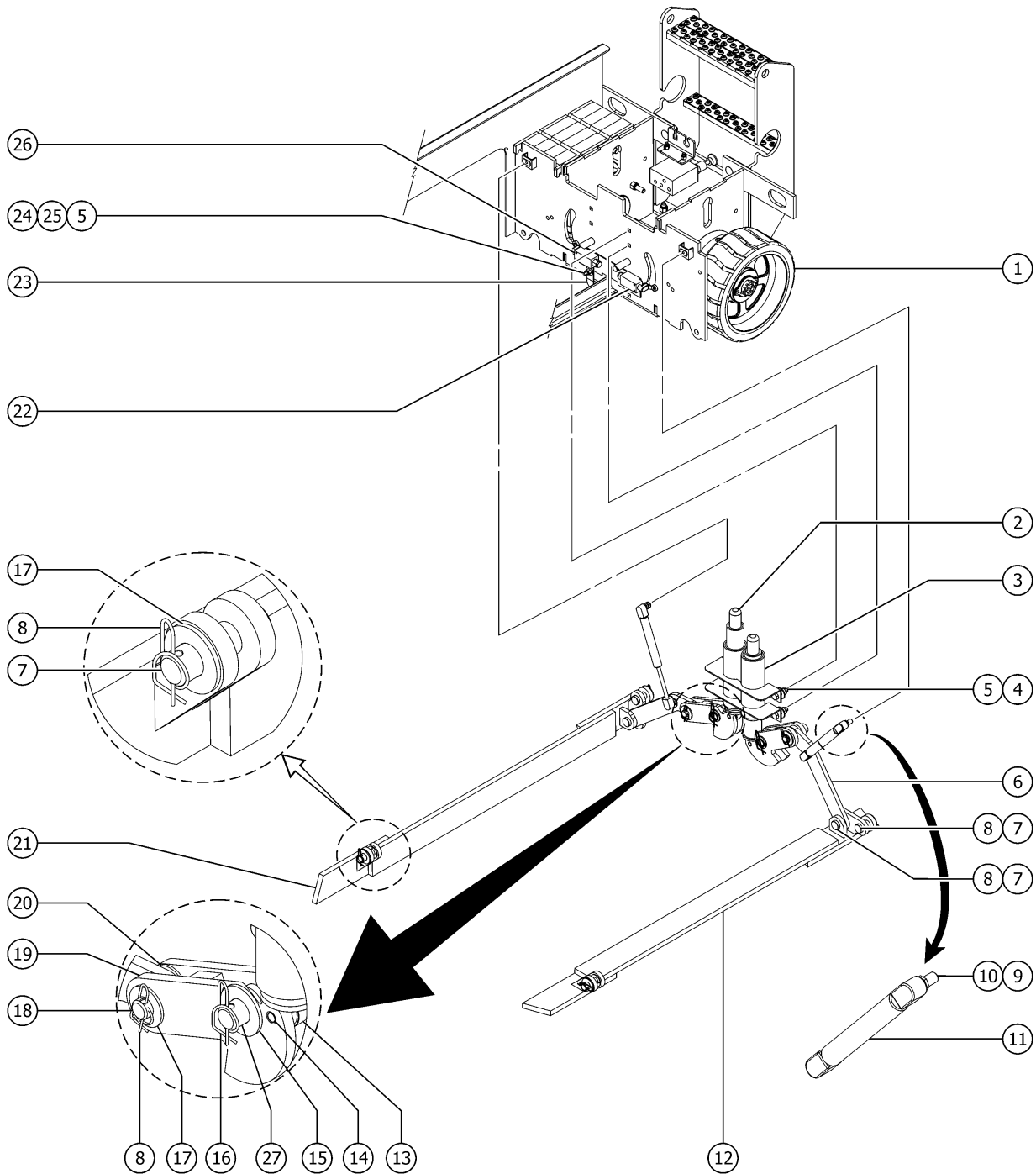
203.2 Level Sensor Installation, All Models



Item	Part No.	Description	Qty.
A	1289561GT	BRACKET, TELEMATICS	
A	1289520GT	MODULE, TELEMATICS, ZTR, M7, NORTH AMERICA	
A	1289521GT	MODULE, TELEMATICS, ZTR, M7, EMEA/APAC	
1	39232GT	CABLE,EMERGENCY DOWN	1
2		Ref. Electrical Plug	
		(refer to 406.1)	
3		Ref. Electrical Cord	
		(refer to 406.1)	
4B	1273055GT	FORMING, PLUG/LED BRACKET	1
		from SN G3016P-158209	
5	39540GT	ALARM, STEADY TONE***	1
		Does not include 72326 nut	
5-	72326GT	NUT - PLASTIC, RING FOR ALARMS	
6B	1255756GT	BOLT,CARRIAGE,1/4-20X1.5,5,ZAG	3
		(from SN G3016P-156294) (shown)	
8B	823368GT	SENSOR,LEVEL,UNIVERSAL	3
		(from SN G3016P-156294) (shown)	
9	824216GT	SCREW,PHPM,10-32X1.5,ZAG	2
10	1274168GT	NUT,NYLOCK,10-32,A,ZAG	2
11	T112507GT	ASSEMBLY, DOWN LIMIT, GS	1
11-	19491GT	CONTACTOR,LIMIT SWITCH	
		(Includes plug)	
11-	96948GT	SWITCH,LIMIT,W/ROLLER ARM***	
11-	97128GT	ROLLER ARM,LIMIT SWITCH***	
12	96493GT	PLATE, LIMIT SWITCH MOUNT	1
13	824029GT	NUT,TL FLG,3/8-16,G,ZAG	2
14	824125GT	BOLT,CARRIAGE,3/8-16X1.5,ZAG	2
15	105310GT	FORMING, ALARM BRACKET,MINI	1
16	1255797GT	BOLT,CARRIAGE,1/4-20X2,5,ZAG	1
17	78736GT	CLAMP,2 HOSE,PLASTIC,5/8	2
18	58592GT	PLATE,HOSE ROUTG,BULKHEAD(PTD)	1
19	1256679GT	NUT,SERRATED,1/4-20,8,ZAG	1
20	131582GT	GROMMET,RUBBER,1.50IDX.375	1
21	105440GT	GROMMET,RUBBER 2.5 X 3.0	2



204.1 Pothole Protection Assembly

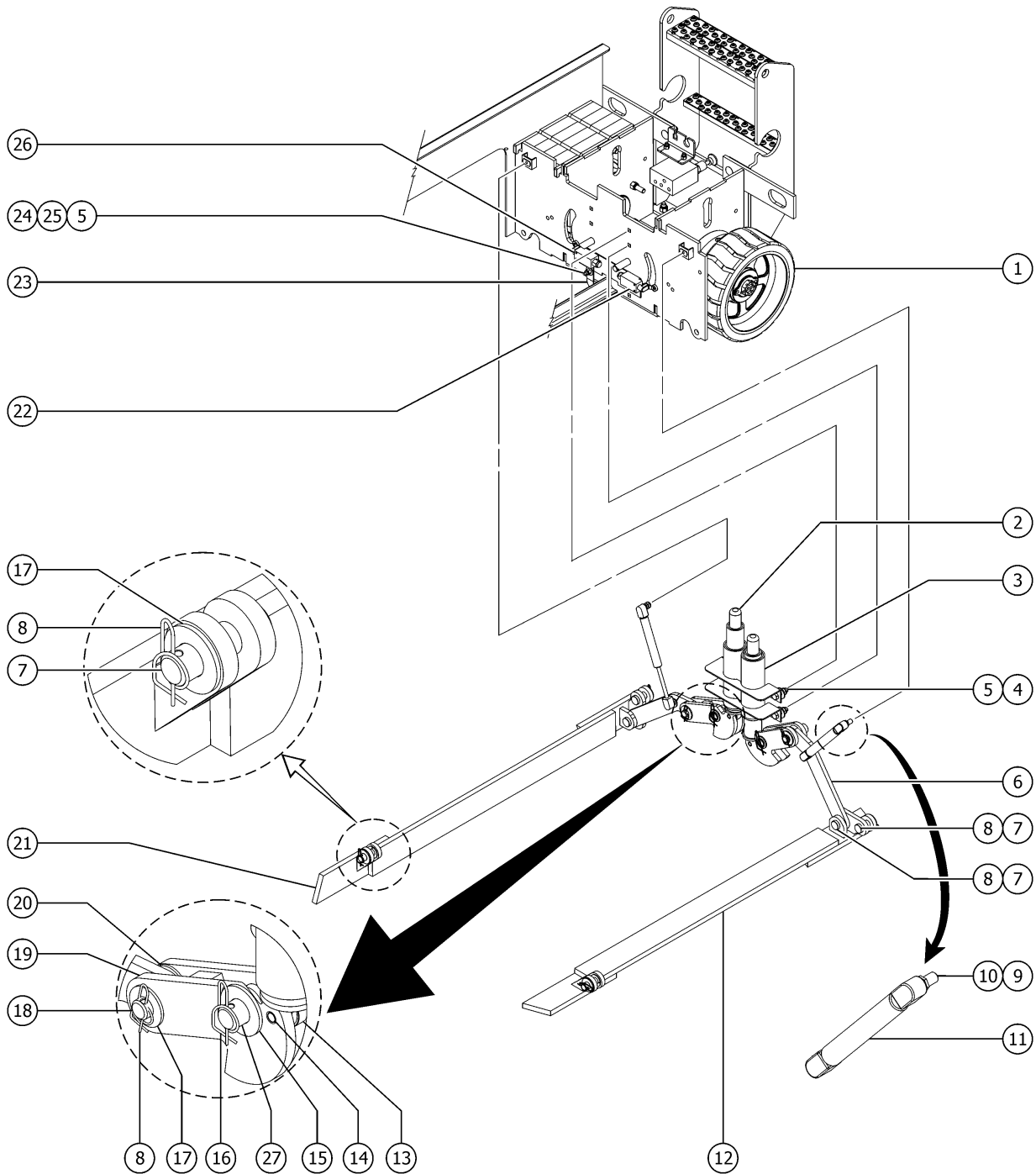


204.1 Pothole Protection Assembly

Item	Part No.	Description	Qty.
1		Ref. Wheel and Tire Assy (refer to 201.1)	
1	105122GT	WHEEL & TIRE ASSY,LP,12"***** (also refer to 201.1)	
2	96839GT	ASSY,POT HOLE PUSHER,GS*** 2	
3	96524GT	WLDMT/ASSY, PH GUIDE,GS30/32 1	
3-	96408GT	BEARING,1.523IDX1.75ODX0.63L 1	
4	824029GT	NUT,TL FLG,3/8-16,G,ZAG 1	
5	1255757GT	BOLT,CARRIAGE,3/8-16X1.25,5,ZA 1	
6	105055PGT	PLATE,POT HOLE LINK,GS30 2	
7	1259197GT	PIN,CLEVIS,.625X1.88,ZAG 6	
7-	105156GT	BUSHING, FLNGD, .63 X .77 X .38 4	
8	1259177GT	RUE RING,5/8,ZAG 8	
9	78086GT	BALL STUD, GAS STRUT, 3/8-16 2	
10	824038GT	NUT,TL JAM,3/8-16,A,ZAG 1	
11	39542GT	GAS SHOCK,SCISSORS*** 2	
12	96039GT	POT HOLE GUARD,LT,WLDMT 1 (battery pack side)	
13	96541GT	CAM FOLLOWER,1.125X.375,DELTRIN 2	
14	1259178GT	PIN,CLEVIS,.375X1.75,ZAG 2	
14-	12016GT	PIN,COTTER,.125 X .75 1	
14-	825358GT	WASHER,FLAT,5/16,USS,ZAG 1	
15	1257082GT	WASHER,SHIM,.75X1.125X.030,ZAG 2	
16	824128GT	RUE RING,3/4,ZAG 2	
17	1259180GT	WASHER,SHIM,.625X1.188X.064,ZAG 2	
18	1259179GT	PIN,CLEVIS,.625X1.79,ZAG 2	
19	84574GT	POT HOLE BELL CRNK LINK ASSYGS30 2	
19-	96642GT	BEARING,.75ID X 1.00D X 1.38LG 2	
20	96085GT	WASHER,THRUST,.63 X 1.13 X .06 4	
21	96038GT	POT HOLE GUARD,RT,WLDMT 1 (ground controls side)	
22	105275GT	BRACKET,LIMIT SWITCH MTG*** 1	



204.1 Pothole Protection Assembly

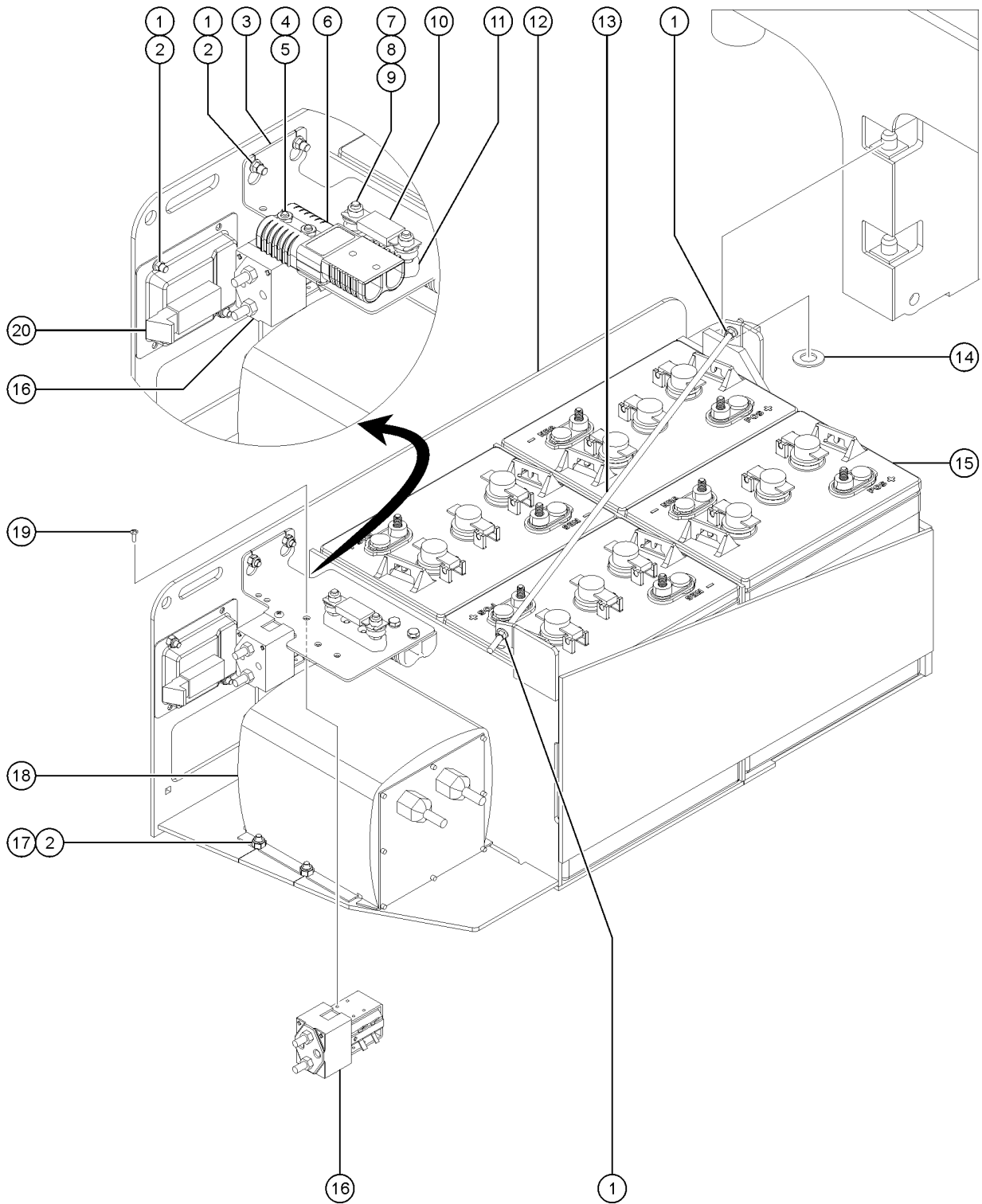


204.1 Pothole Protection Assembly

Item	Part No.	Description	Qty.
23	96317GT	GROUND STRAP, 12"LG***	1
24	824025GT	NUT, TL, 3/8-16, C, ZAG	
25	1255758GT	WASHER, FLAT, 3/8, USS, ZAG	
26	96948GT	SWITCH, LIMIT, W/ROLLER ARM***	2
26-	19491GT	CONTACTOR, LIMIT SWITCH	
26-	97128GT	ROLLER ARM, LIMIT SWITCH***	
27	96133GT	PIN, CLEVIS, .75 X 2.31	2



205.1 Battery Pack Module

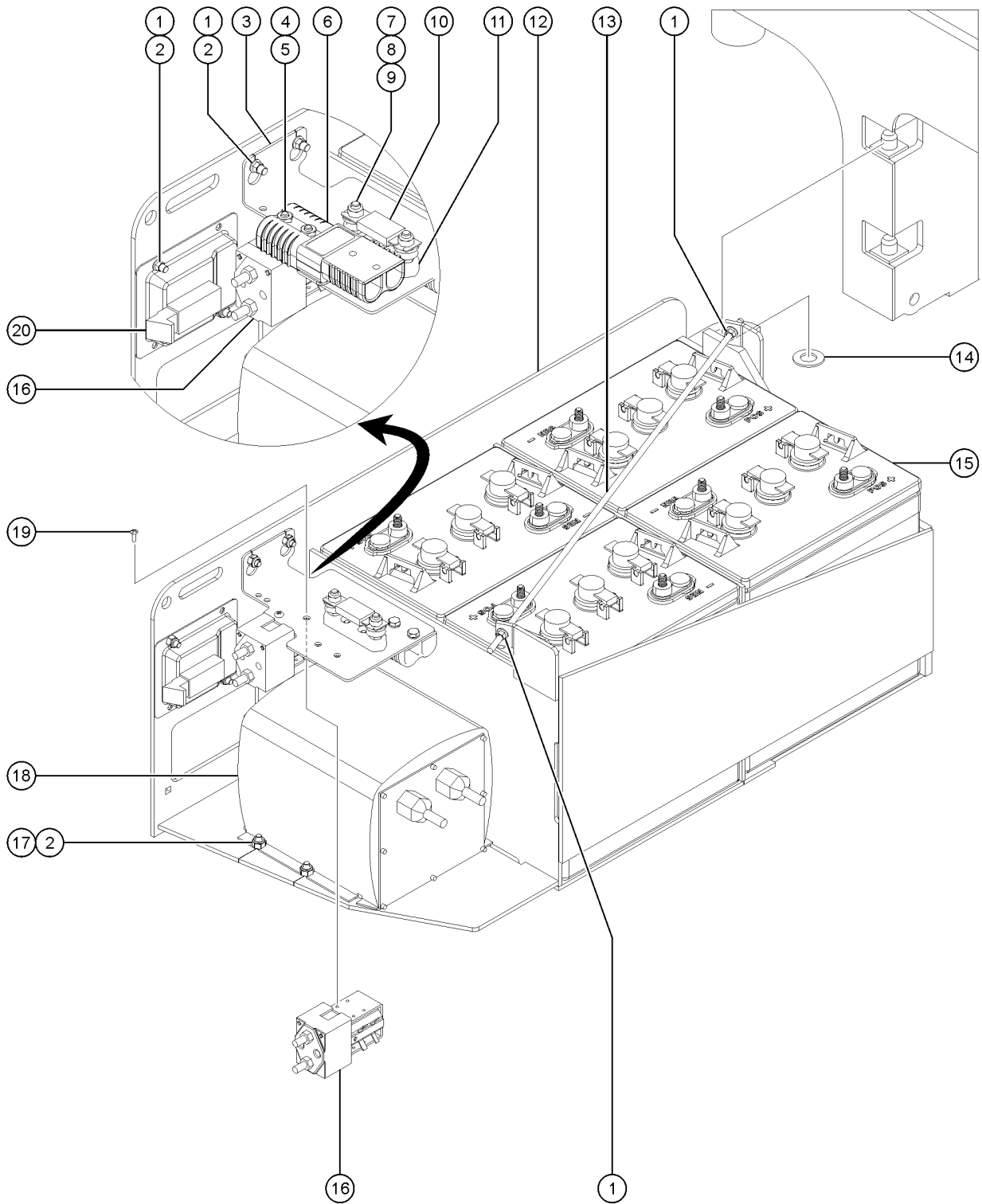


205.1 Battery Pack Module

Item	Part No.	Description	Qty.
1	824027GT	NUT,TL FLG,1/4-20,G,ZAG	6
2	824124GT	BOLT, CARRIAGE, 1/4-20 X .75, 5, ZAG	8
3	232531GT	FORMING,CONTACTOR MOUNT,GS	1
4	824037GT	NUT,HH JAM,1/4-20,A,ZAG	4
5	824080GT	SCREW,HHF,1/4-20X1.25,8,ZAG	4
6	66397GT	QUICK DISCONNECT CASING,BATT**	2
7	1255805GT	NUT,SERRATED,5/16-18,8,ZAG	2
8	825358GT	WASHER,FLAT,5/16,USS,ZAG	2
9	1259266GT	SCREW,HEX UNSLOTTED,14-10X.5,TYPE C,ZAG	2
10	40833GT	FUSE,275 AMP,VERY FAST ACTING	1
11	66717GT	FUSE BLOCK, ANN & ANL FUSE	1
		(includes mounting fasteners)	
12	233366GT	ASSY,GS BATTERY TRAY	
		(does not include decals, please refer to section 1) (includes items 1, 2, 3, 13, 14, 17 and 20)	
13	30784-2550GT	THREADED ROD,(1/4-20),25.50	1
14	1256863GT	WASHER,FLAT,.75,SAE,HRD,ZAG	
15A	76502GT	BATTERY,T105 W/LPT,3 CAP,DRY**	4
15A-	18503GT	NUT,LOCKING-LG.FLANGE,5/16-18	
15A-	137770GT	BATTERY WATERING KIT, 24V UNIV	
		(to watch the installation video, copy and paste this link to your web browser) https://www.youtube.com/watch?v=13zTtl-hWik	
15A-	137769GT	BATTERY WATERING HAND PUMP	
15B	105150GT	BATTERY, AGM, 6V, (TROJAN) ***	4
		(horizontal battery connections) (replaced 96205, vertical battery cable connections)	
15B-	137770GT	BATTERY WATERING KIT, 24V UNIV	
		(to watch the installation video, copy and paste this link to your web browser) https://www.youtube.com/watch?v=13zTtl-hWik	
15B-	137769GT	BATTERY WATERING HAND PUMP	
16A	74267GT	CONTACTOR,DRIVE,24V,180A***	
		to SN GS3016P-154308	
16B	1270456GT	CONTACTOR,DRIVE,24V,180A	
		from SN GS3016P-154309	
17	1256679GT	NUT,SERRATED,1/4-20,8,ZAG	2
18		Ref. Battery Charger	
		(Refer to 206.1)	
19	825349GT	SCREW,PHPM,10-32X.38,ZAG	2
20	55675GT	LATCH, LRG PADDLE HANDLE GS90	1



205.2 Battery Pack Module

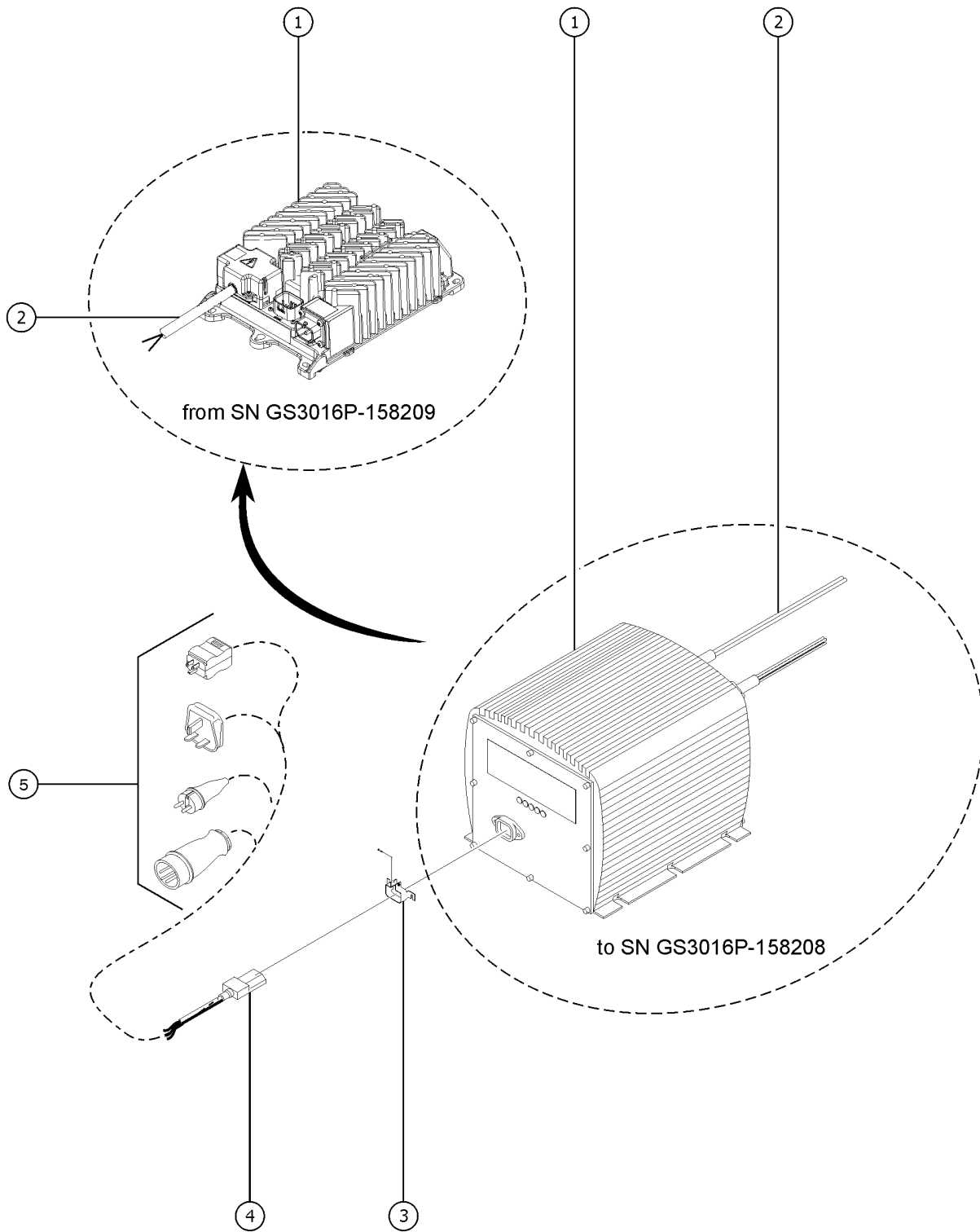


205.2 Battery Pack Module

Item	Part No.	Description	Qty.
1	824027GT	NUT,TL FLG,1/4-20,G,ZAG	6
2	824124GT	BOLT, CARRIAGE, 1/4-20 X .75, 5, ZAG	8
3	232531GT	FORMING,CONTACTOR MOUNT,GS	1
4	824037GT	NUT,HH JAM,1/4-20,A,ZAG	4
5	824080GT	SCREW,HHF,1/4-20X1.25,8,ZAG	4
6	66397GT	QUICK DISCONNECT CASING,BATT**	2
7	1255805GT	NUT,SERRATED,5/16-18,8,ZAG	2
8	825358GT	WASHER,FLAT,5/16,USS,ZAG	2
9	1259266GT	SCREW,HEX UNSLOTTED,14-10X.5,TYPE C,ZAG	2
10	40833GT	FUSE,275 AMP,VERY FAST ACTING	1
11	66717GT	FUSE BLOCK, ANN & ANL FUSE	1
		(includes mounting fasteners)	
12	233366GT	ASSY,GS BATTERY TRAY	
		(does not include decals, please refer to section 1) (includes items 1, 2, 3, 13, 14, 17 and 20)	
13	30784-2550GT	THREADED ROD,(1/4-20),25.50	1
14	1256863GT	WASHER,FLAT,.75,SAE,HRD,ZAG	
15A	76502GT	BATTERY,T105 W/LPT,3 CAP,DRY**	4
15A-	137770GT	BATTERY WATERING KIT, 24V UNIV	
		(to watch the installation video, copy and paste this link to your web browser) https://www.youtube.com/watch?v=13zTtl-hWik	
15A-	137769GT	BATTERY WATERING HAND PUMP	
15A-	18503GT	NUT,LOCKING-LG.FLANGE,5/16-18	
15B	105150GT	BATTERY, AGM, 6V, (TROJAN) ***	4
		(horizontal battery connections) (replaced 96205, vertical battery cable connections)	
15B-	137770GT	BATTERY WATERING KIT, 24V UNIV	
		(to watch the installation video, copy and paste this link to your web browser) https://www.youtube.com/watch?v=13zTtl-hWik	
15B-	137769GT	BATTERY WATERING HAND PUMP	
16B	1270456GT	CONTACTOR,DRIVE,24V,180A	
		from SN GS3016P-154309	
17	1256679GT	NUT,SERRATED,1/4-20,8,ZAG	2
18		Ref. Battery Charger	
		(Refer to 206.1)	
19	825349GT	SCREW,PHPM,10-32X.38,ZAG	2
20	55675GT	LATCH, LRG PADDLE HANDLE GS90	1



206.1 Battery Charger

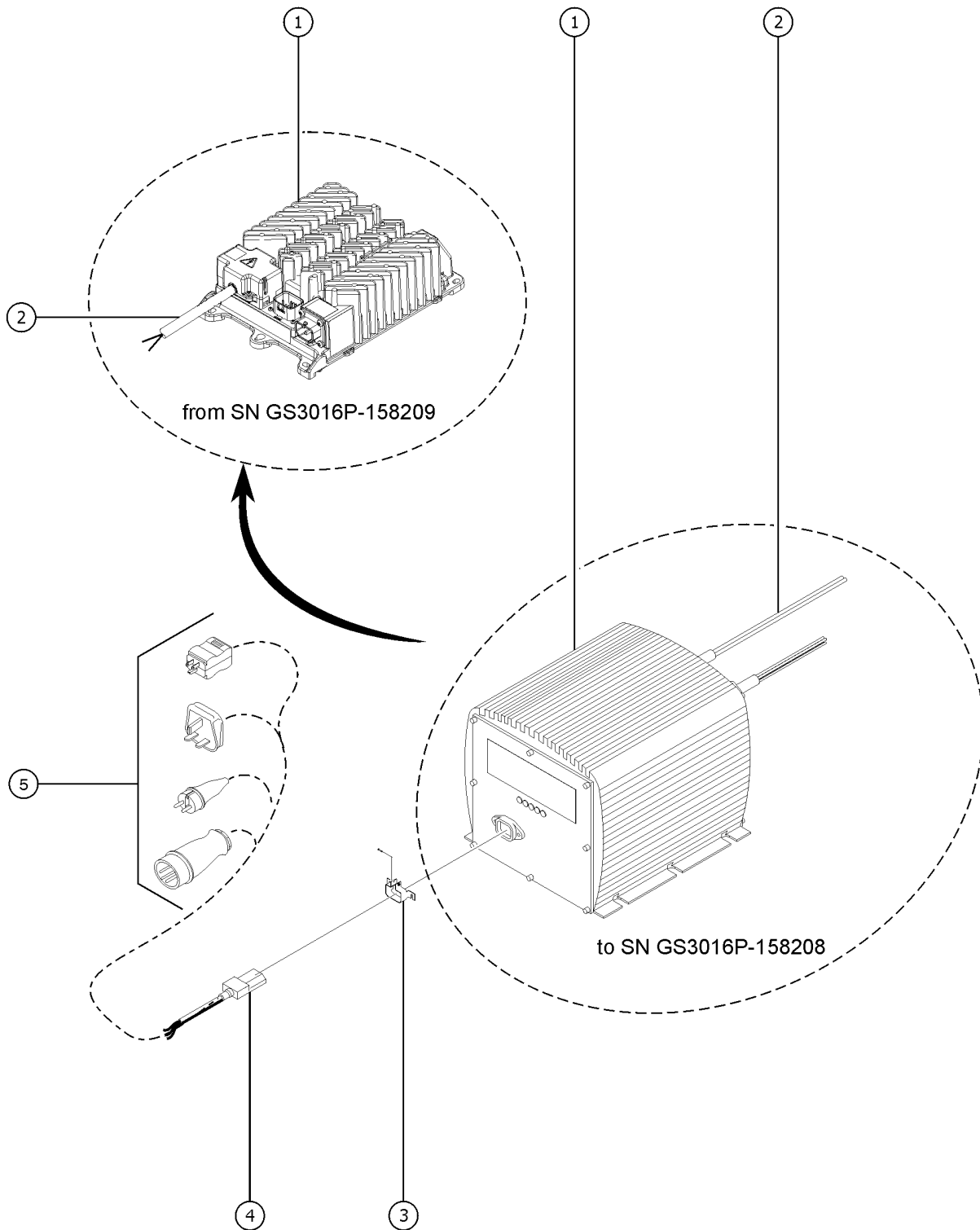


206.1 Battery Charger

Item	Part No.	Description	Qty.
A	105334GT	CONNECTOR, IEC CHARGER CORD for 5-LED battery charger	
B	97059GT	FUSE, BATTERY CHARGER*** for 5-LED battery charger	
C	1273576GT	CABLE ASSY, CHARGER/BATTERY (for 1264372)	
1A	105739GT	CHARGER, BAT, 24VDC, H/LO GEN2 (to SN GS3016P-158208) Signet battery charger. NOTE: Some machines are equipped with an alternative-brand battery charger. Inspect your machine before ordering OR contact Genie Service Parts if needed.	1
1A-	144180GT	MANUAL, OWNERS, CHARGER, 105739	
1A-	219480GT	KIT, BATTERY CHARGER, 24V (includes 105739 charger, fasteners, ring terminals and instructions for field installation)	
1B		Ref. Field Assembly Recessed Charger Plug (to SN GS3016P-158208) (refer to 406.1)	
1C	1277961GT	KIT, 650W BATT CHARGER, FLA newer style charger for GS-30 machines with lead acid batteries to SN 16P-158208	
1C	1277959GT	KIT, 650W BATT CHARGER, AGM newer style charger for GS-30 machines with AGM batteries to SN 16P-158208	
1C	1277960GT	KIT, 650W BATT CHARGER, FLA, REC PLUG newer style charger for GS-30 machines with lead acid batteries and Rec plug to SN 16P-158208	
1C	1277958GT	KIT, 650W BATT CHARGER, AGM, REC PLUG newer style charger for GS-30 machines with AGM batteries and Rec plug to SN 16P-158208	
1D	1264372GT	CHARGER, 24V, 650W, USB (from SN GS3016P-158209)	1
1D-	1273576GT	CABLE ASSY, CHARGER/BATTERY for standard 'flooded' batteries	
1D-	1272844GT	CABLE, CHARGER, DC, W/ BTS for AGM 'maintenance free' batteries	
1D-	1272119GT	HARNESS, LED CHARGER, GS30 wire harness with 15-pin connector	
1D-	1270281GT	ASSEMBLY, CHARGER STATUS LED, 2V LED harness assembly connects to 1272119GT	1
1D-	1272557GT	POWER CORD, IEC 320, 90 DEG power supply cord (ANSI/CSA models)	
1D-	1279428GT	KIT, DC BLOCK ASSEMBLY	
2		Ref. CABLE ASSY, CHARGER/BATTERY (refer to 210.1)	
3	55010GT	LOCK, CONNECTOR (includes fasteners)	1
4A	144130GT	POWER CORD, IEC 320, 115" (to SN GS3016P-158208)	
4B	1272557GT	POWER CORD, IEC 320, 90 DEG (from SN GS3016P-158209)	1
5		Ref. PLUG, ELECTRICAL (refer to 406.1)	



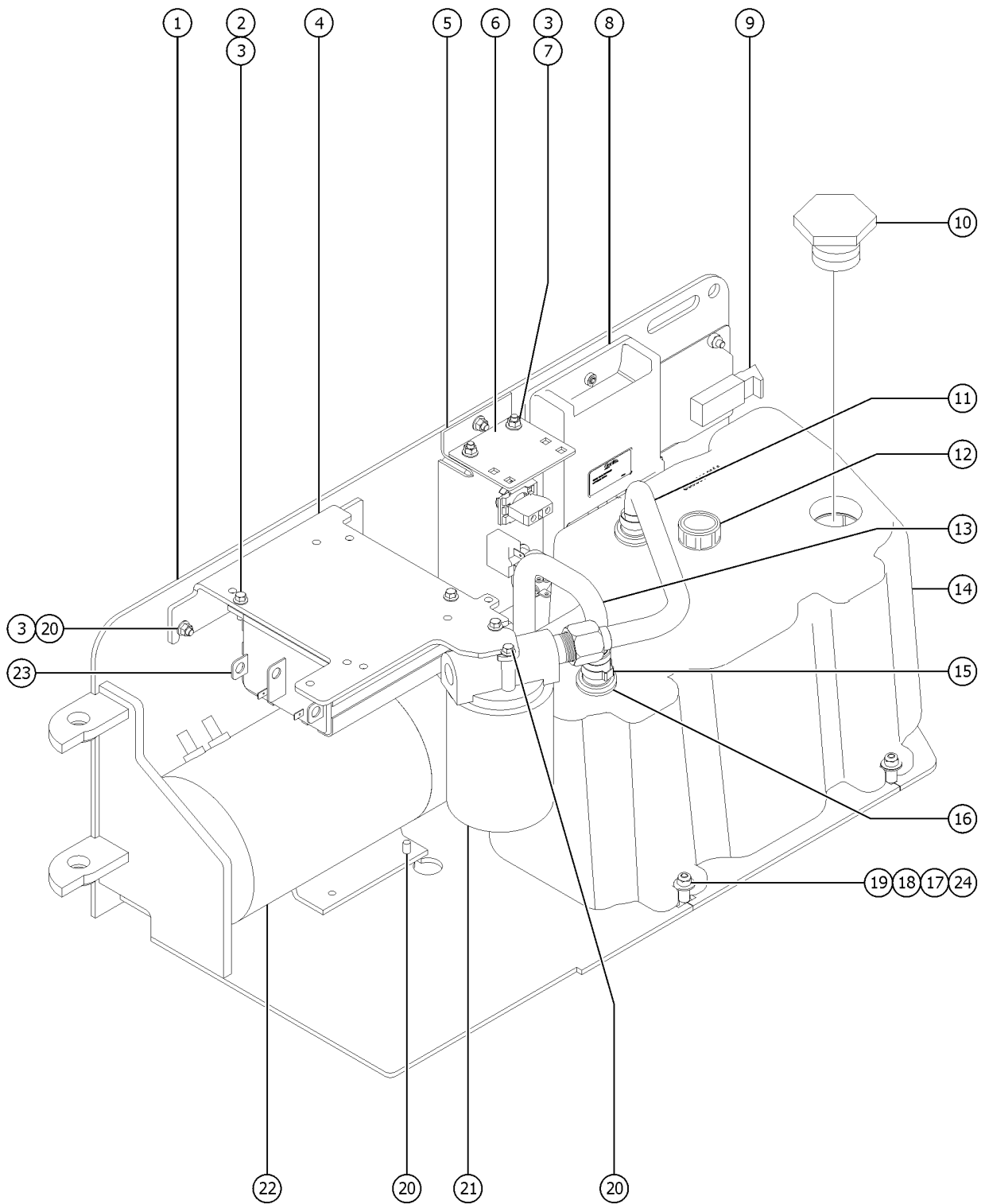
206.2 Battery Charger



Item	Part No.	Description	Qty.
A	105334GT	CONNECTOR, IEC CHARGER CORD for 5-LED battery charger	
B	97059GT	FUSE, BATTERY CHARGER*** for 5-LED battery charger	
C	1273576GT	CABLE ASSY, CHARGER/BATTERY (for 1264372)	
1C	1264372GT	CHARGER, 24V, 650W, USB (from SN GS3016P-158209)	1
1C-	1273576GT	CABLE ASSY, CHARGER/BATTERY for standard 'flooded' batteries	
1C-	1272844GT	CABLE, CHARGER, DC, W/ BTS for AGM 'maintenance free' batteries	
1C-	1272119GT	HARNES, LED CHARGER, GS30 wire harness with 15-pin connector	
1C-	1270281GT	ASSEMBLY, CHARGER STATUS LED, 2V LED harness assembly connects to 1272119GT	1
1C-	1272557GT	POWER CORD, IEC 320, 90 DEG power supply cord (ANSI/CSA models)	
1C-	1279428GT	KIT, DC BLOCK ASSEMBLY	
2		Ref. CABLE ASSY, CHARGER/BATTERY (refer to 210.1)	
3	55010GT	LOCK, CONNECTOR (includes fasteners)	1
4B	1272557GT	POWER CORD, IEC 320, 90 DEG (from SN GS3016P-158209)	1
5		Ref. PLUG, ELECTRICAL (refer to 406.1)	



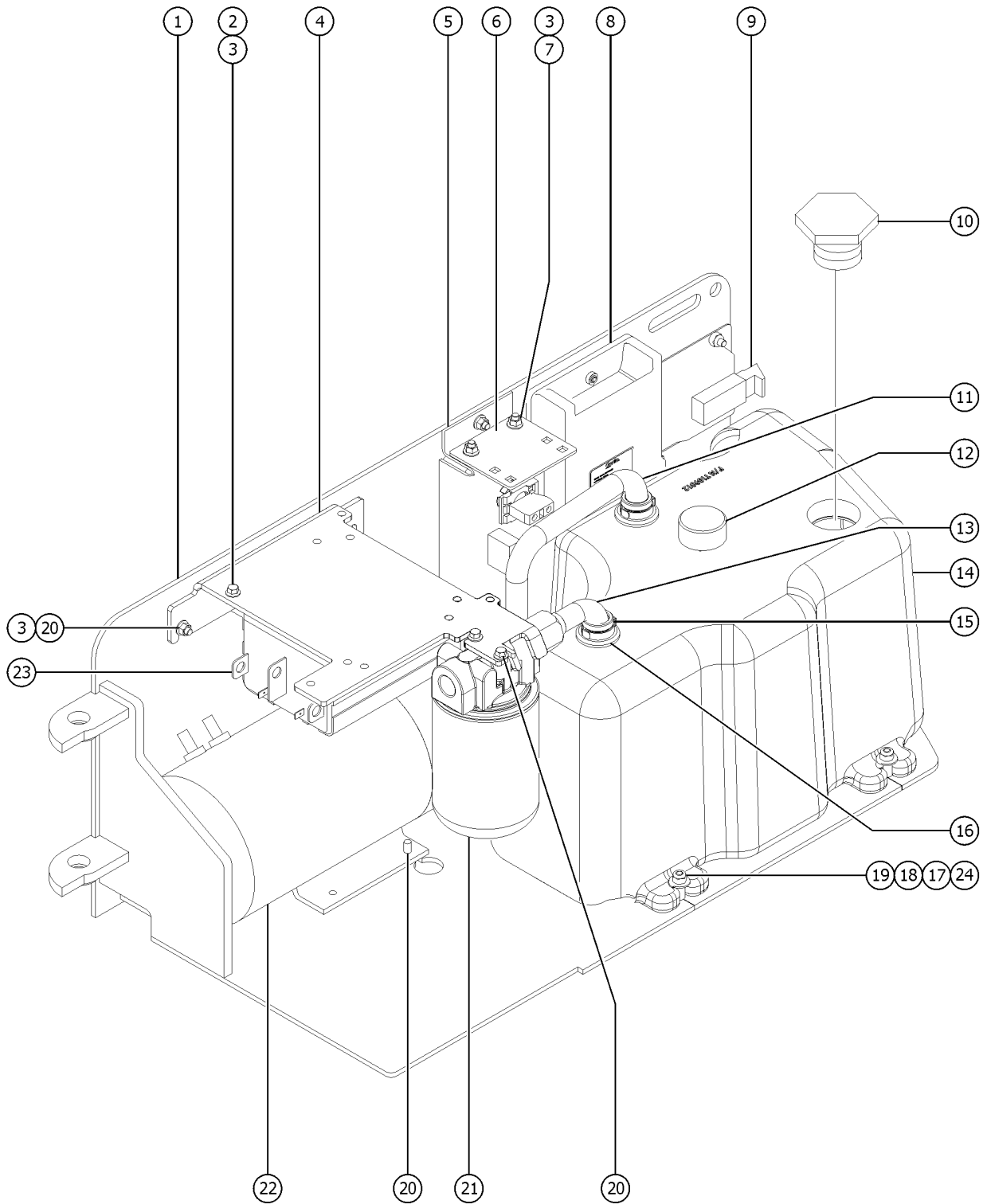
207.1 Power Unit Module (to SN GS3016P-159832)



Item	Part No.	Description	Qty.
1A	231114GT	HYDR TRAY ASSY W/WORDS	1
1A-	T113296GT	WELDMENT,GS HYD TRAY (decals not included, refer to section one)	
1B	231167GT	HYDR TRAY ASSY,GS30 W/SYMBOLS	1
1B-	T113296GT	WELDMENT,GS HYD TRAY (decals not included, refer to section one)	
2	824080GT	SCREW,HHF,1/4-20X1.25,8,ZAG	
3	824027GT	NUT,TL FLG,1/4-20,G,ZAG	
4	105308GT	FORMING, FILTER-CNTRLR MOUNT	1
5		Ref. FORMING, CONTROL PANEL (refer to 208.1)	
6	T108326GT	PLATE,HARNESS MOUNT	1
7	824124GT	BOLT, CARRIAGE, 1/4-20 X .75, 5, ZAG	
8		Ref. GCON, GR/GRC/GS (refer to figure 208.1)	
9	55675GT	LATCH, LRG PADDLE HANDLE GS90	1
10	66204GT	FILTER CAP (PLUG 1-1/2" NPT HEX	1
11	96355GT	TUBE, ASSY, RETURN	1
12	78546GT	BREATHER CAP,HYD. TANK,1/4 NPT	1
13	96354GT	TUBE, ASSY, DRAW	1
14	226163GT	HYD. TANK KIT, GS30,32,46 (includes items 15 and 16)	1
14-	T109012GT	TANK,HYD, SLAB SCISSORS	
15	96855GT	CLAMP,HOSE,1 EAR,1-1/16***	2
16	96709GT	GROMMET,SLAB HYD TANK***	2
17	96699GT	SLEEVE,TANK SUPPORT	
18	824113GT	WASHER,FLAT,1/4,USS,ZAG	
19	1256463GT	BOLT,CARRIAGE,1/4-20X1.25,5,ZA	
20	824078GT	SCREW,HHF,1/4-20X.75,8,ZAG	
21		REF. FILTER ASSY (refer to figure 501.1)	
22		REF. ELECTRIC MOTOR/PUMP (refer to figure 505.1)	
23	823408GT	MOTOR CONTROLLER, DC,24V,300A for machines from GS3011A-110828 that have had a contactor kit previously installed; replaced 218236	1
24	6091GT	NUT,NYLOCK,1/4-20	3



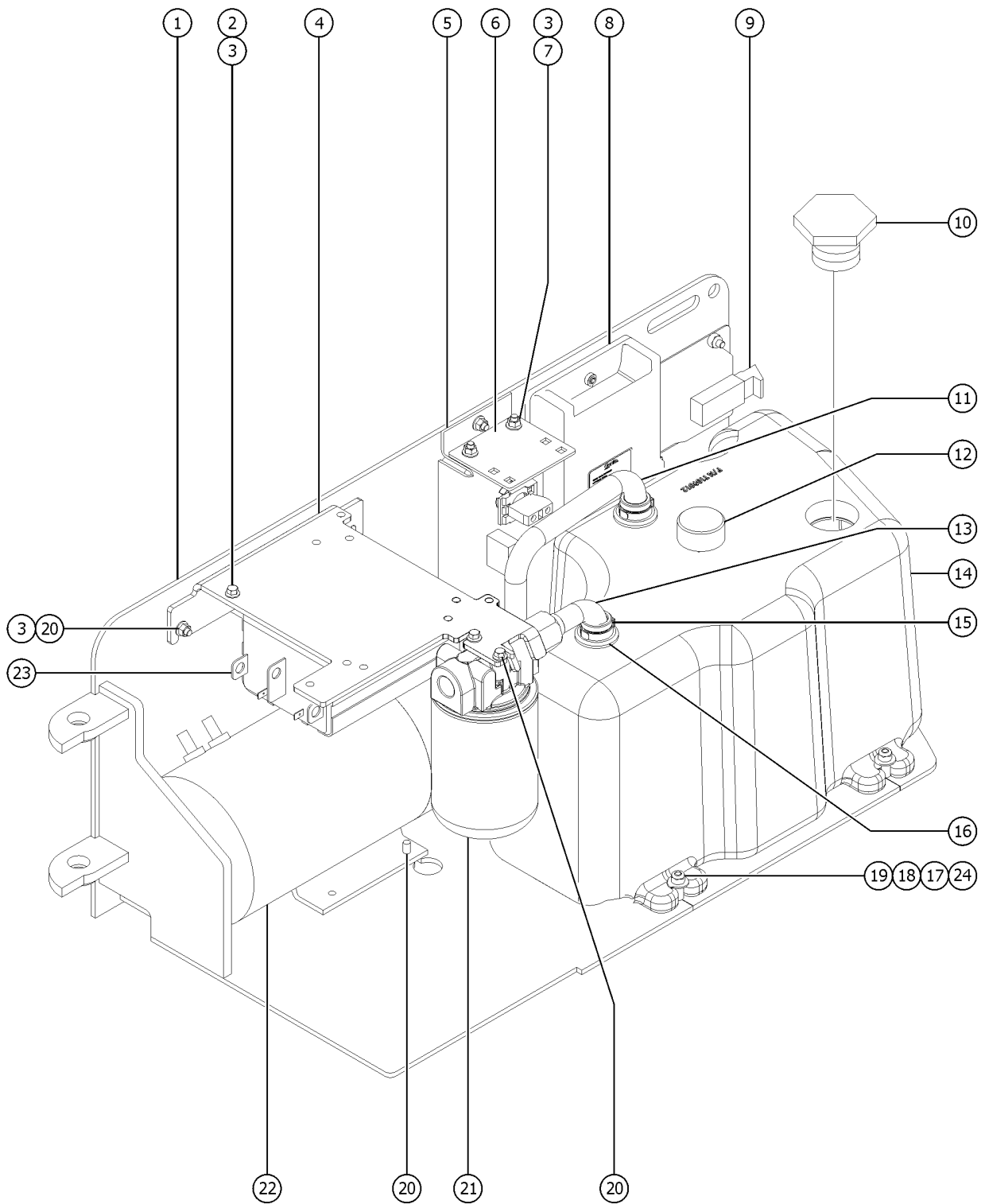
207.2 Power Unit Module (from SN GS3016P-159833)



Item	Part No.	Description	Qty.
1A	231114GT	HYDR TRAY ASSY W/WORDS	1
1A-	T113296GT	WELDMENT,GS HYD TRAY (decals not included, refer to section one)	
1B	231167GT	HYDR TRAY ASSY,GS30 W/SYMBOLS	1
1B-	T113296GT	WELDMENT,GS HYD TRAY (decals not included, refer to section one)	
2	824080GT	SCREW,HHF,1/4-20X1.25,8,ZAG	
3	824027GT	NUT,TL FLG,1/4-20,G,ZAG	
4A	1280158GT	KIT,SLAB HYD TANK TUBE REPLACMENT from SN GS3016P-159833 to 162608 (includes draw tube, return tube, and filter control mount)	
4A-	1276561GT	TUBE, SLAB RETURN ASSEMBLY from SN GS3016P-159833 to 162608	
4A-	1270598GT	TUBE, SLAB DRAW ASSEMBLY from SN GS3016P-159833 to 162608	
4B	1276562GT	FORMING,FILTER-CONTROLLER MOUNT	
5		Ref. FORMING, CONTROL PANEL	
6	T108326GT	PLATE,HARNESS MOUNT	1
7	824124GT	BOLT, CARRIAGE, 1/4-20 X .75, 5, ZAG	
8		Ref. GCON, GR/GRC/GS	
9	55675GT	LATCH, LRG PADDLE HANDLE GS90	1
10	66204GT	FILTER CAP (PLUG 1-1/2" NPT HEX	1
11A	1280158GT	KIT,SLAB HYD TANK TUBE REPLACMENT from SN GS3016P-159833 to 162608 (includes draw tube, return tube, and filter control mount)	
11A-	1276561GT	TUBE, SLAB RETURN ASSEMBLY from SN GS3016P-159833 to 162608	
11A-	1276562GT	FORMING,FILTER-CONTROLLER MOUNT	
11B	1270598GT	TUBE, SLAB DRAW ASSEMBLY from SN GS30P-162609	
12	78546GT	BREATHER CAP,HYD. TANK,1/4 NPT	1
13A	1280158GT	KIT,SLAB HYD TANK TUBE REPLACMENT from SN GS3016P-159833 to 162608 (includes draw tube, return tube, and filter control mount)	
13A-	1270598GT	TUBE, SLAB DRAW ASSEMBLY from SN GS3016P-159833 to 162608	
13A-	1276562GT	FORMING,FILTER-CONTROLLER MOUNT	
13B	1276561GT	TUBE, SLAB RETURN ASSEMBLY from SN GS30P-162609	
14	226163GT	HYD. TANK KIT, GS30,32,46	1
14-	T109012GT	TANK,HYD, SLAB SCISSORS	



207.2 Power Unit Module (from SN GS3016P-159833)

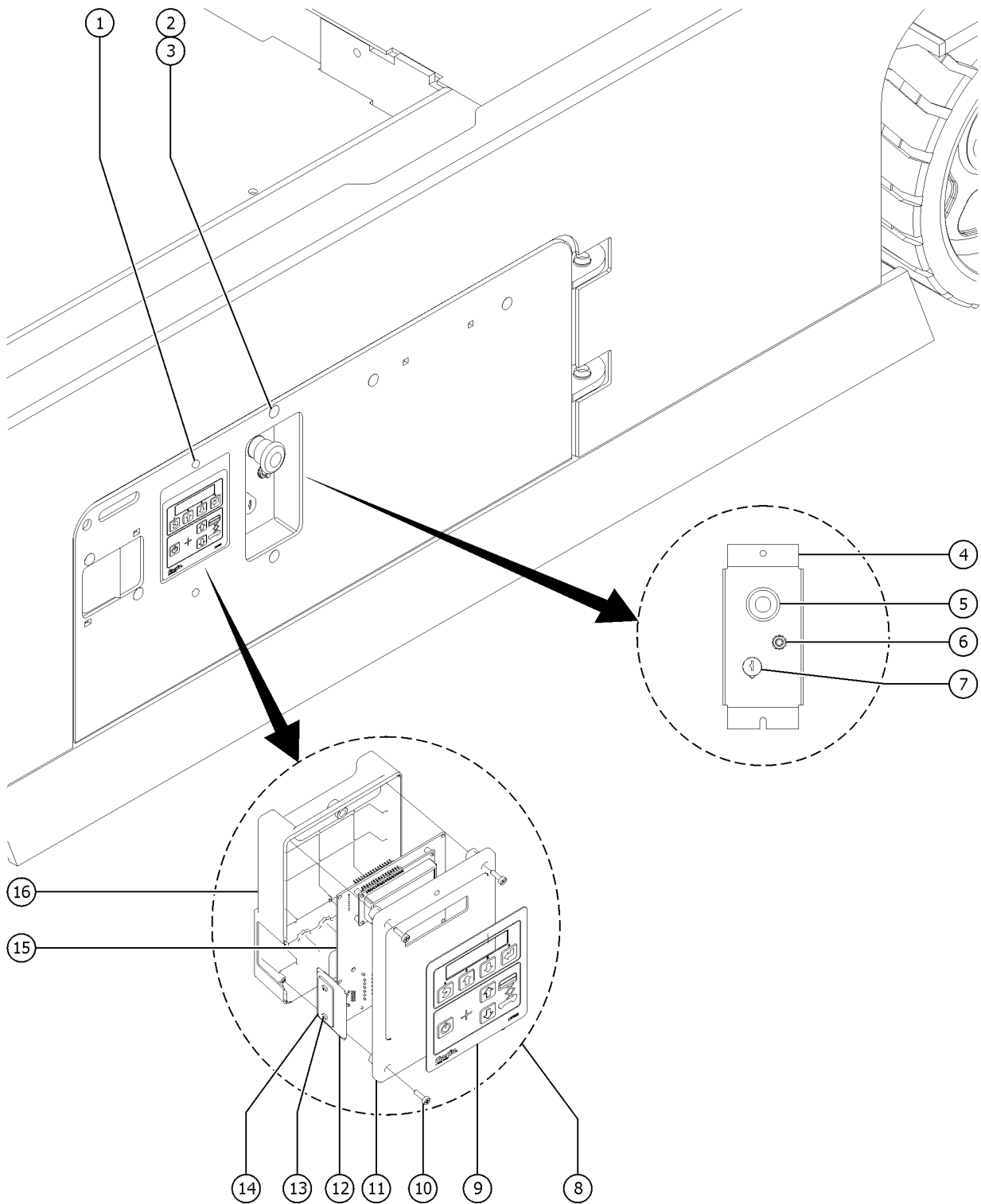


207.2 Power Unit Module (from SN GS3016P-159833)

Item	Part No.	Description	Qty.
15	96855GT	CLAMP,HOSE,1 EAR,1-1/16***	2
16	96709GT	GROMMET,SLAB HYD TANK***	2
17	96699GT	SLEEVE,TANK SUPPORT	
18	824113GT	WASHER,FLAT,1/4,USS,ZAG	
19	1256463GT	BOLT,CARRIAGE,1/4-20X1.25,5,ZA	
20	824078GT	SCREW,HHF,1/4-20X.75,8,ZAG	
21		REF. FILTER ASSY	
		(refer to figure 501.1)	
22		REF. ELECTRIC MOTOR/PUMP	
		(refer to figure 505.1)	
23	823408GT	MOTOR CONTROLLER, DC,24V,300A for machines from GS3011A-110828 that have had a contactor kit previously installed;	1
		replaced 218236	
24	6091GT	NUT,NYLOCK,1/4-20	3



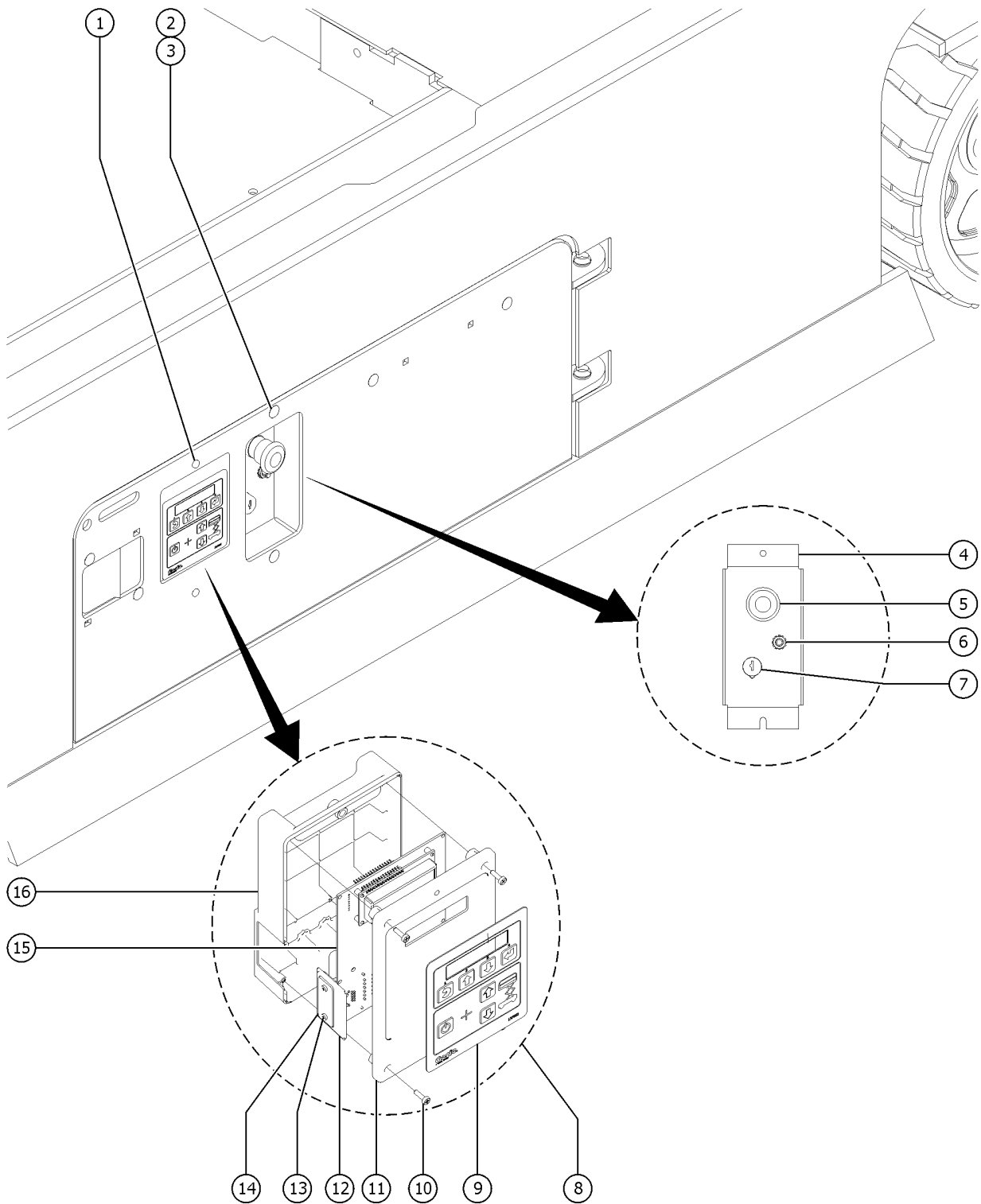
208.1 Ground Controls, All Models



Item	Part No.	Description	Qty.
A	83093GT	KEY SINGLE*** includes rubber boot	
B	21982GT	KEY,SINGLE*** without rubber boot	
C	37947GT	KEYS,10 PACK*** without rubber boots	
1	51063GT	SCREW,PHILLIPS,RHM,10-32 X 1.5	2
2	824124GT	BOLT, CARRIAGE, 1/4-20 X .75, 5, ZAG	2
3	824027GT	NUT,TL FLG,1/4-20,G,ZAG	2
4	T108327GT	FORMING,CONTROL PANEL	1
5	66812GT	BUTTON,PUSH,RED MUSHROOM HEAD	1
5-	58627GT	NUT	1
5-	66817GT	BASE WITH 1 NC CONTACT, E-STOP	1
5-	66818GT	CONTACT,NC	1
6	96452GT	CIRCUIT BREAKER, 7.0 AMP***	1
6-	122994GT	NICKEL PLATED JAM NUT	1
6-	6700GT	WASHER, STAR, EXTERNAL, .375	1
7A	96008-SGT	KEYSWITCH,3 POS. W/KEYS***	1
7A-	85239GT	NUT,RETAINER (96008)	
7A-	96009GT	WASHER,NITRILE (sold seperately)	
7A-	96010GT	SCREW,PHILLIPS,PHM,8-32 X.25** (sold seperately)	
7B	83131GT	KEYSWITCH,3 POS W/KEYS,LOCKING Australia market only; not for CE market	
7B-	85239GT	NUT,RETAINER (96008)	
8	1256721GT	GCON,STD,PROP LIFT	1
9	137562GT	DECAL,MEMBRANE, GR/GRC/GS GCON.	1
10	137668GT	SCREW,PHM,6-19X.75, 48-2 TRI-L	4
11	T106366GT	ENCLOSURE,GC27-25/GC21-19,FRNT	1
12	T106363GT	ADAPTER, RJ45, GC27-25/GC21-19	1
13	137637GT	SCREW,PHM,4-20X.5, 48-2 TRI-L (Not shown)	2
14	T106362GT	COVER, RJ45, GC27-25/GC21-19	1
15	1256719GT	PCBA,GCON STD,PROP LIFT	



208.1 Ground Controls, All Models

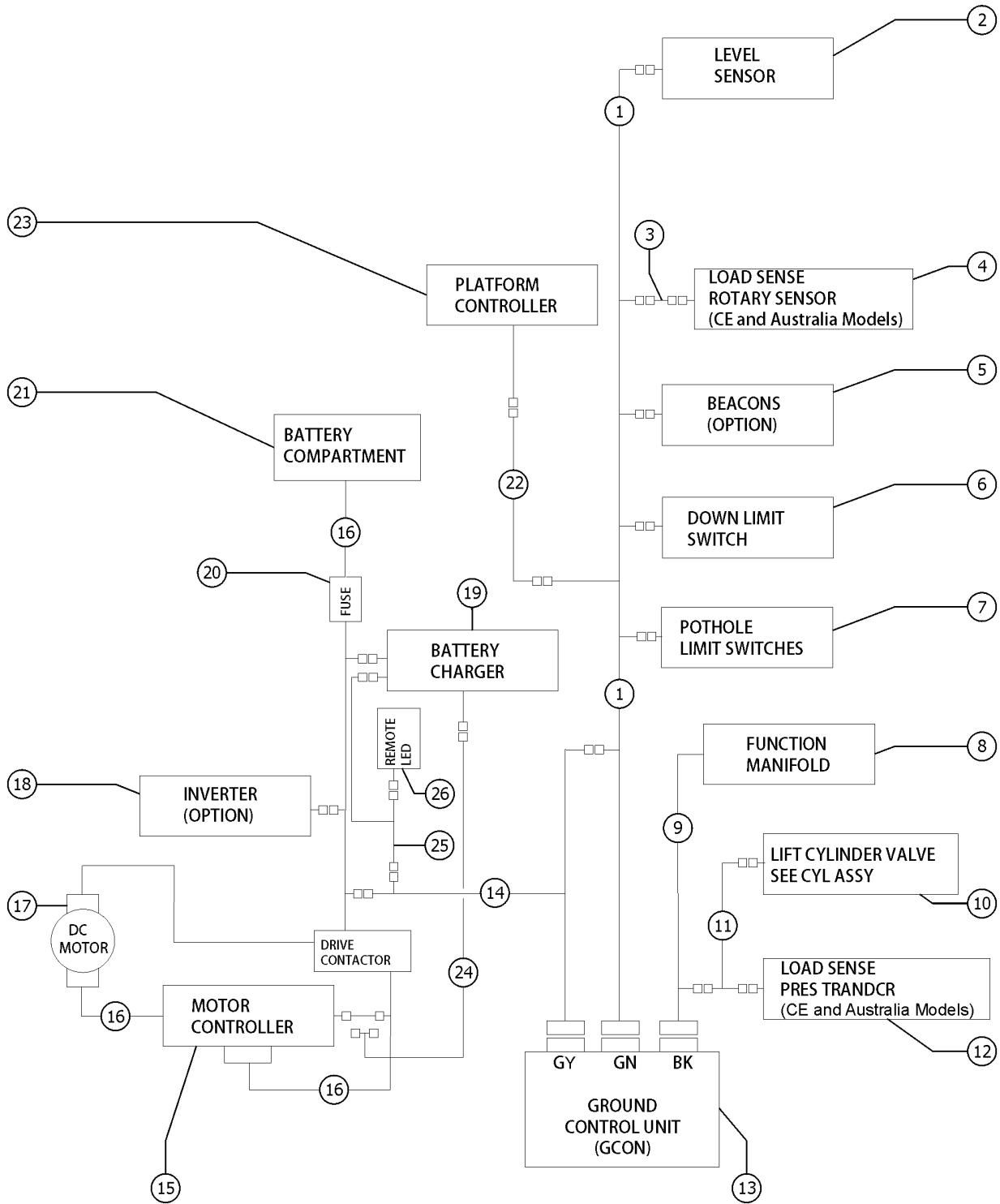


208.1 Ground Controls, All Models

<i>Item</i>	<i>Part No.</i>	<i>Description</i>	<i>Qty.</i>
16	T106372GT	ENCLOSURE, GC21-19, BK	1



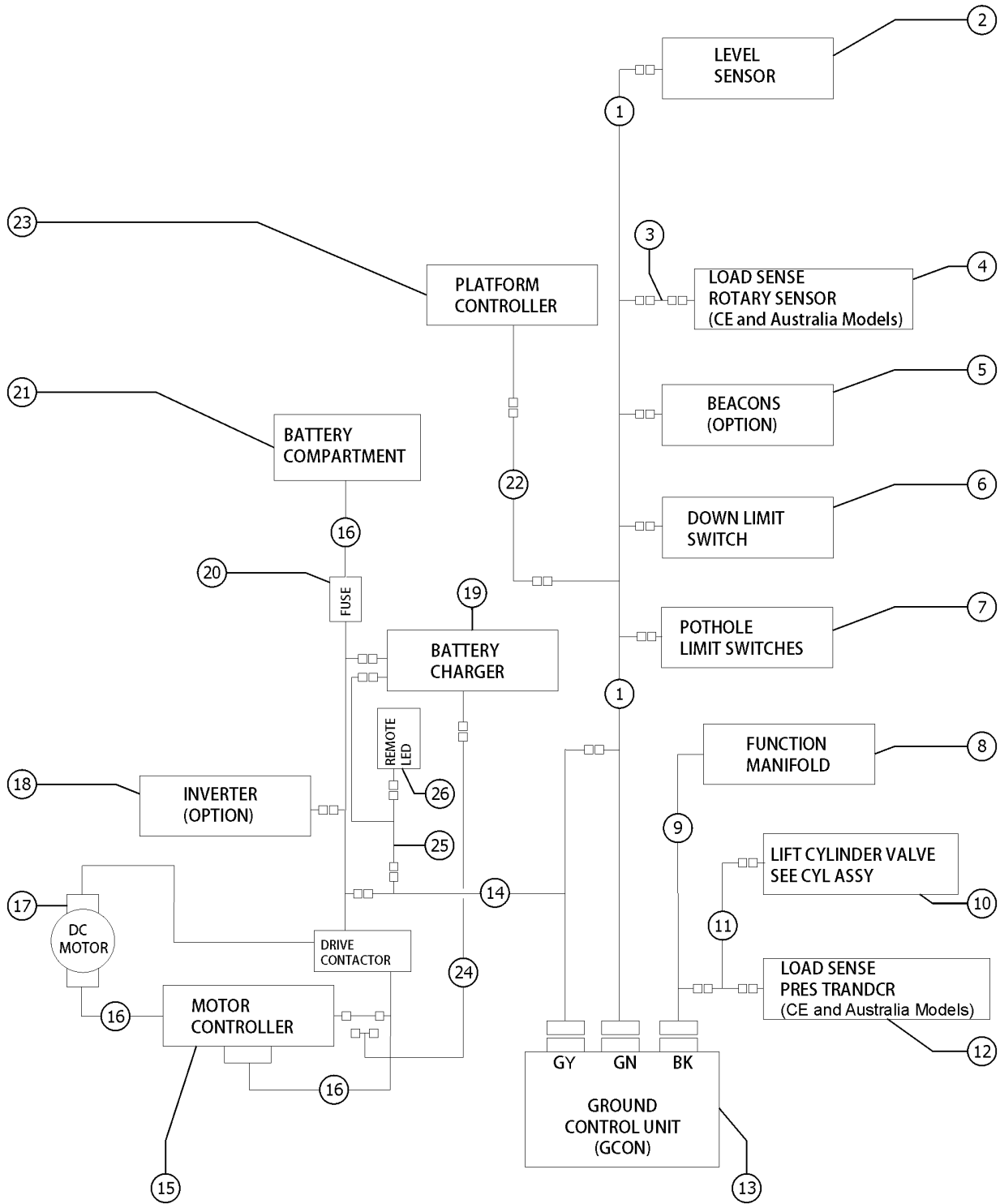
209.1 Electrical Wiring, GS-1530



Item	Part No.	Description	Qty.
-	105214GT	CABLE TIE MOUNT, WINGED not shown	
-	56926GT	CLIP, TIE HARNESS MOUNT*** not shown	
A	88335GT	PLUG,DTM SEAL 20-24GA	
B	1264822GT	KIT, TRC RETROFIT, STNDRD Telematics (includes 1264834)	
B-	1264834GT	INSTRN, TRC RETROFIT, STNDRD	
1A	228786GT	HARNESS, GS SENSORS, ANSI ANSI, CSA, S.America (to SN GS3016P-156293)	
1A-	233644GT	RESISTOR,200 OHM 10W,CERAMIC	
1A-	233711GT	HRNS ASSY,RESISTOR DIODE for 228786 and T110891	
1B	1263221GT	HARNESS, GS SENSORS, ANSI,UTS ANSI, CSA, S. America (from SN GS3016P-156294)	1
1C	T110891GT	HARNESS, GS SENSORS, CE CE, AUS, Asia (to SN GS3016P-156293) (Green connector)	1
1C-	233711GT	HRNS ASSY,RESISTOR DIODE for 228786 and T110891	
1D	1263220GT	HARNESS, GS SENSORS, CE,UTS CE, AUS, Asia (from SN GS3016P-156294)	1
2		REF. LEVEL SENSOR refer to 203.1	
3	T114031GT	HARNESS, ROTARY ANGLE CE and AUS	
4	T113136GT	ASSY,ROT SENSR W/ HARNESS CE and AUS	1
5		REF. BEACONS refer to 601.1	
6	T112507GT	ASSEMBLY, DOWN LIMIT, GS	1
7	96309GT	ASSY,POTHOLE HARNESS,GS	1
8		REF. FUNCTION MANIFOLD refer to 502.1	
9	1257824GT	HARNESS,FUNCTION MANIFOLD,GS (Black connector)	1
10		REF. LIFT CYLIDER VALVE refer to 506.1	
11A	T112508GT	CABLE, LIFT CYL DOWN WO/LS ANSI, CSA, Asia, S. America	1
11B	T112509GT	CABLE, LIFT CYL DOWN W/LS CE and AUS	1
12	229750GT	HARNESS,PRESS,TRANSDUCER*** CE and AUS	1
13		REF. GROUND CONTROLS refer to 208.1	
14	1258394GT	HARNESS,GS POWER CONTROL (Grey connector)	1
15		REF. MOTOR CONTROLLER refer to 207.1	
16		REF. ELECTRICAL WIRING AND POWER CABLES refer to 210.1	

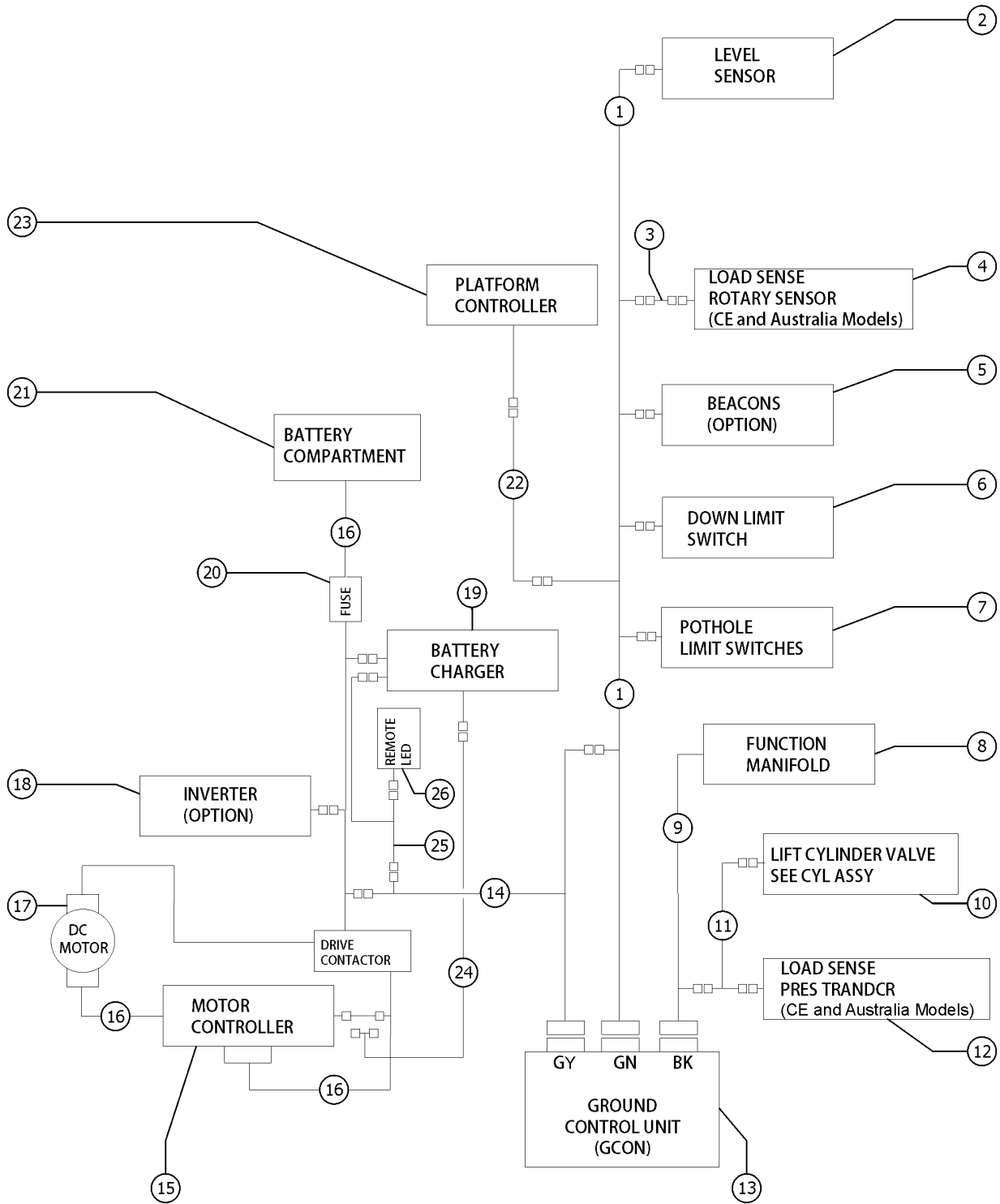


209.1 Electrical Wiring, GS-1530



Item	Part No.	Description	Qty.
17		REF. DC MOTOR refer to 505.1	
18	96459GT	HARNES ASSEMBLY, INVERTER	
19		REF. BATTERY CHARGER refer to 206.1	
20		REF. FUSE refer to 205.1	
21		REF. BATTERY COMPARTMENT refer to 205.1	
22A	T112510GT	CABLE, PLATFORM CONTROL, 15XX GS-1530 and GS-1532	1
22A-	218579GT	WIRE CABLE 18/5 - UNSHIELDED GS-1530 and GS-1532	212
22A-	231921GT	KIT,CONN,RECEPT W/PIN AND LOCK	
22A-	231922GT	KIT,CONN,PLUG W/SCKT AND LOCK	
23		REF. Joystick Controller refer to 407.1	
24	144213GT	CHARGER INTERLOCK CBLE,GS30/32	
25	1272119GT	HARNES,LED CHARGER,GS30 from SN GS3016P-158209	
26	1270281GT	ASSEMBLY, CHARGER STATUS LED, 2V from SN GS3016P-158209	

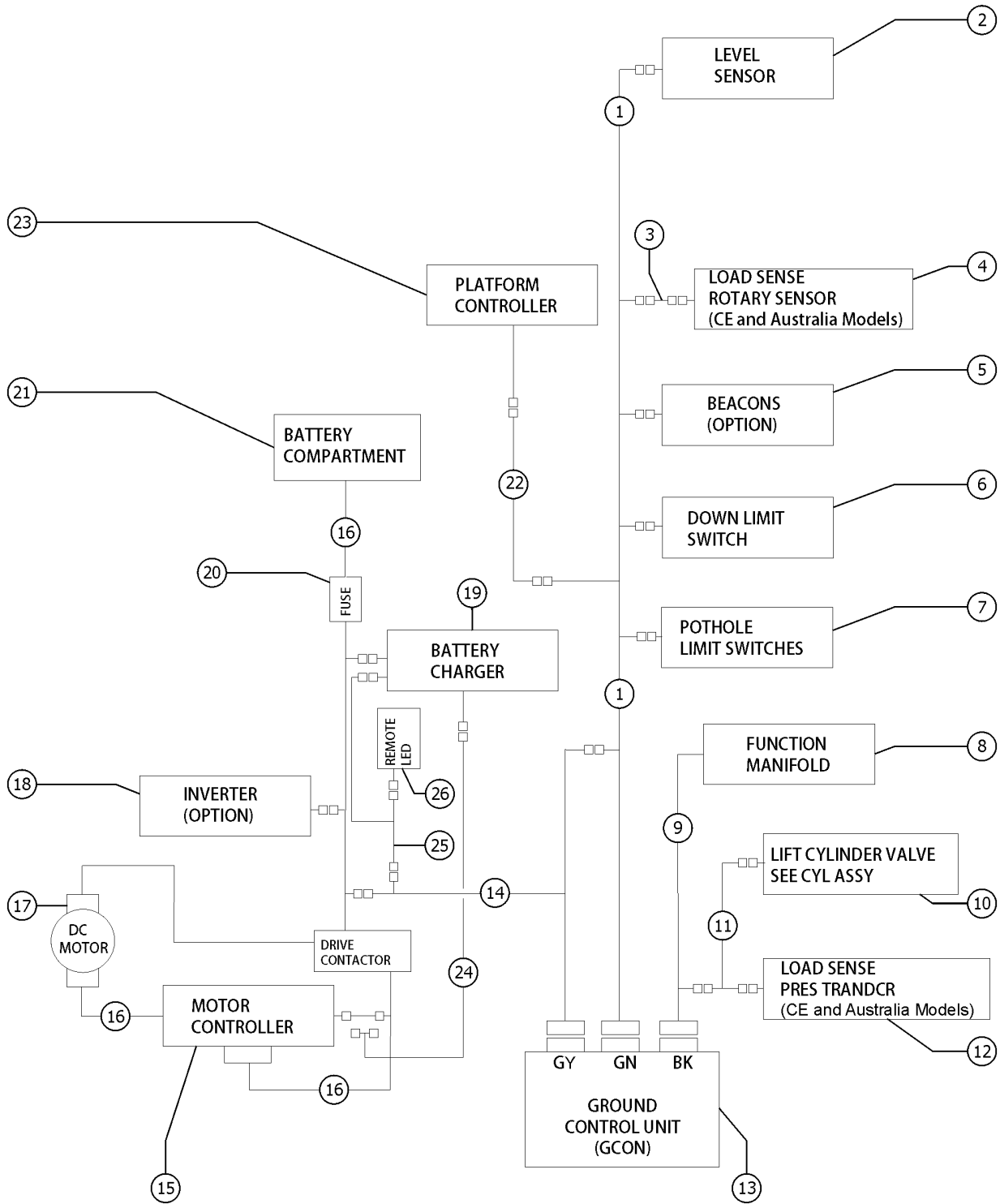




Item	Part No.	Description	Qty.
-	105214GT	CABLE TIE MOUNT, WINGED not shown	
-	56926GT	CLIP, TIE HARNESS MOUNT*** not shown	
A	88335GT	PLUG,DTM SEAL 20-24GA	
B	1264822GT	KIT, TRC RETROFIT, STNDRD Telematics (includes 1264834)	
B-	1264834GT	INSTRN, TRC RETROFIT, STNDRD	
1B	1263221GT	HARNESS, GS SENSORS, ANSI,UTS ANSI, CSA, S. America (from SN GS3016P-156294)	1
1C	T110891GT	HARNESS, GS SENSORS, CE CE, AUS, Asia (to SN GS3016P-156293) (Green connector)	1
1C-	233711GT	HRNS ASSY,RESISTOR DIODE for 228786 and T110891	
1D	1263220GT	HARNESS, GS SENSORS, CE,UTS CE, AUS, Asia (from SN GS3016P-156294)	1
2		REF. LEVEL SENSOR refer to 203.1	
3	T114031GT	HARNESS, ROTARY ANGLE CE and AUS	
4	T113136GT	ASSY,ROT SENSR W/ HARNESS CE and AUS	1
5		REF. BEACONS refer to 601.1	
6	T112507GT	ASSEMBLY, DOWN LIMIT, GS	1
7	96309GT	ASSY,POTHOLE HARNESS,GS	1
8		REF. FUNCTION MANIFOLD refer to 502.1	
9	1257824GT	HARNESS,FUNCTION MANIFOLD,GS (Black connector)	1
10		REF. LIFT CYLIDER VALVE refer to 506.1	
11A	T112508GT	CABLE, LIFT CYL DOWN WO/LS ANSI, CSA, Asia, S. America	1
11B	T112509GT	CABLE, LIFT CYL DOWN W/LS CE and AUS	1
12	229750GT	HARNESS,PRESS,TRANSDUCER*** CE and AUS	1
13		REF. GROUND CONTROLS refer to 208.1	
14	1258394GT	HARNESS,GS POWER CONTROL (Grey connector)	1
15		REF. MOTOR CONTROLLER refer to 207.1	
16		REF. ELECTRICAL WIRING AND POWER CABLES refer to 210.1	
17		REF. DC MOTOR refer to 505.1	
18	96459GT	HARNESS ASSEMBLY, INVERTER	
19		REF. BATTERY CHARGER refer to 206.1	



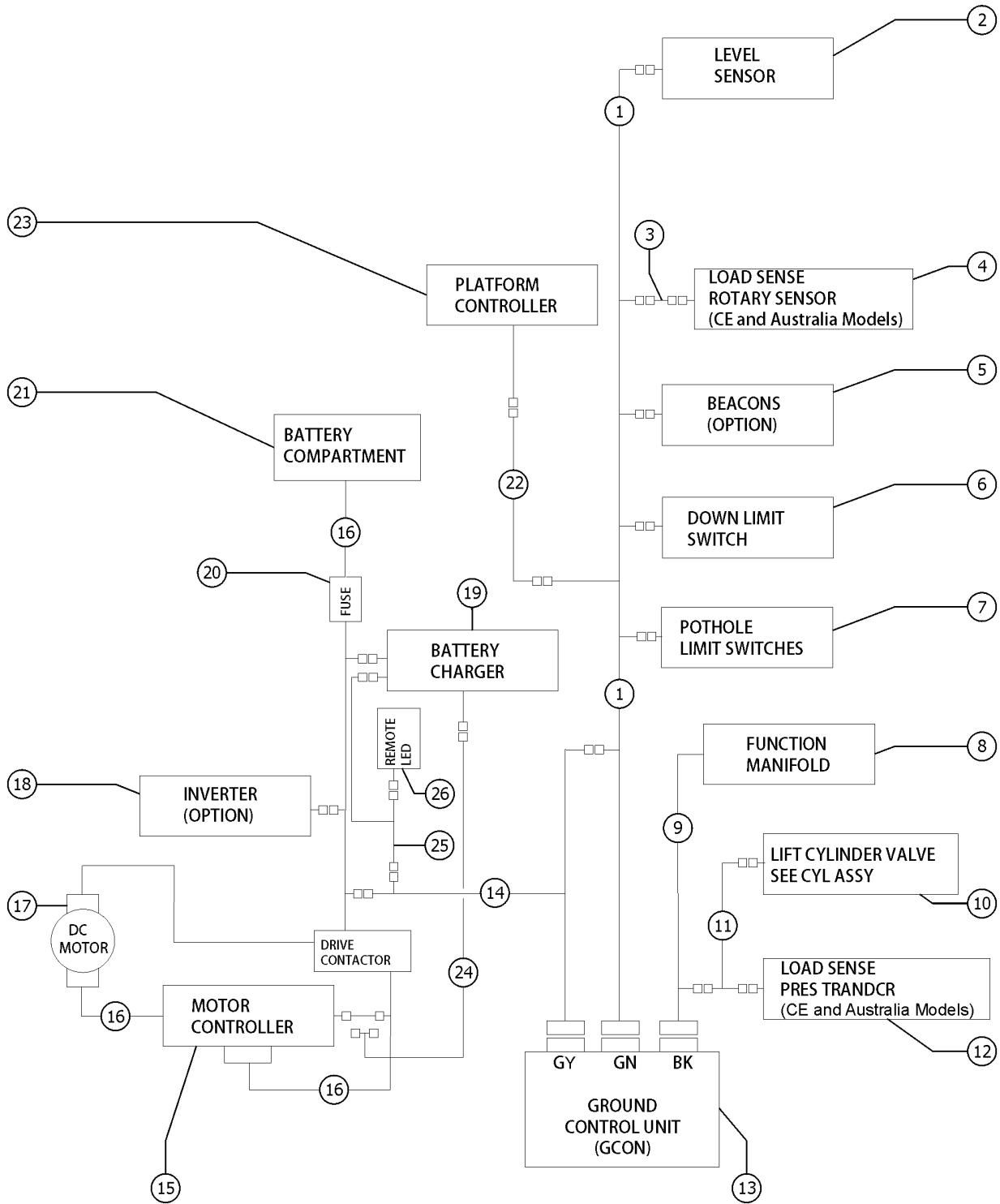
209.2 Electrical Wiring, GS-1532



Item	Part No.	Description	Qty.
20		REF. FUSE refer to 205.1	
21		REF. BATTERY COMPARTMENT refer to 205.1	
22A	T112510GT	CABLE, PLATFORM CONTROL, 15XX GS-1530 and GS-1532	1
22A-	218579GT	WIRE CABLE 18/5 - UNSHIELDED GS-1530 and GS-1532	212
22A-	231921GT	KIT,CONN,RECEPT W/PIN AND LOCK	
22A-	231922GT	KIT,CONN,PLUG W/SCKT AND LOCK	
23		REF. Joystick Controller refer to 407.1	
24	144213GT	CHARGER INTERLOCK CBLE,GS30/32	
25	1272119GT	HARNESS,LED CHARGER,GS30 from SN GS3016P-158209	
26	1270281GT	ASSEMBLY, CHARGER STATUS LED, 2V from SN GS3016P-158209	



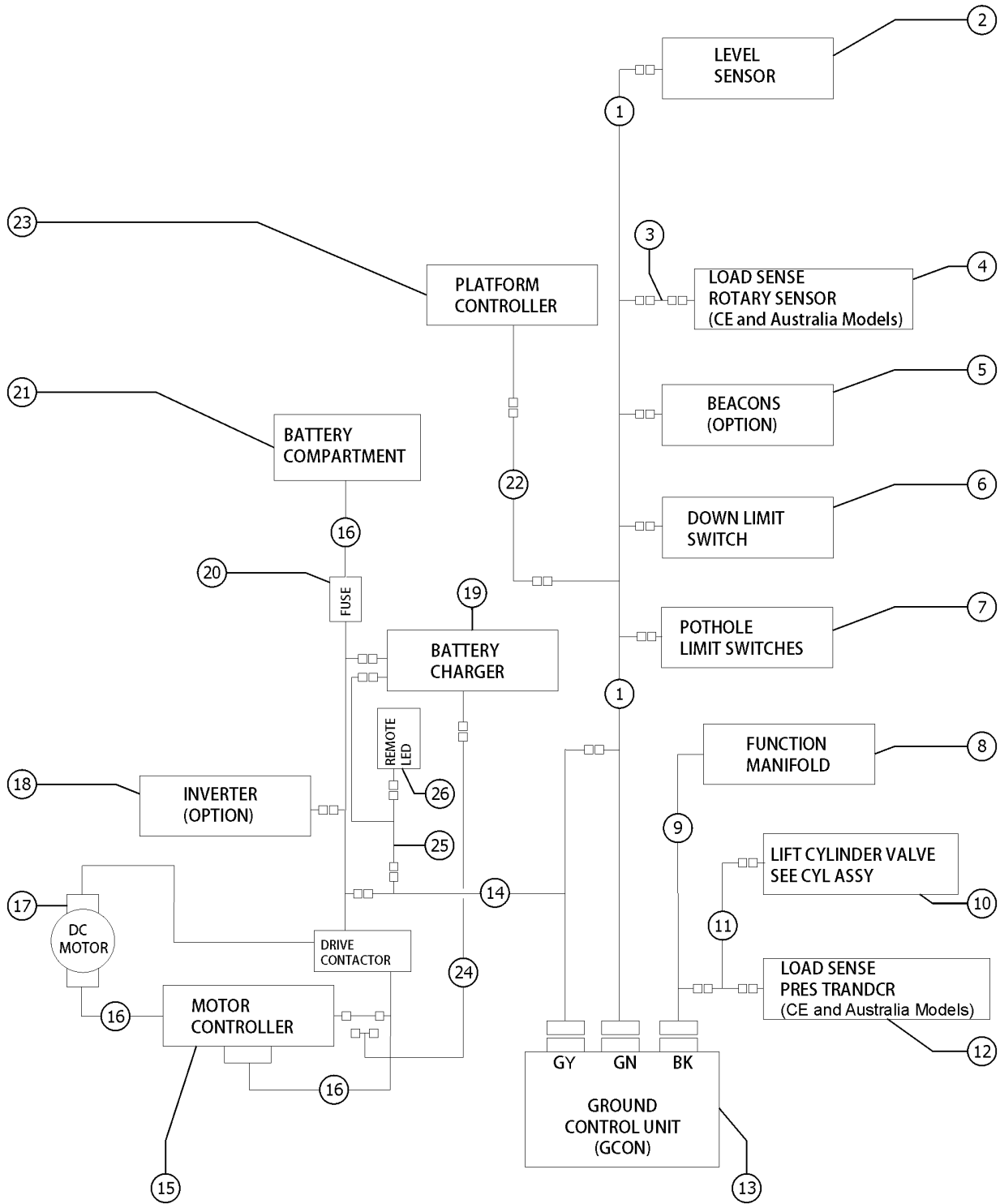
209.3 Electrical Wiring, GS-1930



Item	Part No.	Description	Qty.
-	105214GT	CABLE TIE MOUNT, WINGED not shown	
-	56926GT	CLIP, TIE HARNESS MOUNT*** not shown	
A	88335GT	PLUG,DTM SEAL 20-24GA	
B	1264822GT	KIT, TRC RETROFIT, STNDRD Telematics (includes 1264834)	
B-	1264834GT	INSTRN, TRC RETROFIT, STNDRD	
1A	228786GT	HARNESS, GS SENSORS, ANSI ANSI, CSA, S.America (to SN GS3016P-156293)	
1A-	233644GT	RESISTOR,200 OHM 10W,CERAMIC	
1A-	233711GT	HRNS ASSY,RESISTOR DIODE for 228786 and T110891	
1B	1263221GT	HARNESS, GS SENSORS, ANSI,UTS ANSI, CSA, S. America (from SN GS3016P-156294)	1
1C	T110891GT	HARNESS, GS SENSORS, CE CE, AUS, Asia (to SN GS3016P-156293) (Green connector)	1
1C-	233711GT	HRNS ASSY,RESISTOR DIODE for 228786 and T110891	
1D	1263220GT	HARNESS, GS SENSORS, CE,UTS CE, AUS, Asia (from SN GS3016P-156294)	1
2		REF. LEVEL SENSOR refer to 203.1	
3	T114031GT	HARNESS, ROTARY ANGLE CE and AUS	
4	T113136GT	ASSY,ROT SENSR W/ HARNESS CE and AUS	1
5		REF. BEACONS refer to 601.1	
6	T112507GT	ASSEMBLY, DOWN LIMIT, GS	1
7	96309GT	ASSY,POTHOLE HARNESS,GS	1
8		REF. FUNCTION MANIFOLD refer to 502.1	
9	1257824GT	HARNESS,FUNCTION MANIFOLD,GS (Black connector)	1
10		REF. LIFT CYLIDER VALVE refer to 506.1	
11A	T112508GT	CABLE, LIFT CYL DOWN WO/LS ANSI, CSA, Asia, S. America	1
11B	T112509GT	CABLE, LIFT CYL DOWN W/LS CE and AUS	1
12	229750GT	HARNESS,PRESS,TRANSDUCER*** CE and AUS	1
13		REF. GROUND CONTROLS refer to 208.1	
14	1258394GT	HARNESS,GS POWER CONTROL (Grey connector)	1
15		REF. MOTOR CONTROLLER refer to 207.1	
16		REF. ELECTRICAL WIRING AND POWER CABLES refer to 210.1	



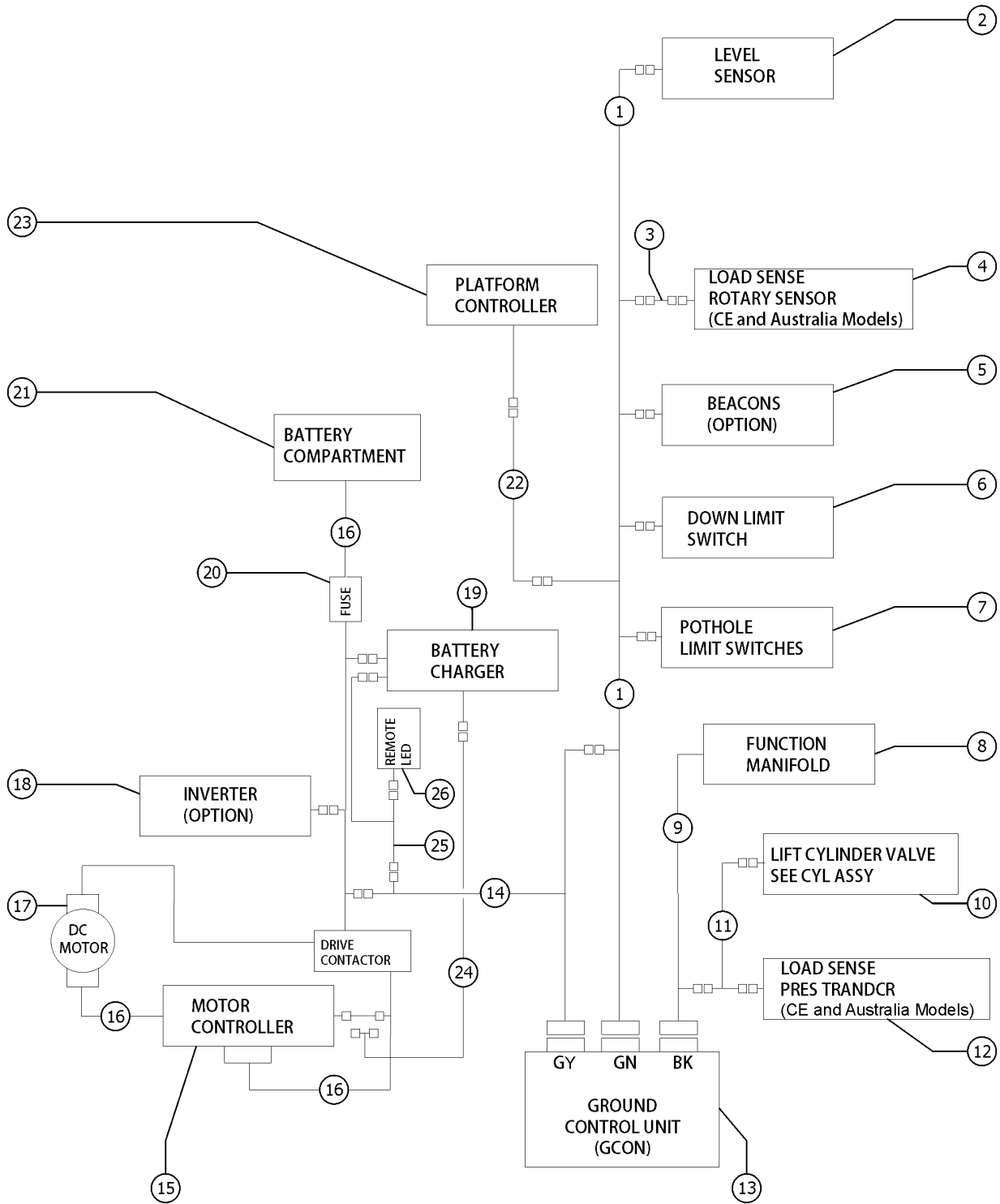
209.3 Electrical Wiring, GS-1930



Item	Part No.	Description	Qty.
17		REF. DC MOTOR refer to 505.1	
18	96459GT	HARNESS ASSEMBLY, INVERTER	
19		REF. BATTERY CHARGER refer to 206.1	
20		REF. FUSE refer to 205.1	
21		REF. BATTERY COMPARTMENT refer to 205.1	
22B	T112511GT	CABLE, PLATFORM CONTROL, 19XX GS-1930 and GS-1932	1
22B-	218579GT	WIRE CABLE 18/5 - UNSHIELDED GS-1930 and GS-1932	278
22B-	231921GT	KIT,CONN,RECEPT W/PIN AND LOCK GS-1930 and GS-1932	
22B-	231922GT	KIT,CONN,PLUG W/SCKT AND LOCK GS-1930 and GS-1932	
23		REF. Joystick Controller refer to 407.1	
24	144213GT	CHARGER INTERLOCK CBLE,GS30/32	
25	1272119GT	HARNESS,LED CHARGER,GS30 from SN GS3016P-158209	
26	1270281GT	ASSEMBLY, CHARGER STATUS LED, 2V from SN GS3016P-158209	



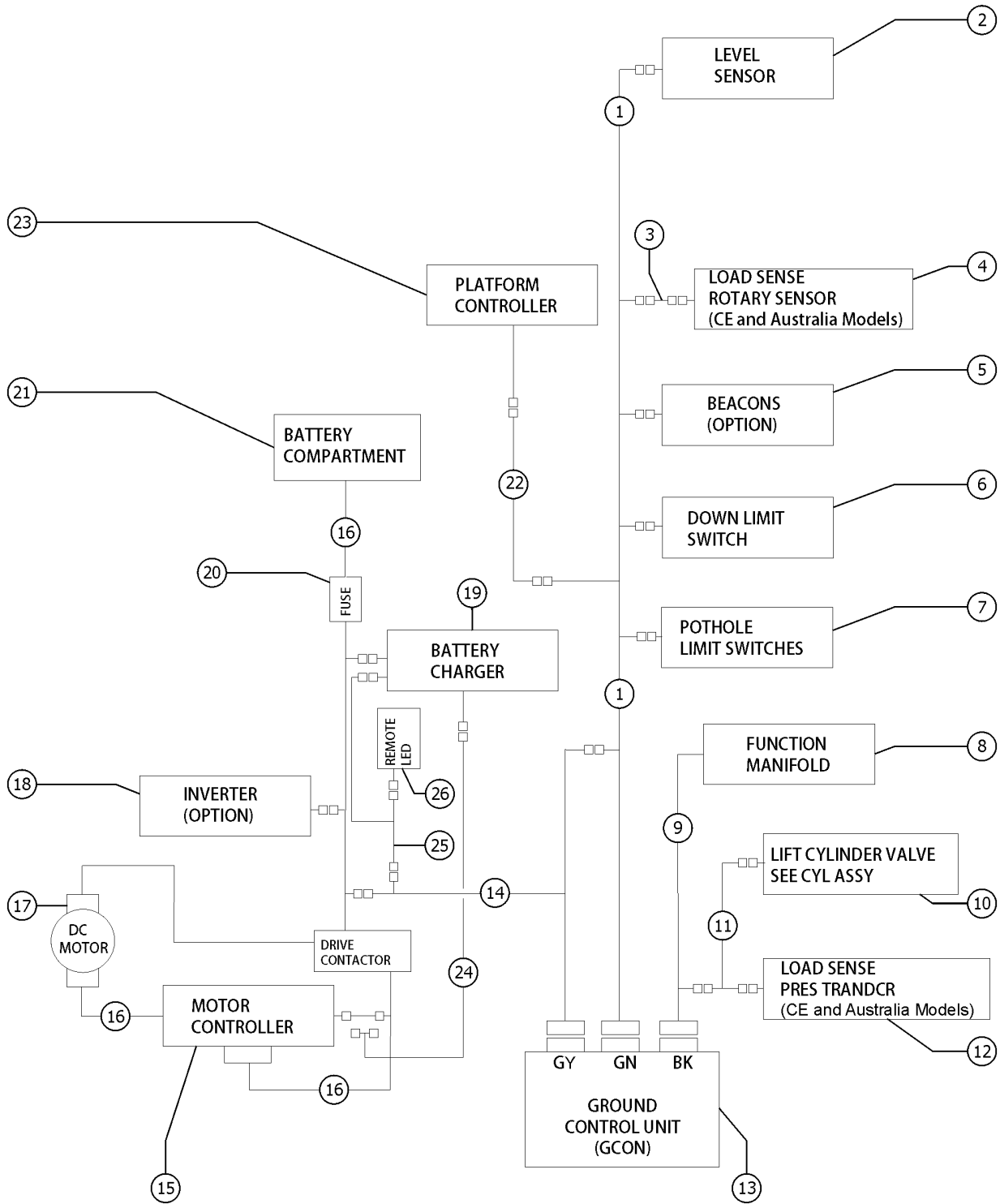
209.4 Electrical Wiring, GS-1932



Item	Part No.	Description	Qty.
A	88335GT	PLUG,DTM SEAL 20-24GA	
B	1264822GT	KIT, TRC RETROFIT, STNDRD Telematics (includes 1264834)	
B-	1264834GT	INSTRN, TRC RETROFIT, STNDRD	
1B	1263221GT	HARNESS, GS SENSORS, ANSI,UTS ANSI, CSA, S. America (from SN GS3016P-156294)	1
1C	T110891GT	HARNESS, GS SENSORS, CE CE, AUS, Asia (to SN GS3016P-156293) (Green connector)	1
1C-	233711GT	HRNS ASSY,RESISTOR DIODE for 228786 and T110891	
1D	1263220GT	HARNESS, GS SENSORS, CE,UTS CE, AUS, Asia (from SN GS3016P-156294)	1
2		REF. LEVEL SENSOR refer to 203.1	
3	T114031GT	HARNESS, ROTARY ANGLE CE and AUS	
4	T113136GT	ASSY,ROT SENSR W/ HARNESS CE and AUS	1
5		REF. BEACONS refer to 601.1	
6	T112507GT	ASSEMBLY, DOWN LIMIT, GS	1
7	96309GT	ASSY,POTHOLE HARNESS,GS	1
8		REF. FUNCTION MANIFOLD refer to 502.1	
9	1257824GT	HARNESS,FUNCTION MANIFOLD,GS (Black connector)	1
10		REF. LIFT CYLIDER VALVE refer to 506.1	
11A	T112508GT	CABLE, LIFT CYL DOWN WO/LS ANSI, CSA, Asia, S. America	1
11B	T112509GT	CABLE, LIFT CYL DOWN W/LS CE and AUS	1
12	229750GT	HARNESS,PRESS,TRANSDUCER*** CE and AUS	1
13		REF. GROUND CONTROLS refer to 208.1	
14	1258394GT	HARNESS,GS POWER CONTROL (Grey connector)	1
15		REF. MOTOR CONTROLLER refer to 207.1	
16		REF. ELECTRICAL WIRING AND POWER CABLES refer to 210.1	
17		REF. DC MOTOR refer to 505.1	
18	96459GT	HARNESS ASSEMBLY, INVERTER	
19		REF. BATTERY CHARGER refer to 206.1	
20		REF. FUSE refer to 205.1	
21		REF. BATTERY COMPARTMENT refer to 205.1	



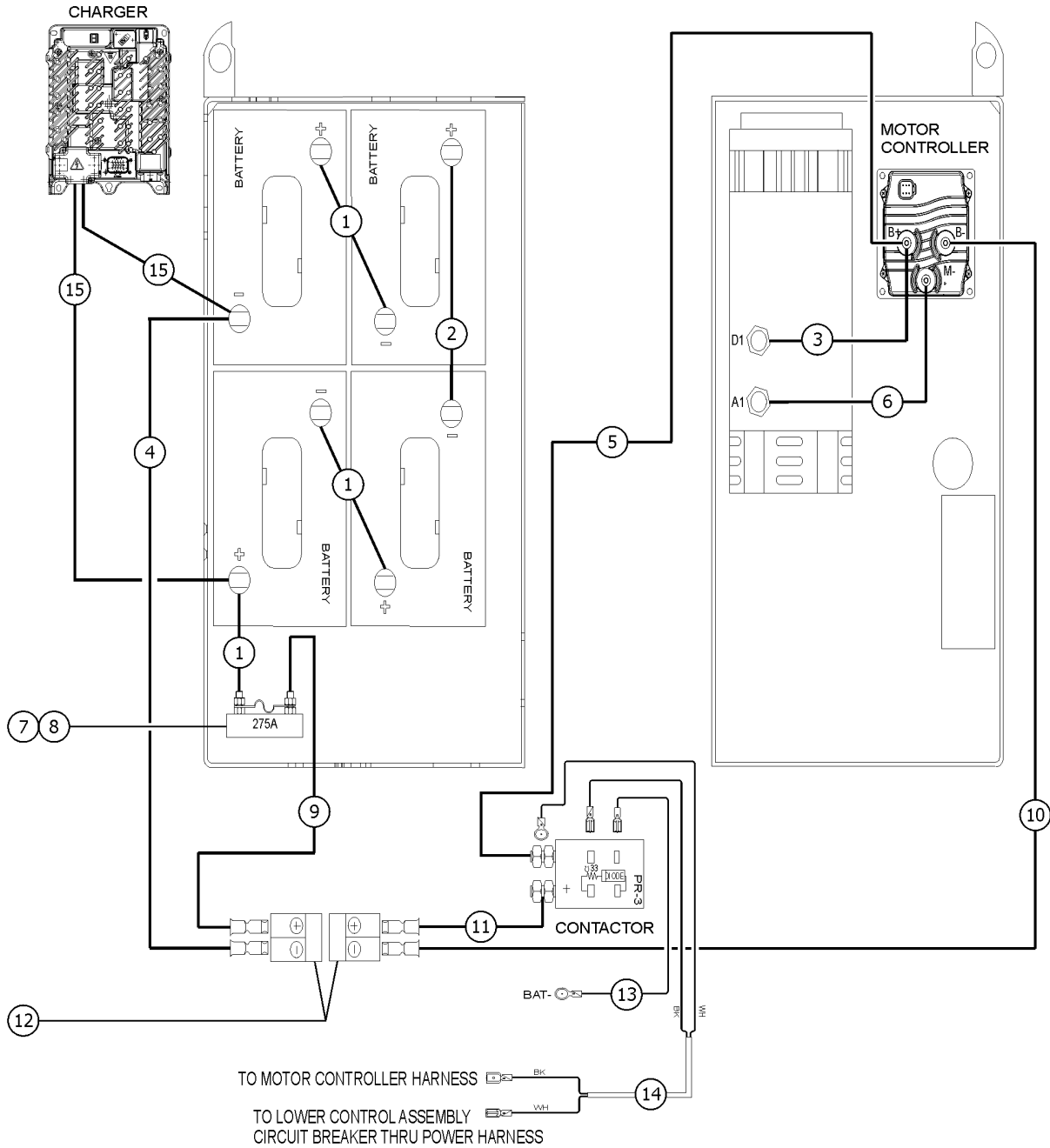
209.4 Electrical Wiring, GS-1932



Item	Part No.	Description	Qty.
22B	T112511GT	CABLE, PLATFORM CONTROL, 19XX GS-1930 and GS-1932	1
22B-	218579GT	WIRE CABLE 18/5 - UNSHIELDED	278
22B-	231921GT	KIT,CONN,RECEPT W/PIN AND LOCK	
22B-	231922GT	KIT,CONN,PLUG W/SCKT AND LOCK	
23		REF. Joystick Controller refer to 407.1	
24	144213GT	CHARGER INTERLOCK CBLE,GS30/32	
25	1272119GT	HARNESS,LED CHARGER,GS30 from SN GS3016P-158209	
26	1270281GT	ASSEMBLY, CHARGER STATUS LED, 2V from SN GS3016P-158209	



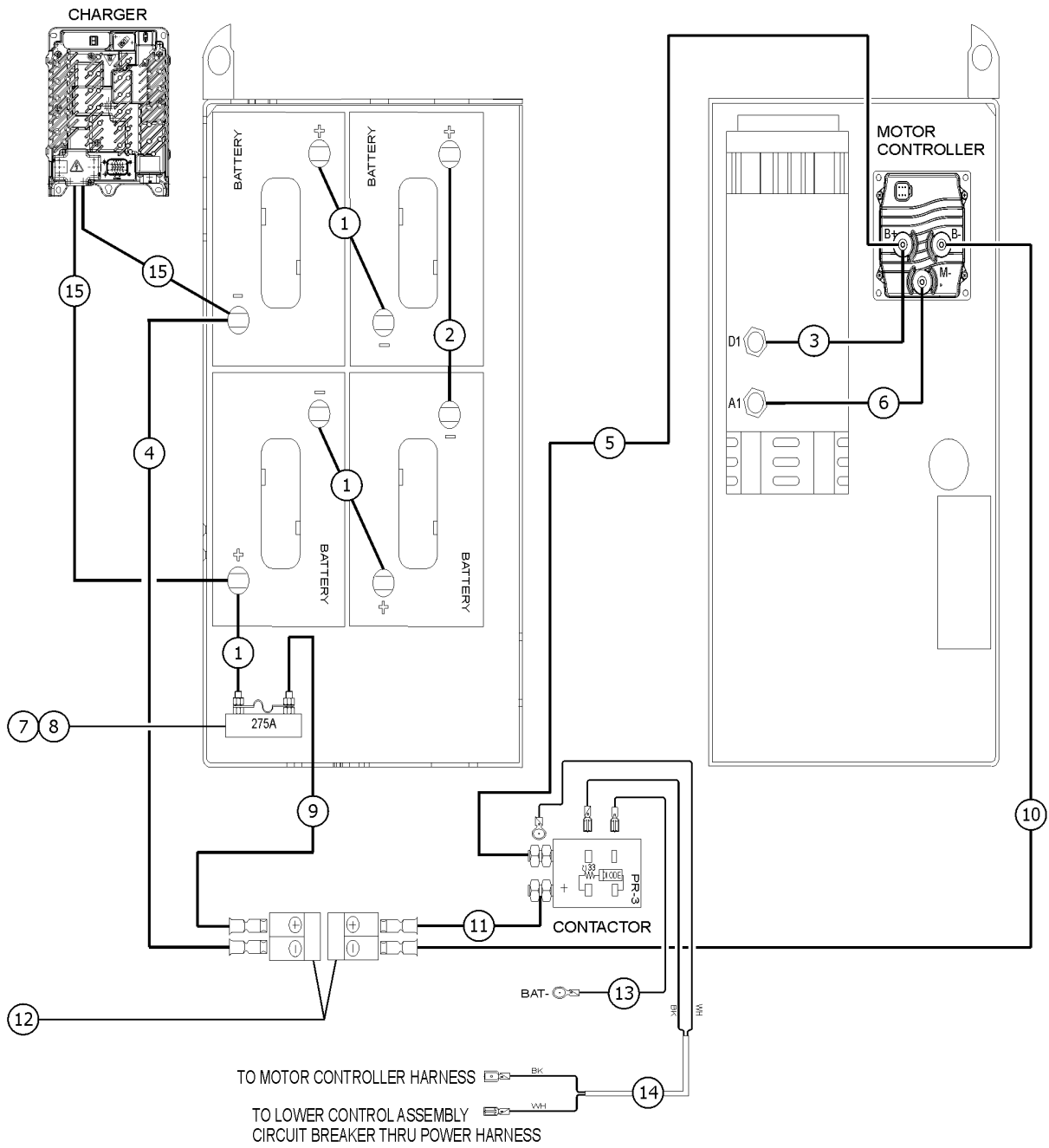
210.1 Power Cables



Item	Part No.	Description	Qty.
A	28131GT	WIRE LOOM,1.25 DIA	16
B	96110GT	BOOT, CABLE, TERMINAL COVER	14
C	79140GT	BOOT,CABLE TERMINAL,RED,XL	2
1	96304GT	CABLE ASSY,BATT,5.50"RED	3
2	96306GT	CABLE ASSY,BATT,9.50"RED	1
3	1257054GT	CABLE ASSY., BATT. 14" RED	1
4	232578GT	CABLE ASSY,BATT, 20" BLK	1
5	1257059GT	CABLE ASSY., BATT. 75" RED	1
6	1257055GT	CABLE ASSY., BATT. 12" BLACK	1
7	66717GT	FUSE BLOCK, ANN & ANL FUSE	1
8	40833GT	FUSE,275 AMP,VERY FAST ACTING	1
9	232576GT	CABLE ASSY,BATT, 12" RED	1
10	1257058GT	CABLE ASSY., BATT. 79" BLACK	1
11	233371GT	CABLE ASSY,BATT,23"RED	1
12	66397GT	QUICK DISCONNECT CASING,BATT**	2
13	232582GT	GROUND WIRE ASSY,GS	1
14	233431GT	HRNS,CONTACTOR SIGNL,GS30/32	1
15A	1273576GT	CABLE ASSY,CHARGER/BATTERY (for 1264372) (from SN GS4616P-158209) (standard batteries)	
15B	1272844GT	CABLE,CHARGER, DC, W/ BTS (to SN GS4616P-158208) (AGM batteries)	1



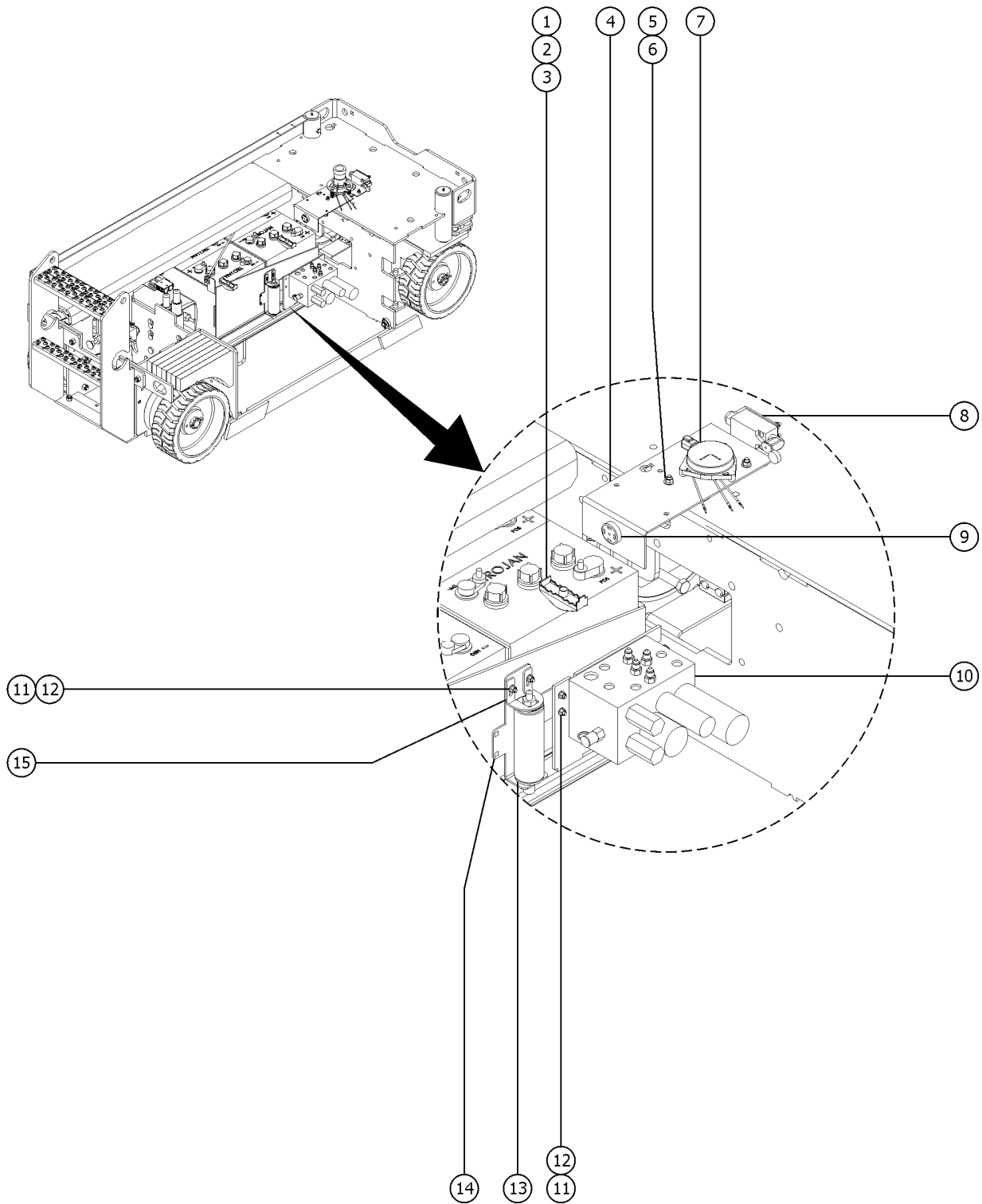
210.2 Power Cables



Item	Part No.	Description	Qty.
A	28131GT	WIRE LOOM,1.25 DIA	16
B	96110GT	BOOT, CABLE, TERMINAL COVER	14
C	79140GT	BOOT,CABLE TERMINAL,RED,XL	2
1	96304GT	CABLE ASSY,BATT,5.50"RED	3
2	96306GT	CABLE ASSY,BATT,9.50"RED	1
3	1257054GT	CABLE ASSY., BATT. 14" RED	1
4	232578GT	CABLE ASSY,BATT, 20" BLK	1
5	1257059GT	CABLE ASSY., BATT. 75" RED	1
6	1257055GT	CABLE ASSY., BATT. 12" BLACK	1
7	66717GT	FUSE BLOCK, ANN & ANL FUSE	1
8	40833GT	FUSE,275 AMP,VERY FAST ACTING	1
9	232576GT	CABLE ASSY,BATT, 12" RED	1
10	1257058GT	CABLE ASSY., BATT. 79" BLACK	1
11	233371GT	CABLE ASSY,BATT,23"RED	1
12	66397GT	QUICK DISCONNECT CASING,BATT**	2
13	232582GT	GROUND WIRE ASSY,GS	1
14	233431GT	HRNS,CONTACTOR SIGNL,GS30/32	1
15A	1273576GT	CABLE ASSY,CHARGER/BATTERY (for 1264372) (from SN GS4616P-158209) (for standard 'flooded' batteries)	
15B	1272844GT	CABLE,CHARGER, DC, W/ BTS for AGM 'maintenance free' batteries	



211.1 Function Manifold and Accumulator Components

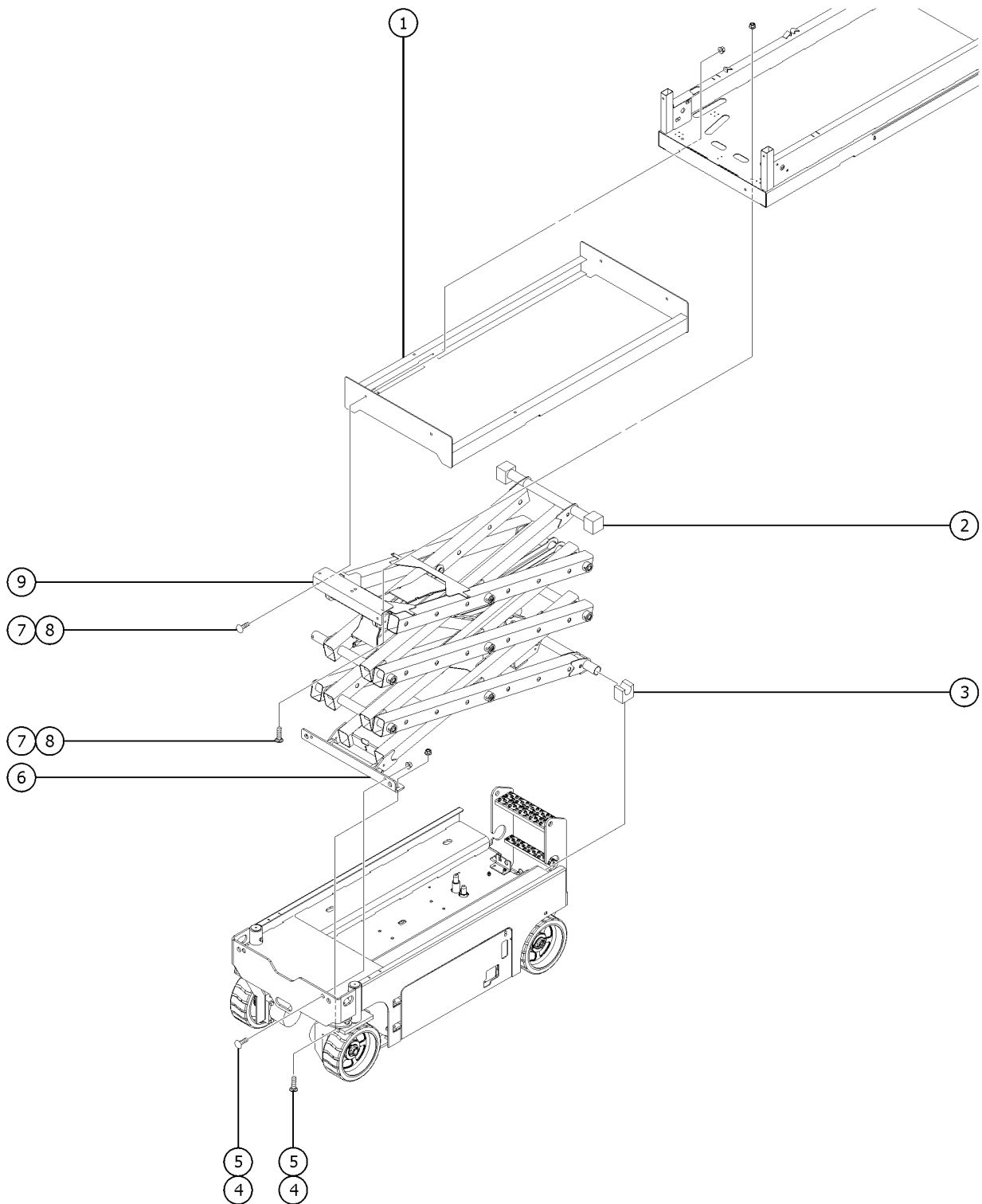


211.1 Function Manifold and Accumulator Components

Item	Part No.	Description	Qty.
1	105209GT	CLAMP,CABLE & HOSE	2
2	824081GT	SCREW,HHF,1/4-20X1.5,8,ZAG	2
3	6091GT	NUT,NYLOCK,1/4-20	2
4		Ref. Alarm Bracket	
		(refer to 203.1)	
5	824029GT	NUT,TL FLG,3/8-16,G,ZAG	
6	824125GT	BOLT,CARRIAGE,3/8-16X1,5,ZAG	
7		Ref. Level Sensor	
		(refer to 203.1)	
8		Ref. Limit Switch with Roller	
		(refer to 203.1)	
9		Ref. Alarm, Steady Tone	
		(refer to 203.1)	
10		Ref. Function Manifold	
		(refer to 502.1)	
11	824027GT	NUT,TL FLG,1/4-20,G,ZAG	6
12	824124GT	BOLT, CARRIAGE, 1/4-20 X .75, 5, ZAG	6
13	78422GT	ACCUMULATOR,180 PSI PRECHARGE*	1
14	105210GT	FORMING, ACCUMULATOR BRACKET	1
15	105211GT	FORMING, ACCUMULATOR CLAMP	1



301.1 Scissor Assembly Installation

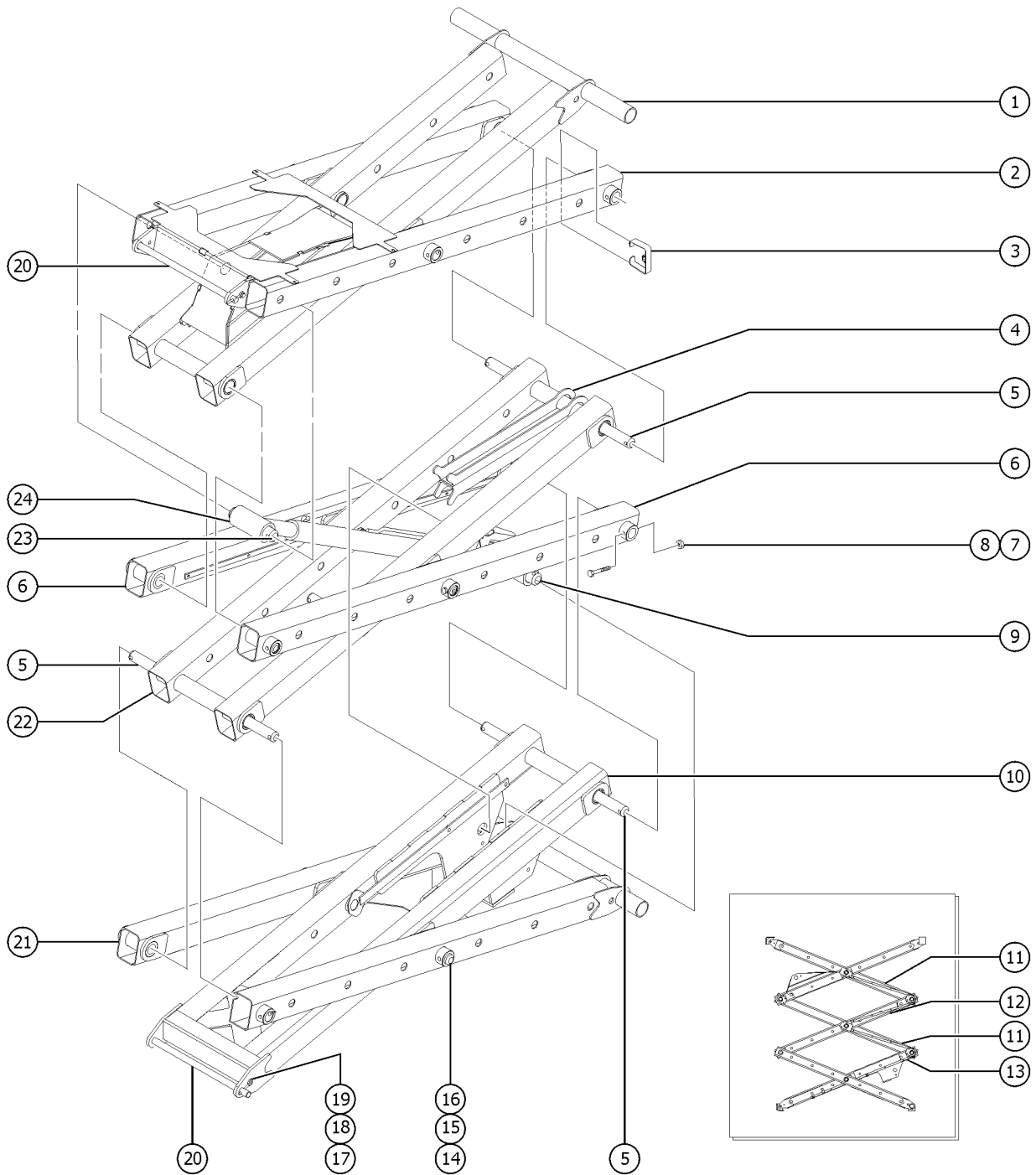


301.1 Scissor Assembly Installation

Item	Part No.	Description	Qty.
1	96415GT	WLDMT,PLATFORM SLIDER GS-1530 & GS-1532 Models Only	1
2	96576GT	SLIDER, MINI PLATORM, DRILLED**	2
3	96126GT	SLIDER, UHMW	2
4	1256115GT	BOLT,CARRIAGE,1/2-13X1.75,5,ZA	8
5	1251997GT	NUT,TL FLG,1/2-13,G,ZAG	8
6	84693GT	CHASSIS MOUNT ASSY, GS30	1
6-	36369GT	BEARING,0.75IDX1.00ODX0.75L	2
7	1255757GT	BOLT,CARRIAGE,3/8-16X1.25,5,ZA	
8	824029GT	NUT,TL FLG,3/8-16,G,ZAG	
9A	84694GT	PLATFORM MOUNT ASSY, 15 FT GS-1530, GS-1532	1
9A-	36369GT	BEARING,0.75IDX1.00ODX0.75L	2
9B	84695GT	PLATFORM MOUNT ASSY, 19 FT GS-1930, GS-1932	1
9B-	36369GT	BEARING,0.75IDX1.00ODX0.75L	2



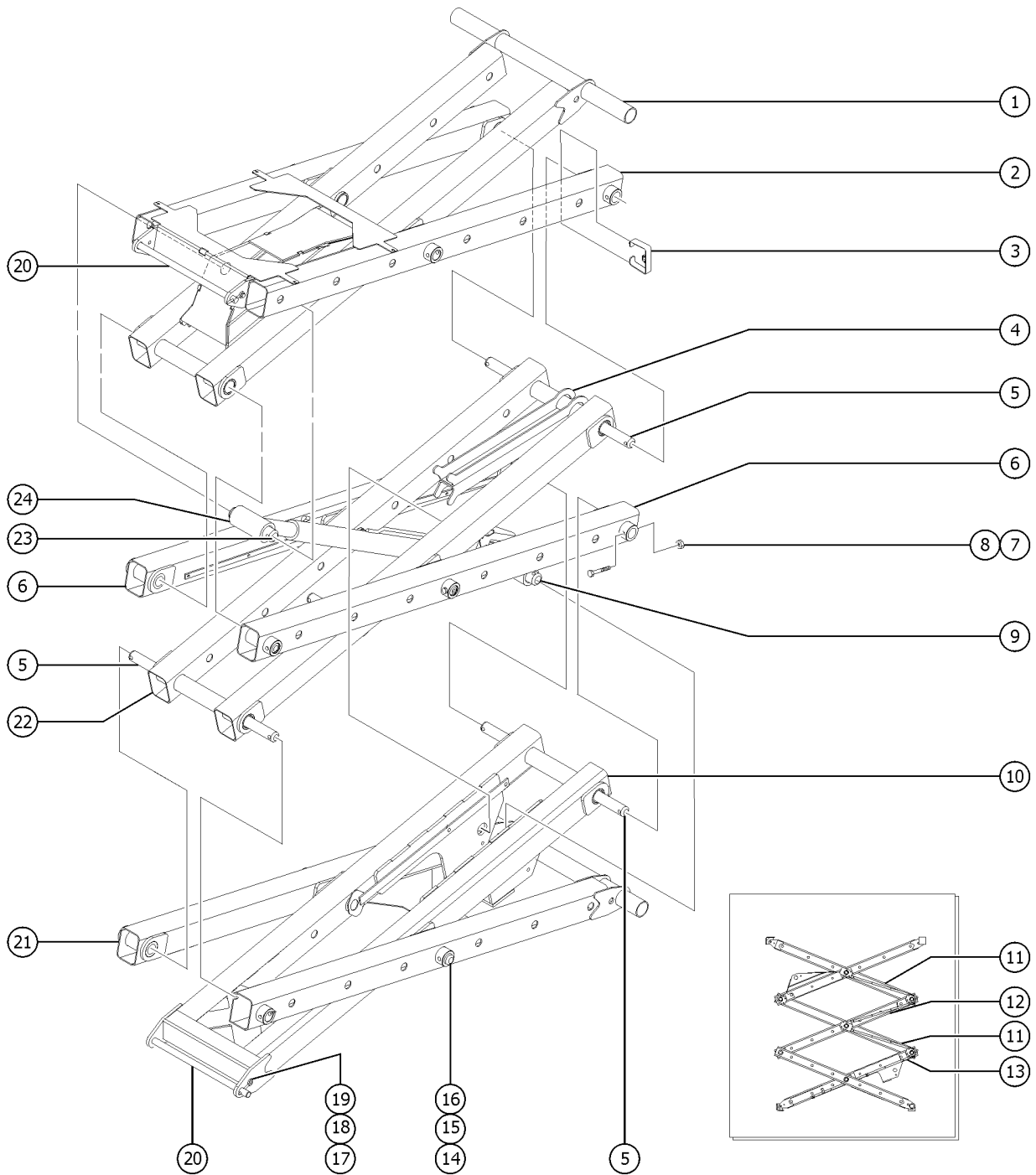
302.1 Scissor Assembly, GS-1530/1532



Item	Part No.	Description	Qty.
1	84578GT	INNER ARM ASSY,#3,15FT	1
1-	96487GT	BEARING,1.26IDX1.53ODX1.25L	6
2	105280GT	WELDMENT,LINK PLATFORM MNT***	2
3	96331GT	LINK BUMPER	8
4	58000GT	SAFETY CHOCK,SCISSOR	1
5	105085GT	PIN,MINI END***	4
6	96121GT	WELDMENT, LINK, SINGLE	2
7	824025GT	NUT,TL,3/8-16,C,ZAG	
8	1256848GT	SCREW,HHC,3/8-16X2.75,8,ZAG	
9	47666GT	PIN,1.50DIAX9.13LG,1HOLE	1
10A	105997GT	INNER ARM ASSY#1, 15&19FT,WORD (USA, Canada, and Australia)	1
10A-	105818GT	WLDTMT,LINK,#1 INNER,15&19 FT (decals not included, refer to section one)	1
10A-	96487GT	BEARING,1.26IDX1.53ODX1.25L	6
10B	105998GT	INNER ARM ASSY#1, 15&19FT,SYMB (Europe, Asia, South America)	1
10B-	105818GT	WLDTMT,LINK,#1 INNER,15&19 FT (decals not included, refer to section one)	1
10B-	96487GT	BEARING,1.26IDX1.53ODX1.25L	6
11	105183GT	WLDMT,CABLE BRIDGE,BOTTOM,MINI	2
12	105184GT	WELDMENT,CABLE BRIDGE,TOP,MINI	1
13	105182GT	WLDMT,CABLE BRIDGE,LOWER,MINI	1
14	824164GT	SNAP RING,EXTERNAL,1.25,ZAG	6
15	1251799GT	WASHER,SHIM, 1.27X2.13X.13,ZAG	
16	96130GT	PIN, MINI, CENTER	6
17	824080GT	SCREW,HHF,1/4-20X1.25,8,ZAG	
18	825020GT	ROD END,.250X2.75,ZAG	2
19	824027GT	NUT,TL FLG,1/4-20,G,ZAG	
20	96131GT	PIN, CHASSIS PIVOT	2
21A	84581GT	OUTER ARM ASSY#1,15&19FT WORD (USA, Canada, and Australia)	1
21B	84583GT	OUTER ARM ASSY,#1,15&19FT SYMB (Europe, Asia, South America)	1



302.1 Scissor Assembly, GS-1530/1532

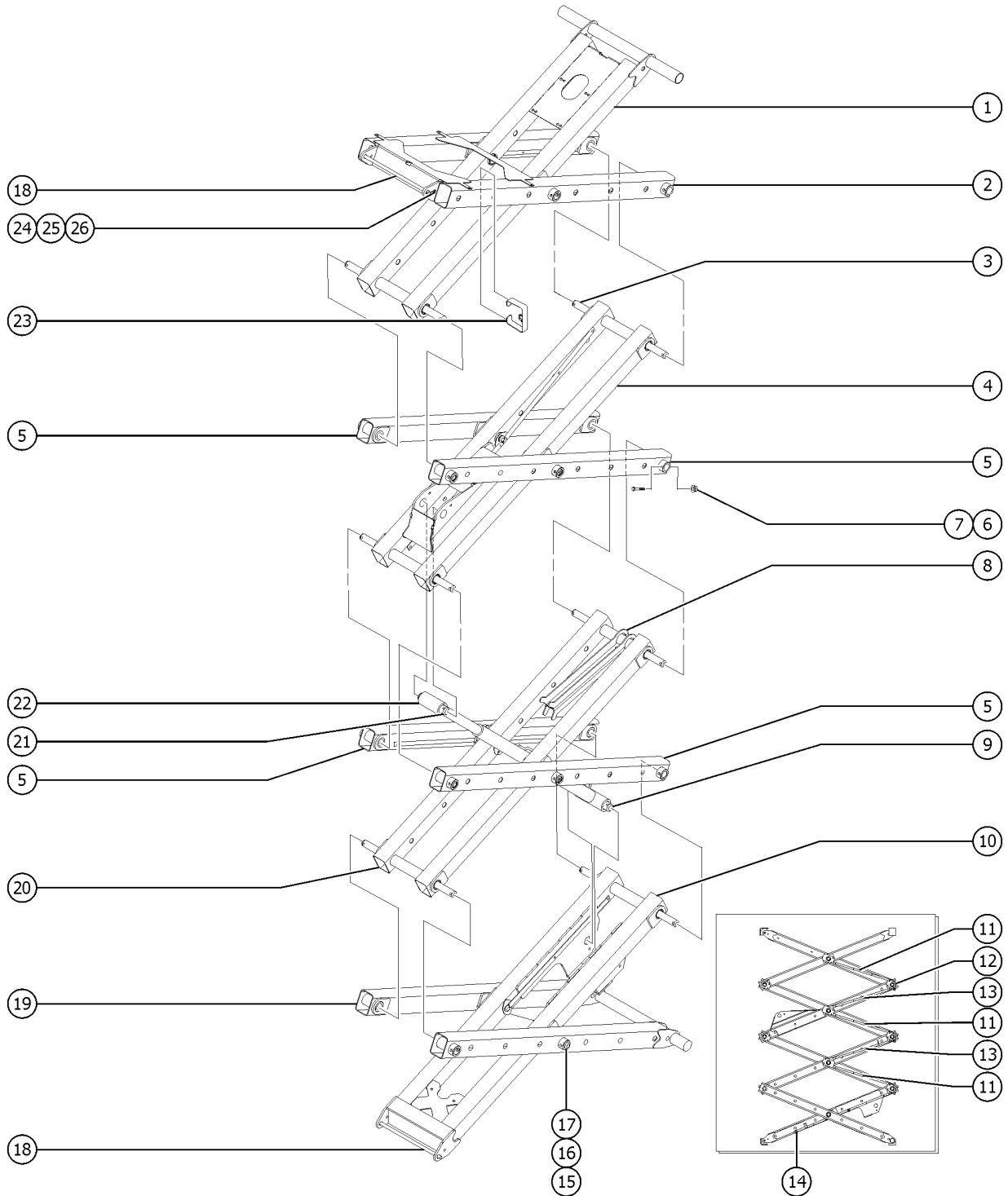


302.1 Scissor Assembly, GS-1530/1532

Item	Part No.	Description	Qty.
22	84582GT	INNER ARM ASSY,#2,15/19 FT,WRD (decals not included, refer to section one)	1
22-	96487GT	BEARING,1.26IDX1.53ODX1.25L	8
23	96283GT	PIN, CYLINDER, SHORT	1
24		REF. LIFT CYLINDER (refer to 506.1)	



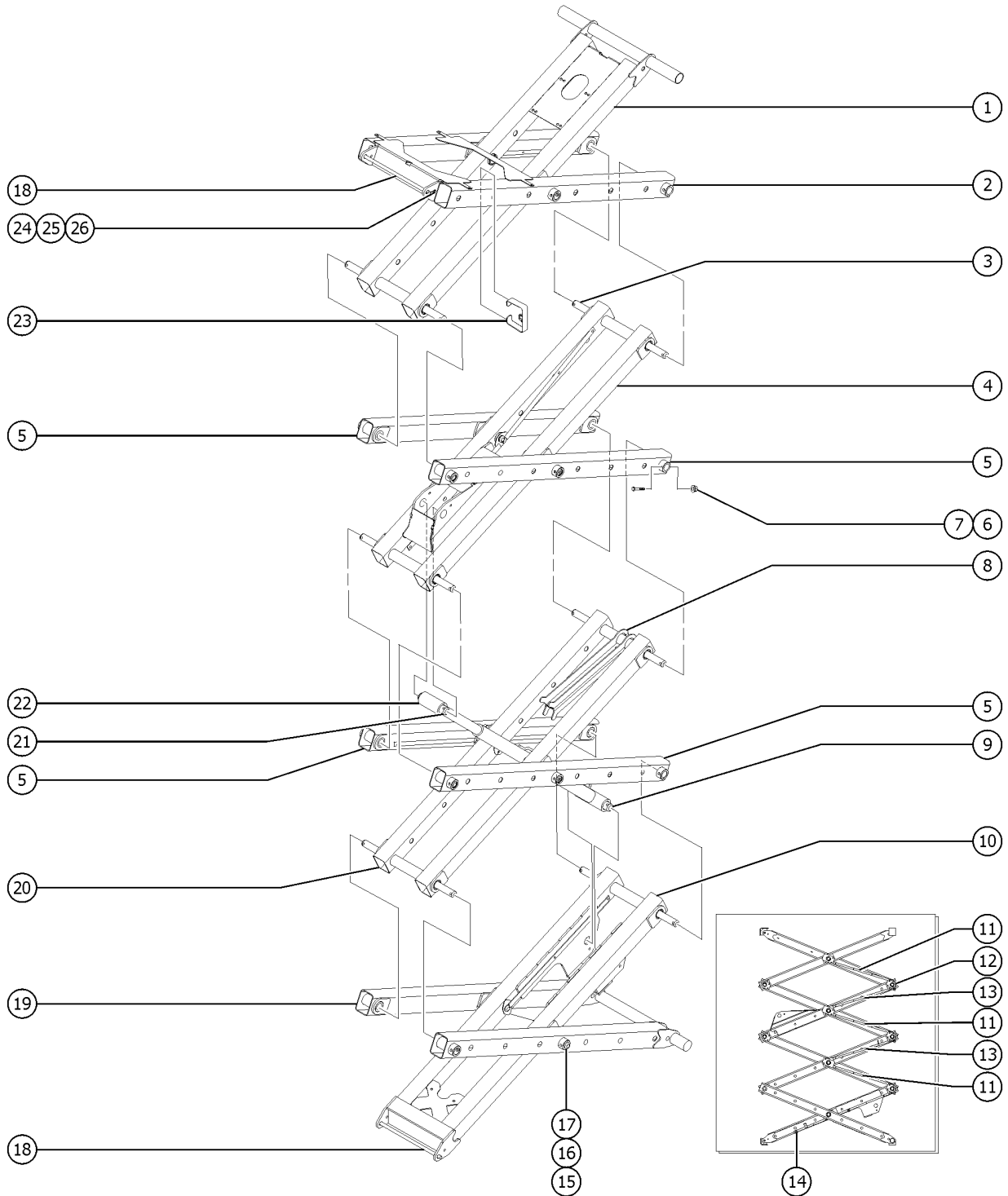
303.1 Scissor Assembly, GS-1930/1932



Item	Part No.	Description	Qty.
	71349GT	BUMPER, LINK (not shown)	16
1	84579GT	INNER ARM ASSY,#4 19FT	1
1-	96487GT	BEARING,1.26IDX1.53ODX1.25L	6
2	105280GT	WELDMENT,LINK PLATFORM MNT***	2
3	105085GT	PIN,MINI END***	6
4	84580GT	INNER ARM ASSY, #3, 19FT	1
4-	96487GT	BEARING,1.26IDX1.53ODX1.25L	8
5	96121GT	WELDMENT, LINK, SINGLE	4
6	824029GT	NUT,TL FLG,3/8-16,G,ZAG	
7	1256848GT	SCREW,HHC,3/8-16X2.75,8,ZAG	
8	58000GT	SAFETY CHOCK,SCISSOR	1
9	47666GT	PIN,1.50DIAX9.13LG,1HOLE	1
10A	105997GT	INNER ARM ASSY#1,15&19FT,WORD (USA, Canada, Australia)	1
10A-	105818GT	WLDTMT,LINK,#1 INNER,15&19 FT (decals not included, refer to section one)	1
10A-	96487GT	BEARING,1.26IDX1.53ODX1.25L	6
10B	105998GT	INNER ARM ASSY#1,15&19FT,SYMB (Europe, Asia, South America)	1
10B-	105818GT	WLDTMT,LINK,#1 INNER,15&19 FT (decals not included, refer to section one)	1
10B-	96487GT	BEARING,1.26IDX1.53ODX1.25L	6
11	105183GT	WLDMT,CABLE BRIDGE,BOTTOM,MINI	3
12	105185GT	CLIP, CABLEBRIDGE, MINI	3
13	105184GT	WELDMENT,CABLE BRIDGE, TOP,MINI	2
14	105182GT	WLDMT,CABLE BRIDGE,LOWER,MINI	1
15	824164GT	SNAP RING,EXTERNAL,1.25,ZAG	8
16	1251799GT	WASHER,SHIM, 1.27X2.13X.13,ZAG	
17	96130GT	PIN, MINI, CENTER	8
18	96131GT	PIN, CHASSIS PIVOT	2
19A	84581GT	OUTER ARM ASSY#1,15&19FT WORD (USA, Canada, Australia)	1
19B	84583GT	OUTER ARM ASSY,#1,15&19FT SYMB (Europe, Asia, South America)	1

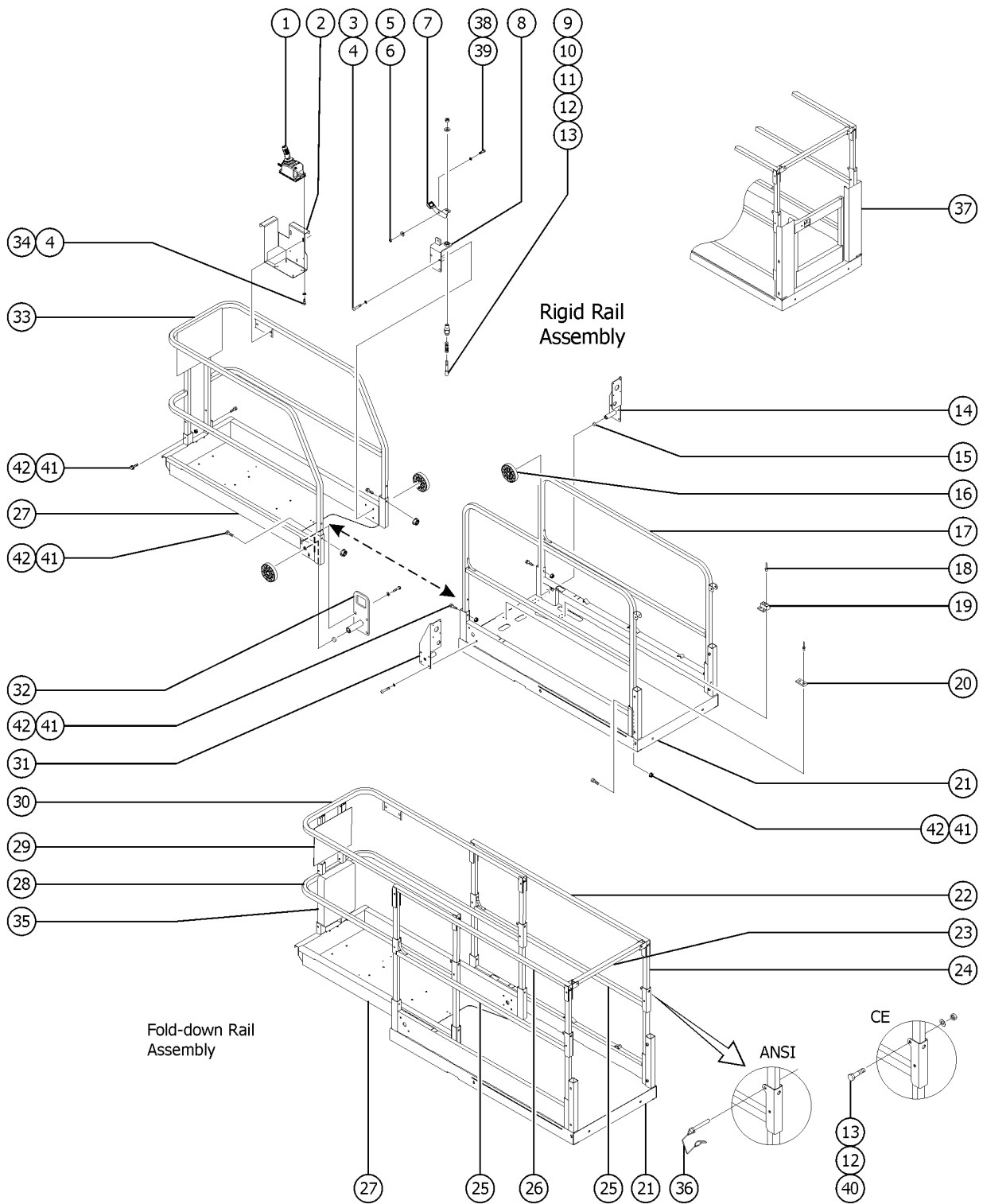


303.1 Scissor Assembly, GS-1930/1932



Item	Part No.	Description	Qty.
20	84582GT	INNER ARM ASSY,#2,15/19 FT,WRD	1
21	96283GT	PIN, CYLINDER, SHORT	1
22		Ref. Lift Cylinder	
		(refer to 506.1)	
23	96331GT	LINK BUMPER	8
24	824080GT	SCREW,HHF,1/4-20X1.25,8,ZAG	
25	825020GT	ROD END,.250X2.75,ZAG	2
26	824027GT	NUT,TL FLG,1/4-20,G,ZAG	

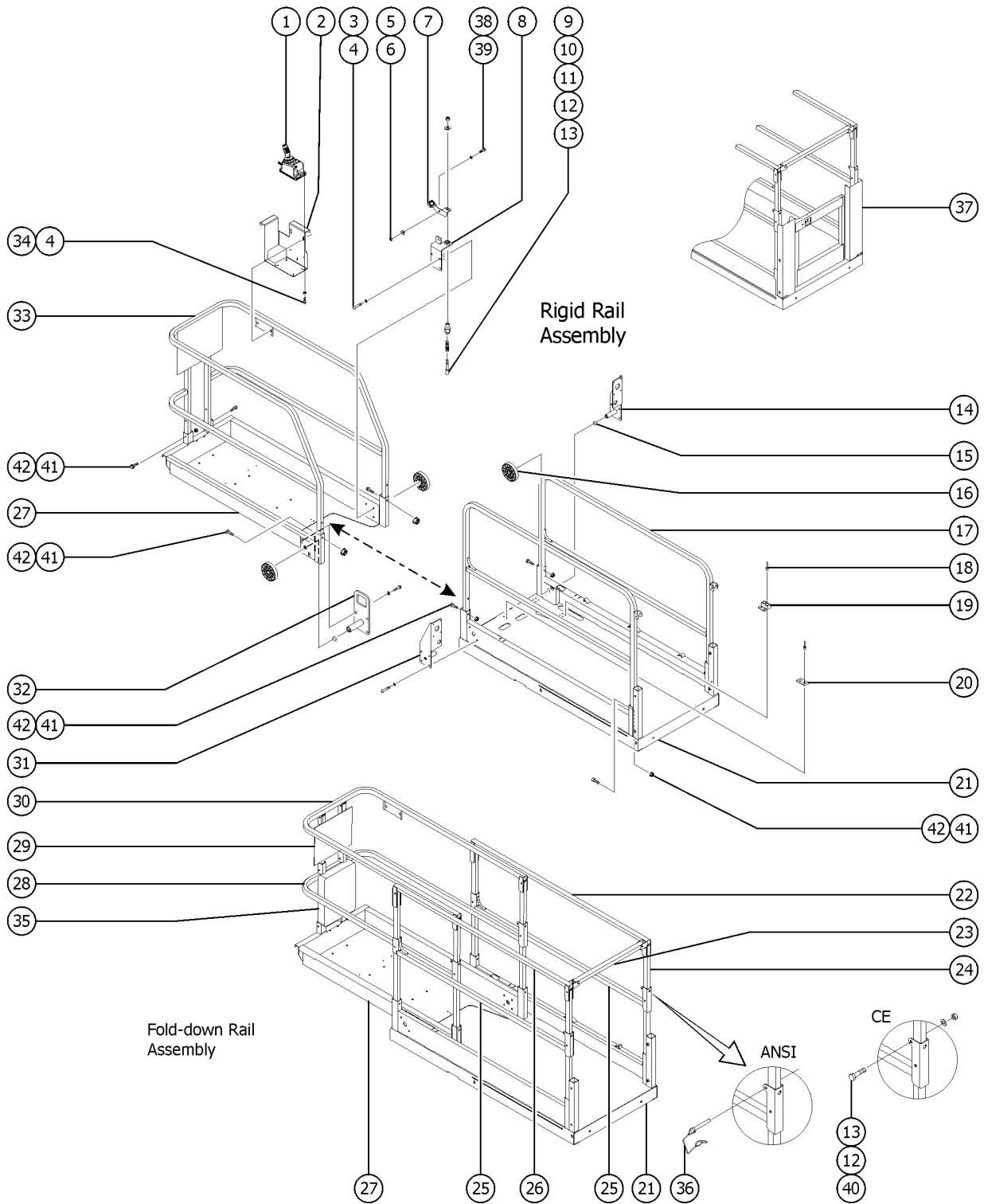




401.1 Platform Components, GS-1530 (to SN GS30P-165149)

Item	Part No.	Description	Qty.
1		Ref. Platform Control Box (refer to 407.1 or 408.1)	
2		Ref. Platform Control Box Mount Bracket (refer to 407.1 or 408.1)	
3	5224GT	SCREW,HHC,3/8-16 X 2	
4	6021GT	WASHER,LOCK,.375	
5	6002GT	NUT,LP NYLOCK,5/16-18	1
6	47222GT	WASHER, SHOULDER, NYLON	1
7	46260GT	FOOTPEDAL W/NON-SKID TAPE,GS**	1
7-	47166GT	BRACKET,FOOT PEDAL (does not include non-skid tape)	
7-	47225GT	TAPE,NON-SKID,DIE CUT,1.38X1.5	
8	96413GT	WLDMT,LOCKING ROLLER SUPPORT	1
9	39470GT	PIN, LOCK	1
10	39469GT	SPRING,COMPRESSION.485 X1.75**	1
11	41630GT	HOUSING,LOCK PIN	1
12	1255758GT	WASHER,FLAT,3/8,USS,ZAG	
13	824038GT	NUT,TL JAM,3/8-16,A,ZAG	
14A	84587GT	ROLLER BRACKET ASSY, GRND CNTR (ground controls side)	1
14B	96247GT	WELDMENT,ROLLER BRACKET,RT*** (decals not included, refer to section one)	1
15	21279GT	BUTTON, .800 O.D. X .281	3
16	47163GT	ROLLER,PLATFORM EXTENSION	4
17	97034GT	GS30 RIDGID MAIN SIDE SQ RAIL	2
18	39579GT	RIVET,STL,STL,.188 X .45	20
19	39310GT	WEAR/GUIDE PAD MAIN PLATFORM	4
20	39474GT	WEAR PAD, PLATFORM	2
21A	97115GT	PLAT MAIN DECK ASSY,1530 ANSI GS-1530 (North America) (includes items 18, 19 & 20)	1
21A-	47231GT	TAPE,NON-SKID,DIE CUT,4"X 16"	
21A-	47098GT	TAPE,NON-SKID,DIE CUT,4"X 40"	
21B	231103GT	PLAT MAIN DECK ASSY,1530 AU GS-1530 (Australia) (includes items 18, 19 & 20)	1
21B-	47231GT	TAPE,NON-SKID,DIE CUT,4"X 16"	

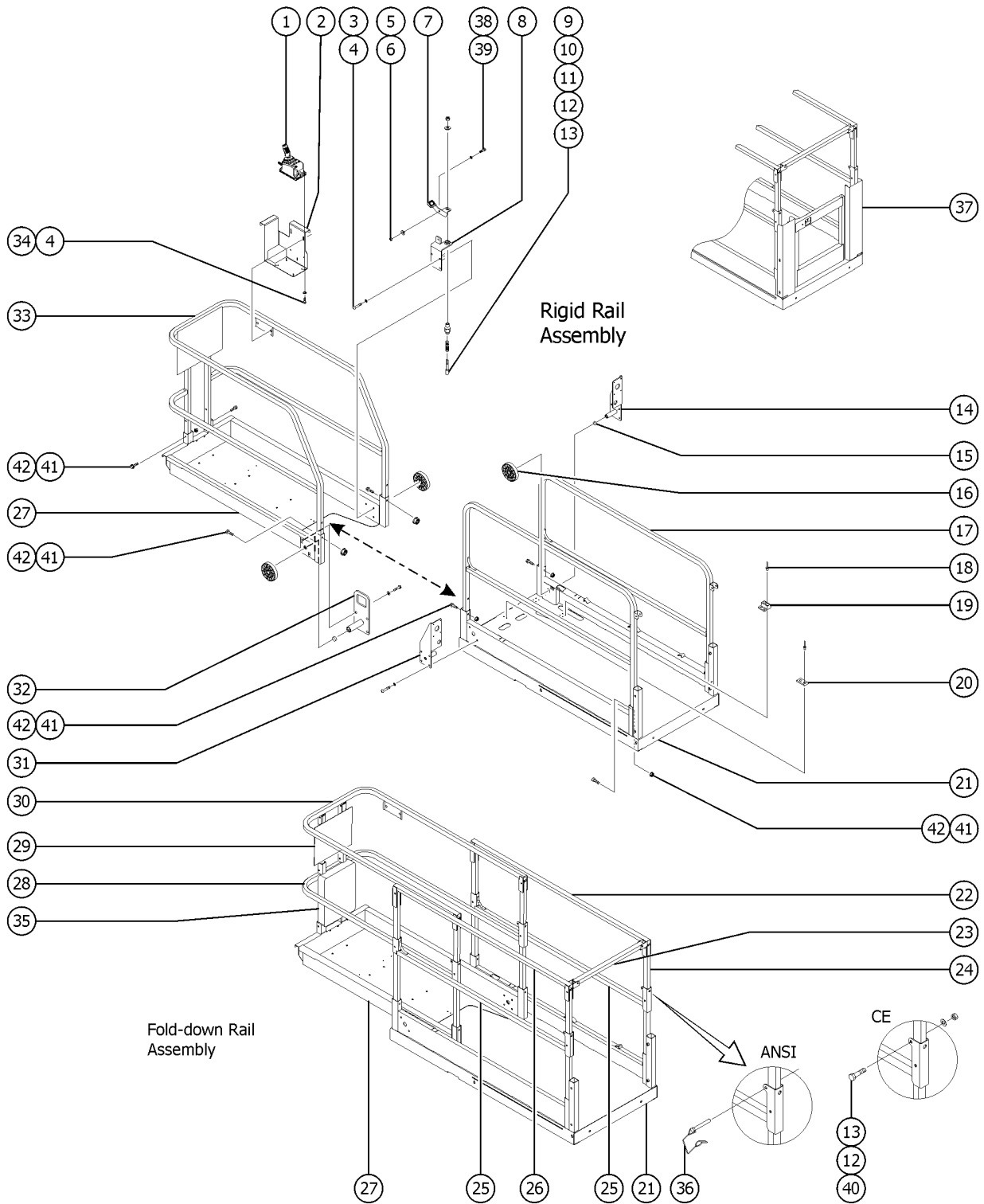




401.1 Platform Components, GS-1530 (to SN GS30P-165149)

Item	Part No.	Description	Qty.
21B-	47098GT	TAPE, NON-SKID, DIE CUT, 4"X 40"	
21C	97118GT	PLAT MAIN DECK ASSY, 1530 SMBL GS-1530 (Asia, and South America) (includes items 18, 19 & 20)	1
21C-	47231GT	TAPE, NON-SKID, DIE CUT, 4"X 16"	
21C-	47098GT	TAPE, NON-SKID, DIE CUT, 4"X 40"	
21D	231104GT	PLAT MAIN DECK ASSY, 1530 CE GS-1530 (Europe) (includes items 18, 19 & 20)	1
21D-	47231GT	TAPE, NON-SKID, DIE CUT, 4"X 16"	
21D-	47098GT	TAPE, NON-SKID, DIE CUT, 4"X 40"	
21E	1259719GT	WLDMNT, PLATFORM, MINI, GS30 replaced 96275 from SN 110000 (weldment only; decals not included, refer to section one)	1
22	66890-SGT	WLDMT, MAIN SIDERAIL, UPP, RT **	1
22-	78038GT	CAP, TUBE, SQ, 1.25*0.083	
23	66886GT	ENTRY SWING TUBE	1
24	66485GT	TUBE, VERT, FOLDING	6
25	97041GT	MAIN RAIL, FOLDING, GS30	2
25-	78038GT	CAP, TUBE, SQ, 1.25*0.083	
26	66889-SGT	WLDMT, MAIN SIDERAIL, UPPER, LFT	1
26-	78038GT	CAP, TUBE, SQ, 1.25*0.083	
27A	97123GT	PLAT EXT DECK ASSY, GS30	1
27-	47374GT	TAPE, NON-SKID, DIE CUT, 4"X 32"	3
27-	39474GT	WEAR PAD, PLATFORM	1
27-	T113787GT	RIVET, ALUM, STL, .188 X .250	2
		for 39474	
27B	96335GT	WELDMENT, EXT PLATFORM (decals not included, refer to section one)	1
28	96336GT	WLDMT, EXT DECK LWR RAIL	1
		(fold down)	
28-	78038GT	CAP, TUBE, SQ, 1.25*0.083	
29A	231111GT	DECAL PLATE ASSY, GS30, ANSI	1
		(North America)	
29B	231610GT	DECAL PLATE ASSY, GS30, AUSTRAL	1
		(Australia)	
29C	84590GT	DECAL PLATE ASSY W/SYM DECALS	1
		(Asia, Europe and South America)	
29D	96849GT	WELDMENT, DECAL PLATE	1
		(decals not included, refer to section one)	
30A	97213GT	EXT RAIL ASSY, UPPER, GS30	1



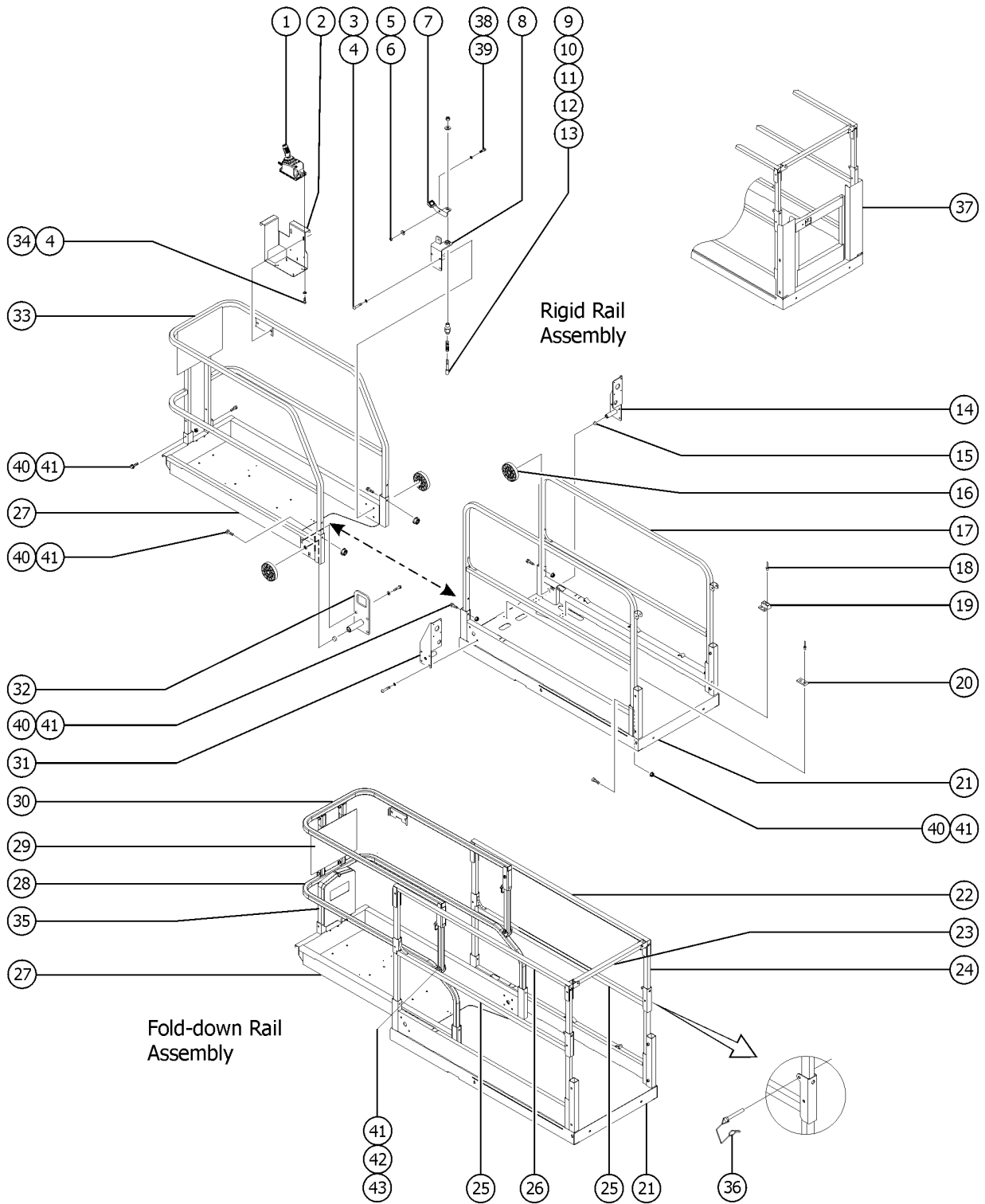


401.1 Platform Components, GS-1530 (to SN GS30P-165149)

Item	Part No.	Description	Qty.
30-	78038GT	CAP,TUBE,SQ,1.25*0.083	
30B	96848GT	WELDMENT,EXT RAIL,UPPER*** (decals not included, refer to section one)	1
31	96246GT	WELDMENT,ROLLER BRACKET,LT***	1
32A	84586GT	LANYARD ROLLER BRKT ASSY W/DEC	1
32-	21279GT	BUTTON, .800 O.D. X .281	
32B	96200GT	WLDMT, LANYARD ROLLER BRKT (decals not included, refer to section one)	1
33A	231112GT	FIXED RAILS ASSY,GS30,ANSI (North America)	1
33B	231611GT	FIXED RAILS ASSY,GS30,AUSTRAL (Australia)	1
33C	97132GT	FIXED RAILS ASSY, GS30 SYMBOL (Asia, Europe and South America)	1
33D	96847GT	WELDMENT,EXT SIDERAIL *** (decals not included, refer to section one)	1
34	824078GT	SCREW,HHF,1/4-20X.75,8,ZAG	
35A	44743GT	MANUAL BOX W/DECALS*** USA/Canada/Australia	1
35A-	1256855GT	SCREW,HHF,1/4-20X.625,8,ZAG	4
35A-	824027GT	NUT,TL FLG,1/4-20,G,ZAG	4
35A-	824113GT	WASHER,FLAT,1/4,USS,ZAG	4
35B	24514GT	BOX,INSTRUCTION STORAGE Europe/Asia/South America (decals required; refer to Section100)	
35B-	1256855GT	SCREW,HHF,1/4-20X.625,8,ZAG	4
35B-	824027GT	NUT,TL FLG,1/4-20,G,ZAG	4
35B-	824113GT	WASHER,FLAT,1/4,USS,ZAG	4
36	1259182GT	PIN,WIRE LOCK 3/8 X2 -1/2,ZAG	4
36-	78022GT	LANYARD,BLACK NYLON,TYPE 1*** (CE & Australia models)	
37		Ref. SWING GATE ASSEMBLY (refer to 405.1)	
38	1259223GT	ROLLER SUPPORT BRACKET	1
39	12013GT	SHIM,.375 X .063	1
40	824094GT	SCREW,HHF,3/8-16X2.75,8,ZAG	5
41	824029GT	NUT,TL FLG,3/8-16,G,ZAG	8
42	824094GT	SCREW,HHF,3/8-16X2.75,8,ZAG	8



401.2 Platform Components, GS-1530 (from SN GS30P-165150)

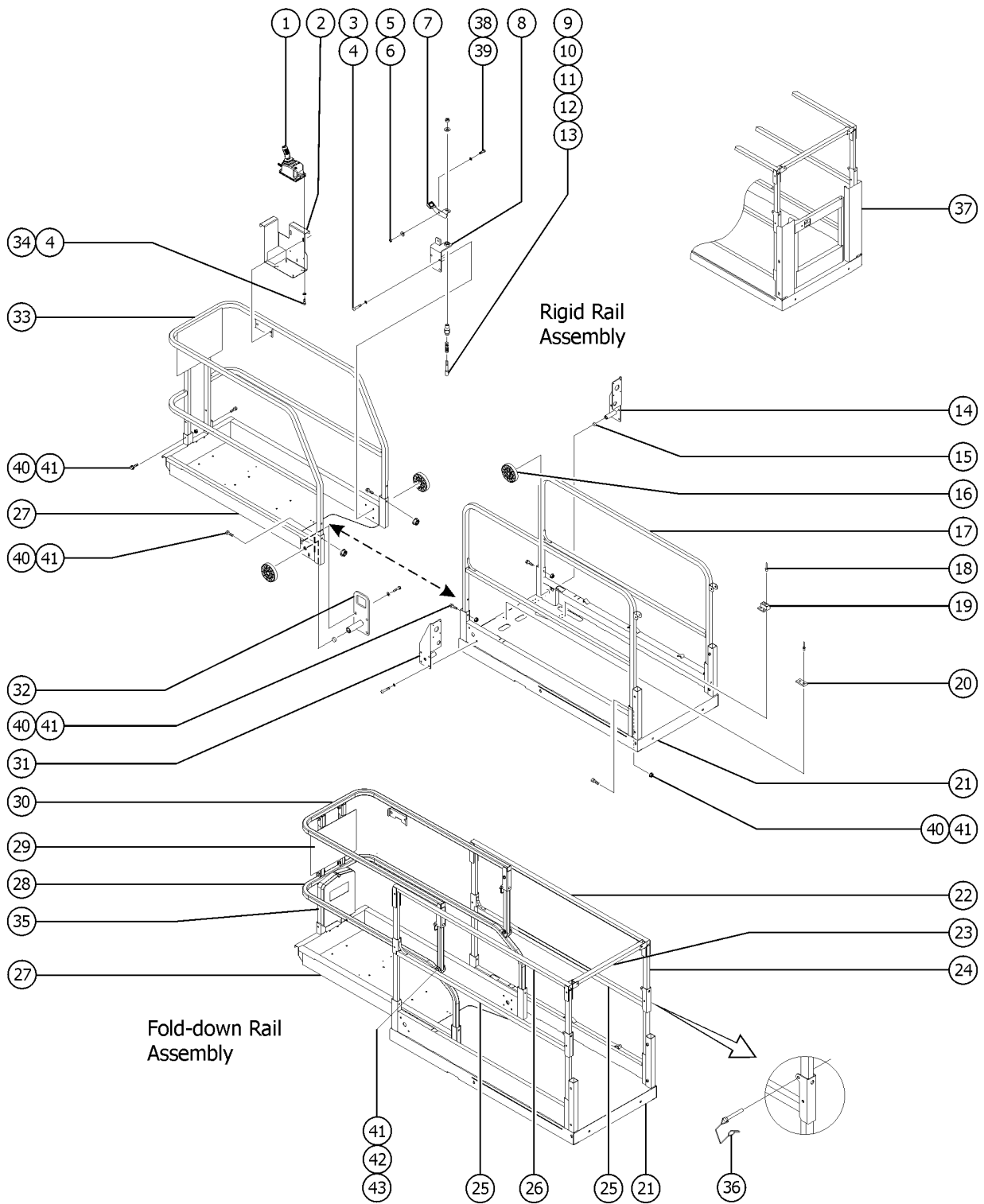


401.2 Platform Components, GS-1530 (from SN GS30P-165150)

Item	Part No.	Description	Qty.
1		Ref. Platform Control Box (refer to 407.1 or 408.1)	
2		Ref. Platform Control Box Mount Bracket (refer to 407.1 or 408.1)	
3	5224GT	SCREW,HHC,3/8-16 X 2	
4	6021GT	WASHER,LOCK,.375	
5	6002GT	NUT,LP NYLOCK,5/16-18	1
6	47222GT	WASHER, SHOULDER, NYLON	1
7	46260GT	FOOTPEDAL W/NON-SKID TAPE,GS**	1
7-	47166GT	BRACKET,FOOT PEDAL (does not include non-skid tape)	
7-	47225GT	TAPE,NON-SKID,DIE CUT,1.38X1.5	
8	96413GT	WLDMT,LOCKING ROLLER SUPPORT	1
9	39470GT	PIN, LOCK	1
10	39469GT	SPRING,COMPRESSION.485 X1.75**	1
11	41630GT	HOUSING,LOCK PIN	1
12	1255758GT	WASHER,FLAT,3/8,USS,ZAG	
13	824038GT	NUT,TL JAM,3/8-16,A,ZAG	
14A	84587GT	ROLLER BRACKET ASSY, GRND CNTR (ground controls side)	1
14B	96247GT	WELDMENT,ROLLER BRACKET,RT*** (decals not included, refer to section one)	1
15	21279GT	BUTTON, .800 O.D. X .281	3
16	47163GT	ROLLER,PLATFORM EXTENSION	4
17	97034GT	GS30 RIDGID MAIN SIDE SQ RAIL	2
18	39579GT	RIVET,STL,STL,.188 X .45	20
19	39310GT	WEAR/GUIDE PAD MAIN PLATFORM	4
20	39474GT	WEAR PAD, PLATFORM	2
21A	97115GT	PLAT MAIN DECK ASSY,1530 ANSI GS-1530 (North America) (includes items 18, 19 & 20)	1
21A-	47231GT	TAPE,NON-SKID,DIE CUT,4"X 16"	
21A-	47098GT	TAPE,NON-SKID,DIE CUT,4"X 40"	
21B	231103GT	PLAT MAIN DECK ASSY,1530 AU GS-1530 (Australia) (includes items 18, 19 & 20)	1
21B-	47231GT	TAPE,NON-SKID,DIE CUT,4"X 16"	



401.2 Platform Components, GS-1530 (from SN GS30P-165150)

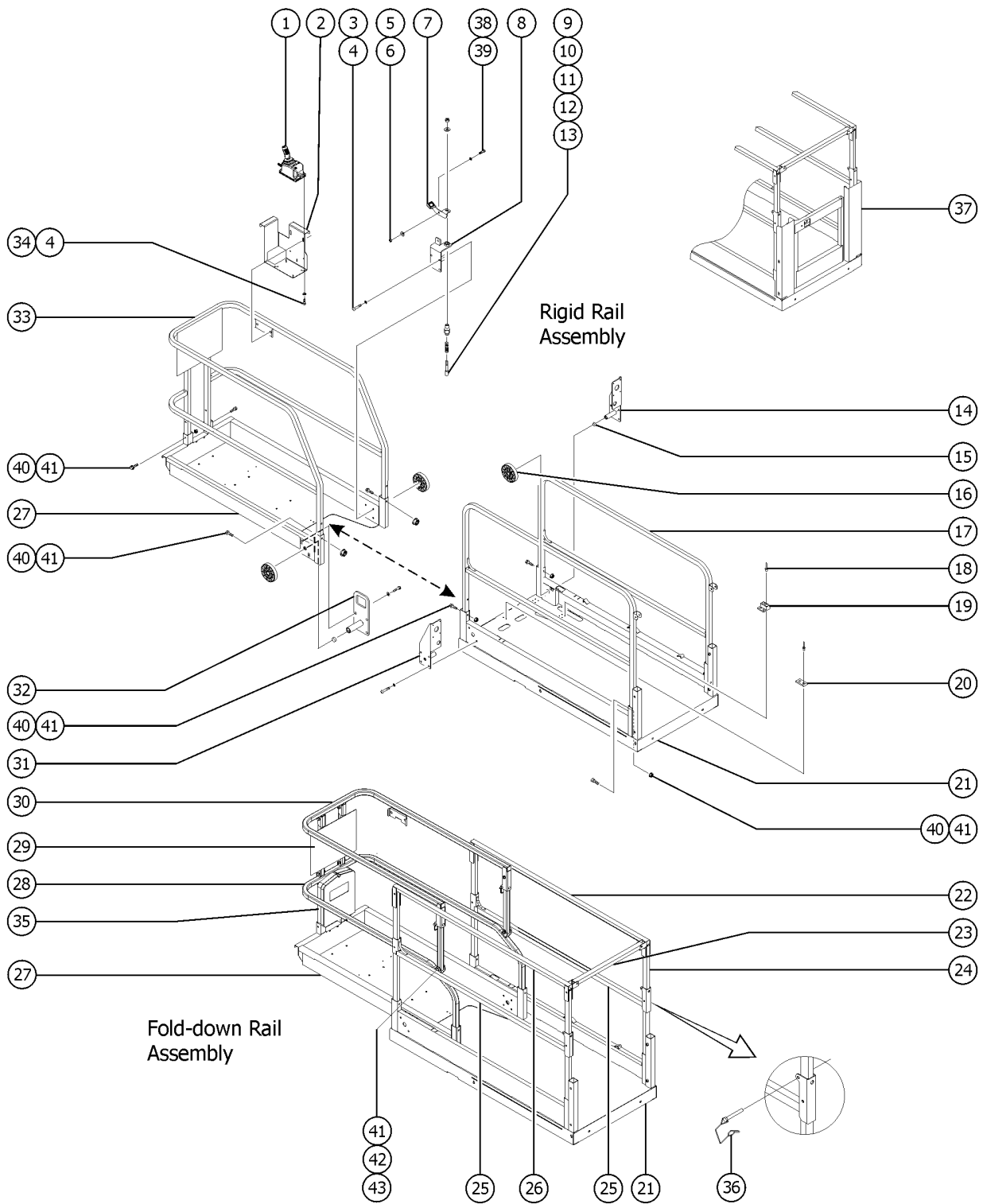


401.2 Platform Components, GS-1530 (from SN GS30P-165150)

Item	Part No.	Description	Qty.
21B-	47098GT	TAPE,NON-SKID,DIE CUT,4"X 40"	
21C	97118GT	PLAT MAIN DECK ASSY,1530 SMBL GS-1530 (Asia, and South America) (includes items 18, 19 & 20)	1
21C-	47231GT	TAPE,NON-SKID,DIE CUT,4"X 16"	
21C-	47098GT	TAPE,NON-SKID,DIE CUT,4"X 40"	
21D	231104GT	PLAT MAIN DECK ASSY,1530 CE GS-1530 (Europe) (includes items 18, 19 & 20)	1
21D-	47231GT	TAPE,NON-SKID,DIE CUT,4"X 16"	
21D-	47098GT	TAPE,NON-SKID,DIE CUT,4"X 40"	
21E	1259719GT	WLDMNT,PLATFORM, MINI, GS30 (weldment only; decals not included, refer to section one)	1
22	66890-SGT	WLDMT, MAIN SIDERAIL,UPP,RT **	1
22-	78038GT	CAP,TUBE,SQ,1.25*0.083	
23	66886GT	ENTRY SWING TUBE	1
24	66485GT	TUBE, VERT, FOLDING	6
25	1274596GT	MAIN RAIL, FOLDING, GS30	2
25-	78038GT	CAP,TUBE,SQ,1.25*0.083	
26	66889-SGT	WLDMT, MAIN SIDERAIL,UPPER,LFT	1
26-	78038GT	CAP,TUBE,SQ,1.25*0.083	
27A	97123GT	PLAT EXT DECK ASSY,GS30	1
27-	47374GT	TAPE,NON-SKID,DIE CUT,4"X 32"	3
27-	39474GT	WEAR PAD, PLATFORM	1
27-	T113787GT	RIVET,ALUM,STL,.188 X .250 for 39474	2
27B	96335GT	WELDMENT, EXT PLATFORM (decals not included, refer to section one)	1
28	1274595GT	WELDMENT, EXTENSION DECK RAIL, LOWER (fold down)	1
28-	78038GT	CAP,TUBE,SQ,1.25*0.083	
29A	231111GT	DECAL PLATE ASSY,GS30,ANSI (North America)	1
29B	231610GT	DECAL PLATE ASSY,GS30,AUSTRAL (Australia)	1
29C	84590GT	DECAL PLATE ASSY W/SYM DECALS (Asia, Europe and South America)	1
29D	96849GT	WELDMENT, DECAL PLATE (decals not included, refer to section one)	1
30	1274594GT	WELDMENT, EXTENSION DECK RAIL, UPPER	1



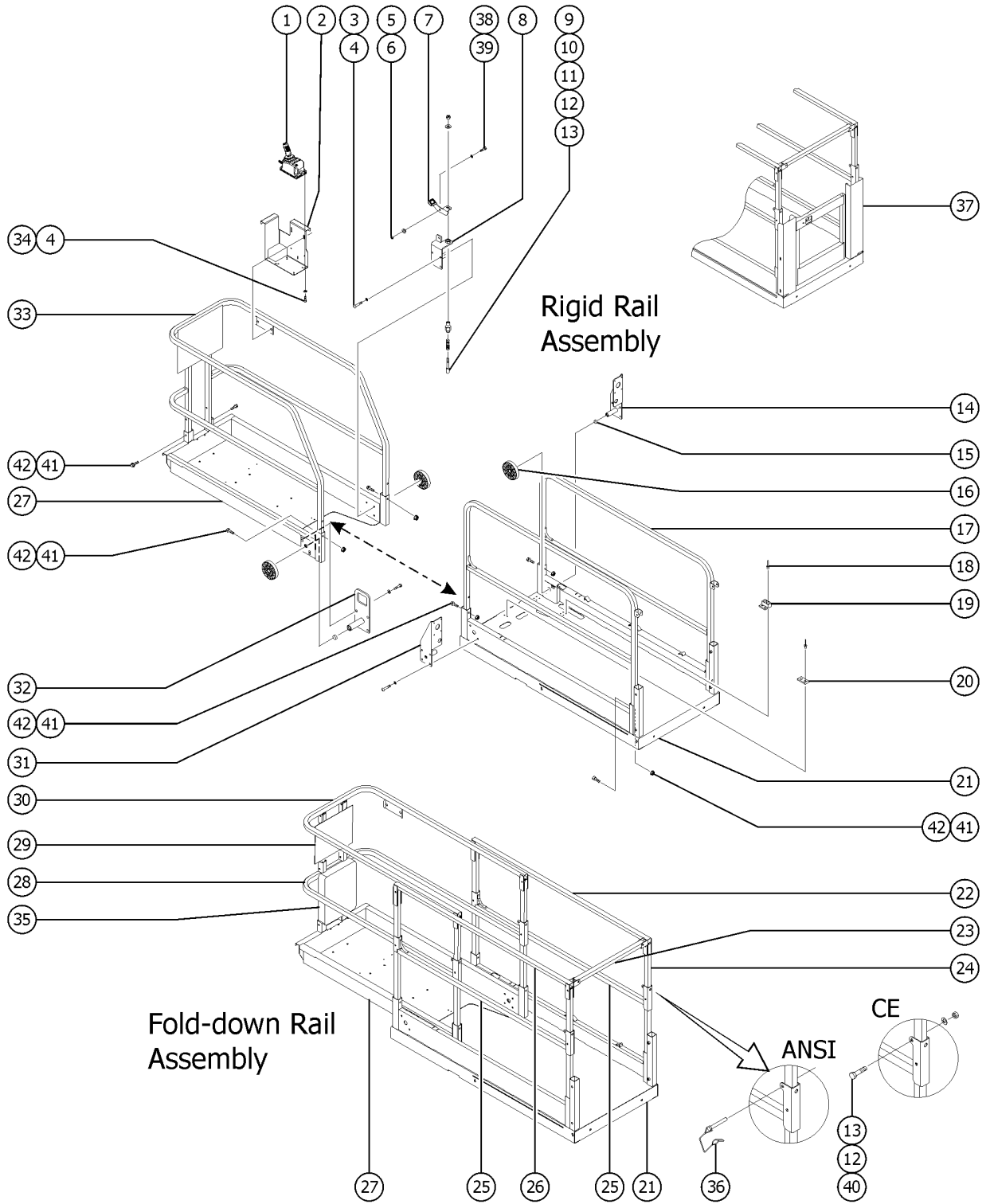
401.2 Platform Components, GS-1530 (from SN GS30P-165150)



401.2 Platform Components, GS-1530 (from SN GS30P-165150)

Item	Part No.	Description	Qty.
30-	78038GT	CAP,TUBE,SQ,1.25*0.083	
31	96246GT	WELDMENT,ROLLER BRACKET,LT***	1
32A	84586GT	LANYARD ROLLER BRKT ASSY W/DEC	1
32-	21279GT	BUTTON, .800 O.D. X .281	
32B	96200GT	WLDMT, LANYARD ROLLER BRKT (decals not included, refer to section one)	1
33A	231112GT	FIXED RAILS ASSY,GS30,ANSI (North America)	1
33B	231611GT	FIXED RAILS ASSY,GS30,AUSTRAL (Australia)	1
33C	97132GT	FIXED RAILS ASSY, GS30 SYMBOL (Asia, Europe and South America)	1
33D	96847GT	WELDMENT,EXT SIDERAIL *** (decals not included, refer to section one)	1
34	824078GT	SCREW,HHF,1/4-20X.75,8,ZAG	
35A	44743GT	MANUAL BOX W/DECALS*** USA/Canada/Australia	1
35A-	1256855GT	SCREW,HHF,1/4-20X.625,8,ZAG	4
35A-	824027GT	NUT,TL FLG,1/4-20,G,ZAG	4
35A-	824113GT	WASHER,FLAT,1/4,USS,ZAG	4
35B	24514GT	BOX,INSTRUCTION STORAGE Europe/Asia/South America (decals required; refer to Section100)	
35B-	1256855GT	SCREW,HHF,1/4-20X.625,8,ZAG	4
35B-	824027GT	NUT,TL FLG,1/4-20,G,ZAG	4
35B-	824113GT	WASHER,FLAT,1/4,USS,ZAG	4
36	1259182GT	PIN,WIRE LOCK 3/8 X2 -1/2,ZAG	5
36-	78022GT	LANYARD,BLACK NYLON,TYPE 1*** (CE & Australia models)	
37		Ref. SWING GATE ASSEMBLY (refer to 405.1)	
38	1259223GT	ROLLER SUPPORT BRACKET	1
39	12013GT	SHIM,.375 X .063	1
40	824094GT	SCREW,HHF,3/8-16X2.75,8,ZAG	5
41	824029GT	NUT,TL FLG,3/8-16,G,ZAG	10
42	1260926GT	BOLT,CARRIAGE,3/8-16X2.25,5,ZAG	2
43	1277860GT	GLIDE BUTTON,FOLDING RAILS	

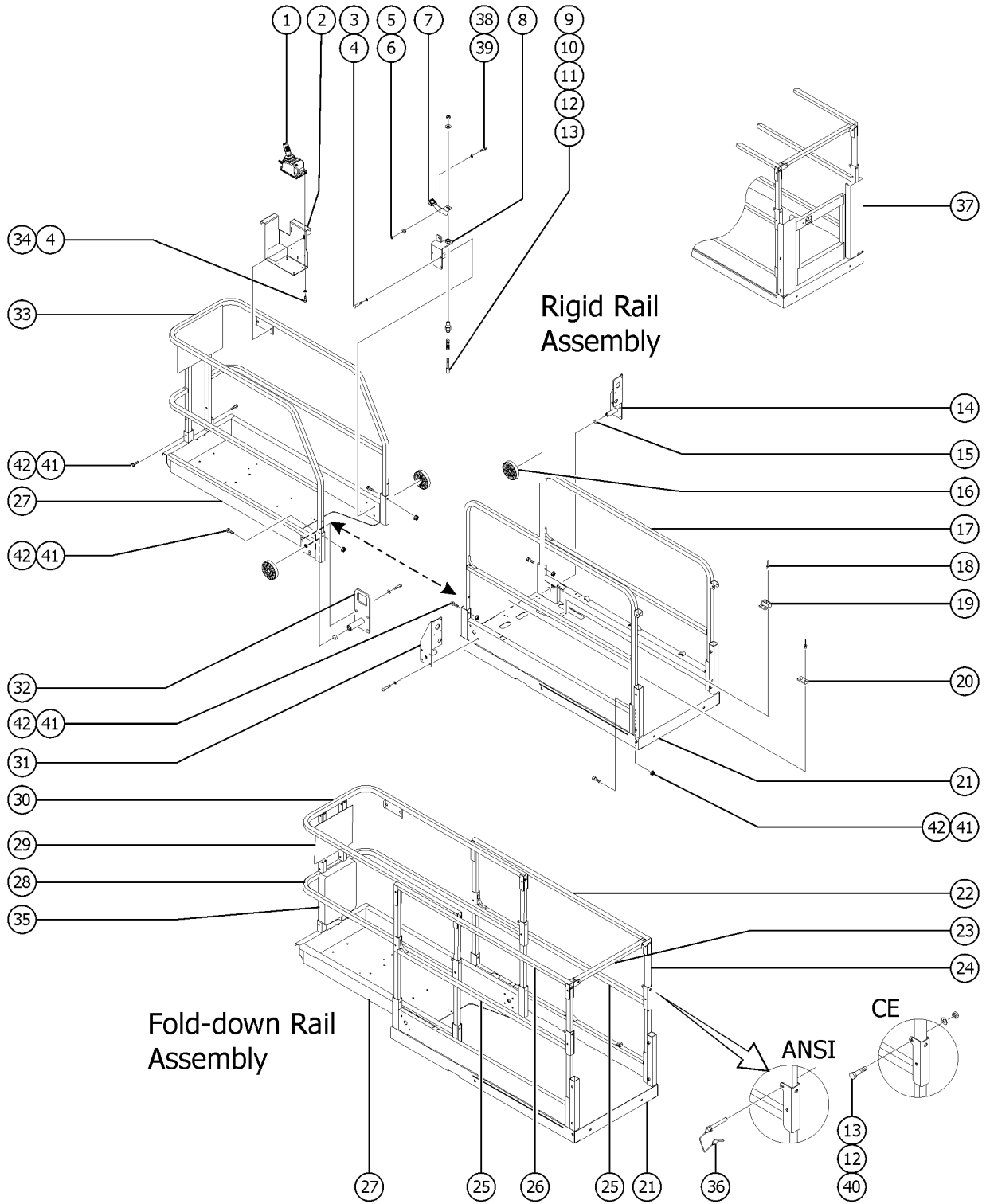




402.1 Platform Components, GS-1532 (to SN GS30P-165149)

Item	Part No.	Description	Qty.
1		Ref. Platform Control Box (refer to 407.1 or 408.1)	
2		Ref. Platform Control Box Mount Bracket (refer to 407.1 or 408.1)	
3	5224GT	SCREW,HHC,3/8-16 X 2	
4	6021GT	WASHER,LOCK,.375	
5	6002GT	NUT,LP NYLOCK,5/16-18	
6	47222GT	WASHER, SHOULDER, NYLON	1
7	46260GT	FOOTPEDAL W/NON-SKID TAPE,GS**	1
7-	47166GT	BRACKET,FOOT PEDAL (does not include non-skid tape)	
7-	47225GT	TAPE,NON-SKID,DIE CUT,1.38X1.5	
8	96413GT	WLDMT,LOCKING ROLLER SUPPORT	1
9	39470GT	PIN, LOCK	1
10	39469GT	SPRING,COMPRESSION.485 X1.75**	1
11	41630GT	HOUSING,LOCK PIN	1
12	6097GT	WASHER,FLAT,USS,3/8",Y	
13	7713GT	NUT,LP NYLOCK,3/8-16	
14A	84587GT	ROLLER BRACKET ASSY, GRND CNTR (ground controls side)	1
14B	96247GT	WELDMENT,ROLLER BRACKET,RT*** (decals not included, refer to section one)	1
15	21279GT	BUTTON, .800 O.D. X .281	3
16	47163GT	ROLLER,PLATFORM EXTENSION	4
17	97034GT	GS30 RIDGID MAIN SIDE SQ RAIL	2
18	39579GT	RIVET,STL,STL,.188 X .45	20
19	39310GT	WEAR/GUIDE PAD MAIN PLATFORM	4
20	39474GT	WEAR PAD, PLATFORM	2
21A	231105GT	PLAT MAIN DECK ASSY,1532 AU GS-1532 (Australia) (includes items 18, 19 & 20)	1
21A-	47231GT	TAPE,NON-SKID,DIE CUT,4"X 16"	
21A-	47098GT	TAPE,NON-SKID,DIE CUT,4"X 40"	
21B	231106GT	PLAT MAIN DECK ASSY,1532 CE GS-1532 (Europe) (includes items 18, 19, & 20)	1
21B-	47231GT	TAPE,NON-SKID,DIE CUT,4"X 16"	

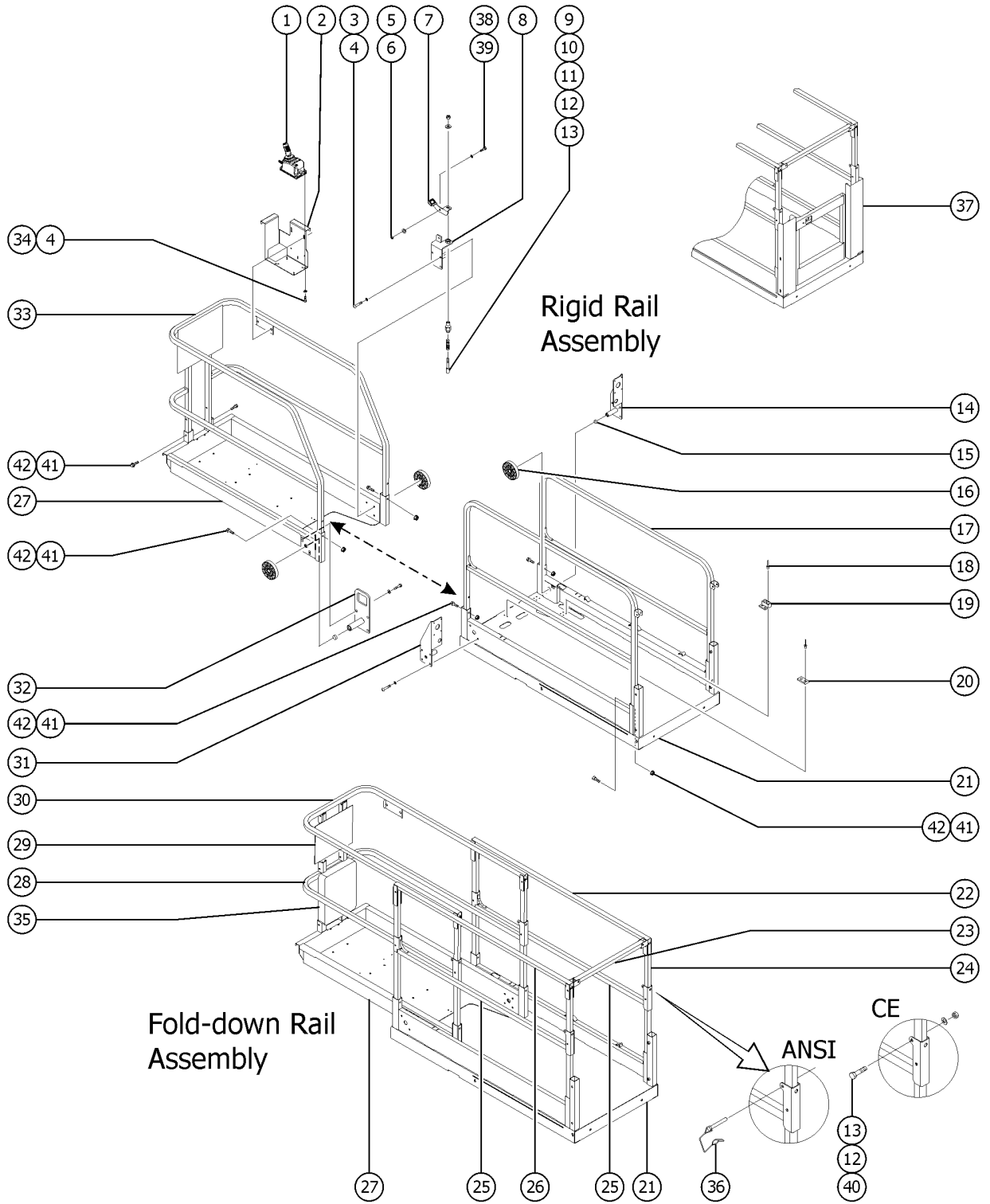




402.1 Platform Components, GS-1532 (to SN GS30P-165149)

Item	Part No.	Description	Qty.
21B-	47098GT	TAPE, NON-SKID, DIE CUT, 4" X 40"	
21C	1259719GT	WLDMNT, PLATFORM, MINI, GS30 (weldment only; decals not included, refer to section one)	1
22	66890-SGT	WLDMT, MAIN SIDERAIL, UPP, RT **	1
		(ground controls side)	
22-	78038GT	CAP, TUBE, SQ, 1.25*0.083	
23	66886GT	ENTRY SWING TUBE	1
24	66485GT	TUBE, VERT, FOLDING	6
25	97041GT	MAIN RAIL, FOLDING, GS30	2
25-	78038GT	CAP, TUBE, SQ, 1.25*0.083	
26	66889-SGT	WLDMT, MAIN SIDERAIL, UPPER, LFT	1
		(battery pack side)	
26-	78038GT	CAP, TUBE, SQ, 1.25*0.083	
27A	97123GT	PLAT EXT DECK ASSY, GS30	1
27-	47374GT	TAPE, NON-SKID, DIE CUT, 4" X 32"	3
27-	39474GT	WEAR PAD, PLATFORM	1
27-	T113787GT	RIVET, ALUM, STL, .188 X .250	2
		for 39474	
27B	96335GT	WELDMNT, EXT PLATFORM	1
		(decals not included, refer to section one)	
28	96336GT	WLDMT, EXT DECK LWR RAIL	1
		(fold down)	
28-	78038GT	CAP, TUBE, SQ, 1.25*0.083	
29A	231111GT	DECAL PLATE ASSY, GS30, ANSI	1
		(North America)	
29B	231610GT	DECAL PLATE ASSY, GS30, AUSTRAL	1
		(Australia)	
29C	84590GT	DECAL PLATE ASSY W/SYM DECALS	1
		(Asia, Europe and South America)	
29D	96849GT	WELDMNT, DECAL PLATE	1
		(decals not included, refer to section one)	
30A	97213GT	EXT RAIL ASSY, UPPER, GS30	1
30-	78038GT	CAP, TUBE, SQ, 1.25*0.083	
30B	96848GT	WELDMNT, EXT RAIL, UPPER***	1
		(decals not included, refer to section one)	
31	96246GT	WELDMNT, ROLLER BRACKET, LT***	1
32A	84586GT	LANYARD ROLLER BRKT ASSY W/DEC	1
32-	21279GT	BUTTON, .800 O.D. X .281	
32B	96200GT	WLDMT, LANYARD ROLLER BRKT	1
		(decals not included, refer to section one)	

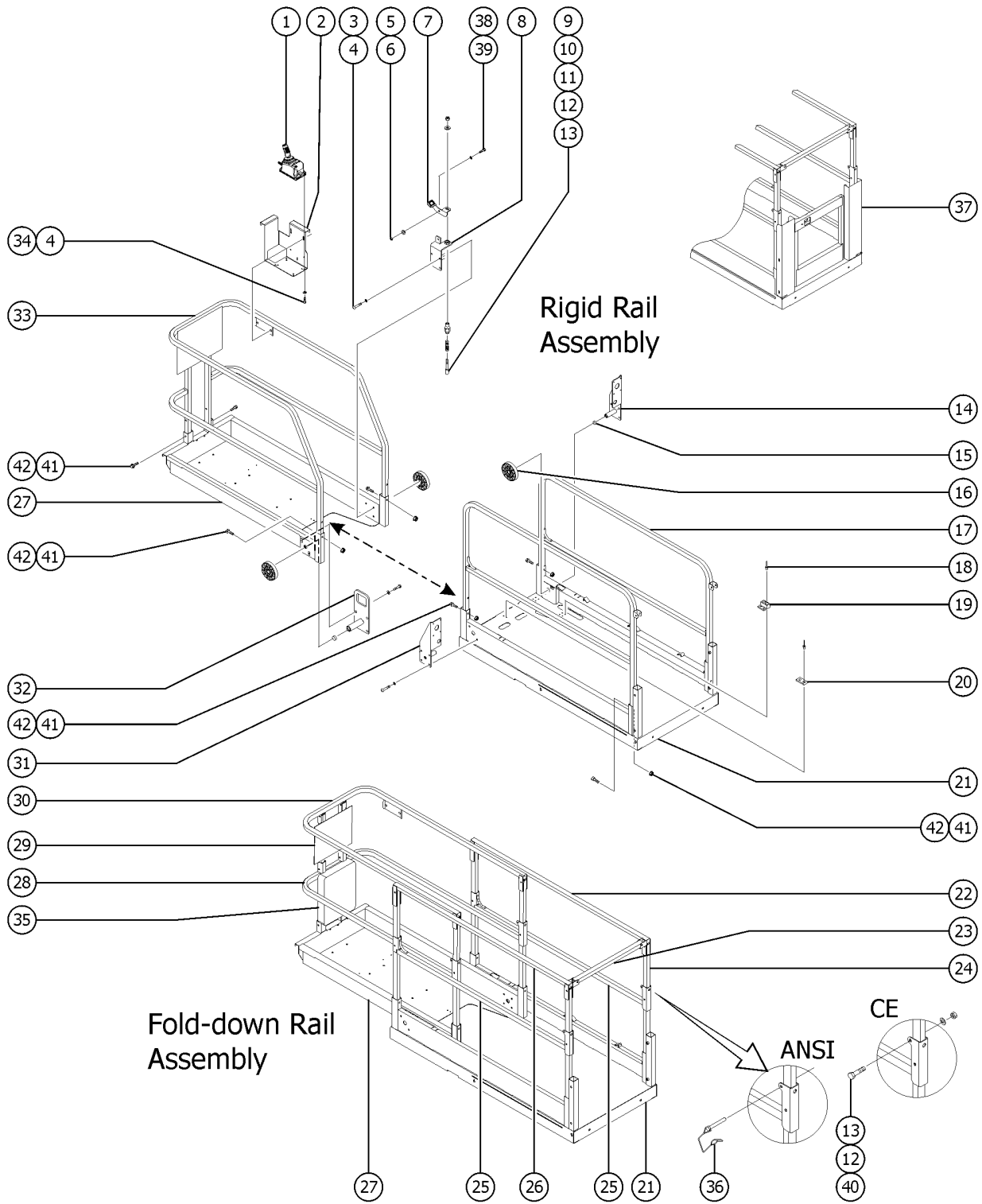




402.1 Platform Components, GS-1532 (to SN GS30P-165149)

Item	Part No.	Description	Qty.
33A	231112GT	FIXED RAILS ASSY,GS30,ANSI (North America)	1
33B	231611GT	FIXED RAILS ASSY,GS30,AUSTRAL (Australia)	1
33C	97132GT	FIXED RAILS ASSY, GS30 SYMBOL (Asia, Europe and South America)	
33D	96847GT	WELDMENT,EXT SIDERAIL *** (decals not included, refer to section one)	1
34	824078GT	SCREW,HHF,1/4-20X.75,8,ZAG	
35A	44743GT	MANUAL BOX W/DECALS*** USA/Canada/Australia	1
35B	24514GT	BOX,INSTRUCTION STORAGE Europe/Asia/South America (decal required; refer to Section100)	
36	1259182GT	PIN,WIRE LOCK 3/8 X2 -1/2,ZAG	4
36-	78022GT	LANYARD,BLACK NYLON,TYPE 1*** (CE & Australia models)	
37		Ref. SWING GATE ASSEMBLY (refer to 405.1)	
38	1259223GT	ROLLER SUPPORT BRACKET	1
39	12013GT	SHIM,.375 X .063	1
40	14033GT	SCREW,HHC,3/8-16 X 2.75	5
41	824029GT	NUT,TL FLG,3/8-16,G,ZAG	8
42	824094GT	SCREW,HHF,3/8-16X2.75,8,ZAG	8

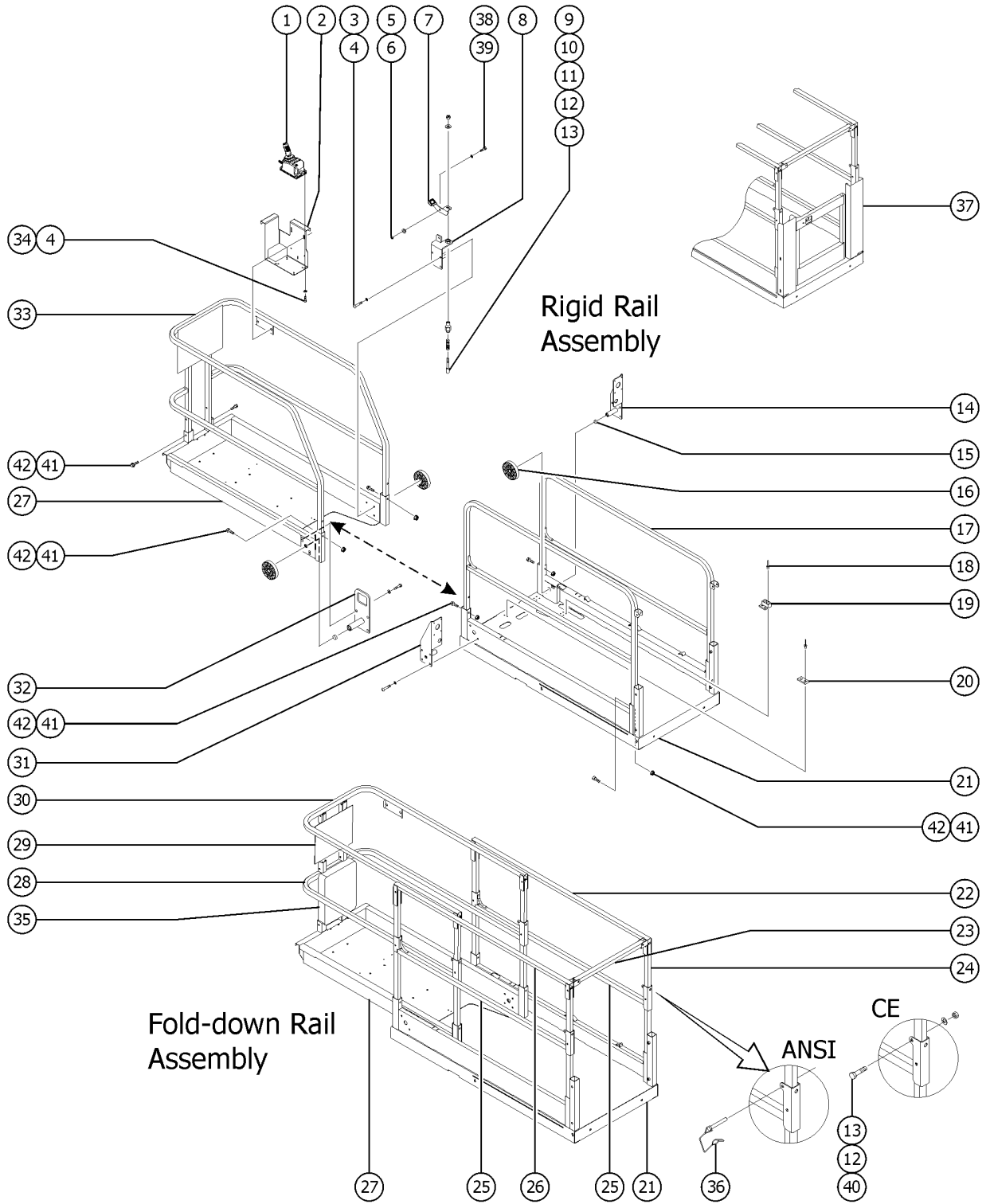




402.2 Platform Components, GS-1532 (to SN GS30P-165149)

Item	Part No.	Description	Qty.
1		Ref. Platform Control Box (refer to 407.1 or 408.1)	
2		Ref. Platform Control Box Mount Bracket (refer to 407.1 or 408.1)	
3	5224GT	SCREW,HHC,3/8-16 X 2	
4	6021GT	WASHER,LOCK,.375	
5	6002GT	NUT,LP NYLOCK,5/16-18	
6	47222GT	WASHER, SHOULDER, NYLON	1
7	46260GT	FOOTPEDAL W/NON-SKID TAPE,GS**	1
7-	47166GT	BRACKET,FOOT PEDAL (does not include non-skid tape)	
7-	47225GT	TAPE,NON-SKID,DIE CUT,1.38X1.5	
8	96413GT	WLDMT,LOCKING ROLLER SUPPORT	1
9	39470GT	PIN, LOCK	1
10	39469GT	SPRING,COMPRESSION.485 X1.75**	1
11	41630GT	HOUSING,LOCK PIN	1
12	6097GT	WASHER,FLAT,USS,3/8",Y	
13	7713GT	NUT,LP NYLOCK,3/8-16	
14A	84587GT	ROLLER BRACKET ASSY, GRND CNTR (ground controls side)	1
14B	96247GT	WELDMENT,ROLLER BRACKET,RT*** (decals not included, refer to section one)	1
15	21279GT	BUTTON, .800 O.D. X .281	3
16	47163GT	ROLLER,PLATFORM EXTENSION	4
17	97034GT	GS30 RIDGID MAIN SIDE SQ RAIL	2
18	39579GT	RIVET,STL,STL,.188 X .45	20
19	39310GT	WEAR/GUIDE PAD MAIN PLATFORM	4
20	39474GT	WEAR PAD, PLATFORM	2
21A	231105GT	PLAT MAIN DECK ASSY,1532 AU GS-1532 (Australia) (includes items 18, 19 & 20)	1
21A-	47231GT	TAPE,NON-SKID,DIE CUT,4"X 16"	
21A-	47098GT	TAPE,NON-SKID,DIE CUT,4"X 40"	
21B	231106GT	PLAT MAIN DECK ASSY,1532 CE GS-1532 (Europe) (includes items 18, 19, & 20)	1
21B-	47231GT	TAPE,NON-SKID,DIE CUT,4"X 16"	

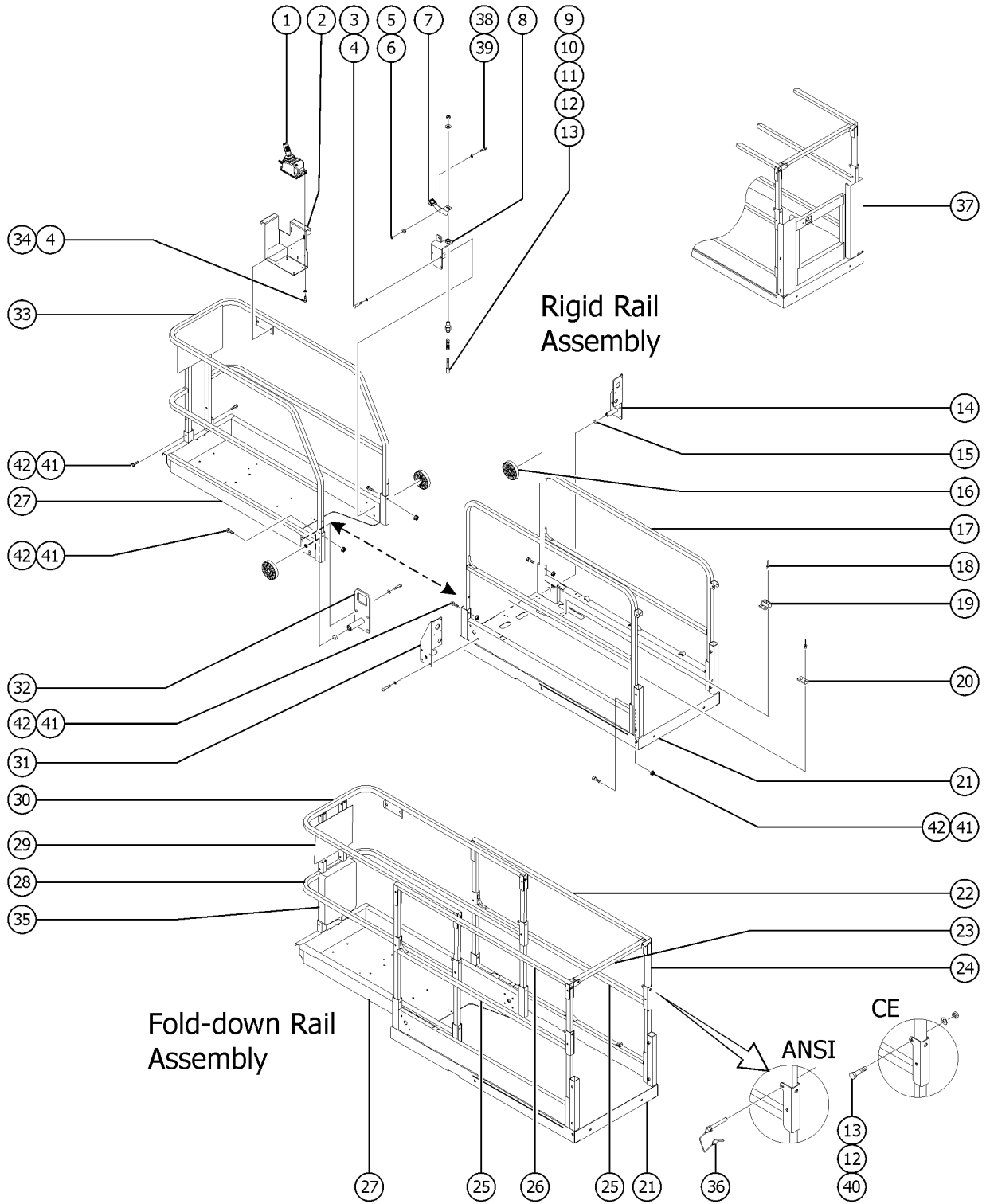




402.2 Platform Components, GS-1532 (to SN GS30P-165149)

Item	Part No.	Description	Qty.
21B-	47098GT	TAPE, NON-SKID, DIE CUT, 4" X 40"	
21C	1259719GT	WLDMNT, PLATFORM, MINI, GS30 (weldment only; decals not included, refer to section one)	1
22	66890-SGT	WLDMT, MAIN SIDERAIL, UPP, RT **	1
		(ground controls side)	
22-	78038GT	CAP, TUBE, SQ, 1.25*0.083	
23	66886GT	ENTRY SWING TUBE	1
24	66485GT	TUBE, VERT, FOLDING	6
25	97041GT	MAIN RAIL, FOLDING, GS30	2
25-	78038GT	CAP, TUBE, SQ, 1.25*0.083	
26	66889-SGT	WLDMT, MAIN SIDERAIL, UPPER, LFT	1
		(battery pack side)	
26-	78038GT	CAP, TUBE, SQ, 1.25*0.083	
27A	97123GT	PLAT EXT DECK ASSY, GS30	1
27-	47374GT	TAPE, NON-SKID, DIE CUT, 4" X 32"	3
27-	39474GT	WEAR PAD, PLATFORM	1
27-	T113787GT	RIVET, ALUM, STL, .188 X .250	2
		for 39474	
27B	96335GT	WELDMNT, EXT PLATFORM	1
		(decals not included, refer to section one)	
28	96336GT	WLDMT, EXT DECK LWR RAIL	1
		(fold down)	
28-	78038GT	CAP, TUBE, SQ, 1.25*0.083	
29A	231111GT	DECAL PLATE ASSY, GS30, ANSI	1
		(North America)	
29B	231610GT	DECAL PLATE ASSY, GS30, AUSTRAL	1
		(Australia)	
29C	84590GT	DECAL PLATE ASSY W/SYM DECALS	1
		(Asia, Europe and South America)	
29D	96849GT	WELDMNT, DECAL PLATE	1
		(decals not included, refer to section one)	
30A	97213GT	EXT RAIL ASSY, UPPER, GS30	1
30-	78038GT	CAP, TUBE, SQ, 1.25*0.083	
30B	96848GT	WELDMNT, EXT RAIL, UPPER***	1
		(decals not included, refer to section one)	
31	96246GT	WELDMNT, ROLLER BRACKET, LT***	1
32A	84586GT	LANYARD ROLLER BRKT ASSY W/DEC	1
32-	21279GT	BUTTON, .800 O.D. X .281	
32B	96200GT	WLDMT, LANYARD ROLLER BRKT	1
		(decals not included, refer to section one)	



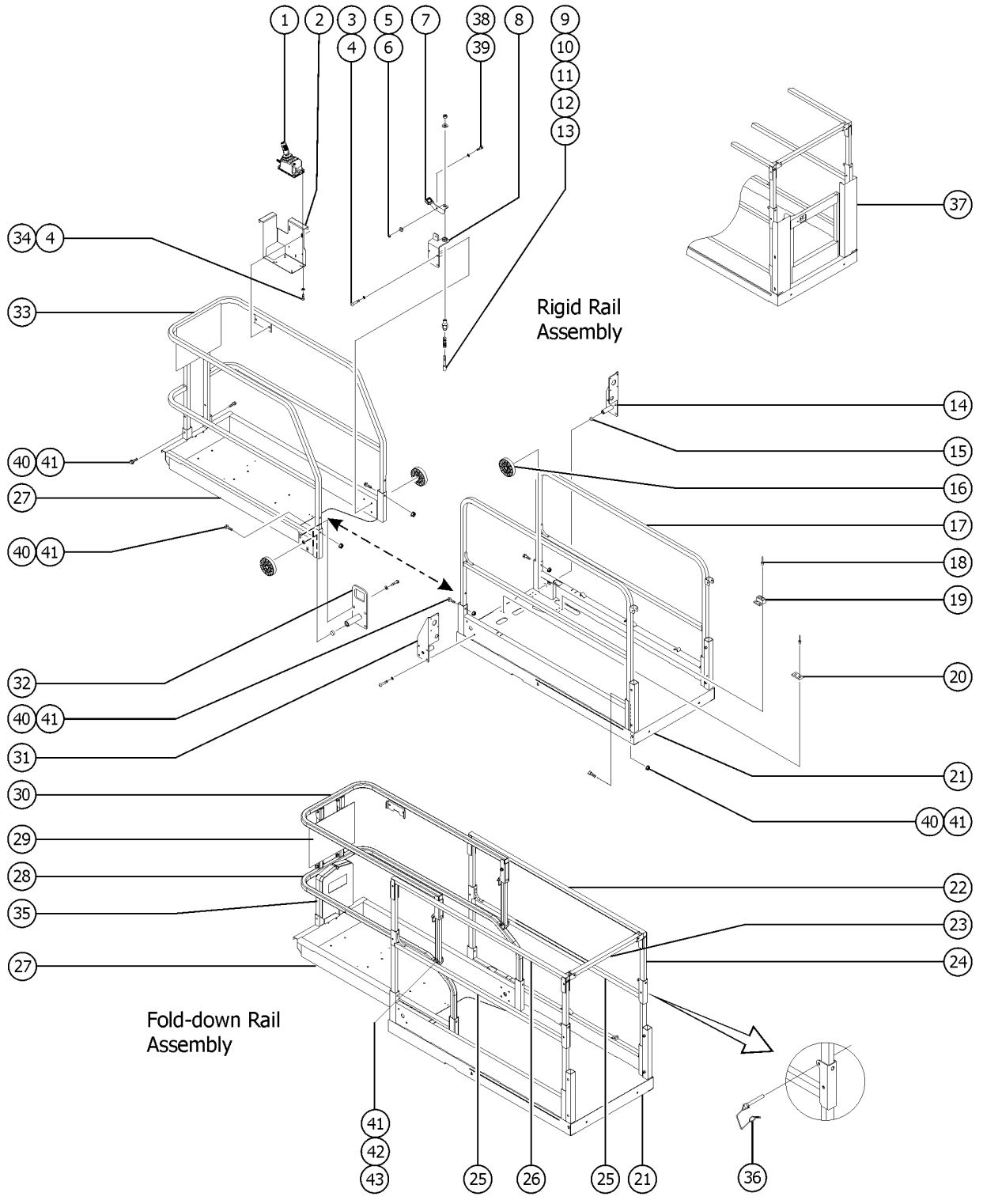


402.2 Platform Components, GS-1532 (to SN GS30P-165149)

Item	Part No.	Description	Qty.
33A	231112GT	FIXED RAILS ASSY,GS30,ANSI (North America)	1
33B	231611GT	FIXED RAILS ASSY,GS30,AUSTRAL (Australia)	1
33C	97132GT	FIXED RAILS ASSY, GS30 SYMBOL (Asia, Europe and South America)	
33D	96847GT	WELDMENT,EXT SIDERAIL *** (decals not included, refer to section one)	1
34	824078GT	SCREW,HHF,1/4-20X.75,8,ZAG	
35A	44743GT	MANUAL BOX W/DECALS*** USA/Canada/Australia	1
35B	24514GT	BOX,INSTRUCTION STORAGE Europe/Asia/South America (decal required; refer to Section100)	
36	1259182GT	PIN,WIRE LOCK 3/8 X2 -1/2,ZAG	4
36-	78022GT	LANYARD,BLACK NYLON,TYPE 1*** (CE & Australia models)	
37		Ref. SWING GATE ASSEMBLY (refer to 405.1)	
38	1259223GT	ROLLER SUPPORT BRACKET	1
39	12013GT	SHIM,.375 X .063	1
40	14033GT	SCREW,HHC,3/8-16 X 2.75	5
41	824029GT	NUT,TL FLG,3/8-16,G,ZAG	8
42	824094GT	SCREW,HHF,3/8-16X2.75,8,ZAG	8



402.3 Platform Components, GS-1532 (from SN GS30P-165150)

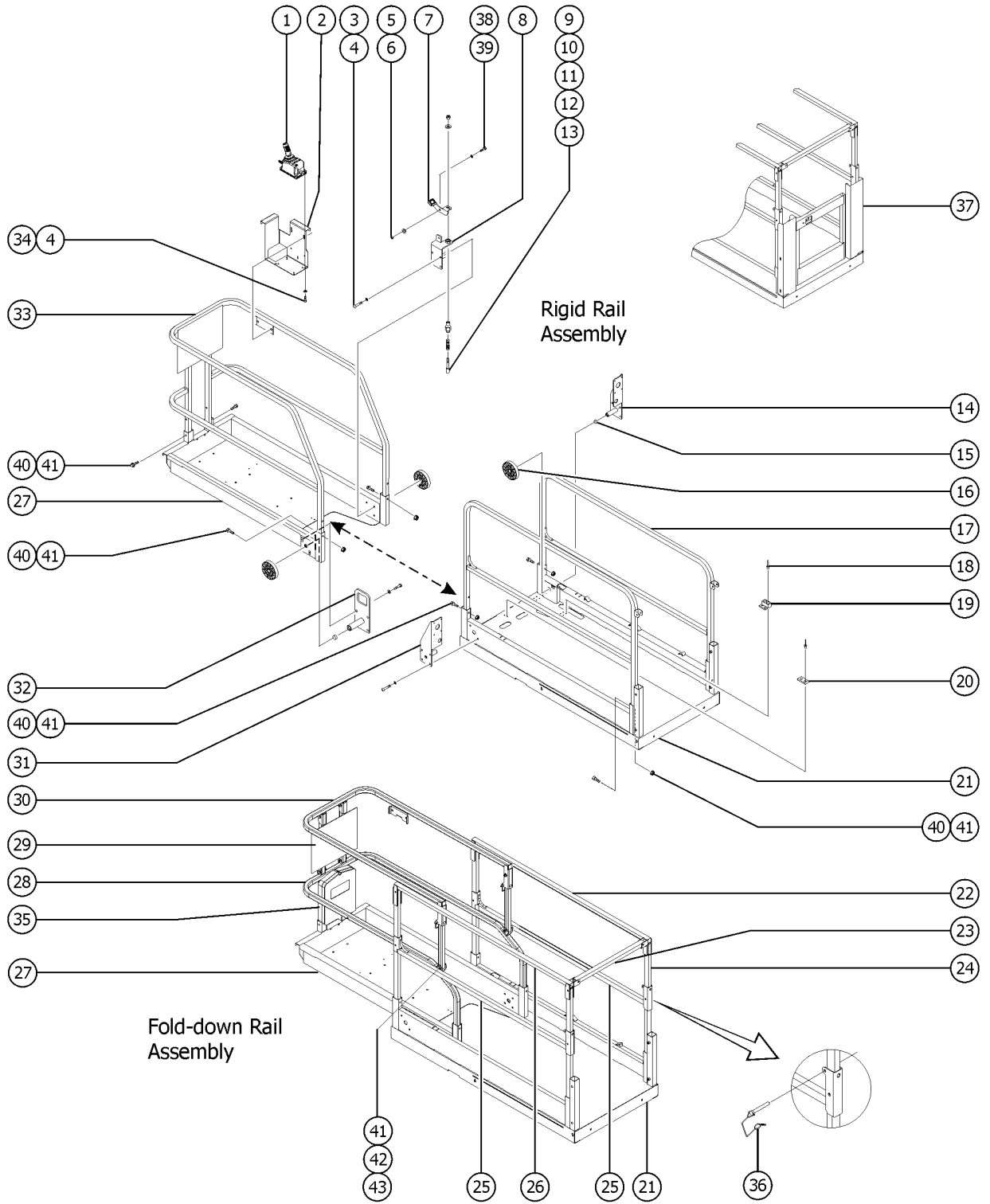


402.3 Platform Components, GS-1532 (from SN GS30P-165150)

Item	Part No.	Description	Qty.
1		Ref. Platform Control Box (refer to 407.1 or 408.1)	
2		Ref. Platform Control Box Mount Bracket (refer to 407.1 or 408.1)	
3	5224GT	SCREW,HHC,3/8-16 X 2	
4	6021GT	WASHER,LOCK,.375	
5	6002GT	NUT,LP NYLOCK,5/16-18	
6	47222GT	WASHER, SHOULDER, NYLON	1
7	46260GT	FOOTPEDAL W/NON-SKID TAPE,GS**	1
7-	47166GT	BRACKET,FOOT PEDAL (does not include non-skid tape)	
7-	47225GT	TAPE,NON-SKID,DIE CUT,1.38X1.5	
8	96413GT	WLDMT,LOCKING ROLLER SUPPORT	1
9	39470GT	PIN, LOCK	1
10	39469GT	SPRING,COMPRESSION.485 X1.75**	1
11	41630GT	HOUSING,LOCK PIN	1
12	6097GT	WASHER,FLAT,USS,3/8",Y	
13	7713GT	NUT,LP NYLOCK,3/8-16	
14A	84587GT	ROLLER BRACKET ASSY, GRND CNTR (ground controls side)	1
14B	96247GT	WELDMENT,ROLLER BRACKET,RT*** (decals not included, refer to section one)	1
15	21279GT	BUTTON, .800 O.D. X .281	3
16	47163GT	ROLLER,PLATFORM EXTENSION	4
17	97034GT	GS30 RIDGID MAIN SIDE SQ RAIL	2
18	39579GT	RIVET,STL,STL,.188 X .45	20
19	39310GT	WEAR/GUIDE PAD MAIN PLATFORM	4
20	39474GT	WEAR PAD, PLATFORM	2
21A	231105GT	PLAT MAIN DECK ASSY,1532 AU GS-1532 (Australia) (includes items 18, 19 & 20)	1
21A-	47231GT	TAPE,NON-SKID,DIE CUT,4"X 16"	
21A-	47098GT	TAPE,NON-SKID,DIE CUT,4"X 40"	
21B	231106GT	PLAT MAIN DECK ASSY,1532 CE GS-1532 (Europe) (includes items 18, 19, & 20)	1
21B-	47231GT	TAPE,NON-SKID,DIE CUT,4"X 16"	



402.3 Platform Components, GS-1532 (from SN GS30P-165150)

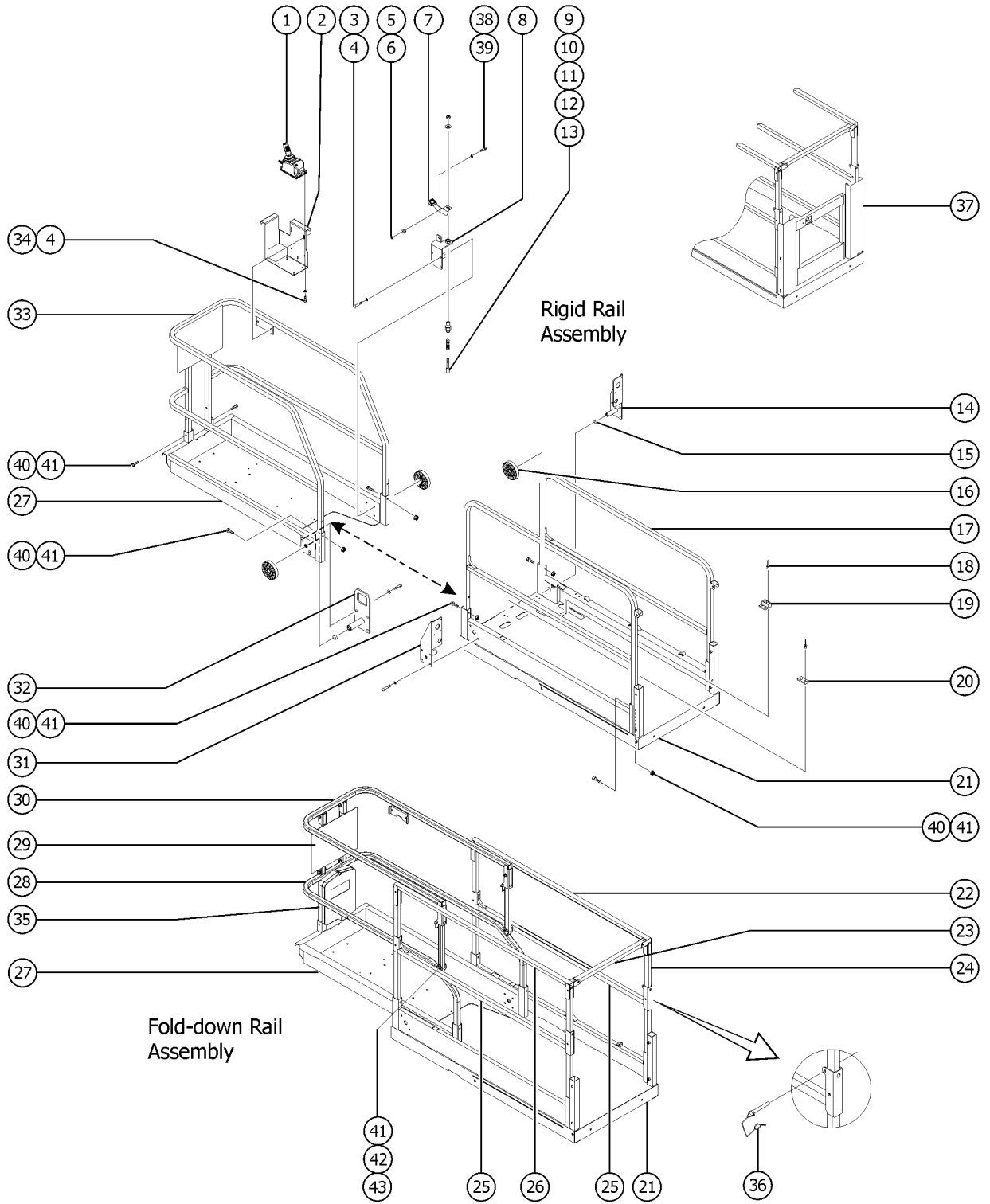


402.3 Platform Components, GS-1532 (from SN GS30P-165150)

Item	Part No.	Description	Qty.
21B-	47098GT	TAPE, NON-SKID, DIE CUT, 4" X 40"	
21C	1259719GT	WLDMNT, PLATFORM, MINI, GS30 (weldment only; decals not included, refer to section one)	1
22	66890-SGT	WLDMT, MAIN SIDERAIL, UPP, RT **	1
		(ground controls side)	
22-	78038GT	CAP, TUBE, SQ, 1.25*0.083	
23	66886GT	ENTRY SWING TUBE	1
24	66485GT	TUBE, VERT, FOLDING	6
25	1274596GT	MAIN RAIL, FOLDING, GS30	2
25-	78038GT	CAP, TUBE, SQ, 1.25*0.083	
26	66889-SGT	WLDMT, MAIN SIDERAIL, UPPER, LFT	1
		(battery pack side)	
26-	78038GT	CAP, TUBE, SQ, 1.25*0.083	
27A	97123GT	PLAT EXT DECK ASSY, GS30	1
27-	47374GT	TAPE, NON-SKID, DIE CUT, 4" X 32"	3
27-	39474GT	WEAR PAD, PLATFORM	1
27-	T113787GT	RIVET, ALUM, STL., 188 X .250	2
		for 39474	
27B	96335GT	WELDMNT, EXT PLATFORM	1
		(decals not included, refer to section one)	
28	1274595GT	WELDMNT, EXTENSION DECK RAIL, LOWER	1
		(fold down)	
28-	78038GT	CAP, TUBE, SQ, 1.25*0.083	
29A	231111GT	DECAL PLATE ASSY, GS30, ANSI	1
		(North America)	
29B	231610GT	DECAL PLATE ASSY, GS30, AUSTRAL	1
		(Australia)	
29C	84590GT	DECAL PLATE ASSY W/SYM DECALS	1
		(Asia, Europe and South America)	
29D	96849GT	WELDMNT, DECAL PLATE	1
		(decals not included, refer to section one)	
30	1274594GT	WELDMNT, EXTENSION DECK RAIL, UPPER	1
30-	78038GT	CAP, TUBE, SQ, 1.25*0.083	
31	96246GT	WELDMNT, ROLLER BRACKET, LT***	1
32A	84586GT	LANYARD ROLLER BRKT ASSY W/DEC	1
32-	21279GT	BUTTON, .800 O.D. X .281	
32B	96200GT	WLDMT, LANYARD ROLLER BRKT	1
		(decals not included, refer to section one)	
33A	231112GT	FIXED RAILS ASSY, GS30, ANSI	1
		(North America)	



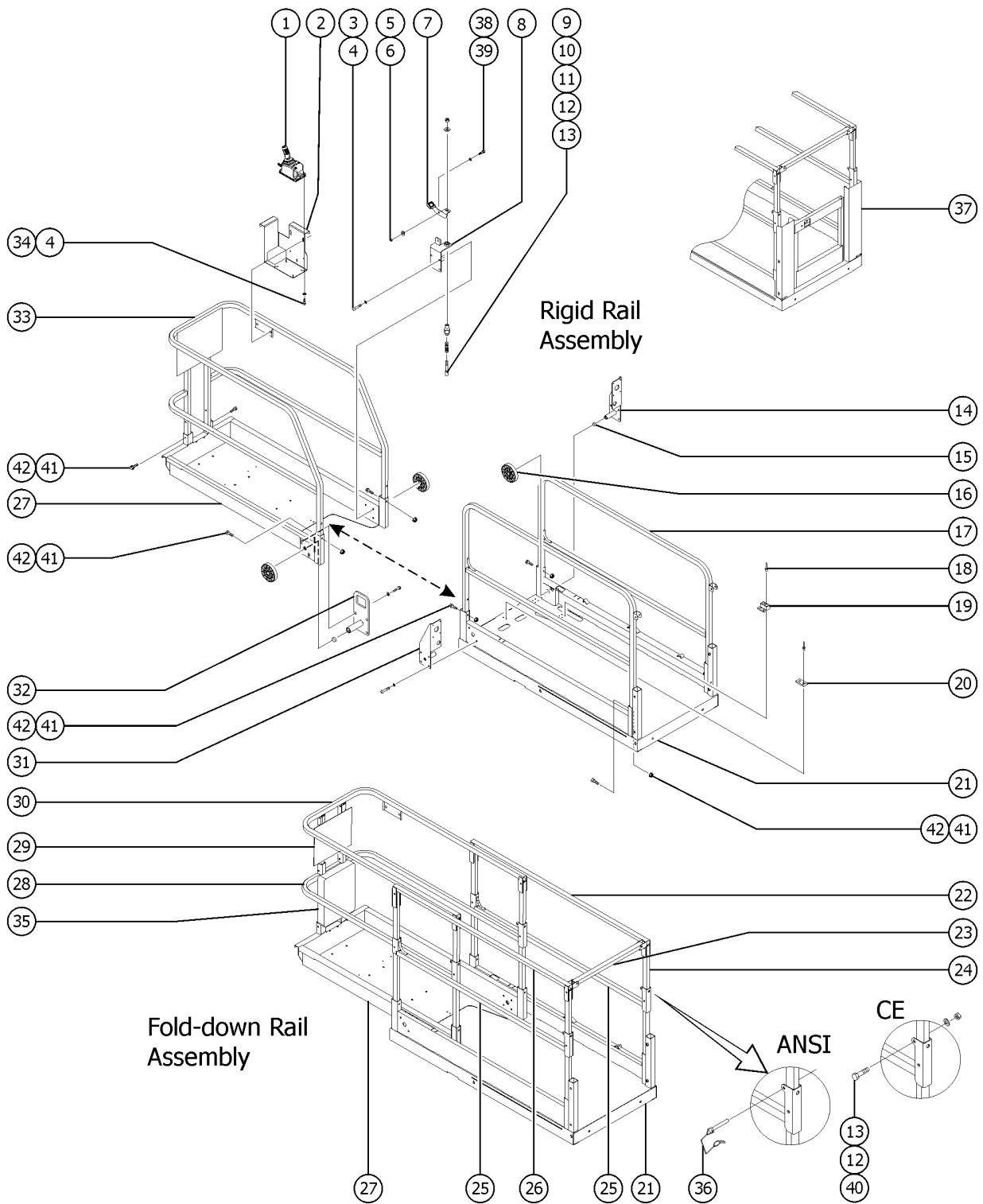
402.3 Platform Components, GS-1532 (from SN GS30P-165150)



402.3 Platform Components, GS-1532 (from SN GS30P-165150)

Item	Part No.	Description	Qty.
33B	231611GT	FIXED RAILS ASSY,GS30,AUSTRAL (Australia)	1
33C	97132GT	FIXED RAILS ASSY, GS30 SYMBOL (Asia, Europe and South America)	
33D	96847GT	WELDMENT,EXT SIDERAIL *** (decals not included, refer to section one)	1
34	824078GT	SCREW,HHF,1/4-20X.75,8,ZAG	
35A	44743GT	MANUAL BOX W/DECALS*** USA/Canada/Australia	1
35B	24514GT	BOX,INSTRUCTION STORAGE Europe/Asia/South America (decal required; refer to Section100)	
36	1259182GT	PIN,WIRE LOCK 3/8 X2 -1/2,ZAG	5
36-	78022GT	LANYARD,BLACK NYLON,TYPE 1*** (CE & Australia models)	
37		Ref. SWING GATE ASSEMBLY (refer to 405.1)	
38	1259223GT	ROLLER SUPPORT BRACKET	1
39	12013GT	SHIM,.375 X .063	1
40	824094GT	SCREW,HHF,3/8-16X2.75,8,ZAG	5
41	824029GT	NUT,TL FLG,3/8-16,G,ZAG	10
42	1260926GT	BOLT,CARRIAGE,3/8-16X2.25,5,ZAG	2
43	1277860GT	GLIDE BUTTON,FOLDING RAILS	2

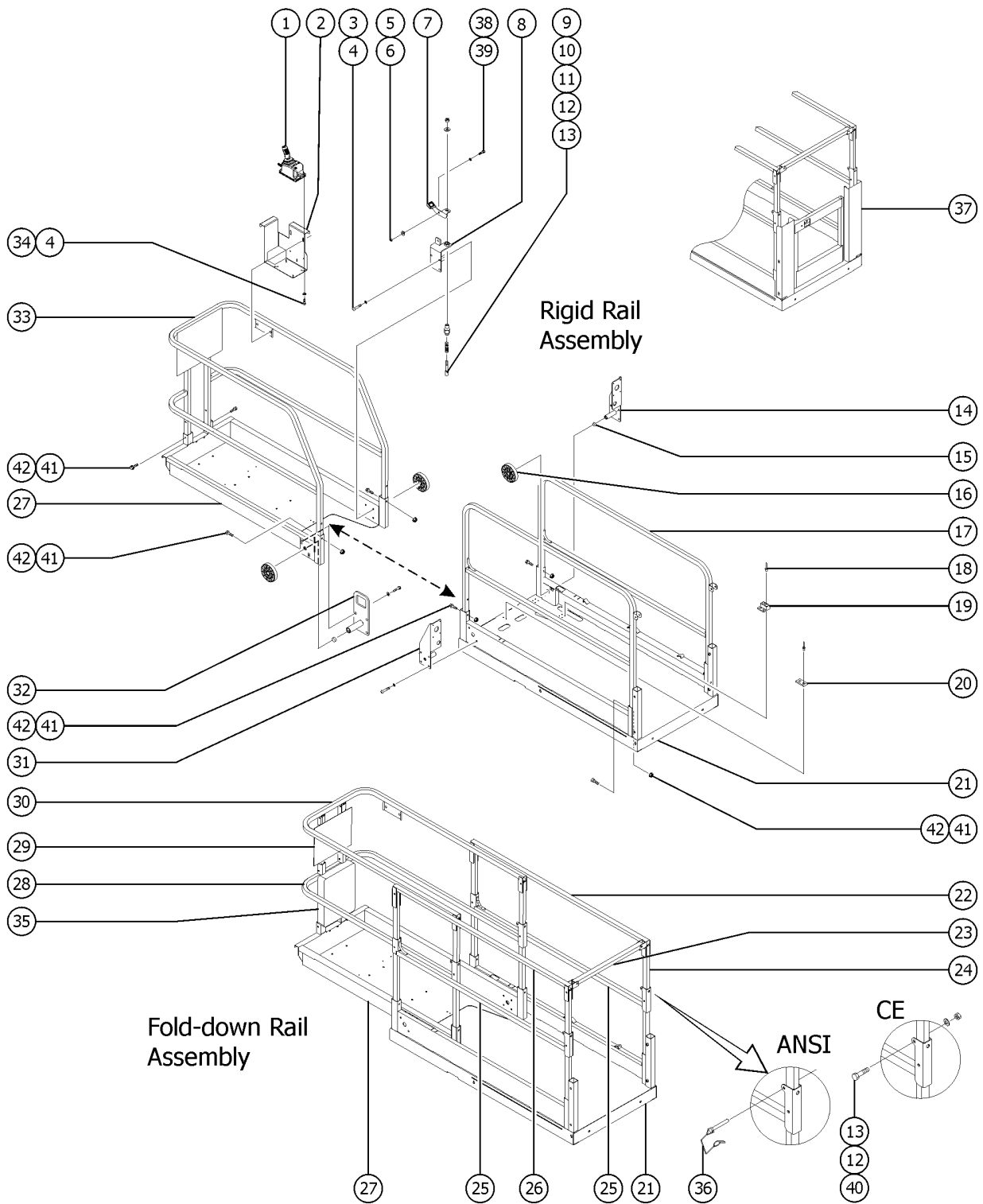




403.1 Platform Components, GS-1930 (to SN GS30P-165149)

Item	Part No.	Description	Qty.
1		Ref. Platform Control Box (refer to 407.1 or 408.1)	
2		Ref. Platform Control Box Mount Bracket (refer to 407.1 or 408.1)	
3	5224GT	SCREW,HHC,3/8-16 X 2	
4	6021GT	WASHER,LOCK,.375	
5	6002GT	NUT,LP NYLOCK,5/16-18	
6	47222GT	WASHER, SHOULDER, NYLON	1
7	46260GT	FOOTPEDAL W/NON-SKID TAPE,GS**	1
7-	47166GT	BRACKET,FOOT PEDAL (does not include non-skid tape)	
7-	47225GT	TAPE,NON-SKID,DIE CUT,1.38X1.5	
8	96413GT	WLDMT,LOCKING ROLLER SUPPORT	1
9	39470GT	PIN, LOCK	1
10	39469GT	SPRING,COMPRESSION.485 X1.75**	1
11	41630GT	HOUSING,LOCK PIN	1
12	6097GT	WASHER,FLAT,USS,3/8",Y	
13	7713GT	NUT,LP NYLOCK,3/8-16	
14A	84587GT	ROLLER BRACKET ASSY, GRND CNTR (ground controls side)	1
14B	96247GT	WELDMENT,ROLLER BRACKET,RT*** (decals not included, refer to section one)	1
15	21279GT	BUTTON, .800 O.D. X .281	3
16	47163GT	ROLLER,PLATFORM EXTENSION	4
17	97034GT	GS30 RIDGID MAIN SIDE SQ RAIL	2
18	39579GT	RIVET,STL,STL,.188 X .45	20
19	39310GT	WEAR/GUIDE PAD MAIN PLATFORM	4
20	39474GT	WEAR PAD, PLATFORM	2
21A	97119GT	PLAT MAIN DECK ASSY,1930 ANSI GS-1930 (North America) (includes items 18, 19 & 20)	1
21A-	47231GT	TAPE,NON-SKID,DIE CUT,4"X 16"	
21A-	47098GT	TAPE,NON-SKID,DIE CUT,4"X 40"	
21B	231107GT	PLAT MAIN DECK ASSY,1930 AU GS-1930 (Australia) (includes items 18, 19 & 20)	1
21B-	47231GT	TAPE,NON-SKID,DIE CUT,4"X 16"	

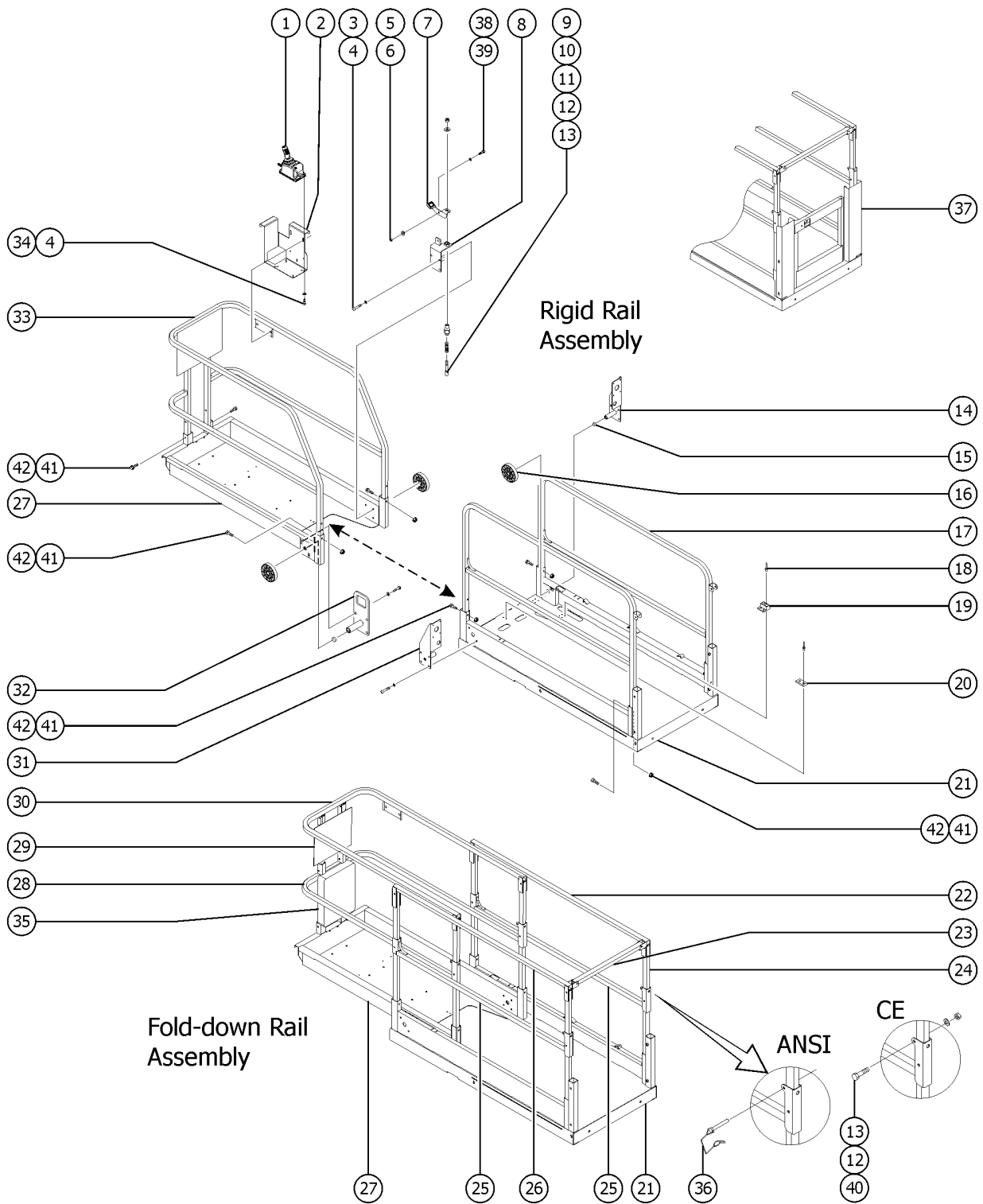




403.1 Platform Components, GS-1930 (to SN GS30P-165149)

Item	Part No.	Description	Qty.
21B-	47098GT	TAPE, NON-SKID, DIE CUT, 4" X 40"	
21C	97122GT	PLAT MAIN DECK ASSY, 1930 SMBL GS-1930 (Asia and South America) (includes items 18, 19 & 20)	1
21C-	47231GT	TAPE, NON-SKID, DIE CUT, 4" X 16"	
21C-	47098GT	TAPE, NON-SKID, DIE CUT, 4" X 40"	
21D	231108GT	PLAT MAIN DECK ASSY, 1930 CE GS-1930 (Europe) (includes items 18, 19, & 20)	1
21D-	47231GT	TAPE, NON-SKID, DIE CUT, 4" X 16"	
21D-	47098GT	TAPE, NON-SKID, DIE CUT, 4" X 40"	
21E	1259719GT	WLDMNT, PLATFORM, MINI, GS30 replaced 96275 from SN 110000 (weldment only; decals not included, refer to section one)	1
22	66890-SGT	WLDMT, MAIN SIDERAIL, UPP, RT ** (ground controls side)	1
22-	78038GT	CAP, TUBE, SQ, 1.25*0.083	
23	66886GT	ENTRY SWING TUBE	1
24	66485GT	TUBE, VERT, FOLDING	6
25	97041GT	MAIN RAIL, FOLDING, GS30	2
25-	78038GT	CAP, TUBE, SQ, 1.25*0.083	
26	66889-SGT	WLDMT, MAIN SIDERAIL, UPPER, LFT (battery pack side)	1
26-	78038GT	CAP, TUBE, SQ, 1.25*0.083	
27A	97123GT	PLAT EXT DECK ASSY, GS30	1
27-	47374GT	TAPE, NON-SKID, DIE CUT, 4" X 32"	3
27-	39474GT	WEAR PAD, PLATFORM	1
27-	T113787GT	RIVET, ALUM, STL, .188 X .250 for 39474	2
27B	96335GT	WELDMENT, EXT PLATFORM (decals not included, refer to section one)	1
28	96336GT	WLDMT, EXT DECK LWR RAIL (fold down)	1
28-	78038GT	CAP, TUBE, SQ, 1.25*0.083	
29A	231111GT	DECAL PLATE ASSY, GS30, ANSI (North America)	1
29B	231610GT	DECAL PLATE ASSY, GS30, AUSTRAL	1
29C	84590GT	DECAL PLATE ASSY W/SYM DECALS	1
29D	96849GT	WELDMENT, DECAL PLATE (decals not included, refer to section one)	1
30A	97213GT	EXT RAIL ASSY, UPPER, GS30	1



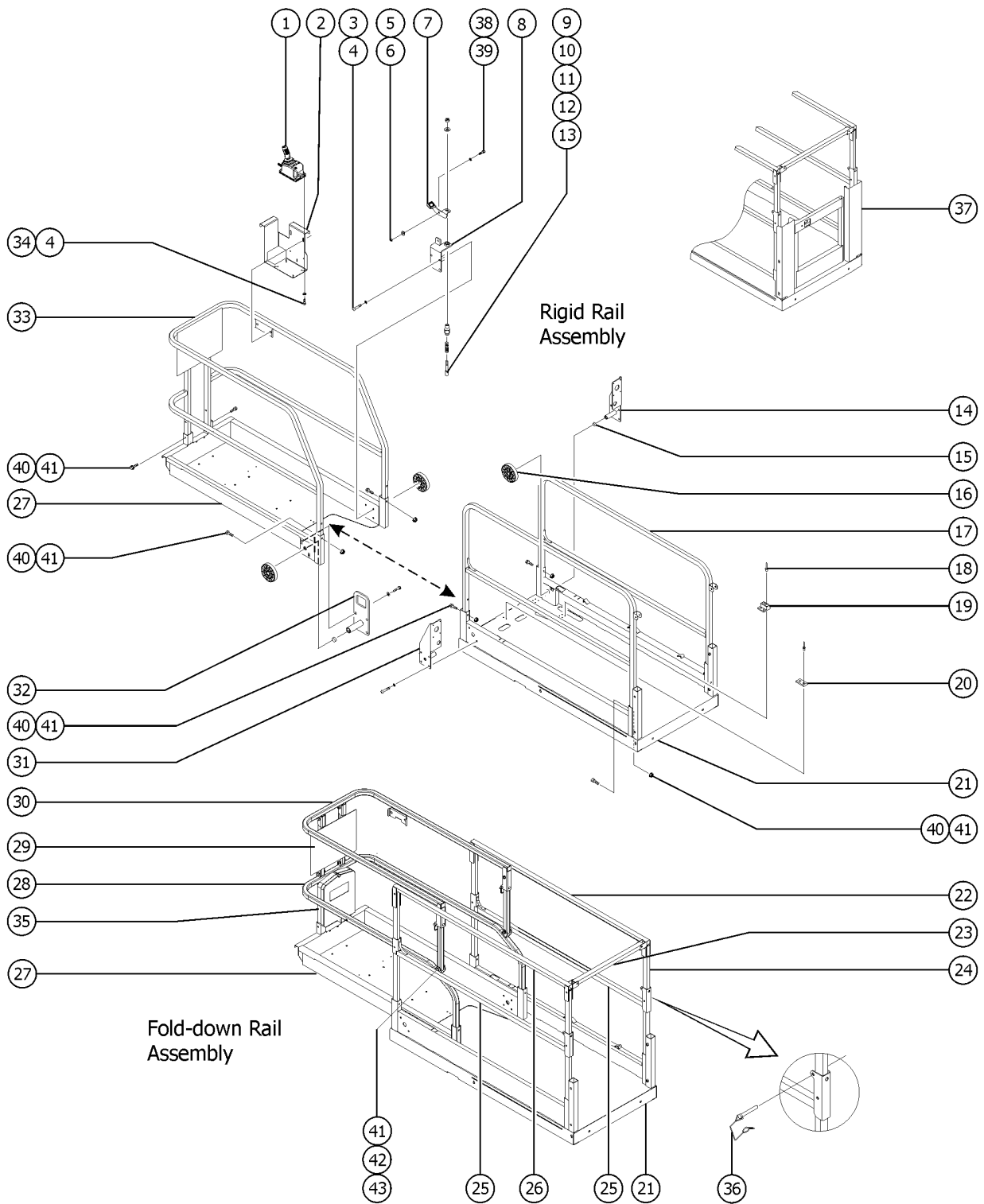


403.1 Platform Components, GS-1930 (to SN GS30P-165149)

Item	Part No.	Description	Qty.
30-	78038GT	CAP,TUBE,SQ,1.25*0.083	
30B	96848GT	WELDMENT,EXT RAIL,UPPER*** (decals not included, refer to section one)	1
31	96246GT	WELDMENT,ROLLER BRACKET,LT***	1
32A	84586GT	LANYARD ROLLER BRKT ASSY W/DEC	1
32-	21279GT	BUTTON, .800 O.D. X .281	
32B	96200GT	WLDMT, LANYARD ROLLER BRKT (decals not included, refer to section one)	1
33A	231112GT	FIXED RAILS ASSY,GS30,ANSI	1
		(North America)	
33B	231611GT	FIXED RAILS ASSY,GS30,AUSTRAL	1
33C	97132GT	FIXED RAILS ASSY, GS30 SYMBOL	1
33D	96847GT	WELDMENT,EXT SIDERAIL *** (decals not included, refer to section one)	1
34	824078GT	SCREW,HHF,1/4-20X.75,8,ZAG	
35A	44743GT	MANUAL BOX W/DECALS***	1
		USA/Canada/Australia	
35B	24514GT	BOX,INSTRUCTION STORAGE	
		Europe/Asia/South America (decal required; refer to Section100)	
36	1259182GT	PIN,WIRE LOCK 3/8 X2 -1/2,ZAG	4
36-	78022GT	LANYARD,BLACK NYLON,TYPE 1***	
		(CE & Australia models)	
37		Ref. SWING GATE ASSEMBLY	
		(refer to 405.1)	
38	1259223GT	ROLLER SUPPORT BRACKET	1
39	12013GT	SHIM,.375 X .063	1
40	14033GT	SCREW,HHC,3/8-16 X 2.75	5
41	824029GT	NUT,TL FLG,3/8-16,G,ZAG	8
42	824094GT	SCREW,HHF,3/8-16X2.75,8,ZAG	8



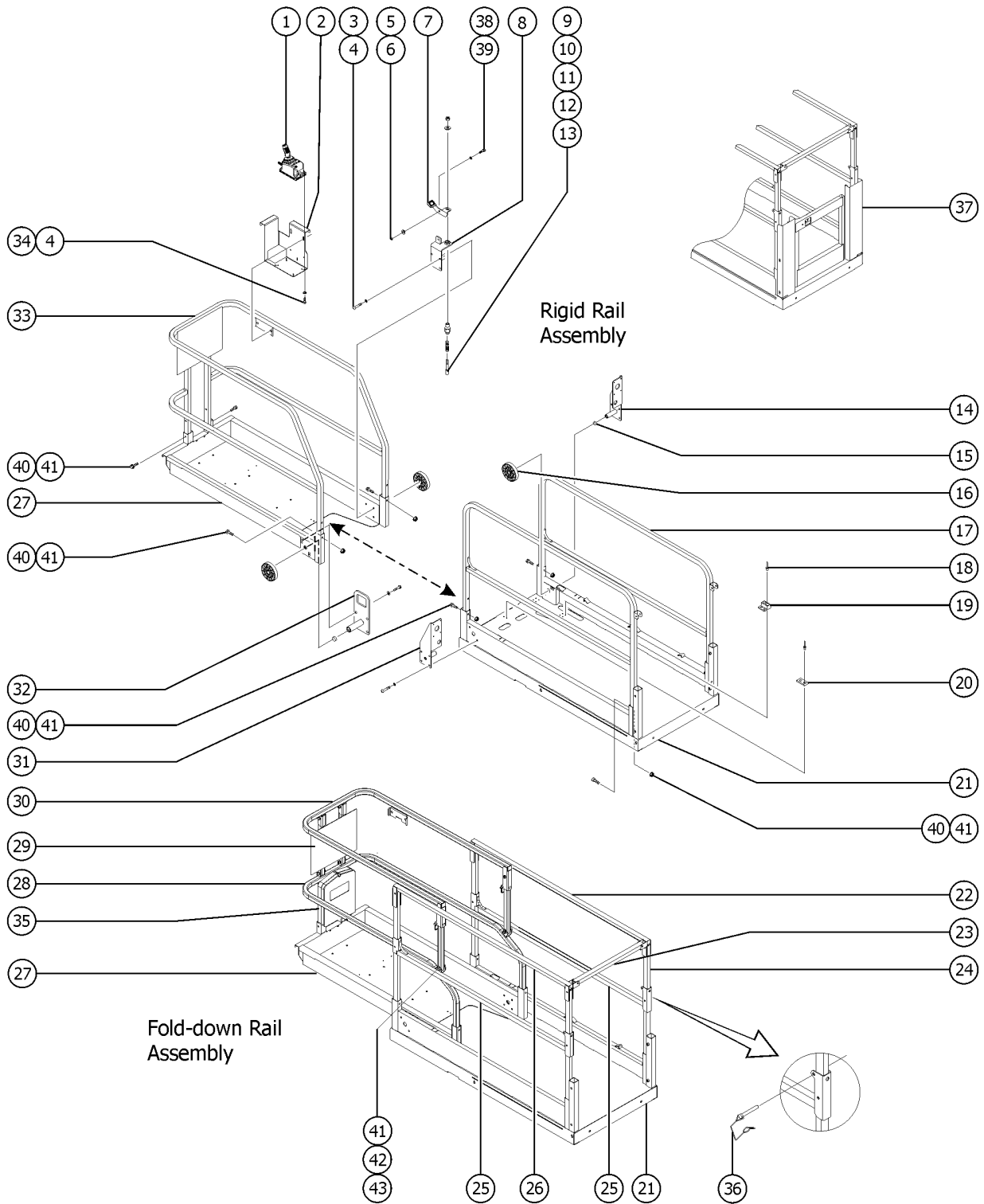
403.2 Platform Components, GS-1930 (from SN GS30P-165150)



403.2 Platform Components, GS-1930 (from SN GS30P-165150)

Item	Part No.	Description	Qty.
1		Ref. Platform Control Box (refer to 407.1 or 408.1)	
2		Ref. Platform Control Box Mount Bracket (refer to 407.1 or 408.1)	
3	5224GT	SCREW,HHC,3/8-16 X 2	
4	6021GT	WASHER,LOCK,.375	
5	6002GT	NUT,LP NYLOCK,5/16-18	
6	47222GT	WASHER, SHOULDER, NYLON	1
7	46260GT	FOOTPEDAL W/NON-SKID TAPE,GS**	1
7-	47166GT	BRACKET,FOOT PEDAL (does not include non-skid tape)	
7-	47225GT	TAPE,NON-SKID,DIE CUT,1.38X1.5	
8	96413GT	WLDMT,LOCKING ROLLER SUPPORT	1
9	39470GT	PIN, LOCK	1
10	39469GT	SPRING,COMPRESSION.485 X1.75**	1
11	41630GT	HOUSING,LOCK PIN	1
12	6097GT	WASHER,FLAT,USS,3/8",Y	
13	7713GT	NUT,LP NYLOCK,3/8-16	
14A	84587GT	ROLLER BRACKET ASSY, GRND CNTR (ground controls side)	1
14B	96247GT	WELDMENT,ROLLER BRACKET,RT*** (decals not included, refer to section one)	1
15	21279GT	BUTTON, .800 O.D. X .281	3
16	47163GT	ROLLER,PLATFORM EXTENSION	4
17	97034GT	GS30 RIDGID MAIN SIDE SQ RAIL	2
18	39579GT	RIVET,STL,STL,.188 X .45	20
19	39310GT	WEAR/GUIDE PAD MAIN PLATFORM	4
20	39474GT	WEAR PAD, PLATFORM	2
21A	97119GT	PLAT MAIN DECK ASSY,1930 ANSI GS-1930 (North America) (includes items 18, 19 & 20)	1
21A-	47231GT	TAPE,NON-SKID,DIE CUT,4"X 16"	
21A-	47098GT	TAPE,NON-SKID,DIE CUT,4"X 40"	
21B	231107GT	PLAT MAIN DECK ASSY,1930 AU GS-1930 (Australia) (includes items 18, 19 & 20)	1
21B-	47231GT	TAPE,NON-SKID,DIE CUT,4"X 16"	

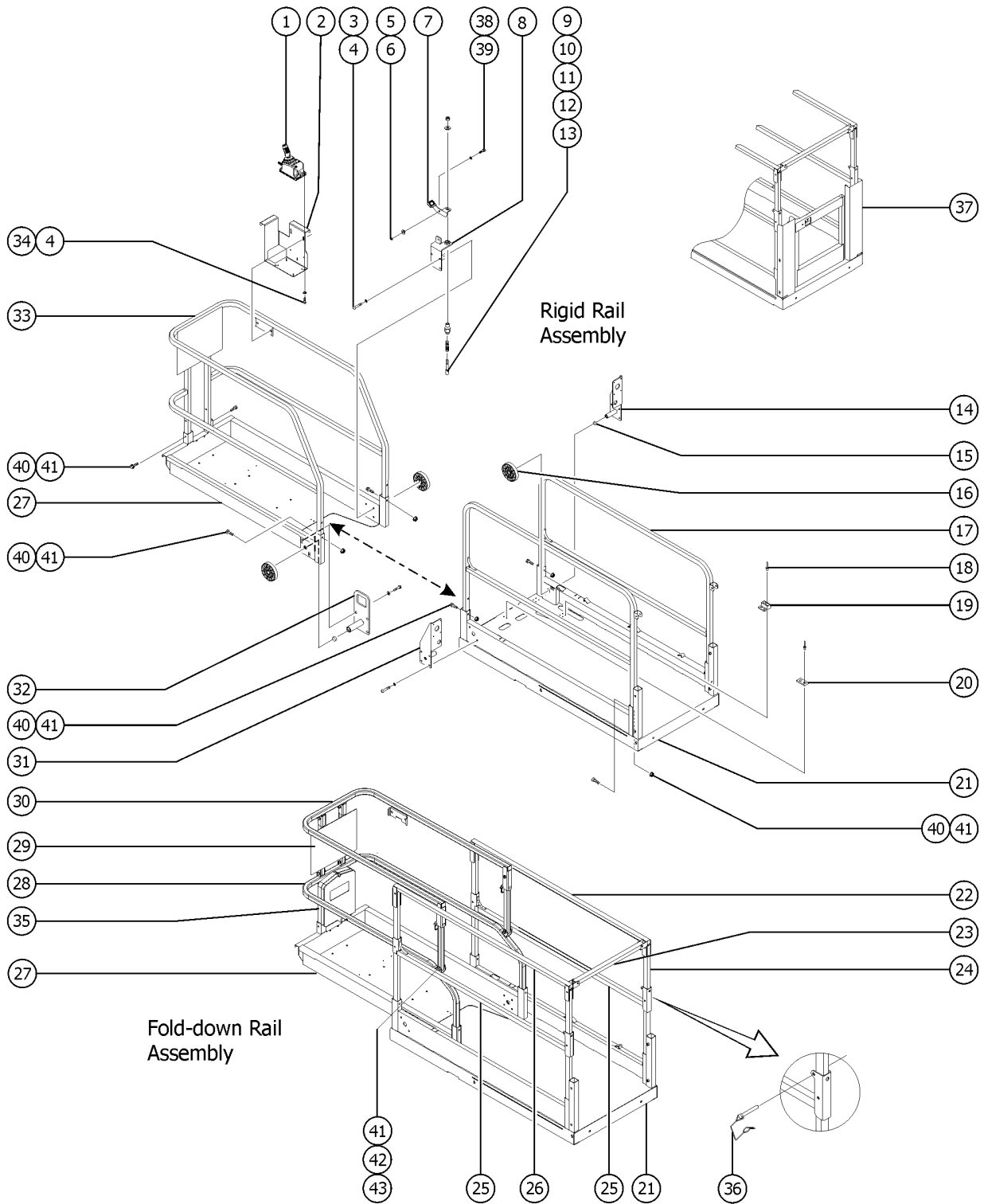




403.2 Platform Components, GS-1930 (from SN GS30P-165150)

Item	Part No.	Description	Qty.
21B-	47098GT	TAPE, NON-SKID, DIE CUT, 4" X 40"	
21C	97122GT	PLAT MAIN DECK ASSY, 1930 SMBL GS-1930 (Asia and South America) (includes items 18, 19 & 20)	1
21C-	47231GT	TAPE, NON-SKID, DIE CUT, 4" X 16"	
21C-	47098GT	TAPE, NON-SKID, DIE CUT, 4" X 40"	
21D	231108GT	PLAT MAIN DECK ASSY, 1930 CE GS-1930 (Europe) (includes items 18, 19, & 20)	1
21D-	47231GT	TAPE, NON-SKID, DIE CUT, 4" X 16"	
21D-	47098GT	TAPE, NON-SKID, DIE CUT, 4" X 40"	
21E	1259719GT	WLDMNT, PLATFORM, MINI, GS30 (weldment only; decals not included, refer to section one)	1
22	66890-SGT	WLDMT, MAIN SIDERAIL, UPP, RT ** (ground controls side)	1
22-	78038GT	CAP, TUBE, SQ, 1.25*0.083	
23	66886GT	ENTRY SWING TUBE	1
24	66485GT	TUBE, VERT, FOLDING	6
25	1274596GT	MAIN RAIL, FOLDING, GS30	2
25-	78038GT	CAP, TUBE, SQ, 1.25*0.083	
26	66889-SGT	WLDMT, MAIN SIDERAIL, UPPER, LFT (battery pack side)	1
26-	78038GT	CAP, TUBE, SQ, 1.25*0.083	
27A	97123GT	PLAT EXT DECK ASSY, GS30	1
27-	47374GT	TAPE, NON-SKID, DIE CUT, 4" X 32"	3
27-	39474GT	WEAR PAD, PLATFORM	1
27-	T113787GT	RIVET, ALUM, STL, .188 X .250 for 39474	2
27B	96335GT	WELDMENT, EXT PLATFORM (decals not included, refer to section one)	1
28	1274595GT	WELDMENT, EXTENSION DECK RAIL, LOWER (fold down)	1
28-	78038GT	CAP, TUBE, SQ, 1.25*0.083	
29A	231111GT	DECAL PLATE ASSY, GS30, ANSI (North America)	1
29B	231610GT	DECAL PLATE ASSY, GS30, AUSTRAL	1
29C	84590GT	DECAL PLATE ASSY W/SYM DECALS	1
29D	96849GT	WELDMENT, DECAL PLATE (decals not included, refer to section one)	1
30	1274594GT	WELDMENT, EXTENSION DECK RAIL, UPPER	1

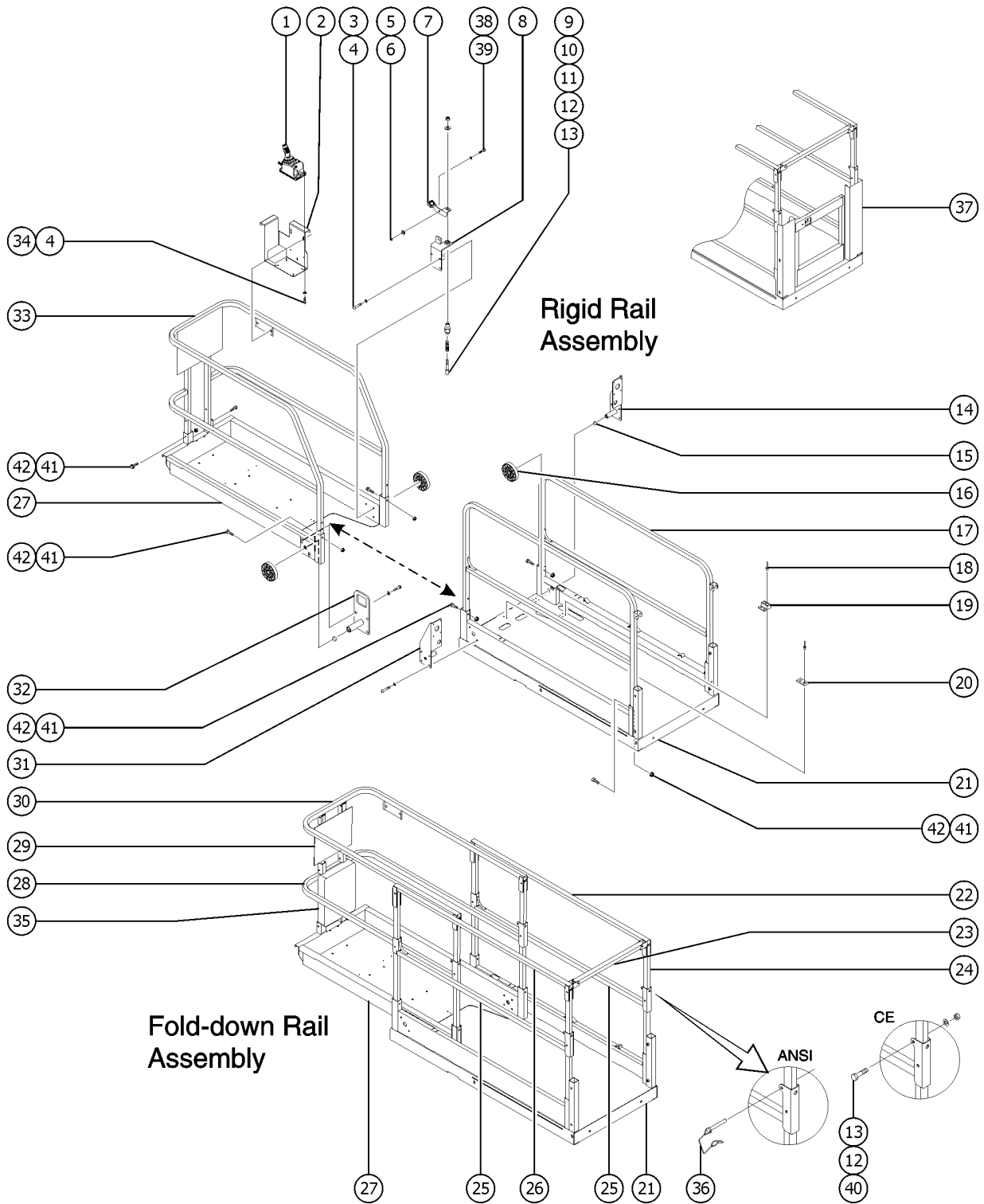




403.2 Platform Components, GS-1930 (from SN GS30P-165150)

Item	Part No.	Description	Qty.
30-	78038GT	CAP,TUBE,SQ,1.25*0.083	
31	96246GT	WELDMENT,ROLLER BRACKET,LT***	1
32A	84586GT	LANYARD ROLLER BRKT ASSY W/DEC	1
32-	21279GT	BUTTON, .800 O.D. X .281	
32B	96200GT	WLDMT, LANYARD ROLLER BRKT (decals not included, refer to section one)	1
33A	231112GT	FIXED RAILS ASSY,GS30,ANSI (North America)	1
33B	231611GT	FIXED RAILS ASSY,GS30,AUSTRAL	1
33C	97132GT	FIXED RAILS ASSY, GS30 SYMBOL	1
33D	96847GT	WELDMENT,EXT SIDERAIL *** (decals not included, refer to section one)	1
34	824078GT	SCREW,HHF,1/4-20X.75,8,ZAG	
35A	44743GT	MANUAL BOX W/DECALS*** USA/Canada/Australia	1
35B	24514GT	BOX,INSTRUCTION STORAGE Europe/Asia/South America (decal required; refer to Section100)	
36	1259182GT	PIN,WIRE LOCK 3/8 X2 -1/2,ZAG	5
36-	78022GT	LANYARD,BLACK NYLON,TYPE 1*** (CE & Australia models)	
37		Ref. SWING GATE ASSEMBLY (refer to 405.1)	
38	1259223GT	ROLLER SUPPORT BRACKET	1
39	12013GT	SHIM,.375 X .063	1
40	824094GT	SCREW,HHF,3/8-16X2.75,8,ZAG	5
41	824029GT	NUT,TL FLG,3/8-16,G,ZAG	10
42	1260926GT	BOLT,CARRIAGE,3/8-16X2.25,5,ZAG	2
43	1277860GT	GLIDE BUTTON,FOLDING RAILS	2

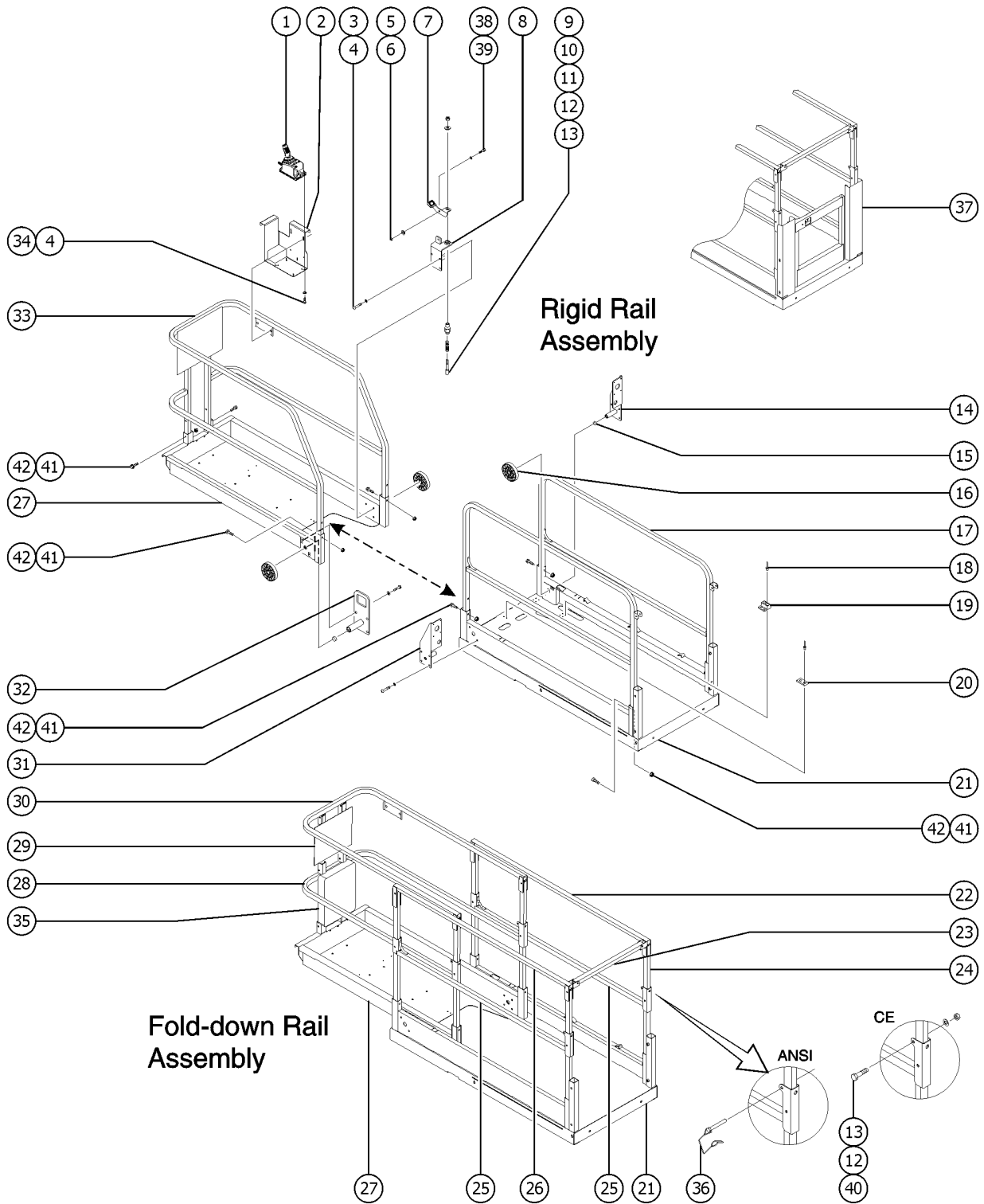




404.1 Platform Components, GS-1932 (to SN GS30P-165149)

Item	Part No.	Description	Qty.
1		Ref. Platform Control Box (refer to 407.1 or 408.1)	
2		Ref. Platform Control Box Mount Bracket (refer to 407.1 or 408.1)	
3	5224GT	SCREW,HHC,3/8-16 X 2	
4	6021GT	WASHER,LOCK,.375	
5	6002GT	NUT,LP NYLOCK,5/16-18	
6	47222GT	WASHER, SHOULDER, NYLON	1
7	46260GT	FOOTPEDAL W/NON-SKID TAPE,GS**	1
7-	47166GT	BRACKET,FOOT PEDAL (does not include non-skid tape)	
7-	47225GT	TAPE,NON-SKID,DIE CUT,1.38X1.5	
8	96413GT	WLDMT,LOCKING ROLLER SUPPORT	1
9	39470GT	PIN, LOCK	1
10	39469GT	SPRING,COMPRESSION.485 X1.75**	1
11	41630GT	HOUSING,LOCK PIN	1
12	6097GT	WASHER,FLAT,USS,3/8",Y	
13	7713GT	NUT,LP NYLOCK,3/8-16	
14A	84587GT	ROLLER BRACKET ASSY, GRND CNTR (ground controls side)	1
14B	96247GT	WELDMENT,ROLLER BRACKET,RT*** (decals not included, refer to section one)	1
15	21279GT	BUTTON, .800 O.D. X .281	3
16	47163GT	ROLLER,PLATFORM EXTENSION	4
17	97034GT	GS30 RIDGID MAIN SIDE SQ RAIL	2
18	39579GT	RIVET,STL,STL,.188 X .45	20
19	39310GT	WEAR/GUIDE PAD MAIN PLATFORM	4
20	39474GT	WEAR PAD, PLATFORM	2
21A	231109GT	PLAT MAIN DECK ASSY,1932 AU GS-1932 (Australia) (includes items 18, 19 & 20)	1
21A-	47098GT	TAPE,NON-SKID,DIE CUT,4"X 40"	4
21A-	47231GT	TAPE,NON-SKID,DIE CUT,4"X 16"	2
21B	231110GT	PLAT MAIN DECK ASSY,1932 CE GS-1932 (Europe) (includes items 18, 19 & 20)	1
21B-	47098GT	TAPE,NON-SKID,DIE CUT,4"X 40"	4

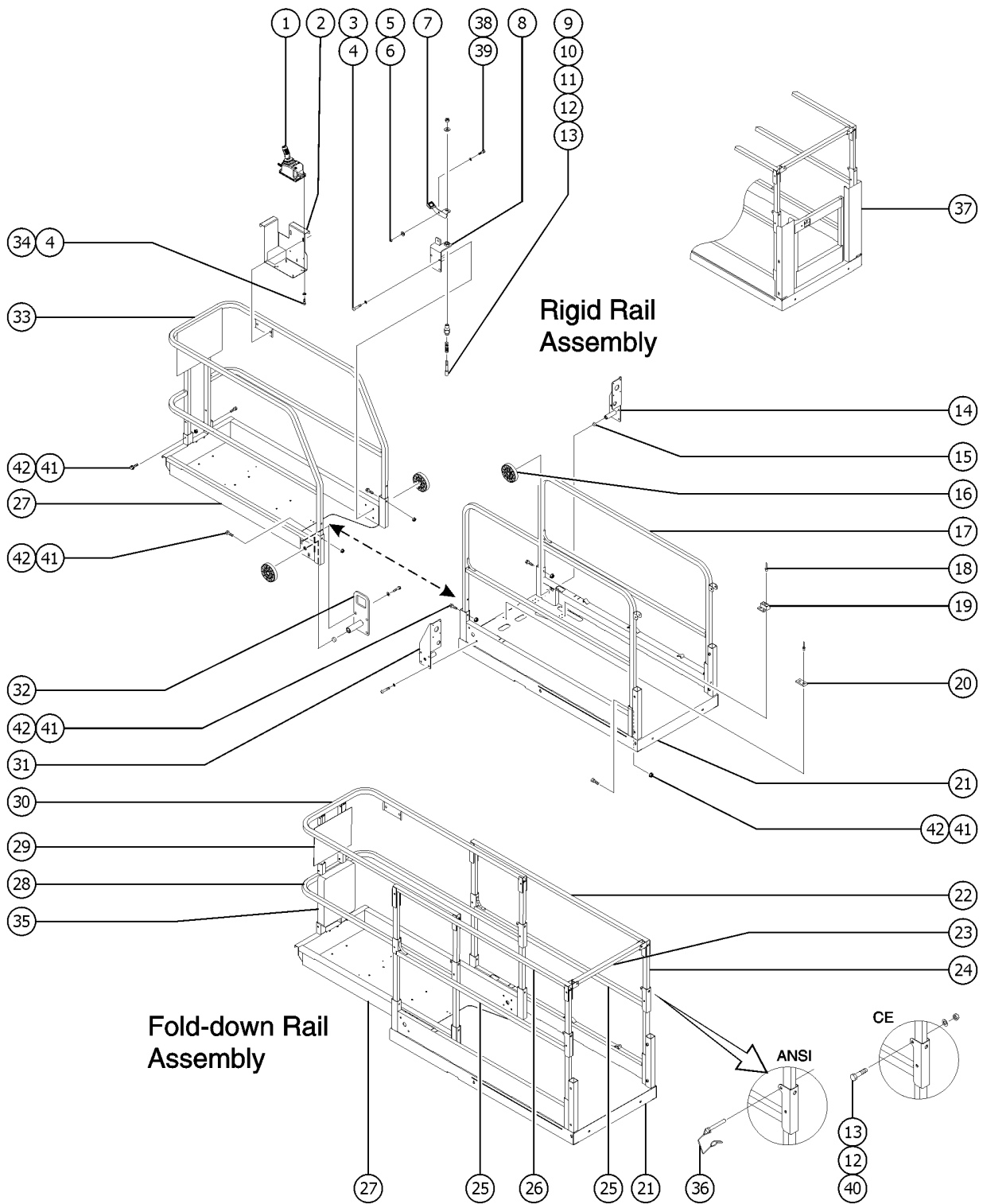




404.1 Platform Components, GS-1932 (to SN GS30P-165149)

Item	Part No.	Description	Qty.
21B-	47231GT	TAPE, NON-SKID, DIE CUT, 4" X 16"	2
21C	96275GT	WELDMNT, PLATFORM, MAIN to SN 109999 (weldment only, decals not included, refer to section one)	
21D	1259719GT	WELDMNT, PLATFORM, MINI, GS30 from SN 110000 (weldment only, decals not included, refer to section one)	
22	66890-SGT	WELDMT, MAIN SIDERAIL, UPP, RT **	1
		(ground controls side)	
22-	78038GT	CAP, TUBE, SQ, 1.25*0.083	
23	66886GT	ENTRY SWING TUBE	1
24	66485GT	TUBE, VERT, FOLDING	6
25	97041GT	MAIN RAIL, FOLDING, GS30	2
25-	78038GT	CAP, TUBE, SQ, 1.25*0.083	
26	66889-SGT	WELDMT, MAIN SIDERAIL, UPPER, LFT	1
		(battery pack side)	
26-	78038GT	CAP, TUBE, SQ, 1.25*0.083	
27A	97123GT	PLAT EXT DECK ASSY, GS30	1
27-	47374GT	TAPE, NON-SKID, DIE CUT, 4" X 32"	3
27-	39474GT	WEAR PAD, PLATFORM	1
27-	T113787GT	RIVET, ALUM, STL, .188 X .250	2
		for 39474	
27B	96335GT	WELDMNT, EXT PLATFORM	1
		(decals not included, refer to section one)	
28	96336GT	WELDMT, EXT DECK LWR RAIL	1
		(fold down)	
28-	78038GT	CAP, TUBE, SQ, 1.25*0.083	
29A	231111GT	DECAL PLATE ASSY, GS30, ANSI	1
		(North America)	
29B	231610GT	DECAL PLATE ASSY, GS30, AUSTRAL	1
		(Australia)	
29C	84590GT	DECAL PLATE ASSY W/SYM DECALS	1
		(Asia, Europe and South America)	
29D	96849GT	WELDMNT, DECAL PLATE	1
		(decals not included, refer to section one)	
30A	97213GT	EXT RAIL ASSY, UPPER, GS30	1
30-	78038GT	CAP, TUBE, SQ, 1.25*0.083	
30B	96848GT	WELDMNT, EXT RAIL, UPPER***	1
		(decals not included, refer to section one)	
31	96246GT	WELDMNT, ROLLER BRACKET, LT***	1
31-	21279GT	BUTTON, .800 O.D. X .281	
32A	84586GT	LANYARD ROLLER BRKT ASSY W/DEC	1

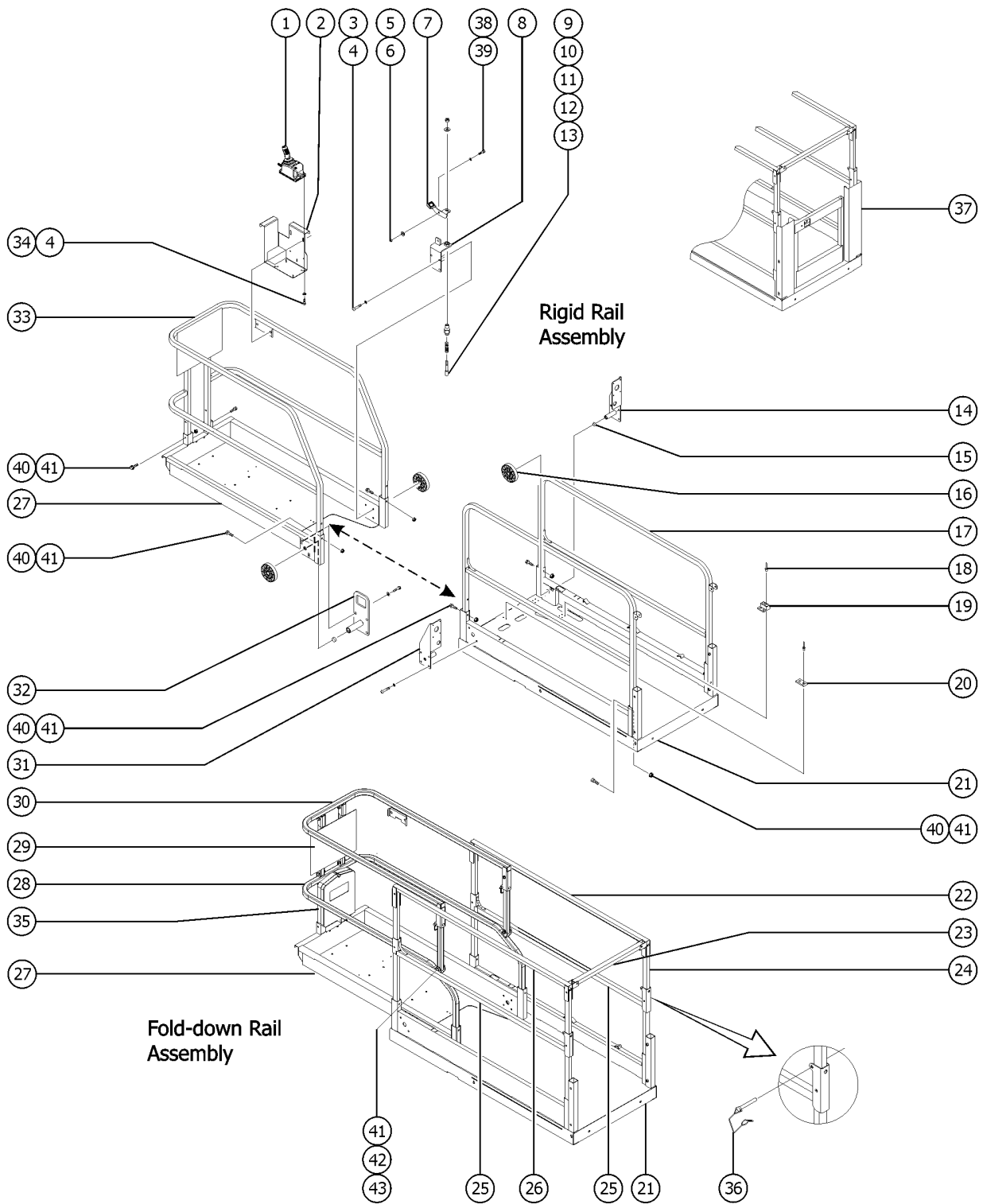




404.1 Platform Components, GS-1932 (to SN GS30P-165149)

Item	Part No.	Description	Qty.
32B	96200GT	WLDMT, LANYARD ROLLER BRKT (decals not included, refer to section one)	1
33A	231112GT	FIXED RAILS ASSY,GS30,ANSI (North America)	1
33B	231611GT	FIXED RAILS ASSY,GS30,AUSTRAL (Australia)	1
33C	97132GT	FIXED RAILS ASSY, GS30 SYMBOL (Asia, Europe and South America)	1
33D	96847GT	WELDMNT,EXT SIDERAIL *** (decals not included, refer to section one)	1
34	824078GT	SCREW,HHF,1/4-20X.75,8,ZAG	
35A	44743GT	MANUAL BOX W/DECALS*** USA/Canada/Australia	1
35B	24514GT	BOX,INSTRUCTION STORAGE Europe/Asia/South America (decals required; refer to Section100)	
36	1259182GT	PIN,WIRE LOCK 3/8 X2 -1/2,ZAG	4
36-	78022GT	LANYARD,BLACK NYLON,TYPE 1*** (CE & Australia models)	
37		Ref. SWING GATE ASSEMBLY (refer to 405.1)	
38	1259223GT	ROLLER SUPPORT BRACKET	1
39	12013GT	SHIM,.375 X .063	1
40	14033GT	SCREW,HHC,3/8-16 X 2.75	5
41	824029GT	NUT,TL FLG,3/8-16,G,ZAG	8
42	824094GT	SCREW,HHF,3/8-16X2.75,8,ZAG	8



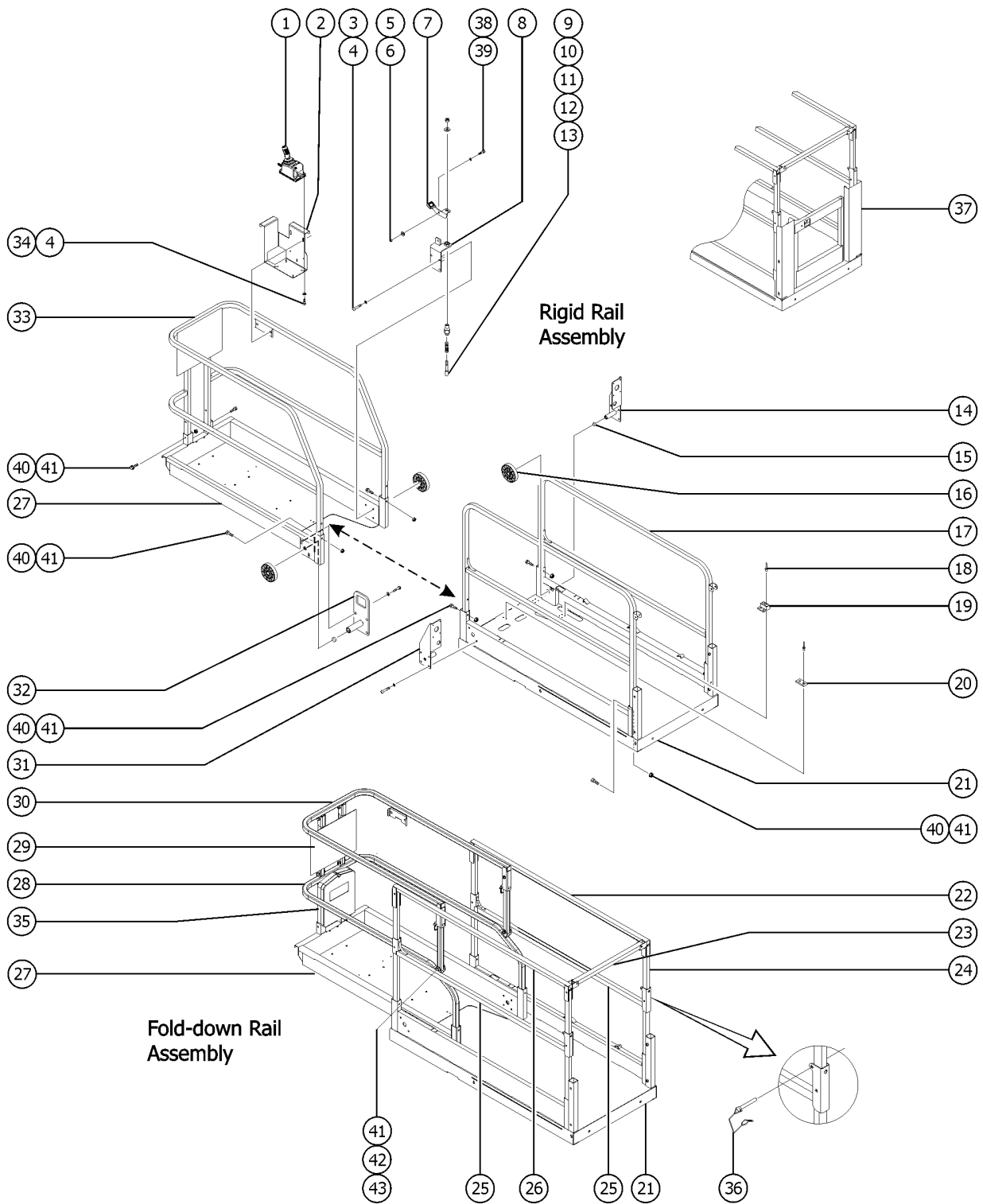


404.2 Platform Components, GS-1932 (from SN GS30P-165150)

Item	Part No.	Description	Qty.
1		Ref. Platform Control Box (refer to 407.1 or 408.1)	
2		Ref. Platform Control Box Mount Bracket (refer to 407.1 or 408.1)	
3	5224GT	SCREW,HHC,3/8-16 X 2	
4	6021GT	WASHER,LOCK,.375	
5	6002GT	NUT,LP NYLOCK,5/16-18	
6	47222GT	WASHER, SHOULDER, NYLON	1
7	46260GT	FOOTPEDAL W/NON-SKID TAPE,GS**	1
7-	47166GT	BRACKET,FOOT PEDAL (does not include non-skid tape)	
7-	47225GT	TAPE,NON-SKID,DIE CUT,1.38X1.5	
8	96413GT	WLDMT,LOCKING ROLLER SUPPORT	1
9	39470GT	PIN, LOCK	1
10	39469GT	SPRING,COMPRESSION.485 X1.75**	1
11	41630GT	HOUSING,LOCK PIN	1
12	6097GT	WASHER,FLAT,USS,3/8",Y	
13	7713GT	NUT,LP NYLOCK,3/8-16	
14A	84587GT	ROLLER BRACKET ASSY, GRND CNTR (ground controls side)	1
14B	96247GT	WELDMENT,ROLLER BRACKET,RT*** (decals not included, refer to section one)	1
15	21279GT	BUTTON, .800 O.D. X .281	3
16	47163GT	ROLLER,PLATFORM EXTENSION	4
17	97034GT	GS30 RIDGID MAIN SIDE SQ RAIL	2
18	39579GT	RIVET,STL,STL,.188 X .45	20
19	39310GT	WEAR/GUIDE PAD MAIN PLATFORM	4
20	39474GT	WEAR PAD, PLATFORM	2
21A	231109GT	PLAT MAIN DECK ASSY,1932 AU GS-1932 (Australia) (includes items 18, 19 & 20)	1
21A-	47098GT	TAPE,NON-SKID,DIE CUT,4"X 40"	4
21A-	47231GT	TAPE,NON-SKID,DIE CUT,4"X 16"	2
21B	231110GT	PLAT MAIN DECK ASSY,1932 CE GS-1932 (Europe) (includes items 18, 19 & 20)	1
21B-	47098GT	TAPE,NON-SKID,DIE CUT,4"X 40"	4

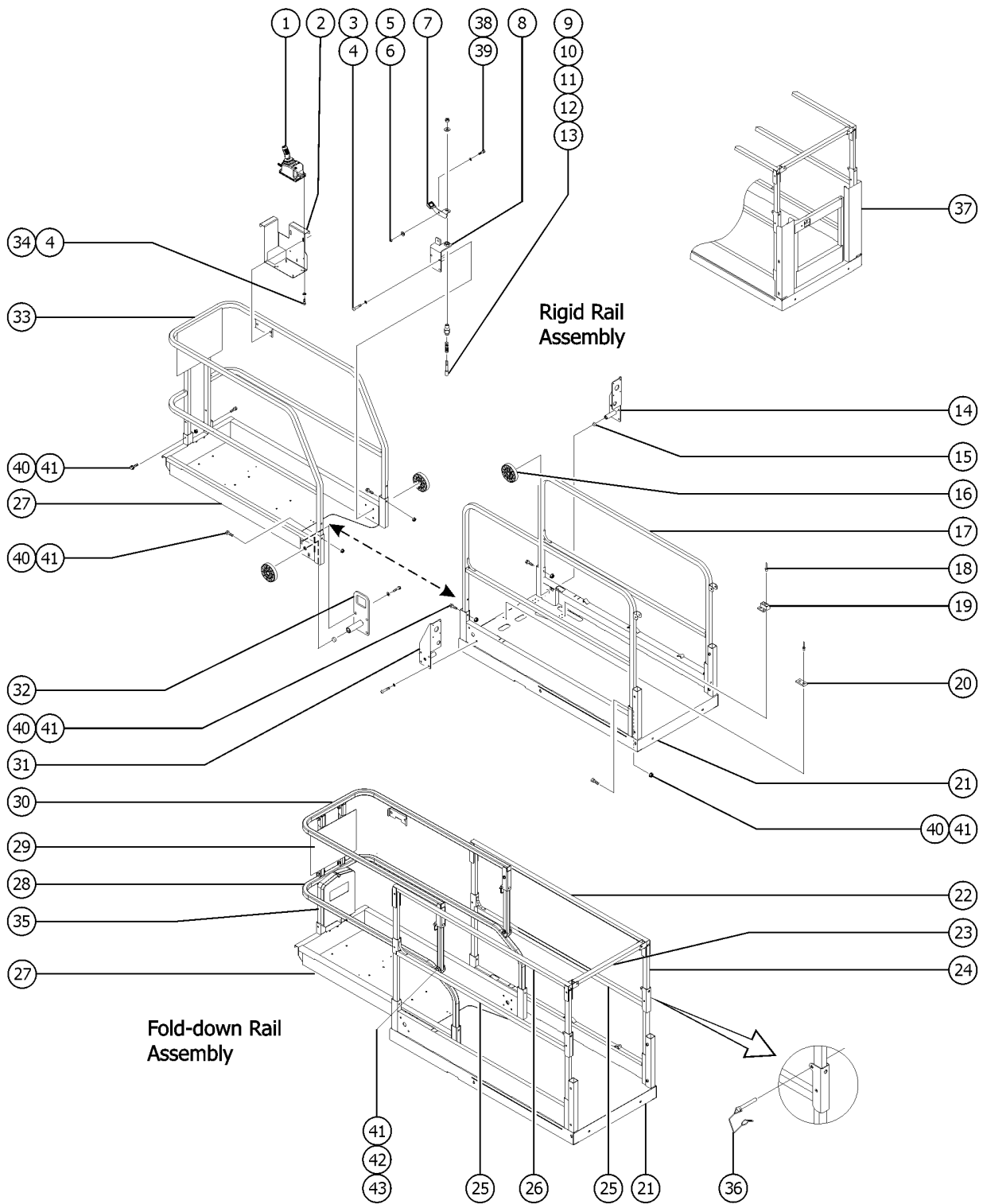


404.2 Platform Components, GS-1932 (from SN GS30P-165150)



404.2 Platform Components, GS-1932 (from SN GS30P-165150)

Item	Part No.	Description	Qty.
21B-	47231GT	TAPE, NON-SKID, DIE CUT, 4" X 16"	2
21C	1259719GT	WLDMNT, PLATFORM, MINI, GS30 (weldment only, decals not included, refer to section one)	
22	66890-SGT	WLDMT, MAIN SIDERAIL, UPP, RT **	1
		(ground controls side)	
22-	78038GT	CAP, TUBE, SQ, 1.25*0.083	
23	66886GT	ENTRY SWING TUBE	1
24	66485GT	TUBE, VERT, FOLDING	6
25	1274596GT	MAIN RAIL, FOLDING, GS30	2
25-	78038GT	CAP, TUBE, SQ, 1.25*0.083	
26	66889-SGT	WLDMT, MAIN SIDERAIL, UPPER, LFT	1
		(battery pack side)	
26-	78038GT	CAP, TUBE, SQ, 1.25*0.083	
27A	97123GT	PLAT EXT DECK ASSY, GS30	1
27-	47374GT	TAPE, NON-SKID, DIE CUT, 4" X 32"	3
27-	39474GT	WEAR PAD, PLATFORM	1
27-	T113787GT	RIVET, ALUM, STL., 188 X .250	2
		for 39474	
27B	96335GT	WELDMENT, EXT PLATFORM	1
		(decals not included, refer to section one)	
28	1274595GT	WELDMENT, EXTENSION DECK RAIL, LOWER	1
		(fold down)	
28-	78038GT	CAP, TUBE, SQ, 1.25*0.083	
29A	231111GT	DECAL PLATE ASSY, GS30, ANSI	1
		(North America)	
29B	231610GT	DECAL PLATE ASSY, GS30, AUSTRAL	1
		(Australia)	
29C	84590GT	DECAL PLATE ASSY W/SYM DECALS	1
		(Asia, Europe and South America)	
29D	96849GT	WELDMENT, DECAL PLATE	1
		(decals not included, refer to section one)	
30	1274594GT	WELDMENT, EXTENSION DECK RAIL, UPPER	1
30-	78038GT	CAP, TUBE, SQ, 1.25*0.083	
31	96246GT	WELDMENT, ROLLER BRACKET, LT***	1
31-	21279GT	BUTTON, .800 O.D. X .281	
32A	84586GT	LANYARD ROLLER BRKT ASSY W/DEC	1
32B	96200GT	WLDMT, LANYARD ROLLER BRKT	1
		(decals not included, refer to section one)	
33A	231112GT	FIXED RAILS ASSY, GS30, ANSI	1
		(North America)	

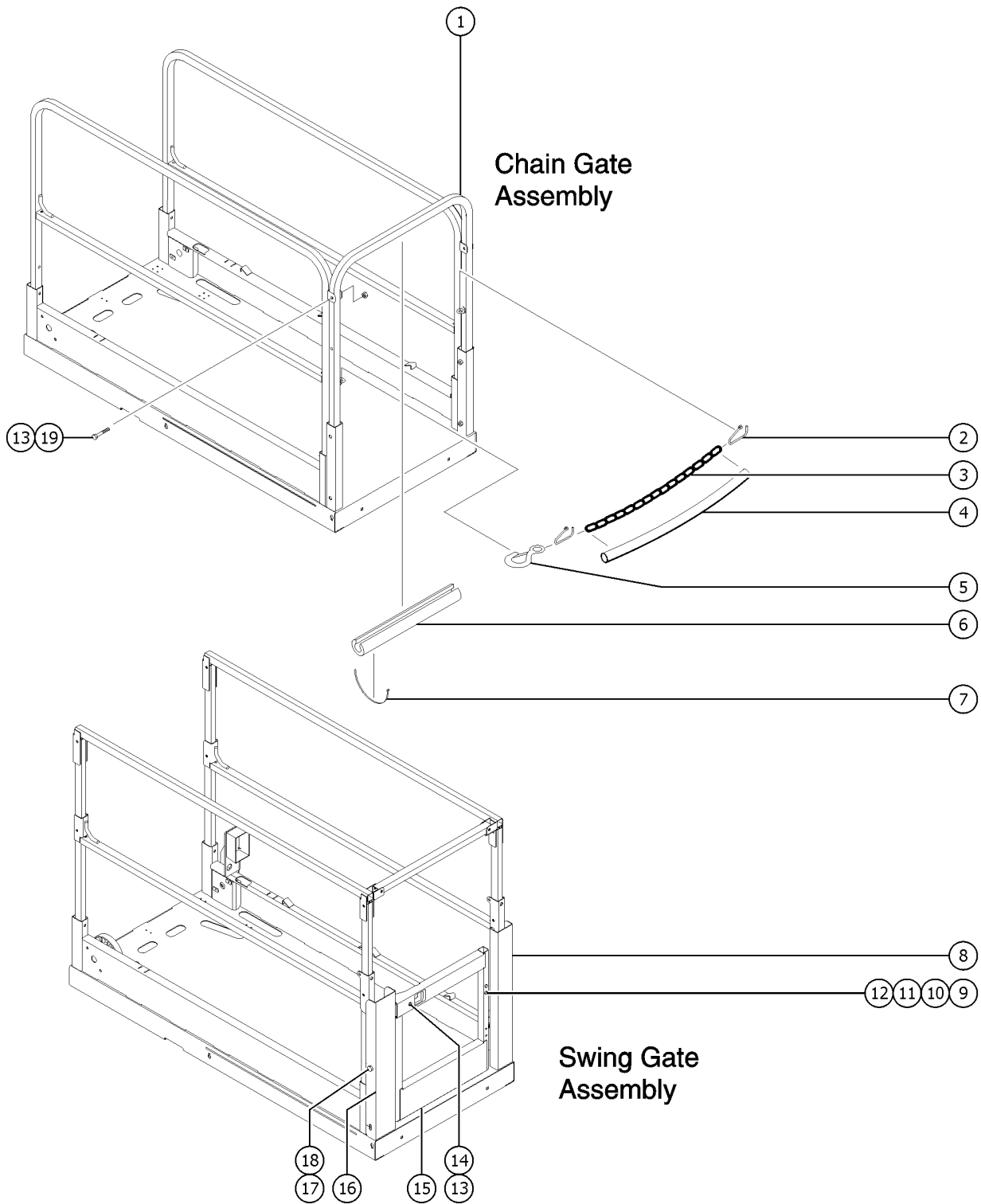


404.2 Platform Components, GS-1932 (from SN GS30P-165150)

Item	Part No.	Description	Qty.
33B	231611GT	FIXED RAILS ASSY,GS30,AUSTRAL (Australia)	1
33C	97132GT	FIXED RAILS ASSY, GS30 SYMBOL (Asia, Europe and South America)	1
33D	96847GT	WELDMENT,EXT SIDERAIL *** (decals not included, refer to section one)	1
34	824078GT	SCREW,HHF,1/4-20X.75,8,ZAG	
35A	44743GT	MANUAL BOX W/DECALS*** USA/Canada/Australia	1
35B	24514GT	BOX,INSTRUCTION STORAGE Europe/Asia/South America (decal required; refer to Section100)	
36	1259182GT	PIN,WIRE LOCK 3/8 X2 -1/2,ZAG	5
36-	78022GT	LANYARD,BLACK NYLON,TYPE 1*** (CE & Australia models)	
37		Ref. SWING GATE ASSEMBLY (refer to 405.1)	
38	1259223GT	ROLLER SUPPORT BRACKET	1
39	12013GT	SHIM,.375 X .063	1
40	824094GT	SCREW,HHF,3/8-16X2.75,8,ZAG	5
41	824029GT	NUT,TL FLG,3/8-16,G,ZAG	10
42	1260926GT	BOLT,CARRIAGE,3/8-16X2.25,5,ZAG	2
43	1277860GT	GLIDE BUTTON,FOLDING RAILS	2



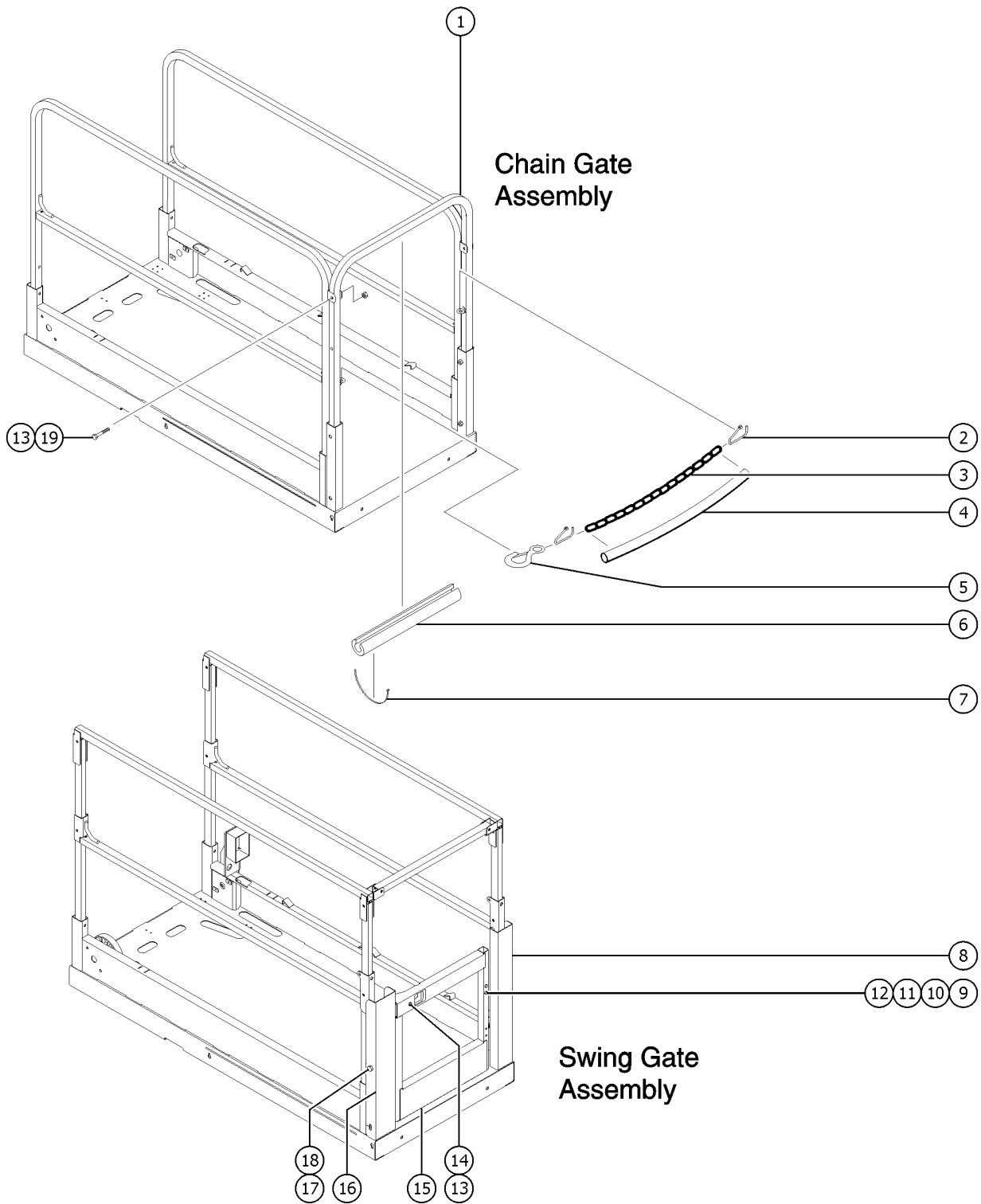
405.1 Platform Gates, GS-1530



Item	Part No.	Description	Qty.
	144175GT	KIT,MINI FULL HT,ANSI GATE (ANSI and CSA models) (includes instructions)	
1A	97280GT	CHAIN GATE KIT,GS30 (includes items 2 through 7)	
1B	97053GT	WELDMENT,CHAIN GATE SQ, GS30 end rail for chain gate option	
1C	97105GT	PLAT ENTRY ASSY,RIGID GS30 (includes items 6 & 7)	1
1D	78029GT	END RAIL,SWING GATE,RIGID	
2	96163GT	LINK,(SPLIT) OPEN-END	2
3	39509GT	CHAIN,3/16,OPEN LINK 22.5"	1
4	47224GT	TUBING,PVC,1",BLACK***	21
5	39510GT	RIGID EYE SNAP	1
6	47188GT	FOAM CLOSED CELL 1.75X.250X18"	1
7	28443GT	CABLE TIE,11.5" BLACK	
8A	66883GT	FORMING, HALF GATE HINGE (to SN 165149)	
9	4266GT	SCREW,HHC,1/4-20 X 2	
10	6638GT	WASHER,FLAT,USS,1/4"Y	
11	6091GT	NUT,NYLOCK,1/4-20	
12	104804GT	HINGE, SPRING, LONG LEG	2
13	5224GT	SCREW,HHC,3/8-16 X 2	
14	4828GT	NUT,NYLOCK,3/8-16	
15A	97110GT	SWING GATE ASSY,GS30/32** (GS-1530 & GS 1930 ANSI and CSA models)	
15A-	66551GT	WELDMENT, HALF GATE (decals not included, see section one) (for use with items 15A through 15G)	1
15A-	47598GT	WEATHERSTRIP,SWING GATE (for use with items 15A through 15G)	18
15B	231175GT	SWING GATE ASSY,1530/1930 AUS (GS-1530 & GS-1930 Australia models)	1
15B-	66551GT	WELDMENT, HALF GATE (decals not included, see section one) (for use with items 15A through 15G)	1
15B-	47598GT	WEATHERSTRIP,SWING GATE (for use with items 15A through 15G)	18
15D	231177GT	SWING GATE ASSY,GS1530 CE (GS-1530 CE models)	1
15D-	66551GT	WELDMENT, HALF GATE (decals not included, see section one) (for use with items 15A through 15G)	1
15D-	47598GT	WEATHERSTRIP,SWING GATE	18
15G-	47598GT	WEATHERSTRIP,SWING GATE	18

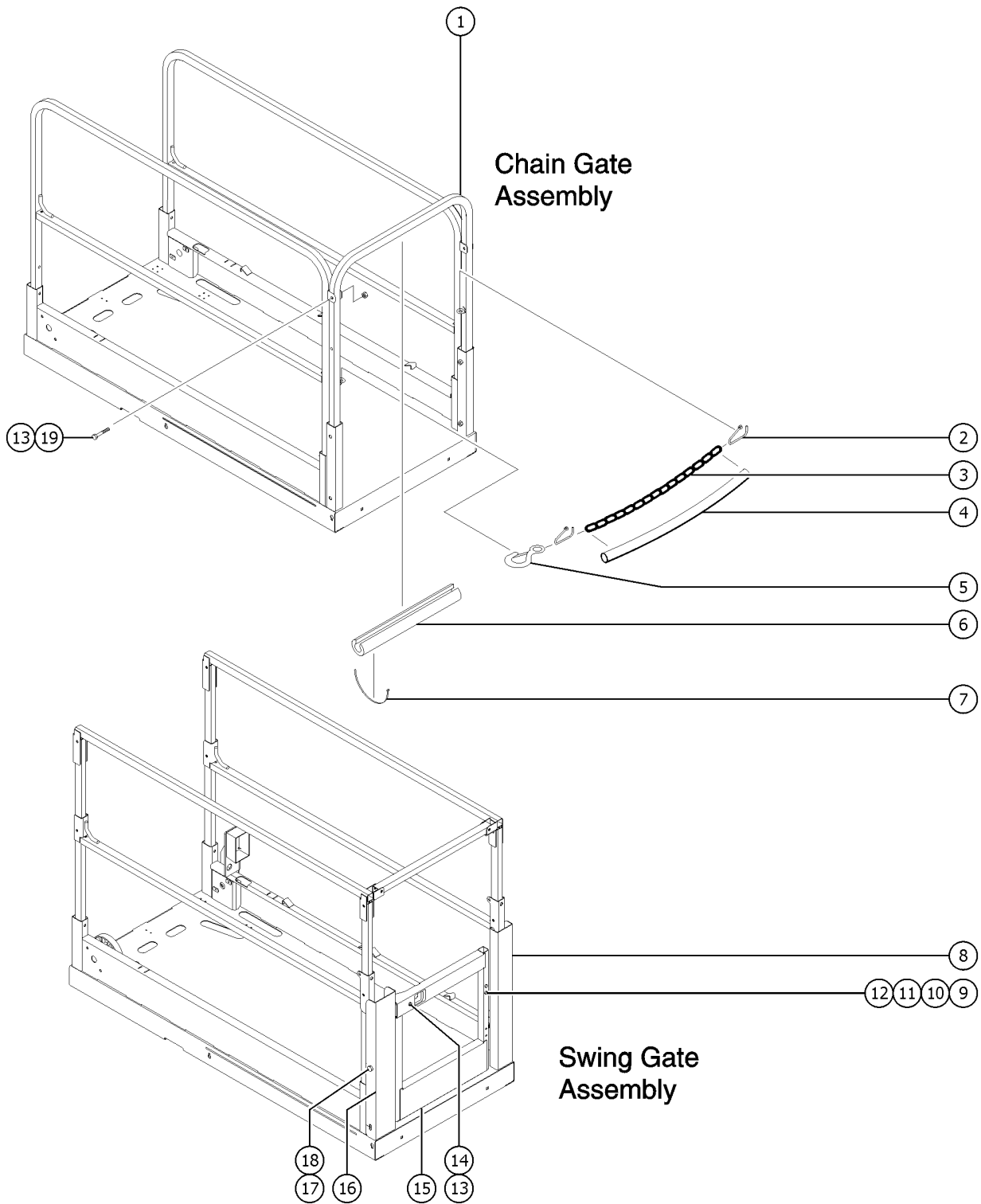


405.1 Platform Gates, GS-1530



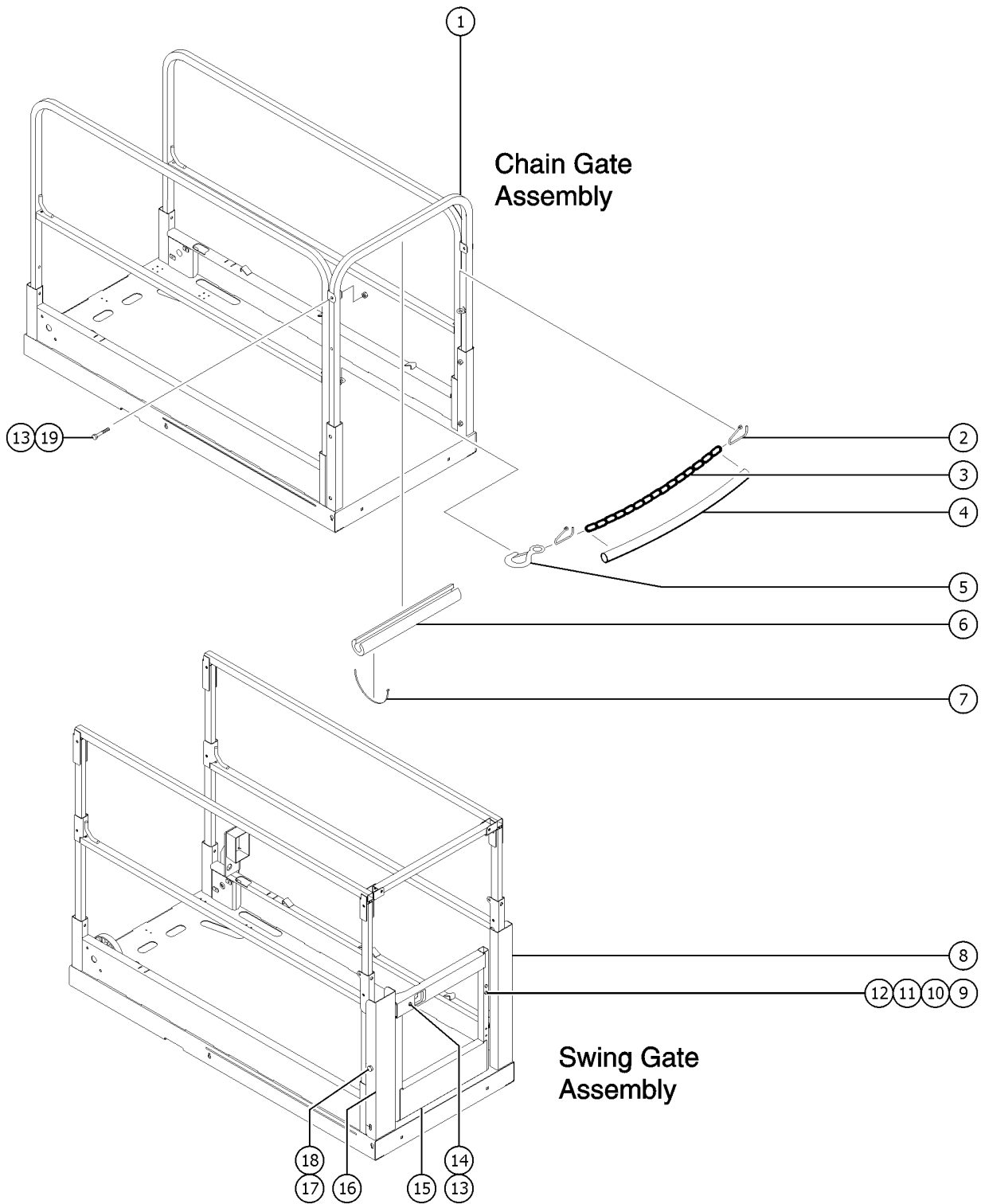
Item	Part No.	Description	Qty.
15H	65990-SGT	KIT,GATE LATCH (includes items 13, 14, the spring, 22446, and the latch, 66544) (for use with items 15A through 15G)	1
15H-	22446GT	SPRING, COMPRESSION .835 X 2 (for use with items 15A through 15G)	1
15H-	66544GT	LATCH HANDLE (for use with items 15A through 15G)	
16A	66903-SGT	WLDMT, FORMING, HALFGATE CATCH (to SN 165149)	
17	8178GT	SCREW,HHC,3/8-16 X 2.5	
18	5397GT	WASHER,FLAT,USS,5/16",Y	
19	7713GT	NUT,LP NYLOCK,3/8-16	





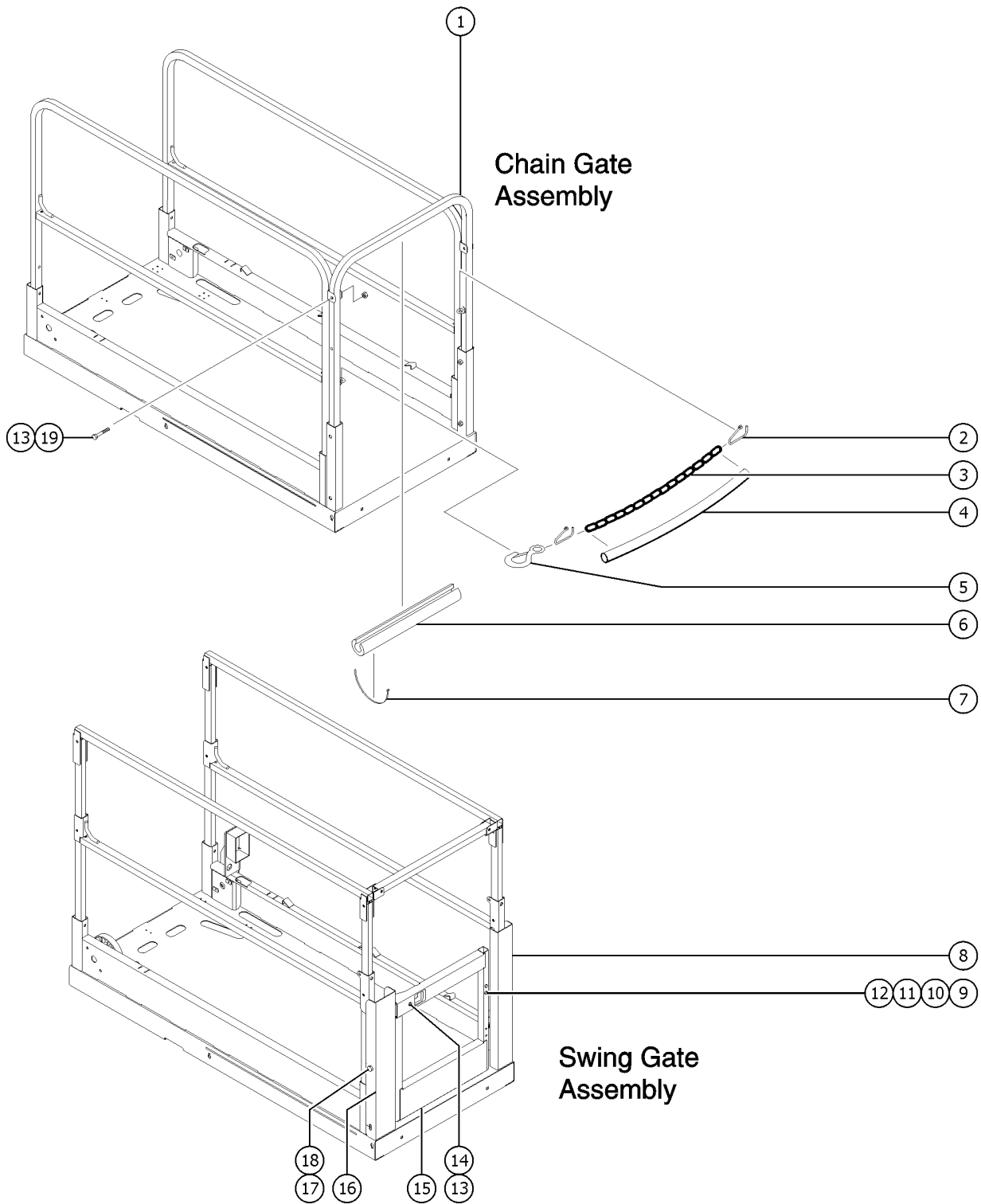
Item	Part No.	Description	Qty.
	144175GT	KIT,MINI FULL HT,ANSI GATE (ANSI and CSA models) (includes instructions)	
1A	97280GT	CHAIN GATE KIT,GS30 (includes items 2 through 7)	
1B	97053GT	WELDMENT,CHAIN GATE SQ, GS30 end rail for chain gate option	
1C	97105GT	PLAT ENTRY ASSY,RIGID GS30 (includes items 6 & 7)	1
1D	78029GT	END RAIL,SWING GATE,RIGID	
2	96163GT	LINK,(SPLIT) OPEN-END	2
3	39509GT	CHAIN,3/16,OPEN LINK 22.5"	1
4	47224GT	TUBING,PVC,1",BLACK***	21
5	39510GT	RIGID EYE SNAP	1
6	47188GT	FOAM CLOSED CELL 1.75X.250X18"	1
7	28443GT	CABLE TIE,11.5" BLACK	
8B	1274603GT	FORMING, HALF GATE, HINGE SIDE (from SN 165150)	1
9	4266GT	SCREW,HHC,1/4-20 X 2	
10	6638GT	WASHER,FLAT,USS,1/4"Y	
11	6091GT	NUT,NYLOCK,1/4-20	
12	104804GT	HINGE, SPRING, LONG LEG	2
13	5224GT	SCREW,HHC,3/8-16 X 2	
14	4828GT	NUT,NYLOCK,3/8-16	
15A	97110GT	SWING GATE ASSY,GS30/32** (GS-1530 & GS 1930 ANSI and CSA models)	
15A-	66551GT	WELDMENT, HALF GATE (decals not included, see section one) (for use with items 15A through 15G)	1
15A-	47598GT	WEATHERSTRIP,SWING GATE (for use with items 15A through 15G)	18
15B	231175GT	SWING GATE ASSY,1530/1930 AUS (GS-1530 & GS-1930 Australia models)	1
15B-	66551GT	WELDMENT, HALF GATE (decals not included, see section one) (for use with items 15A through 15G)	1
15B-	47598GT	WEATHERSTRIP,SWING GATE (for use with items 15A through 15G)	18
15D	231177GT	SWING GATE ASSY,GS1530 CE (GS-1530 CE models)	1
15D-	66551GT	WELDMENT, HALF GATE (decals not included, see section one) (for use with items 15A through 15G)	1
15D-	47598GT	WEATHERSTRIP,SWING GATE	18
15G-	47598GT	WEATHERSTRIP,SWING GATE	18





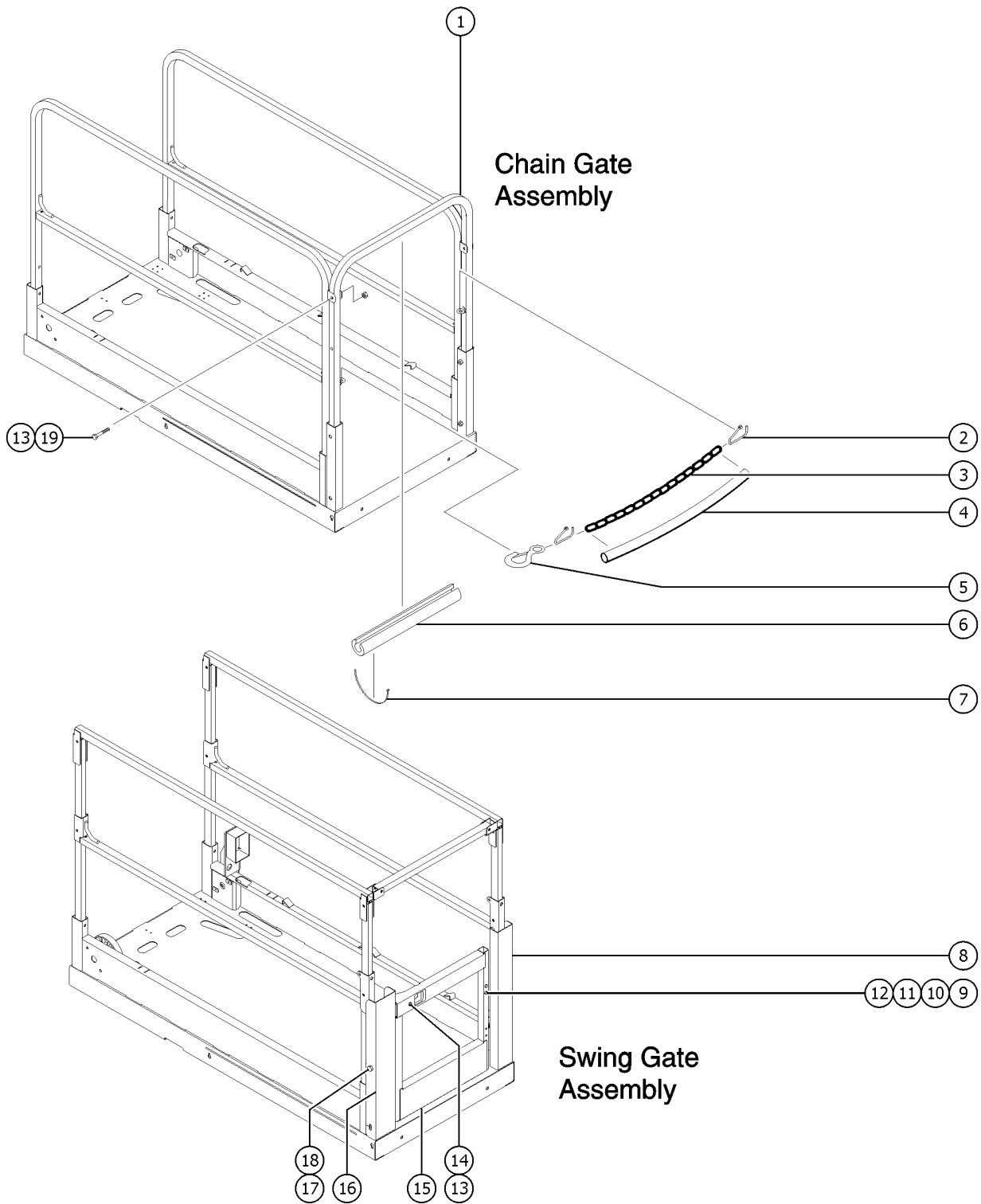
Item	Part No.	Description	Qty.
15H	65990-SGT	KIT,GATE LATCH (includes items 13, 14, the spring, 22446, and the latch, 66544) (for use with items 15A through 15G)	1
15H-	22446GT	SPRING, COMPRESSION .835 X 2 (for use with items 15A through 15G)	1
15H-	66544GT	LATCH HANDLE (for use with items 15A through 15G)	
16B	1274597GT	WELDMENT, FORMING, HALF GATE, CATCH SIDE (from SN 165150)	1
17	8178GT	SCREW,HHC,3/8-16 X 2.5	
18	5397GT	WASHER,FLAT,USS,5/16",Y	
19	7713GT	NUT,LP NYLOCK,3/8-16	





Item	Part No.	Description	Qty.
	144175GT	KIT,MINI FULL HT,ANSI GATE (ANSI and CSA models) (includes instructions)	
1A	97280GT	CHAIN GATE KIT,GS30 (includes items 2 through 7)	
1B	97053GT	WELDMENT,CHAIN GATE SQ, GS30 end rail for chain gate option	
1C	97105GT	PLAT ENTRY ASSY,RIGID GS30 (includes items 6 & 7)	1
1D	78029GT	END RAIL,SWING GATE,RIGID	
2	96163GT	LINK,(SPLIT) OPEN-END	2
3	39509GT	CHAIN,3/16,OPEN LINK 22.5"	1
4	47224GT	TUBING,PVC,1",BLACK***	21
5	39510GT	RIGID EYE SNAP	1
6	47188GT	FOAM CLOSED CELL 1.75X.250X18"	1
7	28443GT	CABLE TIE,11.5" BLACK	
8A	66883GT	FORMING, HALF GATE HINGE (to SN 165149)	
9	4266GT	SCREW,HHC,1/4-20 X 2	
10	6638GT	WASHER,FLAT,USS,1/4"Y	
11	6091GT	NUT,NYLOCK,1/4-20	
12	104804GT	HINGE, SPRING, LONG LEG	2
13	5224GT	SCREW,HHC,3/8-16 X 2	
14	4828GT	NUT,NYLOCK,3/8-16	
15C	231176GT	SWING GATE ASSY,1532/1932 AUS (GS-1532 & GS-1932 Australia models)	
15C-	66551GT	WELDMENT, HALF GATE (decals not included, see section one) (for use with items 15A through 15G)	
15C-	47598GT	WEATHERSTRIP,SWING GATE	18
15E	231178GT	SWING GATE ASSY,GS1532 CE (GS-1532 CE models)	
15E-	66551GT	WELDMENT, HALF GATE (decals not included, see section one) (for use with items 15A through 15G)	
15E-	47598GT	WEATHERSTRIP,SWING GATE	18
15H	65990-SGT	KIT,GATE LATCH (includes items 13, 14, the spring, 22446, and the latch, 66544) (for use with items 15A through 15G)	1
15H-	22446GT	SPRING, COMPRESSION .835 X 2 (for use with items 15A through 15G)	1
15H-	66544GT	LATCH HANDLE (for use with items 15A through 15G)	
16A	66903-SGT	WLDMT, FORMING, HALFGATE CATCH (to SN 165149)	

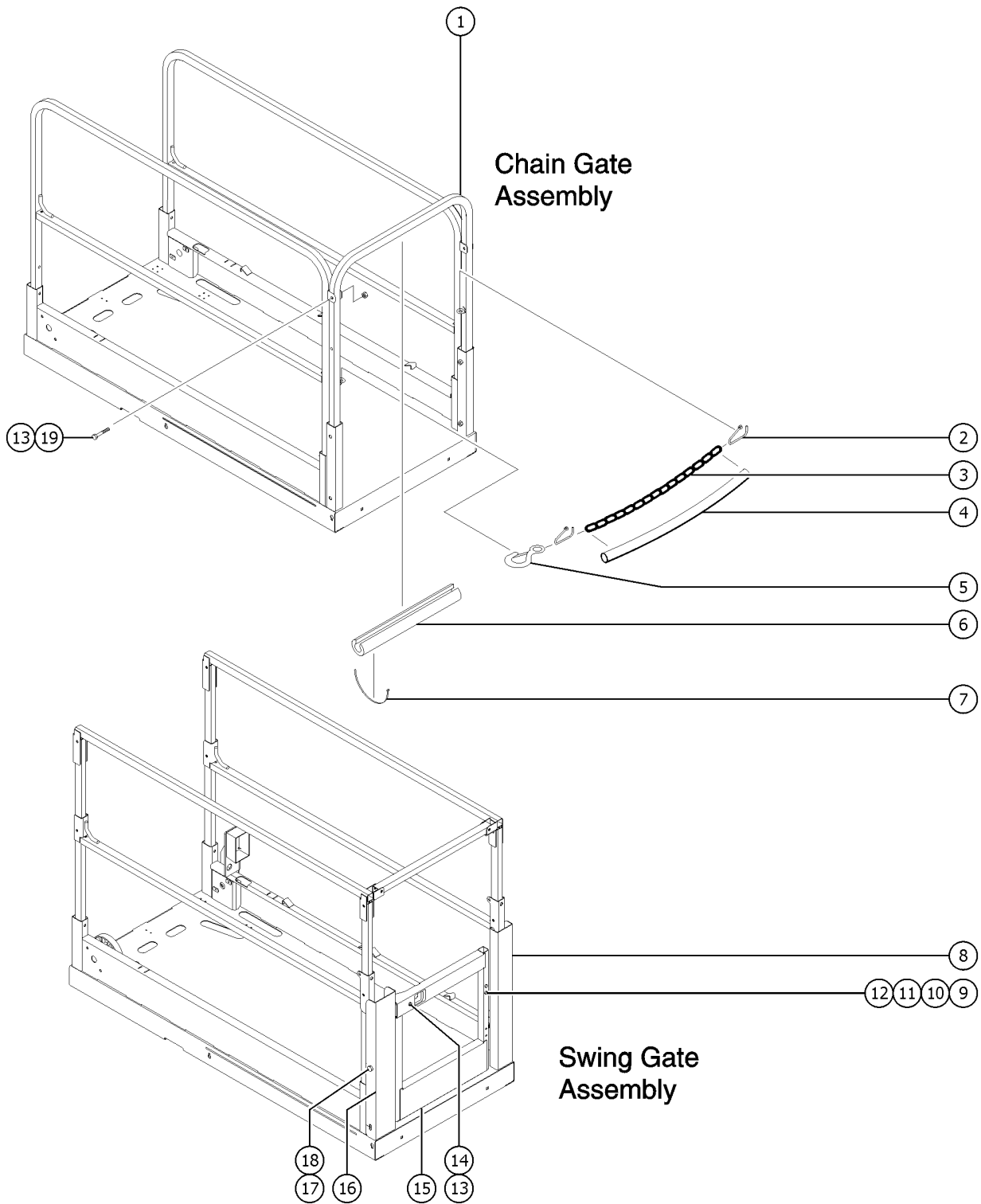




<i>Item</i>	<i>Part No.</i>	<i>Description</i>	<i>Qty.</i>
17	8178GT	SCREW,HHC,3/8-16 X 2.5	
18	5397GT	WASHER,FLAT,USS,5/16",Y	
19	7713GT	NUT,LP NYLOCK,3/8-16	



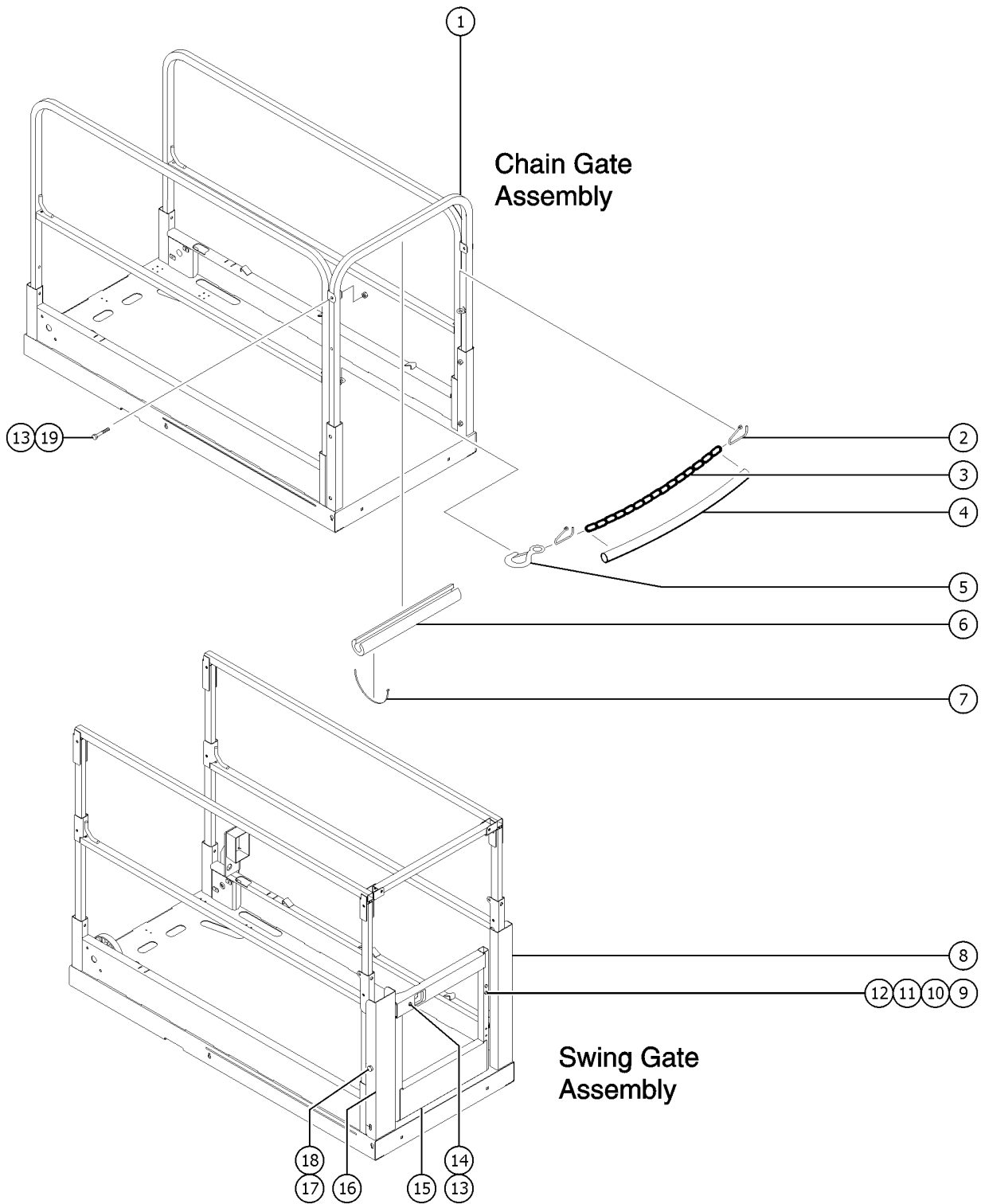
405.4 Platform Gates, GS-1532



Item	Part No.	Description	Qty.
	144175GT	KIT,MINI FULL HT,ANSI GATE (ANSI and CSA models) (includes instructions)	
1A	97280GT	CHAIN GATE KIT,GS30 (includes items 2 through 7)	
1B	97053GT	WELDMENT,CHAIN GATE SQ, GS30 end rail for chain gate option	
1C	97105GT	PLAT ENTRY ASSY,RIGID GS30 (includes items 6 & 7)	1
1D	78029GT	END RAIL,SWING GATE,RIGID	
2	96163GT	LINK,(SPLIT) OPEN-END	2
3	39509GT	CHAIN,3/16,OPEN LINK 22.5"	1
4	47224GT	TUBING,PVC,1",BLACK***	21
5	39510GT	RIGID EYE SNAP	1
6	47188GT	FOAM CLOSED CELL 1.75X.250X18"	1
7	28443GT	CABLE TIE,11.5" BLACK	
8A	66883GT	FORMING, HALF GATE HINGE (to SN 165149)	
8B	1274603GT	FORMING, HALF GATE, HINGE SIDE (from SN 165150)	1
9	4266GT	SCREW,HHC,1/4-20 X 2	
10	6638GT	WASHER,FLAT,USS,1/4"Y	
11	6091GT	NUT,NYLOCK,1/4-20	
12	104804GT	HINGE, SPRING, LONG LEG	2
13	5224GT	SCREW,HHC,3/8-16 X 2	
14	4828GT	NUT,NYLOCK,3/8-16	
15C	231176GT	SWING GATE ASSY,1532/1932 AUS (GS-1532 & GS-1932 Australia models)	
15C-	66551GT	WELDMENT, HALF GATE (decals not included, see section one) (for use with items 15A through 15G)	
15C-	47598GT	WEATHERSTRIP,SWING GATE	18
15E	231178GT	SWING GATE ASSY,GS1532 CE (GS-1532 CE models)	
15E-	66551GT	WELDMENT, HALF GATE (decals not included, see section one) (for use with items 15A through 15G)	
15E-	47598GT	WEATHERSTRIP,SWING GATE	18
15H	65990-SGT	KIT,GATE LATCH (includes items 13, 14, the spring, 22446, and the latch, 66544) (for use with items 15A through 15G)	1
15H-	22446GT	SPRING, COMPRESSION .835 X 2 (for use with items 15A through 15G)	1
15H-	66544GT	LATCH HANDLE (for use with items 15A through 15G)	

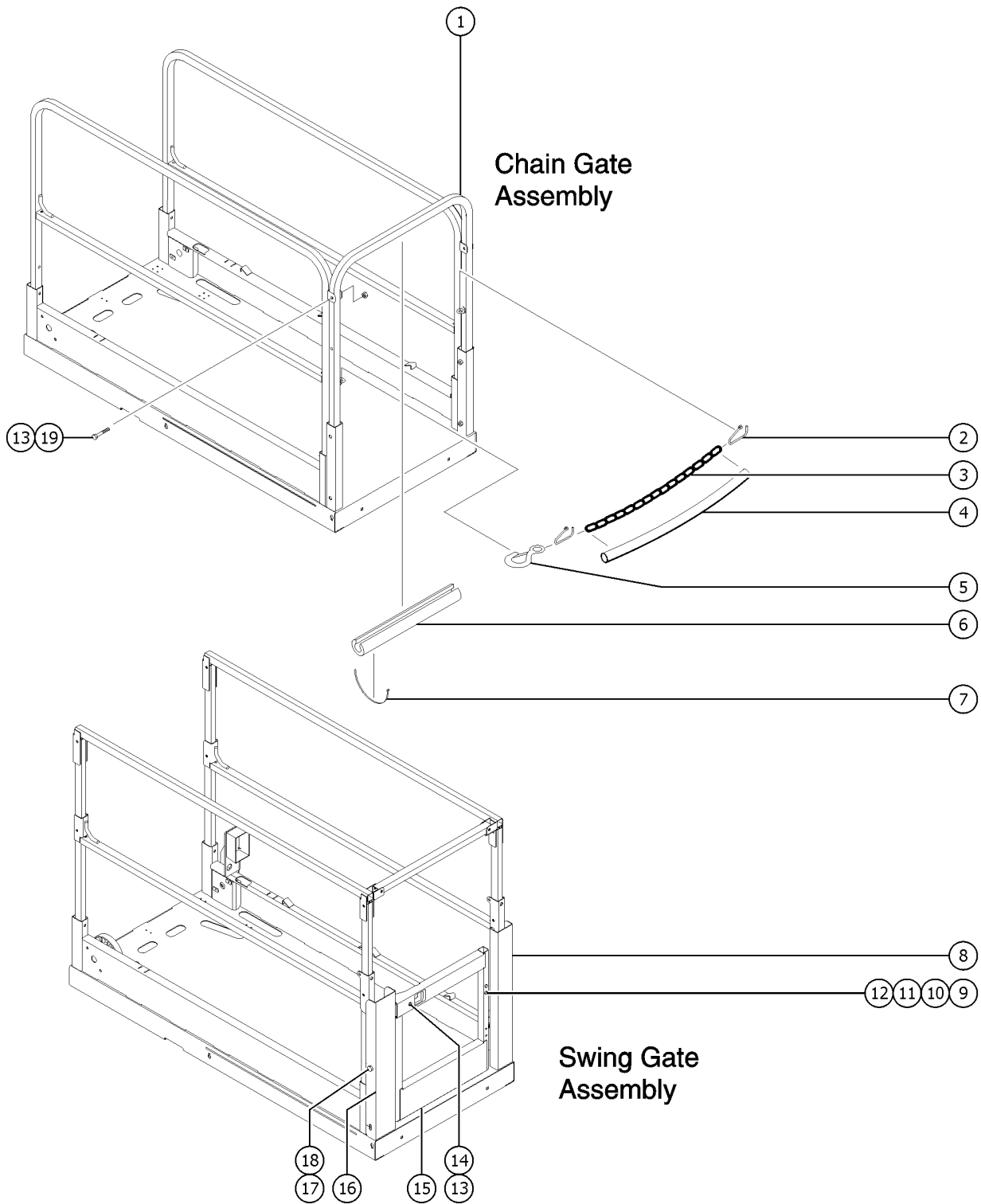


405.4 Platform Gates, GS-1532



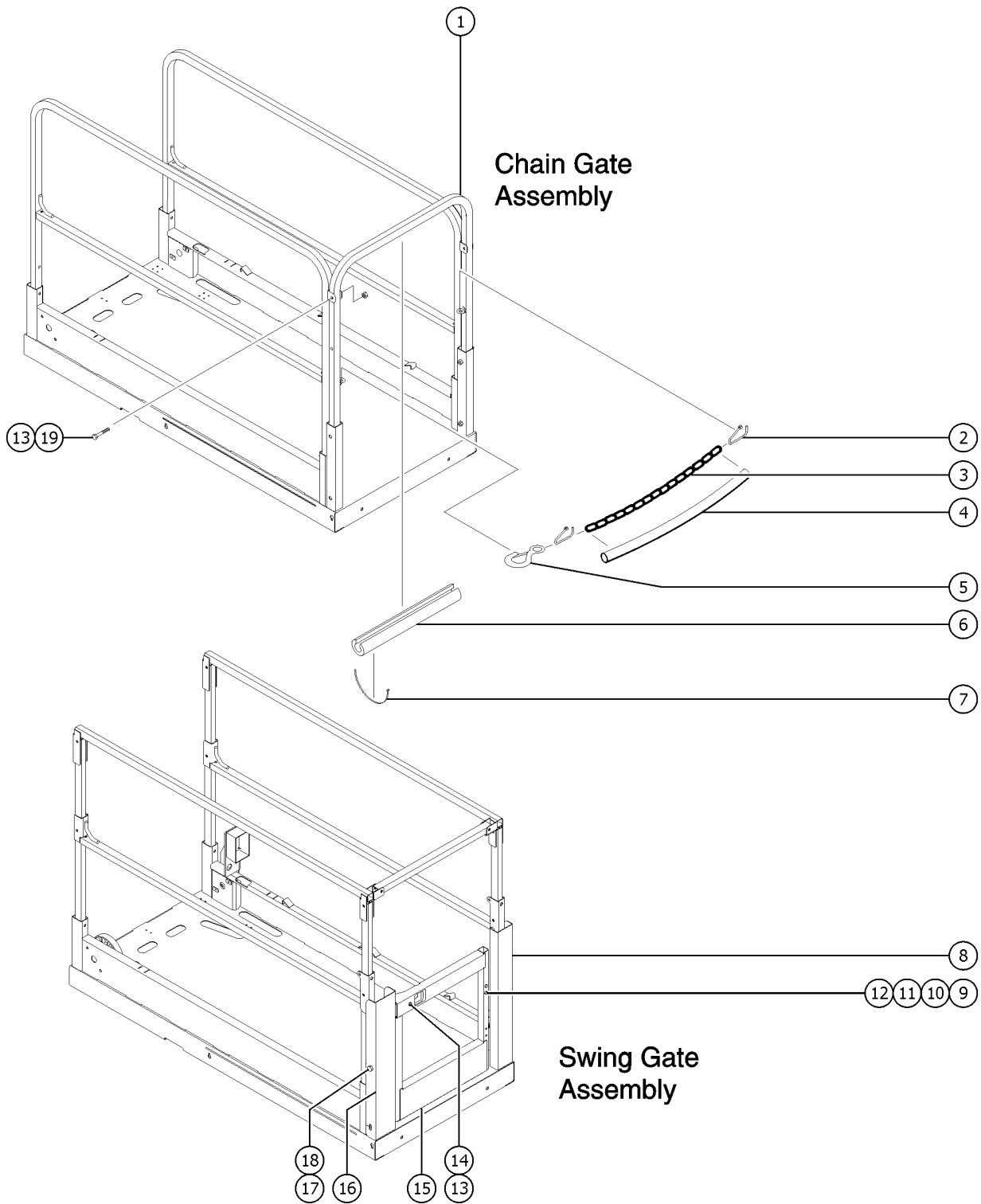
Item	Part No.	Description	Qty.
16A	66903-SGT	WLDMT, FORMING, HALFGATE CATCH (to SN 165149)	
16B	1274597GT	WELDMENT, FORMING, HALF GATE, CATCH SIDE (from SN 165150)	1
17	8178GT	SCREW,HHC,3/8-16 X 2.5	
18	5397GT	WASHER,FLAT,USS,5/16",Y	
19	7713GT	NUT,LP NYLOCK,3/8-16	





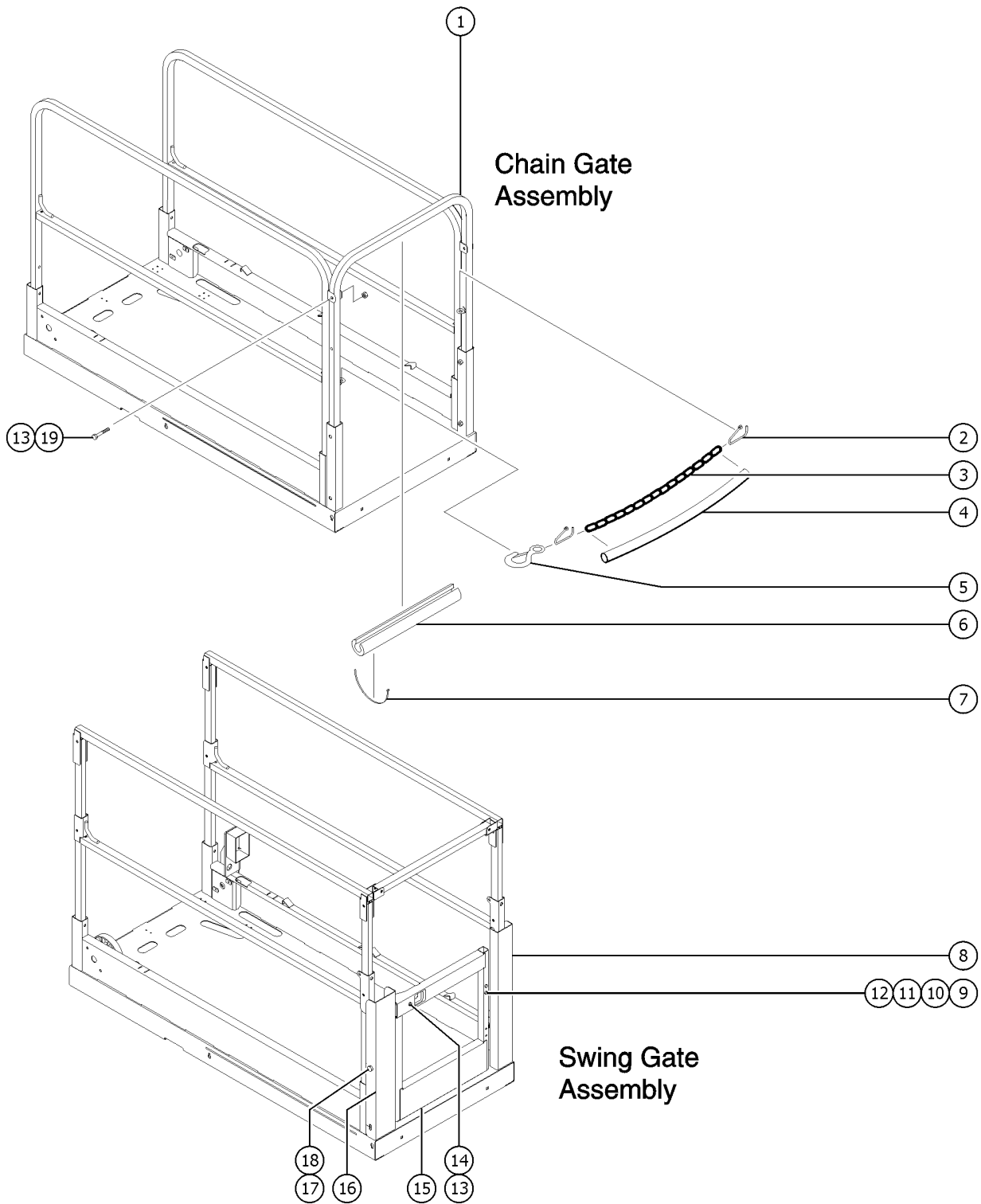
Item	Part No.	Description	Qty.
	144175GT	KIT,MINI FULL HT,ANSI GATE (ANSI and CSA models) (includes instructions)	
1A	97280GT	CHAIN GATE KIT,GS30 (includes items 2 through 7)	
1B	97053GT	WELDMENT,CHAIN GATE SQ, GS30 end rail for chain gate option	
1C	97105GT	PLAT ENTRY ASSY,RIGID GS30 (includes items 6 & 7)	1
1D	78029GT	END RAIL,SWING GATE,RIGID	
2	96163GT	LINK,(SPLIT) OPEN-END	2
3	39509GT	CHAIN,3/16,OPEN LINK 22.5"	1
4	47224GT	TUBING,PVC,1",BLACK***	21
5	39510GT	RIGID EYE SNAP	1
6	47188GT	FOAM CLOSED CELL 1.75X.250X18"	1
7	28443GT	CABLE TIE,11.5" BLACK	
8A	66883GT	FORMING, HALF GATE HINGE (to SN 165149)	
9	4266GT	SCREW,HHC,1/4-20 X 2	
10	6638GT	WASHER,FLAT,USS,1/4"Y	
11	6091GT	NUT,NYLOCK,1/4-20	
12	104804GT	HINGE, SPRING, LONG LEG	2
13	5224GT	SCREW,HHC,3/8-16 X 2	
14	4828GT	NUT,NYLOCK,3/8-16	
15A	97110GT	SWING GATE ASSY,GS30/32** (GS-1530 & GS 1930 ANSI and CSA models)	
15A-	66551GT	WELDMENT, HALF GATE (decals not included, see section one) (for use with items 15A through 15G)	1
15A-	47598GT	WEATHERSTRIP,SWING GATE (for use with items 15A through 15G)	18
15B	231175GT	SWING GATE ASSY,1530/1930 AUS (GS-1530 & GS-1930 Australia models)	1
15B-	66551GT	WELDMENT, HALF GATE (decals not included, see section one) (for use with items 15A through 15G)	1
15B-	47598GT	WEATHERSTRIP,SWING GATE (for use with items 15A through 15G)	18
15F	231179GT	SWING GATE ASSY,GS1930 CE (GS-1930 CE models)	
15F-	66551GT	WELDMENT, HALF GATE (decals not included, see section one) (for use with items 15A through 15G)	
15F-	47598GT	WEATHERSTRIP,SWING GATE	18
15H	65990-SGT	KIT,GATE LATCH (includes items 13, 14, the spring, 22446, and the latch, 66544) (for use with items 15A through 15G)	1





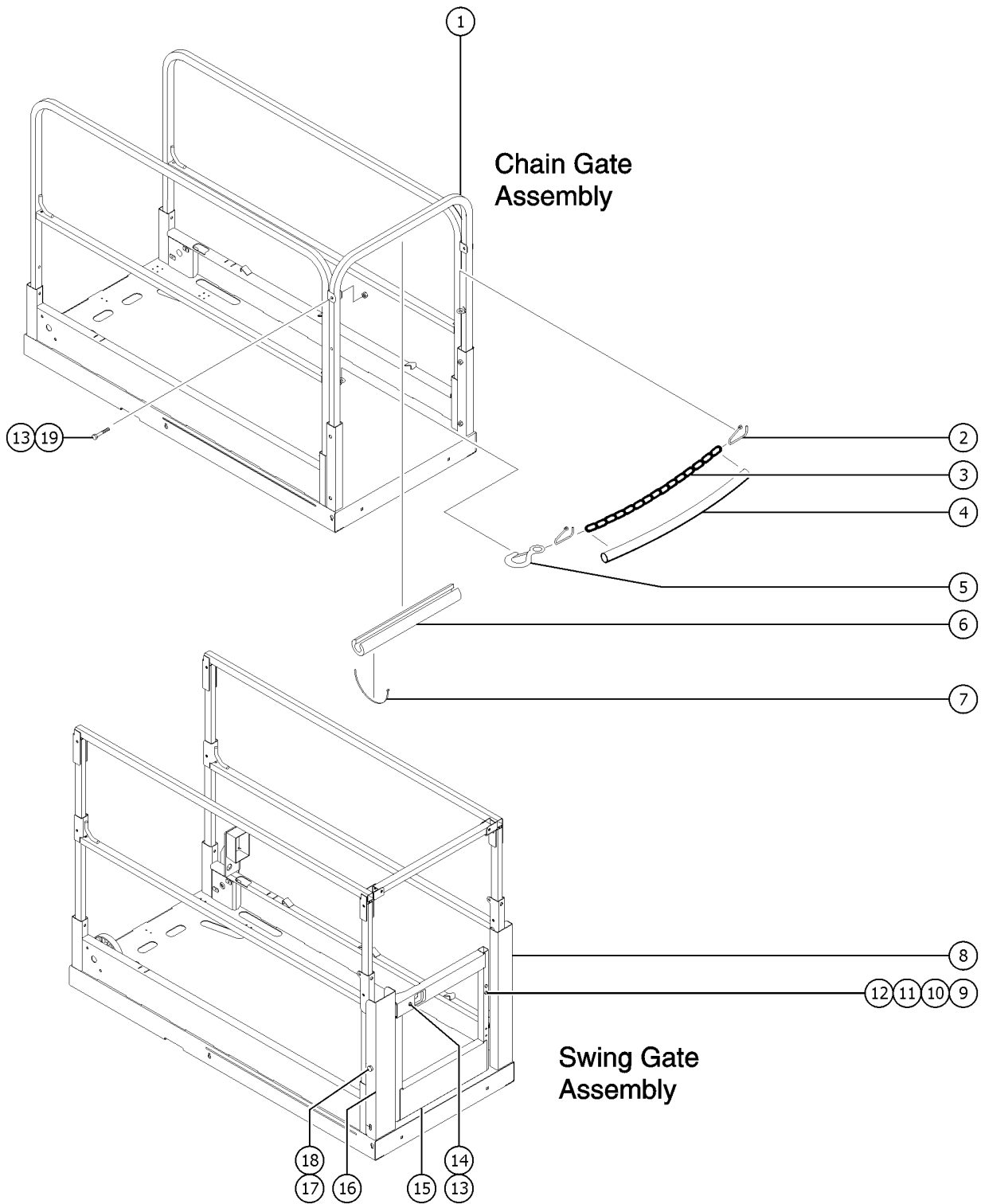
Item	Part No.	Description	Qty.
15H-	22446GT	SPRING, COMPRESSION .835 X 2 (for use with items 15A through 15G)	1
15H-	66544GT	LATCH HANDLE (for use with items 15A through 15G)	
16A	66903-SGT	WLDMT, FORMING, HALFGATE CATCH (to SN 165149)	
17	8178GT	SCREW,HHC,3/8-16 X 2.5	
18	5397GT	WASHER,FLAT,USS,5/16",Y	
19	7713GT	NUT,LP NYLOCK,3/8-16	





Item	Part No.	Description	Qty.
	144175GT	KIT,MINI FULL HT,ANSI GATE (ANSI and CSA models) (includes instructions)	
1A	97280GT	CHAIN GATE KIT,GS30 (includes items 2 through 7)	
1B	97053GT	WELDMENT,CHAIN GATE SQ, GS30 end rail for chain gate option	
1C	97105GT	PLAT ENTRY ASSY,RIGID GS30 (includes items 6 & 7)	1
1D	78029GT	END RAIL,SWING GATE,RIGID	
2	96163GT	LINK,(SPLIT) OPEN-END	2
3	39509GT	CHAIN,3/16,OPEN LINK 22.5"	1
4	47224GT	TUBING,PVC,1",BLACK***	21
5	39510GT	RIGID EYE SNAP	1
6	47188GT	FOAM CLOSED CELL 1.75X.250X18"	1
7	28443GT	CABLE TIE,11.5" BLACK	
8A	66883GT	FORMING, HALF GATE HINGE (to SN 165149)	
8B	1274603GT	FORMING, HALF GATE, HINGE SIDE (from SN 165150)	1
9	4266GT	SCREW,HHC,1/4-20 X 2	
10	6638GT	WASHER,FLAT,USS,1/4"Y	
11	6091GT	NUT,NYLOCK,1/4-20	
12	104804GT	HINGE, SPRING, LONG LEG	2
13	5224GT	SCREW,HHC,3/8-16 X 2	
14	4828GT	NUT,NYLOCK,3/8-16	
15A	97110GT	SWING GATE ASSY,GS30/32** (GS-1530 & GS 1930 ANSI and CSA models)	
15A-	66551GT	WELDMENT, HALF GATE (decals not included, see section one) (for use with items 15A through 15G)	1
15A-	47598GT	WEATHERSTRIP,SWING GATE (for use with items 15A through 15G)	18
15B	231175GT	SWING GATE ASSY,1530/1930 AUS (GS-1530 & GS-1930 Australia models)	1
15B-	66551GT	WELDMENT, HALF GATE (decals not included, see section one) (for use with items 15A through 15G)	1
15B-	47598GT	WEATHERSTRIP,SWING GATE (for use with items 15A through 15G)	18
15F	231179GT	SWING GATE ASSY,GS1930 CE (GS-1930 CE models)	
15F-	66551GT	WELDMENT, HALF GATE (decals not included, see section one) (for use with items 15A through 15G)	
15F-	47598GT	WEATHERSTRIP,SWING GATE	18

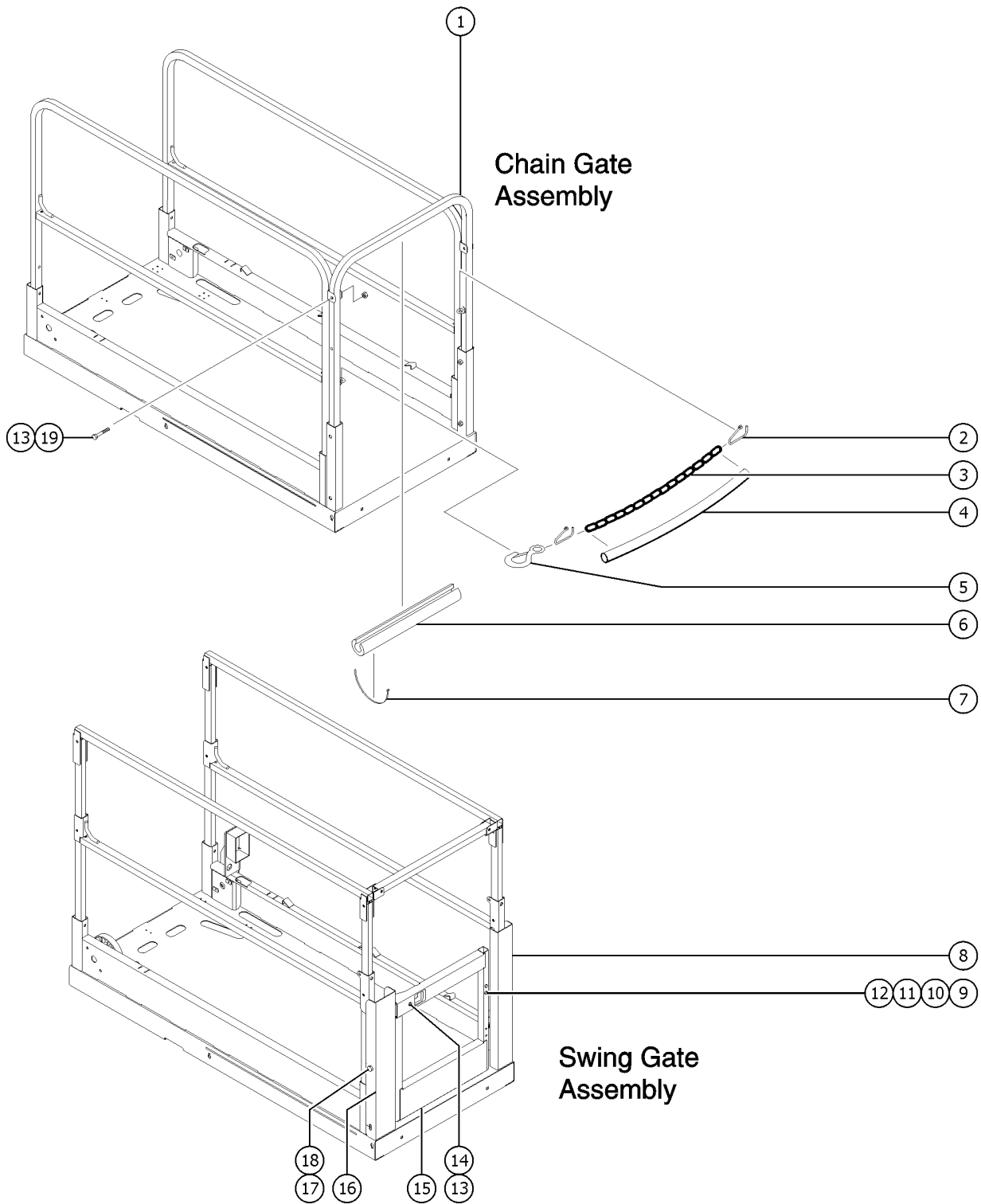




Item	Part No.	Description	Qty.
15H	65990-SGT	KIT,GATE LATCH (includes items 13, 14, the spring, 22446, and the latch, 66544) (for use with items 15A through 15G)	1
15H-	22446GT	SPRING, COMPRESSION .835 X 2 (for use with items 15A through 15G)	1
15H-	66544GT	LATCH HANDLE (for use with items 15A through 15G)	
16A	66903-SGT	WLDMT, FORMING, HALFGATE CATCH (to SN 165149)	
16B	1274597GT	WELDMENT, FORMING, HALF GATE, CATCH SIDE (from SN 165150)	1
17	8178GT	SCREW,HHC,3/8-16 X 2.5	
18	5397GT	WASHER,FLAT,USS,5/16",Y	
19	7713GT	NUT,LP NYLOCK,3/8-16	



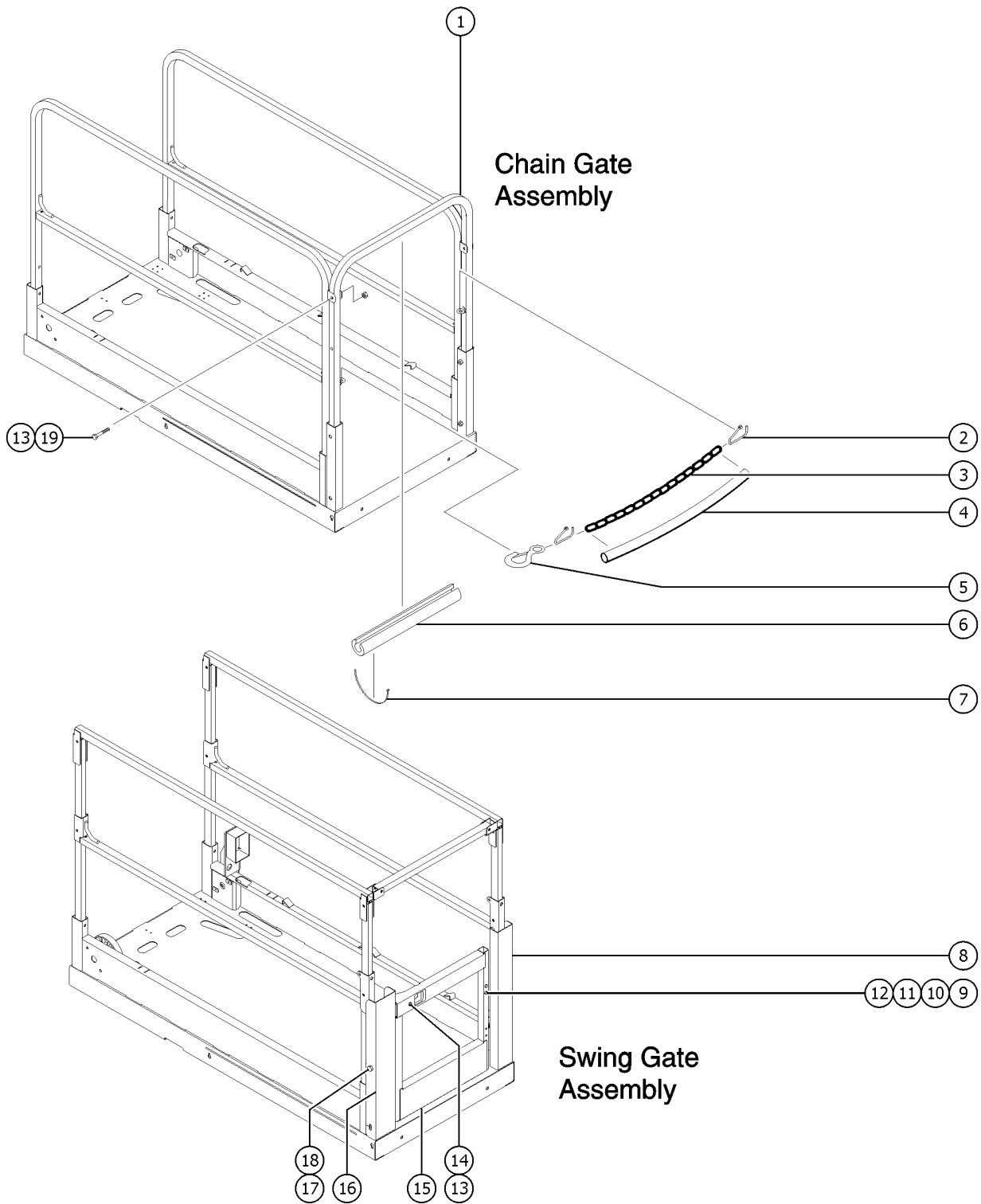
405.7 Platform Gates, GS-1932



Item	Part No.	Description	Qty.
	144175GT	KIT,MINI FULL HT,ANSI GATE (ANSI and CSA models) (includes instructions)	
1A	97280GT	CHAIN GATE KIT,GS30 (includes items 2 through 7)	
1B	97053GT	WELDMENT,CHAIN GATE SQ, GS30 end rail for chain gate option	
1C	97105GT	PLAT ENTRY ASSY,RIGID GS30 (includes items 6 & 7)	1
1D	78029GT	END RAIL,SWING GATE,RIGID	
2	96163GT	LINK,(SPLIT) OPEN-END	2
3	39509GT	CHAIN,3/16,OPEN LINK 22.5"	1
4	47224GT	TUBING,PVC,1",BLACK***	21
5	39510GT	RIGID EYE SNAP	1
6	47188GT	FOAM CLOSED CELL 1.75X.250X18"	1
7	28443GT	CABLE TIE,11.5" BLACK	
8A	66883GT	FORMING, HALF GATE HINGE (to SN 165149)	
9	4266GT	SCREW,HHC,1/4-20 X 2	
10	6638GT	WASHER,FLAT,USS,1/4"Y	
11	6091GT	NUT,NYLOCK,1/4-20	
12	104804GT	HINGE, SPRING, LONG LEG	2
13	5224GT	SCREW,HHC,3/8-16 X 2	
14	4828GT	NUT,NYLOCK,3/8-16	
15C	231176GT	SWING GATE ASSY,1532/1932 AUS (GS-1532 & GS-1932 Australia models)	
15C-	66551GT	WELDMENT, HALF GATE (decals not included, see section one) (for use with items 15A through 15G)	
15C-	47598GT	WEATHERSTRIP,SWING GATE	18
15G	231180GT	SWING GATE ASSY,GS1932 CE (GS-1932 CE models)	
15G-	66551GT	WELDMENT, HALF GATE (decals not included, see section one) (for use with items 15A through 15G)	
15G-	47598GT	WEATHERSTRIP,SWING GATE	18
15H	65990-SGT	KIT,GATE LATCH (includes items 13, 14, the spring, 22446, and the latch, 66544) (for use with items 15A through 15G)	1
15H-	22446GT	SPRING, COMPRESSION .835 X 2 (for use with items 15A through 15G)	1
15H-	66544GT	LATCH HANDLE (for use with items 15A through 15G)	
16A	66903-SGT	WLDMT, FORMING, HALFGATE CATCH (to SN 165149)	

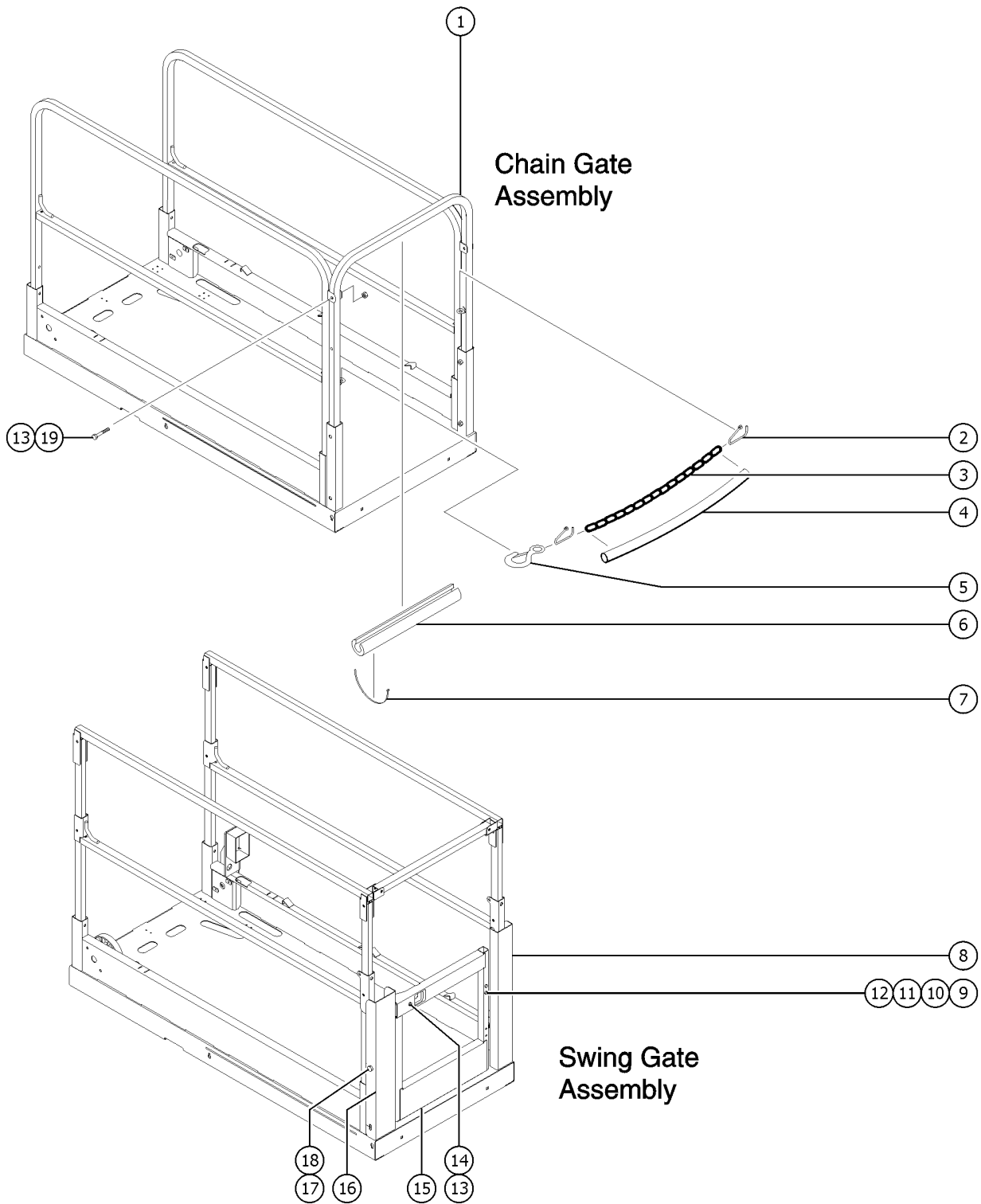


405.7 Platform Gates, GS-1932



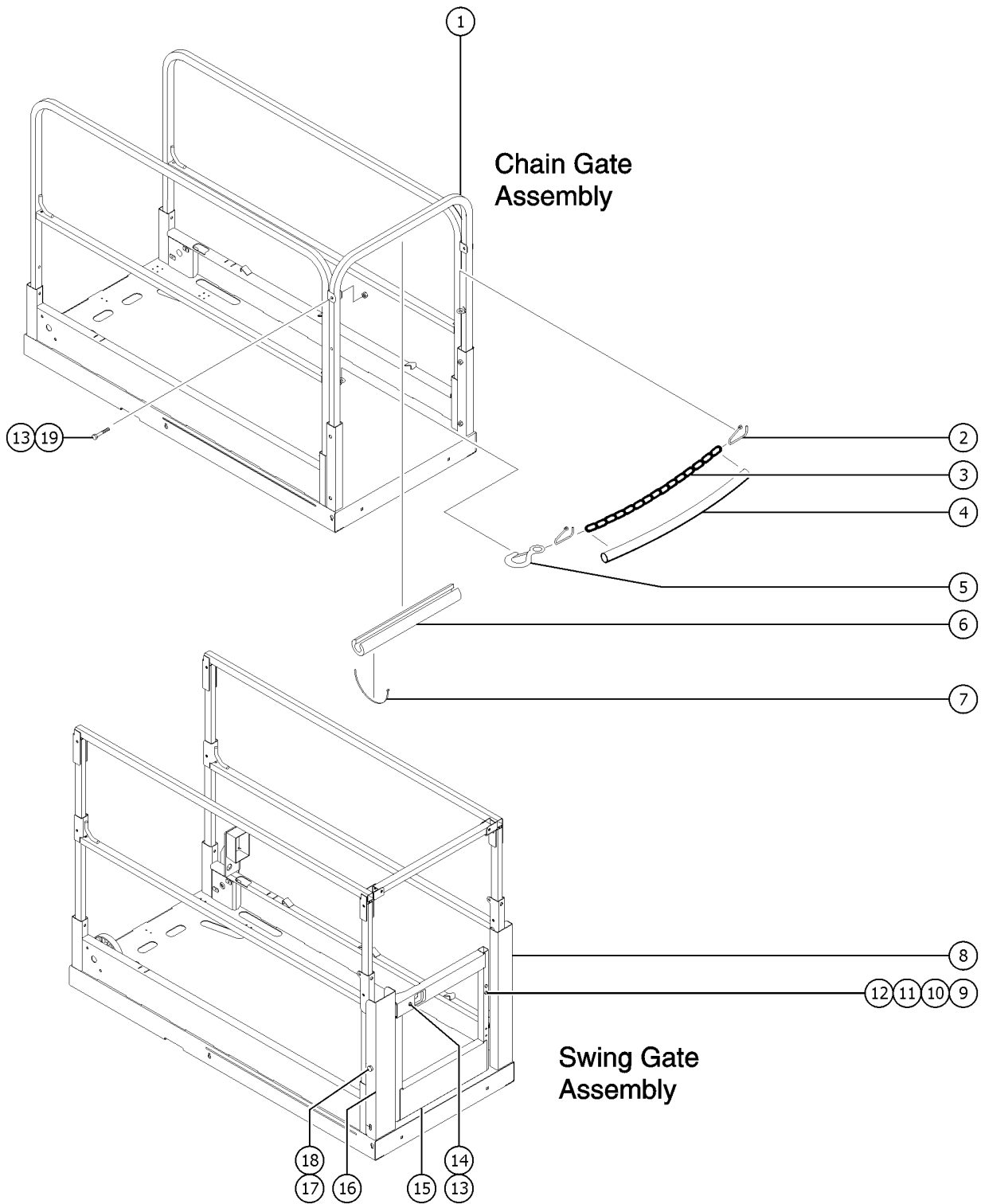
<i>Item</i>	<i>Part No.</i>	<i>Description</i>	<i>Qty.</i>
17	8178GT	SCREW,HHC,3/8-16 X 2.5	
18	5397GT	WASHER,FLAT,USS,5/16",Y	
19	7713GT	NUT,LP NYLOCK,3/8-16	





Item	Part No.	Description	Qty.
	144175GT	KIT,MINI FULL HT,ANSI GATE (ANSI and CSA models) (includes instructions)	
1A	97280GT	CHAIN GATE KIT,GS30 (includes items 2 through 7)	
1B	97053GT	WELDMENT,CHAIN GATE SQ, GS30 end rail for chain gate option	
1C	97105GT	PLAT ENTRY ASSY,RIGID GS30 (includes items 6 & 7)	1
1D	78029GT	END RAIL,SWING GATE,RIGID	
2	96163GT	LINK,(SPLIT) OPEN-END	2
3	39509GT	CHAIN,3/16,OPEN LINK 22.5"	1
4	47224GT	TUBING,PVC,1",BLACK***	21
5	39510GT	RIGID EYE SNAP	1
6	47188GT	FOAM CLOSED CELL 1.75X.250X18"	1
7	28443GT	CABLE TIE,11.5" BLACK	
8A	66883GT	FORMING, HALF GATE HINGE (to SN 165149)	
8B	1274603GT	FORMING, HALF GATE, HINGE SIDE (from SN 165150)	1
9	4266GT	SCREW,HHC,1/4-20 X 2	
10	6638GT	WASHER,FLAT,USS,1/4"Y	
11	6091GT	NUT,NYLOCK,1/4-20	
12	104804GT	HINGE, SPRING, LONG LEG	2
13	5224GT	SCREW,HHC,3/8-16 X 2	
14	4828GT	NUT,NYLOCK,3/8-16	
15C	231176GT	SWING GATE ASSY,1532/1932 AUS (GS-1532 & GS-1932 Australia models)	
15C-	66551GT	WELDMENT, HALF GATE (decals not included, see section one) (for use with items 15A through 15G)	
15C-	47598GT	WEATHERSTRIP,SWING GATE	18
15G	231180GT	SWING GATE ASSY,GS1932 CE (GS-1932 CE models)	
15G-	66551GT	WELDMENT, HALF GATE (decals not included, see section one) (for use with items 15A through 15G)	
15G-	47598GT	WEATHERSTRIP,SWING GATE	18
15H	65990-SGT	KIT,GATE LATCH (includes items 13, 14, the spring, 22446, and the latch, 66544) (for use with items 15A through 15G)	1
15H-	22446GT	SPRING, COMPRESSION .835 X 2 (for use with items 15A through 15G)	1
15H-	66544GT	LATCH HANDLE (for use with items 15A through 15G)	





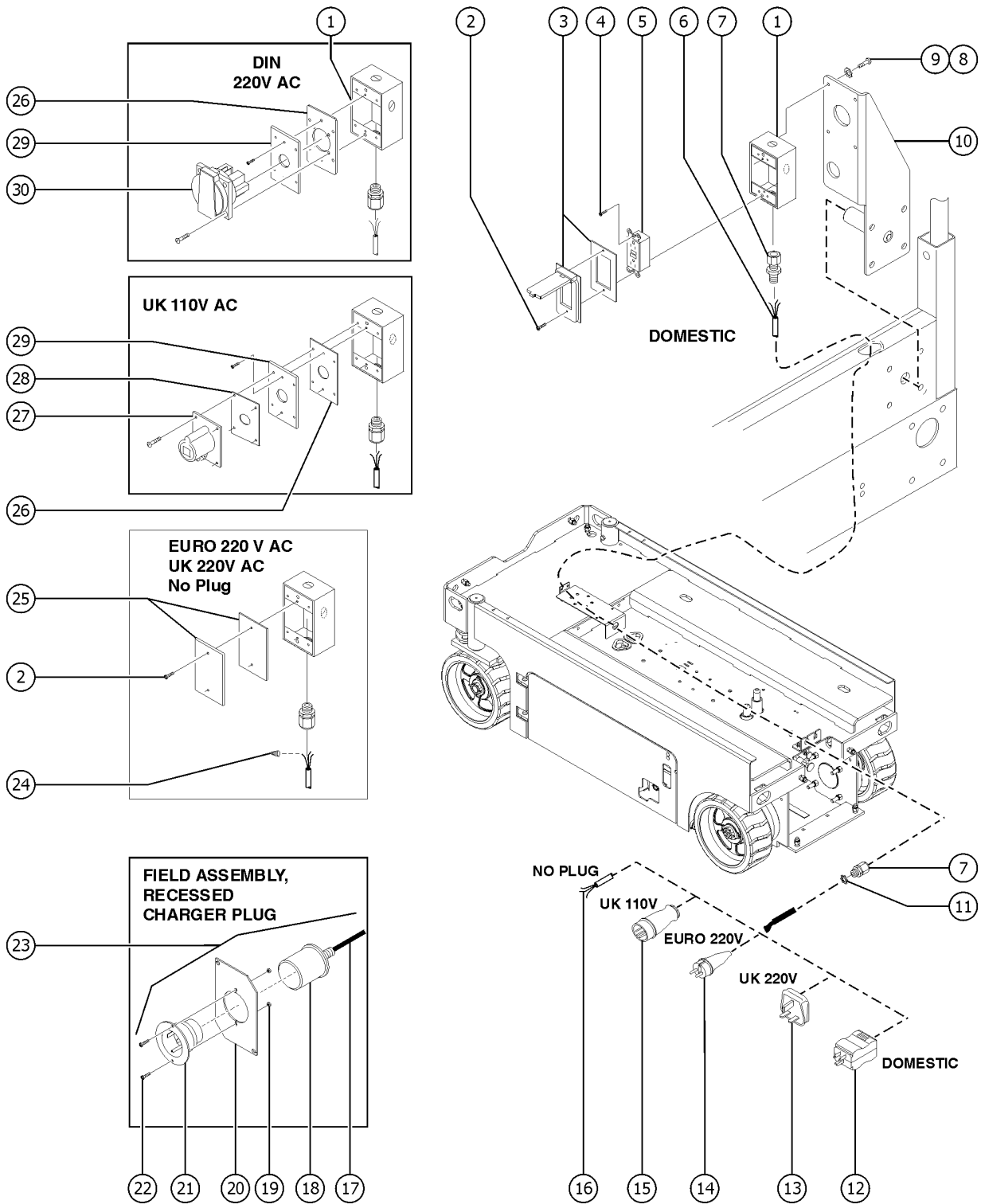
Chain Gate Assembly

Swing Gate Assembly

Item	Part No.	Description	Qty.
16A	66903-SGT	WLDMT, FORMING, HALFGATE CATCH (to SN 165149)	
16B	1274597GT	WELDMENT, FORMING, HALF GATE, CATCH SIDE (from SN 165150)	1
17	8178GT	SCREW,HHC,3/8-16 X 2.5	
18	5397GT	WASHER,FLAT,USS,5/16",Y	
19	7713GT	NUT,LP NYLOCK,3/8-16	



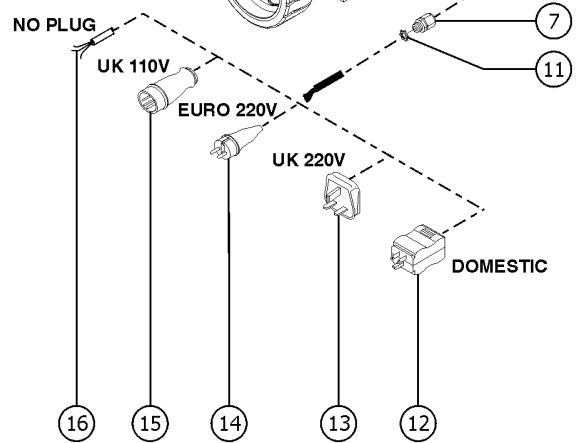
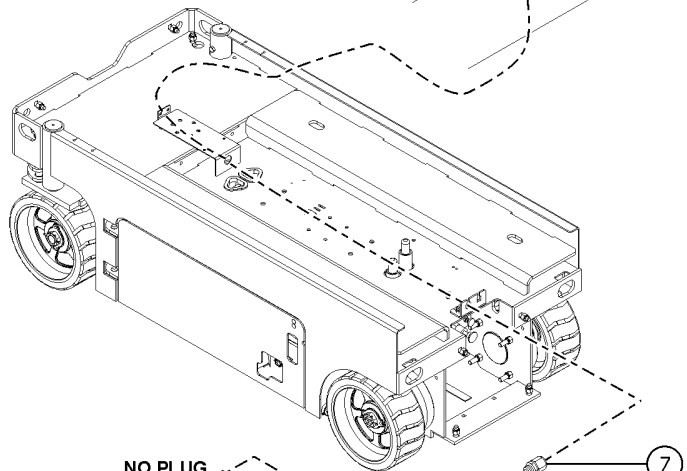
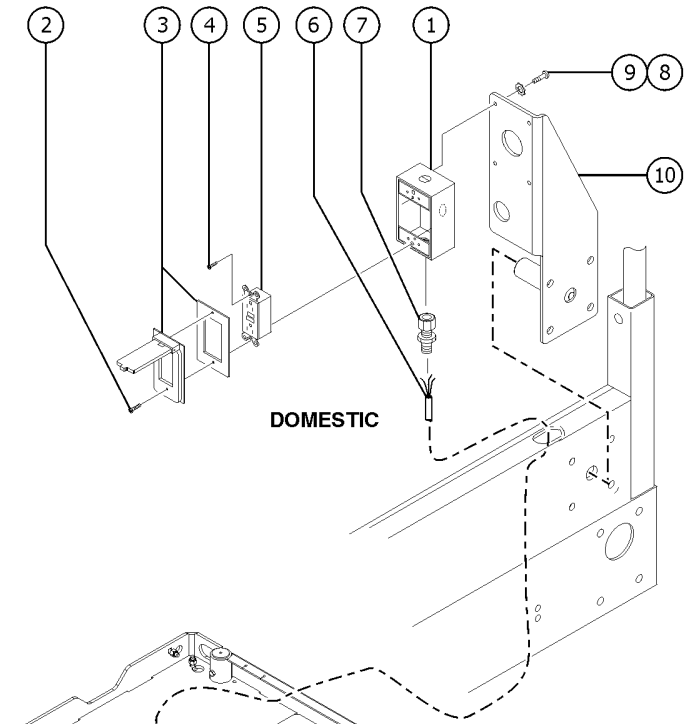
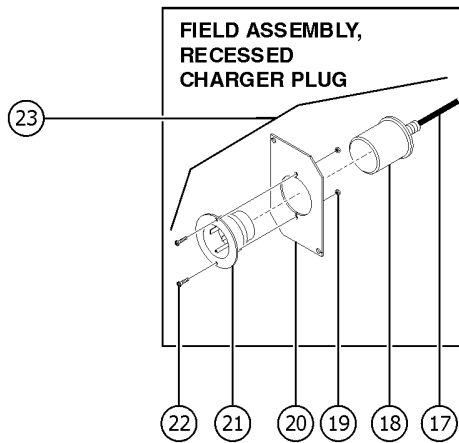
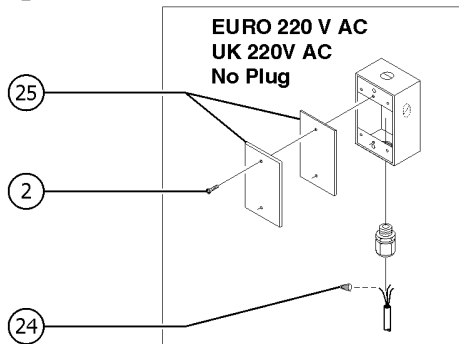
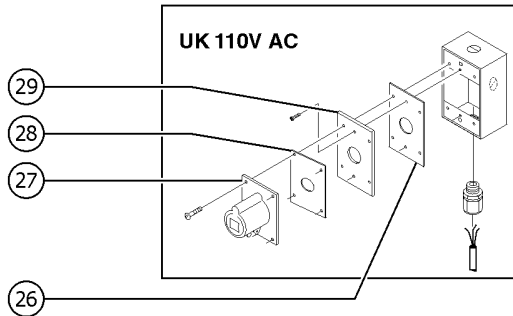
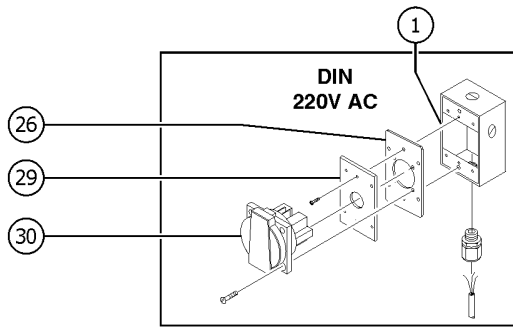
406.1 Power to Platform, GS-1530, GS-1532



Item	Part No.	Description	Qty.
A	33724GT	KIT,GASKET,UK POWER TO PLAT. (includes 1 each, items 26 and 28)	
1	10775GT	T-BOX,2.75 X 4.5 X 2.0	1
2	7127GT	SCREW,PHILLIPS,PHM,6-32 X .75	
3A	74006GT	COVER,GFCI,HORIZONTAL,WEATHER ANSI and CSA models) (includes gasket and mounting fasteners)	1
3B	105812GT	COVER,T-BOX LOCKABLE	1
		EE rated (not shown)	
4	45546GT	SCREW,RHM,6-32 X .5	
5	13585GT	OUTLET,110V GFCI***	1
		(ANSI and CSA models)	
6A	43956GT	WIRE CABLE,14/3 CON.TPE JKT*	264
		GS-1530, GS-1532	
7	7056GT	CONN,SQUEEZE,1/2NPT .38-.50,SM	1
8	57075GT	SCREW,PHIL,8-32X.50,SELF TAP	
9	44936GT	WASHER,STAR,EXTERNAL,#8	4
10		Ref. ROLLER BRACKET	
		(refer to 401.1 through 404.1)	
11	6935GT	LOCKNUT, ELEC, 1/2"	1
12A	6595GT	PLUG,ELECTRICAL,DOMESTIC	1
		to SN GS3016P-158208	
12B	6595GT	PLUG,ELECTRICAL,DOMESTIC	2
		from SN GS3016P-158209 to 173673	
13	25388GT	PLUG,FUSED,250V,13AMP,U.K.**	
14	1280665GT	PLUG, TYPE F, 230A, 50HZ, 16A, IP44	
15	144161GT	PLUG,PWR,UK,16AMP,3PIN,BLK	
16	105117GT	PLUG,FLG INLET,15A/125V,2PWGD	
16-	105118GT	GASKET,(BOOT) FLANGE INLET PLG	
17	48282GT	POWER CORD, IEC 320 BLANK, 79"	1
		ANSI models to SN GS3016P-158208, all models from SN 173673	
18	105118GT	GASKET,(BOOT) FLANGE INLET PLG	1
		ANSI models to SN GS3016P-158208, all models from SN 173673	
19	18605GT	NUT,NYLOCK,8-32	2
		ANSI models to SN GS3016P-158208, all models from SN 173673	
20	105483-SGT	PLATE,AC ADAPTER(ANSI/CSA)	1
		ANSI models to SN GS3016P-158208, all models from SN 173673	
20-	6091GT	NUT,NYLOCK,1/4-20	2
		not included	
20-	6878GT	BOLT,CARRIAGE,1/4-20 X .75,G2	2
		not included	
21	105117GT	PLUG,FLG INLET,15A/125V,2PWGD	1
		ANSI models to SN GS3016P-158208, all models from SN 173673	
22	55906GT	SCREW,PHILLIPS,PHM,8-32 X .5	2
		ANSI models to SN GS3016P-158208, all models from SN 173673	



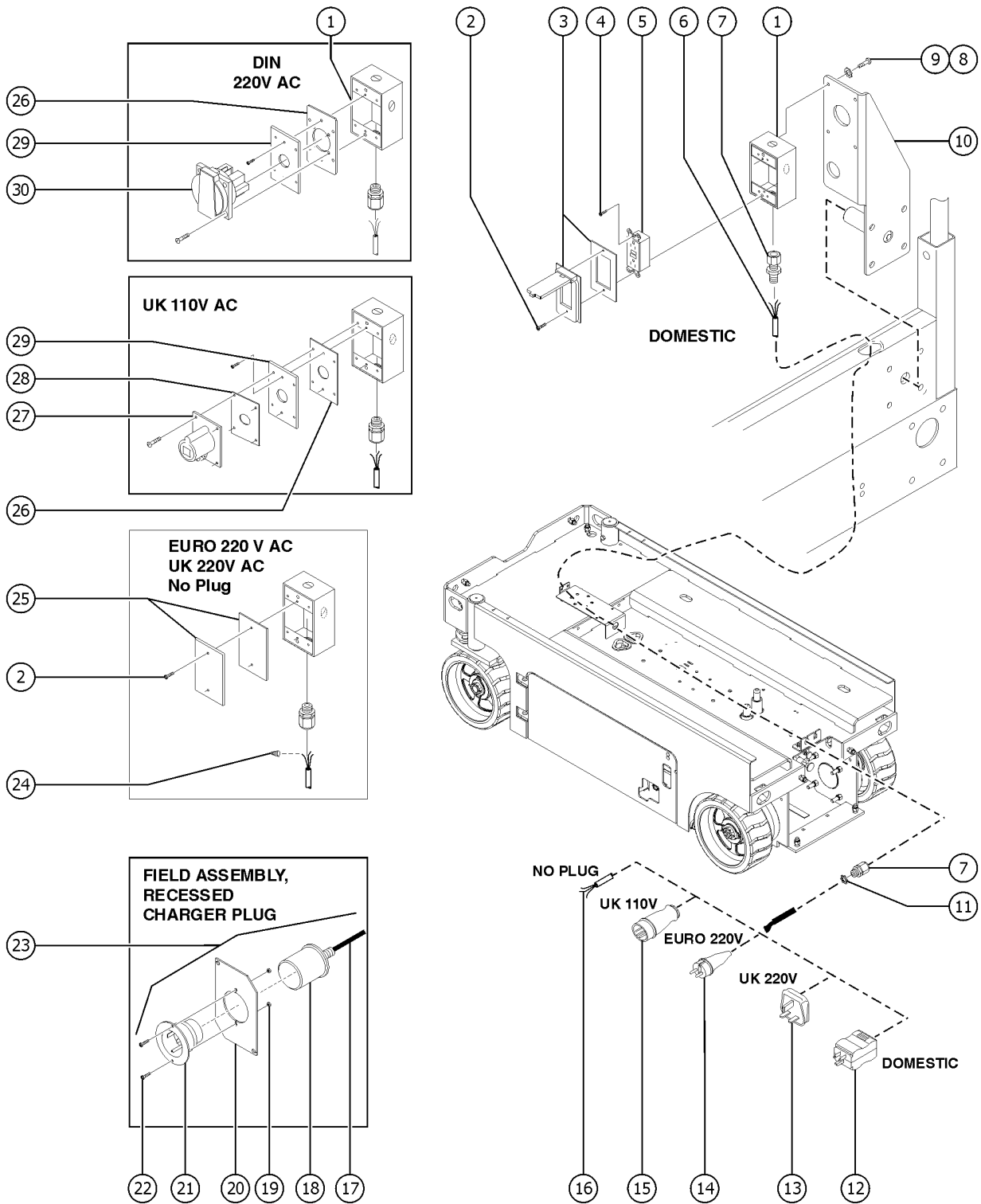
406.1 Power to Platform, GS-1530, GS-1532



Item	Part No.	Description	Qty.
23	105448GT	FIELD ASSY,REC.CHARGER PLUG ANSI models to SN GS3016P-158208, all models from 173673 (includes items 17-22)	1
24	6626GT	WIRE CAP,ORANGE	1
25	10777GT	COVER,BLANK	1
26	66355GT	GASKET, UK & DIN PWR. TO PLAT (2.9 x 2.9 inches)	1
27	T112563GT	SVC KIT,UK RECEPT.REPLACEMENT	1
28	66356GT	GASKET, UK RECEPTACLE (2.9 x 2.9 inches)	1
29A	105483-SGT	PLATE,AC ADAPTER(ANSI/CSA) (ANSI/CSA)	
29B	96236GT	PLATE,AC ADAPTER,DIN/UK***	
29C	105090GT	PLATE, AC ADAPTER(AUS)	
30	66353GT	RECEPTACLE, DIN, 220V 50A	1



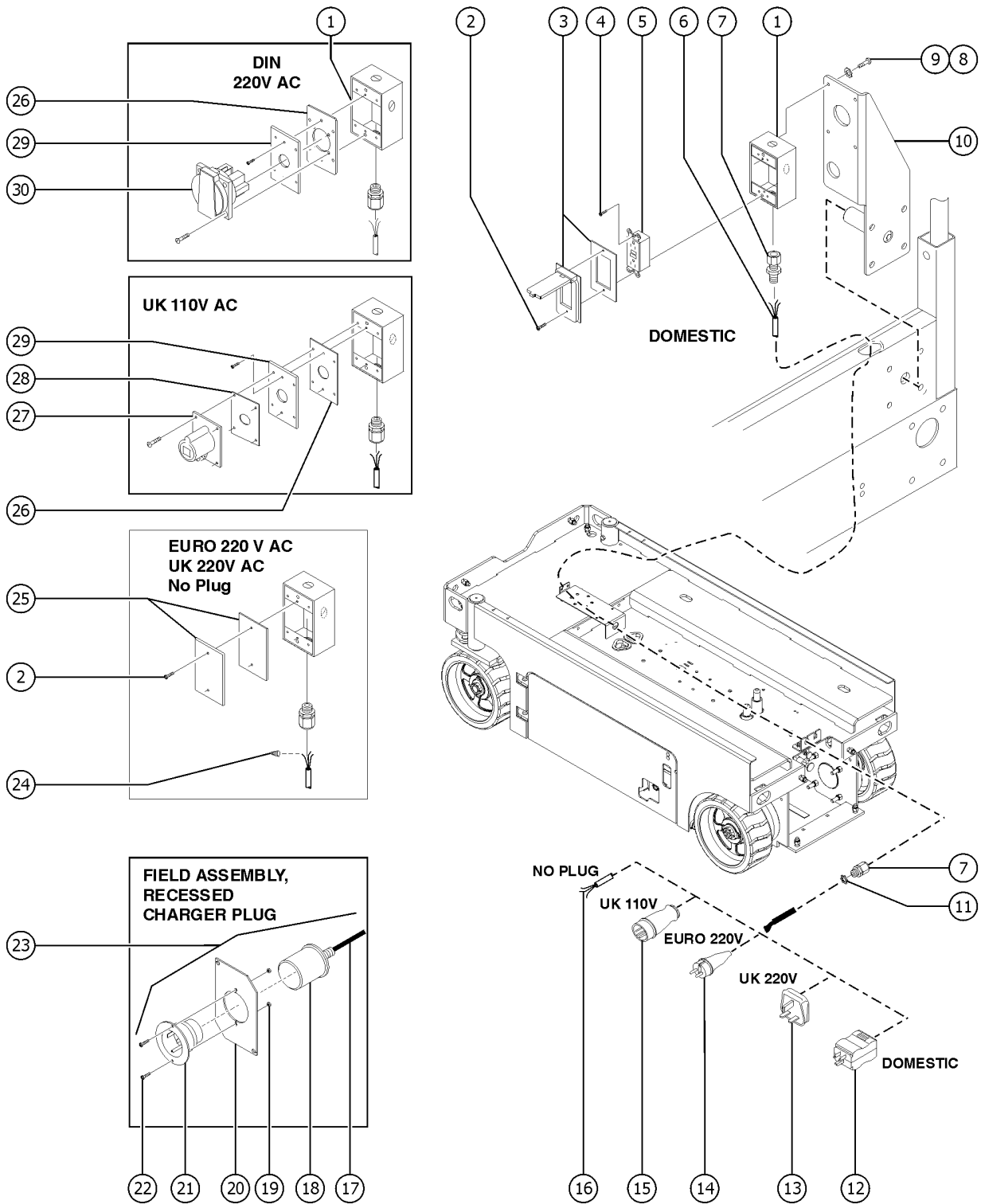
406.2 Power to Platform, GS-1530, GS-1532



Item	Part No.	Description	Qty.
A	33724GT	KIT,GASKET,UK POWER TO PLAT. (includes 1 each, items 26 and 28)	
1	10775GT	T-BOX,2.75 X 4.5 X 2.0	1
2	7127GT	SCREW,PHILLIPS,PHM,6-32 X .75	
3A	74006GT	COVER,GFCI,HORIZONTAL,WEATHER ANSI and CSA models) (includes gasket and mounting fasteners)	1
3B	105812GT	COVER,T-BOX LOCKABLE	1
		EE rated (not shown)	
4	45546GT	SCREW,RHM,6-32 X .5	
5	13585GT	OUTLET,110V GFCI***	1
		(ANSI and CSA models)	
6A	43956GT	WIRE CABLE,14/3 CON.TPE JKT*	264
		GS-1530, GS-1532	
7	7056GT	CONN,SQUEEZE,1/2NPT .38-.50,SM	1
8	57075GT	SCREW,PHIL,8-32X.50,SELF TAP	
9	44936GT	WASHER,STAR,EXTERNAL,#8	4
10		Ref. ROLLER BRACKET	
		(refer to 401.1 through 404.1)	
11	6935GT	LOCKNUT, ELEC, 1/2"	1
12A	6595GT	PLUG,ELECTRICAL,DOMESTIC	1
		to SN GS3016P-158208	
12B	6595GT	PLUG,ELECTRICAL,DOMESTIC	2
		from SN GS3016P-158209 to 173673	
13	25388GT	PLUG,FUSED,250V,13AMP,U.K.**	
14	1280665GT	PLUG, TYPE F, 230A, 50HZ, 16A, IP44	
15	144161GT	PLUG,PWR,UK,16AMP,3PIN,BLK	
16	105117GT	PLUG,FLG INLET,15A/125V,2PWGD	
16-	105118GT	GASKET,(BOOT) FLANGE INLET PLG	
17	48282GT	POWER CORD, IEC 320 BLANK, 79"	1
		ANSI models to SN GS3016P-158208, all models from SN 173673	
18	105118GT	GASKET,(BOOT) FLANGE INLET PLG	1
		ANSI models to SN GS3016P-158208, all models from SN 173673	
19	18605GT	NUT,NYLOCK,8-32	2
		ANSI models to SN GS3016P-158208, all models from SN 173673	
20	105483-SGT	PLATE,AC ADAPTER(ANSI/CSA)	1
		ANSI models to SN GS3016P-158208, all models from SN 173673	
20-	6091GT	NUT,NYLOCK,1/4-20	2
		not included	
20-	6878GT	BOLT,CARRIAGE,1/4-20 X .75,G2	2
		not included	
21	105117GT	PLUG,FLG INLET,15A/125V,2PWGD	1
		ANSI models to SN GS3016P-158208, all models from SN 173673	
22	55906GT	SCREW,PHILLIPS,PHM,8-32 X .5	2
		ANSI models to SN GS3016P-158208, all models from SN 173673	



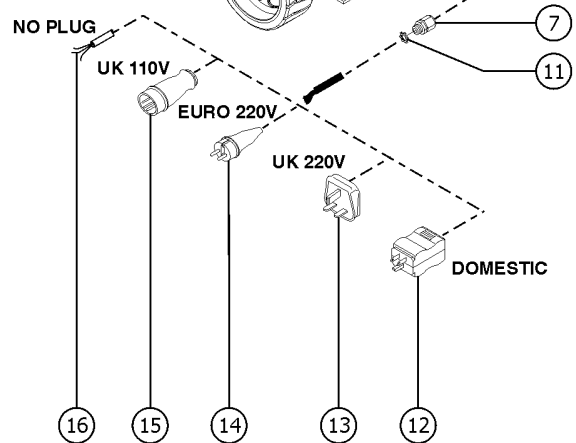
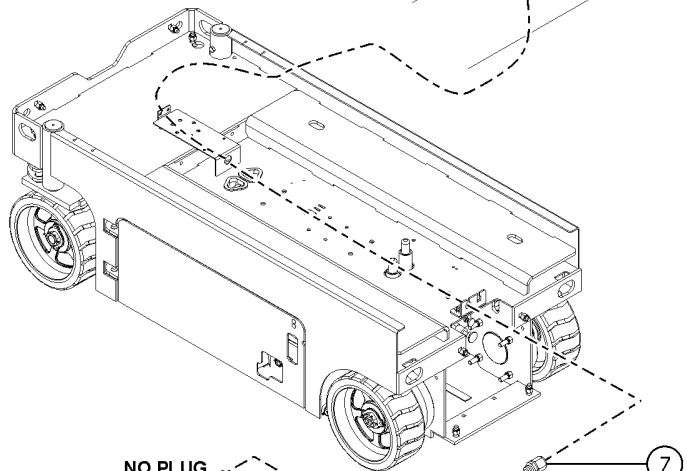
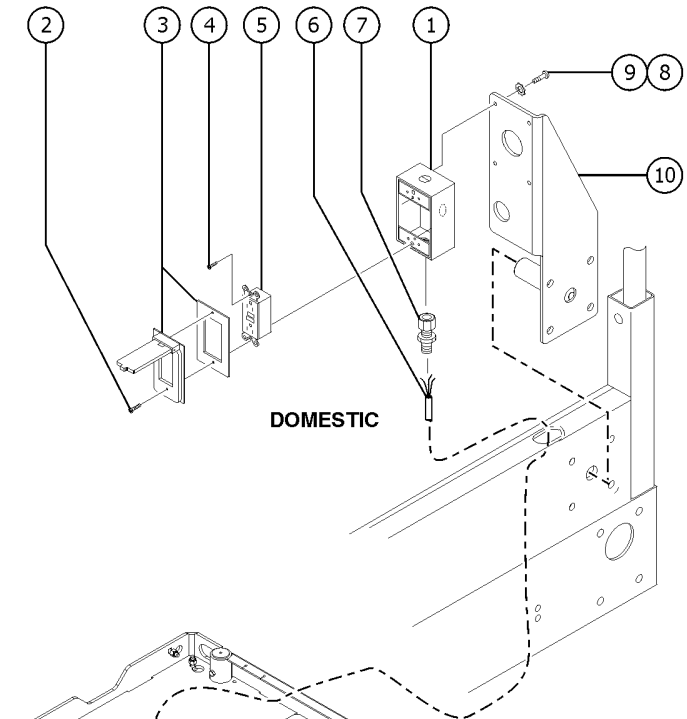
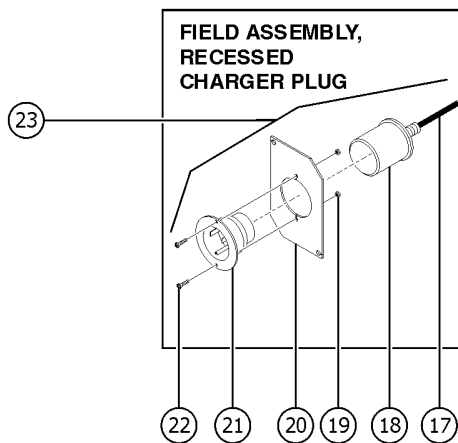
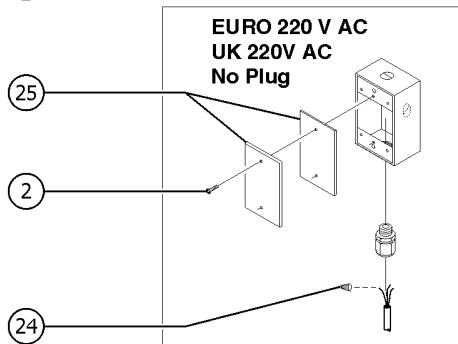
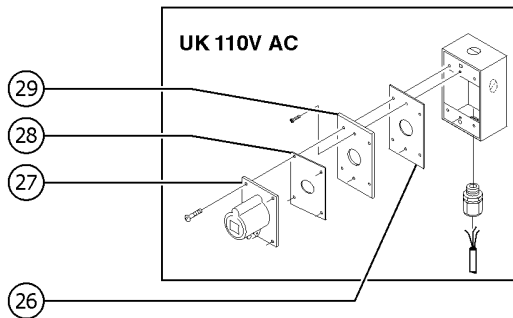
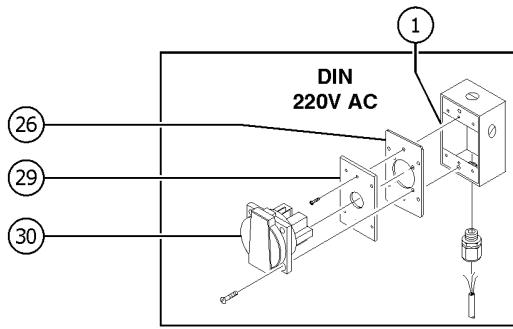
406.2 Power to Platform, GS-1530, GS-1532



Item	Part No.	Description	Qty.
23	105448GT	FIELD ASSY,REC.CHARGER PLUG ANSI models to SN GS3016P-158208, all models from 173673 (includes items 17-22)	1
24	6626GT	WIRE CAP,ORANGE	1
25	10777GT	COVER,BLANK	1
26	66355GT	GASKET, UK & DIN PWR. TO PLAT (2.9 x 2.9 inches)	1
27	T112563GT	SVC KIT,UK RECEPT.REPLACEMENT	1
28	66356GT	GASKET, UK RECEPTACLE (2.9 x 2.9 inches)	1
29A	105483-SGT	PLATE,AC ADAPTER(ANSI/CSA) (ANSI/CSA)	
29B	96236GT	PLATE,AC ADAPTER,DIN/UK***	
29C	105090GT	PLATE, AC ADAPTER(AUS)	
30	66353GT	RECEPTACLE, DIN, 220V 50A	1



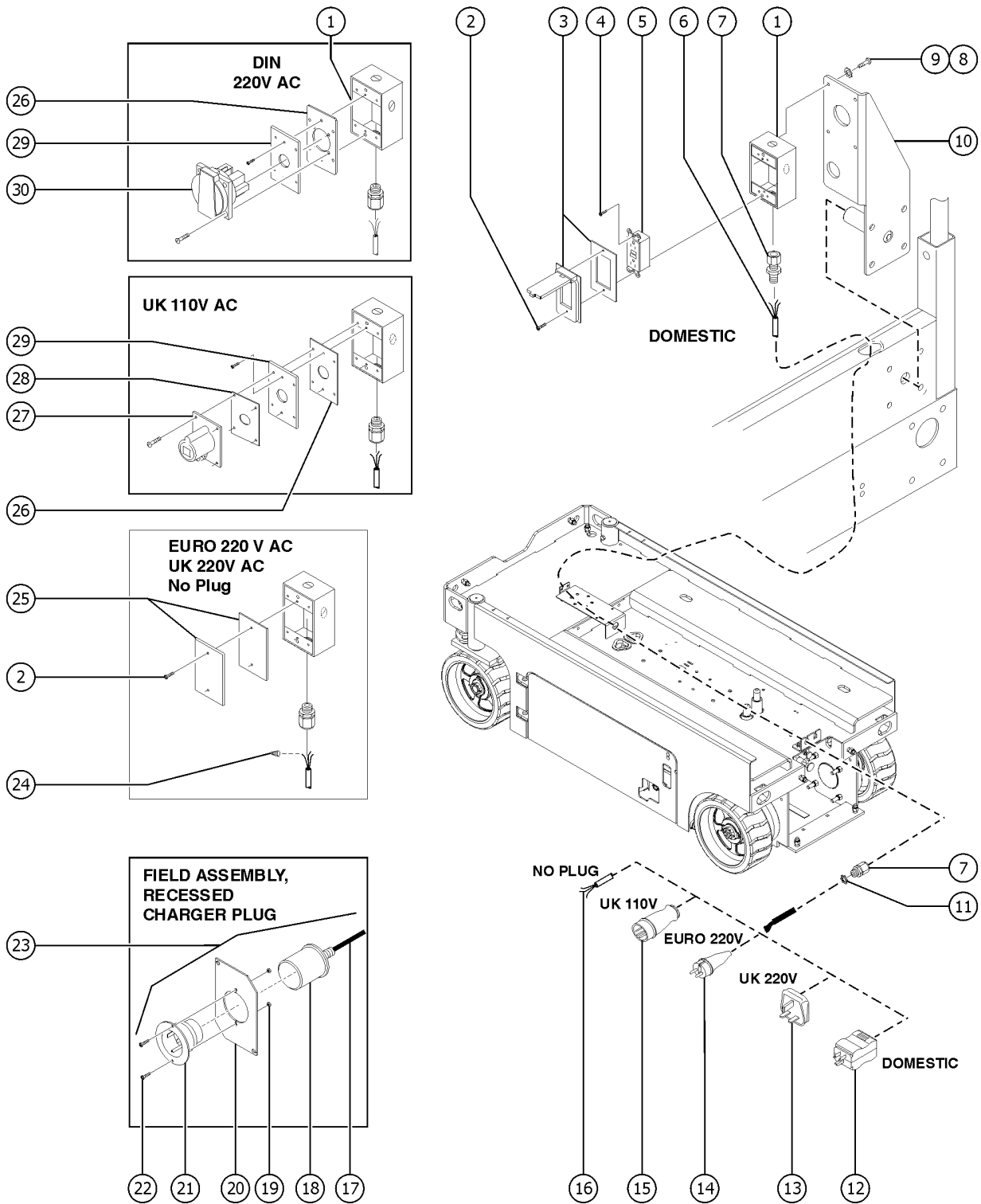
406.3 Power to Platform, GS-1930, GS-1932



Item	Part No.	Description	Qty.
A	33724GT	KIT,GASKET,UK POWER TO PLAT. (includes 1 each, items 26 and 28)	
1	10775GT	T-BOX,2.75 X 4.5 X 2.0	1
2	7127GT	SCREW,PHILLIPS,PHM,6-32 X .75	
3A	74006GT	COVER,GFCI,HORIZONTAL,WEATHER ANSI and CSA models) (includes gasket and mounting fasteners)	1
3B	105812GT	COVER,T-BOX LOCKABLE	1
		EE rated (not shown)	
4	45546GT	SCREW,RHM,6-32 X .5	
5	13585GT	OUTLET,110V GFCI***	1
		(ANSI and CSA models)	
6B	43956GT	WIRE CABLE,14/3 CON.TPE JKT*	364
		GS-1930, GS-1932	
7	7056GT	CONN,SQUEEZE,1/2NPT .38-.50,SM	1
8	57075GT	SCREW,PHIL,8-32X.50,SELF TAP	
9	44936GT	WASHER,STAR,EXTERNAL,#8	4
10		Ref. ROLLER BRACKET	
		(refer to 401.1 through 404.1)	
11	6935GT	LOCKNUT, ELEC, 1/2"	1
12A	6595GT	PLUG,ELECTRICAL,DOMESTIC	1
		to SN GS3016P-158208	
12B	6595GT	PLUG,ELECTRICAL,DOMESTIC	2
		from SN GS3016P-158209 to 173673	
13	25388GT	PLUG,FUSED,250V,13AMP,U.K.**	
14	1280665GT	PLUG, TYPE F, 230A, 50HZ, 16A, IP44	
15	144161GT	PLUG,PWR,UK,16AMP,3PIN,BLK	
16	105117GT	PLUG,FLG INLET,15A/125V,2PWGD	
16-	105118GT	GASKET,(BOOT) FLANGE INLET PLG	
17	48282GT	POWER CORD, IEC 320 BLANK, 79"	1
		ANSI models to SN GS3016P-158208, all models from SN 173673	
18	105118GT	GASKET,(BOOT) FLANGE INLET PLG	1
		ANSI models to SN GS3016P-158208, all models from SN 173673	
19	18605GT	NUT,NYLOCK,8-32	2
		ANSI models to SN GS3016P-158208, all models from SN 173673	
20	105483-SGT	PLATE,AC ADAPTER(ANSI/CSA)	1
		ANSI models to SN GS3016P-158208, all models from SN 173673	
20-	6091GT	NUT,NYLOCK,1/4-20	2
		not included	
20-	6878GT	BOLT,CARRIAGE,1/4-20 X .75,G2	2
		not included	
21	105117GT	PLUG,FLG INLET,15A/125V,2PWGD	1
		ANSI models to SN GS3016P-158208, all models from SN 173673	
22	55906GT	SCREW,PHILLIPS,PHM,8-32 X .5	2
		ANSI models to SN GS3016P-158208, all models from SN 173673	



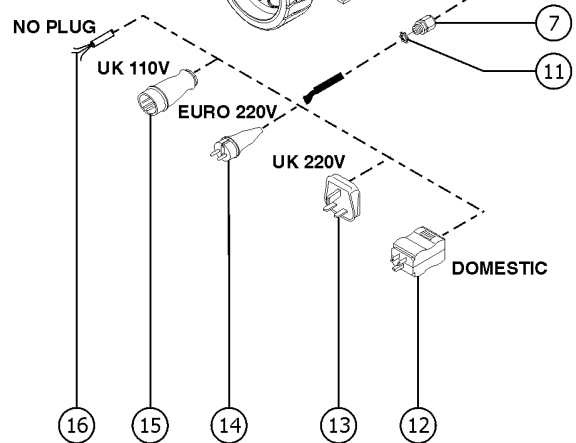
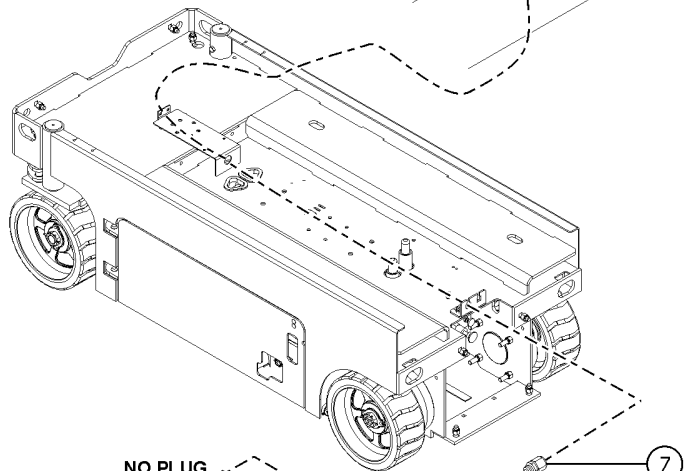
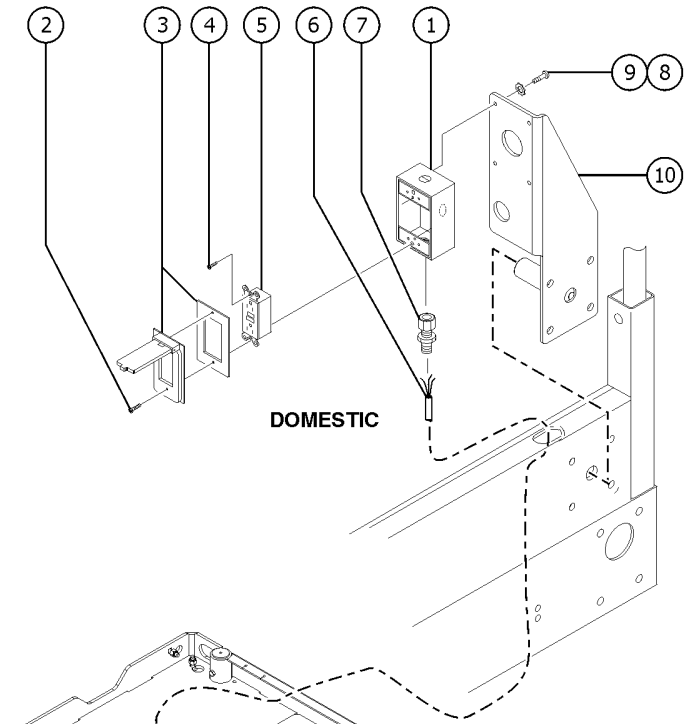
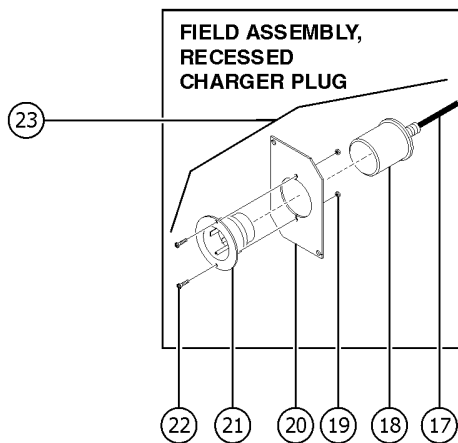
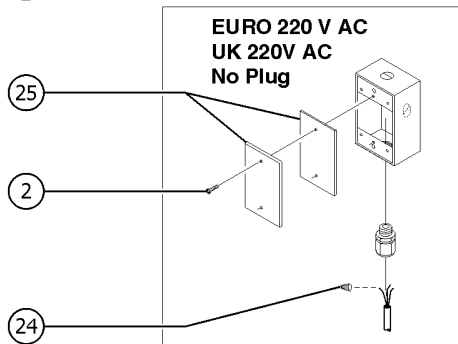
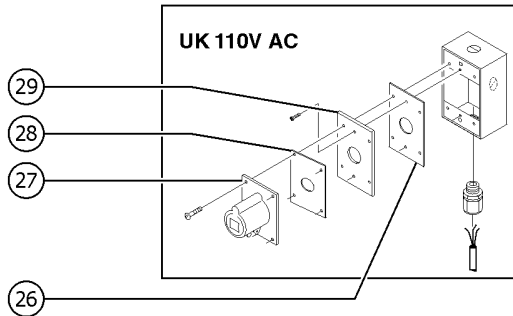
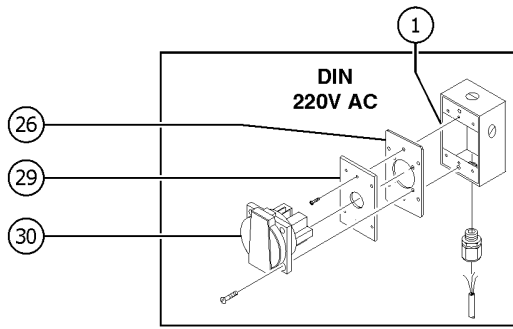
406.3 Power to Platform, GS-1930, GS-1932



Item	Part No.	Description	Qty.
23	105448GT	FIELD ASSY,REC.CHARGER PLUG ANSI models to SN GS3016P-158208, all models from 173673 (includes items 17-22)	1
24	6626GT	WIRE CAP,ORANGE	1
25	10777GT	COVER,BLANK	1
26	66355GT	GASKET, UK & DIN PWR. TO PLAT (2.9 x 2.9 inches)	1
27	T112563GT	SVC KIT,UK RECEPT.REPLACEMENT	1
28	66356GT	GASKET, UK RECEPTACLE (2.9 x 2.9 inches)	1
29A	105483-SGT	PLATE,AC ADAPTER(ANSI/CSA) (ANSI/CSA)	
29B	96236GT	PLATE,AC ADAPTER,DIN/UK***	
29C	105090GT	PLATE, AC ADAPTER(AUS)	
30	66353GT	RECEPTACLE, DIN, 220V 50A	1



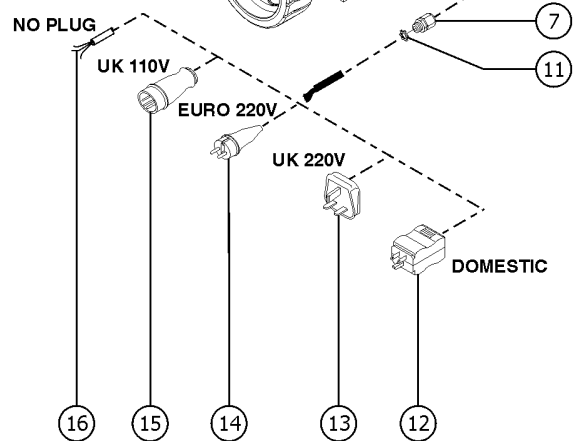
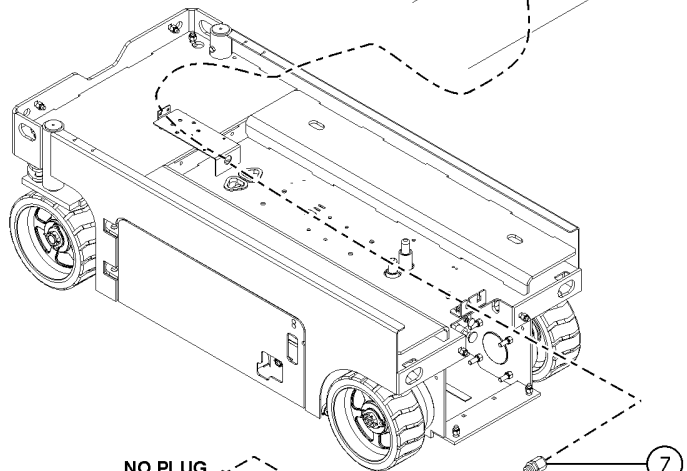
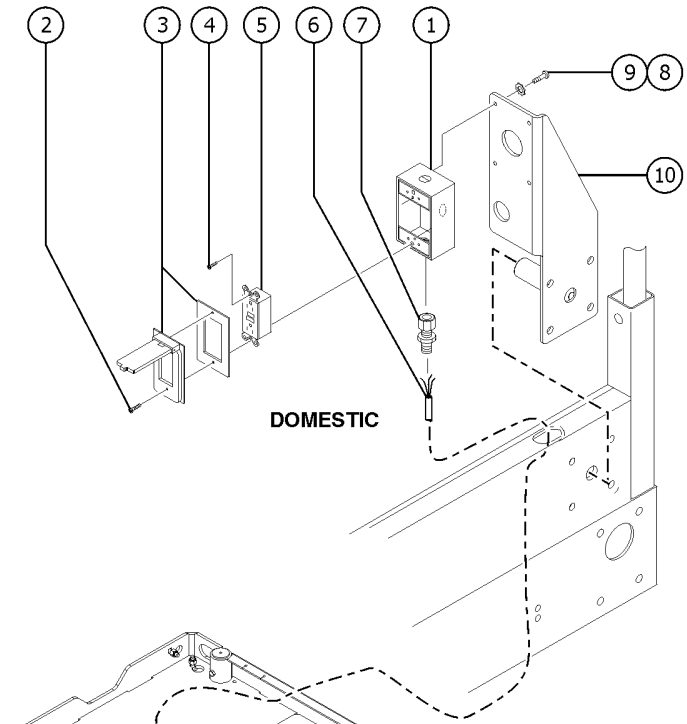
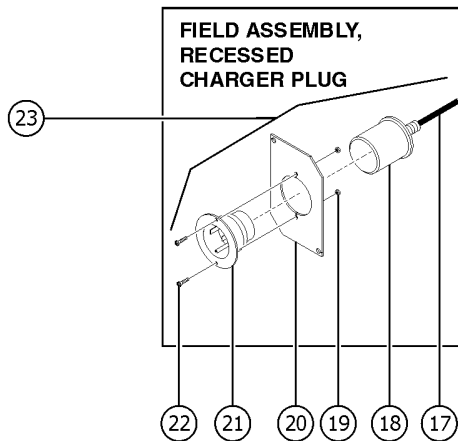
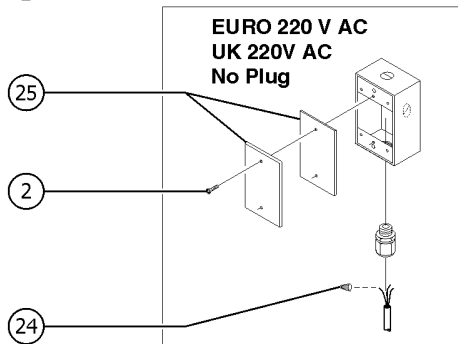
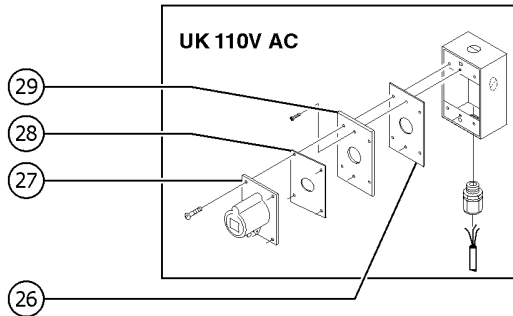
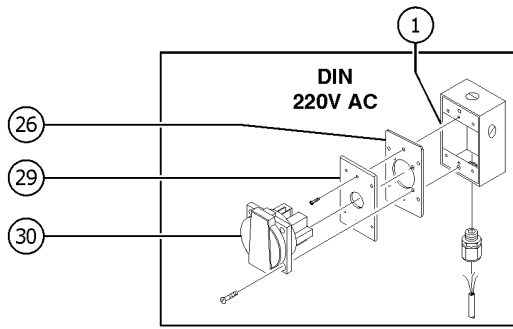
406.4 Power to Platform, GS-1930, GS-1932



Item	Part No.	Description	Qty.
A	33724GT	KIT,GASKET,UK POWER TO PLAT. (includes 1 each, items 26 and 28)	
1	10775GT	T-BOX,2.75 X 4.5 X 2.0	1
2	7127GT	SCREW,PHILLIPS,PHM,6-32 X .75	
3A	74006GT	COVER,GFCI,HORIZONTAL,WEATHER ANSI and CSA models) (includes gasket and mounting fasteners)	1
3B	105812GT	COVER,T-BOX LOCKABLE	1
		EE rated (not shown)	
4	45546GT	SCREW,RHM,6-32 X .5	
5	13585GT	OUTLET,110V GFCI***	1
		(ANSI and CSA models)	
6B	43956GT	WIRE CABLE,14/3 CON.TPE JKT*	364
		GS-1930, GS-1932	
7	7056GT	CONN,SQUEEZE,1/2NPT .38-.50,SM	1
8	57075GT	SCREW,PHIL,8-32X.50,SELF TAP	
9	44936GT	WASHER,STAR,EXTERNAL,#8	4
10		Ref. ROLLER BRACKET	
		(refer to 401.1 through 404.1)	
11	6935GT	LOCKNUT, ELEC, 1/2"	1
12A	6595GT	PLUG,ELECTRICAL,DOMESTIC	1
		to SN GS3016P-158208	
12B	6595GT	PLUG,ELECTRICAL,DOMESTIC	2
		from SN GS3016P-158209 to 173673	
13	25388GT	PLUG,FUSED,250V,13AMP,U.K.**	
14	1280665GT	PLUG, TYPE F, 230A, 50HZ, 16A, IP44	
15	144161GT	PLUG,PWR,UK,16AMP,3PIN,BLK	
16	105117GT	PLUG,FLG INLET,15A/125V,2PWGD	
16-	105118GT	GASKET,(BOOT) FLANGE INLET PLG	
17	48282GT	POWER CORD, IEC 320 BLANK, 79"	1
		ANSI models to SN GS3016P-158208, all models from SN 173673	
18	105118GT	GASKET,(BOOT) FLANGE INLET PLG	1
		ANSI models to SN GS3016P-158208, all models from SN 173673	
19	18605GT	NUT,NYLOCK,8-32	2
		ANSI models to SN GS3016P-158208, all models from SN 173673	
20	105483-SGT	PLATE,AC ADAPTER(ANSI/CSA)	1
		ANSI models to SN GS3016P-158208, all models from SN 173673	
20-	6091GT	NUT,NYLOCK,1/4-20	2
		not included	
20-	6878GT	BOLT,CARRIAGE,1/4-20 X .75,G2	2
		not included	
21	105117GT	PLUG,FLG INLET,15A/125V,2PWGD	1
		ANSI models to SN GS3016P-158208, all models from SN 173673	
22	55906GT	SCREW,PHILLIPS,PHM,8-32 X .5	2
		ANSI models to SN GS3016P-158208, all models from SN 173673	



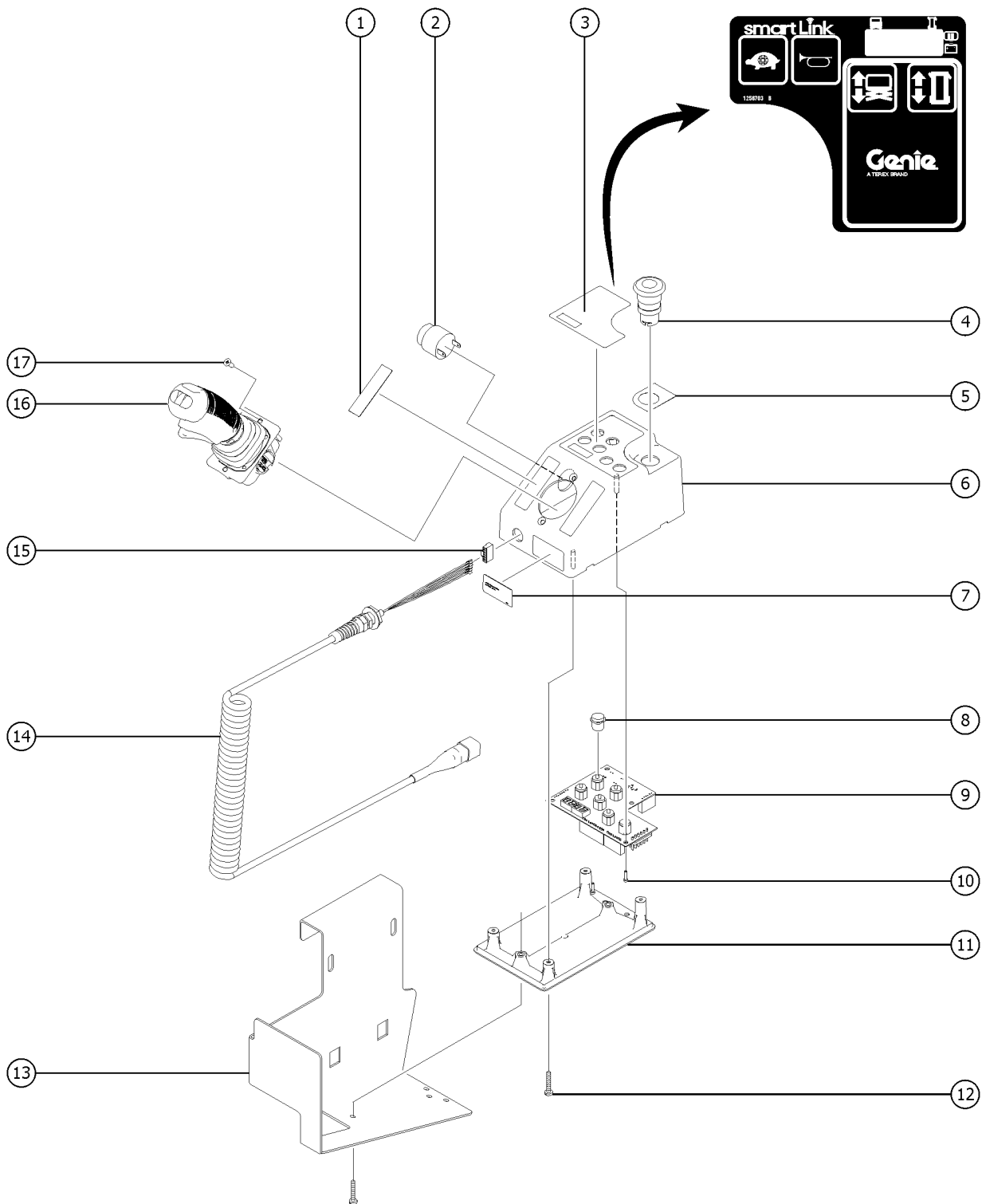
406.4 Power to Platform, GS-1930, GS-1932



Item	Part No.	Description	Qty.
23	105448GT	FIELD ASSY,REC.CHARGER PLUG ANSI models to SN GS3016P-158208, all models from 173673 (includes items 17-22)	1
24	6626GT	WIRE CAP,ORANGE	1
25	10777GT	COVER,BLANK	1
26	66355GT	GASKET, UK & DIN PWR. TO PLAT (2.9 x 2.9 inches)	1
27	T112563GT	SVC KIT,UK RECEPT.REPLACEMENT	1
28	66356GT	GASKET, UK RECEPTACLE (2.9 x 2.9 inches)	1
29A	105483-SGT	PLATE,AC ADAPTER(ANSI/CSA) (ANSI/CSA)	
29B	96236GT	PLATE,AC ADAPTER,DIN/UK***	
29C	105090GT	PLATE, AC ADAPTER(AUS)	
30	66353GT	RECEPTACLE, DIN, 220V 50A	1



407.1 Platform Controls

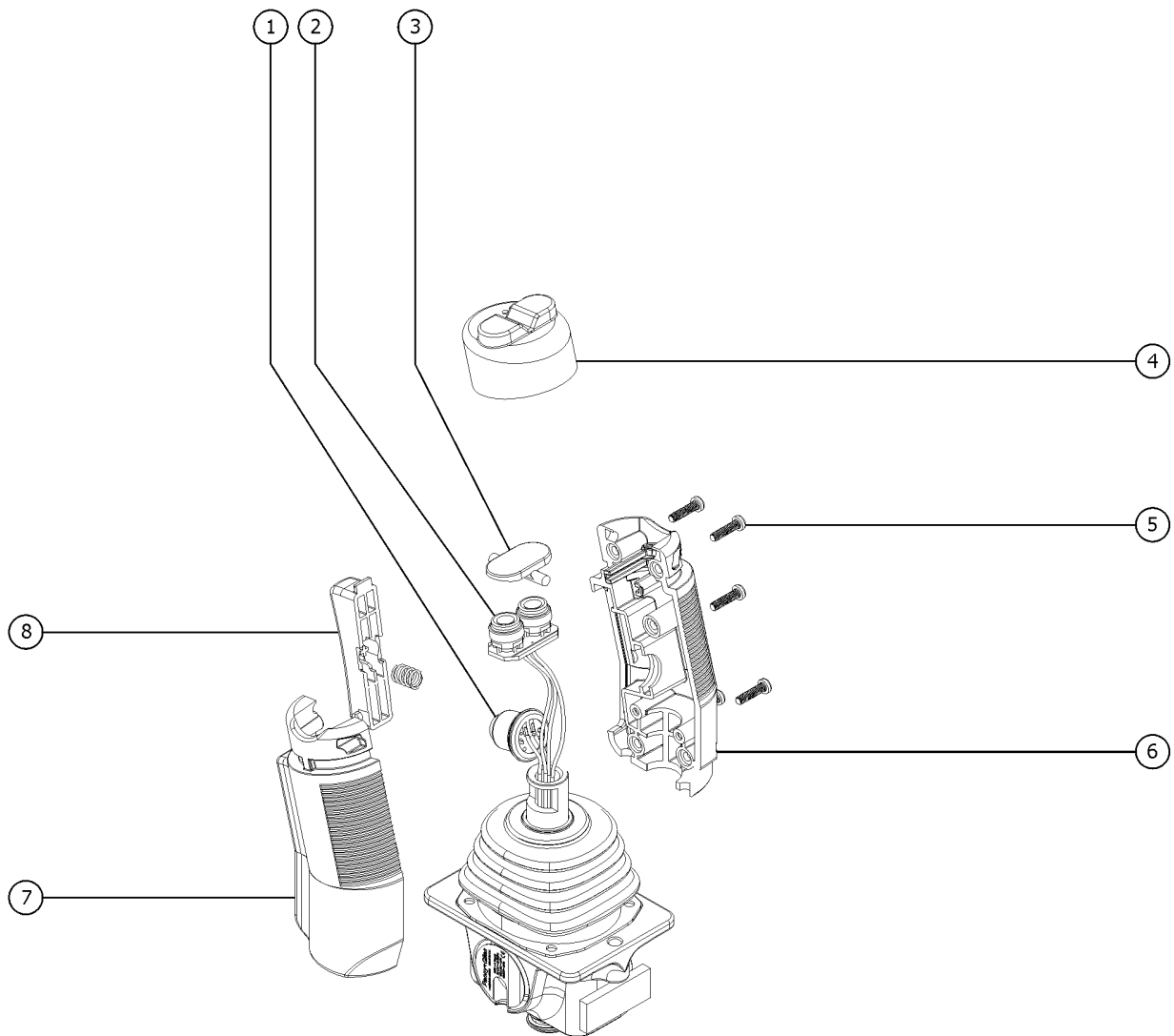


407.1 Platform Controls

Item	Part No.	Description	Qty.
A-	1256727GT	PCON,STD,PROP LIFT,GR/GS (complete platform control box with coil cord, bracket not included)	1
B-	1258731GT	FLASH DRIVE,SL1K2.0 SOFTWARE (For proportional lift or upgrade kits only. Software update available on-line. Flash drive sold separately.)	
C-	137587GT	HARNESS, ESTOP, GR/GRC/GS PCON	
1	137656GT	DECAL,PROPEL,GR/GRC/GS,PCON	1
2	39540GT	ALARM, STEADY TONE***	1
3		DECAL, UI, GS/GR, PROP LIFT (refer to section 1)	1
4	66812GT	BUTTON,PUSH,RED MUSHROOM HEAD	1
4-	66817GT	BASE WITH 1 NC CONTACT, E-STOP	
5	137605GT	DECAL,E-STOP,GR/GRC/GS PCON	1
6	1256656GT	ENCLOSURE,STD 4-BUTTON,TOP	
7		DECAL (component no longer available)	
8	T106373GT	CAP,BUTTON,K12	6
9	1256725GT	PCBA,PCON STD,PROP LIFT	1
10	137637GT	SCREW,PHM,4-20X.5, 48-2 TRI-L	
11	T106370GT	ENCLOSURE,GC14-1/GC16-1, BOT	1
12	137640GT	SCREW,PHM,8-16X.75, 48-2 TRI-L	
13	231331GT	PLAT CONTROL BRKT ASSY,GS MINI USA, Canada, Australia	1
13-	T114397GT	FORMING,PLAT CONTROL BOX Europe, Asia and S. America	
14	235464GT	KIT,COIL CORD,CONTRLR,SL1000 includes item 15	1
14-	231921GT	KIT,CONN,RECEPT W/PIN AND LOCK	
14-	231922GT	KIT,CONN,PLUG W/SCKT AND LOCK	
15	137699GT	PLUG, 6POS ECO PWR	1
16		Ref., JOYSTICK refer to 409.1	1
17	229845GT	SCREW,BHSCS,M5X10,SS apply Loctite 243 or equivalent before installation	

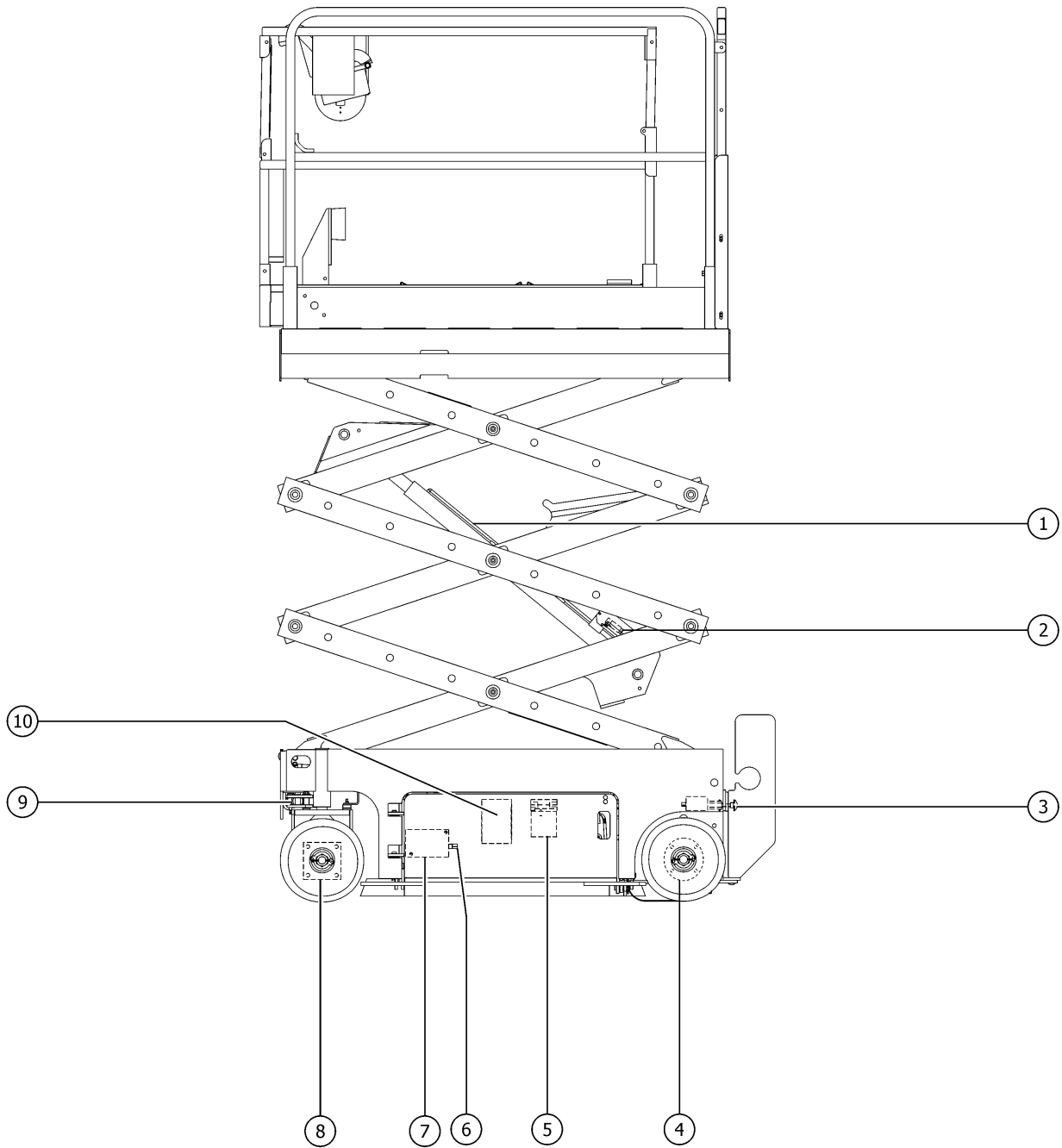


408.1 Joystick Controller



Item	Part No.	Description	Qty.
A-	137634GT	JOYSTICK, HALL EFFECT, SINGLE	
B-	214544GT	KIT,BOOT,JOYSTICK,SL1000	
		joystick boot	
1	235463GT	KIT,SWITCH,JYSTK,SL1000	1
		function enable and steer switches	
2	235463GT	KIT,SWITCH,JYSTK,SL1000	1
		function enable and steer switches	
3	229092GT	ROCKER,2 SWITCH	1
4	229093GT	BOOT, 2 SWITCH, SILICON	1
5	229086GT	SCREW, SELF TAP	5
6A	229087GT	HANDLE HALF,RIGHT,W/TOP SWITCH	1
6B	229091GT	SCREW,GRUB,M5X8MM,HLF DOG,BZP	
		for 229087	
7A	229088GT	HANDLE HALF,LEFT,W/TOP SWITCH	1
7B	229090GT	SCREW,GRUB,M5X8MM CUP(BLK)	
		for 229088	
8	229089GT	TRIGGER, EXTENDED	1
		squeeze handle	
8-	229094GT	SPRING, HANDLE TRIGGER	1

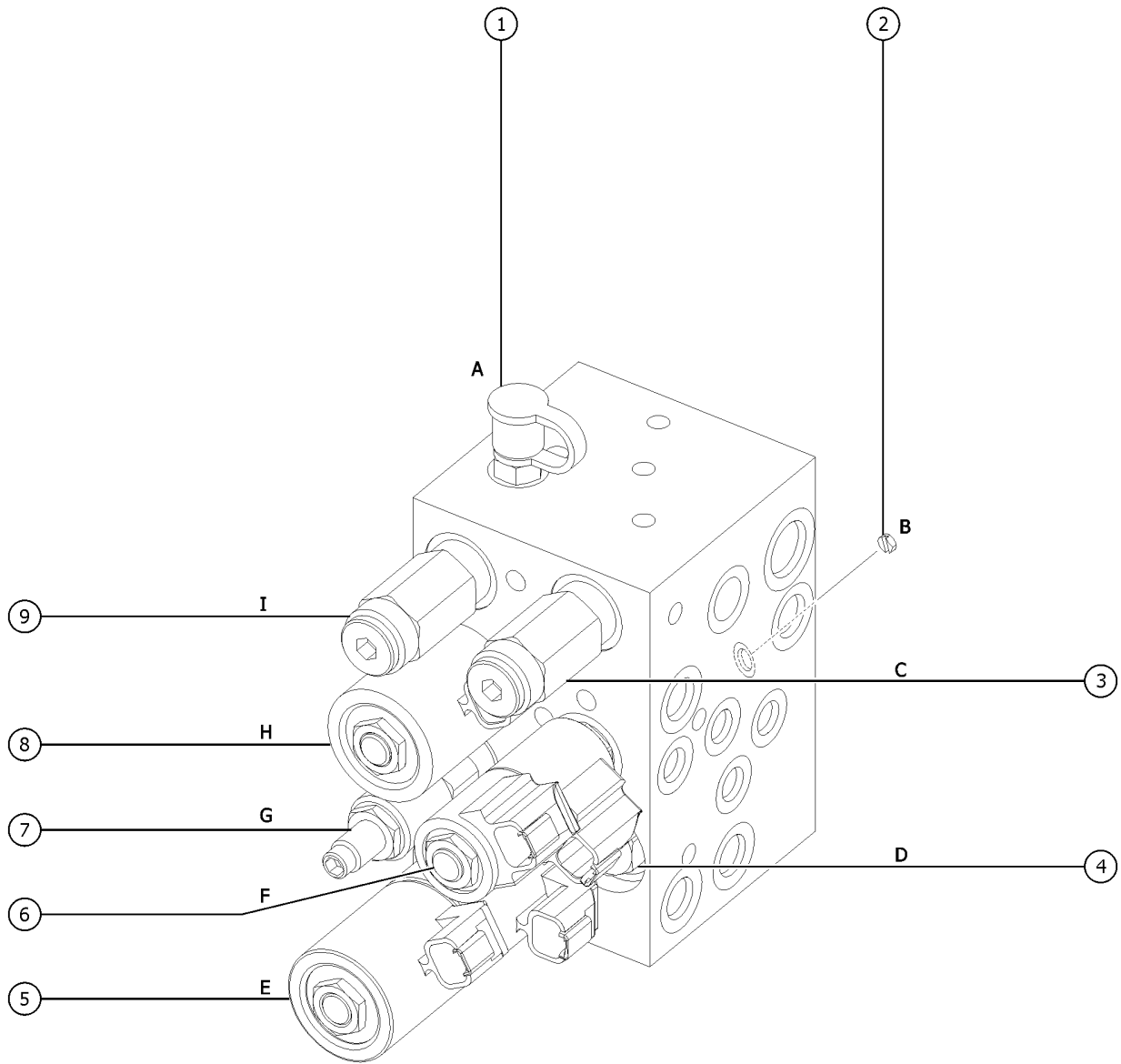
501.1 Hydraulic Components



Item	Part No.	Description	Qty.
1		Ref. Lift Cylinder Assembly (refer to 506.1)	
2		Ref. Pressure Transducer (refer to 701.1)	
3		Ref. Brake Release Hand Pump Manifold (refer to 504.1)	
4	96257GT	BRAKE, HYDRAULIC*** (no seal kits available)	2
5A	78622GT	FILTER ASSY,SAE8,10 MIC,PAPR** (paper, standard)	1
5A-	44788GT	FILTER ELEMENT,10MICRON,PAPER* (paper, standard)	
5B	T114321GT	FILTER ASSY,FIBRGLS,#8-#8 (fiberglass, optional upgrade)	1
5B-	44207GT	FILTER ELEMENT,BETA(10)=200 (fiberglass, optional upgrade)	
6		Ref. Check Valve Manifold (refer to 503.1)	
7		Ref. Function Manifold (refer to 502.1)	
8	96388GT	MOTOR,HYDRAULIC,530,14.0CU.IN* GS-30	2
8-	96419GT	SEAL KIT,RC SERIES DR MOTOR*** (for 96388 and 96417)	
9	105547GT	CYLINDER, GS/GR STEER	1
9-	105550GT	KIT,STEER CYL SEAL	
9-	105553GT	KIT,STEER CYL SEAL,040271P,HDM (for code H408147 and up)	
9-	105554GT	KIT,STEER CYL SEAL,040499P,HDM (for code H41109 and up)	
9-	105555GT	KIT,STEER CYL SEAL,040505P,HDM (for codes H41205, H41255, H51290, H501111, H505109, H509101, H60723 and H60870)	
10	78422GT	ACCUMULATOR,180 PSI PRECHARGE*	1



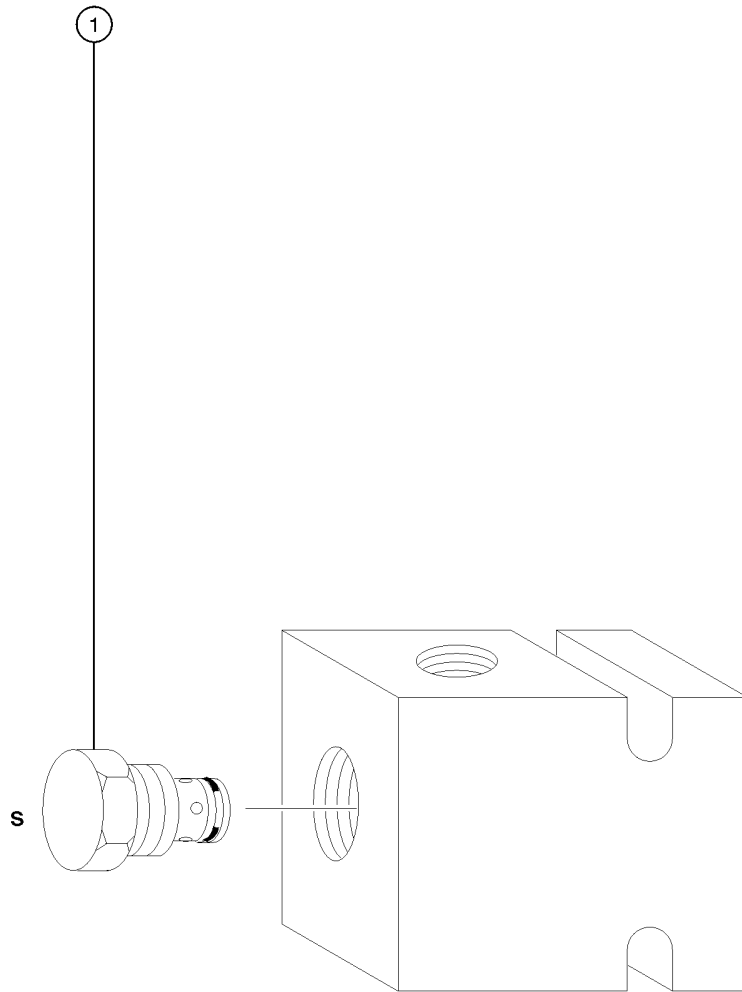
502.1 Function Manifold



Item	Part No.	Description	Qty.
A-	105304GT	MANIFOLD,FUNCTION*** (manifold, complete)	
B-	49612GT	O-RING KIT (ORFS FITTINGS)	
C-	49613GT	PLUG AND CAP KIT-SERVICE,ORFS*	
1	48997GT	NIPPLE,DIAGNOSTIC,#4 (A, Testing)	
1-	48880GT	CAP,DIAGNOSTIC NIPPLE	
1-	20224GT	DIAGNOSTIC FEMALE Q-DSCNT (pressure gauge not included)	
2	84386GT	CHECK DISK, NO SPRING (B, Steer circuit)	
3	65962GT	VALVE-RELIEF, 3700 PSI #8** (C, Lift relief)	
3-	44226GT	SEAL KIT-FOR P.N.44167	
4	46216GT	VALVE,CHECK,IWP-S/CWP PWR ASSI (D, Drive circuit)	
4-	44227GT	SEAL KIT, VALVE	
5	105303GT	VALVE, DYN. BRAKING, GS30** (E, Drive forward/reverse)	
5-	84385GT	COIL,20VDC DEUTCSH W/DIODE (sold separately)	
5-	44174GT	NUT-COIL SHORT	
5-	44230GT	SEAL KIT-P.N.44169,44172,44171	
6	44168GT	VALVE,SOLENOID,3POS 4WAY (F, Steer left/right)	
6-	77709GT	COIL,#8 20VDC,DEUTSCH W/DIOD (sold separately)	
6-	44174GT	NUT-COIL SHORT	
6-	44229GT	SEAL KIT, VALVE	
7	84384GT	PRTY,FLOW CNTRL VALVE,.75 GPM (G, Steer circuit)	
7-	1261888GT	SEAL KIT (84384) for 84384	
8	44169GT	VALVE-SOLENOID, 2POS 4 WAY (H, Platform up)	
8-	84385GT	COIL,20VDC DEUTCSH W/DIODE (sold separately)	
8-	44174GT	NUT-COIL SHORT	
8-	44230GT	SEAL KIT-P.N.44169,44172,44171	
9	65962GT	VALVE-RELIEF, 3700 PSI #8** (I, System relief)	
9-	44226GT	SEAL KIT-FOR P.N.44167	



503.1 Check Valve Manifold

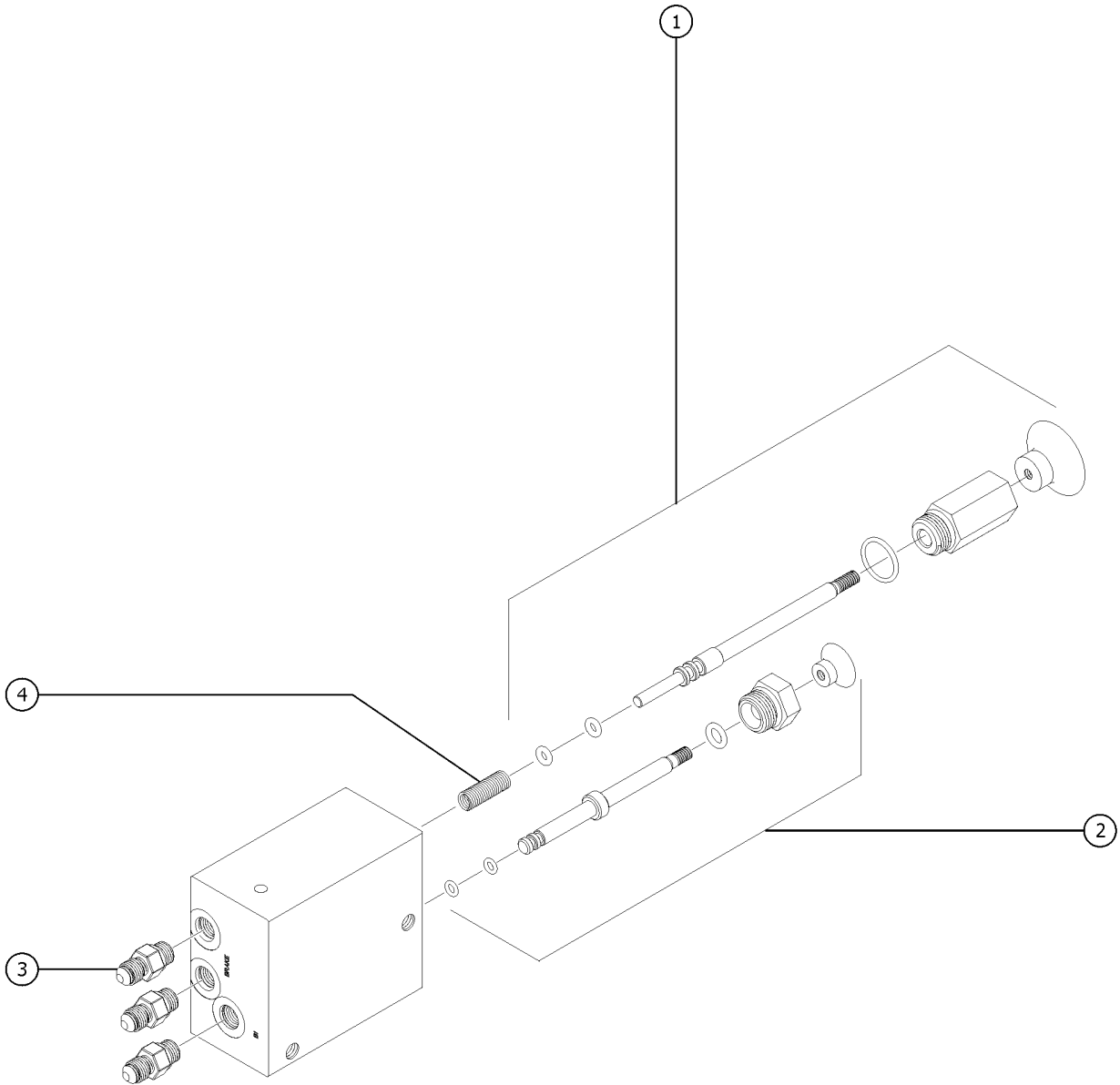


503.1 Check Valve Manifold

<i>Item</i>	<i>Part No.</i>	<i>Description</i>	<i>Qty.</i>
	105164GT	KIT,MANIFOLD,200 PSI CV,MINI	
	105167GT	ACCESSORY,MINI CHK VAL MANIF	
1	105165GT	MANIFOLD,200 PSI CHECK VALVE	
		(S, Drive circuit)	



504.1 Brake Release Hand Pump Manifold

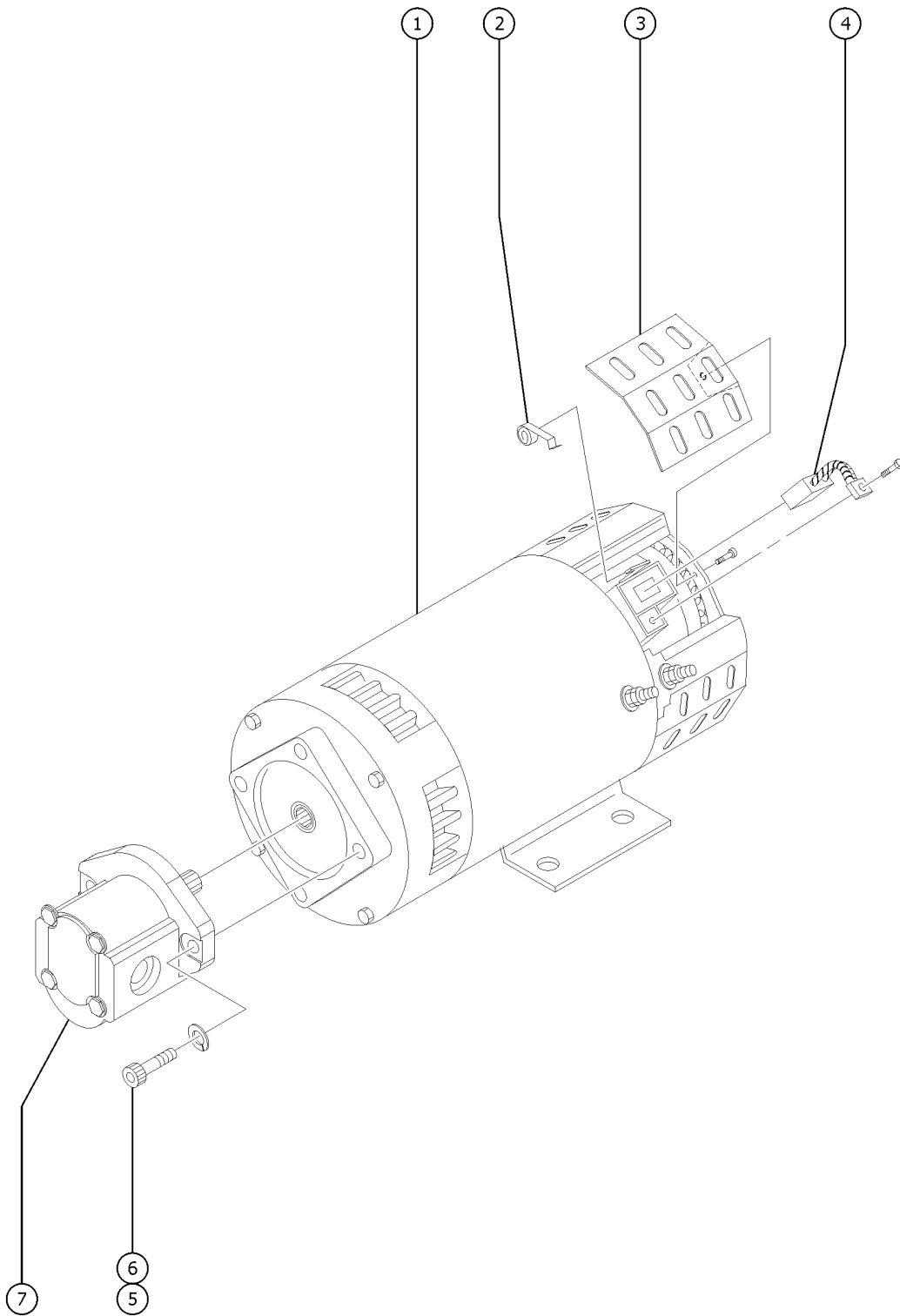


504.1 Brake Release Hand Pump Manifold

Item	Part No.	Description	Qty.
	105067GT	MANIFOLD,BRAKE RELEASE (includes items 1, 2 and 4)	
1	84739GT	VALVE,HAND PUMP ASSEMBLY***	1
1-	84740GT	SEAL KIT,HAND PUMP***	
1-	84742GT	KNOB,HAND PUMP (RED)***	
2	84743GT	VALVE,PILOT OPERATED ASSEMBLY*	1
2-	84740GT	SEAL KIT,HAND PUMP***	
2-	84746GT	KNOB,PILOT OP VALVE (BLACK)***	
3	39877GT	CONNECTOR, 070120-4-4	3
4	84748GT	SPRING,HAND PUMP ROD	1



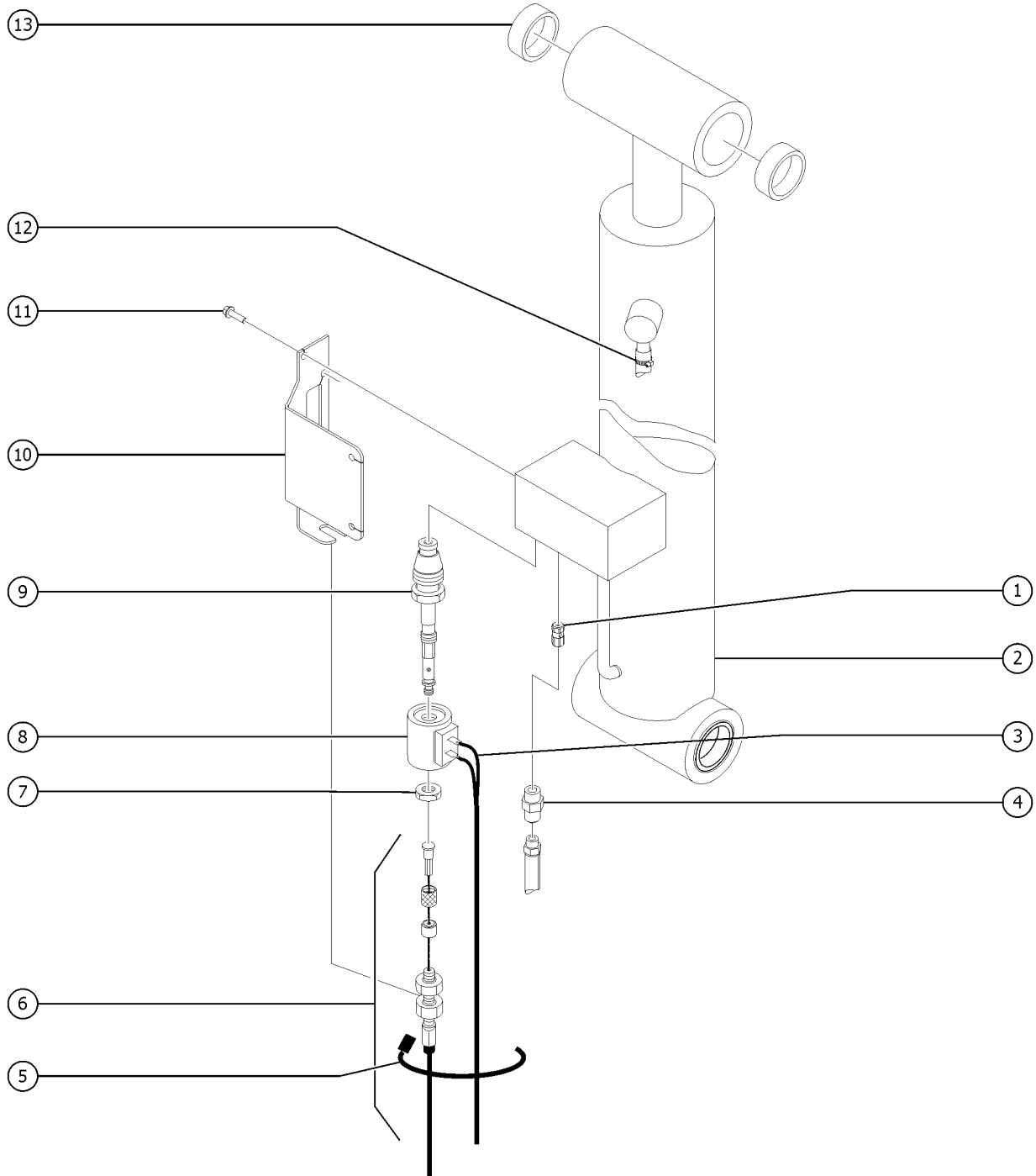
505.1 Hydraulic Power Unit, All Models



Item	Part No.	Description	Qty.
B-	49812GT	ENCLOSING BAND KIT Band Kit (EE models)	
C-	78006GT	FORMING,PADLOCK BRACKET	
D-	44716GT	HANDLE,ANDERSON CONNECTOR SB	
1	40844GT	MOTOR,ELECTRIC,24VDC 4.5HP	1
1-	43685GT	SEAL KIT,LIFT PUMP,BARNES**	
1-	44777GT	BEARING,MOTOR	
1-	44778GT	BEARING,MOTOR,36843,BRUSH END*	
2	44750GT	SPRING-BRUSH,40844, SCISSORS	4
3	44752GT	COVER-BRUSH INSPEC.40844,SCISS	4
4	44751GT	BRUSH,PWR UNIT (40844)**	4
5	824100GT	SCREW,SHC,3/8-24X1.25,A574,ZAG	
6	824110GT	WASHER,LOCK,3/8,ZAG	
7	96193GT	PUMP,4CC GEAR,CCW*** Bosch (please check pump ID plate for correct seal kit)	1
7-	233641GT	SEAL KIT,BOSCH PUMP	1
		for Bosch PN 9510090001	
7-	85197GT	SEAL KIT,BOSCH PUMP***	1
		for Bosch PN 9510290001	



506.1 Lift Cylinder Assembly, All Models

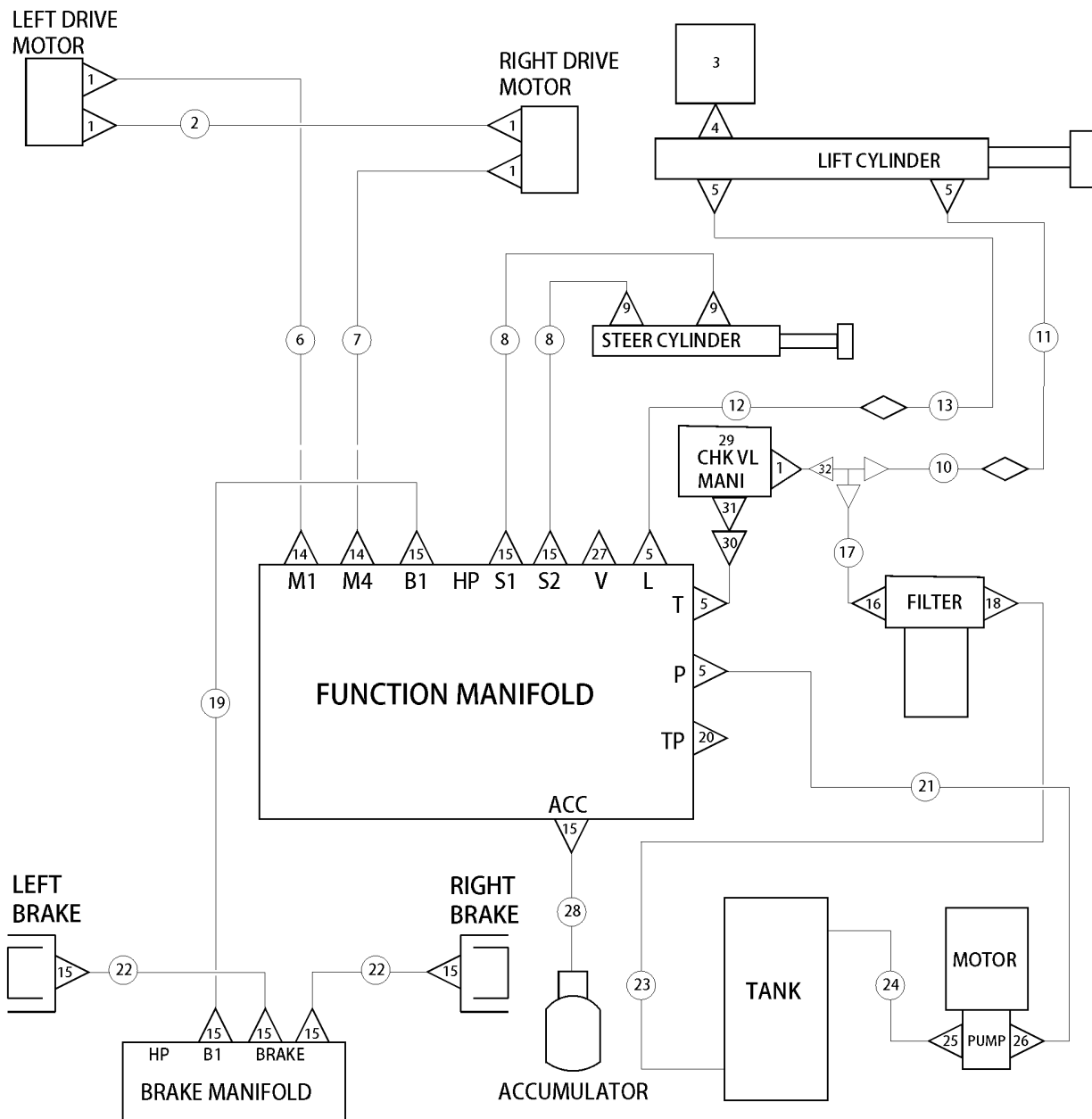


506.1 Lift Cylinder Assembly, All Models

Item	Part No.	Description	Qty.
1	55558GT	ORIFICE, LONG, .037*** (lift cylinder)	1
2	105543GT	CYLINDER, MINI LIFT	1
2-	105548GT	KIT, MINI LIFT CYL SEAL	
3		Ref. Down Coil Wire Harness (refer to 210.1)	
4	39878GT	CONNECTOR, 070120-6-6	1
5	28443GT	CABLE TIE, 11.5" BLACK	3
6		Ref. Emergency Down Cable (refer to 203.1)	
7	44973GT	NUT, COIL (39909)	1
8	84422GT	COIL-SOLENOID VALVE, 20V DC***	1
9	66465GT	VALVE, NC SOLENOID, MANUAL*** (includes items 7 and 8)	1
9-	40477GT	VALVE, CARTRIDGE***	
9-	44979GT	SEAL KIT, 39909, PLAT LWR VALVE*	
10	41557-SGT	CABLE BRACKET, PAINTED	1
11	824077GT	SCREW, HHF, 1/4-20X.5, 8, ZAG	
12	96770GT	CLAMP, HOSE, 1 EAR, 11/16	
13	105478GT	BEARING, 1.5025IDX1.5075ODX1.5L	4



507.1 Hydraulic Hoses and Fittings



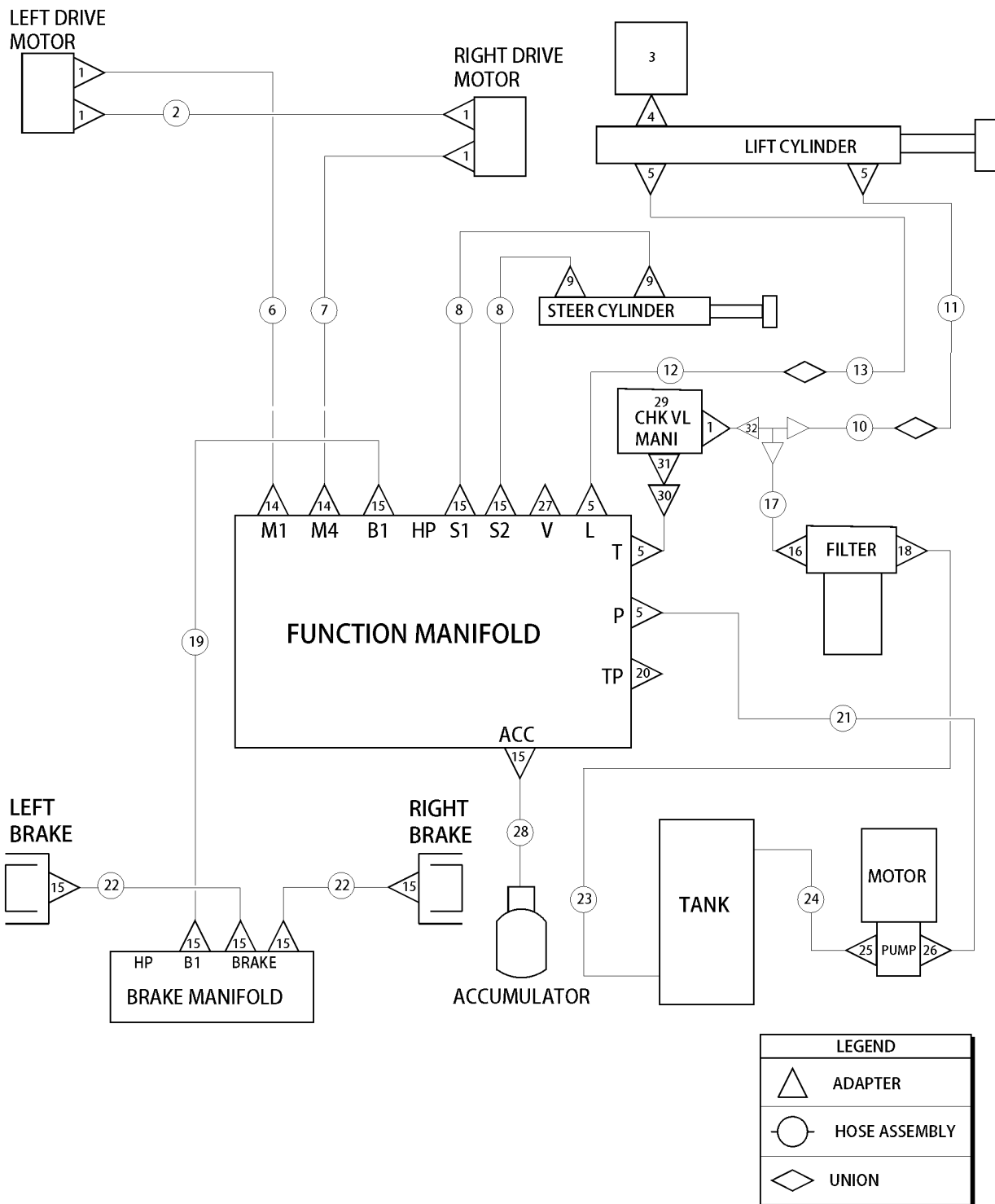
LEGEND	
	ADAPTER
	HOSE ASSEMBLY
	UNION

507.1 Hydraulic Hoses and Fittings

Item	Part No.	Description	Qty.
.....			
The hose lengths below reflect the length of the hose only. Refer to the 'Fittings Cross Reference' to match Genie part numbers to Parker part numbers.			
1	39873GT	ELBOW, 070220-6-6	5
2	96350GT	HOSE, ASSY, MOTOR CROSSOVER (Components: 39890, 39890, and 56776 @ 53.25 inches)	1
3		Ref. Pressure Transducer Harness (refer to 701.1)	
4	39881GT	CONNECTOR, 070120-4-6 (CE models)	1
5	39878GT	CONNECTOR, 070120-6-6	4
6	115166GT	HOSE, ASSY, DRIVE MOTORS, MINI, L (Components: 39890, 39890, and 56776 @ 31 inches)	
7	105653GT	HOSE, ASSY, DRIVE MOTORS, MINI (Components: 39890, 39890, and 56776 @ 31 inches)	1
8	96351GT	HOSE, ASSY, STEER (Components: 78855, 78855, and 78852 @ 22 inches)	2
9	13921GT	ELBOW, 070220-4-4	2
10	105263GT	HOSE, ASSY, LOWER VENT (Components: 96406, 96406, and 75361 @ 12 inches)	
11	105261GT	HOSE, ASSY, UPPER VENT (Components: 96407, 96770 and 75631 @ 107 inches)	
12	105264GT	HOSE, ASSY, LOWER LIFT (Components: 39890, 47223, and 56776 @ 13 inches)	
13	105262GT	HOSE, ASSY, UPPER LIFT (Components: 39890, 39890, and 56776 @ 73 inches)	
14	42283GT	ELBOW, 070320-6-6	2
15	39877GT	CONNECTOR, 070120-4-4	9
16	20923GT	CONNECTOR, 070120-8-6	1
17	105285GT	HOSE, ASSY, MAN TO FILTER (Components: 96406, 96406, and 75631 @ 22 inches)	1
18	96398GT	CONNECTOR, 070120-12-8	1
19	105284GT	HOSE, ASSY, BRAKE (Components: 78855, 78855, and 78852 @ 46 inches)	1
20		Ref. Diagnostic Nipple (refer to 502.1)	
21	96353GT	HOSE, ASSY, PRESSURE (Components: 39890, 39890, and 56776 @ 40 inches)	1
22	96391GT	HOSE, ASSY (Components: 78855, 78855, and 78852 @ 17 inches)	2
23	96355GT	TUBE, ASSY, RETURN	1
24	96354GT	TUBE, ASSY, DRAW	1
25	22664GT	ELBOW, 070220-12-10	1
26	39876GT	ELBOW, 070220-6-8	1
27	48923GT	PLUG, 090109A-6	1



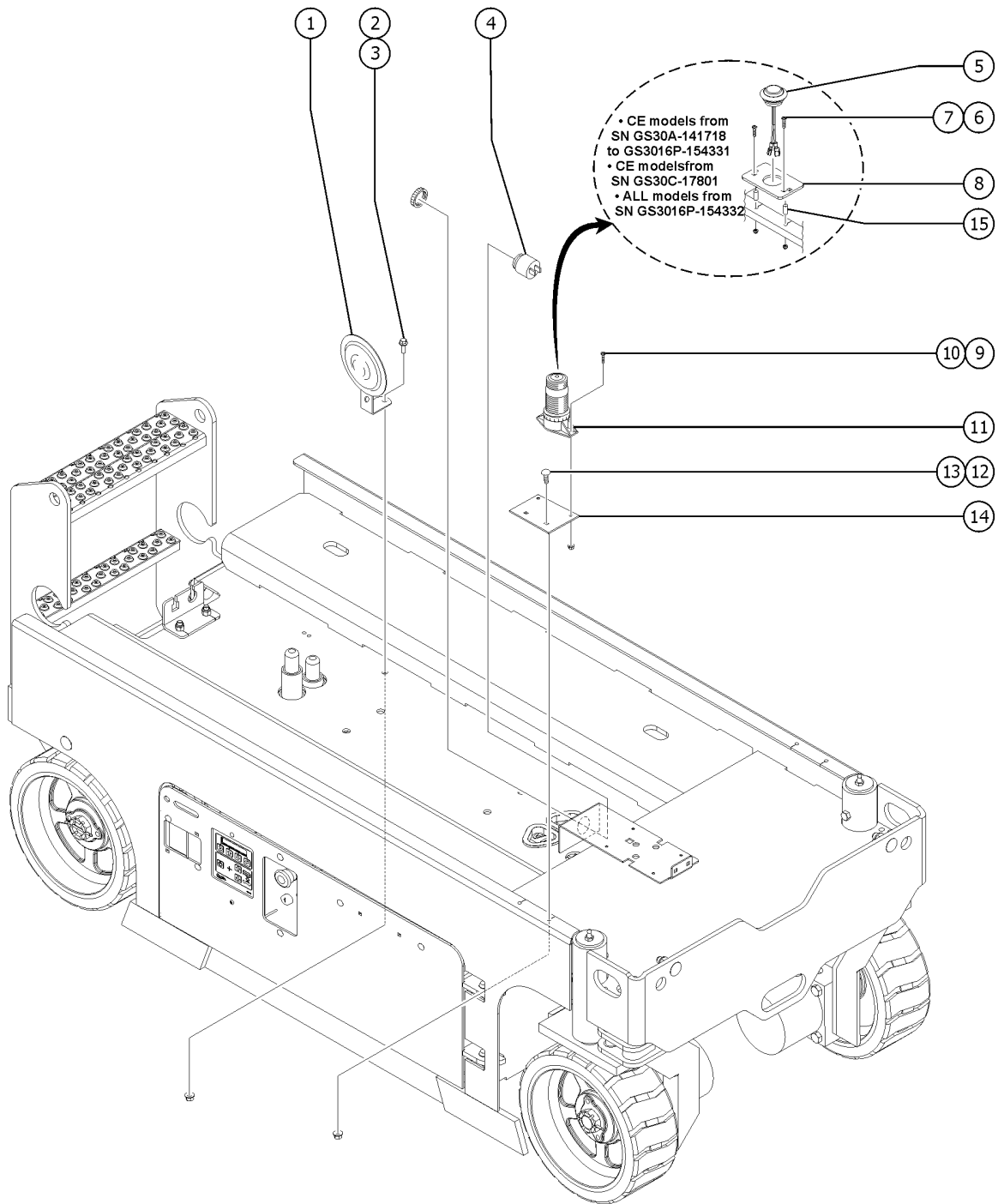
507.1 Hydraulic Hoses and Fittings



507.1 Hydraulic Hoses and Fittings

Item	Part No.	Description	Qty.
28	105283GT	HOSE ASSY, MAN/ACCUM, MINI (Components: 78855, 78855, and 78852 @ 14 inches)	1
29		Check Valve Manifold (refer to 503.1)	2
30	78091GT	ELBOW, SWIVEL NUT 90DEG, -6	1
31	55839GT	CONN, SWIVEL STR, THR, 6F650X	1
32	51152GT	TEE, RUN 070432-6*****	1

601.1 Alarm, Horn and Flashing Beacons

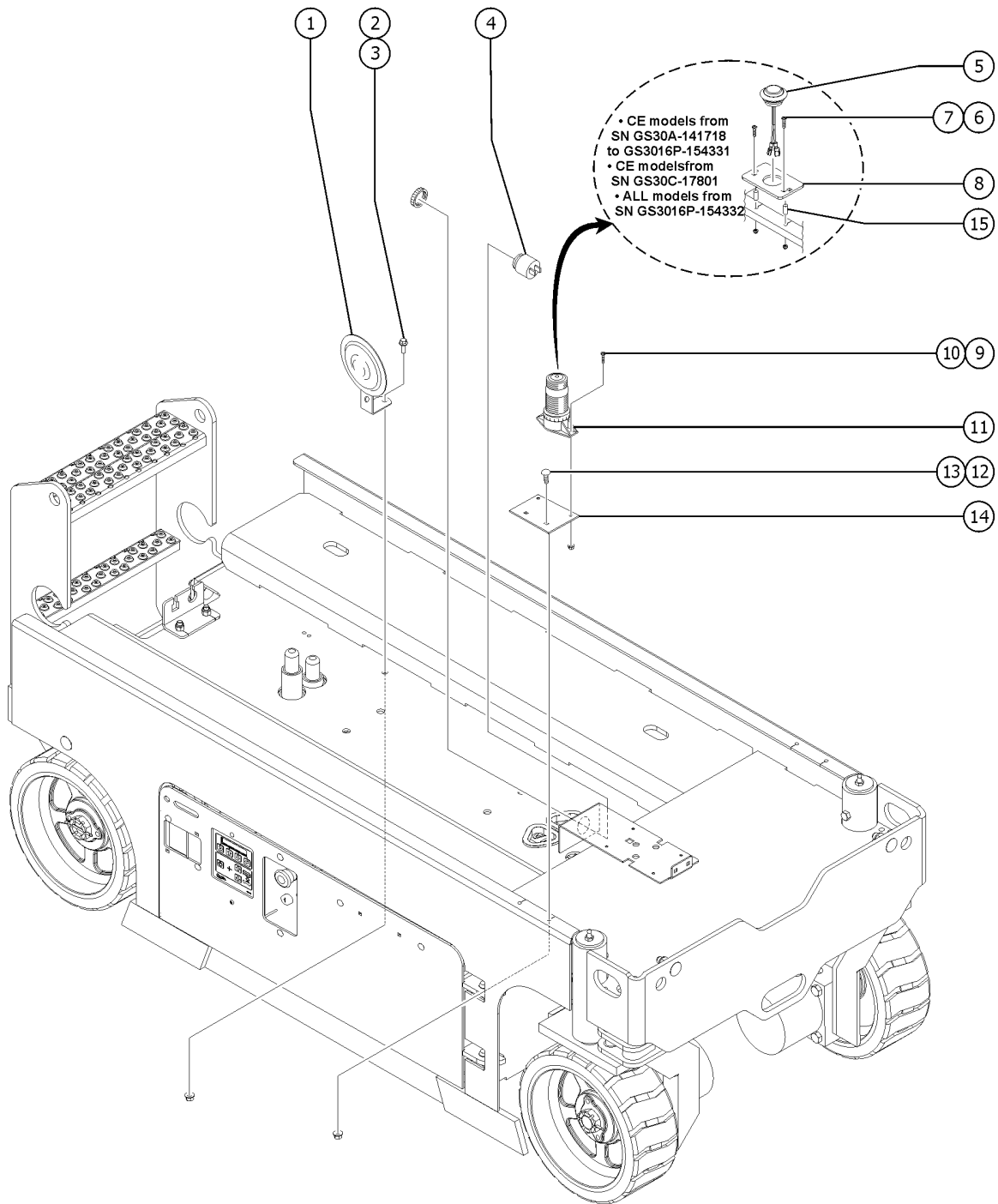


601.1 Alarm, Horn and Flashing Beacons

Item	Part No.	Description	Qty.
A-	105797GT	KIT,BEACON,GS32/46	
B-	1260386GT	VISUAL INDICATOR LIGHTS	
		CE Models	
1	81579GT	HORN, 24VDC, SPADE TERMINALS***	1
2	824090GT	SCREW,HHF,3/8-16X1,8,ZAG	2
3	824029GT	NUT,TL FLG,3/8-16,G,ZAG	2
4	39540GT	ALARM, STEADY TONE***	1
		Does not include 72326 nut; order separately	
4-	72326GT	NUT - PLASTIC, RING FOR ALARMS	
		for 39540	
5A	1261183GT	ASSEMBLY, VISUAL IND LIGHT	2
		CE Models to SN GS3016P-154331	
5A-	1254572GT	LIGHT,TURN SIGNAL,1.25" LED,AMB	2
5A-	1270162GT	ASSEMBLY, BEACON LED, 24V	2
		for 1261183	
5A-	1271521GT	HARNESS, BEACON, LED, MINI	1
		for 1261183	
5B	1261183GT	ASSEMBLY, VISUAL IND LIGHT	2
		All models from GS3016P-154332	
5B-	1254572GT	LIGHT,TURN SIGNAL,1.25" LED,AMB	2
5B-	1270162GT	ASSEMBLY, BEACON LED, 24V	2
		for 1261183	
5B-	1271521GT	HARNESS, BEACON, LED, MINI	1
		for 1261183	
6A	9116GT	BOLT,CARRIAGE,1/4-20x1.25,G2	4
		CE Models to SN GS3016P-154331	
6B	9116GT	BOLT,CARRIAGE,1/4-20x1.25,G2	4
		All models from GS3016P-154332	
7A	6889GT	NUT,LP NYLOCK,1/4-20	4
		CE Models to SN GS3016P-154331	
7B	6889GT	NUT,LP NYLOCK,1/4-20	4
		All models from GS3016P-154332	
8A	824215GT	SCREW,PHPM,10-32X.75,ZAG	4
		CE Models to SN GS3016P-154331	
8B	824215GT	SCREW,PHPM,10-32X.75,ZAG	4
		All models from GS3016P-154332	
9A	1261143GT	PLATE,VISUAL IND LIGHT MOUNT	2
		CE Models to SN GS3016P-154331	
9B	1261143GT	PLATE,VISUAL IND LIGHT MOUNT	2
		All models from GS3016P-154332	
10	1274168GT	NUT,NYLOCK,10-32,A,ZAG	
		ANSI models to SN GS3016P-154331	
11	231931GT	STROBE,BEACON, AC COMP 12-80V	2
		ANSI models to SN GS3016P-154331	
11-	105556GT	LENS,FLASHING BEACON	
		for 231931	
11-	105557GT	BULB,FLASHING BEACON	
		for 231931	
12	824124GT	BOLT, CARRIAGE, 1/4-20 X .75, 5, ZAG	4
		ANSI models to SN GS3016P-154331	



601.1 Alarm, Horn and Flashing Beacons

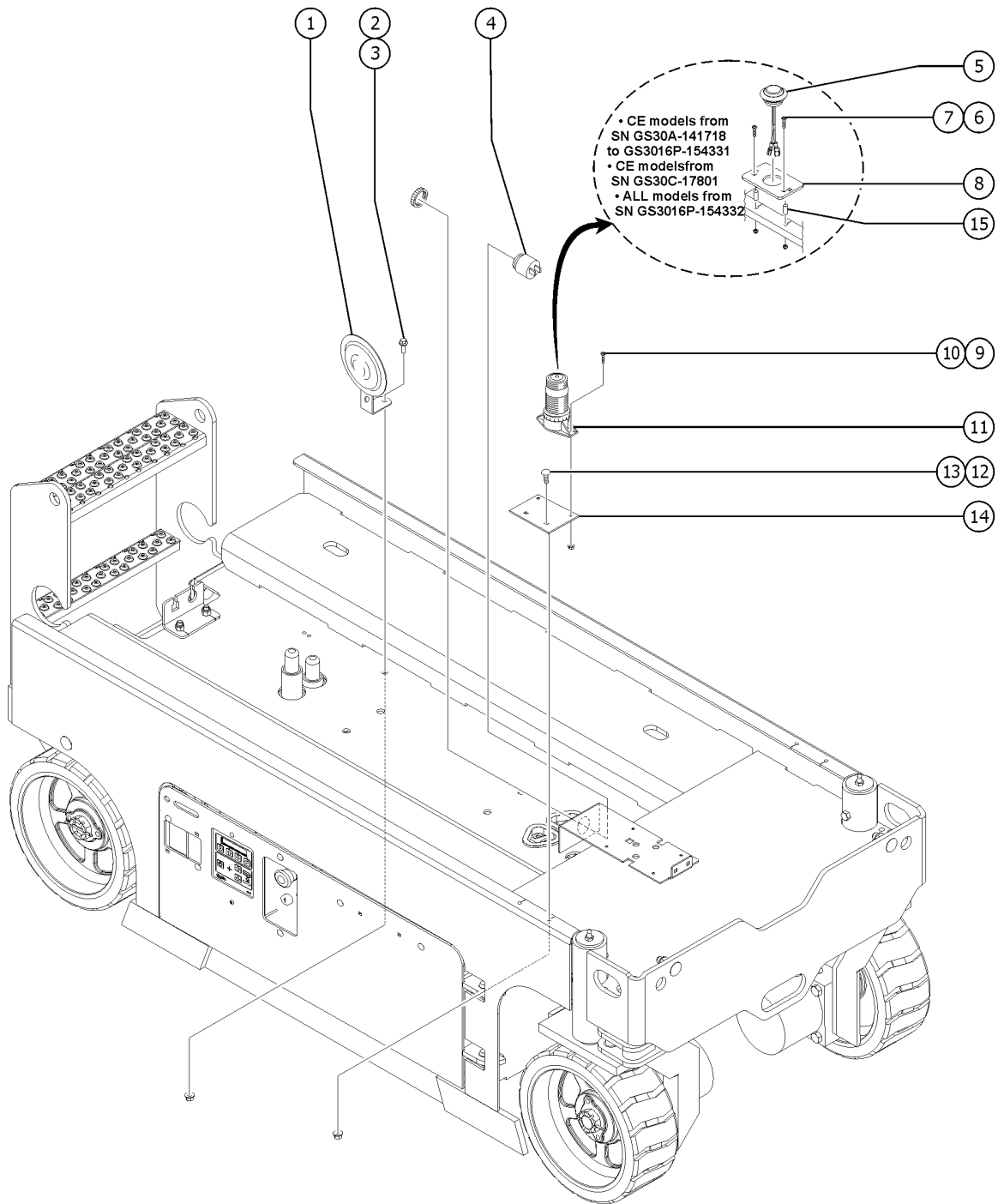


601.1 Alarm, Horn and Flashing Beacons

Item	Part No.	Description	Qty.
13	824027GT	NUT, TL FLG, 1/4-20, G, ZAG ANSI models to SN GS3016P-154331	4
14	96363GT	PLATE, BEACON MOUNT ANSI models to SN GS3016P-154331	2
15A	96699GT	SLEEVE, TANK SUPPORT CE Models to SN GS3016P-154331	4
15B	96699GT	SLEEVE, TANK SUPPORT All models from GS3016P-154332	4



601.2 Alarm, Horn and Flashing Beacons

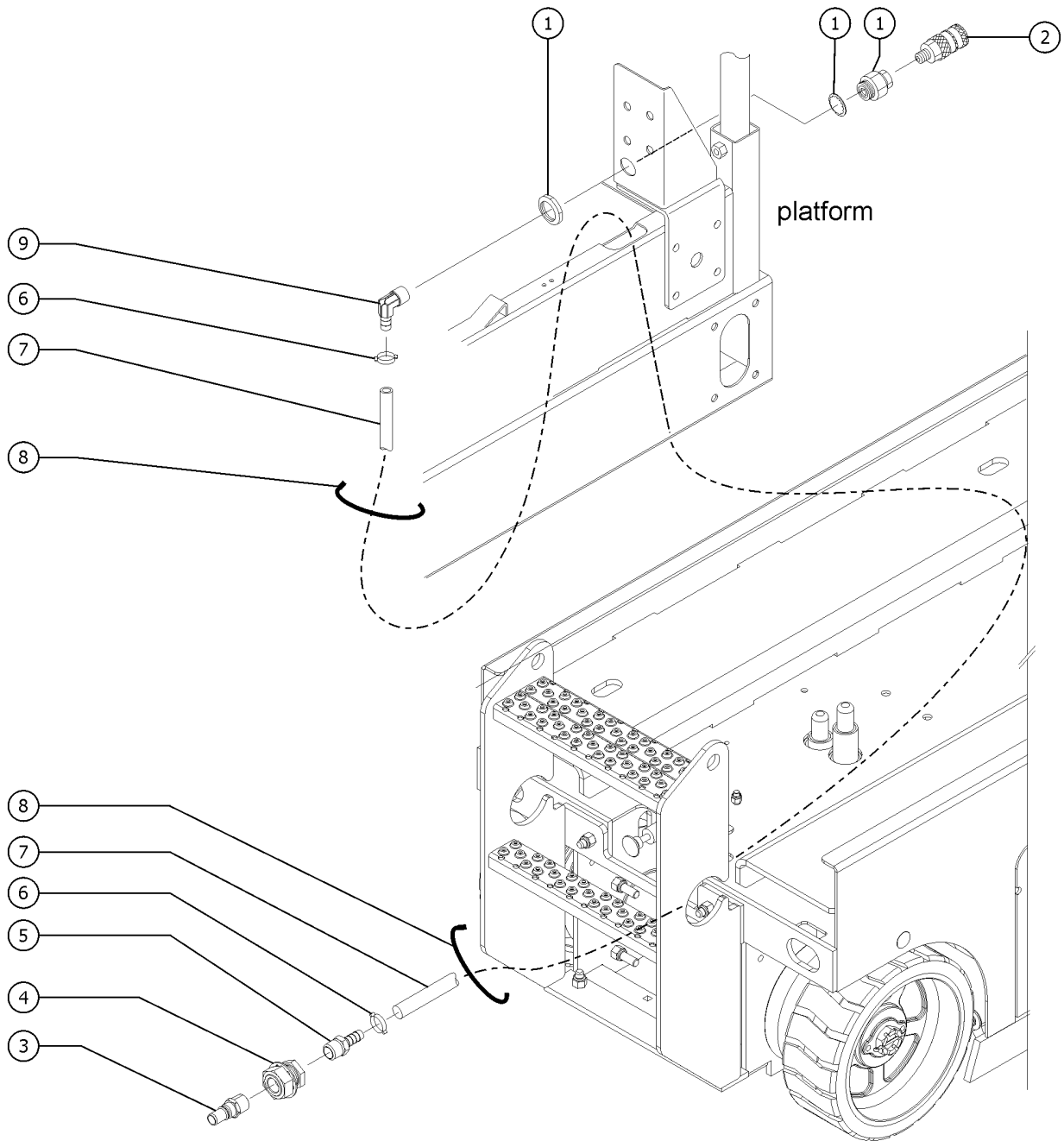


601.2 Alarm, Horn and Flashing Beacons

Item	Part No.	Description	Qty.
A-	105797GT	KIT,BEACON,GS32/46	
B-	1260386GT	VISUAL INDICATOR LIGHTS	
		CE Models	
1	81579GT	HORN, 24VDC, SPADE TERMINALS***	1
2	824090GT	SCREW,HHF,3/8-16X1,8,ZAG	2
3	824029GT	NUT,TL FLG,3/8-16,G,ZAG	2
4	39540GT	ALARM, STEADY TONE***	1
		Does not include 72326 nut; order separately	
4-	72326GT	NUT - PLASTIC, RING FOR ALARMS	
		for 39540	
5B	1261183GT	ASSEMBLY, VISUAL IND LIGHT	2
		All models from GS3016P-154332	
5B-	1254572GT	LIGHT,TURN SIGNAL,1.25" LED,AMB	2
5B-	1270162GT	ASSEMBLY, BEACON LED, 24V	2
		for 1261183	
5B-	1271521GT	HARNESS, BEACON, LED, MINI	1
		for 1261183	
6B	9116GT	BOLT,CARRIAGE,1/4-20x1.25,G2	4
		All models from GS3016P-154332	
7B	6889GT	NUT,LP NYLOCK,1/4-20	4
		All models from GS3016P-154332	
8B	824215GT	SCREW,PHPM,10-32X.75,ZAG	4
		All models from GS3016P-154332	
9B	1261143GT	PLATE,VISUAL IND LIGHT MOUNT	2
		All models from GS3016P-154332	
11-	105556GT	LENS,FLASHING BEACON	
		for 231931	
11-	105557GT	BULB,FLASHING BEACON	
		for 231931	
15B	96699GT	SLEEVE,TANK SUPPORT	4
		All models from GS3016P-154332	



602.1 Air Line to Platform

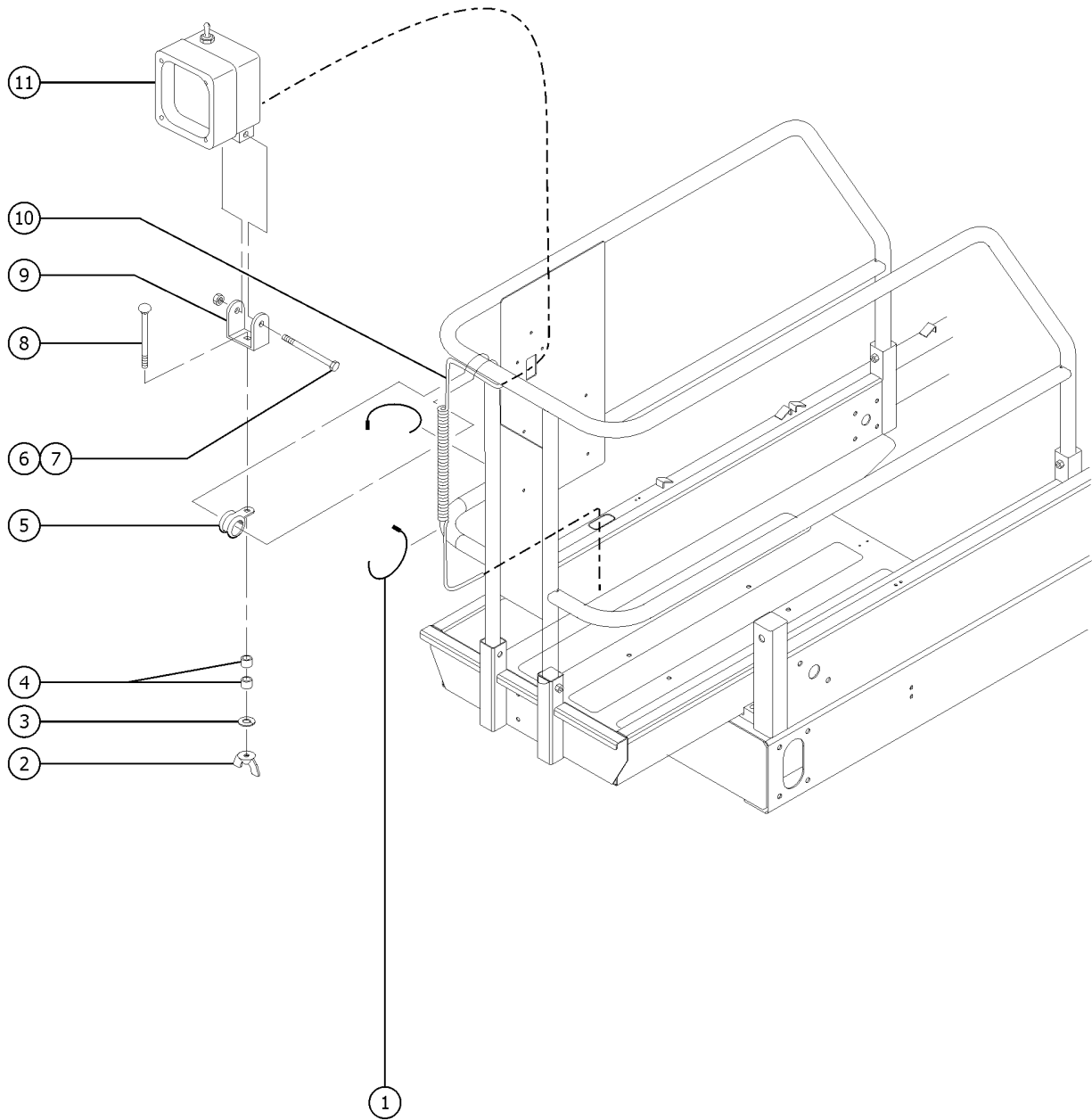


602.1 Air Line to Platform

Item	Part No.	Description	Qty.
A-	96515-SGT	AIR TO PLAT, GS15, ACC GS-1530, GS-1532, to SN GS30P-174172	
B-	96516-SGT	AIR TO PLAT, GS19, ACC GS-1930, GS-1932, to SN GS30P-174172	
1	27900GT	BULKHEAD,FEMALE X 6 X 6	1
2	27895GT	COUPLER,1/4"SERIES 3/8 MPT	1
3A	96542GT	PLUG,1/4"SERIES,3/8 P-LOCK*** to SN GS30P-174172	1
3B	27894GT	PLUG,1/4"SERIES,3/8 MPT from SN GS30P-174173	1
4	27900GT	BULKHEAD,FEMALE X 6 X 6 from SN GS30P-174173	1
5	27901GT	HOSE END,BARBED,RIGID,-6-6	1
6	27902GT	CLAMP,HOSE,2 EAR, 5/8	2
7A	27903GT	HOSE,LOW PRESSURE,.375 ID,BLK GS-1530, GS-1532	275
7B	27903GT	HOSE,LOW PRESSURE,.375 ID,BLK GS-1930, GS-1932	340
8	28443GT	CABLE TIE,11.5" BLACK	
9	27904GT	HOSE END,BARBED,RIGID,90DEG6-6	1



603.1 Platform Work Light, GS-1530, GS-1532

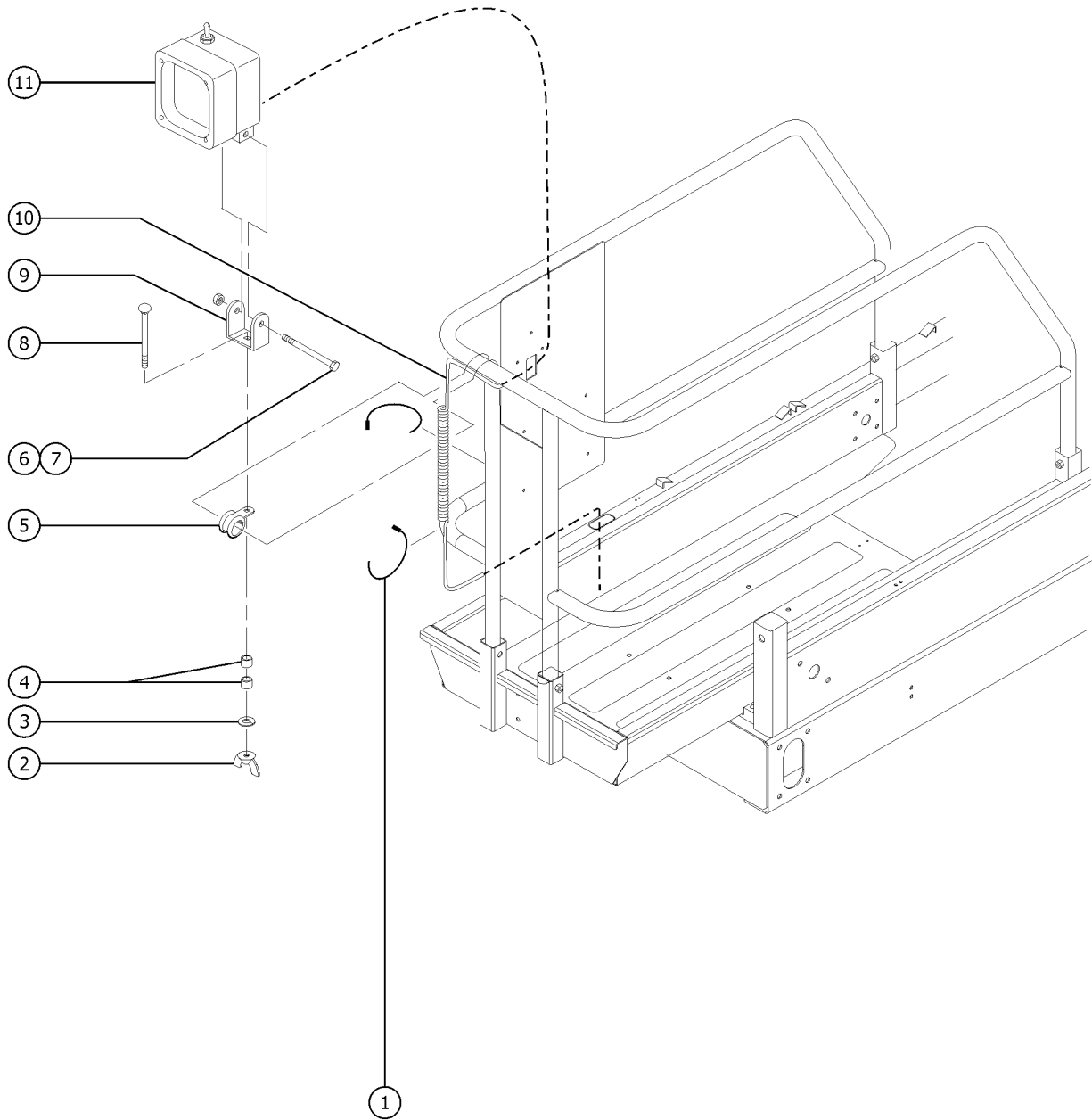


603.1 Platform Work Light, GS-1530, GS-1532

Item	Part No.	Description	Qty.
A-	105971GT	WORKLIGHT PIGTAIL ASSY (chassis) GS-30	
B-	105972GT	WORKLIGHT CABLE,GS15XX (linkset) GS-1530, GS-1532	
C-	105973GT	WORKLIGHT CABLE,GS19/20XX (linkset) GS-1930, GS-1932	
1	28443GT	CABLE TIE,11.5" BLACK 10	
2	69229GT	NUT,WING 5/16-18 1	
3	6886GT	WASHER,LOCK,.313 1	
4	5397GT	WASHER,FLAT,USS,5/16",Y 2 add sufficient washers to equal aproximately 0.435 inch thickness of each spacer	
5	33784GT	CLAMP,1.31,#21 X 1/4,RUB CUSH 1	
6	50793GT	SCREW,HHC,5/16-18 X 2 1	
7	6782GT	NUT,NYLOCK,5/16-18 1	
8	65439GT	BOLT,CARRIAGE,5/16-18 X 2.0,G2 1	
9	144009GT	WORKLIGHT BRACKET 1	
10	65721GT	COIL CORD,WORKLIGHT(144011) 1	
11	144011GT	WORKLIGHT,24V,COIL CORD 1	



603.2 Platform Work Light, GS-1930, GS-1932

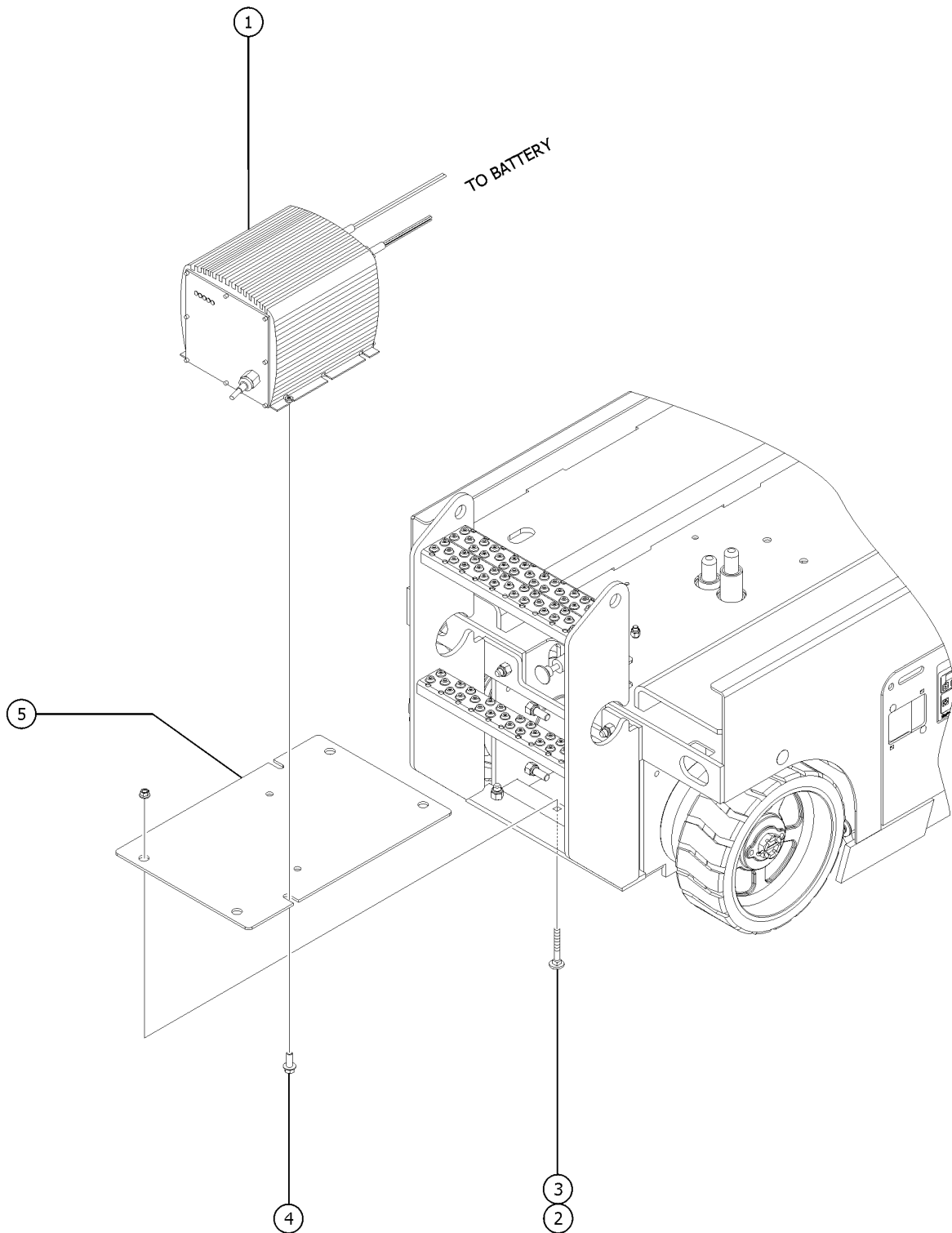


603.2 Platform Work Light, GS-1930, GS-1932

Item	Part No.	Description	Qty.
A-	105971GT	WORKLIGHT PIGTAIL ASSY (chassis) GS-30	
B-	105972GT	WORKLIGHT CABLE,GS15XX (linkset) GS-1530, GS-1532	
C-	105973GT	WORKLIGHT CABLE,GS19/20XX (linkset) GS-1930, GS-1932	
1	28443GT	CABLE TIE,11.5" BLACK 10	
2	69229GT	NUT,WING 5/16-18 1	
3	6886GT	WASHER,LOCK,.313 1	
4	5397GT	WASHER,FLAT,USS,5/16",Y 2 add sufficient washers to equal aproximately 0.435 inch thickness of each spacer	
5	33784GT	CLAMP,1.31,#21 X 1/4,RUB CUSH 1	
6	50793GT	SCREW,HHC,5/16-18 X 2 1	
7	6782GT	NUT,NYLOCK,5/16-18 1	
8	65439GT	BOLT,CARRIAGE,5/16-18 X 2.0,G2 1	
9	144009GT	WORKLIGHT BRACKET 1	
10	65721GT	COIL CORD,WORKLIGHT(144011) 1	
11	144011GT	WORKLIGHT,24V,COIL CORD 1	



604.1 Voltage Inverter

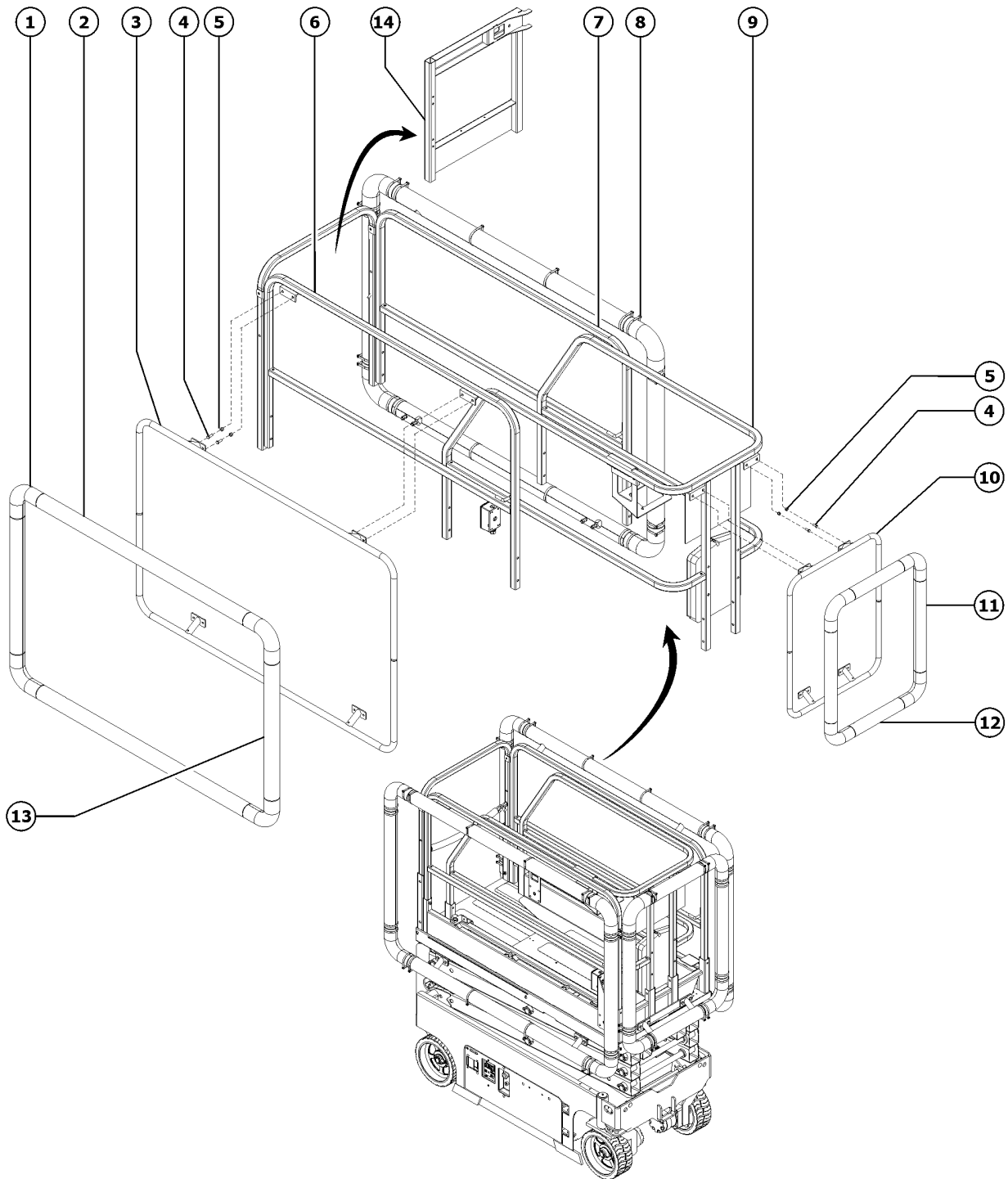


604.1 Voltage Inverter

Item	Part No.	Description	Qty.
A-	105248GT	SERVICE KIT,INVERTER 800W***	
1	96950GT	INVERTER,24VDC,110/230 VAC***	1
2	1255757GT	BOLT,CARRIAGE,3/8-16X1.25,5,ZA	
3	824029GT	NUT,TL FLG,3/8-16,G,ZAG	
4	824078GT	SCREW,HHF,1/4-20X.75,8,ZAG	2
5	105129GT	PLATE, INVERTER MOUNT	1



605.1 Padded Auxiliary Rail, GS-1930



Factory installed option only. After-market kit not available.

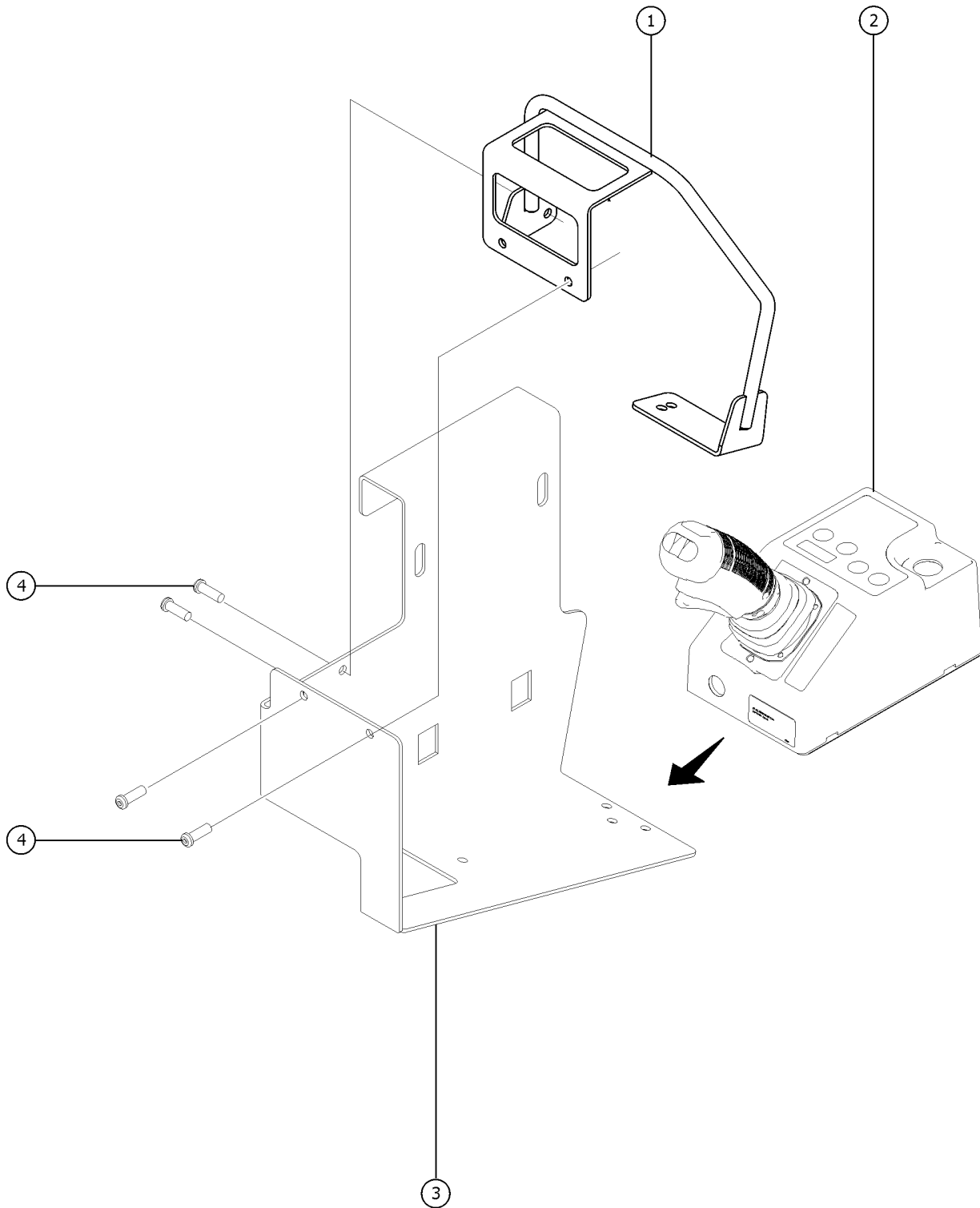


605.1 Padded Auxiliary Rail, GS-1930

Item	Part No.	Description	Qty.
1	238268GT	BUMPER,FOAM,FRONT ELBOW	12
2	825304GT	BUMPER, PAR, SIDE, HORIZONTAL	4
3	825302GT	WELDMENT, PAR, SIDE	2
4	6175GT	SCREW,HHC,3/8-16 X 1	
5	4828GT	NUT,NYLOCK,3/8-16	
6	825313GT	WLDT, MAIN SIDERAIL, PAR, LH	1
7	825312GT	WLDT, MAIN SIDERAIL, PAR, RH	1
8	229903GT	CABLE TIE, 14.5" YELLOW	56
9	825311GT	WLDT, EXT SIDERAIL, PAR	1
10	825307GT	WELDMENT, PAR, FRONT	1
11	825640GT	BUMPER, PAR, FRONT, VERTICAL	2
12	825309GT	BUMPER, PAR, FRONT, HORIZONTAL	2
13	825305GT	BUMPER, PAR, SIDE, VERTICAL	4
14		Ref. GATE ASSEMBLY (refer to 405.1) (the gate does not include padding)	



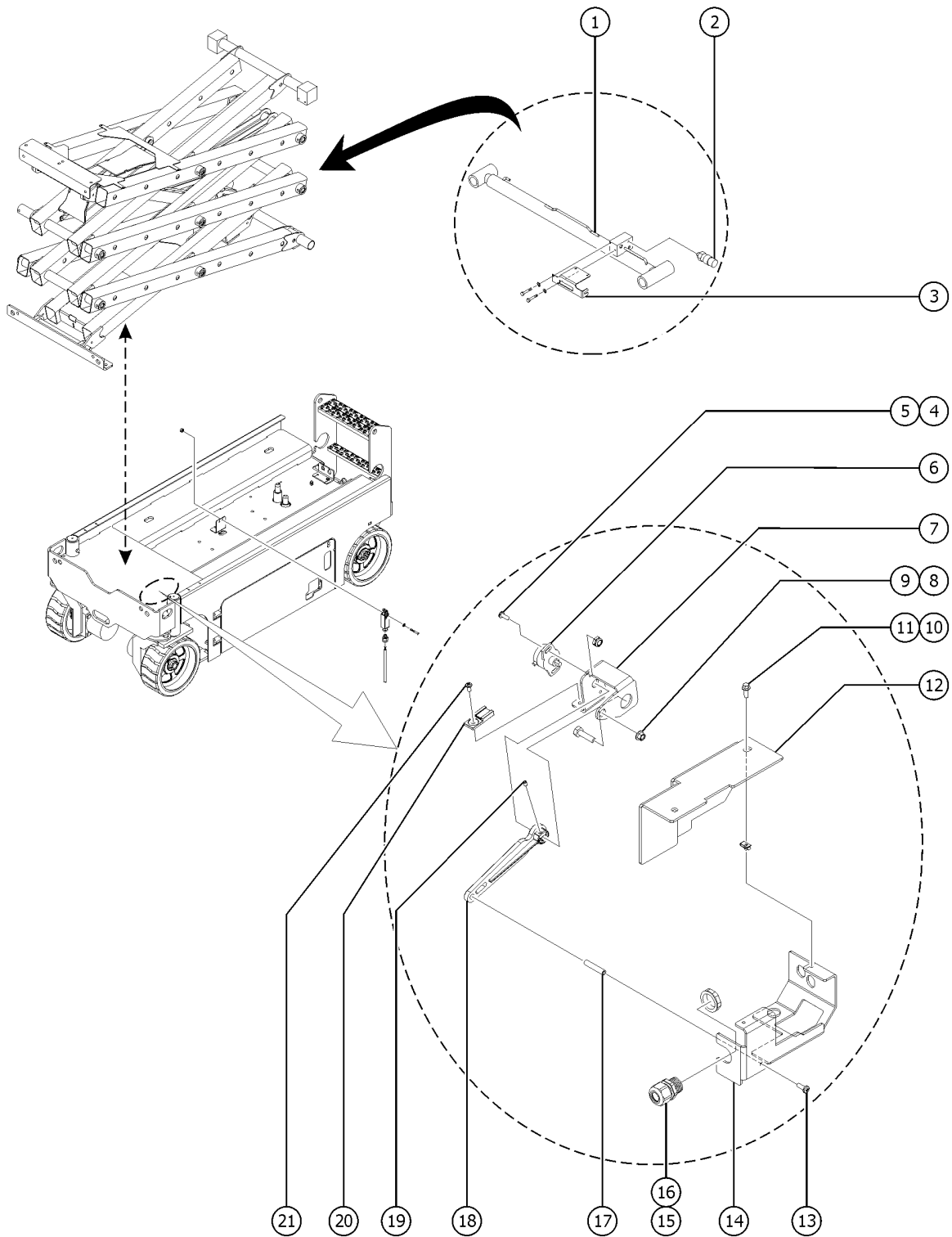
606.1 PCON Guard



Item	Part No.	Description	Qty.
1	1283768GT	KIT,PCON GUARD,SLAB/GR includes installation instructions	
1-	1279627GT	WELDMENT, PCON GUARD	1
2		Ref. PCON, GR/GRC/GS refer to 407.1	1
3		Ref. FORMING, PLAT CONTROL, GR/GRC refer to 407.1 (holes drilled for PCON Guard option from SN 168058)	4
4	7265GT	RIVET,STEEL,P, .25 X .375	4



701.1 Platform Overload



Item	Part No.	Description	Qty.
1		Ref. Lift Cylinder (refer to 506.1)	1
2	229750GT	HARNESS,PRESS,TRANSDUCER***	1
3	41557-SGT	CABLE BRACKET,PAINTED	1
4	1257296GT	SCREW,PHPM-ST,8.32X.50,TYPE F,	2
5	1258187GT	NUT,TL,8-32,A,ZAG	2
6	T113136GT	ASSY,ROT SENSR W/ HARNESS	1
7	161979GT	FRMG,ARM SENSOR BRCKT,MINI	1
8	824029GT	NUT,TL FLG,3/8-16,G,ZAG	1
9	824068GT	SCREW,HHC,3/8-16X1.25,8,ZAG	1
10	824078GT	SCREW,HHF,1/4-20X.75,8,ZAG	2
11	56912GT	SPRING CLIP,1/4-20,.025-.15X.5	2
12	161977GT	FRMG,SENSOR COVERING	1
13	1251757GT	SCREW,PHPM,10-32X.50,ZAG	1
14	161975GT	FRMG,CHASSIS BRKTING	1
15	33576GT	LOCK, PLUG 2WAY, 14-18GA	1
16	T115429GT	NUT,CORDGRIP,1/2 NPT	1
17	T113142GT	OFFSET, RDN, 1/4-1.25,10-32	1
18	T114082GT	LEVER ARM,ANGLE SENSR ACTUATOR	1
19	229146GT	SCREW,SET,8-32X.25	1
20	T113139GT	CLIP,DTM,RECEPTACLE	1
21	39579GT	RIVET,STL,STL,.188 X .45	1



<u>Part no.</u>	<u>Page Number</u>	<u>Part no.</u>	<u>Page Number</u>	<u>Part no.</u>	<u>Page Number</u>
1268GT	11	22664GT	285	39878GT	283, 285
1484GT	11	24514GT	171, 177, 183, 189, 195 201	39881GT	285
4266GT	221, 225, 229, 233, 227, 241	25388GT	253, 257, 261, 265	40434GT	23, 25, 33, 35, 37, 45...
4828GT	237, 241, 167, 173, 179, 185,	27581GT	11	40477GT	283
5224GT	191, 197, 223, 227, 231, 235,	27894GT	295	40833GT	117, 119, 151, 153
5397GT	167, 173, 179, 185,	27895GT	295	40844GT	281
6002GT	181, 197, 167, 173, 179, 185,	27900GT	295	41557-SGT	283, 307
6021GT	191, 197, 125, 129, 155, 221,	27901GT	295	41630GT	167, 173, 179, 185, 191 197
6091GT	225, 229	27902GT	295	42079GT	11, 101, 105
6097GT	179, 185, 191, 197, 203 209	27903GT	295	42283GT	285
6175GT	303	27904GT	295	43093GT	13, 15, 19, 39, 41, 43...
6595GT	105, 253, 257, 261, 265	28131GT	151, 153	43618GT	23, 25, 33, 35, 37, 45...
6626GT	255, 259, 263, 267	28174GT	15, 19, 23, 25, 29, 31...	43619GT	15, 19, 41, 43, 59, 63...
6637GT	107	28175GT	15, 19, 41, 43, 59, 63...	43658GT	13, 15, 19, 29, 31, 39...
6638GT	221, 225, 229, 233, 237 241	28176GT	23, 25, 45, 67, 69, 89	43685GT	281
6700GT	131	28235GT	15, 19, 23, 25, 29, 31...	43956GT	253, 257, 261, 265
6782GT	297, 299	28236GT	23, 25, 45, 67, 69, 89	44163GT	11
6878GT	253, 257, 261, 265	28443GT	221, 225, 229, 233, 237 241	44168GT	275
6886GT	297, 299	30784-2550GT	117, 119	44169GT	275
6889GT	289, 293	31060GT	13, 39, 57, 83	44174GT	275
6935GT	253, 257, 261, 265	31508GT	13, 15, 19, 39, 57, 59...	44207GT	273
7056GT	253, 257, 261, 265	31788GT	13, 39, 57, 83	44226GT	275
7127GT	253, 257, 261, 265	32150GT	11	44227GT	275
7265GT	305	32151GT	11	44229GT	275
7713GT	179, 185, 191, 197, 203 209	33576GT	307	44230GT	275
8178GT	223, 227, 231, 235, 239 243	33724GT	253, 257, 261, 265	44255GT	13, 15, 19, 39, 41, 43...
9116GT	289, 293	33784GT	297, 299	44716GT	281
10775GT	253, 257, 261, 265	36369GT	157	44736GT	23, 25, 45, 67, 69, 89
10777GT	255, 259, 263, 267	37947GT	131	44737GT	13, 15, 19, 39, 41, 43...
12013GT	171, 177, 183, 189, 195 201	39232GT	107, 111	44743GT	171, 177, 183, 189, 195 201
12016GT	113	39310GT	167, 173, 179, 185, 187, 187, 173, 179,	44750GT	281
13585GT	253, 257, 261, 265	39469GT	185, 193, 179, 185,	44751GT	281
13921GT	285	39470GT	187, 187, 173, 175,	44752GT	281
14033GT	183, 189, 201, 213	39474GT	221, 225, 229, 233,	44777GT	281
18503GT	117, 119	39509GT	227, 241, 229, 233,	44778GT	281
18605GT	253, 257, 261, 265	39510GT	237, 241, 269, 289, 293	44780GT	101, 105
19491GT	107, 111, 115	39540GT	107, 111, 269, 289, 293	44781GT	101, 105
20224GT	275	39542GT	113	44788GT	11, 273
20923GT	285	39579GT	167, 173, 179, 185, 191 197	44936GT	253, 257, 261, 265
21279GT	167, 171, 173, 177, 179 181	39873GT	285	44973GT	283
21982GT	131	39876GT	285	44979GT	283
22446GT	223, 227, 229, 233, 239 243	39877GT	279, 285	44980GT	13, 15, 19, 29, 31, 39...

<u>Part no.</u>	<u>Page Number</u>	<u>Part no.</u>	<u>Page Number</u>	<u>Part no.</u>	<u>Page Number</u>
44981GT	15, 19, 23, 25, 29, 31...	65962GT	275	78546GT	11, 125, 127
45546GT	253, 257, 261, 265	65990-SGT	223, 227, 229, 233, 237 243	78622GT	273
46216GT	275	66204GT	125, 127	78680GT	105
46260GT	167, 173, 179, 185, 181, 187	66353GT	255, 259, 263, 267	78736GT	101, 109, 111
47098GT	167, 173, 179, 185, 179, 181	66355GT	255, 259, 263, 267	79140GT	151, 153
47163GT	167, 173, 179, 185, 181, 193	66356GT	255, 259, 263, 267	81579GT	289, 293
47166GT	181, 193, 179, 185, 221, 225, 229, 233,	66397GT	117, 119, 151, 153	82160GT	15, 19, 41, 43, 59, 63...
47188GT	221, 225, 229, 233, 237, 241	66399GT	11	82161GT	15, 19, 41, 43, 59, 63...
47222GT	237, 241, 179, 185, 191, 197	66465GT	283	82287GT	89, 97, 99
47224GT	221, 225, 229, 233, 237, 241	66485GT	169, 175, 181, 187, 223, 227, 229, 233,	82366GT	15, 19, 41, 43, 59, 63...
47225GT	167, 173, 179, 185, 181, 187	66544GT	223, 227, 229, 233, 239, 243, 229, 233,	82473GT	29, 31, 49, 73, 75, 93...
47231GT	167, 169, 173, 175, 169, 175, 181, 187,	66551GT	239, 243, 229, 233, 237 241	82474GT	27, 29, 31, 47, 49, 51...
47374GT	169, 175, 181, 187, 193 199	66717GT	117, 119, 151, 153	82476GT	27, 29, 31, 47, 49, 51...
47548GT	101	66770GT	101	82481GT	27, 47, 71, 91
47598GT	221, 225, 229, 233, 237 241	66812GT	131, 269	82482GT	29, 31, 49, 51, 73, 75...
47666GT	159, 163	66817GT	131, 269	82485GT	13, 15, 19, 27, 29, 31
48282GT	253, 257, 261, 265	66818GT	131	82486GT	57, 59, 63, 71, 73, 75
48880GT	275	66883GT	221, 229, 233, 237, 241, 245, 181, 187,	82487GT	29, 31, 33, 35, 37, 49...
48923GT	285	66886GT	169, 175, 181, 187, 183, 199	82495GT	27, 47, 71, 91
48997GT	275	66889-SGT	169, 175, 181, 187, 169, 175, 181, 187,	82496GT	77
49612GT	275	66890-SGT	169, 175, 181, 187, 193, 199, 235, 239,	82497GT	53, 55, 97, 99
49613GT	275	66903-SGT	223, 229, 235, 239, 243 245	82501GT	33
49812GT	281	69229GT	297, 299	82557GT	23, 25, 45, 67, 69, 89
50793GT	297, 299	71349GT	163	82558GT	15, 19, 41, 43, 59, 63...
51063GT	131	72086GT	13, 15, 19, 27, 29, 31...	82559GT	15, 19, 41, 43, 59, 63...
51152GT	287	72143GT	15, 19, 29, 31, 41, 43...	82560GT	29, 31, 49, 51, 73, 75...
52475GT	13, 15, 19, 27, 29, 31...	72326GT	107, 111, 289, 293	82561GT	13, 15, 19, 39, 41, 43...
55010GT	121, 123	72853GT	15, 19, 41, 43, 59, 63...	82562GT	27, 29, 31, 47, 49, 51...
55558GT	283	72970GT	13, 39, 57, 83	82563GT	67, 69, 89
55675GT	117, 119, 125, 127	72998GT	15, 19, 41, 43, 59, 63...	82564GT	23, 25, 45
55839GT	287	72999GT	15, 19, 41, 43, 59, 63...	82565GT	23, 67
55906GT	253, 257, 261, 265	74006GT	253, 257, 261, 265	82566GT	45, 89
56912GT	107, 307	74267GT	117	82568GT	45, 53, 55
56926GT	135, 139, 143	76502GT	117, 119	82570GT	13, 15, 19, 27, 29, 31...
57075GT	253, 257, 261, 265	77709GT	275	82571GT	57, 59, 63, 71, 73, 75...
58000GT	159, 163	78006GT	281	82656GT	33, 77
58592GT	101, 109, 111	78022GT	171, 177, 183, 189, 195, 201, 229, 233,	82657GT	13, 39, 57, 83
58627GT	131	78029GT	221, 225, 229, 233, 237, 241, 175, 177,	83093GT	131
62053GT	23, 25, 33, 35, 37	78038GT	169, 171, 175, 177, 181 187	83131GT	131
62054GT	67, 69, 77, 79, 81	78086GT	113	84384GT	275
65439GT	297, 299	78091GT	287	84385GT	275
65721GT	297, 299	78422GT	155, 273	84386GT	275

<u>Part no.</u>	<u>Page Number</u>	<u>Part no.</u>	<u>Page Number</u>	<u>Part no.</u>	<u>Page Number</u>
84422GT	283	96163GT	221, 225, 229, 233, ٢٢٧ ٢٤١	96699GT	125, 129, 291, 293
84571GT	101	96193GT	281	96709GT	125, 129
84574GT	113	96200GT	171, 177, 181, 187, ١٩٣ ٢٠١	96770GT	283
84578GT	159	96236GT	255, 259, 263, 267	96839GT	113
84579GT	163	96246GT	171, 177, 181, 187, ١٩٣ ٢٠١	96847GT	171, 177, 183, 189, ١٩٥ ٢٠١
84580GT	163	96247GT	167, 173, 179, 185, ١٩١ ١٩٧	96848GT	171, 181, 187, 201, ٢١١
84581GT	159, 163	96257GT	105, 273	96849GT	169, 175, 181, 187, ١٩٣ ١٩٩
84582GT	161, 165	96275GT	211	96855GT	125, 129
84583GT	159, 163	96283GT	161, 165	96948GT	107, 111, 115
84586GT	171, 177, 181, 187, ١٩٣ ٢٠١	96304GT	151, 153	96950GT	301
84587GT	167, 173, 179, 185, ١٨١ ١٩٧	96306GT	151, 153	97034GT	167, 173, 179, 185, ١٨١ ١٩٧
84590GT	169, 175, 181, 187, ١٩٣ ١٩٩	96309GT	135, 139, 143, 147	97041GT	181, 187, 187, 199, ٢١١
84693GT	157	96317GT	115	97053GT	٢٢١, 225, 229, 233, ٢٣٧ ٢٤١
84694GT	157	96331GT	159, 165	97059GT	121, 123
84695GT	157	96335GT	169, 175, 181, 187, ١٩٣ ١٩٩	97105GT	221, 225, 229, 233, ٢٣٧ ٢٤١
84739GT	279	96336GT	169, 181, 187, 199, ٢١١	97110GT	221, 225, 237, 241
84740GT	279	96350GT	285	97115GT	167, 173
84742GT	279	96351GT	285	97118GT	169, 175
84743GT	279	96353GT	285	97119GT	197, 203
84746GT	279	96354GT	125, 285	97122GT	199, 205
84748GT	279	96355GT	125, 285	97123GT	169, 175, 181, 187, ١٩٣ ١٩٩
85197GT	281	96363GT	291	97128GT	107, 111, 115
85239GT	131	96388GT	101, 273	97132GT	171, 177, 183, 189, ١٨٥ ٢٠١
88335GT	135, 139, 143, 147	96391GT	285	97213GT	169, 181, 187, 199, ٢١١
96008-SGT	131	96398GT	285	97280GT	٢٢١, 225, 229, 233, ٢٣٧ ٢٤١
96009GT	131	96408GT	113	97582GT	35, 37, 79, 81
96010GT	131	96413GT	167, 173, 179, 185, ١٩١ ١٩٧	97618GT	25, 69
96038GT	113	96415GT	157	97719GT	29, 31, 49, 51, 73, 75... 221, 225, 229, 233, ٢٣٧ ٢٤١
96039GT	113	96419GT	273	104804GT	101
96066GT	101	96452GT	131	105051GT	101
96067GT	103	96459GT	137, 139, 145, 147	105055PGT	113
96068GT	101	96465GT	105	105067GT	105, 279
96069GT	103	96466GT	105	105085GT	159, 163
96074GT	101	96487GT	159, 161, 163	105090GT	255, 259, 263, 267
96085GT	113	96493GT	107, 111	105117GT	253, 257, 261, 265
96102GT	105	96515-SGT	295	105118GT	253, 257, 261, 265
96110GT	151, 153	96516-SGT	295	105122GT	101, 105, 113
96121GT	159, 163	96524GT	113	105129GT	301
96126GT	157	96541GT	113	105150GT	117, 119
96130GT	159, 163	96542GT	295	105156GT	113
96131GT	159, 163	96576GT	157	105164GT	277
96133GT	115	96642GT	113	105165GT	277

<u>Part no.</u>	<u>Page Number</u>	<u>Part no.</u>	<u>Page Number</u>	<u>Part no.</u>	<u>Page Number</u>
105167GT	277	105818GT	159, 163	144375GT	105
105182GT	159, 163	105971GT	297, 299	144379GT	105
105183GT	159, 163	105972GT	297, 299	161975GT	307
105184GT	159, 163	105973GT	297, 299	161977GT	307
105185GT	163	105997GT	159, 163	161979GT	307
105209GT	155	105998GT	159, 163	214544GT	271
105210GT	155	114334GT	29, 31, 49, 51, 73, 75...	218579GT	137, 141, 145, 149
105211GT	155	114337GT	27, 47, 71, 91	219480GT	121
105214GT	135, 139, 143	114338GT	33, 35, 37, 53, 55, 77...	226163GT	125, 127
105248GT	301	114360GT	13, 39, 57, 83	228406GT	107
105261GT	285	114361GT	13, 27, 39, 47, 57, 71...	228786GT	135, 143
105262GT	285	114370GT	27, 47, 71, 91	229086GT	271
105263GT	285	114372GT	27, 29, 31, 47, 49, 51...	229087GT	271
105264GT	285	114385GT	13, 15, 19, 39, 41, 43...	229088GT	271
105275GT	113	114386GT	23, 25, 45, 67, 69, 89	229089GT	271
105280GT	159, 163	115166GT	285	229090GT	271
105283GT	287	119619GT	103	229091GT	271
105284GT	285	122994GT	131	229092GT	271
105285GT	285	131582GT	109, 111	229093GT	271
105303GT	275	133213GT	39	229094GT	271
105304GT	275	133276GT	15, 19, 41, 43, 59, 63...	229146GT	307
105308GT	125	133596GT	23, 25, 45, 67, 69, 89	229750GT	135, 139, 143, 147, 307
105310GT	107, 111	137562GT	131	229845GT	269
105334GT	121, 123	137587GT	269	229903GT	303
105440GT	109, 111	137605GT	23, 25, 33, 35, 37, 45...	231103GT	167, 173
105448GT	255, 259, 263, 267	137634GT	271	231104GT	169, 175
105478GT	283	137636GT	77	231105GT	179, 185, 191
105483-SGT	253, 255, 257, 259, 261, 263	137637GT	131, 269	231106GT	179, 185, 191
105543GT	283	137640GT	269	231107GT	197, 203
105547GT	101, 273	137656GT	23, 25, 33, 35, 37, 45...	231108GT	199, 205
105548GT	283	137668GT	131	231109GT	209, 215
105550GT	273	137699GT	269	231110GT	209, 215
105553GT	273	137769GT	117, 119	231111GT	169, 175, 181, 187, 193, 199
105554GT	273	137770GT	117, 119	231112GT	171, 177, 183, 189, 193, 201
105555GT	273	144009GT	297, 299	231114GT	125, 127
105556GT	289, 293	144011GT	297, 299	231167GT	125, 127
105557GT	289, 293	144130GT	121	231175GT	221, 225, 237, 241
105565GT	103	144161GT	253, 257, 261, 265	231176GT	229, 233, 245, 249
105653GT	285	144175GT	221, 225, 229, 233, 237, 241	231177GT	221, 225
105739GT	121	144180GT	121	231178GT	229, 233
105797GT	289, 293	144213GT	137, 141, 145, 149	231179GT	237, 241
105812GT	253, 257, 261, 265	144226GT	107	231180GT	245, 249

<u>Part no.</u>	<u>Page Number</u>	<u>Part no.</u>	<u>Page Number</u>	<u>Part no.</u>	<u>Page Number</u>
231331GT	269	825020GT	159, 165	1257055GT	151, 153
231610GT	169, 175, 181, 187, 193	825302GT	303	1257058GT	151, 153
231611GT	171, 177, 183, 189, 195, 201	825304GT	303	1257059GT	151, 153
231921GT	137, 141, 145, 149, 269	825305GT	303	1257082GT	113
231922GT	157, 141, 145, 149, 269	825307GT	303	1257102GT	105
231931GT	289	825309GT	303	1257182GT	23, 67
232531GT	117, 119	825311GT	303	1257184GT	25, 45, 69, 89
232576GT	151, 153	825312GT	303	1257296GT	307
232578GT	151, 153	825313GT	303	1257733GT	11
232582GT	151, 153	825349GT	117, 119	1257824GT	135, 139, 143, 147
233366GT	117, 119	825358GT	113, 117, 119	1257923GT	23, 25, 33, 35, 37, 45...
233371GT	151, 153	825640GT	303	1258187GT	307
233431GT	151, 153	1251757GT	307	1258393GT	105
233641GT	281	1251799GT	159, 163	1258394GT	135, 139, 143, 147
233644GT	135, 143	1251997GT	101, 105, 157	1258567GT	11
233711GT	135, 139, 143, 147	1254572GT	289, 293	1258731GT	269
235463GT	271	1255245GT	67	1259177GT	113
235464GT	269	1255756GT	107, 111	1259178GT	113
238268GT	303	1255757GT	101, 105, 113, 157, 201	1259179GT	113
823368GT	107, 111	1255758GT	101, 115, 167, 173	1259180GT	113
823408GT	125, 129	1255759GT	105	1259182GT	171, 177, 183, 189, 195, 201
824025GT	115, 159	1255797GT	107, 111	1259191GT	105
824027GT	101, 107, 117, 119, 125	1255805GT	117, 119	1259193GT	101
824029GT	101, 107, 111, 113, 155, 157	1256070GT	57, 59, 63	1259194GT	101
824037GT	117, 119	1256109GT	101	1259195GT	101
824038GT	113, 167, 173	1256115GT	157	1259197GT	113
824068GT	307	1256123GT	101	1259223GT	171, 177, 183, 189, 195, 201
824077GT	283	1256179GT	105	1259266GT	117, 119
824078GT	125, 129, 171, 177, 183, 189	1256287GT	101, 105	1259719GT	169, 175, 181, 187, 192, 199
824080GT	117, 119, 125, 127, 159, 165	1256463GT	125, 129	1260386GT	289, 293
824081GT	155	1256656GT	269	1260926GT	177, 195, 207, 219
824090GT	289, 293	1256679GT	109, 111, 117, 119	1261143GT	289, 293
824094GT	171, 177, 183, 189, 195, 201	1256702GT	23, 25, 33, 35, 37, 45...	1261183GT	289, 293
824100GT	281	1256703GT	89	1261888GT	275
824110GT	281	1256719GT	131	1263220GT	135, 139, 143, 147
824113GT	125, 129, 171, 177, 117, 119, 125, 127,	1256721GT	131	1263221GT	135, 139, 143, 147
824124GT	131, 155	1256725GT	269	1263542GT	31, 51, 73, 75, 95
824125GT	107, 111, 155	1256727GT	269	1263646GT	35, 37, 53, 55, 79, 81...
824128GT	101, 113	1256848GT	159, 163	1264372GT	121, 123
824164GT	159, 163	1256855GT	171, 177	1264822GT	135, 139, 143, 147
824215GT	289, 293	1256863GT	117, 119	1264834GT	135, 139, 143, 147
824216GT	107, 111	1257054GT	151, 153	1265361GT	17, 21, 29, 31, 41, 43...

Part no.	Page Number	Part no.	Page Number	Part no.	Page Number
1270162GT	289, 293	T107029GT	13, 39, 57, 83		
1270281GT	105, 121, 123, 137, 141 145	T107031GT	17, 21, 41, 43, 61, 65...		
1270456GT	117, 119	T108326GT	125, 127		
1270598GT	127	T108327GT	131		
1271521GT	289, 293	T109012GT	125, 127		
1272119GT	121, 123, 137, 141, 145 149	T110891GT	135, 139, 143, 147		
1272242GT	15, 19, 29, 31, 41, 43...	T112507GT	107, 111, 135, 139, 143 147		
1272557GT	121, 123	T112508GT	135, 139, 143, 147		
1272844GT	121, 123, 151, 153	T112509GT	135, 139, 143, 147		
1273055GT	105, 107, 111	T112510GT	137, 141		
1273576GT	121, 123, 151, 153	T112511GT	145, 149		
1274168GT	107, 111, 289	T112563GT	255, 259, 263, 267		
1274594GT	175, 193, 205, 217	T112804GT	17, 21, 29, 31, 41, 43...		
1274595GT	175, 193, 205, 217	T112807GT	35, 37, 53		
1274596GT	175, 193, 205, 217	T112808GT	79, 81, 97, 99		
1274597GT	227, 235, 243, 251	T113136GT	135, 139, 143, 147, 307		
1274603GT	225, 233, 241, 249	T113139GT	307		
1276561GT	127	T113142GT	307		
1276562GT	127	T113296GT	125, 127		
1277860GT	177, 195, 207, 219	T113787GT	169, 175, 181, 187, 193 199		
1277958GT	121	T114031GT	135, 139, 143, 147		
1277959GT	121	T114082GT	307		
1277960GT	121	T114321GT	273		
1277961GT	121	T114397GT	269		
1278004GT	37, 55	T115429GT	307		
1278005GT	81, 99				
1278704GT	21, 31, 51, 65, 75, 95				
1279428GT	121, 123				
1279627GT	305				
1280158GT	127				
1280665GT	253, 257, 261, 265				
1280819GT	21, 65				
1283768GT	305				
1289520GT	107, 111				
1289521GT	107, 111				
1289561GT	107, 111				
T106362GT	131				
T106363GT	131				
T106366GT	131				
T106370GT	269				
T106372GT	133				
T106373GT	269				

California Proposition 65



Operating, servicing and maintaining this equipment, passenger vehicle or off-highway motor vehicle can expose you to chemicals including engine exhaust, carbon monoxide, phthalates, and lead, which are known to the State of California to cause cancer and birth defects or other reproductive harm. These chemicals can be emitted from or contained in other various parts and systems, fluids and some component wear by-products. To minimize exposure, avoid breathing exhaust, do not idle the engine except as necessary, service your equipment and vehicle in a well-ventilated area and wear gloves or wash your hands frequently when servicing your equipment or vehicle and after operation. For more information go to www.P65Warnings.ca.gov/passenger-vehicle.

Breathing diesel engine exhaust exposes you to chemicals known to the State of California to cause cancer and birth defects or other reproductive harm.

- Always start and operate the engine in a well-ventilated area.
- If in an enclosed area, vent the exhaust to the outside.
- Do not modify or tamper with the exhaust system.
- Do not idle the engine except as necessary.

For more information go to www.P65warnings.ca.gov/diesel.

www.genielift.com

Distributed By: