



# Illustrated Parts Manual

**Model  
1500AJP**

SN 0300000100  
TO SN 0300271437

P/N  
3121736

August 25, 2023 - Rev N

**ANSI**

**CE**



**AS/NZS**



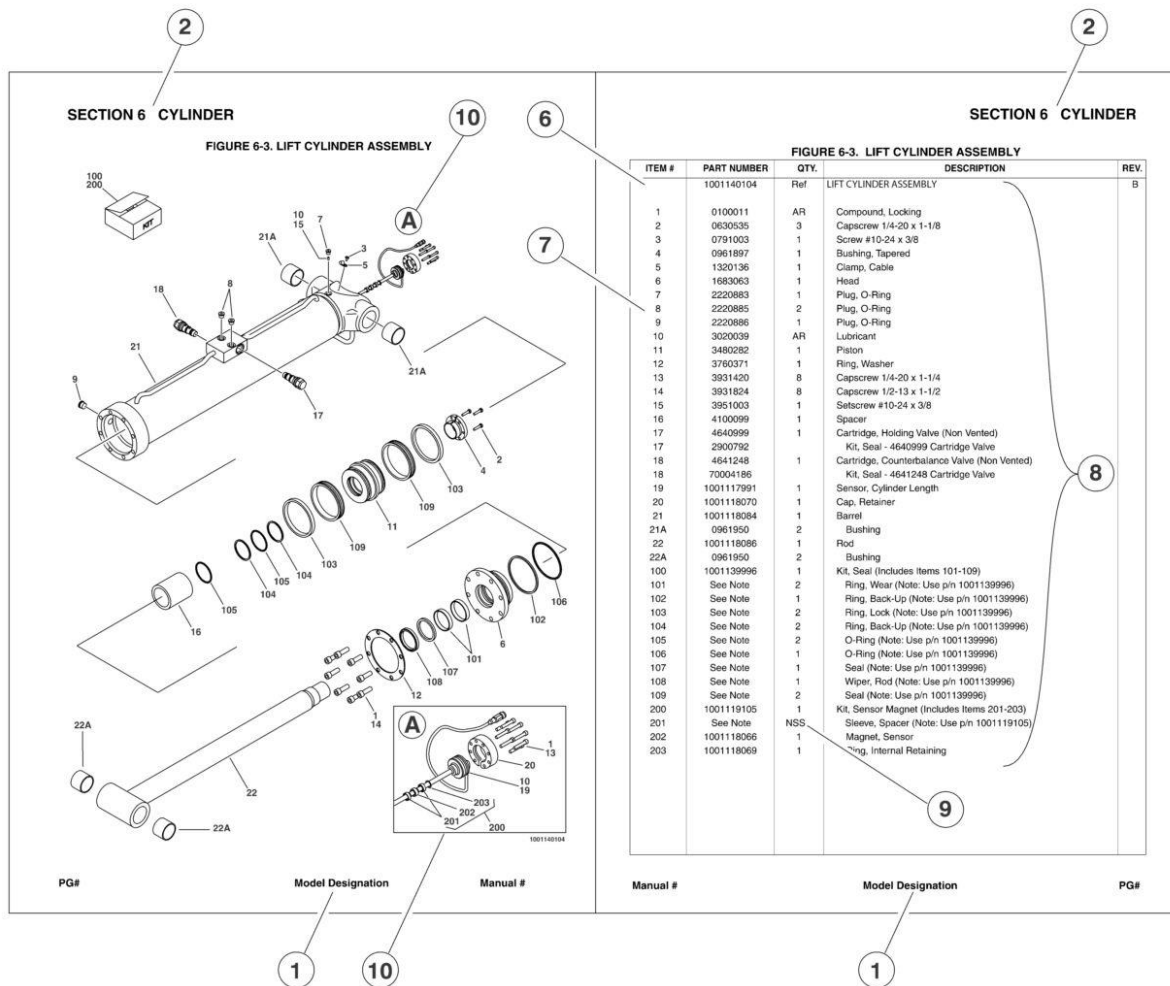
An Oshkosh Corporation Company



## REVISION LOG

May 1, 2016 - A - Original Issue Of Manual (Edited to B/M 1001194422 Revision H) (Revision 1)  
August 22, 2016 - B - Revised Manual (Edited to B/M 1001194422 Revision M) (Revision 1)  
October 31, 2016 - C - Revised Manual (Edited to B/M 1001194422 Revision N) (Revision 1)  
January 16, 2017 - D - Revised Manual (Edited to B/M 1001194422 Revision R)  
April 21, 2017 - E - Revised Manual (Edited to B/M 1001194422 Revision R)  
July 31, 2017 - F - Revised Manual (Edited to B/M 1001194422 Revision R)  
October 27, 2017 - G - Revised Manual (Edited to B/M 1001194422 Revision R)  
January 12, 2018 - H - Revised Manual (Edited to B/M 1001194422 Revision T)  
April 16, 2018 - I - Revised Manual (Edited to B/M 1001194422 Revision T)  
July 20, 2018 - J - Revised Manual (Edited to B/M 1001194422 Revision AE) (Revision 1)  
October 12, 2018 - K - Revised Manual (Edited to B/M 1001194422 Revision AE) (Revision 1)  
January 10, 2019 - L - Revised Manual (Edited to B/M 1001194422 Revision AM) (Revision 1)  
March 30, 2020 - M - Revised Manual (Edited to B/M 1001194422 Revision AM) (Revision 1)  
August 25, 2023 - N - Revised Manual (Edited to B/M 1001194422 Revision AM)

# GENERAL INFORMATION



## 1) MACHINE IDENTIFICATION

Machines are identified by model and in some cases a combination of models, serial number (SN) or regional standard (i.e. ANSI, CE, CSA). Components may also be identified by SN or manufacturer. Common components that may be identified by these characteristics are engines and hydraulic components.

## 2) PARTS MANUAL ORGANIZATION

Product information in this manual is organized under section titles. Frame, Cylinder, Hydraulic and Electrical are a few examples. Each section is organized by figure and page number. The information within the Figure is then organized by item number, part number, description and corresponding illustration (s).

## 3) TABLE OF CONTENTS

A table of contents is found toward the beginning of the manual. Figure number, description and page number are provided for quick reference to the page containing the related information.

## 4) RECOMMENDED SPARE PARTS

The Recommended Spare Parts, located near the end of the manual, reference most frequently used maintenance parts.

## 5) PART NUMBER INDEX

A numerical index listing all part numbers and the corresponding page number(s) appears at the back of the manual.

## GENERAL INFORMATION

### 6) NON-SERVICED PARTS

In some instances, it is necessary to display non-serviced parts, assemblies or installations. In the case of assemblies and installations there will be a Ref in the Qty column. In case of parts that are not available for service within assemblies or components, there will be a NSS (Not Sold Separately) or NLA (No Longer Available) listed in the Qty. column of the manual.

### 7) PARTS LIST ITEM NUMBERS

Numbers shown in the item# column correspond to numbers used in the associated illustration (s). Item numbers which are missing from the sequence in the parts list are not used on that page

### 8) INDENTED PARTS DESCRIPTION

An indented part description is included in the item under which it is indented.

### 9) ABB REVIATION AND SYMBOLS

AC.....	.. Alternating Current	LCD .....	.. Liquid Crystal Display
ADE.....	..Advanced Design Electronics	LED .....	.. Light Emitting Diodes
ANSI .....	..American National Standards Institute	LH.....	.. Left Hand
AR.....	..As Required	LSS .....	..Load Sensing System
ASSY .....	.. Assembly	M(m).....	.. Metric/Meter
AUX.....	..Auxiliary	MM (mm) .....	..Milimeter
AWG.....	..American WireGauge	mA.....	.. Miliamps
B/M.....	.. Bill of Material	NLA.....	..No Longer Available
CE.....	..European Conformity	NPT .....	.. National Pipe Threads
CCW .....	..Counter Clockwise	NSS .....	..Not So Id Separately
cm.....	..Centimeter	OD.....	..Outside Diameter
CW .....	..Clockwise	ORB.....	.. O-Ring Boss
CSA.....	..Canadian Standards Association	ORFS .....	.. O-Ring Face Seal
CYL.....	..Cylinder	OZ (oz) .....	..Ounces
DIA .....	..Diameter	PG .....	..Page
DC.....	..Direct Current	P/N.....	..Part Number
EMS .....	.. Emergency Stop	qt.....	..Quarts
ENG .....	..Engine	QTY.....	..Quantity
FT(ft).....	..Feet	REF .....	..Reference
GA(Ga).....	..Gauge	REV .....	..Revision Level
HYD .....	..Hydraulic	RH.....	.. Right Hand
Hz.....	..Hertz	SAE.....	.. Society of Automotive Engineers
ID.....	..Inside Diameter	SN.....	..Serial Number
in.....	..inches	SPEC(S).....	..Specifications
ISO .....	..International Organization for Standards	T/T.....	..Turntable
JIC.....	..Joint Industry Council	UGM .....	..Universal Ground Module
KG .....	..Kilogram	V.....	..Volts
L.....	..Liter	W.....	..Watts
LB .....	..Pounds	#.....	..Number

### 10) ILLUSTRATION REFERENCE LETTERS

When necessary, illustrations may contain reference letters that are intended to track information (i. e. hoses, harnesses) from one point to another or to track visual enlargement of components to show details that may be located in another area on the illustration.

*Note: Due to continuous product improvements, JLG Industries, Inc. reserves the right to make specification changes without prior notification. Contact JLG Industries, Inc. for updated information.*



# TABLE OF CONTENTS

SECTION 1 - FRAME.....	13
FIGURE 1-1. AXLE INSTALLATION .....	14
FIGURE 1-2. STEER INSTALLATION.....	16
FIGURE 1-3. WHEEL DRIVE INSTALLATION.....	18
FIGURE 1-4. DRIVE MOTOR ASSEMBLY .....	20
FIGURE 1-5. DRIVE HUB ASSEMBLY .....	22
FIGURE 1-6. TIRE/WHEEL INSTALLATION.....	26
FIGURE 1-7. VALVES INSTALLATION - FRAME (SN 0300000100 through 0300223782).....	28
FIGURE 1-8. VALVES INSTALLATION - FRAME (SN 0300223782 through 0300271437).....	30
FIGURE 1-9. TRACTION VALVE ASSEMBLY (SN 0300000100 through 0300224829).....	32
FIGURE 1-10. TRACTION VALVE ASSEMBLY (SN 0300224829 through 0300271437).....	34
FIGURE 1-11. STEER/AXLE EXTEND VALVE ASSEMBLY.....	36
FIGURE 1-12. ELECTRICAL COMPONENTS INSTALLATION - FRAME (HRC) (ANSI, ANSI EXPORT, CSA AND JAPANESE SPECS) (SN 0300000100 through 0300223782).....	38
FIGURE 1-13. ELECTRICAL COMPONENTS INSTALLATION - FRAME (HRC) (ANSI, ANSI EXPORT, CSA AND JAPANESE SPECS) (SN 0300223782 through 0300271437).....	40
FIGURE 1-14. ELECTRICAL COMPONENTS INSTALLATION - FRAME (HRC) (CE SPECS) (SN 0300000100 through 0300223782).....	42
FIGURE 1-15. ELECTRICAL COMPONENTS INSTALLATION - FRAME (HRC) (CE SPECS) (SN 0300223782 through 0300271437).....	44
FIGURE 1-16. ELECTRICAL COMPONENTS INSTALLATION - FRAME (LRC) (ANSI EXPORT, AUSTRALIAN, CE AND CHINA SPECS) (SN 0300000100 through 0300223782).....	46
FIGURE 1-17. ELECTRICAL COMPONENTS INSTALLATION - FRAME (LRC) (ANSI EXPORT, AUSTRALIAN, CE AND CHINA SPECS) (SN 0300223782 through 0300271437).....	48
FIGURE 1-18. ELECTRICAL COMPONENTS INSTALLATION - FRAME (LRC) (CE SPECS) (SN 0300224829 through 0300271437).....	50
FIGURE 1-19. COVERS INSTALLATION - FRAME.....	52
SECTION 2 - TURNTABLE.....	55
FIGURE 2-1. VALVES AND FILTERS INSTALLATION - TURNTABLE (SN 0300000100 through 0300223782).....	56
FIGURE 2-2. VALVES AND FILTERS INSTALLATION - TURNTABLE (SN 0300223782 through 0300271437).....	58
FIGURE 2-3. MAIN VALVE ASSEMBLY (SN 0300000100 through 0300223782).....	60
FIGURE 2-4. MAIN VALVE ASSEMBLY (SN 0300223782 through 0300235444).....	64
FIGURE 2-5. MAIN VALVE ASSEMBLY (SN 0300235445 through 0300239973).....	68
FIGURE 2-6. MAIN VALVE ASSEMBLY (SN 0300239974 through 0300271437).....	72
FIGURE 2-7. JUNCTION VALVE ASSEMBLY .....	76
FIGURE 2-8. TURNTABLE BEARING INSTALLATION .....	78
FIGURE 2-9. TURNTABLE LOCK INSTALLATION.....	80
FIGURE 2-10. SWING DRIVE INSTALLATION .....	82
FIGURE 2-11. SWING HUB/BRAKE/MOTOR ASSEMBLY.....	84
FIGURE 2-12. COUPLING/COLLECTOR RING INSTALLATION .....	88
FIGURE 2-13. COUPLING/COLLECTOR RING ASSEMBLY .....	90
FIGURE 2-14. TANKS INSTALLATION (WITHOUT DIESEL EXHAUST FLUID TANK).....	92
FIGURE 2-15. TANKS INSTALLATION (WITH DIESEL EXHAUST FLUID TANK) (SN 0300000100 through 0300254483).....	94
FIGURE 2-16. TANKS INSTALLATION (WITH DIESEL EXHAUST FLUID TANK) (SN 0300254483 through 0300271437).....	96
FIGURE 2-17. HYDRAULIC TANK ASSEMBLY.....	98
FIGURE 2-18. AUXILIARY POWER AND BATTERIES INSTALLATIONS.....	100
FIGURE 2-19. AUXILIARY PUMP/MOTOR ASSEMBLY .....	102
FIGURE 2-20. ELECTRICAL COMPONENTS INSTALLATION - TURNTABLE (HRC) (ANSI, ANSI EXPORT, CSA AND JAPANESE SPECS) (SN 0300000100 through 0300223782).....	104
FIGURE 2-21. ELECTRICAL COMPONENTS INSTALLATION - TURNTABLE (HRC) (ANSI, ANSI EXPORT, CSA AND JAPANESE SPECS) (SN 0300223782 through 0300271437).....	108
FIGURE 2-22. ELECTRICAL COMPONENTS INSTALLATION - TURNTABLE (HRC) (CE SPECS) (SN 0300000100 through 0300223782).....	112
FIGURE 2-23. ELECTRICAL COMPONENTS INSTALLATION - TURNTABLE (HRC) (CE SPECS) (SN 0300223782 through 0300271437).....	116
FIGURE 2-24. ELECTRICAL COMPONENTS INSTALLATION - TURNTABLE (LRC) (ANSI EXPORT, AUSTRALIAN, CE AND CHINESE SPECS) (SN 0300000100 through 0300223782).....	120
FIGURE 2-25. ELECTRICAL COMPONENTS INSTALLATION - TURNTABLE (LRC) (ANSI EXPORT, AUSTRALIAN, CE AND CHINESE SPECS) (SN 0300223782 through 0300271437).....	124
FIGURE 2-26. ELECTRICAL COMPONENTS INSTALLATION - TURNTABLE (LRC) (CE SPECS) (SN 0300224829 through 0300271437).....	128
FIGURE 2-27. GROUND CONTROL CONSOLE ASSEMBLY (HRC) (ANSI, ANSI EXPORT, CSA AND JAPANESE SPECS).....	132
FIGURE 2-28. GROUND CONTROL CONSOLE ASSEMBLY (HRC) (CE SPECS).....	134

# TABLE OF CONTENTS

FIGURE 2-29. GROUND CONTROL CONSOLE ASSEMBLY (LRC) (ANSI EXPORT, AUSTRALIAN, CE AND CHINA SPECS)	136
FIGURE 2-30. GROUND CONTROL CONSOLE ASSEMBLY (LRC) (CE SPECS) (SN 0300224829 through 0300271437)	138
FIGURE 2-31. LIGHT PANEL INSTALLATION (ALL SPECS EXCEPT AUSTRALIAN AND CE SPECS)	140
FIGURE 2-32. LIGHT PANEL INSTALLATION (AUSTRALIAN AND CE SPECS)	142
FIGURE 2-33. ALARM INSTALLATION	144
FIGURE 2-34. STROBE LIGHT INSTALLATION - AMBER	146
FIGURE 2-35. STROBE LIGHT INSTALLATION - BLUE (SN 0300000100 through 0300259280)	148
FIGURE 2-36. STROBE LIGHT INSTALLATION - BLUE (SN 0300259280 through 0300271437)	150
FIGURE 2-37. HOOD INSTALLATION	152
FIGURE 2-38. VENTURI INSTALLATION (HRC)	158
FIGURE 2-39. VENTURI INSTALLATION (LRC)	160
SECTION 3 - ENGINE	163
FIGURE 3-1. ENGINE INSTALLATION (HRC) (WITHOUT COLD WEATHER PACKAGE) (SN 0300000100 through 0300254483)	164
FIGURE 3-2. ENGINE INSTALLATION (HRC) (WITHOUT COLD WEATHER PACKAGE) (SN 0300254483 through 0300271437)	170
FIGURE 3-3. ENGINE ASSEMBLY WITH PUMPS (HRC) (WITHOUT COLD WEATHER PACKAGE) (SN 0300000100 through 0300254483)	176
FIGURE 3-4. ENGINE ASSEMBLY WITH PUMPS (HRC) (WITHOUT COLD WEATHER PACKAGE) (SN 0300254483 through 0300271437)	178
FIGURE 3-5. ENGINE ASSEMBLY (HRC) (WITHOUT COLD WEATHER PACKAGE) (SN 0300000100 through 0300254483)	180
FIGURE 3-6. ENGINE ASSEMBLY (HRC) (WITHOUT COLD WEATHER PACKAGE) (SN 0300254483 through 0300271437)	186
FIGURE 3-7. ENGINE INSTALLATION (HRC) (WITH COLD WEATHER PACKAGE) (SN 0300000100 through 0300254483)	192
FIGURE 3-8. ENGINE INSTALLATION (HRC) (WITH COLD WEATHER PACKAGE) (SN 0300254483 through 0300271437)	198
FIGURE 3-9. ENGINE ASSEMBLY WITH PUMPS (HRC) (WITH COLD WEATHER PACKAGE) (SN 0300000100 through 0300254483)	204
FIGURE 3-10. ENGINE ASSEMBLY WITH PUMPS (HRC) (WITH COLD WEATHER PACKAGE) (SN 0300254483 through 0300271437)	206
FIGURE 3-11. ENGINE ASSEMBLY (HRC) (WITH COLD WEATHER PACKAGE) (SN 0300000100 through 0300254483)	208
FIGURE 3-12. ENGINE ASSEMBLY (HRC) (WITH COLD WEATHER PACKAGE) (SN 0300254483 through 0300271437)	214
FIGURE 3-13. ENGINE COMPONENTS (HRC) (SN 0300000100 through 0300254483)	220
FIGURE 3-14. ENGINE COMPONENTS (HRC) (SN 0300254483 through 0300271437)	226
FIGURE 3-15. ENGINE INSTALLATION (LRC) (WITHOUT COLD WEATHER PACKAGE)	232
FIGURE 3-16. ENGINE ASSEMBLY WITH PUMPS (LRC) (WITHOUT COLD WEATHER PACKAGE)	236
FIGURE 3-17. ENGINE ASSEMBLY (LRC) (WITHOUT COLD WEATHER PACKAGE)	240
FIGURE 3-18. ENGINE INSTALLATION (LRC) (WITH COLD WEATHER PACKAGE)	246
FIGURE 3-19. ENGINE ASSEMBLY WITH PUMPS (LRC) (WITH COLD WEATHER PACKAGE)	250
FIGURE 3-20. ENGINE ASSEMBLY (LRC) (WITH COLD WEATHER PACKAGE)	254
FIGURE 3-21. ENGINE COMPONENTS (LRC)	260
FIGURE 3-22. PUMP COUPLING KIT	264
FIGURE 3-23. TANDEM PUMP ASSEMBLY	266
FIGURE 3-24. PISTON PUMP ASSEMBLY	270
FIGURE 3-25. GEAR PUMP ASSEMBLY	274
FIGURE 3-26. FUEL FILTER/WATER SEPARATOR INSTALLATION (LRC) (CHINA SPECS ONLY)	276
FIGURE 3-27. SPARK ARRESTOR INSTALLATION (HRC) (OPTIONAL)	278
FIGURE 3-28. SPARK ARRESTOR INSTALLATION (LRC) (OPTIONAL)	280
FIGURE 3-29. 4000W GENERATOR INSTALLATION - 50HZ	282
FIGURE 3-30. 4000W GENERATOR INSTALLATION - 60HZ	286
FIGURE 3-31. 7500W SKYPOWER GENERATOR INSTALLATION - 50HZ	290
FIGURE 3-32. 7500W SKYPOWER GENERATOR INSTALLATION - 60HZ	294
FIGURE 3-33. BREATHER HEATER INSTALLATION - MACHINES WITH COLD WEATHER PACKAGE	298
SECTION 4 - BOOM	301
FIGURE 4-1. BOOM AND CYLINDERS INSTALLATION	302
FIGURE 4-2. TOWER BOOM ASSEMBLY	306
FIGURE 4-3. MAIN BOOM AND JIB ASSEMBLY	310
FIGURE 4-4. PLATFORM ROTATOR ASSEMBLY	316
FIGURE 4-5. JIB ROTATOR ASSEMBLY	318
FIGURE 4-6. POWER TRACK INSTALLATION - TOWER BOOM	320
FIGURE 4-7. POWER TRACK INSTALLATION - MAIN BOOM	322
FIGURE 4-8. VALVES AND FILTERS INSTALLATION - BOOM (SN 0300000100 through 0300223782)	324
FIGURE 4-9. VALVES AND FILTERS INSTALLATION - BOOM (SN 0300223782 through 0300271437)	326
FIGURE 4-10. BOOM VALVE ASSEMBLY	328



# TABLE OF CONTENTS

FIGURE 4-11. PLATFORM VALVE ASSEMBLY.....	330
FIGURE 4-12. BOOM SENSORS AND COVERS INSTALLATION.....	332
FIGURE 4-13. PLATFORM SUPPORT INSTALLATION - WITHOUT LSS .....	338
FIGURE 4-14. PLATFORM SUPPORT INSTALLATION - WITH LSS.....	340
SECTION 5 - PLATFORM.....	343
FIGURE 5-1. PLATFORM ASSEMBLY - 30IN X 3FT (76CM X .91M) - DROP BAR ENTRY.....	344
FIGURE 5-2. PLATFORM ASSEMBLY - 30IN X 4FT (76.2CM X 1.22M) WITH SWING GATE .....	346
FIGURE 5-3. PLATFORM ASSEMBLY - 30IN X 4FT (76.2CM X 1.22M) WITH DROP BAR.....	348
FIGURE 5-4. PLATFORM ASSEMBLY - 36IN X 6FT (91.5CM X 1.83M) WITH SWING GATE.....	350
FIGURE 5-5. PLATFORM ASSEMBLY - 36IN X 6FT (91.5CM X 1.83M) TRI-ENTRY WITH SWING GATE.....	352
FIGURE 5-6. PLATFORM ASSEMBLY - 36IN X 6FT (91.5CM X 1.83M) WITH DROP BAR.....	354
FIGURE 5-7. PLATFORM ASSEMBLY - 36IN X 6FT (91.5CM X 1.83M) TRI-ENTRY WITH DROPBAR.....	356
FIGURE 5-8. PLATFORM ASSEMBLY - 36IN X 6FT (91.5CM X 1.83M) WITH FALL ARREST (ANSI, ANSI EXPORT AND CSA SPECS) .....	358
FIGURE 5-9. PLATFORM ASSEMBLY - 36IN X 8FT (91.5CM X 2.44M) WITH SWING GATE .....	360
FIGURE 5-10. PLATFORM ASSEMBLY - 36IN X 8FT (91.5CM X 2.44M) WITH TRI-ENTRY (1 GATE/2 DROP BARS) .....	362
FIGURE 5-11. PLATFORM ASSEMBLY - 36IN X 8FT (91.5CM X 2.44M) WITH DROP BAR.....	364
FIGURE 5-12. PLATFORM ASSEMBLY - 36IN X 8FT (91.5CM X 2.44M) WITH TRI-ENTRY (3 DROP BARS) .....	366
FIGURE 5-13. PLATFORM ASSEMBLY - 36IN X 8FT (91.5CM X 2.44M) WITH FALL ARREST (ANSI, ANSI EXPORT AND CSA SPECS) .....	368
FIGURE 5-14. PLATFORM ASSEMBLY - 36IN X 8FT (91.5CM X 2.44M) WITH FALL ARREST (ALL SPECS EXCEPT CSA SPECS) .....	370
FIGURE 5-15. TRAY ASSEMBLY .....	372
FIGURE 5-16. LCD DISPLAY INSTALLATION (SN 0300000100 through 0300248935) .....	374
FIGURE 5-17. LCD DISPLAY INSTALLATION (SN 0300248935 through 0300271437) .....	376
FIGURE 5-18. CONSOLE BOX AND FOOTSWITCH INSTALLATION - WITHOUT SKYGUARD (SN 0300000100 through 0300223782) .....	378
FIGURE 5-19. CONSOLE BOX AND FOOTSWITCH INSTALLATION - WITH SKYGUARD (SN 0300000100 through 0300259280) .....	380
FIGURE 5-20. CONSOLE BOX AND FOOTSWITCH INSTALLATION - WITH SKYGUARD (SN 0300259280 through 0300271437) .....	382
FIGURE 5-21. PLATFORM CONSOLE ASSEMBLY - WITHOUT SKYGUARD (SN 0300000100 through 0300226999).....	384
FIGURE 5-22. PLATFORM CONSOLE ASSEMBLY - WITH SKYGUARD (SN 0300000100 through 0300259280) .....	388
FIGURE 5-23. PLATFORM CONSOLE ASSEMBLY - WITH SKYGUARD (SN 0300259280 through 0300271437) .....	392
FIGURE 5-24. DECAL AND LIGHT PANEL INSTALLATION (ALL SPECS EXCEPT AUSTRALIAN AND CE SPECS).....	396
FIGURE 5-25. DECAL AND LIGHT PANEL INSTALLATION (AUSTRALIAN AND CE SPECS) .....	398
FIGURE 5-26. CONTROLLER ASSEMBLY (LIFT AND SWING).....	400
FIGURE 5-27. CONTROLLER ASSEMBLY (DRIVE AND STEER).....	404
FIGURE 5-28. FOOTSWITCH ASSEMBLY.....	406
FIGURE 5-29. SKYEYE INSTALLATION .....	408
FIGURE 5-30. SKYGUARD SYSTEM INSTALLATION (SN 0300000100 through 0300259280).....	410
FIGURE 5-31. SKYGUARD BAR INSTALLATION (SN 0300259280 through 0300271437) .....	412
FIGURE 5-32. SKYLINE INSTALLATION .....	414
FIGURE 5-33. CROSS RAIL INSTALLATION.....	416
FIGURE 5-34. SOFT TOUCH INSTALLATION - 8FT (2.4M) PLATFORM (OPTIONAL).....	418
FIGURE 5-35. SOFT TOUCH INSTALLATION - 8FT (2.4M) FALL ARREST PLATFORM (OPTIONAL).....	420
FIGURE 5-36. SKYGLAZIER INSTALLATION (ANSI, ANSI EXPORT, AUSTRALIAN, CE AND CSA SPECS) .....	422
FIGURE 5-37. SKYWELDER/SKYCUTTER COMBO INSTALLATION (60HZ).....	424
FIGURE 5-38. SKYWELDER INSTALLATION (50HZ).....	428
FIGURE 5-39. SKYWELDER INSTALLATION (60HZ).....	430
FIGURE 5-40. SKYWELDER PREP PACKAGE (60HZ) .....	432
FIGURE 5-41. WELDER ASSEMBLY .....	434
FIGURE 5-42. SKYCUTTER INSTALLATION.....	436
FIGURE 5-43. PLASMA CUTTER ASSEMBLY.....	438
FIGURE 5-44. PIPE RACK INSTALLATION (ANSI AND AUSTRALIAN SPECS).....	440
FIGURE 5-45. FALL ARREST INSTALLATION (BOLT-ON EXTERNAL) (6FT/1.82M PLATFORM) .....	442
FIGURE 5-46. FALL ARREST INSTALLATION (BOLT-ON EXTERNAL) (6FT/1.82M TRI-ENTRY PLATFORM) .....	444
FIGURE 5-47. FALL ARREST INSTALLATION (BOLT-ON EXTERNAL) (8FT/2.4M PLATFORM) .....	446
SECTION 6 - CYLINDER.....	449
FIGURE 6-1. AXLE EXTEND CYLINDER ASSEMBLY (SN 0300000100 through 0300239663).....	450
FIGURE 6-2. AXLE EXTEND CYLINDER ASSEMBLY (SN 0300239663 through 0300271437).....	452
FIGURE 6-3. LEVEL CYLINDER ASSEMBLY - PLATFORM SLAVE (SN 0300000100 through 0300237743) .....	454
FIGURE 6-4. LEVEL CYLINDER ASSEMBLY - PLATFORM SLAVE (SN 0300237743 through 0300271437) .....	456

# TABLE OF CONTENTS

FIGURE 6-5. LIFT CYLINDER ASSEMBLY - JIB (SN 0300000100 through 0300238854)	458
FIGURE 6-6. LIFT CYLINDER ASSEMBLY - JIB (SN 0300238854 through 0300271437)	460
FIGURE 6-7. LIFT CYLINDER ASSEMBLY - MAIN BOOM (SN 0300000100 through 0300239463)	462
FIGURE 6-8. LIFT CYLINDER ASSEMBLY - MAIN BOOM (SN 0300239463 through 0300271437)	464
FIGURE 6-9. LIFT CYLINDER ASSEMBLY - TOWER BOOM (SN 0300000100 through 0300239155)	466
FIGURE 6-10. LIFT CYLINDER ASSEMBLY - TOWER BOOM (SN 0300239155 through 0300271437)	468
FIGURE 6-11. STEER CYLINDER ASSEMBLY (SN 0300000100 through 0300239663)	470
FIGURE 6-12. STEER CYLINDER ASSEMBLY (SN 0300239663 through 0300271437)	472
FIGURE 6-13. TELESCOPE CYLINDER ASSEMBLY - MAIN BOOM (SN 0300000100 through 0300244380)	474
FIGURE 6-14. TELESCOPE CYLINDER ASSEMBLY - MAIN BOOM (SN 0300244380 through 0300271437)	476
FIGURE 6-15. TELESCOPE CYLINDER ASSEMBLY - TOWER BOOM (SN 0300000100 through 0300244380)	478
FIGURE 6-16. TELESCOPE CYLINDER ASSEMBLY - TOWER BOOM (SN 0300244380 through 0300271437)	482
SECTION 7 - HYDRAULIC	485
FIGURE 7-1. BOOM AND JIB HYDRAULIC DIAGRAM	486
FIGURE 7-2. CHASSIS HYDRAULIC DIAGRAM	488
FIGURE 7-3. TURNTABLE HYDRAULIC DIAGRAM (SN 0300000100 through 0300223782)	492
FIGURE 7-4. TURNTABLE HYDRAULIC DIAGRAM (SN 0300223782 through 0300271437)	500
FIGURE 7-5. HYDRAULIC DIAGRAM LIST	508
SECTION 8 - ELECTRICAL	509
FIGURE 8-1. ELECTRICAL DIAGRAM LIST	510
FIGURE 8-2. AC BOX AT PLATFORM INSTALLATION - 110V GFI (ANSI, CHINA, CSA AND JAPANESE SPECS)	512
FIGURE 8-3. AC BOX AT PLATFORM INSTALLATION - 110V IEC YELLOW WITHOUT GENERATOR (CE SPECS)	514
FIGURE 8-4. AC BOX AT PLATFORM INSTALLATION - 110V IEC YELLOW WITH 4000W GENERATOR (CE SPECS)	516
FIGURE 8-5. AC BOX AT PLATFORM INSTALLATION - 220V IEC BLUE WITHOUT GENERATOR (CE SPECS)	518
FIGURE 8-6. AC BOX AT PLATFORM INSTALLATION - 220V IEC BLUE WITH 4000W GENERATOR (CE SPECS)	520
FIGURE 8-7. AC BOX AT PLATFORM INSTALLATION - 220V CEE7 POST GROUND WITHOUT GENERATOR (CE SPECS)	522
FIGURE 8-8. AC BOX AT PLATFORM INSTALLATION - 220V CEE7 POST GROUND WITH 4000W GENERATOR (CE SPECS)	524
FIGURE 8-9. AC BOX AT PLATFORM INSTALLATION - 220V CEE7 SIDE GROUND WITHOUT GENERATOR (CE SPECS)	526
FIGURE 8-10. AC BOX AT PLATFORM INSTALLATION - 220V CEE7 SIDE GROUND WITH 4000W GENERATOR (CE SPECS)	528
FIGURE 8-11. AC BOX AT PLATFORM INSTALLATION - 220V AFSINT 107 KEYED GROUND WITHOUT GENERATOR (CE SPECS)	530
FIGURE 8-12. AC BOX AT PLATFORM INSTALLATION - 220V AFSINT 107 KEYED GROUND WITH 4000W GENERATOR (CE SPECS)	532
FIGURE 8-13. AC BOX AT PLATFORM INSTALLATION - BOX WITH COVER WITH 4000W GENERATOR (ANSI EXPORT, AUSTRALIAN, CE, CHINA AND JAPANESE SPECS)	534
FIGURE 8-14. AC LEAD INSTALLATION (ANSI EXPORT, AUSTRALIAN, CE AND CHINA SPECS)	536
FIGURE 8-15. BATTERY DISCONNECT INSTALLATION	538
FIGURE 8-16. BLAM HARNESS	540
FIGURE 8-17. BOOM CABLES INSTALLATION - WITHOUT GENERATOR (ALL SPEC EXCEPT AUSTRALIAN AND CE SPECS)	542
FIGURE 8-18. BOOM CABLES INSTALLATION - WITHOUT GENERATOR (AUSTRALIAN, CE AND CHINA SPECS)	544
FIGURE 8-19. BOOM CABLES INSTALLATION - WITH 4000W GENERATOR (ALL SPECS)	546
FIGURE 8-20. BOOM CABLES INSTALLATION - WITH SKYPOWER 7500W GENERATOR (ALL SPECS)	548
FIGURE 8-21. BOOM CABLE (MAIN BOOM)	552
FIGURE 8-22. BOOM CABLE (TOWER BOOM)	554
FIGURE 8-23. BOOM CONTROL BOX ASSEMBLY	556
FIGURE 8-24. BREAKER BOX INSTALLATION - WITH 2 BREAKERS (CE SPECS)	558
FIGURE 8-25. BREAKER BOX INSTALLATION - WITH 3 BREAKERS (CE SPECS)	560
FIGURE 8-26. BREAKER BOX KIT - WITH 2 BREAKERS (CE SPECS) (SN 0300000100 through 0300214286)	562
FIGURE 8-27. BREAKER BOX KIT - WITH 2 BREAKERS (CE SPECS) (SN 0300214286 through 0300271437)	564
FIGURE 8-28. BREAKER BOX KIT - WITH 3 BREAKERS (CE SPECS)	566
FIGURE 8-29. CHASSIS HARNESS	568
FIGURE 8-30. DEF TANK EXTENSION HARNESS (SN 0300254483 through 0300271437)	572
FIGURE 8-31. DIESEL EXHAUST FLUID TANK HARNESS	574
FIGURE 8-32. DRIVE PUMP HARNESS	576
FIGURE 8-33. ENGINE HARNESS (HRC)	578
FIGURE 8-34. ENGINE HARNESS (LRC)	582
FIGURE 8-35. ENGINE CAN HARNESS	586
FIGURE 8-36. FUEL PUMP AND WIF HARNESS	588
FIGURE 8-37. PLATFORM OUTLET HARNESS	590

# TABLE OF CONTENTS

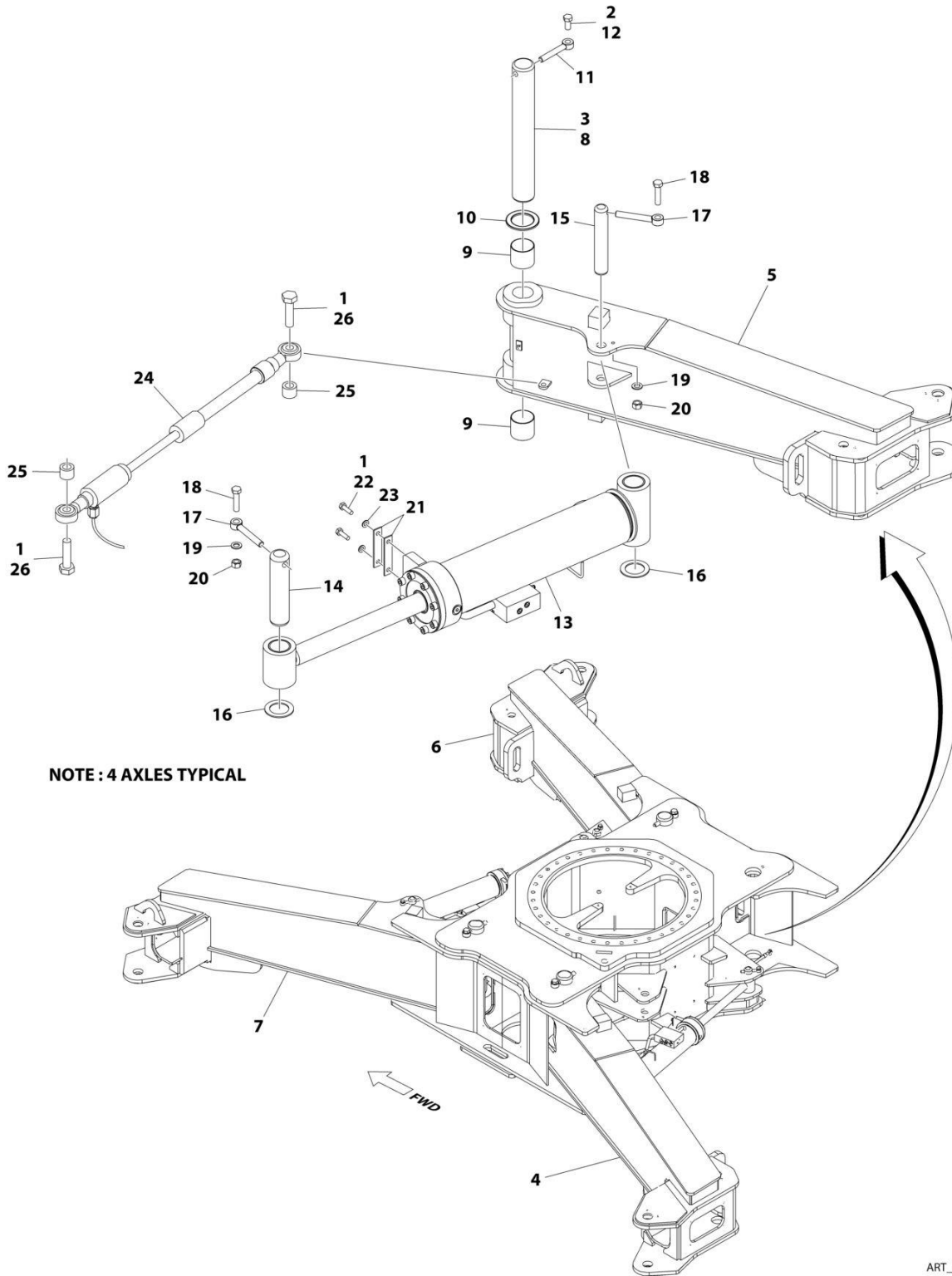
FIGURE 8-38. GENERATOR TO CONTROL BOX HARNESS (4000W GENERATOR).....	592
FIGURE 8-39. GENERATOR TO CONTROL BOX HARNESS (7500W GENERATOR).....	594
FIGURE 8-40. GENERATOR TO PLATFORM HARNESS (4000W-60HZ GENERATOR) .....	596
FIGURE 8-41. GENERATOR TO PLATFORM HARNESS (4000W-50HZ & 7500W GENERATOR).....	598
FIGURE 8-42. GROUND CONTROL HARNESS .....	600
FIGURE 8-43. INTERFACE HARNESS - WITH 1 CELL LSS .....	602
FIGURE 8-44. LCD DISPLAY HARNESS (SN 0300000100 through 0300248935) .....	604
FIGURE 8-45. LCD DISPLAY HARNESS (SN 0300248935 through 0300271437) .....	606
FIGURE 8-46. MAIN BOOM CONTROL BOX HARNESS.....	608
FIGURE 8-47. PLATFORM CONSOLE HARNESS - WITHOUT SKYGUARD (SN 0300000100 through 0300223782).....	612
FIGURE 8-48. PLATFORM CONSOLE HARNESS - WITH SKYGUARD (SN 0300000100 through 0300259280) .....	616
FIGURE 8-49. PLATFORM CONSOLE HARNESS - WITH SKYGUARD (SN 0300259280 through 0300271437) .....	620
FIGURE 8-50. RECEPTACLE BOX KIT - 110V IEC YELLOW (CE SPEC).....	624
FIGURE 8-51. RECEPTACLE BOX KIT - 220V IEC BLUE (CE SPEC) .....	626
FIGURE 8-52. RECEPTACLE BOX KIT - 220V CEE7 POST GROUND (CE SPEC).....	628
FIGURE 8-53. RECEPTACLE BOX KIT - 220V CEE7 SIDE GROUND (CE SPEC).....	630
FIGURE 8-54. RECEPTACLE BOX KIT - 220V AFSINT 107 (CE SPEC).....	632
FIGURE 8-55. SECONDARY CONTROL HARNESS.....	634
FIGURE 8-56. SENSOR HARNESS - AXLE .....	636
FIGURE 8-57. SENSOR HARNESS - BOOM .....	638
FIGURE 8-58. SENSOR HARNESS - PLATFORM LEVEL.....	640
FIGURE 8-59. SKYEYE INTERMEDIATE HARNESS.....	642
FIGURE 8-60. SKYEYE EMITTER HARNESS.....	644
FIGURE 8-61. SKYEYE RECEIVER HARNESS .....	646
FIGURE 8-62. SKYLINE HARNESS.....	648
FIGURE 8-63. STEER HARNESS.....	650
FIGURE 8-64. STROBE LIGHT HARNESS .....	652
FIGURE 8-65. TURNTABLE HARNESS .....	654
FIGURE 8-66. VALVE HARNESS - BOOM.....	658
FIGURE 8-67. VALVE HARNESS - PLATFORM.....	660
FIGURE 8-68. VALVE HARNESS - TURNTABLE (SN 0300000100 through 0300223782).....	662
FIGURE 8-69. VALVE HARNESS - TURNTABLE (SN 0300223782 through 0300271437).....	664
SECTION 9 - DECALS.....	667
FIGURE 9-1. DECAL INSTALLATION - ANSI SPEC .....	668
FIGURE 9-2. DECAL INSTALLATION - AUSTRALIAN SPEC .....	672
FIGURE 9-3. DECAL INSTALLATION - BRAZIL SPEC (ENGLISH/PORTUGUESE) .....	676
FIGURE 9-4. DECAL INSTALLATION - CE SPEC.....	680
FIGURE 9-5. DECAL INSTALLATION - CHINA SPEC (ENGLISH/CHINESE).....	684
FIGURE 9-6. DECAL INSTALLATION - CSA SPEC (ENGLISH/FRENCH) .....	688
FIGURE 9-7. DECAL INSTALLATION - JAPAN SPEC (ENGLISH/JAPANESE) .....	692
FIGURE 9-8. DECAL INSTALLATION - KOREA SPEC (ENGLISH/KOREAN) .....	696
FIGURE 9-9. DECAL INSTALLATION - LATIN AMERICA SPEC (ENGLISH/SPANISH).....	700
FIGURE 9-10. DECAL INSTALLATION - OPTIONS .....	704
SECTION 10 - RECOMMENDED SERVICE PARTS STOCK .....	707
FIGURE 10-1. RECOMMENDED SERVICE PARTS STOCK .....	708
SECTION 11 - SPECIAL OPTIONS.....	711
FIGURE 11-1. SPECIAL OPTIONS.....	712
PART NUMBER INDEX .....	717



**SECTION 1 - FRAME**

# SECTION 1 - FRAME

## FIGURE 1-1. AXLE INSTALLATION



ART\_1001190949

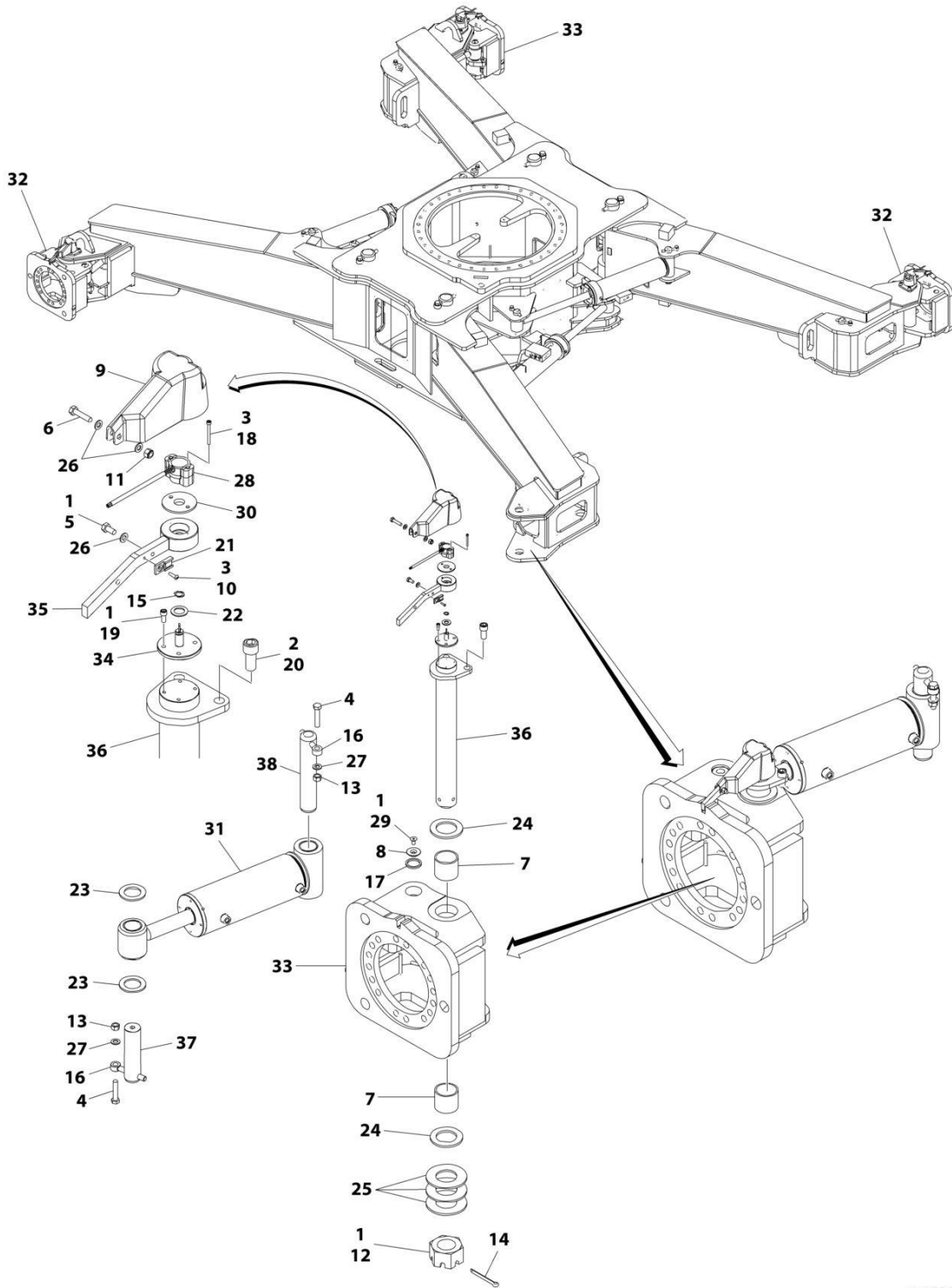
# SECTION 1 - FRAME

## FIGURE 1-1. AXLE INSTALLATION

ITEM	PART NUMBER	QTY	DESCRIPTION	REV
	1001190949	Ref	AXLE INSTALLATION	F
1	0100011	AR	Compound, Locking	
2	0100071	AR	Compound, Locking	
3	3020039	AR	Lubricant	
4	1001190950	1	Axle - Rear LH	
5	1001190951	1	Axle - Rear RH	
6	1001190952	1	Axle - Front RH	
7	1001190953	1	Axle - Front LH	
8	1001155363	4	Pin	
9	0440273	8	Bushing	
10	1001155133	4	Washer, Thrust	
11	3841356	4	Keeper, Pin	
12	0762418001	4	Bolt M24 x 50	
13	1001156648	NLA	Axle Extend Cylinder Assembly (Use p/n 1001228066) (See CYLINDER SECTION for Breakdown) <b>(SN 0300000100 through 0300239663)</b>	
13	1001228066	4	Axle Extend Cylinder Assembly (See CYLINDER SECTION for Breakdown) <b>(SN 0300239663 through 0300271437)</b>	
14	3422912	4	Pin	
15	1001120000	4	Pin	
16	4740229	8	Washer, Thrust	
17	3841258	8	Keeper, Pin	
18	0701420001	8	Bolt M14 x 60	
19	4812200001	8	Washer M14	
20	3291407001	8	Nut M14	
21	1001158017	AR	Shim	
22	0761015001	8	Bolt M10 x 35	
23	1001172358	8	Washer M10	
24	1001157084	4	Axle Sensor and Harness Assembly	
24	4460910	1	Receptacle, Female - 3 Position	
24	4460917	6	Pin, Male	
25	1001157007	8	Sleeve	
26	0761016001	8	Bolt M10 x 40	

# SECTION 1 - FRAME

## FIGURE 1-2. STEER INSTALLATION



ART\_1001156606



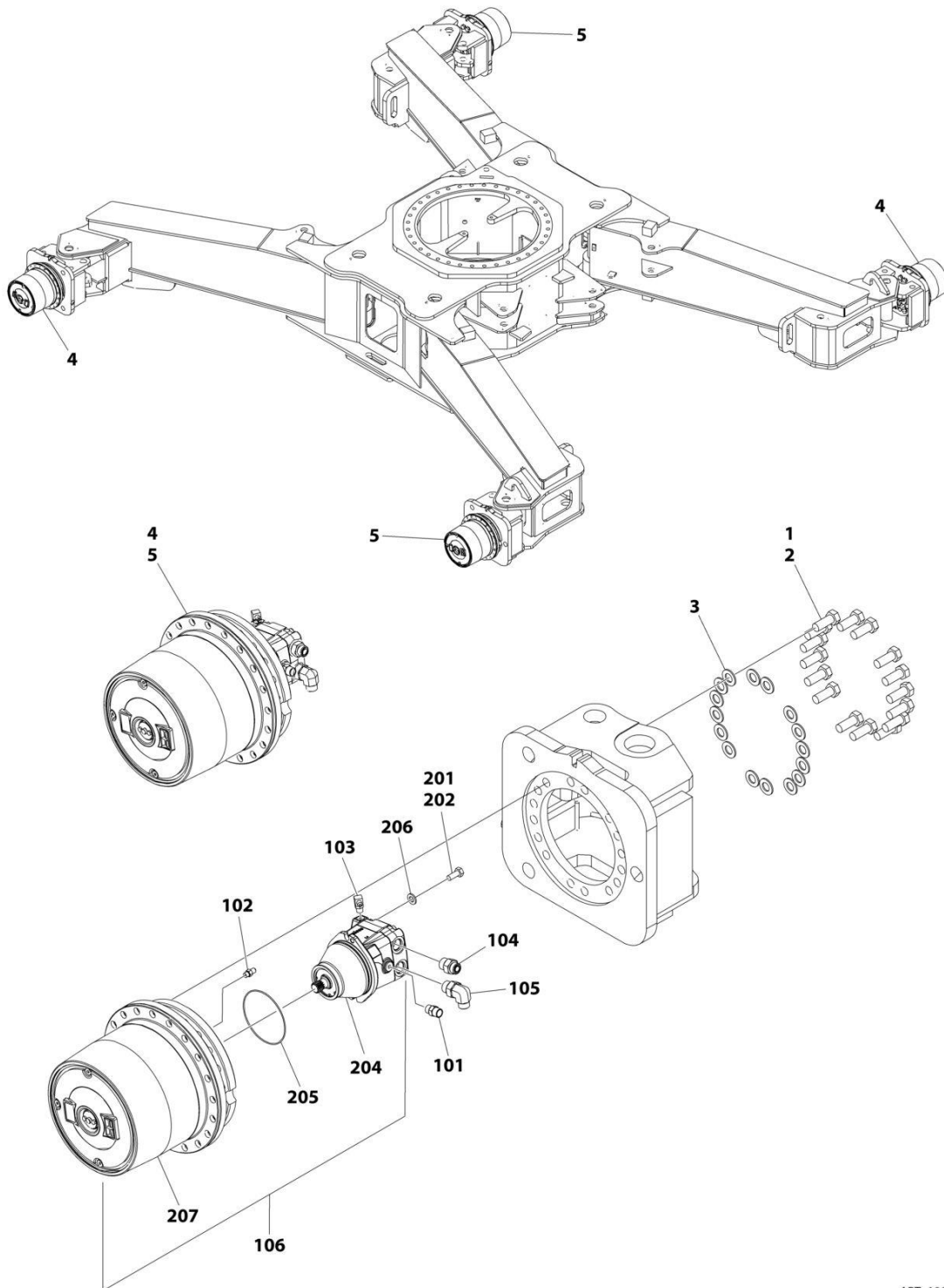
# SECTION 1 - FRAME

## FIGURE 1-2. STEER INSTALLATION

ITEM	PART NUMBER	QTY	DESCRIPTION	REV
	1001156606	Ref	STEER INSTALLATION	F
1	0100011	AR	Compound, Locking	
2	0100019	AR	Compound, Locking	
3	0100035	AR	Compound, Locking	
4	0701422001	8	Bolt M14 x 70	
5	0760808001	4	Bolt M8 x 16	
6	0760815001	4	Bolt M8 x 35	
7	0962423	8	Bushing	
8	1120549	4	Cap	
9	1671040	4	Cover	
10	2080091	4	Screw M4 x 16	
11	3290805001	4	Nut M8	
12	3300464001	4	Nut	
13	3291407001	8	Nut M14	
14	3451214	4	Pin, Cotter	
15	3760383	4	Ring	
16	3841258	8	Keeper, Pin	
17	3960551	4	Seal	
18	4031512	8	Capscrew M4 x 40	
19	4031707	16	Capscrew M6 x 16	
20	4032311001	8	Capscrew M16 x 35	
21	4460914	4	Base, Terminal	
22	4711800	4	Washer 1/2	
23	4740229	8	Washer, Thrust	
24	4740505	8	Washer, Thrust	
25	4755000001	18	Washer 2-1/2	
26	4811900001	12	Washer M8	
27	4812200001	8	Washer M14	
28	1001146963	4	Sensor Assembly	
28	4460899	1	Connector - 6 Position	
28	4460464	6	Socket, Female	
29	1001174345	4	Screw M20 x 20	
30	1001155836	4	Adapter	
31	1001155986	NLA	Steer Cylinder Assembly (Use p/n 1001228065) (See CYLINDER SECTION for Breakdown) <b>(SN 0300000100 through 0300239663)</b>	
31	1001228065	4	Steer Cylinder Assembly (See CYLINDER SECTION for Breakdown) <b>(SN 0300239663 through 0300271437)</b>	
32	1001156678	2	Spindle - Front LH and Rear RH	
33	1001156679	2	Spindle - Front RH and Rear LH	
34	1001156778	4	Pin	
35	1001156785	4	Link	
36	1001156815	4	Kingpin	
37	1001156991	4	Pin	
38	1001156996	4	Pin	
39	1001155817	4	Steer Harness (Not Shown - See ELECTRICAL SECTION for Breakdown)	

# SECTION 1 - FRAME

## FIGURE 1-3. WHEEL DRIVE INSTALLATION



ART\_1001157850

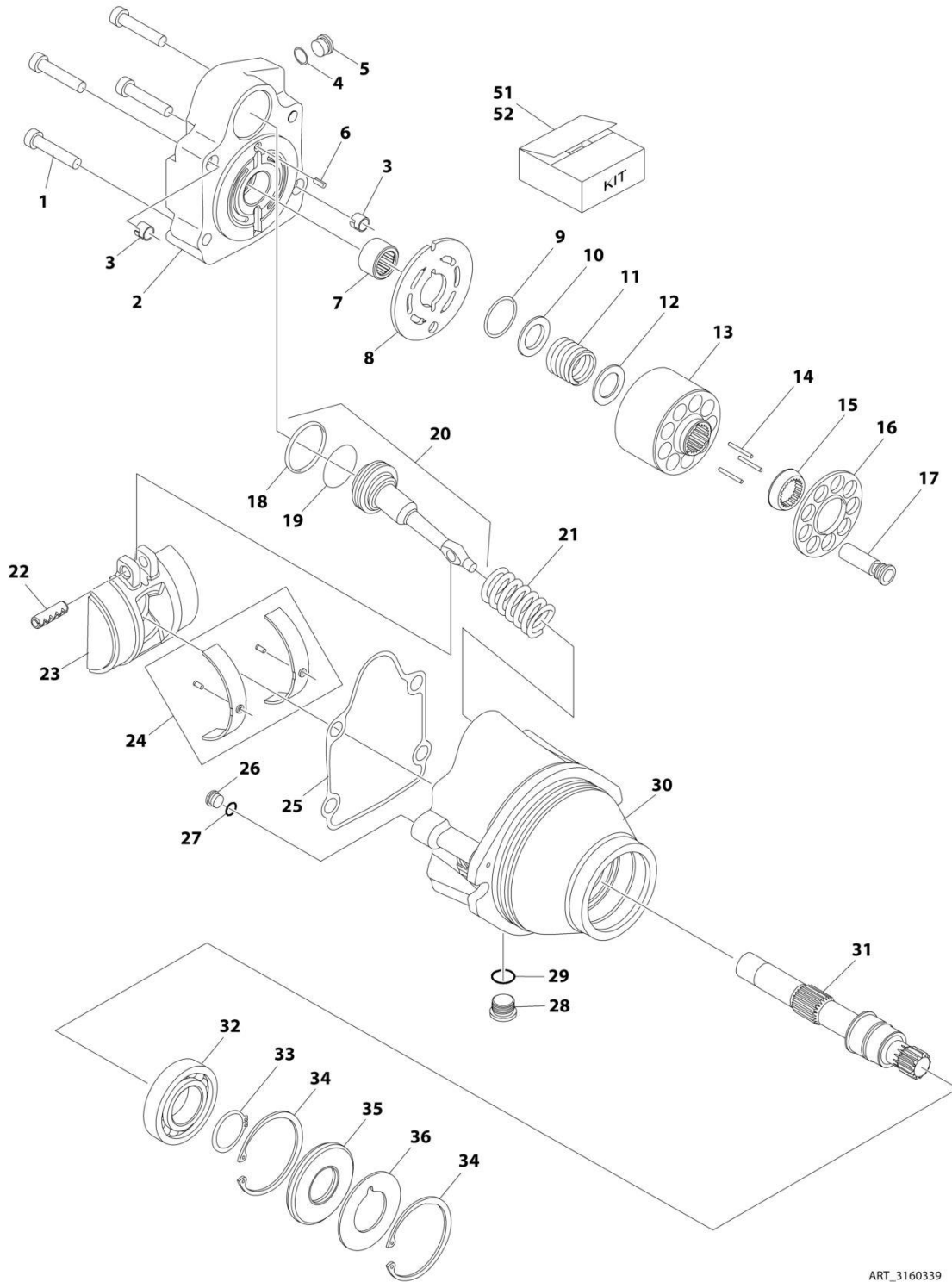
## SECTION 1 - FRAME

### FIGURE 1-3. WHEEL DRIVE INSTALLATION

ITEM	PART NUMBER	QTY	DESCRIPTION	REV
	1001157850	Ref	WHEEL DRIVE INSTALLATION	F
1	0100019	AR	Compound, Locking	
2	0762018001	64	Bolt M20 x 50	
3	5242000001	64	Washer M20	
4	1001154759	2	Drive Hub/Motor with Fittings - Front LH and Rear RH (See Items 101-106 for Breakdown)	
5	1001157849	2	Drive Hub/Motor with Fittings - Front RH and Rear LH (See Items 101-106 for Breakdown)	
	1001154759	Ref	HUB/MOTOR ASSEMBLY WITH FITTINGS - FRONT LH AND REAR RH	E
	1001157849	Ref	HUB/MOTOR ASSEMBLY WITH FITTINGS - FRONT RH AND REAR LH	E
101	2110808	1	Fitting, Straight ORFS/ORB	
102	2220415	1	Fitting, Straight JIC/ORB	
103	2220472	1	Fitting, 90 JIC/ORB	
104	2111012	1	Fitting, Straight ORFS/ORB	
105	2131012	1	Fitting, 90 ORFS/ORB	
106	1001154772	1	Drive Hub/Motor (See Items 201-207 for Breakdown)	
	1001154772	Ref	DRIVE HUB/MOTOR ASSEMBLY	C
201	0100011	AR	Compound, Locking	
202	0761214	2	Bolt M12 x 30	
203	3020008	AR	Lube, Gear (Not Shown)	
204	3160339	1	Drive Motor Assembly (See DRIVE MOTOR ASSEMBLY for Breakdown)	
205	3790158	1	O-Ring	
206	5241200	2	Washer M12	
207	1001149921	1	Drive Hub Assembly (See DRIVE HUB ASSEMBLY for Breakdown)	

# SECTION 1 - FRAME

## FIGURE 1-4. DRIVE MOTOR ASSEMBLY



ART\_3160339

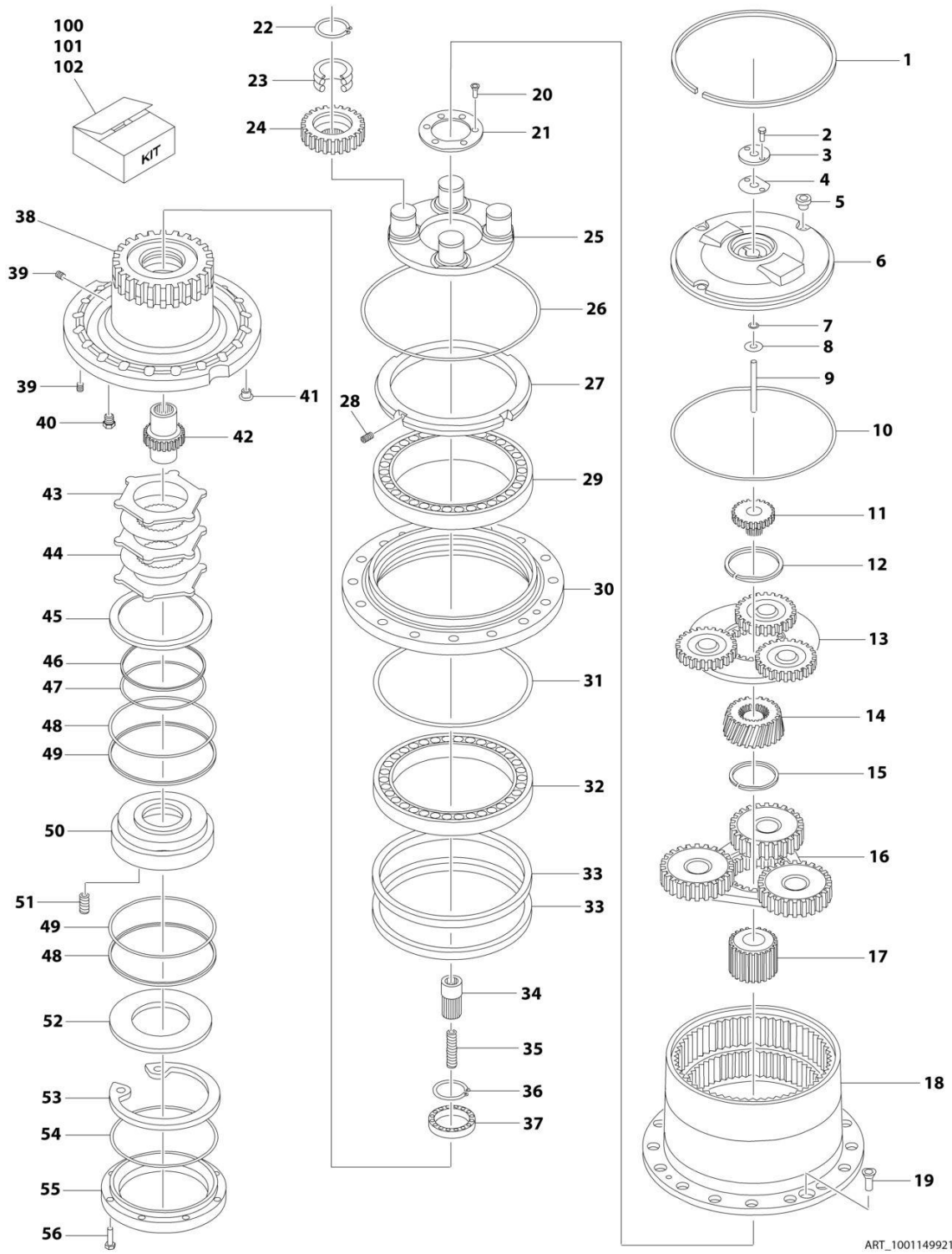
# SECTION 1 - FRAME

## FIGURE 1-4. DRIVE MOTOR ASSEMBLY

ITEM	PART NUMBER	QTY	DESCRIPTION	REV
	3160339	Ref	DRIVE MOTOR ASSEMBLY	D
1	7022368	4	Bolt	
2	70000859	1	End Cap, Motor	
3	70003628	2	Locating Pin	
4	See Note	NSS	O-Ring (Note: Use Item 51)	
5	7007420	1	Plug (Includes Item 4)	
6	7007446	1	Pin, Dowel	
7	7021249	1	Bearing, Needle	
8	70000854	1	Plate, Valve	
9	7022311	1	Snap Ring	
10	7022314	1	Retainer, Spring	
11	7024867	1	Spring	
12	7024868	1	Washer	
13	70000855	1	Block, Cylinder	
14	7021275	3	Pin, Slipper	
15	70000856	1	Guide	
16	70000857	1	Retainer, Slipper	
17	7024865	9	Piston, Cylinder	
18	See Note	NSS	Ring, Piston (Note: Use Item 51)	
19	See Note	NSS	O-Ring (Note: Use Item 51)	
20	70000860	1	Piston, Servo (Includes Items 18 & 19)	
21	70000861	1	Spring	
22	See Note	NSS	Pin (Note: Not Available for Purchase)	
23	70000853	1	Swashplate	
24	70000852	1	Kit, Bearing	
25	See Note	NSS	Gasket (Note: Use Item 51)	
26	See Note	NSS	Plug (Note: Not Available for Purchase)	
27	See Note	NSS	O-Ring (Note: Use Item 51)	
28	7022321	1	Plug (Includes Item 29)	
29	See Note	NSS	O-Ring (Note: Use Item 51)	
30	See Note	NSS	Housing (Note: Not Available - Purchase Complete Motor)	
31	70000858	1	Shaft	
32	7007437	1	Bearing	
33	7007439	1	Snap Ring	
34	7007438	2	Snap Ring	
35	See Note	NSS	Seal (Note: Use Item 51)	
36	7022371	1	Washer, Seal Support	
51	70000862	1	Seal Kit - Motor (Includes Items 4, 18, 19, 25, 27, 29 & 35)	
52	7027740	1	Cylinder Block Kit (Includes Items 9-17)	

# SECTION 1 - FRAME

## FIGURE 1-5. DRIVE HUB ASSEMBLY



# SECTION 1 - FRAME

## FIGURE 1-5. DRIVE HUB ASSEMBLY

ITEM	PART NUMBER	QTY	DESCRIPTION	REV
	1001149921	Ref	DRIVE HUB ASSEMBLY	G
1	70004429	1	Ring	
2	See Note	NSS	Screw M6 x 20 (Note: Use Item 101)	
3	See Note	NSS	Cover (Note: Use Item 101)	
4	70004429	1	Gasket	
5	70002057	3	Plug	
6	See Note	NSS	Cover (Note: Use Item 101)	
7	See Note	NSS	O-Ring (Note: Use Item 100 or 101)	
8	See Note	NSS	Shim (Note: Use Item 101)	
9	See Note	NSS	Pin (Note: Use Item 101)	
10	See Note	NSS	O-Ring (Note: Use Item 100 or 101)	
11	70004430	1	Pinion	
12	70004431	1	Ring, Retaining	
13	70004432	1	Assembly, Gear Reduction	
14	70004433	1	Pinion	
15	70004434	1	Ring	
16	70004435	1	Assembly, Gear Reduction	
17	70004436	1	Pinion	
18	See Note	NSS	Housing, Hub (Note: Use p/n 1001149921)	
19	70002052	2	Screw M10 x 25	
20	70004437	6	Screw M6 x 14	
21	70004438	1	Plug	
22	70002032	4	Ring, Retaining	
23	70002031	4	Bearing	
24	70004439	4	Wheel, Planet	
25	70004440	1	Flange	
26	See Note	NSS	O-Ring (Note: Use Item 100)	
27	70004441	1	Nut	
28	70004363	2	Screw M6 x 10	
29	70004442	1	Bearing	
30	See Note	NSS	Support, Hub (Note: Use p/n 1001149921)	
31	See Note	NSS	O-Ring (Note: Use Item 100)	
32	70004443	1	Bearing	
33	See Note	1	Seal (Note: Use Item 100)	
34	70004444	1	Coupling	
35	70002036	1	Spring	
36	70004445	1	Ring, Retaining	
37	70004446	1	Bearing	
38	See Note	NSS	Axle (Note: Use p/n 1001149921)	
39	70004447	3	Plug	
40	70002057	3	Plug (Includes O-Ring)	
41	70002028	1	Plug, Plastic	
42	70004448	1	Shaft, Input	
43	See Note	NSS	Disc, Iron (Note: Use Item 102)	
44	See Note	NSS	Disc, Brake (Note: Use Item 102)	
45	See Note	NSS	Spacer (Note: Use Item 102)	
46	See Note	NSS	Seal (Note: Use Item 100 or 102)	
47	See Note	NSS	O-Ring (Note: Use Item 100 or 102)	
48	See Note	NSS	Seal (Note: Use Item 100 or 102)	
49	See Note	NSS	O-Ring (Note: Use Item 100 or 102)	

## SECTION 1 - FRAME

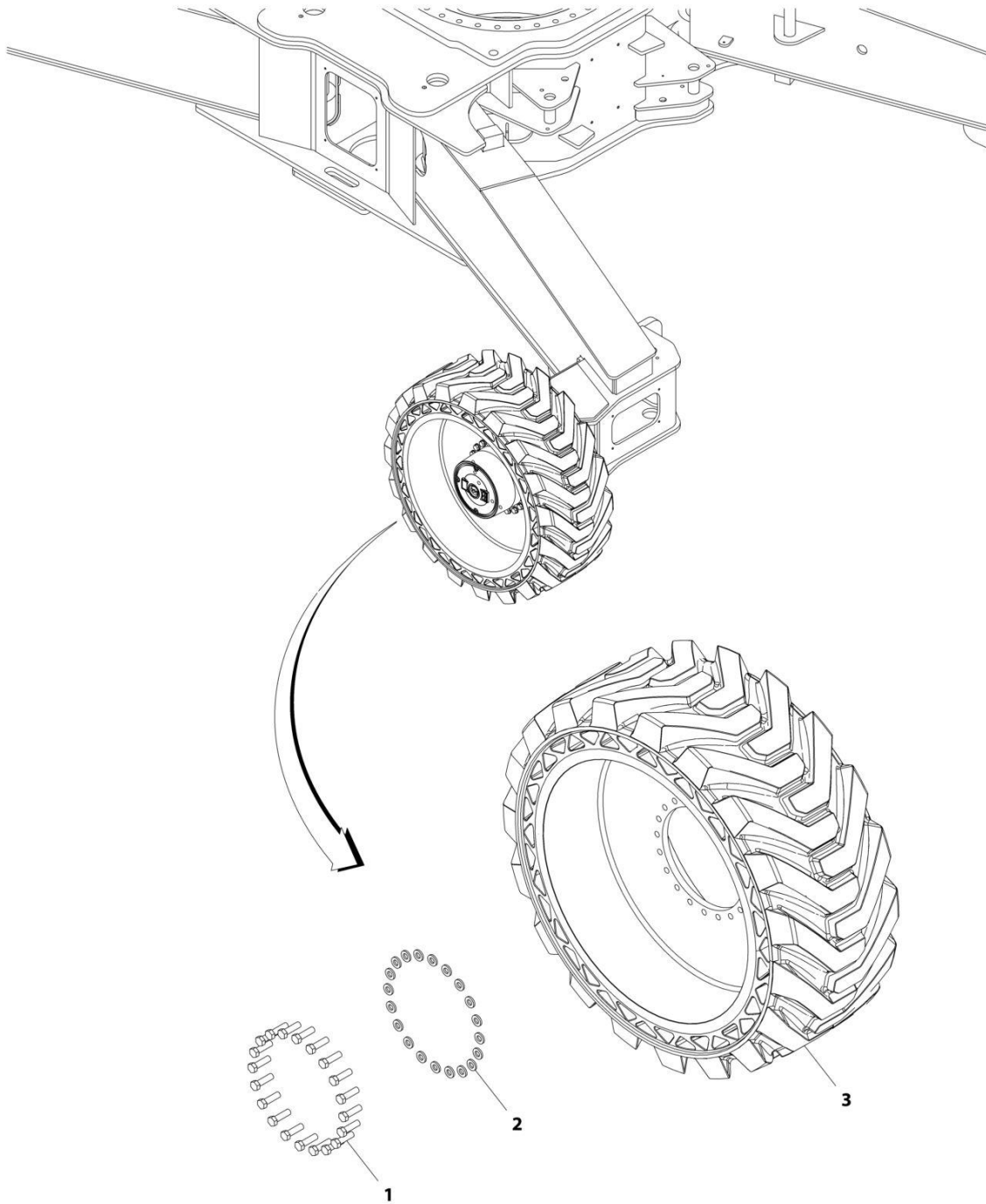
ITEM	PART NUMBER	QTY	DESCRIPTION	REV
50	See Note	NSS	Piston, Brake (Note: Use Item 102)	
51	See Note	NSS	Spring, Brake (Note: Use Item 102)	
52	See Note	NSS	Spacer (Note: Use Item 102)	
53	See Note	NSS	Ring, Retaining (Note: Use Item 102)	
54	See Note	NSS	O-Ring (Note: Use Item 100)	
55	70004449	1	Support, Motor	
56	70004450	6	Screw M8 x 25	
100	70004451	1	Kit, Seal (Includes Items 4, 7, 10, 26, 31, 33, 46-49 & 54)	
101	70004452	1	Kit, Cover (Includes Items 2-10)	
102	70004453	1	Kit, Brake (Includes Items 43-53)	





# SECTION 1 - FRAME

## FIGURE 1-6. TIRE/WHEEL INSTALLATION



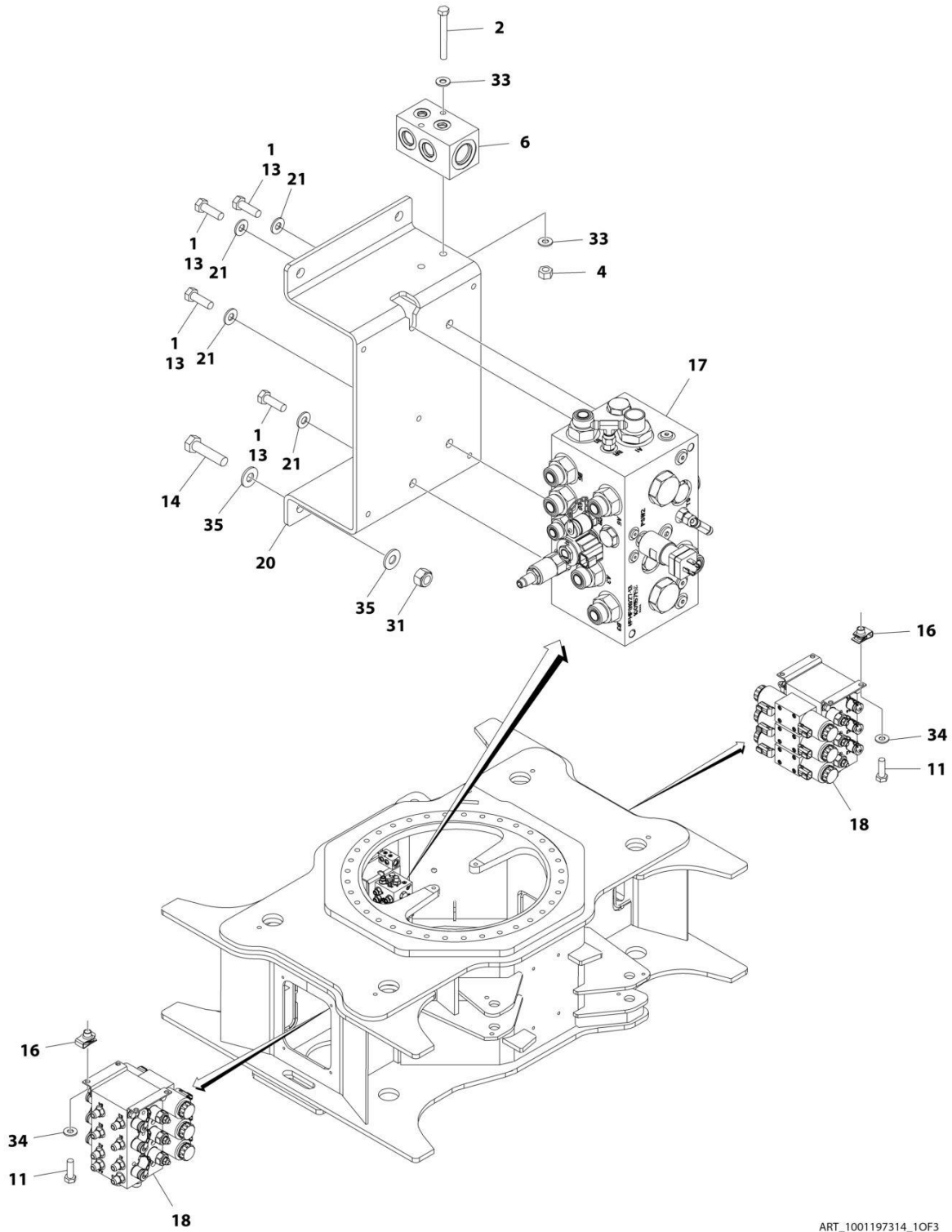
ART\_1001157216

**FIGURE 1-6. TIRE/WHEEL INSTALLATION**

<b>ITEM</b>	<b>PART NUMBER</b>	<b>QTY</b>	<b>DESCRIPTION</b>	<b>REV</b>
	1001157216	Ref	TIRE/WHEEL INSTALLATION	F
1	0701619001	80	Bolt M16 x 55 (20 Per Wheel)	
2	1001172356	80	Washer 5/8 (20 Per Wheel)	
3	1001147616	2	Tire/Wheel (RH Side)	
3	1001149711	2	Tire/Wheel (LH Side)	

# SECTION 1 - FRAME

FIGURE 1-7. VALVES INSTALLATION - FRAME (SN 0300000100 through 0300223782)



ART\_1001197314\_10F3

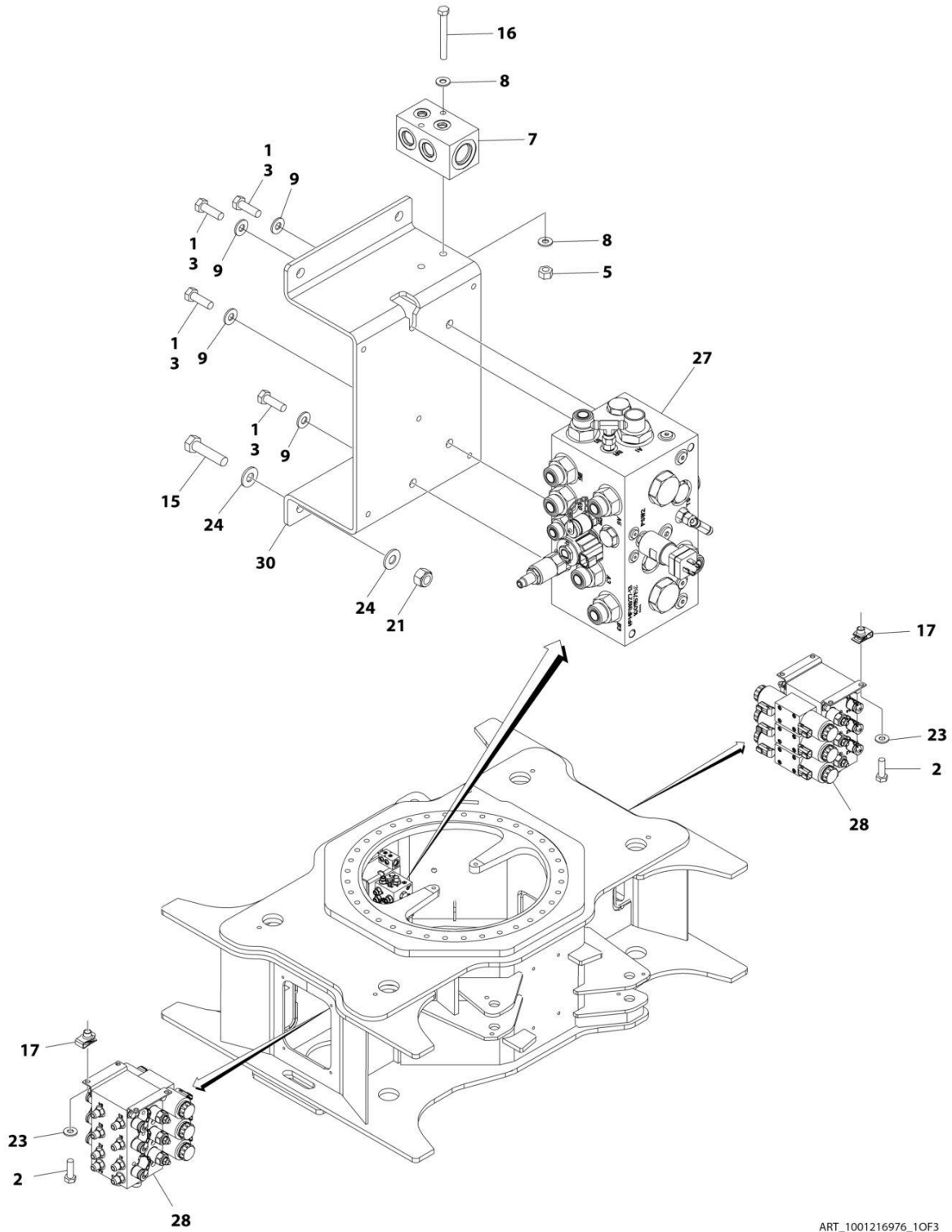
## SECTION 1 - FRAME

**FIGURE 1-7. VALVES INSTALLATION - FRAME (SN 0300000100 through 0300223782)**

ITEM	PART NUMBER	QTY	DESCRIPTION	REV
	1001197314	Ref	VALVES INSTALLATION - FRAME	E
1	0100011	AR	Compound, Locking	
2	0641422	2	Bolt 1/4 x 2-3/4	
2	1001096653	2	Bolt M6 x 70	
4	3311405	2	Nut 1/4	
4	3290607	2	Nut M6	
6	4641155	1	Manifold, Junction	
11	0760812	8	Bolt M8 x 25	
13	0761012	4	Bolt M10 x 25	
14	0761218001	4	Bolt M12 x 50	
16	1001118274	8	Nut M8	
17	1001157198	NLA	Traction Valve Assembly (Use p/n 1001219110) (See TRACTION VALVE ASSEMBLY for Breakdown)	
18	1001157207	2	Steer/Axle Extend Valve Assembly (See STEER/AXLE EXTEND VALVE ASSEMBLY for Breakdown)	
20	1001164354	1	Bracket	
21	4812000	4	Washer M10	
31	3291205001	4	Nut M12	
33	4811700	4	Washer M6	
34	4811900001	8	Washer M8	
35	4812100001	8	Washer M12	

# SECTION 1 - FRAME

FIGURE 1-8. VALVES INSTALLATION - FRAME (SN 0300223782 through 0300271437)



ART\_1001216976\_10F3

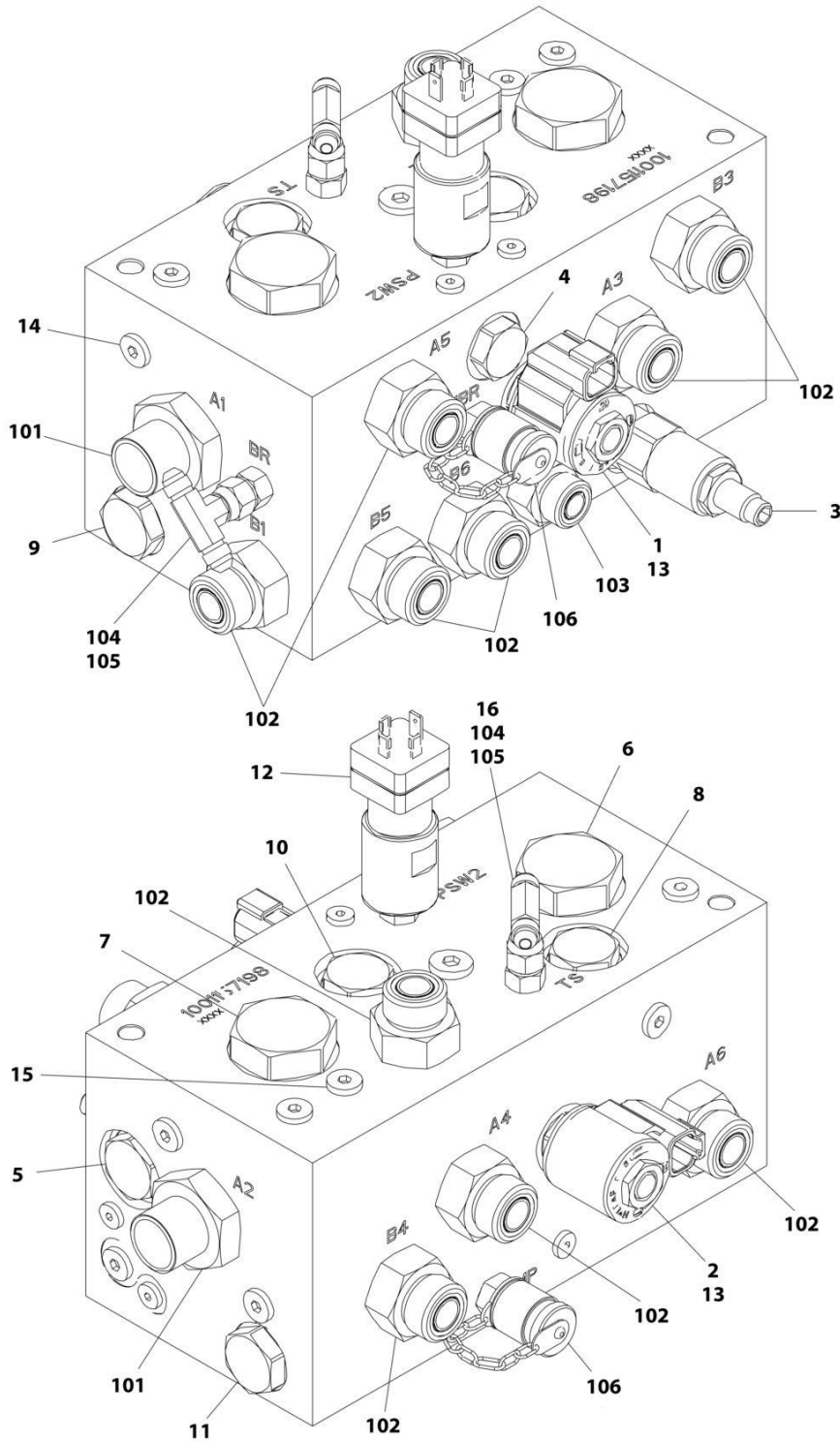
## SECTION 1 - FRAME

**FIGURE 1-8. VALVES INSTALLATION - FRAME (SN 0300223782 through 0300271437)**

ITEM	PART NUMBER	QTY	DESCRIPTION	REV
	1001216976	Ref	VALVES INSTALLATION - FRAME	E
1	0100011	AR	Compound, Locking	
2	0760812	8	Bolt M8 x 25	
3	0761012	4	Bolt M10 x 25	
5	3290607	2	Nut M6	
7	4641155	1	Manifold, Junction	
8	4811700	4	Washer M6	
9	4812000	4	Washer M10	
15	0761218001	4	Bolt M12 x 50	
16	1001096653	2	Bolt M6 x 70	
17	1001118274	8	Nut M8	
21	3291205001	4	Nut M12	
23	4811900001	8	Washer M8	
24	4812100001	8	Washer M12	
27	1001157198	NLA	Traction Valve Assembly (Use p/n 1001219110) (See TRACTION VALVE ASSEMBLY for Breakdown) <b>(SN 0300000100 through 03020224829)</b>	
27	1001219110	1	Traction Valve Assembly (See TRACTION VALVE ASSEMBLY for Breakdown) <b>(SN 03020224829 through 0300271437)</b>	
28	1001157207	2	Steer/Axle Extend Valve Assembly (See STEER/AXLE EXTEND VALVE ASSEMBLY for Breakdown)	
30	1001164354	1	Bracket	

# SECTION 1 - FRAME

FIGURE 1-9. TRACTION VALVE ASSEMBLY (SN 0300000100 through 0300224829)



ART\_1001157198



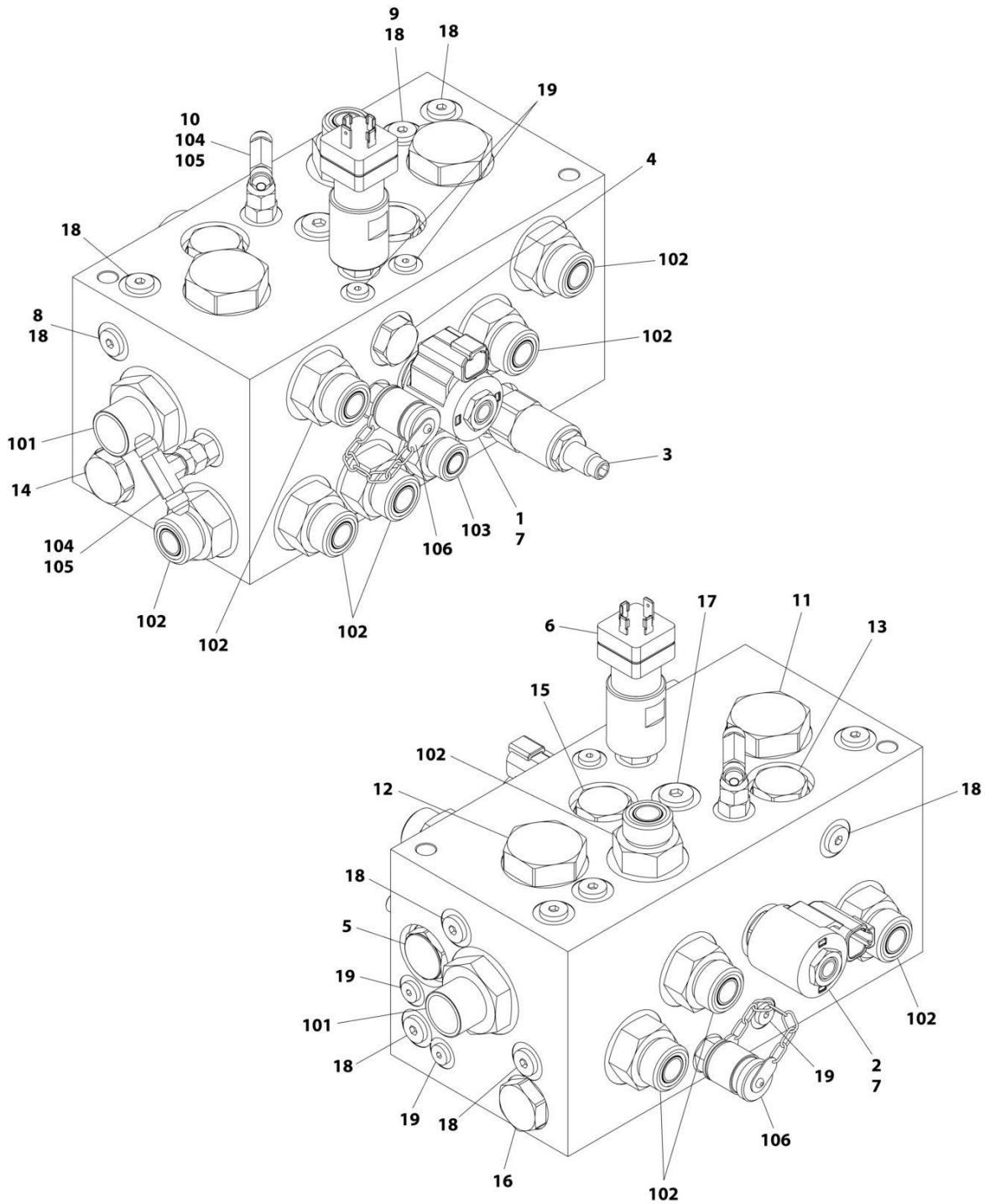
## SECTION 1 - FRAME

**FIGURE 1-9. TRACTION VALVE ASSEMBLY (SN 0300000100 through 0300224829)**

ITEM	PART NUMBER	QTY	DESCRIPTION	REV
	1001157198	Ref	TRACTION VALVE ASSEMBLY	H
1	7012941	1	Cartridge, Solenoid Less Coil	
1	7010543	1	Kit, Seal	
2	7012941	1	Cartridge, Solenoid Less Coil	
2	7010543	1	Kit, Seal	
3	70004383	1	Cartridge, Relief	
3	7012998	1	Kit, Seal	
4	70004384	1	Cartridge, Load Shuttle	
4	7012973	1	Kit, Seal	
5	70004385	1	Cartridge	
5	70002978	1	Kit, Seal	
6	70004017	1	Cartridge, Flow Divider	
6	7021625	1	Kit, Seal	
7	70004017	1	Cartridge, Flow Divider	
7	7021625	1	Kit, Seal	
8	70003408	1	Cartridge, Check	
8	7022399	1	Kit, Seal	
9	70003408	1	Cartridge, Check	
9	7022399	1	Kit, Seal	
10	70003408	1	Cartridge, Check	
10	7022399	1	Kit, Seal	
11	70003408	1	Cartridge, Check	
11	7022399	1	Kit, Seal	
12	70000803	1	Cartridge, Pressure Switch	
13	70002386	2	Coil	
14	7017493	1	Orifice	
15	7017493	1	Orifice	
16	70004386	1	Orifice	
101	2111016	2	Fitting, Straight ORB/ORFS	
102	2111012	10	Fitting, Straight ORB/ORFS	
103	2110810	1	Fitting, Straight ORB/ORFS	
104	2220415	2	Fitting, Straight JIC/ORB	
105	2220861	2	Fitting, Tee JIC/ORB	
106	2221086	2	Fitting, Test	

# SECTION 1 - FRAME

FIGURE 1-10. TRACTION VALVE ASSEMBLY (SN 0300224829 through 0300271437)



ART\_1001219110

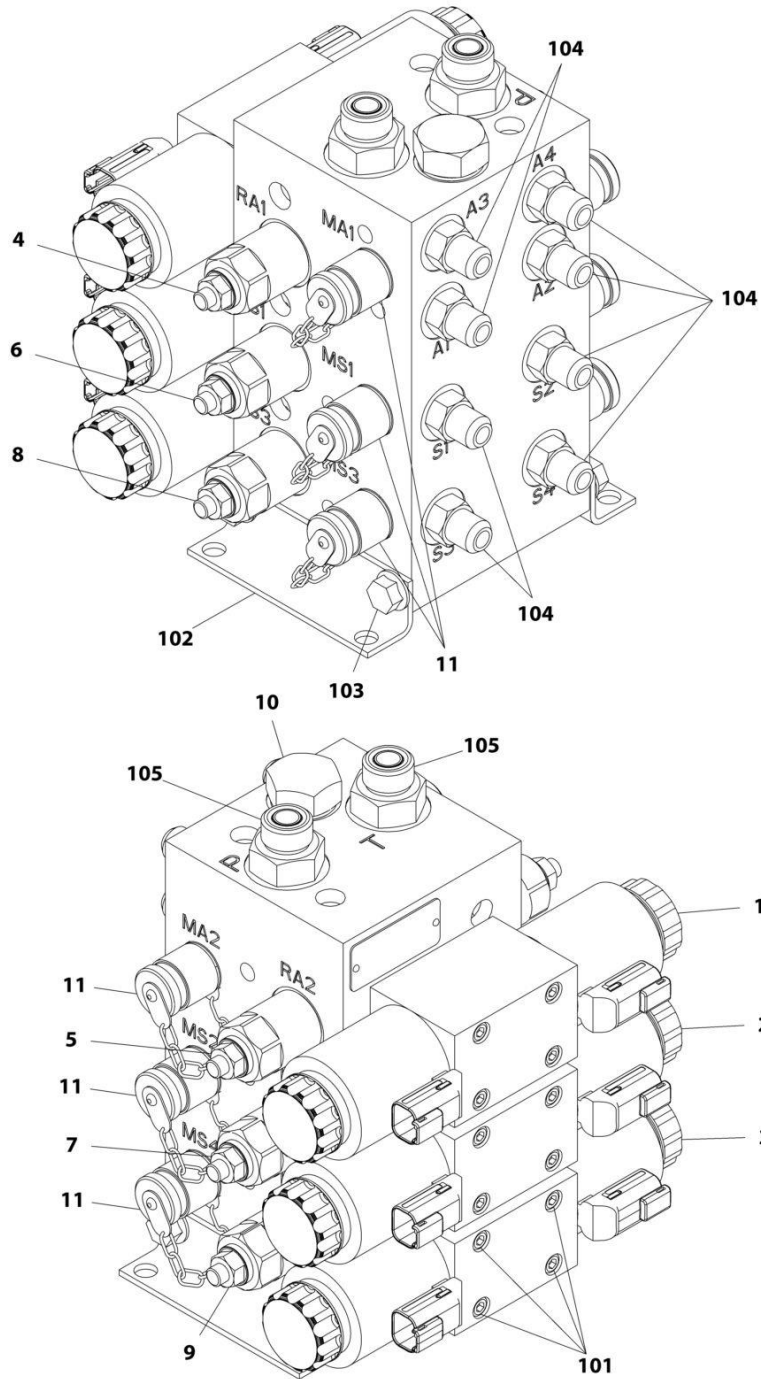
## SECTION 1 - FRAME

**FIGURE 1-10. TRACTION VALVE ASSEMBLY (SN 0300224829 through 0300271437)**

ITEM	PART NUMBER	QTY	DESCRIPTION	REV
	1001219110	Ref	TRACTION VALVE ASSEMBLY	B
1	7012941	1	Cartridge, Solenoid Less Coil	
1	7010543	1	Kit, Seal	
2	7012941	1	Cartridge, Solenoid Less Coil	
2	7010543	1	Kit, Seal	
3	70004383	1	Cartridge, Relief	
3	7012998	1	Kit, Seal	
4	70004384	1	Cartridge, Load Shuttle	
4	7012973	1	Kit, Seal	
5	70000804	1	Cartridge	
5	70000805	1	Kit, Seal	
6	70000803	1	Cartridge, Pressure Switch	
7	70002386	2	Coil	
8	7017493	1	Orifice	
9	7017493	1	Orifice	
10	70004386	1	Orifice	
11	70004017	1	Cartridge, Flow Divider	
11	7021625	1	Kit, Seal	
12	70004017	1	Cartridge, Flow Divider	
12	7021625	1	Kit, Seal	
13	70003408	1	Cartridge, Check	
13	7022399	1	Kit, Seal	
14	70003408	1	Cartridge, Check	
14	7022399	1	Kit, Seal	
15	70003408	1	Cartridge, Check	
15	7022399	1	Kit, Seal	
16	70003408	1	Cartridge, Check	
16	7022399	1	Kit, Seal	
17	2220885	1	Plug	
18	2220883	9	Plug	
19	2220881	8	Plug	
101	2111016	2	Fitting, Straight ORB/ORFS	
102	2111012	10	Fitting, Straight ORB/ORFS	
103	2110810	1	Fitting, Straight ORB/ORFS	
104	2220415	2	Fitting, Straight JIC/ORB	
105	2220861	2	Fitting, Tee JIC/ORB	
106	2221086	2	Fitting, Test	

# SECTION 1 - FRAME

## FIGURE 1-11. STEER/AXLE EXTEND VALVE ASSEMBLY



ART\_1001157207

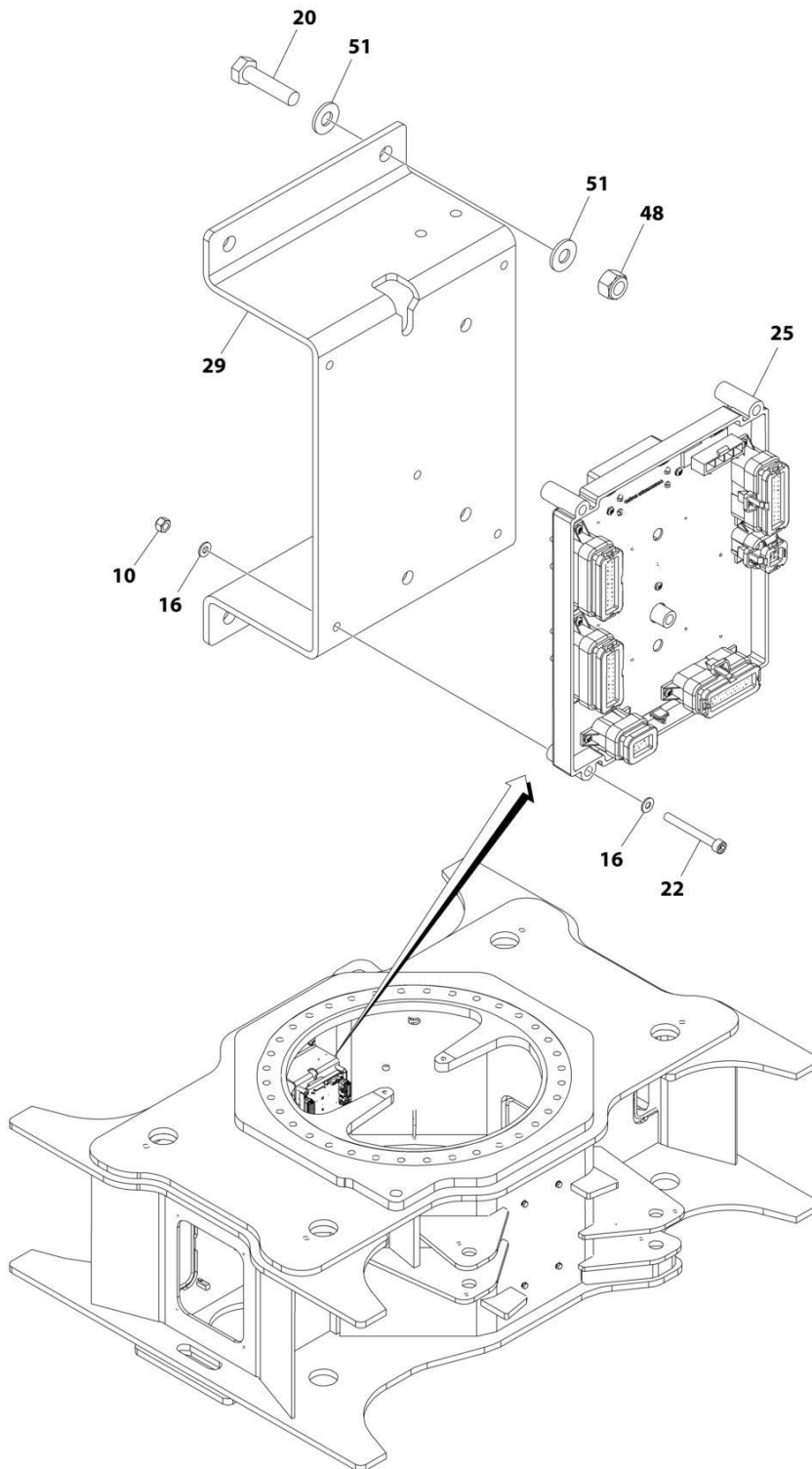
## SECTION 1 - FRAME

**FIGURE 1-11. STEER/AXLE EXTEND VALVE ASSEMBLY**

ITEM	PART NUMBER	QTY	DESCRIPTION	REV
	1001157207	Ref	STEER/AXLE EXTEND VALVE ASSEMBLY	E
1	70004459	1	Valve, Direction Control	
1	7012773	1	Kit, Seal	
1	70004460	2	Coil	
1	7021375	2	Nut, Coil	
1	70004461	2	O-Ring, Solenoid Pole	
2	70004462	1	Valve, Direction Control	
2	7012773	1	Kit, Seal	
2	70004463	2	Coil	
2	7021375	2	Nut, Coil	
2	70004461	2	O-Ring, Solenoid Pole	
3	70004462	1	Valve, Direction Control	
3	7012773	1	Kit, Seal	
3	70004463	2	Coil	
3	7021375	2	Nut, Coil	
3	70004461	2	O-Ring, Solenoid Pole	
4	70004464	1	Cartridge, Relief	
4	70004055	1	Kit, Seal	
5	70004464	1	Cartridge, Relief	
5	70004055	1	Kit, Seal	
6	70004464	1	Cartridge, Relief	
6	70004055	1	Kit, Seal	
7	70004464	1	Cartridge, Relief	
7	70004055	1	Kit, Seal	
8	70004464	1	Cartridge, Relief	
8	70004055	1	Kit, Seal	
9	70004464	1	Cartridge, Relief	
9	70004055	1	Kit, Seal	
10	70004465	1	Cartridge, Flow Divider	
10	70004164	1	Kit, Seal	
11	2221086	6	Fitting, Test	
101	See Note	NSS	Capscrew #10 x 2 (Note: Purchase Locally)	
102	See Note	NSS	Bracket (Note: Not Available for Purchase)	
103	0641504	4	Bolt 5/16 x 1/2	
104	2220371	8	Fitting, Straight JIC/ORB	
105	2110810	2	Fitting, Straight ORB/ORFS	

# SECTION 1 - FRAME

FIGURE 1-12. ELECTRICAL COMPONENTS INSTALLATION - FRAME (HRC) (ANSI, ANSI EXPORT, CSA AND JAPANESE SPECS) (SN 0300000100 through 0300223782)



ART\_1001197310\_1OF2

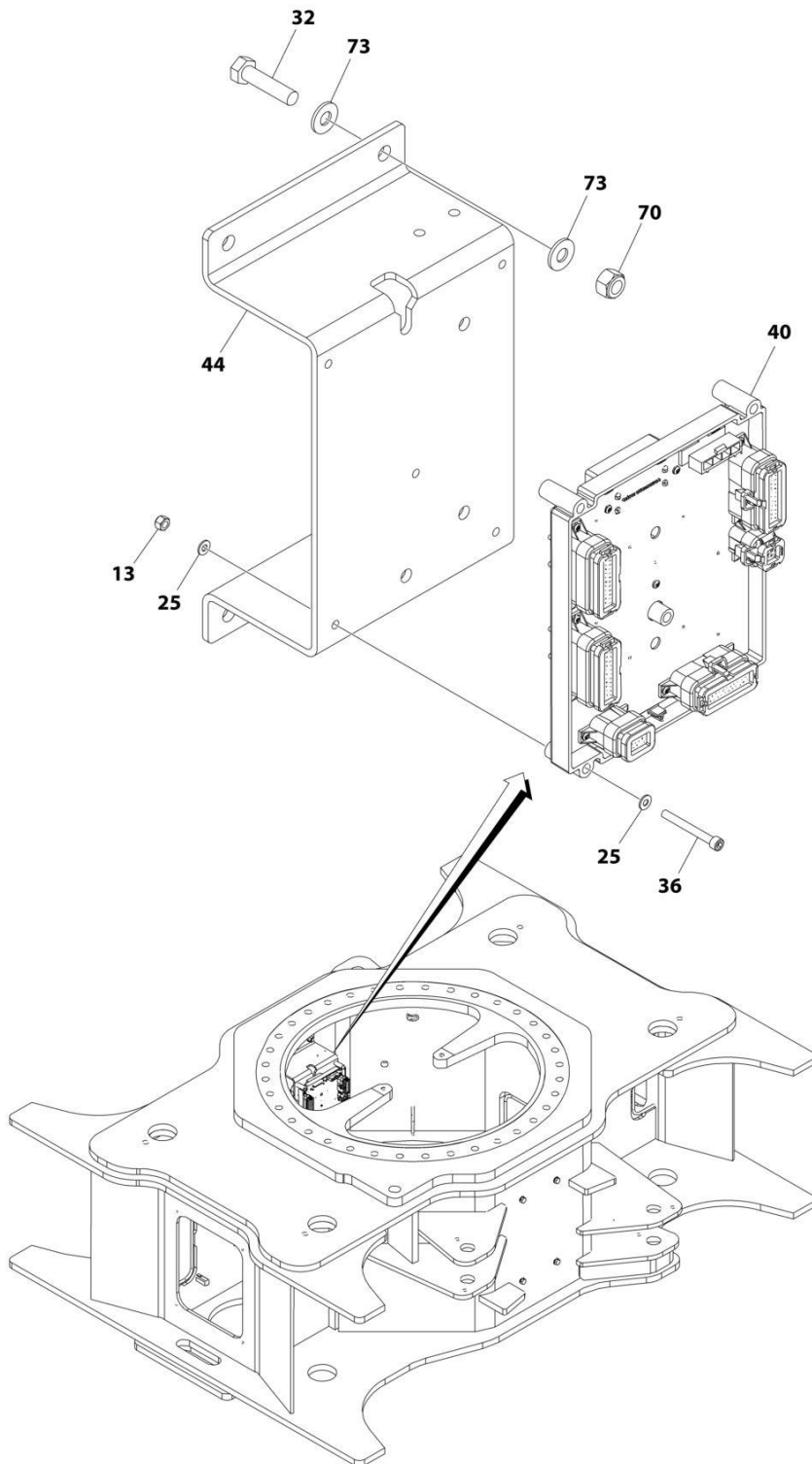
## SECTION 1 - FRAME

**FIGURE 1-12. ELECTRICAL COMPONENTS INSTALLATION - FRAME (HRC) (ANSI, ANSI EXPORT, CSA AND JAPANESE SPECS) (SN 0300000100 through 0300223782)**

ITEM	PART NUMBER	QTY	DESCRIPTION	REV
	1001197310	Ref	ELECTRICAL COMPONENTS INSTALLATION - FRAME (HRC) (ANSI, ANSI EXPORT, CSA AND JAPANESE SPECS)	G
10	3290605	5	Nut M6	
16	4811700	10	Washer M6	
20	0761218001	4	Bolt M12 x 50	
22	1001118878	5	Capscrew M6 x 55	
24	1001149975	1	Chassis Harness (Not Shown - See ELECTRICAL SECTION for Breakdown)	
25	1001150162	1	Module, Control (Note: Re-calibration Required when Replaced)	
28	1001163631	4	Axle Sensor Harness (Not Shown - See ELECTRICAL SECTION for Breakdown)	
29	1001164354	1	Bracket	
48	3291205001	4	Nut M12	
51	4812100001	8	Washer M12	

# SECTION 1 - FRAME

FIGURE 1-13. ELECTRICAL COMPONENTS INSTALLATION - FRAME (HRC) (ANSI, ANSI EXPORT, CSA AND JAPANESE SPECS) (SN 0300223782 through 0300271437)



ART\_1001218762\_1OF2



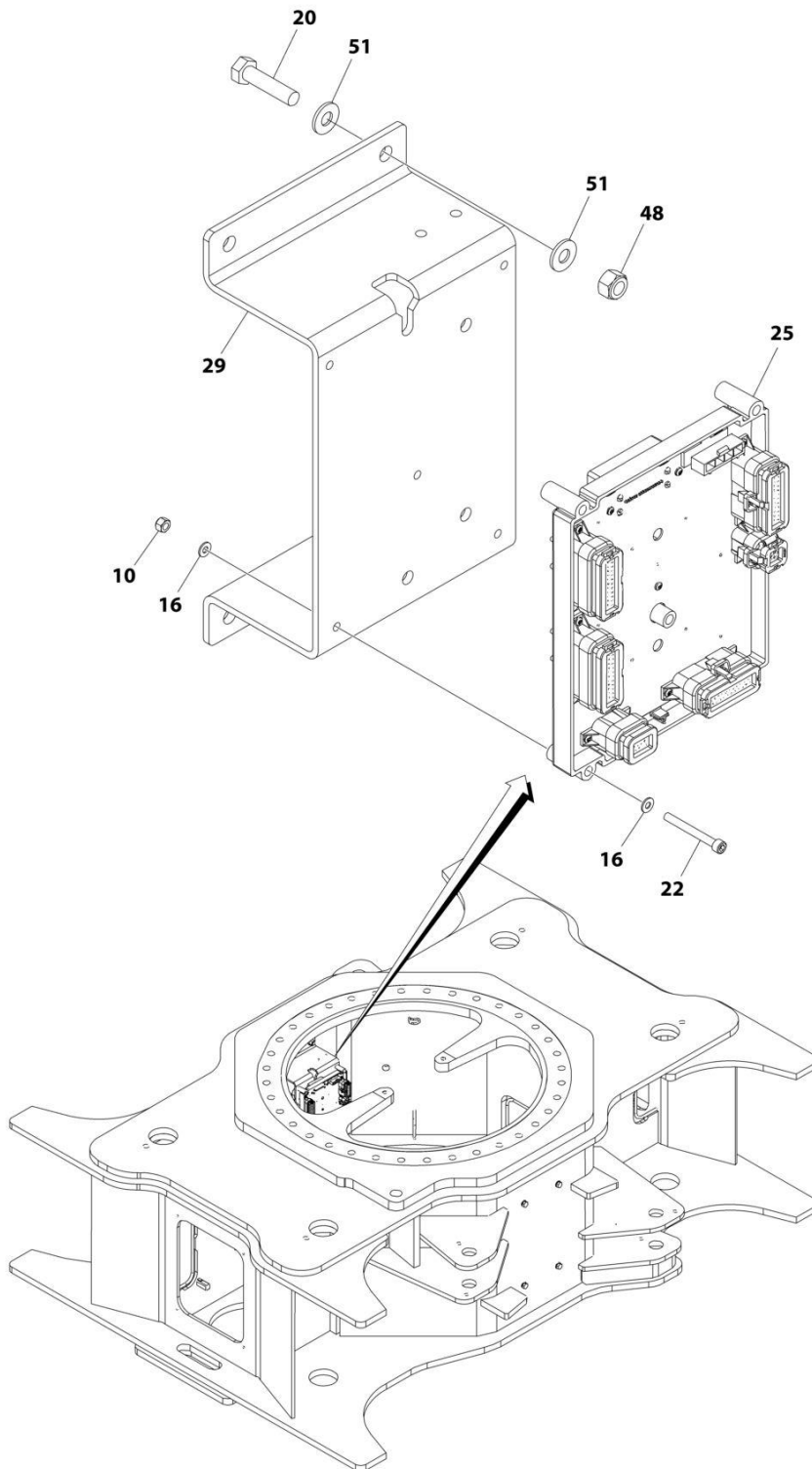
## SECTION 1 - FRAME

**FIGURE 1-13. ELECTRICAL COMPONENTS INSTALLATION - FRAME (HRC) (ANSI, ANSI EXPORT, CSA AND JAPANESE SPECS) (SN 0300223782 through 0300271437)**

ITEM	PART NUMBER	QTY	DESCRIPTION	REV
	1001218762	Ref	ELECTRICAL COMPONENTS INSTALLATION - FRAME (HRC) (ANSI, ANSI EXPORT, CSA AND JAPANESE SPECS)	H
13	3290605	5	Nut M6	
25	4811700	10	Washer M6	
32	0761218001	4	Bolt M12 x 50	
36	1001118878	5	Capscrew M6 x 55	
39	1001149975	1	Chassis Harness (Not Shown - See ELECTRICAL SECTION for Breakdown)	
40	1001150162	1	Module, Control (Note: Re-calibration Required when Replaced)	
43	1001163631	4	Axle Sensor Harness (Not Shown - See ELECTRICAL SECTION for Breakdown)	
44	1001164354	1	Bracket	
70	3291205001	4	Nut M12	
73	4812100001	8	Washer M12	

# SECTION 1 - FRAME

FIGURE 1-14. ELECTRICAL COMPONENTS INSTALLATION - FRAME (HRC) (CE SPECS) (SN 0300000100 through 0300223782)



ART\_1001200995\_10F2

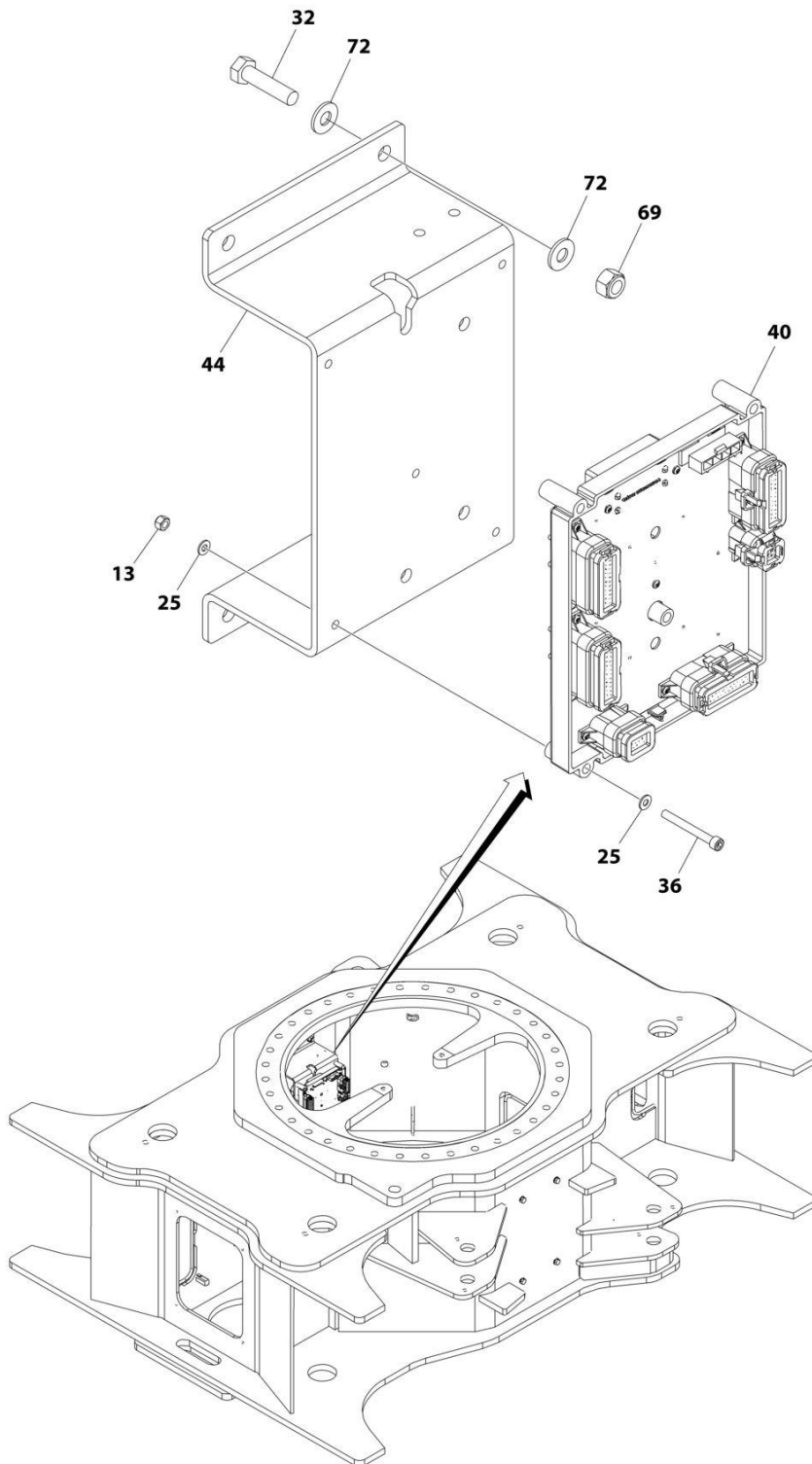
## SECTION 1 - FRAME

**FIGURE 1-14. ELECTRICAL COMPONENTS INSTALLATION - FRAME (HRC) (CE SPECS) (SN 0300000100 through 0300223782)**

ITEM	PART NUMBER	QTY	DESCRIPTION	REV
	1001200995	Ref	ELECTRICAL COMPONENTS INSTALLATION - FRAME (HRC) (CE SPECS)	G
10	3290605	5	Nut M6	
16	4811700	10	Washer M6	
20	0761218001	4	Bolt M12 x 50	
22	1001118878	5	Capscrew M6 x 55	
24	1001149975	1	Chassis Harness (Not Shown - See ELECTRICAL SECTION for Breakdown)	
25	1001150162	1	Module, Control (Note: Re-calibration Required when Replaced)	
28	1001163631	4	Axle Sensor Harness (Not Shown - See ELECTRICAL SECTION for Breakdown)	
29	1001164354	1	Bracket	
48	3291205001	4	Nut M12	
51	4812100001	8	Washer M12	

# SECTION 1 - FRAME

FIGURE 1-15. ELECTRICAL COMPONENTS INSTALLATION - FRAME (HRC) (CE SPECS) (SN 0300223782 through 0300271437)



ART\_1001218763\_10F2

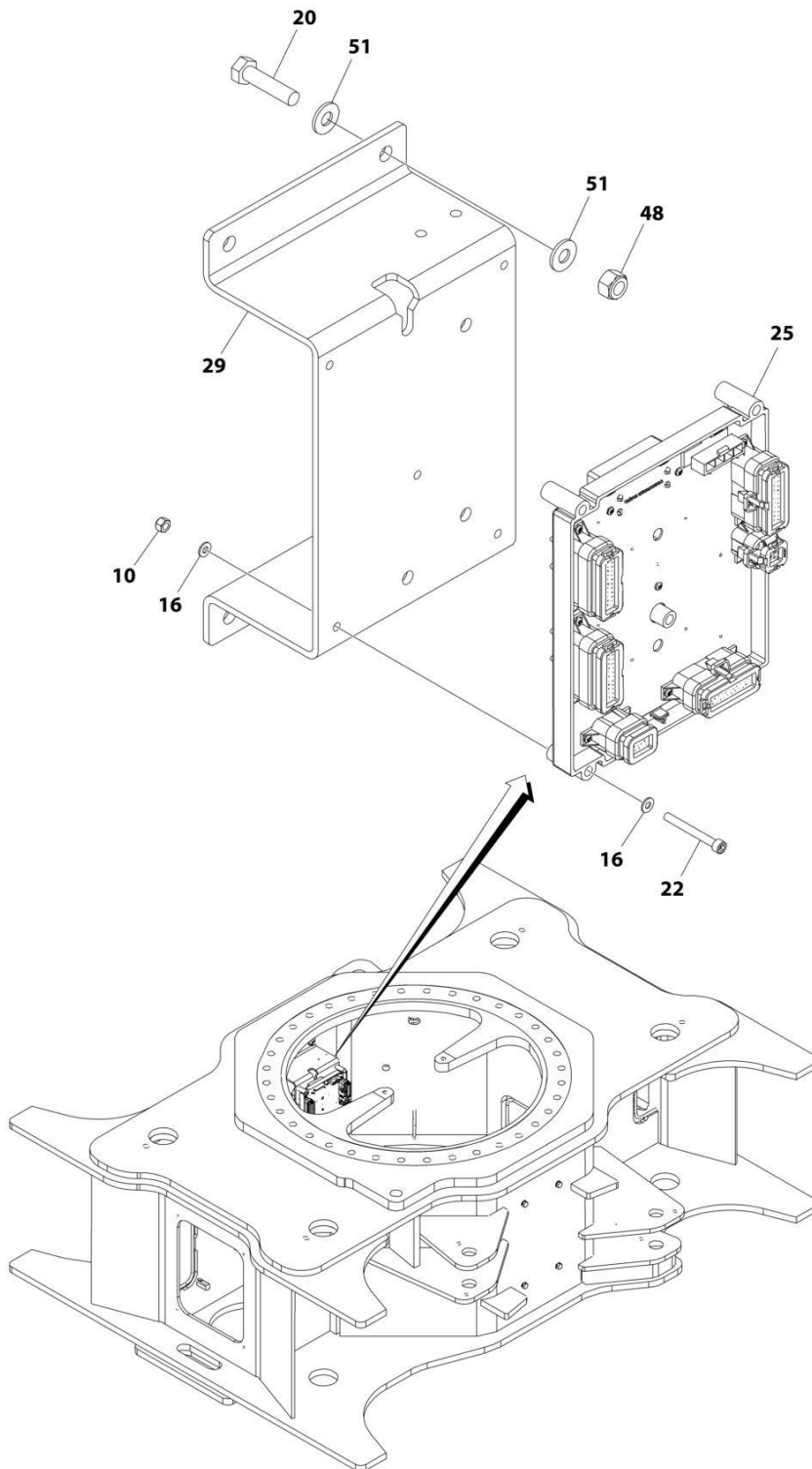
## SECTION 1 - FRAME

**FIGURE 1-15. ELECTRICAL COMPONENTS INSTALLATION - FRAME (HRC) (CE SPECS) (SN 0300223782 through 0300271437)**

ITEM	PART NUMBER	QTY	DESCRIPTION	REV
	1001218763	Ref	ELECTRICAL COMPONENTS INSTALLATION - FRAME (HRC) (CE SPECS)	H
13	3290605	5	Nut M6	
25	4811700	6	Washer M6	
32	0761218001	4	Bolt M12 x 50	
36	1001118878	5	Capscrew M6 x 55	
39	1001149975	1	Chassis Harness (Not Shown - See ELECTRICAL SECTION for Breakdown)	
40	1001150162	1	Module, Control (Note: Re-calibration Required when Replaced)	
43	1001163631	4	Axle Sensor Harness (Not Shown - See ELECTRICAL SECTION for Breakdown)	
44	1001164354	1	Bracket	
69	3291205001	4	Nut M12	
72	4812100001	8	Washer M12	

# SECTION 1 - FRAME

FIGURE 1-16. ELECTRICAL COMPONENTS INSTALLATION - FRAME (LRC) (ANSI EXPORT, AUSTRALIAN, CE AND CHINA SPECS) (SN 0300000100 through 0300223782)



ART\_1001200996\_10F2

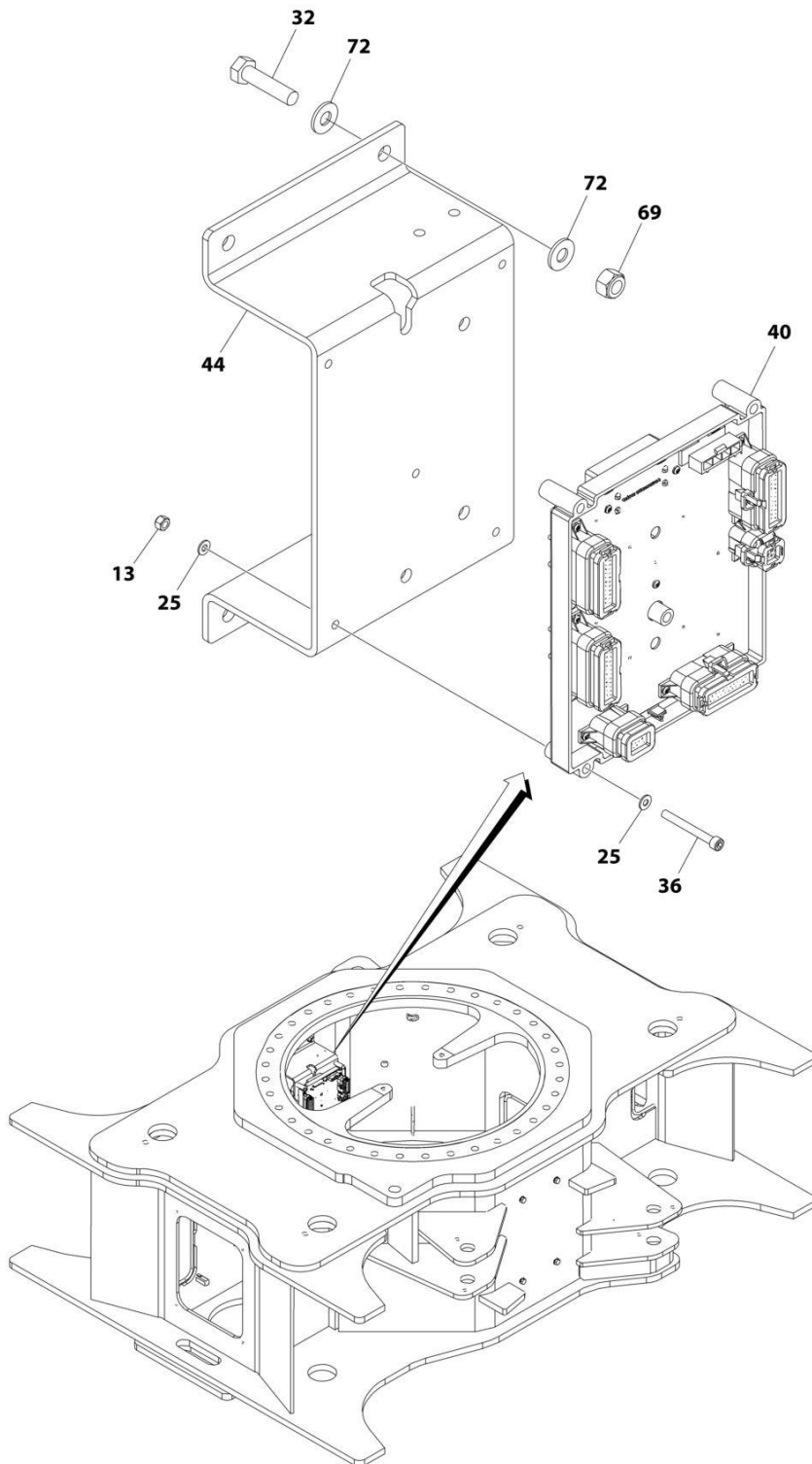
## SECTION 1 - FRAME

**FIGURE 1-16. ELECTRICAL COMPONENTS INSTALLATION - FRAME (LRC) (ANSI EXPORT, AUSTRALIAN, CE AND CHINA SPECS) (SN 0300000100 through 0300223782)**

ITEM	PART NUMBER	QTY	DESCRIPTION	REV
	1001200996	Ref	ELECTRICAL COMPONENTS INSTALLATION - FRAME (LRC) (ANSI EXPORT, AUSTRALIAN, CE AND CHINA SPECS)	G
10	3290605	5	Nut M6	
16	4811700	10	Washer M6	
20	0761218001	4	Bolt M12 x 50	
22	1001118878	5	Capscrew M6 x 55	
24	1001149975	1	Chassis Harness (Not Shown - See ELECTRICAL SECTION for Breakdown)	
25	1001150162	1	Module, Control (Note: Re-calibration Required when Replaced)	
28	1001163631	4	Axle Sensor Harness (Not Shown - See ELECTRICAL SECTION for Breakdown)	
29	1001164354	1	Bracket	
48	3291205001	4	Nut M12	
51	4812100001	8	Washer M12	

# SECTION 1 - FRAME

FIGURE 1-17. ELECTRICAL COMPONENTS INSTALLATION - FRAME (LRC) (ANSI EXPORT, AUSTRALIAN, CE AND CHINA SPECS) (SN 0300223782 through 0300271437)



ART\_1001218764\_10F2



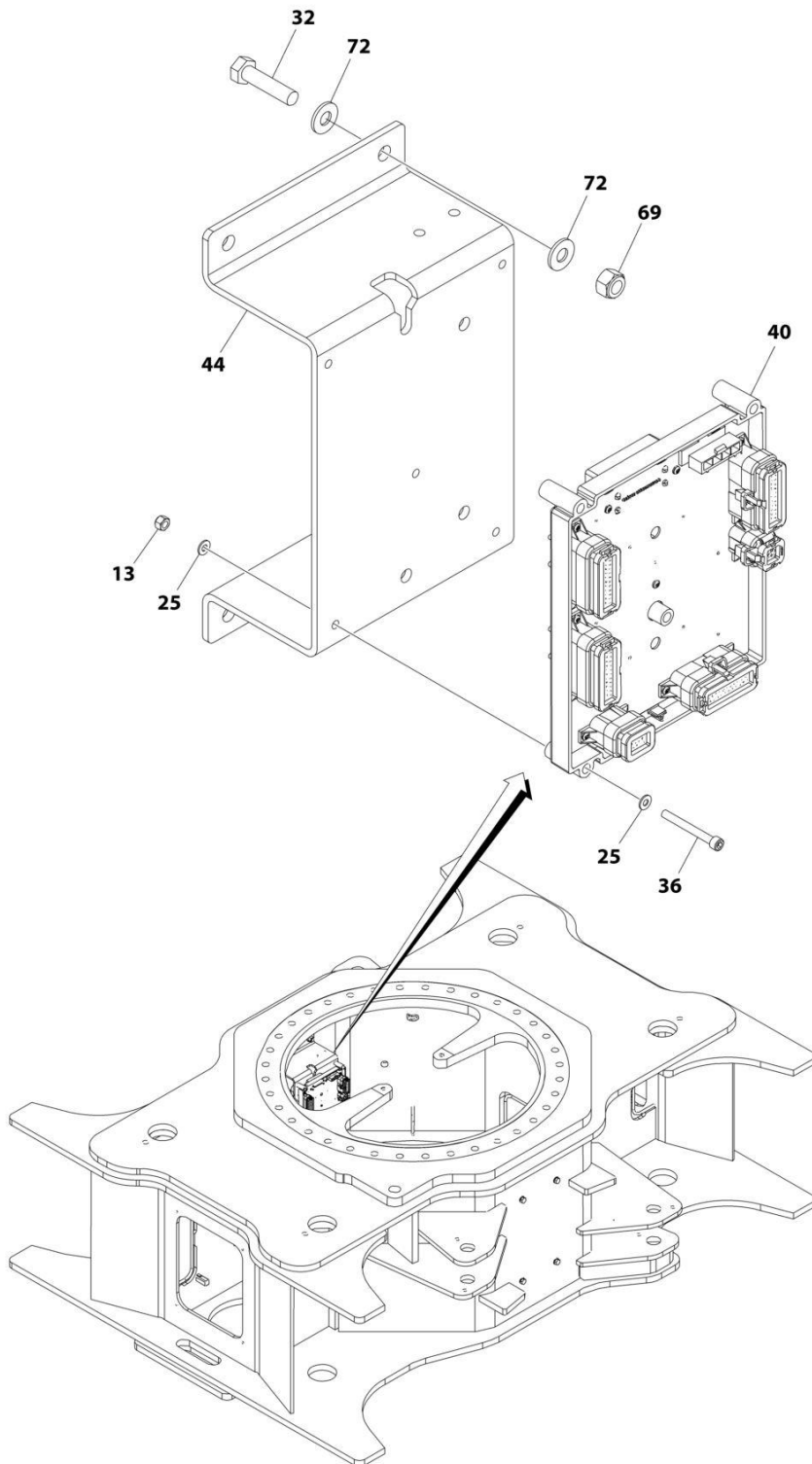
## SECTION 1 - FRAME

**FIGURE 1-17. ELECTRICAL COMPONENTS INSTALLATION - FRAME (LRC) (ANSI EXPORT, AUSTRALIAN, CE AND CHINA SPECS) (SN 0300223782 through 0300271437)**

ITEM	PART NUMBER	QTY	DESCRIPTION	REV
	1001218764	Ref	ELECTRICAL COMPONENTS INSTALLATION - FRAME (LRC) (ANSI EXPORT, AUSTRALIAN AND CHINA SPECS)	G
	1001218764	Ref	ELECTRICAL COMPONENTS INSTALLATION - FRAME (LRC) (CE SPECS)	E
13	3290605	5	Nut M6	
25	4811700	6	Washer M6	
32	0761218001	4	Bolt M12 x 50	
36	1001118878	5	Capscrew M6 x 55	
39	1001149975	1	Chassis Harness (Not Shown - See ELECTRICAL SECTION for Breakdown)	
40	1001150162	1	Module, Control (Note: Re-calibration Required when Replaced)	
43	1001163631	4	Axle Sensor Harness (Not Shown - See ELECTRICAL SECTION for Breakdown)	
44	1001164354	1	Bracket	
69	3291205001	4	Nut M12	
72	4812100001	8	Washer M12	

# SECTION 1 - FRAME

FIGURE 1-18. ELECTRICAL COMPONENTS INSTALLATION - FRAME (LRC) (CE SPECS) (SN 0300224829 through 0300271437)



ART\_1001223242\_10F2

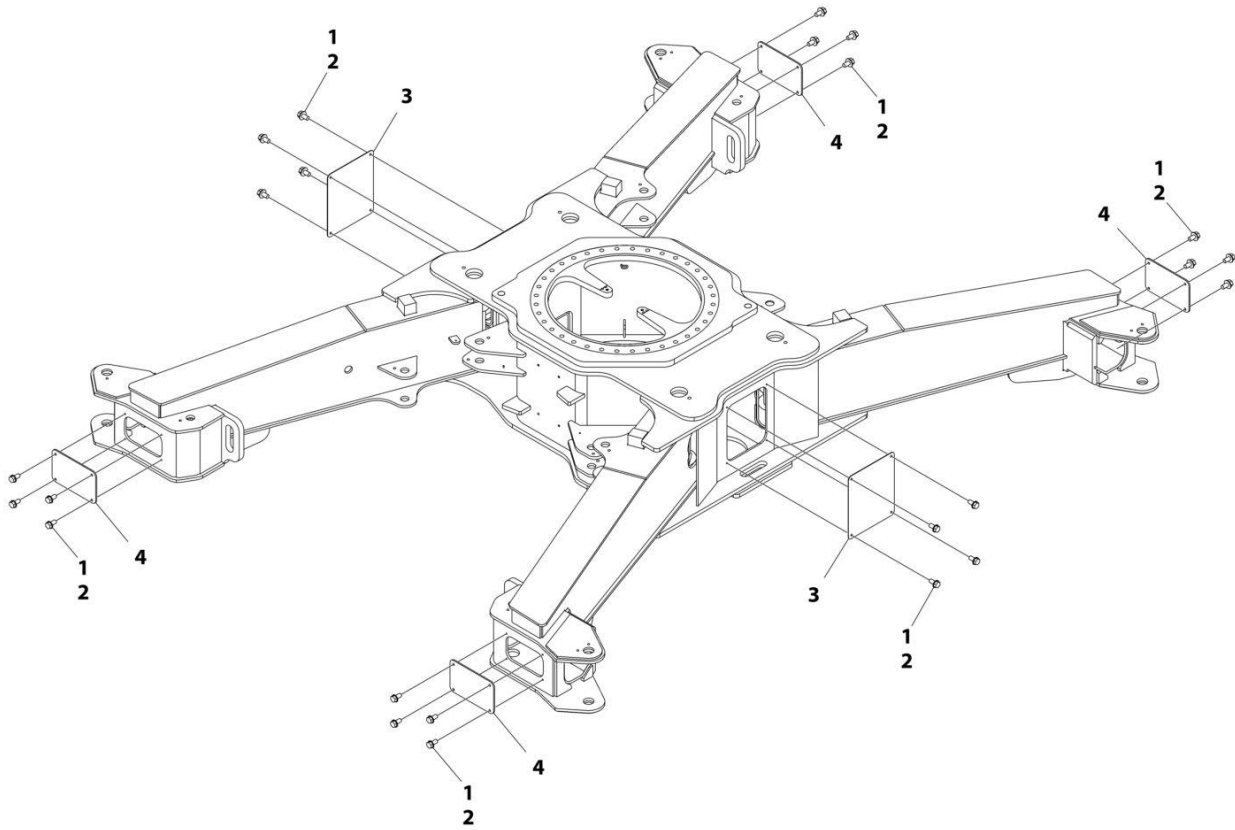
## SECTION 1 - FRAME

**FIGURE 1-18. ELECTRICAL COMPONENTS INSTALLATION - FRAME (LRC) (CE SPECS) (SN 0300224829 through 0300271437)**

ITEM	PART NUMBER	QTY	DESCRIPTION	REV
	1001223242	Ref	ELECTRICAL COMPONENTS INSTALLATION - FRAME (LRC) (CE SPECS)	E
13	3290605	5	Nut M6	
25	4811700	6	Washer M6	
32	0761218001	4	Bolt M12 x 50	
36	1001118878	5	Capscrew M6 x 55	
39	1001149975	1	Chassis Harness (Not Shown - See ELECTRICAL SECTION for Breakdown)	
40	1001150162	1	Module, Control (Note: Re-calibration Required when Replaced)	
43	1001163631	4	Axle Sensor Harness (Not Shown - See ELECTRICAL SECTION for Breakdown)	
44	1001164354	1	Bracket	
69	3291205001	4	Nut M12	
72	4812100001	8	Washer M12	

# SECTION 1 - FRAME

## FIGURE 1-19. COVERS INSTALLATION - FRAME



ART\_1001157670

**SECTION 1 - FRAME**

**FIGURE 1-19. COVERS INSTALLATION - FRAME**

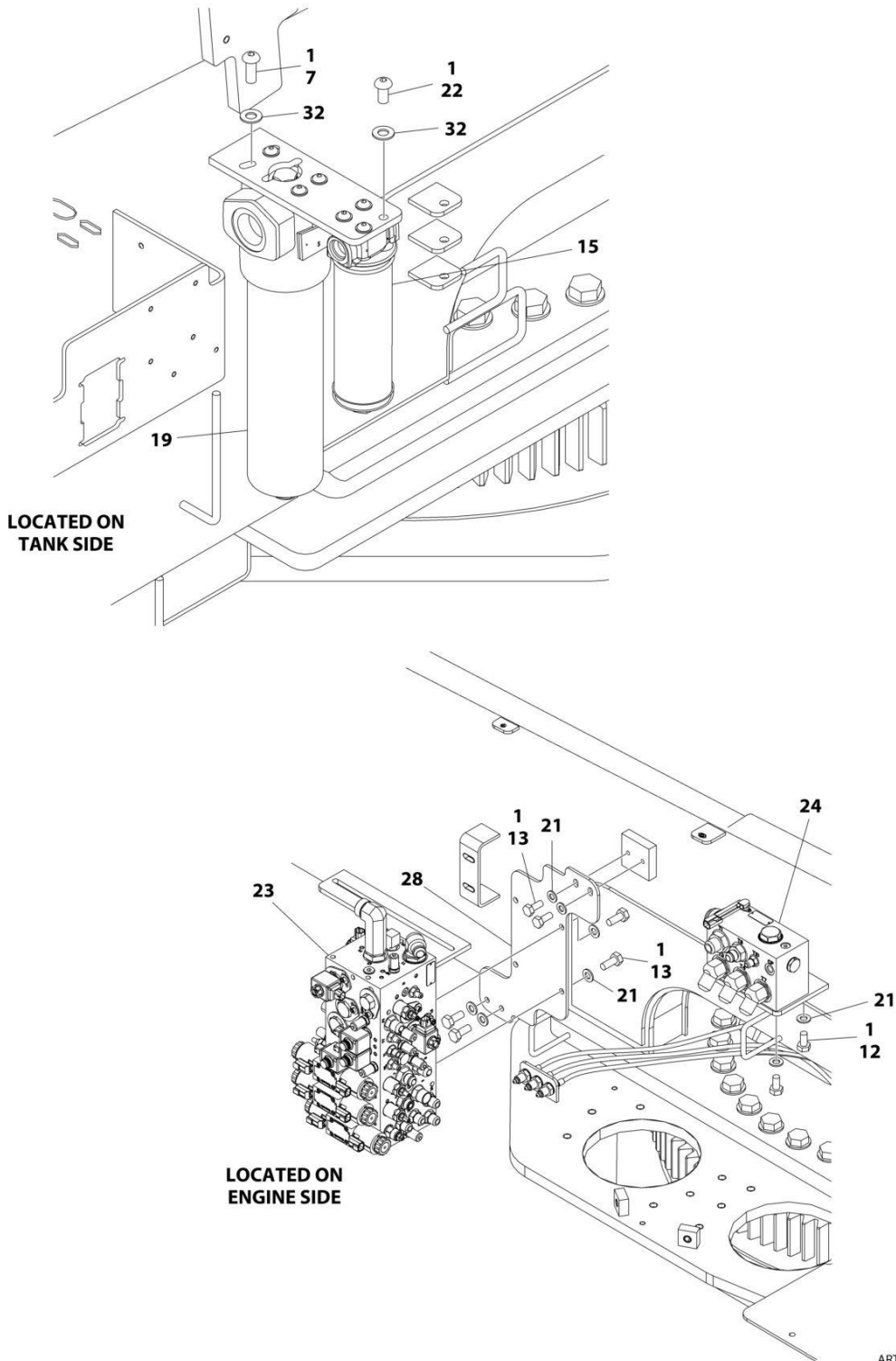
<b>ITEM</b>	<b>PART NUMBER</b>	<b>QTY</b>	<b>DESCRIPTION</b>	<b>REV</b>
	1001157670	Ref	COVERS INSTALLATION - FRAME	B
1	0100011	AR	Compound, Locking	
2	5251210001	24	Bolt M12 x 20	
3	1001155561	2	Cover	
4	1001156867	4	Cover	



**SECTION 2 - TURNTABLE**

# SECTION 2 - TURNTABLE

FIGURE 2-1. VALVES AND FILTERS INSTALLATION - TURNTABLE (SN 0300000100 through 0300223782)



ART\_1001197314\_20F3



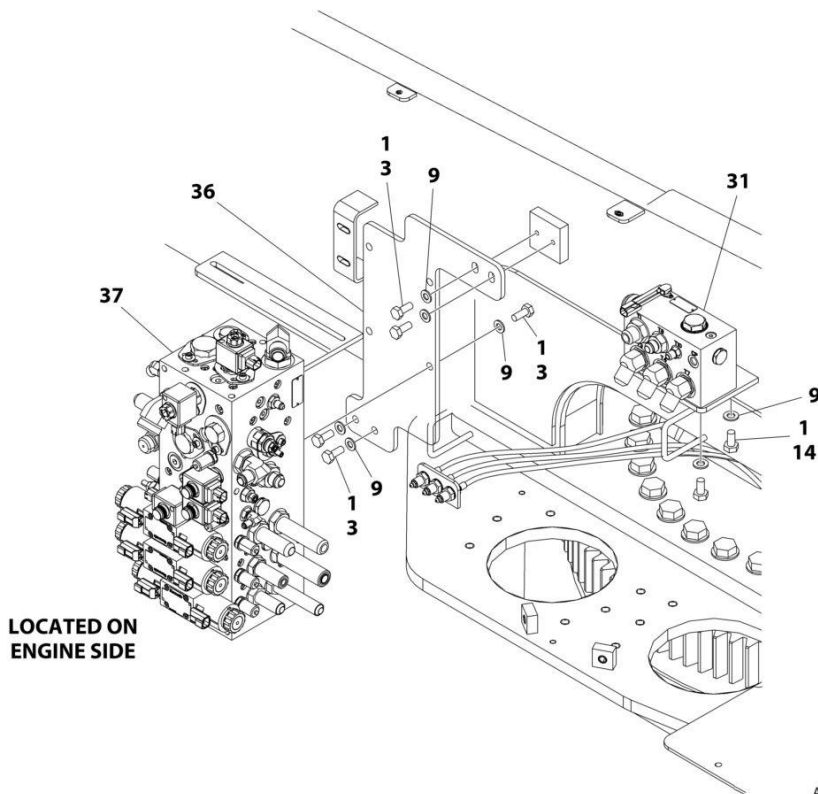
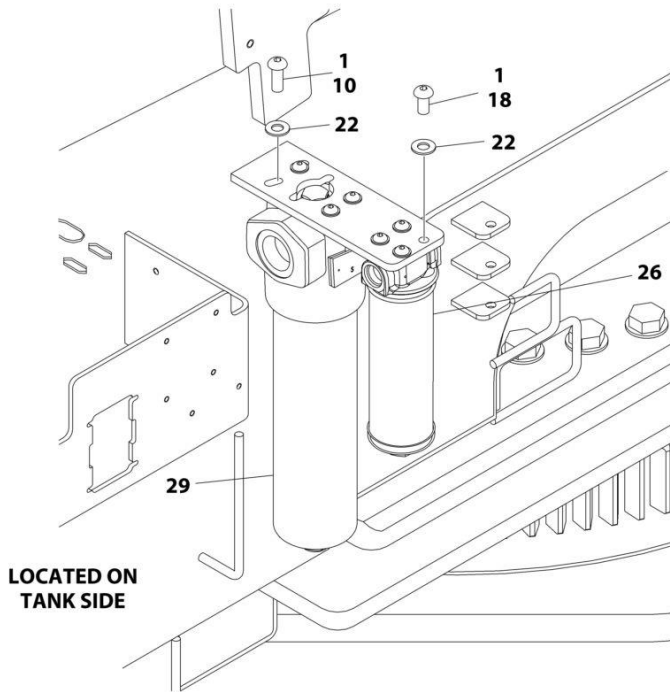
## SECTION 2 - TURNTABLE

**FIGURE 2-1. VALVES AND FILTERS INSTALLATION - TURNTABLE (SN 0300000100 through 0300223782)**

ITEM	PART NUMBER	QTY	DESCRIPTION	REV
	1001197314	Ref	VALVES AND FILTERS INSTALLATION - TURNTABLE	E
1	0100011	AR	Compound, Locking	
7	88261128	4	Screw 3/8 x 1	
12	0761010001	8	Bolt M10 x 20	
13	0761012001	14	Bolt M10 x 25	
15	1001108617	1	Filter	
15	70002231	1	Element	
19	1001158412	1	Filter	
19	1001161232	1	Element	
19	70006137	1	Seal Kit - 1001158412 Filter	
21	4812000	26	Washer M10	
22	1001173846	4	Screw 3/8 x 3/4	
23	1001200987	1	Main Valve Assembly (See MAIN VALVE ASSEMBLY for Breakdown)	
24	1001200988	1	Return Valve Assembly (See RETURN VALVE ASSEMBLY for Breakdown)	
28	1001202770	1	Bracket	
32	4711600001	12	Washer 3/8	

# SECTION 2 - TURNTABLE

FIGURE 2-2. VALVES AND FILTERS INSTALLATION - TURNTABLE (SN 0300223782 through 0300271437)



ART\_1001216976\_2OF3

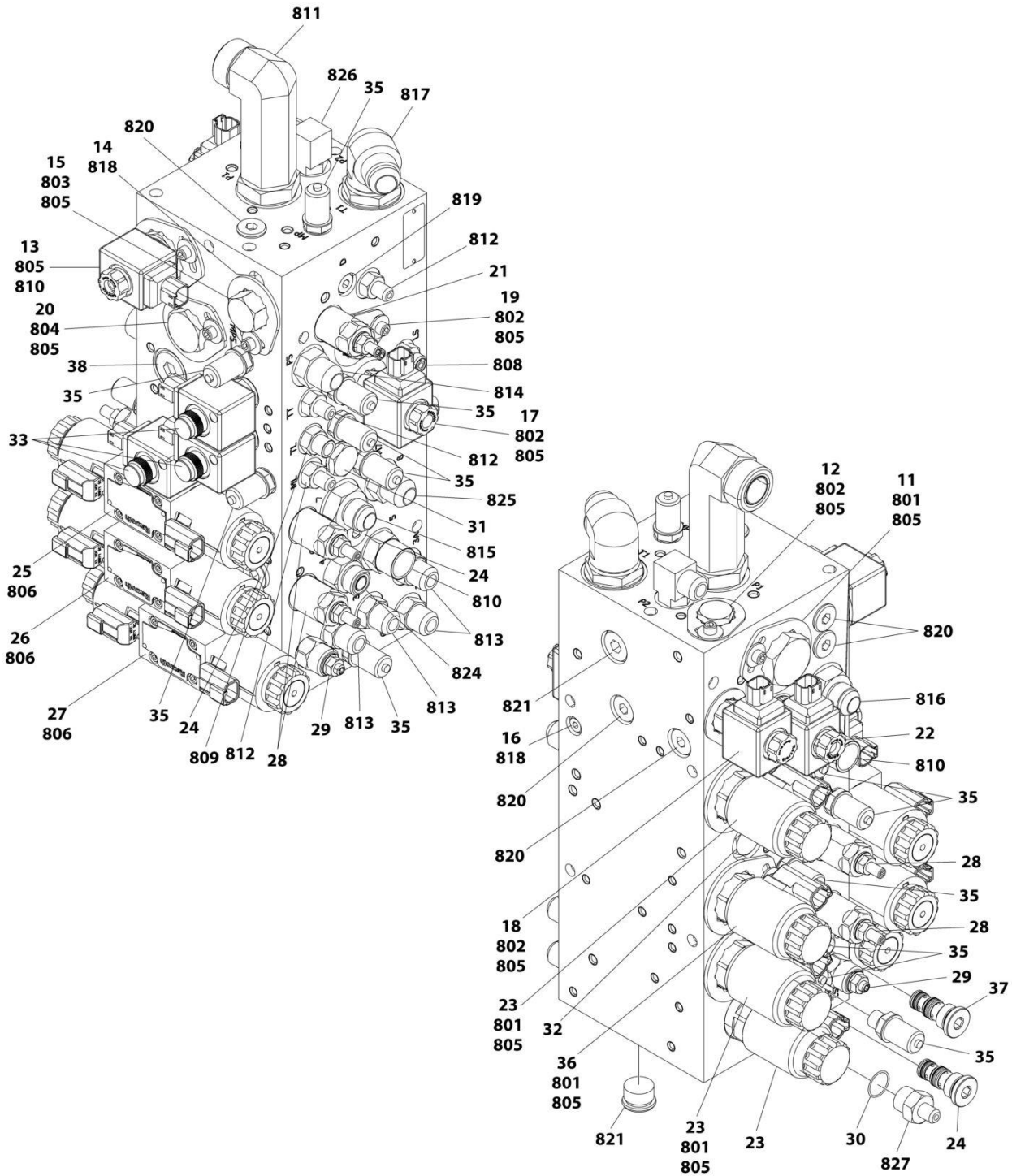
## SECTION 2 - TURNTABLE

**FIGURE 2-2. VALVES AND FILTERS INSTALLATION - TURNTABLE (SN 0300223782 through 0300271437)**

ITEM	PART NUMBER	QTY	DESCRIPTION	REV
	1001216976	Ref	VALVES AND FILTERS INSTALLATION - TURNTABLE	E
1	0100011	AR	Compound, Locking	
3	0761012	8	Bolt M10 x 25	
9	4812000	12	Washer M10	
10	88261128	4	Screw 3/8 x 1	
14	0761010001	4	Bolt M10 x 20	
18	1001173846	4	Screw 3/8 x 3/4	
18	1001238236	4	Screw 3/8 x 7/8	
22	4711600001	8	Washer 3/8	
26	1001108617	1	Filter	
26	70002231	1	Element	
29	1001158412	1	Filter	
29	1001161232	1	Element	
29	70006137	1	Seal Kit - 1001158412 Filter	
31	1001200988	1	Return Valve Assembly (See RETURN VALVE ASSEMBLY for Breakdown)	
36	1001213392	1	Bracket	
37	1001214275	NLA	Main Valve Assembly (Use p/n 1001236268) (See MAIN VALVE ASSEMBLY for Breakdown) <b>(SN 0300223782 through 0300235444)</b>	
37	1001231072	NLA	Main Valve Assembly (Use p/n 1001234247) (See MAIN VALVE ASSEMBLY for Breakdown) <b>(SN 0300235445 through 0300239973)</b>	
37	1001234247	1	Main Valve Assembly (See MAIN VALVE ASSEMBLY for Breakdown) <b>(SN 0300239974 through 0300271437)</b>	

# SECTION 2 - TURNTABLE

FIGURE 2-3. MAIN VALVE ASSEMBLY (SN 0300000100 through 0300223782)



ART\_1001200987

**SECTION 2 - TURNTABLE**

**FIGURE 2-3. MAIN VALVE ASSEMBLY (SN 0300000100 through 0300223782)**

ITEM	PART NUMBER	QTY	DESCRIPTION	REV
	1001200987	Ref	MAIN VALVE ASSEMBLY	I
11	70005943	1	Valve, Cartridge (Check)	
11	70005944	1	Seal Kit - 70005943 Valve	
12	70004585	1	Valve, Cartridge (Check)	
12	70004052	1	Seal Kit - 70004585 Valve	
13	70005945	1	Valve, Solenoid Less Coil (Directional Control)	
13	70005946	1	Seal Kit - 70005945 Valve	
13	70004588	1	Coil	
13	70005947	1	Coil Nut and Pole Tube O-Ring Kit	
14	70004589	1	Orifice 2.2mm	
15	70004590	1	Valve, Solenoid Less Coil (Directional Control)	
15	70023862	1	Seal Kit - 70004590 Valve	
16	7023821	1	Orifice .8mm	
17	70005948	1	Valve, Solenoid Less Coil (Directional Control)	
17	70004055	1	Seal Kit - 70005948 Valve	
17	70004588	1	Coil	
17	70005947	1	Coil Nut and Pole Tube O-Ring Kit	
18	70023992	1	Valve, Solenoid Less Coil (Directional Control)	
18	70004055	1	Seal Kit - 70023992 Valve	
18	70004588	1	Coil	
18	70005947	1	Coil Nut and Pole Tube O-Ring Kit	
19	70004591	1	Valve, Cartridge (Pressure Reducing)	
19	70004592	1	Seal Kit - 70004591 Valve	
20	70004583	1	Valve, Cartridge (Check)	
20	70004584	1	Seal Kit - 70004583 Valve	
21	70004607	1	Valve, Cartridge (Relief)	
21	70004602	1	Seal Kit - 70004607 Valve	
22	70004586	1	Valve, Solenoid Less Coil (Directional Control)	
22	70004587	1	Seal Kit - 70004586 Valve	
22	70004588	1	Coil	
22	70005947	1	Coil Nut and Pole Tube O-Ring Kit	
23	70004593	3	Valve, Solenoid Less Coil (Flow Control)	
23	70004594	3	Seal Kit - 70004593 Valve	
23	70004595	3	Coil	
23	70004597	3	Nut, Coil	
23	70004596	3	O-Ring, Pole Tube	
24	70023859	3	Valve, Cartridge (Shuttle)	
24	70023860	3	Seal Kit - 70023859 Valve	
25	70004459	1	Valve, Solenoid Less Coil (Tele)	
25	7012773	1	Seal Kit - 70004459 Valve	
25	70004460	1	Coil	
25	7021375	1	Nut, Coil	
26	70004600	1	Valve, Solenoid Less Coil (Lift)	
26	7012773	1	Seal Kit - 70004600 Valve	
26	70004460	1	Coil	
26	7021375	1	Nut, Coil	
27	70004609	1	Valve, Solenoid Less Coil (Lift)	
27	7012773	1	Seal Kit - 70004609 Valve	
27	70004460	1	Coil	
27	7021375	1	Nut, Coil	

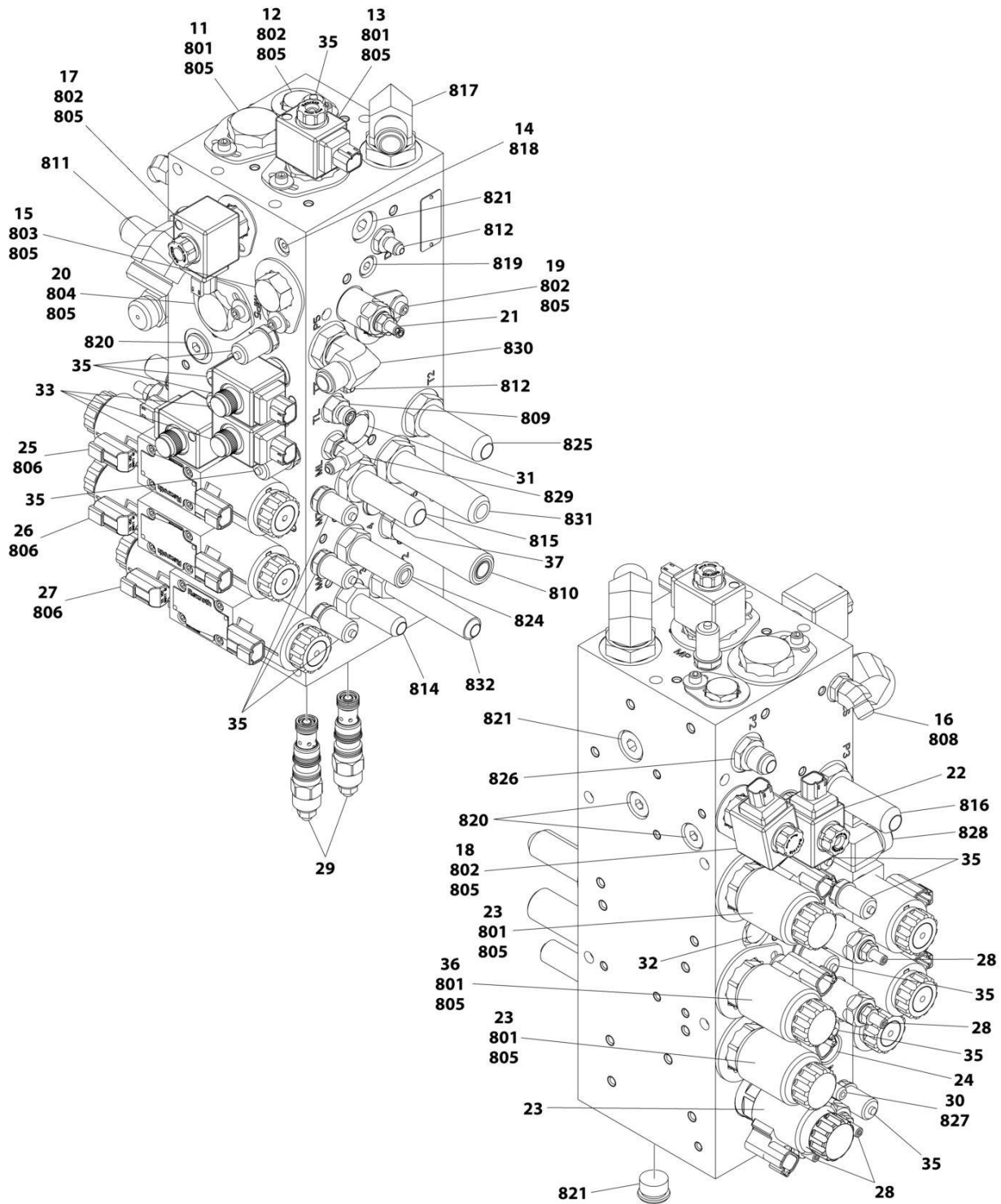
## SECTION 2 - TURNTABLE

ITEM	PART NUMBER	QTY	DESCRIPTION	REV
28	70004601	4	Valve, Cartridge (Relief)	
28	70004602	4	Seal Kit - 70004601 Valve	
29	70004610	1	Valve, Cartridge (Counterbalance)	
30	70005950	1	Orifice	
31	70005951	1	Valve, Cartridge (Check)	
31	70004052	1	Seal Kit - 70005951 Valve	
32	70005952	1	Valve, Cartridge (Check)	
32	70004052	1	Seal Kit - 70005952 Valve	
33	70004457	3	Valve, Solenoid Less Coil (Directional Control)	
33	70004050	3	Seal Kit - 70004457 Valve	
33	70004588	3	Coil	
33	70005947	3	Coil Nut and Pole Tube O-Ring Kit	
35	2221086	13	Fitting, Test	
36	70005953	1	Valve, Solenoid Less Coil (Flow Control)	
36	70004594	1	Seal Kit - 70005953 Valve	
36	70004595	1	Coil	
36	70004597	1	Nut, Coil	
36	70004596	1	O-Ring, Pole Tube	
37	70004613	1	Valve, Cartridge (Check)	
37	70023860	1	Seal Kit - 70004613 Valve	
38	70002760	1	Plug	
801	70005954	5	Plate, Locking	
802	70005955	4	Plate, Locking	
803	70005956	1	Plate, Locking	
804	70005957	1	Plate, Locking	
805	70005958	11	Capscrew	
806	7018942	12	Capscrew	
808	2110406	1	Fitting, Straight JIC/ORB	
809	2110406	1	Fitting, Straight JIC/ORB	
810	2111010	2	Fitting, Straight ORFS/ORB	
810	2220947	1	Fitting, Straight JIC/ORB	
811	2170216	1	Fitting, 90 JIC/ORB	
812	2220582	3	Fitting, Straight JIC/ORB	
813	2220373	4	Fitting, Straight JIC/ORB	
814	2220947	1	Fitting, Straight JIC/ORB	
815	2220865	1	Fitting, Straight JIC/ORB	
816	2220865	1	Fitting, Straight JIC/ORB	
817	2220465	1	Fitting, 90 JIC/ORB	
818	70002758	2	Plug	
819	70004617	1	Plug	
820	70002759	5	Plug	
821	70004603	2	Plug	
824	2110810	1	Fitting, Straight ORFS/ORB	
825	2220947	1	Fitting, Straight JIC/ORB	
826	2220596	1	Fitting, 90 JIC/ORB	
827	2220468	1	Fitting, Straight JIC/ORB	



# SECTION 2 - TURNTABLE

FIGURE 2-4. MAIN VALVE ASSEMBLY (SN 0300223782 through 0300235444)



ART\_1001214275



# SECTION 2 - TURNTABLE

**FIGURE 2-4. MAIN VALVE ASSEMBLY (SN 0300223782 through 0300235444)**

ITEM	PART NUMBER	QTY	DESCRIPTION	REV
	1001214275	Ref	MAIN VALVE ASSEMBLY (SN 0300223782 through 0300235444)	H
11	70005943	1	Valve, Cartridge (Check)	
11	70005944	1	Seal Kit - 70005943 Valve	
12	70004585	1	Valve, Cartridge (Check)	
12	70004052	1	Seal Kit - 70004585 Valve	
13	70005945	1	Valve, Solenoid Less Coil (Directional Control)	
13	70005946	1	Seal Kit - 70005945 Valve	
13	70004588	1	Coil	
13	70005947	1	Coil Nut and Pole Tube O-Ring Kit	
14	70004589	1	Orifice 2.2mm	
15	70004590	1	Valve, Solenoid Less Coil (Directional Control)	
15	70023862	1	Seal Kit - 70004590 Valve	
16	7023821	1	Orifice .8mm	
17	70005948	1	Valve, Solenoid Less Coil (Directional Control)	
17	70004055	1	Seal Kit - 70005948 Valve	
17	70004588	1	Coil	
17	70005947	1	Coil Nut and Pole Tube O-Ring Kit	
18	70005948	1	Valve, Solenoid Less Coil (Directional Control)	
18	70004055	1	Seal Kit - 70005948 Valve	
18	70004588	1	Coil	
18	70005947	1	Coil Nut and Pole Tube O-Ring Kit	
19	70004591	1	Valve, Cartridge (Pressure Reducing)	
19	70004592	1	Seal Kit - 70004591 Valve	
20	70004583	1	Valve, Cartridge (Check)	
20	70004584	1	Seal Kit - 70004583 Valve	
21	70004607	1	Valve, Cartridge (Relief)	
21	70004602	1	Seal Kit - 70004607 Valve	
22	70004586	1	Valve, Solenoid Less Coil (Directional Control)	
22	70004587	1	Seal Kit - 70004586 Valve	
22	70004588	1	Coil	
22	70005947	1	Coil Nut and Pole Tube O-Ring Kit	
23	70004593	3	Valve, Solenoid Less Coil (Flow Control)	
23	70004594	3	Seal Kit - 70004593 Valve	
23	70004595	3	Coil	
23	70004597	3	Nut, Coil	
23	70004596	3	O-Ring, Pole Tube	
24	70023859	1	Valve, Cartridge (Shuttle)	
24	70023860	1	Seal Kit - 70023859 Valve	
25	70004459	1	Valve, Solenoid Less Coil (Tele)	
25	7012773	1	Seal Kit - 70004459 Valve	
25	70004460	1	Coil	
25	7021375	1	Nut, Coil	
26	70004600	1	Valve, Solenoid Less Coil (Lift)	
26	7012773	1	Seal Kit - 70004600 Valve	
26	70004460	1	Coil	
26	7021375	1	Nut, Coil	
27	70004609	1	Valve, Solenoid Less Coil (Lift)	
27	7012773	1	Seal Kit - 70004609 Valve	
27	70004460	1	Coil	
27	7021375	1	Nut, Coil	

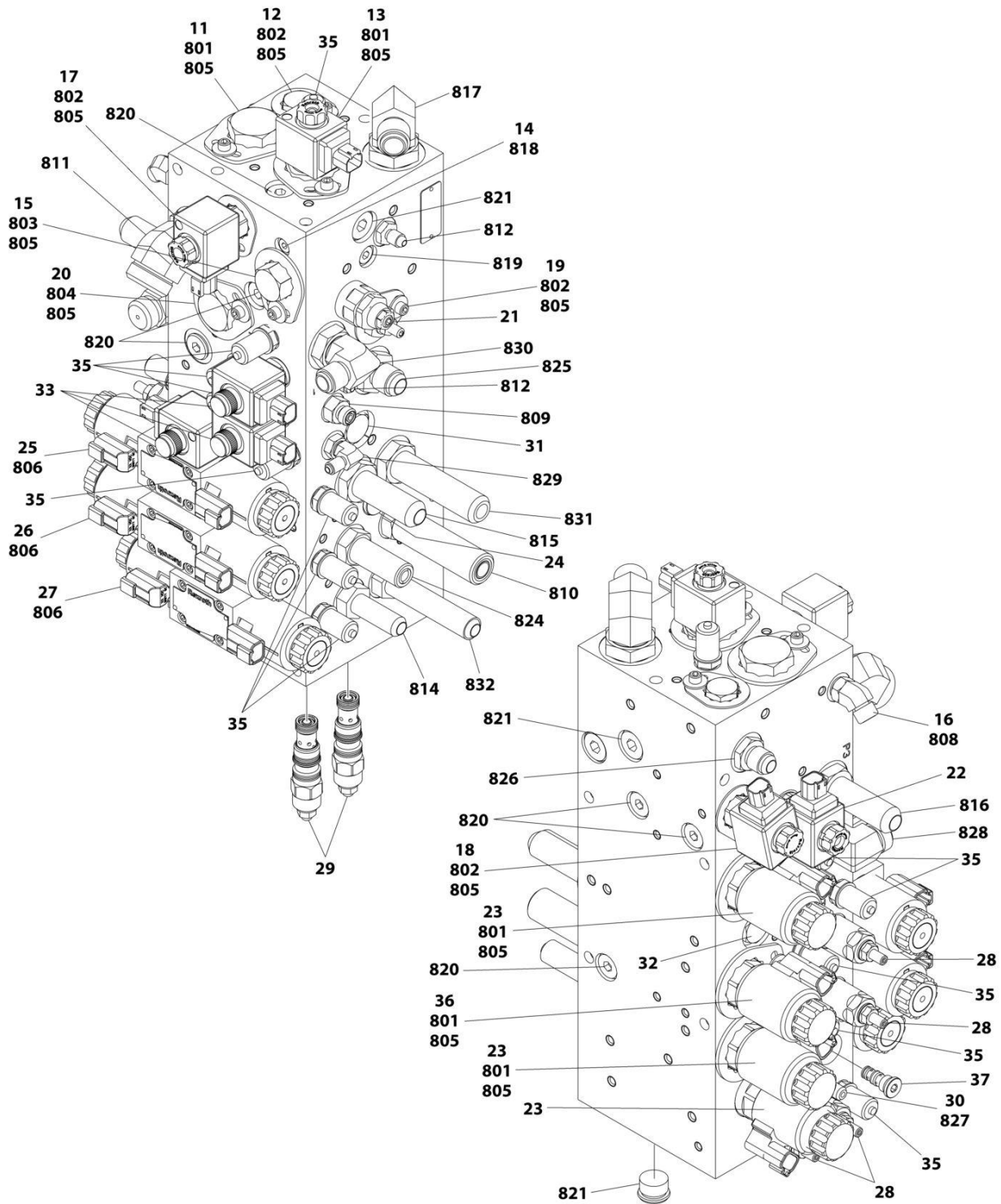
## SECTION 2 - TURNTABLE

ITEM	PART NUMBER	QTY	DESCRIPTION	REV
28	70004601	4	Valve, Cartridge (Relief)	
28	70004602	4	Seal Kit - 70004601 Valve	
29	70004610	2	Valve, Cartridge (Counterbalance)	
30	70005950	1	Orifice	
31	70005951	1	Valve, Cartridge (Check)	
31	70004052	1	Seal Kit - 70005951 Valve	
32	70005952	1	Valve, Cartridge (Check)	
32	70004052	1	Seal Kit - 70005952 Valve	
33	70004457	3	Valve, Solenoid Less Coil (Directional Control)	
33	70004050	3	Seal Kit - 70004457 Valve	
33	70004588	3	Coil	
33	70005947	3	Coil Nut and Pole Tube O-Ring Kit	
35	2221086	13	Fitting, Test	
36	70005953	1	Valve, Solenoid Less Coil (Flow Control)	
36	70004594	1	Seal Kit - 70005953 Valve	
36	70004595	1	Coil	
36	70004597	1	Nut, Coil	
36	70004596	1	O-Ring, Pole Tube	
37	70004613	3	Valve, Cartridge (Check)	
37	70023860	3	Seal Kit - 70004613 Valve	
801	70000781	5	Plate, Locking	
802	70004619	4	Plate, Locking	
803	70004618	1	Plate, Locking	
804	70002962	1	Plate, Locking	
805	70005958	11	Capscrew	
806	7018942	12	Capscrew	
808	2150406	1	Fitting, 45 ORFS/ORB	
809	2110406	1	Fitting, Straight ORFS/ORB	
810	1001213297	1	Fitting, Straight ORFS/ORB	
811	2151616	1	Fitting, 45 JIC/ORB	
812	2220582	2	Fitting, Straight JIC/ORB	
814	1001213292	1	Fitting, Straight JIC/ORB	
815	1001213294	1	Fitting, Straight JIC/ORB	
816	1001213294	1	Fitting, Straight JIC/ORB	
817	2220465	1	Fitting, 90 JIC/ORB	
818	70002758	1	Plug	
819	70004617	1	Plug	
820	70002759	3	Plug	
821	70004603	3	Plug	
824	1001213296	1	Fitting, Straight ORFS/ORB	
825	1001213294	1	Fitting, Straight JIC/ORB	
826	2220374	1	Fitting, Straight JIC/ORB	
827	1001213295	1	Fitting, Straight JIC/ORB	
828	2131010	1	Fitting, 90 ORFS/ORB	
829	2220472	1	Fitting, 90 JIC/ORB	
830	2220906	1	Fitting, 90 JIC/ORB	
831	1001213298	1	Fitting, Straight JIC/ORB	
832	1001213293	1	Fitting, Straight JIC/ORB	



# SECTION 2 - TURNTABLE

## FIGURE 2-5. MAIN VALVE ASSEMBLY (SN 0300235445 through 0300239973)



ART\_1001231072

**SECTION 2 - TURNTABLE**

**FIGURE 2-5. MAIN VALVE ASSEMBLY (SN 0300235445 through 0300239973)**

ITEM	PART NUMBER	QTY	DESCRIPTION	REV
	1001231072	Ref	MAIN VALVE ASSEMBLY	B
11	70005943	1	Valve, Cartridge (Check)	
11	70005944	1	Seal Kit - 70005943 Valve	
12	70004585	1	Valve, Cartridge (Check)	
12	70004052	1	Seal Kit - 70004585 Valve	
13	70005945	1	Valve, Solenoid Less Coil (Directional Control)	
13	70005946	1	Seal Kit - 70005945 Valve	
13	70004588	1	Coil	
13	70005947	1	Coil Nut and Pole Tube O-Ring Kit	
14	70004589	1	Orifice 2.2mm	
15	70004590	1	Valve, Solenoid Less Coil (Directional Control)	
15	70023862	1	Seal Kit - 70004590 Valve	
16	70006707	1	Orifice .7mm	
17	70005948	1	Valve, Solenoid Less Coil (Directional Control)	
17	70004055	1	Seal Kit - 70005948 Valve	
17	70004588	1	Coil	
17	70005947	1	Coil Nut and Pole Tube O-Ring Kit	
18	70005948	1	Valve, Solenoid Less Coil (Directional Control)	
18	See Note	NSS	Seal Kit - 70004598 Valve (Note: Not Available)	
18	70004588	1	Coil	
18	70005947	1	Coil Nut and Pole Tube O-Ring Kit	
19	70004591	1	Valve, Cartridge (Pressure Reducing)	
19	70004592	1	Seal Kit - 70004591 Valve	
20	70004583	1	Valve, Cartridge (Check)	
20	70004584	1	Seal Kit - 70004583 Valve	
21	70006708	1	Valve, Cartridge (Relief)	
21	See Note	NSS	Seal Kit - 70006708 Valve (Note: Not Available)	
22	70004586	1	Valve, Solenoid Less Coil (Directional Control)	
22	70004587	1	Seal Kit - 70004586 Valve	
22	70004588	1	Coil	
22	70005947	1	Coil Nut and Pole Tube O-Ring Kit	
23	70004593	3	Valve, Solenoid Less Coil (Flow Control)	
23	70004594	3	Seal Kit - 70004593 Valve	
23	70004595	3	Coil	
23	70004597	3	Nut, Coil	
23	70004596	3	O-Ring, Pole Tube	
24	70023859	3	Valve, Cartridge (Shuttle)	
24	70023860	3	Seal Kit - 70023859 Valve	
25	70004459	1	Valve, Solenoid Less Coil (Tele)	
25	7012773	1	Seal Kit - 70004459 Valve	
25	70004460	1	Coil	
25	7021375	1	Nut, Coil	
26	70004600	1	Valve, Solenoid Less Coil (Lift)	
26	7012773	1	Seal Kit - 70004600 Valve	
26	70004460	1	Coil	
26	7021375	1	Nut, Coil	
27	70004609	1	Valve, Solenoid Less Coil (Lift)	
27	7012773	1	Seal Kit - 70004609 Valve	
27	70004460	1	Coil	
27	7021375	1	Nut, Coil	

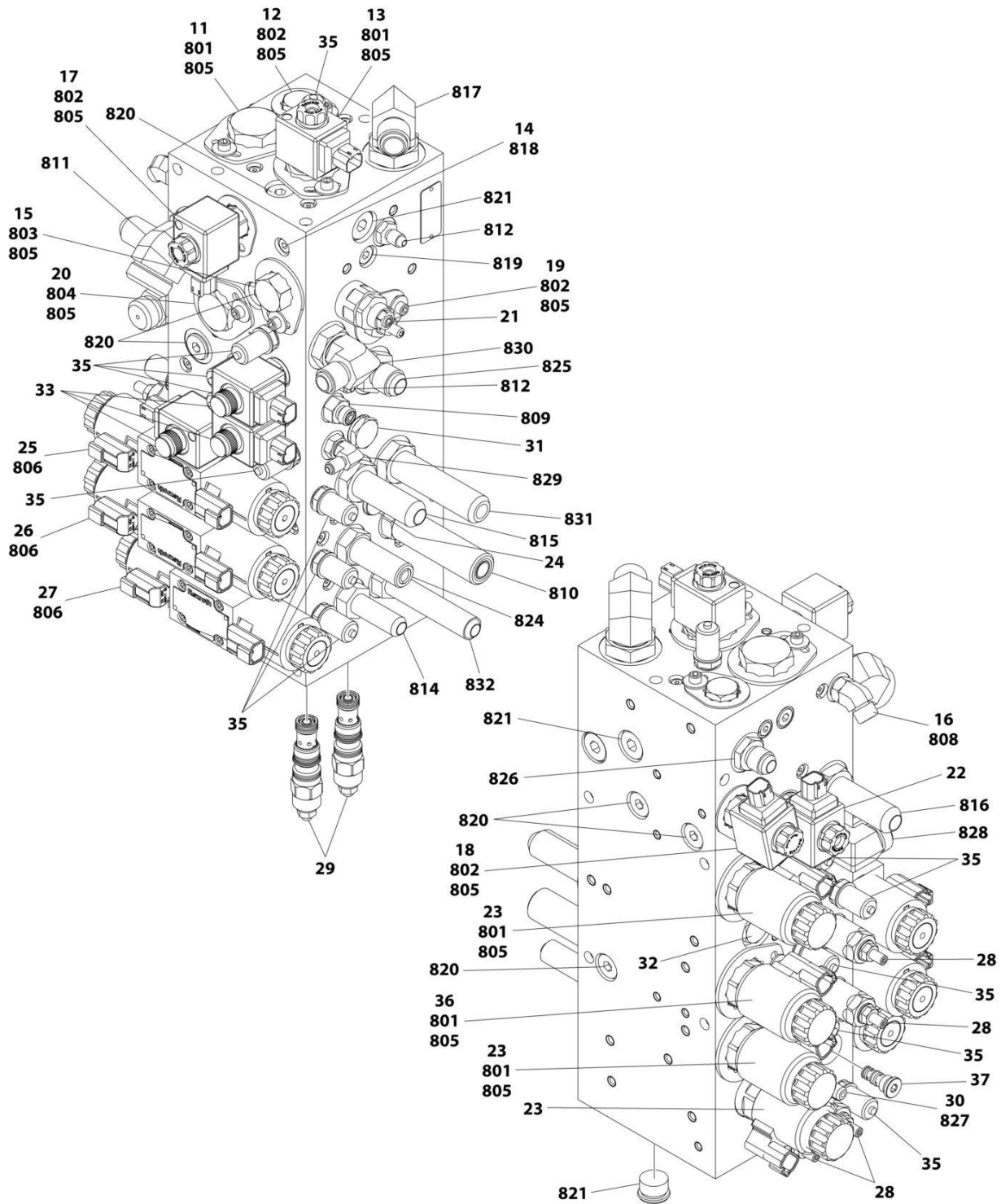
## SECTION 2 - TURNTABLE

ITEM	PART NUMBER	QTY	DESCRIPTION	REV
28	70004601	4	Valve, Cartridge (Relief)	
28	70004602	4	Seal Kit - 70004601 Valve	
29	70004610	2	Valve, Cartridge (Counterbalance)	
30	70005950	1	Orifice	
31	70005951	1	Valve, Cartridge (Check)	
31	70004052	1	Seal Kit - 70005951 Valve	
32	70005952	1	Valve, Cartridge (Check)	
32	70004052	1	Seal Kit - 70005952 Valve	
33	70004457	3	Valve, Solenoid Less Coil (Directional Control)	
33	70004050	3	Seal Kit - 70004457 Valve	
33	70004588	3	Coil	
33	70005947	3	Coil Nut and Pole Tube O-Ring Kit	
35	2221086	13	Fitting, Test	
36	70005953	1	Valve, Solenoid Less Coil (Flow Control)	
36	70004594	1	Seal Kit - 70005953 Valve	
36	70004595	1	Coil	
36	70004597	1	Nut, Coil	
36	70004596	1	O-Ring, Pole Tube	
37	70004613	1	Valve, Cartridge (Check)	
37	70023860	1	Seal Kit - 70004613 Valve	
801	70000781	5	Plate, Locking	
802	70004619	4	Plate, Locking	
803	70004618	1	Plate, Locking	
804	70002962	1	Plate, Locking	
805	70005958	11	Capscrew	
806	7018942	12	Capscrew	
808	2150606	1	Fitting, 45 ORFS/ORB	
809	2110406	1	Fitting, Straight ORFS/ORB	
810	1001213297	1	Fitting, Straight ORFS/ORB	
811	2151616	1	Fitting, 45 JIC/ORB	
812	2220582	2	Fitting, Straight JIC/ORB	
814	1001213292	1	Fitting, Straight JIC/ORB	
815	1001213294	1	Fitting, Straight JIC/ORB	
816	1001213294	1	Fitting, Straight JIC/ORB	
817	2220465	1	Fitting, 90 JIC/ORB	
818	70002758	1	Plug	
819	70004617	1	Plug	
820	70002759	6	Plug	
821	70004603	4	Plug	
824	1001213296	1	Fitting, Straight ORFS/ORB	
825	1001213294	1	Fitting, Straight JIC/ORB	
826	2220374	1	Fitting, Straight JIC/ORB	
827	1001213295	1	Fitting, Straight JIC/ORB	
828	2131010	1	Fitting, 90 ORFS/ORB	
829	2220472	1	Fitting, 90 JIC/ORB	
830	2220906	1	Fitting, 90 JIC/ORB	
831	1001213298	1	Fitting, Straight JIC/ORB	
832	1001213293	1	Fitting, Straight JIC/ORB	



# SECTION 2 - TURNTABLE

## FIGURE 2-6. MAIN VALVE ASSEMBLY (SN 0300239974 through 0300271437)



ART\_1001234247



**SECTION 2 - TURNTABLE**

**FIGURE 2-6. MAIN VALVE ASSEMBLY (SN 0300239974 through 0300271437)**

ITEM	PART NUMBER	QTY	DESCRIPTION	REV
	1001234247	Ref	MAIN VALVE ASSEMBLY	C
11	70005943	1	Valve, Cartridge (Check)	
11	70005944	1	Seal Kit - 70005943 Valve	
12	70004585	1	Valve, Cartridge (Check)	
12	70004052	1	Seal Kit - 70004585 Valve	
13	70005945	1	Valve, Solenoid Less Coil (Directional Control)	
13	70005946	1	Seal Kit - 70005945 Valve	
13	70004588	1	Coil	
13	70005947	1	Coil Nut and Pole Tube O-Ring Kit	
14	70004589	1	Orifice 2.2mm	
15	70004590	1	Valve, Solenoid Less Coil (Directional Control)	
15	70023862	1	Seal Kit - 70004590 Valve	
16	70006707	1	Orifice .7mm	
17	70005948	1	Valve, Solenoid Less Coil (Directional Control)	
17	70004055	1	Seal Kit - 70005948 Valve	
17	70004588	1	Coil	
17	70005947	1	Coil Nut and Pole Tube O-Ring Kit	
18	70005948	1	Valve, Solenoid Less Coil (Directional Control)	
18	See Note	NSS	Seal Kit - 70004598 Valve (Note: Not Available)	
18	70004588	1	Coil	
18	70005947	1	Coil Nut and Pole Tube O-Ring Kit	
19	70004591	1	Valve, Cartridge (Pressure Reducing)	
19	70004592	1	Seal Kit - 70004591 Valve	
20	70004583	1	Valve, Cartridge (Check)	
20	70004584	1	Seal Kit - 70004583 Valve	
21	70006708	1	Valve, Cartridge (Relief)	
21	See Note	NSS	Seal Kit - 70006708 Valve (Note: Not Available)	
22	70004586	1	Valve, Solenoid Less Coil (Directional Control)	
22	70004587	1	Seal Kit - 70004586 Valve	
22	70004588	1	Coil	
22	70005947	1	Coil Nut and Pole Tube O-Ring Kit	
23	70004593	3	Valve, Solenoid Less Coil (Flow Control)	
23	70004594	3	Seal Kit - 70004593 Valve	
23	70004595	3	Coil	
23	70004597	3	Nut, Coil	
23	70004596	3	O-Ring, Pole Tube	
24	70023859	3	Valve, Cartridge (Shuttle)	
24	70023860	3	Seal Kit - 70023859 Valve	
25	70004459	1	Valve, Solenoid Less Coil (Tele)	
25	7012773	1	Seal Kit - 70004459 Valve	
25	70004460	1	Coil	
25	7021375	1	Nut, Coil	
26	70004600	1	Valve, Solenoid Less Coil (Lift)	
26	7012773	1	Seal Kit - 70004600 Valve	
26	70004460	1	Coil	
26	7021375	1	Nut, Coil	
27	70004609	1	Valve, Solenoid Less Coil (Lift)	
27	7012773	1	Seal Kit - 70004609 Valve	
27	70004460	1	Coil	
27	7021375	1	Nut, Coil	

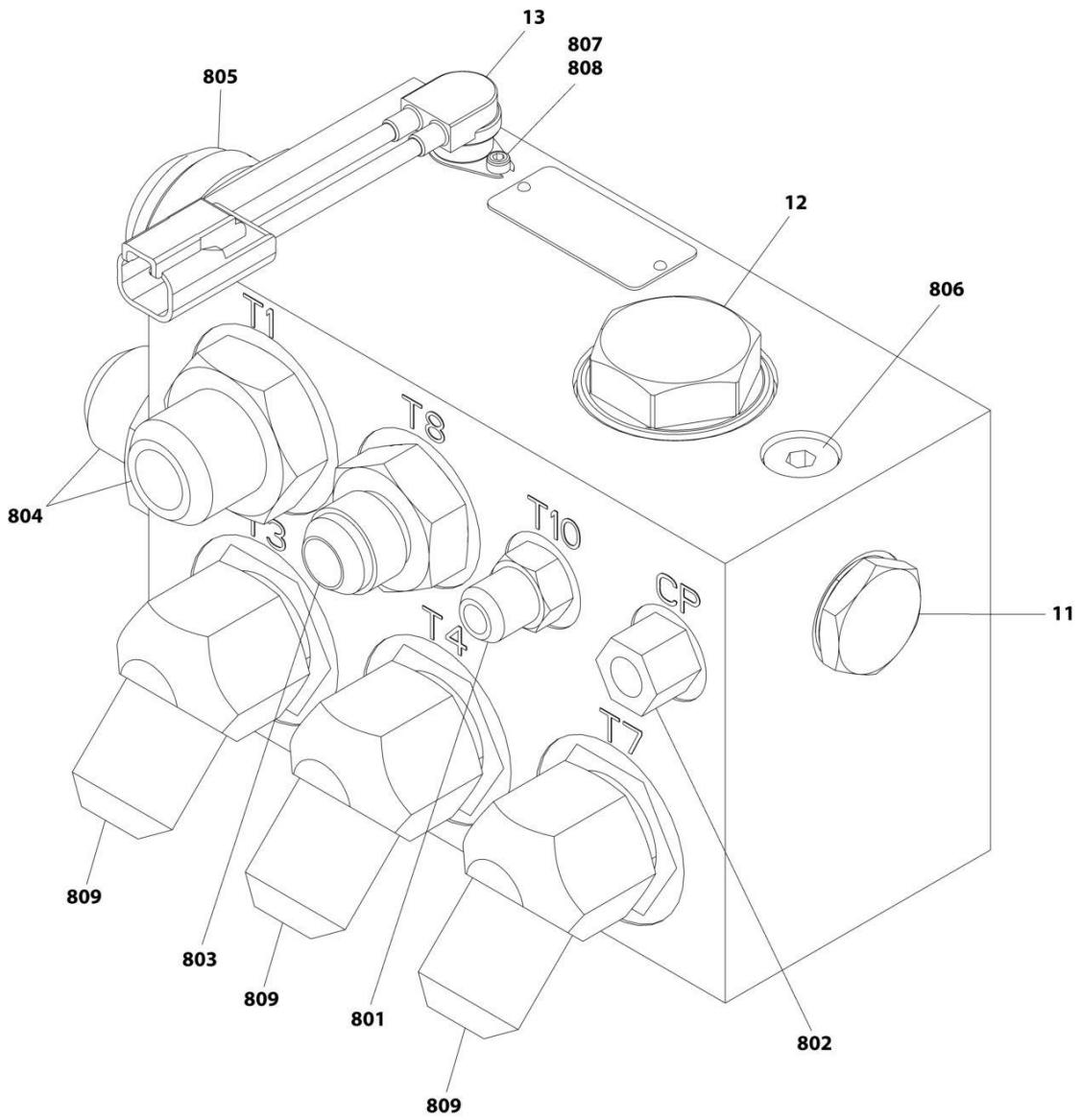
## SECTION 2 - TURNTABLE

ITEM	PART NUMBER	QTY	DESCRIPTION	REV
28	70004601	4	Valve, Cartridge (Relief)	
28	70004602	4	Seal Kit - 70004601 Valve	
29	70004610	2	Valve, Cartridge (Counterbalance)	
30	70005950	1	Orifice	
31	70005951	1	Valve, Cartridge (Check)	
31	70004052	1	Seal Kit - 70005951 Valve	
32	70005952	1	Valve, Cartridge (Check)	
32	70004052	1	Seal Kit - 70005952 Valve	
33	70004457	3	Valve, Solenoid Less Coil (Directional Control)	
33	70004050	3	Seal Kit - 70004457 Valve	
33	70004588	3	Coil	
33	70005947	3	Coil Nut and Pole Tube O-Ring Kit	
35	2221086	13	Fitting, Test	
36	70005953	1	Valve, Solenoid Less Coil (Flow Control)	
36	70004594	1	Seal Kit - 70005953 Valve	
36	70004595	1	Coil	
36	70004597	1	Nut, Coil	
36	70004596	1	O-Ring, Pole Tube	
37	70004613	1	Valve, Cartridge (Check)	
37	70023860	1	Seal Kit - 70004613 Valve	
801	70000781	5	Plate, Locking	
802	70004619	4	Plate, Locking	
803	70004618	1	Plate, Locking	
804	70002962	1	Plate, Locking	
805	70005958	11	Capscrew	
806	7018942	12	Capscrew	
808	2150606	1	Fitting, 45 ORFS/ORB	
809	2110406	1	Fitting, Straight ORFS/ORB	
810	1001213297	1	Fitting, Straight ORFS/ORB	
811	2151616	1	Fitting, 45 JIC/ORB	
812	2220582	2	Fitting, Straight JIC/ORB	
814	1001213292	1	Fitting, Straight JIC/ORB	
815	1001213294	1	Fitting, Straight JIC/ORB	
816	1001213294	1	Fitting, Straight JIC/ORB	
817	2220465	1	Fitting, 90 JIC/ORB	
818	70002758	1	Plug	
819	70004617	1	Plug	
820	70002759	6	Plug	
821	70004603	4	Plug	
824	1001213296	1	Fitting, Straight ORFS/ORB	
825	2220865	1	Fitting, Straight JIC/ORB	
826	2220374	1	Fitting, Straight JIC/ORB	
827	1001213295	1	Fitting, Straight JIC/ORB	
828	2131010	1	Fitting, 90 ORFS/ORB	
829	2220472	1	Fitting, 90 JIC/ORB	
830	2220906	1	Fitting, 90 JIC/ORB	
831	1001213298	1	Fitting, Straight JIC/ORB	
832	1001213293	1	Fitting, Straight JIC/ORB	



# SECTION 2 - TURNTABLE

## FIGURE 2-7. JUNCTION VALVE ASSEMBLY



ART\_1001200988

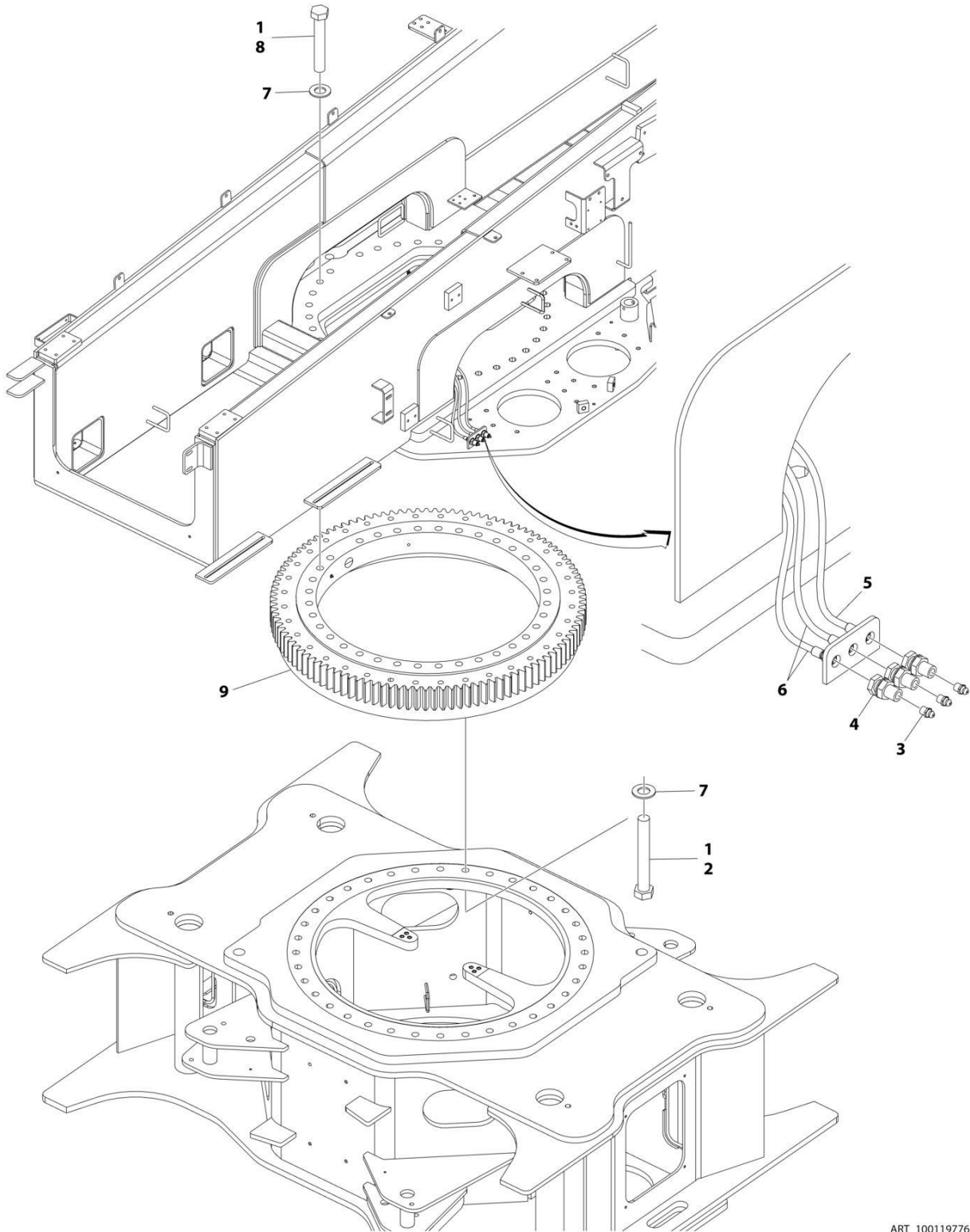
**SECTION 2 - TURNTABLE**

**FIGURE 2-7. JUNCTION VALVE ASSEMBLY**

ITEM	PART NUMBER	QTY	DESCRIPTION	REV
	1001200988	Ref	JUNCTION VALVE ASSEMBLY	L
11	70023866	1	Valve, Cartridge (Check)	
11	70023867	1	Seal Kit - 70023866 Valve	
12	70005959	1	Valve, Cartridge (Check)	
12	70004614	1	Seal Kit - 70005959 Valve	
13	70004614	1	Switch, Temperature	
801	2220371	1	Fitting, Straight ORFS/ORB	
802	2221155	1	Fitting, Straight FORB/MORB	
803	2220865	1	Fitting, Straight JIC/ORB	
804	2220435	2	Fitting, Straight JIC/ORB	
805	2220380	1	Fitting, Straight JIC/ORB	
806	70005199	1	Plug	
807	70004615	2	Capscrew	
808	70005961	2	Insert, Threaded	
809	70005958	3	Fitting, 45 JIC/ORB	

# SECTION 2 - TURNTABLE

## FIGURE 2-8. TURNTABLE BEARING INSTALLATION



ART\_1001197761

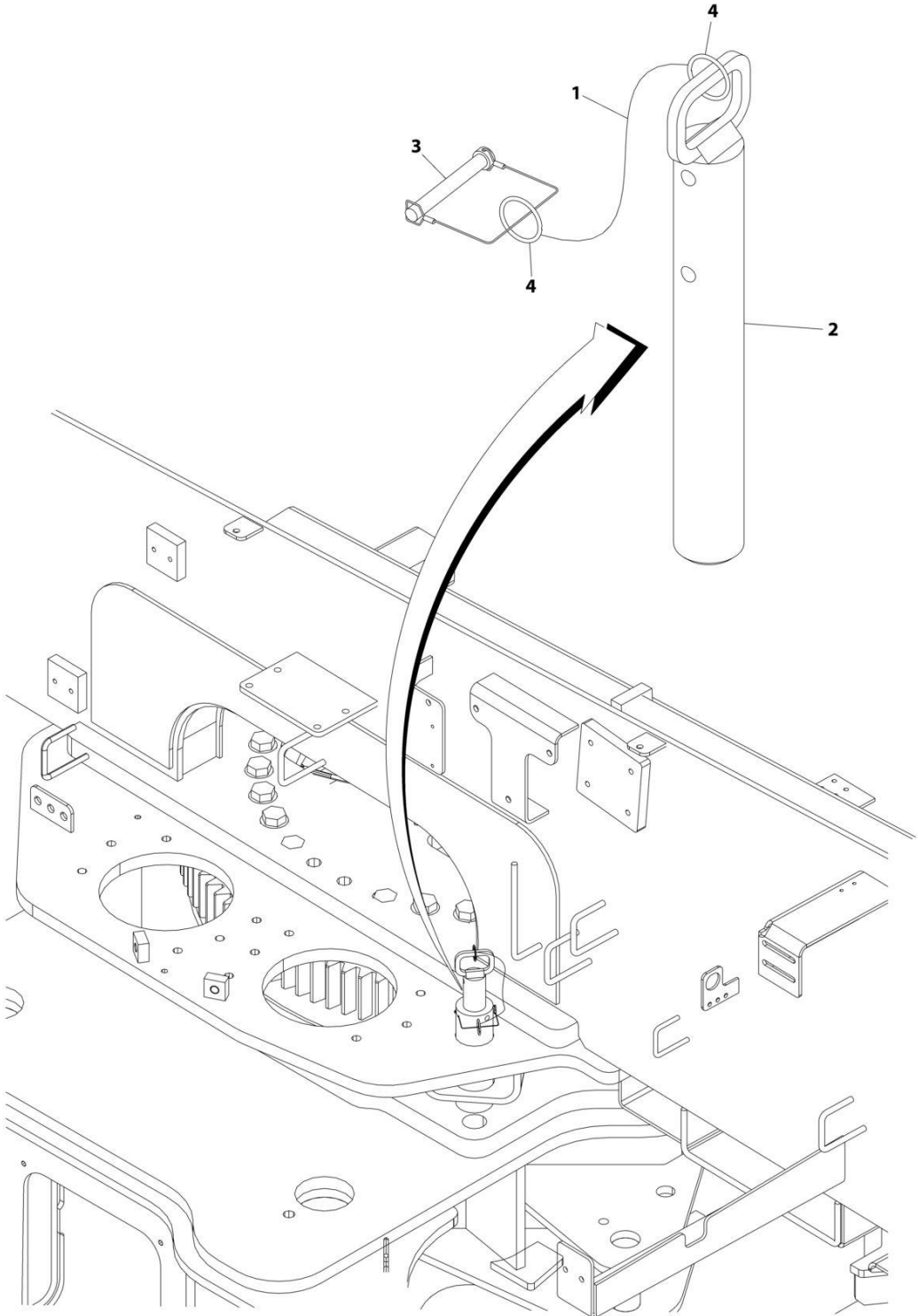
**SECTION 2 - TURNTABLE**

**FIGURE 2-8. TURNTABLE BEARING INSTALLATION**

<b>ITEM</b>	<b>PART NUMBER</b>	<b>QTY</b>	<b>DESCRIPTION</b>	<b>REV</b>
	1001197761	Ref	TURNTABLE BEARING INSTALLATION	A
1	0100019	AR	Compound, Locking	
2	0712435	36	Bolt M24 x 180 Grade 10.9	
3	2160002	3	Fitting, Grease	
4	2180344	3	Fitting, Bulkhead NPT	
5	2750528	1	Hose	
6	2751032	2	Hose	
7	5242400	69	Washer M24	
8	1001097587	33	Bolt M24 x 150 Grade 10.9	
9	1001149823	1	Bearing, Swing	
10	1001193630	1	Bearing Kit (Not Shown - Includes Items 2, 7, 8 & 9)	

**SECTION 2 - TURNTABLE**

**FIGURE 2-9. TURNTABLE LOCK INSTALLATION**



ART\_1001197142



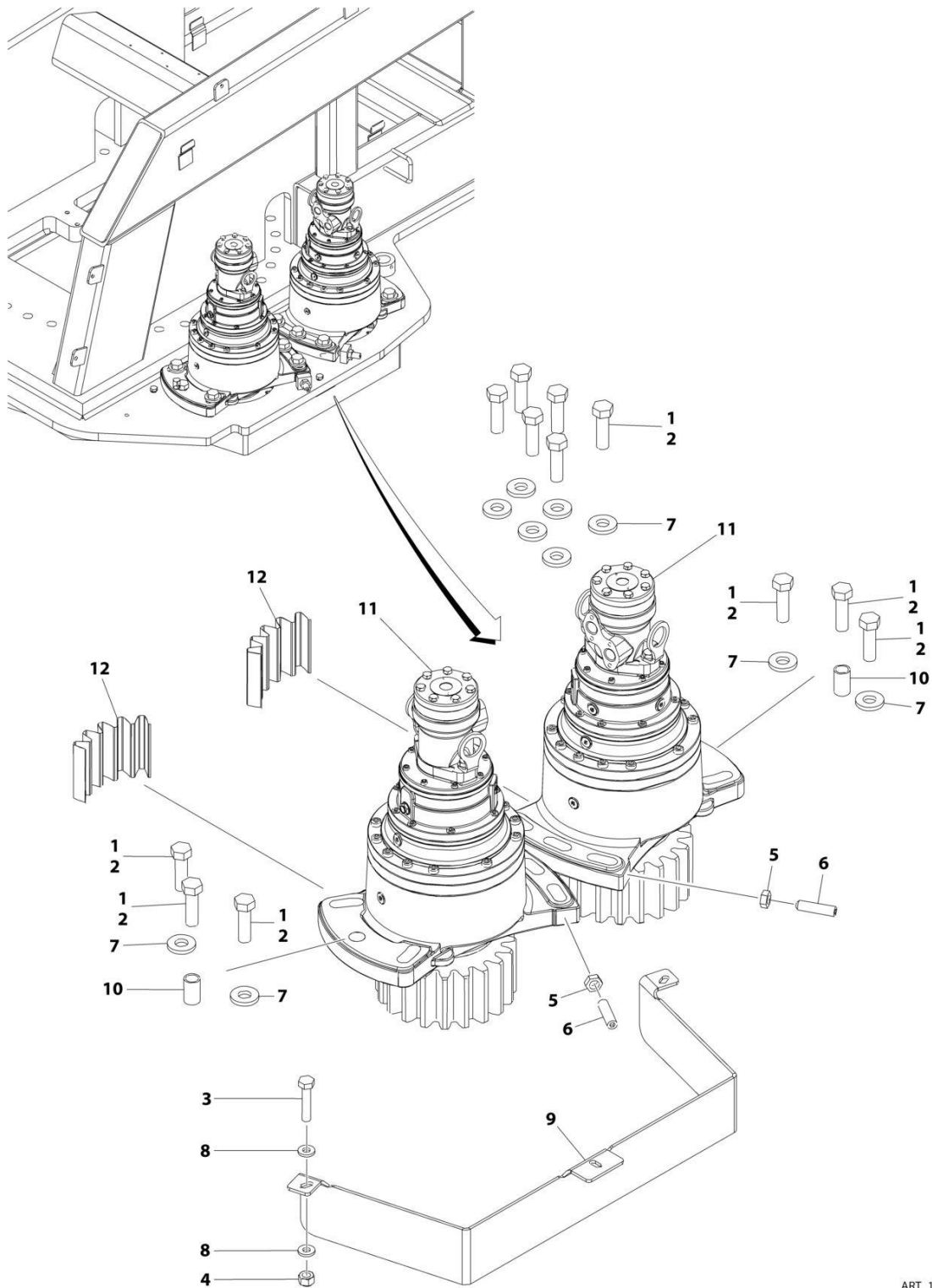
**SECTION 2 - TURNTABLE**

**FIGURE 2-9. TURNTABLE LOCK INSTALLATION**

<b>ITEM</b>	<b>PART NUMBER</b>	<b>QTY</b>	<b>DESCRIPTION</b>	<b>REV</b>
	1001197142	Ref	TURNTABLE LOCK INSTALLATION	A
1	1260017	8 in /20cm	Chain	
2	3421563	1	Pin	
3	3421565	1	Pin	
4	3760170	2	Ring	

# SECTION 2 - TURNTABLE

## FIGURE 2-10. SWING DRIVE INSTALLATION



ART\_1001153981

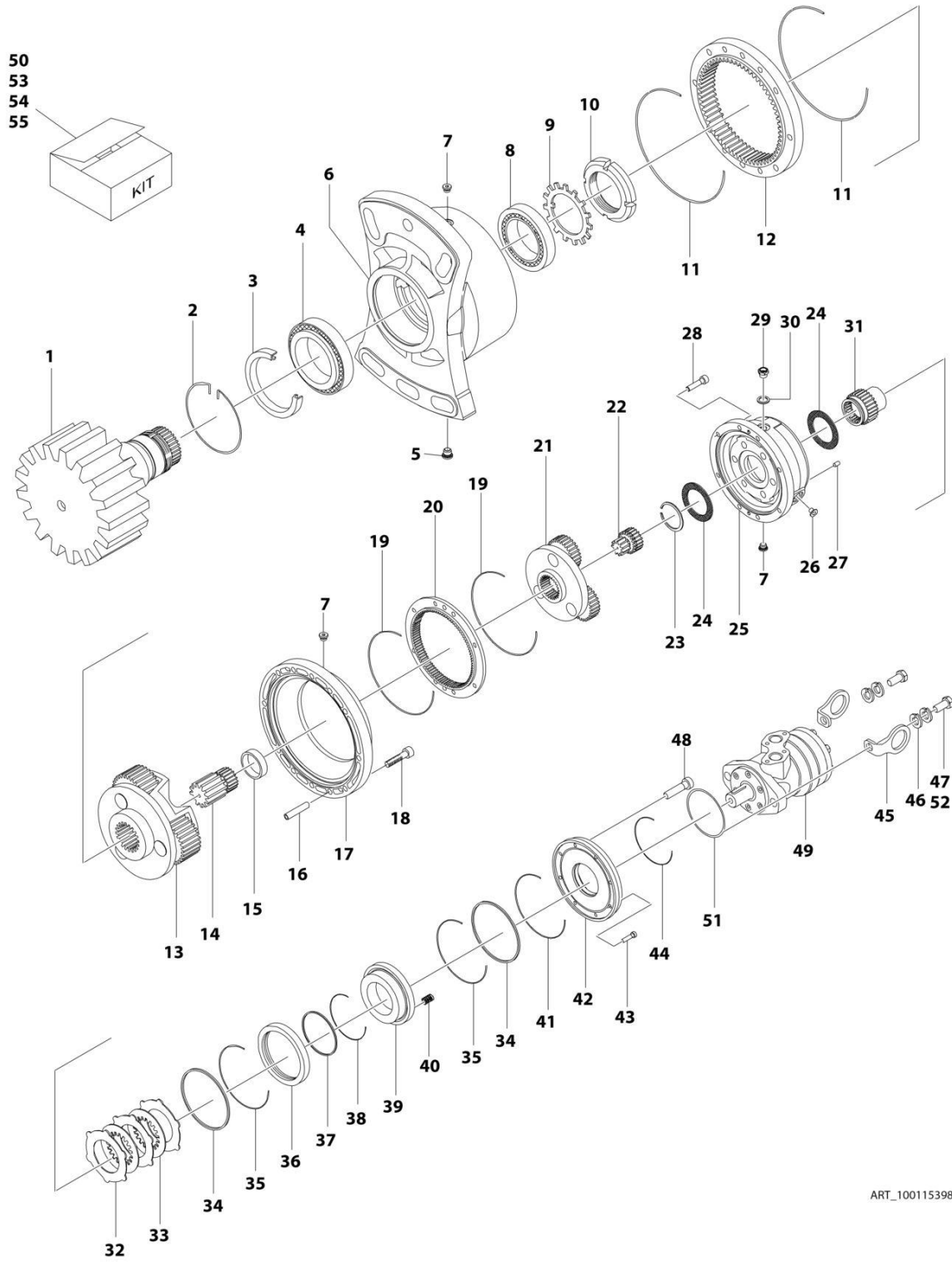
**SECTION 2 - TURNTABLE**

**FIGURE 2-10. SWING DRIVE INSTALLATION**

ITEM	PART NUMBER	QTY	DESCRIPTION	REV
	1001153981	Ref	SWING DRIVE INSTALLATION	C
1	0100019	AR	Compound, Locking	
2	0682220	12	Bolt 3/4 x 2-1/2 Grade 8	
3	0701018	3	Bolt M10 x 50	
4	3291005	3	Nut M10	
5	3312002	2	Nut 5/8	
6	3952020	2	Setscrew 5/8 x 2-1/2	
7	4740057	10	Washer	
8	4812000	6	Washer M10	
9	1001150725	1	Shield	
10	1001153983	2	Bar	
11	1001153984	2	Swing Hub/Brake/Motor Assembly (See SWING HUB/BRAKE/MOTOR ASSEMBLY for Breakdown)	
12	1001154377	2	Shim	

# SECTION 2 - TURNTABLE

## FIGURE 2-11. SWING HUB/BRAKE/MOTOR ASSEMBLY



ART\_1001153984

## SECTION 2 - TURNTABLE

### FIGURE 2-11. SWING HUB/BRAKE/MOTOR ASSEMBLY

ITEM	PART NUMBER	QTY	DESCRIPTION	REV
	1001153984	Ref	SWING HUB/BRAKE/MOTOR ASSEMBLY	E
1	70004466	1	Shaft	
2	70004467	1	Ring	
3	See Note	NSS	Seal, Oil (Note: Use Item 54)	
4	70004468	1	Bearing	
5	70004469	1	Plug with O-Ring	
6	70004470	1	Support, Output	
7	70002057	5	Plug with O-Ring	
8	70004471	1	Bearing	
9	70004472	1	Washer	
10	70004473	1	Nut, Ring	
11	See Note	NSS	O-Ring (Note: Use Item 54)	
12	70004474	1	Ring, Planetary	
13	70004475	1	Reduction, Gear - Complete	
14	70004476	1	Pinion	
15	70004477	1	Spacer	
16	70004478	4	Pin, Spring	
17	70004479	1	Spacer	
18	70004480	8	Capscrew M10 x 55	
19	See Note	NSS	O-Ring (Note: Use Item 54)	
20	70004481	1	Ring, Planetary	
21	70004482	1	Reduction, Gear - Complete	
22	70004483	1	Pinion	
23	See Note	NSS	Ring (Note: Use Item 53)	
24	See Note	NSS	Washer (Note: Use Item 53)	
25	See Note	NSS	Housing, Brake (Note: Use Item 53)	
26	See Note	NSS	Plug (Note: Use Item 53)	
27	See Note	NSS	Plug (Note: Use Item 53)	
28	See Note	NSS	Capscrew M8 x 35 (Note: Use Item 53)	
29	See Note	NSS	Plug (Note: Use Item 53)	
30	See Note	NSS	Washer (Note: Use Item 53)	
31	See Note	NSS	Shaft, Input (Note: Use Item 53)	
32	See Note	NSS	Disc, Steel (Note: Use Item 53)	
33	See Note	NSS	Disc (Note: Use Item 53)	
34	See Note	NSS	Seal (Note: Use Item 53 or 55)	
35	See Note	NSS	O-Ring (Note: Use Item 53 or 55)	
36	See Note	NSS	Spacer (Note: Use Item 53)	
37	See Note	NSS	Seal (Note: Use Item 53 or 55)	
38	See Note	NSS	O-Ring (Note: Use Item 53 or 55)	
39	See Note	NSS	Piston, Brake (Note: Use Item 53)	
40	See Note	NSS	Spring, Brake (Note: Use Item 53)	
41	See Note	NSS	O-Ring (Note: Use Item 53 or 55)	
42	See Note	NSS	Cover (Note: Use Item 53 or 55)	
43	See Note	NSS	Screw M6 x 25 (Note: Use Item 53)	
44	See Note	NSS	O-Ring (Note: Use Item 53 or 55)	
45	70004484	2	Lug, Lifting	
46	70004485	4	Washer	
47	70004486	2	Capscrew M12 x 25	
48	70004487	2	Capscrew M12 x 35	
49	70004491	1	Motor	

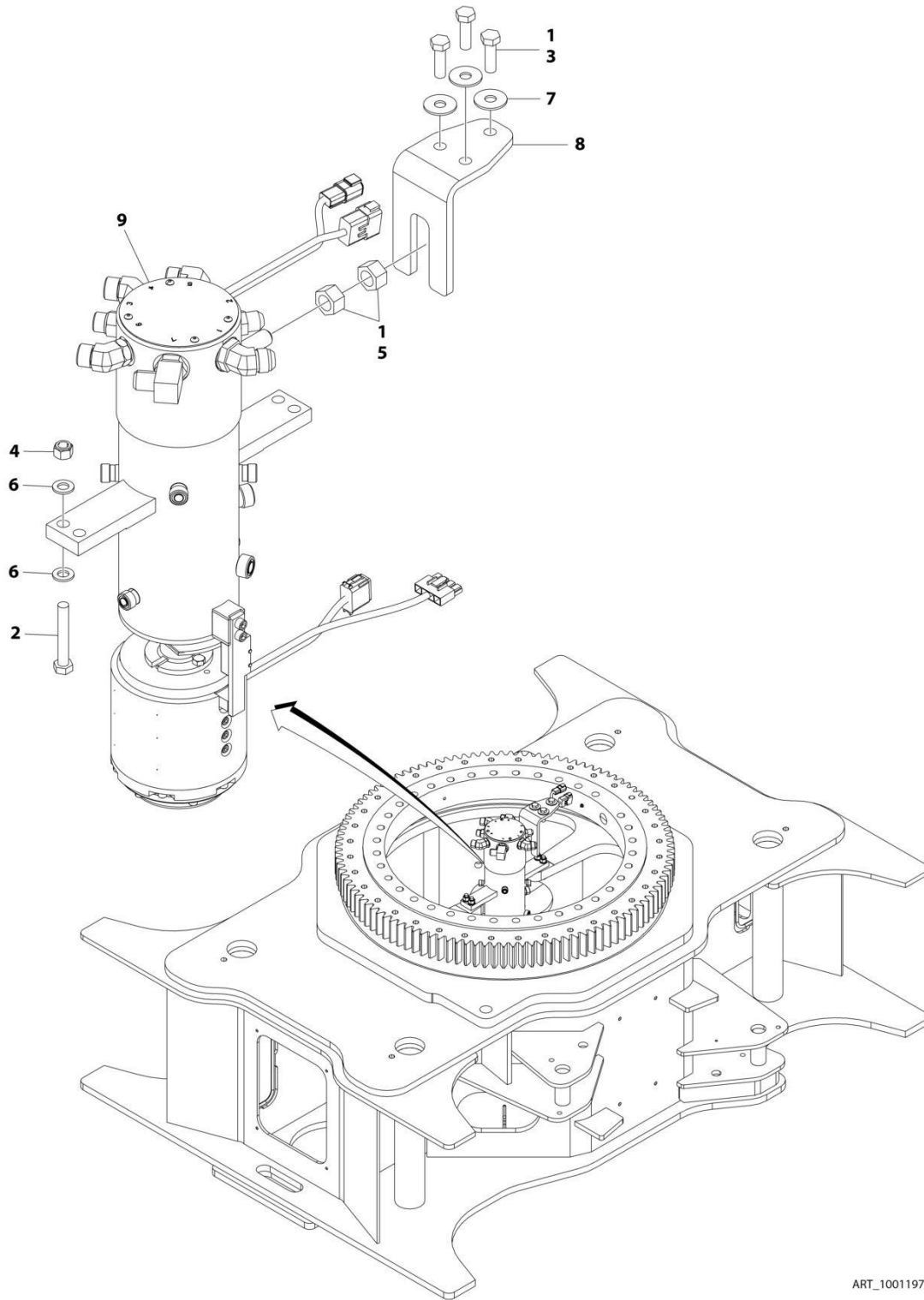
## SECTION 2 - TURNTABLE

ITEM	PART NUMBER	QTY	DESCRIPTION	REV
		Ref	Note: Seal Kit is the on replacement component available. Otherwise, replacement complete motor.	
50	70004492	1	Kit, Seal - Motor	
51	70004493	1	O-Ring	
52	70004494	2	Bolt	
53	70004488	1	Brake Kit (Includes Items 23-44)	
54	70004489	1	Seal Kit- Gearbox (Includes Items 3, 11 & 19)	
55	70004490	1	Brake Seal Kit (Includes Items 34, 35, 37, 38, 41, 42 & 44)	



# SECTION 2 - TURNTABLE

## FIGURE 2-12. COUPLING/COLLECTOR RING INSTALLATION



ART\_1001197118



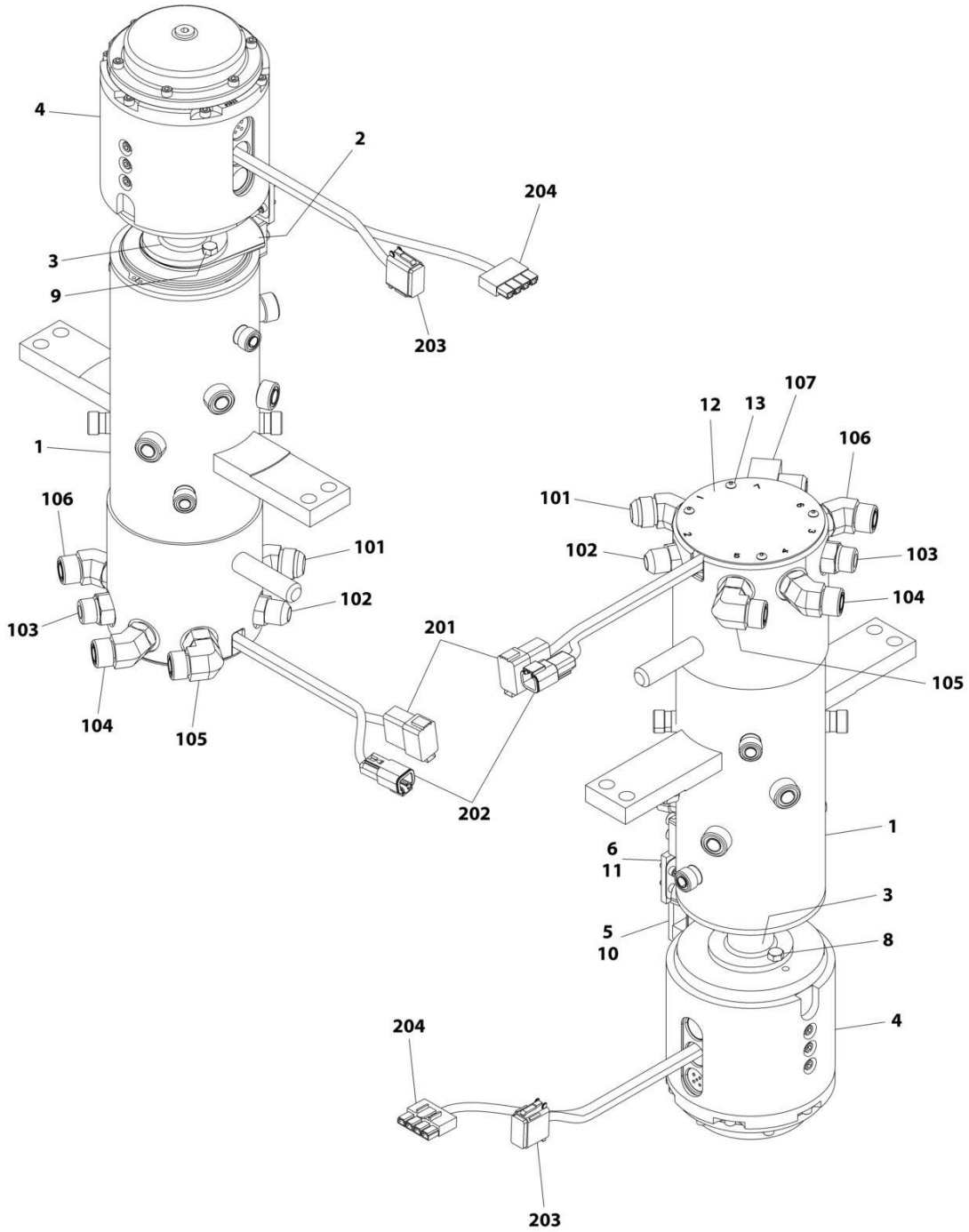
**SECTION 2 - TURNTABLE**

**FIGURE 2-12. COUPLING/COLLECTOR RING INSTALLATION**

<b>ITEM</b>	<b>PART NUMBER</b>	<b>QTY</b>	<b>DESCRIPTION</b>	<b>REV</b>
	1001197118	Ref	COUPLING/COLLECTOR RING INSTALLATION	C
1	0100011	AR	Compound, Locking	
2	0701224	4	Bolt M12 x 80	
3	0761216	3	Bolt M12 x 40	
4	3291205	4	Nut M12	
5	3322201	2	Nut 3/4	
6	4812100	8	Washer M12	
7	4812102	3	Washer M12	
8	1001154196	1	Bracket	
9	1001195588	1	Coupling/Collector Ring Assembly (See Separate Breakdown in this Section)	

# SECTION 2 - TURNTABLE

## FIGURE 2-13. COUPLING/COLLECTOR RING ASSEMBLY



ART\_1001195588

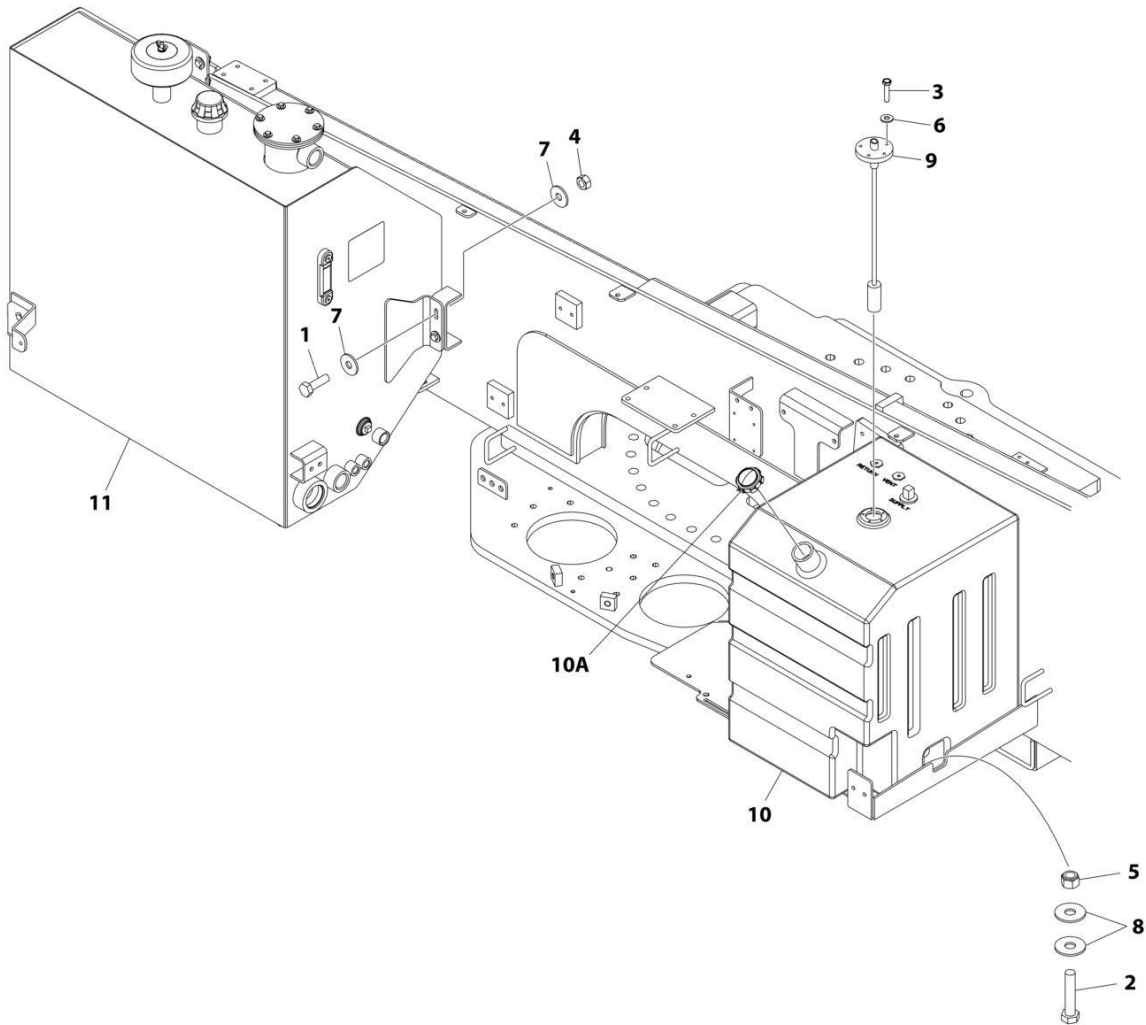
## SECTION 2 - TURNTABLE

### FIGURE 2-13. COUPLING/COLLECTOR RING ASSEMBLY

ITEM	PART NUMBER	QTY	DESCRIPTION	REV
	1001195588	Ref	COUPLING/COLLECTOR RING ASSEMBLY	E
1	70005679	1	Coupling, Rotary	
2	7026030	1	Cam	
3	See Note	1	Adapter	
4	70005678	1	Ring, Collector	
5	70003484	1	Arm	
6	7026031	1	Sensor, Proximity	
7	7026032	1	Pin, Dowel (Not Shown)	
8	0641506	2	Bolt 5/16 x 3/4	
9	0641508	2	Bolt 5/16 x 1	
10	3931512	2	Capscrew 5/16 x 3/4	
11	See Note	NSS	Capscrew #10 x 1/2 (Note: Purchase Locally)	
12	See Note	NSS	Cover (Note: Purchase Complete Assembly)	
13	See Note	NSS	Screw #10 x 3/8 (Note: Purchase Locally)	
101	2220498	1	Fitting, 45 JIC/ORB	
102	2220947	1	Fitting, Straight JIC/ORB	
103	2111010	1	Fitting, Straight ORBS/ORB	
104	2151010	1	Fitting, 45 ORBS/ORB	
105	2131010	1	Fitting, 90 ORBS/ORB	
106	2151010	1	Fitting, 45 ORBS/ORB	
107	2220906	1	Fitting, 90 JIC/ORB	
201	4460837	1	Receptacle, Female - 12 Position	
201	4460943	3	Pin, Male	
201	4460516	3	Pin, Male	
201	4460466	6	Plug, Terminal	
202	4461017	1	Receptacle, Female - 2 Position	
202	4460464	2	Pin, Male	
203	4460836	1	Plug, Male - 12 Position	
203	4460944	3	Socket, Female	
203	4460465	5	Socket, Female	
203	4460466	4	Plug, Terminal	
204	4460878	1	Plug, Male - 4 Position	
204	4460887	2	Terminal	

# SECTION 2 - TURNTABLE

## FIGURE 2-14. TANKS INSTALLATION (WITHOUT DIESEL EXHAUST FLUID TANK)



ART\_1001197627

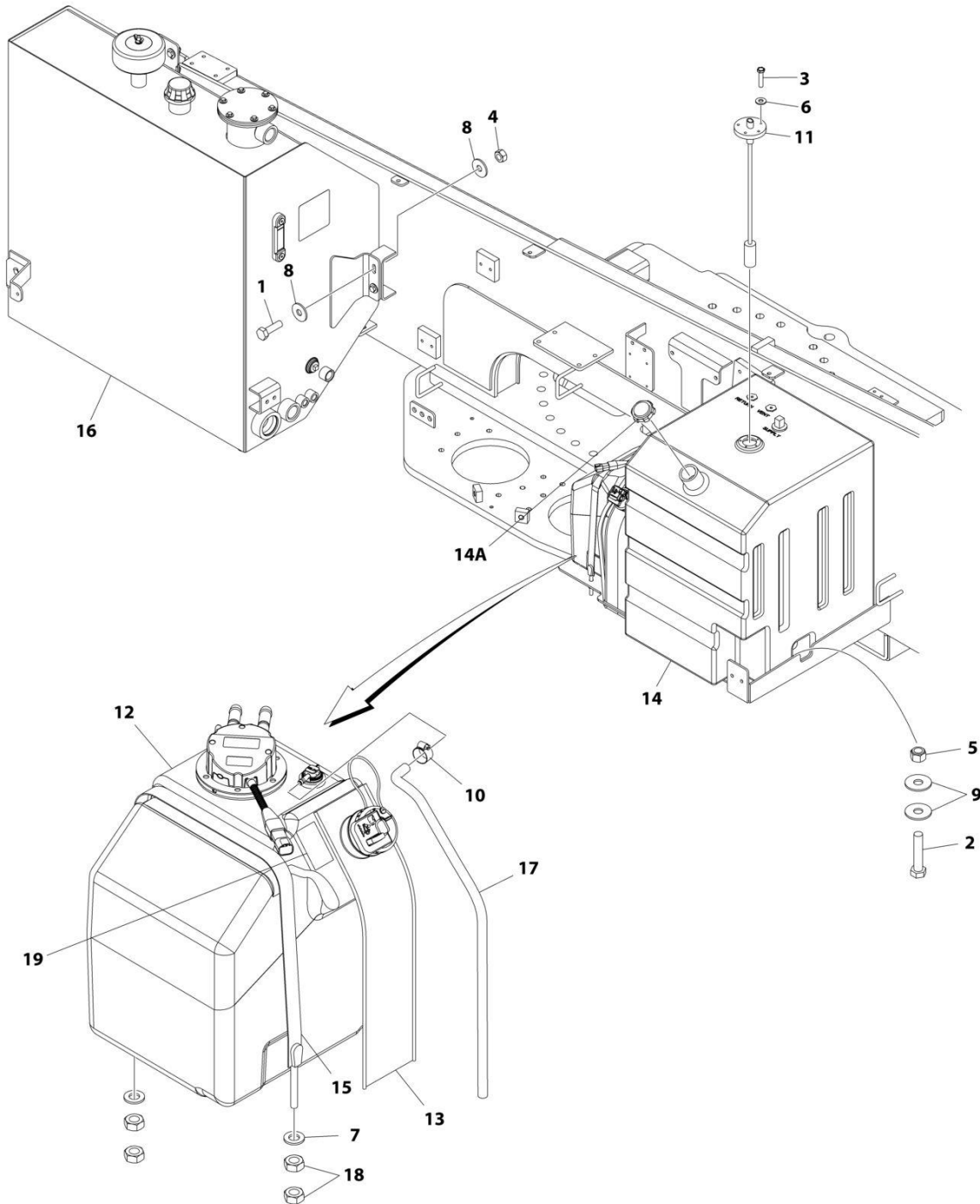
**SECTION 2 - TURNTABLE**

**FIGURE 2-14. TANKS INSTALLATION (WITHOUT DIESEL EXHAUST FLUID TANK)**

ITEM	PART NUMBER	QTY	DESCRIPTION	REV
	1001197627	Ref	TANKS INSTALLATION (WITHOUT DIESEL EXHAUST FLUID TANK)	B
1	0701015	4	Bolt M10 x 35	
2	0701220	2	Bolt M12 x 60	
3	0731007	5	Screw #10 x 7/8	
4	3291007	4	Nut M10	
5	3291205	2	Nut M12	
6	4751000	5	Washer #10	
7	4812002	8	Washer M10	
8	4812102	4	Washer M12	
9	1001109048	1	Gauge, Fuel	
9	3960525	1	Gasket (Gauge to Tank)	
10	1001188491	1	Tank, Fuel	
10A	70005565	1	Cap, Fuel	
11	1001197292	1	Hydraulic Tank Assembly (See HYDRAULIC TANK ASSEMBLY for Breakdown)	

## SECTION 2 - TURNTABLE

FIGURE 2-15. TANKS INSTALLATION (WITH DIESEL EXHAUST FLUID TANK) (SN 0300000100 through 0300254483)



ART\_1001197291

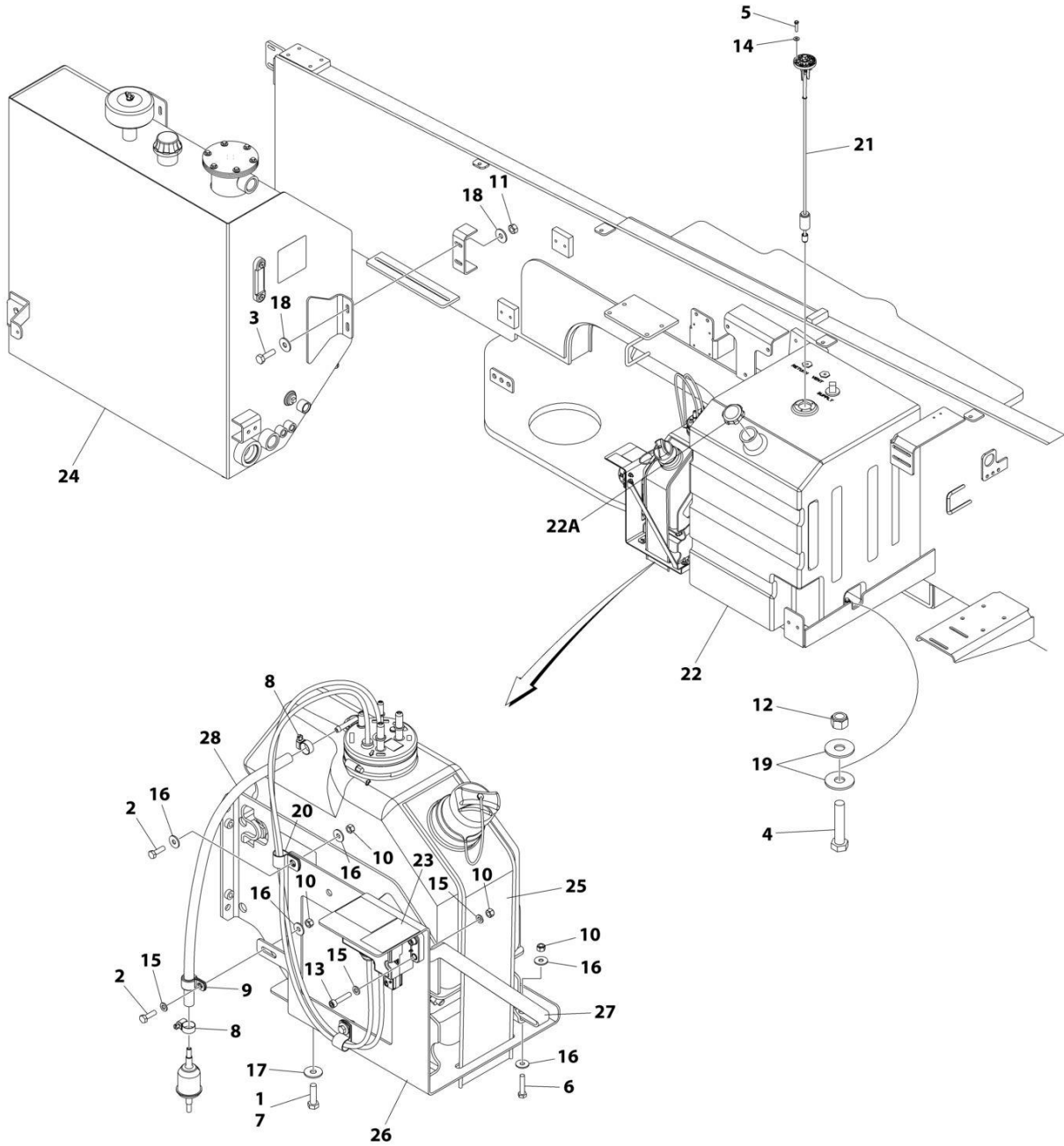
## SECTION 2 - TURNTABLE

**FIGURE 2-15. TANKS INSTALLATION (WITH DIESEL EXHAUST FLUID TANK) (SN 0300000100 through 0300254483)**

ITEM	PART NUMBER	QTY	DESCRIPTION	REV
	1001197291	Ref	TANKS INSTALLATION (WITH DIESEL EXHAUST FLUID TANK)	I
1	0701015	4	Bolt M10 x 35	
2	0701220	2	Bolt M12 x 60	
3	0731007	5	Screw #10 x 7/8	
4	3291007	4	Nut M10	
5	3291205	2	Nut M12	
6	4751000	5	Washer #10	
7	4812000	2	Washer M10	
8	4812002	8	Washer M10	
9	4812102	4	Washer M12	
10	8405009	1	Clamp (SN 0300000100 through 0300226660)	
10	1320022	1	Clamp (SN 0300226660 through 0300254482)	
11	1001109048	1	Gauge, Fuel	
11	3960525	1	Gasket (Gauge to Tank)	
12	1001164968	NLA	Tank - Diesel Exhaust Fluid (Use p/n 1001244863) (SN 0300000100 through 0300226660)	
12	1001174795	1	Cap	
12	1001164965	NLA	Electrical Assembly (Use p/n 1001244863)	
12	1001225676	NLA	Tank - Diesel Exhaust Fluid (Use p/n 1001244863) (SN 0300226660 through 0300254482)	
12	1001174795	1	Cap	
12	1001225677	NLA	Electrical Assembly (Use p/n 1001244863)	
13	1001168272	1	Sleeve, Spill Guard	
14	1001188491	1	Tank, Fuel	
14A	70005565	1	Cap, Fuel	
15	1001189159	1	Strap	
16	1001197292	1	Hydraulic Tank Assembly (See HYDRAULIC TANK ASSEMBLY for Breakdown)	
17	1001175201	28 in/ 0.7m	Hose	
18	3291001	4	Nut M10	
19	1001196806	1	Decal - Diesel Exhaust Fluid	

# SECTION 2 - TURNTABLE

FIGURE 2-16. TANKS INSTALLATION (WITH DIESEL EXHAUST FLUID TANK) (SN 0300254483 through 0300271437)



ART\_1001242390



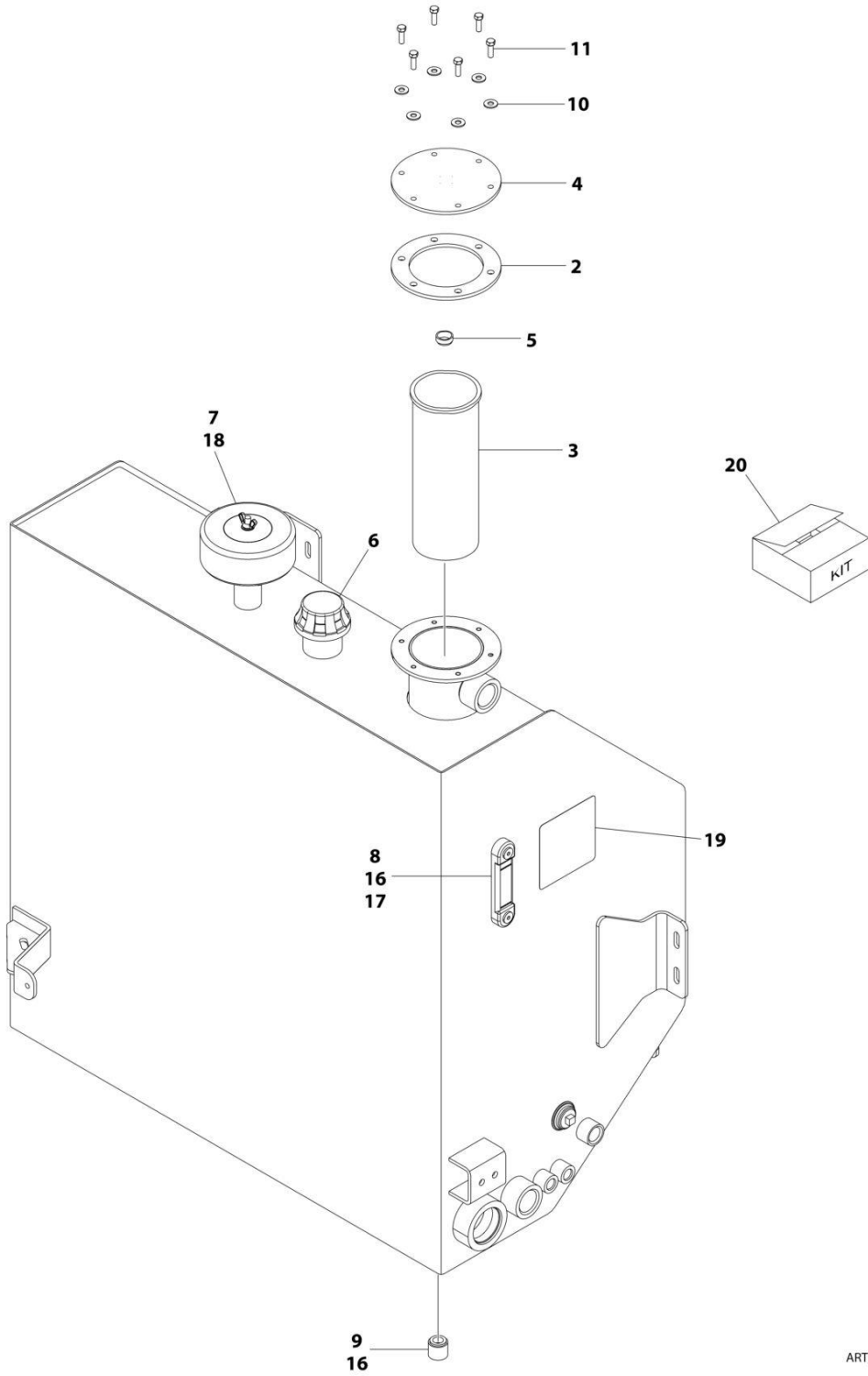
## SECTION 2 - TURNTABLE

**FIGURE 2-16. TANKS INSTALLATION (WITH DIESEL EXHAUST FLUID TANK) (SN 0300254483 through 0300271437)**

ITEM	PART NUMBER	QTY	DESCRIPTION	REV
	1001242390	Ref	TANKS INSTALLATION (WITH DIESEL EXHAUST FLUID TANK)	A
1	0100011	AR	Compound, Locking	
2	0700610	3	Bolt M6 x 20	
3	0701015	4	Bolt M10 x 35	
4	0701220	2	Bolt M12 x 60	
5	0731007	5	Screw #10 x 7/8	
6	0760614	1	Bolt M6 x 30	
7	0760814	4	Bolt M8 x 30	
8	1320022	2	Clamp	
9	1320041	1	Clamp	
10	3290605	8	Nut M6	
11	3291007	4	Nut M10	
12	3291205	2	Nut M12	
13	4031710	4	Bolt M6 x 30	
14	4751000	5	Washer #10	
15	4811700	9	Washer M6	
16	4811702	7	Washer M6	
17	4811902	4	Washer M8	
18	4812002	8	Washer M10	
19	4812102	4	Washer M12	
20	8406101	2	Clip	
21	1001109048	1	Gauge, Fuel	
21	3960525	1	Gasket (Gauge to Tank)	
22	1001188491	1	Tank, Fuel	
22A	70005565	1	Cap, Fuel	
23	1001196806	1	Decal - Diesel Exhaust Fluid	
24	1001197292	1	Hydraulic Tank Assembly (See Separate Breakdown in this Section)	
25	1001238158	1	Sleeve, Spill Guard	
26	1001238262	1	Support	
27	1001241631	1	Bracket	
28	1001175201	18 in/ 0.46m	Hose	

# SECTION 2 - TURNTABLE

## FIGURE 2-17. HYDRAULIC TANK ASSEMBLY



ART\_1001197292

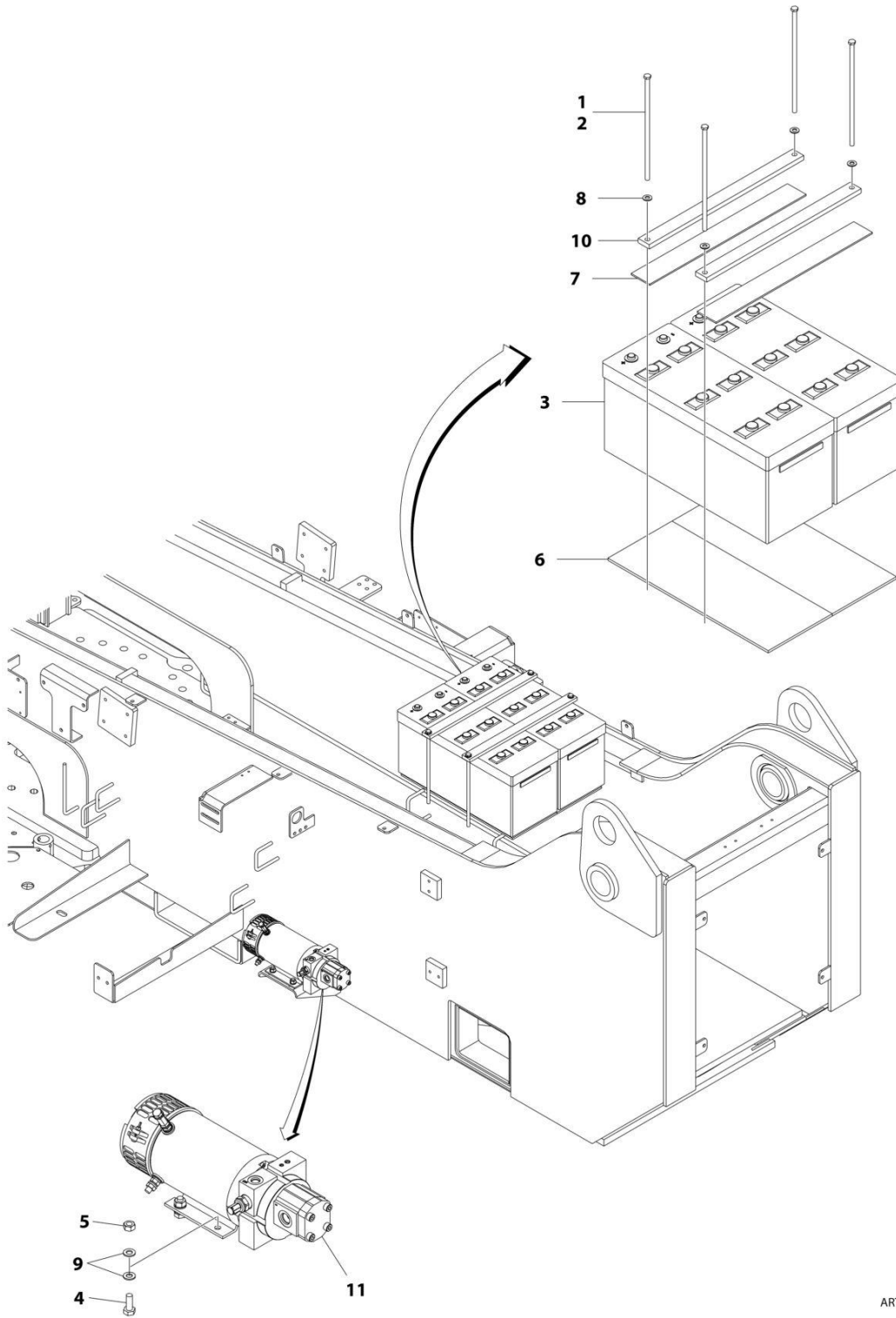
**SECTION 2 - TURNTABLE**

**FIGURE 2-17. HYDRAULIC TANK ASSEMBLY**

ITEM	PART NUMBER	QTY	DESCRIPTION	REV
	1001197292	Ref	HYDRAULIC TANK ASSEMBLY	D
2	See Note	NSS	Gasket (Note: Use Item 20)	
3	See Note	NSS	Element, Filter (Note: Use Item 20)	
4	See Note	NSS	Cover (Note: Not Available for Purchase)	
5	70004412	1	Spring	
6	70002838	1	Cap, Fill	
7	See Note	NSS	Breather (Note: Use Item 20)	
8	7024441	1	Gauge	
9	See Note	NSS	Plug (Note: Purchase Locally)	
10	See Note	NSS	Washer 5/16 Stainless Steel (Note: Purchase Locally)	
11	See Note	NSS	Bolt 5/16 x 1 Stainless Steel (Note: Purchase Locally)	
16	See Note	AR	Loctite #243 (Note: Purchase Locally)	
17	See Note	AR	Lubricant (Note: Purchase Locally)	
18	See Note	AR	Loctite #565 (Note: Purchase Locally)	
19	70004411	1	Decal - Service	
20	70004150	1	Tank Filter/ Breather Kit (Includes Item 2, 3 & 7)	

# SECTION 2 - TURNTABLE

## FIGURE 2-18. AUXILIARY POWER AND BATTERIES INSTALLATIONS



ART\_1001197345

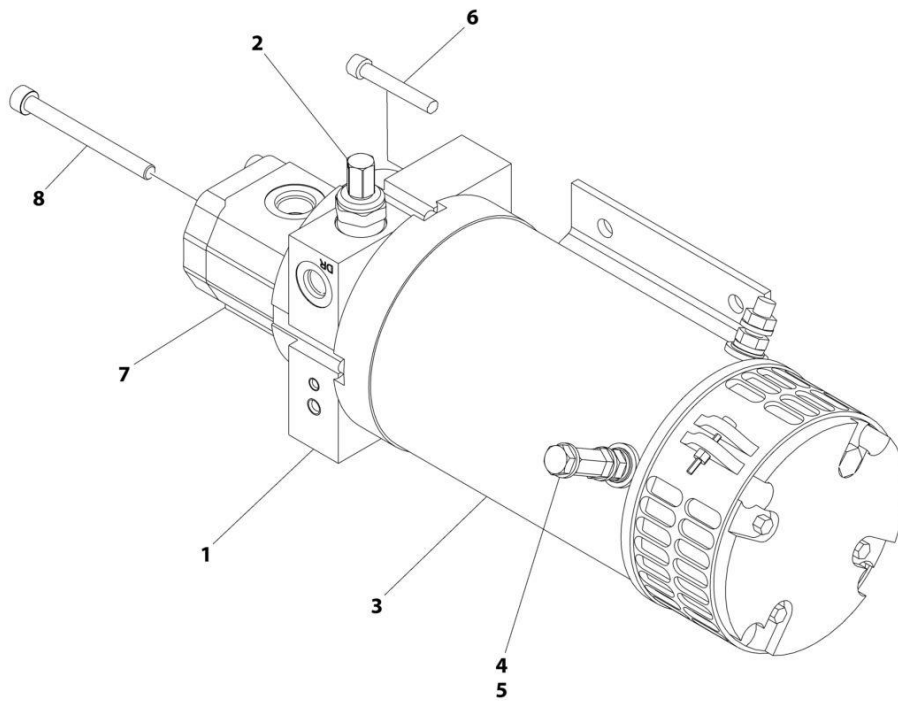
**SECTION 2 - TURNTABLE**

**FIGURE 2-18. AUXILIARY POWER AND BATTERIES INSTALLATIONS**

ITEM	PART NUMBER	QTY	DESCRIPTION	REV
	1001197345	Ref	AUXILIARY POWER AND BATTERIES INSTALLATIONS	A
1	0100011	AR	Compound, Locking	
2	0236768	4	Bolt, Tie-Down	
3	0400020	2	Battery	
4	0701013	4	Bolt M10 x 28	
5	3291007	4	Nut M10	
6	3980006	2	Seat, Battery	
7	4420038	34 in /85cm	Tape	
8	4711600	4	Washer 3/8	
9	4812000	8	Washer M10	
10	1001154035	2	Plate	
11	1001162880	1	Auxiliary Pump/Motor Assembly (See AUXILIARY PUMP/MOTOR ASSEMBLY for Breakdown)	

## SECTION 2 - TURNTABLE

FIGURE 2-19. AUXILIARY PUMP/MOTOR ASSEMBLY



ART\_1001162880

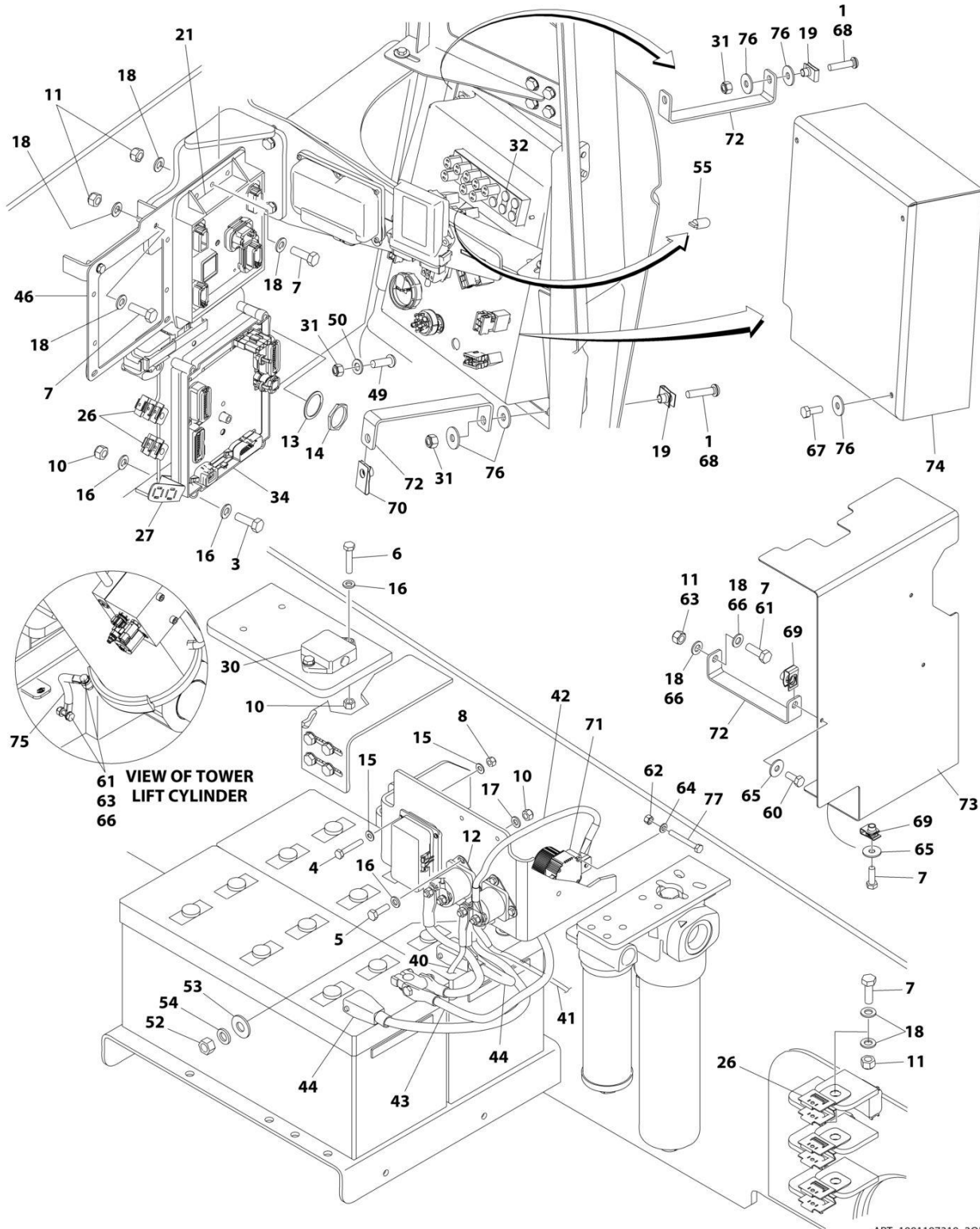
**SECTION 2 - TURNTABLE**

**FIGURE 2-19. AUXILIARY PUMP/MOTOR ASSEMBLY**

ITEM	PART NUMBER	QTY	DESCRIPTION	REV
	1001162880	Ref	AUXILIARY PUMP/MOTOR ASSEMBLY	A
1	1001164700	1	Base Assembly	
1	70005618	1	Plug	
1	70005617	1	Spring	
1	70005616	1	Poppet, Check	
2	1001164700	1	Valve, Relief	
3	See Note	1	Motor (Note: Not Available for Purchase)	
4	70004006	1	Nut 3/8	
5	70004007	1	Bolt 3/8x3/4	
6	70004005	4	Capscrew 1/4x3	
6	See Note	1	Sleeve (Note: Not Available for Purchase)	
7	See Note	1	Pump Assembly (Note: Not Available for Purchase)	
7	70005615	1	Seal, Shaft	
7	70005619	1	Bearing	
8	See Note	4	Screw M8 x 85 (Note: Not Available for Purchase)	

# SECTION 2 - TURNTABLE

**FIGURE 2-20. ELECTRICAL COMPONENTS INSTALLATION - TURNTABLE (HRC) (ANSI, ANSI EXPORT, CSA AND JAPANESE SPECS) (SN 0300000100 through 0300223782)**



ART\_1001197310\_2OF2



## SECTION 2 - TURNTABLE

**FIGURE 2-20. ELECTRICAL COMPONENTS INSTALLATION - TURNTABLE (HRC) (ANSI, ANSI EXPORT, CSA AND JAPANESE SPECS) (SN 0300000100 through 0300223782)**

ITEM	PART NUMBER	QTY	DESCRIPTION	REV
	1001197310	Ref	ELECTRICAL COMPONENTS INSTALLATION - TURNTABLE (HRC) (ANSI, ANSI EXPORT, CSA AND JAPANESE SPECS)	G
1	0100011	AR	Compound, Locking	
3	0700620	4	Bolt M6 x 60	
4	0700412	4	Bolt M4 x 25	
5	0760610	4	Bolt M6 x 20	
6	0760613	2	Bolt M6 x 28	
7	0760812	12	Bolt M8 x 25	
8	3290405	4	Nut M4	
10	3290605	15	Nut M6	
11	3290805	10	Nut M8	
12	3740067	2	Relay	
13	4460496	1	Washer, Terminal	
14	4460497	1	Nut, Terminal	
15	4811400	8	Washer M4	
16	4811700	26	Washer M6	
17	4811702	4	Washer M6	
18	4811900	20	Washer M8	
19	8310686	3	Nut, Retainer M8	
21	1001112757	NLA	Module, Control (Use p/n 1001227960) (Note: Re-calibration Required when Replaced)	
23	1001149970	1	Drive Pump Harness (Not Shown - See ELECTRICAL SECTION for Breakdown)	
26	1001155967	10	Holder	
27	1001159162	1	Bracket	
30	1001181325	NLA	Sensor, Dual Axis (Use p/n 1001219601)	
31	3290805001	4	Nut M8	
32	1001184083	6	Plug	
33	1001187744	AR	Sealant (Not Shown)	
34	1001187805	1	Module, Control (Note: Re-calibration Required when Replaced)	
35	1001196686	1	Turntable Harness (Not Shown - See ELECTRICAL SECTION for Breakdown)	
36	1001196688	1	BLAM Harness (Not Shown - See ELECTRICAL SECTION for Breakdown)	
37	1001196689	1	Ground Control Harness (Not Shown - See ELECTRICAL SECTION for Breakdown)	
38	1001196690	1	Valve Harness (Not Shown - See ELECTRICAL SECTION for Breakdown)	
40	1001200604	1	Cable, Auxiliary Pump (+)	
41	1001200605	1	Cable, Auxiliary Pump (-)	
42	1001200606	1	Cable, Battery to Auxiliary Relay	
43	1001200726	1	Cable Kit, Battery Positive (Note: Includes Battery Terminal and Qty 4 Cables)	
44	1001200727	1	Cable Kit, Battery Negative (Note: Includes Qty 2 Cables)	
45	1001200853	1	Ground Control Box Assembly (Not Shown - See GROUND CONTROL BOX ASSEMBLY for Breakdown)	
46	1001201103	1	Plate	
47	1001206817	1	Diesel Exhaust Fluid Tank Harness (Not Shown - See ELECTRICAL SECTION for Breakdown)	
49	8310643001	1	Screw M8 x 25	
50	4811900001	1	Washer M8	

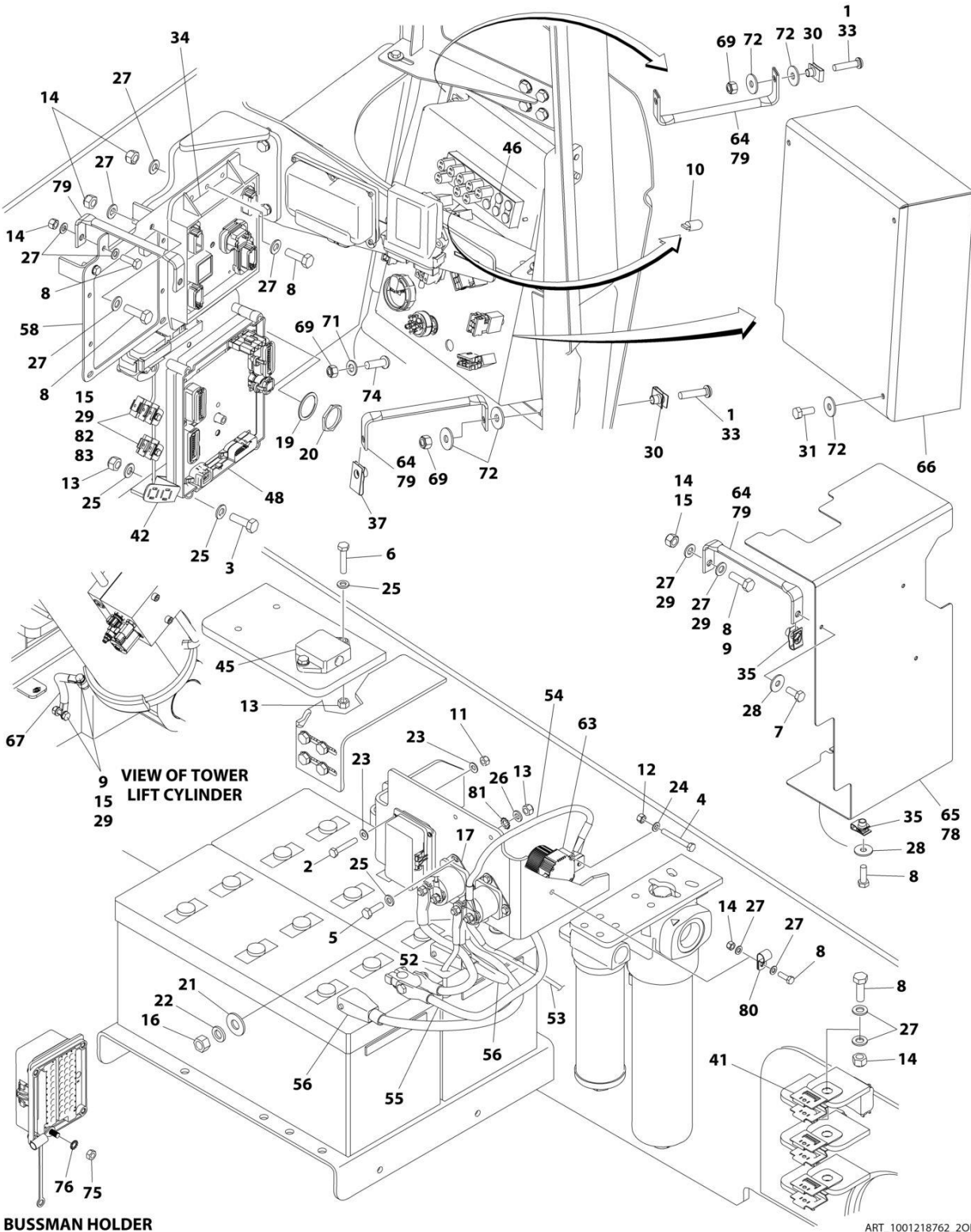
## SECTION 2 - TURNTABLE

ITEM	PART NUMBER	QTY	DESCRIPTION	REV
52	3311601	2	Nut 3/8	
53	4751600	4	Washer 3/8	
54	4761600	2	Washer 3/8	
55	2920129	8	Bulb, Light	
56	1001213622	1	Connector, Resistor - 20K Ohm (Not Shown - Located Near Item 12)	
57	4240099	1	Tie-Strap (Not Shown)	
58	1001211885	1	Fuel Pump and WIF Harness (Not Shown - See ELECTRICAL SECTION for Breakdown)	
59	1001215021	1	Magnet, Suppression (Not Shown - Located Near Item 30)	
60	0760810	3	Bolt M8 x 20	
61	0761015	3	Bolt M10 x 35	
62	3290507	2	Nut M5	
63	3291007	3	Nut M10	
64	4811600	2	Washer M5	
65	4811902	5	Washer M8	
66	4812000	6	Washer M10	
67	0760810001	3	Bolt M8 x 20	
68	1001047062	3	Screw	
69	1001118274	5	Nut, Tinnerman M8	
70	1001149160	3	Nut, Tinnerman M8	
71	1001216021	1	Relay	
72	1001216193	6	Bracket	
73	1001216194	1	Cover	
74	1001216238	1	Cover	
75	1001217007	1	Cable, Ground	
76	4811902001	9	Washer M8	
77	0760516	2	Bolt M5 x 40	



# SECTION 2 - TURNTABLE

FIGURE 2-21. ELECTRICAL COMPONENTS INSTALLATION - TURNTABLE (HRC) (ANSI, ANSI EXPORT, CSA AND JAPANESE SPECS) (SN 0300223782 through 0300271437)



## SECTION 2 - TURNTABLE

**FIGURE 2-21. ELECTRICAL COMPONENTS INSTALLATION - TURNTABLE (HRC) (ANSI, ANSI EXPORT, CSA AND JAPANESE SPECS) (SN 0300223782 through 0300271437)**

ITEM	PART NUMBER	QTY	DESCRIPTION	REV
	1001218762	Ref	ELECTRICAL COMPONENTS INSTALLATION - TURNTABLE (HRC) (ANSI, ANSI EXPORT, CSA AND JAPANESE SPECS)	H
1	0100011	AR	Compound, Locking	
2	0700412	4	Bolt M4 x 25	
3	0700620	4	Bolt M6 x 60	
4	0760516	2	Bolt M5 x 40	
5	0760610	4	Bolt M6 x 20	
6	0760613	2	Bolt M6 x 28	
7	0760810	3	Bolt M8 x 20	
8	0760812	AR	Bolt M8 x 25	
9	0761015	3	Bolt M10 x 35	
10	2920129	8	Bulb, Light	
11	3290405	4	Nut M4	
12	3290507	2	Nut M5	
13	3290605	10	Nut M6	
14	3290805	AR	Nut M8	
15	3291007	AR	Nut M10	
16	3311601	2	Nut 3/8	
17	3740067	2	Relay	
18	4240099	1	Tie-Strap (Not Shown)	
19	4460496	1	Washer, Terminal <b>(SN 0300223782 through 0300224829)</b>	
20	4460497	1	Nut, Terminal <b>(SN 0300223782 through 0300224829)</b>	
21	4751600	4	Washer 3/8	
22	4761600	2	Washer 3/8	
23	4811400	8	Washer M4	
24	4811600	2	Washer M5	
25	4811700	26	Washer M6	
26	4811702	4	Washer M6	
27	4811900	AR	Washer M8	
28	4811902	5	Washer M8	
29	4812000	AR	Washer M10	
30	8310686	3	Nut, Retainer M8	
31	0760810001	3	Bolt M8 x 20	
33	1001047062	3	Screw	
33	1001221585	3	Screw M8 x 35	
34	1001112757	NLA	Module, Control (Use p/n 1001227960) (Note: Re-calibration Required when Replaced) <b>(SN 0300000100 through 0300228461)</b>	
34	1001227960	1	Module, Control (Note: Re-calibration Required when Replaced) <b>(SN 0300228461 through 0300271437)</b>	
35	1001118274	5	Nut, Tinnerman M8	
37	1001149160	3	Nut, Tinnerman M8	
38	1001149970	1	Drive Pump Harness (Not Shown - See ELECTRICAL SECTION for Breakdown)	
41	1001155967	AR	Holder	
42	1001159162	1	Bracket <b>(SN 0300000100 through 0300228461)</b>	
45	1001219601	1	Sensor, Dual Axis	
46	1001184083	6	Plug	
47	1001187744	AR	Sealant (Not Shown)	
48	1001187805	1	Module, Control (Note: Re-calibration Required when Replaced)	
49	1001196686	1	Turntable Harness (Not Shown - See ELECTRICAL SECTION for	

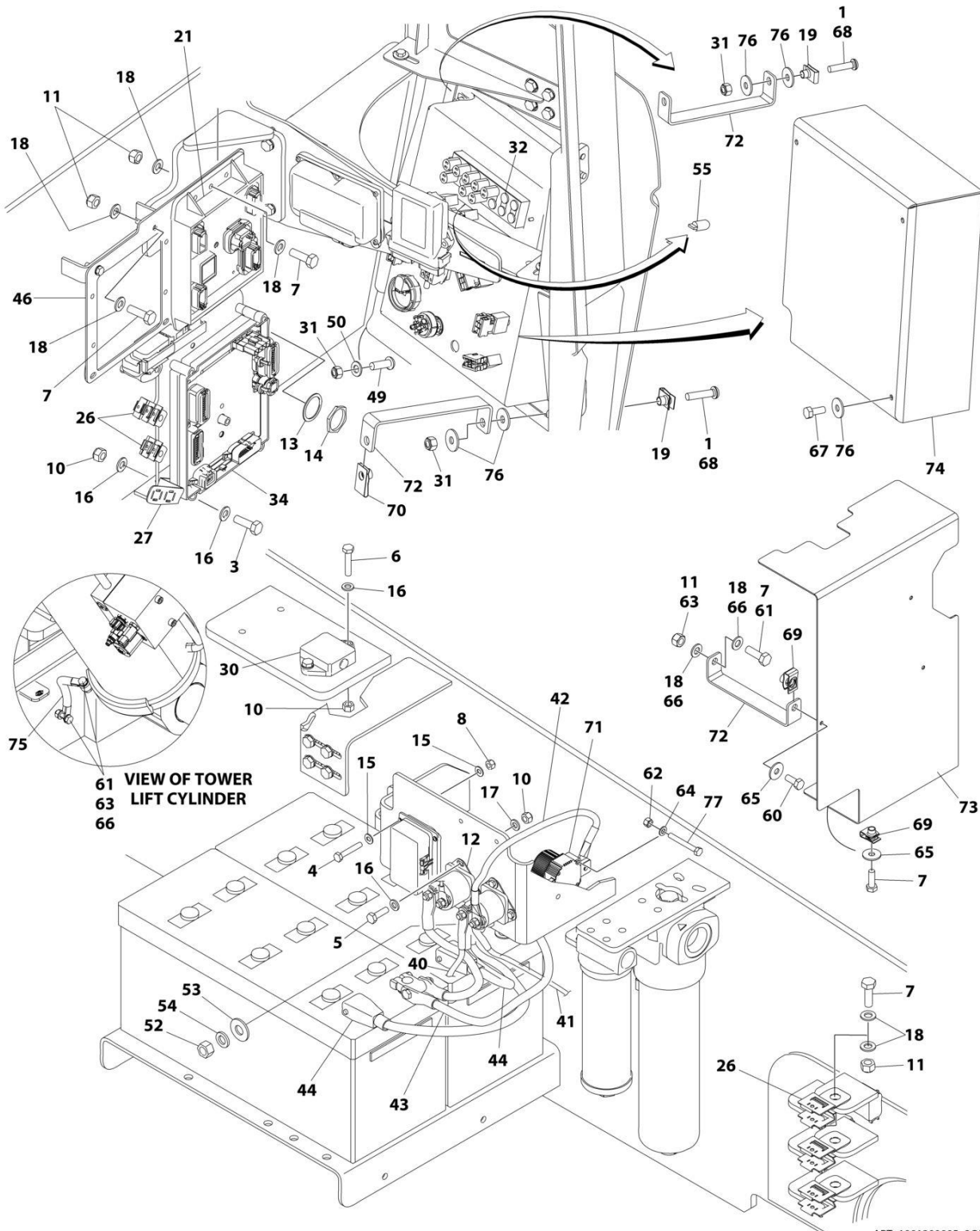
## SECTION 2 - TURNTABLE

ITEM	PART NUMBER	QTY	DESCRIPTION	REV
50	1001196688	1	Breakdown) BLAM Harness (Not Shown - See ELECTRICAL SECTION for Breakdown)	
51	1001196689	1	Ground Control Harness (Not Shown - See ELECTRICAL SECTION for Breakdown)	
52	1001200604	1	Cable, Auxiliary Pump (+)	
53	1001200605	1	Cable, Auxiliary Pump (-)	
54	1001200606	1	Cable, Battery to Auxiliary Relay	
55	1001200726	1	Cable Kit, Battery Positive (Note: Includes Battery Terminal and Qty 4 Cables)	
56	1001200727	1	Cable Kit, Battery Negative (Note: Includes Qty 2 Cables)	
57	1001200853	1	Ground Control Box Assembly (Not Shown - See GROUND CONTROL BOX ASSEMBLY for Breakdown)	
58	1001201103	1	Plate	
59	1001206817	1	Diesel Exhaust Fluid Tank Harness (Not Shown - See ELECTRICAL SECTION for Breakdown)	
60	1001211885	1	Fuel Pump and WIF Harness (Not Shown - See ELECTRICAL SECTION for Breakdown)	
61	1001213622	1	Connector, Resistor - 20K Ohm (Not Shown - Located Near Item 12) <b>(SN 0300000100 through 0300227413)</b>	
61	1001226102	1	Connector, Resistor - 20K Ohm (Not Shown - Located Near Item 12) <b>(SN 0300227413 through 0300271437)</b>	
62	1001215021	1	Magnet, Suppression (Not Shown - Located Near Item 30)	
63	1001216021	1	Relay	
64	1001216193	6	Bracket <b>(SN 0300000100 through 0300227413)</b>	
65	1001216194	1	Cover <b>(SN 0300000100 through 0300227413)</b>	
66	1001216238	1	Cover	
67	1001217007	1	Cable, Ground	
68	1001218806	1	Valve Harness (Not Shown - See ELECTRICAL SECTION for Breakdown)	
69	3290805001	4	Nut M8	
71	4811900001	1	Washer M8	
72	4811902001	9	Washer M8	
74	8310643001	1	Screw M8 x 25	
75	3290601	1	Nut M6	
76	4871700	1	Washer M6	
78	1001225167	1	Cover <b>(SN 0300227413 through 0300271437)</b>	
79	1001225279	6	Bracket <b>(SN 0300227413 through 0300271437)</b>	
80	8406101	1	Clip <b>(SN 0300227413 through 0300271437)</b>	
81	4791400	4	Washer 1/4 <b>(SN 0300000100 through 0300228461)</b>	
82	1001155967	2	Holder <b>(SN 0300000100 through 0300228461)</b>	
82	1001156107	2	Holder <b>(SN 0300228461 through 0300271437)</b>	
83	0761013001	2	Bolt M10 x 28 <b>(SN 0300228461 through 0300271437)</b>	
84	1001228364	1	Wire, Relay Grounding (Not Shown) <b>(SN 0300228461 through 0300271437)</b>	
85	1001238483	1	Def Tank Extension Harness (Not Shown - See ELECTRICAL SECTION for Breakdown) <b>(SN 0300254483 through 0300271437)</b>	



# SECTION 2 - TURNTABLE

FIGURE 2-22. ELECTRICAL COMPONENTS INSTALLATION - TURNTABLE (HRC) (CE SPECS) (SN 0300000100 through 0300223782)



ART\_1001200995\_20F2



## SECTION 2 - TURNTABLE

**FIGURE 2-22. ELECTRICAL COMPONENTS INSTALLATION - TURNTABLE (HRC) (CE SPECS) (SN 0300000100 through 0300223782)**

ITEM	PART NUMBER	QTY	DESCRIPTION	REV
	1001200995	Ref	ELECTRICAL COMPONENTS INSTALLATION - TURNTABLE (HRC) (CE SPECS)	G
1	0100011	AR	Compound, Locking	
3	0700620	4	Bolt M6 x 60	
4	0700412	4	Bolt M4 x 25	
5	0760610	4	Bolt M6 x 20	
6	0760613	2	Bolt M6 x 28	
7	0760812	12	Bolt M8 x 25	
8	3290405	4	Nut M4	
10	3290605	15	Nut M6	
11	3290805	10	Nut M8	
12	3740067	2	Relay	
13	4460496	1	Washer, Terminal	
14	4460497	1	Nut, Terminal	
15	4811400	8	Washer M4	
16	4811700	26	Washer M6	
17	4811702	4	Washer M6	
18	4811900	20	Washer M8	
19	8310686	3	Nut, Retainer M8	
21	1001112757	NLA	Module, Control (Use p/n 1001227960) (Note: Re-calibration Required when Replaced)	
23	1001149970	1	Drive Pump Harness (Not Shown - See ELECTRICAL SECTION for Breakdown)	
26	1001155967	10	Holder	
27	1001159162	1	Bracket	
30	1001181325	NLA	Sensor, Dual Axis (Use p/n 1001219601)	
31	3290805001	4	Nut M8	
32	1001184083	6	Plug	
33	1001187744	AR	Sealant (Not Shown)	
34	1001187805	1	Module, Control (Note: Re-calibration Required when Replaced)	
35	1001196686	1	Turntable Harness (Not Shown - See ELECTRICAL SECTION for Breakdown)	
36	1001196688	1	BLAM Harness (Not Shown - See ELECTRICAL SECTION for Breakdown)	
37	1001196689	1	Ground Control Harness (Not Shown - See ELECTRICAL SECTION for Breakdown)	
38	1001196690	1	Valve Harness (Not Shown - See ELECTRICAL SECTION for Breakdown)	
40	1001200604	1	Cable, Auxiliary Pump (+)	
41	1001200605	1	Cable, Auxiliary Pump (-)	
42	1001200606	1	Cable, Battery to Auxiliary Relay	
43	1001200726	1	Cable Kit, Battery Positive (Note: Includes Battery Terminal and Qty 4 Cables)	
44	1001200727	1	Cable Kit, Battery Negative (Note: Includes Qty 2 Cables)	
45	1001200855	1	Ground Control Box Assembly (Not Shown - See GROUND CONTROL BOX ASSEMBLY for Breakdown)	
46	1001201103	1	Plate	
47	1001206817	1	Diesel Exhaust Fluid Tank Harness (Not Shown - See ELECTRICAL SECTION for Breakdown)	
49	8310643001	1	Screw M8 x 25	
50	4811900001	1	Washer M8	

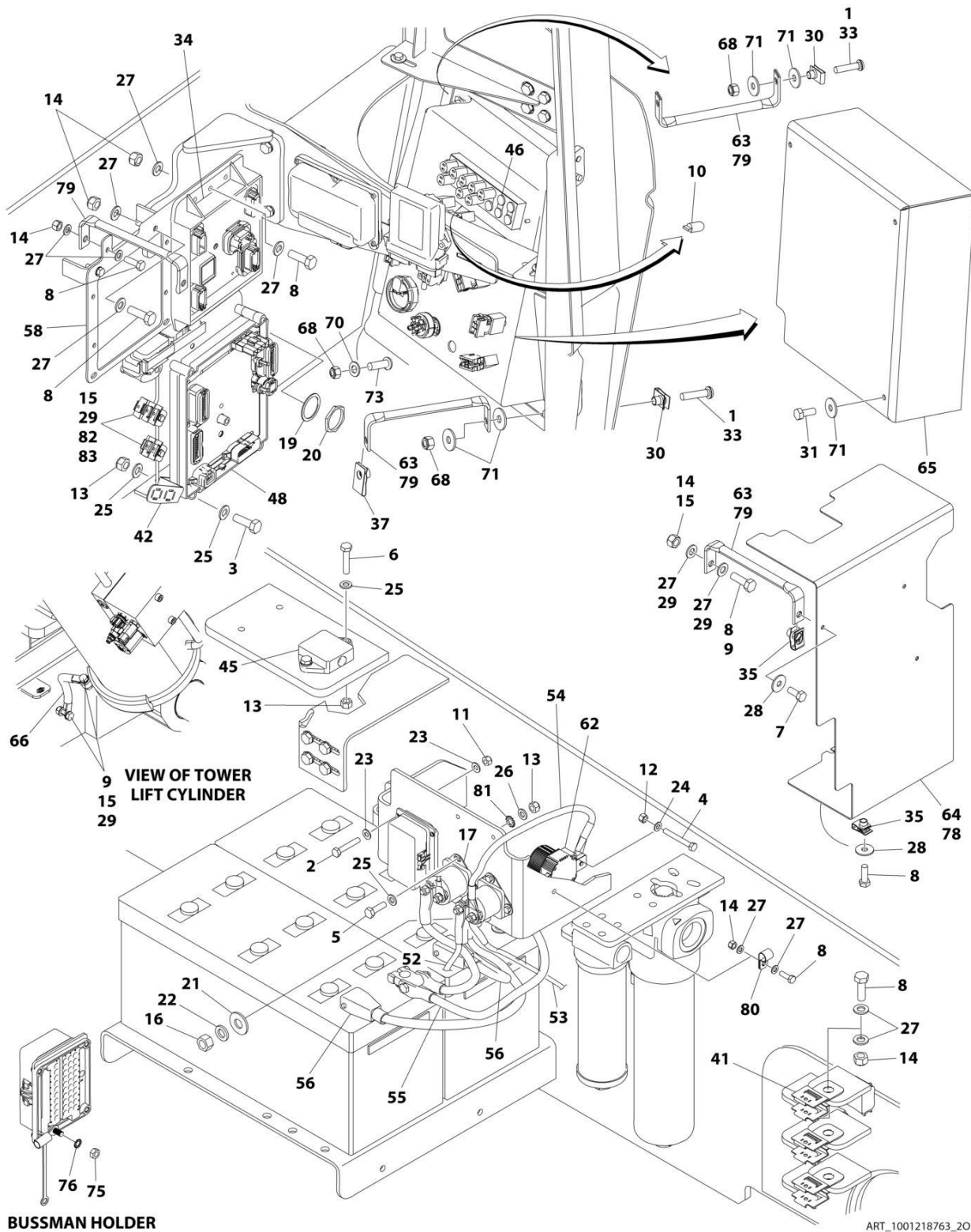
## SECTION 2 - TURNTABLE

ITEM	PART NUMBER	QTY	DESCRIPTION	REV
52	3311601	2	Nut 3/8	
53	4751600	4	Washer 3/8	
54	4761600	2	Washer 3/8	
55	2920129	8	Bulb, Light	
56	1001213622	1	Connector, Resistor - 20K Ohm (Not Shown - Located Near Item 12)	
57	4240099	1	Tie-Strap (Not Shown)	
58	1001211885	1	Fuel Pump and WIF Harness (Not Shown - See ELECTRICAL SECTION for Breakdown)	
59	1001215021	1	Magnet, Suppression (Not Shown - Located Near Item 30)	
60	0760810	3	Bolt M8 x 20	
61	0761015	3	Bolt M10 x 35	
62	3290507	2	Nut M5	
63	3291007	3	Nut M10	
64	4811600	2	Washer M5	
65	4811902	5	Washer M8	
66	4812000	6	Washer M10	
67	0760810001	3	Bolt M8 x 20	
68	1001047062	3	Screw	
69	1001118274	5	Nut, Tinnerman M8	
70	1001149160	3	Nut, Tinnerman M8	
71	1001216021	1	Relay	
72	1001216193	6	Bracket	
73	1001216194	1	Cover	
74	1001216238	1	Cover	
75	1001217007	1	Cable, Ground	
76	4811902001	9	Washer M8	
77	0760516	2	Bolt M5 x 40	



# SECTION 2 - TURNTABLE

**FIGURE 2-23. ELECTRICAL COMPONENTS INSTALLATION - TURNTABLE (HRC) (CE SPECS) (SN 0300223782 through 0300271437)**



ART\_1001218763\_20F2

## SECTION 2 - TURNTABLE

**FIGURE 2-23. ELECTRICAL COMPONENTS INSTALLATION - TURNTABLE (HRC) (CE SPECS) (SN 0300223782 through 0300271437)**

ITEM	PART NUMBER	QTY	DESCRIPTION	REV
	1001218763	Ref	ELECTRICAL COMPONENTS INSTALLATION - TURNTABLE (HRC) (CE SPECS)	H
1	0100011	AR	Compound, Locking	
2	0700412	4	Bolt M4 x 25	
3	0700620	4	Bolt M6 x 60	
4	0760516	2	Bolt M5 x 40	
5	0760610	4	Bolt M6 x 20	
6	0760613	2	Bolt M6 x 28	
7	0760810	3	Bolt M8 x 20	
8	0760812	AR	Bolt M8 x 25	
9	0761015	3	Bolt M10 x 35	
10	2920129	8	Bulb, Light	
11	3290405	4	Nut M4	
12	3290507	2	Nut M5	
13	3290605	10	Nut M6	
14	3290805	AR	Nut M8	
15	3291007	AR	Nut M10	
16	3311601	2	Nut 3/8	
17	3740067	2	Relay	
18	4240099	1	Tie-Strap (Not Shown)	
19	4460496	1	Washer, Terminal <b>(SN 0300223782 through 0300224829)</b>	
20	4460497	1	Nut, Terminal <b>(SN 0300223782 through 0300224829)</b>	
21	4751600	4	Washer 3/8	
22	4761600	2	Washer 3/8	
23	4811400	8	Washer M4	
24	4811600	2	Washer M5	
25	4811700	26	Washer M6	
26	4811702	4	Washer M6	
27	4811900	AR	Washer M8	
28	4811902	5	Washer M8	
29	4812000	AR	Washer M10	
30	8310686	3	Nut, Retainer M8	
31	0760810001	3	Bolt M8 x 20	
33	1001047062	3	Screw	
33	1001221585	3	Screw M8 x 35	
34	1001112757	NLA	Module, Control (Use p/n 1001227960) (Note: Re-calibration Required when Replaced) <b>(SN 0300000100 through 0300228461)</b>	
34	1001227960	1	Module, Control (Note: Re-calibration Required when Replaced) <b>(SN 0300228461 through 0300271437)</b>	
35	1001118274	5	Nut, Tinnerman M8	
37	1001149160	3	Nut, Tinnerman M8	
38	1001149970	1	Drive Pump Harness (Not Shown - See ELECTRICAL SECTION for Breakdown)	
41	1001155967	AR	Holder	
42	1001159162	1	Bracket	
45	1001219601	1	Sensor, Dual Axis	
46	1001184083	6	Plug	
47	1001187744	AR	Sealant (Not Shown)	
48	1001187805	1	Module, Control (Note: Re-calibration Required when Replaced)	
49	1001196686	1	Turntable Harness (Not Shown - See ELECTRICAL SECTION for	

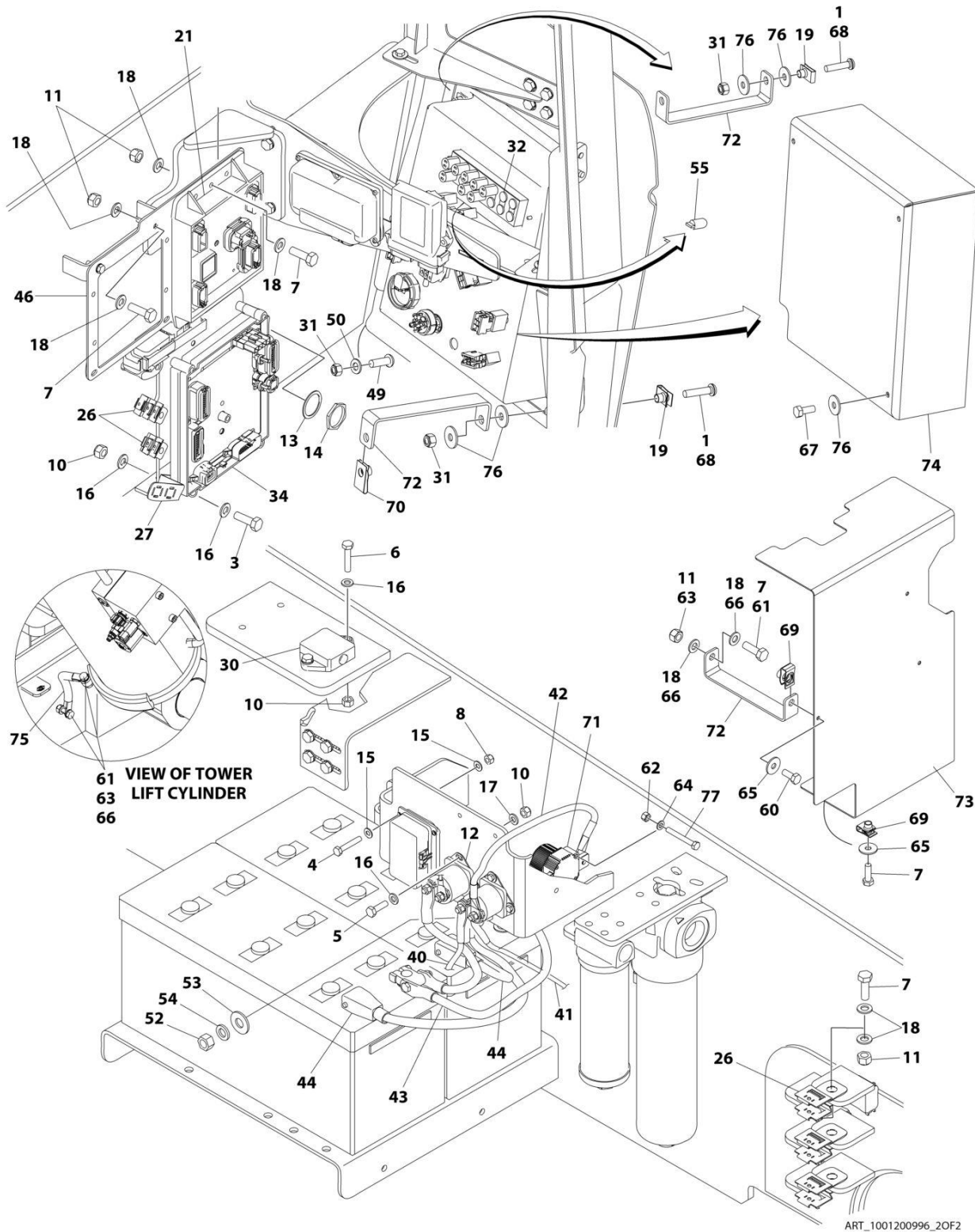
## SECTION 2 - TURNTABLE

ITEM	PART NUMBER	QTY	DESCRIPTION	REV
50	1001196688	1	Breakdown) BLAM Harness (Not Shown - See ELECTRICAL SECTION for Breakdown)	
51	1001196689	1	Ground Control Harness (Not Shown - See ELECTRICAL SECTION for Breakdown)	
52	1001200604	1	Cable, Auxiliary Pump (+)	
53	1001200605	1	Cable, Auxiliary Pump (-)	
54	1001200606	1	Cable, Battery to Auxiliary Relay	
55	1001200726	1	Cable Kit, Battery Positive (Note: Includes Battery Terminal and Qty 4 Cables)	
56	1001200727	1	Cable Kit, Battery Negative (Note: Includes Qty 2 Cables)	
57	1001200855	1	Ground Control Box Assembly (Not Shown - See GROUND CONTROL BOX ASSEMBLY for Breakdown)	
58	1001201103	1	Plate	
59	1001206817	1	Diesel Exhaust Fluid Tank Harness (Not Shown - See ELECTRICAL SECTION for Breakdown)	
60	1001211885	1	Fuel Pump and WIF Harness (Not Shown - See ELECTRICAL SECTION for Breakdown)	
61	1001215021	1	Magnet, Suppression (Not Shown - Located Near Item 30) <b>(SN 0300000100 through 0300227413)</b>	
62	1001216021	1	Relay	
63	1001216193	6	Bracket <b>(SN 0300000100 through 0300227413)</b>	
64	1001216194	1	Cover <b>(SN 0300000100 through 0300227413)</b>	
65	1001216238	1	Cover	
66	1001217007	1	Cable, Ground	
67	1001218806	1	Valve Harness (Not Shown - See ELECTRICAL SECTION for Breakdown)	
68	3290805001	4	Nut M8	
70	4811900001	1	Washer M8	
71	4811902001	9	Washer M8	
73	8310643001	1	Screw M8 x 25	
75	3290601	1	Nut M6	
76	4871700	1	Washer M6	
77	1001213622	1	Resistor Assembly 20k Ohm (Not Shown) <b>(SN 0300000100 through 0300227413)</b>	
77	1001226102	1	Resistor Assembly 20k Ohm (Not Shown) <b>(SN 0300227413 through 0300271437)</b>	
78	1001225167	1	Cover <b>(SN 0300227413 through 0300271437)</b>	
79	1001225279	6	Bracket <b>(SN 0300227413 through 0300271437)</b>	
80	8406101	1	Clip <b>(SN 0300227413 through 0300271437)</b>	
81	4791400	4	Washer 1/4 <b>(SN 0300000100 through 0300228461)</b>	
82	1001155967	2	Holder <b>(SN 0300000100 through 0300228461)</b>	
82	1001156107	2	Holder <b>(SN 0300228461 through 0300271437)</b>	
83	0761013001	2	Bolt M10 x 28 <b>(SN 0300228461 through 0300271437)</b>	
84	1001228364	1	Wire, Relay Grounding (Not Shown) <b>(SN 0300228461 through 0300271437)</b>	
85	1001238483	1	Def Tank Extension Harness (Not Shown - See ELECTRICAL SECTION for Breakdown) <b>(SN 0300254483 through 0300271437)</b>	



# SECTION 2 - TURNTABLE

**FIGURE 2-24. ELECTRICAL COMPONENTS INSTALLATION - TURNTABLE (LRC) (ANSI EXPORT, AUSTRALIAN, CE AND CHINESE SPECS) (SN 0300000100 through 0300223782)**





## SECTION 2 - TURNTABLE

**FIGURE 2-24. ELECTRICAL COMPONENTS INSTALLATION - TURNTABLE (LRC) (ANSI EXPORT, AUSTRALIAN, CE AND CHINESE SPECS) (SN 0300000100 through 0300223782)**

ITEM	PART NUMBER	QTY	DESCRIPTION	REV
	1001200996	Ref	ELECTRICAL COMPONENTS INSTALLATION - TURNTABLE (LRC) (ANSI EXPORT, AUSTRALIAN, CE AND CHINESE SPECS)	G
1	0100011	AR	Compound, Locking	
3	0700620	4	Bolt M6 x 60	
4	0700412	4	Bolt M4 x 25	
5	0760610	4	Bolt M6 x 20	
6	0760613	2	Bolt M6 x 28	
7	0760812	12	Bolt M8 x 25	
8	3290405	4	Nut M4	
10	3290605	15	Nut M6	
11	3290805	10	Nut M8	
12	3740067	2	Relay	
13	4460496	1	Washer, Terminal	
14	4460497	1	Nut, Terminal	
15	4811400	8	Washer M4	
16	4811700	26	Washer M6	
17	4811702	4	Washer M6	
18	4811900	20	Washer M8	
19	8310686	3	Nut, Retainer M8	
21	1001112757	NLA	Module, Control (Use p/n 1001227960) (Note: Re-calibration Required when Replaced)	
23	1001149970	1	Drive Pump Harness (Not Shown - See ELECTRICAL SECTION for Breakdown)	
26	1001155967	10	Holder	
27	1001159162	1	Bracket	
30	1001181325	NLA	Sensor, Dual Axis (Use p/n 1001219601)	
31	3290805001	4	Nut M8	
32	1001184083	6	Plug	
33	1001187744	AR	Sealant (Not Shown)	
34	1001187805	1	Module, Control (Note: Re-calibration Required when Replaced)	
35	1001196686	1	Turntable Harness (Not Shown - See ELECTRICAL SECTION for Breakdown)	
36	1001196688	1	BLAM Harness (Not Shown - See ELECTRICAL SECTION for Breakdown)	
37	1001196689	1	Ground Control Harness (Not Shown - See ELECTRICAL SECTION for Breakdown)	
38	1001196690	1	Valve Harness (Not Shown - See ELECTRICAL SECTION for Breakdown)	
40	1001200604	1	Cable, Auxiliary Pump (+)	
41	1001200605	1	Cable, Auxiliary Pump (-)	
42	1001200606	1	Cable, Battery to Auxiliary Relay	
43	1001200726	1	Cable Kit, Battery Positive (Note: Includes Battery Terminal and Qty 4 Cables)	
44	1001200727	1	Cable Kit, Battery Negative (Note: Includes Qty 2 Cables)	
45	1001200856	1	Ground Control Box Assembly (Not Shown - See GROUND CONTROL BOX ASSEMBLY for Breakdown)	
46	1001201103	1	Plate	
47	1001206817	1	Diesel Exhaust Fluid Tank Harness (Not Shown - See ELECTRICAL SECTION for Breakdown)	
49	8310643001	1	Screw M8 x 25	
50	4811900001	1	Washer M8	

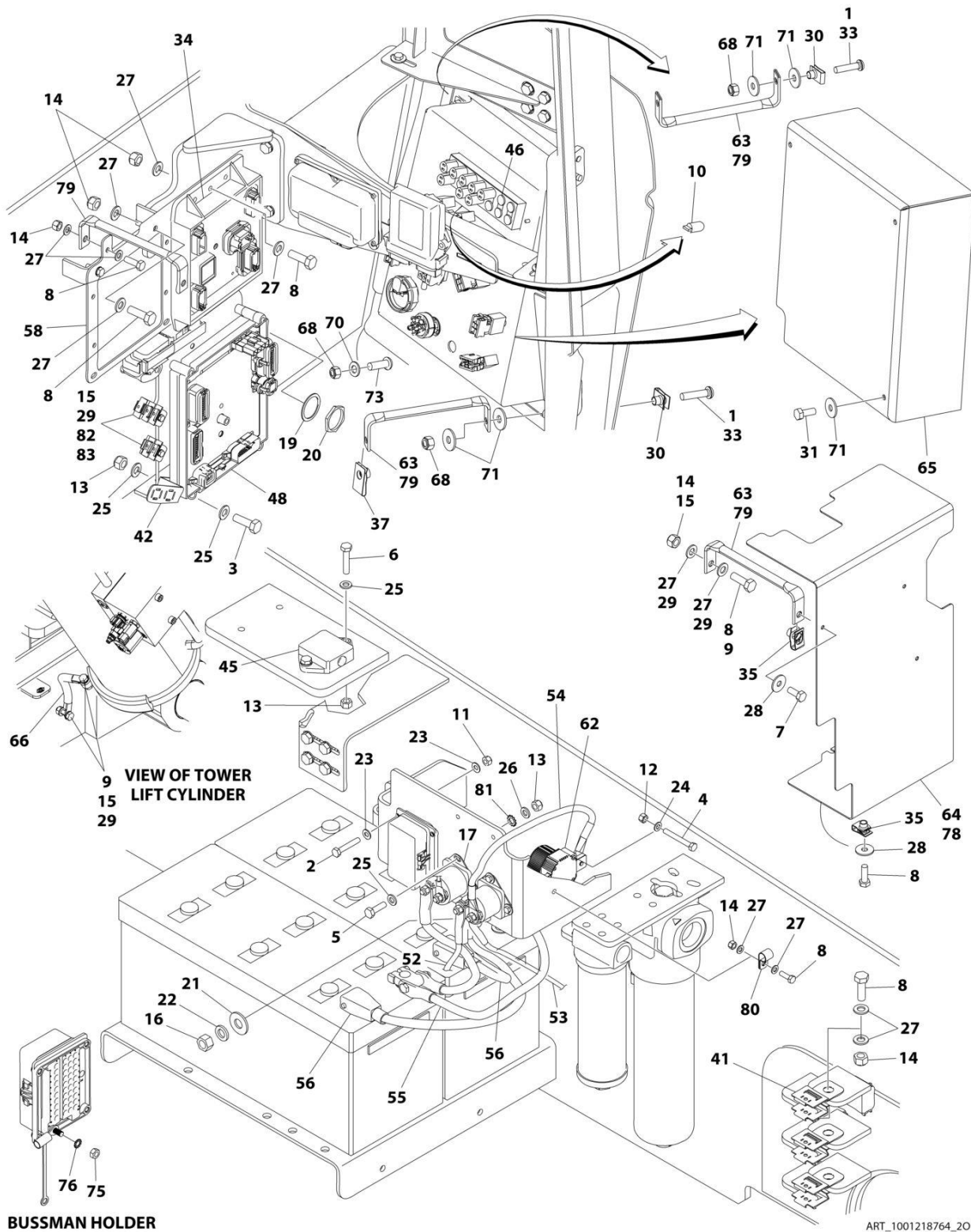
## SECTION 2 - TURNTABLE

ITEM	PART NUMBER	QTY	DESCRIPTION	REV
52	3311601	2	Nut 3/8	
53	4751600	4	Washer 3/8	
54	4761600	2	Washer 3/8	
55	2920129	8	Bulb, Light	
56	1001213622	2	Connector, Resistor - 20K Ohm (Not Shown - Located Near Item 12)	
57	1001215021	1	Magnet, Suppression (Not Shown - Located Near Item 30)	
58	1001211885	1	Fuel Pump and WIF Harness (Not Shown - See ELECTRICAL SECTION for Breakdown)	
59	4240099	1	Tie-Strap (Not Shown)	
60	0760810	3	Bolt M8 x 20	
61	0761015	3	Bolt M10 x 35	
62	3290507	2	Nut M5	
63	3291007	3	Nut M10	
64	4811600	2	Washer M5	
65	4811902	5	Washer M8	
66	4812000	6	Washer M10	
67	0760810001	3	Bolt M8 x 20	
68	1001047062	3	Screw	
69	1001118274	5	Nut, Tinnerman M8	
70	1001149160	3	Nut, Tinnerman M8	
71	1001216021	1	Relay	
72	1001216193	6	Bracket	
73	1001216194	1	Cover	
74	1001216238	1	Cover	
75	1001217007	1	Cable, Ground	
76	4811902001	9	Washer M8	
77	0760516	2	Bolt M5 x 40	



# SECTION 2 - TURNTABLE

FIGURE 2-25. ELECTRICAL COMPONENTS INSTALLATION - TURNTABLE (LRC) (ANSI EXPORT, AUSTRALIAN, CE AND CHINESE SPECS) (SN 0300223782 through 0300271437)



ART\_1001218764\_20F2

## SECTION 2 - TURNTABLE

**FIGURE 2-25. ELECTRICAL COMPONENTS INSTALLATION - TURNTABLE (LRC) (ANSI EXPORT, AUSTRALIAN, CE AND CHINESE SPECS) (SN 0300223782 through 0300271437)**

ITEM	PART NUMBER	QTY	DESCRIPTION	REV
	1001218764	Ref	ELECTRICAL COMPONENTS INSTALLATION - TURNTABLE (LRC) (ANSI EXPORT, AUSTRALIAN AND CHINESE SPECS)	G
	1001218764	Ref	ELECTRICAL COMPONENTS INSTALLATION - TURNTABLE (LRC) (CE SPECS)	E
1	0100011	AR	Compound, Locking	
2	0700412	4	Bolt M4 x 25	
3	0700620	4	Bolt M6 x 60	
4	0760516	2	Bolt M5 x 40	
5	0760610	4	Bolt M6 x 20	
6	0760613	2	Bolt M6 x 28	
7	0760810	3	Bolt M8 x 20	
8	0760812	AR	Bolt M8 x 25	
9	0761015	3	Bolt M10 x 35	
10	2920129	8	Bulb, Light	
11	3290405	4	Nut M4	
12	3290507	2	Nut M5	
13	3290605	15	Nut M6	
14	3290805	AR	Nut M8	
15	3291007	AR	Nut M10	
16	3311601	2	Nut 3/8	
17	3740067	2	Relay	
18	4240099	1	Tie-Strap (Not Shown)	
19	4460496	1	Washer, Terminal <b>(SN 0300223782 through 0300224829)</b>	
20	4460497	1	Nut, Terminal <b>(SN 0300223782 through 0300224829)</b>	
21	4751600	4	Washer 3/8	
22	4761600	2	Washer 3/8	
23	4811400	8	Washer M4	
24	4811600	2	Washer M5	
25	4811700	26	Washer M6	
26	4811702	4	Washer M6	
27	4811900	AR	Washer M8	
28	4811902	5	Washer M8	
29	4812000	AR	Washer M10	
30	8310686	3	Nut, Retainer M8	
31	0760810001	3	Bolt M8 x 20	
33	1001047062	3	Screw	
33	1001221585	3	Screw M8 x 35	
34	1001112757	NLA	Module, Control (Use p/n 1001227960) (Note: Re-calibration Required when Replaced) <b>(SN 0300000100 through 0300228461)</b>	
34	1001227960	1	Module, Control (Note: Re-calibration Required when Replaced) <b>(SN 0300228461 through 0300271437)</b>	
35	1001118274	5	Nut, Tinnerman M8	
37	1001149160	3	Nut, Tinnerman M8	
38	1001149970	1	Drive Pump Harness (Not Shown - See ELECTRICAL SECTION for Breakdown)	
41	1001155967	AR	Holder	
42	1001159162	1	Bracket	
45	1001219601	1	Sensor, Dual Axis	
46	1001184083	6	Plug	
47	1001187744	AR	Sealant (Not Shown)	

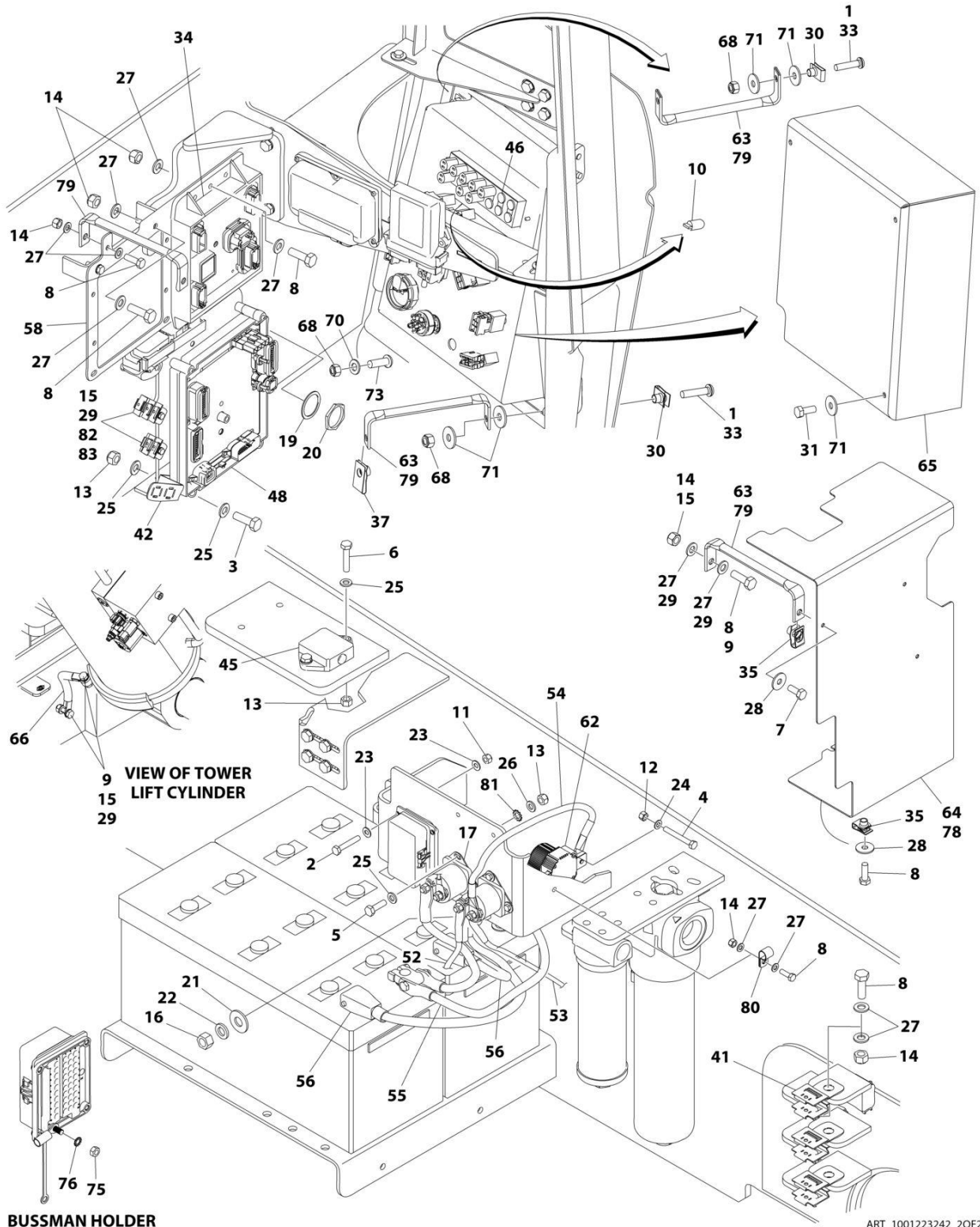
## SECTION 2 - TURNTABLE

ITEM	PART NUMBER	QTY	DESCRIPTION	REV
48	1001187805	1	Module, Control (Note: Re-calibration Required when Replaced)	
49	1001196686	1	Turntable Harness (Not Shown - See ELECTRICAL SECTION for Breakdown)	
50	1001196688	1	BLAM Harness (Not Shown - See ELECTRICAL SECTION for Breakdown)	
51	1001196689	1	Ground Control Harness (Not Shown - See ELECTRICAL SECTION for Breakdown)	
52	1001200604	1	Cable, Auxiliary Pump (+)	
53	1001200605	1	Cable, Auxiliary Pump (-)	
54	1001200606	1	Cable, Battery to Auxiliary Relay	
55	1001200726	1	Cable Kit, Battery Positive (Note: Includes Battery Terminal and Qty 4 Cables)	
56	1001200727	1	Cable Kit, Battery Negative (Note: Includes Qty 2 Cables)	
57	1001200856	1	Ground Control Box Assembly (Not Shown - See GROUND CONTROL BOX ASSEMBLY for Breakdown)	
58	1001201103	1	Plate	
59	1001206817	1	Diesel Exhaust Fluid Tank Harness (Not Shown - See ELECTRICAL SECTION for Breakdown) <b>(SN 0300223782 through 0300224829)</b>	
60	1001211885	1	Fuel Pump and WIF Harness (Not Shown - See ELECTRICAL SECTION for Breakdown)	
61	1001215021	1	Magnet, Suppression (Not Shown - Located Near Item 30)	
62	1001216021	1	Relay	
63	1001216193	6	Bracket <b>(SN 0300000100 through 0300227413)</b>	
64	1001216194	1	Cover <b>(SN 0300000100 through 0300227413)</b>	
65	1001216238	1	Cover	
66	1001217007	1	Cable, Ground	
67	1001218806	1	Valve Harness (Not Shown - See ELECTRICAL SECTION for Breakdown)	
68	3290805001	4	Nut M8	
70	4811900001	1	Washer M8	
71	4811902001	9	Washer M8	
73	8310643001	1	Screw M8 x 25	
75	3290601	1	Nut M6	
76	4871700	1	Washer M6	
77	1001213622	1	Resistor Assembly 20k Ohm (Not Shown) <b>(SN 0300000100 through 0300227413)</b>	
77	1001226102	1	Resistor Assembly 20k Ohm (Not Shown) <b>(SN 0300227413 through 0300271437)</b>	
78	1001225167	1	Cover <b>(SN 0300227413 through 0300271437)</b>	
79	1001225279	6	Bracket <b>(SN 0300227413 through 0300271437)</b>	
80	8406101	1	Clip <b>(SN 0300227413 through 0300271437)</b>	
81	4791400	4	Washer 1/4 <b>(SN 0300000100 through 0300228461)</b>	
82	1001155967	2	Holder <b>(SN 0300000100 through 0300228461)</b>	
82	1001156107	2	Holder <b>(SN 0300228461 through 0300271437)</b>	
83	0761013001	2	Bolt M10 x 28 <b>(SN 0300228461 through 0300271437)</b>	
84	1001228364	1	Wire, Relay Grounding (Not Shown) <b>(SN 0300228461 through 0300271437)</b>	



# SECTION 2 - TURNTABLE

FIGURE 2-26. ELECTRICAL COMPONENTS INSTALLATION - TURNTABLE (LRC) (CE SPECS) (SN 0300224829 through 0300271437)





## SECTION 2 - TURNTABLE

**FIGURE 2-26. ELECTRICAL COMPONENTS INSTALLATION - TURNTABLE (LRC) (CE SPECS) (SN 0300224829 through 0300271437)**

ITEM	PART NUMBER	QTY	DESCRIPTION	REV
	1001223242	Ref	ELECTRICAL COMPONENTS INSTALLATION - TURNTABLE (LRC) (CE SPECS)	E
1	0100011	AR	Compound, Locking	
2	0700412	4	Bolt M4 x 25	
3	0700620	4	Bolt M6 x 60	
4	0760516	2	Bolt M5 x 40	
5	0760610	4	Bolt M6 x 20	
6	0760613	2	Bolt M6 x 28	
7	0760810	3	Bolt M8 x 20	
8	0760812	AR	Bolt M8 x 25	
9	0761015	3	Bolt M10 x 35	
10	2920129	8	Bulb, Light	
11	3290405	4	Nut M4	
12	3290507	2	Nut M5	
13	3290605	10	Nut M6	
14	3290805	AR	Nut M8	
15	3291007	AR	Nut M10	
16	3311601	2	Nut 3/8	
17	3740067	2	Relay	
18	4240099	1	Tie-Strap (Not Shown)	
21	4751600	4	Washer 3/8	
22	4761600	2	Washer 3/8	
23	4811400	8	Washer M4	
24	4811600	2	Washer M5	
25	4811700	20	Washer M6	
26	4811702	4	Washer M6	
27	4811900	AR	Washer M8	
28	4811902	5	Washer M8	
29	4812000	AR	Washer M10	
30	8310686	3	Nut, Retainer M8	
31	0760810001	3	Bolt M8 x 20	
33	1001221585	3	Screw	
34	1001112757	NLA	Module, Control (Use p/n 1001227960) (Note: Re-calibration Required when Replaced) <b>(SN 0300000100 through 0300228461)</b>	
34	1001227960	1	Module, Control (Note: Re-calibration Required when Replaced) <b>(SN 0300228461 through 0300271437)</b>	
35	1001118274	5	Nut, Tinnerman M8	
37	1001149160	3	Nut, Tinnerman M8	
38	1001149970	1	Drive Pump Harness (Not Shown - See ELECTRICAL SECTION for Breakdown)	
41	1001155967	AR	Holder	
42	1001159162	1	Bracket	
45	1001219601	1	Sensor, Dual Axis	
46	1001184083	6	Plug	
47	1001187744	AR	Sealant (Not Shown)	
48	1001187805	1	Module, Control (Note: Re-calibration Required when Replaced)	
49	1001196686	1	Turntable Harness (Not Shown - See ELECTRICAL SECTION for Breakdown)	
50	1001196688	1	BLAM Harness (Not Shown - See ELECTRICAL SECTION for Breakdown)	

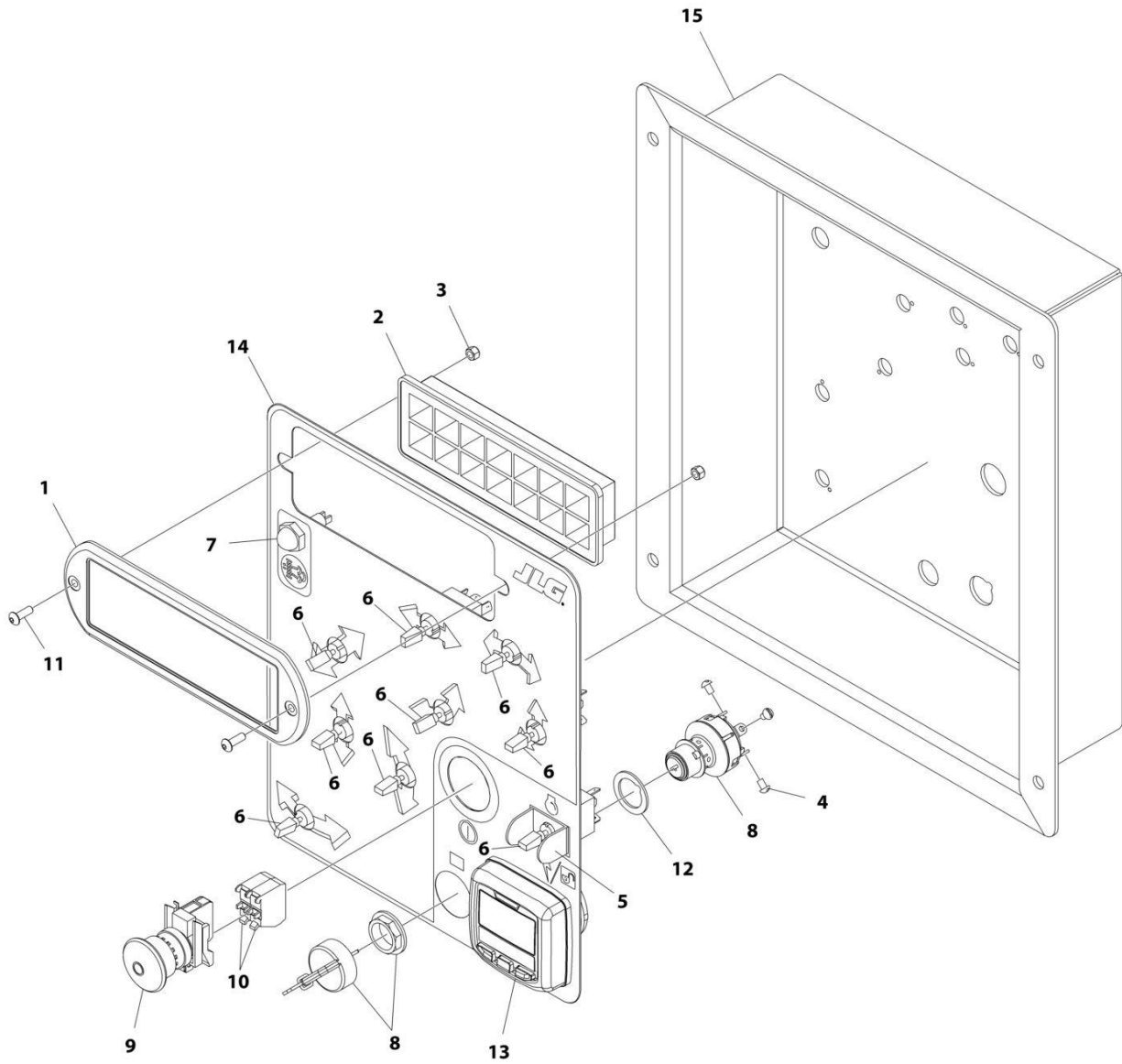
## SECTION 2 - TURNTABLE

ITEM	PART NUMBER	QTY	DESCRIPTION	REV
51	1001196689	1	Ground Control Harness (Not Shown - See ELECTRICAL SECTION for Breakdown)	
52	1001200604	1	Cable, Auxiliary Pump (+)	
53	1001200605	1	Cable, Auxiliary Pump (-)	
54	1001200606	1	Cable, Battery to Auxiliary Relay	
55	1001200726	1	Cable Kit, Battery Positive (Note: Includes Battery Terminal and Qty 4 Cables)	
56	1001200727	1	Cable Kit, Battery Negative (Note: Includes Qty 2 Cables)	
57	1001223241	1	Ground Control Box Assembly (Not Shown - See GROUND CONTROL BOX ASSEMBLY for Breakdown)	
58	1001201103	1	Plate	
60	1001211885	1	Fuel Pump and WIF Harness (Not Shown - See ELECTRICAL SECTION for Breakdown)	
62	1001216021	1	Relay	
63	1001216193	6	Bracket <b>(SN 0300000100 through 0300227413)</b>	
64	1001216194	1	Cover <b>(SN 0300000100 through 0300227413)</b>	
65	1001216238	1	Cover	
66	1001217007	1	Cable, Ground	
67	1001218806	1	Valve Harness (Not Shown - See ELECTRICAL SECTION for Breakdown)	
68	3290805001	4	Nut M8	
70	4811900001	1	Washer M8	
71	4811902001	9	Washer M8	
73	8310643001	1	Screw M8 x 25	
75	3290601	1	Nut M6	
76	4871700	1	Washer M6	
77	1001213622	1	Resistor Assembly 20k Ohm (Not Shown) <b>(SN 0300000100 through 0300227413)</b>	
77	1001226102	1	Resistor Assembly 20k Ohm (Not Shown) <b>(Including 0300227413)</b>	
78	1001225167	1	Cover <b>(SN 0300227413 through 0300271437)</b>	
79	1001225279	6	Bracket <b>(SN 0300227413 through 0300271437)</b>	
80	8406101	1	Clip <b>(SN 0300227413 through 0300271437)</b>	
81	4791400	4	Washer 1/4 <b>(SN 0300000100 through 0300228461)</b>	
82	1001155967	2	Holder <b>(SN 0300000100 through 0300228461)</b>	
82	1001156107	2	Holder <b>(SN 0300228461 through 0300271437)</b>	
83	0761013001	2	Bolt M10 x 28 <b>(SN 0300228461 through 0300271437)</b>	
84	1001228364	1	Wire, Relay Grounding (Not Shown) <b>(SN 0300228461 through 0300271437)</b>	



## SECTION 2 - TURNTABLE

FIGURE 2-27. GROUND CONTROL CONSOLE ASSEMBLY (HRC) (ANSI, ANSI EXPORT, CSA AND JAPANESE SPECS)



ART\_1001200853

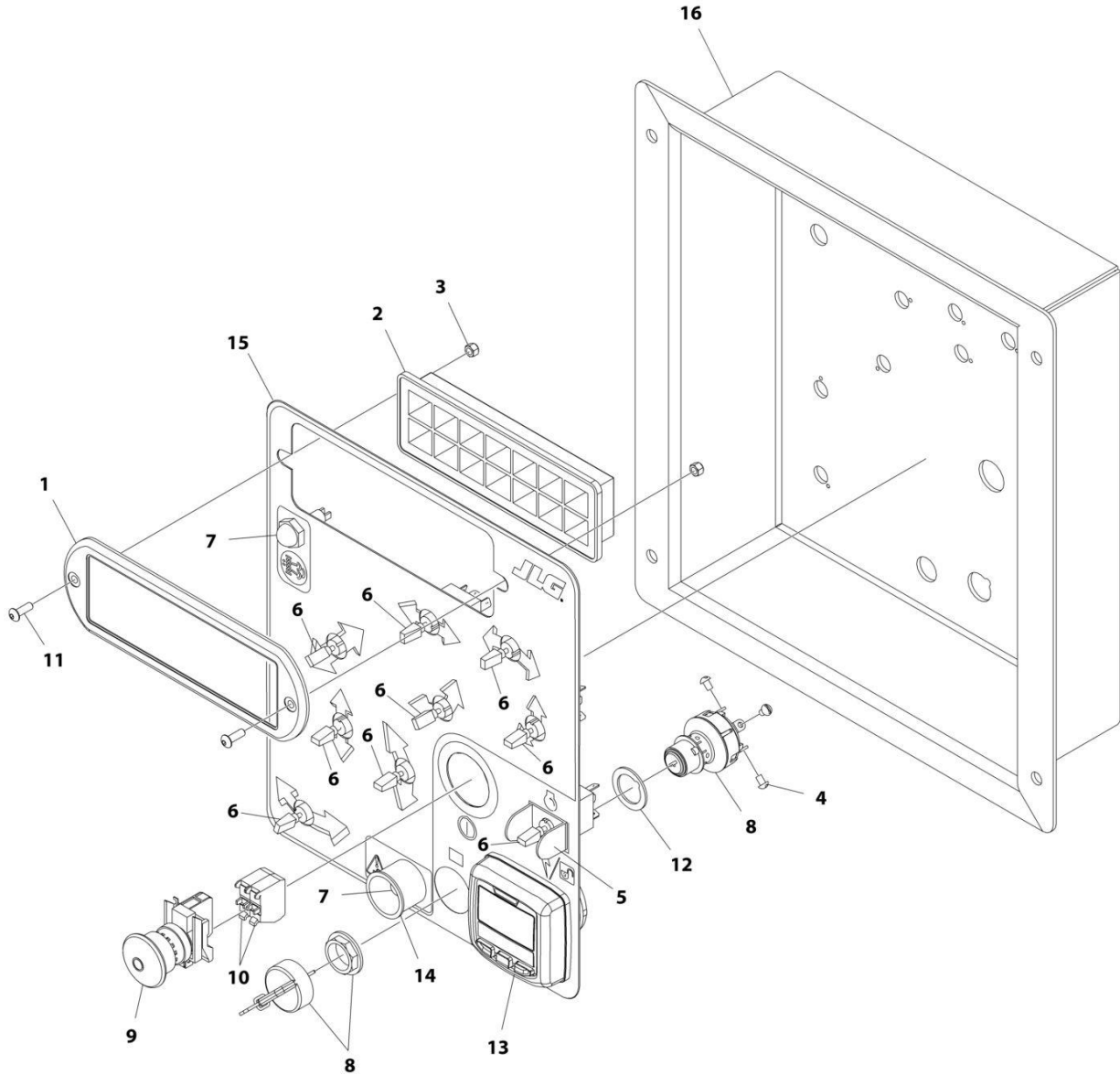
**SECTION 2 - TURNTABLE**

**FIGURE 2-27. GROUND CONTROL CONSOLE ASSEMBLY (HRC) (ANSI, ANSI EXPORT, CSA AND JAPANESE SPECS)**

ITEM	PART NUMBER	QTY	DESCRIPTION	REV
	1001200853	Ref	GROUND CONTROL CONSOLE ASSEMBLY (HRC) (ANSI, ANSI EXPORT, CSA AND JAPANESE SPECS)	C
1	1670829	1	Bezel	
2	2760105	1	Housing, Light	
3	3290505	2	Nut M5	
4	3910804	6	Screw #8 x 1/4	
5	4060906	1	Guard, Switch	
6	4360328	9	Switch, Toggle	
7	4360387	1	Switch, Push Button	
8	4360469	1	Switch, Key	
8	2360030	1 Set	Key, Replacement	
9	4360475	1	Switch, Push-Pull Emergency	
9	7020175	1	Cap	
9	7020176	1	Block, Contact	
10	4360476	2	Block, Contact	
11	1001099125	2	Screw M5 x 16 Grade 10.9	
12	1001151393	1	Shim	
13	1001171482	1	Gauge	
14	1001200692	1	Decal - Ground Control	
15	1001200854	1	Panel	

# SECTION 2 - TURNTABLE

## FIGURE 2-28. GROUND CONTROL CONSOLE ASSEMBLY (HRC) (CE SPECS)



ART\_1001200855

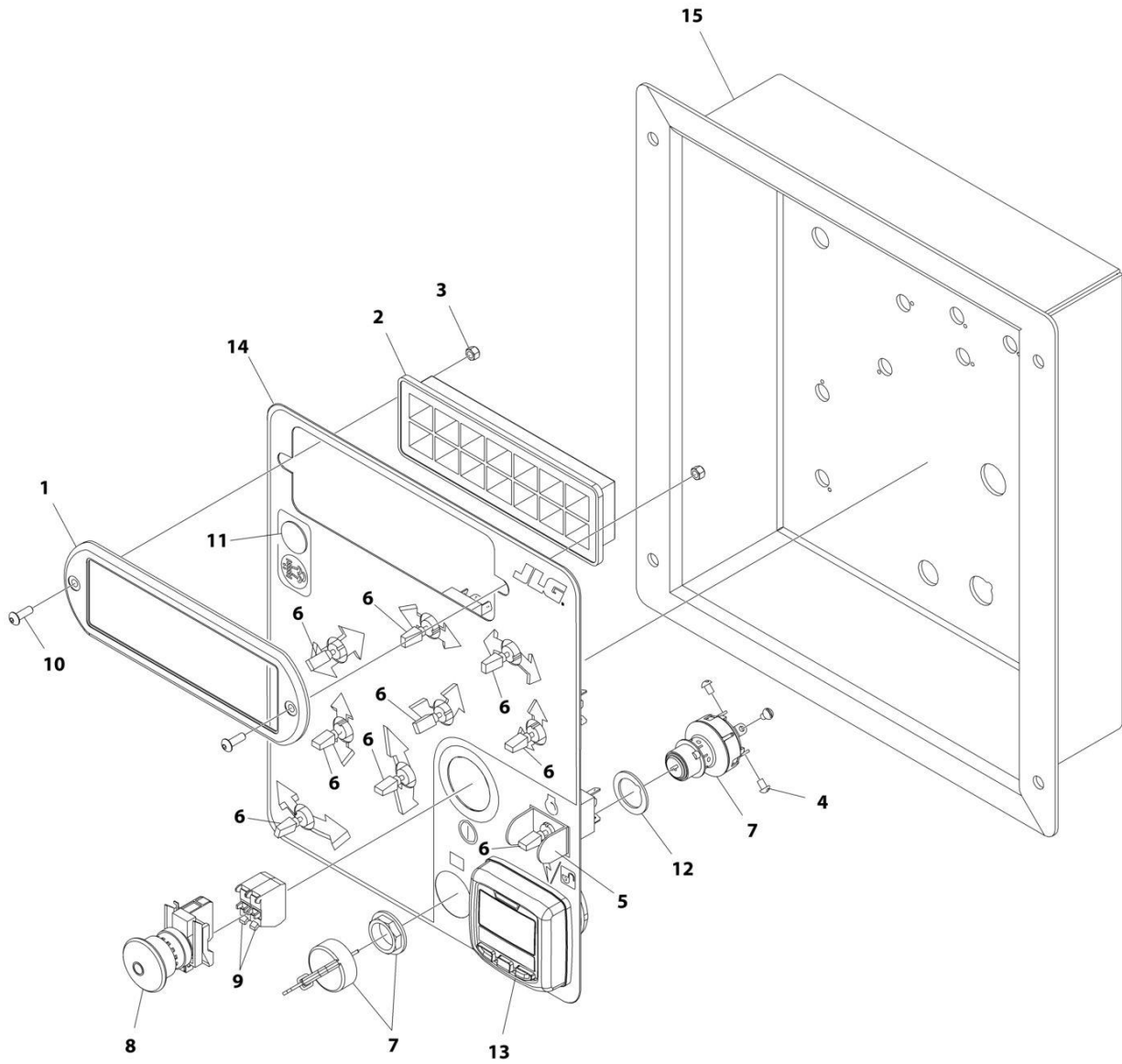
## SECTION 2 - TURNTABLE

**FIGURE 2-28. GROUND CONTROL CONSOLE ASSEMBLY (HRC) (CE SPECS)**

ITEM	PART NUMBER	QTY	DESCRIPTION	REV
	1001200855	Ref	GROUND CONTROL CONSOLE ASSEMBLY (HRC) (CE SPECS)	B
1	1670829	1	Bezel	
2	2760105	1	Housing, Light	
3	3290505	2	Nut M5	
4	3910804	6	Screw #8 x 1/4	
5	4060906	1	Guard, Switch	
6	4360328	9	Switch, Toggle	
7	4360387	2	Switch, Push Button	
8	4360469	1	Switch, Key	
8	2360030	1 Set	Key, Replacement	
9	4360475	1	Switch, Push-Pull Emergency	
9	7020175	1	Cap	
9	7020176	1	Block, Contact	
10	4360476	2	Block, Contact	
11	1001099125	2	Screw M5 x 16 Grade 10.9	
12	1001151393	1	Shim	
13	1001171482	1	Gauge	
14	1001176469	1	Shroud	
15	1001200693	1	Decal - Ground Control	
16	1001200854	1	Panel	

## SECTION 2 - TURNTABLE

FIGURE 2-29. GROUND CONTROL CONSOLE ASSEMBLY (LRC) (ANSI EXPORT, AUSTRALIAN, CE AND CHINA SPECS)



ART\_1001200856



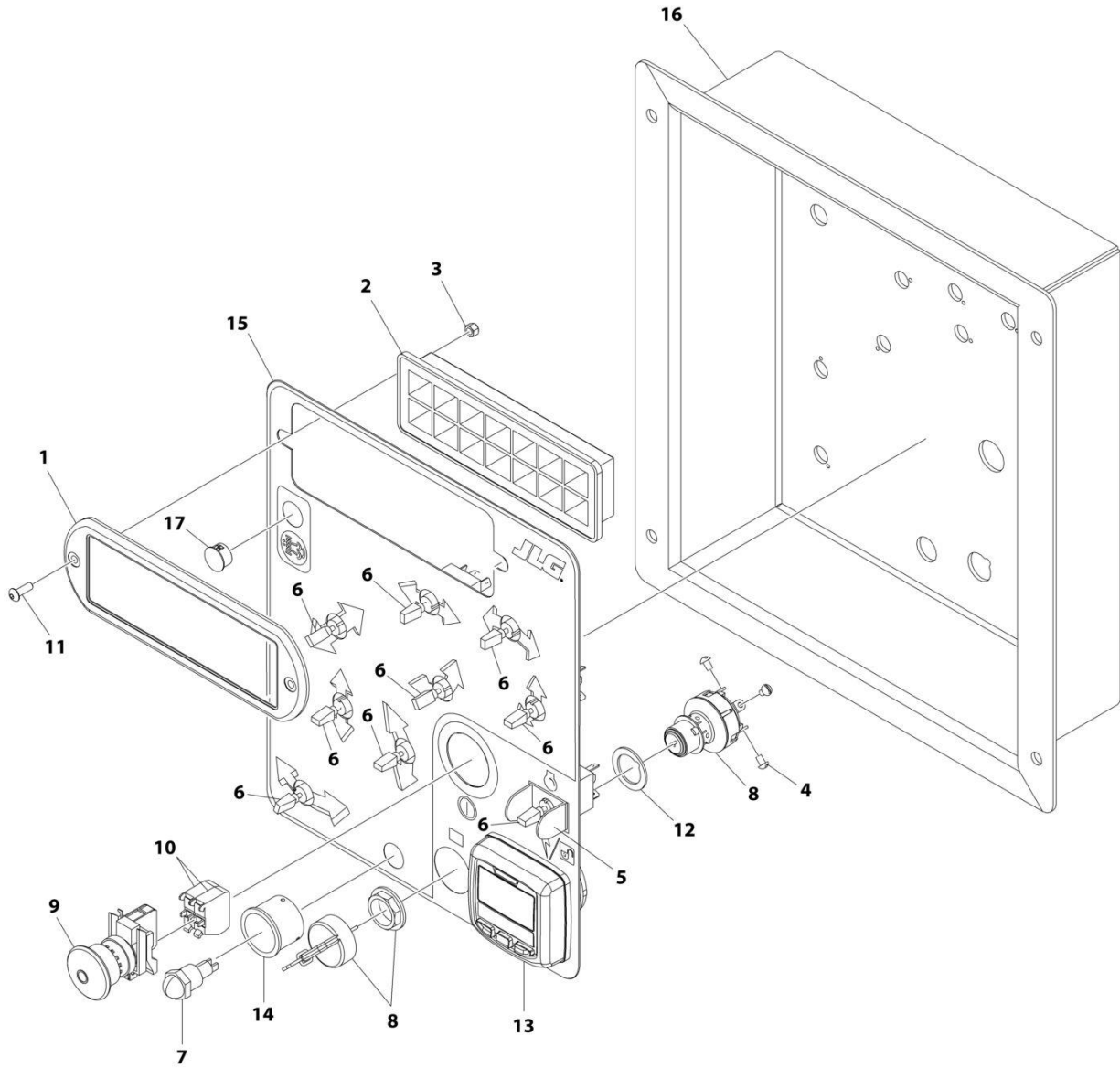
**SECTION 2 - TURNTABLE**

**FIGURE 2-29. GROUND CONTROL CONSOLE ASSEMBLY (LRC) (ANSI EXPORT, AUSTRALIAN, CE AND CHINA SPECS)**

ITEM	PART NUMBER	QTY	DESCRIPTION	REV
	1001200856	Ref	GROUND CONTROL CONSOLE ASSEMBLY (LRC) (ANSI EXPORT, AUSTRALIAN AND CHINA SPECS)	C
	1001200856	Ref	GROUND CONTROL CONSOLE ASSEMBLY (LRC) (CE SPECS)	C
1	1670829	1	Bezel	
2	2760105	1	Housing, Light	
3	3290505	2	Nut M5	
4	3910804	6	Screw #8 x 1/4	
5	4060906	1	Guard, Switch	
6	4360328	9	Switch, Toggle	
7	4360469	1	Switch, Key	
7	2360030	1 Set	Key, Replacement	
8	4360475	1	Switch, Push-Pull Emergency	
8	7020175	1	Cap	
8	7020176	1	Block, Contact	
9	4360476	2	Block, Contact	
10	1001099125	2	Screw M5 x 16 Grade 10.9	
11	1001207963	1	Plug	
12	1001151393	1	Shim	
13	1001171482	1	Gauge	
14	1001200692	1	Decal - Ground Control	
15	1001200854	1	Panel	

## SECTION 2 - TURNTABLE

FIGURE 2-30. GROUND CONTROL CONSOLE ASSEMBLY (LRC) (CE SPECS) (SN 0300224829 through 0300271437)



ART\_1001223241

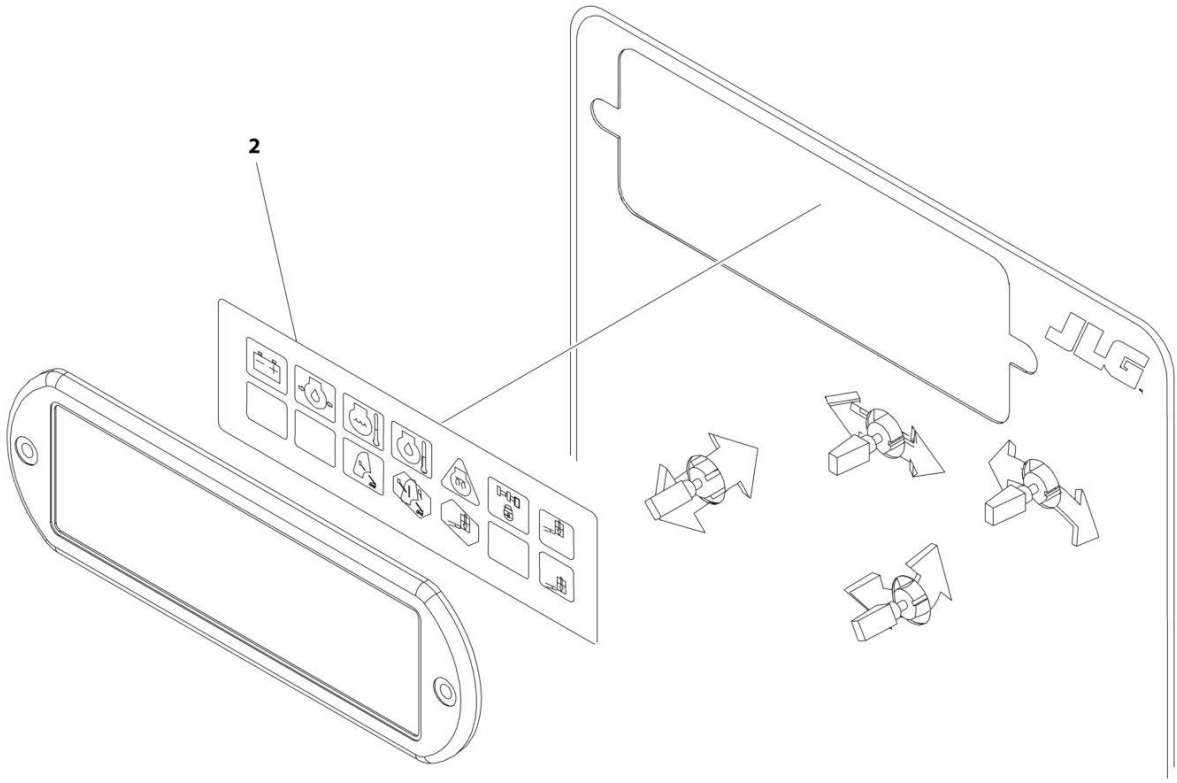
**SECTION 2 - TURNTABLE**

**FIGURE 2-30. GROUND CONTROL CONSOLE ASSEMBLY (LRC) (CE SPECS) (SN 0300224829 through 0300271437)**

ITEM	PART NUMBER	QTY	DESCRIPTION	REV
	1001223241	Ref	GROUND CONTROL CONSOLE ASSEMBLY (LRC) (CE SPECS)	A
1	1670829	1	Bezel	
2	2760105	1	Housing, Light	
3	3290505	2	Nut M5	
4	3910804	6	Screw #8 x 1/4	
5	4060906	1	Guard, Switch	
6	4360328	9	Switch, Toggle	
7	4360387	1	Switch, Push Button	
8	4360469	1	Switch, Key	
8	2360030	1 Set	Key, Replacement	
9	4360475	1	Switch, Push-Pull Emergency	
9	7020175	1	Cap	
9	7020176	1	Block, Contact	
10	4360476	2	Block, Contact	
11	1001099125	2	Screw M5 x 16 Grade 10.9	
12	1001151393	1	Shim	
13	1001171482	1	Gauge	
14	1001176469	1	Shroud	
15	1001200693	1	Decal - Ground Control	
16	1001200854	1	Panel	
17	1001207963	1	Plug	

# SECTION 2 - TURNTABLE

FIGURE 2-31. LIGHT PANEL INSTALLATION (ALL SPECS EXCEPT AUSTRALIAN AND CE SPECS)



ART\_1001197464\_10F2

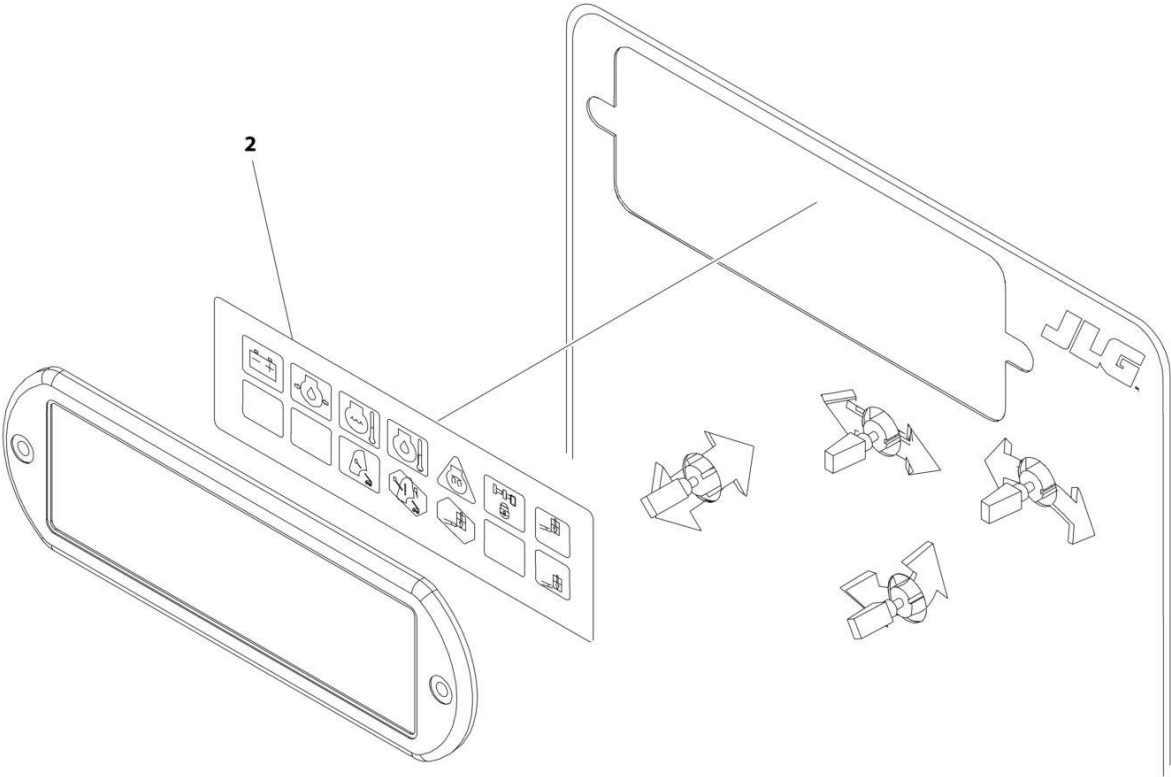
**SECTION 2 - TURNTABLE**

**FIGURE 2-31. LIGHT PANEL INSTALLATION (ALL SPECS EXCEPT AUSTRALIAN AND CE SPECS)**

ITEM	PART NUMBER	QTY	DESCRIPTION	REV
	1001197464	Ref	LIGHT PANEL INSTALLATION (ALL SPECS EXCEPT AUSTRALIAN AND CE SPECS)	A
2	1001199920	1	Decal - Display	

**SECTION 2 - TURNTABLE**

**FIGURE 2-32. LIGHT PANEL INSTALLATION (AUSTRALIAN AND CE SPECS)**



ART\_1001197465\_10F2

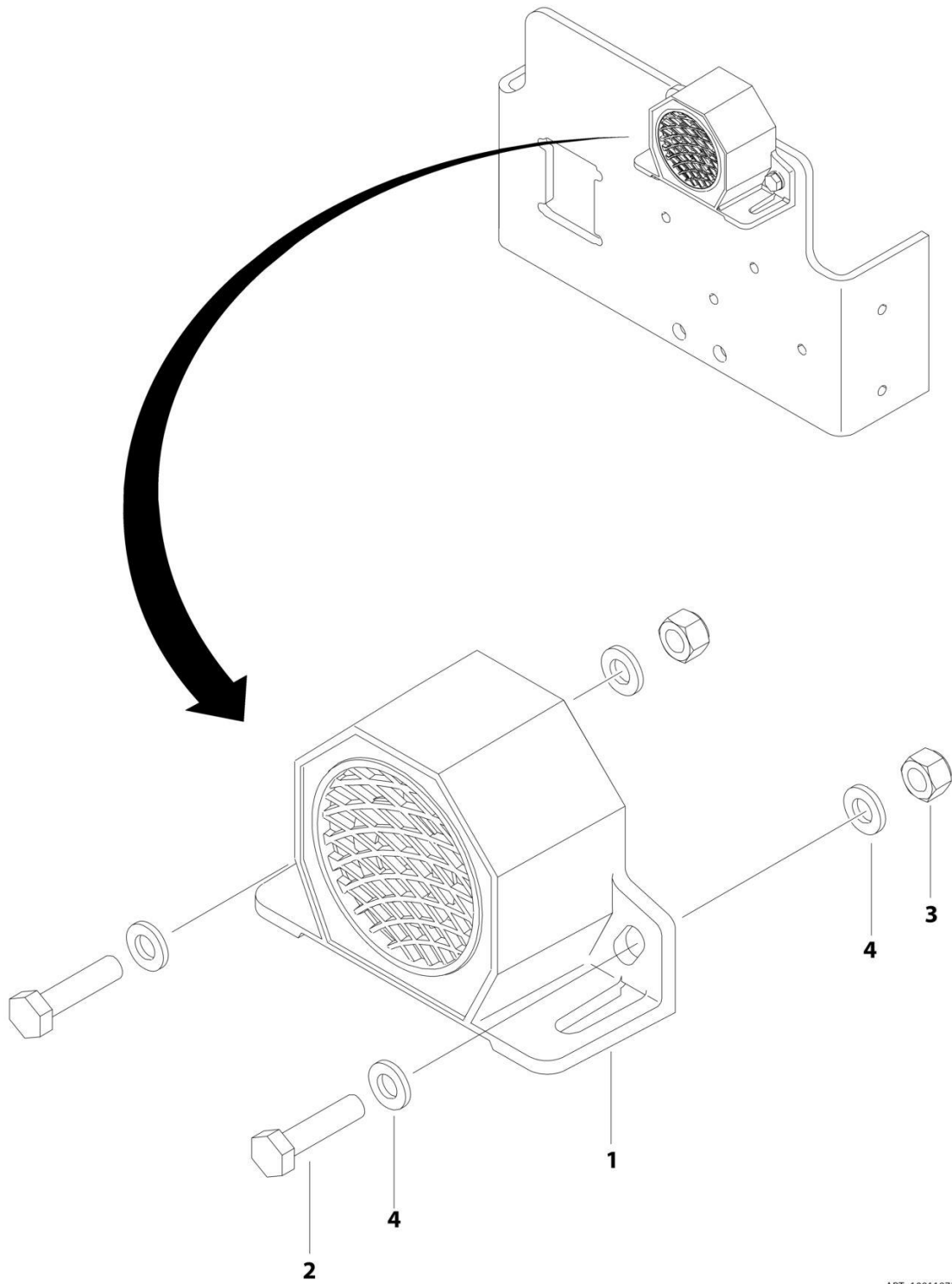
**SECTION 2 - TURNTABLE**

**FIGURE 2-32. LIGHT PANEL INSTALLATION (AUSTRALIAN AND CE SPECS)**

ITEM	PART NUMBER	QTY	DESCRIPTION	REV
2	1001197465 1001199918	Ref 1	LIGHT PANEL INSTALLATION (AUSTRALIAN AND CE SPECS) Decal - Display	A

# SECTION 2 - TURNTABLE

## FIGURE 2-33. ALARM INSTALLATION



ART\_1001197331



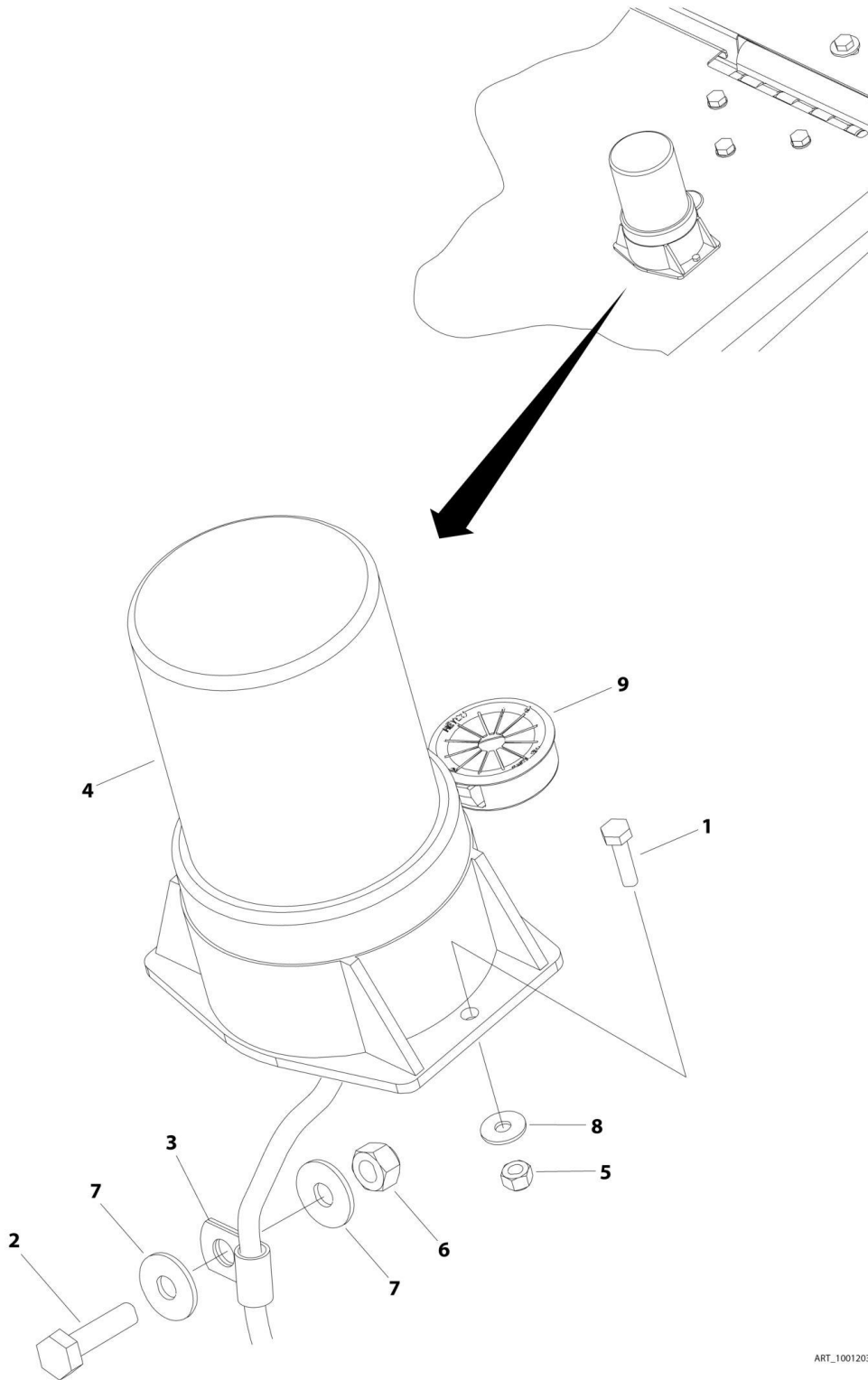
**SECTION 2 - TURNTABLE**

**FIGURE 2-33. ALARM INSTALLATION**

<b>ITEM</b>	<b>PART NUMBER</b>	<b>QTY</b>	<b>DESCRIPTION</b>	<b>REV</b>
	1001197331	Ref	ALARM INSTALLATION	A
1	0140043	1	Alarm	
1	4460536	1	Receptacle, Female - 3 Position	
1	4460943	3	Pin, Male	
2	0700612	2	Bolt M6 x 25	
3	3290605	2	Nut M6	
4	4811700	4	Washer M6	

# SECTION 2 - TURNTABLE

## FIGURE 2-34. STROBE LIGHT INSTALLATION - AMBER



ART\_1001203413

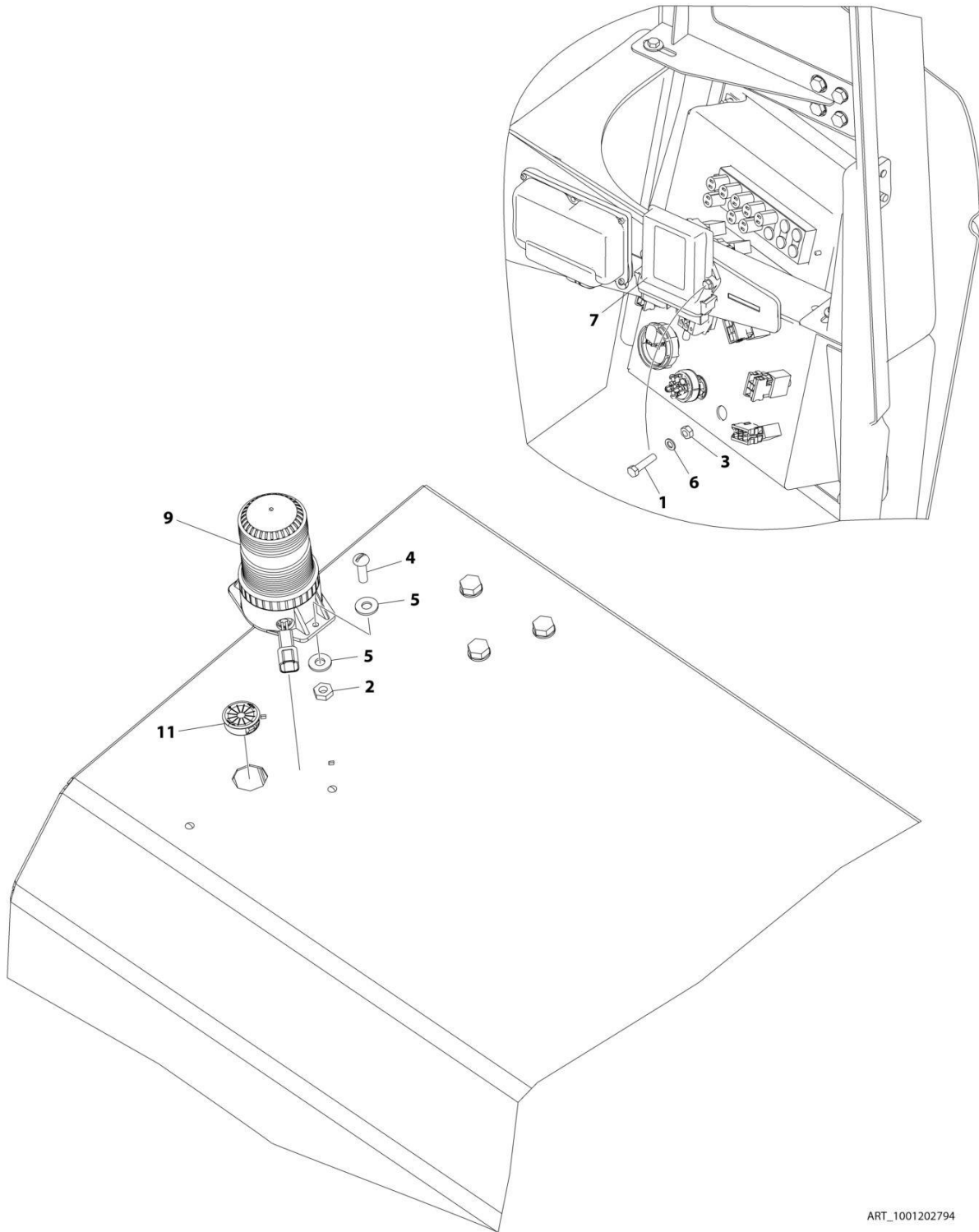
**SECTION 2 - TURNTABLE**

**FIGURE 2-34. STROBE LIGHT INSTALLATION - AMBER**

ITEM	PART NUMBER	QTY	DESCRIPTION	REV
	1001203413	Ref	STROBE LIGHT INSTALLATION - AMBER	A
1	0760408	2	Bolt M4 x 16	
2	0760610	1	Bolt M6 x 20	
3	1320263	2	Clamp	
4	2920161	1	Strobe Light/Guard/Harness Assembly (Amber) (See ELECTRICAL SECTION for Breakdown)	B
4	7016319	1	Bulb, Replacement	
4	7016272	1	Lens, Replacement	
4	4460891	1	Plug, Male - 2 Position	
4	4460465	1	Socket, Female	
5	3290405	2	Nut M4	
6	3290607	1	Nut M6	
7	4811702	2	Washer M6	
8	1001091102	2	Washer M4	
9	1001169085	1	Grommet	
10	1001202787	1	Strobe Light (Amber) Harness (Not Shown)	
10	4460891	1	Plug, Male - 2 Position	
10	4460465	1	Socket, Female	
10	4460897	1	Receptacle, Female - 2 Position	
10	4460464	1	Pin, Male	
100	4060865	1	Guard (Not Shown - Must be Purchased Separately)	

## SECTION 2 - TURNTABLE

FIGURE 2-35. STROBE LIGHT INSTALLATION - BLUE (SN 0300000100 through 0300259280)



ART\_1001202794

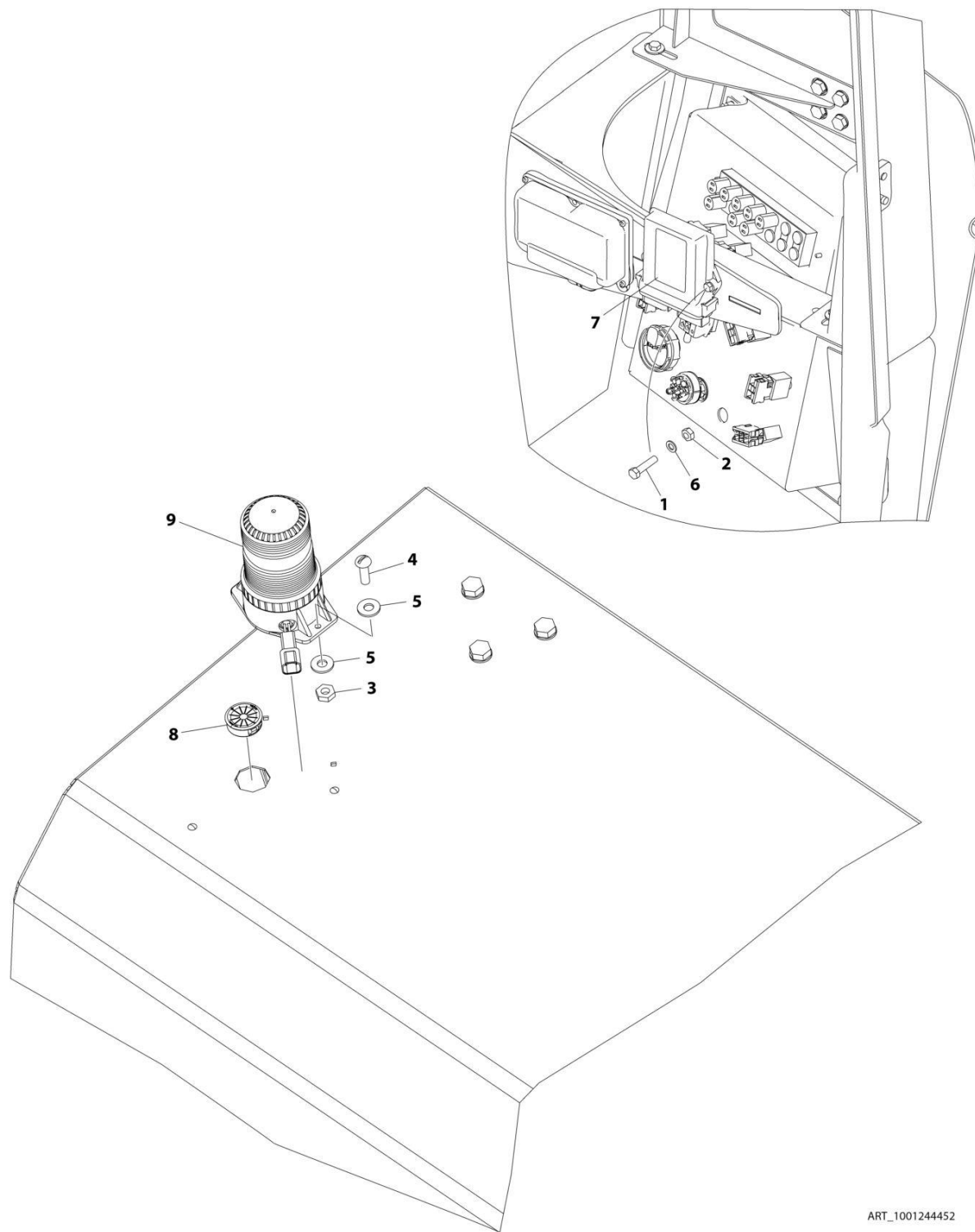
**SECTION 2 - TURNTABLE**

**FIGURE 2-35. STROBE LIGHT INSTALLATION - BLUE (SN 0300000100 through 0300259280)**

ITEM	PART NUMBER	QTY	DESCRIPTION	REV
	1001202794	Ref	STROBE LIGHT INSTALLATION - BLUE	D
1	0700615	2	Bolt M6 x 35	
2	3311005	2	Nut #10	
3	3290605	2	Nut M6	
4	3911010	2	Screw #10 x 5/8	
5	4711000	2	Washer #10	
6	4811700	4	Washer M6	
7	1001142683	1	Decal - Control	
8	1001210781	1	Strobe Light Harness (Not Shown - See ELECTRICAL SECTION for Breakdown)	
9	1001200910	1	Strobe Light/Harness Assembly	
9	4460897	1	Connector - 2 Position	
9	4460464	2	Pin, Male	
11	1001169085	1	Grommet	

## SECTION 2 - TURNTABLE

FIGURE 2-36. STROBE LIGHT INSTALLATION - BLUE (SN 0300259280 through 0300271437)



ART\_1001244452

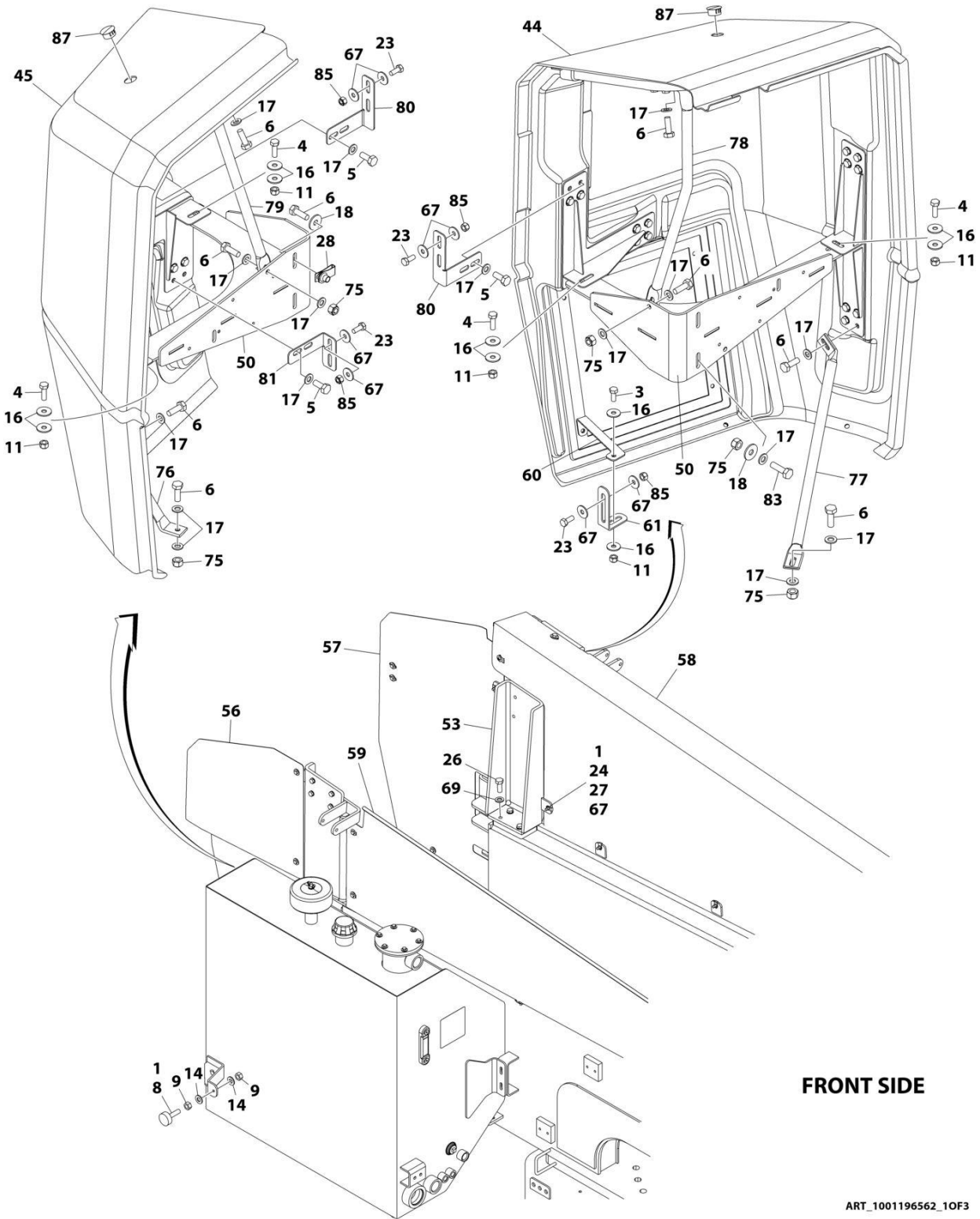
## SECTION 2 - TURNTABLE

**FIGURE 2-36. STROBE LIGHT INSTALLATION - BLUE (SN 0300259280 through 0300271437)**

ITEM	PART NUMBER	QTY	DESCRIPTION	REV
	1001244452	Ref	STROBE LIGHT INSTALLATION - BLUE	B
1	0700615	2	Bolt M6 x 35	
2	3290605	2	Nut M6	
3	3311005	2	Nut #10	
4	3911010	2	Screw #10 x 5/8	
5	4711000	4	Washer #10	
6	4811700	2	Washer M6	
7	1001142683	1	Module, Beacon Control	
8	1001169085	1	Grommet	
9	1001200910	1	Strobe Light/Harness Assembly	
9	4460897	1	Connector - 2 Position	
9	4460464	2	Pin, Male	
10	1001210781	1	Strobe Light Harness (Not Shown - See Separate Breakdown in ELECTRICAL Section)	
11	4460488	3	Mounting Base, Terminal (Not Shown)	
12	1001008559	6	Tie, Strap (Not Shown)	

# SECTION 2 - TURNTABLE

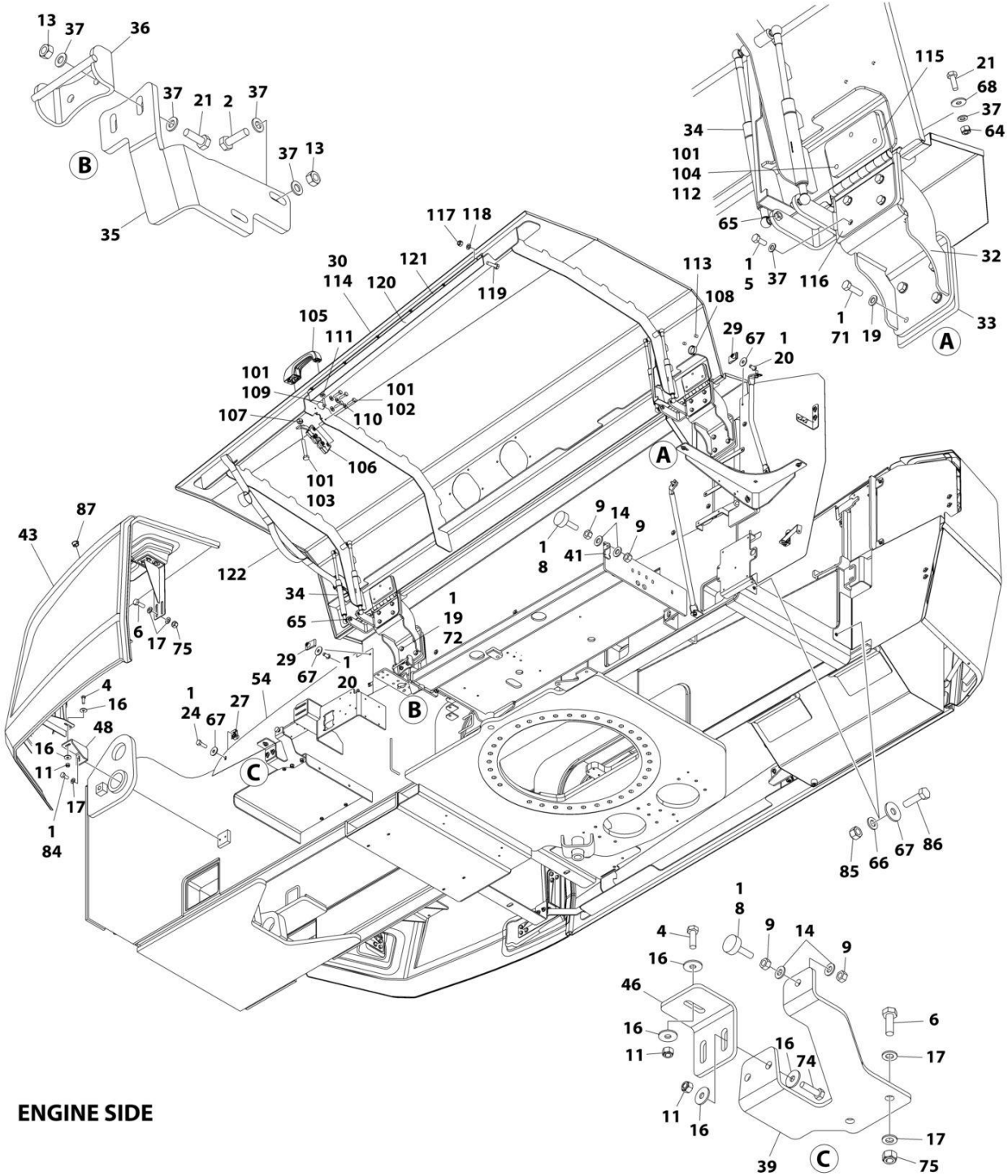
## FIGURE 2-37. HOOD INSTALLATION



ART\_1001196562\_10F3



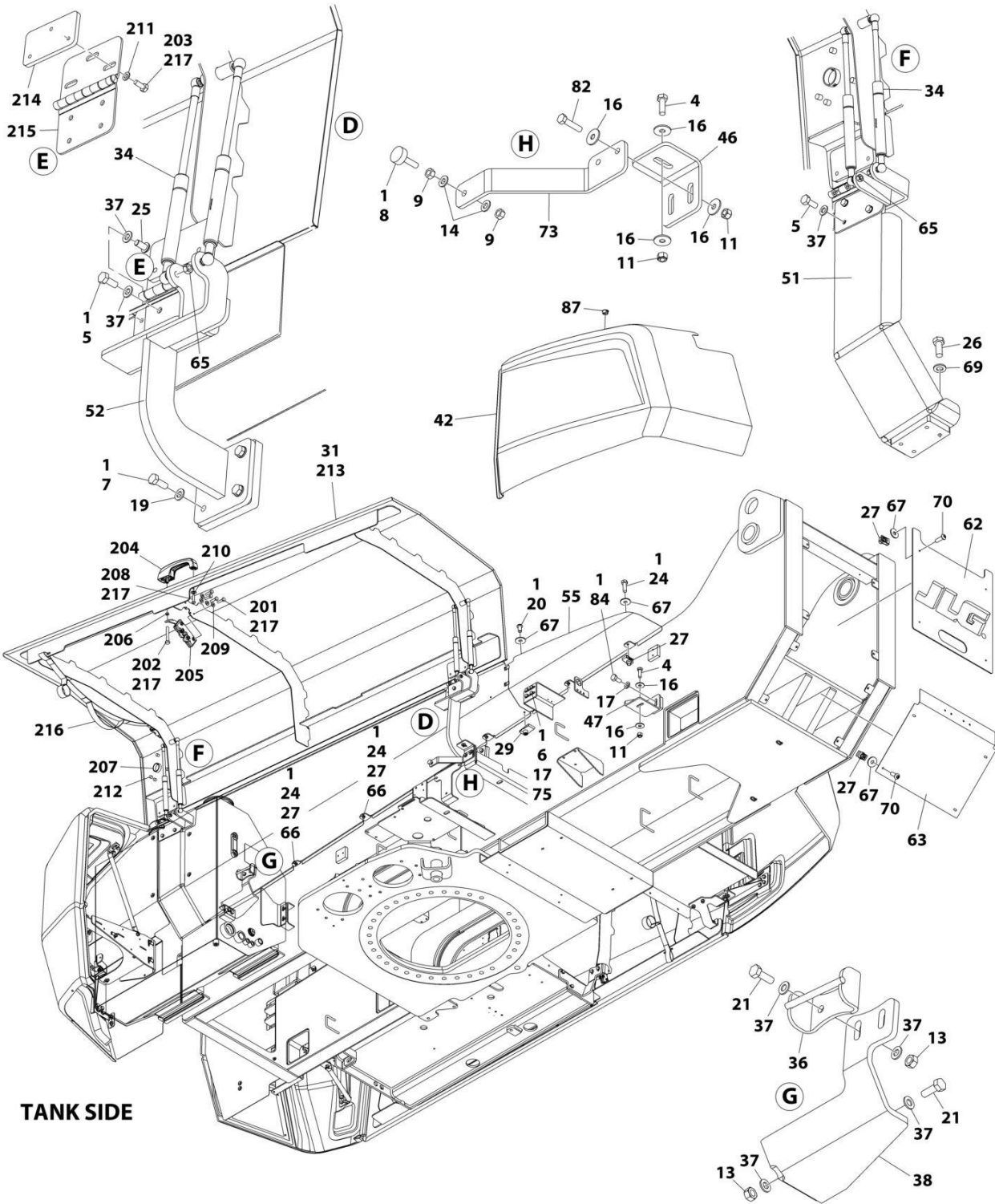
# SECTION 2 - TURNTABLE



ENGINE SIDE

ART\_1001196562\_20F3

# SECTION 2 - TURNTABLE



TANK SIDE

ART\_1001196562\_30F3

## SECTION 2 - TURNTABLE

### FIGURE 2-37. HOOD INSTALLATION

ITEM	PART NUMBER	QTY	DESCRIPTION	REV
	1001196562	Ref	HOOD INSTALLATION	K
1	0100011	AR	Compound, Locking	
2	0701015	2	Bolt M10 x 35	
3	0760810	1	Bolt M8 x 20	
4	0760812	8	Bolt M8 x 25	
5	0761012	22	Bolt M10 x 25	
6	0761014	21	Bolt M10 x 35	
7	0761214	4	Bolt M12 x 30	
8	0940049	4	Bumper	
9	3271501	8	Nut 5/16	
11	3290805	AR	Nut M8	
13	3291007	AR	Nut M10	
14	4711500	8	Washer 5/16	
16	4811902	26	Washer M8	
17	4812000	44	Washer M10	
18	4812002	5	Washer M10	
19	4812100	12	Washer M12	
20	0630615001	6	Screw M8 x 16	
21	0701014001	8	Bolt M10 x 30	
23	0760810001	8	Bolt M8 x 20	
24	0760812001	19	Bolt M8 x 25	
25	0761007001	2	Bolt M10 x 14	
26	0761214001	8	Bolt M12 x 30	
27	1001118274	27	Nut M8	
28	1001118972	3	Nut M10	
29	1001149160	6	Nut M8	
30	1001155438	1	Hood - Engine Side (See Items 101-122 for Breakdown)	
31	1001155456	1	Hood - Tank Side (See Items 201-217 for Breakdown)	
32	1001155591	2	Bracket	
33	1001155832	2	Plate, Spacer	
34	1001156242	8	Spring, Gas <b>(SN 0300000100 through 0300239463)</b>	
34	1001227710	8	Spring, Gas <b>(SN 0300239463 through 0300271437)</b>	
35	1001157730	1	Bracket, Striker	
36	1001157731	2	Bracket, Striker	
37	1001172358	AR	Washer M10	
38	1001197936	1	Bracket, Striker	
39	1001197937	1	Mount, Cover	
41	1001198685	1	Brace	
42	1001199310	1	Cover, Rear Left	
43	1001199319	1	Cover, Rear Right	
44	1001199465	1	Cover, Front Right	
45	1001199468	1	Cover, Front Left	
46	1001199753	2	Support	
47	1001199754	1	Bracket	
48	1001199755	1	Bracket	
50	1001199764	2	Bracket	
51	1001199778	1	Bracket	
52	1001199780	1	Support	
53	1001199782	1	Mount	
54	1001200501	1	Plate	

## SECTION 2 - TURNTABLE

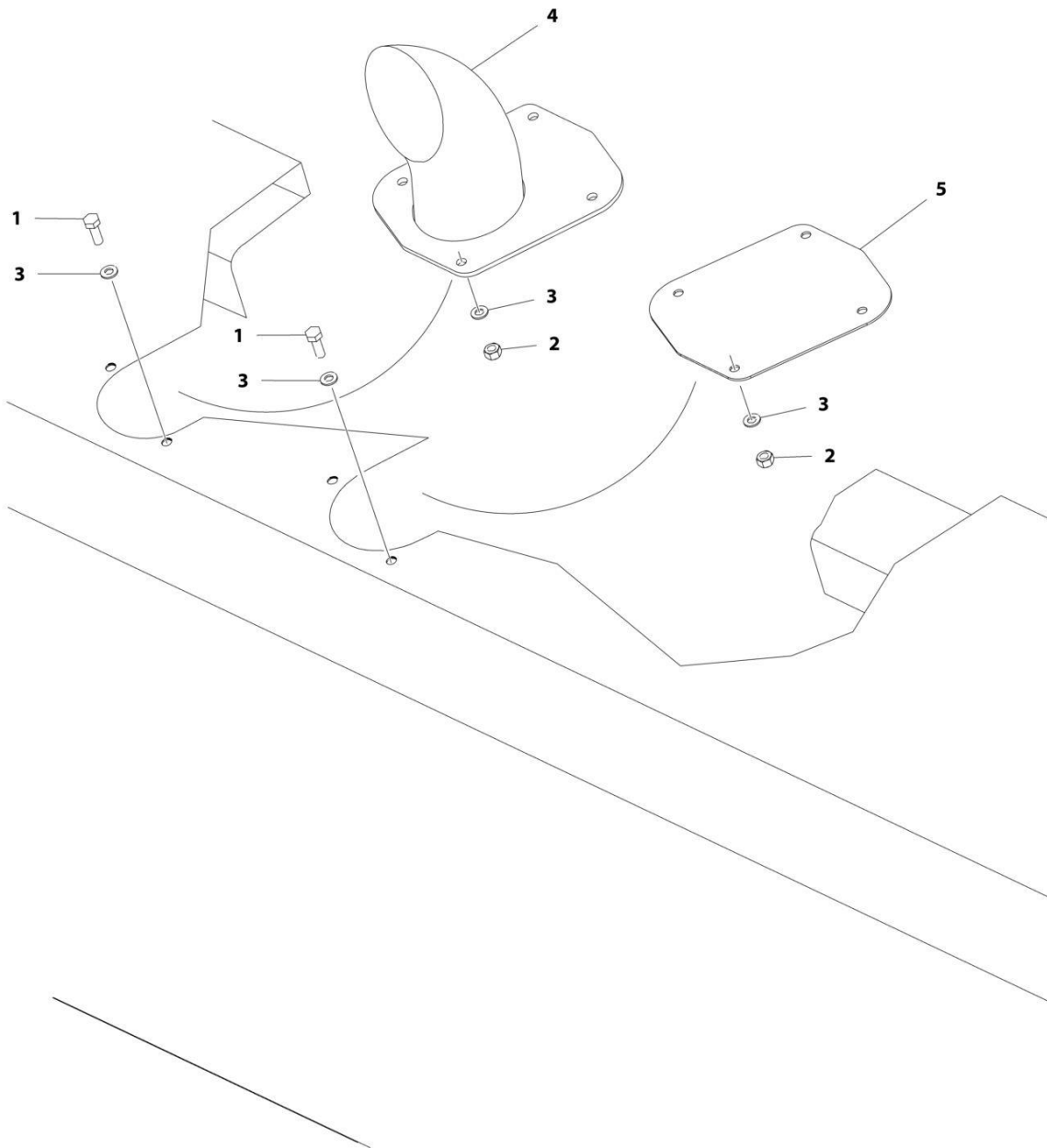
ITEM	PART NUMBER	QTY	DESCRIPTION	REV
55	1001200502	1	Plate	
56	1001200519	1	Panel, Turntable Side	
57	1001200522	1	Cover	
58	1001200532	1	Panel, Filter	
59	1001202169	1	Panel, Hood	
60	1001202181	1	Strut	
61	1001202225	1	Bracket	
62	1001202733	1	Cover, Turntable	
63	1001202734	1	Cover, Turntable	
64	3291005001	2	Nut M10	
65	3291007001	8	Nut M10	
66	4811900001	4	Washer M8	
67	4811902001	49	Washer M8	
68	4812002001	2	Washer M10	
69	4812100001	8	Washer M12	
70	8310643001	8	Screw M8 x 25	
71	0761216	4	Bolt M12 x 40	
72	0761217	4	Bolt M12 x 45	
73	1001209961	1	Bracket, Bumper	
74	0760814	2	Bolt M8 x 30	
75	3291005	16	Nut M10	
76	1001209626	1	Brace	
77	1001209935	1	Brace	
78	1001210116	1	Brace	
79	1001210259	1	Brace	
80	1001210283	2	Bracket	
81	1001210294	1	Bracket	
82	0760815	2	Bolt M8 x 35	
83	0761015	2	Bolt M10 x 35	
84	0761011	4	Bolt M10 x 22	
85	3290805001	AR	Nut M8	
86	0760814001	2	Bolt M8 x 30	
87	1001131130	4	Plug	
	1001155438	Ref	HOOD ASSEMBLY - ENGINE SIDE	E
88	1001180620	AR	Compound, Locking	
		Ref	Note: Replacement Decals Must be Ordered Separately - See DECAL SECTION.	
101	0100011	AR	Compound, Locking	
102	0641408	4	Bolt 1/4 x 1	
103	0700616	1	Bolt 5/16 x 3/4	
104	0761012001	1	Bolt M10 x 25	
105	2560187	1	Handle, Push Button	
106	2940173	1	Latch	
107	3290601	1	Nut M6	
108	3520032	1	Plug	
109	3900363	2	Screw M6 x 25	
110	4711400	AR	Washer 1/4	
111	4811900	AR	Washer M8	
112	1001172358	AR	Washer M10	
113	3520173	2	Plug	
114	1001155437	1	Hood	
115	1001155584	2	Plate	

**SECTION 2 - TURNTABLE**

ITEM	PART NUMBER	QTY	DESCRIPTION	REV
116	1001156347	2	Hinge	
117	3290605	6	Nut M6	
118	4811700	AR	Washer M6	
119	0760612	6	Bolt M6 x 25	
120	1001157906	1	Seal	
121	1001157907	1	Plate	
122	1001160505	1	Strap	
	1001155456	Ref	HOOD ASSEMBLY - TANK SIDE	D
		Ref	Note: Replacement Decals Must be Ordered Separately - See DECAL SECTION.	
201	0641408	4	Bolt 1/4 x 1	
202	0700616	1	Bolt 5/16 x 3/4	
203	0761012001	6	Bolt M10 x 25	
204	2560187	1	Handle, Push Button	
205	2940173	1	Latch	
206	3290601	1	Nut M6	
207	3520032	1	Plug	
208	3900363	2	Screw M6 x 25	
209	4711400	AR	Washer 1/4	
210	4811900	AR	Washer M8	
211	1001172358	AR	Washer M10	
212	3520173	2	Plug	
213	1001155454	1	Hood	
214	1001155584	2	Plate	
215	1001156347	2	Hinge	
216	1001160505	1	Strap	
217	0100011	AR	Compound, Locking	

# SECTION 2 - TURNTABLE

## FIGURE 2-38. VENTURI INSTALLATION (HRC)



ART\_1001161488

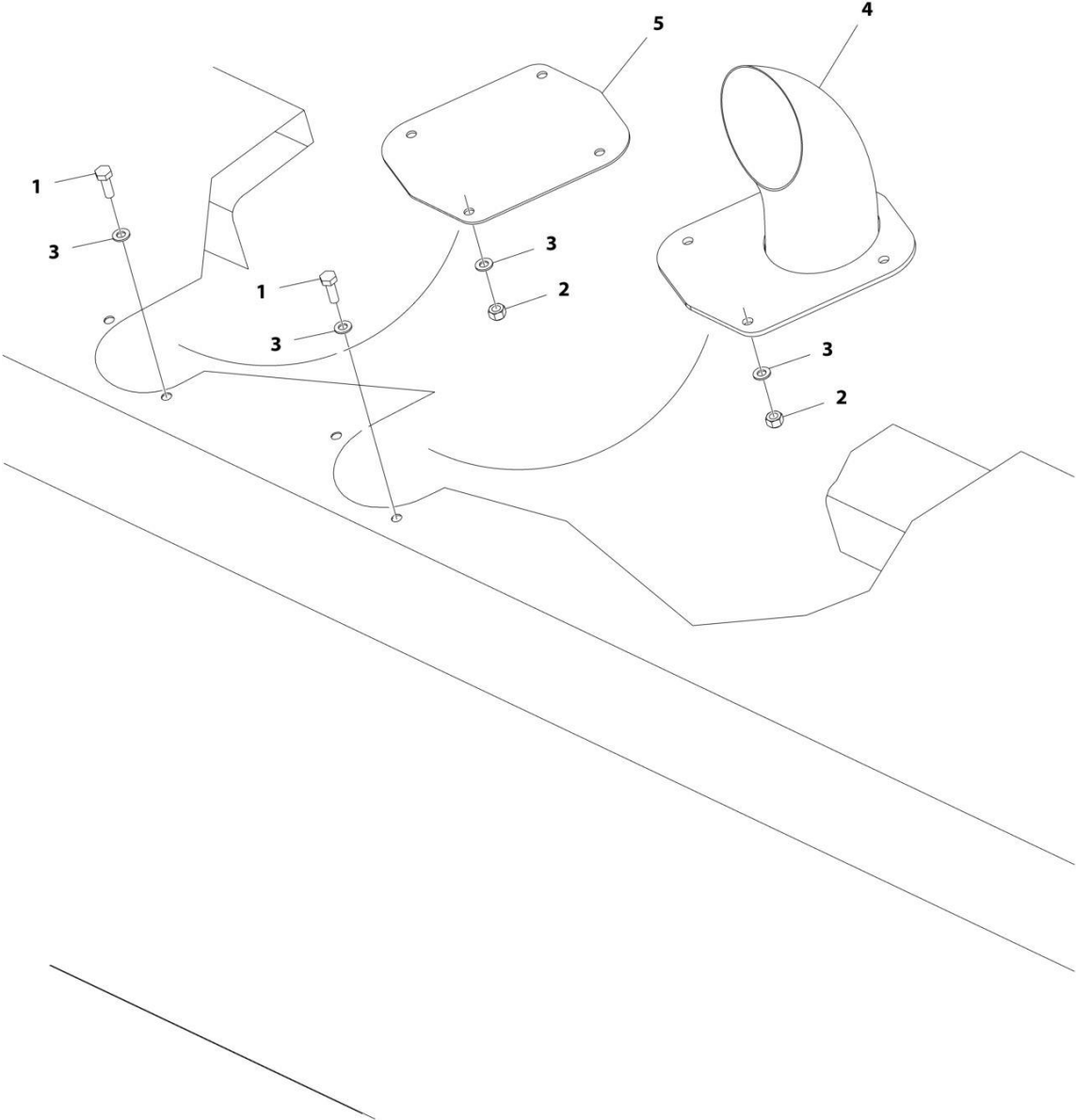
**SECTION 2 - TURNTABLE**

**FIGURE 2-38. VENTURI INSTALLATION (HRC)**

<b>ITEM</b>	<b>PART NUMBER</b>	<b>QTY</b>	<b>DESCRIPTION</b>	<b>REV</b>
	1001161488	Ref	VENTURI INSTALLATION (HRC)	E
		Ref	Note: ANSI, ANSI Export, CSA, CE and Japanese Specs.	
1	0701014001	AR	Bolt M10 x 30	
2	3291005001	AR	Nut M10	
3	1001172358	AR	Washer M10	
4	1001155527	1	Venturi, Exhaust	
5	1001190927	1	Panel	

**SECTION 2 - TURNTABLE**

**FIGURE 2-39. VENTURI INSTALLATION (LRC)**



ART\_1001190032



**SECTION 2 - TURNTABLE**

**FIGURE 2-39. VENTURI INSTALLATION (LRC)**

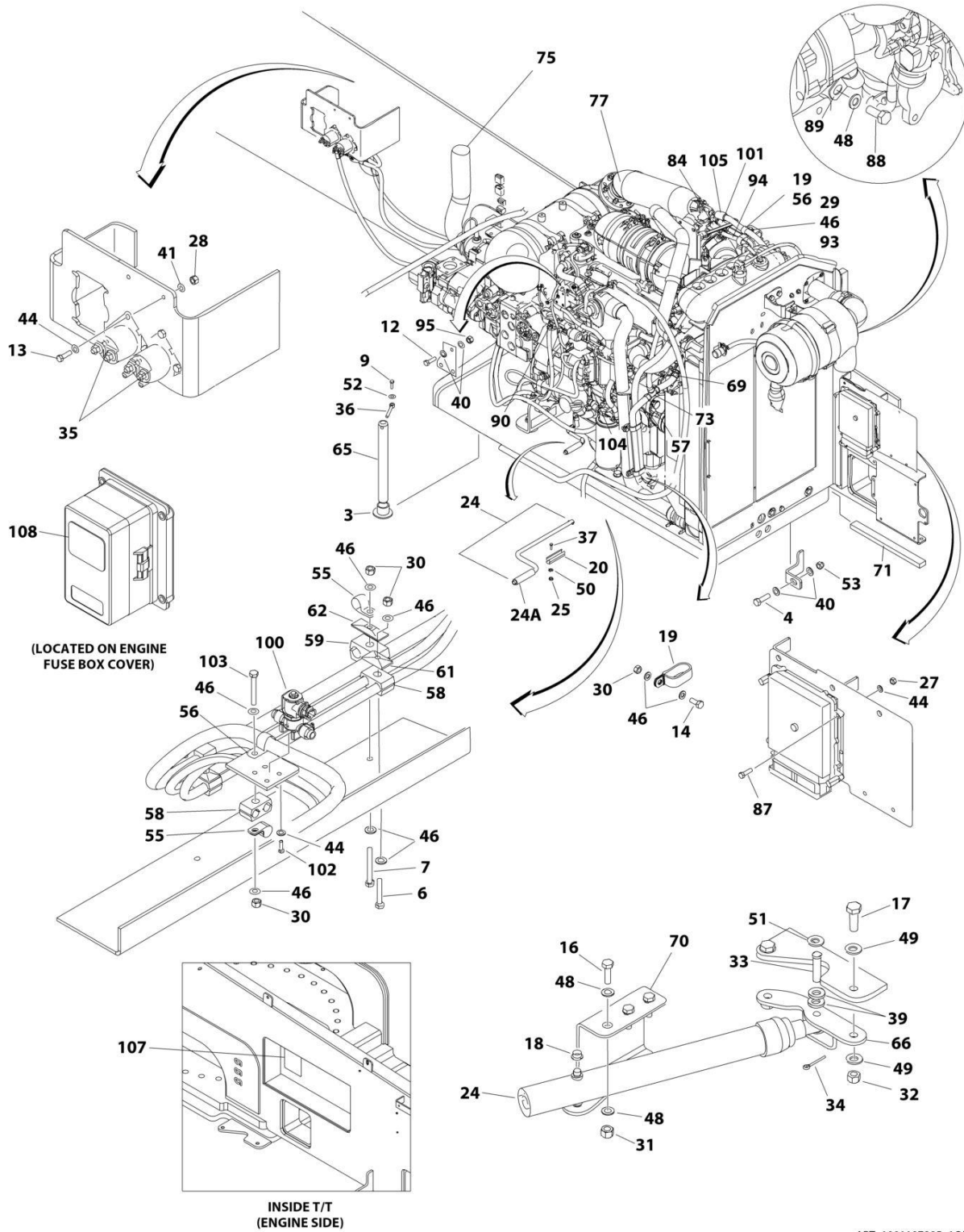
<b>ITEM</b>	<b>PART NUMBER</b>	<b>QTY</b>	<b>DESCRIPTION</b>	<b>REV</b>
	1001190032	Ref	VENTURI INSTALLATION (LRC)	B
		Ref	Note: ANSI Export, AUSTRALIAN, CE and Chinese Specs.	
1	0701014001	AR	Bolt M10 x 30	
2	3291005001	AR	Nut M10	
3	1001172358	AR	Washer M10	
4	1001161470	1	Venturi, Exhaust	
5	1001190927	1	Panel	



**SECTION 3 - ENGINE**

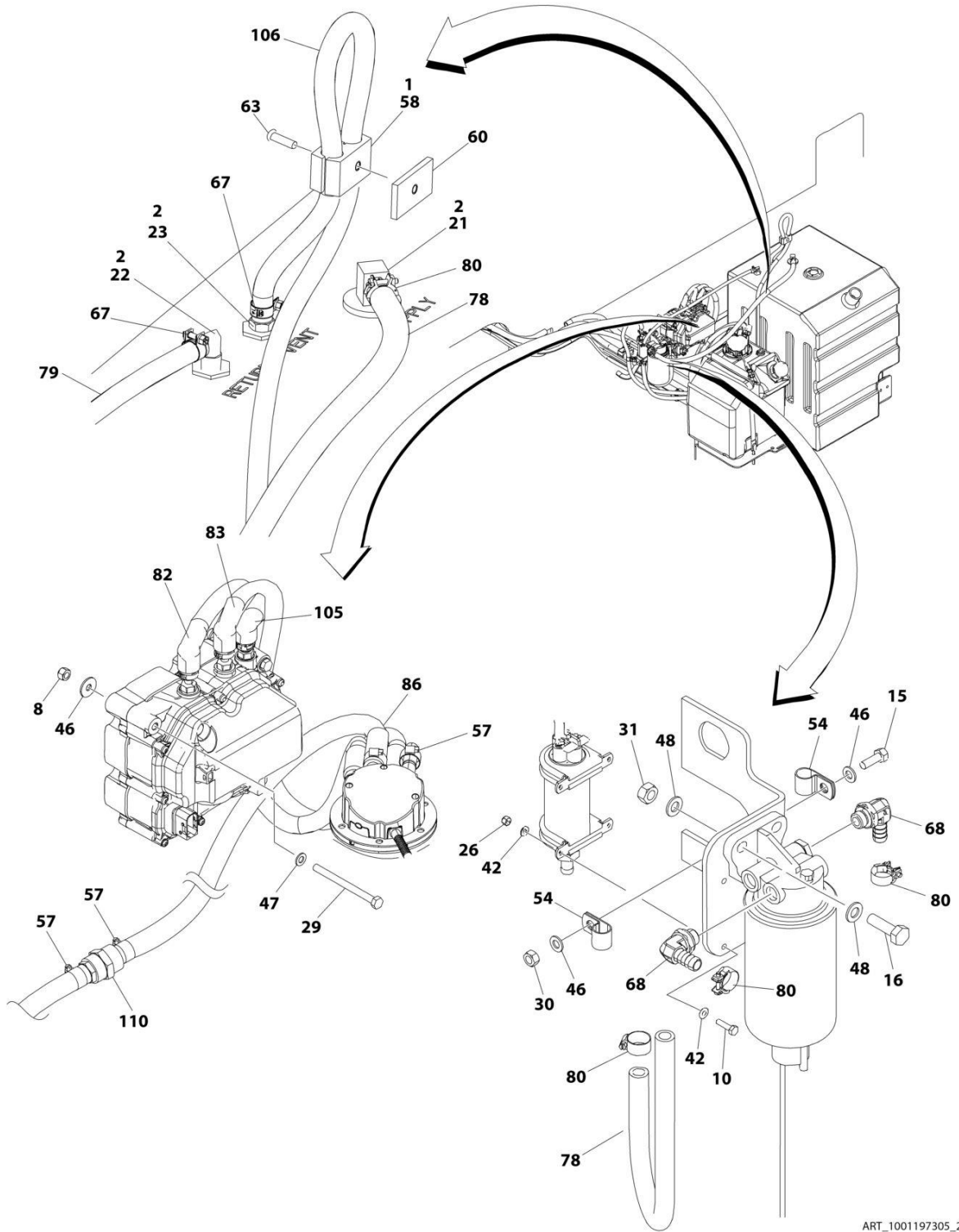
# SECTION 3 - ENGINE

FIGURE 3-1. ENGINE INSTALLATION (HRC) (WITHOUT COLD WEATHER PACKAGE) (SN 0300000100 through 0300254483)



ART\_1001197305\_10F2

# SECTION 3 - ENGINE



ART\_1001197305\_20F2

## SECTION 3 - ENGINE

**FIGURE 3-1. ENGINE INSTALLATION (HRC) (WITHOUT COLD WEATHER PACKAGE) (SN 0300000100 through 0300254483)**

ITEM	PART NUMBER	QTY	DESCRIPTION	REV
	1001197305	Ref	ENGINE INSTALLATION (HRC) (WITHOUT COLD WEATHER PACKAGE)	K
1	0100011	AR	Compound, Locking	
2	0100020	AR	Sealant	
3	0440162	1	Bearing	
4	0642220	1	Bolt 3/4 x 2-1/2	
6	0700818	2	Bolt M8 x 50	
7	0700822	2	Bolt M8 x 70	
8	0700827	3	Bolt M8 x 100	
9	0711015	1	Bolt M10 x 35	
10	0760408	4	Bolt M4 x 16	
12	0760608	AR	Bolt M6 x 16	
13	0760610	4	Bolt M6 x 20 (SN 0300000100 through 0300226018)	
14	0760810	AR	Bolt M8 x 20	
15	0760812	2	Bolt M8 x 25	
16	0761015	5	Bolt M10 x 35	
17	0771416	2	Bolt M14 x 40	
18	0962051	2	Bearing	
19	1321716	AR	Clamp	
20	1380147	1	Clip	
21	2180832	1	Fitting, Straight Barbed/NPTF	
22	2220313	1	Fitting, 90 Barbed/NPTF	
23	2221114	1	Fitting, Straight Barbed/NPT	
24	2840016	1	Tray Jack Assembly	
24	7016322	1	Wiper (Burr Brand)	
24A	7016374	1	Handle (Burr Brand)	
24A	7024598	1	Handle (Hammerblow Brand)	
25	3290301	2	Nut M3	
26	3290405	4	Nut M4	
27	3290605	5	Nut M6	
28	3290607	4	Nut M6 (SN 0300000100 through 0300226018)	
29	3290805	5	Nut M8	
30	3290807	AR	Nut M8	
31	3291007	5	Nut M10	
32	3331411	2	Nut M14	
33	3430816	1	Pin	
34	3450404	1	Pin, Cotter 1/8 x 1	
35	3740067	2	Relay (SN 0300000100 through 0300226018)	
36	3841143	1	Keeper, Pin	
37	4010308	2	Screw M3 x 16	
38	4240099	AR	Tie-Strap (Not Shown)	
39	4711800	2	Washer 1/2	
40	4712200	2	Washer 3/4	
41	4791400	4	Washer 1/4 (SN 0300000100 through 0300226018)	
42	4811400	8	Washer M4	
44	4811700	14	Washer M6	
46	4811900	25	Washer M8	
47	4811902	3	Washer M8	
48	4812000	11	Washer M10	

## SECTION 3 - ENGINE

ITEM	PART NUMBER	QTY	DESCRIPTION	REV
49	4812200	4	Washer M14	
50	4871200	2	Washer M3	
51	4891800	1	Washer 1/2	
52	5241000	1	Washer M10	
53	8310067	1	Nut 3/4	
54	8406101	2	Clip	
55	8406102	3	Clip	
56	8406201	4	Clip	
57	8410009	AR	Clamp	
58	8750014	4	Clamp	
59	8750027	2	Clamp Set	
60	8750031	1	Plate, Clamp	
61	8769123	2	Cover, Clamp	
62	77133137	2	Cover, Clamp	
63	1001101580	1	Screw M8 x 30	
64	1001103452	AR	Coolant (Not Shown)	
65	1001135196	1	Pin	
66	1001135497	1	Support	
67	1001136975	5	Clamp	
68	1001142501	2	Fitting, 90 Barbed	
69	1001154262	2	Fitting, Straight Barbed	
70	1001155939	1	Mount	
71	1001206747	1	Seal	
73	1001162212	2	Fitting, Tee Barbed	
74	1001162986	AR	Fluid, Diesel Exhaust (Not Shown)	
75	1001190475	1	Pipe, Exhaust	
77	1001199582	1	Engine Assembly with Pumps (HRC) (Without Cold Weather Package) (See ENGINE ASSEMBLY WITH PUMPS (HRC) (WITHOUT COLD WEATHER PACKAGE) for Breakdown)	
78	1001154405	53 in/ 1.4m	Hose	
79	1001165035	31 ft/ 9.4m	Hose	
80	1001175568	4	Clip	
82	1001187516	1	Hose, Suction	
83	1001187517	1	Hose, Backflow	
84	1001193980	1	Hose, Return	
86	82033995	374 in/ 9.5m	Hose	
87	0700614	4	Bolt M6 x 30	
88	0761009	1	Bolt M10 x 18	
89	8406105	1	Clip	
90	1001155823	1	Fitting, 90 Barbed	
93	0760814	1	Bolt M8 x 30	
94	1321716	1	Clamp (SN 0300000100 through 0300226018)	
95	3290605	1	Nut M6 (SN 0300000100 through 0300226018)	
100	1001199670	1	Valve, Flow	
101	1001212825	1	Hose	
102	0760606	4	Bolt M6 x 12	
103	0700820	1	Bolt M8 x 60	
104	0760807	1	Bolt M8 x 14 (SN 0300000100 through 0300226018)	
105	1001213643	1	Hose (SN 0300000100 through 0300226018)	

## SECTION 3 - ENGINE

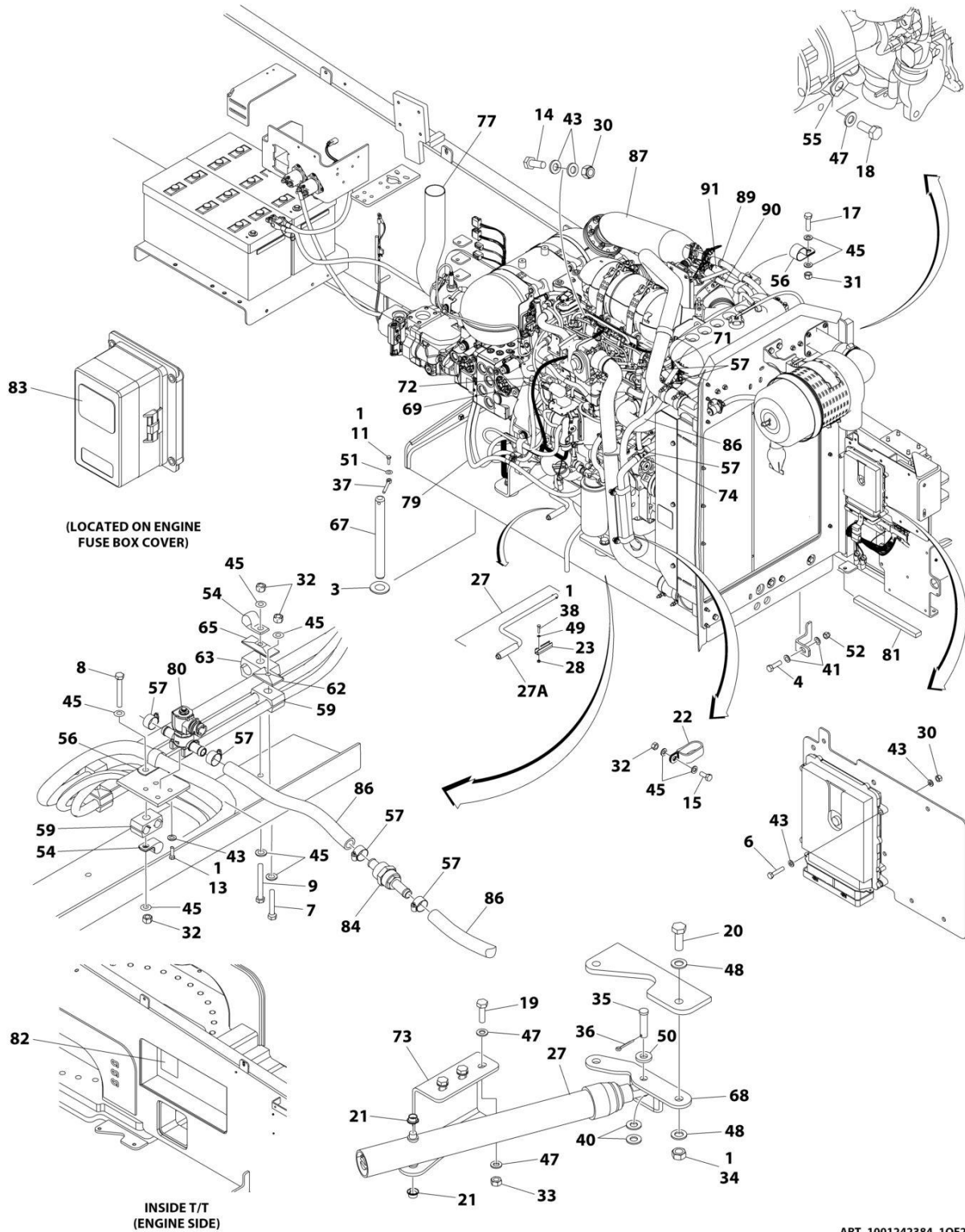
ITEM	PART NUMBER	QTY	DESCRIPTION	REV
105	1001187518	1	Hose (SN 0300226018 through 0300254482)	
106	2750532	4 ft/ 1.2m	Hose	
107	1001212056	1	Decal - Engine Fuse Box (SN 0300226018 through 0300254482)	
108	1001224046	1	Decal - Engine Fuse Box Cover (SN 0300226018 through 0300254482)	
110	1001228872	1	Filter, Coolant Screen (SN 0300244681 through 0300254482)	



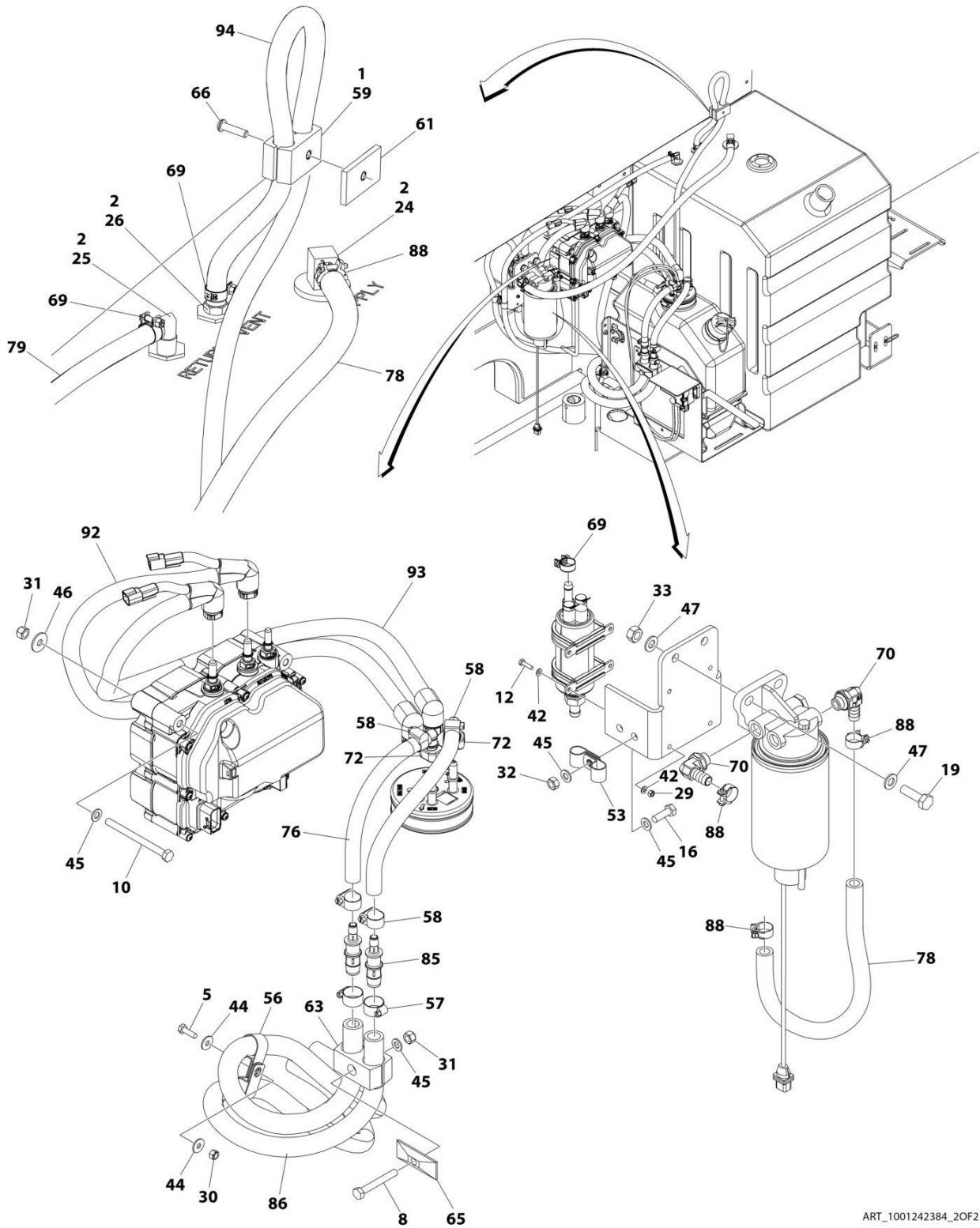


# SECTION 3 - ENGINE

## FIGURE 3-2. ENGINE INSTALLATION (HRC) (WITHOUT COLD WEATHER PACKAGE) (SN 0300254483 through 0300271437)



# SECTION 3 - ENGINE



ART\_1001242384\_2OF2

## SECTION 3 - ENGINE

**FIGURE 3-2. ENGINE INSTALLATION (HRC) (WITHOUT COLD WEATHER PACKAGE) (SN 0300254483 through 0300271437)**

ITEM	PART NUMBER	QTY	DESCRIPTION	REV
	1001242384	Ref	ENGINE INSTALLATION (HRC) (WITHOUT COLD WEATHER PACKAGE)	B
1	0100011	AR	Compound, Locking	
2	0100020	AR	Sealant	
3	0440162	1	Bearing	
4	0642220	1	Bolt 3/4 x 2-1/2	
5	0700610	1	Bolt M6 x 20	
6	0700614	4	Bolt M6 x 30	
7	0700818	2	Bolt M8 x 50	
8	0700820	2	Bolt M8 x 60	
9	0700822	2	Bolt M8 x 70	
10	0700827	3	Bolt M8 x 100	
11	0711015	1	Bolt M10 x 35	
12	0760408	4	Bolt M4 x 16	
13	0760606	4	Bolt M6 x 12	
14	0760608	1	Bolt M6 x 16	
15	0760810	3	Bolt M8 x 20	
16	0760812	2	Bolt M8 x 25	
17	0760814	1	Bolt M8 x 30	
18	0761009	1	Bolt M10 x 18	
19	0761015	5	Bolt M10 x 35	
20	0771416	2	Bolt M14 x 40	
21	0962051	2	Bearing	
22	1321716	3	Clamp	
23	1380147	1	Clip	
24	2180832	1	Fitting, Straight Barbed/NPTF	
25	2220313	1	Fitting, 90 Barbed/NPTF	
26	2221114	1	Fitting, Straight Barbed/NPT	
27	2840016	1	Tray Jack Assembly	
27	7016322	1	Wiper (Burr Brand)	
27A	7016374	1	Handle (Burr Brand)	
27A	7024598	1	Handle (Hammerblow Brand)	
28	3290301	2	Nut M3	
29	3290405	4	Nut M4	
30	3290605	6	Nut M6	
31	3290805	6	Nut M8	
32	3290807	9	Nut M8	
33	3291007	5	Nut M10	
34	3331411	2	Nut M14	
35	3430816	1	Pin	
36	3450404	1	Pin, Cotter 1/8 x 1	
37	3841143	1	Keeper, Pin	
38	4010308	2	Screw M3 x 16	
39	4240099	AR	Tie-Strap (Not Shown)	
40	4711800	2	Washer 1/2	
41	4712200	2	Washer 3/4	
42	4811400	8	Washer M4	
43	4811700	14	Washer M6	
44	4811702	2	Washer M6	

## SECTION 3 - ENGINE

ITEM	PART NUMBER	QTY	DESCRIPTION	REV
45	4811900	26	Washer M8	
46	4811902	3	Washer M8	
47	4812000	11	Washer M10	
48	4812200	4	Washer M14	
49	4871200	2	Washer M3	
50	4891800	1	Washer 1/2	
51	5241000	1	Washer M10	
52	8310067	1	Nut 3/4	
53	8406101	2	Clip	
54	8406102	3	Clip	
55	8406105	1	Clip	
56	8406201	6	Clip	
57	8410009	14	Clamp	
58	8410013	4	Clamp	
59	8750014	4	Clamp	
60	8750027	2	Clamp Set (SN 0300254483 through 0300255069)	
61	8750031	1	Plate, Clamp	
62	8769123	2	Cover, Clamp	
63	8769127	AR	Clamp	
64	1001103452	AR	Coolant (Not Shown)	
65	77133137	3	Cover, Clamp	
66	1001101580	1	Screw M8 x 30	
67	1001135196	1	Pin	
68	1001135497	1	Support	
69	1001136975	5	Clamp	
70	1001142501	2	Fitting, 90 Barbed	
71	1001154262	2	Fitting, Straight Barbed	
72	1001155823	3	Fitting, 90 Barbed	
73	1001155939	1	Mount	
74	1001162212	2	Fitting, Tee Barbed	
75	1001162986	AR	Fluid, Diesel Exhaust (Not Shown)	
76	1001181625	2 ft/ 0.61m	Hose	
77	1001190475	1	Pipe, Exhaust	
78	1001154405	53 in/ 1.4m	Hose	
79	1001165035	31 ft/ 9.4m	Hose	
80	1001199670	1	Valve, Flow	
81	1001206747	1	Seal	
82	1001212056	1	Decal - Engine Fuse Box	
83	1001224046	1	Decal - Engine Fuse Box Cover	
84	1001228872	1	Filter, Coolant Screen	
85	1001238470	2	Fitting, Reducer Barbed	
86	82033995	378 in/ 9.6m	Hose	
87	1001242382	1	Engine Assembly with Pumps (HRC) (Without Cold Weather Package) (See ENGINE ASSEMBLY WITH PUMPS (HRC) (WITHOUT COLD WEATHER PACKAGE) for Breakdown)	
88	1001175568	4	Clip (SN 0300254483 through 0300255069)	
88	1001186342	4	Clip (SN 0300255070 through 0300271437)	
89	1001187518	1	Hose	
90	1001193980	1	Hose, Return	

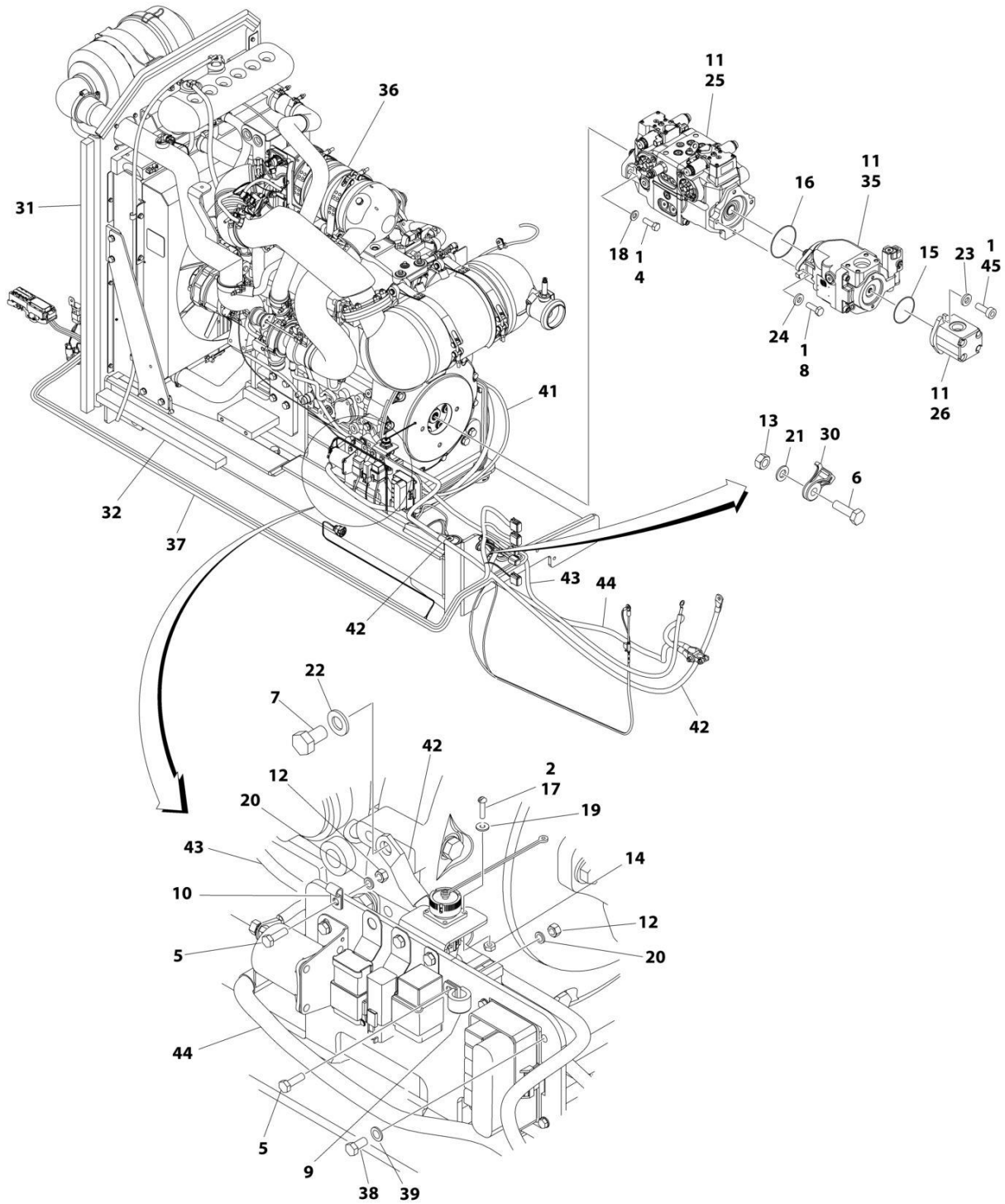
## SECTION 3 - ENGINE

ITEM	PART NUMBER	QTY	DESCRIPTION	REV
91	1001212825	1	Hose	
92	1001238401	1	Hose, Backflow	
93	1001238402	1	Hose, Suction	
94	2750532	4 ft/ 1.2m	Hose	



# SECTION 3 - ENGINE

FIGURE 3-3. ENGINE ASSEMBLY WITH PUMPS (HRC) (WITHOUT COLD WEATHER PACKAGE) (SN 0300000100 through 0300254483)



ART\_1001199582



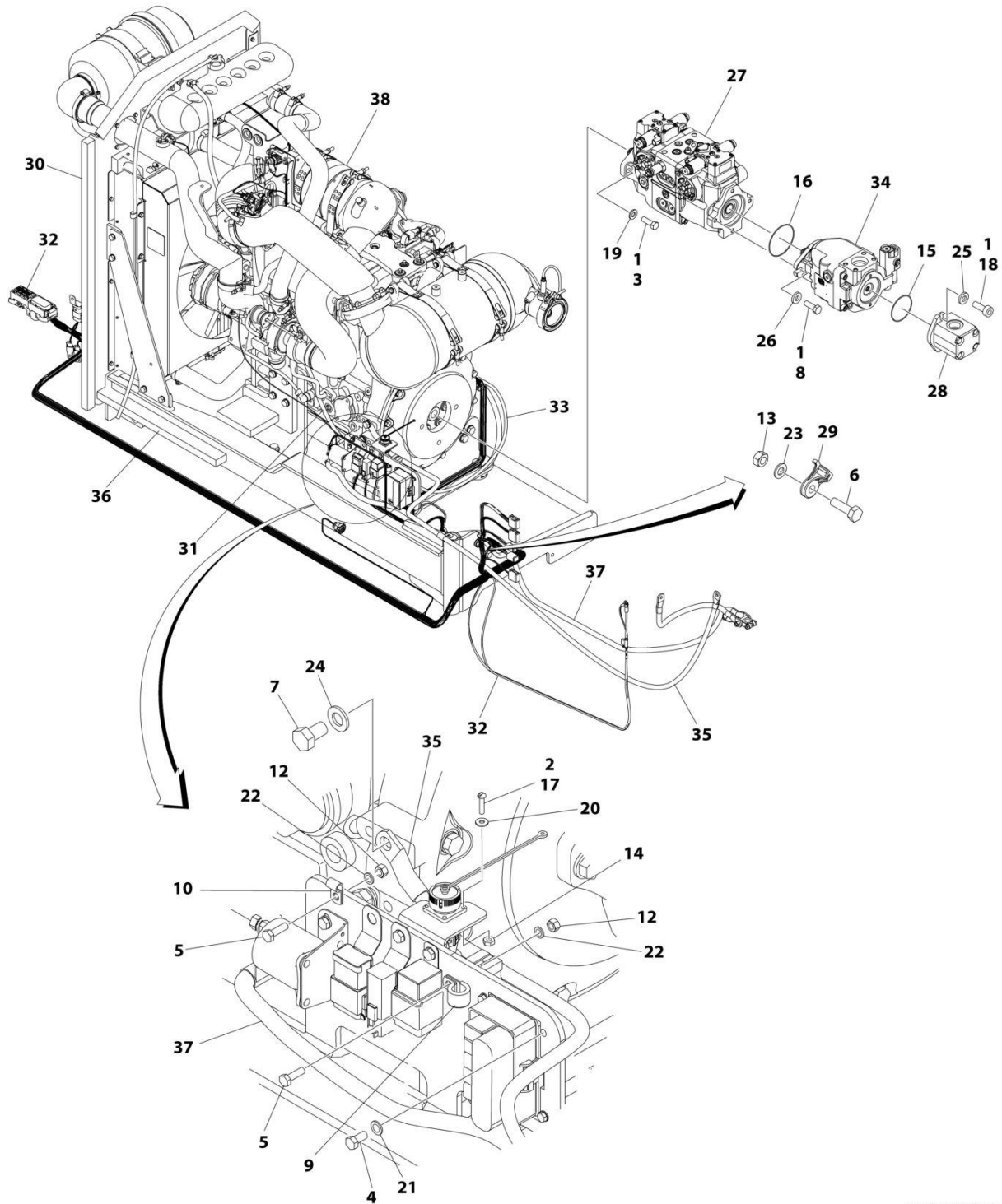
## SECTION 3 - ENGINE

**FIGURE 3-3. ENGINE ASSEMBLY WITH PUMPS (HRC) (WITHOUT COLD WEATHER PACKAGE) (SN 0300000100 through 0300254483)**

ITEM	PART NUMBER	QTY	DESCRIPTION	REV
	1001199582	Ref	ENGINE ASSEMBLY WITH PUMPS (HRC) (WITHOUT COLD WEATHER PACKAGE)	I
1	0100011	AR	Compound, Locking	
2	0100035	AR	Compound, Locking	
4	0641812	2	Bolt 1/2 x 1-1/2	
5	0760610	2	Bolt M6 x 20	
6	0761015	2	Bolt M10 x 35	
7	0761210	1	Bolt M12 x 20	
8	0761216	2	Bolt M12 x 40	
9	1320041	1	Clamp	
10	1320136	1	Clamp	
11	3020037	AR	Grease, Coupling	
12	3290607	2	Nut M6	
13	3291007	2	Nut M10	
14	3310401	3	Nut #4	
15	3790152	1	O-Ring	
16	3790155	1	O-Ring	
17	3910408	3	Screw #4 x 1/2	
18	4740171	2	Washer	
19	4750400	3	Washer #4	
20	4811700	2	Washer M6	
21	4812000	2	Washer M10	
22	4812100	1	Washer M12	
23	4891600	2	Washer 3/8	
24	4891800	2	Washer 1/2	
25	1001108616	1	Tandem Pump Assembly (See TANDEM PUMP ASSEMBLY for Breakdown)	
26	1001112927	1	Gear Pump Assembly (See GEAR PUMP ASSEMBLY for Breakdown)	
30	1001156107	2	Holder, Cable	
31	1001156718	1	Seal	
32	1001206747	1	Seal	
35	1001199470	1	Piston Pump Assembly (See PISTON PUMP ASSEMBLY for Breakdown)	
36	1001186579	1	Engine Assembly (HRC) (Without Cold Weather Package) (See ENGINE ASSEMBLY (HRC) (WITHOUT COLD WEATHER PACKAGE) for Breakdown)	
37	1001188922	1	Engine Harness (See ELECTRICAL SECTION for Breakdown)	
38	0760508	4	Bolt M5 x 16	
39	4811600	4	Washer M5	
41	1001197445	1	Cable, Glow Plug	
42	1001202355	1	Cable, Battery Negative	
43	1001157073	1	Cable, Alternator	
44	1001202356	NLA	Cable, Battery Positive (Use p/n 1001234791) <b>(SN 0300000100 through 0300243485)</b>	
44	1001234791	1	Cable, Battery Positive <b>(SN 0300243485 through 0300254482)</b>	
45	3931620	2	Capscrew 3/8 x 1-1/4	

# SECTION 3 - ENGINE

FIGURE 3-4. ENGINE ASSEMBLY WITH PUMPS (HRC) (WITHOUT COLD WEATHER PACKAGE) (SN 0300254483 through 0300271437)



ART\_1001242382

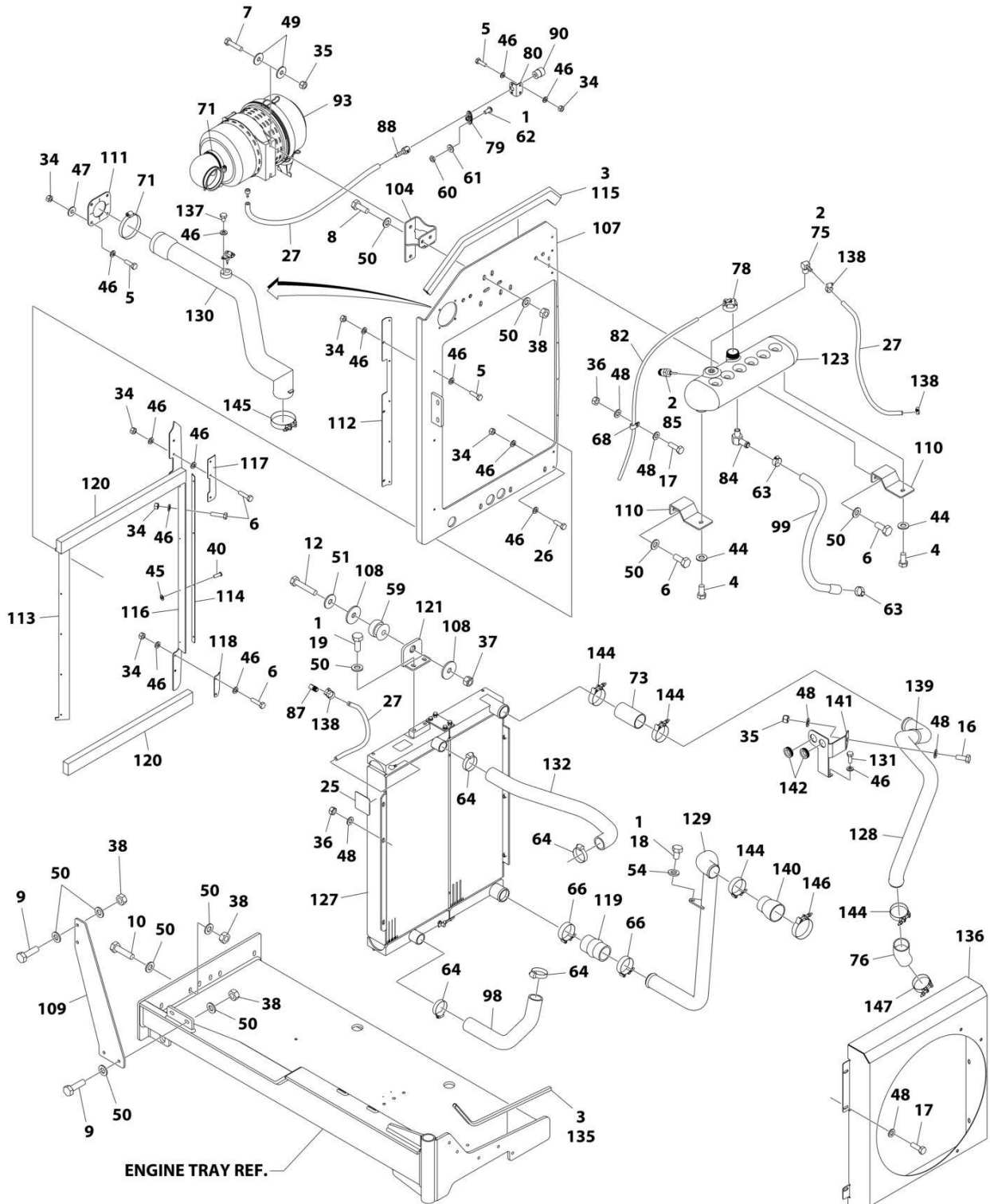
## SECTION 3 - ENGINE

**FIGURE 3-4. ENGINE ASSEMBLY WITH PUMPS (HRC) (WITHOUT COLD WEATHER PACKAGE) (SN 0300254483 through 0300271437)**

ITEM	PART NUMBER	QTY	DESCRIPTION	REV
	1001242382	Ref	ENGINE ASSEMBLY WITH PUMPS (HRC) (WITHOUT COLD WEATHER PACKAGE)	C
1	0100011	AR	Compound, Locking	
2	0100035	AR	Compound, Locking	
3	0641812	2	Bolt 1/2 x 1-1/2	
4	0760508	4	Bolt M5 x 16	
5	0760610	2	Bolt M6 x 20	
6	0761015	2	Bolt M10 x 35	
7	0761210	1	Bolt M12 x 20	
8	0761216	2	Bolt M12 x 40	
9	1320041	1	Clamp	
10	1320136	1	Clamp	
12	3290607	2	Nut M6	
13	3291007	2	Nut M10	
14	3310401	3	Nut #4	
15	3790152	1	O-Ring	
16	3790155	1	O-Ring	
17	3910408	3	Screw #4 x 1/2	
18	3931620	2	Capscrew 3/8 x 1-1/4	
19	4740171	2	Washer	
20	4750400	3	Washer #4	
21	4811600	4	Washer M5	
22	4811700	2	Washer M6	
23	4812000	2	Washer M10	
24	4812100	1	Washer M12	
25	4891600	2	Washer 3/8	
26	4891800	2	Washer 1/2	
27	1001108616	1	Tandem Pump Assembly (See Separate Breakdown in this Section)	
28	1001112927	1	Gear Pump Assembly (See Separate Breakdown in this Section)	
29	1001156107	2	Holder, Cable	
30	1001156718	1	Seal	
31	1001157073	1	Cable, Alternator	
32	1001188922	1	Engine Harness (See Separate Breakdown in ELECTRICAL SECTION)	
33	1001197445	1	Cable, Glow Plug	
34	1001199470	1	Piston Pump Assembly (See Separate Breakdown in this Section)	
35	1001202355	1	Cable, Battery Negative	
36	1001206747	1	Seal	
37	1001234791	1	Cable, Battery Positive	
38	1001242378	1	Engine Assembly (HRC) (Without Cold Weather Package) (See Separate Breakdown in this Section)	

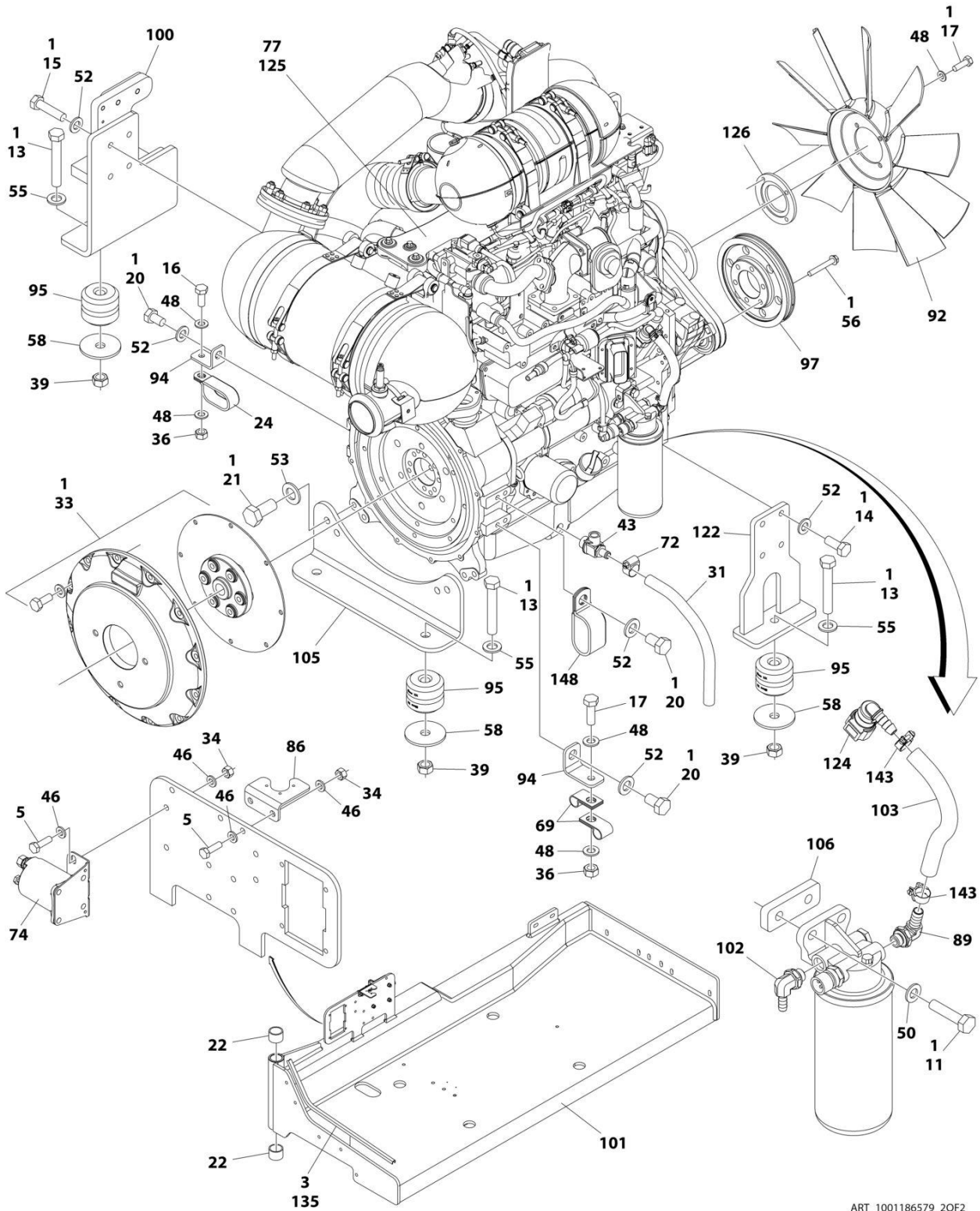
# SECTION 3 - ENGINE

FIGURE 3-5. ENGINE ASSEMBLY (HRC) (WITHOUT COLD WEATHER PACKAGE) (SN 0300000100 through 0300254483)



ART\_1001186579\_10F2

# SECTION 3 - ENGINE



ART\_1001186579\_2OF2

## SECTION 3 - ENGINE

**FIGURE 3-5. ENGINE ASSEMBLY (HRC) (WITHOUT COLD WEATHER PACKAGE) (SN 0300000100 through 0300254483)**

ITEM	PART NUMBER	QTY	DESCRIPTION	REV
	1001186579	Ref	ENGINE ASSEMBLY (HRC) (WITHOUT COLD WEATHER PACKAGE)	K
1	0100011	AR	Compound, Locking	
2	0100020	AR	Sealant	
3	0100081	AR	Adhesive	
4	0641606	2	Bolt 3/8 x 3/4	
5	0700610	13	Bolt M6 x 20	
6	0700612	7	Bolt M6 x 25	
7	0700815	2	Bolt M8 x 35	
8	0701013	2	Bolt M10 x 28	
9	0701015	6	Bolt M10 x 35	
10	0701016	2	Bolt M10 x 40	
11	0701017	2	Bolt M10 x 45	
12	0701019	1	Bolt M10 x 55	
13	0701627	4	Bolt M16 x 100	
14	0711214	4	Bolt M12 x 30 Grade 10.9	
15	0711218	4	Bolt M12 x 50 Grade 10.9	
16	0760810	6	Bolt M8 x 20	
17	0760812	7	Bolt M8 x 25	
18	0761008	1	Bolt M10 x 16	
19	0761012	6	Bolt M10 x 25	
20	0761210	3	Bolt M12 x 20	
21	0771414	4	Bolt M14 x 30 Grade 10.9	
21	0771415	4	Bolt M14 x 35 Grade 10.9	
22	0961951	2	Bushing	
24	1321716	1	Clamp	
25	1703162	2	Decal - Fan Blade	
26	0760614	2	Bolt M6 x 30	
27	2720015	5 ft/ 1.5m	Hose	
31	2720340	1 ft/ .3m	Hose (SN 0300000100 through 0300239975)	
31	1001165035	1 ft/ 0.3m	Hose (SN 0300239975 through 0300254482)	
33	2902065	1	Pump Coupling Kit (See PUMP COUPLING KIT for Breakdown)	
34	3290607	22	Nut M6	
35	3290805	3	Nut M8	
36	3290807	5	Nut M8	
37	3291005	1	Nut M10	
38	3291007	10	Nut M10	
39	3291601	4	Nut M16	
40	3820032	9	Rivet	
42	4240099	AR	Tie-Strap (Not Shown)	
43	4640751	1	Valve, Oil Drain	
44	4711600	2	Washer 3/8	
45	4811600	4	Washer M5	
46	4811700	43	Washer M6	
47	4811702	4	Washer M6	
48	4811900	19	Washer M8	
49	4811902	4	Washer M8	
50	4812000	30	Washer M10	
51	4812002	1	Washer M10	

## SECTION 3 - ENGINE

ITEM	PART NUMBER	QTY	DESCRIPTION	REV
52	4812100	11	Washer M12	
53	4812200	4	Washer M14	
54	5241000	1	Washer M10	
55	5241600	4	Washer M16	
56	5251022	6	Bolt M10 x 70	
58	7300435	4	Washer	
59	8278020	1	Mount	
60	8305401	2	Nut 1/4	
61	8307109	2	Washer 1/4	
62	8310548	2	Screw 1/4 x 1/2	
63	8405007	2	Clamp	
64	8405104	4	Clamp	
66	8410012	2	Clamp	
68	8406109	2	Clip	
69	8406110	2	Clip	
71	8410011	2	Clamp	
72	8410013	1	Clamp	
73	91563070	1	Coupling, Rubber	
74	1001117308	1	Relay, 200Amp	
75	1001134488	1	Fitting, 90 NPT/Barbed	
76	1001135943	1	Coupling	
77	1001136079	AR	Oil, Motor	
78	1001136834	1	Cap	
79	1001138173	1	Support	
80	1001138175	1	Bracket	
82	1001138248	5 ft/ 1.5m	Tubing	
84	1001138559	1	Fitting, 90 NPT	
85	1001138827	1	Sensor	
86	1001139240	1	Bracket	
87	1001140564	1	Fitting, 90 NPT/Barbed	
88	1001141995	1	Fitting, Straight NPT/Barbed	
89	1001142501	1	Fitting, 90 NPT/Barbed	
90	1001143390	1	Indicator, Air Restriction	
92	1001147567	1	Fan	
93	1001147847	1	Filter, Air	
93	70023809	1	Element, Primary	
93	70023872	1	Element, Secondary	
93	70024328	1	Elbow, Rubber	
93	70024329	1	Clamp, Mounting	
94	1001148641	2	Bracket	
95	1001149517	4	Mount, Motor	
97	1001149746	1	Pulley	
98	1001150504	1	Hose	
99	1001150553	1	Hose	
100	1001151491	1	Support	
101	1001151749	1	Tray	
102	1001152489	1	Fitting, 90 Barbed	
103	1001154405	8.5 in/ 21cm	Hose	
104	1001155023	1	Plate	
105	1001155496	1	Support	
106	1001155498	1	Plate	

## SECTION 3 - ENGINE

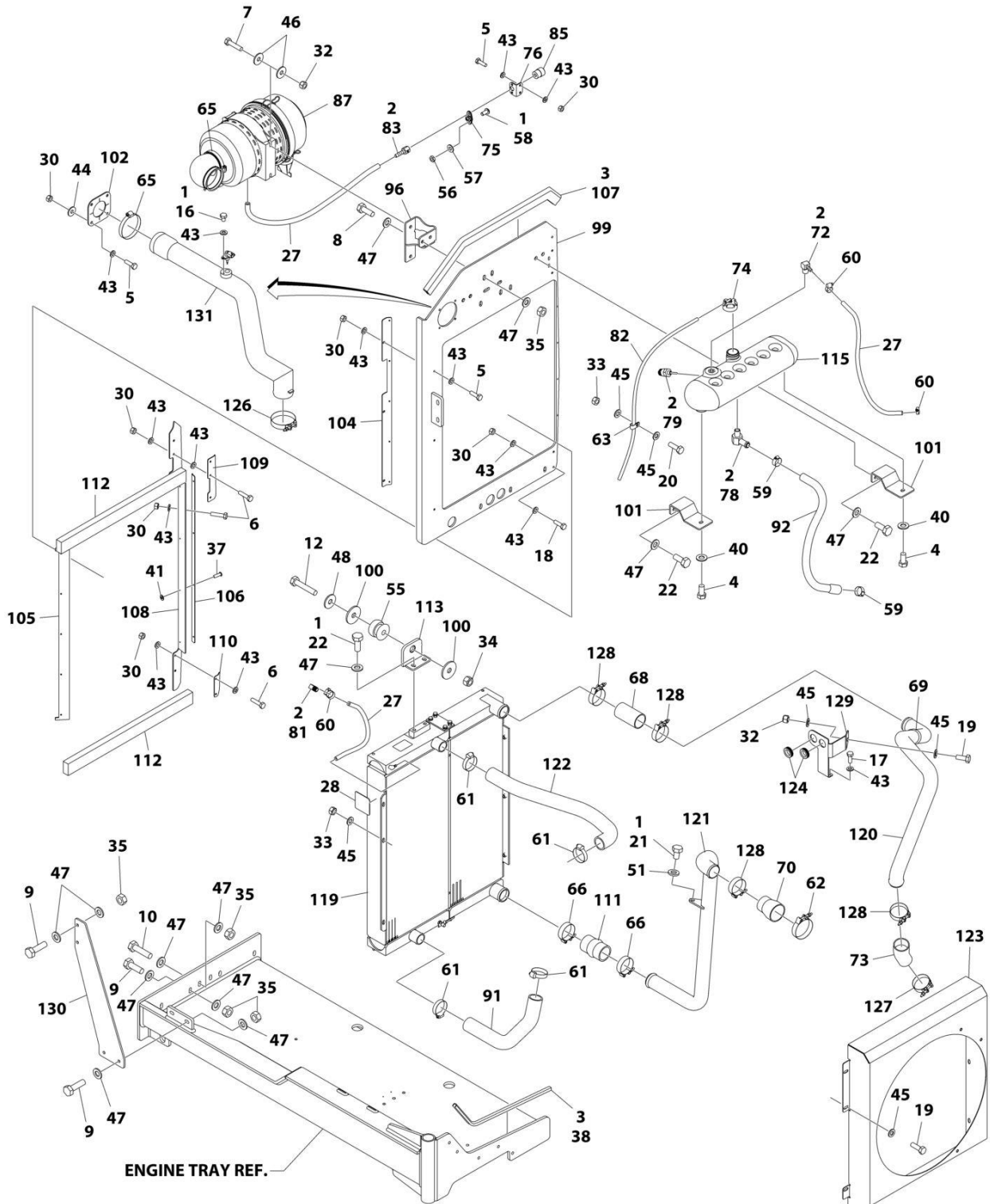
ITEM	PART NUMBER	QTY	DESCRIPTION	REV
107	1001155525	1	Support	
108	1001155540	2	Washer	
109	1001212817	1	Plate	
110	1001155557	2	Plate	
111	1001155563	1	Seal	
112	1001155564	1	Bracket	
113	1001155565	1	Seal	
114	1001155566	1	Bracket	
115	1001155728	1	Seal	
116	1001156034	1	Seal	
117	1001156035	1	Bracket	
118	1001156062	1	Bracket	
119	1001156091	1	Hose	
120	1001156644	2	Seal	
121	1001157862	1	Bracket	
122	1001160518	1	Support	
123	1001166393	1	Tank	
124	1001170982	1	Fitting, 90 SAE/Barbed	
125	1001176371	1	Engine Components (HRC) (See ENGINE COMPONENTS (HRC) for Breakdown)	
126	1001197317	1	Spacer	
127	1001188162	1	Radiator	
128	1001189291	1	Pipe, Exhaust	
129	1001190418	1	Tube	
130	1001212826	1	Tube, Intake	
131	0760608	2	Bolt M6 x 16	
132	1001191122	1	Hose, Upper	
135	4060807	22 in/ 55cm	Flex-Trim	
136	1001192138	1	Shroud	
137	0760604	1	Bolt M6 x 8	
138	8405009	4	Clamp	
139	1001097588	1	Clip	
140	1001117244	1	Reducer	
141	1001212810	1	Support	
142	1001193599	2	Grommet	
143	1001175568	2	Clip	
144	1001208299	4	Clamp	
145	1001208297	1	Clamp	
146	8405211	1	Clamp	
147	1001208298	1	Clamp	
148	1001181899	1	Clamp	



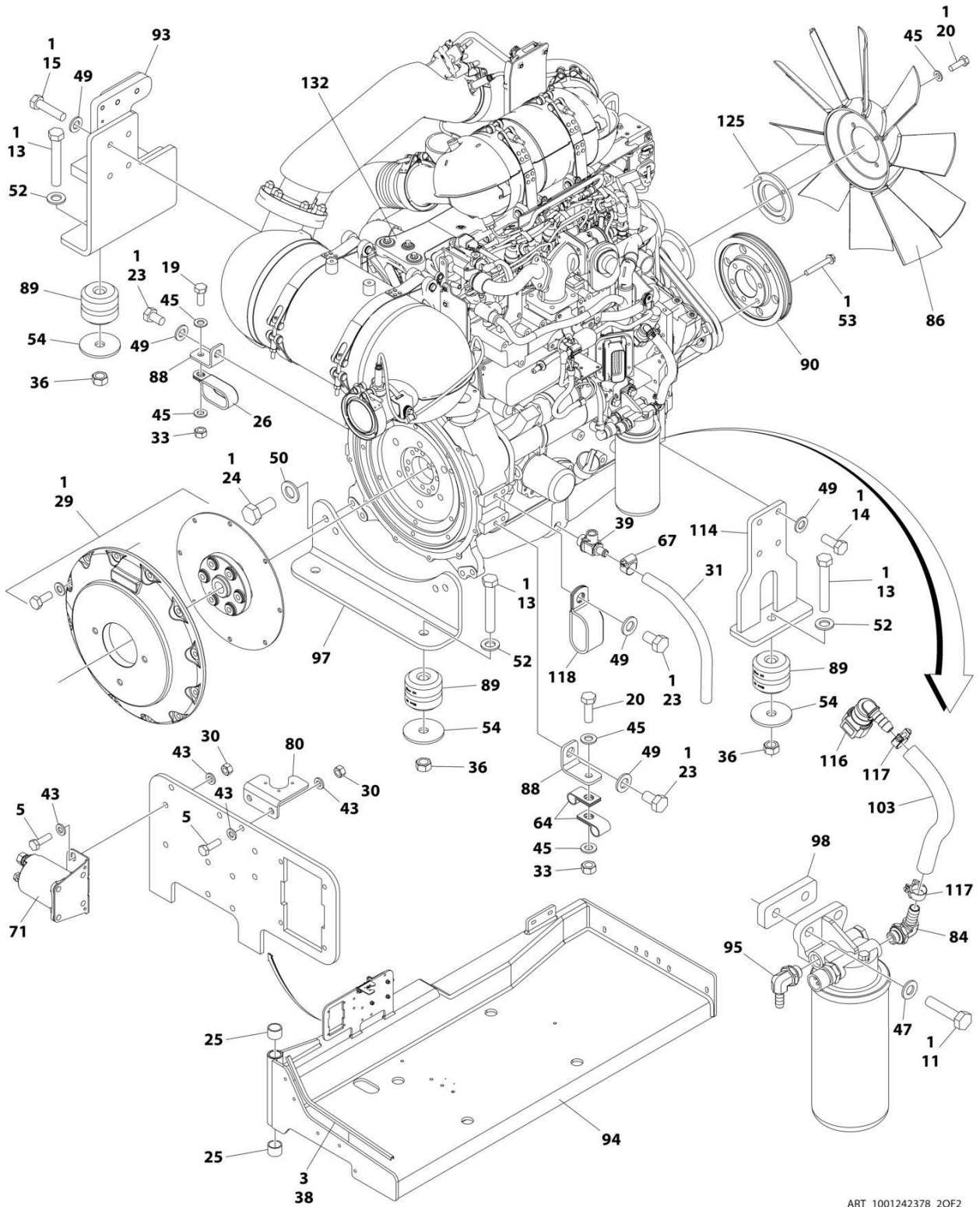


# SECTION 3 - ENGINE

FIGURE 3-6. ENGINE ASSEMBLY (HRC) (WITHOUT COLD WEATHER PACKAGE) (SN 0300254483 through 0300271437)



# SECTION 3 - ENGINE



ART\_1001242378\_20F2

## SECTION 3 - ENGINE

**FIGURE 3-6. ENGINE ASSEMBLY (HRC) (WITHOUT COLD WEATHER PACKAGE) (SN 0300254483 through 0300271437)**

ITEM	PART NUMBER	QTY	DESCRIPTION	REV
	1001242378	Ref	DEUTZ T4F ENGINE ASSEMBLY	A
1	0100011	AR	Compound, Locking	
2	0100020	AR	Sealant	
3	0100081	AR	Adhesive	
4	0641606	2	Bolt 3/8 x 3/4	
5	0700610	13	Bolt M6 x 20	
6	0700612	7	Bolt M6 x 25	
7	0700815	2	Bolt M8 x 35	
8	0701013	2	Bolt M10 x 28	
9	0701015	6	Bolt M10 x 35	
10	0701016	2	Bolt M10 x 40	
11	0701017	2	Bolt M10 x 45	
12	0701019	1	Bolt M10 x 55	
13	0701627	4	Bolt M16 x 100	
14	0711214	4	Bolt M12 x 30 Grade 10.9	
15	0711218	4	Bolt M12 x 50 Grade 10.9	
16	0760604	1	Bolt M6 x 8	
17	0760608	2	Bolt M6 x 16	
18	0760614	2	Bolt M6 x 30	
19	0760810	6	Bolt M8 x 20	
20	0760812	7	Bolt M8 x 25	
21	0761008	1	Bolt M10 x 16	
22	0761012	6	Bolt M10 x 25	
23	0761210	3	Bolt M12 x 20	
24	0771415	4	Bolt M14 x 35 Grade 10.9	
25	0961951	2	Bushing	
26	1321716	1	Clamp	
27	2720015	5 ft/ 1.5m	Hose	
28	1703162	2	Decal - Fan Blade	
29	2902065	1	Pump Coupling Kit (See Separate Breakdown in this Section)	
30	3290607	22	Nut M6	
31	1001165035	1 ft/ 0.3m	Hose	
32	3290805	3	Nut M8	
33	3290807	5	Nut M8	
34	3291005	1	Nut M10	
35	3291007	10	Nut M10	
36	3291601	4	Nut M16	
37	3820032	9	Rivet	
38	4060807	22 in/ 55cm	Flex-Trim	
39	4640751	1	Valve, Oil Drain	
40	4711600	2	Washer 3/8	
41	4811600	4	Washer M5	
42	4240099	AR	Tie-Strap (Not Shown)	
43	4811700	43	Washer M6	
44	4811702	4	Washer M6	
45	4811900	19	Washer M8	
46	4811902	4	Washer M8	
47	4812000	30	Washer M10	

## SECTION 3 - ENGINE

ITEM	PART NUMBER	QTY	DESCRIPTION	REV
48	4812002	1	Washer M10	
49	4812100	11	Washer M12	
50	4812200	4	Washer M14	
51	5241000	1	Washer M10	
52	5241600	4	Washer M16	
53	5251022	6	Bolt M10 x 70	
54	7300435	4	Washer	
55	8278020	1	Mount	
56	8305401	2	Nut 1/4	
57	8307109	2	Washer 1/4	
58	8310548	2	Screw 1/4 x 1/2	
59	8405007	2	Clamp	
60	8405009	4	Clamp	
61	8405104	4	Clamp	
62	8405211	1	Clamp	
63	8406109	2	Clip	
64	8406110	2	Clip	
65	8410011	2	Clamp	
66	8410012	2	Clamp	
67	8410013	1	Clamp	
68	91563070	1	Coupling, Rubber	
69	1001097588	1	Clip	
70	1001117244	1	Reducer	
71	1001117308	1	Relay, 200Amp	
72	1001134488	1	Fitting, 90 NPT/Barbed	
73	1001135943	1	Coupling	
74	1001136834	1	Cap	
75	1001138173	1	Support	
76	1001138175	1	Bracket	
78	1001138559	1	Fitting, 90 NPT	
79	1001138827	1	Sensor	
80	1001139240	1	Bracket	
81	1001140564	1	Fitting, 90 NPT/Barbed	
82	1001138248	5 ft/ 1.5m	Tubing	
83	1001141995	1	Fitting, Straight NPT/Barbed	
84	1001142501	1	Fitting, 90 NPT/Barbed	
85	1001143390	1	Indicator, Air Restriction	
86	1001147567	1	Fan	
87	1001147847	1	Filter, Air	
87	70023809	1	Element, Primary	
87	70023872	1	Element, Secondary	
87	70024328	1	Elbow, Rubber	
87	70024329	1	Clamp, Mounting	
88	1001148641	2	Bracket	
89	1001149517	4	Mount, Motor	
90	1001149746	1	Pulley	
91	1001150504	1	Hose	
92	1001150553	1	Hose	
93	1001151491	1	Support	
94	1001151749	1	Tray	
95	1001152489	1	Fitting, 90 Barbed	

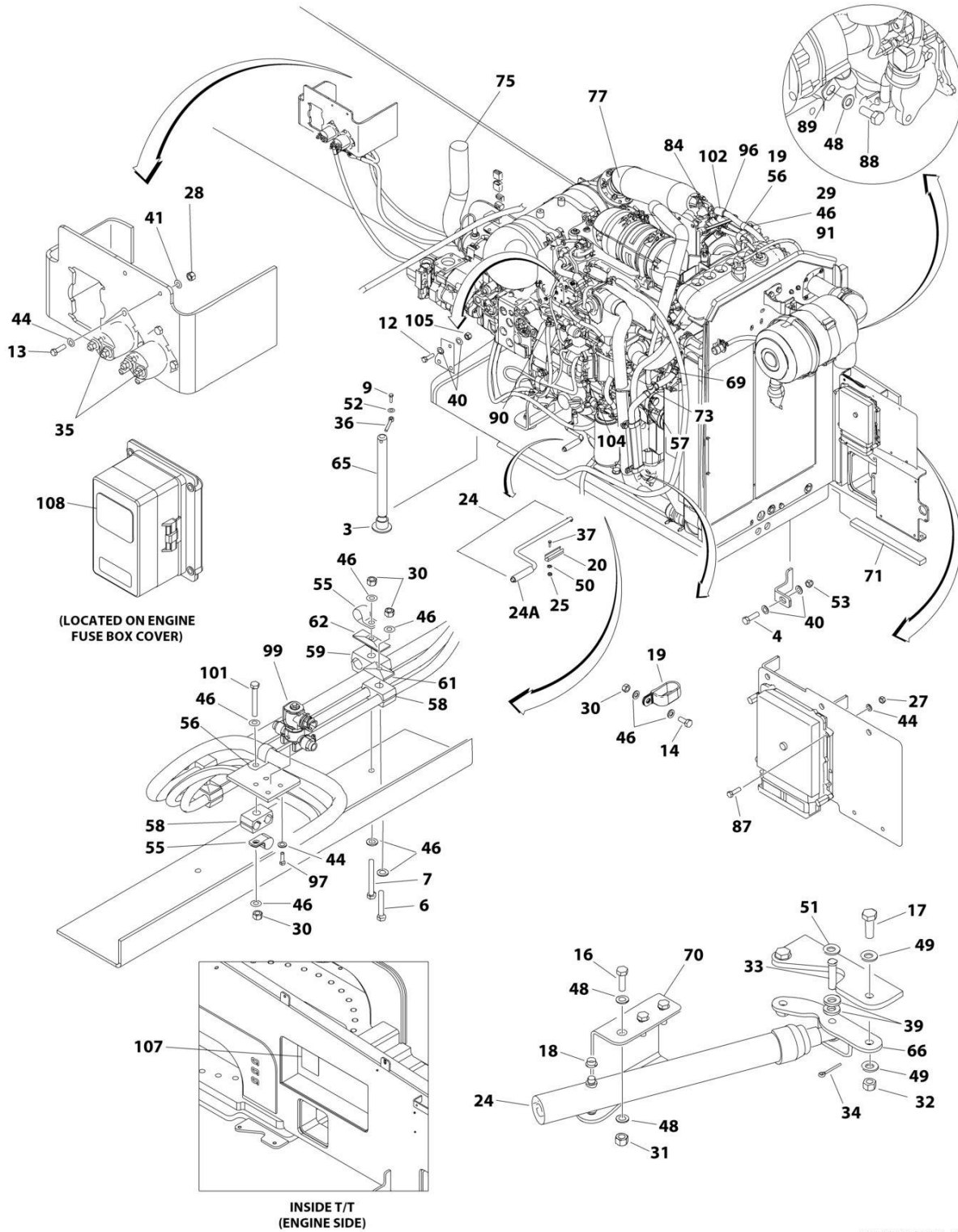
## SECTION 3 - ENGINE

ITEM	PART NUMBER	QTY	DESCRIPTION	REV
96	1001155023	1	Plate	
97	1001155496	1	Support	
98	1001155498	1	Plate	
99	1001155525	1	Support	
100	1001155540	2	Washer	
101	1001155557	2	Plate	
102	1001155563	1	Seal	
103	1001154405	8.5 in/ 21cm	Hose	
104	1001155564	1	Bracket	
105	1001155565	1	Seal	
106	1001155566	1	Bracket	
107	1001155728	1	Seal	
108	1001156034	1	Seal	
109	1001156035	1	Bracket	
110	1001156062	1	Bracket	
111	1001156091	1	Hose	
112	1001156644	2	Seal	
113	1001157862	1	Bracket	
114	1001160518	1	Support	
115	1001166393	1	Tank	
116	1001170982	1	Fitting, 90 SAE/Barbed	
117	1001175568	2	Clip	
118	1001181899	1	Clamp	
119	1001188162	1	Radiator	
120	1001189291	1	Pipe, Exhaust	
121	1001190418	1	Tube	
122	1001191122	1	Hose, Upper	
123	1001192138	1	Shroud	
124	1001193599	2	Grommet	
125	1001197317	1	Spacer	
126	1001208297	1	Clamp	
127	1001208298	1	Clamp	
128	1001208299	4	Clamp	
129	1001212810	1	Support	
130	1001212817	1	Plate	
131	1001212826	1	Tube, Intake	
132	1001242377	1	Deutz HRC Engine Components (See Separate Breakdown in this Section)	



# SECTION 3 - ENGINE

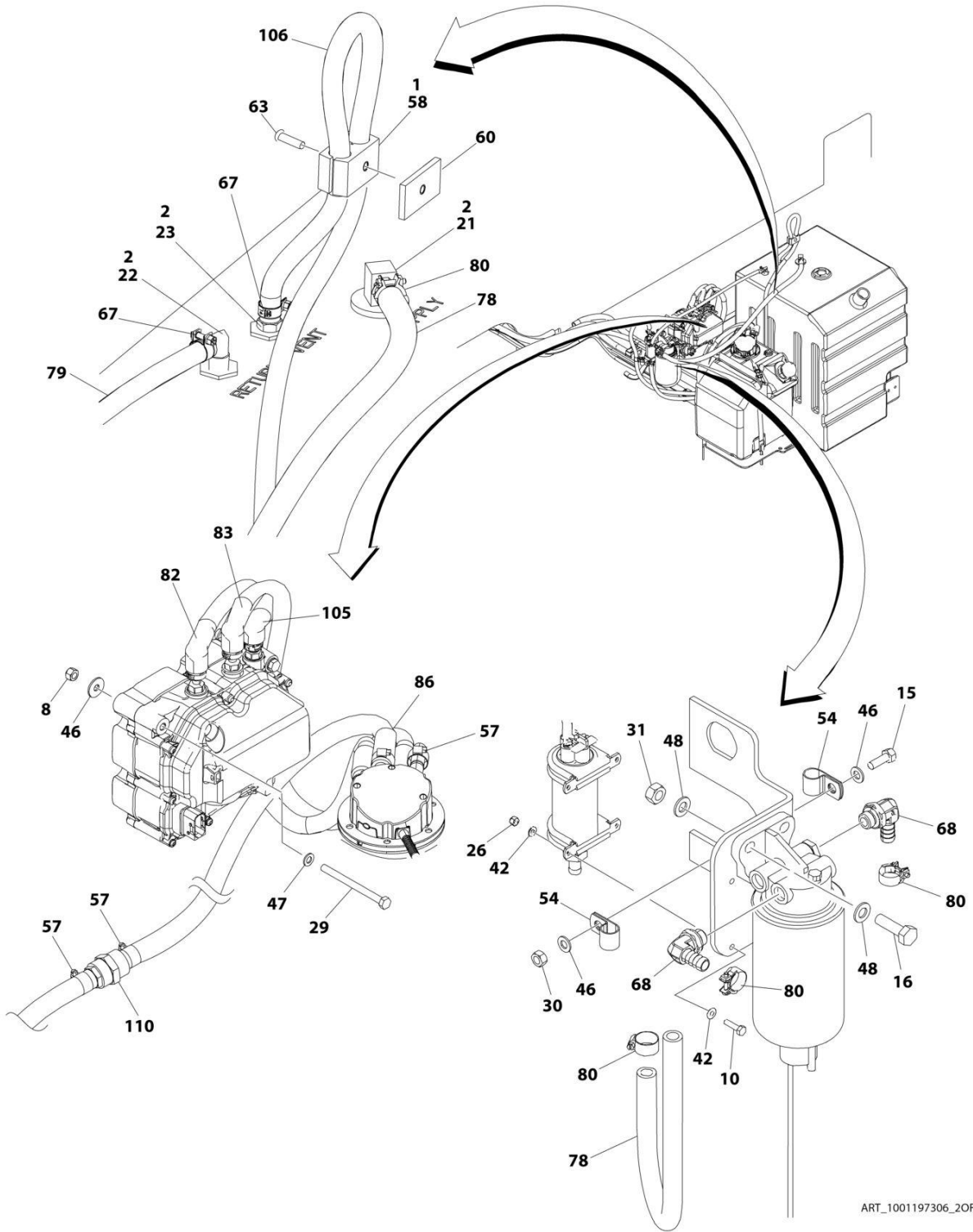
## FIGURE 3-7. ENGINE INSTALLATION (HRC) (WITH COLD WEATHER PACKAGE) (SN 0300000100 through 0300254483)



ART\_1001197306\_10F2



# SECTION 3 - ENGINE



ART\_1001197306\_20F2

## SECTION 3 - ENGINE

**FIGURE 3-7. ENGINE INSTALLATION (HRC) (WITH COLD WEATHER PACKAGE) (SN 0300000100 through 0300254483)**

ITEM	PART NUMBER	QTY	DESCRIPTION	REV
	1001197306	Ref	ENGINE INSTALLATION (HRC) (WITH COLD WEATHER PACKAGE)	K
1	0100011	AR	Compound, Locking	
2	0100020	AR	Sealant	
3	0440162	1	Bearing	
4	0642220	1	Bolt 3/4 x 2-1/2	
6	0700818	2	Bolt M8 x 50	
7	0700822	2	Bolt M8 x 70	
8	0700827	3	Bolt M8 x 100	
9	0711015	1	Bolt M10 x 35	
10	0760408	4	Bolt M4 x 16	
12	0760608	AR	Bolt M6 x 16	
13	0760610	4	Bolt M6 x 20 (SN 0300000100 through 0300226018)	
14	0760810	AR	Bolt M8 x 20	
15	0760812	2	Bolt M8 x 25	
16	0761015	5	Bolt M10 x 35	
17	0771416	2	Bolt M14 x 40	
18	0962051	2	Bearing	
19	1321716	3	Clamp	
20	1380147	1	Clip	
21	2180832	1	Fitting, Straight Barbed/NPTF	
22	2220313	1	Fitting, 90 Barbed/NPTF	
23	2221114	1	Fitting, Straight Barbed/NPT	
24	2840016	1	Tray Jack Assembly	
24	7016322	1	Wiper (Burr Brand)	
24A	7016374	1	Handle (Burr Brand)	
24A	7024598	1	Handle (Hammerblow Brand)	
25	3290301	2	Nut M3	
26	3290405	4	Nut M4	
27	3290605	5	Nut M6	
28	3290607	4	Nut M6 (SN 0300000100 through 0300226018)	
29	3290805	5	Nut M8	
30	3290807	AR	Nut M8	
31	3291007	5	Nut M10	
32	3331411	2	Nut M14	
33	3430816	1	Pin	
34	3450404	1	Pin, Cotter 1/8 x 1	
35	3740067	2	Relay (SN 0300000100 through 0300226018)	
36	3841143	1	Keeper, Pin	
37	4010308	2	Screw M3 x 16	
38	4240099	AR	Tie-Strap (Not Shown)	
39	4711800	2	Washer 1/2	
40	4712200	2	Washer 3/4	
41	4791400	4	Washer 1/4 (SN 0300000100 through 0300226018)	
42	4811400	8	Washer M4	
44	4811700	14	Washer M6	
46	4811900	25	Washer M8	
47	4811902	3	Washer M8	
48	4812000	11	Washer M10	

## SECTION 3 - ENGINE

ITEM	PART NUMBER	QTY	DESCRIPTION	REV
49	4812200	4	Washer M14	
50	4871200	2	Washer M3	
51	4891800	1	Washer 1/2	
52	5241000	1	Washer M10	
53	8310067	1	Nut 3/4	
54	8406101	2	Clip	
55	8406102	3	Clip	
56	8406201	4	Clip	
57	8410009	AR	Clamp	
58	8750014	4	Clamp	
59	8750027	2	Clamp Set	
60	8750031	1	Plate, Clamp	
61	8769123	2	Cover, Clamp	
62	77133137	2	Cover, Clamp	
63	1001101580	1	Screw M8 x 30	
64	1001103452	AR	Coolant (Not Shown)	
65	1001135196	1	Pin	
66	1001135497	1	Support	
67	1001136975	5	Clamp	
68	1001142501	2	Fitting, 90 Barbed	
69	1001154262	2	Fitting, Straight Barbed	
70	1001155939	1	Mount	
71	1001206747	1	Seal	
73	1001162212	2	Fitting, Tee Barbed	
74	1001162986	AR	Fluid, Diesel Exhaust (Not Shown)	
75	1001190475	1	Pipe, Exhaust	
77	1001199584	1	Engine Assembly with Pumps (HRC) (With Cold Weather Package) (See ENGINE ASSEMBLY WITH PUMPS (HRC) (WITH COLD WEATHER PACKAGE) for Breakdown)	
78	1001154405	53 in/ 1.4m	Hose	
79	1001165035	31 ft/ 9.4m	Hose	
80	1001175568	4	Clip	
82	1001187516	1	Hose, Suction	
83	1001187517	1	Hose, Backflow	
84	1001193980	1	Hose, Return	
86	82033995	374 in/ 9.5m	Hose	
87	0700614	4	Bolt M6 x 30	
88	0761009	1	Bolt M10 x 18	
89	8406105	1	Clip	
90	1001155823	1	Fitting, 90 Barbed	
91	0760814	1	Bolt M8 x 30	
96	1001212825	1	Hose	
97	0760606	4	Bolt M6 x 12	
99	1001199670	1	Valve, Flow	
101	0700820	1	Bolt M8 x 60	
102	1001213643	1	Hose (SN 0300000100 through 0300226018)	
102	1001187518	1	Hose (SN 0300226018 through 0300254482)	
104	0760807	1	Bolt M8 x 14 (SN 0300000100 through 0300226018)	
105	3290605	1	Nut M6 (SN 0300000100 through 0300226018)	

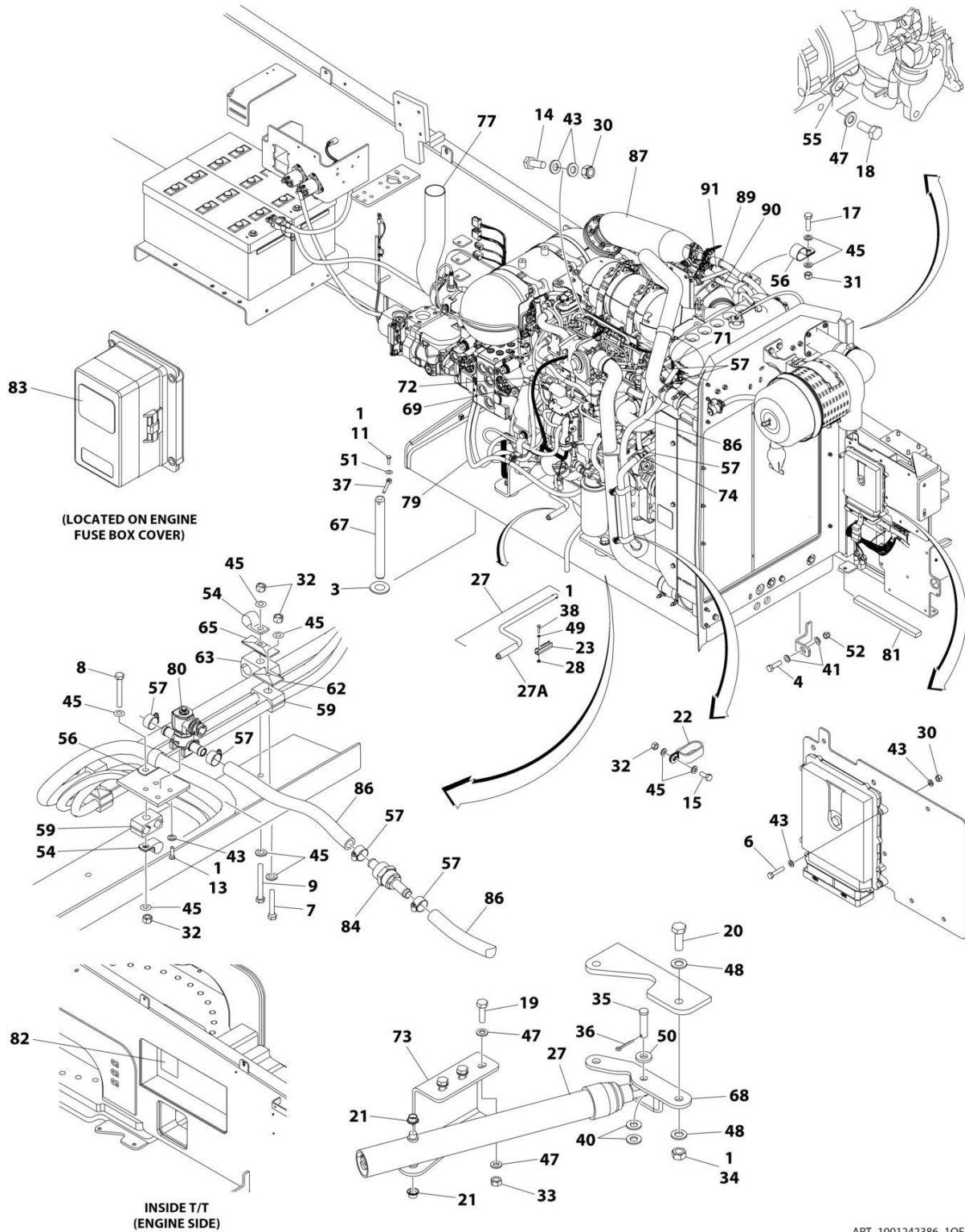
## SECTION 3 - ENGINE

ITEM	PART NUMBER	QTY	DESCRIPTION	REV
106	2750532	4 ft/ 1.2m	Hose	
107	1001212056	1	Decal - Engine Fuse Box <b>(SN 0300226018 through 0300254482)</b>	
108	1001224046	1	Decal - Engine Fuse Box Cover <b>(SN 0300226018 through 0300254482)</b>	
110	1001228872	1	Filter, Coolant Screen <b>(SN 0300244681 through 0300254482)</b>	



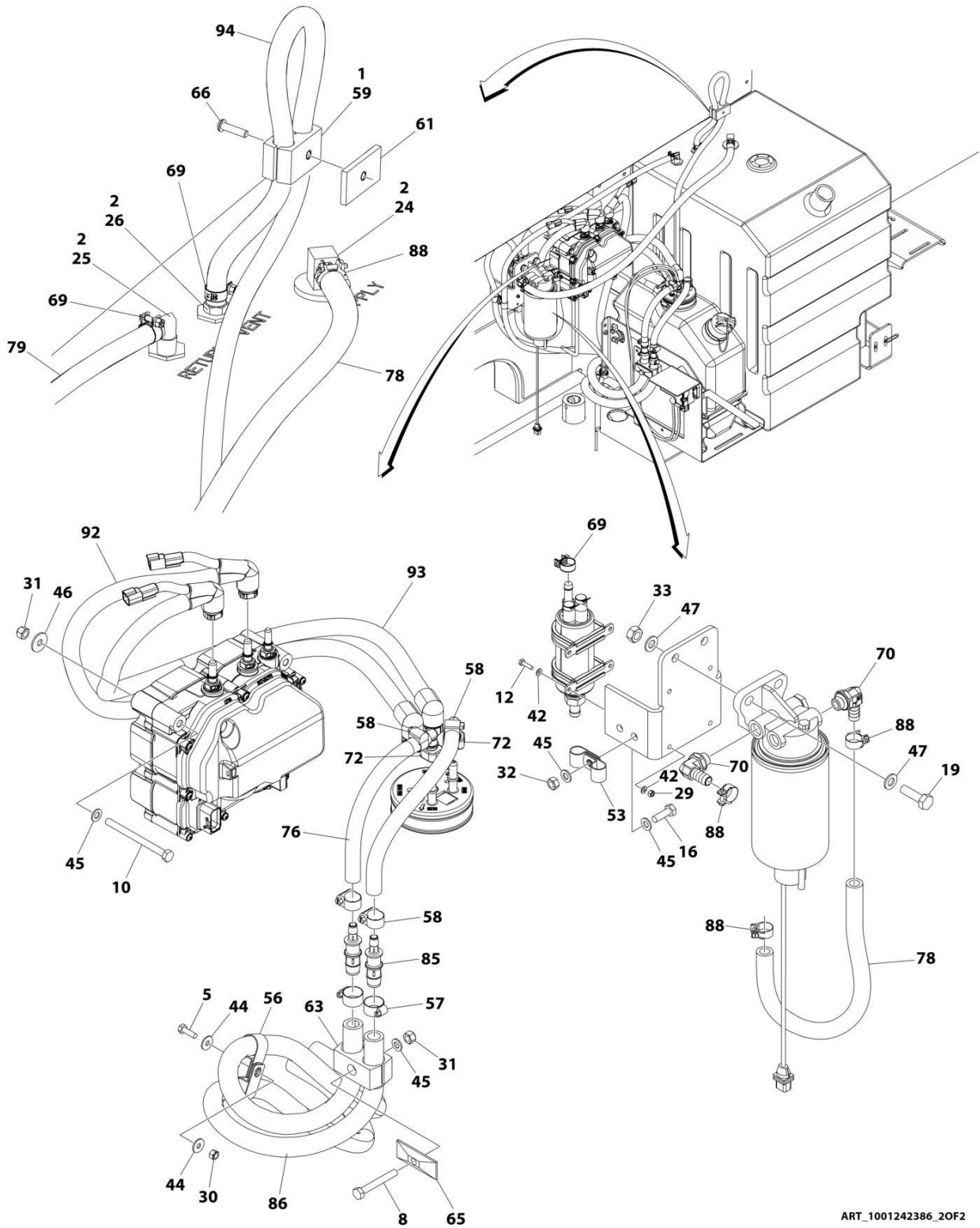
# SECTION 3 - ENGINE

## FIGURE 3-8. ENGINE INSTALLATION (HRC) (WITH COLD WEATHER PACKAGE) (SN 0300254483 through 0300271437)



ART\_1001242386\_1OF2

# SECTION 3 - ENGINE



ART\_1001242386\_20F2

## SECTION 3 - ENGINE

**FIGURE 3-8. ENGINE INSTALLATION (HRC) (WITH COLD WEATHER PACKAGE) (SN 0300254483 through 0300271437)**

ITEM	PART NUMBER	QTY	DESCRIPTION	REV
	1001242386	Ref	ENGINE INSTALLATION (HRC) (WITH COLD WEATHER PACKAGE)	B
1	0100011	AR	Compound, Locking	
2	0100020	AR	Sealant	
3	0440162	1	Bearing	
4	0642220	1	Bolt 3/4 x 2-1/2	
5	0700610	1	Bolt M6 x 20	
6	0700614	4	Bolt M6 x 30	
7	0700818	2	Bolt M8 x 50	
8	0700820	1	Bolt M8 x 60	
9	0700822	2	Bolt M8 x 70	
10	0700827	3	Bolt M8 x 100	
11	0711015	1	Bolt M10 x 35	
12	0760408	4	Bolt M4 x 16	
13	0760606	4	Bolt M6 x 12	
14	0760608	1	Bolt M6 x 16	
15	0760810	3	Bolt M8 x 20	
16	0760812	2	Bolt M8 x 25	
17	0760814	1	Bolt M8 x 30	
18	0761009	1	Bolt M10 x 18	
19	0761015	5	Bolt M10 x 35	
20	0771416	2	Bolt M14 x 40	
21	0962051	2	Bearing	
22	1321716	3	Clamp	
23	1380147	1	Clip	
24	2180832	1	Fitting, Straight Barbed/NPTF	
25	2220313	1	Fitting, 90 Barbed/NPTF	
26	2221114	1	Fitting, Straight Barbed/NPT	
27	2840016	1	Tray Jack Assembly	
27	7016322	1	Wiper (Burr Brand)	
27A	7016374	1	Handle (Burr Brand)	
27A	7024598	1	Handle (Hammerblow Brand)	
28	3290301	2	Nut M3	
29	3290405	4	Nut M4	
30	3290605	6	Nut M6	
31	3290805	6	Nut M8	
32	3290807	9	Nut M8	
33	3291007	5	Nut M10	
34	3331411	2	Nut M14	
35	3430816	1	Pin	
36	3450404	1	Pin, Cotter 1/8 x 1	
37	3841143	1	Keeper, Pin	
38	4010308	2	Screw M3 x 16	
39	4240099	AR	Tie-Strap (Not Shown)	
40	4711800	2	Washer 1/2	
41	4712200	2	Washer 3/4	
42	4811400	8	Washer M4	
43	4811700	14	Washer M6	
44	4811702	2	Washer M6	



## SECTION 3 - ENGINE

ITEM	PART NUMBER	QTY	DESCRIPTION	REV
45	4811900	26	Washer M8	
46	4811902	3	Washer M8	
47	4812000	11	Washer M10	
48	4812200	4	Washer M14	
49	4871200	2	Washer M3	
50	4891800	1	Washer 1/2	
51	5241000	1	Washer M10	
52	8310067	1	Nut 3/4	
53	8406101	2	Clip	
54	8406102	3	Clip	
55	8406105	1	Clip	
56	8406201	6	Clip	
57	8410009	14	Clamp	
58	8410013	4	Clamp	
59	8750014	4	Clamp	
60	8750027	2	Clamp Set (SN 0300254483 through 0300255069)	
61	8750031	1	Plate, Clamp	
62	8769123	2	Cover, Clamp	
63	8769127	AR	Cover, Clamp	
64	1001103452	AR	Coolant (Not Shown)	
65	77133137	3	Cover, Clamp	
66	1001101580	1	Screw M8 x 30	
67	1001135196	1	Pin	
68	1001135497	1	Support	
69	1001136975	5	Clamp	
70	1001142501	2	Fitting, 90 Barbed	
71	1001154262	2	Fitting, Straight Barbed	
72	1001155823	3	Fitting, 90 Barbed	
73	1001155939	1	Mount	
74	1001162212	2	Fitting, Tee Barbed	
75	1001162986	AR	Fluid, Diesel Exhaust (Not Shown)	
76	1001181625	2 ft/ 0.61m	Hose	
77	1001190475	1	Pipe, Exhaust	
78	1001154405	53 in/ 1.4m	Hose	
79	1001165035	31 ft/ 9.4m	Hose	
80	1001199670	1	Valve, Flow	
81	1001206747	1	Seal	
82	1001212056	1	Decal - Engine Fuse Box	
83	1001224046	1	Decal - Engine Fuse Box Cover	
84	1001228872	1	Filter, Coolant Screen	
85	1001238470	2	Fitting, Reducer Barbed	
86	82033995	374 in/ 9.5m	Hose	
87	1001242383	1	Engine Assembly with Pumps (HRC) (With Cold Weather Package) (See ENGINE ASSEMBLY WITH PUMPS (HRC) (WITH COLD WEATHER PACKAGE) for Breakdown)	
88	1001175568	4	Clip (SN 0300254483 through 0300255069)	
88	1001186342	4	Clip (SN 0300255070 through 0300271437)	
89	1001187518	1	Hose	
90	1001193980	1	Hose, Return	

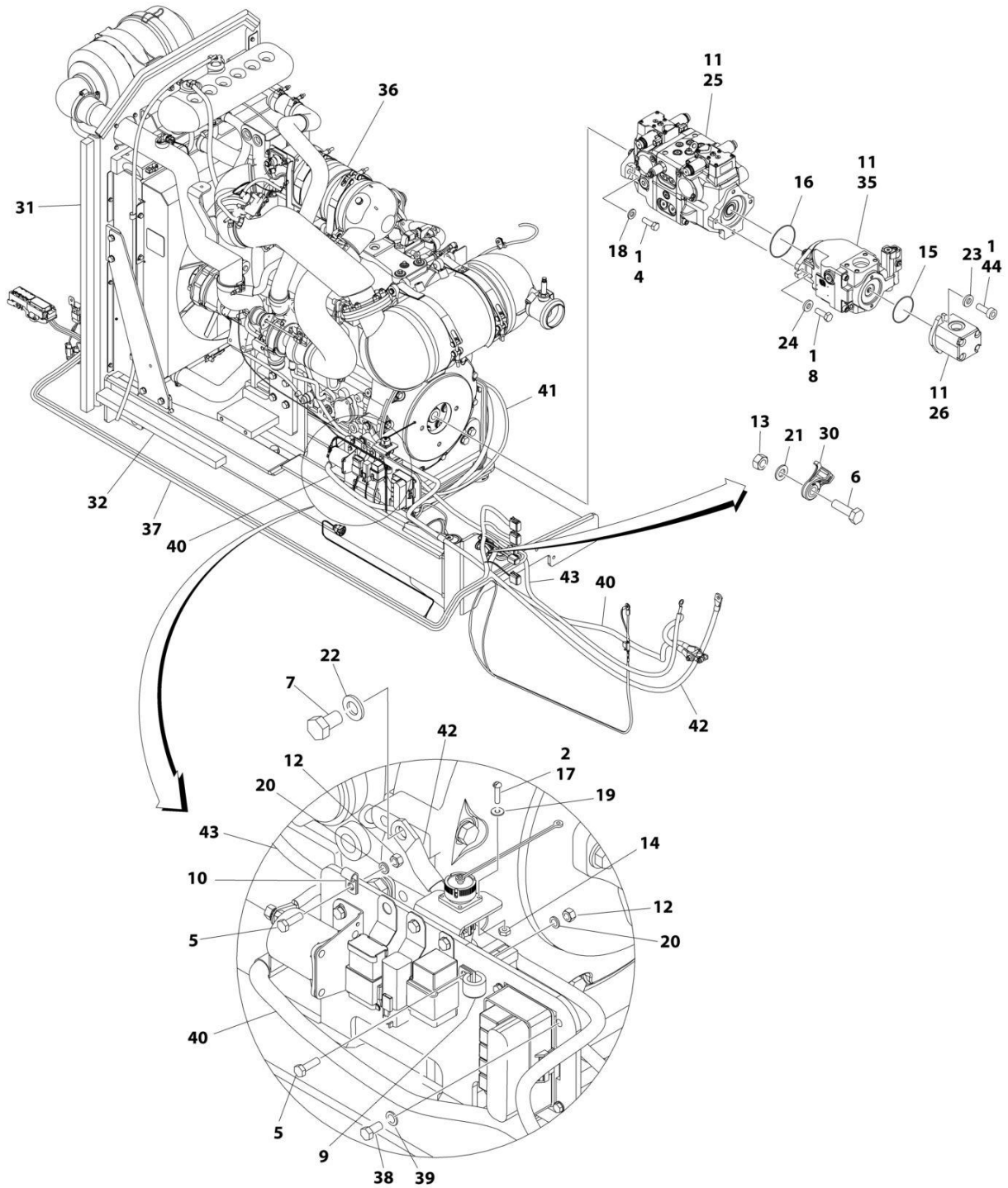
## SECTION 3 - ENGINE

ITEM	PART NUMBER	QTY	DESCRIPTION	REV
91	1001212825	1	Hose	
92	1001238401	1	Hose, Backflow	
93	1001238402	1	Hose, Suction	
94	2750532	4 ft/ 1.2m	Hose	



# SECTION 3 - ENGINE

FIGURE 3-9. ENGINE ASSEMBLY WITH PUMPS (HRC) (WITH COLD WEATHER PACKAGE) (SN 0300000100 through 0300254483)



ART\_1001199584

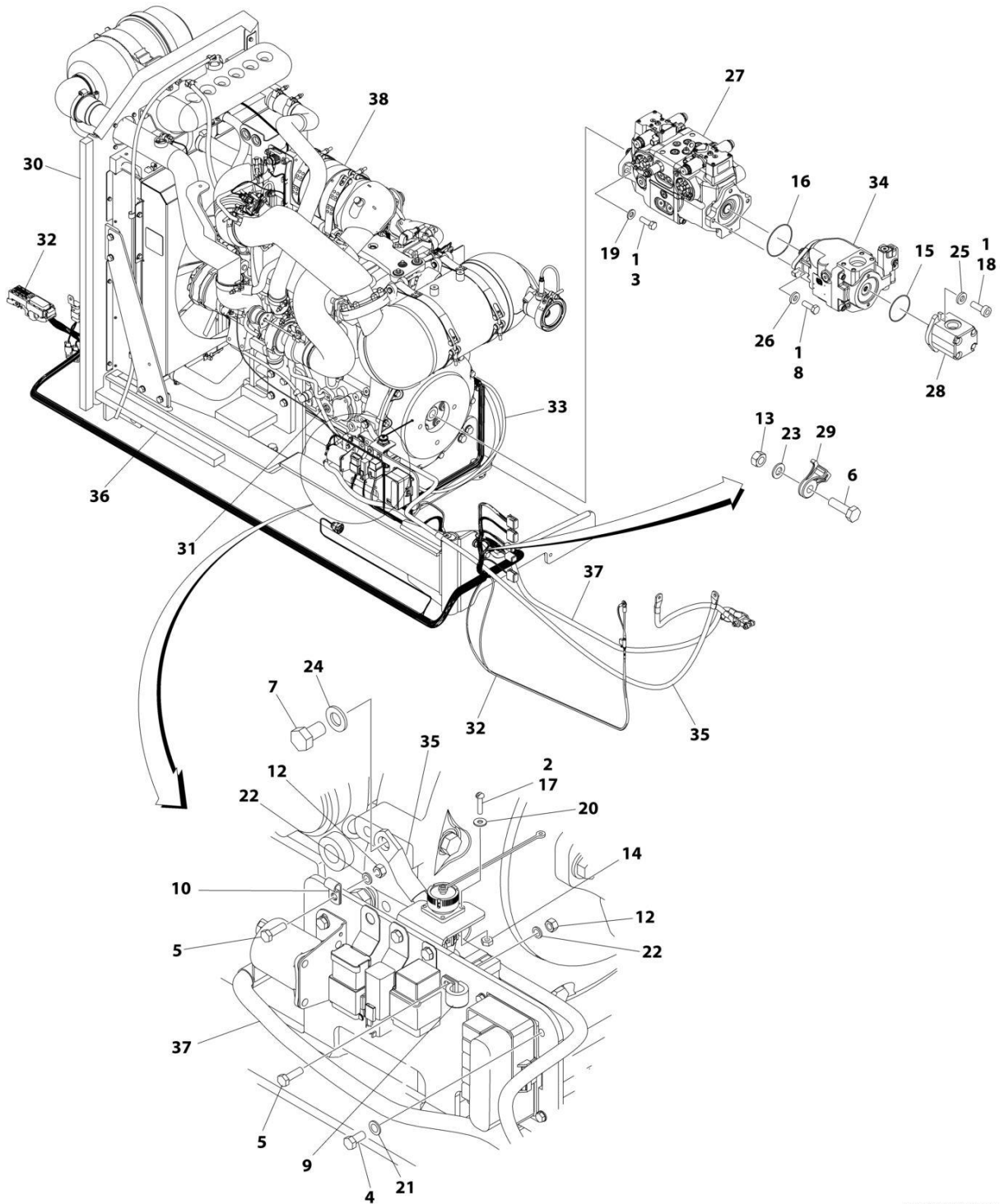
## SECTION 3 - ENGINE

**FIGURE 3-9. ENGINE ASSEMBLY WITH PUMPS (HRC) (WITH COLD WEATHER PACKAGE) (SN 0300000100 through 0300254483)**

ITEM	PART NUMBER	QTY	DESCRIPTION	REV
	1001199584	Ref	ENGINE ASSEMBLY WITH PUMPS (HRC) (WITH COLD WEATHER PACKAGE)	I
1	0100011	AR	Compound, Locking	
2	0100035	AR	Compound, Locking	
4	0641812	2	Bolt 1/2 x 1-1/2	
5	0760610	2	Bolt M6 x 20	
6	0761015	2	Bolt M10 x 35	
7	0761210	1	Bolt M12 x 20	
8	0761216	2	Bolt M12 x 40	
9	1320041	1	Clamp	
10	1320136	1	Clamp	
11	3020037	AR	Grease, Coupling	
12	3290607	2	Nut M6	
13	3291007	2	Nut M10	
14	3310401	3	Nut #4	
15	3790152	1	O-Ring	
16	3790155	1	O-Ring	
17	3910408	3	Screw #4 x 1/2	
18	4740171	2	Washer	
19	4750400	3	Washer #4	
20	4811700	2	Washer M6	
21	4812000	2	Washer M10	
22	4812100	1	Washer M12	
23	4891600	2	Washer 3/8	
24	4891800	2	Washer 1/2	
25	1001108616	1	Tandem Pump Assembly (See TANDEM PUMP ASSEMBLY for Breakdown)	
26	1001112927	1	Gear Pump Assembly (See GEAR PUMP ASSEMBLY for Breakdown)	
30	1001156107	2	Holder, Cable	
31	1001156718	1	Seal	
32	1001206747	1	Seal	
35	1001199470	1	Piston Pump Assembly (See PISTON PUMP ASSEMBLY for Breakdown)	
36	1001197547	1	Engine Assembly (HRC) (With Cold Weather Package) (See ENGINE ASSEMBLY (HRC) (WITH COLD WEATHER PACKAGE) for Breakdown)	
37	1001188922	1	Engine Harness (See ELECTRICAL SECTION for Breakdown)	
38	0760508	4	Bolt M5 x 16	
39	4811600	4	Washer M5	
40	1001202356	NLA	Cable, Battery Positive (Use p/n 1001234791) <b>(SN 0300000100 through 0300243485)</b>	
40	1001234791	1	Cable, Battery Positive <b>(SN 0300243485 through 0300254482)</b>	
41	1001197445	1	Cable, Glow Plug	
42	1001202355	1	Cable, Battery Negative	
43	1001157073	1	Cable, Alternator	
44	3931620	2	Capscrew 3/8 x 1-1/4	

# SECTION 3 - ENGINE

FIGURE 3-10. ENGINE ASSEMBLY WITH PUMPS (HRC) (WITH COLD WEATHER PACKAGE) (SN 0300254483 through 0300271437)



ART\_1001242383

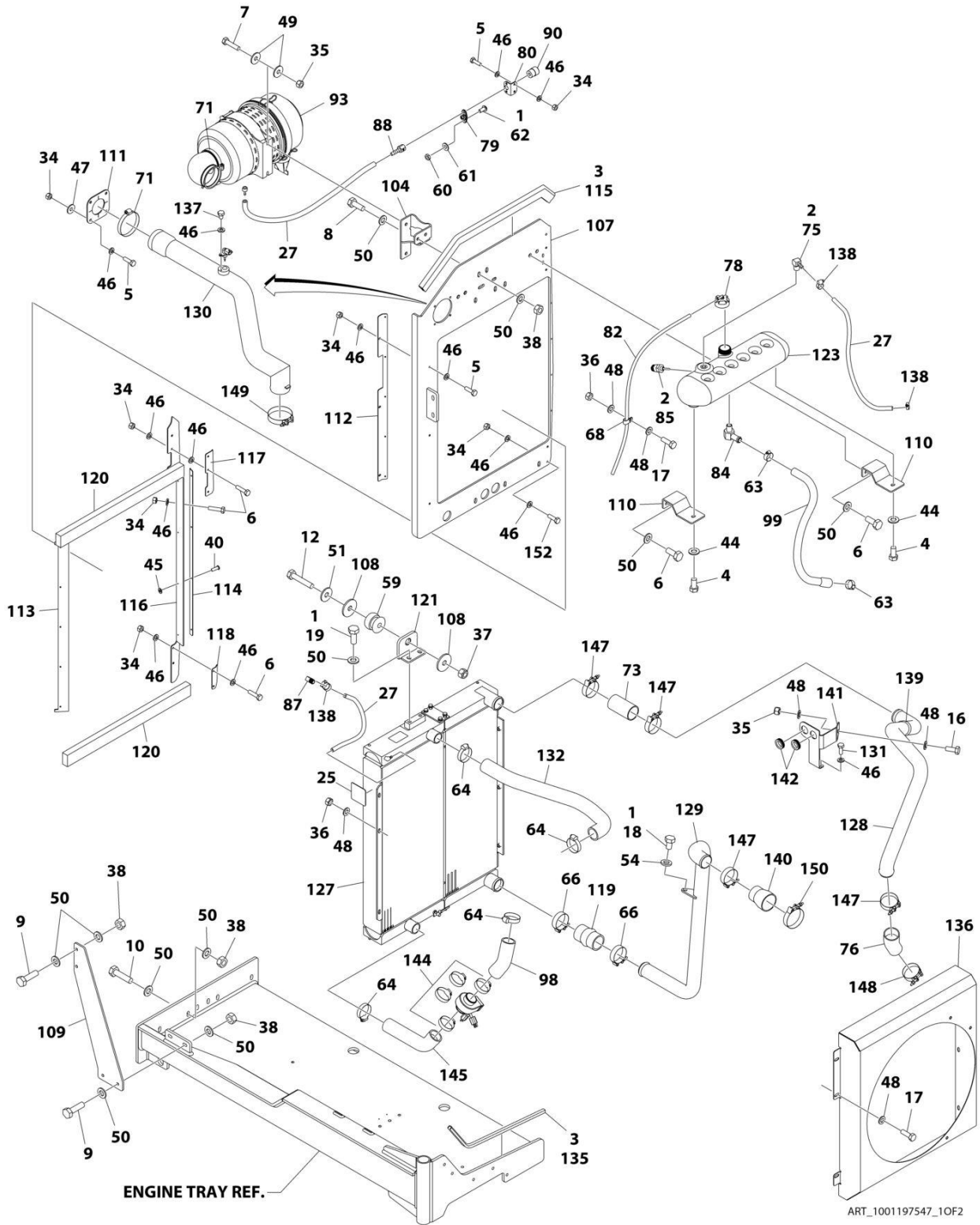
## SECTION 3 - ENGINE

**FIGURE 3-10. ENGINE ASSEMBLY WITH PUMPS (HRC) (WITH COLD WEATHER PACKAGE) (SN 0300254483 through 0300271437)**

ITEM	PART NUMBER	QTY	DESCRIPTION	REV
	1001242383	Ref	ENGINE ASSEMBLY WITH PUMPS (HRC) (WITH COLD WEATHER PACKAGE)	C
1	0100011	AR	Compound, Locking	
2	0100035	AR	Compound, Locking	
3	0641812	2	Bolt 1/2 x 1-1/2	
4	0760508	4	Bolt M5 x 16	
5	0760610	2	Bolt M6 x 20	
6	0761015	2	Bolt M10 x 35	
7	0761210	1	Bolt M12 x 20	
8	0761216	2	Bolt M12 x 40	
9	1320041	1	Clamp	
10	1320136	1	Clamp	
12	3290607	2	Nut M6	
13	3291007	2	Nut M10	
14	3310401	3	Nut #4	
15	3790152	1	O-Ring	
16	3790155	1	O-Ring	
17	3910408	3	Screw #4 x 1/2	
18	3931620	2	Capscrew 3/8 x 1-1/4	
19	4740171	2	Washer	
20	4750400	3	Washer #4	
21	4811600	4	Washer M5	
22	4811700	2	Washer M6	
23	4812000	2	Washer M10	
24	4812100	1	Washer M12	
25	4891600	2	Washer 3/8	
26	4891800	2	Washer 1/2	
27	1001108616	1	Tandem Pump Assembly (See Separate Breakdown in this Section)	
28	1001112927	1	Gear Pump Assembly (See Separate Breakdown in this Section)	
29	1001156107	2	Holder, Cable	
30	1001156718	1	Seal	
31	1001157073	1	Cable, Alternator	
32	1001188922	1	Engine Harness (See Separate Breakdown in ELECTRICAL SECTION)	
33	1001197445	1	Cable, Glow Plug	
34	1001199470	1	Piston Pump Assembly (See Separate Breakdown in this Section)	
35	1001202355	1	Cable, Battery Negative	
36	1001206747	1	Seal	
37	1001234791	1	Cable, Battery Positive	
38	1001242380	1	Engine Assembly (HRC) (With Cold Weather Package) (See Separate Breakdown in this Section)	

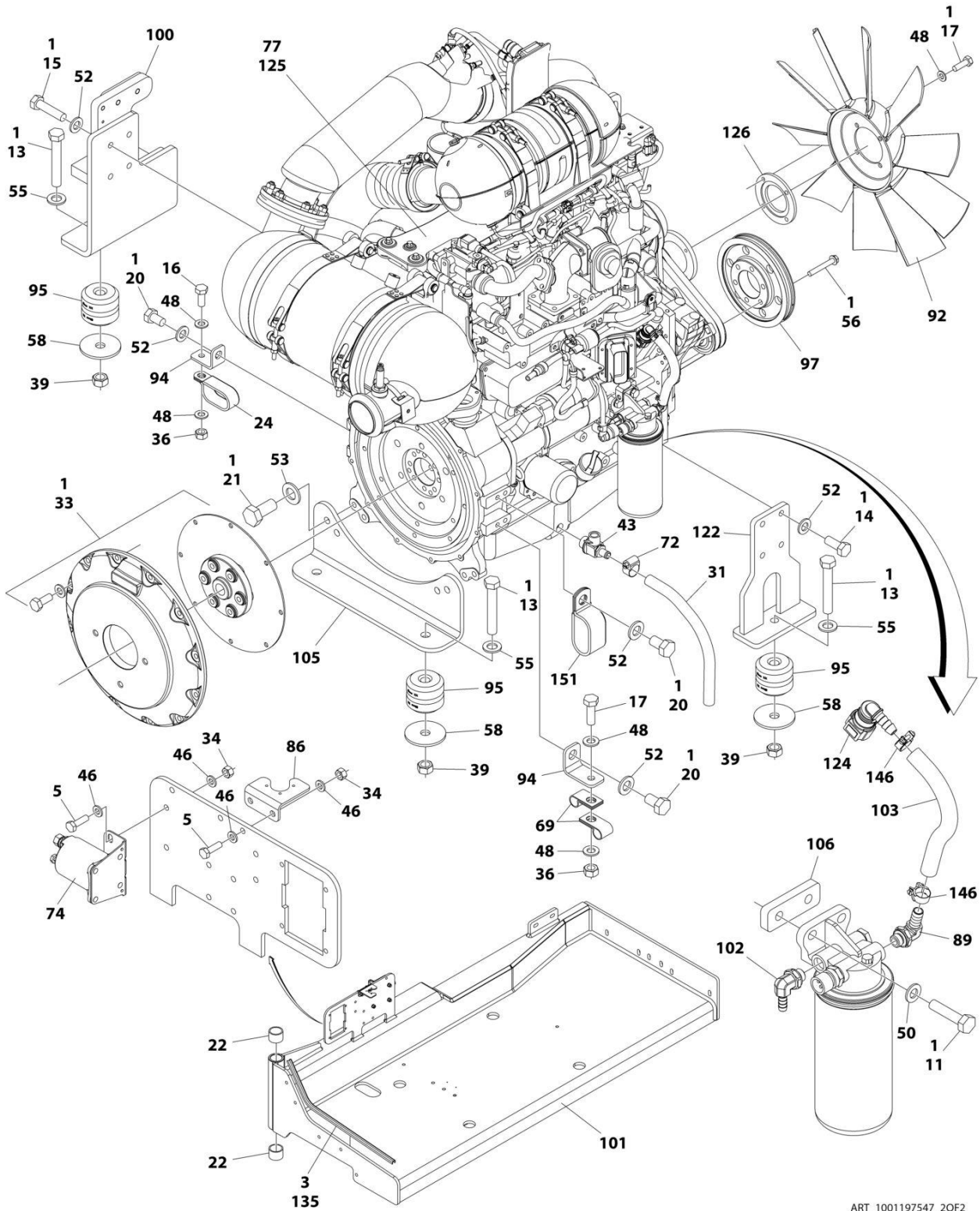
# SECTION 3 - ENGINE

## FIGURE 3-11. ENGINE ASSEMBLY (HRC) (WITH COLD WEATHER PACKAGE) (SN 0300000100 through 0300254483)





# SECTION 3 - ENGINE



ART\_1001197547\_2OF2

## SECTION 3 - ENGINE

**FIGURE 3-11. ENGINE ASSEMBLY (HRC) (WITH COLD WEATHER PACKAGE) (SN 0300000100 through 0300254483)**

ITEM	PART NUMBER	QTY	DESCRIPTION	REV
	1001197547	Ref	ENGINE ASSEMBLY (HRC) (WITH COLD WEATHER PACKAGE)	J
1	0100011	AR	Compound, Locking	
2	0100020	AR	Sealant	
3	0100081	AR	Adhesive	
4	0641606	2	Bolt 3/8 x 3/4	
5	0700610	13	Bolt M6 x 20	
6	0700612	7	Bolt M6 x 25	
7	0700815	2	Bolt M8 x 35	
8	0701013	2	Bolt M10 x 28	
9	0701015	6	Bolt M10 x 35	
10	0701016	2	Bolt M10 x 40	
11	0701017	2	Bolt M10 x 45	
12	0701019	1	Bolt M10 x 55	
13	0701627	4	Bolt M16 x 100	
14	0711214	4	Bolt M12 x 30 Grade 10.9	
15	0711218	4	Bolt M12 x 50 Grade 10.9	
16	0760810	6	Bolt M8 x 20	
17	0760812	7	Bolt M8 x 25	
18	0761008	1	Bolt M10 x 16	
19	0761012	6	Bolt M10 x 25	
20	0761210	3	Bolt M12 x 20	
21	0771414	4	Bolt M14 x 30 Grade 10.9	
21	0771415	4	Bolt M14 x 35 Grade 10.9	
22	0961951	2	Bushing	
24	1321716	1	Clamp	
25	1703162	2	Decal - Fan Blade	
27	2720015	5 ft/ 1.5m	Hose	
31	2720340	1 ft/ .3m	Hose (SN 0300000100 through 0300239975)	
31	1001165035	1 ft/ 0.3m	Hose (SN 0300239975 through 0300254482)	
33	2902065	1	Pump Coupling Kit (See PUMP COUPLING KIT for Breakdown)	
34	3290607	22	Nut M6	
35	3290805	3	Nut M8	
36	3290807	5	Nut M8	
37	3291005	1	Nut M10	
38	3291007	10	Nut M10	
39	3291601	4	Nut M16	
40	3820032	9	Rivet	
42	4240099	AR	Tie-Strap (Not Shown)	
43	4640751	1	Valve, Oil Drain	
44	4711600	2	Washer 3/8	
45	4811600	4	Washer M5	
46	4811700	43	Washer M6	
47	4811702	4	Washer M6	
48	4811900	19	Washer M8	
49	4811902	4	Washer M8	
50	4812000	30	Washer M10	
51	4812002	1	Washer M10	
52	4812100	11	Washer M12	
53	4812200	4	Washer M14	

## SECTION 3 - ENGINE

ITEM	PART NUMBER	QTY	DESCRIPTION	REV
54	5241000	1	Washer M10	
55	5241600	4	Washer M16	
56	5251022	6	Bolt M10 x 70	
58	7300435	4	Washer	
59	8278020	1	Mount	
60	8305401	2	Nut 1/4	
61	8307109	2	Washer 1/4	
62	8310548	2	Screw 1/4 x 1/2	
63	8405007	2	Clamp	
64	8405104	4	Clamp	
66	8410012	2	Clamp	
68	8406109	2	Clip	
69	8406110	2	Clip	
71	8410011	2	Clamp	
72	8410013	1	Clamp	
73	91563070	1	Coupling, Rubber	
74	1001117308	1	Relay, 200Amp	
75	1001134488	1	Fitting, 90 NPT/Barbed	
76	1001135943	1	Coupling	
77	1001136172	AR	Oil, Motor	
78	1001136834	1	Cap	
79	1001138173	1	Support	
80	1001138175	1	Bracket	
82	1001138248	5 ft/ 1.5m	Tubing	
84	1001138559	1	Fitting, 90 NPT	
85	1001138827	1	Sensor	
86	1001139240	1	Bracket	
87	1001140564	1	Fitting, 90 NPT/Barbed	
88	1001141995	1	Fitting, Straight NPT/Barbed	
89	1001142501	1	Fitting, 90 NPT/Barbed	
90	1001143390	1	Indicator, Air Restriction	
92	1001147567	1	Fan	
93	1001147847	1	Filter, Air	
93	70023809	1	Element, Primary	
93	70023872	1	Element, Secondary	
93	70024328	1	Elbow, Rubber	
93	70024329	1	Clamp, Mounting	
94	1001148641	2	Bracket	
95	1001149517	4	Mount, Motor	
97	1001149746	1	Pulley	
98	1001157300	1	Hose	
99	1001150553	1	Hose	
100	1001151491	1	Support	
101	1001151749	1	Tray	
102	1001152489	1	Fitting, 90 Barbed	
103	1001154405	8.5 in/ 21cm	Hose	
104	1001155023	1	Plate	
105	1001155496	1	Support	
106	1001155498	1	Plate	
107	1001155525	1	Support	
108	1001155540	2	Washer	

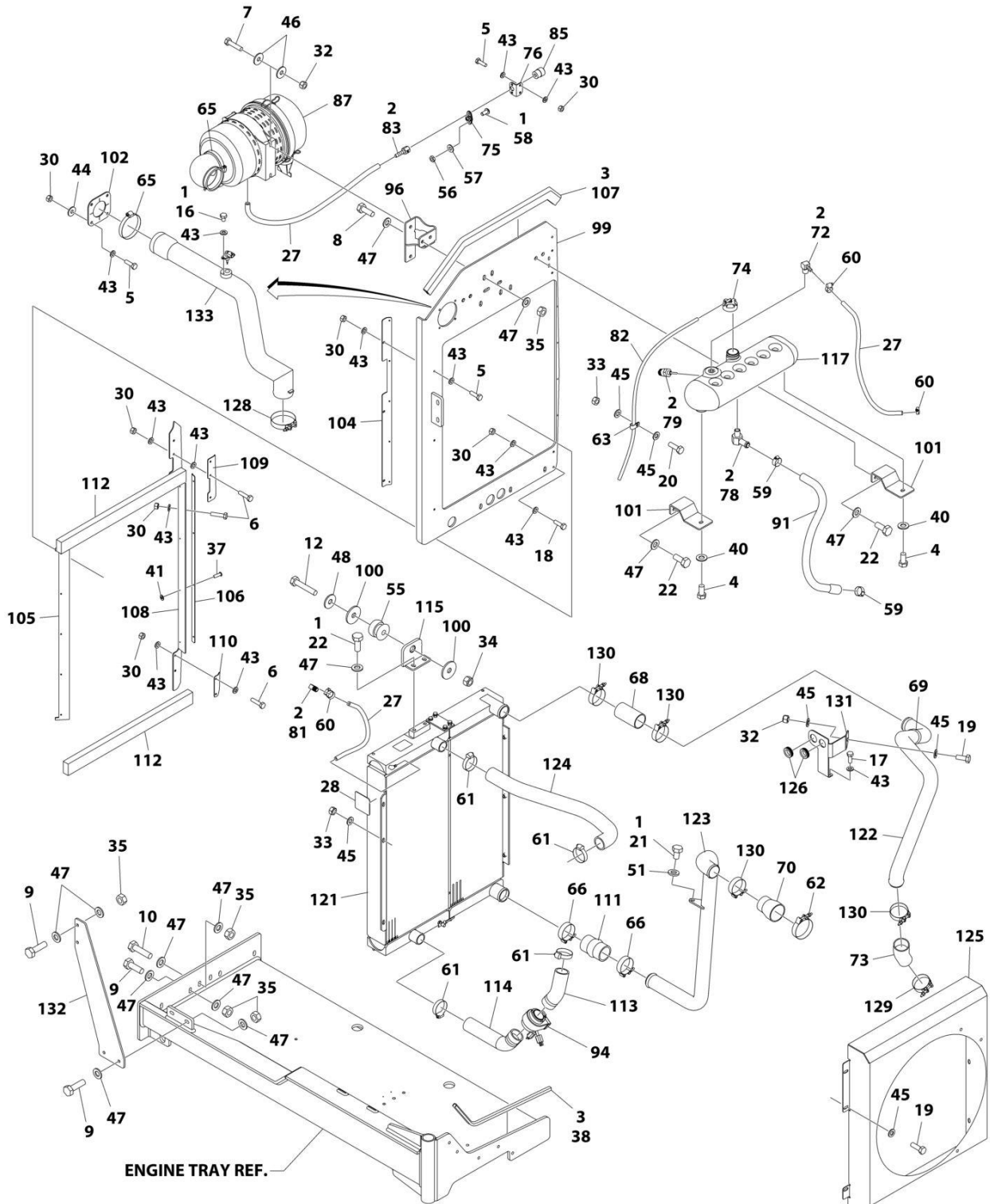
## SECTION 3 - ENGINE

ITEM	PART NUMBER	QTY	DESCRIPTION	REV
109	1001212817	1	Plate	
110	1001155557	2	Plate	
111	1001155563	1	Seal	
112	1001155564	1	Bracket	
113	1001155565	1	Seal	
114	1001155566	1	Bracket	
115	1001155728	1	Seal	
116	1001156034	1	Seal	
117	1001156035	1	Bracket	
118	1001156062	1	Bracket	
119	1001156091	1	Hose	
120	1001156644	2	Seal	
121	1001157862	1	Bracket	
122	1001160518	1	Support	
123	1001166393	1	Tank	
124	1001170982	1	Fitting, 90 SAE/Barbed	
125	1001176371	1	Engine Components (HRC) (See ENGINE COMPONENTS (HRC) for Breakdown)	
126	1001197317	1	Spacer	
127	1001188162	1	Radiator	
128	1001189291	1	Pipe, Exhaust	
129	1001190418	1	Tube	
130	1001212826	1	Tube, Intake	
131	0760608	2	Bolt M6 x 16	
132	1001191122	1	Hose, Upper	
135	4060807	22 in/ 55cm	Flex-Trim	
136	1001192138	1	Shroud	
137	0760604	1	Bolt M6 x 8	
138	8405009	4	Clamp	
139	1001097588	1	Clip	
140	1001117244	1	Reducer	
141	1001212810	1	Support	
142	1001193599	2	Grommet	
144	1001152112	1	Heater	
145	1001157301	1	Hose	
146	1001175568	2	Clip	
147	1001208299	4	Clamp	
148	1001208298	1	Clamp	
149	1001208297	1	Clamp	
150	8405211	1	Clamp	
151	1001181899	1	Clamp	
152	0760614	2	Bolt M6 x 30	



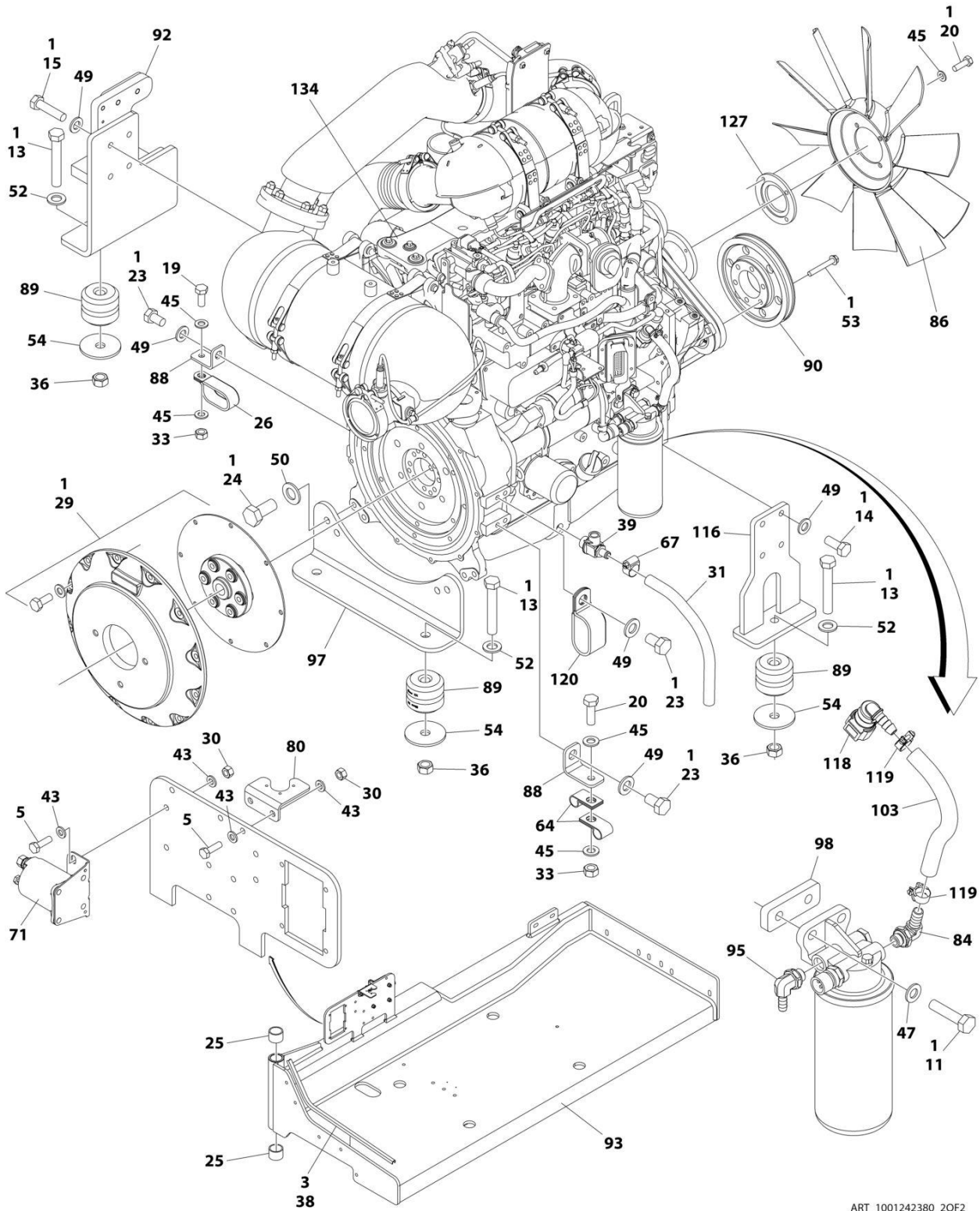
# SECTION 3 - ENGINE

FIGURE 3-12. ENGINE ASSEMBLY (HRC) (WITH COLD WEATHER PACKAGE) (SN 0300254483 through 0300271437)



ART\_1001242380\_10F2

# SECTION 3 - ENGINE



ART\_1001242380\_2OF2

## SECTION 3 - ENGINE

**FIGURE 3-12. ENGINE ASSEMBLY (HRC) (WITH COLD WEATHER PACKAGE) (SN 0300254483 through 0300271437)**

ITEM	PART NUMBER	QTY	DESCRIPTION	REV
	1001242380	Ref	DEUTZ T4F ENGINE ASSEMBLY	A
1	0100011	AR	Compound, Locking	
2	0100020	AR	Sealant	
3	0100081	AR	Adhesive	
4	0641606	2	Bolt 3/8 x 3/4	
5	0700610	13	Bolt M6 x 20	
6	0700612	7	Bolt M6 x 25	
7	0700815	2	Bolt M8 x 35	
8	0701013	2	Bolt M10 x 28	
9	0701015	6	Bolt M10 x 35	
10	0701016	2	Bolt M10 x 40	
11	0701017	2	Bolt M10 x 45	
12	0701019	1	Bolt M10 x 55	
13	0701627	4	Bolt M16 x 100	
14	0711214	4	Bolt M12 x 30 Grade 10.9	
15	0711218	4	Bolt M12 x 50 Grade 10.9	
16	0760604	1	Bolt M6 x 8	
17	0760608	2	Bolt M6 x 16	
18	0760614	2	Bolt M6 x 30	
19	0760810	6	Bolt M8 x 20	
20	0760812	7	Bolt M8 x 25	
21	0761008	1	Bolt M10 x 16	
22	0761012	6	Bolt M10 x 25	
23	0761210	3	Bolt M12 x 20	
24	0771415	4	Bolt M14 x 35 Grade 10.9	
25	0961951	2	Bushing	
26	1321716	1	Clamp	
27	2720015	5 ft/ 1.5m	Hose	
28	1703162	2	Decal - Fan Blade	
29	2902065	1	Pump Coupling Kit (See Separate Breakdown in this Section)	
30	3290607	22	Nut M6	
31	1001165035	1 ft/ 0.3m	Hose	
32	3290805	3	Nut M8	
33	3290807	5	Nut M8	
34	3291005	1	Nut M10	
35	3291007	10	Nut M10	
36	3291601	4	Nut M16	
37	3820032	9	Rivet	
38	4060807	22 in/ 55cm	Flex-Trim	
39	4640751	1	Valve, Oil Drain	
40	4711600	2	Washer 3/8	
41	4811600	4	Washer M5	
42	4240099	AR	Tie-Strap (Not Shown)	
43	4811700	43	Washer M6	
44	4811702	4	Washer M6	
45	4811900	19	Washer M8	
46	4811902	4	Washer M8	
47	4812000	30	Washer M10	



## SECTION 3 - ENGINE

ITEM	PART NUMBER	QTY	DESCRIPTION	REV
48	4812002	1	Washer M10	
49	4812100	11	Washer M12	
50	4812200	4	Washer M14	
51	5241000	1	Washer M10	
52	5241600	4	Washer M16	
53	5251022	6	Bolt M10 x 70	
54	7300435	4	Washer	
55	8278020	1	Mount	
56	8305401	2	Nut 1/4	
57	8307109	2	Washer 1/4	
58	8310548	2	Screw 1/4 x 1/2	
59	8405007	2	Clamp	
60	8405009	4	Clamp	
61	8405104	4	Clamp	
62	8405211	1	Clamp	
63	8406109	2	Clip	
64	8406110	2	Clip	
65	8410011	2	Clamp	
66	8410012	2	Clamp	
67	8410013	1	Clamp	
68	91563070	1	Coupling, Rubber	
69	1001097588	1	Clip	
70	1001117244	1	Reducer	
71	1001117308	1	Relay, 200Amp	
72	1001134488	1	Fitting, 90 NPT/Barbed	
73	1001135943	1	Coupling	
74	1001136834	1	Cap	
75	1001138173	1	Support	
76	1001138175	1	Bracket	
78	1001138559	1	Fitting, 90 NPT	
79	1001138827	1	Sensor	
80	1001139240	1	Bracket	
81	1001140564	1	Fitting, 90 NPT/Barbed	
82	1001138248	5 ft/ 1.5m	Tubing	
83	1001141995	1	Fitting, Straight NPT/Barbed	
84	1001142501	1	Fitting, 90 NPT/Barbed	
85	1001143390	1	Indicator, Air Restriction	
86	1001147567	1	Fan	
87	1001147847	1	Filter, Air	
87	70023809	1	Element, Primary	
87	70023872	1	Element, Secondary	
87	70024328	1	Elbow, Rubber	
87	70024329	1	Clamp, Mounting	
88	1001148641	2	Bracket	
89	1001149517	4	Mount, Motor	
90	1001149746	1	Pulley	
91	1001150553	1	Hose	
92	1001151491	1	Support	
93	1001151749	1	Tray	
94	1001152112	1	Heater	
95	1001152489	1	Fitting, 90 Barbed	

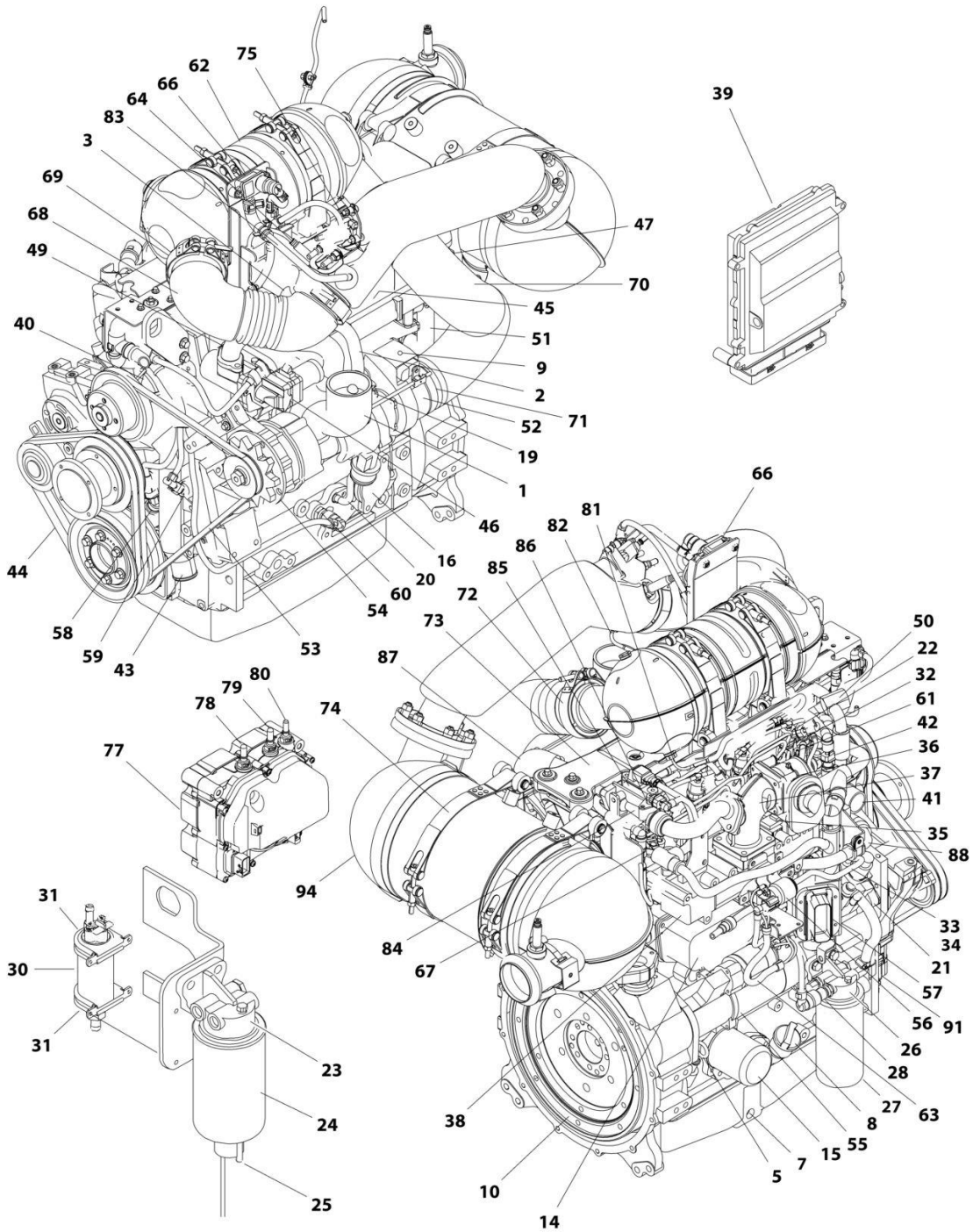
## SECTION 3 - ENGINE

ITEM	PART NUMBER	QTY	DESCRIPTION	REV
96	1001155023	1	Plate	
97	1001155496	1	Support	
98	1001155498	1	Plate	
99	1001155525	1	Support	
100	1001155540	2	Washer	
101	1001155557	2	Plate	
102	1001155563	1	Seal	
103	1001154405	8.5 in/ 21cm	Hose	
104	1001155564	1	Bracket	
105	1001155565	1	Seal	
106	1001155566	1	Bracket	
107	1001155728	1	Seal	
108	1001156034	1	Seal	
109	1001156035	1	Bracket	
110	1001156062	1	Bracket	
111	1001156091	1	Hose	
112	1001156644	2	Seal	
113	1001157300	1	Hose	
114	1001157301	1	Hose	
115	1001157862	1	Bracket	
116	1001160518	1	Support	
117	1001166393	1	Tank	
118	1001170982	1	Fitting, 90 SAE/Barbed	
119	1001175568	2	Clip	
120	1001181899	1	Clamp	
121	1001188162	1	Radiator	
122	1001189291	1	Pipe, Exhaust	
123	1001190418	1	Tube	
124	1001191122	1	Hose, Upper	
125	1001192138	1	Shroud	
126	1001193599	2	Grommet	
127	1001197317	1	Spacer	
128	1001208297	1	Clamp	
129	1001208298	1	Clamp	
130	1001208299	4	Clamp	
131	1001212810	1	Support	
132	1001212817	1	Plate	
133	1001212826	1	Tube, Intake	
134	1001242377	1	Deutz HRC Engine Components (See Separate Breakdown in this Section)	



# SECTION 3 - ENGINE

FIGURE 3-13. ENGINE COMPONENTS (HRC) (SN 0300000100 through 0300254483)



ART\_1001176371

## SECTION 3 - ENGINE

**FIGURE 3-13. ENGINE COMPONENTS (HRC) (SN 0300000100 through 0300254483)**

ITEM	PART NUMBER	QTY	DESCRIPTION	REV
	1001176371	Ref	ENGINE COMPONENTS (HRC)	H
1	70024497	1	Pipe, Intake	
1	70025680	1	Clamp	
2	70025111	1	Clamp	
2	70025128	1	Bolt	
2	70025116	1	Clamp	
2	See Note	NSS	Line, Breather (Includes Item 3) (Note: Not Available for Purchase)	
3	70025119	1	Sleeve, Rubber	
3	7002511	1	Clamp	
4	70002718	1	Seal, Rear Main (Not Shown)	
5	70025745	1	Dipstick	
5	7020442	1	O-Seal	
5	70025755	1	Tube, Dipstick	
6	70025123	24	Screw, Oil Pan (Not Shown)	
7	70025088	1	Plug	
8	7020465	1	Cap	
8	70005487	1	Tube, Fill	
8	70024471	1	Gasket (Tube to Engine Block)	
9	70025786	1	Plug	
10	70001870	1	Flywheel	
10	7024579	1	Gear, Rim	
11	70024483	1	Gasket, Head (Not Shown)	
11	70024481	1	Gasket, Valve Cover (Not Shown)	
12	7020465	1	Cap, Fill (Not Shown - Located on top of Valve Cover)	
13	70025763	1	Pump, Oil (Not Shown)	
13	70025718	4	O-Ring (Not Shown)	
14	70024494	1	Cooler, Oil	
14	70024495	1	Gasket	
15	7016331	1	Filter, Oil	
15	70025137	1	Bushing, Screw	
16	70025731	1	Cover	
16	70002813	1	Seal	
17	70025730	1	Pipe, Transfer (Not Shown - Located in Oil Pan)	
18	70025722	1	Line, Oil Suction (Not Shown - Located in Oil Pan)	
19	70024489	1	Line, Lube	
19	70025085	2	Screw	
19	70025105	4	Ring, Sealing	
20	See Note	NSS	Line, Lube Return (Note: Not Available for Purchase)	
20	70025132	1	O-Seal	
20	70005489	1	Flange, Upper	
20	70024509	1	Gasket, Upper Flange	
21	70024487	1	Pump, High Pressure	
21	70025152	1	O-Ring	
21	70004505	1	Valve, Overflow	
21	70004506	1	O-Ring	
21	70004507	1	O-Ring	
21	70004508	1	Valve, Volume Control	
21	70004509	1	O-Ring	
21	70004510	1	Gasket	
21	See Note	NSS	O-Seal (Between Pump and Block) (Note: Not Available for	

## SECTION 3 - ENGINE

ITEM	PART NUMBER	QTY	DESCRIPTION	REV
			Purchase)	
22	70024485	4	Injector, Fuel	
22	70025140	4	Washer, Sealing	
22	70025146	4	Clamp	
22	70025145	4	O-Seal	
22	70025154	4	Shoe, Clamping	
23	70024961	1	Head and Filter Assembly (Includes Item 24 & 25)	
24	70025153	1	Filter	
25	70024513	1	Sensor with Cable	
25	70025239	1	Ring, Sealing	
26	70004511	1	Head and Filter Assembly	
27	70004512	1	Filter	
28	70024504	1	Sensor, Pressure	
28	70024920	1	O-Seal	
29	See Note	NSS	Connector (Note: Not Available for Purchase) (Not Shown)	
29	70004513	1	Ring, Sealing (Not Shown)	
30	1001226098	1	Fuel Supply Pump Kit	
31	70025144	2	Clamp	
32	70025151	1	Rail, Fuel	
32	70025235	1	Kit, Repair - Fuel Rail	
32	70025240	1	O-Ring	
32	70025534	1	Pipe, Pressure Pump to Fuel Rail	
32	70024498	1	Pipe, Fuel Rail to Cylinders 1 & 2	
32	70024499	1	Pipe, Fuel Rail to Cylinders 3 & 4	
33	70024501	1	Line, Fuel	
33	70025109	3	Clamp, Band	
33	70025686	3	Clamp, Pipe	
34	See Note	NSS	Pipe, Fuel Leakage (Note: Not Available for Purchase)	
34	70025756	2	Retainer for Fuel Leakage Pipe	
35	70024507	1	Sensor, Pressure	
35	70025120	1	O-Seal	
36	70005492	1	Valve, Throttle	
36	70005493	1	Gasket	
37	70005491	1	Pipe, Air Charge	
37	70025726	1	Gasket	
38	70025772	1	Manifold, Air Charge	
38	70024475	1	Gasket (Manifold to Head)	
39	70005495	1	Module, Engine Control	
40	70005496	1	Pump, Water	
40	70005497	1	Seal (RH Side Pump to Item 43)	
40	70004516	2	Ring, Sealing (For Smaller Plug)	
41	70025741	1	Housing, Thermostat	
41	7016309	1	Ring, Sealing (For Bottom Plug)	
41	70024493	1	Gasket (Housing to Head)	
42	70024918	1	Sender, Temperature	
43	70025762	1	Manifold, Coolant	
44	70005498	1	V-Belt	
44	70007324	1	Tensioner, Pulley	
45	70005512	1	EGR Manifold Assembly	
46	70005513	1	Valve, Control	
46	70005514	1	O-Seal	

## SECTION 3 - ENGINE

ITEM	PART NUMBER	QTY	DESCRIPTION	REV
46	70005189	1	Seal	
47	70025768	1	Valve, Shuttle	
48	70005511	1	Gasket, Exhaust Manifold to Head (Not Shown)	
49	See Note	NSS	Tube, Compensator (Note: Not Available for Purchase)	
49	70024500	2	Gasket	
50	See Note	1	Line, Water (Note: Not Available for Purchase)	
50	7020492	1	Ring, Sealing (For Plug in Line)	
50	70024478	1	Gasket (Water Line to EGR Valve)	
50	70025701	1	Sleeve, Rubber	
50	70025687	2	Clamp (For Sleeve)	
50	70025699	1	Clamp, Insulated	
51	70024479	1	Hose	
51	70025687	1	Clamp (Lower)	
51	70025773	1	Clamp (Upper)	
51	70005499	1	Fitting (At Lower End of Hose)	
51	70024469	1	O-Seal (For Fitting)	
52	70005515	1	Turbocharger	
52	70024480	1	Gasket	
53	70005516	1	V-Belt	
54	70025533	1	Generator	
54	70025149	1	Controller	
54	70025131	1	Fan	
54	70025141	1	Nut, Pulley	
55	70004520	1	Starter	
56	70025780	1	Relay	
57	70005518	1	Engine Harness	
58	70026210	1	Tacho-Generator	
58	70005191	1	O-Ring	
59	70026210	1	Tacho-Generator	
59	70005191	1	O-Ring	
60	70024504	1	Switch, Pressure	
60	70024920	1	O-Seal	
61	70024474	4	Plug, Glow	
62	70005519	1	Catalyst (DOC)	
63	70005517	1	Electrical Line, Relay	
64	70005522	1	Sensor	
65	70005521	1	Interconnect Cable (Not Shown)	
66	70005523	1	Sensor, Pressure	
67	70005524	1	Sensor	
68	70005525	1	Pipe, Connecting	
68	70025242	1	Gasket	
69	70025877	2	Clamp	
70	70005526	1	Pipe, Connecting	
70	70025242	1	Gasket	
71	70005527	1	Clamp	
72	70025877	1	Clamp	
73	70005528	1	Bracket	
73	70005529	2	Strap	
73	70005530	4	Pin, Clevis	
73	70005531	8	Clip	
73	70005532	2	Pin	

## SECTION 3 - ENGINE

ITEM	PART NUMBER	QTY	DESCRIPTION	REV
73	70005535	1	Rubber, Mounting	
73	70005536	2	Washer	
74	70005537	1	Bracket	
74	70005538	2	Strap	
74	70005530	4	Pin, Clevis	
74	70005531	8	Clip	
74	70005535	2	Rubber, Mounting	
74	70005541	2	Stud	
74	70005542	2	Bracket	
74	70005536	4	Washer	
75	70005544	1	Unit, Metering	
75	70005545	1	Gasket	
76	70005546	1	Tube, Mixing (Not Shown)	
76	70005547	1	Pipe, Union (Not Shown)	
77	70005548	1	Pump, DEF Supply (Includes Items 78-80)	
77	70005549	1	Filter, DEF Supply Pump	
77	70005550	1	Cover, DEF Supply Pump Filter	
78	70005551	1	Socket/Adapter (DEF Supply Pump)	
78	70005552	1	O-Seal	
79	70005553	1	Socket/Adapter (DEF Supply Pump)	
79	70005552	1	O-Seal	
80	70005554	1	Socket/Adapter (DEF Supply Pump)	
80	70005552	1	O-Seal	
81	70005555	1	Transmitter, Temperature	
82	70005556	1	Transmitter, Temperature	
83	70005557	1	Pipe	
83	70005558	1	Clip	
84	70005501	1	Tube, Venturi	
84	70024500	1	Gasket	
85	70005504	1	Sensor, Pressure	
85	70005505	2	Ring, Sealing	
85	70005502	1	Plate, Isolation	
85	70005503	1	Adapter	
86	70005506	1	Temperature, Transmitter	
86	70005507	1	O-Seal	
87	70005508	1	Elbow, Hose	
87	70005509	1	Clamp	
87	70025681	1	Clamp (Pipe Side)	
88	70025747	1	Manifold	
88	70025687	4	Clamp	
88	70025750	1	Line, Water	
88	70025699	1	Clamp	
88	70025749	1	Hose	
88	70025764	1	Plate, Support	
89	70025737	1	Wheel, Sensor (Not Shown - Located Under front Engine Cover)	
90	70025739	1	Gear, Idler (Not Shown - Located Under front Engine Cover)	
90	70025740	1	Shaft (Not Shown - Located Under front Engine Cover)	
91	70025752	1	Valve, Pressure Relief	
91	70025753	1	Spring	
91	70005916	1	Seal, Ring	
91	70005917	1	Screw	

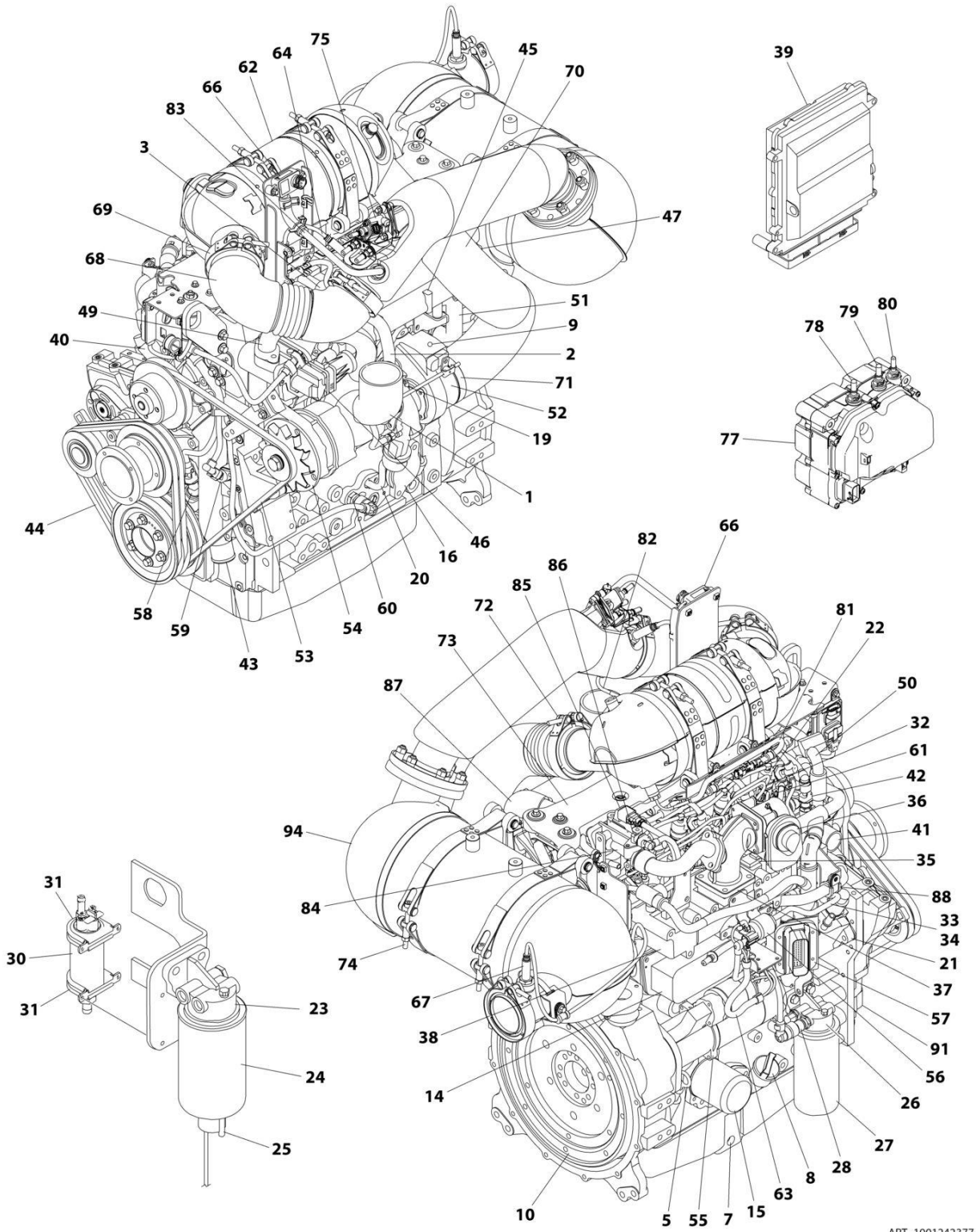


## SECTION 3 - ENGINE

ITEM	PART NUMBER	QTY	DESCRIPTION	REV
92	70025758	1	Connector (Not Shown - Located Under Front Engine Cover)	
92	70025704	1	Ring, Half-Moon	
93	70004280	1	Seal, Crankshaft (Not Shown - Located Under Front Engine Cover)	
94	70005721	1	Catalyst (SCR)	
95	70001181	1	Valve, Pressure Control (Not Shown - Located Under Oil Filter)	
95	70124410	1	Spring	
95	70025082	1	Seal, Ring	
95	70124440	1	Screw	

# SECTION 3 - ENGINE

FIGURE 3-14. ENGINE COMPONENTS (HRC) (SN 0300254483 through 0300271437)



ART\_1001242377

## SECTION 3 - ENGINE

**FIGURE 3-14. ENGINE COMPONENTS (HRC) (SN 0300254483 through 0300271437)**

ITEM	PART NUMBER	QTY	DESCRIPTION	REV
	1001242377	Ref	DEUTZ T4F ENGINE COMPONENTS	A
1	70024497	1	Pipe, Intake	
1	70025680	1	Clamp	
2	70025111	1	Clamp	
2	70025128	1	Bolt	
2	70025116	1	Clamp	
2	See Note	NSS	Line, Breather (Includes Item 3) (Note: Not Available for Purchase)	
3	70025119	1	Sleeve, Rubber	
3	70025111	1	Clamp	
4	70002718	1	Seal, Rear Main (Not Shown)	
5	70025745	1	Dipstick	
5	7020442	1	O-Seal	
5	70025755	1	Tube, Dipstick	
6	70025123	24	Screw, Oil Pan (Not Shown)	
7	70005941	1	Plug	
8	7020465	1	Cap	
8	70005487	1	Tube, Fill	
8	70024471	1	Gasket (Tube to Engine Block)	
9	70025786	1	Plug	
10	70001870	1	Flywheel	
10	7024579	1	Gear, Rim	
11	70025789	1	Gasket, Head (Not Shown)	
11	70024481	1	Gasket, Valve Cover (Not Shown)	
12	7020465	1	Cap, Fill (Not Shown - Located on top of Valve Cover)	
14	70024494	1	Cooler, Oil	
14	70024495	1	Gasket	
15	7016331	1	Filter, Oil	
15	70025137	1	Bushing, Screw	
16	70025731	1	Cover	
16	70002813	1	Seal	
17	70028814	1	Pipe, Transfer (Not Shown - Located in Oil Pan)	
18	70025722	1	Line, Oil Suction (Not Shown - Located in Oil Pan)	
19	70024489	1	Line, Lube	
19	70025085	2	Screw	
19	70025105	4	Ring, Sealing	
20	See Note	NSS	Line, Lube Return (Note: Not Available for Purchase)	
20	70025132	1	O-Seal	
20	70007084	1	Flange, Upper	
20	70024509	1	Gasket, Upper Flange	
21	70024487	1	Pump, High Pressure	
21	70025152	1	O-Ring	
21	70004505	1	Valve, Overflow	
21	70004506	1	O-Ring	
21	70004507	1	O-Ring	
21	70004508	1	Valve, Volume Control	
21	70004509	1	O-Ring	
21	70004510	1	Gasket	
21	70027416	1	Gear	
21	See Note	NSS	O-Seal (Between Pump and Block) (Note: Not Available for Purchase)	

## SECTION 3 - ENGINE

ITEM	PART NUMBER	QTY	DESCRIPTION	REV
22	70024485	4	Injector, Fuel	
22	70025140	4	Washer, Sealing	
22	70025146	4	Clamp	
22	70025145	4	O-Seal	
22	70025154	4	Shoe, Clamping	
23	70024961	1	Head and Filter Assembly (Includes Item 24 & 25)	
24	1001225430	1	Filter	
25	70024513	1	Sensor with Cable	
25	70025239	1	Ring, Sealing	
26	70004511	1	Head and Filter Assembly	
27	1001225432	1	Filter	
28	70024504	1	Sensor, Pressure	
28	70024920	1	O-Seal	
29	See Note	NSS	Connector (Note: Not Available for Purchase) (Not Shown)	
29	70004513	1	Ring, Sealing (Not Shown)	
30	70006144	1	Pump, Fuel Supply	
31	70025144	2	Clamp	
32	70025151	1	Rail, Fuel	
32	70025235	1	Kit, Repair - Fuel Rail	
32	70025240	1	O-Ring	
32	70025534	1	Pipe, Pressure Pump to Fuel Rail	
32	70024498	1	Pipe, Fuel Rail to Cylinders 1 & 2	
32	70024499	1	Pipe, Fuel Rail to Cylinders 3 & 4	
33	70024501	1	Line, Fuel	
33	70025109	3	Clamp, Band	
33	70025686	3	Clamp, Pipe	
34	See Note	NSS	Pipe, Fuel Leakage (Note: Not Available for Purchase)	
34	70025756	2	Retainer for Fuel Leakage Pipe	
35	70024507	1	Sensor, Pressure	
35	70025120	1	O-Seal	
36	70005492	1	Valve, Throttle	
36	70005493	1	Gasket	
37	70029394	1	Pipe, Air Charge	
37	70025726	1	Gasket	
38	70025772	1	Manifold, Air Charge	
38	70024475	1	Gasket (Manifold to Head)	
39	70005495	1	Module, Engine Control	
40	70004515	1	Pump, Water	
40	70005497	1	Seal (RH Side Pump to Item 43)	
40	70004516	2	Ring, Sealing (For Smaller Plug)	
41	70029395	1	Housing, Thermostat	
41	7016309	1	Ring, Sealing (For Bottom Plug)	
41	70024493	1	Gasket (Housing to Head)	
42	70028540	1	Sender, Temperature	
43	70025762	1	Manifold, Coolant	
44	70005498	1	V-Belt	
44	See Note	NSS	Tensioner, Pulley (Note: Not Available for Purchase)	
45	70007083	1	EGR Manifold Assembly	
46	70005513	1	Valve, Control	
46	70005514	1	O-Seal	
46	70005189	1	Seal	

## SECTION 3 - ENGINE

ITEM	PART NUMBER	QTY	DESCRIPTION	REV
47	70028989	1	Valve, Shuttle	
48	70029399	1	Gasket, Exhaust Manifold to Head (Not Shown)	
49	See Note	NSS	Tube, Compensator (Note: Not Available for Purchase)	
49	70024500	2	Gasket	
50	See Note	NSS	Line, Water (Note: Not Available for Purchase)	
50	7020492	1	Ring, Sealing (For Plug in Line)	
50	70024478	1	Gasket (Water Line to EGR Valve)	
50	70025701	1	Sleeve, Rubber	
50	70025687	2	Clamp (For Sleeve)	
50	70025699	1	Clamp, Insulated	
51	70024479	1	Hose	
51	70025111	1	Clamp (Lower)	
51	70028765	1	Clamp (Upper)	
52	70007083	1	Turbocharger	
52	70024480	1	Gasket	
53	70005516	1	V-Belt	
54	70029401	1	Generator	
54	70006653	1	Controller	
54	70029015	1	Fan	
54	70029402	1	Nut, Pulley	
55	70004520	1	Starter	
56	70025780	1	Relay	
57	70007085	1	Harness, Engine	
58	70026210	1	Tacho-Generator	
58	70005191	1	O-Ring	
59	70026210	1	Tacho-Generator	
59	70005191	1	O-Ring	
60	70024504	1	Switch, Pressure	
60	70024920	1	O-Seal	
61	70024474	4	Plug, Glow	
62	70007093	1	Catalyst	
63	70005517	1	Electrical Line, Relay	
64	70005522	1	Sensor	
66	70005523	1	Sensor, Pressure	
67	70005524	1	Sensor	
68	70005525	1	Pipe, Connecting	
68	70025242	1	Gasket	
69	70025877	2	Clamp	
70	70005526	1	Pipe, Connecting	
70	70025242	1	Gasket	
71	70005527	1	Clamp	
72	70025877	1	Clamp	
73	70005528	1	Bracket	
73	70005529	2	Strap	
73	70005530	4	Pin, Clevis	
73	70005531	8	Clip	
73	70005532	2	Pin	
73	70005535	1	Rubber, Mounting	
73	70005536	2	Washer	
74	70005537	1	Bracket	
74	70005538	2	Strap	

## SECTION 3 - ENGINE

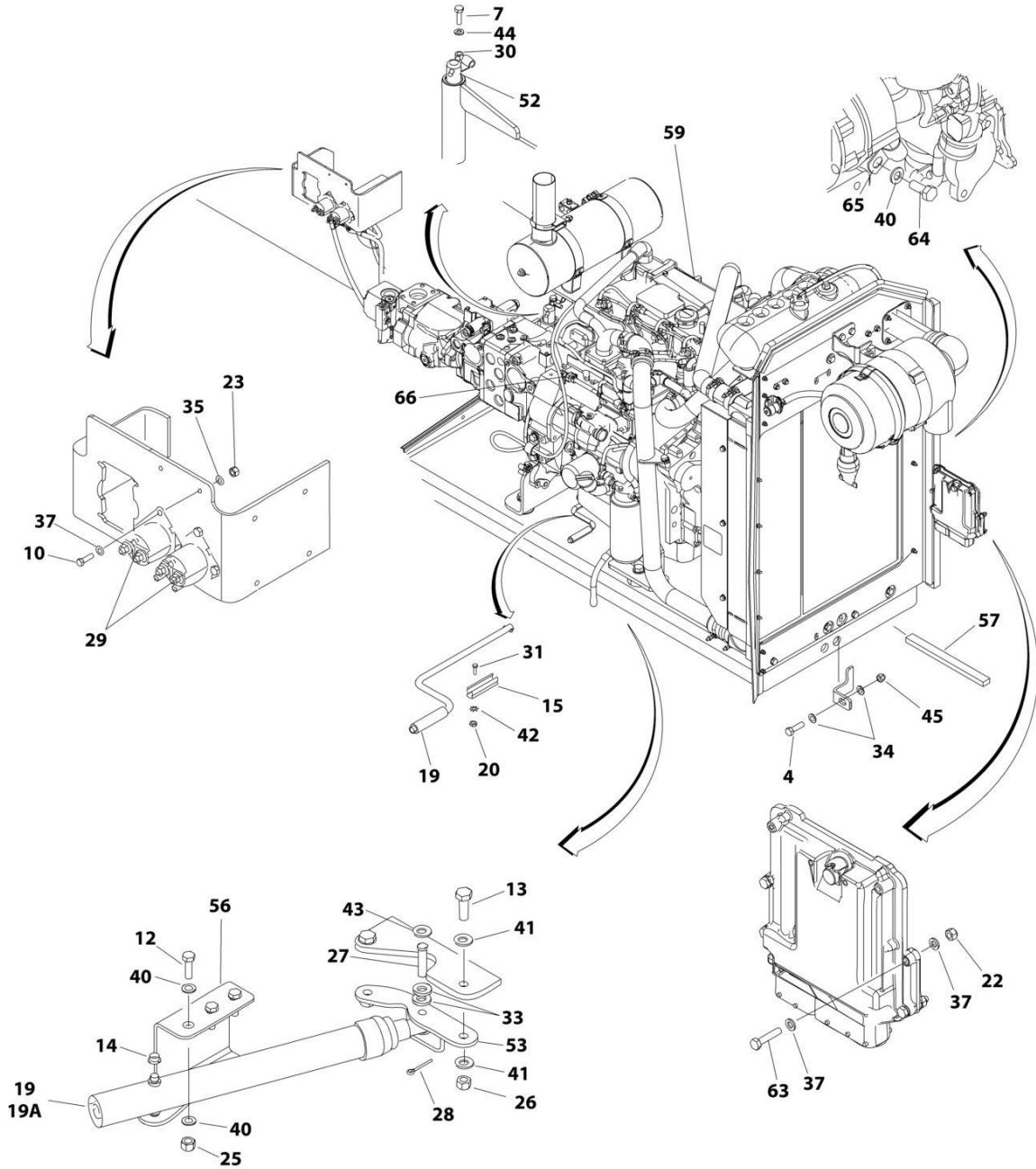
ITEM	PART NUMBER	QTY	DESCRIPTION	REV
74	70005530	4	Pin, Clevis	
74	70005531	8	Clip	
74	70005535	2	Rubber, Mounting	
74	70005541	2	Stud	
74	70005542	2	Bracket	
74	70005536	4	Washer	
75	70005544	1	Unit, Metering	
75	70005545	1	Gasket	
76	70007091	1	Tube, Mixing (Not Shown)	
76	70007092	1	Pipe, Union (Not Shown)	
77	70005548	1	Pump, DEF Supply (Includes Items 78-80)	
77	70005549	1	Filter, DEF Supply Pump	
77	70005550	1	Cover, DEF Supply Pump Filter	
78	70005551	1	Adapter, Def Supply Pump Filter Socket	
78	70005552	1	O-Seal	
79	70005553	1	Adapter, Def Supply Pump Filter Socket	
79	70005552	1	O-Seal	
80	70005554	1	Adapter, Def Supply Pump Filter Socket	
80	70005552	1	O-Seal	
81	70005555	1	Transmitter, Temperature	
82	70005556	1	Transmitter, Temperature	
83	70005557	1	Pipe	
83	70005558	1	Clip	
84	70005501	1	Tube, Venturi	
84	70024500	1	Gasket	
85	70005504	1	Sensor, Pressure	
85	70005505	2	Ring, Sealing	
85	See Note	NSS	Plate, Isolation (Note: Not Available for Purchase)	
85	70005503	1	Adapter	
86	70027405	1	Temperature, Transmitter	
86	70005507	1	O-Seal	
87	See Note	NSS	Elbow, Hose (Note: Not Available for Purchase)	
87	70025675	1	Clamp	
87	70025681	1	Clamp (Pipe Side)	
88	70025747	1	Manifold	
88	70025687	4	Clamp	
88	70025750	1	Line, Water	
88	70025699	1	Clamp	
88	70025749	1	Hose	
88	70025764	1	Plate, Support	
89	70025737	1	Wheel, Sensor (Not Shown - Located Under front Engine Cover)	
90	70025739	1	Gear, Idler (Not Shown - Located Under front Engine Cover)	
90	70025740	1	Shaft (Not Shown - Located Under front Engine Cover)	
91	70025752	1	Valve, Pressure Relief	
91	70025753	1	Spring	
91	70005916	1	Seal	
91	70005917	1	Plug	
92	70025758	1	Connector (Not Shown - Located Under Front Engine Cover)	
92	70025704	1	Ring, Half-Moon	
93	70004280	1	Seal, Crankshaft (Not Shown - Located Under Front Engine Cover)	
94	70001181	1	Control Vale	

## SECTION 3 - ENGINE

ITEM	PART NUMBER	QTY	DESCRIPTION	REV
94	70124410	1	Spring	
94	70025082	1	Seal	
94	70124440	1	Plug	
95	70027460	1	Tank, Reservoir (Not Shown)	
95	70027465	1	Filter	
95	70027466	1	Cover	
95	70027467	1	Valve, Breather	
95	70027461	1	Bracket	
95	70027462	1	Transmitter, Level	
95	70027463	1	Clip	
95	70027464	1	Filter, Fuel	

# SECTION 3 - ENGINE

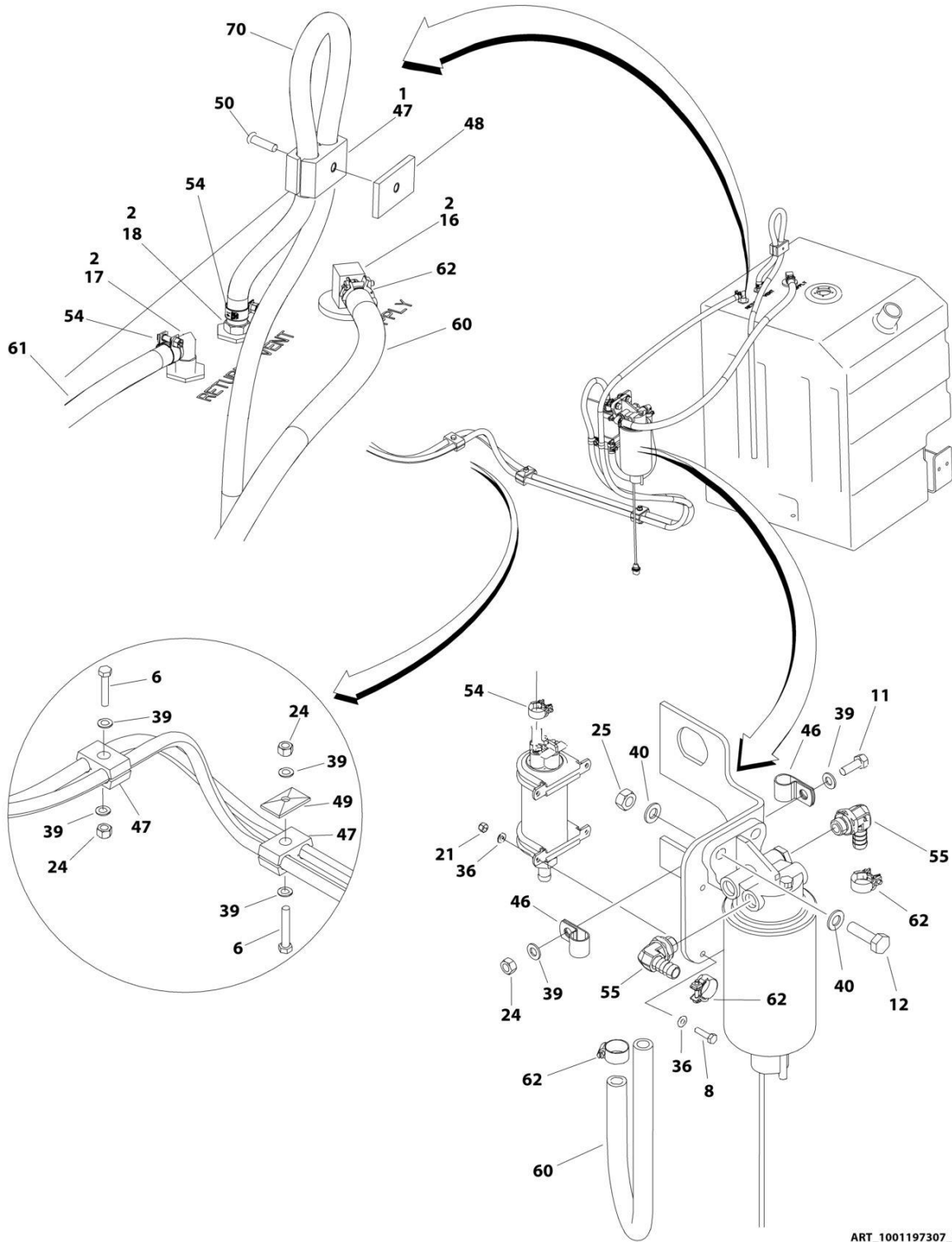
## FIGURE 3-15. ENGINE INSTALLATION (LRC) (WITHOUT COLD WEATHER PACKAGE)



ART\_1001197307\_10F2



# SECTION 3 - ENGINE



ART\_1001197307\_20F2

## SECTION 3 - ENGINE

FIGURE 3-15. ENGINE INSTALLATION (LRC) (WITHOUT COLD WEATHER PACKAGE)

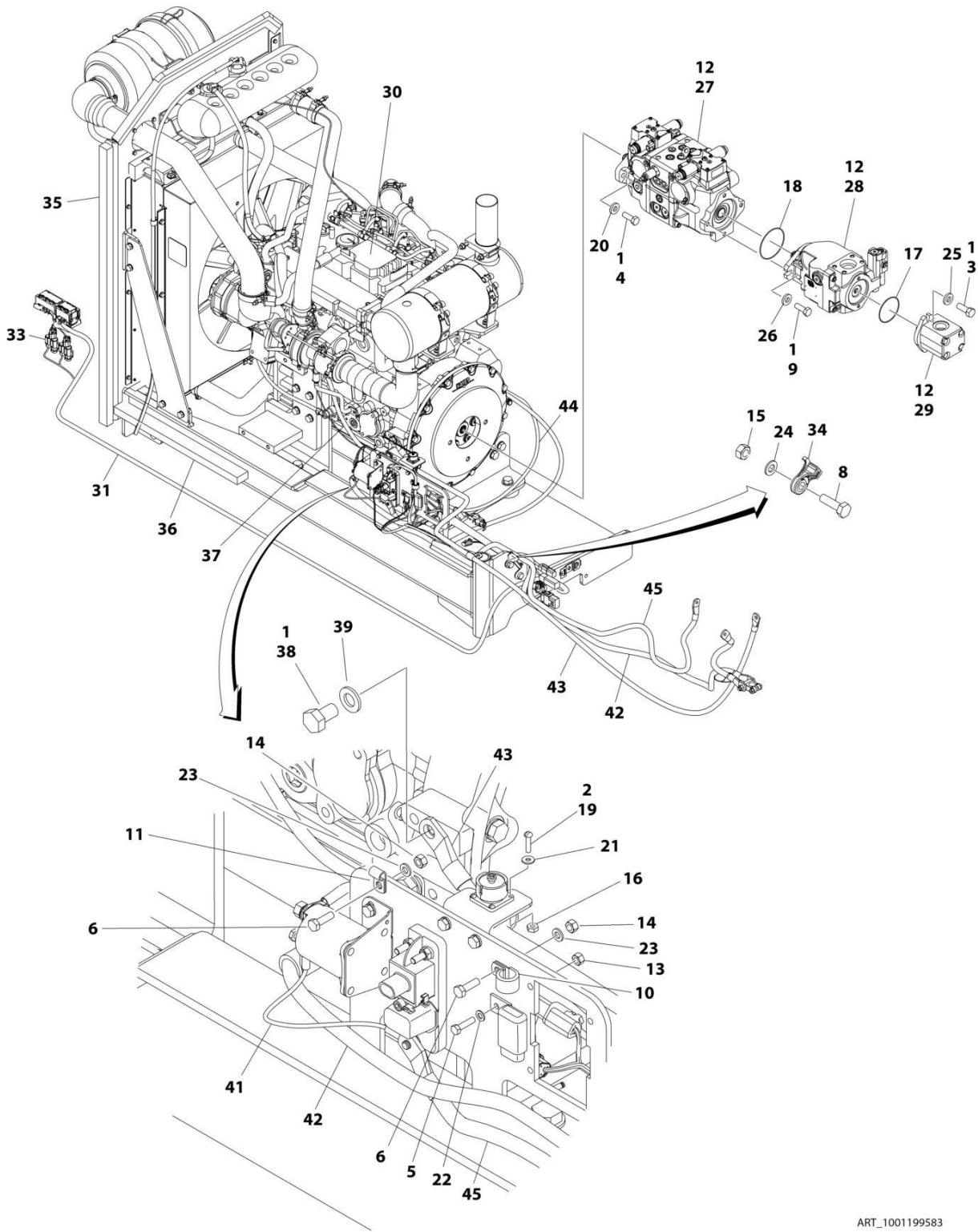
ITEM	PART NUMBER	QTY	DESCRIPTION	REV
	1001197307	Ref	ENGINE INSTALLATION (LRC) (WITHOUT COLD WEATHER PACKAGE)	I
1	0100011	AR	Compound, Locking	
2	0100020	AR	Sealant	
3	0440162	1	Bearing (Not Shown)	
4	0642220	1	Bolt 3/4 x 2-1/2	
6	0700818	3	Bolt M8 x 50	
7	0711015	1	Bolt M10 x 35	
8	0760408	4	Bolt M4 x 16	
10	0760610	4	Bolt M6 x 20 <b>(SN 0300000100 through 0300226018)</b>	
11	0760812	1	Bolt M8 x 25	
12	0761015	5	Bolt M10 x 35	
13	0771416	2	Bolt M14 x 40	
14	0962051	2	Bearing	
15	1380147	1	Clip	
16	2180832	1	Fitting, Straight Barbed/NPTF	
17	2220313	1	Fitting, 90 Barbed/NPTF	
18	2221114	1	Fitting, Straight Barbed/NPT	
19	2840016	1	Tray Jack Assembly	
19	7016322	1	Wiper (Burr Brand)	
19A	7016374	1	Handle (Burr Brand)	
19A	7024598	1	Handle (Hammerblow Brand)	
20	3290301	2	Nut M3	
21	3290405	4	Nut M4	
22	3290605	5	Nut M6	
23	3290607	4	Nut M6 <b>(SN 0300000100 through 0300226018)</b>	
24	3290807	4	Nut M8	
25	3291007	5	Nut M10	
26	3331411	2	Nut M14	
27	3430816	1	Pin	
28	3450404	1	Pin, Cotter 1/8 x 1	
29	3740067	2	Relay <b>(SN 0300000100 through 0300226018)</b>	
30	3841143	1	Keeper, Pin	
31	4010308	2	Screw M3 x 16	
32	4240099	AR	Tie-Strap (Not Shown)	
33	4711800	2	Washer 1/2	
34	4712200	2	Washer 3/4	
35	4791400	4	Washer 1/4 <b>(SN 0300000100 through 0300226018)</b>	
36	4811400	8	Washer M4	
37	4811700	10	Washer M6	
39	4811900	8	Washer M8	
40	4812000	11	Washer M10	
41	4812200	4	Washer M14	
42	4871200	2	Washer M3	
43	4891800	1	Washer 1/2	
44	5241000	1	Washer M10	
45	8310067	1	Nut 3/4	
46	8406101	2	Clip	
47	8750014	4	Clamp	
48	8750031	1	Plate, Clamp	

## SECTION 3 - ENGINE

ITEM	PART NUMBER	QTY	DESCRIPTION	REV
49	8769123	2	Cover, Clamp	
50	1001101580	1	Screw M8 x 30	
52	1001135196	1	Pin	
53	1001135497	1	Support	
54	1001136975	5	Clamp	
55	1001142501	2	Fitting, 90 Barbed	
56	1001155939	1	Mount	
57	1001206747	1	Seal	
59	1001199583	1	Engine Assembly with Pumps (LRC) (Without Cold Weather Package) (See ENGINE ASSEMBLY WITH PUMPS (LRC) (WITHOUT COLD WEATHER PACKAGE) for Breakdown)	
60	1001154405	53 in /1.4m	Hose	
61	1001165035	31 ft /9.4m	Hose	
62	1001175568	4	Clip <b>(SN 0300000100 through 0300250324)</b>	
62	1001186342	4	Clip <b>(SN 0300250324 through 0300271437)</b>	
63	0700614	4	Bolt M6 x 30	
64	0761009	1	Bolt M10 x 18	
65	8406105	1	Clip	
66	1001155823	1	Fitting, 90 Barbed	
67	0760608	1	Bolt M6 x 16 (Not Shown)	
70	2750532	4 ft /1.2m	Hose	

# SECTION 3 - ENGINE

## FIGURE 3-16. ENGINE ASSEMBLY WITH PUMPS (LRC) (WITHOUT COLD WEATHER PACKAGE)



ART\_1001199583

## SECTION 3 - ENGINE

**FIGURE 3-16. ENGINE ASSEMBLY WITH PUMPS (LRC) (WITHOUT COLD WEATHER PACKAGE)**

ITEM	PART NUMBER	QTY	DESCRIPTION	REV
	1001199583	Ref	ENGINE ASSEMBLY WITH PUMPS (LRC) (WITHOUT COLD WEATHER PACKAGE)	H
1	0100011	AR	Compound, Locking	
2	0100035	AR	Compound, Locking	
3	0641608	2	Bolt 3/8 x 1	
4	0641812	2	Bolt 1/2 x 1-1/2	
5	0700510	1	Bolt M5 x 20	
6	0760610	2	Bolt M6 x 20	
8	0761015	2	Bolt M10 x 35	
9	0761216	2	Bolt M12 x 40	
10	1320041	1	Clamp	
11	1320136	1	Clamp	
12	3020037	AR	Grease, Coupling	
13	3290507	1	Nut M5	
14	3290607	2	Nut M6	
15	3291007	2	Nut M10	
16	3310401	3	Nut #4	
17	3790152	1	O-Ring	
18	3790155	1	O-Ring	
19	3910408	3	Screw #4 x 1/2	
20	4740171	2	Washer	
21	4750400	3	Washer #4	
22	4811600	2	Washer M5	
23	4811700	2	Washer M6	
24	4812000	2	Washer M10	
25	4891600	2	Washer 3/8	
26	4891800	2	Washer 1/2	
27	1001108616	1	Tandem Pump Assembly (See TANDEM PUMP ASSEMBLY for Breakdown)	
28	1001199470	1	Piston Pump Assembly (See PISTON PUMP ASSEMBLY for Breakdown)	
29	1001112927	1	Gear Pump Assembly (See GEAR PUMP ASSEMBLY for Breakdown)	
30	1001149867	1	Engine Assembly (LRC) (Without Cold Weather Package) (See ENGINE ASSEMBLY (LRC) (WITHOUT COLD WEATHER PACKAGE) for Breakdown)	
31	1001149971	1	Engine Harness (See ELECTRICAL SECTION for Breakdown)	
33	1001156001	1	Engine Harness Can (See ELECTRICAL SECTION for Breakdown)	
34	1001156107	2	Holder, Cable	
35	1001156718	1	Seal	
36	1001206747	1	Seal	
37	1001157073	1	Cable, Alternator	
38	0761210	1	Bolt M12 x 20	
39	4812100	1	Washer M12	
41	1001141304	1	Link, Glow Plug Fusible (SN 0300000100 through 0300226018)	
42	1001154142	1	Cable, Battery Positive (SN 0300000100 through 0300226018)	
42	1001202356	NLA	Cable, Battery Positive (Use p/n 1001234791) (SN 0300226018 through 0300243457)	
42	1001234791	1	Cable, Battery Positive (SN 0300243458 through 0300271437)	
43	1001154143	1	Cable, Battery Negative (SN 0300000100 through 0300226018)	

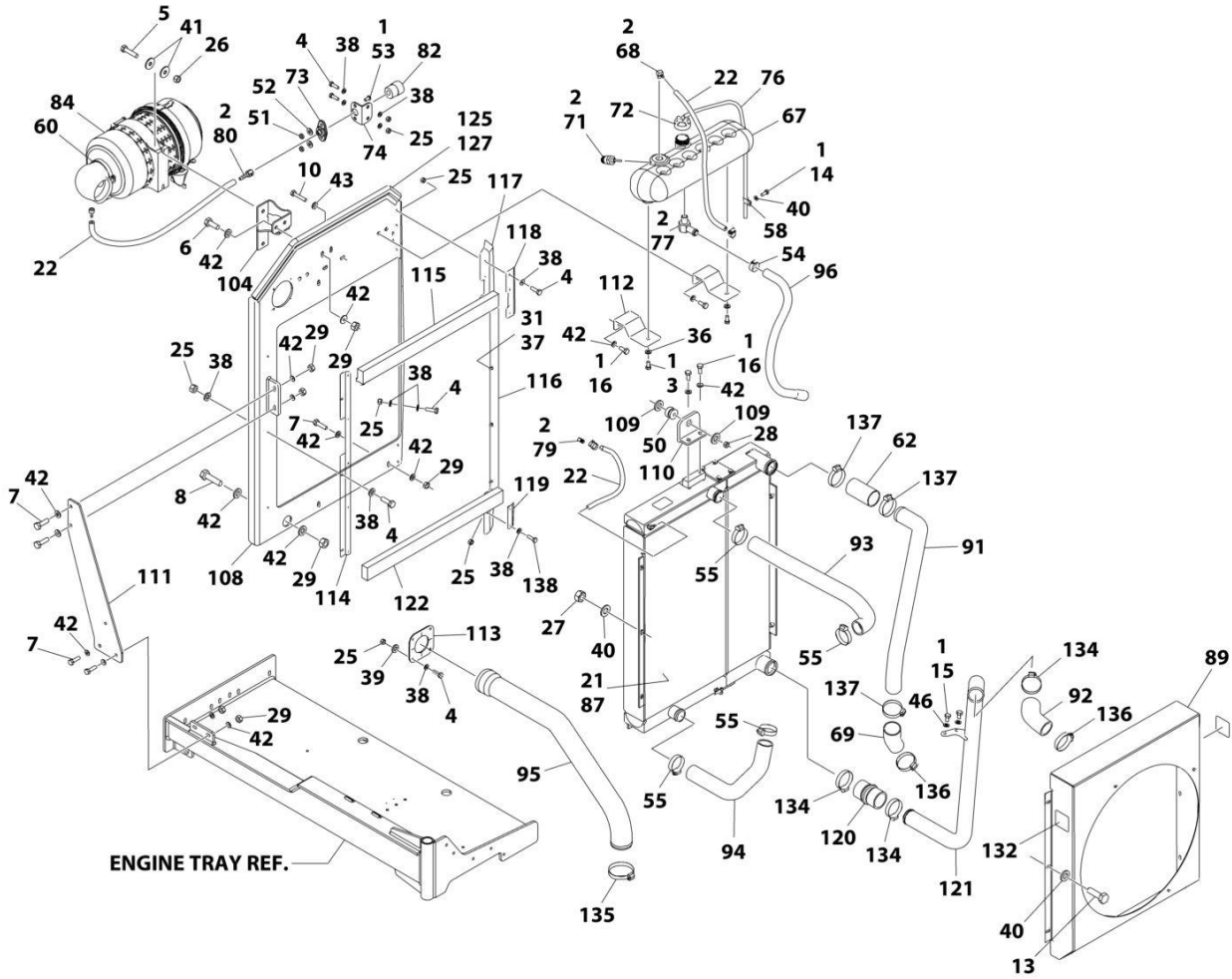
## SECTION 3 - ENGINE

ITEM	PART NUMBER	QTY	DESCRIPTION	REV
43	1001202355	1	Cable, Battery Negative (SN 0300226018 through 0300271437)	
44	1001168734	1	Cable, Glow Plug	
45	1001222918	1	Cable, System B+ (SN 0300226018 through 0300271437)	



# SECTION 3 - ENGINE

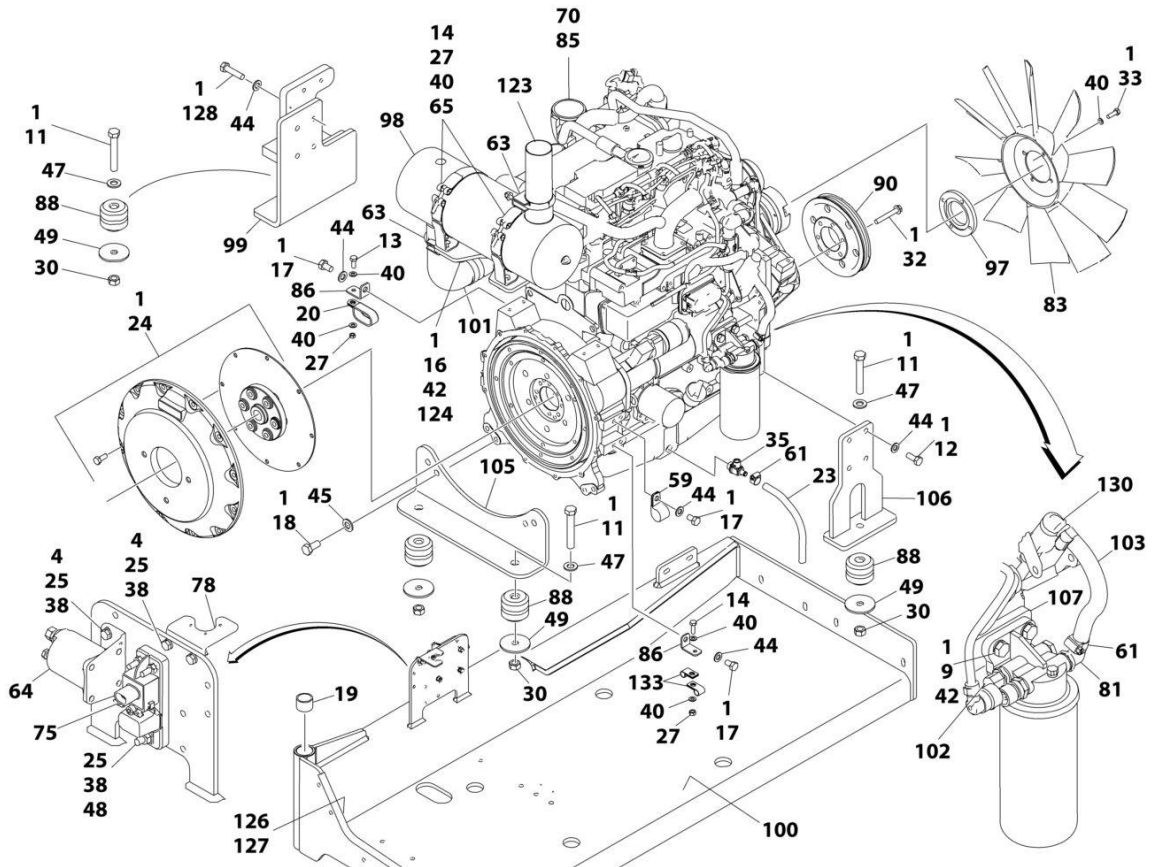
## FIGURE 3-17. ENGINE ASSEMBLY (LRC) (WITHOUT COLD WEATHER PACKAGE)



ART\_1001149867\_10F2



# SECTION 3 - ENGINE



ART\_1001149867\_2OF2

## SECTION 3 - ENGINE

FIGURE 3-17. ENGINE ASSEMBLY (LRC) (WITHOUT COLD WEATHER PACKAGE)

ITEM	PART NUMBER	QTY	DESCRIPTION	REV
	1001149867	Ref	ENGINE ASSEMBLY (LRC) (WITHOUT COLD WEATHER PACKAGE)	O
1	0100011	AR	Compound, Locking	
2	0100020	AR	Sealant	
3	0641606	2	Bolt 3/8 x 3/4	
4	0700612	20	Bolt M6 x 25	
5	0700815	2	Bolt M8 x 35	
6	0701013	2	Bolt M10 x 28	
7	0701015	6	Bolt M10 x 35	
8	0701016	2	Bolt M10 x 40	
9	0701017	2	Bolt M10 x 45	
10	0701019	1	Bolt M10 x 55	
11	0701627	4	Bolt M16 x 100	
12	0711214	4	Bolt M12 x 30 Grade 10.9	
13	0760810	5	Bolt M8 x 20	
14	0760812	7	Bolt M8 x 25	
15	0761008	2	Bolt M10 x 16	
16	0761012	10	Bolt M10 x 25	
17	0761210	3	Bolt M12 x 20	
18	0771414	4	Bolt M14 x 30 Grade 10.9	
18	0771415	4	Bolt M14 x 35 Grade 10.9	
19	0961951	2	Bushing	
20	1321716	1	Clamp	
21	1001103452	AR	Coolant	
22	2720015	5 ft/ 1.5m	Hose	
23	2720340	1 ft/ .3m	Hose (SN 0300000100 through 0300239975)	
23	1001165035	1 ft/ 0.3m	Hose (SN 0300239975 through 0300271437)	
24	2902065	1	Pump Coupling Kit (See PUMP COUPLING KIT for Breakdown)	
25	3290607	23	Nut M6	
26	3290805	2	Nut M8	
27	3290807	9	Nut M8	
28	3291005	1	Nut M10	
29	3291007	10	Nut M10	
30	3291601	4	Nut M16	
31	3820032	9	Rivet	
32	5251022	6	Bolt M10 x 70	
33	4031912	4	Capscrew M8 x 40	
34	4240099	AR	Tie-Strap (Not Shown)	
35	4640751	1	Valve, Oil Drain	
36	4711600	2	Washer 3/8	
37	4811600	4	Washer M5	
38	4811700	41	Washer M6	
39	4811702	4	Washer M6	
40	4811900	25	Washer M8	
41	4811902	4	Washer M8	
42	4812000	34	Washer M10	
43	4812002	1	Washer M10	
44	4812100	11	Washer M12	
45	4812200	4	Washer M14	
46	5241000	2	Washer M10	

## SECTION 3 - ENGINE

ITEM	PART NUMBER	QTY	DESCRIPTION	REV
47	5241600	4	Washer M16	
48	5271614	1	Capscrew M16 x 50	
49	7300435	4	Washer	
50	8278020	1	Mount	
51	8305401	2	Nut 1/4	
52	8307109	2	Washer 1/4	
53	8310548	2	Screw 1/4 x 1/2	
54	8405007	2	Clamp	
55	8405104	4	Clamp	
58	8406109	2	Clamp	
59	8406303	1	Clip	
60	8410011	1	Clamp	
61	8410013	3	Clamp	
62	91563070	1	Coupling, Rubber	
63	1001111116	2	Clamp	
64	1001117308	1	Relay	
65	1001119727	2	Clamp	
67	1001166393	1	Tank	
68	1001134488	1	Fitting, 90 NPT/Barbed	
69	1001135943	1	Coupling	
70	1001136079	AR	Oil, Motor	
71	1001138827	1	Sensor	
72	1001136834	1	Cap	
73	1001138173	1	Support	
74	1001138175	1	Bracket	
75	1001138228	1	Module, Relay	
75	70023592	1	Fuse 20Amp	
75	70023593	1	Fuse 30Amp	
76	1001138248	5 ft/ 1.5m	Tubing	
77	1001138559	1	Fitting, 90 NPT	
78	1001139240	1	Bracket	
79	1001140564	1	Fitting, 90 NPT/Barbed	
80	1001141995	1	Fitting, Straight NPT/Barbed	
81	1001142501	1	Fitting, 90 NPT/Barbed	
82	1001143390	1	Indicator, Air Restriction	
83	1001177137	1	Fan	
84	1001147847	1	Filter, Air	
84	70023809	1	Element, Primary	
84	70023872	1	Element, Secondary	
84	70024328	1	Elbow, Rubber	
84	70024329	1	Clamp, Mounting	
85	1001148076	1	Engine Components (LRC) (See ENGINE COMPONENTS (LRC) for Breakdown)	
86	1001148641	2	Bracket	
87	1001149407	1	Radiator	
88	1001149517	4	Mount, Motor	
89	1001149736	1	Shroud	
90	1001149746	1	Pulley	
91	1001150498	1	Tube	
92	1001150499	1	Hose	
93	1001150500	1	Hose	
94	1001150504	1	Hose	

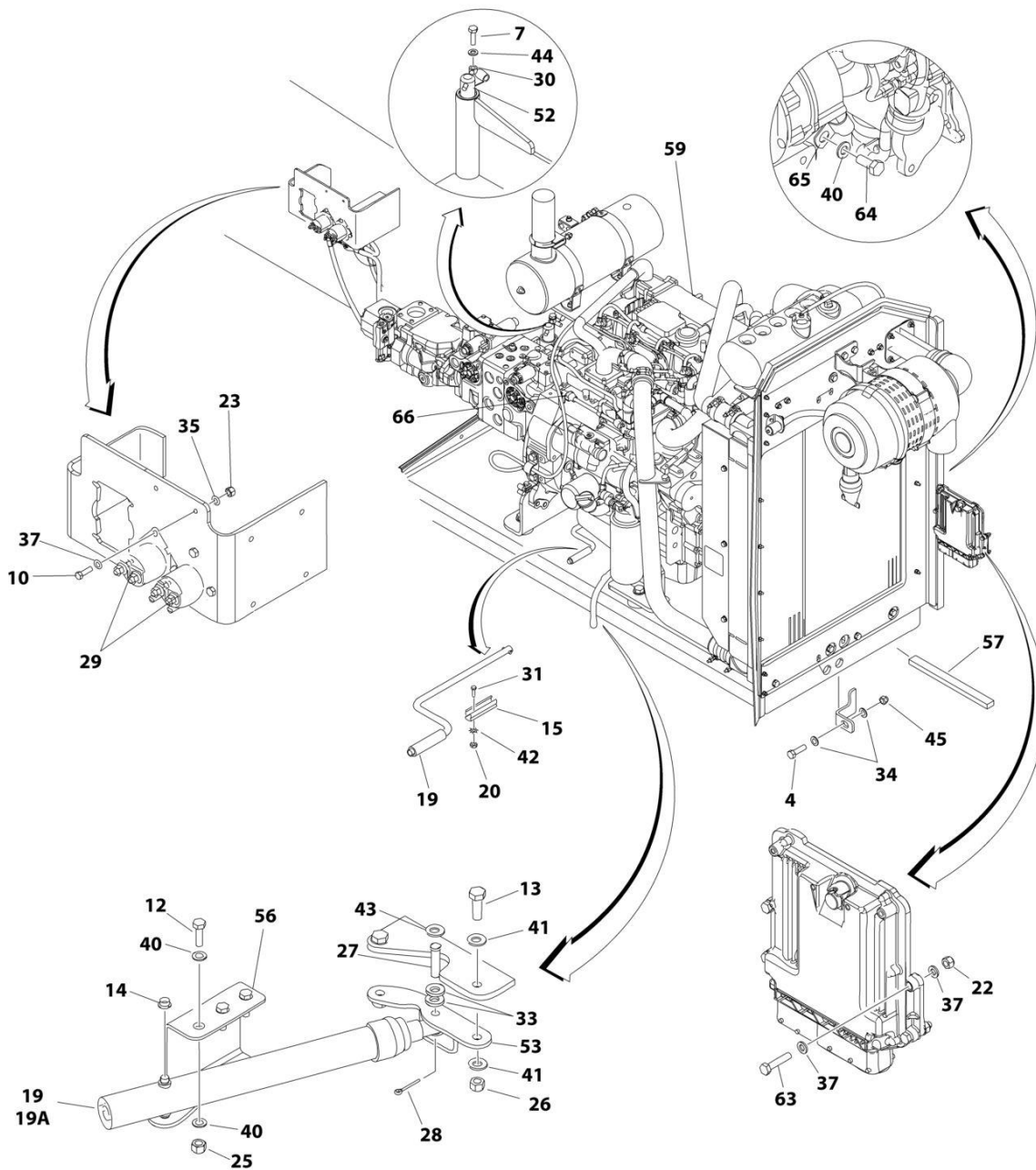
## SECTION 3 - ENGINE

ITEM	PART NUMBER	QTY	DESCRIPTION	REV
95	1001150505	1	Pipe	
96	1001150553	1	Hose	
97	1001177134	1	Adapter	
98	1001151432	1	Muffler	
99	1001151491	1	Support	
100	1001151749	1	Tray	
101	1001151761	1	Pipe, Exhaust	
102	1001152489	1	Fitting, 90 Barbed	
103	1001154405	8.5 in/ 21cm	Hose	
104	1001155023	1	Plate	
105	1001155496	1	Support	
106	1001160518	1	Support	
107	1001155498	1	Plate	
108	1001155525	1	Support	
109	1001155540	2	Washer	
110	1001157862	1	Bracket	
111	1001155550	NLA	Plate (Use p/n 1001212817)	
111	1001212817	1	Plate	
112	1001155557	2	Plate	
113	1001155563	1	Seal	
114	1001155564	1	Bracket	
115	1001155565	1	Seal	
116	1001155566	1	Bracket	
117	1001156034	1	Seal	
118	1001156035	1	Bracket	
119	1001156062	1	Bracket	
120	1001156091	1	Hose	
121	1001156112	1	Tube	
122	1001156644	2	Seal	
123	1001158262	1	Pipe, Exhaust	
124	1001158289	1	Bracket	
125	1001155728	1	Seal	
126	4060807	22 in/ 55cm	Flex-Trim	
127	0100081	AR	Adhesive	
128	0711218	4	Bolt M12 x 50 Grade 10.9	
130	1001170982	1	Fitting, 90 SAE/Barbed	
132	1703162	2	Decal - Fan Blade	
133	8406110	2	Clip	
134	8410012	3	Clamp	
135	1001208297	1	Clamp	
136	1001208298	2	Clamp	
137	1001208299	3	Clamp	
138	0760614	1	Bolt M6 x 30	



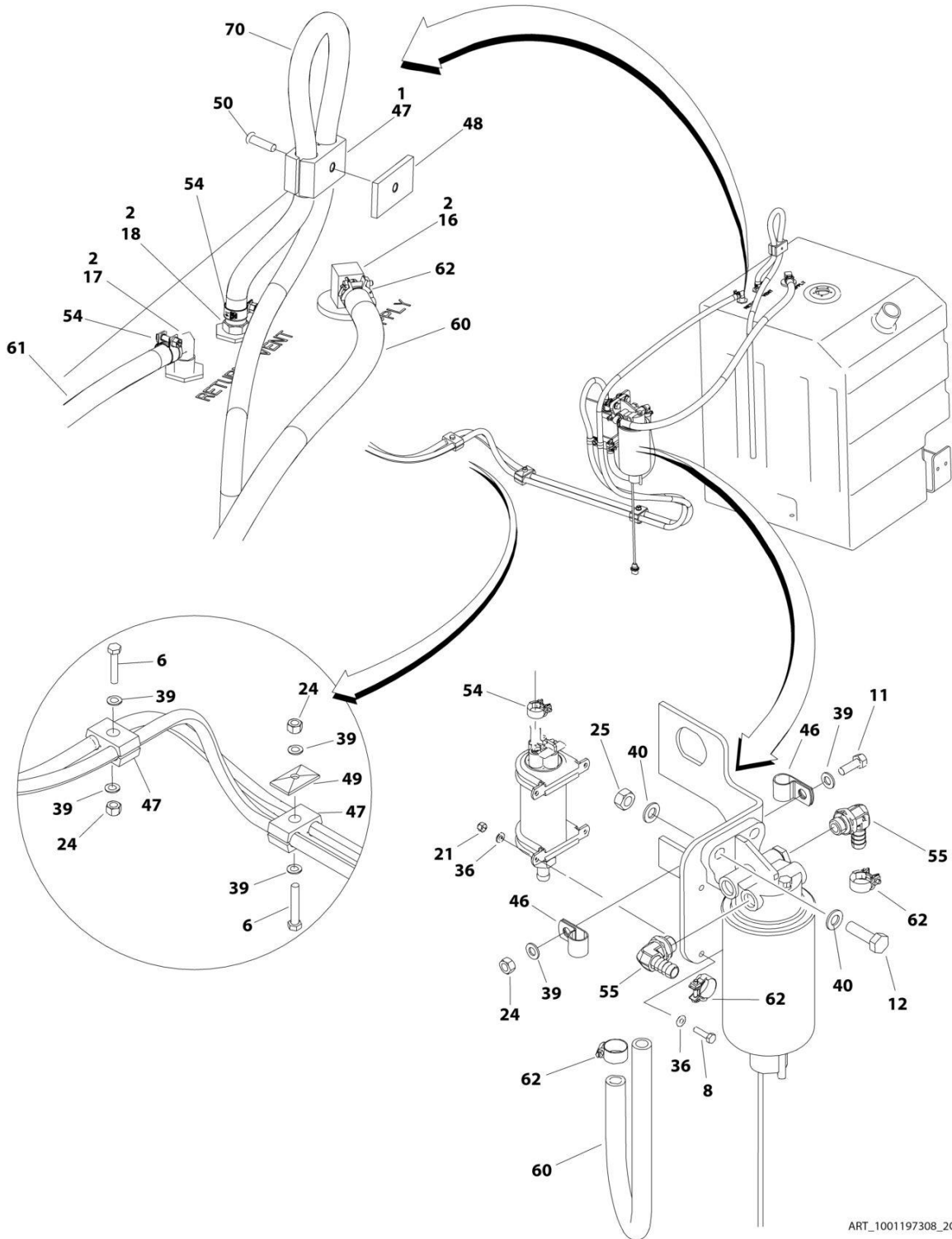
# SECTION 3 - ENGINE

## FIGURE 3-18. ENGINE INSTALLATION (LRC) (WITH COLD WEATHER PACKAGE)



ART\_1001197308\_10F2

# SECTION 3 - ENGINE



ART\_1001197308\_20F2

## SECTION 3 - ENGINE

FIGURE 3-18. ENGINE INSTALLATION (LRC) (WITH COLD WEATHER PACKAGE)

ITEM	PART NUMBER	QTY	DESCRIPTION	REV
	1001197308	Ref	ENGINE INSTALLATION (LRC) (WITH COLD WEATHER PACKAGE)	I
1	0100011	AR	Compound, Locking	
2	0100020	AR	Sealant	
3	0440162	1	Bearing (Not Shown)	
4	0642220	1	Bolt 3/4 x 2-1/2	
6	0700818	3	Bolt M8 x 50	
7	0711015	1	Bolt M10 x 35	
8	0760408	4	Bolt M4 x 16	
10	0760610	4	Bolt M6 x 20 <b>(SN 0300000100 through 0300226018)</b>	
11	0760812	1	Bolt M8 x 25	
12	0761015	5	Bolt M10 x 35	
13	0771416	2	Bolt M14 x 40	
14	0962051	2	Bearing	
15	1380147	1	Clip	
16	2180832	1	Fitting, Straight Barbed/NPTF	
17	2220313	1	Fitting, 90 Barbed/NPTF	
18	2221114	1	Fitting, Straight Barbed/NPT	
19	2840016	1	Tray Jack Assembly	
19	7016322	1	Wiper (Burr Brand)	
19A	7016374	1	Handle (Burr Brand)	
19A	7024598	1	Handle (Hammerblow Brand)	
20	3290301	2	Nut M3	
21	3290405	4	Nut M4	
22	3290605	5	Nut M6	
23	3290607	4	Nut M6 <b>(SN 0300000100 through 0300226018)</b>	
24	3290807	4	Nut M8	
25	3291007	5	Nut M10	
26	3331411	2	Nut M14	
27	3430816	1	Pin	
28	3450404	1	Pin, Cotter 1/8 x 1	
29	3740067	2	Relay <b>(SN 0300000100 through 0300226018)</b>	
30	3841143	1	Keeper, Pin	
31	4010308	2	Screw M3 x 16	
32	4240099	AR	Tie-Strap (Not Shown)	
33	4711800	2	Washer 1/2	
34	4712200	2	Washer 3/4	
35	4791400	4	Washer 1/4 <b>(SN 0300000100 through 0300226018)</b>	
36	4811400	8	Washer M4	
37	4811700	10	Washer M6	
39	4811900	8	Washer M8	
40	4812000	11	Washer M10	
41	4812200	4	Washer M14	
42	4871200	2	Washer M3	
43	4891800	1	Washer 1/2	
44	5241000	1	Washer M10	
45	8310067	1	Nut 3/4	
46	8406101	2	Clip	
47	8750014	4	Clamp	
48	8750031	1	Plate, Clamp	

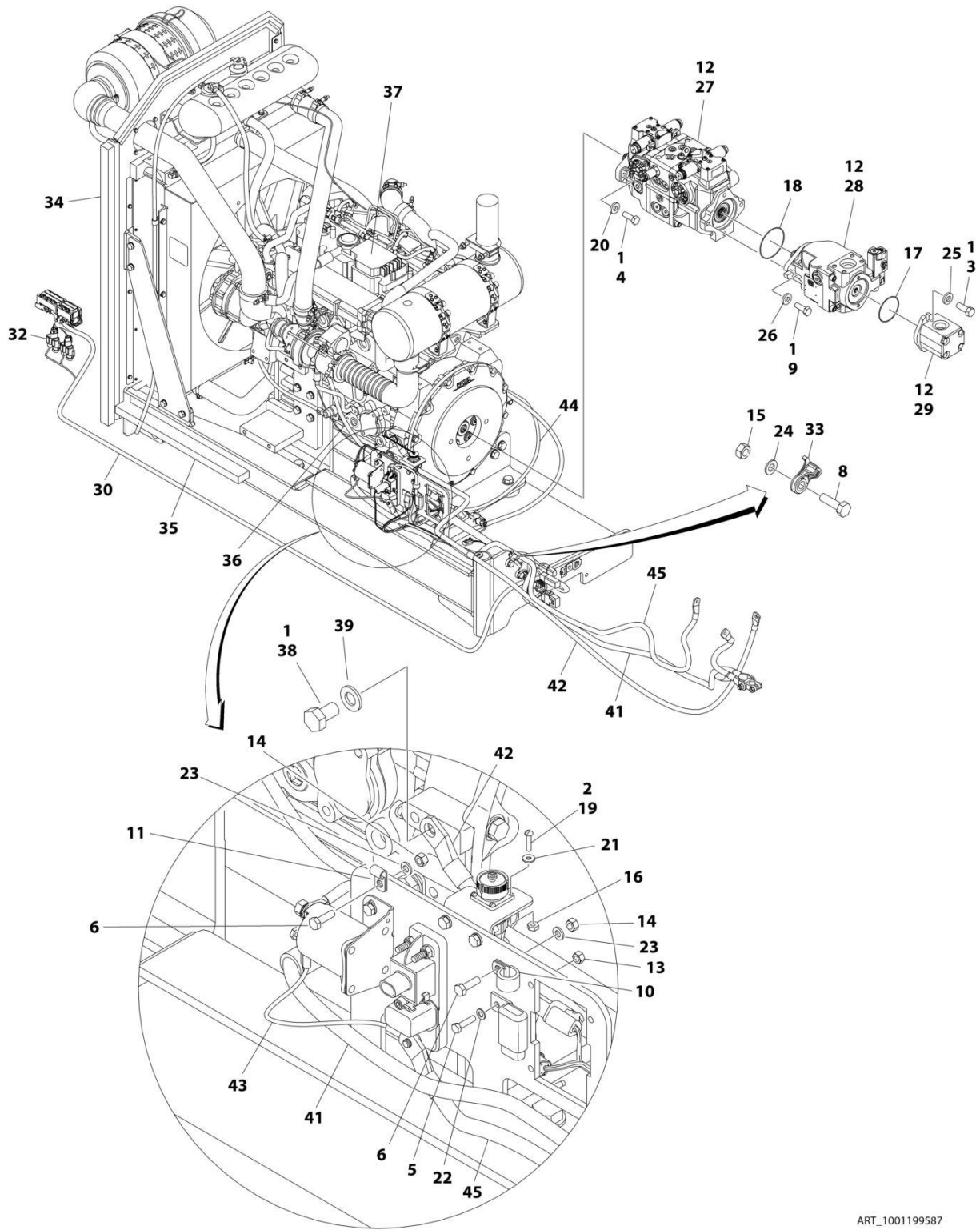


## SECTION 3 - ENGINE

ITEM	PART NUMBER	QTY	DESCRIPTION	REV
49	8769123	2	Cover, Clamp	
50	1001101580	1	Screw M8 x 30	
52	1001135196	1	Pin	
53	1001135497	1	Support	
54	1001136975	5	Clamp	
55	1001142501	2	Fitting, 90 Barbed	
56	1001155939	1	Mount	
57	1001206747	1	Seal	
59	1001199587	1	Engine Assembly with Pumps (LRC) (With Cold Weather Package) (See ENGINE ASSEMBLY WITH PUMPS (LRC) (WITH COLD WEATHER PACKAGE) for Breakdown)	
60	1001154405	53 in /1.4m	Hose	
61	1001165035	31 ft /9.4m	Hose	
62	1001175568	4	Clip <b>(SN 0300000100 through 0300250324)</b>	
62	1001186342	4	Clip <b>(SN 0300250324 through 0300271437)</b>	
63	0700614	4	Bolt M6 x 30	
64	0761009	1	Bolt M10 x 18	
65	8406105	1	Clip	
66	1001155823	1	Fitting, 90 Barbed	
67	0760608	1	Bolt M6 x 16 (Not Shown)	
70	2750532	4 ft /1.2m	Hose	

# SECTION 3 - ENGINE

## FIGURE 3-19. ENGINE ASSEMBLY WITH PUMPS (LRC) (WITH COLD WEATHER PACKAGE)



ART\_1001199587

## SECTION 3 - ENGINE

**FIGURE 3-19. ENGINE ASSEMBLY WITH PUMPS (LRC) (WITH COLD WEATHER PACKAGE)**

ITEM	PART NUMBER	QTY	DESCRIPTION	REV
	1001199587	Ref	ENGINE ASSEMBLY WITH PUMPS (LRC) (WITH COLD WEATHER PACKAGE)	H
1	0100011	AR	Compound, Locking	
2	0100035	AR	Compound, Locking	
3	0641608	2	Bolt 3/8 x 1	
4	0641812	2	Bolt 1/2 x 1-1/2	
5	0700510	1	Bolt M5 x 20	
6	0760610	2	Bolt M6 x 20	
8	0761015	2	Bolt M10 x 35	
9	0761216	2	Bolt 12 x 40	
10	1320041	1	Clamp	
11	1320136	1	Clamp	
12	3020037	AR	Grease, Coupling	
13	3290507	1	Nut M5	
14	3290607	2	Nut M6	
15	3291007	2	Nut M10	
16	3310401	3	Nut #4	
17	3790152	1	O-Ring	
18	3790155	1	O-Ring	
19	3910408	3	Screw #4 x 1/2	
20	4740171	2	Washer	
21	4750400	3	Washer #4	
22	4811600	2	Washer M5	
23	4811700	2	Washer M6	
24	4812000	2	Washer M10	
25	4891600	2	Washer 3/8	
26	4891800	2	Washer 1/2	
27	1001108616	1	Tandem Pump Assembly (See TANDEM PUMP ASSEMBLY for Breakdown)	
28	1001199470	1	Piston Pump Assembly (See PISTON PUMP ASSEMBLY for Breakdown)	
29	1001112927	1	Gear Pump Assembly (See GEAR PUMP ASSEMBLY for Breakdown)	
30	1001149971	1	Engine Harness (See ELECTRICAL SECTION for Breakdown)	
32	1001156001	1	Engine Harness Can (See ELECTRICAL SECTION for Breakdown)	
33	1001156107	2	Holder, Cable	
34	1001156718	1	Seal	
35	1001206747	1	Seal	
36	1001157073	1	Cable, Alternator	
37	1001158529	1	Engine Assembly (LRC) (With Cold Weather Package) (See ENGINE ASSEMBLY (LRC) (WITH COLD WEATHER PACKAGE) for Breakdown)	
38	0761210	1	Bolt M12 x 20	
39	4812100	1	Washer M12	
41	1001154142	1	Cable, Battery Positive (SN 0300000100 through 0300226018)	
41	1001202356	NLA	Cable, Battery Positive (Use p/n 1001234791) (SN 0300226018 through 0300243457)	
41	1001234791	1	Cable, Battery Positive (SN 0300243458 through 0300271437)	
42	1001154143	1	Cable, Battery Negative (SN 0300000100 through 0300226018)	
42	1001202355	1	Cable, Battery Negative (SN 0300226018 through 0300271437)	

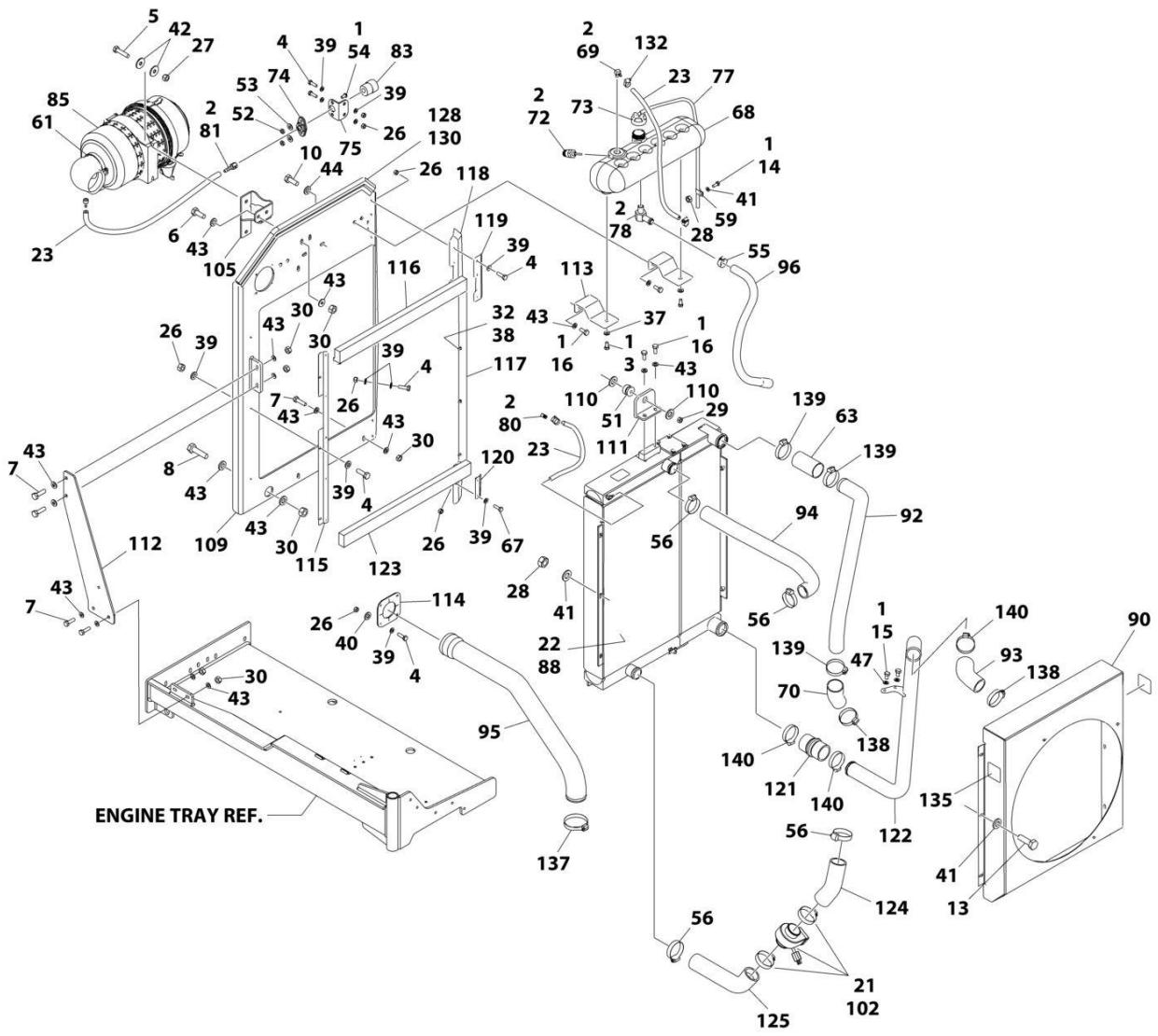
## SECTION 3 - ENGINE

ITEM	PART NUMBER	QTY	DESCRIPTION	REV
43	1001141304	1	Link, Glow Plug Fusible (SN 0300000100 through 0300226018)	
44	1001168734	1	Cable, Glow Plug	
45	1001222918	1	Cable, System B+ (SN 0300226018 through 0300271437)	



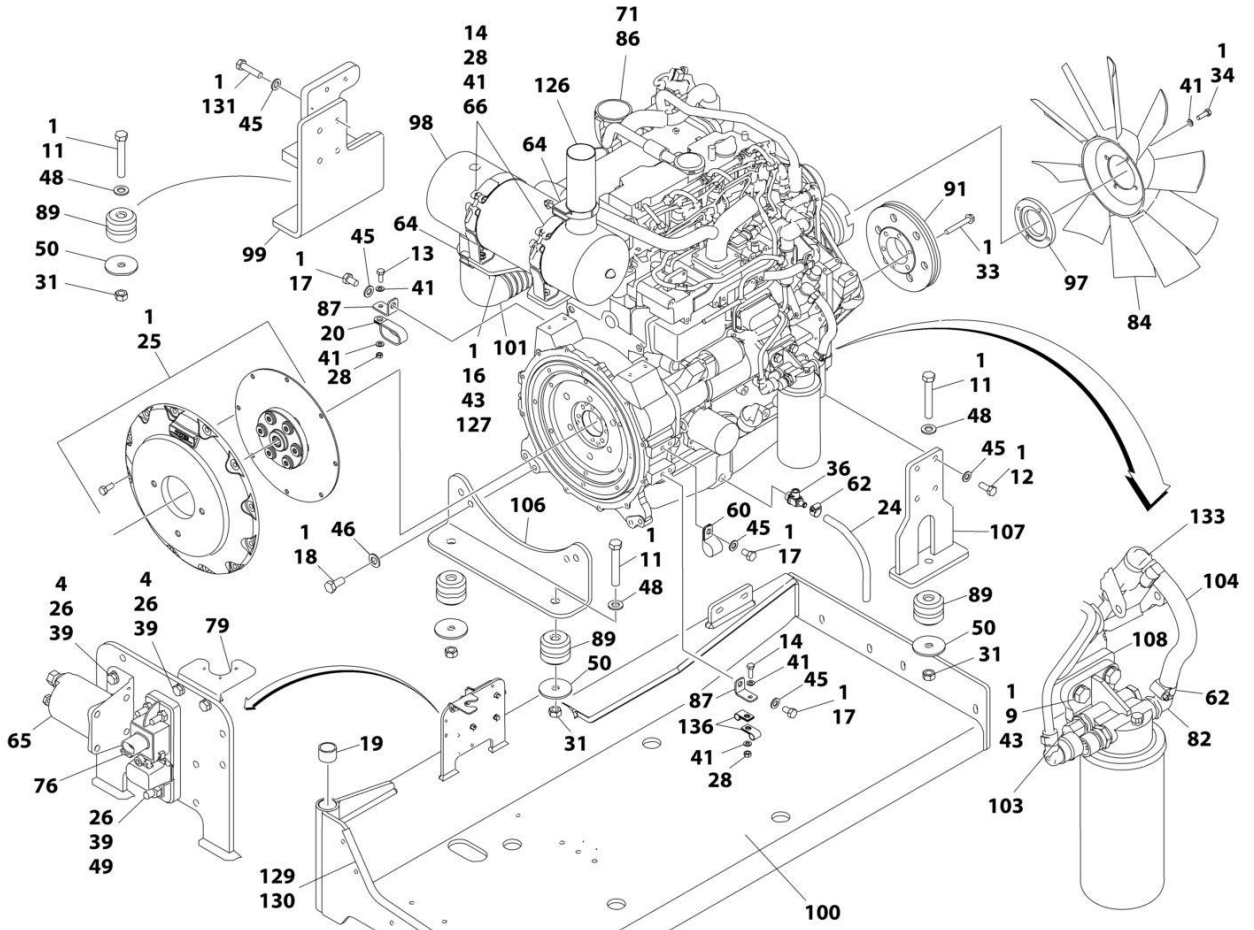
# SECTION 3 - ENGINE

## FIGURE 3-20. ENGINE ASSEMBLY (LRC) (WITH COLD WEATHER PACKAGE)



ART\_1001158529\_10F2

# SECTION 3 - ENGINE



ART\_1001158529\_20F2

## SECTION 3 - ENGINE

**FIGURE 3-20. ENGINE ASSEMBLY (LRC) (WITH COLD WEATHER PACKAGE)**

ITEM	PART NUMBER	QTY	DESCRIPTION	REV
	1001158529	Ref	ENGINE ASSEMBLY (LRC) (WITH COLD WEATHER PACKAGE)	O
1	0100011	AR	Compound, Locking	
2	0100020	AR	Sealant	
3	0641606	2	Bolt 3/8 x 3/4	
4	0700612	20	Bolt M6 x 25	
5	0700815	2	Bolt M8 x 35	
6	0701013	2	Bolt M10 x 28	
7	0701015	6	Bolt M10 x 35	
8	0701016	2	Bolt M10 x 40	
9	0701017	2	Bolt M10 x 45	
10	0701019	1	Bolt M10 x 55	
11	0701627	4	Bolt M16 x 100	
12	0711214	4	Bolt M12 x 30 Grade 10.9	
13	0760810	5	Bolt M8 x 20	
14	0760812	7	Bolt M8 x 25	
15	0761008	2	Bolt M10 x 16	
16	0761012	10	Bolt M10 x 25	
17	0761210	3	Bolt M12 x 20	
18	0771414	4	Bolt M14 x 30 Grade 10.9	
18	0771415	4	Bolt M14 x 35 Grade 10.9	
19	0961951	2	Bushing	
20	1321716	1	Clamp	
21	1702942	1	Decal - Engine Block Heater	
22	1001103452	AR	Coolant	
23	2720015	5 ft/ 1.5m	Hose	
24	2720340	1 ft/ .3m	Hose (SN 0300000100 through 0300239975)	
24	1001165035	1 ft/ 0.3m	Hose (SN 0300239975 through 0300271437)	
25	2902065	1	Pump Coupling Kit (See PUMP COUPLING KIT for Breakdown)	
26	3290607	23	Nut M6	
27	3290805	2	Nut M8	
28	3290807	9	Nut M8	
29	3291005	1	Nut M10	
30	3291007	10	Nut M10	
31	3291601	4	Nut M16	
32	3820032	9	Rivet	
33	5251022	6	Bolt M10 x 70	
34	4031912	4	Capscrew M8 x 40	
35	4240099	AR	Tie-Strap (Not Shown)	
36	4640751	1	Valve, Oil Drain	
37	4711600	2	Washer 3/8	
38	4811600	4	Washer M5	
39	4811700	41	Washer M6	
40	4811702	4	Washer M6	
41	4811900	25	Washer M8	
42	4811902	4	Washer M8	
43	4812000	34	Washer M10	
44	4812002	1	Washer M10	
45	4812100	11	Washer M12	
46	4812200	4	Washer M14	
47	5241000	2	Washer M10	



## SECTION 3 - ENGINE

ITEM	PART NUMBER	QTY	DESCRIPTION	REV
48	5241600	4	Washer M16	
49	5271614	1	Capscrew M16 x 50	
50	7300435	4	Washer	
51	8278020	1	Mount	
52	8305401	2	Nut 1/4	
53	8307109	2	Washer 1/4	
54	8310548	2	Screw 1/4 x 1/2	
55	8405007	2	Clamp	
56	8405104	4	Clamp	
59	8406109	2	Clamp	
60	8406303	1	Clip	
61	8410011	1	Clamp	
62	8410013	3	Clamp	
63	91563070	1	Coupling, Rubber	
64	1001111116	2	Clamp	
65	1001117308	1	Relay	
66	1001119727	2	Clamp	
67	0760614	2	Bolt M6 x 30	
68	1001166393	1	Tank	
69	1001134488	1	Fitting, 90 NPT/Barbed	
70	1001135943	1	Coupling	
71	1001136172	AR	Oil, Motor	
72	1001138827	1	Sensor	
73	1001136834	1	Cap	
74	1001138173	1	Support	
75	1001138175	1	Bracket	
76	1001138228	1	Module, Relay	
77	1001138248	5 ft/ 1.5m	Tubing	
78	1001138559	1	Fitting, 90 NPT	
79	1001139240	1	Bracket	
80	1001140564	1	Fitting, 90 NPT/Barbed	
81	1001141995	1	Fitting, Straight NPT/Barbed	
82	1001142501	1	Fitting, 90 NPT/Barbed	
83	1001143390	1	Indicator, Air Restriction	
84	1001177137	1	Fan	
85	1001147847	1	Filter, Air	
85	70023809	1	Element, Primary	
85	70023872	1	Element, Secondary	
85	70024328	1	Elbow, Rubber	
85	70024329	1	Clamp, Mounting	
86	1001148076	1	Engine Components (LRC) (See ENGINE COMPONENTS (LRC) for Breakdown)	
87	1001148641	2	Bracket	
88	1001149407	1	Radiator	
89	1001149517	4	Mount, Motor	
90	1001149736	1	Shroud	
91	1001149746	1	Pulley	
92	1001150498	1	Tube	
93	1001150499	1	Hose	
94	1001150500	1	Hose	
95	1001150505	1	Pipe	
96	1001150553	1	Hose	

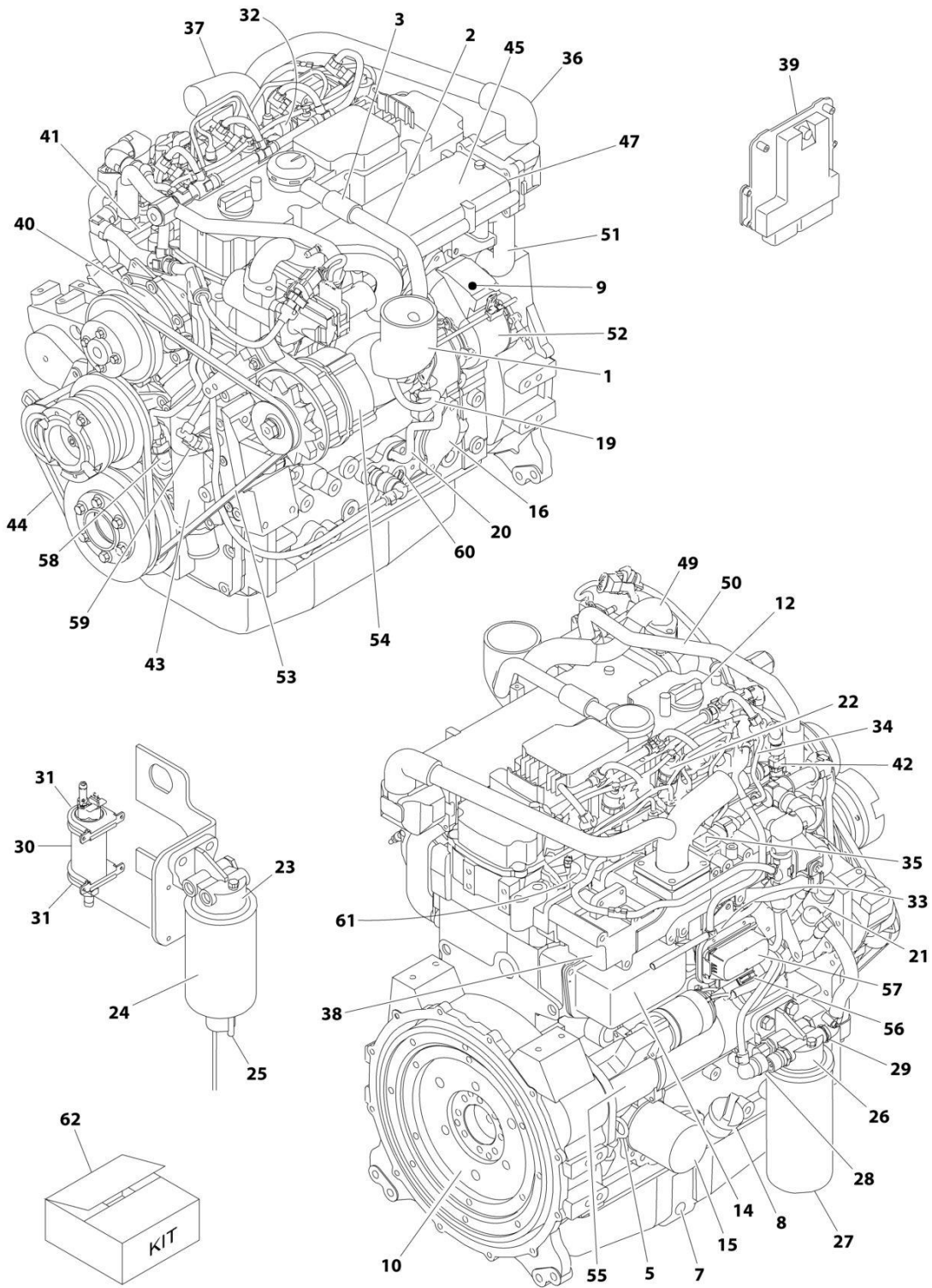
## SECTION 3 - ENGINE

ITEM	PART NUMBER	QTY	DESCRIPTION	REV
97	1001177134	1	Adapter	
98	1001151432	1	Muffler	
99	1001151491	1	Support	
100	1001151749	1	Tray	
101	1001151761	1	Pipe, Exhaust	
102	1001152112	1	Heater, Engine Block	
103	1001152489	1	Fitting, 90 Barbed	
104	1001154405	8.5 in/ 21cm	Hose	
105	1001155023	1	Plate	
106	1001155496	1	Support	
107	1001160518	1	Support	
108	1001155498	1	Plate	
109	1001155525	1	Support	
110	1001155540	2	Washer	
111	1001157862	1	Bracket	
112	1001155550	NLA	Plate (Use p/n 1001212817)	
112	1001212817	1	Plate	
113	1001155557	2	Plate	
114	1001155563	1	Seal	
115	1001155564	1	Bracket	
116	1001155565	1	Seal	
117	1001155566	1	Bracket	
118	1001156034	1	Seal	
119	1001156035	1	Bracket	
120	1001156062	1	Bracket	
121	1001156091	1	Hose	
122	1001156112	1	Tube	
123	1001156644	2	Seal	
124	1001157300	1	Hose, Lower Radiator (Top Section)	
125	1001157301	1	Hose, Lower Radiator (Bottom Section)	
126	1001158262	1	Pipe, Exhaust	
127	1001158289	1	Bracket	
128	1001155728	1	Seal	
129	4060807	22 in/ 55cm	Flex-Trim	
130	0100081	AR	Adhesive	
131	0711218	4	Bolt M12 x 50 Grade 10.9	
132	1320022	4	Clamp	
133	1001170982	1	Fitting, 90 SAE/Barbed	
135	1703162	2	Decal - Fan Blade	
136	8406110	2	Clip	
137	1001208297	1	Clamp	
138	1001208298	2	Clamp	
139	1001208299	3	Clamp	
140	8410012	3	Clamp	



# SECTION 3 - ENGINE

## FIGURE 3-21. ENGINE COMPONENTS (LRC)



ART\_1001148076

## SECTION 3 - ENGINE

### FIGURE 3-21. ENGINE COMPONENTS (LRC)

ITEM	PART NUMBER	QTY	DESCRIPTION	REV
	1001148076	Ref	ENGINE COMPONENTS (LRC)	G
1	70024497	1	Pipe, Intake	
1	70025680	1	Clamp	
2	70025111	1	Clamp	
2	70025128	1	Bolt	
2	70025116	1	Clamp	
2	See Note	NSS	Line, Breather (Includes Item 3) (Note: Not Available for Purchase)	
3	70025119	1	Sleeve, Rubber	
3	7002511	1	Clamp	
4	70002718	1	Seal, Rear Main (Not Shown)	
5	70025745	1	Dipstick	
5	70025755	1	Tube, Dipstick	
5	7020442	1	O-Seal	
6	70025123	24	Screw, Oil Pan (Not Shown)	
7	70025088	1	Plug	
8	7020465	1	Cap	
8	See Note	NSS	Tube, Fill (Note: Not Available for Purchase)	
8	70024471	1	Gasket (Tube to Engine Block)	
9	70025786	1	Plug	
10	70001870	1	Flywheel	
10	7024579	1	Gear, Rim	
11	70025789	1	Gasket, Head (Not Shown)	
11	70024481	1	Gasket, Valve Cover (Not Shown)	
12	7020465	1	Cap, Fill	
13	70025763	1	Pump, Oil (Not Shown)	
13	70025717	2	Tube, Adapter (Not Shown)	
13	70025718	4	O-Ring (Not Shown)	
13	70025714	2	Bushing, Dowel (Not Shown)	
14	70004275	1	Cooler, Oil	
14	70024495	1	Gasket	
15	7016331	1	Filter, Oil	
15	70025137	1	Bushing, Screw	
16	70025731	1	Cover	
16	70002813	1	Seal	
17	70025730	1	Pipe, Transfer (Not Shown - Located in Oil Pan)	
18	70025722	1	Line, Oil Suction (Not Shown - Located in Oil Pan)	
19	70024489	1	Line, Lube	
19	70025087	2	Screw	
19	70025105	4	Ring, Sealing	
20	See Note	NSS	Line, Lube Return (Note: Not Available for Purchase)	
20	70025132	1	O-Seal	
20	70025234	1	Flange, Upper	
20	70024509	1	Gasket, Upper Flange	
21	70024487	1	Pump, High Pressure	
21	70025152	1	O-Ring	
21	70004505	1	Valve, Overflow	
21	70004506	1	O-Ring	
21	70004507	1	O-Ring	
21	70004508	1	Valve, Volume Control	
21	70004509	1	O-Ring	

## SECTION 3 - ENGINE

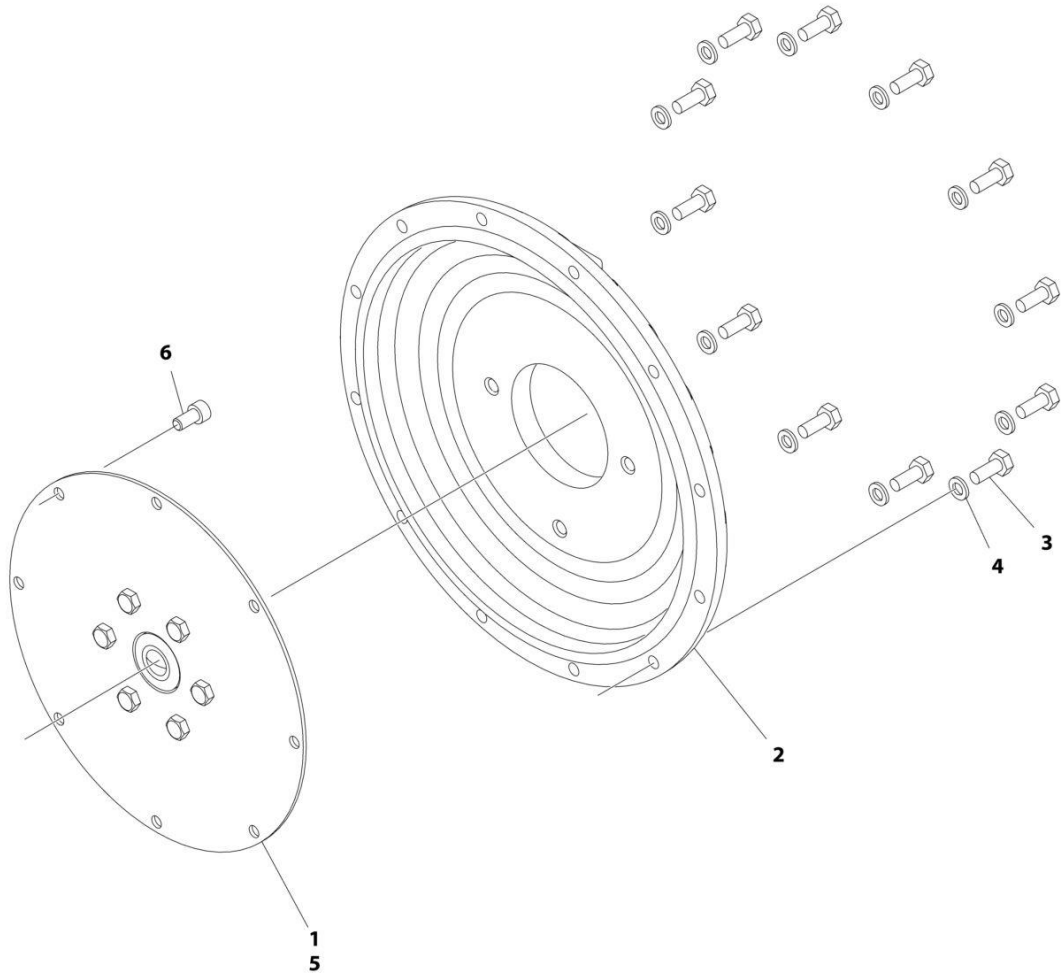
ITEM	PART NUMBER	QTY	DESCRIPTION	REV
21	70004510	1	Gasket	
21	See Note	NSS	O-Seal (Between Pump and Block) (Note: Not Available for Purchase)	
21	70025729	1	Gear	
22	70024485	4	Injector, Fuel	
22	70025140	4	Washer, Sealing	
22	70025146	4	Clamp	
22	70025145	4	O-Seal	
22	70025154	4	Shoe, Clamping	
23	70024961	1	Head and Filter Assembly	
24	70025153	1	Filter	
25	70024513	1	Sensor with Cable	
25	70025239	1	Ring, Sealing	
26	70004511	1	Head and Filter Assembly	
27	70004512	1	Filter	
28	70024504	1	Sensor, Pressure	
28	70024920	1	O-Seal	
29	70004514	1	Fitting	
29	70004513	1	Ring, Sealing	
30	70024486	1	Pump, Fuel Supply	
31	70025144	2	Clamp	
32	70025151	1	Rail, Fuel	
32	70025235	1	Kit, Repair - Fuel Rail	
32	70025240	1	O-Ring	
32	70025534	1	Pipe, Pressure Pump to Fuel Rail	
32	70024498	1	Pipe, Fuel Rail to Cylinders 1 & 2	
32	70024499	1	Pipe, Fuel Rail to Cylinders 3 & 4	
33	70024501	1	Line, Fuel	
33	70025109	3	Clamp, Band	
33	70025686	3	Clamp, Pipe	
34	70025766	1	Pipe, Fuel Leakage	
34	70025756	2	Retainer for Fuel Leakage Pipe	
35	70024921	1	Sensor, Pressure	
35	70025120	1	O-Seal	
36	70025721	1	Hose, Elbow	
36	70025675	1	Clamp (Manifold Side)	
36	70025681	1	Clamp (Pipe Side)	
37	70025748	1	Pipe, Air Charge	
37	70025726	1	Gasket	
38	70025772	1	Manifold, Air Charge	
38	70024475	1	Gasket (Manifold to Head)	
39	70025210	1	Module, Engine Control	
40	70004515	1	Pump, Water	
40	70025713	1	Seal (RH Side Pump to Item 43)	
40	70004516	2	Ring, Sealing (For Smaller Plug)	
40	7016309	1	Ring, Sealing (For Larger Plug)	
41	70025741	1	Housing, Thermostat	
41	70024473	1	Thermostat	
41	7016309	1	Ring, Sealing (For Bottom Plug)	
41	70024493	1	Gasket (Housing to Head)	
42	70024918	1	Sender, Temperature	
43	70025762	1	Manifold, Coolant	

## SECTION 3 - ENGINE

ITEM	PART NUMBER	QTY	DESCRIPTION	REV
44	70004517	1	V-Belt	
44	See Note	NSS	Tensioner, Pulley (Note: Not Available for Purchase)	
45	70025723	1	EGR Manifold Assembly	
45	70025708	1	Module, EGR	
45	70025710	1	O-Seal	
45	70025709	1	O-Seal	
47	70025768	1	Valve, Shuttle	
48	70024482	1	Gasket, Exhaust Manifold to Head (Not Shown)	
49	See Note	NSS	Tube, Compensator (Note: Not Available for Purchase)	
49	70024500	2	Gasket	
50	70024496	1	Line, Water	
50	7020492	1	Ring, Sealing (For Plug in Line)	
50	70024478	1	Gasket (Water Line to EGR Valve)	
50	70025701	1	Sleeve, Rubber	
50	70025687	2	Clamp (For Sleeve)	
50	70025699	1	Clamp, Insulated	
51	70024479	1	Hose	
51	70025687	1	Clamp (Lower)	
51	70025773	1	Clamp (Upper)	
51	70025744	1	Fitting (At Lower End of Hose)	
51	70024469	1	O-Seal (For Fitting)	
52	70004518	1	Turbocharger	
52	70024480	1	Gasket	
53	70004519	1	V-Belt	
54	70025533	1	Generator	
54	70025149	1	Controller	
54	70025131	1	Fan	
54	70025150	1	Pulley	
54	70025141	1	Nut, Pulley	
55	70004520	1	Starter	
56	70025780	1	Relay	
57	70025783	1	Engine Harness	
58	70024916	1	Tacho-Generator	
58	70024917	1	O-Seal	
59	70024503	1	Tacho-Generator	
59	70024917	1	O-Seal	
60	70024504	1	Switch, Pressure	
60	70024920	1	O-Seal	
61	70024474	4	Plug, Glow	
62	70025707	1	Gasket Kit	

# SECTION 3 - ENGINE

## FIGURE 3-22. PUMP COUPLING KIT



ART\_2902065

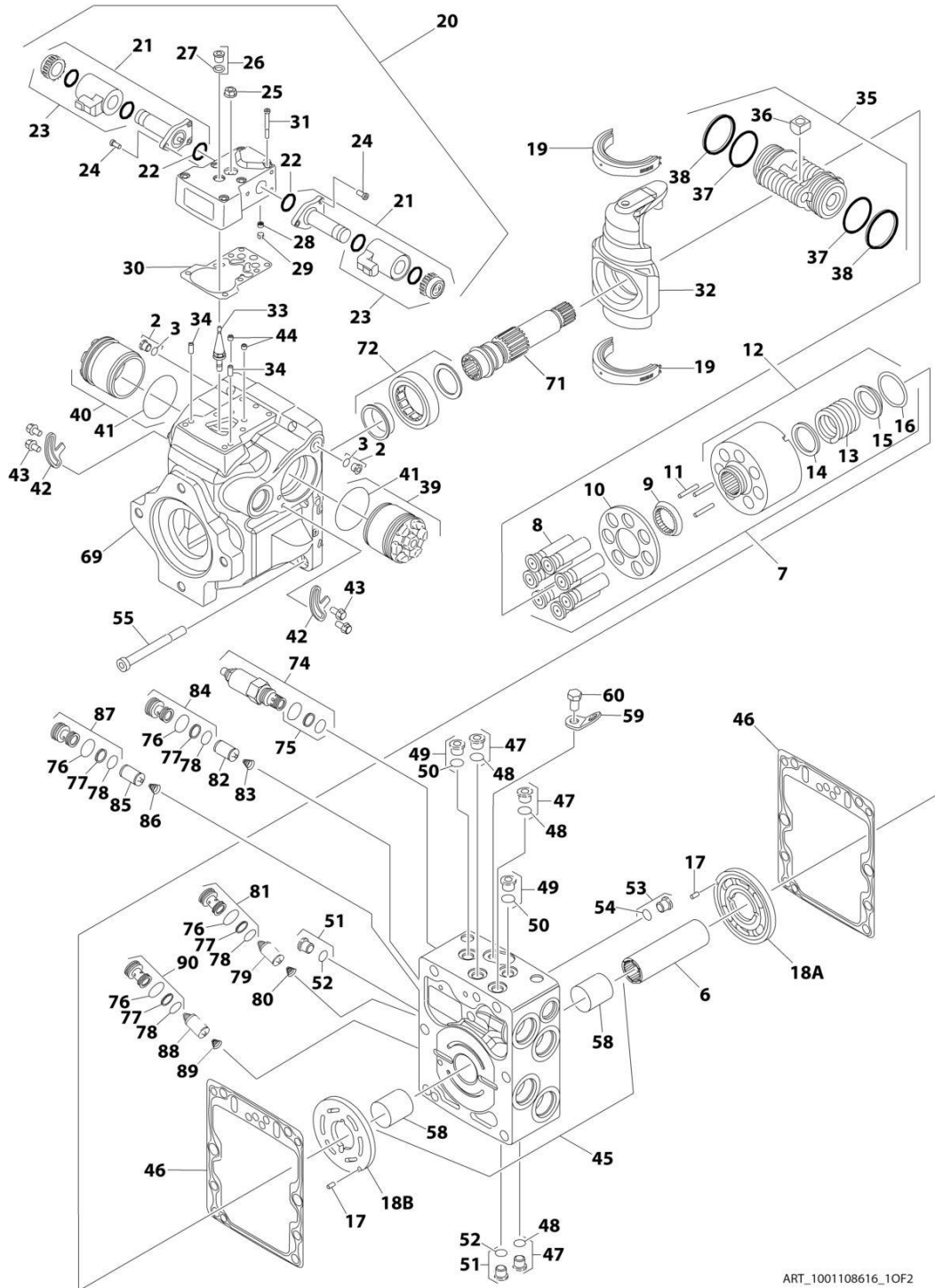


FIGURE 3-22. PUMP COUPLING KIT

ITEM	PART NUMBER	QTY	DESCRIPTION	REV
	2902065	Ref	PUMP COUPLING KIT	K
1	70000793	1	Coupling, Pump	
2	See Note	NSS	Plate, Pump Adapter (Note: Use p/n 2902065)	
3	See Note	NSS	Bolt M10 x 30 Grade 10.9 (Note: Use p/n 2902065)	
4	See Note	NSS	Washer M10 (Note: Use p/n 2902065)	
5	3020021	AR	Grease, Coupling	
6	See Note	NSS	Capscrew M10 x 20 Grade 10.9 (Note: Use p/n 2902065)	

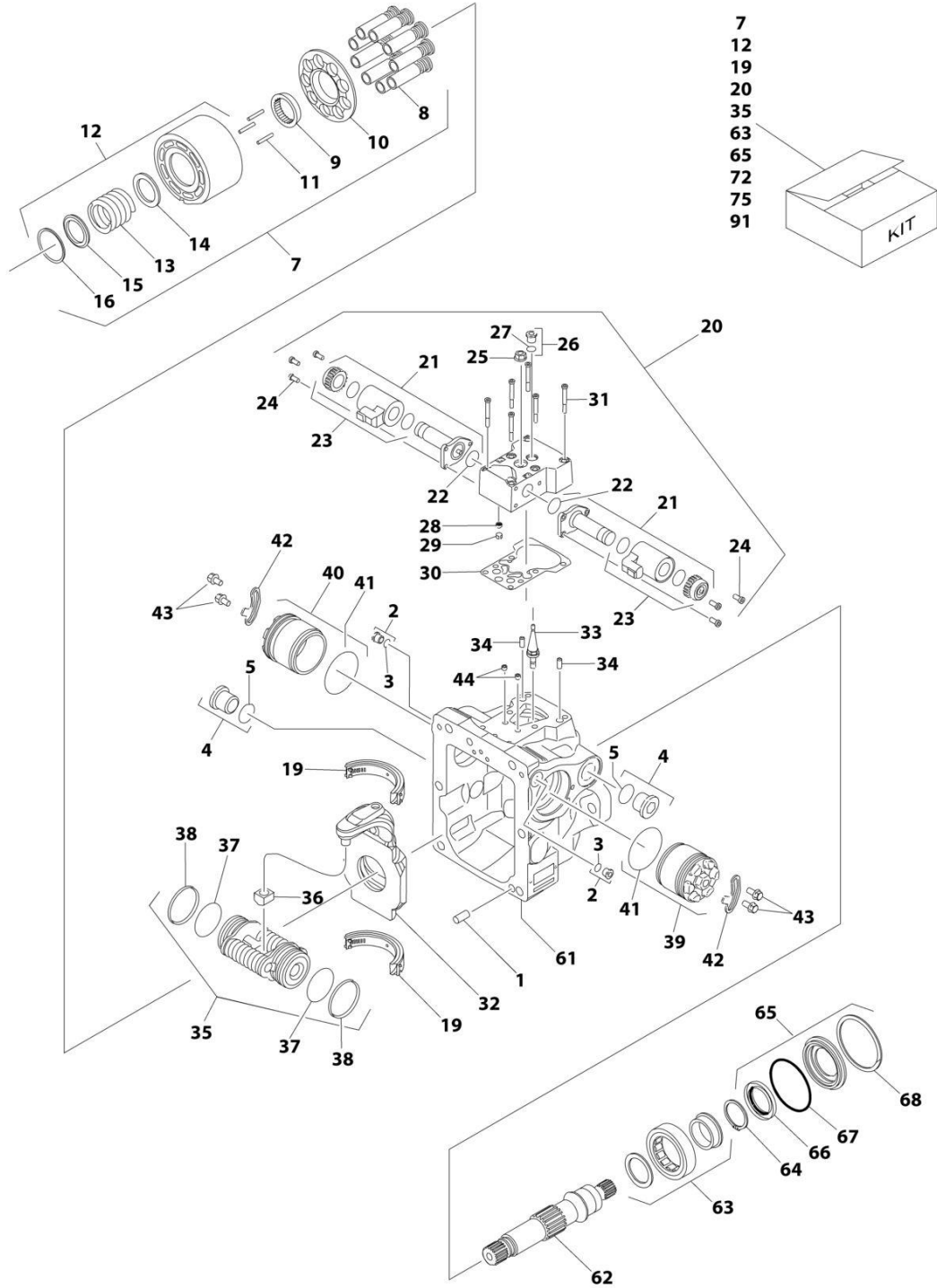
# SECTION 3 - ENGINE

## FIGURE 3-23. TANDEM PUMP ASSEMBLY



ART\_1001108616\_10F2

# SECTION 3 - ENGINE



ART\_1001108616\_2OF2

## SECTION 3 - ENGINE

### FIGURE 3-23. TANDEM PUMP ASSEMBLY

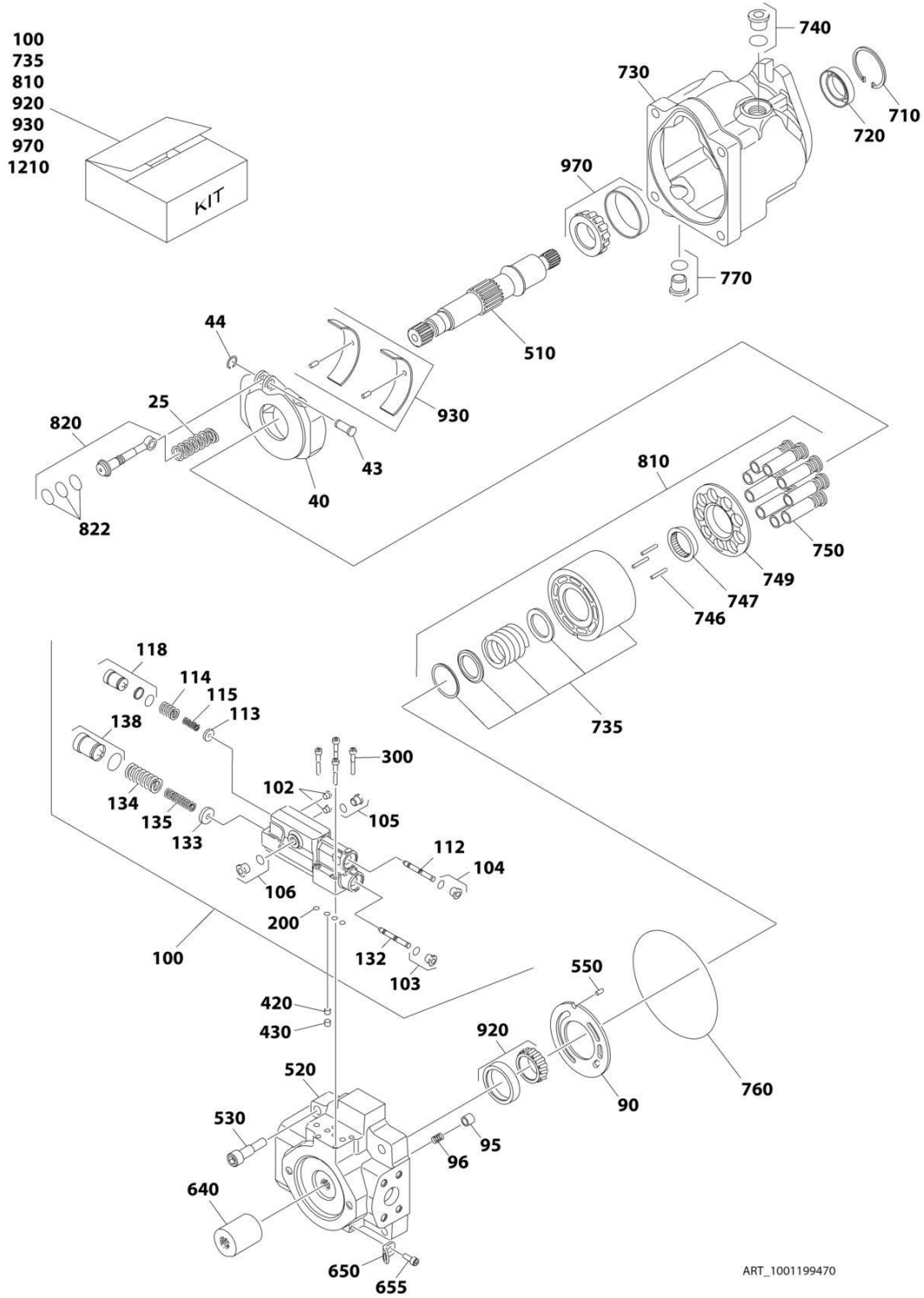
ITEM	PART NUMBER	QTY	DESCRIPTION	REV
	1001108616	Ref	TANDEM PUMP ASSEMBLY	D
1	70002132	4	Pin	
2	70002133	4	Plug Assembly (Includes Item 3)	
3	7007207	4	O-Ring (Part of Item 2)	
4	7007419	2	Plug Assembly (Includes Item 5)	
5	7007418	2	O-Ring (Part of Item 4)	
6	70002600	1	Coupling	
7	70002135	2	Kit, Cylinder Block (Each Kit Includes Qty 1 of Items 8-10 & 12-16 & Qty 3 of Item 11)	
8	70002136	2	Kit, Piston Assembly (Includes Qty 9 Piston Assemblies) (Part of Item 7)	
9	70002137	2	Guide, Slipper Retainer (Part of Item 7)	
10	70002138	2	Retainer, Slipper (Part of Item 7)	
11	7021275	6	Pin, Slipper Retainer Holddown (Part of Item 7)	
12	70002143	2	Cylinder Block Assembly (Includes Qty 1 of Items 13-16) (Part of Item 7)	
13	70002139	2	Spring (Part of Item 12)	
14	70002140	2	Washer (Part of Item 12)	
15	70002141	2	Washer (Part of Item 12)	
16	70002142	2	Ring, Retaining (Part of Item 12)	
17	7007446	2	Pin	
18A	70002601	1	Plate, CW Valve	
18B	70002602	1	Plate, CCW Valve	
19	70002145	2	Kit, Swashplate Bearing (Includes Qty 2 Bearings)	
20	70002618	2	Kit, EDC (Includes Items 21-31)	
21	70002619	4	Solenoid Valve Assembly (Includes Item 22 & 23) (Part of Item 20)	
22	70002148	4	O-Ring (2 Per EDC Assembly) (Part of Item 21)	
23	70002620	4	Kit, Coil Nut and Seals (2 Per EDC Assembly) (Part of Item 21)	
24	70002150	12	Screw (Part of Item 20)	
25	7022301	2	Nut, Seal (Part of Item 20)	
26	70002151	2	Plug Assembly (Part of Item 20) (Includes Item 27)	
27	7007207	2	O-Ring (Part of Item 26)	
28	70002134	2	Screen (Part of Item 20)	
29	70002153	2	Ring, Locking (Part of Item 20)	
30	70002154	2	Gasket, Control (Part of Item 20)	
31	70002156	12	Capscrew (Part of Item 20)	
32	70002152	2	Swashplate	
33	70002155	2	Link, Swashplate	
34	70002157	4	Pin, Dowel	
35	70002158	2	Servo Piston Assembly (Includes Items 36-38)	
36	70002159	2	Block, Slider (Part of Item 35)	
37	70002160	2	O-Ring (Part of Item 35)	
38	70002161	2	Ring, Piston (Part of Item 35)	
39	70002162	2	Cylinder, Servo	
40	70002162	2	Cylinder, Servo	
41	70002163	4	O-Ring	
42	70002164	4	Plate, Locking	
43	70002165	8	Screw	
44	70002604	4	Orifice	

## SECTION 3 - ENGINE

ITEM	PART NUMBER	QTY	DESCRIPTION	REV
45	70002605	1	Center Section Assembly (Includes Item 58)	
46	70002168	2	Gasket, End Cap	
47	70001958	2	Plug Assembly (Includes Item 48)	
48	7021256	2	O-Ring (Part of Item 47)	
49	70001958	2	Plug Assembly (Includes Item 50)	
50	7021256	2	O-Ring (Part of Item 49)	
51	70001958	2	Plug Assembly (Includes Item 52)	
52	7021256	2	O-Ring (Part of Item 51)	
53	70001958	2	Plug Assembly (Includes Item 54)	
54	7021256	2	O-Ring (Part of Item 53)	
55	70002606	4	Capscrew	
58	70002607	2	Bearing, Journal (Part of Item 45)	
59	7022608	1	Bracket, Lifting	
60	70002609	1	Screw	
61	See Note	NSS	Housing (Note: Not Available for Purchase)	
62	70002175	1	Shaft	
63	70002610	1	Kit, Ball Bearing	
64	70007439	1	Ring, Retaining	
65	70002174	1	Kit, Shaft Seal (Includes Items 66-68) (Note: This is a universal kit and will contain extra pieces that are not used on this pump assembly)	
66	70002177	1	Seal, Lip	
67	70002178	1	O-Ring	
68	70002179	1	Ring, Retaining	
69	See Note	1	Housing (Note: Not Available for Purchase)	
71	70002612	1	Shaft	
72	70002610	1	Kit, Ball Bearing	
74	70002621	1	High Pressure Relief Valve Cartridge Assembly (Includes Item 75)	
75	70002622	1	Seal Kit - 70002621 Valve (Part of Item 74)	
76	7007415	1	O-Ring	
77	7021293	1	Ring, Back-up	
78	7022300	1	O-Ring	
79	70002616	1	SCR Valve Assembly	
80	7024800	1	Spring	
81	7021265	1	Plug Assembly (Includes Qty 1 of Items 76-78)	
82	70002616	1	SCR Valve Assembly	
83	7024800	1	Spring	
84	7021265	1	Plug Assembly (Includes Qty 1 of Items 76-78)	
85	70002616	1	SCR Valve Assembly	
86	7024800	1	Spring	
87	70002617	1	Plug Assembly (Includes Qty 1 of Items 76-78)	
88	70002616	1	SCR Valve Assembly	
89	7024800	1	Spring	
90	7021265	1	Plug Assembly (Includes Qty 1 of Items 76-78)	
91	70002623	1	Kit, Overhaul Seal (Includes Items 3, 5, 22, 27, 30, 37, 38, 41, 46, 48, 50, 52, 54, 66, 67, 75, 76, 77 & 78)	

# SECTION 3 - ENGINE

## FIGURE 3-24. PISTON PUMP ASSEMBLY



## SECTION 3 - ENGINE

### FIGURE 3-24. PISTON PUMP ASSEMBLY

ITEM	PART NUMBER	QTY	DESCRIPTION	REV
	1001199470	Ref	PISTON PUMP ASSEMBLY	E
25	70002580	1	Spring, Bias	
40	70004416	1	Swashplate Assembly	
43	70002582	1	Shaft	
44	70002583	1	Ring, Retaining	
90	70004417	1	Plate, Valve	
95	70001956	1	Poppet, Check Valve	
96	70001955	1	Spring	
100	70022286	1	Kit, Control (Includes Items 102-300)	
102	70023351	1	Setscrew	
103	70002133	1	Plug Assembly (Includes O-Ring)	
103	7007207	1	O-Ring	
104	70002133	1	Plug Assembly (Includes O-Ring)	
104	7007207	1	O-Ring	
105	70002133	1	Plug Assembly (Includes O-Ring)	
105	7007207	1	O-Ring	
106	70002133	1	Plug Assembly (Includes O-Ring)	
106	7007207	1	O-Ring	
112	70004418	1	Spool	
113	70023353	1	Guide, Spring LS	
114	70023354	1	Spring, Outer LS	
115	70023355	1	Spring, Inner LS	
118	70024039	1	Plug, Adjusting LS	
132	70023352	1	Spool, Control	
133	70023357	1	Guide, Spring PC	
134	70023358	1	Spring, Outer PC	
135	70023359	1	Spring, Inner PC	
138	70024040	1	Plug, Adjusting PC (Includes O-Ring)	
138	70023361	1	O-Ring	
200	70023362	4	Ring, Seal	
300	70023363	4	Capscrew	
420	7023377	1	Plug, Orifice	
430	70004419	1	Plug, Orifice	
510	70002586	1	Shaft	
520	70004420	1	Cap, End	
530	70002588	4	Capscrew	
550	7007446	1	Pin, Slotted	
640	70002589	1	Coupling	
650	7022340	1	Bracket, Lifting	
655	70002590	1	Capscrew	
710	7023962	1	Ring, Retaining	
720	70022287	1	Seal, Lip	
730	See Note	NSS	Housing (Note: Not Available for Purchase)	
735	70004421	1	Block, Cylinder	
740	7023964	1	Plug Assembly (Includes O-Ring)	
740	7007415	1	O-Ring	
746	7021275	3	Pin, Hold-down	
747	70002592	1	Guide, Slipper Retainer	
749	70002593	1	Retainer, Slipper	
750	70004422	9	Piston Assembly	

## SECTION 3 - ENGINE

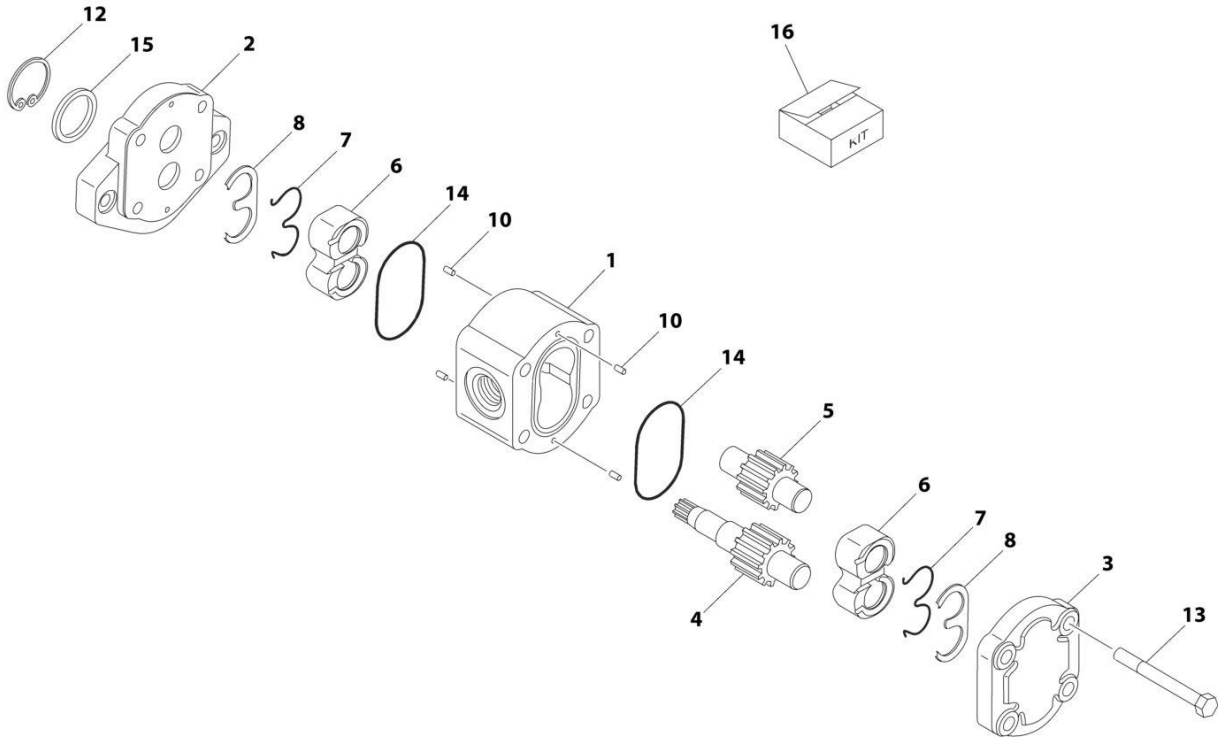
ITEM	PART NUMBER	QTY	DESCRIPTION	REV
760	70002595	1	Seal, End Cap	
770	7023964	1	Plug, O-Ring (Includes O-Ring)	
770	7007415	1	O-Ring	
810	70004423	1	Kit, Cylinder Block (Includes Items 735, 746, 747, 749 & 750)	
820	70025979	1	Piston, Servo (Includes Item 822)	
822	70004425	3	Ring, Piston (Part of Item 820)	
920	70002585	1	Kit, Bearing - Rear (Includes Cup and Cone)	
930	70004426	1	Kit, Swashplate Bearing (Includes Qty 2 Bearings and Retainer Pins)	
970	70002578	1	Bearing Kit - Front (Includes Cup and Cone)	
1210	70002599	1	Kit, Complete Seal (Includes Items 200, 720, 760, 822 and Plug O-Rings)	





**SECTION 3 - ENGINE**

**FIGURE 3-25. GEAR PUMP ASSEMBLY**



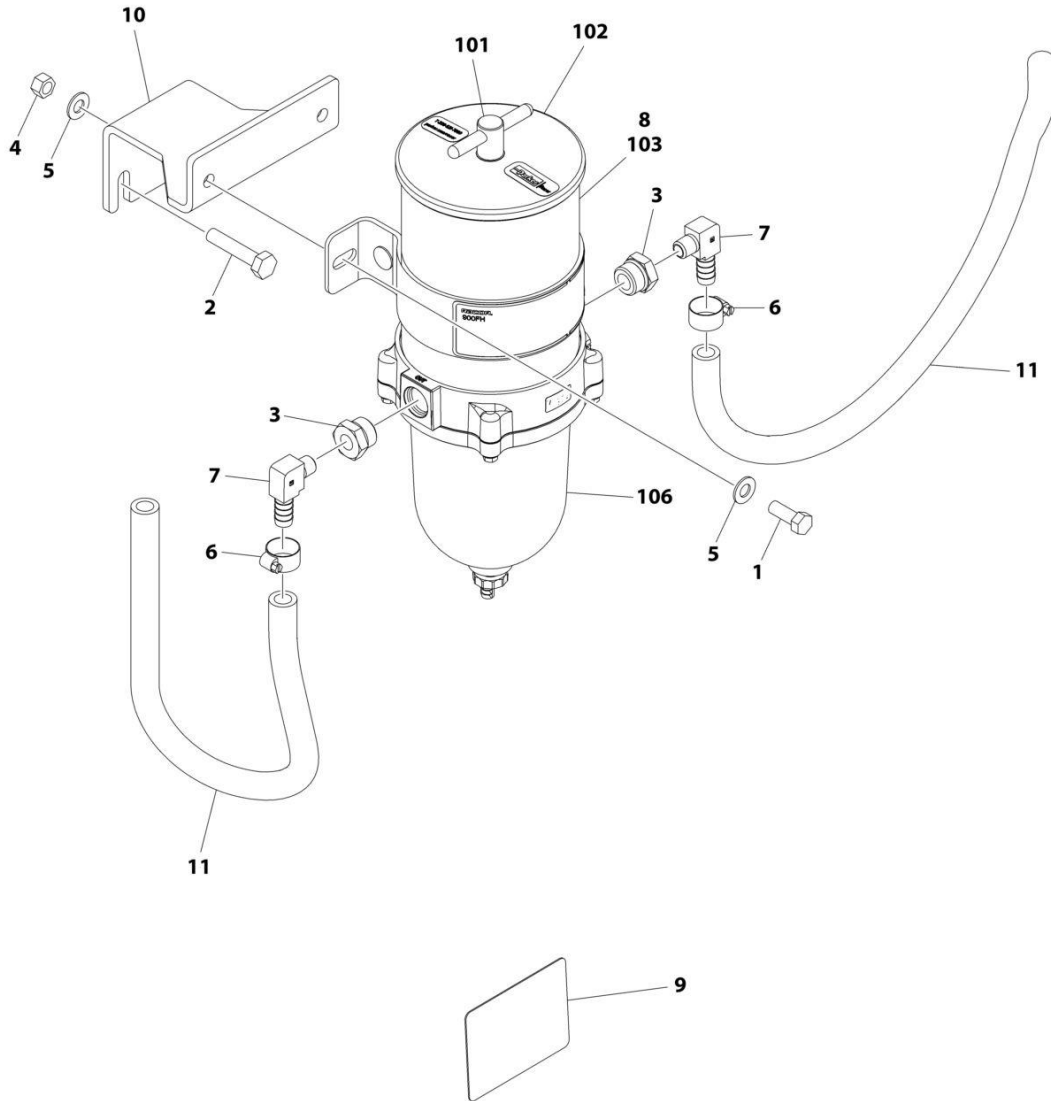
ART\_1001112927

FIGURE 3-25. GEAR PUMP ASSEMBLY

ITEM	PART NUMBER	QTY	DESCRIPTION	REV
	1001112927	Ref	GEAR PUMP ASSEMBLY	A
1	See Note	NSS	Body (Note: Use p/n 1001112927)	
2	See Note	NSS	Cover, Front (Note: Use p/n 1001112927)	
3	See Note	NSS	Cover, Rear (Note: Use p/n 1001112927)	
4	See Note	NSS	Shaft, Gear (Note: Use p/n 1001112927)	
5	See Note	NSS	Gear, Idler (Note: Use p/n 1001112927)	
6	See Note	NSS	Block, Bearing (Note: Use p/n 1001112927)	
7	See Note	NSS	Ring, Anti-Extrusion (Note: Use Item 16)	
8	See Note	NSS	Ring, Seal (Note: Use Item 16)	
10	See Note	NSS	Pin, Dowel (Note: Purchase Locally)	
12	70002576	1	Ring, Retaining	
13	See Note	NSS	Capscrew (Note: Purchase Locally)	
14	See Note	NSS	O-Ring (Note: Use Item 16)	
15	70002577	NLA	Seal, Lip (Note: Use Item 16)	
16	7007489	1	Kit, Seal - 1001112927 Pump (Includes Items 7, 8, 14 & 15)	

# SECTION 3 - ENGINE

## FIGURE 3-26. FUEL FILTER/WATER SEPARATOR INSTALLATION (LRC) (CHINA SPECS ONLY)



LOCATED ON TANK SIDE HOOD

ART\_1001227912

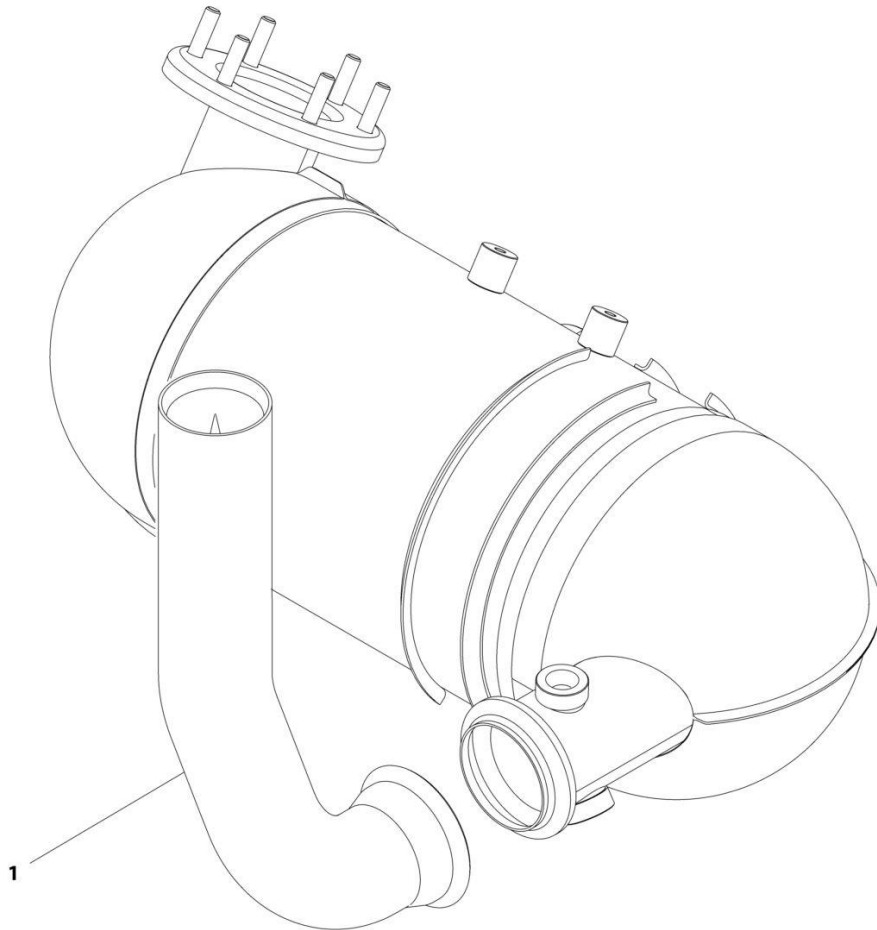
## SECTION 3 - ENGINE

**FIGURE 3-26. FUEL FILTER/WATER SEPARATOR INSTALLATION (LRC) (CHINA SPECS ONLY)**

ITEM	PART NUMBER	QTY	DESCRIPTION	REV
	1001227912	Ref	FUEL FILTER/WATER SEPARATOR INSTALLATION (LRC) (CHINA SPECS ONLY)	A
1	0641608	2	Bolt 3/8 x 1	
2	0761018	2	Bolt M10 x 50	
3	2220816	2	Fitting, Adapter FNPTF/ORB	
4	3311605	2	Nut 3/8	
5	4711600	4	Washer 3/8	
6	8405006	2	Clamp	
7	1001178797	2	Fitting, 90 Elbow	
8	1001222817	1	Fuel Filter Assembly (See Items 101-107 for Breakdown)	
9	1001226923	1	Decal - Fuel Water Separator	
10	1001227948	1	Mount, Fuel Filter	
11	1001154405	4 ft/ 1.22m	Hose	
	1001222817	Ref	FUEL FILTER ASSEMBLY	
101	70006403	1	T-Handle Kit (Includes O-Ring)	
102	70006404	1	Lid Kit (Includes Gasket)	
103	70006405	1	Element	
104	70006406	1	Checkball & Gasket Kit (Not Shown)	
105	70006407	1	Centrifuge and Baffle Kit (Not Shown)	
106	70006409	1	Bowl Kit (Includes Gasket, O-Ring and Drain)	
106	70006408	1	Gasket, Bowl	
107	70006410	1	Bowl Ring Kit (Includes Gasket & Hardware) (Not Shown)	

## SECTION 3 - ENGINE

FIGURE 3-27. SPARK ARRESTOR INSTALLATION (HRC) (OPTIONAL)



ART\_1001191390

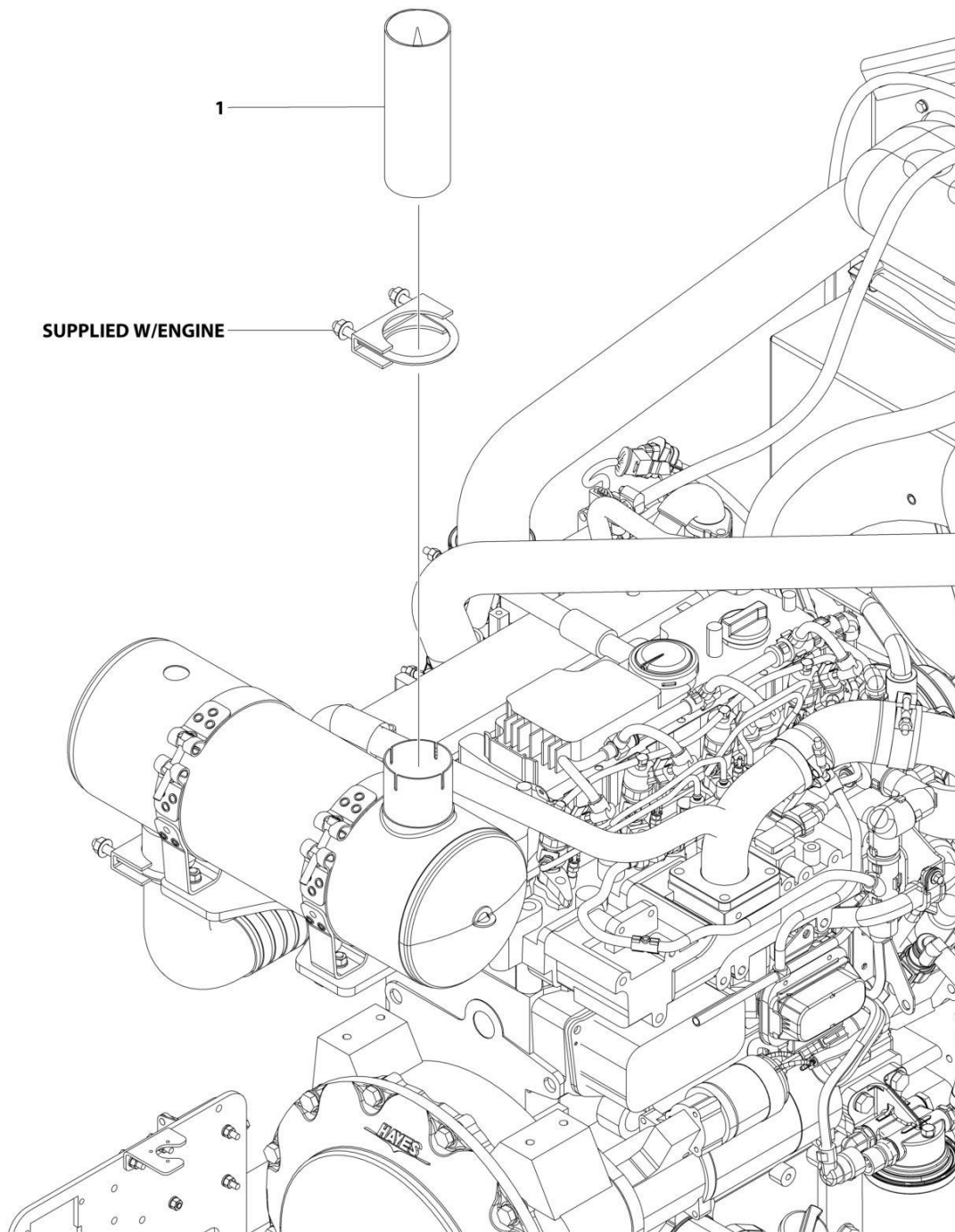
## SECTION 3 - ENGINE

**FIGURE 3-27. SPARK ARRESTOR INSTALLATION (HRC) (OPTIONAL)**

ITEM	PART NUMBER	QTY	DESCRIPTION	REV
1	1001191390 1001191368	Ref 1	SPARK ARRESTOR INSTALLATION (HRC) (OPTIONAL) Arrestor, Spark	A

# SECTION 3 - ENGINE

## FIGURE 3-28. SPARK ARRESTOR INSTALLATION (LRC) (OPTIONAL)



ART\_1001158607



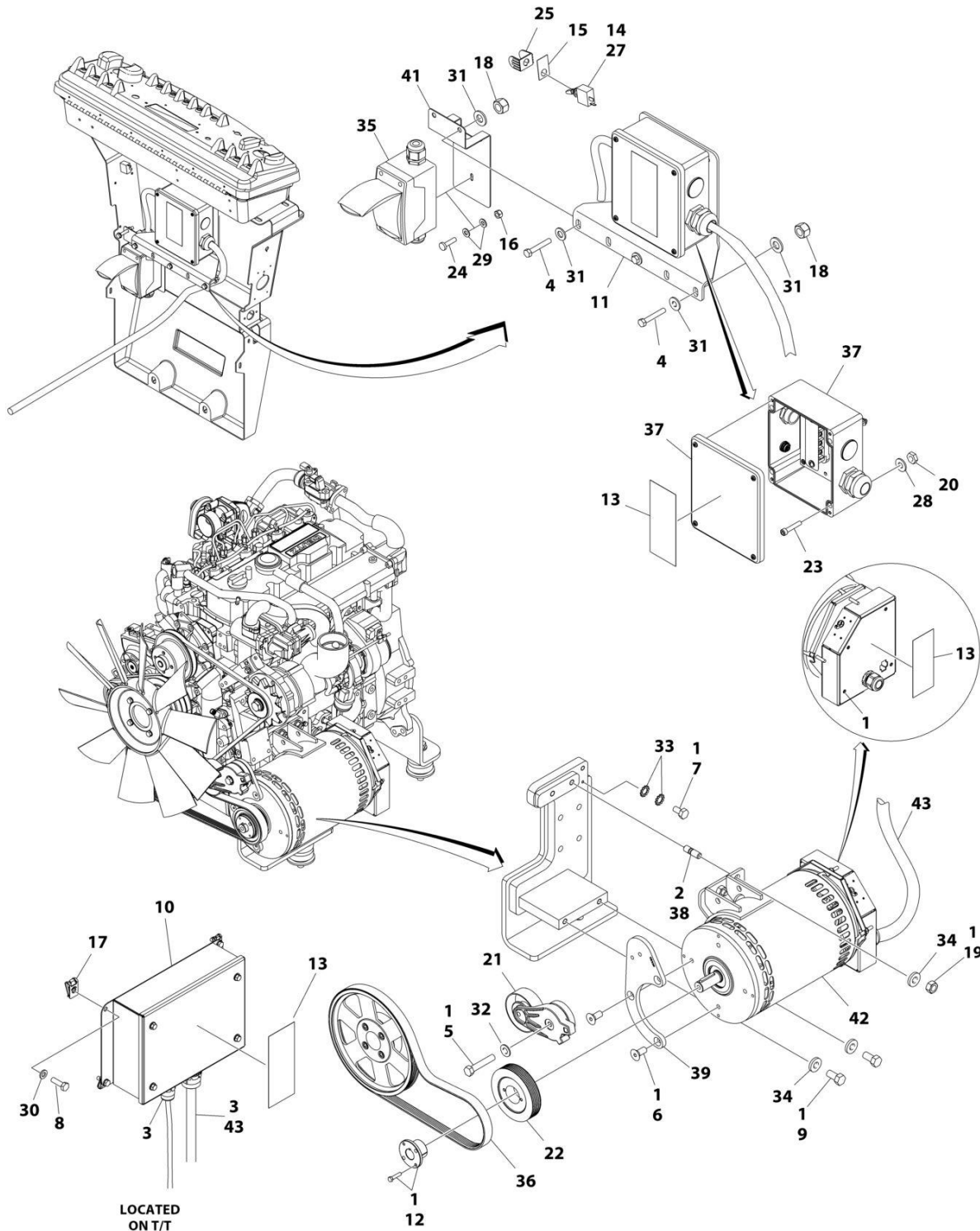
## SECTION 3 - ENGINE

**FIGURE 3-28. SPARK ARRESTOR INSTALLATION (LRC) (OPTIONAL)**

ITEM	PART NUMBER	QTY	DESCRIPTION	REV
1	1001158607 1001158263	Ref 1	SPARK ARRESTOR INSTALLATION (LRC) (OPTIONAL) Arrestor, Spark	B

# SECTION 3 - ENGINE

## FIGURE 3-29. 4000W GENERATOR INSTALLATION - 50HZ



## SECTION 3 - ENGINE

**FIGURE 3-29. 4000W GENERATOR INSTALLATION - 50HZ**

ITEM	PART NUMBER	QTY	DESCRIPTION	REV
	1001200698	Ref	4000W GENERATOR INSTALLATION - 50HZ	D
1	0100011	AR	Compound, Locking	
2	0100019	AR	Compound, Locking	
3	0100048	AR	Grease, Dielectric	
4	0700819001	4	Bolt M8 x 55	
5	0701018	1	Bolt M10 x 50	
6	0741607	3	Screw 3/8 x 7/8	
7	0760606	1	Bolt M6 x 12	
8	0760610	4	Bolt M6 x 20	
9	0761212	2	Bolt M12 x 25	
10	1001138566	1	Control Box Assembly	
10	77363232	1	Connector - 6 Position	
10	See Note	NSS	Connector - 3 Position (Note: Not Available for Purchase)	
10	70006552	1	Capacitor	
10	70006553	1	Relay	
11	0902888	1	Bracket, Junction Box	
12	0962520	1	Bushing, Split	
13	1705489	3	Decal - Hazardous Voltage	
14	2820031	0.3 ft /0.1m	Heat Shrink	
15	3251102	1	Nameplate, Generator	
16	3290405001	2	Nut M4	
17	8305919	4	Nut, Retainer	
18	3290805001	4	Nut M8	
19	3291201	2	Nut M12	
20	3311005001	4	Nut #10	
21	3580317	1	Tensioner, Belt with Pulley	
22	3580318	1	Pulley, Generator	
23	3931016	4	Capscrew #10 x 1	
24	4010408	2	Screw M4 x 16	
25	4060802	1	Guard, Switch	
26	4240018	AR	Tie-Strap (Not Shown)	
27	4360336	1	Switch, Toggle	
28	4751000001	4	Washer #10	
29	4811400001	4	Washer M4	
30	4811700	4	Washer M6	
31	4811900001	8	Washer M8	
32	4812000	1	Washer M10	
33	4871700	2	Washer M6	
34	5241200	4	Washer M12	
35	1001096612	1	Breaker Box Kit (See ELECTRICAL SECTION for Breakdown)	
36	1001148059	1	Belt, Generator	
37	1001152458	1	Junction Box Assembly	
37	4460425	1	Connector, Strain Relief (LH Side)	
37	4460426	1	Connector, Strain Relief (RH Side)	
37	1001152530	1	Block, Terminal	
37	1001158363	1	Cover, Terminal Block	
38	1001155041	2	Stud	
39	1001155338	1	Support, Tensioner	
41	1001204650	1	Bracket	

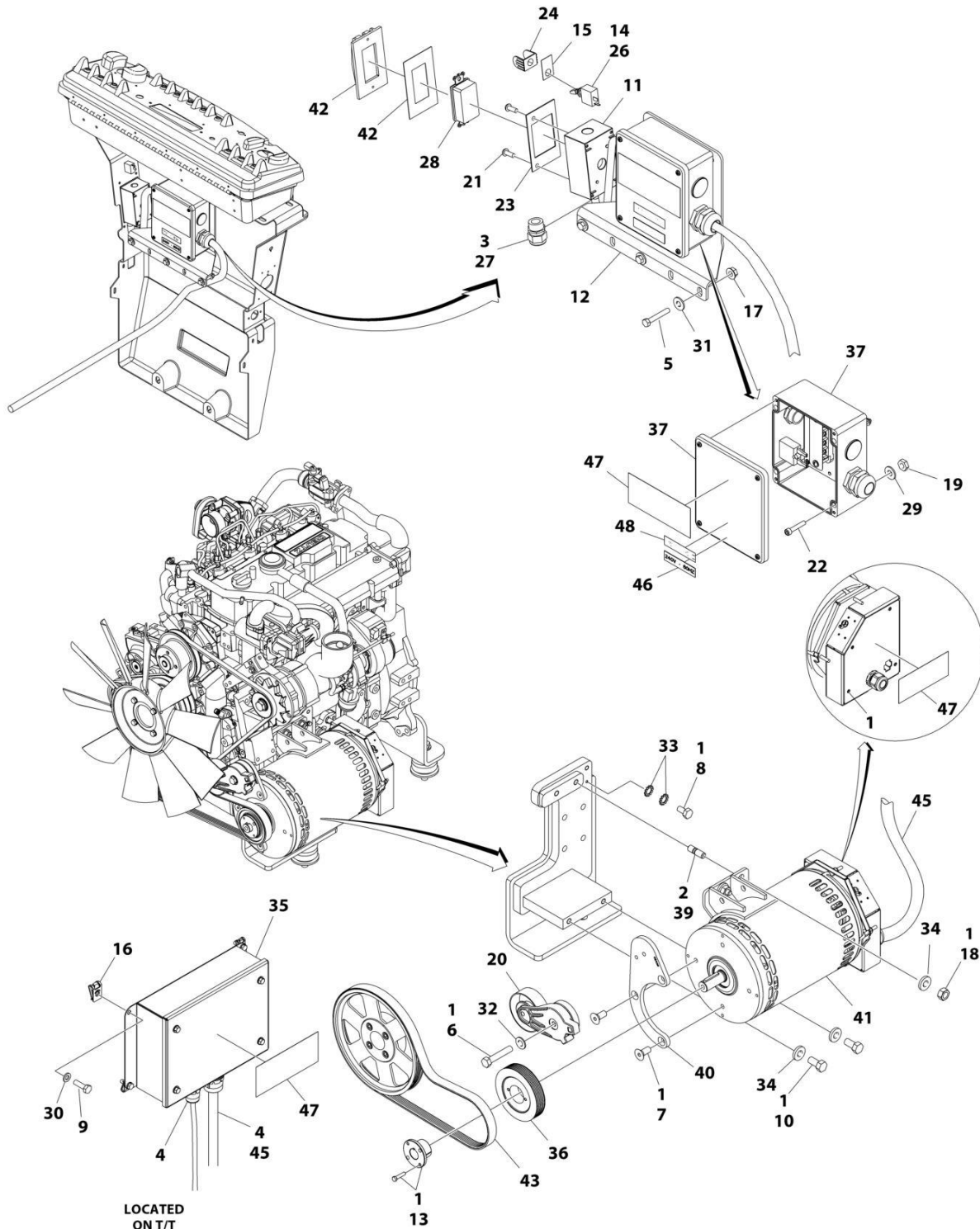
## SECTION 3 - ENGINE

ITEM	PART NUMBER	QTY	DESCRIPTION	REV
42	1001206119	1	Generator Assembly	
42	70003709	1	Ring, Retaining (External)	
42	70003708	1	Ring, Retaining (Internal)	
42	70001966	1	Bearing	
42	70004092	1	Endbell (Shaft End)	
42	70004171	1	Key	
42	70004676	1	Rotor	
42	70005624	1	Stator	
42	70004678	1	Endbell (Rear)	
42	70004679	1	Cover, Endbell (Rear)	
42	70004680	1	Enclosure, Wiring	
42	70004681	1	Cover, Enclosure	
42	70004682	1	Switch, Reset (Located on Enclosure Cover)	
42	70004098	1	Connector, Strain Relief (Located on Enclosure Cover)	
42	70004683	1	Bushing, Connector (Use p/n 70004098)	
42	70001973	1	Decal - Warning Pinch Point	
43	1001152532	1	Generator Harness (See ELECTRICAL SECTION for Breakdown)	
		Ref	ELECTRICAL DIAGRAM COMPONENTS	
101	1001153259	1	Generator to Platform Harness (Not Shown) (See ELECTRICAL SECTION for Breakdown)	
103	4922641	1	Generator Switch Harness (Not Shown)	



# SECTION 3 - ENGINE

## FIGURE 3-30. 4000W GENERATOR INSTALLATION - 60HZ



ART\_1001200699

## SECTION 3 - ENGINE

**FIGURE 3-30. 4000W GENERATOR INSTALLATION - 60HZ**

ITEM	PART NUMBER	QTY	DESCRIPTION	REV
	1001200699	Ref	4000W GENERATOR INSTALLATION - 60HZ	B
1	0100011	AR	Compound, Locking	
2	0100019	AR	Compound, Locking	
3	0100020	AR	Sealant	
4	0100048	AR	Grease, Dielectric	
5	0700818001	3	Bolt M8 x 50	
6	0701018	1	Bolt M10 x 50	
7	0741607	3	Screw 3/8 x 7/8	
8	0760606	1	Bolt M6 x 12	
9	0760610	4	Bolt M6 x 20	
10	0761212	2	Bolt M12 x 25	
11	0860038	1	Box, Switch	
12	0902888	1	Bracket, Junction Box	
13	0962520	1	Bushing, Split	
14	2820031	0.3 ft /0.1m	Heat Shrink	
15	3251102	1	Nameplate, Generator	
16	8305919	4	Nut, Retainer	
17	3290805001	3	Nut M8	
18	3291201	2	Nut M12	
19	3311005	4	Nut #10	
20	3580317	1	Tensioner, Belt with Pulley	
21	3910606	4	Screw M6 x 3/8	
22	3931016	4	Capscrew #10 x 1	
23	3960422	1	Gasket, AC Receptacle	
24	4060802	1	Guard, Switch	
25	4240018	AR	Tie-Strap (Not Shown)	
26	4360336	1	Switch, Toggle	
27	4460071	1	Connector, Strain Relief	
28	4460346	1	Receptacle	
29	4751000	4	Washer #10	
30	4811700	4	Washer M6	
31	4811900001	6	Washer M8	
32	4812000	1	Washer M10	
33	4871700	2	Washer M6	
34	5241200	4	Washer M12	
35	1001138566	1	Control Box Assembly	
35	77363232	1	Connector - 6 Position	
35	See Note	NSS	Connector - 3 Position (Note: Not Available for Purchase)	
35	70006552	1	Capacitor	
35	70006553	1	Relay	
36	1001150174	1	Pulley, Generator	
37	1001152457	1	Junction Box Assembly	
37	3300396	1	Cover, Breaker	
37	4360070	1	Breaker, Circuit - 15Amp	
37	1001152530	1	Block, Terminal	
37	1001158363	1	Cover, Terminal Block	
37	4460425	1	Connector, Strain Relief (LH Side)	
37	4460426	1	Connector, Strain Relief (RH Side)	
39	1001155041	2	Stud	

## SECTION 3 - ENGINE

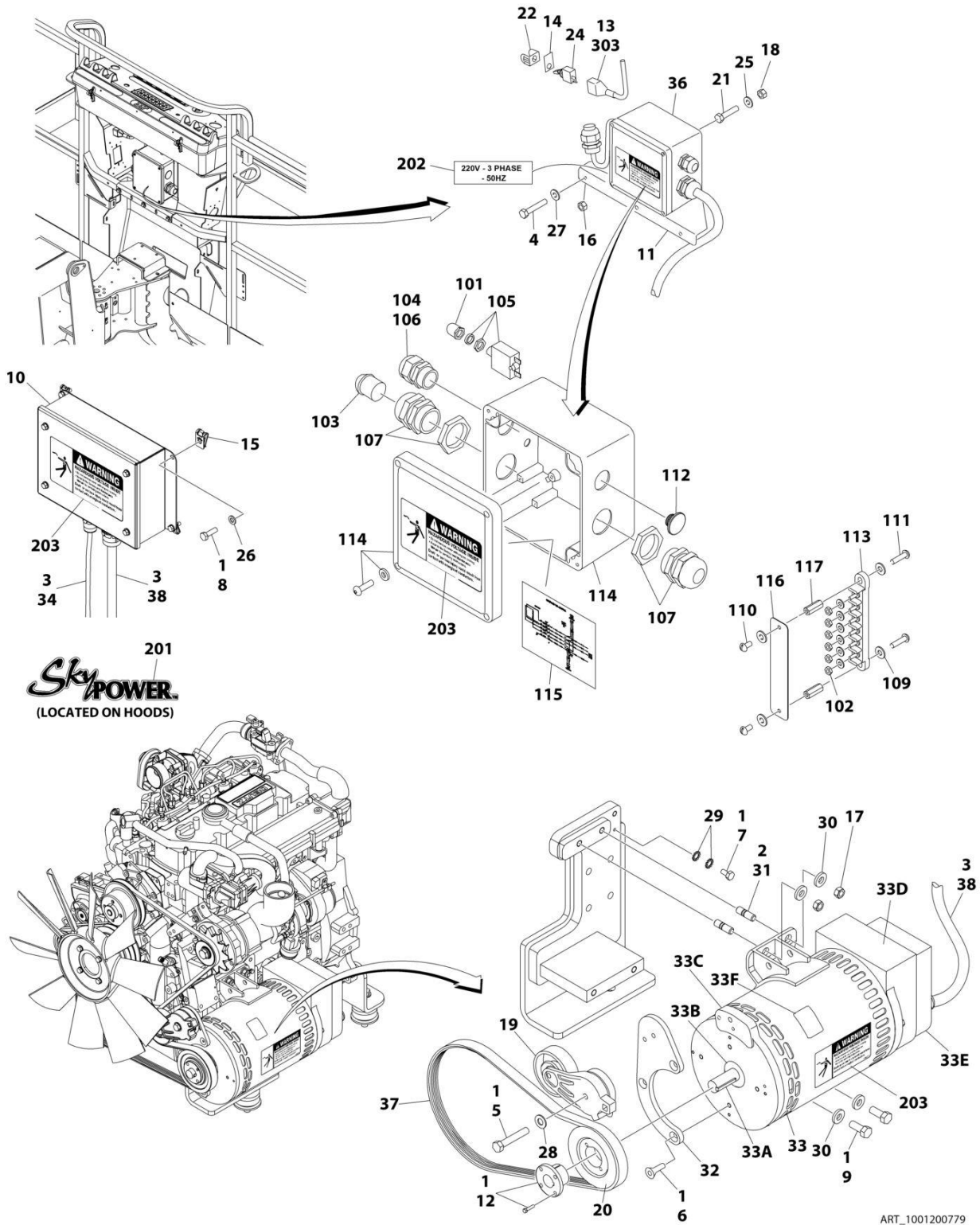
ITEM	PART NUMBER	QTY	DESCRIPTION	REV
40	1001155338	1	Support, Tensioner	
41	1001200565	1	Generator Assembly	
41	70003709	1	Ring, Retaining (External)	
41	70003708	1	Ring, Retaining (Internal)	
41	70001966	1	Bearing	
41	70004092	1	Endbell (Shaft End)	
41	70004171	1	Key	
41	70004676	1	Rotor	
41	70005625	1	Stator	
41	70004678	1	Endbell (Rear)	
41	70004679	1	Cover, Endbell (Rear)	
41	70004680	1	Enclosure, Wiring	
41	70004685	1	Cover, Enclosure	
41	70005624	1	Switch, Reset (Located on Enclosure Cover)	
41	70004098	1	Connector, Strain Relief (Located on Enclosure Cover)	
41	70004683	1	Bushing, Connector (Use with p/n 70004098)	
41	70001973	1	Decal - Warning Pinch Point	
42	1001110873	1	Cover, Receptacle (60Hz)	
43	1001155303	1	Belt, Generator	
45	1001152532	1	Generator Harness (See ELECTRICAL SECTION for Breakdown)	
46	1705374	1	Decal - 240V	
47	1705387	3	Decal - Hazardous Voltage	
48	3251243	1	Decal - 120V	
		Ref	ELECTRICAL DIAGRAM COMPONENTS	
101	1001153259	1	Generator to Platform Harness (Not Shown) (See ELECTRICAL SECTION for Breakdown)	
103	4922641	1	Generator Switch Harness (Not Shown)	





# SECTION 3 - ENGINE

## FIGURE 3-31. 7500W SKYPOWER GENERATOR INSTALLATION - 50HZ



## SECTION 3 - ENGINE

**FIGURE 3-31. 7500W SKYPOWER GENERATOR INSTALLATION - 50HZ**

ITEM	PART NUMBER	QTY	DESCRIPTION	REV
	1001200779	Ref	7500W SKYPOWER GENERATOR INSTALLATION - 50HZ	C
		Ref	Note: See ELECTRICAL SECTION for Boom Cable Installation.	
1	0100011	AR	Compound, Locking	
2	0100019	AR	Compound, Locking	
3	0100048	AR	Grease, Dielectric	
4	0700818001	3	Bolt M8 x 50	
5	0701018	1	Bolt M10 x 50	
6	0741607	3	Screw 3/8 x 7/8	
7	0760606	1	Bolt M6 x 12	
8	0760610	4	Bolt M6 x 20	
9	0761212	2	Bolt M12 x 25	
10	0861572	1	Box, Generator Control	
10	7024488	1	Card, Circuit - Generator Power (Not Shown)	
10	See Note	1	Fuse (Note: Not Available Purchase Locally)	
10	7024489	1	Card, Circuit - Control (Not Shown)	
		Ref	Note: When replacing card, rocker switch on card must be set for required application.	
10	70000619	1	Circuit Card Harness	
10	77363232	1	Connector - 6 Position	
10	See Note	NSS	Connector - 3 Position (Note: Not Available for Purchase)	
11	0902888	1	Bracket	
12	0962520	1	Bushing	
13	2820031	AR	Heat Shrink	
14	3251102	1	Nameplate, Generator	
15	8305919	4	Nut, Retainer M6	
16	3290805001	3	Nut M8	
17	3291201	2	Nut M12	
18	3311005	4	Nut #10	
19	3580317	1	Tensioner, Belt with Pulley	
20	3580318	1	Pulley, Generator	
21	3931016	4	Capscrew #10 x 1	
22	4060802	1	Guard, Switch	
23	4240018	AR	Tie-Strap (Not Shown)	
24	4360336	1	Switch, Toggle	
25	4751000	4	Washer #10	
26	4711700	4	Washer M6	
27	4811900001	6	Washer M8	
28	4812000	1	Washer M10	
29	4871700	2	Washer M6	
30	5241200	4	Washer M12	
31	1001155041	2	Stud	
32	1001155338	1	Bracket	
33	1001155348	1	Generator, 7500W	
33	70001100	1	Rotor (Includes p/n 70001384 & 70000863) (Not Shown)	
33	70001384	1	Bearing, Shaft (Rear) (Not Shown)	
33	70000863	1	Fan, Generator (Not Shown)	
33	70005651	1	Stator (Not Shown)	
33	70002297	2	Stud 1/4 x 12-7/8 (Not Shown)	
33	70003631	1	Brushholder Assembly (Not Shown)	
33A	70004171	1	Key	

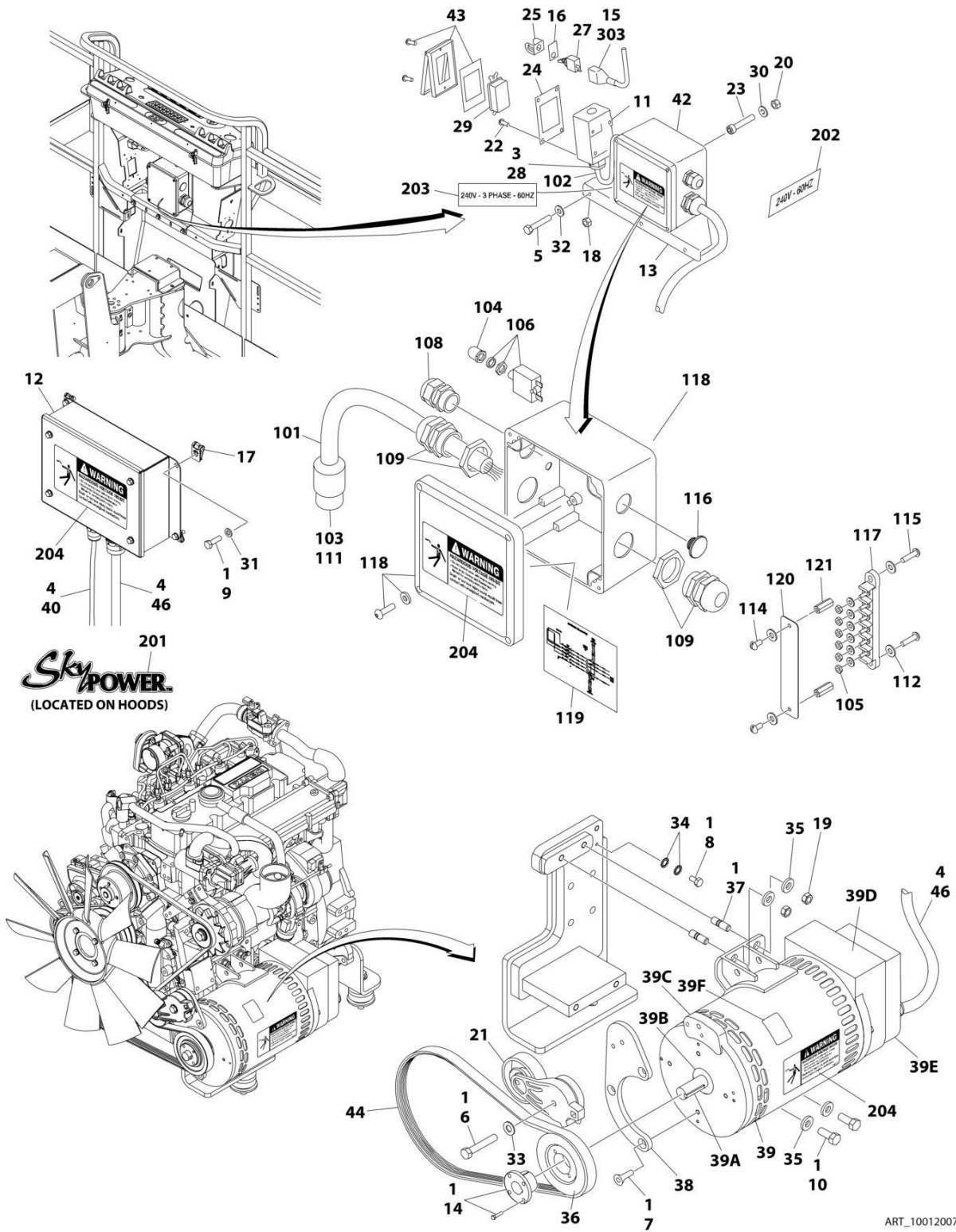
## SECTION 3 - ENGINE

ITEM	PART NUMBER	QTY	DESCRIPTION	REV
33B	70001966	1	Bearing, Ball Radial (Located in Belt Tensioner Endbell)	
33B	70003709	1	Ring, Retaining (Small)	
33B	70003708	1	Ring, Retaining (Large)	
33C	70004092	1	Endbell, Belt Tensioner	
33D	70004094	1	Endbell, Brush Block	
33E	70004096	1	Shroud Assembly	
33E	7027799	1	Block, Connector - 6 Position (Not Shown)	
33E	70002460	6	Nut, Brass (Attaches p/n 7027799 to Cover) (Not Shown)	
33E	7024485	1	Breaker, Circuit 30Amp (Not Shown)	
33E	70001696	1	Boot, Breaker (Not Shown)	
33E	7026597	1	Connector with Leads (Not Shown)	
33E	7026626	1	Connector with Pins (Not Shown)	
33E	70004098	1	Clamp, Cable (Not Shown)	
33E	70005652	1	Plate, End Panel (Not Shown)	
33E	70004097	1	Insulator, End Panel (Not Shown)	
33E	70001974	1	Decal - Terminal Connections (Not Shown)	
33F	70001973	1	Decal - Warning Moving Parts	
34	1001156030	1	Generator Harness (See ELECTRICAL SECTION for Breakdown)	
36	1001157525	1	Junction Box Assembly (See Items 101-117 for Breakdown)	
37	1001148059	1	Belt, Generator	
38	4922925	1	Generator Harness (See ELECTRICAL SECTION for Breakdown)	
	1001157525	Ref	JUNCTION BOX ASSEMBLY	B
101	3300396	1	Cover, Fuse	
102	3311001	6	Nut #10	
103	3520189	1	Plug (50Hz Spec Only)	
104	3520192	1	Plug	
105	4360070	1	Circuit Breaker - 15Amp	
106	4460425	1	Strain Relief, Terminal	
107	4460426	2	Connector, Strain Relief	
109	4711000	10	Washer #10	
110	10702077	2	Screw #10 x 3/8	
111	10702082	2	Screw #10 x 3/4	
112	1001152525	1	Plug	
113	1001157520	1	Block, Terminal	
114	1001157521	1	Box, Junction	
115	1001157528	1	Decal - Wiring Schematic	
116	1001158007	1	Cover, PVC	
117	1001158008	2	Stand-off	
	0272589	Ref	DECAL INSTALLATION	A
201	1705460	2	Decal - SkyPower	
202	1705461	1	Decal - 240V - 3 Phase	
203	1705489	3	Decal - Hazardous Voltage	
		Ref	ELECTRICAL DIAGRAM COMPONENTS	
303	4922641	1	Generator Switch Harness	



# SECTION 3 - ENGINE

## FIGURE 3-32. 7500W SKYPOWER GENERATOR INSTALLATION - 60HZ



## SECTION 3 - ENGINE

**FIGURE 3-32. 7500W SKYPOWER GENERATOR INSTALLATION - 60HZ**

ITEM	PART NUMBER	QTY	DESCRIPTION	REV
	1001200780	Ref	7500W SKYPOWER GENERATOR INSTALLATION - 60HZ	B
1	0100011	AR	Compound, Locking	
2	0100019	AR	Compound, Locking (Not Shown)	
3	0100020	AR	Sealant, Pipe	
4	0100048	AR	Grease, Dielectric	
5	0700818001	3	Bolt M8 x 50	
6	0701018	1	Bolt M10 x 50	
7	0741607	3	Screw 3/8 x 7/8	
8	0760606	1	Bolt M6 x 12	
9	0760610	4	Bolt M6 x 20	
10	0761212	2	Bolt M12 x 25	
11	0860038	1	Box, Switch	
12	0861538	1	Box, Generator Control	
12	7024488	1	Card, Circuit - Generator Power (Not Shown)	
12	See Note	1	Fuse (Note: Not Available Purchase Locally)	
12	7024489	1	Card, Circuit - Control (Not Shown)	
		Ref	Note: When replacing card, rocker switch on card must be set for required application.	
12	70000619	1	Circuit Card Harness	
12	77363232	1	Connector - 6 Position	
12	See Note	1	Connector - 3 Position (Note: Not Available for Purchase)	
13	0902888	1	Bracket, Generator Junction Box	
14	0962520	1	Bushing, Taper	
15	2820031	AR	Insulator, Heat Shrink	
16	3251102	1	Nameplate, Generator	
17	8305919	4	Nut, Retainer M6	
18	3290805001	3	Nut M8	
19	3291201	2	Nut M12	
20	3311005	4	Nut #10	
21	3580317	1	Pulley, Belt Tensioner	
22	3910606	4	Screw #6 x 3/8	
23	3931016	4	Capscrew #10 x 1	
24	3960422	1	Gasket, AC Receptacle	
25	4060802	1	Guard, Switch	
26	4240018	AR	Tie-Strap (Not Shown)	
27	4360336	1	Switch, Toggle	
28	4460071	1	Connector, Strain Relief	
29	4460346	1	Terminal, Receptacle	
30	4751000	4	Washer #10	
31	4711700	4	Washer M6	
32	4811900001	6	Washer M8	
33	4812000	1	Washer M10	
34	4871700	2	Washer M6	
35	5241200	4	Washer M12	
36	1001150174	1	Pulley, Generator	
37	1001155041	2	Stud	
38	1001155338	1	Bracket	
39	1001155348	1	Generator, 7500W	
39	70001100	1	Rotor (Includes p/n 70001384 & 70000863) (Not Shown)	
39	70001384	1	Bearing, Shaft (Rear) (Not Shown)	

## SECTION 3 - ENGINE

ITEM	PART NUMBER	QTY	DESCRIPTION	REV
39	7000863	1	Fan, Generator (Not Shown)	
39	70004093	1	Stator (Not Shown)	
39	70002297	2	Stud 1/4-20 x 12-7/8 (Not Shown)	
39	70003631	1	Brushholder Assembly (Not Shown)	
39A	70004099	1	Key	
39B	70001966	1	Bearing, Ball Radial (Located in Belt Tensioner Endbell)	
39B	70003709	1	Ring, Retaining (Small)	
39B	70003708	1	Ring, Retaining (Large)	
39C	70004092	1	Endbell, Belt Tensioner	
39D	70004094	1	Endbell, Brush Block	
39E	70004096	1	Shroud Assembly	
39E	7027799	1	Block, Connector - 6 Position (Not Shown)	
39E	70002460	6	Nut, Brass (Attaches p/n 7027799 to Cover) (Not Shown)	
39E	7024485	1	Breaker, Circuit 30Amp (Not Shown)	
39E	70001696	1	Boot, Breaker (Not Shown)	
39E	7026597	1	Connector with Leads (Not Shown)	
39E	7026626	1	Connector with Pins (Not Shown)	
39E	70004098	1	Clamp, Cable (Not Shown)	
39E	70004095	1	Plate, End Panel (Not Shown)	
39E	70004097	1	Insulator, End Panel (Not Shown)	
39E	70001974	1	Decal - Terminal Connections (Not Shown)	
39F	70001973	1	Decal - Warning Moving Parts	
40	1001156030	1	Generator Harness (See ELECTRICAL SECTION for Breakdown)	
42	1001157592	1	Junction Box Assembly (See Items 101-121 for Breakdown)	
43	1001110873	1	Shield, Receptacle Cover	
44	1001155303	1	Belt, Generator	
46	4922925	1	Generator Harness (See ELECTRICAL SECTION for Breakdown)	
	1001157592	Ref	JUNCTION BOX ASSEMBLY	C
101	1060343	1.5 ft /0.5m	Cable, Electrical 10/4	
102	1001179154	2.5 ft /0.8m	Cable, Electrical 12/3	
103	1671092	1	Cover	
104	3300396	1	Cover, Fuse	
105	3311001	6	Nut #10	
106	4360070	1	Circuit Breaker - 15Amp	
108	4460425	1	Strain Relief, Terminal	
109	4460426	2	Connector, Strain Relief	
111	4460963	1	Connector	
112	4711000	10	Washer #10	
114	10702077	2	Screw #10 x 3/8	
115	10702082	2	Screw #10 x 3/4	
116	1001152525	1	Plug	
117	1001157520	1	Block, Terminal	
118	1001157521	1	Box, Junction	
119	1001157528	1	Decal - Wiring Schematic	
120	1001158007	1	Cover, PVC	
121	1001158008	2	Stand-Off	
	0272435	Ref	DECAL INSTALLATION	D
201	1705460	2	Decal - SkyPower	
202	3251243	1	Decal - 120V - 60Hz	
203	1705375	1	Decal - 240V - 3 Phase	

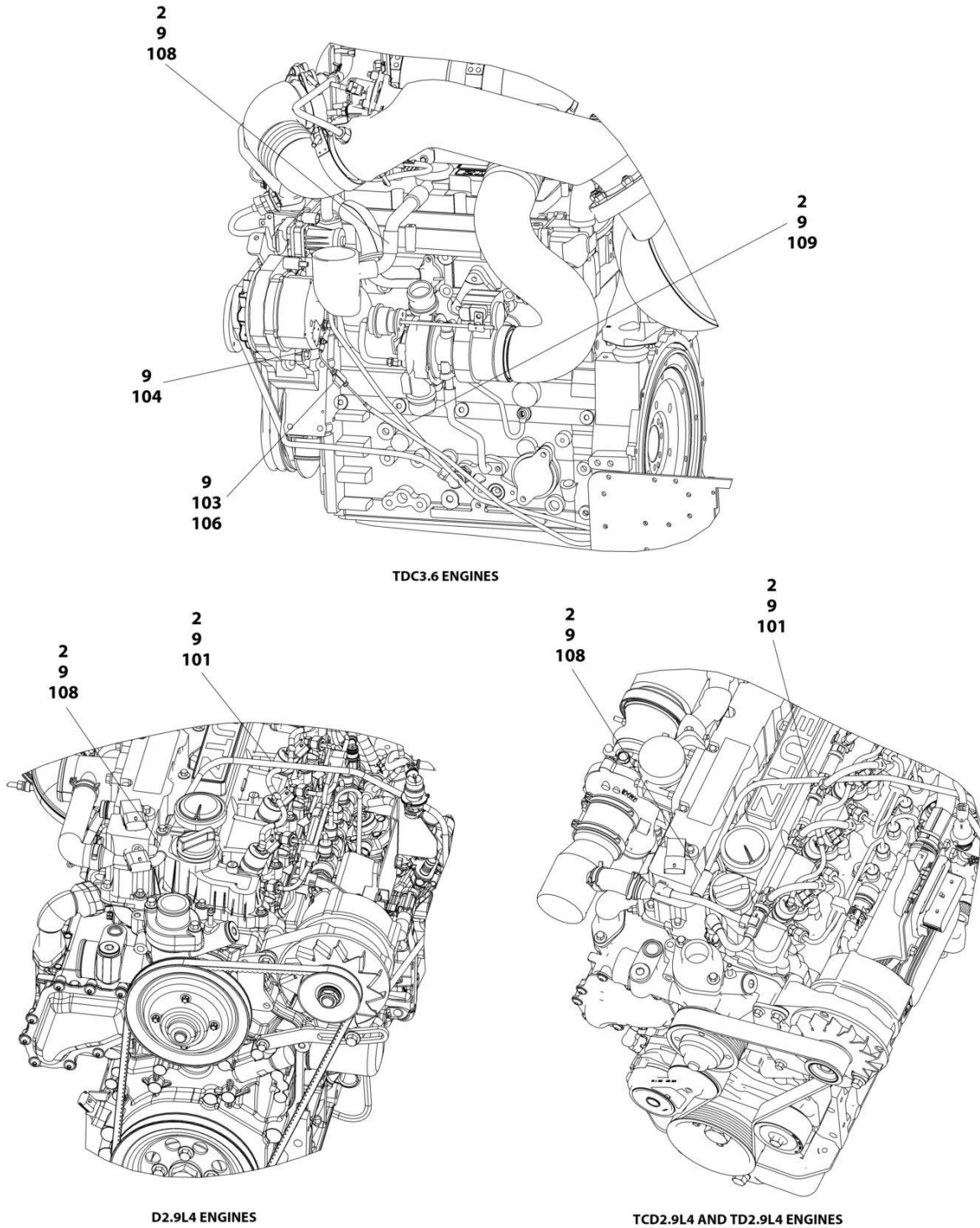


## SECTION 3 - ENGINE

ITEM	PART NUMBER	QTY	DESCRIPTION	REV
204	1705387	3	Decal - Hazardous Voltage	
		Ref	ELECTRICAL DIAGRAM COMPONENTS	
303	4922641	1	Generator Switch Harness	

# SECTION 3 - ENGINE

## FIGURE 3-33. BREATHER HEATER INSTALLATION - MACHINES WITH COLD WEATHER PACKAGE



ART\_1001233763

## SECTION 3 - ENGINE

**FIGURE 3-33. BREATHER HEATER INSTALLATION - MACHINES WITH COLD WEATHER PACKAGE**

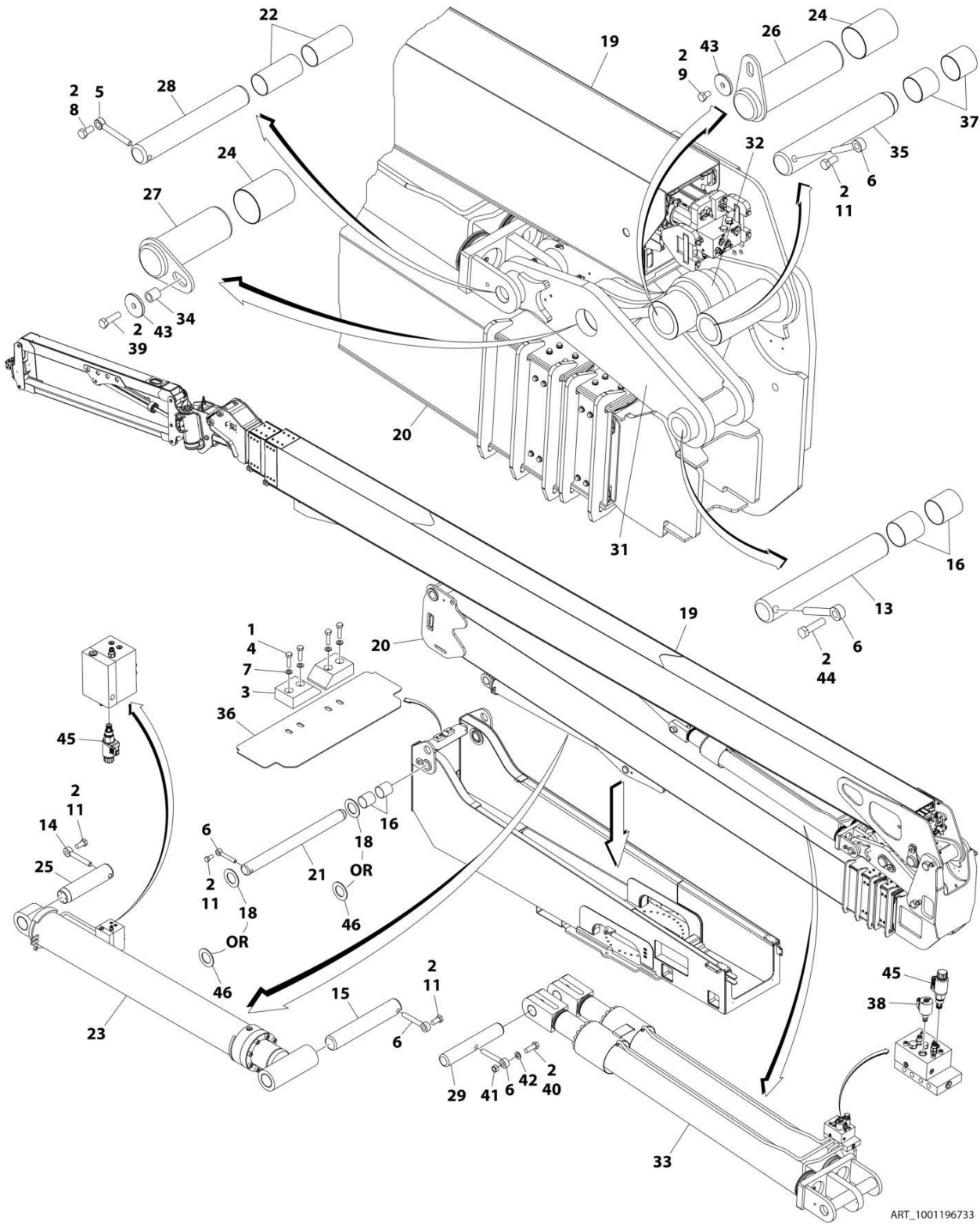
ITEM	PART NUMBER	QTY	DESCRIPTION	REV
	1001233763	Ref	BREATHER HEATER INSTALLATION - DEUTZ ENGINES	D
2	4240099	AR	Tie-Strap	
9	1001243895	1	Breather Heater Harness	C
101	2820035	AR	Insulation	
103	2400060	1	Fuseholder with Cover	
104	4460043	1	Terminal, Ring	
105	4460722	1	Terminal, Ring (Not Shown)	
106	1001196634	1	Fuse - 2 Amp	
108	1001232842	1	Breather Heater Kit	



**SECTION 4 - BOOM**

# SECTION 4 - BOOM

## FIGURE 4-1. BOOM AND CYLINDERS INSTALLATION



ART\_1001196733

## SECTION 4 - BOOM

### FIGURE 4-1. BOOM AND CYLINDERS INSTALLATION

ITEM	PART NUMBER	QTY	DESCRIPTION	REV
	1001196733	Ref	BOOM AND CYLINDERS INSTALLATION	I
1	0100011	AR	Compound, Locking	
2	0100019	AR	Compound, Locking	
3	0561380	2	Block, Boom Rest	
4	0761016001	4	Bolt M10 x 40	
5	3841287	1	Keeper, Pin	
6	3841356	5	Keeper, Pin	
7	1001172358	4	Washer M10	
8	0762016001	1	Bolt M20 x 40	
9	0762014001	1	Bolt M20 x 30	
11	0762418001	4	Bolt M24 x 50	
13	1001134314	1	Pin	
14	1001146940	1	Keeper, Pin	
15	1001156650	1	Pin	
16	1001157887	4	Bearing	
18	1001180153	AR	Washer	
19	1001196917	1	Main Boom and Jib Assembly (See MAIN BOOM AND JIB ASSEMBLY for Breakdown)	
20	1001197902	1	Tower Boom Assembly (See TOWER BOOM ASSEMBLY for Breakdown)	
21	1001197969	1	Pivot	
22	1001197973	2	Bearing	
23	1001198131	NLA	Lift Cylinder Assembly - Tower Boom (Use p/n 1001228090) (See CYLINDER SECTION for Breakdown) <b>(SN 0300000100 through 0300239155)</b>	
23	1001228090	1	Lift Cylinder Assembly - Tower Boom (See CYLINDER SECTION for Breakdown) <b>(SN 0300239155 through 0300271437)</b>	
24	1001198749	2	Bearing	
25	1001198757	1	Pin	
26	1001198758	1	Pin	
27	1001198759	1	Pin	
28	1001198760	1	Pin	
29	1001198761	1	Pin	
31	1001199804	1	Link	
32	1001199812	1	Link	
33	1001200063	NLA	Lift Cylinder Assembly - Main Boom (Use p/n 1001228094) (See CYLINDER SECTION for Breakdown) <b>(SN 0300000100 through 0300239463)</b>	
33	1001228094	1	Lift Cylinder Assembly - Main Boom (See CYLINDER SECTION for Breakdown) <b>(SN 0300239463 through 0300271437)</b>	
34	1001200154	1	Spacer	
35	1001200574	1	Pin	
36	1001200576	1	Deflector	
37	0440273	2	Bearing	
38	1001201938	1	Cartridge Valve Assembly	
38	70005657	1	Cartridge, Solenoid Valve Less Coil	
38	70026446	1	Seal Kit - 70005657 Valve	
38	70003788	1	Coil	
39	0702022001	1	Bolt M20 x 70	
40	0762422001	1	Bolt M24 x 70	
41	3292401001	1	Nut M24	

## SECTION 4 - BOOM

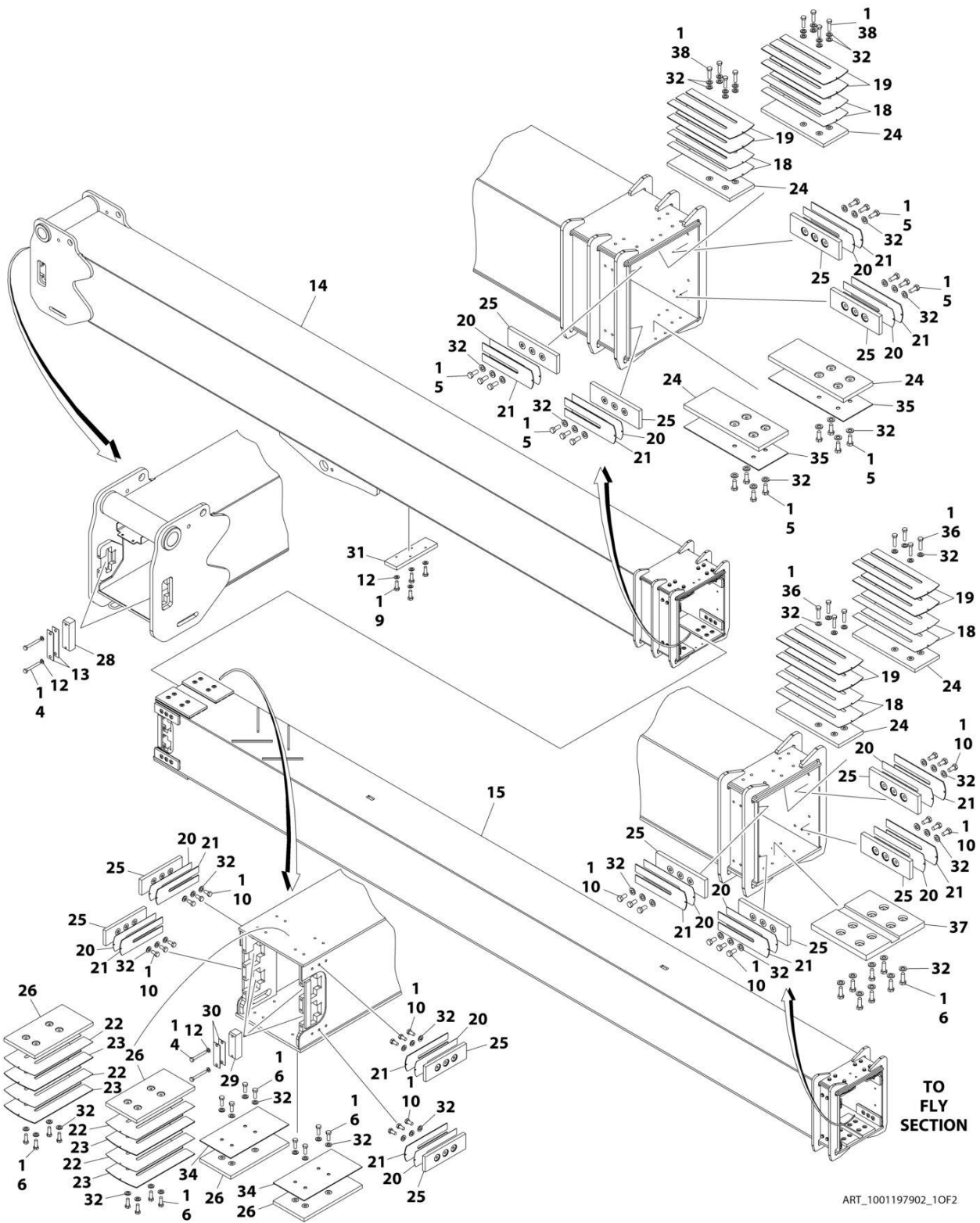
ITEM	PART NUMBER	QTY	DESCRIPTION	REV
42	481270001	1	Washer M24	
43	1001207937	2	Washer	
44	0702426001	1	Bolt M24 x 90	
45	1001218037	2	Cartridge, Valve Assembly	
45	70006003	2	Cartridge, Solenoid Valve Less Coil	
45	70006005	2	Seal Kit - 70006003 Valve	
45	70006004	2	Coil	
45	70006006	2	Nut, Coil	
46	1001221425	AR	Washer (SN 0300223782 through 0300271437)	





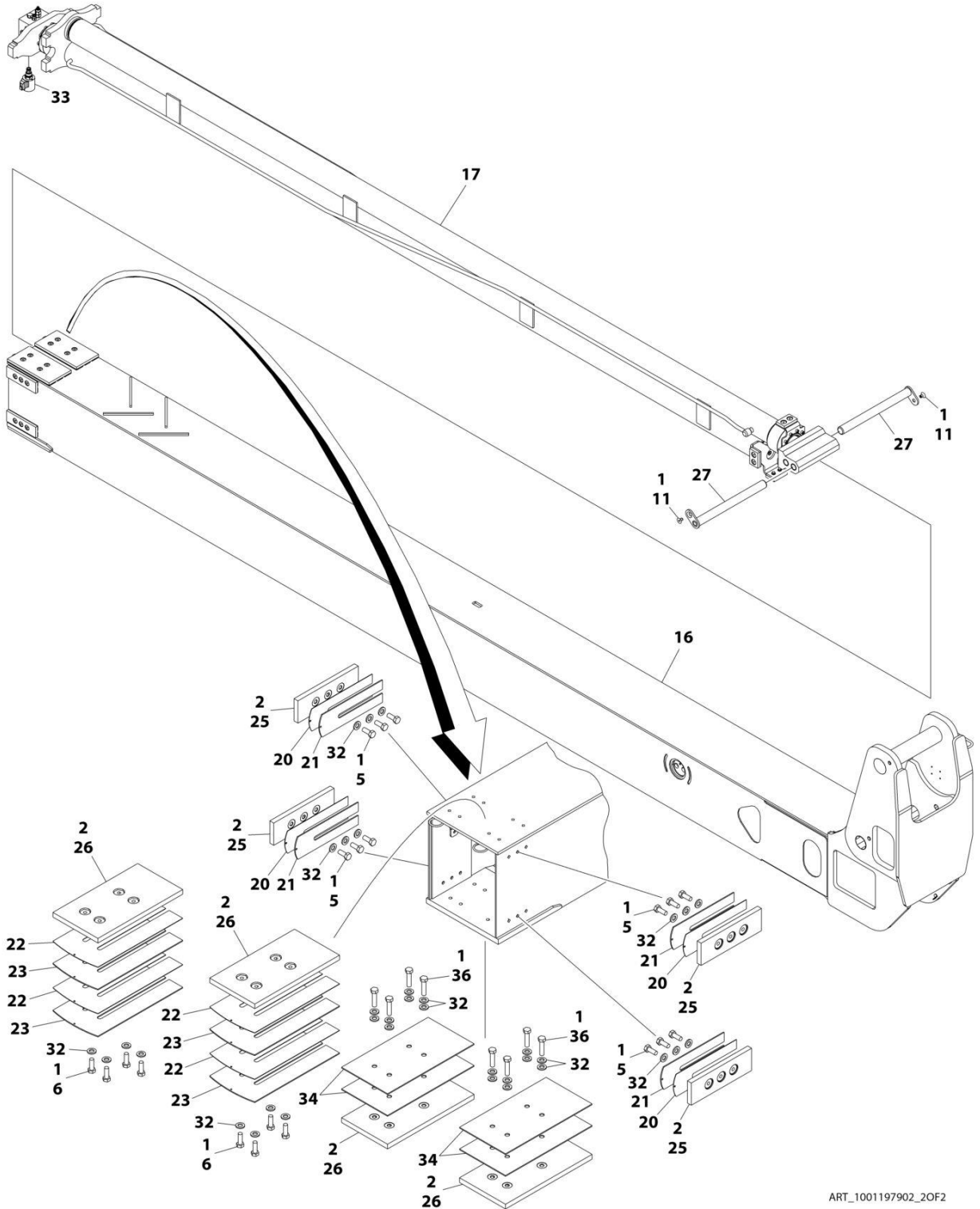
# SECTION 4 - BOOM

## FIGURE 4-2. TOWER BOOM ASSEMBLY



ART\_1001197902\_10F2

# SECTION 4 - BOOM



ART\_1001197902\_20F2

## SECTION 4 - BOOM

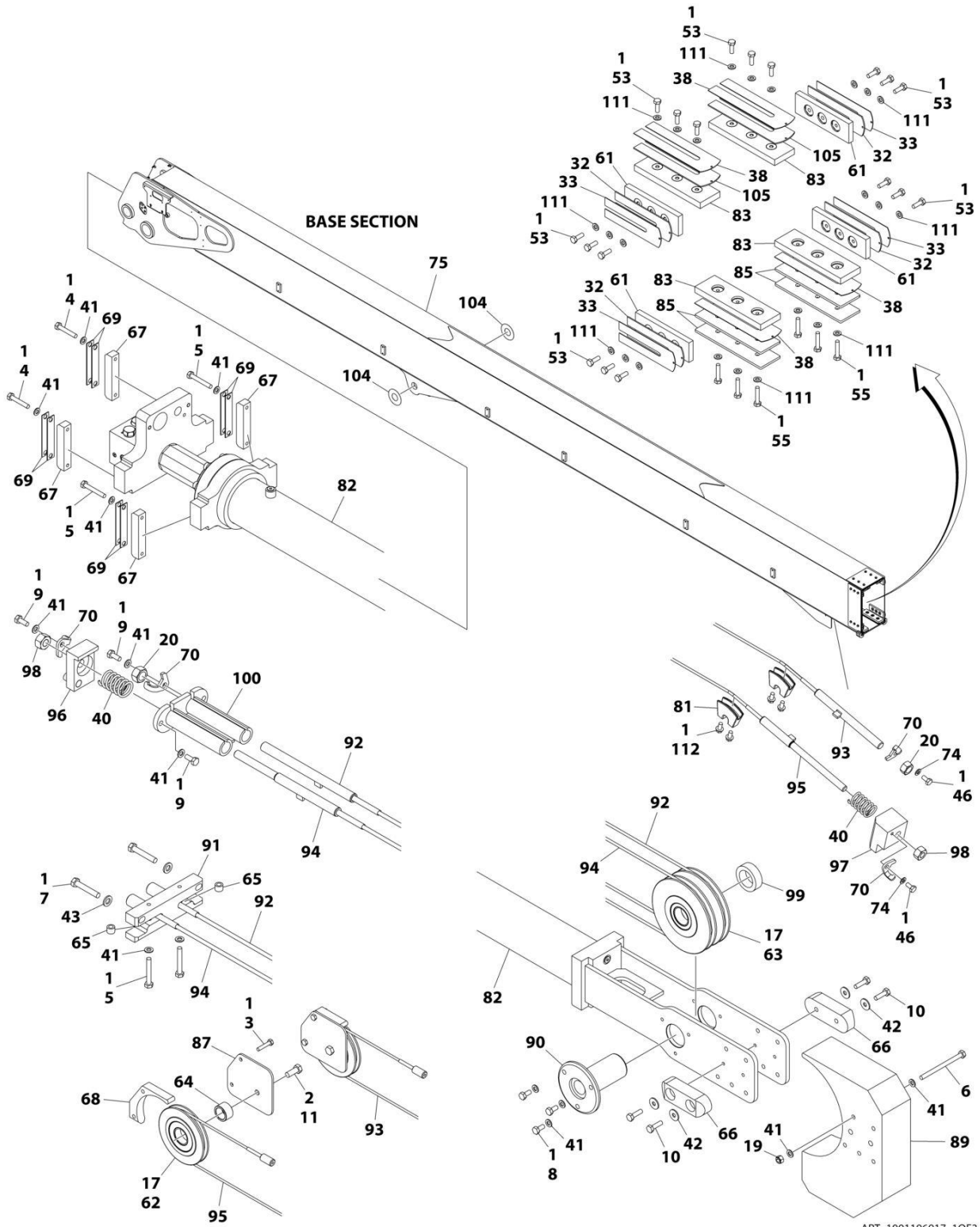
FIGURE 4-2. TOWER BOOM ASSEMBLY

ITEM	PART NUMBER	QTY	DESCRIPTION	REV
	1001197902	Ref	TOWER BOOM ASSEMBLY	H
1	0100011	AR	Compound, Locking	
2	3020042	AR	Lubricant	
4	0701024001	12	Bolt M10 x 80	
5	0711214001	32	Bolt M12 x 30	
6	0711215001	32	Bolt M12 x 35	
9	0761014001	4	Bolt M10 x 30	
10	0771212001	24	Bolt M12 x 25	
11	1001137032	2	Screw M10 x 16	
12	1001172358	16	Washer M10	
13	1001173662	4	Shim 16 Gauge	
14	1001197899	1	Base, Boom (Section 1)	
15	1001209368	1	Mid, Boom (Section 2)	
16	1001197901	1	Fly, Boom (Section 3)	
17	1001198546	NLA	Telescope Cylinder Assembly - Tower (Use p/n 10101228091) (See CYLINDER SECTION for Breakdown) <b>(SN 0300000100 through 0300244380)</b>	
17	1001228091	1	Telescope Cylinder Assembly - Tower (See CYLINDER SECTION for Breakdown) <b>(SN 0300244380 through 0300271437)</b>	
18	1001198640	8	Shim 18 Gauge	
19	1001198641	8	Shim 11 Gauge	
20	1001198642	16	Shim 18 Gauge	
21	1001198643	16	Shim 11 Gauge	
22	1001198644	8	Shim 18 Gauge	
23	1001198645	8	Shim 11 Gauge	
24	1001209375	6	Pad, Wear	
25	1001198732	16	Pad, Wear	
26	1001209374	8	Pad, Wear	
27	1001201007	2	Pin	
28	1001201333	2	Block, Trunnion	
29	1001201334	4	Block, Trunnion	
30	1001201335	8	Shim 16 Gauge	
31	1001204914	1	Pad	
32	5241200001	128	Washer M12	
33	1001201938	1	Cartridge Valve Assembly	
34	1001209372	6	Plate, Spacer	
35	1001209373	2	Plate, Spacer	
36	0771218001	16	Bolt M12 x 50	
37	1001212669	1	Pad, Wear	
38	0711217001	8	Bolt M12 x 45	



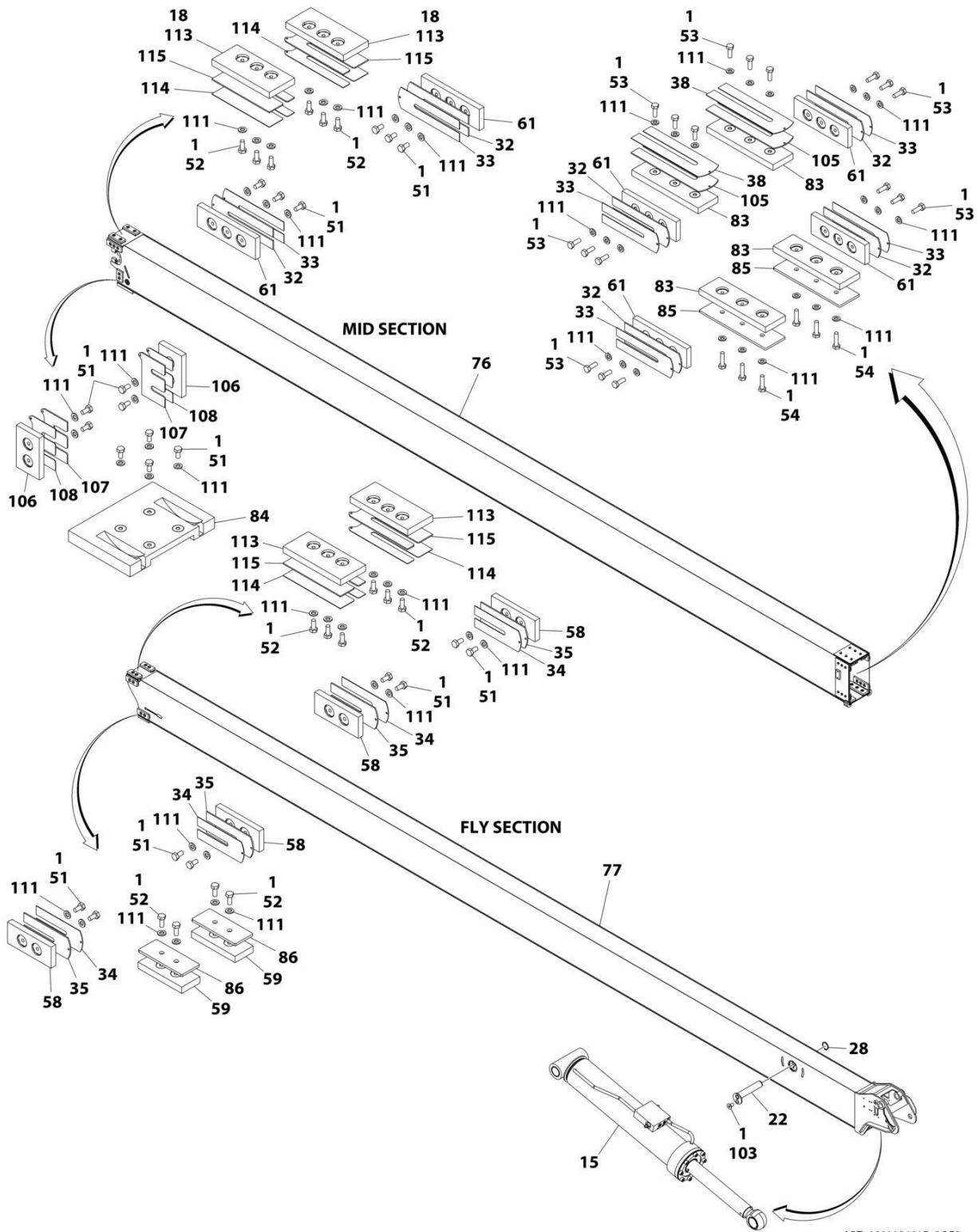
# SECTION 4 - BOOM

## FIGURE 4-3. MAIN BOOM AND JIB ASSEMBLY



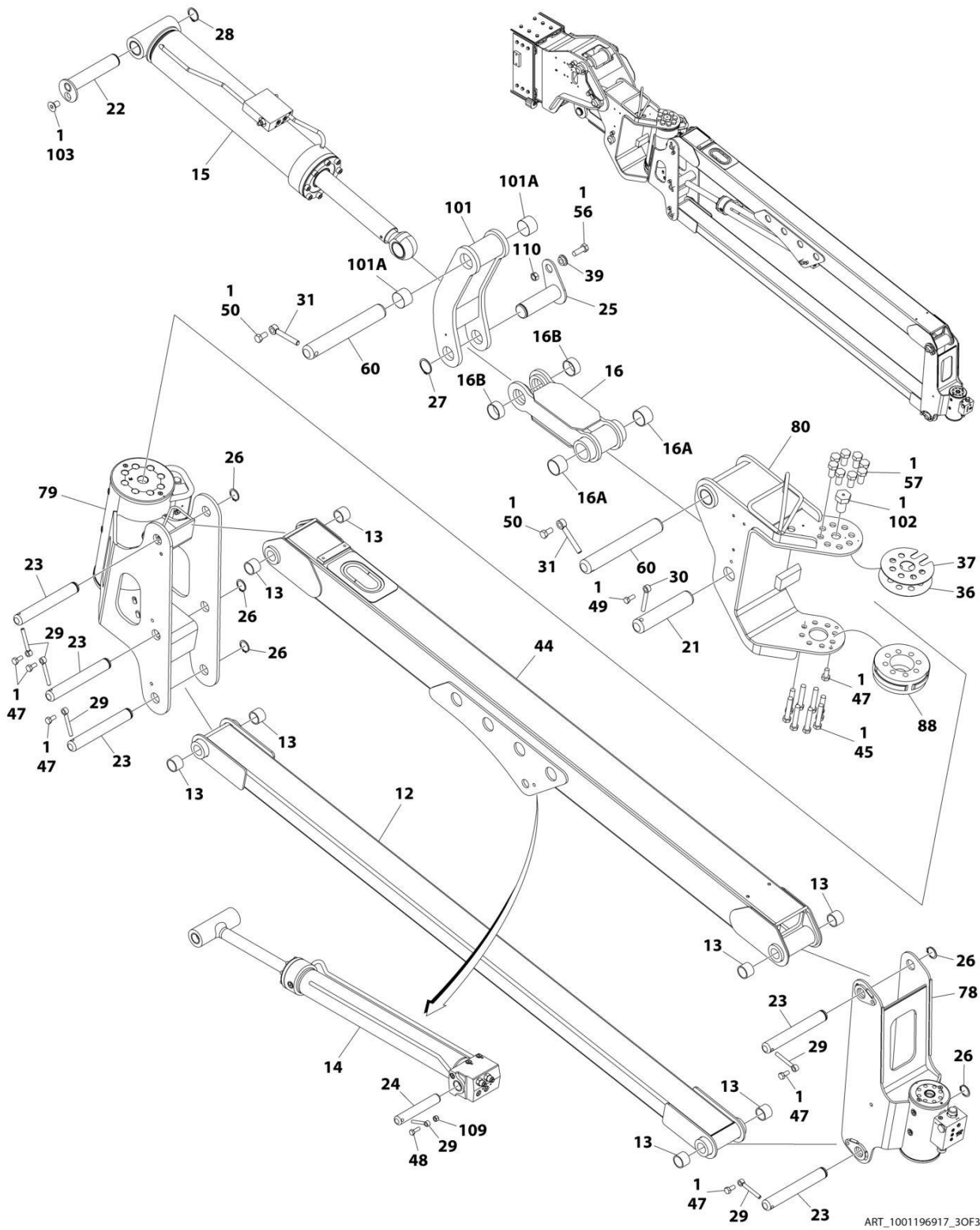
ART\_1001196917\_10F3

# SECTION 4 - BOOM



ART\_1001196917\_2OF3

# SECTION 4 - BOOM



ART\_1001196917\_30F3



## SECTION 4 - BOOM

FIGURE 4-3. MAIN BOOM AND JIB ASSEMBLY

ITEM	PART NUMBER	QTY	DESCRIPTION	REV
	1001196917	Ref	MAIN BOOM AND JIB ASSEMBLY	J
1	0100011	AR	Compound, Locking	
2	0100019	AR	Compound, Locking	
3	0701018	4	Bolt M10 x 50	
4	0701020	4	Bolt M10 x 60	
5	0701022	6	Bolt M10 x 70	
6	0701031	5	Bolt M10 x 140	
7	0701222	2	Bolt M12 x 70	
8	0761011	3	Bolt M10 x 22	
9	0761012	4	Bolt M10 x 25	
10	0761015	4	Bolt M10 x 35	
11	0761616	2	Bolt M16 x 40	
12	0801550	1	Link, Jib (Lower)	
13	0961951	8	Bushing	
14	1684173	NLA	Lift Cylinder Assembly - Jib (Use p/n 1001228025) (See CYLINDER SECTION for Breakdown) <b>(SN 0300000100 through 0300238854)</b>	
14	1001228025	1	Lift Cylinder Assembly - Jib (See CYLINDER SECTION for Breakdown) <b>(SN 0300238854 through 0300271437)</b>	
15	1684430	NLA	Level Cylinder Assembly (Use p/n 1001228034) (See CYLINDER SECTION for Breakdown) <b>(SN 0300000100 through 0300237743)</b>	
15	1001228034	1	Level Cylinder Assembly (See CYLINDER SECTION for Breakdown) <b>(SN 0300237743 through 0300271437)</b>	
16	3010136	1	Link, Level (Outer)	
16A	0962224	2	Bushing	
16B	0962556	2	Bushing	
17	3020039	AR	Lubricant	
18	3020042	AR	Lubricant	
19	3291005	5	Nut M10	
20	3292201	2	Nut M22	
21	3422178	1	Pin	
22	3422937	1	Pin	
23	3422957	5	Pin	
24	3422958	1	Pin	
25	3423190	1	Pin	
26	3760133	5	Ring, Retaining	
27	3760217	1	Ring, Retaining	
28	3760233	1	Ring, Retaining	
29	3841143	6	Keeper, Pin	
30	3841203	1	Keeper, Pin	
31	3841258	2	Keeper, Pin	
32	4070863	10	Shim 11 Gauge	
33	4070864	10	Shim 18 Gauge	
34	4070897	4	Shim 18 Gauge	
35	4070898	4	Shim 11 Gauge	
36	4071044	1	Shim 18 Gauge	
37	4071045	1	Shim 11 Gauge	
38	4071073	4	Shim 18 Gauge	
39	4100101	1	Spacer	
40	4160197	2	Spring	
41	4812000	27	Washer M10	

## SECTION 4 - BOOM

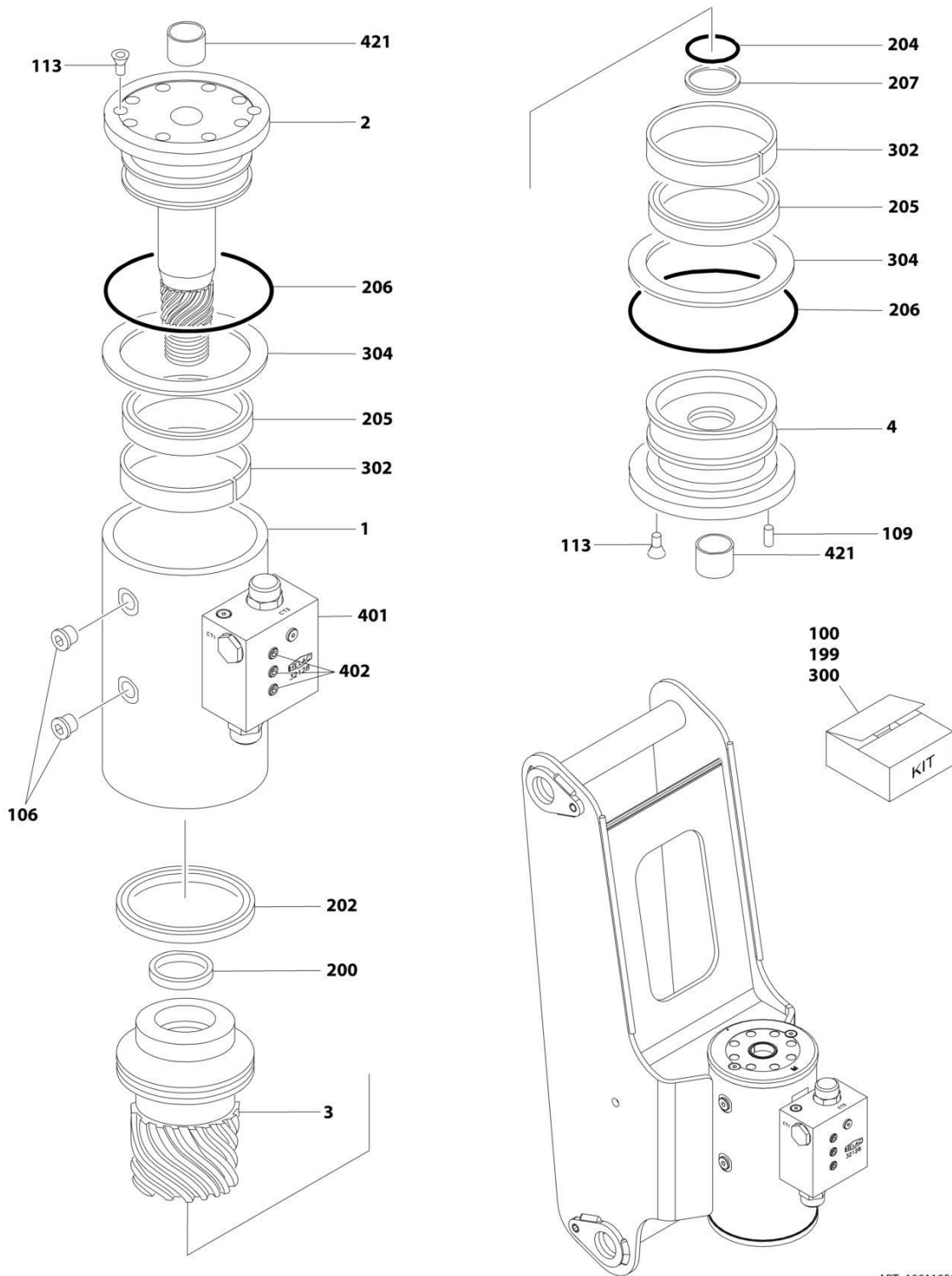
ITEM	PART NUMBER	QTY	DESCRIPTION	REV
42	4812002	4	Washer M10	
43	5241200	2	Washer M12	
44	4846482	1	Link, Jib (Upper)	
45	0711626001	8	Bolt M16 x 90 Grade 10.9	
46	0761010001	2	Bolt M10 x 20	
47	0761011001	7	Bolt M10 x 22	
48	0761014001	1	Bolt M10 x 30	
49	0761214001	1	Bolt M12 x 30	
50	0761614001	2	Bolt M16 x 30	
51	0771010001	22	Bolt M10 x 20 Grade 10.9	
52	0771012001	16	Bolt M10 x 25 Grade 10.9	
53	0771014001	36	Bolt M10 x 30 Grade 10.9	
54	0771016001	6	Bolt M10 x 40 Grade 10.9	
55	0771018001	6	Bolt M10 x 50 Grade 10.9	
56	0771617001	1	Bolt M16 x 45 Grade 10.9	
57	0772016001	8	Bolt M20 x 40 Grade 10.9	
58	1001118287	4	Pad, Wear	
59	1001118288	4	Pad, Wear	
60	1001119899	2	Pin	
61	1001136583	30	Pad, Wear	
62	1001153797	2	Sheave (SN 0300000100 through 0300225574)	
62	1001153785	1	Bushing (SN 0300000100 through 0300225574)	
62	1001153786	1	Bushing (SN 0300000100 through 0300225574)	
62	1001222385	2	Sheave (SN 0300225574 through 0300271437)	
62	1001153785	1	Bushing (SN 0300225574 through 0300271437)	
62	1001154247	1	Ring, Snap (SN 0300225574 through 0300271437)	
62	1001222387	1	Bushing (SN 0300225574 through 0300271437)	
63	1001153846	2	Sheave (SN 0300000100 through 0300225574)	
63	1001153827	1	Bushing (SN 0300000100 through 0300225574)	
63	1001153828	1	Bushing (SN 0300000100 through 0300225574)	
63	1001222402	2	Sheave (SN 0300225574 through 0300271437)	
63	1001153827	1	Bushing (SN 0300225574 through 0300271437)	
63	1001154247	1	Ring, Snap (SN 0300225574 through 0300271437)	
63	1001222404	1	Bushing (SN 0300225574 through 0300271437)	
64	1001156613	2	Bushing	
65	1001157007	2	Sleeve, Spacer, Sensor	
66	1001157454	2	Pad, Wear	
67	1001157872	4	Block, Trunnion	
68	1001157878	2	Retainer, Rope	
69	1001157885	8	Shim 16 Gauge	
70	1001167497	4	Plate, Keeper	
74	1001172358	2	Washer M10	
75	1001195924	1	Boom, Base	
76	1001219583	1	Boom, Mid	
77	1001219590	1	Boom, Fly	
78	1001195939	1	Platform Rotator Assembly (See PLATFORM ROTATOR ASSEMBLY for Breakdown)	
79	1001195940	1	Jib Rotator Assembly (See JIB ROTATOR ASSEMBLY for Breakdown)	
80	1001195941	1	Pivot, Jib	
81	1001198864	2	Sheave, Deflector	
82	1001198938	NLA	Telescope Cylinder Assembly - Main Boom (Use p/n 1001228093)	

## SECTION 4 - BOOM

ITEM	PART NUMBER	QTY	DESCRIPTION	REV
			(See CYLINDER SECTION for Breakdown) <b>(SN 0300000100 through 0300244380)</b>	
82	1001228093	1	Telescope Cylinder Assembly - Main Boom (See CYLINDER SECTION for Breakdown) <b>(SN 0300244380 through 0300271437)</b>	
83	1001199083	8	Pad	
84	1001199084	1	Pad	
85	1001199085	6	Shim 6mm	
86	1001199086	2	Shim 6mm	
87	1001199117	2	Plate, Sheave	
88	1001199320	1	Cam	
89	1001199610	1	Retainer, Rope	
90	1001199641	1	Pin	
91	1001199990	1	Block, Cable Mount	
92	1001200091	1	Rope, Extend	
93	1001200092	1	Rope, Retract	
94	1001200093	1	Rope, Extend	
95	1001200094	1	Rope, Retract	
96	1001200732	1	Block, Mounting	
97	1001200733	1	Block, Mounting	
98	1001200736	2	Nut M18	
99	1001200739	1	Spacer	
100	1001200741	1	Retainer, Rope	
101	1001200839	1	Link, Level (Inner)	
101A	0962224	2	Bushing	
102	1001201485	1	Bolt M30 x 50	
103	1001201846	1	Screw M12 x 20 Grade 10.9	
104	1001202455	2	Tape <b>(SN 0300000100 through 0300218237)</b>	
105	1001202793	4	Shim 11 Gauge	
106	1001203753	2	Pad, Wear	
107	1001203754	2	Shim 11 Gauge	
108	1001203755	2	Shim 18 Gauge	
109	3291005001	1	Nut M10	
110	3331611001	1	Nut M16	
111	5241000001	86	Washer M10	
112	5251010001	4	Bolt M10 x 20	
113	1001148012	4	Pad, Wear	
114	1001219599	8	Shim 18 Gauge	
115	1001219600	4	Shim 11 Gauge	

# SECTION 4 - BOOM

## FIGURE 4-4. PLATFORM ROTATOR ASSEMBLY



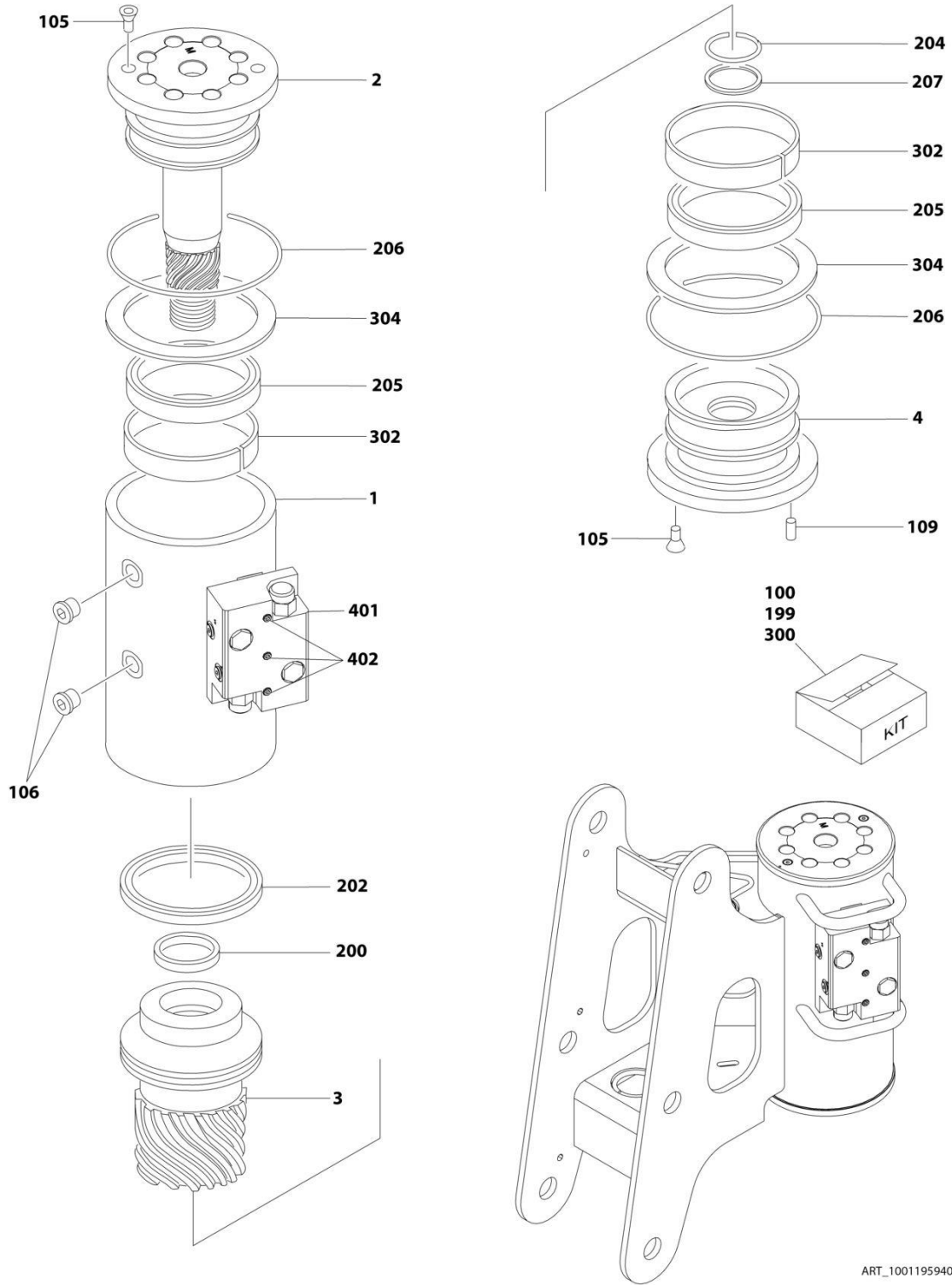
ART\_1001195939

FIGURE 4-4. PLATFORM ROTATOR ASSEMBLY

ITEM	PART NUMBER	QTY	DESCRIPTION	REV
	1001195939	Ref	PLATFORM ROTATOR ASSEMBLY	C
1	See Note	NSS	Housing/Ring Gear (Note: Purchase Complete Assembly)	
2	70003948	1	Shaft	
3	7017163	1	Piston	
4	7017164	1	Cap	
100	7017142	1	Hardware Kit (Includes Items 106-109)	
106	See Note	NSS	Plug (Note: Use Item 100)	
109	See Note	NSS	Pin, Dowel (Note: Use Item 100)	
113	70001697	6	Screw 1/4 x 3/8	
199	70000342	1	Seal Kit - Low Temperature (Includes Items 200-207)	
200	See Note	NSS	T-Seal (Note: Use Item 199)	
202	See Note	NSS	T-Seal (Note: Use Item 199)	
204	See Note	NSS	O-Ring (Note: Use Item 199)	
205	See Note	NSS	Seal (Note: Use Item 199)	
206	See Note	NSS	O-Ring (Note: Use Item 199)	
207	See Note	1	Ring, Back-up (Note: Use Item 199)	
300	7017159	1	Bearing Kit (Includes Items 302-304)	
302	See Note	NSS	Bearing (Note: Use Item 300)	
304	See Note	NSS	Washer, Thrust (Note: Use Item 300)	
401	70001639	1	Valve, Control (Note: Sold as Assembly Only)	
402	See Note	NSS	Bolt 1/4 x 1-1/2 Grade 8 (Note: Purchase Locally)	
421	7017195	2	Bushing	

# SECTION 4 - BOOM

## FIGURE 4-5. JIB ROTATOR ASSEMBLY



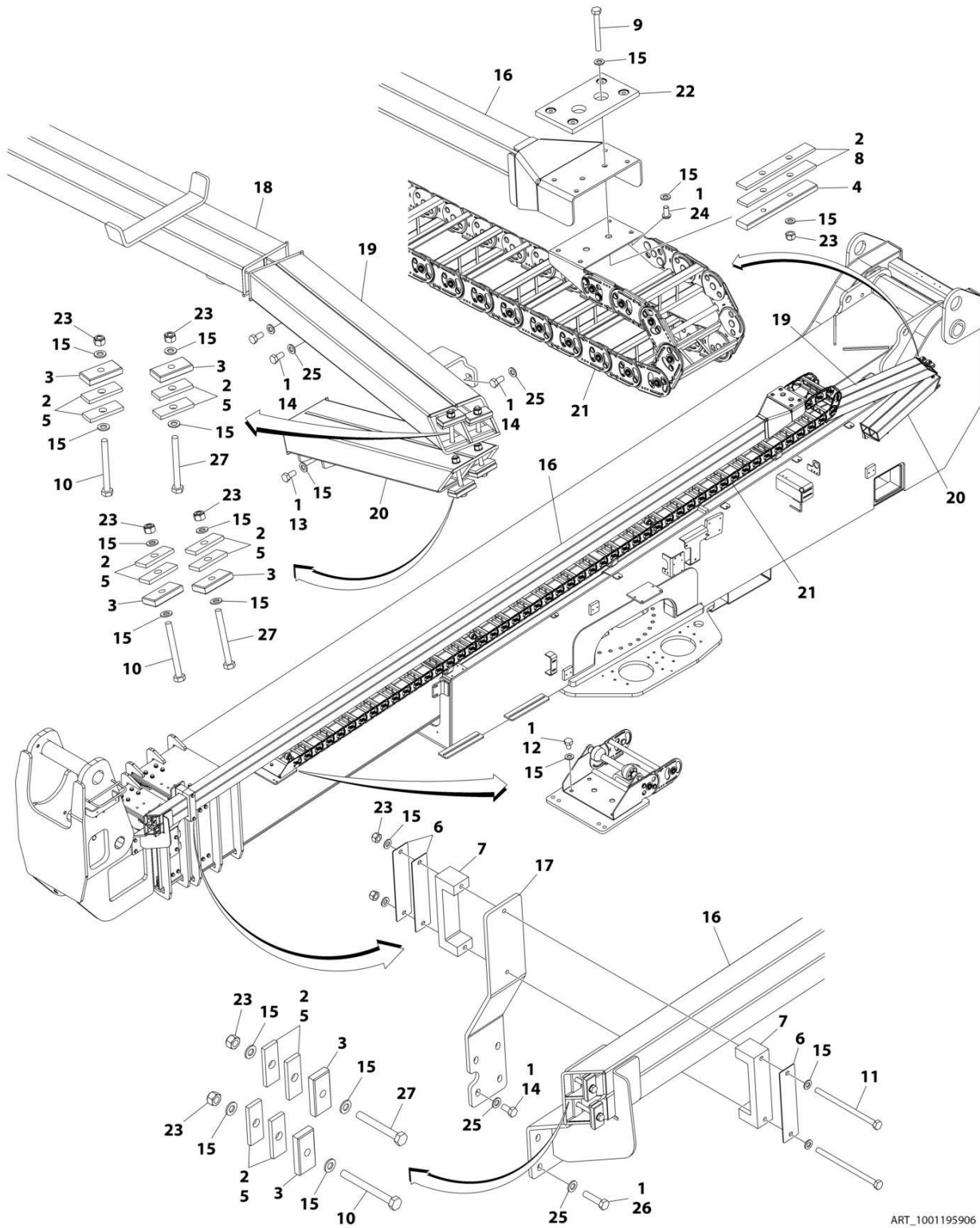
ART\_1001195940

FIGURE 4-5. JIB ROTATOR ASSEMBLY

ITEM	PART NUMBER	QTY	DESCRIPTION	REV
	1001195940	Ref	JIB ROTATOR ASSEMBLY	D
1	See Note	NSS	Housing/Ring Gear (Note: Purchase Complete Assembly)	
2	70005620	1	Shaft	
3	7017187	1	Piston	
4	70005621	1	Cap	
5	7017189	1	Ring, Lock (Not Shown)	
100	70001640	1	Hardware Kit (Includes Items 105-109)	
105	See Note	NSS	Screw (Note: Use Item 100)	
106	See Note	NSS	Plug (Note: Use Item 100)	
109	See Note	NSS	Setscrew (Note: Use Item 100)	
199	70000796	1	Seal Kit (Includes Items 200-207)	
200	See Note	NSS	T-Seal (Note: Use Item 199)	
202	See Note	NSS	T-Seal (Note: Use Item 199)	
204	See Note	NSS	O-Ring (Note: Use Item 199)	
205	See Note	NSS	Seal (Note: Use Item 199)	
206	See Note	NSS	O-Ring (Note: Use Item 199)	
207	See Note	NSS	Ring, Back-up (Note: Use Item 199)	
300	70005622	1	Bearing Kit (Includes Items 302-304)	
302	See Note	NSS	Bearing (Note: Use Item 300)	
304	See Note	2	Washer, Thrust (Note: Use Item 300)	
401	70002859	1	Valve, Control (Note: Sold as Assembly Only)	
402	See Note	NSS	Bolt 1/4 x 1-1/2 Grade 8 (Note: Purchase Locally)	

# SECTION 4 - BOOM

## FIGURE 4-6. POWER TRACK INSTALLATION - TOWER BOOM



ART\_1001195906



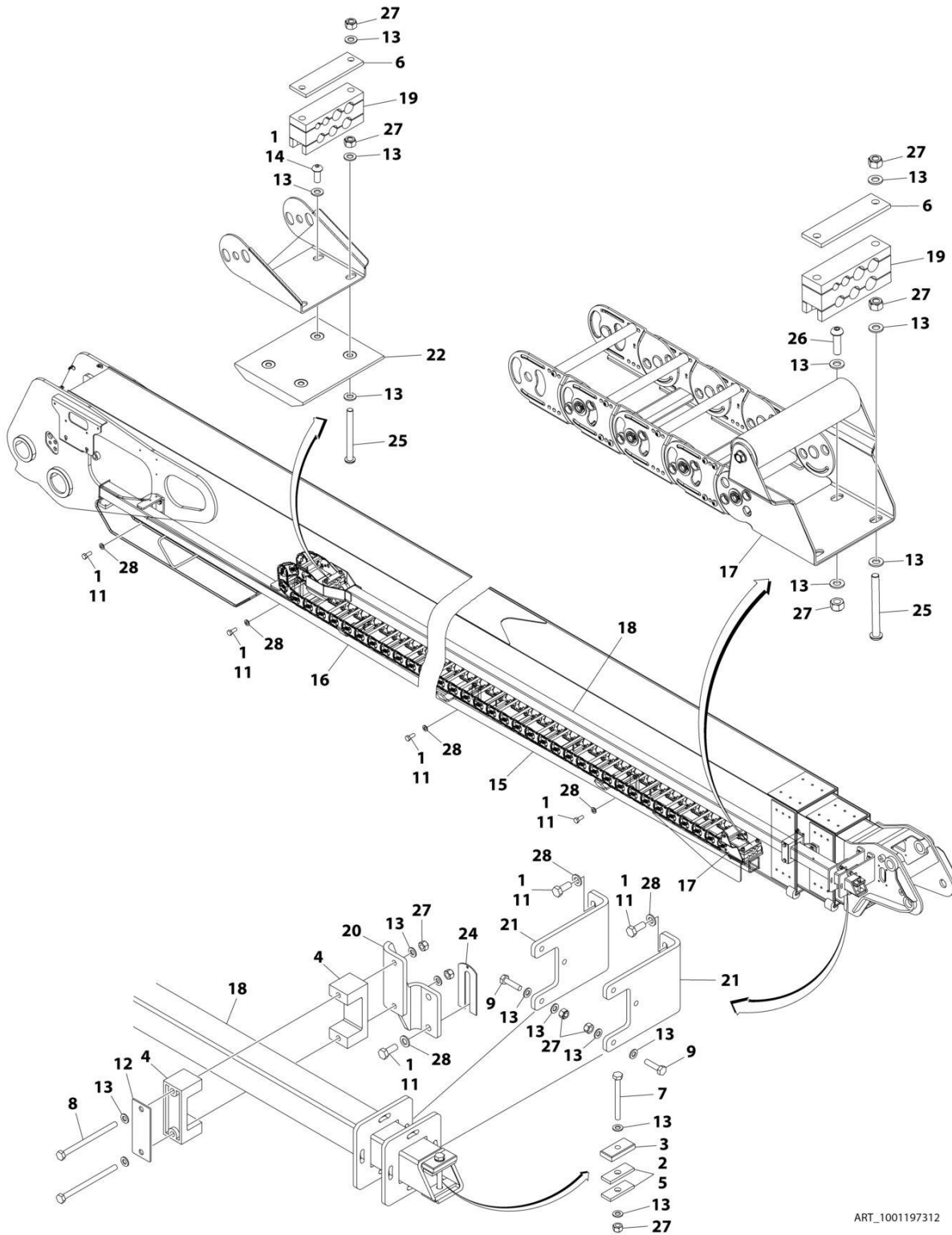
## SECTION 4 - BOOM

**FIGURE 4-6. POWER TRACK INSTALLATION - TOWER BOOM**

ITEM	PART NUMBER	QTY	DESCRIPTION	REV
	1001195906	Ref	POWER TRACK INSTALLATION - TOWER BOOM	D
1	0100011	AR	Compound, Locking	
2	0100081	AR	Adhesive	
3	1320288	6	Clamp	
4	1320328	1	Clamp	
5	3340941	12	Pad	
6	4071076	AR	Shim	
7	4220189	2	Block	
8	4220190	2	Pad	
9	0701026001	2	Bolt M10 x 90	
10	0701027001	3	Bolt M10 x 100	
11	0701034001	2	Bolt M10 x 170	
12	0761007001	4	Bolt M10 x 14	
13	0761012001	2	Bolt M10 x 25	
14	0761212001	16	Bolt M12 x 25	
15	1001172358	30	Washer M10	
16	1001197760	1	Tube, Push	
17	1001197766	1	Plate, Support	
18	1001201997	1	Tube	
19	1001202000	1	Tube	
20	1001202002	1	Tube	
21	1001202005	1	Power Track Assembly	
21	70003919	AR	Repair Kit	
21	70003920	2	Mounting Feet & Roller Kit	
22	1001202245	1	Pad	
23	3291005001	10	Nut M10	
24	3900393001	4	Screw M10 x 20	
25	4812100001	19	Washer M12	
26	0761218001	3	Bolt M12 x 50	
27	0701024001	3	Bolt M10 x 80	

# SECTION 4 - BOOM

## FIGURE 4-7. POWER TRACK INSTALLATION - MAIN BOOM



ART\_1001197312

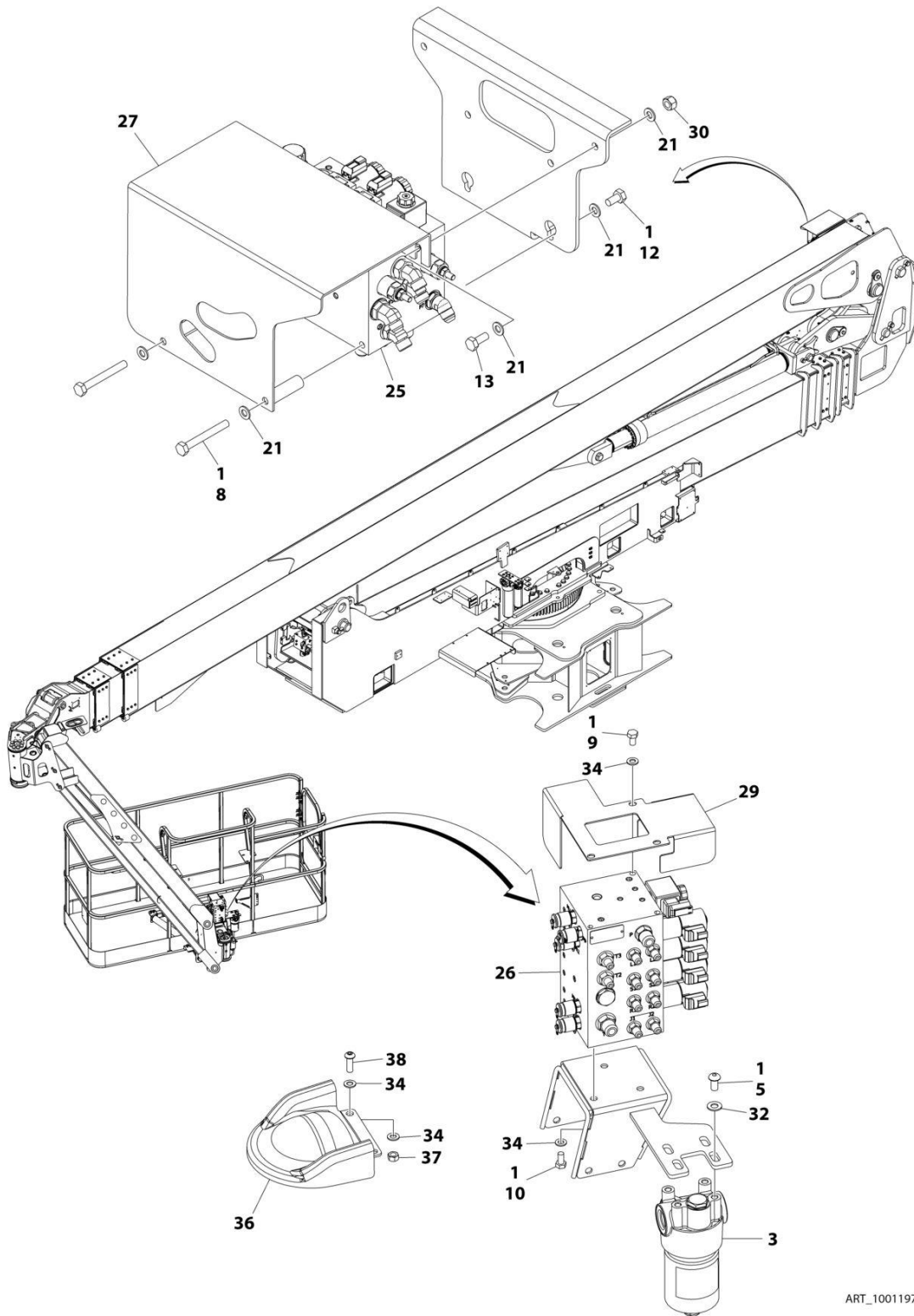
## SECTION 4 - BOOM

**FIGURE 4-7. POWER TRACK INSTALLATION - MAIN BOOM**

ITEM	PART NUMBER	QTY	DESCRIPTION	REV
	1001197312	Ref	POWER TRACK INSTALLATION - MAIN BOOM	G
1	0100011	AR	Compound, Locking	
2	0100081	AR	Adhesive	
3	1320288	1	Clamp	
4	3340764	2	Pad	
5	3340941	2	Pad	
6	1001208596	2	Plate, Clamp	
7	0701027001	1	Bolt M10 x 100	
8	0701032001	2	Bolt M10 x 150	
9	0761016001	6	Bolt M10 x 40	
11	0761214001	20	Bolt M12 x 30	
12	1001136400	1	Plate, Mounting	
13	1001172358	34	Washer M10	
14	1001173763	2	Screw M10 x 25	
15	1001198376	1	Tube	
16	1001198377	1	Tube	
17	1001198382	1	Power Track Assembly	
17	70004071	AR	Repair Kit	
17	70005666	2	Mounting Feet Kit	
18	1001198383	1	Tube, Push	
19	1001198386	2	Clamp	
20	1001198388	1	Bracket	
21	1001198389	2	Bracket	
22	1001209633	1	Pad	
24	1001199315	AR	Shim	
25	1001199671	4	Screw M10 x 100	
26	1001200686	2	Screw M10 x 35	
27	3291005001	19	Nut M10	
28	4812100001	20	Washer M12	

# SECTION 4 - BOOM

FIGURE 4-8. VALVES AND FILTERS INSTALLATION - BOOM (SN 0300000100 through 0300223782)



ART\_1001197314\_30F3

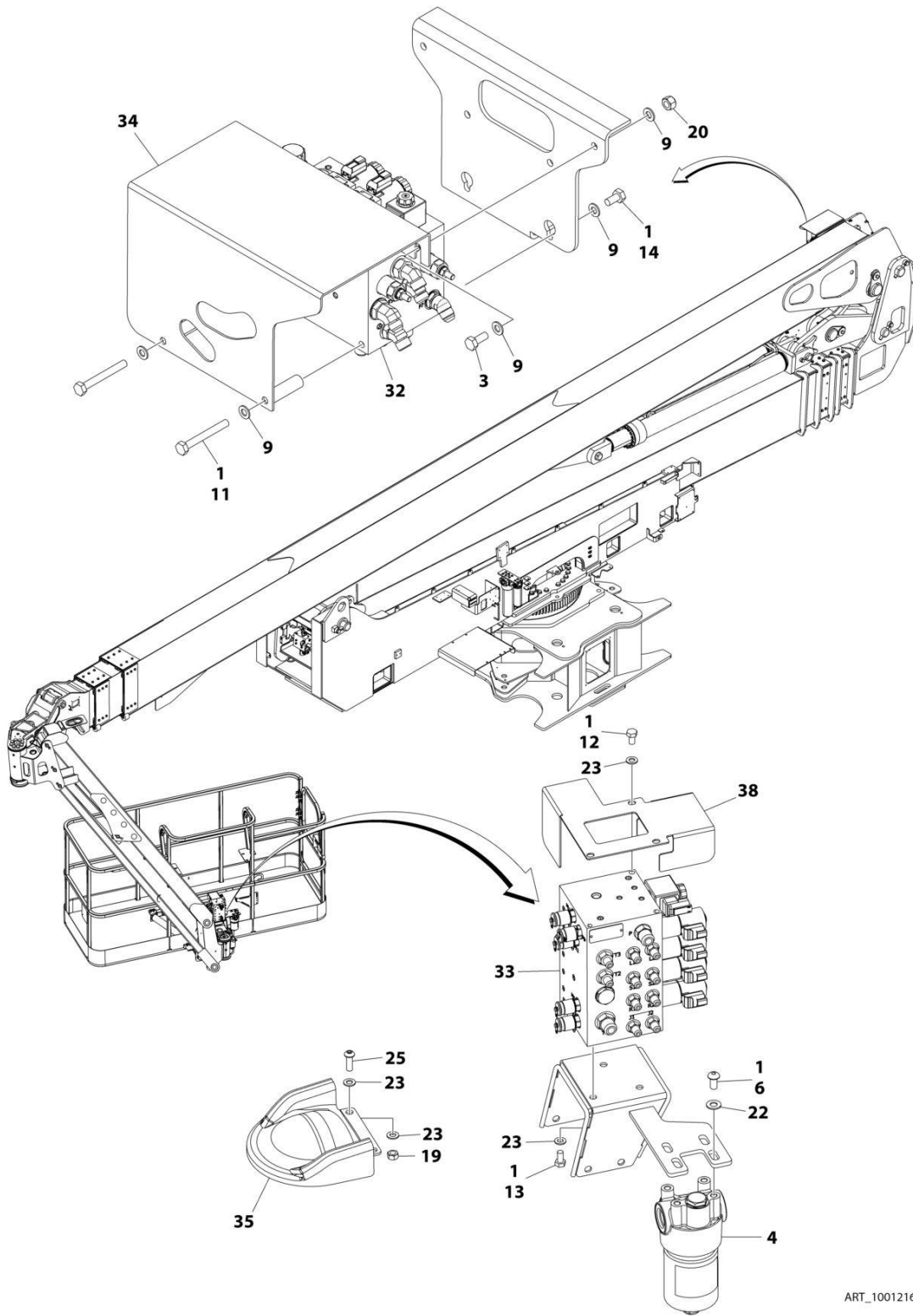
## SECTION 4 - BOOM

**FIGURE 4-8. VALVES AND FILTERS INSTALLATION - BOOM (SN 0300000100 through 0300223782)**

ITEM	PART NUMBER	QTY	DESCRIPTION	REV
	1001197314	Ref	VALVES AND FILTERS INSTALLATION - BOOM	E
1	0100011	AR	Compound, Locking	
3	2120217	1	Filter	
3	70002097	1	Element	
5	3900283	4	Screw 3/8 x 3/4	
8	0701025001	2	Bolt M10 x 85	
9	0760807001	3	Bolt M8 x 14	
10	0760808001	3	Bolt M8 x 16	
12	0761010001	AR	Bolt M10 x 20	
13	0761012001	AR	Bolt M10 x 25	
21	1001172358	AR	Washer M10	
25	1001201503	1	Boom Valve Assembly (See BOOM VALVE ASSEMBLY for Breakdown)	
26	1001201986	1	Platform Valve Assembly (See PLATFORM VALVE ASSEMBLY for Breakdown)	
27	1001202692	1	Cover	
29	1001204402	1	Cover <b>(SN 0300000100 through 0300218236)</b>	
29	1001214756	1	Cover <b>(SN 0300218237 through 0300271437)</b>	
30	3291005001	2	Nut M10	
32	4711600001	AR	Washer 3/8	
34	4811900001	AR	Washer M8	
36	1001207969	1	Cover	
37	3290807001	2	Nut M8	
38	8310643001	2	Bolt M8 x 25	

# SECTION 4 - BOOM

FIGURE 4-9. VALVES AND FILTERS INSTALLATION - BOOM (SN 0300223782 through 0300271437)



ART\_1001216976\_30F3

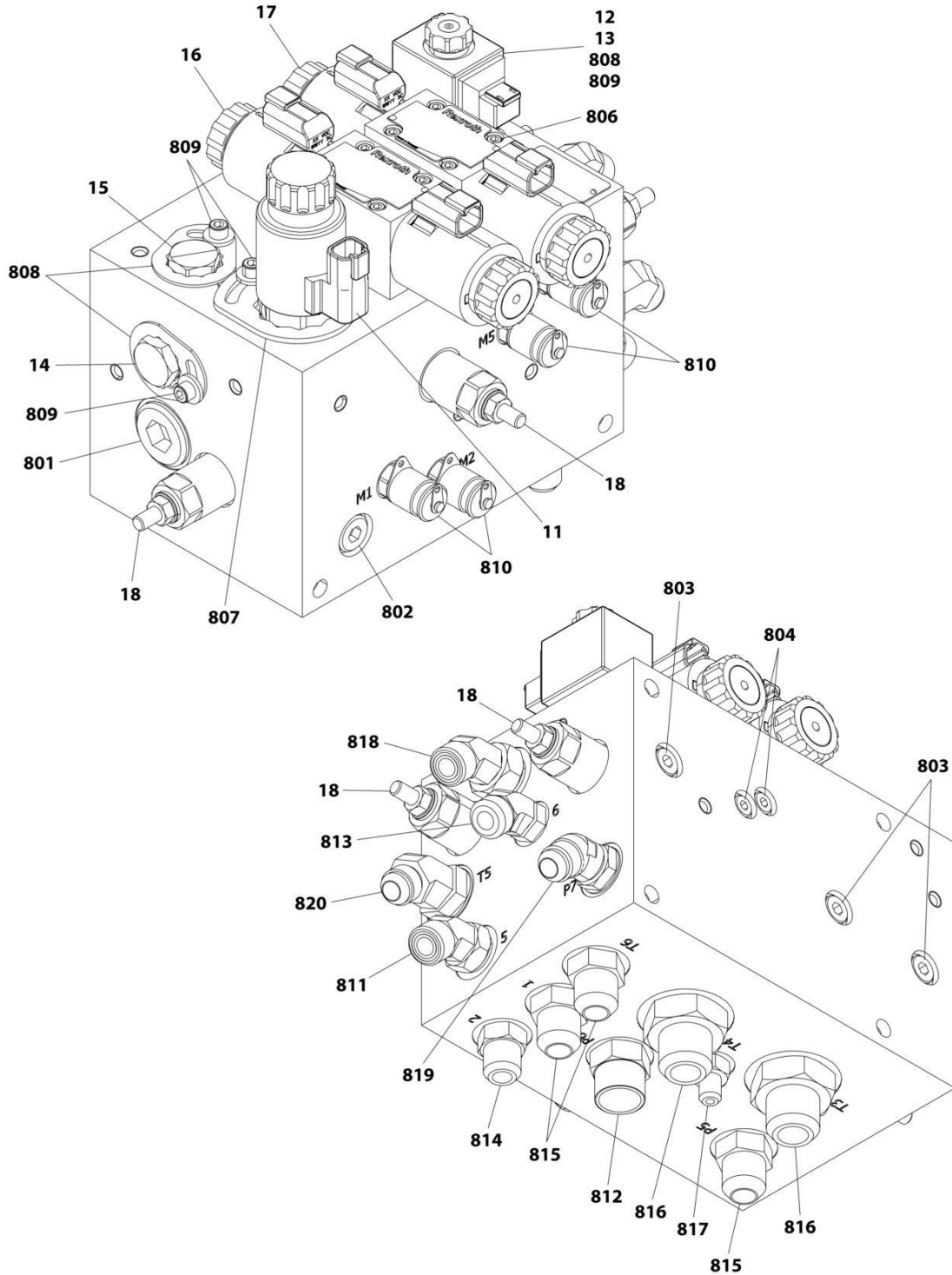
## SECTION 4 - BOOM

**FIGURE 4-9. VALVES AND FILTERS INSTALLATION - BOOM (SN 0300223782 through 0300271437)**

ITEM	PART NUMBER	QTY	DESCRIPTION	REV
	1001216976	Ref	VALVES AND FILTERS INSTALLATION - BOOM	E
1	0100011	AR	Compound, Locking	
3	0761012	2	Bolt M10 x 25	
4	2120217	1	Filter	
4	70002097	1	Element	
6	3900283	4	Screw 3/8 x 3/4	
9	4812000	10	Washer M10	
11	0701025001	2	Bolt M10 x 85	
12	0760807001	3	Bolt M8 x 14	
13	0760808001	3	Bolt M8 x 16	
14	0761010001	4	Bolt M10 x 20	
19	3290807001	2	Nut M8	
20	3291005001	2	Nut M10	
22	4711600001	4	Washer 3/8	
23	4811900001	10	Washer M8	
25	8310643001	2	Bolt M8 x 25	
32	1001201503	1	Boom Valve Assembly (See BOOM VALVE ASSEMBLY for Breakdown)	
33	1001201986	1	Platform Valve Assembly (See PLATFORM VALVE ASSEMBLY for Breakdown)	
34	1001202692	1	Cover	
35	1001207969	1	Cover	
38	1001214756	1	Cover	

# SECTION 4 - BOOM

## FIGURE 4-10. BOOM VALVE ASSEMBLY



ART\_1001201503



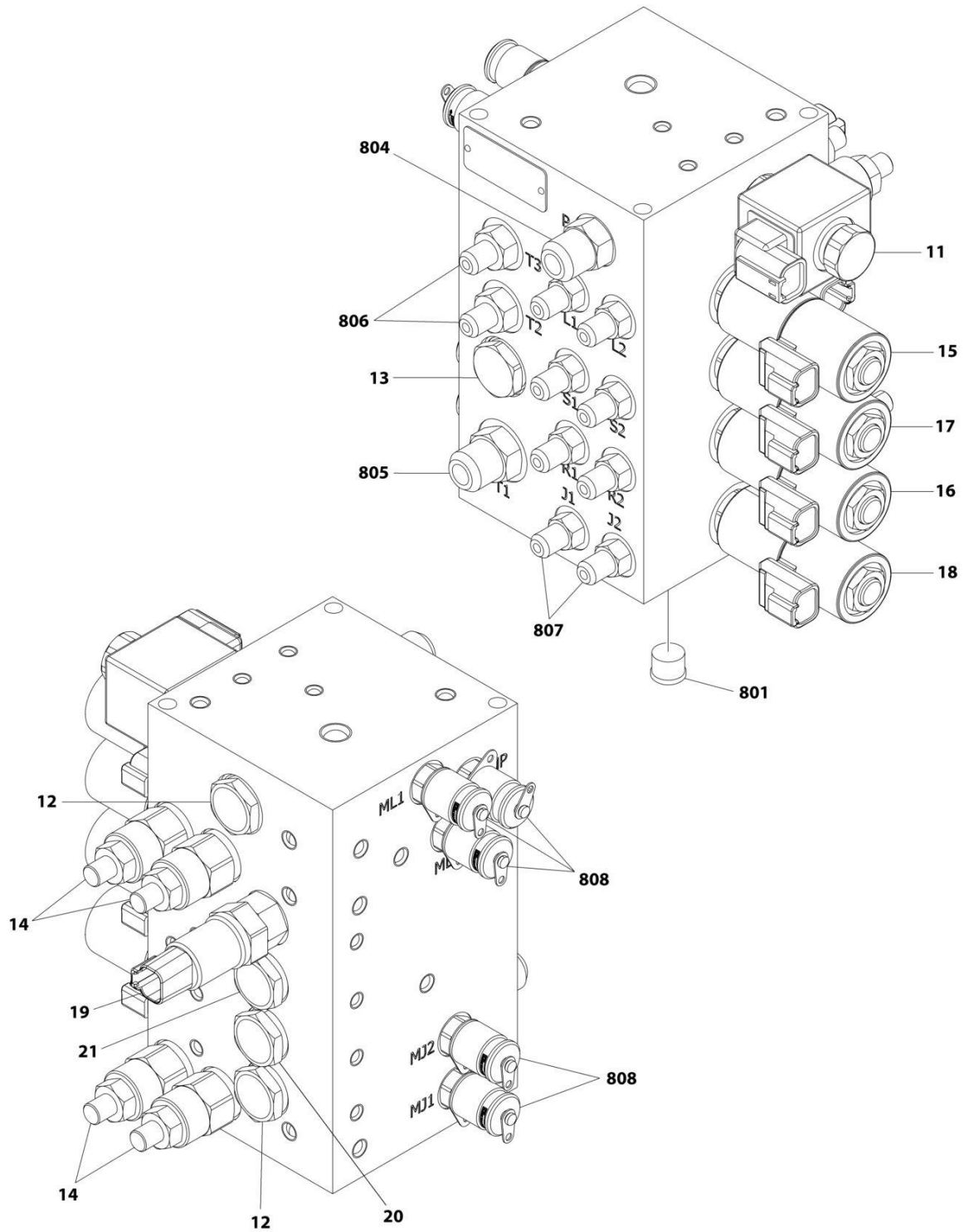
**SECTION 4 - BOOM**

**FIGURE 4-10. BOOM VALVE ASSEMBLY**

ITEM	PART NUMBER	QTY	DESCRIPTION	REV
	1001201503	Ref	BOOM VALVE ASSEMBLY	J
11	70004593	1	Valve, Solenoid Less Coil (Flow Control)	
11	70004594	1	Seal Kit - 70004593 Valve	
11	70004595	1	Coil	
11	70004597	1	Nut, Coil	
11	70004596	1	O-Ring, Pole Tube	
12	7022523	1	Orifice 1mm	
13	70005962	1	Valve, Solenoid Less Coil (Directional Control)	
13	70004052	1	Seal Kit - 70005962 Valve	
13	70004588	1	Coil	
13	70004456	1	Nut Coil	
13	70004051	1	O-Ring, Pole Tube	
14	70005963	1	Valve, Cartridge (Check)	
14	70005964	1	Seal Kit - 70005963 Valve	
15	70004585	1	Valve, Cartridge (Check)	
15	70004052	1	Seal Kit - 70004585 Valve	
16	70004459	1	Valve, Solenoid Less Coil (Main Tele)	
16	7012773	1	Seal Kit - 70004459 Valve	
16	70004460	1	Coil	
16	7021375	1	Nut, Coil	
16	70004596	1	O-Ring, Pole Tube	
17	70004459	1	Valve, Solenoid Less Coil (Main Lift)	
17	7012773	1	Seal Kit - 70004459 Valve	
17	70004460	1	Coil	
17	7021375	1	Nut, Coil	
17	70004596	1	O-Ring, Pole Tube	
18	70004601	4	Valve, Cartridge (Relief)	
18	70004602	4	Seal Kit - 70004602 Valve	
801	70005965	1	Plug	
802	70002759	1	Plug	
803	70004617	5	Plug	
804	70002758	2	Plug	
806	7018942	8	Capscrew #10 x 2	
807	70005954	1	Plate, Locking	
808	70005955	1	Plate, Locking	
809	70005958	4	Capscrew	
810	2221086	4	Fitting, Test	
811	2150808	1	Fitting, 45 ORFS/ORB	
812	2111010	1	Fitting, Straight ORFS/ORB	
813	2150806	1	Fitting, 45 ORFS/ORB	
814	2220373	1	Fitting, Straight JIC/ORB	
815	2220947	3	Fitting, Straight JIC/ORB	
816	2220435	2	Fitting, Straight JIC/ORB	
817	2220582	1	Fitting, Straight JIC/ORB	
818	2150810	1	Fitting, 45 JIC/ORB	
819	2220500	1	Fitting, 45 JIC/ORB	
820	2220499	1	Fitting, 45 JIC/ORB	

# SECTION 4 - BOOM

## FIGURE 4-11. PLATFORM VALVE ASSEMBLY



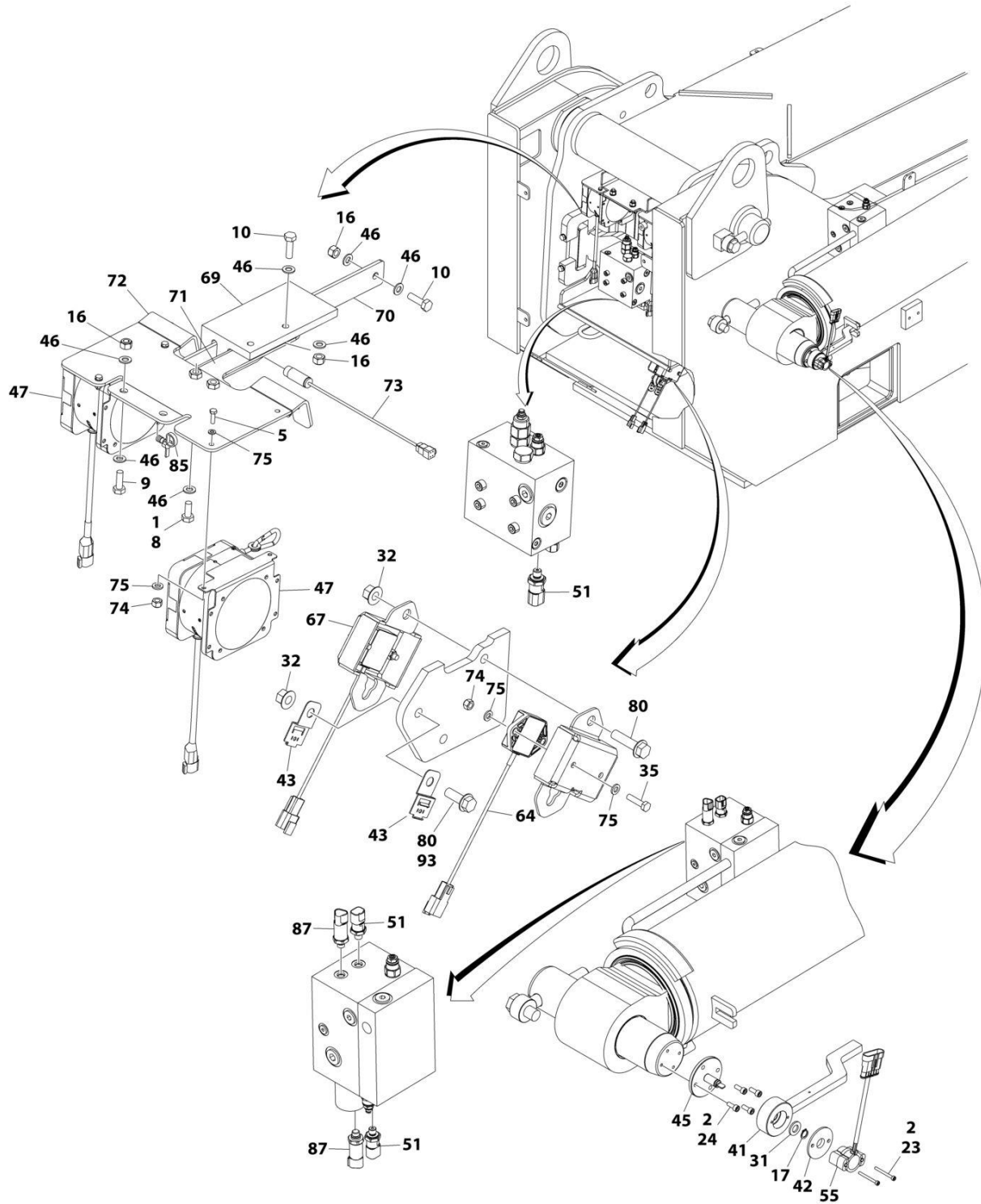
ART\_1001201986

FIGURE 4-11. PLATFORM VALVE ASSEMBLY

ITEM	PART NUMBER	QTY	DESCRIPTION	REV
	1001201986	Ref	PLATFORM VALVE ASSEMBLY	J
11	70004457	1	Valve, Solenoid Less Coil (Dump)	
11	70004050	1	Seal Kit - 70004457 Valve	
11	70004653	1	Coil	
11	70004051	1	Seal Kit - 70004653 Coil	
12	70003021	2	Valve, Cartridge (Flow Control)	
12	70004052	2	Seal Kit - 70003021 Valve	
13	70004585	1	Valve, Cartridge (Check)	
13	70004052	1	Seal Kit - 70004585 Valve	
14	70003019	4	Valve, Cartridge (Pressure Relief)	
14	70004052	4	Seal Kit - 70003019 Valve	
15	7023922	1	Valve, Solenoid Less Coil (Platform Level)	
15	7017402	1	Seal Kit - 7023922 Valve	
15	7024885	2	Coil	
15	7022390	1	Nut, Coil	
15	70003023	1	Spacer, Coil	
16	7024899	1	Valve, Solenoid Less Coil (Platform Rotate)	
16	7017402	1	Seal Kit - 7024899 Valve	
16	7024885	2	Coil	
16	7022390	1	Nut, Coil	
16	70003023	1	Spacer, Coil	
17	7024899	1	Valve, Solenoid Less Coil (Platform Sideswing Rotate)	
17	7017402	1	Seal Kit - 7024899 Valve	
17	7024885	2	Coil	
17	7022390	1	Nut, Coil	
17	70003023	1	Spacer, Coil	
18	7023922	1	Valve, Solenoid Less Coil (Jib)	
18	7017402	1	Seal Kit - 7023922 Valve	
18	7024885	2	Coil	
18	7022390	1	Nut, Coil	
18	70003023	1	Spacer, Coil	
19	70005966	1	Switch, Pressure	
19	70005967	1	Connector	
20	70003027	2	Valve, Cartridge (Flow Control)	
20	70004052	2	Seal Kit - 70003027 Valve	
21	70003020	2	Valve, Cartridge (Flow Control)	
21	70004052	2	Seal Kit - 70003020 Valve	
801	70004617	1	Plug	
804	2220600	1	Fitting, Straight JIC/ORB	
805	2220373	1	Fitting, Straight JIC/ORB	
806	2220582	2	Fitting, Straight JIC/ORB	
807	2220415	8	Fitting, Straight JIC/ORB	
808	2221086	5	Fitting, Test	

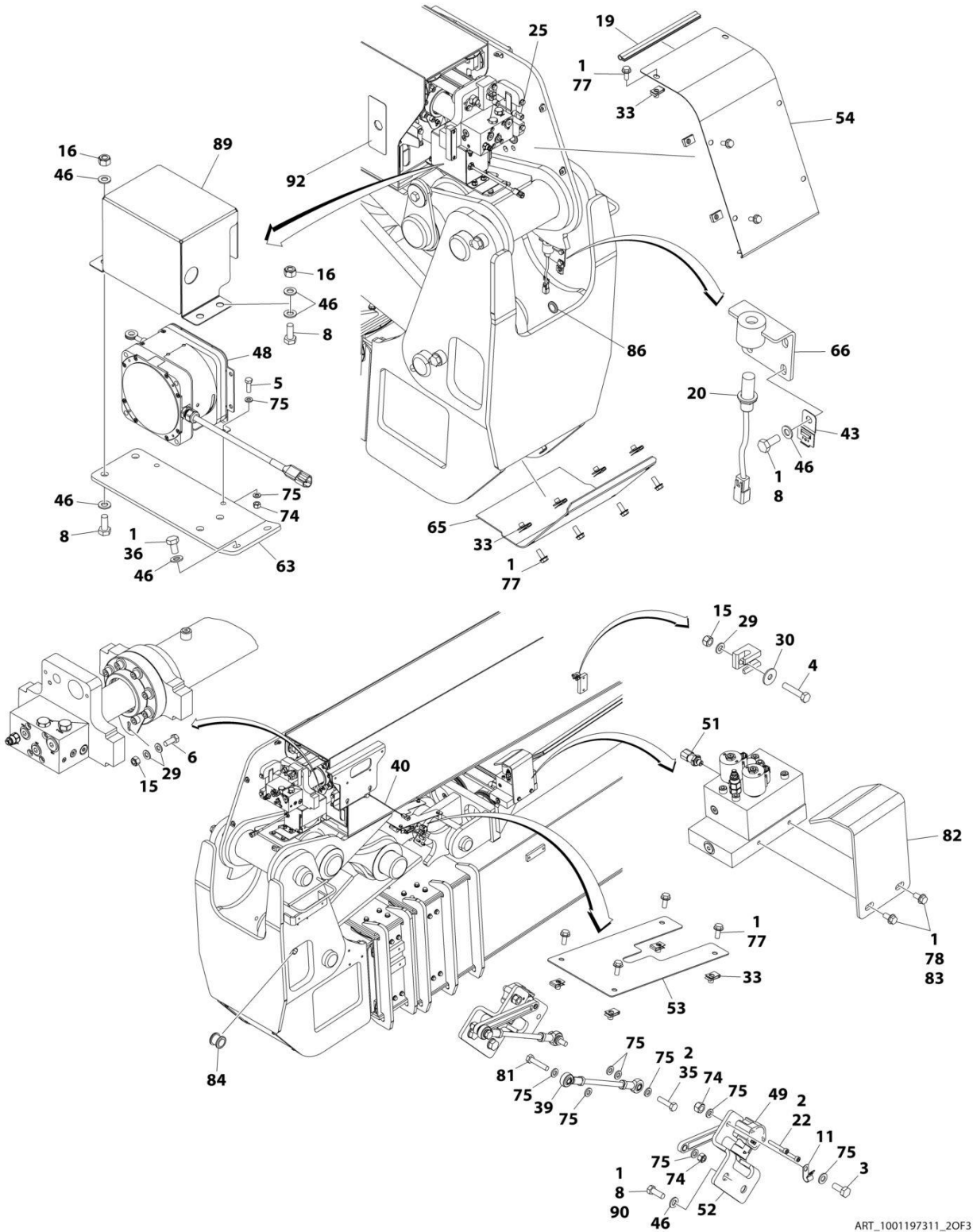
# SECTION 4 - BOOM

## FIGURE 4-12. BOOM SENSORS AND COVERS INSTALLATION



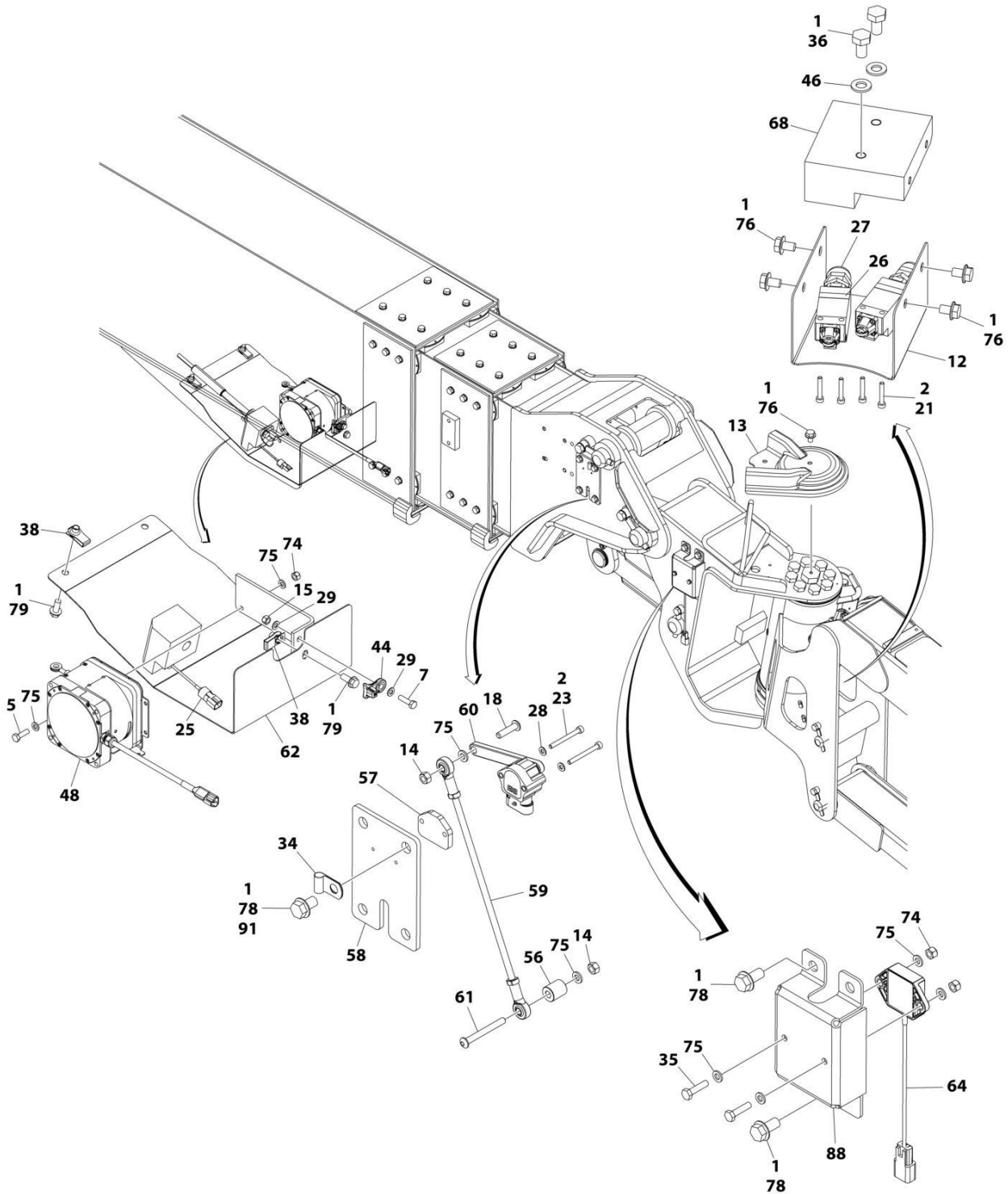
ART\_1001197311\_10F3

# SECTION 4 - BOOM



ART\_1001197311\_20F3

# SECTION 4 - BOOM



ART\_1001197311\_30F3

## SECTION 4 - BOOM

### FIGURE 4-12. BOOM SENSORS AND COVERS INSTALLATION

ITEM	PART NUMBER	QTY	DESCRIPTION	REV
	1001197311	Ref	BOOM SENSORS AND COVERS INSTALLATION	O
1	0100011	AR	Compound, Locking	
2	0100035	AR	Compound, Locking	
3	0700608	2	Bolt M6 x 16 <b>(SN 0300000100 through 0300218237)</b>	
4	0700816	1	Bolt M8 x 40	
5	0760610	8	Bolt M6 x 20	
6	0760810	1	Bolt M8 x 20	
7	0760814	1	Bolt M8 x 30	
8	0761012001	AR	Bolt M10 x 25	
9	0761014	2	Bolt M10 x 30	
10	0761015	4	Bolt M10 x 35	
11	1321293	2	Clamp <b>(SN 0300000100 through 0300218237)</b>	
12	1671039	1	Cover	
13	1671122	1	Cover	
14	3290607	2	Nut M6	
15	3290805	3	Nut M8	
16	3291005	AR	Nut M10	
17	3760383	1	Ring	
18	3900363	1	Screw M6 x 25	
19	3960389	1.1 ft/ 0.3m	Seal	
20	4000008	1	Proximity Sensor Assembly (Note: Re-calibration Required when Replaced)	
20	4461076	1	Receptacle, Female - 4 Position	
20	4460917	4	Pin, Male	
21	4031509	4	Capscrew M4 x 25	
22	4031510	4	Capscrew M4 x 30	
23	4031512	4	Capscrew M4 x 40	
24	4031707	4	Capscrew M6 x 16	
25	1001196517	2	Switch, Proximity (Note: Re-calibration Required when Replaced)	
26	4360548	2	Switch, Limit	
27	4460968	2	Connector, Strain Relief	
28	4811400	2	Washer M4	
29	4811900	5	Washer M8	
30	4811902	1	Washer M8	
31	4812100	1	Washer M12	
32	5261018	AR	Nut M10 Grade 10.9	
33	8310686	14	Nut, Retainer M8	
34	8406003	1	Clip	
35	0760612001	8	Bolt M6 x 25	
36	0761009001	4	Bolt M10 x 18	
38	1001118972	3	Nut M10	
39	1001119033	2	Link, Sensor <b>(SN 0300000100 through 0300223782)</b>	
39	1001216579	2	Link, Sensor <b>(SN 0300223782 through 0300271437)</b>	
40	1001120104	1	Proximity Sensor Assembly (Note: Re-calibration Required when Replaced)	
40	4460932	1	Receptacle, Female - 2 Position	
40	4460464	2	Pin, Male	
41	1001155262	1	Link, Sensor	
42	1001155836	1	Adapter	

## SECTION 4 - BOOM

ITEM	PART NUMBER	QTY	DESCRIPTION	REV
43	1001155967	3	Holder	
44	1001156107	1	Holder	
45	1001156778	1	Pin	
46	1001172358	AR	Washer M10	
47	1001197960	2	Sensor, Boom Length	
47	4460954	1	Receptacle, Female - 3 Position (SN 0300000100 through 0300256127)	
47	4460464	3	Pin, Male (SN 0300000100 through 0300256127)	
47	4460536	1	Receptacle, Female - 3 Position (SN 0300256127 through 0300271437)	
47	4460943	3	Pin, Male (SN 0300256127 through 0300271437)	
47	4460539	1	Receptacle, Female - 3 Position (SN 0300256127 through 0300271437)	
47	4460466	3	Plug, Terminal (SN 0300256127 through 0300271437)	
48	1001197961	2	Sensor, Boom Length	
48	4460954	1	Receptacle, Female - 3 Position (SN 0300000100 through 0300256127)	
48	4460464	3	Pin, Male (SN 0300000100 through 0300256127)	
48	4460536	1	Receptacle, Female - 3 Position (SN 0300256127 through 0300271437)	
48	4460943	3	Pin, Male (SN 0300256127 through 0300271437)	
48	4460539	1	Receptacle, Female - 3 Position (SN 0300256127 through 0300271437)	
48	4460466	3	Plug, Terminal (SN 0300256127 through 0300271437)	
49	1001200345	2	Sensor, Angle	
51	1001200550	4	Transducer, Pressure	
52	1001200560	2	Bracket (SN 0300000100 through 0300218237)	
52	1001216258	2	Bracket (SN 0300218237 through 0300271437)	
53	1001200587	1	Cover	
54	1001200734	1	Panel, Boom Base	
55	1001200764	1	Sensor, BEI Angle	
55	4461228	1	Plug, Male - 6 Position	
55	1001104497	6	Socket, Female	
56	1001200834	1	Spacer	
57	1001200836	1	Plate	
58	1001200837	1	Plate, Mounting	
59	1001200838	1	Link, Sensor	
60	1001200848	1	Sensor, Angle	
61	1001200849	1	Screw M6 x 55	
62	1001201068	1	Cover	
63	1001201069	1	Bracket	
64	1001201095	3	Sensor, Angle Gravity	
64	4460910	1	Receptacle, Female - 3 Position	
64	4460917	3	Pin, Male	
64	4460913	AR	Lock, Wedge	
65	1001202055	1	Cover, Boom Fly	
66	1001202179	1	Bracket	
67	1001202182	2	Shield	
68	1001202950	1	Mount, Switch	
69	1001203898	1	Stop	
70	1001203899	1	Bar	
71	1001203900	1	Plate	
72	1001203904	1	Bracket	

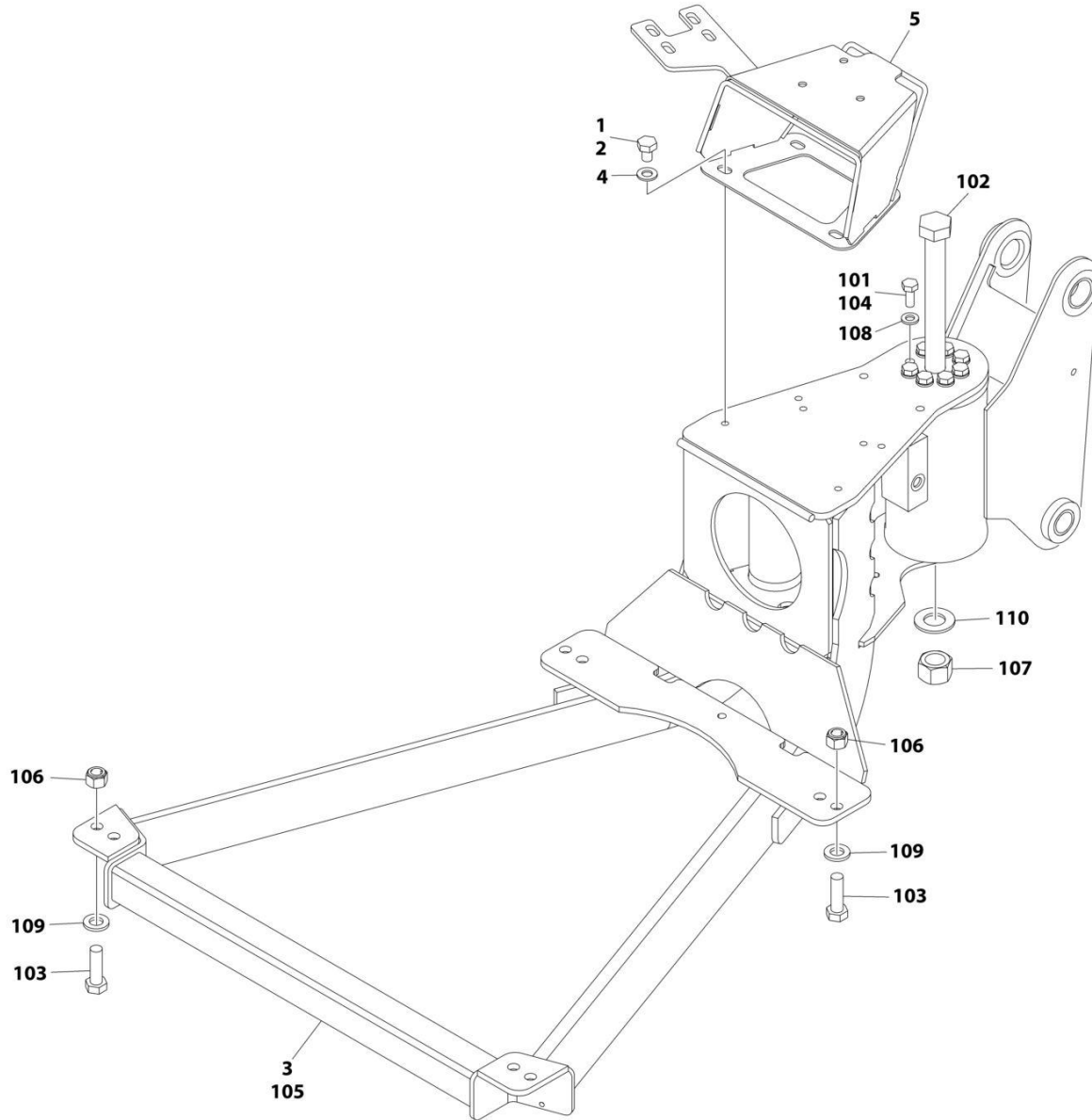


## SECTION 4 - BOOM

ITEM	PART NUMBER	QTY	DESCRIPTION	REV
73	1001204043	1	Sensor, Proximity	
73	4461077	1	Plug, Male - 4 Position	
73	4460918	4	Socket, Female	
74	3290605001	16	Nut M6	
75	4811700001	42	Washer M6	
76	5250806001	7	Bolt M8 x 12	
77	5250810001	14	Bolt M8 x 20	
78	5251010001	AR	Bolt M10 x 20	
79	5251012001	3	Bolt M10 x 25	
80	5251016001	AR	Bolt M10 x 40	
81	0760614001	2	Bolt M6 x 30	
82	1001220470	1	Plate	
83	0100038	AR	Primer, Locking	
84	1001212663	1	Grommet	
85	7894000042	1	Tie-Strap	
86	1001213053	1	Grommet	
87	1001199043	2	Transducer, Pressure	
88	1001213836	1	Cover	
89	1001214098	1	Cover	
90	8310614	4	Screw M10 x 30	
91	5251008001	4	Bolt M10 x 16	
92	1001171324	1	Cover <b>(SN 0300223782 through 0300271437)</b>	
93	5251013	AR	Bolt M10 x 28	

# SECTION 4 - BOOM

## FIGURE 4-13. PLATFORM SUPPORT INSTALLATION - WITHOUT LSS



ART\_1001204912

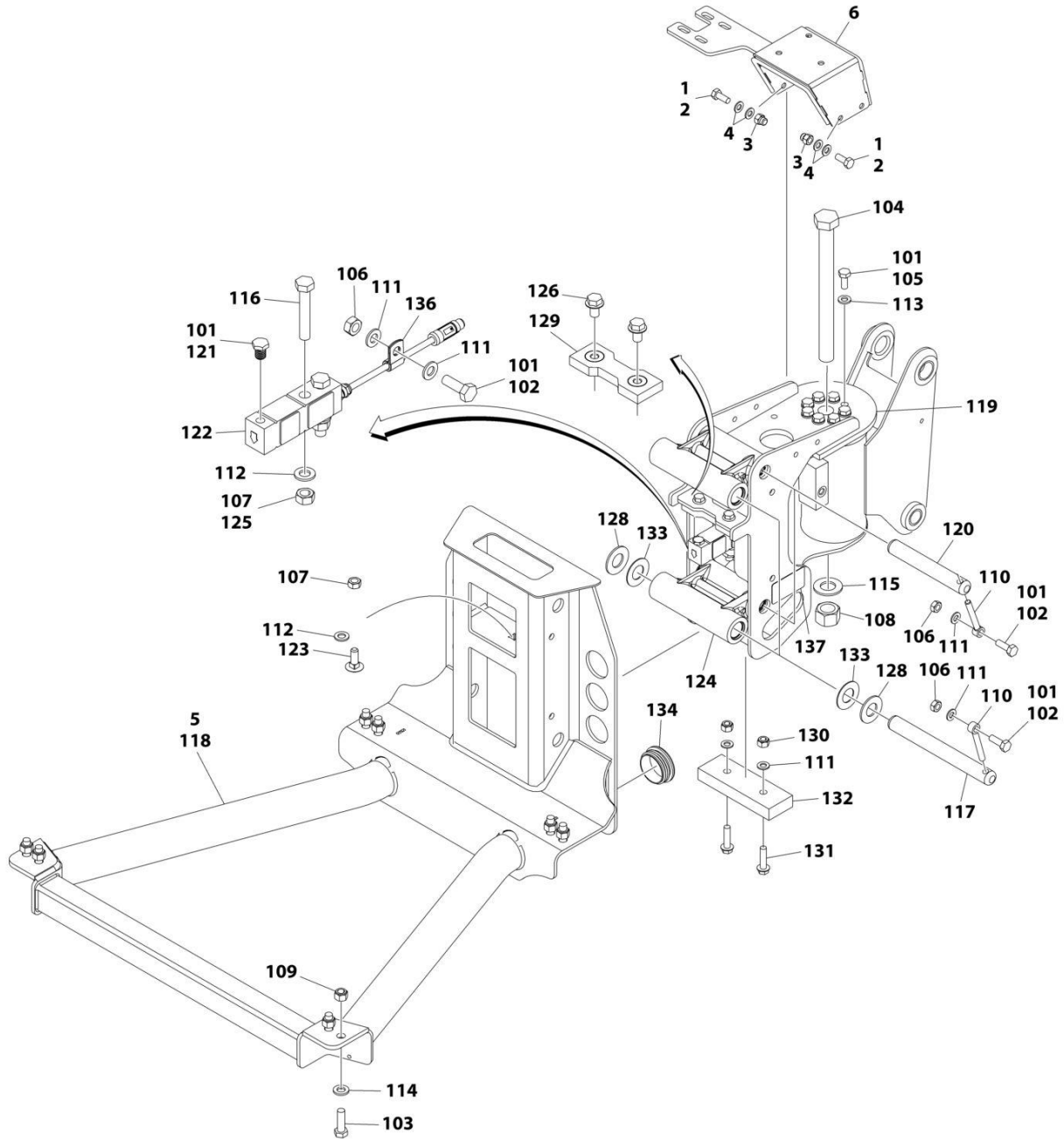
## SECTION 4 - BOOM

**FIGURE 4-13. PLATFORM SUPPORT INSTALLATION - WITHOUT LSS**

ITEM	PART NUMBER	QTY	DESCRIPTION	REV
	1001204912	Ref	PLATFORM SUPPORT INSTALLATION - WITHOUT LSS	F
1	0100011	AR	Compound, Locking	
2	0761007001	4	Bolt M10 x 14	
3	1001211337	1	Platform Support Assembly (See Items 101-110 for Breakdown)	
4	1001172358	4	Washer M10	
5	1001209313	1	Bracket, Mounting	
	1001211337	Ref	PLATFORM SUPPORT ASSEMBLY - WITHOUT LSS	B
101	0100011	AR	Compound, Locking	
102	0712444001	1	Bolt M24 x 270	
103	0761216001	8	Bolt M12 x 40	
104	0771012001	8	Bolt M10 x 25	
105	1001149734	1	Support	
106	3291205001	8	Nut M12	
107	3332415001	1	Nut M24	
108	5241000001	8	Washer M10	
109	5241200001	8	Washer M12	
110	5242400001	1	Washer M24	

# SECTION 4 - BOOM

## FIGURE 4-14. PLATFORM SUPPORT INSTALLATION - WITH LSS



ART\_1001204911

## SECTION 4 - BOOM

**FIGURE 4-14. PLATFORM SUPPORT INSTALLATION - WITH LSS**

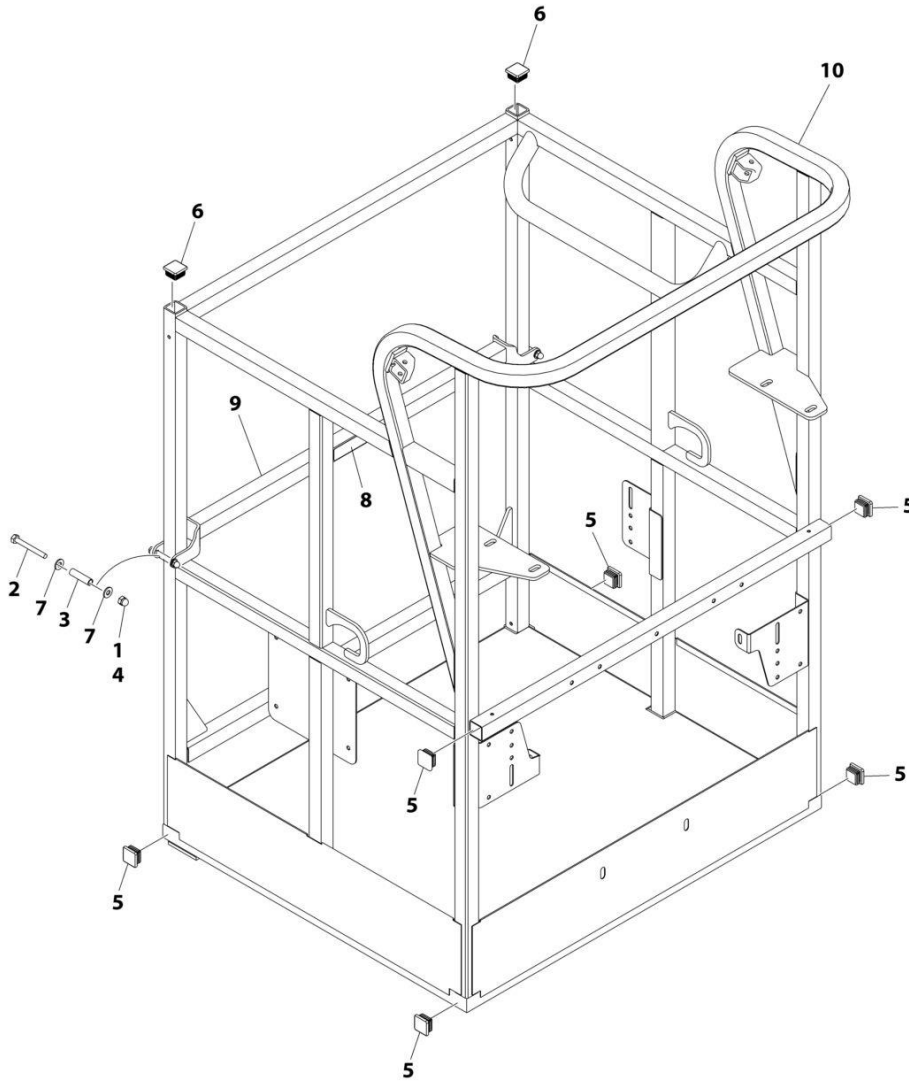
ITEM	PART NUMBER	QTY	DESCRIPTION	REV
	1001204911	Ref	PLATFORM SUPPORT INSTALLATION - WITH LSS	F
1	0100011	AR	Compound, Locking	
2	0760812001	4	Bolt M8 x 25	
3	3290805001	4	Nut M8	
4	4811900001	8	Washer M8	
5	1001207388	1	Platform Support Assembly - With LSS	
6	1001204073	1	Bracket, Mounting	
	1001207388	Ref	PLATFORM SUPPORT ASSEMBLY - WITH LSS	F
101	0100011	AR	Compound, Locking	
102	0761014001	5	Bolt M10 x 30	
103	0761216001	8	Bolt M12 x 40	
104	0712444001	1	Bolt M24 x 270	
105	0771012001	8	Bolt M10 x 25 Grade 10.9	
106	3291001001	5	Nut M10	
107	3291201001	3	Nut M12	
108	3332415001	1	Nut M24 Grade 10.9	
109	3291205001	8	Nut M12	
110	3841143	4	Keeper, Pin	
111	1001172358	8	Washer M10	
112	4812100001	3	Washer M12	
113	5241000001	8	Washer M10	
114	5241200001	8	Washer M12	
115	5242400001	1	Washer M24	
116	0711222001	2	Screw M12 x 70 Grade 10.9	
117	1001167565	2	Pin	
118	1001200494	1	Support, Platform	
119	1001167567	1	Bracket, Actuator	
120	1001168402	2	Pin	
121	1001188622	1	Screw	
122	1001172663	1	Gauge, Load Sensing	
123	1001188844	1	Bolt M12 x 35	
124	1001201351	2	Link	
125	3291207001	2	Nut M12 <b>(SN 0300000100 through 0300218237)</b>	
126	5251008001	2	Bolt M10 x 16	
127	1001175244	1	LSS Harness (Not Shown - Located on Platform Console) <b>(SN 0300000100 through 0300218237)</b>	
128	1001189002	8	Bearing	
129	1001190985	1	Pad, Wear	
130	3291005001	2	Nut M10	
131	5251016001	2	Bolt M10 x 40	
132	1001200491	1	Plate, Wear	
133	1001189001	4	Bearing	
134	1001204725	2	Plug	
135	4460428	1	Connector, Strain Relief (Not Shown - Located on Platform Console) <b>(SN 0300000100 through 0300218237)</b>	
136	91203039	1	Clamp	
137	1001216630	2	Decal - Tie Down/No Lift	



**SECTION 5 - PLATFORM**

# SECTION 5 - PLATFORM

FIGURE 5-1. PLATFORM ASSEMBLY - 30IN X 3FT (76CM X .91M) - DROP BAR ENTRY



ART\_1001228215



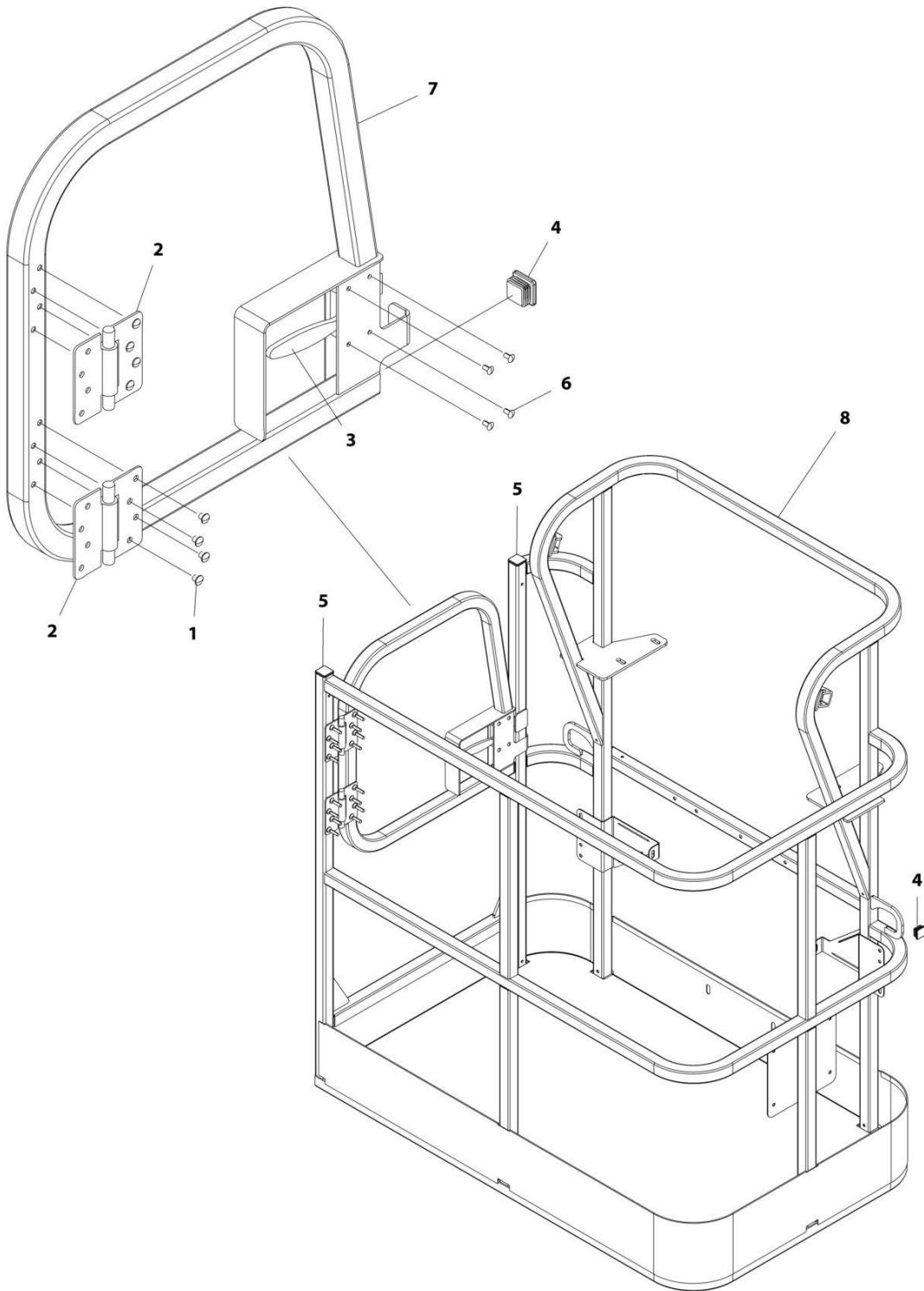
## SECTION 5 - PLATFORM

**FIGURE 5-1. PLATFORM ASSEMBLY - 30IN X 3FT (76CM X .91M) - DROP BAR ENTRY**

ITEM	PART NUMBER	QTY	DESCRIPTION	REV
	1001228215	Ref	PLATFORM ASSEMBLY	A
	See Note	Ref	Note: Platform and Mesh must be ordered separately for Platforms with Mesh. See SPECIAL OPTIONS SECTION for Mesh Installations.	
	See Note	Ref	Note: Replacement Decals Must be Ordered Separately - See DECAL SECTION.	
1	0100011	AR	Compound, Locking	
2	0641418	2	Bolt 1/4 x 2-1/4	
3	0961845	2	Bushing	
4	3300151	2	Nut 1/4	
5	3520072	6	Cap, Plug	
6	3520198	2	Cap, Plug	
7	4711400	4	Washer 1/4	
8	1001140429	1	Decal - Drop Bar	
9	1001226872	1	Bar, Drop	
10	See Note	NSS	Platform (Note: Not Available - Purchase Platform Assembly)	

# SECTION 5 - PLATFORM

FIGURE 5-2. PLATFORM ASSEMBLY - 30IN X 4FT (76.2CM X 1.22M) WITH SWING GATE



ART\_1001186387

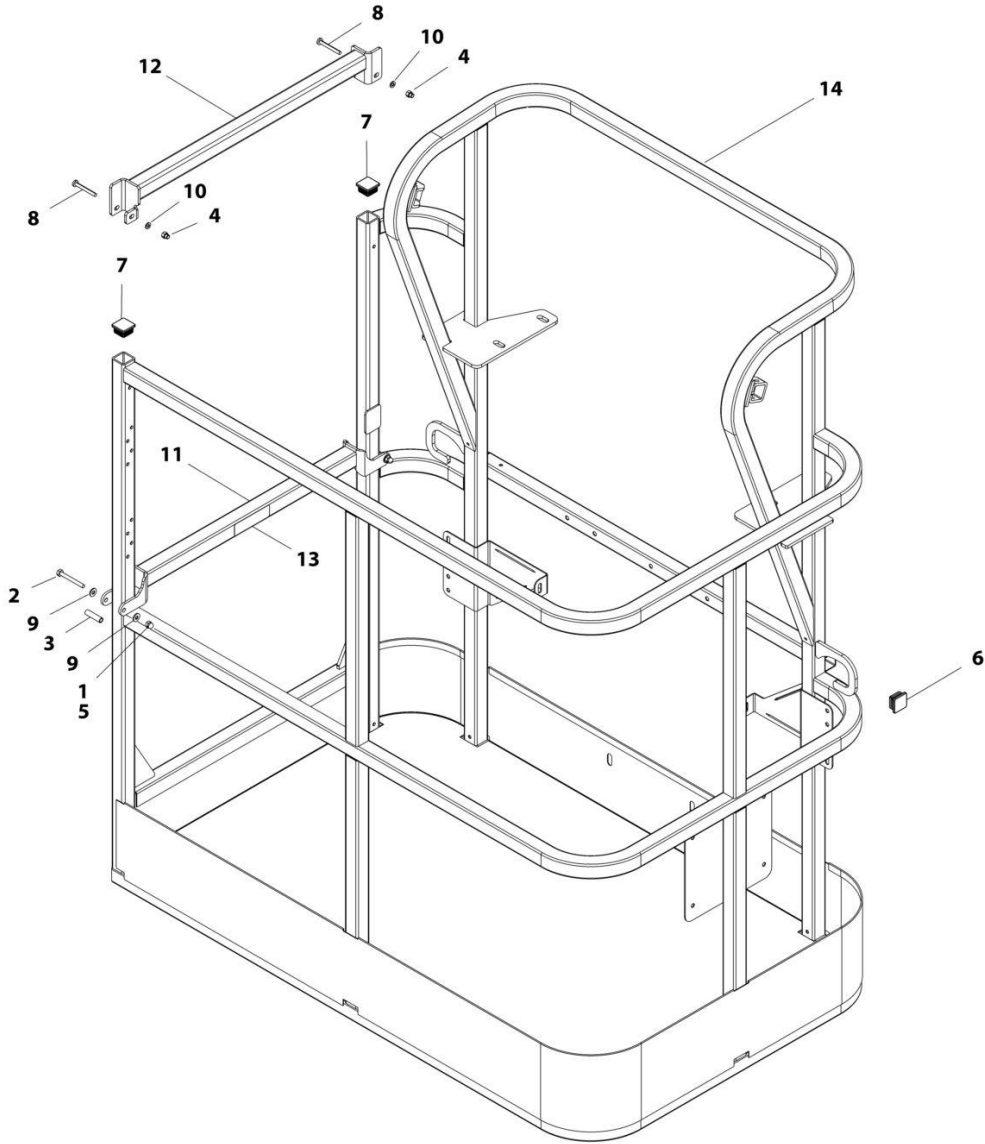
## SECTION 5 - PLATFORM

**FIGURE 5-2. PLATFORM ASSEMBLY - 30IN X 4FT (76.2CM X 1.22M) WITH SWING GATE**

ITEM	PART NUMBER	QTY	DESCRIPTION	REV
	1001186387	Ref	PLATFORM ASSEMBLY - 30IN X 4FT (76.2CM X 1.22M) WITH SWING GATE	B
		Ref	Note: Platform and Mesh must be ordered separately for Platforms with Mesh. See SPECIAL OPTIONS SECTION for Mesh Installations.	
		Ref	Note: Replacement Decals Must be Ordered Separately - See DECALS SECTION.	
1	2080040	16	Fastener, Huck	
2	2600281	2	Hinge	
3	2940074	1	Latch	
4	3520072	3	Plug	
5	3520198	2	Plug	
6	3820020	4	Rivet	
7	1001144629	1	Gate	
8	See Note	1	Platform (Note: Not Available - Purchase Platform Assembly)	

# SECTION 5 - PLATFORM

FIGURE 5-3. PLATFORM ASSEMBLY - 30IN X 4FT (76.2CM X 1.22M) WITH DROP BAR



ART\_1001186375

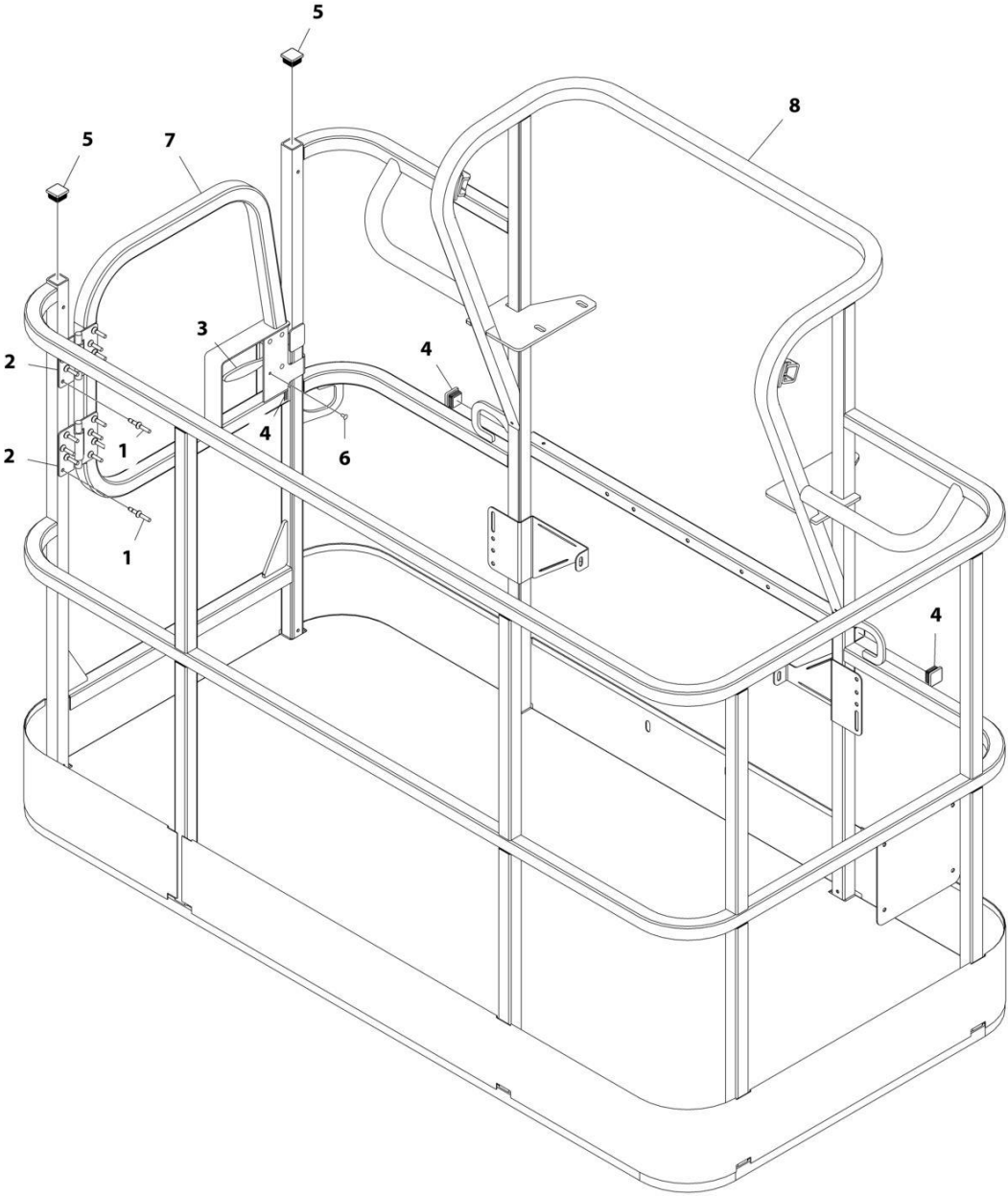
## SECTION 5 - PLATFORM

**FIGURE 5-3. PLATFORM ASSEMBLY - 30IN X 4FT (76.2CM X 1.22M) WITH DROP BAR**

ITEM	PART NUMBER	QTY	DESCRIPTION	REV
	1001186375	Ref	PLATFORM ASSEMBLY - 30IN X 4FT (76.2CM x 1.22M) WITH DROP BAR	B
		Ref	Note: Replacement Decals Must be Ordered Separately - See DECALS SECTION.	
1	0100011	AR	Compound, Locking	
2	0641418	2	Bolt 1/4 x 2-1/4	
3	0961845	2	Bushing	
4	3290606	2	Nut M6	
5	3300151	2	Nut 1/4	
6	3520072	2	Cap	
7	3520198	2	Cap	
8	4010618	2	Screw M6 x 50	
9	4711400	4	Washer 1/4	
10	4811700	2	Washer M6	
11	1001138494	1	Bar, Drop	
12	1001138514	1	Rail - Top	
13	1001140429	1	Decal - Drop Bar	
14	See Note	1	Platform (Note: Not Available - Purchase Platform Assembly)	

**SECTION 5 - PLATFORM**

**FIGURE 5-4. PLATFORM ASSEMBLY - 36IN X 6FT (91.5CM X 1.83M) WITH SWING GATE**



ART\_1001186384

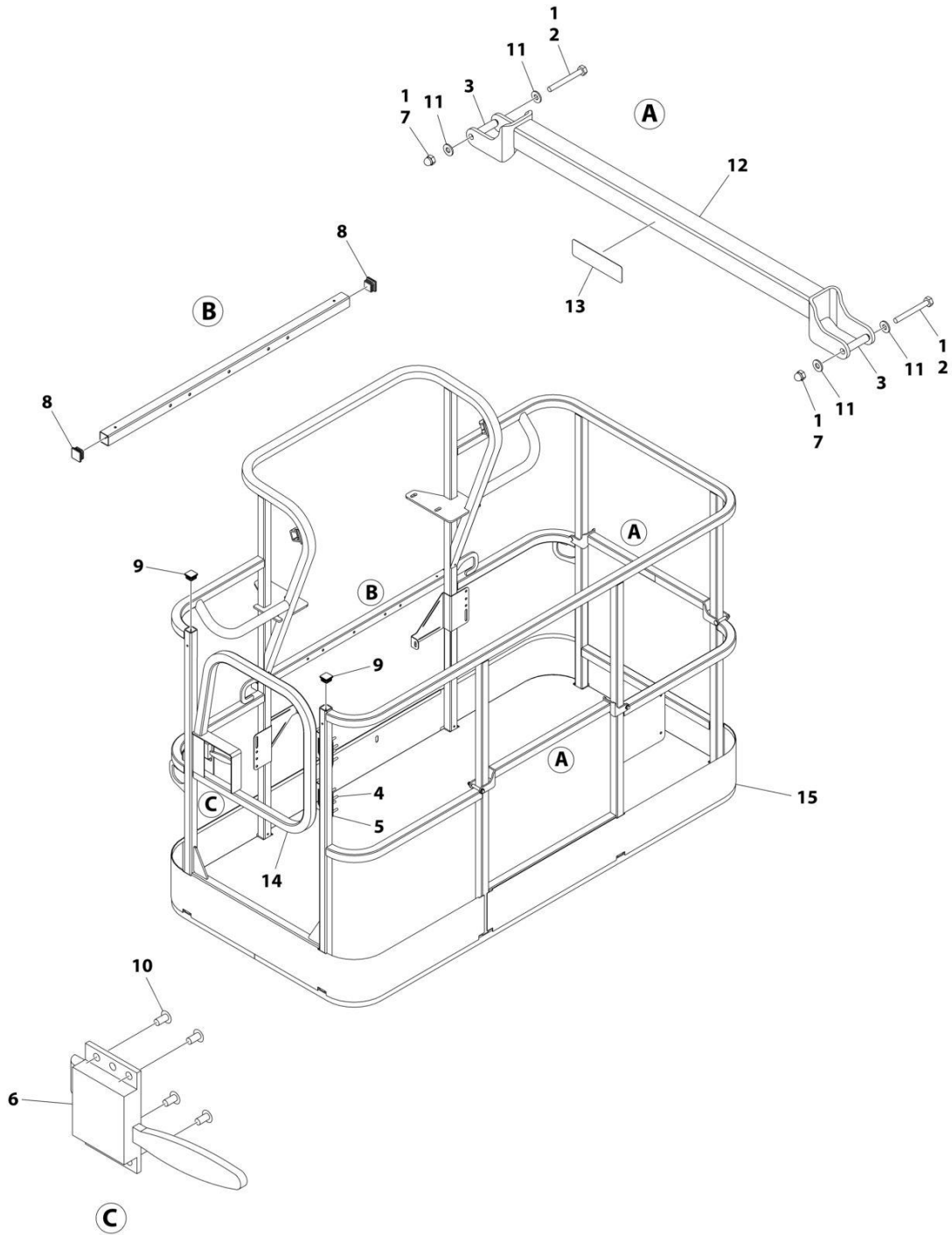
## SECTION 5 - PLATFORM

**FIGURE 5-4. PLATFORM ASSEMBLY - 36IN X 6FT (91.5CM X 1.83M) WITH SWING GATE**

ITEM	PART NUMBER	QTY	DESCRIPTION	REV
	1001186384	Ref	PLATFORM ASSEMBLY - 36IN X 6FT (91.5CM X 1.83M) WITH SWING GATE	B
	See Note	Ref	Note: Platform and Mesh must be ordered separately for Platforms with Mesh. See SPECIAL OPTIONS SECTION for Mesh Installations.	
	See Note	Ref	Note: Replacement Decals Must be Ordered Separately - See DECALS SECTION.	
1	2080040	16	Fastener, Huck	
2	2600281	2	Hinge	
3	2940074	1	Latch	
4	3520072	3	Plug	
5	3520198	2	Plug	
6	3820020	4	Rivet	
7	1001144629	1	Gate	
8	See Note	1	Platform (Note: Not Available - Purchase Platform Assembly)	

# SECTION 5 - PLATFORM

FIGURE 5-5. PLATFORM ASSEMBLY - 36IN X 6FT (91.5CM X 1.83M) TRI-ENTRY WITH SWING GATE



ART\_1001228376



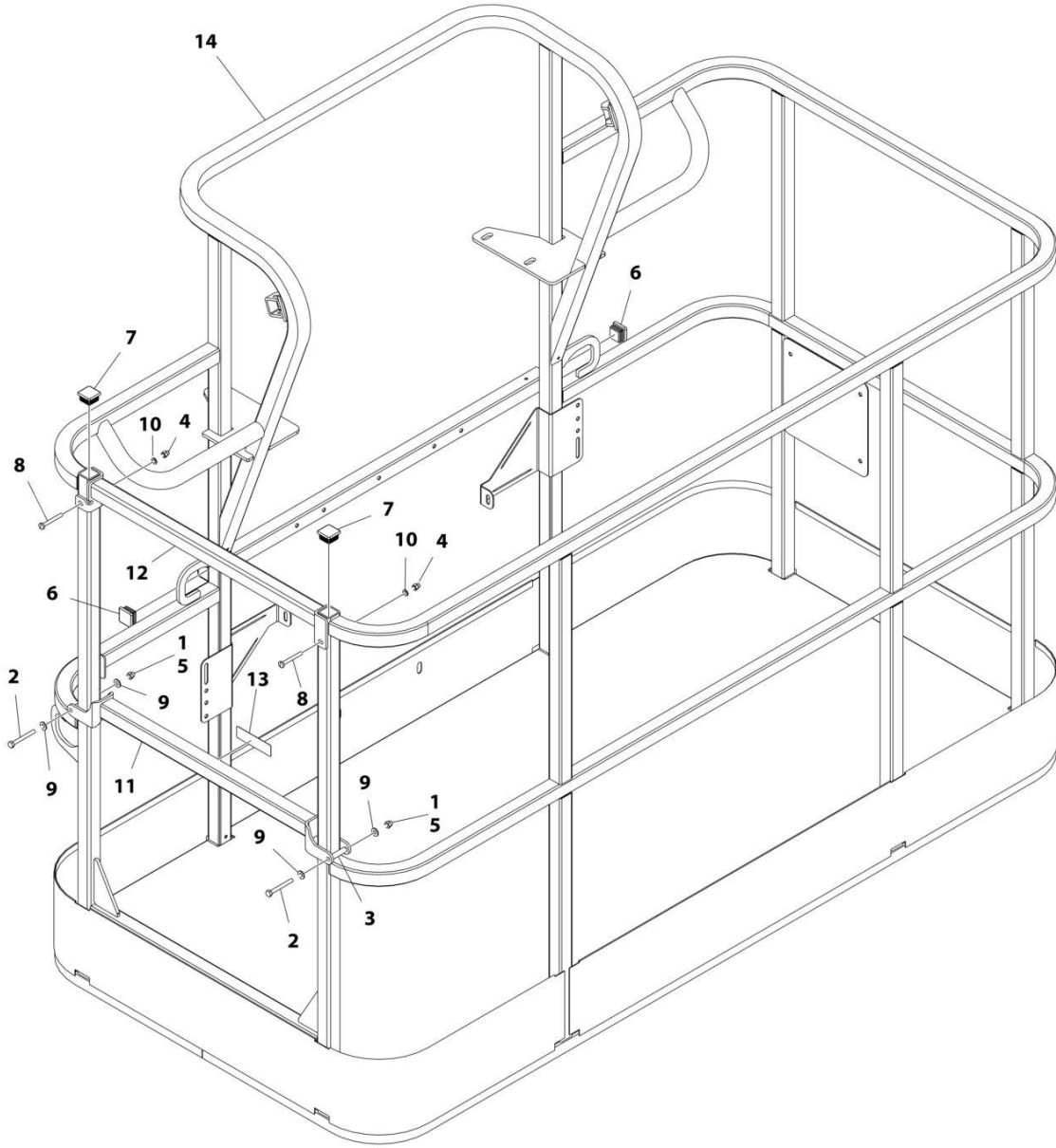
## SECTION 5 - PLATFORM

**FIGURE 5-5. PLATFORM ASSEMBLY - 36IN X 6FT (91.5CM X 1.83M) TRI-ENTRY WITH SWING GATE**

ITEM	PART NUMBER	QTY	DESCRIPTION	REV
	1001228376	Ref	PLATFORM ASSEMBLY - 36IN x 6FT (91.5CM x 1.83M)	B
		Ref	Note: Platform and Mesh must be ordered separately for Platforms with Mesh. See SPECIAL OPTIONS SECTION for Mesh Installations.	
		Ref	Note: Replacement Decals Must be Ordered Separately - See DECAL SECTION.	
1	0100011	AR	Compound, Locking	
2	0641418	4	Bolt 1/4 x 2-1/4	
3	0961845	4	Bushing	
4	2080040	16	Fastener	
5	2600281	2	Hinge	
6	2940074	1	Latch	
7	3300151	4	Nut 1/4	
8	3520072	3	Plug	
9	3520198	2	Plug	
10	3820020	4	Rivet	
11	4711400	8	Washer 1/4	
12	1001138494	2	Bar, Drop	
13	1001140429	2	Decal - Drop Bar	
14	1001144629	1	Gate	
15	See Note	NSS	Platform (Note: Not Available - Purchase Platform Assembly)	

# SECTION 5 - PLATFORM

FIGURE 5-6. PLATFORM ASSEMBLY - 36IN X 6FT (91.5CM X 1.83M) WITH DROP BAR



ART\_1001186379

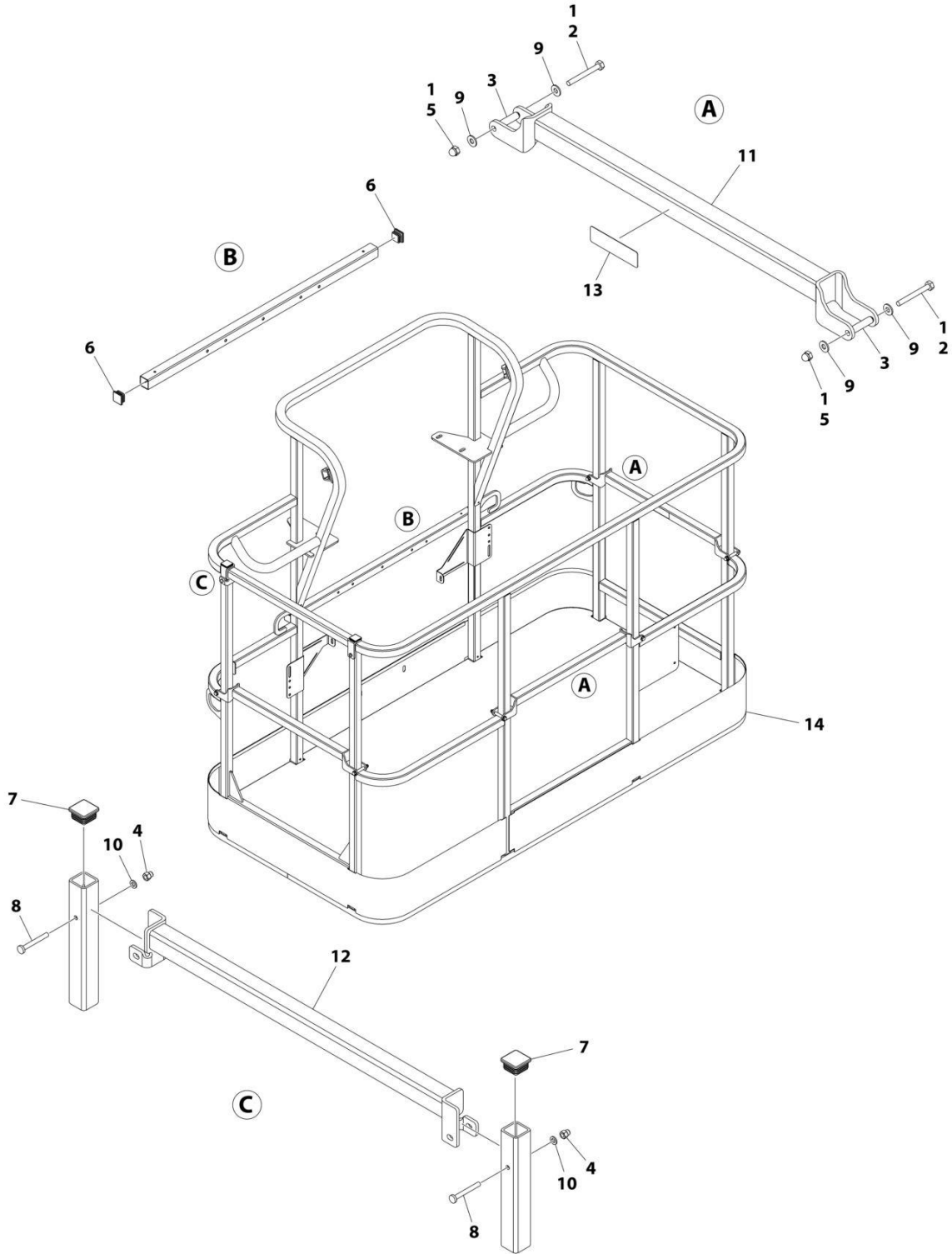
## SECTION 5 - PLATFORM

**FIGURE 5-6. PLATFORM ASSEMBLY - 36IN X 6FT (91.5CM X 1.83M) WITH DROP BAR**

ITEM	PART NUMBER	QTY	DESCRIPTION	REV
	1001186379	Ref	PLATFORM ASSEMBLY - 36IN X 6FT (91.5CM X 1.83M) WITH DROP BAR	B
	See Note	Ref	Note: Platform and Mesh must be ordered separately for Platforms with Mesh. See SPECIAL OPTIONS SECTION for Mesh Installations.	
	See Note	Ref	Note: Replacement Decals Must be Ordered Separately - See DECALS SECTION.	
1	0100011	AR	Compound, Locking	
2	0641418	2	Bolt 1/4 x 2-1/4	
3	0961845	2	Bushing	
4	3290606	2	Nut M6 x 1	
5	3300151	2	Nut 1/4	
6	3520072	2	Plug	
7	3520198	2	Plug	
8	4010618	2	Screw M6 x 50	
9	4711400	4	Washer 1/4	
10	4811700	2	Washer M6	
11	1001138494	1	Bar, Drop	
12	1001138514	1	Rail (Top)	
13	1001140429	1	Decal - Drop Bar	
14	See Note	1	Platform (Note: Not Available - Purchase Platform Assembly)	

# SECTION 5 - PLATFORM

FIGURE 5-7. PLATFORM ASSEMBLY - 36IN X 6FT (91.5CM X 1.83M) TRI-ENTRY WITH DROPBAR



ART\_1001228377

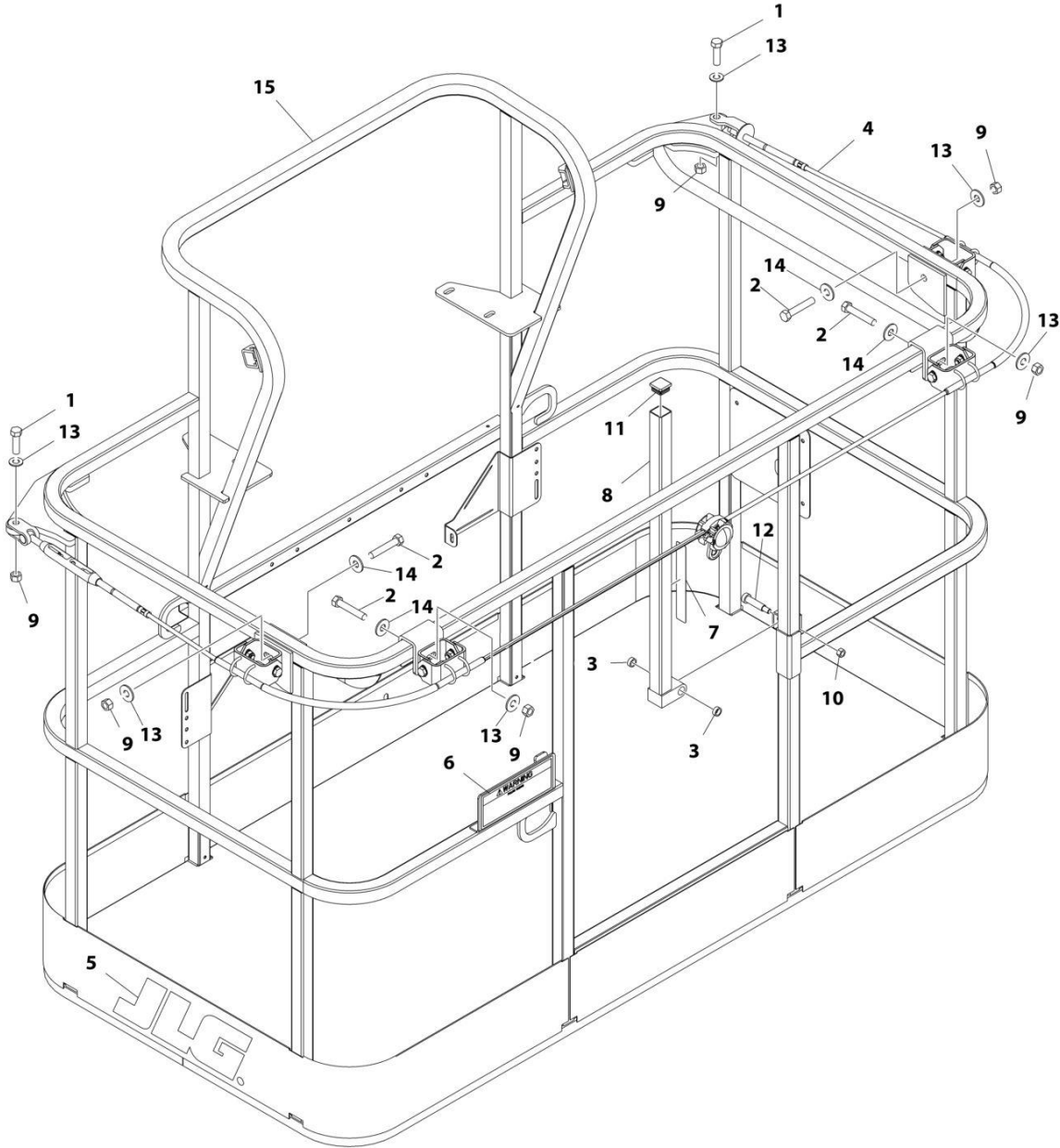
## SECTION 5 - PLATFORM

**FIGURE 5-7. PLATFORM ASSEMBLY - 36IN X 6FT (91.5CM X 1.83M) TRI-ENTRY WITH DROPBAR**

ITEM	PART NUMBER	QTY	DESCRIPTION	REV
	1001228377	Ref	PLATFORM ASSEMBLY - 36IN x 6FT (91.5CM x 1.83M)	B
		Ref	Note: Platform and Mesh must be ordered separately for Platforms with Mesh. See SPECIAL OPTIONS SECTION for Mesh Installations.	
		Ref	Note: Replacement Decals Must be Ordered Separately - See DECAL SECTION.	
1	0100011	1	Compound, Locking	
2	0641418	6	Bolt 1/4 x 2-1/4	
3	0961845	6	Bushing	
4	3290606	2	Nut M6	
5	3300151	6	Nut 1/4	
6	3520072	2	Plug	
7	3520198	2	Plug	
8	4010618	2	Screw M6 x 50	
9	4711400	12	Washer 1/4	
10	4811700	2	Washer M6	
11	1001138494	3	Bar, Drop	
12	1001138514	1	Rail (Top)	
13	1001140429	3	Decal - Drop Bar	
14	See Note	NSS	Platform, Weldment (Note: Not Available - Purchase Platform Assembly)	

# SECTION 5 - PLATFORM

FIGURE 5-8. PLATFORM ASSEMBLY - 36IN X 6FT (91.5CM X 1.83M) WITH FALL ARREST (ANSI, ANSI EXPORT AND CSA SPECS)



ART\_1001186333

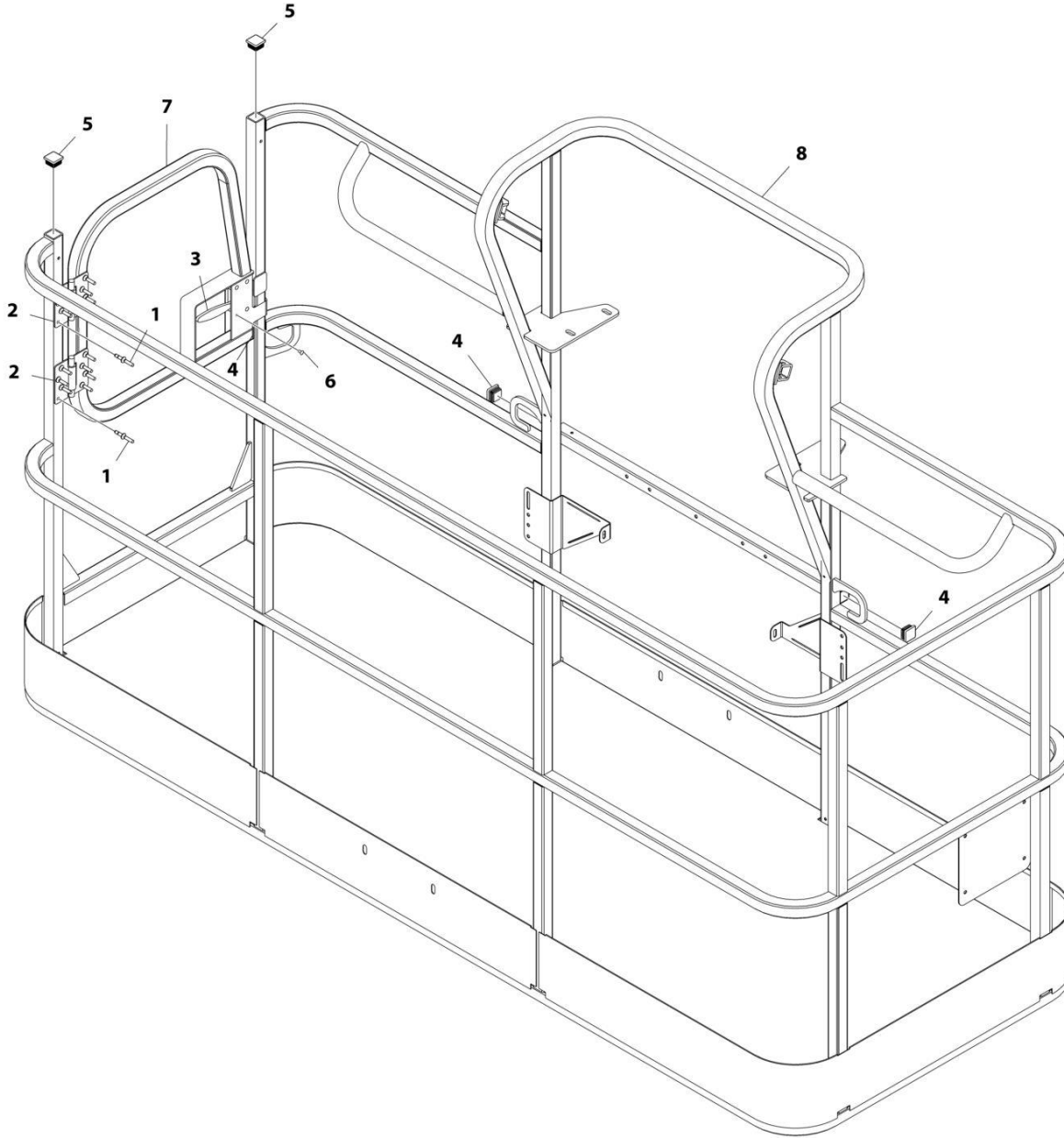
## SECTION 5 - PLATFORM

**FIGURE 5-8. PLATFORM ASSEMBLY - 36IN X 6FT (91.5CM X 1.83M) WITH FALL ARREST (ANSI, ANSI EXPORT AND CSA SPECS)**

ITEM	PART NUMBER	QTY	DESCRIPTION	REV
	1001186333	Ref	PLATFORM ASSEMBLY - 36IN X 6FT (91.5CM X 1.83M) WITH FALL ARREST (ANSI, ANSI EXPORT AND CSA SPECS)	C
	See Note	Ref	Note: Fall Arrest Not Available on Australian & CE Specs	
	See Note	Ref	Note: Replacement Decals Must be Ordered Separately - See DECALS SECTION.	
1	0681814	2	Bolt 1/2 x 1-3/4 Grade 8	
2	0681822	4	Bolt 1/2 x 2-3/4 Grade 8	
3	0962270	2	Bearing	
4	1001203655	1	Cable	
5	1702773	1	Decal - JLG	
6	1705014	1	Decal - Safety	
7	1706385	1	Decal - Drop Bar	
8	2410014	1	Bar, Drop	
9	3271805	6	Nut 1/2 Grade 8	
10	3311605	1	Nut 3/8	
11	3520072	1	Plug	
12	3900054	1	Bolt 1/2 x 1-3/4	
13	4711800	8	Washer 1/2	
14	4751800	4	Washer 1/2	
15	See Note	1	Platform (Note: Not Available - Purchase Platform Assembly)	

# SECTION 5 - PLATFORM

FIGURE 5-9. PLATFORM ASSEMBLY - 36IN X 8FT (91.5CM X 2.44M) WITH SWING GATE



ART\_1001186383



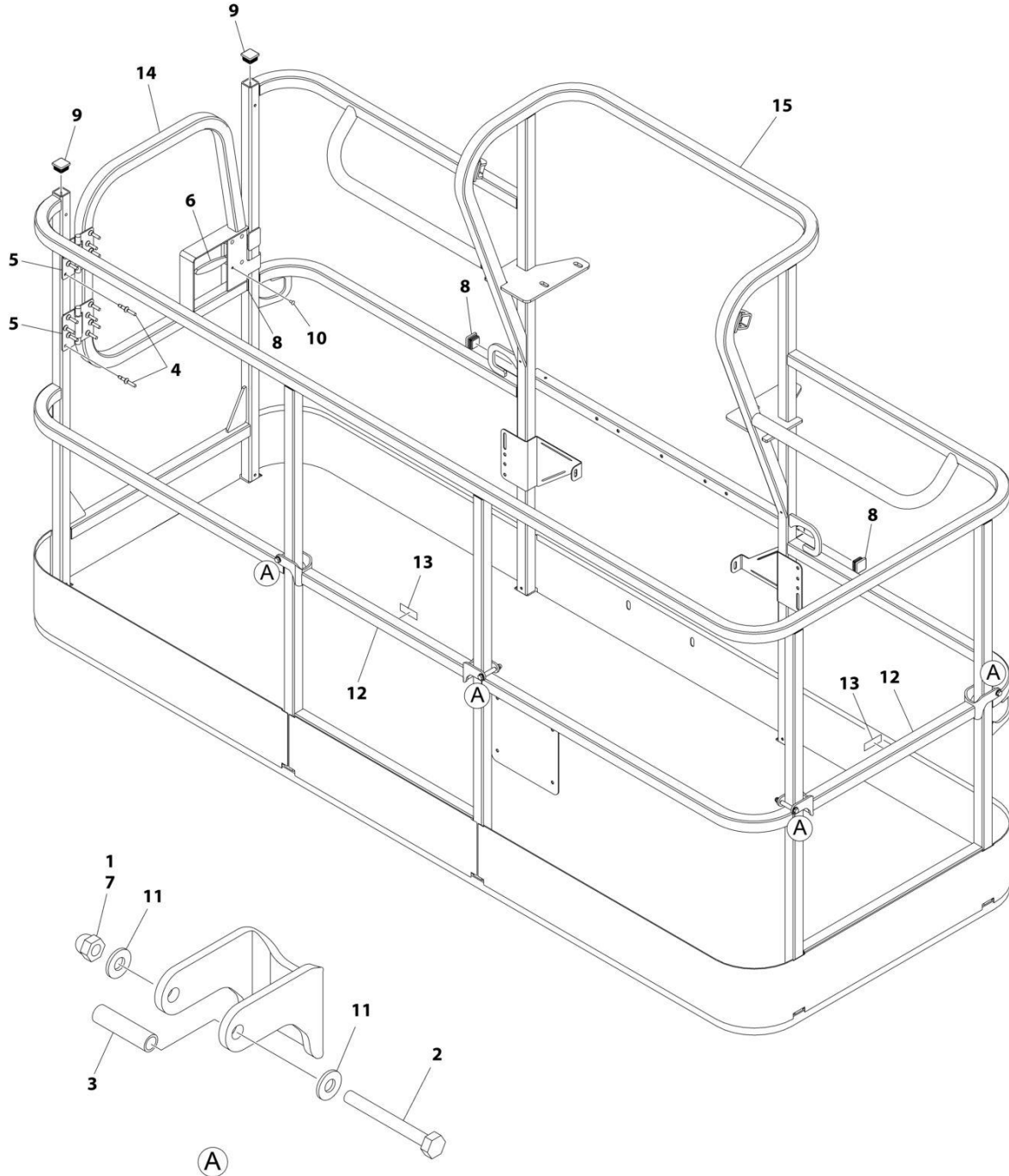
## SECTION 5 - PLATFORM

**FIGURE 5-9. PLATFORM ASSEMBLY - 36IN X 8FT (91.5CM X 2.44M) WITH SWING GATE**

ITEM	PART NUMBER	QTY	DESCRIPTION	REV
	1001186383	Ref	PLATFORM ASSEMBLY - 36IN X 8FT (91.5CM X 2.44M) WITH SWING GATE	C
	See Note	Ref	Note: Platform and Mesh must be ordered separately for Platforms with Mesh. See SPECIAL OPTIONS SECTION for Mesh Installations.	
	See Note	Ref	Note: Replacement Decals Must be Ordered Separately - See DECALS SECTION.	
1	2080040	16	Fastener, Huck	
2	2600281	2	Hinge	
3	2940074	1	Latch	
4	3520072	3	Plug	
5	3520198	2	Plug	
6	3820020	4	Rivet	
7	1001144629	1	Gate	
8	See Note	1	Platform (Note: Not Available - Purchase Platform Assembly)	

# SECTION 5 - PLATFORM

FIGURE 5-10. PLATFORM ASSEMBLY - 36IN X 8FT (91.5CM X 2.44M) WITH TRI-ENTRY (1 GATE/2 DROP BARS)



ART\_1001228243

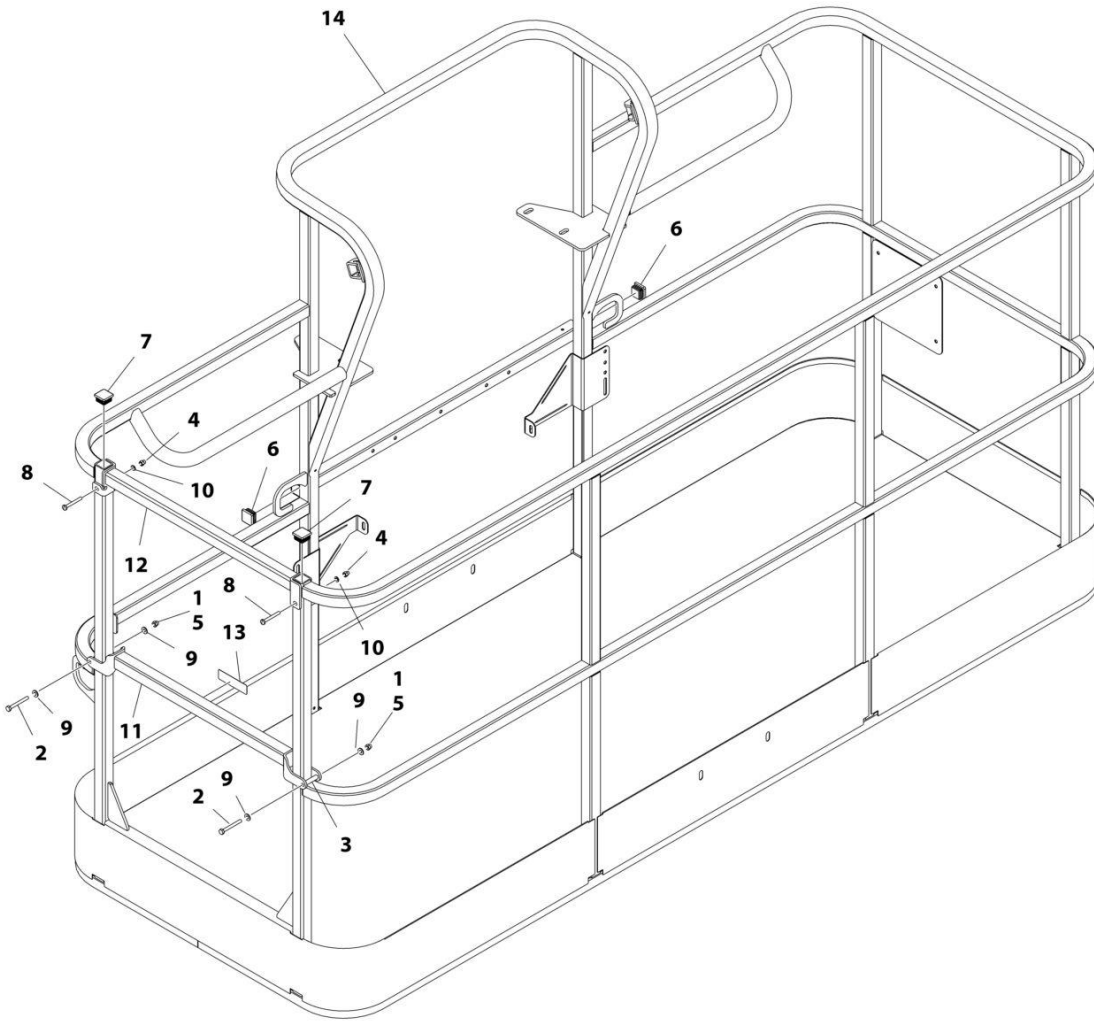
## SECTION 5 - PLATFORM

**FIGURE 5-10. PLATFORM ASSEMBLY - 36IN X 8FT (91.5CM X 2.44M) WITH TRI-ENTRY (1 GATE/2 DROP BARS)**

ITEM	PART NUMBER	QTY	DESCRIPTION	REV
	1001228243	Ref	PLATFORM ASSEMBLY - 36IN X 8FT (91.5CM X 2.44M) WITH TRI-ENTRY	A
		Ref	Note: Platform and Mesh must be ordered separately for Platforms with Mesh. See SPECIAL OPTIONS SECTION for Mesh Installations.	
1	0100011	AR	Compound, Locking	
2	0641418	4	Bolt 1/4 x 2-1/4	
3	0961845	4	Bushing	
4	2080040	16	Fastener, Huck	
5	2600281	2	Hinge, Self-Closing	
6	2940074	1	Latch	
7	3300151	4	Nut 1/4	
8	3520072	3	Cap, Plug	
9	3520198	2	Cap, Plug	
10	3820020	4	Rivet	
11	4711400	8	Washer 1/4	
12	1001138494	2	Bar, Drop	
13	1001140429	2	Decal - Drop Bar	
14	1001144629	1	Gate, Weldment	
15	See Note	1	Platform (Note: Not Available - Purchase Platform Assembly)	

# SECTION 5 - PLATFORM

FIGURE 5-11. PLATFORM ASSEMBLY - 36IN X 8FT (91.5CM X 2.44M) WITH DROP BAR



ART\_1001186382

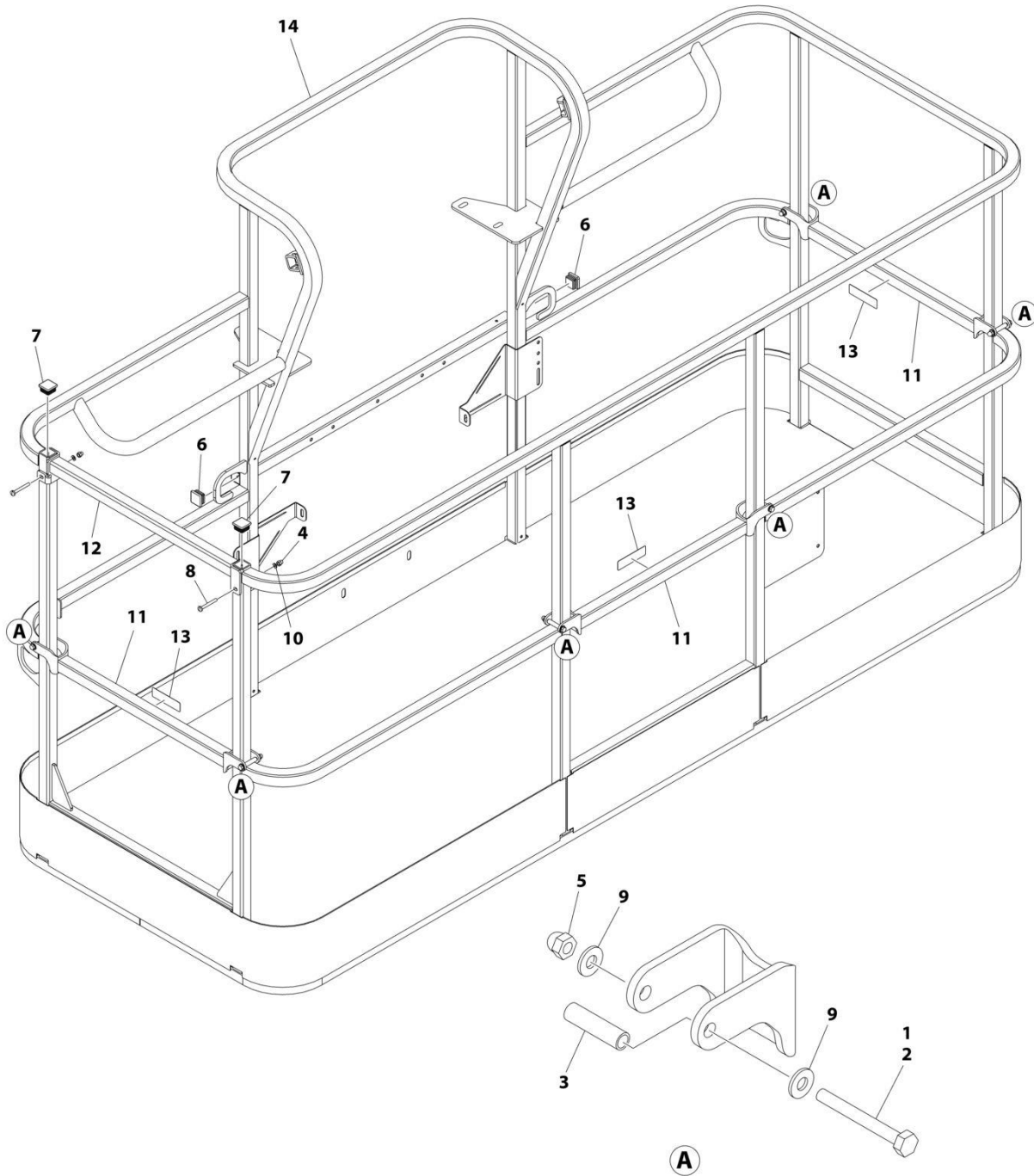
## SECTION 5 - PLATFORM

**FIGURE 5-11. PLATFORM ASSEMBLY - 36IN X 8FT (91.5CM X 2.44M) WITH DROP BAR**

ITEM	PART NUMBER	QTY	DESCRIPTION	REV
	1001186382	Ref	PLATFORM ASSEMBLY - 36IN X 8FT (91.5CM X 2.44M) WITH DROP BAR	C
	See Note	Ref	Note: Platform and Mesh must be ordered separately for Platforms with Mesh. See SPECIAL OPTIONS SECTION for Mesh Installations.	
	See Note	Ref	Note: Replacement Decals Must be Ordered Separately - See DECALS SECTION.	
1	0100011	AR	Compound, Locking	
2	0641418	2	Bolt 1/4 x 2-1/4	
3	0961845	2	Bushing	
4	3290606	2	Nut M6 x 1	
5	3300151	2	Nut 1/4	
6	3520072	2	Plug	
7	3520198	2	Plug	
8	4010618	2	Screw M6 x 50	
9	4711400	4	Washer 1/4	
10	4811700	2	Washer M6	
11	1001138494	1	Bar, Drop	
12	1001138514	1	Rail (Top)	
13	1001140429	1	Decal - Drop Bar	
14	See Note	NSS	Platform (Note: Not Available - Purchase Platform Assembly)	

# SECTION 5 - PLATFORM

FIGURE 5-12. PLATFORM ASSEMBLY - 36IN X 8FT (91.5CM X 2.44M) WITH TRI-ENTRY (3 DROP BARS)



ART\_1001228375

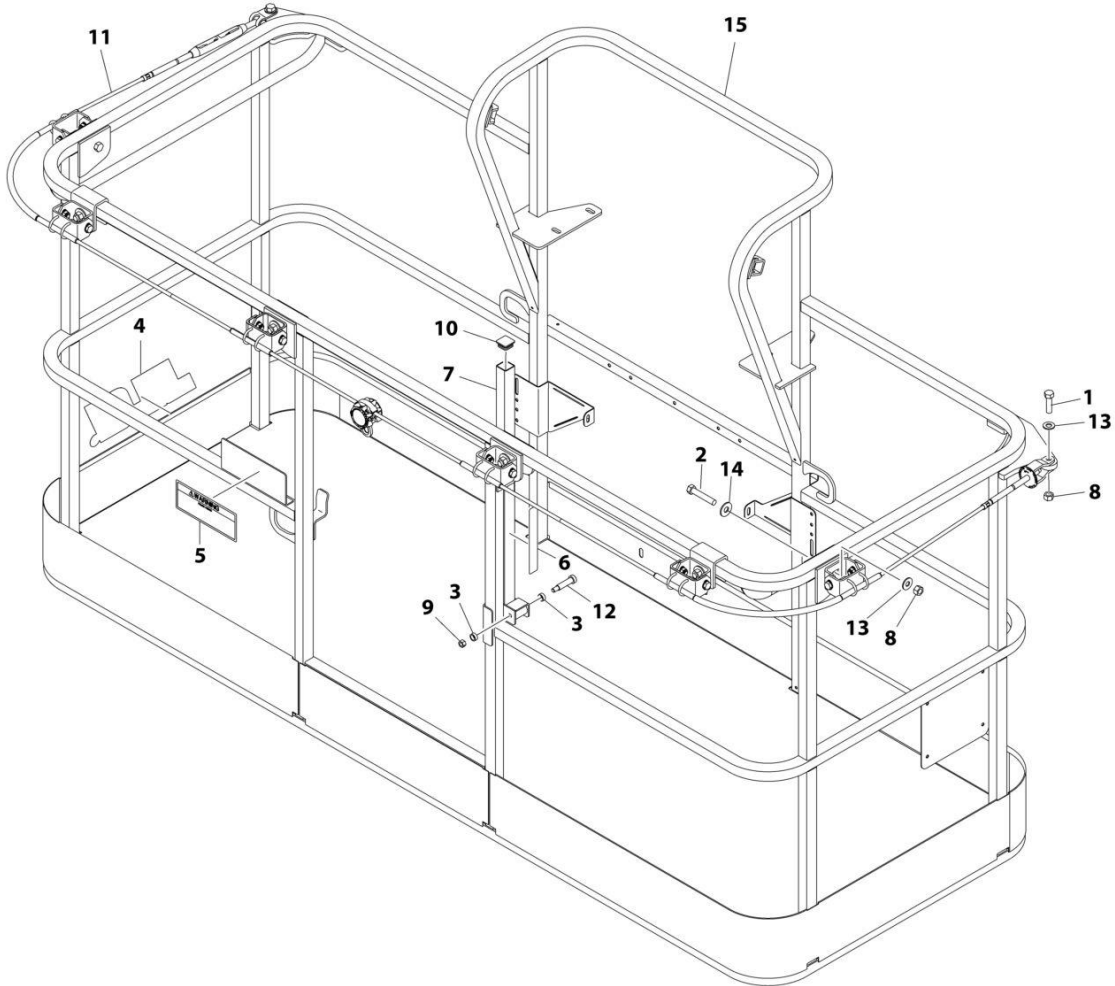
## SECTION 5 - PLATFORM

**FIGURE 5-12. PLATFORM ASSEMBLY - 36IN X 8FT (91.5CM X 2.44M) WITH TRI-ENTRY (3 DROP BARS)**

ITEM	PART NUMBER	QTY	DESCRIPTION	REV
	1001228375	Ref	PLATFORM ASSEMBLY - 36IN X 8FT (91.5CM X 2.44M) WITH TRI-ENTRY	A
		Ref	Note: Platform and Mesh must be ordered separately for Platforms with Mesh. See SPECIAL OPTIONS SECTION for Mesh Installations.	
		Ref	Note: Replacement Decals Must be Ordered Separately - See DECAL SECTION.	
1	0100011	AR	Compound, Locking	
2	0641418	6	Bolt 1/4 x 2-1/4	
3	0961845	6	Bushing	
4	3290606	2	Nut M6 x 1	
5	3300151	6	Nut 1/4	
6	3520072	2	Cap, Plug	
7	3520198	2	Cap, Plug	
8	4010618	2	Screw M6 x 50	
9	4711400	12	Washer 1/4	
10	4811700	2	Washer M6	
11	1001138494	3	Bar, Drop	
12	1001138514	1	Rail (Top)	
13	1001140429	3	Decal - Drop Bar	
14	See Note	1	Platform (Note: Not Available - Purchase Platform Assembly)	

# SECTION 5 - PLATFORM

FIGURE 5-13. PLATFORM ASSEMBLY - 36IN X 8FT (91.5CM X 2.44M) WITH FALL ARREST (ANSI, ANSI EXPORT AND CSA SPECS)



ART\_1001186334



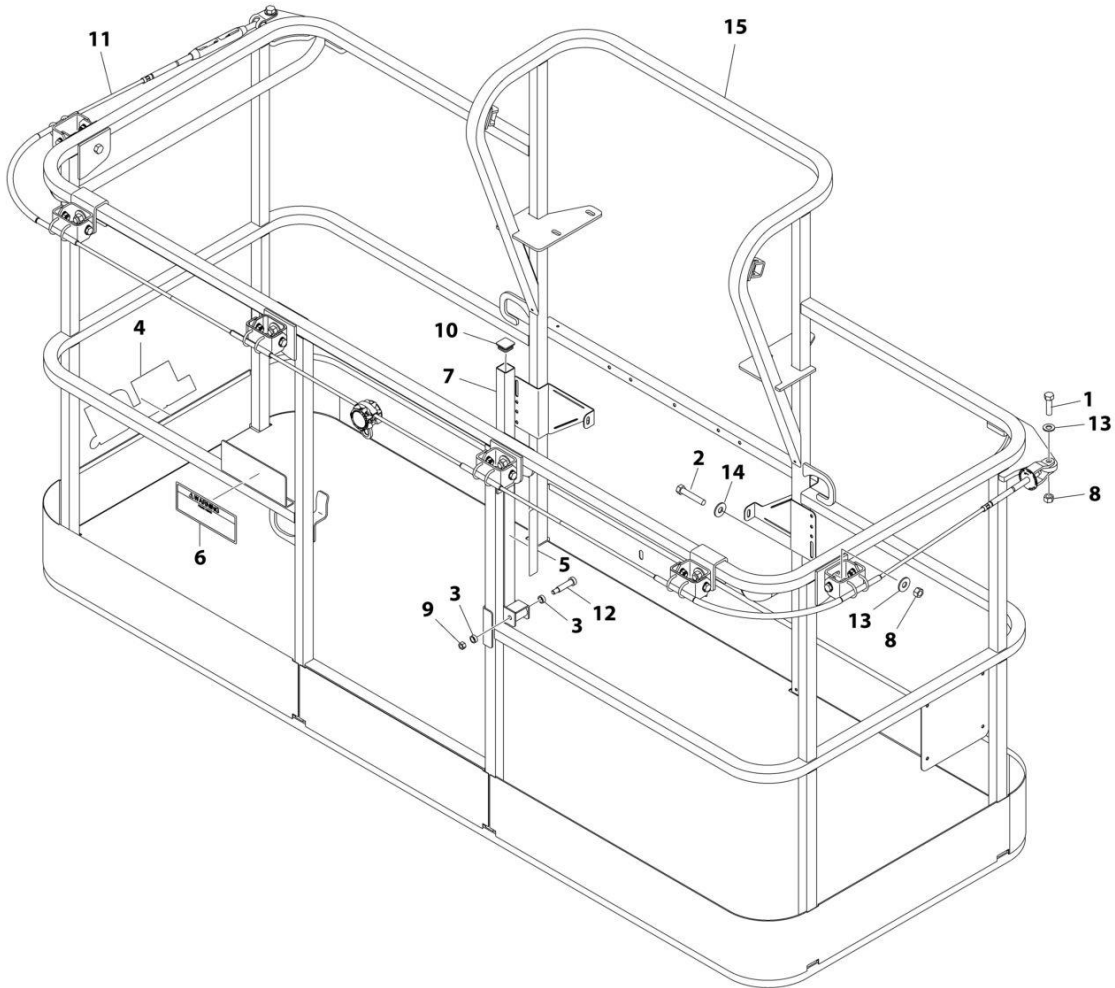
## SECTION 5 - PLATFORM

**FIGURE 5-13. PLATFORM ASSEMBLY - 36IN X 8FT (91.5CM X 2.44M) WITH FALL ARREST (ANSI, ANSI EXPORT AND CSA SPECS)**

ITEM	PART NUMBER	QTY	DESCRIPTION	REV
		Ref	Note: Replacement Decals Must be Ordered Separately - See DECALS SECTION.	
	1001186334	Ref	PLATFORM ASSEMBLY - 36IN X 8FT (91.5CM X 2.44M) WITH FALL ARREST (ANSI, ANSI EXPORT AND CSA SPECS)	D
1	0681814	2	Bolt 1/2 x 1-3/4 Grade 8	
2	0681822	6	Bolt 1/2 x 2-3/4 Grade 8	
3	0962270	2	Bearing	
4	1702773	1	Decal - JLG	
5	1705014	1	Decal - Safety	
6	1706385	1	Decal - Drop Bar	
7	2410014	1	Bar, Drop	
8	3271805	8	Nut 1/2 Grade 8	
9	3311605	1	Nut 3/8	
10	3520072	1	Plug	
11	1001203656	1	Cable	
12	3900054	1	Bolt 1/2 x 1-3/4	
13	4711800	2	Washer 1/2	
14	4751800	6	Washer 1/2	
15	See Note	NSS	Platform (Note: Purchase Platform Assembly)	

# SECTION 5 - PLATFORM

FIGURE 5-14. PLATFORM ASSEMBLY - 36IN X 8FT (91.5CM X 2.44M) WITH FALL ARREST (ALL SPECS EXCEPT CSA SPECS)



ART\_1001186389

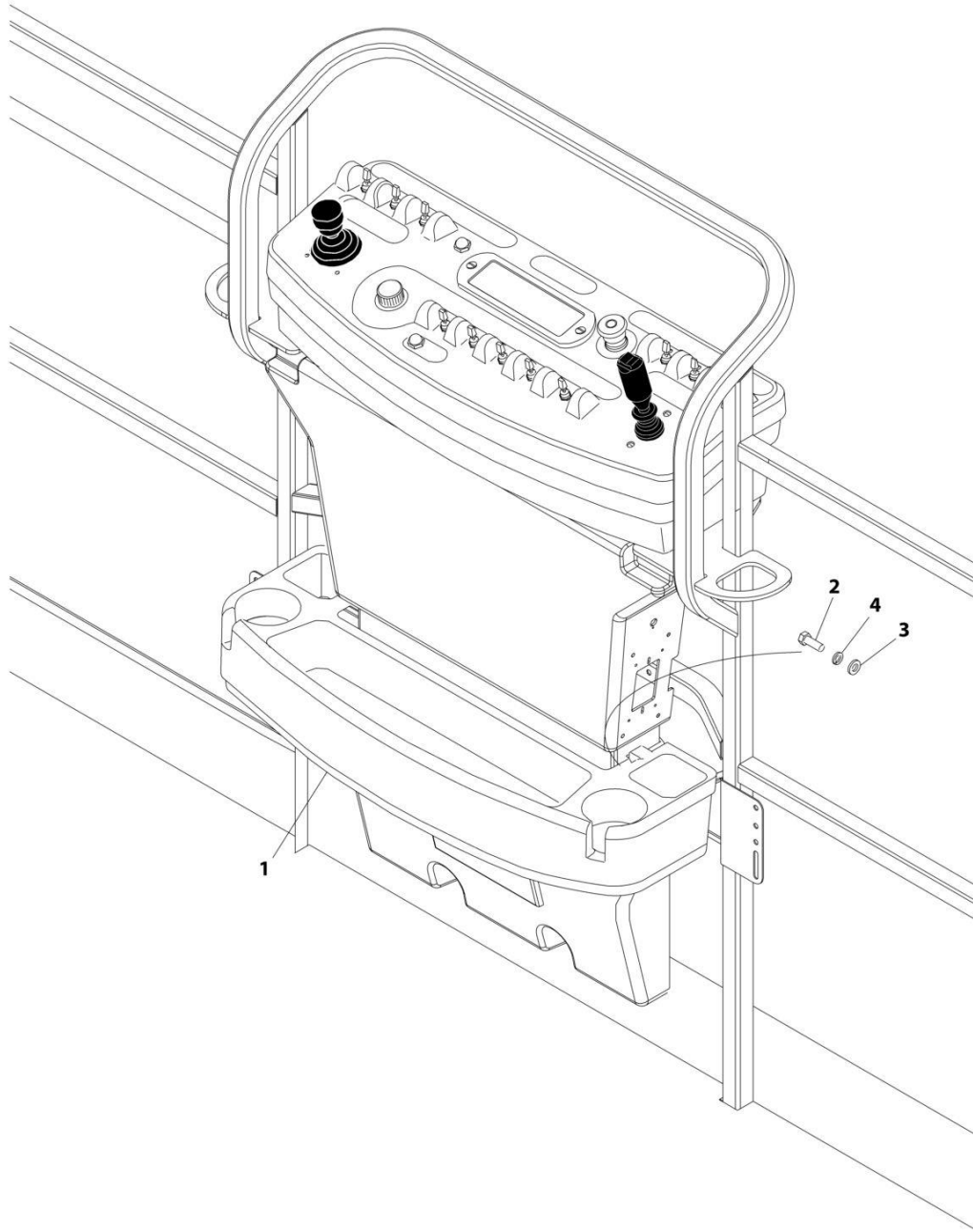
## SECTION 5 - PLATFORM

**FIGURE 5-14. PLATFORM ASSEMBLY - 36IN X 8FT (91.5CM X 2.44M) WITH FALL ARREST (ALL SPECS EXCEPT CSA SPECS)**

ITEM	PART NUMBER	QTY	DESCRIPTION	REV
		Ref	Note: Standard decals must be ordered separately - See DECAL SECTION.	
	1001186389	Ref	PLATFORM ASSEMBLY - 36IN X 8FT (91.5CM X 2.44M) WITH FALL ARREST (ALL SPECS EXCEPT CSA SPECS)	D
1	0681814	2	Bolt 1/2 x 1-3/4 Grade 8	
2	0681822	6	Bolt 1/2 x 2-3/4 Grade 8	
3	0962270	2	Bearing	
4	1702773	1	Decal - JLG	
5	1706493	1	Decal - Drop Bar	
6	1706501	1	Decal - Safety	
7	2410014	1	Gate	
8	3271805	8	Nut 1/2 Grade 8	
9	3311605	1	Nut 3/8	
10	3520072	1	Plug	
11	1001203656	1	Cable	
12	3900054	1	Bolt 1/2 x 1-3/4	
13	4711800	8	Washer 1/2	
14	4751800	6	Washer 1/2	
15	1001186318	NSS	Platform (Note: Not Available - Purchase Platform Assembly)	

# SECTION 5 - PLATFORM

## FIGURE 5-15. TRAY ASSEMBLY



ART\_1580012

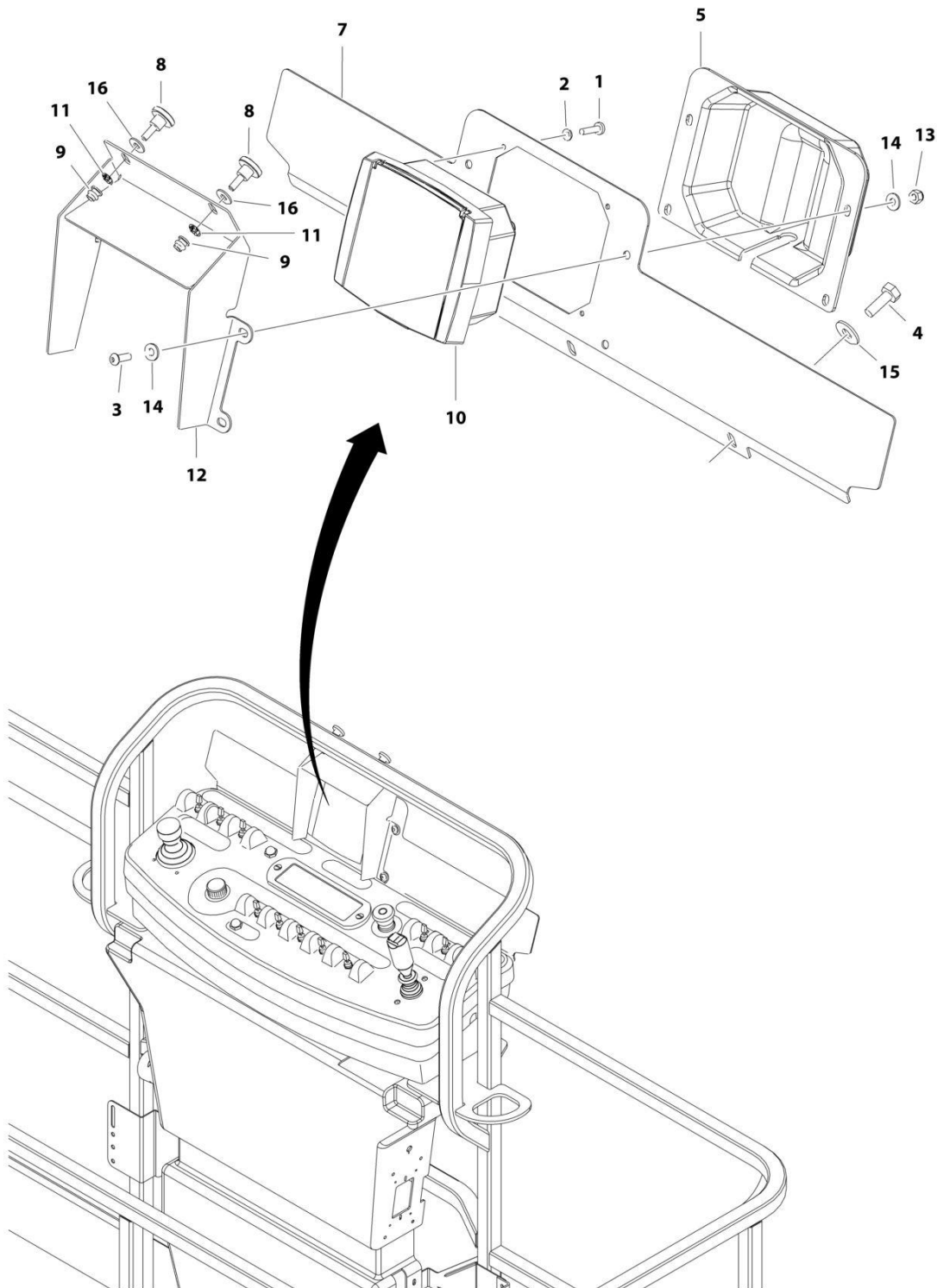
## SECTION 5 - PLATFORM

### FIGURE 5-15. TRAY ASSEMBLY

ITEM	PART NUMBER	QTY	DESCRIPTION	REV
	1580012	Ref	TRAY ASSEMBLY	C
1	See Note	1	Tray, Storage (Center) (Note: Purchase p/n 1580012)	
2	0641406	2	Bolt 1/4 x 3/4	
3	4751400	2	Washer 1/4	
4	4761400	2	Washer 1/4	

# SECTION 5 - PLATFORM

## FIGURE 5-16. LCD DISPLAY INSTALLATION (SN 0300000100 through 0300248935)



ART\_1001190656

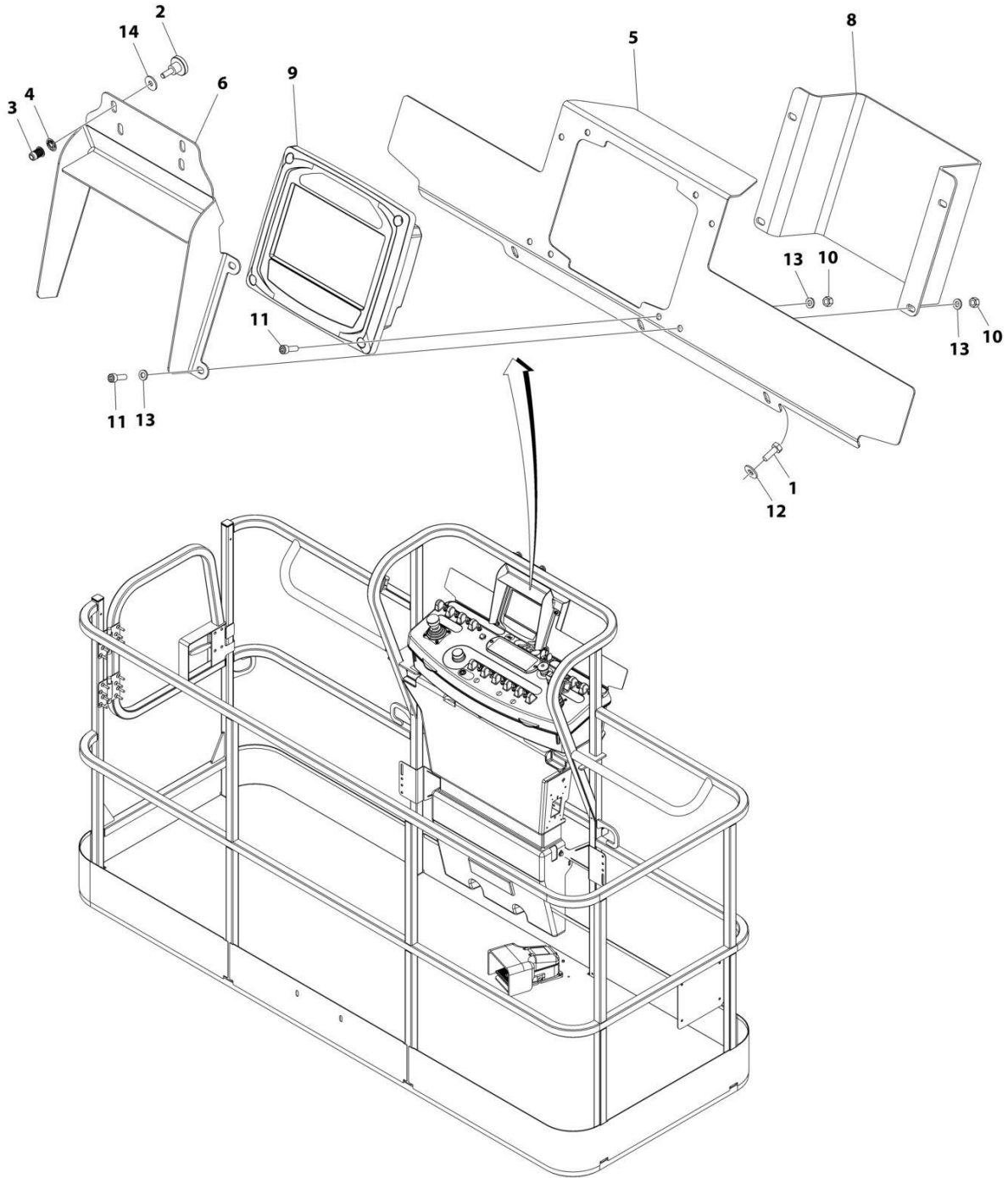
## SECTION 5 - PLATFORM

**FIGURE 5-16. LCD DISPLAY INSTALLATION (SN 0300000100 through 0300248935)**

ITEM	PART NUMBER	QTY	DESCRIPTION	REV
	1001190656	Ref	LCD DISPLAY INSTALLATION	B
1	4010408	4	Screw M4 x 16	
2	4831400	4	Washer M4	
3	0630448001	4	Screw 1/4 x 3/4	
4	0641406001	3	Bolt 1/4 x 3/4	
5	1001122242	1	Cover (Rear)	
6	1001125293	1	LCD Display Harness (Not Shown - See ELECTRICAL SECTION for Breakdown)	
7	1001159001	1	Bracket, Mounting	
8	1001173609	2	Screw M6 x 16	
9	1001176636	2	Rivnut M6	
10	1001176778	1	LCD Display Assembly	
10	1001176783	1	Decal - Platform Display	
10	70003533	1	Film, Protective	
10	70003534	1	Cover	
10	70003535	1	Hinge	
10	70003536	AR	Screw, Hinge	
11	1001177635	2	Nut M6	
12	1001190658	1	Visor	
13	3300449001	4	Nut 1/4 Grade 8	
14	4711400001	8	Washer 1/4	
15	4751400001	3	Washer 1/4	
16	4811702001	2	Washer M6	

# SECTION 5 - PLATFORM

FIGURE 5-17. LCD DISPLAY INSTALLATION (SN 0300248935 through 0300271437)



ART\_1001215375



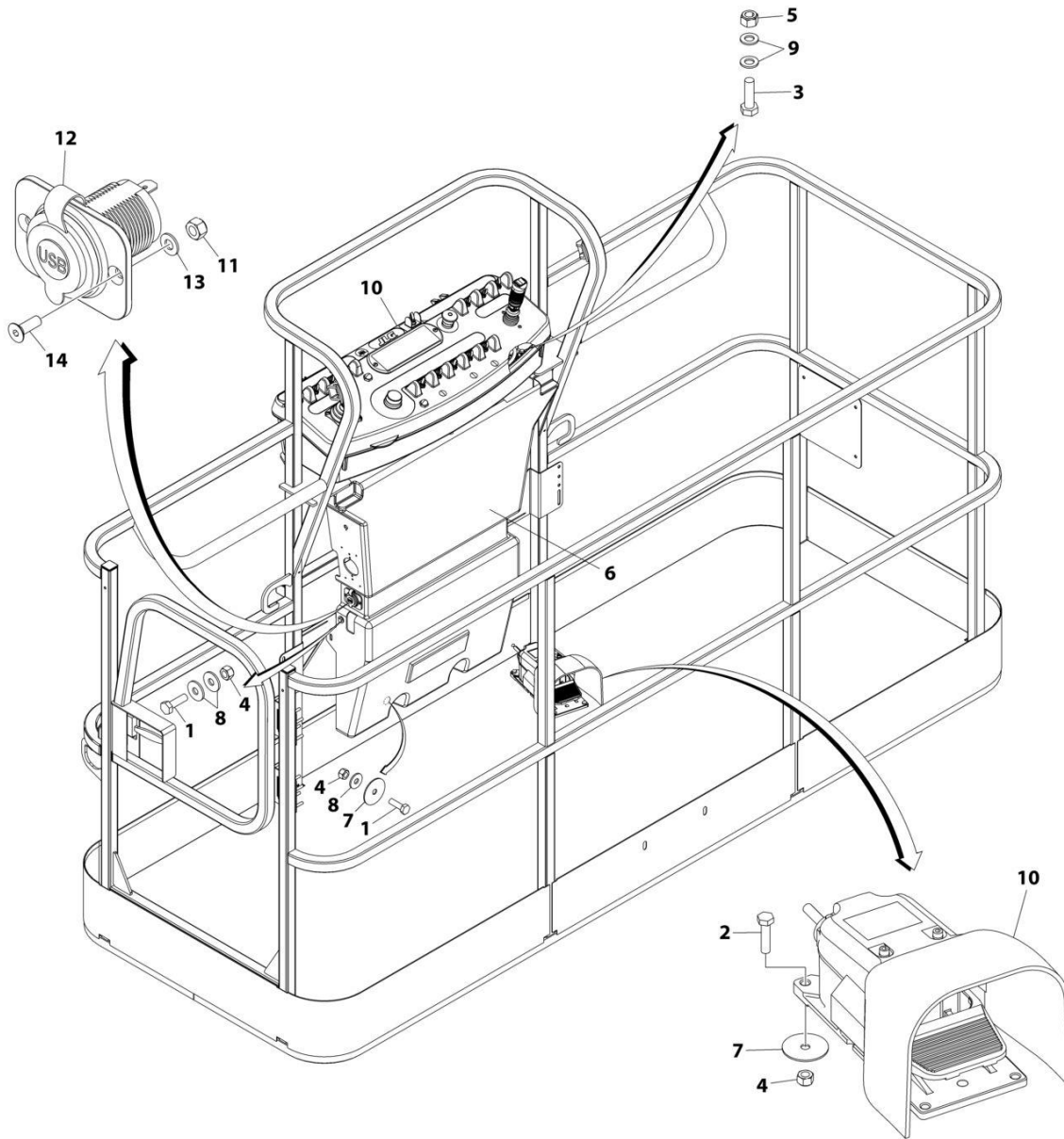
## SECTION 5 - PLATFORM

**FIGURE 5-17. LCD DISPLAY INSTALLATION (SN 0300248935 through 0300271437)**

ITEM	PART NUMBER	QTY	DESCRIPTION	REV
	1001215375	Ref	LCD DISPLAY INSTALLATION	A
1	0641406001	3	Bolt 1/4 x 3/4	
2	1001173609	2	Screw, Thumb M6 x 16	
3	1001176636	2	Rivet, Nut M6	
4	1001177635	2	Nut M6	
5	1001215379	1	Bracket, Mounting	
6	1001215380	1	Bracket, Visor	
7	1001220482	1	Harness, LCD Display (Not Shown - See Separate Breakdown in ELECTRICAL SECTION)	
8	1001228976	1	Cover	
9	1001229485	1	Electrical Assembly	
9	1001220955	1	Gauge, LCD Display	
9	1001176582	1	Decal - Platform Display	
9	1001180491	4	Screw #10	
9	1001229922	1	Screen Protector, LCD Display	
10	3290605001	8	Nut M6	
11	4031708001	8	Bolt M6 x 20	
12	4751400001	3	Washer 1/4	
13	4811700001	12	Washer M6	
14	4811702001	2	Washer M6	

# SECTION 5 - PLATFORM

FIGURE 5-18. CONSOLE BOX AND FOOTSWITCH INSTALLATION - WITHOUT SKYGUARD (SN 0300000100 through 0300223782)



ART\_1001199994

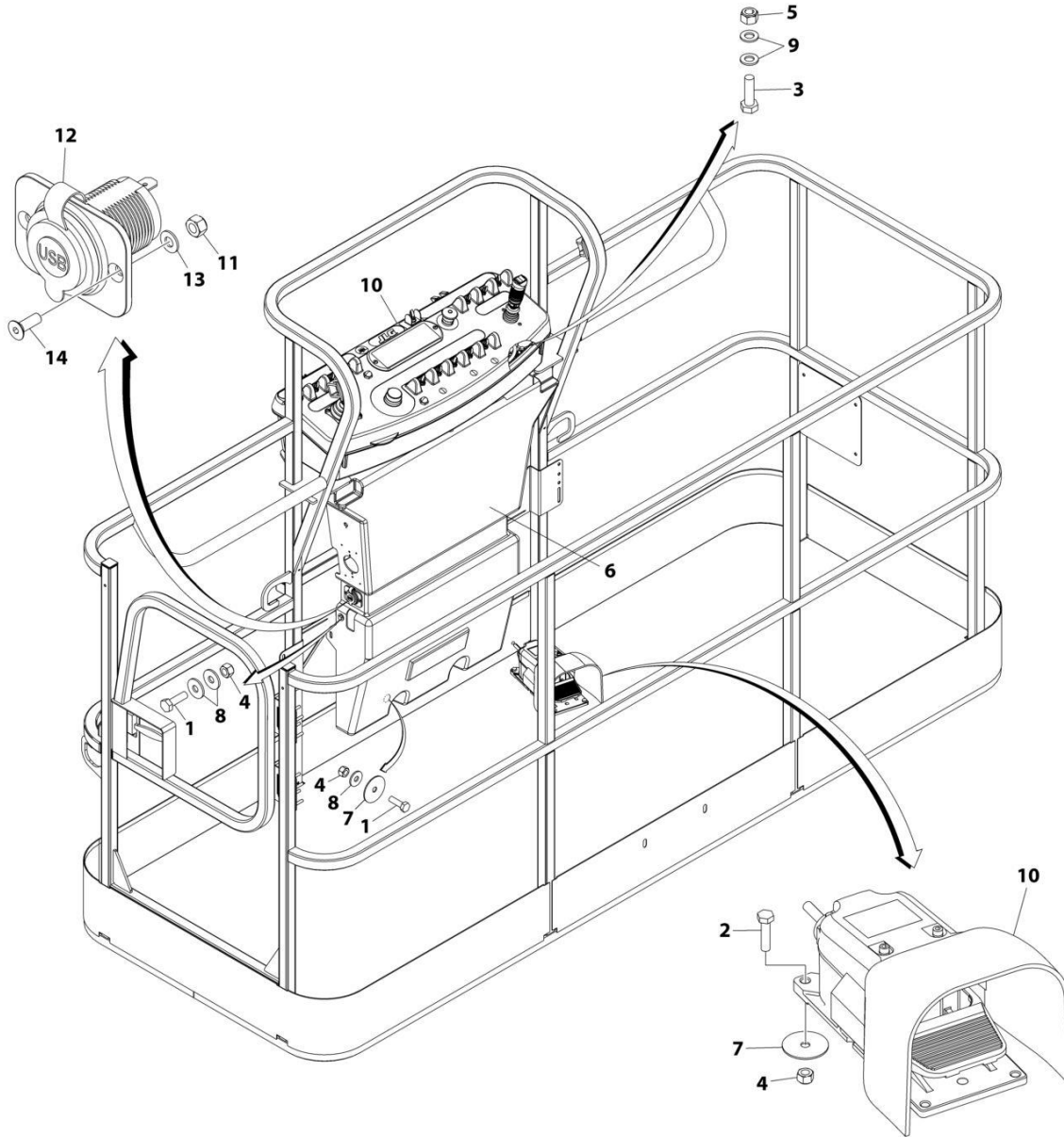
## SECTION 5 - PLATFORM

**FIGURE 5-18. CONSOLE BOX AND FOOTSWITCH INSTALLATION - WITHOUT SKYGUARD (SN 0300000100 through 0300223782)**

ITEM	PART NUMBER	QTY	DESCRIPTION	REV
	1001199994	Ref	CONSOLE BOX AND FOOTSWITCH INSTALLATION - WITHOUT SKYGUARD (SN 0300000100 through 0300223782)	C
1	0760610	4	Bolt M6 x 20	
2	0760612	4	Bolt M6 x 25	
3	0761015	4	Bolt M10 x 35	
4	3290605	8	Nut M6	
5	3291005	4	Nut M10	
6	3380434	1	Panel	
7	4740362	6	Washer	
8	4811702	6	Washer M6	
9	4812000	8	Washer M10	
10	1001199638	1	Platform Console Assembly - Without SkyGuard (See PLATFORM CONSOLE ASSEMBLY - WITHOUT SKYGUARD for Breakdown)	
11	3290405	2	Nut M4	
12	1001210636	1	Receptacle	
13	4811400	2	Washer M4	
14	1001097244	2	Screw M4 x 12	

# SECTION 5 - PLATFORM

FIGURE 5-19. CONSOLE BOX AND FOOTSWITCH INSTALLATION - WITH SKYGUARD (SN 0300000100 through 0300259280)



ART\_1001197309

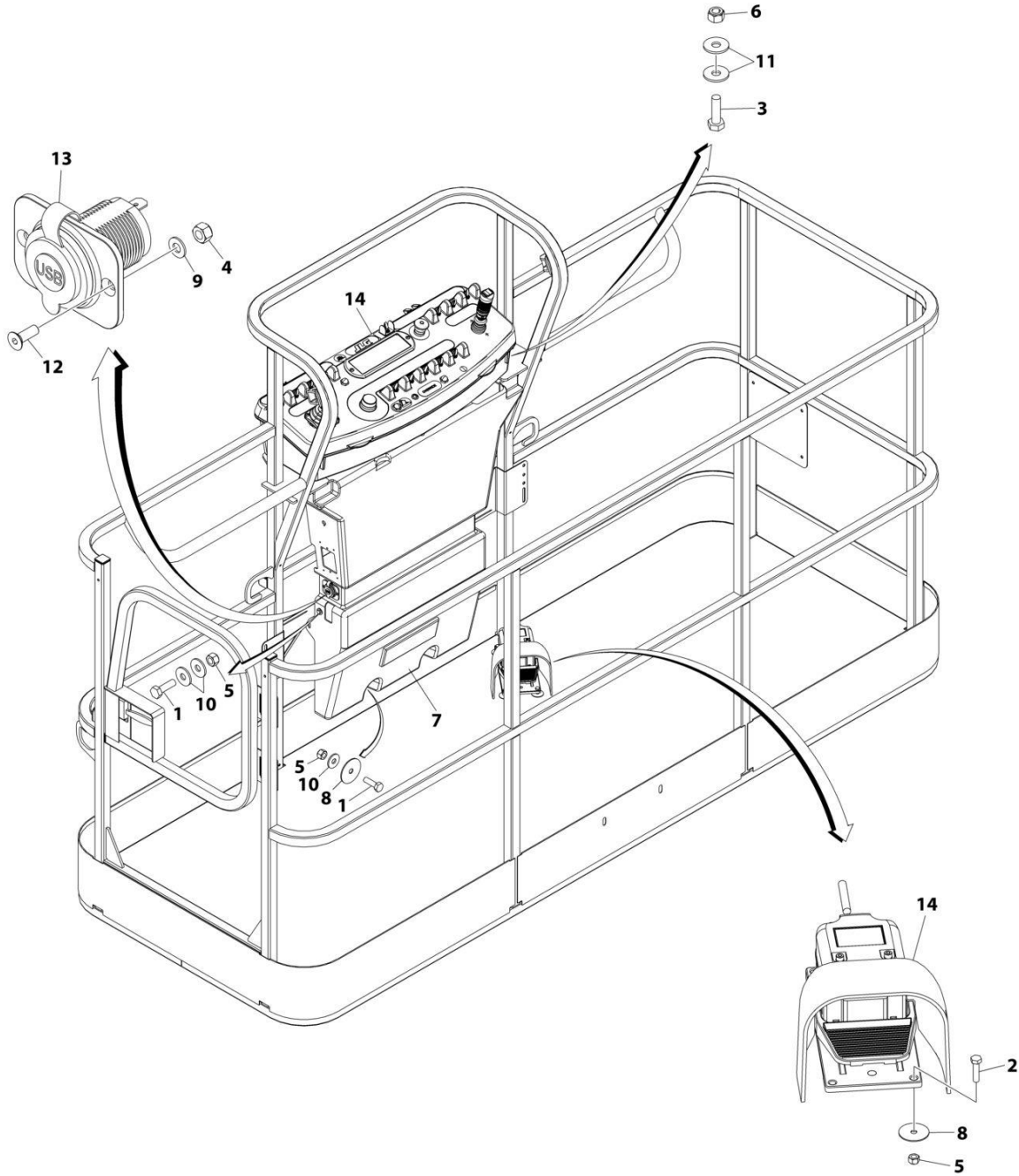
## SECTION 5 - PLATFORM

**FIGURE 5-19. CONSOLE BOX AND FOOTSWITCH INSTALLATION - WITH SKYGUARD (SN 0300000100 through 0300259280)**

ITEM	PART NUMBER	QTY	DESCRIPTION	REV
	1001197309	Ref	CONSOLE BOX AND FOOTSWITCH INSTALLATION - WITH SKYGUARD	F
1	0760610	4	Bolt M6 x 20	
2	0760612	4	Bolt M6 x 25	
3	0761015	4	Bolt M10 x 35	
4	3290605	8	Nut M6	
5	3291005	4	Nut M10	
6	3380434	1	Panel	
7	4740362	6	Washer	
8	4811702	6	Washer M6	
9	4812000	8	Washer M10	
9	4812002	8	Washer M10	
10	1001199480	NLA	Platform Console Assembly - With SkyGuard (Use p/n 1001244455) (See PLATFORM CONSOLE ASSEMBLY - WITH SKYGUARD for Breakdown)	
11	3290405	2	Nut M4	
12	1001210636	1	Receptacle	
13	4811400	2	Washer M4	
14	1001097244	2	Screw M4 x 12	

# SECTION 5 - PLATFORM

FIGURE 5-20. CONSOLE BOX AND FOOTSWITCH INSTALLATION - WITH SKYGUARD (SN 0300259280 through 0300271437)



ART\_1001244457

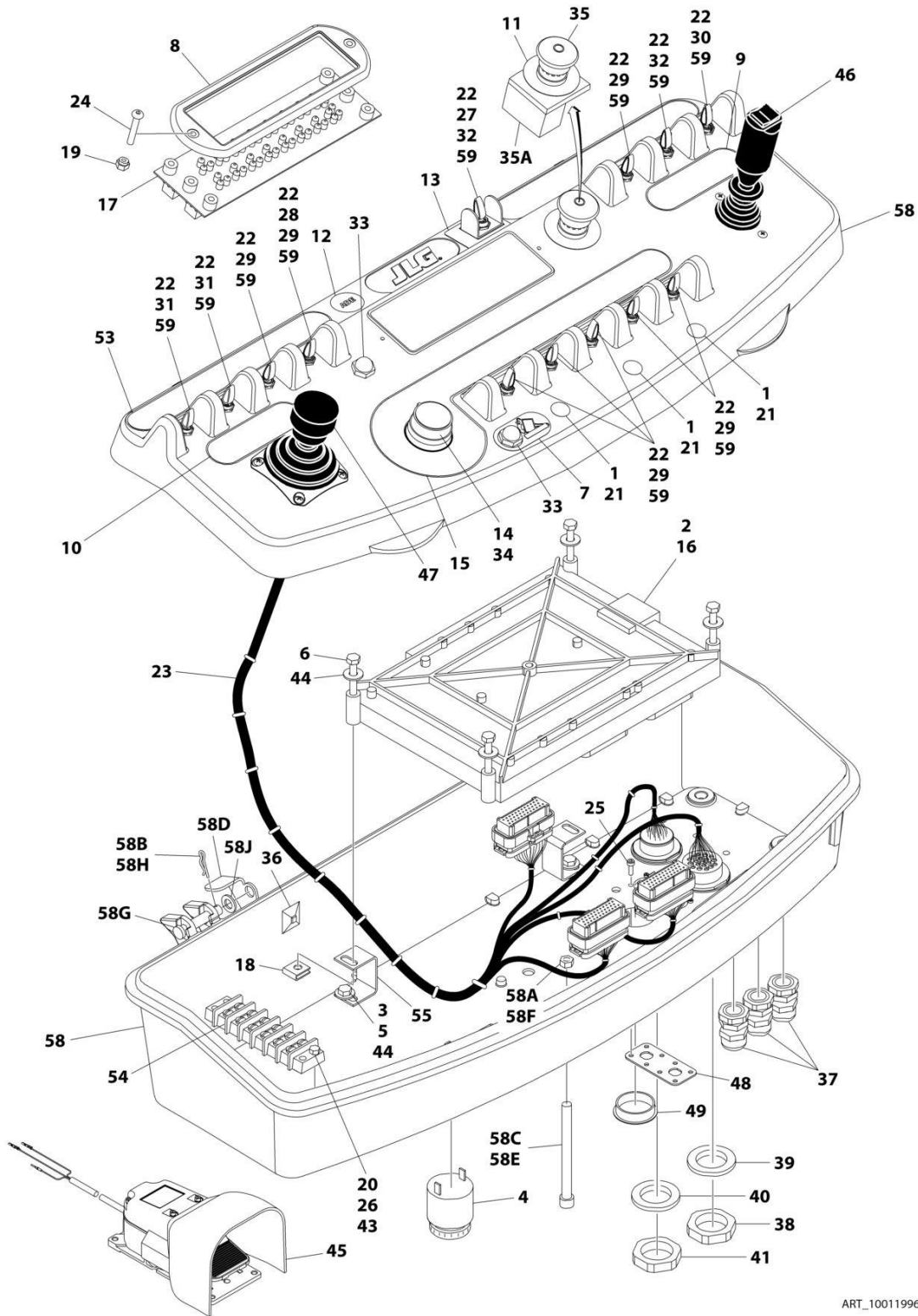
## SECTION 5 - PLATFORM

**FIGURE 5-20. CONSOLE BOX AND FOOTSWITCH INSTALLATION - WITH SKYGUARD (SN 0300259280 through 0300271437)**

ITEM	PART NUMBER	QTY	DESCRIPTION	REV
	1001244457	Ref	CONSOLE BOX AND FOOTSWITCH INSTALLATION - WITH SKYGUARD	A
1	0760610	4	Bolt M6 x 20	
2	0760612	4	Bolt M6 x 25	
3	0761015	4	Bolt M10 x 35	
4	3290405	2	Nut M4	
5	3290605	8	Nut M6	
6	3291005	4	Nut M10	
7	3380434	1	Panel	
8	4740362	6	Washer	
9	4811400	2	Washer M4	
10	4811702	6	Washer M6	
11	4812002	8	Washer M10	
12	1001097244	2	Screw M4 x 12	
13	1001210636	1	Receptacle	
14	1001244455	1	Platform Console Assembly - With SkyGuard (See PLATFORM CONSOLE ASSEMBLY - WITH SKYGUARD for Breakdown)	

# SECTION 5 - PLATFORM

## FIGURE 5-21. PLATFORM CONSOLE ASSEMBLY - WITHOUT SKYGUARD (SN 0300000100 through 0300226999)



ART\_1001199638



## SECTION 5 - PLATFORM

**FIGURE 5-21. PLATFORM CONSOLE ASSEMBLY - WITHOUT SKYGUARD (SN 0300000100 through 0300226999)**

ITEM	PART NUMBER	QTY	DESCRIPTION	REV
	1001199638	Ref	PLATFORM CONSOLE ASSEMBLY - WITHOUT SKYGUARD	J
1	0100009	AR	Sealant	
2	0100048	AR	Grease, Dielectric	
3	0100081	AR	Adhesive	
4	0140011	1	Alarm	
5	0641404	4	Bolt 1/4 x 1/2	
6	0641414	4	Bolt 1/4 x 1-3/4	
7	1705171	1	Decal - Jib Stow	
8	1671176	1	Bezel	
9	1702565	1	Decal - Drive and Steer	
10	1702566	1	Decal - Lift and Swing	
11	1704260	1	Decal - EMS	
12	1705132	1	Decal - Control ADE	
13	1706741	1	Decal - Boom Control Select	
14	2560136	1	Handle, Knob	
15	1705745	1	Decal - Function Speed	
16	1001199483	1	Module, Platform (Note: Re-calibration Required when Replaced)	
17	2920154	1	Gauge, LED	
18	3300353	4	Nut, Tinnerman	
19	3300408	2	Nut	
20	3311005	2	Nut #10	
21	3520026	3	Plug, Hole	
22	3790012	13	O-Ring	
23	1001199637	NLA	Platform Console Harness (See ELECTRICAL SECTION for Breakdown) (Note: Use p/n 1001196681) <b>(SN 0300000100 through 0300223782)</b>	
23	1001196681	1	Platform Console Harness (See ELECTRICAL SECTION for Breakdown) <b>(SN 0300223782 through 0300271437)</b>	
24	3900183	2	Screw #10 x 1-1/4	
25	3900349	8	Capscrew M2.5	
26	3931012	2	Capscrew #10 x 3/4	
27	4060906	1	Guard, Switch	
28	4071074	1	Shim	
29	1001155045	8	Switch, Toggle	
30	1001159256	1	Switch, Toggle	
31	1001161709	2	Switch, Toggle	
32	1001161710	2	Switch, Toggle	
33	4360387	2	Switch, Push Button	
34	4360407	1	Controller, Speed	
34	4460224	1	Receptacle, Female - 6 Position	
34	4460226	1	Socket, Female	
34	See Note	1	Gasket "Top Hat" (Included with Switch) (Note: Not Available - Purchase Complete Controller)	
34	70003784	1	Seal	
35	4360475	1	Switch, Emergency Stop	
35	7020175	1	Cap, Red	
35A	7020176	1	Contact Block	
36	4460234	3	Base, Mounting	
37	4460428	3	Connector, Strain Relief	
38	4460470	1	Nut, Terminal	

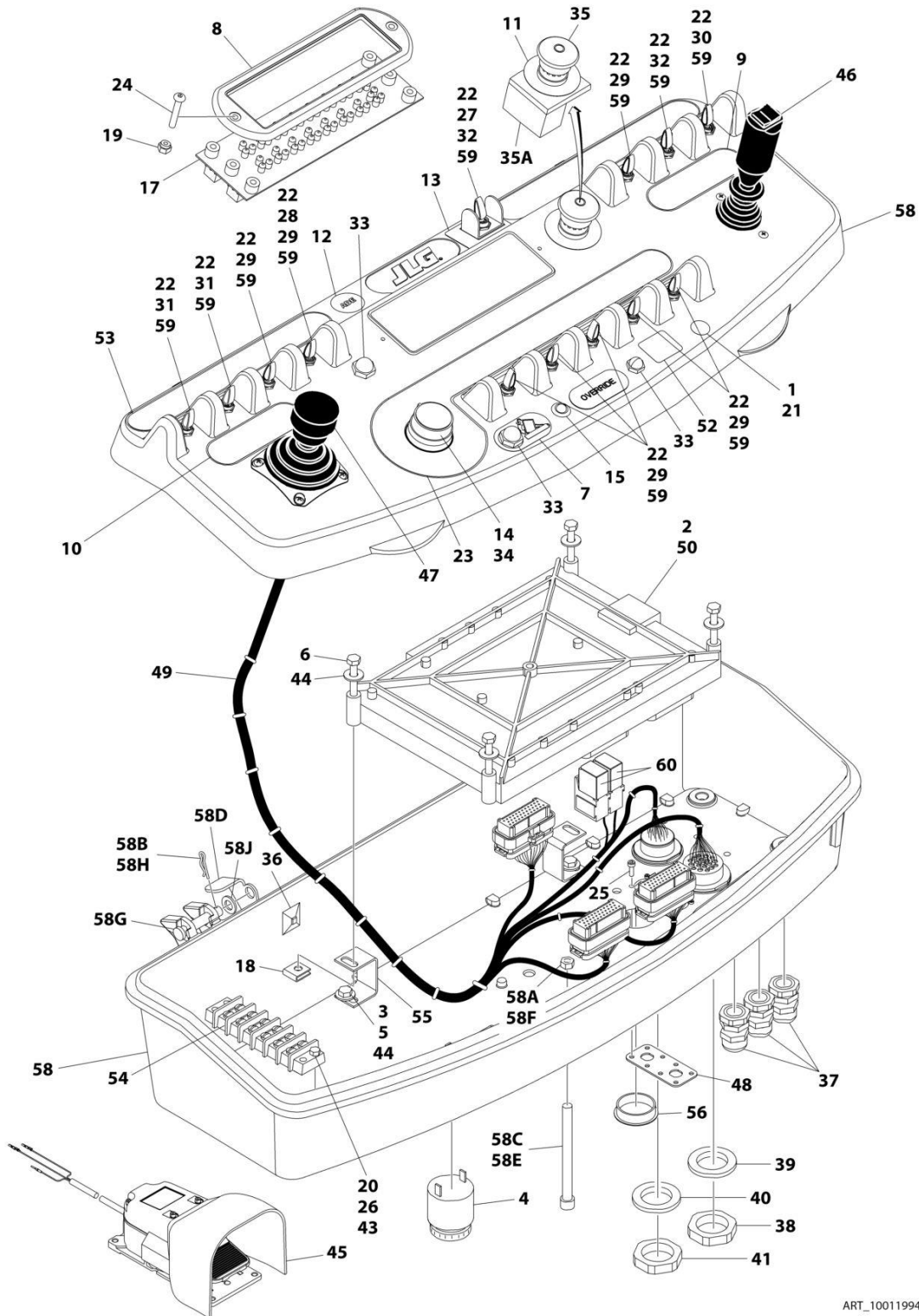
## SECTION 5 - PLATFORM

ITEM	PART NUMBER	QTY	DESCRIPTION	REV
39	4460471	1	Washer, Terminal	
40	4460496	1	Washer, Terminal	
41	4460497	1	Nut, Terminal	
42	4460905	5	Plug, Terminal (Not Shown)	
43	4751000	2	Washer #10	
44	4751400	8	Washer 1/4	
45	1001117174	1	Footswitch Assembly (See FOOTSWITCH ASSEMBLY for Breakdown)	
46	1001166538	NLA	Controller Assembly (Drive and Steer) (Use p/n 1001212415) (See CONTROLLER ASSEMBLY (DRIVE AND STEER) for Breakdown)	
47	1001166539	NLA	Controller Assembly (Lift and Swing) (Use p/n 1001129555) (See CONTROLLER ASSEMBLY (LIFT AND SWING) for Breakdown)	
48	1001120338	1	Mount, Connector <b>(SN 0300000100 through 0300218237)</b>	
48	1001213882	1	Mount, Connector <b>(SN 0300218237 through 0300271437)</b>	
49	3520035	1	Plug	
53	1001156926	1	Decal - Horn	
54	1001157292	1	Bar, Buss	
55	1001172760	4	Bracket	
58	1001190104	1	Box, Console <b>(SN 0300000100 through 0300223782)</b>	
58A	3311601	1	Nut 3/8	
58B	3470003	2	Pin	
58C	0630568	1	Screw 3/8 x 4-1/2	
58D	1001200575	2	Bracket, Stop	
58	1001201889	1	Box, Console <b>(SN 0300223782 through 0300271437)</b>	
58E	0630568	1	Screw 3/8 x 4-1/2	
58F	3311601	1	Nut 3/8	
58G	3430616	2	Pin	
58H	3470003	2	Pin	
58J	4711600	2	Washer 3/8	
59	1001155044	13	Nut 15/32	



# SECTION 5 - PLATFORM

FIGURE 5-22. PLATFORM CONSOLE ASSEMBLY - WITH SKYGUARD (SN 030000100 through 0300259280)



ART\_1001199480

## SECTION 5 - PLATFORM

**FIGURE 5-22. PLATFORM CONSOLE ASSEMBLY - WITH SKYGUARD (SN 0300000100 through 0300259280)**

ITEM	PART NUMBER	QTY	DESCRIPTION	REV
	1001199480	Ref	PLATFORM CONSOLE ASSEMBLY - WITH SKYGUARD	L
1	0100009	AR	Sealant	
2	0100048	AR	Grease, Dielectric	
3	0100081	AR	Adhesive	
4	0140011	1	Alarm	
5	0641404	4	Bolt 1/4 x 1/2	
6	0641414	4	Bolt 1/4 x 1-3/4	
7	1705171	1	Decal - Jib Stow	
8	1671176	1	Bezel	
9	1702565	1	Decal - Drive and Steer	
10	1702566	1	Decal - Lift and Swing	
11	1704260	1	Decal - EMS	
12	1705132	1	Decal - Control ADE	
13	1706741	1	Decal - Boom Control Select	
14	2560136	1	Handle, Knob	
15	1001206532	1	Lamp, Indicator	
17	2920154	1	Gauge, LED	
18	3300353	4	Nut, Tinnerman	
19	3300408	2	Nut	
20	3311005	2	Nut #10	
21	3520026	1	Plug	
22	3790012	13	O-Ring	
23	1705745	1	Decal - Function Speed	
24	3900183	2	Screw #10 x 1-1/4	
25	3900349	8	Capscrew M2.5	
26	3931012	2	Capscrew #10 x 3/4	
27	4060906	1	Guard, Switch	
28	4071074	1	Shim	
29	1001155045	8	Switch, Toggle	
30	1001159256	1	Switch, Toggle	
31	1001161709	2	Switch, Toggle	
32	1001161710	2	Switch, Toggle	
33	4360387	3	Switch, Push Button	
34	4360407	1	Controller, Speed	
34	4460224	1	Receptacle, Female - 6 Position	
34	4460226	1	Socket, Female	
34	See Note	1	Gasket "Top Hat" (Included with Switch) (Note: Not Available - Purchase Complete Controller.)	
34	70003784	1	Seal	
35	4360475	1	Switch, Emergency Stop	
35	7020175	1	Cap, Red	
35A	7020176	1	Contact Block	
36	4460234	3	Base, Mounting	
37	4460428	3	Connector, Strain Relief	
38	4460470	1	Nut, Terminal	
39	4460471	1	Washer, Terminal	
40	4460496	1	Washer, Terminal	
41	4460497	1	Nut, Terminal	
42	4460905	5	Plug, Terminal (Not Shown)	

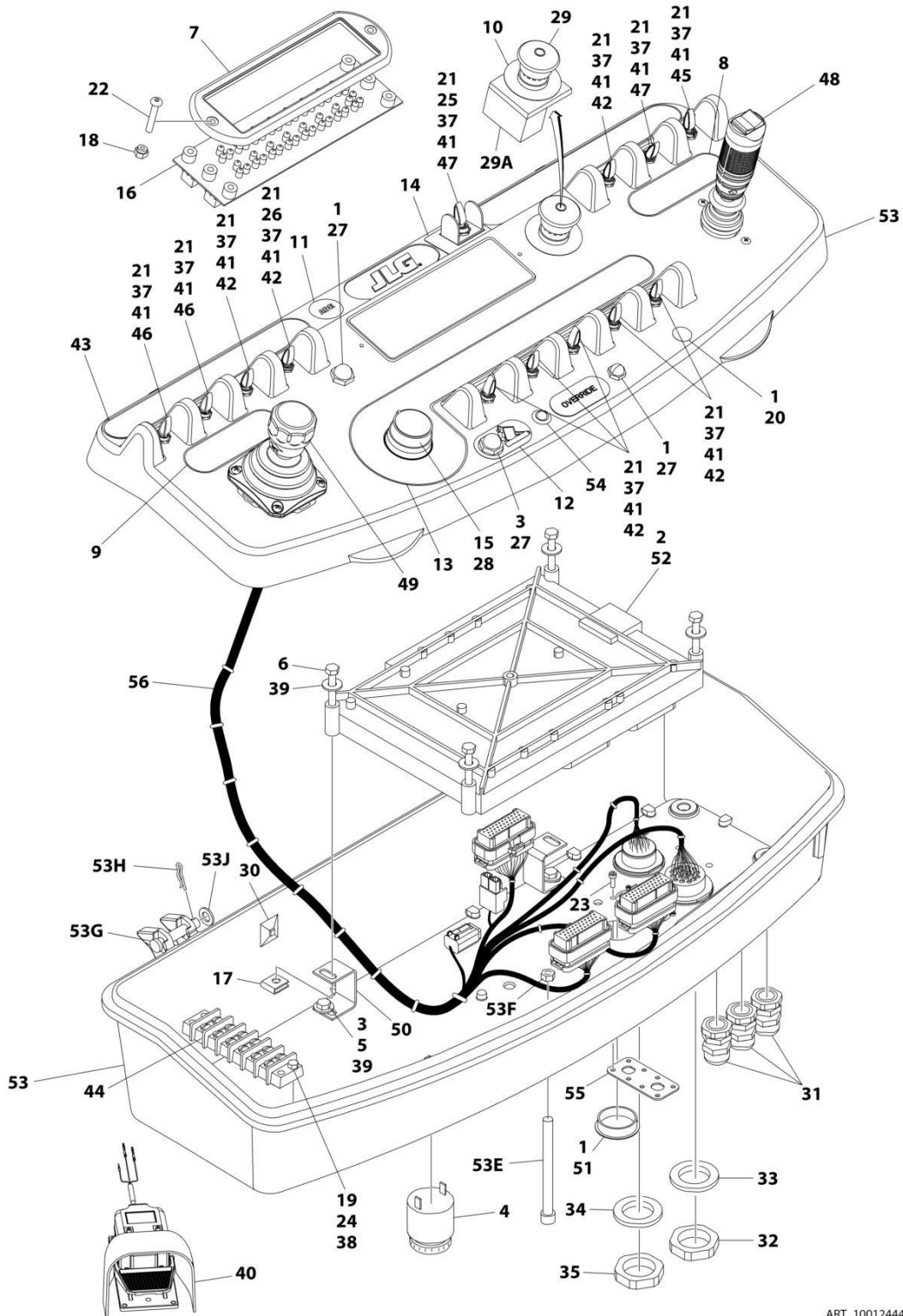
## SECTION 5 - PLATFORM

ITEM	PART NUMBER	QTY	DESCRIPTION	REV
43	4751000	2	Washer #10	
44	4751400	8	Washer 1/4	
45	1001117174	1	Footswitch Assembly (See FOOTSWITCH ASSEMBLY for Breakdown)	
46	1001166538	NLA	Controller Assembly (Drive and Steer) (Use p/n 1001212415) (See CONTROLLER ASSEMBLY (DRIVE AND STEER) for Breakdown)	
47	1001166539	NLA	Controller Assembly (Lift and Swing) (Use p/n 1001129555) (See CONTROLLER ASSEMBLY (LIFT AND SWING) for Breakdown)	
48	1001120338	1	Mount, Connector <b>(SN 0300000100 through 0300218237)</b>	
48	1001213882	1	Mount, Connector <b>(SN 0300218237 through 0300271437)</b>	
49	1001196681	1	Platform Console Harness (See ELECTRICAL SECTION for Breakdown)	
50	1001199483	1	Module, Platform (Note: Re-calibration Required when Replaced)	
52	1001144433	1	Decal - No Weight SkyGuard	
53	1001156926	1	Decal - Horn	
54	1001157292	1	Bar, Buss	
55	1001172760	4	Bracket	
56	1001185281	1	Plug	
58	1001190104	1	Box, Console <b>(SN 0300000100 through 0300223782)</b>	
58A	3311601	1	Nut 3/8	
58B	3470003	2	Pin	
58C	0630568	1	Screw 3/8 x 4-1/2	
58D	1001200575	2	Bracket, Stop	
58	1001201889	1	Box, Console <b>(SN 0300223782 through 0300271437)</b>	
58E	0630568	1	Screw 3/8 x 4-1/2	
58F	3311601	1	Nut 3/8	
58G	3430616	2	Pin	
58H	3470003	2	Pin	
58J	4711600	2	Washer 3/8	
59	1001155044	13	Nut 15/32	
60	1001186431	2	Relay, 35 Amp <b>(SN 0300223782 through 0300271437)</b>	



# SECTION 5 - PLATFORM

FIGURE 5-23. PLATFORM CONSOLE ASSEMBLY - WITH SKYGUARD (SN 0300259280 through 0300271437)



ART\_1001244455



## SECTION 5 - PLATFORM

**FIGURE 5-23. PLATFORM CONSOLE ASSEMBLY - WITH SKYGUARD (SN 0300259280 through 0300271437)**

ITEM	PART NUMBER	QTY	DESCRIPTION	REV
	1001244455	Ref	PLATFORM CONSOLE ASSEMBLY - WITH SKYGUARD	A
1	0100009	AR	Sealant	
2	0100048	AR	Grease, Dielectric	
3	0100035	AR	Compound, Locking	
4	0140011	1	Alarm	
5	0641404	4	Bolt 1/4 x 1/2	
6	0641414	4	Bolt 1/4 x 1-3/4	
7	1671176	1	Bezel	
8	1702565	1	Decal - Drive and Steer	
9	1702566	1	Decal - Lift and Swing	
10	1704260	1	Decal - EMS	
11	1705132	1	Decal - Control ADE	
12	1705171	1	Decal - Jib Stow	
13	1705745	1	Decal - Function Speed	
14	1706741	1	Decal - Boom Control Select	
15	2560136	1	Handle, Knob	
16	2920154	1	Gauge, LED	
17	3300353	4	Nut, Tinnerman	
18	3300408	2	Nut	
19	3311005	2	Nut #10	
20	3520026	1	Plug	
21	3790012	13	O-Ring	
22	3900183	2	Screw #10 x 1-1/4	
23	3900349	8	Capscrew M2.5	
24	3931012	2	Capscrew #10 x 3/4	
25	4060906	1	Guard, Switch	
26	4071074	1	Shim	
27	4360387	3	Switch, Push Button	
28	4360407	1	Controller, Speed	
28	4460224	1	Receptacle, Female - 6 Position	
28	4460226	1	Socket, Female	
28	See Note	1	Gasket "Top Hat" (Included with Switch) (Note: Not Available - Purchase Complete Controller.)	
28	70003784	1	Seal	
29	4360475	1	Switch, Emergency Stop	
29	7020175	1	Cap, Red	
29A	7020176	1	Contact Block	
30	4460234	3	Base, Mounting	
31	4460428	3	Connector, Strain Relief	
32	4460470	1	Nut, Terminal	
33	4460471	1	Washer, Terminal	
34	4460496	1	Washer, Terminal	
35	4460497	1	Nut, Terminal	
36	4460905	5	Plug, Terminal (Not Shown)	
37	4740397	13	Spacer	
38	4751000	2	Washer #10	
39	4751400	8	Washer 1/4	
40	1001117174	1	Footswitch Assembly (See FOOTSWITCH ASSEMBLY for Breakdown)	

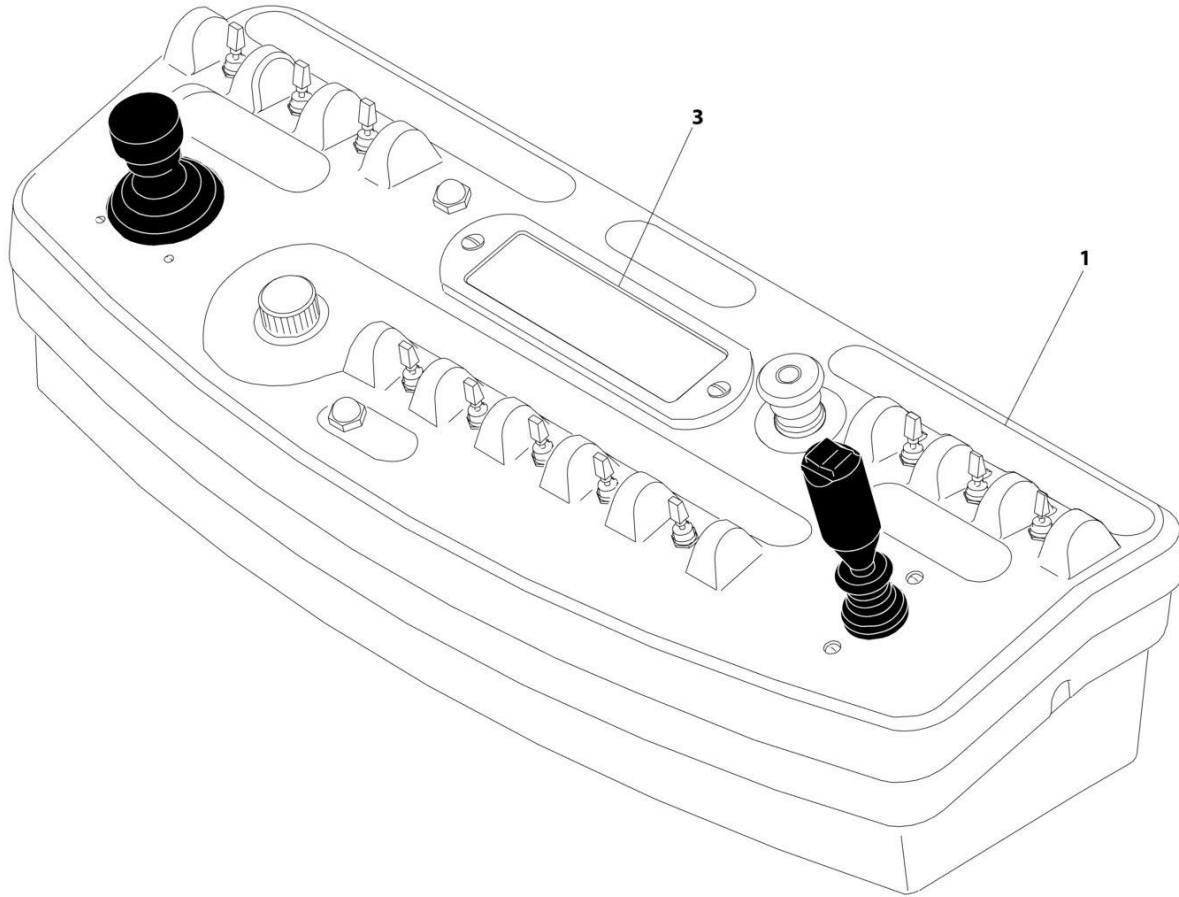
## SECTION 5 - PLATFORM

ITEM	PART NUMBER	QTY	DESCRIPTION	REV
41	1001155044	13	Nut 15/32	
42	1001155045	8	Switch, Toggle	
43	1001156926	1	Decal - Horn	
44	1001157292	1	Bar, Buss	
45	1001159256	1	Switch, Toggle	
46	1001161709	2	Switch, Toggle	
47	1001161710	2	Switch, Toggle	
48	1001166538	NLA	Controller Assembly (Drive and Steer) (Use p/n 1001212415) (See CONTROLLER ASSEMBLY (DRIVE AND STEER) for Breakdown)	
49	1001166539	NLA	Controller Assembly (Lift and Swing) (Use p/n 1001129555) (See CONTROLLER ASSEMBLY (LIFT AND SWING) for Breakdown)	
50	1001172760	4	Bracket	
51	1001185281	1	Plug	
52	1001199483	1	Module, Platform (Note: Re-calibration Required when Replaced)	
53	1001201889	1	Box, Console	
53E	0630568	1	Screw 3/8 x 4-1/2	
53F	3311601	1	Nut 3/8	
53G	3430616	2	Pin	
53H	3470003	2	Pin	
53J	4711600	2	Washer 3/8	
54	1001206532	1	Lamp, Indicator	
55	1001213882	1	Mount, Connector	
56	1001243670	1	Platform Console Harness (See ELECTRICAL SECTION for Breakdown)	



## SECTION 5 - PLATFORM

FIGURE 5-24. DECAL AND LIGHT PANEL INSTALLATION (ALL SPECS EXCEPT AUSTRALIAN AND CE SPECS)



ART\_1001197464\_20F2

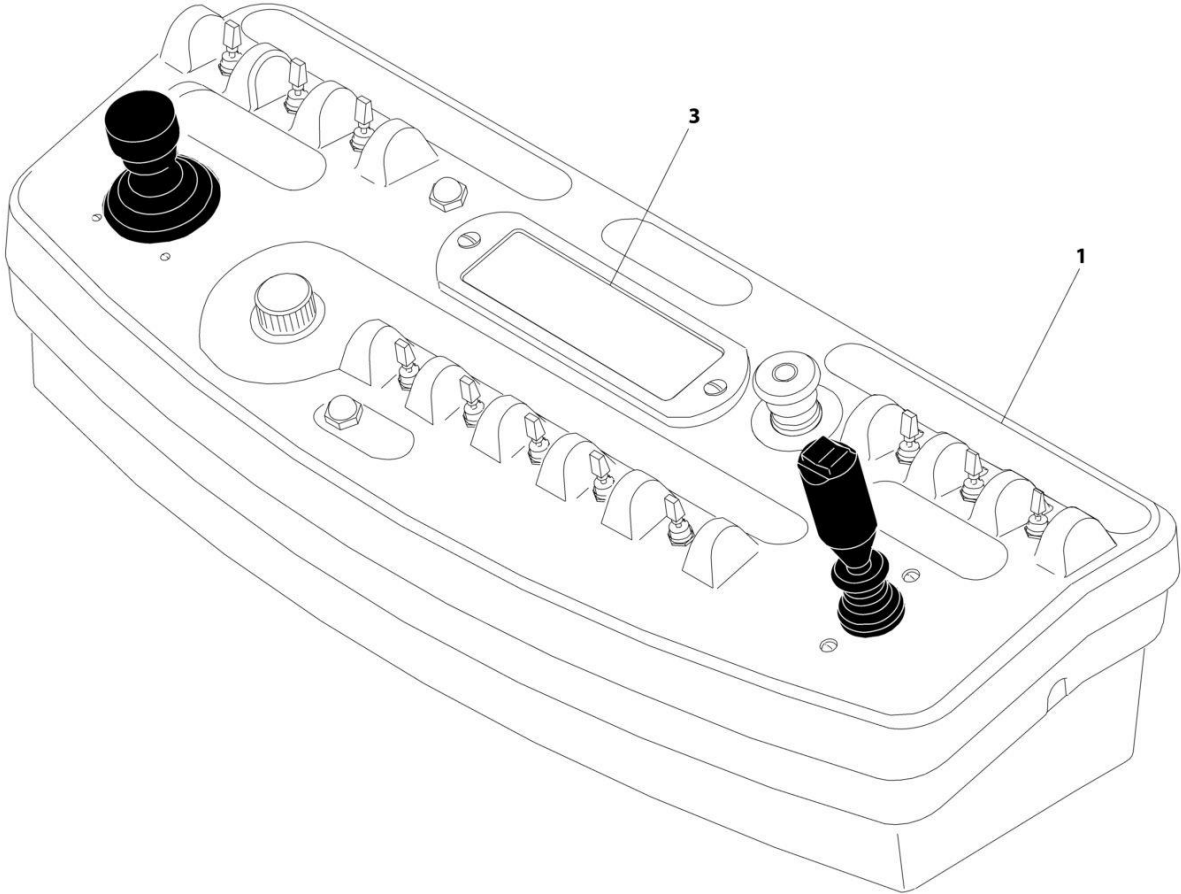
## SECTION 5 - PLATFORM

**FIGURE 5-24. DECAL AND LIGHT PANEL INSTALLATION (ALL SPECS EXCEPT AUSTRALIAN AND CE SPECS)**

ITEM	PART NUMBER	QTY	DESCRIPTION	REV
	1001197464	Ref	DECAL AND LIGHT PANEL INSTALLATION (ALL SPECS EXCEPT AUSTRALIAN AND CE SPECS)	A
1	1001195947	1	Decal - Stop	
3	1001199922	1	Decal - Display	

**SECTION 5 - PLATFORM**

**FIGURE 5-25. DECAL AND LIGHT PANEL INSTALLATION (AUSTRALIAN AND CE SPECS)**



ART\_1001197465\_2OF2

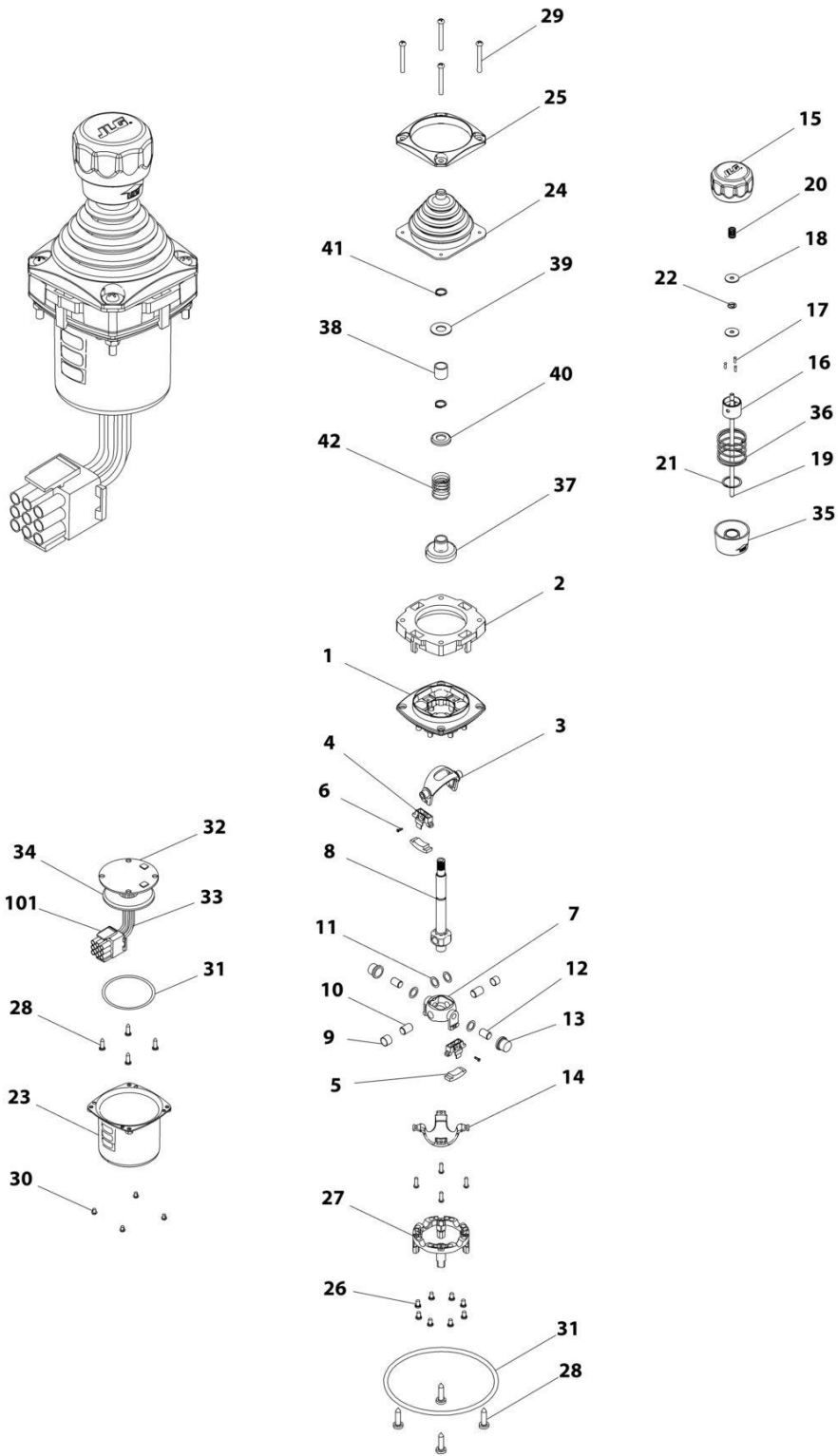
## SECTION 5 - PLATFORM

**FIGURE 5-25. DECAL AND LIGHT PANEL INSTALLATION (AUSTRALIAN AND CE SPECS)**

ITEM	PART NUMBER	QTY	DESCRIPTION	REV
	1001197465	Ref	DECAL AND LIGHT PANEL INSTALLATION (AUSTRALIAN AND CE SPECS)	A
1	1001184619	1	Decal - Stop	
3	1001199919	1	Decal - Display	

# SECTION 5 - PLATFORM

## FIGURE 5-26. CONTROLLER ASSEMBLY (LIFT AND SWING)



ART\_1001166539



## SECTION 5 - PLATFORM

**FIGURE 5-26. CONTROLLER ASSEMBLY (LIFT AND SWING)**

ITEM	PART NUMBER	QTY	DESCRIPTION	REV
	1001166539	Ref	CONTROLLER ASSEMBLY (LIFT AND SWING)	D
		Ref	Note: Use p/n 1001129555 as Replacement.	
1	See Note	NSS	Main Cast Body (Note: Not Available - Purchase Complete Assembly)	
2	70004752	1	Adapter	
3	See Note	NSS	Pivot Arm, Plastic (Note: Not Available - Purchase Complete Assembly)	
4	See Note	NSS	Holder, Magnet (Note: Not Available - Purchase Complete Assembly)	
5	See Note	NSS	Arc, Magnet (Note: Not Available - Purchase Complete Assembly)	
6	See Note	NSS	Screw (Note: Not Available for Purchase)	
7	See Note	NSS	Pivot Arm, Cast (Note: Not Available - Purchase Complete Assembly)	
8	See Note	NSS	Shaft, Main (Note: Not Available - Purchase Complete Assembly)	
9	See Note	NSS	Bearing (Note: Not Available - Purchase Complete Assembly)	
10	See Note	NSS	Pin (Note: Not Available - Purchase Complete Assembly)	
11	See Note	NSS	Shim (Note: Not Available - Purchase Complete Assembly)	
12	See Note	NSS	Pin (Note: Not Available - Purchase Complete Assembly)	
13	See Note	NSS	Bearing (Note: Not Available - Purchase Complete Assembly)	
14	See Note	NSS	Dome, Centering (Note: Not Available - Purchase Complete Assembly)	
15	70004753	1	Cap	
16	70004754	1	Insert, Cap	
17	70004755	3	Pin	
18	70004756	2	Washer	
19	70004757	1	Pin, Centering	
20	70004758	1	Spring	
21	70004759	1	Ring, Retaining	
22	70004760	1	E-Ring	
23	70004761	1	Can, Enclosure	
24	70004762	1	Boot	
25	70004763	1	Bezel	
26	See Note	NSS	Screw (Note: Not Available for Purchase)	
27	See Note	NSS	Base Mounting (Note: Not Available - Purchase Complete Assembly)	
28	See Note	NSS	Screw (Note: Not Available for Purchase)	
29	70004764	4	Screw	
30	70004765	4	Screw	
31	70004766	1	O-Ring	
32	See Note	NSS	Plate (Note: Not Available - Purchase Complete Assembly)	
33	See Note	NSS	Harness (Note: Not Available - Purchase Complete Assembly)	
34	70004767	1	Grommet, Rubber	
35	70004768	1	Housing	
36	70004769	1	Spring	
37	70004770	1	Stopper	
38	70004771	1	Spacer	
39	70004772	1	Washer	
40	70004773	1	Disc	
41	70004774	2	Ring, Retaining	
42	70004775	1	Spring	

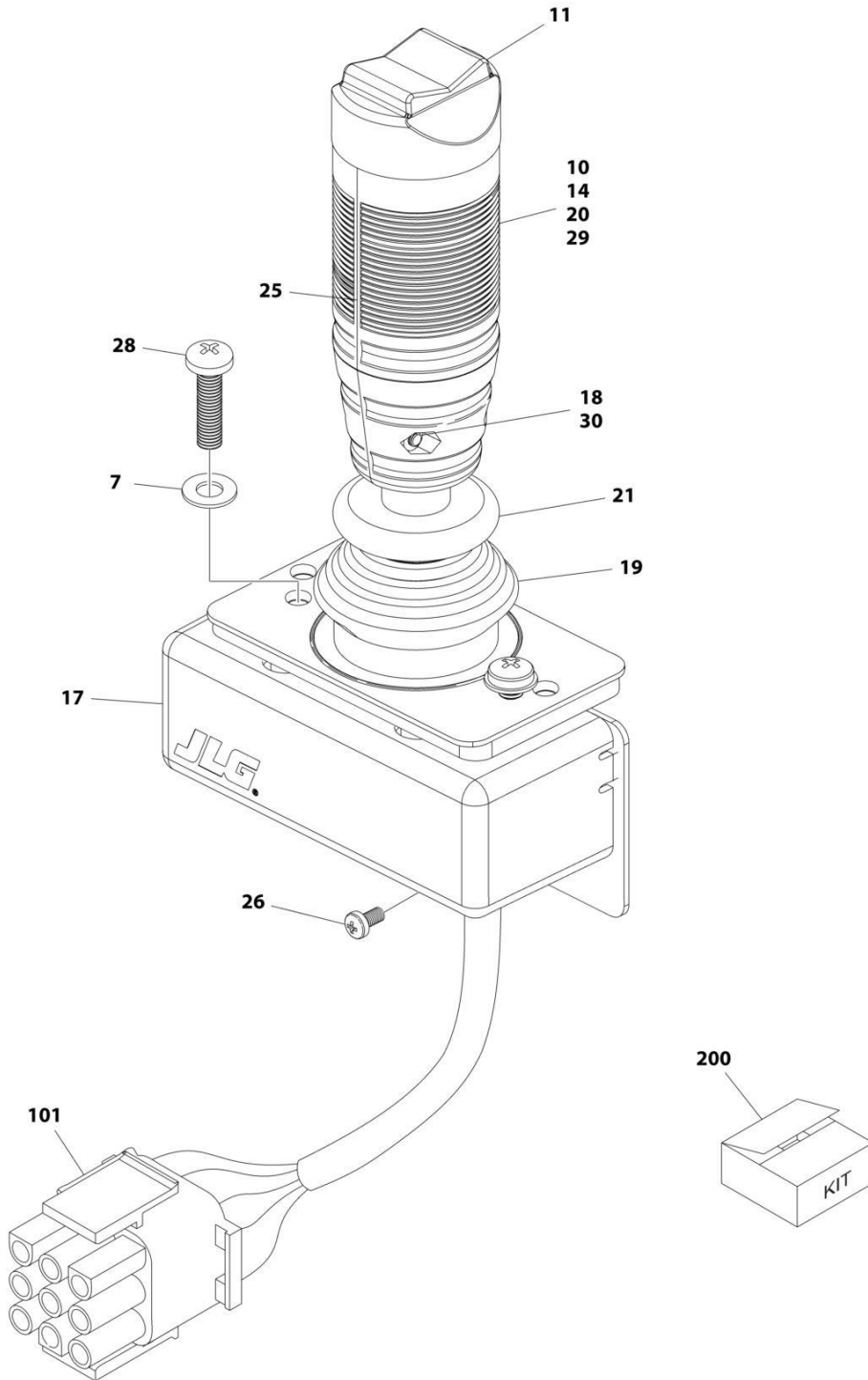
## SECTION 5 - PLATFORM

ITEM	PART NUMBER	QTY	DESCRIPTION	REV
101	4460265	1	Connector - 9 Position	
101	4460226	6	Socket, Female	



# SECTION 5 - PLATFORM

## FIGURE 5-27. CONTROLLER ASSEMBLY (DRIVE AND STEER)



ART\_1001166538

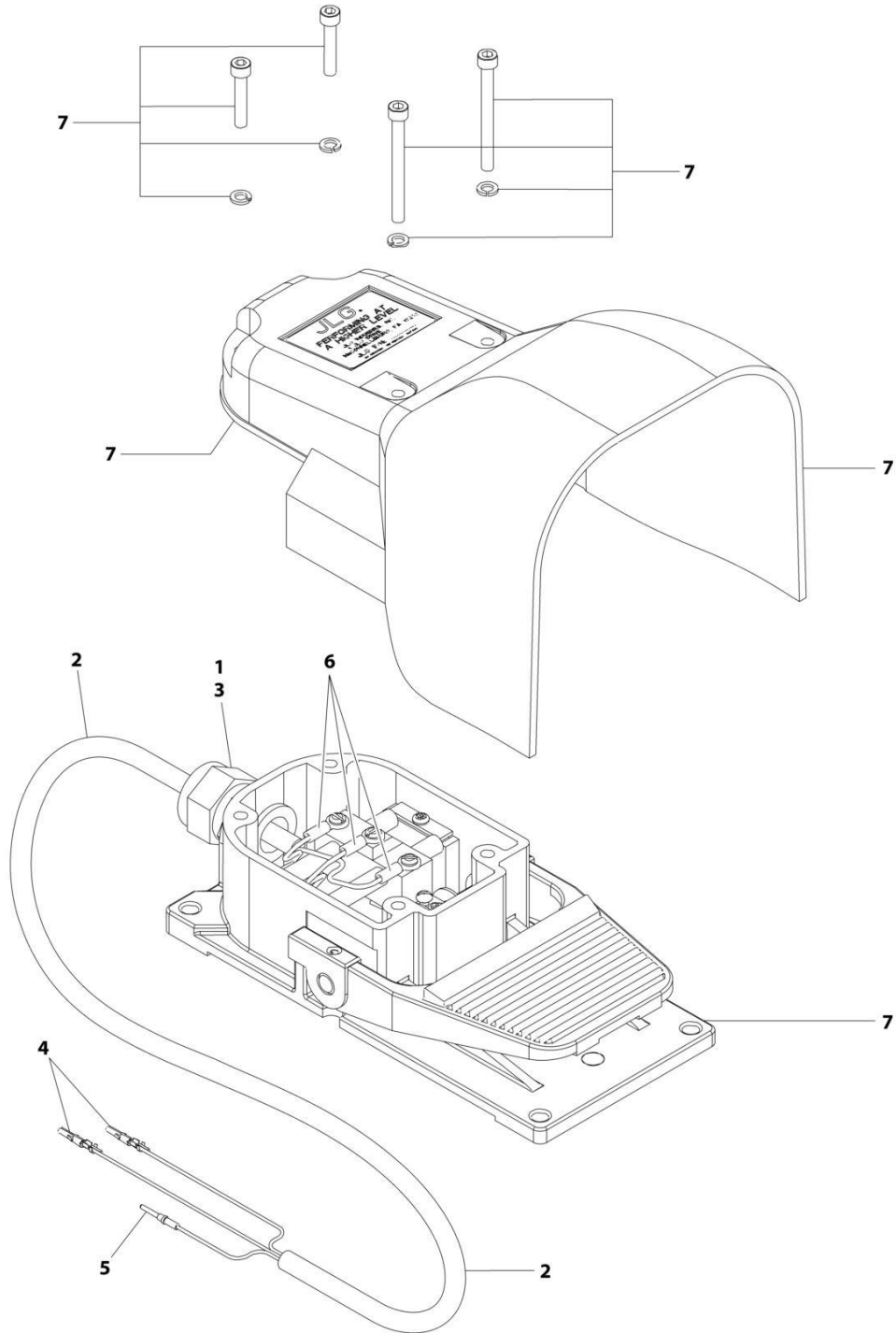
## SECTION 5 - PLATFORM

**FIGURE 5-27. CONTROLLER ASSEMBLY (DRIVE AND STEER)**

ITEM	PART NUMBER	QTY	DESCRIPTION	REV
	1001166538	Ref	CONTROLLER ASSEMBLY (DRIVE AND STEER)	G
		Ref	Note : Use p/n 1001212415 Kit as Replacement.	
7	70004738	2	Washer	
10	70004739	1	Roller	
11	70004740	1	Boot, Switch	
14	70004741	2	Half, Handle	
17	70004742	1	Enclosure	
18	70004743	4	Nut	
19	70004744	NLA	Boot, Controller (Note: Use Item 200)	
20	70004745	NLA	Tube, Locking (Note: Use Item 200)	
21	70004746	NLA	Disc, Locking (Note: Use Item 200)	
25	70004747	2	Seal, Rope	
26	70004748	1	Screw M3 x 6	
28	70004749	2	Screw M5 x 20	
29	70004750	1	Pin, Dowel	
30	70004751	4	Screw M3 x 16	
101	4460265	1	Connector - 9 Position	
101	4460226	7	Socket, Female	
200	70005230	1	Boot Kit (Includes Items 19-21)	

# SECTION 5 - PLATFORM

## FIGURE 5-28. FOOTSWITCH ASSEMBLY



ART\_100117174

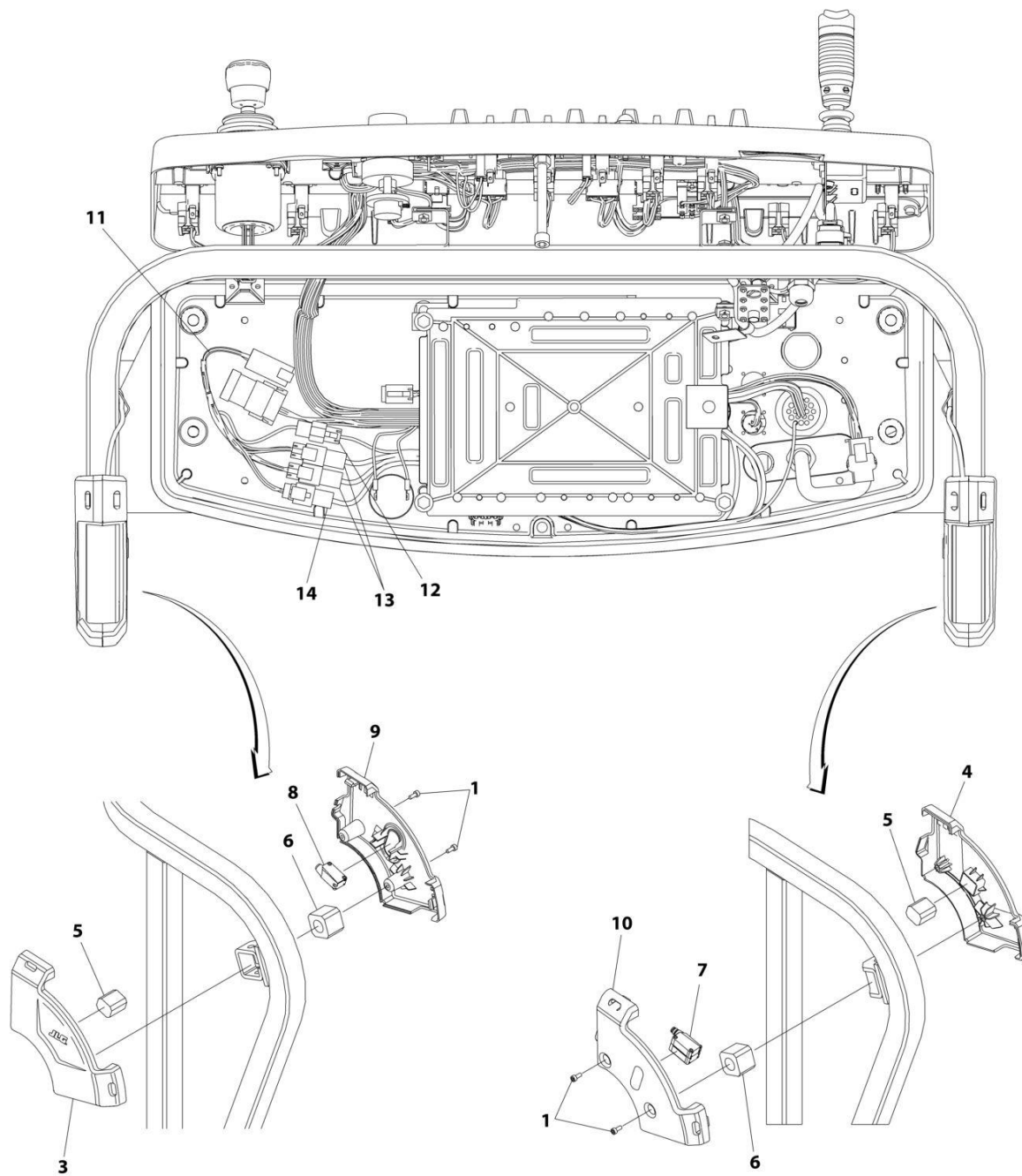
## SECTION 5 - PLATFORM

**FIGURE 5-28. FOOTSWITCH ASSEMBLY**

ITEM	PART NUMBER	QTY	DESCRIPTION	REV
	1001117174	Ref	FOOTSWITCH ASSEMBLY	B
1	0100020	AR	Sealant	
2	1060918	7.5 ft /2.3m	Cable, Electrical - 18/3	
3	4460071	1	Connector, Strain Relief	
4	4460226	2	Socket, Female	
5	4460464	1	Pin, Male	
6	1001098122	3	Terminal	
7	1001117172	1	Footswitch	
7	70002902	1	Switch, 20A	
7	70002903	1	Gasket	
7	70002904	1	Replacement Bolt Kit	
7	70002905	1	Cover	

# SECTION 5 - PLATFORM

## FIGURE 5-29. SKYEYE INSTALLATION



ART\_1001229341



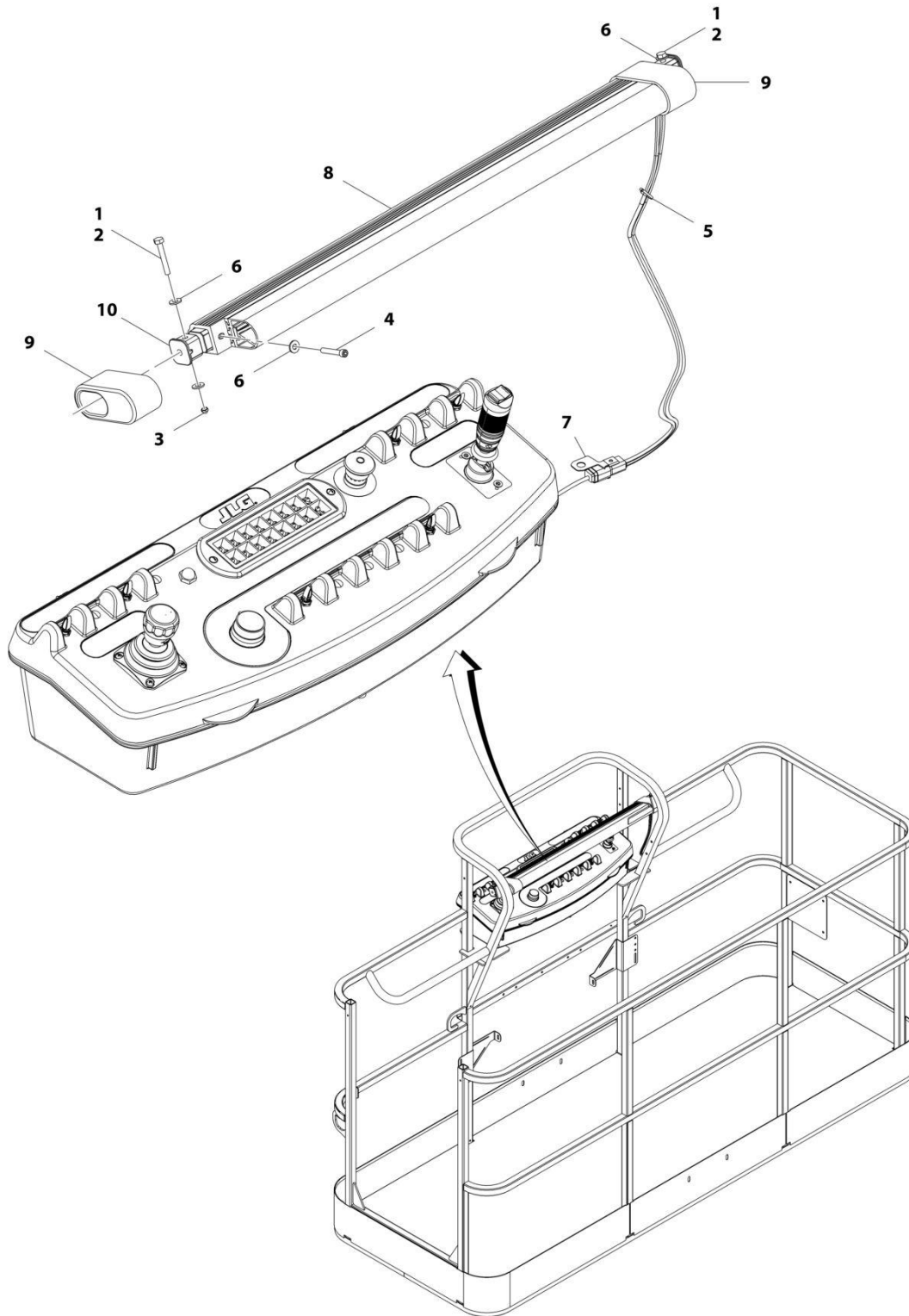
## SECTION 5 - PLATFORM

### FIGURE 5-29. SKYEYE INSTALLATION

ITEM	PART NUMBER	QTY	DESCRIPTION	REV
	1001229341	Ref	SKYEYE INSTALLATION	B
1	4031505	4	Bolt M4 x 10	
2	4240033	AR	Tie-Strap (Not Shown)	
3	1001227633	1	Housing, LH Outer	
4	1001227634	1	Housing, RH Outer	
5	1001227985	2	Shim	
6	1001227987	2	Shim	
7	1001228224	2	Sensor, Receiver	
8	1001228225	1	Sensor, Emitter	
9	1001232164	1	Housing, LH Inner	
10	1001232165	1	Housing, RH Inner	
11	1001237865	1	Harness, Skyeeye Intermediate (See Separate Breakdown in ELECTRICAL Section)	
12	1001238319	NLA	Harness, Skyeeye Drain Jumper	
12	1001187674	1	Plug, Male - 2 Position	
12	4460942	1	Terminal	
12	4460466	1	Plug, Terminal	
12	4460508	1	Pin, Male	
13	1001237863	2	Harness, Skyeeye Receiver (See Separate Breakdown in ELECTRICAL Section)	
14	1001237864	1	Harness, Skyeeye Emitter (See Separate Breakdown in ELECTRICAL Section)	

# SECTION 5 - PLATFORM

FIGURE 5-30. SKYGUARD SYSTEM INSTALLATION (SN 0300000100 through 0300259280)



ART\_1001187508

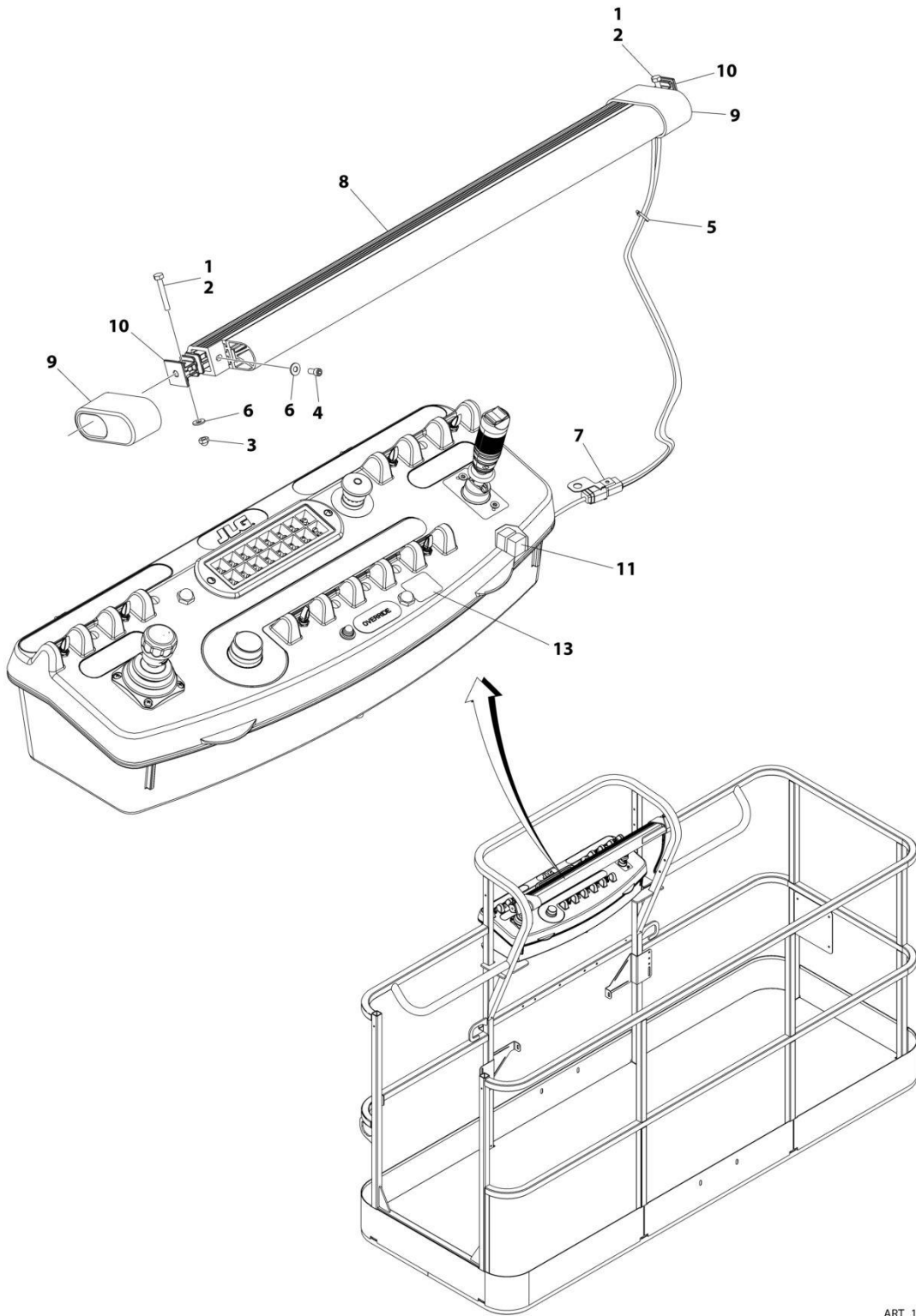
## SECTION 5 - PLATFORM

**FIGURE 5-30. SKYGUARD SYSTEM INSTALLATION (SN 0300000100 through 0300259280)**

ITEM	PART NUMBER	QTY	DESCRIPTION	REV
	1001187508	Ref	SKYGUARD SYSTEM INSTALLATION	C
1	0100011	AR	Compound, Locking	
2	0641414	2	Bolt 1/4 x 1-3/4	
3	3300430	2	Nut 1/4	
4	3931424	2	Capscrew 1/4 x 1-1/2	
4	3931408	1	Capscrew 1/4 x 1/2	
5	4240033	AR	Tie-Strap	
6	4711400	AR	Washer 1/4	
7	1001120328	1	Mount	
8	1001137673	1	SkyGuard Switch Assembly	
9	1001186517	2	Cover, Platform Sensor	
10	1001188889	2	Support, Block <b>(SN 0300000100 through 0300244380)</b>	
10	1001209664	2	Support, Block <b>(SN 0300244380 through 0300259279)</b>	

# SECTION 5 - PLATFORM

FIGURE 5-31. SKYGUARD BAR INSTALLATION (SN 0300259280 through 0300271437)



ART\_1001238495

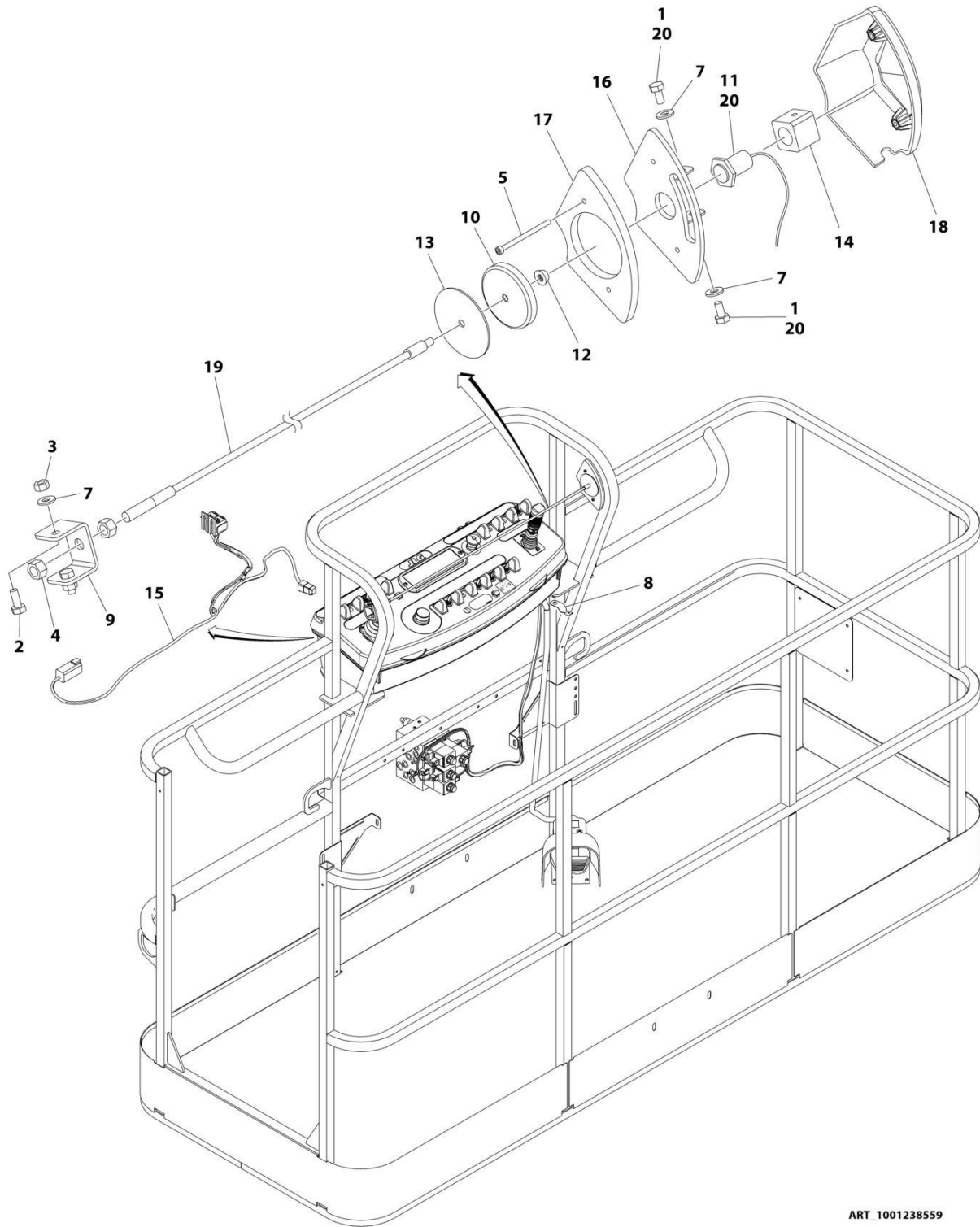
## SECTION 5 - PLATFORM

**FIGURE 5-31. SKYGUARD BAR INSTALLATION (SN 0300259280 through 0300271437)**

ITEM	PART NUMBER	QTY	DESCRIPTION	REV
	1001238495	Ref	SKYGUARD BAR INSTALLATION	A
1	0100011	AR	Compound, Locking	
2	0641414	2	Bolt 1/4 x 1-3/4	
3	3300430	2	Nut 1/4	
4	3931408	2	Capscrew 1/4 x 1/2	
5	4240033	8	Tie-Strap	
6	4711400	6	Washer 1/4	
7	1001120328	1	Mount	
8	1001137673	1	SkyGuard Switch Assembly	
9	1001186517	2	Cover, Platform Sensor	
10	1001209664	2	Support, Block	
11	1001186431	2	Relay	
12	1001225580	1	Interface Harness Assembly (Not Shown - Located Inside Console Box) (See Separate Breakdown in ELECTRICAL Section)	
13	1001144433	1	Decal - No Weight SkyGuard	

# SECTION 5 - PLATFORM

## FIGURE 5-32. SKYLINE INSTALLATION



ART\_1001238559

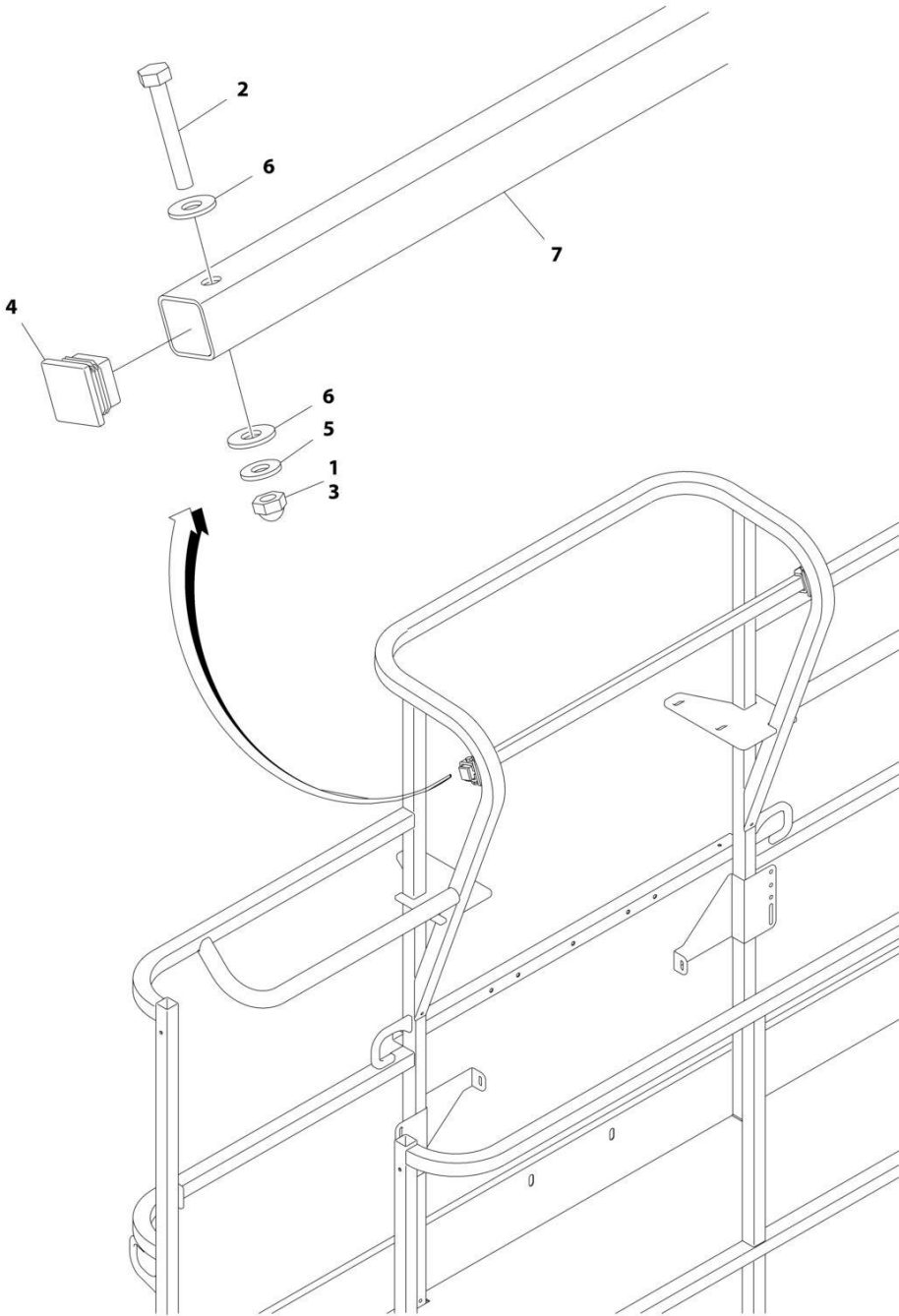
## SECTION 5 - PLATFORM

### FIGURE 5-32. SKYLINE INSTALLATION

ITEM	PART NUMBER	QTY	DESCRIPTION	REV
	1001238559	Ref	SKYLINE INSTALLATION	B
1	0641404	2	Bolt 1/4 x 1/2	
2	0641405	2	Bolt 1/4 x 5/8	
3	3311405	2	Nut 1/4	
4	3311601	2	Nut 3/8	
5	4031516	2	Capscrew M4 x 60	
6	4240033	AR	Tie-Strap (Not Shown)	
7	4711400	4	Washer 1/4	
8	1001120328	1	Mount	
9	1001232642	1	Bracket	
10	1001232650	1	Magnet	
11	1001232667	1	Sensor, Proximity	
12	1001235011	1	Nut	
13	1001235013	1	Washer	
14	1001236552	1	Block	
15	1001238418	1	Harness, Skyline (See Separate Breakdown in ELECTRICAL Section)	
16	1001238472	1	Mount	
17	1001238477	1	Housing, LH	
18	1001241965	1	Housing, RH	
19	1001238824	1	Rope	
20	0100011	AR	Compound, Locking	

**SECTION 5 - PLATFORM**

**FIGURE 5-33. CROSS RAIL INSTALLATION**



ART\_1001182138



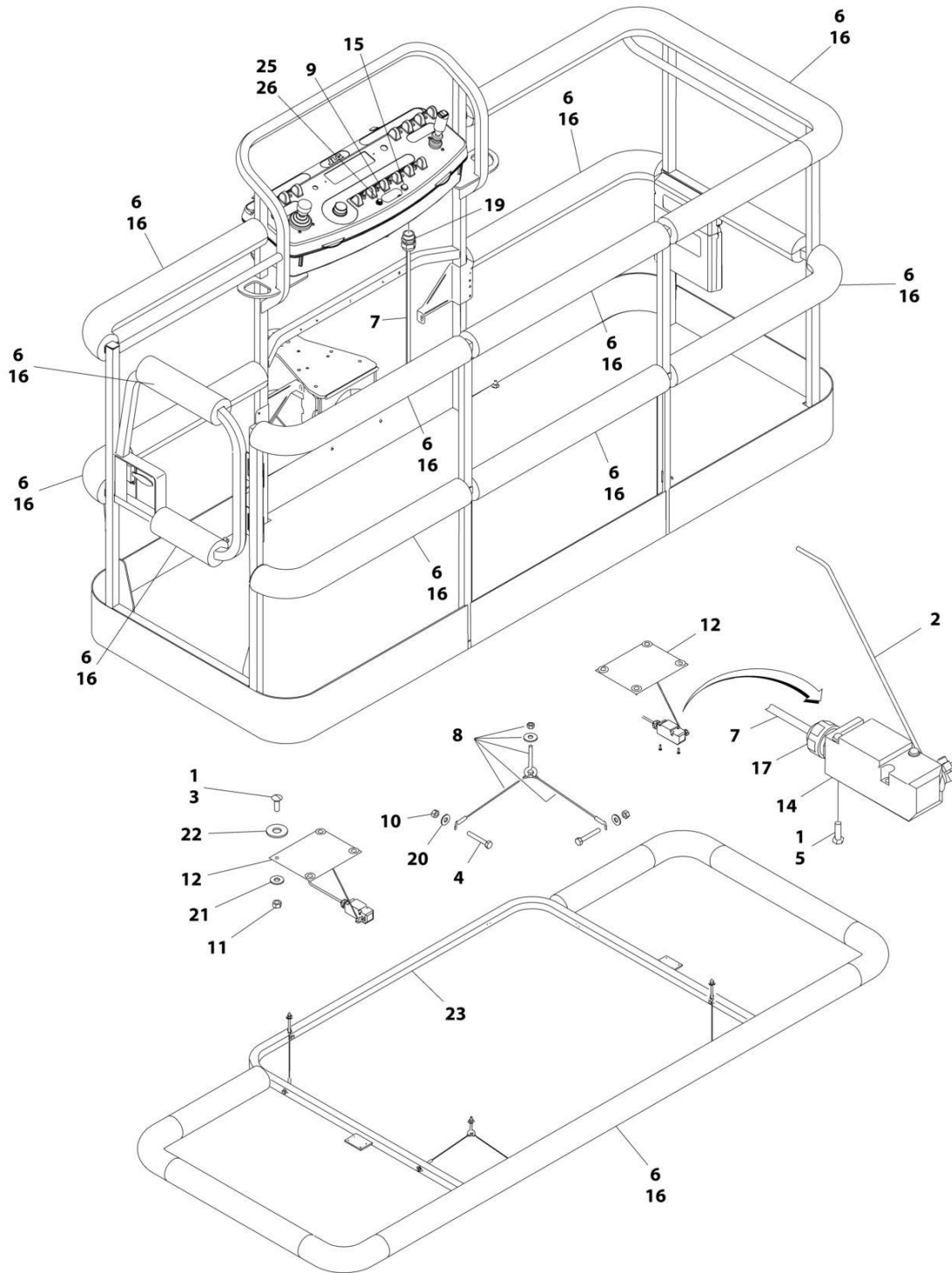
## SECTION 5 - PLATFORM

### FIGURE 5-33. CROSS RAIL INSTALLATION

ITEM	PART NUMBER	QTY	DESCRIPTION	REV
	1001182138	Ref	CROSS RAIL INSTALLATION	A
1	0100071	AR	Compound, Locking	
2	0641414	2	Bolt 1/4 x 1-3/4	
3	3300430	2	Nut 1/4	
4	3520182	2	Plug	
5	4711400	2	Washer 1/4	
6	4751400	4	Washer 1/4	
7	1001191708	1	Bar	

# SECTION 5 - PLATFORM

## FIGURE 5-34. SOFT TOUCH INSTALLATION - 8FT (2.4M) PLATFORM (OPTIONAL)



ART\_0272427

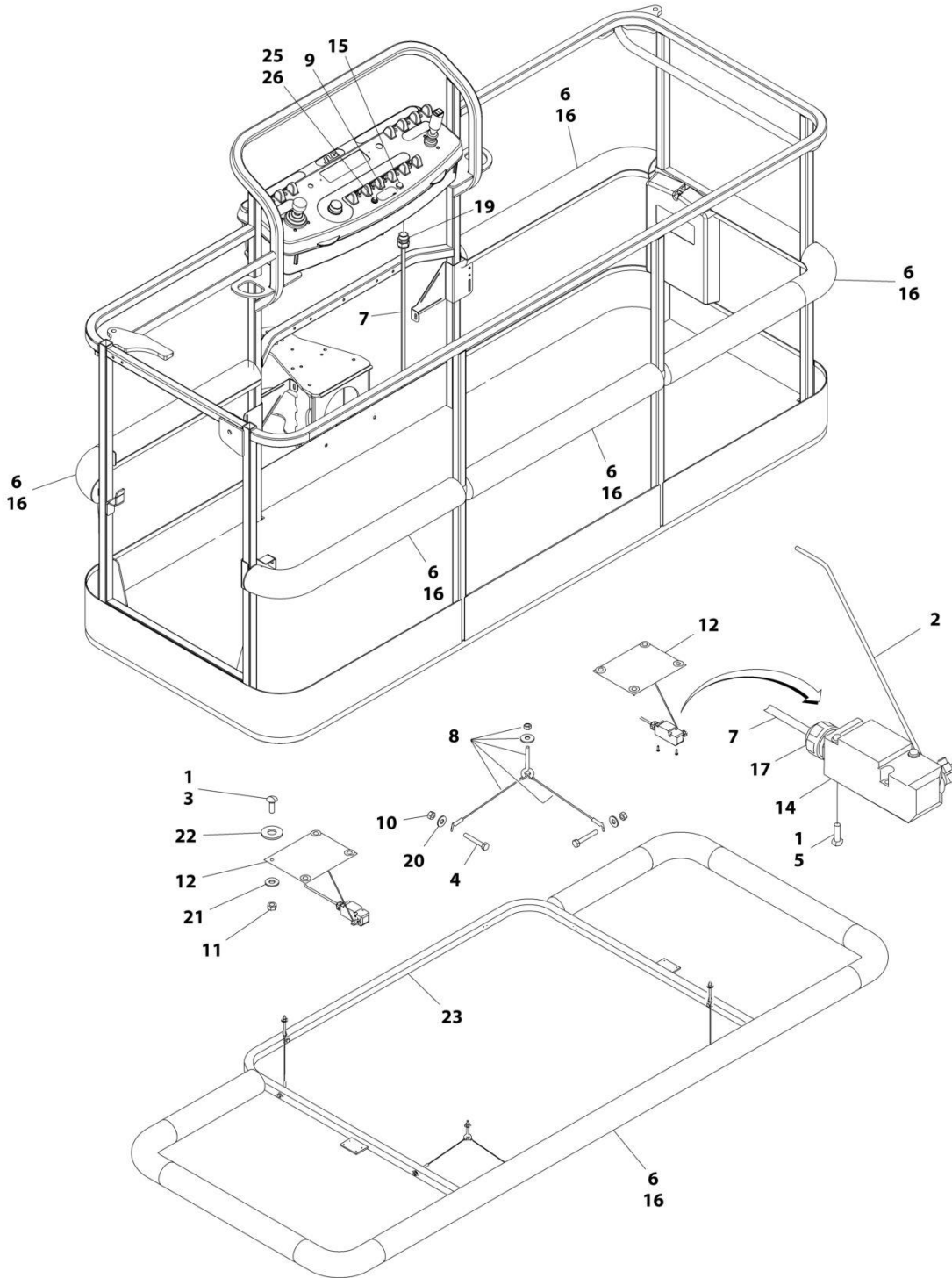
## SECTION 5 - PLATFORM

**FIGURE 5-34. SOFT TOUCH INSTALLATION - 8FT (2.4M) PLATFORM (OPTIONAL)**

ITEM	PART NUMBER	QTY	DESCRIPTION	REV
	0272427	Ref	SOFT TOUCH INSTALLATION - 8FT (2.4M) PLATFORM (OPTIONAL)	G
1	0100011	AR	Compound, Locking	
2	0200048	2	Arm, Switch	
3	0630462	8	Bolt	
4	0641414	8	Bolt 1/4 x 1-3/4	
5	0721005	4	Bolt #10 x 5/8	
6	0940103	1	Bumper Kit (Includes Corners and Enough Straight Material for One Platform)	
6	0940092	12	Bumper (Corner)	
6	0940094	AR	Bumper (12ft Length)	
7	1060341	23 ft/7m	Cable, Electrical - 16/2	
8	1060903	4	Wire Rope and Eyebolt Assembly	
9	1702938	1	Decal - Soft Touch Override	
10	3311401	8	Nut 1/4	
11	3311501	8	Nut 5/16	
12	3574091	2	Plate, Switch Strike	
13	4240099	7	Tie-Strap (Not Shown)	
14	4360057	2	Switch, Limit	
15	4360387	1	Switch, Push Button	
16	4420068	AR	Tape, Adhesive	
16	1001197017	AR	Tie-Strap	
17	4460049	2	Connector, Strain Relief	
18	4460234	7	Tie-Strap (Not Shown)	
19	4460425	1	Connector, Strain Relief	
20	4751400	8	Washer 1/4	
21	4751500	12	Washer 5/16	
22	4751800	8	Washer 1/2	
23	4846673	1	Rail, Soft Touch	
25	2920028	1	Light, Indicator	
26	2920029	1	Bulb, Light	

# SECTION 5 - PLATFORM

## FIGURE 5-35. SOFT TOUCH INSTALLATION - 8FT (2.4M) FALL ARREST PLATFORM (OPTIONAL)



ART\_0273706

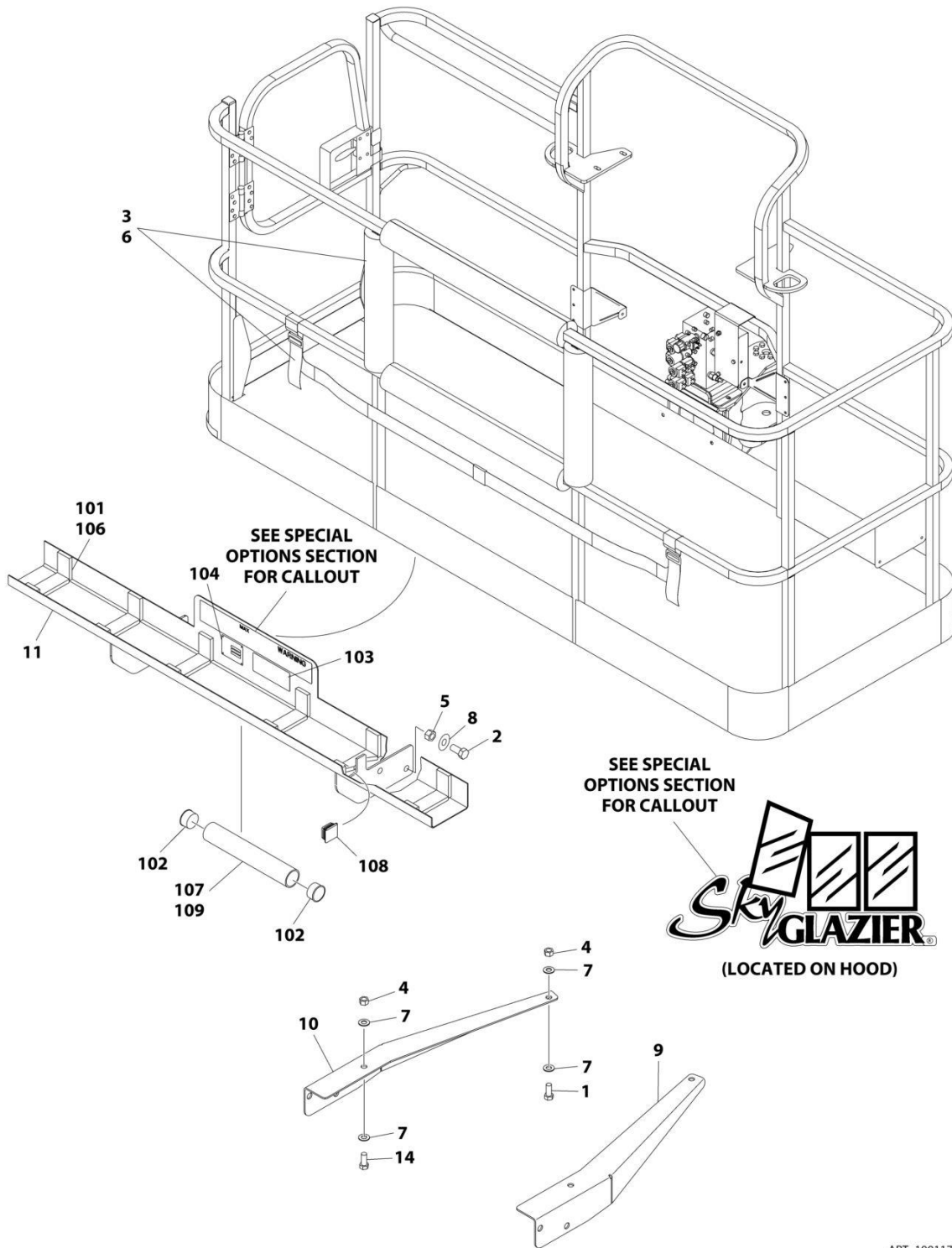
## SECTION 5 - PLATFORM

**FIGURE 5-35. SOFT TOUCH INSTALLATION - 8FT (2.4M) FALL ARREST PLATFORM (OPTIONAL)**

ITEM	PART NUMBER	QTY	DESCRIPTION	REV
	0273706	Ref	SOFT TOUCH INSTALLATION - 8FT (2.4M) FALL ARREST PLATFORM (OPTIONAL)	D
1	0100011	AR	Compound, Locking	
2	0200048	2	Arm, Switch	
3	0630462	8	Bolt	
4	0641414	8	Bolt 1/4 x 1-3/4	
5	0721005	4	Bolt #10 x 5/8	
6	0940133	1	Bumper Kit (Includes Corners and Enough Straight Material for One Platform)	
6	0940092	8	Bumper (Corner)	
6	0940094	AR	Bumper (12ft Length)	
7	1060341	23 ft/7m	Cable, Electrical - 16/2	
8	1060903	4	Wire Rope and Eyebolt Assembly	
9	1702938	1	Decal - Soft Touch Override	
10	3311401	8	Nut 1/4	
11	3311501	8	Nut 5/16	
12	3574091	2	Plate, Switch Strike	
13	4240099	7	Tie-Strap (Not Shown)	
14	4360057	2	Switch, Limit	
15	4360387	1	Switch, Push Button	
16	4420068	AR	Tape, Adhesive	
16	1001197017	AR	Tie-Strap	
17	4460049	2	Connector, Strain Relief	
18	4460234	7	Tie-Strap (Not Shown)	
19	4460425	1	Connector, Strain Relief	
20	4751400	8	Washer 1/4	
21	4751500	12	Washer 5/16	
22	4751800	8	Washer 1/2	
23	4846673	1	Rail, Soft Touch	
25	2920028	1	Light, Indicator	
26	2920029	1	Bulb, Light	

# SECTION 5 - PLATFORM

## FIGURE 5-36. SKYGLAZIER INSTALLATION (ANSI, ANSI EXPORT, AUSTRALIAN, CE AND CSA SPECS)



ART\_1001172578

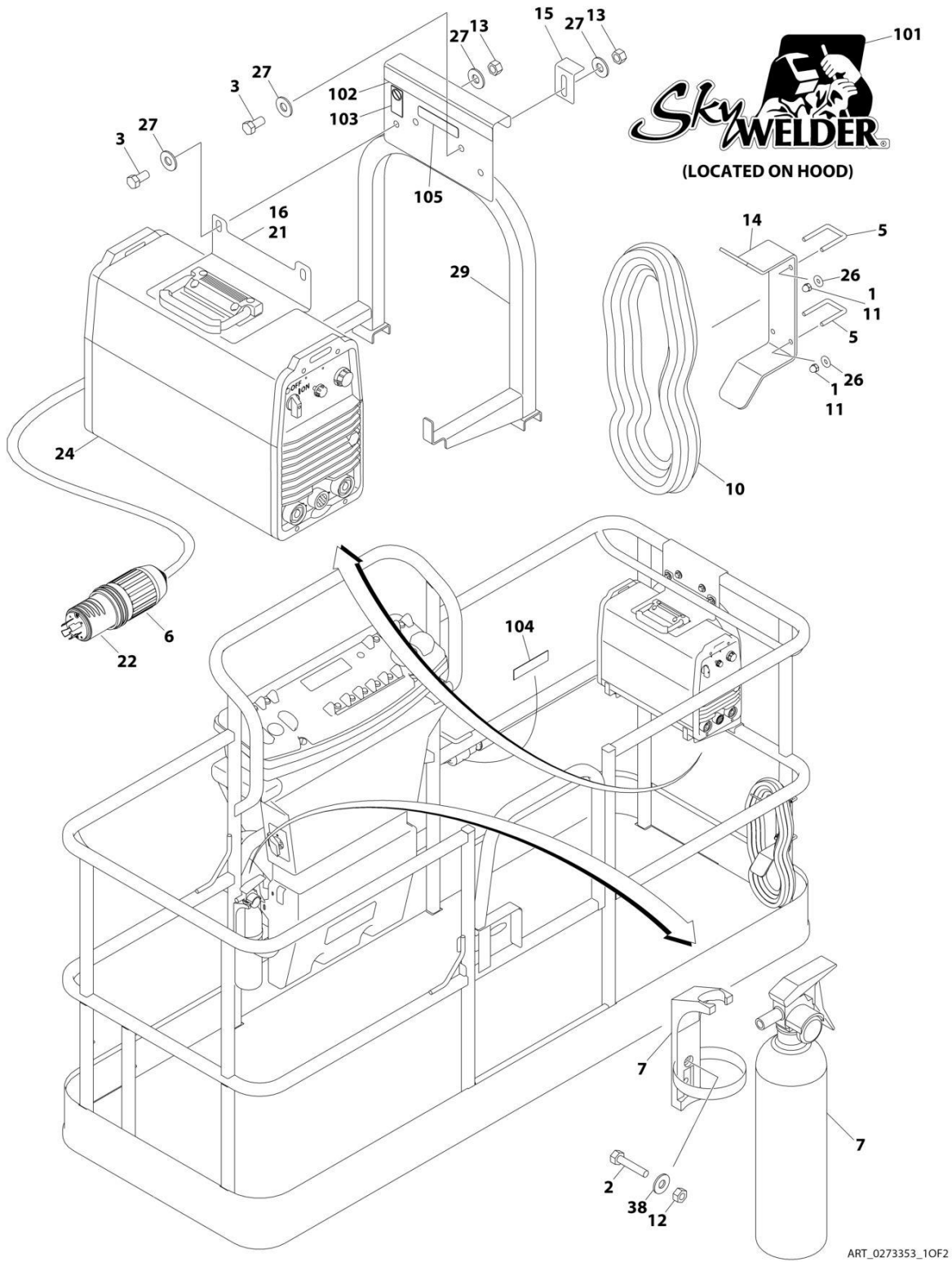
## SECTION 5 - PLATFORM

**FIGURE 5-36. SKYGLAZIER INSTALLATION (ANSI, ANSI EXPORT, AUSTRALIAN, CE AND CSA SPECS)**

ITEM	PART NUMBER	QTY	DESCRIPTION	REV
	1001172578	Ref	SKYGLAZIER INSTALLATION (ANSI, ANSI EXPORT, AUSTRALIAN, CE AND CSA SPECS)	C
1	0642012	2	Bolt 5/8 x 1-1/2	
2	0642212	4	Bolt 3/4 x 1-1/2	
3	2902212	1	Bumpers and Strap Kit	
3	0940102	1	Bumper Only	
3	4240149	1	Strap Only	
4	3312005	4	Nut 5/8	
5	3312205	4	Nut 3/4	
6	4420014	AR	Tape	
7	4712000	6	Washer 5/8	
8	4712200	8	Washer 3/4	
9	1001099366	1	Support	
10	1001099367	1	Support	
11	1001101421	1	Tray Assembly (See Items 101-111 for Breakdown)	
14	8310129	2	Bolt 3/4 x 2-1/2	
	1001172577	Ref	TRAY ASSEMBLY	B
101	0100081	AR	Adhesive	
102	1120555	2	Cap, Tube	
103	1701509	1	Decal - Manual	
104	See Note	NSS	Nameplate - Serial Number (Note: Not Available for Purchase)	
106	3340956	1	Pad Kit	
107	3460334	1	Tube	
108	3520071	2	Plug	
109	4420066	AR	Tape, Double Sided	

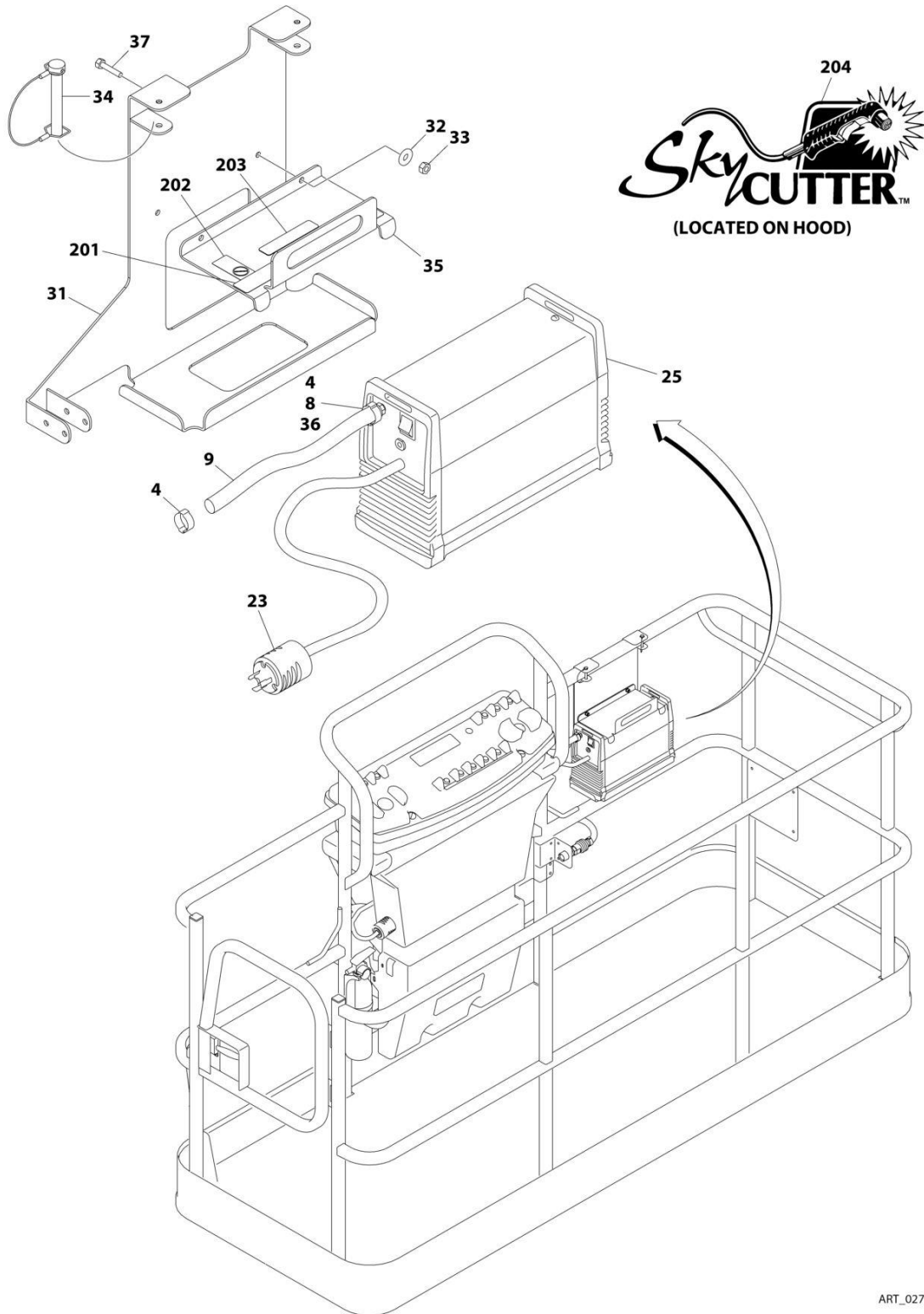
# SECTION 5 - PLATFORM

## FIGURE 5-37. SKYWELDER/SKYCUTTER COMBO INSTALLATION (60HZ)





# SECTION 5 - PLATFORM



ART\_0273353\_20F2

# SECTION 5 - PLATFORM

**FIGURE 5-37. SKYWELDER/SKYCUTTER COMBO INSTALLATION (60HZ)**

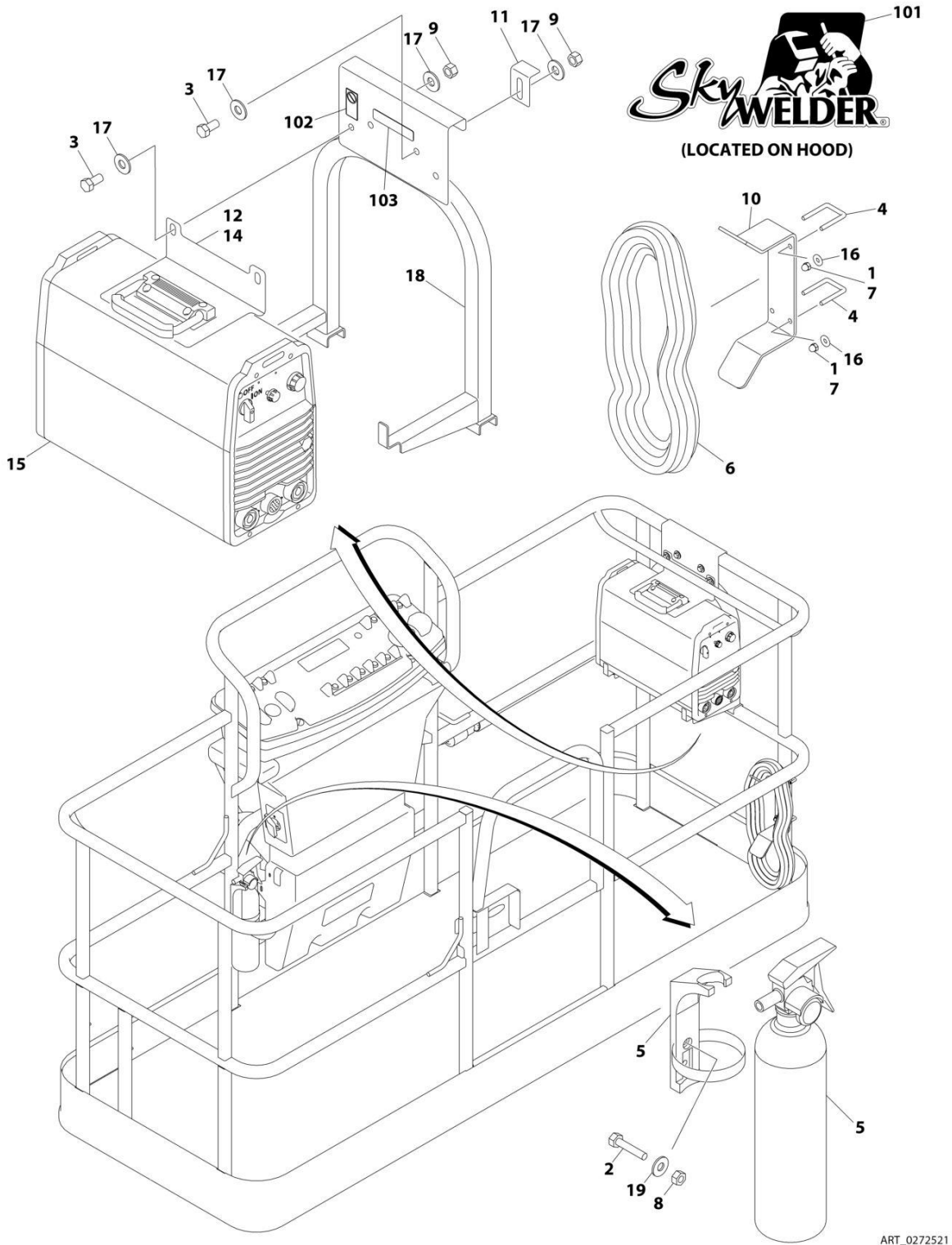
ITEM	PART NUMBER	QTY	DESCRIPTION	REV
	0273353	Ref	SKYWELDER/SKYCUTTER COMBO INSTALLATION (60HZ)	G
		Ref	Note: ANSI, ANSI Export, CSA and Japanese Spec Only.	
1	0100011	AR	Compound, Locking	
2	0630518	2	Screw #10 x 3/4	
3	0641606	4	Bolt 3/8 x 3/4	
4	1320177	2	Clamp	
5	1320302	2	Clamp	
6	1671093	1	Cover, Plug	
7	2030010	1	Extinguisher, Fire	
8	2180832	1	Fitting, Barbed/NPT	
9	2720160	4.5 ft /1.4m	Hose	
10	2902217	1	Weld Leads Kit	
11	3300151	4	Nut 1/4	
12	3311005	2	Nut #10	
13	3311605	4	Nut 3/8	
14	3573400	1	Bracket	
15	3577121	2	Angle	
16	3573642	1	Plate	
20	4240099	AR	Tie-Strap (Not Shown)	
21	4420037	2.4 ft /.71m	Tape	
22	4460962	1	Plug, Twist Lock	
23	4460971	1	Plug, Twist Lock	
24	4530028	1	Welder Assembly (See WELDER ASSEMBLY for Breakdown)	
25	1001098012	1	Plasma Cutter Assembly (See PLASMA CUTTER ASSEMBLY for Breakdown)	
26	4751400	4	Washer 1/4	
27	4751600	8	Washer 3/8	
29	4846627	1	Support	
31	1001145405	1	Bracket	
32	4811700	2	Washer M6	
33	3290605	2	Nut M6	
34	3421453	3	Pin	
35	3576799	1	Plate, Hold-Down	
36	0100020	1	Sealant	
37	4010608	2	Screw M6 x 16	
38	4751000	2	Washer #10	
	0272448	Ref	SKYWELDER DECAL INSTALLATION	B
101	1705355	2	Decal - SkyWelder	
102	1702868	1	Decal - No Hands	
103	1705305	1	Decal - Weld Leads	
104	1705375	1	Decal - 240V - 3 Phase - 60Hz	
105	1705466	NLA	Decal - Weight (Use p/n 1001228988)	
105	1001228988	1	Decal - Weight	
	0272599	Ref	SKYCUTTER DECAL INSTALLATION	B
201	1702868	1	Decal - No Hands	
202	1705305	1	Decal - Weld Leads	
203	1705466	NLA	Decal - Weight (Use p/n 1001228988)	
203	1001228988	1	Decal - Weight	

## SECTION 5 - PLATFORM

ITEM	PART NUMBER	QTY	DESCRIPTION	REV
204	1705490	2	Decal - SkyCutter	

# SECTION 5 - PLATFORM

## FIGURE 5-38. SKYWELDER INSTALLATION (50HZ)



ART\_0272521

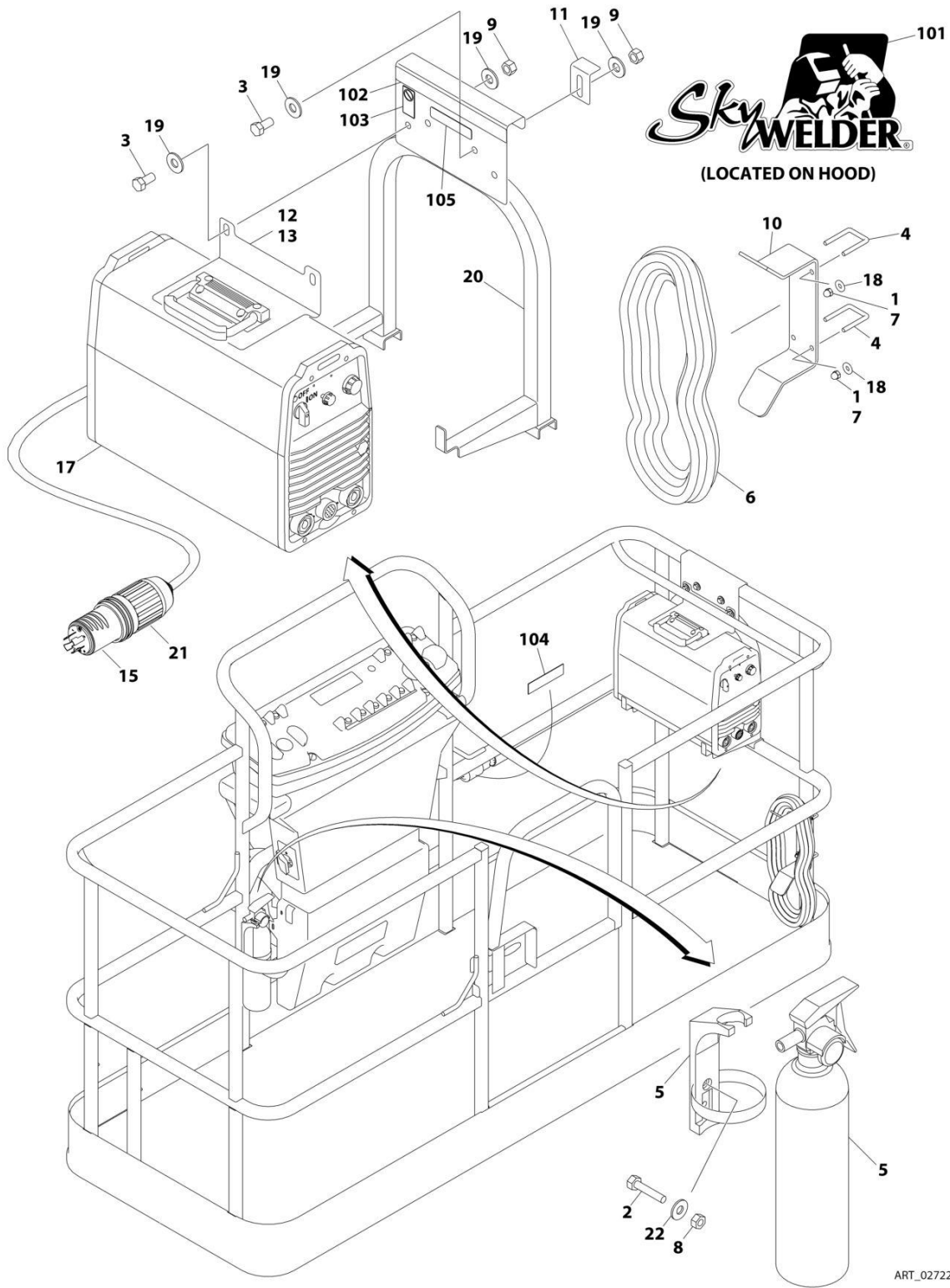
## SECTION 5 - PLATFORM

**FIGURE 5-38. SKYWELDER INSTALLATION (50HZ)**

ITEM	PART NUMBER	QTY	DESCRIPTION	REV
	0272521	Ref	SKYWELDER INSTALLATION (50HZ)	F
		Ref	Note: Australian, CE, Chinese and Japanese Specs Only.	
1	0100011	AR	Compound, Locking	
2	0630518	2	Screw #10 x 3/4	
3	0641606	4	Bolt 3/8 x 3/4	
4	1320302	2	U-Clamp	
5	2030010	1	Extinguisher, Fire	
6	2902217	1	Weld Leads Kit	
7	3300151	4	Nut 1/4	
8	3311005	2	Nut #10	
9	3311605	4	Nut 3/8	
10	3573400	1	Bracket	
11	3577121	2	Angle	
12	3573642	1	Plate	
13	4240099	AR	Tie-Strap (Not Shown)	
14	4420037	AR	Tape	
15	4530028	1	Welder Assembly (See WELDER ASSEMBLY for Breakdown)	
16	4751400	4	Washer 1/4	
17	4751600	8	Washer 3/8	
18	4846627	1	Support	
19	4751000	2	Washer #10	
	0272588	Ref	SKYWELDER DECAL INSTALLATION	B
101	1705355	2	Decal - SkyWelder	
102	1705305	1	Decal - Weld Lead	
103	1705466	NLA	Decal - Weight (Use p/n 1001228988)	
103	1001228988	1	Decal - Weight	

# SECTION 5 - PLATFORM

## FIGURE 5-39. SKYWELDER INSTALLATION (60HZ)



ART\_0272254

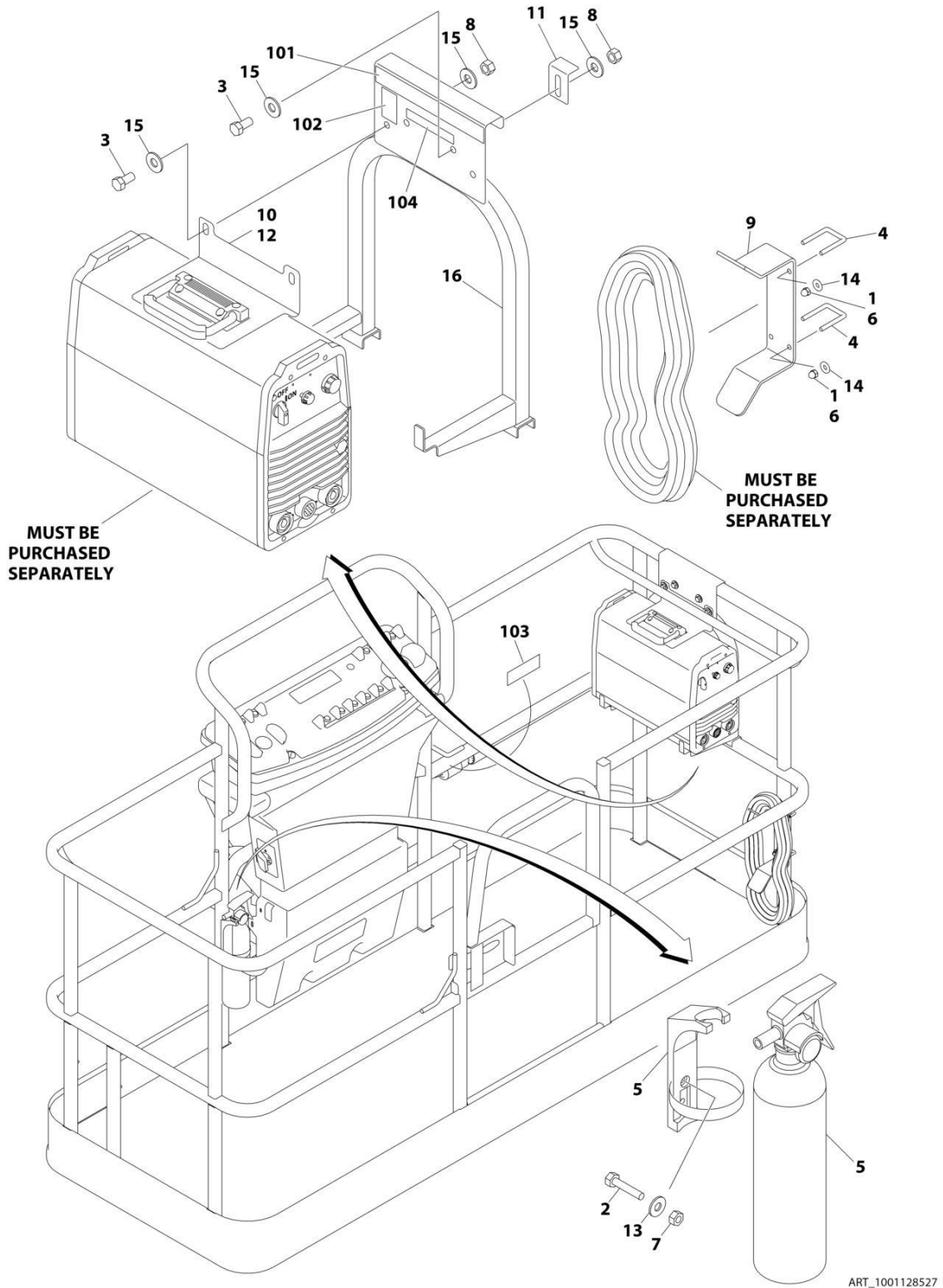
## SECTION 5 - PLATFORM

**FIGURE 5-39. SKYWELDER INSTALLATION (60HZ)**

ITEM	PART NUMBER	QTY	DESCRIPTION	REV
	0272254	Ref	SKYWELDER INSTALLATION (60HZ)	I
		Ref	Note: ANSI, ANSI Export and CSA Specs Only.	
1	0100011	AR	Compound, Locking	
2	0630518	2	Screw #10 x 3/4	
3	0641606	4	Bolt 3/8 x 3/4	
4	1320302	2	U-Clamp	
5	2030010	1	Extinguisher, Fire	
6	2902217	1	Weld Leads Kit	
7	3300151	4	Nut 1/4	
8	3311005	2	Nut #10	
9	3311605	4	Nut 3/8	
10	3573400	1	Bracket	
11	3577121	2	Angle	
12	3573642	1	Plate	
13	4420037	AR	Tape	
14	4240099	AR	Tie-Strap (Not Shown)	
15	4460962	1	Plug, Male Twistlock	
17	4530028	1	Welder Assembly (See WELDER ASSEMBLY for Breakdown)	
18	4751400	4	Washer 1/4	
19	4751600	8	Washer 3/8	
20	4846627	1	Support	
21	1671093	1	Cover, Plug	
22	4751000	2	Washer #10	
	0272448	Ref	SKYWELDER DECAL INSTALLATION	B
101	1705355	2	Decal - SkyWelder	
102	1702868	1	Decal - No Hands	
103	1705305	1	Decal - Weld Lead	
104	1705375	1	Decal - 240V - 3 Phase - 60Hz	
105	1705466	NLA	Decal - Weight (Use p/n 1001228988)	
105	1001228988	1	Decal - Weight	

# SECTION 5 - PLATFORM

## FIGURE 5-40. SKYWELDER PREP PACKAGE (60HZ)





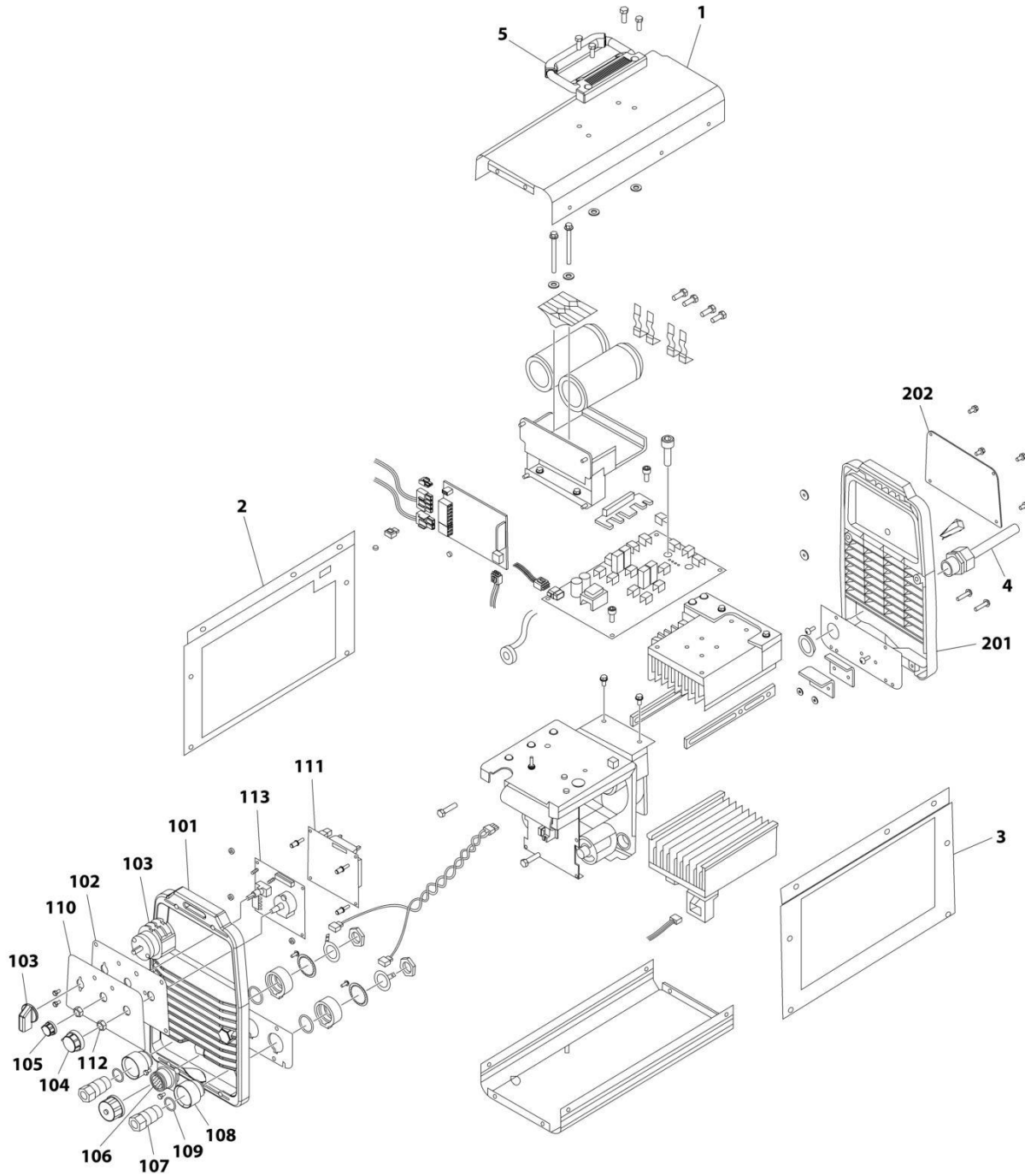
## SECTION 5 - PLATFORM

**FIGURE 5-40. SKYWELDER PREP PACKAGE (60HZ)**

ITEM	PART NUMBER	QTY	DESCRIPTION	REV
	1001128527	Ref	SKYWELDER PREP PACKAGE (60HZ)	B
		Ref	Note: ANSI, ANSI Export and CSA Specs Only.	
1	0100011	AR	Compound, Locking	
2	0630518	2	Screw #10 x 3/4	
3	0641606	4	Bolt 3/8 x 3/4	
4	1320302	2	U-Clamp	
5	2030010	1	Extinguisher, Fire	
6	3300151	4	Nut 1/4	
7	3311005	2	Nut #10	
8	3311605	4	Nut 3/8	
9	3573400	1	Bracket	
10	3573642	1	Plate	
11	3577121	2	Angle	
12	4420037	AR	Tape	
13	4751000	2	Washer #10	
14	4751400	4	Washer 1/4	
15	4751600	8	Washer 3/8	
16	4846627	1	Support	
	1001128556	Ref	SKYWELDER DECAL INSTALLATION	B
101	1702868	1	Decal - No Hands	
102	1705305	1	Decal - Weld Lead	
103	1705375	1	Decal - 240V - 3 Phase - 60Hz	
104	1705466	NLA	Decal - Weight (Use p/n 1001228988)	
104	1001228988	1	Decal - Weight	

# SECTION 5 - PLATFORM

## FIGURE 5-41. WELDER ASSEMBLY



ART\_4530028

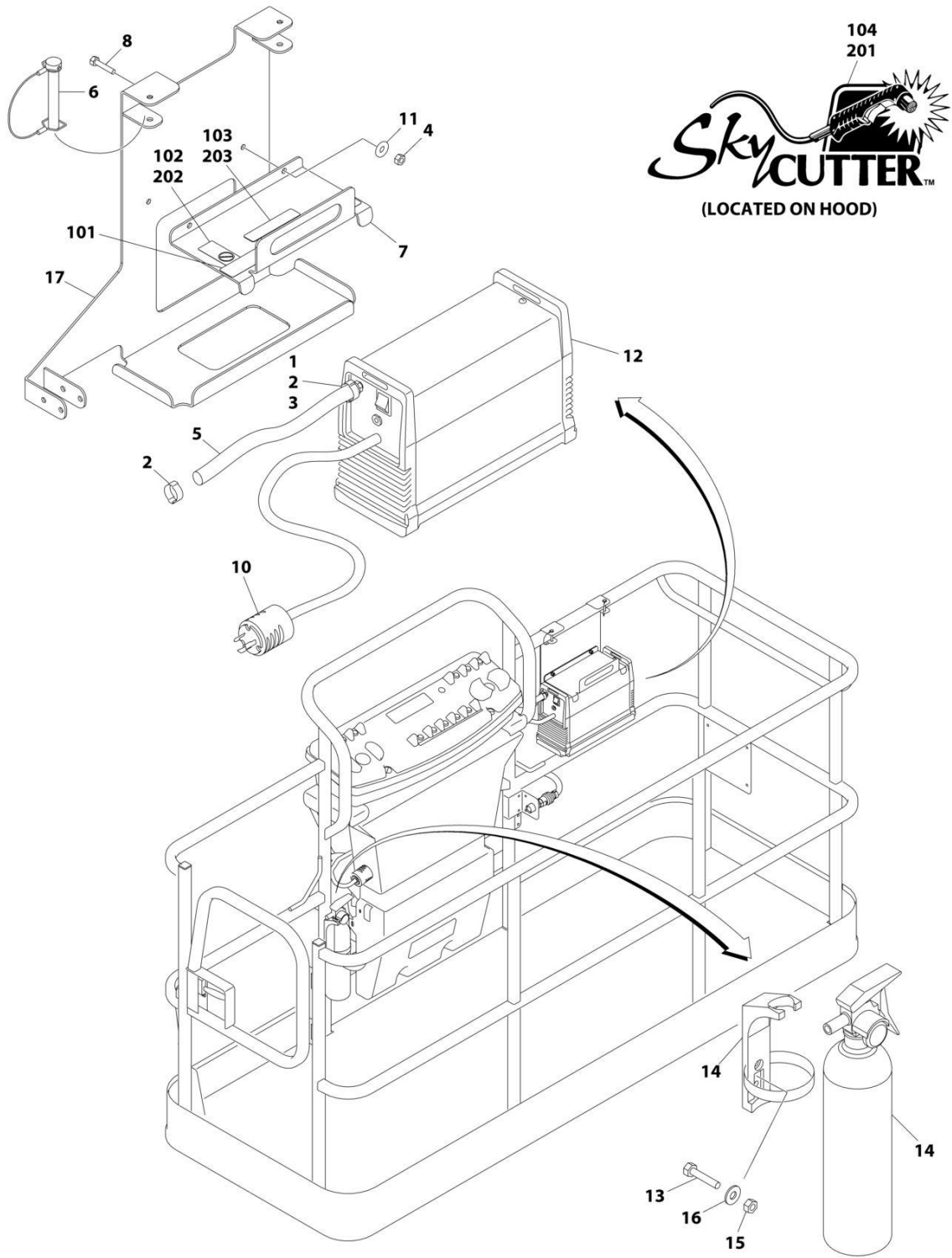
## SECTION 5 - PLATFORM

### FIGURE 5-41. WELDER ASSEMBLY

ITEM	PART NUMBER	QTY	DESCRIPTION	REV
	4530028	Ref	WELDER ASSEMBLY	B
		Ref	Note: For Other Components, contact your Miller Welder Dealer.	
1	7027773	1	Cover, Top	
1	7027774	1	Decal - Static Precautionary Warning	
2	See Note	NSS	Panel, LH Side (Note: Part of Item 1. Purchase Item 1)	
3	See Note	NSS	Panel, RH Side (Note: Part of Item 1. Purchase Item 1)	
4	7024467	1	Cable, Power	
4	7027775	1	Decal - Electrical Shock Warning (Not Shown)	
5	7027776	1	Handle, Carrying	
101	7024462	1	Panel, Front	
102	7024463	1	Panel, Console	
103	7024469	1	Switch with Lead	
104	7024470	1	Knob	
105	7024471	1	Knob	
106	7024472	1	Receptacle with Leads and Plugs	
107	7024473	2	Receptacle, Twistlock Female	
108	7024474	2	Insulator	
109	7024475	2	O-Ring	
110	7027777	1	Nameplate	
111	7027779	1	Circuit Card Assembly (Process Control)	
112	7024478	2	Nut	
113	7027778	1	Circuit Card Assembly (Operator Interface)	
201	7024462	1	Panel, Rear	
202	7027780	1	Panel, Cover	

# SECTION 5 - PLATFORM

## FIGURE 5-42. SKYCUTTER INSTALLATION



ART\_1001098149

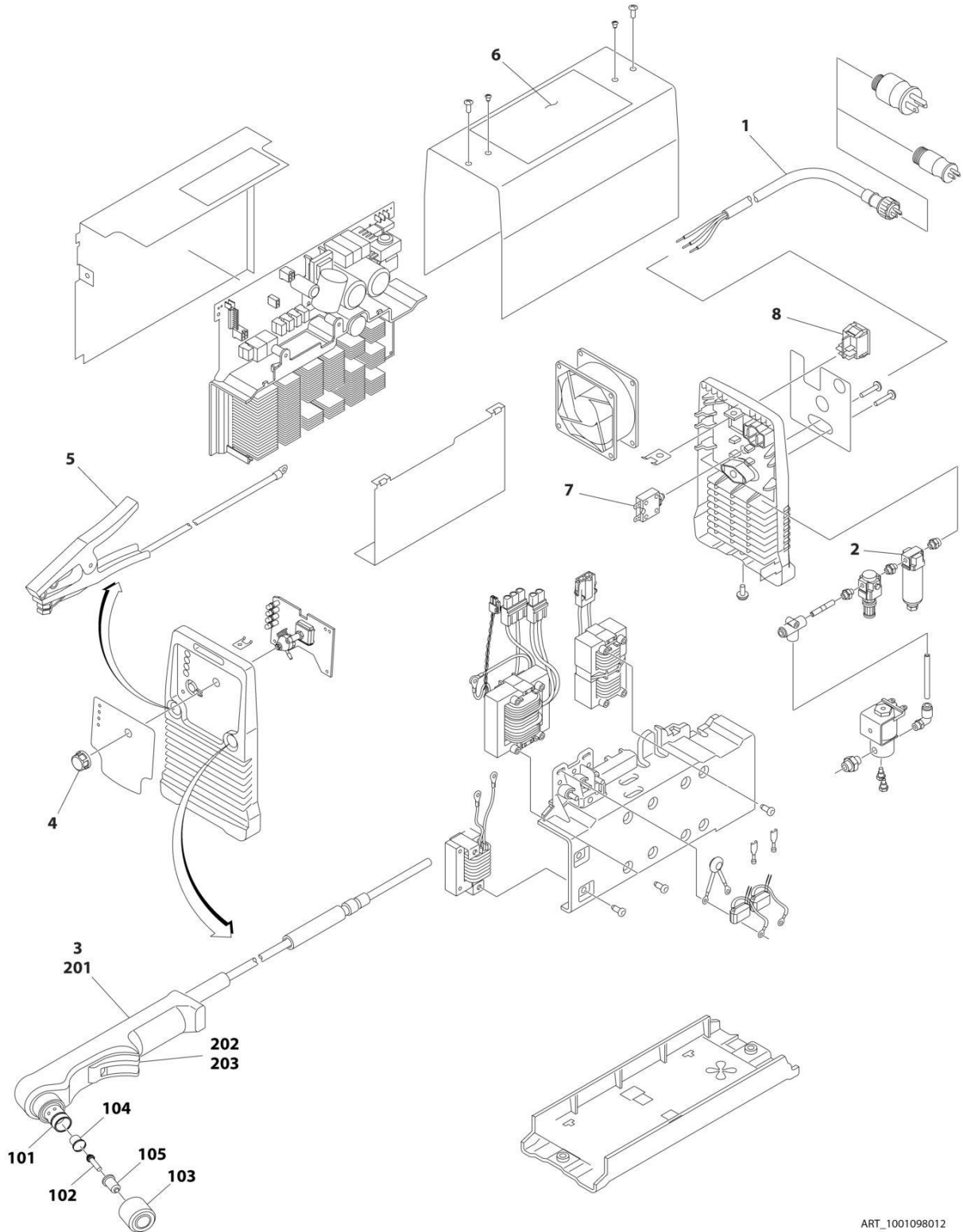
## SECTION 5 - PLATFORM

**FIGURE 5-42. SKYCUTTER INSTALLATION**

ITEM	PART NUMBER	QTY	DESCRIPTION	REV
	1001098149	Ref	SKYCUTTER INSTALLATION	D
		Ref	Note: ANSI, ANSI Export, CSA and Japanese Specs Only.	
		Ref	Note: When replacing platform on machines with SkyCutter option, new bracket p/n 1001145405 must be purchased to accommodate SkyCutter components.	
1	0100020	AR	Sealant	
2	1320177	2	Clamp, Hose	
3	2180832	1	Fitting, NPT/Barbed	
4	3290605	2	Nut M6	
5	2720160	3 ft/.9m	Hose	
6	3421453	3	Pin	
7	3576799	1	Plate, Hold-Down	
8	4010608	2	Screw M6 x 16	
10	4460971	1	Plug, Twistlock	
11	4811700	2	Washer M6	
12	1001098012	1	Plasma Cutter Assembly (See PLASMA CUTTER ASSEMBLY for Breakdown)	
13	0630518	2	Screw #10 x 3/4	
14	2030010	1	Extinguisher, Fire	
15	3311005	2	Nut #10	
16	4751000	2	Washer #10	
17	1001145405	1	Support	
	0272599	Ref	SKYCUTTER DECAL INSTALLATION (ANSI, ANSI EXPORT AND CSA SPECS)	B
101	1702868	1	Decal - No Hands	
102	1705305	1	Decal - Weld Lead	
103	1705466	NLA	Decal - Weight (Use p/n 1001228988)	
103	1001228988	1	Decal - Weight	
104	1705490	2	Decal - SkyCutter	
	0272607	Ref	SKYCUTTER DECAL INSTALLATION (JAPANESE SPECS)	B
201	1705490	2	Decal - SkyCutter	
202	1705305	1	Decal - Weld Lead	
203	1705466	NLA	Decal - Weight (Use p/n 1001228988)	
203	1001228988	1	Decal - Weight	

# SECTION 5 - PLATFORM

## FIGURE 5-43. PLASMA CUTTER ASSEMBLY



ART\_1001098012

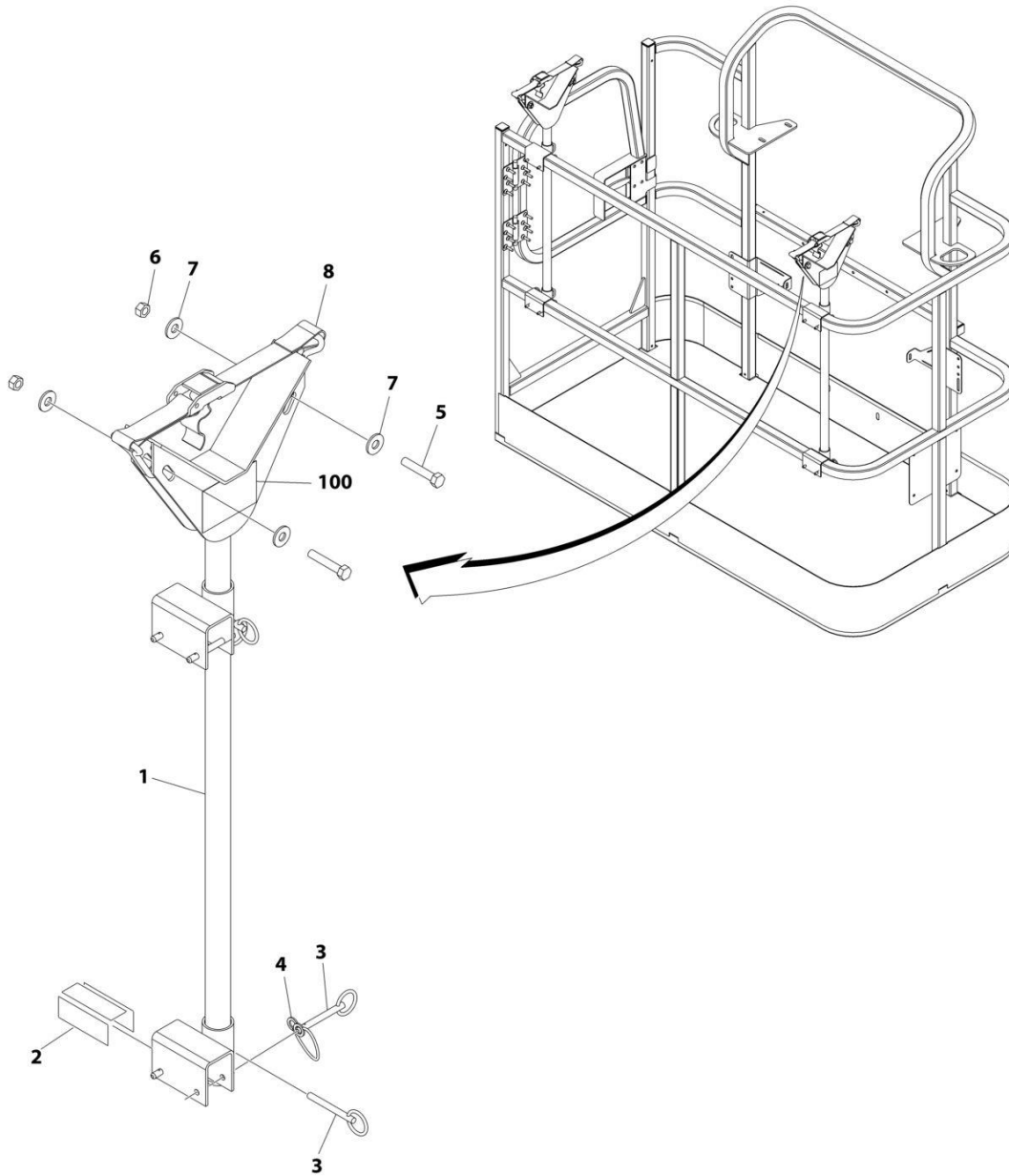
## SECTION 5 - PLATFORM

### FIGURE 5-43. PLASMA CUTTER ASSEMBLY

ITEM	PART NUMBER	QTY	DESCRIPTION	REV
	1001098012	Ref	PLASMA CUTTER ASSEMBLY	A
		Ref	Note: For Other Components, contact your Miller Welder Dealer.	
1	70001424	1	Cable, Power	
1	70001425	1	Decal - Voltage Warning	
2	70001427	1	Filter, Regulator	
3	70001428	1	Torch Assembly (See Items 101-203 for Breakdown)	
4	7024471	1	Knob	
5	70001429	1	Clamp with Cable	
6	70001430	1	Decal - Caution	
7	70001431	1	Breaker, Circuit	
8	70001432	1	Switch, Rocker	
	70001428	Ref	TORCH ASSEMBLY	
101	7024530	1	O-Ring	
102	7024531	1	Electrode	
103	7024532	1	Cup, Retaining	
104	7024533	1	Swirl Ring	
105	7024534	1	Tip	
201	7024535	1	Handle, Torch	
202	7024536	1	Switch	
203	7024537	1	Trigger	

# SECTION 5 - PLATFORM

## FIGURE 5-44. PIPE RACK INSTALLATION (ANSI AND AUSTRALIAN SPECS)



ART\_1001213852



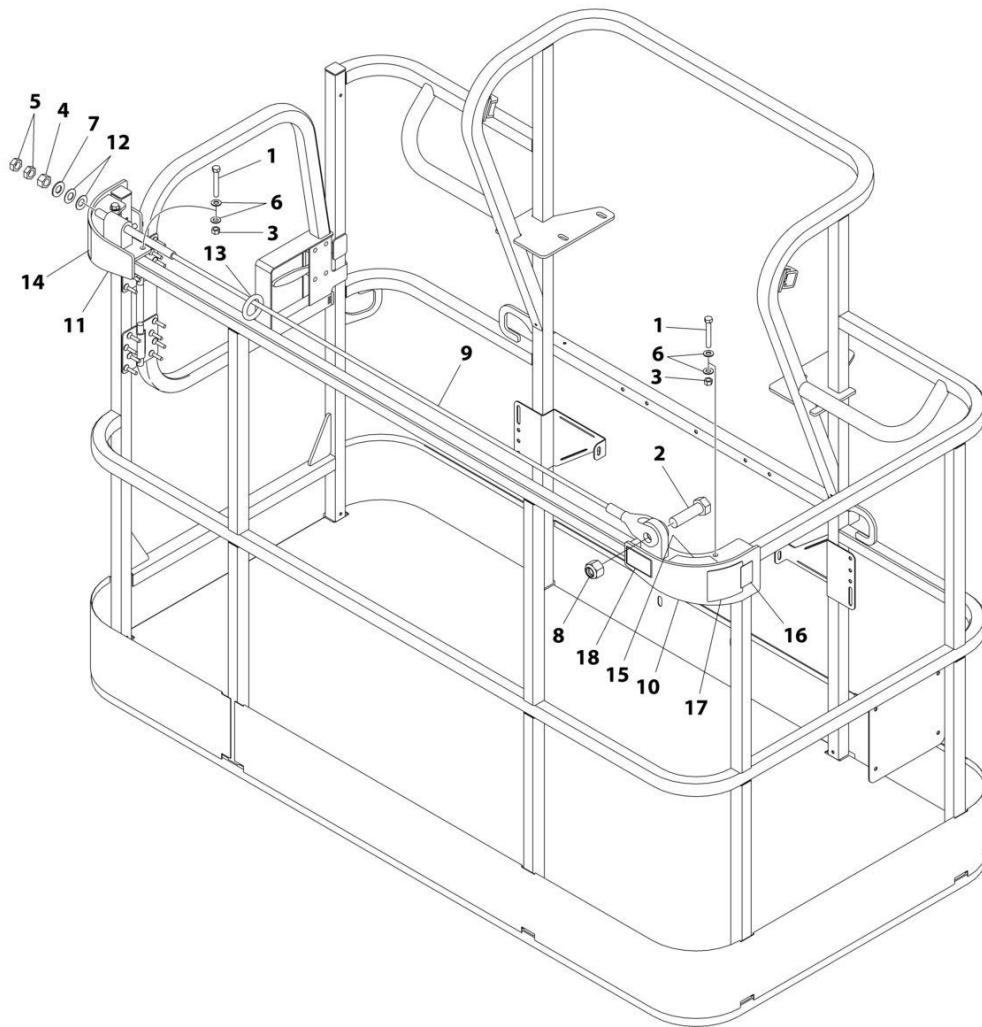
## SECTION 5 - PLATFORM

**FIGURE 5-44. PIPE RACK INSTALLATION (ANSI AND AUSTRALIAN SPECS)**

ITEM	PART NUMBER	QTY	DESCRIPTION	REV
	1001213852	Ref	PIPE RACK INSTALLATION (ANSI AND AUSTRALIAN SPECS)	A
1	4845582	2	Rack, Pipe	
2	4420062	AR	Tape	
3	3422661	10	Pin	
4	1060379	4	Lanyard	
5	0641514	4	Bolt 5/16 x 1-3/4	
6	3311505	4	Nut 5/16	
7	4751500	8	Washer 5/16	
8	0480100	2	Tie-Down	
		Ref	PIPE RACK DECAL INSTALLATIONS	
100	1703683	2	Decal - Capacity (ANSI Specs)	
100	1001219415	2	Decal - Capacity (Australian Specs)	

# SECTION 5 - PLATFORM

FIGURE 5-45. FALL ARREST INSTALLATION (BOLT-ON EXTERNAL) (6FT/1.82M PLATFORM)



ART\_1001236747

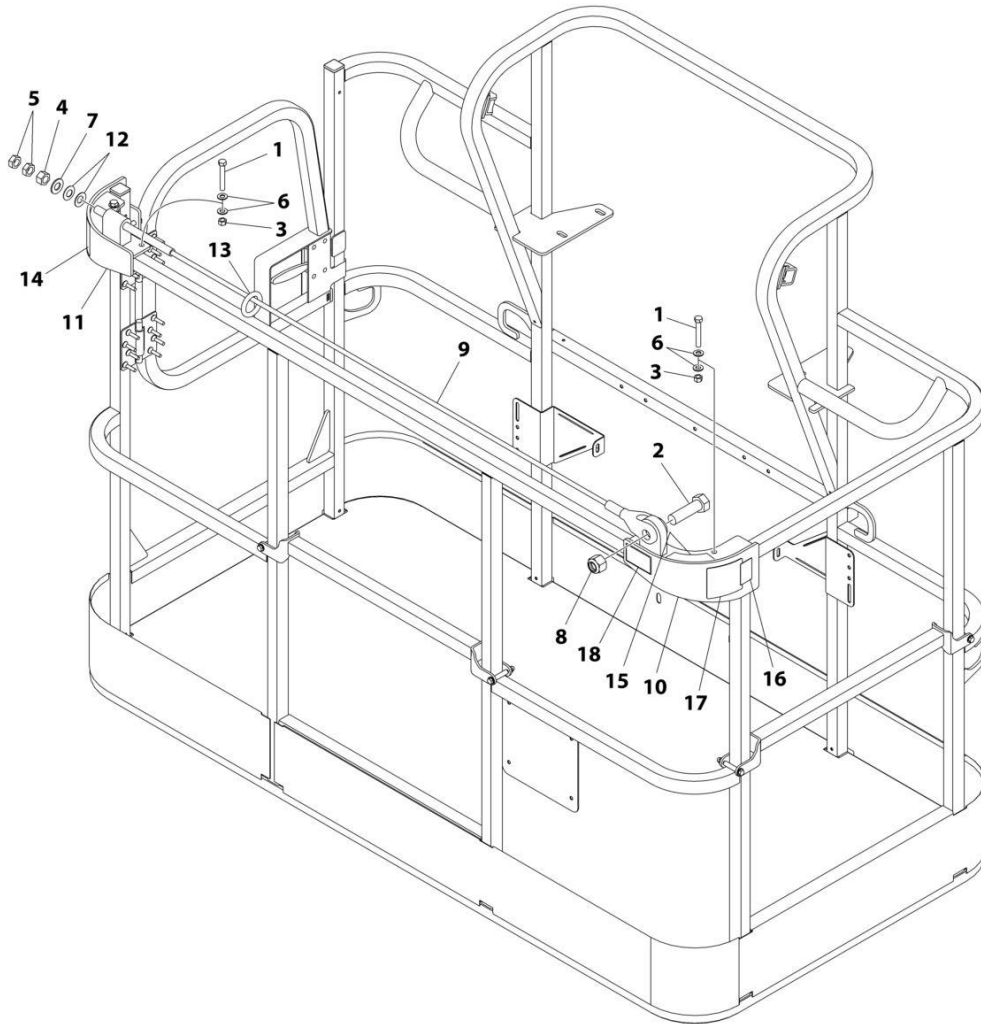
## SECTION 5 - PLATFORM

**FIGURE 5-45. FALL ARREST INSTALLATION (BOLT-ON EXTERNAL) (6FT/1.82M PLATFORM)**

ITEM	PART NUMBER	QTY	DESCRIPTION	REV
	1001236747	Ref	FALL ARREST INSTALLATION (BOLT - ON) 6FT/1.82M PLATFORM	C
1	0681620	6	Bolt 3/8 x 2-1/2	
2	0682424	1	Bolt 7/8 x 3	
3	3271605	6	Nut 3/8	
4	3272001	1	Nut 5/8	
5	3312002	2	Nut 5/8	
6	4711600	12	Washer 3/8	
7	4712000	1	Washer 5/8	
8	88521214	1	Nut 7/8	
9	1001231950	1	Rope	
10	1001232010	1	Bracket (RH)	
11	1001232011	1	Bracket (LH)	
12	1001236891	2	Washer	
13	1001236895	1	Ring	
14	1001238263	1	Decal - Warning Falling Hazard	
15	1001252629	1	Decal - Weight	
16	1001248140	1	Decal - Bolt Fall Arrest Re-Cert	
17	1001248141	1	Decal - Inscription	

# SECTION 5 - PLATFORM

FIGURE 5-46. FALL ARREST INSTALLATION (BOLT-ON EXTERNAL) (6FT/1.82M TRI-ENTRY PLATFORM)



ART\_1001238463

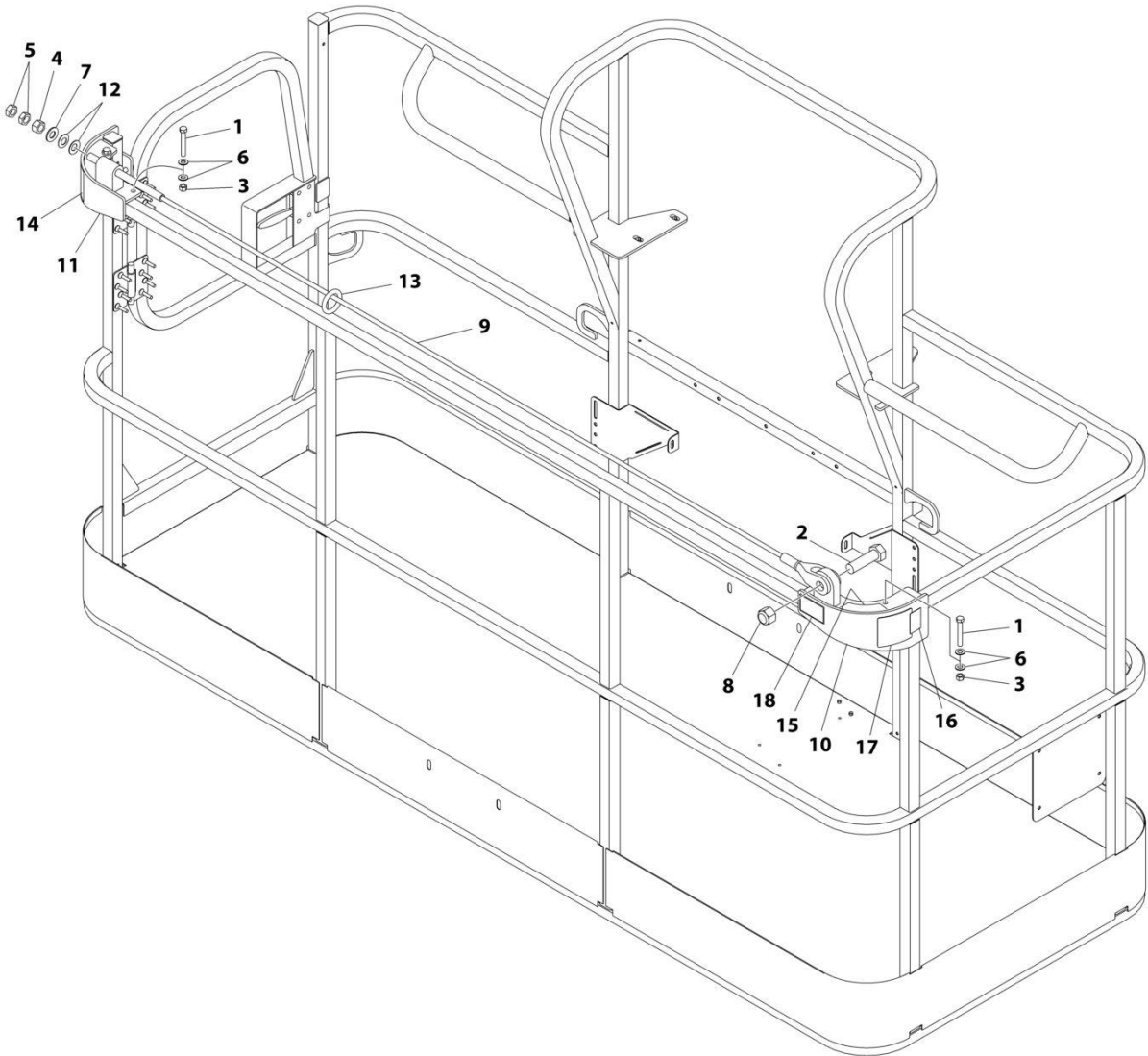
## SECTION 5 - PLATFORM

**FIGURE 5-46. FALL ARREST INSTALLATION (BOLT-ON EXTERNAL) (6FT/1.82M TRI-ENTRY PLATFORM)**

ITEM	PART NUMBER	QTY	DESCRIPTION	REV
	1001238463	Ref	FALL ARREST INSTALLATION (BOLT - ON) 6FT/1.82M PLATFORM	C
1	0681620	6	Bolt 3/8 x 2-1/2	
2	0682424	1	Bolt 7/8 x 3	
3	3271605	6	Nut 3/8	
4	3272001	1	Nut 5/8	
5	3312002	2	Nut 5/8	
6	4711600	12	Washer 3/8	
7	4712000	1	Washer 5/8	
8	88521214	1	Nut 7/8	
9	1001231950	1	Rope	
10	1001232010	1	Bracket (RH)	
11	1001232011	1	Bracket (LH)	
12	1001236891	2	Washer	
13	1001236895	1	Ring	
14	1001238263	1	Decal - Warning Falling Hazard	
15	1001252629	1	Decal - Weight	
16	1001248140	1	Decal - Bolt Fall Arrest Re-Cert	
17	1001248141	1	Decal - Inscription	

# SECTION 5 - PLATFORM

## FIGURE 5-47. FALL ARREST INSTALLATION (BOLT-ON EXTERNAL) (8FT/2.4M PLATFORM)



ART\_1001236746

## SECTION 5 - PLATFORM

**FIGURE 5-47. FALL ARREST INSTALLATION (BOLT-ON EXTERNAL) (8FT/2.4M PLATFORM)**

ITEM	PART NUMBER	QTY	DESCRIPTION	REV
	1001236746	Ref	FALL ARREST INSTALLATION (BOLT - ON) 8FT/2.4M PLATFORM	C
1	0681620	6	Bolt 3/8 x 2-1/2	
2	0682424	1	Bolt 7/8 x 3	
3	3271605	6	Nut 3/8	
4	3272001	1	Nut 5/8	
5	3312002	2	Nut 5/8	
6	4711600	12	Washer 3/8	
7	4712000	1	Washer 5/8	
8	88521214	1	Nut 7/8	
9	1001231949	1	Rope	
10	1001232010	1	Bracket (RH)	
11	1001232011	1	Bracket (LH)	
12	1001236891	2	Washer	
13	1001236895	1	Ring	
14	1001238263	1	Decal - Warning Falling Hazard	
15	1001252629	1	Decal - Weight 23LBS/10.4KG	
16	1001248140	1	Decal - Bolt Fall Arrest Re-Cert	
17	1001248141	1	Decal - Inscription	

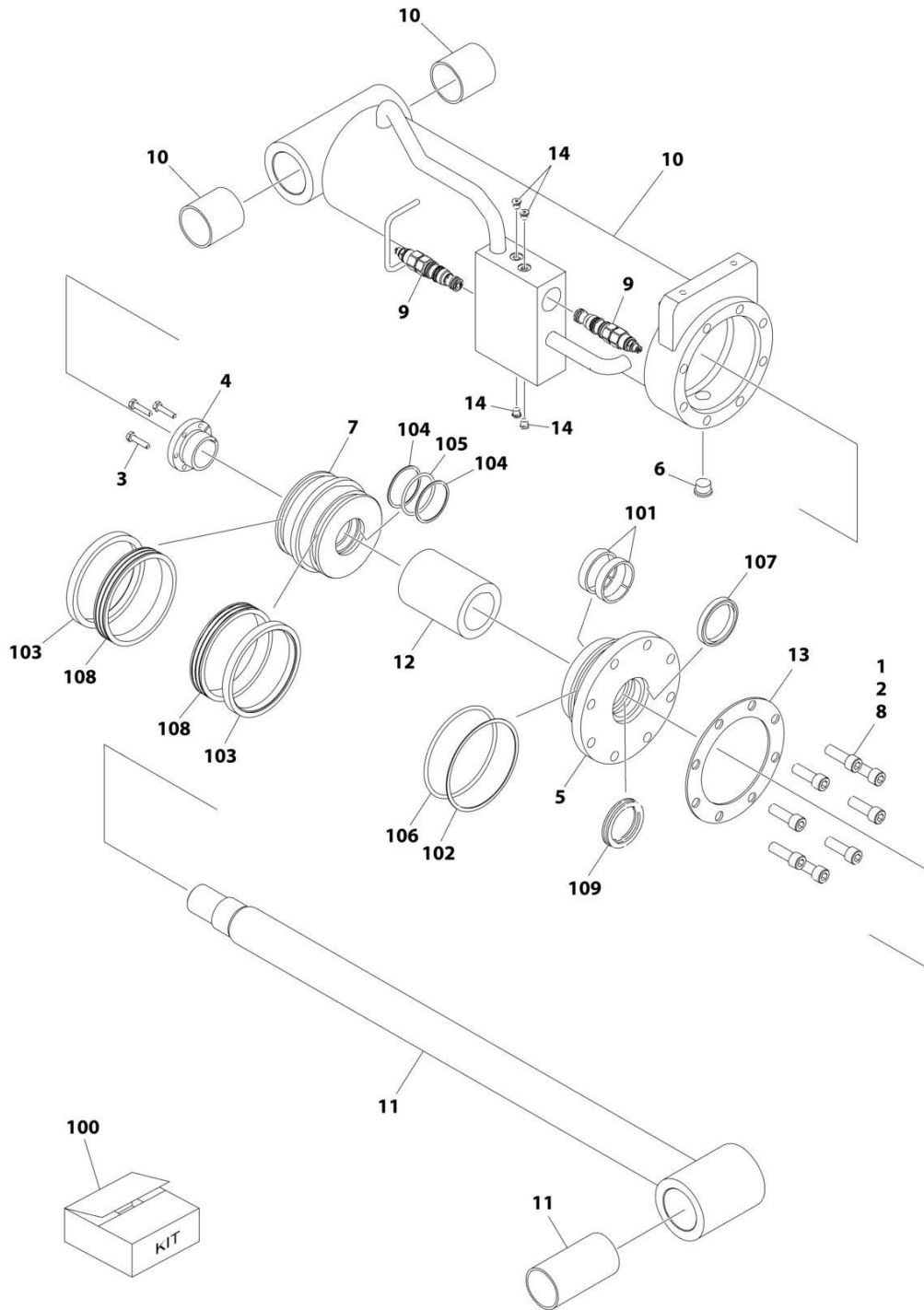




**SECTION 6 - CYLINDER**

# SECTION 6 - CYLINDER

FIGURE 6-1. AXLE EXTEND CYLINDER ASSEMBLY (SN 0300000100 through 0300239663)



ART\_1001156648

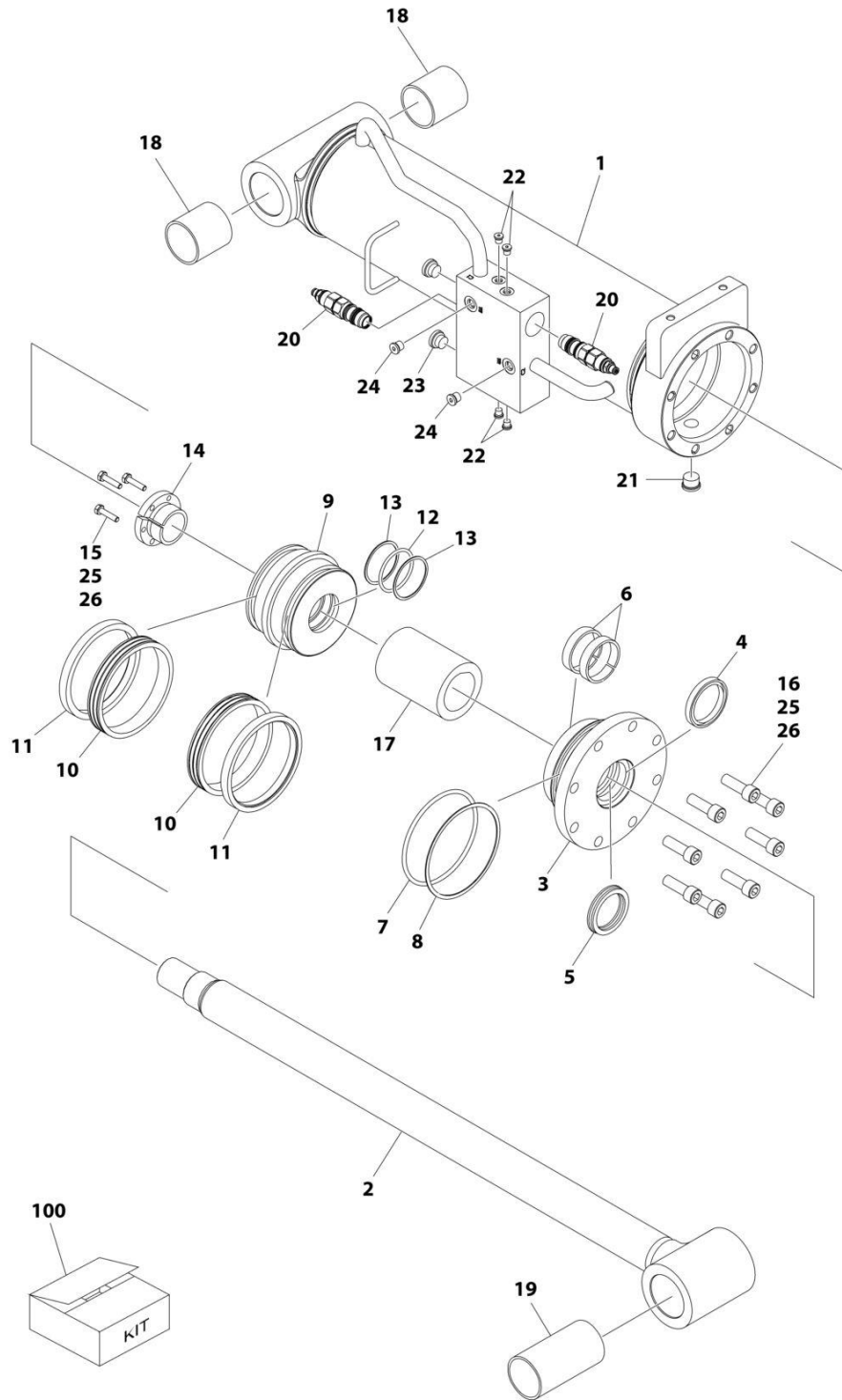
## SECTION 6 - CYLINDER

**FIGURE 6-1. AXLE EXTEND CYLINDER ASSEMBLY (SN 0300000100 through 0300239663)**

ITEM	PART NUMBER	QTY	DESCRIPTION	REV
	1001156648	Ref	AXLE EXTEND CYLINDER ASSEMBLY	E
		Ref	Note: Original Cylinder May Have Been Replaced with Service Replacement. Identify PN Stamped on Cylinder Before Ordering Parts.	
1	0100011	AR	Compound, Locking	
2	0100038	AR	Primer, Locking	
3	0630535	3	Bolt 1/4 x 1-1/8	
4	0961896	1	Bushing, Tapered	
5	1683062	1	Head	
6	2220886	3	Plug	
7	3480269	1	Piston	
8	3931824	8	Capscrew 1/2 x 1-1/2	
9	1001156016	2	Valve (Counterbalance)	
9	7011376	2	Kit, Seal - 1001156016 Valve	
10	1001156923	1	Barrel	
10	0962561	2	Bushing	
11	1001157037	1	Rod	
11	1001157080	2	Bushing	
12	1001157041	1	Tube, Spacer	
13	3760371	1	Ring, Washer	
14	2220881	4	Plug	
100	2902087	1	Kit, Seal (Includes Items 101-109)	
101	See Note	NSS	Ring, Wear (Note: Use Item 100)	
102	See Note	NSS	Ring, Back-up (Note: Use Item 100)	
103	See Note	NSS	Ring, Lock (Note: Use Item 100)	
104	See Note	NSS	Ring, Back-up (Note: Use Item 100)	
105	See Note	NSS	O-Ring (Note: Use Item 100)	
106	See Note	NSS	O-Ring (Note: Use Item 100)	
107	See Note	NSS	Seal, Wiper (Note: Use Item 100)	
108	See Note	NSS	Seal (Note: Use Item 100)	
109	See Note	NSS	Seal (Note: Use Item 100)	

# SECTION 6 - CYLINDER

FIGURE 6-2. AXLE EXTEND CYLINDER ASSEMBLY (SN 0300239663 through 0300271437)



ART\_1001228066

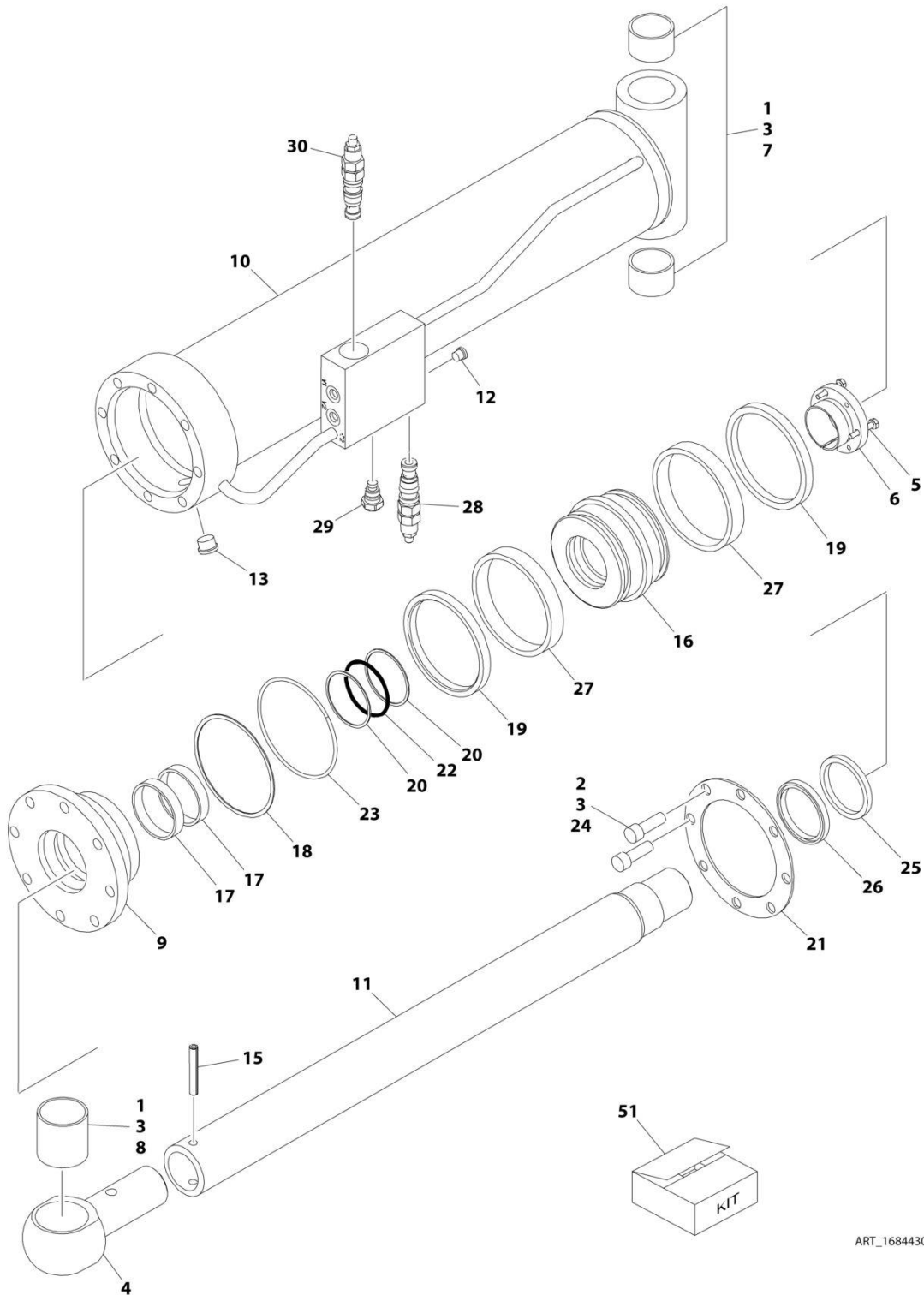
## SECTION 6 - CYLINDER

**FIGURE 6-2. AXLE EXTEND CYLINDER ASSEMBLY (SN 0300239663 through 0300271437)**

ITEM	PART NUMBER	QTY	DESCRIPTION	REV
	1001228066	Ref	AXLE EXTEND CYLINDER ASSEMBLY	C
1	See Note	NSS	Barrel Weldment (Note: Not Available for Purchase)	
2	70006475	1	Rod Weldment	
3	70006474	1	Head	
4	See Note	NSS	Wiper, Rod (Note: Use Item 100)	
5	See Note	NSS	Seal (Note: Use Item 100)	
6	See Note	NSS	Ring, Wear (Note: Use Item 100)	
7	See Note	NSS	O-Ring (Note: Use Item 100)	
8	See Note	NSS	Ring, Back-up (Note: Use Item 100)	
9	70006473	1	Piston	
10	See Note	NSS	Seal (Note: Use Item 100)	
11	See Note	NSS	Ring, Lock (Note: Use Item 100)	
12	See Note	NSS	O-Ring (Note: Use Item 100)	
13	See Note	NSS	Ring, Back-up (Note: Use Item 100)	
14	0961896	1	Bushing, Tapered	
15	0630535	3	Bolt 1/4 x 1-1/8	
16	3931824	8	Capscrew 1/2 x 1-1/2	
17	70006472	1	Tube, Spacer	
18	0962561	2	Bushing	
19	1001157080	1	Bushing	
20	1001156016	2	Valve (Counterbalance)	
20	7011376	2	Kit, Seal - 1001156016 Valve	
21	2220886	AR	Plug	
22	2220881	4	Plug	
23	2220886	2	Plug	
24	2220883	2	Plug, O-Ring	
25	0100011	AR	Compound, Locking	
26	0100038	AR	Primer, Locking	
100	2902087	1	Kit, Seal (Includes Items 4-8 & 10-13)	

# SECTION 6 - CYLINDER

FIGURE 6-3. LEVEL CYLINDER ASSEMBLY - PLATFORM SLAVE (SN 030000100 through 0300237743)



ART\_1684430

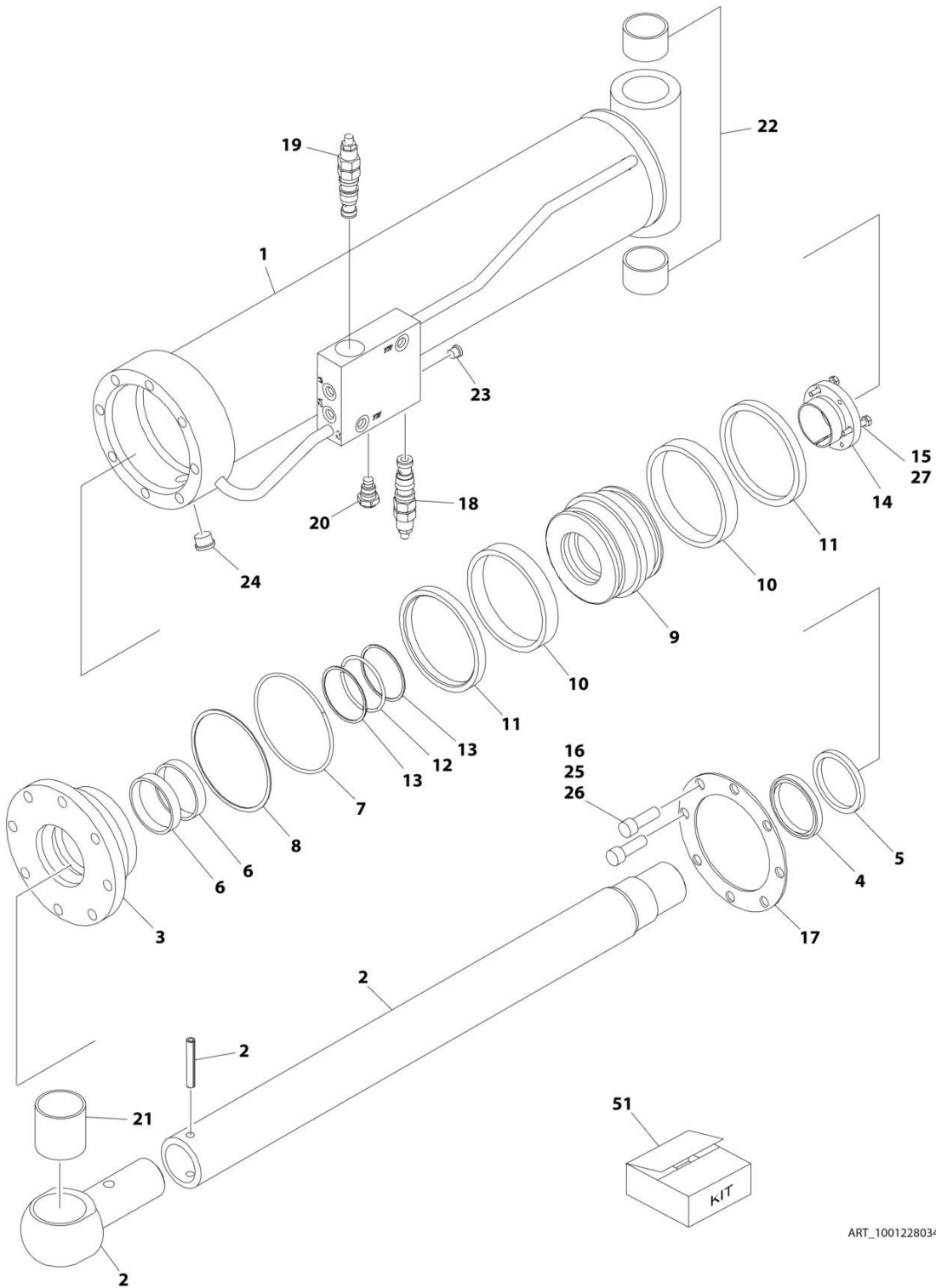
## SECTION 6 - CYLINDER

**FIGURE 6-3. LEVEL CYLINDER ASSEMBLY - PLATFORM SLAVE (SN 0300000100 through 0300237743)**

ITEM	PART NUMBER	QTY	DESCRIPTION	REV
	1684430	Ref	LEVEL CYLINDER ASSEMBLY - PLATFORM SLAVE	E
		Ref	Note: Original Cylinder May Have Been Replaced with Service Replacement. Identify PN Stamped on Cylinder Before Ordering Parts.	
1	0100011	AR	Compound, Locking	
2	0100019	AR	Compound, Locking	
3	0100038	AR	Primer, Locking	
4	0561546	1	Link, Rod	
5	0630535	3	Capscrew 1/4 x 1-1/8	
6	0961897	1	Bushing, Tapered	
7	0961949	2	Bushing	
8	0962561	1	Bushing	
9	1683063	1	Head	
10	0370025	1	Barrel Weldment	
11	1684346	1	Rod Weldment	
12	2220883	1	Plug, O-Ring	
13	2220886	1	Plug, O-Ring	
15	3441240	1	Rollpin	
16	3480282	1	Piston	
17	See Note	NSS	Ring, Wear (Note: Use Item 51)	
18	See Note	NSS	Ring, Back-up (Note: Use Item 51)	
19	See Note	NSS	Ring, Lock (Note: Use Item 51)	
20	See Note	NSS	Ring, Back-up (Note: Use Item 51)	
21	3760371	1	Ring, Washer	
22	See Note	NSS	O-Ring (Note: Use Item 51)	
23	See Note	NSS	O-Ring (Note: Use Item 51)	
24	3931824	8	Capscrew 1/2 x 1-1/2	
25	See Note	NSS	Seal, Rod (Note: Use Item 51)	
26	See Note	NSS	Wiper, Rod (Note: Use Item 51)	
27	See Note	NSS	Ring, Guide (Note: Use Item 51)	
28	4641386	1	Cartridge, Holding Valve (Vented)	
28	7011376	1	Seal Kit - 4641386 Cartridge (1 Per Cartridge)	
29	4641388	1	Cartridge, Holding Valve	
29	7011353	1	Seal Kit - 4641388 Cartridge (1 Per Cartridge)	
30	4641393	1	Cartridge, Holding Valve (Vented)	
30	7011376	1	Seal Kit - 4641393 Cartridge (1 Per Cartridge)	
51	2902285	1	Seal Kit (Includes Items 17-20, 22, 23 & 25-27)	

# SECTION 6 - CYLINDER

FIGURE 6-4. LEVEL CYLINDER ASSEMBLY - PLATFORM SLAVE (SN 0300237743 through 0300271437)



ART\_1001228034



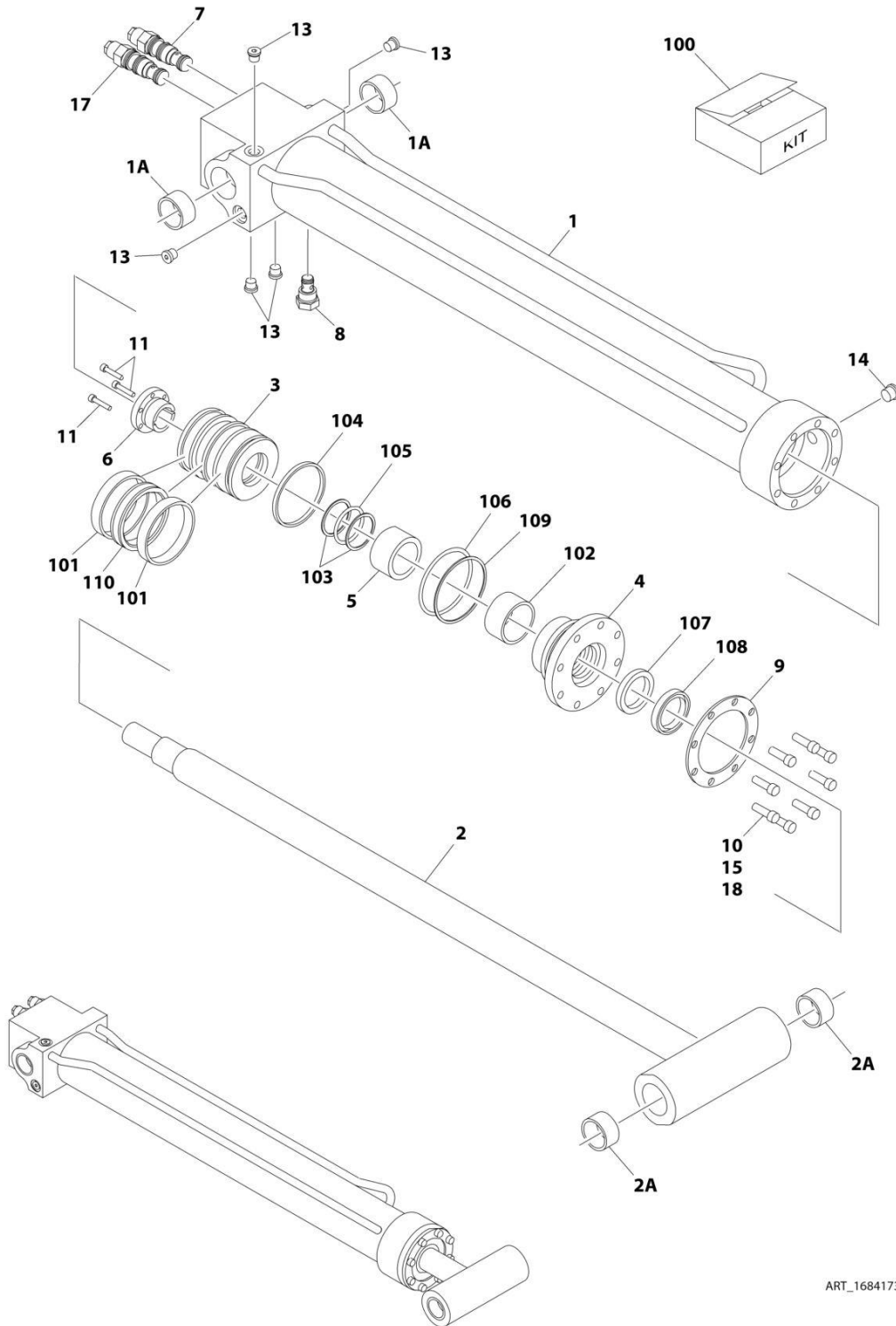
## SECTION 6 - CYLINDER

**FIGURE 6-4. LEVEL CYLINDER ASSEMBLY - PLATFORM SLAVE (SN 0300237743 through 0300271437)**

ITEM	PART NUMBER	QTY	DESCRIPTION	REV
	1001228034	Ref	LEVEL CYLINDER ASSEMBLY - PLATFORM SLAVE	B
1	See Note	NSS	Barrel Weldment (Note: Not Available for Purchase)	
2	70006496	1	Rod Weldment	
3	70006495	1	Head	
4	See Note	NSS	Wiper, Rod (Note: Use Item 51)	
5	See Note	NSS	Seal, Rod (Note: Use Item 51)	
6	See Note	NSS	Ring, Wear (Note: Use Item 51)	
7	See Note	NSS	O-Ring (Note: Use Item 51)	
8	See Note	NSS	Ring, Back-up (Note: Use Item 51)	
9	70006494	1	Piston	
10	See Note	NSS	Ring, Guide (Note: Use Item 51)	
11	See Note	NSS	Ring, Lock (Note: Use Item 51)	
12	See Note	NSS	O-Ring (Note: Use Item 51)	
13	See Note	NSS	Ring, Back-up (Note: Use Item 51)	
14	0961897	1	Bushing, Tapered	
15	0630535	3	Capscrew 1/4 x 1-1/8	
16	3931824	8	Capscrew 1/2 x 1-1/2	
17	3760371	1	Ring, Washer	
18	4641386	1	Cartridge, Holding Valve (Vented)	
18	7011376	1	Seal Kit - 4641386 Cartridge (1 Per Cartridge)	
19	4641393	1	Cartridge, Holding Valve (Vented)	
19	7011376	1	Seal Kit - 4641393 Cartridge (1 Per Cartridge)	
20	4641388	1	Cartridge, Holding Valve	
20	7011353	1	Seal Kit - 4641388 Cartridge (1 Per Cartridge)	
21	0962561	1	Bushing	
22	0961949	2	Bushing	
23	2220883	5	Plug, O-Ring	
24	2220886	1	Plug, O-Ring	
25	0100011	AR	Compound, Locking	
26	0100038	AR	Primer, Locking	
27	0100019	AR	Compound, Locking	
51	2902285	1	Seal Kit (Includes Items 4-8 & 10-13)	

# SECTION 6 - CYLINDER

FIGURE 6-5. LIFT CYLINDER ASSEMBLY - JIB (SN 0300000100 through 0300238854)



ART\_1684173

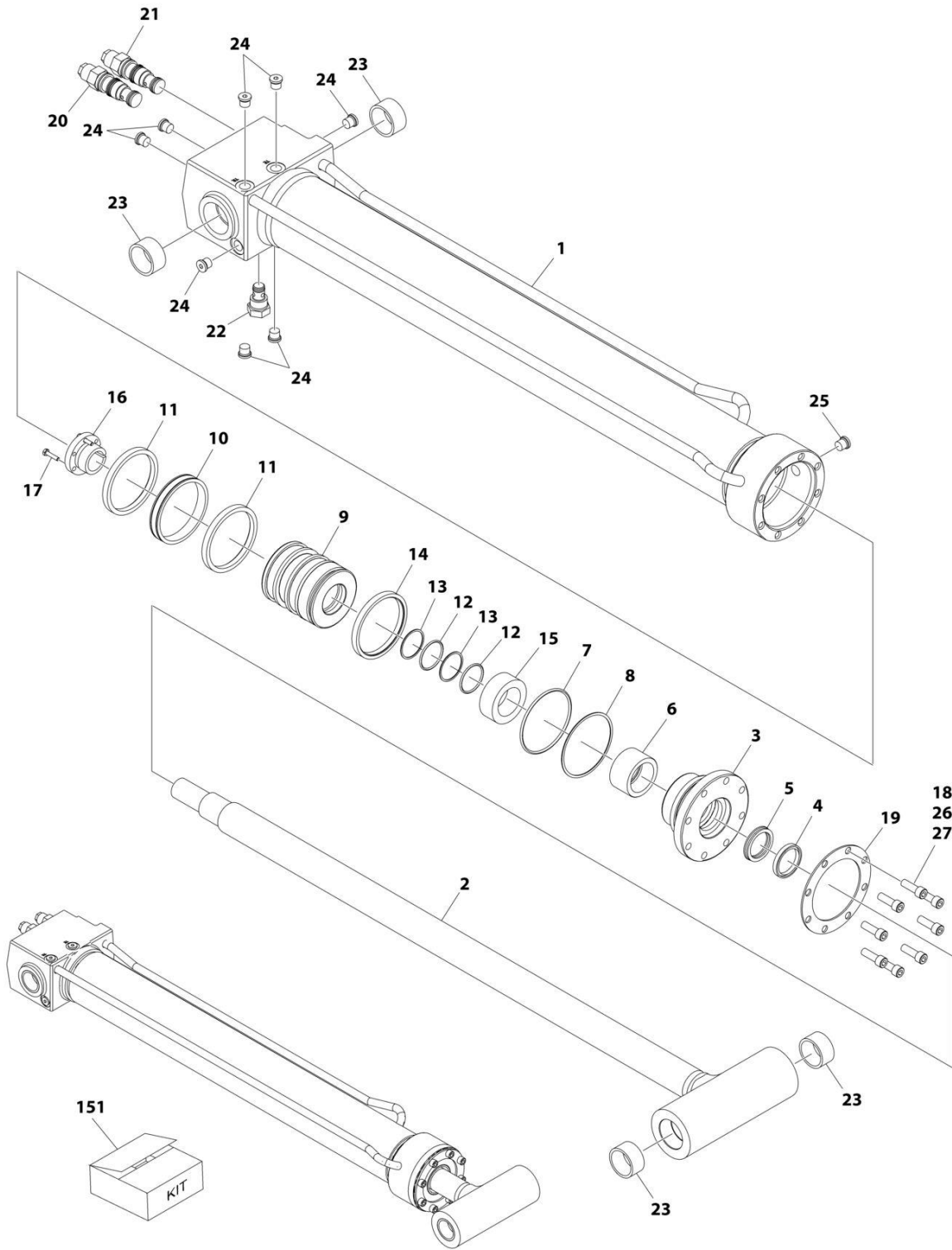
## SECTION 6 - CYLINDER

**FIGURE 6-5. LIFT CYLINDER ASSEMBLY - JIB (SN 0300000100 through 0300238854)**

ITEM	PART NUMBER	QTY	DESCRIPTION	REV
	1684173	Ref	LIFT CYLINDER ASSEMBLY - JIB	H
		Ref	Note: Original Cylinder May Have Been Replaced with Service Replacement. Identify PN Stamped on Cylinder Before Ordering Parts.	
1	1684174	1	Barrel Weldment	
1A	0962257	2	Bushing	
2	1684176	1	Rod Weldment	
2A	0962257	2	Bushing	
3	3480271	1	Piston	
4	1683053	1	Head	
5	4100100	1	Spacer	
6	0961893	1	Bushing, Tapered	
7	4640452	1	Cartridge, Counterbalance (Port above V2)	
7	2900770	1	Seal Kit - 4640452 Cartridge Valve (1 Per Valve)	
8	4641114	1	Cartridge, Restricted/Check	
8	7012967	1	Seal Kit - 4641114 Cartridge Valve (1 Per Valve)	
9	3760368	1	Ring, Washer	
10	3931516	8	Capscrew 5/16 x 1	
11	0630534	3	Capscrew #10 x 1	
13	2220883	5	Plug, O-Ring	
14	2220885	1	Plug, O-Ring	
15	0100011	AR	Compound, Locking	
17	4641260	1	Cartridge, Counterbalance (Port above V1)	
17	2900770	1	Seal Kit - 4641260 Cartridge Valve (1 Per Valve)	
18	0100038	AR	Primer, Locking	
100	2902092	1	Seal Kit (Includes Items 101-110)	
101	See Note	NSS	Ring, Wear (Note: Use Item 100)	
102	See Note	NSS	Ring, Wear (Note: Use Item 100)	
103	See Note	NSS	Ring, Back-up (Note: Use Item 100)	
104	See Note	NSS	Seal (Note: Use Item 100)	
105	See Note	NSS	O-Ring (Note: Use Item 100)	
106	See Note	NSS	O-Ring (Note: Use Item 100)	
107	See Note	NSS	Seal (Note: Use Item 100)	
108	See Note	NSS	Wiper, Rod (Note: Use Item 100)	
109	See Note	NSS	Ring, Back-up (Note: Use Item 100)	
110	See Note	NSS	Seal (Note: Use Item 100)	

# SECTION 6 - CYLINDER

FIGURE 6-6. LIFT CYLINDER ASSEMBLY - JIB (SN 0300238854 through 0300271437)



ART\_1001228025

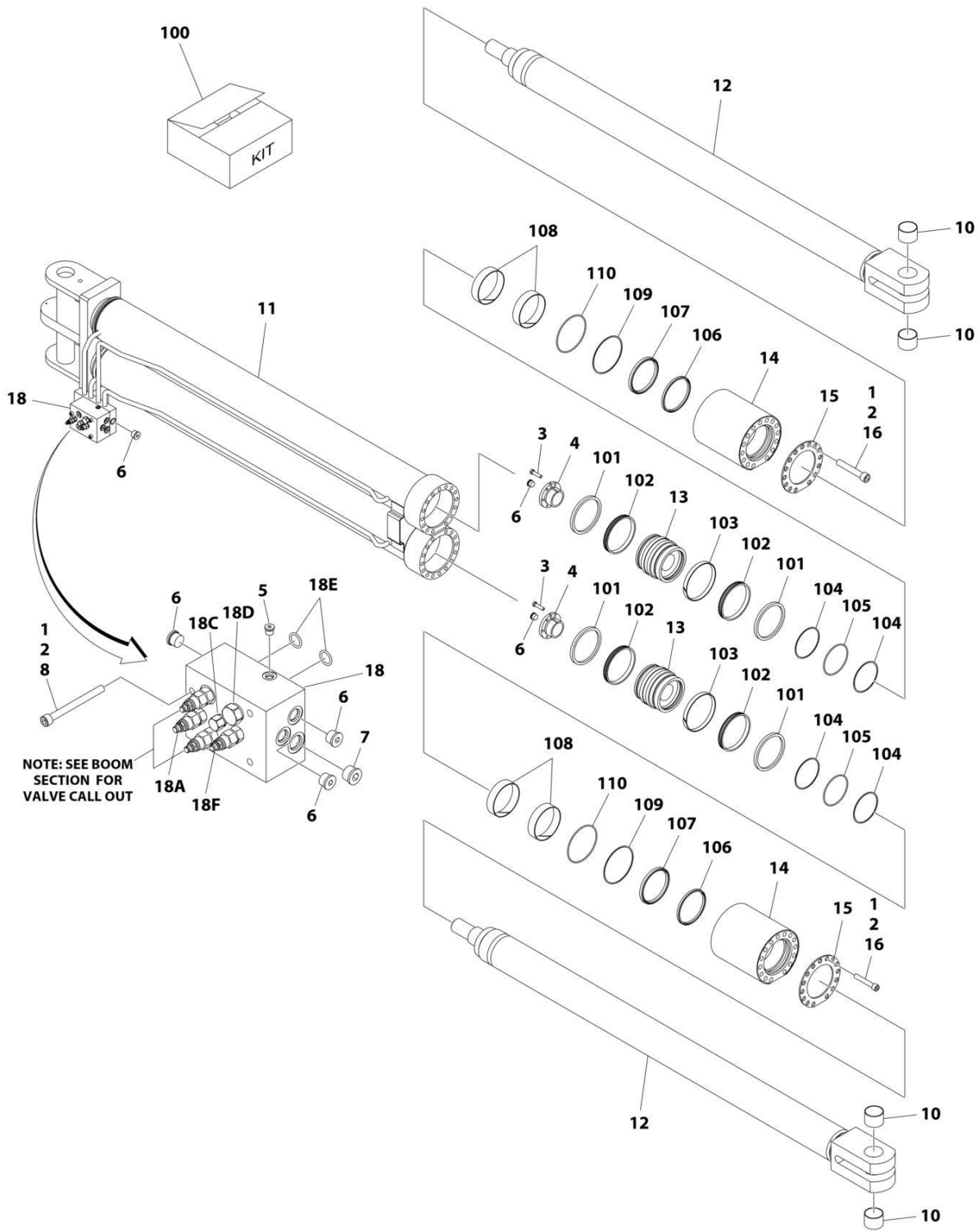
## SECTION 6 - CYLINDER

**FIGURE 6-6. LIFT CYLINDER ASSEMBLY - JIB (SN 0300238854 through 0300271437)**

ITEM	PART NUMBER	QTY	DESCRIPTION	REV
	1001228025	Ref	LIFT CYLINDER ASSEMBLY - JIB	E
1	See Note	NSS	Barrel Weldment (Note: Not Available for Purchase)	
2	70006526	1	Rod Weldment	
3	70006525	1	Head	
4	See Note	NSS	Wiper, Rod (Note: Use Item 151)	
5	See Note	NSS	Seal (Note: Use Item 151)	
6	See Note	NSS	Ring, Wear (Note: Use Item 151)	
7	See Note	NSS	O-Ring (Note: Use Item 151)	
8	See Note	NSS	Ring, Back-up (Note: Use Item 151)	
9	70006524	1	Piston	
10	See Note	NSS	Seal (Note: Use Item 151)	
11	See Note	NSS	Ring, Wear (Note: Use Item 151)	
12	See Note	NSS	O-Ring (Note: Use Item 151)	
13	See Note	NSS	Ring, Back-up (Note: Use Item 151)	
14	See Note	NSS	Seal (Note: Use Item 151)	
15	70006523	1	Spacer	
16	0961893	1	Bushing, Tapered	
17	0630534	3	Capscrew #10 x 1	
18	3931516	8	Capscrew 5/16 x 1	
19	3760368	1	Ring, Washer	
20	4641260	1	Cartridge, Counterbalance (Port above V1)	
20	2900770	1	Seal Kit - 4641260 Cartridge Valve (1 Per Valve)	
21	4640452	1	Cartridge, Counterbalance (Port above V2)	
21	2900770	1	Seal Kit - 4640452 Cartridge Valve (1 Per Valve)	
22	4641114	1	Cartridge, Restricted/Check	
22	7012967	1	Seal Kit - 4641114 Cartridge Valve (1 Per Valve)	
23	0962257	4	Bushing	
24	2220883	8	Plug, O-Ring	
25	2220885	AR	Plug, O-Ring	
26	0100011	AR	Compound, Locking	
27	0100038	AR	Primer, Locking	
151	1001138805	1	Seal Kit Options (Includes Items 4-8 & 10-14)	

# SECTION 6 - CYLINDER

FIGURE 6-7. LIFT CYLINDER ASSEMBLY - MAIN BOOM (SN 0300000100 through 0300239463)



ART\_1001200063

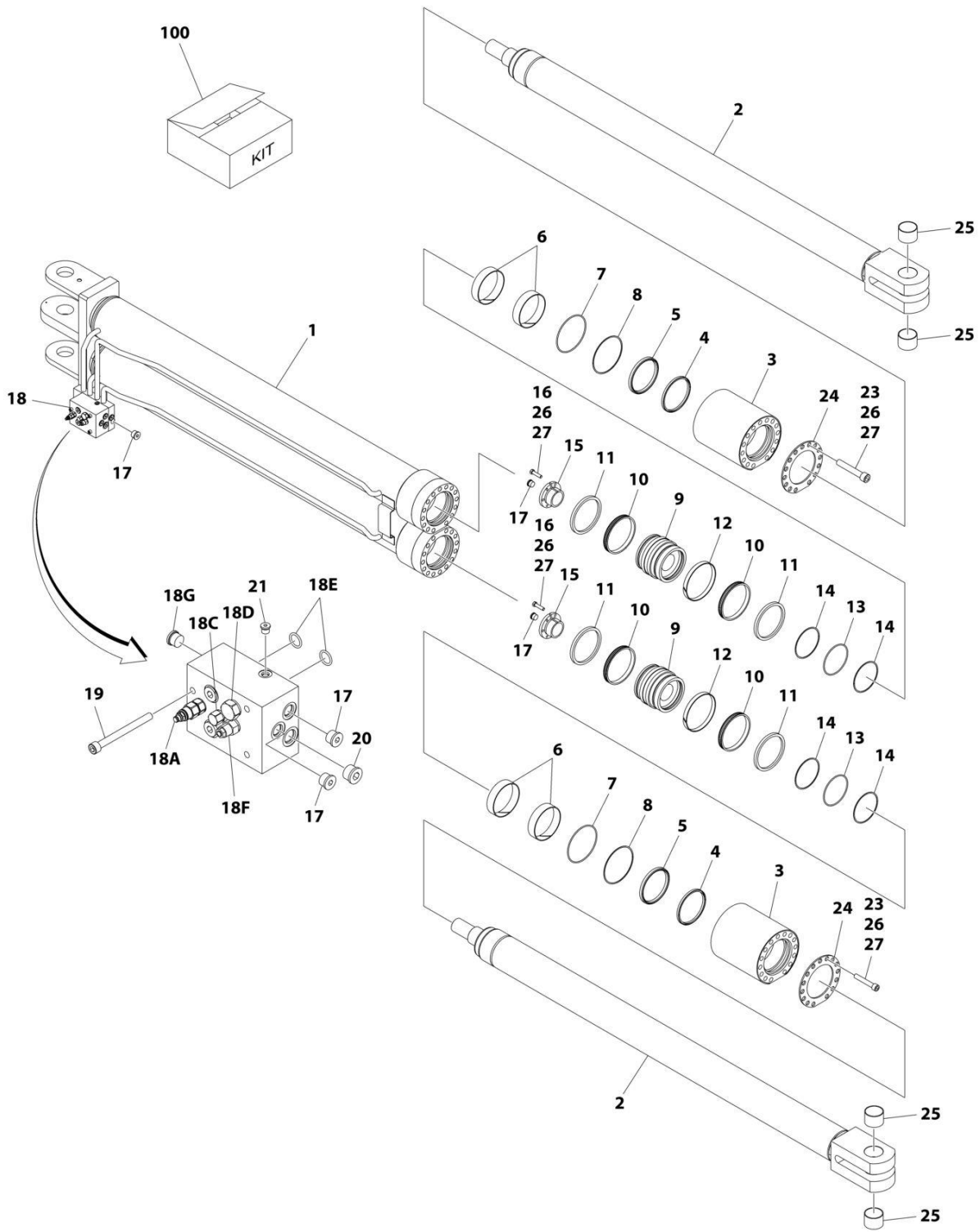
## SECTION 6 - CYLINDER

**FIGURE 6-7. LIFT CYLINDER ASSEMBLY - MAIN BOOM (SN 0300000100 through 0300239463)**

ITEM	PART NUMBER	QTY	DESCRIPTION	REV
	1001200063	Ref	LIFT CYLINDER ASSEMBLY - MAIN BOOM	G
		Ref	Note: Original Cylinder May Have Been Replaced with Service Replacement. Identify PN Stamped on Cylinder Before Ordering Parts.	
1	0100011	AR	Compound, Locking	
2	0100038	AR	Primer, Locking	
3	0630536	6	Capscrew 3/8 x 1-1/2	
4	0961898	2	Bushing	
5	2220883	1	Plug #4	
6	2220886	6	Plug #8	
7	2220887	3	Plug #10	
8	5272024	4	Capscrew M10 x 110	
10	1001198762	4	Bearing	
11	1001202142	1	Barrel	
12	1001202194	2	Rod	
13	1001202201	2	Piston	
14	1001202234	2	Head	
15	1001202236	2	Ring, Washer	
16	3932272	30	Capscrew 3/4 x 4-1/2	
18	1001204041	1	Valve Assembly	C
18A	70005659	1	Cartridge, Valve (Counterbalance)	
18A	7011376	1	Seal Kit - 70005659 Valve	
18C	70005658	1	Cartridge, Valve (Shuttle)	
18C	7026004	1	Seal Kit - 70005658 Valve	
18D	70004406	1	Cartridge, Valve (Check)	
18D	7011351	1	Seal Kit - 70004406 Valve	
18E	70000778	2	O-Ring	
18F	1001156033	1	Cartridge, Valve (Counterbalance)	
18F	7024574	1	Seal Kit - 1001156033 Valve	
100	1001202539	2	Kit Seal - Cylinder (Includes Items 101-110)	
101	See Note	NSS	Ring, Lock (Note: Use Item 100)	
102	See Note	NSS	Seal (Note: Use Item 100)	
103	See Note	NSS	Ring, Wear (Note: Use Item 100)	
104	See Note	NSS	Ring, Back-up (Note: Use Item 100)	
105	See Note	NSS	O-Ring (Note: Use Item 100)	
106	See Note	NSS	Wiper (Note: Use Item 100)	
107	See Note	NSS	Seal (Note: Use Item 100)	
108	See Note	NSS	Ring, Wear (Note: Use Item 100)	
109	See Note	NSS	Ring, Back-up (Note: Use Item 100)	
110	See Note	NSS	O-Ring (Note: Use Item 100)	

# SECTION 6 - CYLINDER

FIGURE 6-8. LIFT CYLINDER ASSEMBLY - MAIN BOOM (SN 0300239463 through 0300271437)



ART\_1001228094



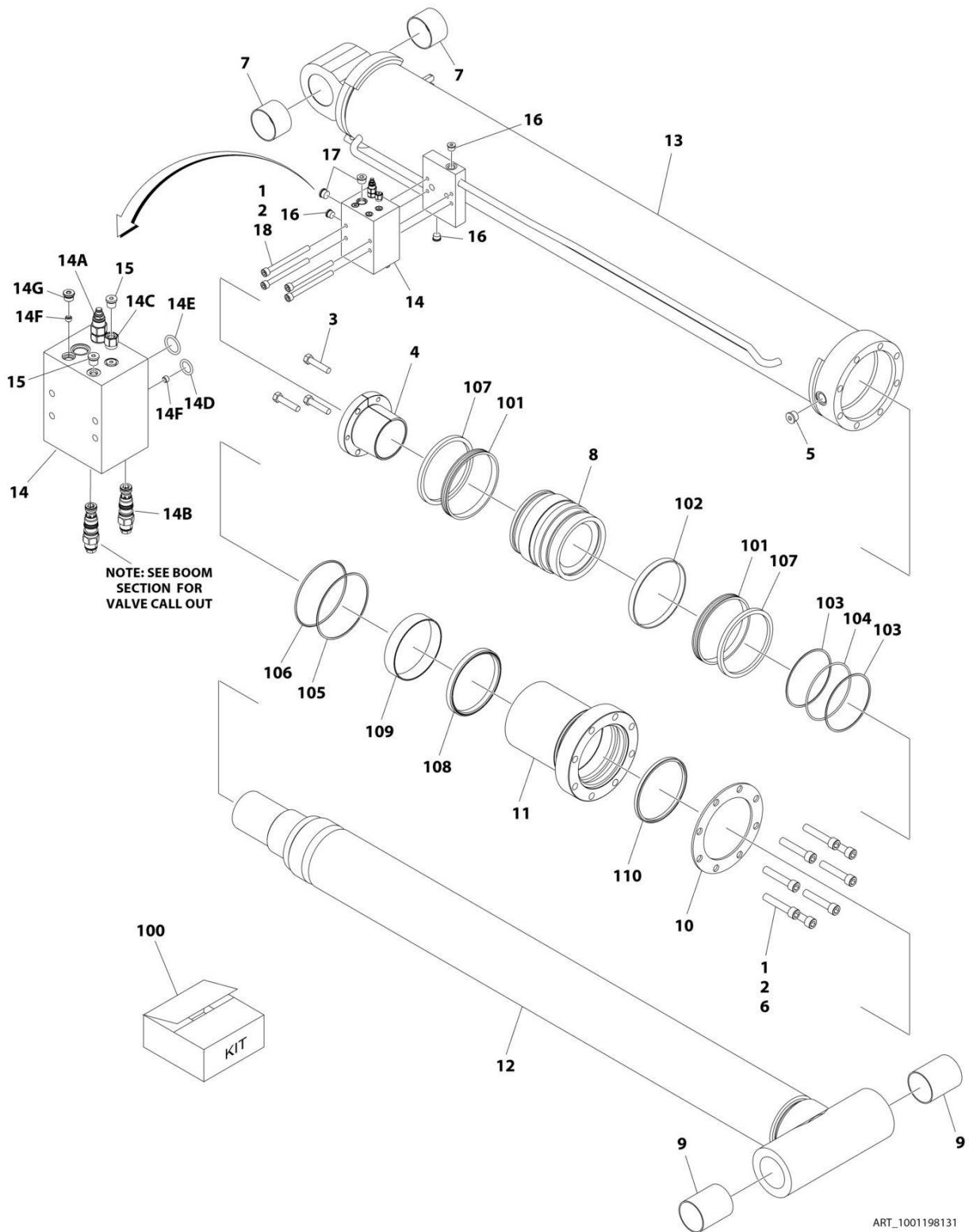
## SECTION 6 - CYLINDER

**FIGURE 6-8. LIFT CYLINDER ASSEMBLY - MAIN BOOM (SN 0300239463 through 0300271437)**

ITEM	PART NUMBER	QTY	DESCRIPTION	REV
	1001228094	Ref	LIFT CYLINDER ASSEMBLY - MAIN BOOM	B
1	See Note	NSS	Barrel Weldment (Note: Not Available for Purchase)	
2	70006546	2	Rod	
3	70006545	2	Head	
4	See Note	NSS	Wiper (Note: Use Item 100)	
5	See Note	NSS	Seal (Note: Use Item 100)	
6	See Note	NSS	Ring, Wear (Note: Use Item 100)	
7	See Note	NSS	O-Ring (Note: Use Item 100)	
8	See Note	NSS	Ring, Back-up (Note: Use Item 100)	
9	1001202201	2	Piston	
10	See Note	NSS	Seal (Note: Use Item 100)	
11	See Note	NSS	Ring, Lock (Note: Use Item 100)	
12	See Note	NSS	Ring, Wear (Note: Use Item 100)	
13	See Note	NSS	O-Ring (Note: Use Item 100)	
14	See Note	NSS	Ring, Back-up (Note: Use Item 100)	
15	0961898	2	Bushing	
16	0630536	6	Capscrew 3/8 x 1-1/2	
17	2220886	6	Plug #8	
18	1001204041	1	Valve Assembly	C
18A	70005659	1	Cartridge, Valve (Counterbalance)	
18A	7011376	1	Seal Kit - 70005659 Valve	
18C	70005658	1	Cartridge, Valve (Shuttle)	
18C	7026004	1	Seal Kit - 70005658 Valve	
18D	70004406	1	Cartridge, Valve (Check)	
18D	7011351	1	Seal Kit - 70004406 Valve	
18E	70000778	2	O-Ring	
18F	1001156033	1	Cartridge, Valve (Counterbalance)	
18F	7024574	1	Seal Kit - 1001156033 Valve	
18G	70005598	1	Plug #6	
19	5272024	4	Capscrew M10 x 110	
20	2220887	3	Plug #10	
21	2220883	1	Plug #4	
23	3932272	30	Capscrew 3/4 x 4-1/2	
24	1001202236	2	Ring, Washer	
25	1001198762	4	Bearing	
26	0100011	AR	Compound, Locking	
27	0100038	AR	Primer, Locking	
100	1001202539	2	Kit Seal - Cylinder (Includes Items 4-8 & 10-14)	

# SECTION 6 - CYLINDER

FIGURE 6-9. LIFT CYLINDER ASSEMBLY - TOWER BOOM (SN 0300000100 through 0300239155)



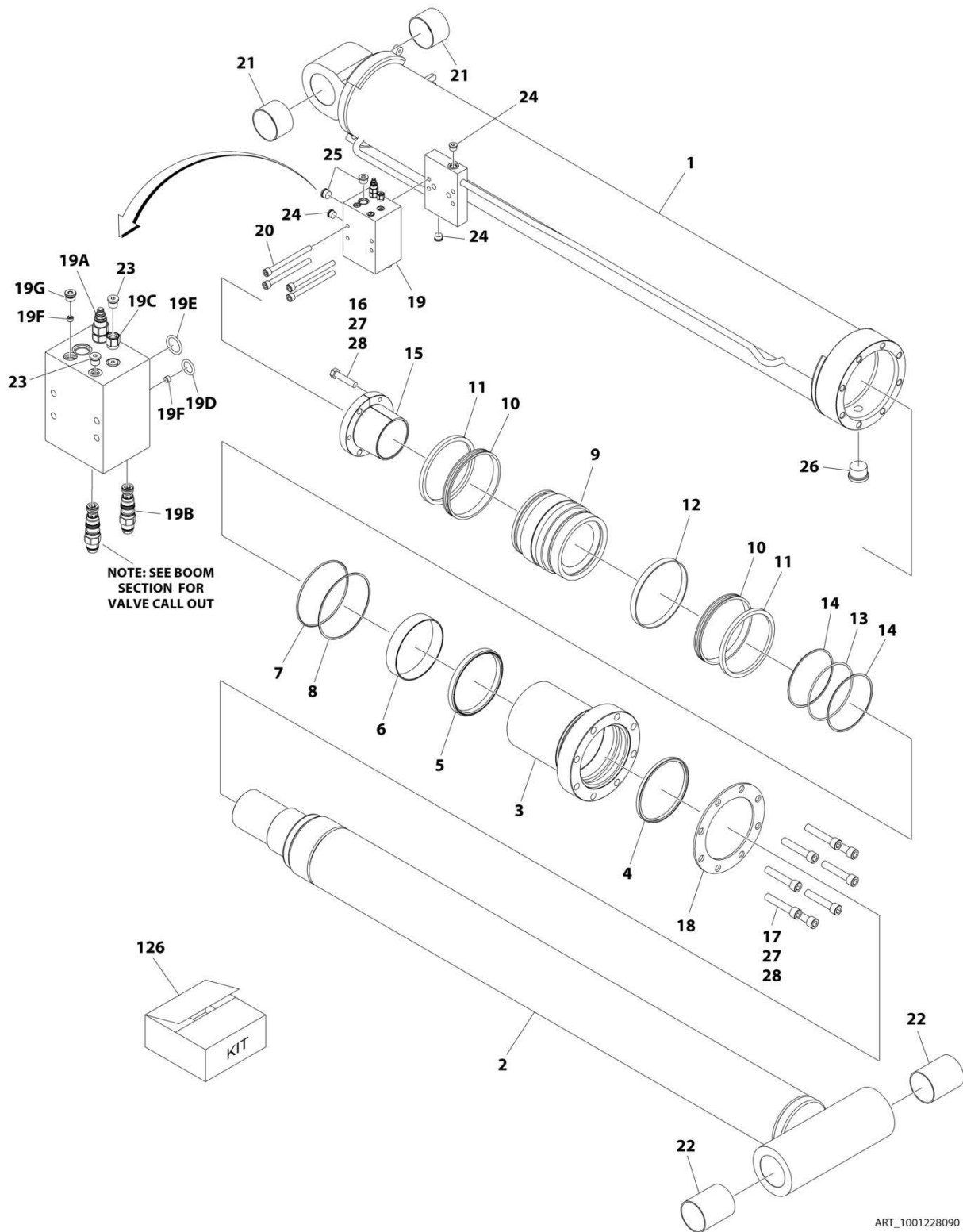
## SECTION 6 - CYLINDER

**FIGURE 6-9. LIFT CYLINDER ASSEMBLY - TOWER BOOM (SN 0300000100 through 0300239155)**

ITEM	PART NUMBER	QTY	DESCRIPTION	REV
	1001198131	Ref	LIFT CYLINDER ASSEMBLY - TOWER BOOM	F
		Ref	Note: Original Cylinder May Have Been Replaced with Service Replacement. Identify PN Stamped on Cylinder Before Ordering Parts.	
1	0100011	AR	Compound, Locking	
2	0100038	AR	Primer, Locking	
3	1001206184	3	Capscrew 5/8 x 2-7/8	
4	0962562	1	Bushing	
5	2220888	1	Plug #12	
6	3932264	8	Capscrew 3/4 x 4	
7	1001133927	2	Bearing	
8	1001150917	1	Piston	
9	1001150942	2	Bushing	
10	1001151503	1	Ring, Washer	
11	1001198132	1	Head	
12	1001198157	1	Rod	
13	1001198193	1	Barrel	
14	1001212199	1	Valve Assembly	
14A	70005656	1	Cartridge, Valve (Counterbalance)	
14A	7011376	1	Seal Kit - 70005656 Valve	
14B	70005655	1	Cartridge, Valve (Counterbalance)	
14B	2900770	1	Seal Kit - 70005655 Valve	
14C	7011361	1	Cartridge, Valve (Shuttle)	
14C	7011346	1	Seal Kit - 7011361 Valve	
14D	70005654	1	O-Ring	
14E	70024072	1	O-Ring	
14F	70005633	2	Orifice .031	
14G	70005598	1	Plug #6	
15	2220883	6	Plug #4	
16	2220886	3	Plug #8	
17	2220887	2	Plug #10	
18	5272025	4	Capscrew M10 x 120	
100	1001160169	1	Seal Kit - Cylinder (Includes Items 101-110)	
101	See Note	NSS	Seal (Note: Use Item 100)	
102	See Note	NSS	Ring, Wear (Note: Use Item 100)	
103	See Note	NSS	Ring, Back-up (Note: Use Item 100)	
104	See Note	NSS	O-Ring (Note: Use Item 100)	
105	See Note	NSS	Ring, Back-up (Note: Use Item 100)	
106	See Note	NSS	O-Ring (Note: Use Item 100)	
107	See Note	NSS	Seal, Lock (Note: Use Item 100)	
108	See Note	NSS	Seal (Note: Use Item 100)	
109	See Note	NSS	Ring, Wear (Note: Use Item 100)	
110	See Note	NSS	Wiper (Note: Use Item 100)	

# SECTION 6 - CYLINDER

FIGURE 6-10. LIFT CYLINDER ASSEMBLY - TOWER BOOM (SN 0300239155 through 0300271437)



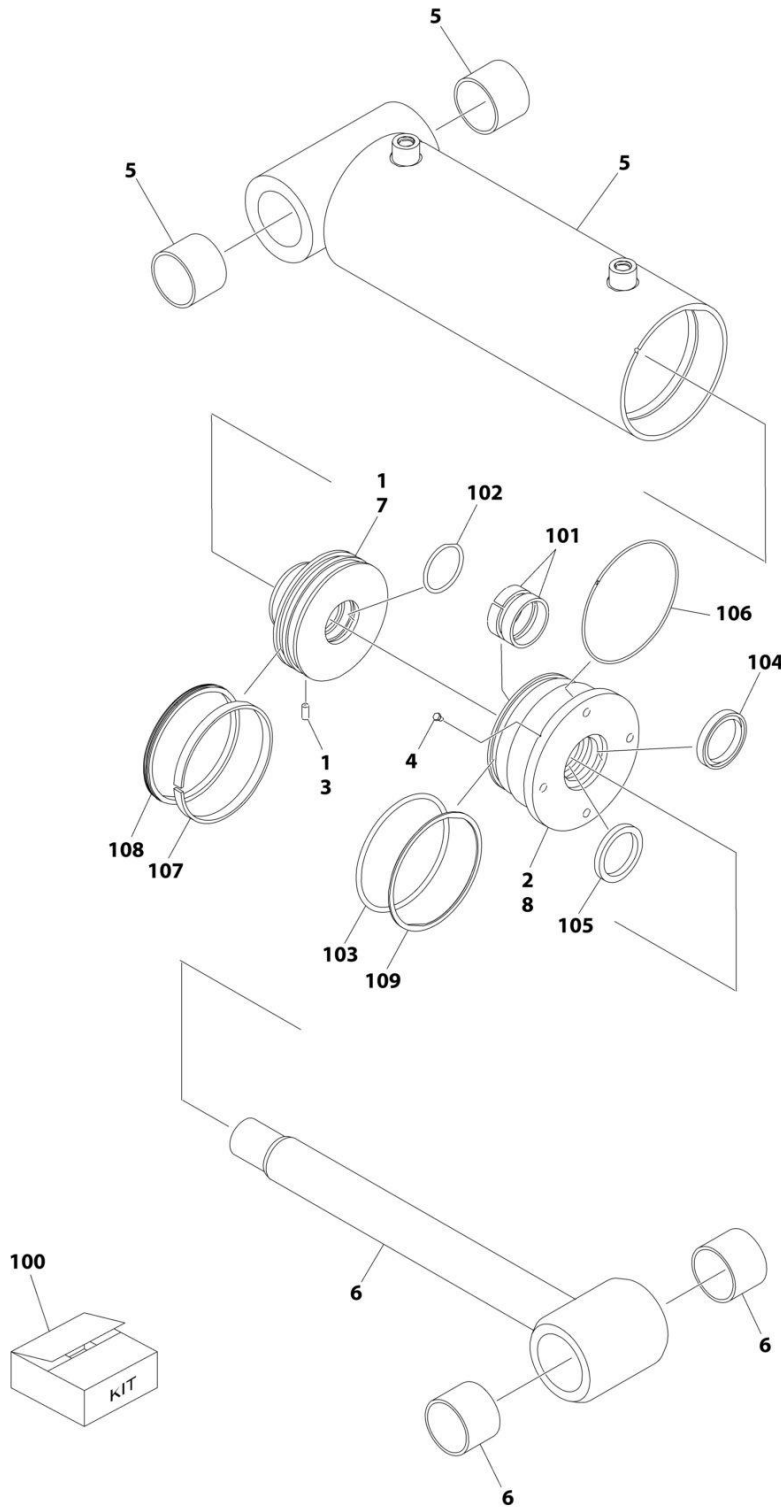
## SECTION 6 - CYLINDER

**FIGURE 6-10. LIFT CYLINDER ASSEMBLY - TOWER BOOM (SN 0300239155 through 0300271437)**

ITEM	PART NUMBER	QTY	DESCRIPTION	REV
	1001228090	Ref	LIFT CYLINDER ASSEMBLY - TOWER BOOM	C
1	See Note	NSS	Barrel Weldment (Note: Not Available for Purchase)	
2	70006512	1	Rod	
3	70006511	1	Head	
4	See Note	NSS	Ring, Wiper (Note: Use Item 126)	
5	See Note	NSS	Seal, Rod (Note: Use Item 126)	
6	See Note	NSS	Ring, Wear (Note: Use Item 126)	
7	See Note	NSS	O-Ring (Note: Use Item 126)	
8	See Note	NSS	Ring, Back-up (Note: Use Item 126)	
9	70006510	1	Piston	
10	See Note	NSS	Ring, Hydrolock (Note: Use Item 126)	
11	See Note	NSS	Ring, Lock (Note: Use Item 126)	
12	See Note	NSS	Ring, Wear (Note: Use Item 126)	
13	See Note	NSS	O-Ring (Note: Use Item 126)	
14	See Note	NSS	Ring, Back-up (Note: Use Item 126)	
15	0962562	1	Bushing, Tapered	
16	1001206184	3	Bolt 5/8 x 2-7/8 Grade 8	
17	3932264	8	Capscrew 3/4 x 4	
18	1001151503	1	Ring, Washer	
19	1001212199	1	Valve Assembly	
19A	70005656	1	Cartridge, Valve (Counterbalance)	
19A	7011376	1	Seal Kit - 70005656 Valve	
19B	70005655	1	Cartridge, Valve (Counterbalance)	
19B	2900770	1	Seal Kit - 70005655 Valve	
19C	7011361	1	Cartridge, Valve (Shuttle)	
19C	7011346	1	Seal Kit - 7011361 Valve	
19D	70005654	1	O-Ring	
19E	70024072	1	O-Ring	
19F	70005633	2	Orifice .031	
19G	70005598	1	Plug #6	
20	5272025	4	Capscrew M10 x 120	
21	1001133927	2	Bearing	
22	1001150942	2	Bushing	
23	2220883	5	Plug #4	
24	2220886	3	Plug #8	
25	2220887	2	Plug #10	
26	2220888	1	Plug #12	
27	0100011	AR	Compound, Locking	
28	0100038	AR	Primer, Locking	
126	1001160169	1	Seal Kit (Includes Items 4-8 & 10-14)	

# SECTION 6 - CYLINDER

FIGURE 6-11. STEER CYLINDER ASSEMBLY (SN 0300000100 through 0300239663)



ART\_1001155986

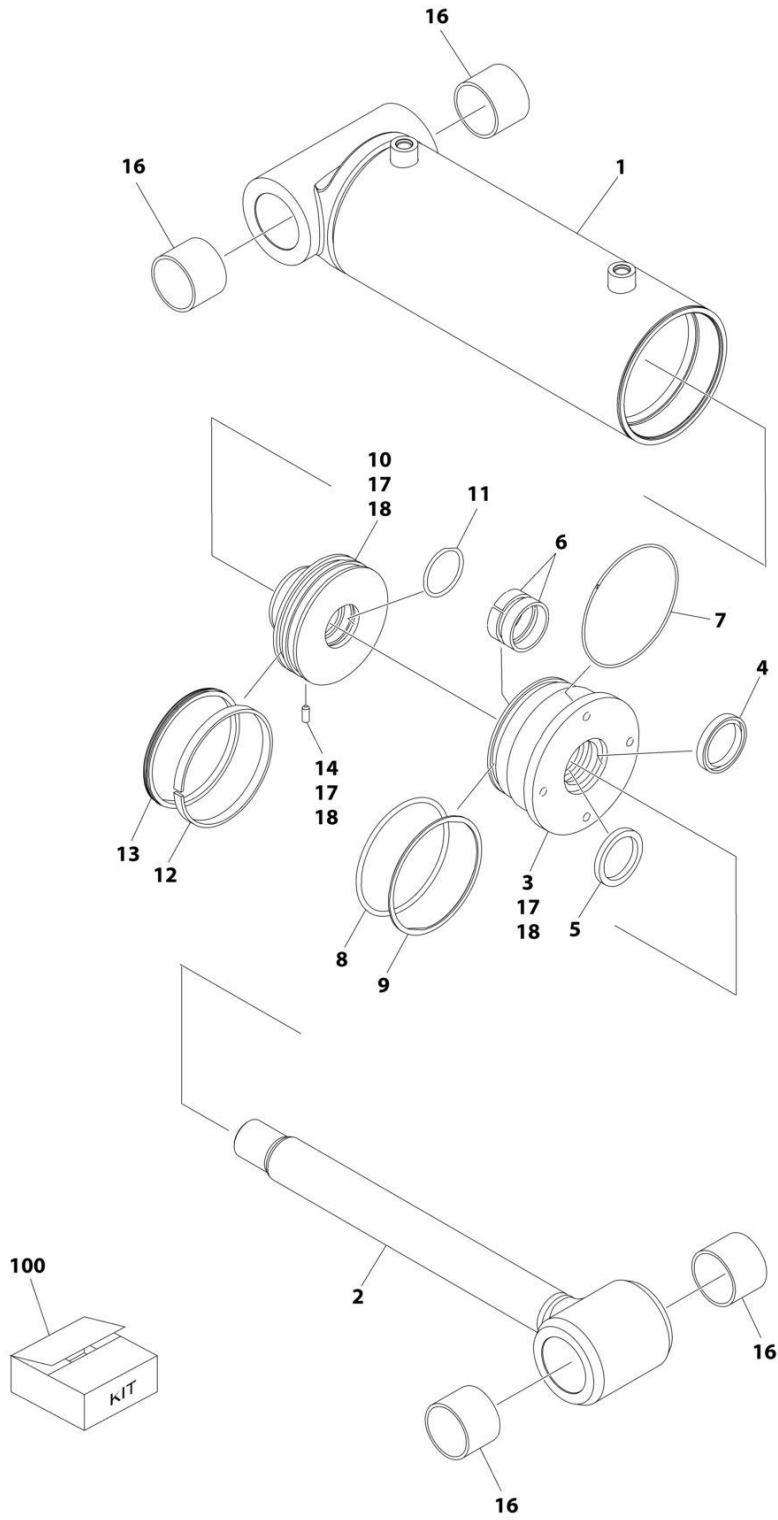
## SECTION 6 - CYLINDER

**FIGURE 6-11. STEER CYLINDER ASSEMBLY (SN 0300000100 through 0300239663)**

ITEM	PART NUMBER	QTY	DESCRIPTION	REV
	1001155986	Ref	STEER CYLINDER ASSEMBLY	E
		Ref	Note: Original Cylinder May Have Been Replaced with Service Replacement. Identify PN Stamped on Cylinder Before Ordering Parts.	
1	0100071	AR	Compound, Locking	
2	3020043	AR	Lubricant	
3	3951405	1	Setscrew 1/4 x 5/8	
4	1001125137	1	Screw #8	
5	1001155987	1	Barrel	
5	0961950	2	Bushing	
6	1001155992	1	Rod	
6	0961950	2	Bushing	
7	1001155998	1	Piston	
8	1001155999	1	Head	
100	1001157958	1	Kit, Seal (Includes Items 101-109)	
101	See Note	NSS	Ring, Wear (Note: Use Item 100)	
102	See Note	NSS	O-Ring (Note: Use Item 100)	
103	See Note	NSS	O-Ring (Note: Use Item 100)	
104	See Note	NSS	Seal, Wiper (Note: Use Item 100)	
105	See Note	NSS	Seal (Note: Use Item 100)	
106	See Note	NSS	O-Ring (Note: Use Item 100)	
107	See Note	NSS	Ring, Wear (Note: Use Item 100)	
108	See Note	NSS	Seal (Note: Use Item 100)	
109	See Note	NSS	Ring, Back-up (Note: Use Item 100)	

# SECTION 6 - CYLINDER

FIGURE 6-12. STEER CYLINDER ASSEMBLY (SN 0300239663 through 0300271437)



ART\_1001228065



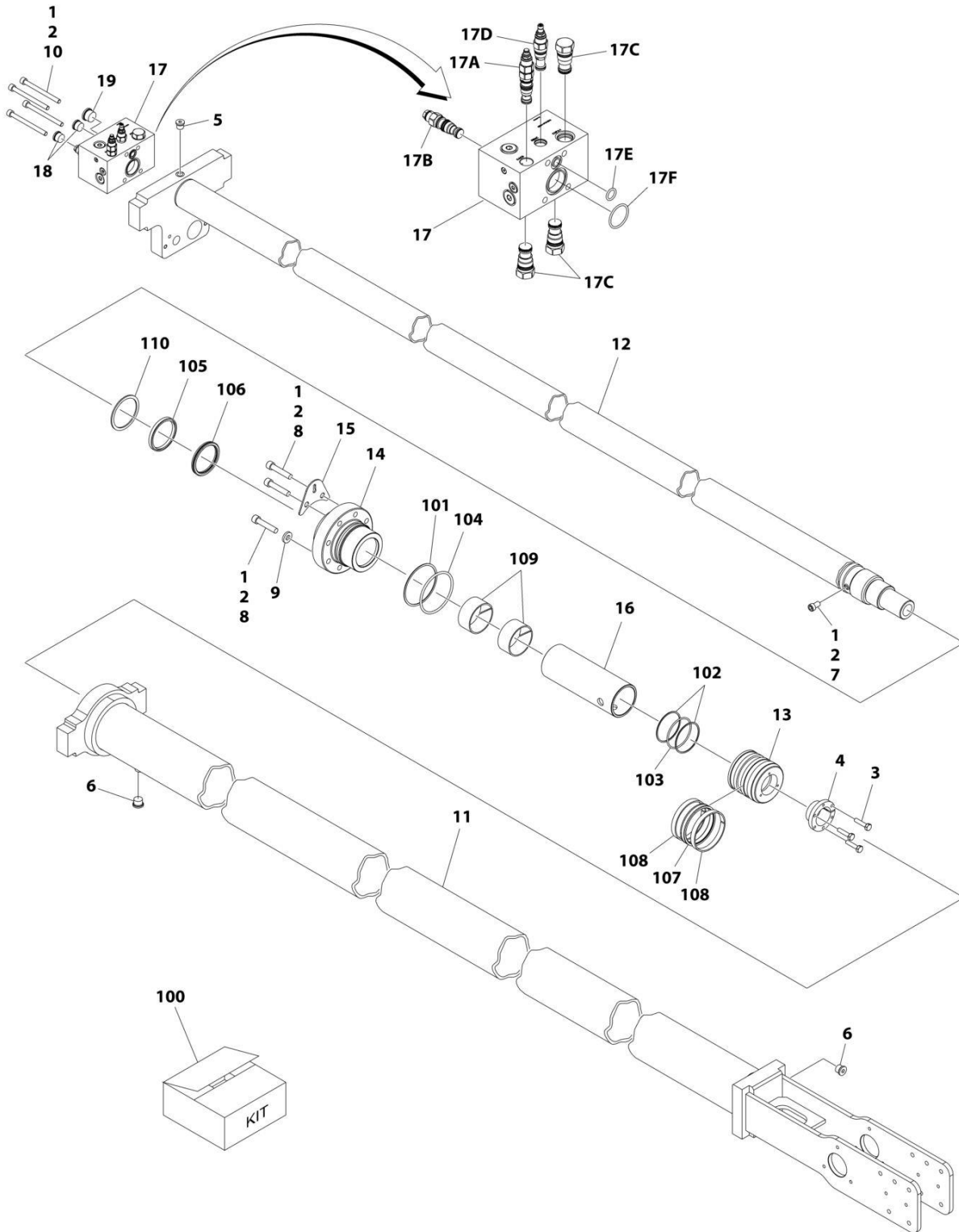
## SECTION 6 - CYLINDER

**FIGURE 6-12. STEER CYLINDER ASSEMBLY (SN 0300239663 through 0300271437)**

ITEM	PART NUMBER	QTY	DESCRIPTION	REV
	1001228065	Ref	STEER CYLINDER ASSEMBLY	C
1	See Note	NSS	Barrel Weldment (Note: Not Available for Purchase)	
2	70006471	1	Rod	
3	70006470	1	Head	
4	See Note	NSS	Seal, Wiper (Note: Use Item 100)	
5	See Note	NSS	Seal (Note: Use Item 100)	
6	See Note	NSS	Ring, Wear (Note: Use Item 100)	
7	See Note	NSS	O-Ring (Note: Use Item 100)	
8	See Note	NSS	O-Ring (Note: Use Item 100)	
9	See Note	NSS	Ring, Back-up (Note: Use Item 100)	
10	70006469	1	Piston	
11	See Note	NSS	O-Ring (Note: Use Item 100)	
12	See Note	NSS	Ring, Wear (Note: Use Item 100)	
13	See Note	NSS	Seal (Note: Use Item 100)	
14	3951405	1	Setscrew 1/4 x 5/8	
16	0961950	4	Bushing	
17	0100071	AR	Compound, Locking	
18	3020043	AR	Lubricant	
100	1001157958	1	Kit, Seal (Includes Items 4-9 & 11-13)	

# SECTION 6 - CYLINDER

FIGURE 6-13. TELESCOPE CYLINDER ASSEMBLY - MAIN BOOM (SN 0300000100 through 0300244380)



ART\_1001198938

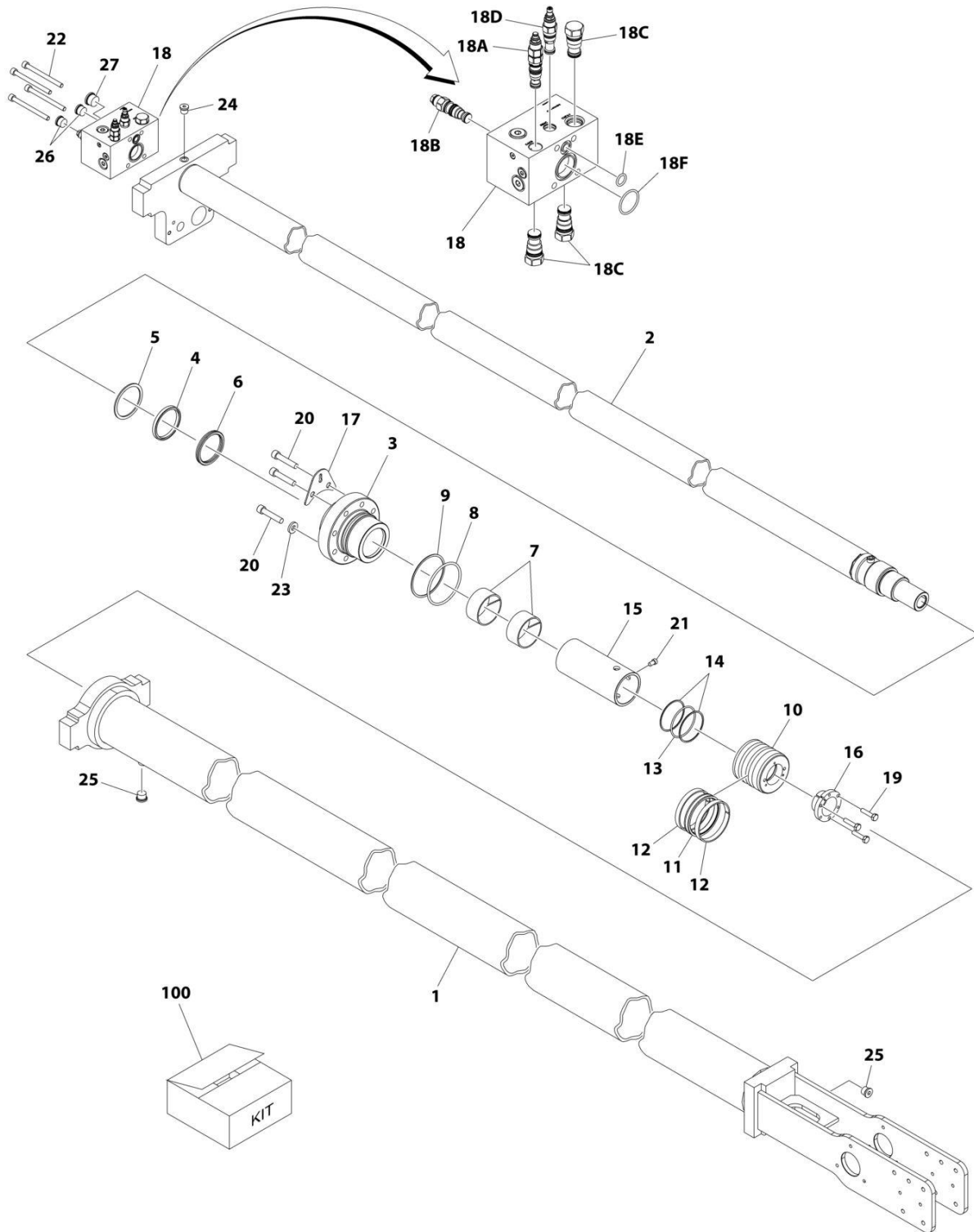
## SECTION 6 - CYLINDER

**FIGURE 6-13. TELESCOPE CYLINDER ASSEMBLY - MAIN BOOM (SN 0300000100 through 0300244380)**

ITEM	PART NUMBER	QTY	DESCRIPTION	REV
	1001198938	Ref	TELESCOPE CYLINDER ASSEMBLY - MAIN BOOM	G
		Ref	Note: Original Cylinder May Have Been Replaced with Service Replacement. Identify PN Stamped on Cylinder Before Ordering Parts.	
1	0100011	AR	Compound, Locking	
2	0100038	AR	Primer, Locking	
3	0630535	3	Capscrew 1/4 x 1-1/8	
4	0961897	1	Bushing	
5	2220883	1	Plug #4	
6	2220885	2	Plug #6	
7	3931508	1	Capscrew 5/16 x 1/2	
8	3931840	8	Capscrew 1/2 x 2-1/2	
9	4891800	6	Washer 1/2	
10	5272023	4	Capscrew M10 x 100	
11	1001198939	1	Barrel	
12	1001198946	1	Rod	
13	1001198951	1	Piston	
14	1001198952	1	Head	
15	1001200150	1	Bracket	
16	1001200397	1	Tube, Spacer	
17	1001201772	1	Valve Assembly	D
17A	7011381	1	Cartridge, Valve (Counterbalance)	
17A	2900770	1	Seal Kit - 7011381 Valve	
17B	4640746	1	Cartridge, Valve (Counterbalance)	
17B	2900770	1	Seal Kit - 4640746 Valve	
17C	70004406	3	Cartridge, Valve (Check)	
17C	7011351	3	Seal Kit - 70004406 Valve	
17D	70005999	1	Cartridge, Valve (Relief)	
17D	See Note	NSS	Seal Kit - 70005999 Valve (Note: Not Available for Purchase)	
17E	70005654	1	O-Ring	
17F	70004407	1	O-Ring	
18	2220887	2	Plug #10	
19	2220888	1	Plug #12	
100	1001199297	1	Seal, Kit - Cylinder (Includes Items 101-110)	
101	See Note	NSS	Ring, Back-up (Note: Use Item 100)	
102	See Note	NSS	Ring, Back-up (Note: Use Item 100)	
103	See Note	NSS	O-Ring (Note: Use Item 100)	
104	See Note	NSS	O-Ring (Note: Use Item 100)	
105	See Note	NSS	Wiper (Note: Use Item 100)	
106	See Note	NSS	Seal, Rod (Note: Use Item 100)	
107	See Note	NSS	Seal, Piston (Note: Use Item 100)	
108	See Note	NSS	Ring, Wear (Note: Use Item 100)	
109	See Note	NSS	Ring, Wear (Note: Use Item 100)	
110	See Note	NSS	Ring, Retaining (Note: Use Item 100)	

# SECTION 6 - CYLINDER

FIGURE 6-14. TELESCOPE CYLINDER ASSEMBLY - MAIN BOOM (SN 0300244380 through 0300271437)



ART\_1001228093

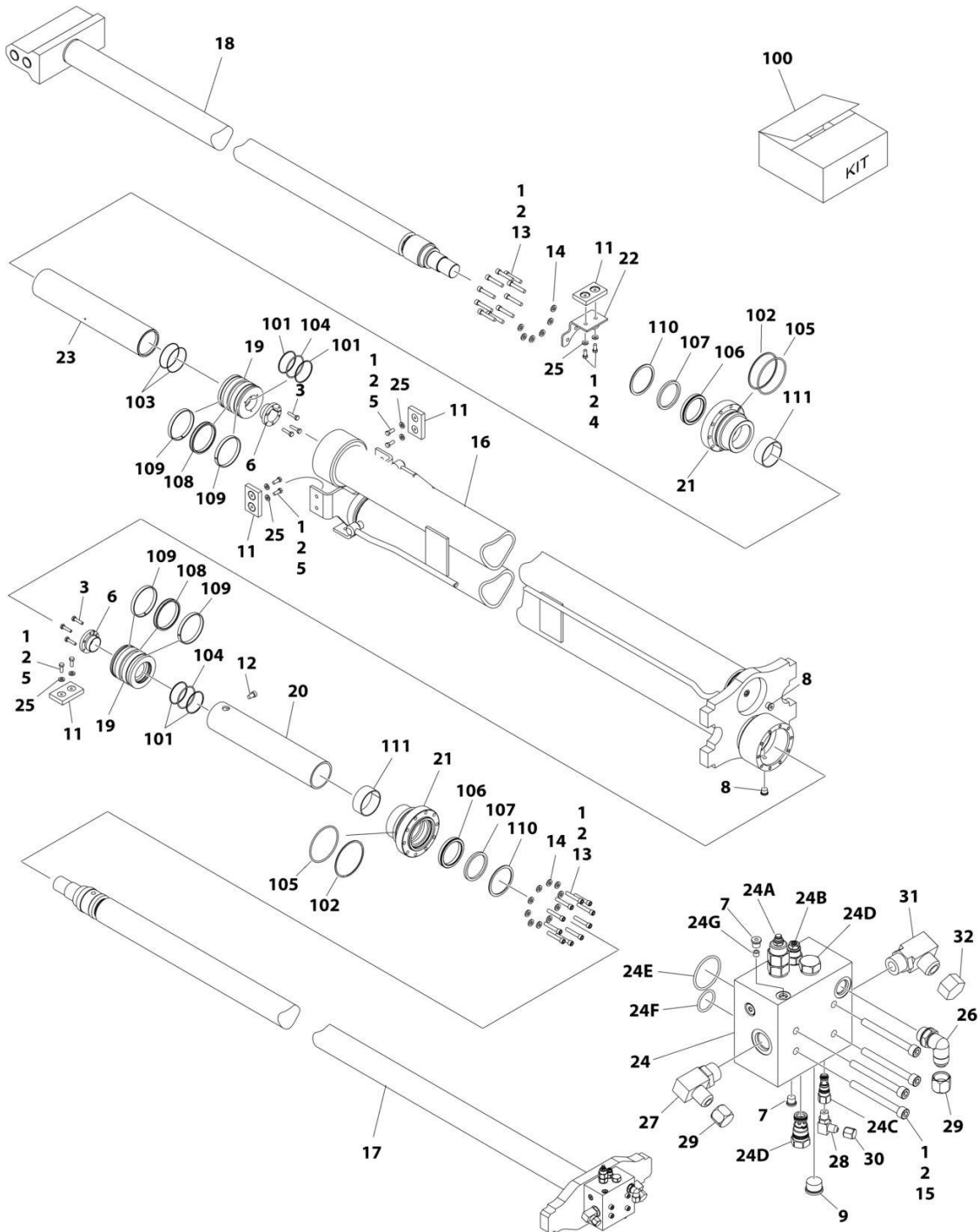
## SECTION 6 - CYLINDER

**FIGURE 6-14. TELESCOPE CYLINDER ASSEMBLY - MAIN BOOM (SN 0300244380 through 0300271437)**

ITEM	PART NUMBER	QTY	DESCRIPTION	REV
	1001228093	Ref	TELESCOPE CYLINDER ASSEMBLY - MAIN BOOM	A
		Ref	Note: Original Cylinder May Have Been Replaced with Service Replacement. Identify PN Stamped on Cylinder Before Ordering Parts.	
1	See Note	NSS	Barrel Weldment (Note: Not Available for Purchase)	
2	70006866	1	Rod	
3	70006867	1	Head	
4	See Note	NSS	Seal, Wiper (Note: Use Item 100)	
5	See Note	NSS	Ring, Retaining (Note: Use Item 100)	
6	See Note	NSS	Seal, Rod (Note: Use Item 100)	
7	See Note	NSS	Ring, Wear (Note: Use Item 100)	
8	See Note	NSS	O-Ring (Note: Use Item 100)	
9	See Note	NSS	Ring, Back-up (Note: Use Item 100)	
10	70006868	1	Piston	
11	See Note	NSS	Seal (Note: Use Item 100)	
12	See Note	NSS	Ring, Wear (Note: Use Item 100)	
13	See Note	NSS	O-Ring (Note: Use Item 100)	
14	See Note	NSS	Ring, Back-up (Note: Use Item 100)	
15	70006869	1	Spacer	
16	0961903	1	Bushing, Tapered	
17	70006870	1	Bracket	
18	1001201772	1	Valve Assembly	D
18A	7011381	1	Cartridge, Valve (Counterbalance)	
18A	2900770	1	Seal Kit - 7011381 Valve	
18B	4640746	1	Cartridge, Valve (Counterbalance)	
18B	2900770	1	Seal Kit - 4640746 Valve	
18C	70004406	3	Cartridge, Valve (Check)	
18C	7011351	3	Seal Kit - 70004406 Valve	
18D	70005999	1	Cartridge, Valve (Relief)	
18D	See Note	NSS	Seal Kit - 70005999 Valve (Note: Not Available for Purchase)	
18E	70005654	1	O-Ring	
18F	70004407	1	O-Ring	
19	0630535	3	Capscrew 1/4 x 1-1/8	
20	70006871	8	Bolt	
21	70006731	1	Bolt	
22	70023368	4	Bolt	
23	70006872	6	Washer	
24	2220883	1	Plug #4	
25	2220885	2	Plug #6	
26	70005433	2	Plug	
27	70027702	1	Plug	
100	1001199297	1	Seal, Kit - Cylinder (Includes Items 101-110)	

# SECTION 6 - CYLINDER

## FIGURE 6-15. TELESCOPE CYLINDER ASSEMBLY - TOWER BOOM (SN 0300000100 through 0300244380)



ART\_1001198546

## SECTION 6 - CYLINDER

**FIGURE 6-15. TELESCOPE CYLINDER ASSEMBLY - TOWER BOOM (SN 0300000100 through 0300244380)**

ITEM	PART NUMBER	QTY	DESCRIPTION	REV
	1001198546	Ref	TELESCOPE CYLINDER ASSEMBLY - TOWER BOOM	G
		Ref	Note: Original Cylinder May Have Been Replaced with Service Replacement. Identify PN Stamped on Cylinder Before Ordering Parts.	
1	0100011	AR	Compound, Locking	
2	0100038	AR	Primer, Locking	
3	0630535	6	Bolt 1/4 x 1-1/8	
4	0681607	2	Bolt 3/8 x 7/8 Grade 8	
5	0681608	6	Bolt 3/8 x 1 Grade 8	
6	0961897	2	Bushing	
7	2220883	2	Plug #4	
8	2220885	4	Plug #6	
9	2220887	1	Plug #10	
11	3340763	4	Pad, Wear	
12	3931508	1	Capscrew 5/16 x 1/2	
13	3931740	20	Capscrew 7/16 x 2-1/2	
14	4891700	16	Washer 7/16	
15	5272023	4	Bolt M10 x 100	
16	1001198547	1	Barrel	
17	1001198561	1	Rod	
18	1001198562	1	Rod	
19	1001198579	2	Piston	
20	1001198581	1	Spacer	
21	1001198583	2	Head	
22	1001198587	1	Plate, Mounting	
23	1001198590	1	Spacer	
24	1001205683	1	Valve Assembly	
24A	70005603	1	Cartridge, Valve (Counterbalance)	
24A	7011371	1	Seal Kit - 70005603 Valve	
24B	70005602	1	Cartridge, Valve (Counterbalance)	
24B	2900770	1	Seal Kit - 70005602 Valve	
24C	7011361	1	Cartridge, Valve (Shuttle)	
24C	7011346	1	Seal Kit - 7011361 Valve	
24D	7011368	2	Cartridge, Valve (Check)	
24D	7011351	2	Seal Kit - 7011368 Valve	
24E	70005601	1	O-Ring	
24F	70005600	1	O-Ring	
24G	70005599	2	Orifice .031	
25	4891600	8	Washer 3/8	
26	2221036	1	Fitting, 90 JIC/ORB	
27	2220906	1	Fitting, 90 JIC/ORB	
28	2220466	1	Fitting, 90 JIC/ORB	
29	2221012	2	Fitting, Cap FJIC	
30	2220515	1	Fitting, Cap FJIC	
31	2220578	1	Fitting, 90 JIC/ORB	
32	2220518	1	Fitting, Cap FJIC	
100	1001198594	1	Seal kit (Includes Items 101-111)	
101	See Note	NSS	Ring, Back-up (Note: Use Item 100)	
102	See Note	NSS	Ring, Back-up (Note: Use Item 100)	

## SECTION 6 - CYLINDER

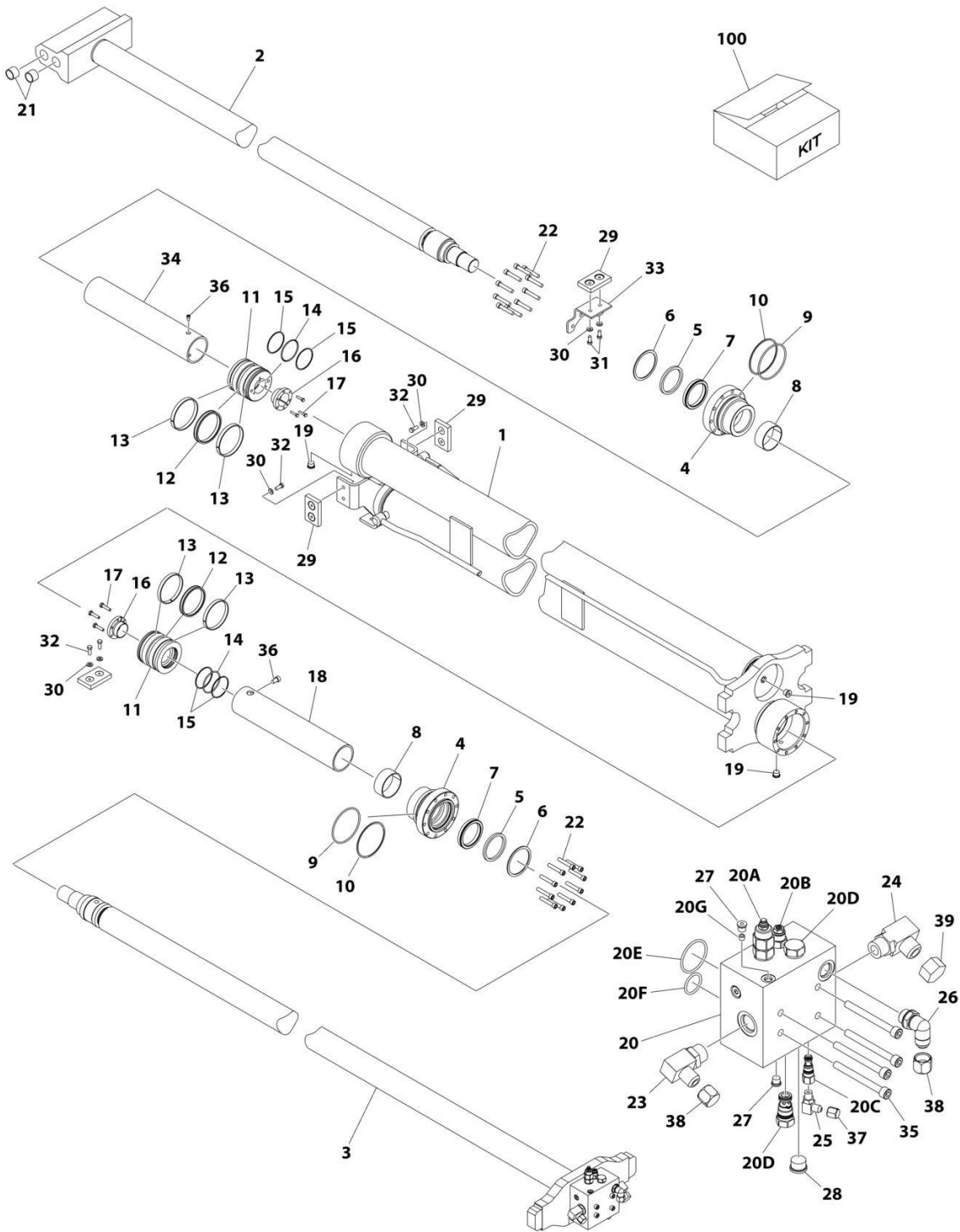
ITEM	PART NUMBER	QTY	DESCRIPTION	REV
103	See Note	NSS	O-Ring (Note: Use Item 100)	
104	See Note	NSS	O-Ring (Note: Use Item 100)	
105	See Note	NSS	O-Ring (Note: Use Item 100)	
106	See Note	NSS	Seal, Rod (Note: Use Item 100)	
107	See Note	NSS	Wiper (Note: Use Item 100)	
108	See Note	NSS	Seal, Piston (Note: Use Item 100)	
109	See Note	NSS	Ring, Wear (Note: Use Item 100)	
110	See Note	NSS	Ring, Retaining (Note: Use Item 100)	
111	See Note	NSS	Ring, Wear (Note: Use Item 100)	





# SECTION 6 - CYLINDER

FIGURE 6-16. TELESCOPE CYLINDER ASSEMBLY - TOWER BOOM (SN 0300244380 through 0300271437)



ART\_1001228091

## SECTION 6 - CYLINDER

**FIGURE 6-16. TELESCOPE CYLINDER ASSEMBLY - TOWER BOOM (SN 0300244380 through 0300271437)**

ITEM	PART NUMBER	QTY	DESCRIPTION	REV
	1001228091	Ref	TELESCOPE CYLINDER ASSEMBLY - TOWER BOOM	A
		Ref	Note: Original Cylinder May Have Been Replaced with Service Replacement. Identify PN Stamped on Cylinder Before Ordering Parts.	
1	See Note	NSS	Barrel Weldment (Note: Not Available for Purchase)	
2	70006853	1	Rod	
3	70006854	1	Rod	
4	70006867	1	Head	
5	See Note	NSS	Seal, Wiper (Note: Use Item 100)	
6	See Note	NSS	Ring, Retaining (Note: Use Item 100)	
7	See Note	NSS	Seal, Rod (Note: Use Item 100)	
8	See Note	NSS	Ring, Wear (Note: Use Item 100)	
9	See Note	NSS	O-Ring (Note: Use Item 100)	
10	See Note	NSS	Ring, Back-up (Note: Use Item 100)	
11	70006856	1	Piston	
12	See Note	NSS	Seal (Note: Use Item 100)	
13	See Note	NSS	Ring, Wear (Note: Use Item 100)	
14	See Note	NSS	O-Ring (Note: Use Item 100)	
15	See Note	NSS	Ring, Back-up (Note: Use Item 100)	
16	0961897	1	Bushing, Tapered	
17	0630535	3	Capscrew 1/4 x 1-1/8	
18	70006857	1	Spacer	
19	2220885	4	Plug #6	
20	1001205683	1	Valve Assembly	
20A	70005603	1	Cartridge, Valve (Counterbalance)	
20A	7011371	1	Seal Kit - 70005603 Valve	
20B	70005602	1	Cartridge, Valve (Counterbalance)	
20B	2900770	1	Seal Kit - 70005602 Valve	
20C	7011361	1	Cartridge, Valve (Shuttle)	
20C	7011346	1	Seal Kit - 7011361 Valve	
20D	7011368	2	Cartridge, Valve (Check)	
20D	7011351	2	Seal Kit - 7011368 Valve	
20E	70005601	1	O-Ring	
20F	70005600	1	O-Ring	
20G	70005599	2	Orifice .031	
21	0961951	4	Bushing	
22	70006732	20	Bolt	
23	70006858	1	Connector	
24	70006859	1	Connector	
25	70005804	1	Connector	
26	70006860	1	Connector	
27	2220883	2	Plug #4	
28	70005433	1	Plug	
29	3340763	4	Pad, Wear	
30	70006344	8	Washer	
31	0681607	2	Bolt 3/8 x 7/8 Grade 8	
32	0681608	6	Bolt 3/8 x 1 Grade 8	
33	1001198587	1	Plate, Mounting	
34	70006861	1	Spacer	

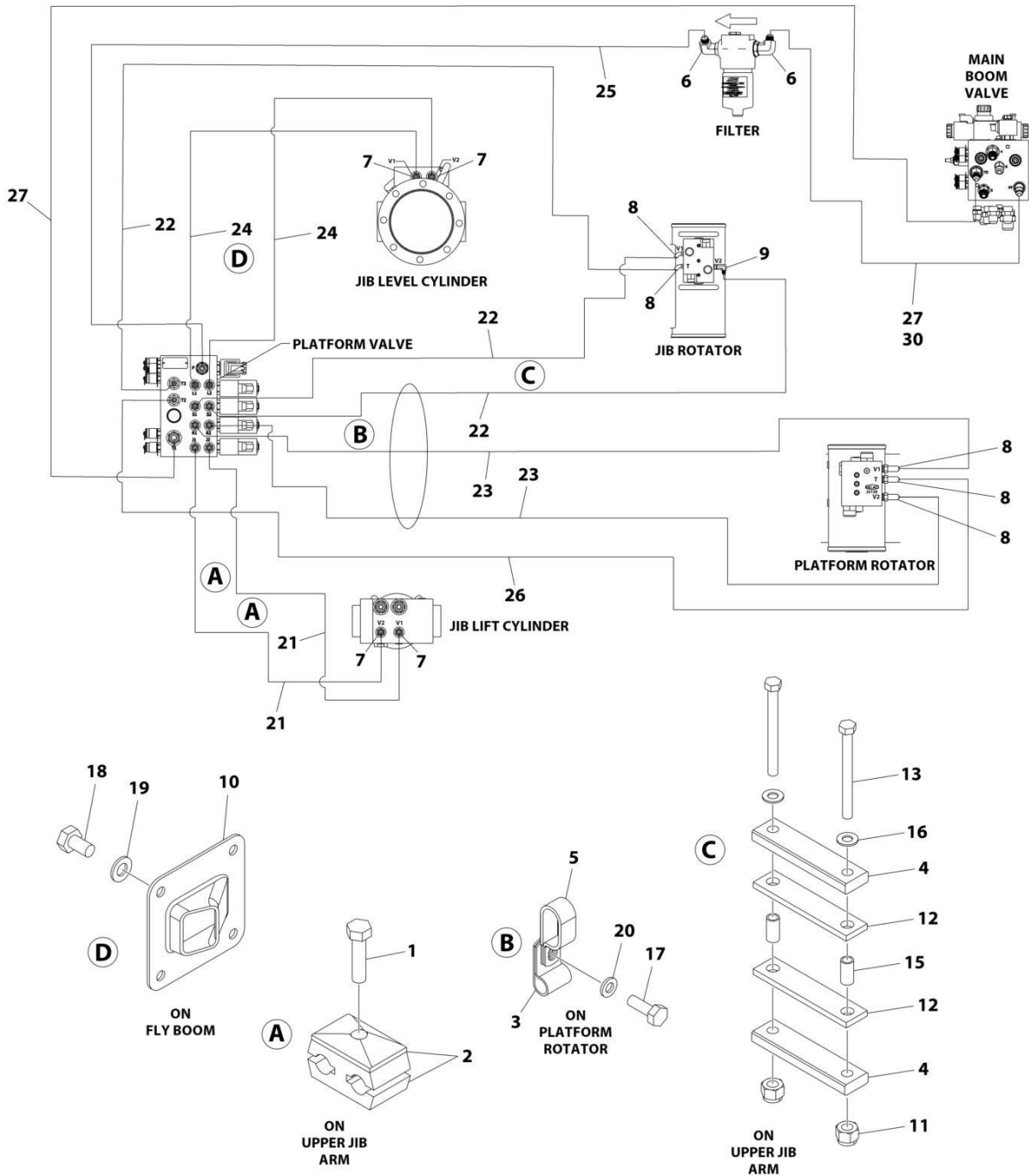
## SECTION 6 - CYLINDER

ITEM	PART NUMBER	QTY	DESCRIPTION	REV
35	70006862	4	Bolt	
36	70006731	2	Bolt	
37	70006863	1	Cap, Dust	
38	70006864	2	Cap, Dust	
39	70006865	1	Cap, Dust	
100	1001198594	1	Seal kit (Includes Items 5-10 & 12-15)	

**SECTION 7 - HYDRAULIC**

# SECTION 7 - HYDRAULIC

## FIGURE 7-1. BOOM AND JIB HYDRAULIC DIAGRAM



ART\_1001197361

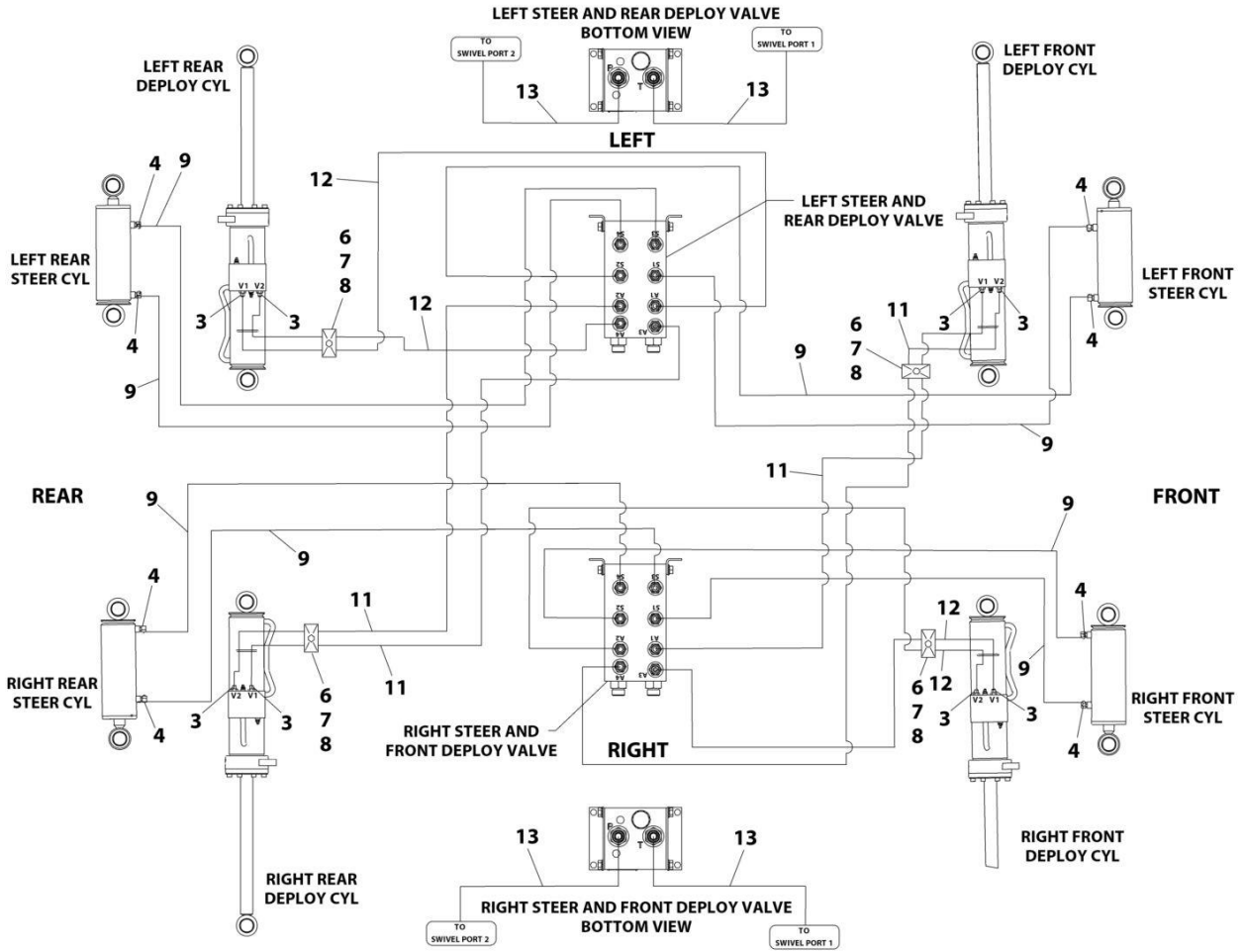
## SECTION 7 - HYDRAULIC

### FIGURE 7-1. BOOM AND JIB HYDRAULIC DIAGRAM

ITEM	PART NUMBER	QTY	DESCRIPTION	REV
	1001197361	Ref	BOOM AND JIB HYDRAULIC DIAGRAM	D
1	0641510	2	Bolt 5/16 x 1-1/4	
2	1320159	2	Clamp	
3	1320263	1	Clamp	
4	1320296	3	Clamp	
5	1321385	1	Clamp	
6	2220366	2	Fitting, 90 JIC/ORB	
7	2220415	4	Fitting, Straight JIC/ORB	
8	2220502	5	Fitting, 45 JIC/ORB	
9	2220940	1	Fitting, 90 JIC/ORB	
10	2540044	1	Guide, Hose	
11	3300492	2	Nut 3/8	
12	3340934	4	Pad, Rubber	
13	3900260	4	Bolt 3/8 x 4	
14	4240018	11	Tie-Strap (Not Shown)	
15	4562516	4 in/0.1m	Tubing	
16	4711600	4	Washer 3/8	
17	0760610001	1	Bolt M6 x 20	
18	0761009001	4	Bolt M10 x 18	
19	1001172358	4	Washer M10	
20	4811700001	1	Washer M6	
21	1001201130	2	Hose	
22	1001201131	3	Hose	
23	1001201132	2	Hose	
24	1001201133	2	Hose	
25	1001201134	1	Hose	
26	1001201135	1	Hose	
27	1001201136	2	Hose (SN 0300000100 through 0300228751)	
27	1001201136	1	Hose (SN 0300228751 through 0300271437)	
28	4100063	1	Protector, Hose Wrap (Not Shown)	
29	4240033	4	Tie-Strap (Not Shown)	
30	1001226902	1	Hose (SN 0300228751 through 0300271437)	

# SECTION 7 - HYDRAULIC

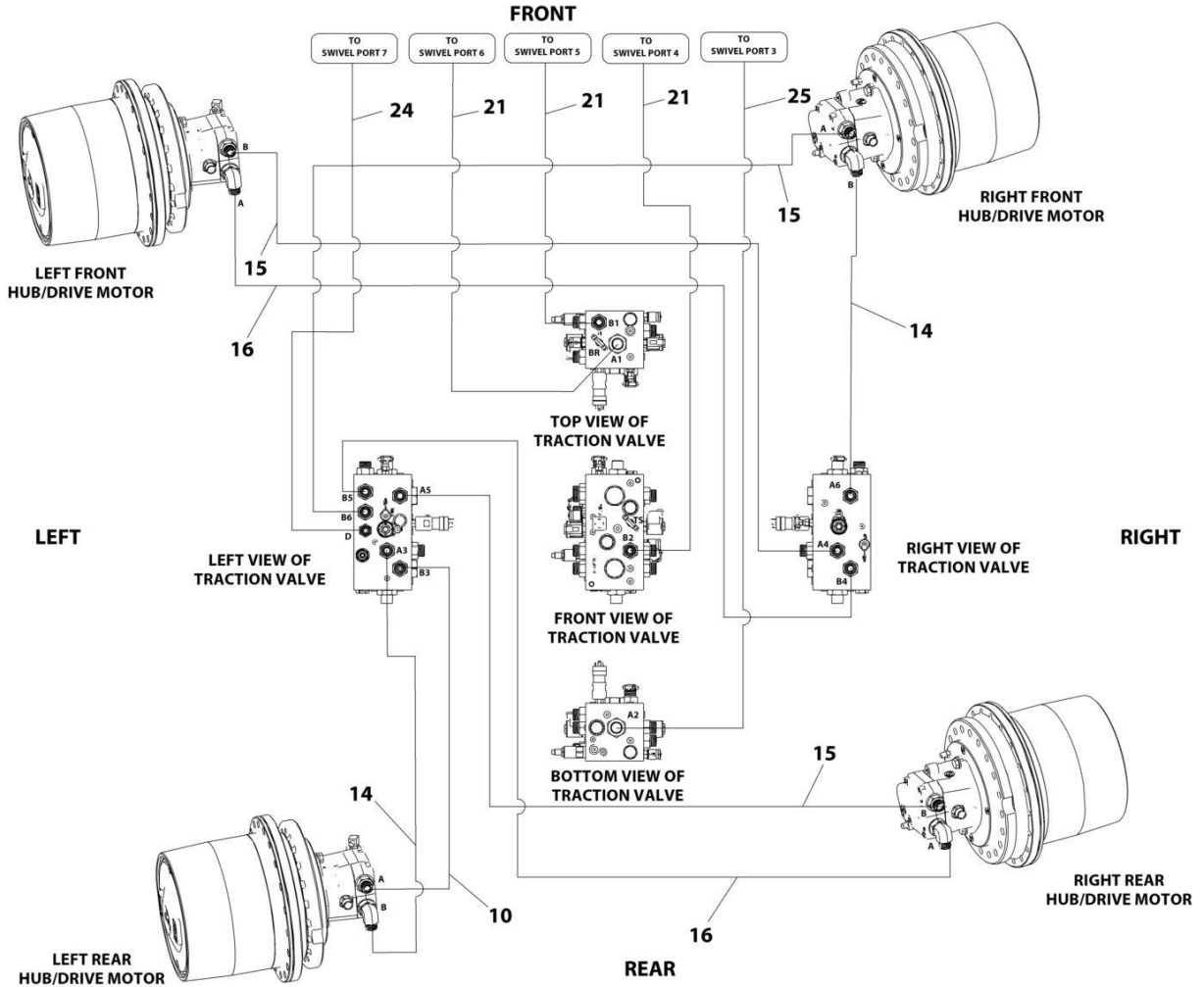
## FIGURE 7-2. CHASSIS HYDRAULIC DIAGRAM



ART\_1001157241\_1OF3

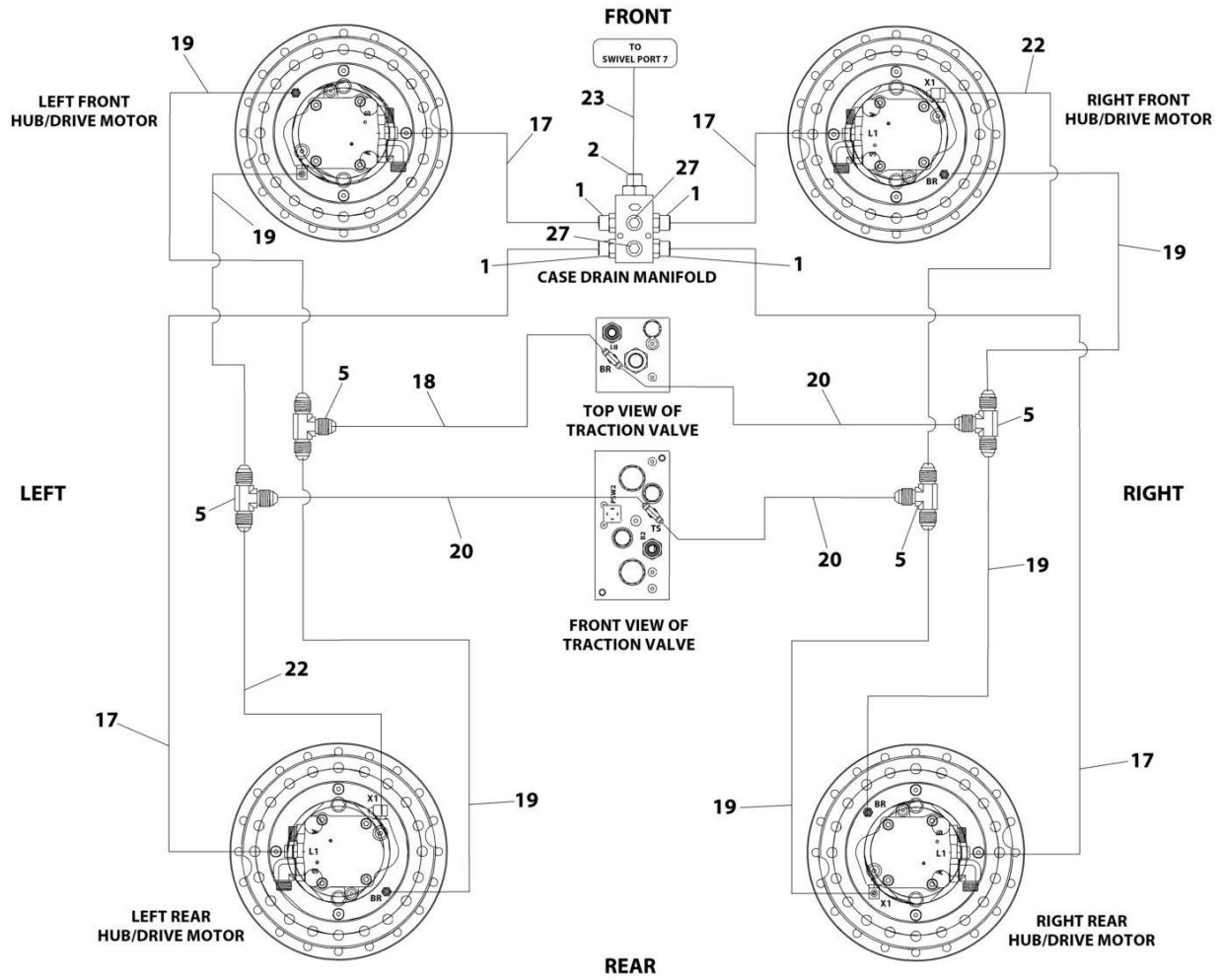


# SECTION 7 - HYDRAULIC



ART\_1001157241\_2OF3

# SECTION 7 - HYDRAULIC



ART\_1001157241\_30F3

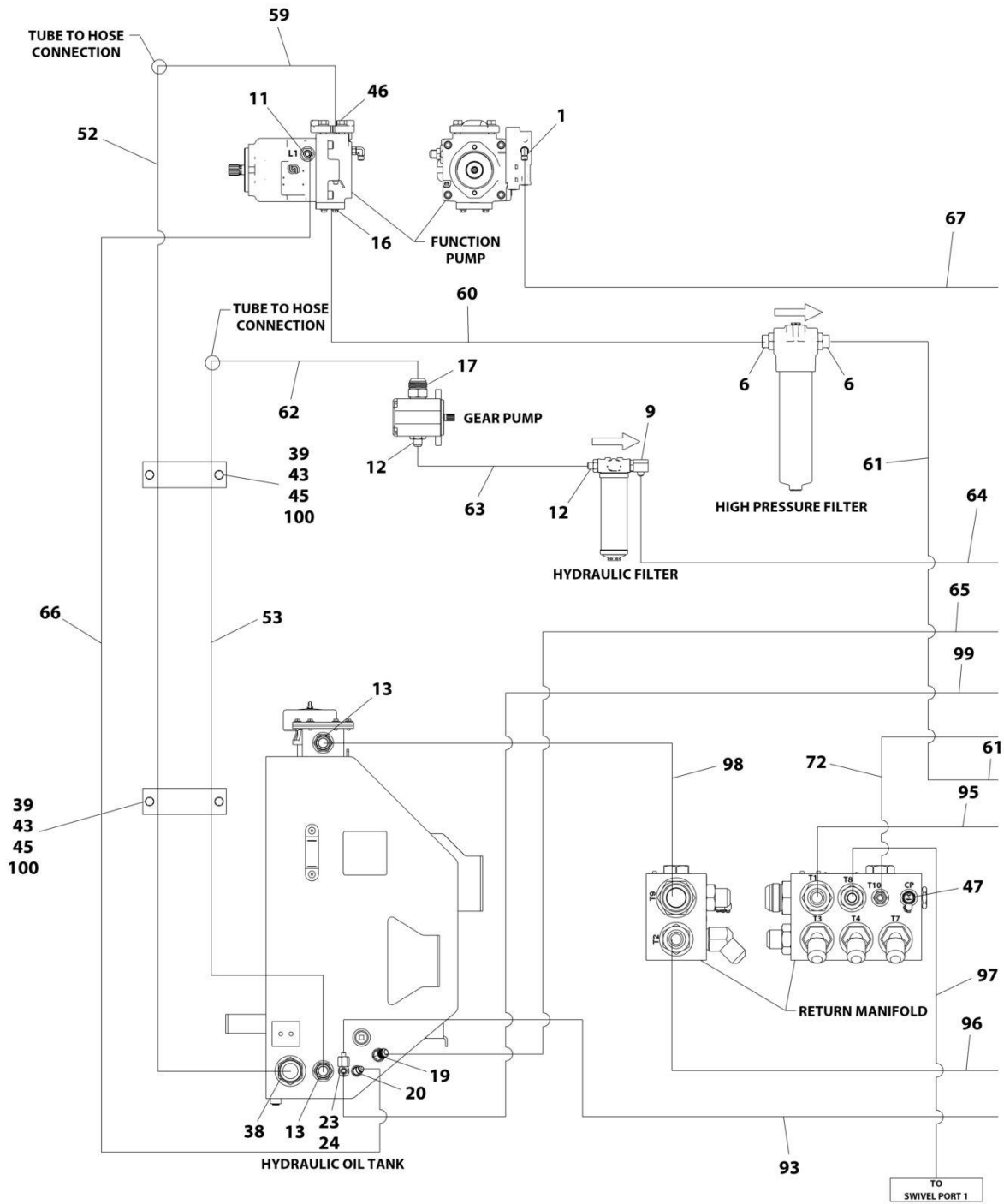
## SECTION 7 - HYDRAULIC

### FIGURE 7-2. CHASSIS HYDRAULIC DIAGRAM

ITEM	PART NUMBER	QTY	DESCRIPTION	REV
	1001157241	Ref	CHASSIS HYDRAULIC DIAGRAM	D
1	2110808	4	Fitting, Straight ORFS/ORB	
2	2110812	1	Fitting, Straight ORFS/ORB	
3	2220372	8	Fitting, Straight JIC/ORB	
4	2220473	8	Fitting, 90 JIC/ORB	
5	2220504	4	Fitting, Tee JIC/JIC/JIC	
6	8769122	4	Clamp Set	
7	8769128	4	Cover	
8	0641511001	4	Bolt 5/16 x 1-3/8	
9	1001161269	8	Hose	
10	1001161270	1	Hose	
11	1001161271	4	Hose	
12	1001161272	4	Hose	
13	1001161273	4	Hose	
14	1001161274	2	Hose	
15	1001161275	3	Hose	
16	1001161276	2	Hose	
17	1001161277	4	Hose	
18	1001161278	1	Hose	
19	1001161279	6	Hose	
20	1001161280	3	Hose	
21	1001161281	3	Hose	
22	1001161282	2	Hose	
23	1001161283	1	Hose	
24	1001161289	1	Hose	
25	1001161290	1	Hose	
26	4240018	18	Tie-Strap (Not Shown)	
27	2220235	2	Plug	

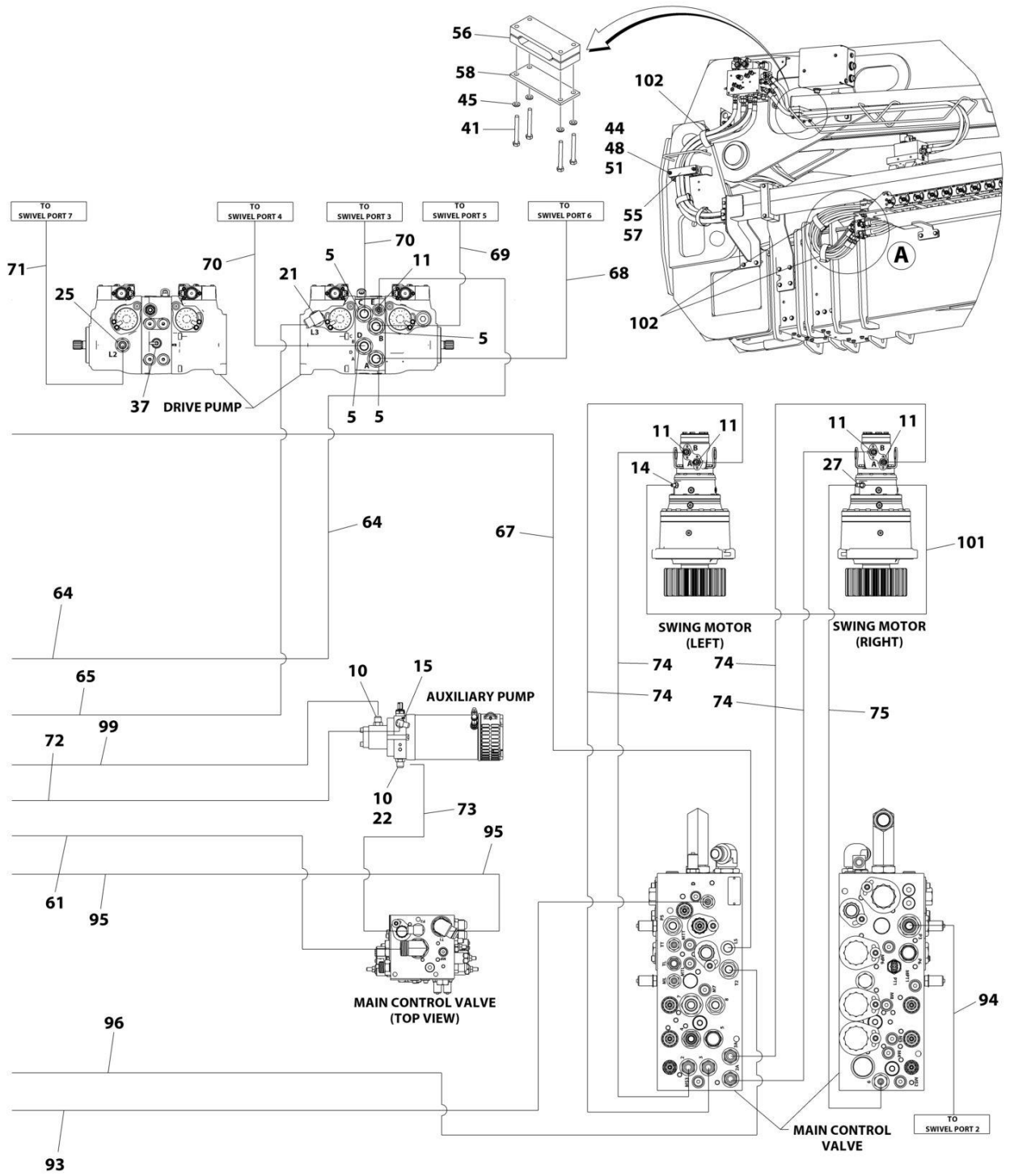
# SECTION 7 - HYDRAULIC

FIGURE 7-3. TURNTABLE HYDRAULIC DIAGRAM (SN 0300000100 through 0300223782)



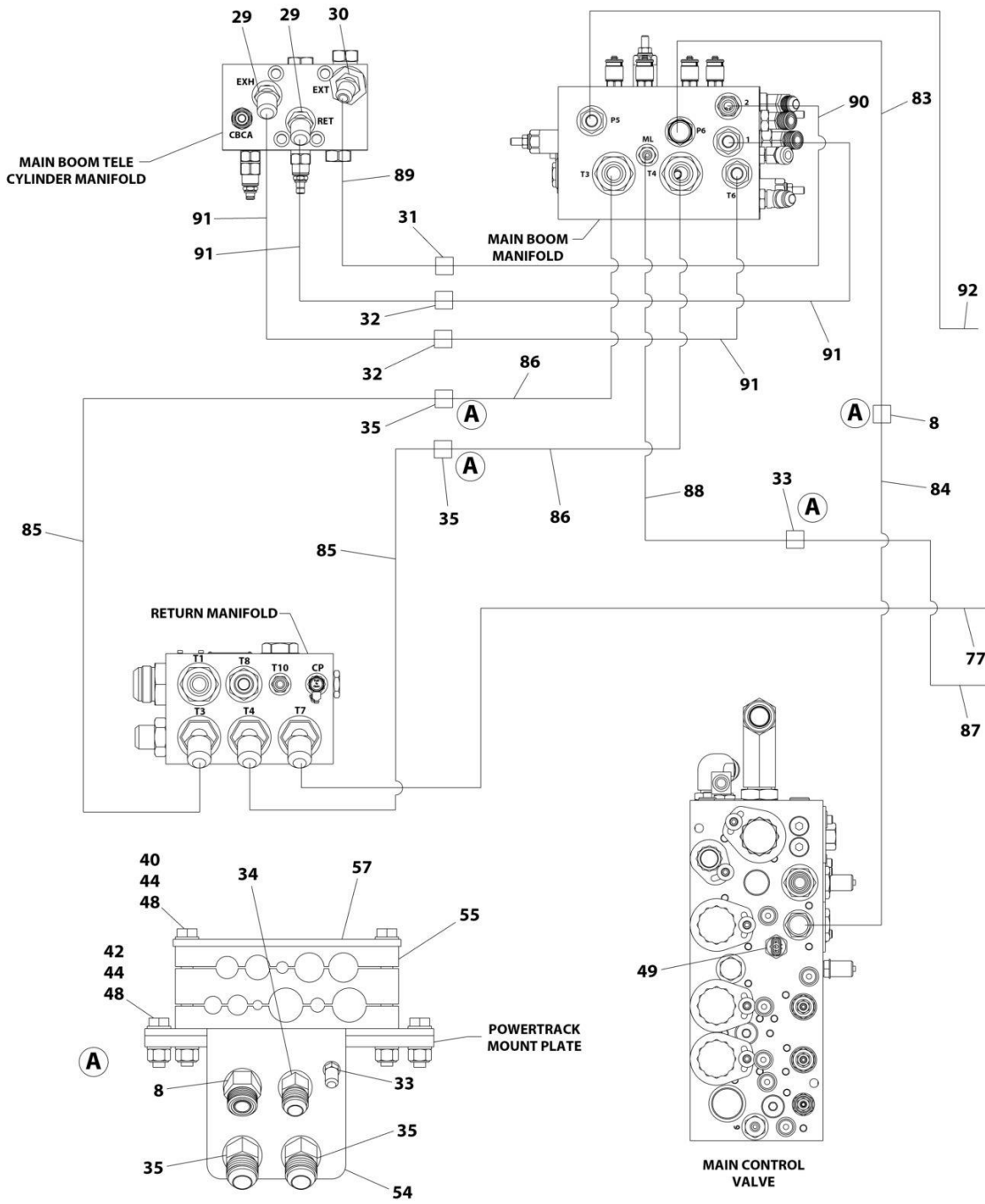
ART\_1001197362\_10F4

# SECTION 7 - HYDRAULIC

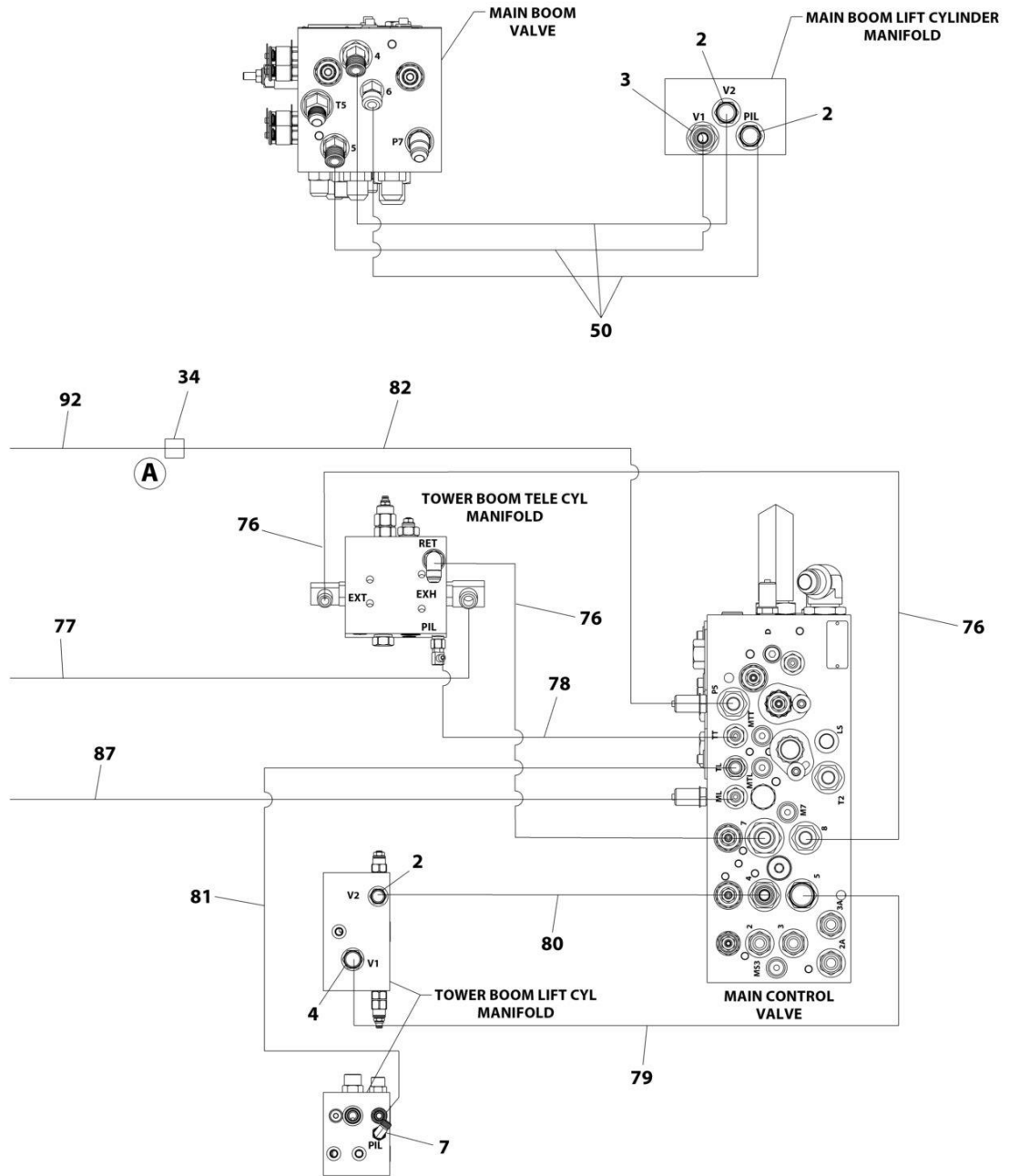


ART\_1001197362\_2OF4

# SECTION 7 - HYDRAULIC



# SECTION 7 - HYDRAULIC



ART\_1001197362\_40F4

## SECTION 7 - HYDRAULIC

FIGURE 7-3. TURNTABLE HYDRAULIC DIAGRAM (SN 0300000100 through 0300223782)

ITEM	PART NUMBER	QTY	DESCRIPTION	REV
	1001197362	Ref	TURNTABLE HYDRAULIC DIAGRAM	F
1	2130404	1	Fitting, 90 ORFS/ORB	
2	2110808	3	Fitting, Straight ORFS/ORB	
3	2110810	1	Fitting, Straight ORFS/ORB	
4	2111010	1	Fitting, Straight ORFS/ORB	
5	2111016	4	Fitting, Straight ORFS/ORB	
6	2111620	2	Fitting, Straight ORFS/ORB	
7	2170204	1	Fitting, 90 ORFS/ORB	
8	2171310	1	Fitting, 45 ORFS	
9	2220366	1	Fitting, 90 JIC/ORB	
10	2220373	2	Fitting, Straight JIC/ORB	
11	2220374	6	Fitting, Straight JIC/ORB	
12	2220375	2	Fitting, Straight JIC/ORB	
13	2220380	2	Fitting, Straight JIC/ORB	
14	2220415	1	Fitting, Straight JIC/ORB	
15	2220473	1	Fitting, 90 JIC/ORB	
16	2220478	1	Fitting Kit - Split Flange	
17	2220479	1	Fitting, Straight JIC/ORB	
19	2220498	1	Fitting, 45 JIC/ORB	
20	2220500	1	Fitting, 45 JIC/ORB	
21	2220578	1	Fitting, 90 JIC/ORB	
22	2220596	1	Fitting, 90 JIC/ORB (SN 0300000100 through 0300218237)	
23	2220602	1	Fitting, Tee JIC/ORB/JIC	
24	2220618	1	Fitting, Straight JIC/FSJIC	
25	2220865	1	Fitting, Straight JIC/ORB	
27	2221034	1	Fitting, Tee	
29	2221050	2	Fitting, 45 JIC/ORB	
30	2221077	1	Fitting, 45	
31	2230025	1	Fitting, Straight JIC/JIC	
32	2230026	2	Fitting, Straight JIC/JIC	
33	2230031	1	Fitting, 45 JIC/JIC	
34	2230035	1	Fitting, 45 JIC/JIC	
35	2230036	2	Fitting, 45 JIC/JIC	
36	4240018	4	Tie-Strap (Not Shown)	
37	77133089	1	Valve, Check	
38	88662013	1	Fitting, Straight JIC/ORB	
39	0700823001	4	Bolt M8 x 75	
40	0701028001	2	Bolt M10 x 110	
41	0760822001	4	Bolt M8 x 70	
42	0761015001	2	Bolt M10 x 35	
43	3290801001	4	Nut M8	
44	3291005001	6	Nut M10	
45	4811900001	12	Washer M8	
46	1001110604	1	Fitting Kit - Split Flange	
47	1001119455	1	Fitting, Test	
48	1001172358	10	Washer M10	
49	1001200550	1	Sensor, Pressure Transducer	
50	1001200977	1	Hose	
51	1001202136	2	Stud M10 x 115	
52	1001212328	1	Tube	



## SECTION 7 - HYDRAULIC

ITEM	PART NUMBER	QTY	DESCRIPTION	REV
53	1001202320	1	Tube	
54	1001202705	1	Bracket	
55	1001202706	2	Clamp	
56	1001202707	1	Clamp	
57	1001202708	2	Cover, Clamp	
58	1001202709	1	Cover, Clamp	
59	1001205083	1	Hose	
60	1001205084	1	Hose	
61	1001205085	1	Hose	
62	1001205086	1	Hose	
63	1001205087	1	Hose	
64	1001205088	1	Hose	
65	1001205089	1	Hose	
66	1001205090	1	Hose	
67	1001205091	1	Hose	
68	1001205092	1	Hose	
69	1001205093	1	Hose	
70	1001205094	2	Hose	
71	1001205095	1	Hose	
72	1001205096	1	Hose	
73	1001205097	1	Hose	
74	1001205098	4	Hose	
75	1001205099	1	Hose	
76	1001205100	2	Hose	
77	1001205102	1	Hose	
78	1001205103	1	Hose	
79	1001205104	1	Hose	
80	1001205105	1	Hose	
81	1001205106	1	Hose	
82	1001205107	1	Hose	
83	1001205108	1	Hose	
84	1001205109	1	Hose	
85	1001205110	2	Hose	
86	1001205111	2	Hose	
87	1001205112	1	Hose	
88	1001205113	1	Hose	
89	1001205114	1	Hose	
90	1001205115	1	Hose	
91	1001205116	4	Hose	
92	1001205117	1	Hose	
93	1001205120	1	Hose	
94	1001205121	1	Hose	
95	1001205122	1	Hose	
96	1001205123	1	Hose	
97	1001205124	1	Hose	
98	1001205125	1	Hose	
99	1001205949	1	Hose	
100	1001207102	2	Clamp	
101	1001161647	1	Hose	
102	4240156	14	Strap, Cinch (SN 0300000100 through 0300218237)	
102	1001137263	16	Strap, Cinch (SN 0300218237 through 0300271437)	

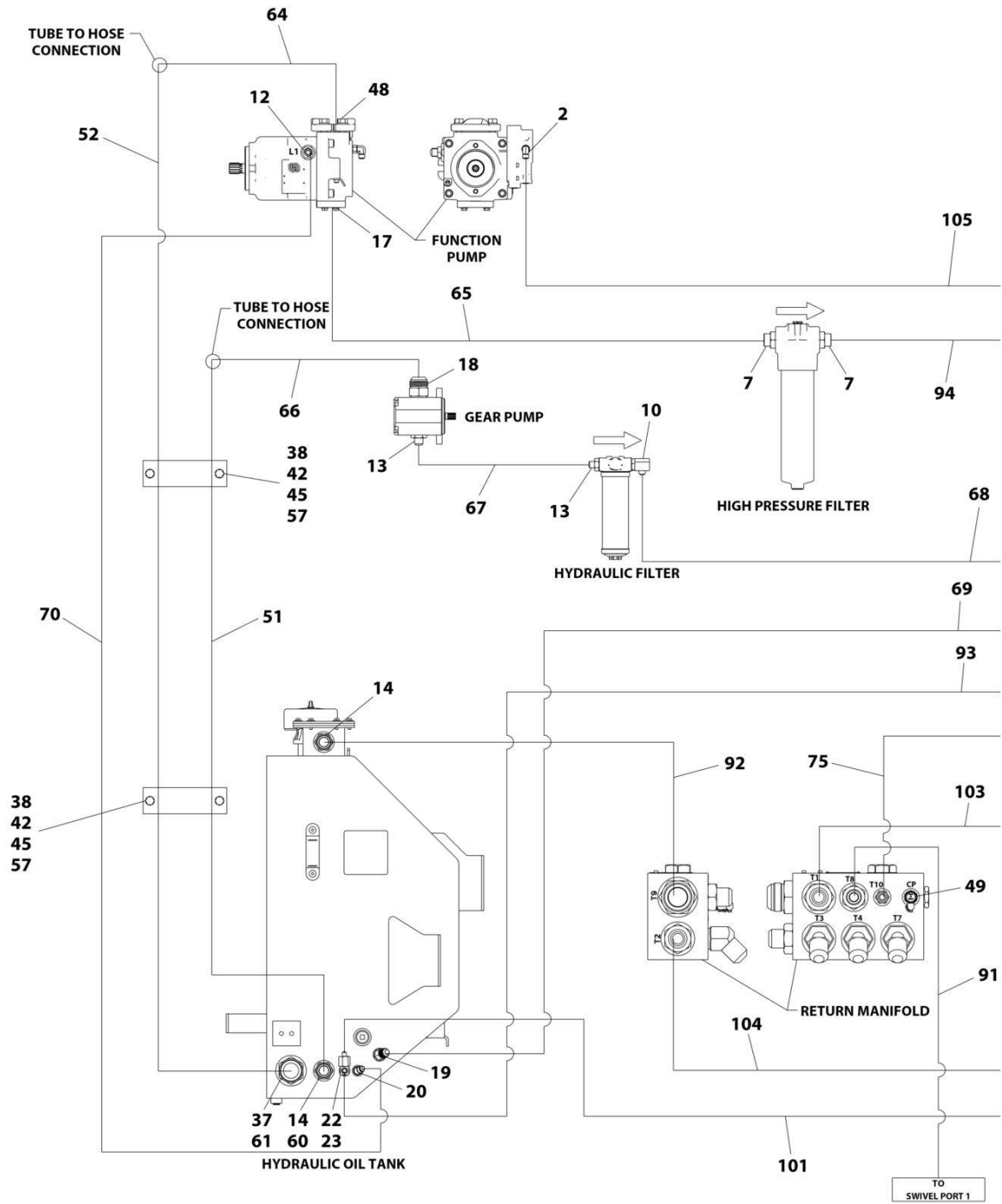
## SECTION 7 - HYDRAULIC

ITEM	PART NUMBER	QTY	DESCRIPTION	REV
103	1001207279	1	Shield (Not Shown)	
104	3291001001	1	Nut M10 (Not Shown)	
105	0100019	1	Compound, Locking (Not Shown)	



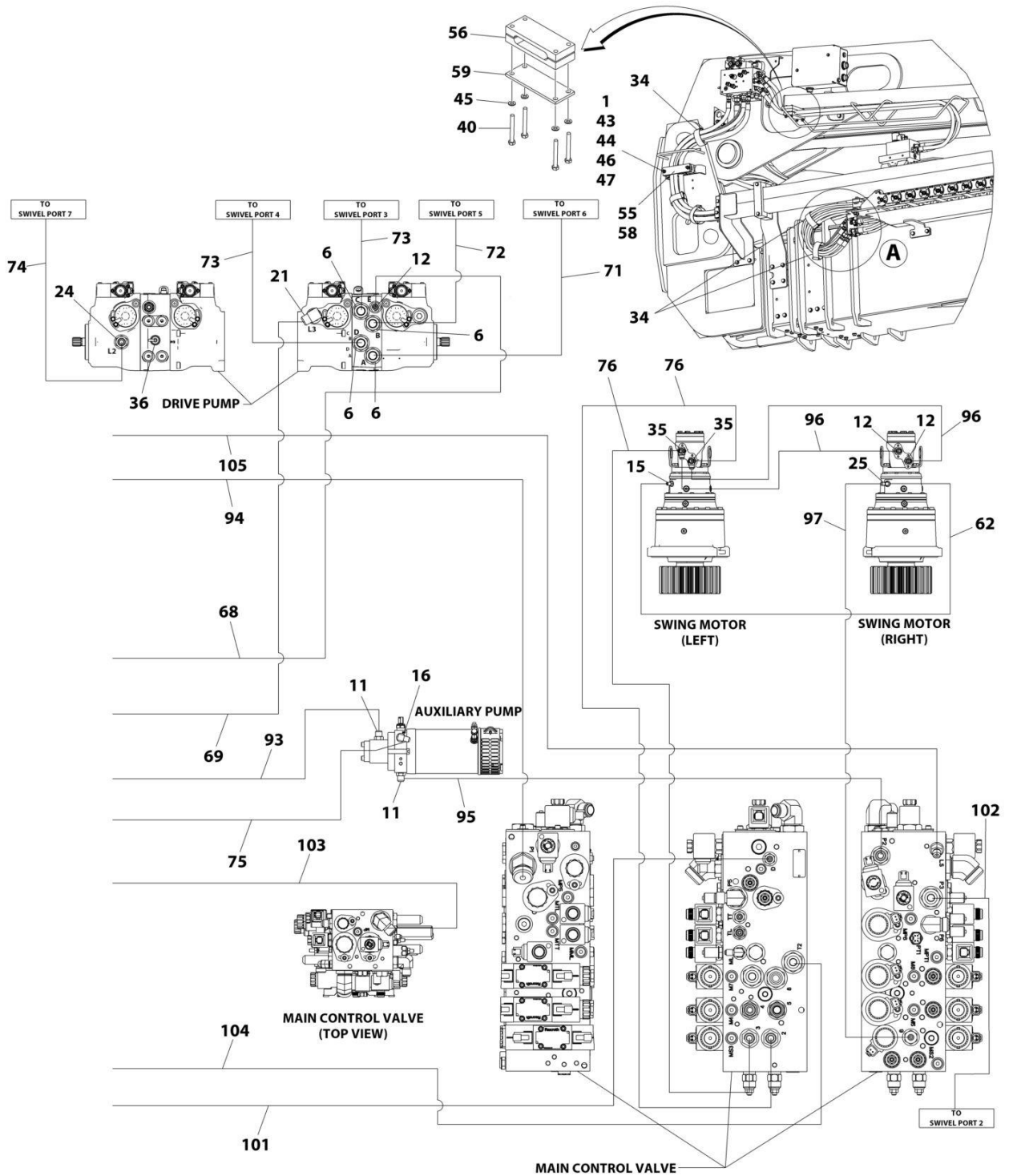
# SECTION 7 - HYDRAULIC

FIGURE 7-4. TURNTABLE HYDRAULIC DIAGRAM (SN 0300223782 through 0300271437)



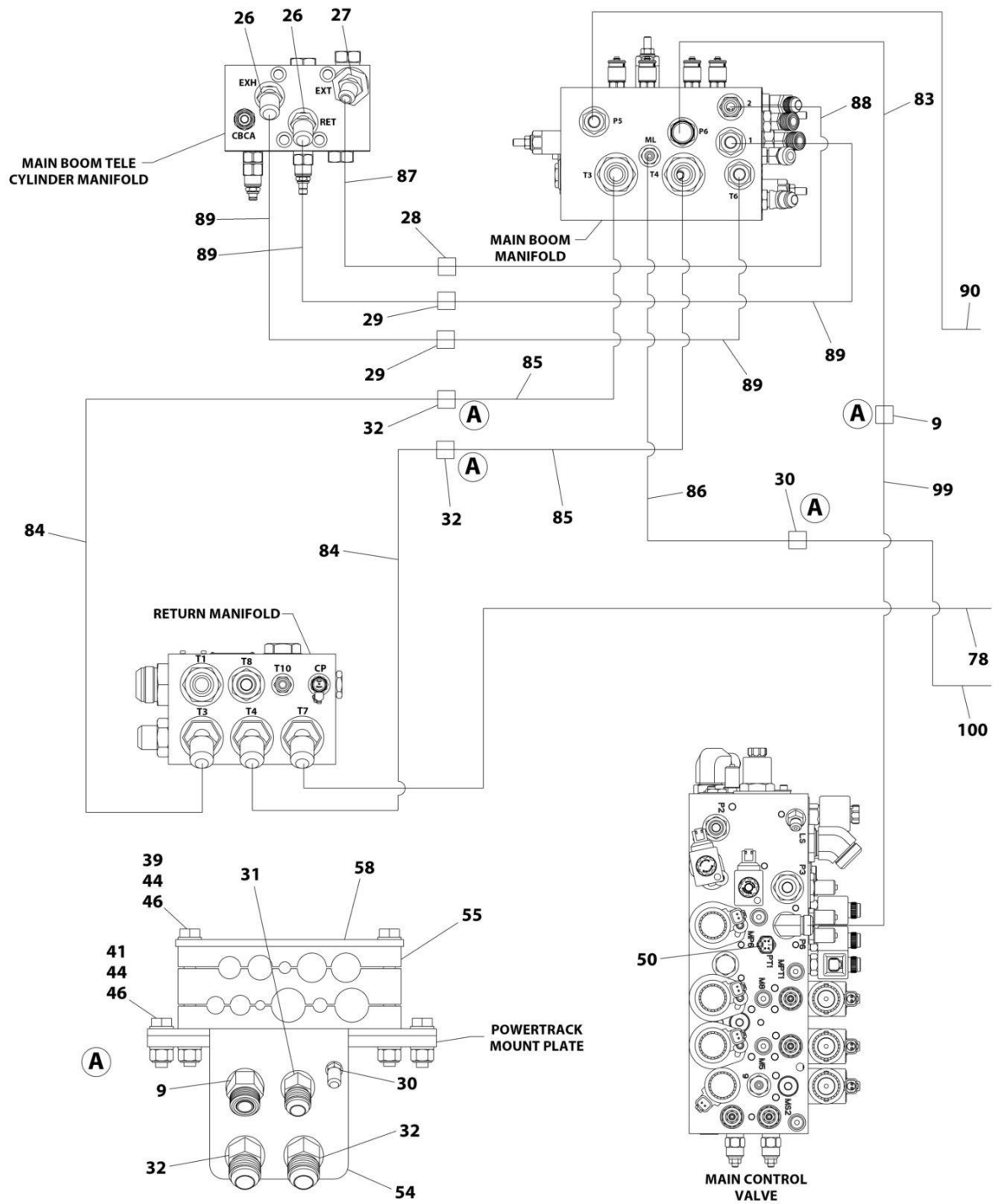
ART\_1001212512\_10F4

# SECTION 7 - HYDRAULIC



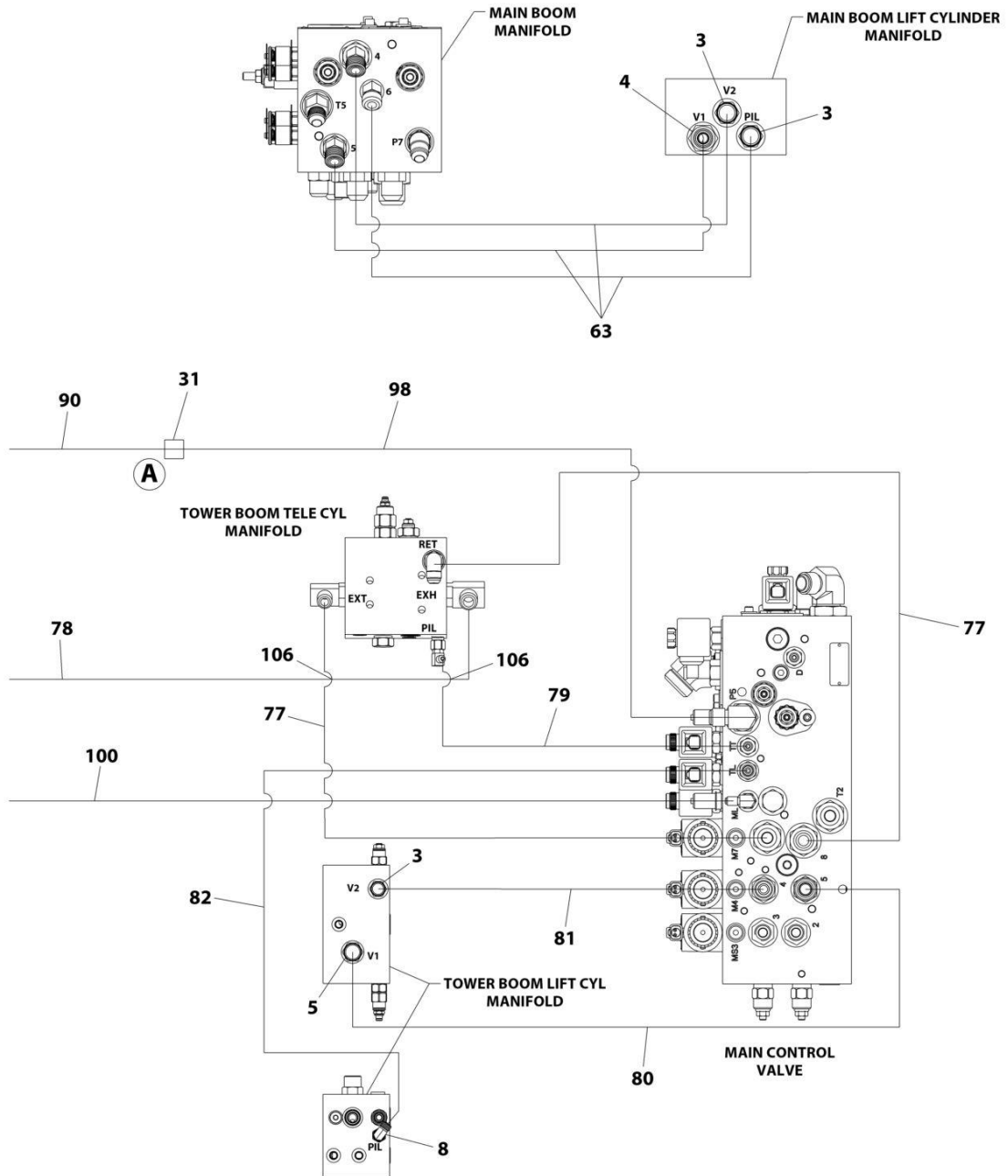
ART\_1001212512\_20F4

# SECTION 7 - HYDRAULIC



ART\_1001212512\_30F4

# SECTION 7 - HYDRAULIC



ART\_1001212512\_40F4

# SECTION 7 - HYDRAULIC

FIGURE 7-4. TURNTABLE HYDRAULIC DIAGRAM (SN 0300223782 through 0300271437)

ITEM	PART NUMBER	QTY	DESCRIPTION	REV
	1001212512	Ref	TURNTABLE HYDRAULIC DIAGRAM	G
1	0100019	AR	Compound, Locking	
2	2110404	1	Fitting, 90 ORFS/ORB (SN 0300000100 through 0300235445)	
2	2110604	1	Fitting, 90 ORFS/ORB (SN 0300235445 through 0300271437)	
3	2110808	3	Fitting, Straight ORFS/ORB	
4	2110810	1	Fitting, Straight ORFS/ORB	
5	2111010	1	Fitting, Straight ORFS/ORB	
6	2111016	4	Fitting, Straight ORFS/ORB	
7	2111620	2	Fitting, Straight ORFS/ORB	
8	2170204	1	Fitting, 90 ORFS/ORB	
9	2171310	1	Fitting, 45 ORFS	
10	2220366	1	Fitting, 90 JIC/ORB	
11	2220373	2	Fitting, Straight JIC/ORB	
12	2220374	4	Fitting, Straight JIC/ORB	
13	2220375	2	Fitting, Straight JIC/ORB	
14	2220380	2	Fitting, Straight JIC/ORB	
15	2220415	1	Fitting, Straight JIC/ORB	
16	2220473	1	Fitting, 90 JIC/ORB	
17	2220478	1	Fitting Kit - Split Flange	
18	2220479	1	Fitting, Straight JIC/ORB	
19	2220498	1	Fitting, 45 JIC/ORB	
20	2220500	1	Fitting, 45 JIC/ORB	
21	2220578	1	Fitting, 90 JIC/ORB	
22	2220602	1	Fitting, Tee JIC/ORB/JIC	
23	2220618	1	Fitting, Straight JIC/FSJIC	
24	2220865	1	Fitting, Straight JIC/ORB	
25	2221034	1	Fitting, Tee	
26	2221050	2	Fitting, 45 JIC/ORB	
27	2221077	1	Fitting, 45	
28	2230025	1	Fitting, Straight JIC/JIC	
29	2230026	2	Fitting, Straight JIC/JIC	
30	2230031	1	Fitting, 45 JIC/JIC	
31	2230035	1	Fitting, 45 JIC/JIC	
32	2230036	2	Fitting, 45 JIC/JIC	
33	4240018	4	Tie-Strap (Not Shown)	
34	1001137263	AR	Strap, Cinch	
35	8760554	2	Fitting, Tee JIC/ORB/JIC	
36	77133089	1	Valve, Check	
37	88662013	1	Fitting, Straight JIC/ORB	
38	0700823001	4	Bolt M8 x 75	
39	0701028001	2	Bolt M10 x 110	
40	0760822001	4	Bolt M8 x 70	
41	0761015001	2	Bolt M10 x 35	
42	3290801001	4	Nut M8	
43	3291001001	2	Nut M10	
44	3291005001	6	Nut M10	
45	4811900001	12	Washer M8	
46	1001172358	10	Washer M10	
47	1001202136	2	Stud M10 x 115	
48	1001110604	1	Fitting Kit - Split Flange	



## SECTION 7 - HYDRAULIC

ITEM	PART NUMBER	QTY	DESCRIPTION	REV
49	1001119455	1	Fitting, Test	
50	1001200550	1	Sensor, Pressure Transducer	
51	1001202320	1	Tube	
52	1001212328	1	Tube	
53	1001207279	1	Shield (Not Shown)	
54	1001202705	1	Bracket	
55	1001202706	2	Clamp	
56	1001202707	1	Clamp	
57	1001207102	2	Clamp	
58	1001202708	2	Cover, Clamp	
59	1001202709	1	Cover, Clamp	
60	1001217086	1	Seal, Conical	
61	1001217087	1	Seal, Conical	
62	1001161647	1	Hose	
63	1001200977	1	Hose	
64	1001205083	1	Hose	
65	1001205084	1	Hose	
66	1001205086	1	Hose	
67	1001205087	1	Hose	
68	1001205088	1	Hose	
69	1001205089	1	Hose	
70	1001205090	1	Hose	
71	1001205092	1	Hose	
72	1001205093	1	Hose	
73	1001205094	2	Hose	
74	1001205095	1	Hose	
75	1001205096	1	Hose	
76	1001205098	2	Hose	
77	1001205100	2	Hose	
78	1001205102	1	Hose	
79	1001205103	1	Hose	
80	1001205104	1	Hose	
81	1001205105	1	Hose	
82	1001205106	1	Hose	
83	1001205108	1	Hose	
84	1001205110	2	Hose	
85	1001205111	2	Hose	
86	1001205113	1	Hose	
87	1001205114	1	Hose	
88	1001205115	1	Hose	
89	1001205116	4	Hose	
90	1001205117	1	Hose	
91	1001205124	1	Hose	
92	1001205125	1	Hose	
93	1001205949	1	Hose	
94	1001212491	1	Hose	
95	1001212492	1	Hose	
96	1001212494	2	Hose	
97	1001212495	1	Hose	
98	1001212502	1	Hose	
99	1001212503	1	Hose	

## SECTION 7 - HYDRAULIC

ITEM	PART NUMBER	QTY	DESCRIPTION	REV
100	1001212504	1	Hose	
101	1001212505	1	Hose	
102	1001212507	1	Hose	
103	1001212509	1	Hose	
104	1001212510	1	Hose (SN 0300000100 through 0300235445)	
104	1001231291	1	Hose (SN 0300235445 through 0300271437)	
105	1001212514	1	Hose (SN 0300000100 through 0300235445)	
105	1001232201	1	Hose (SN 0300235445 through 0300271437)	
106	1001137263	AR	Strap, Cinch (SN 0300000100 through 0300224829)	
106	1001137262	2	Strap, Cinch (SN 0300224829 through 0300235444)	
106	4240155	6	Strap, Cinch (SN 0300235445 through 0300271437)	



## SECTION 7 - HYDRAULIC

FIGURE 7-5. HYDRAULIC DIAGRAM LIST

ITEM	PART NUMBER	QTY	DESCRIPTION	REV
		Ref	Note: Information on diagrams not shown are available from JLG Customer Service Department. See Service and Maintenance Manual for Schematics.	
		Ref	HYDRAULIC DIAGRAM LIST	
	1001197361	Ref	Boom and Jib Hydraulic Diagram	
	1001157241	Ref	Chassis Hydraulic Diagram	
	1001197362	Ref	Turntable Hydraulic Diagram ( <b>SN 0300000100 through 0300223782</b> )	
	1001212512	Ref	Turntable Hydraulic Diagram ( <b>SN 0300223782 through 0300271437</b> )	
	1001202817	Ref	Hydraulic Schematic	

**SECTION 8 - ELECTRICAL**

## SECTION 8 - ELECTRICAL

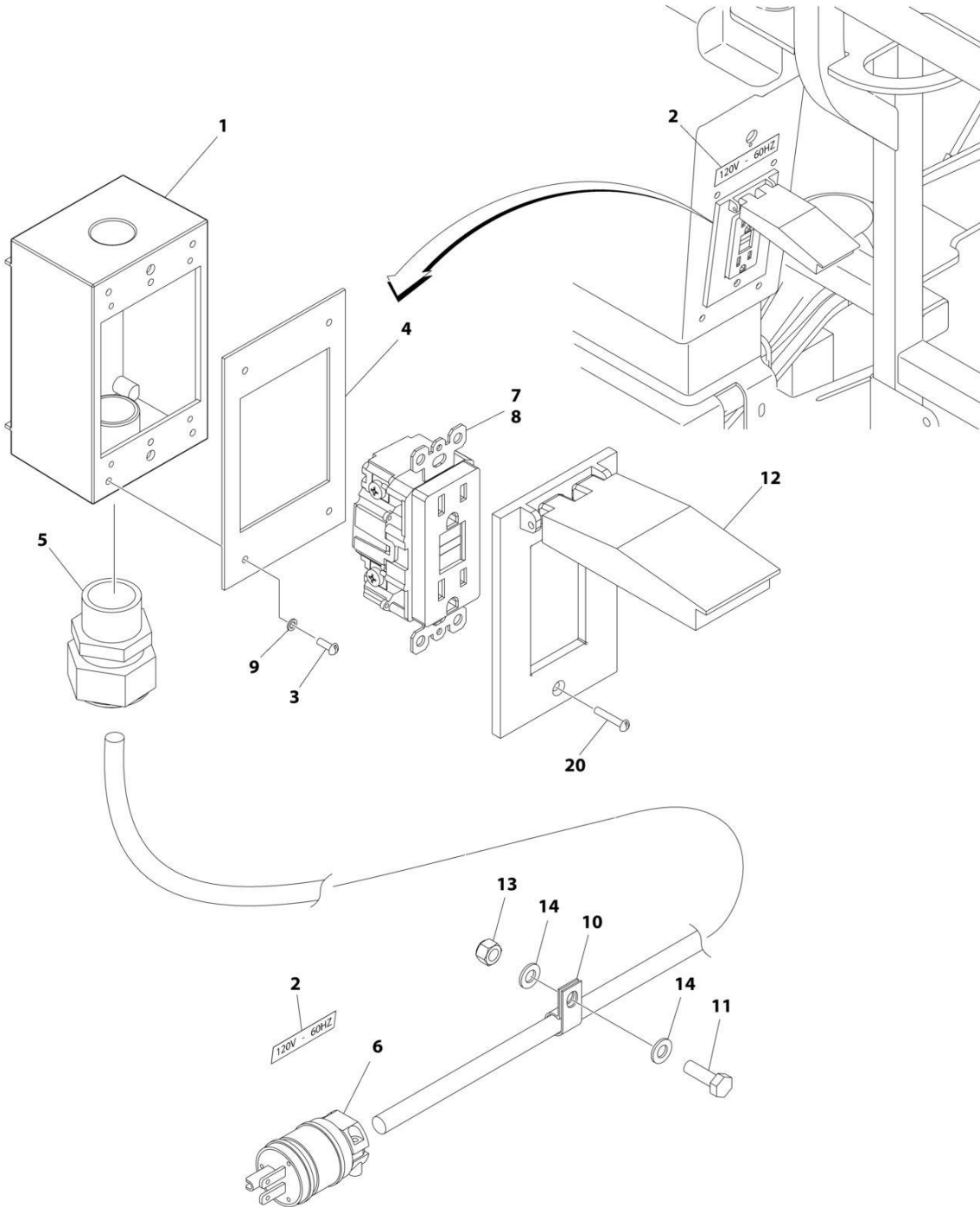
**FIGURE 8-1. ELECTRICAL DIAGRAM LIST**

ITEM	PART NUMBER	QTY	DESCRIPTION	REV
		Ref	Note: Information on diagrams not shown are available from JLG Customer Service Department. See Service and Maintenance Manual for Schematics.	
		Ref	ELECTRICAL DIAGRAM LIST	
	1001205405	Ref	Generator Electrical Diagram - 4000W/50Hz (ANSI Export, CE, China and Japanese Specs)	
	1001205406	Ref	Generator Electrical Diagram - 4000W/50Hz (Australian Specs)	
	1001205407	Ref	Generator Electrical Diagram - 4000W/50Hz (UK Specs)	
	1001153257	Ref	Generator Electrical Diagram - 4000W/60Hz	
	1001156083	Ref	Generator Electrical Diagram - 7500W SkyPower	
	4933218	Ref	Soft-Touch Electrical Diagram	
	1001119861	Ref	Electrical Schematic	
	1001194252	Ref	Electrical Schematic - Harness List	



# SECTION 8 - ELECTRICAL

## FIGURE 8-2. AC BOX AT PLATFORM INSTALLATION - 110V GFI (ANSI, CHINA, CSA AND JAPANESE SPECS)



ART\_1001197333



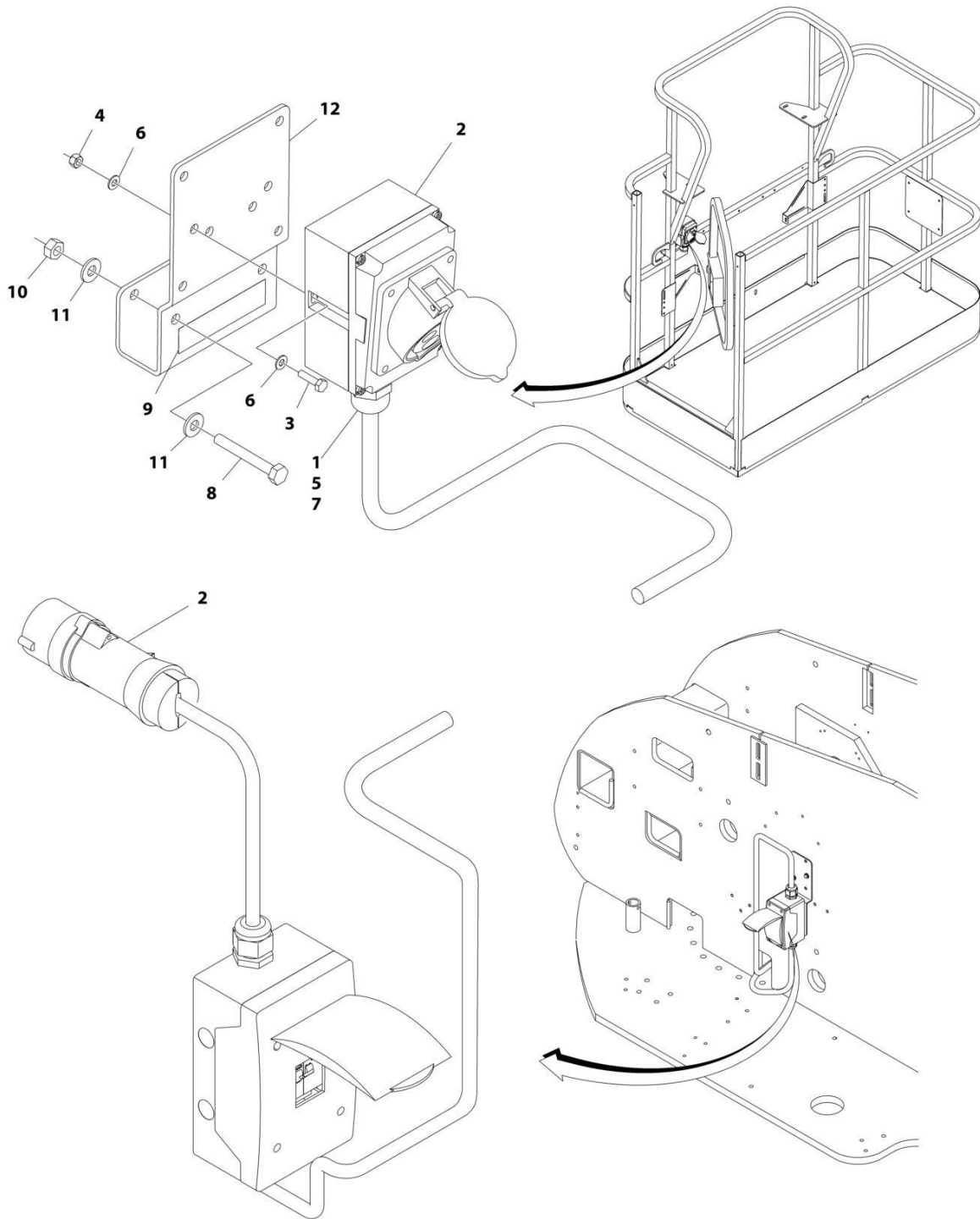
## SECTION 8 - ELECTRICAL

**FIGURE 8-2. AC BOX AT PLATFORM INSTALLATION - 110V GFI (ANSI, CHINA, CSA AND JAPANESE SPECS)**

ITEM	PART NUMBER	QTY	DESCRIPTION	REV
	1001197333	Ref	AC BOX AT PLATFORM INSTALLATION - 110V GFI (ANSI, CHINA, CSA AND JAPANESE SPECS)	B
1	0860038	1	Box, Switch	
2	3251243	2	Decal - 120V/60Hz	
3	3910606	4	Screw #6 x 3/8	
4	3960422	1	Gasket, AC Receptacle	
5	4460051	1	Connector, Strain Relief	
6	4460205	1	Plug, Male	
7	4460315	3	Terminal, Spade	
8	4460346	1	Terminal, Receptacle	
9	4760600	4	Washer #6	
10	8406109	1	Clamp	
11	0760812001	1	Bolt M8 x 25	
12	1001110873	1	Shield, Receptacle Cover	
13	3290805001	1	Nut M8	
14	4811900001	2	Washer M8	
20	3910612	2	Screw #6 x 3/4	

# SECTION 8 - ELECTRICAL

FIGURE 8-3. AC BOX AT PLATFORM INSTALLATION - 110V IEC YELLOW WITHOUT GENERATOR (CE SPECS)



ART\_1001091969

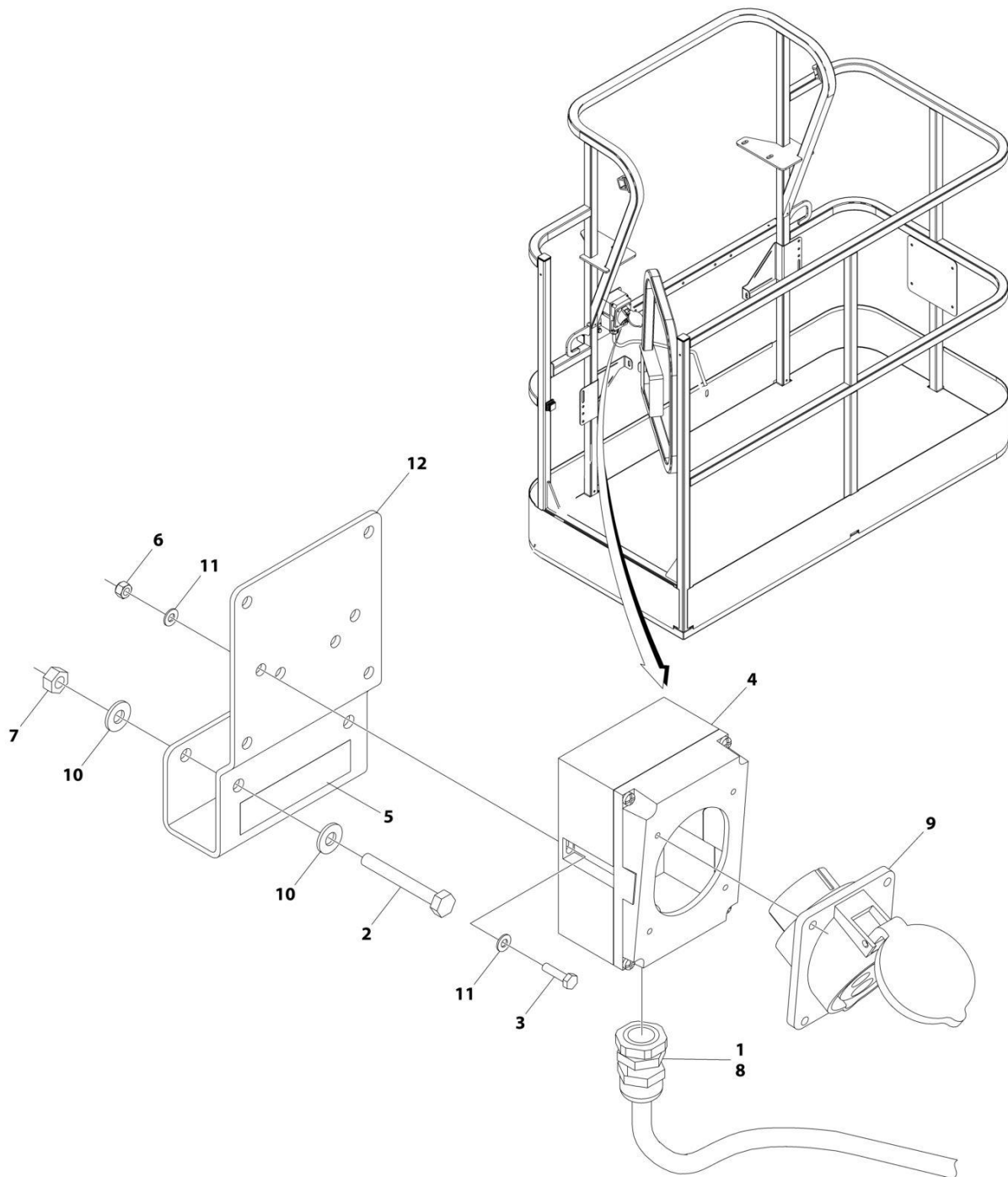
## SECTION 8 - ELECTRICAL

**FIGURE 8-3. AC BOX AT PLATFORM INSTALLATION - 110V IEC YELLOW WITHOUT GENERATOR  
(CE SPECS)**

ITEM	PART NUMBER	QTY	DESCRIPTION	REV
	1001091969	Ref	AC BOX AT PLATFORM INSTALLATION - 110V IEC YELLOW WITHOUT GENERATOR (CE SPECS)	C
1	0100020	AR	Sealant, Pipe	
2	0275216	1	Receptacle Box Kit (See RECEPTACLE BOX KIT - 110V IEC YELLOW (CE SPEC) for Breakdown)	
3	0700408	2	Bolt M4 x 16	
4	3290405	2	Nut M4	
5	1001101196	1	Adapter	
6	4811400	4	Washer M4	
7	1001101191	1	Connector, Strain Relief	
8	0641416	2	Bolt 1/4 x 2	
9	1705325	1	Decal - 110V	
10	3311405	2	Nut 1/4	
11	4711400	4	Washer 1/4	
12	1001193018	1	Bracket	

# SECTION 8 - ELECTRICAL

## FIGURE 8-4. AC BOX AT PLATFORM INSTALLATION - 110V IEC YELLOW WITH 4000W GENERATOR (CE SPECS)



ART\_1001194203

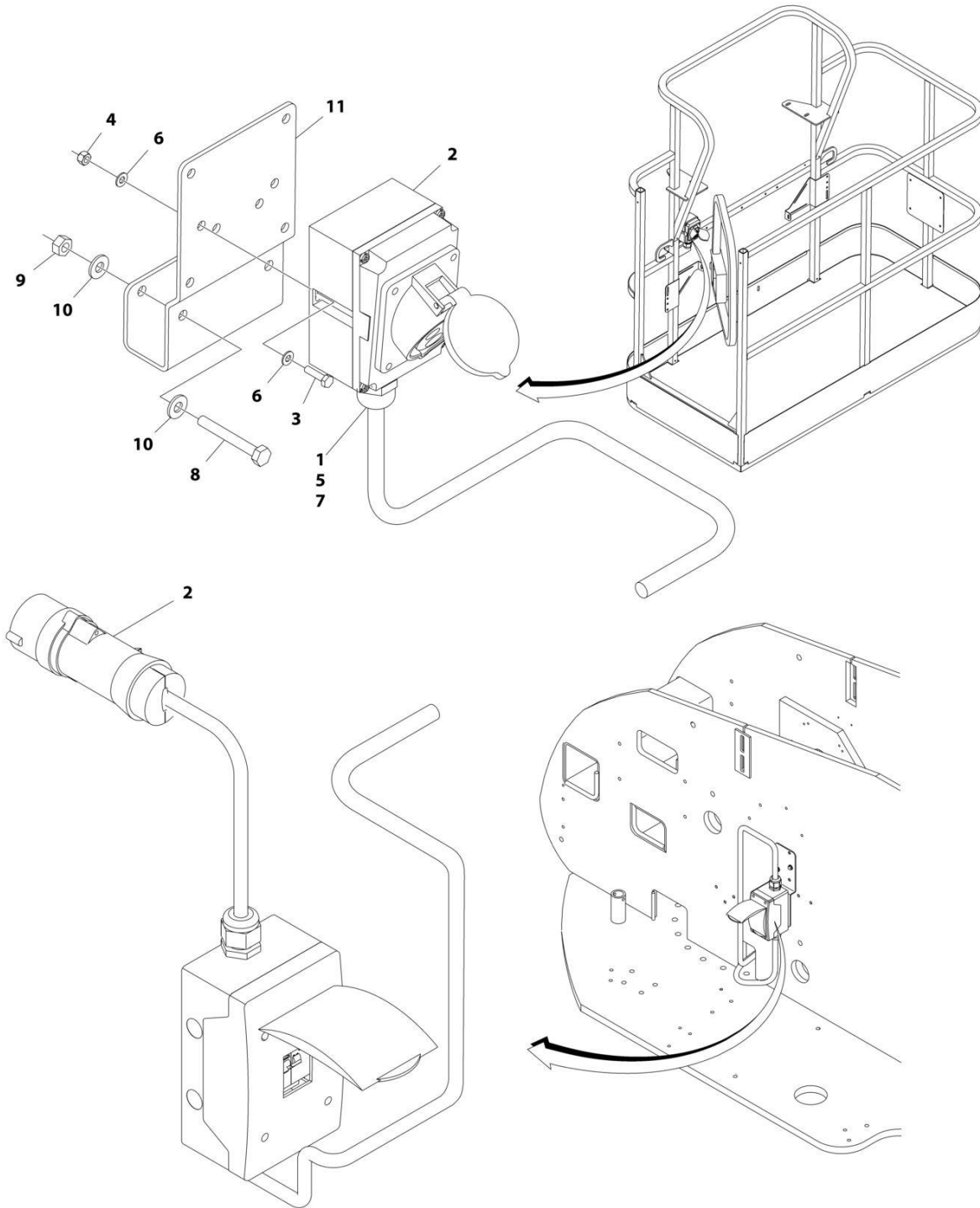
## SECTION 8 - ELECTRICAL

**FIGURE 8-4. AC BOX AT PLATFORM INSTALLATION - 110V IEC YELLOW WITH 4000W GENERATOR  
(CE SPECS)**

ITEM	PART NUMBER	QTY	DESCRIPTION	REV
	1001194203	Ref	AC BOX AT PLATFORM INSTALLATION - 110V IEC YELLOW WITH 4000W GENERATOR (CE SPECS)	B
1	0100020	AR	Sealant, Pipe	
2	0641416	2	Bolt 1/4 x 2	
3	0700408	2	Bolt M4 x 16	
4	0861781	1	Box, Switch	
5	1705325	1	Decal - 110V	
6	3290405	2	Nut M4	
7	3311405	2	Nut 1/4	
8	4460968	1	Connector, Strain Relief	
9	4461198	1	Receptacle	
10	4711400	4	Washer 1/4	
11	4811400	4	Washer M4	
12	1001193018	1	Bracket, AC Receptacle	

# SECTION 8 - ELECTRICAL

FIGURE 8-5. AC BOX AT PLATFORM INSTALLATION - 220V IEC BLUE WITHOUT GENERATOR (CE SPECS)



ART\_1001091970

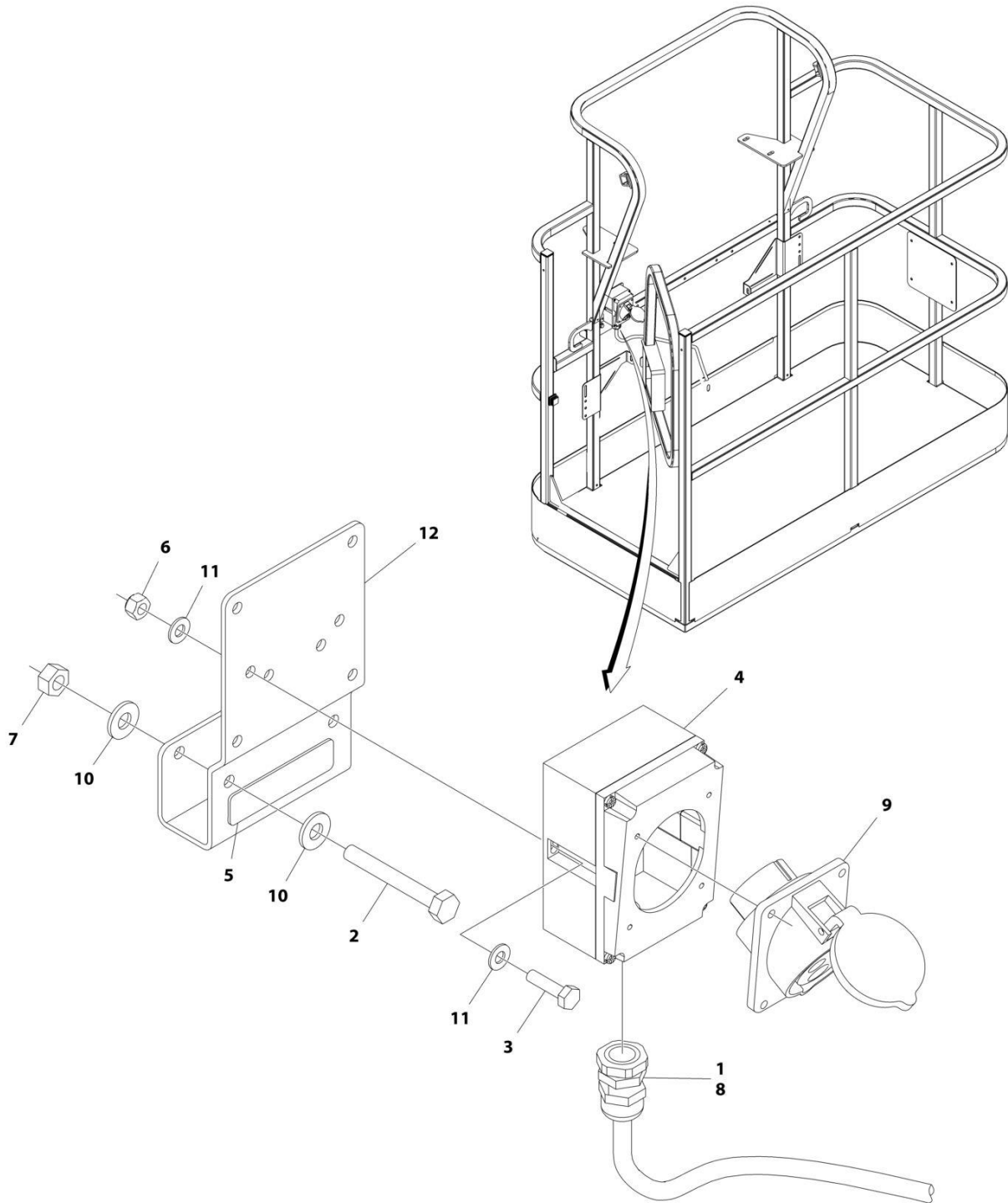
## SECTION 8 - ELECTRICAL

**FIGURE 8-5. AC BOX AT PLATFORM INSTALLATION - 220V IEC BLUE WITHOUT GENERATOR (CE SPECS)**

ITEM	PART NUMBER	QTY	DESCRIPTION	REV
	1001091970	Ref	AC BOX AT PLATFORM INSTALLATION - 220V IEC BLUE WITHOUT GENERATOR (CE SPECS)	C
1	0100020	AR	Sealant, Pipe	
2	0275217	1	Receptacle Box Kit (See RECEPTACLE BOX KIT - 220V IEC BLUE (CE SPEC) for Breakdown)	
3	0700408	2	Bolt M4 x 16	
4	3290405	2	Nut M4	
5	1001101196	1	Adapter	
6	4811400	4	Washer M4	
7	1001101191	1	Connector, Strain Relief	
8	0641416	2	Bolt 1/4 x 2	
9	3311405	2	Nut 1/4	
10	4711400	4	Washer 1/4	
11	1001193018	1	Bracket	

# SECTION 8 - ELECTRICAL

FIGURE 8-6. AC BOX AT PLATFORM INSTALLATION - 220V IEC BLUE WITH 4000W GENERATOR (CE SPECS)



ART\_1001194204



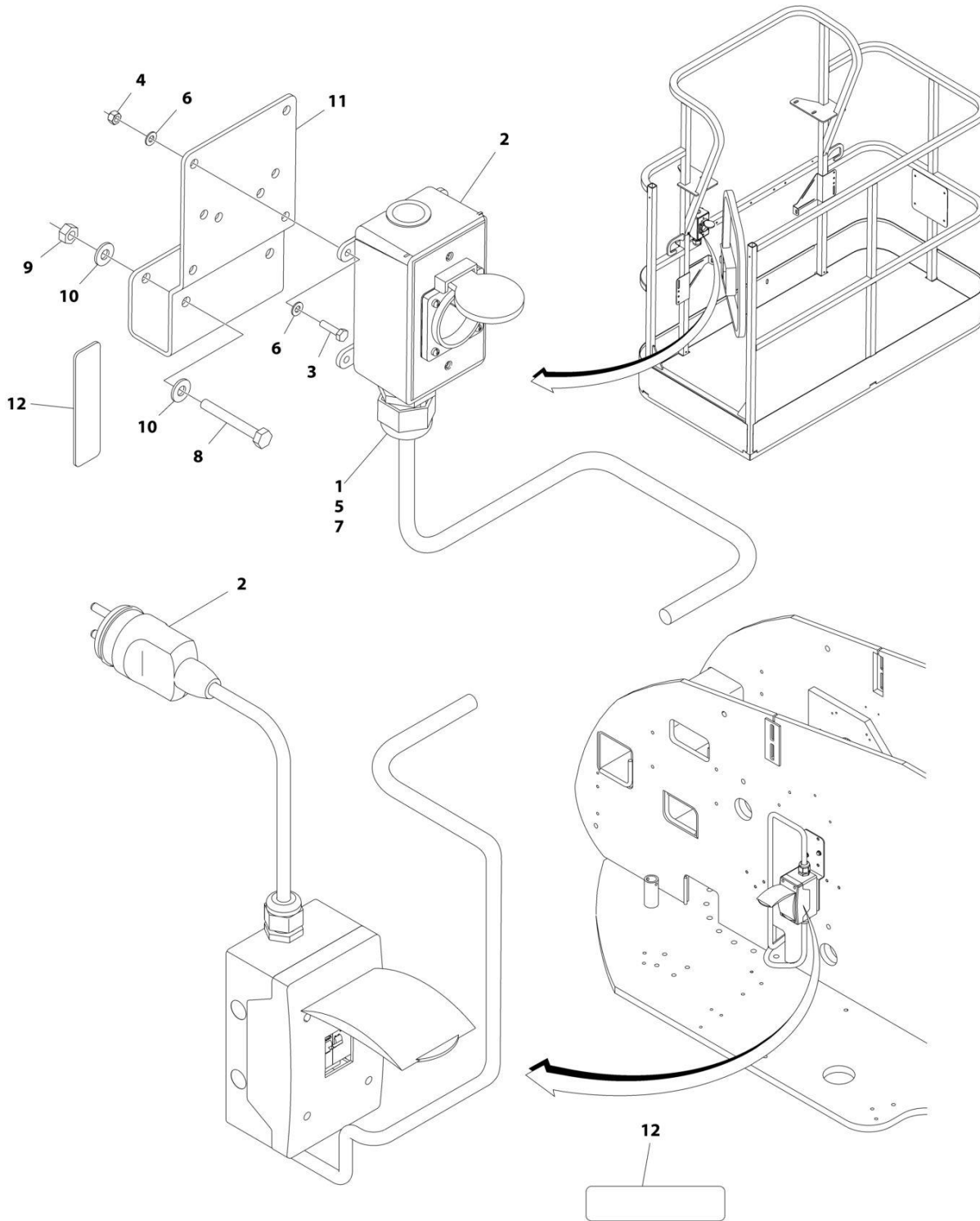
## SECTION 8 - ELECTRICAL

**FIGURE 8-6. AC BOX AT PLATFORM INSTALLATION - 220V IEC BLUE WITH 4000W GENERATOR  
(CE SPECS)**

ITEM	PART NUMBER	QTY	DESCRIPTION	REV
	1001194204	Ref	AC BOX AT PLATFORM INSTALLATION - 220V IEC BLUE WITH 4000W GENERATOR (CE SPECS)	B
1	0100020	AR	Sealant, Pipe	
2	0641416	2	Bolt 1/4 x 2	
3	0700408	2	Bolt M4 x 16	
4	0861781	1	Box, Switch	
5	3251242	1	Decal - 240V-50Hz	
6	3290405	2	Nut M4	
7	3311405	2	Nut 1/4	
8	4460968	1	Connector, Strain Relief	
9	4461201	1	Receptacle	
10	4711400	4	Washer 1/4	
11	4811400	4	Washer M4	
12	1001193018	1	Bracket, AC Receptacle	

# SECTION 8 - ELECTRICAL

## FIGURE 8-7. AC BOX AT PLATFORM INSTALLATION - 220V CEE7 POST GROUND WITHOUT GENERATOR (CE SPECS)



(REF. LOCATED ON ENGINE SIDE HOOD)

ART\_1001091973

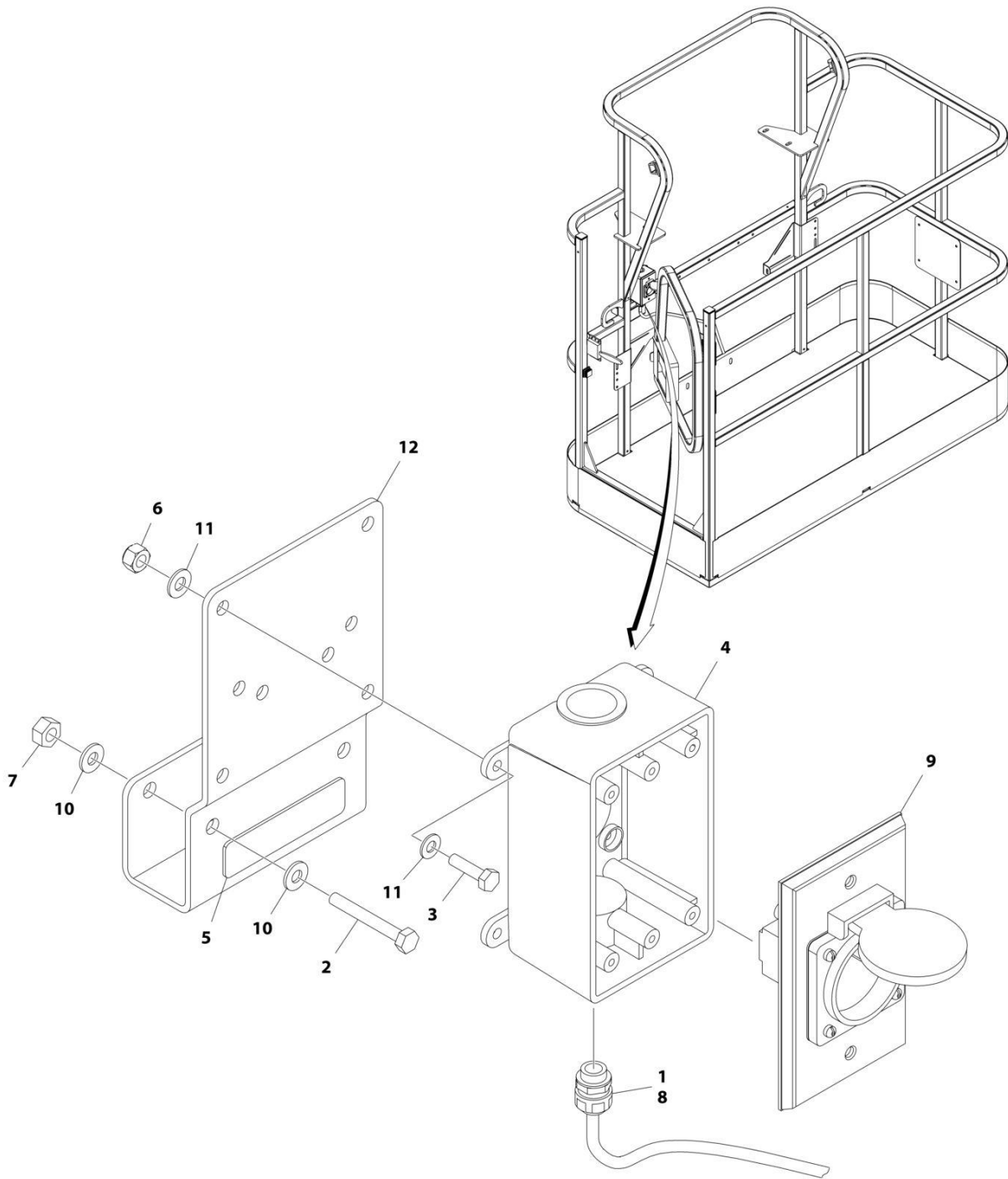
## SECTION 8 - ELECTRICAL

**FIGURE 8-7. AC BOX AT PLATFORM INSTALLATION - 220V CEE7 POST GROUND WITHOUT GENERATOR (CE SPECS)**

ITEM	PART NUMBER	QTY	DESCRIPTION	REV
	1001091973	Ref	AC BOX AT PLATFORM INSTALLATION - 220V CEE7 POST GROUND WITHOUT GENERATOR (CE SPECS)	E
1	0100020	AR	Sealant, Pipe	
2	0275452	1	Receptacle Box Kit (See RECEPTACLE BOX KIT - 220V CEE7 POST GROUND (CE SPEC) for Breakdown)	
3	0700408	4	Bolt M4 x 16	
4	3290405	4	Nut M4	
5	1001101197	1	Adapter	
6	4811400	8	Washer M4	
7	1001101191	1	Connector, Strain Relief	
8	0641416	2	Bolt 1/4 x 2	
9	3311405	2	Nut 1/4	
10	4711400	4	Washer 1/4	
11	1001193018	1	Bracket	
12	3251242	2	Decal - 240V-50Hz (SN 0300234719 through 0300271437)	
13	4460806	2	Terminal, Fork (Not Shown)	
14	1001205958	1	Terminal (Not Shown)	

# SECTION 8 - ELECTRICAL

FIGURE 8-8. AC BOX AT PLATFORM INSTALLATION - 220V CEE7 POST GROUND WITH 4000W GENERATOR (CE SPECS)



ART\_1001194197

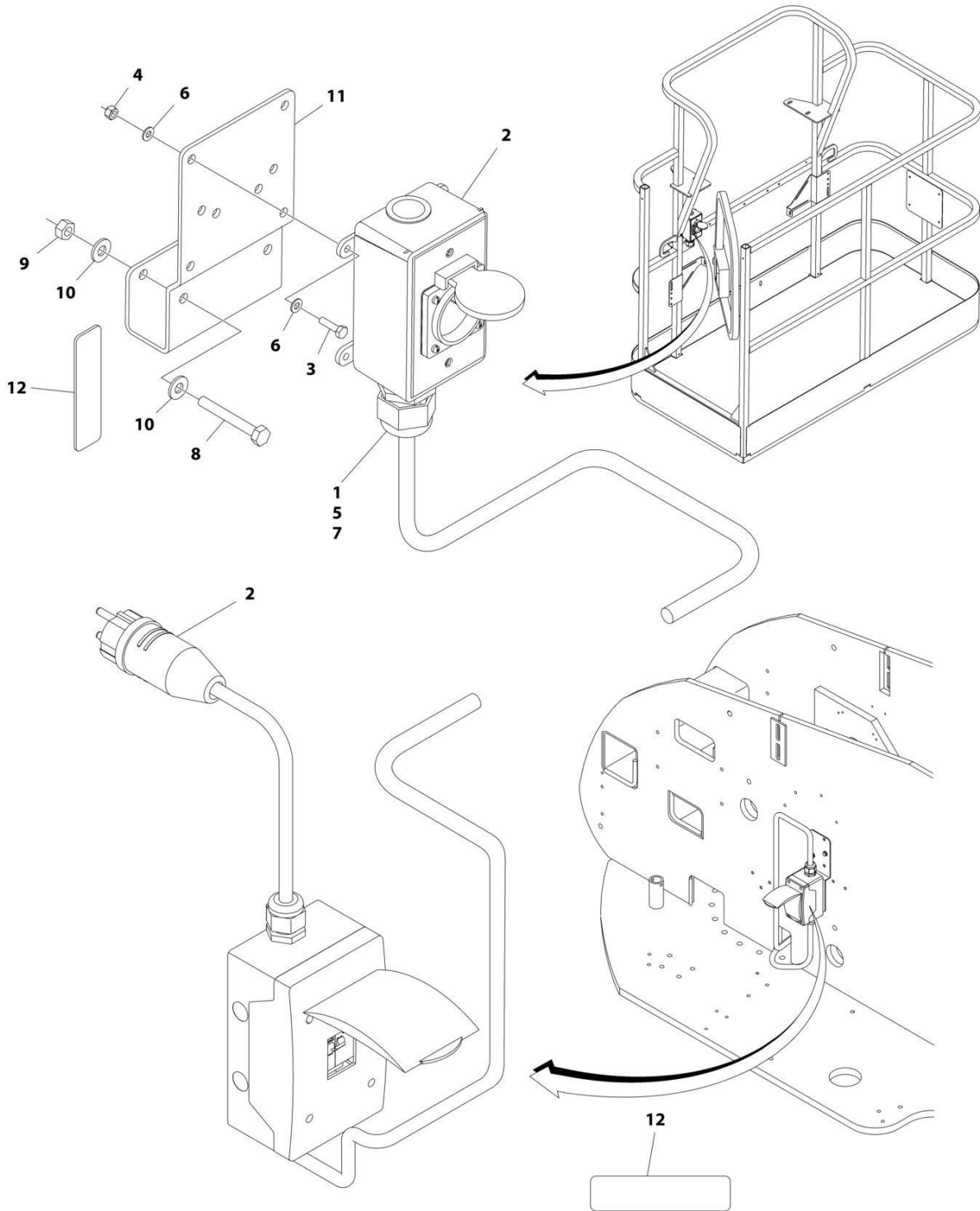
## SECTION 8 - ELECTRICAL

**FIGURE 8-8. AC BOX AT PLATFORM INSTALLATION - 220V CEE7 POST GROUND WITH 4000W GENERATOR (CE SPECS)**

ITEM	PART NUMBER	QTY	DESCRIPTION	REV
	1001194197	Ref	AC BOX AT PLATFORM INSTALLATION - 220V CEE7 POST GROUND WITH 4000W GENERATOR (CE SPECS)	B
1	0100020	AR	Sealant, Pipe	
2	0641416	2	Bolt 1/4 x 2	
3	0700408	4	Bolt M4 x 16	
4	0861731	1	Box, Switch	
5	3251242	1	Decal - 240V-50Hz	
6	3290405	4	Nut M4	
7	3311405	2	Nut 1/4	
8	4460662	1	Connector, Strain Relief	
9	4461244	1	Receptacle	
10	4711400	4	Washer 1/4	
11	4811400	8	Washer M4	
12	1001193018	1	Bracket, AC Receptacle	
13	4460806	2	Terminal, Fork (Not Shown)	
14	1001205958	1	Terminal (Not Shown)	

# SECTION 8 - ELECTRICAL

## FIGURE 8-9. AC BOX AT PLATFORM INSTALLATION - 220V CEE7 SIDE GROUND WITHOUT GENERATOR (CE SPECS)



(REF. LOCATED ON ENGINE SIDE HOOD)

ART\_1001091974

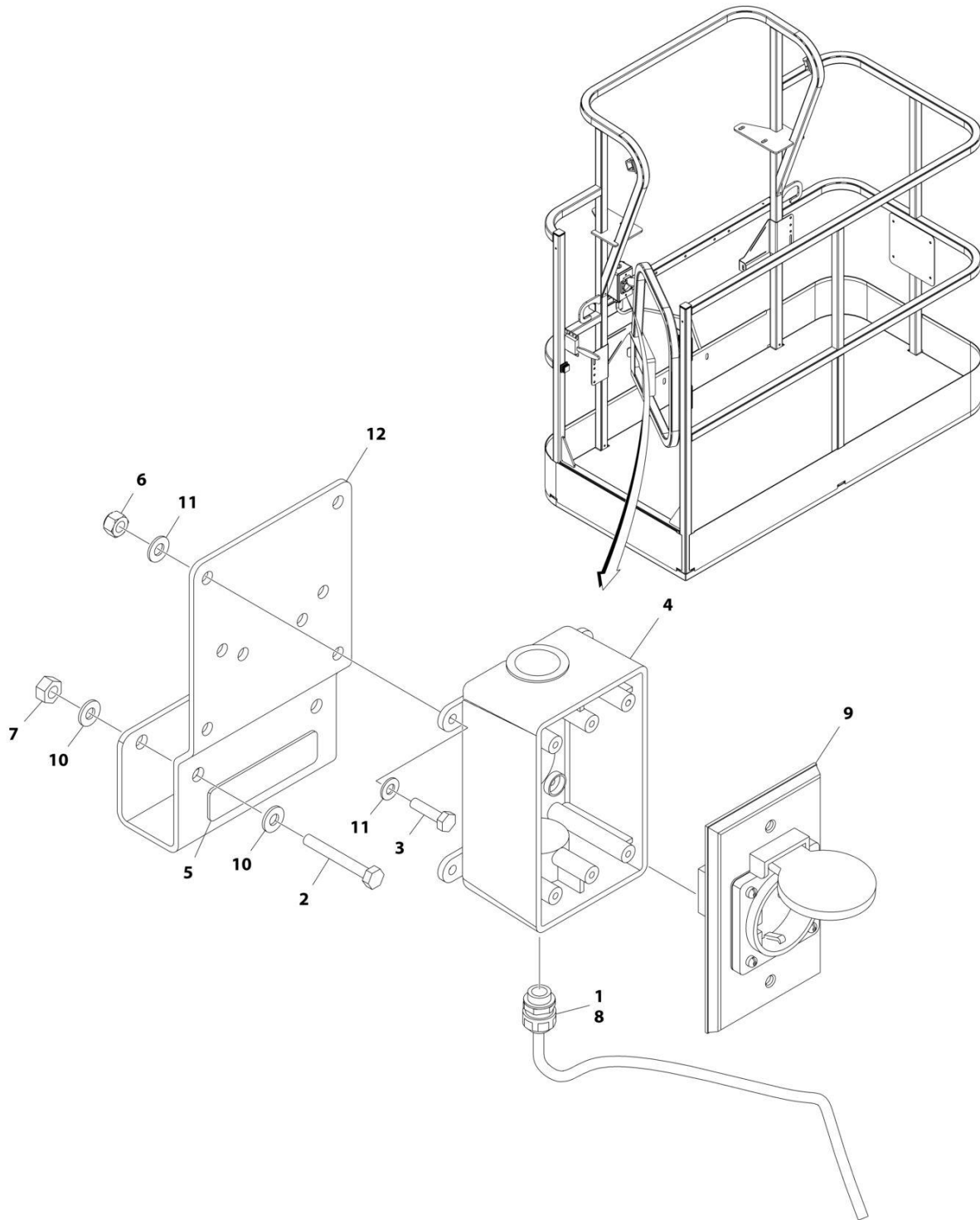
## SECTION 8 - ELECTRICAL

**FIGURE 8-9. AC BOX AT PLATFORM INSTALLATION - 220V CEE7 SIDE GROUND WITHOUT GENERATOR (CE SPECS)**

ITEM	PART NUMBER	QTY	DESCRIPTION	REV
	1001091974	Ref	AC BOX AT PLATFORM INSTALLATION - 220V CEE7 SIDE GROUND WITHOUT GENERATOR (CE SPECS)	F
1	0100020	AR	Sealant, Pipe	
2	0275453	1	Receptacle Box Kit (See RECEPTACLE BOX KIT - 220V CEE7 SIDE GROUND (CE SPEC) for Breakdown)	
3	0700408	4	Bolt M4 x 16	
4	3290405	4	Nut M4	
5	1001101197	1	Adapter	
6	4811400	8	Washer M4	
7	1001101191	1	Connector, Strain Relief	
8	0641416	2	Bolt 1/4 x 2	
9	3311405	2	Nut 1/4	
10	4711400	4	Washer 1/4	
11	1001193018	1	Bracket	
12	3251242	2	Decal - 240V-50Hz (SN 0300234719 through 0300271437)	
13	4460806	2	Terminal, Fork (Not Shown)	
14	1001205958	1	Terminal (Not Shown)	

# SECTION 8 - ELECTRICAL

FIGURE 8-10. AC BOX AT PLATFORM INSTALLATION - 220V CEE7 SIDE GROUND WITH 4000W GENERATOR (CE SPECS)



ART\_1001194198



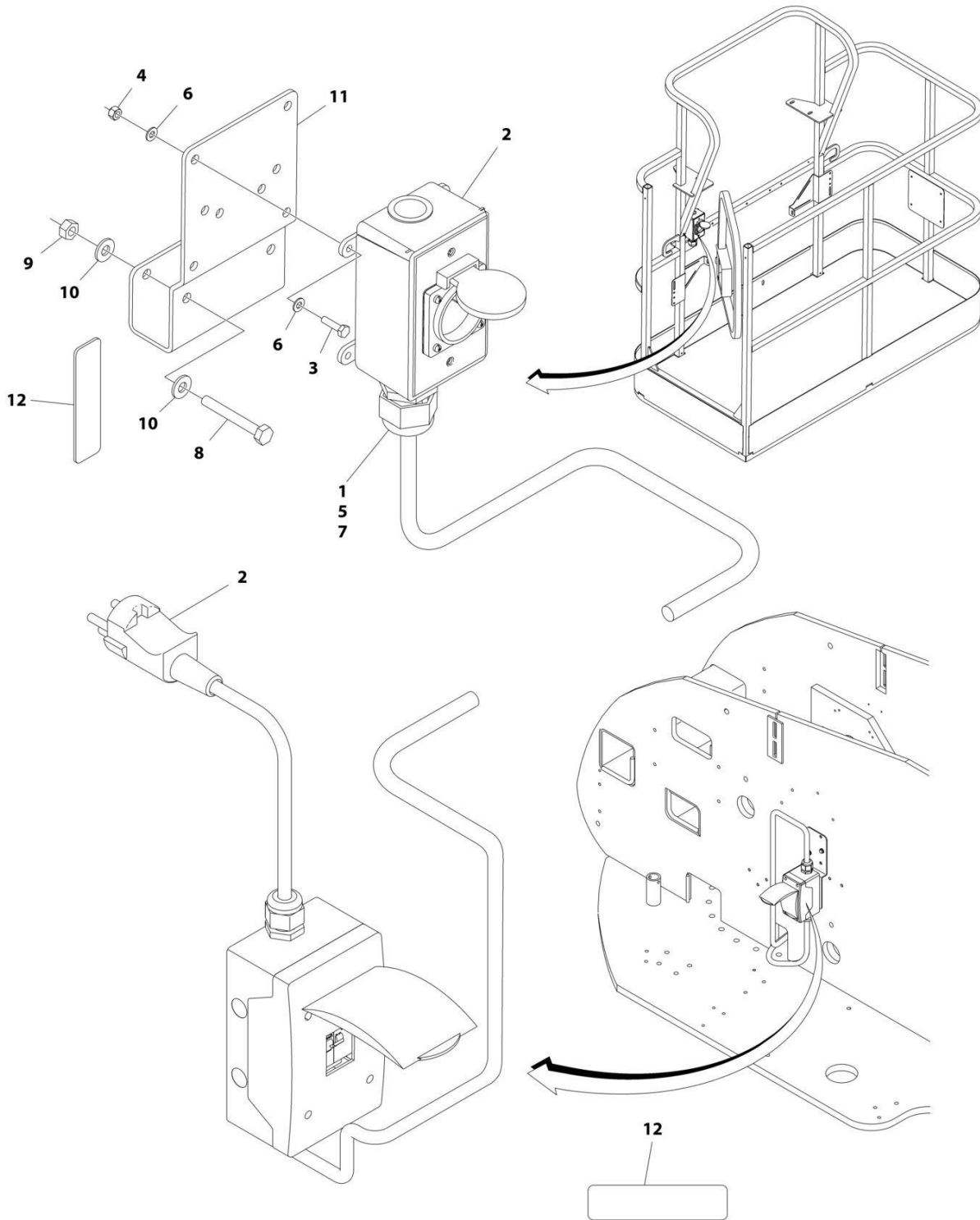
## SECTION 8 - ELECTRICAL

**FIGURE 8-10. AC BOX AT PLATFORM INSTALLATION - 220V CEE7 SIDE GROUND WITH 4000W GENERATOR (CE SPECS)**

ITEM	PART NUMBER	QTY	DESCRIPTION	REV
	1001194198	Ref	AC BOX AT PLATFORM INSTALLATION - 220V CEE7 SIDE GROUND WITH 4000W GENERATOR (CE SPECS)	B
1	0100020	AR	Sealant, Pipe	
2	0641416	2	Bolt 1/4 x 2	
3	0700408	4	Bolt M4 x 16	
4	0861731	1	Box, Switch	
5	3251242	1	Decal - 240V-50Hz	
6	3290405	4	Nut M4	
7	3311405	2	Nut 1/4	
8	4460662	1	Connector, Strain Relief	
9	4461245	1	Receptacle	
10	4711400	4	Washer 1/4	
11	4811400	8	Washer M4	
12	1001193018	1	Bracket, AC Receptacle	
13	4460806	2	Terminal, Fork (Not Shown)	
14	1001205958	1	Terminal (Not Shown)	

# SECTION 8 - ELECTRICAL

## FIGURE 8-11. AC BOX AT PLATFORM INSTALLATION - 220V AFSINT 107 KEYED GROUND WITHOUT GENERATOR (CE SPECS)



(REF. LOCATED ON ENGINE SIDE HOOD)

ART\_1001091975

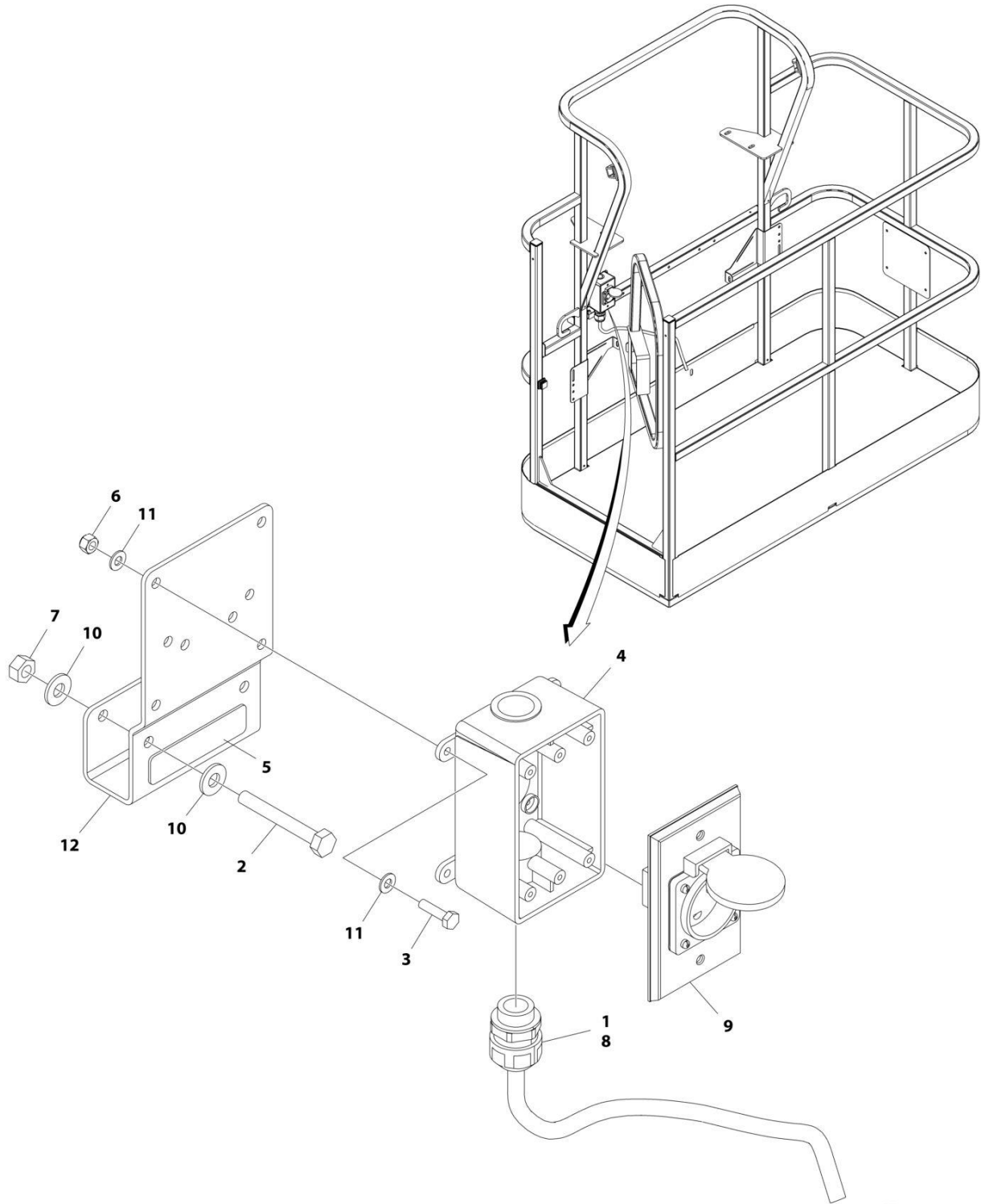
## SECTION 8 - ELECTRICAL

**FIGURE 8-11. AC BOX AT PLATFORM INSTALLATION - 220V AFSINT 107 KEYED GROUND WITHOUT GENERATOR (CE SPECS)**

ITEM	PART NUMBER	QTY	DESCRIPTION	REV
	1001091975	Ref	AC BOX AT PLATFORM INSTALLATION - 220V AFSINT 107 KEYED GROUND WITHOUT GENERATOR (CE SPECS)	F
1	0100020	AR	Sealant, Pipe	
2	0275454	1	Receptacle Box Kit (See RECEPTACLE BOX KIT - 220V AFSINT 107 (CE SPEC) for Breakdown)	
3	0700408	4	Bolt M4 x 16	
4	3290405	4	Nut M4	
5	1001101197	1	Adapter	
6	4811400	8	Washer M4	
7	1001101191	1	Connector, Strain Relief	
8	0641416	2	Bolt 1/4 x 2	
9	3311405	2	Nut 1/4	
10	4711400	4	Washer 1/4	
11	1001193018	1	Bracket	
12	3251242	2	Decal - 240V-50Hz (SN 0300234719 through 0300271437)	
13	1001205958	1	Terminal (Not Shown)	

# SECTION 8 - ELECTRICAL

FIGURE 8-12. AC BOX AT PLATFORM INSTALLATION - 220V AFSINT 107 KEYED GROUND WITH 4000W GENERATOR (CE SPECS)



ART\_1001194200

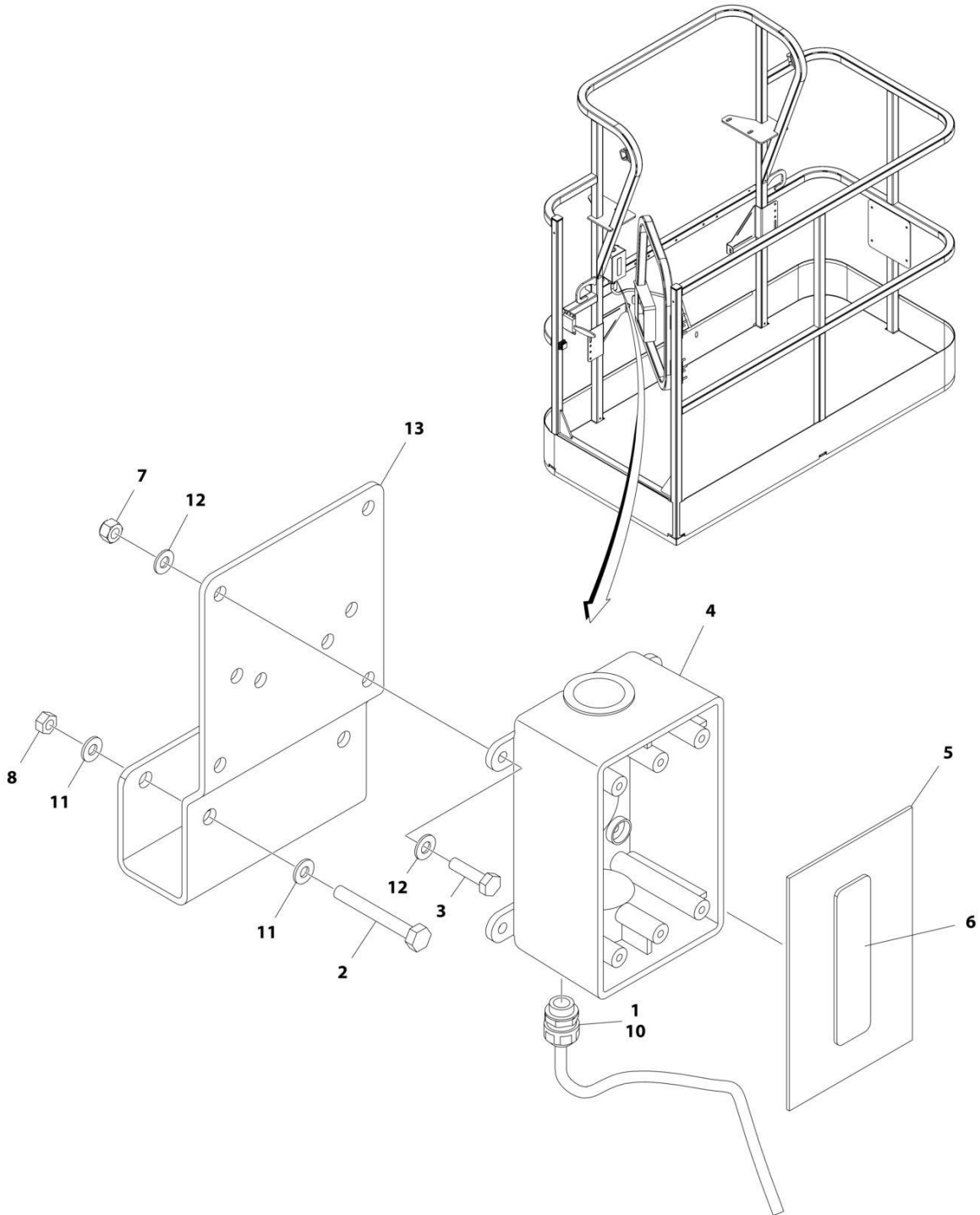
## SECTION 8 - ELECTRICAL

**FIGURE 8-12. AC BOX AT PLATFORM INSTALLATION - 220V AFSINT 107 KEYED GROUND WITH 4000W GENERATOR (CE SPECS)**

ITEM	PART NUMBER	QTY	DESCRIPTION	REV
	1001194200	Ref	AC BOX AT PLATFORM INSTALLATION - 220V AFSINT 107 KEYED GROUND WITH 4000W GENERATOR (CE SPECS)	B
1	0100020	AR	Sealant, Pipe	
2	0641416	2	Bolt 1/4 x 2	
3	0700408	4	Bolt M4 x 16	
4	0861731	1	Box, Switch	
5	3251242	1	Decal - 240V-50Hz	
6	3290405	4	Nut M4	
7	3311405	2	Nut 1/4	
8	4460662	1	Connector, Strain Relief	
9	4461246	1	Receptacle	
10	4711400	4	Washer 1/4	
11	4811400	8	Washer M4	
12	1001193018	1	Bracket, AC Receptacle	
13	1001205958	3	Terminal (Not Shown)	

# SECTION 8 - ELECTRICAL

**FIGURE 8-13. AC BOX AT PLATFORM INSTALLATION - BOX WITH COVER WITH 4000W GENERATOR (ANSI EXPORT, AUSTRALIAN, CE, CHINA AND JAPANESE SPECS)**



ART\_1001194365

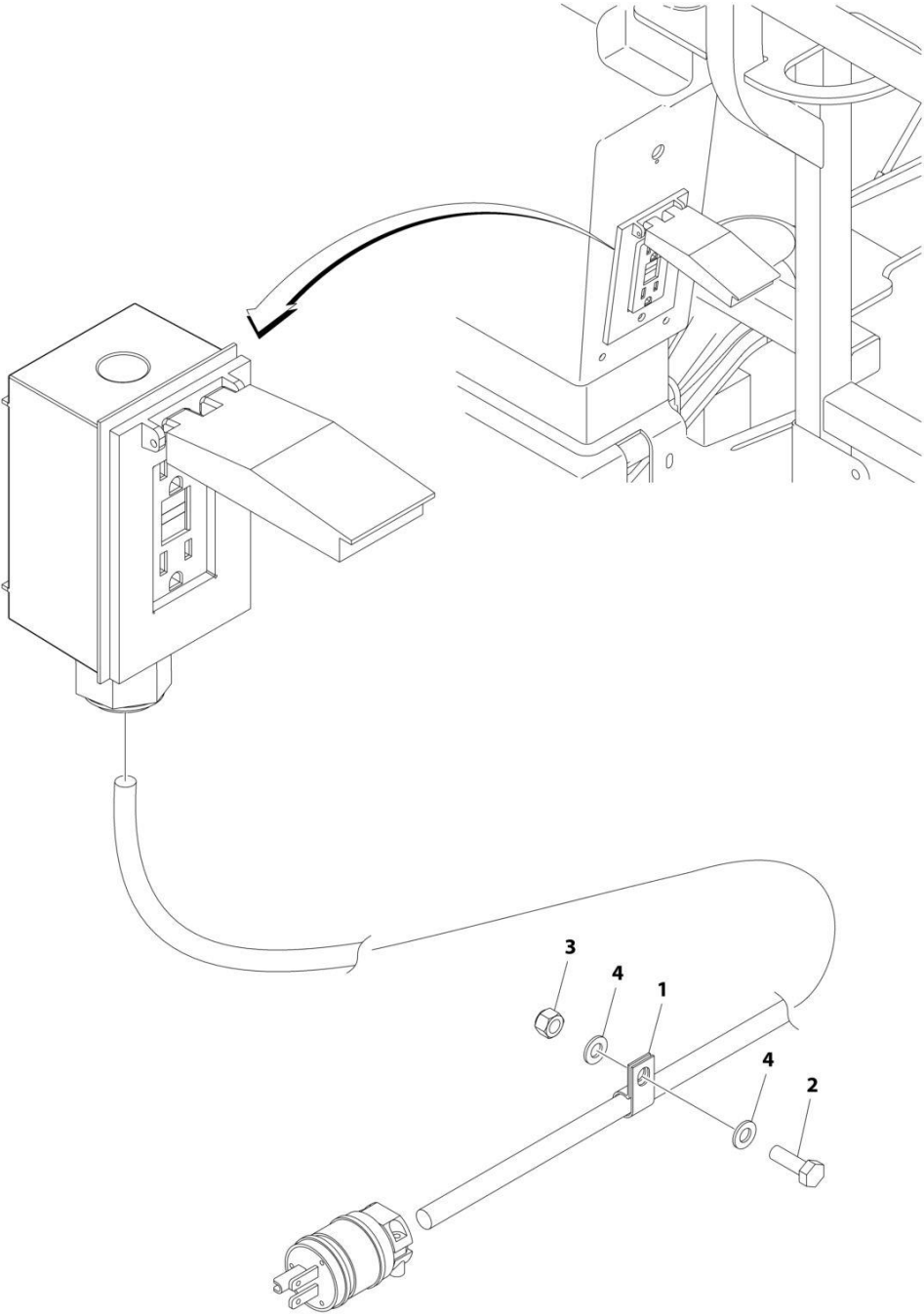
## SECTION 8 - ELECTRICAL

**FIGURE 8-13. AC BOX AT PLATFORM INSTALLATION - BOX WITH COVER WITH 4000W GENERATOR (ANSI EXPORT, AUSTRALIAN, CE, CHINA AND JAPANESE SPECS)**

ITEM	PART NUMBER	QTY	DESCRIPTION	REV
	1001194365	Ref	AC BOX AT PLATFORM INSTALLATION - BOX WITH COVER WITH 4000W GENERATOR (ANSI EXPORT, AUSTRALIAN, CE, CHINA AND JAPANESE SPECS)	A
1	0100020	AR	Sealant, Pipe	
2	0641416	2	Bolt 1/4 x 2	
3	0700408	4	Bolt M4 x 16	
4	0861731	1	Box, Switch	
5	1670603	1	Cover	
6	3251242	1	Decal - 240V-50Hz	
7	3290405	4	Nut M4	
8	3311405	2	Nut 1/4	
9	4460384	3	Terminal (Not Shown)	
10	4460662	1	Connector, Strain Relief	
11	4711400	4	Washer 1/4	
12	4811400	8	Washer M4	
13	1001193018	1	Bracket, AC Receptacle	

**SECTION 8 - ELECTRICAL**

**FIGURE 8-14. AC LEAD INSTALLATION (ANSI EXPORT, AUSTRALIAN, CE AND CHINA SPECS)**



ART\_1001197332



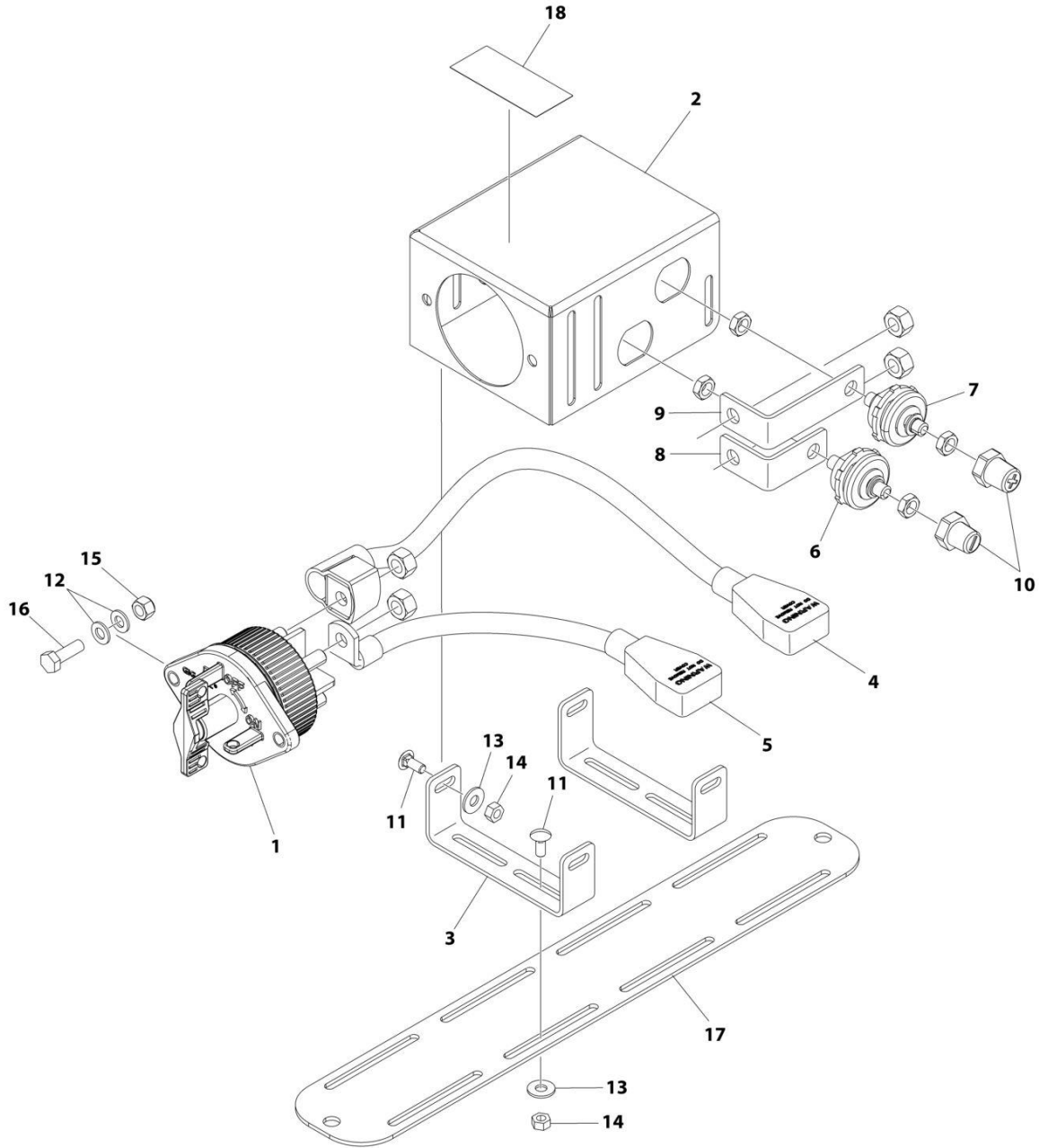
## SECTION 8 - ELECTRICAL

**FIGURE 8-14. AC LEAD INSTALLATION (ANSI EXPORT, AUSTRALIAN, CE AND CHINA SPECS)**

ITEM	PART NUMBER	QTY	DESCRIPTION	REV
	1001197332	Ref	AC LEAD INSTALLATION (ANSI EXPORT, AUSTRALIAN, CE AND CHINA SPECS)	A
1	8406109	1	Clamp	
2	0760812001	1	Bolt M8 x 25	
3	3290805001	1	Nut M8	
4	4811900001	2	Washer M8	

# SECTION 8 - ELECTRICAL

## FIGURE 8-15. BATTERY DISCONNECT INSTALLATION



ART\_1001239874

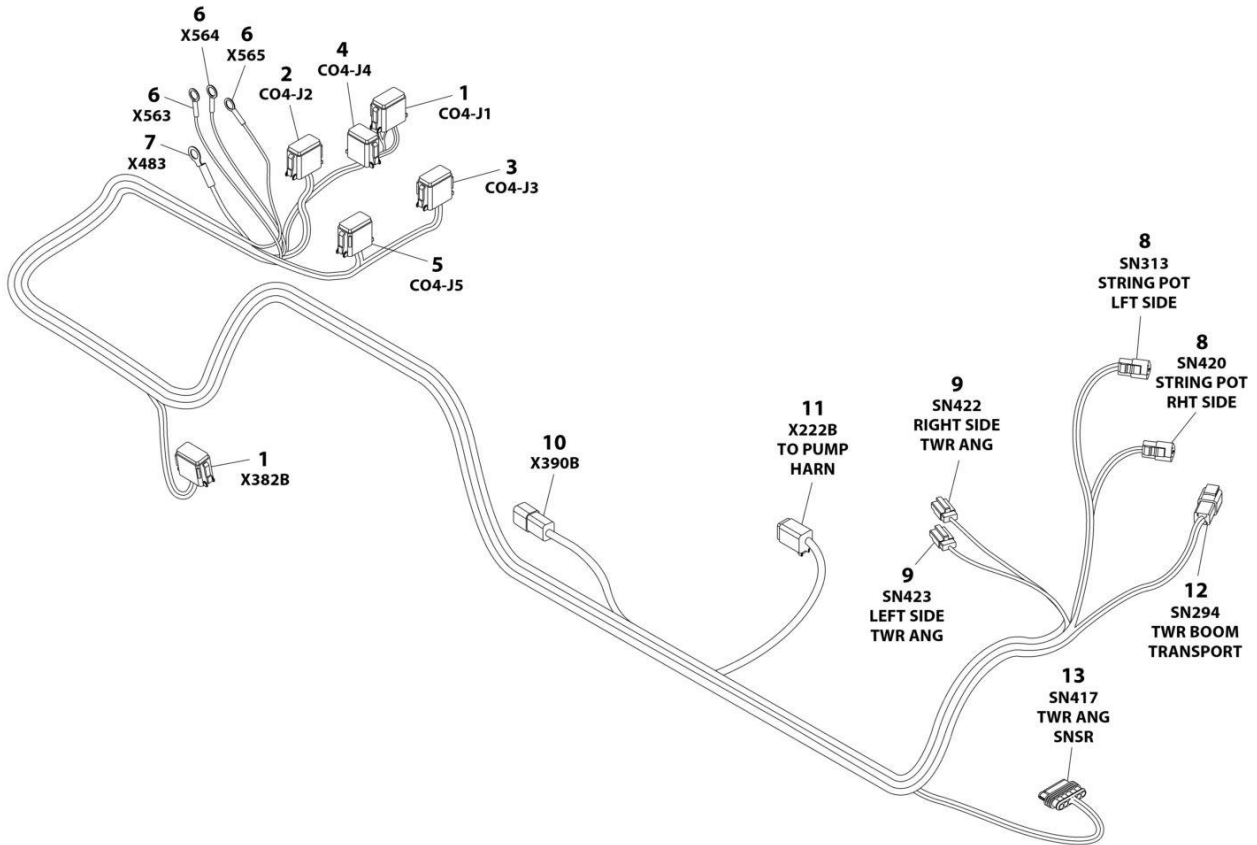
## SECTION 8 - ELECTRICAL

**FIGURE 8-15. BATTERY DISCONNECT INSTALLATION**

ITEM	PART NUMBER	QTY	DESCRIPTION	REV
	1001239874	Ref	BATTERY DISCONNECT INSTALLATION	A
1	1001225346	1	Switch, Disconnect	
2	1001226531	1	Mount	
3	1001239805	2	Mount	
4	1001236504	1	Cable (Positive)	
5	1001236505	1	Cable (Negative)	
6	1001214571	1	Connector (Black)	
7	1001214570	1	Connector (Red)	
8	1001209474	1	Buss bar	
9	1001209432	1	Buss bar	
10	1001206476	1	Connector	
11	88411013	8	Bolt 1/4 x 3/4	
12	4811900	4	Washer M8	
13	4751400	8	Washer 1/4	
14	3311405	8	Nut 1/4	
15	3290805	2	Nut M8	
16	0760812	2	Bolt M8 x 25	
17	1001241586	1	Plate	
18	1001239957	1	Decal - Battery Disconnect	

# SECTION 8 - ELECTRICAL

## FIGURE 8-16. BLAM HARNESS



ART\_1001196688

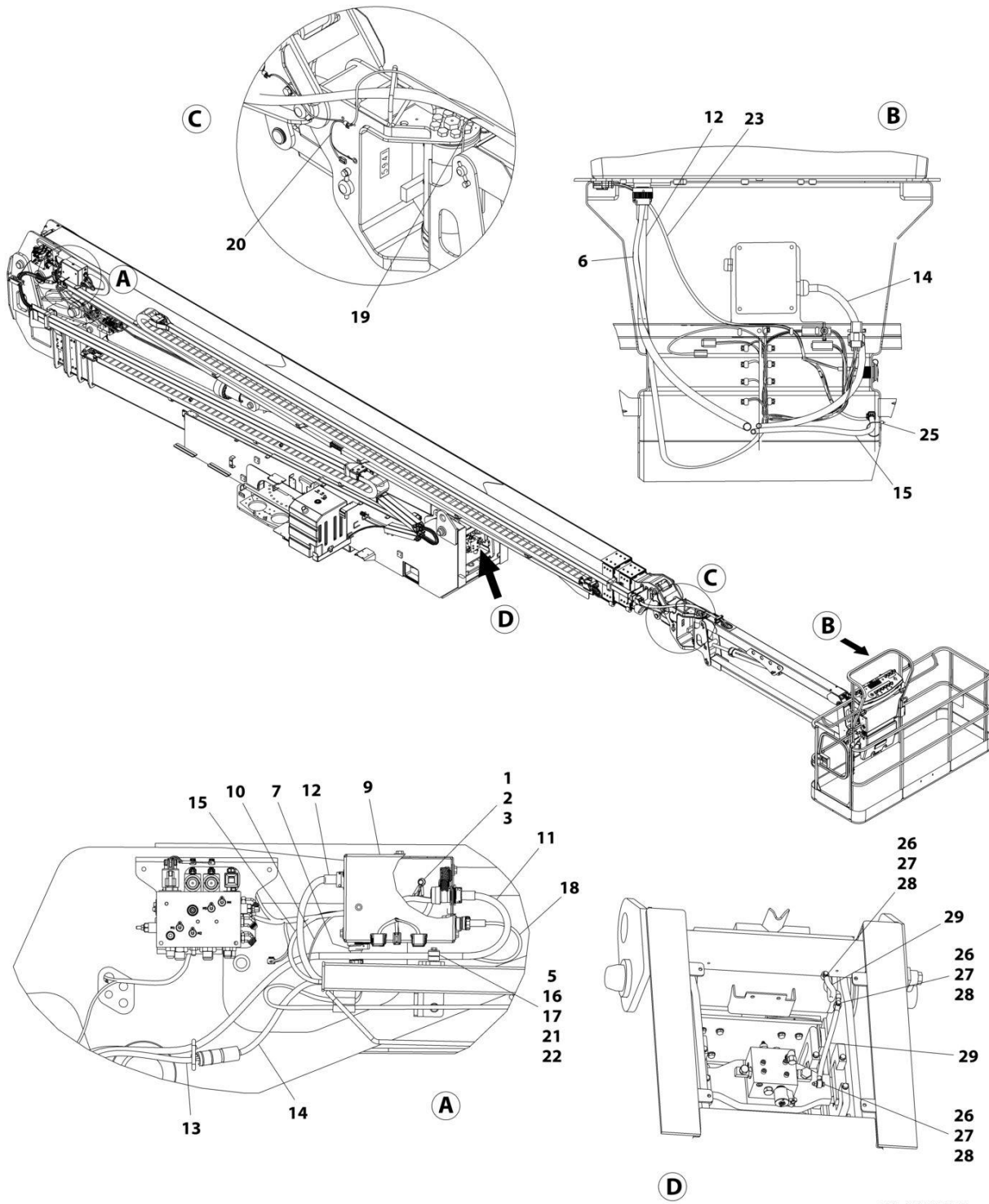
## SECTION 8 - ELECTRICAL

### FIGURE 8-16. BLAM HARNESS

ITEM	PART NUMBER	QTY	DESCRIPTION	REV
	1001196688	Ref	BLAM HARNESS	G
1	4460933	2	Plug, Male - 12 Position	
1	1001116692	16	Socket, Female	
1	4460944	4	Socket, Female	
1	4460466	4	Plug, Terminal	
2	4460836	1	Plug, Male - 12 Position	
2	1001116692	9	Socket, Female	
2	4460466	3	Plug, Terminal	
3	4460934	1	Plug, Male - 12 Position	
3	1001116692	8	Socket, Female	
3	4460466	4	Plug, Terminal	
4	4460930	1	Plug, Male - 8 Position	
4	1001116692	2	Socket, Female	
4	4460466	6	Plug, Terminal	
5	4460935	1	Plug, Male - 12 Position	
5	1001116692	4	Socket, Female	
5	4460466	8	Plug, Terminal	
6	4460256	3	Terminal, Ring	
7	1001117110	1	Terminal, Ring	
8	4460539	2	Plug, Male - 3 Position	
8	4460465	6	Socket, Female	
9	4460911	2	Plug, Male - 3 Position	
9	4460912	2	Wedge Lock	
9	1001116694	6	Socket, Female	
10	4460932	1	Receptacle, Female - 4 Position	
10	4460464	4	Pin, Male	
11	4460894	1	Plug, Male - 6 Position	
11	1001116692	5	Socket, Female	
11	4460466	1	Plug, Terminal	
12	1001097051	1	Receptacle, Female - 4 Position	
12	1001116695	4	Terminal	
13	4461117	1	Plug, Male - 6 Position	
13	1001107854	6	Terminal	
13	1001104498	6	Seal	

# SECTION 8 - ELECTRICAL

**FIGURE 8-17. BOOM CABLES INSTALLATION - WITHOUT GENERATOR (ALL SPEC EXCEPT AUSTRALIAN AND CE SPECS)**



ART\_1001197326

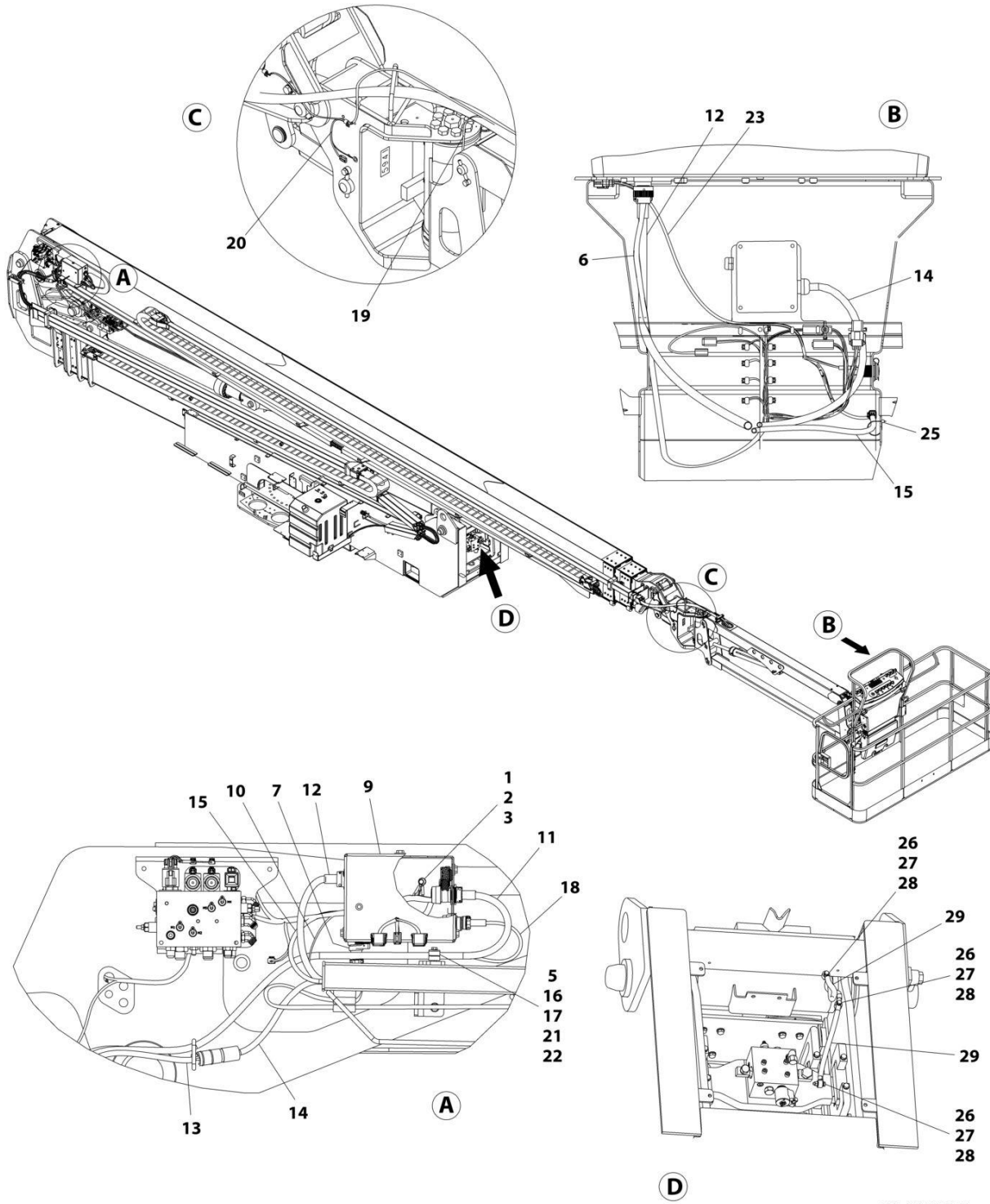
## SECTION 8 - ELECTRICAL

**FIGURE 8-17. BOOM CABLES INSTALLATION - WITHOUT GENERATOR (ALL SPEC EXCEPT AUSTRALIAN AND CE SPECS)**

ITEM	PART NUMBER	QTY	DESCRIPTION	REV
	1001197326	Ref	BOOM CABLES INSTALLATION - WITHOUT GENERATOR (ALL SPEC EXCEPT AUSTRALIAN AND CE SPECS)	E
1	0100011	AR	Compound, Locking	
2	0761010	3	Bolt M10 x 20	
3	4812000	3	Washer M10	
5	0760818001	2	Bolt M8 x 50	
6	1001196682	1	Valve Harness - Platform (See VALVE HARNESS - PLATFORM for Breakdown)	
7	1001216806	1	Valve Harness - Boom (See VALVE HARNESS - BOOM for Breakdown)	
9	1001200199	1	Boom Control Box Assembly (See BOOM CONTROL BOX ASSEMBLY for Breakdown)	
10	1001201062	1	Sensor Harness - Boom (See SENSOR HARNESS - BOOM for Breakdown)	
11	1001202259	1	Boom Cable (Tower Boom) (See BOOM CABLE (TOWER BOOM) for Breakdown)	
12	1001202260	1	Boom Cable (Main Boom) (See BOOM CABLE (MAIN BOOM) for Breakdown)	
13	1001202261	1	AC Power to Platform Cable (Tower Boom)	
13	4460134	1	Receptacle, Female	
14	1001202262	1	AC Power to Platform Cable (Main Boom)	
14	4460205	1	Plug, Male	
15	1001202269	1	Main Boom 12/4 Harness	
15	4460932	1	Receptacle, Female - 4 Position	
15	1001157891	7	Pin, Male	
16	1001202742	1	Clamp	
17	1001202743	1	Cover, Clamp	
18	1001202785	1	Secondary Control Harness (See SECONDARY CONTROL HARNESS for Breakdown)	
19	1001204027	1	Jib Limit Switch Harness	
19	4460894	1	Plug, Male - 6 Position	
19	4460465	5	Socket, Female	
19	4460466	1	Plug, Terminal	
20	1001204028	1	Sensor Harness - Platform Level (See SENSOR HARNESS - PLATFORM LEVEL for Breakdown)	
21	3290805001	2	Nut M8	
22	4811900001	2	Washer M8	
23	1001206506	1	Platform Outlet Harness (See PLATFORM OUTLET HARNESS for Breakdown)	
24	1001146588	2	Tie-Strap (Not Shown)	
25	1001008559	3	Tie-Strap	
26	0700815	3	Bolt M8 x 35	
27	3290805	3	Nut M8	
28	4811900	6	Washer M8	
29	1001217007	2	Cable, Stainless Braided Ground	

# SECTION 8 - ELECTRICAL

## FIGURE 8-18. BOOM CABLES INSTALLATION - WITHOUT GENERATOR (AUSTRALIAN, CE AND CHINA SPECS)



ART\_1001197327



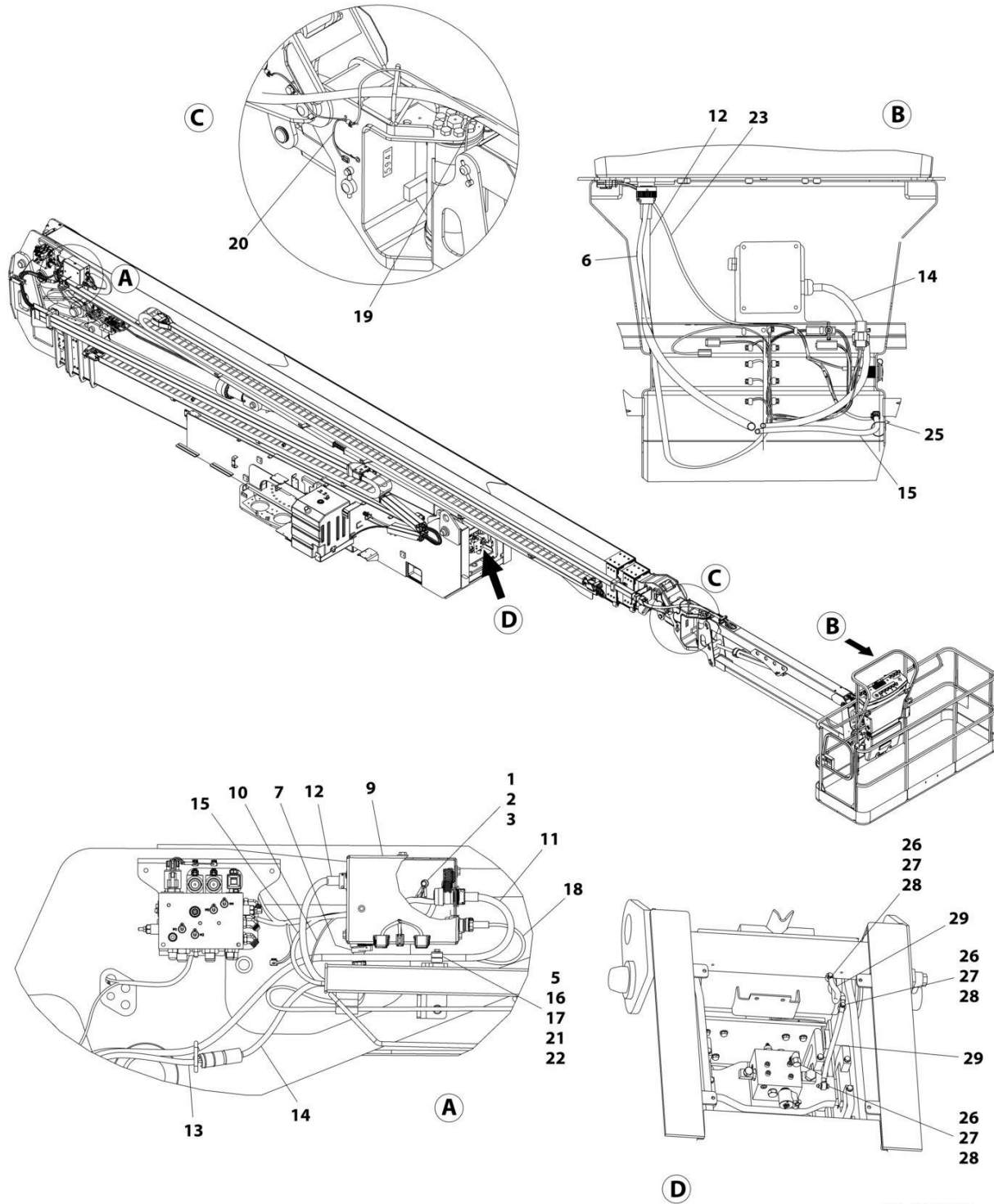
## SECTION 8 - ELECTRICAL

**FIGURE 8-18. BOOM CABLES INSTALLATION - WITHOUT GENERATOR (AUSTRALIAN, CE AND CHINA SPECS)**

ITEM	PART NUMBER	QTY	DESCRIPTION	REV
	1001197327	Ref	BOOM CABLES INSTALLATION - WITHOUT GENERATOR (AUSTRALIAN, CE AND CHINA SPECS)	E
1	0100011	AR	Compound, Locking	
2	0761010	3	Bolt M10 x 20	
3	4812000	3	Washer M10	
5	0760818001	2	Bolt M8 x 50	
6	1001196682	1	Valve Harness - Platform (See VALVE HARNESS - PLATFORM for Breakdown)	
7	1001216806	1	Valve Harness - Boom (See VALVE HARNESS - BOOM for Breakdown)	
9	1001200199	1	Boom Control Box Assembly (See BOOM CONTROL BOX ASSEMBLY for Breakdown)	
10	1001201062	1	Sensor Harness - Boom (See SENSOR HARNESS - BOOM for Breakdown)	
11	1001202259	1	Boom Cable (Tower Boom) (See BOOM CABLE (TOWER BOOM) for Breakdown)	
12	1001202260	1	Boom Cable (Main Boom) (See BOOM CABLE (MAIN BOOM) for Breakdown)	
13	1001202263	1	AC Power to Platform Cable (Tower Boom)	
13	4460134	1	Receptacle, Female	
14	1001202264	1	AC Power to Platform Cable (Main Boom)	
14	4460205	1	Plug, Male	
15	1001202269	1	Main Boom 12/4 Harness	
15	4460932	1	Receptacle, Female - 4 Position	
15	1001157891	7	Pin, Male	
16	1001202742	1	Clamp	
17	1001202743	1	Cover, Clamp	
18	1001202785	1	Secondary Control Harness (See SECONDARY CONTROL HARNESS for Breakdown)	
19	1001204027	1	Jib Limit Switch Harness	
19	4460894	1	Plug, Male - 6 Position	
19	4460465	5	Socket, Female	
19	4460466	1	Plug, Terminal	
20	1001204028	1	Sensor Harness - Platform Level (See SENSOR HARNESS - PLATFORM LEVEL for Breakdown)	
21	3290805001	2	Nut M8	
22	4811900001	2	Washer M8	
23	1001206506	1	Platform - Outlet Harness (See PLATFORM OUTLET HARNESS for Breakdown)	
24	1001146588	2	Tie-Strap (Not Shown)	
25	1001008559	3	Tie-Strap	
26	0700815	3	Bolt M8 x 35	
27	3290805	3	Nut M8	
28	4811900	6	Washer M8	
29	1001217007	2	Cable, Stainless Braided Ground	

# SECTION 8 - ELECTRICAL

FIGURE 8-19. BOOM CABLES INSTALLATION - WITH 4000W GENERATOR (ALL SPECS)



ART\_1001201710

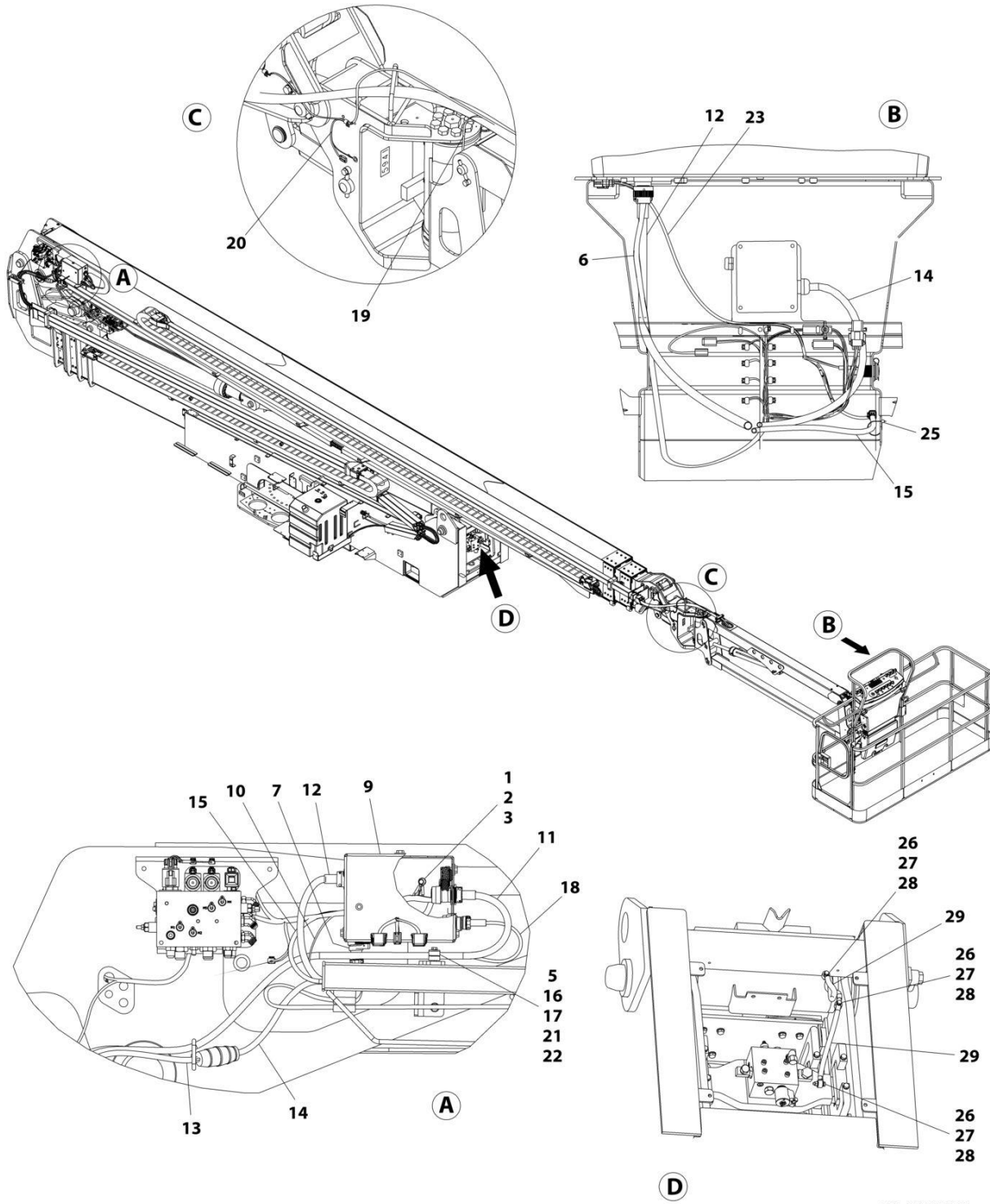
## SECTION 8 - ELECTRICAL

**FIGURE 8-19. BOOM CABLES INSTALLATION - WITH 4000W GENERATOR (ALL SPECS)**

ITEM	PART NUMBER	QTY	DESCRIPTION	REV
	1001201710	Ref	BOOM CABLES INSTALLATION - WITH 4000W GENERATOR (ALL SPECS)	E
1	0100011	AR	Compound, Locking	
2	0761010	3	Bolt M10 x 20	
3	4812000	3	Washer M10	
5	0760818001	2	Bolt M8 x 50	
6	1001196682	1	Valve Harness - Platform (See VALVE HARNESS - PLATFORM for Breakdown)	
7	1001216806	1	Valve Harness - Boom (See VALVE HARNESS - BOOM for Breakdown)	
9	1001200199	1	Boom Control Box Assembly (See BOOM CONTROL BOX ASSEMBLY for Breakdown)	
10	1001201062	1	Sensor Harness - Boom (See SENSOR HARNESS - BOOM for Breakdown)	
11	1001202259	1	Boom Cable (Tower Boom) (See BOOM CABLE (TOWER BOOM) for Breakdown)	
12	1001202260	1	Boom Cable (Main Boom) (See BOOM CABLE (MAIN BOOM) for Breakdown)	
13	1001202267	1	AC Power to Platform Cable (Tower Boom)	
13	4460963	1	Receptacle, Female	
	1671092	1	Cover (SN 0300000100 through 0300218237)	
13	1671093	1	Cover (SN 0300218237 through 0300271437)	
14	1001202268	1	AC Power to Platform Cable (Main Boom)	
14	4460962	1	Plug, Male	
	1671093	1	Cover (SN 0300000100 through 0300218237)	
14	1671092	1	Cover (SN 0300218237 through 0300271437)	
15	1001202269	1	Main Boom 12/4 Harness	
15	4460932	1	Receptacle, Female - 4 Position	
15	1001157891	7	Pin, Male	
16	1001202742	1	Clamp	
17	1001202743	1	Cover, Clamp	
18	1001202785	1	Secondary Control Harness (See SECONDARY CONTROL HARNESS for Breakdown)	
19	1001204027	1	Jib Limit Switch Harness	
19	4460894	1	Plug, Male - 6 Position	
19	4460465	5	Socket, Female	
19	4460466	1	Plug, Terminal	
20	1001204028	1	Sensor Harness - Platform Level (See SENSOR HARNESS - PLATFORM LEVEL for Breakdown)	
21	3290805001	2	Nut M8	
22	4811900001	2	Washer M8	
23	1001206506	1	Platform Outlet Harness (See PLATFORM OUTLET HARNESS for Breakdown)	
24	1001146588	2	Tie-Strap (Not Shown)	
25	1001008559	3	Tie-Strap	
26	0700815	3	Bolt M8 x 35	
27	3290805	3	Nut M8	
28	4811900	6	Washer M8	
29	1001217007	2	Cable, Stainless Braided Ground	

# SECTION 8 - ELECTRICAL

FIGURE 8-20. BOOM CABLES INSTALLATION - WITH SKYPOWER 7500W GENERATOR (ALL SPECS)



ART\_1001197328

## SECTION 8 - ELECTRICAL

**FIGURE 8-20. BOOM CABLES INSTALLATION - WITH SKYPOWER 7500W GENERATOR (ALL SPECS)**

ITEM	PART NUMBER	QTY	DESCRIPTION	REV
	1001197328	Ref	BOOM CABLES INSTALLATION - WITH SKYPOWER 7500W GENERATOR (ALL SPECS)	F
1	0100011	AR	Compound, Locking	
2	0761010	3	Bolt M10 x 20	
3	4812000	3	Washer M10	
5	0760818001	2	Bolt M8 x 50	
6	1001196682	1	Valve Harness - Platform (See VALVE HARNESS - PLATFORM for Breakdown)	
7	1001216806	1	Valve Harness - Boom (See VALVE HARNESS - BOOM for Breakdown)	
9	1001200199	1	Boom Control Box Assembly (See BOOM CONTROL BOX ASSEMBLY for Breakdown)	
10	1001201062	1	Sensor Harness - Boom (See SENSOR HARNESS - BOOM for Breakdown)	
11	1001202259	1	Boom Cable (Tower Boom) (See BOOM CABLE (TOWER BOOM) for Breakdown)	
12	1001202260	1	Boom Cable (Main Boom) (See BOOM CABLE (MAIN BOOM) for Breakdown)	
13	1001202265	1	AC Power to Platform Cable (Tower Boom) <b>(SN 0300000100 through 0300228162)</b>	
13	4460960	1	Receptacle, Female	
13	1671092	1	Cover <b>(SN 0300000100 through 0300218237)</b>	
13	1671093	1	Cover <b>(SN 0300218237 through 0300236823)</b>	
13	1001226291	1	AC Power to Platform Cable (Tower Boom) <b>(SN 0300236824 through 0300271437)</b>	
13	1060945	1	Cable	
13	1001218623	1	Socket, 30Amp	
14	1001202266	1	AC Power to Platform Cable (Main Boom) <b>(SN 0300000100 through 0300228162)</b>	
14	4460959	1	Plug, Male	
14	1671093	1	Cover <b>(SN 0300000100 through 0300218237)</b>	
14	1671092	1	Cover <b>(SN 0300218237 through 0300236823)</b>	
14	1001226292	1	AC Power to Platform Cable (Main Boom) <b>(SN 0300236824 through 0300271437)</b>	
14	1060945	1	Cable	
14	1001218622	1	Plug, 30Amp	
15	1001202269	1	Main Boom 12/4 Harness	
15	4460932	1	Receptacle, Female - 4 Position	
15	1001157891	7	Pin, Male	
16	1001202742	1	Clamp	
17	1001202743	1	Cover, Clamp	
18	1001202785	1	Secondary Control Harness (See SECONDARY CONTROL HARNESS for Breakdown)	
19	1001204027	1	Jib Limit Switch Harness	
19	4460894	1	Plug, Male - 6 Position	
19	4460465	5	Socket, Female	
19	4460466	1	Plug, Terminal	
20	1001204028	1	Sensor Harness - Platform Level (See SENSOR HARNESS - PLATFORM LEVEL for Breakdown)	
21	3290805001	2	Nut M8	
22	4811900001	2	Washer M8	

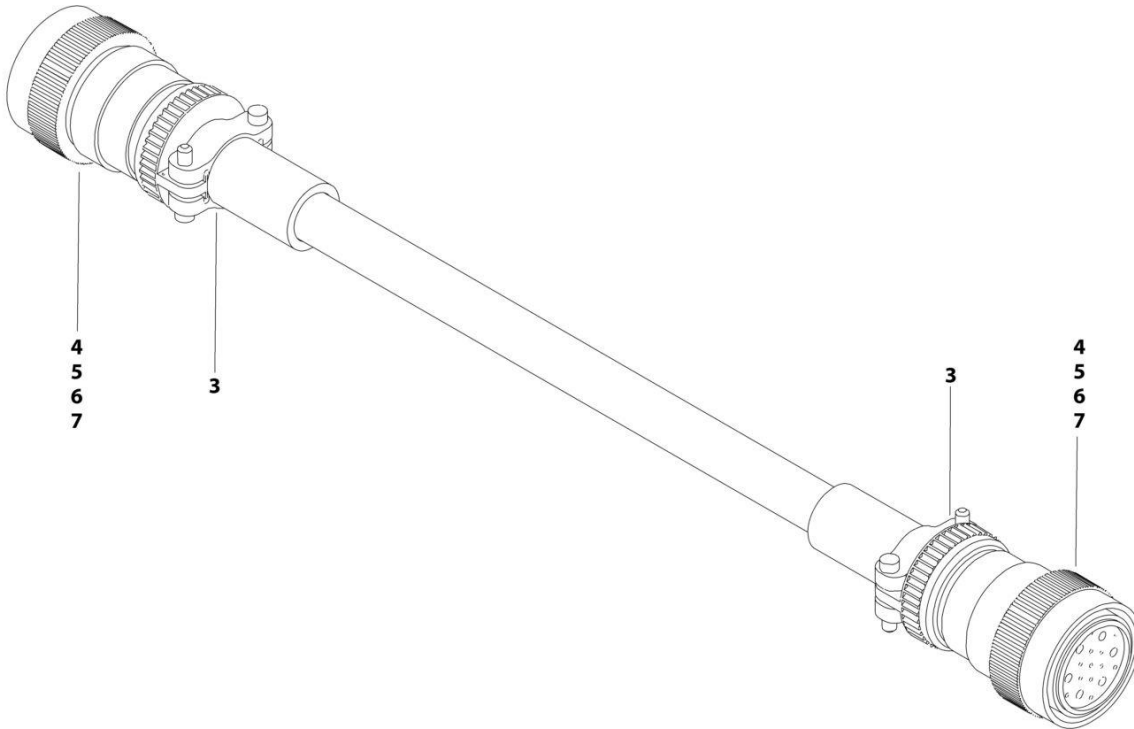
## SECTION 8 - ELECTRICAL

ITEM	PART NUMBER	QTY	DESCRIPTION	REV
23	1001206506	1	Platform Outlet Harness (See PLATFORM OUTLET HARNESS for Breakdown)	
24	1001146588	2	Tie-Strap (Not Shown)	
25	1001008559	3	Tie-Strap	
26	0700815	3	Bolt M8 x 35	
27	3290805	3	Nut M8	
28	4811900	6	Washer M8	
29	1001217007	2	Cable, Stainless Braided Ground	



# SECTION 8 - ELECTRICAL

## FIGURE 8-21. BOOM CABLE (MAIN BOOM)



ART\_1001202260



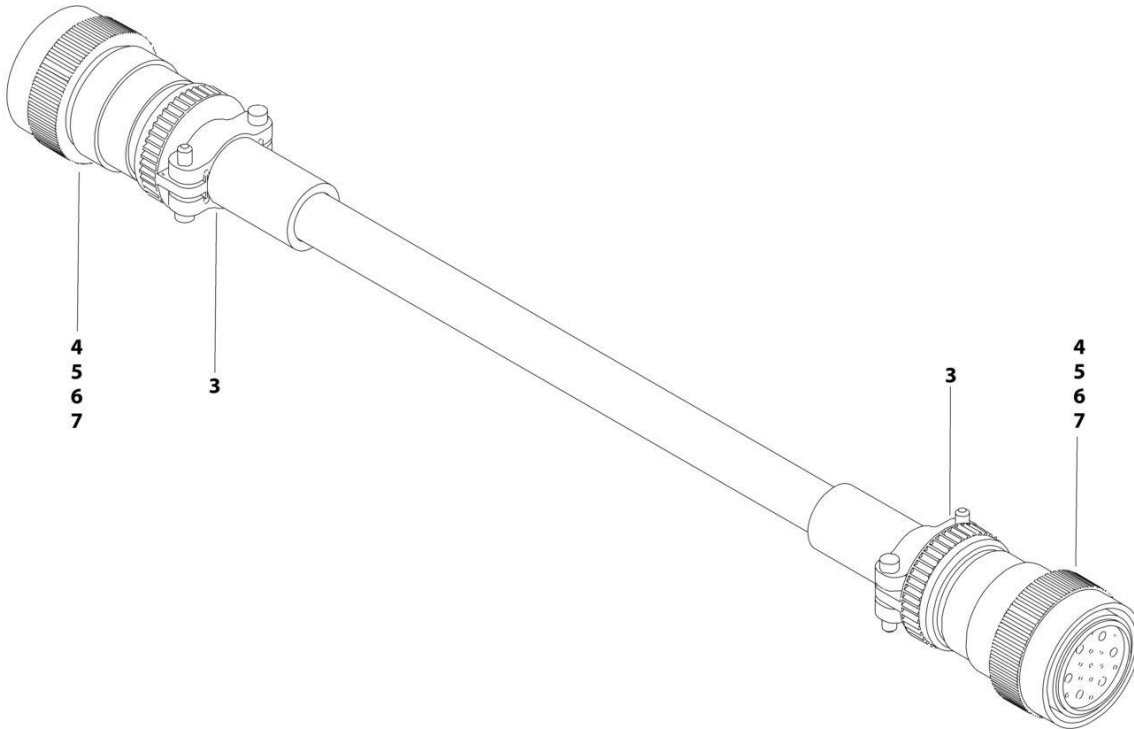
## SECTION 8 - ELECTRICAL

### FIGURE 8-21. BOOM CABLE (MAIN BOOM)

ITEM	PART NUMBER	QTY	DESCRIPTION	REV
	1001202260	Ref	BOOM CABLE (MAIN BOOM)	A
3	4460473	2	Clamp	
4	4460509	8	Socket, Female	
5	4460865	2	Connector - 19 Position	
6	4460465	20	Socket, Female	
7	4460466	10	Plug, Socket	

# SECTION 8 - ELECTRICAL

## FIGURE 8-22. BOOM CABLE (TOWER BOOM)



ART\_1001202259

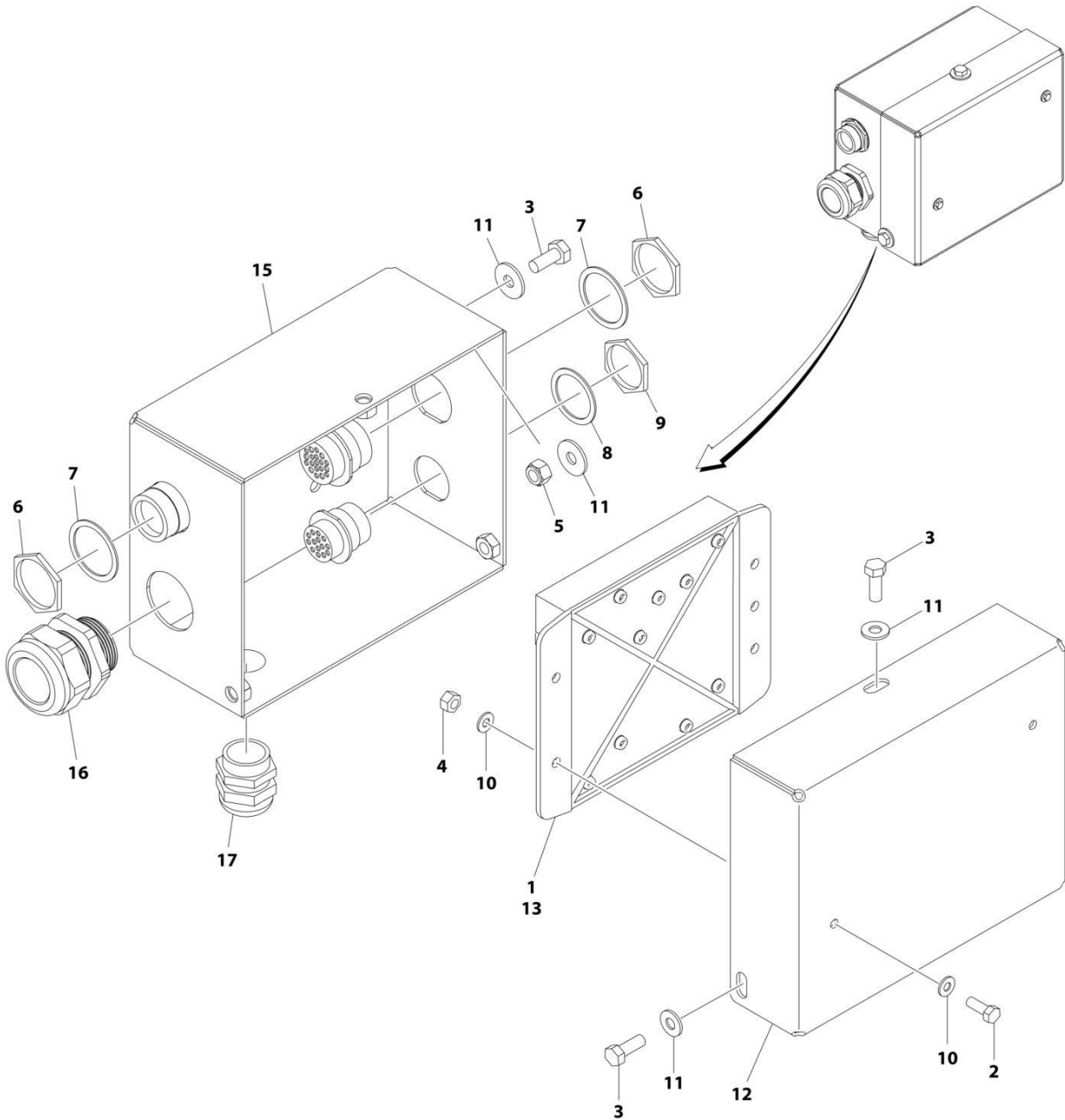
## SECTION 8 - ELECTRICAL

### FIGURE 8-22. BOOM CABLE (TOWER BOOM)

ITEM	PART NUMBER	QTY	DESCRIPTION	REV
	1001202259	Ref	BOOM CABLE (TOWER BOOM)	A
3	4460473	2	Clamp	
4	4460509	8	Socket, Female	
5	4460865	2	Connector - 19 Position	
6	4460465	20	Socket, Female	
7	4460466	10	Plug, Socket	

# SECTION 8 - ELECTRICAL

## FIGURE 8-23. BOOM CONTROL BOX ASSEMBLY



ART\_1001200199

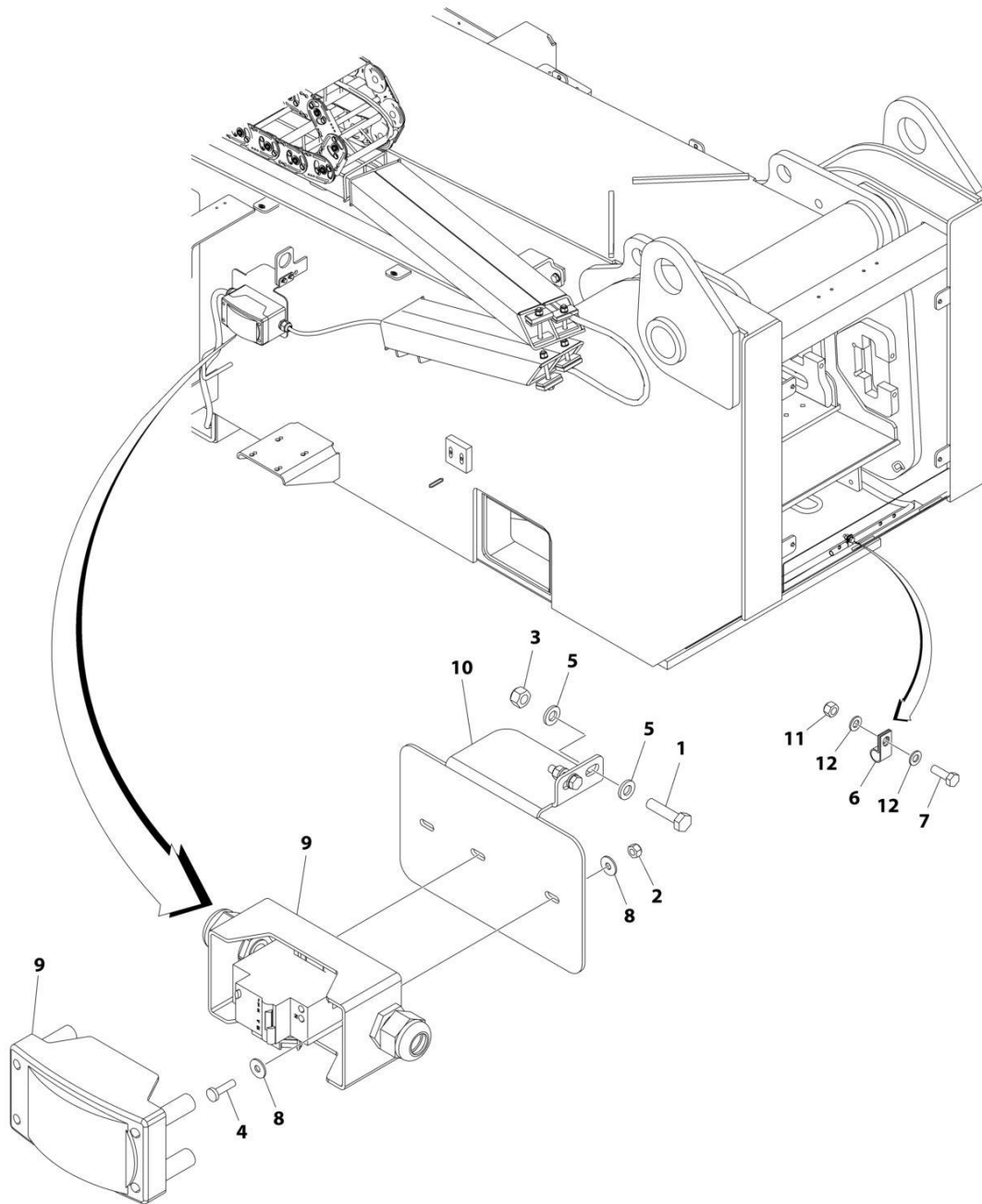
## SECTION 8 - ELECTRICAL

**FIGURE 8-23. BOOM CONTROL BOX ASSEMBLY**

ITEM	PART NUMBER	QTY	DESCRIPTION	REV
	1001200199	Ref	BOOM CONTROL BOX ASSEMBLY	E
1	0100048	AR	Grease, Dielectric	
2	0760610	2	Bolt M6 x 20	
3	0761012	4	Bolt M10 x 25	
4	3290605	2	Nut M6	
5	3291005	1	Nut M10	
6	4460470	2	Nut, Terminal	
7	4460471	2	Washer, Terminal	
8	4460496	2	Washer, Terminal	
9	4460497	2	Nut, Terminal	
10	4811702	4	Washer M6	
11	4812002	5	Washer M10	
12	1001119215	1	Cover	
13	1001200183	1	Module, Control - Boom (Note: Re-calibration Required when Replaced)	
14	1001216638	1	Main Boom Control Box Harness (Not Shown - See Separate Breakdown in this Section)	
15	1001200203	1	Box	
16	1001215836	1	Connector, Strain Relief	
17	4460426	1	Connector, Strain Relief	

# SECTION 8 - ELECTRICAL

## FIGURE 8-24. BREAKER BOX INSTALLATION - WITH 2 BREAKERS (CE SPECS)



ART\_1001197335

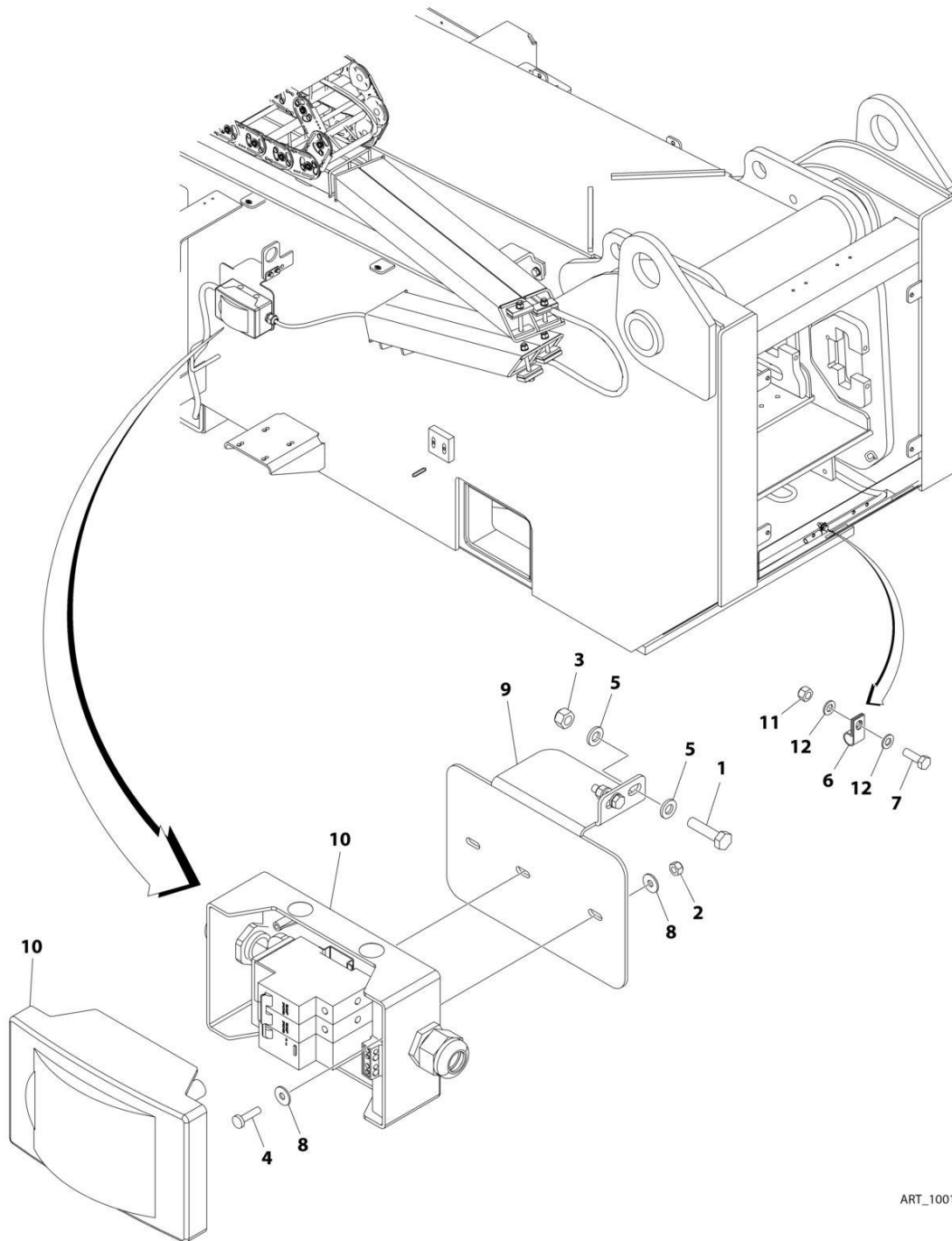
## SECTION 8 - ELECTRICAL

**FIGURE 8-24. BREAKER BOX INSTALLATION - WITH 2 BREAKERS (CE SPECS)**

ITEM	PART NUMBER	QTY	DESCRIPTION	REV
	1001197335	Ref	BREAKER BOX INSTALLATION - WITH 2 BREAKERS (CE SPECS)	C
1	0700612	2	Bolt M6 x 25	
2	3290405	2	Nut M4	
3	3290605	2	Nut M6	
4	4010408	2	Screw M4 x 16	
5	4811700	4	Washer M6	
6	8406109	1	Clamp	
7	0760812001	1	Bolt M8 x 25	
8	1001091102	4	Washer M4	
9	1001158080	1	Breaker Box Kit - With 2 Breakers (See BREAKER BOX KIT - WITH 2 BREAKERS (CE SPECS) for Breakdown) <b>(SN 0300000100 through 0300214286)</b>	
9	1001109654	1	Breaker Box Kit - With 2 Breakers (See BREAKER BOX KIT - WITH 2 BREAKERS (CE SPECS) for Breakdown) <b>(SN 0300214286 through 0300271437)</b>	
10	1001205660	1	Bracket	
11	3290805001	1	Nut M8	
12	4811900001	2	Washer M8	

# SECTION 8 - ELECTRICAL

## FIGURE 8-25. BREAKER BOX INSTALLATION - WITH 3 BREAKERS (CE SPECS)



ART\_1001205682



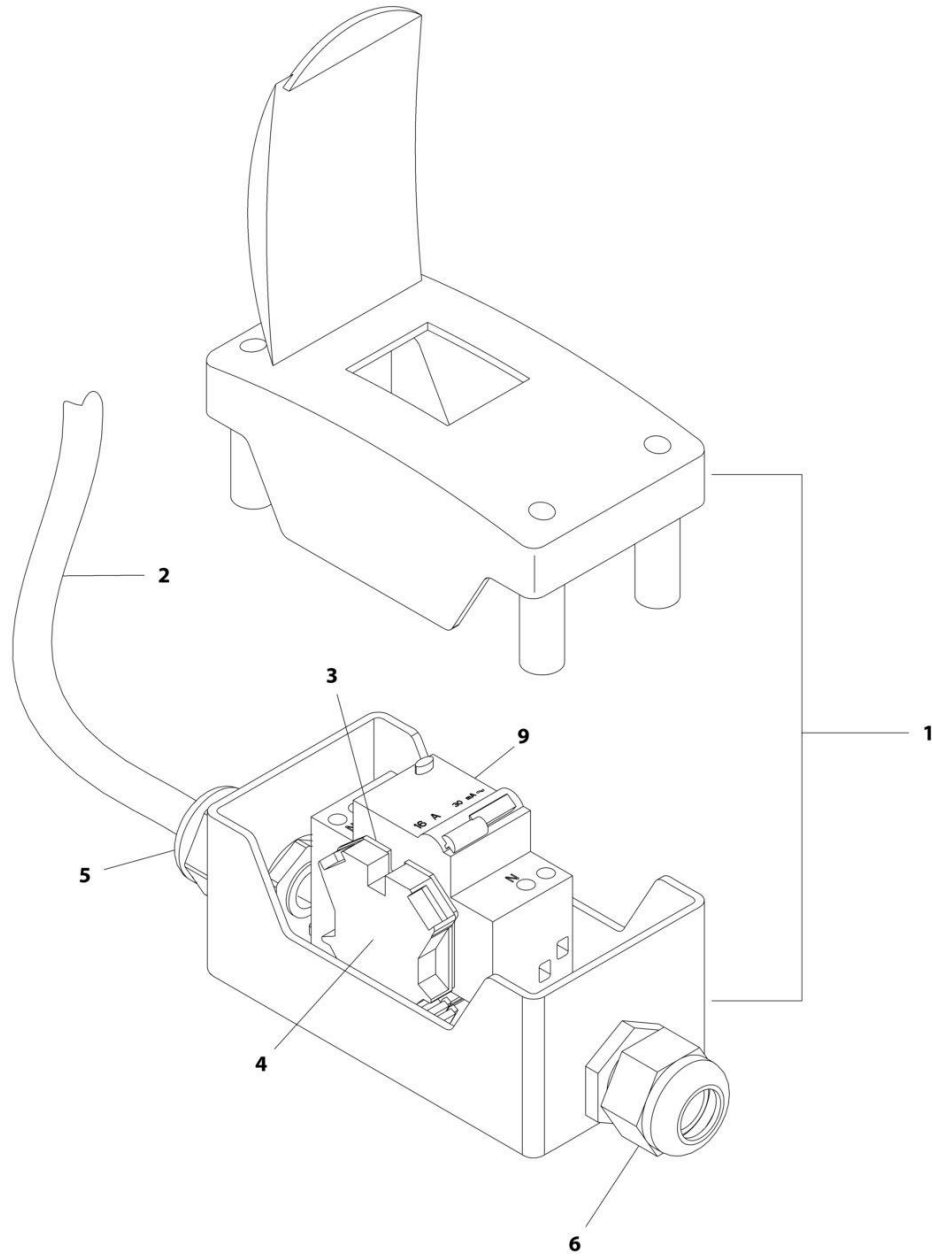
## SECTION 8 - ELECTRICAL

**FIGURE 8-25. BREAKER BOX INSTALLATION - WITH 3 BREAKERS (CE SPECS)**

ITEM	PART NUMBER	QTY	DESCRIPTION	REV
	1001205682	Ref	BREAKER BOX INSTALLATION - WITH 3 BREAKERS (CE SPECS)	B
1	0700612	2	Bolt M6 x 25	
2	3290405	2	Nut M4	
3	3290605	2	Nut M6	
4	4010408	2	Screw M4 x 16	
5	4811700	4	Washer M6	
6	8406109	1	Clamp	
7	0760812001	1	Bolt M8 x 25	
8	1001091102	4	Washer M4	
9	1001205660	1	Bracket	
10	1001205690	1	Breaker Box Kit - With 3 Breakers (See BREAKER BOX KIT - WITH 3 BREAKERS (CE SPECS) for Breakdown)	
11	3290805001	1	Nut M8	
12	4811900001	2	Washer M8	

# SECTION 8 - ELECTRICAL

FIGURE 8-26. BREAKER BOX KIT - WITH 2 BREAKERS (CE SPECS) (SN 0300000100 through 0300214286)



ART\_1001158080

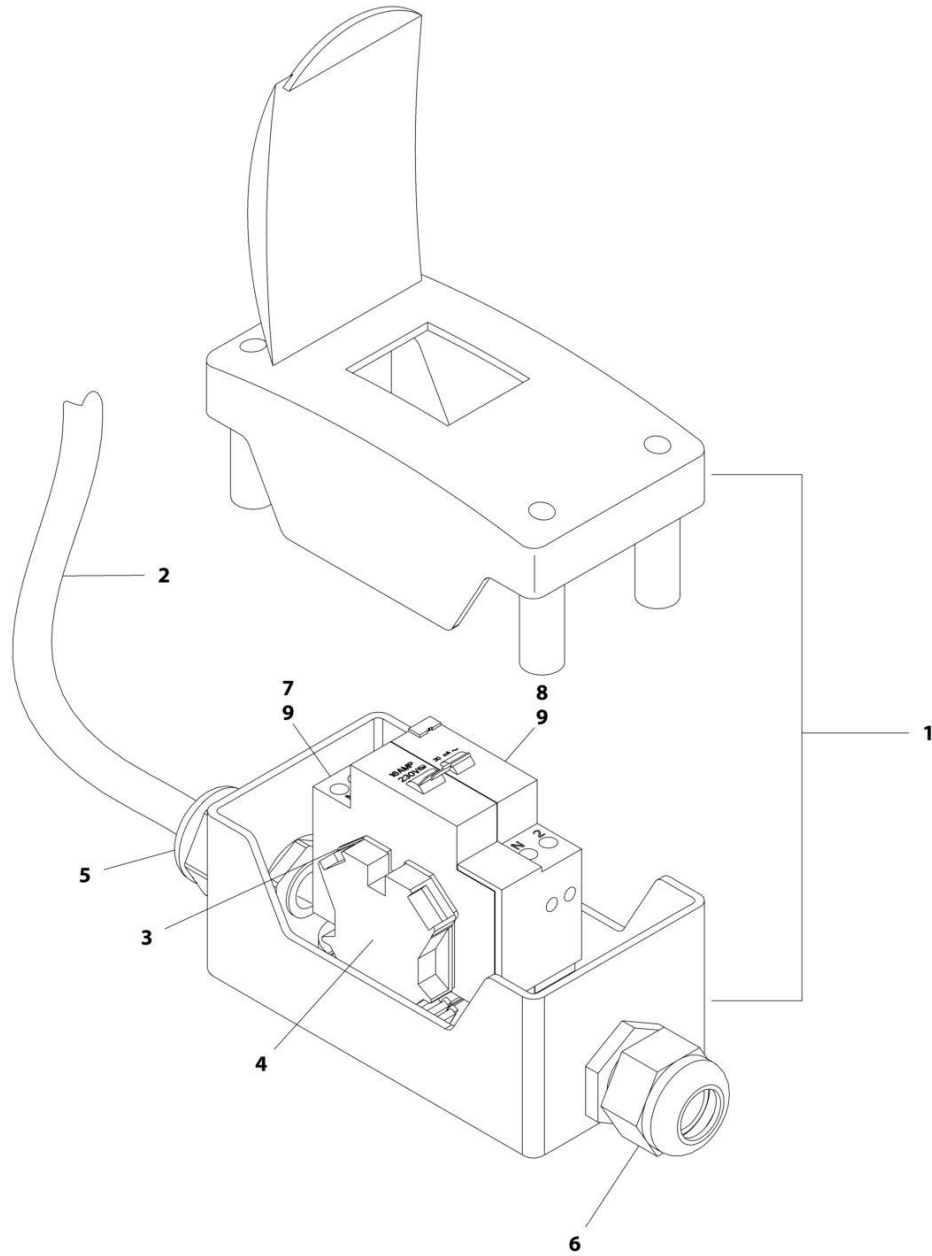
## SECTION 8 - ELECTRICAL

**FIGURE 8-26. BREAKER BOX KIT - WITH 2 BREAKERS (CE SPECS) (SN 0300000100 through 0300214286)**

ITEM	PART NUMBER	QTY	DESCRIPTION	REV
	1001158080	Ref	BREAKER BOX KIT - WITH 2 BREAKERS (CE SPECS)	B
1	0861880	1	Box, Breaker	
2	1060908	40 in/1m	Cable, Electrical 12/3	
3	4460956	1	Barrier, Terminal Block End	
4	4460957	1	Block, Terminal	
5	1001097150	1	Connector, Strain Relief	
6	1001101191	1	Connector, Strain Relief	
9	1001181045	1	Breaker 30mA/16Amp Combo	

# SECTION 8 - ELECTRICAL

FIGURE 8-27. BREAKER BOX KIT - WITH 2 BREAKERS (CE SPECS) (SN 0300214286 through 0300271437)



ART\_1001109654

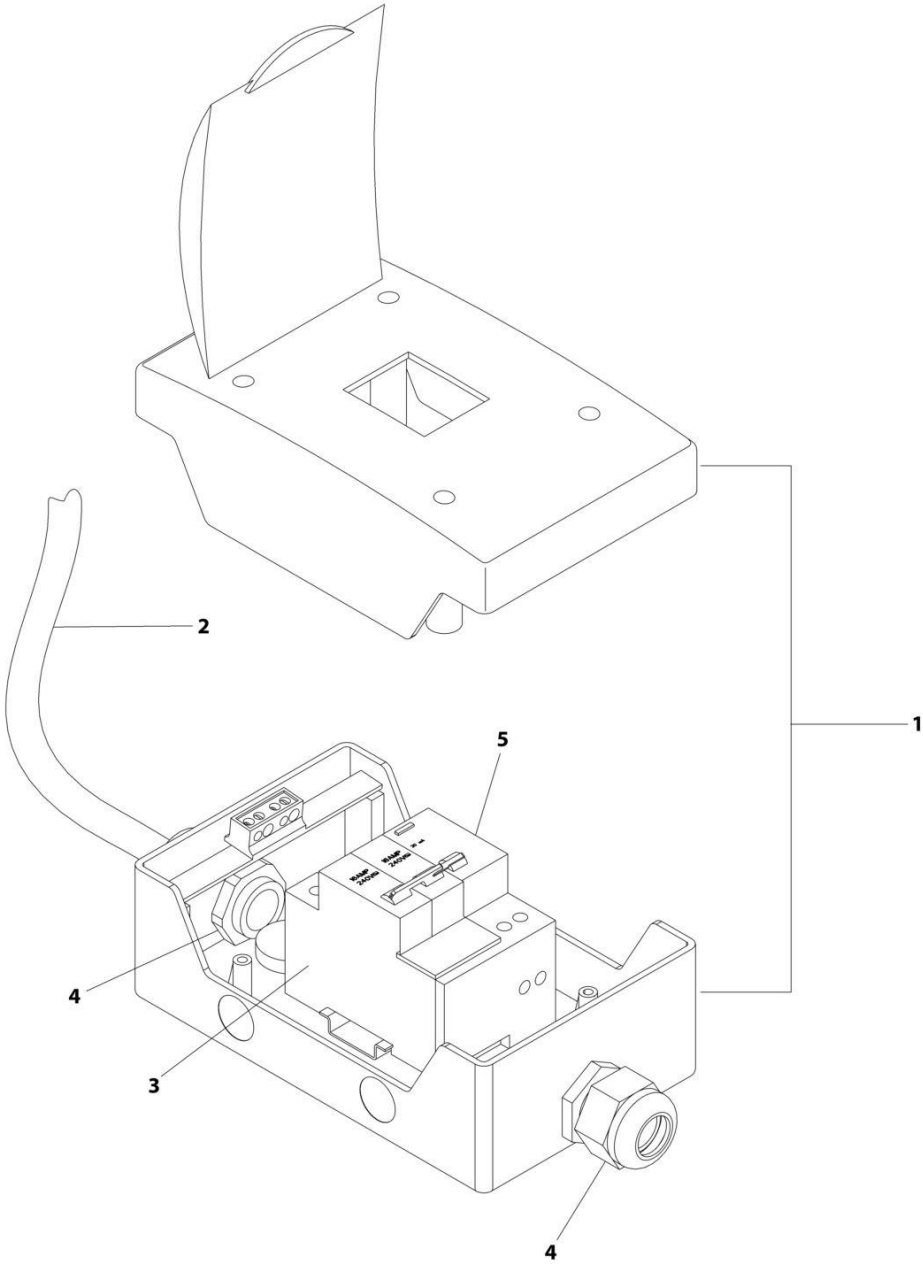
## SECTION 8 - ELECTRICAL

**FIGURE 8-27. BREAKER BOX KIT - WITH 2 BREAKERS (CE SPECS) (SN 0300214286 through 0300271437)**

ITEM	PART NUMBER	QTY	DESCRIPTION	REV
	1001109654	Ref	BREAKER BOX KIT - WITH 2 BREAKERS (CE SPECS)	B
1	0861880	1	Box, Breaker	
2	1060908	12 ft/ 3.6m	Cable, Electrical 12/3	
3	4460956	1	Barrier, Terminal Block End	
4	4460957	1	Block, Terminal	
5	1001097150	1	Connector, Strain Relief	
6	1001101191	1	Connector, Strain Relief	
9	1001181045	1	Breaker, Double 30mAmp/16Amp	

**SECTION 8 - ELECTRICAL**

**FIGURE 8-28. BREAKER BOX KIT - WITH 3 BREAKERS (CE SPECS)**



ART\_1001205690

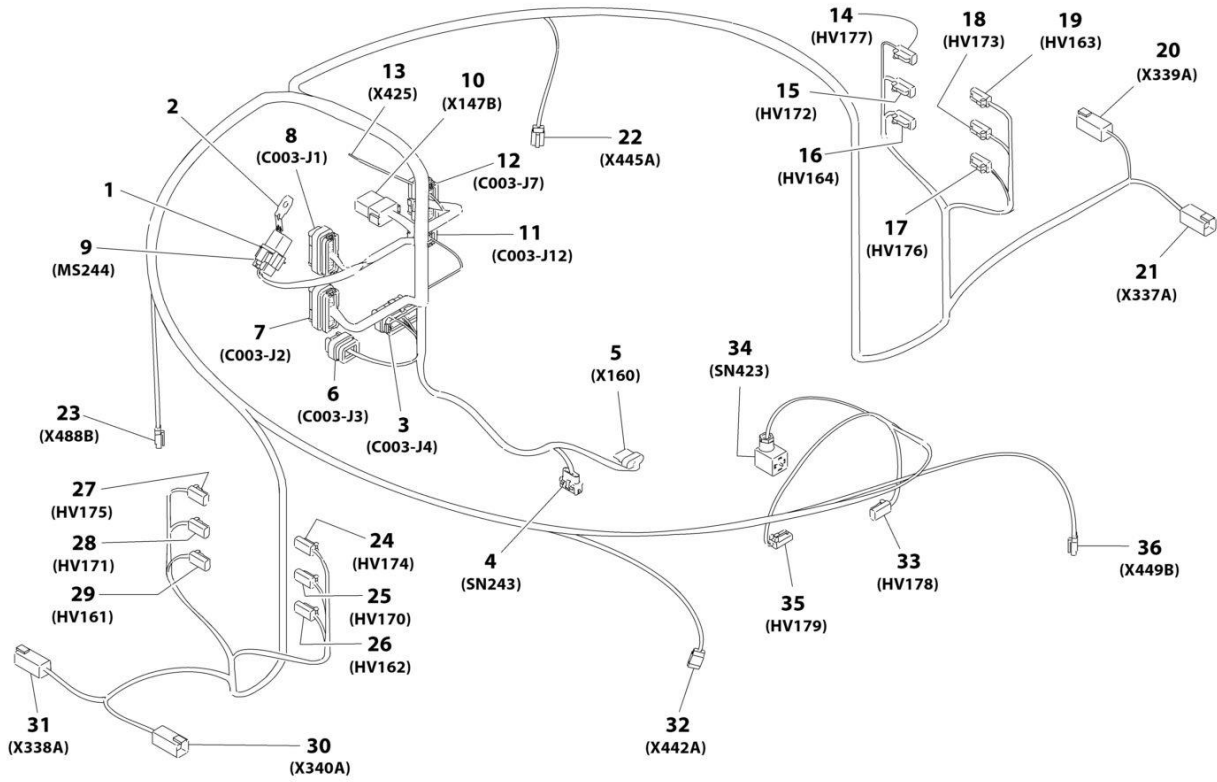
## SECTION 8 - ELECTRICAL

**FIGURE 8-28. BREAKER BOX KIT - WITH 3 BREAKERS (CE SPECS)**

ITEM	PART NUMBER	QTY	DESCRIPTION	REV
	1001205690	Ref	BREAKER BOX KIT - WITH 3 BREAKERS (CE SPECS)	A
1	1001152483	1	Box, Breaker	
2	1060545	11.5 ft /3.5m	Cable, Electrical 10/3	
3	1001189172	1	Breaker 16Amp Double	
4	1001101191	2	Connector, Strain Relief	
5	1001189171	1	Breaker 30mA	

# SECTION 8 - ELECTRICAL

## FIGURE 8-29. CHASSIS HARNESS



ART\_1001149975



## SECTION 8 - ELECTRICAL

### FIGURE 8-29. CHASSIS HARNESS

ITEM	PART NUMBER	QTY	DESCRIPTION	REV
	1001149975	Ref	CHASSIS HARNESS	H
1	4460852	1	Connector - 8 Position	
2	1001155743	1	Holder	
3	4460876	1	Connector - 35 Position	
3	4460871	4	Socket, Female	
3	4460905	31	Seal, Plug	
4	1001117064	NLA	Connector - 6 Position (Use p/n 1001230931) <b>(SN 0300000100 through 0300237540)</b>	
4	91554014	NLA	Terminal (Use p/n 1001116748) <b>(SN 0300000100 through 0300237540)</b>	
4	1001230931	1	Connector - 6 Position <b>(SN 0300237540 through 0300271437)</b>	
4	1001116748	6	Terminal <b>(SN 0300237540 through 0300271437)</b>	
5	4460761	1	Connector - 4 Position	
5	4460227	4	Pin, Male	
6	4460872	1	Connector - 14 Position	
6	4460871	5	Socket, Female	
6	4460905	9	Seal, Plug	
7	4460875	1	Connector - 35 Position	
7	4460871	21	Socket, Female	
7	4460905	14	Seal, Plug	
8	4460874	1	Connector - 35 Position	
8	4460871	10	Socket, Female	
8	4460905	25	Seal, Plug	
9	4460851	1	Connector - 8 Position	
9	4460465	7	Socket, Female	
9	4460466	1	Seal, Plug	
10	4460950	1	Connector - 12 Position	
10	4460943	3	Pin, Male (Gold)	
10	4460464	3	Pin, Male	
10	4460466	6	Seal, Plug	
11	1001113961	1	Connector - 8 Position	
11	4460871	1	Socket, Female	
11	4460905	7	Seal, Plug	
12	4460873	1	Connector - 35 Position	
12	4460871	22	Socket, Female	
12	4460905	13	Seal, Plug	
13	4461271	1	Connector - 1 Position	
14	4460891	1	Connector - 2 Position	
14	4460465	2	Socket, Female	
15	4460891	1	Connector - 2 Position	
15	4460465	2	Socket, Female	
16	4460891	1	Connector - 2 Position	
16	4460465	2	Socket, Female	
17	4460891	1	Connector - 2 Position	
17	4460465	2	Socket, Female	
18	4460891	1	Connector - 2 Position	
18	4460465	2	Socket, Female	
19	4460891	1	Connector - 2 Position	
19	4460465	2	Socket, Female	
20	4460899	1	Connector - 6 Position	

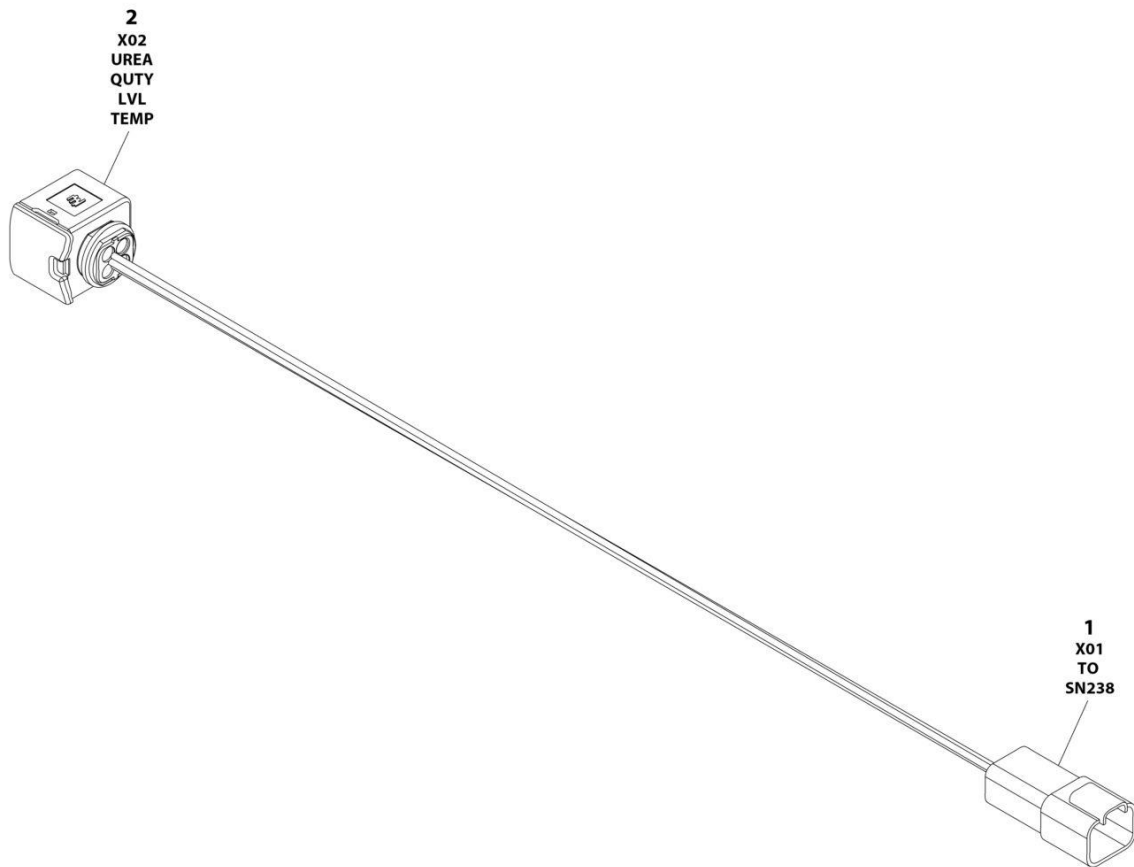
## SECTION 8 - ELECTRICAL

ITEM	PART NUMBER	QTY	DESCRIPTION	REV
20	4460464	4	Pin, Male	
20	4460466	2	Plug, Seal	
21	4460899	1	Connector - 6 Position	
21	4460464	4	Pin, Male	
21	4460466	2	Plug, Seal	
22	4460911	1	Connector - 3 Position	
22	1001126009	3	Terminal	
23	4460911	1	Connector - 3 Position	
23	1001126009	3	Terminal	
24	4460891	1	Connector - 2 Position	
24	4460465	2	Socket, Female	
25	4460891	1	Connector - 2 Position	
25	4460465	2	Socket, Female	
26	4460891	1	Connector - 2 Position	
26	4460465	2	Socket, Female	
27	4460891	1	Connector - 2 Position	
27	4460465	2	Socket, Female	
28	4460891	1	Connector - 2 Position	
28	4460465	2	Socket, Female	
29	4460891	1	Connector - 2 Position	
29	4460465	2	Socket, Female	
30	4460899	1	Connector - 6 Position	
30	4460464	4	Pin, Male	
30	4460466	2	Plug, Seal	
31	4460899	1	Connector - 6 Position	
31	4460464	4	Pin, Male	
31	4460466	2	Plug, Seal	
32	4460911	1	Connector - 3 Position	
32	1001126009	3	Terminal	
33	4460891	1	Connector - 2 Position	
33	4460465	2	Socket, Female	
34	4460880	1	Connector - 3 Position	
35	4460891	1	Connector - 2 Position	
35	4460465	2	Socket, Female	
36	4460911	1	Connector - 3 Position	



# SECTION 8 - ELECTRICAL

FIGURE 8-30. DEF TANK EXTENSION HARNESS (SN 0300254483 through 0300271437)



ART\_1001238483

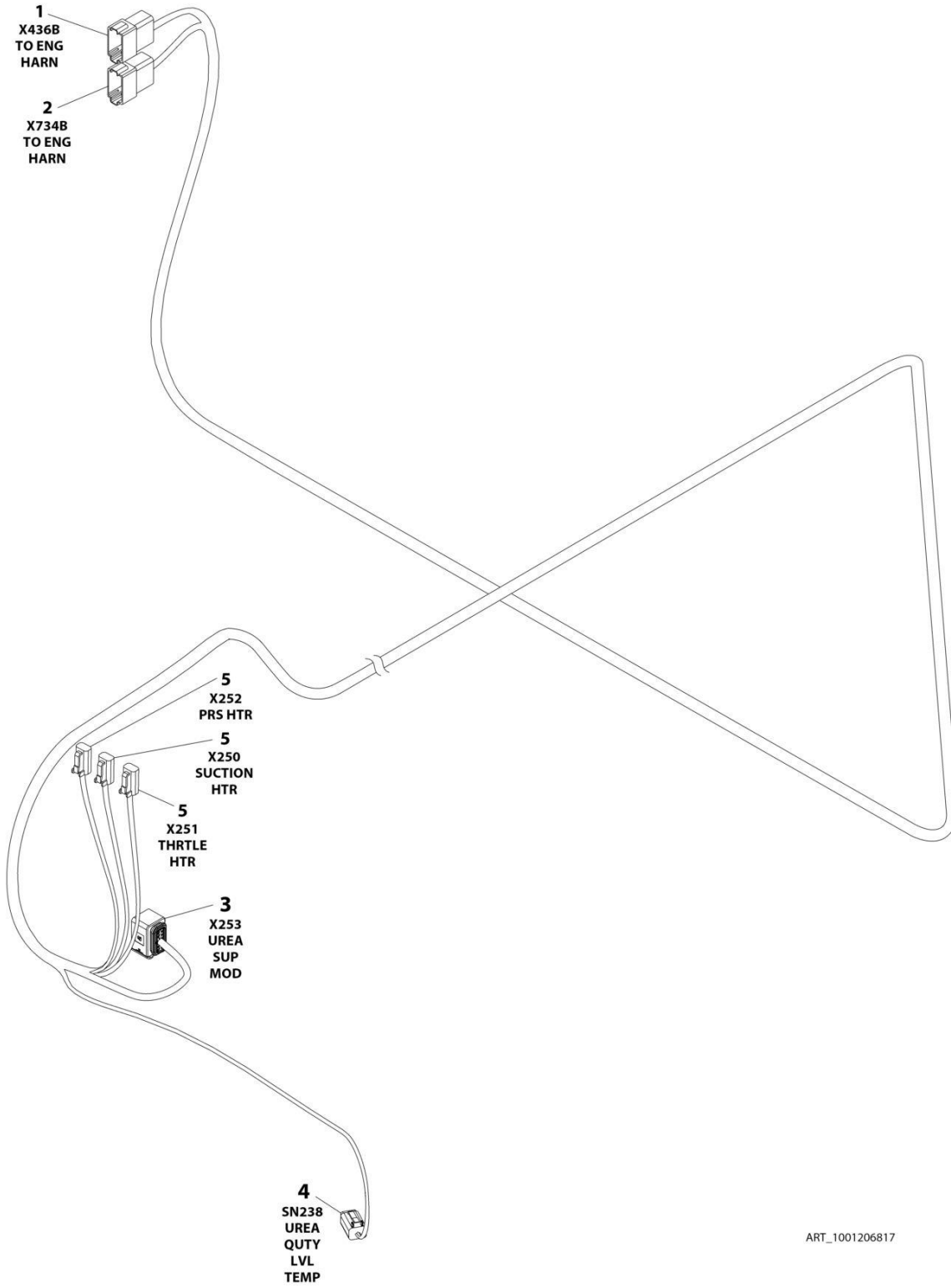
## SECTION 8 - ELECTRICAL

**FIGURE 8-30. DEF TANK EXTENSION HARNESS (SN 0300254483 through 0300271437)**

ITEM	PART NUMBER	QTY	DESCRIPTION	REV
	1001238483	Ref	DEF TANK EXTENSION HARNESS	A
1	4460932	1	Receptacle, Female - 4 Position	
1	4460464	2	Pin, Male	
1	4460943	2	Pin, Male	
2	1001167528	1	Connector - 4 Position	
2	1001167632	2	Terminal	
2	1001166704	2	Terminal	
2	1001137578	4	Seal	

# SECTION 8 - ELECTRICAL

## FIGURE 8-31. DIESEL EXHAUST FLUID TANK HARNESS



ART\_1001206817

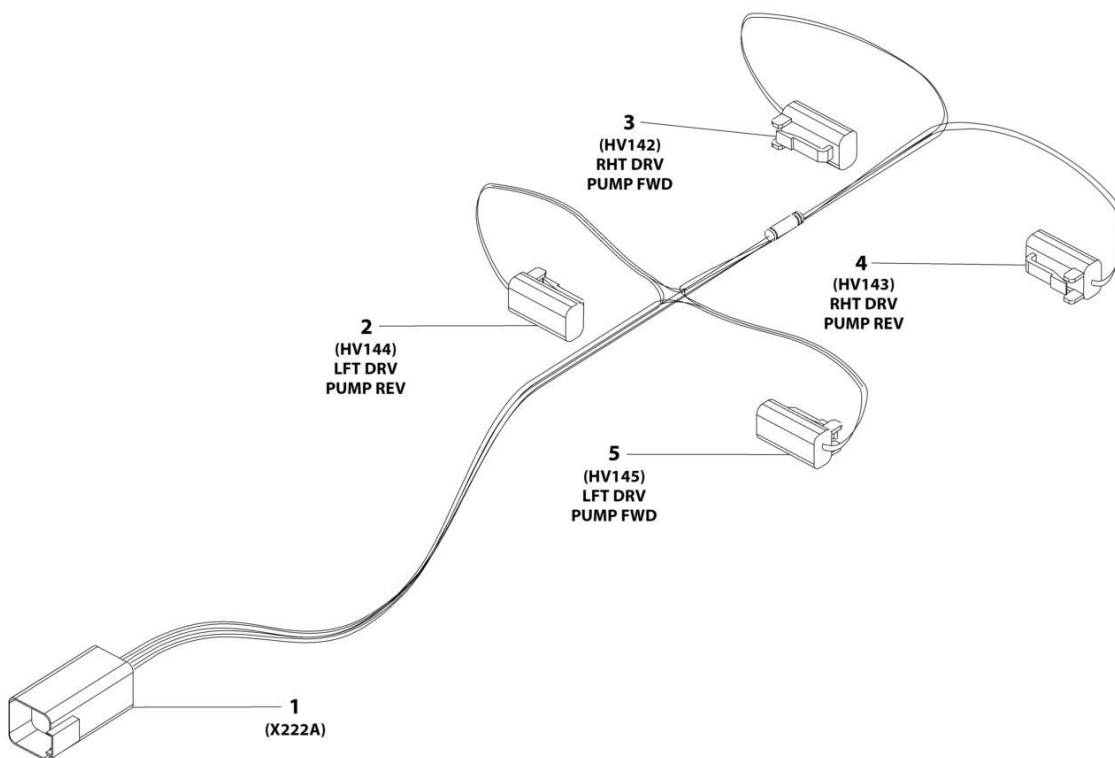
## SECTION 8 - ELECTRICAL

**FIGURE 8-31. DIESEL EXHAUST FLUID TANK HARNESS**

ITEM	PART NUMBER	QTY	DESCRIPTION	REV
	1001206817	Ref	DIESEL EXHAUST FLUID TANK HARNESS	A
1	4460982	1	Receptacle, Female - 12 Position	
1	1001157891	6	Pin, Male	
1	4460464	2	Pin, Male	
1	4460943	2	Pin, Male	
1	4460466	2	Plug, Terminal	
2	1001152742	1	Receptacle, Female - 12 Position	
2	4460941	2	Pin, Male	
2	4460464	8	Pin, Male	
2	4460466	2	Plug, Terminal	
3	1001165194	1	Plug, Male - 12 Position	
3	1001166556	8	Socket, Female	
3	1001166774	2	Socket, Female	
3	1001126391	2	Plug, Terminal	
4	4460884	1	Plug, Male - 4 Position	
4	4460944	2	Socket, Female	
4	4460465	2	Socket, Female	
5	4460891	3	Plug, Male - 2 Position	
5	4460942	6	Socket, Female	

# SECTION 8 - ELECTRICAL

## FIGURE 8-32. DRIVE PUMP HARNESS



ART\_1001149970



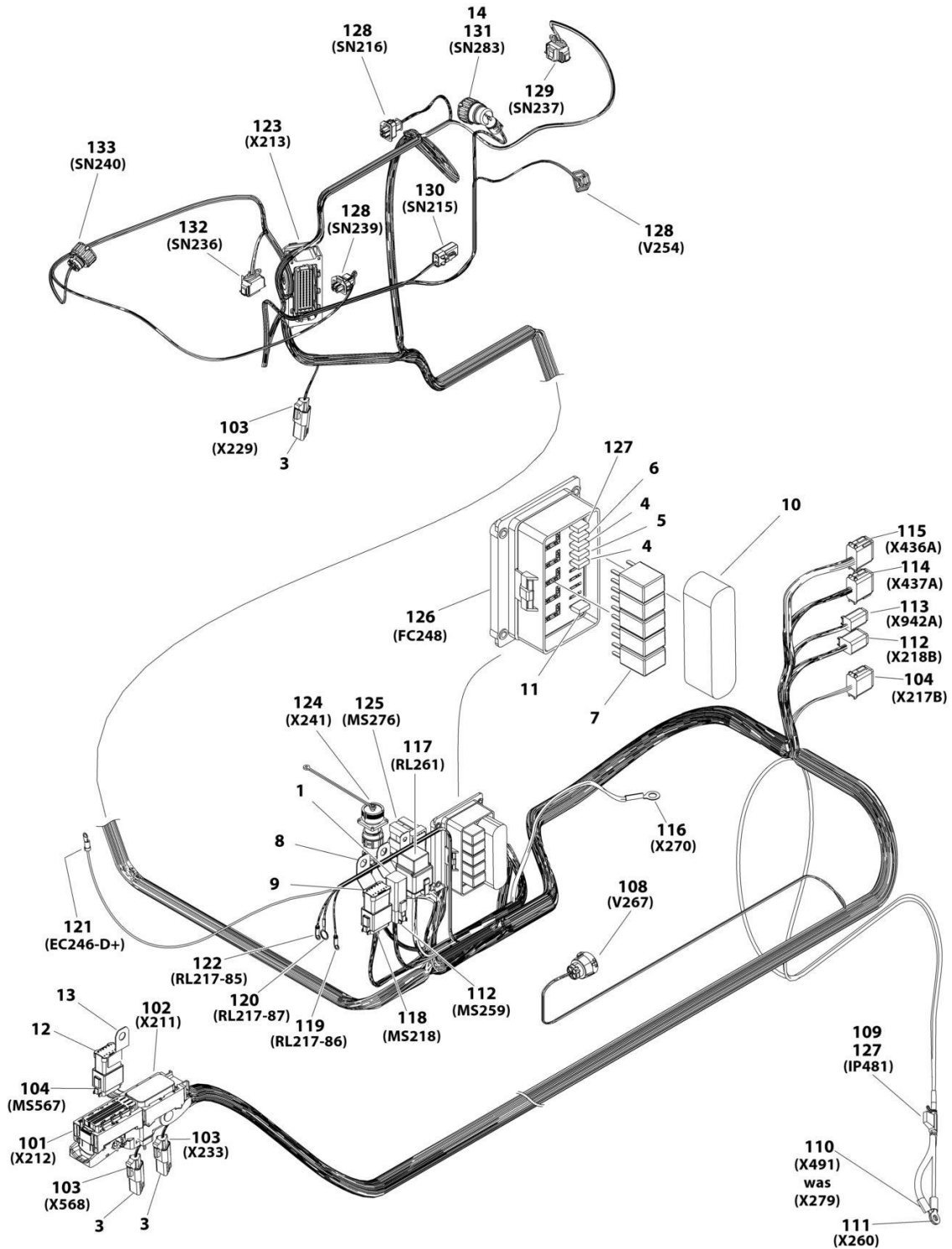
## SECTION 8 - ELECTRICAL

### FIGURE 8-32. DRIVE PUMP HARNESS

ITEM	PART NUMBER	QTY	DESCRIPTION	REV
	1001149970	Ref	DRIVE PUMP HARNESS	B
1	4460899	1	Connector - 6 Position	
1	4460464	5	Pin, Male	
1	4460466	1	Plug, Seal	
2	4460891	1	Connector - 2 Position	
2	4460465	2	Socket, Female	
3	4460891	1	Connector - 2 Position	
3	4460465	2	Socket, Female	
4	4460891	1	Connector - 2 Position	
4	4460465	2	Socket, Female	
5	4460891	1	Connector - 2 Position	
5	4460465	2	Socket, Female	

# SECTION 8 - ELECTRICAL

## FIGURE 8-33. ENGINE HARNESS (HRC)



ART\_1001188922

## SECTION 8 - ELECTRICAL

### FIGURE 8-33. ENGINE HARNESS (HRC)

ITEM	PART NUMBER	QTY	DESCRIPTION	REV
	1001188922	Ref	ENGINE HARNESS (HRC)	J
1	4460892	1	Buss Bar - 6 Position	
3	4461070	3	Connector - 3 Position (With Terminating Resistor)	
4	8229242	2	Fuse, 5Amp	
5	8229244	1	Fuse, 15Amp	
6	8229247	1	Fuse, 25Amp	
7	1001095704	5	Relay	
8	1001120328	2	Mount	
9	1001125677	1	Connector, Bussbar	
10	1001190921	1	Seal	
11	1001197719	1	Resistor 620ohm	
12	4460984	1	Receptacle, Female - 8 Position	
13	1001155743	1	Mount	
14	1001187882	1	Cover, Connector <b>(SN 0300000100 through 0300218784)</b>	
14	1001216318	1	Cover, Connector <b>(SN 0300218784 through 0300271437)</b>	
101	1001167615	1	Connector - 91 Position	
101	1001166551	6	Terminal	
101	1001167621	20	Terminal	
101	1001167622	65	Plug, Terminal	
101	1001126353	6	Seal	
102	1001167625	1	Connector - 105 Position	
102	1001166555	13	Terminal	
102	1001167621	50	Terminal	
102	1001167622	36	Plug, Terminal	
102	1001167623	6	Seal	
103	4461095	3	Connector - 3 Position	
103	4460944	4	Socket, Female	
103	4460465	2	Socket, Female	
103	4460466	3	Plug, Terminal	
104	4460930	2	Connector - 8 Position	
104	4460465	2	Socket, Female	
104	4460466	6	Plug, Terminal	
108	1001167620	1	Connector - 4 Position	
108	1001176004	2	Socket, Female	
108	1001167624	2	Plug, Terminal	
108	1001176002	2	Seal	
109	2400066	1	Fuseholder with Leads	
110	1001117107	1	Terminal, Ring	
111	8220045	1	Terminal, Ring	
112	4460894	2	Plug, Male - 6 Position	
112	4460465	7	Socket, Female	
112	4460944	2	Socket, Female	
112	4460942	1	Socket, Female	
112	4460466	2	Plug, Socket	
113	4460884	1	Plug, Male - 4 Position	
113	4460465	2	Socket, Female	
113	4460942	2	Socket, Female	
114	4460934	1	Plug, Male - 12 Position	
114	4460942	2	Socket, Female	
114	4460465	8	Socket, Female	

## SECTION 8 - ELECTRICAL

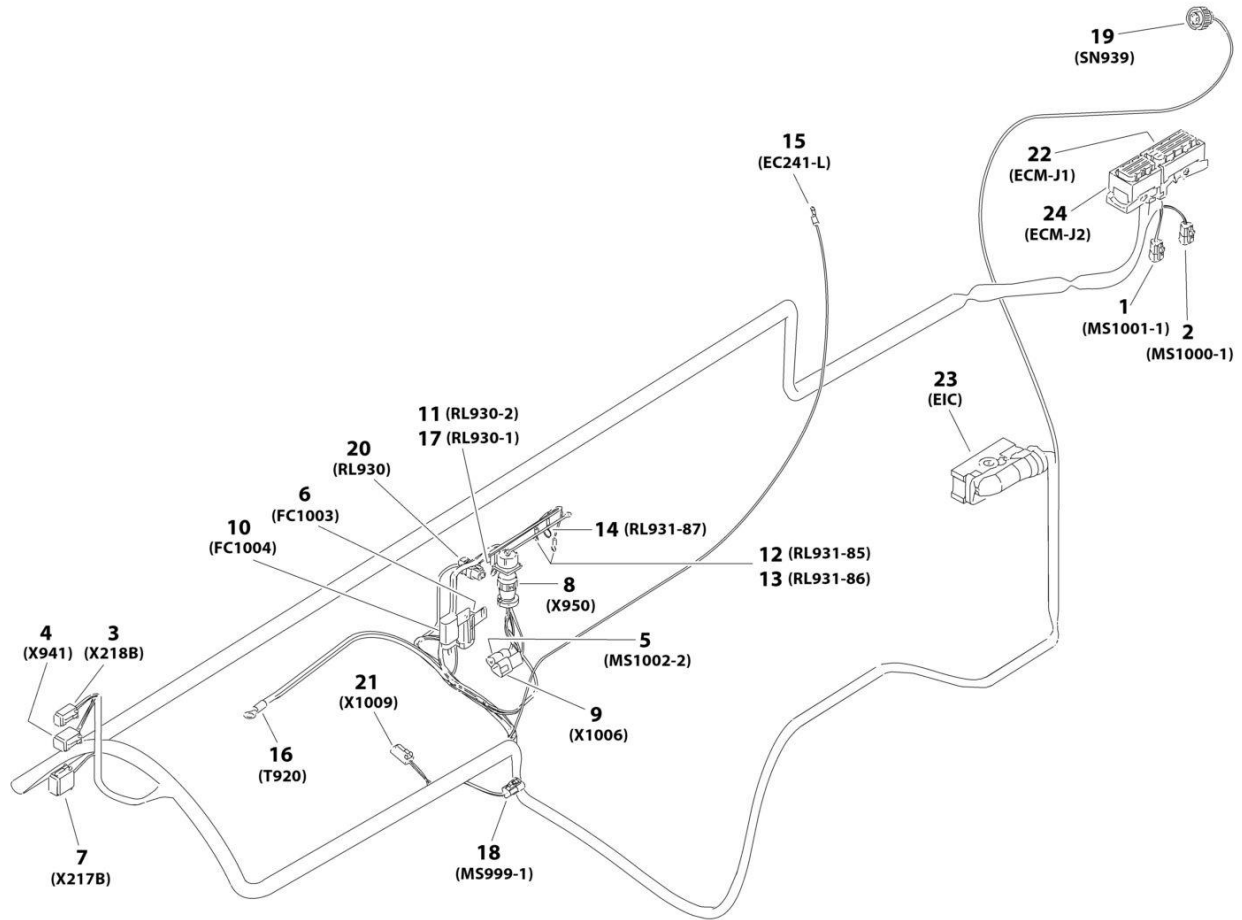
ITEM	PART NUMBER	QTY	DESCRIPTION	REV
114	4460466	2	Plug, Socket	
115	4460935	1	Plug, Male - 12 Position	
115	1001157890	6	Socket, Female	
115	4460465	2	Socket, Female	
115	4460944	2	Socket, Female	
115	4460466	2	Plug, Socket	
116	1001117108	1	Ring, Terminal	
117	1001118282	1	Connector - 5 Position	
117	1001116734	2	Terminal	
117	1001116733	2	Terminal	
117	1001128128	1	Plug, Socket	
118	4460933	1	Plug, Male - 12 Position	
118	4460944	12	Socket, Female	
119	4460247	1	Terminal, Ring	
120	4460703	1	Terminal, Ring	
121	4460042	1	Terminal, Ring	
122	4460247	1	Terminal, Ring	
123	1001126362	1	Connector - 62 Position	
123	1001166556	30	Socket, Female (SN 0300000100 through 0300229725)	
123	1001166556	26	Socket, Female (SN 0300229725 through 0300271437)	
123	1001166774	10	Socket, Female	
123	1001166541	2	Socket, Female	
123	1001166543	2	Socket, Female	
123	1001126391	16	Plug, Terminal (SN 0300000100 through 0300229725)	
123	1001126391	20	Plug, Terminal (SN 0300229725 through 0300271437)	
123	4461008	2	Plug, Terminal	
123	1001166701	30	Seal, Terminal (SN 0300000100 through 0300229725)	
123	1001166701	26	Seal, Terminal (SN 0300229725 through 0300271437)	
123	1001126393	10	Seal, Terminal	
123	4461006	2	Seal, Terminal (Blue)	
123	4461054	2	Seal, Terminal (White)	
124	2902443	1	Kit, Receptacle	
124	4461071	8	Socket, Female	
124	4461072	1	Connector	
124	4461043	1	Cap, Dust	
124	4461074	1	Shell, Back	
125	1001184846	1	Plug, Male - 10 Position	
125	4460509	10	Socket, Female	
126	1001167616	1	Main Fuse Box Assembly	
126	1001116725	6	Socket, Female	
126	8220097	19	Terminal	
126	8220098	7	Terminal	
126	4460748	13	Plug, Terminal	
126	80963067	6	Seal (Blue)	
126	1001175265	12	Seal, Terminal	
126	4460458	14	Seal, Terminal	
127	8229245	2	Fuse, 30Amp	
128	1001126487	3	Connector - 2 Position	
128	1001167634	4	Socket, Female	
128	1001167635	2	Socket, Female	
128	1001126485	6	Seal, Terminal	

## SECTION 8 - ELECTRICAL

ITEM	PART NUMBER	QTY	DESCRIPTION	REV
129	1001167629	1	Connector - 4 Position	
129	1001167630	4	Socket, Female	
129	1001126485	4	Seal, Terminal	
130	1001126245	1	Plug, Male - 2 Position	
130	1001126008	2	Socket, Female	
131	1001138116	1	Connector - 3 Position	
131	1001133715	3	Socket, Female	
131	1001135650	4	Seal, Terminal	
132	1001167631	1	Connector - 4 Position	
132	1001167630	4	Socket, Female	
132	1001126485	4	Seal, Terminal	
133	1001133714	1	Connector - 4 Position	
133	1001133715	3	Socket, Female	
133	1001135650	3	Seal, Terminal	

# SECTION 8 - ELECTRICAL

## FIGURE 8-34. ENGINE HARNESS (LRC)



ART\_1001149971

## SECTION 8 - ELECTRICAL

### FIGURE 8-34. ENGINE HARNESS (LRC)

ITEM	PART NUMBER	QTY	DESCRIPTION	REV
	1001149971	Ref	ENGINE HARNESS (LRC)	F
1	1001116812	1	Connector - 3 Position	
1	4460944	2	Socket, Female	
1	4460466	1	Plug, Socket	
2	1001116812	1	Connector - 3 Position	
2	4460944	2	Socket, Female	
2	4460466	1	Plug, Socket	
3	4460894	1	Connector - 6 Position	
3	4460944	3	Socket, Female	
3	4460466	3	Plug, Socket	
4	4460884	1	Connector - 4 Position <b>(SN 0300000100 through 0300224696)</b>	
4	1001220379	1	Connector - 4 Position <b>(SN 0300224696 through 0300271437)</b>	
4	4460942	2	Socket, Female	
4	4460465	2	Socket, Female	
4	4460466	4	Plug, Socket	
5	4460539	1	Connector - 3 Position	
5	4460944	2	Socket, Female	
5	4460466	1	Plug, Socket	
6	1001119412	1	Fuseholder	
6	See Note	NSS	Fuse 5A (Note: Purchase Locally)	
6	1001116732	1	Terminal	
6	1001128128	1	Plug, Socket	
7	4460930	1	Connector, Female - 8 Position	
7	4460944	1	Socket, Female	
7	4460466	7	Plug, Seal	
8	2902443	1	Kit, Receptacle	
8	4461071	8	Socket, Female	
8	4461072	1	Connector	
8	4461043	1	Cap, Dust	
8	4461074	1	Shell, Back	
9	4460536	1	Connector - 3 Position	
9	4460943	2	Pin, Male	
9	4460466	1	Plug, Socket	
10	1001117023	1	Fuseholder	
10	See Note	NSS	Fuse 10A (Note: Purchase Locally)	
10	1001116732	1	Terminal	
10	1001128128	2	Plug, Socket	
11	1001117106	1	Ring, Terminal	
12	4460247	1	Ring, Terminal	
13	4460247	1	Ring, Terminal	
14	4460703	1	Ring, Terminal	
15	4460042	1	Ring, Terminal	
16	8220115	1	Ring, Terminal	
17	4460043	1	Ring, Terminal	
18	1001116812	1	Connector - 3 Position	
18	4460944	3	Socket, Female	
19	1001133714	1	Connector - 4 Position	
19	1001133715	3	Socket, Female	
20	1001116952	1	Connector - 2 Position	
20	4460465	1	Socket, Female	

## SECTION 8 - ELECTRICAL

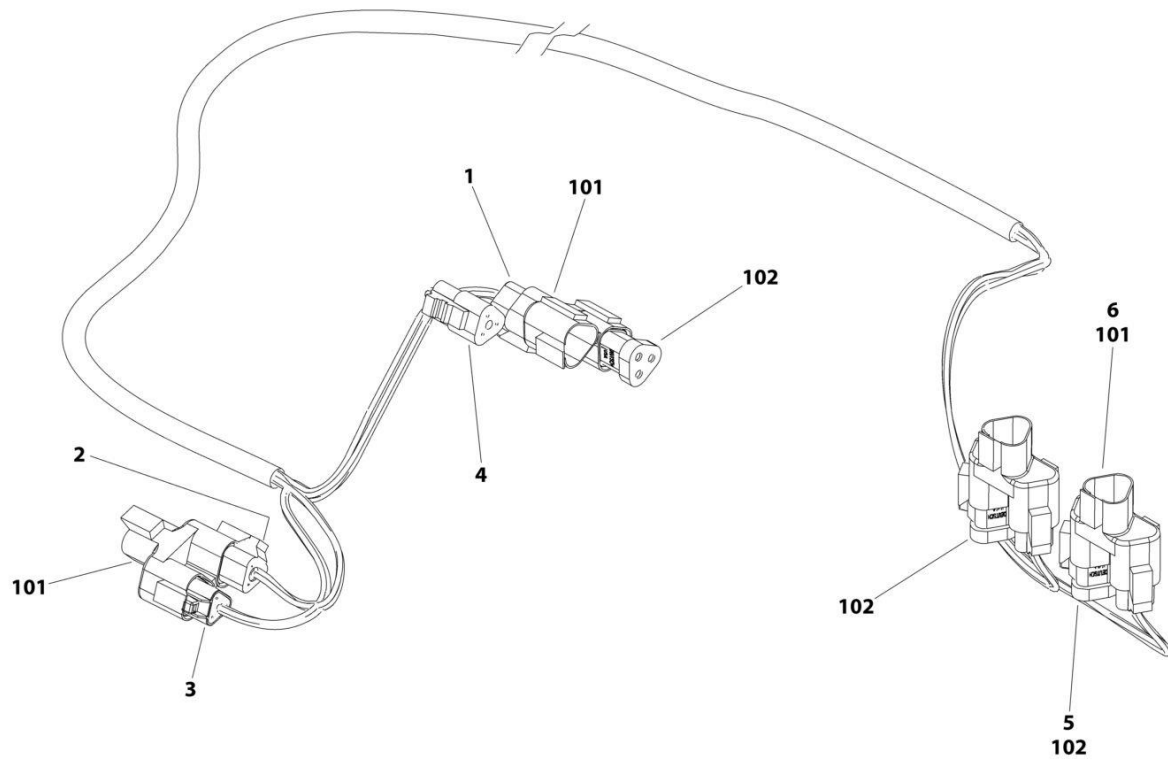
ITEM	PART NUMBER	QTY	DESCRIPTION	REV
20	4460466	1	Seal, Plug	
21	4460891	1	Connector, Male - 2 Position	
21	4460465	2	Socket, Female	
21	4460897	1	Connector, Female - 2 Position	
21	4460464	2	Pin, Male	
21	See Note	NSS	Resistor 1.5ohm (Note: Not Available for Purchase)	
21	1001156692	AR	Heat Shrink	
22	1001133956	1	Connector - 94 Position	
22	1001126352	6	Terminal 13-17Ga	
22	1001126384	21	Terminal 18-20Ga	
22	1001126351	2	Terminal 15-18Ga	
22	1001126357	2	Plug, Socket	
22	1001126356	63	Plug, Socket	
23	1001126362	1	Connector - 62 Position	
23	1001126365	2	Terminal 17-20Ga	
23	1001126363	35	Terminal 17-20Ga (Gold)	
23	1001126391	21	Plug, Socket	
23	4461008	4	Plug, Socket	
24	1001133957	1	Connector - 60 Position	
24	1001126351	13	Terminal 15-18Ga	
24	1001126384	17	Terminal 18-20Ga	
24	1001126357	11	Plug, Socket	
24	1001126356	19	Plug, Socket	





# SECTION 8 - ELECTRICAL

## FIGURE 8-35. ENGINE CAN HARNESS



ART\_1001156001

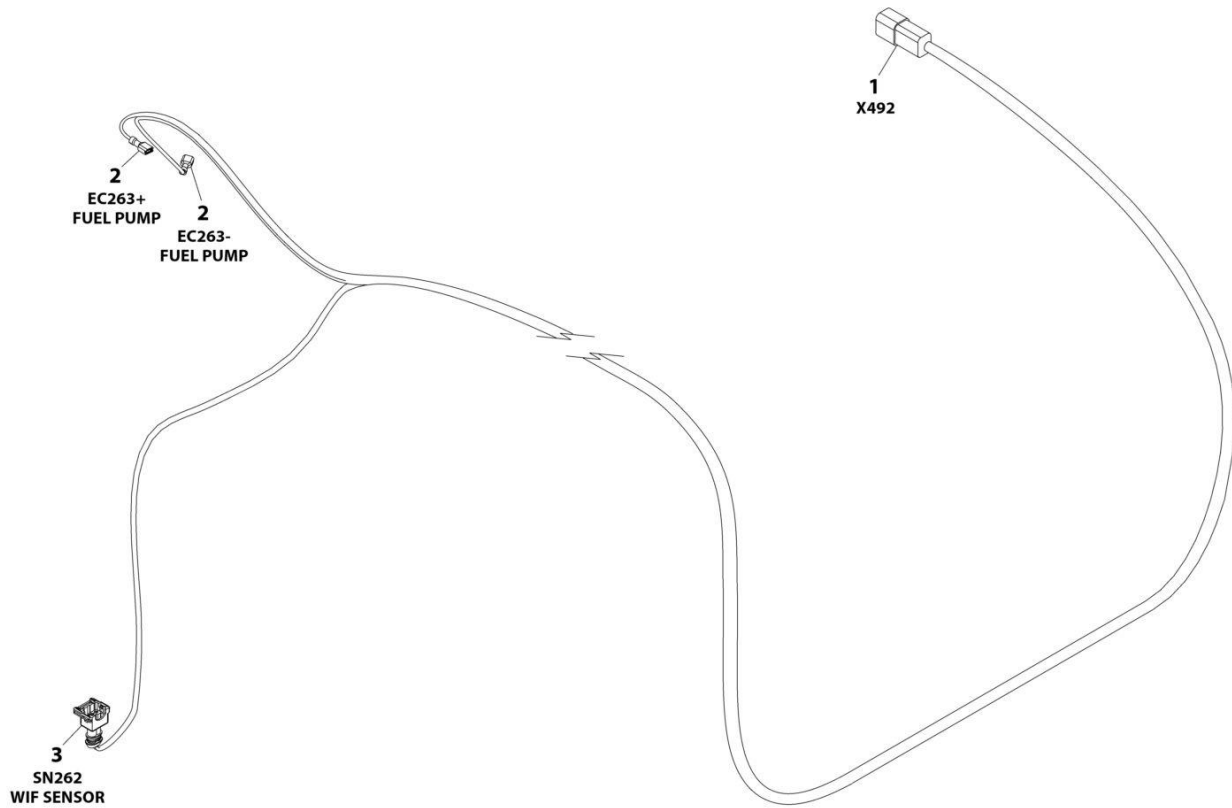
## SECTION 8 - ELECTRICAL

### FIGURE 8-35. ENGINE CAN HARNESS

ITEM	PART NUMBER	QTY	DESCRIPTION	REV
	1001156001	Ref	ENGINE CAN HARNESS	B
1	1001116812	1	Connector - 3 Position	
1	4460944	3	Socket, Female	
2	4460539	1	Connector - 3 Position	
2	4460944	3	Socket, Female	
3	1001116812	1	Connector - 3 Position	
3	4460944	3	Socket, Female	
4	4460539	1	Connector - 3 Position	
4	4460944	3	Socket, Female	
5	4460539	1	Connector - 3 Position	
5	4460944	3	Socket, Female	
6	4460539	1	Connector - 3 Position	
6	4460944	3	Socket, Female	
101	4460945	4	Connector, Tee	
102	1001116815	3	Connector - 3 Position	

# SECTION 8 - ELECTRICAL

## FIGURE 8-36. FUEL PUMP AND WIF HARNESS



ART\_1001211885

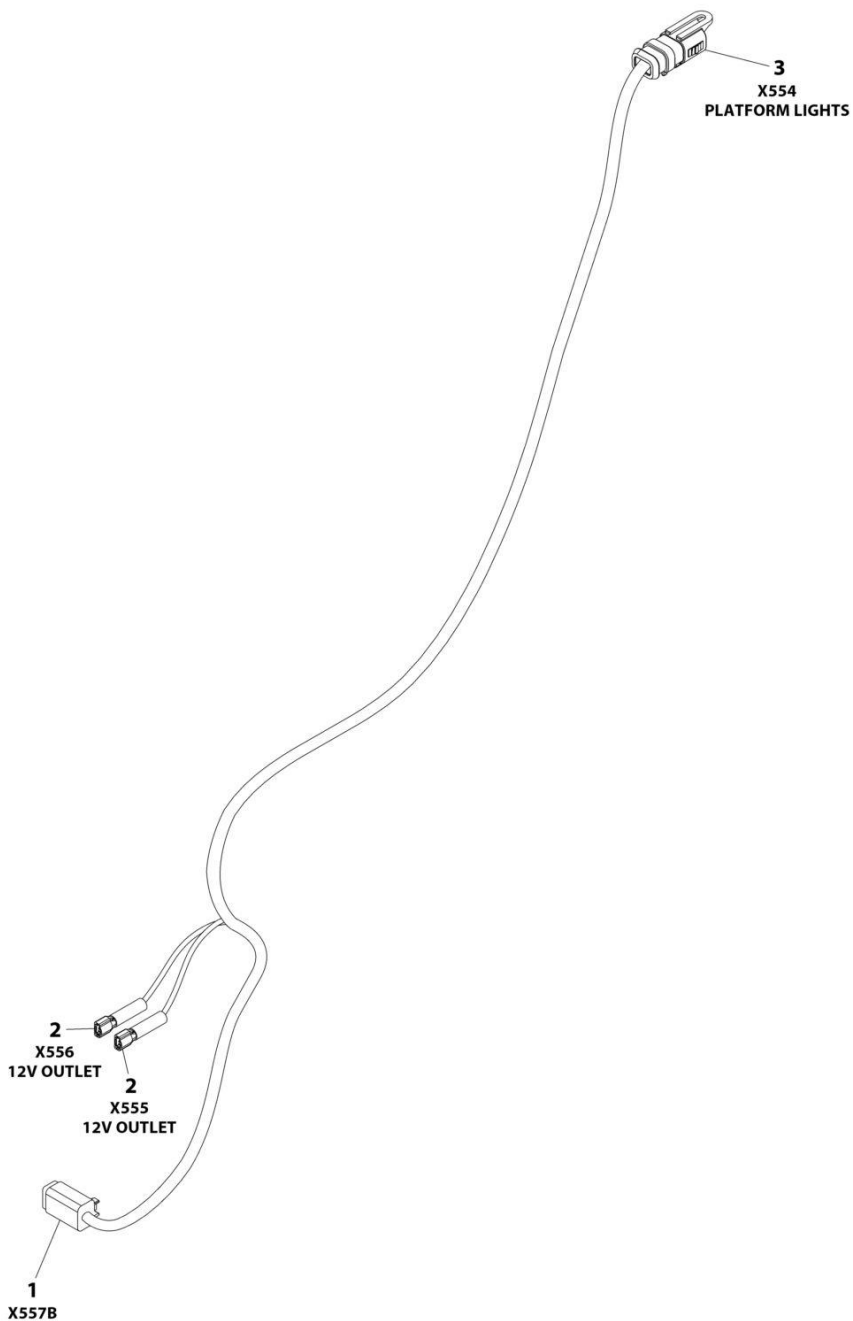
## SECTION 8 - ELECTRICAL

### FIGURE 8-36. FUEL PUMP AND WIF HARNESS

ITEM	PART NUMBER	QTY	DESCRIPTION	REV
	1001211885	Ref	FUEL PUMP AND WIF HARNESS	A
1	4460932	1	Receptacle, Female - 4 Position	
1	4460464	4	Pin, Male	
2	8220051	2	Terminal	
3	1001116983	1	Connector - 2 Position	
3	4461060	2	Terminal	

# SECTION 8 - ELECTRICAL

## FIGURE 8-37. PLATFORM OUTLET HARNESS



ART\_1001206506

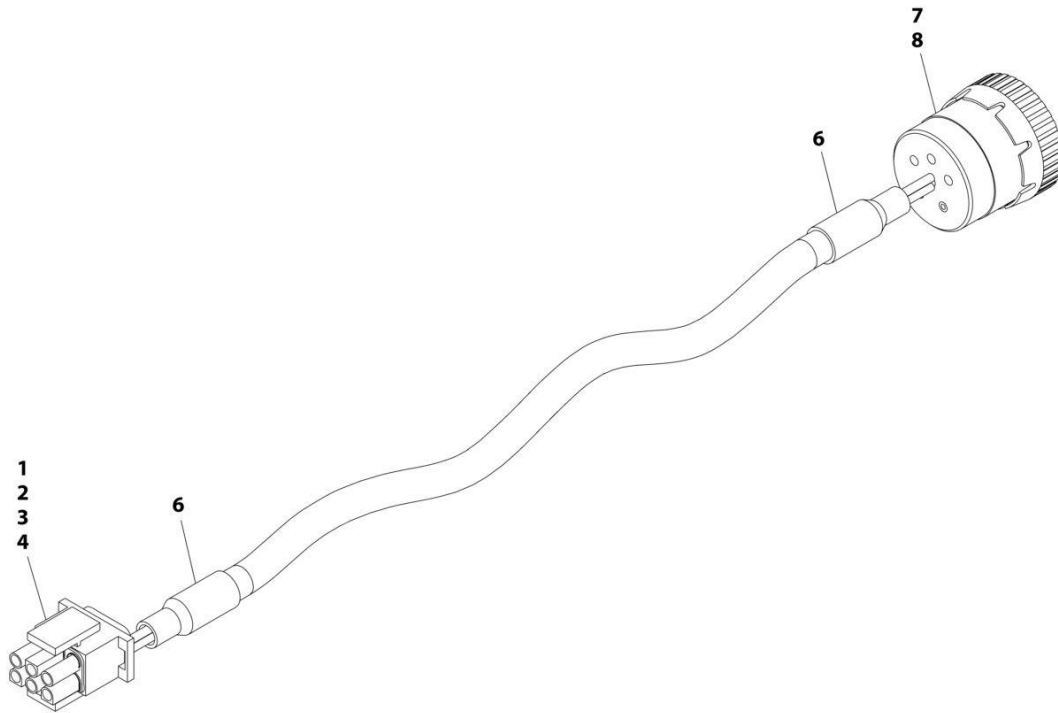
## SECTION 8 - ELECTRICAL

### FIGURE 8-37. PLATFORM OUTLET HARNESS

ITEM	PART NUMBER	QTY	DESCRIPTION	REV
	1001206506	Ref	PLATFORM OUTLET HARNESS	C
1	4460884	1	Plug, Male - 4 Position	
1	4460465	4	Socket, Female	
2	1001206509	2	Terminal	
3	1001210079	1	Plug, Male - 4 Position	
3	4460465	4	Socket, Female	
3	1001192401	1	Cap, Dust	

# SECTION 8 - ELECTRICAL

## FIGURE 8-38. GENERATOR TO CONTROL BOX HARNESS (4000W GENERATOR)



ART\_1001152532



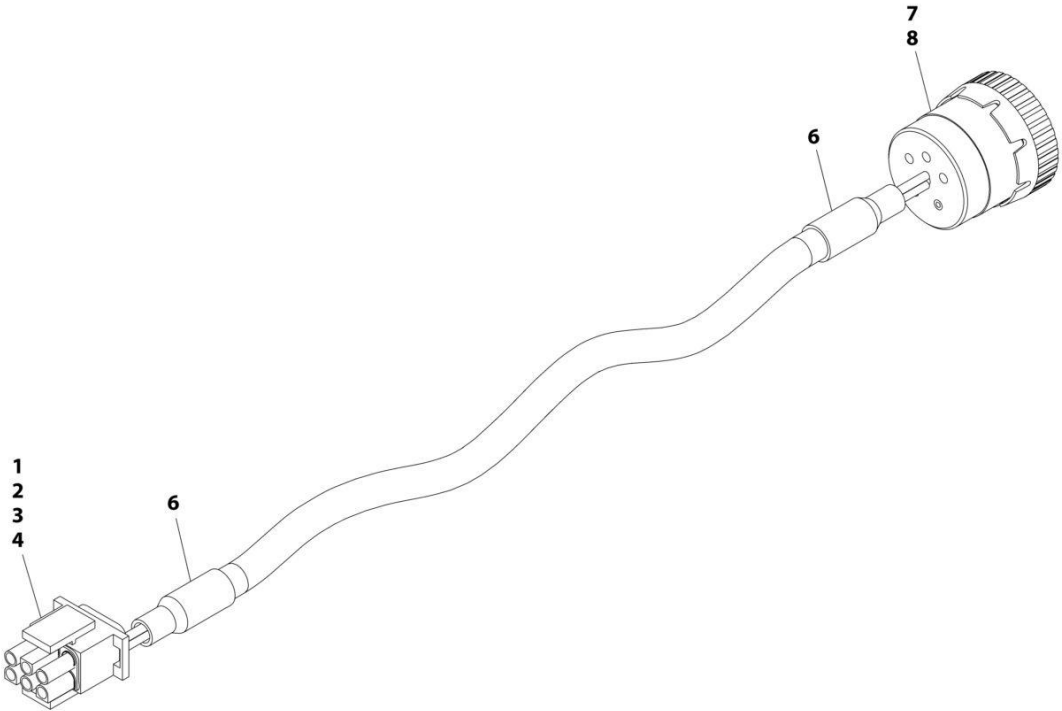
## SECTION 8 - ELECTRICAL

**FIGURE 8-38. GENERATOR TO CONTROL BOX HARNESS (4000W GENERATOR)**

ITEM	PART NUMBER	QTY	DESCRIPTION	REV
	1001152532	Ref	GENERATOR TO CONTROL BOX HARNESS (4000W GENERATOR)	A
1	4460225	1	Plug, Male - 6 Position	
2	4460268	2	Socket, Female	
3	4460807	1	Seal	
4	4460808	1	Seal	
6	2820019	AR	Heat Shrink	
7	4460465	2	Socket, Female	
8	77363233	1	Connector - 6 Position	

**SECTION 8 - ELECTRICAL**

**FIGURE 8-39. GENERATOR TO CONTROL BOX HARNESS (7500W GENERATOR)**



ART\_4922925

## SECTION 8 - ELECTRICAL

**FIGURE 8-39. GENERATOR TO CONTROL BOX HARNESS (7500W GENERATOR)**

ITEM	PART NUMBER	QTY	DESCRIPTION	REV
	4922925	Ref	GENERATOR TO CONTROL BOX HARNESS (7500W GENERATOR)	C
1	4460225	1	Plug, Male - 6 Position	
2	4460268	6	Socket, Female	
3	4460807	1	Seal	
4	4460808	1	Seal	
6	2820019	AR	Heat Shrink	
7	4460465	6	Socket, Female	
8	77363233	1	Connector - 6 Position	

**SECTION 8 - ELECTRICAL**

**FIGURE 8-40. GENERATOR TO PLATFORM HARNESS (4000W-60HZ GENERATOR)**



ART\_1001153259

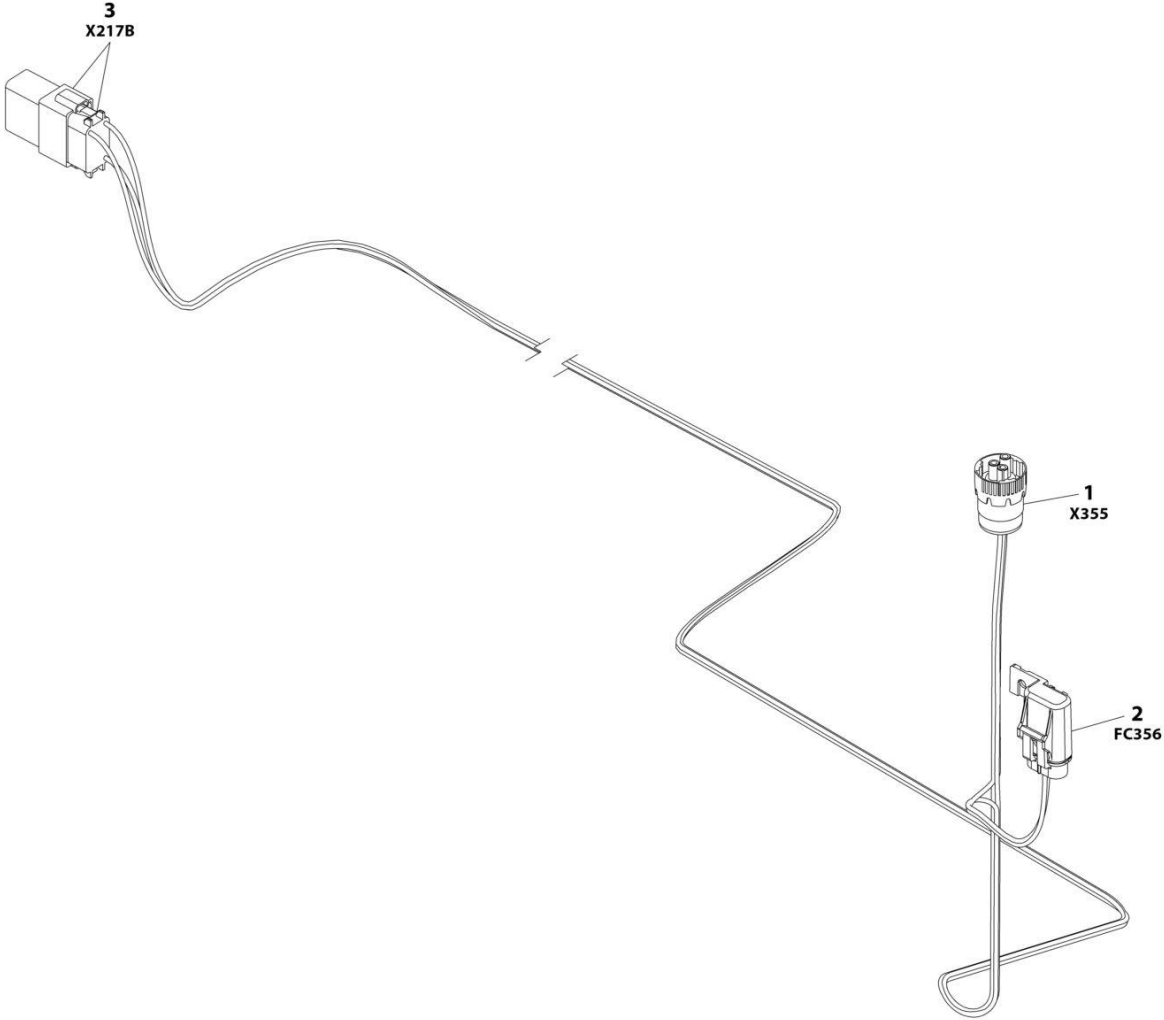
## SECTION 8 - ELECTRICAL

**FIGURE 8-40. GENERATOR TO PLATFORM HARNESS (4000W-60HZ GENERATOR)**

ITEM	PART NUMBER	QTY	DESCRIPTION	REV
	1001153259	Ref	GENERATOR TO PLATFORM HARNESS (4000W-60HZ GENERATOR)	B
1	4460967	1	Connector - 3 Position	
1	4460465	2	Socket, Female	
2	4460465	2	Socket, Female	

**SECTION 8 - ELECTRICAL**

**FIGURE 8-41. GENERATOR TO PLATFORM HARNESS (4000W-50HZ & 7500W GENERATOR)**



ART\_1001156030

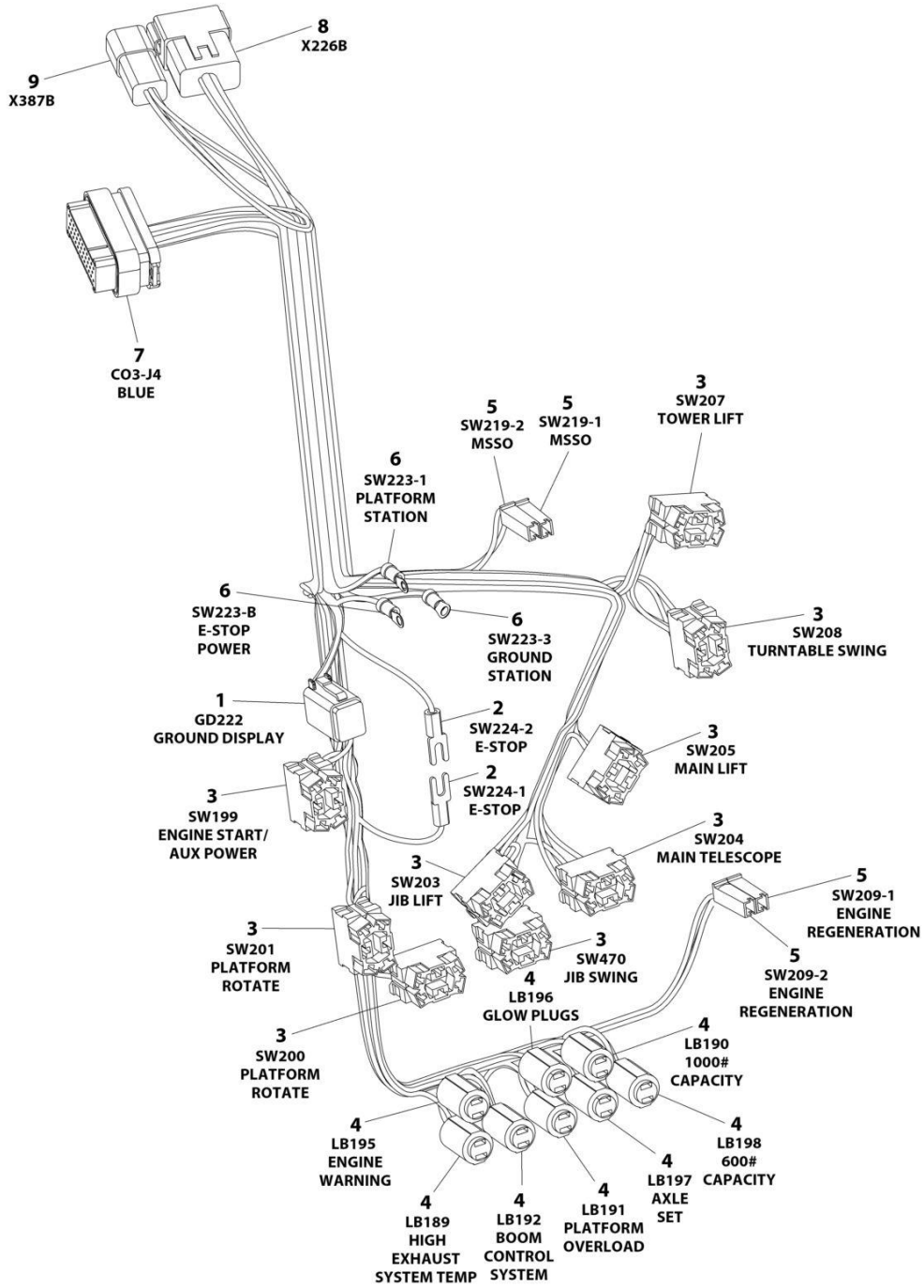
## SECTION 8 - ELECTRICAL

**FIGURE 8-41. GENERATOR TO PLATFORM HARNESS (4000W-50HZ & 7500W GENERATOR)**

ITEM	PART NUMBER	QTY	DESCRIPTION	REV
	1001156030	Ref	GENERATOR TO PLATFORM HARNESS (4000W-50HZ & 7500W GENERATOR)	B
1	4460967	1	Connector - 3 Position	
1	4460465	3	Socket, Female	
2	1001119412	1	Fuse Assembly	
2	See Note	NSS	Fuse - 5Amp ATO (Note: Purchase Locally)	
2	1001116733	2	Terminal	
3	4460930	Ref	Receptacle, Female - 8 Position (Shown for Termination Reference Only - Part of Harness p/n 1001149971)	
3	4460465	3	Socket, Female	

# SECTION 8 - ELECTRICAL

## FIGURE 8-42. GROUND CONTROL HARNESS



ART\_1001196689



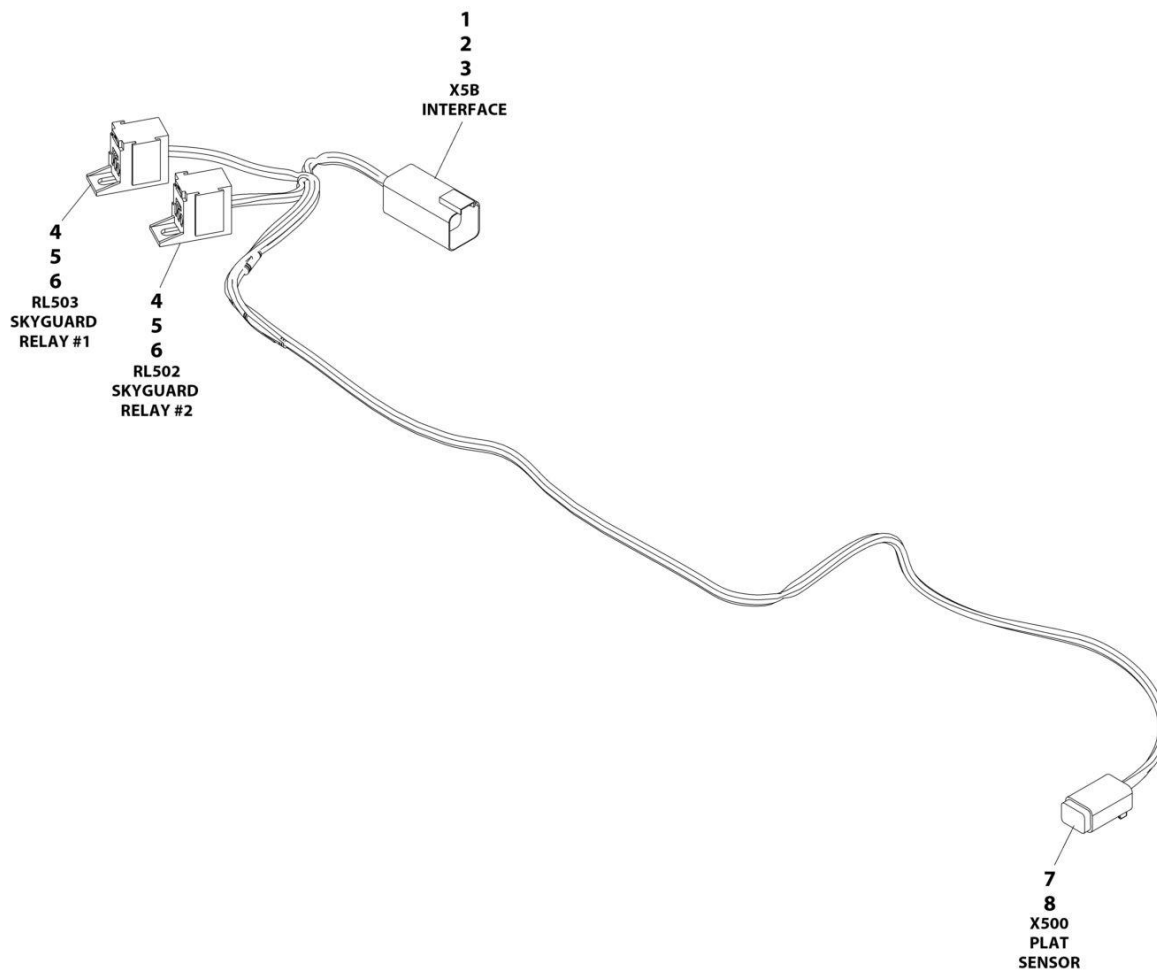
## SECTION 8 - ELECTRICAL

### FIGURE 8-42. GROUND CONTROL HARNESS

ITEM	PART NUMBER	QTY	DESCRIPTION	REV
	1001196689	Ref	GROUND CONTROL HARNESS	B
1	4460894	1	Plug, Male - 6 Position	
1	4460465	2	Socket, Female	
1	4460944	2	Socket, Female	
1	4460466	2	Plug, Terminal	
2	4460144	2	Terminal, Fork	
3	4460418	9	Connector - 6 Position	
3	4460419	16	Terminal	
3	1001159186	19	Terminal	
4	4120035	8	Socket, Light	
5	4460260	4	Cover, Terminal	
5	4460259	4	Terminal	
6	4460042	3	Terminal, Ring	
7	4460876	1	Connector - 35 Position	
7	4460871	29	Socket, Female	
7	4460905	6	Plug, Terminal	
8	4460970	1	Receptacle, Female - 12 Position	
8	4460464	9	Pin, Male	
8	4460943	2	Pin, Male	
8	4460466	1	Plug, Terminal	
9	4460932	1	Receptacle, Female - 4 Position	
9	4460464	4	Pin, Male	

# SECTION 8 - ELECTRICAL

## FIGURE 8-43. INTERFACE HARNESS - WITH 1 CELL LSS



ART\_1001225580

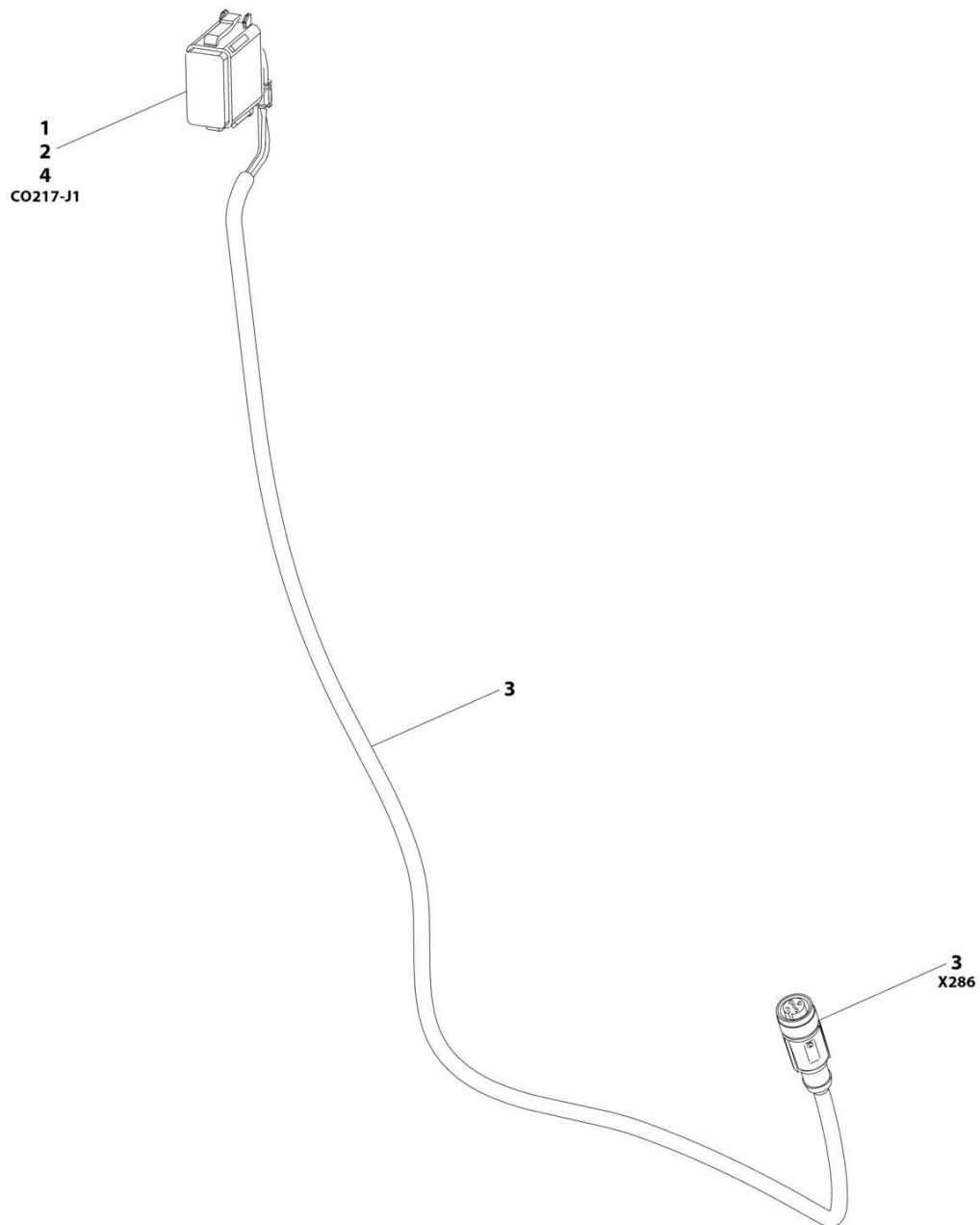
## SECTION 8 - ELECTRICAL

### FIGURE 8-43. INTERFACE HARNESS - WITH 1 CELL LSS

ITEM	PART NUMBER	QTY	DESCRIPTION	REV
	1001225580	Ref	INTERFACE HARNESS - WITH 1 CELL LSS	D
1	4460899	1	Connector	
2	4460464	4	Terminal	
3	4460466	2	Plug	
4	1001186432	2	Connector	
5	1001116720	4	Terminal	
6	1001118388	4	Terminal	
7	4460884	1	Connector	
8	4460465	4	Terminal	

# SECTION 8 - ELECTRICAL

FIGURE 8-44. LCD DISPLAY HARNESS (SN 0300000100 through 0300248935)



ART\_1001125293

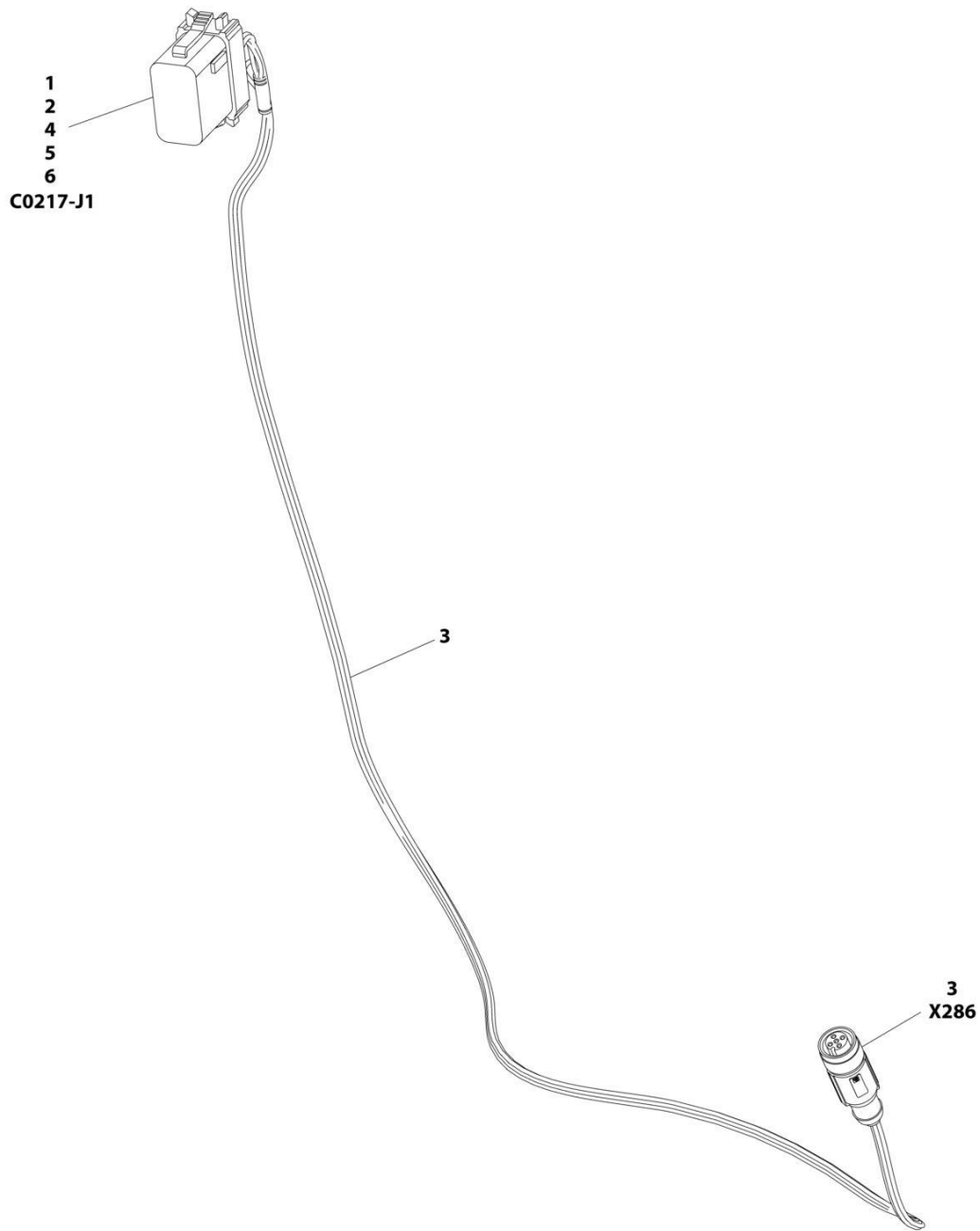
## SECTION 8 - ELECTRICAL

**FIGURE 8-44. LCD DISPLAY HARNESS (SN 0300000100 through 0300248935)**

ITEM	PART NUMBER	QTY	DESCRIPTION	REV
	1001125293	Ref	LCD DISPLAY HARNESS	C
1	4460465	3	Socket, Female	
2	4460944	2	Socket, Female (Gold)	
3	1001125295	1	Connector with Cable	
4	4460933	1	Connector - 12 Position	

# SECTION 8 - ELECTRICAL

FIGURE 8-45. LCD DISPLAY HARNESS (SN 0300248935 through 0300271437)



ART\_1001220482

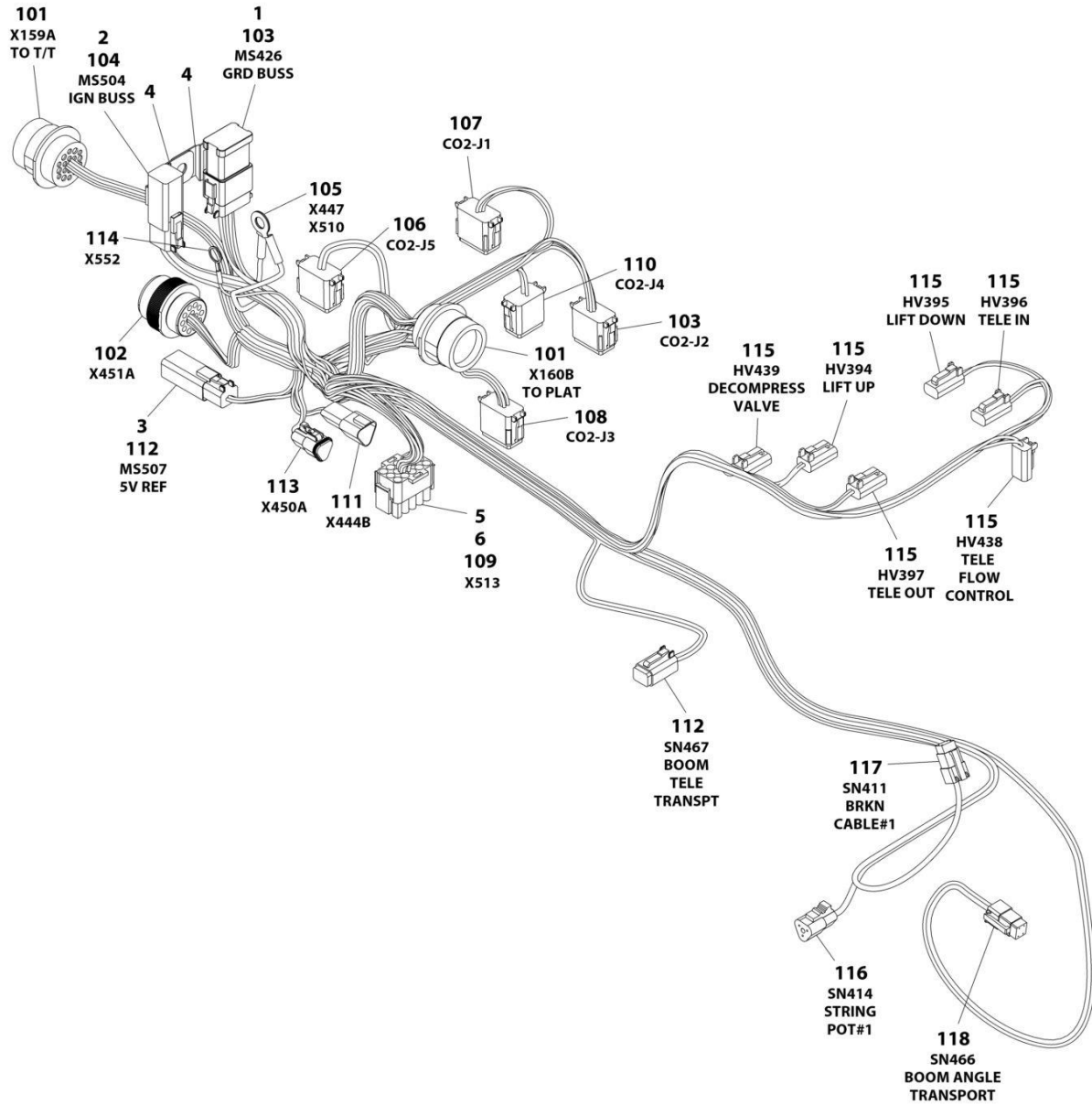
## SECTION 8 - ELECTRICAL

**FIGURE 8-45. LCD DISPLAY HARNESS (SN 0300248935 through 0300271437)**

ITEM	PART NUMBER	QTY	DESCRIPTION	REV
	1001220482	Ref	LCD DISPLAY HARNESS	A
1	4460465	3	Socket, Female	
2	4460944	2	Socket, Female (Gold)	
3	1001125295	1	Connector with Cable	
4	1001176333	1	Connector - 12 Position	
5	4460466	13	Plug, Seal	
6	2820171	3	Tube, Heat Shrink	

# SECTION 8 - ELECTRICAL

## FIGURE 8-46. MAIN BOOM CONTROL BOX HARNESS



ART\_1001216638



## SECTION 8 - ELECTRICAL

### FIGURE 8-46. MAIN BOOM CONTROL BOX HARNESS

ITEM	PART NUMBER	QTY	DESCRIPTION	REV
	1001216638	Ref	MAIN BOOM CONTROL BOX HARNESS	B
1	4460837	1	Receptacle, Female Termination - 12 Position	
2	4460892	1	Receptacle, Female Buss Bar - 6 Position	
3	4460893	1	Receptacle, Female Buss Bar - 4 Position	
4	1001155967	2	Mount	
5	1001216625	1	Seal	
6	1001216626	1	Seal	
101	4460866	2	Connector - 19 Position	
101	4460943	4	Pin, Male	
101	4460464	16	Pin, Male	
101	4460508	8	Pin, Male	
101	4460466	10	Plug, Terminal	
102	4461016	1	Connector - 12 Position	
102	4460464	9	Pin, Male	
102	4460466	5	Plug, Terminal	
103	4460836	2	Plug, Male - 12 Position	
103	1001157890	4	Socket, Female	
103	4460465	12	Socket, Female	
103	4460466	8	Plug, Terminal	
104	4460894	1	Plug, Male - 6 Position	
104	1001157890	4	Socket, Female	
104	4460465	2	Socket, Female	
105	1001117110	2	Terminal, Ring	
106	4460935	1	Plug, Male - 12 Position	
106	4460465	8	Socket, Female	
106	4460466	4	Plug, Terminal	
107	4460933	1	Plug, Male - 12 Position	
107	4460465	3	Socket, Female	
107	4460944	2	Socket, Female	
107	4460466	7	Plug, Terminal	
108	4460934	1	Plug, Male - 12 Position	
108	4460465	11	Socket, Female	
108	4460466	1	Plug, Terminal	
109	4460434	1	Plug, Male - 15 Position	
109	4460268	13	Socket, Female	
109	4460906	2	Socket, Female	
110	4460930	1	Plug, Male - 8 Position	
110	4460465	2	Socket, Female	
110	4460944	2	Socket, Female	
110	4460466	4	Plug, Terminal	
111	4460536	1	Receptacle, Female - 3 Position	
111	4460464	3	Pin, Male	
112	4460884	2	Plug, Male - 4 Position	
112	4460465	8	Socket, Female	
113	1001116812	1	Plug, Male - 3 Position	
113	4460465	3	Socket, Female	
114	4460722	1	Terminal, Ring	
115	4460891	6	Plug, Male - 2 Position	
115	4460465	12	Socket, Female	
116	4460539	1	Plug, Male - 3 Position	

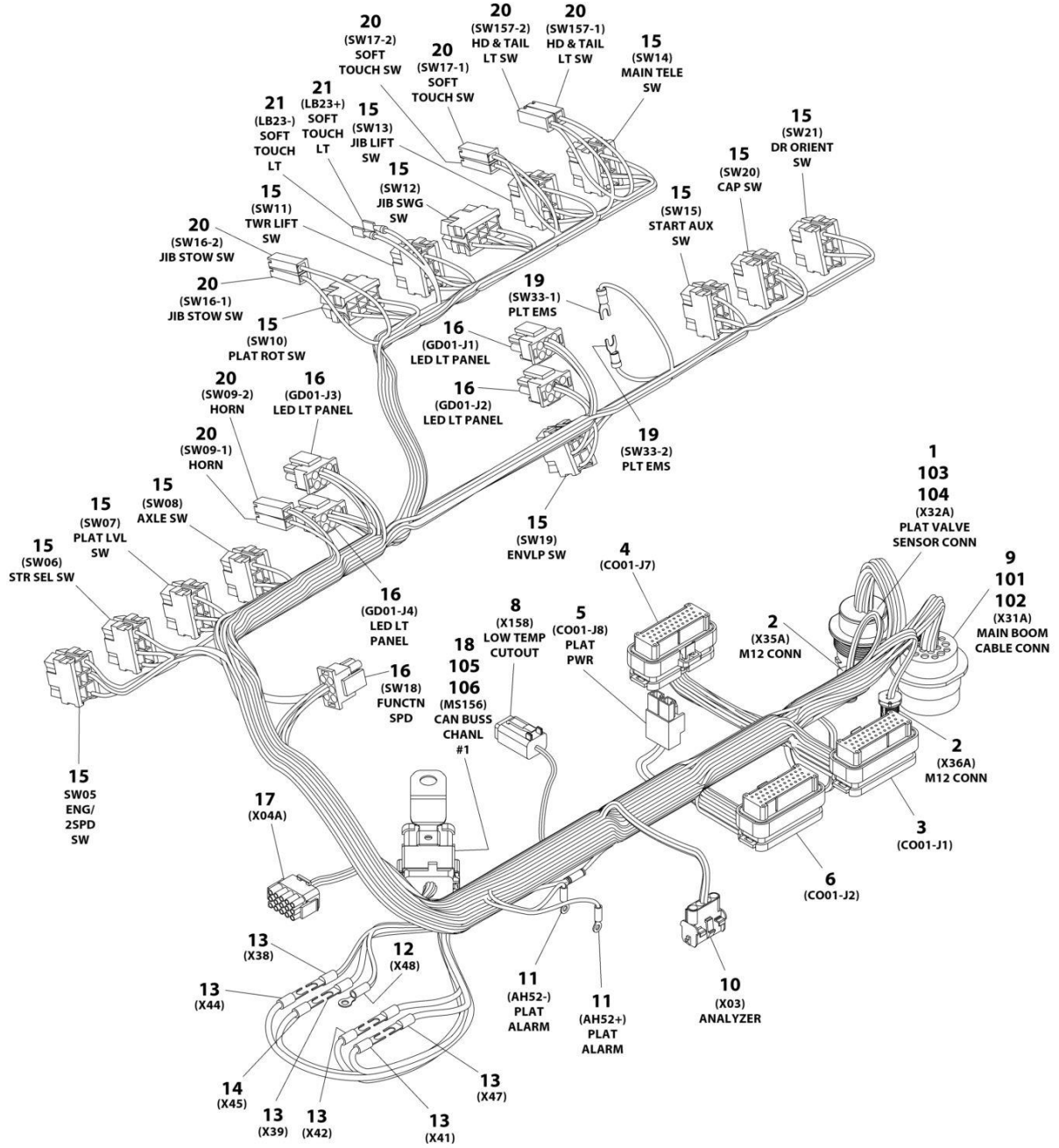
## SECTION 8 - ELECTRICAL

ITEM	PART NUMBER	QTY	DESCRIPTION	REV
116	4460465	2	Socket, Female	
117	4461077	1	Plug, Male - 4 Position	
117	4460928	3	Socket, Female	
117	4460518	1	Plug, Terminal	
118	4461077	1	Plug, Male - 4 Position	
118	1001126008	4	Socket, Female	



# SECTION 8 - ELECTRICAL

## FIGURE 8-47. PLATFORM CONSOLE HARNESS - WITHOUT SKYGUARD (SN 0300000100 through 0300223782)



ART\_1001199637

## SECTION 8 - ELECTRICAL

**FIGURE 8-47. PLATFORM CONSOLE HARNESS - WITHOUT SKYGUARD (SN 0300000100 through 0300223782)**

ITEM	PART NUMBER	QTY	DESCRIPTION	REV
	1001199637	Ref	PLATFORM CONSOLE HARNESS - WITHOUT SKYGUARD	C
1	4460925	1	Connector - 21 Position	
1	1001126011	20	Pin, Male	
1	4460518	1	Plug, Socket	
2	1001120055	2	Connector - 5 Position with Cable (SN 0300000100 through 0300218537)	
2	1001120055	1	Connector - 5 Position with Cable (X35A) (SN 0300218537 through 0300271437)	
2	1001213447	1	Connector - 5 Position with Cable (X36A) (SN 0300218537 through 0300271437)	
3	4460874	1	Connector - 35 Position	
3	4460871	35	Socket, Female	
4	4460873	1	Connector - 35 Position	
4	4460871	28	Socket, Female	
4	4460905	7	Plug, Terminal	
5	4460879	1	Connector - 2 Position	
5	4460887	2	Terminal	
6	4460876	1	Connector - 35 Position	
6	4460871	33	Socket, Female	
6	4460905	2	Plug, Terminal	
8	4460884	1	Plug, Male - 4 Position	
8	4460465	2	Socket, Female	
8	4460944	2	Socket, Female	
9	4460866	1	Connector - 19 Position	
9	4460943	2	Pin, Male	
9	4460508	4	Pin, Male	
9	4460464	7	Pin, Male	
9	4460466	6	Plug, Terminal	
10	4460761	1	Receptacle, Female - 4 Position	
10	4460227	4	Pin, Male	
11	1001098122	2	Terminal, Ring	
12	8220007	1	Terminal, Ring	
13	4460315	6	Terminal, Fork	
14	4460314	1	Terminal, Fork	
15	4460418	13	Connector - 6 Position	
15	1001159186	25	Terminal	
15	4460419	24	Terminal	
16	4460225	5	Plug, Male - 6 Position	
16	4460227	4	Pin, Male	
16	4460267	2	Pin, Male	
16	4460226	19	Socket, Female	
16	4460268	2	Socket, Female	
17	4460434	1	Plug, Male - 15 Position	
17	4460227	11	Pin, Male	
17	4460267	2	Pin, Male	
18	4460933	1	Connector - 12 Position	
18	4460944	12	Socket, Female	
19	4460183	2	Terminal, Fork	
20	4460260	8	Cover, Connector - 1 Position	

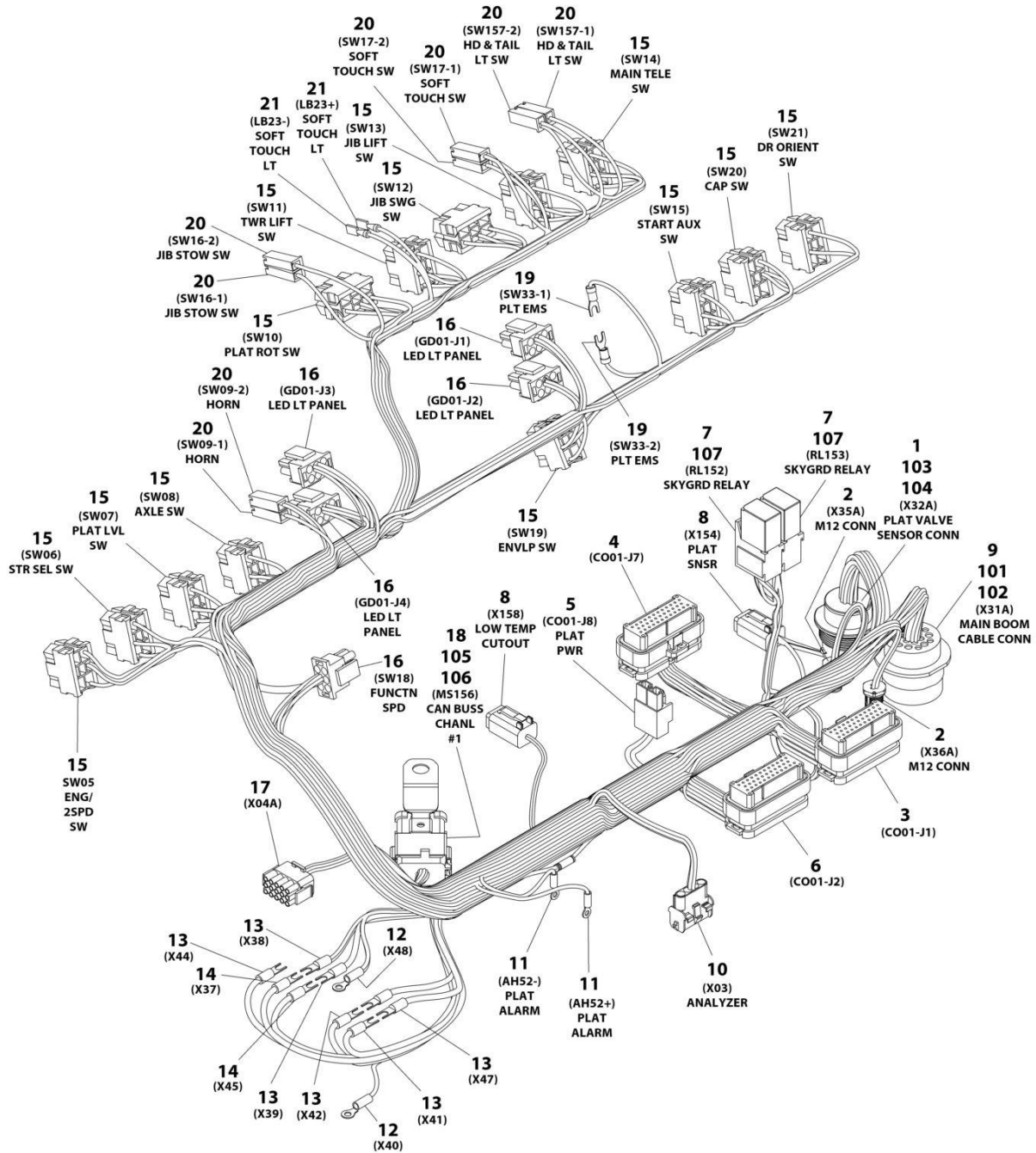
## SECTION 8 - ELECTRICAL

ITEM	PART NUMBER	QTY	DESCRIPTION	REV
20	4460259	8	Terminal	
21	4460016	2	Terminal	
101	4460470	1	Nut, Terminal	
102	4460471	1	Washer, Terminal	
103	4460496	1	Washer, Terminal	
104	4460497	1	Nut, Terminal	
105	1001120328	1	Mount	
106	1001125677	1	Bussbar, Female - 12 Position	



# SECTION 8 - ELECTRICAL

FIGURE 8-48. PLATFORM CONSOLE HARNESS - WITH SKYGUARD (SN 0300000100 through 0300259280)



ART\_1001196681



## SECTION 8 - ELECTRICAL

**FIGURE 8-48. PLATFORM CONSOLE HARNESS - WITH SKYGUARD (SN 0300000100 through 0300259280)**

ITEM	PART NUMBER	QTY	DESCRIPTION	REV
	1001196681	Ref	PLATFORM CONSOLE HARNESS - WITH SKYGUARD	F
1	4460925	1	Connector - 21 Position	
1	1001126011	20	Pin, Male	
1	4460518	1	Plug, Socket	
2	1001120055	2	Connector - 5 Position with Cable (SN 0300000100 through 0300218537)	
2	1001120055	1	Connector - 5 Position with Cable (X35A) (SN 0300218537 through 0300271437)	
2	1001213447	1	Connector - 5 Position with Cable (X36A) (SN 0300218537 through 0300271437)	
3	4460874	1	Connector - 35 Position	
3	4460871	35	Socket, Female	
4	4460873	1	Connector - 35 Position	
4	4460871	28	Socket, Female	
4	4460905	7	Plug, Terminal	
5	4460879	1	Connector - 2 Position	
5	4460887	2	Terminal	
6	4460876	1	Connector - 35 Position	
6	4460871	33	Socket, Female	
6	4460905	2	Plug, Terminal	
7	1001186432	2	Plug, Relay	
7	1001116720	4	Terminal	
7	1001118388	8	Terminal	
8	4460884	2	Plug, Male - 4 Position	
8	4460465	8	Socket, Female	
9	4460866	1	Connector - 19 Position	
9	4460943	2	Pin, Male	
9	4460508	4	Pin, Male	
9	4460464	7	Pin, Male	
9	4460466	6	Plug, Terminal	
10	4460761	1	Receptacle, Female - 4 Position	
10	4460227	4	Pin, Male	
11	1001098122	2	Terminal, Ring	
12	8220007	2	Terminal, Ring	
13	4460315	6	Terminal, Fork	
14	4460314	2	Terminal, Fork	
15	4460418	13	Connector - 6 Position	
15	1001159186	25	Terminal	
15	4460419	24	Terminal	
16	4460225	5	Plug, Male - 6 Position	
16	4460227	4	Pin, Male	
16	4460267	2	Pin, Male	
16	4460226	19	Socket, Female	
16	4460268	2	Socket, Female	
17	4460434	1	Plug, Male - 15 Position	
17	4460227	11	Pin, Male	
17	4460267	2	Pin, Male	
18	4460933	1	Connector - 12 Position	
18	4460944	12	Socket, Female	

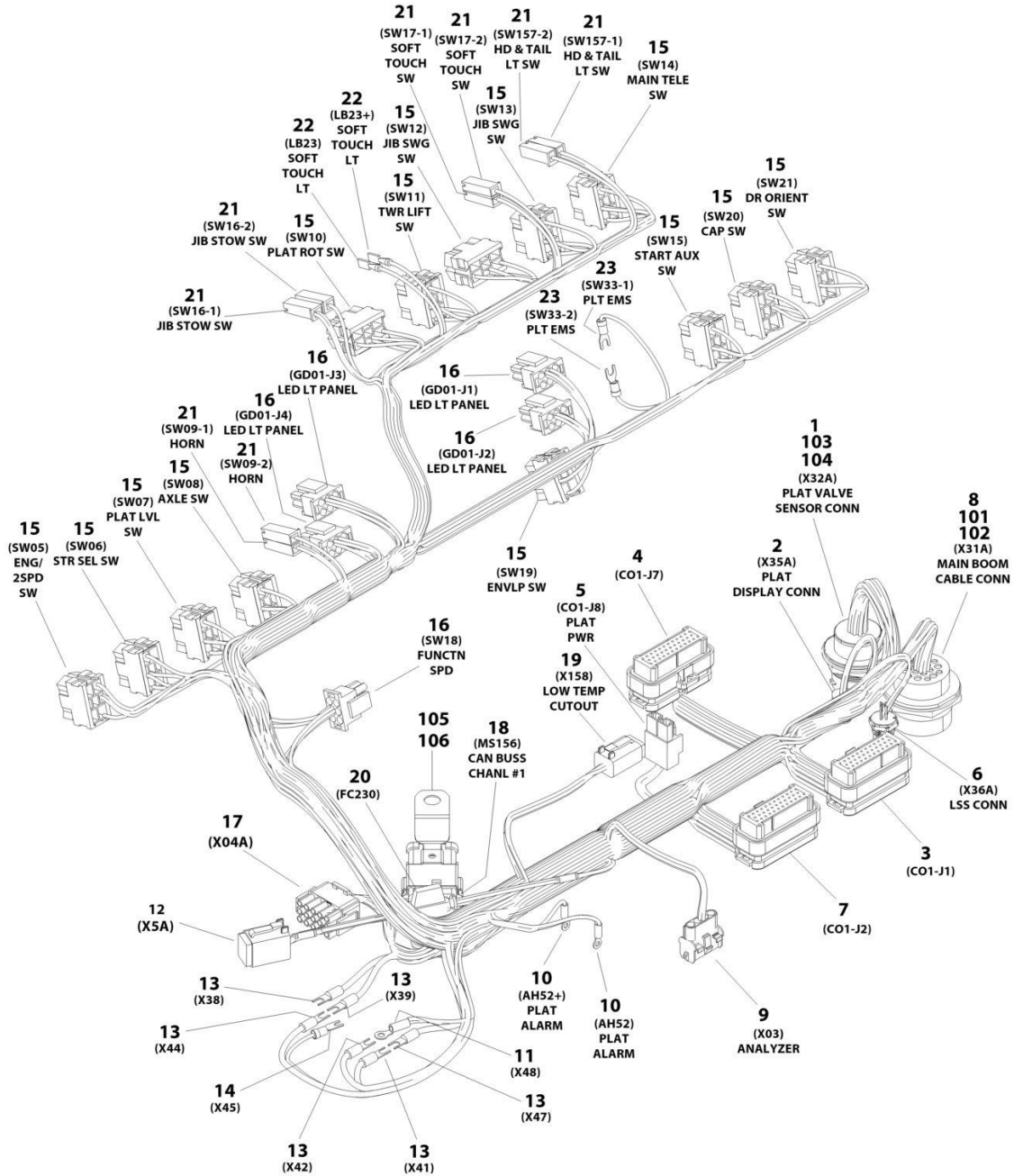
## SECTION 8 - ELECTRICAL

ITEM	PART NUMBER	QTY	DESCRIPTION	REV
19	4460183	2	Terminal, Fork	
20	4460260	8	Cover, Connector - 1 Position	
20	4460259	8	Terminal	
21	4460016	2	Terminal	
101	4460470	1	Nut, Terminal	
102	4460471	1	Washer, Terminal	
103	4460496	1	Washer, Terminal	
104	4460497	1	Nut, Terminal	
105	1001120328	1	Mount	
106	1001125677	1	Bussbar, Female - 12 Position	
107	1001186431	2	Relay (SN 0300000100 through 0300223782)	



# SECTION 8 - ELECTRICAL

FIGURE 8-49. PLATFORM CONSOLE HARNESS - WITH SKYGUARD (SN 0300259280 through 0300271437)



ART\_1001243670

## SECTION 8 - ELECTRICAL

**FIGURE 8-49. PLATFORM CONSOLE HARNESS - WITH SKYGUARD (SN 0300259280 through 0300271437)**

ITEM	PART NUMBER	QTY	DESCRIPTION	REV
	1001243670	Ref	PLATFORM CONSOLE HARNESS - WITH SKYGUARD	B
1	4460925	1	Connector - 21 Position	
1	1001126011	20	Pin, Male	
1	4460518	1	Plug, Socket	
2	1001120055	1	Connector - 5 Position with Cable	
3	4460874	1	Connector - 35 Position	
3	4460871	35	Socket, Female	
4	4460873	1	Connector - 35 Position	
4	4460871	28	Socket, Female	
4	4460905	7	Plug, Terminal	
5	4460879	1	Connector - 2 Position	
5	4460887	2	Terminal	
6	1001213447	1	Connector - 5 Position with Cable	
7	4460876	1	Connector - 35 Position	
7	4460871	34	Socket, Female	
7	4460905	1	Plug, Terminal	
8	4460866	1	Connector - 19 Position	
8	4460943	2	Pin, Male	
8	4460508	4	Pin, Male	
8	4460464	7	Pin, Male	
8	4460466	6	Plug, Terminal	
9	4460761	1	Receptacle, Female - 4 Position	
9	4460227	4	Pin, Male	
10	1001098122	2	Terminal, Ring	
11	8220007	1	Terminal, Ring	
12	4460894	1	Connector - 6 Position	
12	4460944	4	Socket, Female	
12	4460466	2	Plug, Socket	
13	4460315	6	Terminal, Fork	
14	4460314	1	Terminal, Fork	
15	4460418	13	Connector - 6 Position	
15	1001159186	24	Terminal	
15	4460419	24	Terminal	
16	4460225	5	Plug, Male - 6 Position	
16	4460227	4	Pin, Male	
16	4460267	2	Pin, Male	
16	4460226	20	Socket, Female	
16	4460268	2	Socket, Female	
17	4460434	1	Plug, Male - 15 Position	
17	4460227	11	Pin, Male	
17	4460267	2	Pin, Male	
18	4460933	1	Connector - 12 Position	
18	4460944	12	Socket, Female	
19	4460884	1	Plug, Male - 4 Position	
19	4460465	2	Socket, Female	
19	4460944	2	Socket, Female	
20	2400060	1	Fuseholder with Cover	
20	8229242	1	Fuse 5 Amp	
21	4460260	8	Cover, Connector - 1 Position	

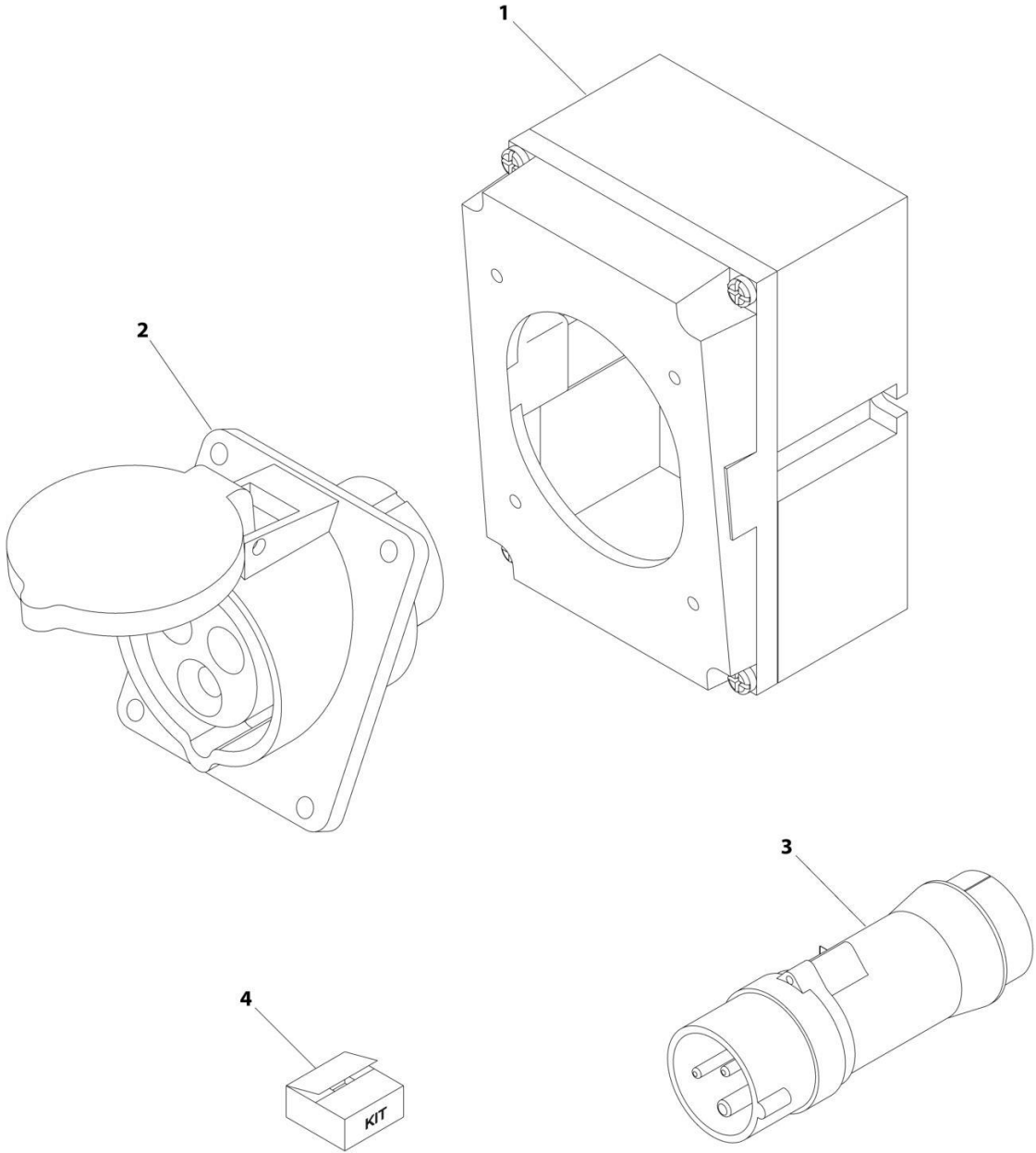
## SECTION 8 - ELECTRICAL

ITEM	PART NUMBER	QTY	DESCRIPTION	REV
21	4460259	12	Terminal	
22	4460016	2	Terminal	
23	4460183	2	Terminal, Fork	
101	4460470	1	Nut, Terminal	
102	4460471	1	Washer, Terminal	
103	4460496	1	Washer, Terminal	
104	4460497	1	Nut, Terminal	
105	1001120328	1	Mount	
106	1001125677	1	Bussbar, Female - 12 Position	



**SECTION 8 - ELECTRICAL**

**FIGURE 8-50. RECEPTACLE BOX KIT - 110V IEC YELLOW (CE SPEC)**



ART\_0275216



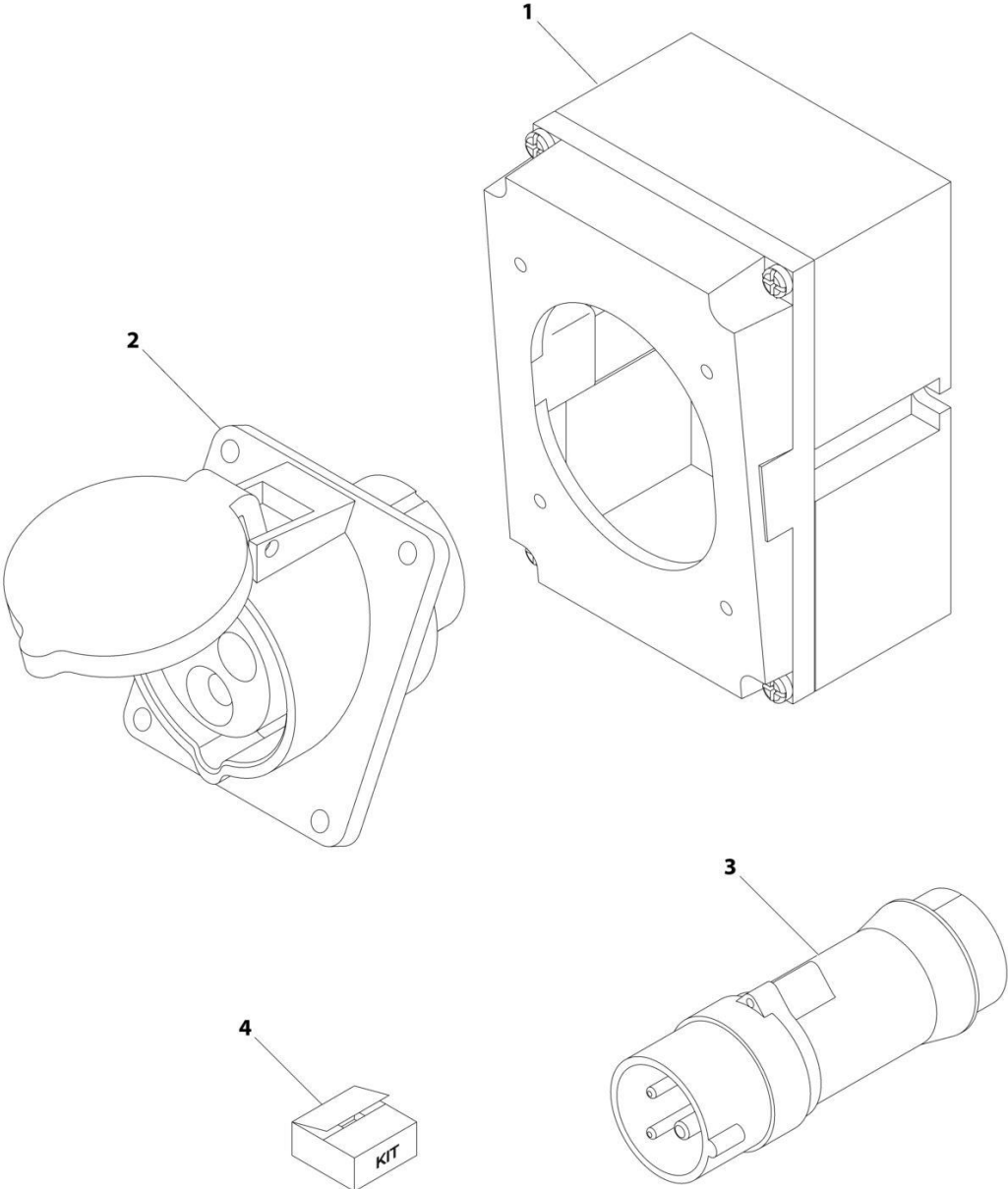
## SECTION 8 - ELECTRICAL

**FIGURE 8-50. RECEPTACLE BOX KIT - 110V IEC YELLOW (CE SPEC)**

ITEM	PART NUMBER	QTY	DESCRIPTION	REV
	0275216	Ref	RECEPTACLE BOX KIT - 110V IEC YELLOW (CE SPEC)	1
1	0861781	1	Box, Switch	
2	4461198	1	Receptacle	
3	4461196	1	Plug, Male	
4	1001100341	1	Plug and Socket Kit (Includes Items 1-3 and Female Plug p/n 4461197)	

**SECTION 8 - ELECTRICAL**

**FIGURE 8-51. RECEPTACLE BOX KIT - 220V IEC BLUE (CE SPEC)**



ART\_0275217

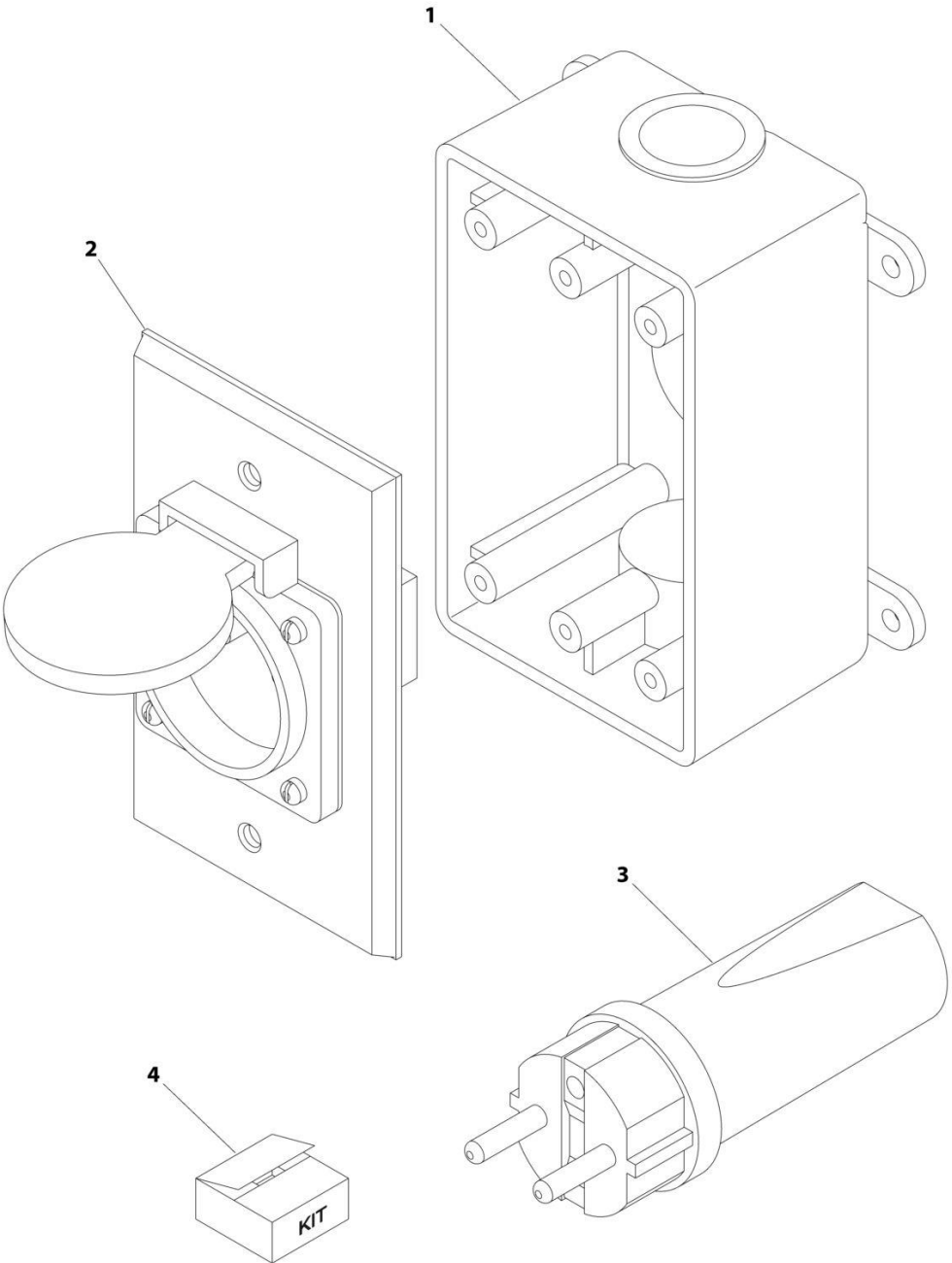
## SECTION 8 - ELECTRICAL

**FIGURE 8-51. RECEPTACLE BOX KIT - 220V IEC BLUE (CE SPEC)**

ITEM	PART NUMBER	QTY	DESCRIPTION	REV
	0275217	Ref	RECEPTACLE BOX KIT - 220V IEC BLUE (CE SPEC)	1
1	0861781	1	Box, Switch	
2	4461201	1	Receptacle	
3	4461199	1	Plug, Male	
4	1001100342	1	Plug and Socket Kit (Includes Items 1-3 and Female Plug p/n 4461200)	

**SECTION 8 - ELECTRICAL**

**FIGURE 8-52. RECEPTACLE BOX KIT - 220V CEE7 POST GROUND (CE SPEC)**



ART\_0275452

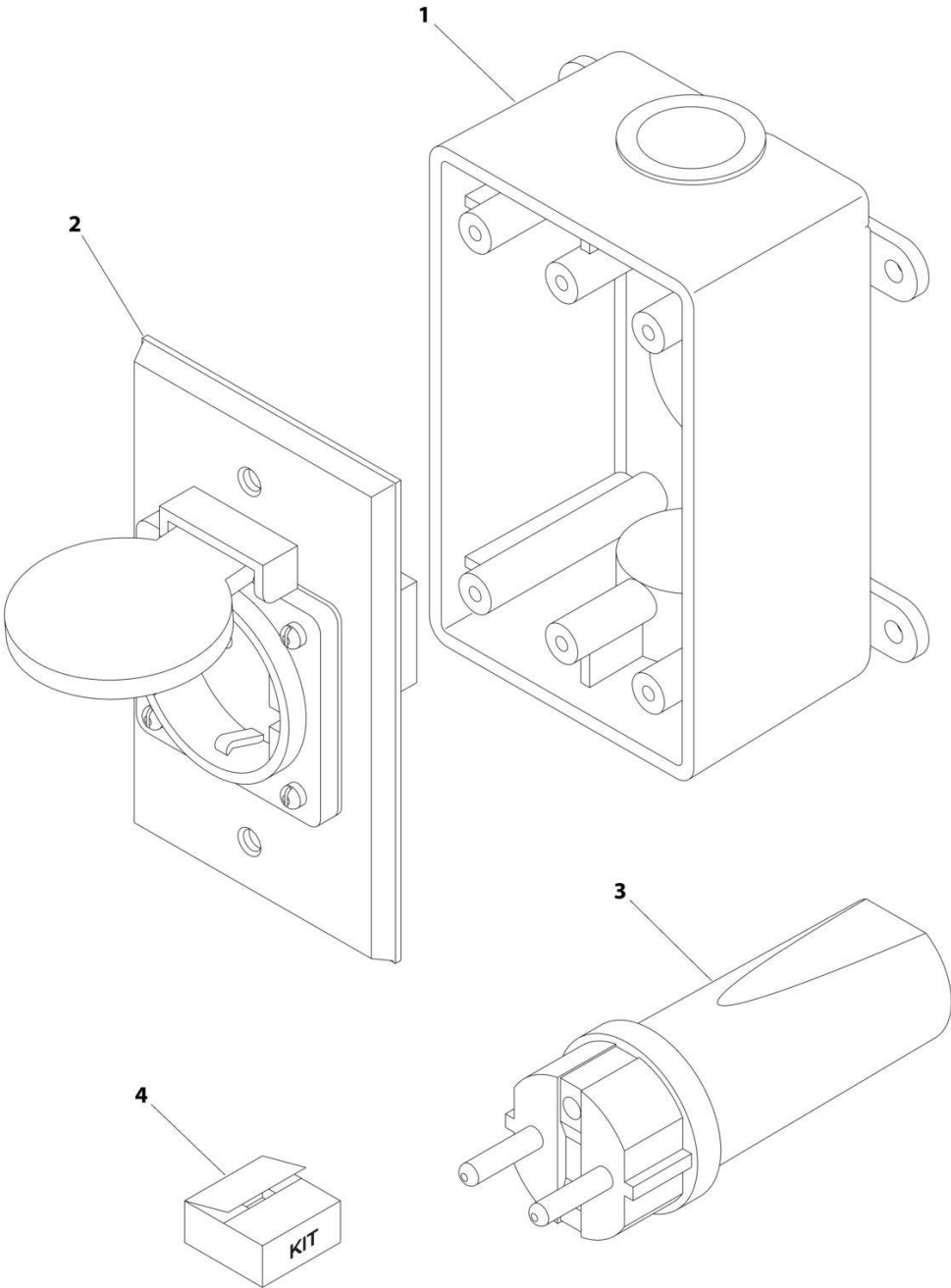
## SECTION 8 - ELECTRICAL

**FIGURE 8-52. RECEPTACLE BOX KIT - 220V CEE7 POST GROUND (CE SPEC)**

ITEM	PART NUMBER	QTY	DESCRIPTION	REV
	0275452	Ref	RECEPTACLE BOX KIT - 220V CEE7 POST GROUND (CE SPEC)	C
1	0861731	1	Box, Switch	
2	4461244	1	Receptacle	
3	4461202	NLA	Plug, Male (Use p/n 4461205)	
4	1001100345	1	Plug and Socket Kit (Includes Items 1-3 and Female Plug p/n 4461206)	

**SECTION 8 - ELECTRICAL**

**FIGURE 8-53. RECEPTACLE BOX KIT - 220V CEE7 SIDE GROUND (CE SPEC)**



ART\_0275453

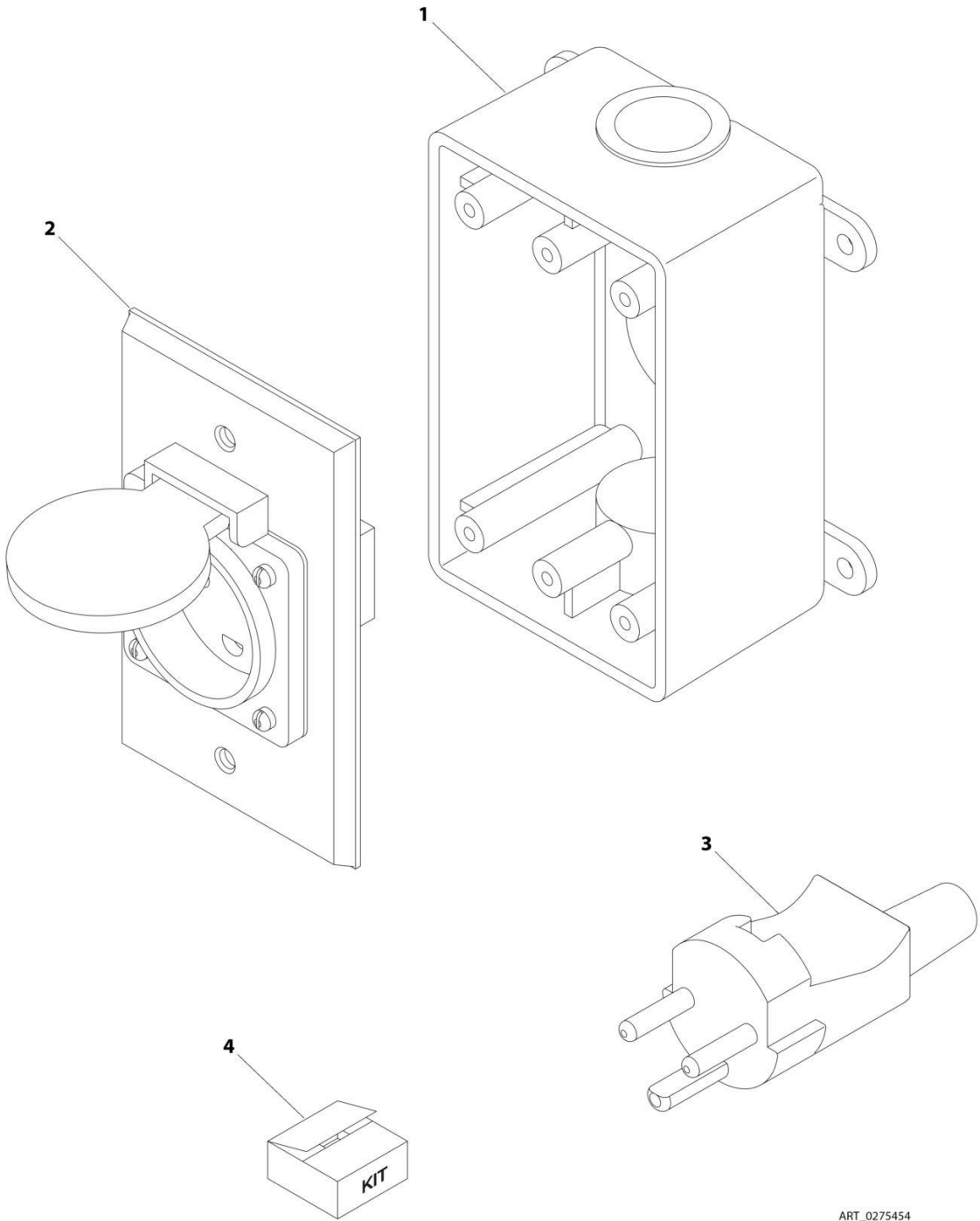
## SECTION 8 - ELECTRICAL

**FIGURE 8-53. RECEPTACLE BOX KIT - 220V CEE7 SIDE GROUND (CE SPEC)**

ITEM	PART NUMBER	QTY	DESCRIPTION	REV
	0275453	Ref	RECEPTACLE BOX KIT - 220V CEE7 SIDE GROUND (CE SPEC)	C
1	0861731	1	Box, Switch	
2	4461245	1	Receptacle	
3	4461205	1	Plug, Male	
4	1001100347	1	Plug and Socket Kit (Includes Items 1-3 and Female Plug p/n 4461206)	

**SECTION 8 - ELECTRICAL**

**FIGURE 8-54. RECEPTACLE BOX KIT - 220V AFSINT 107 (CE SPEC)**



ART\_0275454



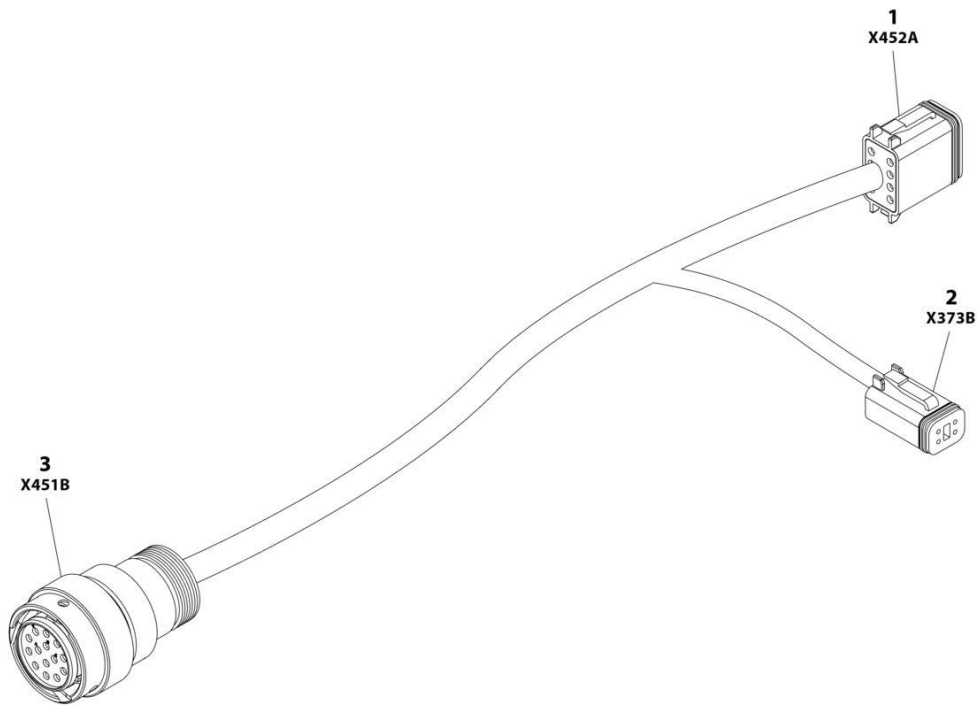
## SECTION 8 - ELECTRICAL

**FIGURE 8-54. RECEPTACLE BOX KIT - 220V AFSINT 107 (CE SPEC)**

ITEM	PART NUMBER	QTY	DESCRIPTION	REV
	0275454	Ref	RECEPTACLE BOX KIT - 220V AFSINT 107 (CE SPEC)	1
1	0861731	1	Box, Switch	
2	4461246	1	Receptacle	
3	4461249	1	Plug, Male	
4	1001100346	1	Plug and Socket Kit (Includes Items 1-3 and Female Plug p/n 4461250)	

# SECTION 8 - ELECTRICAL

## FIGURE 8-55. SECONDARY CONTROL HARNESS



ART\_1001202785

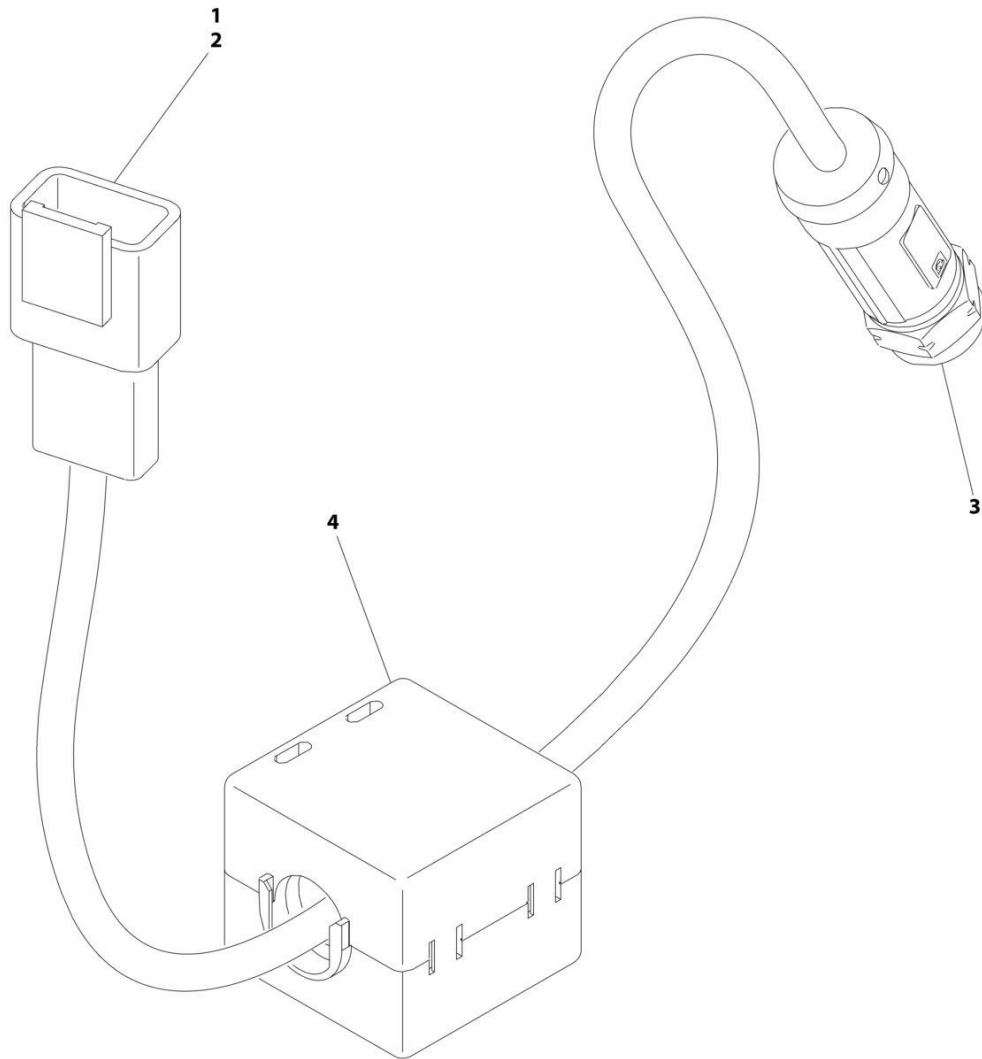
## SECTION 8 - ELECTRICAL

### FIGURE 8-55. SECONDARY CONTROL HARNESS

ITEM	PART NUMBER	QTY	DESCRIPTION	REV
	1001202785	Ref	SECONDARY CONTROL HARNESS	C
1	4460930	1	Plug, Male - 8 Position	
1	4460465	8	Socket, Female	
2	4460884	1	Plug, Male - 4 Position	
2	1001157890	4	Socket, Female	
3	1001212188	1	Connector - 14 Position	
3	4460465	8	Socket, Female	
3	1001157890	4	Socket, Female	
3	4460466	2	Plug, Terminal	

# SECTION 8 - ELECTRICAL

## FIGURE 8-56. SENSOR HARNESS - AXLE



ART\_1001163631

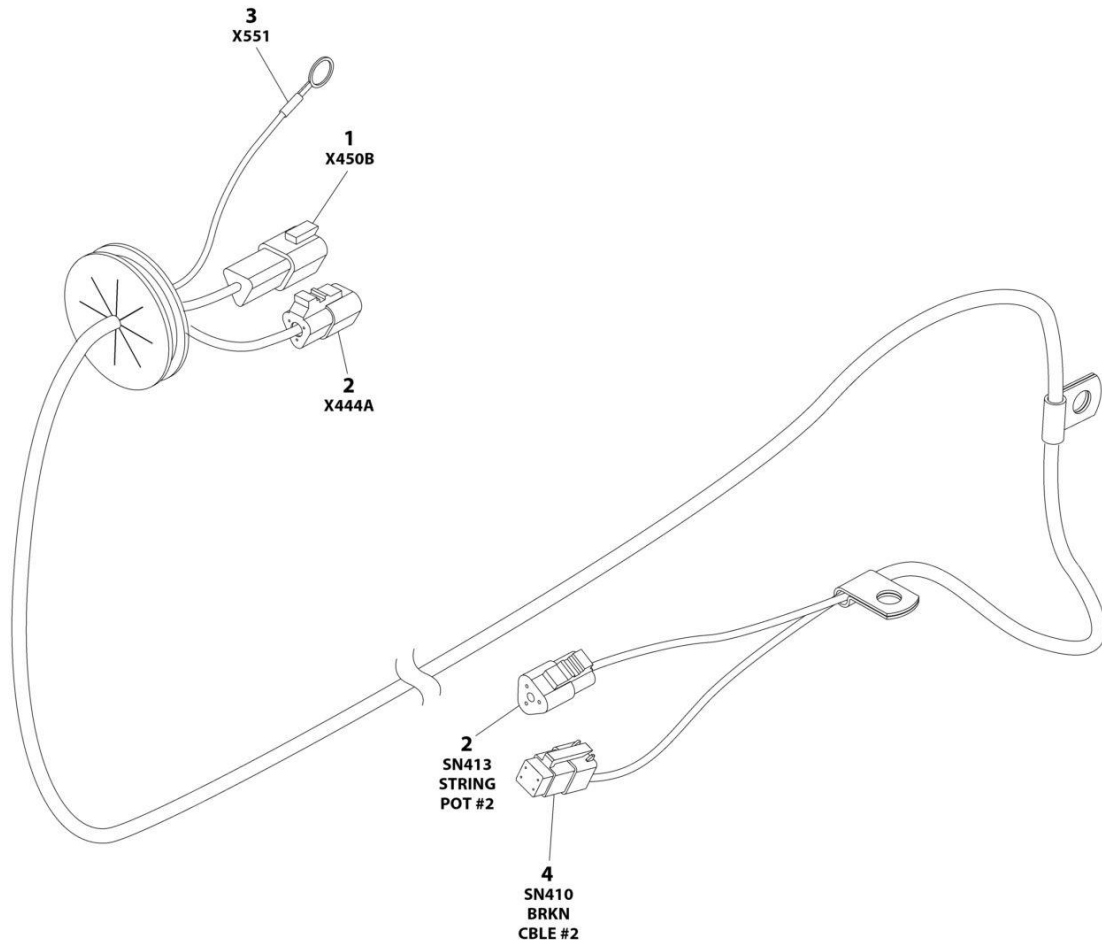
## SECTION 8 - ELECTRICAL

### FIGURE 8-56. SENSOR HARNESS - AXLE

ITEM	PART NUMBER	QTY	DESCRIPTION	REV
	1001163631	Ref	SENSOR HARNESS - AXLE	B
1	4460910	1	Connector - 3 Position	
2	4460929	3	Pin, Male	
3	See Note	NSS	Sensor with Cable (Note: Use p/n 1001163631)	
4	1001102594	1	Ferrite, LMI	

# SECTION 8 - ELECTRICAL

## FIGURE 8-57. SENSOR HARNESS - BOOM



ART\_1001201062

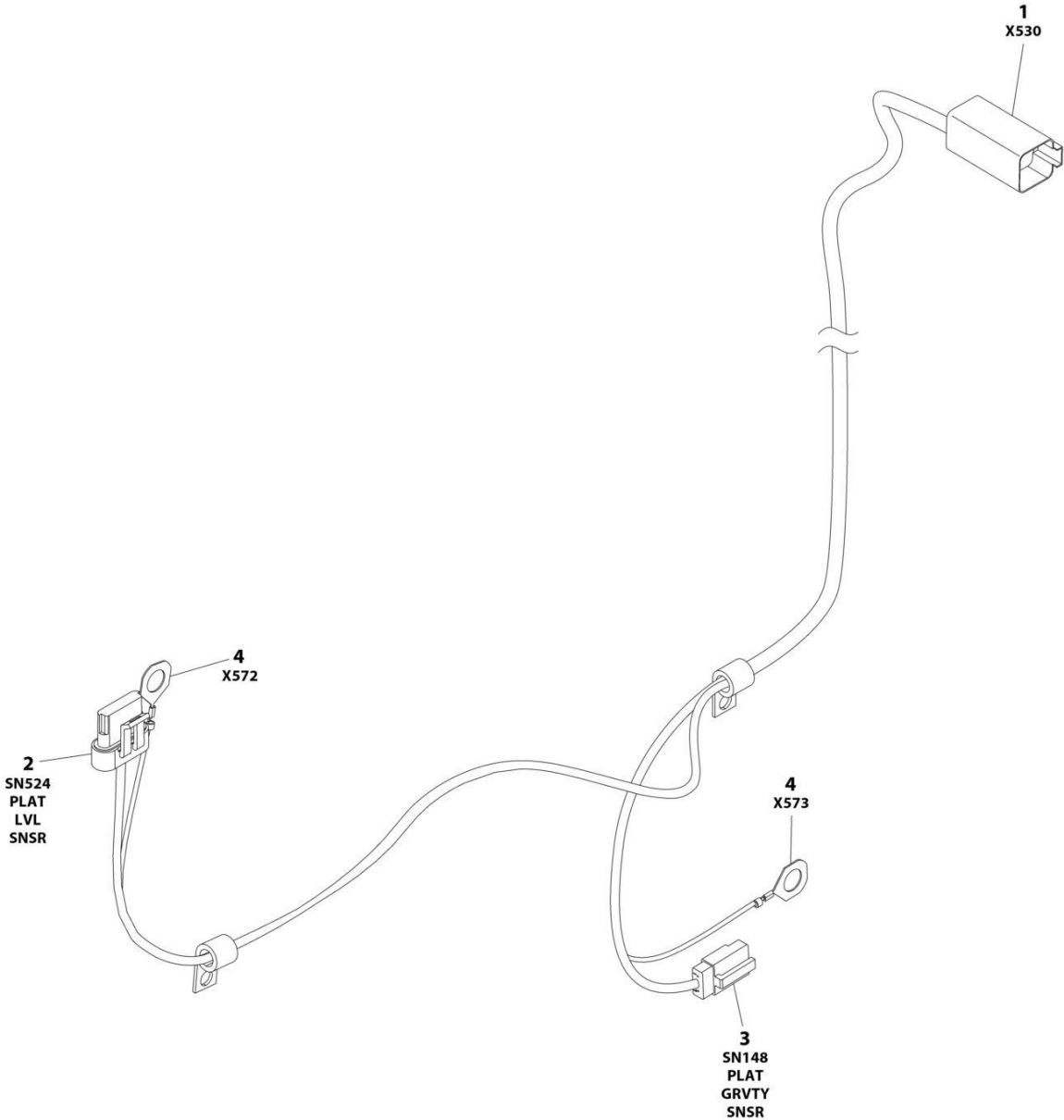
## SECTION 8 - ELECTRICAL

### FIGURE 8-57. SENSOR HARNESS - BOOM

ITEM	PART NUMBER	QTY	DESCRIPTION	REV
	1001201062	Ref	SENSOR HARNESS - BOOM	C
1	1001144147	1	Receptacle, Female - 3 Position	
1	4460464	3	Pin, Male	
2	4460539	2	Plug, Male - 3 Position	
2	4460465	6	Socket, Female	
3	4460722	1	Terminal, Ring	
4	4461077	1	Plug, Male - 4 Position	
4	4460928	3	Socket, Female	
4	4460518	1	Plug, Terminal	

**SECTION 8 - ELECTRICAL**

**FIGURE 8-58. SENSOR HARNESS - PLATFORM LEVEL**



ART\_1001204028



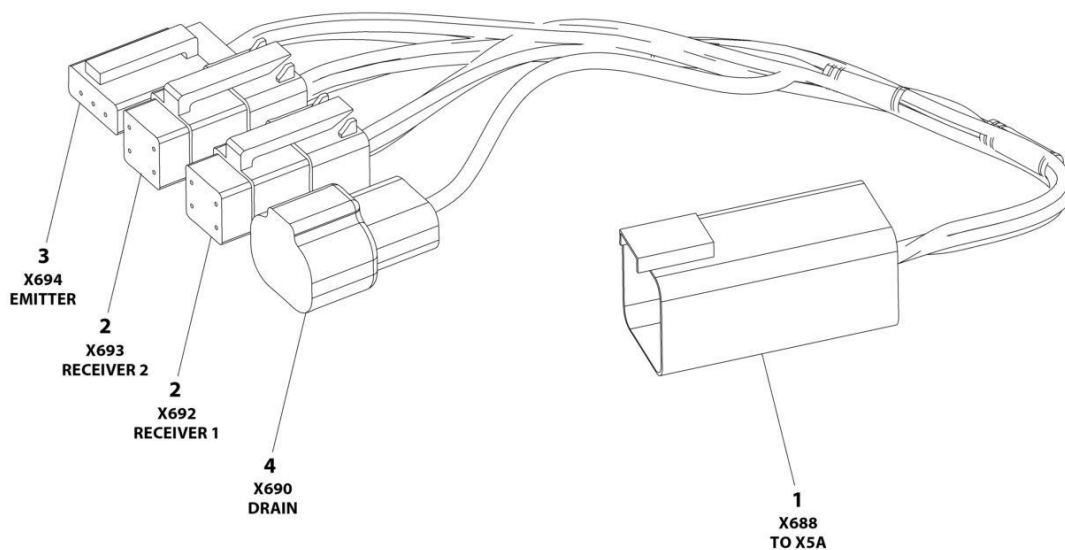
## SECTION 8 - ELECTRICAL

**FIGURE 8-58. SENSOR HARNESS - PLATFORM LEVEL**

ITEM	PART NUMBER	QTY	DESCRIPTION	REV
	1001204028	Ref	SENSOR HARNESS - PLATFORM LEVEL	C
1	4460899	1	Receptacle, Female - 6 Position	
1	4460464	6	Pin, Male	
2	1001117064	NLA	Plug, Male - 6 Position (Use p/n 1001230931) <b>(SN 0300000100 through 0300237540)</b>	
2	91554014	NLA	Terminal (Use p/n 1001116748) <b>(SN 0300000100 through 0300237540)</b>	
2	1001230931	1	Plug, Male - 6 Position <b>(SN 0300237540 through 0300271437)</b>	
2	1001116748	3	Terminal <b>(SN 0300237540 through 0300271437)</b>	
2	1001116751	3	Plug, Terminal	
3	4460911	1	Plug, Male - 3 Position	
3	4460918	3	Socket, Female	
4	1001187077	2	Terminal, Ring	

# SECTION 8 - ELECTRICAL

## FIGURE 8-59. SKYEYE INTERMEDIATE HARNESS



ART\_1001237865

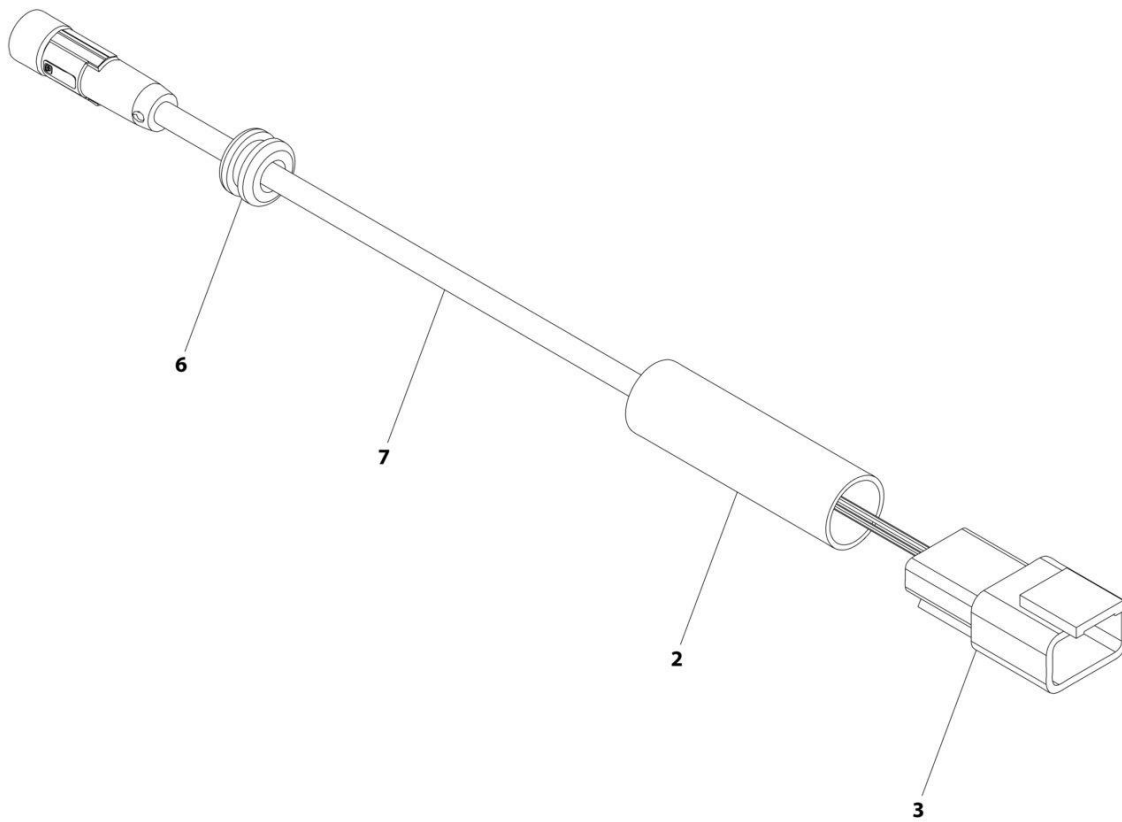
## SECTION 8 - ELECTRICAL

### FIGURE 8-59. SKYEYE INTERMEDIATE HARNESS

ITEM	PART NUMBER	QTY	DESCRIPTION	REV
	1001237865	Ref	SKYEYE INTERMEDIATE HARNESS	A
1	4460899	1	Connector - 6 Position	
1	4460943	4	Pin, Male	
1	4460466	2	Plug, Terminal	
2	4461077	2	Connector - 4 Position	
2	1001119619	8	Socket, Female	
3	4460911	1	Connector - 3 Position	
3	1001119619	3	Socket, Female	
4	1001187681	1	Connector - 2 Position	
4	4460941	1	Pin, Male	
4	4460466	1	Plug, Terminal	

# SECTION 8 - ELECTRICAL

## FIGURE 8-60. SKYEYE EMITTER HARNESS



ART\_1001237864

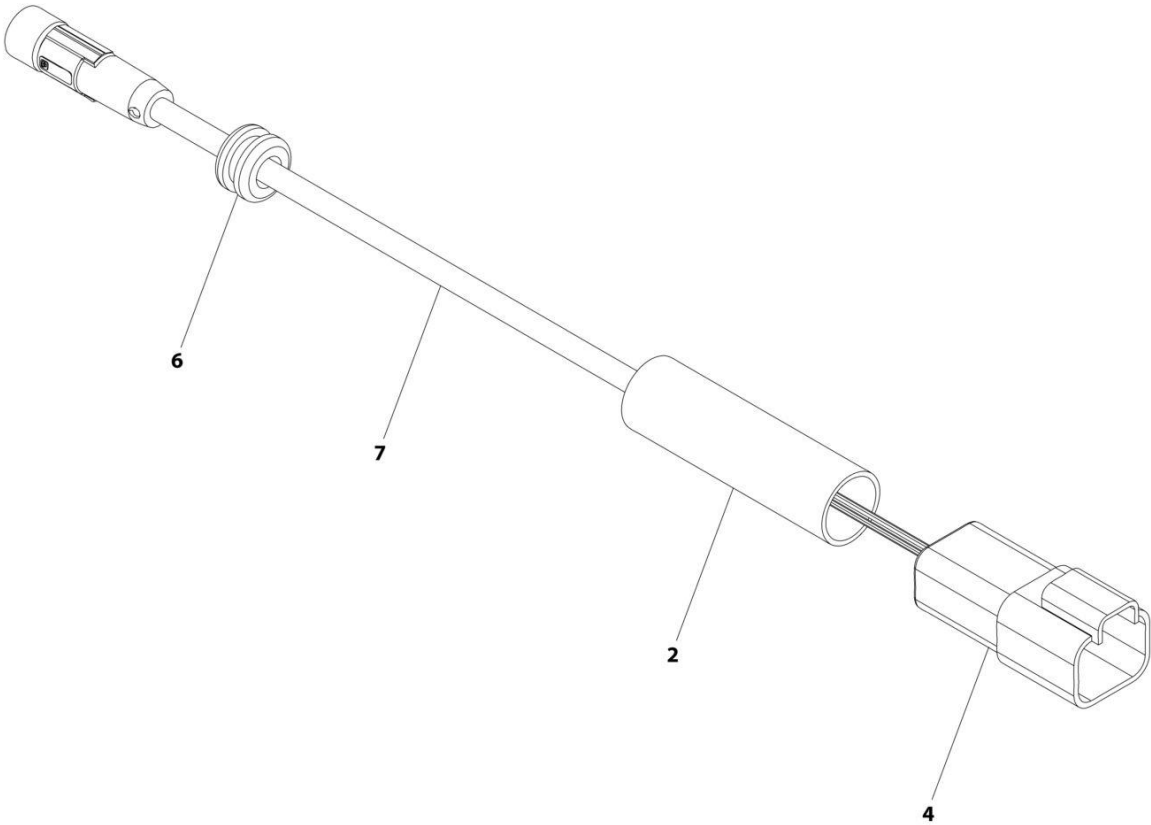
## SECTION 8 - ELECTRICAL

### FIGURE 8-60. SKYEYE EMITTER HARNESS

ITEM	PART NUMBER	QTY	DESCRIPTION	REV
	1001237864	Ref	SKYEYE EMITTER HARNESS	A
2	2820247	AR	Tubing, Heat Shrink	
3	4460910	1	Connector - 3 Position	
3	1001119620	3	Pin, Male	
6	1001227996	1	Grommet	
7	1001237862	1	Cable, M8 Female Cordset	

**SECTION 8 - ELECTRICAL**

**FIGURE 8-61. SKYEYE RECEIVER HARNESS**



ART\_1001237863

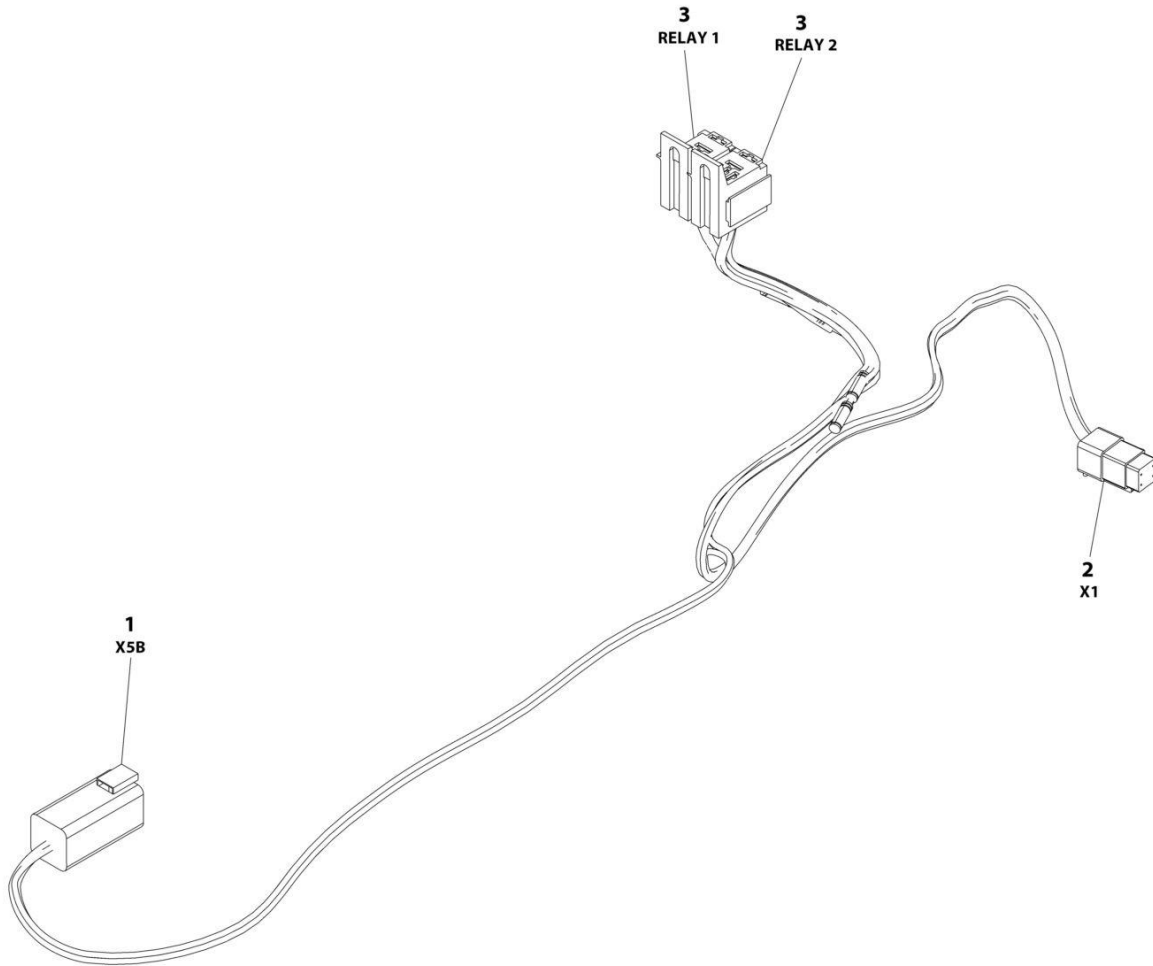
## SECTION 8 - ELECTRICAL

### FIGURE 8-61. SKYEYE RECEIVER HARNESS

ITEM	PART NUMBER	QTY	DESCRIPTION	REV
	1001237863	Ref	SKYEYE RECEIVER HARNESS	A
2	2820247	AR	Tubing, Heat Shrink	
4	1001097051	1	Connector - 4 Position	
4	1001119620	4	Pin, Male	
6	1001227996	1	Grommet	
7	1001237862	1	Cable, M8 Female Cordset	

# SECTION 8 - ELECTRICAL

## FIGURE 8-62. SKYLINE HARNESS



ART\_1001238418



## SECTION 8 - ELECTRICAL

### FIGURE 8-62. SKYLINE HARNESS

ITEM	PART NUMBER	QTY	DESCRIPTION	REV
	1001238418	Ref	SKYLINE HARNESS	B
1	4460899	1	Connector - 6 Position	
1	4460464	4	Pin, Male	
1	4460466	2	Plug, Terminal	
2	4461077	1	Connector - 4 Position	
2	1001126009	4	Socket, Female	
3	1001186432	2	Plug, Relay	
3	1001118388	5	Terminal	
3	1001118384	3	Terminal	
3	3740086	2	Relay	

# SECTION 8 - ELECTRICAL

## FIGURE 8-63. STEER HARNESS



ART\_1001155817

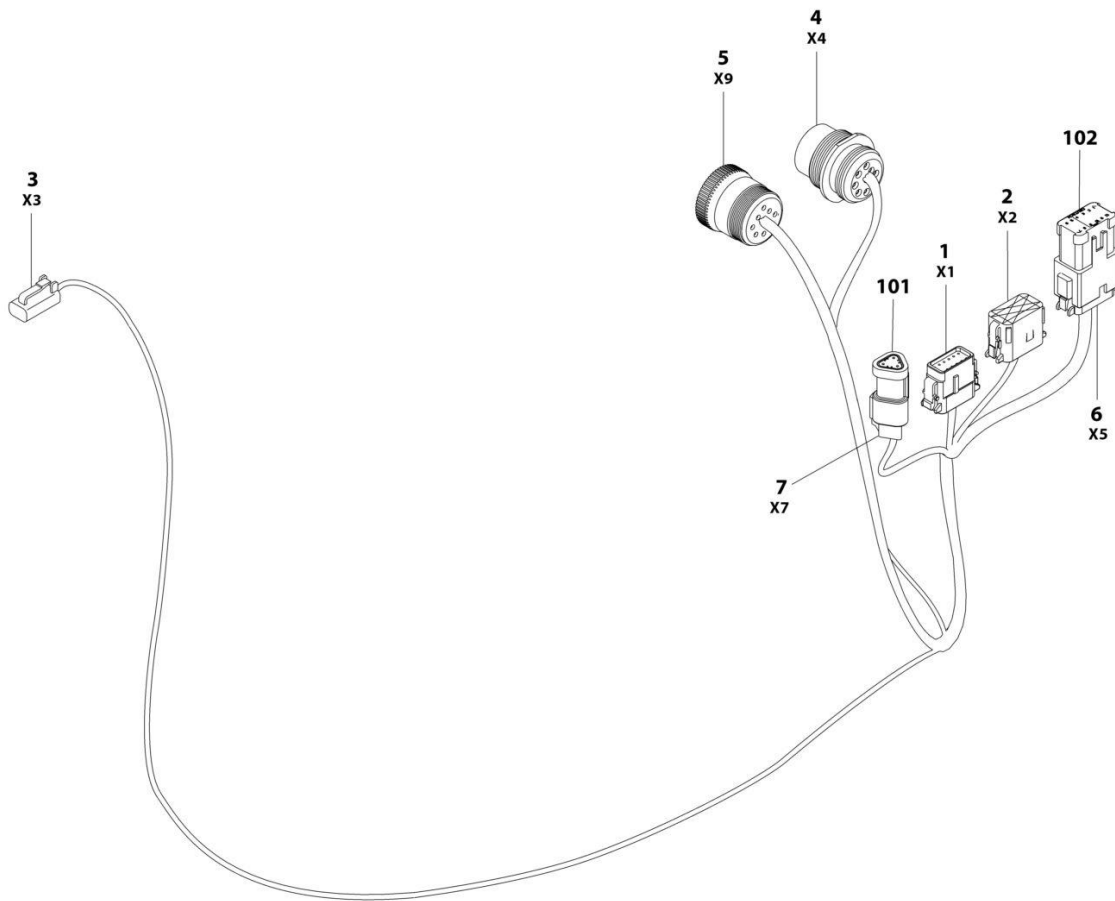
## SECTION 8 - ELECTRICAL

### FIGURE 8-63. STEER HARNESS

ITEM	PART NUMBER	QTY	DESCRIPTION	REV
	1001155817	Ref	STEER HARNESS	B
1	4460894	1	Connector - 6 Position	
1	4460465	4	Socket, Female	
1	4460466	2	Seal, Plug	
2	4460894	1	Connector - 6 Position	
2	4460465	3	Socket, Female	
2	4460466	3	Seal, Plug	

# SECTION 8 - ELECTRICAL

## FIGURE 8-64. STROBE LIGHT HARNESS



ART\_1001210781

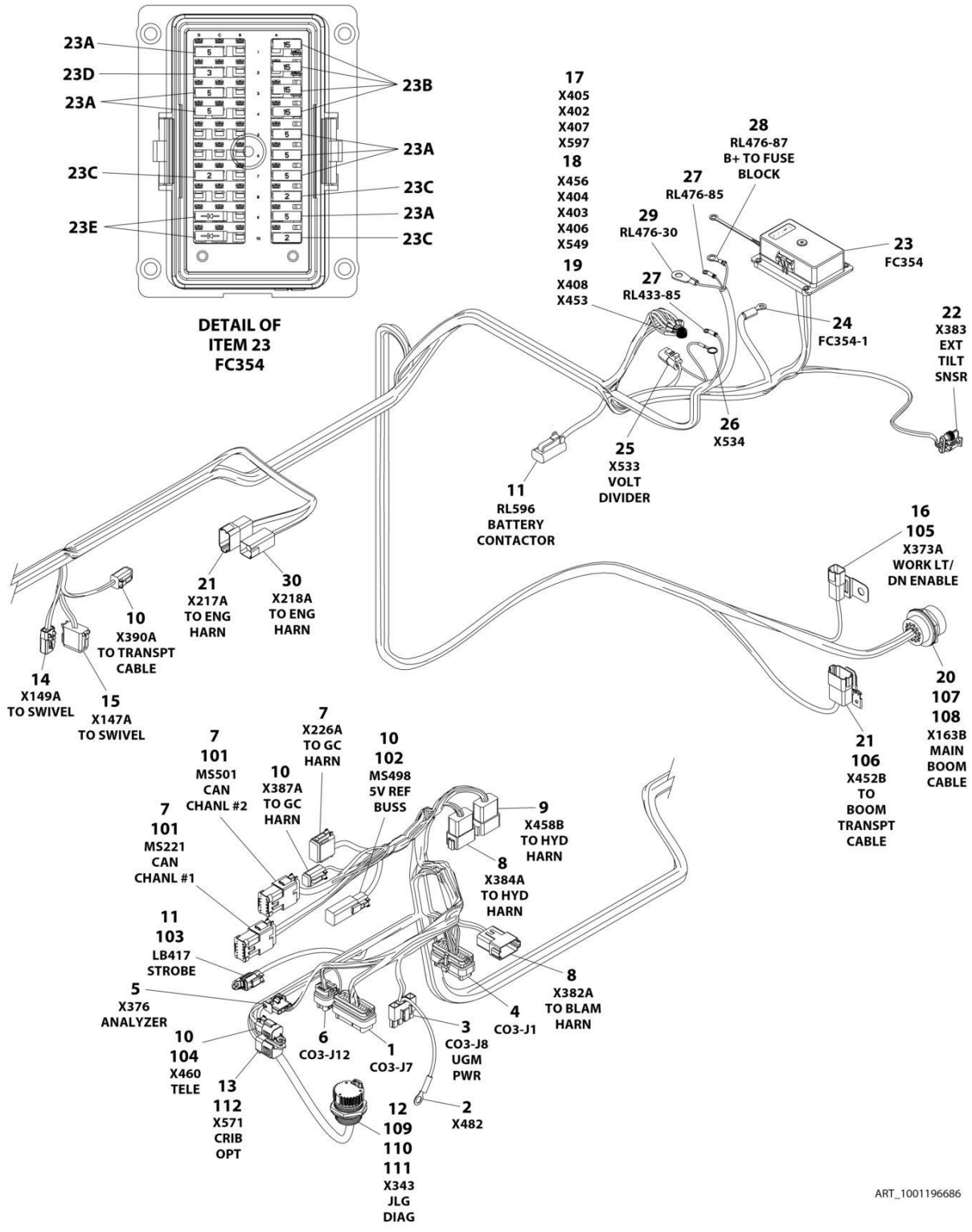
## SECTION 8 - ELECTRICAL

### FIGURE 8-64. STROBE LIGHT HARNESS

ITEM	PART NUMBER	QTY	DESCRIPTION	REV
	1001210781	Ref	STROBE LIGHT HARNESS	A
1	1001116808	1	Connector - 12 Position	
1	4460928	3	Socket, Female	
1	4460518	9	Plug, Socket	
2	1001116774	1	Connector - 12 Position	
2	4460928	3	Socket, Female	
2	4460518	9	Plug, Socket	
3	4460891	1	Connector - 2 Position	
3	4460465	2	Socket, Female	
4	1001112612	1	Connector - 9 Position	
4	4460464	6	Pin, Male	
4	4460466	3	Plug, Socket	
5	1001112796	1	Connector - 9 Position	
5	4460465	6	Socket, Female	
5	4460466	3	Plug, Socket	
6	4460933	1	Connector - 12 Position	
6	4460465	12	Socket, Female	
7	4461095	1	Connector - 3 Position	
7	4460465	3	Socket, Female	
101	4461070	1	Connector - 3 Position	
102	1001119020	1	Connector, Female Bussbar - 12 Position	

# SECTION 8 - ELECTRICAL

## FIGURE 8-65. TURNTABLE HARNESS



ART\_1001196686

## SECTION 8 - ELECTRICAL

### FIGURE 8-65. TURNTABLE HARNESS

ITEM	PART NUMBER	QTY	DESCRIPTION	REV
	1001196686	Ref	TURNTABLE HARNESS	F
1	4460873	1	Connector - 35 Position	
1	4460871	30	Socket, Female	
1	4460466	5	Plug, Terminal	
2	1001117110	1	Terminal, Ring	
3	4460878	1	Connector - 4 Position	
3	4460887	3	Terminal	
4	4460874	1	Connector - 35 Position	
4	4460871	26	Socket, Female	
4	4460905	9	Plug, Terminal	
5	4460761	1	Connector - 4 Position	
5	4460267	4	Pin, Male	
6	1001113961	1	Connector - 8 Position	
6	4460871	7	Socket, Female	
6	4460905	1	Plug, Terminal	
7	4460933	3	Plug, Male - 12 Position	
7	4460944	22	Socket, Female	
7	4460465	9	Socket, Female	
7	4460466	5	Plug, Terminal	
8	4460970	2	Receptacle, Female - 12 Position	
8	4460464	12	Pin, Male	
8	4460943	2	Pin, Male	
8	1001116693	10	Pin, Male	
9	4460950	1	Receptacle, Female - 12 Position	
9	4460464	12	Pin, Male	
10	4460884	4	Plug, Male - 4 Position	
10	4460465	16	Socket, Female	
11	4460891	2	Plug, Male - 2 Position	
11	4460465	4	Socket, Female	
12	1001112612	1	Connector - 9 Position	
12	4460464	12	Pin, Male	
12	4460943	2	Pin, Male	
12	4460466	4	Plug, Terminal	
13	4460894	1	Plug, Male - 6 Position	
13	4460465	4	Socket, Female	
13	4460944	2	Socket, Female	
14	4461018	1	Plug, Male - 2 Position	
14	1001150611	2	Socket, Female	
15	4460836	1	Plug, Male - 12 Position	
15	4460944	2	Socket, Female	
15	4460465	1	Socket, Female	
15	4460466	9	Plug, Terminal	
16	4460932	1	Receptacle, Female - 4 Position	
16	1001157891	2	Pin, Male	
16	1001116693	2	Pin, Male	
17	4460722	4	Terminal, Ring	
18	4460019	5	Terminal, Ring	
19	4460256	2	Terminal, Ring	
20	4460866	1	Connector - 19 Position	
20	4460464	8	Pin, Male	

## SECTION 8 - ELECTRICAL

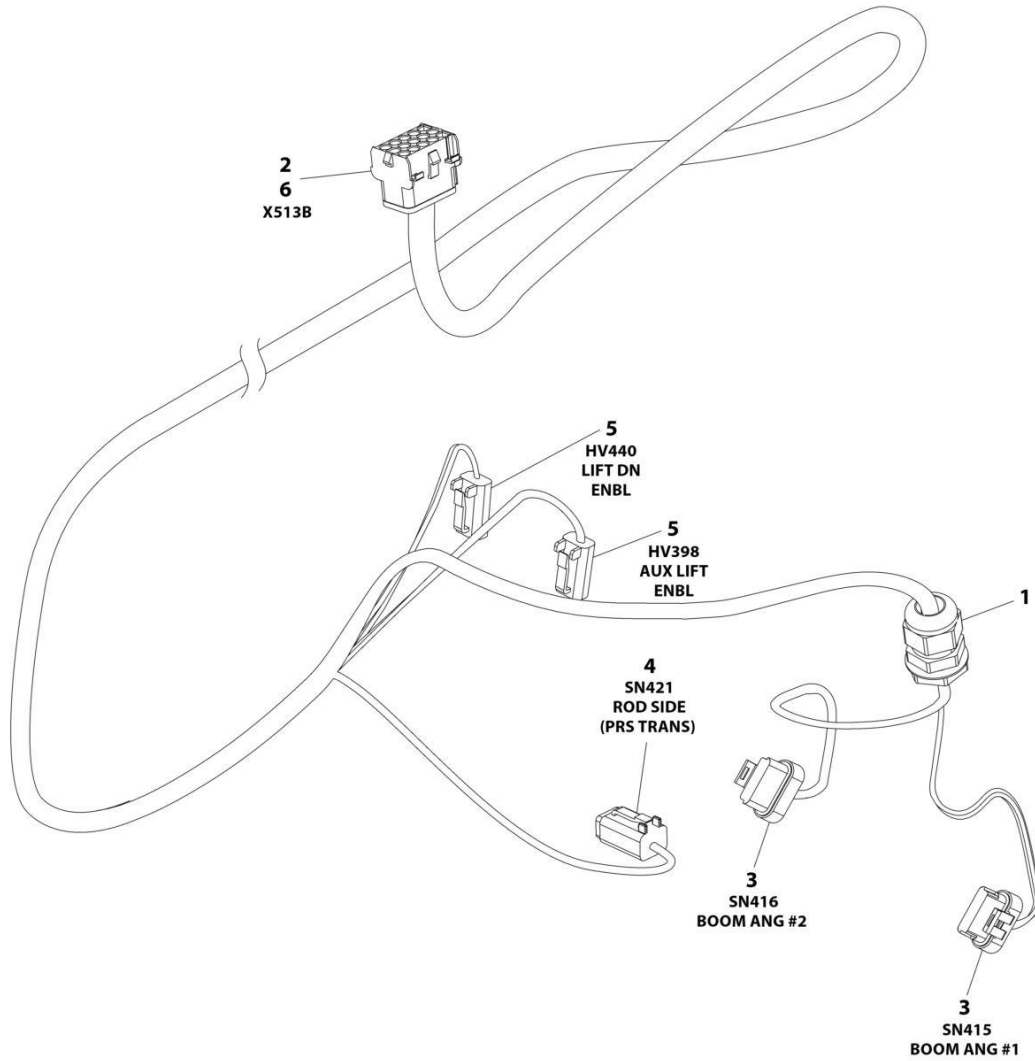
ITEM	PART NUMBER	QTY	DESCRIPTION	REV
20	4460508	4	Pin, Male	
20	4460943	2	Pin, Male	
20	4460466	5	Plug, Terminal	
21	4460931	2	Receptacle, Female - 8 Position	
21	4460464	8	Pin, Male	
21	1001116693	6	Pin, Male	
21	4460466	2	Plug, Terminal	
22	1001103012	1	Plug, Male - 4 Position	
22	1001107854	4	Socket, Female	
22	1001104498	4	Seal, Terminal	
23	1001196605	1	Fuse Box Assembly	
23A	8229242	7	Fuse 5Amp	
23B	8229244	4	Fuse 15Amp	
23C	1001196634	3	Fuse 2Amp	
23D	1001196635	1	Fuse 3Amp	
23E	1001196636	2	Diode 1Amp	
23F	1001196603	1	Cover (Not Shown)	
24	8220116	1	Terminal, Ring	
25	4460539	1	Plug, Male - 3 Position	
25	4460465	3	Socket, Female	
26	4460703	1	Terminal, Ring	
27	4460247	2	Terminal, Ring	
28	4460670	1	Terminal, Ring	
29	4460443	1	Terminal, Ring	
30	4460899	1	Receptacle, Female - 6 Position	
30	4460943	2	Pin, Male	
30	1001116693	3	Pin, Male	
30	4460466	1	Plug, Terminal	
101	1001125677	2	Receptacle, Female Termination - 12 Position	
102	4460893	1	Receptacle, Female Bussbar - 4 Position	
103	1001144295	1	Cap	
104	1001192401	1	Cap, Dust	
105	1001155967	1	Mount	
106	1001202914	1	Mount	
107	4460470	1	Nut, Terminal	
108	4460471	1	Washer, Terminal	
109	4460496	1	Washer, Terminal	
110	4460497	1	Nut, Terminal	
111	1001106736	1	Cap, Dust	
112	1001213448	1	Cap, Dust	





# SECTION 8 - ELECTRICAL

## FIGURE 8-66. VALVE HARNESS - BOOM



ART\_1001216806

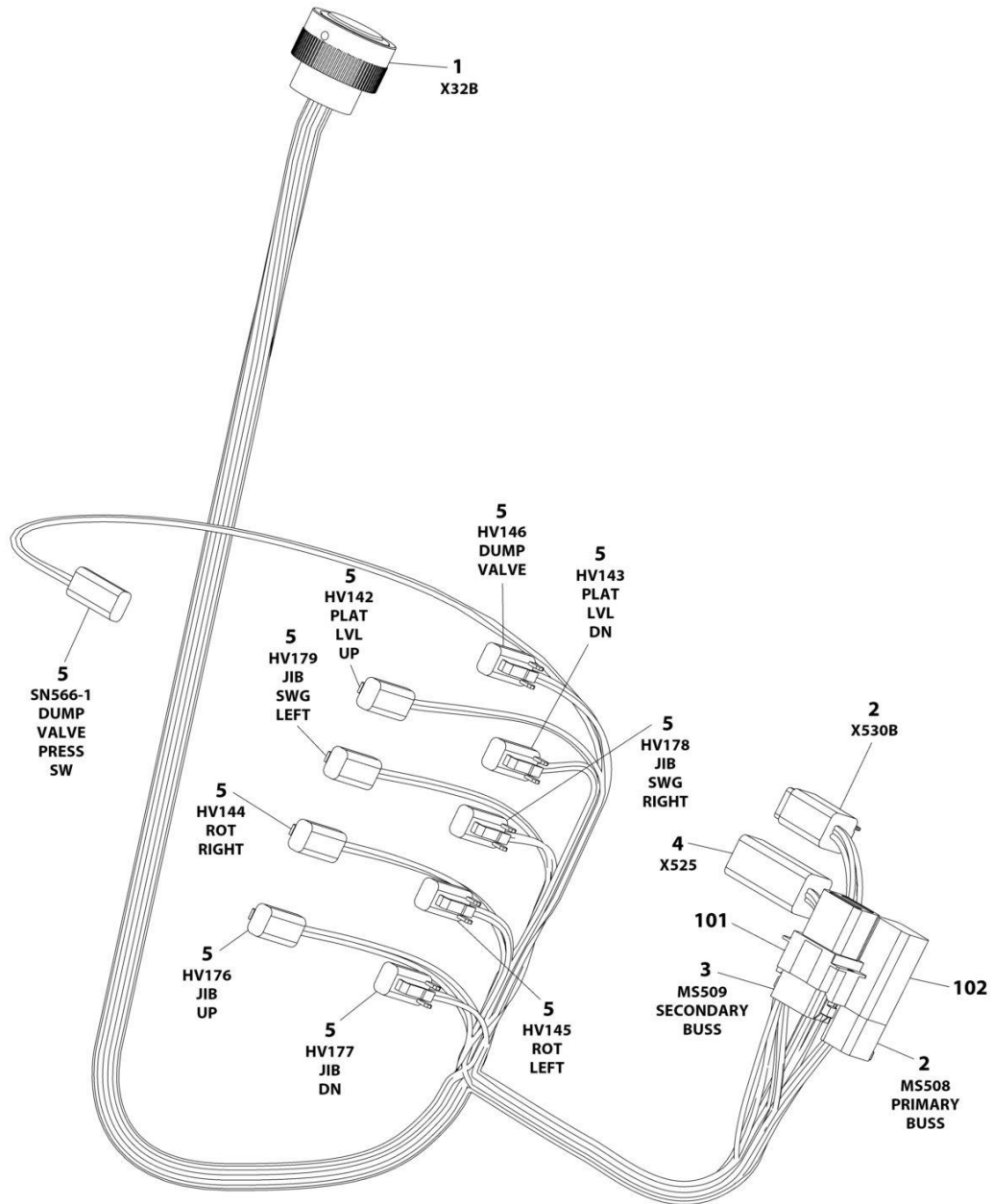
## SECTION 8 - ELECTRICAL

### FIGURE 8-66. VALVE HARNESS - BOOM

ITEM	PART NUMBER	QTY	DESCRIPTION	REV
	1001216806	Ref	VALVE HARNESS - BOOM	C
1	4460633	1	Connector, Strain Relief	
2	1001216626	1	Seal	
3	1001117064	NLA	Plug, Male - 6 Position (Use p/n 1001230931) <b>(SN 0300000100 through 0300237540)</b>	
3	91554014	NLA	Socket, Female (Use p/n 1001116748) <b>(SN 0300000100 through 0300237540)</b>	
3	1001230931	3	Plug, Male - 6 Position <b>(SN 0300237540 through 0300271437)</b>	
3	1001116748	3	Terminal <b>(SN 0300237540 through 0300271437)</b>	
3	1001116751	3	Plug, Terminal	
4	4460884	1	Plug, Male - 4 Position	
4	4460465	4	Socket, Female	
5	4460891	2	Plug, Male - 2 Position	
5	4460465	4	Socket, Female	
6	4460708	1	Receptacle, Female - 15 Position	
6	4460267	15	Pin, Male	

# SECTION 8 - ELECTRICAL

## FIGURE 8-67. VALVE HARNESS - PLATFORM



ART\_1001196682

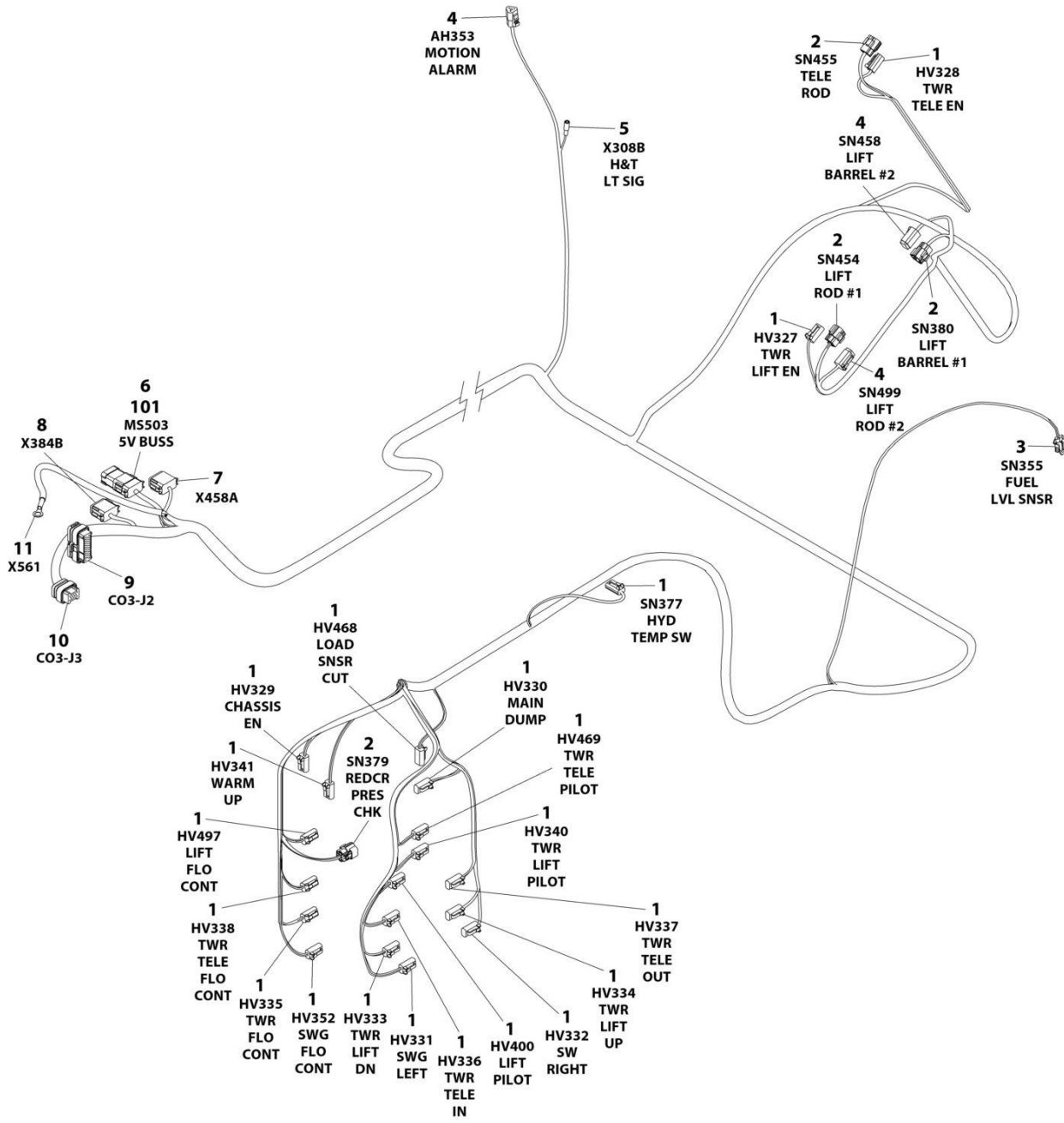
## SECTION 8 - ELECTRICAL

**FIGURE 8-67. VALVE HARNESS - PLATFORM**

ITEM	PART NUMBER	QTY	DESCRIPTION	REV
	1001196682	Ref	VALVE HARNESS - PLATFORM	D
1	4460926	1	Connector - 21 Position	
1	1001126008	20	Socket, Female	
1	4460518	1	Plug, Terminal	
2	4460894	2	Plug, Male - 6 Position	
2	4460465	11	Socket, Female	
2	4460466	1	Plug, Terminal	
3	4460851	1	Plug, Male - 8 Position	
3	4460465	7	Socket, Female	
3	4460466	1	Plug, Terminal	
4	4460899	1	Receptacle, Female - 6 Position	
4	4460464	5	Pin, Male	
4	4460466	1	Plug, Terminal	
5	4460891	10	Plug, Male - 2 Position	
5	4460465	20	Socket, Female	
101	4460852	1	Receptacle, Female Termination - 8 Position	
102	4460892	1	Receptacle, Female Bussbar - 6 Position	

# SECTION 8 - ELECTRICAL

FIGURE 8-68. VALVE HARNESS - TURNTABLE (SN 0300000100 through 0300223782)



ART\_1001196690

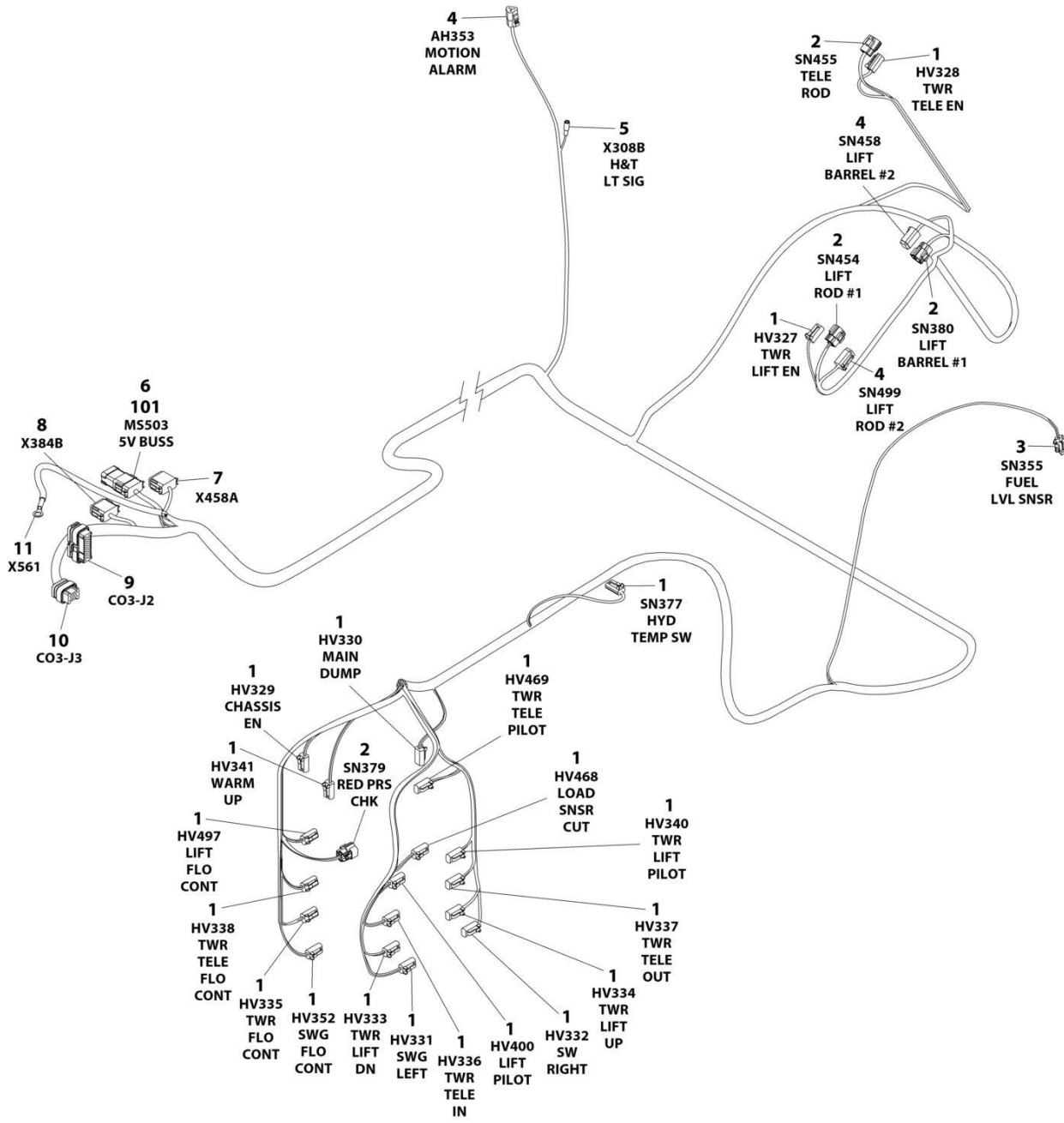
## SECTION 8 - ELECTRICAL

**FIGURE 8-68. VALVE HARNESS - TURNTABLE (SN 0300000100 through 0300223782)**

ITEM	PART NUMBER	QTY	DESCRIPTION	REV
	1001196690	Ref	VALVE HARNESS - TURNTABLE	D
1	4460891	20	Plug, Male - 2 Position	
1	4460465	40	Socket, Female	
2	4460884	4	Plug, Male - 4 Position	
2	4460465	16	Socket, Female	
3	4460843	1	Plug, Male - 2 Position	
3	91554014	NLA	Socket, Female (Use p/n 1001116748)	
4	4460539	3	Plug, Male - 3 Position	
4	4460465	9	Socket, Female	
5	8220068	1	Terminal, Ring	
6	4460930	1	Plug, Male - 8 Position	
6	4460465	5	Socket, Female	
6	4460466	3	Plug, Terminal	
7	4460836	1	Plug, Male - 12 Position	
7	4460465	12	Socket, Female	
8	4460933	1	Plug, Male - 12 Position	
8	4460465	12	Socket, Female	
9	4460875	1	Connector - 35 Position	
9	4460871	32	Socket, Female	
9	4460905	3	Plug, Terminal	
10	4460872	1	Connector - 14 Position	
10	4460871	11	Socket, Female	
10	4460905	3	Plug, Terminal	
11	1001128127	1	Terminal, Ring	
101	4460984	1	Receptacle, Female Bussbar - 8 Position	

# SECTION 8 - ELECTRICAL

FIGURE 8-69. VALVE HARNESS - TURNTABLE (SN 0300223782 through 0300271437)



ART\_1001218806



## SECTION 8 - ELECTRICAL

**FIGURE 8-69. VALVE HARNESS - TURNTABLE (SN 0300223782 through 0300271437)**

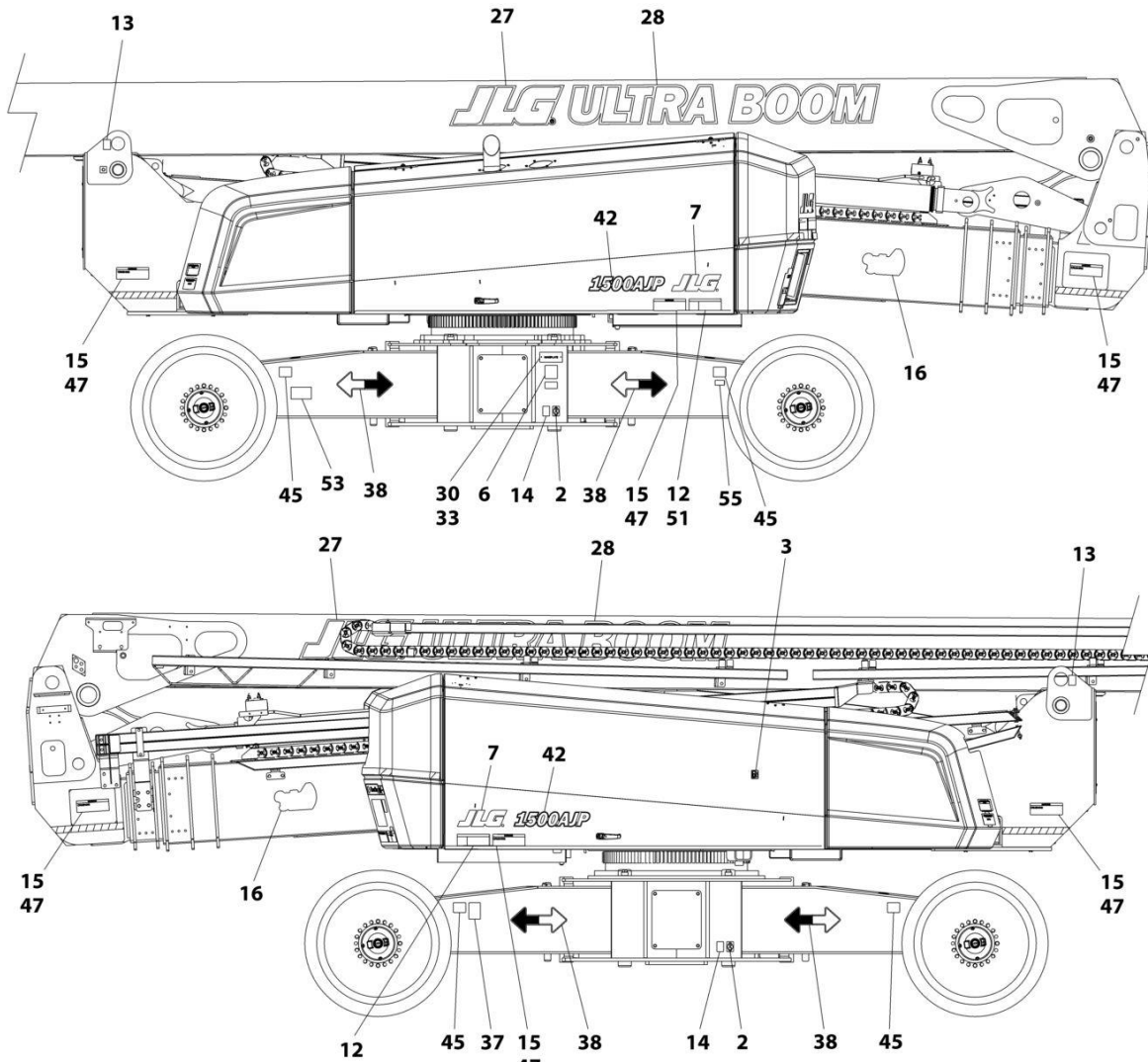
ITEM	PART NUMBER	QTY	DESCRIPTION	REV
	1001218806	Ref	VALVE HARNESS - TURNTABLE	A
1	4460891	20	Plug, Male - 2 Position	
1	4460465	40	Socket, Female	
2	4460884	4	Plug, Male - 4 Position	
2	4460465	12	Socket, Female	
2	4460466	4	Plug, Terminal	
3	4460843	1	Plug, Male - 2 Position	
3	91554014	NLA	Socket, Female (Use p/n 1001116748)	
4	4460539	3	Plug, Male - 3 Position	
4	4460465	9	Socket, Female	
5	8220068	1	Terminal, Ring	
6	4460930	1	Plug, Male - 8 Position	
6	4460465	6	Socket, Female	
6	4460466	2	Plug, Terminal	
7	4460836	1	Plug, Male - 12 Position	
7	4460465	12	Socket, Female	
8	4460933	1	Plug, Male - 12 Position	
8	4460465	12	Socket, Female	
9	4460875	1	Connector - 35 Position	
9	4460871	32	Socket, Female	
9	4460905	3	Plug, Terminal	
10	4460872	1	Connector - 14 Position	
10	4460871	11	Socket, Female	
10	4460905	3	Plug, Terminal	
11	1001128127	1	Terminal, Ring	
101	4460984	1	Receptacle, Female Bussbar - 8 Position	



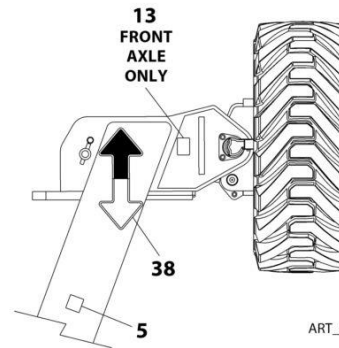
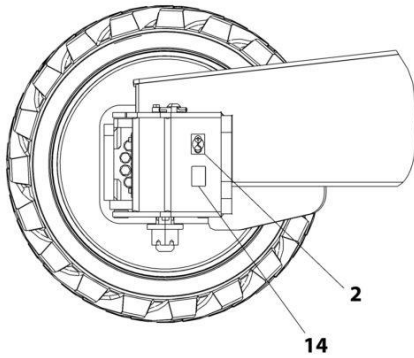
**SECTION 9 - DECALS**

# SECTION 9 - DECALS

## FIGURE 9-1. DECAL INSTALLATION - ANSI SPEC

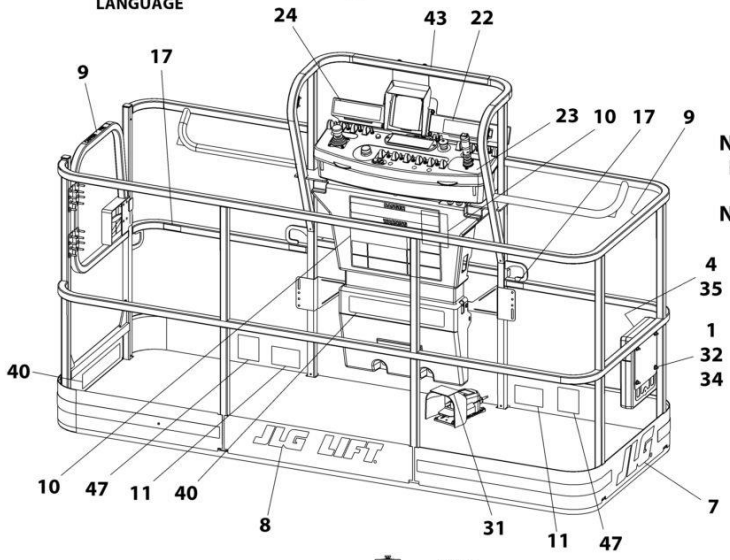
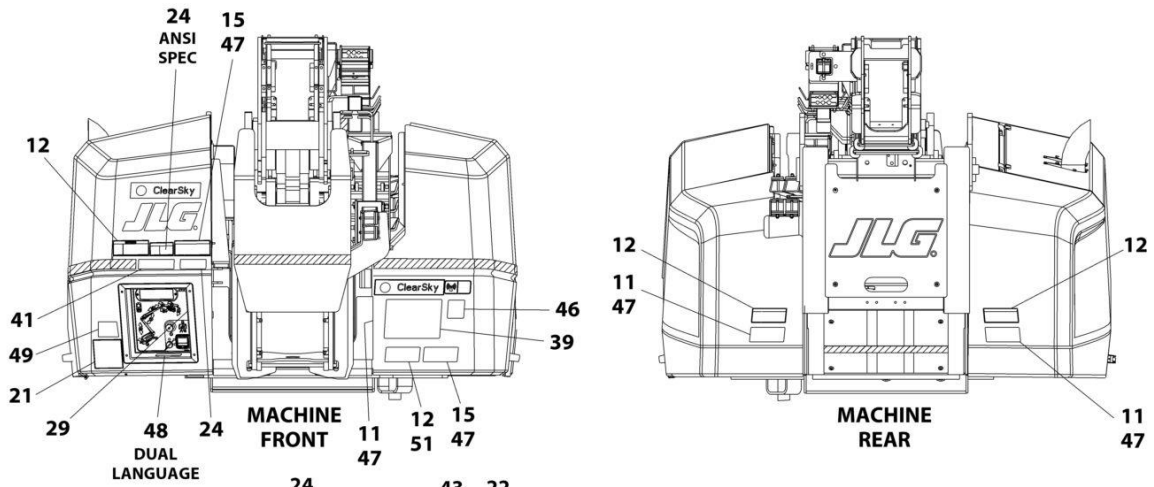


NOTE: ITEMS SHOWN MAY NOT BE REQUIRED FOR ALL SPECS. REFER TO PARTS LISTS FOR USAGE.  
 NOTE: ADDITIONAL DECALS CALLED OUT ON DECAL INSTALLATION - OPTIONS.

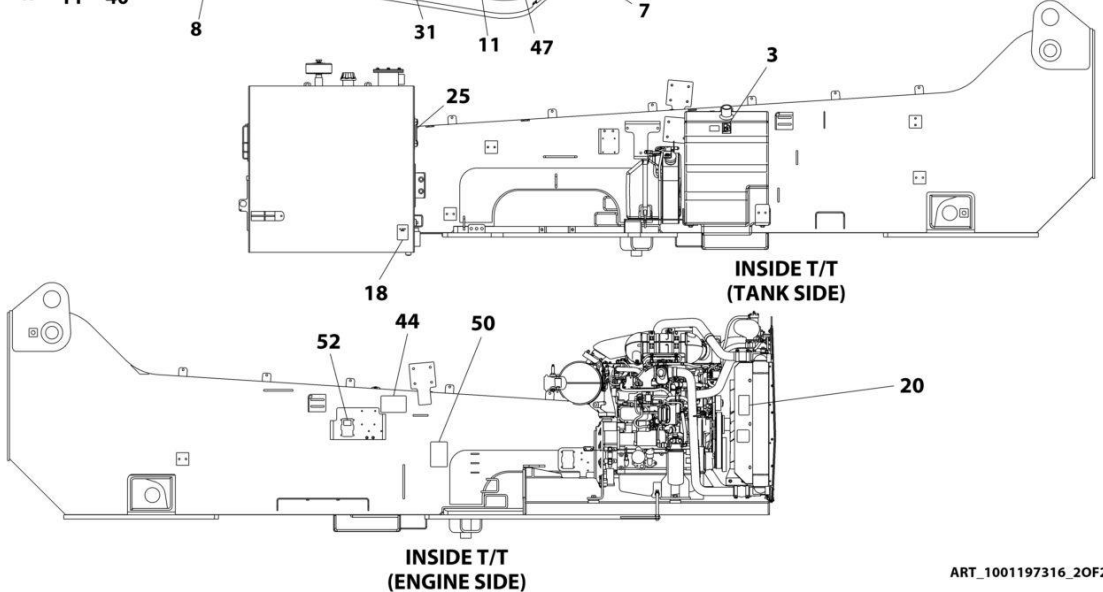


ART\_1001197316\_10F2

# SECTION 9 - DECALS



NOTE: ITEMS SHOWN MAY NOT BE REQUIRED FOR ALL SPECS. REFER TO PARTS LISTS FOR USAGE.  
NOTE: ADDITIONAL DECALS CALLED OUT ON DECAL INSTALLATION - OPTIONS.



ART\_1001197316\_20F2

# SECTION 9 - DECALS

FIGURE 9-1. DECAL INSTALLATION - ANSI SPEC

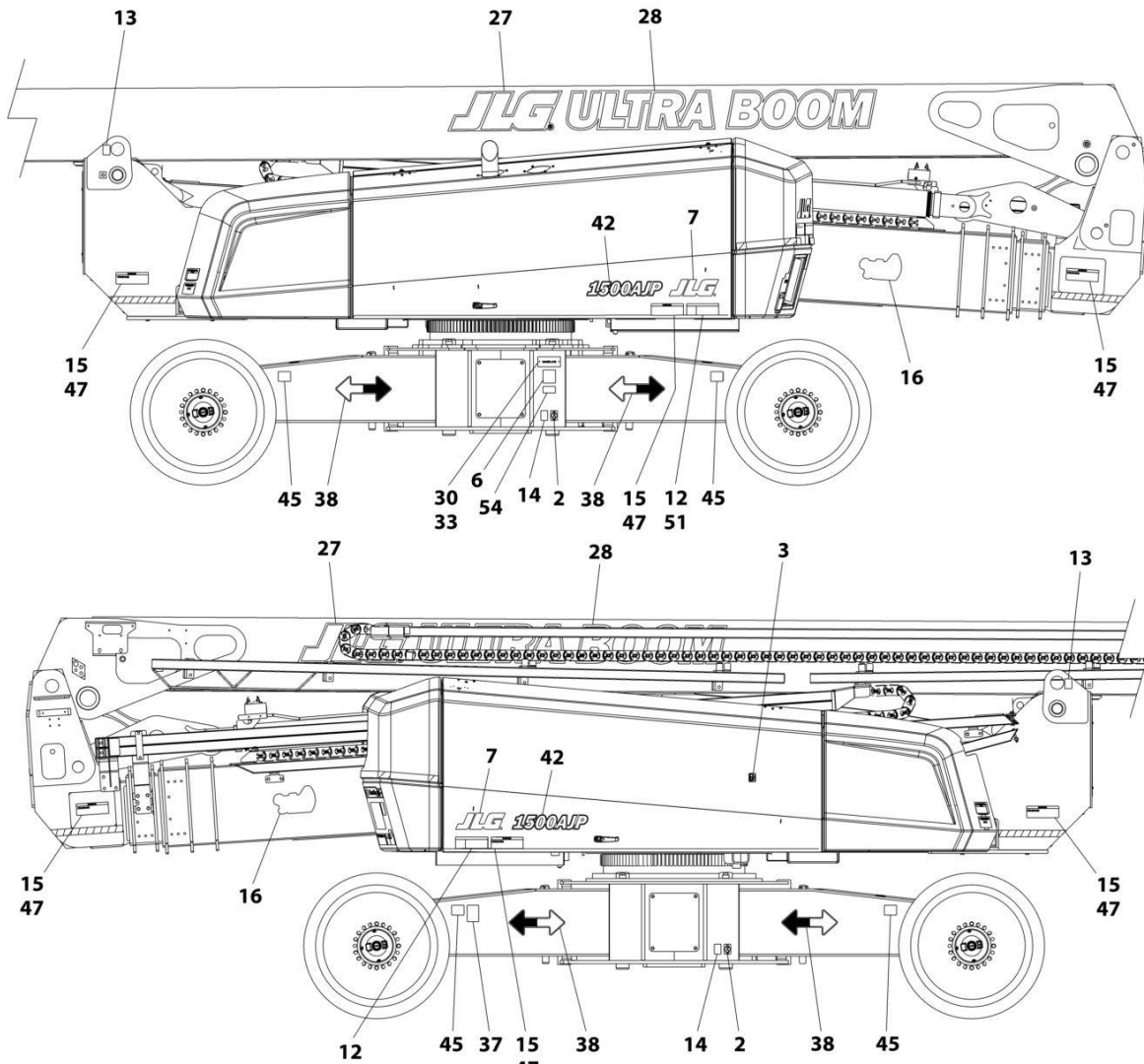
ITEM	PART NUMBER	QTY	DESCRIPTION	REV
	1001197316	Ref	DECAL INSTALLATION - ANSI SPEC	J
	1001197315	Ref	DECAL INSTALLATION - REFERENCE	L
1	0641406	4	Bolt 1/4 x 3/4	
2	1701499	6	Decal - No Tie Down/Lift	
3	1701505	2	Decal - Diesel Fuel	
4	1701509	1	Decal - Manual	
5	1701691	4	Decal - No Step	
6	See Note	NSS	Decal - Bar Code (Note: Not Available for Purchase)	
7	1702773	3	Decal - JLG	
8	1702774	1	Decal - JLG Lift	
9	1702868	2	Decal - No Hands	
10	1703797	1	Decal - Danger/Warning (SN 0300000100 through 0300240678)	
10	1001231315	1	Decal - Danger/Warning (SN 0300240678 through 0300271437)	
11	1703804	6	Decal - Warning Crushing	
12	1703805	6	Decal - Electrocution	
13	1703811	4	Decal - Lifting Lug	
14	1703814	6	Decal - Tie Down	
15	1703953	8	Decal - Warning Crushing	
16	1703959	2	Decal - Quik Stik	
17	1704277	3	Decal - Lanyard Attach	
18	1704412	1	Decal - Hydraulic Oil	
20	1704972	1	Decal - Glow Plugs Warning	
21	1705336	1	Decal - Danger/Warning	
22	1705337	1	Decal - Tip-Over (SN 0300000100 through 0300240678)	
23	1705351	1	Decal - Drive/Steer Instructions	
24	1705492	AR	Decal - Tip-Over	
25	1705511	1	Decal - Oil Level	
27	1705864	2	Decal - JLG	
28	1705865	2	Decal - Ultraboom	
29	1705868	1	Decal - Legend (SN 0300000100 through 0300226018)	
29	1001225220	1	Decal - Legend (SN 0300226018 through 0300271437)	
30	See Note	NSS	Nameplate - Serial Number (Note: Not Available for Purchase)	
31	3252347	1	Nameplate - Footswitch	
32	3311405	4	Nut 1/4	
33	3820001	2	Rivet	
34	4751400	8	Washer 1/4	
35	91403230	1	Box, Manual Storage	
37	1001131269	1	Decal - Patent	
38	1001160445	8	Decal - Arrow	
39	1001197350	1	Decal - Lift Diagram	
40	1001200113	2	Decal - Warning Dual Capacity	
41	1001200114	1	Decal - Warning Dual Capacity	
42	1001200707	2	Decal - 1500AJP	
43	1001204096	1	Decal - Legend	
44	1001209561	1	Decal - Jump Start Dual Battery (SN 0300000100 through 0300243458)	
44	1001234789	1	Decal - Jump Start/Dual Battery (SN 0300243458 through 0300271437)	
45	1001209896	4	Decal - Maximum Tire Load	
50	1001211904	1	Decal - Fuse Box	

## SECTION 9 - DECALS

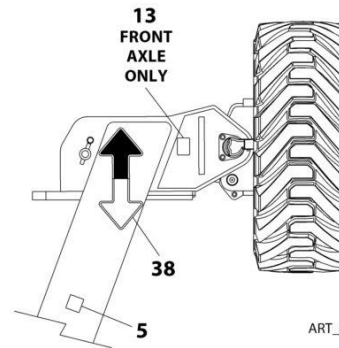
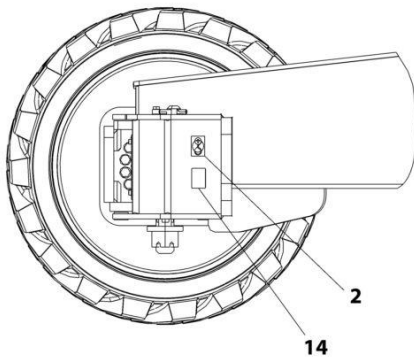
ITEM	PART NUMBER	QTY	DESCRIPTION	REV
52	1001224045	1	Decal - Fuse Box Cover (SN 0300226018 through 0300271437)	
53	1001223055	1	Decal - Decal Yearly Inspection (SN 0300235176 through 0300271437)	
55	1001223453	1	Decal - ICES (SN 0300243458 through 0300271437)	

# SECTION 9 - DECALS

## FIGURE 9-2. DECAL INSTALLATION - AUSTRALIAN SPEC



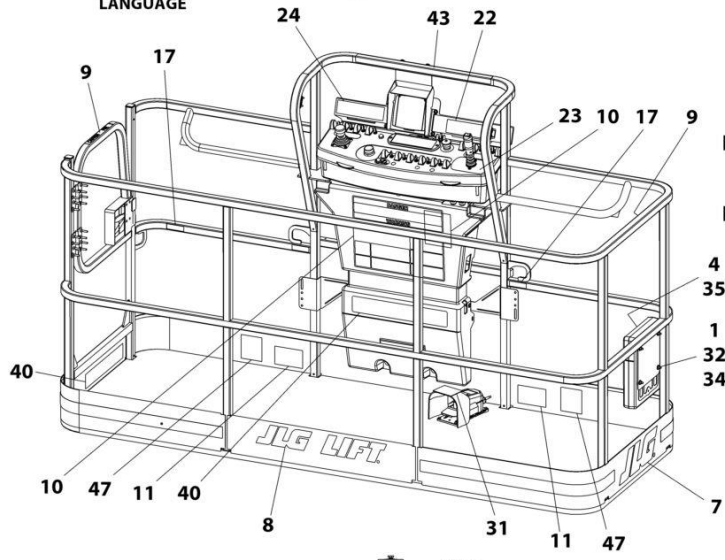
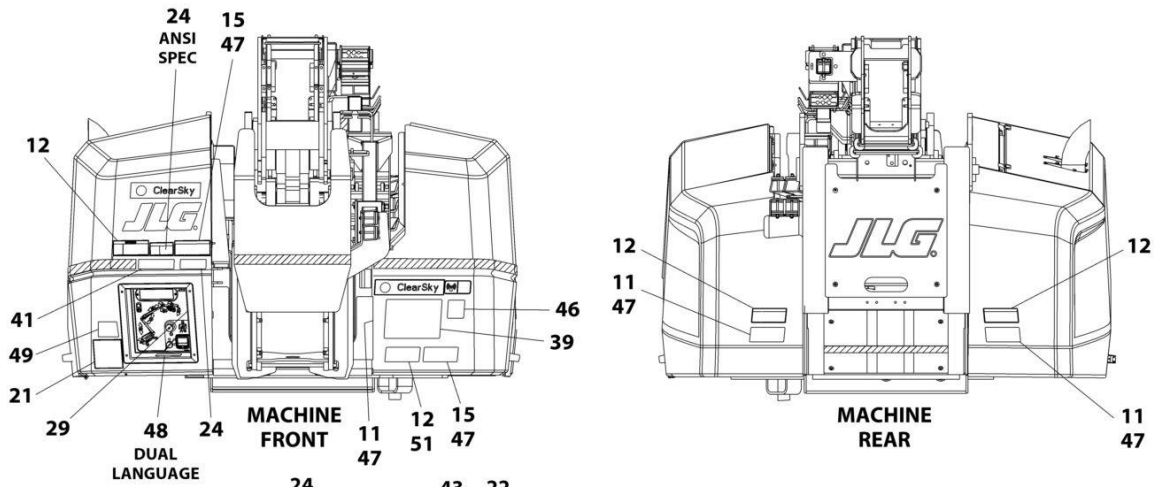
NOTE: ITEMS SHOWN MAY NOT BE REQUIRED FOR ALL SPECS. REFER TO PARTS LISTS FOR USAGE.  
 NOTE: ADDITIONAL DECALS CALLED OUT ON DECAL INSTALLATION - OPTIONS.



ART\_1001197325\_10F2

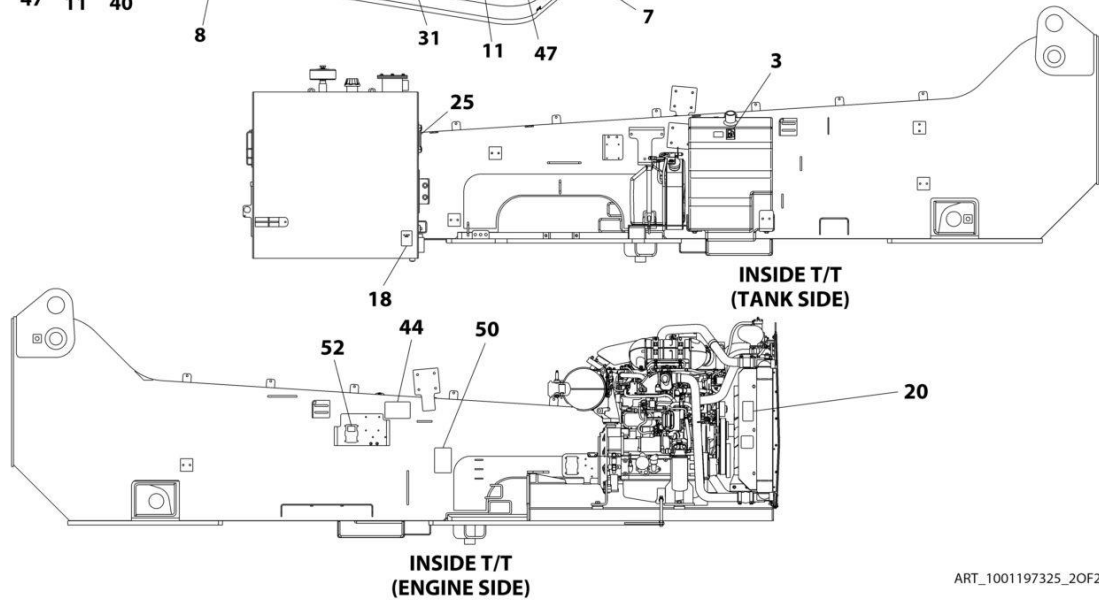


# SECTION 9 - DECALS



**NOTE: ITEMS SHOWN MAY NOT BE REQUIRED FOR ALL SPECS. REFER TO PARTS LISTS FOR USAGE.**

**NOTE: ADDITIONAL DECALS CALLED OUT ON DECAL INSTALLATION - OPTIONS.**



ART\_1001197325\_2OF2

## SECTION 9 - DECALS

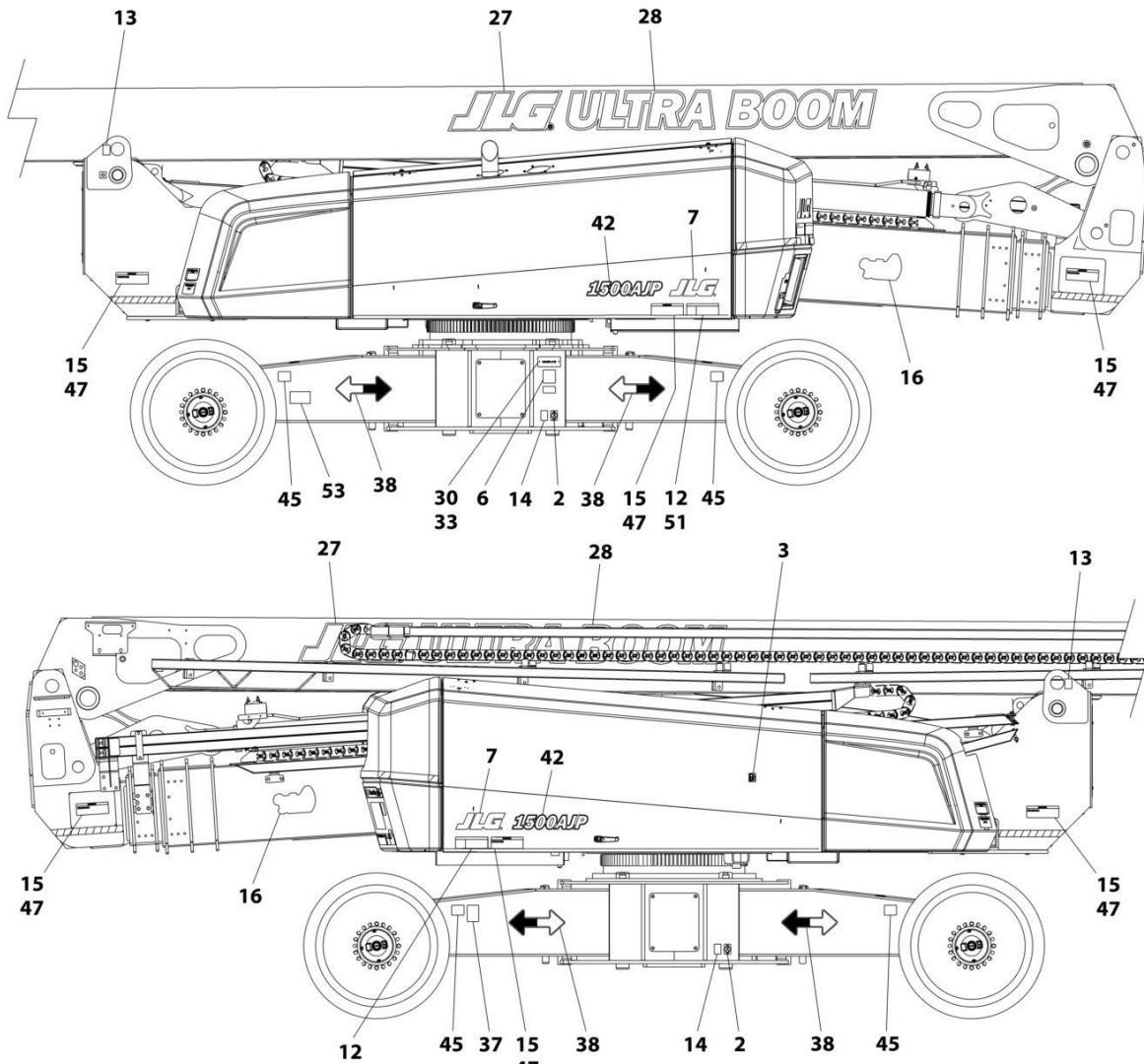
FIGURE 9-2. DECAL INSTALLATION - AUSTRALIAN SPEC

ITEM	PART NUMBER	QTY	DESCRIPTION	REV
	1001197325	Ref	DECAL INSTALLATION - AUSTRALIAN SPEC	I
	1001197315	Ref	DECAL INSTALLATION - REFERENCE	L
1	0641406	4	Bolt 1/4 x 3/4	
2	1701499	6	Decal - No Tie Down/Lift	
3	1701505	2	Decal - Diesel Fuel	
4	1701509	1	Decal - Manual	
5	1701691	4	Decal - No Step	
6	See Note	NSS	Decal - Bar Code (Note: Not Available for Purchase)	
7	1702773	3	Decal - JLG	
8	1702774	1	Decal - JLG Lift	
10	1705921	1	Decal - Tipping/Electrocution	
13	1703811	4	Decal - Lifting Lug	
14	1703814	6	Decal - Tie Down	
16	1703959	2	Decal - Quik Stik	
17	1704277	3	Decal - Lanyard Attach	
18	1704412	1	Decal - Hydraulic Oil	
20	1706098	1	Decal - Warning Ether Start	
21	1705822	1	Decal - Electrical/Safety Manual	
25	1705511	1	Decal - Oil Level	
27	1705864	2	Decal - JLG	
28	1705865	2	Decal - Ultraboom	
30	See Note	NSS	Nameplate - Serial Number (Note: Not Available for Purchase)	
31	1705828	1	Nameplate - Footswitch	
32	3311405	4	Nut 1/4	
33	3820001	2	Rivet	
34	4751400	8	Washer 1/4	
35	91403230	1	Box, Manual Storage	
38	1001160445	8	Decal - Arrow	
39	1001197350	1	Decal - Lift Diagram	
40	1001200118	2	Decal - Warning Dual Capacity	
41	1001200117	1	Decal - Warning Dual Capacity	
42	1001200707	2	Decal - 1500AJP	
44	1001209561	1	Decal - Jump Start/Dual Battery (SN 0300000100 through 0300243458)	
44	1001234789	1	Decal - Jump Start/Dual Battery (SN 0300243458 through 0300271437)	
45	1001209896	4	Decal - Maximum Tire Load	
46	1001187411	1	Decal - Sound Level (SN 0300000100 through 0300228751)	
46	1705515	1	Decal - Sound Level (SN 0300228751 through 0300271437)	
47	1701518	14	Decal - Crushing	
48	1001189882	1	Decal - MSSO Operation (SN 0300000100 through 0300243458)	
49	1001112551	1	Decal - Emergency Controls	
50	1001211904	1	Decal - Fuse Box	
51	1705961	5	Decal - Electrocution	
52	1001224045	1	Decal - Fuse Box Cover (SN 0300226018 through 0300271437)	
54	1001229782	1	Decal - Wheel Assembly Mass	

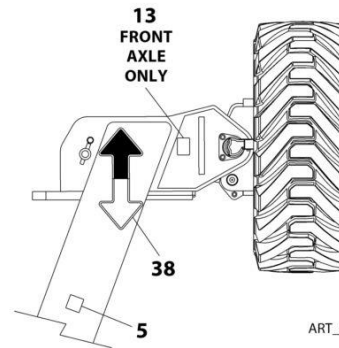
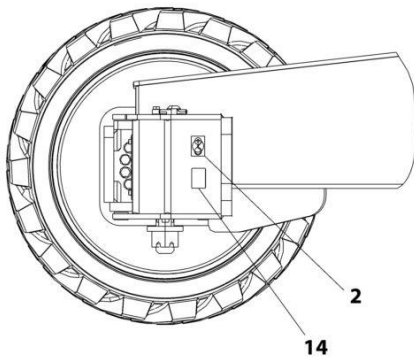


# SECTION 9 - DECALS

FIGURE 9-3. DECAL INSTALLATION - BRAZIL SPEC (ENGLISH/PORTUGUESE)

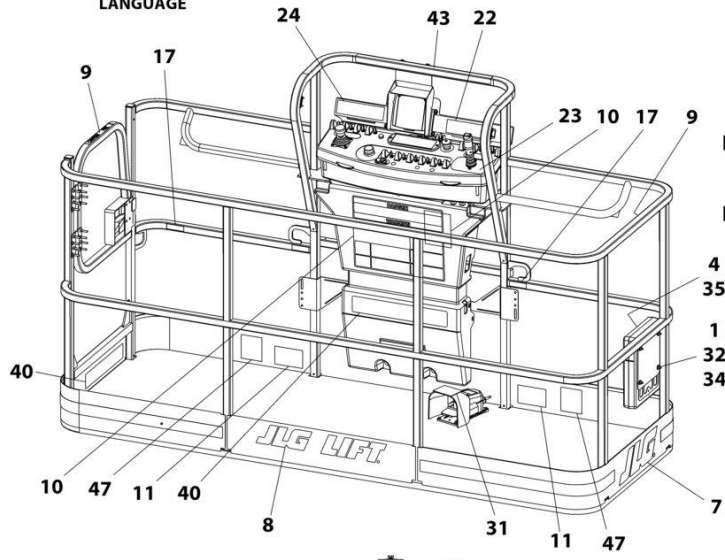
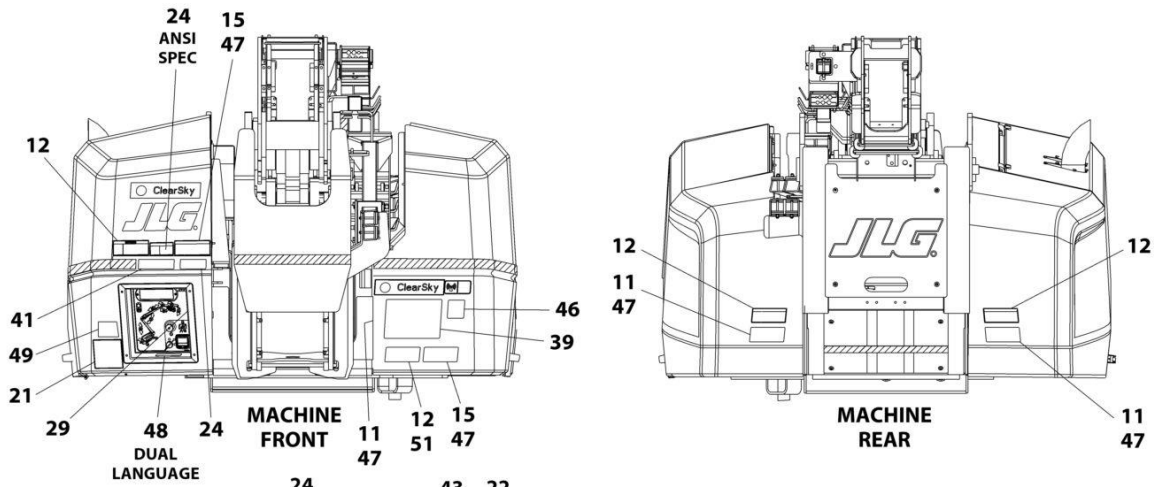


NOTE: ITEMS SHOWN MAY NOT BE REQUIRED FOR ALL SPECS. REFER TO PARTS LISTS FOR USAGE.  
 NOTE: ADDITIONAL DECALS CALLED OUT ON DECAL INSTALLATION - OPTIONS.



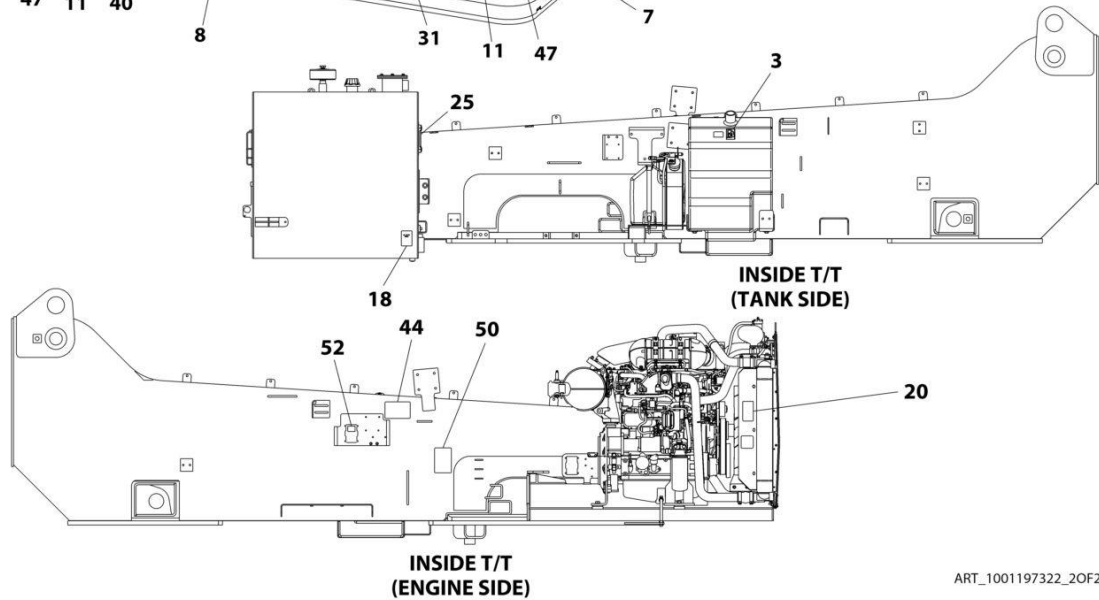
ART\_1001197322\_10F2

# SECTION 9 - DECALS



**NOTE: ITEMS SHOWN MAY NOT BE REQUIRED FOR ALL SPECS. REFER TO PARTS LISTS FOR USAGE.**

**NOTE: ADDITIONAL DECALS CALLED OUT ON DECAL INSTALLATION - OPTIONS.**



ART\_1001197322\_2OF2

# SECTION 9 - DECALS

FIGURE 9-3. DECAL INSTALLATION - BRAZIL SPEC (ENGLISH/PORTUGUESE)

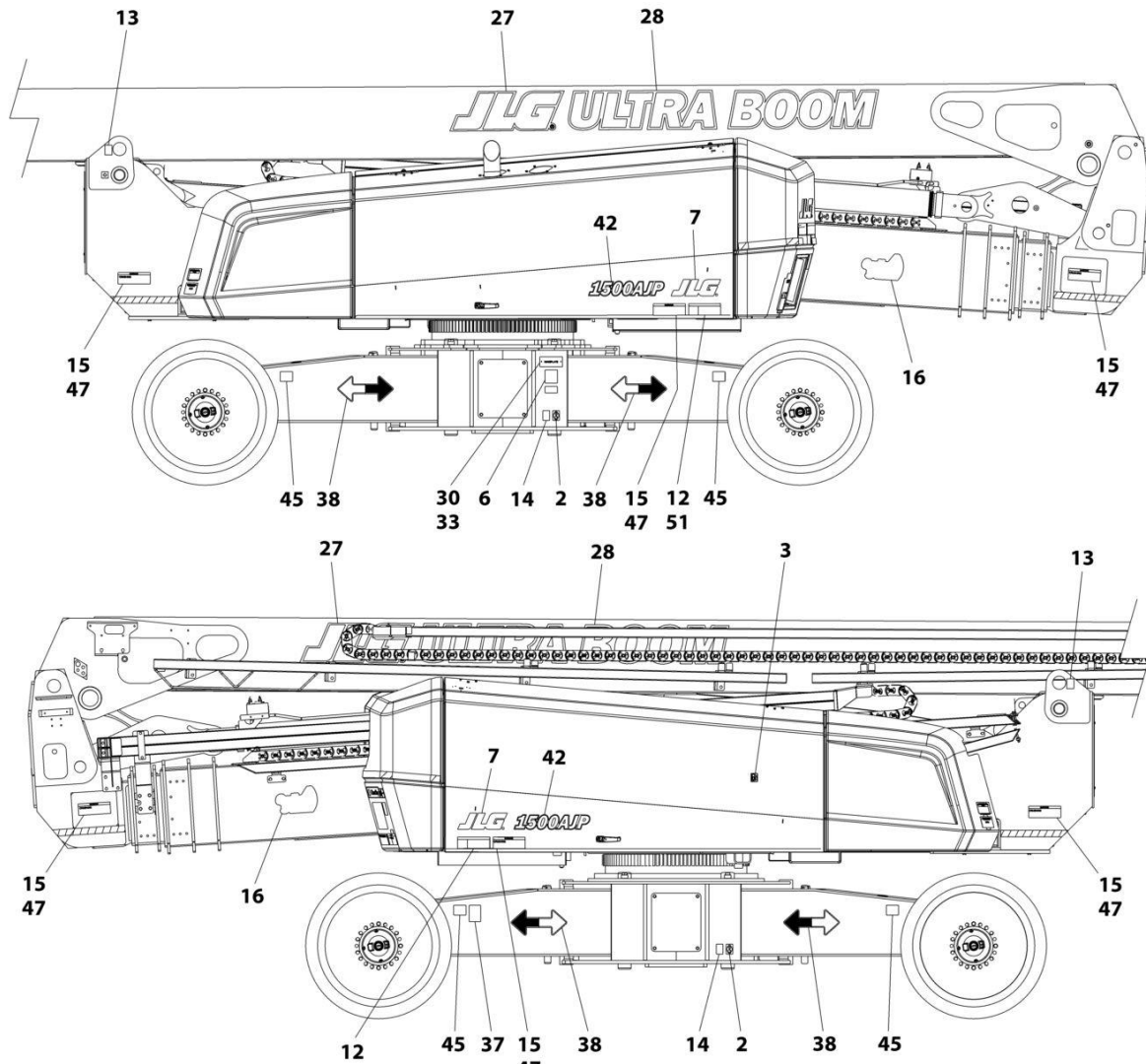
ITEM	PART NUMBER	QTY	DESCRIPTION	REV
	1001197322	Ref	DECAL INSTALLATION - BRAZIL SPEC (ENGLISH/PORTUGUESE)	I
	1001197315	Ref	DECAL INSTALLATION - REFERENCE	L
1	0641406	4	Bolt 1/4 x 3/4	
2	1701499	6	Decal - No Tie Down/Lift	
3	1701505	2	Decal - Diesel Fuel	
4	1701509	1	Decal - Manual	
5	1701691	4	Decal - No Step	
6	See Note	NSS	Decal - Bar Code (Note: Not Available for Purchase)	
7	1702773	3	Decal - JLG	
8	1702774	1	Decal - JLG Lift	
9	1705967	2	Decal - No Hands	
10	1705895	1	Decal - Danger/Warning (SN 0300000100 through 0300240678)	
10	1001231319	1	Decal - Danger/Warning (SN 0300240678 through 0300271437)	
11	1705898	6	Decal - Crushing	
12	1705897	6	Decal - Danger Electrocution	
13	1703811	4	Decal - Lifting Lug	
14	1703814	6	Decal - Tie Down	
15	1705903	8	Decal - Warning Crushing	
16	1703959	2	Decal - Quik Stik	
17	1704277	3	Decal - Lanyard Attach	
18	1704412	1	Decal - Hydraulic Oil	
20	1706059	1	Decal - Warning Explosion	
21	1705896	1	Decal - Warning Inspection	
22	1705904	1	Decal - Tip-Over (SN 0300000100 through 0300240678)	
23	1705905	1	Decal - Drive/Steer Instruction	
24	1705906	AR	Decal - Tip-Over Hazard	
25	1705511	1	Decal - Oil Level	
27	1705864	2	Decal - JLG	
28	1705865	2	Decal - Ultraboom	
29	1705868	1	Decal - Legend (SN 0300000100 through 0300226018)	
29	1001225220	1	Decal - Legend (SN 0300226018 through 0300271437)	
30	See Note	NSS	Nameplate - Serial Number (Note: Not Available for Purchase)	
31	1705902	1	Decal - Footswitch	
32	3311405	4	Nut 1/4	
33	3820001	2	Rivet	
34	4751400	8	Washer 1/4	
35	91403230	1	Box, Manual Storage	
38	1001160445	8	Decal - Arrow	
39	1001197350	1	Decal - Lift Diagram	
40	1001199566	2	Decal - Warning Dual Capacity	
41	1001199571	1	Decal - Warning Dual Capacity	
42	1001200707	2	Decal - 1500AJP	
43	1001204096	1	Decal - Legend	
44	1001209561	1	Decal - Jump Start/Dual Battery (SN 0300000100 through 0300243458)	
44	1001234789	1	Decal - Jump Start/Dual Battery (SN 0300243458 through 0300271437)	
45	1001209896	4	Decal - Maximum Tire Load	
50	1001211904	1	Decal - Fuse Box	

## SECTION 9 - DECALS

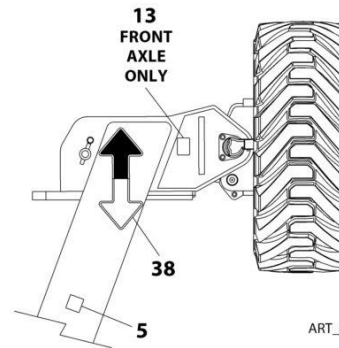
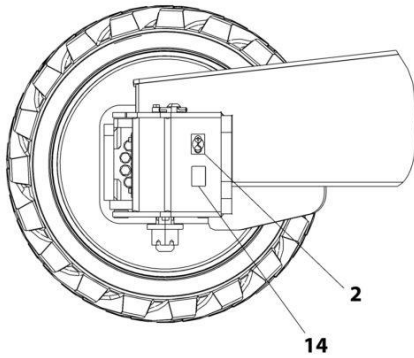
ITEM	PART NUMBER	QTY	DESCRIPTION	REV
52	1001224045	1	Decal - Fuse Box Cover (SN 0300226018 through 0300271437)	
53	1001224052	1	Decal - Yearly Inspection (SN 0300235176 through 0300271437)	

# SECTION 9 - DECALS

## FIGURE 9-4. DECAL INSTALLATION - CE SPEC



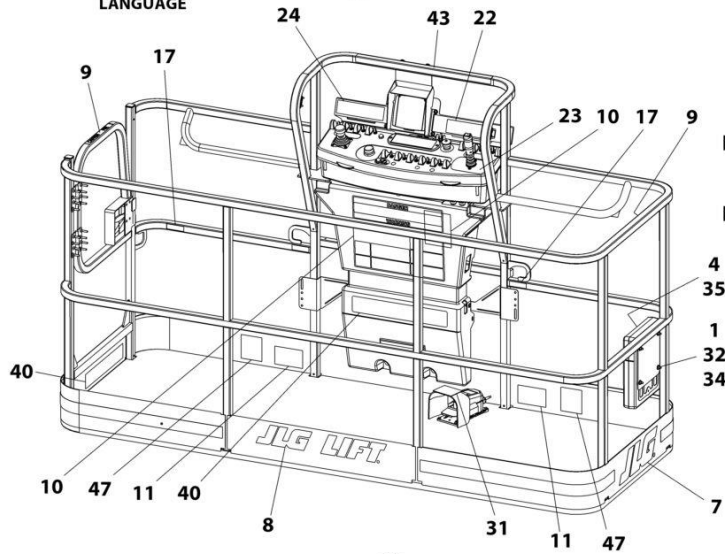
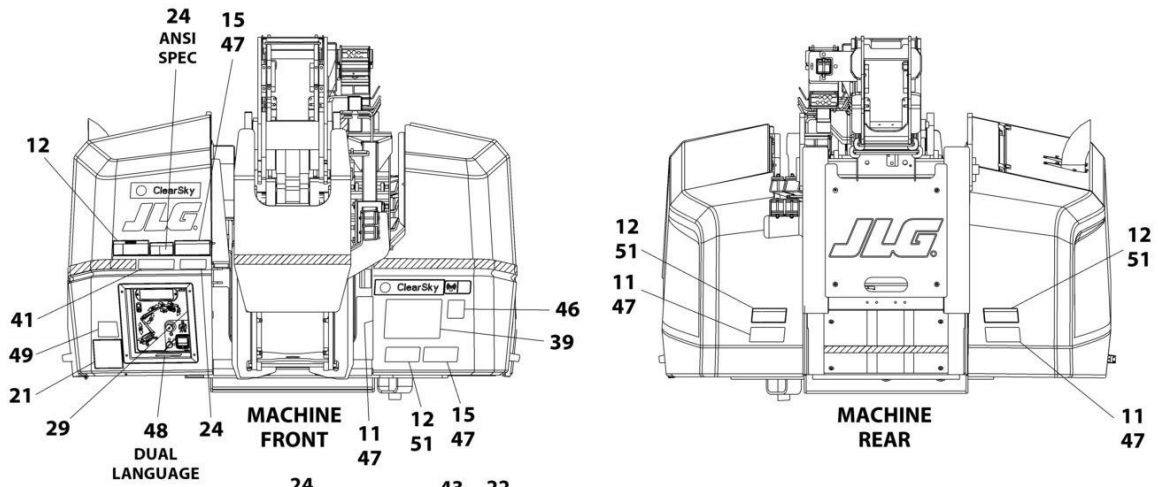
NOTE: ITEMS SHOWN MAY NOT BE REQUIRED FOR ALL SPECS. REFER TO PARTS LISTS FOR USAGE.  
 NOTE: ADDITIONAL DECALS CALLED OUT ON DECAL INSTALLATION - OPTIONS.



ART\_1001197319\_10F2

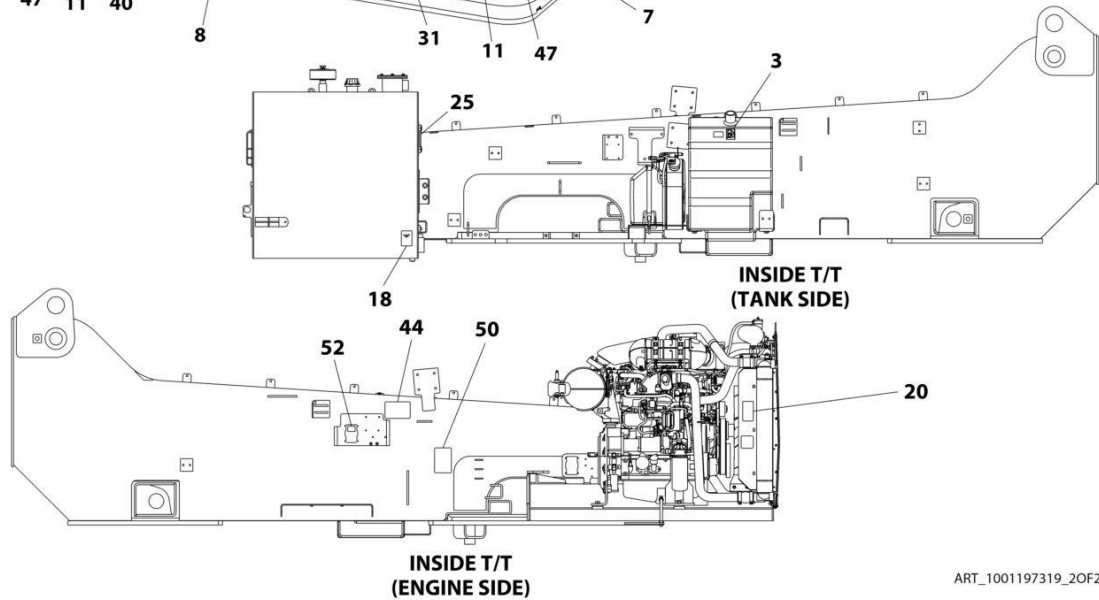


# SECTION 9 - DECALS



**NOTE: ITEMS SHOWN MAY NOT BE REQUIRED FOR ALL SPECS. REFER TO PARTS LISTS FOR USAGE.**

**NOTE: ADDITIONAL DECALS CALLED OUT ON DECAL INSTALLATION - OPTIONS.**



ART\_1001197319\_2OF2

## SECTION 9 - DECALS

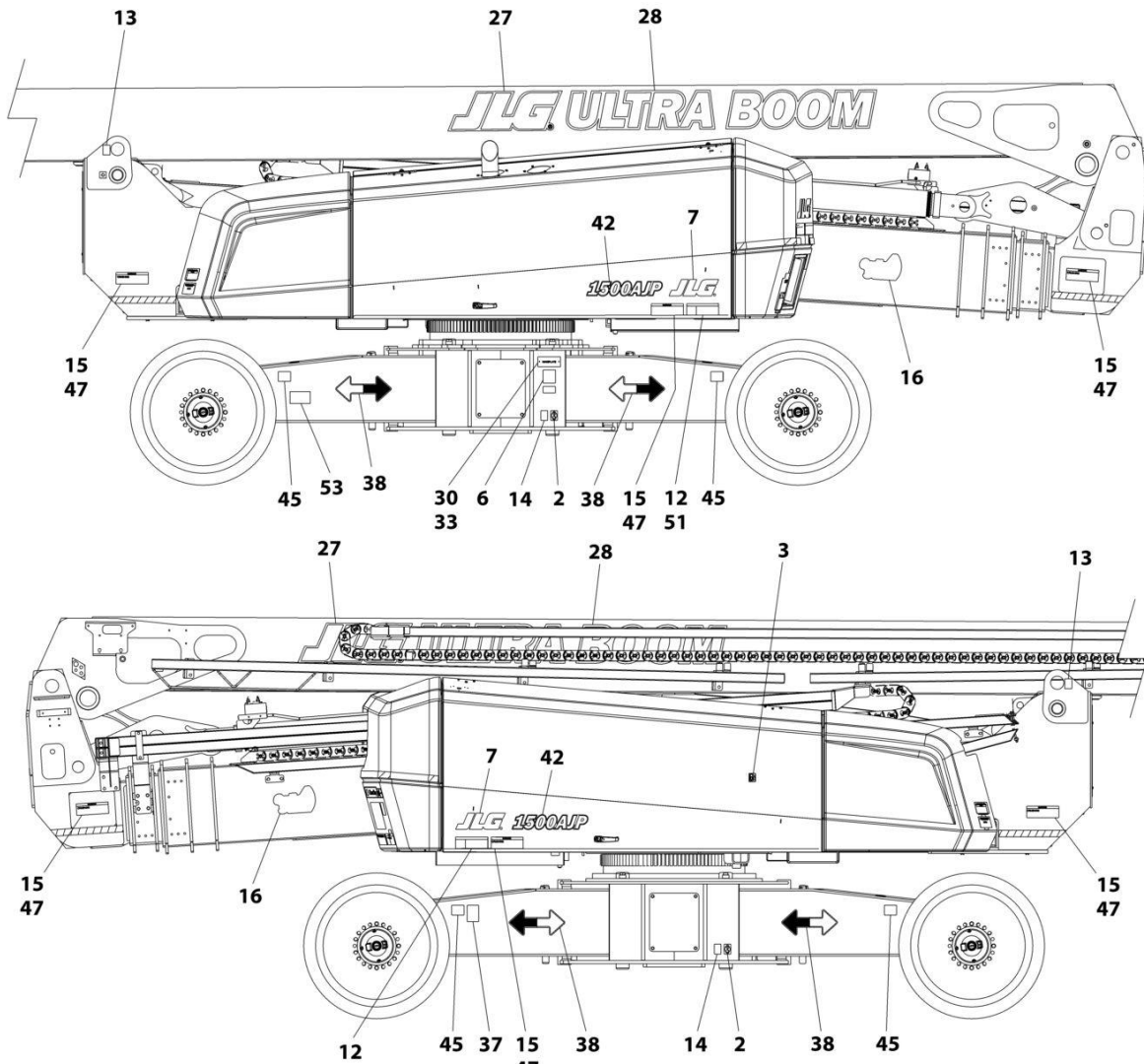
FIGURE 9-4. DECAL INSTALLATION - CE SPEC

ITEM	PART NUMBER	QTY	DESCRIPTION	REV
	1001197319	Ref	DECAL INSTALLATION - CE SPEC	I
	1001197315	Ref	DECAL INSTALLATION - REFERENCE (SN 0300000100 through 0300240678)	J
	1001234408	Ref	DECAL INSTALLATION - REFERENCE (SN 0300240678 through 0300271437)	A
1	0641406	4	Bolt 1/4 x 3/4	
2	1701499	6	Decal - No Tie Down/Lift	
3	1701505	2	Decal - Diesel Fuel	
4	1701509	1	Decal - Manual	
5	1701691	4	Decal - No Step	
6	See Note	NSS	Decal - Bar Code (Note: Not Available for Purchase)	
7	1702773	3	Decal - JLG	
8	1702774	1	Decal - JLG Lift (SN 0300000100 through 0300240678)	
10	1705921	1	Decal - Tipping/Electrocution	
13	1703811	4	Decal - Lifting Lug	
14	1703814	6	Decal - Tie Down	
16	1703959	2	Decal - Quik Stik	
17	1704277	3	Decal - Lanyard Attach	
18	1704412	1	Decal - Hydraulic Oil	
20	1706098	1	Decal - Warning Ether Start	
21	1705822	1	Decal - Electrical/Safety Manual	
25	1705511	1	Decal - Oil Level	
27	1705864	2	Decal - JLG	
28	1705865	2	Decal - Ultraboom (SN 0300000100 through 0300240678)	
30	See Note	NSS	Decal - Serial Number (Note: Not Available for Purchase)	
31	1705828	1	Nameplate - Footswitch	
32	3311405	4	Nut 1/4	
33	3820001	2	Rivet	
34	4751400	8	Washer 1/4	
35	91403230	1	Box, Manual Storage	
38	1001160445	8	Decal - Arrow	
39	1001197350	1	Decal - Lift Diagram	
40	1001200118	AR	Decal - Warning Dual Capacity	
41	1001200117	1	Decal - Warning Dual Capacity	
42	1001200707	2	Decal - 1500AJP	
44	1001209561	1	Decal - Jump Start/Dual Battery (SN 0300000100 through 0300243458)	
44	1001234789	1	Decal - Jump Start/Dual Battery (SN 0300243458 through 0300271437)	
45	1001209896	4	Decal - Maximum Tire Load	
46	1001187411	1	Decal - Sound Level (SN 0300000100 through 0300228751)	
46	1705515	1	Decal - Sound Level (SN 0300228751 through 0300271437)	
47	1701518	14	Decal - Crushing	
48	1001189882	1	Decal - MSSO Operation	
50	1001211904	1	Decal - Fuse Box	
51	1705961	5	Decal - Electrocution	
52	1001224045	1	Decal - Fuse Box Cover (SN 0300226018 through 0300271437)	

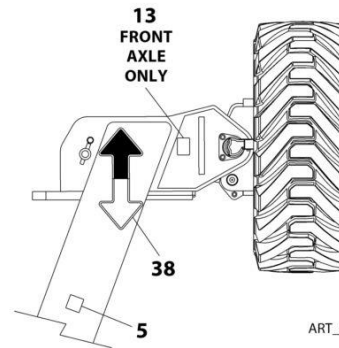
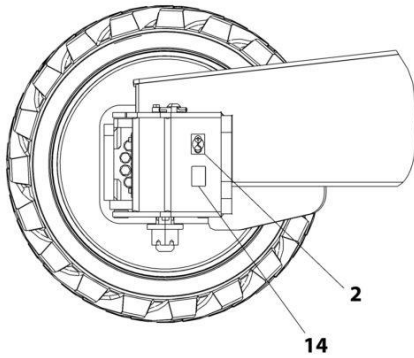


# SECTION 9 - DECALS

FIGURE 9-5. DECAL INSTALLATION - CHINA SPEC (ENGLISH/CHINESE)

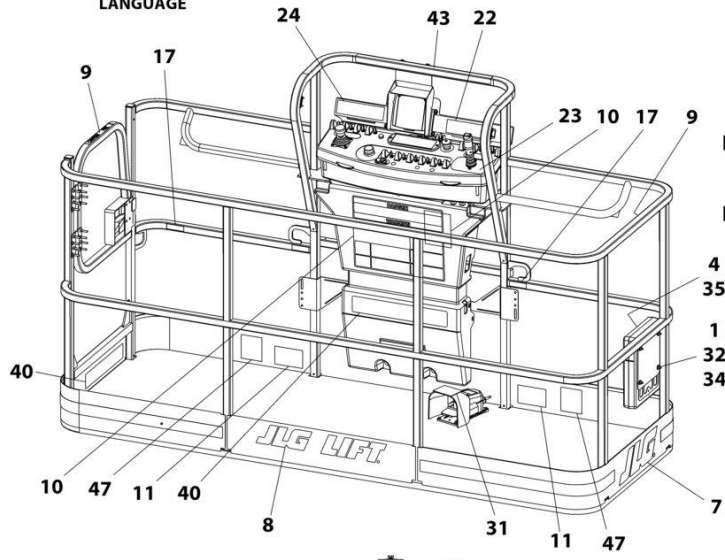
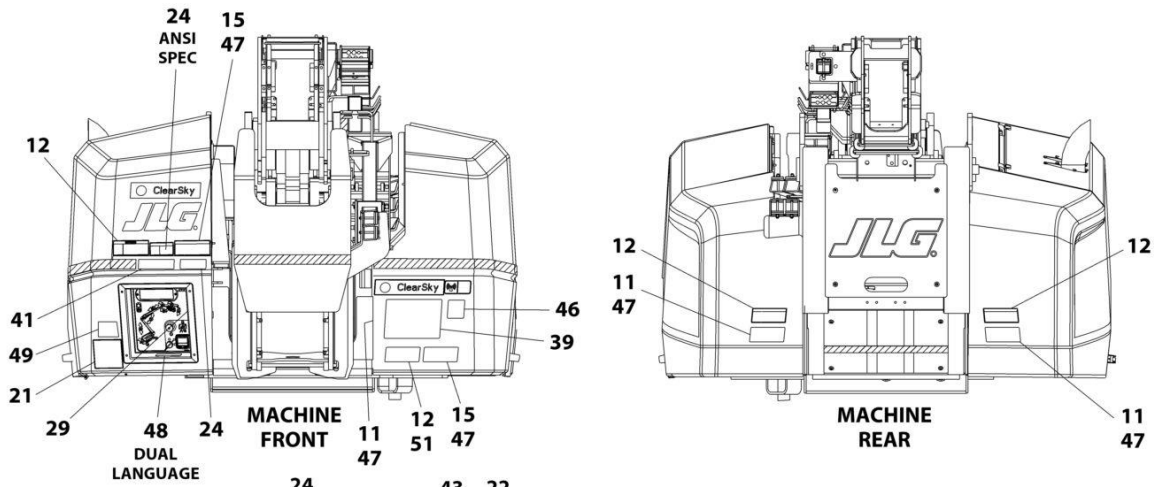


NOTE: ITEMS SHOWN MAY NOT BE REQUIRED FOR ALL SPECS. REFER TO PARTS LISTS FOR USAGE.  
 NOTE: ADDITIONAL DECALS CALLED OUT ON DECAL INSTALLATION - OPTIONS.

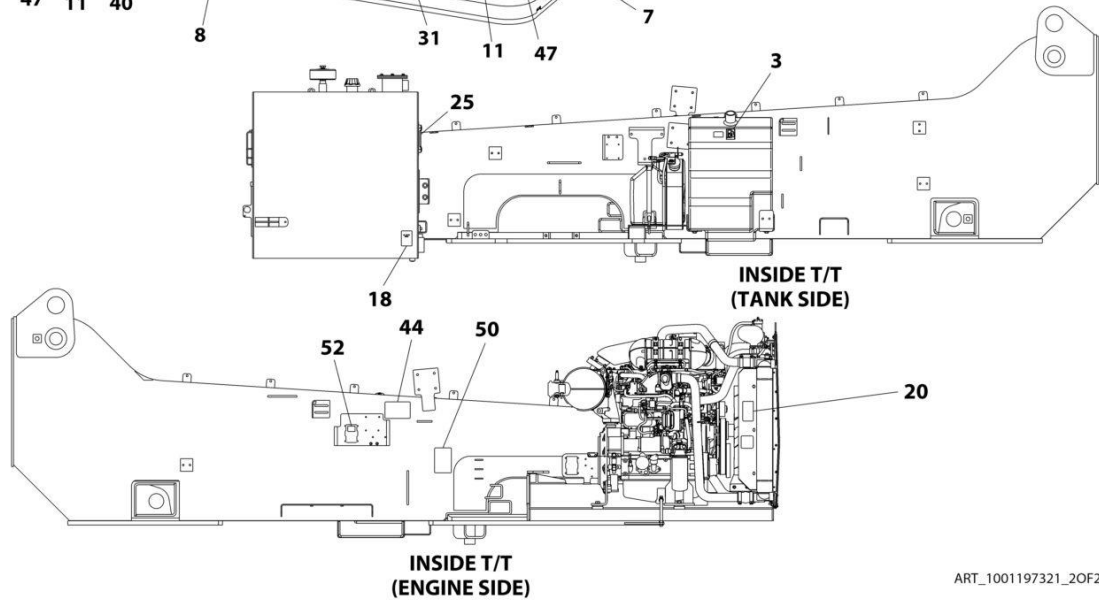


ART\_1001197321\_10F2

# SECTION 9 - DECALS



NOTE: ITEMS SHOWN MAY NOT BE REQUIRED FOR ALL SPECS. REFER TO PARTS LISTS FOR USAGE.  
NOTE: ADDITIONAL DECALS CALLED OUT ON DECAL INSTALLATION - OPTIONS.



ART\_1001197321\_2OF2

## SECTION 9 - DECALS

FIGURE 9-5. DECAL INSTALLATION - CHINA SPEC (ENGLISH/CHINESE)

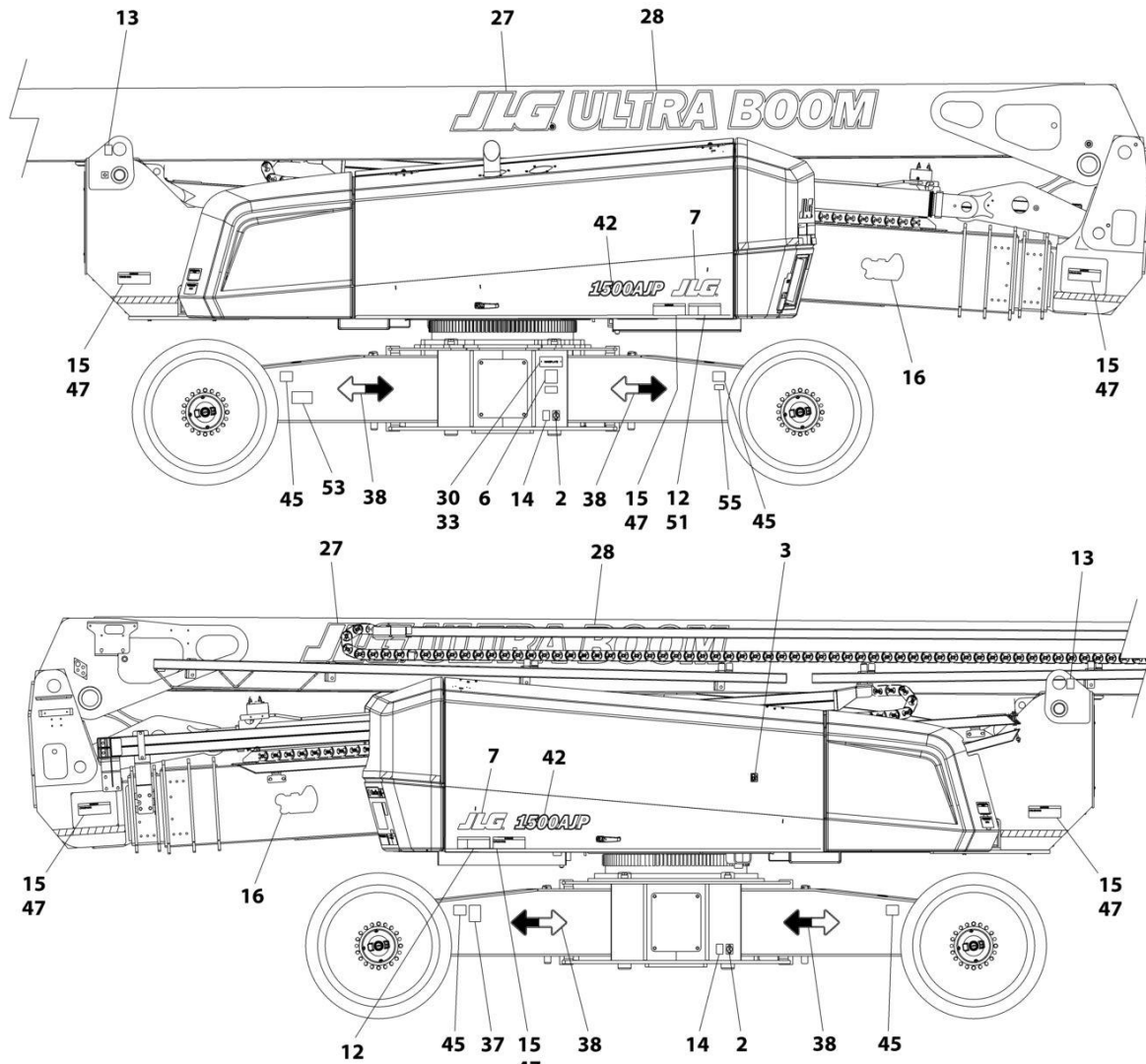
ITEM	PART NUMBER	QTY	DESCRIPTION	REV
	1001197321	Ref	DECAL INSTALLATION - CHINA SPEC (ENGLISH/CHINESE)	I
	1001197315	Ref	DECAL INSTALLATION - REFERENCE	L
1	0641406	4	Bolt 1/4 x 3/4	
2	1701499	6	Decal - No Tie Down/Lift	
3	1701505	2	Decal - Diesel Fuel	
4	1701509	1	Decal - Manual	
5	1701691	4	Decal - No Step	
6	See Note	NSS	Decal - Bar Code (Note: Not Available for Purchase)	
7	1702773	3	Decal - JLG	
8	1702774	1	Decal - JLG Lift	
9	1001116846	2	Decal - Caution No Hands	
10	1703925	1	Decal - Warning/Danger (SN 0300000100 through 0300239974)	
10	1001231321	1	Decal - Warning/Danger (SN 0300239974 through 0300271437)	
11	1703949	6	Decal - Crushing	
12	1001116851	6	Decal - Electrocution	
13	1703811	4	Decal - Lifting Lug	
14	1703814	6	Decal - Tie Down	
15	1703943	8	Decal - Warning Crushing	
16	1703959	2	Decal - Quik Stik	
17	1704277	3	Decal - Lanyard Attach	
18	1704412	1	Decal - Hydraulic Oil	
20	1706060	1	Decal - Warning Fire Hazard	
21	1001116849	1	Decal - Warning Inspection	
22	1001117034	1	Decal - Tip-Over (SN 0300000100 through 0300239974)	
23	1705430	1	Decal - Drive Steer	
24	1001117035	AR	Decal - Tip-Over	
25	1705511	1	Decal - Oil Level	
27	1705864	2	Decal - JLG	
28	1705865	2	Decal - Ultraboom	
29	1705868	1	Decal - Legend (SN 0300000100 through 0300226018)	
29	1001225220	1	Decal - Legend (SN 0300226018 through 0300271437)	
30	See Note	NSS	Nameplate - Serial Number (Note: Not Available for Purchase)	
31	1703982	1	Decal - Footswitch	
32	3311405	4	Nut 1/4	
33	3820001	2	Rivet	
34	4751400	8	Washer 1/4	
35	91403230	1	Box, Manual Storage	
38	1001160445	8	Decal - Arrow	
39	1001197350	1	Decal - Lift Diagram	
40	1001199565	2	Decal - Warning Dual Capacity	
41	1001199570	1	Decal - Warning Dual Capacity	
42	1001200707	2	Decal - 1500AJP	
43	1001204096	1	Decal - Legend	
44	1001209561	1	Decal - Jump Start/Dual Battery (SN 0300000100 through 0300243458)	
44	1001234789	1	Decal - Jump Start/Dual Battery (SN 0300243458 through 0300271437)	
45	1001209896	4	Decal - Maximum Tire Load	
50	1001211904	1	Decal - Fuse Box	
52	1001224045	1	Decal - Fuse Box Cover (SN 0300226018 through 0300271437)	

## SECTION 9 - DECALS

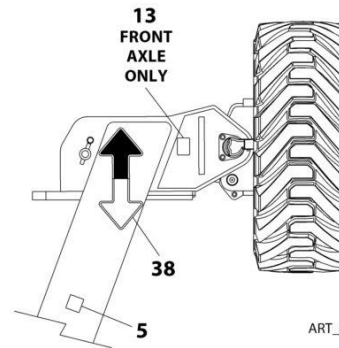
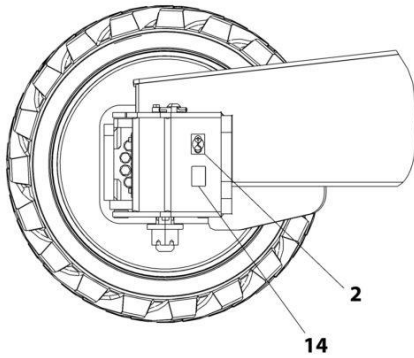
ITEM	PART NUMBER	QTY	DESCRIPTION	REV
53	1001224050	1	Decal - Decal Yearly Inspection (SN 0300235176 through 0300271437)	

# SECTION 9 - DECALS

FIGURE 9-6. DECAL INSTALLATION - CSA SPEC (ENGLISH/FRENCH)



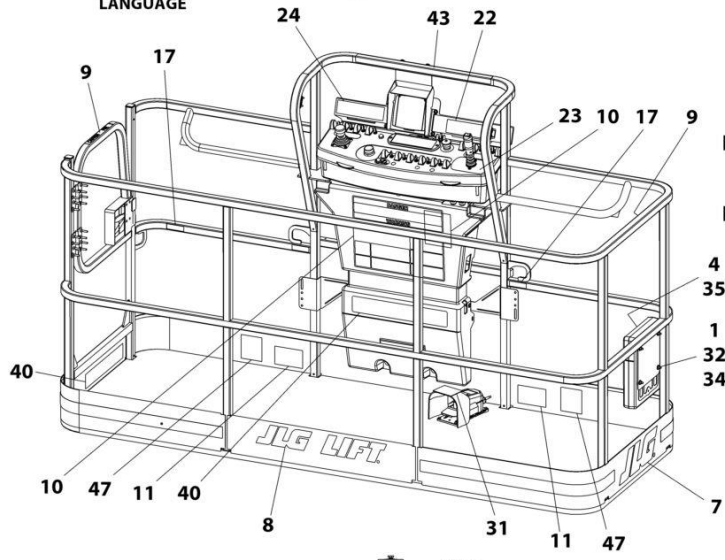
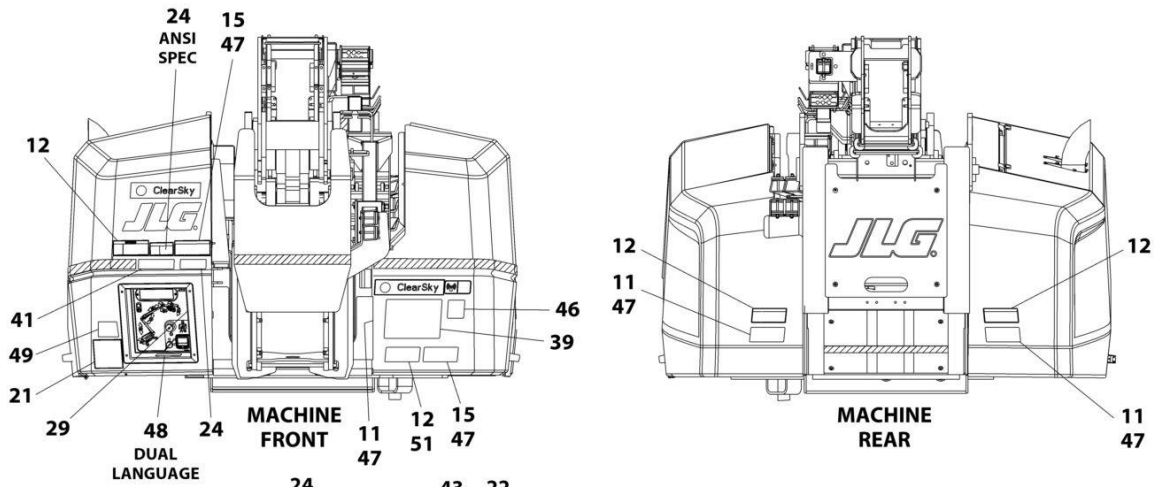
NOTE: ITEMS SHOWN MAY NOT BE REQUIRED FOR ALL SPECS. REFER TO PARTS LISTS FOR USAGE.  
 NOTE: ADDITIONAL DECALS CALLED OUT ON DECAL INSTALLATION - OPTIONS.



ART\_1001197318\_10F2

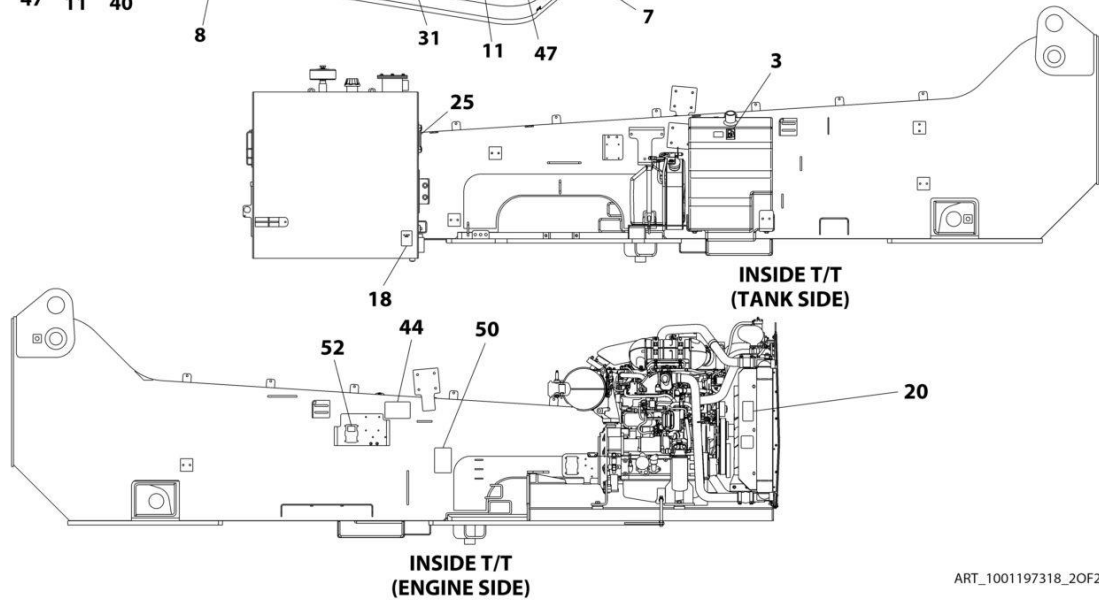


# SECTION 9 - DECALS



**NOTE: ITEMS SHOWN MAY NOT BE REQUIRED FOR ALL SPECS. REFER TO PARTS LISTS FOR USAGE.**

**NOTE: ADDITIONAL DECALS CALLED OUT ON DECAL INSTALLATION - OPTIONS.**



ART\_1001197318\_2OF2

## SECTION 9 - DECALS

FIGURE 9-6. DECAL INSTALLATION - CSA SPEC (ENGLISH/FRENCH)

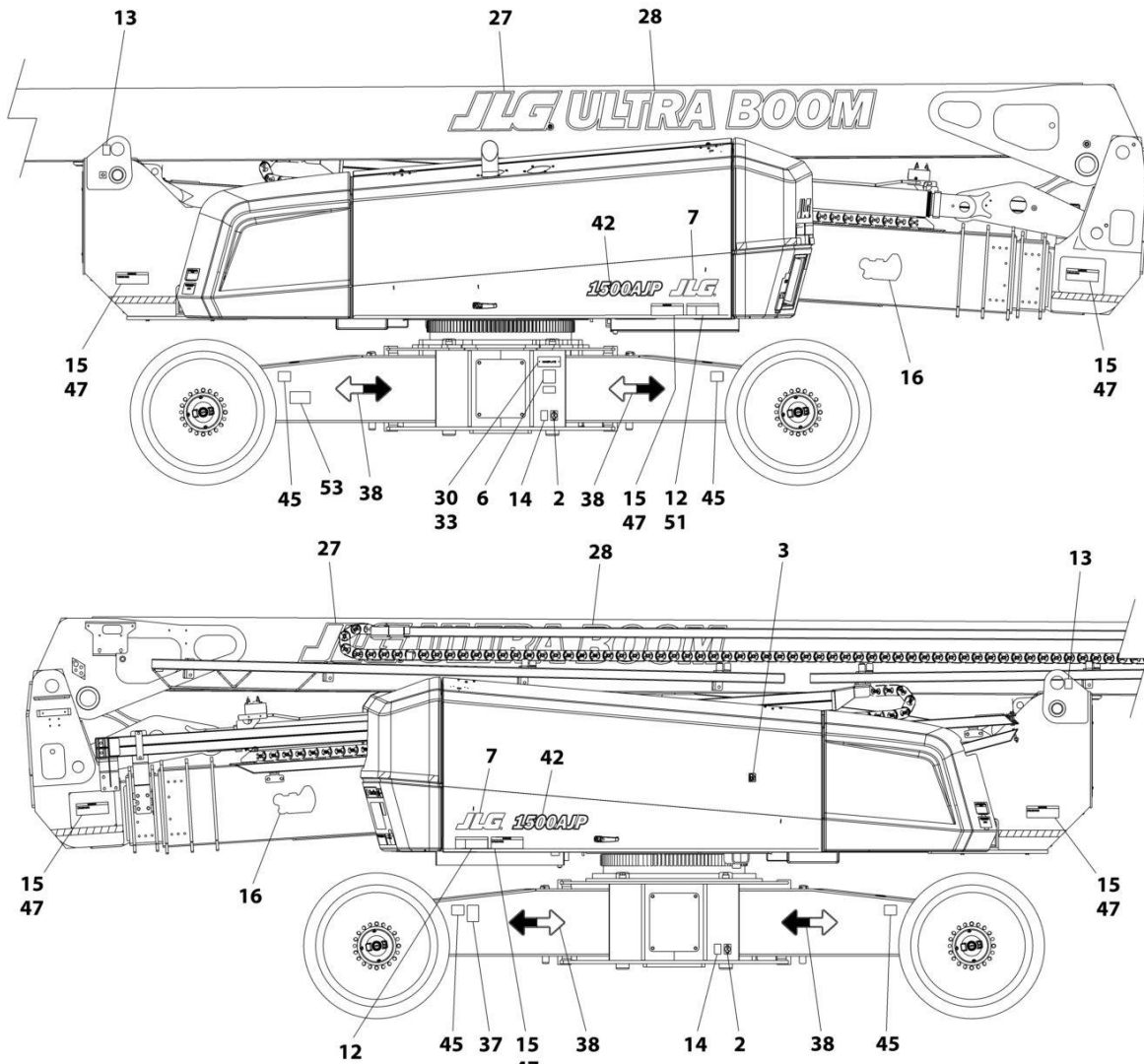
ITEM	PART NUMBER	QTY	DESCRIPTION	REV
	1001197318	Ref	DECAL INSTALLATION - CSA SPEC (ENGLISH/FRENCH)	J
	1001197315	Ref	DECAL INSTALLATION - REFERENCE	L
1	0641406	4	Bolt 1/4 x 3/4	
2	1701499	6	Decal - No Tie Down/Lift	
3	1701505	2	Decal - Diesel Fuel	
4	1701509	1	Decal - Manual	
5	1701691	4	Decal - No Step	
6	See Note	NSS	Decal - Bar Code (Note: Not Available for Purchase)	
7	1702773	3	Decal - JLG	
8	1702774	1	Decal - JLG Lift	
9	1704000	2	Decal - No Hands	
10	1703924	1	Decal - Danger/Warning (SN 0300000100 through 0300240678)	
10	1001231316	1	Decal - Danger/Warning (SN 0300240678 through 0300271437)	
11	1703948	6	Decal - Warning Crushing	
12	1703936	6	Decal - Electrocution	
13	1703811	4	Decal - Lifting Lug	
14	1703814	6	Decal - Tie Down	
15	1703942	8	Decal - Crushing	
16	1703959	2	Decal - Quik Stik	
17	1704277	3	Decal - Lanyard Attach	
18	1704412	1	Decal - Hydraulic Oil	
20	1706064	1	Decal - Warning Fire Hazard	
21	1705347	1	Decal - Warning Inspection	
22	1705341	1	Decal - Tip-Over (SN 0300000100 through 0300240678)	
23	1705429	1	Decal - Drive/Steer Instructions	
24	1705505	AR	Decal - Tip-Over	
25	1705511	1	Decal - Oil Level	
27	1705864	2	Decal - JLG	
28	1705865	2	Decal - Ultraboom	
29	1705868	1	Decal - Legend (SN 0300000100 through 0300226018)	
29	1001225220	1	Decal - Legend (SN 0300226018 through 0300271437)	
30	See Note	NSS	Nameplate - Serial Number (Note: Not Available for Purchase)	
31	1703984	1	Decal - Footswitch	
32	3311405	4	Nut 1/4	
33	3820001	2	Rivet	
34	4751400	8	Washer 1/4	
35	91403230	1	Box, Manual Storage	
37	1001131269	1	Decal - Patent	
38	1001160445	8	Decal - Arrow	
39	1001197350	1	Decal - Lift Diagram	
40	1001199567	2	Decal - Warning Dual Capacity	
41	1001199572	1	Decal - Warning Dual Capacity	
42	1001200707	2	Decal - 1500AJP	
43	1001204096	1	Decal - Legend	
44	1001209561	1	Decal - Jump Start/Dual Battery (SN 0300000100 through 0300243458)	
44	1001234789	1	Decal - Jump Start/Dual Battery (SN 0300243458 through 0300271437)	
45	1001209896	4	Decal - Maximum Tire Load	
50	1001211904	1	Decal - Fuse Box	

## SECTION 9 - DECALS

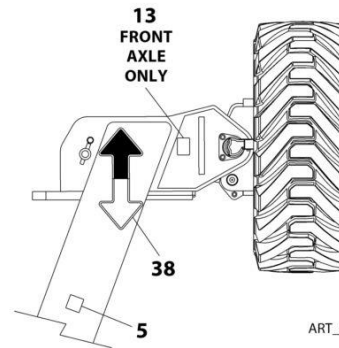
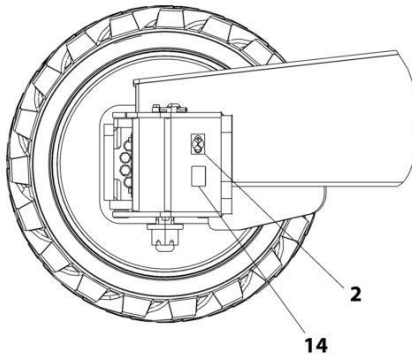
ITEM	PART NUMBER	QTY	DESCRIPTION	REV
52	1001224045	1	Decal - Fuse Box Cover (SN 0300226018 through 0300271437)	
53	1001223971	1	Decal - Decal Yearly Inspection (SN 0300235176 through 0300271437)	
55	1001223453	1	Decal - ICES (SN 0300243458 through 0300271437)	

# SECTION 9 - DECALS

FIGURE 9-7. DECAL INSTALLATION - JAPAN SPEC (ENGLISH/JAPANESE)

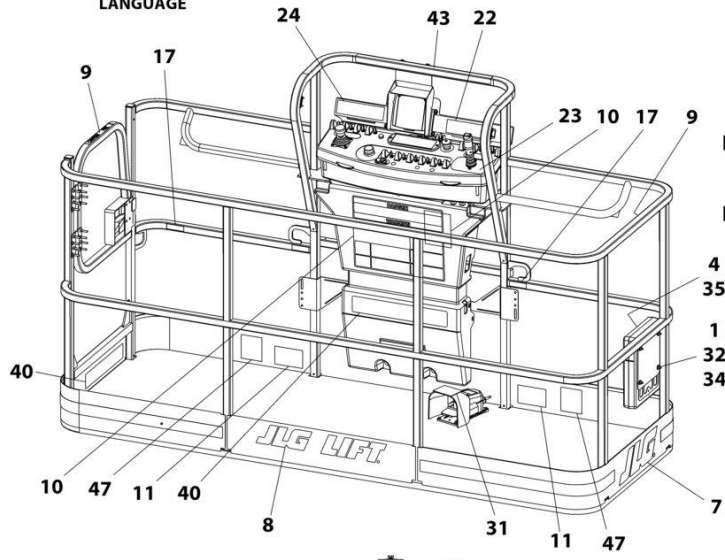
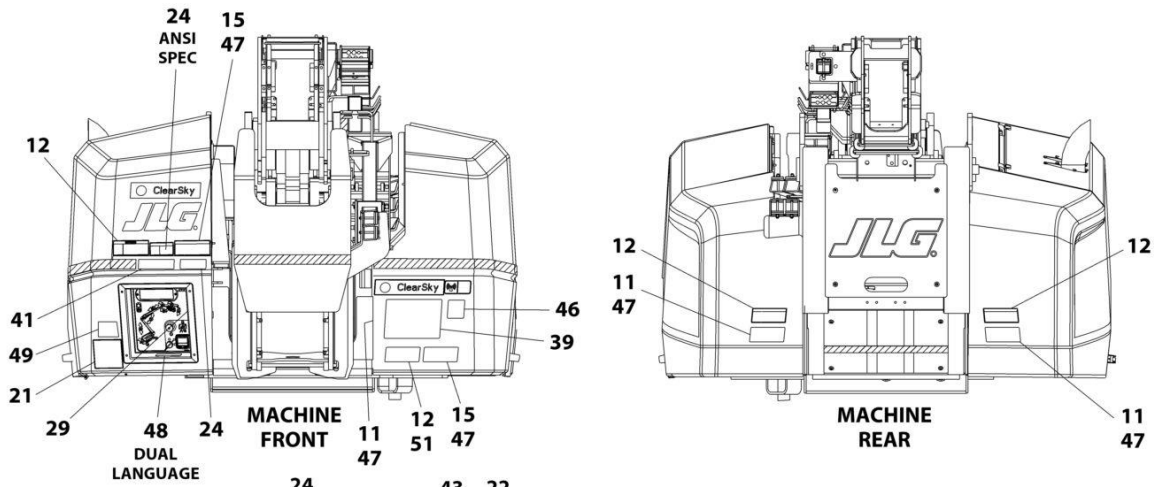


NOTE: ITEMS SHOWN MAY NOT BE REQUIRED FOR ALL SPECS. REFER TO PARTS LISTS FOR USAGE.  
 NOTE: ADDITIONAL DECALS CALLED OUT ON DECAL INSTALLATION - OPTIONS.



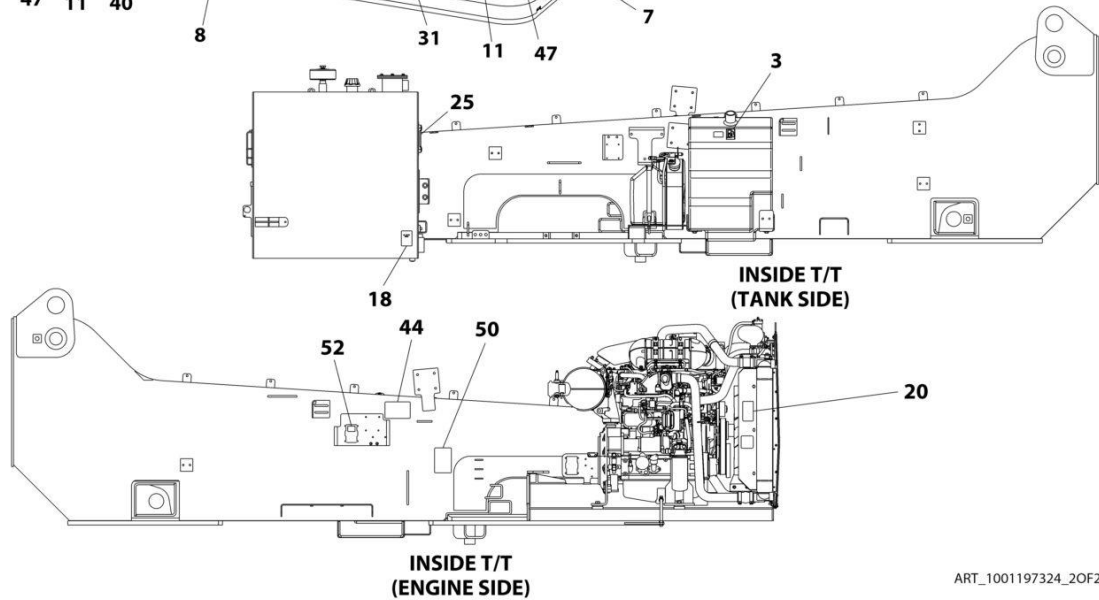
ART\_1001197324\_10F2

# SECTION 9 - DECALS



**NOTE: ITEMS SHOWN MAY NOT BE REQUIRED FOR ALL SPECS. REFER TO PARTS LISTS FOR USAGE.**

**NOTE: ADDITIONAL DECALS CALLED OUT ON DECAL INSTALLATION - OPTIONS.**



ART\_1001197324\_2OF2

## SECTION 9 - DECALS

FIGURE 9-7. DECAL INSTALLATION - JAPAN SPEC (ENGLISH/JAPANESE)

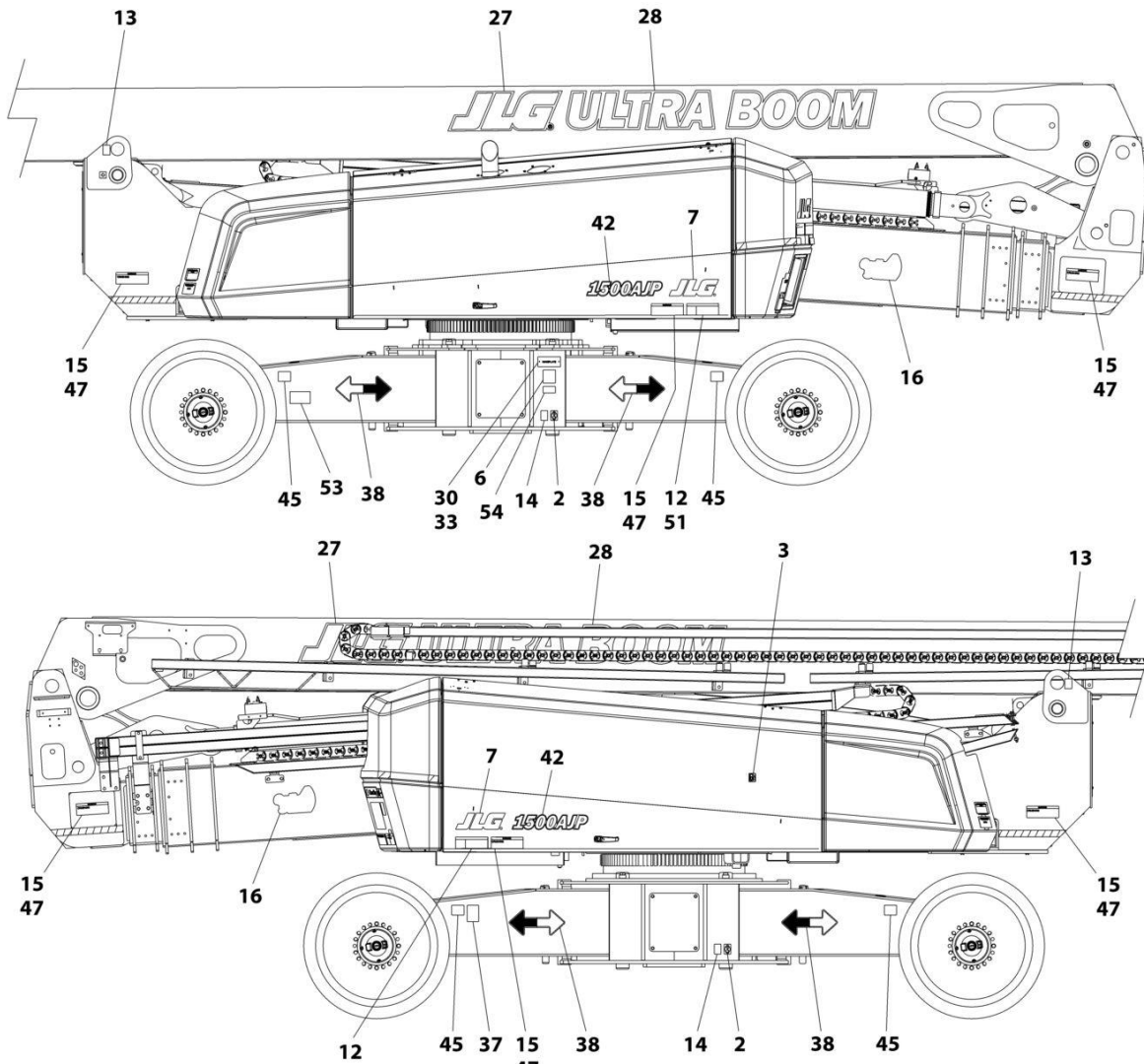
ITEM	PART NUMBER	QTY	DESCRIPTION	REV
	1001197324	Ref	DECAL INSTALLATION - JAPAN SPEC (ENGLISH/JAPANESE)	I
	1001197315	Ref	DECAL INSTALLATION - REFERENCE	L
1	0641406	4	Bolt 1/4 x 3/4	
2	1701499	6	Decal - No Tie Down/Lift	
3	1701505	2	Decal - Diesel Fuel	
4	1701509	1	Decal - Manual	
5	1701691	4	Decal - No Step	
6	See Note	NSS	Decal - Bar Code (Note: Not Available for Purchase)	
7	1702773	3	Decal - JLG	
8	1702774	1	Decal - JLG Lift	
10	1703926	1	Decal - Danger/Warning (SN 0300000100 through 0300240678)	
10	1001231320	1	Decal - Danger/Warning (SN 0300240678 through 0300271437)	
11	1703950	6	Decal - Crushing	
12	1703938	6	Decal - Electrocution	
13	1703811	4	Decal - Lifting Lug	
14	1703814	6	Decal - Tie Down	
15	1703944	8	Decal - Warning Crushing	
16	1703959	2	Decal - Quik Stik	
17	1704277	3	Decal - Lanyard Attach	
18	1704412	1	Decal - Hydraulic Oil	
20	1704972	1	Decal - Glow Plugs Warning	
21	1705344	1	Decal - Warning Inspection	
22	1705338	1	Decal - Tip-Over (SN 0300000100 through 0300240678)	
23	1705426	1	Decal - Drive/Steer Instruction	
24	1705493	AR	Decal - Warning Tip-Over	
25	1705511	1	Decal - Oil Level	
27	1705864	2	Decal - JLG	
28	1705865	2	Decal - Ultraboom	
29	1705868	1	Decal - Legend (SN 0300000100 through 0300226018)	
29	1001225220	1	Decal - Legend (SN 0300226018 through 0300271437)	
30	See Note	NSS	Nameplate - Serial Number (Note: Not Available for Purchase)	
31	1703980	1	Decal - Footswitch	
32	3311405	4	Nut 1/4	
33	3820001	2	Rivet	
34	4751400	8	Washer 1/4	
35	91403230	1	Box, Manual Storage	
38	1001160445	8	Decal - Arrow	
39	1001197350	1	Decal - Lift Diagram	
40	1001199568	2	Decal - Warning Dual Capacity	
41	1001199573	1	Decal - Warning Dual Capacity	
42	1001200707	2	Decal - 1500AJP	
43	1001204096	1	Decal - Legend	
44	1001209561	1	Decal - Jump Start/Dual Battery (SN 0300000100 through 0300243458)	
44	1001234789	1	Decal - Jump Start/Dual Battery (SN 0300243458 through 0300271437)	
45	1001209896	4	Decal - Maximum Tire Load	
50	1001211904	1	Decal - Fuse Box	
52	1001224045	1	Decal - Fuse Box Cover (SN 0300226018 through 0300271437)	
53	1001224053	1	Decal - Decal Yearly Inspection (SN 0300235176 through	

## SECTION 9 - DECALS

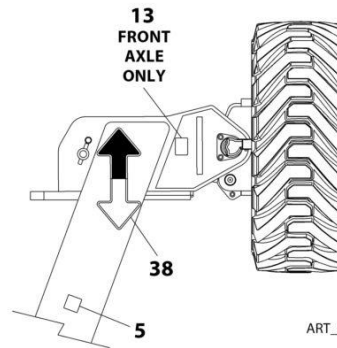
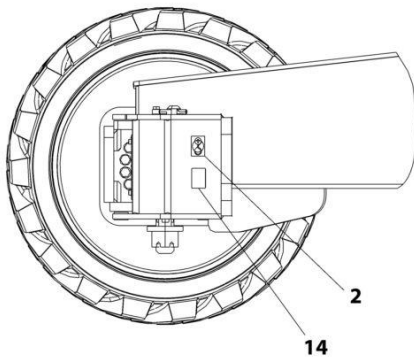
ITEM	PART NUMBER	QTY	DESCRIPTION	REV
			0300271437)	

# SECTION 9 - DECALS

## FIGURE 9-8. DECAL INSTALLATION - KOREA SPEC (ENGLISH/KOREAN)



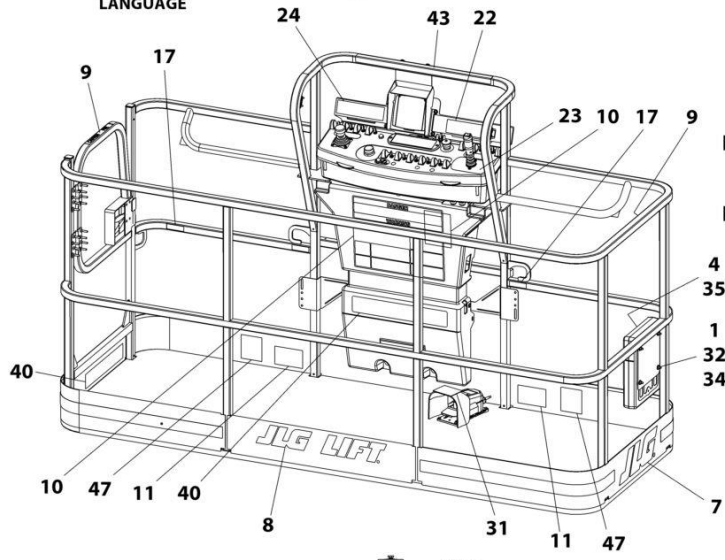
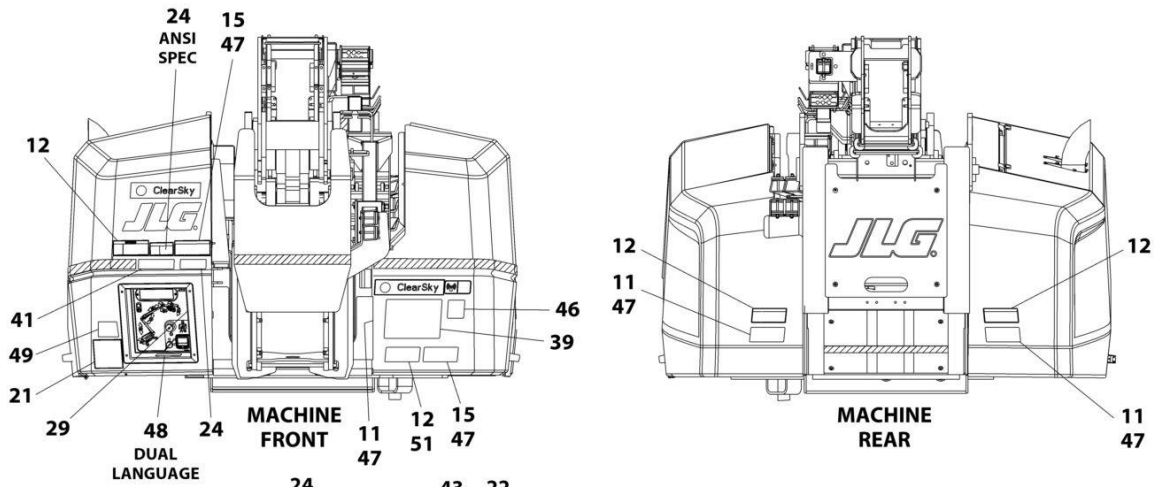
NOTE: ITEMS SHOWN MAY NOT BE REQUIRED FOR ALL SPECS. REFER TO PARTS LISTS FOR USAGE.  
 NOTE: ADDITIONAL DECALS CALLED OUT ON DECAL INSTALLATION - OPTIONS.



ART\_1001197320\_10F2

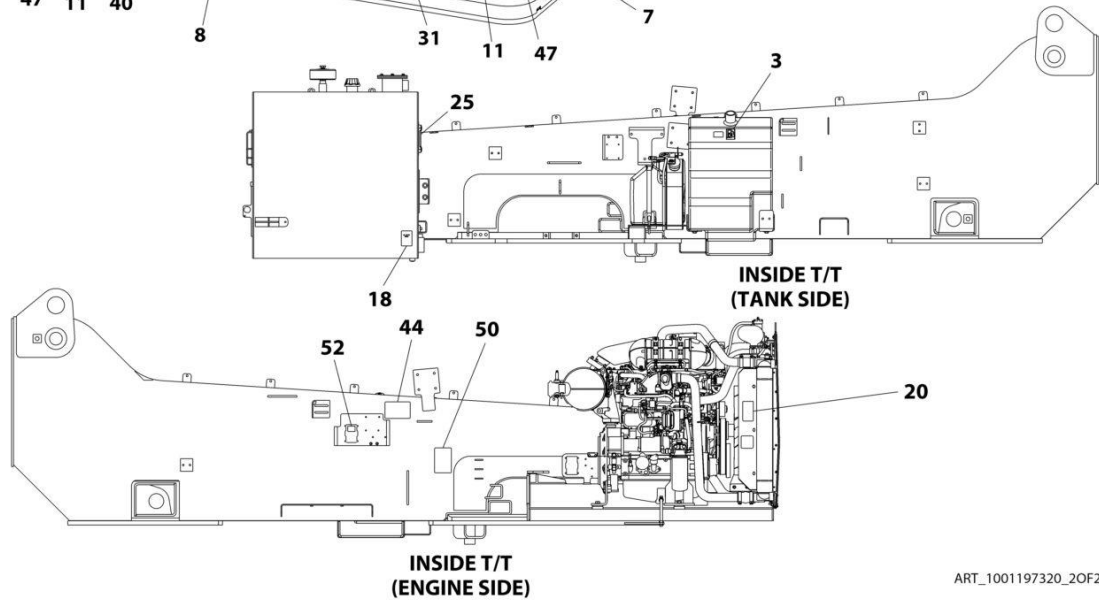


# SECTION 9 - DECALS



**NOTE: ITEMS SHOWN MAY NOT BE REQUIRED FOR ALL SPECS. REFER TO PARTS LISTS FOR USAGE.**

**NOTE: ADDITIONAL DECALS CALLED OUT ON DECAL INSTALLATION - OPTIONS.**



ART\_1001197320\_20F2

## SECTION 9 - DECALS

FIGURE 9-8. DECAL INSTALLATION - KOREA SPEC (ENGLISH/KOREAN)

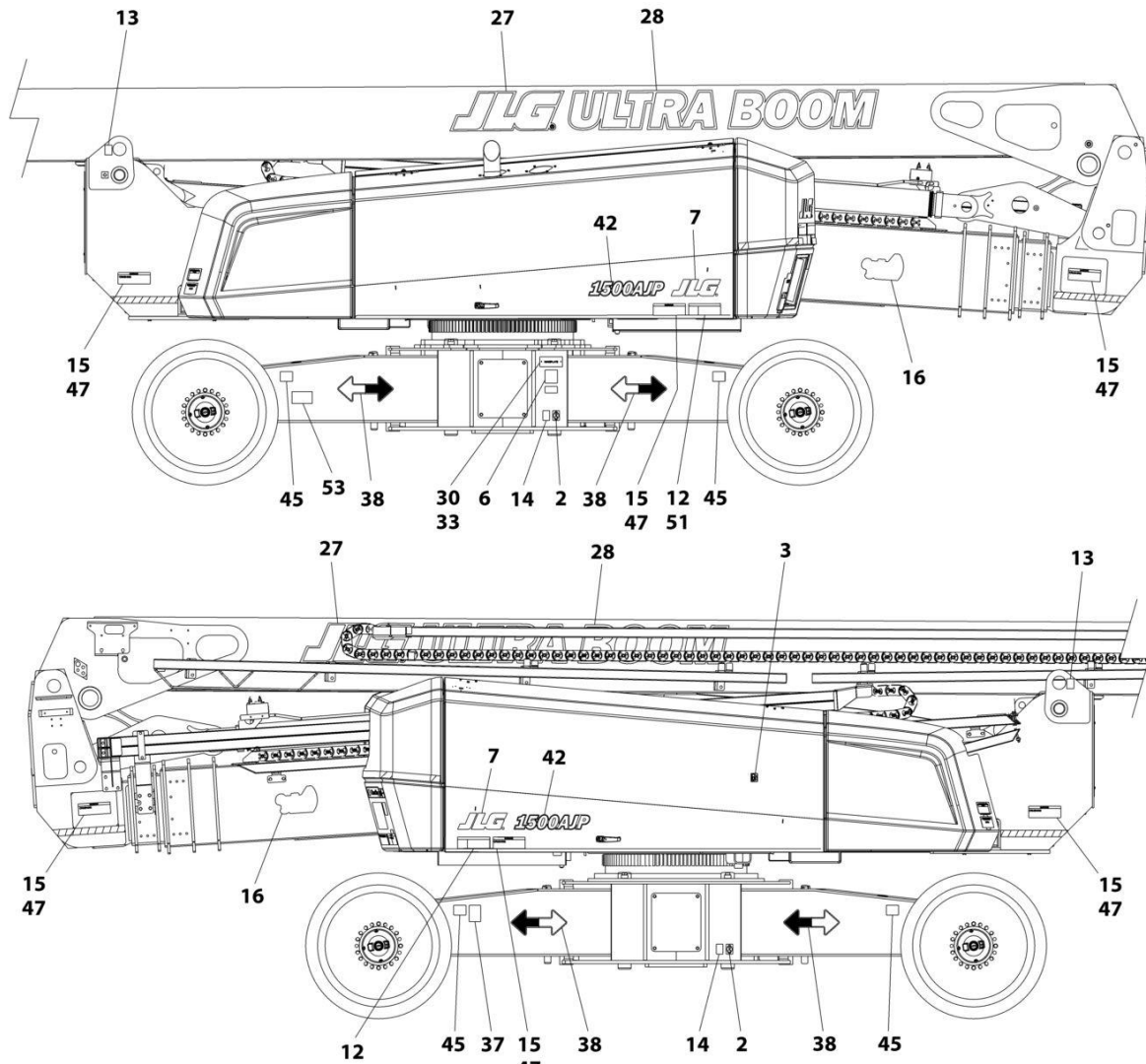
ITEM	PART NUMBER	QTY	DESCRIPTION	REV
	1001197320	Ref	DECAL INSTALLATION - KOREA SPEC (ENGLISH/KOREAN)	I
	1001197315	Ref	DECAL INSTALLATION - REFERENCE	L
1	0641406	4	Bolt 1/4 x 3/4	
2	1701499	6	Decal - No Tie Down/Lift	
3	1701505	2	Decal - Diesel Fuel	
4	1701509	1	Decal - Manual	
5	1701691	4	Decal - No Step	
6	See Note	NSS	Decal - Bar Code (Note: Not Available for Purchase)	
7	1702773	3	Decal - JLG	
8	1702774	1	Decal - JLG Lift	
9	1705969	2	Decal - No Hands	
10	1703927	1	Decal - Warning/Danger (SN 0300000100 through 0300240678)	
10	1001231317	1	Decal - Danger/Warning (SN 0300240678 through 0300271437)	
11	1703951	6	Decal - Warning Crushing	
12	1703939	6	Decal - Danger Electrocution	
13	1703811	4	Decal - Lifting Lug	
14	1703814	6	Decal - Tie Down	
15	1703945	8	Decal - Warning Crushing	
16	1703959	2	Decal - Quik Stik	
17	1704277	3	Decal - Lanyard Attach	
18	1704412	1	Decal - Hydraulic Oil	
20	1706061	1	Decal - Warning Fire Hazard	
21	1705345	1	Decal - Warning Inspection	
22	1705339	1	Decal - Tip-Over (SN 0300000100 through 0300240678)	
23	1705427	1	Decal - Drive/Steer Instruction	
24	1705503	AR	Decal - Warning Tip-Over	
25	1705511	1	Decal - Oil Level	
27	1705864	2	Decal - JLG	
28	1705865	2	Decal - Ultraboom	
29	1705868	1	Decal - Legend (SN 0300000100 through 0300226018)	
29	1001225220	1	Decal - Legend (SN 0300226018 through 0300271437)	
30	See Note	NSS	Nameplate - Serial Number (Note: Not Available for Purchase)	
31	1703981	1	Decal - Footswitch	
32	3311405	4	Nut 1/4	
33	3820001	2	Rivet	
34	4751400	8	Washer 1/4	
35	91403230	1	Box, Manual Storage	
38	1001160445	8	Decal - Arrow	
39	1001197350	1	Decal - Lift Diagram	
40	1001199564	2	Decal - Warning Dual Capacity	
41	1001199569	1	Decal - Warning Dual Capacity	
42	1001200707	2	Decal - 1500AJP	
43	1001204096	1	Decal - Legend	
44	1001209561	1	Decal - Jump Start/Dual Battery (SN 0300000100 through 0300243458)	
44	1001234789	1	Decal - Jump Start/Dual Battery (SN 0300243458 through 0300271437)	
45	1001209896	4	Decal - Maximum Tire Load	
50	1001211904	1	Decal - Fuse Box	
52	1001224045	1	Decal - Fuse Box Cover (SN 0300226018 through 0300271437)	

## SECTION 9 - DECALS

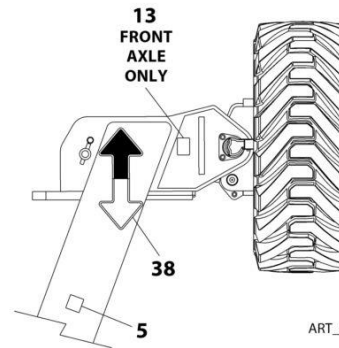
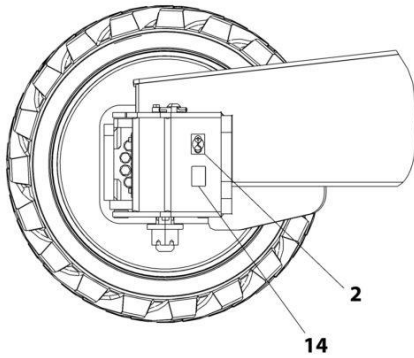
ITEM	PART NUMBER	QTY	DESCRIPTION	REV
53	1001224048	1	Decal - Decal Yearly Inspection (SN 0300235176 through 0300271437)	

# SECTION 9 - DECALS

FIGURE 9-9. DECAL INSTALLATION - LATIN AMERICA SPEC (ENGLISH/SPANISH)



NOTE: ITEMS SHOWN MAY NOT BE REQUIRED FOR ALL SPECS. REFER TO PARTS LISTS FOR USAGE.  
 NOTE: ADDITIONAL DECALS CALLED OUT ON DECAL INSTALLATION - OPTIONS.



ART\_1001197323\_10F2



## SECTION 9 - DECALS

FIGURE 9-9. DECAL INSTALLATION - LATIN AMERICA SPEC (ENGLISH/SPANISH)

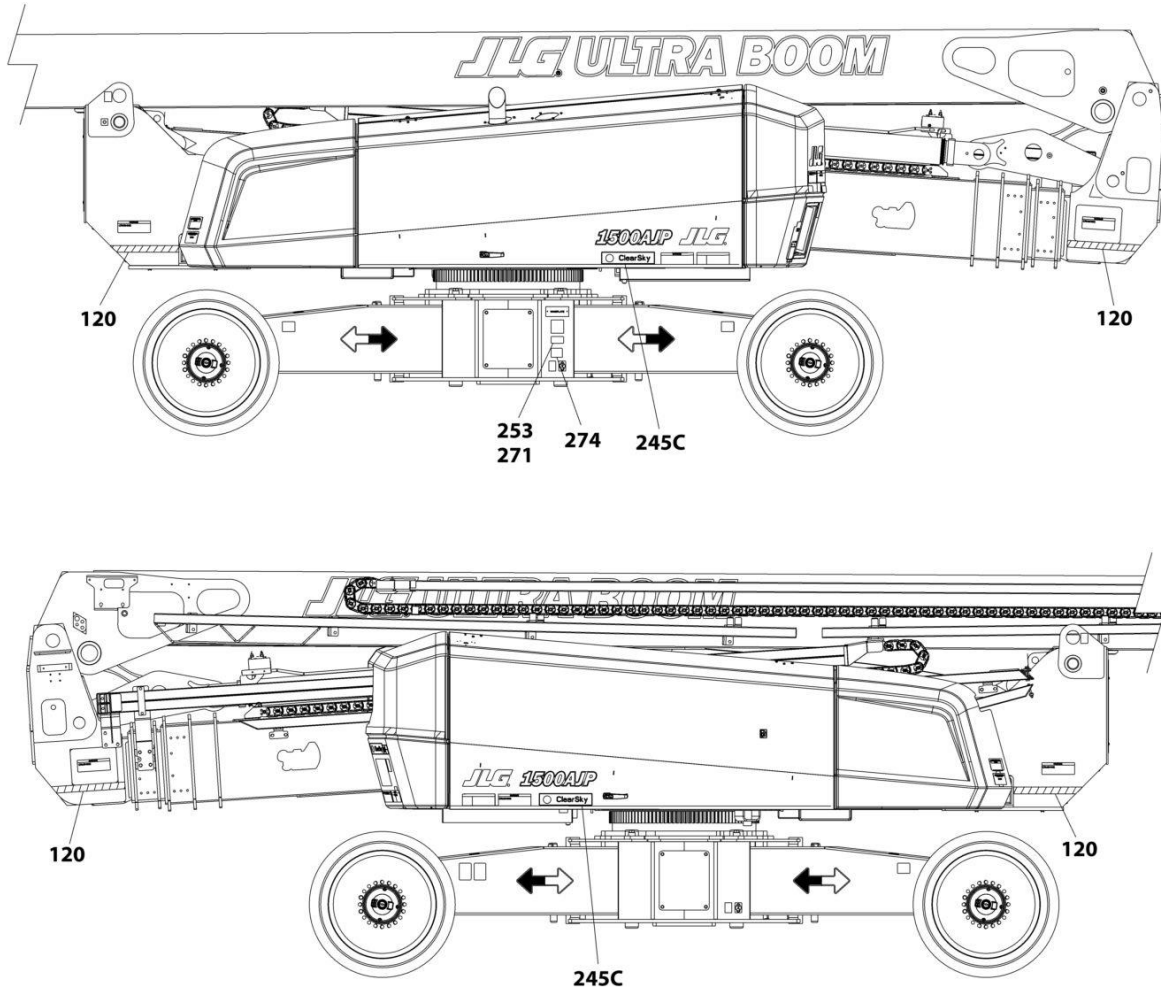
ITEM	PART NUMBER	QTY	DESCRIPTION	REV
	1001197323	Ref	DECAL INSTALLATION - LATIN AMERICA SPEC (ENGLISH/SPANISH)	I
	1001197315	Ref	DECAL INSTALLATION - REFERENCE	L
1	0641406	4	Bolt 1/4 x 3/4	
2	1701499	6	Decal - No Tie Down/Lift	
3	1701505	2	Decal - Diesel Fuel	
4	1701509	1	Decal - Manual	
5	1701691	4	Decal - No Step	
6	See Note	NSS	Decal - Bar Code (Note: Not Available for Purchase)	
7	1702773	3	Decal - JLG	
8	1702774	1	Decal - JLG Lift	
9	1704001	2	Decal - No Hands	
10	1703923	1	Decal - Warning/Danger (SN 0300000100 through 0300240678)	
10	1001231318	1	Decal - Danger/Warning (SN 0300240678 through 0300271437)	
11	1703947	6	Decal - Warning Crushing	
12	1703935	6	Decal - Electrocution	
13	1703811	4	Decal - Lifting Lug	
14	1703814	6	Decal - Tie Down	
15	1703941	8	Decal - Warning Crushing	
16	1703959	2	Decal - Quik Stik	
17	1704277	3	Decal - Lanyard Attach	
18	1704412	1	Decal - Hydraulic Oil	
20	1706063	1	Decal - Warning Fire Hazard	
21	1705917	1	Decal - Warning Inspection	
22	1705909	1	Decal - Tip-Over (SN 0300000100 through 0300240678)	
23	1705910	1	Decal - Drive/Steer Instruction	
24	1705915	AR	Decal - Tip-Over Hazard	
25	1705511	1	Decal - Oil Level	
27	1705864	2	Decal - JLG	
28	1705865	2	Decal - Ultraboom	
29	1705868	1	Decal - Legend (SN 0300000100 through 0300226018)	
29	1001225220	1	Decal - Legend (SN 0300226018 through 0300271437)	
30	See Note	NSS	Nameplate - Serial Number (Note: Not Available for Purchase)	
31	1703983	1	Decal - Footswitch	
32	3311405	4	Nut 1/4	
33	3820001	2	Rivet	
34	4751400	8	Washer 1/4	
35	91403230	1	Box Manual Storage	
38	1001160445	8	Decal - Arrow	
39	1001197350	1	Decal - Lift Diagram	
40	1001200115	2	Decal - Warning Dual Capacity	
41	1001200116	1	Decal - Warning Dual Capacity	
42	1001200707	2	Decal - 1500AJP	
43	1001204096	1	Decal - Legend	
44	1001209561	1	Decal - Jump Start/Dual Battery (SN 0300000100 through 0300243458)	
44	1001234789	1	Decal - Jump Start/Dual Battery (SN 0300243458 through 0300271437)	
45	1001209896	4	Decal - Max Tire Load	
50	1001211904	1	Decal - Fuse Box	

## SECTION 9 - DECALS

ITEM	PART NUMBER	QTY	DESCRIPTION	REV
52	1001224045	1	Decal - Fuse Box Cover (SN 0300226018 through 0300271437)	
53	1001224049	1	Decal - Decal Yearly Inspection (SN 0300235176 through 0300271437)	

# SECTION 9 - DECALS

## FIGURE 9-10. DECAL INSTALLATION - OPTIONS

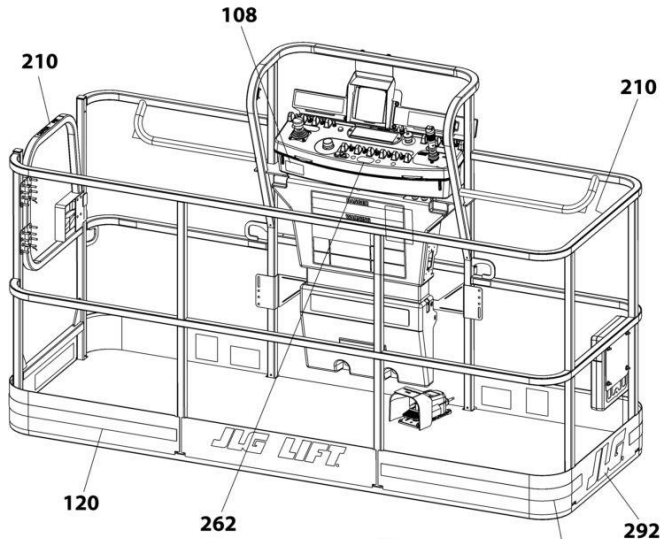
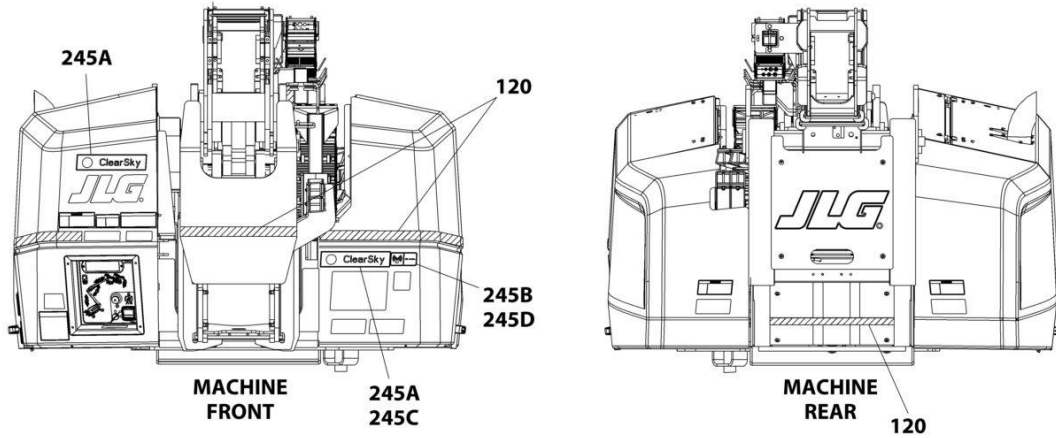


**NOTE: ITEMS SHOWN MAY NOT BE REQUIRED FOR ALL SPECS. REFER TO PARTS LISTS FOR USAGE.**

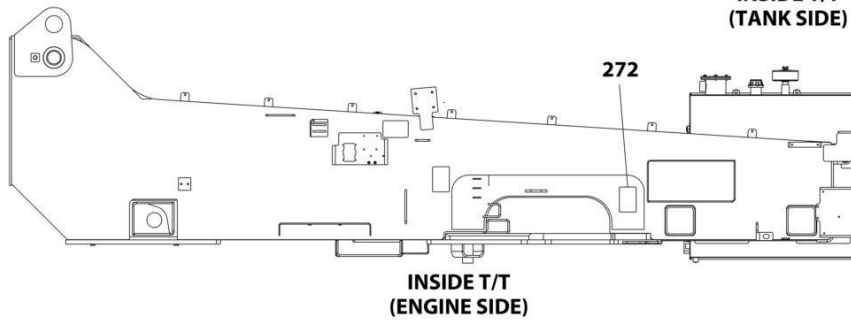
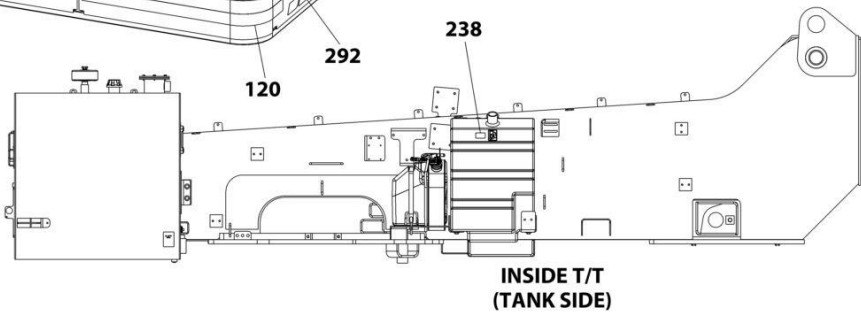
ART\_DECAL\_OPTIONS\_10F2



# SECTION 9 - DECALS



NOTE: ITEMS SHOWN MAY NOT BE REQUIRED FOR ALL SPECS. REFER TO PARTS LISTS FOR USAGE.



ART\_DECAL\_OPTIONS\_20F2

## SECTION 9 - DECALS

FIGURE 9-10. DECAL INSTALLATION - OPTIONS

ITEM	PART NUMBER	QTY	DESCRIPTION	REV
		Ref	DECAL INSTALLATION - OPTIONS	
108	1001231801	1	Decal - Warning Prop 65 Diesel (ANSI Specs) <b>(SN 0300243458 through 0300271437)</b>	
120	4420051	29 ft /8.8m	Decal - Warning Stripes	
210		Ref	Decal - No Hands (Required with Soft Touch Platform or Mesh to Top Rail Options Only)	
210	1702868	2	Decal - No Hands (ANSI and Australian Spec) (English)	
210	1705967	2	Decal - No Hands (Brazil Spec) (English/Portuguese)	
210	1001116846	2	Decal - No Hands (China Spec) (English/Chinese)	
210	1704000	2	Decal - No Hands (CSA Spec) (English/French)	
210	1705969	2	Decal - No Hands (Korean Spec) (English/Korean)	
210	1704001	2	Decal - No Hands (Latin American Spec) (English/Spanish)	
238	1001125387	1	Decal - Ultra Low Sulfur Fuel (ANSI, ANSI Export (HRC) and CSA Specs Only)	
238	1001139654	1	Decal - Ultra Low Sulfur Fuel (ANSI Export (LRC), Australian, CE, China and Japanese Specs Only)	
245	1001160444	Ref	Decal - ClearSky Telematics <b>(SN 0300000100 through 0300223782)</b>	C
245A	1001116208	2	Decal - ClearSky	
245B	1001120989	1	Decal - Radio Frequency	
245	1001216618	Ref	Decal - ClearSky Telematics <b>(SN 0300223782 through 0300271437)</b>	A
245C	1001116208	3	Decal - ClearSky	
245D	1001120989	1	Decal - Radio Frequency	
253	1001143852	1	Decal - Emissions Compliance (ANSI Export (LRC), Australian, CE (LRC) and China Specs Only)	
262	1001141300	1	Decal - SkyGuard Override	
262	1001141302	1	Decal - SkyGuard Override/Soft Touch Override	
271	1705514	1	Decal - CSA (CSA Specs Only)	
272	1001212056	1	Decal - Engine Fuse Box (HRC Only) <b>(SN 0300000100 through 0300226018)</b>	
274	1001214029	1	Decal - EAC (CE Russian Spec)	
292	1001200113	1	Decal - Capacity Tri-Entry Platform (English)	
292	1001199564	1	Decal - Capacity Tri-Entry Platform (English/Korean)	
292	1001199566	1	Decal - Capacity Tri-Entry Platform (English/Portuguese)	
292	1001200115	1	Decal - Capacity Tri-Entry Platform (English/Spanish)	
292	1001199567	1	Decal - Capacity Tri-Entry Platform (English/French)	
292	1001199565	1	Decal - Capacity Tri-Entry Platform (English/Chinese)	
292	1001199568	1	Decal - Capacity Tri-Entry Platform (English/Japanese)	

**SECTION 10 - RECOMMENDED SERVICE PARTS STOCK**

**SECTION 10 - RECOMMENDED SERVICE PARTS STOCK**

# SECTION 10 - RECOMMENDED SERVICE PARTS STOCK

FIGURE 10-1. RECOMMENDED SERVICE PARTS STOCK

ITEM	PART NUMBER	QTY	DESCRIPTION	REV
		Ref	Note: The following list will service one machine (built to current production per date on the front cover) with emergency repair parts which can be installed in the field. Parts from the list should be replaced when inventory is depleted to keep service parts stock supplied. For further information, contact your JLG dealer or the JLG Industries Parts Department.	
		Ref	STANDARD PARTS	
	70002386	1	Coil	
	70004460	1	Coil	
	70004463	1	Coil	
	70002231	12	Element, Pressure Filter	
	1001161232	12	Element, Filter	
	1001216021	1	Relay	
	70004150	12	Tank Filter/Breather Kit	
	4360328	1	Switch, Toggle	
	4360387	1	Switch, Push Button	
	4360469	1	Switch, Key (All Specs except CE Spec)	
	2860030	1	Key, Replacement	
	4360475	1	Switch, Mushroom	
	4360476	1	Contact, Switch Block	
	3740067	1	Relay	
	70023809	12	Air Cleaner Element, Primary	
	70023872	12	Air Cleaner Element - Secondary	
	1001117308	1	Relay	
	7016331	12	Engine Oil Filter	
	70025153	12	Fuel Filter	
	70004512	1	Fuel Filter	
	70003788	1	Coil	
	70003919	1	Power Track Repair Section - Tower Boom	
	70004071	1	Power Track Repair Section - Main Boom	
	70002097	12	Element, Filter	
	1001155045	1	Switch, Toggle	
	1001159256	1	Switch, Toggle	
	1001161709	1	Switch, Toggle	
	1001161710	1	Switch, Toggle	
	4360407	1	Controller, Speed	
	1001212415	1	Controller Kit (Drive/Steer)	
	1001129555	1	Controller Kit (Lift/Swing)	
	8229242	2	Fuse 5Amp	
	8229244	2	Fuse 15Amp	
	8229247	2	Fuse 25Amp	
	1001095704	1	Relay	
	8229245	2	Fuse 30Amp	
	1001196634	2	Fuse 2Amp	
	1001196635	2	Fuse 3Amp	
	1001196636	2	Diode 1Amp	
		Ref	VARIABLE PARTS	
	1001157084	1	Axle Sensor	
	1001146963	1	Steer Sensor	

## SECTION 10 - RECOMMENDED SERVICE PARTS STOCK

ITEM	PART NUMBER	QTY	DESCRIPTION	REV
	1001150162	1	Module, Control - Chassis	
	1001227960	1	Module, Control - B.L.A.M.	
	1001181325	1	Sensor, Dual Axis	
	1001187805	1	Module, Control	
	1001138228	1	Module, Relay (LRC Engines)	
	70023592	2	Fuse 20Amp (LRC Engines)	
	70023593	2	Fuse 30Amp (LRC Engines)	
	70005495	1	Module, Control - Engine (HRC Engines)	
	70025210	1	Module, Control - Engine (LRC Engines)	
	4360336	1	Switch, Toggle (Generator Options)	
	4000008	1	Switch, Jib Lock Proximity	
	4360527	1	Switch, Cable Break	
	4360548	1	Switch, Limit	
	1001120104	1	Switch, Jib Telescope Proximity	
	1001197960	1	Sensor, Boom Length	
	1001197961	1	Sensor, Boom Length	
	1001200764	1	Sensor, Angle	
	1001201095	1	Sensor, Angle	
	1001204043	1	Sensor, Proximity	
	1001199483	1	Module, Control - Platform	
	1001137673	1	Switch, SkyGuard (Machines with SkyGuard)	
	1001200183	1	Module, Control - Boom	
	1001181045	1	Circuit Breaker 30mAmp/16Amp (CE Spec Machines)	
	1001189172	1	Circuit Breaker 16Amp Double (CE Spec Machines)	
	1001189171	1	Circuit Breaker 30mAmp (CE Spec Machines)	
	1001186431	1	Relay (Machines with SkyGuard)	



**SECTION 11 - SPECIAL OPTIONS**

# SECTION 11 - SPECIAL OPTIONS

## FIGURE 11-1. SPECIAL OPTIONS

ITEM	PART NUMBER	QTY	DESCRIPTION	REV
		Ref	Note: This list is to accommodate machines ordered with special equipment. Options may not be applicable to all models. For more specific parts information contact JLG Parts Department.	
		Ref	MISCELLANEOUS SPECIAL OPTIONS	
	1001197342	Ref	Airline Installation - 1/2	
	1001202401	Ref	Air Intake Shut-off Valve (Deutz Engines - HRC) (ANSI and CSA Specs)	
	1001197329	Ref	Bellows Installation - Boom	
	1001158014	Ref	Bellows Installation - Chassis	
	1001221279	Ref	Boom Transport Decal Installation	
	1001197330	Ref	Boom Wipers Installation	
		Ref	ClearSky (Telematics) Installations (Dealer Installed)	
	1001242192	Ref	ClearSky (Telematics) Access Control Installation Kit (Dealer Installed) (ANSI, ANSI Export and CSA Specs)	
	1001243183	Ref	ClearSky (Telematics) Added-on Kit (Dealer Installed) (ANSI, ANSI Export and CSA Specs)	
	1001243184	Ref	ClearSky (Telematics) Added-on Kit (Dealer Installed) (CE Specs)	
	1001234099	Ref	ClearSky Telematics Kit (Dealer Installed) (CE Specs)	
		Ref	ClearSky Telematics Installation (Factory Installed) ( <b>SN 0300000100 through 0300234255</b> )	
	1001197377	Ref	ClearSky Telematics Installation (ANSI & CSA Specs) (Factory Installed)	
	1001197380	Ref	ClearSky Telematics Installation (Australian Specs) (Factory Installed)	
	1001197379	Ref	ClearSky Telematics Installation (Brazil & New Zealand Specs) (Factory Installed)	
		Ref	ClearSky Telematics Installation (Factory Installed) ( <b>SN 0300234255 through 0300271437</b> )	
	1001227457	Ref	ClearSky Telematics Installation - Canbus Connection (Factory Installed) (ANSI & CSA Specs)	
	1001246471	Ref	ClearSky Telematics Installation - Canbus Connection (Factory Installed) (Australian Specs)	
	1001228959	Ref	ClearSky Telematics Installation - Canbus Connection (Factory Installed) (ANSI Export & CE Specs)	
	1001246472	Ref	ClearSky Telematics Installation - Canbus Connection (Factory Installed) (China Specs)	
	1001229107	Ref	ClearSky Telematics Installation - 3 Wire Connection (Factory Installed) (ANSI & CSA Specs)	
	1001233237	Ref	ClearSky Telematics Installation - 3 Wire Connection (Factory Installed) (ANSI Export & CE Specs)	
	1001197336	Ref	Cold Weather Package (Machines without Arctic Package)	
	1001197337	Ref	Cold Weather Package (Machines with Arctic Package)	
	1001197336	Ref	Cold Weather Package (Machines with Arctic Package)	
	1001233047	Ref	Crankcase Breather Heater Kit	
	1001200137	Ref	Cribbing Switch Installation (ANSI Spec Only)	
	1001220864	Ref	Decal - Boom Transport Decals Kit	
	1001241344	Ref	Decal - Platform Console Box Decal Kit	
	1001241335	Ref	Decal - Platform Decal Kit	
	1001213276	Ref	Decal Installation Options:	
	1001172570	Ref	Decal - SkyGlazier (English Language) (ANSI)	
	1001172620	Ref	Decal - SkyGlazier (English Language) (Australian)	



## SECTION 11 - SPECIAL OPTIONS

ITEM	PART NUMBER	QTY	DESCRIPTION	REV
	1001172576	Ref	Decal - SkyGlazier (English Language) (UK)	
	1001172573	Ref	Decal - SkyGlazier (French Language)	
	1001172574	Ref	Decal - SkyGlazier (German Language)	
	1001172575	Ref	Decal - SkyGlazier (Italian Language)	
	1001172572	Ref	Decal - SkyGlazier (Portuguese Language) (Brazil)	
	1001193136	Ref	Decal - SkyGlazier (Portuguese Language) (Europe)	
	1001193135	Ref	Decal - SkyGlazier (Spanish Language) (Europe)	
	1001172571	Ref	Decal - SkyGlazier (Spanish Language) (Latin American)	
	1001244863	Ref	DEF Tank Replacement Kit	
	1001233763	Ref	Deutz Breather Heater Installation (ANSI, ANSI Export (HRC), CE, CSA and Japanese Specs)	
	1001246867	Ref	EDS Level 1 Booms Kit	
	1001246860	Ref	EDS Level 2 Booms Kit	
		Ref	Electrical Connector Kits	
	1001148902	Ref	Amp/Tyco Electrical Connector Kit	
	1001148903	Ref	Deutsch DT Electrical Connector Kit	
	1001148904	Ref	Deutsch HD Electrical Connector Kit	
	1001148905	Ref	Packard Electrical Connector Kit	
	1001148906	Ref	Various Electrical Connectors Kit	
	1001235962	Ref	Engine Coolant Strainer Kit	
	1001237883	Ref	Fall Arrest Bolt On Kit (6FT x 1.83M) (ANSI, ANSI Export, China, CSA, and Japanese Specs) (Fits Platform p/ns 1001186384 & 1001228376)	
	1001237882	Ref	Fall Arrest Bolt On Kit (8FT x 2.44M) (ANSI, ANSI Export, China, CSA, and Japanese Specs) (Fits Platform p/ns 1001186383)	
	1001197775	Ref	Fan Guard Installation (HRC)	
	1001155069	Ref	Fan Guard Installation (LRC)	
		Ref	Filter Kit Options:	
		Ref	Combined Filter Kit Options (Hydraulic/Air & Fuel/Engine Oil):	
	1001225639	Ref	Combined Filter Kit (Deutz HRC & LRC Engines)	
	1001139099	Ref	Fire Extinguisher Installation	
		Ref	Fluids	
	3020039	Ref	Axle Lubricant	
	3020008	Ref	Drive Hub Lubricant	
		Ref	Hydraulic Fluid	
	2300014	Ref	Mobil 424	
	2300029	Ref	Mobil EAL ISO 46 Bio	
	2300016	Ref	Mobil DTE 10 EXCEL 32	
	2300039	Ref	Exxon Univis (Arctic Package)	
	2300019	Ref	Quintolubric 822-220 (Fire Resistant)	
	3020037	Ref	Pump Coupling Grease	
	3020021	Ref	Pump Coupling Grease	
	1001117294	Ref	Foot Switch Shield	
	1001205812	Ref	Fuel Cap Installation - Lockable	
	1001197340	Ref	Headlight and Taillights Installation	
	1001237402	Ref	Hose/Cable Protection Installation (Boom)	
	1001239627	1	Hose Kit - Platform Valve	
	1001239625	Ref	Hose Kit - Upper Powertrack	
	1001241419	Ref	Hostile Environment Kit	
	1001197341	Ref	Illumination Lights Installation	
	1001148971	Ref	Lanyard (Bolt-on) Installation Kit	
	1001230625	Ref	LCD Display Kit (Low Rail)	

## SECTION 11 - SPECIAL OPTIONS

ITEM	PART NUMBER	QTY	DESCRIPTION	REV
	1001230626	Ref	LCD Display Kit (High Rail)	
	1001183407	Ref	Low Temperature Cut Out Installation ( <b>SN 0300000100 through 0300244681</b> )	
	1001236952	Ref	Low Temperature Cut Out Installation ( <b>SN 0300244681 through 0300271437</b> )	
	1001236268	Ref	Main Control Valve Kit	
	1001194835	Ref	Oil Cooler Installation (HRC)	
	1001155064	Ref	Oil Cooler Installation (LRC)	
	1001197436	Ref	Platform Console Cover Installation	
	1580013	Ref	Platform Corner Storage Tray	
		Ref	Platform Entry Kits	
	1001142504	Ref	Drop Bar (Replacing Swing Gate with Drop Bar)	
	1001142505	Ref	Swing Gate (Replacing Drop Bar with Swing Gate)	
	1001202917	Ref	Platform Floodlights Installation	
		Ref	Platform Mesh to Top Rail Add-On Kits: (ANSI, ANSI Export, Australian and CSA Specs)	
	1001214552	Ref	30in x 4ft (76cm x 1.22m) with Gate	
	1001214561	Ref	36in x 6ft (91.5cm x 1.83m) with Gate	
	1001214562	Ref	36in x 8ft (91.5cm x 2.44m) with Gate	
		Ref	Platform Mesh to Top Rail Installations (ANSI, ANSI Export, Australian and CSA Specs)	
	0273147	Ref	30in x 4ft (76cm x 1.22m)	
	0273149	Ref	36in x 6ft (91.5cm x 1.83m)	
	0273145	Ref	36in x 8ft (91.5cm x 2.44m)	
		Ref	Platform Mesh to Mid Rail Add-On Kits: (ANSI, ANSI Export, Australian and CSA Specs)	
	1001214478	Ref	30in x 4ft (76cm x 1.22m) with Gate	
	1001214540	Ref	36in x 6ft (91.5cm x 1.83m) with Gate	
	1001214548	Ref	36in x 8ft (91.5cm x 2.44m) with Gate	
		Ref	Platform Mesh to Mid Rail Installation (ANSI, ANSI Export, Australian and CSA Specs)	
	1001140318	Ref	30in x 4ft (76cm x 1.22m)	
	1001138772	Ref	36in x 6ft (91.5cm x 1.83m)	
	1001138773	Ref	36in x 8ft (91.5cm x 2.44m)	
	1001149730	Ref	Platform Mid Rail Repair Kit	
	0272725	Ref	Platform Rail Extension - 8ft Platform	
	1001202916	Ref	Platform Worklights Installation	
	1001159121	Ref	Receptacle (240V GFCI) Installation (7500W Generator)	
	1001247073	Ref	SkyEye Retrofit Kit	
	1001232643	Ref	SkyLine Kit	
	1001231235	Ref	SkyWelder Locking Bracket Installation	
		Ref	Tools For Service:	
	2901443	1	Analyzer Kit	
	7002821	1	Crimper, Wire	
	7002823	1	Pin Extractor - Universal (For Electrical Connectors with Pins and Sockets)	
	4460467	1	Extractor - 16-18 Gauge (For Removal of Pin/Sockets from Deutsch Connectors)	
	4460510	1	Extractor - 12-14 Gauge (For Removal of Pin/Sockets from Deutsch Connectors)	
	7016654	1	Screwdriver, Magnetic	
	7002822	1	Screwdriver, Potentiometer	
	7004275	1	Seal Tool 1 (For Cylinders)	

## SECTION 11 - SPECIAL OPTIONS

ITEM	PART NUMBER	QTY	DESCRIPTION	REV
	7004276	1	Seal Tool 1 1/2 (For Cylinders)	
	7002828	1	Stripper, Wire	
	4921850	1	Throttle Service Harness	
	70004185	1	Torque Multiplier	
	7016655	1	Wire Rope Sheave Gauge	
	1001137005	1	Software Cable Kit	
	70004646	1	Puller (Hub Assembly)	
	70004647	1	Seal Tool (Hub Assembly)	
	70004648	1	Puller (Hub Assembly)	
	1001197359	1	Boom Cable Adjustment Socket Installation	
	1001203463	1	Socket M34	
	1001241273	Ref	Tower Boom Wear Pad Kit	
	1001232034	Ref	White Noise Alarm	
	1001232035	Ref	White Noise Ambient Alarm	
	1001241672	Ref	Wire Rope Kit <b>(SN 0300000100 through 0300225574)</b>	
	1001241673	Ref	Wire Rope Kit <b>(SN 0300225574 through 0300271437)</b>	



**PART NUMBER INDEX**

## SECTION 11 - SPECIAL OPTIONS

0100009.....385, 389, 393	0275216..... 515, 625	0700412 ... 105, 109, 113,	0711015.... 166, 172, 194,
0100011.... 15, 17, 19, 29,	0275217 ..... 519, 627	117, 121, 125, 129	200, 234, 248
31, 53, 57, 59, 89, 97,	0275452 ..... 523, 629	0700510 ..... 237, 251	0711214.... 182, 188, 210,
101, 105, 109, 113,	0275453 ..... 527, 631	0700608 ..... 335	216, 242, 256
117, 121, 125, 129,	0275454 ..... 531, 633	0700610 ..... 97, 172, 182,	0711214001..... 308
155, 156, 157, 166,	0370025 ..... 455	188, 200, 210, 216	0711215001..... 308
172, 177, 179, 182,	0400020 ..... 101	0700612 ... 145, 182, 188,	0711217001..... 308
188, 194, 200, 205,	0440162 ... 166, 172, 194,	210, 216, 242, 256,	0711218.... 182, 188, 210,
207, 210, 216, 234,	200, 234, 248	559, 561	216, 244, 258
237, 242, 248, 251,	0440273 ..... 15, 303	0700614 ... 167, 172, 195,	0711222001..... 341
256, 283, 287, 291,	0480100 ..... 441	200, 235, 249	0711626001..... 314
295, 303, 308, 313,	0561380 ..... 303	0700615 ..... 149, 151	0712435..... 79
321, 323, 325, 327,	0561546 ..... 455	0700616 ..... 156, 157	0712444001..... 339, 341
335, 339, 341, 345,	0630448001 ..... 375	0700620 ... 105, 109, 113,	0721005..... 419, 421
349, 353, 355, 357,	0630462 ..... 419, 421	117, 121, 125, 129	0731007..... 93, 95, 97
363, 365, 367, 411,	0630518 ... 426, 429, 431,	0700815 ... 182, 188, 210,	0741607.... 283, 287, 291,
413, 415, 419, 421,	433, 437	216, 242, 256, 543,	295
426, 429, 431, 433,	0630534 ..... 459, 461	545, 547, 550	0760408.... 147, 166, 172,
451, 453, 455, 457,	0630535 ... 451, 453, 455,	0700816 ..... 335	194, 200, 234, 248
459, 461, 463, 465,	457, 475, 477, 479, 483	0700818 ... 166, 172, 194,	0760508.... 177, 179, 205,
467, 469, 475, 479,	0630536 ..... 463, 465	200, 234, 248	207
543, 545, 547, 549	0630568 .... 386, 390, 394	0700818001 ..... 287, 291,	0760516.... 106, 109, 114,
0100019.... 17, 19, 79, 83,	0630615001 ..... 155	295	117, 122, 125, 129
283, 287, 291, 295,	0641404 ... 385, 389, 393,	0700819001 ..... 283	0760604.... 184, 188, 212,
303, 313, 455, 457,	415	0700820 ... 167, 172, 195,	216
498, 504	0641405 ..... 415	200	0760606.... 167, 172, 195,
0100020.... 166, 172, 182,	0641406 ... 373, 670, 674,	0700822 ... 166, 172, 194,	200, 283, 287, 291, 295
188, 194, 200, 210,	678, 682, 686, 690,	200	0760608.... 166, 172, 184,
216, 234, 242, 248,	694, 698, 702	0700823001 ..... 496, 504	188, 194, 200, 212,
256, 287, 295, 407,	0641406001 ..... 375, 377	0700827 ... 166, 172, 194,	216, 235, 249
426, 437, 515, 517,	0641408 ..... 156, 157	200	0760610.... 105, 109, 113,
519, 521, 523, 525,	0641414 ... 385, 389, 393,	0701013 ... 101, 182, 188,	117, 121, 125, 129,
527, 529, 531, 533, 535	411, 413, 417, 419, 421	210, 216, 242, 256	147, 166, 177, 179,
0100035..... 17, 177, 179,	0641416 ... 515, 517, 519,	0701014001 ..... 155, 159,	194, 205, 207, 234,
205, 207, 237, 251,	521, 523, 525, 527,	161	237, 248, 251, 283,
335, 393	529, 531, 533, 535	0701015 . 93, 95, 97, 155,	287, 291, 295, 335,
0100038.... 337, 451, 453,	0641418 ... 345, 349, 353,	182, 188, 210, 216,	379, 381, 383, 557
455, 457, 459, 461,	355, 357, 363, 365, 367	242, 256	0760610001..... 487
463, 465, 467, 469,	0641422 ..... 29	0701016 ... 182, 188, 210,	0760612.... 157, 379, 381,
475, 479	0641504 ..... 37	216, 242, 256	383
0100048.... 283, 287, 291,	0641506 ..... 91	0701017 ... 182, 188, 210,	0760612001..... 335
295, 385, 389, 393, 557	0641508 ..... 91	216, 242, 256	0760613.... 105, 109, 113,
0100071 ..... 15, 417, 471,	0641510 ..... 487	0701018 ..... 83, 283, 287,	117, 121, 125, 129
473	0641511001 ..... 491	291, 295, 313	0760614..... 97, 182, 188,
0100081 .... 182, 188, 210,	0641514 ..... 441	0701019 ... 182, 188, 210,	212, 216, 244, 257
216, 244, 258, 321,	0641606 ... 182, 188, 210,	216, 242, 256	0760614001..... 337
323, 385, 389, 423	216, 242, 256, 426,	0701020 ..... 313	0760807..... 167, 195
0140011 ..... 385, 389, 393	429, 431, 433	0701022 ..... 313	0760807001..... 325, 327
0140043..... 145	0641608 ... 237, 251, 277	0701024001 ..... 308, 321	0760808001 . 17, 325, 327
0200048..... 419, 421	0641812 ... 177, 179, 205,	0701025001 ..... 325, 327	0760810.... 106, 109, 114,
0236768..... 101	207, 237, 251	0701026001 ..... 321	117, 122, 125, 129,
0272254..... 431	0642012 ..... 423	0701027001 ..... 321, 323	155, 166, 172, 182,
0272427..... 419	0642212 ..... 423	0701028001 ..... 496, 504	188, 194, 200, 210,
0272435..... 296	0642220 ... 166, 172, 194,	0701031 ..... 313	216, 242, 256, 335
0272448..... 426, 431	200, 234, 248	0701032001 ..... 323	0760810001..... 106, 109,
0272521 ..... 429	0681607 ..... 479, 483	0701034001 ..... 321	114, 117, 122, 125,
0272588..... 429	0681608 ..... 479, 483	0701220 ..... 93, 95, 97	129, 155
0272589..... 292	0681620 ... 443, 445, 447	0701222 ..... 313	0760812 29, 31, 105, 109,
0272599..... 426, 437	0681814 ... 359, 369, 371	0701224 ..... 89	113, 117, 121, 125,
0272607..... 437	0681822 ... 359, 369, 371	0701420001 ..... 15	129, 155, 166, 172,
0272725..... 714	0682220 ..... 83	0701422001 ..... 17	182, 188, 194, 200,
0273145..... 714	0682424 ... 443, 445, 447	0701619001 ..... 27	210, 216, 234, 242,
0273147..... 714	0700408 ... 515, 517, 519,	0701627 ... 182, 188, 210,	248, 256, 539
0273149..... 714	521, 523, 525, 527,	216, 242, 256	0760812001..... 155, 341,
0273353..... 426	529, 531, 533, 535	0702022001 ..... 303	513, 537, 559, 561
0273706..... 421		0702426001 ..... 304	

## SECTION 11 - SPECIAL OPTIONS

0760814 ..... 97, 156, 167, 172, 195, 200, 335	0771014001.....314	1001096653.....29, 31	1001116748 ..... 569, 641, 659
0760814001 ..... 156	0771016001.....314	1001097051.....541, 647	1001116751 ..... 641, 659
0760815 ..... 156	0771018001.....314	1001097150.....563, 565	1001116774 ..... 653
0760815001 ..... 17	0771212001.....308	1001097244.....379, 381, 383	1001116808 ..... 653
0760818001 ..... 543, 545, 547, 549	0771218001.....308	1001097587.....79	1001116812 ..... 583, 587, 609
0760822001 ..... 496, 504	0771414 ... 182, 210, 242, 256	1001097588.....184, 189, 212, 217	1001116815 ..... 587
0761007001 ..... 155, 321, 339	0771415 ... 182, 188, 210, 216, 242, 256	1001098012.....426, 437, 439	1001116846 ..... 686, 706
0761008 ... 182, 188, 210, 216, 242, 256	0771416 ... 166, 172, 194, 200, 234, 248	1001098122.....407, 613, 617, 621	1001116849 ..... 686
0761009 ... 167, 172, 195, 200, 235, 249	0771617001.....314	1001098149.....437	1001116851 ..... 686
0761009001 ..... 335, 487	0772016001.....314	1001099125.....133, 135, 137, 139	1001116952 ..... 583
0761010 ... 543, 545, 547, 549	0801550 ..... 313	1001099366.....423	1001116983 ..... 589
0761010001 . 57, 59, 314, 325, 327	0860038 ... 287, 295, 513	1001099367.....423	1001117023 ..... 583
0761011 ..... 156, 313	0861538 ..... 295	1001100341.....625	1001117034 ..... 686
0761011001 ..... 314	0861572 ..... 291	1001100342.....627	1001117035 ..... 686
0761012 . 29, 31, 59, 155, 182, 188, 210, 216, 242, 256, 313, 327, 557	0861731 ... 525, 529, 533, 535, 629, 631, 633	1001100345.....629	1001117064 ..... 569, 641, 659
0761012001 57, 156, 157, 321, 325, 335	0861781 ... 517, 521, 625, 627	1001100346.....633	1001117106 ..... 583
0761013001 ..... 110, 118, 126, 130	0861880 ..... 563, 565	1001100347.....631	1001117107 ..... 579
0761014 ..... 155, 335	0902888 ... 283, 287, 291, 295	1001101191.....515, 519, 523, 527, 531, 563, 565, 567	1001117108 ..... 580
0761014001 ..... 308, 314, 341	0940049 ..... 155	1001101196.....515, 519	1001117110 ..... 541, 609, 655
0761015 ... 106, 109, 114, 117, 122, 125, 129, 156, 166, 172, 177, 179, 194, 200, 205, 207, 234, 237, 248, 251, 313, 335, 379, 381, 383	0940092 ..... 419, 421	1001101197.....523, 527, 531	1001117172 ..... 407
0761015001 15, 496, 504	0940094 ..... 419, 421	1001101421.....423	1001117174 ..... 386, 390, 393, 407
0761016001 15, 303, 323	0940102 ..... 423	1001101580.....167, 173, 195, 201, 235, 249	1001117244 ..... 184, 189, 212, 217
0761018 ..... 277	0940103 ..... 419	1001102594.....637	1001117294 ..... 713
0761210 ... 177, 179, 182, 188, 205, 207, 210, 216, 237, 242, 251, 256	0940133 ..... 421	1001103012.....656	1001117308 ..... 183, 189, 211, 217, 243, 257, 708
0761212 ... 283, 287, 291, 295	0961845 ... 345, 349, 353, 355, 357, 363, 365, 367	1001103452.....167, 173, 195, 201, 242, 256	1001118274 . 29, 31, 106, 109, 114, 117, 122, 125, 129, 155
0761212001 ..... 321	0961893 ..... 459, 461	1001104497.....336	1001118282 ..... 580
0761214 ..... 19, 155	0961896 ..... 451, 453	1001104498.....541, 656	1001118287 ..... 314
0761214001 ..... 155, 314, 323	0961897 ... 455, 457, 475, 479, 483	1001106736.....656	1001118288 ..... 314
0761216 ..... 89, 156, 177, 179, 205, 207, 237, 251	0961898 ..... 463, 465	1001107854.....541, 656	1001118384 ..... 649
0761216001 ..... 339, 341	0961903 ..... 477	1001108616.....177, 179, 205, 207, 237, 251, 268	1001118388 ..... 603, 617, 649
0761217 ..... 156	0961949 ..... 455, 457	1001108617 ..... 57, 59	1001118878 ... 39, 41, 43, 45, 47, 49, 51
0761218001 ... 29, 31, 39, 41, 43, 45, 47, 49, 51, 321	0961950 ..... 471, 473	1001109048.....93, 95, 97	1001118972 ..... 155, 335
0761614001 ..... 314	0961951 ... 182, 188, 210, 216, 242, 256, 313, 483	1001109654.....559, 565	1001119020 ..... 653
0761616 ..... 313	0962051 ... 166, 172, 194, 200, 234, 248	1001110604.....496, 504	1001119033 ..... 335
0762014001 ..... 303	0962224 ..... 313, 315	1001110873.....288, 296, 513	1001119215 ..... 557
0762016001 ..... 303	0962257 ..... 459, 461	1001111116.....243, 257	1001119412 ..... 583, 599
0762018001 ..... 19	0962270 ... 359, 369, 371	1001112551.....674	1001119455 ..... 496, 505
0762418001 ..... 15, 303	0962423 ..... 17	1001112612.....653, 655	1001119619 ..... 643
0762422001 ..... 303	0962423 ..... 17	1001112757.....105, 109, 113, 117, 121, 125, 129	1001119620 ..... 645, 647
0771010001 ..... 314	0962520 ... 283, 287, 291, 295	1001112796.....653	1001119727 ..... 243, 257
0771012001 ..... 314, 339, 341	0962556 ..... 313	1001112927.....177, 179, 205, 207, 237, 251, 275	1001119861 ..... 510
	0962561 ... 451, 453, 455, 457	1001113961.....569, 655	1001119899 ..... 314
	0962562 ..... 467, 469	1001116208.....706	1001120000 ..... 15
	1001008559.....151, 543, 545, 547, 550	1001116692.....541	1001120055 ..... 613, 617, 621
	1001047062.....106, 109, 114, 117, 122, 125	1001116693.....655, 656	1001120104 ..... 335, 709
	1001091102.....147, 559, 561	1001116694.....541	1001120328 ..... 411, 413, 415, 579, 614, 618, 622
	1001091969.....515	1001116695.....541	1001120338 ..... 386, 390
	1001091970.....519	1001116720.....603, 617	1001120989 ..... 706
	1001091973.....523	1001116725.....580	1001122242 ..... 375
	1001091974.....527	1001116732.....583	1001125137 ..... 471
	1001091975.....531	1001116733.....580, 599	1001125293 ..... 375, 605
	1001095704.....579, 708	1001116734.....580	1001125295 ..... 605, 607
	1001096612.....283		1001125387 ..... 706

## SECTION 11 - SPECIAL OPTIONS

1001125677.....579, 614, 618, 622, 656	1001138248..... 183, 189, 211, 217, 243, 257	1001149160 ..... 106, 109, 114, 117, 122, 125, 129, 155	1001153981.....83
1001126008.....581, 610, 661	1001138494..... 349, 353, 355, 357, 363, 365, 367	1001149407 ..... 243, 257	1001153983.....83
1001126009.....570, 649	1001138514..... 349, 355, 357, 365, 367	1001149517 ..... 183, 189, 211, 217, 243, 257	1001153984.....83, 85
1001126011.....613, 617, 621	1001138559..... 183, 189, 211, 217, 243, 257	1001149711 ..... 27	1001154035.....101
1001126245.....581	1001138566..... 283, 287	1001149730 ..... 714	1001154142.....237, 251
1001126351.....584	1001138772 ..... 714	1001149736 ..... 243, 257	1001154143.....237, 251
1001126352.....584	1001138773 ..... 714	1001149746 ..... 183, 189, 211, 217, 243, 257	1001154196.....89
1001126353.....579	1001138805 ..... 461	1001149823 ..... 79	1001154247.....314
1001126356.....584	1001138827..... 183, 189, 211, 217, 243, 257	1001149867 ..... 237, 242	1001154262.....167, 173, 195, 201
1001126357.....584	1001139099 ..... 713	1001149921 ..... 19, 23	1001154377.....83
1001126362.....580, 584	1001139240..... 183, 189, 211, 217, 243, 257	1001149970 ..... 105, 109, 113, 117, 121, 125, 129, 577	1001154405.....167, 173, 183, 190, 195, 201, 211, 218, 235, 244, 249, 258, 277
1001126363.....584	1001139654 ..... 706	1001149971 ..... 237, 251, 583	1001154759.....19
1001126365.....584	1001140318 ..... 714	1001149975 ... 39, 41, 43, 45, 47, 49, 51, 569	1001154772.....19
1001126384.....584	1001140429..... 345, 349, 353, 355, 357, 363, 365, 367	1001150162 ... 39, 41, 43, 45, 47, 49, 51, 709	1001155023.....183, 190, 211, 218, 244, 258
1001126391.....575, 580, 584	1001140564..... 183, 189, 211, 217, 243, 257	1001150174 ..... 287, 295	1001155041.....283, 287, 291, 295
1001126393.....580	1001141300 ..... 706	1001150498 ..... 243, 257	1001155044.....386, 390, 394
1001126485.....580, 581	1001141302 ..... 706	1001150499 ..... 243, 257	1001155045.....385, 389, 394, 708
1001126487.....580	1001141304 ..... 237, 252	1001150500 ..... 243, 257	1001155064.....714
1001128127.....663, 665	1001141995..... 183, 189, 211, 217, 243, 257	1001150504 ..... 183, 189, 243	1001155069.....713
1001128128.....580, 583	1001142501..... 167, 173, 183, 189, 195, 201, 211, 217, 235, 243, 249, 257	1001150505 ..... 244, 257	1001155133.....15
1001128527.....433	1001142504 ..... 714	1001150553 ..... 183, 189, 211, 217, 244, 257	1001155262.....335
1001128556.....433	1001142505 ..... 714	1001150611 ..... 655	1001155303.....288, 296
1001129555.....708	1001142683..... 149, 151	1001150725 ..... 83	1001155338.....283, 288, 291, 295
1001131130.....156	1001142688..... 149, 151	1001150917 ..... 467	1001155348.....291, 295
1001131269.....670, 690	1001143390..... 183, 189, 211, 217, 243, 257	1001150942 ..... 467, 469	1001155363.....15
1001133714.....581, 583	1001143852 ..... 706	1001151393 ..... 133, 135, 137, 139	1001155437.....156
1001133715.....581, 583	1001144147 ..... 639	1001151432 ..... 244, 258	1001155438.....155, 156
1001133927.....467, 469	1001144295 ..... 656	1001151491 ..... 183, 189, 211, 217, 244, 258	1001155454.....157
1001133956.....584	1001144433 ..... 390, 413	1001151503 ..... 467, 469	1001155456.....155, 157
1001133957.....584	1001144629..... 347, 351, 353, 361, 363	1001151749 ..... 183, 189, 211, 217, 244, 258	1001155496.....183, 190, 211, 218, 244, 258
1001134314.....303	1001145405..... 426, 437	1001151761 ..... 244, 258	1001155498.....183, 190, 211, 218, 244, 258
1001134488.....183, 189, 211, 217, 243, 257	1001146588..... 543, 545, 547, 550	1001152112 ..... 212, 217, 258	1001155525.....184, 190, 211, 218, 244, 258
1001135196.....167, 173, 195, 201, 235, 249	1001146940 ..... 303	1001152457 ..... 287	1001155527.....159
1001135497.....167, 173, 195, 201, 235, 249	1001146963 ..... 17, 708	1001152458 ..... 283	1001155540.....184, 190, 211, 218, 244, 258
1001135650.....581	1001147567..... 183, 189, 211, 217	1001152483 ..... 567	1001155550.....244, 258
1001135943.....183, 189, 211, 217, 243, 257	1001147616 ..... 27	1001152489 ..... 183, 189, 211, 217, 244, 258	1001155557.....184, 190, 212, 218, 244, 258
1001136079.....183, 243	1001147847..... 183, 189, 211, 217, 243, 257	1001152525 ..... 292, 296	1001155561.....53
1001136172.....211, 257	1001148012 ..... 315	1001152530 ..... 283, 287	1001155563.....184, 190, 212, 218, 244, 258
1001136400.....323	1001148059..... 283, 292	1001152532 ..... 284, 288, 593	1001155564.....184, 190, 212, 218, 244, 258
1001136583.....314	1001148076..... 243, 257, 261	1001152742 ..... 575	1001155565.....184, 190, 212, 218, 244, 258
1001136834.....183, 189, 211, 217, 243, 257	1001148641..... 183, 189, 211, 217, 243, 257	1001153257 ..... 510	1001155566.....184, 190, 212, 218, 244, 258
1001136975.....167, 173, 195, 201, 235, 249	1001148902 ..... 713	1001153259 ..... 284, 288, 597	1001155584.....156, 157
1001137005.....715	1001148903 ..... 713	1001153785 ..... 314	1001155591.....155
1001137032.....308	1001148904 ..... 713	1001153786 ..... 314	1001155728.....184, 190, 212, 218, 244, 258
1001137262.....506	1001148905 ..... 713	1001153797 ..... 314	1001155743.....569, 579
1001137263.....497, 504, 506	1001148906 ..... 713	1001153827 ..... 314	1001155817.....17, 651
1001137578.....573	1001148971 ..... 713	1001153828 ..... 314	1001155823.....167, 173, 195, 201, 235, 249
1001137673.....411, 413, 709		1001153846 ..... 314	
1001138116.....581			
1001138173.....183, 189, 211, 217, 243, 257			
1001138175.....183, 189, 211, 217, 243, 257			
1001138228.....243, 257, 709			



## SECTION 11 - SPECIAL OPTIONS

1001155832 ..... 155	1001157300.....211, 218, 258	1001161279.....491	1001169085 ..... 147, 149, 151
1001155836 ..... 17, 335	1001157301.....212, 218, 258	1001161280.....491	1001170982 ..... 184, 190, 212, 218, 244, 258
1001155939 ..... 167, 173, 195, 201, 235, 249	1001157454.....314	1001161281.....491	1001171324 ..... 337
1001155967 ..... 105, 109, 110, 113, 117, 118, 121, 125, 126, 129, 130, 336, 609, 656	1001157520.....292, 296	1001161282.....491	1001171482 ..... 133, 135, 137, 139
1001155986 ..... 17, 471	1001157521.....292, 296	1001161283.....491	1001172356 ..... 27
1001155987 ..... 471	1001157525.....292	1001161289.....491	1001172358 15, 155, 156, 157, 159, 161, 303, 308, 314, 321, 323, 325, 336, 339, 341, 487, 496, 504
1001155992 ..... 471	1001157528.....292, 296	1001161290.....491	1001172570 ..... 712
1001155998 ..... 471	1001157592.....296	1001161470.....161	1001172571 ..... 713
1001155999 ..... 471	1001157670.....53	1001161488.....159	1001172572 ..... 713
1001156001 ..... 237, 251, 587	1001157730.....155	1001161647.....497, 505	1001172573 ..... 713
1001156016 ..... 451, 453	1001157731.....155	1001161709.....385, 389, 394, 708	1001172574 ..... 713
1001156030 ..... 292, 296, 599	1001157849.....19	1001161710.....385, 389, 394, 708	1001172575 ..... 713
1001156033 ..... 463, 465	1001157850.....19	1001162212.....167, 173, 195, 201	1001172576 ..... 713
1001156034 ..... 184, 190, 212, 218, 244, 258	1001157862.....184, 190, 212, 218, 244, 258	1001162880.....101, 103	1001172577 ..... 423
1001156035 ..... 184, 190, 212, 218, 244, 258	1001157872.....314	1001162986.....167, 173, 195, 201	1001172578 ..... 423
1001156062 ..... 184, 190, 212, 218, 244, 258	1001157878.....314	1001163631.....39, 41, 43, 45, 47, 49, 51, 637	1001172620 ..... 712
1001156083 ..... 510	1001157885.....314	1001164354.....29, 31, 39, 41, 43, 45, 47, 49, 51	1001172663 ..... 341
1001156091 ..... 184, 190, 212, 218, 244, 258	1001157887.....303	1001164700.....103	1001172760 ..... 386, 390, 394
1001156107 ..... 110, 118, 126, 130, 177, 179, 205, 207, 237, 251, 336	1001157890.....580, 609, 635	1001164965.....95	1001173609 ..... 375, 377
1001156112 ..... 244, 258	1001157891.....543, 545, 547, 549, 575, 655	1001164968.....95	1001173662 ..... 308
1001156242 ..... 155	1001157906.....157	1001165035.....167, 173, 182, 188, 195, 201, 210, 216, 235, 242, 249, 256	1001173763 ..... 323
1001156347 ..... 157	1001157907.....157	1001165194.....575	1001173846 ..... 57, 59
1001156606 ..... 17	1001157958.....471, 473	1001166393.....184, 190, 212, 218, 243, 257	1001174345 ..... 17
1001156613 ..... 314	1001158007.....292, 296	1001166538.....386, 390, 394, 405	1001174795 ..... 95
1001156644 ..... 184, 190, 212, 218, 244, 258	1001158008.....292, 296	1001166539.....386, 390, 394, 401	1001175201 ..... 95, 97
1001156648 ..... 15, 451	1001158014.....712	1001166541.....580	1001175244 ..... 341
1001156650 ..... 303	1001158017.....15	1001166543.....580	1001175265 ..... 580
1001156678 ..... 17	1001158080.....559, 563	1001166551.....579	1001175568 ..... 167, 173, 184, 190, 195, 201, 212, 218, 235, 249
1001156679 ..... 17	1001158262.....244, 258	1001166555.....579	1001176002 ..... 579
1001156692 ..... 584	1001158263.....281	1001166556.....575, 580	1001176004 ..... 579
1001156718 ..... 177, 179, 205, 207, 237, 251	1001158289.....244, 258	1001166556.....575, 580	1001176333 ..... 607
1001156778 ..... 17, 336	1001158363.....283, 287	1001166701.....580	1001176371 ..... 184, 212, 221
1001156785 ..... 17	1001158412.....57, 59	1001166704.....573	1001176469 ..... 135, 139
1001156815 ..... 17	1001158529.....251, 256	1001166704.....573	1001176582 ..... 377
1001156867 ..... 53	1001158607.....281	1001166774.....575, 580	1001176636 ..... 375, 377
1001156923 ..... 451	1001159001.....375	1001167497 ..... 314	1001176778 ..... 375
1001156926 ..... 386, 390, 394	1001159121.....714	1001167528.....573	1001176783 ..... 375
1001156991 ..... 17	1001159162.....105, 109, 113, 117, 121, 125, 129	1001167565.....341	1001177134 ..... 244, 258
1001156996 ..... 17	1001159186.....601, 613, 617, 621	1001167567.....341	1001177137 ..... 243, 257
1001157007 ..... 15, 314	1001159256.....385, 389, 394, 708	1001167615.....579	1001177635 ..... 375, 377
1001157037 ..... 451	1001160169.....467, 469	1001167620.....579	1001178797 ..... 277
1001157041 ..... 451	1001160444.....706	1001167621.....579	1001179154 ..... 296
1001157073 ..... 177, 179, 205, 207, 237, 251	1001160445.....670, 674, 678, 682, 686, 690, 694, 698, 702	1001167622.....579	1001180153 ..... 303
1001157080 ..... 451, 453	1001160505.....157	1001167623.....579	1001180491 ..... 377
1001157084 ..... 15, 708	1001160518.....184, 190, 212, 218, 244, 258	1001167624.....579	1001180620 ..... 156
1001157198 ..... 29, 31, 33	1001161232.....57, 59, 708	1001167625.....579	1001181045 ..... 563, 565, 709
1001157207 ..... 29, 31, 37	1001161269.....491	1001167629.....581	1001181325 ..... 105, 113, 121, 709
1001157216 ..... 27	1001161270.....491	1001167630.....581	1001181625 ..... 173, 201
1001157241 ..... 491, 508	1001161271.....491	1001167632.....573	1001181899 ..... 184, 190, 212, 218
1001157292 ..... 386, 390, 394	1001161272.....491	1001167634.....580	1001182138 ..... 417
	1001161273.....491	1001167635.....580	1001183407 ..... 714
	1001161274.....491	1001168272.....95	1001184083 ..... 105, 109, 113, 117, 121, 125, 129
	1001161275.....491	1001168402.....341	
	1001161276.....491	1001168734.....238, 252	
	1001161277.....491		
	1001161278.....491		

## SECTION 11 - SPECIAL OPTIONS

1001184619.....399	1001190985..... 341	1001197306..... 194	1001198131.....303, 467
1001184846.....580	1001191122..... 184, 190, 212, 218	1001197307..... 234	1001198132.....467
1001185281.....390, 394	1001191368..... 279	1001197308..... 248	1001198157.....467
1001186318.....371	1001191390..... 279	1001197309..... 381	1001198193.....467
1001186333.....359	1001191708..... 417	1001197310..... 39, 105	1001198376..... 323
1001186334.....369	1001192138..... 184, 190, 212, 218	1001197311..... 335	1001198377..... 323
1001186342.....173, 201, 235, 249	1001192401..... 591, 656	1001197312..... 323	1001198382..... 323
1001186375.....349	1001193018..... 515, 517, 519, 521, 523, 525, 527, 529, 531, 533, 535	1001197314 .. 29, 57, 325	1001198383..... 323
1001186379.....355	1001193135..... 713	1001197315..... 670, 674, 678, 682, 686, 690, 694, 698, 702	1001198386..... 323
1001186382.....365	1001193136..... 713	1001197316..... 670	1001198388..... 323
1001186383.....361	1001193599..... 184, 190, 212, 218	1001197317..... 184, 190, 212, 218	1001198389..... 323
1001186384.....351	1001193630..... 79	1001197318..... 690	1001198546.....308, 479
1001186387.....347	1001193980..... 167, 173, 195, 201	1001197319..... 682	1001198547.....479
1001186389.....371	1001194197..... 525	1001197320..... 698	1001198561.....479
1001186431.....390, 413, 618, 709	1001194198..... 529	1001197321..... 686	1001198562.....479
1001186432.....603, 617, 649	1001194200..... 533	1001197322..... 678	1001198579.....479
1001186517.....411, 413	1001194203..... 517	1001197323..... 702	1001198581.....479
1001186579..... 177, 182	1001194204..... 521	1001197324..... 694	1001198583.....479
1001187077.....641	1001194252..... 510	1001197325..... 674	1001198587.....479, 483
1001187411.....674, 682	1001194365..... 535	1001197326..... 543	1001198590.....479
1001187508.....411	1001194835..... 714	1001197327..... 545	1001198594.....479, 484
1001187516..... 167, 195	1001195588..... 89, 91	1001197328..... 549	1001198640.....308
1001187517..... 167, 195	1001195906..... 321	1001197329..... 712	1001198641.....308
1001187518.....168, 173, 195, 201	1001195924..... 314	1001197330..... 712	1001198642.....308
1001187674.....409	1001195939..... 314, 317	1001197331..... 145	1001198643.....308
1001187681.....643	1001195940..... 314, 319	1001197332..... 537	1001198644.....308
1001187744.....105, 109, 113, 117, 121, 125, 129	1001195941..... 314	1001197333..... 513	1001198645.....308
1001187805.....105, 109, 113, 117, 121, 126, 129, 709	1001195947..... 397	1001197335..... 559	1001198685.....155
1001187882.....579	1001196517..... 335	1001197336..... 712	1001198732.....308
1001188162.....184, 190, 212, 218	1001196562..... 155	1001197337..... 712	1001198749.....303
1001188491.....93, 95, 97	1001196603..... 656	1001197340..... 713	1001198757.....303
1001188622.....341	1001196605..... 656	1001197341..... 713	1001198758.....303
1001188844.....341	1001196634..... 299, 656, 708	1001197342..... 712	1001198759.....303
1001188889.....411	1001196635..... 656, 708	1001197345..... 101	1001198760.....303
1001188922.....177, 179, 205, 207, 579	1001196636..... 656, 708	1001197350..... 670, 674, 678, 682, 686, 690, 694, 698, 702	1001198761.....303
1001189001.....341	1001196681..... 385, 390, 617	1001197359..... 715	1001198762.....463, 465
1001189002.....341	1001196682..... 543, 545, 547, 549, 661	1001197361..... 487, 508	1001198864.....314
1001189159.....95	1001196686..... 105, 109, 113, 117, 121, 126, 129, 655	1001197362..... 496, 508	1001198938.....314, 475
1001189171.....567, 709	1001196688..... 105, 110, 113, 118, 121, 126, 129, 541	1001197377..... 712	1001198939.....475
1001189172.....567, 709	1001196689..... 105, 110, 113, 118, 121, 126, 130, 601	1001197379..... 712	1001198946.....475
1001189291.....184, 190, 212, 218	1001196690..... 105, 113, 121, 663	1001197380..... 712	1001198951.....475
1001189882.....674, 682	1001196733..... 303	1001197436..... 714	1001198952.....475
1001190032.....161	1001196806..... 95, 97	1001197445..... 177, 179, 205, 207	1001199043.....337
1001190104.....386, 390	1001196917..... 303, 313	1001197464..... 141, 397	1001199083.....315
1001190418.....184, 190, 212, 218	1001197017..... 419, 421	1001197465..... 143, 399	1001199084.....315
1001190475.....167, 173, 195, 201	1001197118..... 89	1001197547..... 205, 210	1001199085.....315
1001190656.....375	1001197142..... 81	1001197627..... 93	1001199086.....315
1001190658.....375	1001197291..... 95	1001197719..... 579	1001199117.....315
1001190921.....579	1001197292... 93, 95, 97, 99	1001197760..... 321	1001199297.....475, 477
1001190927..... 159, 161	1001197305..... 166	1001197761..... 79	1001199310.....155
1001190949..... 15		1001197766..... 321	1001199315.....323
1001190950..... 15		1001197775..... 713	1001199319.....155
1001190951..... 15		1001197899..... 308	1001199320.....315
1001190952..... 15		1001197901..... 308	1001199465.....155
1001190953..... 15		1001197902..... 303, 308	1001199468.....155
		1001197936..... 155	1001199470.....177, 179, 205, 207, 237, 251, 271
		1001197937..... 155	1001199480.....381, 389
		1001197960..... 336, 709	1001199483.....385, 390, 394, 709
		1001197961..... 336, 709	1001199564.....698, 706
		1001197969..... 303	1001199565.....686, 706
		1001197973..... 303	1001199566.....678, 706
			1001199567.....690, 706
			1001199568.....694, 706
			1001199569.....698
			1001199570.....686

## SECTION 11 - SPECIAL OPTIONS

1001199571 .....	678	1001200605.....	105, 110, 113, 118, 121, 126, 130	1001201503.....	325, 327, 329	1001202817 .....	508
1001199572 .....	690	1001200606.....	105, 110, 113, 118, 121, 126, 130	1001201710.....	547	1001202914 .....	656
1001199573 .....	694	1001200686.....	323	1001201772.....	475, 477	1001202916 .....	714
1001199582 .....	167, 177	1001200692.....	133, 137	1001201846.....	315	1001202917 .....	714
1001199583 .....	235, 237	1001200693.....	135, 139	1001201889.....	386, 390, 394	1001202950 .....	336
1001199584 .....	195, 205	1001200698.....	283	1001201938.....	303, 308	1001203413 .....	147
1001199587 .....	249, 251	1001200699.....	287	1001201986.....	325, 327, 331	1001203463 .....	715
1001199610 .....	315	1001200707.....	670, 674, 678, 682, 686, 690, 694, 698, 702	1001201997.....	321	1001203655 .....	359
1001199637 .....	385, 613	1001200726.....	105, 110, 113, 118, 121, 126, 130	1001202000.....	321	1001203656 .....	369, 371
1001199638 .....	379, 385	1001200727.....	105, 110, 113, 118, 121, 126, 130	1001202002.....	321	1001203753 .....	315
1001199641 .....	315	1001200732.....	315	1001202005.....	321	1001203754 .....	315
1001199670 .....	167, 173, 195, 201	1001200733.....	315	1001202055.....	336	1001203755 .....	315
1001199671 .....	323	1001200734.....	336	1001202136.....	496, 504	1001203898 .....	336
1001199753 .....	155	1001200736.....	315	1001202142.....	463	1001203899 .....	336
1001199754 .....	155	1001200739.....	315	1001202169.....	156	1001203900 .....	336
1001199755 .....	155	1001200741.....	315	1001202179.....	336	1001203904 .....	336
1001199764 .....	155	1001200764.....	336, 709	1001202181.....	156	1001204027 .....	543, 545, 547, 549
1001199778 .....	155	1001200779.....	291	1001202182.....	336	1001204028 .....	543, 545, 547, 549, 641
1001199780 .....	155	1001200780.....	295	1001202194.....	463	1001204041 .....	463, 465
1001199782 .....	155	1001200834.....	336	1001202201.....	463, 465	1001204043 .....	341
1001199804 .....	303	1001200836.....	336	1001202225.....	156	1001204073 .....	341
1001199812 .....	303	1001200837.....	336	1001202234.....	463	1001204096 .....	670, 678, 686, 690, 694, 698, 702
1001199918 .....	143	1001200838.....	336	1001202236.....	463, 465	1001204402 .....	325
1001199919 .....	399	1001200839.....	315	1001202245.....	321	1001204650 .....	283
1001199920 .....	141	1001200848.....	336	1001202259.....	543, 545, 547, 549, 555	1001204725 .....	341
1001199922 .....	397	1001200849.....	336	1001202260.....	543, 545, 547, 549, 553	1001204911 .....	341
1001199990 .....	315	1001200853.....	105, 110, 133	1001202261.....	543	1001204912 .....	339
1001199994 .....	379	1001200854.....	133, 135, 137, 139	1001202262.....	543	1001204914 .....	308
1001200063 .....	303, 463	1001200855.....	113, 118, 135	1001202263.....	545	1001205083 .....	497, 505
1001200091 .....	315	1001200856.....	121, 126, 137	1001202264.....	545	1001205084 .....	497, 505
1001200092 .....	315	1001200910.....	149, 151	1001202265.....	549	1001205085 .....	497
1001200093 .....	315	1001200977.....	496, 505	1001202266.....	549	1001205086 .....	497, 505
1001200094 .....	315	1001200987.....	57, 61	1001202267.....	547	1001205087 .....	497, 505
1001200113 .....	670, 706	1001200988.....	57, 59, 77	1001202268.....	547	1001205088 .....	497, 505
1001200114 .....	670	1001200995.....	43, 113	1001202269.....	543, 545, 547, 549	1001205089 .....	497, 505
1001200115 .....	702, 706	1001200996.....	47, 121	1001202320.....	497, 505	1001205090 .....	497, 505
1001200116 .....	702	1001201007.....	308	1001202355.....	177, 179, 205, 207, 238, 251	1001205091 .....	497
1001200117 .....	674, 682	1001201062.....	543, 545, 547, 549, 639	1001202356.....	177, 205, 237, 251	1001205092 .....	497, 505
1001200118 .....	674, 682	1001201068.....	336	1001202401.....	712	1001205093 .....	497, 505
1001200137 .....	712	1001201069.....	336	1001202455.....	315	1001205094 .....	497, 505
1001200150 .....	475	1001201095.....	336, 709	1001202539.....	463, 465	1001205095 .....	497, 505
1001200154 .....	303	1001201103.....	105, 110, 113, 118, 121, 126, 130	1001202692.....	325, 327	1001205096 .....	497, 505
1001200183 .....	557, 709	1001201130.....	487	1001202705.....	497, 505	1001205097 .....	497
1001200199 .....	543, 545, 547, 549, 557	1001201131.....	487	1001202706.....	497, 505	1001205098 .....	497, 505
1001200203 .....	557	1001201132.....	487	1001202707.....	497, 505	1001205099 .....	497
1001200345 .....	336	1001201133.....	487	1001202708.....	497, 505	1001205100 .....	497, 505
1001200397 .....	475	1001201134.....	487	1001202709.....	497, 505	1001205102 .....	497, 505
1001200491 .....	341	1001201135.....	487	1001202733.....	156	1001205103 .....	497, 505
1001200494 .....	341	1001201136.....	487	1001202734.....	156	1001205104 .....	497, 505
1001200501 .....	155	1001201333.....	308	1001202742.....	543, 545, 547, 549	1001205105 .....	497, 505
1001200502 .....	156	1001201334.....	308	1001202743.....	543, 545, 547, 549	1001205106 .....	497, 505
1001200519 .....	156	1001201335.....	308	1001202770.....	57	1001205107 .....	497
1001200522 .....	156	1001201351.....	341	1001202785.....	543, 545, 547, 549, 635	1001205108 .....	497, 505
1001200532 .....	156	1001201485.....	315	1001202787.....	147	1001205109 .....	497
1001200550 .....	336, 496, 505			1001202793.....	315	1001205110 .....	497, 505
1001200560 .....	336			1001202794.....	149	1001205111 .....	497, 505
1001200565 .....	288					1001205112 .....	497
1001200574 .....	303					1001205113 .....	497, 505
1001200575 .....	386, 390					1001205114 .....	497, 505
1001200576 .....	303					1001205115 .....	497, 505
1001200587 .....	336					1001205116 .....	497, 505
1001200604 .....	105, 110, 113, 118, 121, 126, 130					1001205117 .....	497, 505
						1001205120 .....	497
						1001205121 .....	497

## SECTION 11 - SPECIAL OPTIONS

1001205122.....497	1001210781 ..... 149, 151, 653	1001214570 ..... 539	1001223242.....51, 129
1001205123.....497	1001211337 ..... 339	1001214571 ..... 539	1001223453.....671, 691
1001205124.....497, 505	1001211885 ..... 106, 110, 114, 118, 122, 126, 130, 589	1001214756 ..... 325, 327	1001223971.....691
1001205125.....497, 505	1001211904 ..... 670, 674, 678, 682, 686, 690, 694, 698, 702	1001215021 ..... 106, 110, 114, 118, 122, 126	1001224045.....671, 674, 679, 682, 686, 691, 694, 698, 703
1001205405.....510	1001212056 ..... 168, 173, 196, 201, 706	1001215375 ..... 377	1001224046.....168, 173, 196, 201
1001205406.....510	1001212188 ..... 635	1001215379 ..... 377	1001224048.....699
1001205407.....510	1001212199 ..... 467, 469	1001215380 ..... 377	1001224049.....703
1001205660.....559, 561	1001212328 ..... 496, 505	1001215836 ..... 557	1001224050.....687
1001205682.....561	1001212415 ..... 708	1001216021 ..... 106, 110, 114, 118, 122, 126, 130, 708	1001224052.....679
1001205683.....479, 483	1001212491 ..... 505	1001216193 ..... 106, 110, 114, 118, 122, 126, 130	1001224053.....694
1001205690.....561, 567	1001212492 ..... 505	1001216194 ..... 106, 110, 114, 118, 122, 126, 130	1001225167.....110, 118, 126, 130
1001205812.....713	1001212494 ..... 505	1001216238 ..... 106, 110, 114, 118, 122, 126, 130	1001225220.....670, 678, 686, 690, 694, 698, 702
1001205949.....497, 505	1001212495 ..... 505	1001216258 ..... 336	1001225279.....110, 118, 126, 130
1001205958.....523, 525, 527, 529, 531, 533	1001212502 ..... 505	1001216318 ..... 579	1001225346.....539
1001206119.....284	1001212503 ..... 505	1001216579 ..... 335	1001225430.....228
1001206184.....467, 469	1001212504 ..... 506	1001216618 ..... 706	1001225432.....228
1001206476.....539	1001212505 ..... 506	1001216625 ..... 609	1001225580.....413, 603
1001206506.....543, 545, 547, 550, 591	1001212507 ..... 506	1001216626 ..... 609, 659	1001225639.....713
1001206509.....591	1001212509 ..... 506	1001216630 ..... 341	1001225676.....95
1001206532.....389, 394	1001212510 ..... 506	1001216638 ..... 557, 609	1001225677.....95
1001206747.....167, 173, 177, 179, 195, 201, 205, 207, 235, 237, 249, 251	1001212512 ..... 504, 508	1001216806 ..... 543, 545, 547, 549, 659	1001226098.....222
1001206817.....105, 110, 113, 118, 121, 126, 575	1001212514 ..... 506	1001216976 .. 31, 59, 327	1001226102.....110, 118, 126, 130
1001207102.....497, 505	1001212663 ..... 337	1001217007 ..... 106, 110, 114, 118, 122, 126, 130, 543, 545, 547, 550	1001226291.....549
1001207279.....498, 505	1001212669 ..... 308	1001217086 ..... 505	1001226292.....549
1001207388.....341	1001212810 ..... 184, 190, 212, 218	1001217087 ..... 505	1001226531.....539
1001207937 .....304	1001212817 ..... 184, 190, 212, 218, 244, 258	1001218037 ..... 304	1001226872.....345
1001207963.....137, 139	1001212825 ..... 167, 174, 195, 202	1001218622 ..... 549	1001226902.....487
1001207969.....325, 327	1001212826 ..... 184, 190, 212, 218	1001218623 ..... 549	1001226923.....277
1001208297.....184, 190, 212, 218, 244, 258	1001213053 ..... 337	1001218626 ..... 41, 109	1001227457.....712
1001208298.....184, 190, 212, 218, 244, 258	1001213276 ..... 712	1001218762 ..... 45, 117	1001227633.....409
1001208299.....184, 190, 212, 218, 244, 258	1001213292 .... 66, 70, 74	1001218763 ..... 49, 125	1001227634.....409
1001208596.....323	1001213293 .... 66, 70, 74	1001218764 ..... 110, 118, 126, 130, 665	1001227710.....155
1001209313.....339	1001213294 .... 66, 70, 74	1001218806 ..... 110, 118, 126, 130, 665	1001227912.....277
1001209368.....308	1001213295 .... 66, 70, 74	1001219110 ..... 31, 35	1001227948.....277
1001209372.....308	1001213296 .... 66, 70, 74	1001219415 ..... 441	1001227960.....109, 117, 125, 129, 709
1001209374.....308	1001213297 .... 66, 70, 74	1001219583 ..... 314	1001227985.....409
1001209375.....308	1001213298 .... 66, 70, 74	1001219590 ..... 314	1001227987.....409
1001209432.....539	1001213392 ..... 59	1001219599 ..... 315	1001227996.....645, 647
1001209474.....539	1001213447 ..... 613, 617, 621	1001219600 ..... 315	1001228025.....313, 461
1001209561 .....670, 674, 678, 682, 686, 690, 694, 698, 702	1001213448 ..... 656	1001219601 ..... 109, 117, 125, 129	1001228034.....313, 457
1001209626.....156	1001213622 ..... 106, 110, 114, 118, 122, 126, 130	1001220379 ..... 583	1001228065.....17, 473
1001209633.....323	1001213643 ..... 167, 195	1001220470 ..... 337	1001228066.....15, 453
1001209664.....411, 413	1001213836 ..... 337	1001220482 ..... 377, 607	1001228090.....303, 469
1001209896.....670, 674, 678, 682, 686, 690, 694, 698, 702	1001213852 ..... 441	1001220864 ..... 712	1001228091.....308, 483
1001209935.....156	1001213882 ..... 386, 390, 394	1001220955 ..... 377	1001228093.....315, 477
1001209961.....156	1001214029 ..... 706	1001221279 ..... 712	1001228094.....303, 465
1001210079.....591	1001214098 ..... 337	1001221425 ..... 304	1001228215.....345
1001210116.....156	1001214275 ..... 59, 65	1001221585 ..... 109, 117, 125, 129	1001228224.....409
1001210259.....156	1001214478 ..... 714	1001222385 ..... 314	1001228225.....409
1001210283.....156	1001214540 ..... 714	1001222387 ..... 314	1001228243.....363
1001210294.....156	1001214548 ..... 714	1001222402 ..... 314	1001228364.....110, 118, 126, 130
1001210636.....379, 381, 383	1001214552 ..... 714	1001222404 ..... 314	1001228375.....367
	1001214561 ..... 714	1001222407 ..... 277	1001228376.....353
	1001214562 ..... 714	1001222817 ..... 277	1001228377.....357
		1001222918 ..... 238, 252	1001228872.....168, 173, 196, 201
		1001223055 ..... 671	1001228959.....712
		1001223241 ..... 130, 139	1001228976.....377

## SECTION 11 - SPECIAL OPTIONS

1001228988 ..... 426, 429, 431, 433, 437	1001237865..... 409, 643	1060545..... 567	1702773 ... 359, 369, 371, 670, 674, 678, 682, 686, 690, 694, 698, 702
1001229107 ..... 712	1001237882..... 713	1060903..... 419, 421	1702774 ... 670, 674, 678, 682, 686, 690, 694,
1001229341 ..... 409	1001237883..... 713	1060908..... 563, 565	698, 702
1001229485 ..... 377	1001238158..... 97	1060918..... 407	1702868 ... 426, 431, 433, 437, 670, 706
1001229782 ..... 674	1001238236..... 59	1060945..... 549	1702938 ..... 419, 421
1001229922 ..... 377	1001238262..... 97	10702077..... 292, 296	1702942 ..... 256
1001230625 ..... 713	1001238263..... 443, 445, 447	10702082..... 292, 296	1703162 ... 182, 188, 210, 216, 244, 258
1001230626 ..... 714	1001238319..... 409	1120549..... 17	1703683 ..... 441
1001230931 ..... 569, 641, 659	1001238401..... 174, 202	1120555..... 423	1703797 ..... 670
1001231072 ..... 59, 69	1001238402..... 174, 202	1260017..... 81	1703804 ..... 670
1001231235 ..... 714	1001238418..... 415, 649	1320022..... 95, 97, 258	1703805 ..... 670
1001231291 ..... 506	1001238463..... 445	1320041..... 97, 177, 179, 205, 207, 237, 251	1703811 ... 670, 674, 678, 682, 686, 690, 694, 698, 702
1001231315 ..... 670	1001238470..... 173, 201	1320136..... 177, 179, 205, 207, 237, 251	1703814 ... 670, 674, 678, 682, 686, 690, 694, 698, 702
1001231316 ..... 690	1001238472..... 415	1320159..... 487	1703923 ..... 702
1001231317 ..... 698	1001238477..... 415	1320177..... 426, 437	1703924 ..... 690
1001231318 ..... 702	1001238483..... 110, 118, 573	1320263..... 147, 487	1703925 ..... 686
1001231319 ..... 678	1001238495..... 413	1320288..... 321, 323	1703926 ..... 694
1001231320 ..... 694	1001238559..... 415	1320296..... 487	1703927 ..... 698
1001231321 ..... 686	1001238824..... 415	1320302..... 426, 429, 431, 433	1703935 ..... 702
1001231801 ..... 706	1001239625..... 713	1320328..... 321	1703936 ..... 690
1001231949 ..... 447	1001239627..... 713	1321293..... 335	1703938 ..... 694
1001231950 ..... 443, 445	1001239805..... 539	1321385..... 487	1703939 ..... 698
1001232010 ..... 443, 445, 447	1001239874..... 539	1321716..... 166, 167, 172, 182, 188, 194, 200, 210, 216, 242, 256	1703941 ..... 702
1001232011 ..... 443, 445, 447	1001239957..... 539	1380147 ... 166, 172, 194, 200, 234, 248	1703942 ..... 690
1001232034 ..... 715	1001241273..... 715	1580012..... 373	1703943 ..... 686
1001232035 ..... 715	1001241335..... 712	1580013..... 714	1703944 ..... 694
1001232164 ..... 409	1001241344..... 712	1670603..... 535	1703945 ..... 698
1001232165 ..... 409	1001241419..... 713	1670829..... 133, 135, 137, 139	1703947 ..... 702
1001232201 ..... 506	1001241586..... 539	1671039..... 335	1703948 ..... 690
1001232642 ..... 415	1001241631..... 97	1671040..... 17	1703949 ..... 686
1001232643 ..... 714	1001241672..... 715	1671092..... 296, 547, 549	1703950 ..... 694
1001232650 ..... 415	1001241673..... 715	1671093..... 426, 431, 547, 549	1703951 ..... 698
1001232667 ..... 415	1001241965..... 415	1671122..... 335	1703953 ..... 670
1001232842 ..... 299	1001242192..... 712	1671176..... 385, 389, 393	1703959 ... 670, 674, 678, 682, 686, 690, 694, 698, 702
1001233047 ..... 712	1001242377..... 190, 218, 227	1683053..... 459	1703980 ..... 694
1001233237 ..... 712	1001242378..... 179, 188	1683062..... 451	1703981 ..... 698
1001233763 ..... 299, 713	1001242380..... 207, 216	1683063..... 455	1703982 ..... 686
1001234099 ..... 712	1001242382..... 173, 179	1684173..... 313, 459	1703983 ..... 702
1001234247 ..... 59, 73	1001242383..... 201, 207	1684174..... 459	1703984 ..... 690
1001234408 ..... 682	1001242384..... 172	1684176..... 459	1704000 ..... 690, 706
1001234789 ..... 670, 674, 678, 682, 686, 690, 694, 698, 702	1001242386..... 200	1684346..... 455	1704001 ..... 702, 706
1001234791 ..... 177, 179, 205, 207, 237, 251	1001242390..... 97	1684430..... 313, 455	1704260 ... 385, 389, 393
1001235011 ..... 415	1001242393..... 712	1701499... 670, 674, 678, 682, 686, 690, 694, 698, 702	1704277 ... 670, 674, 678, 682, 686, 690, 694, 698, 702
1001235013 ..... 415	1001243183..... 712	1701505... 670, 674, 678, 682, 686, 690, 694, 698, 702	1704412 ... 670, 674, 678, 682, 686, 690, 694, 698, 702
1001235962 ..... 713	1001243184..... 712	1701509... 423, 670, 674, 678, 682, 686, 690, 694, 698, 702	1704972 ..... 670, 694
1001236268 ..... 714	1001243670..... 394, 621	1701518..... 674, 682	1705014 ..... 359, 369
1001236504 ..... 539	1001243895..... 299	1701691 ... 670, 674, 678, 682, 686, 690, 694, 698, 702	1705132 ... 385, 389, 393
1001236505 ..... 539	1001244452..... 151	1702565..... 385, 389, 393	1705171 ... 385, 389, 393
1001236552 ..... 415	1001244455..... 383, 393	1702566..... 385, 389, 393	1705305 ... 426, 429, 431, 433, 437
1001236746 ..... 447	1001244457..... 383		1705325 ..... 515, 517
1001236747 ..... 443	1001244863..... 713		1705336 ..... 670
1001236891 ..... 443, 445, 447	1001246471..... 712		
1001236895 ..... 443, 445, 447	1001246472..... 712		
1001236952 ..... 714	1001246860..... 713		
1001237402 ..... 713	1001246867..... 713		
1001237862 ..... 645, 647	1001247073..... 714		
1001237863 ..... 409, 647	1001248140..... 443, 445, 447		
1001237864 ..... 409, 645	1001248141..... 443, 445, 447		
	1001252629..... 443, 445, 447		
	1060341 ..... 419, 421		
	1060343 ..... 296		
	1060379 ..... 441		

## SECTION 11 - SPECIAL OPTIONS

1705337.....670	1706493.....371	2220518.....479	2760105....133, 135, 137, 139
1705338.....694	1706501.....371	2220578 ....479, 496, 504	2820019.....593, 595
1705339.....698	1706741 ....385, 389, 393	2220582 ...62, 66, 70, 74, 329, 331	2820031....283, 287, 291, 295
1705341.....690	2030010 ...426, 429, 431, 433, 437	2220596 .....62, 496	2820035.....299
1705344.....694	2080040 ...347, 351, 353, 361, 363	2220600 .....331	2820171.....607
1705345.....698	2080091 .....17	2220602 .....496, 504	2820247.....645, 647
1705347.....690	2110404 .....504	2220618 .....496, 504	2840016....166, 172, 194, 200, 234, 248
1705351.....670	2110406 ....62, 66, 70, 74	2220816 .....277	2860030.....708
1705355....426, 429, 431	2110604 .....504	2220861 .....33, 35	2900770....459, 461, 467, 469, 475, 477, 479, 483
1705374.....288	2110808 ....19, 491, 496, 504	2220865 .62, 74, 77, 496, 504	2901443.....714
1705375....296, 426, 431, 433	2110810 ...33, 35, 37, 62, 496, 504	2220881 .....35, 451, 453	2902065....182, 188, 210, 216, 242, 256, 265
1705387.....288, 297	2110812 .....491	2220883 ....35, 453, 455, 457, 459, 461, 463, 465, 467, 469, 475, 477, 479, 483	2902087.....451, 453
1705426.....694	21101062, 91, 329, 496, 504	2220885 ....35, 459, 461, 475, 477, 479, 483	2902092.....459
1705427.....698	2111012 .....19, 33, 35	2220886 ...451, 453, 455, 457, 463, 465, 467, 469	2902212.....423
1705429.....690	2111016 .33, 35, 496, 504	2220887 ...463, 465, 467, 469, 475, 479	2902217....426, 429, 431
1705430.....686	2111620 .....496, 504	2220888 ....467, 469, 475	2902285.....455, 457
1705460.....292, 296	2120217 .....325, 327	2220906 ...66, 70, 74, 91, 479	2902443.....580, 583
1705461.....292	2130404 .....496	2220940 .....487	2920028.....419, 421
1705466....426, 429, 431, 433, 437	2131010 ....66, 70, 74, 91	2220947 .....62, 91, 329	2920029.....419, 421
1705489.....283, 292	2131012 .....19	2221012 .....479	2920129....106, 109, 114, 117, 122, 125, 129
1705490.....427, 437	2150406 .....66	2220940 .....487	2920154....385, 389, 393
1705492.....670	2150606 .....70, 74	2220947 .....62, 91, 329	2920161.....147
1705493.....694	2150806 .....329	2221012 .....479	2940074....347, 351, 353, 361, 363
1705503.....698	2150808 .....329	2221034 .....496, 504	2940173.....156, 157
1705505.....690	2150810 .....329	2221036 .....479	3010136.....313
1705511 ....670, 674, 678, 682, 686, 690, 694, 698, 702	2151010 .....91	2221050 .....496, 504	3020008.....19, 713
1705514.....706	2151616 .....66, 70, 74	2221077 .....496, 504	3020021.....265, 713
1705515.....674, 682	2160002 .....79	2221086 ...33, 35, 37, 62, 66, 70, 74, 329, 331	3020037....177, 205, 237, 251, 713
1705745....385, 389, 393	2170204 .....496, 504	2221114 ...166, 172, 194, 200, 234, 248	3020039.....15, 313, 713
1705822.....674, 682	2170216 .....62	2221155.....77	3020042.....308, 313
1705828.....674, 682	2171310 .....496, 504	2230025 .....496, 504	3020043.....471, 473
1705864....670, 674, 678, 682, 686, 690, 694, 698, 702	2180344 .....79	2230026 .....496, 504	3160339.....19, 21
1705865....670, 674, 678, 682, 686, 690, 694, 698, 702	2180832 ...166, 172, 194, 200, 234, 248, 426, 437	2230031 .....496, 504	3251102....283, 287, 291, 295
1705868....670, 678, 686, 690, 694, 698, 702	2220235 .....491	2230035 .....496, 504	3251242....521, 523, 525, 527, 529, 531, 533, 535
1705895.....678	2220313 ...166, 172, 194, 200, 234, 248	2230036 .....496, 504	3251243....288, 296, 513
1705896.....678	2220366 ....487, 496, 504	2300014 .....713	3252347.....670
1705897.....678	2220371 .....37, 77	2300016 .....713	3271501.....155
1705898.....678	2220372 .....491	2300019 .....713	3271605....443, 445, 447
1705902.....678	2220373 ....62, 329, 331, 496, 504	2300029 .....713	3271805....359, 369, 371
1705903.....678	2220374 .66, 70, 74, 496, 504	2300039 .....713	3272001....443, 445, 447
1705904.....678	2220375 .....496, 504	2360030 ...133, 135, 137, 139	3290301....166, 172, 194, 200, 234, 248
1705905.....678	2220380 .....77, 496, 504	2400060 .....299, 621	3290405....105, 109, 113, 117, 121, 125, 129, 147, 166, 172, 194, 200, 234, 248, 379, 381, 383, 515, 517, 519, 521, 523, 525, 527, 529, 531, 533, 535, 559, 561
1705906.....678	2220415 .19, 33, 35, 331, 487, 496, 504	2400066 .....579	3290405001.....283
1705909.....702	2220435 .....77, 329	2410014 ....359, 369, 371	3290505....133, 135, 137, 139
1705910.....702	2220465 ....62, 66, 70, 74	2540044 .....487	3290507....106, 109, 114, 117, 122, 125, 129, 237, 251
1705915.....702	2220466 .....479	2560136 ....385, 389, 393	
1705917.....702	2220468 .....62	2560187 .....156, 157	
1705921.....674, 682	2220472 ....19, 66, 70, 74	2600281 ...347, 351, 353, 361, 363	
1705961.....674, 682	2220473 ....491, 496, 504	2720015 ...182, 188, 210, 216, 242, 256	
1705967.....678, 706	2220478 .....496, 504	2720160 .....426, 437	
1705969.....698, 706	2220479 .....496, 504	2720340 ...182, 210, 242, 256	
1706059.....678	2220498 ....91, 496, 504	2750528 .....79	
1706060.....686	2220499 .....329	2750532 ...168, 174, 196, 202, 235, 249	
1706061.....698	2220500 ....329, 496, 504	2751032 .....79	
1706063.....702	2220502 .....487		
1706064.....690	2220504 .....491		
1706098.....674, 682	2220515 .....479		
1706385.....359, 369			

## SECTION 11 - SPECIAL OPTIONS

3290601 ... 110, 118, 126, 130, 156, 157	3292401001.....303	3480269.....451	3910408 ... 177, 179, 205, 207, 237, 251
3290605 ... 39, 41, 43, 45, 47, 49, 51, 97, 105, 109, 113, 117, 121, 125, 129, 145, 149, 151, 157, 166, 167, 172, 194, 195, 200, 234, 248, 379, 381, 383, 426, 437, 557, 559, 561	3300151 ... 345, 349, 353, 355, 357, 363, 365, 367, 426, 429, 431, 433	3480271.....459	3910606 .... 287, 295, 513
3290605001 ..... 337, 377	3300353 .... 385, 389, 393	3520026.....385, 389, 393	3910612 ..... 513
3290606 ... 349, 355, 357, 365, 367	3300396 .... 287, 292, 296	3520032.....156, 157	3910804 ... 133, 135, 137, 139
3290607 29, 31, 147, 166, 177, 179, 182, 188, 194, 205, 207, 210, 216, 234, 237, 242, 248, 251, 256, 335	3300408 .... 385, 389, 393	3520035.....386	3911010 ..... 149, 151
3290801001 ..... 496, 504	3300430 .... 411, 413, 417	3520071 .....423	3931012 .... 385, 389, 393
3290805 ... 105, 109, 113, 117, 121, 125, 129, 155, 166, 172, 182, 188, 194, 200, 210, 216, 242, 256, 335, 539, 543, 545, 547, 550	3300449001.....375	3520072....345, 347, 349, 351, 353, 355, 357, 359, 361, 363, 365, 367, 369, 371	3931016 ... 283, 287, 291, 295
3290805001 17, 105, 110, 113, 118, 121, 126, 130, 156, 283, 287, 291, 295, 341, 513, 537, 543, 545, 547, 549, 559, 561	3300464001.....17	3520173.....156, 157	3931408 ..... 411, 413
3290807 ... 166, 172, 182, 188, 194, 200, 210, 216, 234, 242, 248, 256	3310401 ... 177, 179, 205, 207, 237, 251	3520182.....417	3931424 ..... 411
3290807001 ..... 325, 327	3311001 ..... 292, 296	3520189.....292	3931508 ..... 475, 479
3291001 ..... 95	3311005 ... 149, 151, 287, 291, 295, 385, 389, 393, 426, 429, 431, 433, 437	3520192.....292	3931512 ..... 91
3291001001 ..... 341, 498, 504	3311005001.....283	3520198....345, 347, 349, 351, 353, 355, 357, 361, 363, 365, 367	3931516 ..... 459, 461
3291005 ..... 83, 156, 182, 188, 210, 216, 242, 256, 313, 335, 379, 381, 383, 557	3311401 ..... 419, 421	3573400....426, 429, 431, 433	3931620 ... 177, 179, 205, 207
3291005001 ..... 156, 159, 161, 315, 321, 323, 325, 327, 341, 496, 504	3311405 ..... 29, 415, 515, 517, 519, 521, 523, 525, 527, 529, 531, 533, 535, 539, 670, 674, 678, 682, 686, 690, 694, 698, 702	3573642....426, 429, 431, 433	3931740 ..... 479
3291007 . 93, 95, 97, 101, 106, 109, 114, 117, 122, 125, 129, 155, 166, 172, 177, 179, 182, 188, 194, 200, 205, 207, 210, 216, 234, 237, 242, 248, 251, 256	3311501 ..... 419, 421	3574091.....419, 421	3931824 ... 451, 453, 455, 457
3291007001 ..... 156	3311505 ..... 441	3576799.....426, 437	3931840 ..... 475
3291201 ... 283, 287, 291, 295	3311601 ... 106, 109, 114, 117, 122, 125, 129, 386, 390, 394, 415	3577121 ....426, 429, 431, 433	3932264 ..... 467, 469
3291201001 ..... 341	3311605 ... 277, 359, 369, 371, 426, 429, 431, 433	3580317 ....283, 287, 291, 295	3932272 ..... 463, 465
3291205 .... 89, 93, 95, 97	3312002 .... 83, 443, 445, 447	3580318.....283, 291	3951405 ..... 471, 473
3291205001 ... 29, 31, 39, 41, 43, 45, 47, 49, 51, 339, 341	3312005 ..... 423	3740067....105, 109, 113, 117, 121, 125, 129, 166, 194, 234, 248, 708	3952020 ..... 83
3291207001 ..... 341	3312205 ..... 423	3740086.....649	3960389 ..... 335
3291407001 ..... 15, 17	3322201 ..... 89	3760133.....313	3960422 .... 287, 295, 513
3291601 ... 182, 188, 210, 216, 242, 256	3331411 ... 166, 172, 194, 200, 234, 248	3760170.....81	3960525 ..... 93, 95, 97
3292201 ..... 313	3331611001.....315	3760217 .....313	3960551 ..... 17
	3332415001.....339, 341	3760233.....313	3960006 ..... 101
	3340763 ..... 479, 483	3760368.....459, 461	4010008 ..... 335, 709
	3340764 ..... 323	3760371 ....451, 455, 457	4010308 ... 166, 172, 194, 200, 234, 248
	3340934 ..... 487	3760383.....17, 335	4010408 ... 283, 375, 559, 561
	3340941 ..... 321, 323	3790012....385, 389, 393	4010608 ..... 426, 437
	3340956 ..... 423	3790152....177, 179, 205, 207, 237, 251	4010618 ... 349, 355, 357, 365, 367
	3380434 ... 379, 381, 383	3790155....177, 179, 205, 207, 237, 251	4031505 ..... 409
	3421453 ..... 426, 437	3790158.....19	4031509 ..... 335
	3421563 ..... 81	3820001 ....670, 674, 678, 682, 686, 690, 694, 698, 702	4031510 ..... 335
	3421565 ..... 81	3820020....347, 351, 353, 361, 363	4031512 ..... 17, 335
	3422178 ..... 313	3820032....182, 188, 210, 216, 242, 256	4031516 ..... 415
	3422661 ..... 441	3841143....166, 172, 194, 200, 234, 248, 313, 341	4031707 ..... 17, 335
	3422912 ..... 15	3841203.....313	4031708001 ..... 377
	3422937 ..... 313	3841258.....15, 17, 313	4031710 ..... 97
	3422957 ..... 313	3841287 .....303	4031912 ..... 242, 256
	3422958 ..... 313	3841356.....15, 303	4032311001 ..... 17
	3423190 ..... 313	3900054....359, 369, 371	4060802 ... 283, 287, 291, 295
	3430616 .... 386, 390, 394	3900183.....385, 389, 393	4060807 ... 184, 188, 212, 216, 244, 258
	3430816 ... 166, 172, 194, 200, 234, 248	3900260.....487	4060865 ..... 147
	3441240 ..... 455	3900283.....325, 327	4060906 ... 133, 135, 137, 139, 385, 389, 393
	3450404 ... 166, 172, 194, 200, 234, 248	3900349....385, 389, 393	4070863 ..... 313
	3451214 ..... 17	3900363....156, 157, 335	4070864 ..... 313
	3460334 ..... 423	3900393001.....321	4070897 ..... 313
	3470003 .... 386, 390, 394		4070898 ..... 313
			4071044 ..... 313
			4071045 ..... 313
			4071073 ..... 313
			4071074 .... 385, 389, 393
			4071076 ..... 321
			4100063 ..... 487
			4100100 ..... 459
			4100101 ..... 313

## SECTION 11 - SPECIAL OPTIONS

4120035.....601	4460256 ..... 541, 655	4460497 ... 105, 109, 113,	601, 609, 621, 651,
4160197.....313	4460259 ... 601, 614, 618,	117, 121, 125, 386,	655, 661
4220189.....321	622	389, 393, 557, 614,	4460897.... 147, 149, 151,
4220190.....321	4460260 ... 601, 613, 618,	618, 622, 656	584
4240018.... 283, 287, 291,	621	4460508 ... 409, 609, 613,	4460899..... 17, 569, 570,
295, 487, 491, 496, 504	4460265 ..... 402, 405	617, 621, 656	577, 603, 641, 643,
4240033.... 409, 411, 413,	4460267 ... 613, 617, 621,	4460509 .... 553, 555, 580	649, 656, 661
415, 487	655, 659	4460510 ..... 714	4460905.... 386, 389, 393,
4240099.... 106, 109, 114,	4460268 ... 593, 595, 609,	4460516 ..... 91	569, 601, 613, 617,
117, 122, 125, 129,	613, 617, 621	4460518 ... 610, 613, 617,	621, 655, 663, 665
166, 172, 182, 188,	4460314 .... 613, 617, 621	621, 639, 653, 661	4460906..... 609
194, 200, 210, 216,	4460315 ... 513, 613, 617,	4460536 ... 145, 336, 583,	4460910..... 15, 336, 637,
234, 242, 248, 256,	621	609	645
299, 419, 421, 426,	4460346 .... 287, 295, 513	4460539 ... 336, 541, 583,	4460911.... 541, 570, 641,
429, 431	4460384 ..... 535	587, 609, 639, 656,	643
4240149.....423	4460418 ... 601, 613, 617,	663, 665	4460912..... 541
4240155.....506	621	4460633 ..... 659	4460913..... 336
4240156.....497	4460419 ... 601, 613, 617,	4460662 ... 525, 529, 533,	4460914..... 17
4360057 ..... 419, 421	621	535	4460917..... 15, 335, 336
4360070.... 287, 292, 296	4460425 ... 283, 287, 292,	4460670 ..... 656	4460918..... 337, 641
4360328.... 133, 135, 137,	296, 419, 421	4460703 .... 580, 583, 656	4460925.... 613, 617, 621
139, 708	4460426 ... 283, 287, 292,	4460708 ..... 659	4460926..... 661
4360336.... 283, 287, 291,	296, 557	4460722 ... 299, 609, 639,	4460928.... 610, 639, 653
295, 709	4460428 ... 341, 385, 389,	655	4460929..... 637
4360387.... 133, 135, 139,	393	4460748 ..... 580	4460930.... 541, 579, 583,
385, 389, 393, 419,	4460434 ... 609, 613, 617,	4460761 ... 569, 613, 617,	599, 609, 635, 663, 665
421, 708	621	621, 655	4460931..... 656
4360407.... 385, 389, 393,	4460443 ..... 656	4460806 ... 523, 525, 527,	4460932.... 335, 541, 543,
708	4460458 ..... 580	529	545, 547, 549, 573,
4360469.... 133, 135, 137,	4460464 17, 91, 147, 149,	4460807 ..... 593, 595	589, 601, 655
139, 708	151, 335, 336, 407,	4460808 ..... 593, 595	4460933.... 541, 580, 605,
4360475.... 133, 135, 137,	541, 569, 570, 573,	4460836 ..... 91, 541, 609,	609, 613, 617, 621,
139, 385, 389, 393, 708	575, 577, 584, 589,	655, 663, 665	653, 655, 663, 665
4360476.... 133, 135, 137,	601, 603, 609, 613,	4460837 ..... 91, 609	4460934.... 541, 579, 609
139, 708	617, 621, 639, 641,	4460843 ..... 663, 665	4460935.... 541, 580, 609
4360527 ..... 709	649, 653, 655, 656, 661	4460851 ..... 569, 661	4460941..... 575, 643
4360548..... 335, 709	4460465 .... 91, 147, 541,	4460852 ..... 569, 661	4460942.... 409, 575, 579,
4420014.....423	543, 545, 547, 549,	4460865 ..... 553, 555	583
4420037.... 426, 429, 431,	553, 555, 569, 570,	4460866 ... 609, 613, 617,	4460943..... 91, 145, 336,
433	575, 577, 579, 580,	621, 655	569, 573, 575, 583,
4420038..... 101	583, 584, 591, 593,	4460871 ... 569, 601, 613,	601, 609, 613, 617,
4420051 ..... 706	595, 597, 599, 601,	617, 621, 655, 663, 665	621, 643, 655, 656
4420062..... 441	603, 605, 607, 609,	4460872 .... 569, 663, 665	4460944..... 91, 541, 575,
4420066..... 423	610, 613, 617, 621,	4460873 ... 569, 613, 617,	579, 580, 583, 587,
4420068..... 419, 421	635, 639, 651, 653,	621, 655	601, 605, 607, 609,
4460016.... 614, 618, 622	655, 656, 659, 661,	4460874 ... 569, 613, 617,	613, 617, 621, 655
4460019..... 655	663, 665	621, 655	4460945..... 587
4460042.... 580, 583, 601	4460466 .... 91, 336, 409,	4460875 .... 569, 663, 665	4460950..... 569, 655
4460043..... 299, 583	541, 543, 545, 547,	4460876 ... 569, 601, 613,	4460954..... 336
4460049..... 419, 421	549, 553, 555, 569,	617, 621	4460956..... 563, 565
4460051 ..... 513	570, 575, 577, 579,	4460878 ..... 91, 655	4460957..... 563, 565
4460071 .... 287, 295, 407	580, 583, 584, 601,	4460879 .... 613, 617, 621	4460959..... 549
4460134..... 543, 545	603, 607, 609, 613,	4460880 ..... 570	4460960..... 549
4460144..... 601	617, 621, 635, 643,	4460884 ... 575, 579, 583,	4460962.... 426, 431, 547
4460183.... 613, 618, 622	649, 651, 653, 655,	591, 603, 609, 613,	4460963..... 296, 547
4460205.... 513, 543, 545	656, 661, 663, 665	617, 621, 635, 655,	4460967..... 597, 599
4460224.... 385, 389, 393	4460467 ..... 714	659, 663, 665	4460968.... 335, 517, 521
4460225.... 593, 595, 613,	4460470 ... 385, 389, 393,	4460887 .... 91, 613, 617,	4460970..... 601, 655
617, 621	557, 614, 618, 622, 656	621, 655	4460971..... 426, 437
4460226.... 385, 389, 393,	4460471 ... 386, 389, 393,	4460891 ... 147, 569, 570,	4460982..... 575
402, 405, 407, 613,	557, 614, 618, 622, 656	575, 577, 584, 609,	4460984.... 579, 663, 665
617, 621	4460473 ..... 553, 555	653, 655, 659, 661,	4461006..... 580
4460227 .... 569, 613, 617,	4460488 ..... 151	663, 665	4461008..... 580, 584
621	4460496 ... 105, 109, 113,	4460892 .... 579, 609, 661	4461016..... 609
4460234.... 385, 389, 393,	117, 121, 125, 386,	4460893 ..... 609, 656	4461017..... 91
419, 421	389, 393, 557, 614,	4460894 ... 541, 543, 545,	4461018..... 655
4460247 .... 580, 583, 656	618, 622, 656	547, 549, 579, 583,	4461043..... 580, 583



## SECTION 11 - SPECIAL OPTIONS

4461054 .....	580	4740505 .....	17	248, 256, 335, 539,	4933218 .....	510	
4461060 .....	589	4750400 ...	177, 179, 205,	543, 545, 547, 550	5241000 ...	167, 173, 183,	
4461070 .....	579, 653	207, 237, 251		4811900001....	17, 29, 31,	189, 195, 201, 211,	
4461071 .....	580, 583	4751000 .	93, 95, 97, 287,	105, 110, 113, 118,	217, 234, 242, 248, 256		
4461072 .....	580, 583	291, 295, 386, 390,		121, 126, 130, 156,	5241000001 .....	315, 339,	
4461074 .....	580, 583	393, 426, 429, 431,		283, 287, 291, 295,	341		
4461076 .....	335	433, 437		325, 327, 341, 496,	5241200 .....	19, 283, 287,	
4461077 ...	337, 610, 639,	4751000001.....	283	504, 513, 537, 543,	291, 295, 314		
643, 649		4751400 ...	373, 386, 390,	545, 547, 549, 559, 561	5241200001 .....	308, 339,	
4461095 .....	579, 653	393, 417, 419, 421,		4811902.....	97, 106, 109,	341	
4461117 .....	541	426, 429, 431, 433,		114, 117, 122, 125,	5241600 ...	183, 189, 211,	
4461196 .....	625	539, 670, 674, 678,		129, 155, 166, 173,	217, 243, 257		
4461198 .....	517, 625	682, 686, 690, 694,		182, 188, 194, 201,	5242000001 .....	19	
4461199 .....	627	698, 702		210, 216, 242, 256, 335	5242400 .....	79	
4461201 .....	521, 627	4751400001.....	375, 377	4811902001.....	106, 110,	5242400001 .....	339, 341
4461202 .....	629	4751500 ....	419, 421, 441	114, 118, 122, 126,	130, 156	5250806001 .....	337
4461205 .....	631	4751600 ...	106, 109, 114,	4812000....	29, 31, 57, 59,	5250810001 .....	337
4461228 .....	336	117, 122, 125, 129,		83, 95, 101, 106, 109,		5251008001 .....	337, 341
4461244 .....	525, 629	426, 429, 431, 433		114, 117, 122, 125,		5251010001 .....	315, 337
4461245 .....	529, 631	4751800 ...	359, 369, 371,	129, 155, 166, 173,		5251012001 .....	337
4461246 .....	533, 633	419, 421		177, 179, 182, 188,		5251013 .....	337
4461249 .....	633	4755000001.....	17	194, 201, 205, 207,		5251016001 .....	337, 341
4461271 .....	569	4760600 .....	513	210, 216, 234, 237,		5251022... 183, 189, 211,	
4530028 ...	426, 429, 431,	4761400 .....	373	242, 248, 251, 256,		217, 242, 256	
435		4761600 ...	106, 109, 114,	283, 287, 291, 295,		5251210001 .....	53
4562516 .....	487	117, 122, 125, 129		313, 327, 379, 381,		5261018 .....	335
4640452 .....	459, 461	4791400 ...	110, 118, 126,	543, 545, 547, 549		5271614 .....	243, 257
4640746 .....	475, 477	130, 166, 194, 234, 248		4812002...93, 95, 97, 155,		5272023 .....	475, 479
4640751 ...	182, 188, 210,	4811400 ...	105, 109, 113,	182, 189, 210, 217,		5272024 .....	463, 465
216, 242, 256		117, 121, 125, 129,		242, 256, 314, 381,		5272025 .....	467, 469
4641114 .....	459, 461	166, 172, 194, 200,		383, 557		70000342 .....	317
4641155 .....	29, 31	234, 248, 335, 379,		4812002001.....	156	70000619 .....	291, 295
4641260 .....	459, 461	381, 383, 515, 517,		4812100.....	89, 155, 177,	70000778 .....	463, 465
4641386 .....	455, 457	519, 521, 523, 525,		179, 183, 189, 205,		70000781 .....	66, 70, 74
4641388 .....	455, 457	527, 529, 531, 533, 535		207, 210, 217, 237,		70000793 .....	265
4641393 .....	455, 457	4811400001.....	283	242, 251, 256, 335		70000796 .....	319
4711000 ...	149, 151, 292,	4811600 ...	106, 109, 114,	4812100001....	29, 31, 39,	70000803 .....	33, 35
296		117, 122, 125, 129,		41, 43, 45, 47, 49, 51,		70000804 .....	35
4711400 ...	156, 157, 345,	177, 179, 182, 188,		156, 321, 323, 341		70000805 .....	35
349, 353, 355, 357,		205, 207, 210, 216,		4812102.....	89, 93, 95, 97	70000852 .....	21
363, 365, 367, 411,		237, 242, 251, 256		4812200....	167, 173, 183,	70000853 .....	21
413, 415, 417, 515,		4811700 ...	29, 31, 39, 41,	189, 195, 201, 210,		70000854 .....	21
517, 519, 521, 523,		43, 45, 47, 49, 51, 97,		217, 234, 242, 248, 256		70000855 .....	21
525, 527, 529, 531,		105, 109, 113, 117,		4812200001.....	15, 17	70000856 .....	21
533, 535		121, 125, 129, 145,		4812700001.....	304	70000857 .....	21
4711400001 .....	375	149, 151, 157, 166,		4831400.....	375	70000858 .....	21
4711500 .....	155	172, 177, 179, 182,		4845582.....	441	70000859 .....	21
4711600 ...	101, 182, 188,	188, 194, 200, 205,		4846482.....	314	70000860 .....	21
210, 216, 242, 256,		207, 210, 216, 234,		4846627....	426, 429, 431,	70000861 .....	21
277, 386, 390, 394,		237, 242, 248, 251,		433		70000862 .....	21
443, 445, 447, 487		256, 283, 287, 349,		4846673.....	419, 421	70000863 .....	291, 296
4711600001 .	57, 59, 325,	355, 357, 365, 367,		4871200....	167, 173, 195,	70001100 .....	291, 295
327		426, 437, 559, 561		201, 234, 248		70001181 .....	225, 230
4711700 .....	291, 295	4811700001.....	337, 377,	4871700....	110, 118, 126,	70001384 .....	291, 295
4711800 .....	17, 166, 172,	487		130, 283, 287, 291, 295		70001424 .....	439
194, 200, 234, 248,		4811702 .....	97, 105, 109,	4891600....	177, 179, 205,	70001425 .....	439
359, 369, 371		113, 117, 121, 125,		207, 237, 251, 479		70001427 .....	439
4712000 ...	423, 443, 445,	129, 147, 172, 182,		4891700.....	479	70001428 .....	439
447		188, 200, 210, 216,		4891800....	167, 173, 177,	70001429 .....	439
4712200 ...	166, 172, 194,	242, 256, 379, 381,		179, 195, 201, 205,		70001430 .....	439
200, 234, 248, 423		383, 557		207, 234, 237, 248,		70001431 .....	439
4740057 .....	83	4811702001.....	375, 377	251, 475		70001432 .....	439
4740171 ...	177, 179, 205,	4811900 ...	105, 109, 113,	4921850.....	715	70001639 .....	317
207, 237, 251		117, 121, 125, 129,		4922641....	284, 288, 292,	70001640 .....	319
4740229 .....	15, 17	156, 157, 166, 173,		297		70001696 .....	292, 296
4740362 ....	379, 381, 383	182, 188, 194, 201,		4922925.....	292, 296, 595	70001697 .....	317
4740397 .....	393	210, 216, 234, 242,				70001870 ..	221, 227, 261

## SECTION 11 - SPECIAL OPTIONS

70001955.....271	70002593.....271	70004055 . 37, 61, 65, 69, 73	70004459.. 37, 61, 65, 69, 73, 329
70001956.....271	70002595.....272	70004071 ..... 323, 708	70004460.. 37, 61, 65, 69, 73, 329, 708
70001958.....269	70002599.....272	70004092 . 284, 288, 292, 296	70004461.....37
70001966.. 284, 288, 292, 296	70002600.....268	70004093 ..... 296	70004462.....37
70001973.. 284, 288, 292, 296	70002601.....268	70004094 ..... 292, 296	70004463..... 37, 708
70001974..... 292, 296	70002602.....268	70004095 ..... 296	70004464.....37
70002028.....23	70002604.....269	70004096 ..... 292, 296	70004465.....37
70002031.....23	70002605.....269	70004097 ..... 292, 296	70004466.....85
70002032.....23	70002606.....269	70004098 . 284, 288, 292, 296	70004467.....85
70002036.....23	70002607.....269	70004099 ..... 296	70004468.....85
70002052.....23	70002609.....269	70004150 ..... 99, 708	70004469.....85
70002057..... 23, 85	70002610.....269	70004164 ..... 37	70004470.....85
70002097... 325, 327, 708	70002612.....269	70004171 .. 284, 288, 291	70004471.....85
70002132.....268	70002616.....269	70004185 ..... 715	70004472.....85
70002133..... 268, 271	70002617.....269	70004275 ..... 261	70004473.....85
70002134.....268	70002618.....268	70004280 ..... 225, 230	70004474.....85
70002135.....268	70002619.....268	70004363 ..... 23	70004475.....85
70002136.....268	70002620.....268	70004383 ..... 33, 35	70004476.....85
70002137.....268	70002621.....269	70004384 ..... 33, 35	70004477.....85
70002138.....268	70002622.....269	70004385 ..... 33	70004478.....85
70002139.....268	70002623.....269	70004386 ..... 33, 35	70004479.....85
70002140.....268	70002718.. 221, 227, 261	70004406 . 463, 465, 475, 477	70004480.....85
70002141.....268	70002758 . 62, 66, 70, 74, 329	70004407 ..... 475, 477	70004481.....85
70002142.....268	70002759 . 62, 66, 70, 74, 329	70004411 ..... 99	70004482.....85
70002143.....268	70002760 ..... 62	70004412 ..... 99	70004483.....85
70002145.....268	70002813 .. 221, 227, 261	70004416 ..... 271	70004484.....85
70002148.....268	70002838 ..... 99	70004417 ..... 271	70004485.....85
70002150.....268	70002859 ..... 319	70004418 ..... 271	70004486.....85
70002151.....268	70002902 ..... 407	70004419 ..... 271	70004487.....85
70002152.....268	70002903 ..... 407	70004420 ..... 271	70004488.....86
70002153.....268	70002904 ..... 407	70004421 ..... 271	70004489.....86
70002154.....268	70002905 ..... 407	70004422 ..... 271	70004490.....86
70002155.....268	70002962 ..... 66, 70, 74	70004423 ..... 272	70004491.....85
70002156.....268	70002978 ..... 33	70004425 ..... 272	70004492.....86
70002157.....268	70003019 ..... 331	70004426 ..... 272	70004493.....86
70002158.....268	70003020 ..... 331	70004429 ..... 23	70004494.....86
70002159.....268	70003021 ..... 331	70004430 ..... 23	70004505... 221, 227, 261
70002160.....268	70003023 ..... 331	70004431 ..... 23	70004506... 221, 227, 261
70002161.....268	70003027 ..... 331	70004432 ..... 23	70004507... 221, 227, 261
70002162.....268	70003408 ..... 33, 35	70004433 ..... 23	70004508... 221, 227, 261
70002163.....268	70003484 ..... 91	70004434 ..... 23	70004509... 221, 227, 261
70002164.....268	70003533 ..... 375	70004435 ..... 23	70004510... 221, 227, 262
70002165.....268	70003534 ..... 375	70004436 ..... 23	70004511... 222, 228, 262
70002168.....269	70003535 ..... 375	70004437 ..... 23	70004512... 222, 262, 708
70002174.....269	70003536 ..... 375	70004438 ..... 23	70004513... 222, 228, 262
70002175.....269	70003628 ..... 21	70004439 ..... 23	70004514.....262
70002177.....269	70003631 ..... 291, 296	70004440 ..... 23	70004515..... 228, 262
70002178.....269	70003708 . 284, 288, 292, 296	70004441 ..... 23	70004516... 222, 228, 262
70002179.....269	70003709 . 284, 288, 292, 296	70004442 ..... 23	70004517.....263
70002231..... 57, 59, 708	70003784 .. 385, 389, 393	70004443 ..... 23	70004518.....263
70002297..... 291, 296	70003788 ..... 303, 708	70004444 ..... 23	70004519.....263
70002386..... 33, 35, 708	70003919 ..... 321, 708	70004445 ..... 23	70004520... 223, 229, 263
70002460..... 292, 296	70003920 ..... 321	70004446 ..... 23	70004583... 61, 65, 69, 73
70002576.....275	70003948 ..... 317	70004447 ..... 23	70004584... 61, 65, 69, 73
70002577.....275	70004005 ..... 103	70004448 ..... 23	70004585.. 61, 65, 69, 73, 329, 331
70002578.....272	70004006 ..... 103	70004449 ..... 24	70004586... 61, 65, 69, 73
70002580.....271	70004007 ..... 103	70004450 ..... 24	70004587... 61, 65, 69, 73
70002582.....271	70004017 ..... 33, 35	70004451 ..... 24	70004588.. 61, 62, 65, 66, 69, 70, 73, 74, 329
70002583.....271	70004050 . 62, 66, 70, 74, 331	70004452 ..... 24	70004589... 61, 65, 69, 73
70002585.....272	70004051 ..... 329, 331	70004453 ..... 24	70004590... 61, 65, 69, 73
70002586.....271	70004052 . 61, 62, 65, 66, 69, 70, 73, 74, 329, 331	70004456 ..... 329	70004591... 61, 65, 69, 73
70002588.....271		70004457 . 62, 66, 70, 74, 331	70004592... 61, 65, 69, 73

## SECTION 11 - SPECIAL OPTIONS

70004593 . 61, 65, 69, 73, 329	70004767 ..... 401	70005549.....224, 230	70005965..... 329
70004594 . 61, 62, 65, 66, 69, 70, 73, 74, 329	70004768 ..... 401	70005550.....224, 230	70005966..... 331
70004595 . 61, 62, 65, 66, 69, 70, 73, 74, 329	70004769 ..... 401	70005551.....224, 230	70005967..... 331
70004596 . 61, 62, 65, 66, 69, 70, 73, 74, 329	70004770 ..... 401	70005552.....224, 230	70005999..... 475, 477
70004597 . 61, 62, 65, 66, 69, 70, 73, 74, 329	70004771 ..... 401	70005553.....224, 230	70006003..... 304
70004600 .. 61, 65, 69, 73	70004772 ..... 401	70005554.....224, 230	70006004..... 304
70004601 . 62, 66, 70, 74, 329	70004773 ..... 401	70005555.....224, 230	70006005..... 304
70004602 . 61, 62, 65, 66, 70, 74, 329	70004774 ..... 401	70005556.....224, 230	70006006..... 304
70004603 .. 62, 66, 70, 74	70004775 ..... 401	70005557.....224, 230	70006137..... 57, 59
70004607 ..... 61, 65	70005189 ..... 223, 228	70005558.....224, 230	70006144..... 228
70004609 .. 61, 65, 69, 73	70005191 ..... 223, 229	70005565.....93, 95, 97	70006344..... 483
70004610 .. 62, 66, 70, 74	70005199 ..... 77	70005598...465, 467, 469	70006403..... 277
70004613 .. 62, 66, 70, 74	70005230 ..... 405	70005599.....479, 483	70006404..... 277
70004614 ..... 77	70005433 ..... 477, 483	70005600.....479, 483	70006405..... 277
70004615 ..... 77	70005487 ..... 221, 227	70005601.....479, 483	70006406..... 277
70004617 . 62, 66, 70, 74, 329, 331	70005489 ..... 221	70005602.....479, 483	70006407..... 277
70004618 ..... 66, 70, 74	70005491 ..... 222	70005603.....479, 483	70006408..... 277
70004619 ..... 66, 70, 74	70005492 ..... 222, 228	70005615.....103	70006409..... 277
70004646 ..... 715	70005493 ..... 222, 228	70005616.....103	70006410..... 277
70004647 ..... 715	70005495 .. 222, 228, 709	70005617.....103	70006469..... 473
70004648 ..... 715	70005496 ..... 222	70005618.....103	70006470..... 473
70004653 ..... 331	70005497 ..... 222, 228	70005619.....103	70006471..... 473
70004676 ..... 284, 288	70005498 ..... 222, 228	70005620.....319	70006472..... 453
70004678 ..... 284, 288	70005499 ..... 223	70005621.....319	70006473..... 453
70004679 ..... 284, 288	70005501 ..... 224, 230	70005622.....319	70006474..... 453
70004680 ..... 284, 288	70005502 ..... 224	70005624.....284, 288	70006475..... 453
70004681 ..... 284	70005503 ..... 224, 230	70005625.....288	70006494..... 457
70004682 ..... 284	70005504 ..... 224, 230	70005633.....467, 469	70006495..... 457
70004683 ..... 284, 288	70005505 ..... 224, 230	70005651.....291	70006496..... 457
70004685 ..... 288	70005506 ..... 224	70005652.....292	70006510..... 469
70004738 ..... 405	70005507 ..... 224, 230	70005654..467, 469, 475, 477	70006511..... 469
70004739 ..... 405	70005508 ..... 224	70005655.....467, 469	70006512..... 469
70004740 ..... 405	70005509 ..... 224	70005656.....467, 469	70006523..... 461
70004741 ..... 405	70005511 ..... 223	70005657.....303	70006524..... 461
70004742 ..... 405	70005512 ..... 222	70005658.....463, 465	70006525..... 461
70004743 ..... 405	70005513 ..... 222, 228	70005659.....463, 465	70006526..... 461
70004744 ..... 405	70005514 ..... 222, 228	70005666.....323	70006545..... 465
70004745 ..... 405	70005515 ..... 223	70005678.....91	70006546..... 465
70004746 ..... 405	70005516 ..... 223, 229	70005679.....91	70006552..... 283, 287
70004747 ..... 405	70005517 ..... 223, 229	70005721.....225	70006553..... 283, 287
70004748 ..... 405	70005518 ..... 223	70005804.....483	70006653..... 229
70004749 ..... 405	70005519 ..... 223	70005916.....224, 230	70006707..... 69, 73
70004750 ..... 405	70005521 ..... 223	70005917.....224, 230	70006708..... 69, 73
70004751 ..... 405	70005522 ..... 223, 229	70005941.....227	70006731..... 477, 484
70004752 ..... 401	70005523 ..... 223, 229	70005943...61, 65, 69, 73	70006732..... 483
70004753 ..... 401	70005524 ..... 223, 229	70005944...61, 65, 69, 73	70006853..... 483
70004754 ..... 401	70005525 ..... 223, 229	70005945...61, 65, 69, 73	70006854..... 483
70004755 ..... 401	70005526 ..... 223, 229	70005946...61, 65, 69, 73	70006856..... 483
70004756 ..... 401	70005527 ..... 223, 229	70005947..61, 62, 65, 66, 69, 70, 73, 74	70006857..... 483
70004757 ..... 401	70005528 ..... 223, 229	70005948...61, 65, 69, 73	70006858..... 483
70004758 ..... 401	70005529 ..... 223, 229	70005950...62, 66, 70, 74	70006859..... 483
70004759 ..... 401	70005530 . 223, 224, 229, 230	70005951...62, 66, 70, 74	70006860..... 483
70004760 ..... 401	70005531 . 223, 224, 229, 230	70005952...62, 66, 70, 74	70006861..... 483
70004761 ..... 401	70005532 ..... 223, 229	70005953...62, 66, 70, 74	70006862..... 484
70004762 ..... 401	70005535 .. 224, 229, 230	70005954.....62, 329	70006863..... 484
70004763 ..... 401	70005536 .. 224, 229, 230	70005955.....62, 329	70006864..... 484
70004764 ..... 401	70005537 ..... 224, 229	70005956.....62	70006865..... 484
70004765 ..... 401	70005538 ..... 224, 229	70005957.....62	70006866..... 477
70004766 ..... 401	70005541 ..... 224, 230	70005958..62, 66, 70, 74, 77, 329	70006867..... 477, 483
	70005542 ..... 224, 230	70005959.....77	70006868..... 477
	70005544 ..... 224, 230	70005961.....77	70006869..... 477
	70005545 ..... 224, 230	70005962.....329	70006870..... 477
	70005546 ..... 224	70005963.....329	70006871..... 477
	70005547 ..... 224	70005964.....329	70006872..... 477
	70005548 ..... 224, 230		70007083..... 228, 229
			70007084..... 227
			70007085..... 229

## SECTION 11 - SPECIAL OPTIONS

70007091.....230	70024507..... 222, 228	70025726 ..222, 228, 262	7007438.....21
70007092.....230	70024509 .. 221, 227, 261	70025729 ..... 262	7007439.....21
70007093.....229	70024513 .. 222, 228, 262	70025730 ..... 221, 261	7007446..... 21, 268, 271
70007324.....222	70024916 ..... 263	70025731 .. 221, 227, 261	7007489.....275
70007439.....269	70024917 ..... 263	70025737 ..... 224, 230	7010543..... 33, 35
70022286.....271	70024918 ..... 222, 262	70025739 ..... 224, 230	7011346.... 467, 469, 479, 483
70022287.....271	70024920 .. 222, 223, 228, 229, 262, 263	70025740 ..... 224, 230	7011351.... 463, 465, 475, 477, 479, 483
70023351.....271	70024921 ..... 262	70025741 ..... 222, 262	7011353..... 455, 457
70023352.....271	70024961 .. 222, 228, 262	70025744 ..... 263	7011361.... 467, 469, 479, 483
70023353.....271	70025082 ..... 225, 231	70025745 .. 221, 227, 261	7011368..... 479, 483
70023354.....271	70025085 ..... 221, 227	70025747 ..... 224, 230	7011371..... 479, 483
70023355.....271	70025087 ..... 261	70025748 ..... 262	7011376.... 451, 453, 455, 457, 463, 465, 467, 469
70023357.....271	70025088 ..... 221, 261	70025749 ..... 224, 230	7011381..... 475, 477
70023358.....271	70025105 .. 221, 227, 261	70025750 ..... 224, 230	70124410..... 225, 231
70023359.....271	70025109 .. 222, 228, 262	70025752 ..... 224, 230	70124440..... 225, 231
70023361.....271	70025111 .. 221, 227, 229, 261	70025753 ..... 224, 230	7012773.... 37, 61, 65, 69, 73, 329
70023362.....271	70025116 .. 221, 227, 261	70025755 .. 221, 227, 261	7012941..... 33, 35
70023363.....271	70025119 .. 221, 227, 261	70025756 .. 222, 228, 262	7012967..... 459, 461
70023368.....477	70025120 .. 222, 228, 262	70025758 ..... 225, 230	7012973..... 33, 35
70023592..... 243, 709	70025123 .. 221, 227, 261	70025762 .. 222, 228, 262	7012998..... 33, 35
70023593..... 243, 709	70025128 .. 221, 227, 261	70025763 ..... 221, 261	7016272..... 147
70023809.. 183, 189, 211, 217, 243, 257, 708	70025131 ..... 223, 263	70025764 ..... 224, 230	7016309.... 222, 228, 262
70023859... 61, 65, 69, 73	70025132 .. 221, 227, 261	70025766 ..... 262	7016319..... 147
70023860.. 61, 62, 65, 66, 69, 70, 73, 74	70025137 .. 221, 227, 261	70025768 ..... 223, 263	7016322.... 166, 172, 194, 200, 234, 248
70023862... 61, 65, 69, 73	70025140 .. 222, 228, 262	70025772 .. 222, 228, 262	7016331.... 221, 227, 261, 708
70023866.....77	70025141 ..... 223, 263	70025773 ..... 223, 263	7016374.... 166, 172, 194, 200, 234, 248
70023867.....77	70025144 .. 222, 228, 262	70025780 .. 223, 229, 263	7016654..... 714
70023872.. 183, 189, 211, 217, 243, 257, 708	70025145 .. 222, 228, 262	70025783 ..... 263	7016655..... 715
70023992..... 61	70025146 .. 222, 228, 262	70025786 .. 221, 227, 261	7017142..... 317
70024039.....271	70025149 ..... 223, 263	70025789 ..... 227, 261	7017159..... 317
70024040.....271	70025150 ..... 263	70025877 ..... 223, 229	7017163..... 317
70024072..... 467, 469	70025151 .. 222, 228, 262	70025979 ..... 272	7017164..... 317
70024328.. 183, 189, 211, 217, 243, 257	70025152 .. 221, 227, 261	70026210 ..... 223, 229	7017187..... 319
70024329.. 183, 189, 211, 217, 243, 257	70025153 .. 222, 262, 708	70026446 ..... 303	7017189..... 319
70024469..... 223, 263	70025154 .. 222, 228, 262	70027405 ..... 230	7017195..... 317
70024471... 221, 227, 261	70025210 ..... 262, 709	70027416 ..... 227	7017402..... 331
70024473..... 262	70025234 ..... 261	70027461 ..... 231	7017493..... 33, 35
70024474... 223, 229, 263	70025235 .. 222, 228, 262	70027462 ..... 231	7018942.... 62, 66, 70, 74, 329
70024475... 222, 228, 262	70025239 .. 222, 228, 262	70027463 ..... 231	7020175.... 133, 135, 137, 139, 385, 389, 393
70024478... 223, 229, 263	70025240 .. 222, 228, 262	70027464 ..... 231	7020176.... 133, 135, 137, 139, 385, 389, 393
70024479... 223, 229, 263	70025242 ..... 223, 229	70027465 ..... 231	7020442.... 221, 227, 261
70024480... 223, 229, 263	70025244 ..... 223, 229	70027466 ..... 231	7020465.... 221, 227, 261
70024481... 221, 227, 261	70025533 ..... 223, 263	70027467 ..... 231	7020492.... 223, 229, 263
70024482..... 263	70025534 .. 222, 228, 262	70027702 ..... 477	7021249..... 21
70024483..... 221	70025675 ..... 230, 262	7002821 ..... 714	7021256..... 269
70024485... 222, 228, 262	70025680 .. 221, 227, 261	7002822 ..... 714	7021265..... 269
70024486..... 262	70025681 .. 224, 230, 262	7002823 ..... 714	7021275..... 21, 268, 271
70024487... 221, 227, 261	70025686 .. 222, 228, 262	7002828 ..... 715	7021293..... 269
70024489... 221, 227, 261	70025687 .. 223, 224, 229, 230, 263	70028540 ..... 228	7021375.... 37, 61, 65, 69, 73, 329
70024493... 222, 228, 262	70025699 .. 223, 224, 229, 230, 263	70028765 ..... 229	7021625..... 33, 35
70024494..... 221, 227	70025701 .. 223, 229, 263	70028814 ..... 227	7022300..... 269
70024495... 221, 227, 261	70025704 ..... 225, 230	70028989 ..... 229	7022301..... 268
70024496..... 263	70025707 ..... 263	70029015 ..... 229	7022311..... 21
70024497... 221, 227, 261	70025708 ..... 263	70029394 ..... 228	7022314..... 21
70024498... 222, 228, 262	70025709 ..... 263	70029395 ..... 228	7022321..... 21
70024499... 222, 228, 262	70025710 ..... 263	70029399 ..... 229	
70024500.. 223, 224, 229, 230, 263	70025713 ..... 262	70029401 ..... 229	
70024501... 222, 228, 262	70025714 ..... 261	70029402 ..... 229	
70024503..... 263	70025717 ..... 261	7004275 ..... 714	
70024504.. 222, 223, 228, 229, 262, 263	70025718 ..... 221, 261	7004276 ..... 715	
	70025721 ..... 262	7007207 ..... 268, 271	
	70025722 .. 221, 227, 261	7007415 .... 269, 271, 272	
	70025723 ..... 263	7007418 ..... 268	
		7007419 ..... 268	
		7007420 ..... 21	
		7007437 ..... 21	

## SECTION 11 - SPECIAL OPTIONS

7022340 .....	271	7024867 .....	21	8229242....	579, 621, 656, 708	8406109 ...	183, 189, 211, 217, 243, 257, 513, 537, 559, 561
7022368 .....	21	7024868 .....	21	8229244....	579, 656, 708	8406110 ...	183, 189, 211, 217, 244, 258
7022371 .....	21	7024885 .....	331	8229245.....	580, 708	8406201 ...	167, 173, 195, 201
7022390 .....	331	7024899 .....	331	8229247.....	579, 708	8406303 .....	243, 257
7022399 .....	33, 35	7026004 .....	463, 465	8278020....	183, 189, 211, 217, 243, 257	8410009 ...	167, 173, 195, 201
7022523 .....	329	7026030 .....	91	8305401....	183, 189, 211, 217, 243, 257	8410011 ...	183, 189, 211, 217, 243, 257
7022608 .....	269	7026031 .....	91	8305919....	283, 287, 291, 295	8410012 ...	183, 189, 211, 217, 244, 258
7023377 .....	271	7026032 .....	91	8307109....	183, 189, 211, 217, 243, 257	8410013 ...	173, 183, 189, 201, 211, 217, 243, 257
7023821 .....	61, 65	7026597 .....	292, 296	8310067....	167, 173, 195, 201, 234, 248	8750014 ...	167, 173, 195, 201, 234, 248
7023922 .....	331	7026626 .....	292, 296	8310129.....	423	8750027 ...	167, 173, 195, 201
7023962 .....	271	7027740 .....	21	8310548....	183, 189, 211, 217, 243, 257	8750031 ...	167, 173, 195, 201, 234, 248
7023964 .....	271, 272	7027773 .....	435	8310614.....	337	8760554 .....	504
7024441 .....	99	7027774 .....	435	8310643001.....	105, 110, 113, 118, 121, 126, 130, 156, 325, 327	8769122 .....	491
7024462 .....	435	7027775 .....	435	8405006.....	277	8769123 ...	167, 173, 195, 201, 235, 249
7024463 .....	435	7027776 .....	435	8405007....	183, 189, 211, 217, 243, 257	8769127 .....	173, 201
7024467 .....	435	7027777 .....	435	8405009.....	95, 184, 189, 212, 217	8769128 .....	491
7024469 .....	435	7027778 .....	435	8405104....	183, 189, 211, 217, 243, 257	88261128.....	57, 59
7024470 .....	435	7027779 .....	435	8405211....	184, 189, 212, 217	88411013.....	539
7024471 .....	435, 439	7027780 .....	435	8406003.....	335	88521214..	443, 445, 447
7024472 .....	435	7027799 .....	292, 296	8406101.....	97, 110, 118, 126, 130, 167, 173, 195, 201, 234, 248	88662013.....	496, 504
7024473 .....	435	7300435 ...	183, 189, 211, 217, 243, 257	8406102....	167, 173, 195, 201	91203039.....	341
7024474 .....	435	77133089 .....	496, 504	8406105....	167, 173, 195, 201, 235, 249	91403230.	670, 674, 678, 682, 686, 690, 694, 698, 702
7024475 .....	435	77133137 .	167, 173, 195, 201			91554014.	569, 641, 659, 663, 665
7024478 .....	435	77363232 .	283, 287, 291, 295			91563070 .	183, 189, 211, 217, 243, 257
7024485 .....	292, 296	77363233 .....	593, 595				
7024488 .....	291, 295	7894000042.....	337				
7024489 .....	291, 295	80963067 .....	580				
7024530 .....	439	82033995 .	167, 173, 195, 201				
7024531 .....	439	8220007 ...	613, 617, 621				
7024532 .....	439	8220045 .....	579				
7024533 .....	439	8220051 .....	589				
7024534 .....	439	8220068 .....	663, 665				
7024535 .....	439	8220097 .....	580				
7024536 .....	439	8220098 .....	580				
7024537 .....	439	8220115 .....	583				
7024574 .....	463, 465	8220116 .....	656				
7024579 ....	221, 227, 261						
7024598 ...	166, 172, 194, 200, 234, 248						
7024800 .....	269						
7024865 .....	21						



3121736



An Oshkosh Corporation Company

**Corporate Office**  
**JLG Industries, Inc.**  
**1 JLG Drive**  
**McConnellsburg, PA 17233-9533 USA**  
**☎ (717) 485-5161 (Corporate)**  
**☎ (877) 554-5438 (Customer Support)**  
**☎ (717) 485-6417**

**Visit our website for JLG Worldwide Locations.**  
**[www.jlg.com](http://www.jlg.com)**