



---

# ***Illustrated Parts Manual***

## ***Models***

***3706PS, 3707PS,  
4014PS, 4017PS***

## ***Agrovector***

***33.7, 37.6, 37.7***

3706PS, 3707PS & 4014PS  
SN 1160006593 to Present

4017PS  
SN 1160006867 to Present including  
1160006594, 1160006604, 1160006748,  
1160006752, 1160006755, 1160006756

***31200722***

*Revised*  
April 19, 2018 - Rev Q







## EFFECTIVITY PAGE

December 4, 2012 - A - Original Issue of Manual  
February 26, 2013 - B - Revised Manual  
May 29, 2013 - C - Revised Manual  
July 30, 2013 - D - Revised Manual  
September 27, 2013 - E - Revised Manual  
January 31, 2013 - F - Revised Manual  
November 14, 2014 - G - Revised Manual  
June 22, 2015 - H - Revised Manual  
April 1, 2016 - I - Revised Manual  
May 31, 2016 - J - Revised Manual  
August 23, 2016 - K - Revised Manual  
November 30, 2016 - L - Revised Manual  
March 1, 2017 - M - Revised Manual  
May 19, 2017 - N - Revised Manual  
September 14, 2017 - O - Revised Manual  
December 15, 2017 - P - Revised Manual  
April 19, 2018 - Q - Revised Rev 1

## GENERAL INFORMATION

SECTION 9 - HYDRAULIC COMPONENTS (PRIOR TO SN XXXXXXXXX)  
FIGURE 9-3 EXTEND/RETRACT CYLINDER - XXXX

MODEL XXXXXXXXX

SECTION 9 - HYDRAULIC COMPONENTS (PRIOR TO SN XXXXXXXXX)  
FIGURE 9-3 EXTEND/RETRACT CYLINDER - XXXX

ITEM	PART NUMBER	QTY	DESCRIPTION	REV
1	1001144195	1	Extend/Retract Cylinder - XXXXX	E
2	70025592	1	Assembly, Barrel	
3	70025593	1	Assembly, Rod	
4	70025594	1	Gland	
5	70025595	1	Head, Piston	
6	70025582	1	Screw, Locking	
7	70025596	1	Spacer	
8	Kit	1	O-Ring	
9	Kit	1	Ring, Back-Up	
10	Kit	1	Ring, Rod Bearing	
11	Kit	1	O-Ring	
12	Kit	1	Seal, Rod	
13	Kit	1	Ring, Rod Bearing	
14	Kit	1	Seal, Rod	
15	Kit	1	Seal, Wiper	
16	Kit	2	Ring, Piston Bearing	
17	Kit	1	Seal, Piston	
101	70025597	1	Kit, Seal (includes items 7 thru 17)	

MODEL XXXXXXXXX

### 1) MACHINE IDENTIFICATION

Machines are identified by model and in some cases a combination of models, serial number (SN) or regional standard (e.g. ANSI, CE, CSA, AUS). Components may also be identified by SN or manufacturer. Common components that may be identified by these characteristics are attachments, engine, transmission and hydraulic components.

### 2) PARTS MANUAL ORGANIZATION

Product information in this manual is organized under section titles. Frame, Engine and Electrical are a few examples. Each section is organized by Figure and page number. The information within the Figure is then organized by item number, part number, description and corresponding illustration(s).

### 3) TABLE OF CONTENTS (NOT SHOWN)

A table of contents (TOC) is found toward the beginning of the manual. Figure number, description and page number are provided for quick reference to the page containing the related information.

### 4) RECOMMENDED SPARE PARTS (NOT SHOWN)

The Recommended Spare Parts List, located near the end of the manual, reference most frequently used maintenance parts.

### 5) PART NUMBER INDEX (NOT SHOWN)

A numerical index listing all part numbers and the corresponding page number(s) appears at the back of the manual.

### 6) NON-SERVICED PARTS

In some instances, it is necessary to display non-serviced parts, assemblies or installations. In the case of assemblies and installations there will be a Ref in the QTY column and a note after the item description stating what is available for service within. In the case of parts that are not available for service within assemblies or components, there will be a NSS (Not Sold Separately) listed in the part number column of the manual.

### 7) PARTS LIST ITEM NUMBERS

Numbers shown in the item column correspond to numbers used in the associated illustration(s). Item numbers which are missing from sequence and are not shown in the illustration(s) are not used on that page.

### 8) INDENTED PARTS DESCRIPTION

An indented part description is included in the item under which it is indented.

**9) ABBREVIATION AND SYMBOLS**

AC.....	Alternating Current	LCD.....	Liquid Crystal Display
A/C.....	Air Conditioning	LED.....	Light Emitting Diode
ADE.....	Advanced Design Electronics	LH.....	Left Hand
AG.....	Agriculture	LHD.....	Left Hand Drive
AMP.....	Amperage	LHP.....	Low Horse Power
ANSI.....	American National Standards Institute	LMIS.....	Load Management Indicator System
AR.....	As Required	LRC.....	Low Rated Countries
ASSY.....	Assembly	LS.....	Low Sulfur
AUS.....	Australia	LSI.....	Load Stability Indicator
AUX.....	Auxiliary	LSS.....	Load Sensing System
AWG.....	American Wire Gauge	M <sup>3</sup> .....	Cubic Meter
CAC.....	Charge Air Cooler	MA.....	Milliamp
CE.....	European Conformity	M(m).....	Metric/Meter
CM.....	Centimeter	MM.....	Millimeter
CONST.....	Construction	N.....	Newton
CSA.....	Canadian Standards Association	NACD.....	North America Construction Division
DEF.....	Diesel Exhaust Fluid	NLA.....	No Longer Available
DIA.....	Diameter	NSS.....	Not Sold Separately
DC.....	Direct Current	OD.....	Outside Diameter
DTZ.....	Decentralized Transmission Zeros	ORB.....	O-Ring Boss
ECU.....	Electronic Control Unit	ORFS.....	O-Ring Face Seal
EMS.....	Emergency Stop	OZ.....	Ounce
FNR.....	Forward Neutral Reverse	PR.....	Ply Rating
FT.....	Foot	QT.....	Quart
GA.....	Gauge	QTY.....	Quantity
GR.....	Grade	REF.....	Reference
HBP.....	High Boom Pivot	REV.....	Revision
HHP.....	High Horse Power	RH.....	Right Hand
HOC.....	Hydraulic Oil Cooler	RHD.....	Right Hand Drive
HRC.....	High Rated Countries	RHCO.....	Remote Hydraulic Oil Cooler
HVAC.....	Heating Ventilating, and Air Conditioning	RUS.....	Russia
ID.....	Inside Diameter	SAE.....	Society of Automotive Engineers
IN.....	Inch	SAHR.....	Spring Applied Hydraulically Released
ISO.....	International Organization for Standards	SN.....	Serial Number
ITSDF... Industrial Truck Standards Development Foundation		SPD.....	Speed
JIC.....	Joint Industry Council	TLU.....	Torque Look Up
KG.....	Kilogram	UGM.....	Universal Ground Module
KW.....	Kilowatt	V.....	Volts
L.....	Liter	W.....	Watts
LB.....	Pound	#.....	Number
LBP.....	Low Boom Pivot		

**10) ILLUSTRATION REFERANCE LETTERS**

When necessary, illustrations may contain reference letters that are intended to track information from one point to another in the illustration such as harnesses and hoses or any other information that has been separated in the illustration.

Note: Due to continuous product improvements, JLG Industries, Inc. reserves the right to make specification changes without prior notification. Contact JLG Industries, Inc. for updated information.



# TABLE OF CONTENTS

SECTION 1 - FRAME AND ATTACHING PARTS.....	13
FIGURE 1-1. FRAME AND ATTACHING PARTS .....	14
FIGURE 1-2. COVERS.....	22
FIGURE 1-3. OUTRIGGERS - 4014PS & 4017PS.....	26
FIGURE 1-4. LICENSE PLATE INSTALLATION - 3706PS, 3707PS, 33.7, 37.6 & 37.7 .....	28
FIGURE 1-5. RETRIEVAL HITCH .....	32
FIGURE 1-6. PIN HITCH, AUTO HITCH AND PITON FRAME - AUTO HITCH - 3706PS, 3707PS, 33.7, 37.6 & 37.7.....	34
FIGURE 1-7. PIN HITCH - CUNA C AND CUNA D2 - 3706PS, 3707PS, 33.7, 37.6 & 37.7 .....	36
FIGURE 1-8. HYDRAULIC HITCH - 3706PS, 3707PS, 33.7, 37.6 & 37.7.....	38
FIGURE 1-9. HITCH PIN ASSEMBLY.....	40
SECTION 2 - BOOM.....	43
FIGURE 2-1. BOOM INSTALLATION - 3706PS, 3707PS, 33.7, 37.6 & 37.7.....	44
FIGURE 2-2. BOOM INSTALLATION - 4014PS.....	48
FIGURE 2-3. BOOM INSTALLATION - 4017PS.....	50
FIGURE 2-4. FIRST BOOM SECTION - 3706PS, 3707PS, 33.7, 37.6 & 37.7 .....	54
FIGURE 2-5. FIRST BOOM SECTION - 4014PS.....	56
FIGURE 2-6. FIRST BOOM SECTION - 4017PS.....	58
FIGURE 2-7. SECOND BOOM SECTION - 3706PS, 3707PS, 33.7, 37.6 & 37.7 .....	60
FIGURE 2-8. SECOND BOOM SECTION - 4014PS.....	62
FIGURE 2-9. SECOND BOOM SECTION - 4017PS.....	64
FIGURE 2-10. THIRD BOOM SECTION - 4014PS .....	66
FIGURE 2-11. THIRD BOOM SECTION - 4017PS .....	68
FIGURE 2-12. FOURTH BOOM SECTION - 4017PS .....	70
FIGURE 2-13. EXTEND CHAINS - 4014PS.....	72
FIGURE 2-14. EXTEND CHAINS - 4017PS.....	74
FIGURE 2-15. RETRACT CHAINS - 4014PS.....	76
FIGURE 2-16. RETRACT CHAINS - 4017PS.....	78
FIGURE 2-17. MANUAL QUICK ATTACH .....	80
FIGURE 2-18. MANUAL QUICK ATTACH - 4014PS & 4017PS.....	82
FIGURE 2-19. HYDRAULIC QUICK ATTACH - 3706PS, 3707PS, 33.7, 37.6 & 37.7 .....	84
FIGURE 2-20. HYDRAULIC QUICK ATTACH - 4014PS & 4017PS.....	86
FIGURE 2-21. HYDRAULIC QUICK ATTACH - 4014PS & 4017PS.....	88
FIGURE 2-22. JD QUICK ATTACH - 3706PS, 3707PS, 33.7, 37.6 & 37.7 .....	90
FIGURE 2-23. JCB MANUAL QUICK ATTACH - 3706PS, 3707PS, 33.7, 37.6 & 37.7 .....	92
FIGURE 2-24. JCB HYDRAULIC QUICK ATTACH - 3706PS, 3707PS, 33.7, 37.6 & 37.7 .....	94
FIGURE 2-25. MANITOU MANUAL QUICK ATTACH.....	96
FIGURE 2-26. MANITOU HYDRAULIC QUICK ATTACH - 3706PS, 3707PS, 33.7, 37.6 & 37.7.....	98
FIGURE 2-27. MANUAL QUICK ATTACH INSTALLATION, (IF EQUIPPED WITH PLATFORM) - 4014PS & 4017PS.....	100
SECTION 3 - ATTACHMENTS .....	103
FIGURE 3-1. CARRIAGE ASSEMBLY.....	104
FIGURE 3-2. SIDE SHIFT CARRIAGE ASSEMBLY (Prior to SN 1160008730).....	106
FIGURE 3-3. SIDE SHIFT CARRIAGE ASSEMBLY (SN 1160008730 to Present).....	108
FIGURE 3-4. FORK TINES.....	110
FIGURE 3-5. FORK POSITIONING CARRIAGE W/FORKS .....	112
FIGURE 3-6. FIXED PLATFORM INSTALLATION, 1.8M - 4014PS & 4017PS.....	114
FIGURE 3-7. EXTENDABLE PLATFORM INSTALLATION, 4.5M - 4014PS & 4017PS.....	120
FIGURE 3-8. EXTENDABLE PLATFORM INSTALLATION, 4.5M - 4014PS & 4017PS.....	126
FIGURE 3-9. CONSOLE BOX ASSEMBLY - 4014PS & 4017PS.....	130
FIGURE 3-10. CONTROLLER ASSEMBLY (LIFT AND SWING).....	134
FIGURE 3-11. FORK MOUNTED HOOK .....	136
FIGURE 3-12. CRANE HOOK.....	138
FIGURE 3-13. BUCKETS.....	140
FIGURE 3-14. MANURE BUCKET.....	142
FIGURE 3-15. CONCRETE BUCKET .....	144
FIGURE 3-16. CONCRETE LADLE.....	146
FIGURE 3-17. TRUSS BOOMS.....	148
FIGURE 3-18. VOLVO ADAPTER.....	150
FIGURE 3-19. FEM ADAPTER.....	152
FIGURE 3-20. MULTI-PURPOSE BUCKET (Prior to SN 1160008730) .....	154
FIGURE 3-21. MULTI-PURPOSE BUCKET (SN 1160008730 to Present).....	156

# TABLE OF CONTENTS

SECTION 4 - ENGINE AND ATTACHING PARTS.....	159
FIGURE 4-1. ENGINE INSTALLATION .....	160
FIGURE 4-2. DEUTZ ENGINE .....	164
FIGURE 4-3. DEUTZ ENGINE .....	168
FIGURE 4-4. DEUTZ ENGINE .....	170
FIGURE 4-5. FUEL TANK AND LINES.....	172
FIGURE 4-6. RADIATOR INSTALLATION.....	176
FIGURE 4-7. AIR CLEANER INSTALLATION .....	182
FIGURE 4-8. EXHAUST INSTALLATION .....	184
FIGURE 4-9. EXHAUST INSTALLATION .....	188
SECTION 5 - DRIVE TRAIN.....	191
FIGURE 5-1. DRIVE TRAIN COMPONENTS .....	192
FIGURE 5-2. FRONT AXLE ASSEMBLY .....	196
FIGURE 5-3. FRONT AXLE - HOUSING - 3706PS, 3707PS, 33.7, 37.6 & 37.7 .....	198
FIGURE 5-4. FRONT AXLE - HOUSING - 4014PS & 4017PS .....	200
FIGURE 5-5. FRONT AXLE - SWIVEL HOUSING AND STEERING CYLINDER .....	202
FIGURE 5-6. FRONT AXLE - BEVEL GEAR SET .....	204
FIGURE 5-7. FRONT AXLE - DIFFERENTIAL.....	206
FIGURE 5-8. FRONT AXLE - DOUBLE U-JOINT .....	208
FIGURE 5-9. FRONT AXLE - BRAKES .....	210
FIGURE 5-10. FRONT AXLE - WHEEL HUB.....	212
FIGURE 5-11. FRONT AXLE - FINAL REDUCTION.....	214
FIGURE 5-12. FRONT AXLE - BRAKE CALIPER.....	216
FIGURE 5-13. REAR AXLE ASSEMBLY .....	218
FIGURE 5-14. REAR AXLE - AXLE HOUSING.....	220
FIGURE 5-15. REAR AXLE - SWIVEL HOUSING AND STEERING CYLINDER .....	222
FIGURE 5-16. REAR AXLE - BEVEL GEAR SET .....	224
FIGURE 5-17. REAR AXLE - DIFFERENTIAL.....	226
FIGURE 5-18. REAR AXLE - DOUBLE U - JOINT.....	228
FIGURE 5-19. REAR AXLE - WHEEL HUB.....	230
FIGURE 5-20. REAR AXLE - FINAL REDUCTION .....	232
FIGURE 5-21. TRANSMISSION .....	234
FIGURE 5-22. TRANSFER GEARBOX ASSEMBLY .....	236
FIGURE 5-23. TORQUE CONVERTER AND DRIVE .....	238
FIGURE 5-24. GEARS AND BEARINGS.....	242
FIGURE 5-25. 1ST/2ND CLUTCH SHAFT.....	246
FIGURE 5-26. INPUT SHAFT .....	248
FIGURE 5-27. FORWARD HIGH/3RD CLUTCH SHAFT .....	250
FIGURE 5-28. FRONT & REAR CASE COMPONENTS.....	252
FIGURE 5-29. FENDER GROUP .....	256
FIGURE 5-30. REMOTE GREASE SYSTEM INSTALLATION .....	258
FIGURE 5-31. TIRES AND WHEEL INSTALLATION .....	262
FIGURE 5-32. FRONT AXLE ASSEMBLY, (4014PS) (HYDRAULIC PARK BRAKE).....	266
FIGURE 5-33. FRONT AXLE ASSEMBLY, (4017PS) (HYDRAULIC PARK BRAKE).....	280
FIGURE 5-34. REAR AXLE ASSEMBLY, (4014PS) (HYDRAULIC PARK BRAKE) .....	294
FIGURE 5-35. REAR AXLE ASSEMBLY, (4017PS) (HYDRAULIC PARK BRAKE) .....	308
FIGURE 5-36. STEERING ARM ASSY - 4014PS.....	322
FIGURE 5-37. STEERING ARM ASSY - 4017PS.....	324
FIGURE 5-38. STEERING CYLINDER - 4014PS .....	326
FIGURE 5-39. STEERING CYLINDER - 4017PS .....	328
FIGURE 5-40. STEERING CYLINDER - 4014PS.....	330
FIGURE 5-41. BEVEL GEAR SET - 4014PS & 4017PS.....	332
FIGURE 5-42. DIFFERENTIAL KIT.....	334
FIGURE 5-43. DOUBLE JOINT - 4014PS.....	336
FIGURE 5-44. DOUBLE JOINT - 4017PS.....	338
FIGURE 5-45. WHEEL HUB KIT - 4014PS.....	340
FIGURE 5-46. WHEEL HUB KIT - 4017PS.....	342
SECTION 6 - CAB .....	345
FIGURE 6-1. CAB INSTALLATION.....	346
FIGURE 6-2. CAB ASSEMBLY .....	352
FIGURE 6-3. CAB DOOR .....	356
FIGURE 6-4. INTERIOR INSTALLATION .....	360

# TABLE OF CONTENTS

FIGURE 6-5. WIPER INSTALLATIONS .....	362
FIGURE 6-6. SEAT ASSEMBLIES .....	366
FIGURE 6-7. HEATER INSTALLATION .....	368
FIGURE 6-8. AIR CONDITIONING INSTALLATION .....	372
FIGURE 6-9. CAB HYDRAULIC INSTALLATION (HYDRAULIC PARK BRAKE) .....	378
SECTION 7 - CONTROLS .....	381
FIGURE 7-1. BRAKE .....	382
FIGURE 7-2. HAND BRAKE .....	384
FIGURE 7-3. ACCELERATOR .....	386
FIGURE 7-4. STEERING COLUMN .....	388
FIGURE 7-5. BOOM JOYSTICK .....	392
SECTION 8 - HYDRAULIC CIRCUITS .....	395
FIGURE 8-1. SUPPLY CIRCUIT - 3706PS, 3707PS, 33.7, 37.6 & 37.7 .....	396
FIGURE 8-2. SUPPLY CIRCUIT - 4014PS, 4017PS & 33.7 .....	400
FIGURE 8-3. DUMP CIRCUIT - 3706PS, 33.7 & 37.6 .....	404
FIGURE 8-4. DUMP CIRCUIT - 4014PS & 4017PS .....	410
FIGURE 8-5. STEER SELECT CIRCUIT - 3706PS, 3707PS, 33.7, 37.6 & 37.7 .....	414
FIGURE 8-6. STEER SELECT CIRCUIT - 4014PS & 4017PS .....	416
FIGURE 8-7. SERVICE BRAKE CIRCUIT - 3706PS, 3707PS, 33.7, 37.6 & 37.7 .....	418
FIGURE 8-8. SERVICE BRAKE CIRCUIT WITH BOOM SUSPENSION - 4014PS & 4017PS .....	420
FIGURE 8-9. LIFT CYLINDER CIRCUIT - 3706PS, 3707PS, 33.7, 37.6 & 37.7 .....	422
FIGURE 8-10. LIFT CYLINDER CIRCUIT - 3706PS, 3707PS, 33.7, 37.6 & 37.7 .....	424
FIGURE 8-11. LIFT CYLINDER CIRCUIT - 4014PS & 4017PS .....	426
FIGURE 8-12. EXTEND/RETRACT CYLINDER CIRCUIT - 3706PS, 3707PS, 33.7, 37.6 & 37.7 .....	428
FIGURE 8-13. EXTEND/RETRACT CYLINDER CIRCUIT - 4014PS .....	430
FIGURE 8-14. EXTEND/RETRACT CYLINDER CIRCUIT - 4017PS .....	432
FIGURE 8-15. TILT AND TILT COMPENSATION CYLINDER CIRCUIT - 3706PS, 3707PS, 33.7, 37.6 & 37.7 .....	434
FIGURE 8-16. TILT AND TILT COMPENSATION CYLINDER CIRCUIT - 4014PS .....	438
FIGURE 8-17. TILT AND TILT COMPENSATION CYLINDER CIRCUIT - 4017PS .....	440
FIGURE 8-18. AUXILIARY HYDRAULIC CIRCUIT - 3706PS, 3707PS, 33.7, 37.6 & 37.7 .....	444
FIGURE 8-19. AUXILIARY HYDRAULIC CIRCUIT - 4014PS .....	448
FIGURE 8-20. AUXILIARY HYDRAULIC CIRCUIT - 4017PS .....	450
FIGURE 8-21. FRAME LEVEL AND OUTRIGGER - 4014PS & 4017PS .....	452
FIGURE 8-22. TRAILER BRAKES - 3706PS, 3707PS, 33.7, 37.6 & 37.7 .....	454
FIGURE 8-23. TRAILER BRAKES - 3706PS, 3707PS, 33.7, 37.6 & 37.7 .....	458
FIGURE 8-24. TRAILER BRAKES - 3706PS, 3707PS, 33.7, 37.6 & 37.7 .....	460
FIGURE 8-25. TRAILER BRAKES - 3706PS, 3707PS, 33.7, 37.6 & 37.7 .....	464
FIGURE 8-26. STEERING INSTALLATION, (HYDRAULIC PARK BRAKE) - 4014PS & 4017PS .....	466
FIGURE 8-27. AUXILIARY VALVE GROUP INSTALLATION - 3706PS, 3707PS, 33.7, 37.6 & 37.7 .....	472
SECTION 9 - HYDRAULIC COMPONENTS .....	475
FIGURE 9-1. LIFT CYLINDER AND HARDWARE - 3706PS, 3707PS, 33.7, 37.6 & 37.7 .....	476
FIGURE 9-2. LIFT CYLINDER AND HARDWARE - 4014PS .....	478
FIGURE 9-3. LIFT CYLINDER AND HARDWARE - 4017PS .....	480
FIGURE 9-4. EXTEND/RETRACT CYLINDER AND HARDWARE - 3706PS, 3707PS, 33.7, 37.6 & 37.7 .....	482
FIGURE 9-5. EXTEND/RETRACT CYLINDER AND HARDWARE - 4014PS .....	484
FIGURE 9-6. EXTEND/RETRACT CYLINDER AND HARDWARE - 4017PS .....	486
FIGURE 9-7. TILT CYLINDER AND HARDWARE - 3706PS, 3707PS, 33.7, 37.6 & 37.7 .....	488
FIGURE 9-8. TILT CYLINDER AND HARDWARE - 4014PS & 4017PS .....	490
FIGURE 9-9. COMPENSATION CYLINDER AND HARDWARE - 3706PS, 3707PS, 33.7, 37.6 & 37.7 .....	492
FIGURE 9-10. COMPENSATION CYLINDER AND HARDWARE - 4014PS & 4017PS .....	494
FIGURE 9-11. FRAME LEVEL CYLINDER AND HARDWARE - 4014PS & 4017PS .....	496
FIGURE 9-12. OUTRIGGER CYLINDER AND HARDWARE - 4014PS & 4017PS .....	498
FIGURE 9-13. QUICK ATTACH CYLINDER .....	500
FIGURE 9-14. MAIN CONTROL VALVE - 3706PS, 3707PS, 33.7, 37.6 & 37.7 .....	502
FIGURE 9-15. MAIN CONTROL VALVE - 4014PS & 4017PS .....	506
FIGURE 9-16. DIVERTER VALVE .....	510
FIGURE 9-17. STEERING SELECT VALVE .....	512
FIGURE 9-18. PISTON PUMP .....	514
FIGURE 9-19. HYDRAULIC TANK .....	516
FIGURE 9-20. COMBINATION VALVE .....	518
FIGURE 9-21. TRAILER BRAKE VALVE .....	520

# TABLE OF CONTENTS

FIGURE 9-22. TRAILER BRAKE VALVE.....	522
FIGURE 9-23. OUTRIGGER MAIN CONTROL VALVE.....	524
FIGURE 9-24. ACTUATOR ASSEMBLY - 4014PS & 4017PS.....	526
FIGURE 9-25. HYDRAULIC PARK BRAKE RELEASE VALVE.....	528
FIGURE 9-26. RELAY VALVE INSTALLATION (HYDRAULIC PARK BRAKE).....	530
FIGURE 9-27. AUXILIARY POWER PUMP.....	532
FIGURE 9-28. DIVERTER VALVE - 4014PS & 4017PS.....	534
SECTION 10 - ELECTRICAL.....	537
FIGURE 10-1. ENGINE COMPARTMENT ELECTRICAL INSTALLATION.....	538
FIGURE 10-2. CAB ELECTRICAL INSTALLATION.....	542
FIGURE 10-3. BOOM AND FRAME ELECTRICAL INSTALLATION.....	546
FIGURE 10-4. CAB SWITCHES.....	552
FIGURE 10-5. WORKLIGHT INSTALLATIONS.....	554
FIGURE 10-6. DRIVING LIGHTS - 3706PS, 3707PS, 33.7, 37.6 & 37.7.....	556
FIGURE 10-7. DRIVING LIGHTS - 4014PS & 4017PS.....	560
FIGURE 10-8. ENGINE BAY HARNESS (Prior to SN 1160006748, Excluding 11600065999).....	562
FIGURE 10-9. ENGINE BAY HARNESS (SN 1160006748 to Present, Including 11600065999).....	568
FIGURE 10-10. TRANSMISSION HARNESS.....	574
FIGURE 10-11. CAB FLOOR HARNESS.....	576
FIGURE 10-12. CAB ROOF HARNESS.....	584
FIGURE 10-13. BOOM HARNESS.....	586
FIGURE 10-14. BOOM LIGHT HARNESS.....	588
FIGURE 10-15. FRONT FRAME HARNESS - 3706PS, 3707PS, 4014PS & 4017PS.....	590
FIGURE 10-16. REAR FRAME HARNESS.....	592
FIGURE 10-17. RIDE AND FLOAT CHASSIS SIDE HARNESS - 3706PS, 3707PS, 33.7, 37.6 & 37.7.....	594
FIGURE 10-18. RIDE AND FLOAT CAB HARNESS.....	596
FIGURE 10-19. RIDE AND FLOAT CONTROLLER HARNESS.....	598
FIGURE 10-20. TOW HITCH HARNESS.....	600
FIGURE 10-21. TRAILER BRAKE CAB HARNESS, ITALIAN.....	602
FIGURE 10-22. TRAILER BRAKE CHASSIS HARNESS, ITALIAN.....	604
FIGURE 10-23. A/C HARNESS.....	606
FIGURE 10-24. BOOM EXTENSION HARNESS - 4017PS.....	608
FIGURE 10-25. HEADLIGHT EXTENSION HARNESS.....	610
FIGURE 10-26. LIGHT EXTENSION HARNESS.....	612
FIGURE 10-27. WORKLIGHT HARNESS.....	614
FIGURE 10-28. CAB AUXILIARY POWER HARNESS.....	616
FIGURE 10-29. PLATFORM BOOM HARNESS - 4014PS.....	618
FIGURE 10-30. PLATFORM BOOM HARNESS - 4017PS.....	620
FIGURE 10-31. DUAL SEAT SWITCH HARNESS.....	622
FIGURE 10-32. BEACON LMIS INSTALLATION - 4014PS & 4017PS.....	624
FIGURE 10-33. LMIS INSTALLATION - 4014PS & 4017PS.....	626
FIGURE 10-34. LMIS CAB HARNESS.....	628
FIGURE 10-35. LMIS FRAME HARNESS.....	630
FIGURE 10-36. PLATFORM SENSOR INSTALLATION.....	632
FIGURE 10-37. PLATFORM RECOGNITION INSTALLATION.....	634
FIGURE 10-38. AUXILIARY POWER UNIT INSTALLATION - 4014PS & 4017PS.....	636
FIGURE 10-39. BOOM AUXILIARY ELECTRICAL HARNESS INSTALLATION.....	640
FIGURE 10-40. PLATFORM ELECTRICAL INSTALLATION.....	642
FIGURE 10-41. SOLENOID ASSEMBLY.....	644
FIGURE 10-42. CAB TO BOOM HARNESS.....	646
FIGURE 10-43. PLATFORM HARNESS.....	648
FIGURE 10-44. PLATFORM RELAY BOX HARNESS.....	650
FIGURE 10-45. EMERGENCY STOP LINK HARNESS.....	652
FIGURE 10-46. BOOM EXTENSION LIMIT HARNESS.....	654
FIGURE 10-47. AUXILIARY PLATFORM HARNESS.....	656
FIGURE 10-48. 3B PLATFORM HARNESS.....	658
FIGURE 10-49. CAN-BUS HARNESS.....	660
FIGURE 10-50. PLATFORM CONSOLE HARNESS.....	662
FIGURE 10-51. CONSOLE HARNESS.....	664
FIGURE 10-52. TEMPERATURE SENSOR HARNESS.....	668
SECTION 11 - DECALS.....	671
FIGURE 11-1. CAB AND FRAME DECALS.....	672
FIGURE 11-2. BOOM DECALS.....	682



## TABLE OF CONTENTS

FIGURE 11-3. CAPACITY CHART – VOLVO ADAPTER.....	686
FIGURE 11-4. CAPACITY CHART – FEM ADAPTER .....	688
SECTION 12 - RECOMMENDED SPARE PARTS .....	691
FIGURE 12-1. RECOMMENDED SPARE PARTS .....	692
PART NUMBER INDEX .....	695

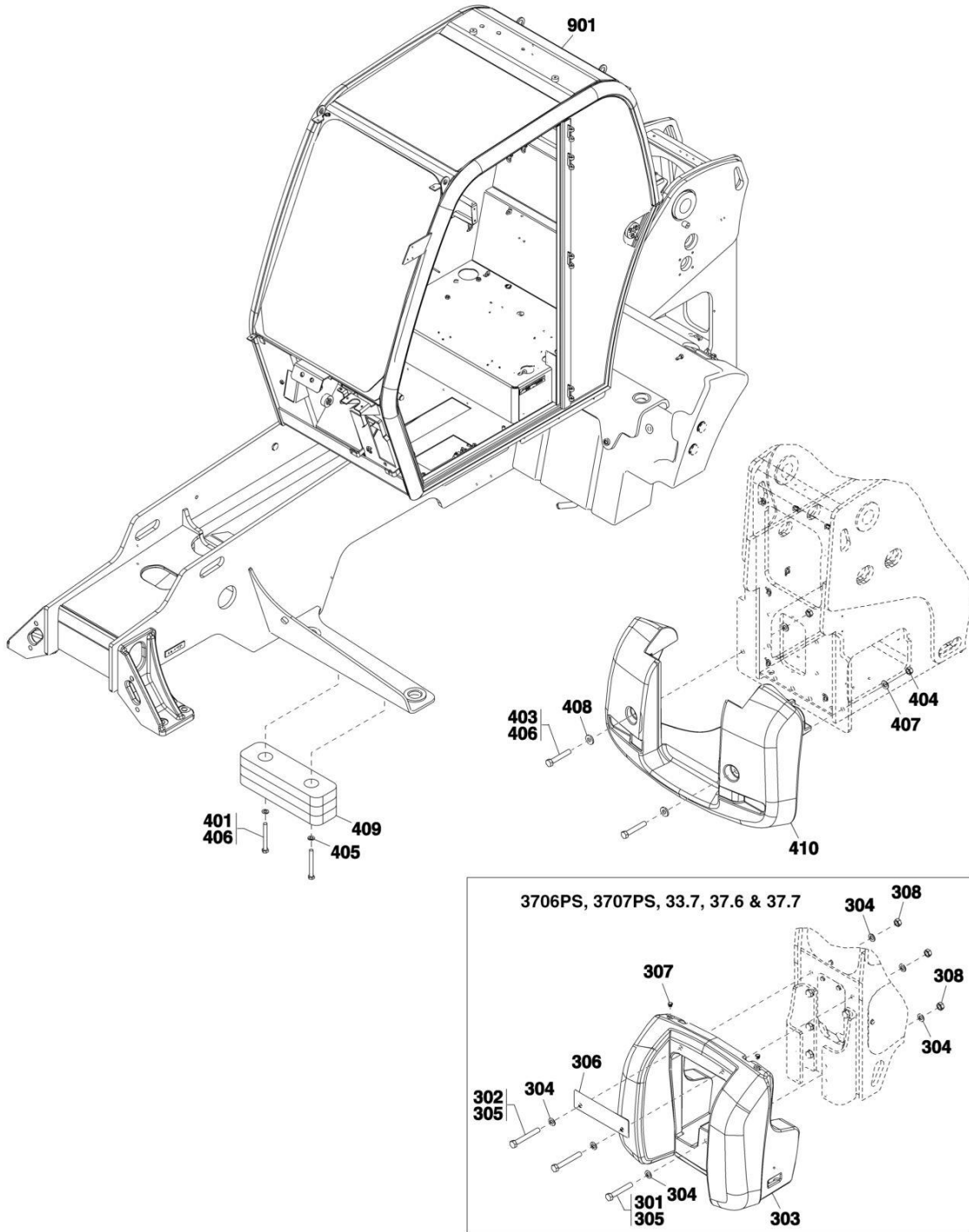


## **SECTION 1 - FRAME AND ATTACHING PARTS**

## **SECTION 1 - FRAME AND ATTACHING PARTS**



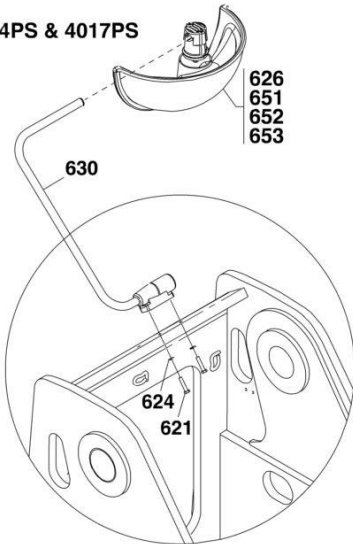
# SECTION 1 - FRAME AND ATTACHING PARTS



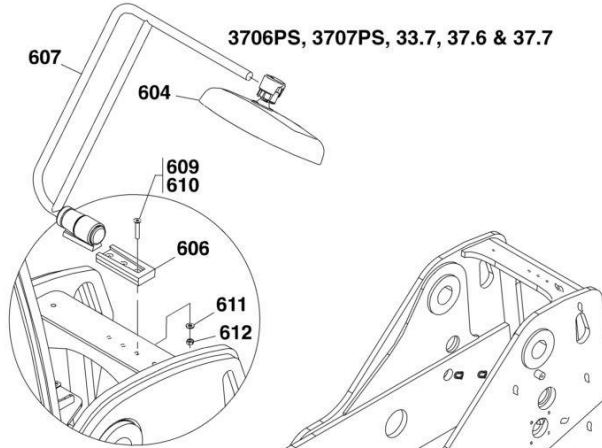
ART\_31200722-1-1B

# SECTION 1 - FRAME AND ATTACHING PARTS

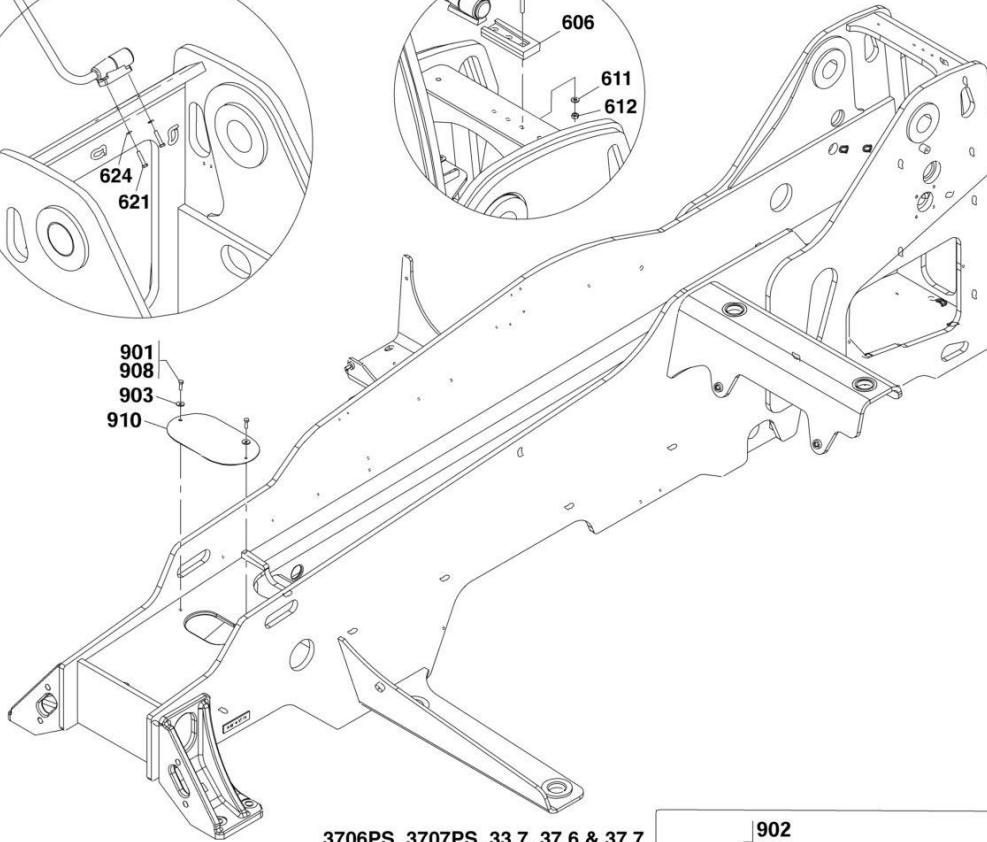
4014PS & 4017PS



3706PS, 3707PS, 33.7, 37.6 & 37.7

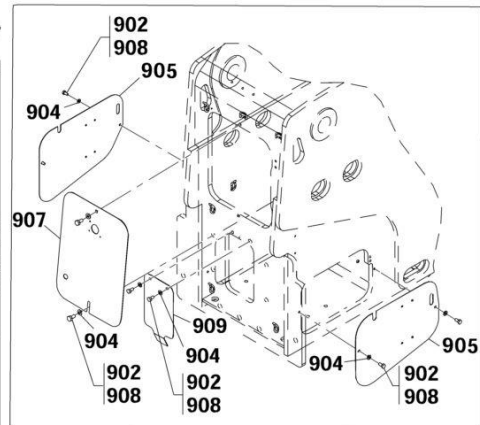
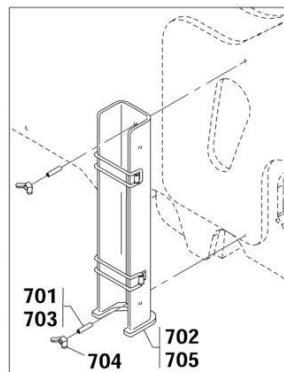
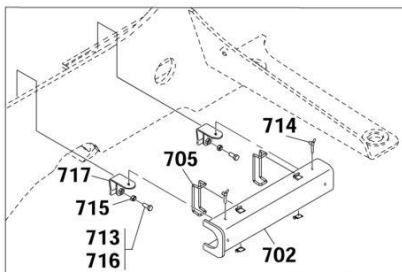


901  
908  
903  
910



3706PS, 3707PS, 33.7, 37.6 & 37.7

4014PS & 4017PS



ART\_31200722-1-1C

# SECTION 1 - FRAME AND ATTACHING PARTS

## FIGURE 1-1. FRAME AND ATTACHING PARTS

ITEM	PART NUMBER	QTY	DESCRIPTION	REV
	1001128451	Ref	ENGINE POD TO FRAME INSTALLATION, (not available to order, see items 2 thru 24 for service)	D
2	0761615	3	HEX HD CAPSCREW, M16X35, GR8.8	
3	0762020	4	HEX HD CAPSCREW, M20X60, GR8.8	
5	3292001	4	HEX NUT, M20X2-1/2	
8	4811902	1	WASHER, 8mm	
10	4812300	3	WASHER, 16mm	
11	4812500	8	WASHER, 20mm	
12	5221000	2	RIPP NUT, 10mm	
14	1001004210	2	HEX NUT	
16	1001009038	1	EARTH STRAP	
18	1001095650	AR	LOCTITE 243	
20	1001100319	1	CLIP	
21	0760810	1	HEX HD CAPSCREW, M8X20, GR8.8	
24	4812000	4	WASHER, 10mm	
101	1001091126	AR	BLACK PLUG	
102	N.S.S.	1	FRAME WELDMENT	
103	1001152257	AR	CAP, (not shown)	
214	1001122552	1	ENGINE FRAME	
	1001145694	Ref	COUNTERWEIGHT INSTALLATION, (3706PS, 3707PS, 37.6 & 37.7), (not available to order, see items 301 thru 308 for service) <b>(Prior to SN 1160007437, Excluding 1160006750)</b>	C
	1001167950	Ref	COUNTERWEIGHT INSTALLATION, (3706PS, 37.6), (not available to order, see items 301 thru 305, 307 & 308 for service) <b>(SN 1160007437 to Present, Including 1160006750)</b>	A
	1001149369	Ref	COUNTERWEIGHT INSTALLATION, (3706PS, 3707PS, 37.6 & 37.7), (not available to order, see items 301 thru 308 for service) <b>(SN 1160007437 to Present, Including 1160006750)</b>	A
301	0712030	1	HEX HD CAPSCREW, M20X130, GR10.9	
302	1001152861	2	HEX HD CAPSCREW, M20X160, GR10.9 <b>(Prior to SN 1160007437, Excluding 1160006750)</b>	
302	0712032	2	HEX HD CAPSCREW, M20X150, GR10.9 <b>(SN 1160007437 to Present, Including 1160006750)</b>	
303	1001098106BL	1	COUNTERWEIGHT <b>(Prior to SN 1160007437, Excluding 1160006750)</b>	
303	1001142488	1	COUNTERWEIGHT, (3706PS, 37.6) <b>(SN 1160007437 to Present, Including 1160006750)</b>	
303	1001142489	1	COUNTERWEIGHT, (3707PS, 37.7) <b>(SN 1160007437 to Present, Including 1160006750)</b>	
304	4812500	6	WASHER, 20mm	
305	1001095650	AR	LOCTITE 243	
306	1001105127BL	1	COUNTERWEIGHT PLATE	
307	1001096914	2	LAMP BRACKET CAP	
308	3332011	3	HEX NUT, M20X2-1/2	
	1001145695	Ref	COUNTERWEIGHT INSTALLATION, (4014PS), (not available to order, see items 401 thru 410 for service) <b>(Prior to SN 1160006748, Excluding 1160006599)</b>	A
	1001154332	Ref	COUNTERWEIGHT INSTALLATION, (4014PS), (not available to order, see items 401 thru 410 for service) <b>(SN 1160006748 to Present, Including 1160006599)</b>	B
	1001156105	Ref	COUNTERWEIGHT INSTALLATION, (4014PS-AUS), (not available to order, see items 403, 404, 406 thru 408 & 410 for service)	B
	1001145696	Ref	COUNTERWEIGHT INSTALLATION, (4017PS), (not available to	D

## SECTION 1 - FRAME AND ATTACHING PARTS

ITEM	PART NUMBER	QTY	DESCRIPTION	REV
			order, see items 403, 404, 406 thru 408 & 410 for service)	
401	0701631	2	HEX HD CAPSCREW, M16X140, GR8.8, (torque to 241 Nm/178 lb-ft) <b>(Prior to SN 1160006748, Excluding 1160006599)</b>	
401	0701634	2	HEX HD CAPSCREW, M16X170, GR8.8, (torque to 241 Nm/178 lb-ft) <b>(SN 1160006748 to Present, Including 1160006599)</b>	
403	0712029	2	HEX HD CAPSCREW, M20X120, GR10.9	
404	3332011	2	HEX NUT, M20X2-1/2	
405	4812300	4	WASHER, 16mm <b>(Prior to SN 1160006748, Excluding 1160006599)</b>	
405	4812300	2	WASHER, 16mm <b>(SN 1160006748 to Present, Including 1160006599)</b>	
406	1001095650	AR	LOCTITE 243	
407	5242000	2	WASHER, 20mm	
408	1001009146	2	HARD WASHER	
409	1001127272	1	COUNTERWEIGHT PLATE <b>(Prior to SN 1160006748, Excluding 1160006599)</b>	
409	1001127272	1	COUNTERWEIGHT PLATE <b>(SN 1160006748 to Present, Including 1160006599)</b>	
410	1001005045J	1	COUNTERWEIGHT, (4014PS)	
410	1001112892J	1	COUNTERWEIGHT, (4014PS - AUS)	
410	1001004904J	1	COUNTERWEIGHT, (4017PS)	
	1001125508	Ref	REAR VIEW MIRROR INSTALLATION, (3706PS & 3707PS), (Construction), (not available to order, see items 505 thru 511 & 516 for service)	H
	1001097979	Ref	REAR VIEW MIRROR INSTALLATION, (4014PS), (not available to order, see items 505 thru 509, 515 & 516, 522, 526 & 535 for service)	F
	1001115229	Ref	REAR VIEW MIRROR INSTALLATION, (4017PS), (not available to order, see items 505, 508 thru 510 & 522 thru 550 for service)	E
505	1001095650	AR	LOCTITE 243	
506	1001142724	1	CONVEX MIRROR	
507	1001142726	1	CONVEX MIRROR	
508	1001142738	1	MIRROR SUPPORT BRACKET	
509	1001143339	1	CONVEX MIRROR	
511	0760810	2	HEX HD CAPSCREW, M8X20, GR8.8, (torque to 28 Nm/20.65 lb-ft)	
515	0760812	2	HEX HD CAPSCREW, M8X25, GR8.8, (torque to 28 Nm/21 lb-ft)	
516	4811900	2	WASHER, 8mm	
522	0761012	4	HEX HD CAPSCREW, M10X25, GR8.8, (4017PS)	
522	0761012	3	HEX HD CAPSCREW, M10X25, GR8.8, (4014PS, 33.7, 37.6, 37.7)	
526	4812000	3	WASHER, 10mm, (4014PS, 33.7, 37.6, 37.7)	
526	4812000	8	WASHER, 10mm, (4017PS)	
529	1001008436	2	MIRROR ASSY, (includes items 551 thru 553)	C
533	1001096914	1	LAMP BRACKET CAP	
535	1001157839	1	LAMP BRACKET, (4014PS)	
535	1001146576	1	MIRROR BRACKET, (4017PS)	
538	1001150306	1	REAR VIEW MIRROR	
543	0761014	4	HEX HD CAPSCREW, M10X30, GR8.8	
550	1001119285	1	MIRROR BRACKET	
551	1001008475	2	LOCKWASHER, #12	
552	1001009062	2	WASHER	
553	1001010838	2	HEX SOCKET HD CAPSCREW	
	1001097342	Ref	HITCH REAR VIEW MIRROR INSTALLATION, (3706PS, 3707PS,	C



## SECTION 1 - FRAME AND ATTACHING PARTS

ITEM	PART NUMBER	QTY	DESCRIPTION	REV
			33.7, 37.6, 37.7), (if equipped), (not available to order, see items 604 thru 612 for service)	
604	1001005981	1	MIRROR	
606	1001101755	1	ARM MOUNTING BRACKET	
607	1001101756	1	MIRROR ARM BRACKET	
609	1001095650	AR	LOCTITE 243	
610	1001102830	3	SOCKET HD CAPSCREW, M8X45, (torque to 28 Nm/21 lb-ft)	
611	4811900	3	WASHER, 8mm	
612	3290801	3	HEX NUT, M8X1-1/4	
621	0760614	2	HEX HD CAPSCREW, M6X30, GR8.8, (4014PS & 4017PS)	
624	4811700	2	WASHER, 6mm, (4014PS & 4017PS)	
626	1001008436	1	MIRROR ASSY, (4014PS & 4017PS), (includes items 651 thru 653)	C
630	1001005980	1	ARM ASSY, (4014PS & 4017PS)	B
651	1001008475	2	LOCKWASHER, #12	
652	1001009062	2	WASHER	
653	1001010838	2	HEX SOCKET HD CAPSCREW	
	1001134285	Ref	BOOM PROP INSTALLATION, (3706PS, 3707PS, 33.7, 37.6, 37.7), (not available to order, see items 701 thru 705 for service)	A
	1001101291	Ref	BOOM PROP INSTALLATION, (4014PS), (not available to order, see items 702 & 705 thru 717 for service)	A
	1001101732	Ref	BOOM PROP INSTALLATION, (4017PS), (not available to order, see items 702 & 705 thru 717 for service)	A
701	0100019	AR	LOCTITE 271	
702	1001101274	1	BOOM PROP BRACKET, (3706PS, 3707PS, 33.7, 37.6, 37.7)	
702	1001101746	1	BOOM PROP BRACKET, (4017PS)	
703	1001134286	2	STUD, M10X1-1/2X45, (torque to 55 Nm/41 lb-ft)	
704	1001134307	2	WING NUT, M10	
705	1784861	2	O-RING	
713	0761214	2	HEX SOCKET HD CAPSCREW, M12X30, GR8.8	
714	1001101458	2	WING BOLT, M8X40	
715	3291201	2	HEX NUT, M12X1-3/4	
716	1001095650	AR	LOCTITE 243	
717	1001101628	2	BOOM PROP MOUNT BRACKET	
802	0760814	8	HEX HD CAPSCREW, (full thread), M8X30, GR8.8, (Germany - if equipped)	
803	806253	2	WEDGE, (Germany - if equipped)	
804	806264	2	WEDGE HOLDER, (Germany - if equipped)	
805	3290801	8	HEX NUT, M8X1.25, (Germany - if equipped)	
808	4811900	16	WASHER, 8mm, (Germany - if equipped)	
814	1060628	2	CABLE TIE DOWN, (Germany - if equipped)	
	1001145746	Ref	COVER PLATE INSTALLATION, (3706PS & 37.6), (not available to order, see items 901 thru 910 for service)	C
	1001168377	Ref	COVER PLATE INSTALLATION, (3706PS & 37.6, if equipped with trailer options), (not available to order, see items 901 thru 905, 908 & 910 for service)	B
	1001145747	Ref	COVER PLATE INSTALLATION, (3707PS, 37.7 & 33.7), (not available to order, see items 901 thru 910 for service)	C
	1001168058	Ref	COVER PLATE INSTALLATION, (3707PS, 37.7 & 33.7, if equipped with trailer options), (not available to order, see items 901 thru 905, 908 & 910 for service)	B
901	0760812	4	HEX HD CAPSCREW, M8X25, GR8.8, (torque to 28 Nm/20.65 lb-ft)	
902	0761010	8	HEX HD CAPSCREW, M10X20, GR8.8, (torque to 55 Nm/40.56 lb-ft)	

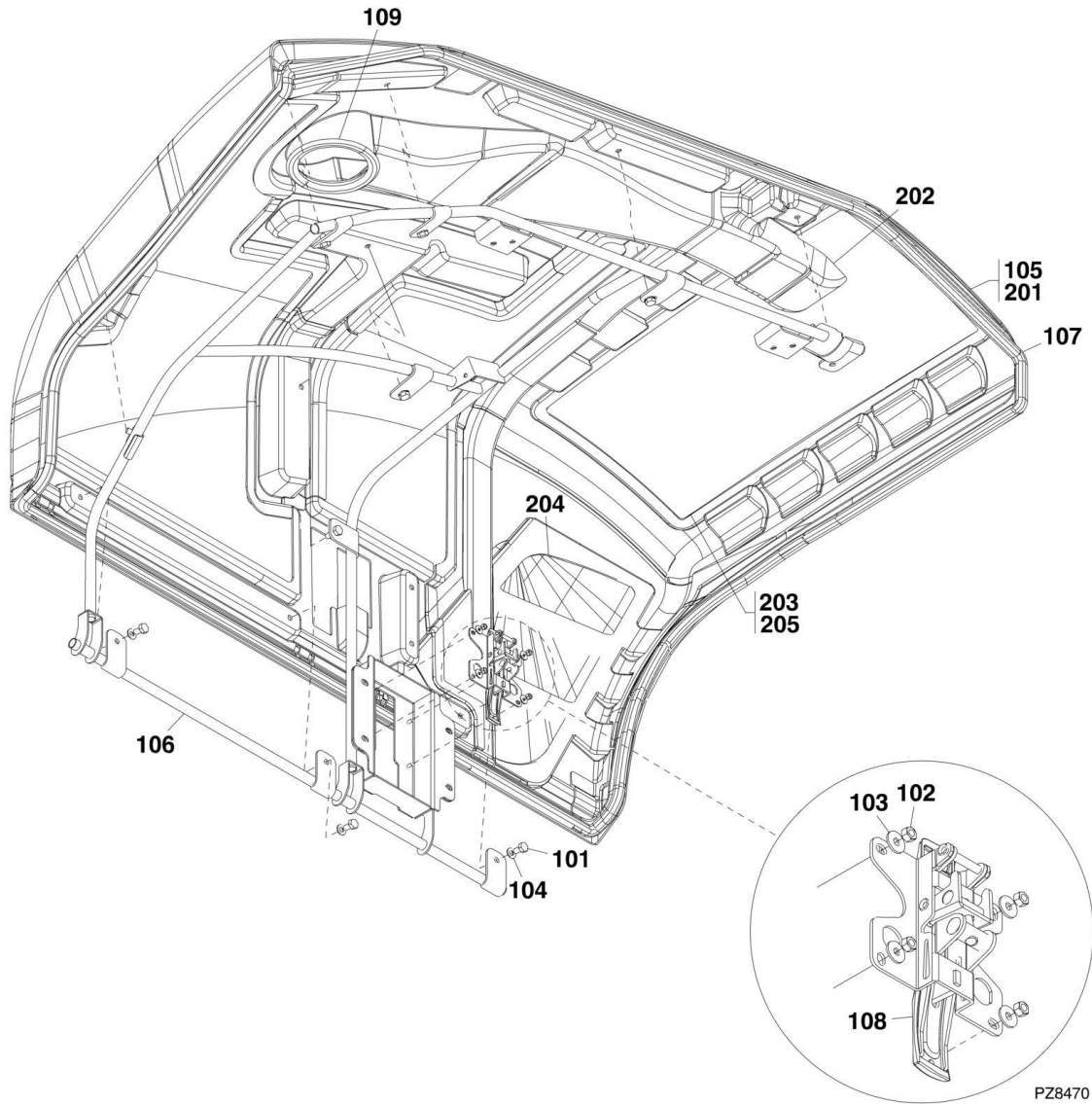
## SECTION 1 - FRAME AND ATTACHING PARTS

ITEM	PART NUMBER	QTY	DESCRIPTION	REV
903	4811902	4	WASHER, 8mm	
904	4812000	8	WASHER, 10mm	
905	1001093001J	2	SIDE HYDRAULIC PANEL, (3706PS, 37.6)	
905	1001093007J	2	SIDE HYDRAULIC PANEL, (3707PS, 33.7 & 37.7)	
907	1001093029J	1	REAR HYDRAULIC PANEL	
908		Ref	LOCTITE 243	
909	1001095974J	1	REAR HYDRAULIC PANEL	
910		Ref	FRONT HYDRAULIC PANEL, (See BOOM SECTION for Breakdown)	





# SECTION 1 - FRAME AND ATTACHING PARTS



# SECTION 1 - FRAME AND ATTACHING PARTS

## FIGURE 1-2. COVERS

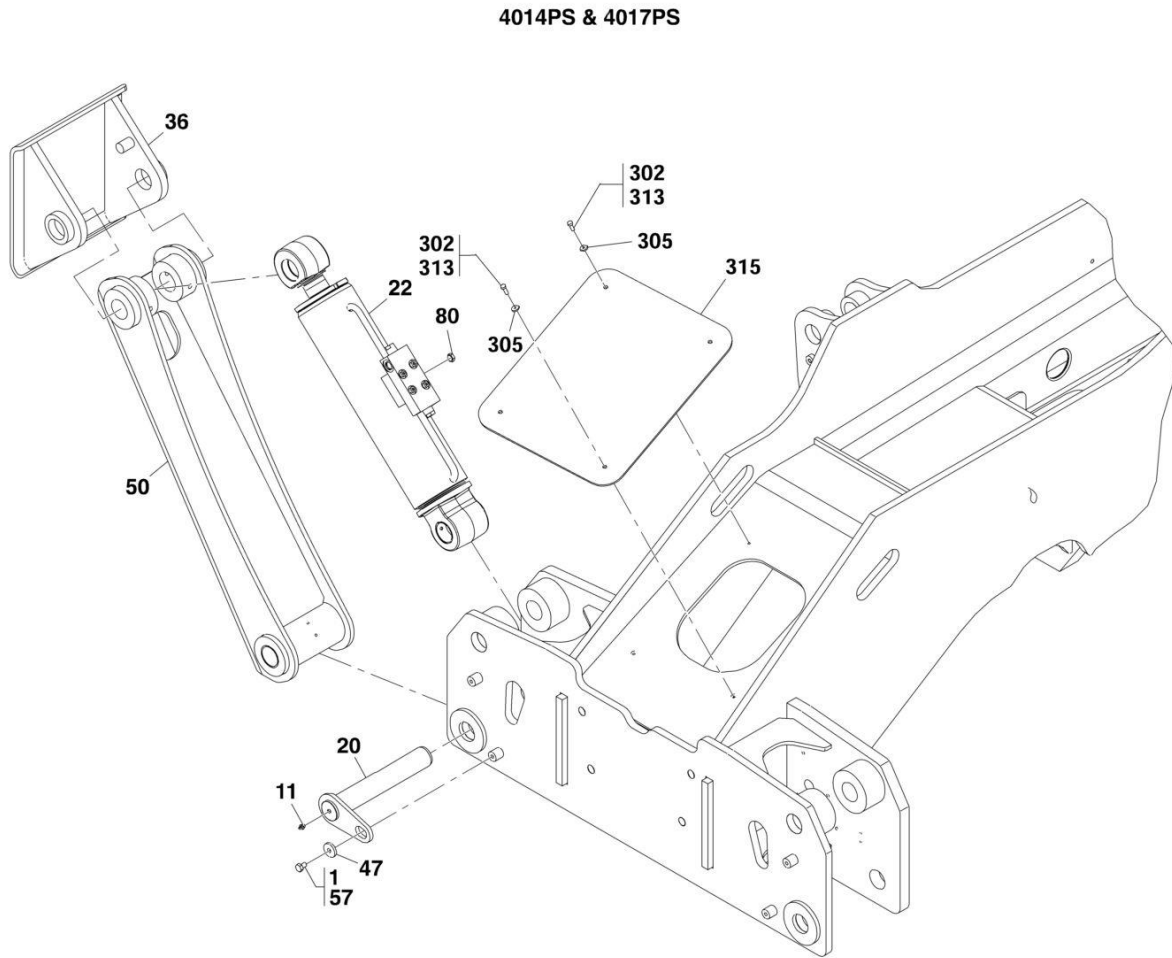
ITEM	PART NUMBER	QTY	DESCRIPTION	REV
	1001131371	Ref	HOOD INSTALLATION, (3706PS, 3707PS, 4014PS & 4017PS), (not available to order, see items 2 thru 29 for service)	K
2	0760810	9	HEX HD CAPSCREW, M8X20, GR8.8, (torque to 28 Nm/20.65 lb-ft)	
3	0760812	10	HEX HD CAPSCREW, M8X25, GR8.8, (torque to 14 Nm/10.32 lb-ft)	
4	3290807	2	HEX LOCKNUT, M8X1-1/4	
5	4806433	2	HOOD HINGE	
6	4811900	4	WASHER, 8mm	
7	4811902	31	WASHER, 8MM	
8	1001131367	1	LATCH PLATE	
9	1001131373	1	HOOD GROUP, (3706PS, 3707PS, 4014PS & 4017PS), (includes items 101 thru 109)	E
10	1001139161	1	PLATE	
11	1001142186	1	GAS STRUT MOUNT BRACKET	
13	1001112426	1	GAS SPRING	
14	1001129879	1	REAR ENGINE ENCLOSURE COVER	
15	1001144126	1	FRONT ENGINE ENCLOSURE COVER	
16	1001141439	1	REAR PANEL BRACKET	
17	1001130735	1	BASE PLATE ASSY	
18	1001132400	NLA	BASE PLATE, (no longer available, use 1001175847 for replacement)	
18	1001175847	1	BASE PLATE ASSY	
19	0761008	2	HEX HD CAPSCREW, M10X16, GR8.8, (torque to 55 Nm/40.56 lb-ft)	
20	0761012	7	HEX HD CAPSCREW, M10X25, GR8.8, (torque to 55 Nm/40.56 lb-ft)	
21	0761014	1	HEX HD CAPSCREW, M10X30, GR8.8, (torque to 55 Nm/40.56 lb-ft)	
22	3290801	8	HEX NUT, M8X1-1/4, GR8, (torque to 28 Nm/20.65 lb-ft)	
23	3290805	1	HEX LOCKNUT, M8X1-1/4, GR8	
24	4812002	10	WASHER, 10mm	
25	1001095650	AR	LOCTITE 243	
27	0760814	1	HEX HD CAPSCREW, M8X30, GR8.8, (torque to 14 Nm/10.32 lb-ft)	
28	1001144063	1	SEAL	
29	5220800	2	RIPP NUT, 8mm	
101	0761009	10	HEX HD CAPSCREW, M10X18, GR8.8	
102	3290607	4	HEX LOCKNUT, M6X1	
103	4811702	4	WASHER, 6mm	
104	4812000	10	WASHER, 10mm	
105	1001131375	1	HOOD ASSY, (3706PS, 3707PS, 4014PS & 4017PS), (include items 201 thru 205)	A
106	1001132863	1	HOOD MOUNTING FRAME	
107	1001132872	1	SEAL	
108	1001132873	1	HOOD LATCH	
109	1001141412	1	SEAL	
201	1001131377	1	HOOD PANEL, (3706PS, 3707PS, 4014PS & 4017PS)	
202	1001131378	1	HOOD SUPPORT	
203	1001132859	1	TOP HOOD GRILLE	
204	1001132860	1	SIDE HOOD GRILLE	
205	1001132862	AR	BONDING AGENT	

## SECTION 1 - FRAME AND ATTACHING PARTS

ITEM	PART NUMBER	QTY	DESCRIPTION	REV
	1001145748	1	CHASSIS COVER PLATE, (4014PS), (not available to order, see item 301 thru 319 for service)	E
	1001145749	1	CHASSIS COVER PLATE, (4017PS), (not available to order, see item 301 thru 319 for service)	C
	1001145747	1	CHASSIS COVER PLATE, (3707PS, 37.7 & 33.7), (not available to order, see item 303, 306, 313, 316 thru 318 & 320 thru 322 for service)	C
	1001145746	1	CHASSIS COVER PLATE, (3706PS & 37.6), (not available to order, see item 303, 306, 313, 316 thru 318 & 320 thru 322 for service)	C
301	0630576	4	SCREW, M6X20	
303	0761010	6	HEX HD CAPSCREW, M8X20, (4014PS & 4017PS)	
303	0761010	8	HEX HD CAPSCREW, M8X20, (3706PS, 3707PS, 37.7 & 33.7, 37.6)	
304	3290605	8	HEX LOCKNUT, M6X1	
306	4812000	6	WASHER, 10mm, (4014PS & 4017PS)	
306	4812000	8	WASHER, 10mm, (3706PS, 3707PS, 37.7, 33.7, & 37.6)	
307	5211702	8	RIPP WASHER, 6mm	
307	4811700	8	WASHER, 6mm	
308	8006105	2	HINGE JOINT	
309	8006242	4	SCREW, M6X40	
310	1001005387	1	COVER	
311	1001151057	1	LATCH ASSY	
312	1001063175	1	PAWL	
313	1001095650	AR	LOCTITE 243	
316	1001093031J	1	REAR HYDRAULICS PANEL, (4014PS & 4017PS)	
316	1001095974J	1	PLATE COVER, (3706PS, 3707PS, 37.7, 33.7, & 37.6)	
317	1001093143J	1	COVER PLATE, (4014PS & 4017PS)	
317	1001093007J	1	COVER PLATE, (3707PS & 37.7)	
317	1001093001J	1	COVER PLATE, (3706PS & 37.6)	
318	1001097499J	1	COVER PLATE, (4014PS & 4017PS)	
318	1001093029J	1	HYDRAULICS PANEL, (3706PS, 3707PS, 37.7, 33.7, & 37.6)	
319	1001118426	2	SPACER PLATE, (4014PS & 4017PS)	
320	0760812	2	HEX HD CAPSCREW, M8X25, GR8.8, (3706PS, 3707PS, 37.6, 37.7, & 33.7)	
321	4811902	2	WASHER, 8mm, (3706PS, 3707PS, 37.7, 33.7, & 37.6)	
322	1001141765	1	COVER, (3706PS, 3707PS, 37.7, 33.7, & 37.6)	

# SECTION 1 - FRAME AND ATTACHING PARTS

## FIGURE 1-3. OUTRIGGERS - 4014PS & 4017PS



ART\_31200722-1-3



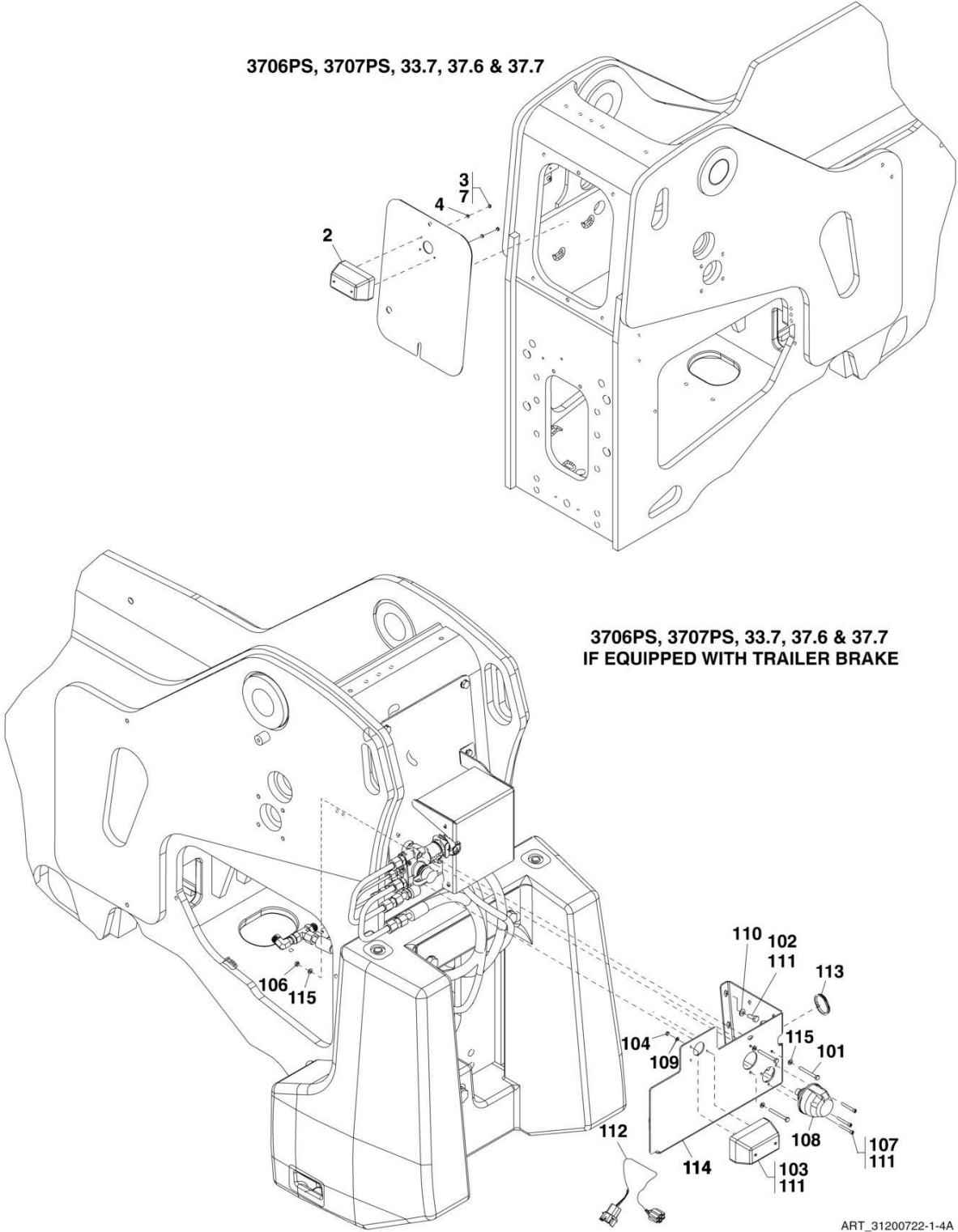
## SECTION 1 - FRAME AND ATTACHING PARTS

**FIGURE 1-3. OUTRIGGERS - 4014PS & 4017PS**

ITEM	PART NUMBER	QTY	DESCRIPTION	REV
1	0761008	2	HEX HD CAPSCREW, M10X16, GR8.8	
11	2160016	2	STRAIGHT GREASE FITTING	
20	1001002503	2	PIN	
22		Ref	OUTRIGGER CYLINDER AND MOUNTING HARDWARE, (See HYDRAULIC COMPONENTS SECTION for Breakdown)	
36	1001169243	2	OUTRIGGER PAD WELDMENT	
47	1001008948	2	HARD WASHER	
50	1001145267	2	OUTRIGGER LEG ASSY	
57	1001095650	AR	LOCTITE 243	
80	2220237	2	PLUG	
302	0760810	4	HEX HD CAPSCREW, M8X25	
305	4811902	4	WASHER, 8mm	
313	1001095650	AR	LOCTITE 243	
315	1001112130J	1	COVER PLATE	

# SECTION 1 - FRAME AND ATTACHING PARTS

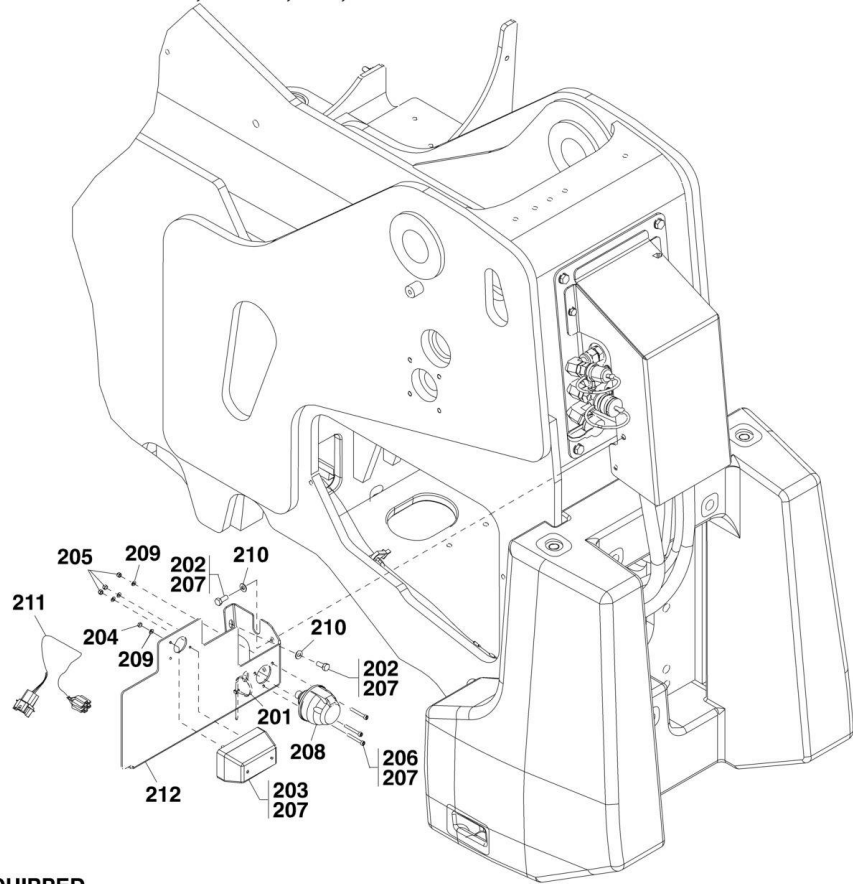
FIGURE 1-4. LICENSE PLATE INSTALLATION - 3706PS, 3707PS, 33.7, 37.6 & 37.7



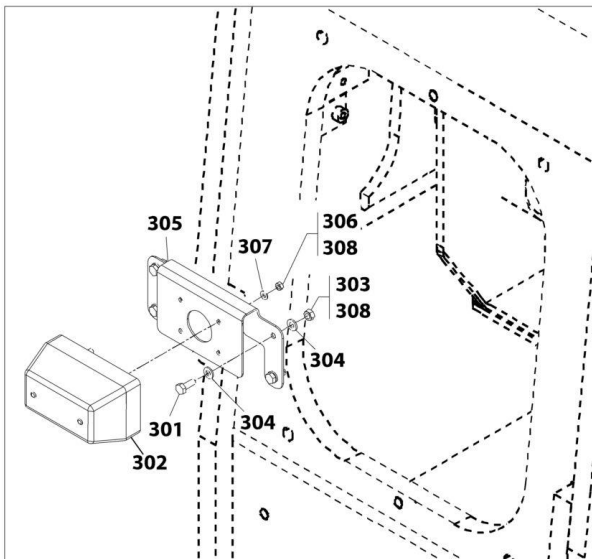
ART\_31200722-1-4A

# SECTION 1 - FRAME AND ATTACHING PARTS

ITALY - IF EQUIPPED WITH TRAILER BRAKE  
3706PS, 3707PS, 33.7, 37.6 & 37.7



IF EQUIPPED



ART\_PZ8701-B

# SECTION 1 - FRAME AND ATTACHING PARTS

**FIGURE 1-4. LICENSE PLATE INSTALLATION - 3706PS, 3707PS, 33.7, 37.6 & 37.7**

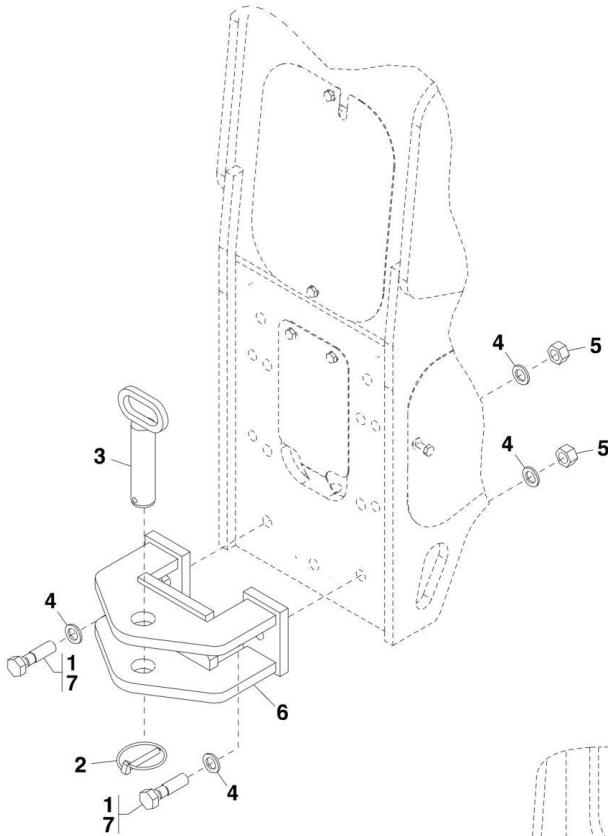
ITEM	PART NUMBER	QTY	DESCRIPTION	REV
	1001094976	Ref	LICENSE PLATE INSTALLATION, (3706PS, 3707PS, 33.7, 37.6 & 37.7), (not available to order, see items 2 thru 7 for service)	B
2	2920204	1	LICENSE PLATE LIGHT	
3	3290501	2	HEX NUT, M5X0.8	
4	4811600	2	WASHER, 5mm	
7	1001095650	AR	LOCTITE 243	
	1001146001	Ref	LICENSE PLATE INSTALLATION, (3706PS, 3707PS, 33.7, 37.6 & 37.7), (if equipped with trailer brake), (not available to order, see items 101 thru 115 for service)	F
101	0700619	3	HEX HD CAPSCREW, M6X55, GR8.8	
102	0760810	2	HEX HD CAPSCREW, M8X20, GR8.8	
103	2920204	1	LICENSE PLATE LIGHT	
104	3290501	2	HEX NUT, M5X0.8	
106	3290601	3	HEX NUT, M6X1	
107	4031612	3	SOCKET HD CAPSCREW, M5X40	
108	4461170	1	TRAILER CONNECTOR AND BOOT, 7 PIN	
109	4811600	2	WASHER, 5mm	
110	4811900	2	WASHER, 8mm	
111	1001095650	AR	LOCTITE 243	
112	1001111743	1	LINK TRAILER OPTION HARNESS	
113	1001158328	1	EDGE TRIM SEAL	
114	1001159244J	1	LICENSE PLATE BRACKET	
115	4811700	6	WASHER, 6mm	
	1001146018	Ref	LICENSE PLATE INSTALLATION, (3706PS, 3707PS, 33.7, 37.6 & 37.7), (Italy), (if equipped with trailer brake), (not available to order, see items 201 thru 212 for service)	B
201	471678	1	CABLE BAND, 4.8X204mm	
202	0760810	3	HEX HD CAPSCREW, M8X20, GR8.8	
203	2920204	1	LICENSE PLATE LIGHT	
204	3290501	2	HEX NUT, M5X0.8	
205	3290505	3	HEX LOCKNUT, M5X0.8	
206	4031612	3	SOCKET HD CAPSCREW, M5X40	
207	1001095650	AR	LOCTITE 243	
208	4461170	1	TRAILER CONNECTOR AND BOOT, 7 PIN	
209	4811600	5	WASHER, 5mm	
210	4811900	3	WASHER, 8mm	
211	1001111743	1	LINK TRAILER OPTION HARNESS	
212	1001106748J	1	LICENSE PLATE BRACKET	
	1001099028	Ref	LICENSE PLATE LIGHT INSTALLATION, (not available to order, see items 1 thru 8 for service)	B
301	0760608	4	HEX HD CAPSCREW, M6X16, GR8.8	
302	2920204	1	LICENSE PLATE LIGHT	
302	70021341	1	REPLACEMENT BULB, 12V-5W	
303	3290601	4	HEX NUT, M6X1	
304	4811700	8	WASHER, 6mm	
305	1001097524	1	PLATE MOUNT	
306	3290501	2	HEX NUT, M5X0.8	
307	4811600	2	WASHER, 5mm	
308	1001095650	AR	LOCTITE 243	



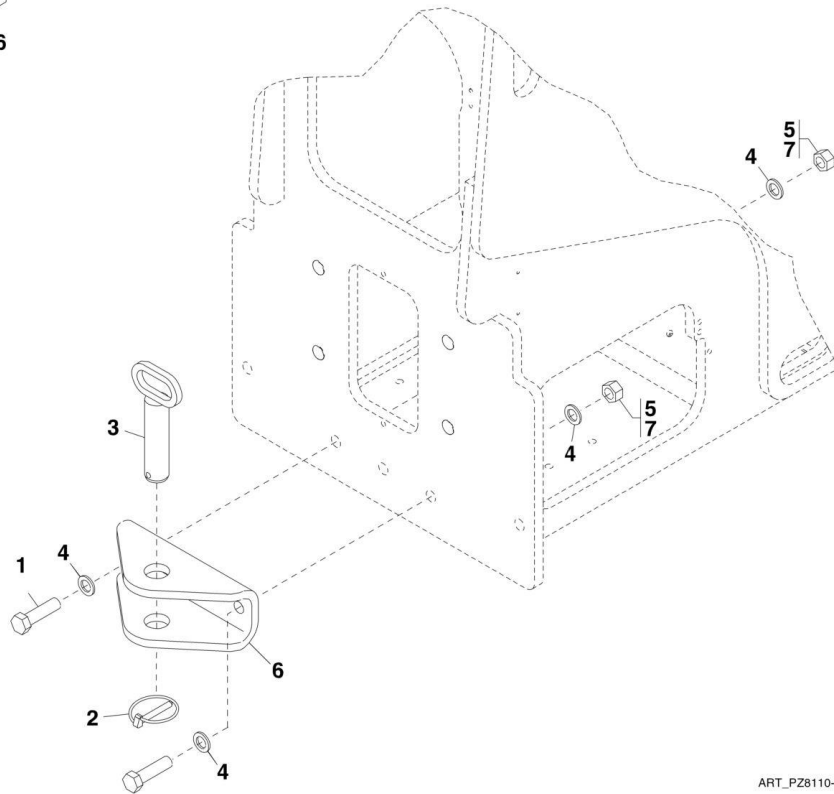
# SECTION 1 - FRAME AND ATTACHING PARTS

## FIGURE 1-5. RETRIEVAL HITCH

3706PS, 3707PS, 33.7, 37.6 & 37.7



4014PS & 4017PS



ART\_PZ8110-B

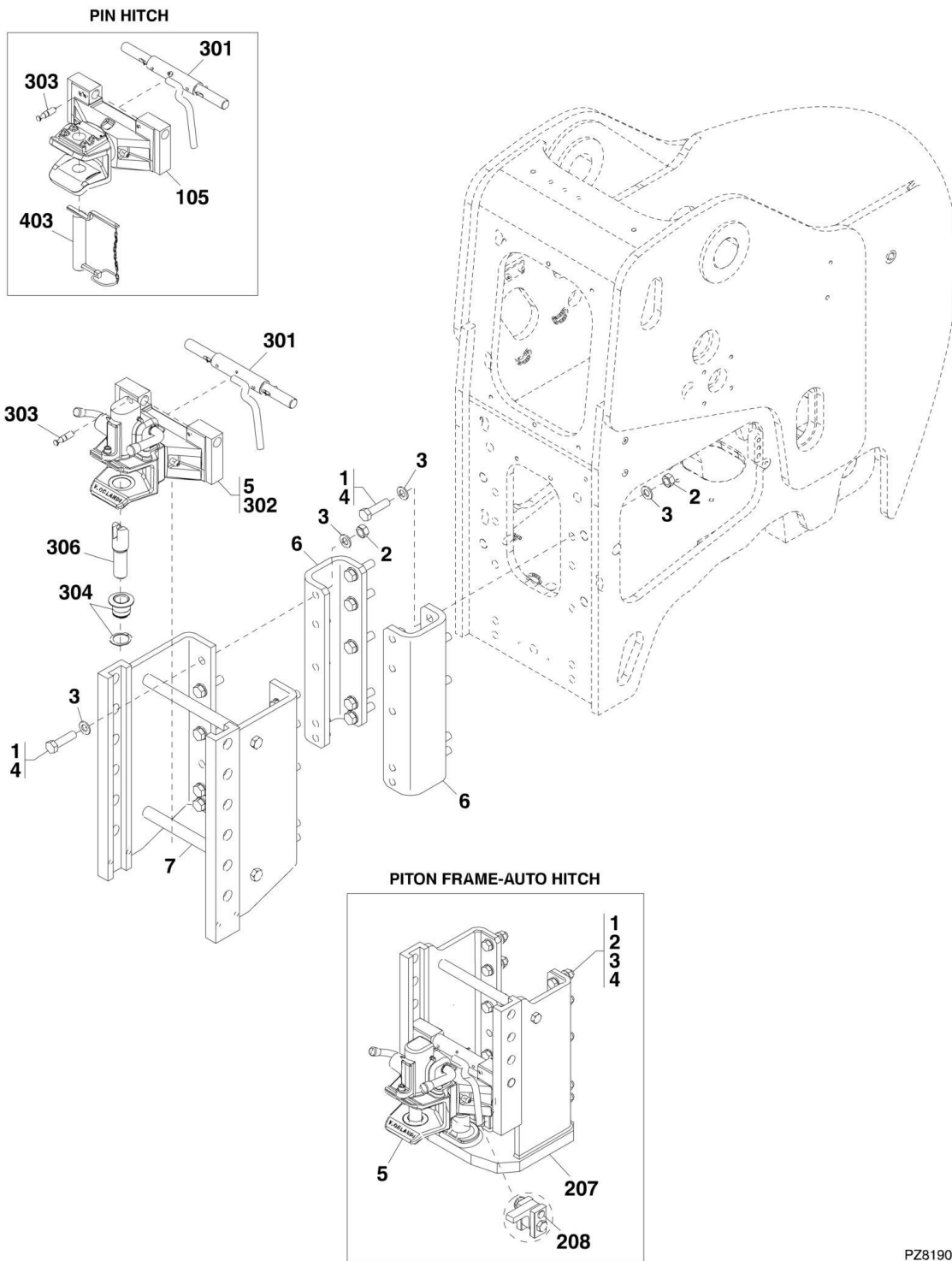
# SECTION 1 - FRAME AND ATTACHING PARTS

## FIGURE 1-5. RETRIEVAL HITCH

ITEM	PART NUMBER	QTY	DESCRIPTION	REV
	1001098458	1	RETRIEVAL HITCH, (3706PS, 3707PS, 33.7, 37.6 & 37.7), (if equipped), (includes all items)	C
	1001005207	1	RETRIEVAL HITCH, (4014PS & 4017PS), (if equipped), (includes all items)	D
1	0711624	2	HEX HD CAPSCREW, M16X80, GR10.9, (3706PS, 3707PS, 33.7, 37.6 & 37.7)	
1	1001151044	2	HEX HD CAPSCREW, M20X75, GR12.9, (4014PS & 4017PS)	
2	1001003803	1	RING PIN (3706PS, 3707PS, 33.7, 37.6 & 37.7)	
3	1001005267	1	PIN, (3706PS, 3707PS, 33.7, 37.6 & 37.7)	
3	1001238877	1	PIN HITCH, (4014PS & 4017PS) (See Separate Breakdown in this Section)	
4	5241600	4	WASHER, 16mm, (3706PS, 3707PS, 33.7, 37.6 & 37.7)	
4	1001009094	4	HARD WASHER, (4014PS & 4017PS)	
5	3331611	2	HEX NUT, M16X2, (3706PS, 3707PS, 33.7, 37.6 & 37.7)	
5	1001009095	2	FULL NUT, (4014PS & 4017PS)	
6	1001106570	NLA	RETRIEVAL HITCH, (3706PS, 3707PS, 33.7, 37.6 & 37.7) (no longer available, use 1001238460 for replacement)	
6	1001238460	1	RETRIEVAL HITCH, (3706PS, 3707PS, 33.7, 37.6 & 37.7)	
6	1001005134	NLA	RETRIEVAL HITCH, (4014PS & 4017PS) (no longer available, use 1001237489 for replacement)	
6	1001237489	1	RETRIEVAL HITCH, (4014PS & 4017PS)	
7	1001095650	AR	LOCTITE 24 (3706PS, 3707PS, 33.7, 37.6 & 37.7)	

# SECTION 1 - FRAME AND ATTACHING PARTS

FIGURE 1-6. PIN HITCH, AUTO HITCH AND PITON FRAME - AUTO HITCH - 3706PS, 3707PS, 33.7, 37.6 & 37.7



PZ8190



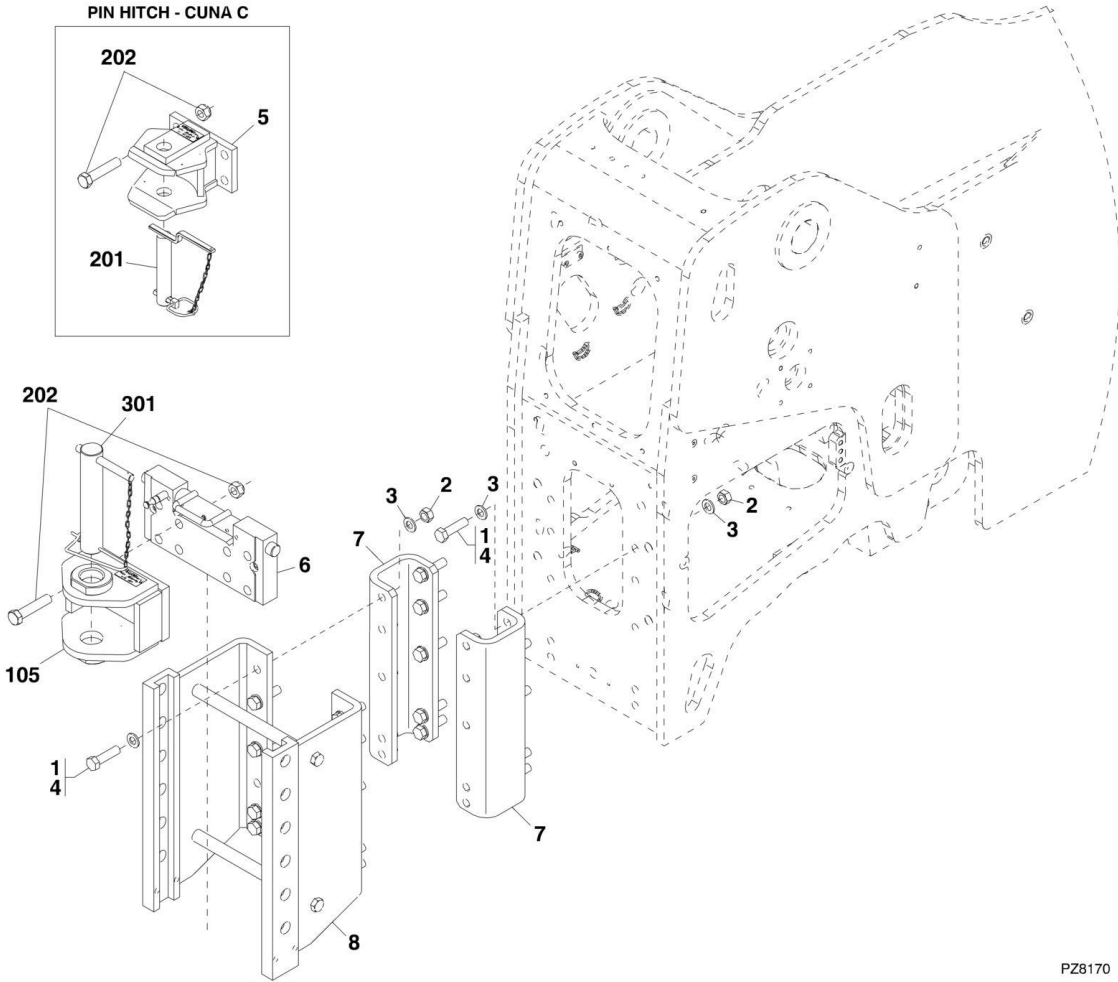
## SECTION 1 - FRAME AND ATTACHING PARTS

**FIGURE 1-6. PIN HITCH, AUTO HITCH AND PITON FRAME - AUTO HITCH - 3706PS, 3707PS, 33.7, 37.6 & 37.7**

ITEM	PART NUMBER	QTY	DESCRIPTION	REV
	1001102916	Ref	HITCH INSTALLATION, (3706PS, 3707PS, 37.6 & 37.7), (Auto Hitch), (if equipped), (not available to order, see items 1 thru 7 for service)	B
	1001102917	Ref	HITCH INSTALLATION, (3706PS, 3707PS, 37.6 & 37.7), (Pin Hitch), (if equipped), (not available to order, see items 1 thru 4, 6, 7 & 105 for service)	B
	1001102920	Ref	HITCH INSTALLATION, (3706PS, 3707PS, 37.6 & 37.7), (Piton Frame-Auto Hitch), (if equipped), (not available to order, see items 1 thru 6 & 207 for service)	B
1	0701620	20	HEX HD CAPSCREW, M16X60, GR8.8, (torque to 241 Nm/178 lb-ft) (3706PS, 3707PS, 37.6 & 37.7),	
2	3291601	20	HEX NUT, M16X2, (3706PS, 3707PS, 37.6 & 37.7)	
3	4812300	40	WASHER, 16mm, (3706PS, 3707PS, 37.6 & 37.7)	
4	1001095650	AR	LOCTITE 243	
5	1001098629	1	HITCH ASSY, (Auto Hitch and Piton Frame-Auto Hitch), (includes items 301 thru 306)	A
6	1001146081	2	HITCH BRACKET	
7	1001103597	1	HITCH FRAME, (Auto Hitch and Pin Hitch)	
105	1001098630	1	HITCH ASSY, (Pin Hitch), (includes items 301, 303 & 403)	A
207	1001104302	1	HITCH FRAME, (Piton Frame-Auto Hitch), (includes item 208)	
208	70023348	1	KEEPER KIT, (includes keeper, screw, nut, pin and ring pin)	
301	70022821	1	OPENING LEVER	
302	70022822	1	BOX MECHANISM	
303	70022823	1	SECURITY PIVOT	
304	70022824	1	BUSHING	
306	70022825	1	PIN	
403	70022826	1	PIN	

# SECTION 1 - FRAME AND ATTACHING PARTS

FIGURE 1-7. PIN HITCH - CUNA C AND CUNA D2 - 3706PS, 3707PS, 33.7, 37.6 & 37.7



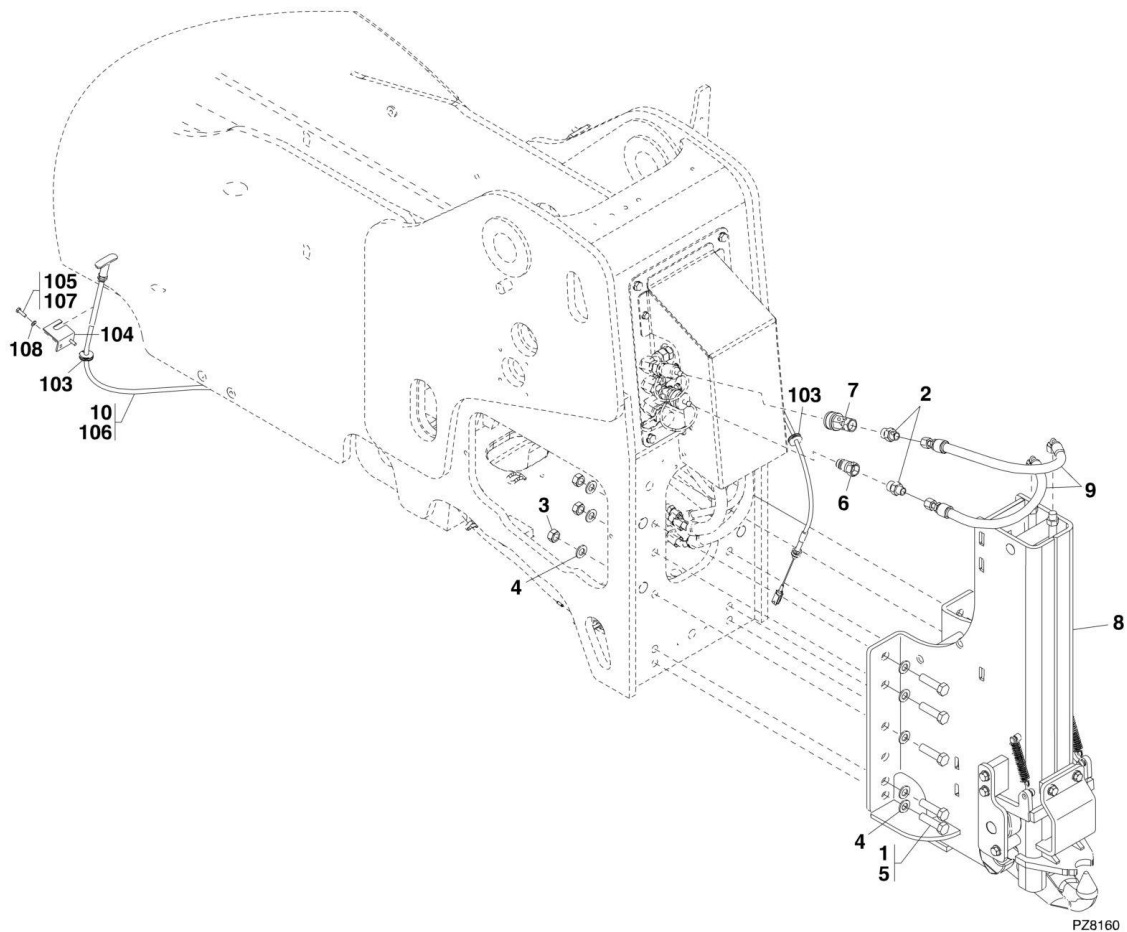
## SECTION 1 - FRAME AND ATTACHING PARTS

**FIGURE 1-7. PIN HITCH - CUNA C AND CUNA D2 - 3706PS, 3707PS, 33.7, 37.6 & 37.7**

ITEM	PART NUMBER	QTY	DESCRIPTION	REV
	1001102918	Ref	HITCH INSTALLATION, (3706PS, 3707PS, 37.6 & 37.7), (Pin Hitch - Cuna C), (Italy), (if equipped), (not available to order, see items 1 thru 8 for service)	B
	1001102919	Ref	HITCH INSTALLATION, (3706PS, 3707PS, 37.6 & 37.7), (Pin Hitch - Cuna D2), (Italy), (if equipped), (not available to order, see items 1 thru 4, 6 thru 8 & 105 for service)	B
1	0701620	20	HEX HD CAPSCREW, M16X60, GR8.8, (torque to 241 Nm/178 lb-ft), (3706PS, 3707PS, 37.6 & 37.7)	
2	3291601	20	HEX NUT, M16X2, (3706PS, 3707PS, 37.6 & 37.7)	
3	4812300	40	WASHER, 16mm, (3706PS, 3707PS, 37.6 & 37.7)	
4	1001095650	AR	LOCTITE 243	
5	1001098631	1	HITCH ASSY, (Pin Hitch - Cuna C), (includes items 201 & 202)	A
6	1001098636	1	PLATE ADAPTER	
7	1001146081	2	BRACKET	
8	1001103597	1	HITCH FRAME	
105	1001098632	1	HITCH ASSY, (Pin Hitch - Cuna D2), (includes items 202 & 301)	A
201	70022818	1	PIN	
202	70022819	4	MOUNTING HARDWARE	
301	70022820	1	PIN	

# SECTION 1 - FRAME AND ATTACHING PARTS

FIGURE 1-8. HYDRAULIC HITCH - 3706PS, 3707PS, 33.7, 37.6 & 37.7



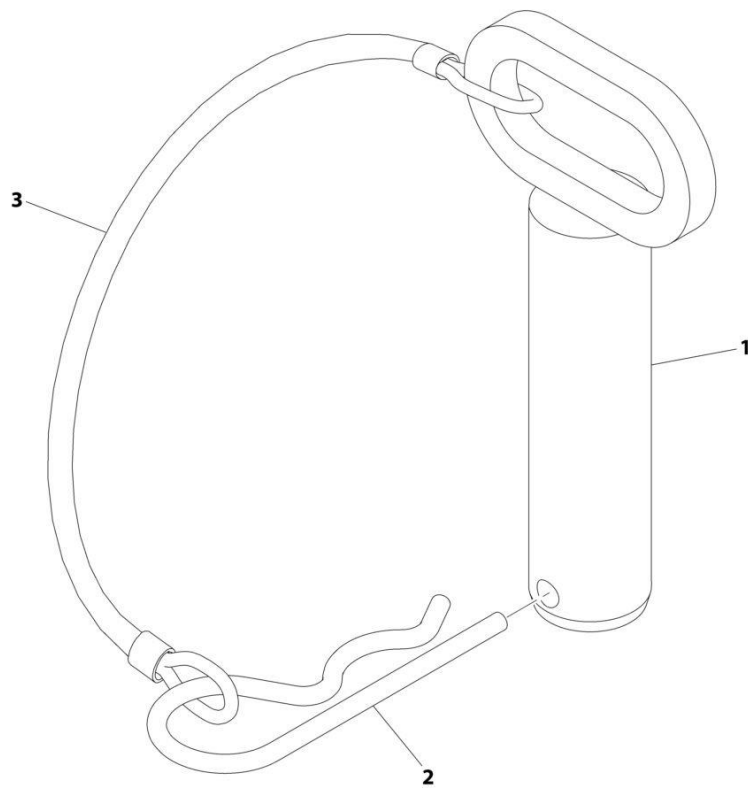
## SECTION 1 - FRAME AND ATTACHING PARTS

**FIGURE 1-8. HYDRAULIC HITCH - 3706PS, 3707PS, 33.7, 37.6 & 37.7**

ITEM	PART NUMBER	QTY	DESCRIPTION	REV
	1001144636	1	HYDRAULIC HITCH INSTALLATION, (3706PS, 3707PS, 37.6 & 37.7), (if equipped), (not available to order, see items 1 thru 10 for service)	B
1	0701620	10	HEX HD CAPSCREW, M16X60, GR8.8, (torque to 241 Nm/178 lb-ft)	
2	2110610	2	ADAPTER, (includes o-ring)	
3	3291601	10	HEX NUT, M16X2	
4	4812300	20	WASHER, 16mm	
5	1001095650	AR	LOCTITE 243	
6	1001101041	1	MALE QUICK DISCONNECT	
7	1001101042	1	FEMALE QUICK DISCONNECT	
8	1001118096	1	HYDRAULIC HITCH, (3706PS, 3707PS, 37.6 & 37.7)	
9	1001144637	2	HOSE ASSY	
10	1001158829	Ref	HITCH RELEASE CABLE INSTALLATION, (not available to order, see items 103 thru 108 for service)	A
103	1001008469	2	GROMMET	
104	1001091789	1	BRACKET	
105	1001095650	AR	LOCTITE 243	
106	1001128131	1	CABLE	
107	0700610	2	HEX HD CAPSCREW, M6X20, GR8.8, (torque to 12 Nm/9 lb-ft)	
108	4811700	2	WASHER, 6mm	

# SECTION 1 - FRAME AND ATTACHING PARTS

## FIGURE 1-9. HITCH PIN ASSEMBLY



ART\_1001238877-A

# SECTION 1 - FRAME AND ATTACHING PARTS

## FIGURE 1-9. HITCH PIN ASSEMBLY

ITEM	PART NUMBER	QTY	DESCRIPTION	REV
	1001238877	Ref	Hitch Pin Assembly	A
1	1001005267	1	Pin	
2	1001238919	1	Pin Cotter	
3	1001238915	1	Lanyard, Hitch Pin	

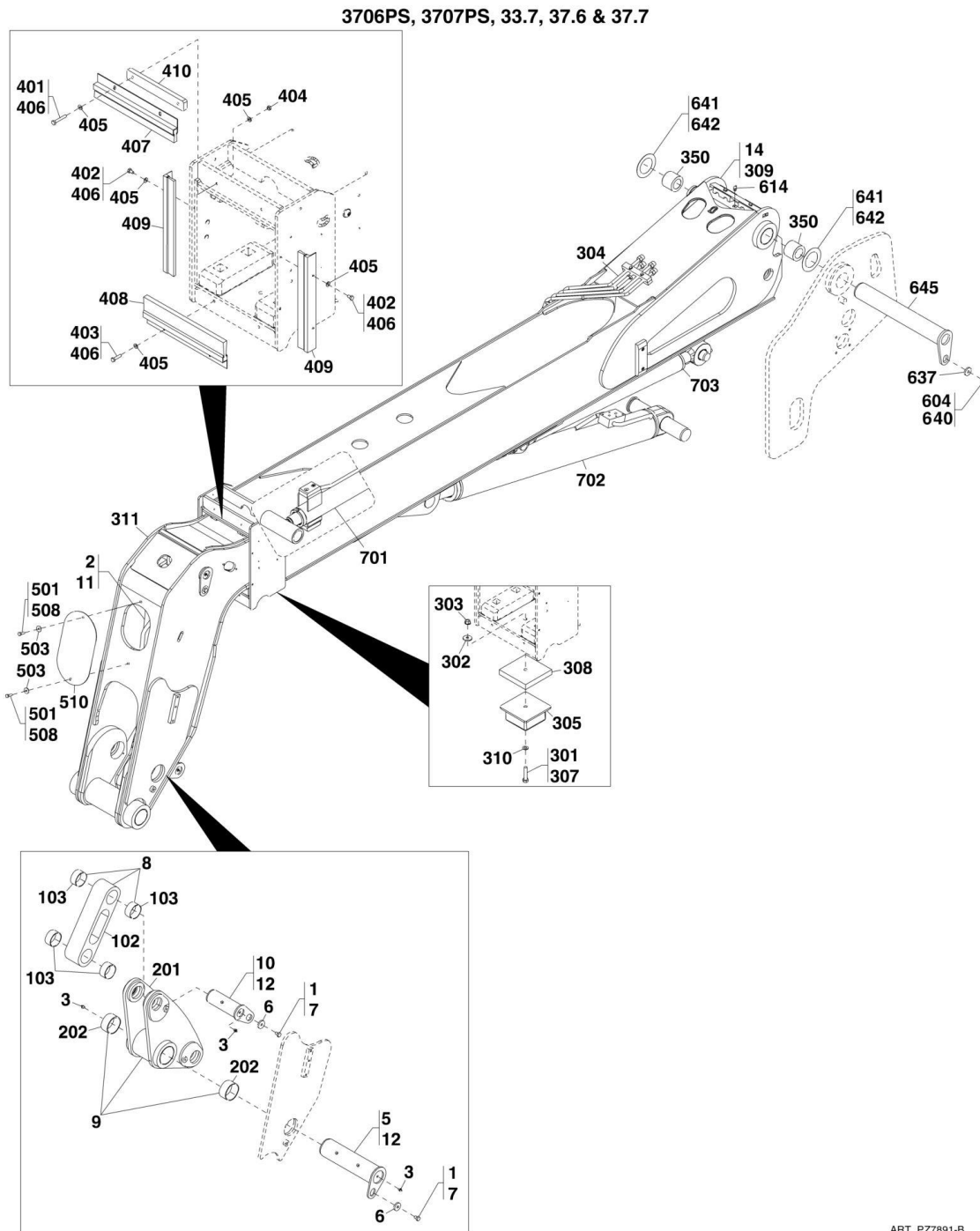




**SECTION 2 - BOOM**

# SECTION 2 - BOOM

## FIGURE 2-1. BOOM INSTALLATION - 3706PS, 3707PS, 33.7, 37.6 & 37.7



ART\_PZ7891-B

## SECTION 2 - BOOM

**FIGURE 2-1. BOOM INSTALLATION - 3706PS, 3707PS, 33.7, 37.6 & 37.7**

ITEM	PART NUMBER	QTY	DESCRIPTION	REV
	1001142037	Ref	BOOM INSTALLATION, (3706PS), (not available to order, see items 1 thru 14 for service)	C
	1001142039	Ref	BOOM INSTALLATION, (3707PS), (not available to order, see items 1 thru 14 for service)	C
1	0761007	2	HEX HD CAPSCREW, M10X14, GR8.8, (torque to 55 Nm/37 lb-ft)	
2		Ref	TILT CYLINDER HYDRAULICS, (See HYDRAULIC CIRCUITS SECTION for Breakdown)	
3	2160016	5	GREASE FITTING	
5	1001002525	1	PIN	
6	1001008948	2	WASHER	
7	1001095650	AR	LOCTITE 243	
8	1001096870	1	LINK ASSEMBLY, (includes items 102 & 103)	B
9	1001096930	1	LEVER ASSEMBLY, (includes items 201 & 202)	C
10	1001097127	1	PIN	
11		Ref	TILT CYLINDER AND HARDWARE, (See HYDRAULIC COMPONENTS SECTION for Breakdown)	
12	1001098457	AR	LITHIUM GREASE	
14	1001142036	1	BOOM ASSEMBLY, (3706PS), (includes items 301 thru 311)	K
14	1001142038	1	BOOM ASSEMBLY, (3707PS), (includes items 304, 306, 309 & 311)	M
102	1001096726	1	WELDMENT	
103	1001100442	4	BEARING	
201	1001002606	1	WELDMENT	
202	1001092298	2	BEARING	
301	0701018	1	HEX HD CAPSCREW, M10X50, GR8.8, (3706PS & 37.6), (torque to 55 Nm/37 lb-ft)	
302	4812002	1	WASHER, 10mm, (3706PS & 37.6)	
303	5221000	1	NUT, 10mm, (3706PS & 37.6)	
304		Ref	BOOM HYDRAULIC INSTALLATION, (See HYDRAULIC CIRCUITS SECTION for Breakdown)	
305	1001003132	1	PAD, (3706PS & 37.6)	
306		Ref	BOOM AUXILIARY ELECTRIC INSTALLATION, (not shown), (See ELECTRICAL SECTION for Breakdown)	
307	1001095650	AR	LOCTITE 243	
308	1001108621	1	PLATE, (3706PS & 37.6)	
309		Ref	FIRST BOOM SECTION, (See FIRST BOOM SECTION for Breakdown)	
310	1001125115	1	WASHER, 10mm, (3706PS & 37.6)	
311		Ref	SECOND BOOM SECTION, (See SECOND BOOM SECTION for Breakdown)	
350	1001090150	2	BUSHING	
	1001101694	Ref	BRUSH INSTALLATION, (not available to order, see items 401 thru 410 for service)	B
401	0700616	2	HEX HD CAPSCREW, M6X40, GR8.8, (torque to 12 Nm/9 lb-ft)	
402	0760605	4	HEX HD CAPSCREW, M6X10, GR8.8, (torque to 12 Nm/9 lb-ft)	
403	0760612	2	HEX HD CAPSCREW, M6X25, GR8.8, (torque to 12 Nm/9 lb-ft)	
404	3290601	4	HEX NUT, M6X1	
405	4811700	12	WASHER, 6mm	
406	1001095650	AR	LOCTITE 243	
407	1001101632	1	SEAL	
408	1001101633	1	SEAL	
409	1001101674	2	SEAL	

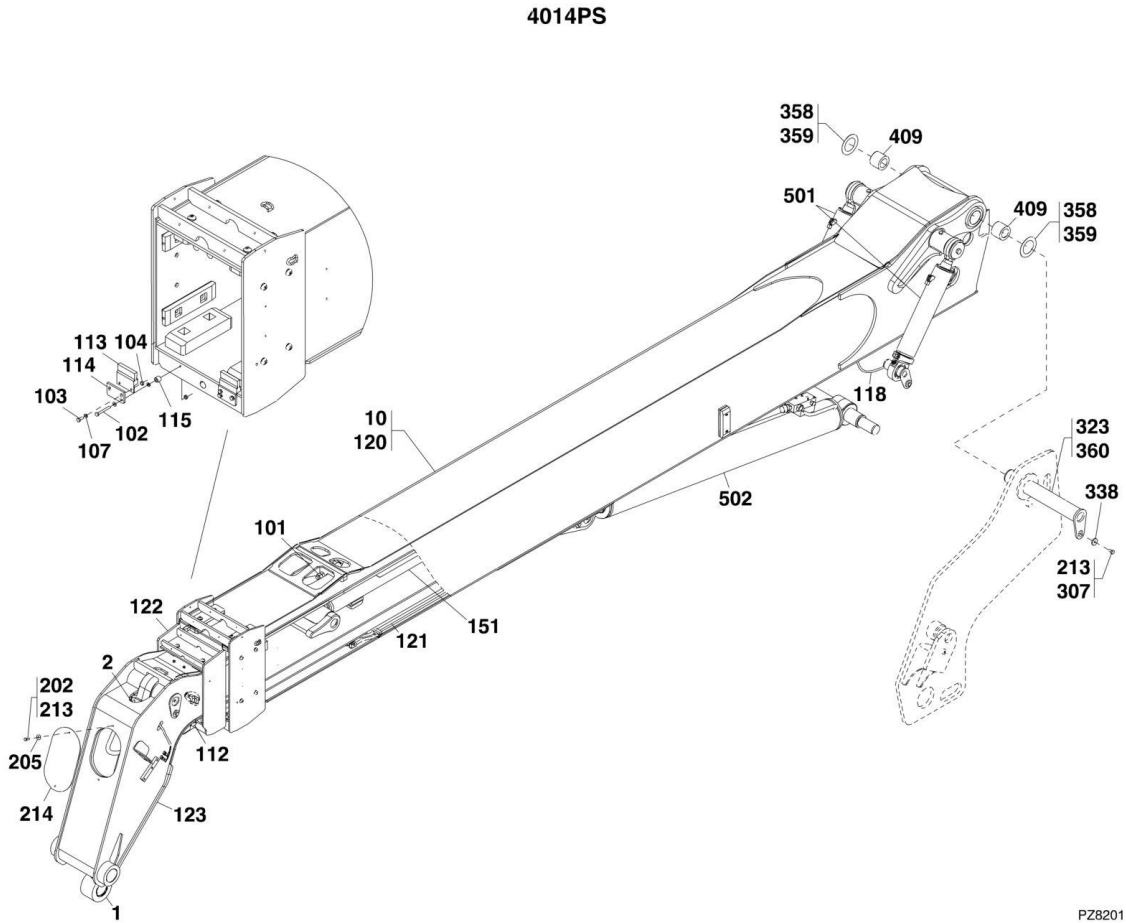
## SECTION 2 - BOOM

ITEM	PART NUMBER	QTY	DESCRIPTION	REV
410	1001101695	1	SPACER	
501	0760812	2	HEX HD CAPSCRW, M8X25, GR8.8, (torque to 28 Nm/21 lb-ft)	
503	4811902	2	WASHER, 8mm	
508	1001095650	AR	LOCTITE 243	
510	1001141765	1	COVER	
604	0761007	1	HEX HD CAPSCREW, M10X14, GR8.8, (torque to 55 Nm/41 lb-ft)	
614	2160017	1	GREASE FITTING, 45	
637	1001008948	1	WASHER, 10mm	
640	1001095650	AR	LOCTITE 243	
641	1001098146	AR	SHIM, 72X110X0.5	
642	1001098147	AR	SHIM, 72X110X1.0	
645	1001100154	1	PIN	
701		Ref	EXTEND/RETRACT CYLINDER AND HARDWARE, (See HYDRAULIC COMPONENTS SECTION for Breakdown)	
702		Ref	LIFT CYLINDER AND HARDWARE, (See HYDRAULIC COMPONENTS SECTION for Breakdown)	
703		Ref	COMPENSATION CYLINDER AND HARDWARE, (See HYDRAULIC COMPONENTS SECTION for Breakdown)	



# SECTION 2 - BOOM

## FIGURE 2-2. BOOM INSTALLATION - 4014PS



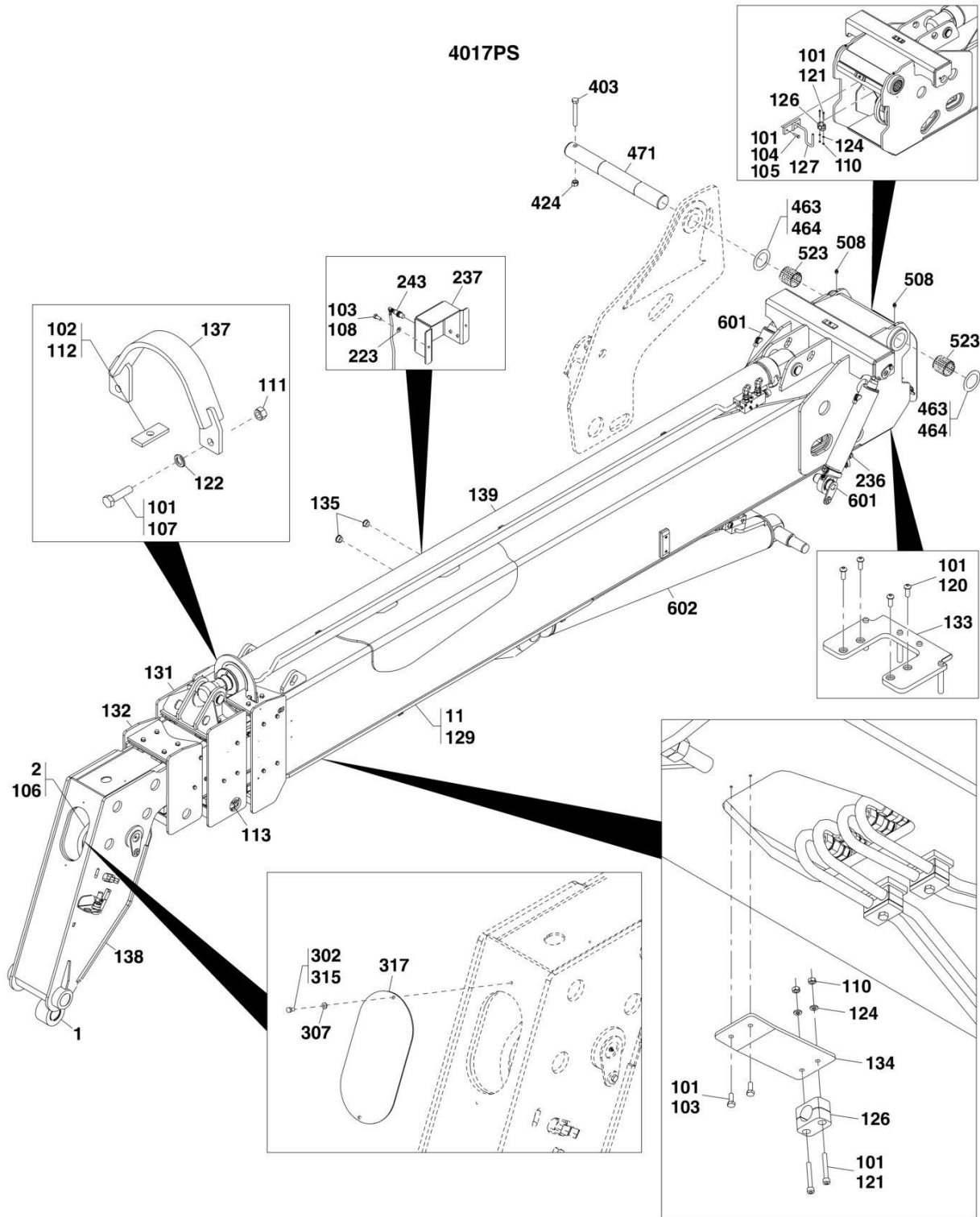
## SECTION 2 - BOOM

**FIGURE 2-2. BOOM INSTALLATION - 4014PS**

ITEM	PART NUMBER	QTY	DESCRIPTION	REV
	1001138114	Ref	BOOM INSTALLATION, (not available to order, see items 1, 2 & 10 for service)	C
	1001138115	Ref	BOOM INSTALLATION, (if equipped for platform), (not available to order, see items 1, 2 & 10 for service)	D
1		Ref	TILT CYLINDER AND HARDWARE, (See HYDRAULIC COMPONENTS SECTION for Breakdown)	
2		Ref	TILT CYLINDER HYDRAULIC COMPONENTS, (See HYDRAULIC CIRCUITS SECTION for Breakdown)	
10	1001142049	1	BOOM ASSEMBLY, (includes items 101 thru 151)	M
10	1001142050	1	BOOM ASSEMBLY, (if equipped for platform), (includes items 101 thru 151)	L
101		Ref	EXTEND CHAINS, (See EXTEND CHAINS for Breakdown)	
102	0700618	2	HEX HD CAPSCREW, M6X50, GR8.8, (torque to 11 Nm/8.1 lb-ft)	
103	0760608	4	HEX HD CAPSCREW, M6X16, GR8.8, (torque to 11 Nm/8.1 lb-ft)	
104	3290601	6	HEX NUT, M6X1	
107	4811700	AR	WASHER, 6mm	
112		Ref	RETRACT CHAINS, (See RETRACT CHAINS for Breakdown)	
113	1001107294	2	BOOM BRUSH SEAL	
114	1001107295	2	SPACER PLATE	
115	1001107296	2	SLEEVE	
118		Ref	AUXILIARY ELECTRIC, (See ELECTRICAL SECTION for Breakdown)	
120		Ref	FIRST BOOM SECTION, (See FIRST BOOM SECTION for Breakdown)	
121		Ref	BOOM HYDRAULIC COMPONENTS, (See HYDRAULIC CIRCUITS SECTION for Breakdown)	
122		Ref	SECOND BOOM SECTION, (See SECOND BOOM SECTION for Breakdown)	
123		Ref	THIRD BOOM SECTION, (See THIRD BOOM SECTION for Breakdown)	
151		Ref	EXTEND/RETRACT CYLINDER AND HARDWARE, (See HYDRAULIC COMPONENTS SECTION for Breakdown)	
202	0760812	2	HEX HD CAPSCREW, M8X25, GR8.8, (torque to 28 Nm/21 lb-ft)	
205	4811902	2	WASHER, 8mm	
213	1001095650	AR	LOCTITE 243	
214	1001141765	1	COVER	
307	0761010	1	HEX HD CAPSCREW, M10X20, GR8.8, (torque to 55 Nm/41 lb-ft)	
323	3020040	AR	MOLY LUBRICANT PASTE	
338	1001008948	1	WASHER	
358	1001098146	AR	SHIM, 0.5	
359	1001098147	AR	SHIM, 1.0	
360	1001100212	1	PIN	
409	1001090150	2	BUSHING	
501		Ref	COMPENSATION CYLINDER AND HARDWARE, (See HYDRAULIC COMPONENTS SECTION for Breakdown)	
502		Ref	LIFT CYLINDER AND HARDWARE, (See HYDRAULIC COMPONENTS SECTION for Breakdown)	

# SECTION 2 - BOOM

## FIGURE 2-3. BOOM INSTALLATION - 4017PS



ART\_31200722-2-3



## SECTION 2 - BOOM

**FIGURE 2-3. BOOM INSTALLATION - 4017PS**

ITEM	PART NUMBER	QTY	DESCRIPTION	REV
	1001138215	Ref	BOOM INSTALLATION, (not available to order, see items 1, 2 & 11 for service)	D
	1001138216	Ref	BOOM INSTALLATION, (if equipped for platform), (not available to order, see items 1, 2 & 11 for service)	C
1		Ref	LIFT CYLINDER AND HARDWARE, (See HYDRAULIC COMPONENTS SECTION for Breakdown)	
2		Ref	LIFT CYLINDER HYDRAULIC COMPONENTS, (See HYDRAULIC CIRCUITS SECTION for Breakdown)	
11	1001142051	1	BOOM ASSEMBLY, (includes items 101 thru 142)	H
11	1001142052	1	BOOM ASSEMBLY, (if equipped for platform), (includes items 101 thru 134, 137 thru 142, 223, 236, 237 & 243)	H
101	0100011	AR	LOCTITE 242	
102	0100081	AR	LOCTITE 454	
103	0760608	2	HEX HD CAPSCREW, M6X16, GR8.8	
103	0760608	4	HEX HD CAPSCREW, M6X16, GR8.8, (if equipped for platform)	
104	0761015	2	HEX HD CAPSCREW, M10X35, GR8.8	
105	0761016	2	HEX HD CAPSCREW, M10X40, GR8.8	
106		Ref	BOOM HYDRAULIC COMPONENTS, (See HYDRAULIC CIRCUITS SECTION for Breakdown)	
107	0761218	2	HEX HD CAPSCREW, M12X50, GR8.8, (torque to 97 Nm/72 lb-ft)	
108	1062255	AR	TIE STRAP	
110	3290601	4	HEX NUT, M6X1	
111	3291207	2	HEX NUT, M12X1.75	
112	3340941	1	PAD	
113		Ref	EXTEND CHAINS, (See EXTEND CHAINS for Breakdown)	
120	3900357	4	BTNHD CAP SCR, M6X16	
121	4031713	4	HEX HD CAPSCREW, M6X45	
122	4740532	2	WASHER, 12mm	
124	4831700	4	SPRING LOCKWASHER, M6	
126	1001091581	2	CLAMP	
127	1001092069	1	CABLE GUIDE BRACKET	
129		Ref	FIRST BOOM SECTION, (See FIRST BOOM SECTION for Breakdown)	
131		Ref	SECOND BOOM SECTION, (See SECOND BOOM SECTION for Breakdown)	
132		Ref	THIRD BOOM SECTION, (See THIRD BOOM SECTION for Breakdown)	
133	1001113749	1	CABLE GUIDE BRACKET, BOTTOM	
134	1001114408J	1	COUNTER WEIGHT, PLATE	
135	1001115943	2	PLUG, (not equipped for platform)	
137	1001152109	1	PLATE	
138		Ref	FOURTH BOOM SECTION, (See FOURTH BOOM SECTION for Breakdown)	
139		Ref	EXTEND/RETRACT CYLINDER AND HARDWARE, (See HYDRAULIC COMPONENTS SECTION for Breakdown)	
142		Ref	RETRACT CHAINS, (not shown), (See RETRACT CHAINS for Breakdown)	
223	4811700	2	WASHER, M6, (if equipped for platform)	
236		Ref	BOOM EXTENSION HARNESS, (See ELECTRICAL SECTION for Breakdown)	
237	1001116142	1	COVER BRACKET, (if equipped for platform)	
243	1001117746	1	PROXIMITY SENSOR HARNESS, (if equipped for platform)	

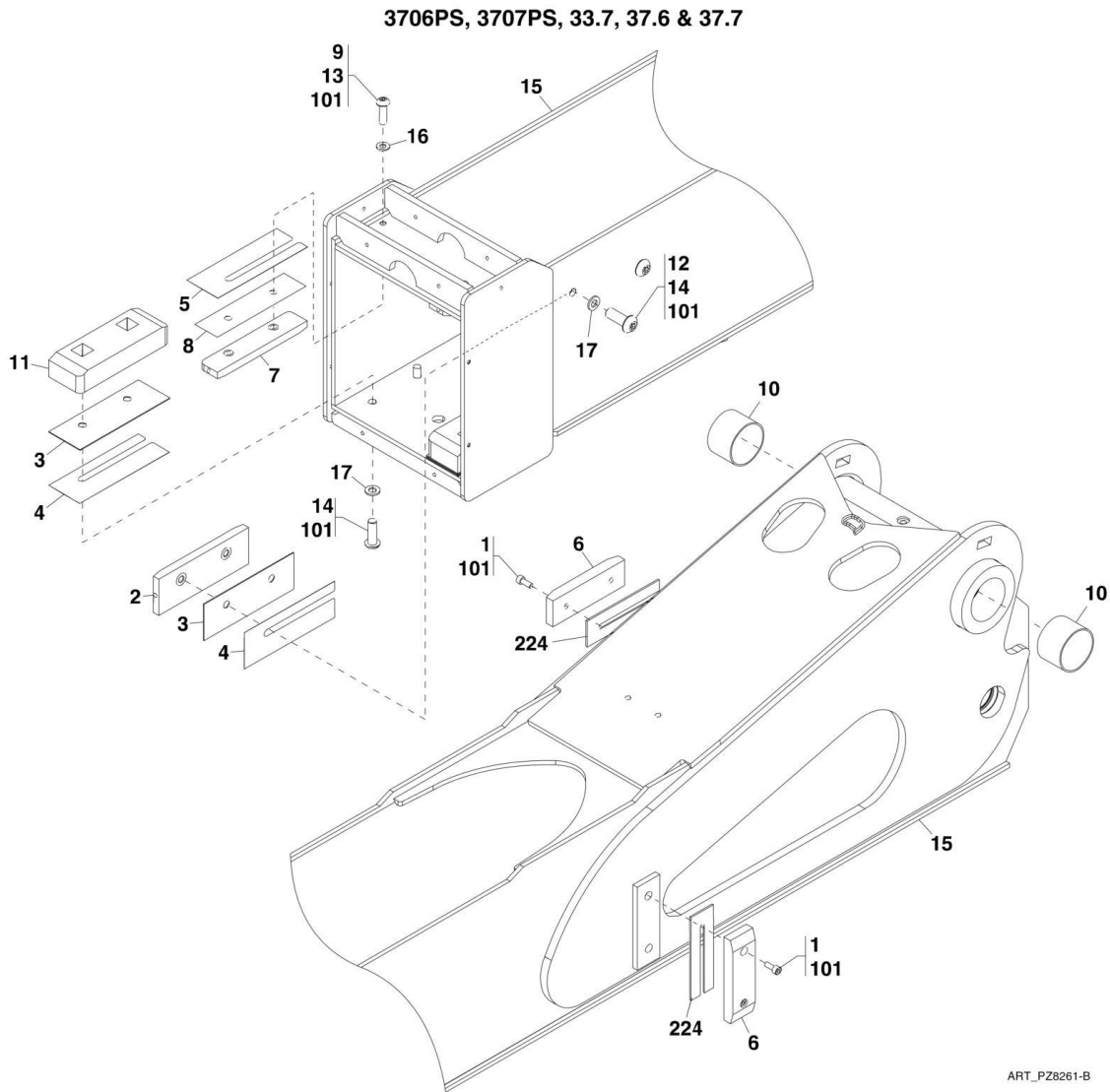
## SECTION 2 - BOOM

ITEM	PART NUMBER	QTY	DESCRIPTION	REV
243	80374114	1	CONNECTOR	
243	1001104497	1	TERMINAL	
243	1001116698	1	SEAL PLUG	
302	0760808	2	HEX HD CAPSCREW, M8X16, GR8.8, (torque to 28 Nm/21 lb-ft)	
307	4811900	2	WASHER, 8mm	
315	1001095650	AR	LOCTITE 243	
317	1001141772	1	COVER	
403	0712032	1	HEX HD CAPSCREW, M20X150, GR10.9, (torque to 300 Nm/221 lb-ft)	
424	3332015	1	HEX NUT, M20X2.5	
463	1001111830	AR	SHIM, 1.0	
464	1001111831	AR	SHIM, 0.5	
471	1001131165	1	PIN	
508	2160016	1	GREASE FITTING	
523	8008047	2	BUSHING	
601		Ref	LIFT CYLINDER AND HARDWARE, (See HYDRAULIC COMPONENTS SECTION for Breakdown)	
602		Ref	COMPENSATION CYLINDER AND HARDWARE, (See HYDRAULIC COMPONENTS SECTION for Breakdown)	



## SECTION 2 - BOOM

FIGURE 2-4. FIRST BOOM SECTION - 3706PS, 3707PS, 33.7, 37.6 & 37.7



ART\_PZ8261-B

**Note: Wear Pad Shimming:**

Whenever a shim is used with a pad, a spacer with holes must be inserted between pad and shim.  
 The wear pad or wear pad insert must not sit directly on the slotted surface of shims.  
 Add wear pad shims and spacers as required to shim boom to maintain a total minimum gap of 0,5 to 1,5 mm (0.02 to 0.05 in) in both horizontal and vertical directions.  
 Wear pad bolts require one hardened washer. However, up to (2) hardened washers may be used except where noted otherwise. Under no circumstances should more than (2) hardened washers ever be used.  
 The length of pad bolts depends on the number of the shims used. The bolt cannot extend past chamfer on wear pad.  
 Add Lithium Grease (1001098457) to all wear pads and all wear pad slide pathways. If applicable, this includes all pad grease fittings at the rear of boom.

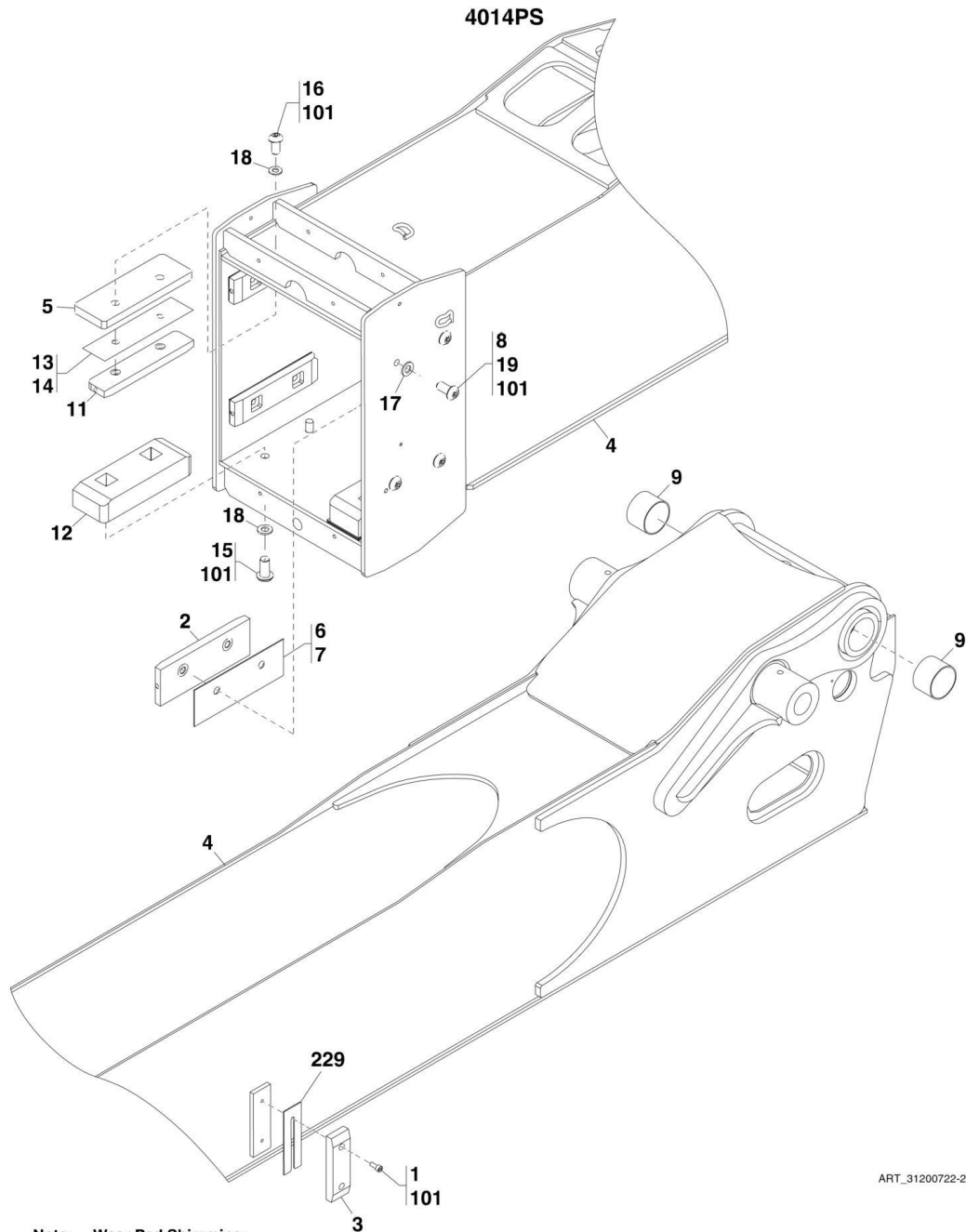
## SECTION 2 - BOOM

**FIGURE 2-4. FIRST BOOM SECTION - 3706PS, 3707PS, 33.7, 37.6 & 37.7**

ITEM	PART NUMBER	QTY	DESCRIPTION	REV
	1001149232	1	FIRST BOOM SECTION ASSEMBLY, (3706PS), (includes all items)	D
	1001149234	1	FIRST BOOM SECTION ASSEMBLY, (3707PS), (includes all items)	D
1	4031908	4	SOCKET HD CAPSCREW, M8X20	
2	4700021	2	WEAR PAD	
3	8003243	4	SPACER	
4	8008634	AR	SHIM, 70X200X0.5mm	
5	8008640	AR	SHIM, 70X200X0.5mm	
6	8010148	2	WEAR PAD	
7	1001002261	2	WEAR PAD	
8	1001003031	AR	SPACER, 50X198X1.5mm	
9	1001009325	3	TORX HD CAPSCREW, M10X25, GR8.8, (torque to 55 Nm/41 lb-ft)	
10		Ref	BUSHING, (See BOOM INSTALLATION for Breakdown)	
11	1001096322	2	WEAR PAD	
12	1001104937	AR	TORX HD CAPSCREW, M12X25, (torque to 100 Nm/74 lb-ft)	
13	1001105081	AR	TORX HD CAPSCREW, M10X30, (torque to 100 Nm/74 lb-ft)	
14	1001105260	AR	TORX HD CAPSCREW, M12X30, (torque to 100 Nm/74 lb-ft)	
15	1001125071J	1	WELDMENT, (3706PS)	
15	1001125264J	1	WELDMENT, (3707PS)	
16	1001125115	AR	WASHER, 10mm	
17	1001125117	AR	WASHER, 12mm	
101	1001095650	AR	LOCTITE 243	
224	8009987	AR	SHIM, 50X160X2.0mm	

## SECTION 2 - BOOM

### FIGURE 2-5. FIRST BOOM SECTION - 4014PS



ART\_31200722-2-5

**Note: Wear Pad Shimming:**

Whenever a shim is used with a pad, a spacer with holes must be inserted between pad and shim.  
 The wear pad or wear pad insert must not sit directly on the slotted surface of shims.  
 Add wear pad shims and spacers as required to shim boom to maintain a total minimum gap of 0,5 to 1,5 mm (0.02 to 0.05 in) in both horizontal and vertical directions.  
 Wear pad bolts require one hardened washer. However, up to (2) hardened washers may be used except where noted otherwise. Under no circumstances should more than (2) hardened washers ever be used.  
 The length of pad bolts depends on the number of the shims used. The bolt cannot extend past chamfer on wear pad.  
 Add Lithium Grease (1001098457) to all wear pads and all wear pad slide pathways. If applicable, this includes all pad grease fittings at the rear of boom.

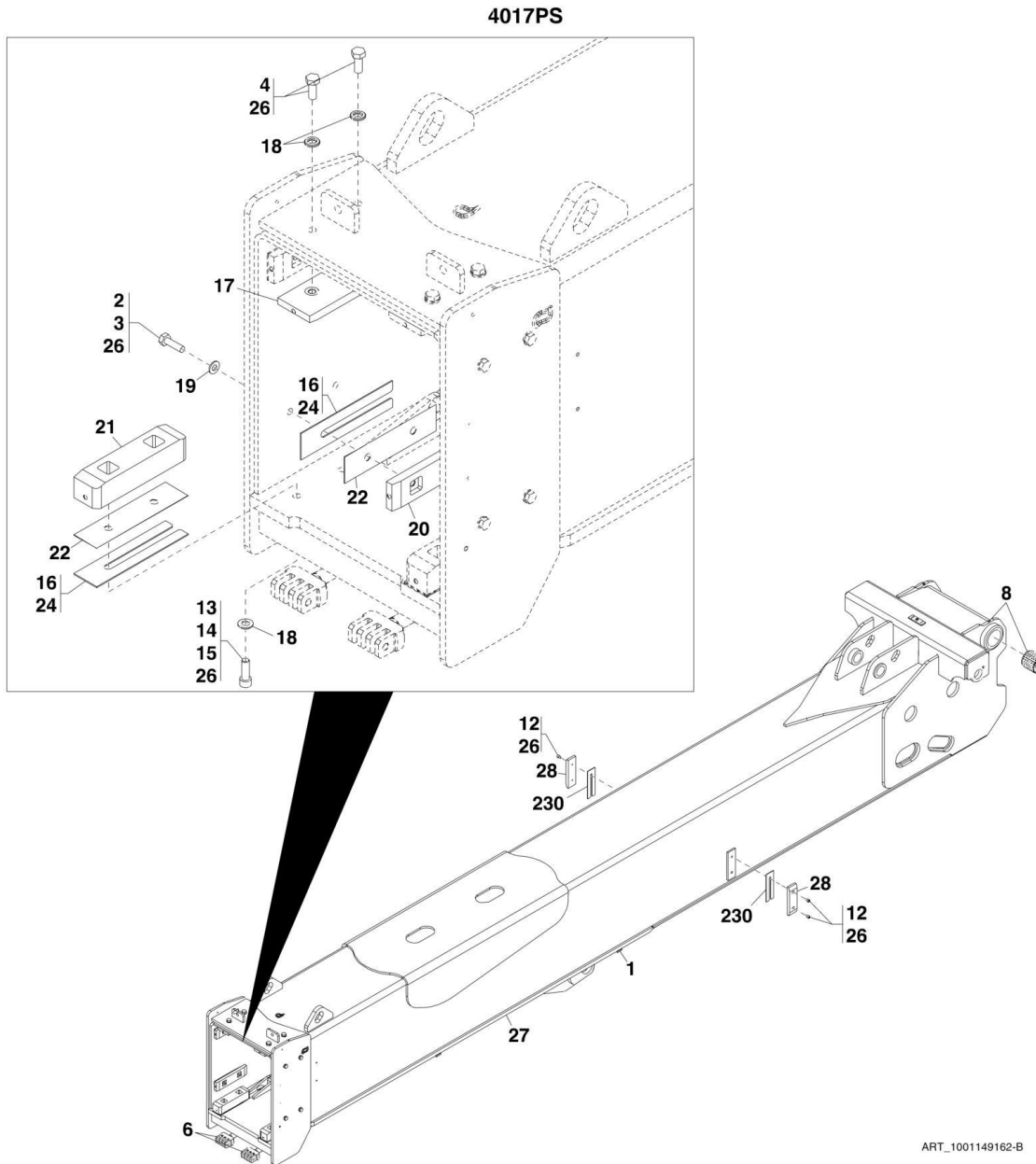
## SECTION 2 - BOOM

**FIGURE 2-5. FIRST BOOM SECTION - 4014PS**

ITEM	PART NUMBER	QTY	DESCRIPTION	REV
	1001149221	1	FIRST BOOM SECTION ASSEMBLY, (includes all items)	B
1	4031908	4	SOCKET HD CAPSCREW, M8X20	
2	8002200	4	WEAR PAD	
3	8010148	2	WEAR PAD	
4	1001002207J	1	WELDMENT	
5	1001002468	2	WEAR PAD SUPPORT	
6	1001003030	AR	SPACER, 50X198X0.75mm	
7	1001003031	AR	SPACER, 50X198X1.5mm	
8	1001009325	3	TORX HD CAPSCREW, M10X25, GR8.8, (torque to 55 Nm/41 lb-ft)	
9		Ref	BUSHING, (See BOOM INSTALLATION for Breakdown)	
11	1001096320	2	WEAR PAD	
12	1001096322	2	WEAR PAD	
13	1001097302	AR	SPACER, 50X198X0.75mm	
14	1001097303	AR	SPACER, 50X198X1.5mm	
15	1001104937	4	TORX HD CAPSCREW, M12X25, (torque to 100 Nm/74 lb-ft)	
16	1001104990	4	TORX HD CAPSCREW, M12X45, (torque to 100 Nm/74 lb-ft)	
17	1001125115	AR	WASHER, 10mm	
18	1001125117	AR	WASHER, 12mm	
19	1001105081	AR	TORX HD CAPSCREW, M10X30, (torque to 100 Nm/74 lb-ft)	
101	1001095650	AR	LOCTITE 243	
229	8009987	AR	SHIM,50X160X2.0mm	

## SECTION 2 - BOOM

FIGURE 2-6. FIRST BOOM SECTION - 4017PS



ART\_1001149162-B

**Note: Wear Pad Shimming:**  
 Whenever a shim is used with a pad, a spacer with holes must be inserted between pad and shim.  
 The wear pad or wear pad insert must not sit directly on the slotted surface of shims.  
 Add wear pad shims and spacers as required to shim boom to maintain a total minimum gap of 0,5 to 1,5 mm (0.02 to 0.05 in) in both horizontal and vertical directions.  
 Wear pad bolts require one hardened washer. However, up to (2) hardened washers may be used except where noted otherwise. Under no circumstances should more than (2) hardened washers ever be used.  
 The length of pad bolts depends on the number of the shims used. The bolt cannot extend past chamfer on wear pad.  
 Add Lithium Grease (1001098457) to all wear pads and all wear pad slide pathways. If applicable, this includes all pad grease fittings at the rear of boom.



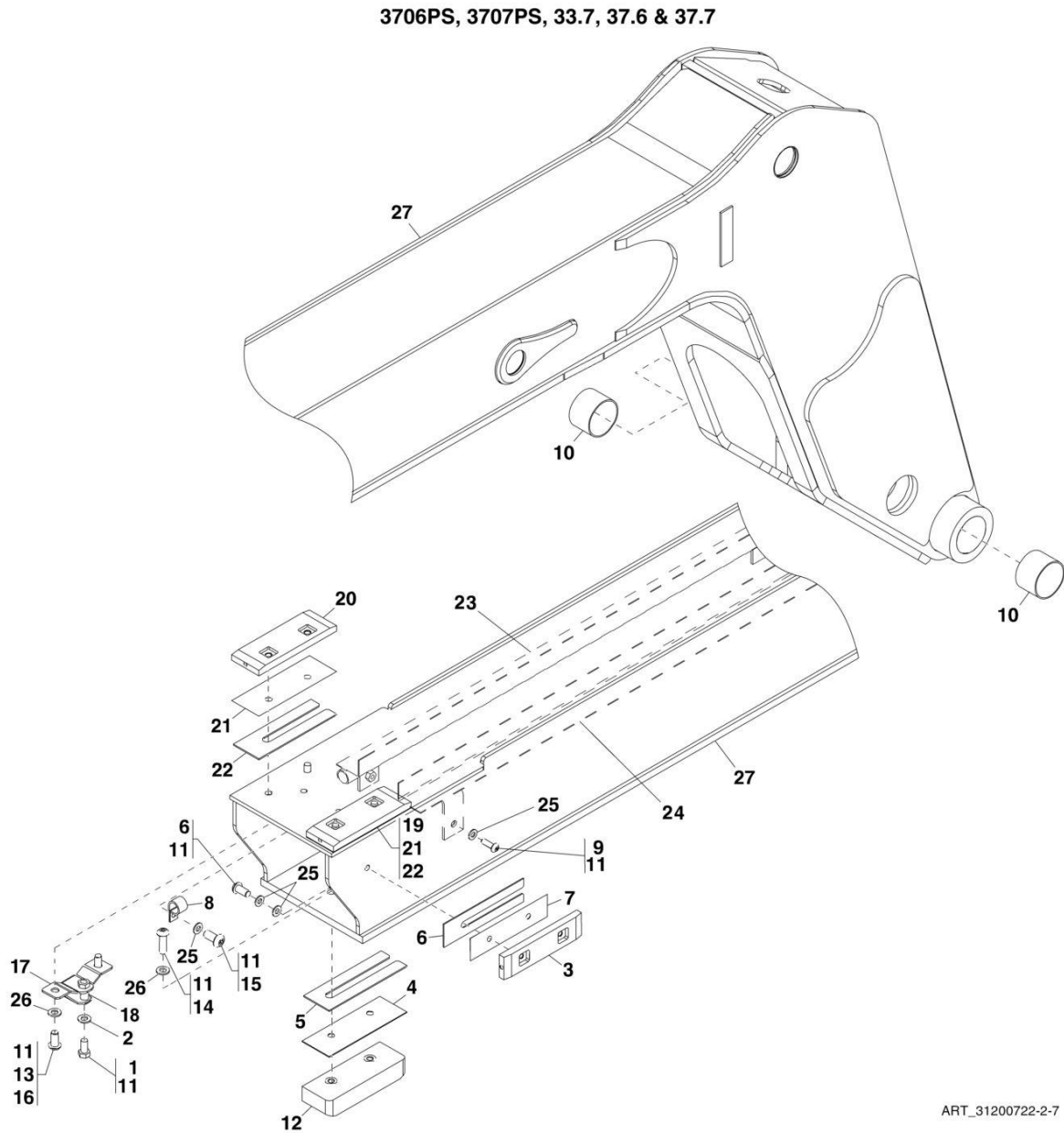
## SECTION 2 - BOOM

**FIGURE 2-6. FIRST BOOM SECTION - 4017PS**

ITEM	PART NUMBER	QTY	DESCRIPTION	REV
1	1001149162	1	FIRST BOOM SECTION ASSEMBLY, (includes all items)	B
1		Ref	BOOM HYDRAULIC COMPONENTS, (See HYDRAULIC CIRCUITS SECTION for Breakdown)	
2	0761014	AR	HEX HD CAPSCREW, M10X30, GR8.8, (torque to 55 Nm/41 lb-ft)	
3	0761015	AR	HEX HD CAPSCREW, M10X35, GR8.8, (torque to 55 Nm/41 lb-ft)	
4	0761214	4	HEX HD CAPSCREW, M12X30, GR8.8, (torque to 97 Nm/72 lb-ft)	
6		Ref	EXTEND CHAIN COMPONENTS, (See EXTEND CHAINS for Breakdown)	
8		Ref	BOOM INSTALLATION COMPONENTS, (See BOOM INSTALLATION for Breakdown)	
12	4031906	4	SOCKET HD CAPSCREW, M8X12	
13	4032110	AR	SOCKET HD CAPSCREW, M12X30	
14	4032111	AR	SOCKET HD CAPSCREW, M12X35	
15	4032112	AR	SOCKET HD CAPSCREW, M12X40	
16	4071110	AR	SHIM, 50X200X3mm	
17	4700021	2	WEAR PAD	
18	4740532	AR	WASHER, 12mm	
19	4812000	AR	WASHER, 10mm	
20	8002200	4	WEAR PAD	
21	8002201	2	WEAR PAD	
22	8002904	8	SPACER, 50X200X1mm	
24	8008070	AR	SHIM, 50X200X2mm	
26	1001095650	AR	LOCTITE 243	
27	1001110527J	1	WELDMENT	
28	1001111747	2	WEAR PAD	
230	8009987	AR	SHIM,50X160X2.0mm	

## SECTION 2 - BOOM

FIGURE 2-7. SECOND BOOM SECTION - 3706PS, 3707PS, 33.7, 37.6 & 37.7



ART\_31200722-2-7

**Note: Wear Pad Shimming:**  
 Whenever a shim is used with a pad, a spacer with holes must be inserted between pad and shim.  
 The wear pad or wear pad insert must not sit directly on the slotted surface of shims.  
 Add wear pad shims and spacers as required to shim boom to maintain a total minimum gap of 0,5 to 1,5 mm (0.02 to 0.05 in) in both horizontal and vertical directions.  
 Wear pad bolts require one hardened washer. However, up to (2) hardened washers may be used except where noted otherwise. Under no circumstances should more than (2) hardened washers ever be used.  
 The length of pad bolts depends on the number of the shims used. The bolt cannot extend past chamfer on wear pad.  
 Add Lithium Grease (1001098457) to all wear pads and all wear pad slide pathways. If applicable, this includes all pad grease fittings at the rear of boom.

## SECTION 2 - BOOM

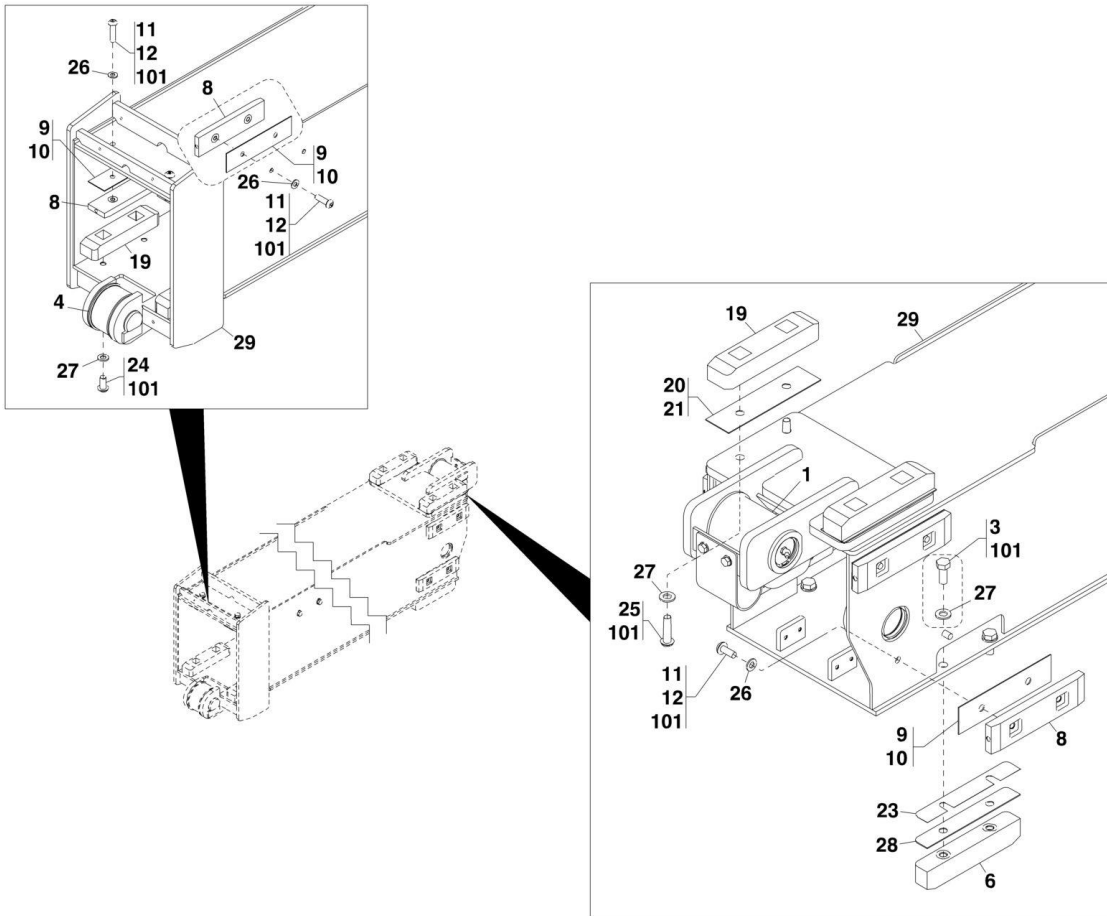
**FIGURE 2-7. SECOND BOOM SECTION - 3706PS, 3707PS, 33.7, 37.6 & 37.7**

ITEM	PART NUMBER	QTY	DESCRIPTION	REV
	1001130423	1	SECOND BOOM SECTION ASSEMBLY, (3706PS & 37.6), (includes all items)	C
	1001132353	1	SECOND BOOM SECTION ASSEMBLY, (3707PS, 33.7 & 37.7), (includes all items)	C
1	0760815	2	HEX HD CAPSCREW, M8X35 CLS 8.8	
2	4811900	2	WASHER, 8mm	
3	8002200	2	WEAR PAD	
4	8003243	1	SPACER, 70X200X1.5mm	
5	8008634	AR	SHIM, 70X200X0.5mm	
6	8008640	AR	SHIM, 50x200X0.5mm	
7	1001003031	2	SPACER, 50X198X1.5mm	
8	1001004144	1	CLIP	
9	1001009325	3	TORX HD CAPSCREW, M10X25, GR8.8, (torque to 55 Nm/41 lb-ft)	
10	1001090150	2	BUSHING	
11	1001095650	AR	LOCTITE 243	
12	1001096322	1	WEAR PAD	
13	1001104937	AR	TORX HD SCREW, M12X25, GR8.8, (torque to 100 Nm/74 lb-ft)	
14	1001104990	2	TORX HD SCREW, M12X45, GR8.8, (torque to 100 Nm/74 lb-ft)	
15	1001105081	1	TORX HD SCREW, M10X30, GR8.8, (torque to 55 Nm/41 lb-ft)	
16	1001105260	AR	TORX HD SCREW, M12X30, GR8.8, (torque to 100 Nm/74 lb-ft)	
17	1001105742	2	TWINHOSE BRACKET	
18	1001105761	2	SETTING BLOCK	
19	1001120545	1	WEAR PAD	
20	1001120555	1	WEAR PAD	
21	1001120556	2	SPACER, 70X250X1.5mm	
22	1001120604	AR	SHIM, 70X250X0.5mm	
23	1001155251	1	HOSE CONDUIT, (3706PS & 37.6)	
23	1001155534	1	HOSE CONDUIT, (3707PS, 33.7 & 37.7)	
24	1001144443	1	HOSE CONDUIT, (3706PS & 37.6)	
24	1001155570	1	HOSE CONDUIT, (3707PS, 33.7 & 37.7)	
25	1001125115	AR	WASHER, 10mm	
26	1001125117	AR	WASHER, 12mm	
27	1001130421	1	WELDMENT, (3706PS & 37.6)	
27	1001132352	1	WELDMENT, (3707PS, 33.7 & 37.7)	
28		Ref	BOOM INSTALLATION DECAL, (not shown), (See DECALS SECTION for Breakdown)	

## SECTION 2 - BOOM

FIGURE 2-8. SECOND BOOM SECTION - 4014PS

4014PS



PZ8390

**Note: Wear Pad Shimming:**  
 Whenever a shim is used with a pad, a spacer with holes must be inserted between pad and shim.  
 The wear pad or wear pad insert must not sit directly on the slotted surface of shims.  
 Add wear pad shims and spacers as required to shim boom to maintain a total minimum gap of 0,5 to 1,5 mm (0.02 to 0.05 in) in both horizontal and vertical directions.  
 Wear pad bolts require one hardened washer. However, up to (2) hardened washers may be used except where noted otherwise. Under no circumstances should more than (2) hardened washers ever be used.  
 The length of pad bolts depends on the number of the shims used. The bolt cannot extend past chamfer on wear pad.  
 Add Lithium Grease (1001098457) to all wear pads and all wear pad side pathways. If applicable, this includes all pad grease fittings at the rear of boom.

## SECTION 2 - BOOM

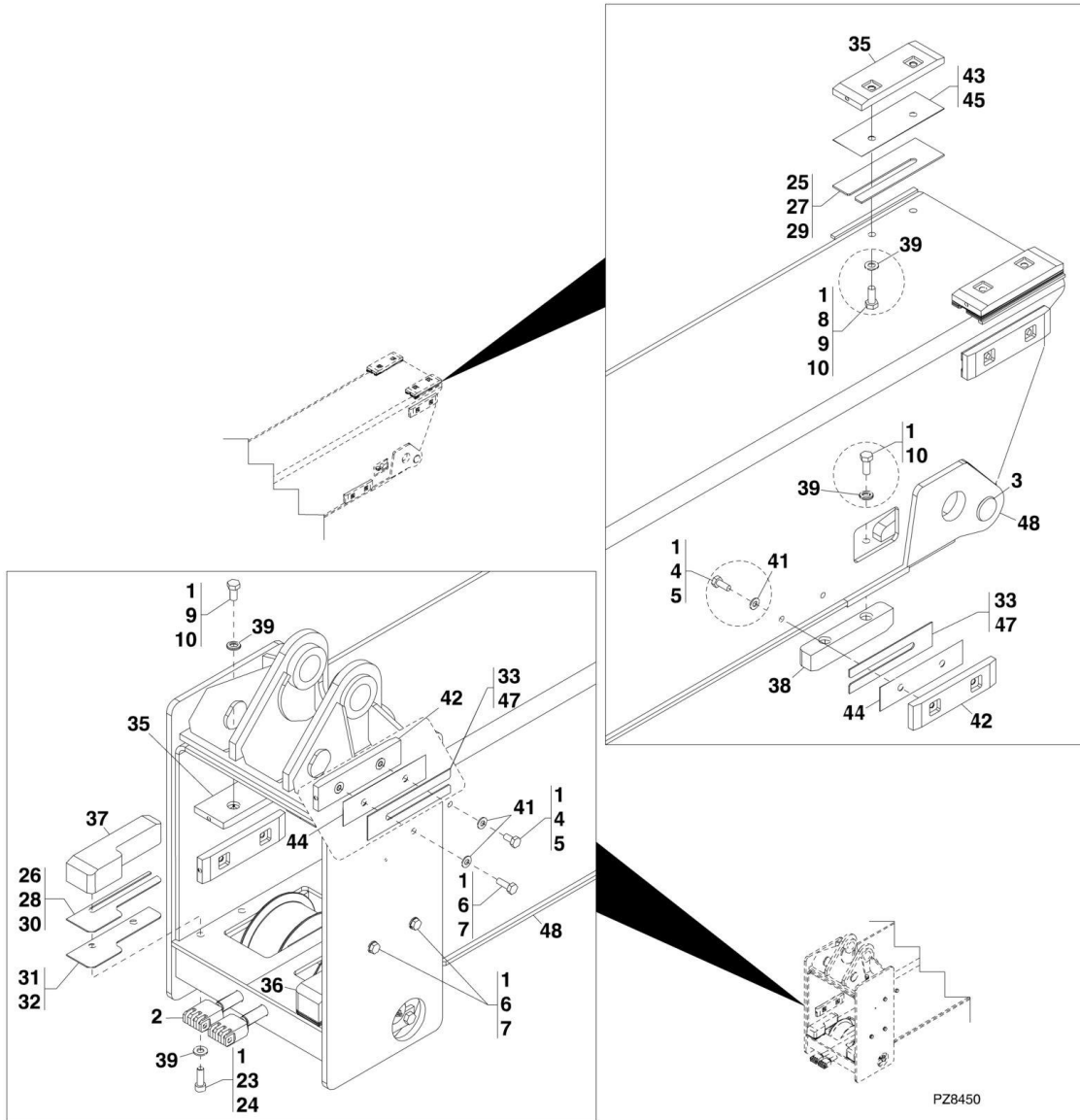
**FIGURE 2-8. SECOND BOOM SECTION - 4014PS**

ITEM	PART NUMBER	QTY	DESCRIPTION	REV
1	1001133561	1	SECOND BOOM SECTION ASSEMBLY, (includes all items)	B
3	0761214	4	EXTEND CHAIN COMPONENTS, (See EXTEND CHAINS for Breakdown)	
4		4	HEX HD CAPSCREW, M12X30, GR8.8	
6	4700047	2	RETRACT CHAIN COMPONENTS, (See RETRACT CHAINS for Breakdown)	
8	8002200	8	WEAR PAD	
9	1001003030	AR	WEAR PAD	
10	1001003031	AR	SPACER, 50X198X0.75mm	
11	1001009325	AR	SPACER, 50X198X1.5mm	
12	1001009326	AR	TORX HD CAPSCREW, M10X25, GR8.8, (torque to 55 Nm/41 lb-ft)	
19	1001009326	AR	TORX HD CAPSCREW, M10X20, GR8.8, (torque to 55 Nm/41 lb-ft)	
20	1001096320	4	WEAR PAD	
21	1001097302	AR	WEAR PAD	
23	1001097303	AR	SPACER, 50X198X0.75mm	
24	1001104463	AR	SPACER, 50X198X1.5mm	
25	1001104937	AR	SHIM, 31X200X0.75mm	
26	1001104990	4	TORX HD CAPSCREW, M12X25, (torque to 100 Nm/74 lb-ft)	
27	1001104990	4	TORX HD CAPSCREW, M12X45, (torque to 100 Nm/74 lb-ft)	
28	1001125115	AR	WASHER, 10mm	
29	1001125117	AR	WASHER, 12mm	
30	1001128328	AR	SPACER, 31X200X1.5mm	
30	1001133560	1	WELDMENT	
101	1001095650	AR	BOOM INSTALLATION DECAL, (not shown), (See DECALS SECTION for Breakdown)	
101	1001095650	AR	LOCTITE 243	

# SECTION 2 - BOOM

## FIGURE 2-9. SECOND BOOM SECTION - 4017PS

4017PS



**Note: Wear Pad Shimming:**  
 Whenever a shim is used with a pad, a spacer with holes must be inserted between pad and shim.  
 The wear pad or wear pad insert must not sit directly on the slotted surface of shims.  
 Add wear pad shims and spacers as required to shim boom to maintain a total minimum gap of 0,5 to 1,5 mm (0.02 to 0.05 in) in both horizontal and vertical directions.  
 Wear pad bolts require one hardened washer. However, up to (2) hardened washers may be used except where noted otherwise. Under no circumstances should more than (2) hardened washers ever be used.  
 The length of pad bolts depends on the number of the shims used. The bolt cannot extend past chamfer on wear pad.  
 Add Lithium Grease (1001098457) to all wear pads and all wear pad slide pathways. If applicable, this includes all pad grease fittings at the rear of boom.

## SECTION 2 - BOOM

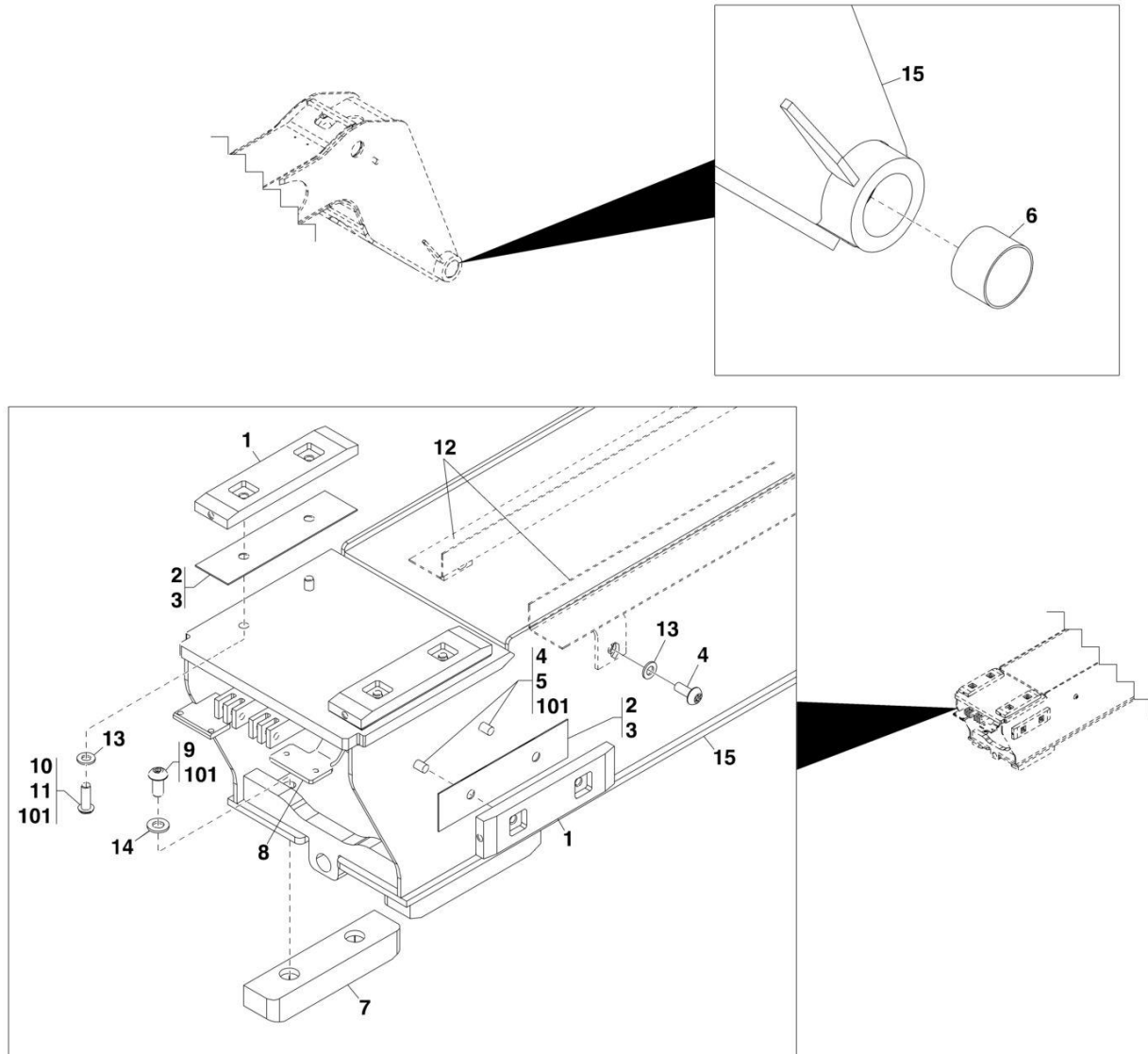
**FIGURE 2-9. SECOND BOOM SECTION - 4017PS**

ITEM	PART NUMBER	QTY	DESCRIPTION	REV
	1001133565	1	SECOND BOOM SECTION ASSEMBLY, (includes all items)	B
1	1001095650	AR	LOCTITE 243	
2		Ref	EXTEND CHAIN COMPONENTS, (See EXTEND CHAINS for Breakdown)	
3		Ref	RETRACT CHAIN COMPONENTS, (See RETRACT CHAINS for Breakdown)	
4	0761010	AR	HEX HD CAPSCREW, M10X20, GR8.8, (torque to 50 Nm/37 lb-ft)	
5	0761012	AR	HEX HD CAPSCREW, M10X25, GR8.8, (torque to 50 Nm/37 lb-ft)	
6	0761014	AR	HEX HD CAPSCREW, M10X30, GR8.8, (torque to 50 Nm/37 lb-ft)	
7	0761015	AR	HEX HD CAPSCREW, M10X35, GR8.8, (torque to 50 Nm/37 lb-ft)	
8	0761210	AR	HEX HD CAPSCREW, M12X20, GR8.8, (torque to 90 Nm/66 lb-ft)	
9	0761212	AR	HEX HD CAPSCREW, M12X25, GR8.8, (torque to 90 Nm/66 lb-ft)	
10	0761214	AR	HEX HD CAPSCREW, M12X30, GR8.8, (torque to 90 Nm/66 lb-ft)	
23	4032110	AR	SOCKET HD CAPSCREW, M12X30	
24	4032111	AR	SOCKET HD CAPSCREW, M12X35	
25	4071085	AR	SHIM, 70X200X2mm	
26	4071093	AR	SHIM, 60X200X2mm	
27	4071098	AR	SHIM, 70X200X3mm	
28	4071099	AR	SHIM, 60X200X2mm	
29	4071104	AR	SHIM, 70X200X4mm	
30	4071107	AR	SHIM, 60X200X1mm	
31	4071108	AR	SPACER, 60X200X3mm	
32	4071109	AR	SPACER, 60X200X4mm	
33	4071110	AR	SHIM, 50X200X3mmS	
35	4700021	4	WEAR PAD	
36	4700030	1	WEAR PAD	
37	4700031	1	WEAR PAD	
38	4700047	2	WEAR PAD	
39	4740532	AR	WASHER, 12mm	
41	4812000	AR	WASHER, 10mm	
42	8002200	8	WEAR PAD	
43	8002637	AR	SPACER, 70X200X2mm	
44	8002904	8	SPACER, 50X200X1mm	
45	8003242	AR	SPACER, 50X200X1mm	
47	8008070	AR	SHIM, 50X200X2mm	
48	1001133564	1	WELDMENT	
49		Ref	BOOM INSTALLATION DECAL, (not shown), (See DECALS SECTION for Breakdown)	

## SECTION 2 - BOOM

FIGURE 2-10. THIRD BOOM SECTION - 4014PS

4014PS



ART\_31200722-2-10

**Note: Wear Pad Shimming:**

Whenever a shim is used with a pad, a spacer with holes must be inserted between pad and shim.

The wear pad or wear pad insert must not sit directly on the slotted surface of shims.

Add wear pad shims and spacers as required to shim boom to maintain a total minimum gap of 0,5 to 1,5 mm (0.02 to 0.05 in) in both horizontal and vertical directions.

Wear pad bolts require one hardened washer. However, up to (2) hardened washers may be used except where noted otherwise. Under no circumstances should more than (2) hardened washers ever be used.

The length of pad bolts depends on the number of the shims used. The bolt cannot extend past chamfer on wear pad.

Add Lithium Grease (1001098457) to all wear pads and all wear pad slide pathways. If applicable, this includes all pad grease fittings at the rear of boom.



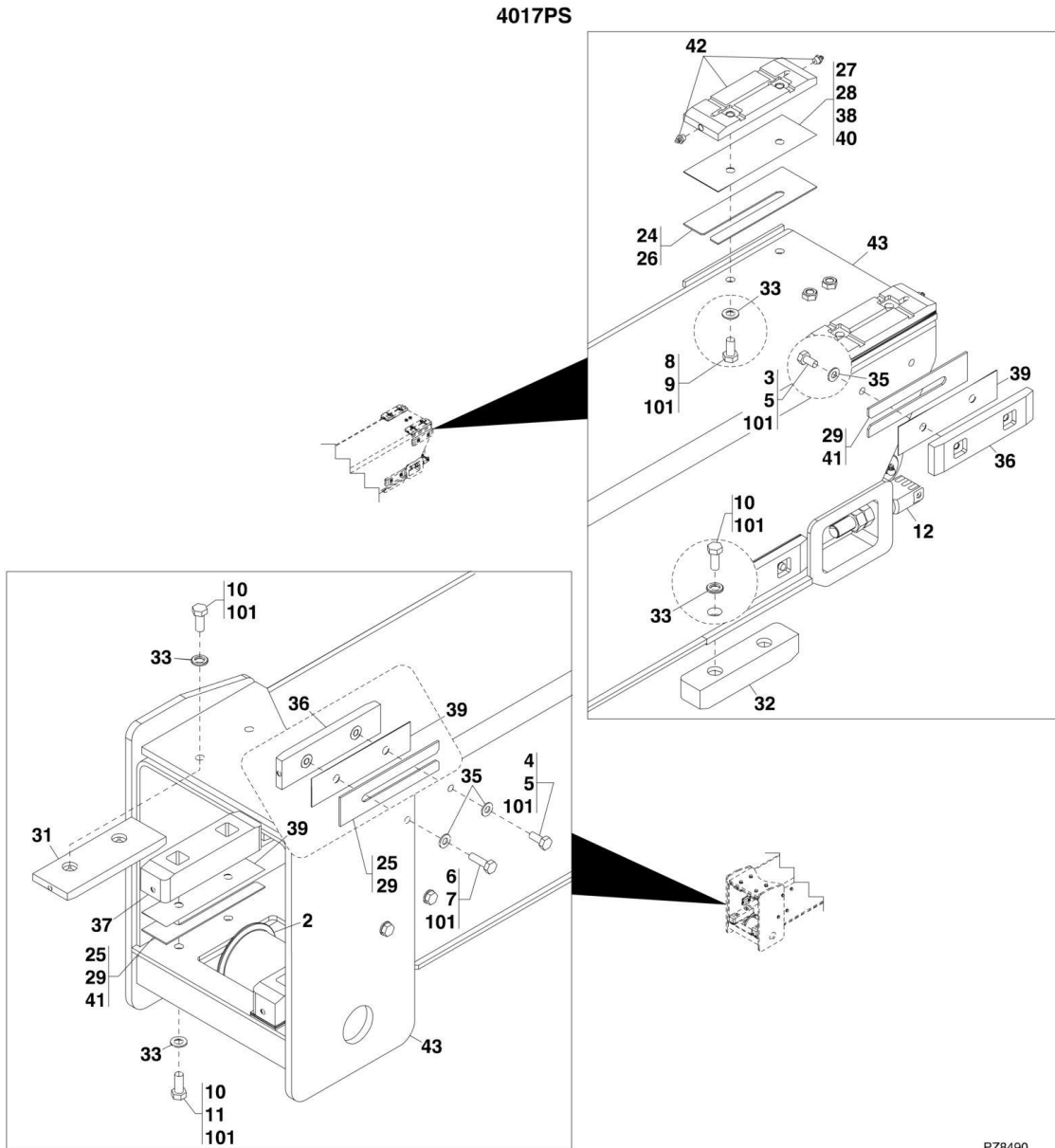
## SECTION 2 - BOOM

**FIGURE 2-10. THIRD BOOM SECTION - 4014PS**

ITEM	PART NUMBER	QTY	DESCRIPTION	REV
	1001133472	1	THIRD BOOM SECTION ASSEMBLY, (includes all items) <b>(Prior to SN 1160007217)</b>	C
	1001171453	1	THIRD BOOM SECTION ASSEMBLY, (includes all items) <b>(SN 1160007217 to Present)</b>	B
1	8002200	4	WEAR PAD	
2	1001003030	AR	SPACER, 50X198X0.75mm	
3	1001003031	AR	SPACER, 50X198X1.5mm	
4	1001009325	AR	TORX HD CAPSCREW, M10X25, GR8.8, (torque to 55 Nm/41 lb-ft)	
5	1001009326	AR	TORX HD CAPSCREW, M10X20, GR8.8, (torque to 55 Nm/41 lb-ft)	
6	1001090150	2	BUSHING	
7	1001096320	2	WEAR PAD	
8		Ref	BRACKET, (See HYDRAULIC CIRCUITS SECTION for Breakdown)	
9	1001104937	4	TORX HD CAPSCREW, M12X25, (torque to 90 Nm/66 lb-ft)	
10	1001105081	AR	TORX HD CAPSCREW, M10X30, GR8.8, (torque to 55 Nm/41 lb-ft)	
11	1001105350	AR	TORX HD CAPSCREW, M10X35 GR8.8, (torque to 55 Nm/41 lb-ft)	
12		Ref	BOOM HYDRAULIC COMPONENTS, (See HYDRAULIC CIRCUITS SECTION for Breakdown)	
13	1001125115	AR	WASHER, 10mm	
14	1001125117	AR	WASHER, 12mm	
15	1001133471	1	WELDMENT <b>(Prior to SN 1160007217)</b>	
15	1001171454	1	WELDMENT <b>(SN 1160007217 to Present)</b>	
101	1001095650	AR	LOCTITE 243	

# SECTION 2 - BOOM

## FIGURE 2-11. THIRD BOOM SECTION - 4017PS



PZ8490

**Note: Wear Pad Shimming:**  
 Whenever a shim is used with a pad, a spacer with holes must be inserted between pad and shim.  
 The wear pad or wear pad insert must not sit directly on the slotted surface of shims.  
 Add wear pad shims and spacers as required to shim boom to maintain a total minimum gap of 0,5 to 1,5 mm (0.02 to 0.05 in) in both horizontal and vertical directions.  
 Wear pad bolts require one hardened washer. However, up to (2) hardened washers may be used except where noted otherwise. Under no circumstances should more than (2) hardened washers ever be used.  
 The length of pad bolts depends on the number of the shims used. The bolt cannot extend past chamfer on wear pad.  
 Add Lithium Grease (1001098457) to all wear pads and all wear pad slide pathways. If applicable, this includes all pad grease fittings at the rear of boom.

## SECTION 2 - BOOM

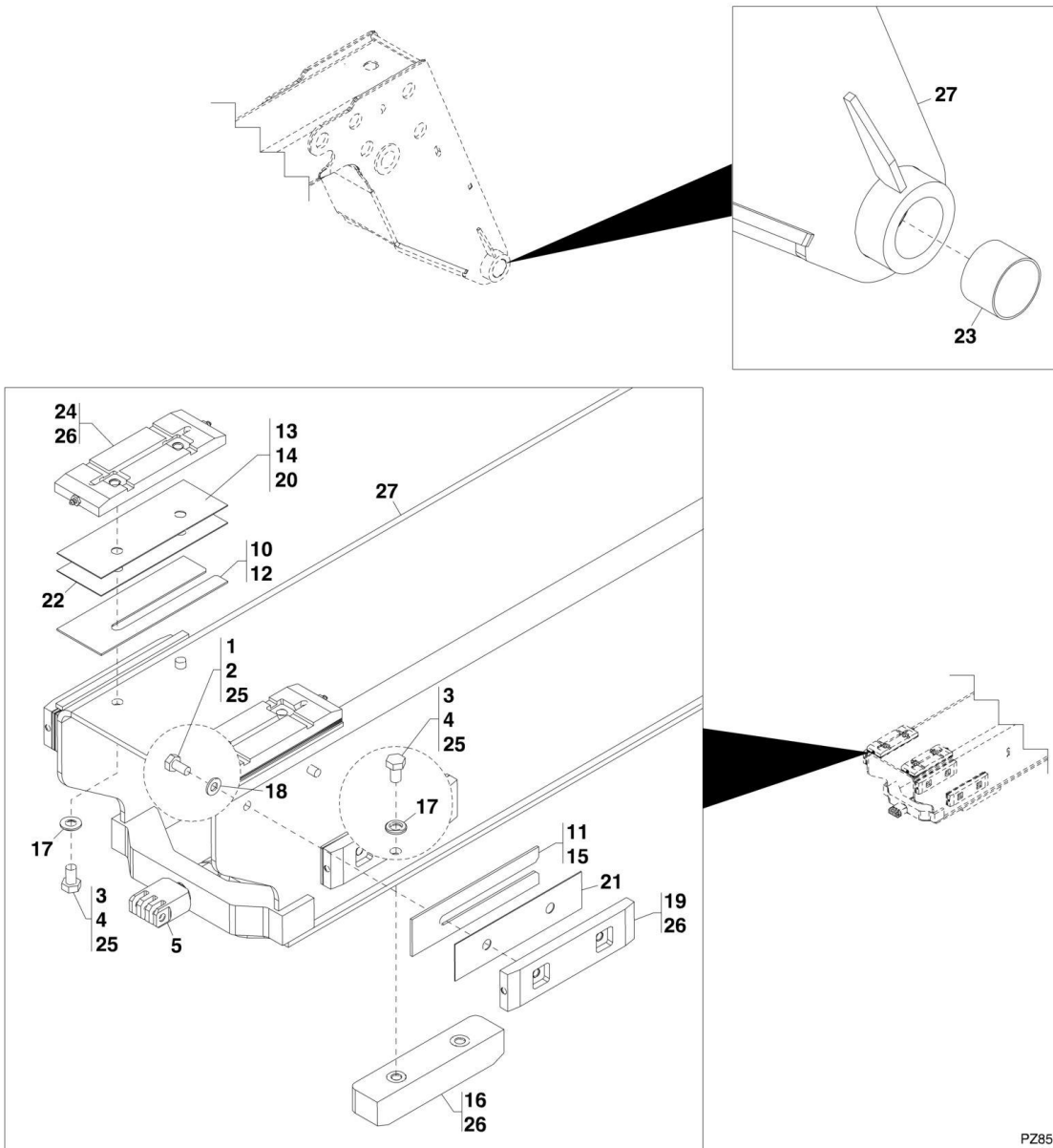
**FIGURE 2-11. THIRD BOOM SECTION - 4017PS**

ITEM	PART NUMBER	QTY	DESCRIPTION	REV
	1001133567	1	THIRD BOOM SECTION ASSEMBLY, (includes all items)	A
2		Ref	EXTEND CHAIN COMPONENTS, (See EXTEND CHAINS for Breakdown)	
3	0761010	AR	HEX HD CAPSCREW, M10X20, GR8.8, (torque to 55 Nm/41 lb-ft)	
4	0761011	AR	HEX HD CAPSCREW, M10X20, GR8.8, (torque to 55 Nm/41 lb-ft)	
5	0761012	AR	HEX HD CAPSCREW, M10X25, GR8.8, (torque to 55 Nm/41 lb-ft)	
6	0761015	AR	HEX HD CAPSCREW, M10X35, GR8.8, (torque to 55 Nm/41 lb-ft)	
7	0761016	AR	HEX HD CAPSCREW, M10X40, GR8.8, (torque to 55 Nm/41 lb-ft)	
8	0761210	AR	HEX HD CAPSCREW, M12X20, GR8.8, (torque to 90 Nm/66 lb-ft)	
9	0761212	AR	HEX HD CAPSCREW, M12X25, GR8.8, (torque to 90 Nm/66 lb-ft)	
10	0761214	AR	HEX HD CAPSCREW, M12X30, GR8.8, (torque to 90 Nm/66 lb-ft)	
11	0761215	AR	HEX HD CAPSCREW, M12X35, GR8.8, (torque to 90 Nm/66 lb-ft)	
12		Ref	RETRACT CHAIN COMPONENTS, (See RETRACT CHAINS for Breakdown)	
24	4071085	AR	SHIM, 70X200X2mm	
25	4071087	AR	SHIM, 50X200X4mm	
26	4071104	AR	SHIM, 70X200X4mm	
27	4071105	AR	SPACER, 70X200X3mm	
28	4071106	AR	SPACER, 70X200X4mm	
29	4071110	AR	SHIM, 50X200X3mm	
31	4700021	2	WEAR PAD	
32	4700032	2	WEAR PAD	
33	4740532	AR	WASHER, 12mm	
35	4812000	AR	WASHER, 10mm	
36	8002200	8	WEAR PAD	
37	8002201	2	WEAR PAD	
38	8002637	AR	SPACER, 70X200X2mm	
39	8002904	AR	SPACER, 50X200X1mm	
40	8003242	AR	SPACER, 50X200X1mm	
41	8008070	AR	SHIM, 50X200X2mm	
42	1001093784	2	WEAR PAD, (includes grease fittings)	
43	1001133566	1	WELDMENT	
101	1001095650	AR	LOCTITE 243	

## SECTION 2 - BOOM

FIGURE 2-12. FOURTH BOOM SECTION - 4017PS

4017PS



PZ8500

**Note: Wear Pad Shimming:**  
 Whenever a shim is used with a pad, a spacer with holes must be inserted between pad and shim.  
 The wear pad or wear pad insert must not sit directly on the slotted surface of shims.  
 Add wear pad shims and spacers as required to shim boom to maintain a total minimum gap of 0,5 to 1,5 mm (0.02 to 0.05 in) in both horizontal and vertical directions.  
 Wear pad bolts require one hardened washer. However, up to (2) hardened washers may be used except where noted otherwise. Under no circumstances should more than (2) hardened washers ever be used.  
 The length of pad bolts depends on the number of the shims used. The bolt cannot extend past chamfer on wear pad.  
 Add Lithium Grease (1001098457) to all wear pads and all wear pad slide pathways. If applicable, this includes all pad grease fittings at the rear of boom.

## SECTION 2 - BOOM

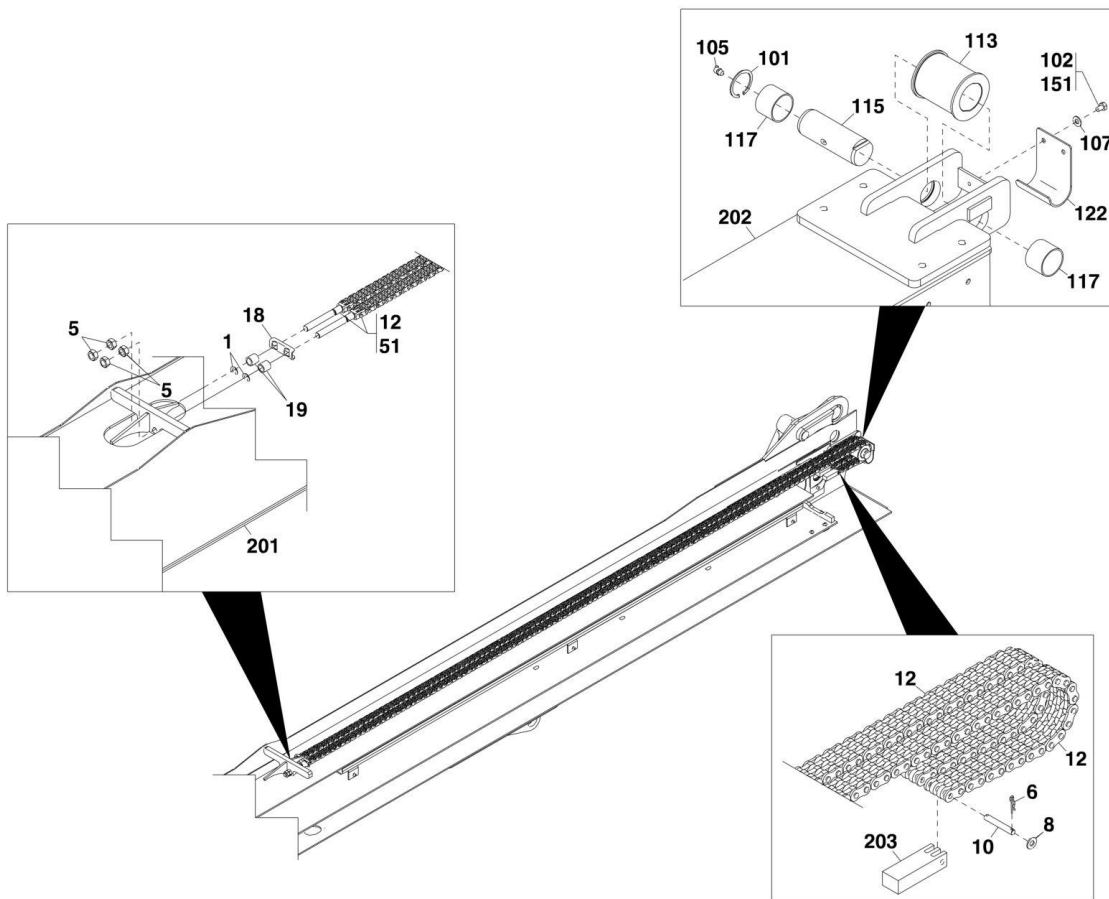
**FIGURE 2-12. FOURTH BOOM SECTION - 4017PS**

ITEM	PART NUMBER	QTY	DESCRIPTION	REV
	1001133484	1	FOURTH BOOM SECTION ASSEMBLY, (includes all items)	B
1	0761010	AR	HEX HD CAPSCREW, M10X20, GR8.8, (torque to 50 Nm/37 lb-ft)	
2	0761012	AR	HEX HD CAPSCREW, M10X25, GR8.8, (torque to 50 Nm/37 lb-ft)	
3	0761210	AR	HEX HD CAPSCREW, M12X20, GR8.8, (torque to 90 Nm/66 lb-ft)	
4	0761212	AR	HEX HD CAPSCREW, M12X25, GR8.8, (torque to 90 Nm/66 lb-ft)	
5		Ref	RETRACT CHAIN COMPONENTS, (See RETRACT CHAINS for Breakdown)	
10	4071085	AR	SHIM, 70X200X2mm	
11	4071087	AR	SHIM, 50X200X4mm	
12	4071104	AR	SHIM, 70X200X4mm	
13	4071105	AR	SPACER, 70X200X3mm	
14	4071106	AR	SPACER, 70X200X4mm	
15	4071110	AR	SHIM, 50X200X3mm	
16	4700032	2	WEAR PAD	
17	4740532	AR	WASHER, 12mm	
18	4812000	AR	WASHER, 10mm	
19	8002200	4	WEAR PAD	
20	8002637	AR	SPACER, 70X200X2mm	
21	8002904	4	SPACER, 50X200X1mm	
22	8003242	2	SPACER, 50X200X1mm	
23	1001090150	2	BUSHING	
24	1001093784	2	WEAR PAD, (includes grease fittings)	
25	1001095650	AR	LOCTITE 243	
26	1001098457	AR	LITHIUM GREASE	
27	1001133483	1	WELDMENT	

# SECTION 2 - BOOM

## FIGURE 2-13. EXTEND CHAINS - 4014PS

4014PS



PZ8540

## SECTION 2 - BOOM

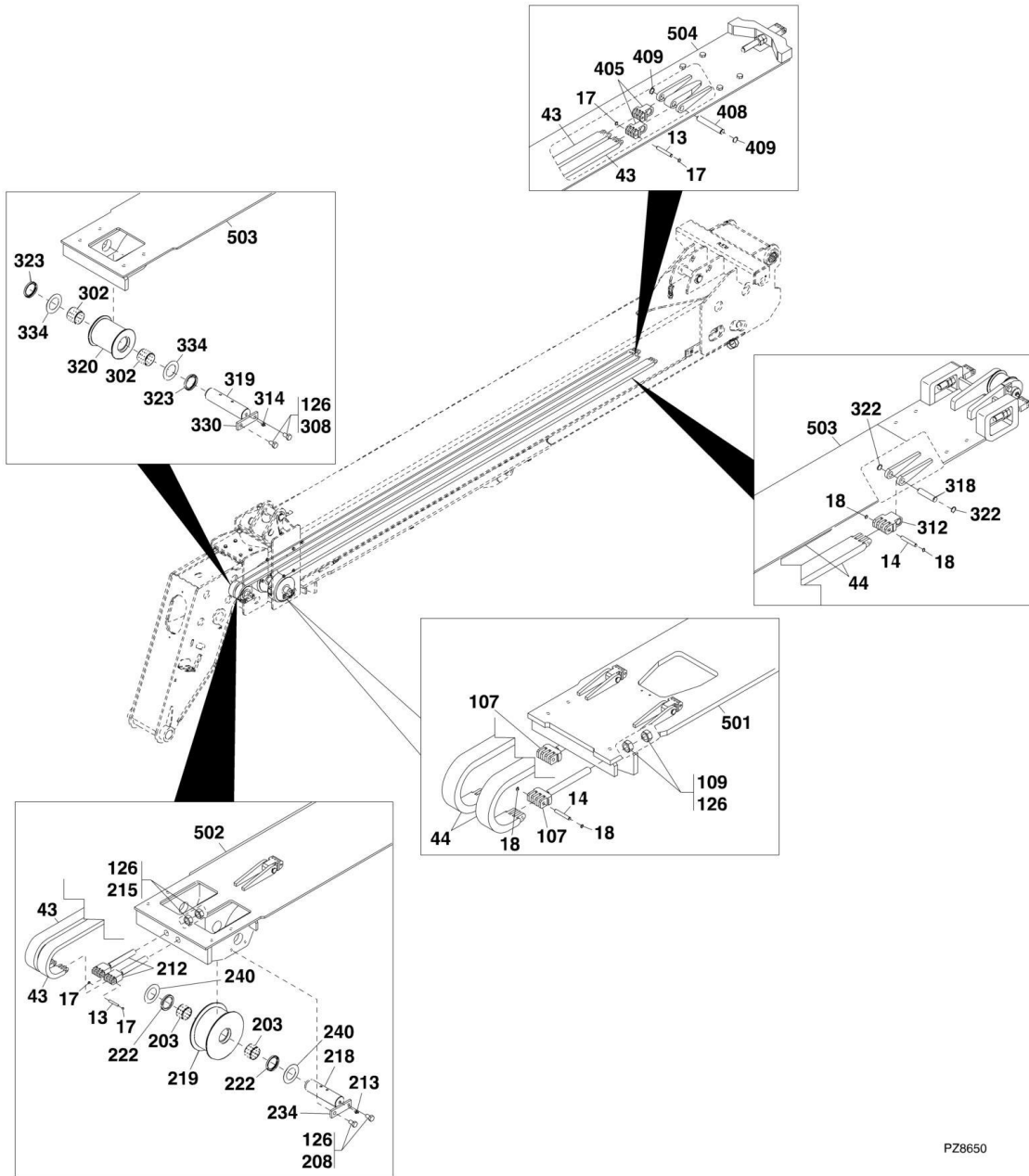
**FIGURE 2-13. EXTEND CHAINS - 4014PS**

ITEM	PART NUMBER	QTY	DESCRIPTION	REV
1	130029	2	CIRCLIP	
5	3292001	4	HEX NUT, M20X2.5, (torque adjusting nut to 60 Nm/44.2 lb-ft), (torque locking nut to 120 Nm/88.5 lb-ft)	
6	3470003	4	PIN	
8	4811900	4	WASHER, 8mm	
10	1001099166	2	PIN	
12	1001106516	2	CHAIN ASSEMBLY, (includes item 51)	B
18	1001108954	1	BRACKET	
19	1001109023	2	SPACER	
51	1001105743	1	CLEVIS	
101	314689	1	RETAINING RING	
102	0760806	2	HEX HD CAPSCREW, M8X12, GR8.8, (torque to 28 Nm/21 lb-ft)	
105	2160017	1	GREASE FITTING	
107	4811900	2	WASHER, 8mm	
113	1001090393	1	PULLEY	
115	1001092535	1	PIN	
117	1001092542	2	BUSHING	
122	1001097371	1	BRACKET	
151	1001095650	AR	LOCTITE 243	
201		Ref	FIRST BOOM SECTION, (See FIRST BOOM SECTION for Breakdown)	
202		Ref	SECOND BOOM SECTION, (See SECOND BOOM SECTION for Breakdown)	
203		Ref	THIRD BOOM SECTION, (See THIRD BOOM SECTION for Breakdown)	

# SECTION 2 - BOOM

## FIGURE 2-14. EXTEND CHAINS - 4017PS

4017PS



PZ8650



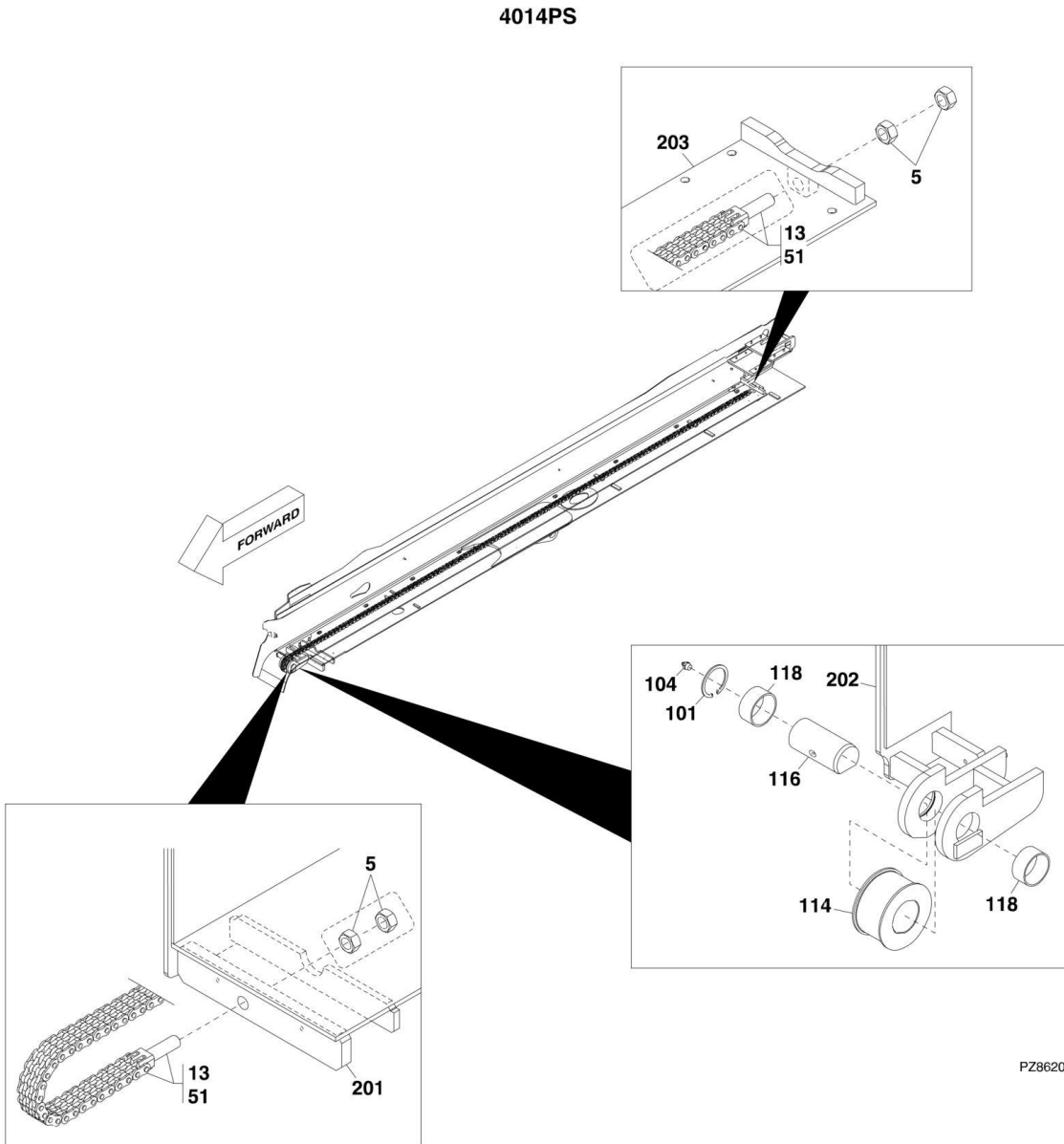
## SECTION 2 - BOOM

**FIGURE 2-14. EXTEND CHAINS - 4017PS**

ITEM	PART NUMBER	QTY	DESCRIPTION	REV
13	3423116	4	PIN	
14	3423119	4	PIN	
17	3760489	8	RETAINING RING	
18	3760490	8	RETAINING RING	
43	1260393	2	CHAIN	
44	1260391	2	CHAIN	
107	1360279	2	CLEVIS	
109	3292401	4	HEX NUT, M24X3	
126	1001095650	AR	LOCTITE 243	
203	0440298	4	BUSHING	
208	0761210	4	HEX HD CAPSCREW, M12X20, GR8.8, (torque to 97 Nm/72 lb-ft)	
212	1360282	2	CLEVIS	
213	2160016	2	GREASE FITTING	
215	3292001	4	HEX NUT, M20X2.5	
218	3423118	2	PIN	
219	3580330	2	PULLEY	
222	3960585	4	SEAL	
234	4220215	2	PLATE	
240	4740535	4	WASHER	
302	0440296	2	BUSHING	
308	0761210	2	HEX HD CAPSCREW, M12X20, GR8.8, (torque to 97 Nm/72 lb-ft)	
312	1360277	2	CLEVIS	
314	2160016	1	GREASE FITTING	
318	3423120	2	PIN	
319	3423121	1	PIN	
320	3580332	1	PULLEY	
322	3760488	4	RETAINING RING	
323	3960585	2	SEAL	
330	4220215	1	PLATE	
334	4740535	2	WASHER	
405	1360276	2	CLEVIS	
408	3423123	1	PIN	
409	3760488	2	RETAINING RING	
501		Ref	FIRST BOOM SECTION, (See FIRST BOOM SECTION for Breakdown)	
502		Ref	SECOND BOOM SECTION, (See SECOND BOOM SECTION for Breakdown)	
503		Ref	THIRD BOOM SECTION, (See THIRD BOOM SECTION for Breakdown)	
504		Ref	FOURTH BOOM SECTION, (See FOURTH BOOM SECTION for Breakdown)	

# SECTION 2 - BOOM

## FIGURE 2-15. RETRACT CHAINS - 4014PS



## SECTION 2 - BOOM

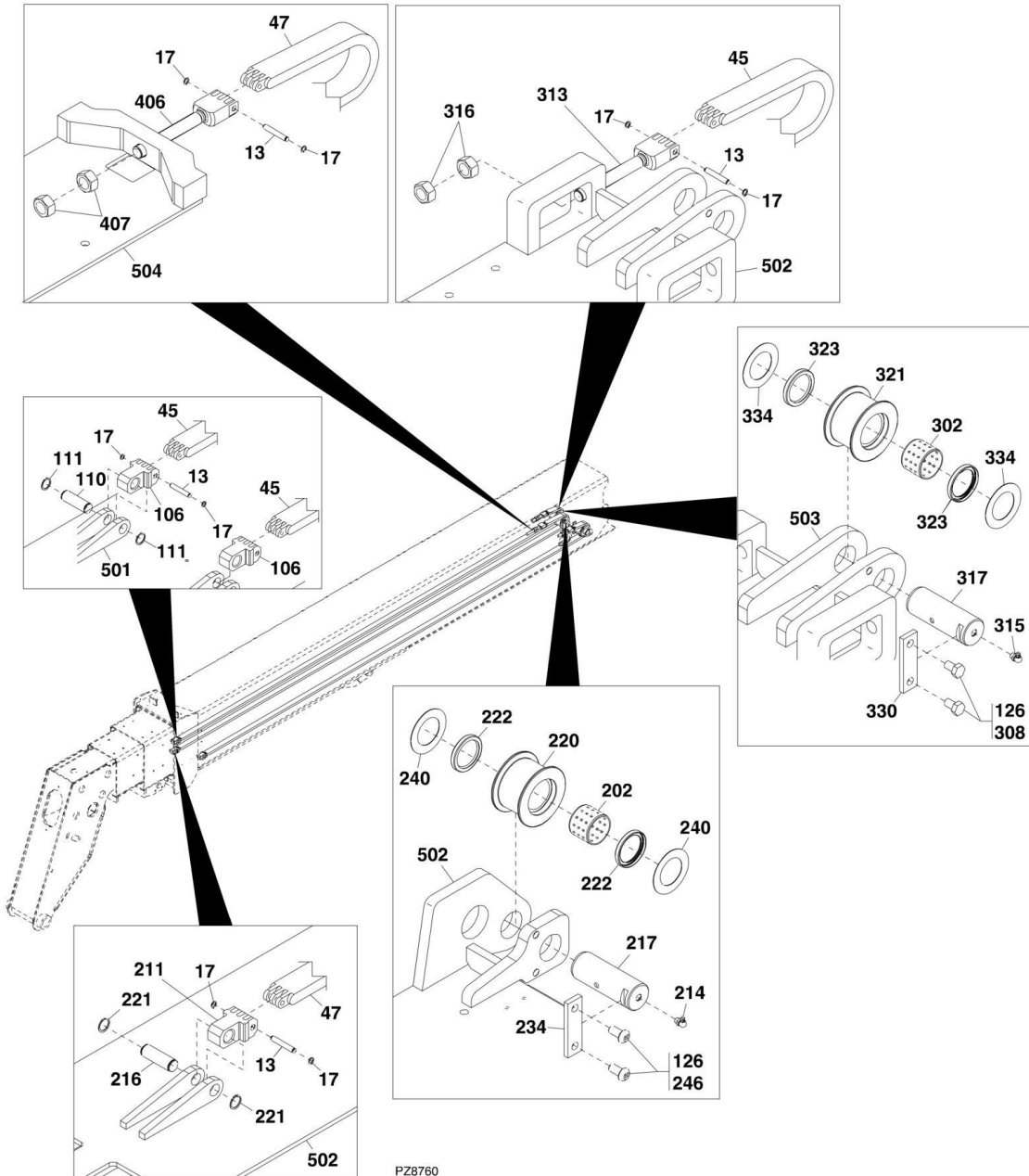
**FIGURE 2-15. RETRACT CHAINS - 4014PS**

ITEM	PART NUMBER	QTY	DESCRIPTION	REV
5	3292001	4	HEX NUT, M20X2.5, (torque nuts together at 120 Nm/88.5 lb-ft)	
13	1001106528	1	CHAIN ASSEMBLY, (includes item 51)	B
51	1001106532	2	CLEVIS	
101	314689	1	RETAINING RING	
104	2160016	1	GREASE FITTING	
114	1001090394	1	PULLEY	
116	1001092536	1	PIN	
118	1001092543	2	BUSHING	
201		Ref	FIRST BOOM SECTION, (See FIRST BOOM SECTION for Breakdown)	
202		Ref	SECOND BOOM SECTION, (See SECOND BOOM SECTION for Breakdown)	
203		Ref	THIRD BOOM SECTION, (See THIRD BOOM SECTION for Breakdown)	

# SECTION 2 - BOOM

## FIGURE 2-16. RETRACT CHAINS - 4017PS

4017PS



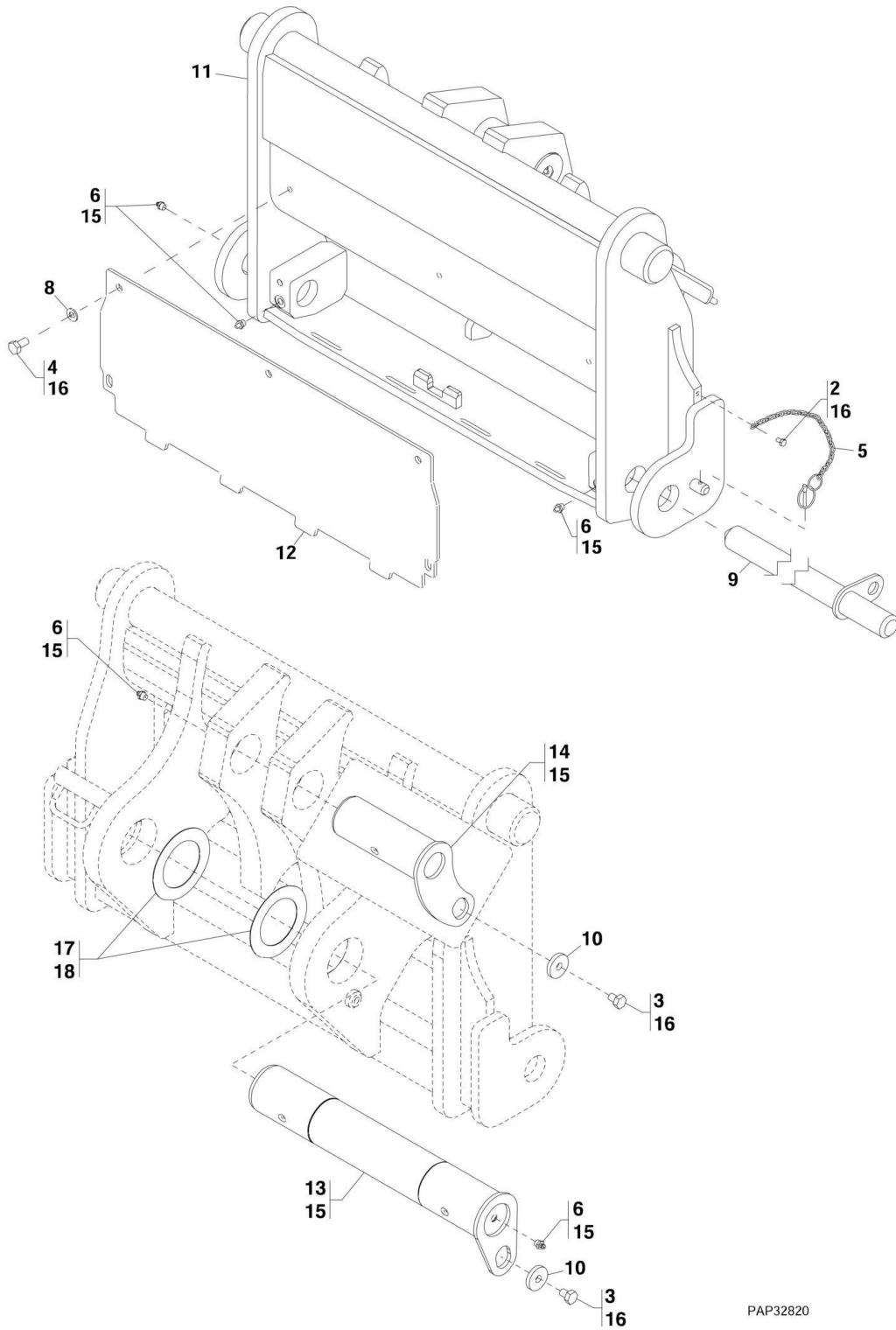
## SECTION 2 - BOOM

**FIGURE 2-16. RETRACT CHAINS - 4017PS**

ITEM	PART NUMBER	QTY	DESCRIPTION	REV
13	3423116	6	PIN	
17	3760489	10	RETAINING RING	
45	1260392	2	CHAIN	
47	1260394	1	CHAIN	
106	1360276	2	CLEVIS	
110	3423110	2	PIN	
111	3760488	4	RETAINING RING	
126	1001095650	AR	LOCTITE 243	
202	0440296	2	BUSHING	
211	1360276	1	CLEVIS	
214	2160018	2	GREASE FITTING	
216	3423110	1	PIN	
217	3423117	2	PIN	
220	3580336	2	PULLEY	
221	3760488	2	RETAINING RING	
222	3960585	4	SEAL	
234	4220215	2	PLATE	
240	4740535	4	WASHER	
246	8008055	4	BUTTON HD CAPSCREW, M12X20	
302	0440296	1	BUSHING	
308	0761210	2	HEX HD CAPSCREW, M12X20, GR8.8, (torque to 97 Nm/72 lb-ft)	
313	1360278	2	CLEVIS	
315	2160018	1	GREASE FITTING	
316	3292001	4	HEX NUT, M20X2.5	
317	3423117	1	PIN	
321	3580336	1	PULLEY	
323	3960585	2	SEAL	
330	4220215	1	PLATE	
334	4740535	2	WASHER	
406	1360282	1	CLEVIS	
407	3292001	2	HEX NUT, M20X2.5	
501		Ref	FIRST BOOM SECTION, (See FIRST BOOM SECTION for Breakdown)	
502		Ref	SECOND BOOM SECTION, (See SECOND BOOM SECTION for Breakdown)	
503		Ref	THIRD BOOM SECTION, (See THIRD BOOM SECTION for Breakdown)	
504		Ref	FOURTH BOOM SECTION, (See FOURTH BOOM SECTION for Breakdown)	

# SECTION 2 - BOOM

## FIGURE 2-17. MANUAL QUICK ATTACH



PAP32820

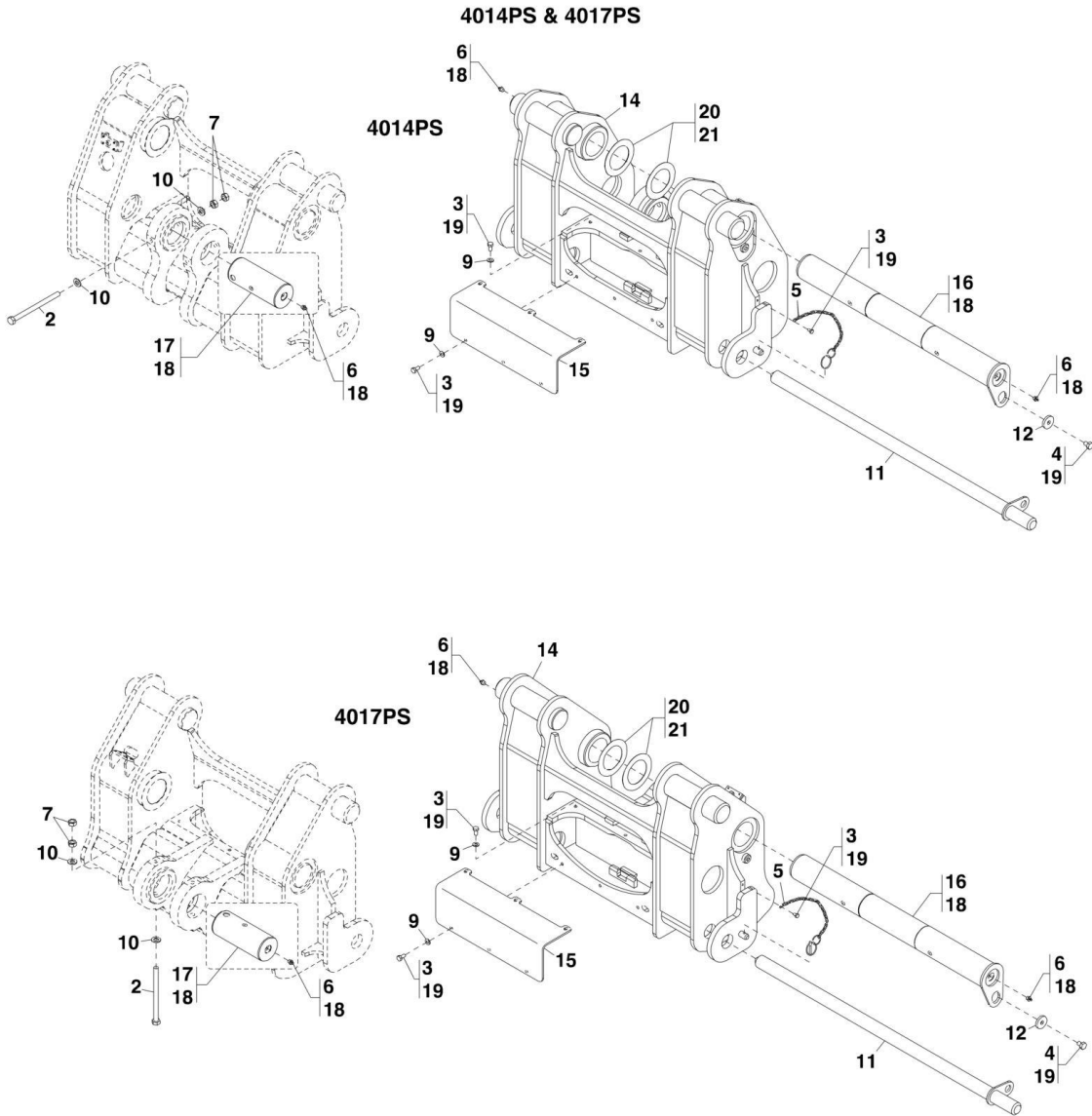
## SECTION 2 - BOOM

### FIGURE 2-17. MANUAL QUICK ATTACH

ITEM	PART NUMBER	QTY	DESCRIPTION	REV
	1001131347	Ref	MANUAL QUICK ATTACH INSTALLATION, (if equipped), (not available to order, see items 2 thru 18 for service)	F
2	0760605	1	HEX HD CAPSCREW, M6X10, GR8.8, (torque to 12 Nm/9 lb-ft)	
3	0761007	2	HEX HD CAPSCREW, M10X14, GR8.8, (torque to 55 Nm/40.5 lb-ft)	
4	0761010	5	HEX HD CAPSCREW, M10X20, GR8.8, (torque to 55 Nm/40.5 lb-ft)	
5	1001161673	1	CHAIN	
6	2160016	5	GREASE FITTING	
8	4812000	5	WASHER, 10mm	
9	1001162636	1	ROD	
10	1001008948	2	WASHER	
11	1001154471	1	WELDMENT	
12	1001154968	1	COVER	
13	1001132895	1	PIN	
14	1001132898	1	PIN	
15	1001098457	AR	LITHIUM GREASE	
16	1001095650	AR	LOCTITE 243	
17	1001098146	AR	SHIM, 72X110X0.5mm	
18	1001098147	AR	SHIM, 72X110X1.0mm	

# SECTION 2 - BOOM

## FIGURE 2-18. MANUAL QUICK ATTACH - 4014PS & 4017PS



PAP32830



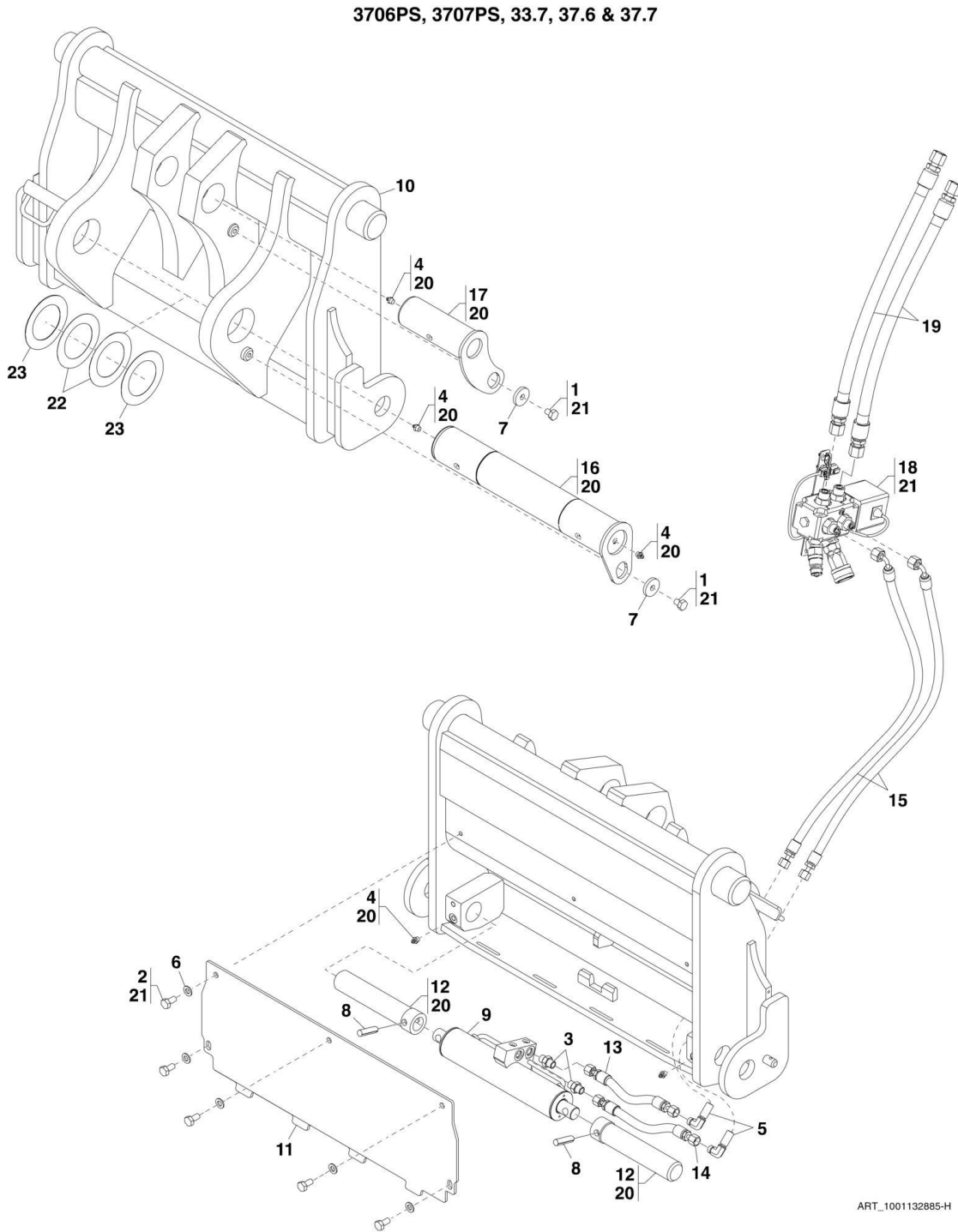
## SECTION 2 - BOOM

**FIGURE 2-18. MANUAL QUICK ATTACH - 4014PS & 4017PS**

ITEM	PART NUMBER	QTY	DESCRIPTION	REV
	1001136181	Ref	MANUAL QUICK ATTACH, (4014PS, if equipped), (not available to order, see items 2 thru 21 for service)	E
	1001137542	Ref	MANUAL QUICK ATTACH, (4017PS, if equipped), (4014PS - Germany, if equipped), (not available to order, see items 2 thru 21 for service)	F
2	0701234	1	HEX HD CAPSCREW, M12X170, GR8.8, (torque to 97 Nm/42 lb-ft)	
3	0760605	1	HEX HD CAPSCREW, M6X10, GR8.8, (torque to 12 Nm/9 lb-ft)	
4	0761007	1	HEX HD CAPSCREW, M10X14, GR8.8, (torque to 97 Nm/42 lb-ft)	
5	1001161673	1	CHAIN	
6	2160016	3	GREASE FITTING	
7	3291201	2	HEX NUT, M12X1.75	
9	4811900	6	WASHER, 8mm	
10	4812100	2	WASHER, 12mm	
11	1001162636	1	ROD	
12	1001008948	1	WASHER	
13	0760808	6	HEX HD CAPSCREW, M8X16, GR8.8, (torque to 28 Nm/21 lb-ft)	
14	1001136183	1	WELDMENT, (4014PS)	
14	1001137544	1	WELDMENT, (4017PS), (4014PS - Germany, if equipped)	
15	1001156994	1	COVER, (4014PS)	
15	1001156995	1	COVER, (4017PS), (4014PS - Germany, if equipped)	
16	1001136211	1	PIN, (4014PS)	
16	1001137555	1	PIN, (4017PS), (4014PS - Germany, if equipped)	
17	1001136214	1	PIN	
18	1001098457	AR	LITHIUM GREASE	
19	1001095650	AR	LOCTITE 243	
20	1001098146	AR	SHIM, 72X110X0.5mm	
21	1001098147	AR	SHIM, 72X110X1.0mm	

# SECTION 2 - BOOM

## FIGURE 2-19. HYDRAULIC QUICK ATTACH - 3706PS, 3707PS, 33.7, 37.6 & 37.7



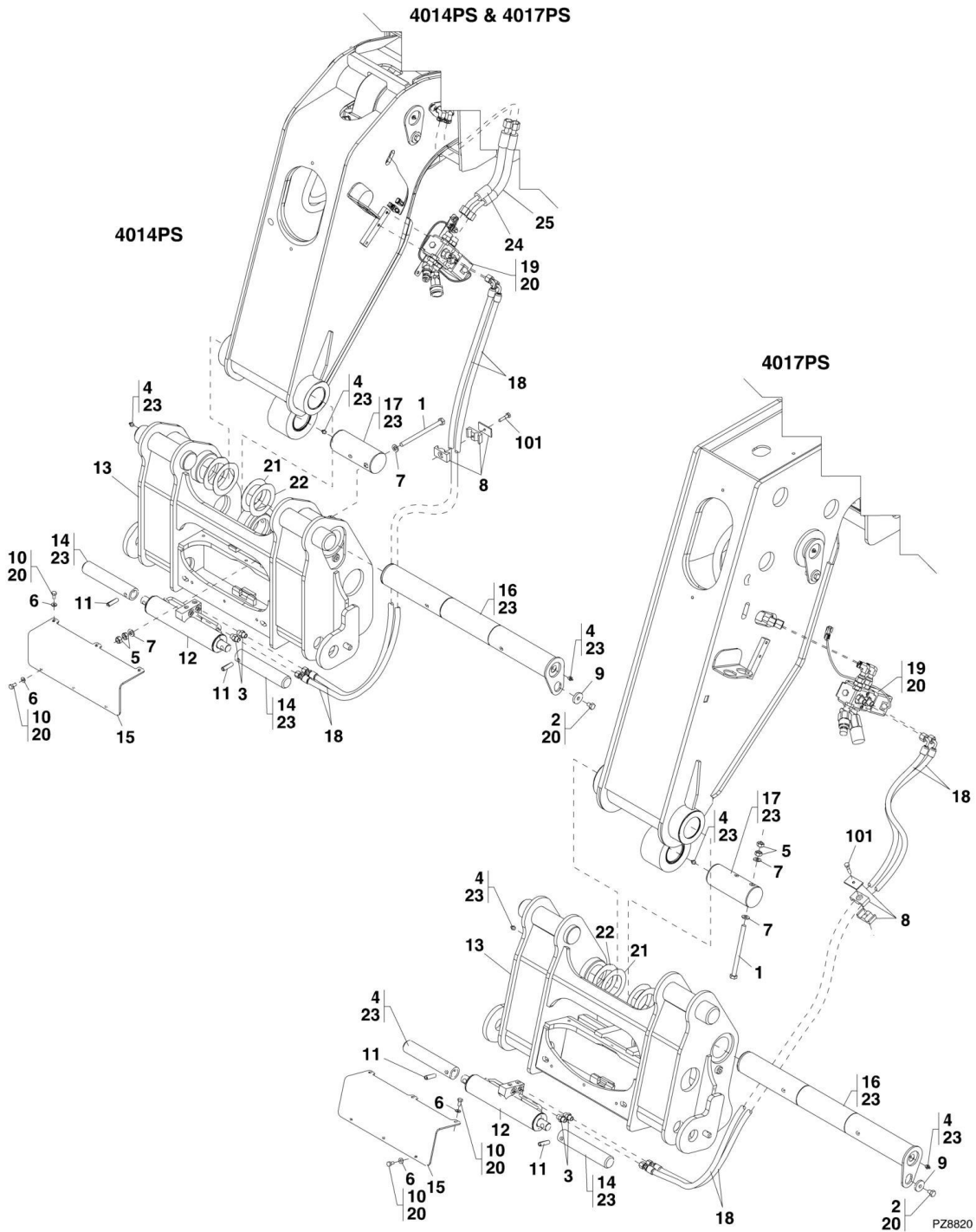
## SECTION 2 - BOOM

**FIGURE 2-19. HYDRAULIC QUICK ATTACH - 3706PS, 3707PS, 33.7, 37.6 & 37.7**

ITEM	PART NUMBER	QTY	DESCRIPTION	REV
	1001132885	Ref	HYDRAULIC QUICK ATTACH INSTALLATION, (if equipped), (includes all items)	H
1	0761007	2	HEX HD CAPSCREW, M10X14, GR8.8, (torque to 55 Nm/40.5 lb-ft)	
2	0761010	5	HEX HD CAPSCREW, M10X20, GR8.8, (torque to 55 Nm/40.5 lb-ft)	
3	2110406	2	STRAIGHT FITTING, (includes o-ring)	
4	2160016	5	GREASE FITTING	
5	2171204	2	ADAPTER, 90, (includes o-ring)	
6	4812000	5	WASHER, 10mm	
7	1001008948	2	WASHER	
8	1001101539	2	<b>PIN (Prior to SN 1160007696)</b>	
8	1001184610	2	<b>PIN (SN 1160007696 to Present)</b>	
9		Ref	QUICK ATTACH CYLINDER, (See HYDRAULIC COMPONENTS SECTION for Breakdown)	
10	1001131348	1	<b>WELDMENT (Prior to SN 1160007696)</b>	
10	1001154471	1	<b>WELDMENT (SN 1160007696 to Present)</b>	
11	1001132884	1	<b>COVER (Prior to SN 1160007696)</b>	
11	1001154968	1	<b>COVER (SN 1160007696 to Present)</b>	
12	1001136209	2	<b>PIN (Prior to SN 1160007696)</b>	
12	1001177509	2	<b>PIN (SN 1160007696 to Present)</b>	
13	1001132887	1	HOSE ASSEMBLY	
14	1001132888	1	HOSE ASSEMBLY	
15	1001132889	2	HOSE ASSEMBLY	
16	1001132895	1	PIN	
17	1001132898	1	PIN	
18		Ref	BOOM AUXILIARY HYDRAULIC COMPONENTS, (See HYDRAULIC CIRCUITS SECTION for Breakdown)	
19	1001144651	2	HOSE ASSEMBLY	
20	1001098457	AR	LITHIUM GREASE	
21	1001095650	AR	LOCTITE 243	
22	1001098146	AR	SHIM, 72X110X0.5mm	
23	1001098147	AR	SHIM, 72X110X1.0mm	

# SECTION 2 - BOOM

## FIGURE 2-20. HYDRAULIC QUICK ATTACH - 4014PS & 4017PS



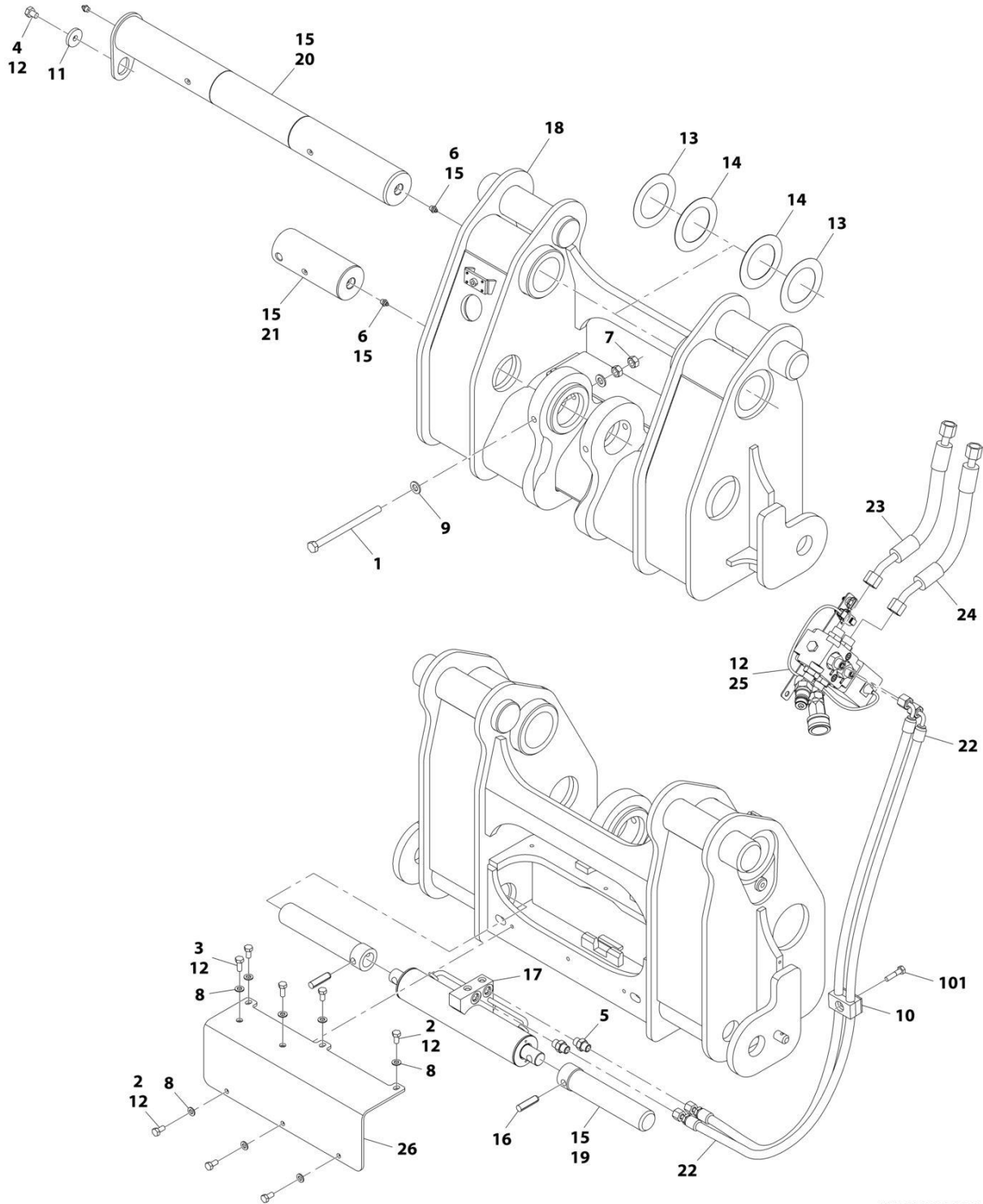
## SECTION 2 - BOOM

**FIGURE 2-20. HYDRAULIC QUICK ATTACH - 4014PS & 4017PS**

ITEM	PART NUMBER	QTY	DESCRIPTION	REV
	1001136182	Ref	HYDRAULIC QUICK ATTACH INSTALLATION, (4014PS, if equipped), (not available to order, see items 1 thru 25 for service)	F
	1001152412	Ref	HYDRAULIC QUICK ATTACH INSTALLATION, (Germany), (4014PS, if equipped), (not available to order, see items 1 thru 25 for service)	C
	1001137543	Ref	HYDRAULIC QUICK ATTACH INSTALLATION, (4017PS, if equipped), (not available to order, see items 1 thru 23 for service)	F
1	0701234	1	HEX HD CAPSCREW, M12X170, GR8.8, (torque to 97 Nm/72 lb-ft)	
2	0761007	1	HEX HD CAPSCREW, M10X14, GR8.8, (torque to 55 Nm/40.5 lb-ft)	
3	2110406	2	STRAIGHT FITTING, (includes o-ring)	
4	2160016	3	GREASE FITTING	
5	3291201	2	HEX NUT, M12X1.75	
6	4811900	6	WASHER, 8mm	
7	4812100	2	WASHER, 12mm	
8	1001006101	1	CLAMP ASSEMBLY, (includes item 101)	
9	1001008948	1	WASHER	
10	0760808	6	HEX HD CAPSCREW, M8X16, GR8.8, (torque to 28 Nm/21 lb-ft)	
11	1001184610	2	PIN	
12		Ref	QUICK ATTACH CYLINDER, (See HYDRAULIC COMPONENTS SECTION for Breakdown)	
13	1001136183	1	WELDMENT, (4014PS)	
13	1001137544	1	WELDMENT, (4017PS)	
14	1001177509	2	PIN	
15	1001156994	1	COVER, (4014PS)	
15	1001156995	1	COVER, (4017PS)	
16	1001136211	1	PIN, (4014PS)	
16	1001137555	1	PIN, (4017PS)	
17	1001136214	1	PIN	
18	1001136215	2	HOSE ASSEMBLY, (4014PS)	
18	1001137558	2	HOSE ASSEMBLY, (4017PS)	
19		Ref	BOOM AUXILIARY HYDRAULIC COMPONENTS, (See HYDRAULIC CIRCUITS SECTION for Breakdown)	
20	1001095650	AR	LOCTITE 243	
21	1001098146	AR	SHIM, 72X110X0.5mm	
22	1001098147	AR	SHIM, 72X110X1.0mm	
23	1001098457	AR	LITHIUM GREASE	
24	1001144683	1	HOSE ASSEMBLY, (4014PS)	
25	1001144684	1	HOSE ASSEMBLY, (4014PS)	
101	1001008784	1	BOLT, M8X1.25	

# SECTION 2 - BOOM

## FIGURE 2-21. HYDRAULIC QUICK ATTACH - 4014PS & 4017PS



ART\_31200722-2-21

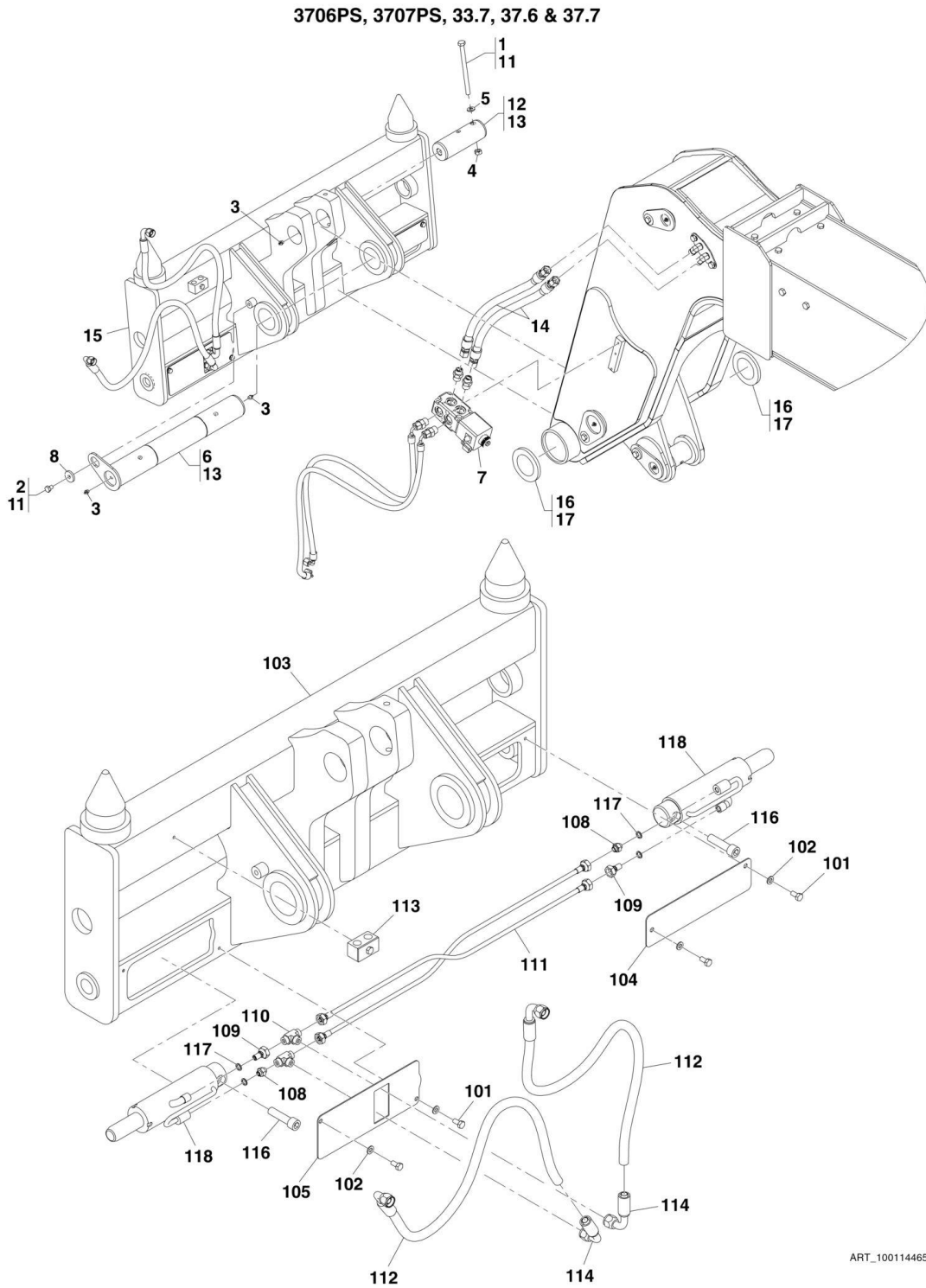
## SECTION 2 - BOOM

**FIGURE 2-21. HYDRAULIC QUICK ATTACH - 4014PS & 4017PS**

ITEM	PART NUMBER	QTY	DESCRIPTION	REV
	1001159275	Ref	HYDRAULIC QUICK ATTACH INSTALLATION, (if equipped with platform), (4014PS), (not available to order, see items 1 thru 26 for service)	B
	1001162500	Ref	HYDRAULIC QUICK ATTACH INSTALLATION, (if equipped with platform), (4014PS, Germany), (not available to order, see items 1 thru 26 for service)	B
	1001156990	Ref	HYDRAULIC QUICK ATTACH INSTALLATION, (if equipped with platform), (4017PS), (not available to order, see items 1 thru 24 for service)	B
1	0701234	1	HEX HD CAPSCREW, M12X170, GR8.8, (torque to 97 Nm/42 lb-ft)	
2	0760808	6	HEX HD CAPSCREW, M8X16, GR8.8, (torque to 28 Nm/21 lb-ft)	
3	0760810	2	HEX HD CAPSCREW, M8X20, GR8.8, (torque to 28 Nm/20.65 lb-ft)	
4	0761007	1	HEX HD CAPSCREW, M10X14, GR8.8, (torque to 55 Nm/40.56 lb-ft)	
5	2110406	2	CONNECTOR, (includes o-ring)	
6	2160016	3	GREASE FITTING	
7	3291201	2	HEX NUT, M12X1-3/4	
8	4811900	8	WASHER, 8mm	
9	4812100	2	WASHER, 10mm	
10	1001006101	1	CLAMP ASSEMBLY, (includes item 101)	
11	1001008948	1	WASHER	
12	1001095650	AR	LOCTITE 243	
13	1001098146	AR	SHIM, 72X110X0.5mm	
14	1001098147	AR	SHIM, 72X110X1.0mm	
15	1001098457	AR	LITHIUM GREASE	
16	1001184610	2	PIN	
17		Ref	QUICK ATTACH CYLINDER, (See HYDRAULIC COMPONENTS SECTION for Breakdown)	
18	1001177509	2	PIN	
19	1001136214	1	PIN	
20	1001136183	1	WELDMENT, (4014PS)	
20	1001137544	1	WELDMENT, (4017PS), (4014PS-Germany)	
21	1001136211	1	PIN, (4014PS)	
21	1001137555	1	PIN, (4017PS), (4014PS-Germany)	
22	1001136215	2	HOSE ASSEMBLY, (4014PS)	
22	1001137558	2	HOSE ASSEMBLY, (4017PS), (4014PS-Germany)	
23		Ref	BOOM AUXILIARY HYDRAULIC COMPONENTS, (See HYDRAULIC CIRCUITS SECTION for Breakdown)	
24	1001156817	1	COVER	
25	1001144683	1	HOSE ASSEMBLY	
26	1001144684	1	HOSE ASSEMBLY	
101	1001008784	1	BOLT, M8X1.25	

# SECTION 2 - BOOM

## FIGURE 2-22. JD QUICK ATTACH - 3706PS, 3707PS, 33.7, 37.6 & 37.7



ART\_1001144654-A



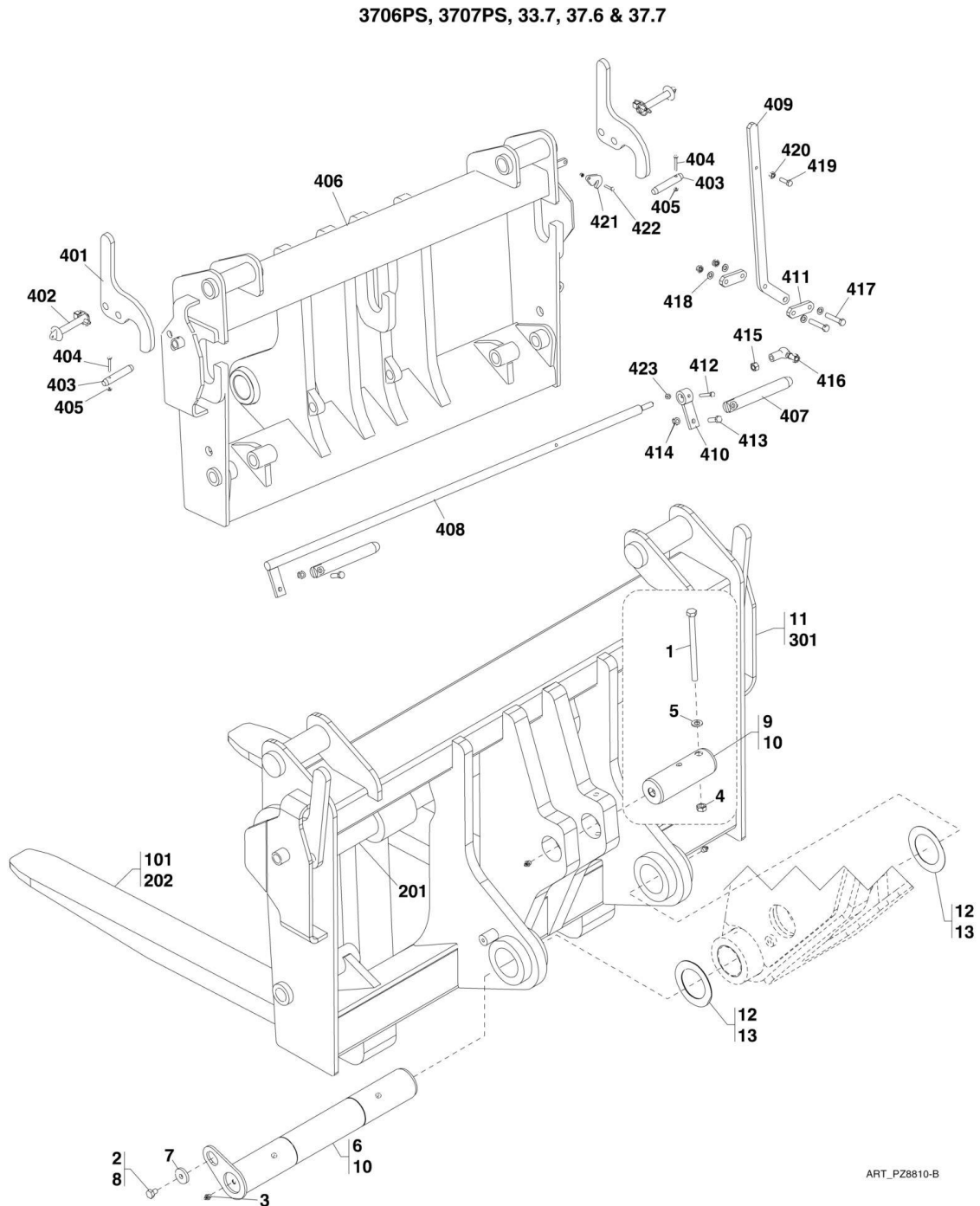
## SECTION 2 - BOOM

**FIGURE 2-22. JD QUICK ATTACH - 3706PS, 3707PS, 33.7, 37.6 & 37.7**

ITEM	PART NUMBER	QTY	DESCRIPTION	REV
	1001144654	Ref	JD QUICK ATTACH INSTALLATION, (if equipped), (not available to order, see items 1 thru 17 for service)	A
1	0711234	1	HEX HD CAPSCREW, M12X170, GR10.9, (torque to 95 Nm/70 lb-ft)	
2	0761007	1	HEX HD CAPSCREW, M10X14, GR8.8, (torque to 55 Nm/40.5 lb-ft)	
3	2160016	3	GREASE FITTING	
4	3291201	1	HEX NUT, M12X1.75	
5	4812100	1	WASHER, 12mm	
6	1001002523	1	PIN	
7		Ref	AUXILIARY BOOM HYDRAULIC COMPONENTS, (See HYDRAULIC CIRCUITS SECTION for Breakdown)	
8	1001008948	1	WASHER	
11	1001095650	AR	LOCTITE 243	
12	1001097141	1	PIN	
13	1001098457	AR	LITHIUM GREASE	
14	1001144651	2	HOSE ASSEMBLY	
15	1001101355	1	JD QUICK ATTACH ASSEMBLY, (includes items 101 thru 118)	E
16	1001098146	AR	SHIM, 72X110X0.5mm	
17	1001098147	AR	SHIM, 72X110X1.0mm	
101	0760808	4	HEX HD CAPSCREW, M8X16, GR8.8, (torque to 28 Nm/21 lb-ft)	
102	4811900	4	WASHER, 8mm	
103	1001101326	1	WELDMENT	
104	1001101356	1	PLATE	
105	1001101425	1	PLATE	
108	1001097661	2	STRAIGHT FITTING, (includes o-ring)	
109	1001097662	2	STRAIGHT FITTING, (includes o-ring)	
110	1001097663	2	TEE FITTING, (includes o-ring)	
111	1001097664	2	PIPE ASSEMBLY	
112	1001101584	2	PIPE ASSEMBLY	
113	1001097666	1	CLAMP, (includes screw and plate)	
114	1001101586	2	ADAPTER, 90, (includes o-ring)	
116	1001101587	2	BOLT, M14X55	
117	1001101590	4	O-RING	
118	1001104933	2	CYLINDER	
118	70022559	2	SEAL KIT	

# SECTION 2 - BOOM

## FIGURE 2-23. JCB MANUAL QUICK ATTACH - 3706PS, 3707PS, 33.7, 37.6 & 37.7



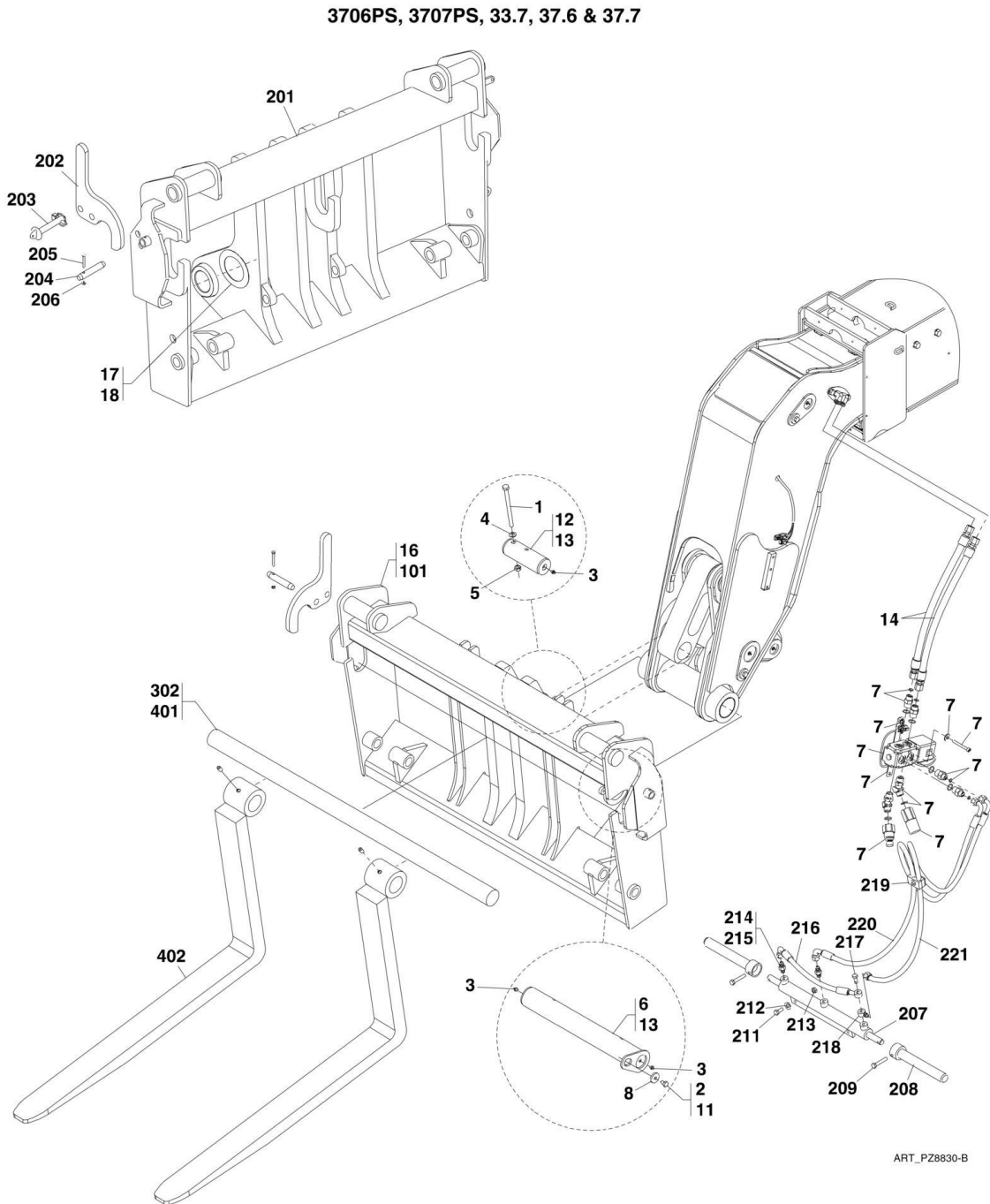
## SECTION 2 - BOOM

**FIGURE 2-23. JCB MANUAL QUICK ATTACH - 3706PS, 3707PS, 33.7, 37.6 & 37.7**

ITEM	PART NUMBER	QTY	DESCRIPTION	REV
	1001111813	Ref	JCB MANUAL QUICK ATTACH INSTALLATION, (if equipped) (not available to order, see items 1 thru 13 for service)	C
1	0711234	1	HEX HD CAPSCREW, M12X170, GR10.9, (torque to 115 Nm/85 lb-ft)	
2	0761007	1	HEX HD CAPSCREW, M10X14, GR8.8, (torque to 55 Nm/41 lb-ft)	
3	2160016	3	GREASE FITTING	
4	3291201	1	HEX NUT, M12X1.75	
5	4812100	1	WASHER, 12mm	
6	1001002523	1	PIN	
7	1001008948	1	WASHER	
8	1001095650	AR	LOCTITE 243	
9	1001097141	1	PIN	
10	1001098457	AR	LITHIUM GREASE	
11	1001111762	1	CARRIAGE AND FORK ASSEMBLY, (includes items 101 & 301)	D
12	1001098146	AR	SHIM, 72X110X0.5mm	
13	1001098147	AR	SHIM, 72X110X1.0mm	
101	1001111758	1	FORK AND BAR ASSEMBLY, (includes 201 & 202)	E
201	1001108133	1	BAR	
202	1001111757	2	FORK	
301	1001111767	1	CARRIAGE ASSEMBLY, (includes items 401 thru 423)	C
401	1001103192	2	HANDLE	
402	1001103193	2	PIN	
403	1001103194	2	PIN	
404	1001103195	2	BOLT	
405	1001103196	3	NUT	
406	1001111766	1	WELDMENT	
407	1001111772	2	LINK	
408	1001111773	1	LEVER	
409	1001111774	1	BRACKET	
410	1001111775	1	WELDMENT	
411	1001111776	2	BRACKET	
412	1001111836	1	BOLT	
413	1001111837	2	BOLT	
414	1001111838	4	NUT	
415	1001111839	1	NUT	
416	1001111840	1	BALL JOINT	
417	1001111841	2	BOLT	
418	1001111842	4	WASHER	
419	1001111843	1	BOLT	
420	1001111844	1	NUT	
421	1001111845	1	HOOK	
422	1001111846	1	BOLT	
423	1001111847	1	NUT	

# SECTION 2 - BOOM

## FIGURE 2-24. JCB HYDRAULIC QUICK ATTACH - 3706PS, 3707PS, 33.7, 37.6 & 37.7



## SECTION 2 - BOOM

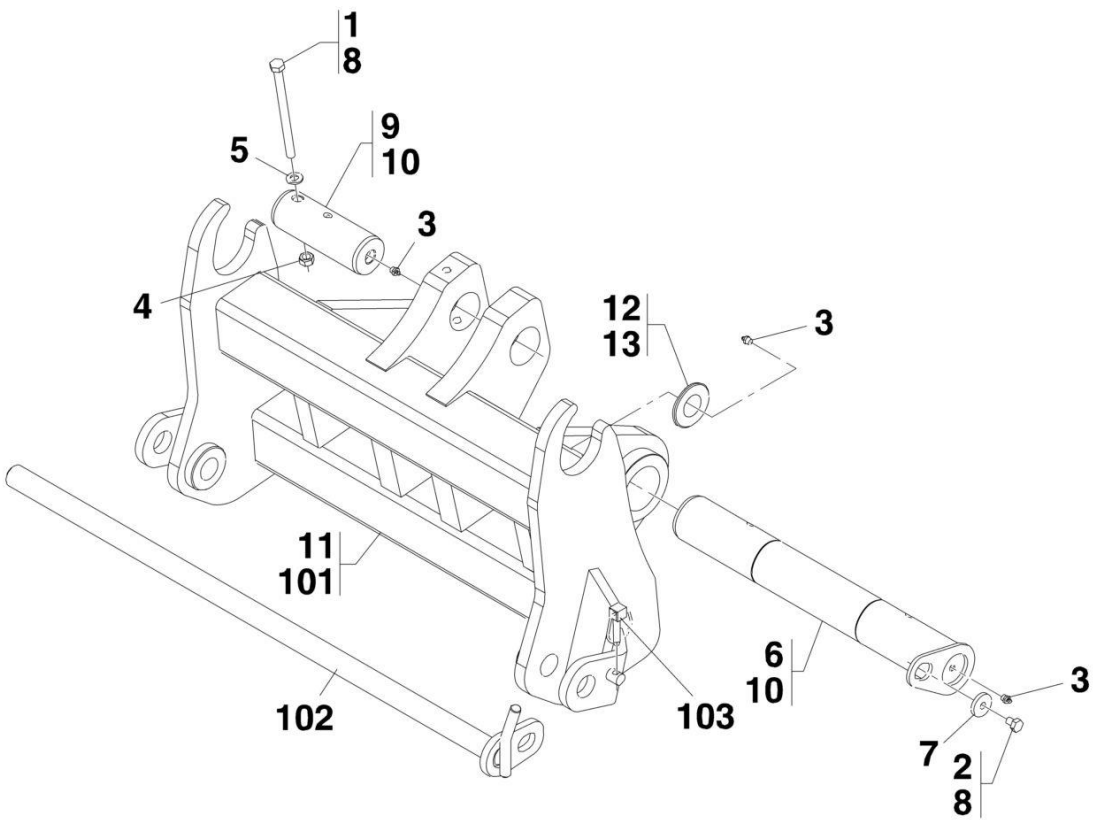
**FIGURE 2-24. JCB HYDRAULIC QUICK ATTACH - 3706PS, 3707PS, 33.7, 37.6 & 37.7**

ITEM	PART NUMBER	QTY	DESCRIPTION	REV
	1001144653	Ref	JCB HYDRAULIC QUICK ATTACH INSTALLATION, (if equipped), (not available to order, see items 1 thru 18 for service)	B
1	0711234	1	HEX HD CAPSCREW, M12X170, GR10.9, (torque to 115 Nm/85 lb-ft)	
2	0761007	1	HEX HD CAPSCREW, M10X14, GR8.8, (torque to 55 Nm/41 lb-ft)	
3	2160016	3	GREASE FITTING	
4	3291201	1	HEX NUT, M12X1.75	
5	4812100	1	WASHER, 12mm	
6	1001002523	1	PIN	
7		Ref	AUXILIARY BOOM HYDRAULIC COMPONENTS, (See HYDRAULIC CIRCUITS SECTION for Breakdown)	
8	1001008948	1	WASHER	
11	1001095650	AR	LOCTITE 243	
12	1001097141	1	PIN	
13	1001098457	AR	LITHIUM GREASE	
14	1001144651	2	HOSE ASSEMBLY	
16	1001111761	1	CARRIAGE AND FORK ASSEMBLY, (includes items 101 & 302)	D
17	1001098146	AR	SHIM, 72X110X0.5mm	
18	1001098147	AR	SHIM, 72X110X1.0mm	
101	1001102939	1	CARRIAGE ASSEMBLY, (includes items 201 thru 221)	F
201	1001101483	1	WELDMENT	
202	1001103192	2	HANDLE	
203	1001103193	2	PIN	
204	1001103194	2	PIN	
205	1001103195	2	BOLT	
206	1001103196	3	NUT	
207	1001103198	1	CYLINDER	
207	70023274	1	SEAL KIT	
208	1001103199	2	PIN	
209	1001103200	2	BOLT	
211	1001103202	2	BOLT	
212	1001103203	2	SPRING WASHER	
213	1001103204	2	NUT	
214	1001103205	5	O-RING	
215	1001103206	2	STRAIGHT FITTING	
216	1001103207	1	PIPE ASSEMBLY	
217	1001103208	1	BOLT	
218	1001103209	1	ADAPTER	
219	1001103533	1	CLAMP	
220	1001103230	1	PIPE ASSEMBLY	
221	1001103231	1	PIPE ASSEMBLY	
302	1001111758	1	FORK AND BAR ASSEMBLY, (includes 401 & 402)	E
401	1001108133	1	BAR	
402	1001111757	2	FORK	

# SECTION 2 - BOOM

## FIGURE 2-25. MANITOU MANUAL QUICK ATTACH

3706PS, 3707PS, 33.7, 37.6, 37.7, 4014PS & 4017PS



ART\_31200722-2-25

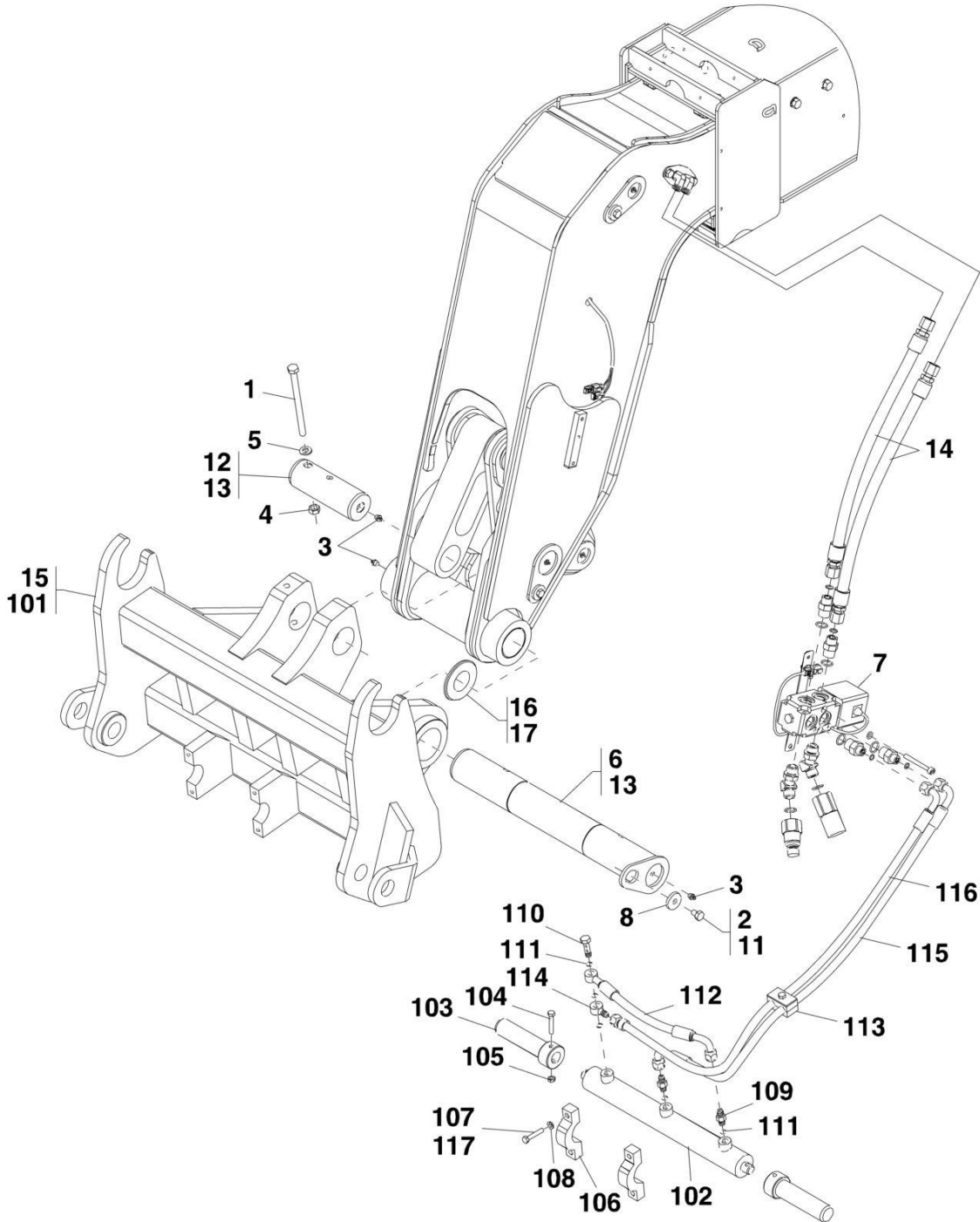
**FIGURE 2-25. MANITOU MANUAL QUICK ATTACH**

ITEM	PART NUMBER	QTY	DESCRIPTION	REV
	1001103157	Ref	MANITOU MANUAL QUICK ATTACH INSTALLATION, ( 3706PS, 3707PS, 33.7, 37.6 & 37.7), (if equipped), (not available to order, see items 1 thru 13 for service)	B
	1001171940	Ref	MANITOU MANUAL QUICK ATTACH INSTALLATION, (4014PS & 4017PS), (if equipped), (not available to order, see items 1 thru 13 for service)	A
1	0711234	1	HEX HD CAPSCREW, M12X170, GR10.9, (torque to 115 Nm/85 lb-ft)	
2	0761007	1	HEX HD CAPSCREW, M10X14, GR8.8, (torque to 55 Nm/41 lb-ft)	
3	2160016	3	GREASE FITTING	
4	3291201	1	HEX NUT, M12X1.75	
5	4812100	1	WASHER, 12mm	
6	1001002523	1	PIN, (3706PS, 3707PS, 33.7, 37.6 & 37.7)	
6	1001136214	1	PIN, (4014PS & 4017PS)	
7	1001008948	1	WASHER	
8	0100011	AR	LOCTITE 242, (3706PS, 3707PS, 33.7, 37.6 & 37.7)	
8	1001095650	AR	LOCTITE 242, (4014PS & 4017PS)	
9	1001097141	1	PIN, (3706PS, 3707PS, 33.7, 37.6 & 37.7)	
9	1001137555	1	PIN, (4014PS & 4017PS)	
10	1001098457	AR	LITHIUM GREASE	
11	1001103155	1	QUICK ATTACH ASSEMBLY, (3706PS, 3707PS, 33.7, 37.6 & 37.7), (includes items 101 thru 103)	A
11	1001171766	1	QUICK ATTACH ASSEMBLY, (4014PS & 4017PS), (includes items 101 thru 103)	A
12	1001098146	AR	SHIM, 72X110X0.5mm	
13	1001098147	AR	SHIM, 72X110X1.0mm	
101	1001101485	1	WELDMENT, (3706PS, 3707PS, 33.7, 37.6 & 37.7)	
101	1001172815	1	WELDMENT, (4014PS & 4017PS)	
102	1001104349	1	PIN	
103	1001104350	1	PIN	

# SECTION 2 - BOOM

FIGURE 2-26. MANITOU HYDRAULIC QUICK ATTACH - 3706PS, 3707PS, 33.7, 37.6 & 37.7

3706PS, 3707PS, 33.7, 37.6 & 37.7



ART\_1001144652-B



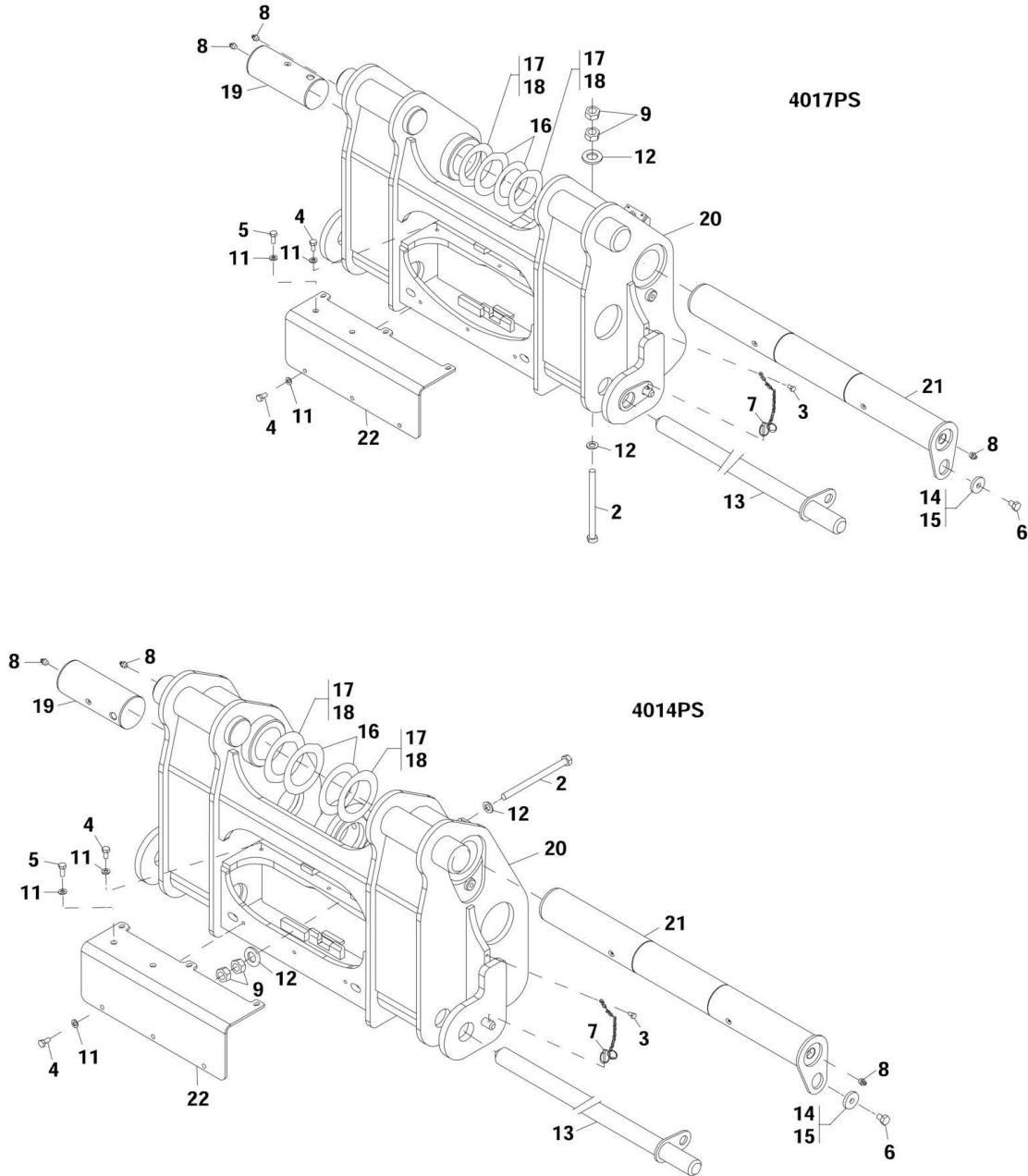
## SECTION 2 - BOOM

**FIGURE 2-26. MANITOU HYDRAULIC QUICK ATTACH - 3706PS, 3707PS, 33.7, 37.6 & 37.7**

ITEM	PART NUMBER	QTY	DESCRIPTION	REV
	1001144652	Ref	MANITOU HYDRAULIC QUICK ATTACH INSTALLATION, (if equipped), (not available to order, see items 1 thru 17 for service)	B
1	0711234	1	HEX HD CAPSCREW, M12X170, GR10.9, (torque to 115 Nm/85 lb-ft)	
2	0761007	1	HEX HD CAPSCREW, M10X14, GR8.8, (torque to 55 Nm/41 lb-ft)	
3	2160016	3	GREASE FITTING	
4	3291201	1	HEX NUT, M12X1.75	
5	4812100	1	WASHER, 12mm	
6	1001002523	1	PIN	
7		Ref	AUXILIARY BOOM HYDRAULIC COMPONENTS, (See HYDRAULIC CIRCUITS SECTION for Breakdown)	
8	1001008948	1	WASHER	
11	0100011	AR	LOCTITE 242	
12	1001097141	1	PIN	
13	1001098457	AR	LITHIUM GREASE	
14	1001144651	2	HOSE ASSEMBLY	
15	1001102941	1	QUICK ATTACH ASSEMBLY, (includes items 101 thru 117)	B
16	1001098146	AR	SHIM, 72X110X0.5mm	
17	1001098147	AR	SHIM, 72X110X1.0mm	
101	1001103375	1	WELDMENT	
102	1001103522	1	CYLINDER	
102	70023273	1	SEAL KIT	
103	1001103523	2	PIN	
104	1001103524	2	BOLT	
105	1001103525	2	LOCKNUT	
106	1001103526	2	CLAMP	
107	1001103527	4	BOLT	
108	1001103528	4	WASHER	
109	1001103529	2	STRAIGHT FITTING	
110	1001103530	1	HYDRAULIC BOLT	
111	1001103531	5	O-RING	
112	1001103532	1	HOSE ASSEMBLY	
113	1001103533	3	CLAMP ASSEMBLY	
114	1001103534	1	BANJO LINK	
115	1001103536	1	HOSE ASSEMBLY	
116	1001103537	1	HOSE ASSEMBLY	
117	1001095650	AR	LOCTITE 243	

## SECTION 2 - BOOM

FIGURE 2-27. MANUAL QUICK ATTACH INSTALLATION, (IF EQUIPPED WITH PLATFORM) - 4014PS & 4017PS



PAP32840

## SECTION 2 - BOOM

**FIGURE 2-27. MANUAL QUICK ATTACH INSTALLATION, (IF EQUIPPED WITH PLATFORM) - 4014PS & 4017PS**

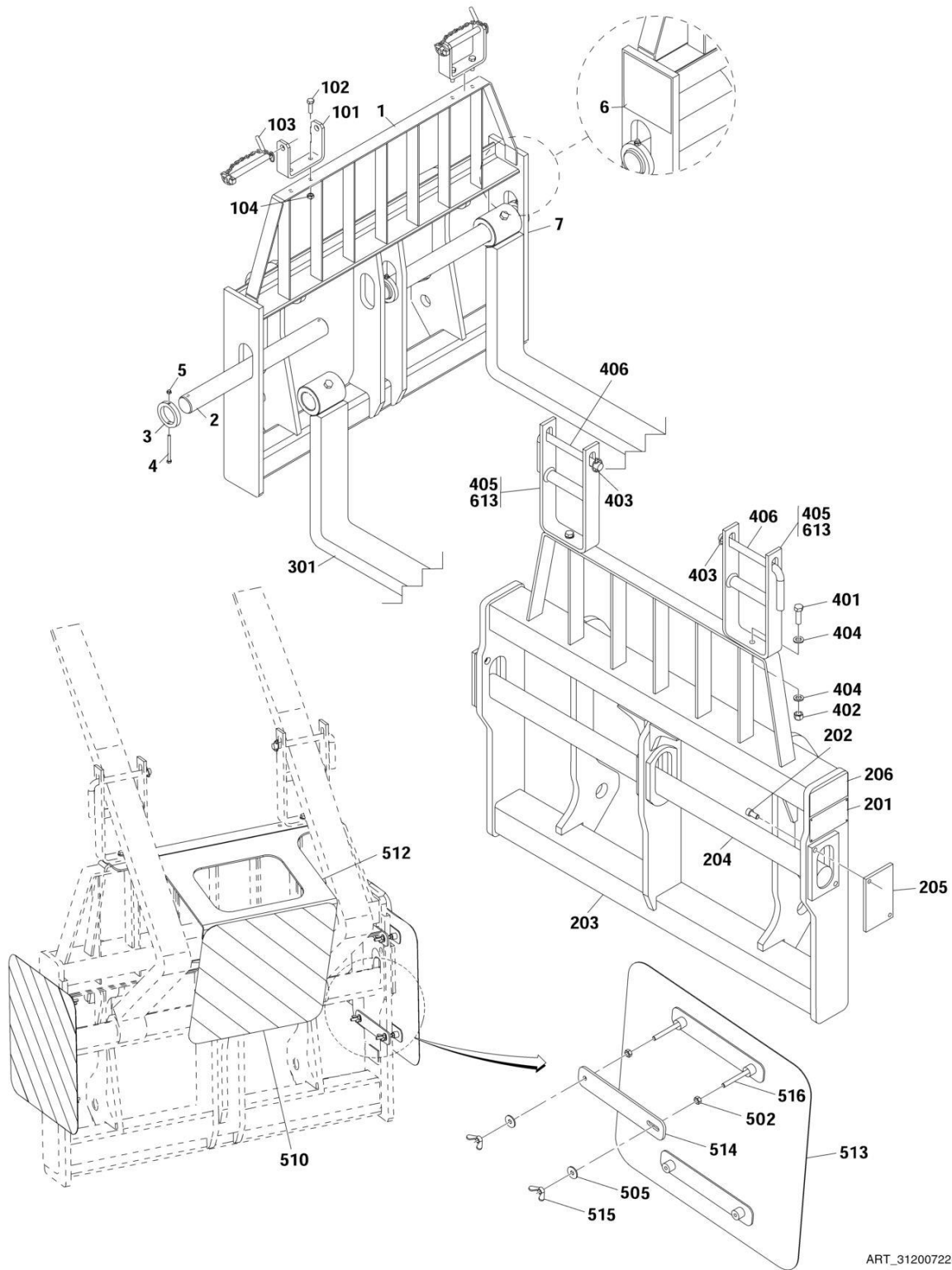
ITEM	PART NUMBER	QTY	DESCRIPTION	REV
	1001156989	Ref	MANUAL QUICK ATTACH INSTALLATION, (if equipped with platform), (4014PS - Germany), (4017PS), (not available to order, see items 2 thru 22 for service)	C
	1001159273	Ref	MANUAL QUICK ATTACH INSTALLATION, (if equipped with platform), (4014PS), (not available to order, see items 2 thru 22 for service)	C
2	0701234	1	HEX HD CAPSCREW, M12X170, GR8.8, (torque to 97 Nm/42 lb-ft)	
3	0760605	1	HEX HD CAPSCREW, M6X10, GR8.8, (torque to 12 Nm/9 lb-ft)	
4	0760808	6	HEX HD CAPSCREW, M8X16, GR8.8, (torque to 28 Nm/21 lb-ft)	
5	0760810	2	HEX HD CAPSCREW, M8X20, GR8.8, (torque to 28 Nm/20.65 lb-ft)	
6	0761007	1	HEX HD CAPSCREW, M10X14, GR8.8, (torque to 55 Nm/40.56 lb-ft)	
7	1001161673	1	PIN	
8	2160016	3	GREASE FITTING	
9	3291201	2	HEX NUT, M12X1.75	
11	4811900	8	WASHER, 8mm	
12	4812100	2	WASHER, 12mm	
13	1001162636	1	ROD	
14	1001008948	1	WASHER	
15	1001095650	AR	LOCTITE 243	
16	1001098146	AR	SHIM, 72X110X0.5mm	
17	1001098147	AR	SHIM, 72X110X1.0mm	
18	1001098457	AR	LITHIUM GREASE	
19	1001136214	1	PIN	
20	1001137544	1	WELDMENT, (4014PS - Germany), (4017PS)	
20	1001136183	1	WELDMENT, (4014PS)	
21	1001137555	1	PIN, (4014PS - Germany), (4017PS)	
21	1001136211	1	PIN, (4014PS)	
22	1001156817	1	COVER	



**SECTION 3 - ATTACHMENTS**

# SECTION 3 - ATTACHMENTS

## FIGURE 3-1. CARRIAGE ASSEMBLY



ART\_31200722-3-1

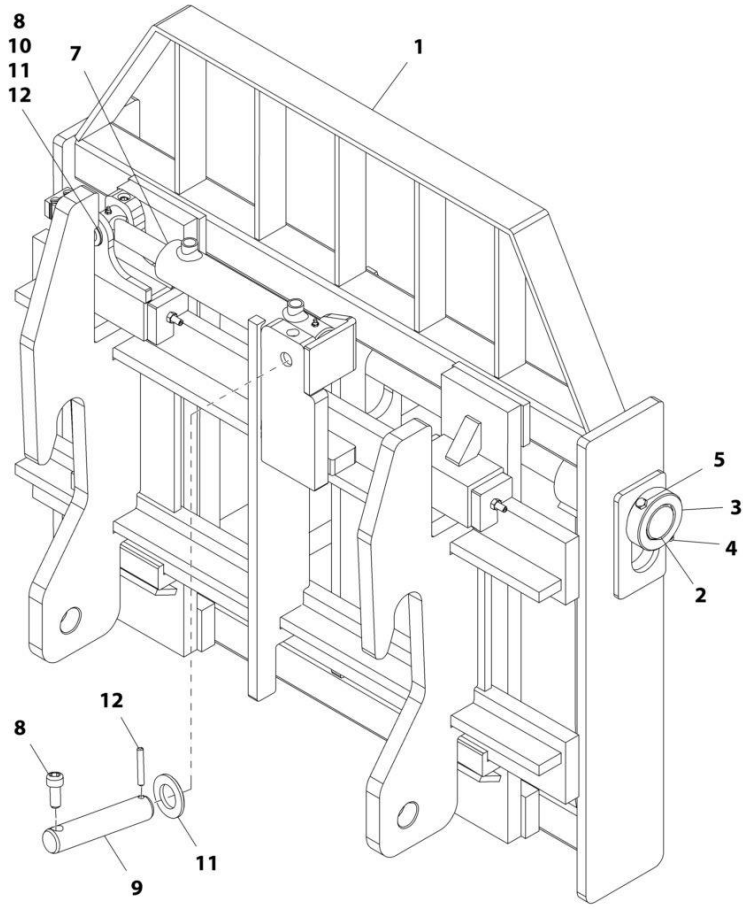
## SECTION 3 - ATTACHMENTS

### FIGURE 3-1. CARRIAGE ASSEMBLY

ITEM	PART NUMBER	QTY	DESCRIPTION	REV
	1170028	1	CARRIAGE ASSY, (Benne), (includes items 1 thru 7) <b>(Prior to SN 1160007662)</b>	E
	1001112618	1	CARRIAGE ASSY, (Benne), (includes items 1 thru 5 & 7) <b>(SN 1160007662 to Present)</b>	C
1	N.S.S.	1	CARRIAGE WELDMENT	
2	4040283	2	CARRIAGE SHAFT	
3	3760508	4	SHAFT COLLAR	
4	0700827	4	HEX HD CAPSCREW, M8X100, GR8.8	
5	3290805	4	HEX LOCKNUT, 8mm	
6	N.S.S.	1	NAME PLATE	
7	N.S.S.	1	SN PLATE	
	0240143	1	FORK TRANSPORT LATCH, (CE and AUS), (includes items 101 thru 104)	A
101	0903366	2	LOCKING BRACKET	
102	0761216	4	HEX HD CAPSCREW, 12X40	
103	3291205	4	HEX LOCKNUT, 12mm	
104	3423258	2	LOCKING PIN	
	1001107333	1	CARRIAGE ASSY, (500mm), (4014PS & 4017PS), (CE), (Vetter), (includes items 201 thru 206)	A
	1001152655	1	CARRIAGE ASSY, (500mm), (3706PS, 3707PS, 37.6, 33.7 & 37.7), (includes items 201 thru 206)	A
	1001107581	1	CARRIAGE ASSY, (600mm), (4017PS, 4014PS), (EAME and AUS), (includes items 201 thru 206)	A
201	N.S.S.	1	SN PLATE	
202	4032109	4	SOCKET HD CAPSCREW, M12X25	
203	N.S.S.	1	CARRIAGE WELDMENT	
204	1001107336	1	CARRIAGE SHAFT	
205	1001107338	2	SHAFT COVER	
206	N.S.S.	1	NAME PLATE	
301		Ref	FORKS, (See FORK TINES for Breakdown)	
	1001120182	1	FORK TRANSPORT LATCH, (CE and AUS), (Vetter), (includes items 401 thru 406)	C
401	0701217	2	HEX HD CAPSCREW, M12X45, GR8.8	
402	3291201	2	HEX NUT, M12X1.75	
403	3964987	2	SPLIT PIN	
404	5241200	4	WASHER, 12mm	
405	1001006141	NLA	FORK LOCK BACK BRACKET, (no longer available, use 1001130822 for replacement)	
405	1001130822	2	FORK LOCK BACK BRACKET	
406	1001100262	2	CARRIAGE FORK RETAINER PIN	
502	3290801	8	HEX NUT, M8X1.25, (Italy - if equipped) <b>(Prior to SN 1160008047)</b>	
505	4811902	8	WASHER, 8mm, (Italy - if equipped) <b>(Prior to SN 1160008047)</b>	
510	1001162771	3	SAFETY FILM, (Italy - if equipped) <b>(Prior to SN 1160008047)</b>	
512	1001163676	1	PLATE (Italy - if equipped) <b>(Prior to SN 1160008047)</b>	
513	1001163929	2	BRACKET (Italy - if equipped) <b>(Prior to SN 1160008047)</b>	
514	1001163938	4	PLATE, (Italy - if equipped) <b>(Prior to SN 1160008047)</b>	
515	1001164237	8	NUT, M8X1.25, (Italy - if equipped) <b>(Prior to SN 1160008047)</b>	
516	1001164273	8	STUD, M8X80 LG, (Italy - if equipped) <b>(Prior to SN 1160008047)</b>	
613	1001152259	2	FORK LOCK BACK BRACKET, (Germany)	

# SECTION 3 - ATTACHMENTS

FIGURE 3-2. SIDE SHIFT CARRIAGE ASSEMBLY (Prior to SN 1160008730)



ART\_1170002-J



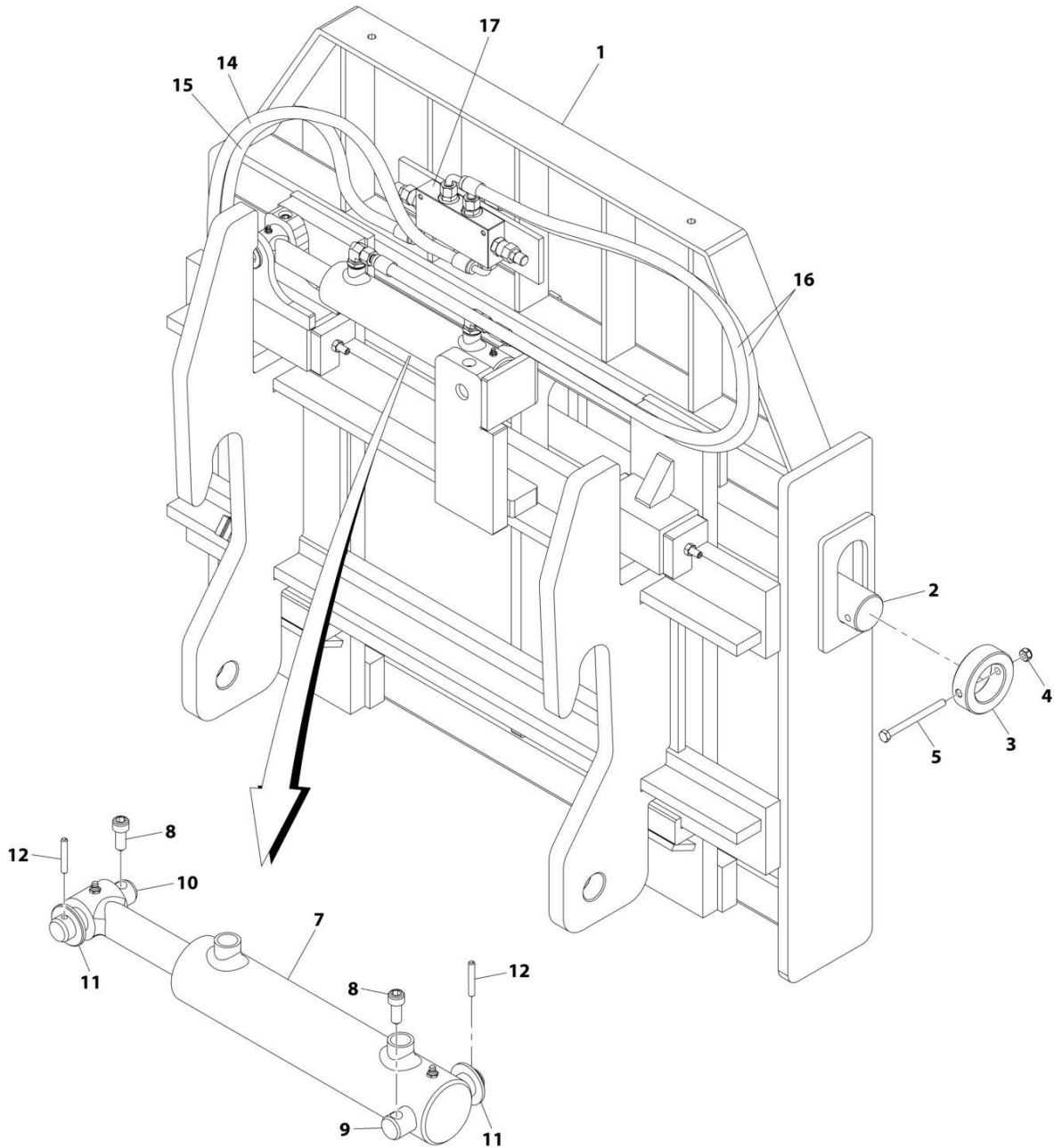
## SECTION 3 - ATTACHMENTS

**FIGURE 3-2. SIDE SHIFT CARRIAGE ASSEMBLY (Prior to SN 1160008730)**

ITEM	PART NUMBER	QTY	DESCRIPTION	REV
	1170002	1	Side Shift Carriage Assembly, (Lamy), (includes items 1 thru 5 & 7 thru 13)	J
1	N.S.S.	1	Carriage Weldment	
2	7028136	1	Fork Pin	
3	7028137	2	Collar	
4	3291005	2	Nut	
5	0701029	2	Capscrew	
7	70021558	1	Cylinder	
8	70021559	2	Bolt	
9	70021560	1	Pin	
10	70021561	1	Pin	
11	70021562	2	Washer	
12	70021563	2	Roll Pin	
13	N.S.S.	1	S/N Plate (not shown)	

# SECTION 3 - ATTACHMENTS

## FIGURE 3-3. SIDE SHIFT CARRIAGE ASSEMBLY (SN 1160008730 to Present)



ART\_1170002-L

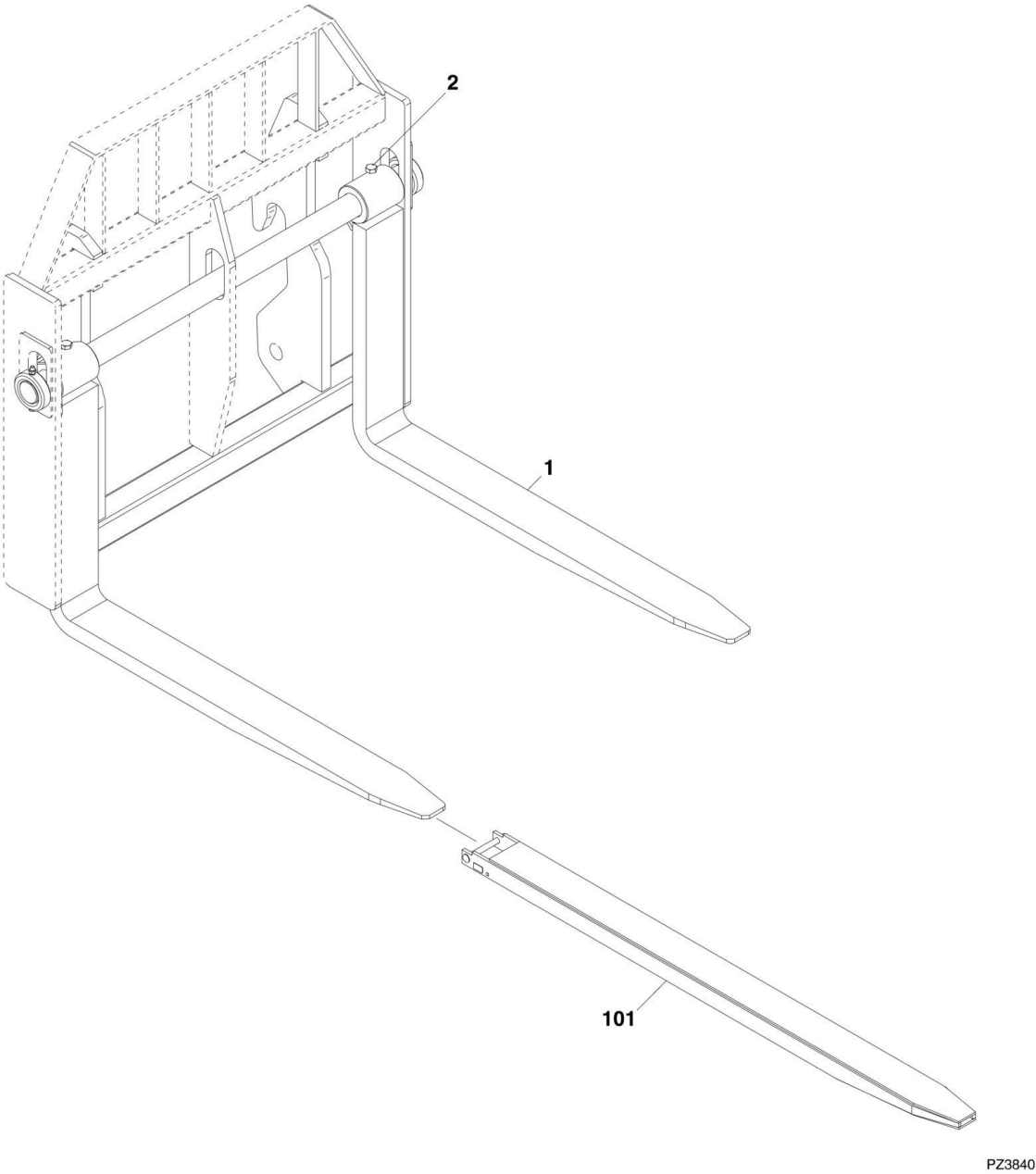
## SECTION 3 - ATTACHMENTS

**FIGURE 3-3. SIDE SHIFT CARRIAGE ASSEMBLY (SN 1160008730 to Present)**

ITEM	PART NUMBER	QTY	DESCRIPTION	REV
	1170002	1	Side Shift Carriage Assembly	K
1	N.S.S.	1	Carriage Weldment	
2	7028136	1	Fork Pin	
3	7028137	2	Collar	
4	3291005	2	Nut	
5	0701029	2	Capscrew	
7	70021558	1	Cylinder	
8	70021559	2	Bolt	
9	70021560	1	Pin	
10	70021561	1	Pin	
11	70021562	2	Washer	
12	70021563	2	Roll Pin	
13	N.S.S.	1	S/N Plate (not shown)	
14	70029011	3	Hose	
15	70029012	1	Hose	
16	70029013	2	Hose	
17	70027291	1	Balancing Valve	

**SECTION 3 - ATTACHMENTS**

**FIGURE 3-4. FORK TINES**



PZ3840

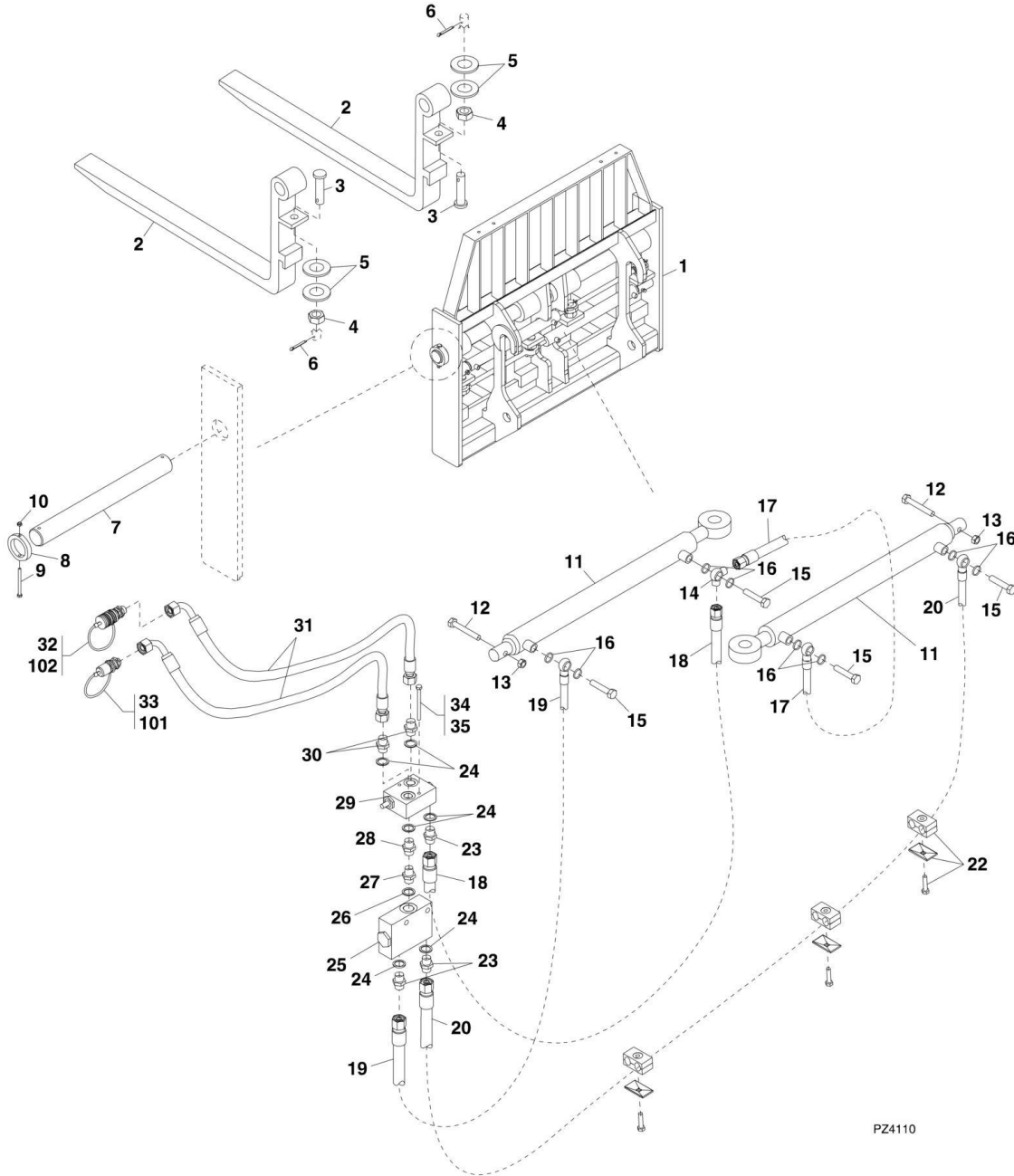
## SECTION 3 - ATTACHMENTS

### FIGURE 3-4. FORK TINES

ITEM	PART NUMBER	QTY	DESCRIPTION	REV
1	2340030	1	FORK TINE ASSY, (Lamy), (100X50X1200mm), (4000kg per pair), (sold as a pair), (3706, 3707, 37.6, 37.7 & 33.7)	D
1	1001007542	1	FORK TINE ASSY, (100X50X1200mm), (4000kg per pair), (sold as a pair), (4014PS & 4017PS)	A
2	1001008459	2	BOLT	
1	1001117945	1	FORK TINE ASSY, (100X50X1200mm), (2000kg), (sold as a pair), (3706PS, 3707PS, 37.6,37.7 & 33.7)	C
2	7028628	2	CAPSCREW	
1	2340041	1	PALLET FORK ASSY, (Benne), (2000kg), (100X50X1200mm), (sold as a pair)	C
2	0761612	2	HEX HD CAPSCREW, M16X25, GR8.8	
1	1001100911	1	FORK TINE ASSY, (Vetter), (4000 kg per pair), (100X50X1200mm), (sold as a pair)	D
1	1001107586	1	FORK TINE ASSY, (Vetter), (AUS ONLY), (2000 kg), (4014PS & 4017PS), (100X50X1800), (sold as a pair)	C
2	0761214	2	HEX HD CAPSCREW, M12X30, GR8.8	
101	1001112560	2	FORK EXTENSION, (100X60), (4014PS)	B
101	1001112559	2	FORK EXTENSION, (100X50X1800)	C
101	70022831	2	BOLT KIT, (includes washer and clip)	
N1	Note	Ref	<b>FORKS RATED LESS THAN THE ATTACHMENT OR MACHINE'S CAPACITY DECREASES CAPACITY OF THE ATTACHMENT OR MACHINE TO THAT OF THE FORKS. FORKS RATED MORE THAN THE ATTACHMENT OR MACHINE'S CAPACITY DO NOT INCREASE ATTACHMENT OR MACHINE'S CAPACITY.</b>	
N2	Note	Ref	<b>PLEASE CONSULT JLG PARTS DEPARTMENT TO DETERMINE THE CORRECT FORKS APPLICABLE TO YOUR SPECIFIC CARRIAGE ASSEMBLY AND APPLICATION.</b>	

# SECTION 3 - ATTACHMENTS

## FIGURE 3-5. FORK POSITIONING CARRIAGE W/FORKS



PZ4110

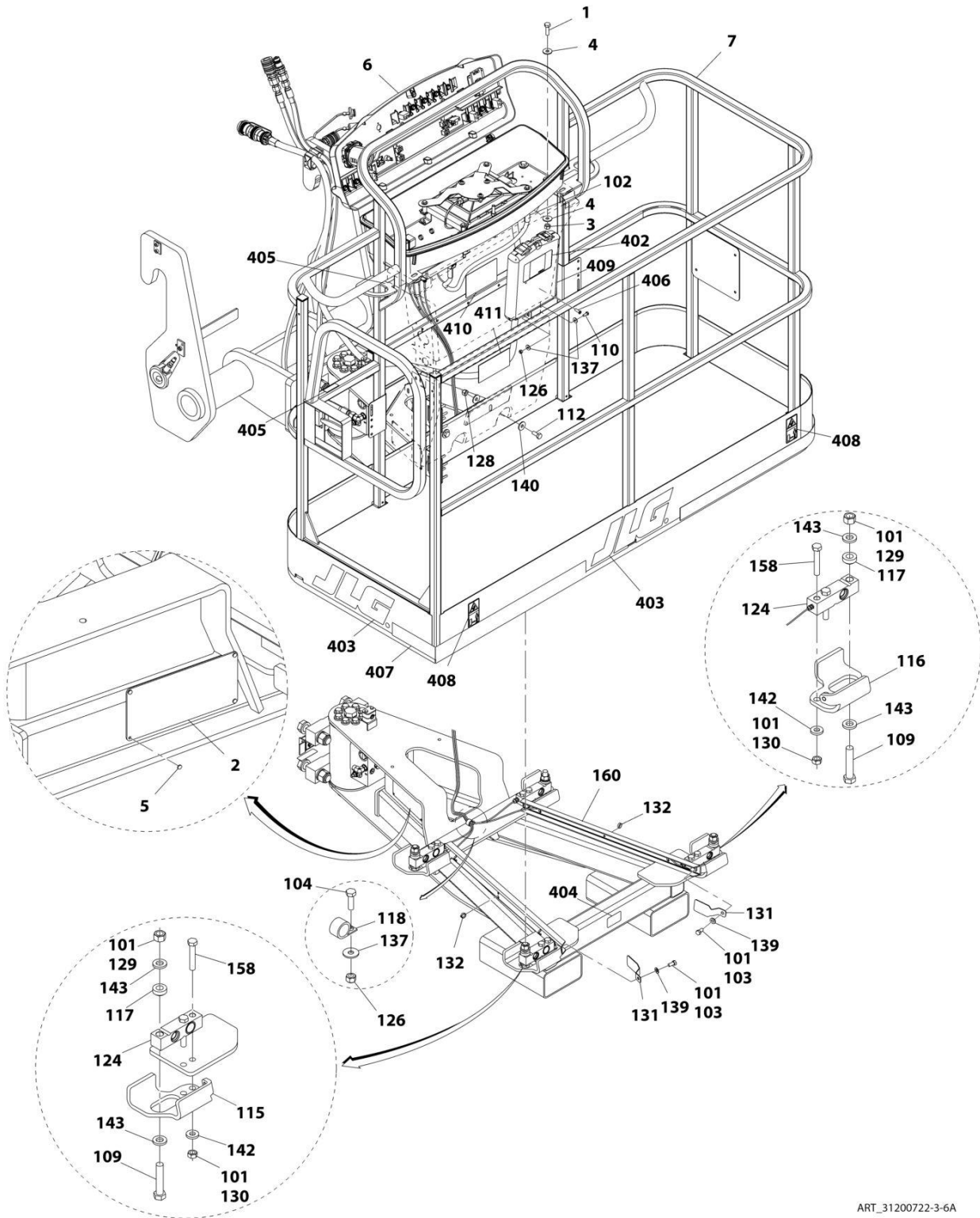
## SECTION 3 - ATTACHMENTS

### FIGURE 3-5. FORK POSITIONING CARRIAGE W/FORKS

ITEM	PART NUMBER	QTY	DESCRIPTION	REV
	1001091313	1	FORK POSITIONING CARRIAGE W/FORKS, (includes items 1 thru 35)	A
1	N.S.S.	1	WELDMENT	
2	70022922	2	FORKS, (100X50X1200), (2000kg per fork)	
3	70021835	2	ROD PIN	
4	70026018	2	Nut	
5	70028978	4	Washer	
6	70021836	2	SPLIT PIN	
7	70022923	2	CARRIAGE SHAFT	
8	70022924	4	SHAFT COLLAR	
9	70028979	4	Bolt	
10	70021241	4	HEX LOCKNUT, M12	
11	70023276	2	CYLINDER	
11	70023278	AR	SEAL KIT, (USE WITH CYLINDERS MARKED 1.3351.01C.02.01)	
11	70023277	AR	SEAL KIT, (USE WITH CYLINDERS MARKED 1.3351.01C.02.02)	
12	70028028	2	Bolt	
13	70028031	2	Locknut	
14	70022925	1	ELBOW, 90	
15	1001103530	4	BOLT	
16	70020730	8	O-RING	
17	70021838	1	HOSE ASSY	
18	70021839	1	HOSE ASSY	
19	70021840	1	HOSE ASSY	
20	70021841	1	HOSE ASSY	
22	1001103533	3	CLAMP SET, (includes screw and plate)	
23	70020731	3	FITTING	
24	70022907	6	O-RING	
25	70021842	1	COUNTER VALVE	
26	70022927	1	O-RING	
27	70022928	1	FITTING	
28	70022929	1	FITTING	
29	70021843	1	PRESSURE VALVE	
30	70022906	2	ADAPTER	
31	70022930	2	PIPE ASSY	
32	1001094555	1	FEMALE QUICK DISCONNECT COUPLING	
33	1001094556	1	MALE QUICK DISCONNECT COUPLING	
34	70028980	2	Bolt	
35	70022912	2	Nut	
101	1001093826	1	DUST CAP	
102	1001093827	1	DUST PLUG	

# SECTION 3 - ATTACHMENTS

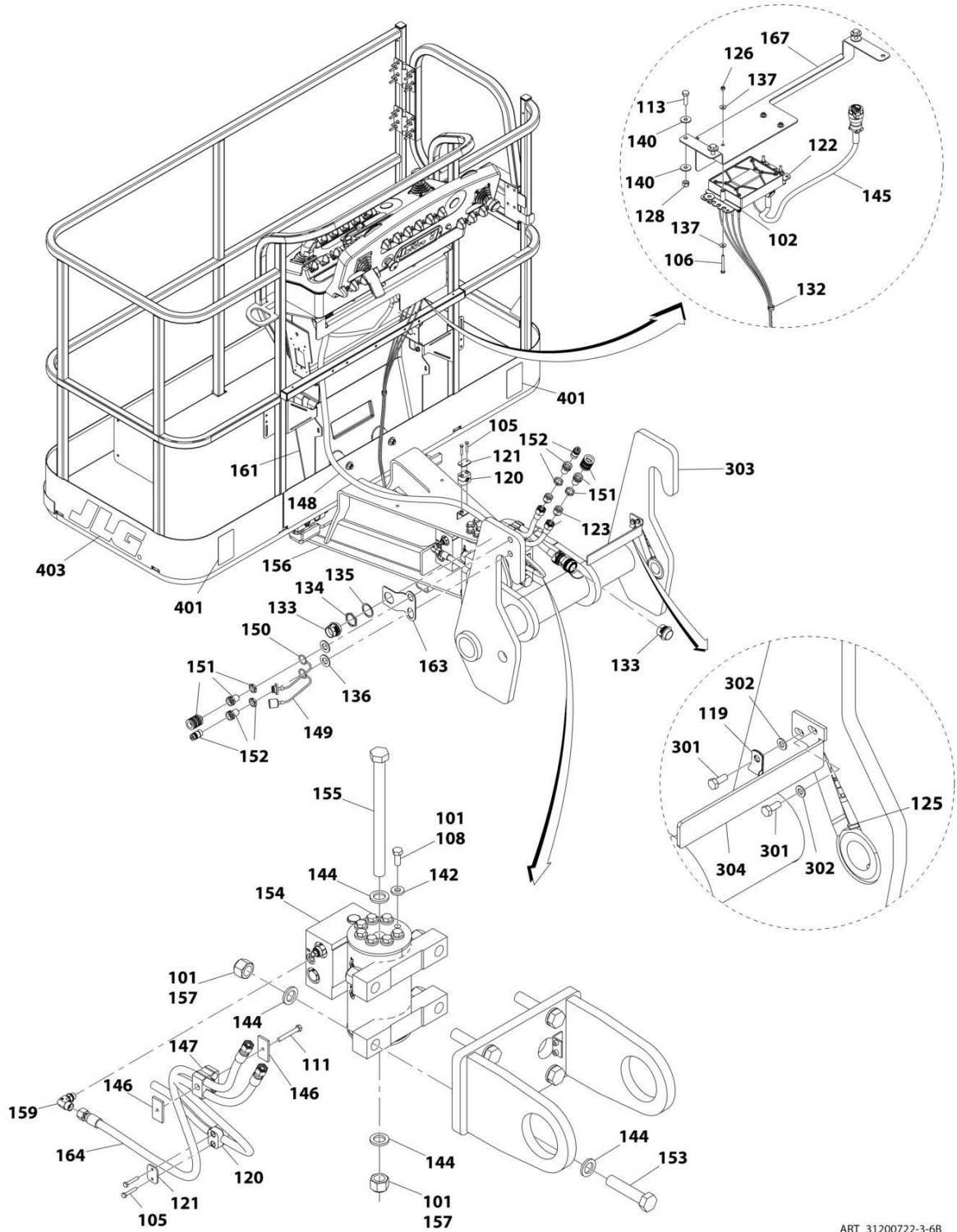
## FIGURE 3-6. FIXED PLATFORM INSTALLATION, 1.8M - 4014PS & 4017PS



ART\_31200722-3-6A

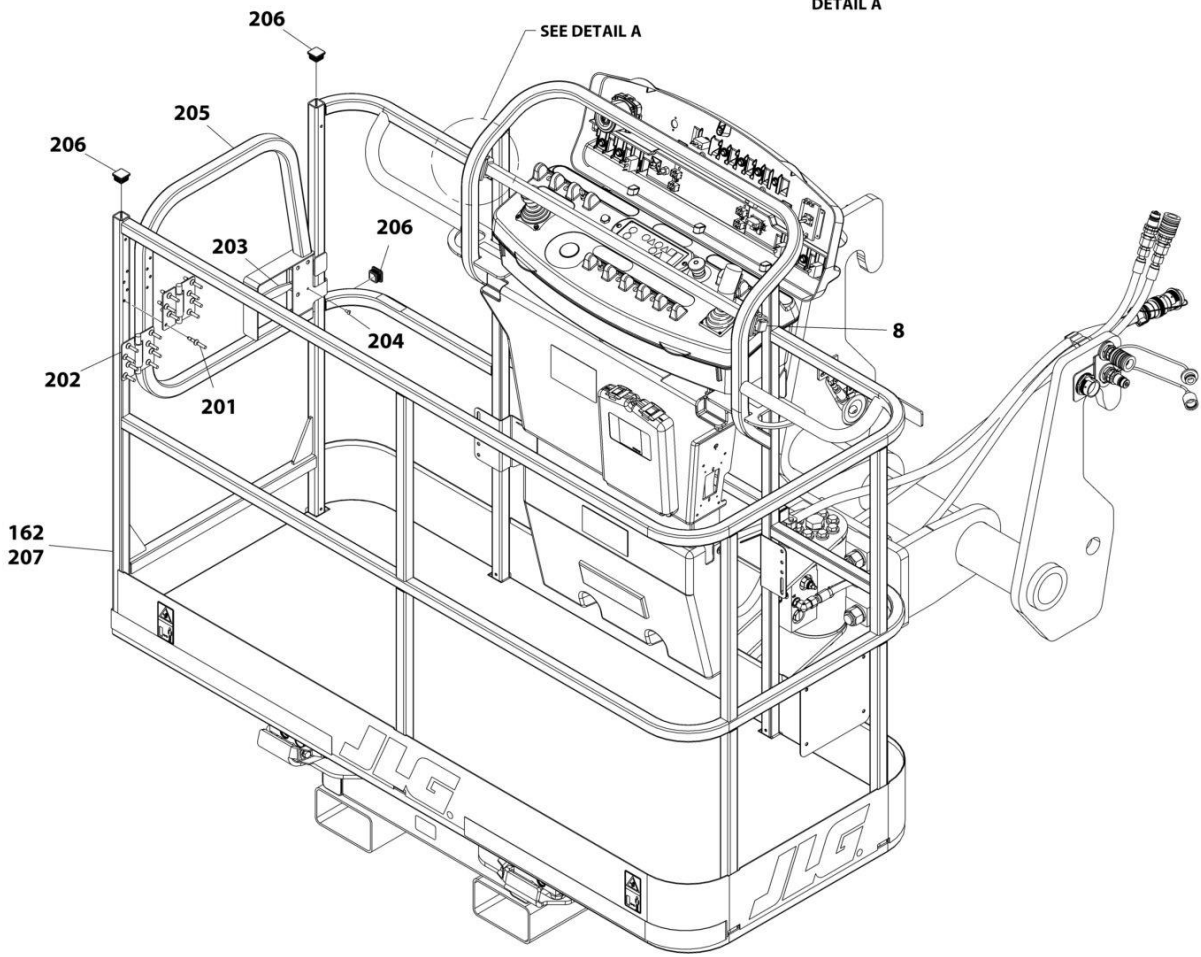
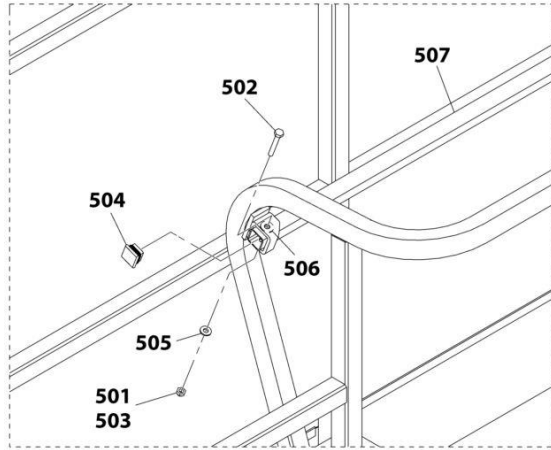


# SECTION 3 - ATTACHMENTS



ART\_31200722-3-6B

# SECTION 3 - ATTACHMENTS



ART\_31200722-3-6C

## SECTION 3 - ATTACHMENTS

**FIGURE 3-6. FIXED PLATFORM INSTALLATION, 1.8M - 4014PS & 4017PS**

ITEM	PART NUMBER	QTY	DESCRIPTION	REV
	1001156461	Ref	FIXED PLATFORM INSTALLATION, 1.8m, (4014PS & 4017PS - CE, if equipped), (not available to order, see items 1 thru 8 for service)	C
	1001159690	Ref	FIXED PLATFORM INSTALLATION, 1.8m, (4014PS & 4017PS - AUS, if equipped), (not available to order, see items 1 thru 7 for service)	B
	1001177926	Ref	FIXED PLATFORM INSTALLATION, 1.8m, (4014PS & 4017PS - CIS, (if equipped), (not available to order, see items 1 thru 7 for service)	B
1	0761015	2	HEX HD CAPSCREW, M10X35, GR8.8	
2	N.S.S.	1	NAME PLATE	
3	3291005	2	HEX LOCKNUT, M10X1-1/2	
4	4812002	4	WASHER, 10mm	
5	N.S.S.	4	METAL FASTENER, (4014PS & 4017PS - CE & AUS)	
5	N.S.S.	2	METAL FASTENER, (4014PS & 4017PS - CIS)	
6		Ref	CONSOLE ASSY, (See CONSOLE BOX ASSEMBLY for Breakdown)	
7	1001174441	1	FIXED PLATFORM INSTALLATION, (4014PS & 4017PS - CE), (not available to order, see items 101 thru 167 for service) <b>(Prior to SN 1160008295)</b>	C
7	1001214157	1	FIXED PLATFORM INSTALLATION, (4014PS & 4017PS - CE), (not available to order, see items 101 thru 167 for service) <b>(SN 1160008295 to Present)</b>	C
7	1001174441	1	FIXED PLATFORM INSTALLATION, (4014PS & 4017PS - CIS & AUS), (not available to order, see items 101 thru 167 for service)	C
8	1001214825	1	RAIL CROSS BAR INSTALLATION, (not available to order, see items 501 thru 507 for service)	B
101	0100011	AR	LOCTITE 242	
102	0100048	AR	DIELECTRIC GREASE	
103	0641606	4	HEX HD CAPSCREW, 3/8-16X3/4	
104	0700610	1	HEX HD CAPSCREW, M6X20, GR8.8	
105	0700615	6	HEX HD CAPSCREW, M6X35, GR8.8	
106	0700619	3	HEX HD CAPSCREW, M6X55, GR8.8	
108	0711214	8	HEX HD CAPSCREW, M12X30, GR10.9	
109	0711624	4	HEX HD CAPSCREW, M16X80, GR10.9	
110	0760608	2	HEX HD CAPSCREW, M6X16, GR8.8	
111	0760820	1	HEX HD CAPSCREW, M8X60, GR8.8	
112	0761012	2	HEX HD CAPSCREW, M10X25, GR8.8	
113	0761015	2	HEX HD CAPSCREW, M10X35, GR8.8	
115	0902919	2	LH LOAD SENSE GUARD BRACKET	
116	0902920	2	RH LOAD SENSE GUARD BRACKET	
117	0962450	4	SPACER BUSHING	
118	1320224	1	CABLE CLAMP	
119	1320301	1	CABLE CLAMP	
120	1321141	3	CLAMP	
121	1321675	3	CLAMP TOP PLATE	
122	1600387	1	LOAD SENSE CONTROLLER	
123	2143511	2	CONNECTOR	
124	2420202	4	LOAD SENSE GAUGE	
125	3020039	AR	LOCTITE MOLY PASTE	
126	3290605	6	HEX LOCKNUT, M6X1	
128	3291005	4	HEX LOCKNUT, M10X1-1/2	

## SECTION 3 - ATTACHMENTS

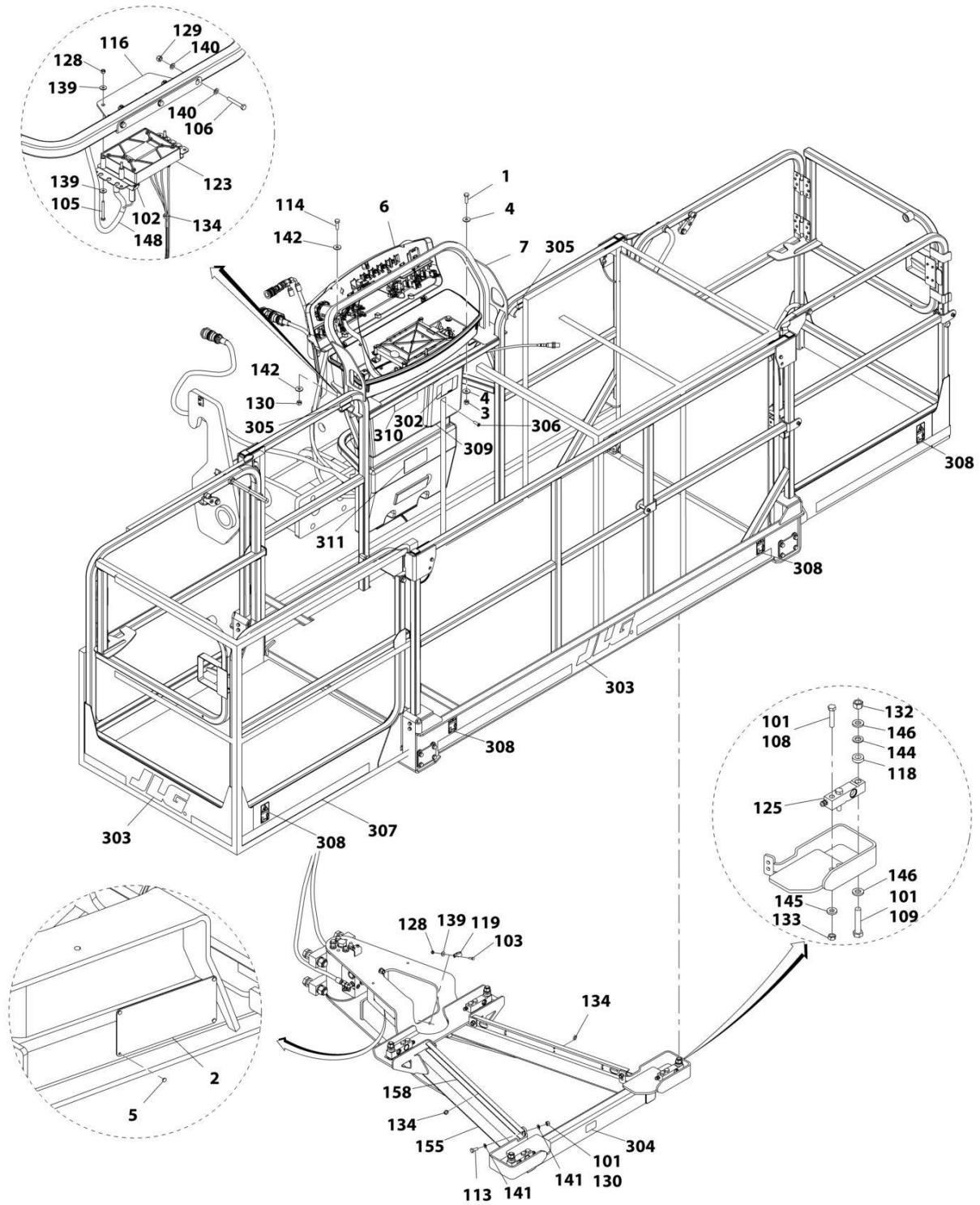
ITEM	PART NUMBER	QTY	DESCRIPTION	REV
129	3291607	4	HEX LOCKNUT, M16X2	
130	3331211	8	HEX NUT, M12X1-3/4	
131	4061054	2	LOAD SENSE STRAIN RELIEF SHIELD	
132	4240033	17	WIRE TIE	
133	4460468	2	TERMINAL	
134	4460470	1	NUT	
135	4460471	1	LOCK WASHER	
136	4712400	2	WASHER, 7/8	
137	4811702	11	WASHER, 6mm	
139	4812000	4	WASHER, 10mm	
140	4812002	8	WASHER, 10mm	
141	4812300	AR	WASHER, 16mm	
142	4891800	16	WASHER, 1/2	
143	4892000	8	WASHER, 5/8	
144	4892600	10	WASHER, 1 IN	
145		Ref	CAN-BUS HARNESS, (See ELECTRICAL SECTION for Breakdown)	
146	8769123	1	COVER PLATE	
147	8769140	2	CLAMP SET	
148		Ref	PLATFORM CONSOLE HARNESS, (See ELECTRICAL SECTION for Breakdown)	
149	1001093826	1	DUST CAP	
150	1001093827	1	DUST PLUG	
151	1001094555	2	FEMALE QUICK DISCONNECT COUPLING	
152	1001094556	2	MALE QUICK DISCONNECT COUPLING	
153	1001095136	4	HEX HD CAPSCREW, M24X110, GR10.9	
154		Ref	ACTUATOR, (See HYDRAULIC COMPONENTS SECTION for Breakdown)	
155	1001097481	1	HEX HD CAPSCREW, M24X310, GR8.8	
156	1001097734	1	PLATFORM SUPPORT	
157	1001098827	5	HEX LOCKNUT, M24, GR 10	
158	1001098828	8	HEX HD CAPSCREW, M12X70, GR10.9	
159	1001099751	2	CONNECTOR, 90	
160	1001099866	2	LOAD SENSE WIRE CHANNEL	
161	1001105735	1	MOUNT PANEL DECAL	
162	1001218033	NLA	PLATFORM ASSY, (4014PS & 4017PS - CE), (no longer available, use 1001198245 for replacement or items 201 to 207 for service) <b>(Prior to SN 1160008295)</b>	A
162	1001198245	Ref	PLATFORM ASSY, (4014PS & 4017PS - CE), (includes items 201 thru 207) <b>(SN 1160008295 to Present)</b>	C
162	1001218033	Ref	PLATFORM ASSY, (4014PS & 4017PS - CIS & AUS), (includes items 201 thru 207)	A
163	1001155930	1	BRACKET	
164	1001156403	2	HOSE ASSEMBLY	
165	1001157627	Ref	PLATE SENSOR INSTALLATION, (not shown), (includes items 301 thru 304)	A
166	1001161073	Ref	DECALS INSTALLATION, (4014PS & 4017PS - CE), (not shown), (not available to order, see items 401 thru 411 for service) <b>(Prior to SN 1160008295)</b>	A
166	1001219433	Ref	DECALS INSTALLATION, (4014PS & 4017PS - CE), (not shown), (not available to order, see items 401 thru 411 for service) <b>(SN 1160008295 to Present)</b>	A
166	1001161073	Ref	DECALS INSTALLATION, (4014PS & 4017PS - CIS & AUS), (not shown), (not available to order, see items 401 thru 411 for	A

## SECTION 3 - ATTACHMENTS

ITEM	PART NUMBER	QTY	DESCRIPTION	REV
			service)	
167	1001113483	1	MOUNTING BRACKET	
201	2080040	16	FASTENER	
202	2600281	2	HINGE	
203	2940074	1	LATCH	
204	3820020	4	RIVET	
205	1001144629	1	GATE WELDMENT, (4014PS & 4017PS - CE) <b>(Prior to SN 1160008295)</b>	
205	1001198965	1	GATE WELDMENT, (4014PS & 4017PS - CE) <b>(SN 1160008295 to Present)</b>	
205	1001144629	1	GATE WELDMENT, (4014PS & 4017PS - CIS & AUS)	
206	1001145781	5	PLUG	
207	1001218034	1	PLATFORM WELDMENT, (4014PS & 4017PS - CE) <b>(Prior to SN 1160008295)</b>	
207	1001198247	1	PLATFORM WELDMENT, (4014PS & 4017PS - CE) <b>(SN 1160008295 to Present)</b>	
207	1001218034	1	PLATFORM WELDMENT, (4014PS & 4017PS - CIS & AUS)	
301	0760810	2	HEX HD CAPSCREW, M8X20, GR8.8, (torque to 28 Nm/20.65 lb-ft)	
302	4811900	2	WASHER, 8mm	
303	1001096059	1	PLATFORM ADAPTER	
304	1001156853	1	SENSOR PLATE	
401	1701518	2	CRUSHING DECAL	
402	1701640	1	MANUAL DECAL	
403	1702773	3	JLG DECAL	
404	1704016	1	FORK LIFT DECAL	
405	1704277	3	LANYARD ATTACH GRAPHIC DECAL	
406	3820032	4	RIVET	
407	4420051	1.8 m	SAFETY TAPE	
408	8006612	2	WARNING DECAL	
409	8990147	1	MANUAL HOLDER	
410	1001099562	1	CAPACITY WARNING DECAL	
411	1001161009	1	OUTRIGGER LOAD DECAL	
501	1001095650	AR	LOCTITE 243	
502	0700618	2	HEX HD CAPSCREW, 6X50	
503	3290605	2	NUT, M6	
504	3520182	2	PLUG	
505	4811700	2	WASHER, M6	
506	4811702	4	WASHER, M6	
507	1001191708J	1	TUBE	

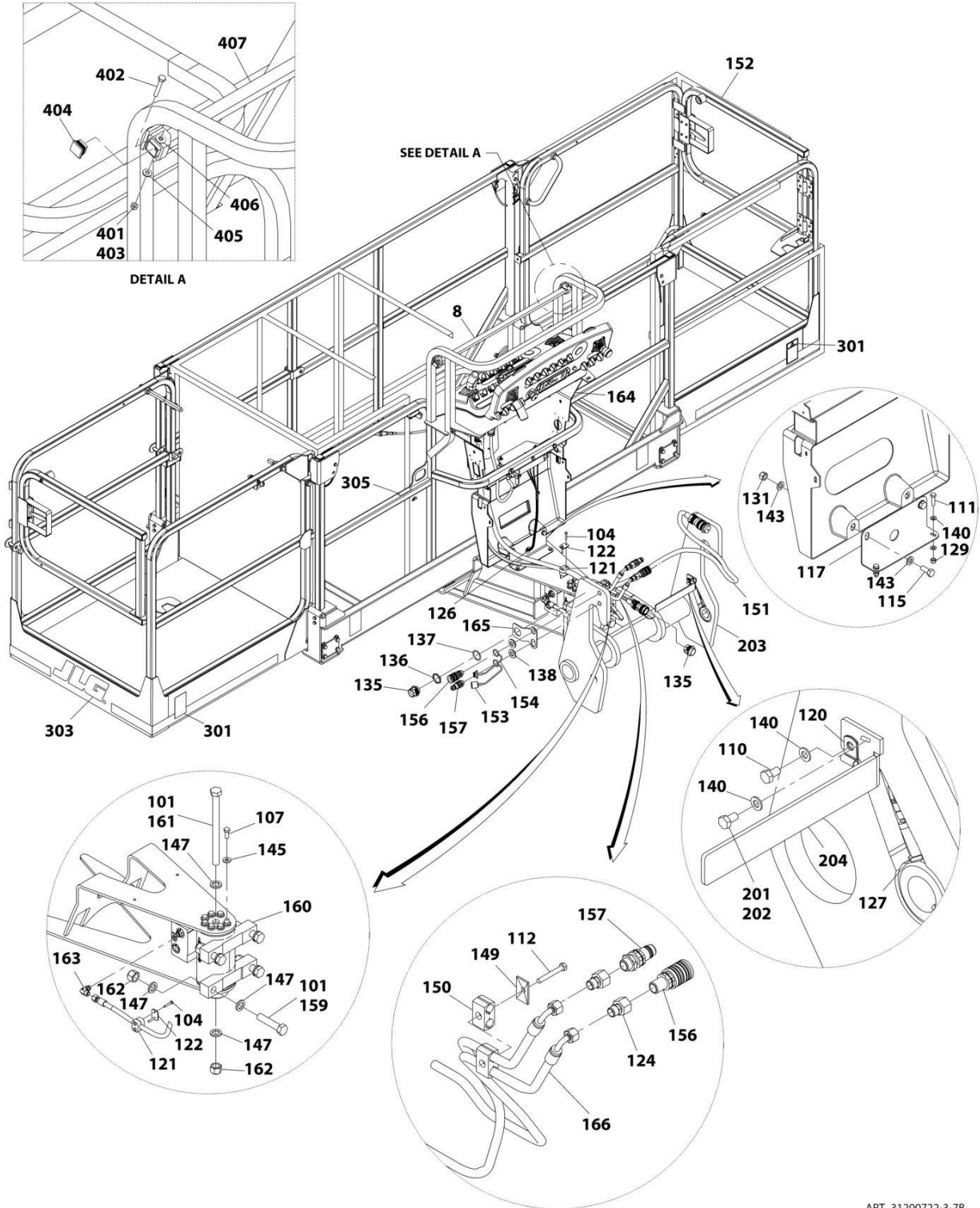
# SECTION 3 - ATTACHMENTS

FIGURE 3-7. EXTENDABLE PLATFORM INSTALLATION, 4.5M - 4014PS & 4017PS



ART\_31200722-3-7A

# SECTION 3 - ATTACHMENTS



ART\_31200722-3-7B

## SECTION 3 - ATTACHMENTS

FIGURE 3-7. EXTENDABLE PLATFORM INSTALLATION, 4.5M - 4014PS & 4017PS

ITEM	PART NUMBER	QTY	DESCRIPTION	REV
	1001156462	Ref	EXTENDABLE PLATFORM INSTALLATION, 4.5m, (4014PS & 4017PS - CE, if equipped with platform), (not available to order, see items 1 thru 8 for service)	B
	1001159691	Ref	EXTENDABLE PLATFORM INSTALLATION, 4.5m, (4014PS & 4017PS - AUS, if equipped with platform), (not available to order, see items 1 thru 7 for service)	A
	1001177927	Ref	EXTENDABLE PLATFORM INSTALLATION, 4.5m, (4014PS & 4017PS - CIS, if equipped with platform), (not available to order, see items 1 thru 7 for service)	B
	1001203520	Ref	EXTENDABLE PLATFORM INSTALLATION, 4.5m, (4014PS & 4017PS - CIS, if equipped with platform), (not available to order, see items 1 thru 7 for service)	A
1	0761015	2	HEX HD CAPSCREW, M10X35, GR8.8	
2	N.S.S.	1	NAME PLATE	
3	3291005	2	HEX LOCKNUT, M10X1-1/2	
4	4812002	4	WASHER, 10mm	
5	N.S.S.	4	METAL FASTENER, (4014PS & 4017PS - CE & AUS)	
5	N.S.S.	2	METAL FASTENER, (4014PS & 4017PS - CIS)	
6		Ref	CONSOLE ASSY, (See CONSOLE BOX ASSEMBLY for Breakdown)	
7	1001156354	Ref	EXTENDABLE PLATFORM INSTALLATION, (4014PS & 4017PS - CE, if equipped), (not available to order, see items 101 thru 168) <b>(Prior to SN 1160008295)</b>	C
7	1001214158	Ref	EXTENDABLE PLATFORM INSTALLATION, (4014PS & 4017PS - CE, if equipped), (not available to order, see items 101 thru 168) <b>(SN 1160008295 to Present)</b>	B
7	1001156354	Ref	EXTENDABLE PLATFORM INSTALLATION, (4014PS & 4017PS - AUS & CIS, if equipped), (not available to order, see items 101 thru 168)	C
8	1001214825	1	RAIL CROSS BAR INSTALLATION, (not available to order, see items 401 thru 407 for service)	A
101	0100011	AR	LOCTITE 242	
102	0100048	AR	DIELECTRIC GREASE	
103	0700610	1	HEX HD CAPSCREW, M6X20, GR8.8	
104	0700615	6	HEX HD CAPSCREW, M6X35, GR8.8	
105	0700619	3	HEX HD CAPSCREW, M6X55, GR8.8	
106	0700819	3	HEX HD CAPSCREW, M8X55, GR8.8	
107	0711214	8	HEX HD CAPSCREW, M12X30, GR10.9	
108	0711220	8	HEX HD CAPSCREW, M12X60, GR10.9	
109	0711624	4	HEX HD CAPSCREW, M16X80, GR10.9	
110	0760807	1	HEX HD CAPSCREW, M8X14, GR 8.8	
111	0760814	2	HEX HD CAPSCREW, M8X30, GR8.8	
112	0760820	1	HEX HD CAPSCREW, M8X60, GR8.8	
113	0761012	4	HEX HD CAPSCREW, M10X25, GR8.8	
114	0761015	2	HEX HD CAPSCREW, M10X35, GR8.8	
115	0761214	2	HEX HD CAPSCREW, M12X30, GR8.8	
116	0902894	1	MOUNTING BRACKET	
117	0903412	1	MOUNTING BRACKET	
118	0962450	4	SPACER BUSHING	
119	1320224	1	CABLE CLAMP	
120	1320301	1	CABLE CLAMP	
121	1321141	3	CLAMP	
122	1321675	3	CLAMP TOP PLATE	



## SECTION 3 - ATTACHMENTS

ITEM	PART NUMBER	QTY	DESCRIPTION	REV
123	1600387	1	LOAD SENSE CONTROLLER	
124	2143511	2	CONNECTOR	
125	2420202	4	SHEAR BEAM STRAIN GUAGE	
126	2540049	1	GROMMET	
127	3020039	AR	LOCTITE MOLY PASTE	
128	3290605	4	HEX LOCKNUT, M6X1	
129	3290805	5	HEX LOCKNUT, M8X1-1/4	
130	3291005	6	HEX LOCKNUT, M10X1-1/2	
131	3291205	2	HEX LOCKNUT, M12X1-3/4	
132	3291607	4	HEX LOCKNUT, M16X2	
133	3331211	8	HEX NUT, M12X1-3/4	
134	4240033	17	WIRE TIE	
135	4460468	2	TERMINAL	
136	4460470	1	NUT	
137	4460471	1	LOCKWASHER	
138	4712400	2	WASHER, 7/8	
139	4811702	7	WASHER, 6mm	
140	4811900	11	WAHSER, 8mm	
141	4812000	8	WASHER, 10mm	
142	4812002	4	WASHER, 10mm	
143	4812100	4	WASHER, 12mm	
144	4812300	AR	WASHER, 16mm	
145	4891800	16	WASHER, 1/2	
146	4892000	8	WASHER, 5/8	
147	4892600	10	WASHER, 1 IN	
148		Ref	CAN-BUS HARNESS, (See ELECTRICAL SECTION for Breakdown)	
149	8769123	1	COVER PLATE	
150	8769140	2	CLAMP SET	
151		Ref	CAN-BUS HARNESS, (See ELECTRICAL SECTION for Breakdown)	
152		Ref	EXTENDABLE PLATFORM ASSY, (See EXTENDABLE PLATFORM ASSEMBLY for Breakdown)	C
153	1001093826	1	DUST CAP	
154	1001093827	1	DUST PLUG	
155	1001094198	1	PLATFORM SUPPORT	
156	1001094555	2	FEMALE QUICK DISCONNECT COUPLING	
157	1001094556	2	MALE QUICK DISCONNECT COUPLING	
158	1001094577	2	LOAD SENSE WIRE CHANNEL	
159	1001095136	4	HEX HD CAPSCREW, M24X110, GR10.9	
160		Ref	ACTUATOR, (See HYDRAULIC COMPONENT SECTION for Breakdown)	
161	1001097481	1	HEX HD CAPSCREW, M24X310, GR8.8	
162	1001098827	5	HEX LOCKNUT, M24, GR10	
163	1001099751	2	CONNECTOR, 90	
164	1001105735	1	MOUNT PANEL DECAL	
165	1001155930	1	BRACKET	
166	1001156403	2	HOSE ASSEMBLY	
167	1001157627	Ref	PLATE SENSOR INSTALLATION, (not shown), (includes items 201 thru 204)	A
168	1001161072	Ref	DECALS INSTALLATION, (4014PS & 4017PS - CE, if equipped), (not shown), (not available to order, see items 301 thru 311 for service) <b>(Prior to SN 1160008295)</b>	B

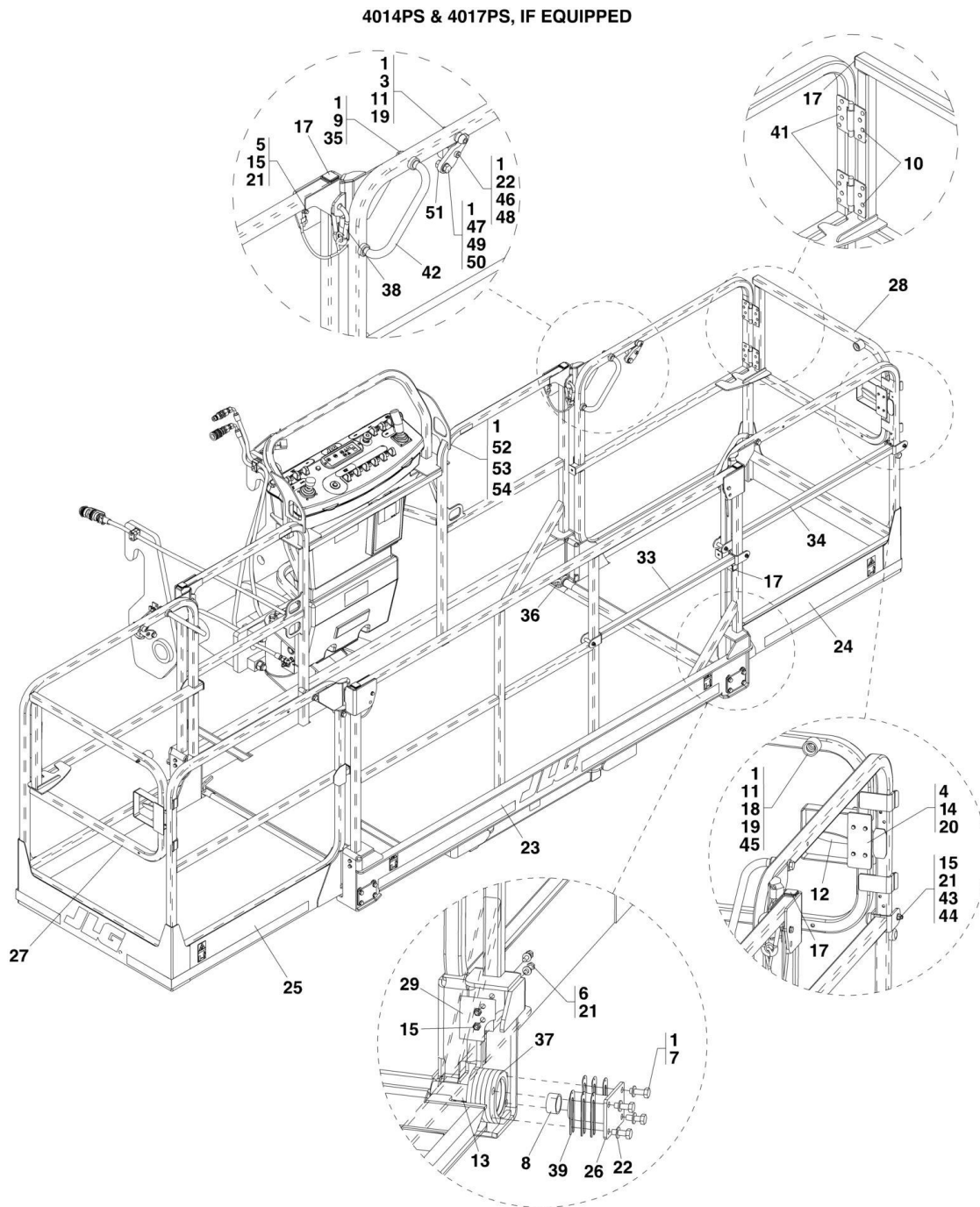
## SECTION 3 - ATTACHMENTS

ITEM	PART NUMBER	QTY	DESCRIPTION	REV
168	1001219434	Ref	DECALS INSTALLATION, (4014PS & 4017PS - CE, if equipped), (not shown), (not available to order, see items 301 thru 311 for service) <b>(SN 1160008295 to Present)</b>	A
168	1001161072	Ref	DECALS INSTALLATION, (4014PS & 4017PS - CIS & AUS), (not shown), (not available to order, see items 301 thru 311 for service)	B
201	0760810	2	HEX HD CAPSCREW, M8X20, GR8.8, (torque to 28 Nm/20.65 lb-ft)	
202	4811900	2	WASHER, 8mm	
203	1001096059	1	PLATFORM ADAPTER	
204	1001156853	1	SENSOR PLATE	
301	1705158	4	CRUSHING DECAL	
302	1701640	1	MANUAL DECAL	
303	1702773	3	JLG DECAL	
304	1704016	1	FORK LIFT DECAL	
305	1704277	3	LANYARD ATTACH GRAPHIC DECAL	
306	3820032	4	RIVET	
307	4420051	6.2 m	SAFETY TAPE	
308	8006612	4	STAY CLEAR WARNING DECAL	
309	8990147	1	MANUAL HOLDER	
310	1001099563	1	CAPACITY WARNING DECAL	
311	1001161009	1	OUTRIGGER LOAD DECAL	
401	1001095650	AR	LOCTITE 243	
402	0641414	2	HEX HD CAPSCREW, 1/4-20X1-3/4, GR5	
403	3300430	2	NUT, ACRON	
404	3520182	2	PLUG	
405	4711400	2	WASHER, 1/4	
406	4751400	4	WASHER, 1/4	
407	1001191708J	1	TUBE	



# SECTION 3 - ATTACHMENTS

## FIGURE 3-8. EXTENDABLE PLATFORM INSTALLATION, 4.5M - 4014PS & 4017PS



PZ2121

## SECTION 3 - ATTACHMENTS

**FIGURE 3-8. EXTENDABLE PLATFORM INSTALLATION, 4.5M - 4014PS & 4017PS**

ITEM	PART NUMBER	QTY	DESCRIPTION	REV
	1001093278	1	EXTENDABLE PLATFORM ASSY, (CE and AUS - 4014PS & 4017PS), (includes all items) <b>(Prior to SN 1160008295)</b>	D
	1001188418	1	EXTENDABLE PLATFORM ASSY, (CE and AUS - 4014PS & 4017PS), (includes all items) <b>(SN 1160008295 to Present)</b>	C
1	0100011	AR	LOCTITE 242	
3	0700620	2	HEX HD CAPSCREW, M6X60, GR8.8	
4	0760508	8	HEX HD CAPSCREW, M5X16, GR8.8	
5	0760812	4	HEX HD CAPSCREW, M8X25, GR8.8	
6	0760814	8	HEX HD CAPSCREW, M8X30, GR8.8	
7	0761014	16	HEX HD CAPSCREW, M10X30, GR8.8 <b>(Prior to SN 1160008295)</b>	
7	0761015	16	HEX HD CAPSCREW, M10X35, GR8.8 <b>(SN 1160008295 to Present)</b>	
8	0962257	4	BUSHING	
9	0701219	8	HEX HD CAPSCREW, M12X55, GR8.8	
10	2080040	32	FASTENER	
11	3290606	4	HEX NUT, M6X1	
12	2940074	2	LATCH	
13	3020039	AR	LOCTITE MOLY PASTE #51049	
14	3290505	8	HEX LOCKNUT, M5X0.8	
15	3290805	16	HEX LOCKNUT, M8X1-1/4	
17	3520072	10	CAP PLUG	
18	4010617	2	PAN HD SCREW, M6X45mm	
19	4811702	4	WASHER, 6mm	
20	4811600	8	WASHER, 5mm	
21	4811900	24	WASHER, 8mm	
22	4812000	18	WASHER, 10mm	
23	1001093267	1	PLATFORM WELDMENT <b>(Prior to SN 1160008295)</b>	
23	1001188419	1	PLATFORM WELDMENT <b>(SN 1160008295 to Present)</b>	
24	1001093328	1	RIGHT RAIL WELDMENT <b>(Prior to SN 1160008295)</b>	
24	1001192515	1	RIGHT RAIL WELDMENT <b>(SN 1160008295 to Present)</b>	
25	1001093329	1	LEFT RAIL WELDMENT <b>(Prior to SN 1160008295)</b>	
25	1001192516	1	LEFT RAIL WELDMENT <b>(SN 1160008295 to Present)</b>	
26	1001093774	4	HINGE WELDMENT <b>(Prior to SN 1160008295)</b>	
26	1001188529	4	HINGE WELDMENT <b>(SN 1160008295 to Present)</b>	
27	1001093819	1	LEFT GATE EXT WELDMENT	
28	1001093820	1	RIGHT GATE EXT WELDMENT	
29	1001093948	8	SHIM	
33	1001094450	1	GATE RAIL WELDMENT	
34	1001094451	1	GATE RAIL WELDMENT	
35	4891800	8	WASHER, 1/2	
36	1001094853	2	LEFT TORSION SPRING	
37	1001094854	2	RIGHT TORSION SPRING	
38	1001094867	4	LATCH HOOK	
39	1001096209	24	SHIM	
41	2600281	4	SELF-CLOSING HINGE	
42	1001099540	4	HANDLE EXTENSION	
43	1001099641	4	GATE ROLLER	
44	1001099685	4	BUTTON HD CAPSCREW, M8X70	
45	1001099577	2	GATE HOLDER	
46	0630585	2	SHOULDER BOLT, (METRIC)	

### SECTION 3 - ATTACHMENTS

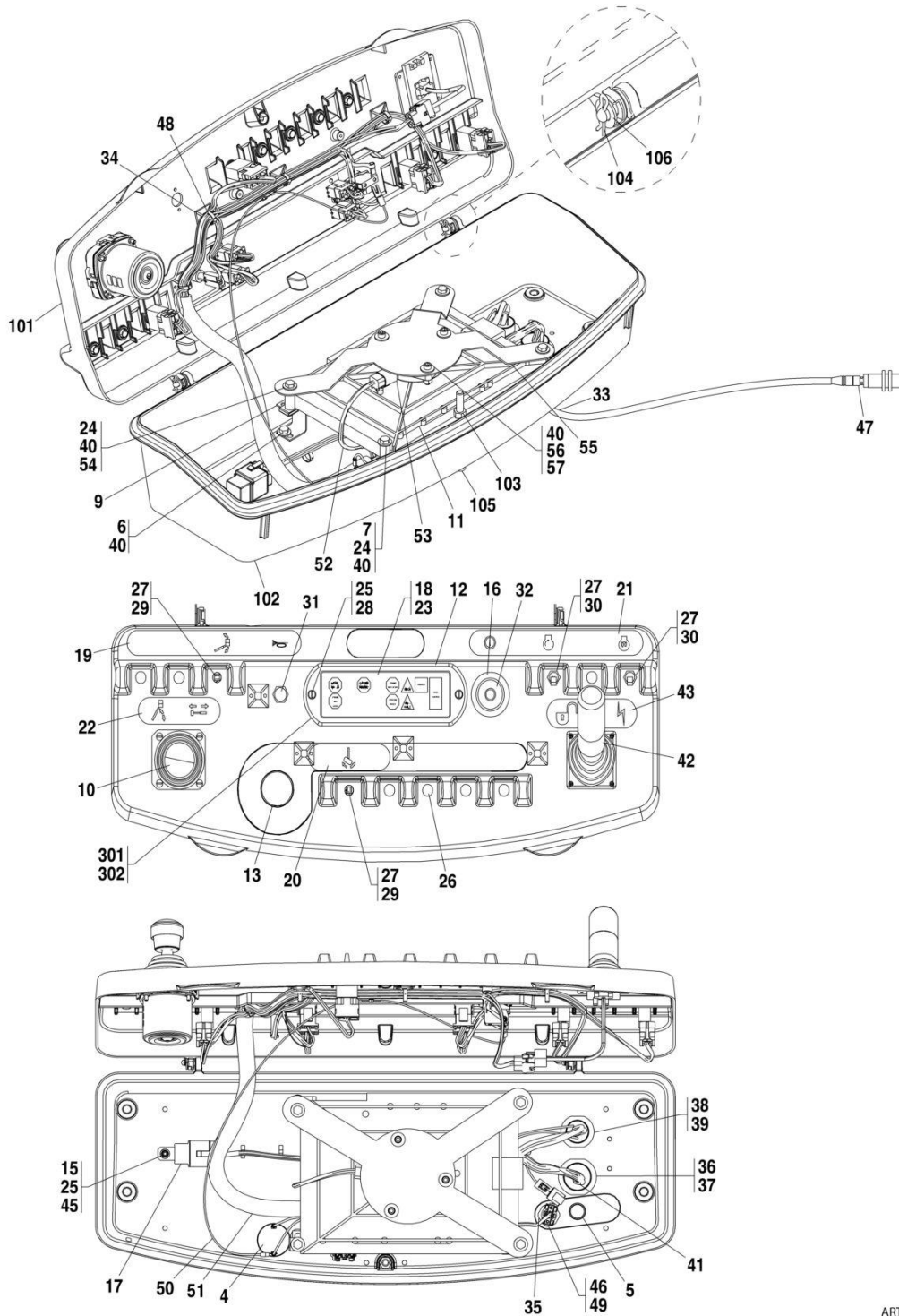
ITEM	PART NUMBER	QTY	DESCRIPTION	REV
47	0761214	2	HEX HD CAPSCREW, M12X30, GR8.8	
48	3290801	2	HEX NUT, M8X1-1/4	
49	3291201	2	HEX NUT, M12X1-3/4	
50	4812100	4	WASHER, 12mm	
51	1001101121	2	LATCH	
52	0761010	4	HEX HD CAPSCREW, M10X20, GR8.8	
53	4891600	4	WASHER, 3/8	
54	1001103217	2	STOP GUIDE	



# SECTION 3 - ATTACHMENTS

## FIGURE 3-9. CONSOLE BOX ASSEMBLY - 4014PS & 4017PS

4014PS & 4017PS, IF EQUIPPED



ART\_31200722-3-9



## SECTION 3 - ATTACHMENTS

### FIGURE 3-9. CONSOLE BOX ASSEMBLY - 4014PS & 4017PS

ITEM	PART NUMBER	QTY	DESCRIPTION	REV
	1001096359	1	CONSOLE BOX ASSY, (4014PS & 4017PS, if equipped), (includes items 1 thru 51)	M
	1001177888	1	CONSOLE BOX ASSY, (4014PS & 4017PS, if equipped), (MIDDLE EAST and AFRICA), (includes items 1 thru 57)	A
1	0100009	AR	SEALANT, (not shown)	
2	0100048	AR	DIELECTRIC GREASE, (not shown)	
3	0100081	AR	LOCTITE 454, (not shown)	
4	0140011	1	ALARM	
5	3520030	1	PLUG	
6	0641404	4	HEX HD CAPSCREW, 1/4-20X1/2, GR5	
7	0641414	1	HEX HD CAPSCREW, 1/4-20X1-3/4, GR5	
8	1001096358	1	CONSOLE BOX ASSY, (includes items 101 thru 106), (not shown)	B
9	0902751	4	BRACKET	
10	1001118417	1	CONTROLLER ASSY, (See See Separate Breakdown in this SECTION)	
11	1001097076	1	PLATFORM MODULE	H
12	1671176	1	LIGHT COVER, (includes items 301 & 302)	A
13	1001112646	1	COVER	
15	0721006	1	INDENTED HEX HD CAPSCREW	
16	1704260	1	EMS DECAL	
17	3740080	1	RELAY	
18	1001117889	1	PLATFORM DISPLAY DECAL	
19	1706885	1	HORN DECAL	
20	1706886	1	ROTATE DECAL	
21	1706887	1	STOP DECAL	
22	1706888	1	LIFT/TELESCOPE DECAL	
23	2920154	1	LED PANEL GAUGE	
24	3300353	4	NUT	
25	3300408	3	NYLON LOCKNUT	
26	3520054	7	PLUG	
27	3790012	3	O-RING	
28	3911018	2	SCREW, 10-24X1-1/8	
29	4360328	2	TOGGLE SWITCH	
30	4360330	2	TOGGLE SWITCH	
31	4360387	1	BUTTON SWITCH	
32	4360475	1	EMERGENCY STOP SWITCH	
33	2820018	0.08 m	HEAT SHRINK TUBING	
34	4460234	4	CABLE TIE	
35	4460428	1	STRAIN RELIEF CONNECTOR	
36	4460470	1	NUT	
37	4460471	1	LOCKWASHER	
38	4460496	1	LOCKWASHER	
39	4460497	1	NUT	
40	4751400	11	WASHER, 1/4	
41		Ref	CONSOLE HARNESS, (See ELECTRICAL SECTION for Breakdown)	
42	1001096361	1	JOYSTICK CONTROLLER	
43	1001096629	1	ENABLE DECAL	
45	4751000	5	WASHER	
46	4460761	1	TERMINAL	

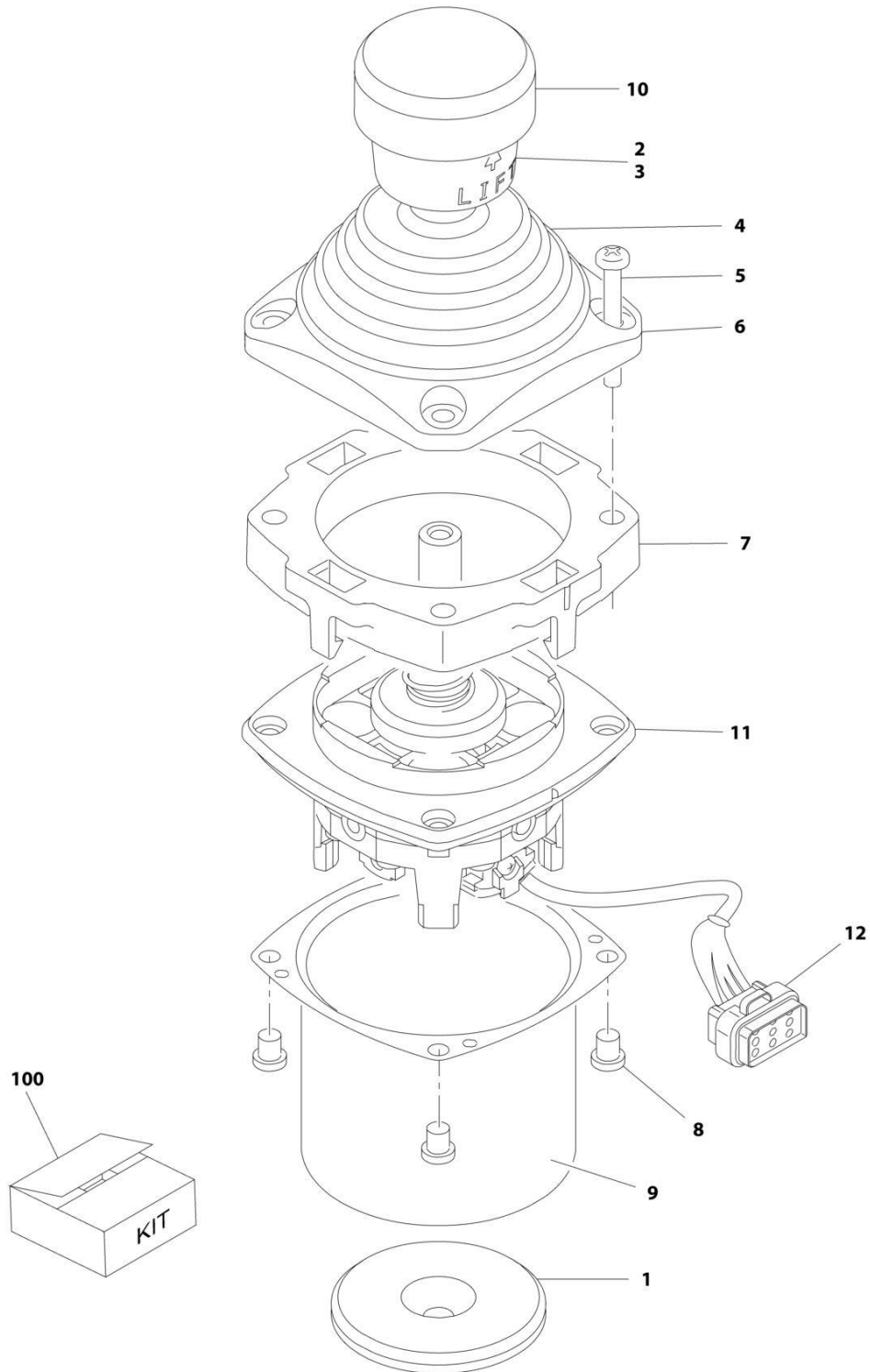
## SECTION 3 - ATTACHMENTS

ITEM	PART NUMBER	QTY	DESCRIPTION	REV
47	1001100711	1	PROXIMITY SWITCH	
48	4240033	AR	WIRE TIE	
49	4460227	3	PIN	
50	1001115140	1	WIRE PLATFORM DIODE	
51	1001118007	1	WIRE PLATFORM BOOM LIMIT	
52		Ref	TEMPERATURE SENSOR HARNESS, (See ELECTRICAL SECTION for Breakdown)	
53	1001163095	1	SENSOR	
54	0641415	3	HEX HD CAP SCREW, 1/4-20 X 1 7/8 LG	
55	1001175541	1	BRACKET	
56	3311405	3	NUT, 1/4-20	
57	3931416	3	CAP SCREW, 1/4-20 X 1	
101	1001096357	1	CONSOLE TOP CASTING	
102	1220096	1	CONSOLE BOTTOM CASTING	
103	3311601	1	HEX NUT, 3/8-16, GR2	
104	3470003	2	COTTER PIN	
105	0630568	1	SQ HD CAPSCEW, 3/8-16X4-1/2	
106	4711500	2	WASHER, 5/16	
301	1670829	1	HOUSING	
302	3960601	1	SEAL	



# SECTION 3 - ATTACHMENTS

## FIGURE 3-10. CONTROLLER ASSEMBLY (LIFT AND SWING)



ART\_1001118417-E

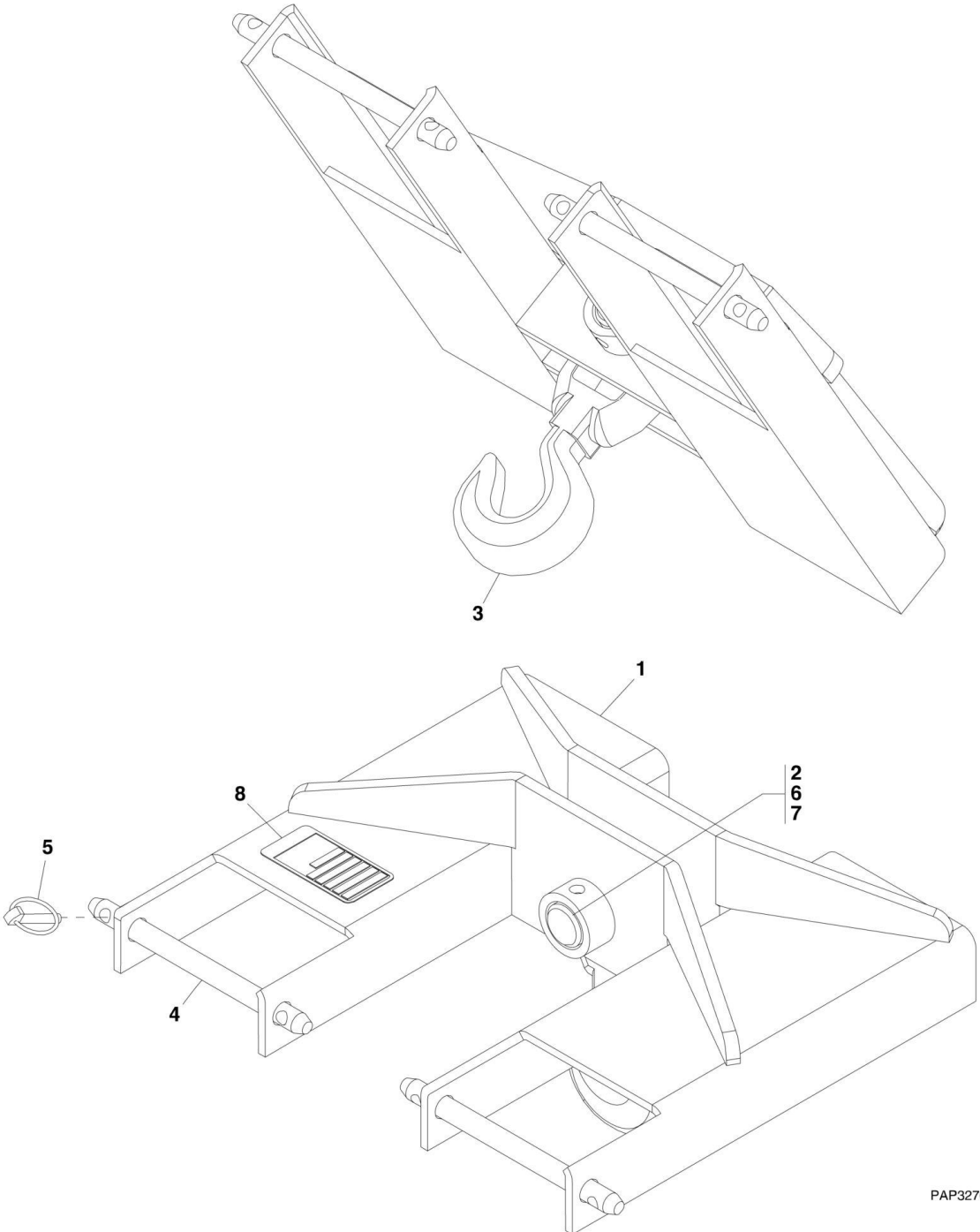
## SECTION 3 - ATTACHMENTS

**FIGURE 3-10. CONTROLLER ASSEMBLY (LIFT AND SWING)**

ITEM	PART NUMBER	QTY	DESCRIPTION	REV
	1001118417	Ref	CONTROLLER ASSEMBLY (LIFT AND SWING)	E
1	70002730	1	GASKET	
2	7003928	1	SPRING	
3	7022808	1	CAP, LIFT	
4	70002731	1	BOOT	
5	70002732	4	SCREW	
6	7022815	1	BEZEL	
7	70002733	1	ADAPTER	
8	70002734	4	SCREW	
9	70002735	1	CAN, ENCLOSURE	
10	70002906	1	CAP	
11	NSS	1	MECHANICAL ASSEMBLY (see 1001129555 for replacement)	
12	7022819	1	CONNECTOR - 9 POSITION	
12	4460871	6	SOCKET, FEMALE	
100	1001129555	1	JOYSTICK REPLACEMENT SERVICE KIT	
	1001166539	1	CONTROLLER, LIFT/SWING	
	3128764	1	INSTRUCTIONS, JOYSTICK REPLACEMENT	

**SECTION 3 - ATTACHMENTS**

**FIGURE 3-11. FORK MOUNTED HOOK**



PAP3270

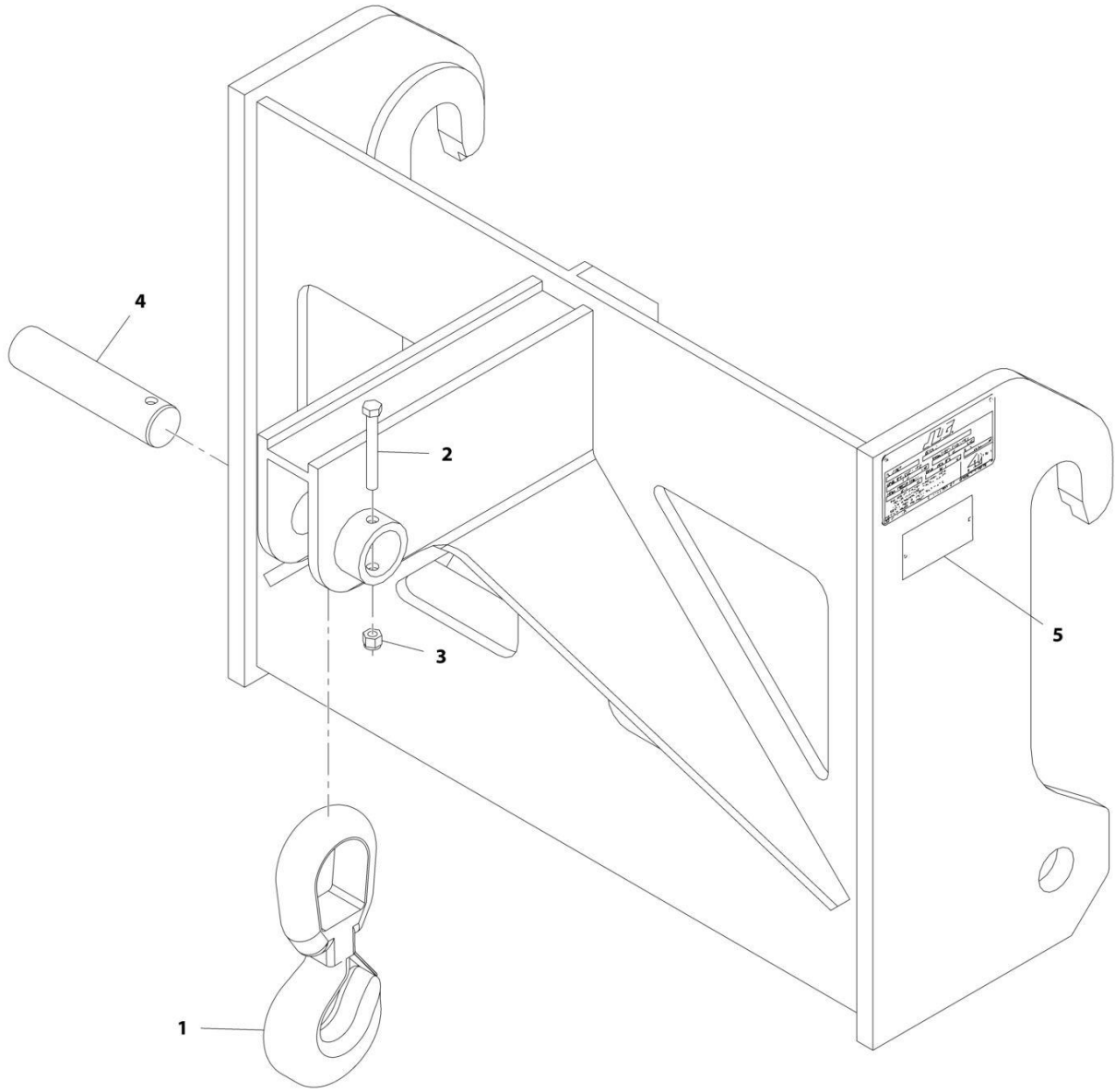
## SECTION 3 - ATTACHMENTS

**FIGURE 3-11. FORK MOUNTED HOOK**

ITEM	PART NUMBER	QTY	DESCRIPTION	REV
	2700118	1	FORK MOUNTED HOOK, (3706PS, 3707PS, 4014PS & 4017PS), (includes items 1 thru 8)	C
1	N.S.S.	1	WELDMENT	
2	70020201	1	PIN	
3	70020202	1	HOOK	
4	70020203	2	PIN	
5	70020204	4	RETAINING PIN	
6	70020205	1	BOLT	
7	70020206	1	SELF-LOCKING NUT	
8	N.S.S.	1	SN PLATE	

# SECTION 3 - ATTACHMENTS

## FIGURE 3-12. CRANE HOOK



ART\_1170058-C



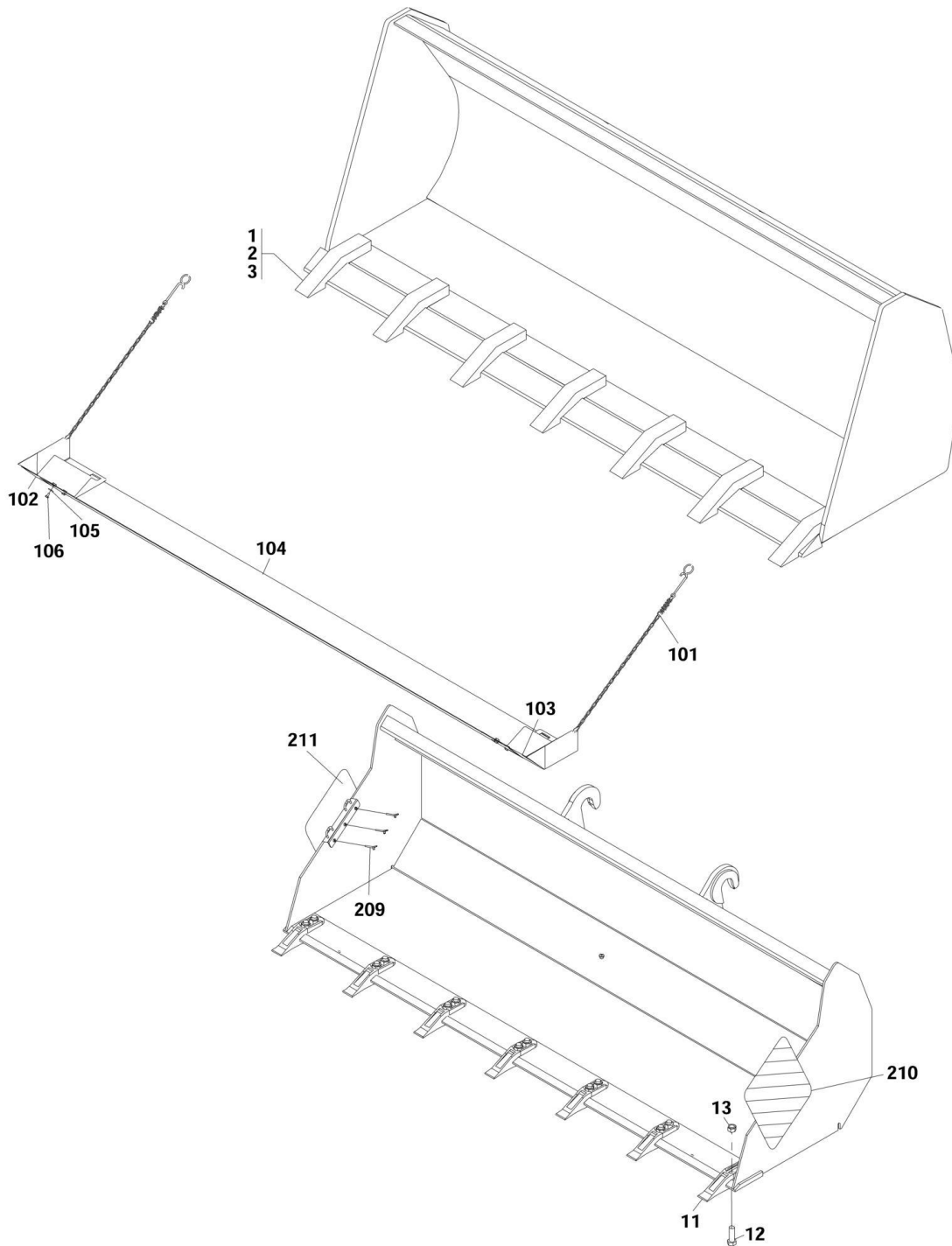
## SECTION 3 - ATTACHMENTS

### FIGURE 3-12. CRANE HOOK

ITEM	PART NUMBER	QTY	DESCRIPTION	REV
	1170058	1	CRANE HOOK, (3706PS, 3707PS, 4014PS & 4017PS), (includes all items)	C
1	70020417	1	HOOK	
2	70020205	1	BOLT	
3	70020206	1	NUT	
4	70020201	1	PIN	
5	N.S.S	1	SN PLATE	

# SECTION 3 - ATTACHMENTS

## FIGURE 3-13. BUCKETS



PAP32980

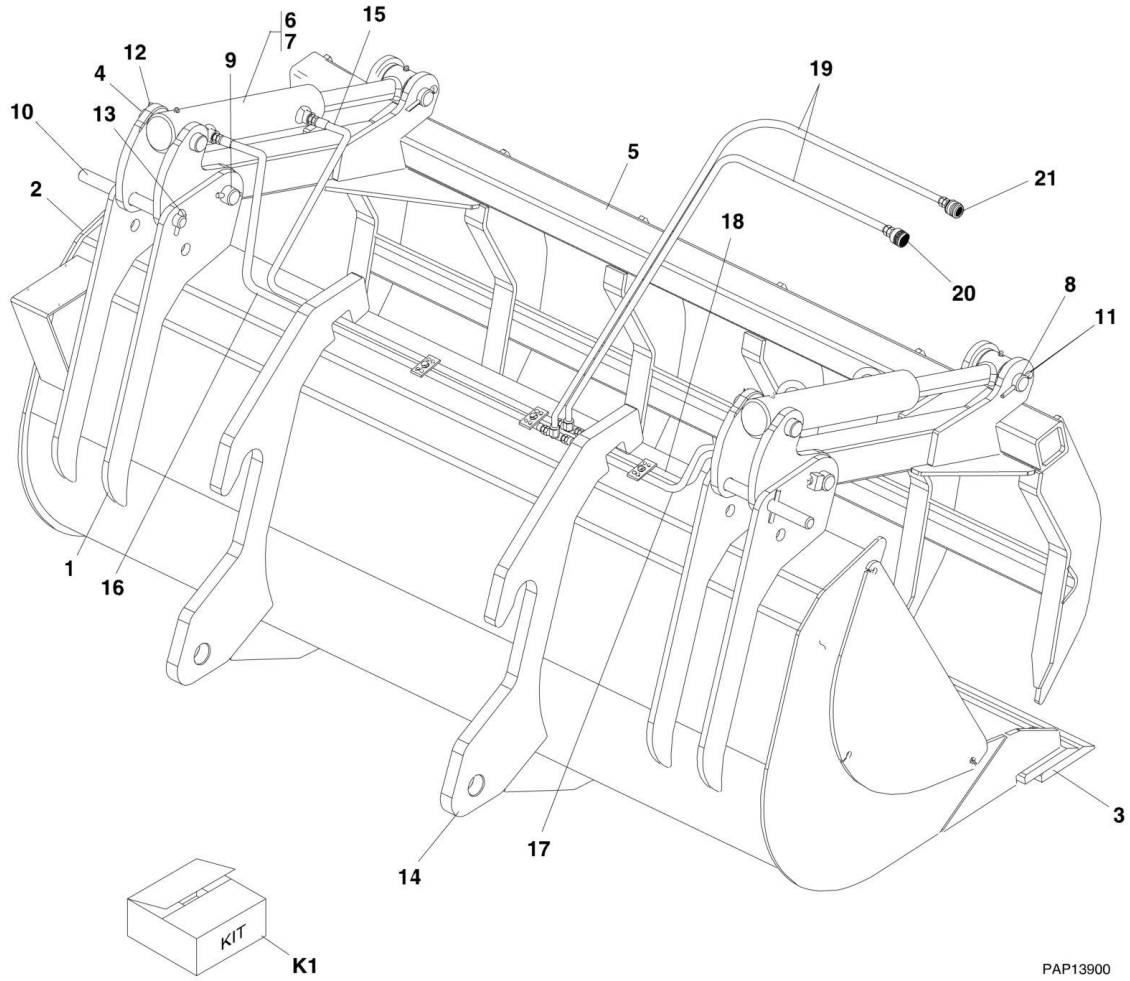
## SECTION 3 - ATTACHMENTS

### FIGURE 3-13. BUCKETS

ITEM	PART NUMBER	QTY	DESCRIPTION	REV
	4805670	1	0.8m <sup>3</sup> DIG BUCKET, W/TEETH, (3706PS, 3707PS, 4014PS & 4017PS)	B
	4802100	1	1.0m <sup>3</sup> DIG BUCKET, W/TEETH, (3706PS, 3707PS, 4014PS & 4017PS), (includes items 1 thru 3)	B
1	7028092	7	TOOTH	
2	7028093	7	SECURING PIN	
3	7028094	7	TOOTH MOUNT	
3	8008424	1	TOOTH PROTECTION FOR 1.0m <sup>3</sup>	
	0930015	1	0.9m <sup>3</sup> DIG BUCKET	C
	70020392	1	BLADE KIT, (includes qty. 7 each of items 12 & 13)	
	0930016	1	1.8m <sup>3</sup> DIG BUCKET	C
	70020392	1	BLADE KIT, (includes qty. 7 each of items 12 & 13)	
	1001094612	1	BUCKET TEETH KIT, (if equipped), (3706PS, 3707PS, 4014PS & 4017PS), (includes items 11 thru 13), (requires bucket 0930015 or bucket 0930016)	A
11	1001094611	7	BUCKET TEETH	
12	1001094615	14	HEX HD CAPSCREW, M20X72	
13	1001094616	14	HEX NUT, M20X2-1/2	
101	1001003064	2	RETAINER ASSY	
102	1001004617	1	PLATE	
103	1001004618	1	PLATE	
104	1001004619	1	PLATE	
105	1001008665	4	WASHER	
106	1001009105	4	BOLT, M6X1	
209	1001139884	6	WING BOLT, M8, (Italy - if equipped) <b>(Prior to SN 1160008047)</b>	
210	1001162771	2	SAFETY FILM, (Italy - if equipped) <b>(Prior to SN 1160008047)</b>	
211	1001163625	2	BRACKET, (Italy - if equipped) <b>(Prior to SN 1160008047)</b>	

# SECTION 3 - ATTACHMENTS

## FIGURE 3-14. MANURE BUCKET



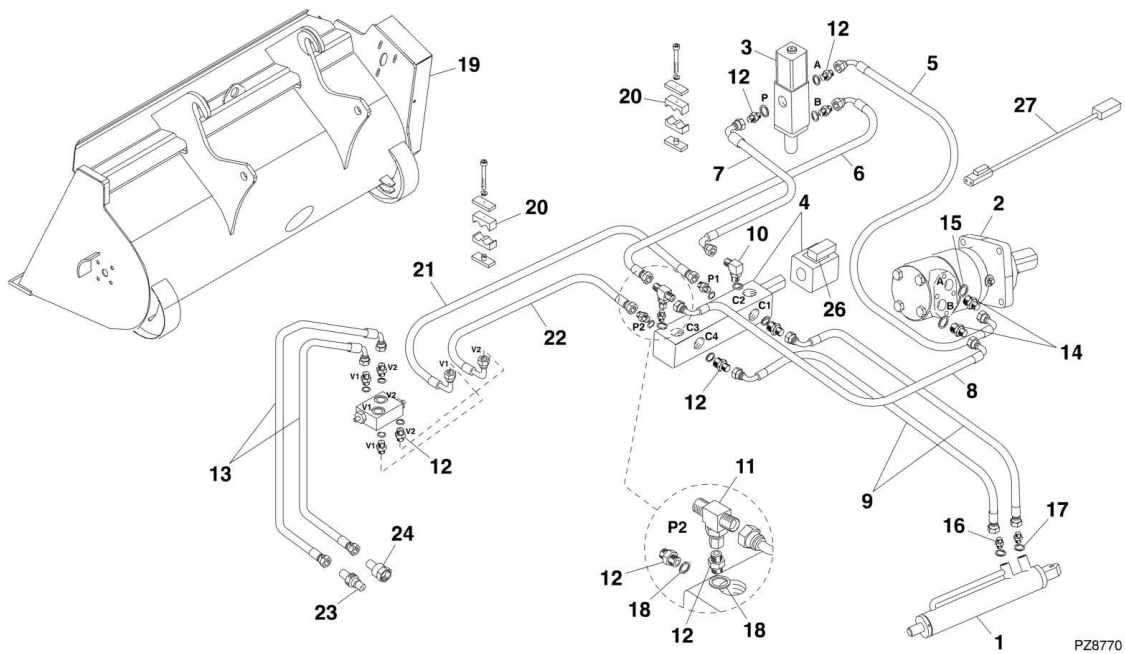
## SECTION 3 - ATTACHMENTS

**FIGURE 3-14. MANURE BUCKET**

ITEM	PART NUMBER	QTY	DESCRIPTION	REV
	0930004	1	1.0m <sup>3</sup> MANURE BUCKET, (3706PS, 3707PS, 4014PS & 4017PS), (includes all items)	E
1	N.S.S.	1	BUCKET ASSY	
2	7028133	1	SIDE PLATE ASSY	
3	7028132	1	BLADE ASSY, (includes blade and the following hardware)	
3	7029356	8	HEX LOCKNUT, M16-8	
3	70023484	8	BOLT, M16X60, GR10.9	
4	7028126	2	ADJUSTING BRACKET	
5	7028125	1	GRAPPLE	
6	7028127	2	TILT CYLINDER	
6	7028910	AR	CYLINDER SEAL KIT	
7	7028131	6	BUSHING	
8	7028128	2	PIN	
9	7028129	2	LOCKING PIN	
10	7028130	2	PIN	
11	7028135	4	ROLL PIN	
12	7028134	8	ROLL PIN	
13	7028124	2	CIRCLIP	
14	7029749	1	CONNECTING ASSY	
15	7028986	1	HOSE ASSY	
16	7028987	1	HOSE ASSY	
17	7028988	1	HOSE ASSY	
18	7028989	1	HOSE ASSY	
19	7028984	2	HOSE ASSY	
20		Ref	FEMALE SCREW COUPLER, (no longer available, order 1001097287 kit)	
20	1001094555	1	FEMALE QUICK DISCONNECT COUPLING	
21		Ref	MALE SCREW COUPLER, (no longer available, order 1001097287 kit)	
21	1001094556	1	MALE QUICK DISCONNECT COUPLING	
K1	1001097287	1	QUICK DISCONNECT COUPLING KIT, (includes items 20, 21, dust cap and dust plug)	

# SECTION 3 - ATTACHMENTS

## FIGURE 3-15. CONCRETE BUCKET



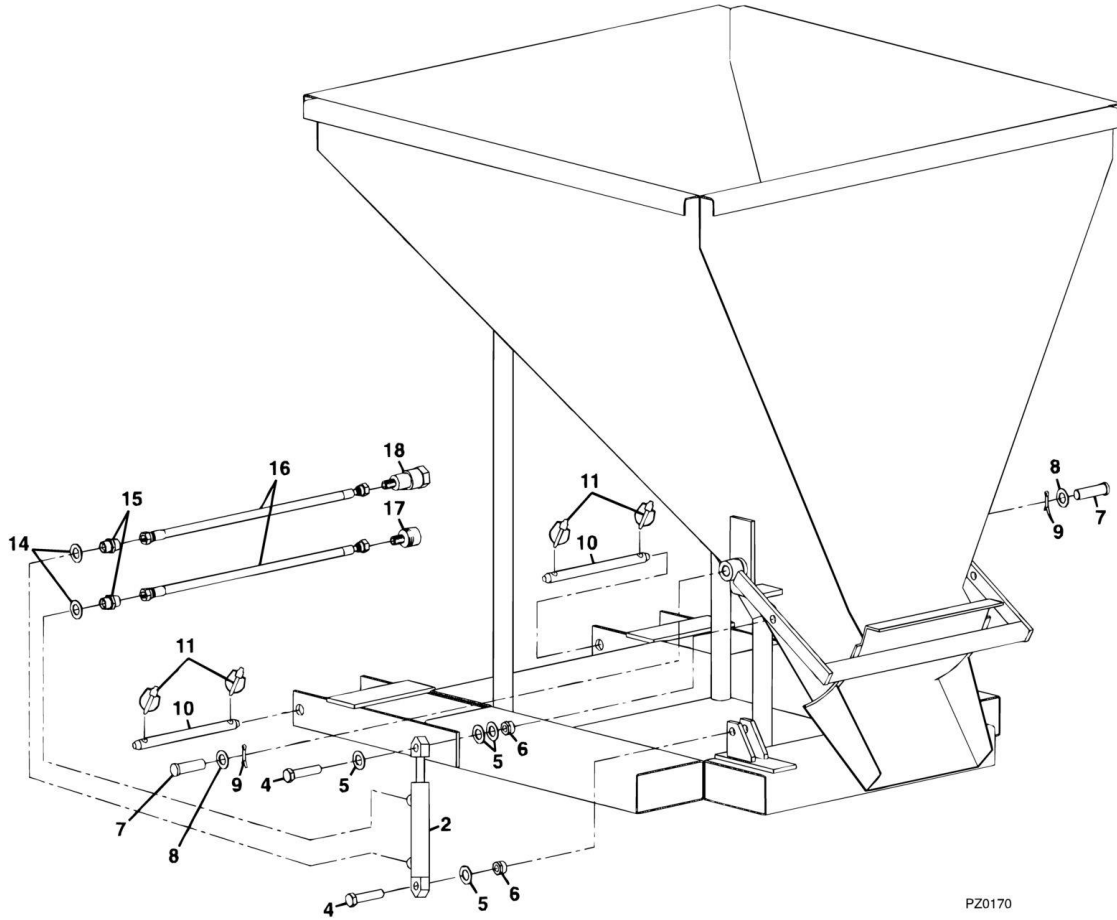
## SECTION 3 - ATTACHMENTS

### FIGURE 3-15. CONCRETE BUCKET

ITEM	PART NUMBER	QTY	DESCRIPTION	REV
	1001106930	1	CONCRETE BUCKET, (3706PS, 3707PS, 4014PS & 4017PS), (includes all items)	B
1	70024436	1	CYLINDER	
2	70024437	1	HYDRAULIC ENGINE	
3	70024438	1	VALVE FLOW DIVISOR	
4	70024439	1	SOLENOID VALVE, 6 WAY	
5	70024440	1	PIPE ASSY, 1/2	
6	70024441	1	PIPE ASSY, 1/2	
7	70024442	1	PIPE ASSY, 1/2	
8	70024443	1	PIPE ASSY, 1/2	
9	70024444	2	PIPE ASSY, 1/4	
10	70024445	1	FITTING, 90	
11	70024446	1	TEE FITTING	
12	70024447	12	FITTING	
13	70024448	2	PIPE ASSY, 1/2	
14	70024449	2	FITTING	
15	70024450	2	GASKET, 3/4	
16	1001104958	2	FITTING	
17	70020730	2	GASKET, 1/4	
18	70022927	13	GASKET, 1/2	
19	70024451	1	MIXER BUCKET	
20	70024452	2	TWIN CLAMP, 1/2	
21	70024453	1	PIPE ASSY, 1/2	
22	70024454	1	PIPE ASSY, 1/2	
23	1001094556	1	MALE QUICK COUPLING	
24	1001094555	1	FEMALE QUICK COUPLING	
26	70024455	1	COIL, 12V	
27	70024456	1	HARNESS	

# SECTION 3 - ATTACHMENTS

## FIGURE 3-16. CONCRETE LADLE



PZ0170



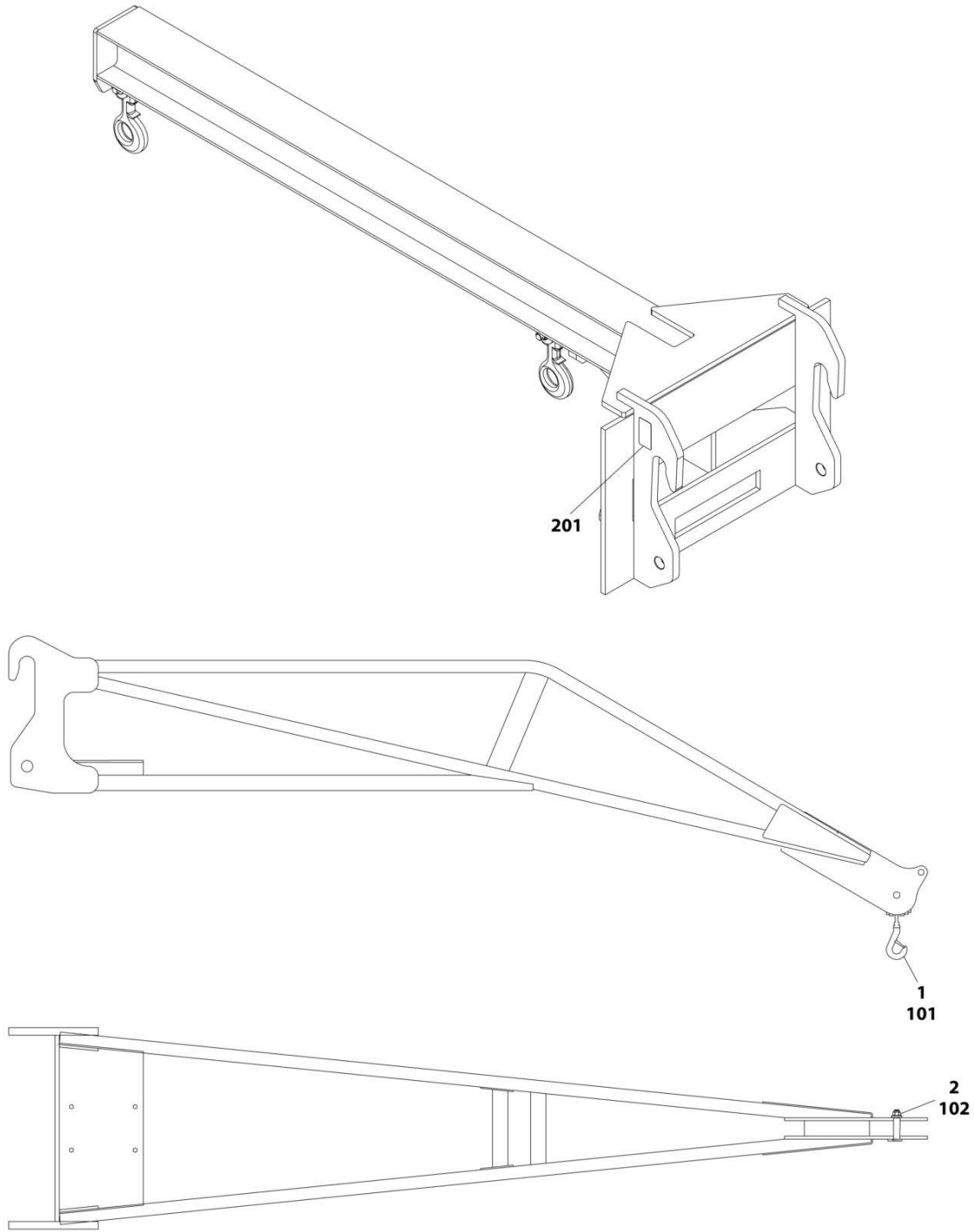
## SECTION 3 - ATTACHMENTS

### FIGURE 3-16. CONCRETE LADLE

ITEM	PART NUMBER	QTY	DESCRIPTION	REV
	0240158	1	CONCRETE LADLE, (3706PS, 3707PS, 4014PS & 4017PS), (includes all items)	C
2	70020723	1	HYDRAULIC CYLINDER	
4	70020724	2	BOLT	
5	70020725	4	WASHER	
6	70020726	2	NUT	
7	70020727	2	PIN	
8	70020728	2	WASHER	
9	70020729	2	PIN	
10	70020203	2	SAFETY PIN	
11	70020204	4	RETAINING RING	
14	70020730	2	GASKET	
15	70020731	2	LINK	
16	70020732	2	PIPE	
17	1001094556	1	MALE QUICK DISCONNECT COUPLING	
18	1001094555	1	FEMALE QUICK DISCONNECT COUPLING	

# SECTION 3 - ATTACHMENTS

## FIGURE 3-17. TRUSS BOOMS



ART\_31200722-3-17

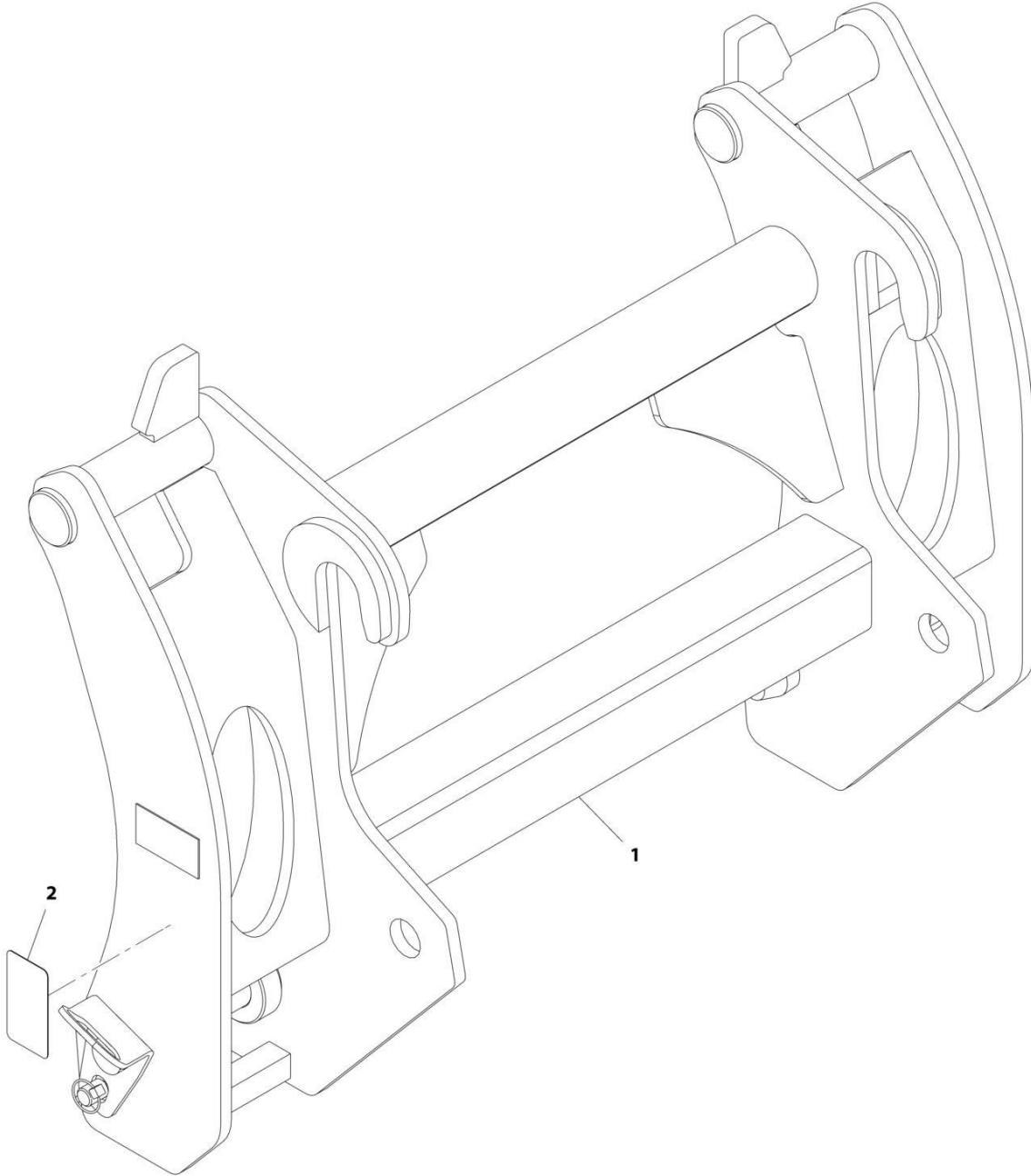
## SECTION 3 - ATTACHMENTS

### FIGURE 3-17. TRUSS BOOMS

ITEM	PART NUMBER	QTY	DESCRIPTION	REV
	0240063	1	3.4m TRUSS BOOM, (1000kg), (3706PS, 3707PS, 4014PS & 4017PS), (includes items 1 & 2)	C
1	70020421	1	HOOK	
2	70020422	1	BOLT	
	0240110	1	3.6m TRUSS BOOM, (650kg), (3706PS, 3707PS, 4014PS & 4017PS), (includes items 101 & 102)	D
101	70020423	1	HOOK	
102	70020424	1	BOLT	
	1001101442	1	2m TRUSS BOOM, (4000kg) (AUS - 4014PS & 4017PS), (not shown) <b>(Prior to SN 1160007391)</b>	E
	1001175721	1	2m TRUSS BOOM, (3000kg) (AUS - 4014PS & 4017PS), (not shown) <b>(SN 1160007391 to Present)</b>	A
	1001234054	1	INSTALLATION, TRUSS BOOM, (4000kg), (4014PS), (includes item 201)	A
	1001234068	1	INSTALLATION, TRUSS BOOM, (4000kg), (4017PS), (includes item 201)	A
201	1001223184	1	TRUSS BOOM, (4000kg)	

**SECTION 3 - ATTACHMENTS**

**FIGURE 3-18. VOLVO ADAPTER**



ART\_31200722-3-18

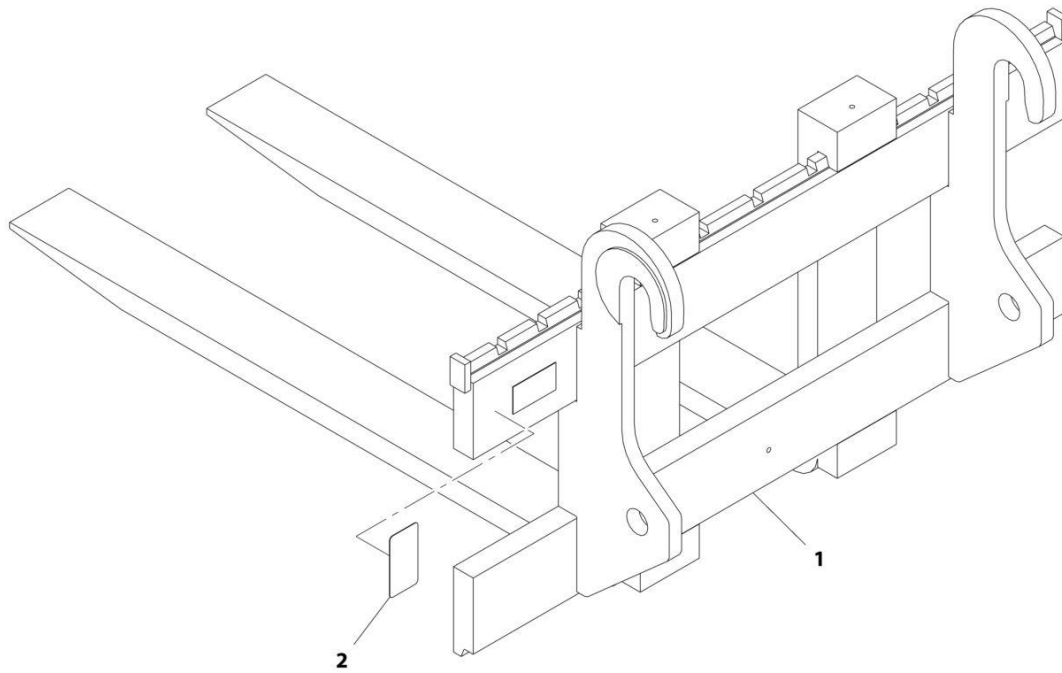
## SECTION 3 - ATTACHMENTS

### FIGURE 3-18. VOLVO ADAPTER

ITEM	PART NUMBER	QTY	DESCRIPTION	REV
	1001173159	1	VOLVO ADAPTER INSTALLATION, (4014PS), (AUS), (includes items 1 & 2)	A
	1001173160	1	VOLVO ADAPTER INSTALLATION, (4017PS), (AUS), (includes items 1 & 2)	A
	1001173150	1	VOLVO ADAPTER INSTALLATION, (3706PS), (CE), (includes items 1 & 2)	A
	1001173151	1	VOLVO ADAPTER INSTALLATION, (3707PS), (CE), (includes items 1 & 2)	A
	1001173154	1	VOLVO ADAPTER INSTALLATION, (4014PS), (CE), (includes items 1 & 2)	A
	1001173155	1	VOLVO ADAPTER INSTALLATION, (4014PS), (Germany), (includes items 1 & 2)	A
	1001173156	1	VOLVO ADAPTER INSTALLATION, (4017PS), (CE), (includes items 1 & 2)	A
1	1001173162	1	CARRIAGE, VOLVO ADAPTER	
2		Ref	CHART, CAPACITY, (See DECALS SECTION for Breakdown)	

# SECTION 3 - ATTACHMENTS

## FIGURE 3-19. FEM ADAPTER



ART\_31200722-3-19

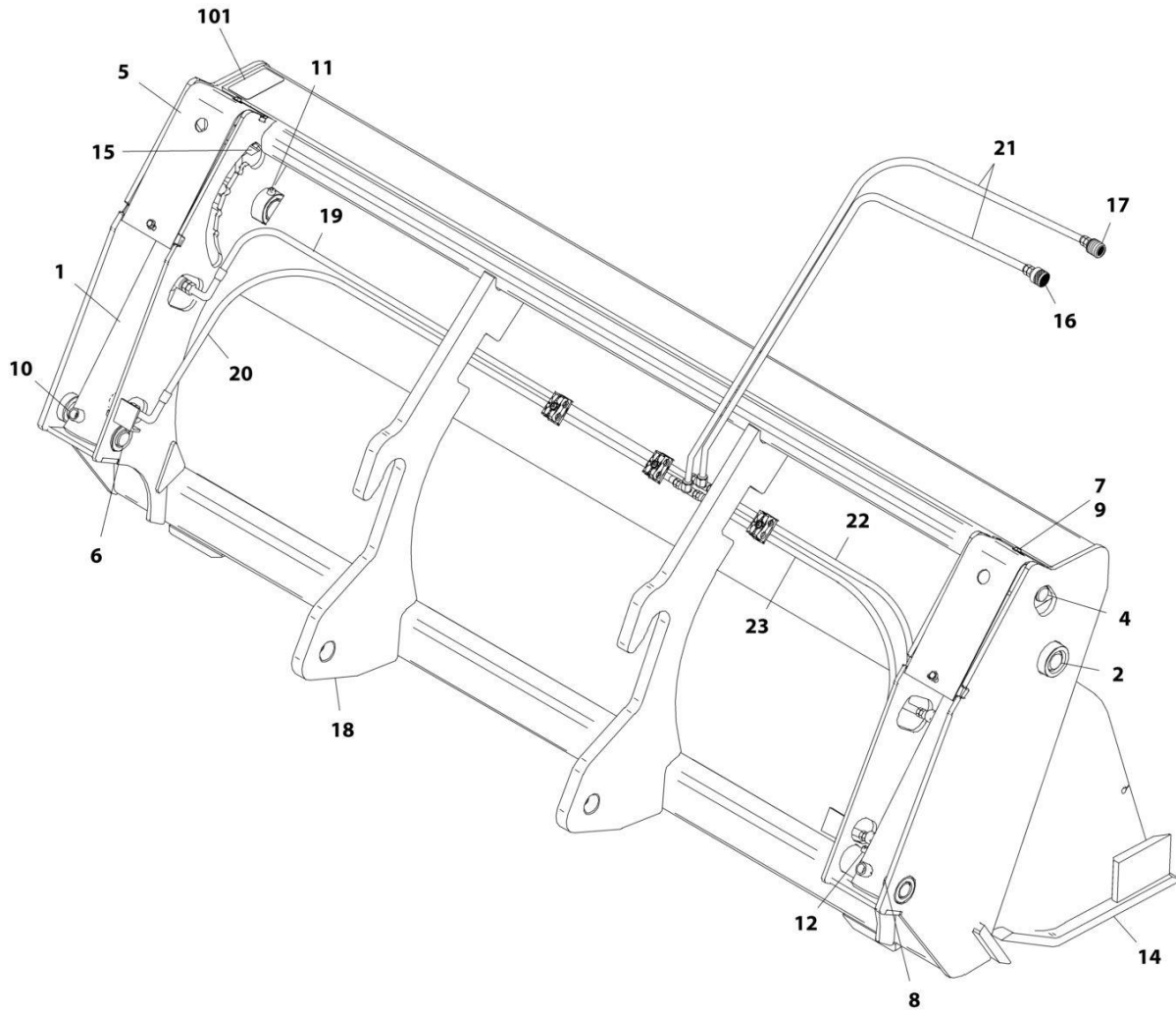
## SECTION 3 - ATTACHMENTS

**FIGURE 3-19. FEM ADAPTER**

ITEM	PART NUMBER	QTY	DESCRIPTION	REV
	1001172675	1	FEM ADAPTER INSTALLATION, (3706PS), (includes item 1 & 2)	A
	1001172678	1	FEM ADAPTER INSTALLATION, (3707PS), (includes item 1 & 2)	A
	1001172681	1	FEM ADAPTER INSTALLATION, (4014PS), (includes item 1 & 2)	A
	1001172683	1	FEM ADAPTER INSTALLATION, (4014PS), (AUS), (includes item 1 & 2)	A
	1001172685	1	FEM ADAPTER INSTALLATION, (4014PS), (Germany), (includes item 1 & 2)	A
	1001172687	1	FEM ADAPTER INSTALLATION, (4017PS), (includes item 1 & 2)	A
	1001172689	1	FEM ADAPTER INSTALLATION, (4017PS), (AUS), (includes item 1 & 2)	A
1	1001172667	1	CARRIAGE, FEM ADAPTER	
2		Ref	CHART CAPACITY, (See DECALS SECTION for Breakdown)	

# SECTION 3 - ATTACHMENTS

FIGURE 3-20. MULTI-PURPOSE BUCKET (Prior to SN 1160008730)



ART\_0930003-G



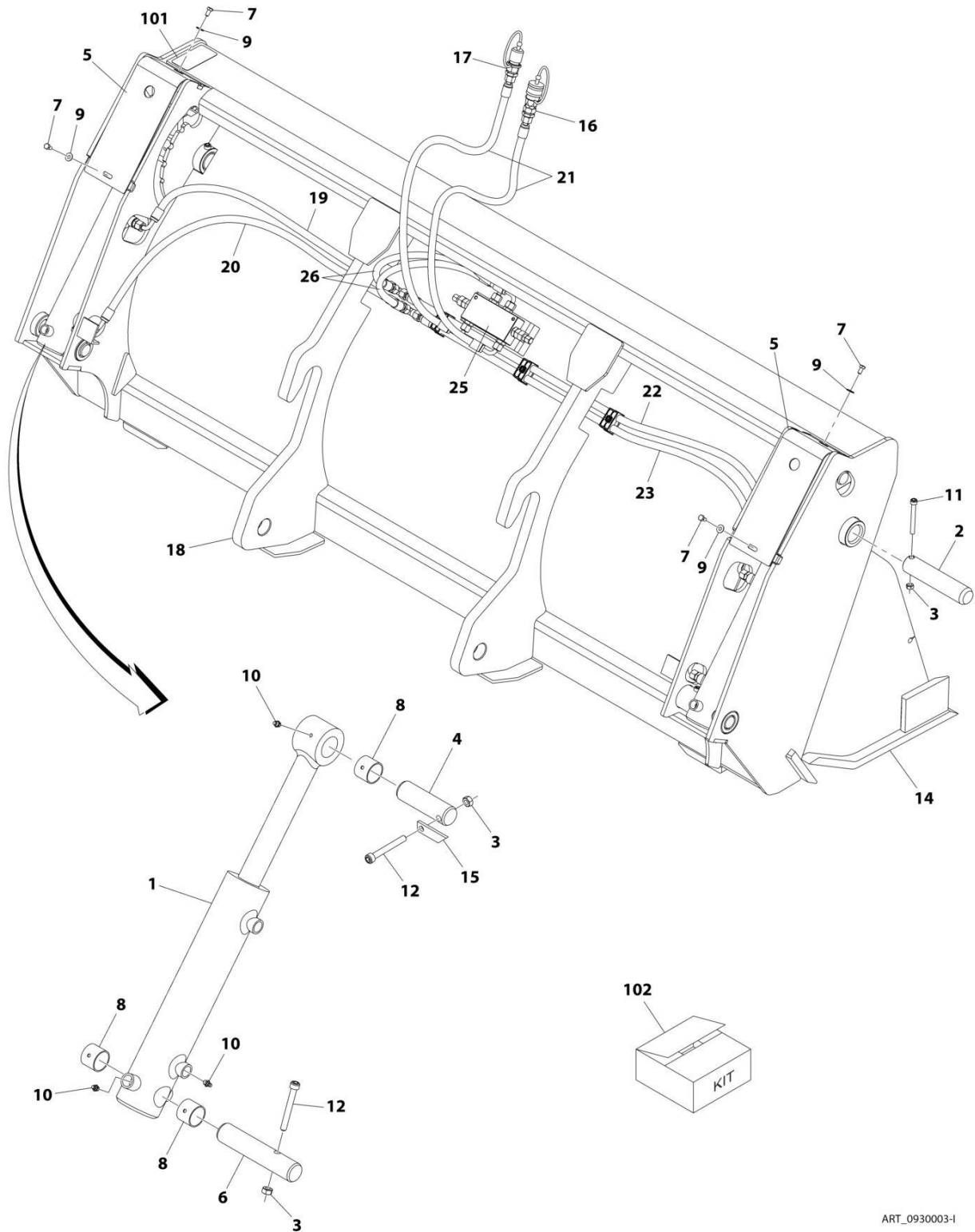
## SECTION 3 - ATTACHMENTS

**FIGURE 3-20. MULTI-PURPOSE BUCKET (Prior to SN 1160008730)**

ITEM	PART NUMBER	QTY	DESCRIPTION	REV
	0930003	1	Multi-Purpose Bucket, 1.0m <sup>3</sup>	G
1	7028990	2	Cylinder	
	7028910	AR	Kit, Seal, Cylinder	
2	7028911	2	Pin	
3	7028912	6	Nut (not shown)	
4	7028913	2	Pin	
5	7028914	2	Plate, Protective	
6	7028915	2	Pin	
7	7028916	4	Bolt	
8	7028131	6	Bushing	
9	7028917	4	Washer	
10	7028918	6	Nipple, Grease	
11	7028920	2	Screw	
12	7028919	4	Screw	
14	N.S.S.	1	Weldment	
15	7028923	1	Gauge	
16	1001094555	1	Coupling, Female Quick Disconnect	
17	1001094556	1	Coupling, Male Quick Disconnect	
18	N.S.S.	1	Weldment	
19	7028982	1	Hose	
20	7028983	1	Hose	
21	7028984	2	Hose	
22	7028985	1	Hose	
23	7028991	1	Hose	
101	N.S.S.	1	S/N Plate	

# SECTION 3 - ATTACHMENTS

## FIGURE 3-21. MULTI-PURPOSE BUCKET (SN 1160008730 to Present)



ART\_0930003-I

## SECTION 3 - ATTACHMENTS

**FIGURE 3-21. MULTI-PURPOSE BUCKET (SN 1160008730 to Present)**

ITEM	PART NUMBER	QTY	DESCRIPTION	REV
	0930003	1	Multi-Purpose Bucket, 1.0m <sup>3</sup>	H
1	7028990	2	Cylinder	
	7028910	AR	Kit, Seal, Cylinder	
2	7028911	2	Pin	
3	7028912	6	Nut	
4	7028913	2	Pin	
5	N.S.S.	2	Plate, Protective	
6	7028915	2	Pin	
7	7028916	4	Bolt	
8	7028131	6	Bushing	
9	7028917	4	Washer	
10	7028918	6	Nipple, Grease	
11	7028920	2	Screw	
12	7028919	4	Screw	
14	N.S.S.	1	Weldment	
15	7028923	1	Gauge	
16	1001094555	1	Coupling, Female Quick Disconnect	
17	1001094556	1	Coupling, Male Quick Disconnect	
18	N.S.S.	1	Weldment	
19	7028982	1	Hose	
20	7028983	1	Hose	
21	7028984	2	Hose	
22	7028995	1	Hose	
23	7028991	1	Hose	
25	70027291	1	Balancing Valve	
26	70029011	2	Hose	
101	N.S.S.	1	S/N Plate	
102	1001097287	1	Quick Disconnect Coupling Kit, (includes items 16, 17 dust cap and dust plug)	

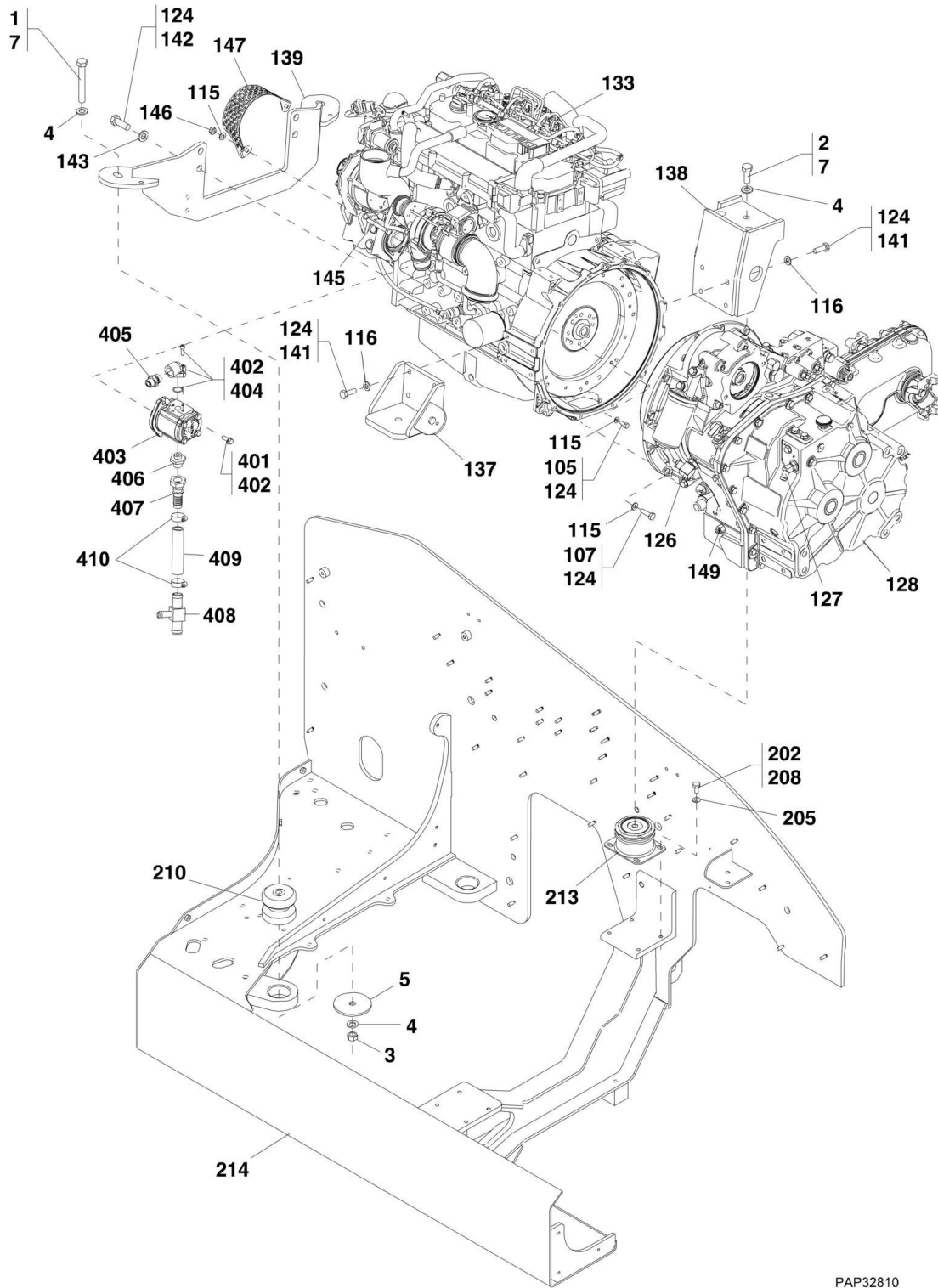


## **SECTION 4 - ENGINE AND ATTACHING PARTS**

## **SECTION 4 - ENGINE AND ATTACHING PARTS**

# SECTION 4 - ENGINE AND ATTACHING PARTS

## FIGURE 4-1. ENGINE INSTALLATION



PAP32810

## SECTION 4 - ENGINE AND ATTACHING PARTS

### FIGURE 4-1. ENGINE INSTALLATION

ITEM	PART NUMBER	QTY	DESCRIPTION	REV
1	0701629	2	HEX HD CAPSCREW, M16X120, GR 8.8, (torque to 241 Nm/177.75 lb-ft)	
2	0761616	2	HEX HD CAPSCREW, M16X40, GR 8.8, (torque to 241 Nm/177.75 lb-ft)	
3	3291601	2	HEX NUT, M16X2	
4	4812300	6	WASHER, 16mm	
5	1001008506	2	WASHER	
7	1001095650	AR	LOCTITE 243	
105	0761010	8	HEX HD CAPSCREW, M10X20, GR8.8, (torque to 55 Nm/40.56 lb-ft)	
107	0761015	10	HEX HD CAPSCREW, M10X35, GR8.8, (torque to 55 Nm/40.56 lb-ft)	
115	4812000	19	WASHER, 10mm	
116	4812100	8	WASHER, 12mm	
124	1001095650	AR	LOCTITE 243	
126	1001099267	1	ADAPTER, BARB FITTING	
127	1001099268	1	ADAPTER, 45, BARB	
128		Ref	TRANSMISSION, (See DRIVE TRAIN SECTION for Breakdown)	
133		Ref	ENGINE, (See DEUTZ ENGINE for Breakdown)	
137	1001139982	1	ENGINE MOUNT BRACKET	
138	1001139983	1	ENGINE MOUNT BRACKET	
139	1001141228	1	ENGINE MOUNT BRACKET	
141	0701215	8	HEX HD CAPSCREW, M12X35, GR 8.8, (torque to 97 Nm/71.54 lb-ft)	
142	0701617	4	HEX HD CAPSCREW, M16X45, GR 8.8, (torque to 241 Nm/177.75 lb-ft)	
143	4812300	4	WASHER, 16mm	
145	1001152378	1	HEX FLANGE SCREW, M10X110mm, (if equipped for ULS - 90 Kw, 6 SPEED), (if equipped for LS)	
145	0781028	1	HEX FLANGESCREW, M10X110mm, (if equipped for ULS - 75 Kw, 4 SPEED)	
146	3291001	1	HEX NUT, M10X1.5, (torque to 55 Nm/40.56 lb-ft)	
147	1001147828	1	FINGER GUARD	
149	2220237	1	ADAPTER, PLUG	
202	0761010	8	HEX HD CAPSCREW, M10X20, GR8.8	
205	4812000	8	WASHER, 10mm	
208	1001095650	AR	LOCTITE 243	
210	1001120523	2	ENGINE MOUNT	
213	1001134127	2	ENGINE MOUNT	
214		Ref	ENGINE FRAME, (See FRAME AND ATTACHING PARTS SECTION for Breakdown)	
310		Ref	ENGINE ELECTRICAL COMPARTMENT INSTALLATION, (not shown), (See ELECTRICAL SECTION for Breakdown)	
	1001132828	1	HYDRAULIC FAN PUMP INSTALLATION, (includes items 401 thru 410)	D
401	5201012	2	RIPP BOLT, M10X25, (torque to 55 Nm/40.56 lb-ft)	
402	1001095650	AR	LOCTITE 243	
403	1001133809	1	FAN PUMP	
404	1001135245	1	ADAPTER, 90, (torque to 12-18 Nm/8.8-13.2 lb-ft)	
405	1001135257	1	ADAPTER, CONNECTOR, (includes o-ring)	
406	1001135485	1	ADAPTER, CONNECTOR	
407	1001135486	1	ADAPTER, HOSE TAIL	

## SECTION 4 - ENGINE AND ATTACHING PARTS

ITEM	PART NUMBER	QTY	DESCRIPTION	REV
408	1001121267	1	BARB FITTING	
409	1001145010	1	HOSE	
410	1001008466	2	CLAMP	

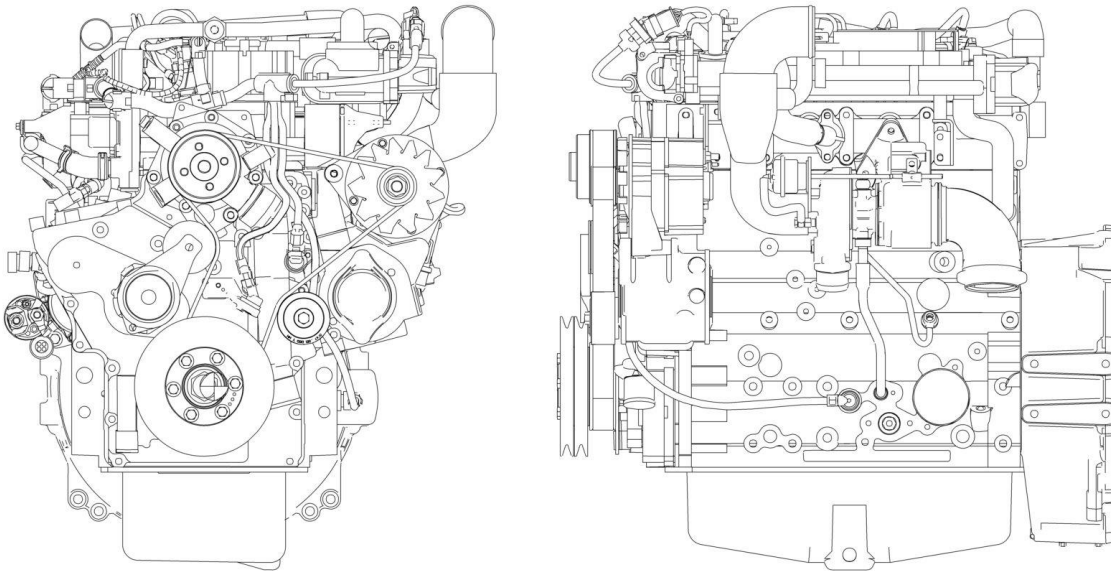




# SECTION 4 - ENGINE AND ATTACHING PARTS

## FIGURE 4-2. DEUTZ ENGINE

IF EQUIPPED FOR ULS



PZ7530

## SECTION 4 - ENGINE AND ATTACHING PARTS

**FIGURE 4-2. DEUTZ ENGINE**

ITEM	PART NUMBER	QTY	DESCRIPTION	REV
	1001131252	1	DEUTZ ENGINE, (if equipped for ULS), (75 kW), (includes all items) <b>(Prior to SN 1160007368)</b>	E
	1001171457	1	DEUTZ ENGINE, (if equipped for ULS), (75 kW), (includes all items) <b>(SN 1160007368 through 1160008066)</b>	B
	1001184108	1	DEUTZ ENGINE, (if equipped for ULS), (75 kW), (includes all items) <b>(SN 1160008067 to Present)</b>	B
	1001130203	1	DEUTZ ENGINE, (if equipped for ULS), (90 kW), (includes all items) <b>(Prior to SN 1160007557)</b>	E
	1001171458	1	DEUTZ ENGINE, (if equipped for ULS), (90 kW), (includes all items) <b>(SN 1160007411 through 1160007556, Including 1160007368, Excluding 1160006750)</b>	B
	1001184110	1	DEUTZ ENGINE, (if equipped for ULS), (90 kW), (includes all items) <b>(SN 1160007557 to Present, Including 1160006750)</b>	B
	70024472	1	CONTROL UNIT	
	70002718	1	ROT SHAFT LIP SEAL	
	70024473	1	THERMOSTAT	
	70024474	4	GLOW PLUG	
	70024475	1	INTAKE PIPE GASKET	
	70024476	1	HIGH PRESSURE PIPE	
	70024477	1	EGR COOLER	
	70024483	1	CYLINDER HEAD GASKET	
	70024484	1	IDLER ROLLER	
	70024485	4	INJECTOR	
	70024486	1	FUEL SUPPLY PUMP	
	70024487	1	FUEL INJECT PUMP	
	70024489	1	LUBRICATION OIL LINE	
	70024490	1	RAIL	
	70024491	1	OIL PIPE	
	70024492	1	WATER PUMP	
	70024494	1	OIL COOLER	
	70024496	1	COOLING WATER LINE	
	70024497	1	INTAKE PIPE	
	70024498	1	HIGH PRESSURE PIPE	
	70024499	1	HIGH PRESSURE PIPE	
	70024501	1	FUEL LINE	
	70024502	1	FUEL LEAKAGE PIPE	
	70040080	1	ROT SHAFT LIP SEAL	
	70024503	2	TACHO-GENERATOR	
	70024505	1	TEMPERATURE TRANSMITTER	
	70024506	1	PRESSURE SENSOR	
	70024507	1	PRESSURE SENSOR	
	70024508	1	CONNECTING PIPE	
	70024510	1	ATTACHMENT FLANGE	
	70024511	1	PLUG	
	7016331	1	OIL FILTER	
	70024961	1	FUEL FILTER ASSY, PRIMARY	
	70025153	1	FUEL FILTER	
	70024513	1	SENSOR CABLE	
	70025239	1	SEALING RING	
	70025121	2	HEX BOLT	
	70024963	1	FUEL FILTER ASSY, SECONDARY	

## SECTION 4 - ENGINE AND ATTACHING PARTS

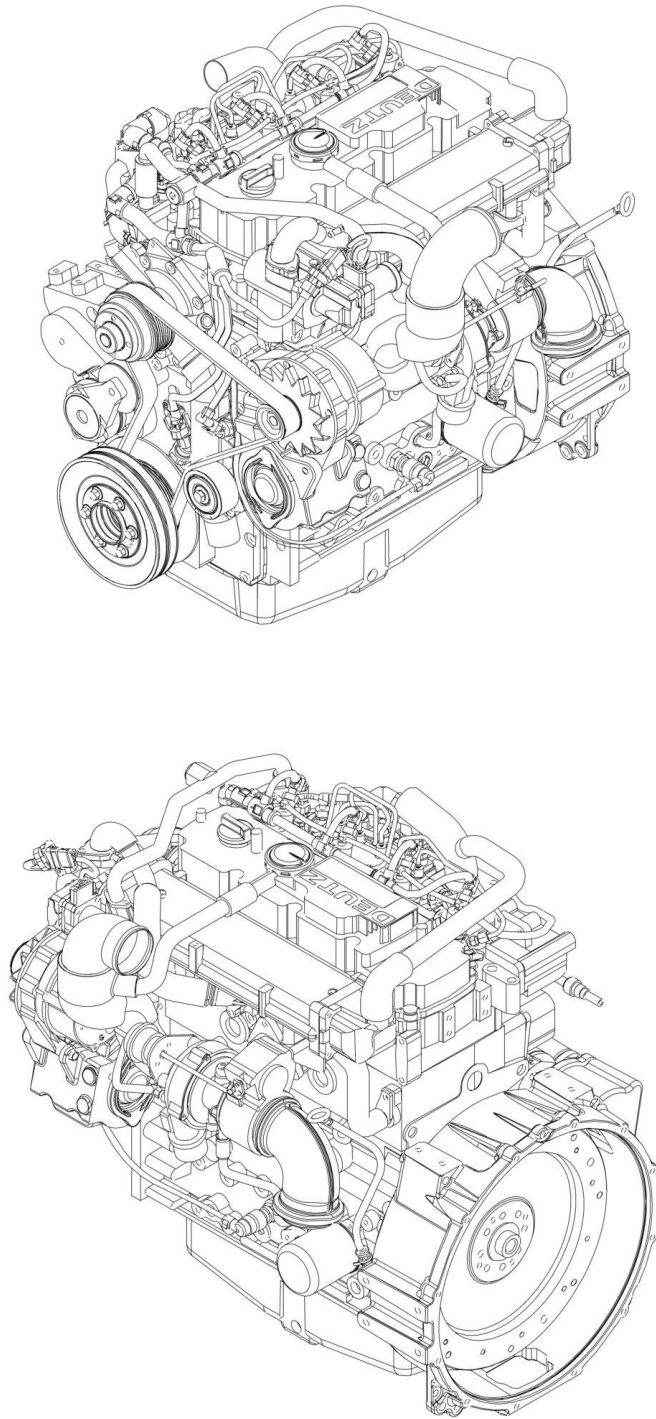
ITEM	PART NUMBER	QTY	DESCRIPTION	REV
	70024962	1	FUEL FILTER, SPIN ON	
	70024504	1	PRESSURE SENSOR	
	70024920	1	O-SEAL	
	70025121	2	HEX BOLT	
	70025477	1	BELT TENSIONER	
	70025478	1	V-BELT	
	70025479	1	CHEESE HD SCREW	



## SECTION 4 - ENGINE AND ATTACHING PARTS

FIGURE 4-3. DEUTZ ENGINE

IF EQUIPPED FOR LS



PZ9080

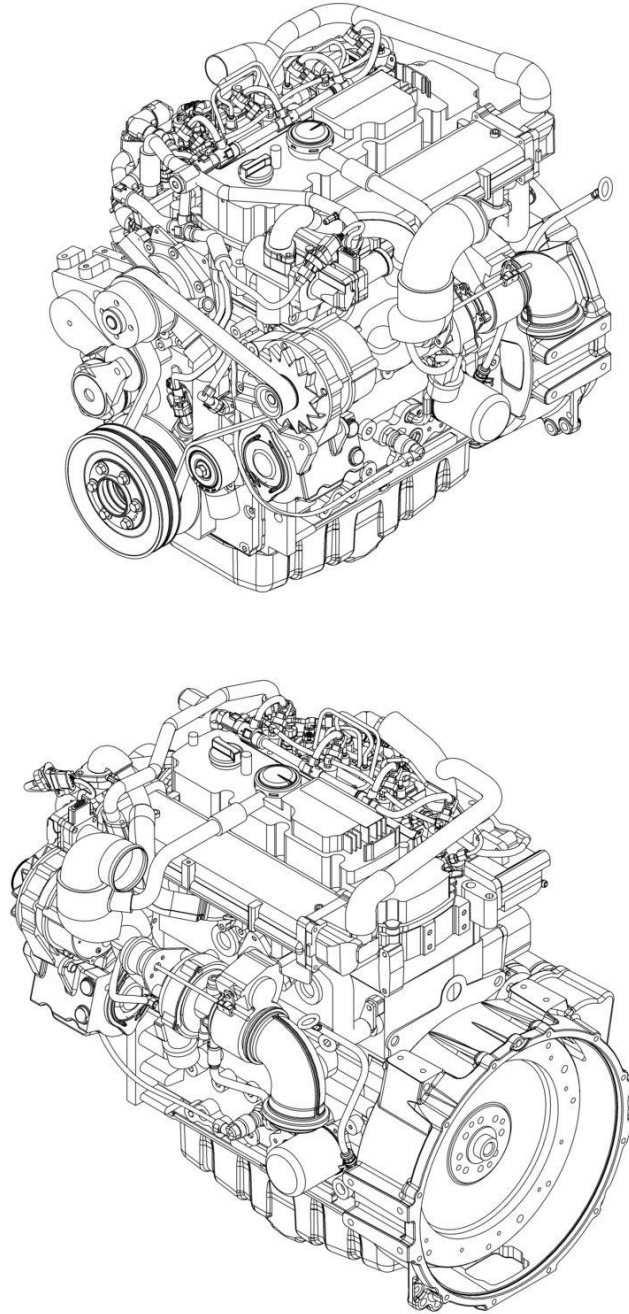
## SECTION 4 - ENGINE AND ATTACHING PARTS

**FIGURE 4-3. DEUTZ ENGINE**

ITEM	PART NUMBER	QTY	DESCRIPTION	REV
	1001155118	1	DEUTZ ENGINE, (if equipped for LS), (74.4 kW), (includes all items) <b>(Prior to SN 1160007338)</b>	B
	1001155117	1	DEUTZ ENGINE, (if equipped for LS), (90 kW), (includes all items) <b>(Prior to SN 1160007432, Excluding 1160007368)</b>	B
	7016331	1	OIL FILTER, SPIN-ON	
	70002718	1	LIP SEAL, ROTARY SHAFT	
	70024473	1	THERMOSTAT	
	70024474	4	GLOW PLUG	
	70024481	1	GASKET	
	70024483	1	CYLINDER HEAD GASKET	
	70024485	1	INJECTOR	
	70025532	1	TURBOCHARGER	
	70024498	1	HIGH PRESSURE PIPE	
	70024499	1	HIGH PRESSURE PIPE	
	70025533	1	GENERATOR	
	70024486	1	FUEL SUPPLY PUMP	
	70025534	1	HIGH PRESSURE PIPE	
	70025535	1	STARTER	
	70025536	1	WATER PUMP	
	70025537	1	DIPSTICK	
	70024961	1	FUEL FILTER ASSY, PRIMARY	
	70025153	1	FUEL FILTER	
	70024513	1	SENSOR CABLE	
	70025239	1	SEALING RING	
	70025121	2	HEX BOLT	
	70024963	1	FUEL FILTER ASSY, SECONDARY	
	70024962	1	FUEL FILTER, SPIN ON	
	70024504	1	PRESSURE SENSOR	
	70024920	1	O-SEAL	
	70025121	2	HEX BOLT	
	70040080	1	LIP SEAL, ROTARY SHAFT	
	70024503	2	TACHO-GENERATOR	
	70024504	2	PRESSURE SENSOR	
	70024507	1	PRESSURE SENSOR	
	7020465	1	FILLER CAP	
	70025088	1	SCREW PLUG	
	70025538	1	JOINT WASHER	
	70025477	1	BELT TENSIONER	
	70025478	1	V-BELT	
	70025479	1	CHEESE HD SCREW	

## SECTION 4 - ENGINE AND ATTACHING PARTS

FIGURE 4-4. DEUTZ ENGINE



ART\_31200722-4-4



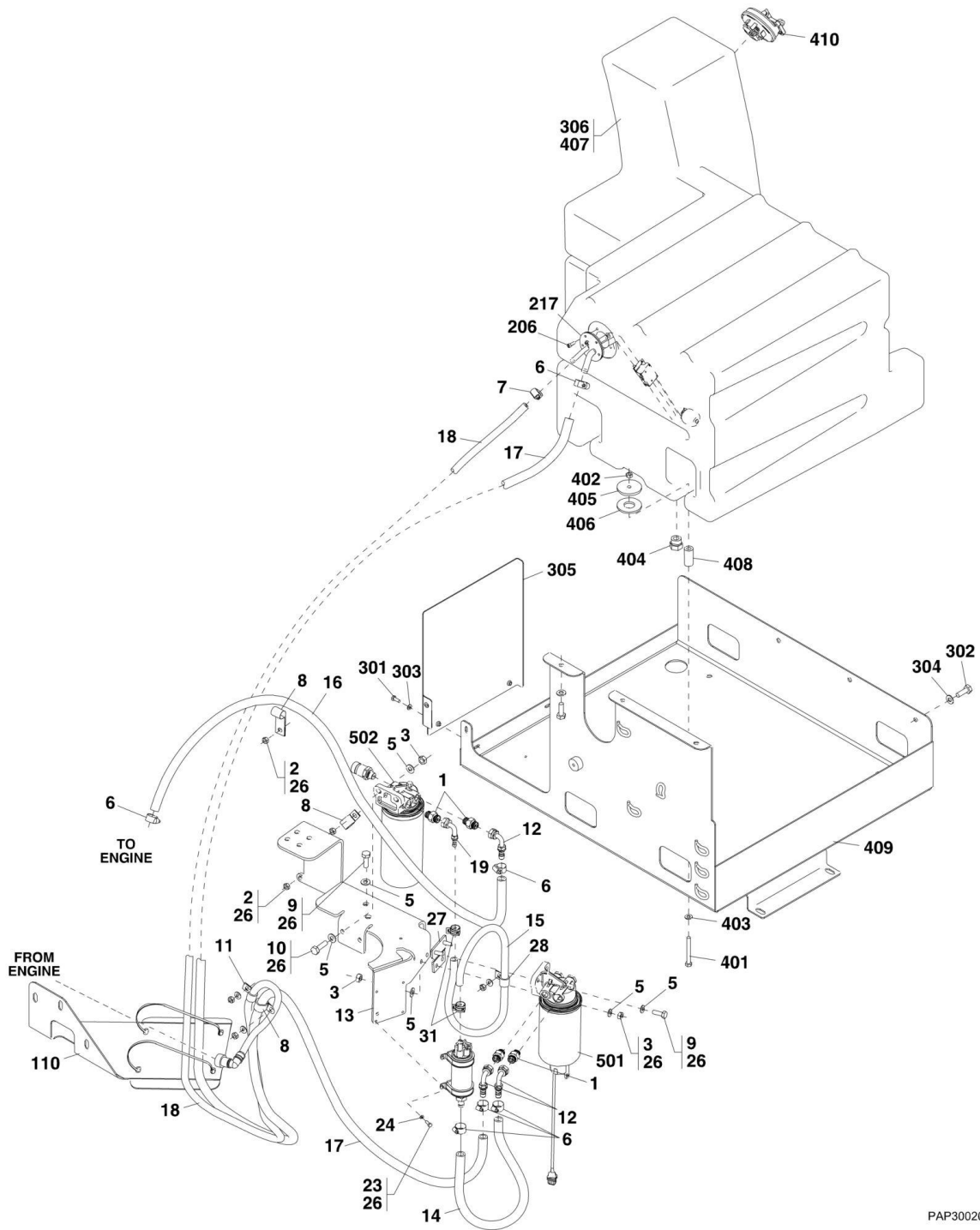
## SECTION 4 - ENGINE AND ATTACHING PARTS

**FIGURE 4-4. DEUTZ ENGINE**

ITEM	PART NUMBER	QTY	DESCRIPTION	REV
	1001171459	1	DEUTZ ENGINE, (if equipped for LS), (74.4 kW), (includes all items) <b>(SN 1160007338 to Present)</b>	C
	1001171460	1	DEUTZ ENGINE, (if equipped for LS), (90 kW), (includes all items) <b>(SN 1160007432 to Present, Including 1160007368)</b>	C
	70024904	1	DIPSTICK	
	70024905	1	O-SEAL	
	70204065	1	FILLER CAP	
	70024906	1	CYLINDER HEAD GASKET	
	70002718	1	ROT SHAFT LIP SEAL	
	70024907	1	GASKET	
	70004280	1	ROT SHAFT LIP SEAL	
	7016331	1	OIL FILTER	
	70025181	1	INJECTOR	
	70024909	1	FUEL FILTER	
	70024910	1	COOLANT WATER PUMP	
	70024911	1	TURBOCHARGER	
	70024912	1	GASKET	
	70024509	1	GASKET	
	70024913	1	V-BELT	
	70024914	1	GENERATOR	
	70024915	1	STARTER	
	70024503	1	TACHO-GENERATOR	
	70024917	1	O-SEAL	
	70024918	1	TEMP TRANSMITTER	
	70024504	1	PRESSURE SENSOR	
	70024920	1	O-SEAL	
	70024507	1	PRESSURE SENSOR	
	70024922	1	TEMP TRANSMITTER	
	70000345	1	GLOW PLUG	
	70024923	1	PRESSURE SENSOR	
	70024924	1	PUMP, HIGH PRESSURE (not shown - Located Front Left Side)	
	70024494	1	OIL COOLER	
	70024925	1	GASKET	
	70024926	1	OIL PUMP	

# SECTION 4 - ENGINE AND ATTACHING PARTS

## FIGURE 4-5. FUEL TANK AND LINES



PAP30020

## SECTION 4 - ENGINE AND ATTACHING PARTS

### FIGURE 4-5. FUEL TANK AND LINES

ITEM	PART NUMBER	QTY	DESCRIPTION	REV
	1001133785	Ref	FUEL LINE INSTALLATION, (3706PS, 3707PS, 33.7, 37.6 & 37.7), (not available to order, see items 1 thru 28 for service) <b>(Prior to SN 1160007338)</b>	J
	1001133784	Ref	FUEL LINE INSTALLATION, (4014PS), (not available to order, see items 1 thru 28 for service) <b>(Prior to SN 1160007338)</b>	J
	1001129677	Ref	FUEL LINE INSTALLATION, (not available to order, see items 1 thru 30 for service) <b>(Prior to SN 1160007338)</b>	I
	1001171241	Ref	FUEL LINE INSTALLATION, (not available to order, see items 1 thru 31 for service) <b>(SN 1160007338 to Present)</b>	E
1	2144606	4	ADAPTER, STRAIGHT, (includes o-ring)	
2	5220800	5	RIPP NUT, 8mm	
3	3291001	4	HEX NUT, M10X1.5	
5	4812000	10	WASHER, 10mm	
6	8405006	6	GEAR CLAMP, (torque to 4-5 Nm/295-3.68 lb-ft)	
7	8410013	4	GEAR CLAMP, (torque to 4-5 Nm/295-3.68 lb-ft) <b>(Prior to SN 1160007338)</b>	
7	8410013	1	GEAR CLAMP, (torque to 4-5 Nm/295-3.68 lb-ft) <b>(SN 1160007338 to Present)</b>	
8	1001004144	3	CLIP	
9	0761014	4	HEX HD CAPSCREW, M10X30, GR8.8, (torque to 55 Nm/40.56 lb-ft)	
10	0761015	2	HEX HD CAPSCREW, M10X35, GR8.8, (torque to 55 Nm/40.56 lb-ft)	
11	1001009207	1	CLIP	
12	1001095301	3	STEM FITTING, ELBOW	
13	1001151725	1	SUPPORT PLATE	
14	1001133774	1	HOSE	
15	1001153617	1	HOSE	
16	1001154249	1	HOSE <b>(Prior to SN 1160007338)</b>	
16	1001166283	1	HOSE <b>(SN 1160007338 to Present)</b>	
17	1001133780	1	HOSE, (3706PS, 3707PS, 33.7, 37.6 & 37.7) <b>(Prior to SN 1160007338)</b>	
17	1001133778	1	HOSE, (4014PS) <b>(Prior to SN 1160007338)</b>	
17	1001133773	1	HOSE, (4017PS)	
17	1001133773	1	HOSE, (3706PS, 3707PS, 33.7, 37.6, 37.7 & 4014PS) <b>(SN 1160007338 to Present)</b>	
18	1001133781	1	HOSE, (3706PS, 3707PS, 33.7, 37.6 & 37.7) <b>(Prior to SN 1160007338)</b>	
18	1001133779	1	HOSE, (4014PS) <b>(Prior to SN 1160007338)</b>	
18	1001133777	1	HOSE, (4017PS) <b>(Prior to SN 1160007338)</b>	
18	1001171310	1	HOSE <b>(SN 1160007338 to Present)</b>	
19	1001133793	1	STEM FITTING, ELBOW <b>(Prior to SN 1160007338)</b>	
19	1001002852	1	STEM FITTING, ELBOW <b>(SN 1160007338 to Present)</b>	
23	0700507	4	HEX HD CAPSCREW, M5X14, GR8.8	
24	4831600	4	SPRING LOCKWASHER, 5mm	
26	1001095650	AR	LOCTITE 243	
27	1001151613	1	FUEL PRE-FILTER BRACKET ADAPTOR	
28	1001008741	1	CLIP <b>(Prior to SN 1160007338)</b>	
29	471678	2	BAND CABLE, (not shown) <b>(SN 116007338 to Present)</b>	
30	1001004723	1	SADDLE CUP, (not shown) <b>(SN 1160007338 to Present)</b>	
31	1001152729	2	CLAMP, SPRINGBAND	
110		Ref	HOSE SUPPORT BRACKET, (See HYDRAULIC CIRCUITS	

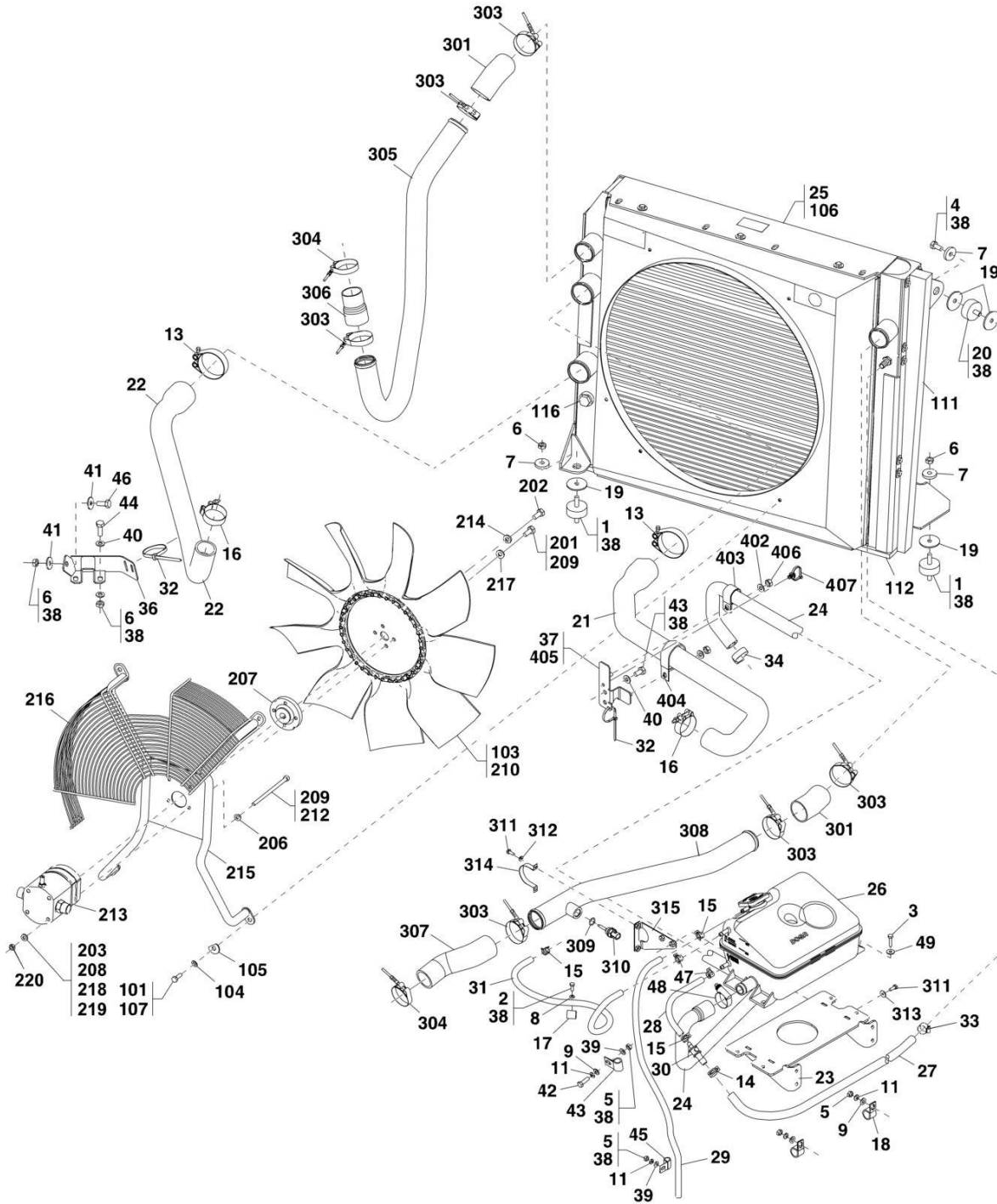
## SECTION 4 - ENGINE AND ATTACHING PARTS

ITEM	PART NUMBER	QTY	DESCRIPTION	REV
			SECTION for Breakdown)	
206	4031607	5	SOCKET HD CAPSCREW, M5X16, (torque to 6.5-7.5 Nm/4.79-5.53 lb-ft)	
213	8410013	1	GEAR CLAMP, (torque to 241 Nm/177.75 lb-ft)	
215	1001008609	1	CLAMP, (torque to 4-5 Nm/295-3.68 lb-ft)	
217	1001092264	1	FUEL SENDER/LEVEL GAUGE	
	1001142665	Ref	FUEL TANK MOUNTING INSTALLATION, (not available to order, see items 301 thru 306 for service)	A
301	0700608	3	HEX HD CAPSCREW, M6X16, GR8.8	
302	0701014	6	HEX HD CAPSCREW, M10X30, GR8.8, (torque to 50 Nm/36.87 lb-ft)	
303	4811700	3	WASHER, 6mm	
304	4812000	6	WASHER, 10mm	
305	1001090314	1	COVER	
306	1001142666	Ref	FUEL CRADLE TANK, (not available to order, see items 401 thru 403 & 405 thru 410 for service)	C
401	0700822	4	HEX HD CAPSCREW, M8X10, GR8.8, (torque to 26 Nm/19.17 lb-ft)	
402	3290801	4	HEX NUT, M8X1.25	
403	4811900	4	WASHER, 8mm	
404	1001003427	1	PLUG	
405	1001006259	4	OVERSIZED WASHER	
406	1001006329	4	RUBBER WASHER	
407	1001090159	1	FUEL TANK ( <b>Prior to SN 1160008149</b> )	
407	1001210533	1	FUEL TANK, (includes item 404) ( <b>SN 1160008149 to Present</b> )	
408	1001092122	4	SPACER	
409	1001126600	1	FUEL TANK CRADLE BRACKET	
410	1001142658	1	FUEL CAP	
501		Ref	PRIMARY FUEL FILTER ASSY, (See DEUTZ ENGINE for Breakdown)	
502		Ref	SECONDARY FUEL FILTER ASSY, (See DEUTZ ENGINE for Breakdown)	



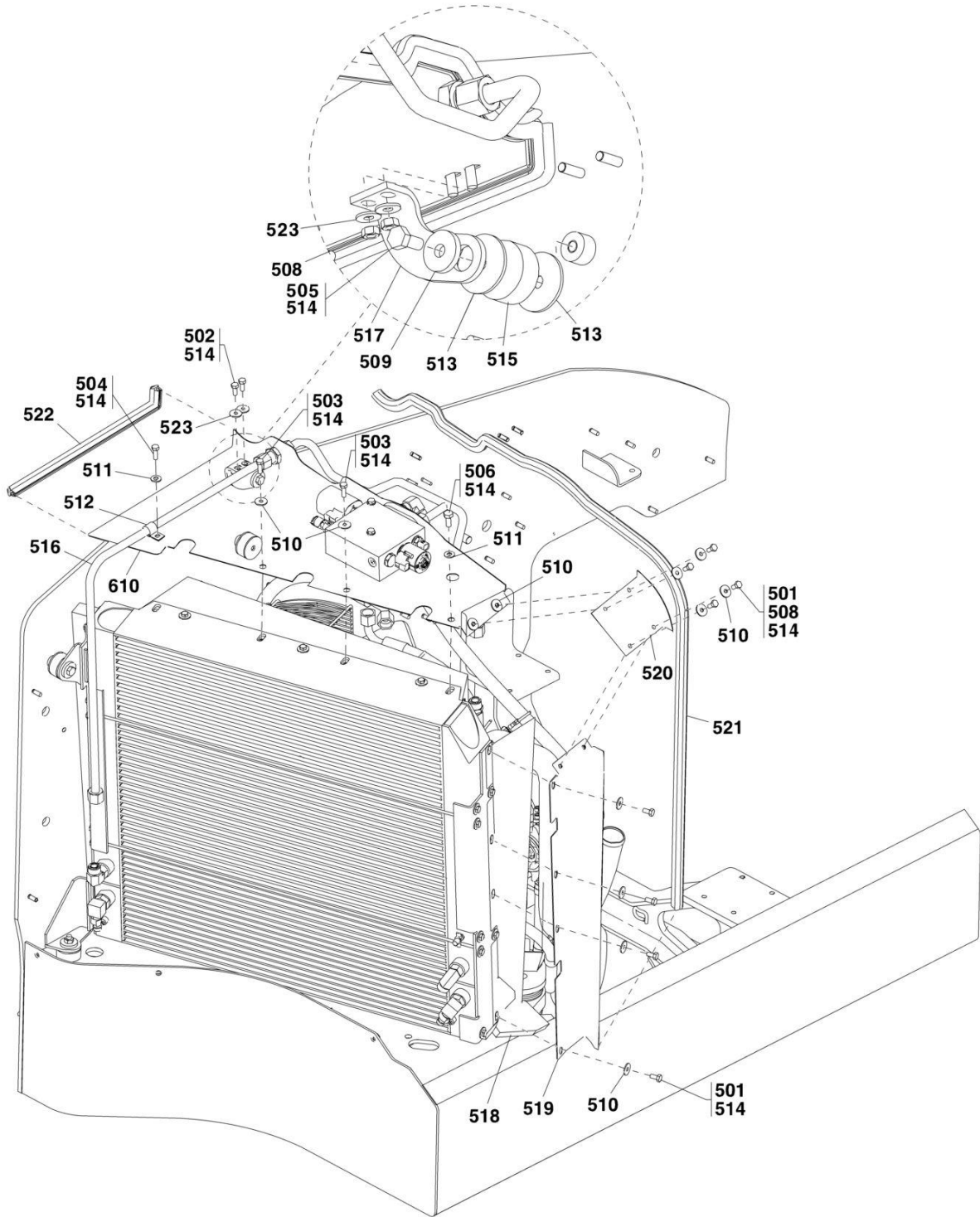
# SECTION 4 - ENGINE AND ATTACHING PARTS

## FIGURE 4-6. RADIATOR INSTALLATION



ART\_31200722-4-6\_1

# SECTION 4 - ENGINE AND ATTACHING PARTS



ART\_31200722-4-6\_2

# SECTION 4 - ENGINE AND ATTACHING PARTS

## FIGURE 4-6. RADIATOR INSTALLATION

ITEM	PART NUMBER	QTY	DESCRIPTION	REV
	1001129678	Ref	RADIATOR INSTALLATION, (not available to order, see items 1 thru 47 for service)	N
1	429063	2	RUBBER BUFFER PAD	
2	0760608	1	HEX HD CAPSCREW, M6X16, GR8.8, (torque to 12 Nm/8.85 lb-ft)	
3	0760612	4	HEX HD CAPSCREW, M6X25, GR8.8, (torque to 12 Nm/8.85 lb-ft)	
4	0761011	1	HEX HD CAPSCREW, M10X22, GR8.8, (torque to 55 Nm/40.56 lb-ft)	
5	3290801	6	HEX NUT, M8X1.25, (torque to 28 Nm/20.65 lb-ft)	
6	3291001	5	HEX NUT, M10X1.5, (torque to 55 Nm/40.56 lb-ft)	
7	4740572	3	WASHER, 10mm	
8	4811700	1	WASHER, 6mm	
9	4811900	5	WASHER, 8mm	
11	4831900	6	SPRING LOCKWASHER, 8mm	
13	1001163281	2	BAND CLAMP	
14	1001142942	1	SPRING BAND CLAMP	
15	1001140296	2	SPRING BAND CLAMP	
16	8410014	2	T-BOLT CLAMP, (torque to 5-6 Nm/3.68-4.42 lb-ft)	
17	1001003048	1	CLIP	
18	1001004144	2	CLIP	
19	1001091685	4	WASHER	
20	1001113669	1	RUBBER BUFFER PAD	
21	1001131989	1	COOLANT HOSE	
22	1001131990	1	COOLANT HOSE	
23	1001132247	1	EXPANSION TANK SUPPORT	
24	1001132340	1	FILL HOSE	
25	1001142003	1	COOLING PACK AND FAN INSTALLATION, (includes items 101 thru 116)	F
26	1001149375	1	EXPANSION TANK	
27	1001145011	1	EXPANSION TANK HOSE	
28	1001145012	1	EXPANSION TANK HOSE	
29	1001145013	1	EXPANSION TANK HOSE	
30	1001182741	1	ADAPTER, BARB FITTING	
31	1001142185	1	EXPANSION TANK HOSE	
32	471678	2	CABLE BAND	
33	8405006	1	GEAR CLAMP, (torque to 5-6 Nm/3.68-4.42 lb-ft)	
34	8405101	1	GEAR CLAMP, (torque to 5-6 Nm/3.68-4.42 lb-ft)	
36	1001142347	1	HOSE BRACKET	
37	1001142386	Ref	RETAINING BRACKET, (not available to order, see items 402 thru 407 for service)	C
38	1001095650	AR	LOCTITE 243	
39	4811902	2	WASHER, 8mm	
40	4812000	6	WASHER, 10mm	
41	4812002	2	WASHER, 10mm	
42	0760812	1	HEX HD CAPSCREW, M8X25, GR8.8	
43	0761010	2	HEX HD CAPSCREW, M10X20, GR8.8, (torque to 55 Nm/40.56 lb-ft)	
44	0761014	2	HEX HD CAPSCREW, M10X30, GR8.8	
45	1001008721	2	CLIP	
46	0761012	1	HEX HD CAPSCREW, M10X25, GR8.8	
47	8410013	2	GEAR CLAMP, 0.78 MAX DIA	
48	1001200709	1	CLAMP	



## SECTION 4 - ENGINE AND ATTACHING PARTS

ITEM	PART NUMBER	QTY	DESCRIPTION	REV
49	4811702	4	WASHER, 6mm	
101	0760812	5	BOLT, M8X25	
103	1001142001	1	FAN INSTALLATION, (includes items 201 thru 220)	G
104	4811900	5	WASHER, 8mm	
105	1001144135	5	WASHER	
106	1001142080	1	RADIATOR	
107	1001095650	AR	LOCTITE 243	
111	1001133954	1	COOLING PACK SEAL	
112	1001133955	1	COOLING PACK SEAL	
116	2220239	1	ADAPTER, RING, (torque to 53-63 Nm/39-46.4 lb-ft)	
201	0761010	4	HEX HD CAPSCREW, M10X20, GR8.8	
202	1001139034	1	PATCH LOCK SCREW, (torque to 26 Nm/19.17 lb-ft)	
203	2111010	2	ADAPTER, CONNECTOR, (includes o-ring)	
206	4811900	4	WASHER, 8mm	
207	1001145871	1	ADAPTER	
208	1001093401	1	ADAPTER	
209	1001095650	AR	LOCTITE 243	
210	1001148542	1	FAN	
212	4031927	4	SOCKET HD CAPSCREW, M8X150, (torque to 28 Nm/20.65 lb-ft)	
213	1001132236	1	FAN MOTOR	
214	5240800	1	WASHER, 8MM	
215	1001142081	1	FAN SPIDER	
216	1001142082	1	FAN SHIELD	
217	5241000	4	WASHER, 10mm	
218	1001152940	1	FAN HUB KEY	
219	1001125466	AR	LOCTITE 638	
220	5260800	4	NUT	
	1001129676	Ref	AIR SYSTEM INSTALLATION, (not available to order, see items 301 thru 315 for service)	G
301	1001120892	2	HOSE	
303	1001120904	6	T-BOLT CLAMP, (torque to 5.5-7.5 Nm/4.05-5.53 lb-ft)	
304	1001006072	2	T-BOLT CLAMP, (torque to 5.5-7.5 Nm/4.05-5.53 lb-ft)	
305	1001141835	1	WELD PIPE ASSY	
306	1001131642	1	REDUCER	
307	1001145062	1	HOSE, CAC	
308	1001133648	1	AIR PIPE	
309	1001009163	1	SEAL	
310		Ref	TEMPERATURE SENSOR, (See HYDRAULIC CIRCUITS SECTION for Breakdown)	
311	0760608	4	HEX HD CAPSCREW, M6X16, GR8.8	
312	4811700	2	WASHER, 6mm	
313	4811702	2	WASHER, 6mm	
314	1001142427	1	PIPE CLAMP	
315	1001142445	1	PIPE CLAMP	
402	4811902	2	WASHER, 8mm	
403	8406302	1	HOSE CLAMP	
404	1001008667	1	CLIP	
405	1001188365	1	HOSE BRACKET	
406	3290801	2	HEX NUT, M8X1.25	
407	1001146588	1	STRAP	
501	0760808	8	HEX HD CAPSCREW, M8X16, GR8.8, (torque to 28 Nm/20.65 lb-ft)	
502	0760810	2	HEX HD CAPSCREW, M8X20, GR8.8, (torque to 28 Nm/20.65 lb-ft)	

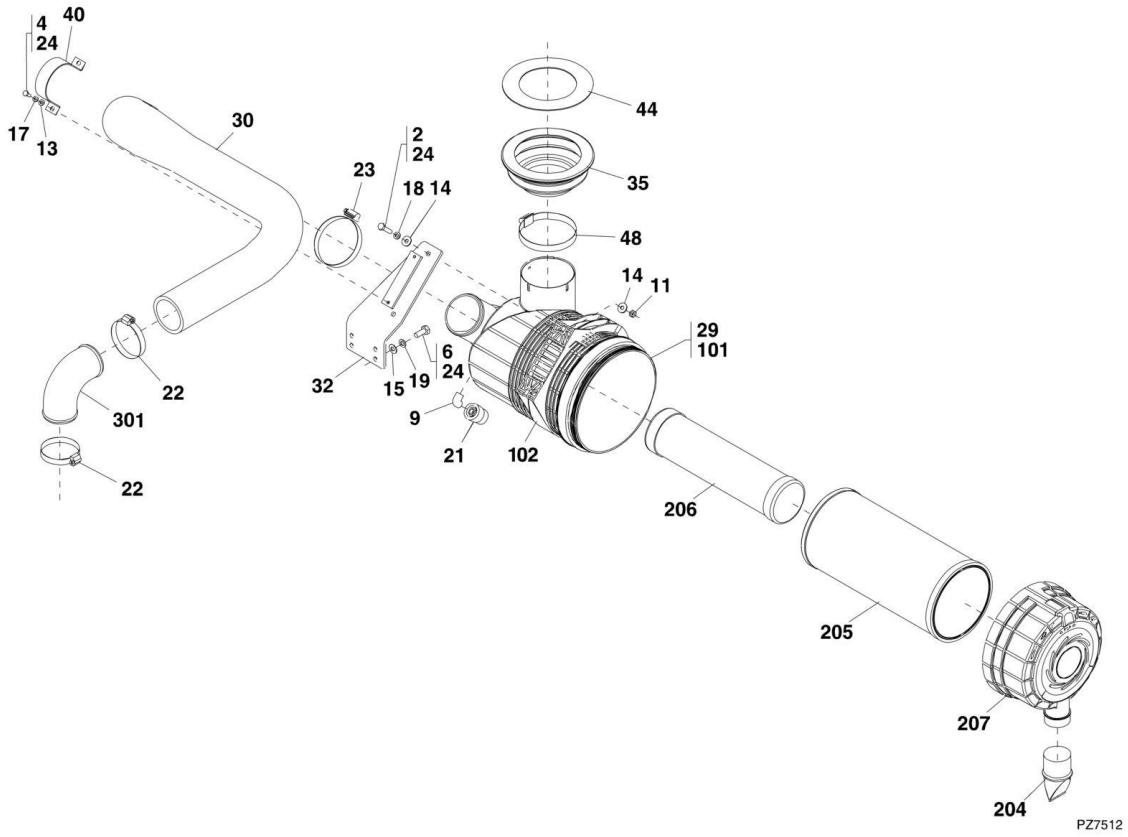
## SECTION 4 - ENGINE AND ATTACHING PARTS

ITEM	PART NUMBER	QTY	DESCRIPTION	REV
503	0760812	2	HEX HD CAPSCREW, M8X25, GR8.8, (torque to 28 Nm/20.65 lb-ft)	
504	0760814	1	HEX HD CAPSCREW, M8X30, GR8.8, (torque to 28 Nm/20.65 lb-ft)	
505	0761011	1	HEX HD CAPSCREW, M8X22, GR8.8, (torque to 55 Nm/40.56 lb-ft)	
506	0761012	1	HEX HD CAPSCREW, M8X25, GR8.8, (torque to 55 Nm/40.56 lb-ft)	
508	3290801	6	HEX NUT, M8X1.25	
509	4740572	1	WASHER, 10mm	
510	4811902	14	WASHER, 8mm	
511	4812000	2	WASHER,10mm	
512	1001009207	1	CLIP	
513	1001091685	2	WASHER, 10mm	
514	1001095650	AR	LOCTITE 243	
515	1001113669	1	RUBBER BUFFER PAD	
516	1001132244	1	PIPE	
517	1001132392	1	BULKHEAD BRACKET	
518	1001132418	1	COOLING PACK SEAL	
519	1001132878	1	BAFFEL PLATE	
520	1001132879	1	BAFFEL PLATE	
521	1001132880	1	BULK SEAL	
522	1001132920	1	BULK SEAL	
523	4811900	4	WASHER, 8mm	
610	1001131962	1	AIR INTAKE ASSEMBLY	



# SECTION 4 - ENGINE AND ATTACHING PARTS

## FIGURE 4-7. AIR CLEANER INSTALLATION



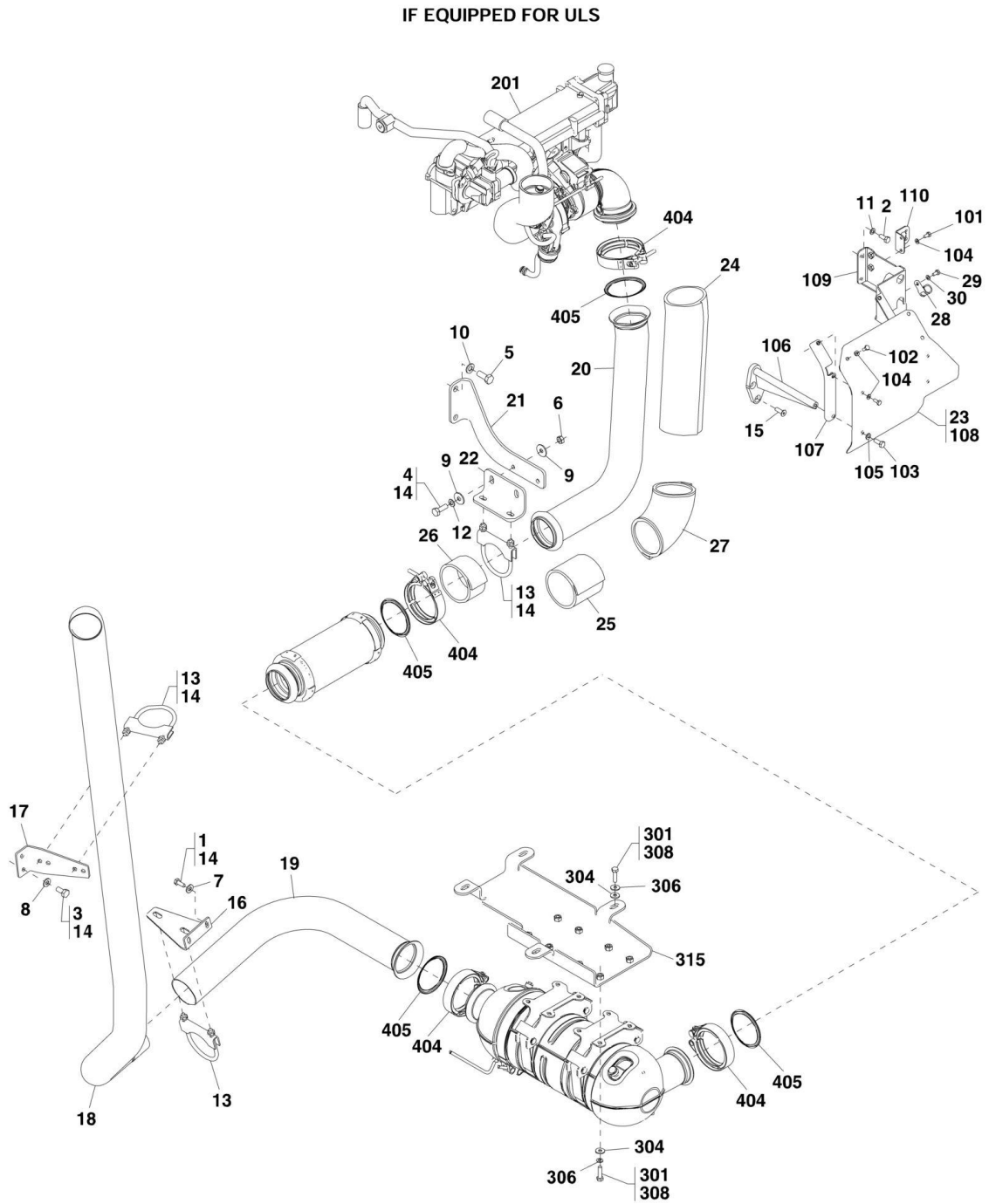
## SECTION 4 - ENGINE AND ATTACHING PARTS

### FIGURE 4-7. AIR CLEANER INSTALLATION

ITEM	PART NUMBER	QTY	DESCRIPTION	REV
2	0700815	2	HEX HD CAPSCREW, M8X35, GR8.8, (torque to 18-22 Nm/13.27-16.22 lb-ft)	
4	0760607	2	HEX HD CAPSCREW, M6X14, GR8.8, (torque to 12 Nm/8.85 lb-ft)	
6	0761012	4	HEX HD CAPSCREW, M10X25, GR8.8, (torque to 55 Nm/40.56 lb-ft)	
9	2988212	1	ELBOW, 90	
11	3290801	2	HEX NUT, M8X1.25	
13	4811700	2	WASHER, 6mm	
14	4811902	4	WASHER, 8mm	
15	4812000	4	Washer, 10mm	
17	4831700	2	SPRING LOCKWASHER, 6mm	
18	4831900	2	SPRING LOCKWASHER, 8m	
19	4832000	4	SPRING LOCKWASHER, 10m	
21	1001141952	1	RESTRICTION INDICATOR, (torque to 2 Nm/1.47 lb-ft)	
22	8410011	2	GEAR CLAMP, (torque to 4-5 Nm/2.95-3.68 lb-ft)	
23	1001009154	1	HOSE CLAMP, (torque to 4-5 Nm/2.95-3.68 lb-ft)	
24	1001095650	AR	LOCTITE 243	
29	1001143627	1	AIR FILTER ASSY, (includes items 101 & 102)	D
30	1001143939	1	HOSE	
32	1001143535	1	AIR CLEANER BRACKET	
35	1001144016	1	AIR FILTER INTAKE BOOT	
40	1001143833	1	AIR INTAKE CLAMP	
44	1001144344	1	SEAL PLATE	
48	8405402	1	HOSE CLAMP, (torque to 4-5 Nm/2.95-3.68 lb-ft)	
101	1001143500	1	AIR INTAKE FILTER, (includes items 204 thru 207)	A
102	1001143745	1	AIR FILTER CLAMP	
204	80373094	1	VACUATOR VALVE	
205	1101312	1	AIR FILTER, PRIMARY	
206	1101313	1	AIR FILTER, SECONDARY	
207	91364023	1	COVER	
301	H005238	1	ELBOW, AIR INTAKE, (included with engine)	

# SECTION 4 - ENGINE AND ATTACHING PARTS

## FIGURE 4-8. EXHAUST INSTALLATION



ART\_31200722-4-8

## SECTION 4 - ENGINE AND ATTACHING PARTS

### FIGURE 4-8. EXHAUST INSTALLATION

ITEM	PART NUMBER	QTY	DESCRIPTION	REV
	1001134224	Ref	EXHAUST INSTALLATION, (if equipped for ULS), (not available to order, see items 1 thru 30 for service)	G
1	0700810	2	HEX HD CAPSCREW, M8X20, GR8.8, (torque to 28 Nm/20.65 lb-ft)	
2	0760810	2	HEX HD CAPSCREW, M8X20, GR8.8, (torque to 11 Nm/8.11 lb-ft)	
3	0761011	2	HEX HD CAPSCREW, M10X22, GR8.8, (torque to 55 Nm/40.56 lb-ft)	
4	0761014	2	HEX HD CAPSCREW, M10X30, GR8.8, (torque to 55 Nm/40.56 lb-ft)	
5	0761214	2	HEX HD CAPSCREW, M12X30, GR8.8, (torque to 88 Nm/65.90 lb-ft)	
6	3291001	2	HEX NUT, M10X1.5	
7	4811900	2	WASHER, 8mm	
8	4812000	2	WASHER, 10mm	
9	4812002	4	WASHER, 10mm	
10	4812100	2	WASHER, 12mm	
11	4831900	2	SPRING LOCKWASHER, 8mm	
12	4832000	2	SPRING LOCKWASHER, 10mm	
13	8275247	3	CLAMP	
14	1001095650	AR	LOCTITE 243	
15	1001137125	3	FLAT HD SOCKET SCREW, M8X20, GR8.8	
16	1001123042	1	EXHAUST BRACKET	
17	1001125286	1	EXHAUST BRACKET	
18	1001126493	1	EXHAUST PIPE	
19	1001134225	1	EXHAUST PIPE	
20	1001134226	1	EXHAUST PIPE	
21	1001134528	1	SUPPORT PLATE	
22	1001134529	1	SUPPORT PLATE	
23	1001141393	1	HEAT SHIELD, (includes items 101 thru 110)	E
24	1001141713	1	EXHAUST INSULATE	
25	1001141714	1	EXHAUST INSULATE	
26	1001141715	1	EXHAUST INSULATE	
27	1001141725	1	EXHAUST INSULATE	
28	1001003322	1	HOSE CLAMP	
29	0760606	1	HEX HD CAPSCREW, M6X12, GR8.8, (torque to 11 Nm/8.11 lb-ft)	
30	4831700	1	SPRING LOCKWASHER, 6mm	
101	0760606	2	HEX HD CAPSCREW, M6X12, GR8.8	
102	0760607	6	HEX HD CAPSCREW, M6X14, GR8.8	
103	0760810	1	HEX HD CAPSCREW, M8X20, GR8.8	
104	4831700	8	SPRING LOCKWASHER, 6mm	
105	4831900	1	SPRING LOCKWASHER, 8mm	
106	1001141394	Ref	SUPPORT BRACKET, (no longer available, use 1001234567 for replacement)	
106	1001234567	1	SUPPORT BRACKET	
107	1001141398	1	STIFFENER BRACKET	
108	1001141401	1	HEAT SHIELD	
109	1001141402	1	SUPPORT BRACKET	
110	1001161447	1	MOUNTING PLATE	
201		Ref	ENGINE, (See DEUTZ ENGINE for Breakdown)	
301	0760814	12	HEX HD CAPSCREW, M8X30, GR8.8, (torque to 28 Nm/20.65 lb-ft)	
304	4811902	15	WASHER, 8mm	

## SECTION 4 - ENGINE AND ATTACHING PARTS

ITEM	PART NUMBER	QTY	DESCRIPTION	REV
306	4831900	12	SPRING LOCKWASHER, 8mm	
308	1001095650	AR	LOCTITE 243	
315	1001134188	1	MOUNTING PLATE	
404	70025877	4	CLAMP	
405	70025242	4	GASKET	

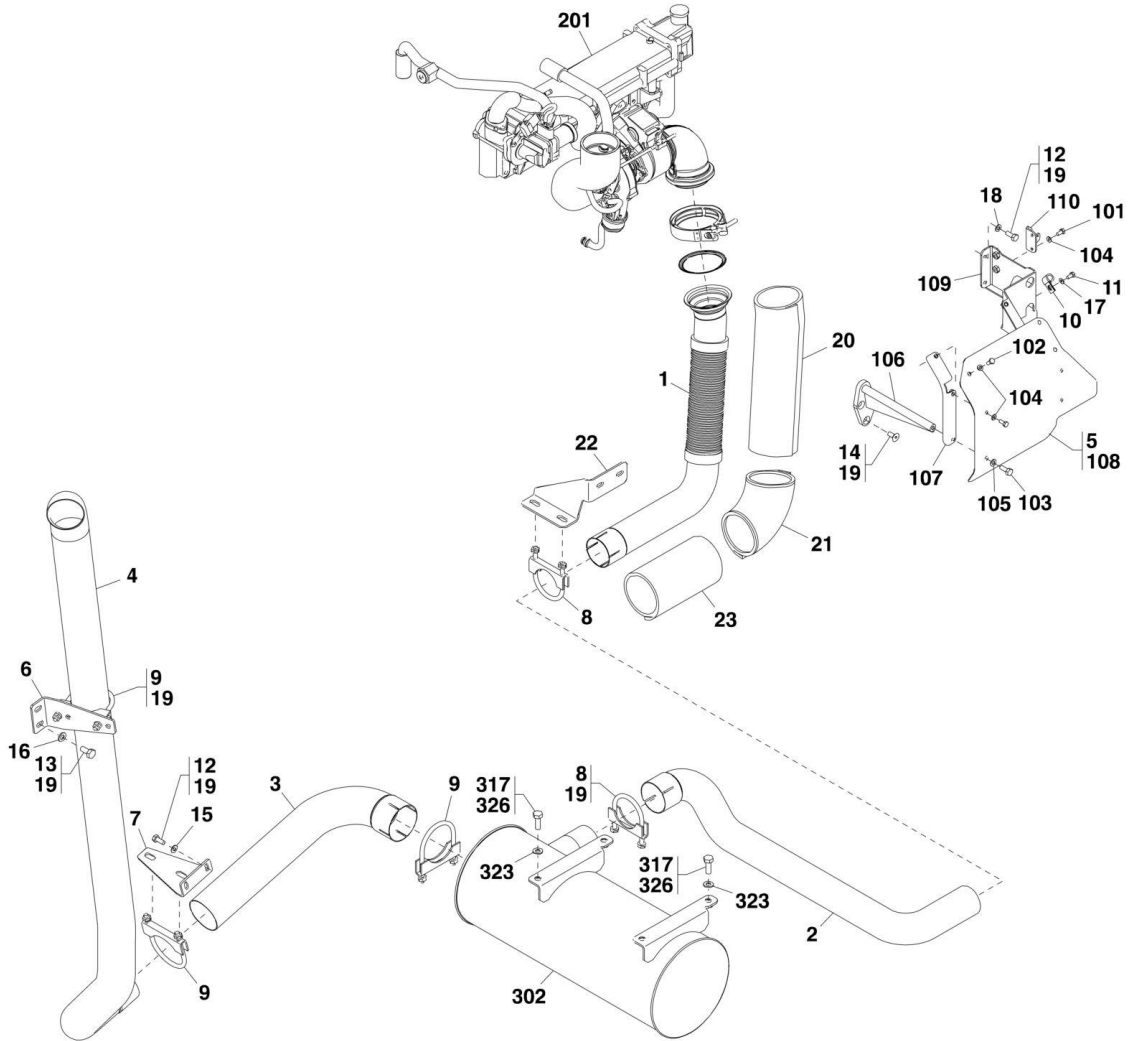




# SECTION 4 - ENGINE AND ATTACHING PARTS

## FIGURE 4-9. EXHAUST INSTALLATION

IF EQUIPPED FOR LS



ART\_31200722-4-9

## SECTION 4 - ENGINE AND ATTACHING PARTS

### FIGURE 4-9. EXHAUST INSTALLATION

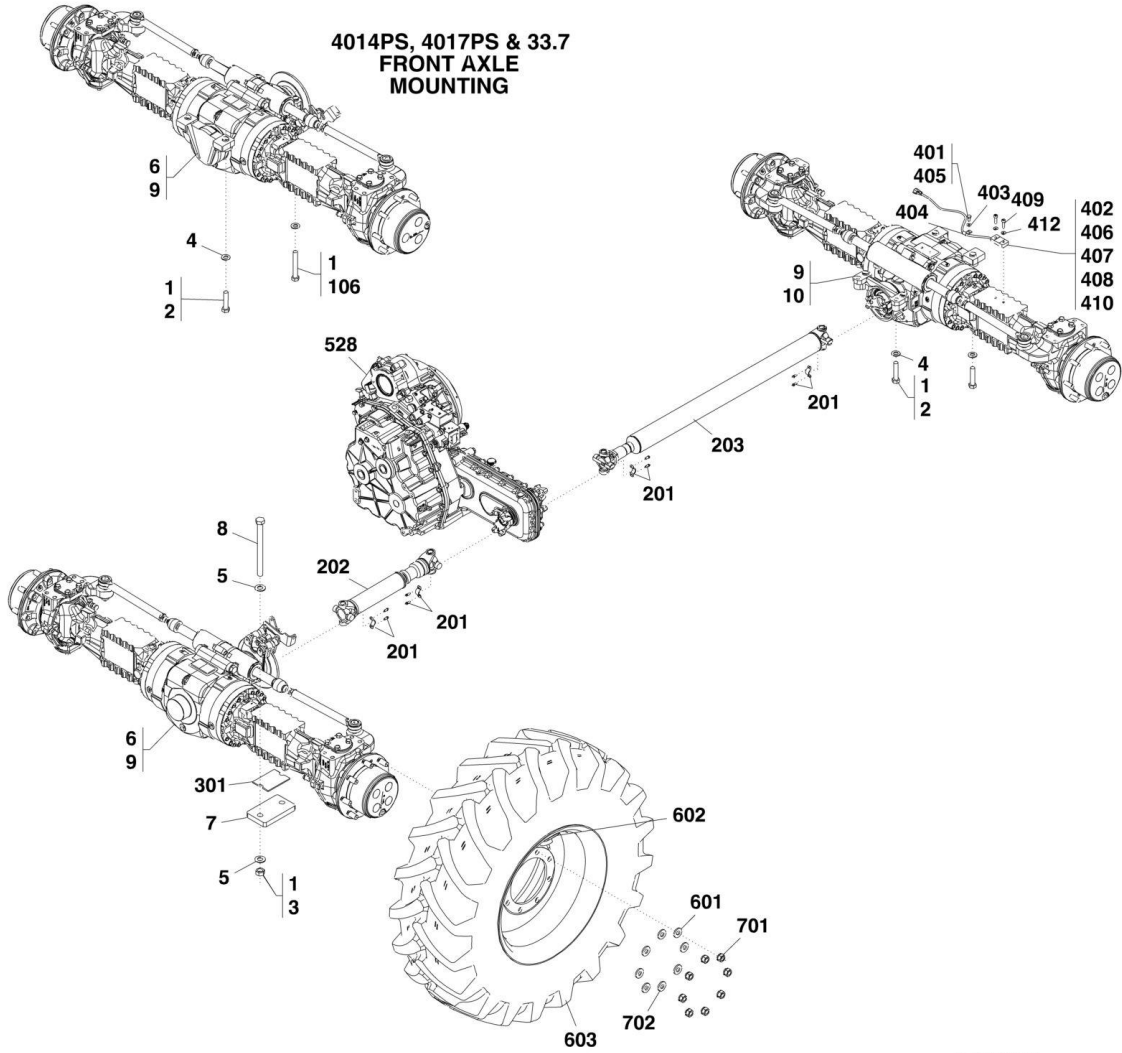
ITEM	PART NUMBER	QTY	DESCRIPTION	REV
	1001156625	Ref	EXHAUST INSTALLATION, (if equipped for LS), (not available to order, see items 1 thru 23 for service)	C
1	1001156734	1	EXHAUST PIPE	
2	1001156851	1	EXHAUST PIPE	
3	1001126517	1	EXHAUST PIPE	
4	1001126493	1	EXHAUST PIPE	
5	1001141393	1	HEAT SHIELD, (includes items 101 thru 110)	E
6	1001125286	1	EXHAUST BRACKET	
7	1001123042	1	EXHAUST BRACKET	
8	8275212	2	CLAMP, (torque to 11-13 Nm/8.11-9.59 lb-ft)	
9	8275247	3	CLAMP, (torque to 11-13 Nm/8.11-9.59 lb-ft)	
10	1001003322	1	CLIP	
11	0760606	1	HEX HD CAPSCREW, M6X12, GR8.8, (torque to 11 Nm/8.11 lb-ft)	
12	0760810	4	HEX HD CAPSCREW, M8X20, GR8.8, (torque to 11 Nm/8.11 lb-ft)	
13	0761011	2	HEX HD CAPSCREW, M10X22, GR8.8, (torque to 55 Nm/40.56 lb-ft)	
14	1001137125	3	FLAT HD MACHINE SCREW, M8X20, GR8.8	
15	4811900	2	WASHER, 8mm	
16	4812000	2	WASHER, 10mm	
17	4831700	1	SPRING LOCKWASHER, 6mm	
18	4831900	2	SPRING LOCKWASHER, 8mm	
19	1001095650	AR	LOCTITE 243	
20	1001141713	1	EXHAUST INSULATE	
21	1001141725	1	EXHAUST INSULATE	
22	1001164210	1	EXHAUST BRACKET	
23	1001137585	1	EXHAUST INSULATE	
101	0760606	2	HEX HD CAPSCREW, M6X12, GR8.8	
102	0760607	6	HEX HD CAPSCREW, M6X14, GR8.8	
103	0760810	1	HEX HD CAPSCREW, M8X20, GR8.8	
104	4831700	8	SPRING LOCKWASHER, 6mm	
105	4831900	1	SPRING LOCKWASHER, 8mm	
106	1001141394	Ref	SUPPORT BRACKET, (no longer available, use 1001234567 for replacement)	
106	1001234567	1	SUPPORT BRACKET	
107	1001141398	1	STIFFENER BRACKET	
108	1001141401	1	HEAT SHIELD	
109	1001141402	1	SUPPORT BRACKET	
110	1001161447	1	MOUNTING PLATE	
201		Ref	ENGINE, (See DEUTZ ENGINE for Breakdown)	
302	1001138745	1	MUFFLER	
317	0761012	4	HEX HD CAPSCREW, M10X25, GR8.8	
323	4812000	4	WASHER, 10mm	
326	1001095650	AR	LOCTITE 243	



**SECTION 5 - DRIVE TRAIN**

# SECTION 5 - DRIVE TRAIN

## FIGURE 5-1. DRIVE TRAIN COMPONENTS



ART\_PZ8510-B

## SECTION 5 - DRIVE TRAIN

### FIGURE 5-1. DRIVE TRAIN COMPONENTS

ITEM	PART NUMBER	QTY	DESCRIPTION	REV
	1001145208	Ref	AXLE INSTALLATION, (3706PS, 3707PS, 33.7, 37.6 & 37.7), (not available to order, see items 1 thru 10 & 601 for service)	C
	1001145209	Ref	AXLE INSTALLATION, (4014PS), (Mechanical Park Brake), (not available to order, see items 1, 2, 4, 6, 9, 10, 106 & 601 for service)	C
	1001153394	Ref	AXLE INSTALLATION, (4014PS), (Hydraulic Park Brake), (not available to order, see items 1, 2, 4, 6, 9, 10 & 601 for service)	C
	1001145210	Ref	AXLE INSTALLATION, (4017PS), (Mechanical Park Brake), (not available to order, see items 1, 2, 4, 6, 9, 10, 106, 701 & 702 for service)	C
	1001153395	Ref	AXLE INSTALLATION, (4017PS), (Hydraulic Park Brake), (not available to order, see items 1, 2, 4, 6, 9, 10, 701 & 702 for service)	D
1	0100019	AR	LOCTITE 271	
2	0712026	6	HEX HD CAPSCREW, M20X90, GR10.9, (3706PS, 3707PS, 33.7, 37.6 & 37.7)	
2	0712026	8	HEX HD CAPSCREW, M20X90, GR10.9, (torque to 550 Nm/405.65 lb-ft) (Mechanical Park Brake)	
2	0712026	10	HEX HD CAPSCREW, M20X90, GR10.9, (torque to 550 Nm/405.65 lb-ft) (Hydraulic Park Brake)	
3	3332411	4	HEX NUT, M24X3, (torque to 780-820 Nm/575.29-604.8 lb-ft)	
4	1001197130	6	HARDENED WASHER, 20mm, (3706PS, 3707PS, 33.7, 37.6 & 37.7)	
4	1001197130	10	HARDENED WASHER, 20mm, (4014PS & 4017PS)	
5	5242400	8	HARDENED WASHER, 24mm	
6	1001008462	AR	MULTIPURPOSE GREASE	
7	1001092164	2	AXLE PLATE CLAMP	
8	1001108930	4	HEX HD CAPSCREW, M24X290, GR10.9	
9		Ref	FRONT AXLE, (Mechanical Park Brake), (See FRONT AXLE ASSEMBLY for Breakdown)	
9		Ref	FRONT AXLE, (Hydraulic Park Brake), (See FRONT AXLE ASSEMBLY, (HYDRAULIC PARK BRAKE) for Breakdown)	
10		Ref	REAR AXLE, (Mechanical Park Brake), (See REAR AXLE ASSEMBLY for Breakdown)	
10		Ref	REAR AXLE, (Hydraulic Park Brake), (See REAR AXLE ASSEMBLY, (HYDRAULIC PARK BRAKE) for Breakdown)	
106	0712031	2	HEX HD CAPSCREW, M20X140, GR10.9, (torque to 550 Nm/405.65 lb-ft)	
	1001127872	Ref	DRIVE SHAFT INSTALLATION, (3706PS & 37.6), (includes items 201 thru 203)	B
	1001127596	Ref	DRIVE SHAFT INSTALLATION, (3707PS, 37.7 & 33.7), (includes items 201 thru 203)	B
	1001127021	Ref	DRIVE SHAFT INSTALLATION, (4014PS & 4017PS), (includes items 201 thru 203)	C
	1001155573	Ref	DRIVE SHAFT INSTALLATION, (4014PS & 4017PS), (AUS), (includes items 201 thru 203)	A
201	8005079	8	UNIVERSAL CLAMP SET, (torque to 42 Nm/30.97 lb-ft)	
202	1001127870	1	FRONT SHAFT, (3706PS & 37.6)	
202	1001121345	1	FRONT SHAFT, (3707PS, 33.7 & 37.7)	
202	1001133753	1	FRONT SHAFT, (4014PS & 4017PS)	
202	1001153761	1	FRONT SHAFT, (4014PS & 4017PS), (AUS)	
203	1001137321	1	REAR SHAFT, (3706PS & 37.6)	
203	1001137322	1	REAR SHAFT, (3707PS, 33.7 & 37.7)	
203	1001137323	1	REAR SHAFT, (4014PS & 4017PS)	
	1001108663	1	AXLE SHIM INSTALLATION, (3706PS, 3707PS, 33.7, 37.6 & 37.7, if equipped), (includes item 301)	A

## SECTION 5 - DRIVE TRAIN

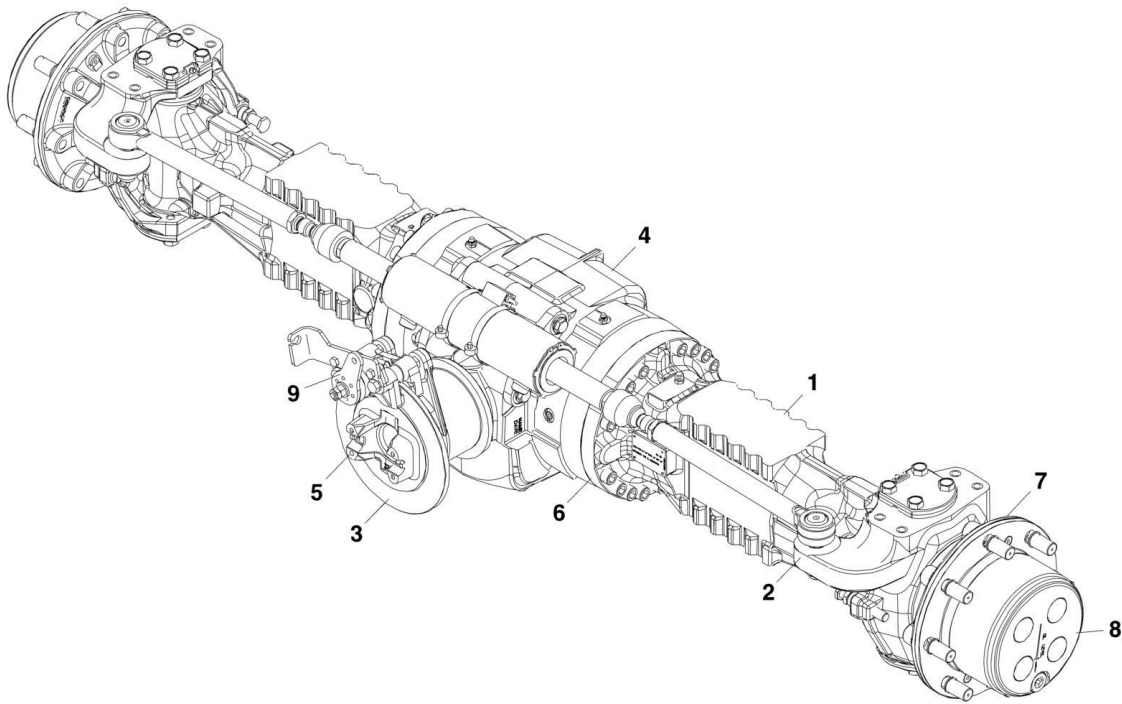
ITEM	PART NUMBER	QTY	DESCRIPTION	REV
301	1001108639	1	AXLE SHIM PLATE	
401		Ref	LMI SENSOR INSTALLATION, (See ELECTRICAL SECTION for Breakdown)	E
528		Ref	TRANSMISSION, (See TRANSMISSION for Breakdown)	
601	1001007215	1	FASTENER GROUP, (includes items 701 & 702)	B
602	8005827	4	LABEL, 4.0 BAR	
602	1001112924	4	LABEL, 4.25 BAR, (3706PS, 3707PS, 33.7, 37.6 & 37.7)	
602	1001112924	4	LABEL, 4.25 BAR, (4014PS) <b>(Prior to SN 1160008321)</b>	
602	1001154265	4	LABEL, 4.75 BAR, (4014PS) <b>(SN 1160008321 to Present)</b>	
602	1001112923	4	LABEL, 5.25 BAR	
602	1706373	4	LABEL, 4.5 BAR	
602	1001191885	4	LABEL, 5.0 BAR	
603		Ref	WHEEL, (See TIRES AND WHEELS INSTALLATION Breakdown)	
701	1001004210	32	HEX NUT, (3706PS, 3707PS, 4014PS, 33.7, 37.6 & 37.7)	
701	3300479	40	WHEEL NUT, M22X1.5, (4017PS)	
702	1001009146	32	HARD WASHER, (3706PS, 3707PS, 4014PS, 33.7, 37.6 & 37.7)	
702	1001114802	40	HARD WASHER, (4017PS)	





# SECTION 5 - DRIVE TRAIN

## FIGURE 5-2. FRONT AXLE ASSEMBLY



PAM0420

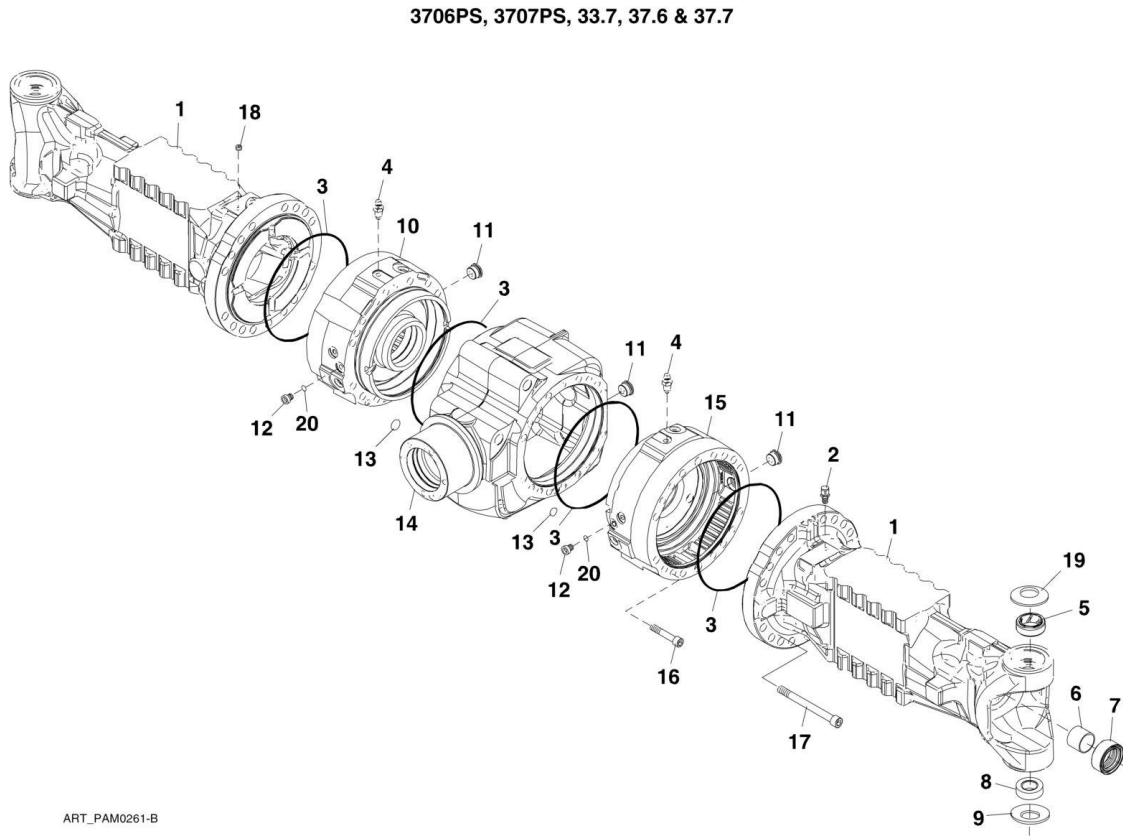
## SECTION 5 - DRIVE TRAIN

### FIGURE 5-2. FRONT AXLE ASSEMBLY

ITEM	PART NUMBER	QTY	DESCRIPTION	REV
	1001145027	1	FRONT AXLE, (3706PS, 3707PS, 33.7, 37.6 & 37.7), (includes items 1 thru 9)	B
	1001145029	1	FRONT AXLE, (4014PS), (Mechanical Park Brake), (includes items 1 thru 9)	B
	1001145031	1	FRONT AXLE, (4017PS), (Mechanical Park Brake), (includes items 1 thru 9)	A
1		Ref	AXLE HOUSING, (See FRONT AXLE HOUSING for Breakdown)	
2		Ref	SWIVEL HOUSING AND STEERING CYLINDER, (See FRONT SWIVEL HOUSING AND STEERING CYLINDER for Breakdown)	
3		Ref	BEVEL GEAR SET, (See FRONT AXLE - BEVEL GEAR SET for Breakdown)	
4		Ref	DIFFERENTIAL, (See FRONT AXLE - DIFFERENTIAL for Breakdown)	
5		Ref	DOUBLE U-JOINT, (See FRONT AXLE - DOUBLE U-JOINT for Breakdown)	
6		Ref	BRAKES, (See FRONT AXLE - BRAKES for Breakdown)	
7		Ref	WHEEL HUB, (See FRONT AXLE - WHEEL HUB for Breakdown)	
8		Ref	FINAL REDUCTION, (See FRONT AXLE - FINAL REDUCTION for Breakdown)	
9		Ref	BRAKE CALIPER, (See FRONT AXLE - BRAKE CALIPER for Breakdown)	

# SECTION 5 - DRIVE TRAIN

## FIGURE 5-3. FRONT AXLE - HOUSING - 3706PS, 3707PS, 33.7, 37.6 & 37.7



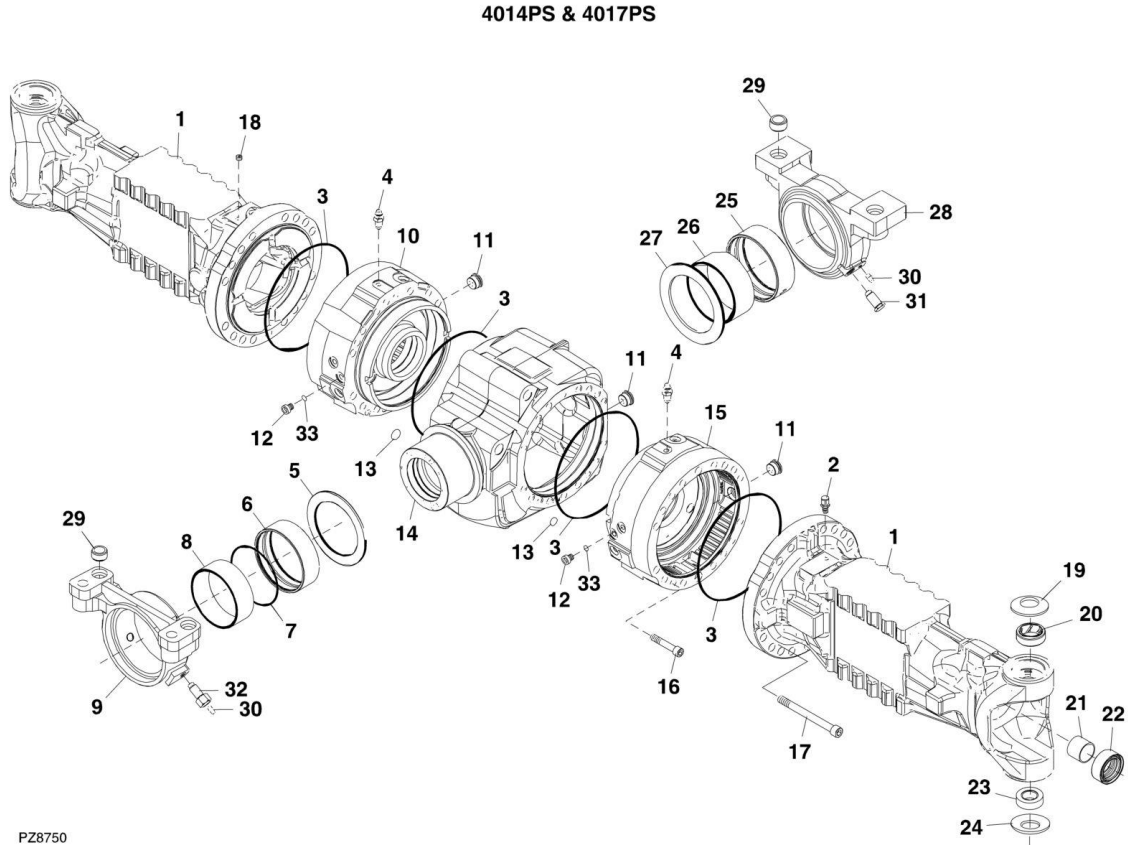
## SECTION 5 - DRIVE TRAIN

**FIGURE 5-3. FRONT AXLE - HOUSING - 3706PS, 3707PS, 33.7, 37.6 & 37.7**

ITEM	PART NUMBER	QTY	DESCRIPTION	REV
1	70020985	2	LEG HOUSING	
2	91474058	1	BREATHER, M10X1	
3	91474038	4	O-RING	
4	91474039	2	BREATHER	
5	91474053	2	BUSHING	
6	91474054	2	BUSHING	
7	91474055	2	SEAL RING	
8	91474056	2	SPHERICAL BEARING	
9	91474057	2	BELLEVILLE WASHING	
10	70020936	1	LH BRAKE CYLINDER	
11	91474037	3	PLUG, M30X2	
12	91364039	2	PLUG, M30X2	
13	91474068	2	O-RING	
14	70020937	1	CENTRAL BODY	
15	70020938	1	RH BRAKE CYLINDER	
16	91474050	2	BOLT, M12X110	
17	91364028	34	BOLT, M16X160	
18	91474041	1	PLUG, M10X1	
19	91474051	2	BELLEVILLE WASHER	
20	8033609	2	WASHER	

# SECTION 5 - DRIVE TRAIN

## FIGURE 5-4. FRONT AXLE - HOUSING - 4014PS & 4017PS



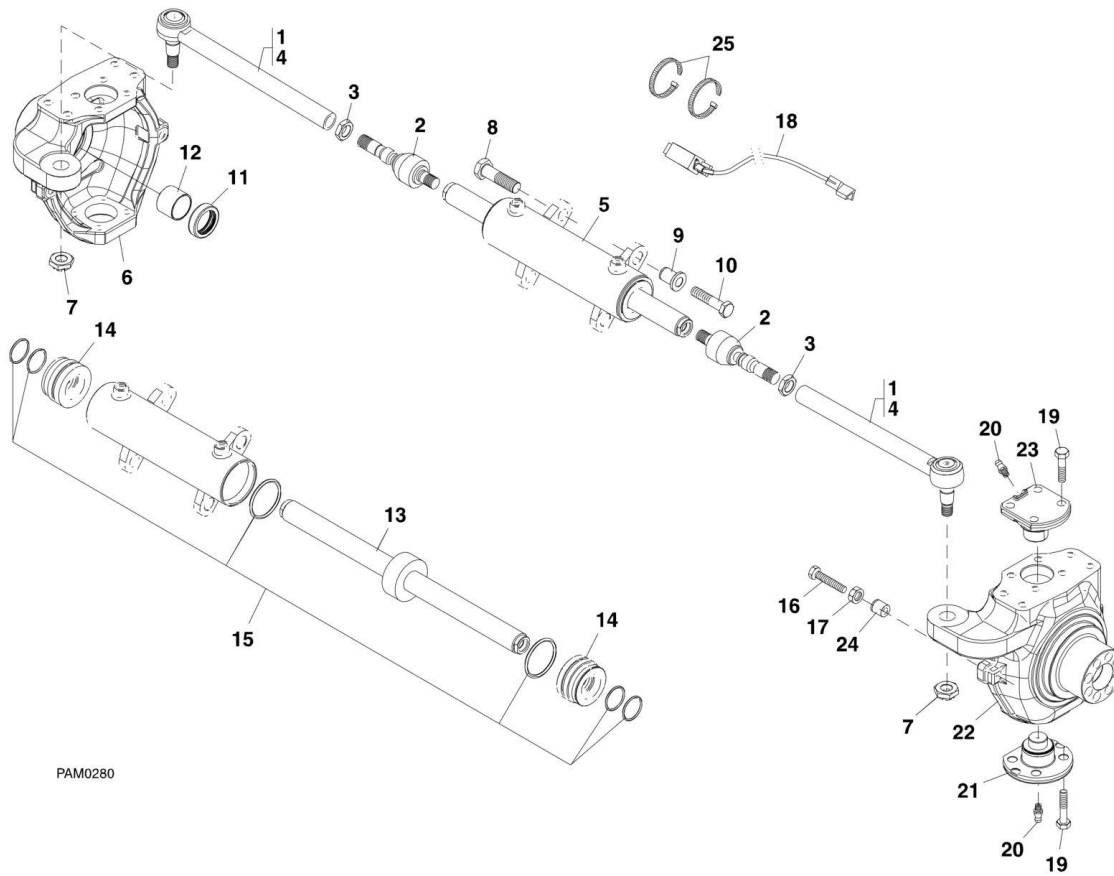
## SECTION 5 - DRIVE TRAIN

**FIGURE 5-4. FRONT AXLE - HOUSING - 4014PS & 4017PS**

ITEM	PART NUMBER	QTY	DESCRIPTION	REV
1	70020985	2	HOUSING, (4014PS)	
1	70021005	2	HOUSING, (4017PS)	
2	91474058	1	BREATHER	
3	91474038	4	O-RING	
4	91474039	2	BREATHER	
5	70020996	1	THRUST WASHER	
6	70020997	1	BUSH	
7	70020998	1	O-RING	
8	70020999	1	BUSH	
9	70021000	1	REAR SUPPORT	
10	70020936	1	LH BRAKE CYLINDE	
11	91474037	1	PLUG	
12	91364039	2	PLUG	
13	91474068	2	O-RING	
14	70020937	1	CENTRAL BODY	
15	70020938	1	RH BRAKE CYLINDER	
16	91474050	2	BOLT, M12X110	
17	91364028	34	BOLT, M16X160	
18	91474041	1	PLUG	
19	91474051	2	BELLEVILLE WASHER	
20	91474053	2	BUSH	
21	91474054	2	BUSH	
22	91474055	2	SEAL RING	
23	91474056	2	SPHERICAL BEARING	
24	91474057	2	BELLEVILLE WASHER	
25	91474047	1	BUSH	
26	91474048	1	BUSH	
27	7028466	1	THRUST WASHER	
28	91474044	1	FRONT SUPPORT	
29	91474043	4	BUSH	
30	91474045	2	GREASER NIPPLE M8X1	
31	91474046	1	BOLT, M16	
32	91474073	1	BOLT	
33	8033609	2	WASHER	

# SECTION 5 - DRIVE TRAIN

## FIGURE 5-5. FRONT AXLE - SWIVEL HOUSING AND STEERING CYLINDER



PAM0280



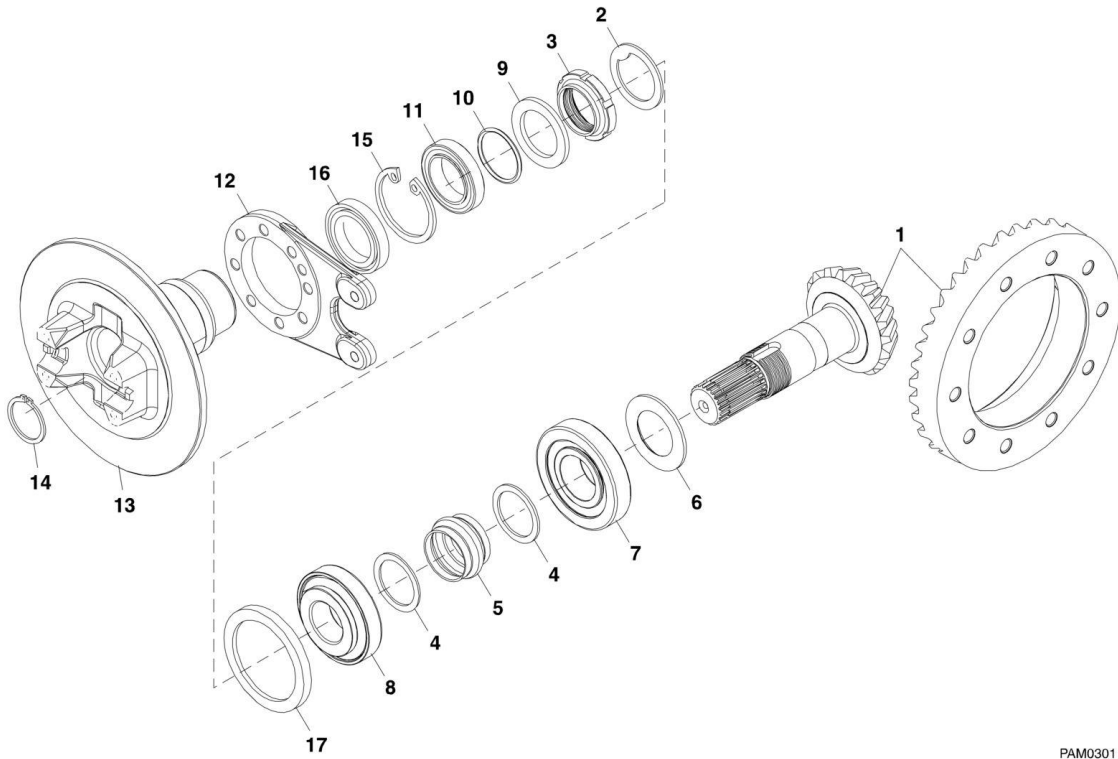
## SECTION 5 - DRIVE TRAIN

**FIGURE 5-5. FRONT AXLE - SWIVEL HOUSING AND STEERING CYLINDER**

ITEM	PART NUMBER	QTY	DESCRIPTION	REV
1	70020939	2	STEERING ARM ASSY, (includes items 2 thru 4), (3706PS, 3707PS, 33.7, 37.6, 37.7, 4014PS)	
1	70025914	2	STEERING ARM ASSY, (4017PS)	
2	91474077	2	BALL JOINT, (3706PS, 3707PS, 33.7, 37.6, 37.7, 4014PS)	
2	70021007	2	BALL JOINT, (4017PS)	
3	91474078	2	NUT, M24X1.5, (3706PS, 3707PS, 33.7, 37.6, 37.7, 4014PS)	
3	70021008	2	NUT, M24X1.5, (4017PS)	
4	70020940	2	TIE ROD, (3706PS, 3707PS, 33.7, 37.6, 37.7, 4014PS)	
4	70022149	2	TIE ROD, (4017PS)	
5	70020941	1	STEERING CYLINDER, (includes 13 thru 15), (3706PS, 3707PS, 33.7, 37.6, 37.7, 4014PS)	
5	70021010	1	STEERING CYLINDER, (includes 13 thru 15), (4017PS)	
6	70020942	1	LH SWIVEL HOUSING, (3706PS, 3707PS, 33.7, 37.6, 37.7, 4014PS)	
6	70021011	1	LH SWIVEL HOUSING, (4017PS)	
7	91474082	2	NUT, M24X1.5, (3706PS, 3707PS, 33.7, 37.6, 37.7, 4014PS)	
7	70025913	1	NUT, M27X1.5, (4017PS)	
8	91474083	2	BOLT, M22X55	
9	91474084	2	BUSHING	
10	91474085	2	BOLT, M14X1.5X65	
11	91474086	2	SEAL RING, (3706PS, 3707PS, 33.7, 37.6, 37.7, 4014PS)	
11	70022150	2	SEAL RING, (4017PS)	
12	91474087	2	BUSHING	
13	70022154	1	ROD, (3706PS, 3707PS, 33.7, 37.6, 37.7, 4014PS)	
13	70021833	1	ROD, (4017PS)	
14	70020944	2	CYLINDER HEAD, (3706PS, 3707PS, 33.7, 37.6, 37.7, 4014PS)	
14	70021832	2	CYLINDER HEAD, (4017PS)	
15	70020945	1	SEAL KIT, (3706PS, 3707PS, 33.7, 37.6, 37.7, 4014PS)	
15	70021831	1	SEAL KIT, (4017PS)	
16	91474091	4	BOLT, M16X75	
17	91474092	4	NUT, M16	
18	1001113287	1	SENSOR	
19	91474094	16	BOLT, M16X38	
20	91474095	4	GREASE FITTING, M6X1	
21	91474096	2	KING PIN	
22	70020947	1	RH SWIVEL HOUSING, (3706PS, 3707PS, 33.7, 37.6, 37.7, 4014PS)	
22	70021015	1	RH SWIVEL HOUSING, (4017PS)	
23	91474093	2	KING PIN	
24	70020986	4	BUSHING	
25	70021002	2	CLAMP, (3706PS, 3707PS, 33.7, 37.6, 37.7, 4014PS)	
25	70021016	2	CLAMP, (4017PS)	

# SECTION 5 - DRIVE TRAIN

## FIGURE 5-6. FRONT AXLE - BEVEL GEAR SET



PAM0301

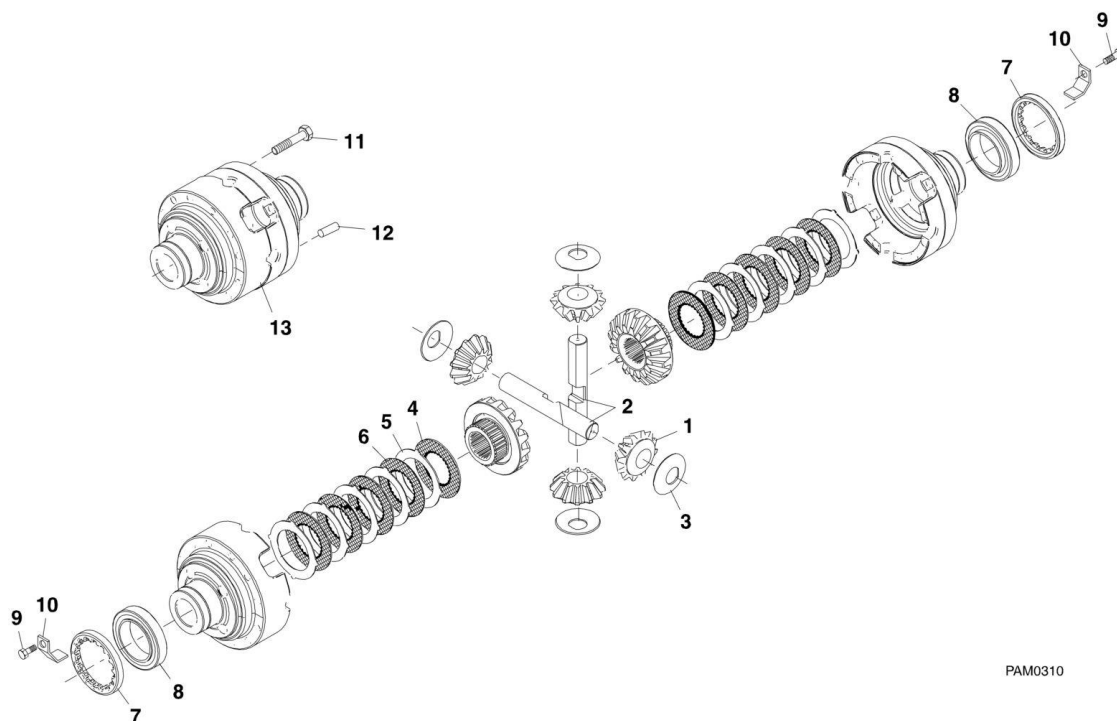
## SECTION 5 - DRIVE TRAIN

**FIGURE 5-6. FRONT AXLE - BEVEL GEAR SET**

ITEM	PART NUMBER	QTY	DESCRIPTION	REV
1	70020948	1	BEVEL GEAR SET, (includes items 2 thru 5), (3706PS, 3707PS, 33.7, 37.6, 37.7, 4014PS)	
1	70021017	1	BEVEL GEAR SET, (includes items 2 thru 5), (4017PS)	
2	91474100	1	LOCKWASHER	
3	91474101	1	RING NUT, M40X1.5	
4	91474102	2	WASHER	
5	70020949	1	COLLAPSIBLE SPACER, (3706PS, 3707PS, 33.7, 37.6, 37.7, 4014PS)	
5	70021018	1	COLLAPSIBLE SPACER, (4017PS)	
6	70020950	AR	SHIM 2.50mm	
6	70020951	AR	SHIM 2.60mm	
6	70020952	AR	SHIM 2.70mm	
6	70020953	AR	SHIM 2.80mm	
6	70020954	AR	SHIM 2.90mm	
6	70020955	AR	SHIM 3.00mm	
6	70020956	AR	SHIM 3.10mm	
6	70020957	AR	SHIM 3.20mm	
6	70020958	AR	SHIM 3.30mm	
6	70020959	AR	SHIM 3.40mm	
7	91364070	1	BEARING	
8	7028403	1	BEARING	
9	91474115	1	WASHER	
10	91474116	1	O-RING	
11	70020960	1	SEAL RING	
12	70022155	1	FLANGE, (3706PS, 3707PS, 33.7, 37.6, 37.7)	
12	70020961	1	FLANGE, (4014PS & 4017PS)	
13	70020962	1	FLANGE	
14	91474119	1	SNAP RING	
15	70020963	1	SNAP RING	
16	70020964	1	BEARING	
17	70020992	1	SPACER, (3706PS, 3707PS, 33.7, 37.6, 37.7, 4014PS)	

# SECTION 5 - DRIVE TRAIN

## FIGURE 5-7. FRONT AXLE - DIFFERENTIAL



PAM0310

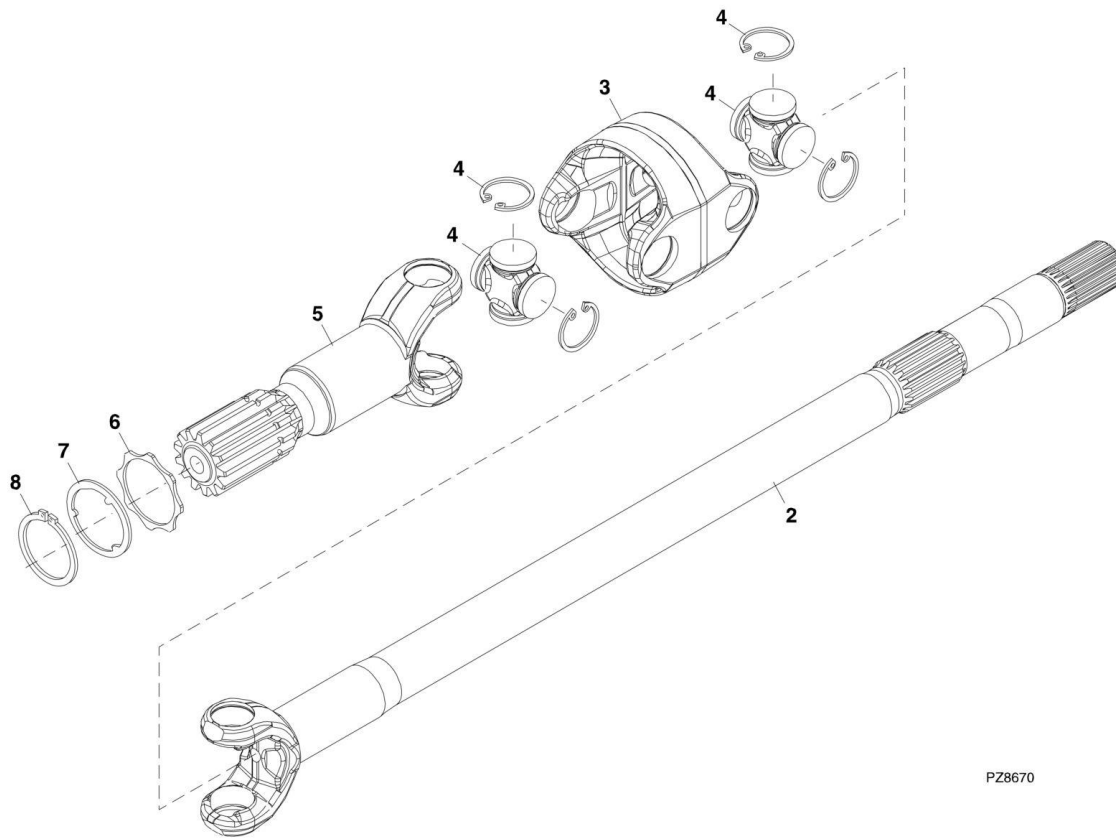
## SECTION 5 - DRIVE TRAIN

### FIGURE 5-7. FRONT AXLE - DIFFERENTIAL

ITEM	PART NUMBER	QTY	DESCRIPTION	REV
1	70020965	1	DIFFERENTIAL KIT, (includes items 2 & 3)	
2	70020966	2	SHAFT	
3	91364054	4	THRUST WASHER	
4	91364056	2	DIFFERENTIAL PLATE	
5	91364052	10	DIFFERENTIAL DRIVE PLATE	
6	91364053	8	DIFFERENTIAL PLATE	
7	91474128	1	RING NUT, M94X2	
8	91364050	2	BEARING	
9	8035180	2	BOLT, M12X90	
10	91474126	2	LOCKING PLATE	
11	91364048	10	BOLT, M12X90	
12	91364049	1	PIN, D12X40	
13	70020967	1	DIFFERENTIAL HOUSING	

# SECTION 5 - DRIVE TRAIN

## FIGURE 5-8. FRONT AXLE - DOUBLE U-JOINT



PZ8670

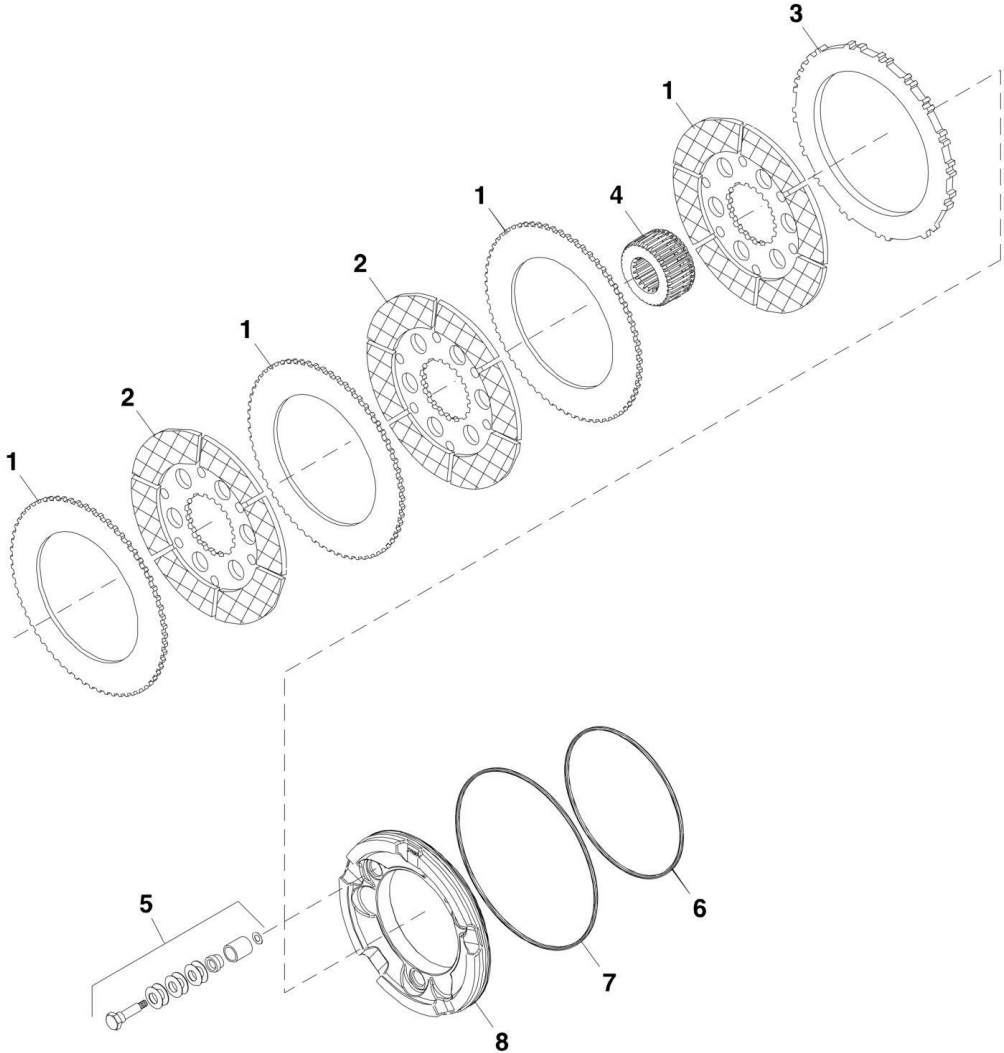
## SECTION 5 - DRIVE TRAIN

### FIGURE 5-8. FRONT AXLE - DOUBLE U-JOINT

ITEM	PART NUMBER	QTY	DESCRIPTION	REV
1	70020968	2	DOUBLE JOINT, (includes items 2 thru 6), (3706PS, 3707PS, 33.7, 37.6, 37.7, 4014PS)	
1	70021019	2	DOUBLE JOINT, (includes items 2 thru 6), (4017PS)	
2	70025875	2	FORK (differential side), (3706PS, 3707PS, 33.7, 37.6, 37.7 & 4014PS)	
2	70021032	2	FORK, (differential side), (4017PS)	
3	8035189	2	CENTRAL BODY, (3706PS, 3707PS, 33.7, 37.6, 37.7 & 4014PS)	
3	7029834	2	CENTRAL BODY, (4017PS)	
4	8035190	1	SPIDER ASSEMBLY, (Includes Item 5)	
5		Ref	LOCK RING	
6		Ref	FORK, (wheel side)	
7	70020969	2	THRUST WASHER, (3706PS, 3707PS, 33.7, 37.6, 37.7, 4014PS)	
7	70021020	2	THRUST WASHER, (4017PS)	
8	70022080	2	WASHER, (3706PS, 3707PS, 33.7, 37.6, 37.7, 4014PS)	
8	70021021	2	WASHER, (4017PS)	
9	70022081	2	SNAP RING, (3706PS, 3707PS, 33.7, 37.6, 37.7, 4014PS)	
9	70021022	2	SNAP RING, (4017PS)	

**SECTION 5 - DRIVE TRAIN**

**FIGURE 5-9. FRONT AXLE - BRAKES**



PAM0330



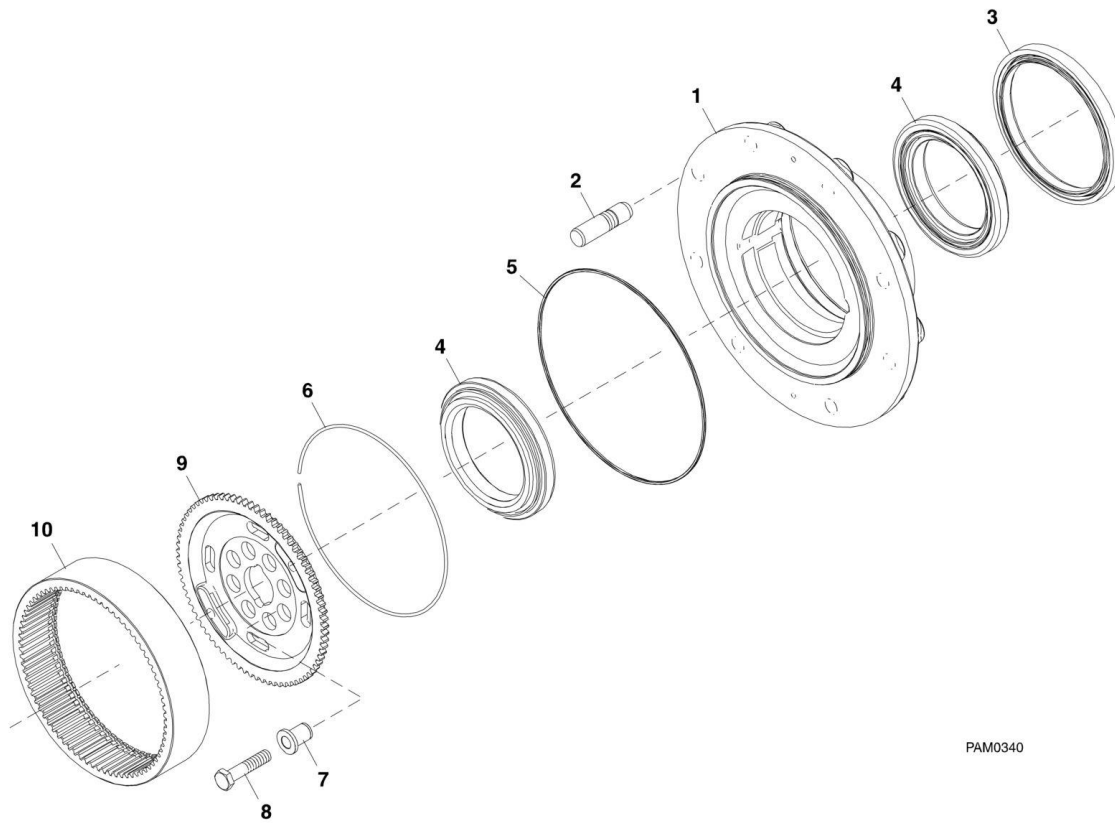
## SECTION 5 - DRIVE TRAIN

### FIGURE 5-9. FRONT AXLE - BRAKES

ITEM	PART NUMBER	QTY	DESCRIPTION	REV
1	91474141	6	DRIVE PLATE	
2	70022082	6	BRAKE DISC	
3	91474139	2	BRAKE COUNTER DISC	
4	91474142	2	HUB	
5	91474152	2	SELF ADJUST KIT	
6	91474136	2	O-RING	
7	91474137	2	O-RING	
8	91474138	2	POSITIVE BRAKE PISTON	

# SECTION 5 - DRIVE TRAIN

## FIGURE 5-10. FRONT AXLE - WHEEL HUB



PAM0340

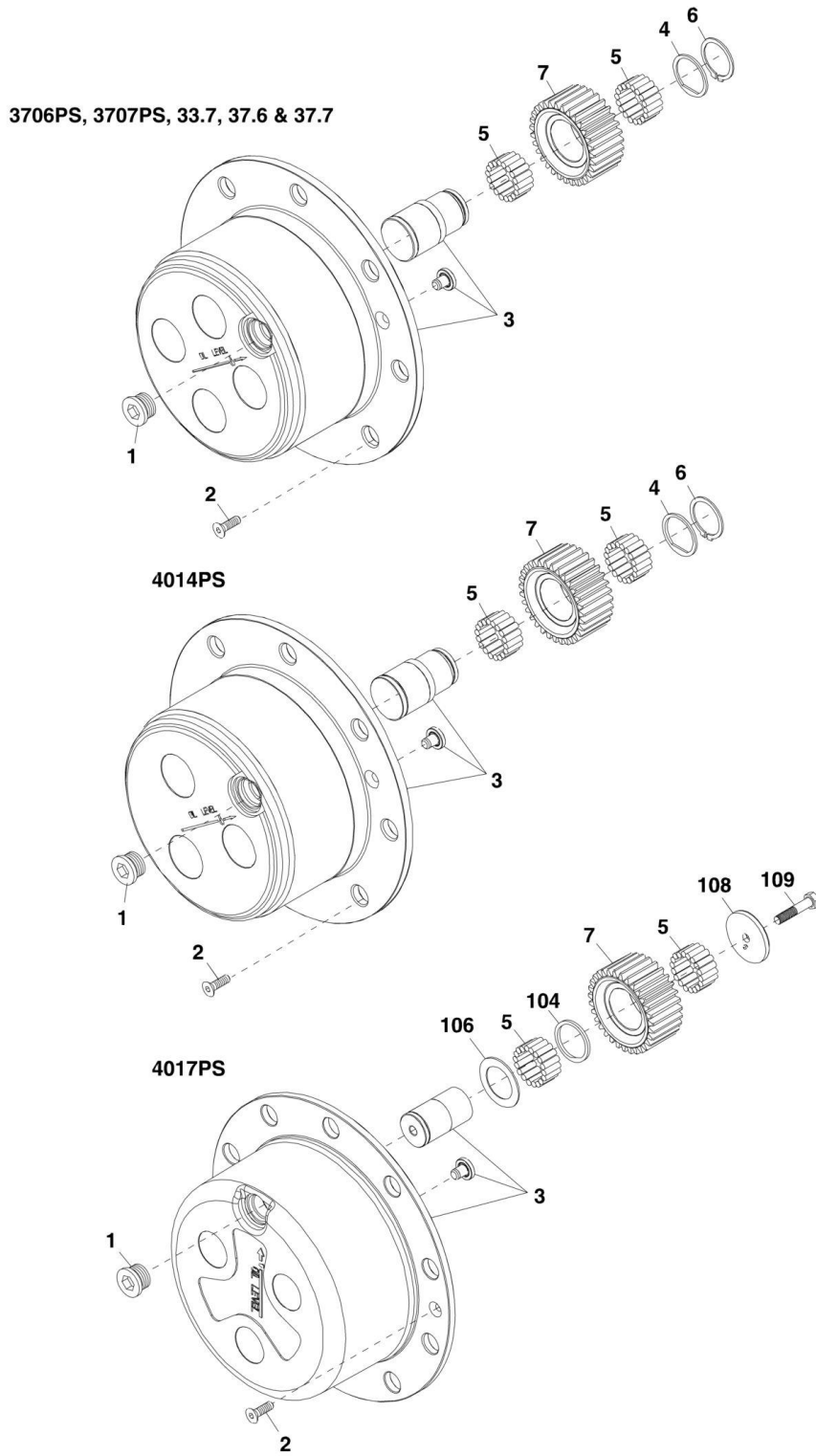
## SECTION 5 - DRIVE TRAIN

### FIGURE 5-10. FRONT AXLE - WHEEL HUB

ITEM	PART NUMBER	QTY	DESCRIPTION	REV
1	70020972	2	WHEEL HUB KIT, (includes item 2), (3706PS, 3707PS, 33.7, 37.6, 37.7, 4014PS)	
1	70021023	2	WHEEL HUB KIT, (includes item 2), (4017PS)	
2	70020973	16	STUD, (3706PS, 3707PS, 33.7, 37.6, 37.7, 4014PS)	
2	70021024	16	STUD, (4017PS)	
3	70020974	2	SEAL RING, (3706PS, 3707PS, 33.7, 37.6, 37.7, 4014PS)	
3	70021025	2	SEAL RING, (4017PS)	
4	7028421	4	BEARING	
5	70022083	2	O-RING, (3706PS, 3707PS, 37.6, 33.7, 37.7, 4014PS)	
5	91474155	2	O-RING, (4017PS)	
6	7028423	2	SNAP RING, (3706PS, 3707PS, 33.7, 37.6, 37.7, 4014PS)	
6	91474157	2	SNAP RING, (4017PS)	
7	91474160	16	CENTERING BUSHING	
8	91474085	16	BOLT, M14X65	
9	7028417	2	WHEEL CARRIER, (3706PS, 3707PS, 33.7, 37.6, 37.7, 4014PS)	
9	70021027	2	WHEEL CARRIER, (4017PS)	
10	70020976	2	CROWN GEAR, (3706PS, 3707PS, 33.7, 37.6, 37.7, 4014PS)	
10	70021028	2	CROWN GEAR, (4017PS)	

# SECTION 5 - DRIVE TRAIN

## FIGURE 5-11. FRONT AXLE - FINAL REDUCTION



ART\_PZ8680-B

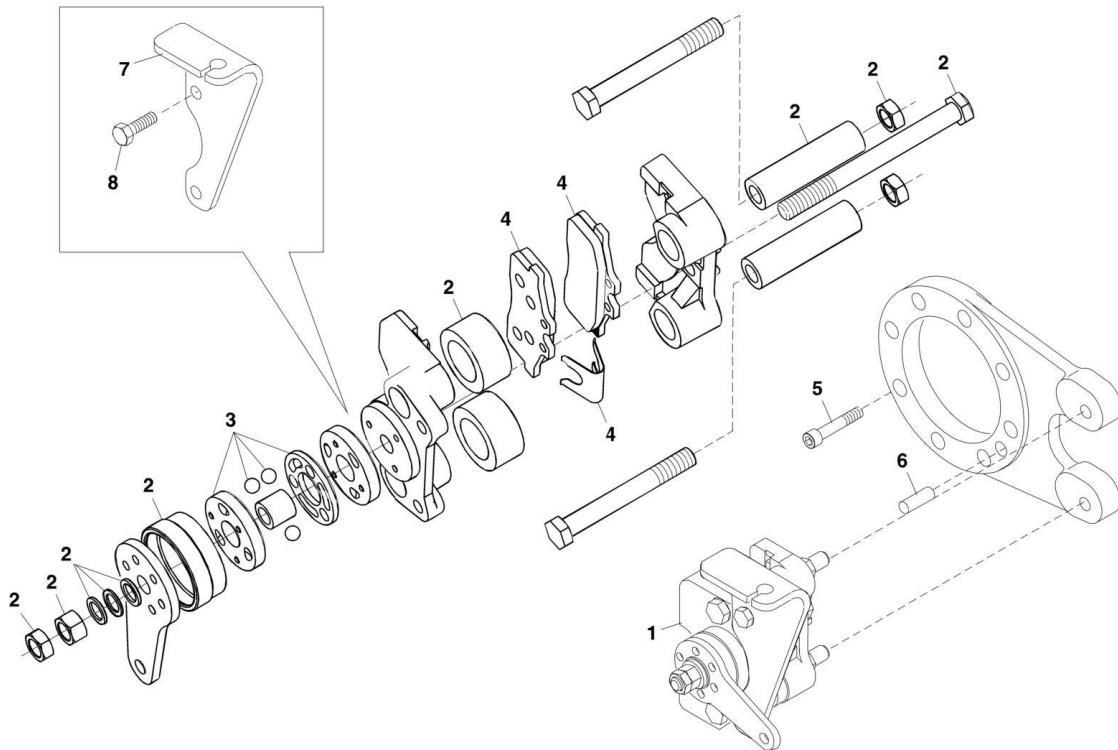
## SECTION 5 - DRIVE TRAIN

### FIGURE 5-11. FRONT AXLE - FINAL REDUCTION

ITEM	PART NUMBER	QTY	DESCRIPTION	REV
1	91474037	2	PLUG	
2	8035235	4	BOLT, M8X20	
3	70020977	2	PLANETARY CARRIER ASSY, (3706PS, 3707PS, 33.7, 37.6 & 37.7)	
3	70021001	2	PLANETARY CARRIER ASSY, (4014PS & 4017PS)	
4	7028509	8	THRUST WASHER, (3706PS, 3707PS, 33.7, 37.6 & 37.7)	
4	7028509	6	THRUST WASHER, (4014PS)	
5	91474163	200	NEEDLE BEARING, (44.8 per gear), (3706PS, 3707PS, 33.7, 37.6 & 37.7)	
5	91474163	160	NEEDLE BEARING, (33.6 per gear), (4014PS)	
5	91364093	160	NEEDLE BEARING, (37.2 per gear), (4017PS)	
6	7028508	8	SNAP RING, (3706PS, 3707PS, 33.7, 37.6 & 37.7)	
6	7028508	6	SNAP RING, (4014PS)	
7	7028510	8	GEAR, (3706PS, 3707PS, 33.7, 37.6 & 37.7)	
7	7028510	6	GEAR, (4014PS)	
7	91364094	6	GEAR, (4017PS)	
104	91364095	6	WASHER, (4017PS)	
106	91364096	6	LOCKING THRUST WASHER, (4017PS)	
108	70021030	6	THRUST WASHER, (4017PS)	
109	91474162	6	BOLT, M10X50, (4017PS)	

# SECTION 5 - DRIVE TRAIN

## FIGURE 5-12. FRONT AXLE - BRAKE CALIPER



ART\_31200722-5-12

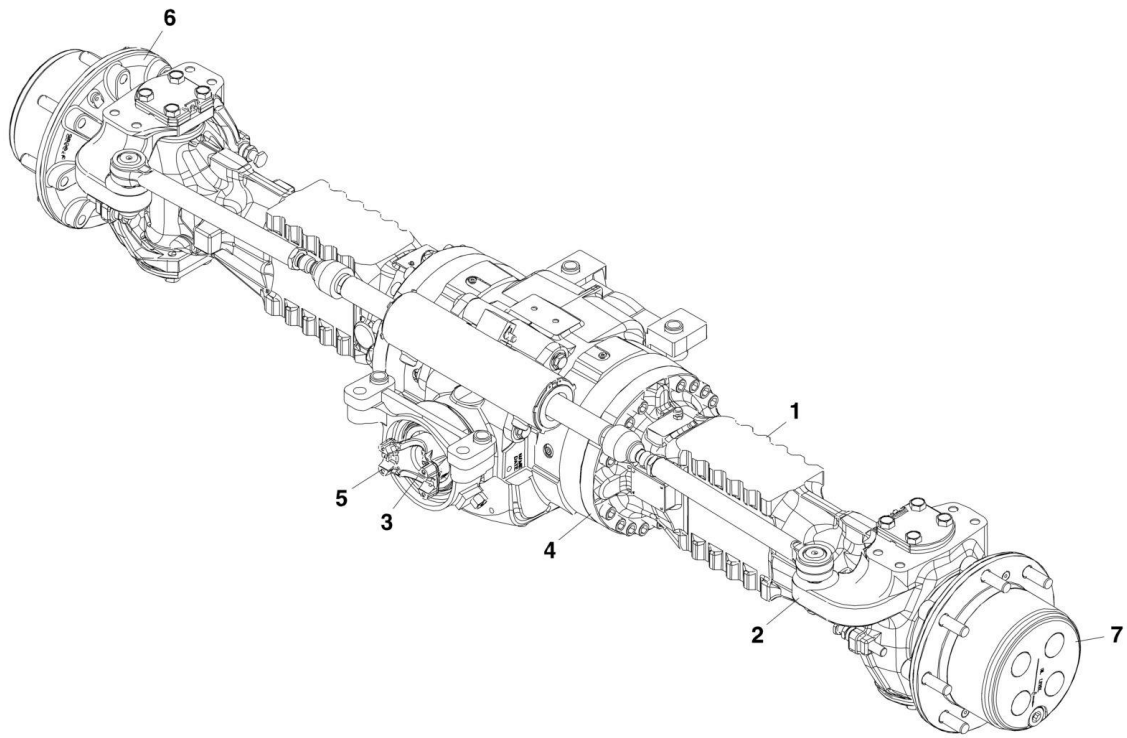
## SECTION 5 - DRIVE TRAIN

**FIGURE 5-12. FRONT AXLE - BRAKE CALIPER**

ITEM	PART NUMBER	QTY	DESCRIPTION	REV
1	70022156	1	BRAKE CALIPER, (includes items 2 thru 4), (3706PS, 3707PS, 33.7, 37.6 & 37.7)	
1	70022084	1	BRAKE CALIPER, (includes items 2 thru 4), (4014PS & 4017PS)	
2	70022086	1	BRAKE REPAIR KIT	
3	70020980	1	CAM REPAIR KIT, (3706PS, 3707PS, 33.7, 37.6 & 37.7)	
3	70022085	1	CAM REPAIR KIT, (4014PS & 4017PS)	
4	70022148	1	PAD KIT	
5	70020952	8	BOLT, M12X35	
6	91364078	1	PIN, 12X25	
7	70020983	1	SUPPORT, (3706PS, 3707PS, 33.7, 37.6 & 37.7)	
7	70022087	1	SUPPORT, (4014PS & 4017PS)	
8	70020984	2	BOLT	

# SECTION 5 - DRIVE TRAIN

## FIGURE 5-13. REAR AXLE ASSEMBLY



PAM0430



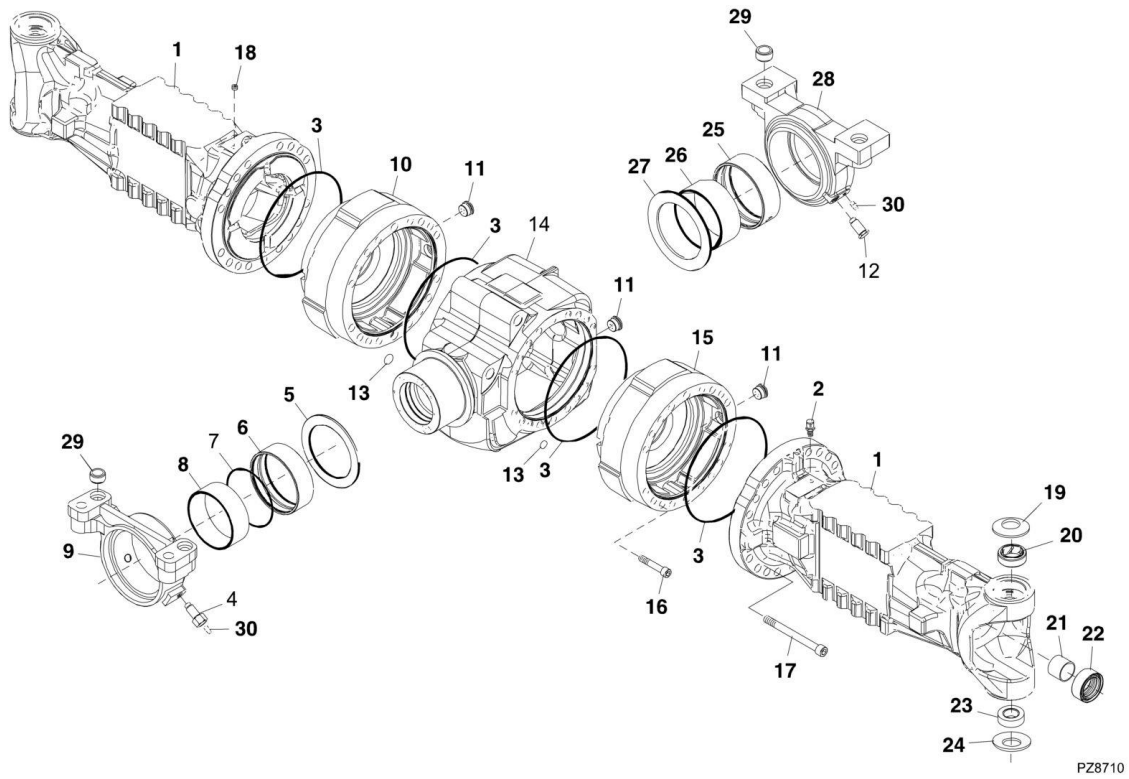
## SECTION 5 - DRIVE TRAIN

### FIGURE 5-13. REAR AXLE ASSEMBLY

ITEM	PART NUMBER	QTY	DESCRIPTION	REV
	1001145028	1	REAR AXLE, (3706PS, 3707PS, 33.7, 37.6 & 37.7), (includes items 1 thru 9)	B
	1001145030	1	REAR AXLE, (4014PS), (includes items 1 thru 9)	B
	1001145032	1	REAR AXLE, (4017PS), (includes items 1 thru 9)	A
1		Ref	AXLE HOUSING, (See REAR AXLE - AXLE HOUSING for Breakdown)	
2		Ref	SWIVEL HOUSING AND STEERING CYLINDER, (See REAR AXLE - SWIVEL HOUSING AND STEERING CYLINDER for Breakdown)	
3		Ref	BEVEL GEAR SET, (See REAR AXLE - BEVEL GEAR SET for Breakdown)	
4		Ref	DIFFERENTIAL, (See REAR AXLE - DIFFERENTIAL for Breakdown)	
5		Ref	DOUBLE U-JOINT, (See REAR AXLE - DOUBLE U-JOINT for Breakdown)	
6		Ref	WHEEL HUB, (See REAR AXLE - WHEEL HUB for Breakdown)	
7		Ref	FINAL REDUCTION, (See REAR AXLE - FINAL REDUCTION for Breakdown)	

# SECTION 5 - DRIVE TRAIN

## FIGURE 5-14. REAR AXLE - AXLE HOUSING



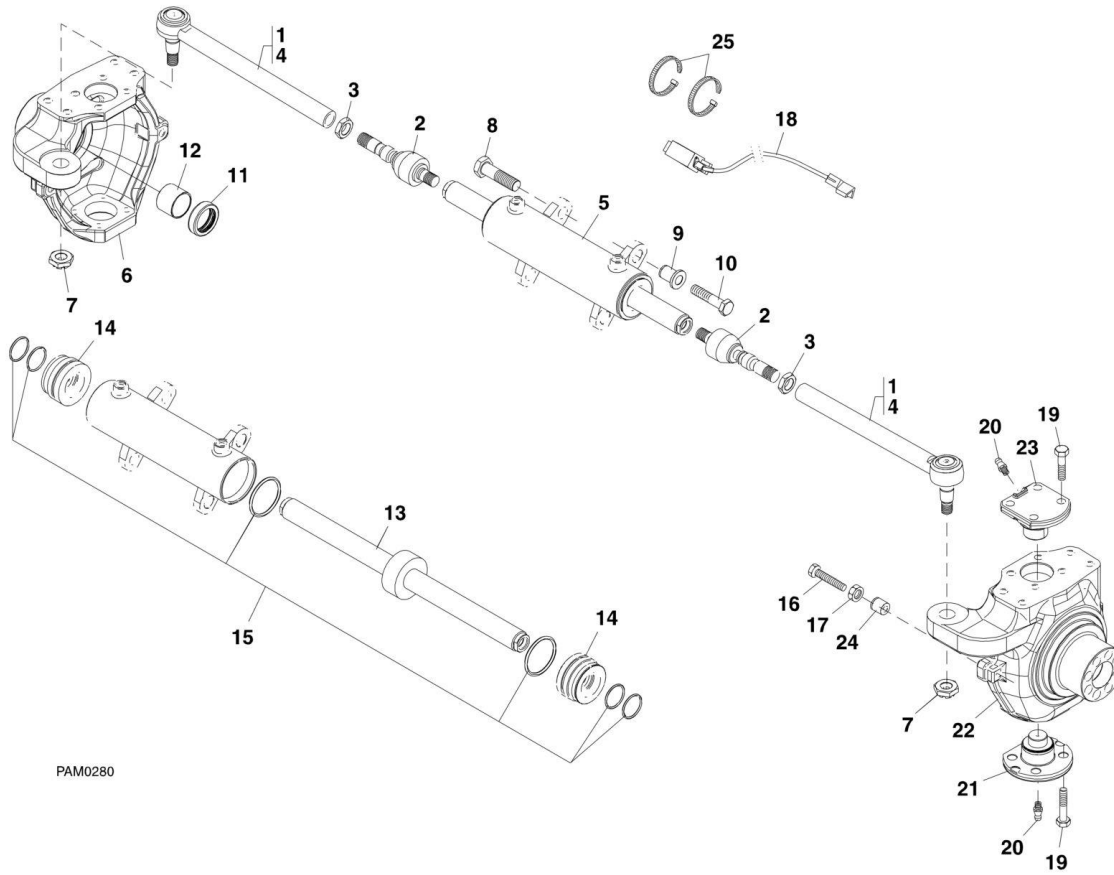
## SECTION 5 - DRIVE TRAIN

**FIGURE 5-14. REAR AXLE - AXLE HOUSING**

ITEM	PART NUMBER	QTY	DESCRIPTION	REV
1	70020985	2	LEG HOUSING	
2	91474058	1	BREATHER, M10X1	
3	91474038	4	O-RING	
4	91474073	1	BOLT	
5	91474069	1	THRUST WASHER	
6	91474072	1	BUSHING	
7	91474071	1	O-RING	
8	8035118	1	BUSHING	
9	8035120	1	REAR SUPPORT	
10	70022151	1	RH BRAKE CYLINDER	
11	91474037	3	PLUG, M30X2	
12	91474046	1	BOLT, M16	
13	91474068	2	O-RING	
14	70022152	1	CENTRAL BODY	
15	70022153	1	LH BRAKE CYLINDER	
16	91474050	2	BOLT	
17	91364028	34	BOLT, M16X160	
18	91474041	1	PLUG, M10X1	
19	91474051	2	BELLEVILLE WASHER	
20	91474053	2	BUSHING	
21	91474054	2	BUSHING	
22	91474055	2	SEAL RING	
23	91474056	2	SPHERICAL BEARING	
24	91474057	2	BELLEVILLE WASHER	
25	91474047	1	BUSHING	
26	91474048	1	BUSHING	
27	7028466	1	THRUST WASHER	
28	91474044	1	FRONT SUPPORT	
29	91474043	4	BUSHING	
30	91474045	2	GREASE FITTING, M8X1	

# SECTION 5 - DRIVE TRAIN

## FIGURE 5-15. REAR AXLE - SWIVEL HOUSING AND STEERING CYLINDER



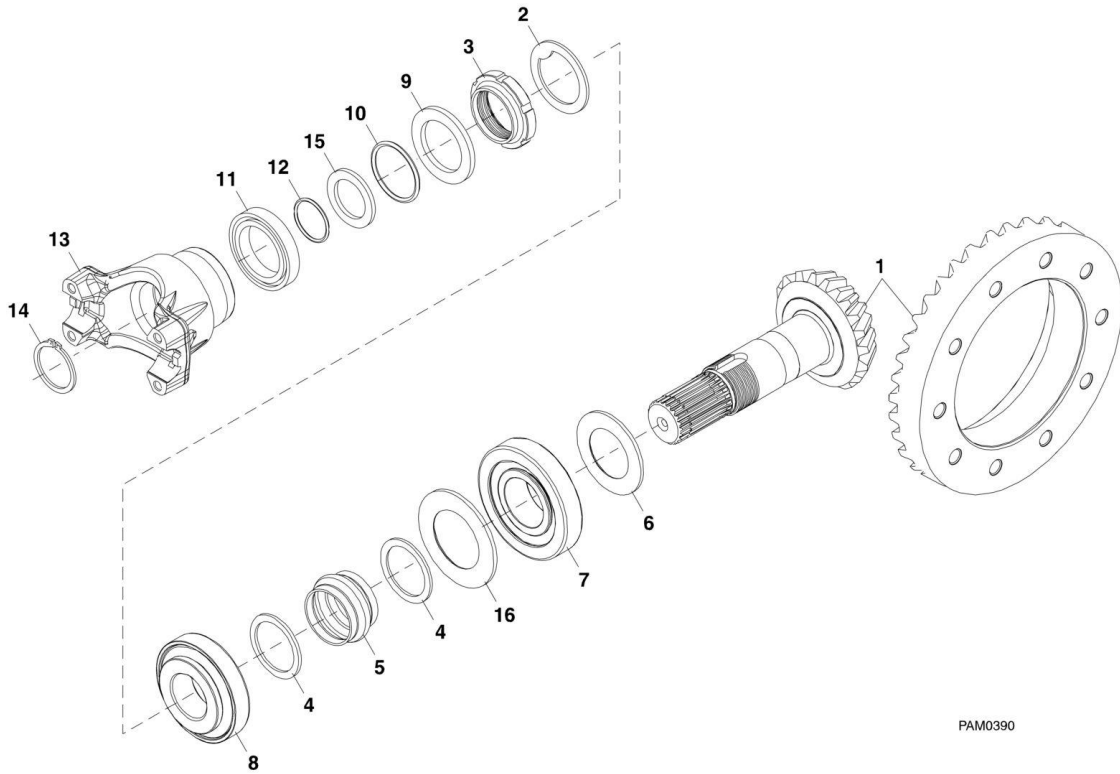
## SECTION 5 - DRIVE TRAIN

**FIGURE 5-15. REAR AXLE - SWIVEL HOUSING AND STEERING CYLINDER**

ITEM	PART NUMBER	QTY	DESCRIPTION	REV
1	70020939	2	STEERING ARM ASSY, (includes items 2 thru 4), (3706PS, 3707PS, 33.7, 37.6, 37.7 & 4014PS)	
1	70025914	2	STEERING ARM ASSY, (includes item 2 thru 4), (4017PS)	
2	91474077	2	BALL JOINT, (3706PS, 3707PS, 33.7, 37.6, 37.7 & 4014PS)	
2	70021007	2	BALL JOINT, (4017PS)	
3	91474078	2	NUT, M24X10, (3706PS, 3707PS, 33.7, 37.6, 37.7 & 4014PS)	
3	70021008	2	NUT, M24X10, (4017PS)	
4	70020940	2	TIE ROD, (3706PS, 3707PS, 33.7, 37.6, 37.7 & 4014PS)	
4	70022149	2	TIE ROD, (4017PS)	
5	70020941	1	STEERING CYLINDER, (includes items 13 thru 15), (3706PS, 3707PS, 33.7, 37.6, 37.7 & 4014PS)	
5	70021010	2	TIE ROD, (4017PS)	
6	70020942	1	RH SWIVEL HOUSING, (3706PS, 3707PS, 33.7, 37.6, 37.7 & 4014PS)	
6	70021011	1	STEERING CYLINDER, (includes items 13 thru 15), (4017PS)	
7	91474082	2	NUT, M24X1.5, (3706PS, 3707PS, 33.7, 37.6, 37.7 & 4014PS)	
7	70025913	2	NUT M27	
8	91474083	2	BOLT, M22X55	
9	91474084	2	BUSHING	
10	91474085	2	BOLT, M14X65	
11	91474086	2	SEAL RING, (3706PS, 3707PS, 33.7, 37.6, 37.7 & 4014PS)	
11	70022150	2	SEAL RING, (4017PS)	
12	91474087	2	BUSHING	
13	70022154	1	ROD, (3706PS, 3707PS, 33.7, 37.6, 37.7 & 4014PS)	
13	70021833	1	ROD, (4017PS)	
14	70020944	2	CYLINDER HEAD, (3706PS, 3707PS, 33.7, 37.6, 37.7 & 4014PS)	
14	70021832	2	CYLINDER HEAD, (4017PS)	
15	70020945	1	SEAL KIT, (3706PS, 3707PS, 33.7, 37.6, 37.7 & 4014PS)	
15	70021831	1	SEAL KIT, (4017PS)	
16	91474091	4	BOLT, M16X75	
17	91474092	4	NUT, M16	
18	1001113287	1	SENSOR	
19	91474094	16	BOLT, M16X38	
20	91474095	4	GREASE FITTING, M6X1	
21	91474096	2	KING PIN	
22	70020947	1	LH SWIVEL HOUSING, (3706PS, 3707PS, 33.7, 37.6, 37.7 & 4014PS)	
22	70021015	1	LH SWIVEL HOUSING, (4017PS)	
23	91474093	2	KING PIN	
24	70020986	4	BUSHING	
25	70021002	2	CLAMP, (3706PS, 3707PS, 37.6, 37.7, 4014PS)	
25	70021016	2	CLAMP, (4017PS)	

# SECTION 5 - DRIVE TRAIN

## FIGURE 5-16. REAR AXLE - BEVEL GEAR SET



PAM0390

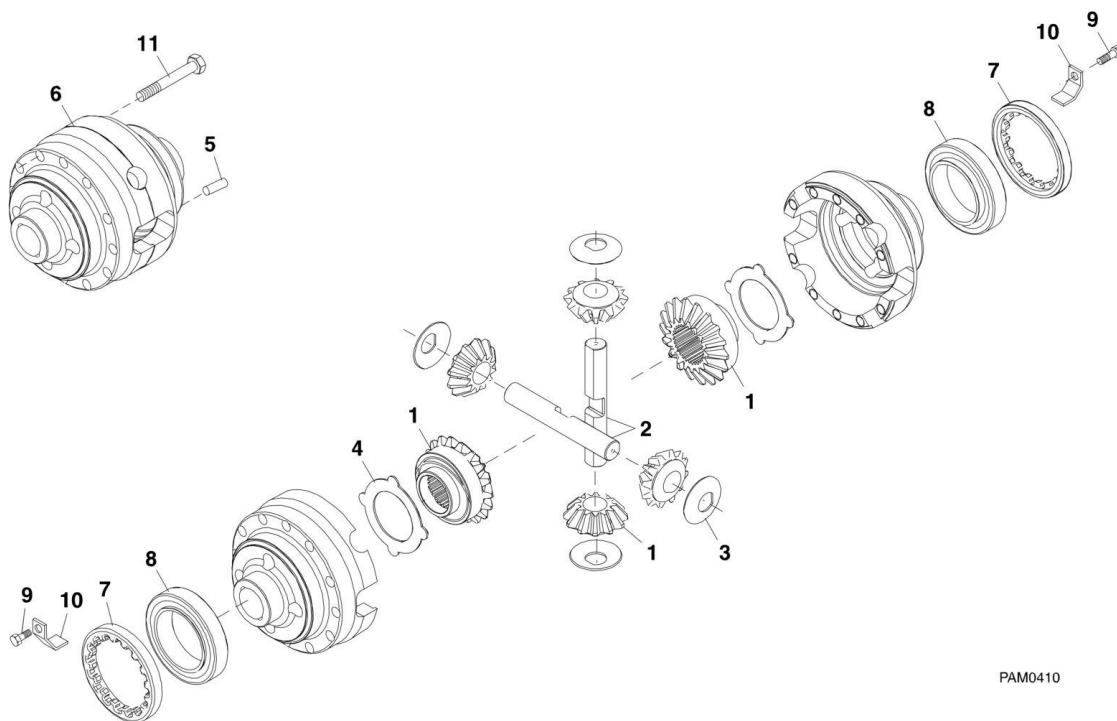
## SECTION 5 - DRIVE TRAIN

**FIGURE 5-16. REAR AXLE - BEVEL GEAR SET**

ITEM	PART NUMBER	QTY	DESCRIPTION	REV
1	70021004	1	BEVEL GEAR SET, (includes items 2 thru 5), (3706PS, 3707PS, 33.7, 37.6, 37.7 & 4014PS)	
1	70021035	1	BEVEL GEAR SET, (includes items 2 thru 5), (4017PS)	
2	91474100	1	LOCKWASHER	
3	91474101	1	RING NUT, M40X1.5	
4	91474102	2	WASHER	
5	70020949	1	COLLAPSIBLE SPACER, (3706PS, 3707PS, 33.7, 37.6, 37.7 & 4014PS)	
5	70021018	1	COLLAPSIBLE SPACER, (4017PS)	
6	70020950	AR	SHIM, 2.50mm	
6	70020951	AR	SHIM, 2.60mm	
6	70020952	AR	SHIM, 2.70mm	
6	70020953	AR	SHIM, 2.80mm	
6	70020954	AR	SHIM, 2.90mm	
6	70020955	AR	SHIM, 3.00mm	
6	70020956	AR	SHIM, 3.10mm	
6	70020957	AR	SHIM, 3.20mm	
6	70020958	AR	SHIM, 3.30mm	
6	70020959	AR	SHIM, 3.40mm	
7	91364070	1	BEARING	
8	7028403	1	BEARING	
9	91474115	1	WASHER	
10	91474116	1	O-RING	
11	7028478	1	SEAL RING	
12	70020989	1	O-RING	
13	70020990	1	FLANGE	
14	91474119	1	SNAP RING	
15	70020991	1	SPACER	
16	70020992	1	SHIM, (3706PS, 3707PS, 33.7, 37.6, 37.7 & 4014PS)	

# SECTION 5 - DRIVE TRAIN

## FIGURE 5-17. REAR AXLE - DIFFERENTIAL



PAM0410



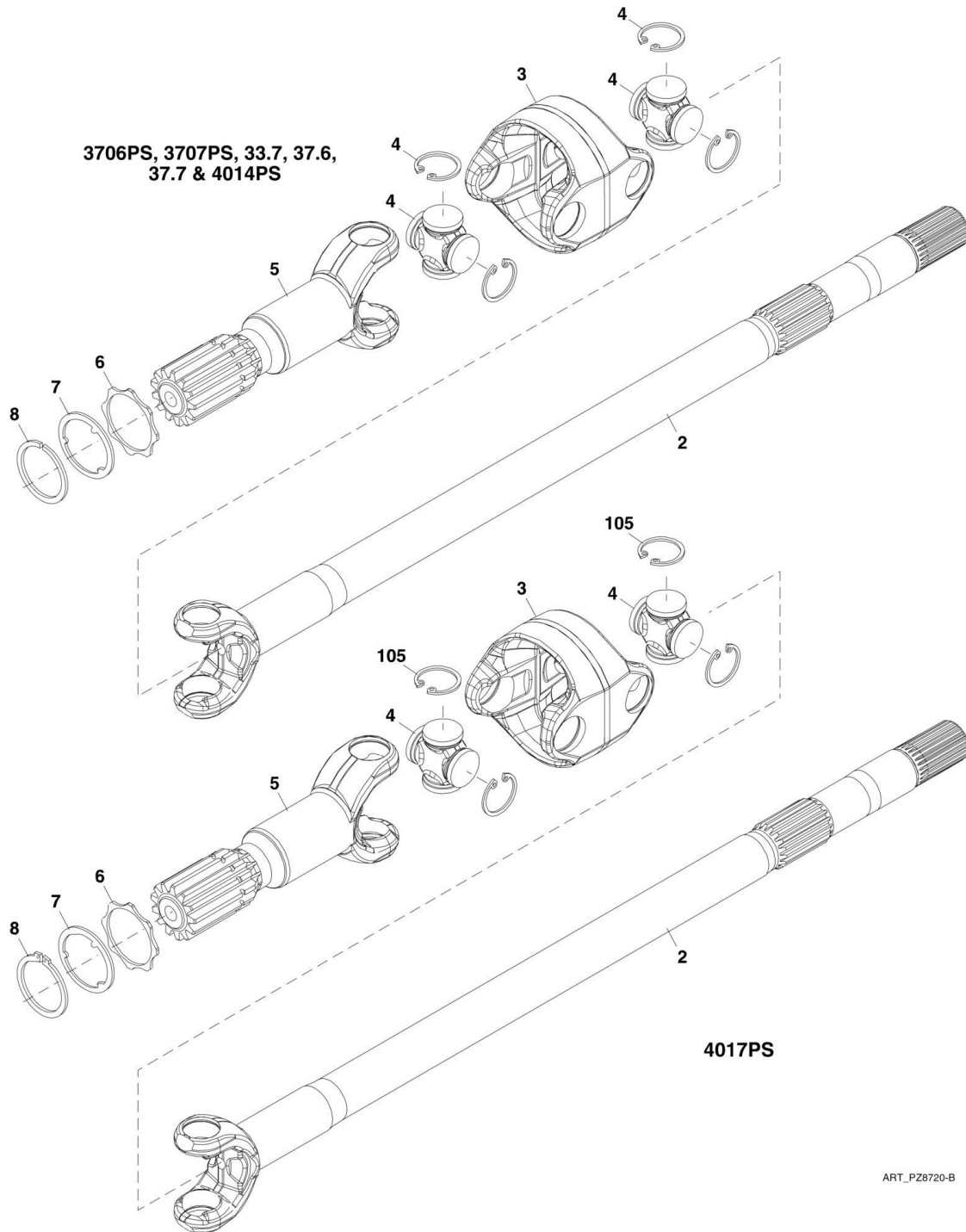
## SECTION 5 - DRIVE TRAIN

### FIGURE 5-17. REAR AXLE - DIFFERENTIAL

ITEM	PART NUMBER	QTY	DESCRIPTION	REV
1	70021031	1	DIFFERENTIAL KIT, (includes items 2 thru 4)	
2	70020966	2	SHAFT	
3	91364054	4	THRUST WASHER	
4	70020994	2	DIFFERENTIAL HOUSING	
5	91364049	2	PIN	
6	70020967	1	DIFFERENTIAL HOUSING	
7	91474128	2	RING NUT, M94X2	
8	91364050	2	BEARING	
9	8035180	2	BOLT, M6X1X10	
10	91474126	2	LOCKING PLATE	
11	91364048	10	BOLT, M12X90	

# SECTION 5 - DRIVE TRAIN

## FIGURE 5-18. REAR AXLE - DOUBLE U - JOINT



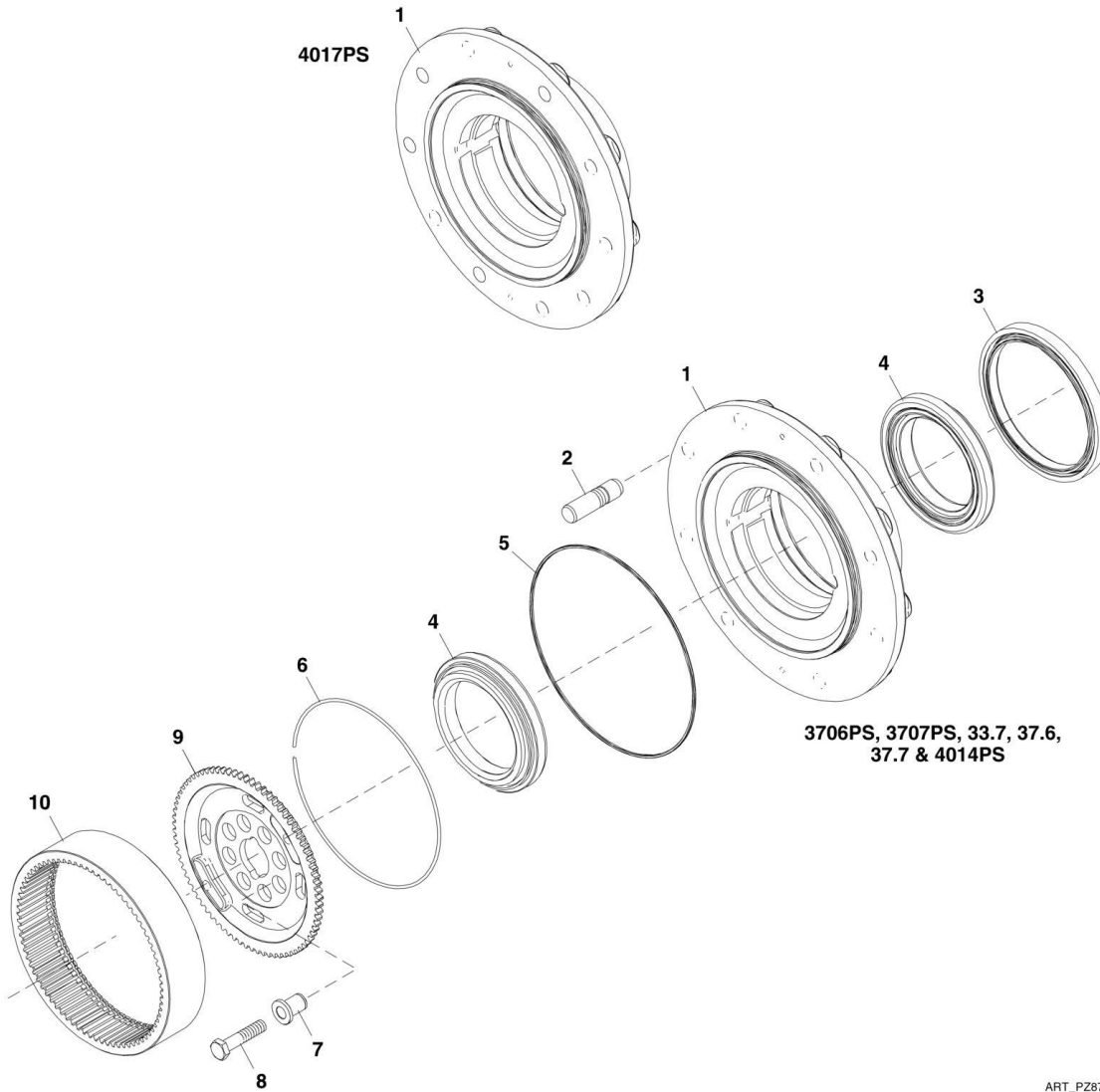
## SECTION 5 - DRIVE TRAIN

**FIGURE 5-18. REAR AXLE - DOUBLE U - JOINT**

ITEM	PART NUMBER	QTY	DESCRIPTION	REV
1	70020968	2	DOUBLE JOINT, (includes items 2 thru 6), (3706PS, 3707PS, 33.7, 37.6, 37.7 & 4014PS)	
1	70021019	2	DOUBLE JOINT, (includes items 2 thru 6), (4017PS)	
2	70025875	2	FORK, (differential side), (3706PS, 3707PS, 33.7, 37.6, 37.7 & 4014PS)	
2	70021032	2	FORK, (differential side), (4017PS)	
3	8035189	2	CENTRAL BODY, (3706PS, 3707PS, 33.7, 37.6, 37.7 & 4014PS)	
3	7029834	2	CENTRAL BODY, (4017PS)	
4	8035190	4	SPIDER, (3706PS, 3707PS, 33.7, 37.6, 37.7 & 4014PS)	
4	91474632	4	SPIDER, (4017PS)	
5	70025876	2	FORK, (wheel side), (3706PS, 3707PS, 33.7, 37.6, 37.7 & 4014PS)	
5	70021034	2	FORK, (wheel side), (4017PS)	
6	70020969	2	THRUSTWASHER, (3706PS, 3707PS, 33.7, 37.6, 37.7 & 4014PS)	
6	70021020	2	THRUSTWASHER, (4017PS)	
7	70022080	2	WASHER, (3706PS, 3707PS, 33.7, 37.6, 37.7 & 4014PS)	
7	70021021	2	WASHER, (4017PS)	
8	70022081	2	SNAP RING, (3706PS, 3707PS, 33.7, 37.6, 37.7 & 4014PS)	
8	70021022	2	SNAP RING, (4017PS)	
105	7029837	16	LOCK RING, (4017PS)	

# SECTION 5 - DRIVE TRAIN

## FIGURE 5-19. REAR AXLE - WHEEL HUB



ART\_PZ6730-B

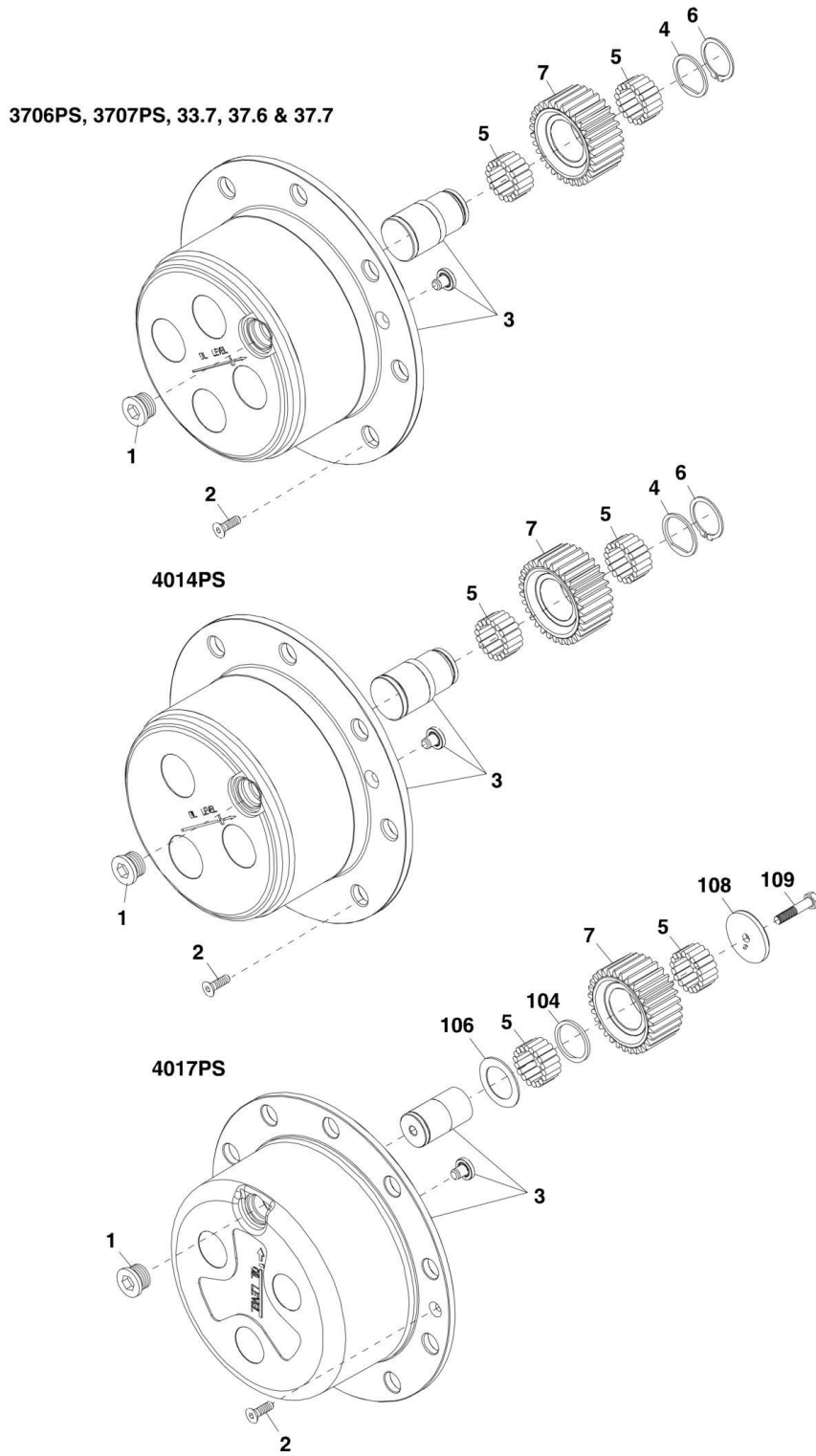
## SECTION 5 - DRIVE TRAIN

### FIGURE 5-19. REAR AXLE - WHEEL HUB

ITEM	PART NUMBER	QTY	DESCRIPTION	REV
1	70020972	2	WHEEL HUB, (includes item 2), (3706PS, 3707PS, 33.7, 37.6, 37.7 & 4014PS)	
1	70021023	2	WHEEL HUB, (includes item 2), (4017PS)	
2	70020973	16	STUD, (3706PS, 3707PS, 33.7, 37.6, 37.7 & 4014PS)	
2	70021024	16	STUD, (4017PS)	
3	70020974	2	SEAL RING, (3706PS, 3707PS, 33.7, 37.6, 37.7 & 4014PS)	
3	70021025	2	SEAL RING, (4017PS)	
4	70026828	4	BEARING, (3706PS, 3707PS, 33.7, 37.6, 37.7 & 4014PS)	
4	70021026	4	BEARING, (4017PS)	
5	70022083	2	O-RING, (3706PS, 3707PS, 33.7, 37.6, 37.7 & 4014PS)	
5	91474155	2	O-RING, (4017PS)	
6	7028423	2	RING, (3706PS, 3707PS, 33.7, 37.6, 37.7 & 4014PS)	
6	91474157	2	RING, (4017PS)	
7	91474160	16	BUSHING	
8	91474085	16	BOLT, M14X1.5X65	
9	7028417	2	WHEEL CARRIER, (3706PS, 3707PS, 33.7, 37.6, 37.7 & 4014PS)	
9	70021027	2	WHEEL CARRIER, (4017PS)	
10	70020976	2	CROWN GEAR Z=60, (3706PS, 3707PS, 33.7, 37.6, 37.7 & 4014PS)	
10	70021028	2	CROWN GEAR Z=60, (4017PS)	

# SECTION 5 - DRIVE TRAIN

## FIGURE 5-20. REAR AXLE - FINAL REDUCTION



ART\_PZ8680-B

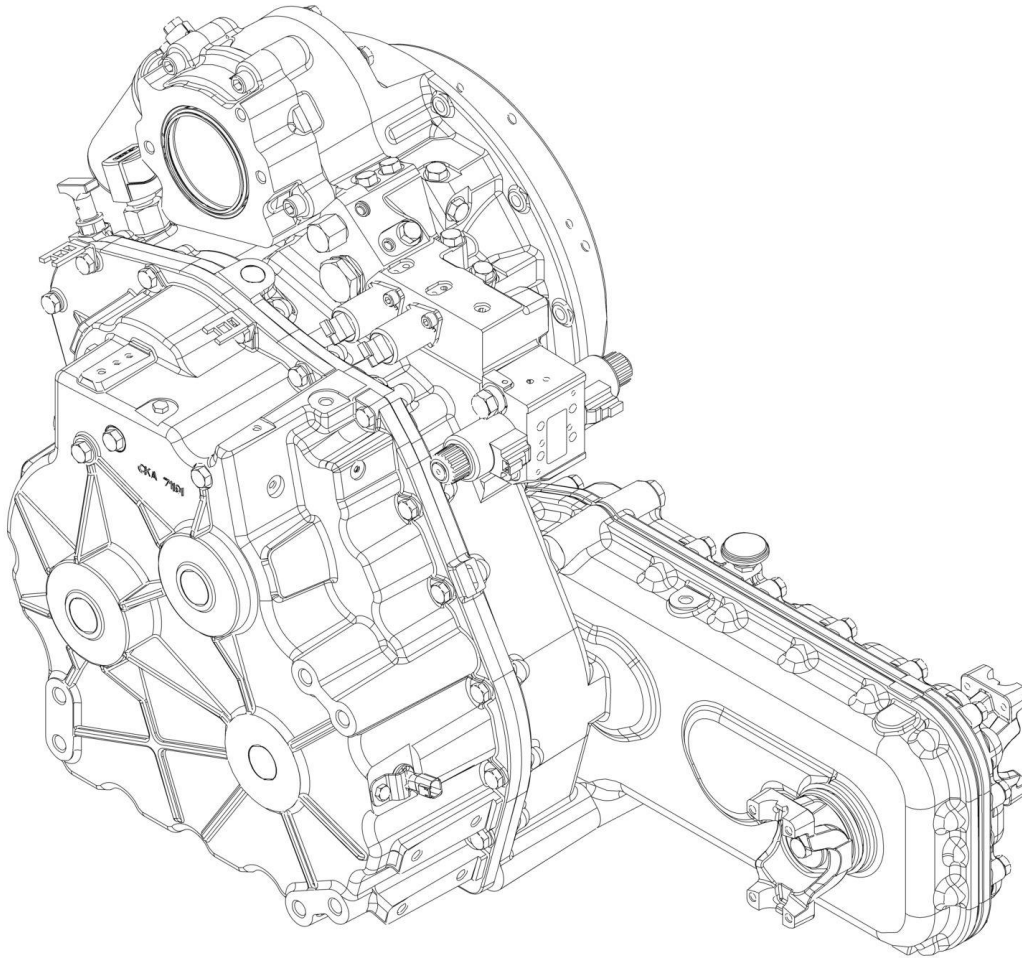
## SECTION 5 - DRIVE TRAIN

**FIGURE 5-20. REAR AXLE - FINAL REDUCTION**

ITEM	PART NUMBER	QTY	DESCRIPTION	REV
1	91474037	2	PLUG	
2	8035235	4	BOLT, M8X20	
3	70020977	2	PLANETARY CARRIER ASSY, (3706PS, 3707PS, 33.7, 37.6 & 37.7)	
3	70021001	2	PLANETARY CARRIER ASSY, (4014PS & 4017PS)	
4	7028509	8	THRUST WASHER, (3706PS, 3707PS, 33.7, 37.6 & 37.7)	
4	7028509	6	THRUST WASHER, (4014PS)	
5	91474163	200	NEEDLE BEARING, (44.8 per gear), (3706PS, 3707PS, 33.7, 37.6 & 37.7)	
5	91474163	160	NEEDLE BEARING, (33.6 per gear), (4014PS)	
5	91364093	160	NEEDLE BEARING, (37.2 per gear), (4017PS)	
6	7028508	8	SNAP RING, (3706PS, 3707PS, 33.7, 37.6 & 37.7)	
6	7028508	6	SNAP RING, (4014PS)	
7	7028510	8	GEAR, (3706PS, 3707PS, 33.7, 37.6 & 37.7)	
7	7028510	6	GEAR, (4014PS)	
7	91364094	6	GEAR, (4017PS)	
104	91364095	6	WASHER, (4017PS)	
106	91364096	6	LOCKING THRUST WASHER, (4017PS)	
108	70021030	6	THRUST WASHER, (4017PS)	
109	91474162	6	BOLT, M10X50, (4017PS)	

## SECTION 5 - DRIVE TRAIN

FIGURE 5-21. TRANSMISSION



PZ8740



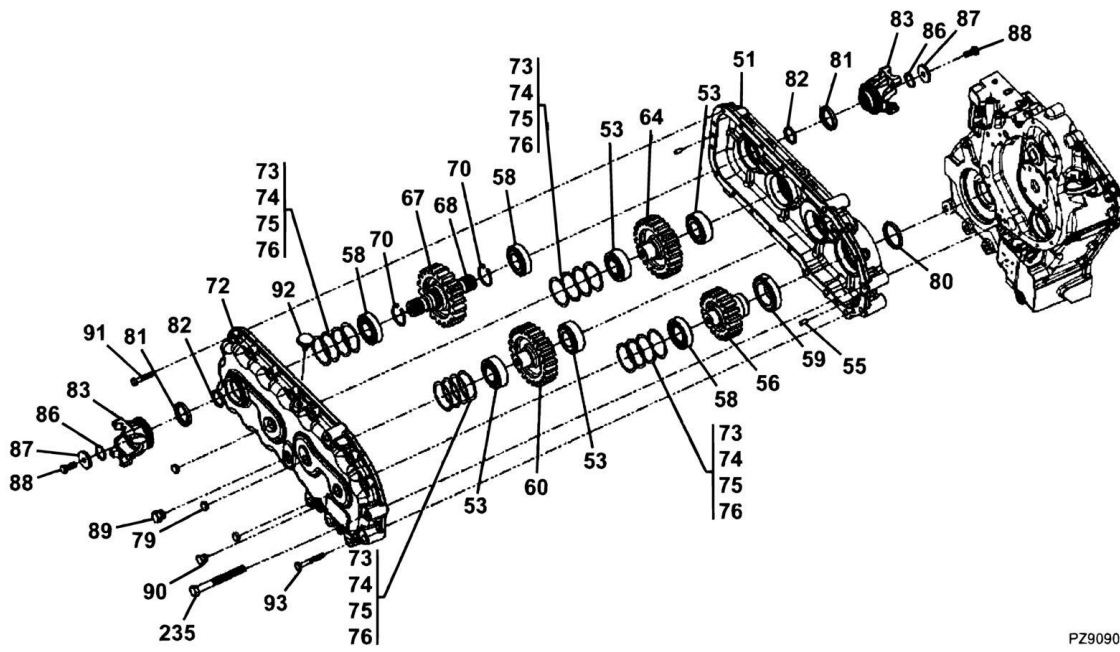
## SECTION 5 - DRIVE TRAIN

### FIGURE 5-21. TRANSMISSION

ITEM	PART NUMBER	QTY	DESCRIPTION	REV
	1001139192	Ref	POWERSHIFT TRANSMISSION, R0.784, (3706PS, 3707PS, 33.7, 37.6, 37.7 & 4014PS)	F
	1001139193	Ref	POWERSHIFT TRANSMISSION, R0.861, (3706PS, 3707PS, 33.7, 37.6 & 37.7)	E
	1001139191	Ref	POWERSHIFT TRANSMISSION, R1.063, (4017PS)	F
		Ref	TRANSFER GEARBOX ASSY, (See TRANSFER GEARBOX ASSEMBLY for Breakdown)	
		Ref	TORQUE CONVERTER AND DRIVE, (See TORQUE CONVERTER AND DRIVE for Breakdown)	
		Ref	GEARS AND BEARINGS, (See GEARS AND BEARINGS for Breakdown)	
		Ref	1ST/2ND CLUTCH SHAFT, (See 1ST/2ND CLUTCH SHAFT for Breakdown)	
		Ref	INPUT SHAFT, (See INPUT SHAFT for Breakdown)	
		Ref	FORWARD HIGH/3RD CLUTCH SHAFT, (See FORWARD HIGH/3RD CLUTCH SHAFT for Breakdown)	
		Ref	ANCILLARY COMPONENTS, (See ANCILLARY COMPONENTS for Breakdown)	
	70024466	1	OIL FILTER	

# SECTION 5 - DRIVE TRAIN

## FIGURE 5-22. TRANSFER GEARBOX ASSEMBLY



PZ9090

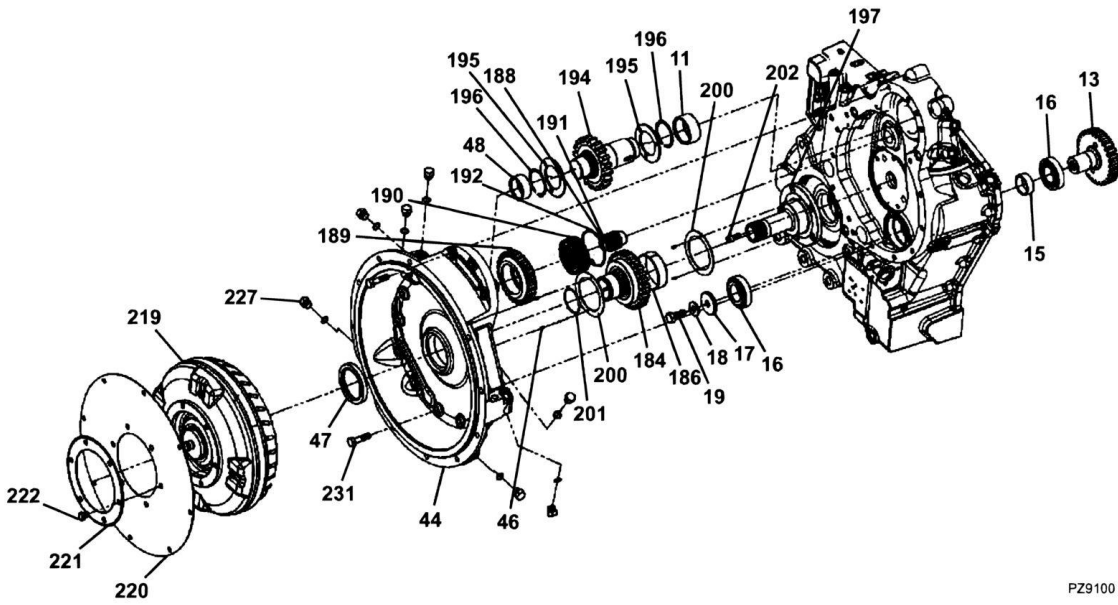
## SECTION 5 - DRIVE TRAIN

### FIGURE 5-22. TRANSFER GEARBOX ASSEMBLY

ITEM	PART NUMBER	QTY	DESCRIPTION	REV
	1001139192	Ref	POWERSHIFT TRANSMISSION, R0.784, (3706PS, 3707PS, 33.7, 37.6, 37.7 & 4014PS)	F
	1001139193	Ref	POWERSHIFT TRANSMISSION, R0.861, (3706PS, 3707PS, 33.7, 37.6 & 37.7)	E
	1001139191	Ref	POWERSHIFT TRANSMISSION, R1.063, (4017PS)	F
51	70024632	1	REAR TRANSFER CASE, 4 GEAR, (3706PS, 3707PS, 33.7, 37.6, 37.7 & 4014PS)	
51	70024652	1	REAR TRANSFER CASE, (4017PS)	
53	70025493	2	BEARING CONE	
53	70025494	2	BEARING CUP	
55	70025495	2	DOWEL	
56	70024633	1	GEAR, RH INPUT, (R0.784 - 3706PS, 3707PS, 33.7, 37.6, 37.7 & 4014PS)	
56	70024650	1	GEAR, RH INPUT, (R0.861 - 3706PS, 3707PS, 33.7, 37.6, 37.7)	
56	70024653	1	GEAR, RH INPUT, (4017PS)	
58	70025496	3	ROLLER BEARING CONE	
58	70025497	3	ROLLER BEARING CUP	
59	70024634	1	ROLLER BEARING CONE	
59	70024635	1	ROLLER BEARING CUP	
60	70024636	1	GEAR	
64	70024637	1	GEAR	
67	70024638	1	GEAR, (R0.784 - 3706PS, 3707PS, 33.7, 37.6, 37.7 & 4014PS)	
67	70024651	1	GEAR, (R0.861 - 3706PS, 33.7, 3707PS, 37.6, 37.7)	
67	70024654	1	GEAR, (4017PS)	
68	70024639	1	OUTPUT SHAFT	
70	70025498	2	RETAINING RING	
72	70024640	1	FRONT CASE, (3706PS, 3707PS, 33.7, 37.6, 37.7 & 4014PS)	
72	70024655	1	FRONT CASE, (4017PS)	
73	70025499	AR	SHIM, 0.002	
74	70025500	AR	SHIM, 0.003	
75	70025501	AR	SHIM, 0.007	
76	70025502	AR	SHIM, 0.0236	
79	70024641	3	CAP	
80	70024642	1	LIP SEAL	
81	70024643	2	LIP SEAL	
82	70024644	2	SPACER	
83	70024645	2	YOKE ASSY	
86	70025503	2	O-RING	
87	70025504	2	WASHER	
88	70025505	2	LOCKING BOLT	
89	70025506	1	PLUG	
90	70024646	1	PLUG	
91	70024647	10	HEX BOLT	
92	70024648	1	BREATHER	
93	70024649	2	BOLT	
235	70025507	6	BOLT	

# SECTION 5 - DRIVE TRAIN

## FIGURE 5-23. TORQUE CONVERTER AND DRIVE



PZ9100

## SECTION 5 - DRIVE TRAIN

**FIGURE 5-23. TORQUE CONVERTER AND DRIVE**

ITEM	PART NUMBER	QTY	DESCRIPTION	REV
	1001139192	Ref	POWERSHIFT TRANSMISSION, R0.784, (3706PS, 3707PS, 33.7, 37.6, 37.7 & 4014PS)	F
	1001139193	Ref	POWERSHIFT TRANSMISSION, R0.861, (3706PS, 3707PS, 33.7, 37.6 & 37.7)	E
	1001139191	Ref	POWERSHIFT TRANSMISSION, R1.063, (4017PS)	F
11	70025360	1	NEEDLE ROLLER BEARING	
13	70025361	1	REVERSE IDLER GEAR	
15	70025362	AR	SPACER, 14.85-14.87	
15	70025363	AR	SPACER, 14.88-14.90	
15	70025364	AR	SPACER, 14.91-14.93	
15	70025365	AR	SPACER, 14.94-14.96	
15	70025366	AR	SPACER, 14.97-14.99	
15	70025367	AR	SPACER, 15.00-15.02	
15	70025368	AR	SPACER, 15.03-15.05	
15	70025369	AR	SPACER, 15.06-15.08	
15	70025370	AR	SPACER, 15.09-15.11	
15	70025371	AR	SPACER, 15.12-15.14	
15	70025372	AR	SPACER, 15.15-15.17	
15	70025373	AR	SPACER, 15.18-15.20	
15	70025374	AR	SPACER, 15.21-15.23	
15	70025375	AR	SPACER, 15.24-15.26	
15	70025376	AR	SPACER, 15.27-15.29	
15	70025377	AR	SPACER, 15.30-15.32	
15	70025378	AR	SPACER, 15.33-15.35	
15	70025379	AR	SPACER, 15.36-15.38	
16	70025508	2	BEARING CONE	
16	70025509	2	BEARING CUP	
17	70025504	1	WASHER	
18	70025380	1	BEVEL SPRING WASHER	
19	70025505	1	BOLT	
44	70025381	1	HOUSING ASSY	
46	70025382	4	TENSION PIN	
47	70025383	1	OIL SEAL	
48	70025384	1	NEEDLE ROLLER BEARING	
184	70025385	1	PUMP DRIVE GEAR ASSY	
186	70025386	1	BUSHING	
188	70025387	1	IDLER SHAFT PUMP	
189	70025388	1	IDLER GEAR PUMP	
190	70025389	1	ROLLER BEARING	
191	70025390	1	O-RING	
192	70025391	1	CIRCLIP, INTERNAL	
194	70025392	1	DRIVEN GEAR PUMP	
195	70025393	2	THRUST DISC	
196	70025510	2	SNAP RING	
197	70025394	1	REACTOR SUPPORT	
200	70025511	2	THRUST WASHER	
201	70025512	1	O-RING	
202	70025513	5	CAPSCREW	
219	70025395	1	TORQUE CONVERTER	
220	70025396	1	CONVERTER DRIVE PLATE	

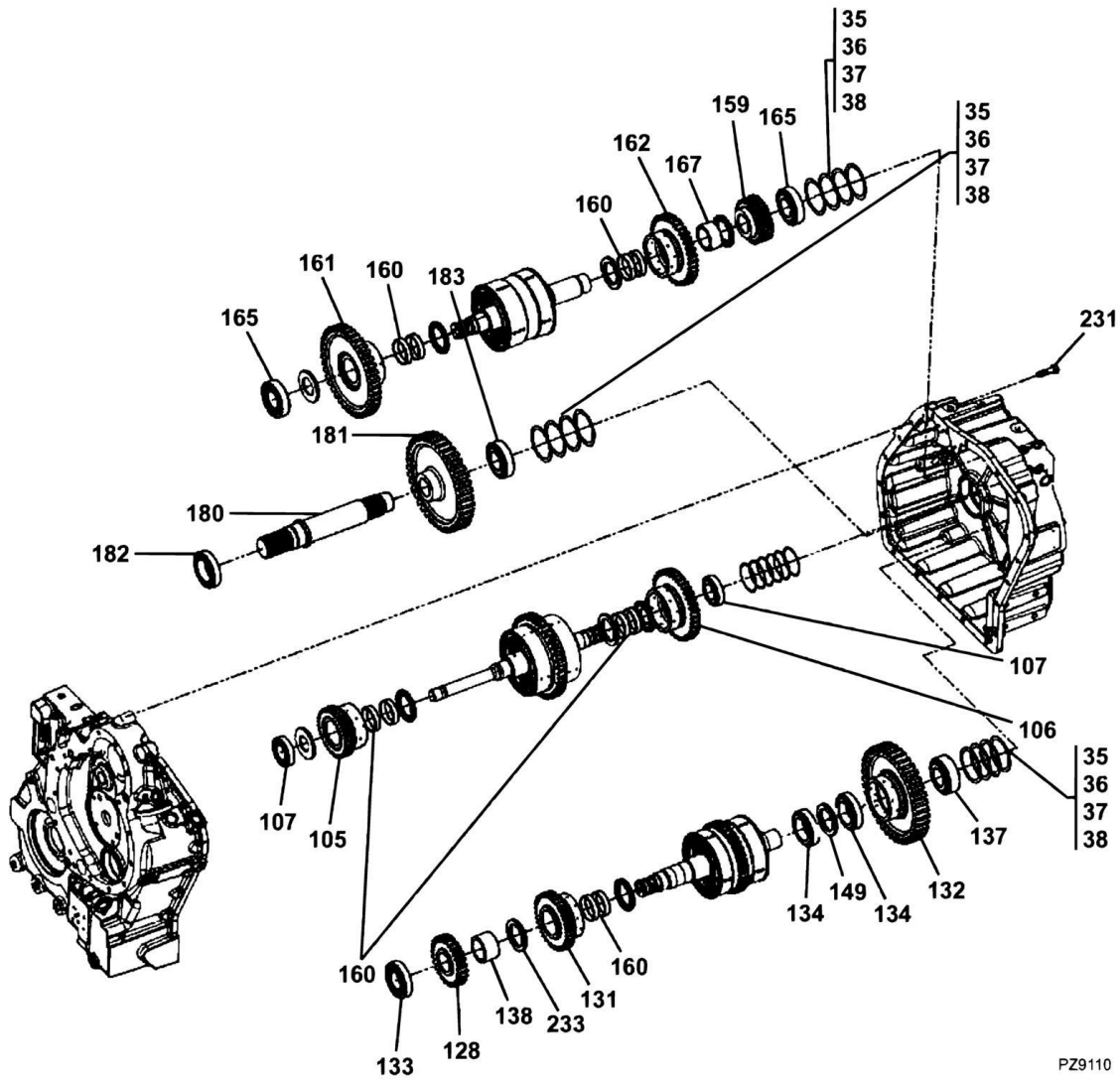
## SECTION 5 - DRIVE TRAIN

ITEM	PART NUMBER	QTY	DESCRIPTION	REV
221	70025397	1	CONVERTER REINFORCING PLATE	
222	70025398	1	SET SCREW	
227	70025399	1	PLUG	
231	70025514	15	BOLT	



# SECTION 5 - DRIVE TRAIN

## FIGURE 5-24. GEARS AND BEARINGS



PZ9110



## SECTION 5 - DRIVE TRAIN

### FIGURE 5-24. GEARS AND BEARINGS

ITEM	PART NUMBER	QTY	DESCRIPTION	REV
	1001139192	Ref	POWERSHIFT TRANSMISSION, R0.784, (3706PS, 3707PS, 33.7, 37.6, 37.7 & 4014PS)	F
	1001139193	Ref	POWERSHIFT TRANSMISSION, R0.861, (3706PS, 3707PS, 33.7, 37.6 & 37.7)	E
	1001139191	Ref	POWERSHIFT TRANSMISSION, R1.063, (4017PS)	F
35	70025502	AR	SHIM	
36	70025501	AR	SHIM	
37	70025500	AR	SHIM	
38	70025499	AR	SHIM	
105	70025400	1	GEAR, 27T	
106	70025401	1	GEAR, 45T	
107	70025508	2	BEARING CONE	
107	70025509	2	BEARING CUP	
128	70025402	1	GEAR, 27T	
131	70025403	1	GEAR, 36T	
132	70025404	1	GEAR, 56T	
133	70025405	1	BEARING CUP	
133	70025406	1	BEARING CONE	
134	70025407	1	BEARING CONE	
134	70025408	1	BEARING CUP	
137	70025493	1	BEARING CONE	
137	70025494	1	BEARING CUP	
138	70025409	1	SPACER	
149	70025410	AR	SPACER, 5.88-5.90	
149	70025411	AR	SPACER, 5.85-5.87	
149	70025412	AR	SPACER, 5.82-5.84	
149	70025413	AR	SPACER, 5.79-5.81	
149	70025414	AR	SPACER, 6.00-6.02	
149	70025415	AR	SPACER, 5.97-5.99	
149	70025416	AR	SPACER, 5.94-5.96	
149	70025417	AR	SPACER, 5.91-5.93	
149	70025418	AR	SPACER, 6.09-6.11	
149	70025419	AR	SPACER, 6.06-6.08	
149	70025420	AR	SPACER, 6.03-6.05	
149	70025421	AR	SHIM	
149	70025422	AR	SHIM	
159	70025423	1	GEAR, 24T	
160	70025424	4	NEEDLE ROLLER BEARING	
161	70025425	1	GEAR, 53T	
162	70025401	1	GEAR, 45T	
165	70025496	2	BEARING CONE	
165	70025497	2	BEARING CUP	
167	70025426	1	SPACER	
180	70025427	1	OUTPUT SHAFT	
181	70025428	1	GEAR, 56T	
182	70025407	1	BEARING CONE	
182	70025408	1	BEARING CUP	
183	70025496	1	BEARING CONE	
183	70025497	1	BEARING CUP	
231	70025514	35	BOLT	

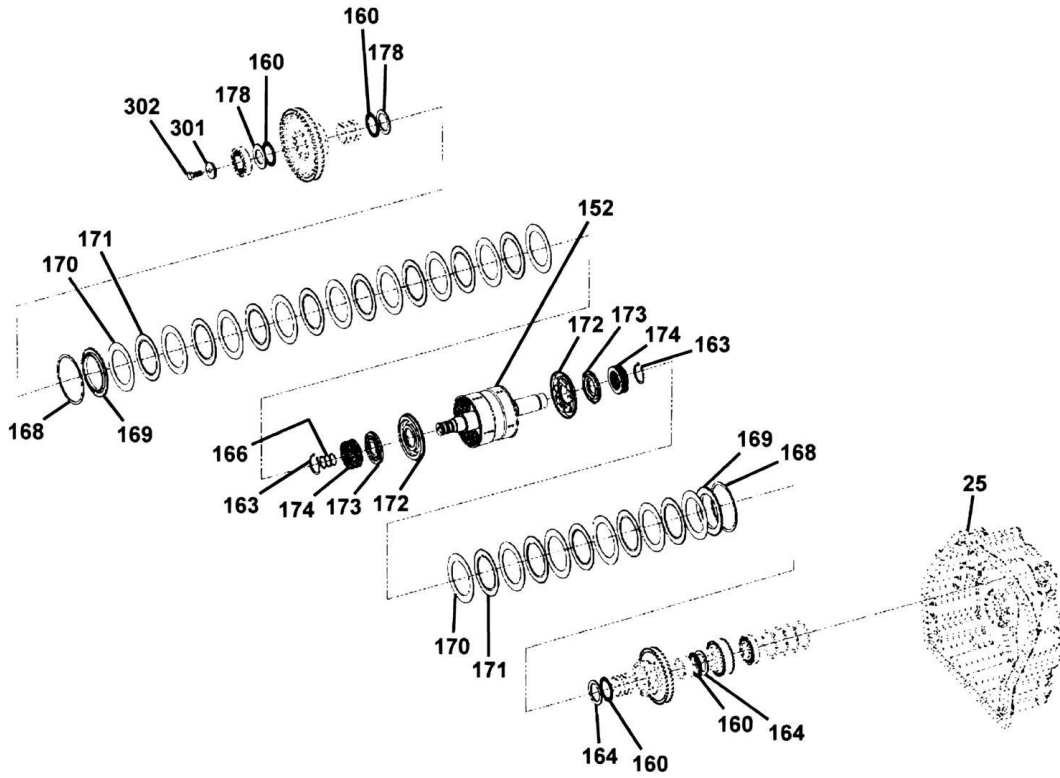
## SECTION 5 - DRIVE TRAIN

ITEM	PART NUMBER	QTY	DESCRIPTION	REV
233	70025429	2	WASHER	



# SECTION 5 - DRIVE TRAIN

## FIGURE 5-25. 1ST/2ND CLUTCH SHAFT



PZ9120

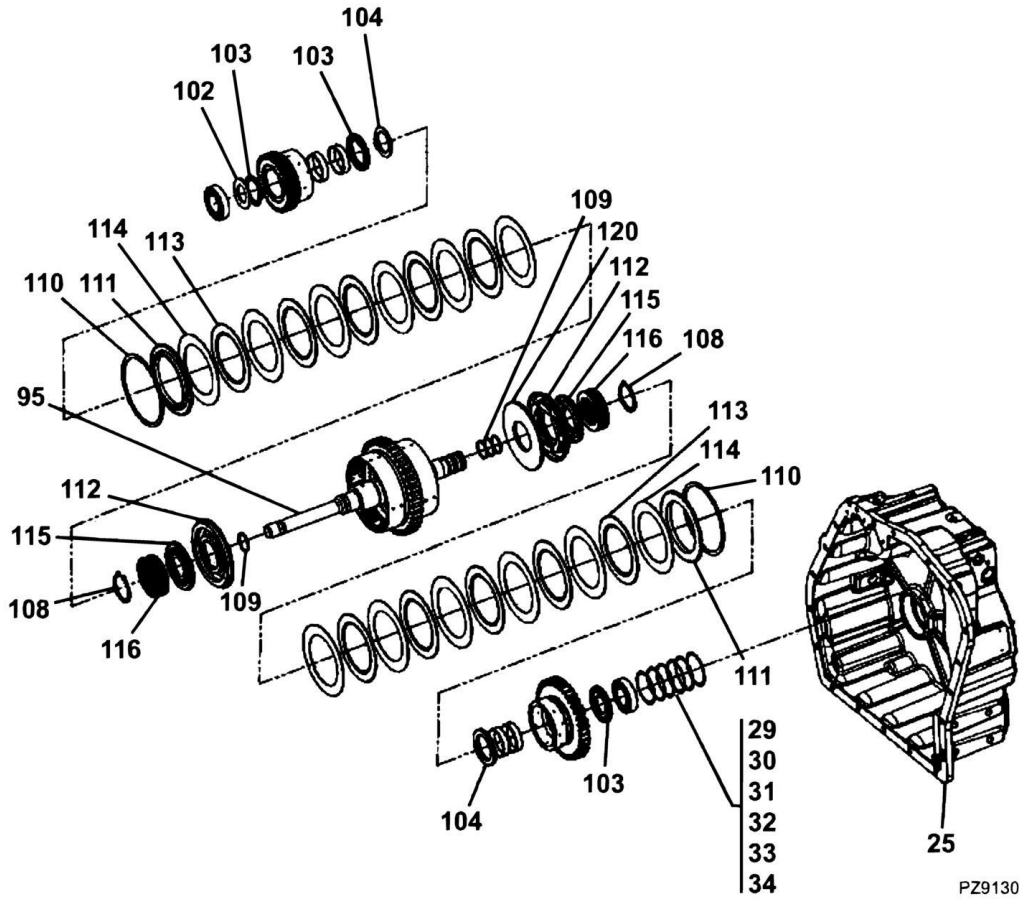
## SECTION 5 - DRIVE TRAIN

### FIGURE 5-25. 1ST/2ND CLUTCH SHAFT

ITEM	PART NUMBER	QTY	DESCRIPTION	REV
	1001139192	Ref	POWERSHIFT TRANSMISSION, R0.784, (3706PS, 3707PS, 33.7, 37.6, 37.7 & 4014PS)	F
	1001139193	Ref	POWERSHIFT TRANSMISSION, R0.861, (3706PS, 3707PS, 33.7, 37.6 & 37.7)	E
	1001139191	Ref	POWERSHIFT TRANSMISSION, R1.063, (4017PS)	F
25	70025430	1	REAR CASE PLUGGED ASSY	
152	70025431	1	SHAFT PLUGGED ASSY	
160	70025432	4	THRUST BEARING	
163	70025498	2	CIRCLIP, EXTERNAL	
164	70025429	3	WASHER	
166	70025433	3	SEALING RING	
168	70025434	2	RETAINER RING	
169	70025435	2	RETAINER PLATE	
170	70025436	13	FRICTION DISC	
171	70025437	15	CLUTCH PLATE	
172	70025438	2	CLUTCH PISTON	
173	70025439	2	SPRING RETAINER	
174	70025440	2	SPRING AND RETAINER ASSY	
178	70025441	1	THRUST WASHER	
301	70025504	1	RETAINING WASHER	
302	70025442	1	BOLT	

# SECTION 5 - DRIVE TRAIN

## FIGURE 5-26. INPUT SHAFT



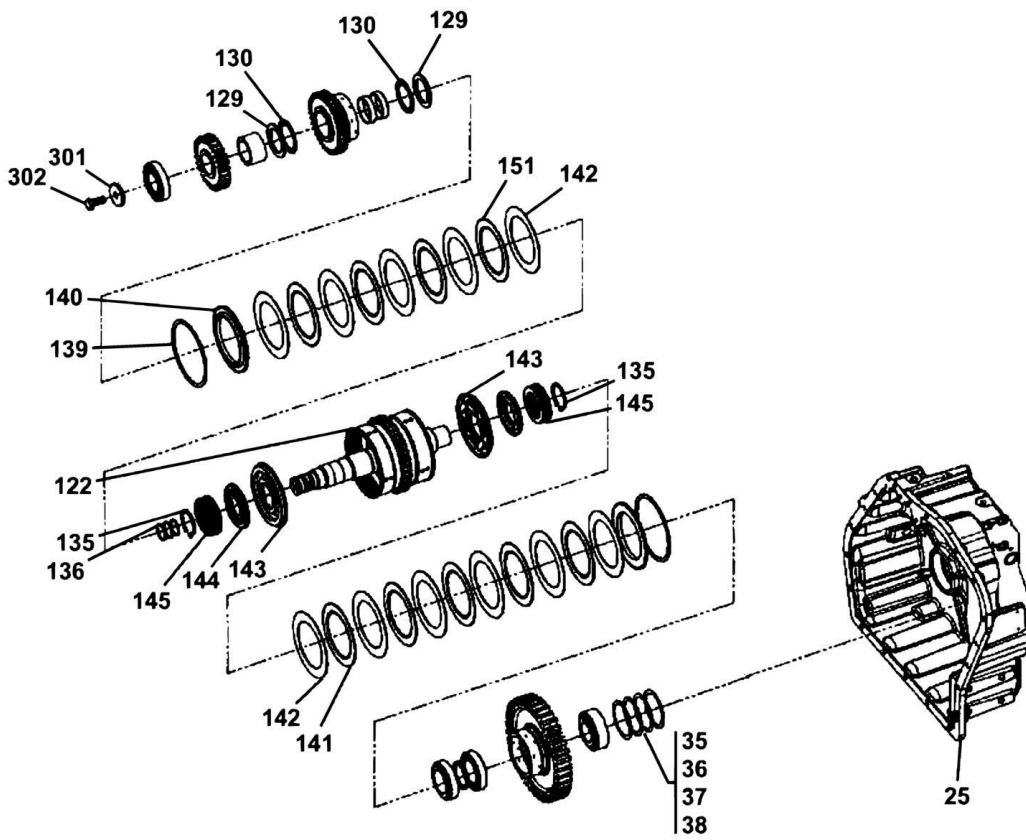
## SECTION 5 - DRIVE TRAIN

### FIGURE 5-26. INPUT SHAFT

ITEM	PART NUMBER	QTY	DESCRIPTION	REV
	1001139192	Ref	POWERSHIFT TRANSMISSION, R0.784, (3706PS, 3707PS, 33.7, 37.6, 37.7 & 4014PS)	F
	1001139193	Ref	POWERSHIFT TRANSMISSION, R0.861, (3706PS, 3707PS, 33.7, 37.6 & 37.7)	E
	1001139191	Ref	POWERSHIFT TRANSMISSION, R1.063, (4017PS)	F
25	70025430	1	REAR CASE PLUGGED ASSY	
29	70025443	AR	SHIM	
30	70025444	AR	SHIM	
31	70025515	AR	SHIM	
32	70025516	AR	SHIM	
33	70025517	AR	SHIM	
34	70025518	AR	SHIM	
95	70025445	1	INPUT SHAFT PLUGGED ASSY	
102	70025446	2	THRUST WASHER	
103	70025432	4	THRUST BEARING	
104	70025429	2	WASHER	
108	1001008845	2	CIRCLIP, EXTERNAL	
109	70025433	4	SEALING RING	
110	70025434	2	RETAINER RING	
111	70025447	2	RETAINER PLATE	
112	70025438	2	CLUTCH PISTON	
113	70025448	10	FRICITION DISC	
114	70025437	12	CLUTCH PLATE	
115	70025439	2	SPRING RETAINER	
116	70025440	2	SPRING AND RETAINER ASSY	
120	70025449	1	SPACER, PISTON	

# SECTION 5 - DRIVE TRAIN

## FIGURE 5-27. FORWARD HIGH/3RD CLUTCH SHAFT



PZ9140



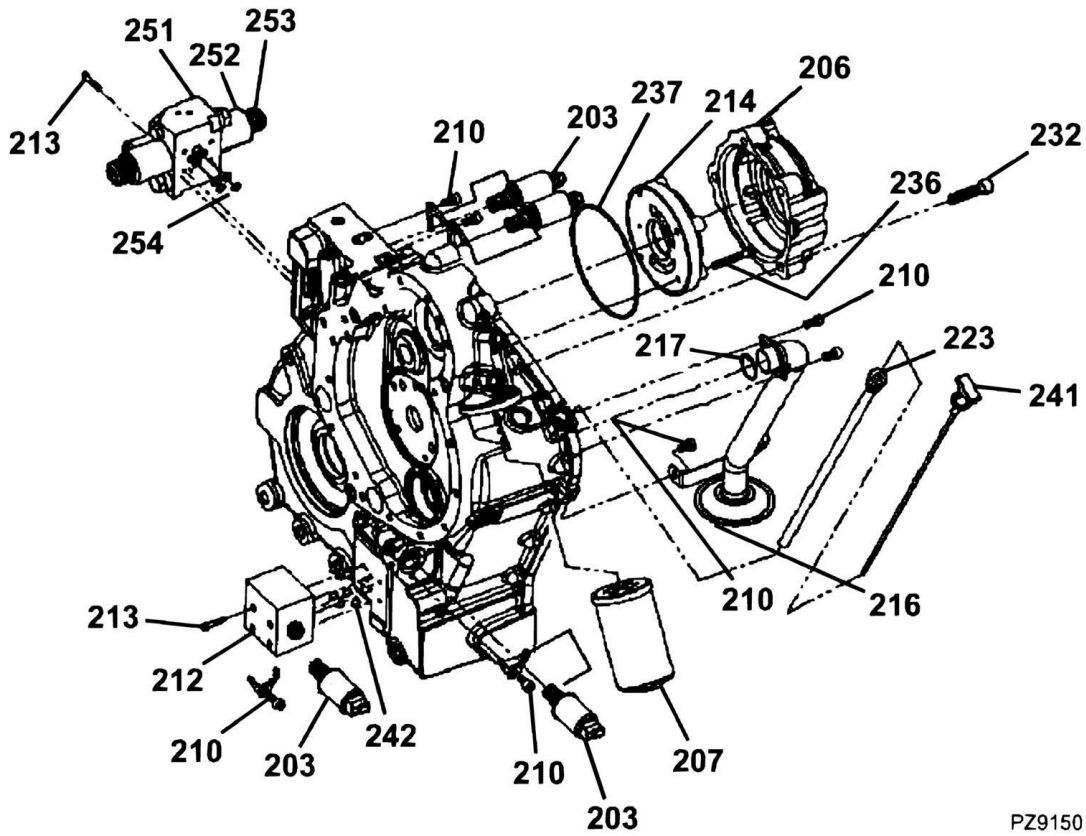
## SECTION 5 - DRIVE TRAIN

**FIGURE 5-27. FORWARD HIGH/3RD CLUTCH SHAFT**

ITEM	PART NUMBER	QTY	DESCRIPTION	REV
	1001139192	Ref	POWERSHIFT TRANSMISSION, R0.784, (3706PS, 3707PS, 33.7, 37.6, 37.7 & 4014PS)	F
	1001139193	Ref	POWERSHIFT TRANSMISSION, R0.861, (3706PS, 3707PS, 33.7, 37.6 & 37.7)	E
	1001139191	Ref	POWERSHIFT TRANSMISSION, R1.063, (4017PS)	F
25	70025430	1	REAR CASE PLUGGED ASSY	
35	1001061256	AR	SHIM	
36	1001061257	AR	SHIM	
37	1001061258	AR	SHIM	
38	1001061259	AR	SHIM	
122	70025450	1	FORWARD HIGH/3RD SHAFT	
129	70025429	2	WASHER	
130	70025432	2	THRUST BEARING	
135	1001008845	2	CIRCLIP, EXTERNAL	
136	70025433	3	SEALING RING	
139	70025434	2	RETAINER RING	
140	70025435	2	RETAINER PLATE	
141	70025436	5	FRICITION DISC	
142	70025437	11	CLUTCH PLATE	
143	70025438	2	CLUTCH PISTON	
144	70025439	2	SPRING RETAINER	
145	70025440	2	SPRING AND RETAINER ASSY	
151	70025448	4	FRICITION DISC	
301	1001060417	1	RETAINING WASHER	
302	70025442	1	BOLT	

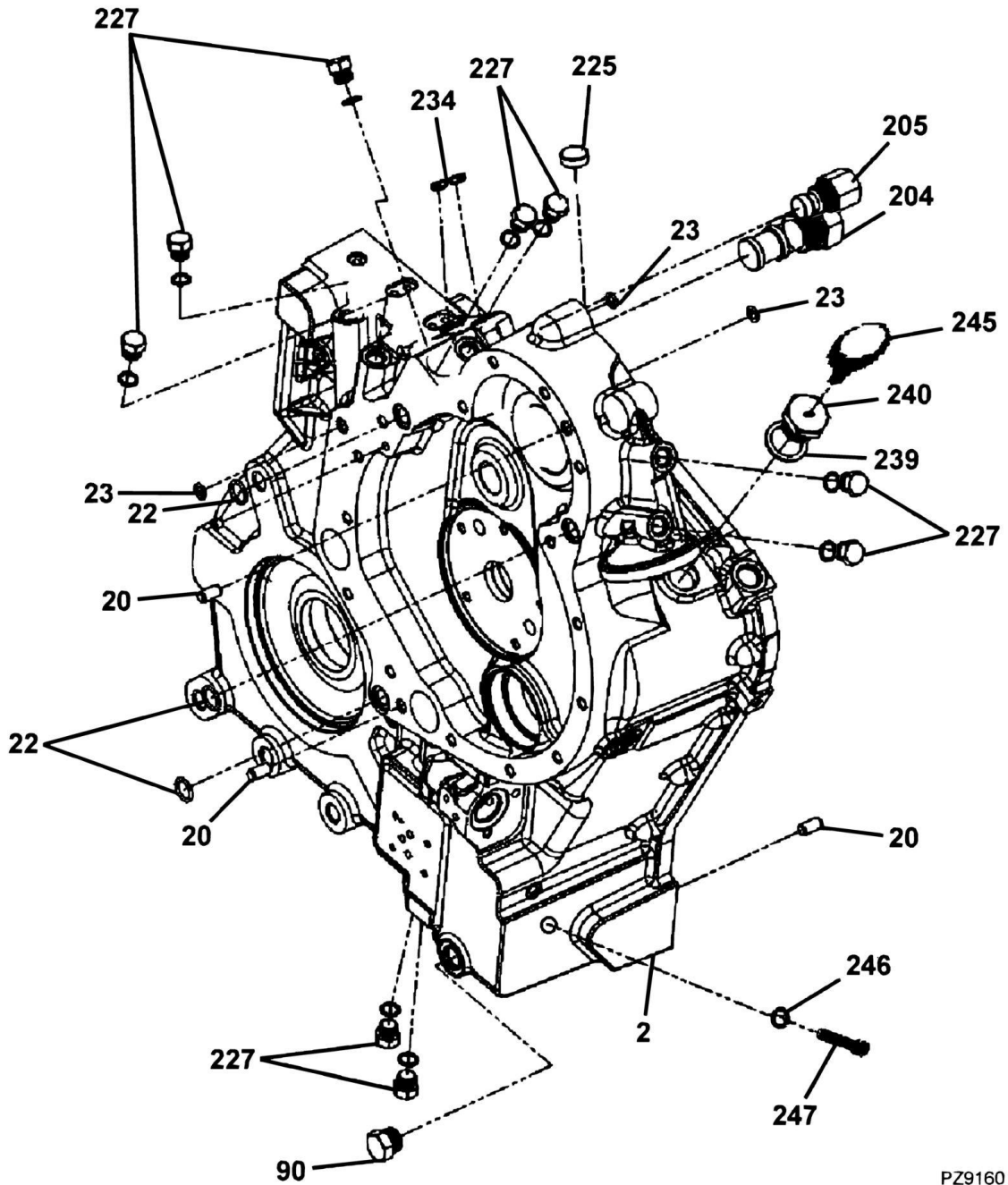
# SECTION 5 - DRIVE TRAIN

## FIGURE 5-28. FRONT & REAR CASE COMPONENTS



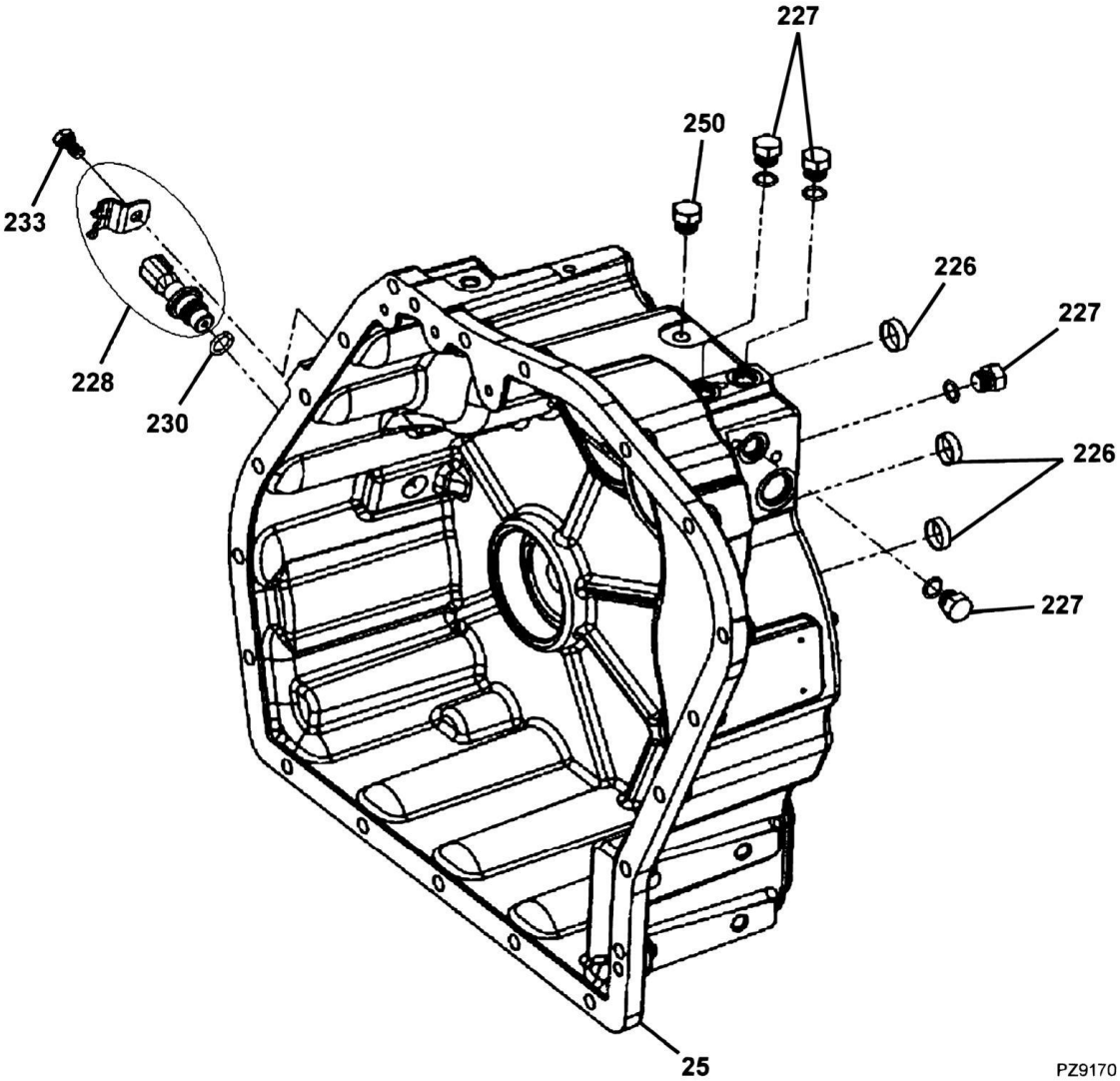
PZ9150

# SECTION 5 - DRIVE TRAIN



PZ9160

SECTION 5 - DRIVE TRAIN



PZ9170

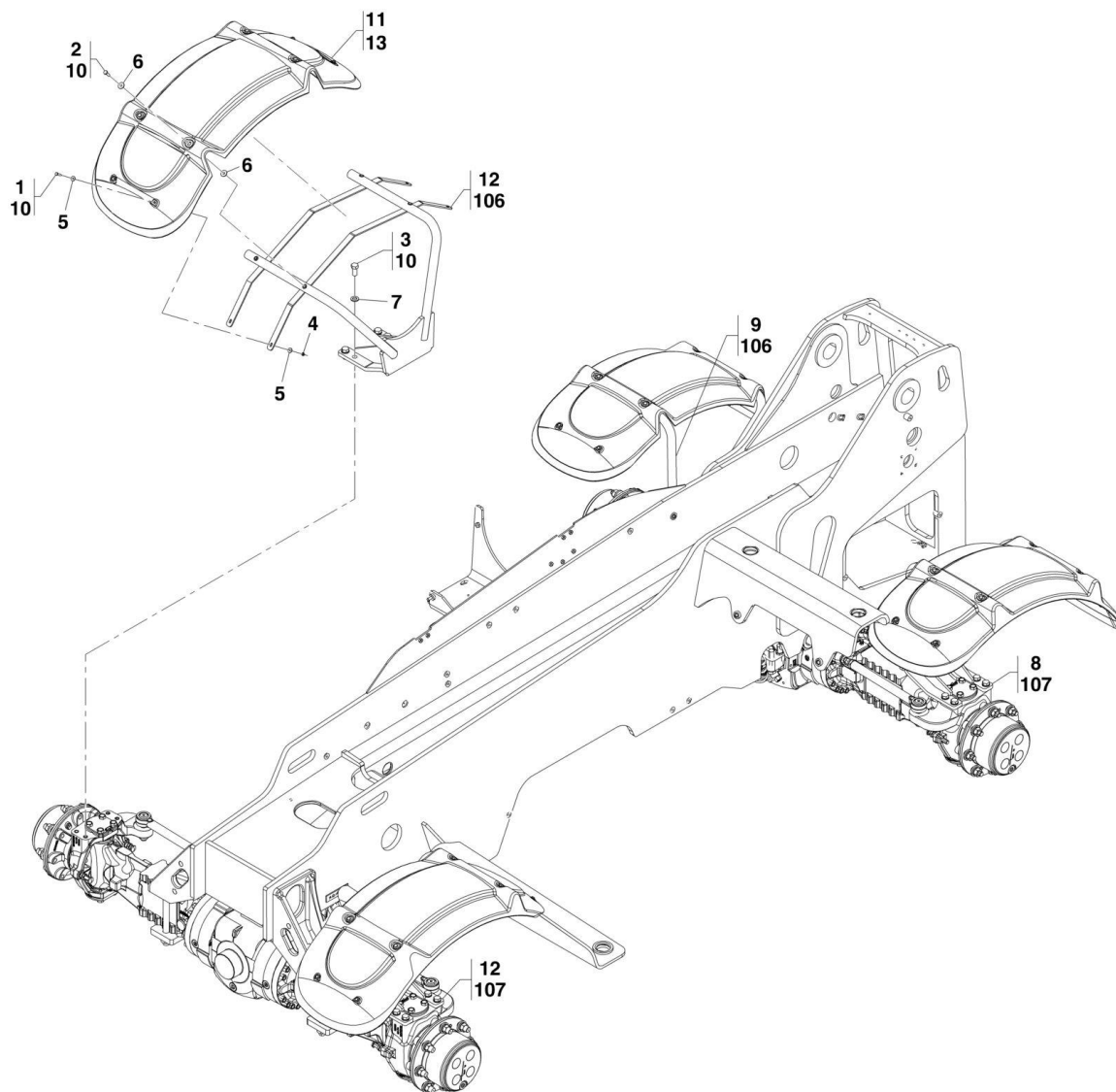
## SECTION 5 - DRIVE TRAIN

**FIGURE 5-28. FRONT & REAR CASE COMPONENTS**

ITEM	PART NUMBER	QTY	DESCRIPTION	REV
	1001139192	Ref	POWERSHIFT TRANSMISSION, R0.784, (3706PS, 3707PS, 33.7, 37.6, 37.7 & 4014PS)	F
	1001139193	Ref	POWERSHIFT TRANSMISSION, R0.861, (3706PS, 3707PS, 33.7, 37.6 & 37.7)	E
	1001139191	Ref	POWERSHIFT TRANSMISSION, R1.063, (4017PS)	F
2	70025467	1	FRONT CASE ASSY	
20	1001027047	4	DOWEL	
22	70025468	3	O-RING	
23	1001060439	4	O-RING	
25	70025430	1	REAR CASE ASSY	
90	70024646	1	PLUG	
203	70025451	4	SOLENOID VALVE	
204	70025469	1	RELIEF VALVE	
205	70025470	1	RELIEF VALVE	
206	70025452	1	PUMP HOUSING	
207	70025453	1	HYDRAULIC FILTER ASSY	
210	1001063407	5	CAPSCREW	
212	70025458	1	VALVE HOUSING	
213	1001009365	8	CAPSCREW	
214	70025459	1	CHARGE PUMP	
216	70025460	1	SUCTION STRAINER	
217	70025461	2	O-RING, SUCTION STRAINER	
223	70025462	1	DIPSTICK TUBE ASSY	
225	70024641	1	CAP	
226	70025476	3	CAP	
227	1001009250	13	PLUG	
228	1001063420	1	SPEED SENSOR	
230	1001058688	1	O-RING	
232	70025463	4	CAPSCREW	
233	1001017166	1	SET SCREW	
234	70025471	2	PLUG	
236	1001016799	4	BOLT	
237	70025464	1	O-RING	
239	70025472	1	WASHER	
240	70025473	1	ADAPTER	
241	70025465	1	GAGE ASSY	
242	70025466	3	O-RING	
245	70025474	1	BREATHER	
246	1001008552	1	O-RING	
247	70025475	1	TEMPERATURE SENDER ASSY	
250	1001045589	1	PLUG	
251	70025454	1	VALVE BODY	
252	70025455	1	LOCKING NUT ASSY	
253	70025456	2	SOLENOID COIL ASSY	
254	70025457	2	TUBE ASSY	

# SECTION 5 - DRIVE TRAIN

## FIGURE 5-29. FENDER GROUP



ART\_31200722-5-29

## SECTION 5 - DRIVE TRAIN

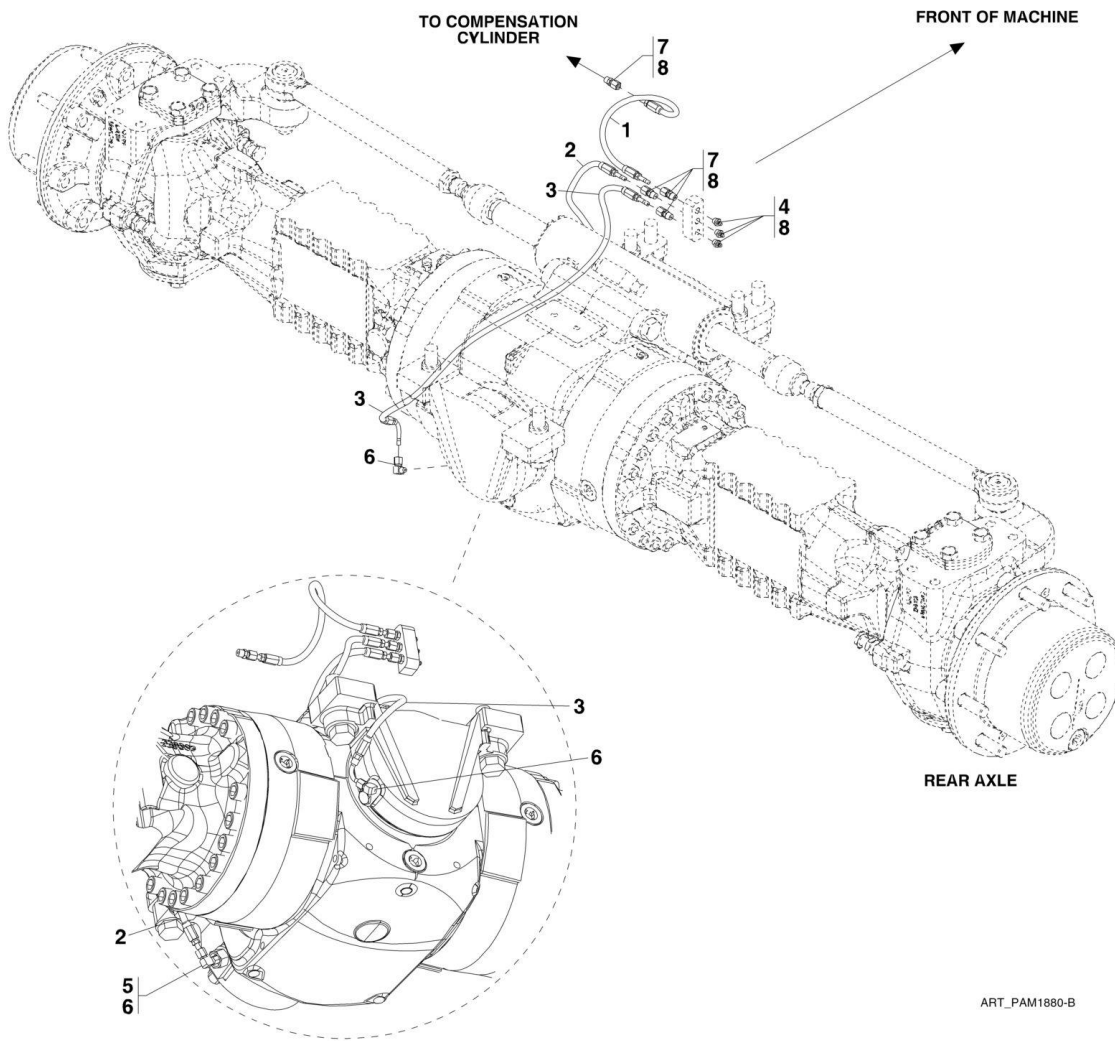
### FIGURE 5-29. FENDER GROUP

ITEM	PART NUMBER	QTY	DESCRIPTION	REV
	1001116513	Ref	FENDER INSTALLATION, (3706PS & 37.6), (not available to order, see items 1 thru 13 for service)	C
	1001092767	Ref	FENDER INSTALLATION, (3707PS, 33.7, & 37.7), (not available to order, see items 1 thru 7 & 10 thru 107 for service)	E
	1001092859	Ref	FENDER INSTALLATION, (4014PS), (not available to order, see items 1 thru 7, 10, 11, 106 & 107 for service)	E
	1001092860	Ref	FENDER INSTALLATION, (4017PS), (not available to order, see items 1 thru 7, 10, 11, 13, 106 & 107 for service)	H
1	0700612	16	HEX HD CAPSCREW, M6X25, GR8.8, (torque to 8 Nm/6lb-ft)	
1	0760612	16	HEX HD CAPSCREW, M6X25, GR8.8, (4017PS), (torque to 12 Nm/9 lb-ft)	
2	0760812	16	HEX HD CAPSCREW, M8X25, GR8.8, (torque to 8 Nm/6 lb-ft)	
3	0761615	16	HEX HD CAPSCREW, M16X25, GR8.8	
4	3290605	16	HEX LOCKNUT, M6X1, GR8	
5	4811702	32	WASHER, 6 MM	
6	4811902	32	WASHER, 8 MM	
7	4812300	16	WASHER, 16 MM	
8	1001163514	1	LH REAR FENDER BRACKET, (3706PS & 37.6)	
9	1001163611	1	RH REAR FENDER BRACKET, (3706PS & 37.6)	
10	1001095650	AR	LOCTITE 243	
11	1001100845	3	FENDER, (3706PS, 37.6 & 4017PS)	
11	1001100845	4	FENDER, (3707PS, 33.7, 37.7 & 4014PS)	
12	1001163311	2	FRONT FENDER BRACKET, (3706PS & 37.6)	
13	1001116543	1	CUT-OUT FENDER, (3706PS & 37.6)	
13	1001117995	1	CUT-OUT FENDER, (4017PS)	
106	1001160056	2	LH FENDER BRACKET, (3707PS, 33.7 & 37.7)	
106	1001185163	2	LH FENDER BRACKET, (4014PS)	
106	1001186262	2	LH FENDER BRACKET, (4017PS)	
107	1001163145	2	RH FENDER BRACKET, (3707PS, 33.7 & 37.7)	
107	1001185165	2	RH FENDER BRACKET, (4014PS)	
107	1001207964	NLA	RH FENDER BRACKET, (4017PS), (no longer available, use 1001226638 for replacement)	
107	1001226638	2	RH FENDER BRACKET, (4017PS)	

# SECTION 5 - DRIVE TRAIN

## FIGURE 5-30. REMOTE GREASE SYSTEM INSTALLATION

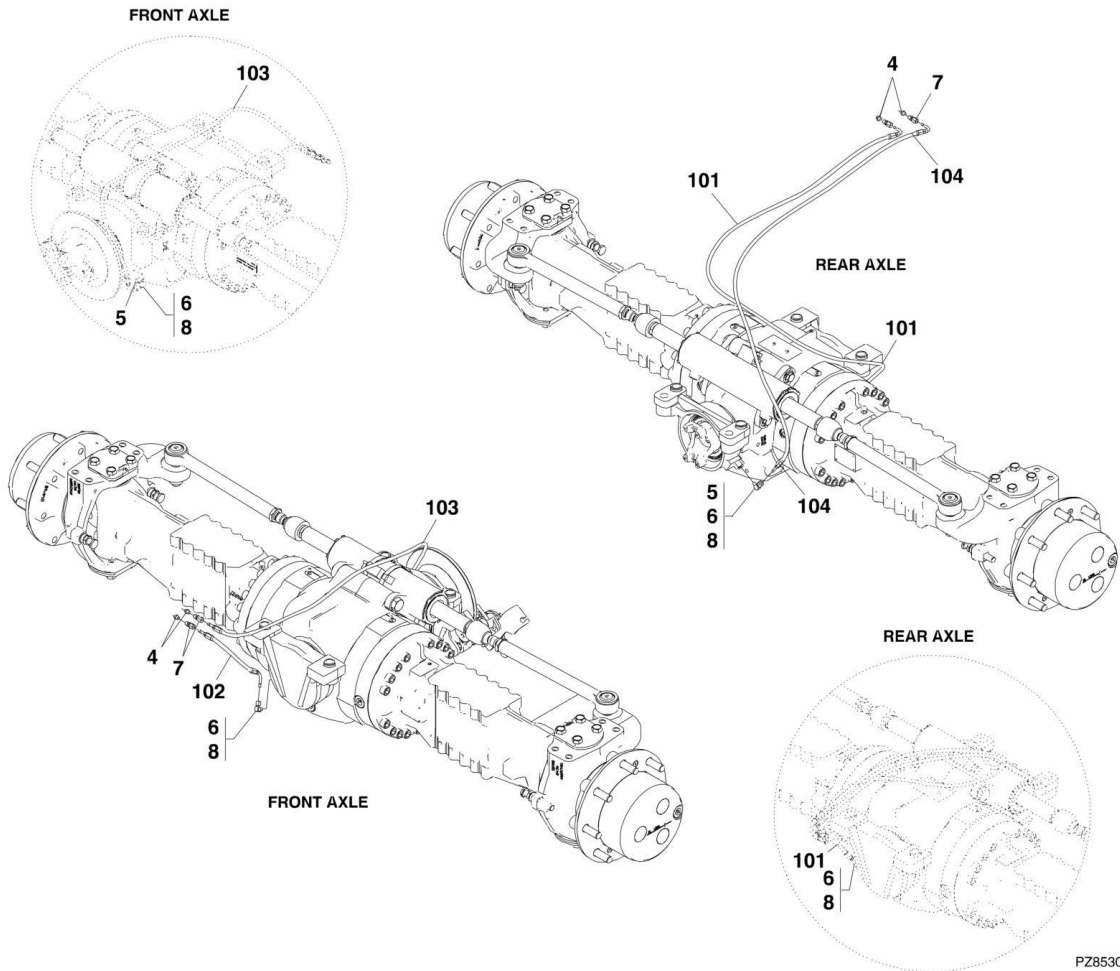
3706PS, 3707PS, 33.7, 37.6 & 37.7





# SECTION 5 - DRIVE TRAIN

## 4014PS & 4017PS



PZ8530

## SECTION 5 - DRIVE TRAIN

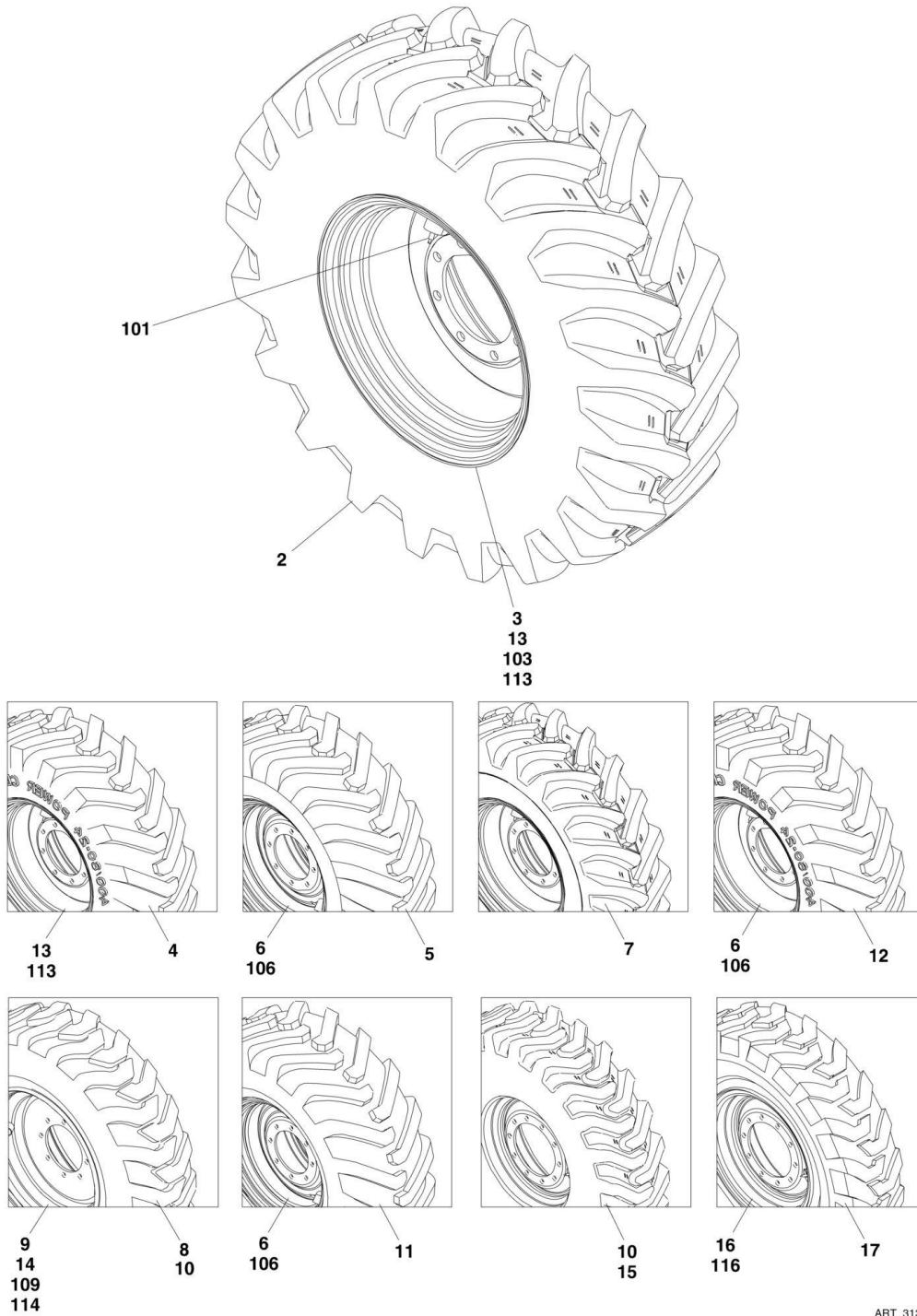
**FIGURE 5-30. REMOTE GREASE SYSTEM INSTALLATION**

ITEM	PART NUMBER	QTY	DESCRIPTION	REV
	1001101140	Ref	REMOTE GREASE SYSTEM INSTALLATION, (3706PS & 37.6), (not available to order, see items 1 thru 8 for service)	A
	1001101141	Ref	REMOTE GREASE SYSTEM INSTALLATION, (3707PS, 33.7 & 37.7), (not available to order, see items 1 thru 8 for service)	A
	1001101142	Ref	REMOTE GREASE SYSTEM INSTALLATION, (4014PS & 4017PS), (not available to order, see items 4 thru 104 for service)	B
1	1001101551	1	HOSE ASSY	
2	1001101558	1	HOSE ASSY, (3706PS & 37.6)	
2	1001101552	1	HOSE ASSY, (3707PS, 33.7 & 37.7)	
3	1001101559	1	HOSE ASSY, (3706PS & 37.6)	
3	1001101553	1	HOSE ASSY, (3707PS, 33.7 & 37.7)	
4	2160016	3	GREASE FITTING	
5	1001101560	1	GREASE ADAPTER	
6	1001101561	2	GREASE ELBOW, 90	
7	1001101563	4	GREASE ADAPTER	
8	1001095650	AR	LOCTITE 243	
101	1001101554	1	HOSE ASSY, (4014PS & 4017PS)	
102	1001101555	1	HOSE ASSY, (4014PS & 4017PS)	
103	1001101556	1	HOSE ASSY, (4014PS & 4017PS)	
104	1001101557	1	HOSE ASSY, (4014PS & 4017PS)	



# SECTION 5 - DRIVE TRAIN

## FIGURE 5-31. TIRES AND WHEEL INSTALLATION



ART\_31200722-5-31

## SECTION 5 - DRIVE TRAIN

### FIGURE 5-31. TIRES AND WHEEL INSTALLATION

ITEM	PART NUMBER	QTY	DESCRIPTION	REV
	1001142275	Ref	WHEEL SET, 15.5/80-24, 16PLY, (Mitas), (Agricultural and Construction), (3706PS, 3707PS, 33.7, 37.6 & 37.7 - if equipped)	D
	1001142276	2	RHS WHEEL, 15.5/80-24, 16PLY, (includes items 2 & 3) <b>(Prior to SN 1160008321)</b>	B
	1001216667	2	RHS WHEEL, 15.5/80-24, 16PLY, (includes items 2 & 3) <b>(SN 1160008321 to Present)</b>	A
	1001142277	2	LHS WHEEL, 15.5/80-24, 16PLY, (includes items 2 & 3) <b>(Prior to SN 1160008321)</b>	B
	1001216664	2	LHS WHEEL, 15.5/80-24, 16PLY <b>(SN 1160008321 to Present)</b>	A
	1001142315	Ref	WHEEL SET, 400/80-24, (Michelin), (Agricultural and Construction), (3706PS, 3707PS, 33.7, 37.6 & 37.7 - if equipped)	B
	1001142281	2	RHS WHEEL, 400/80-24, (includes items 3 & 4)	B
	1001142316	2	LHS WHEEL, 400/80-24, (includes items 3 & 4)	B
	1001142285	Ref	WHEEL SET, 460/70-24, (Michelin), (Agricultural and Construction), (3706PS, 3707PS, 33.7, 37.6 & 37.7 - if equipped)	C
	1001142286	2	RHS WHEEL, 460/70-24, (includes items 5 & 6)	C
	1001142287	2	LHS WHEEL, 460/70-24, (includes items 5 & 6)	C
	1001142278	Ref	WHEEL SET, 15.5/80-24, 14 PLY, (Goodyear), (Agricultural and Construction), (3706PS, 3707PS, 33.7, 37.6 & 37.7 - if equipped) <b>(Prior to SN 1160008319)</b>	C
	1001142279	2	RHS WHEEL, 15.5/80-24, 14 PLY, (includes items 3 & 7)	B
	1001142280	2	LHS WHEEL, 15.5/80-24, 14 PLY, (includes items 3 & 7)	B
	1001142294	Ref	WHEEL SET, 15.5X25, 12PLY BIAS, (Goodyear), (Construction), (3706PS & 3707PS - if equipped)	B
	1001142295	2	RHS WHEEL, 15.5X25, 12PLY BIAS, (includes items 8 & 9)	B
	1001142296	2	LHS WHEEL, 15.5X25, 12PLY BIAS, (includes items 8 & 9)	B
	1001142291	Ref	WHEEL SET, 440/80-24, (Michelin), (Agricultural and Construction), (3707PS, 33.7 & 37.7 - if equipped)	B
	1001142292	2	RHS WHEEL, 440/80-24, (includes items 6 & 11)	B
	1001142293	2	LHS WHEEL, 440/80-24, (includes items 6 & 11)	B
	1001142288	Ref	WHEEL SET, 500/70-24, (Michelin), (Agricultural and Construction), (3707PS, 33.7 & 37.7 - if equipped)	C
	1001142289	2	RHS WHEEL, 500/70-24, (includes items 6 & 12)	B
	1001142290	2	LHS WHEEL, 500/70-24, (includes items 6 & 12)	B
	1001200143	Ref	WHEEL SET, 460/70-24, (Michelin), (Agricultural and Construction), (3706PS, 3707PS, 33.7, 37.6 & 37.7 - if equipped)	A
	1001200141	2	RHS WHEEL, 460/700-24, (includes items 4 & 6)	B
	1001200142	2	LHS WHEEL, 460/700-24, (includes items 4 & 6)	B
	1001178300	Ref	WHEEL SET, 15.5X25, 12PLY BIAS, (MICHELIN) (Agricultural and Construction), (3707PS, 33.7, 37.6 & 37.7 - if equipped)	B
	1001178298	2	RHS WHEEL, 15.5X25, 12PLY BIAS, , (includes items 8 & 9)	B
	1001178299	1	LHS WHEEL, 15.5X25, 12PLY BIAS, , (includes items 8 & 9)	B
	1001142300	Ref	WHEEL SET, 15.5/80-24, 16PLY, (Mitas), (Construction), (4014PS - if equipped)	D
	1001142301	2	RHS WHEEL, 15.5/80-24, 16PLY, (includes items 2 & 13) <b>(Prior to SN 1160008321)</b>	B
	1001214824	2	RHS WHEEL, 15.5/80-24, 16PLY, (includes items 2 & 13) <b>(SN 1160008321 to Present)</b>	A
	1001142302	2	LHS WHEEL, 15.5/80-24, 16PLY, (includes items 2 & 13) <b>(Prior to SN 1160008321)</b>	B
	1001214823	2	LHS WHEEL, 15.5/80-24, 16PLY, (includes items 2 & 13) <b>(SN 1160008321 to Present)</b>	A
	1001142306	Ref	WHEEL SET, 15.5X25, 12 PLY BIAS, (Goodyear), (Construction), (4014PS - if equipped)	B

## SECTION 5 - DRIVE TRAIN

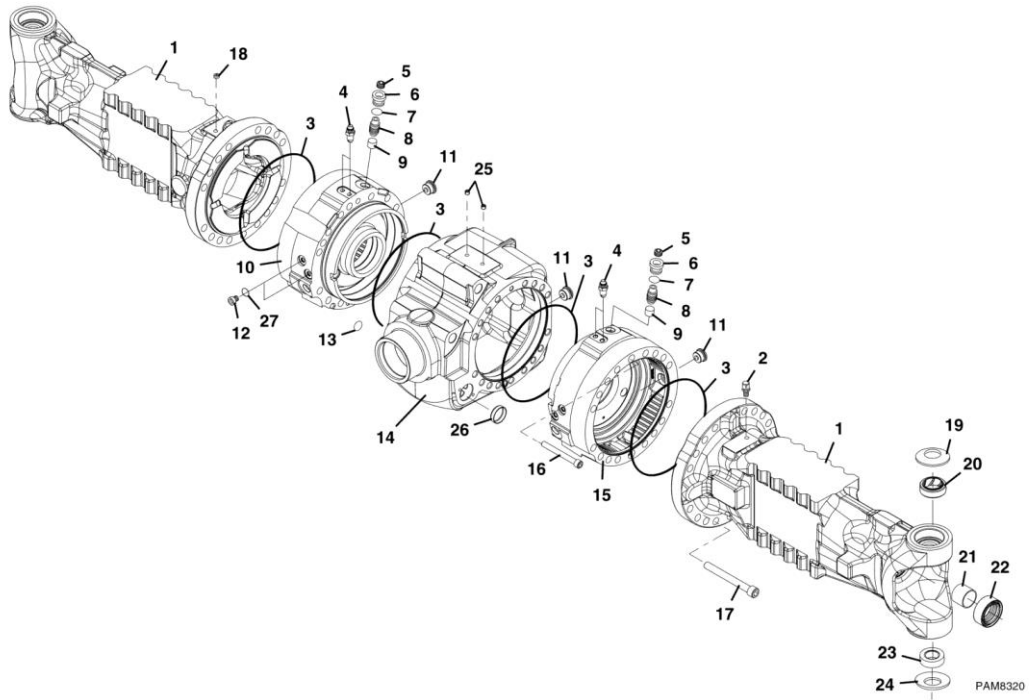
ITEM	PART NUMBER	QTY	DESCRIPTION	REV
	1001142307	2	RHS WHEEL, 15.5X25, 12 PLY BIAS, (includes items 8 & 14)	B
	1001142308	2	LHS WHEEL, 15.5X25, 12 PLY BIAS, (includes items 8 & 14)	B
	1001142303	Ref	WHEEL SET, 440/80-24, (Michelin), (Construction), (4014PS - if equipped)	B
	1001142304	2	RHS WHEEL, 440/80-24, (includes items 4 & 13)	B
	1001142305	2	LHS WHEEL, 440/80-24, (includes items 4 & 13)	B
	1001142282	Ref	WHEEL SET, 440/80-24, (Michelin), (Construction), (4014PS - if equipped)	B
	1001142283	2	RHS WHEEL, 440/80-24, (includes items 3 & 11)	B
	1001142284	2	LHS WHEEL, 440/80-24, (includes items 3 & 11)	B
	1001142309	Ref	WHEEL SET, 14.00-24, (Mitas), (Construction), (4017PS - if equipped)	C
	1001142310	2	RHS WHEEL, 14.0-24, (includes items 15 & 16)	B
	1001142311	2	LHS WHEEL, 14.0-24, (includes items 15 & 16)	B
	1001142312	Ref	WHEEL SET, 14.00-24, (Goodyear), (Construction), (4017PS - if equipped)	C
	1001142313	2	RHS WHEEL, 14.0-24, (includes items 16 & 17)	B
	1001142314	2	LHS WHEEL, 14.0-24, (includes items 16 & 17)	B
	1001190506	Ref	WHEEL SET, 460/65R24, (Nokian), (Construction), (4017PS - if equipped)	A
	1001190507	2	RHS WHEEL, 460/65R24, (includes items 3 & 4)	B
	1001190508	2	LHS WHEEL, 460/65R24, (includes items 3 & 4)	B
	1001191691	Ref	WHEEL SET, 400/80-24, (Michelin), (Construction), (4017PS - if equipped)	A
	1001191692	2	RHS WHEEL, 400/80-24, (includes items 3 & 4)	B
	1001191693	2	LHS WHEEL, 400/80-24, (includes items 3 & 4)	B
2	1001007846	1	TIRE, 15.5/80-24, 16PLY <b>(Prior to SN 1160008321)</b>	
2	1001214479	1	TIRE, 15.5/80-24, 16PLY <b>(SN 1160008321 to Present)</b>	
3	1001212584	1	WHEEL, RH RIM ASSEMBLY, (includes items 101 & 103)	
3	1001212584	1	WHEEL, RH RIM ASSEMBLY, (includes items 101 & 103) (Mitas), (Agricultural and Construction), (3706PS, 3707PS, 33.7, 37.6 & 37.7 - if equipped) <b>(Prior to SN 1160008321)</b>	
3	1001216661	1	WHEEL, RH RIM ASSEMBLY, (includes items 101 & 103) (Mitas), (Agricultural and Construction), (3706PS, 3707PS, 33.7, 37.6 & 37.7 - if equipped) <b>(SN 1160008321 to Present)</b>	
3	1001212585	1	WHEEL, LH RIM ASSEMBLY, (includes items 101 & 103) (Mitas), (Agricultural and Construction), (3706PS, 3707PS, 33.7, 37.6 & 37.7 - if equipped) <b>(Prior to SN 1160008321)</b>	
3	1001216658	1	WHEEL, LH RIM ASSEMBLY, (includes items 101 & 103) (Mitas), (Agricultural and Construction), (3706PS, 3707PS, 33.7, 37.6 & 37.7 - if equipped) <b>(SN 1160008321 to Present)</b>	
3	1001212587	1	WHEEL, RH RIM ASSEMBLY, (includes items 101 & 103)	
3	1001212588	1	WHEEL, LH RIM ASSEMBLY, (includes items 101 & 103)	
3	1001212594	1	WHEEL, RH RIM ASSEMBLY, (includes items 101 & 103)	
3	1001212595	1	WHEEL, LH RIM ASSEMBLY, (includes items 101 & 103)	
3	1001212610	1	WHEEL, RH RIM ASSEMBLY, (includes items 101 & 103)	
3	1001212611	1	WHEEL, LH RIM ASSEMBLY, (includes items 101 & 103)	
3	1001212618	1	WHEEL, RH RIM ASSEMBLY, (includes items 101 & 103)	
3	1001212619	1	WHEEL, LH RIM ASSEMBLY, (includes items 101 & 103)	
3	1001212616	1	WHEEL, RH RIM ASSEMBLY, (includes items 101 & 103)	
3	1001212617	1	WHEEL, LH RIM ASSEMBLY, (includes items 101 & 103)	
4	1001099204	1	TIRE, 400/80-24	
4	1001190738	1	TIRE, 460/65R24	
4	1001199390	1	TIRE, 460/70-24	

## SECTION 5 - DRIVE TRAIN

ITEM	PART NUMBER	QTY	DESCRIPTION	REV
5	1001092008	1	TIRE, 460/70-24	
6	1001212590	1	WHEEL, RH RIM ASSEMBLY, (includes items 101 & 106)	
6	1001212591	1	WHEEL, LH RIM ASSEMBLY, (includes items 101 & 106)	
6	1001212598	1	WHEEL, RH RIM ASSEMBLY, (includes items 101 & 106)	
6	1001212599	1	WHEEL, LH RIM ASSEMBLY, (includes items 101 & 106)	
6	1001212600	1	WHEEL, RH RIM ASSEMBLY, (includes items 101 & 106)	
6	1001212601	1	WHEEL, LH RIM ASSEMBLY, (includes items 101 & 106)	
6	1001212596	1	WHEEL, RH RIM ASSEMBLY, (includes items 101 & 106)	
6	1001212597	1	WHEEL, LH RIM ASSEMBLY, (includes items 101 & 106)	
7	1001092242	1	TIRE, 15.5/80-24, 14PLY <b>(Prior to SN 1160008319)</b>	
8	1001003360	1	TIRE, 15.5X25, 12PLY BIAS	
8	1001172807	1	TIRE, 15.5X25, 12PLY BIAS	
9	1001212592	1	WHEEL, RH RIM ASSEMBLY, (includes items 101 & 109)	
9	1001212593	1	WHEEL, LH RIM ASSEMBLY, (includes items 101 & 109)	
9	1001212603	1	WHEEL, LH RIM ASSEMBLY, (includes items 101 & 109)	
9	1001212602	1	WHEEL, RH RIM ASSEMBLY, (includes items 101 & 109)	
10	1001004771	AR	FOAM FILL	
11	1001100651	1	TIRE, 440/80-24	
12	1001092009	1	TIRE, 500/70-24	
13	1001212604	1	WHEEL, RH RIM ASSEMBLY, (includes items 101 & 113), (Michelin), (Construction), (4014PS - if equipped)	
13	1001212604	1	WHEEL, RH RIM ASSEMBLY, (includes items 101 & 113), (Mitas), (Construction), (4014PS - if equipped) <b>(Prior to SN 1160008321)</b>	
13	1001214822	1	WHEEL, RH RIM ASSEMBLY, (includes items 101 & 113), (Mitas), (Construction), (4014PS - if equipped) <b>(SN 1160008321 to Present)</b>	
13	1001212605	1	WHEEL, LH RIM ASSEMBLY, (includes items 101 & 113), (Michelin), (Construction), (4014PS - if equipped)	
13	1001212605	1	WHEEL, LH RIM ASSEMBLY, (includes items 101 & 113), (Mitas), (Construction), (4014PS - if equipped) <b>(Prior to SN 1160008321)</b>	
13	1001214821	1	WHEEL, LH RIM ASSEMBLY, (includes items 101 & 113), (Mitas), (Construction), (4014PS - if equipped) <b>(SN 1160008321 to Present)</b>	
13	1001212608	1	WHEEL, RH RIM ASSEMBLY, (includes items 101 & 113)	
13	1001212609	1	WHEEL, LH RIM ASSEMBLY, (includes items 101 & 113)	
14	1001212606	1	WHEEL, RH RIM ASSEMBLY, (includes items 101 & 114)	
14	1001212607	1	WHEEL, LH RIM ASSEMBLY, (includes items 101 & 114)	
15	1001006814	1	TIRE, 14.00-24	
16	1001212612	1	WHEEL, RH RIM ASSEMBLY, (includes items 101 & 116)	
16	1001212613	1	WHEEL, LH RIM ASSEMBLY, (includes items 101 & 116)	
16	1001212614	1	WHEEL, RH RIM ASSEMBLY, (includes items 101 & 116)	
16	1001212615	1	WHEEL, LH RIM ASSEMBLY, (includes items 101 & 116)	
17	1001003334	1	TIRE, 14.00-24	
101	1001008719	1	VALVE GROUP	
103	1001142317	1	WHEEL, (DW14LX24)	
103	1001190739J	1	WHEEL, (DW14LX24)	
106	1001142318	1	WHEEL, (DW15LX24)	
109	1001142319	1	WHEEL, (12.00/1.3X25)	
113	1001142320	1	WHEEL, (DW14LX24)	
114	1001142321	1	WHEEL, (12.00/1.3X24)	
116	1001142322	1	WHEEL, (9.00/1.5X24)	

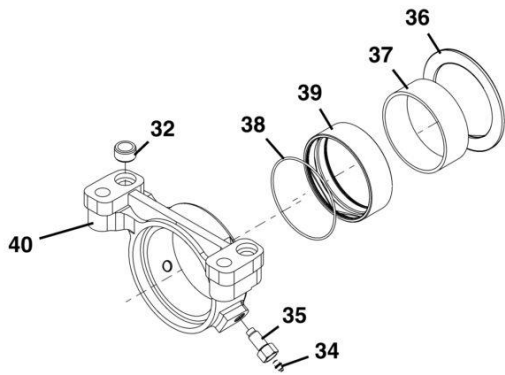
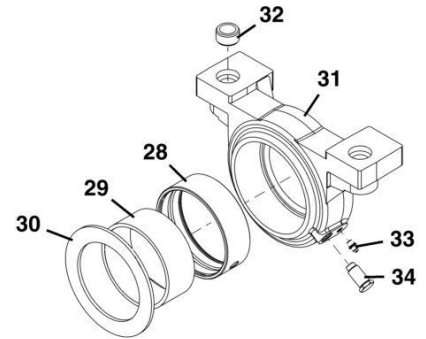
# SECTION 5 - DRIVE TRAIN

## FIGURE 5-32. FRONT AXLE ASSEMBLY, (4014PS) (HYDRAULIC PARK BRAKE)



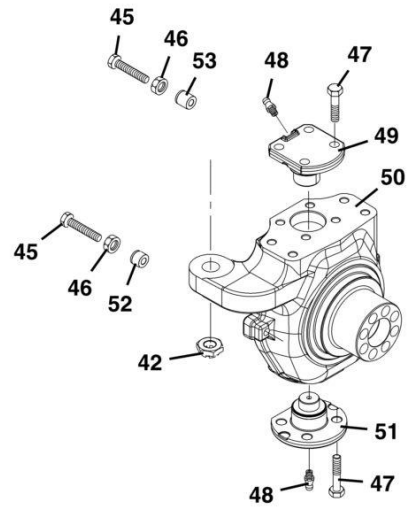
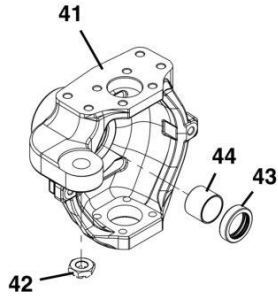


# SECTION 5 - DRIVE TRAIN



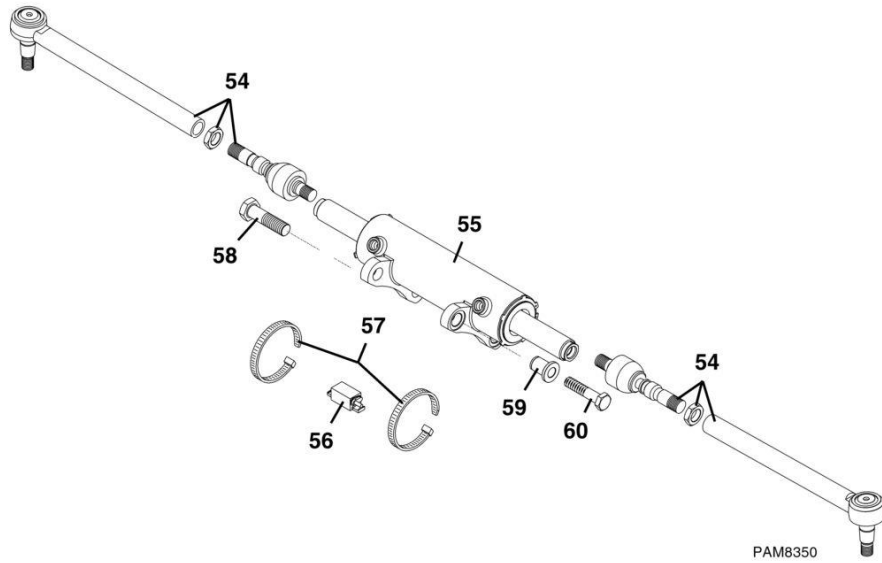
PAM8330

# SECTION 5 - DRIVE TRAIN

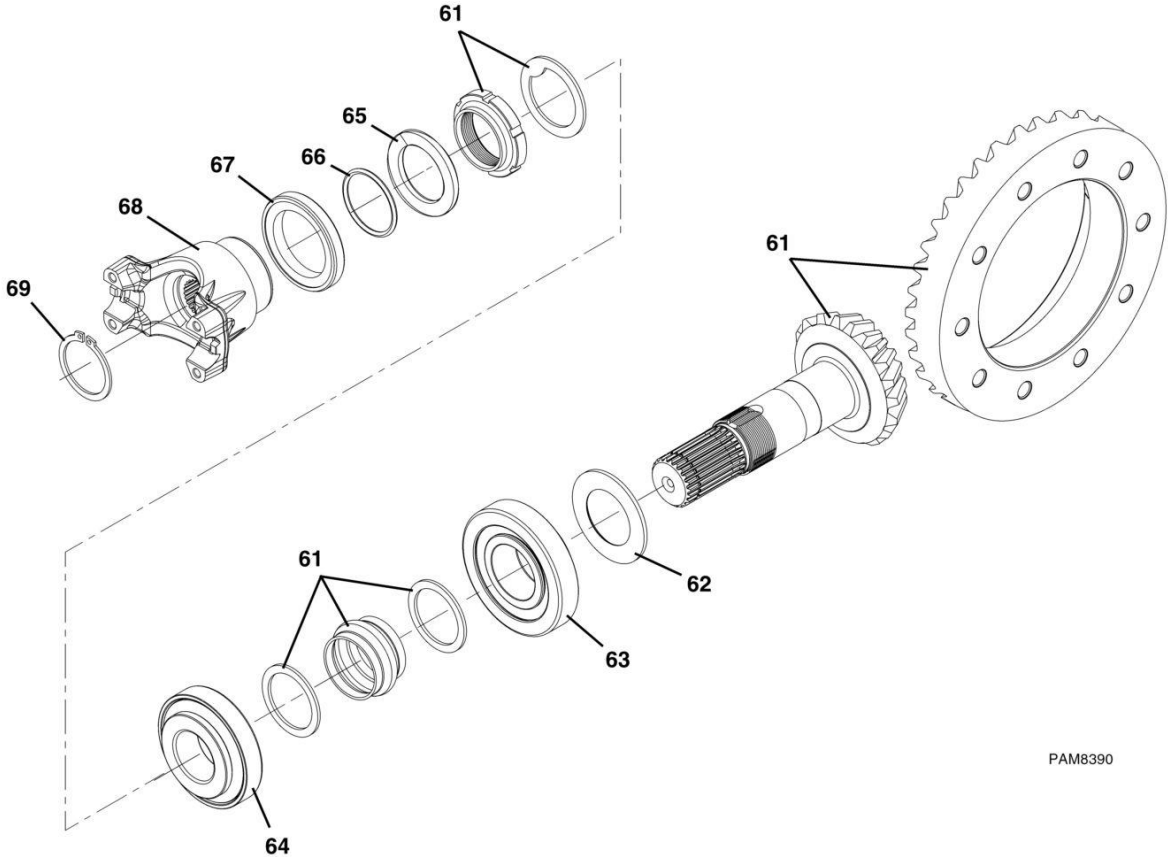


PAM8340

# SECTION 5 - DRIVE TRAIN

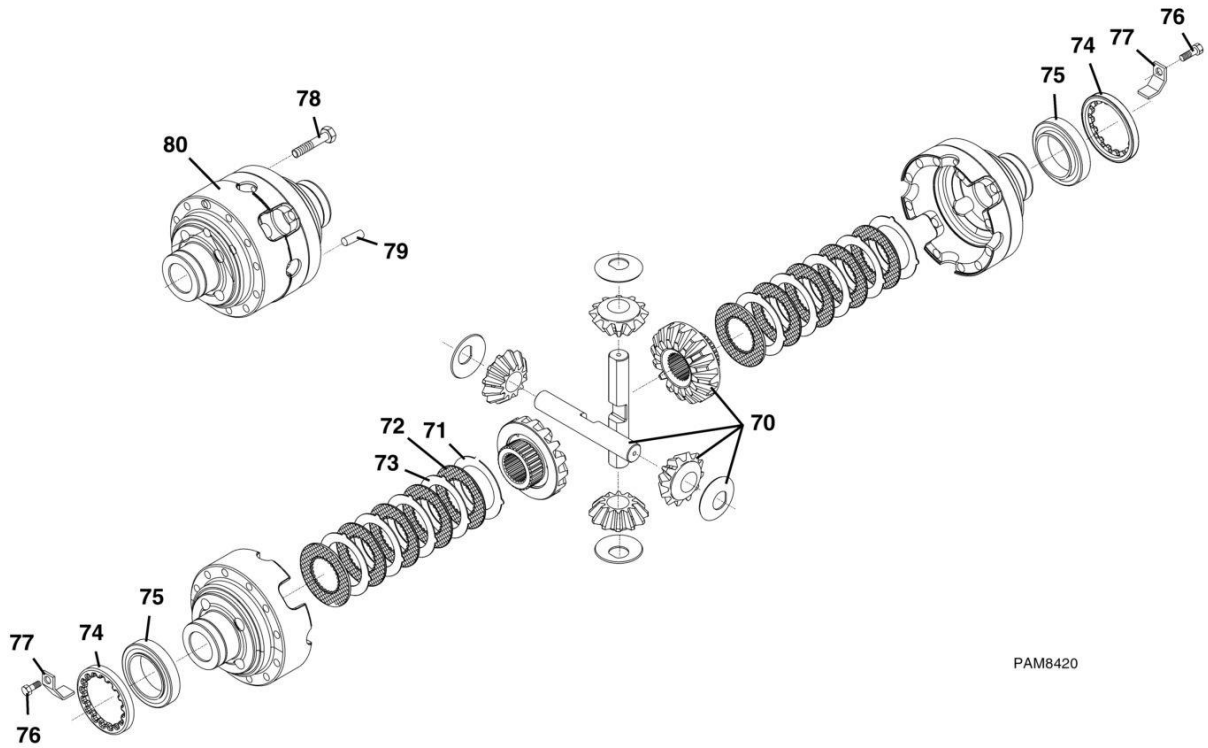


**SECTION 5 - DRIVE TRAIN**



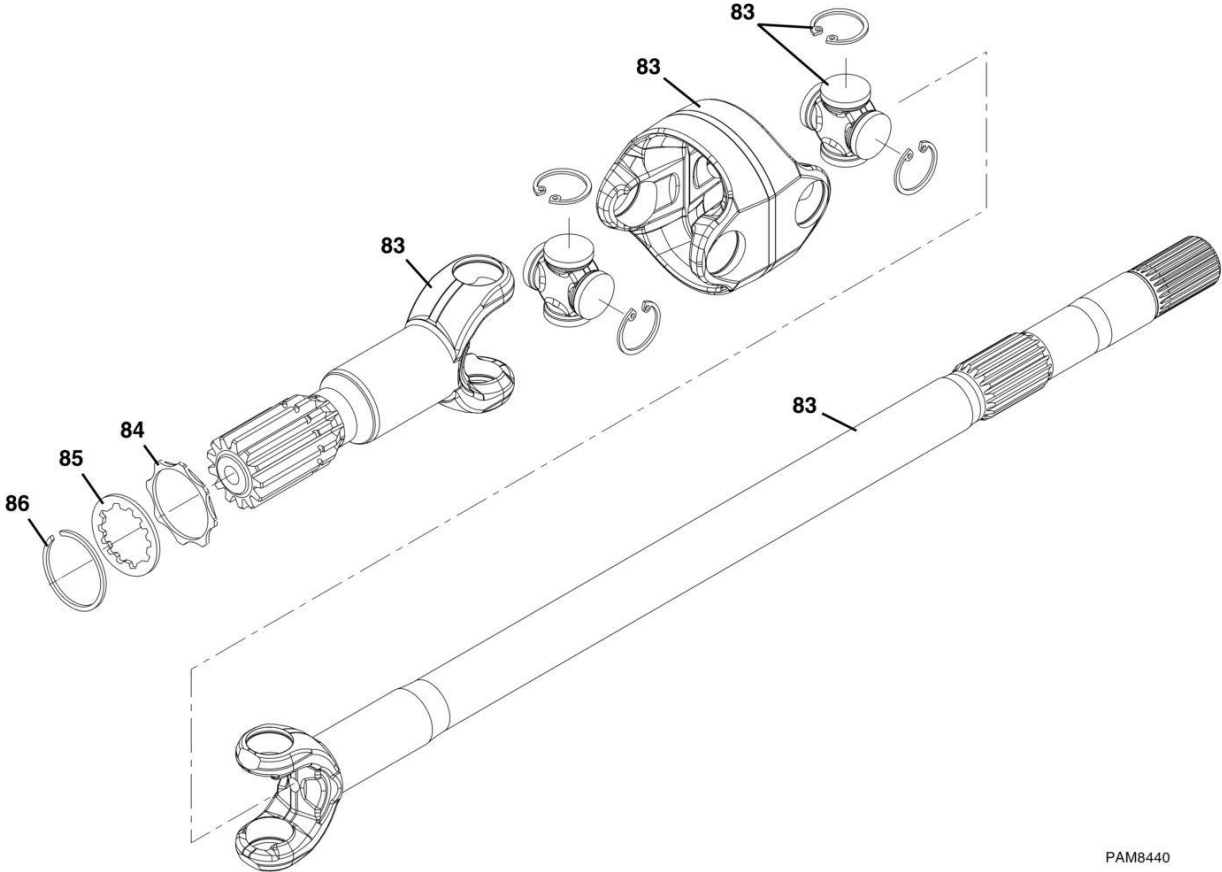
PAM8390

# SECTION 5 - DRIVE TRAIN



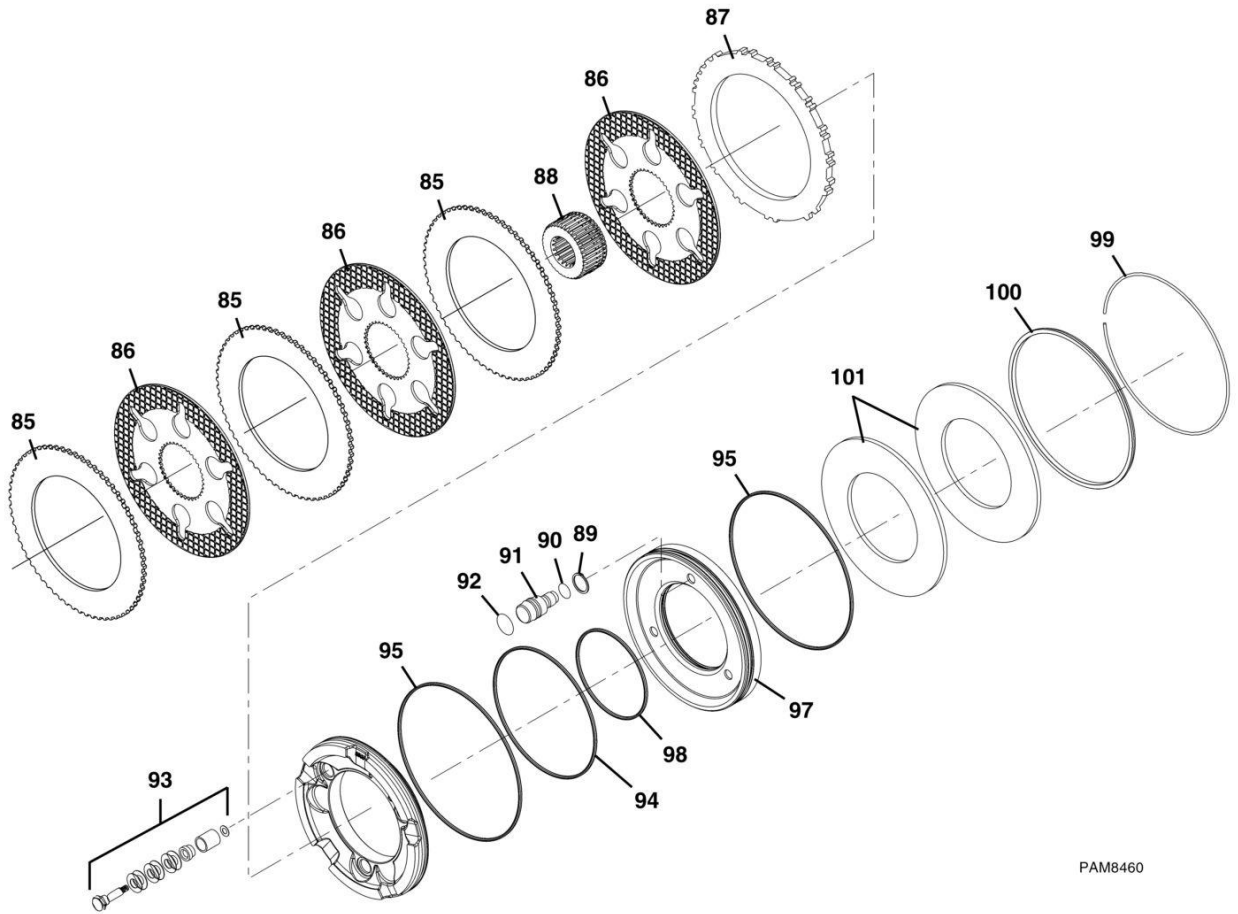
PAM8420

**SECTION 5 - DRIVE TRAIN**



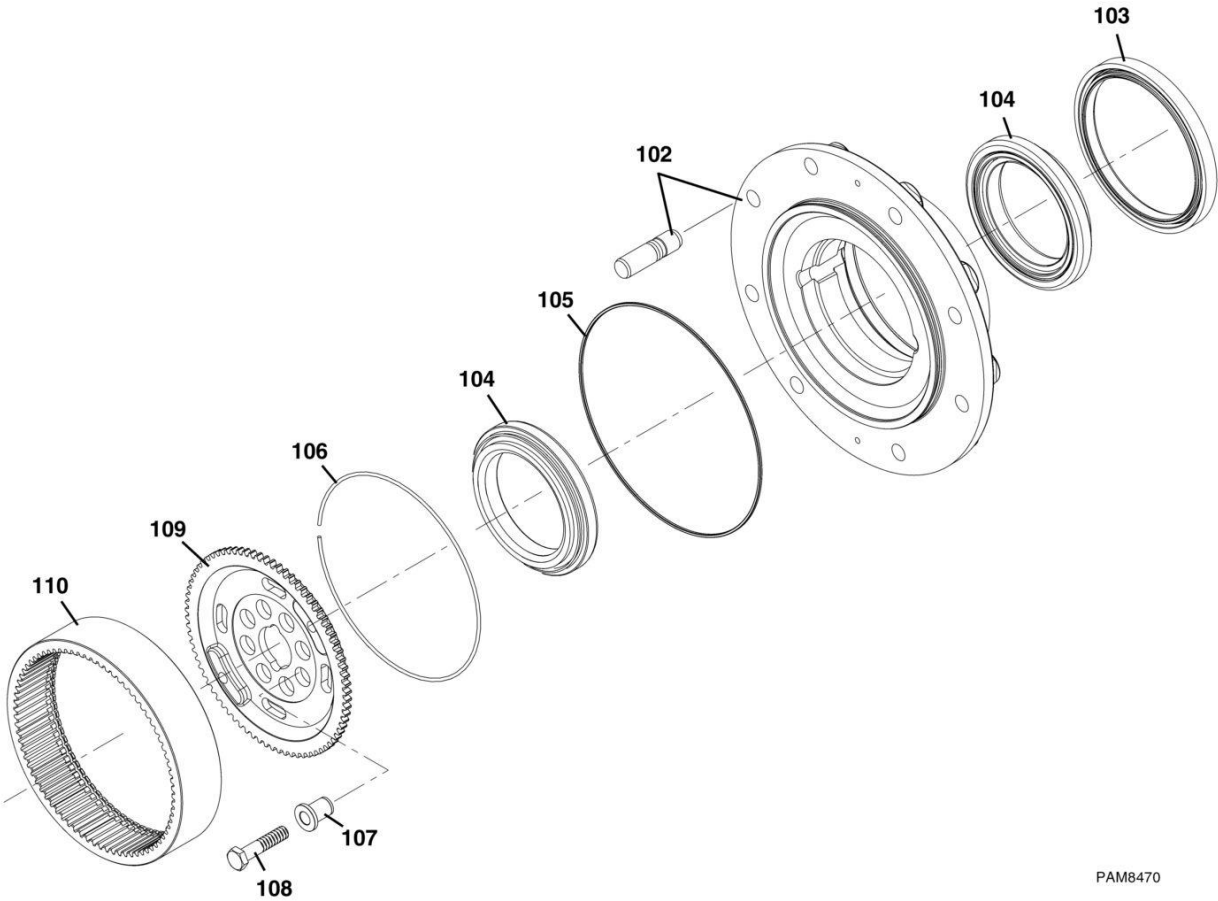
PAM8440

# SECTION 5 - DRIVE TRAIN



PAM8460

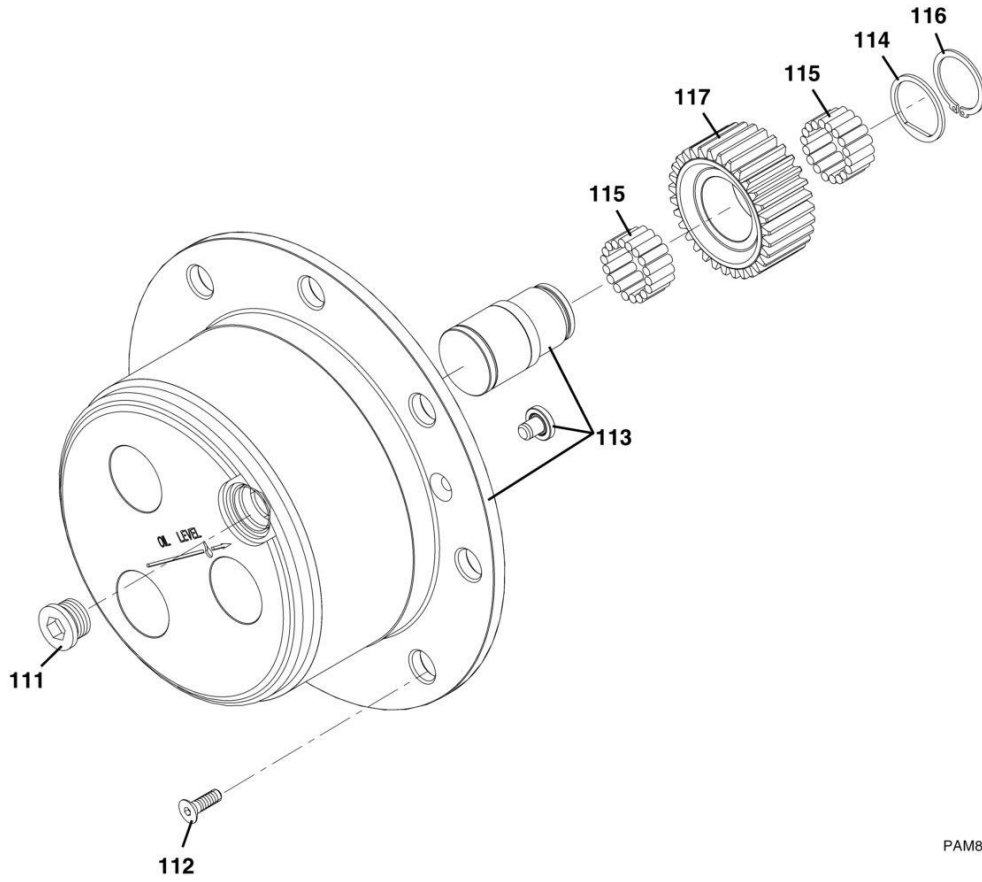
# SECTION 5 - DRIVE TRAIN



PAM8470



# SECTION 5 - DRIVE TRAIN



PAM8490

## SECTION 5 - DRIVE TRAIN

**FIGURE 5-32. FRONT AXLE ASSEMBLY, (4014PS) (HYDRAULIC PARK BRAKE)**

ITEM	PART NUMBER	QTY	DESCRIPTION	REV
	1001152553	Ref	FRONT AXLE, (4014PS), (if equipped with hydraulic park brake), (includes items 1 thru 117)	B
1	70020985	2	LEG HOUSING	
2	91474058	1	BREATHER	
3	91474038	4	O-RING	
4	91474039	4	BREATHER	
5	91474075	6	PLUG	
6	91474064	6	BOLT	
7	91474065	6	O-RING	
8	91474066	6	BOLT	
9	91474067	6	PIN	
10	70025865	1	LH BRAKE CYLINDER	
11	91474037	3	PLUG	
12	91364039	4	PLUG	
13	91474068	2	O-RING	
14	70022152	1	CENTRAL BODY	
15	70025866	1	RH BRAKE CYLINDER	
16	91474050	2	BOLT	
17	91364028	34	BOLT	
18	91474041	1	PLUG	
19	91474051	2	WASHER	
20	91474053	2	BUSHING	
21	91474054	2	BUSHING	
22	91474055	2	SEAL RING	
23	70025867	2	SPHERICAL BEARING	
24	91474057	2	WASHER	
25	7028513	2	SCREW	
26	7028455	2	PLUG	
27	8033609	4	WASHER	
28	91474047	1	BUSHING	
29	91474048	1	BUSHING	
30	7028466	1	THRUST WASHER	
31	91474044	1	FRONT WASHER	
32	91474043	4	BUSHING	
33	91474045	2	GREASE NIPPLE	
34	91474046	1	BOLT	
35	91474073	1	BOLT	
36	91474069	1	THRUST WASHER	
37	91474072	1	BUSHING	
38	91474071	1	O-RING	
39	8035118	1	BUSHING	
40	8035120	1	REAR SUPPORT	
41	70020942	1	LH SWIVEL HOUSING	
42	91474082	2	NUT	
43	91474086	2	SEAL RING	
44	91474087	2	BUSHING	
45	91474091	4	BOLT	
46	91474092	4	NUT	
47	91474094	16	BOLT	
48	91474095	4	GREASE NIPPLE	

## SECTION 5 - DRIVE TRAIN

ITEM	PART NUMBER	QTY	DESCRIPTION	REV
49	91474093	2	KING PIN	
50	70020947	1	RH SWIVEL HOUSING	
51	91474096	2	KING PIN	
52	70020986	2	BUSHING	
53	70025868	2	BUSHING	
54	70020939	2	STEERING ARM ASSY	
55	70020941	1	STEERING CYLINDER	
56	1001113287	1	SENSOR	
57	70021002	2	HOSE	
58	91474083	2	BOLT	
59	91474084	2	BUSHING	
60	91474085	2	BOLT	
61	70020948	1	BEVEL GEAR SET	
62	70020950	AR	SHIM 2.50MM	
62	70020951	AR	SHIM 2.60MM	
62	70020952	AR	SHIM 2.70MM	
62	70020953	AR	SHIM 2.80MM	
62	70020954	AR	SHIM 2.90MM	
62	70020955	AR	SHIM 3.00MM	
62	70020956	AR	SHIM 3.10MM	
62	70020957	AR	SHIM 3.20MM	
62	70020958	AR	SHIM 3.30MM	
62	70020959	AR	SHIM 3.30MM	
63	91364070	1	BEARING	
64	7028403	1	BEARING	
65	91474115	1	WASHER	
66	91474116	1	O-RING	
67	7028478	1	SEAL RING	
68	70025874	1	FLANGE	
69	91474119	1	SNAP RING	
70	70020965	1	DIFFERENTIAL KIT	
71	91364056	2	DIFFERENTIAL PLATE	
72	91364052	10	DIFFERENTIAL DRIVE PLATE	
73	91364053	8	DIFFERENTIAL PLATE	
74	91474128	1	RING NUT	
75	91364050	2	BEARING	
76	8035180	2	BOLT	
77	91474126	2	LOCKING PLATE	
78	91364048	10	BOLT	
79	91364049	1	PIN	
80	70020967	1	DIFFERENTIAL HOUSING	
81	70020968	2	DOUBLE JOINT	
82	70020969	2	THRUST WASHER	
83	70022080	2	WASHER	
84	70022081	2	SNAP RING	
85	91474141	6	BRAKE COUNTER DISC	
86	70022082	6	BRAKE DISC	
87	91474139	2	BRAKE COUNTER DISK	
88	91474142	2	HUB	
89	91364041	6	SNAP RING D12	
90	91474149	6	O-RING	

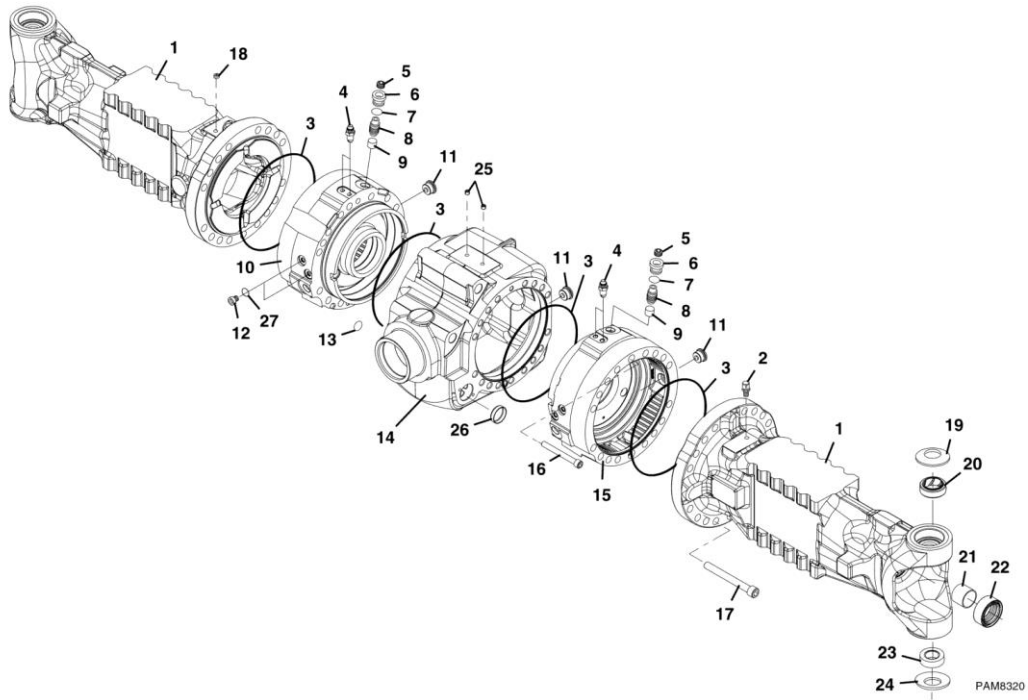
## SECTION 5 - DRIVE TRAIN

ITEM	PART NUMBER	QTY	DESCRIPTION	REV
91	91364042	6	PIN	
92	91474151	6	O-RING	
93	91474152	2	SELF-ADJUST KIT	
94	91474136	2	O-RING	
95	91474137	4	O-RING	
96	91474138	2	POSITIVE BRAKE PISTON	
97	91474146	2	NEGATIVE BRAKE PISTON	
98	91474147	2	O-RING	
99	91474143	2	LOCK RING	
100	91474144	2	HUB	
101	91474145	4	WASHER	
102	70020972	2	WHEEL HUB KIT	
103	91474161	2	SEAL RING	
104	70026828	4	BEARING	
105	70022083	2	O-RING	
106	7028423	2	RING	
107	91474160	16	CENTERING BUSH	
108	91474085	16	BOLT M14X65	
109	7028417	2	WHEEL CARRIER	
110	70020976	2	CROWN GEAR Z=60	
111	91474037	2	PLUG M30X2	
112	8035235	4	BOLT M8X20	
113	70021001	2	PLANETARY CARRIER ASSY	
114	7028509	6	THRUST WASHER	
115	91474163	336	NEEDLE BEARINGS (by tens)	
116	7028508	6	SNAP RING	
117	7028510	6	GEAR Z23	

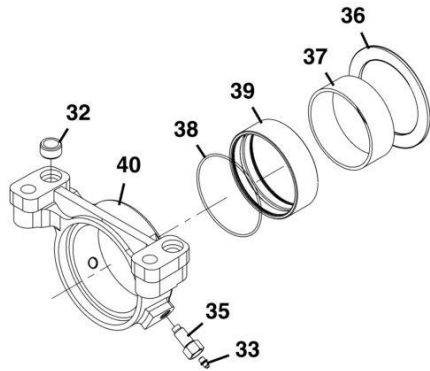
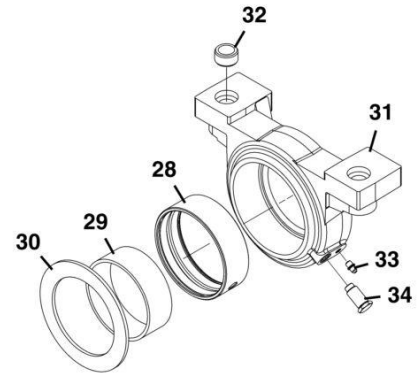


# SECTION 5 - DRIVE TRAIN

FIGURE 5-33. FRONT AXLE ASSEMBLY, (4017PS) (HYDRAULIC PARK BRAKE)

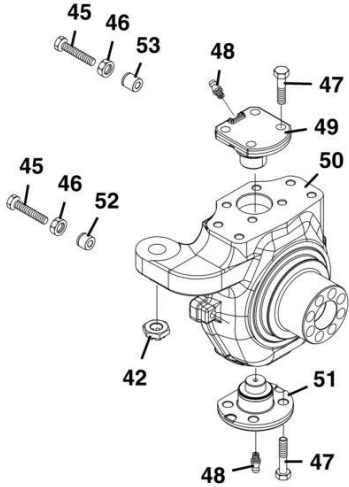
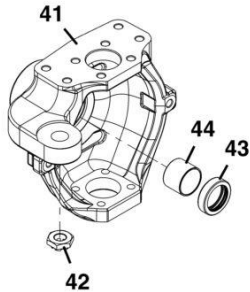


# SECTION 5 - DRIVE TRAIN



PAM8610

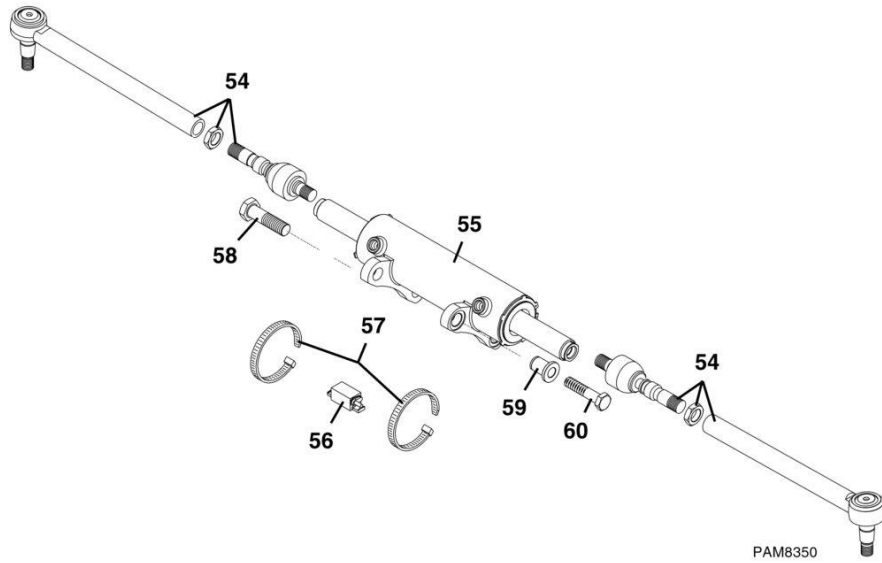
**SECTION 5 - DRIVE TRAIN**



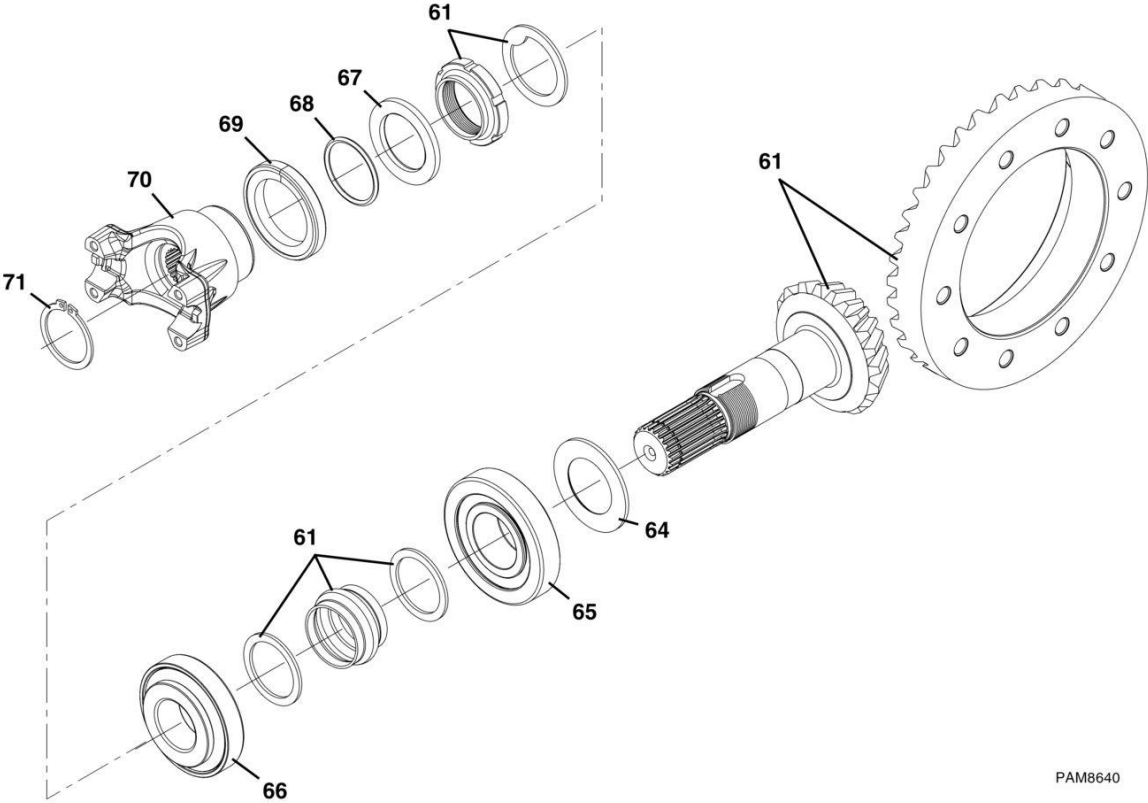
PAM8620



# SECTION 5 - DRIVE TRAIN

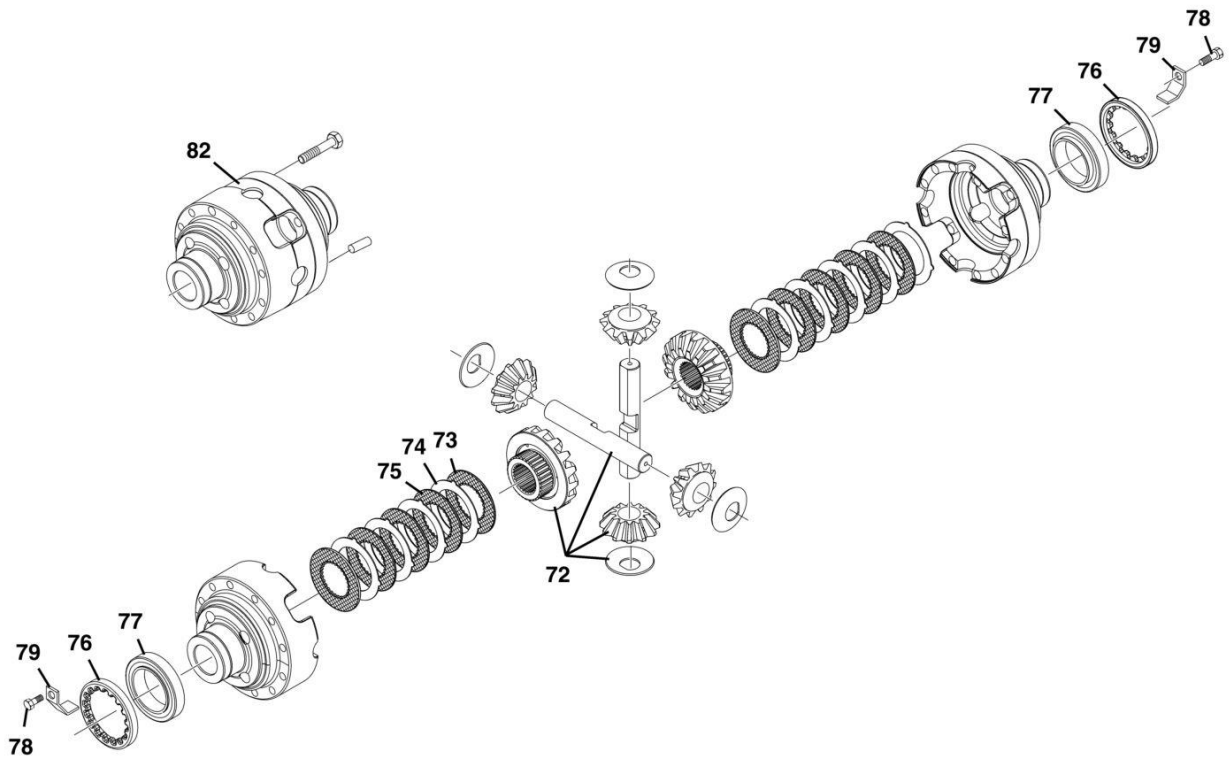


**SECTION 5 - DRIVE TRAIN**



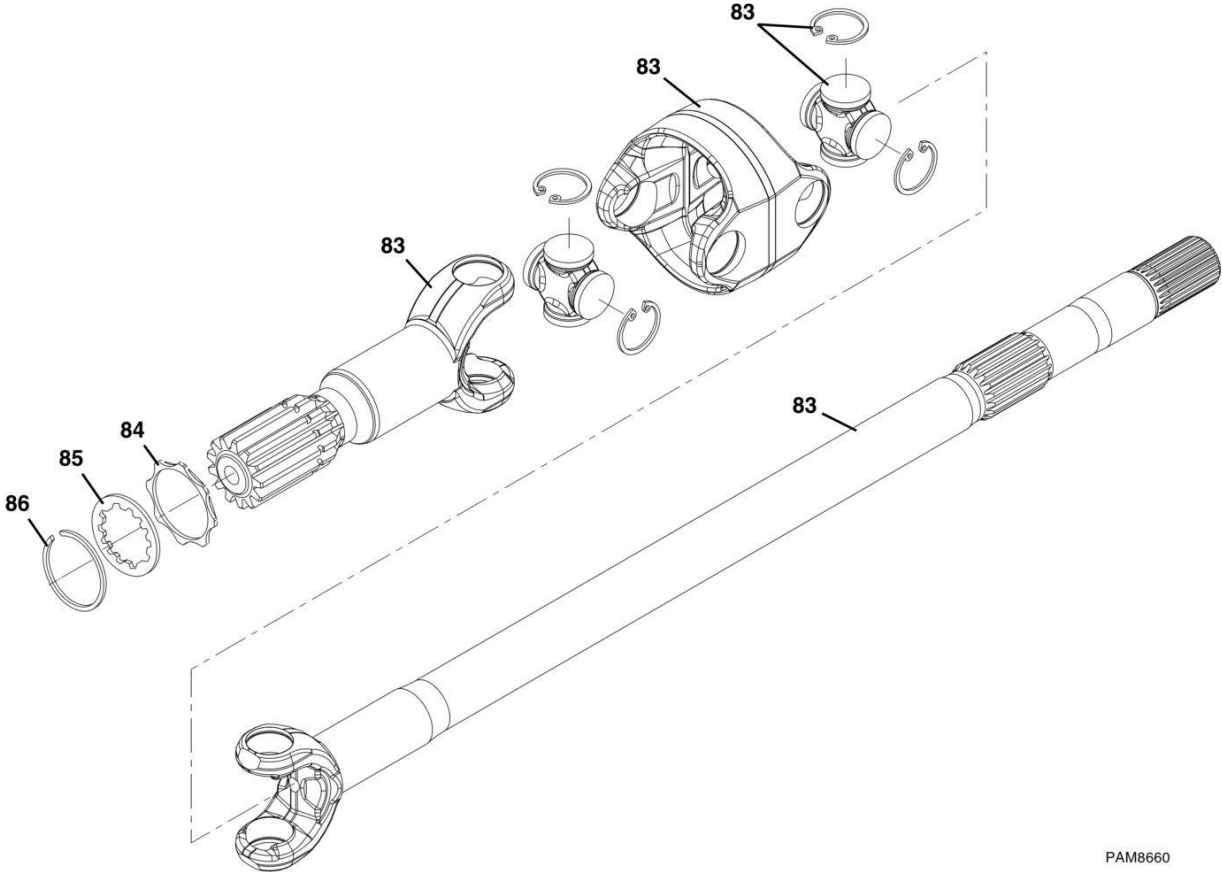
PAM8640

# SECTION 5 - DRIVE TRAIN



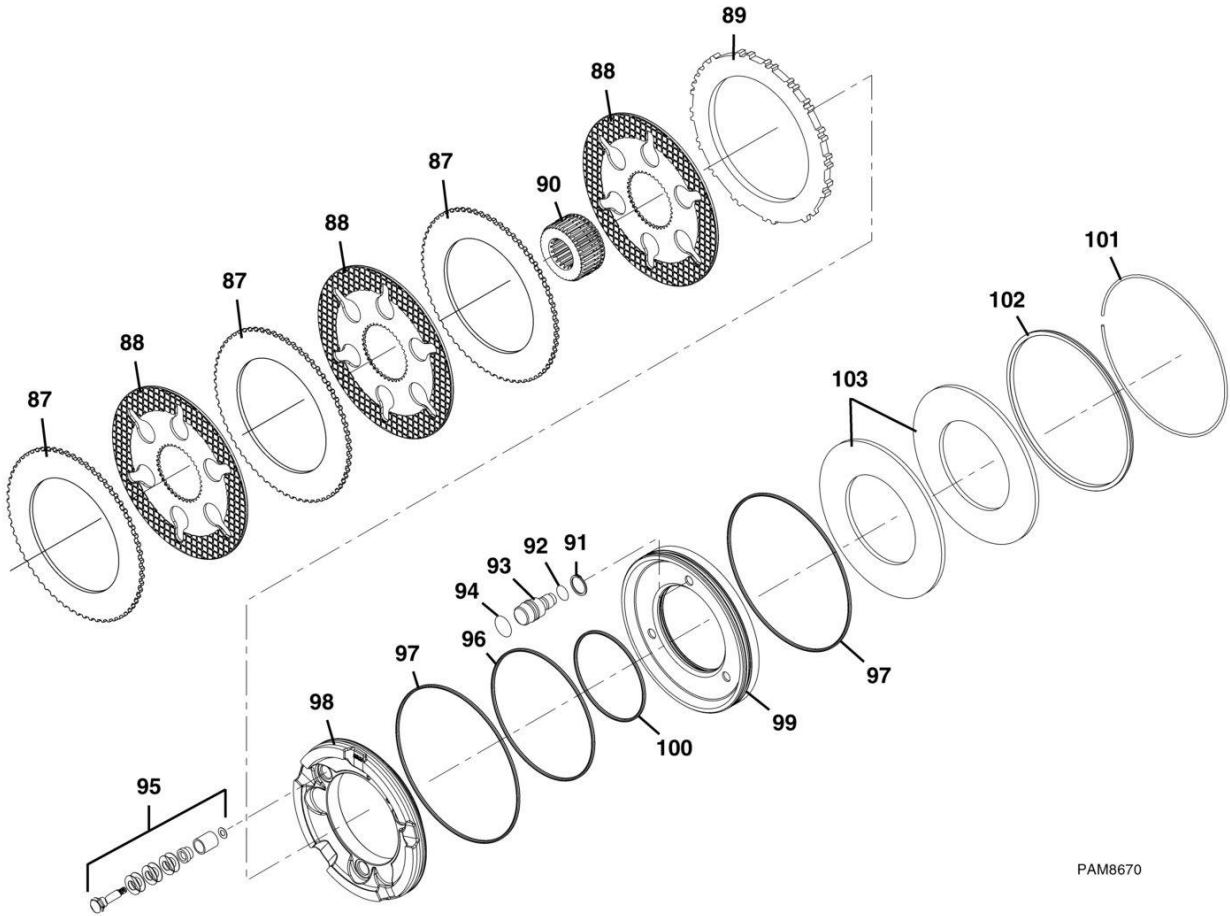
PAM8650

**SECTION 5 - DRIVE TRAIN**



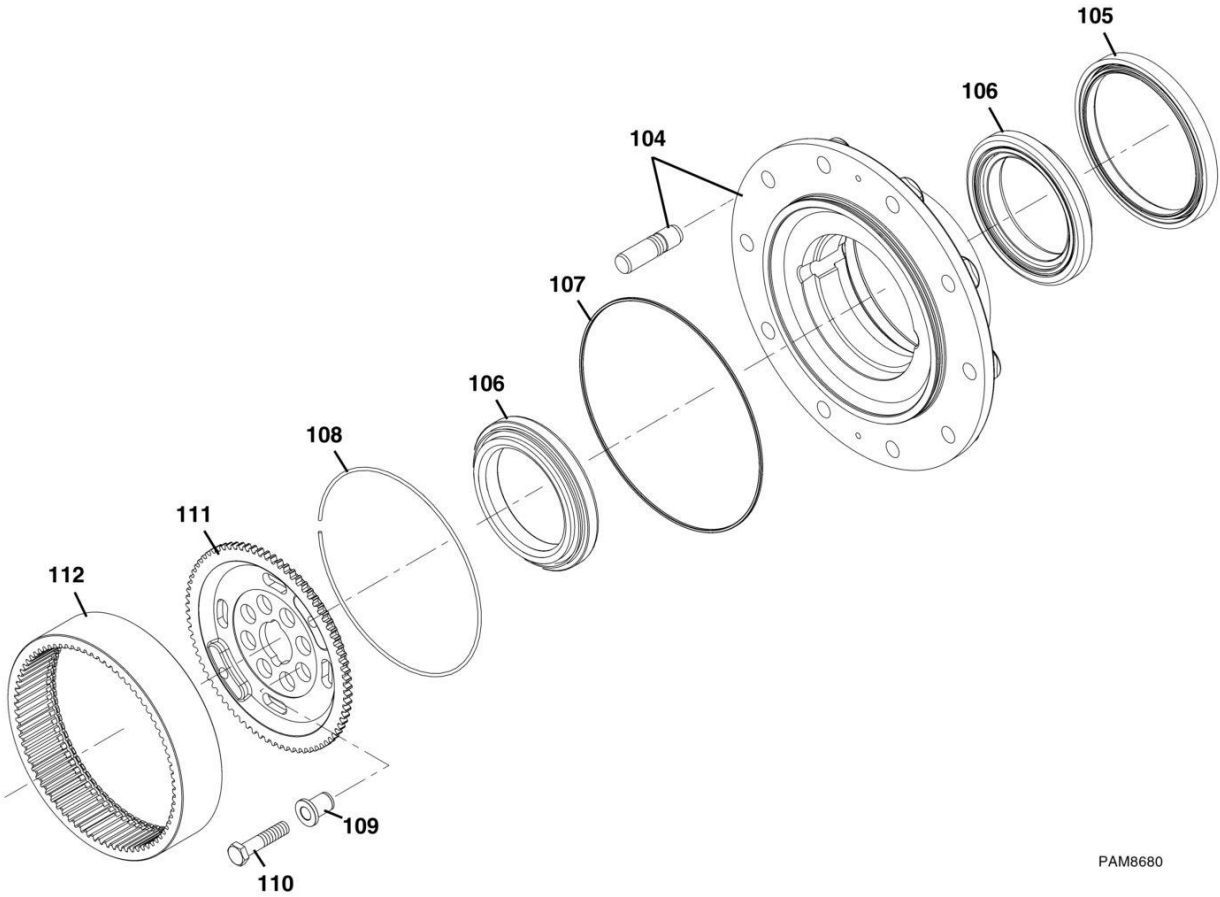
PAM8660

# SECTION 5 - DRIVE TRAIN



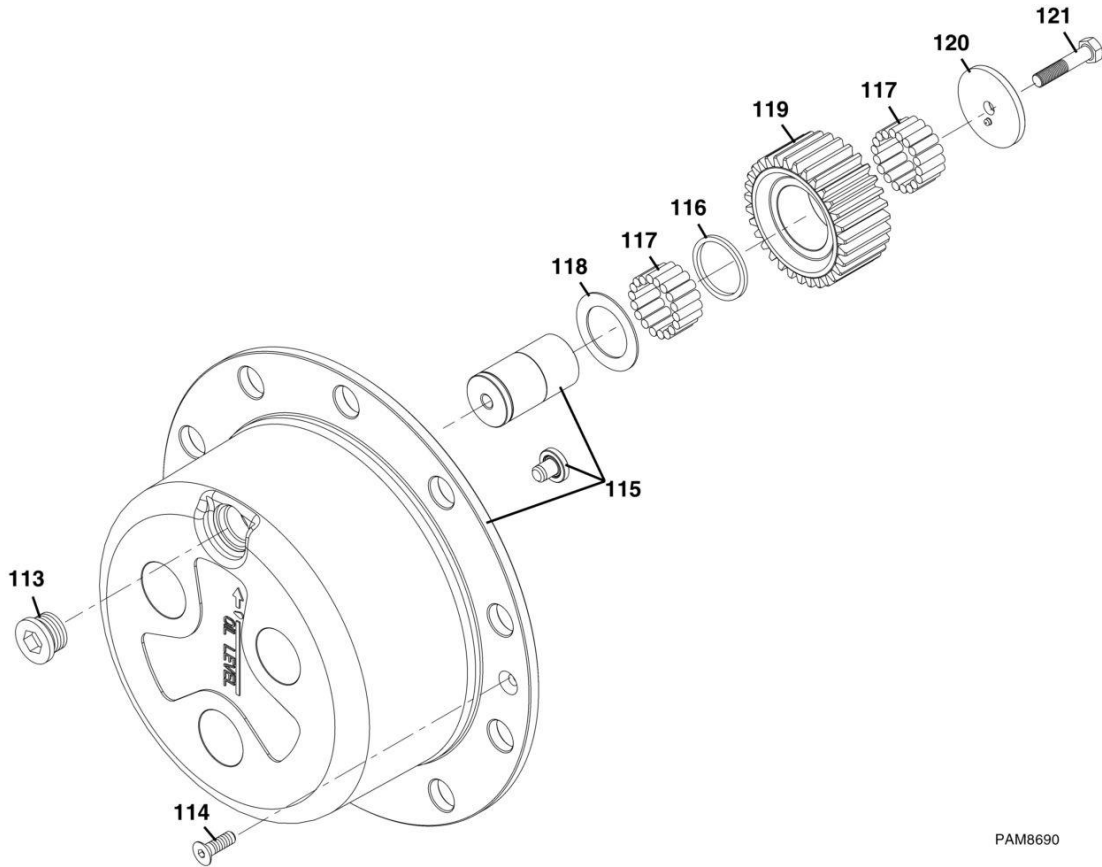
PAM8670

**SECTION 5 - DRIVE TRAIN**



PAM8680

# SECTION 5 - DRIVE TRAIN



PAM8690

## SECTION 5 - DRIVE TRAIN

**FIGURE 5-33. FRONT AXLE ASSEMBLY, (4017PS) (HYDRAULIC PARK BRAKE)**

ITEM	PART NUMBER	QTY	DESCRIPTION	REV
	1001153042	Ref	FRONT AXLE (4017PS), (if equipped with hydraulic park brake), (includes items 1 thru 121)	A
1	70021005	2	LEG HOUSING	
2	91474058	1	BREATHER	
3	91474038	4	O-RING	
4	91474039	4	BREATHER	
5	91474075	6	PLUG	
6	91474064	6	BOLT M22X1.5	
7	91474065	6	O-RING	
8	91474066	6	BOLT M16X1.5	
9	91474067	6	PIN	
10	70025865	1	LH BRAKE CYLINDER	
11	91474037	3	PLUG M30X2	
12	91364039	4	PLUG M10X1	
13	91474068	2	O-RING	
14	70022152	1	CENTRAL BODY	
15	70025866	1	RH BRAKE CYLINDER	
16	91474050	2	BOLT M12X110	
17	91364028	34	BOLT M16X160	
18	91474041	1	PLUG M10X1	
19	91474051	2	WASHER	
20	91474053	2	BUSHING	
21	91474054	2	BUSHING	
22	91474055	2	SEAL RING	
23	70025867	2	SPHERICAL BEARING	
24	91474057	2	WASHER	
25	7028513	2	SCREW	
26	7028455	2	PLUG	
27	8033609	4	WASHER	
28	91474047	1	BUSHING	
29	91474048	1	BUSHING	
30	7028466	1	WASHER	
31	91474044	1	FRONT SUPPORT	
32	91474043	4	BUSHING	
33	91474045	2	GREASE NIPPLE	
34	91474046	1	BOLT M16	
35	91474073	1	BOLT	
36	91474069	1	WASHER	
37	91474072	1	BUSHING	
38	91474071	1	O-RING	
39	8035118	1	BUSHING	
40	8035120	1	REAR SUPPORT	
41	70021011	1	LH SWIVEL HOUSING	
42	70025913	2	NUT M27	
43	70022150	2	SEAL RING	
44	91474087	2	BUSHING	
45	91474091	4	BOLT M16X75	
46	91474092	4	NUT M16	
47	91474094	16	BOLT M16X38	
48	91474095	4	GREASE NIPPLE	



## SECTION 5 - DRIVE TRAIN

ITEM	PART NUMBER	QTY	DESCRIPTION	REV
49	91474093	2	KING PIN	
50	70021015	1	RH SWIVEL HOUSING	
51	91474096	2	KING PIN	
52	70020986	2	BUSHING	
53	70025868	2	BUSHING	
54	70025914	2	STEERING ARM ASSY	
55	70021010	1	STEERING CYLINDER	
56	1001113287	1	SENSOR	
57	7028488	2	HOSE	
58	91474083	2	BOLT M22X55	
59	91474084	2	BUSHING	
60	91474085	2	BOLT M14X65	
61	70021017	1	BEVEL GEAR SET 11/32	
64	70020950	AR	SHIM 2.50mm	
64	70020951	AR	SHIM 2.60mm	
64	70020952	AR	SHIM 2.70mm	
64	70020953	AR	SHIM 2.80mm	
64	70020954	AR	SHIM 2.90mm	
64	70020955	AR	SHIM 3.00mm	
64	70020956	AR	SHIM 3.10mm	
64	70020957	AR	SHIM 3.20mm	
64	70020958	AR	SHIM 3.30mm	
64	70020959	AR	SHIM 3.40mm	
65	91364070	1	BEARING	
66	7028403	1	BEARING	
67	91474115	1	WASHER	
68	91474116	1	O-RING	
69	7028478	1	SEAL RING	
70	70025874	1	FLANGE	
71	91474119	1	SNAP RING D34	
72	70020965	1	DIFFERENTIAL KIT	
73	91364056	2	DIFFERENTIAL PLATE	
74	91364052	10	DIFFERENTIAL DRIVE PLATE	
75	91364053	8	DIFFERENTIAL PLATE	
76	91474128	1	RING NUT M94X2	
77	91364050	2	BEARING	
78	8035180	2	BOLT M6X10	
79	91474126	2	LOCKING PLATE	
80	91364048	10	BOLT M12X90	
81	91364049	1	PIN D12X40	
82	70020967	1	DIFFERENTIAL HOUSING	
83	70021019	2	DOUBLE JOINT	
84	70021020	2	WASHER	
85	70021021	2	WASHER	
86	70021022	2	SNAP RING	
87	91474141	6	BRAKE COUNTER DISC	
88	70022082	6	BRAKE DISC	
89	91474139	2	BRAKE COUNTER DISC	
90	91474142	2	HUB	
91	91364041	6	SNAP RING D12	
92	91474149	6	O-RING	

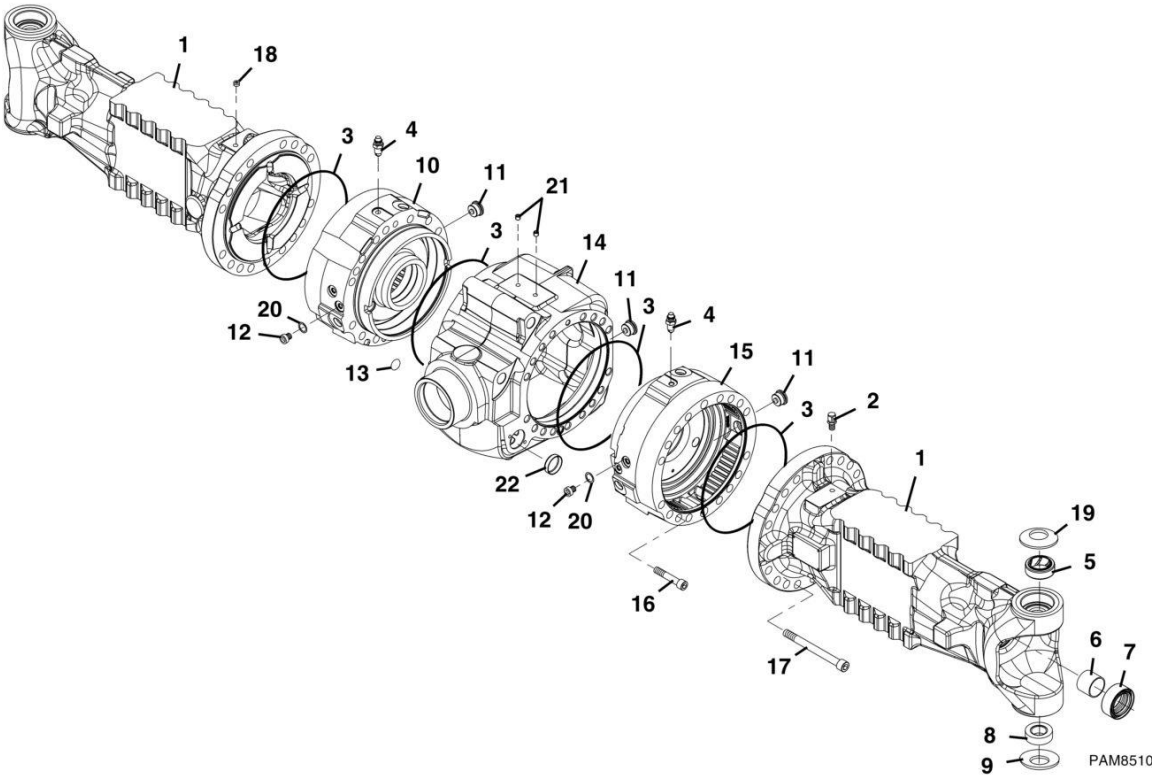
## SECTION 5 - DRIVE TRAIN

ITEM	PART NUMBER	QTY	DESCRIPTION	REV
93	91364042	6	PIN	
94	91474151	6	O-RING	
95	91474152	2	SELF-ADJUST KIT	
96	91474136	2	O-RING	
97	91474137	4	O-RING	
98	91474138	2	POSITIVE BRAKE PISTON	
99	91474146	2	NEGATIVE BRAKE PISTON	
100	91474147	2	O-RING	
101	91474143	2	LOCK RING	
102	91474144	2	HUB	
103	91474145	4	WASHER	
104	70021023	2	WHEEL HUB KIT	
105	70021025	2	SEAL RING	
106	70021026	4	BEARING	
107	91474155	2	O-RING	
108	91474157	2	RING	
109	91474160	16	CENTERING BUSHING	
110	91474085	16	BOLT M14X65	
111	70021027	2	WHEEL CARRIER	
112	70021028	2	CROWN GEAR Z=77	
113	91474037	2	PLUG M30X20	
114	8035235	4	BOLT M8X20	
115	70021029	2	PLANETARY CARRIER ASSY	
116	91364095	6	WASHER	
117	91364093	372	NEEDLE BEARINGS (by tens)	
118	91364096	6	WASHER	
119	91364094	6	GEAR Z31	
120	70021030	6	WASHER	
121	91474162	6	BOLT M10X50	

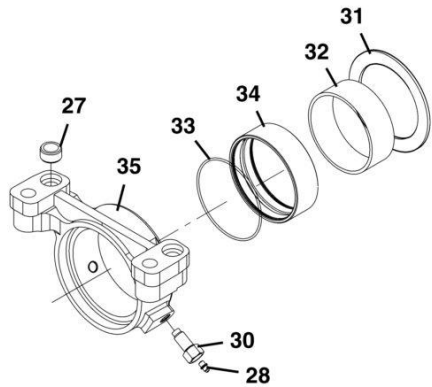
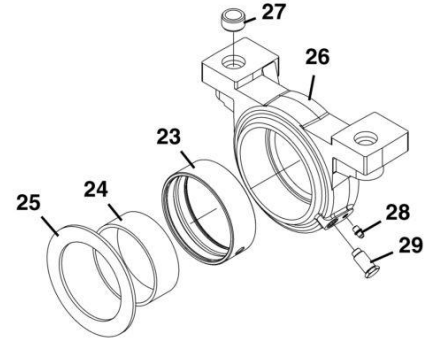


**SECTION 5 - DRIVE TRAIN**

**FIGURE 5-34. REAR AXLE ASSEMBLY, (4014PS) (HYDRAULIC PARK BRAKE)**

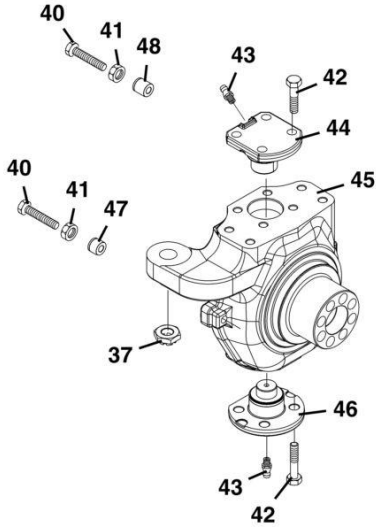
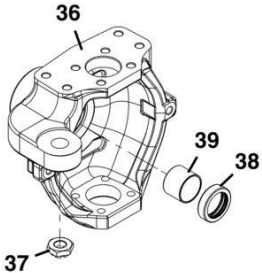


# SECTION 5 - DRIVE TRAIN



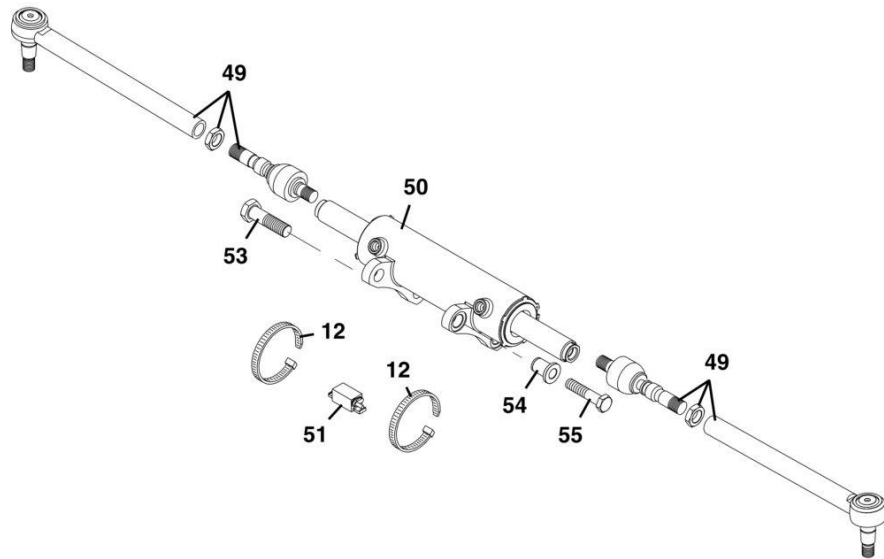
PAM8520

**SECTION 5 - DRIVE TRAIN**



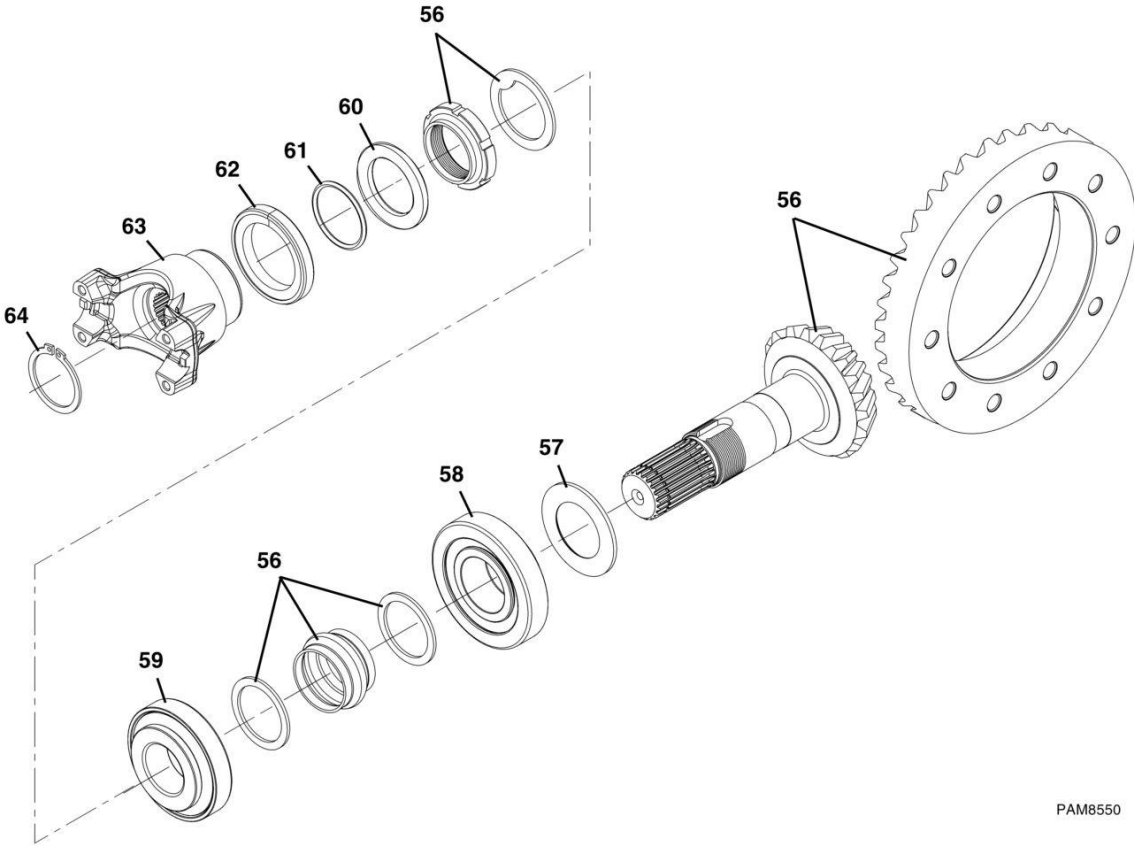
PAM8530

# SECTION 5 - DRIVE TRAIN



PAM8540

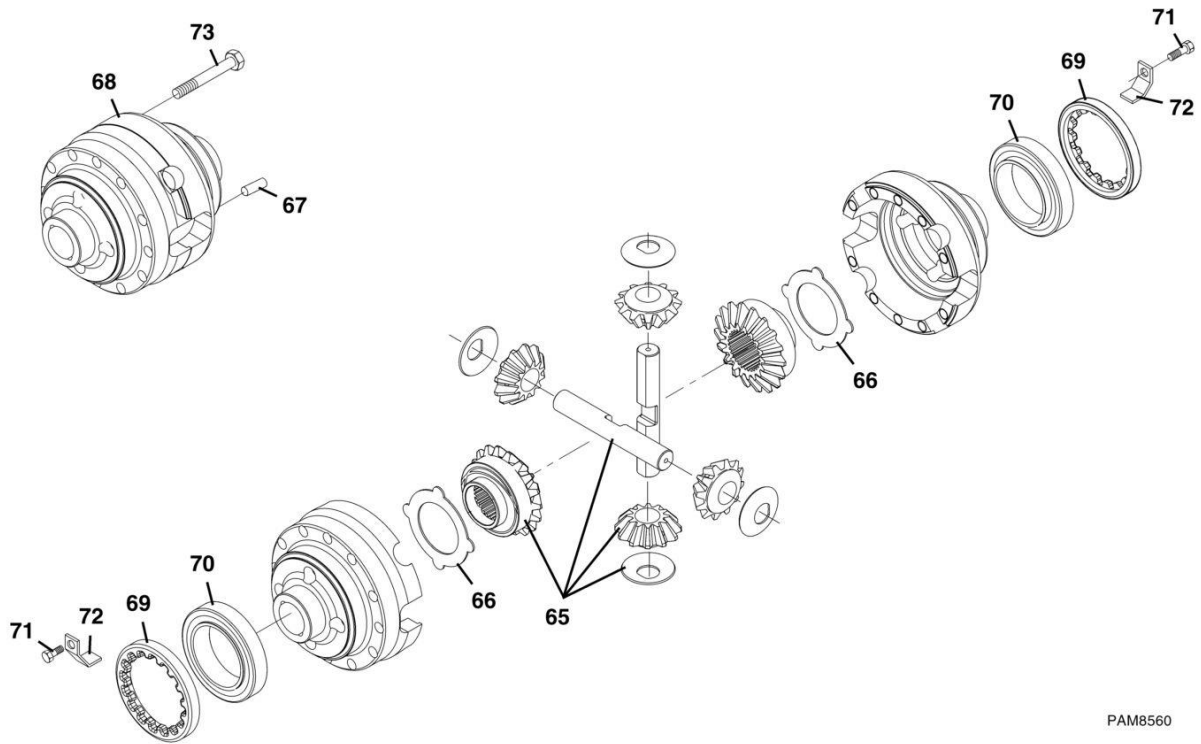
**SECTION 5 - DRIVE TRAIN**



PAM8550

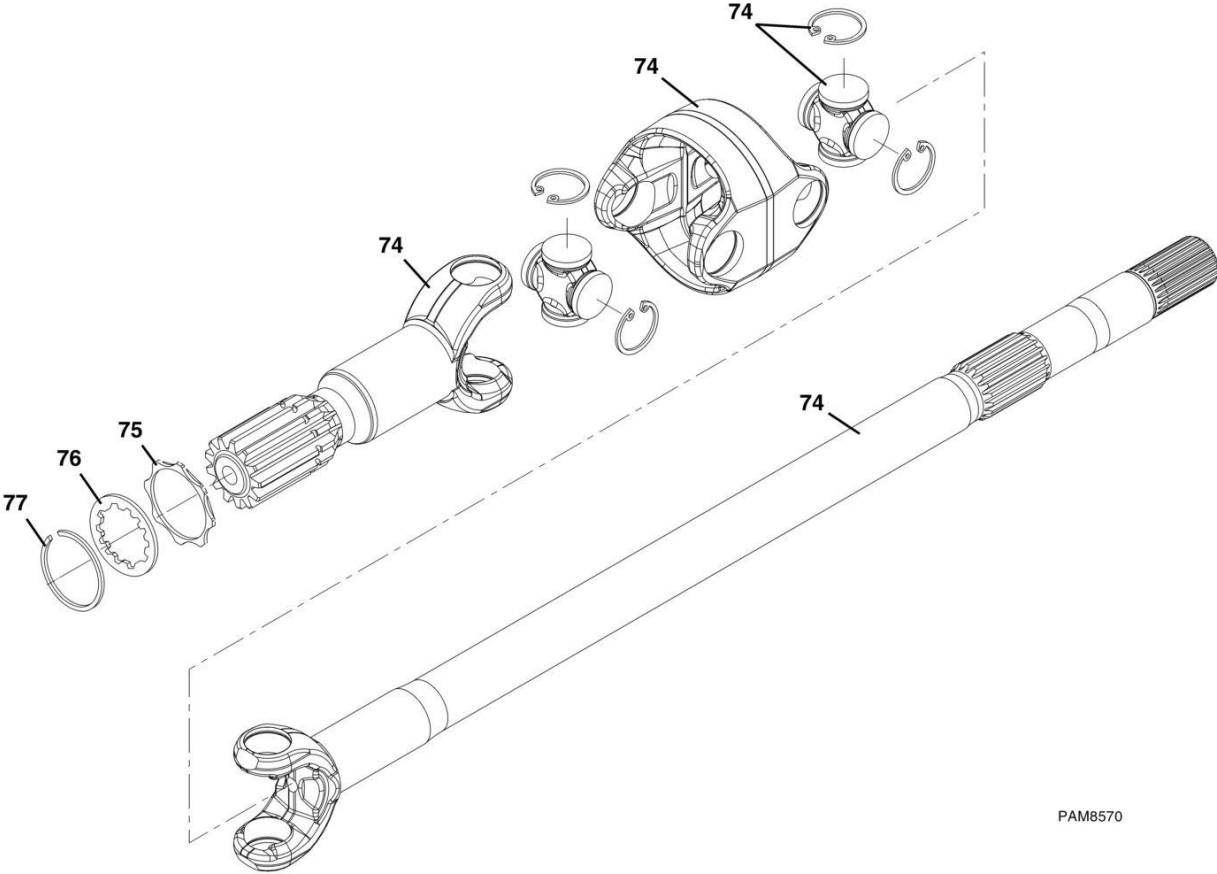


# SECTION 5 - DRIVE TRAIN



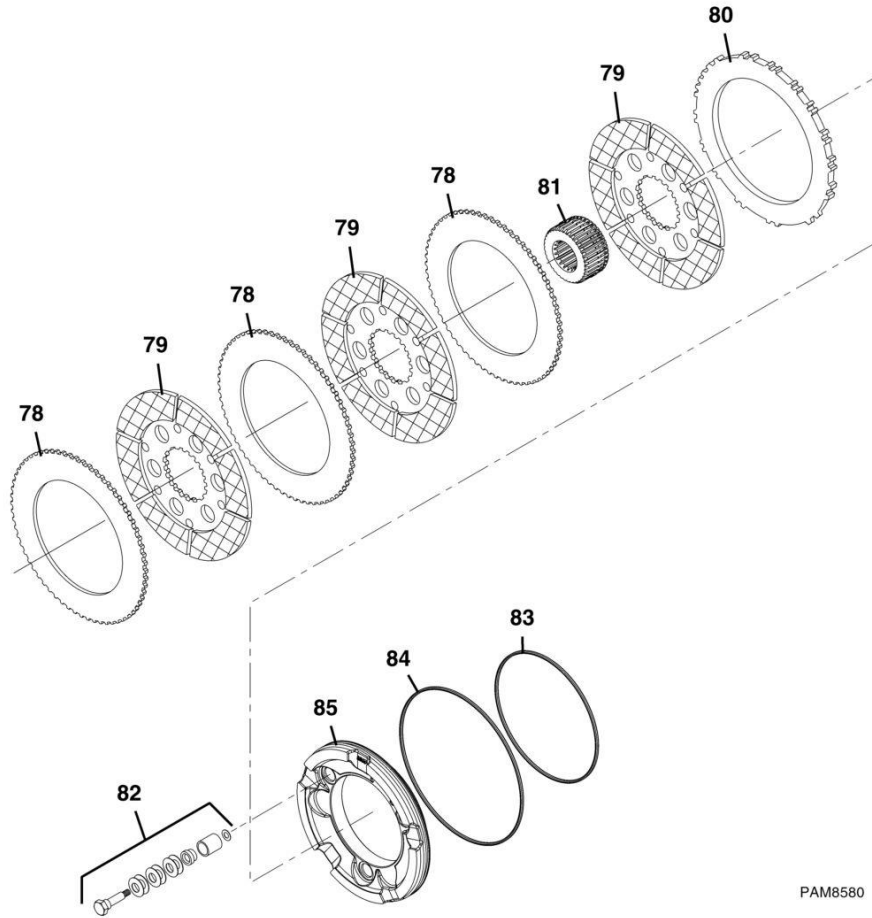
PAM8560

**SECTION 5 - DRIVE TRAIN**



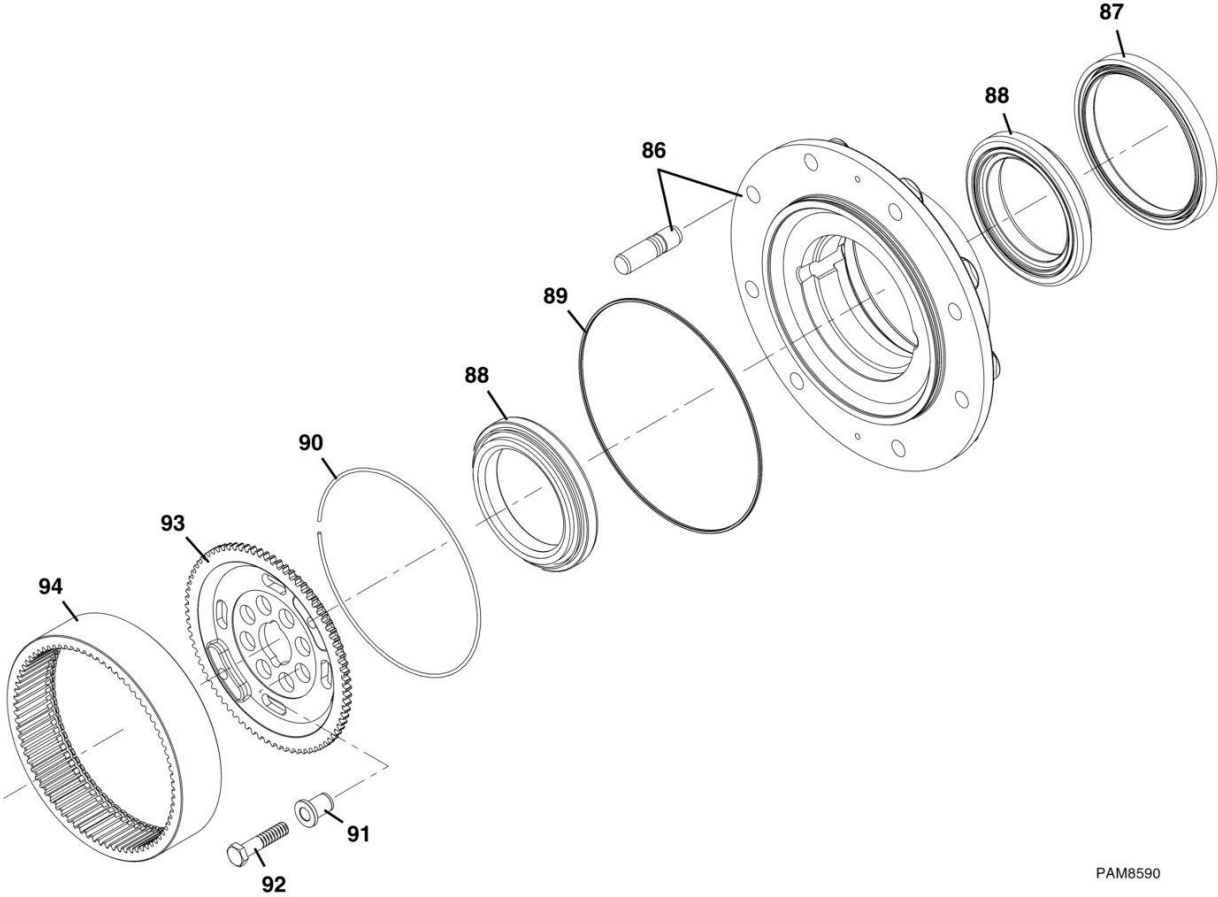
PAM8570

# SECTION 5 - DRIVE TRAIN



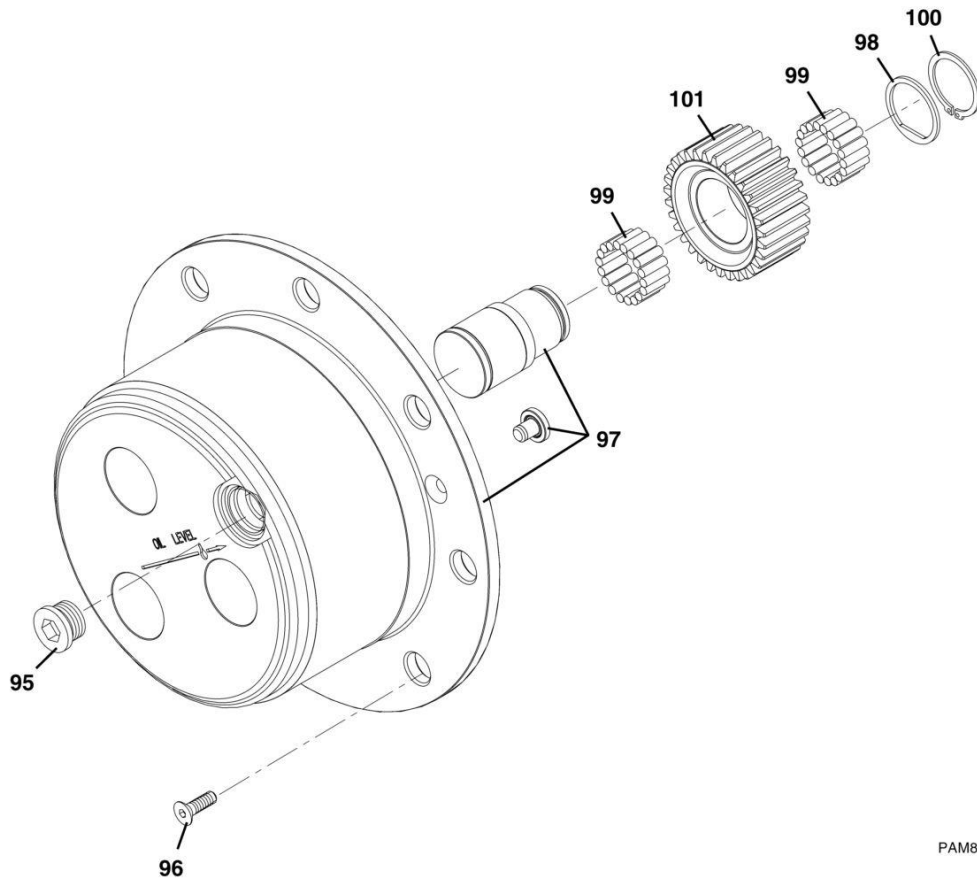
PAM8580

**SECTION 5 - DRIVE TRAIN**



PAM8590

# SECTION 5 - DRIVE TRAIN



PAM8600

## SECTION 5 - DRIVE TRAIN

**FIGURE 5-34. REAR AXLE ASSEMBLY, (4014PS) (HYDRAULIC PARK BRAKE)**

ITEM	PART NUMBER	QTY	DESCRIPTION	REV
	1001152554	Ref	REAR AXLE (4014PS), (if equipped with hydraulic park brake), (includes items 1 thru 101)	B
1	70020985	2	LEG HOUSING	
2	91474058	1	BREATHER	
3	91474038	4	O-RING	
4	91474039	2	BREATHER	
5	91474053	2	BUSHING	
6	91474054	2	BUSHING	
7	91474055	2	SEAL RING	
8	70025867	2	SPHERICAL BEARING	
9	91474057	2	WASHER	
10	70020936	1	LH BRAKE CYLINDER	
11	91474037	3	PLUG	
12	91364039	2	PLUG	
13	91474068	2	O-RING	
14	70022152	1	CENTRAL BODY	
15	70020938	1	RH BRAKE CYLINDER	
16	91474050	2	BOLT M12X110	
17	91364028	34	BOLT M16X160	
18	91474041	1	PLUG M10X1	
19	91474051	2	WASHER	
20	8033609	2	WASHER	
21	7028513	2	SCREW	
22	7028455	2	PLUG	
23	91474047	1	BUSHING	
24	91474048	1	BUSHING	
25	7028466	1	WASHER	
26	91474044	1	FRONT SUPPORT	
27	91474043	4	BUSHING	
28	91474045	2	GREASE NIPPLE	
29	91474046	1	BOLT M16	
30	91474073	1	BOLT	
31	91474069	1	WASHER	
32	91474072	1	BUSH	
33	91474071	1	O-RING	
34	8035118	1	BUSHING	
35	8035120	1	REAR SUPPORT	
36	70020942	1	LH SWIVEL HOUSING	
37	91474082	2	NUT M24X1.5	
38	91474086	2	SEAL RING	
39	91474087	2	BUSHING	
40	91474091	4	BOLT M16X75	
41	91474092	4	NUT M16	
42	91474094	16	BOLT M16X38	
43	91474095	4	GREASE NIPPLE	
44	91474093	2	KING PIN	
45	70020947	1	RH SWIVEL HOUSING	
46	91474096	2	KING PIN	
47	70020986	2	BUSHING	
48	70025868	2	BUSHING	

## SECTION 5 - DRIVE TRAIN

ITEM	PART NUMBER	QTY	DESCRIPTION	REV
49	70020939	2	STEERING ARM ASSY	
50	70020941	1	STEERING CYLINDER	
51	1001113287	1	SENSOR	
52	70021002	2	HOSE	
53	91474083	2	BOLT M22X55	
54	91474084	2	BUSHING	
55	91474085	2	BOLT M14X65	
56	70021004	1	BEVEL GEAR SET 11/37	
57	70020950	AR	SHIM 2.50mm	
57	70020951	AR	SHIM 2.60mm	
57	70020952	AR	SHIM 2.70mm	
57	70020953	AR	SHIM 2.80mm	
57	70020954	AR	SHIM 2.90mm	
57	70020955	AR	SHIM 3.00mm	
57	70020956	AR	SHIM 3.10mm	
57	70020957	AR	SHIM 3.20mm	
57	70020958	AR	SHIM 3.30mm	
57	70020959	AR	SHIM 3.40mm	
58	91364070	1	BEARING	
59	91474114	1	BEARING	
60	91474115	1	WASHER	
61	91474116	1	O-RING	
62	7028478	1	SEAL RING	
63	70025874	1	FLANGE	
64	91474119	1	SNAP RING D34	
65	70025915	1	DIFFERENTIAL KIT	
66	70020994	2	DIFFERENTIAL DRIVE PLATE	
67	91364049	2	PIN D12X40	
68	70020967	1	DIFFERENTIAL HOUSING	
69	91474128	2	RING NUT M94X2	
70	91364050	2	BEARING	
71	8035180	2	BOLT M6X10	
72	91474126	2	LOCKING PLATE	
73	91364048	10	BOLT M12X90	
74	70020968	2	DOUBLE JOINT	
75	70020969	2	WASHER	
76	70022080	2	WASHER	
77	70022081	2	SNAP RING	
78	91474141	6	BRAKE COUNTER DISC	
79	70022082	6	BRAKE DISC	
80	91474139	2	BRAKE COUNTER DISC	
81	91474142	2	HUB	
82	91474152	2	SELF-ADJUST KIT	
83	91474136	2	O-RING	
84	91474137	2	O-RING	
85	91474138	2	POSITIVE BRAKE PISTON	
86	70020972	2	WHEEL HUB KIT	
87	91474161	2	SEAL RING	
88	70003779	4	BEARING	
89	70022083	2	O-RING	
90	7028423	2	RING	

## SECTION 5 - DRIVE TRAIN

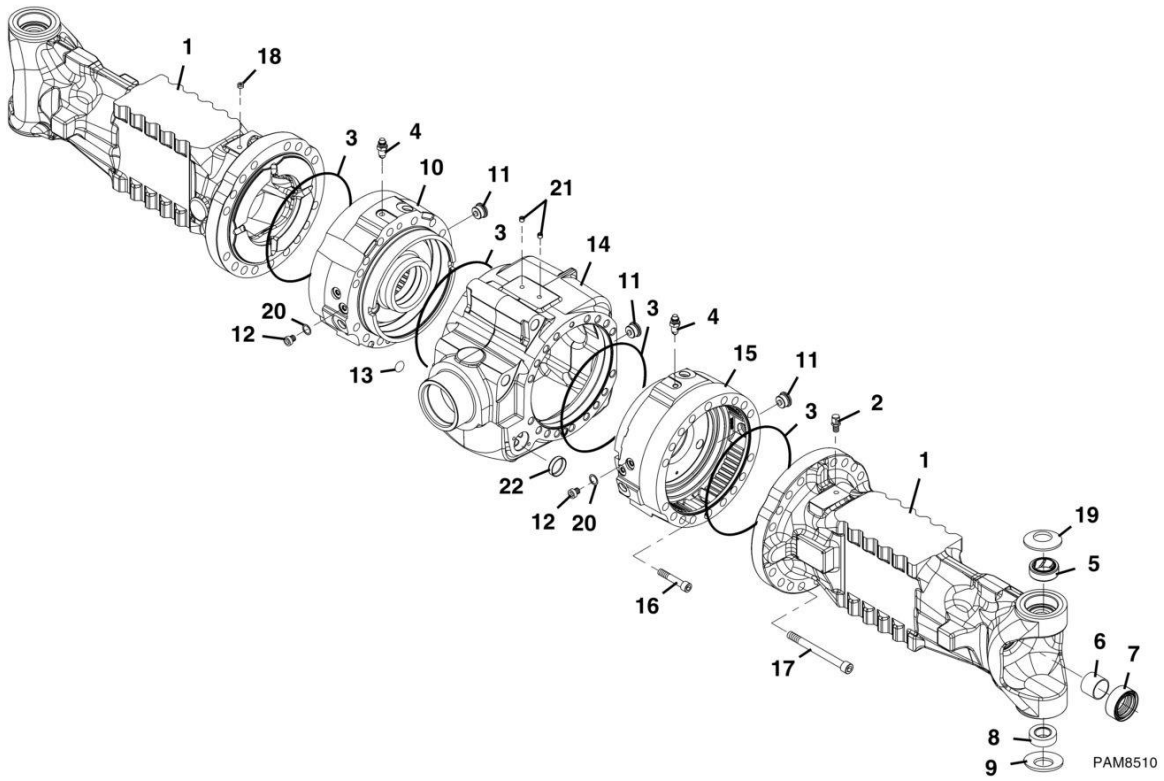
ITEM	PART NUMBER	QTY	DESCRIPTION	REV
91	91474160	16	CENTERING BUSHING	
92	91474085	16	BOLT M14X65	
93	7028417	2	WHEEL CARRIER	
94	70020976	2	CROWN GEAR Z=60	
95	91474037	2	PLUG M30X2	
96	8035235	4	BOLT M8X20	
97	70021001	2	PLANETARY CARRIER ASSY	
98	7028509	6	WASHER	
99	91474163	336	NEEDLE BEARINGS (by tens)	
100	7028508	6	SNAP RING	
101	7028510	6	GEAR Z23	



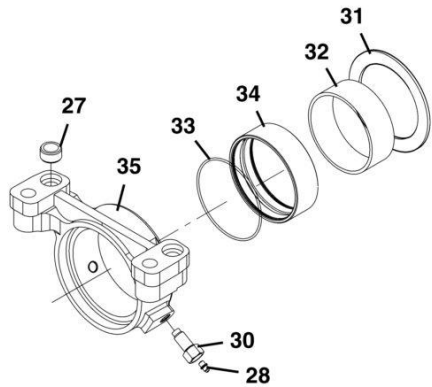
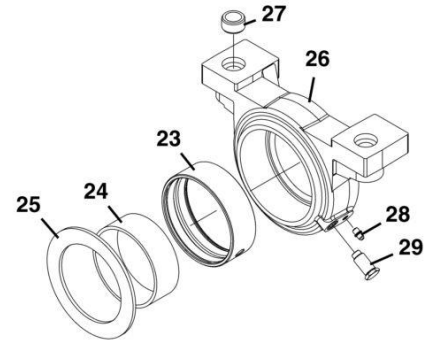


# SECTION 5 - DRIVE TRAIN

FIGURE 5-35. REAR AXLE ASSEMBLY, (4017PS) (HYDRAULIC PARK BRAKE)

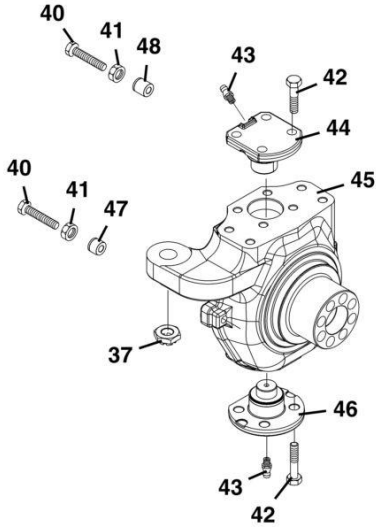
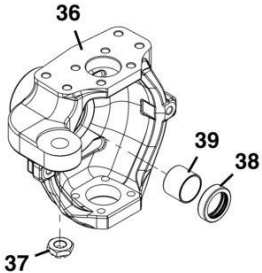


# SECTION 5 - DRIVE TRAIN



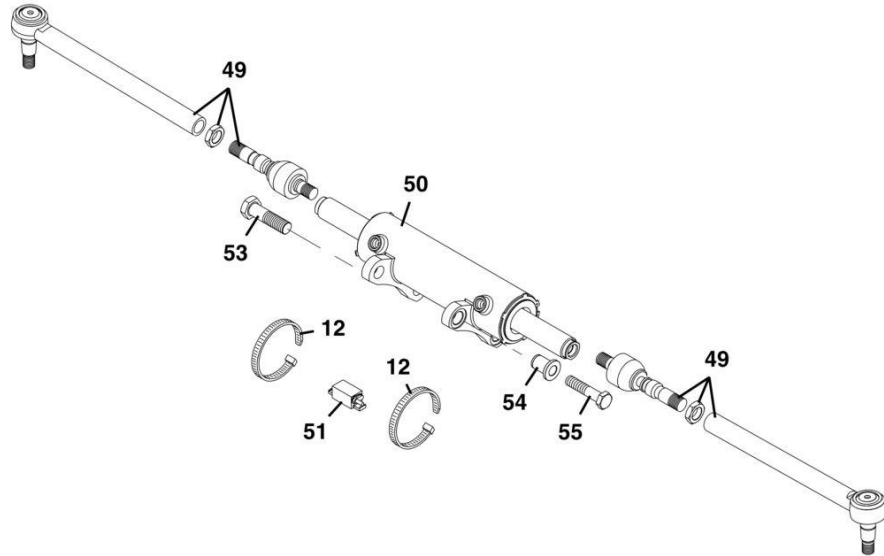
PAM8520

**SECTION 5 - DRIVE TRAIN**



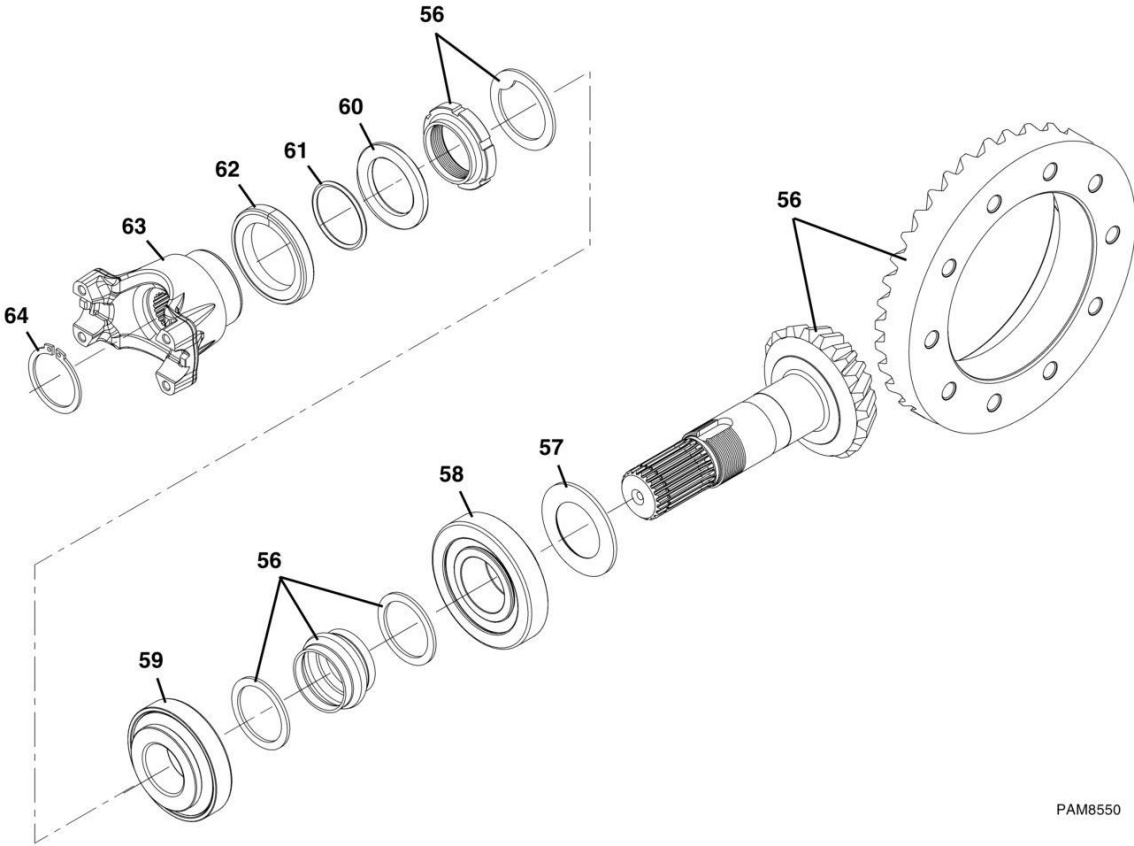
PAM8530

# SECTION 5 - DRIVE TRAIN



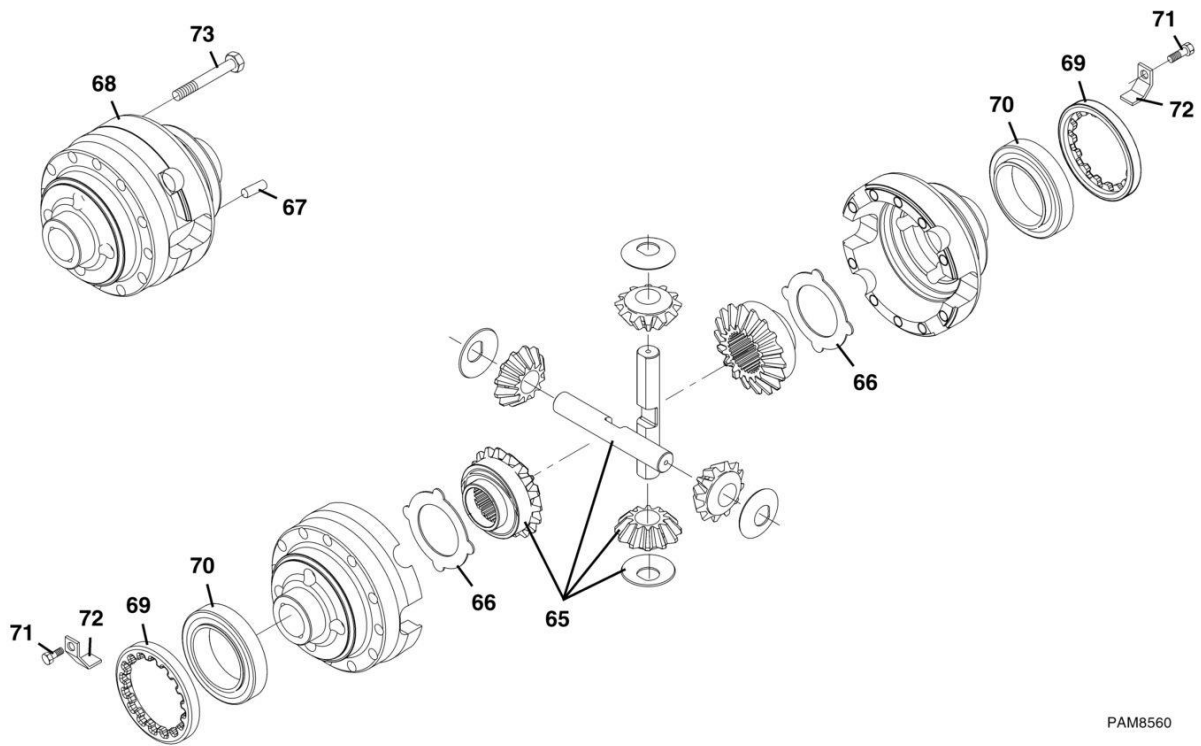
PAM8540

**SECTION 5 - DRIVE TRAIN**



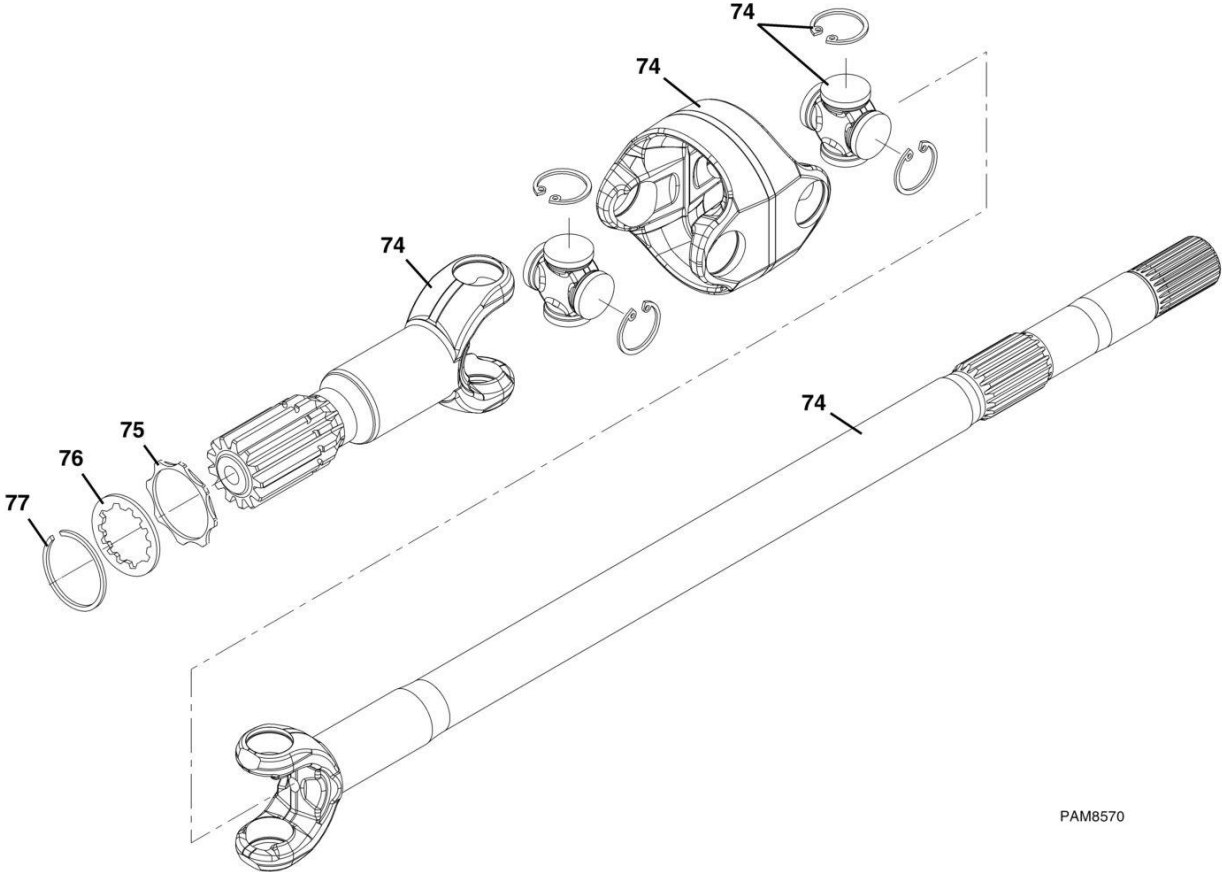
PAM8550

# SECTION 5 - DRIVE TRAIN



PAM8560

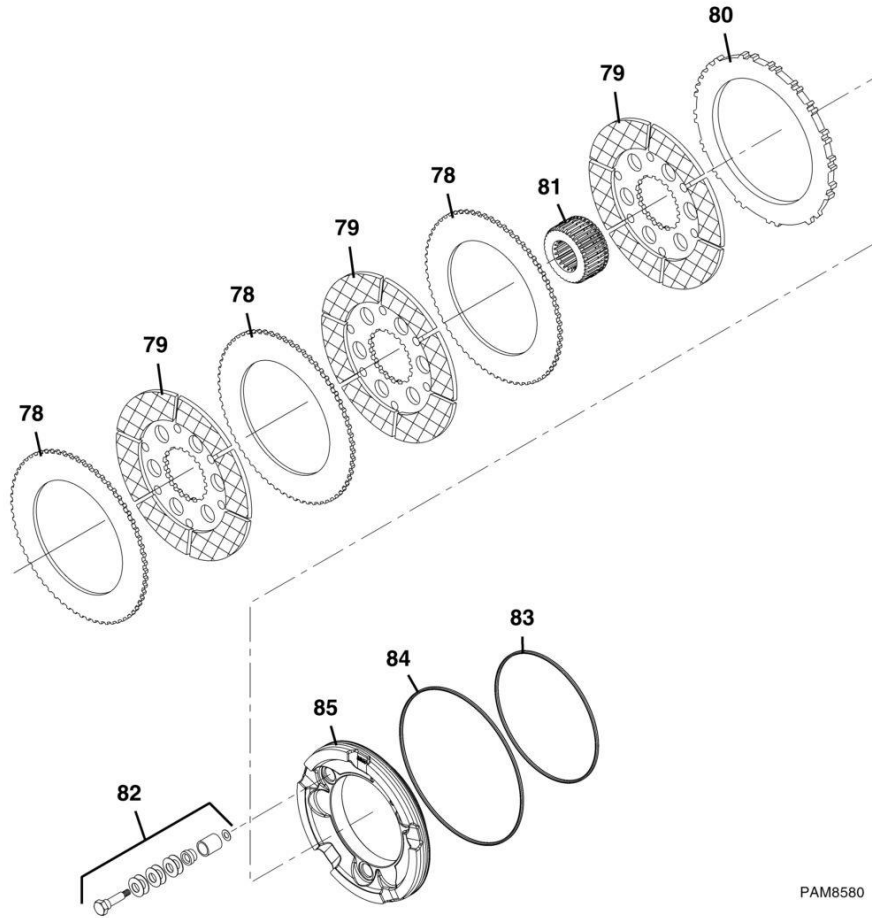
**SECTION 5 - DRIVE TRAIN**



PAM8570

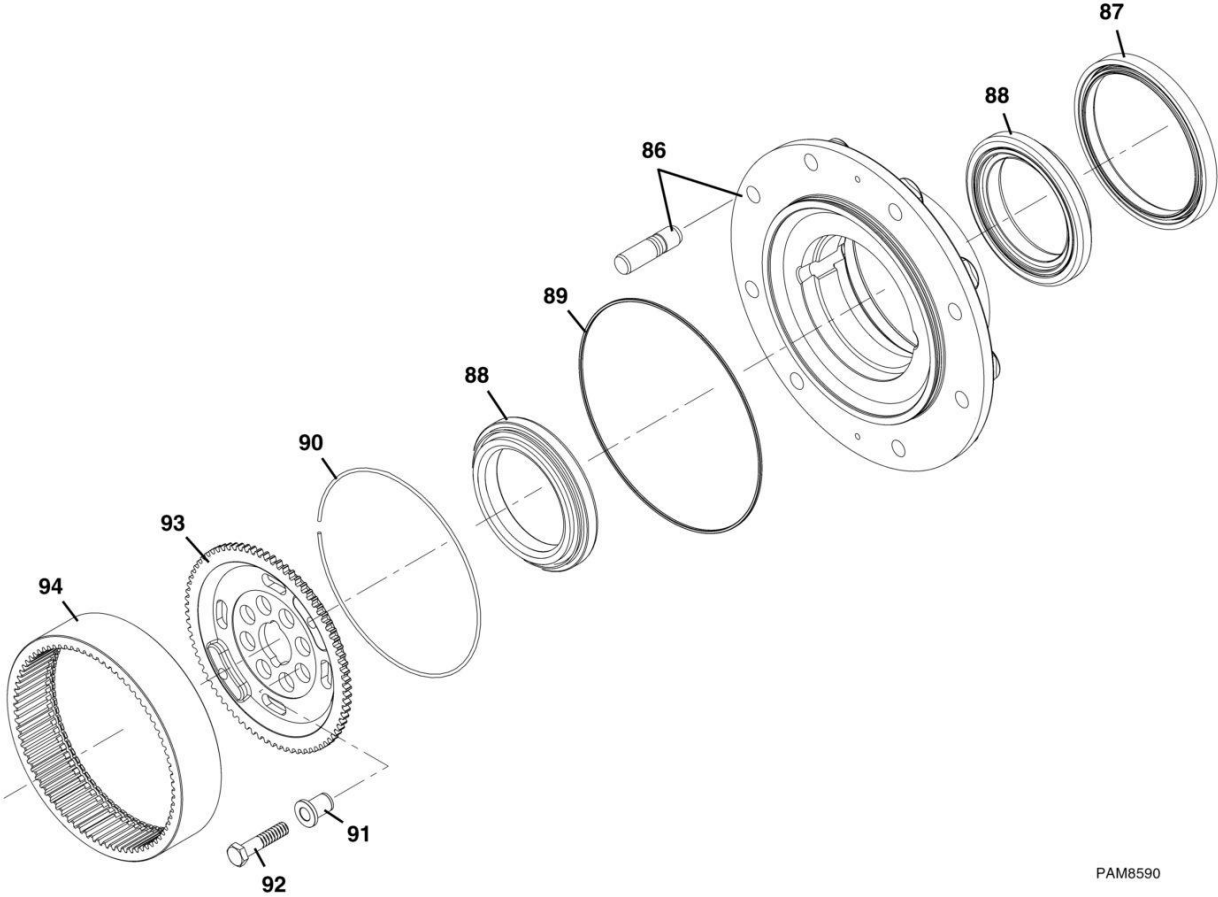


# SECTION 5 - DRIVE TRAIN



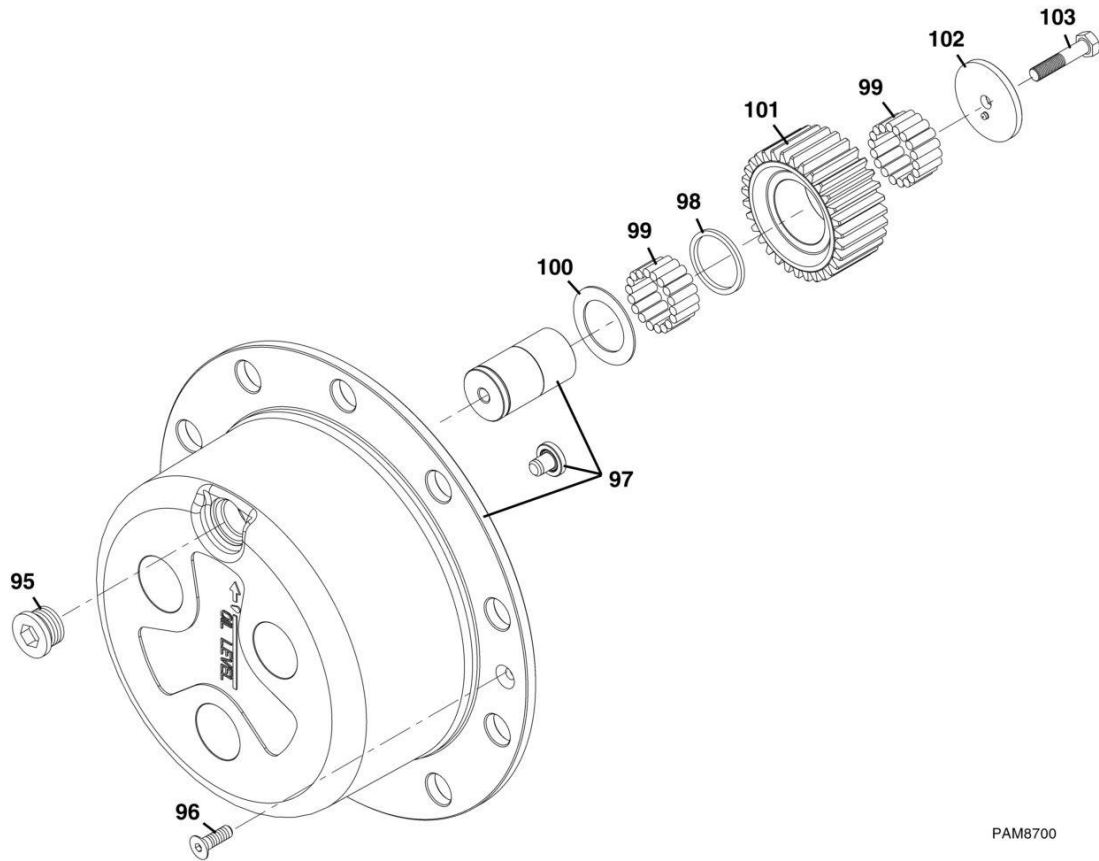
PAM8580

**SECTION 5 - DRIVE TRAIN**



PAM8590

# SECTION 5 - DRIVE TRAIN



PAM8700

## SECTION 5 - DRIVE TRAIN

**FIGURE 5-35. REAR AXLE ASSEMBLY, (4017PS) (HYDRAULIC PARK BRAKE)**

ITEM	PART NUMBER	QTY	DESCRIPTION	REV
	1001153043	Ref	REAR AXLE (4017PS), (if equipped with hydraulic park brake), (includes items 1 thru 103)	B
1	70021005	2	LEG HOUSING	
2	91474058	1	BREATHER	
3	91474038	4	O-RING	
4	91474039	2	BREATHER	
5	91474053	2	BUSHING	
6	91474054	2	BUSHING	
7	91474055	2	SEAL RING	
8	70025867	2	SPHERICAL BEARING	
9	91474057	2	WASHER	
10	70020936	1	LH BRAKE CYLINDER	
11	91474037	3	PLUG M30X2	
12	91364039	2	PLUG M10X1	
13	91474068	2	O-RING	
14	70022152	1	CENTRAL BODY	
15	70020938	1	RH BRAKE CYLINDER	
16	91474050	2	BOLT M12X110	
17	91364028	34	BOLT M16X160	
18	91474041	1	PLUG M10X1	
19	91474051	2	WASHER	
20	8033609	2	WASHER	
21	7028513	2	SCREW	
22	7028455	2	PLUG	
23	91474047	1	BUSHING	
24	91474048	1	BUSHING	
25	7028466	1	WASHER	
26	91474044	1	FRONT SUPPORT	
27	91474043	4	BUSH	
28	91474045	2	GREASE NIPPLE	
29	91474046	1	BOLT M16	
30	91474073	1	BOLT	
31	91474069	1	WASHER	
32	91474072	1	BUSHING	
33	91474071	1	O-RING	
34	8035118	1	BUSHING	
35	8035120	1	REAR SUPPORT	
36	70021011	1	LH SWIVEL HOUSING	
37	70025913	2	NUT M27	
38	70022150	2	SEAL RING	
39	91474087	2	BUSHING	
40	91474091	4	BOLT M16X75	
41	91474092	4	NUT M16	
42	91474094	16	BOLT M16X38	
43	91474095	4	GREASE NIPPLE	
44	91474093	2	KING PIN	
45	70021015	1	RH SWIVEL HOUSING	
46	91474096	2	KING PIN	
47	70020986	2	BUSHING	
48	70025868	2	BUSHING	

## SECTION 5 - DRIVE TRAIN

ITEM	PART NUMBER	QTY	DESCRIPTION	REV
49	70025914	2	STEERING ARM ASSY	
50	70021010	1	STEERING CYLINDER	
51	1001113287	1	SENSOR	
52	7028488	2	CLAMP	
53	91474083	2	BOLT M22X55	
54	91474084	2	BUSHING	
55	91474085	2	BOLT M14X65	
56	70021035	1	BEVEL GEAR SET 11/32	
57	70020950	AR	SHIM 2.50MM	
57	70020951	AR	SHIM 2.60MM	
57	70020952	AR	SHIM 2.70MM	
57	70020953	AR	SHIM 2.80MM	
57	70020954	AR	SHIM 2.90MM	
57	70020955	AR	SHIM 3.00MM	
57	70020956	AR	SHIM 3.10MM	
57	70020957	AR	SHIM 3.20MM	
57	70020958	AR	SHIM 3.30MM	
57	70020959	AR	SHIM 3.40MM	
58	91364070	1	BEARING	
59	7028403	1	BEARING	
60	91474115	1	WASHER	
61	91474116	1	O-RING	
62	7028478	1	SEAL RING	
63	70025874	1	FLANGE	
64	91474119	1	SNAP RING D34	
65	70025915	1	DIFFERENTIAL KIT	
66	70020994	2	DIFFERENTIAL DRIVE PLATER	
67	91364049	2	PIN D12X40	
68	70020967	1	DIFFERENTIAL HOUSING	
69	91474128	2	RING NUT M94X2	
70	91364050	2	BEARING	
71	8035180	2	BOLT M6X90	
72	91474126	2	LOCKING PLATE	
73	91364048	10	BOLT M12X90	
74	70021019	2	DOUBLE JOINT	
75	70021020	2	WASHER	
76	70021021	2	WASHER	
77	70021022	2	SNAP RING	
78	91474141	6	BRAKE COUNTER DISC	
79	70022082	6	BRAKE DISC	
80	91474139	2	BRAKE COUNTER DISC	
81	91474142	2	HUB	
82	91474152	2	SELF-ADJUST KIT	
83	91474136	2	O-RING	
84	91474137	2	O-RING	
85	91474138	2	POSITIVE BRAKE PISTON	
86	70021023	2	WHEEL HUB KIT	
87	70021025	2	SEAL RING	
88	70021026	4	BEARING	
89	91474155	2	O-RING	
90	91474157	2	RING	

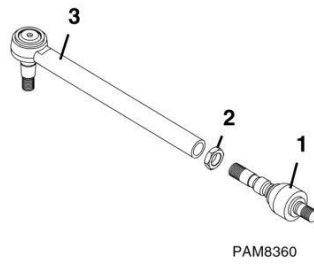
## SECTION 5 - DRIVE TRAIN

ITEM	PART NUMBER	QTY	DESCRIPTION	REV
91	91474160	16	CENTERING BUSH	
92	91474085	16	BOLT M14X65	
93	70021027	2	WHEEL CARRIER	
94	70021028	2	CROWN GEAR Z=77	
95	91474037	2	PLUG M30X2	
96	8035235	4	BOLT M8X20	
97	70021029	2	PLANETARY CARRIER ASSY	
98	91364095	6	WASHER	
99	91364093	372	NEEDLE BEARINGS (by tens)	
100	91364096	6	LOCKING THRUST WASHER	
101	91364094	6	GEAR Z31	
102	70021030	6	WASHER	
103	91474162	6	BOLT M10X50	



## SECTION 5 - DRIVE TRAIN

FIGURE 5-36. STEERING ARM ASSY - 4014PS





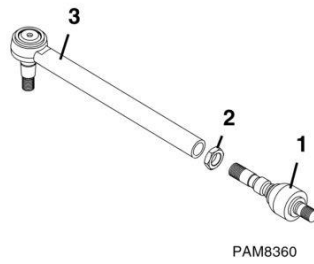
## SECTION 5 - DRIVE TRAIN

### FIGURE 5-36. STEERING ARM ASSY - 4014PS

ITEM	PART NUMBER	QTY	DESCRIPTION	REV
	70020939	2	STEERING ARM ASSY, (4014PS)	
1	91474077	2	BALL JOINT	
2	91474078	2	NUT	
3	70020940	2	TIE ROD	

## SECTION 5 - DRIVE TRAIN

FIGURE 5-37. STEERING ARM ASSY - 4017PS



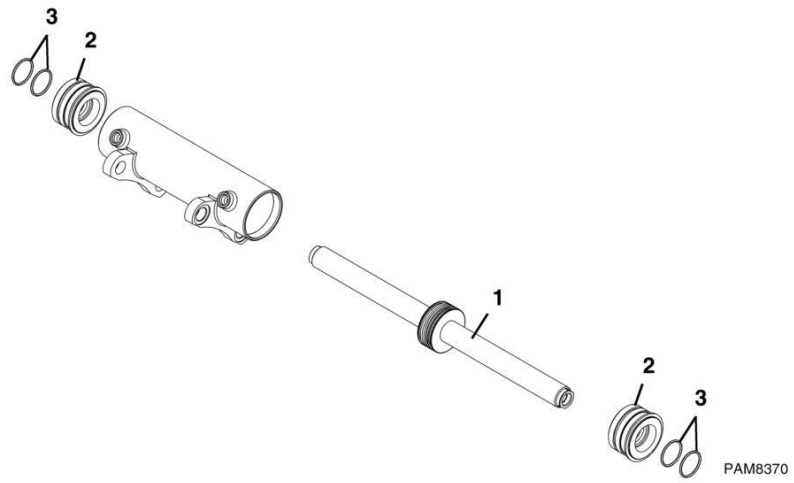
## SECTION 5 - DRIVE TRAIN

### FIGURE 5-37. STEERING ARM ASSY - 4017PS

ITEM	PART NUMBER	QTY	DESCRIPTION	REV
	70025914	2	STEERING ARM ASSY, (4017PS)	
1	70021007	2	BALL JOINT	
2	70021008	2	NUT M24X1.5	
3	70021009	2	TIE ROD	

# SECTION 5 - DRIVE TRAIN

## FIGURE 5-38. STEERING CYLINDER - 4014PS



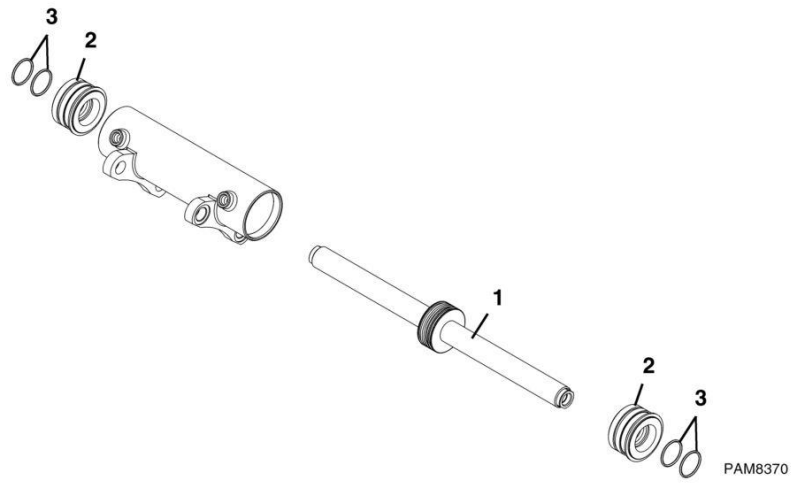
## SECTION 5 - DRIVE TRAIN

### FIGURE 5-38. STEERING CYLINDER - 4014PS

ITEM	PART NUMBER	QTY	DESCRIPTION	REV
	70020941	1	STEERING CYLINDER,(4014PS)	
1	70022154	1	ROD A	
2	70020944	2	CYLINDER HEAD A	
3	70020945	1	SEAL KIT A	

# SECTION 5 - DRIVE TRAIN

## FIGURE 5-39. STEERING CYLINDER - 4017PS



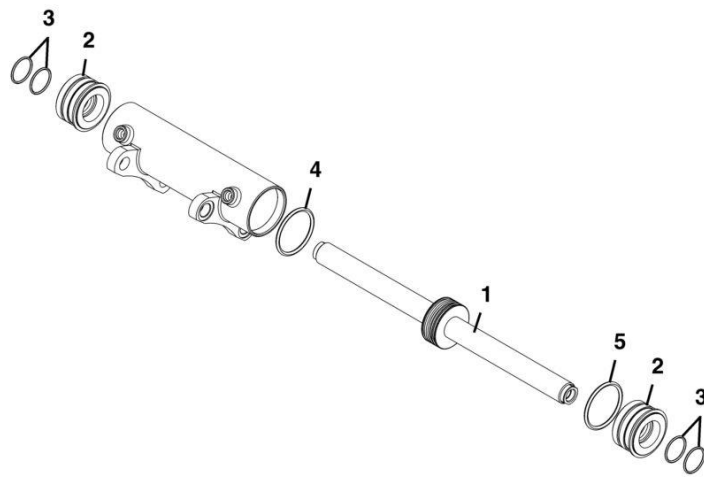
## SECTION 5 - DRIVE TRAIN

### FIGURE 5-39. STEERING CYLINDER - 4017PS

ITEM	PART NUMBER	QTY	DESCRIPTION	REV
	70021010	1	STEERING CYLINDER, (4017PS)	
1	70021833	1	ROD	
2	70021832	2	CYLINDER HEAD	
3	70021831	1	SEAL KIT	

# SECTION 5 - DRIVE TRAIN

## FIGURE 5-40. STEERING CYLINDER - 4014PS



PAM8380



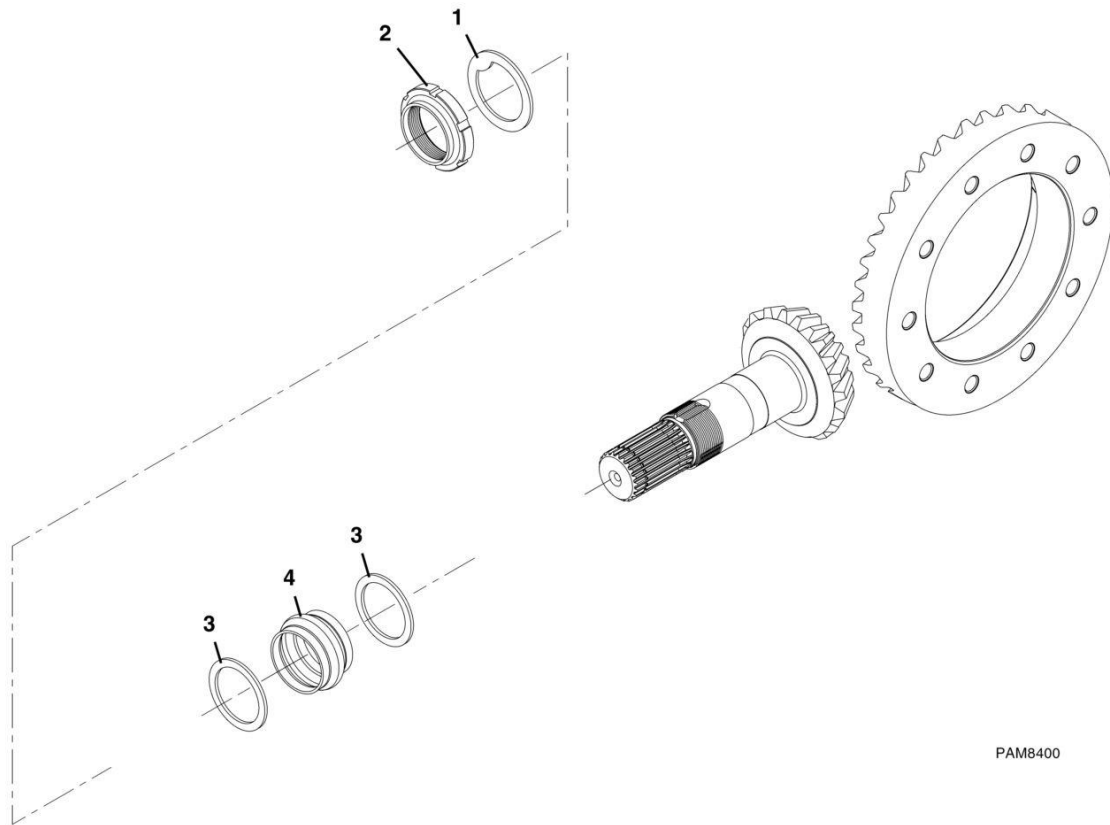
## SECTION 5 - DRIVE TRAIN

### FIGURE 5-40. STEERING CYLINDER - 4014PS

ITEM	PART NUMBER	QTY	DESCRIPTION	REV
	70020941	1	STEERING CYLINDER (4014PS)	
1	70025869	1	ROD B	
2	70025870	2	CYLINDER HEAD B	
3	70025871	1	SEAL KIT B	
4	70025872	1	MAGNETIC RING	
5	70025873	1	MAGNETIC RING	

# SECTION 5 - DRIVE TRAIN

## FIGURE 5-41. BEVEL GEAR SET - 4014PS & 4017PS



PAM8400

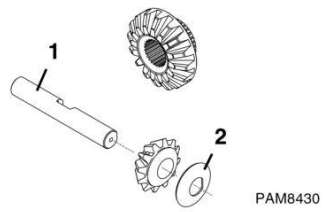
## SECTION 5 - DRIVE TRAIN

### FIGURE 5-41. BEVEL GEAR SET - 4014PS & 4017PS

ITEM	PART NUMBER	QTY	DESCRIPTION	REV
	70020948	1	BEVEL GEAR SET, (Front Axle), (4014PS)	
	70021004	1	BEVEL GEAR SET 11/37, (Rear Axle), (4014PS)	
	70021017	1	BEVEL GEAR SET 11/32, (Front Axle), (4017PS)	
	70021035	1	BEVEL GEAR SET 11/32, (Rear Axle), (4017PS)	
1	91474100	1	LOCKWASHER	
2	91474101	1	RING NUT	
3	91474102	2	WASHER	
4	70020949	1	COLLAPSIBLE SPACER	

# SECTION 5 - DRIVE TRAIN

## FIGURE 5-42. DIFFERENTIAL KIT



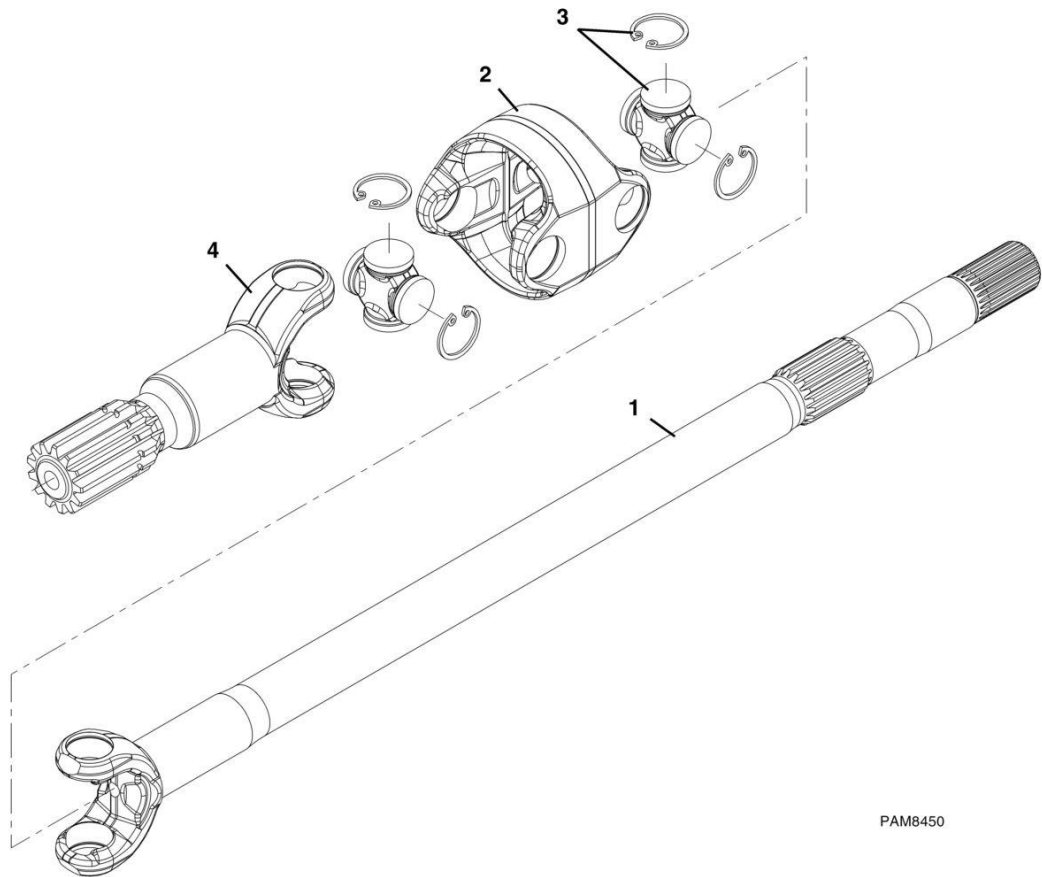
## SECTION 5 - DRIVE TRAIN

### FIGURE 5-42. DIFFERENTIAL KIT

ITEM	PART NUMBER	QTY	DESCRIPTION	REV
	70020965	1	DIFFERENTIAL KIT, (Front Axle)	
	70025915	1	DIFFERENTIAL KIT, (Rear Axle)	
1	70020966	2	SHAFT	
2	91364054	4	THRUST WASHER	

# SECTION 5 - DRIVE TRAIN

## FIGURE 5-43. DOUBLE JOINT - 4014PS



PAM8450

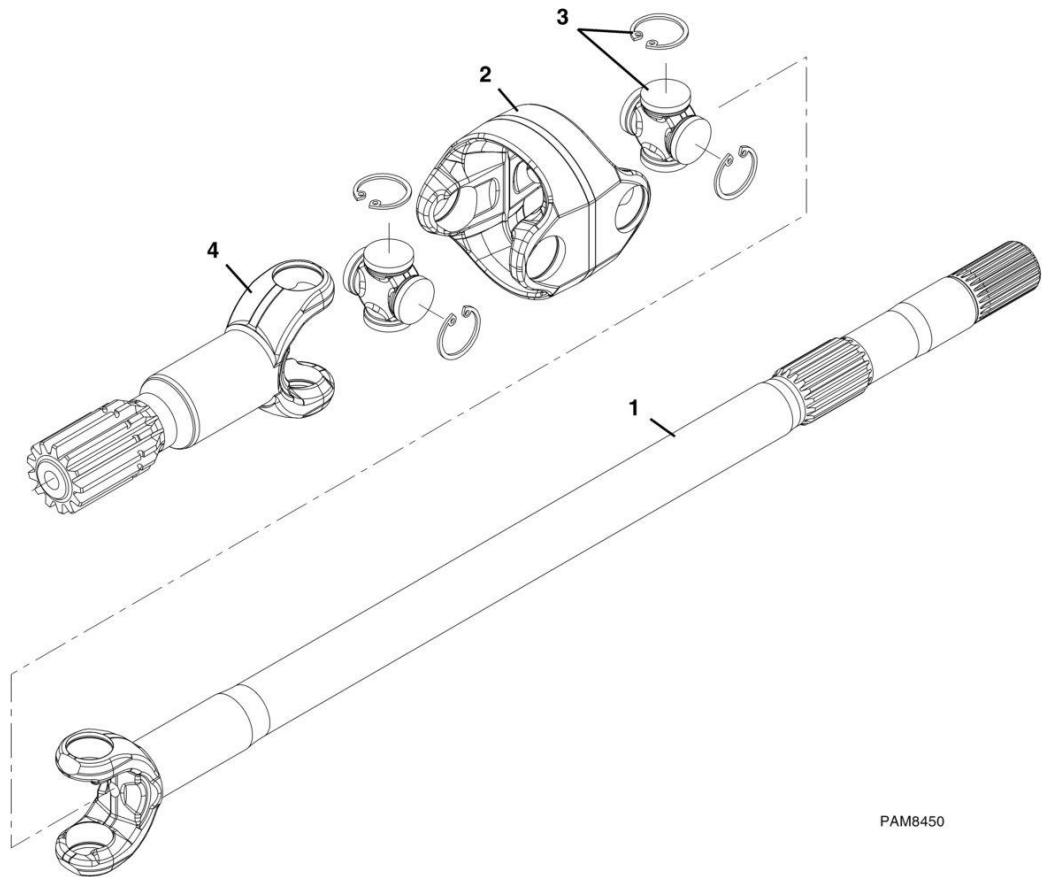
## SECTION 5 - DRIVE TRAIN

### FIGURE 5-43. DOUBLE JOINT - 4014PS

ITEM	PART NUMBER	QTY	DESCRIPTION	REV
	70020968	2	DOUBLE JOINT, (4014PS)	
1	70025875	2	FORK	
2	8035189	2	CENTRAL BODY	
3	8035190	4	SPIDER	
4	70025876	2	FORK	

# SECTION 5 - DRIVE TRAIN

## FIGURE 5-44. DOUBLE JOINT - 4017PS



PAM8450



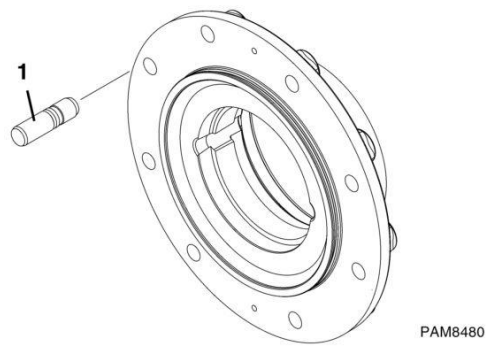
## SECTION 5 - DRIVE TRAIN

### FIGURE 5-44. DOUBLE JOINT - 4017PS

ITEM	PART NUMBER	QTY	DESCRIPTION	REV
	70021019	2	DOUBLE JOINT (4017PS)	
1	70021032	2	FORK	
2	7029834	2	CENTRAL BODY	
3	91474632	4	SPIDER	
4	70021034	2	FORK	

## SECTION 5 - DRIVE TRAIN

FIGURE 5-45. WHEEL HUB KIT - 4014PS



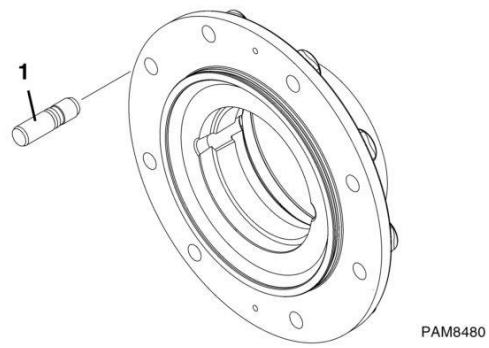
## SECTION 5 - DRIVE TRAIN

### FIGURE 5-45. WHEEL HUB KIT - 4014PS

ITEM	PART NUMBER	QTY	DESCRIPTION	REV
1	70020972	2	WHEEL HUB KIT, (4014PS)	
	70020973	16	STUD	

## SECTION 5 - DRIVE TRAIN

FIGURE 5-46. WHEEL HUB KIT - 4017PS



## SECTION 5 - DRIVE TRAIN

### FIGURE 5-46. WHEEL HUB KIT - 4017PS

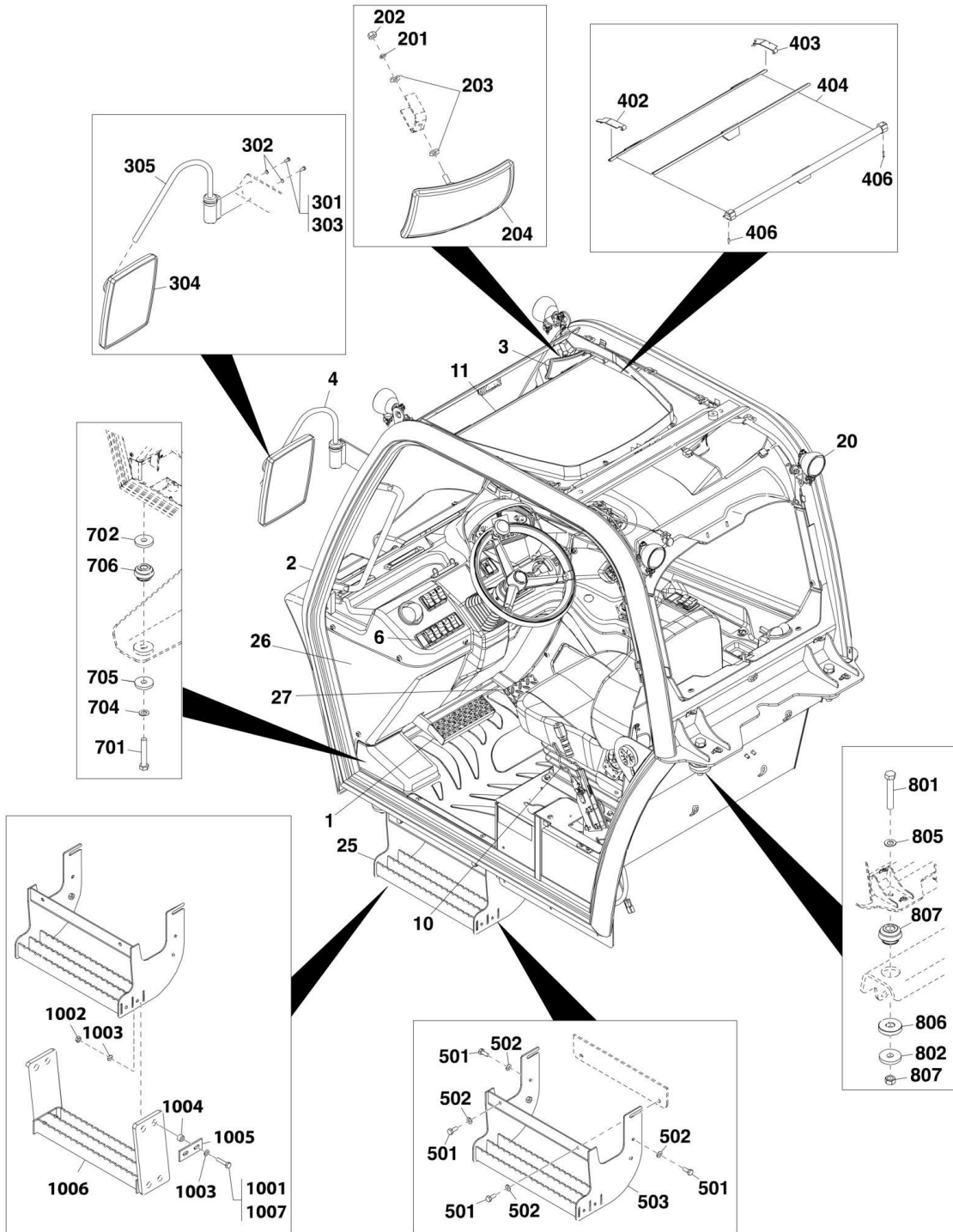
ITEM	PART NUMBER	QTY	DESCRIPTION	REV
1	70021023	2	WHEEL HUB KIT, (4017PS)	
	70021024	20	STUD	



**SECTION 6 - CAB**

# SECTION 6 - CAB

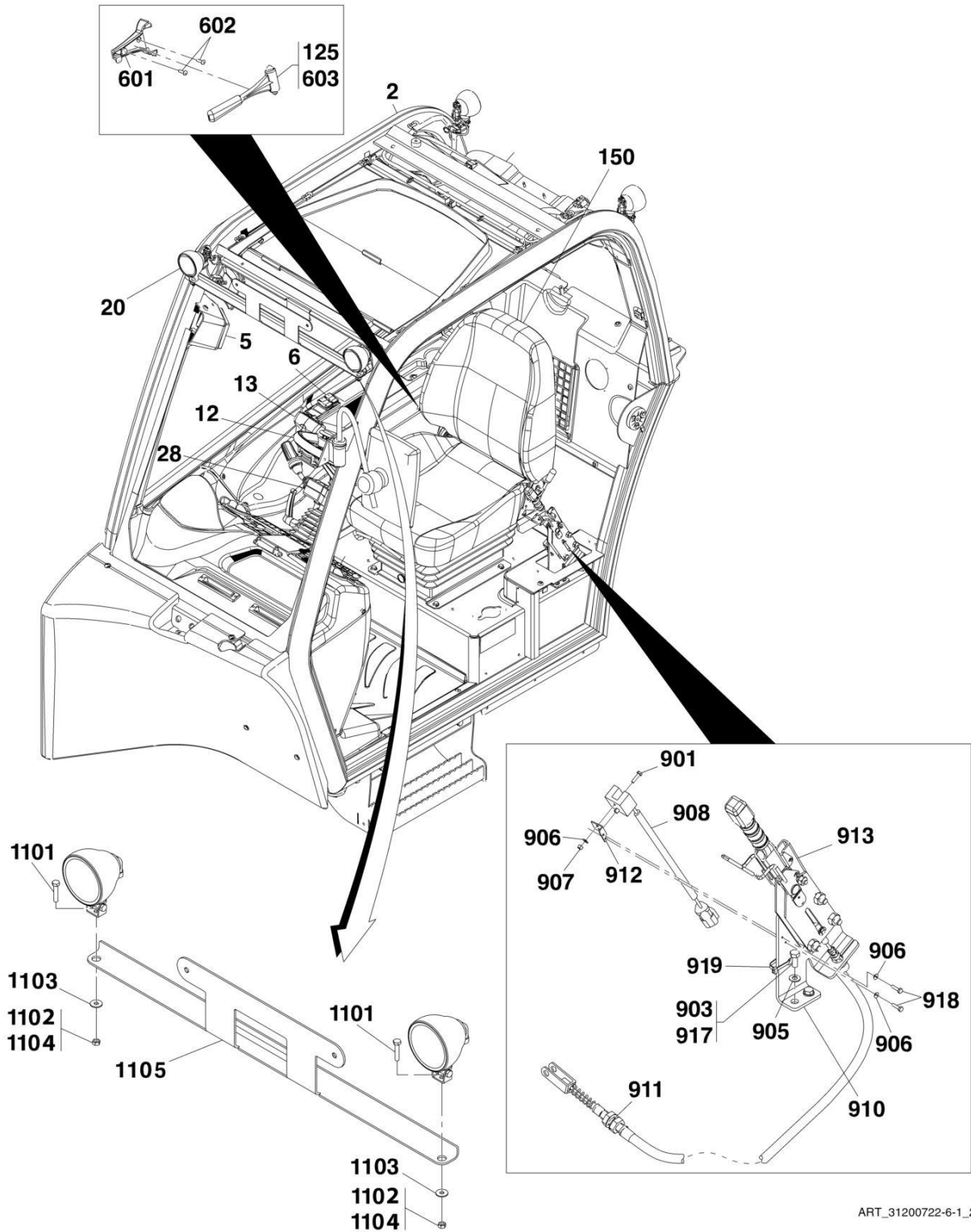
## FIGURE 6-1. CAB INSTALLATION



ART\_31200722-6-1\_1



# SECTION 6 - CAB



ART\_31200722-6-1\_2

# SECTION 6 - CAB

## FIGURE 6-1. CAB INSTALLATION

ITEM	PART NUMBER	QTY	DESCRIPTION	REV
	1001138923	1	CAB ASSEMBLY, (3706PS & 3707PS, if equipped with sun screen and roof wiper), (includes items 1 thru 41)	Y
	1001138924	1	CAB ASSEMBLY, (3706PS & 3707PS, if equipped), (includes items 1 thru 10, 12, 13, 15 thru 19 & 22-41)	Y
	1001138928	1	CAB ASSEMBLY, (4014PS & 4017PS, if equipped with sun screen and roof wiper), (includes items 1 thru 28 & 41)	X
	1001138927	1	CAB ASSEMBLY, (4014PS & 4017PS, if equipped), (includes items 1 thru 10, 12, 13, 15 thru 19, 22 thru 28 & 41)	X
1		Ref	BRAKE ASSEMBLY, (See CONTROLS SECTION for Breakdown)	
2		Ref	CAB ASSEMBLY, (See CAB ASSEMBLY for Breakdown)	
3	1001007641	1	MIRROR ASSEMBLY, (includes items 201 thru 204)	B
4	1001142723	1	MIRROR INSTALLATION, (not available to order, see items 301 thru 305 for service)	B
5		Ref	CAB ELECTRICAL INSTALLATION, (See ELECTRICAL SECTION for Breakdown)	
6		Ref	CAB SWITCHES, (See ELECTRICAL SECTION for Breakdown)	
8		Ref	RADIO INSTALLATION, (not shown), (See ELECTRICAL SECTION for Breakdown)	D
9		Ref	CAB ROOF WIRING, (not shown), (See ELECTRICAL SECTION for Breakdown)	
10	1001090272	Ref	HAND BRAKE INSTALLATION, (not available to order, see items 901 thru 919 for service)	J
11	1001090274	1	SUN SCREEN WINDOW ASSEMBLY, (includes items 402 thru 406)	D
12		Ref	STEERING COLUMN, (See CONTROLS SECTION for Breakdown)	
13		Ref	JOYSTICK, (See CONTROLS SECTION for Breakdown)	
14		Ref	ROOF WIPER, (not shown), (See WIPER INSTALLATIONS for Breakdown)	
15		Ref	REAR WIPER, (not shown), (See WIPER INSTALLATIONS for Breakdown)	
18		Ref	UGM INSTALLATION, (not shown), (See ELECTRICAL SECTION for Breakdown)	
19		Ref	LMI INSTALLATION, (not shown), (See ELECTRICAL SECTION for Breakdown)	
20		Ref	CAB FLOOD LIGHTS, (See ELECTRICAL SECTION for Breakdown)	
22		Ref	FRONT WIPER, (not shown), (See WIPER INSTALLATIONS for Breakdown)	
23		Ref	POWER DISTRIBUTION INSTALLATION, (not shown), (See ELECTRICAL SECTION for Breakdown)	
25	1001127517	Ref	STEP INSTALLATION, (not available to order, see 501 thru 503 for service) <b>(Prior to SN 1160008047)</b>	A
25	1001193204	Ref	STEP INSTALLATION, (not available to order, see 501 thru 503 for service) <b>(SN 1160008047 to Present)</b>	C
26		Ref	INTERIOR COVER INSTALLATION, (See INTERIOR INSTALLATION for Breakdown)	
27		Ref	ACCELERATOR PEDAL, (See CONTROLS SECTION for Breakdown)	
41		Ref	WIRE HARNESS INSTALLATION, (not shown), (See ELECTRICAL SECTION for Breakdown)	
150		Ref	SEAT, (See SEAT ASSEMBLIES for Breakdown)	
201	1001008475	1	LOCKWASHER, #12	
202	1001008604	1	HEX NUT	
203	1001009124	2	WASHER	

## SECTION 6 - CAB

ITEM	PART NUMBER	QTY	DESCRIPTION	REV
204	1001010839	1	MIRROR	
301	0760608	2	HEX HD CAPSCREW, M6X16, GR8.8	
302	4811700	2	WASHER, 6mm	
303	1001095650	AR	LOCTITE 243	
304	1001142726	1	CONVEX MIRROR	
305	1001142727	1	CAB MIRROR BRACKET	
402	1001002975	1	SUNSCREEN BRACKET	
403	1001002976	1	SUNSCREEN LH BRACKET	
404	1001092348	1	SUN SCREEN VISOR	
406	1001111147	2	SELF TAPPING SCREW	
501	0761012	4	HEX HD CAPSCREW, M10X25, GR8.8	
502	4812000	4	WASHER, 10mm	
503	1001127516	1	STEP BRACKET <b>(Prior to SN 1160008047)</b>	
503	1001193205	1	STEP BRACKET <b>(SN 1160008047 to Present)</b>	
601	1001006955	1	HAMMER BRACKET	
602	1001005193	2	SCREW	
603	1001006954	1	HAMMER	
	1001094700	Ref	FRONT CAB MOUNTING INSTALLATION, (not available to order, see items 701 thru 706 for service)	C
701	0712029	1	HEX HD CAPSCREW, M20X120, GR10.9	
702	1781813	2	DISK	
704	4812500	1	WASHER, 20mm	
705	8000565	1	RUBBER WASHER	
706	8000567	1	RUBBER MOUNT	
	1001094701	Ref	REAR CAB MOUNTING INSTALLATION, (not available to order, see items 801 thru 807 for service)	C
801	0712029	1	HEX HD CAPSCREW, M20X120, GR10.9	
802	1781813	2	DISK	
803	3332011	1	HEX NUT, M20X2.5	
805	4812500	1	WASHER, 20mm	
806	8000565	1	RUBBER WASHER	
807	8000567	1	RUBBER MOUNT	
901	0700408	1	HEX HD CAPSCREW, M4X16, GR8.8	
903	0760810	2	HEX HD CAPSCREW, M8X20, GR8.8	
905	8307222	2	WASHER, 8mm	
906	8310491	3	WASHER, 4mm	
907	3290405	1	HEX LOCKNUT, M4X0.7	
908	1001063529	1	SENSOR	
910	1001188047	1	BRACKET	
911	1001188067	1	CABLE	
912	1001187947	1	BRACKET	
913		Ref	MECHANICAL HANDBRAKE, (See CONTROLS SECTION for Breakdown)	
917	1001095650	AR	LOCTITE 243	
918	0760405	2	HEX HD CAPSCREW, M4X20, GR8.8	
919	471678	1	CABLE BAND	
	1001096634	Ref	CAB STEP INSTALLATION, (4014PS) (if equipped), (not available to order, see items 1001 thru 1007 for service)	C
	1001210288	Ref	CAB STEP INSTALLATION, (3707PS, 33.7 & 3.7) (if equipped), (not available to order, See items 1001 thru 1007 for service)	B
1001	0761016	4	HEX HD CAPSCREW, M10X40, GR8.8	
1002	3291001	4	HEX NUT, M10X1.5, GR8.8	

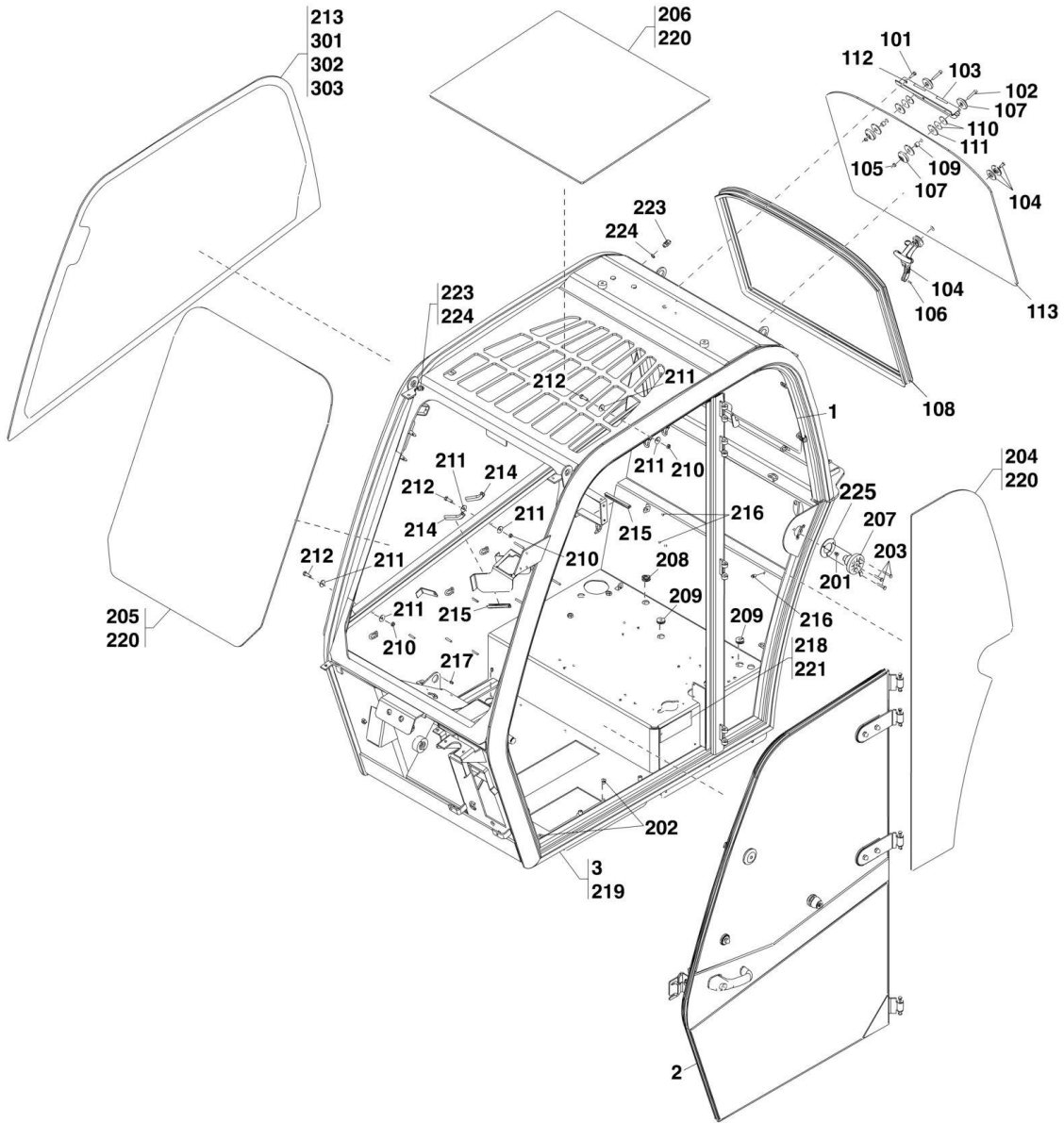
## SECTION 6 - CAB

ITEM	PART NUMBER	QTY	DESCRIPTION	REV
1003	4812000	8	WASHER, 10mm	
1004	1001213936	4	SPACER	
1005	1001003485	2	PLATE	
1006	1001091694	1	STEP, (4014PS)	
1006	1001210287	1	STEP, (3707PS, 33.7 & 37.7)	
1007	1001095650	AR	LOCTITE 243	
	1001181353	Ref	LICENSE PLATE BRACKET INSTALLATION, (if equipped)	A
1101	0760614	2	HEX HD CAPSCREW, M6X30, GR8.8	
1102	3290601	2	HEX NUT, M6X1	
1103	4811702	2	WASHER, 6mm	
1104	1001095650	AR	LOCTITE 243	
1105	1001181357	1	LICENSE PLATE BRACKET	



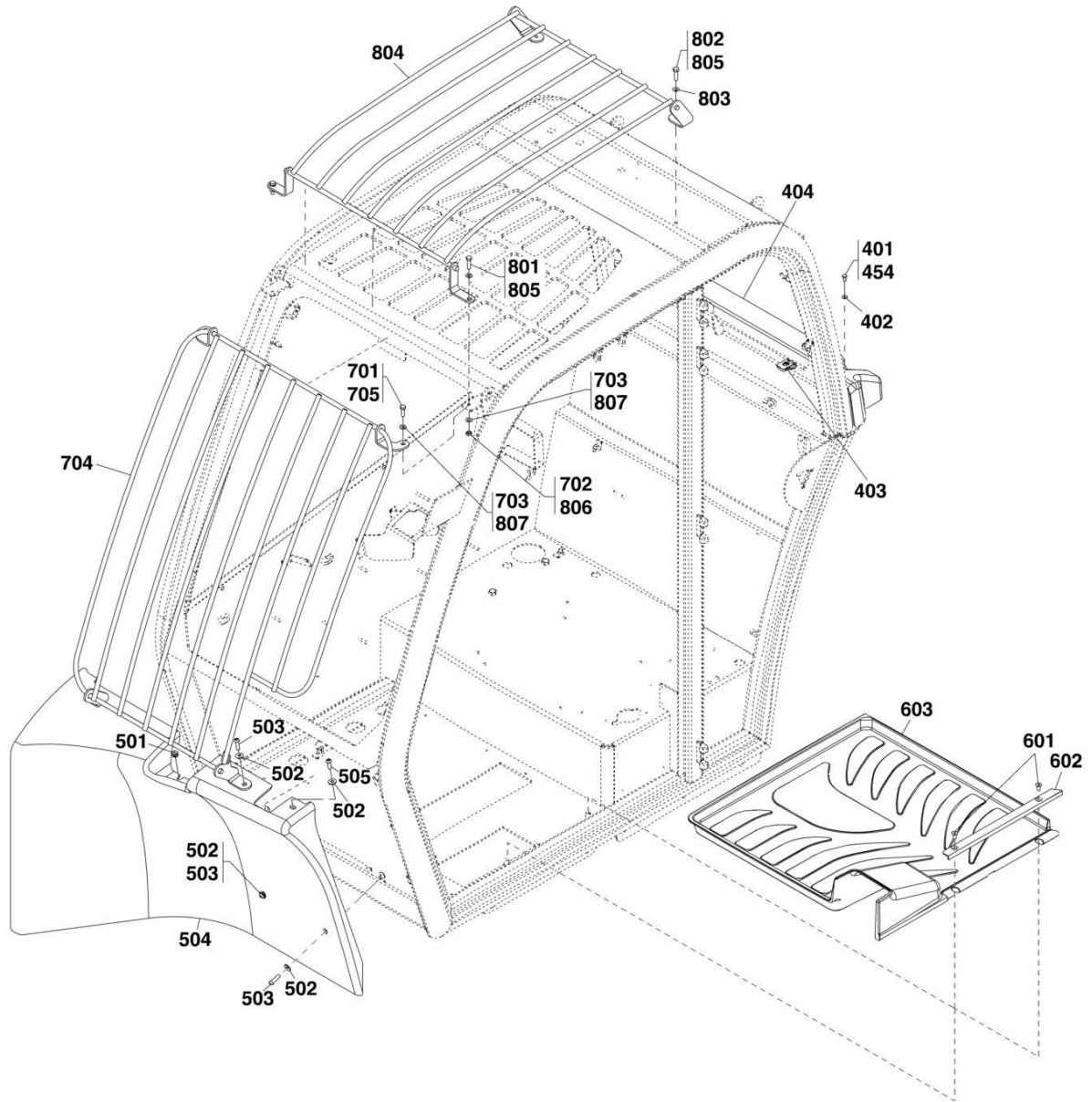
# SECTION 6 - CAB

## FIGURE 6-2. CAB ASSEMBLY



ART\_31200722-6-2\_1

# SECTION 6 - CAB



ART\_31200722-6-2\_2

# SECTION 6 - CAB

## FIGURE 6-2. CAB ASSEMBLY

ITEM	PART NUMBER	QTY	DESCRIPTION	REV
	1001146501	1	ENCLOSED CAB ASSEMBLY, (3706PS, 3707PS, 4014PS & 4017PS), (includes items 1 thru 3) <b>(Prior to SN 1160008090)</b>	H
	1001178047	1	ENCLOSED CAB ASSEMBLY, (3706PS, 3707PS, 4014PS & 4017PS), (includes items 1 thru 3) <b>(SN 1160008090 to Present)</b>	E
1	1001094658	1	REAR WINDOW ASSEMBLY, (includes items 101 thru 113 for service)	C
2		Ref	DOOR ASSEMBLY, (See CAB DOOR for Breakdown)	
3	1001146502	1	CAB, (3706PS, 3707PS, 4014PS & 4017PS), (includes items 201 thru 209 & 213 thru 225) <b>(Prior to SN 1160008090)</b>	I
3	1001213059	1	CAB, (3706PS, 3707PS, 4014PS & 4017PS), (includes items 201 thru 209 & 213 thru 225) <b>(SN 1160008090 to Present)</b>	C
101	1001008800	3	BOLT, M6X1	
102	1001008928	2	SOCKET HD BOLT, M6X1	
103	1001003749	1	HINGE	
104	1001005368	1	LATCH ASSY	
105	1001008796	2	LOCKNUT	
106	1001003043	1	SPRING PIN	
107	1001003272	4	GLASS MOUNT	
108	1001003306	1	SEAL	
109	1001003273	2	SPACER	
110	1001122408	2	WASHER	
111	1001003274	4	WASHER	
112	1001009388	3	WASHER	
113	1001094659	1	WINDOW	
201	N.S.S.	4	RIVNUT	
202	N.S.S.	2	RIVNUT	
203	4010615	3	PAN HD CAPSCREW, M6X35	
204	1001002870	1	WINDOW	
205	1001002871	1	WINDOW	
206	1001002873	1	WINDOW	
207	1001002958	1	DOOR HOLD OPEN RETAINER	
208	1001003470	1	PLUG	
209	1001008469	2	GROMMET	
210	1001008857	3	LOCKNUT	
211	1001008944	6	WASHER	
212	1001009136	3	HEX HD CAPSCREW, M8X1.25	
213	1001002872	1	RH WINDOW, (3706PS, 3707PS, 4014PS & 4017PS)	
214	1001096465	2	TRIM	
215	1001096466	2	TRIM	
216	N.S.S.	5	RIVNUT	
217	N.S.S.	11	RIVNUT	
218	N.S.S.	2	RIVET, 4mm	
219	N.S.S.	1	WELDMENT	
220	1001111317	AR	WINDOW SEALANT	
221	N.S.S.	1	SN PLATE	
223	1001121675	4	GROMMET	
224	1001121707	4	SEAL	
225	1001169810	1	GASKET	
301	1001096470	1	GLASS	
302	1001096471	1	FRAME	
303		Ref	WINDOW SEALANT	

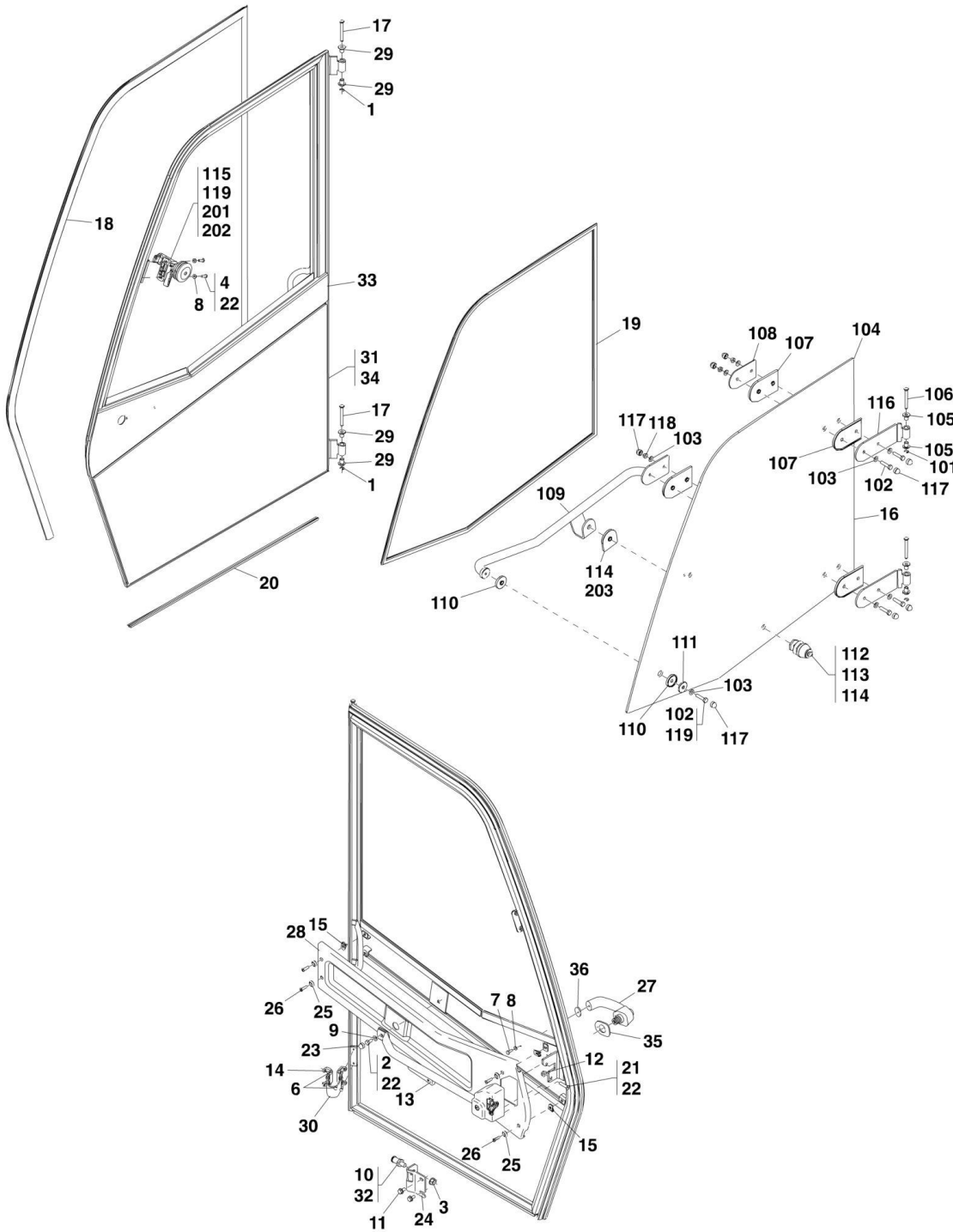


## SECTION 6 - CAB

ITEM	PART NUMBER	QTY	DESCRIPTION	REV
	1001099169	Ref	REAR CAB COVER INSTALLATION, (if equipped),(not available to order, see items 401 thru 404 for service)	C
	1001134187	Ref	REAR CAB COVER INSTALLATION, (if equipped with A/C), (not available to order, see items 401 thru 404 & 454 for service)	A
401	0760606	4	HEX HD CAPSCREW, M6X12, GR8.8	
402	4811702	4	WASHER, 6mm	
403	8305919	4	RETAINER NUT, M6X1	
404	1001099066	1	COVER, (if equipped)	
404	1001134186	1	COVER, (if equipped with A/C)	
454	1001095650	AR	LOCTITE 243	
	1001118140	Ref	FRONT CAB COVER INSTALLATION, (if equipped with remote HVAC intake), (not available to order, see items 501 thru 505 for service)	D
	1001147375	Ref	FRONT CAB COVER INSTALLATION, (if equipped), (not available to order, see items 501 thru 504 for service)	B
	1001100862	Ref	FRONT CAB COVER INSTALLATION, (if equipped), (not available to order, see items 501 thru 505 for service)	D
501	1001003011	1	GROMMET	
502	1001008666	5	WASHER	
503	1001009162	4	BUTTON HD CAPSCREW	
504	1001157922	1	COVER, (if equipped with remote HVAC intake)	
504	1001157924	1	COVER, (if equipped)	
505	1001175533	1	BUTTON HEAD CAPSCREW, M8 X 25	
	1001101791	Ref	FLOORMAT INSTALLATION, (not available to order, see items 601 thru 603 for service)	C
601	1001160543	2	FLAT HD CAPSCREW, M8X16	
602	1001002996	1	BRACKET	
603	1001091273	1	FLOORMAT	
	1001090301	Ref	FRONT BRICK GUARD INSTALLATION, (not available to order, see items 701 thru 705 for service)	G
701	0760614	2	HEX HD CAPSCREW, M6X30, GR8.8	
702	3290601	2	HEX NUT, M6X1	
703	4811702	4	WASHER, 6mm	
704	1001091788	1	WELDMENT	
705	1001095650	AR	LOCTITE 243	
	1001091787	Ref	TOP BRICK GUARD INSTALLATION, (not available to order, see items 801 thru 807 for service)	F
801	0760614	2	HEX HD CAPSCREW, M6X30, GR8.8	
802	0760810	2	HEX HD CAPSCREW, M8X20, GR8.8	
803	4811900	2	WASHER, 8mm	
804	1001091786	1	WELDMENT	
805	1001095650	AR	LOCTITE 243	
806	3290601	2	HEX NUT, M6X1	
807	4811702	4	WASHER, 6mm	

# SECTION 6 - CAB

## FIGURE 6-3. CAB DOOR



ART\_31200722-6-3

**SECTION 6 - CAB**

**FIGURE 6-3. CAB DOOR**

ITEM	PART NUMBER	QTY	DESCRIPTION	REV
	1001122362	1	DOOR ASSEMBLY, (3706PS, 3707PS, 4014PS, 4017PS), (includes items 1 thru 36), (Construction, Enclosed Cab) <b>(Prior to SN 1160008090)</b>	G
	1001178045	1	DOOR ASSEMBLY, (3706PS, 3707PS, 4014PS, 4017PS), (includes items 1 thru 36), (Construction, Enclosed Cab) <b>(SN 1160008090 to Present)</b>	E
1	0498748	2	SNAP RING	
2	0760808	1	HEX HD CAPSCREW, M8X16, GR 8.8	
3	3331215	1	HEX NUT, M12X1.75	
4	3900364	2	BUTTON HD CAP SCREW, M6X20	
5	3946123	1	SPACER, (not shown) <b>(Prior to SN 1160008090)</b>	
6	1001133089	4	POSI-DRIVE MACHINE SCREW, M5X12	
7	4010608	2	POSI-DRIVE MACHINE SCREW, M6X16	
8	4811700	4	WASHER, 6mm	
9	4811900	1	WASHER, 8mm	
10	4812100	2	WASHER, 12mm	
11	5200808	2	BOLT, M8X16	
12	5220800	2	NUT, M8	
13	8000802	1	DOOR HANDLE	
14	8001332	2	STRAP HOLDER BRACKET	
15	8305919	4	NUT, M6X1	
16	1001002868	1	WINDOW ASSEMBLY, (includes items 101 thru 119)	F
17	1001002944	2	HINGE PIN	
18	1001002961	1	DOOR FRAME SEAL	
19	1001002962	1	WINDOW SEAL	
20	1001002963	1	DOOR FRAME SEAL	
21	1001094312	2	FLAT HD SOCKET SCREW, M8X30, GR8.8	
22	1001095650	AR	LOCTITE 243	
23	1001096365	1	HEX HEAD CAP, M8	
24	1001096517	1	STRIKER MOUNT BRACKET	
25	1001097540	4	NYLON WASHER, 6mm	
26	1001132564	4	SCREW, M6X20	
27	1001178122	1	DOOR HANDLE <b>(Prior to SN 1160008090)</b>	
27	1001108830	1	DOOR HANDLE <b>(SN 1160008090 to Present)</b>	
28	1001101454	1	DOOR PANEL COVER	
29	1001107192	4	HINGE SLEEVE	
30	1001111153	1	DOOR STRAP	
31	1001111317	AR	WINDOW SEALANT ADHESIVE	
32	1001122312	1	BOLT STRIKER PIN	
33	1001122363C	1	DOOR FRAME, (Construction, Enclosed Cab) <b>(Prior to SN 1160008090)</b>	
33	1001122363J	1	DOOR FRAME, (Construction, Enclosed Cab) <b>(SN 1160008090 to Present)</b>	
33	1001122365C	1	DOOR FRAME, (Agricultural, Enclosed Cab)	
34	1001122366	1	LOWER DOOR WINDOW	
35	1001128763	1	DOOR HANDLE SEAL	
36	1001128764	1	DOOR HANDLE SEAL	
101	0498748	2	SNAP RING	
102	0700815	5	HEX HD CAPSCREW, M8X35, GR8.8, (torque to 28 Nm/21 lb-ft)	
103	4811900	8	FLAT WASHER, 8MM	
104	1001002869	1	UPPER DOOR WINDOW	

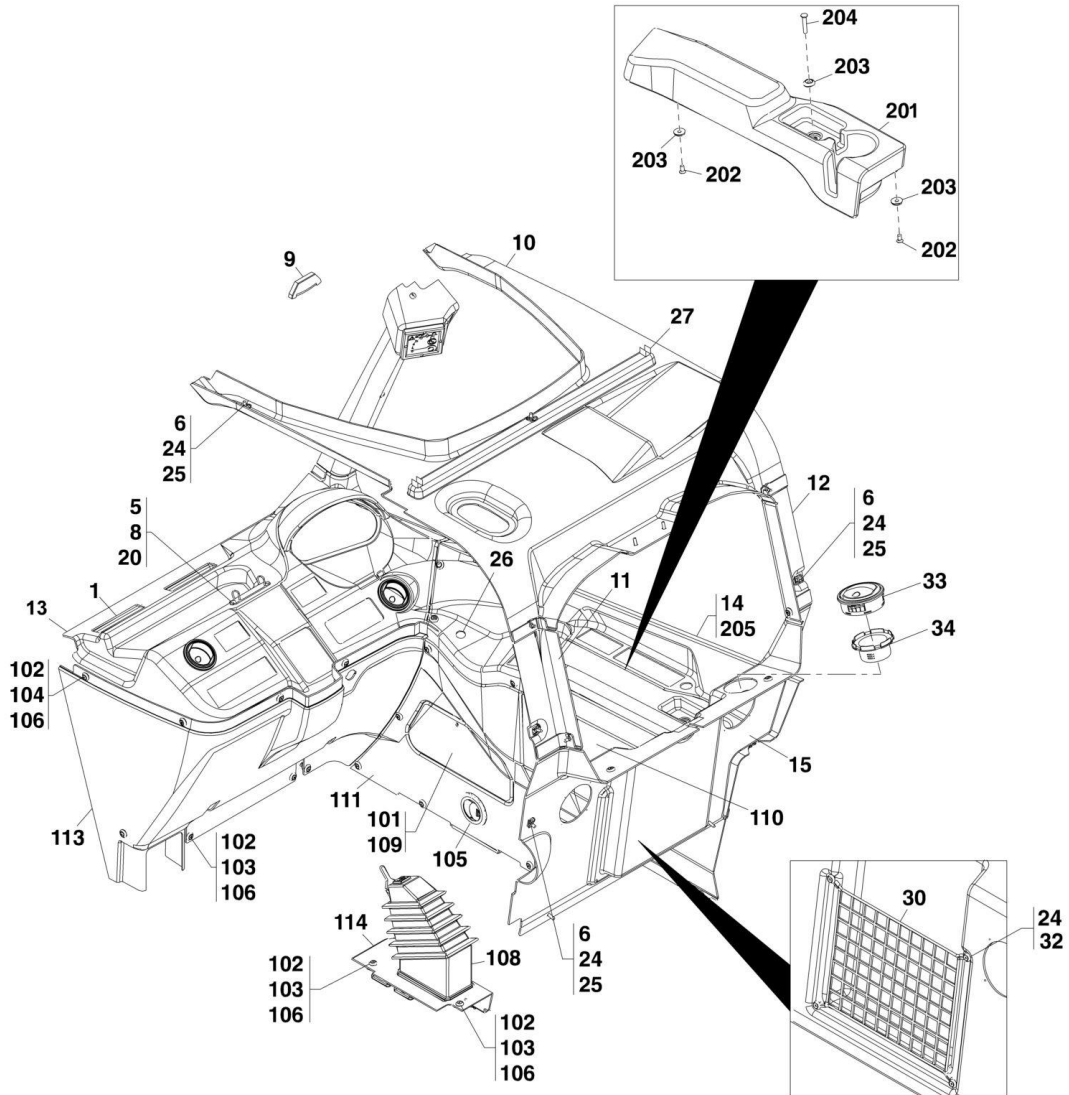
## SECTION 6 - CAB

ITEM	PART NUMBER	QTY	DESCRIPTION	REV
105	1001002943	4	HINGE SLEEVE	
106	1001002944	2	HINGE PIN	
107	1001002946	4	HINGE MOUNT	
108	1001002947	1	HINGE MOUNT	
109	1001002948	1	HANDLE ASSEMBLY	
110	1001002953	2	RUBBER MOUNT	
111	1001002954	1	HANDLE WASHER	
112	1001002955	1	STRICKER LATCH	
113	1001002956	1	LATCH SPECIAL WASHER	
114	1001002957	1	LATCH MOUNT	
115	1001002959	1	WINDOW HANDLE	
116	1001002997	2	HINGE ASSEMBLY	
117	1001096365	8	CAP, 8mm	
118	1001008857	3	LOCKNUT	
119	1001095650	AR	LOCTITE 243	
201	1001165276	1	STRIKER PLATE	
202	1001165275	1	WINDOW LATCH	
203	1001169787	1	LATCH SEAL	



# SECTION 6 - CAB

## FIGURE 6-4. INTERIOR INSTALLATION



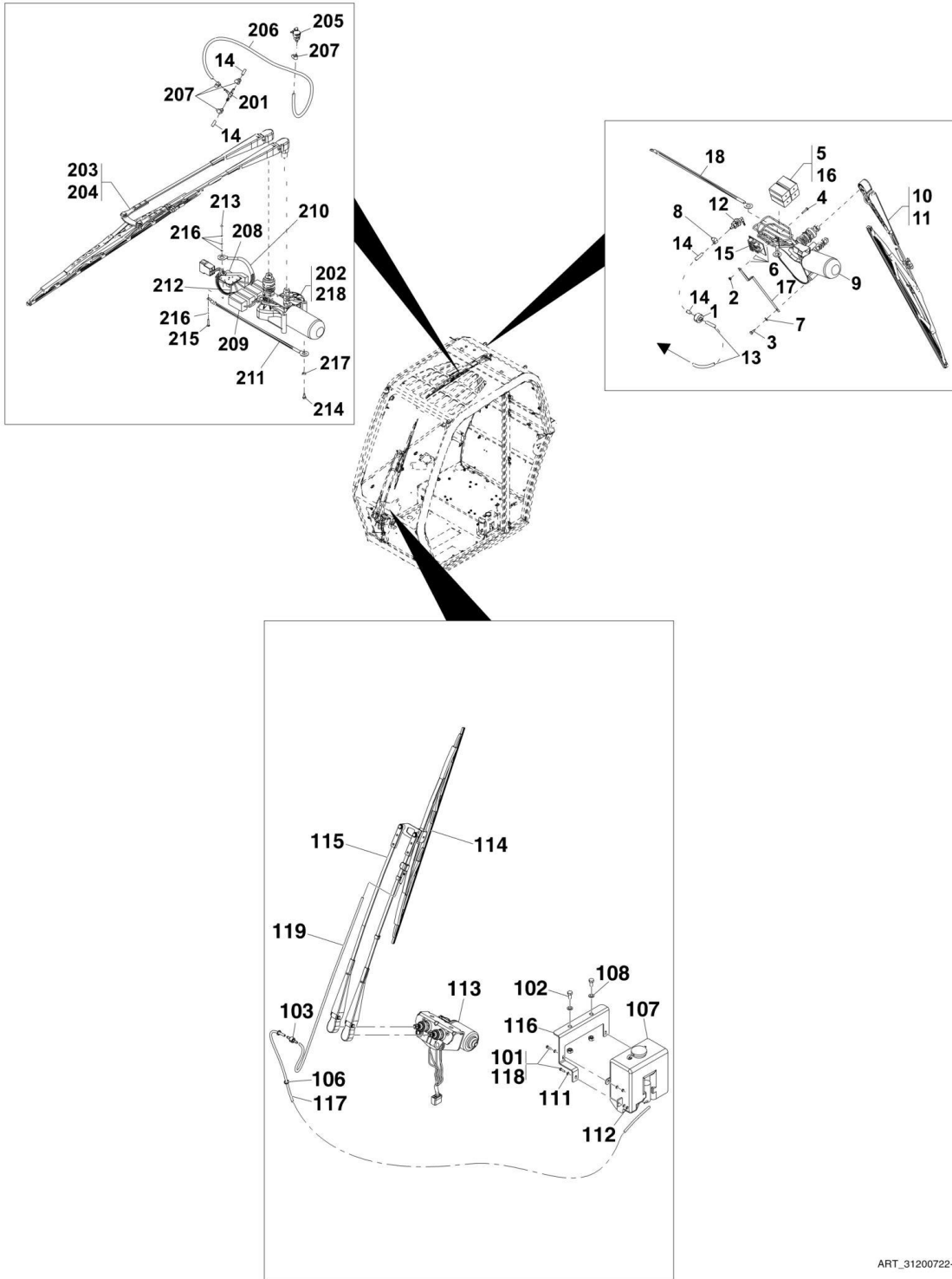
ART\_31200722-6-4

FIGURE 6-4. INTERIOR INSTALLATION

ITEM	PART NUMBER	QTY	DESCRIPTION	REV
1		Ref	AIR CIRCULATION COMPONENTS, (See HEATER INSTALLATION for Breakdown)	
5	7029486	2	SCREW	
6	8305919	16	RETAINER NUT, M6X1	
8	1001005960	1	HOLDER	
9	8466306	1	LEVEL INDICATOR	
10	1001090347	1	HEADLINER COVER	
11	1001090348	1	RH POST COVER	
12	1001090349	1	LG POST COVER	
13	1001139111	1	UPPER FRONT CONSOLE COVER, (EAME)	
13	1001139513	1	UPPER FRONT CONSOLE COVER, (NACD)	
14	1001139158	1	UPPER SIDE CONSOLE COVER ASSEMBLY, (includes items 201 thru 205)	B
15	1001139160	1	REAR CAB COVER	
20	4811900	2	WASHER, 8mm	
24	1001098150	24	WASHER, M6	
25	1001132564	20	SCREW, M6X20	
26	1001102866	1	CAB GROMMET	
27	1001111076	2	SPIRE NUT	
30	1001094225	1	NET	
32	1001133260	4	SCREW	
33	1001147449	3	VENT	
34	1001149278	3	VENT CONNECTOR	
101	2080092	1	THUMB SCREW, M6X16mm	
102	8305919	26	RETAINER NUT	
103	1001097540	17	WASHER, M6	
104	1001098150	8	WASHER, M6	
105		Ref	AIR CIRCULATION COMPONENTS, (See HEATER INSTALLATION for Breakdown)	
106	1001132564	25	SCREW, M6X20	
108	1001121674	1	PARK BRAKE GAITOR COVER	
108	1001155589	1	HYD HAND BRAKE, COVER, (4014PS & 4017PS)	
109	1001139230	1	FUSE BOX COVER	
110	1001139231	1	RH REAR COVER	
111	1001139232	1	SIDE CONSOLE COVER	
113	1001139235	1	LOWER FRONT CONSOLE COVER	
114	1001139236	1	LH REAR COVER	
201	1001143657	1	ARMREST	
202	1001097538	2	SCREW, M6X12	
203	1001097540	3	WASHER, M6	
204	1001104277	1	SCREW, M6X35	
205	1001139159	1	UPPER SIDE CONSOLE COVER	

# SECTION 6 - CAB

## FIGURE 6-5. WIPER INSTALLATIONS



ART\_31200722-6-5



FIGURE 6-5. WIPER INSTALLATIONS

ITEM	PART NUMBER	QTY	DESCRIPTION	REV
	1001146291	Ref	REAR WIPER INSTALLATION, (not available to order, see items 1 thru 18 for service)	B
1	1366865	1	CHECK VALVE	
2	3290301	1	HEX NUT, M3X0.5	
3	3940606	1	SCREW	
4	4010308	1	SCREW, M3X16	
5	4240032	4	4 IN TIE STRAP	
6	4871200	4	STAR WASHER, 3mm	
7	4871700	1	STAR WASHER, 6mm	
8	1001004141	1	CLAMP	
9	1001090334	1	REAR WIPER MOTOR	
9	70021307	1	SERVICE KIT	
10	1001090337	1	WIPER BLADE	
11	1001090342	1	WIPER ARM	
12	1001090343	1	CONNECTOR	
13	1001094541	1	HOSE	
14	1001094543	1	HOSE	
15	1001143197	1	BRACKET	
16	1001143198	4	NOISE FILTER	
17	1001152862	1	STRAP	
18	1001146339	1	STRAP	
	1001146290	Ref	FRONT WIPER INSTALLATION, (not available to order, see items 101 thru 119 for service)	G
101	0760408	3	HEX HD CAPSCREW, M4X16, GR8.8, (torque to 3.4 Nm/2.5 lb-ft)	
102	0760808	2	HEX HD CAPSCREW, M8X16, GR8.8, (torque to 28 Nm/21 lb-ft)	
103	1366865	1	CHECK VALVE	
106	4240032	4	4 IN TIE STRAP	
107	4400493	1	TANK	
108	4811900	2	WASHER, 8mm	
111	8310491	6	WASHER, 4mm	
112	8310665	3	HEX NUT, M4X0.7	
113	1001090336	1	FRONT WIPER MOTOR	
113	70021308	1	SERVICE KIT	
114	1001090339	1	WIPER BLADE	
115	1001090340	1	WIPER ARM	
116	1001178097	1	BRACKET	
117	1001094534	1	HOSE	
118	1001095650	AR	LOCTITE 243	
119	1001096565	1	HOSE	
	1001146292	Ref	ROOF WIPER INSTALLATION, (if equipped), (not available to order, see items 201 thru 217 for service)	B
	1001146557	Ref	ROOF WIPER INSTALLATION, (3706PS, 3707PS, 4014PS & 4017PS), (not available to order, see items 201, 203 thru 206 & 218)	D
201	1001008742	1	TEE FITTING	
202	1001090335	1	ROOF WIPER MOTOR	
202	70021307	1	SERVICE KIT	
203	1001090338	1	WIPER BLADE	
204	1001090341	1	WIPER ARM	
205	1001090343	1	CONNECTOR	
206	1001096563	1	HOSE	

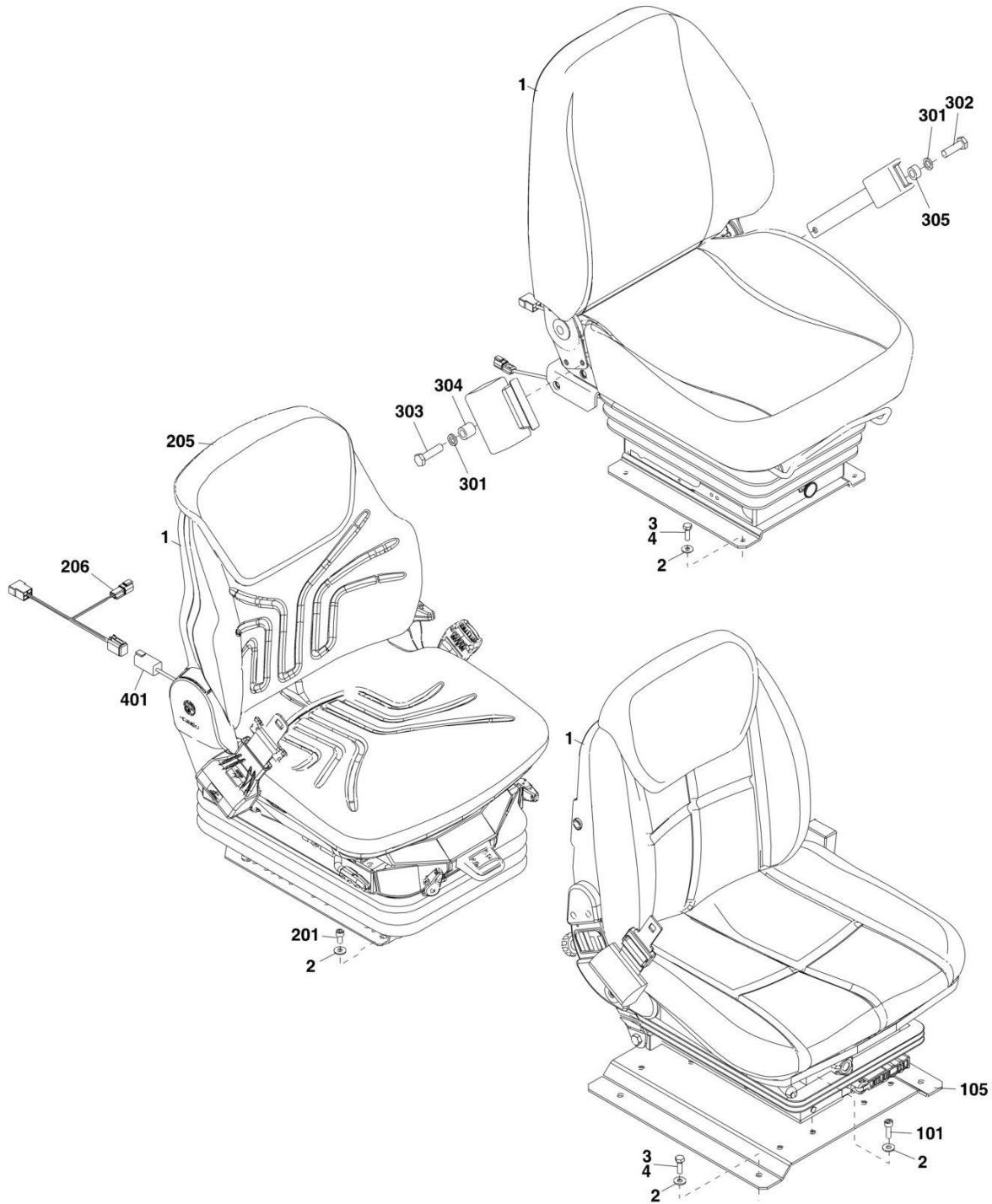
## SECTION 6 - CAB

ITEM	PART NUMBER	QTY	DESCRIPTION	REV
207	1001004141	4	CLAMP	
208	1001143197	1	BRACKET	
209	1001143198	4	NOISE FILTER	
210	1001152862	1	STRAP	
211	1001146339	1	STRAP	
212	4240032	4	4 IN TIE STRAP	
213	3290301	1	HEX NUT, M3X0.5	
214	3940606	1	SCREW	
215	4010308	1	SCREW, M3X16	
216	4871200	4	STAR WASHER, 3mm	
217	4871700	1	STAR WASHER, 6mm	
218	1001154465	1	ROOF WIPER MOTOR INSTALLATION, (includes items 202, 208 thru 217)	A



# SECTION 6 - CAB

## FIGURE 6-6. SEAT ASSEMBLIES



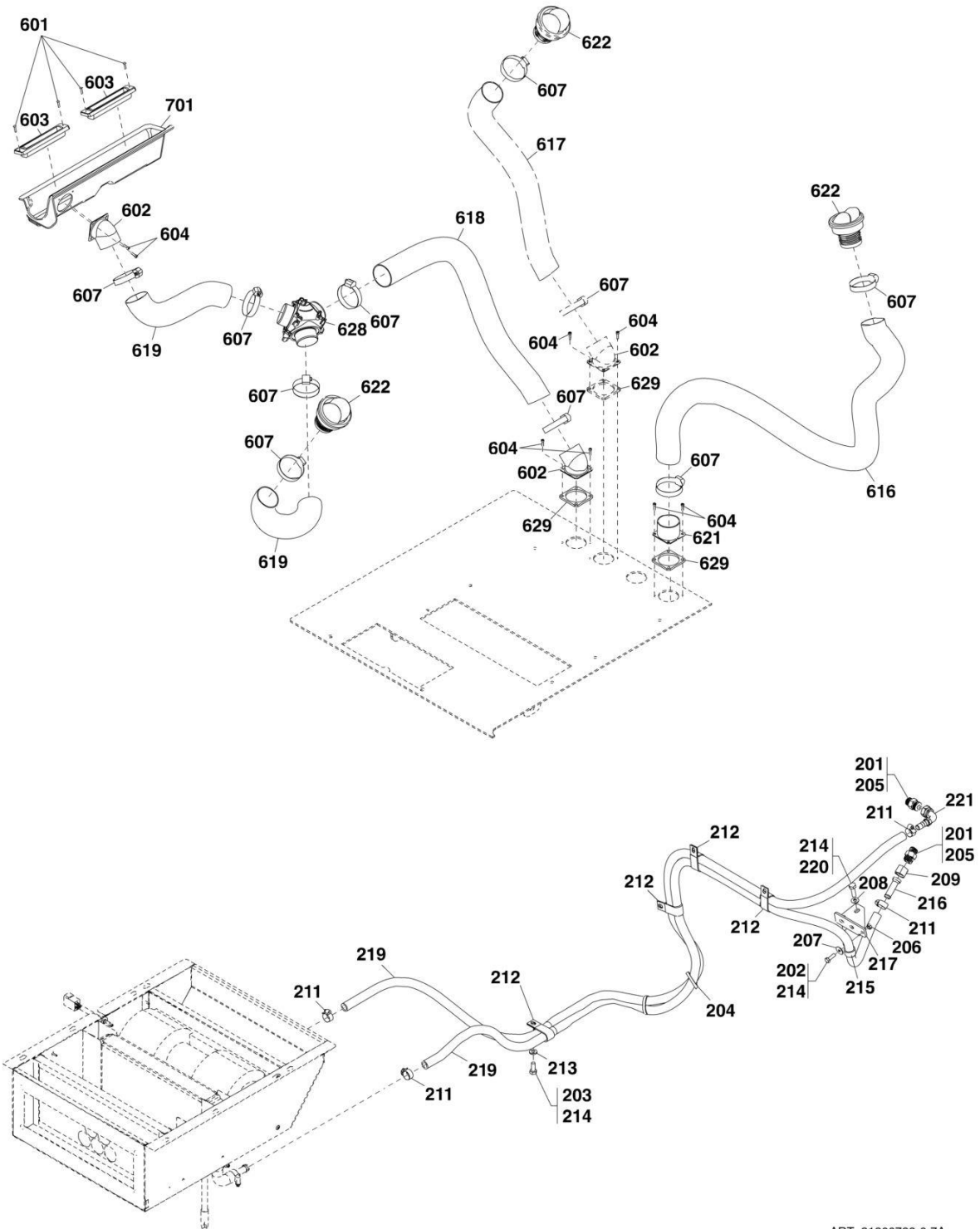
ART\_31200722-6-6

FIGURE 6-6. SEAT ASSEMBLIES

ITEM	PART NUMBER	QTY	DESCRIPTION	REV
	1001136001	Ref	AIR SUSPENSION SEAT INSTALLATION, CLOTH, (if equipped), (3706PS, 3707PS, 4014PS & 4017PS), (not available to order, see items 1 thru 4 for service)	C
	1001136005	Ref	MECHANICAL SUSPENSION INSTALLATION, CLOTH, (if equipped), (3706PS, 3707PS, 4014PS & 4017PS), (not available to order, see items 1 thru 4 & 101 thru 105 for service)	C
1	1001152937	1	AIR SUSPENSION SEAT, CLOTH, (if equipped), (3706PS, 3707PS, 4014PS & 4017PS), (includes item 401)	
1	1001152824	1	MECHANICAL SUSPENSION SEAT, CLOTH, (if equipped), (3706PS, 3707PS, 4014PS & 4017PS),	
2	1001008666	4	HARD WASHER, (if equipped), (3706PS, 3707PS, 4014PS, 4017PS, 33.7, 37.6 & 37.7)	
2	1001008666	8	HARD WASHER, (if equipped), (3706PS, 3707PS, 4014PS & 4017PS)	
3	0770812	4	HEX HD BOLT, M8X25	
4	1001095650	AR	LOCTITE 243	
101	4031909	4	SOCKET HD CAPSCREW, M8X25	
105	1001138144	1	SEAT MOUNT BRACKET	
201	4031909	4	SOCKET HD CAPSCREW, M8X25	
205	1001152521	1	HEADREST	
206	1001154259	NLA	SEAT ADAPTER HARNESS, (no longer available, use 1001168531 for service)	
206	1001168531	1	SEAT ADAPTER HARNESS	
	1001006730	1	SEAT BELT GROUP, (if equipped), (includes items 301 thru 305)	C
301	1001010646	2	SPRING WASHER	
302	1001010647	1	LOCKING BOLT, 38mm, GR10	
303	1001010648	1	LOCKING BOLT, 44mm, GR10.9	
304	1001010649	1	SPACER	
305	1001010650	1	SPACER	
401	1001117011	1	CONNECTOR	

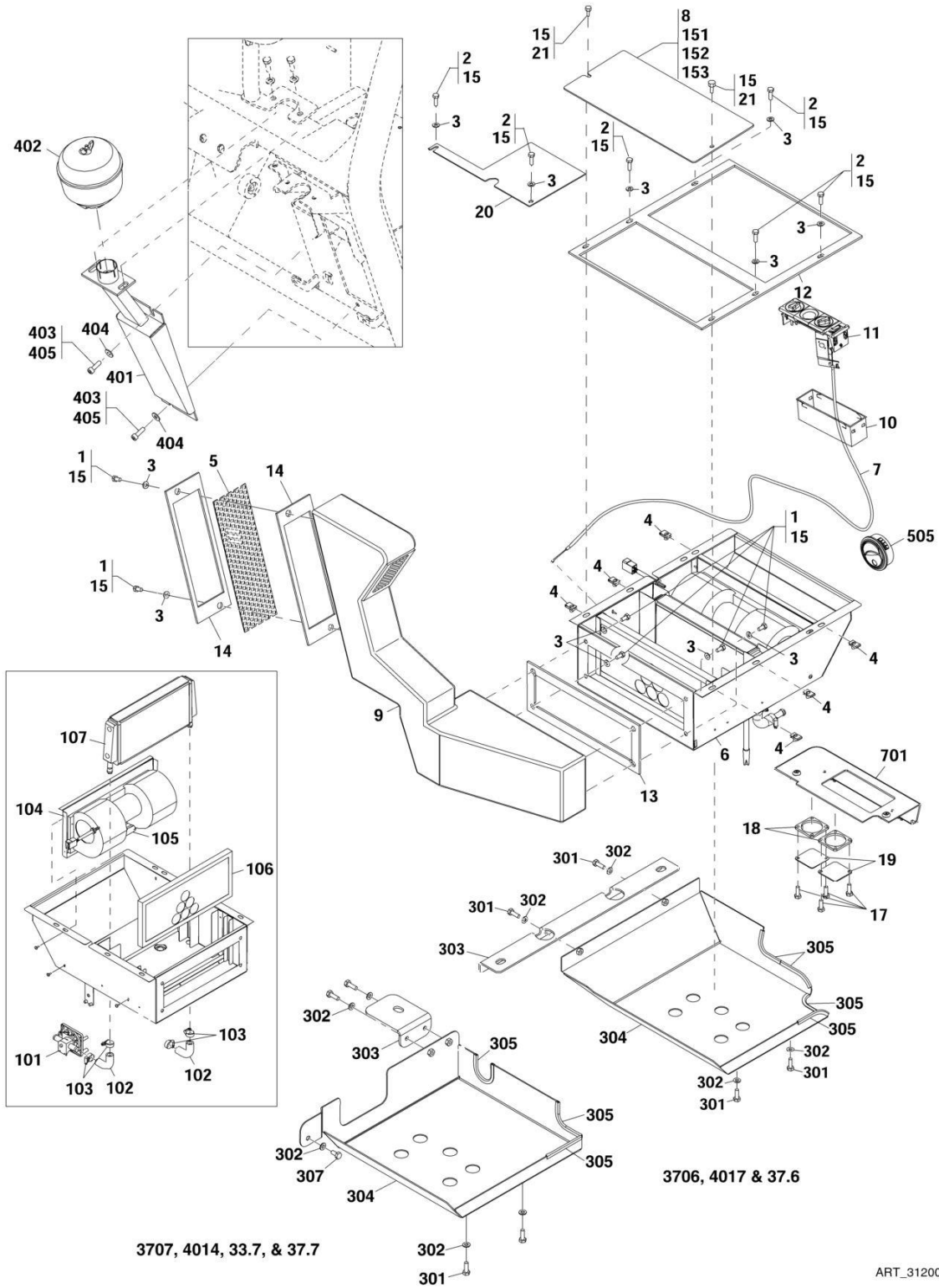
# SECTION 6 - CAB

## FIGURE 6-7. HEATER INSTALLATION



ART\_31200722-6-7A

# SECTION 6 - CAB



ART\_31200722-6-7B

# SECTION 6 - CAB

## FIGURE 6-7. HEATER INSTALLATION

ITEM	PART NUMBER	QTY	DESCRIPTION	REV
	1001118589	Ref	HEATER INSTALLATION, (not available to order, see items 1 thru 21 for service)	G
1	0760808	6	HEX HD CAPSCREW, M8X16, GR8.8	
2	0760812	6	HEX HD CAPSCREW, M8X25, GR8.8	
3	4811900	12	WASHER, 8mm	
4	8310686	6	NUT, M8X1.25	
5	1001002992	1	PLATE	
6	1001091376	1	HEATER ASSEMBLY, (includes items 101 thru 107)	D
7	1001091383	1	CABLE	
8	1001161807	1	AC/HEATER PANEL ASSEMBLY , (includes items 151 thru 153)	B
9	1001091728	1	COVER	
10	1001091871	1	BRACKET	
11	1001091924	1	CONTROL PANEL	
12	1001092088	1	FOAM SEAL	
13	1001094140	1	FOAM SEAL	
14	1001094215	2	FOAM SEAL	
15	1001095650	AR	LOCTITE 243	
17	4031507	4	HEX HD SOCKET SCREW, M4X16	
18	1001144635	2	FOAM SEAL	
19	1001144784	2	COVER HOLE PLATE	
20	1001160062	1	CAB FLOOR COVER	
21	1001161439	2	SCREW	
101	70021122	1	VALVE	
102	70021967	2	ELBOW, 90	
103	70021124	4	CLAMP	
104	1001118231	1	VENTILATOR	
105	70024169	1	RESISTOR	
106	1001118439	1	FILTER	
107	70021127	1	HEATER	
151	1001096659	1	SEAL	
152	1001151043	1	FOAM SEAL	
153	1001160117	1	COVER PLATE	
	1001135386	Ref	CAB HEATER LINES INSTALLATION, (not available to order, see items 201 thru 221 for service)	H
201	0100020	AR	LOCTITE 567	
202	0760812	1	HEX HD CAPSCREW, M8X25, GR8.8	
203	0761012	1	HEX HD CAPSCREW, M10X25, GR8.8	
204	1062255	2	TIE STRAP	
205	2221257	2	STRAIGHT FITTING, (includes o-ring)	
206	3290801	1	HEX NUT, M8X1X1.25, GR8	
207	4811902	2	WASHER, 8mm	
208	4812000	2	WASHER, 10mm	
209	8770143	1	NUT, (includes o-ring)	
211	1001008609	4	CLAMP	
212	1001008720	4	LOOP CLIP	
213	1001009092	1	WASHER	
214	1001095650	AR	LOCTITE 243	
215	1001100319	1	CLIP	
216	1001125409	1	BARB FITTING, (includes o-ring)	
217	1001134758	1	SUPPORT PLATE	

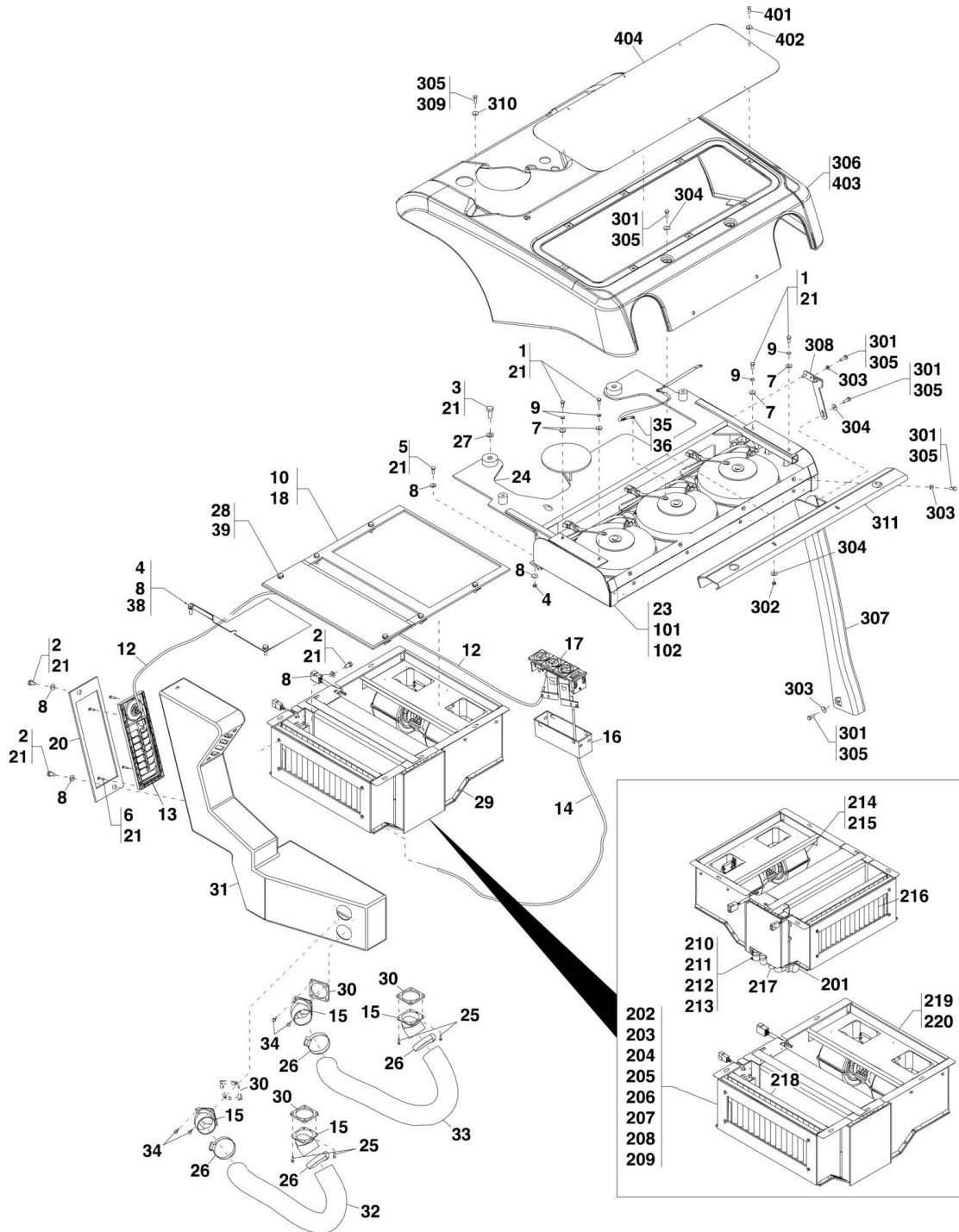


## SECTION 6 - CAB

ITEM	PART NUMBER	QTY	DESCRIPTION	REV
219	1001146153	2	HOSE ASSY	
220	0761015	2	HEX HD CAPSCREW, M10X35, GR8.8	
221	1001137296	1	ELBOW, 90, (includes o-ring)	
	1001094632	Ref	HEATER/AC UNIT GUARD SHIELD INSTALLATION, (if equipped), (3706PS, 4017PS & 37.6) (not available to order, see items 301 thru 306 for service)	F
	1001127290	1	HEATER/AC UNIT GUARD SHIELD INSTALLATION, (if equipped), (3707PS, 4014PS, 33.7 and 37.7) (not available to order, see items 301 thru 305 for service)	D
301	0761014	4	HEX HD CAPSCREW, M10X30, GR8.8, (torque to 55 Nm/41 lb-ft)	
302	4812000	4	WASHER, 10 MM, (3706PS, 4017PS & 37.6)	
302	4812000	5	WASHER, 10 MM, (3707PS, 4014PS, 33.7 & 37.7)	
303	1001149589J	1	GUARD BRACKET, (3706PS, 4017PS & 37.6)	
303	1001127396	1	GUARD BRACKET (3707PS, 4014PS, 33.7 & 37.7)	
304	1001155932	1	GUARD SHIELD,(3706PS, 4017PS & 37.6)	
304	1001145250	1	GUARD SHIELD, (3707PS, 4014PS, 33.7 & 37.7)	
305	1001146121	4	SEAL, (3706PS, 4017PS & 37.6)	
305	1001146121	3	SEAL, (3707PS, 4014PS, 33.7 & 37.7)	
307	0761010	1	HEX HD CAPSCREW, M10X30, GR8.8, (torque to 55 Nm/41 lb-ft) (3707, 4014, 33.7 & 37.7)	
	1001118366	Ref	REMOTE INTAKE INSTALLATION, (not available to order, see items 401 thru 405 for service)	B
401	1001116495	1	WELDMENT	
402	1001118022	1	FILTER	
403	4031909	2	SOCKET HD CAPSCREW, M8X25	
404	4811902	2	WASHER, 8mm	
405	1001095650	AR	LOCTITE 243	
505	1001110856	1	VENT ( <b>Prior to SN 1160007557, Excluding 1160006750</b> )	
505	1001147449	1	VENT ( <b>SN 1160007557 to Present, Including 1160006750</b> )	
601	885236	4	SCREW, M3.5X16	
602	2180869	3	ELBOW, 45	
603	3953973	2	VENT	
604	4191706	8	THREAD ROLLING SCREW, 6X12	
607	8405201	10	2-1/2 IN CLAMP	
616	1001091416	1	HOSE	
617	1001091417	1	HOSE	
618	1001091418	1	HOSE	
619	1001091419	2	HOSE	
621	1001091537	1	HOSE	
622	1001096169	3	VENT	
628	1001118228	NLA	3-WAY DUCT, (no longer available, use 1001178244 for replacement)	
628	1001178244	1	3-WAY DUCT	
629	1001144635	3	FOAM SEAL	
701		Ref	CAB INTERIOR, (See INTERIOR INSTALLATION for Breakdown)	

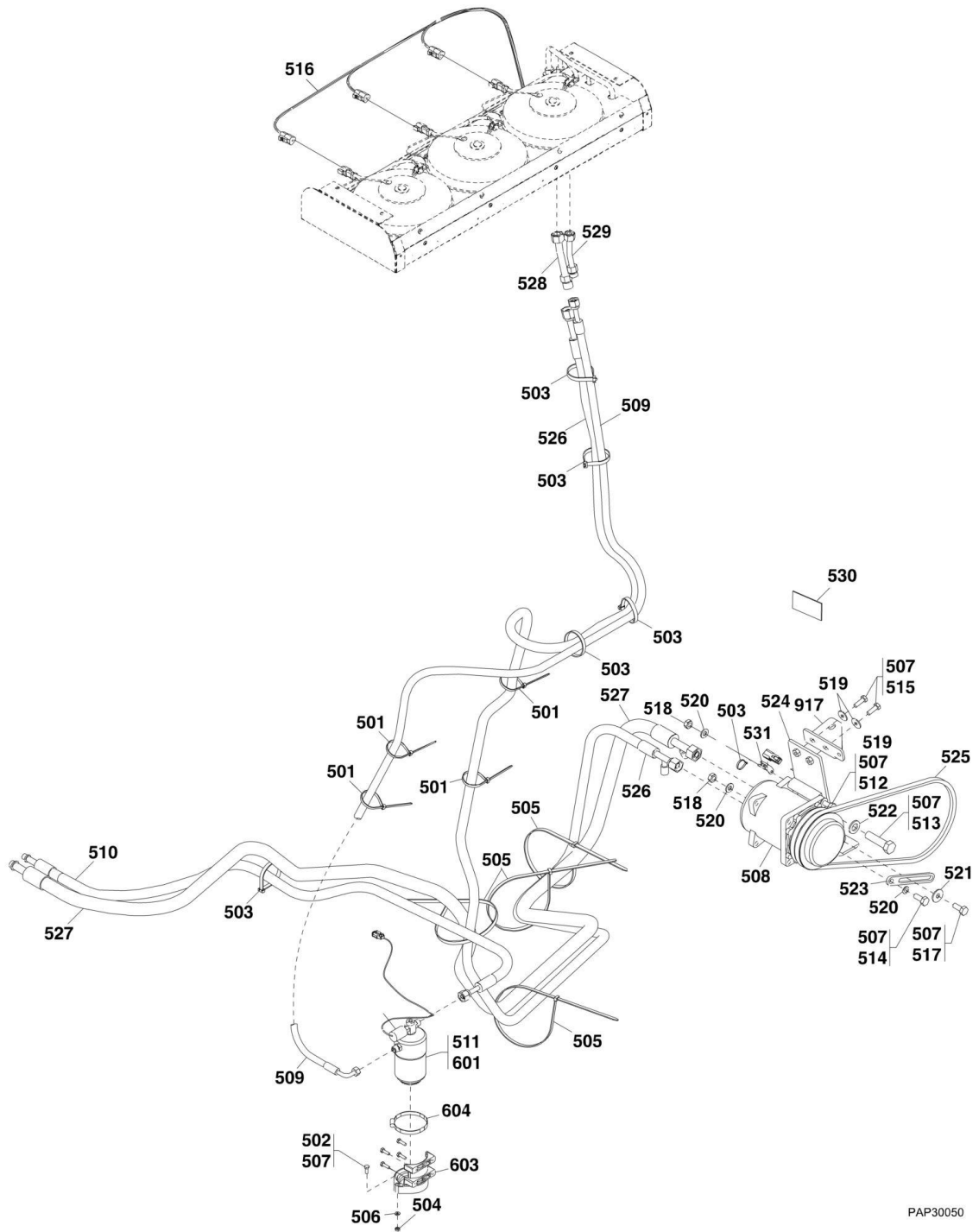
# SECTION 6 - CAB

## FIGURE 6-8. AIR CONDITIONING INSTALLATION



ART\_31200722-6-8\_1

# SECTION 6 - CAB



PAP30050

# SECTION 6 - CAB

## FIGURE 6-8. AIR CONDITIONING INSTALLATION

ITEM	PART NUMBER	QTY	DESCRIPTION	REV
	1001144685	Ref	AIR CONDITIONING INSTALLATION, (not available to order, see items 1 thru 39 for service)	F
1	0760608	4	HEX HD CAPSCREW, M6X16, GR8.8	
2	0760808	6	HEX HD CAPSCREW, M8X16, GR8.8	
3	0760810	2	HEX HD CAPSCREW, M8X20, GR8.8	
4	0760812	8	HEX HD CAPSCREW, M8X25, GR8.8	
5	3290801	2	HEX NUT, M8X1.25	
6	3900265	4	SCREW, #8-18X3/4	
7	4811702	4	WASHER, 6mm	
8	4811900	16	WASHER, 18mm	
9	4831700	4	LOCKWASHER, 6mm	
10		Ref	HEX NUT, M8X12.5, (See HEATER INSTALLATION for Breakdown)	
12	1001091193	1	CABLE	
13	1001091194	1	VENT	
14	1001144765	1	CABLE	
15	2180869	4	ELBOW, 45	
16	1001091871	1	BRACKET	
17	1001091923	1	CONTROL PANEL	
18		Ref	FOAM SEAL, (See HEATER INSTALLATION for Breakdown)	
20	1001094215	1	FOAM SEAL	
21	1001095650	AR	LOCTITE 243	
23	1001146143	1	CONDENSER ASSEMBLY, (includes items 101 & 102)	B
24	1001142653	1	BRACKET	
25	4031507	4	SOCKET HD CAPSCREW, M4X16	
26	8405201	4	2-1/2 IN CLAMP	
27	4811902	2	WASHER, 8mm	
28		Ref	A/C HEATER PANEL, (See HEATER INSTALLATION for Breakdown)	
29	1001144345	1	HEATER WITH A/C ASSEMBLY, (includes items 201 thru 220)	D
30	1001144635	4	FOAM SEAL	
31	1001144677	1	COVER	
32	1001144678	1	TUBE	
33	1001144679	1	TUBE	
34	1001145218	8	PAN HD SCREW	
35	4871700	1	STAR LOCKWASHER, 6mm	
36	1001145448	1	CABLE	
37	1001146021	3	SEAL	
38		Ref	CAB FLOOR COVER, (See HEATER INSTALLATION for Breakdown)	
39		Ref	KNURLED HEAD SCREW, (See HEATER INSTALLATION for Breakdown)	
101	70022550	1	CONDENSOR	
102	70024381	1	12V FAN	
201	70021128	1	EXPANSION VALVE	
202	1001118308	1	O-RING	
203	70021130	1	O-RING	
204	70021131	1	INNER PLATE	
205	70021132	1	OUTTER PLATE	
206	70021133	1	SCREW, M5X35	
207	70021134	1	BOLT, M6X16	

## SECTION 6 - CAB

ITEM	PART NUMBER	QTY	DESCRIPTION	REV
208	70021135	1	WASHER	
209	70021136	1	CAP	
210	70021137	1	THERMOSTAT	
211	8003164	1	WATER VALVE	
212	70021967	2	ADAPTER, 90	
213	70021124	4	CLAMP	
214	1001118231	1	VENTILATOR	
215	70024169	1	RESISTOR	
216	1001118439	1	FILTER	
217	1001118229	2	DRAIN	
218	70021127	1	HEAT EXCHANGER	
219	70024170	1	EVAPORATOR	
220	70024171	1	INSULATION	
	1001139167	Ref	A/C CONDENSER COVER INSTALLATION, (3706PS, 3707PS, 4014PS & 4017PS), (not available to order, see items 301 thru 311 for service)	C
301	0760610	10	HEX HD CAPSCREW, M6X20, GR8.8	
302	3290601	2	HEX NUT, M6X1	
303	4811700	7	WASHER, 6mm	
304	4811702	5	WASHER, 6mm	
305	1001095650	AR	LOCTITE 243	
306	1001139168	1	CONDENSER COVER ASSEMBLY, (3706PS, 3707PS, 4014PS & 4017PS), (includes items 401 thru 404)	C
307	1001131205	1	COVER	
308	1001133587	1	BRACKET	
309	0761010	2	HEX HD CAPSCREW, M10X20, GR8.8	
310	4812002	2	WASHER, 10mm	
311	1001142652	1	BRACKET	
401	3900364	8	BUTTON HD CAPSCREW, M6X20, (torque to 4.42 lb-ft/6 Nm)	
402	4811702	8	WASHER, 6mm	
403	1001139169	1	COVER, (3706PS, 3707PS, 4014PS & 4017PS)	
404	1001133239	1	COVER GRILL	
	1001154296	Ref	A/C ENGINE COMPONENT INSTALLATION, (3706PS, 3707PS, 33.7, 37.6 & 37.7), (not available to order, see items 501 thru 531 for service)	D
	1001154297	Ref	A/C ENGINE COMPONENT INSTALLATION, (4014PS), (not available to order, see items 501 thru 531 for service)	D
	1001134920	Ref	A/C ENGINE COMPONENT INSTALLATION, (4017PS), (not available to order, see items 501 thru 531 for service)	J
501	471678	16	TY-WRAP	
502	0760608	2	HEX HD CAPSCREW, M6X16, GR8.8	
503	1062255	8	TY-WRAP	
504	3290601	2	HEX NUT, M6X1	
505	4240127	4	TIE STRAP	
506	4811700	2	WASHER, 6mm	
507	1001095650	AR	LOCTITE 243	
508	1001119220	1	COMPRESSOR	
509	1001136487	1	HOSE ASSY	
510	1001145329	1	HOSE ASSY	
511	1001133700	1	DRYER FILTER ASSEMBLY, (includes items 601 thru 604)	A
512	0711030	1	HEX HD CAPSCREW, M10X130, GR10.9	
513	0701620	2	HEX HD CAPSCREW, M16X60, GR8.8	
514	0711015	1	HEX HD CAPSCREW, M10X35, GR10.9	

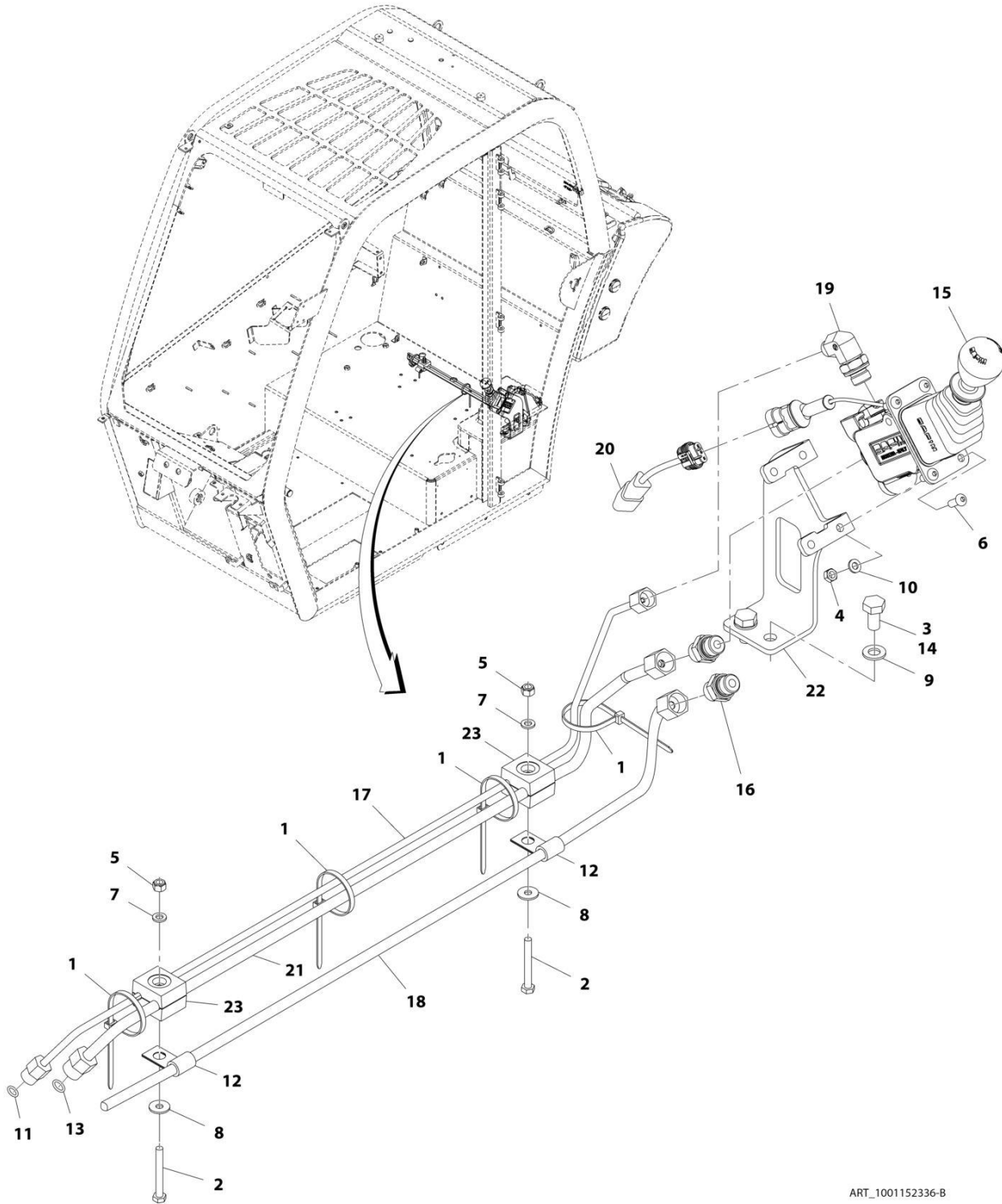
## SECTION 6 - CAB

ITEM	PART NUMBER	QTY	DESCRIPTION	REV
515	0760812	2	HEX HD CAPSCREW, M8X25, GR8.8	
516		Ref	A/C HARNESS, (See ELECTRICAL SECTION for Breakdown)	
517	0761012	1	HEX HD CAPSCREW, M10X25, GR8.8	
518	3291001	2	HEX NUT, M10X1.5, GR8	
519	4811902	2	WASHER, 8mm	
520	4812000	4	WASHER, 10mm	
521	4812002	1	WASHER, 10mm	
522	4812300	2	WASHER, 16mm	
523	1001129680	1	PLATE	
524	1001158122	1	BRACKET	
525	1001134759	1	BELT	
526	1001154313	1	DISCHARGE HOSE, (3706PS, 3707PS, 33.7, 37.6 & 37.7)	
526	1001154311	1	DISCHARGE HOSE, (4014PS)	
526	1001134525	1	DISCHARGE HOSE, (4017PS)	
527	1001154314	1	SUCTION HOSE, (3706PS, 3707PS, 33.7, 37.6 & 37.7)	
527	1001154312	1	SUCTION HOSE, (4014PS)	
527	1001146583	1	SUCTION HOSE, (4017PS)	
528	1001136545	1	SUPPLY HOSE	
529	1001136546	1	RETURN HOSE	
530	1001166868	NLA	DECAL, (no longer available, use 1001226910 for replacement)	
530	1001226910	1	DECAL	
531	1001003305	1	CLIP	
601	70021482	1	DRYER	
602	1001134049	1	PRESSURE SWITCH	
603	70021550	1	BRACKET	
604	70021551	1	CLAMP	
701		Ref	AIR CIRCULATION COMPONENTS, (not shown), (See HEATER INSTALLATION for Breakdown)	
801		Ref	HVAC GUARD INSTALLATION, (not shown), (See HEATER INSTALLATION for Breakdown)	
917		Ref	SUPPORT PLATE, (See HEATER INSTALLATION for Breakdown)	



# SECTION 6 - CAB

## FIGURE 6-9. CAB HYDRAULIC INSTALLATION (HYDRAULIC PARK BRAKE)





## SECTION 6 - CAB

**FIGURE 6-9. CAB HYDRAULIC INSTALLATION (HYDRAULIC PARK BRAKE)**

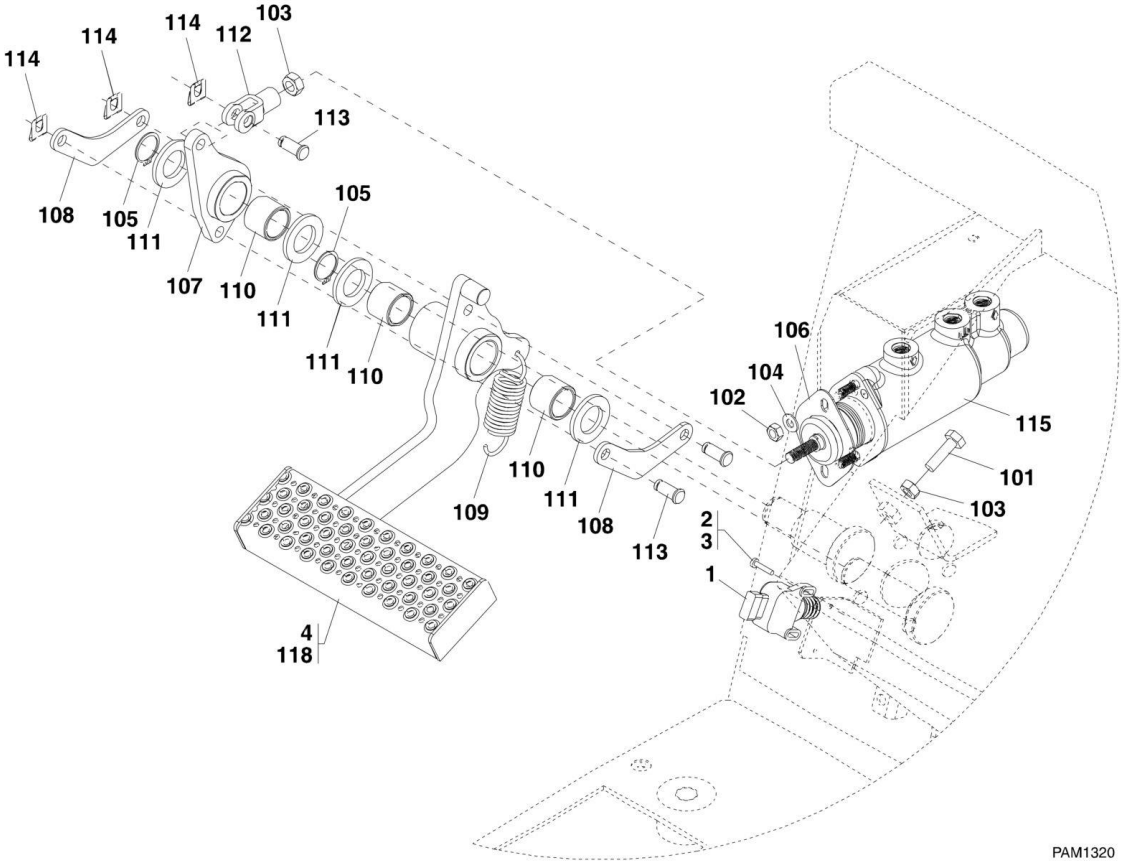
ITEM	PART NUMBER	QTY	DESCRIPTION	REV
	1001152336	1	CAB HYDRAULIC INSTALLATION, (Hydraulic Park Brake)	B
1	471678	4	CABLE BAND	
2	0700618	2	HEX HD CAPSCREW, M6X50, GR8.8	
3	0761010	2	HEX HD CAPSCREW, M10X20, GR8.8	
4	3290601	4	HEX NUT, 6X1mm	
5	3290605	2	HEX LOCKNUT, M6X1	
6	3900357	4	BTNHD CAP SCR, M6 X 16	
7	4811700	2	WASHER, 2mm	
8	4811702	2	WASHER, 6mm	
9	4812000	2	WASHER, 10mm	
10	4831700	4	SPRING LOCKWASHER, 6mm	
11	1001008586	1	O-RING SEAL	
12	1001008773	2	CLIP	
13	1001008804	1	SEAL	
14	1001095650	AR	LOCTITE 243	
15		Ref	HYDRAULIC VALVE, HANDBRAKE, (See HYDRAULIC COMPONENTS SECTION for Breakdown)	
16	1001101702	2	ADAPTER, CONNECTOR, (includes o-ring)	
17	1001154953	1	PIPE	
18	1001154955	1	PIPE	
19	1001155001	1	ADAPTER, 90, (includes o-ring)	
20	1001155239	1	HARNESS LINK	
21	1001155414	1	PIPE	
22	1001155781	1	PARK BRAKE MOUNT BRACKET	
23	1001156163	2	PIPE CLAMP	



**SECTION 7 - CONTROLS**

**SECTION 7 - CONTROLS**

**FIGURE 7-1. BRAKE**



PAM1320

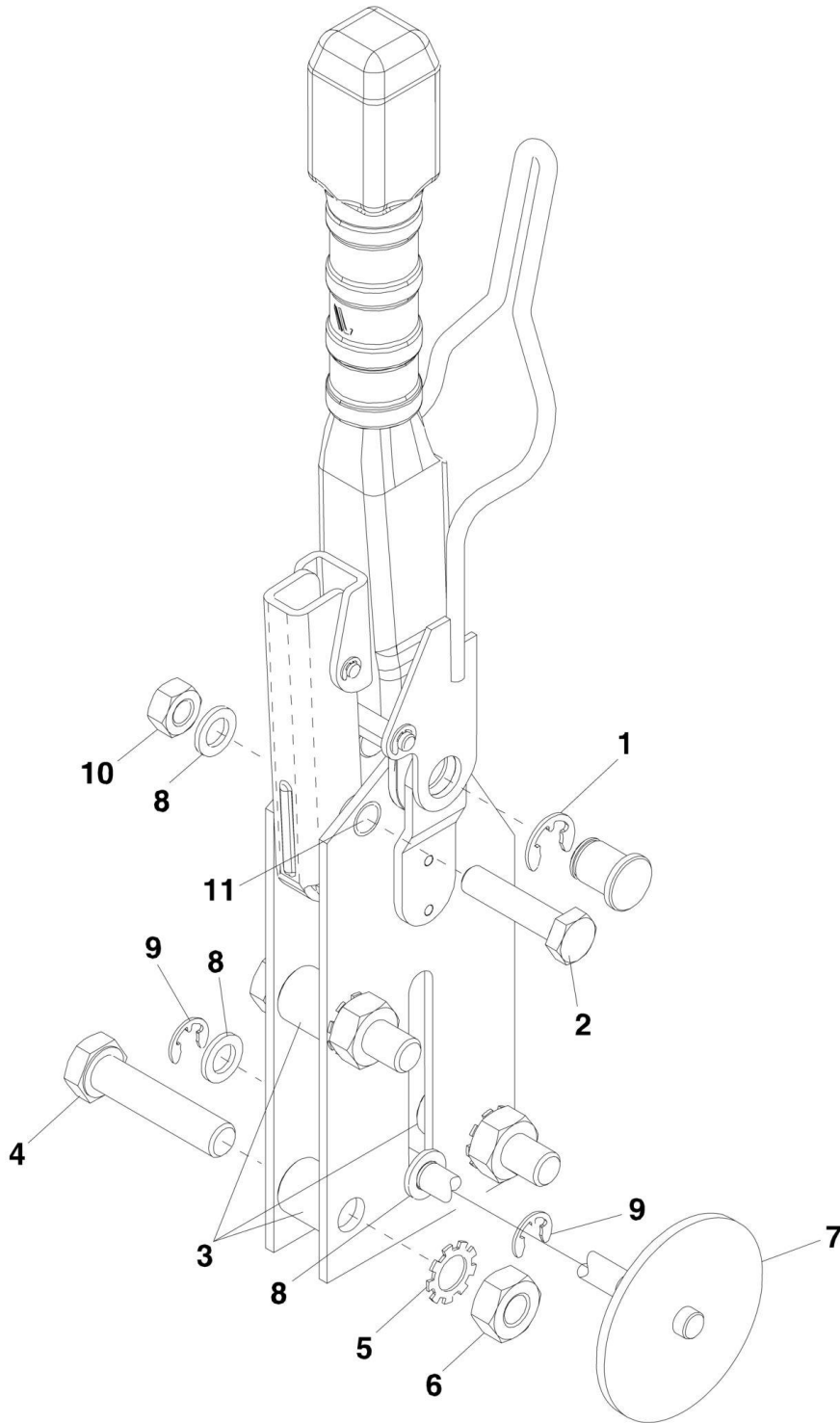
## SECTION 7 - CONTROLS

### FIGURE 7-1. BRAKE

ITEM	PART NUMBER	QTY	DESCRIPTION	REV
	1001002993	Ref	BRAKE INSTALLATION, (not available to order, see items 1 thru 4 for service)	B
1	4360658	1	BRAKE LIGHT SWITCH	
2	7029486	2	SCREW	
3	0100011	AR	LOCTITE 242	
4	1001097345	Ref	BRAKE PEDAL INSTALLATION, (not available to order, see items 101 thru 119 for service)	D
101	0701015	1	HEX HD CAPSCREW, 10X35mm, GR8.8	
102	3290801	2	HEX NUT, 8X1.25mm	
103	3291001	1	HEX NUT, 10X1.5mm	
104	4811900	2	FLAT WASHER, 8mm	
105	1001003000	2	SNAP RING	
106	1001003797	1	GASKET	
107	1001116431	1	LEVER ASSY	
108	1001116423	2	PLATE	
109	1001007591	1	SPRING	
110	1001008730	3	BUSHING	
111	1001009104	4	HARD WASHER	
112	1001009133	1	ROD	
113	1001009219	3	PIN	
114	1001009220	3	CLIP	
115	1001117360	1	MASTER BRAKE CYLINDER	
118	1001007417	1	BRAKE PEDAL	
119	1001104280	1	HEX NUT, 10X1.5mm, GR8	

# SECTION 7 - CONTROLS

## FIGURE 7-2. HAND BRAKE



PAM0520

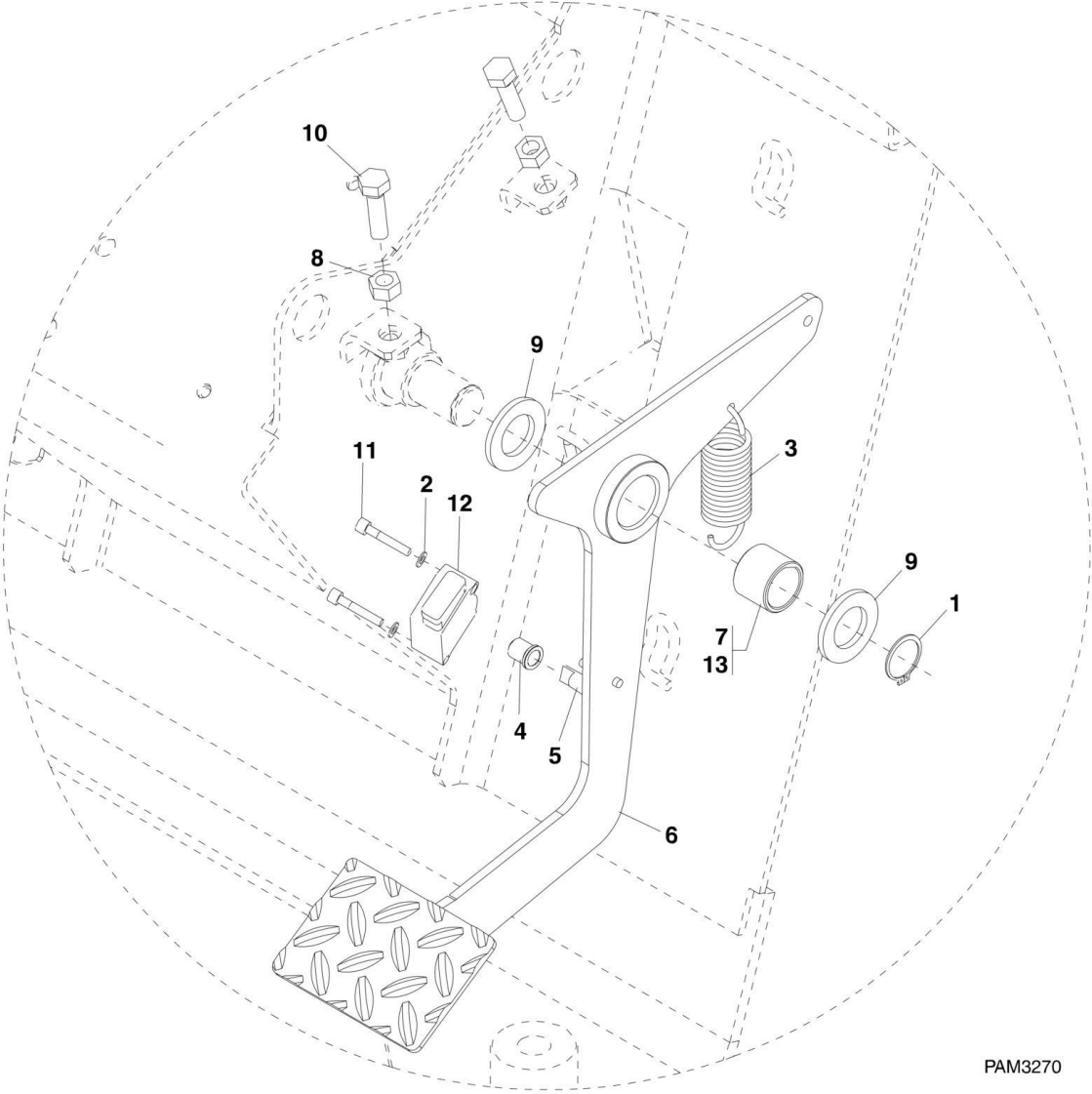
## SECTION 7 - CONTROLS

### FIGURE 7-2. HAND BRAKE

ITEM	PART NUMBER	QTY	DESCRIPTION	REV
	1001097686	1	MECHANICAL HANDBRAKE, (includes all items)	C
1	70020848	2	CIRCLIP	
2	70020849	1	HEX HD CAPSCREW, M8X35	
3	70020850	3	SPACER	
4	70020851	3	HEX HD CAPSCREW, M10X45	
5	70020852	3	BEARING LOCKWASHER	
6	70020853	3	HEX NUT, M10	
7	70021249	1	PIN AND SWITCH BRACKET	
8	70020855	3	FLAT WASHER	
9	70020856	2	CIRCLIP	
10	70020857	1	HEX NUT, M8	
11	70020858	1	SPACER	

**SECTION 7 - CONTROLS**

**FIGURE 7-3. ACCELERATOR**



PAM3270



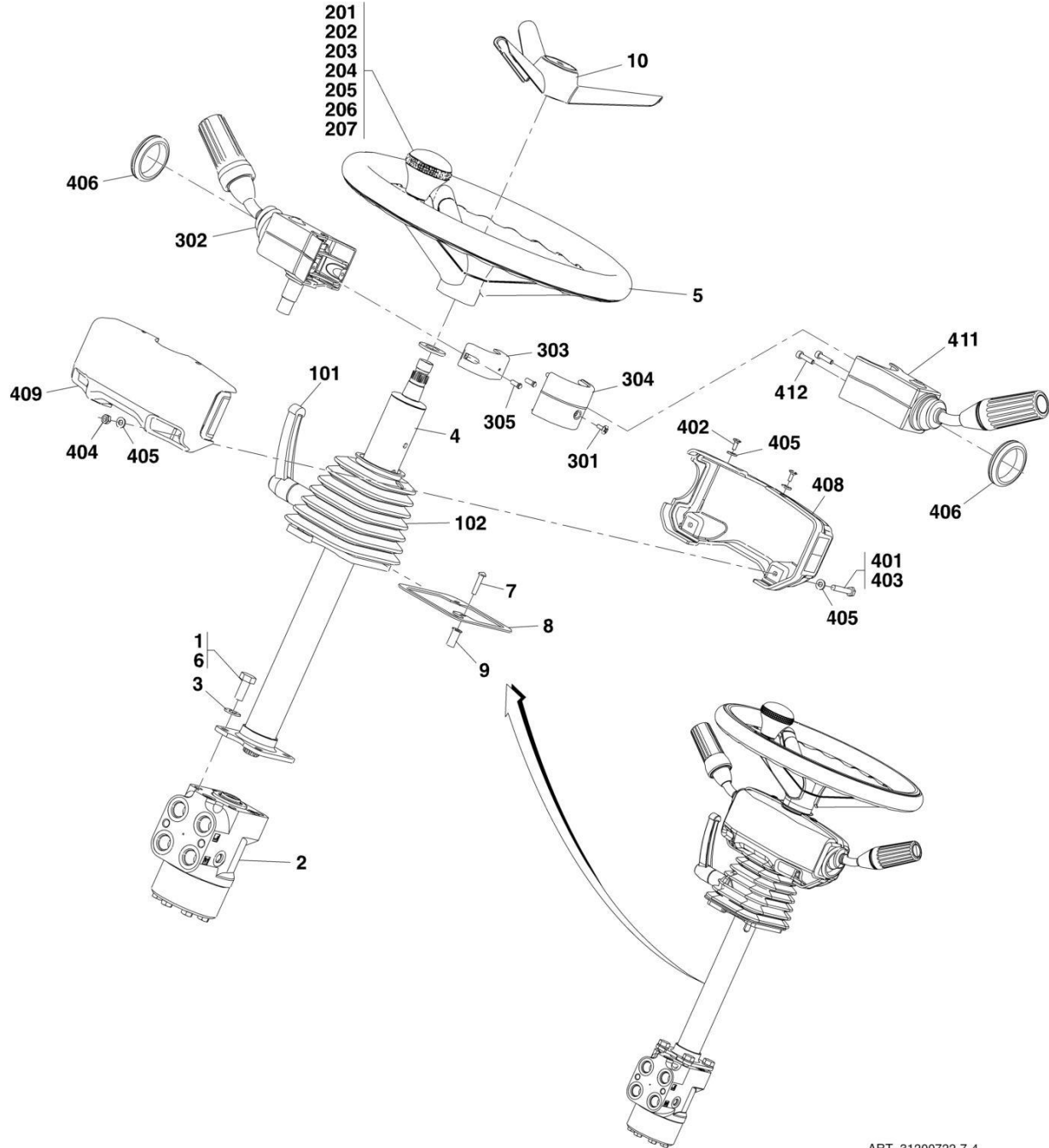
## SECTION 7 - CONTROLS

### FIGURE 7-3. ACCELERATOR

ITEM	PART NUMBER	QTY	DESCRIPTION	REV
	1001127876	1	ELECTRONIC ACCELERATOR PEDAL, (includes items 1 thru 13)	B
1	1001003000	1	SNAP RING	
2	4811600	2	WASHER, 5mm	
3	1001007591	1	SPRING	
4	1001006913	1	BEARING	
5	1001006914	1	ACTUATOR	
6	1001008106	1	PEDAL	
7	1001008730	1	BUSHING	
8	1001009097	2	NUT	
9	1001009104	2	WASHER	
10	1001009120	2	BOLT, M10X1.5	
11	1001009365	2	SOCKET HD BOLT, 5X0.8mm	
12	1001127848	1	THROTTLE SENSOR	
13	1001098457	AR	LITHIUM GREASE	

# SECTION 7 - CONTROLS

## FIGURE 7-4. STEERING COLUMN



ART\_31200722-7-4

# SECTION 7 - CONTROLS

## FIGURE 7-4. STEERING COLUMN

ITEM	PART NUMBER	QTY	DESCRIPTION	REV
	1001135841	1	STEERING COLUMN, (3706PS, 3707PS, 4014PS & 4017PS), (includes items 1 thru 10)	A
1	0761012	4	HEX HD CAPSCREW, M10X25, GR8.8	
2	4641521	1	VALVE	
3	4812000	4	WASHER, 10mm	
4	1001132053	1	STEERING COLUMN, (includes items 101 & 102)	A
5	1001091033	1	STEERING WHEEL, (includes items 201 thru 207)	A
6	1001095650	AR	LOCTITE 243	
7	1001103984	2	MACHINE HD SCREW, M5X25	
8	1001096669	1	STEERING COLUMN BOOT PLATE	
9	1001112431	2	RUBBER ADJUSTING RIVET	
10	1001135838	1	STEERING WHEEL INSERT, (3706PS, 3707PS, 4014PS & 4017PS)	
101	70020794	1	LOCKING HANDLE	
102	70020793	1	BELLOW	
201	70020783	1	CAP	
202	70020784	1	GRIP	
203	70020785	1	BASE	
204	70020786	1	WASHER	
205	70020787	1	SCREW	
206	70020788	1	WASHER	
207	70020789	3	NUT	
	1001131283	1	MULTI SWITCH, (includes items 301 thru 305)	A
301	1001101012	1	SCREW, M4X12, (torque to 1.5 Nm/1.10 lb-ft)	
302	1001109744	1	TURN/WIPER SWITCH	
303	1001133306	1	CLAMP	
304	1001133307	1	COVER	
305	1001133355	2	SCREW, M5X12, (torque to 3.5 Nm/2.58 lb-ft)	
	1001145461	NLA	STEERING COLUMN PANEL, (includes items 401 thru 409), (no longer available, use 1001160883 & 1001160882 for replacement)	B
	1001160883	1	STEERING COLUMN COVER, (if equipped with Joystick Mounted FNR), (4014PS, 4017PS, 3706PS, 3707PS, 33.7, 37.6 & 37), (includes items 401 thru 409 and 413 & 414)	A
	1001160882	1	STEERING COLUMN COVER, (if equipped with FNR Lever), (3706PS, 3707PS, 33.7, 37.6 & 37.7), (includes items 401 thru 412)	C
401	1001095650	AR	LOCTITE 243	
402	1001101012	2	SPEC SCREW, M4X12	
403	1001109890	2	HEX HD CAPSCREW, 6mm	
404	1001109891	2	NUT, 6mm	
405	1001109892	7	FLAT WASHER, 6mm, (if equipped with Joystick Mounted FNR)	
405	1001109892	6	FLAT WASHER, 6mm, (if equipped with FNR Lever)	
406	1001114141	1	RUBBER GROMMET, (if equipped with Joystick Mounted FNR)	
406	1001114141	2	RUBBER GROMMET, (if equipped with FNR Lever)	
408	1001145463	1	COLUMN COVER, REAR, (if equipped with Joystick Mounted FNR)	
408	1001160884	1	COLUMN COVER, REAR, (if equipped with FNR Lever)	
409	1001147376	1	COLUMN COVER, FRONT, (if equipped with Joystick Mounted FNR)	
409	1001160885	1	COLUMN COVER, FRONT, (if equipped with FNR Lever)	
410		Ref	SWITCH, BLANK COVER WITH BODY, (not shown), (See ELECTRICAL SECTION for Breakdown)	
411	1001158839	1	FNR HORN	

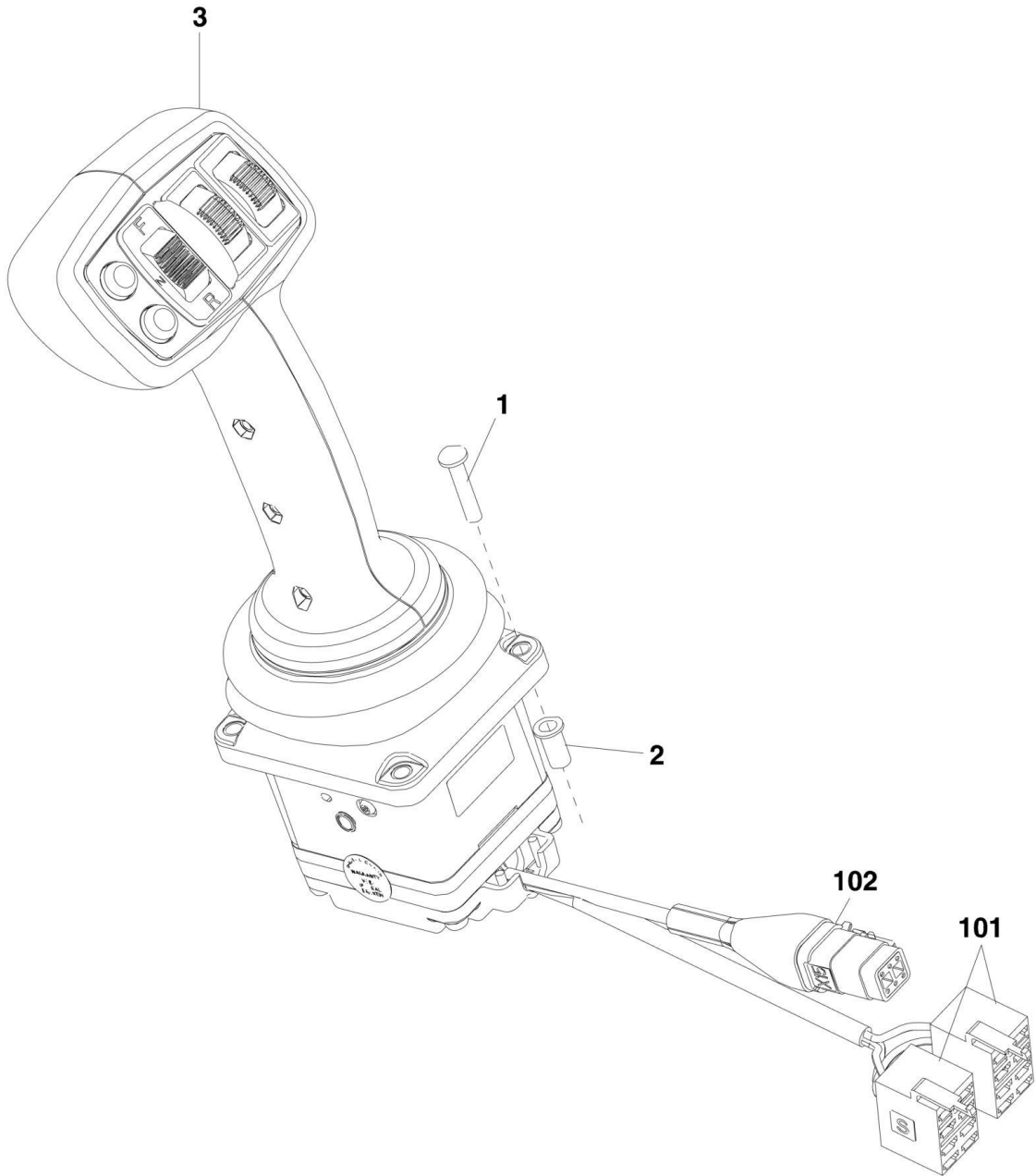
## SECTION 7 - CONTROLS

ITEM	PART NUMBER	QTY	DESCRIPTION	REV
412	4031608	2	HEXSOC HD SCR, M5X20	
413		Ref	SWITCH, SPDT MOMENTARY, (not shown), (See ELECTRICAL SECTION for Breakdown)	
414		Ref	SWITCH KEY, HORN, (not shown), (See ELECTRICAL SECTION for Breakdown)	



# SECTION 7 - CONTROLS

## FIGURE 7-5. BOOM JOYSTICK



PAM3830

## SECTION 7 - CONTROLS

### FIGURE 7-5. BOOM JOYSTICK

ITEM	PART NUMBER	QTY	DESCRIPTION	REV
	1001131940	1	JOYSTICK ASSY, (includes items 1 thru 3)	B
1	1001103984	4	MACHINE HD SCREW, 5x25mm	
2	1001110498	4	RIVET INSERT, 5mm	
3	1001156230	1	JOYSTICK CONTROLLER, (includes items 101 & 102)	A
101	4461164	2	TERMINAL	
101	1001104519	2	FEMALE FASTON	
102	7346000235	1	HOUSING	
102	4460928	4	SOCKET TERMINAL	
102	7346000239	1	WEDGE LOCK	
102	77363349	2	PLUG	

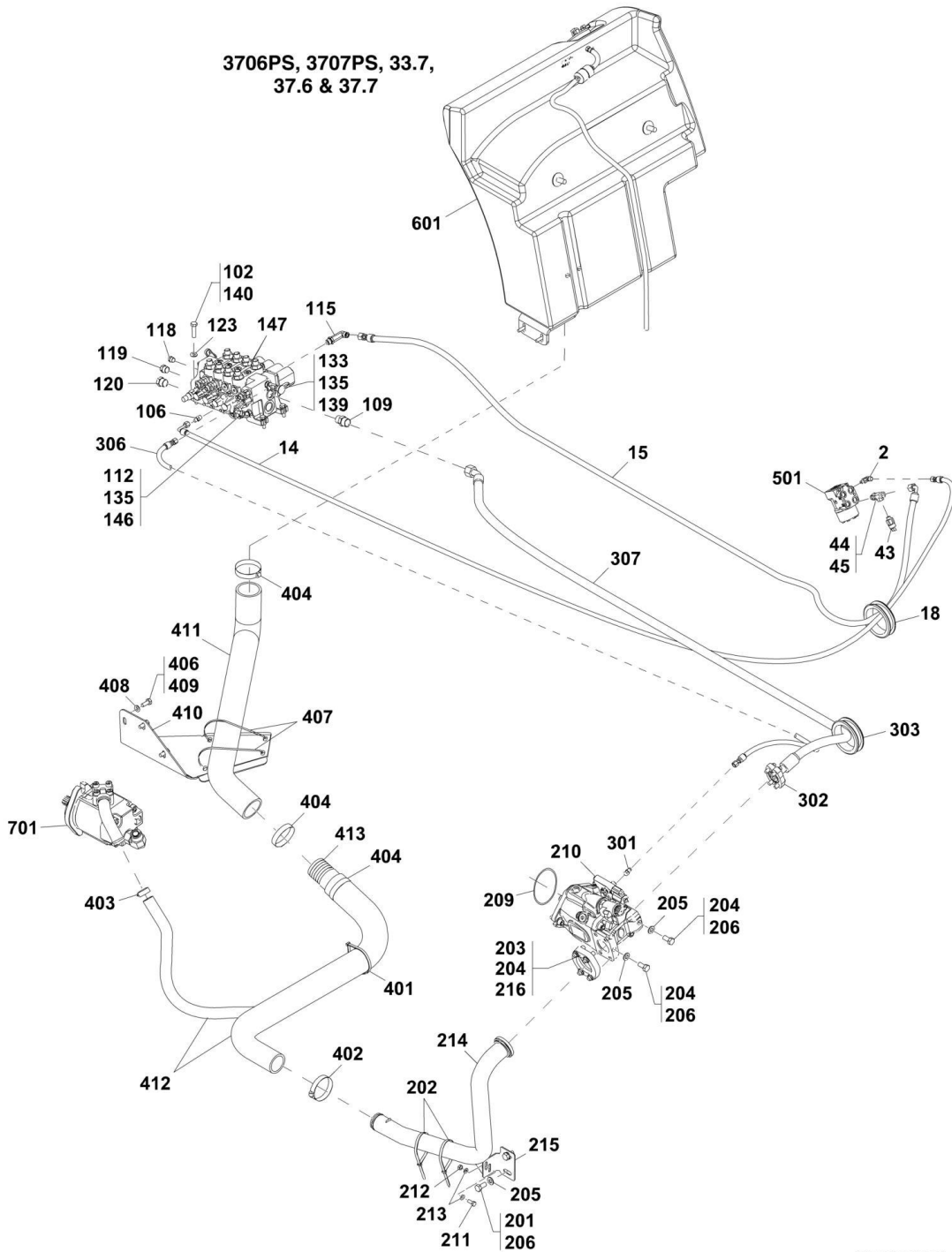




**SECTION 8 - HYDRAULIC CIRCUITS**

# SECTION 8 - HYDRAULIC CIRCUITS

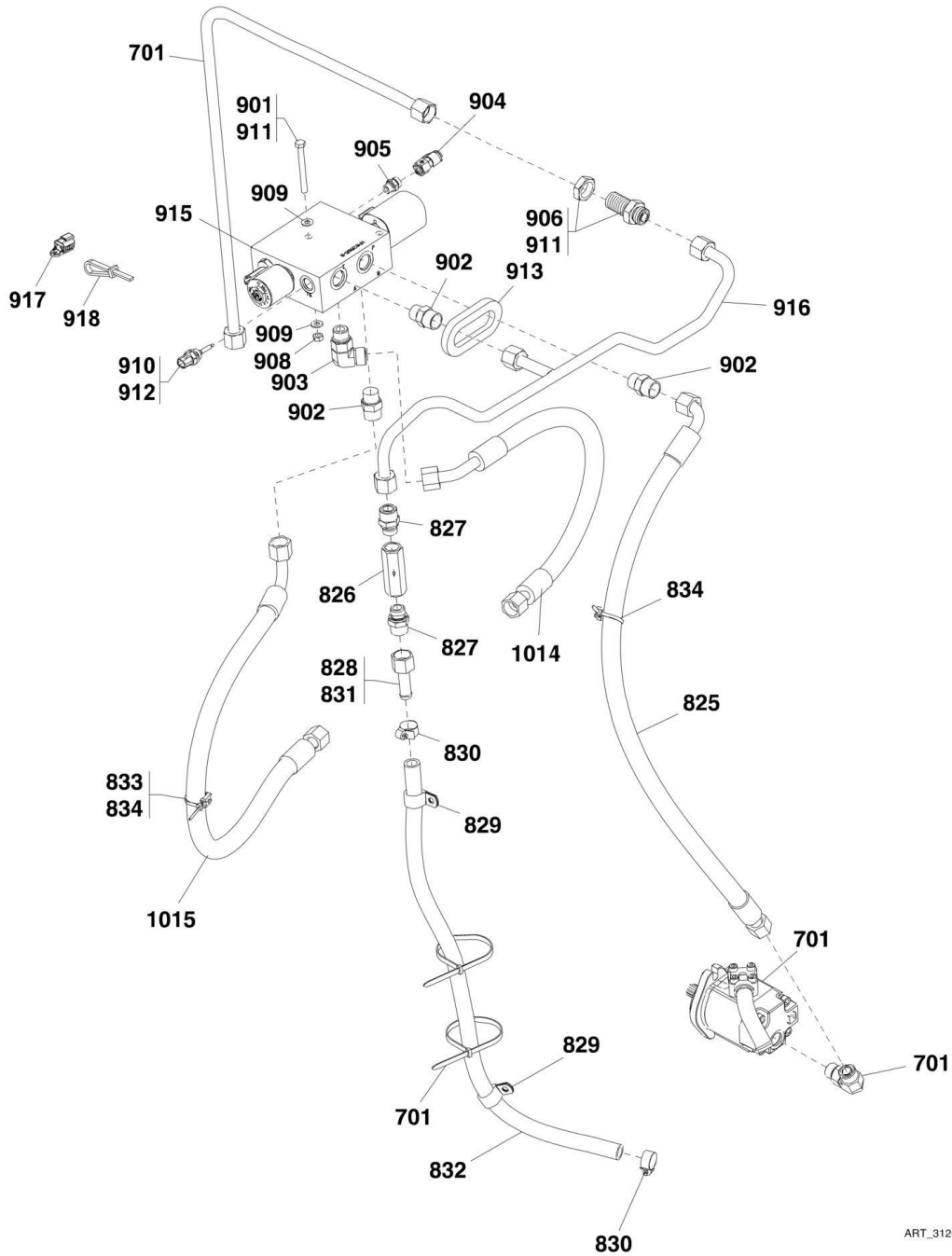
## FIGURE 8-1. SUPPLY CIRCUIT - 3706PS, 3707PS, 33.7, 37.6 & 37.7



ART\_31200722-8-1\_1

# SECTION 8 - HYDRAULIC CIRCUITS

3706PS, 3707PS, 33.7,  
37.6 & 37.7



ART\_31200722-8-1\_2

## SECTION 8 - HYDRAULIC CIRCUITS

**FIGURE 8-1. SUPPLY CIRCUIT - 3706PS, 3707PS, 33.7, 37.6 & 37.7**

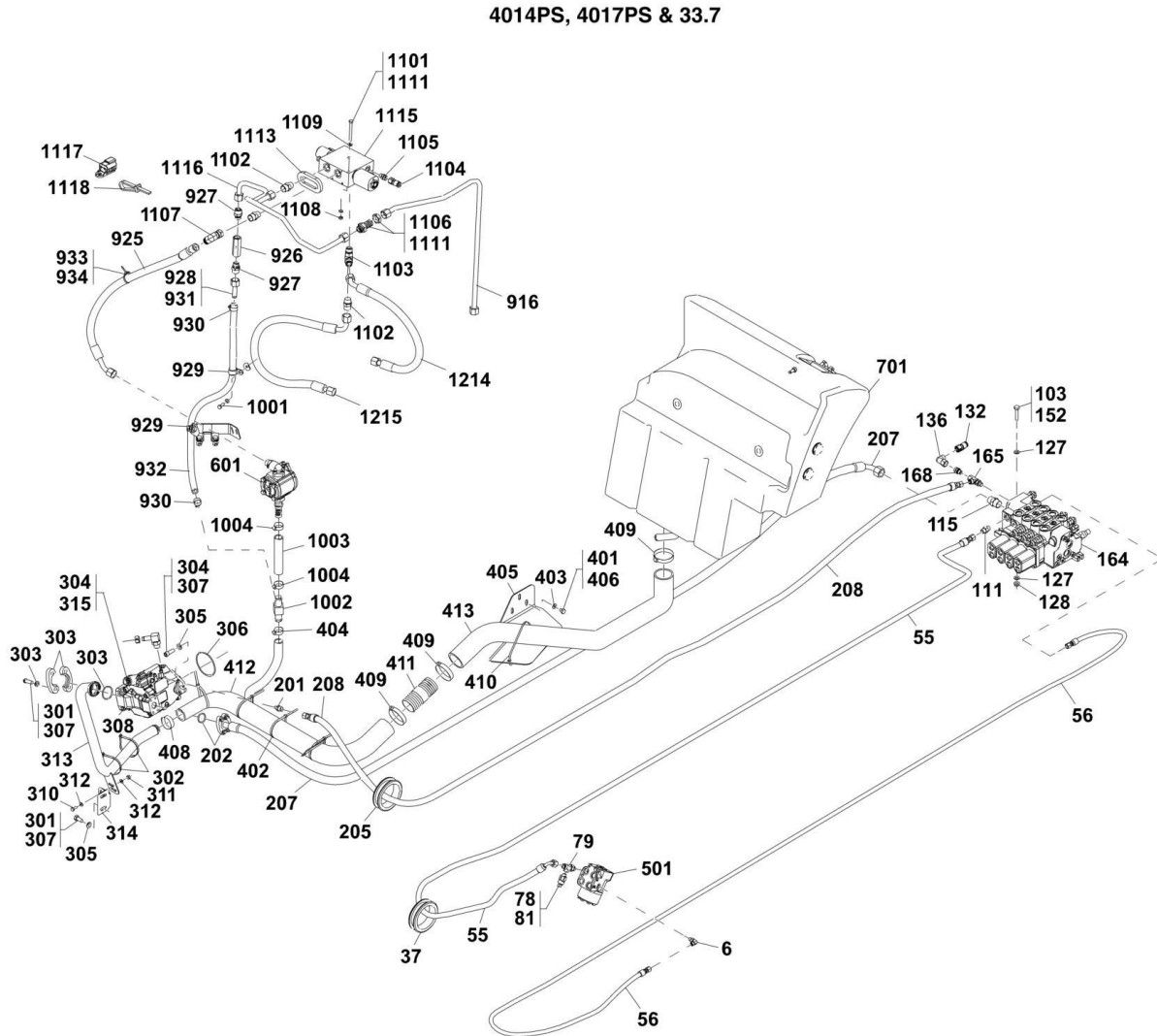
ITEM	PART NUMBER	QTY	DESCRIPTION	REV
2	2130404	1	ELBOW, 90, (includes o-ring)	
14	1001144848	1	HOSE ASSY	
15	1001144839	1	HOSE ASSY, (3706PS & 37.6)	
15	1001144850	1	HOSE ASSY, (3707PS, 33.7 & 37.7)	
18	1001003439	1	GROMMET	
43	4360585	1	PRESSURE SWITCH	
44	1001100108	1	RUN TEE, (includes o-ring)	
45	1074306	1	RING SEAL	
102	0701016	3	HEX HD CAPSCREW, 10X40 MM, GR8.8, (torque to 55 Nm/41 lb-ft)	
106	2110406	1	CONNECTOR, (includes o-ring)	
109	2111212	1	CONNECTOR, (includes o-ring)	
112	2150406	1	ELBOW, 45, (includes o-ring)	
115	2170208	1	ELBOW, 90, (includes o-ring)	
118	2220237	1	PLUG	
119	2220239	1	PLUG	
120	2220240	1	PLUG	
123	4812000	6	FLAT WASHER, 10MM	
133	1001003590	1	CONNECTOR, (includes o-ring)	
135	1001008761	2	DUST CAP	
139	1001094498	1	RUN TEE, (includes o-ring)	
140	1001095650	AR	LOCTITE 243	
146	1001101257	1	ADAPTER, SPECIAL FITTING, (includes o-ring)	
147		Ref	MAIN CONTROL VALVE, (See HYDRAULIC COMPONENTS SECTION for Breakdown)	
	1001128415	Ref	PISTON PUMP AND SUCTION PIPE INSTALLATION, (not available to order, see items 201 thru 216 for service)	G
201	0761212	2	HEX HD CAPSCREW, M12X25, GR8.8	
202	1062255	3	TIE STRAP	
203	2171832	1	FITTING, (includes o-ring)	
204	4032111	6	HEX SOCKET HD SCREW, M12X35	
205	4812100	4	WASHER, 12mm	
206	1001095650	AR	LOCTITE 243	
209	1001008450	1	O-RING	
210		Ref	PISTON PUMP, (See HYDRAULIC COMPONENTS SECTION for Breakdown)	
211	0760810	2	HEX HD CAPSCREW, M8X20, GR8.8	
212	3290805	2	HEX LOCK NUT, M8X1.25, GR8	
213	4811900	4	WASHER, 8mm	
214	1001143537	1	SUCTION PIPE	
215	1001143538	1	SUCTION PIPE BRACKET	
216	4832100	4	SPRING LOCKWASHER, 12mm	
301	2110404	1	FITTING, (includes o-ring)	
302	2171816	1	FLANGE KIT (includes o-ring)	
303	1001003439	1	GROMMET	
306	1001144824	1	HOSE ASSY, (3706PS & 37.6)	
306	1001144836	1	HOSE ASSY, (3707PS, 33.7 & 37.7)	
307	1001144825	1	HOSE ASSY, (3706PS & 37.6)	
307	1001144835	1	HOSE ASSY, (3707PS, 33.7 & 37.7)	
	1001130351	Ref	SUCTION LINE INSTALLATION, (not available to order, see items 401 thru 413 for service)	L

## SECTION 8 - HYDRAULIC CIRCUITS

ITEM	PART NUMBER	QTY	DESCRIPTION	REV
401	1062255	4	TIE STRAP	
402	1001008635	1	HOSE CLAMP	
403	1001008466	1	HOSE CLAMP	
404	1001008673	3	HOSE CLAMP	
406	0761012	3	HEX HD CAPSCREW, M10X25, GR8.8	
407	4240127	2	TIE STRAP	
408	4812000	3	WASHER, 10mm	
409	1001095650	AR	LOCTITE 243	
410	1001156779	1	HOSE SUPPORT BRACKET	
411	1001192786	1	SUCTION HOSE	
412	1001136550	1	SUCTION HOSE	
413	1001136554	1	HOSE CONNECTOR, 2.5IN	
501		Ref	STEERING VALVE, (See CONTROLS SECTION for Breakdown)	
601		Ref	HYDRAULIC TANK ASSY, (See HYDRAULIC COMPONENTS SECTION for Breakdown)	
701		Ref	FAN PUMP, (See ENGINE AND ATTACHING PARTS SECTION for Breakdown)	
825	1001144779	1	HOSE	
826	1001144066	1	NON RETURN VALVE	
827	1001142089	2	ADAPTER, CONNECTOR, (includes o-ring)	
828	8770143	1	ADAPTER, NUT	
829	1001100319	2	CLIP	
830	1001008609	2	CLAMP	
831	1001125409	1	FITTING, STEM	
832	1001144774	1	HOSE	
833	1001004723	1	SADDLE	
834	471678	2	CABLE BAND	
	1001146950	1	FAN VALVE INSTALLATION, (non reversing), (3706PS & 3707PS), (includes items 901 thru 918)	C
901	0700824	2	HEX HD CAPSCREW, M8X80, GR8.8	
902	2111010	3	ADAPTER, CONNECTOR, (includes o-ring)	
903	2131010	1	ADAPTER, 90, (includes o-ring)	
904	2144104	1	TEST PORT	
905	2144803	1	ADAPTER, CONNECTOR	
906	2171110	1	FITTING, BULKHEAD UNION	
907	2172110	1	ADAPTER, 90, (includes o-ring)	
908	3290801	2	HEX NUT, M8X1.25	
909	4811900	4	WASHER, 8mm	
910	1001009163	1	SEAL	
911	1001095650	AR	LOCTITE 243	
912	1001128478	1	TEMPERATURE SENSOR	
913	1001132239	1	BULKHEAD SEAL	
914	1001132877	1	BAFFLE PLATE, (not shown)	
915	1001146707	1	COOLING FAN VALVE, (non reversing), (3706PS & 3707PS)	
916	1001141800	1	PIPE	
917	1001155806	1	DUST CAP	
918	1001008559	1	CABLE STRAP	
1014	1001146260	1	HOSE	
1015	1001151913	1	HOSE	

# SECTION 8 - HYDRAULIC CIRCUITS

## FIGURE 8-2. SUPPLY CIRCUIT - 4014PS, 4017PS & 33.7



ART\_31200722-8-2

## SECTION 8 - HYDRAULIC CIRCUITS

**FIGURE 8-2. SUPPLY CIRCUIT - 4014PS, 4017PS & 33.7**

ITEM	PART NUMBER	QTY	DESCRIPTION	REV
6	2130404	1	ELBOW, 90, (includes o-ring)	
37	1001003439	1	GROMMET	
55	1001144891	1	HOSE ASSY	
56	1001144892	1	HOSE ASSY, (4014PS & 4017PS)	
78	4360585	1	PRESSURE SWITCH	
79	1001100108	1	ADAPTER, RUN TEE, (includes o-ring)	
81	1074306	1	RING SEAL	
103	0701018	3	HEX HD CAPSCREW, M10X50, GR8.8, (torque to 50 Nm/36.87 lb-ft)	
109	2110604	1	ADAPTER, CONNECTOR, (includes o-ring) (not shown)	
111	2110608	1	ADAPTER, CONNECTOR, (includes o-ring)	
115	2111212	1	ADAPTER, CONNECTOR, (includes o-ring)	
127	4812000	6	WASHER, 10mm	
128	5221000	3	RIPP NUT, 10mm	
132	2144803	1	FITTING CONNECTOR	
136	2144104	1	TEST PORT	
152	1001095650	AR	LOCTITE 243	
164		Ref	MAIN CONTROL VALVE, (See HYDRAULIC COMPONENTS SECTION for Breakdown)	
165	1001107721	1	ADAPTER, RUN TEE, (includes o-ring)	
168	2143404	1	FITTING, 90	
201	2110604	1	ADAPTER, CONNECTOR, (includes o-ring)	
202	2171816	1	FLANGE KIT WITH O-RING	
205	1001003439	1	GROMMET	
207	1001144873	1	HOSE ASSY	
208	1001144874	1	HOSE ASSY	
	1001131752	Ref	PUMP AND SUCTION PIPE INSTALLATION, (4014PS), (not available to order, see items 301 thru 315 for service)	E
	1001128415	Ref	PUMP AND SUCTION PIPE INSTALLATION, (4017PS, 33.7), (not available to order, see items 301 thru 315 for service)	G
301	0761212	2	HEX HD CAPSCREW, M12X25, GR8.8, (torque to 97 Nm/71.54 lb-ft)	
302	1062255	3	TIE STRAP	
303	2171824	1	FLANGE KIT WITH O-RING, (4014PS)	
303	2171832	1	FLANGE KIT WITH O-RING, (4017PS, 33.7)	
304	4032111	6	SOCKET HD CAPSCREW, M12X35, (torque to 97 Nm/71.54 lb-ft)	
305	4812100	4	WASHER, 12mm	
306	1001008450	1	O-RING SEAL	
307	1001095650	AR	LOCTITE 243	
308		Ref	PISTON PUMP, (See HYDRAULIC COMPONENTS SECTION for Breakdown)	
310	0760810	2	HEX HD CAPSCREW, M8X20, R8.8, (torque to 26 Nm/19.17 lb-ft)	
311	3290805	2	TORQUE HEX LOCKNUT, M8X1.25	
312	4811900	4	WASHER, 12mm	
313	1001143536	1	SUCTION PIPE, (4014PS)	
313	1001143537	1	SUCTION PIPE, (4017PS, 33.7)	
314	1001143538	1	SUCTION PIPE BRACKET	
315	4832100	4	SPRING LOCKWASHER, 12mm	
	1001135466	Ref	HYDRAULIC SUCTION LINE INSTALLATION, (4014PS), (not available to order, see items 401 thru 413 for service)	E
	1001135467	Ref	HYDRAULIC SUCTION LINE INSTALLATION, (4017PS), (not	E

## SECTION 8 - HYDRAULIC CIRCUITS

ITEM	PART NUMBER	QTY	DESCRIPTION	REV
			available to order, see items 401 thru 413 for service)	
401	0761006	3	HEX HD CAPSCREW, M10X12, GR8.8, (torque to 55 Nm/40.56 lb-ft)	
402	1062255	4	TIE STRAP	
403	4812000	3	WASHER, 10mm	
404	1001008466	1	HOSE CLAMP, (torque to 3.5-5.5 Nm/2.58-4.05 lb-ft)	
405	1001094743	1	HOSE SUPPORT BRACKET	
406	1001095650	AR	LOCTITE 243	
408	1001008635	1	HOSE CLAMP, (torque to 3.5-5.5 Nm/2.58-4.05 lb-ft)	
409	1001008673	3	HOSE CLAMP, (torque to 3.5-5.5 Nm/2.58-4.05 lb-ft)	
410	4240127	3	TIE STRAP	
411	1001136554	1	HOSE CONNECTOR	
412	1001140354	1	SUCTION HOSE, (4014PS)	
412	1001136550	1	SUCTION HOSE, (4017PS)	
413	1001140355	1	SUCTION HOSE, (4014PS)	
413	1001140356	1	SUCTION HOSE, (4017PS)	
501		Ref	STEERING VALVE, (See CONTROLS SECTION for Breakdown)	
601		Ref	FAN PUMP, (See ENGINE AND ATTACHING PARTS SECTION for Breakdown)	
701		Ref	HYDRAULIC TANK, (See HYDRAULIC COMPONENTS SECTION for Breakdown)	
843	1001095650	AR	LOCTITE 243, (4017PS)	
916		Ref	PIPE, (See ENGINE AND ATTACHING PARTS SECTION for Breakdown)	
925	1001144779	1	HOSE	
926	1001144066	1	NON RETURN VALVE	
927	1001142089	1	ADAPTER, CONNECTOR, (includes o-ring)	
928	8770143	1	ADAPTER, NUT	
929	1001100319	2	CLIP	
930	1001008609	2	CLAMP	
931	1001125409	1	STEM FITTING	
932	1001144774	1	HOSE	
933	1001004723	1	SADDLE	
934	471678	2	CABLE BAND	
1001		Ref	HEX HD CAPSCREW, (See ENGINE AND ATTACHING PARTS SECTION for Breakdown)	
1002		Ref	BARB FITTING, (See ENGINE AND ATTACHING PARTS SECTION for Breakdown)	
1003		Ref	HOSE, (See ENGINE AND ATTACHING PARTS SECTION for Breakdown)	
1004		Ref	CLAMP, (See ENGINE AND ATTACHING PARTS SECTION for Breakdown)	
	1001146950	1	FAN VALVE INSTALLATION, (includes items 1101 thru 1118)	C
1101	0700824	2	HEX HD CAPSCREW, M8X80, GR8.8	
1102	2111010	3	ADAPTER, CONNECTOR, (includes o-ring)	
1103	2131010	1	ADAPTER, 90, (includes o-ring)	
1104	2144104	1	TEST PORT	
1105	2144803	1	FITTING, CONNECTOR	
1106	2171110	1	FITTING, BULKHEAD UNION	
1107	2172110	1	ADAPTER, 90, (includes o-ring)	
1108	3290801	2	HEX NUT, M8X1.25	
1109	4811900	4	WASHER, 8mm	
1110	1001009163	1	SEAL	

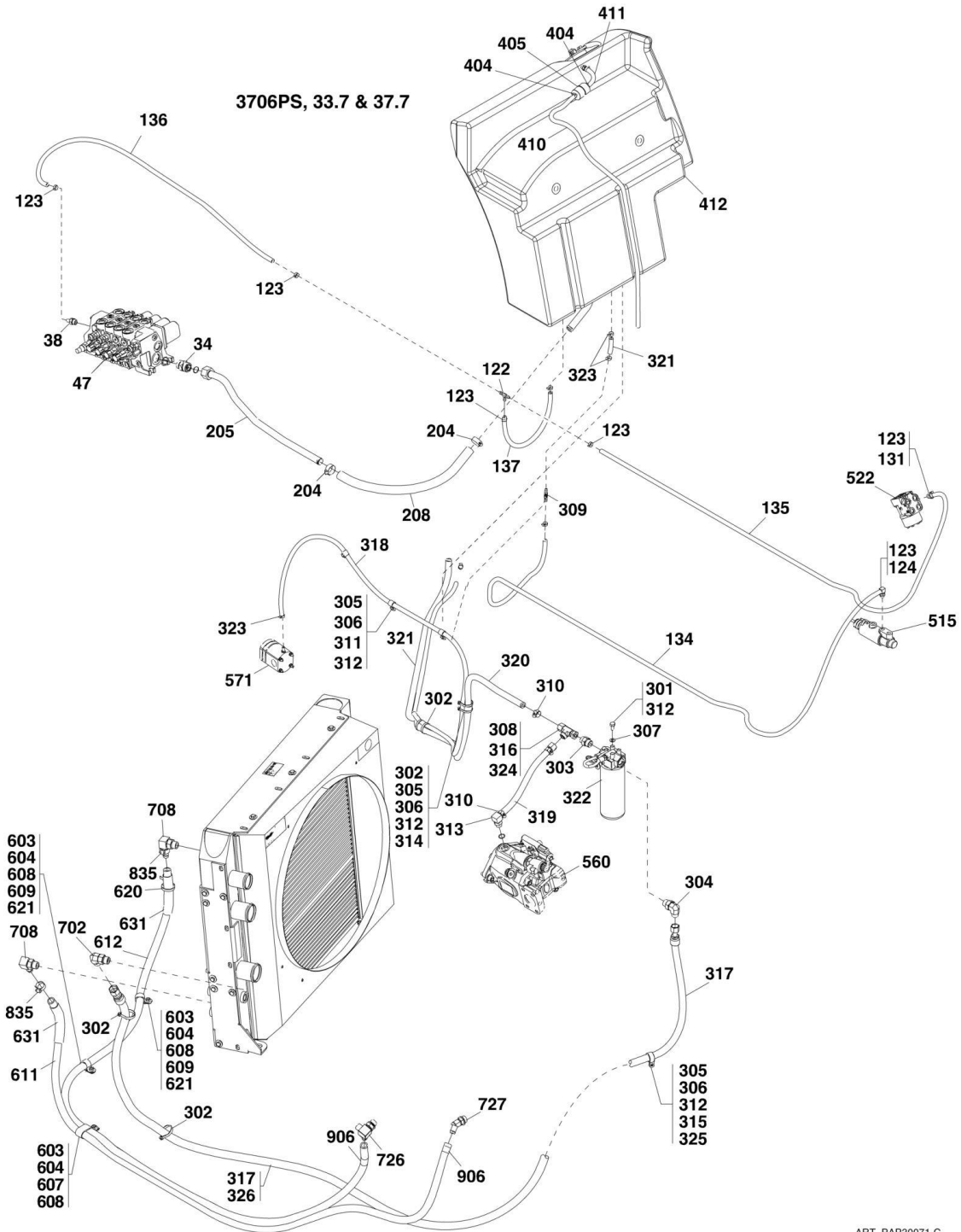


## SECTION 8 - HYDRAULIC CIRCUITS

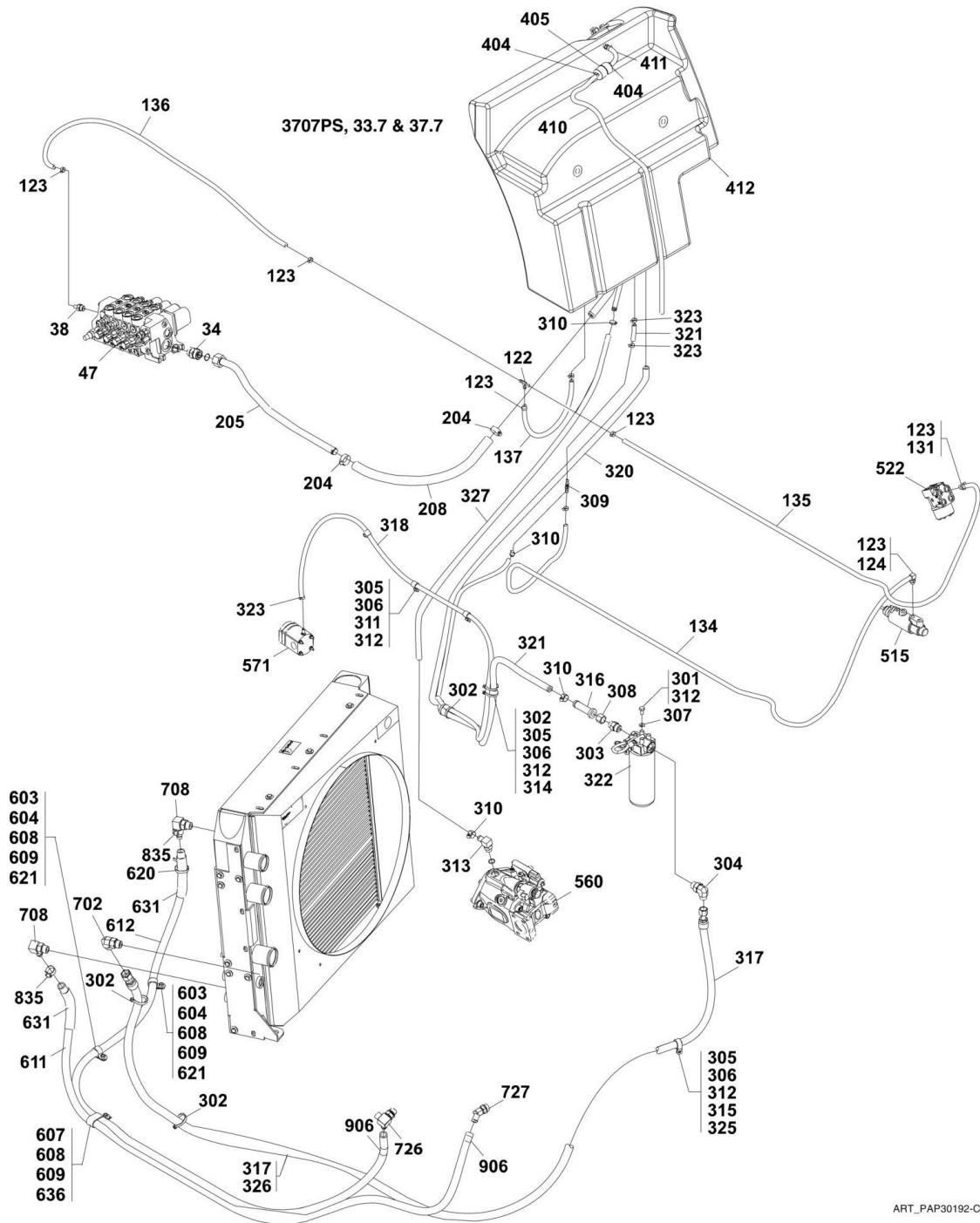
ITEM	PART NUMBER	QTY	DESCRIPTION	REV
1111	1001095650	AR	LOCTITE 243	
1112	1001128478	1	TEMPERATURE SENSOR	
1113	1001132239	1	BULKHEAD SEAL	
1114	1001132877	1	BAFFLE PLATE, (not shown)	
1115	1001141800	1	PIPE	
1116	1001146707	1	COOLING FAN VALVE, (non reversing)	
1117	1001155806	1	DUST CAP	
1118	1001008559	1	CABLE STRAP	
1214	1001146260	1	HOSE	
1215	1001151913	1	HOSE ASSY	

# SECTION 8 - HYDRAULIC CIRCUITS

## FIGURE 8-3. DUMP CIRCUIT - 3706PS, 33.7 & 37.6



# SECTION 8 - HYDRAULIC CIRCUITS



## SECTION 8 - HYDRAULIC CIRCUITS

FIGURE 8-3. DUMP CIRCUIT - 3706PS, 33.7 & 37.6

ITEM	PART NUMBER	QTY	DESCRIPTION	REV
34	1001006370	1	CONNECTOR, (includes o-ring)	
38	1001059362	1	BARB FITTING	
47		Ref	MAIN CONTROL VALVE, (See HYDRAULIC COMPONENTS SECTION for Breakdown)	
122	1001003934	1	TEE BARB	
123	1001004141	8	CLAMP	
124	1001005508	1	ELBOW, 90, (includes o-ring)	
131	1001094303	1	ADAPTER	
134	1001144841	1	HOSE ASSY, (3706PS & 37.6)	
134	1001144851	1	HOSE ASSY, (3707PS, 33.7, & 37.7)	
135	1001144842	1	HOSE ASSY, (3706PS & 37.6)	
135	1001144853	1	HOSE ASSY, (3707PS, 33.7 & 37.7)	
136	1001144843	1	HOSE ASSY, (3706PS & 37.6)	
136	1001144852	1	HOSE ASSY, (3707PS, 33.7 & 37.7)	
137	1001144844	1	HOSE ASSY	
204	1001008657	2	HOSE CLAMP, (torque to 3.5-5.5 Nm/2.58-4.05 lb-ft)	
205	1001142975	1	PIPE ASSY, (3706PS & 37.6)	
205	1001002786	1	PIPE ASSY, (3707PS, 33.7 & 37.7)	
208	1001144827	1	HOSE ASSY, (3706PS & 37.6)	
208	1001144837		HOSE ASSY, (3707PS, 33.7 & 37.7)	
	1001133580	Ref	HYDRAULIC FILTER LINES, (3706PS & 37.6), (not available to order, see items 301 thru 326 for service) <b>(Prior to SN 1160007138)</b>	G
	1001133579	Ref	HYDRAULIC FILTER LINES, (3707PS, 33.7 & 37.7), (not available to order, see items 301 thru 327 for service) <b>(Prior to SN 1160007138)</b>	K
	1001133490	Ref	HYDRAULIC FILTER LINES (not available to order, see items 301 thru 327 for service) <b>(SN 1160007138 to Present)</b>	K
301	0761010	2	HEX HD CAPSCREW, M10X20, GR8.8, (torque to 55 Nm/40.56 lb-ft)	
302	1062255	4	TIE STRAP	
303	2111012	1	CONNECTOR, (includes o-ring), (torque to 70-77 Nm/51.62-56.79 lb-ft)	
304	2151012	1	ADAPTER, 45, (includes o-ring)	
305	3290801	5	HEX NUT, M8X1.25, (torque to 28 Nm/20.65 lb-ft), (3706PS & 37.6) <b>(Prior to SN 1160007138)</b>	
305	5220800	5	RIPP NUT, 8mm, (3707PS, 33.7 & 37.7) <b>(Prior to SN 1160007138)</b>	
305	5220800	3	RIPP NUT, 8mm <b>(SN 1160007138 to Present)</b>	
306	4811900	6	WASHER, 8mm, (3706PS & 37.6) <b>(Prior to SN 1160007138)</b>	
306	4811900	1	WASHER, 8mm, (3707PS, 33.7 & 37.7) <b>(Prior to SN 1160007138)</b>	
307	4812000	2	WASHER, 10mm	
308	8770143	2	NUT ADAPTER, (includes o-ring), (3706PS & 37.6) <b>(Prior to SN 1160007138)</b>	
308	8770143	1	NUT ADAPTER, (includes o-ring)	
309	1001003934	1	BARB FITTING	
310	1001008609	4	CLAMP, (torque to 4.5-5 Nm/3.31-3.68 lb-ft)	
311	1001009207	4	CLIP	
312	1001095650	AR	LOCTITE 243	
313	1001099269	1	BARB FITTING, ELBOW, 45	
314	1001100319	1	HOSE CLIP	
315	1001100320	2	HOSE CLIP <b>(Prior to SN 1160007138)</b>	
315	1001100320	1	HOSE CLIP <b>(SN 1160007138 to Present)</b>	

## SECTION 8 - HYDRAULIC CIRCUITS

ITEM	PART NUMBER	QTY	DESCRIPTION	REV
316	1001125409	2	BARB FITTING, (includes o-ring), (3706PS & 37.6) <b>(Prior to SN 1160007138)</b>	
316	1001125409	1	BARB FITTING, (includes o-ring)	
317	1001133491	1	HOSE ASSY	
318	1001133492	1	HOSE ASSY	
319	1001133494	1	HOSE ASSY, (3706PS & 37.6) <b>(Prior to SN 1160007138)</b>	
320	1001133583	1	HOSE ASSY, (3706PS & 37.6) <b>(Prior to SN 1160007138)</b>	
320	1001133582	1	HOSE ASSY, (3707PS, 33.7 & 37.7) <b>(Prior to SN 1160007138)</b>	
320	1001133493	1	HOSE ASSY <b>(SN 1160007138 to Present)</b>	
321	1001133585	1	HOSE ASSY <b>(Prior to SN 1160007138)</b>	
321	1001133495	1	HOSE ASSY <b>(SN 1160007138 to Present)</b>	
322	1001151369	1	OIL FILTER ASSY	
322	70025357	1	HYDRAULIC FILTER, SPIN-ON	
322	70025358	1	INDICATOR ASSY, ELECTRICAL	
322	70025359	1	HEAD ASSY	
323	1001004141	4	HOSE CLAMP, (torque to 4.5-5 Nm/3.31-3.68 lb-ft)	
324	2170710	1	TEE FITTING, (includes o-ring), (3706PS & 37.6) <b>(Prior to SN 1160007138)</b>	
325	0760810	1	HEX HD CAPSCREW, M8X20, GR8.8, (3706PS & 37.6) <b>(Prior to SN 1160007138)</b>	
325	0760812	1	HEX HD CAPSCREW, M8X25, GR8.8, (3707PS, 33.7 & 37.7) <b>(Prior to SN 1160007138)</b>	
326	1001135584	1	CONDUIT	
327	1001154430	1	HOSE ASSY, (3707PS & 37.7) <b>(Prior to SN 1160007138)</b>	
327	1001154760	1	HOSE ASSY <b>(SN 1160007138 to Present)</b>	
404	1001004141	3	HOSE CLAMP	
405	1001009247	1	FILTER	
410	1001144856	1	HOSE ASSY	
411	1001144857	1	HOSE ASSY	
412		Ref	HYDRAULIC TANK ASSY, (See HYDRAULIC COMPONENTS SECTION for Breakdown)	
515		Ref	MASTER BRAKE CYLINDER, (See CONTROLS SECTION for Breakdown)	
522		Ref	STEERING VALVE, (See CONTROLS SECTION for Breakdown)	
560		Ref	PISTON PUMP, (See HYDRAULIC COMPONENTS SECTION for Breakdown)	
571		Ref	FAN MOTOR, (See ENGINE AND ATTACHING PARTS SECTION for Breakdown)	
604	4811902	3	WASHER, 8mm, (if equipped for ULS)	
604	4811902	1	WASHER, 8mm, (if equipped for LS)	
607	1001008720	1	CLIP	
608	1001095650	AR	LOCTITE 243	
609	1001100319	2	CLIP	
611	1001145272	1	HOSE	
612	1001145273	1	HOSE	
620	1062255	1	TIE STRAP	
621	4811900	2	WASHER, 8mm, (if equipped for LS)	
631	1001135584	2	CONDUIT	
636	5220800	3	HEX NUT, M8X1.25, (torque to 28 Nm/20.65 lb-ft)	
702	2131010	1	ADAPTER, 90, (includes o-ring), (torque to 36-44 Nm/26.5-32.4 lb-ft)	
708	1001099269	2	ADAPTER, 45, (barb), (torque to 36-44 Nm/26.5-32.4 lb-ft)	
726	1001099267	1	ADAPTER, 90	

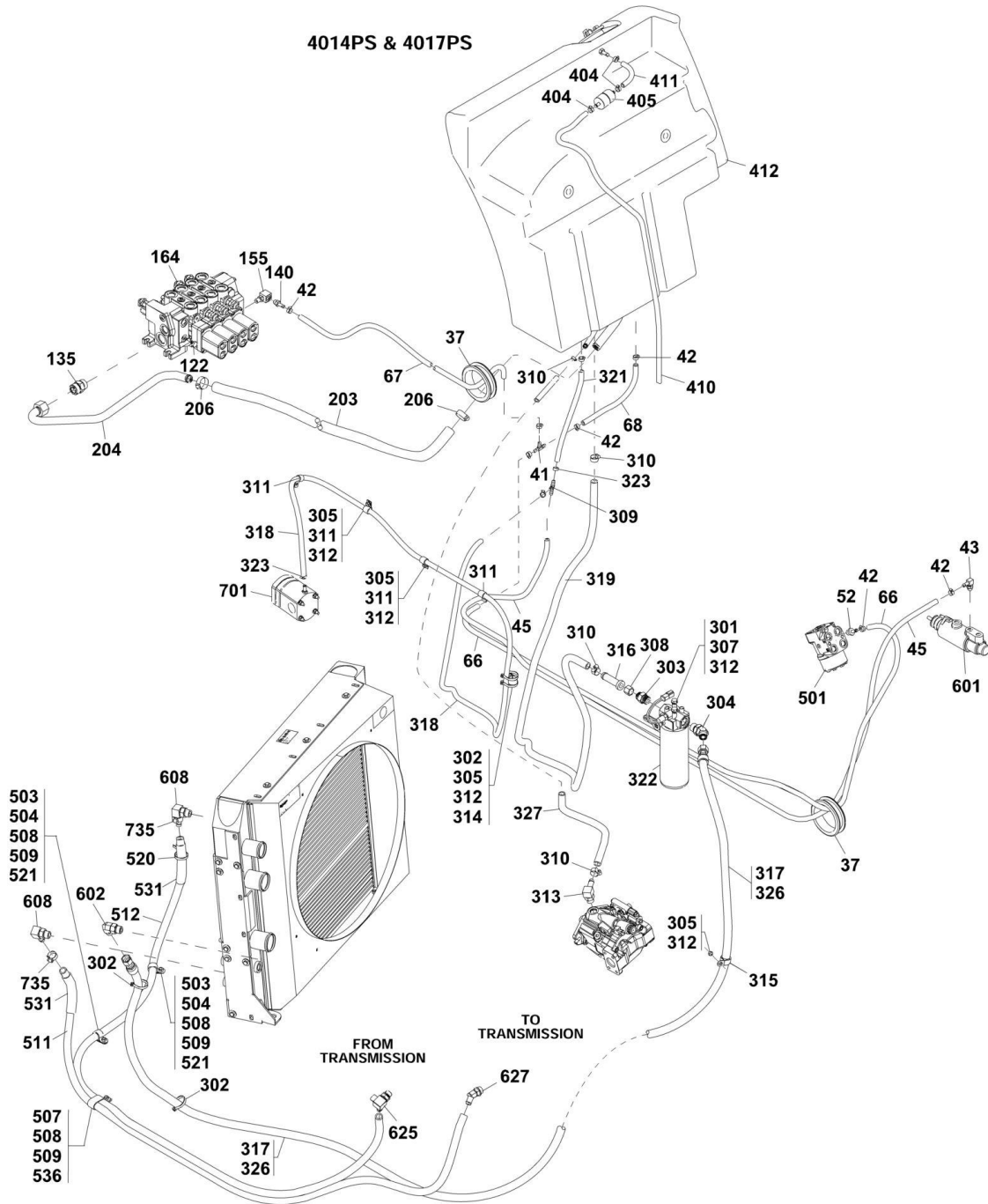
## SECTION 8 - HYDRAULIC CIRCUITS

ITEM	PART NUMBER	QTY	DESCRIPTION	REV
727	1001099268	1	ADAPTER, 45	
835	1001008609	2	CLAMP, (torque to 5-6 Nm/3.6-4.4 lb-ft)	
906	1001008609	2	CLAMP, (torque to 5-6 Nm/3.6-4.4 lb-ft)	



# SECTION 8 - HYDRAULIC CIRCUITS

## FIGURE 8-4. DUMP CIRCUIT - 4014PS & 4017PS



ART\_31200722-8-4



## SECTION 8 - HYDRAULIC CIRCUITS

### FIGURE 8-4. DUMP CIRCUIT - 4014PS & 4017PS

ITEM	PART NUMBER	QTY	DESCRIPTION	REV
37	1001003439	1	GROMMET	
41	1001003934	1	T-BARB FITTING	
42	1001004141	8	HOSE CLAMP	
43	1001005508	1	ADAPTER, 90, (includes o-ring)	
45	1001144864	1	HOSE ASSY, (4014PS)	
45	1001144893	1	HOSE ASSY, (4017PS)	
52	1001094303	1	FITTING, STRAIGHT	
66	1001144888	1	HOSE, (4014PS)	
66	1001144862	1	HOSE, (4017PS)	
67	1001144876	1	HOSE	
68	1001144844	1	HOSE ASSY	
122	2220237	1	ADAPTER, PLUG	
135	1001006370	1	ADAPTER, CONNECTOR, (includes o-ring)	
140	1001059362	1	ADAPTER, BARB FITTING	
155	1001097381	1	ADAPTER, 90, (includes o-ring)	
164		Ref	MAIN CONTROL VALVE, (See HYDRAULIC COMPONENTS SECTION for Breakdown)	
203	1001144875	1	HOSE	
204	1001002769	1	TUBE ASSY	
206	1001008657	2	HOSE CLAMP, (torque to 3.5-5.5 Nm/2.58-4.05 lb-ft)	
	1001133490	Ref	HYDRAULIC FILTER LINES INSTALLATION, (not available to order, see items 301 thru 327 for service)	K
301	0761010	2	HEX HD CAPSCREW, M10X20, GR8.8, (torque to 22.5-27.5 Nm/16.59-20.28 lb-ft)	
302	1062255	4	TIE STRAP	
303	2111012	1	ADAPTER, CONNECTOR, (includes o-ring), (torque to 63-77 Nm/46.46-56.79 lb-ft)	
304	2151012	1	ADAPTER, 45, (includes o-ring), (includes o-ring), (torque to 45-55 Nm/33.19-40.56 lb-ft)	
305	5220800	3	HEX NUT, M8X1.25, (torque to 28 Nm/20.65 lb-ft)	
307	4812000	2	WASHER, 10mm	
308	8770143	1	ADAPTER, NUT	
309	1001003934	1	T-BARB FITTING	
310	1001008609	4	CLAMP, (torque to 4-5 Nm/2.95-3.68 lb-ft)	
311	1001009207	4	CLIP	
312	1001095650	AR	LOCTITE 243	
313	1001099269	1	ADAPTER, 45, (barb fitting)	
314	1001100319	1	CLIP	
315	1001100320	1	CLIP	
316	1001125409	1	FITTING, BARB STEM, (includes o-ring)	
317	1001133491	1	HOSE ASSY	
318	1001133492	1	HOSE	
319	1001133493	1	HOSE	
321	1001133495	1	HOSE	
322	1001151369	1	OIL FILTER ASSY	
322	70025357	1	HYDRAULIC FILTER, SPIN-ON	
322	70025358	1	INDICATOR ASSY, ELECTRICAL	
322	70025359	1	HEAD ASSY	
323	1001004141	4	HOSE CLAMP, (torque to 4-5 Nm/2.95-3.68 lb-ft)	
326	1001135584	1	SPLIT POLY CONDUIT	
327	1001154760	1	HOSE ASSY	

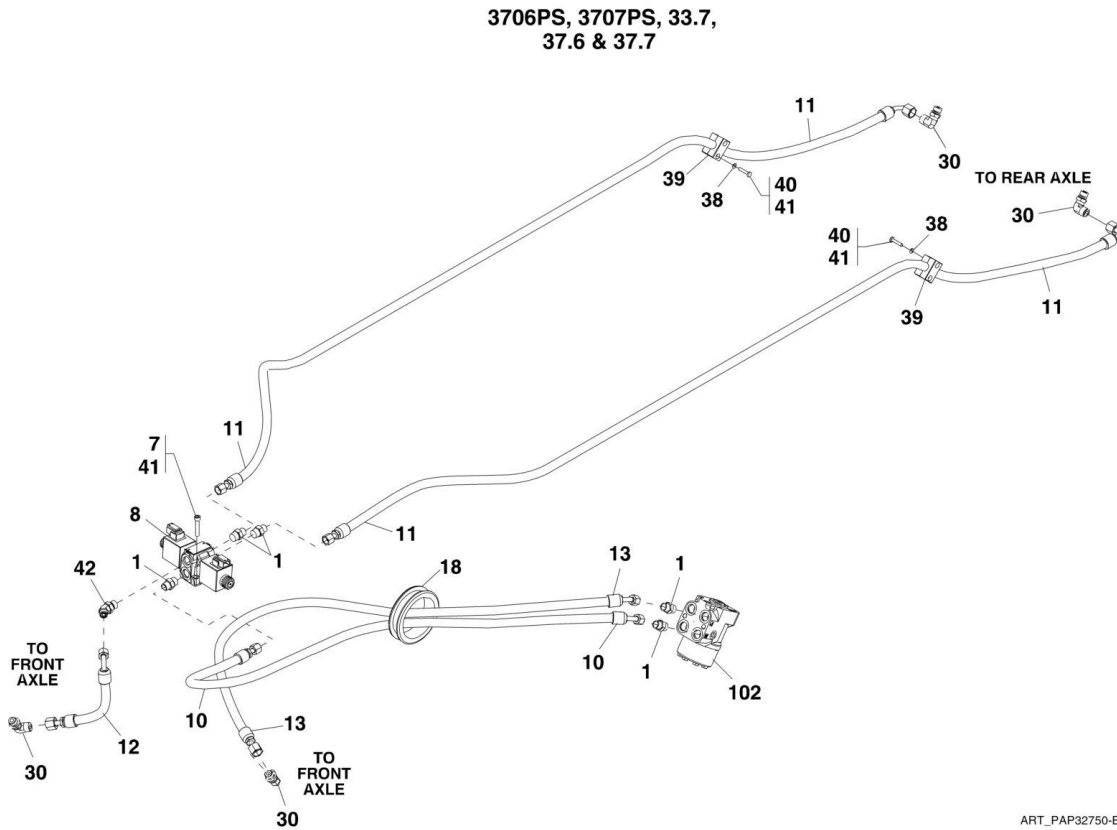
## SECTION 8 - HYDRAULIC CIRCUITS

ITEM	PART NUMBER	QTY	DESCRIPTION	REV
404	1001004141	3	HOSE CLAMP	
405	1001009247	1	FILTER	
410	1001144856	1	HOSE	
411	1001144857	1	HOSE	
412		Ref	HYDRAULIC TANK, (See HYDRAULIC COMPONENTS SECTION for Breakdown)	
501		Ref	STEERING VALVE, (See CONTROLS SECTION for Breakdown)	
503	3290801	3	HEX NUT, M8X1.25	
504	4811902	3	WASHER, 8mm, (if equipped for ULS)	
504	4811902	1	WASHER, 8mm, (if equipped for LS)	
507	1001008720	1	CLIP	
508	1001095650	AR	LOCTITE 243	
509	1001100319	2	CLIP	
511	1001145272	1	HOSE	
512	1001145273	1	HOSE	
520	1062255	1	TIE STRAP	
521	4811900	2	WASHER, 8mm, (if equipped for LS)	
531	1001135584	2	CONDUIT	
536	5220800	3	HEX NUT, M8X1.25, (torque to 28 Nm/20.65 lb-ft)	
601		Ref	MASTER BRAKE CYLINDER, (See CONTROLS SECTION for Breakdown)	
602	2131010	1	ADAPTER, 90, (includes o-ring), (torque to 36-44 Nm/26.5-32.4 lb-ft)	
608	1001099269	2	ADAPTER, 45, (barb), (torque to 36-44 Nm/26.5-32.4 lb-ft)	
625		Ref	ADAPTER, BARB FITTING, (See ENGINE AND ATTACHING PARTS SECTION for Breakdown)	
627		Ref	ADAPTER, 45, BARB, (See ENGINE AND ATTACHING PARTS SECTION for Breakdown)	
701		Ref	FAN MOTOR, (See ENGINE AND ATTACHING PARTS SECTION for Breakdown)	
735	1001008609	2	CLAMP, (torque to 5-6 Nm/3.6-4.4 lb-ft)	



# SECTION 8 - HYDRAULIC CIRCUITS

## FIGURE 8-5. STEER SELECT CIRCUIT - 3706PS, 3707PS, 33.7, 37.6 & 37.7



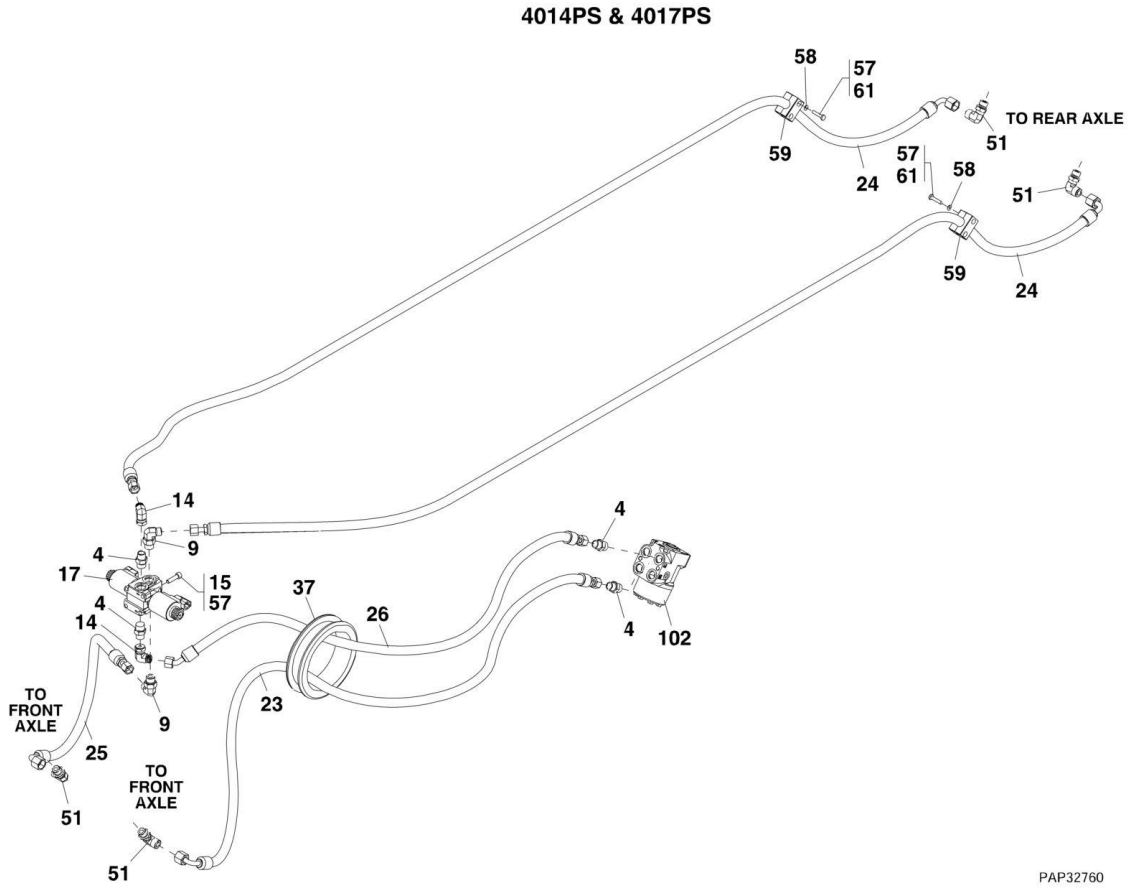
## SECTION 8 - HYDRAULIC CIRCUITS

**FIGURE 8-5. STEER SELECT CIRCUIT - 3706PS, 3707PS, 33.7, 37.6 & 37.7**

ITEM	PART NUMBER	QTY	DESCRIPTION	REV
1	2110608	5	ADAPTER, CONNECTOR, (includes o-ring)	
7	4031913	2	SOCKET HD CAPSCREW, M8X45, GR8.8, (torque to 28 Nm/20.65 lb-ft)	
8		Ref	STEERING SELECT VALVE, (See HYDRAULIC COMPONENTS SECTION for Breakdown)	
10	1001144846	1	HOSE ASSY	
11	1001144838	2	HOSE ASSY, (3706PS & 37.6)	
11	1001144849	2	HOSE ASSY, (3707PS, 33.7 & 37.7)	
12	1001144845	1	HOSE ASSY	
13	1001144847	1	HOSE ASSY	
18		Ref	GROMMET, (See DUMP CIRCUIT for Breakdown)	
30	1001094262	4	ADAPTER, 90, (includes o-ring)	
38	1302325	4	DISK	
39	2997586	2	CLIP BODY	
40	4010614	4	PAN HD SCREW, M6X30	
41	1001095650	AR	LOCTITE 243	
42	2150608	1	ADAPTER, 45, (includes o-ring)	
102		Ref	ORBITAL STEERING VALVE, (See CONTROLS SECTION for Breakdown)	

# SECTION 8 - HYDRAULIC CIRCUITS

## FIGURE 8-6. STEER SELECT CIRCUIT - 4014PS & 4017PS



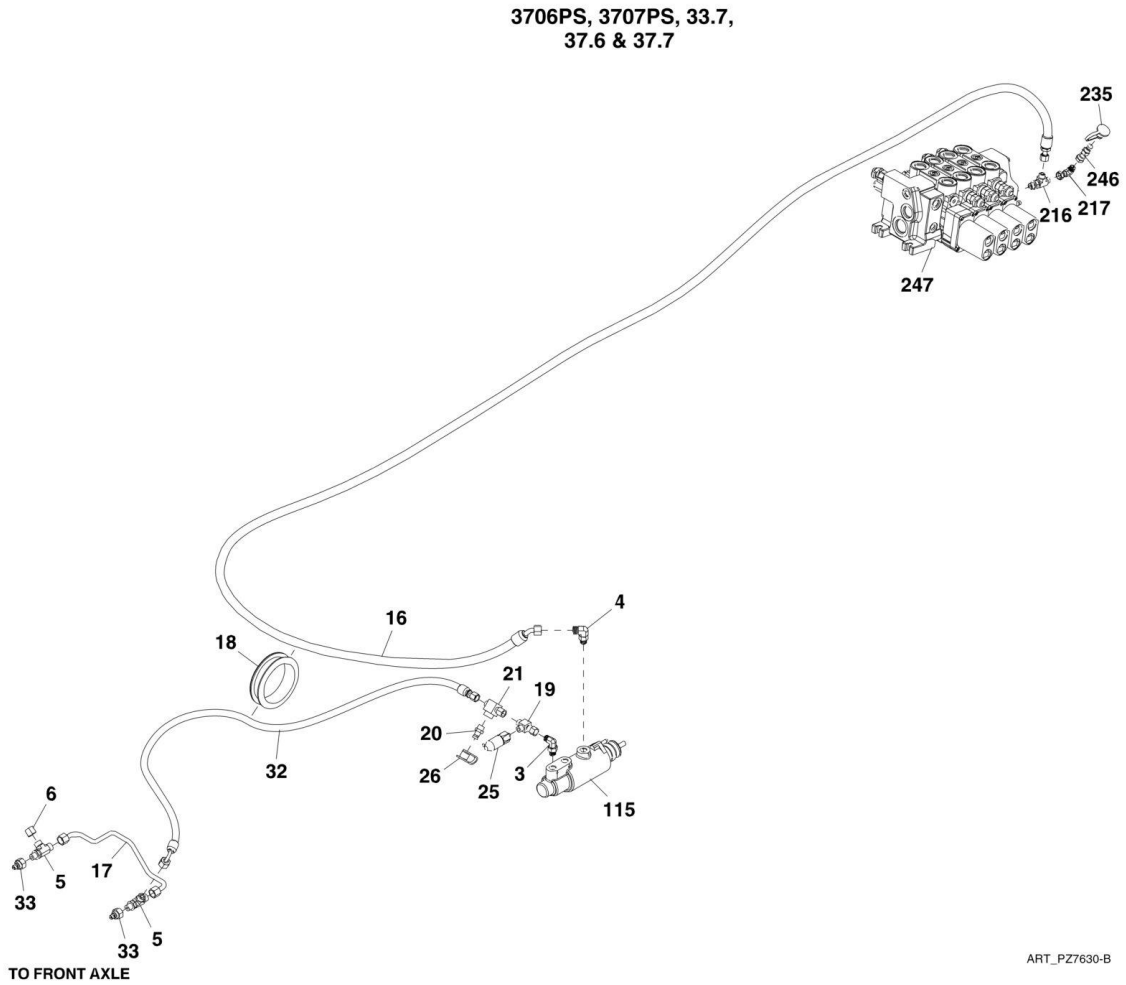
## SECTION 8 - HYDRAULIC CIRCUITS

**FIGURE 8-6. STEER SELECT CIRCUIT - 4014PS & 4017PS**

ITEM	PART NUMBER	QTY	DESCRIPTION	REV
4	2110608	4	ADAPTER, (includes o-ring)	
9	2130608	2	ELBOW, 90, (includes o-ring)	
14	2172106	2	ELBOW, 90, (includes o-ring)	
15	4031910	2	SOCKET HD CAPSCREW, 8X30mm, (torque to 28 Nm)	
17		Ref	STEER SELECT VALVE, (See HYDRAULIC COMPONENTS SECTION for Breakdown)	
23	1001144890	1	HOSE ASSY	
24	1001144883	2	HOSE ASSY	
25	1001144884	1	HOSE ASSY	
26	1001144889	1	HOSE ASSY	
37		Ref	GROMMET, (See DUMP CIRCUIT for Breakdown)	
51	1001094262	4	ELBOW, 90, (includes o-ring)	
57	1001095650	AR	LOCTITE 242	
58	1302325	4	DISC	
59	2997586	2	CLIP	
61	4010614	4	POZIDRIVE PAN HD SCREW, 6X30mm	
102		Ref	STEERING VALVE, (See CONTROLS SECTION for Breakdown)	

# SECTION 8 - HYDRAULIC CIRCUITS

FIGURE 8-7. SERVICE BRAKE CIRCUIT - 3706PS, 3707PS, 33.7, 37.6 & 37.7





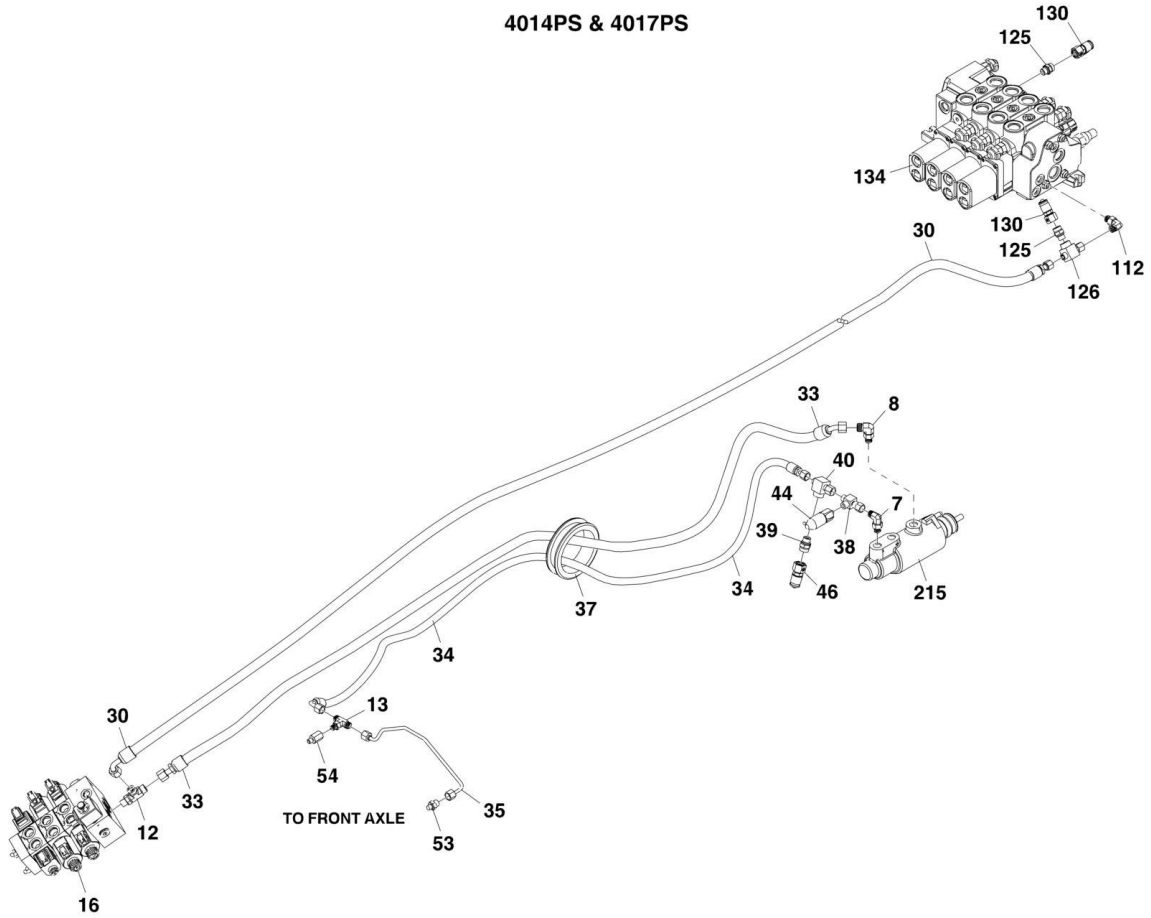
## SECTION 8 - HYDRAULIC CIRCUITS

**FIGURE 8-7. SERVICE BRAKE CIRCUIT - 3706PS, 3707PS, 33.7, 37.6 & 37.7**

ITEM	PART NUMBER	QTY	DESCRIPTION	REV
3	2130406	1	ADAPTER, 90, (includes o-ring)	
4	2130606	1	ADAPTER, 90, (includes o-ring)	
5	2170306	2	ADAPTER, RUN TEE, (includes o-ring)	
6	2170906	1	ADAPTER, CAP	
16	1001144840	1	HOSE ASSY, (3706PS & 37.6)	
16	1001144855	1	HOSE ASSY, (3707PS, 33.7 & 37.7)	
17	1001002810	1	PIPE ASSY	
18		Ref	GROMMET, (See DUMP CIRCUIT for Breakdown)	
19	1001003566	1	ADAPTER, SWIVEL TEE	
20	2144803	1	ADAPTER, CONNECTOR	
21	1001003617	1	ADAPTER, TEE, (includes o-ring)	
25	1001006362	1	PRESSURE SWITCH	
26	2144104	1	TEST PORT	
32	1001094531	1	HOSE ASSY, (3706PS & 37.6)	
32	1001144854	1	HOSE ASSY, (3707PS, 33.7 & 37.7)	
33	1001100060	2	ADAPTER, CONNECTOR	
115		Ref	BRAKE CYLINDER, (See CONTROLS SECTION for Breakdown)	
216	2170350	1	ADAPTER, RUN TEE, (includes o-ring)	
217	2172104	1	ADAPTER, 90, (includes o-ring)	
235	1001008761	1	DUST CAP	
246	1001101257	1	ADAPTER, CONNECTOR	
247		Ref	MAIN CONTROL VALVE, (See HYDRAULIC COMPONENTS SECTION for Breakdown)	

# SECTION 8 - HYDRAULIC CIRCUITS

## FIGURE 8-8. SERVICE BRAKE CIRCUIT WITH BOOM SUSPENSION - 4014PS & 4017PS



ART\_31200722-8-8

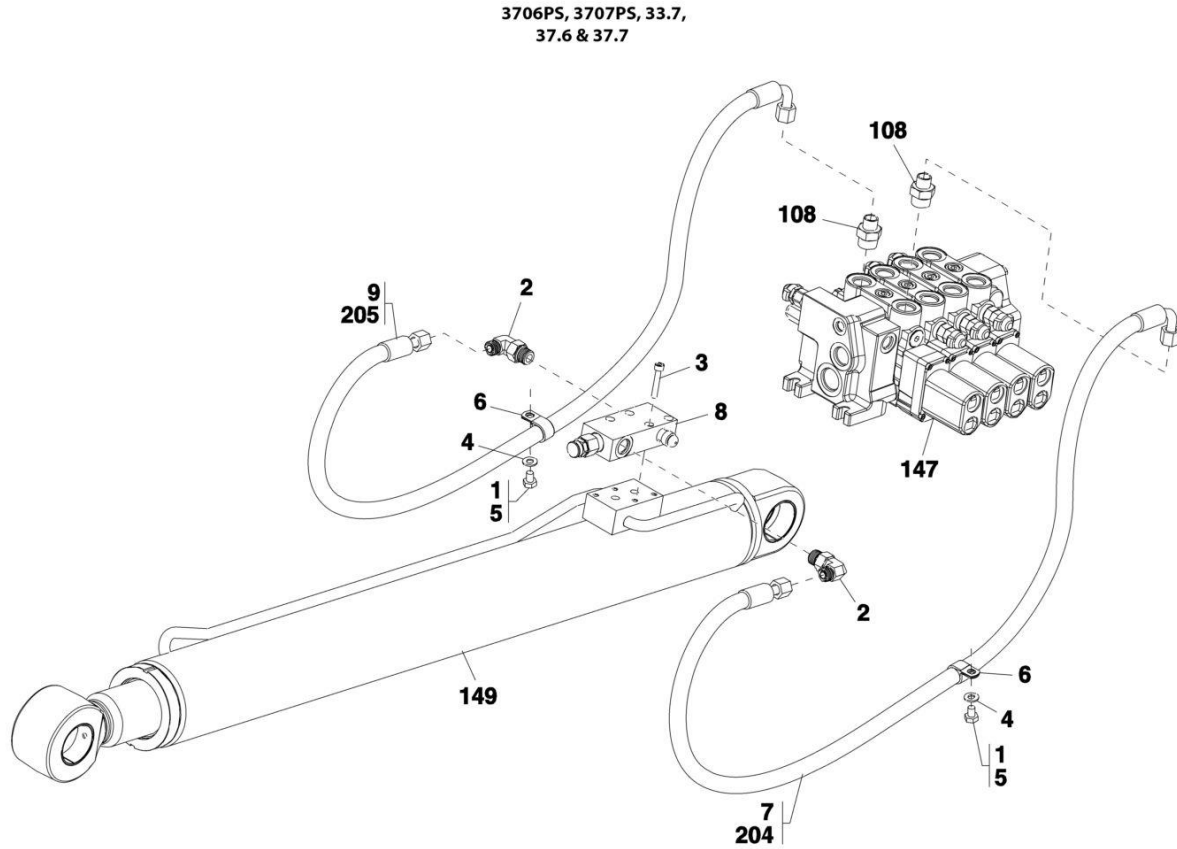
## SECTION 8 - HYDRAULIC CIRCUITS

**FIGURE 8-8. SERVICE BRAKE CIRCUIT WITH BOOM SUSPENSION - 4014PS & 4017PS**

ITEM	PART NUMBER	QTY	DESCRIPTION	REV
7	2130406	1	ELBOW, 90, (includes o-ring)	
8	2130606	1	ELBOW, 90, (includes o-ring)	
12	2170306	1	BRANCH TEE, (includes o-ring)	
13	2170404	1	BRANCH TEE, (includes o-ring)	
16		Ref	OUTRIGGER AND FRAME LEVEL VALVE, (See HYDRAULIC COMPONENTS SECTION for Breakdown)	
30	1001144885	1	HOSE ASSY	
33	1001144860	1	HOSE ASSY, (4014PS)	
33	1001144894	1	HOSE ASSY, (4017PS)	
34	1001144895	1	HOSE ASSY	
35	1001002809	1	PIPE ASSY	
37		Ref	GROMMET, (See DUMP CIRCUIT for Breakdown)	
38	1001003566	1	RUN TEE, (includes o-ring)	
39	2144803	1	ADAPTER	
40	1001003617	1	TEE FITTING, (includes o-ring)	
44	1001006362	1	PRESSURE SWITCH	
46	2144104	1	DUST CAP	
53	1001094726	1	ADAPTER, (includes o-ring)	
54	1001099030	1	NIPPLE	
112	2130406	1	ELBOW, 90, (includes o-ring)	
125	2144803	2	FITTING CONNECTOR	
126	1001003617	1	TEE FITTING, (includes o-ring)	
130	2144104	2	TEST PORT	
134		Ref	MAIN CONTROL VALVE, (See HYDRAULIC COMPONENTS SECTION for Breakdown)	
215		Ref	MASTER BRAKE CYLINDER, (See CONTROLS SECTION for Breakdown)	

# SECTION 8 - HYDRAULIC CIRCUITS

FIGURE 8-9. LIFT CYLINDER CIRCUIT - 3706PS, 3707PS, 33.7, 37.6 & 37.7



ART\_31200722-8-9

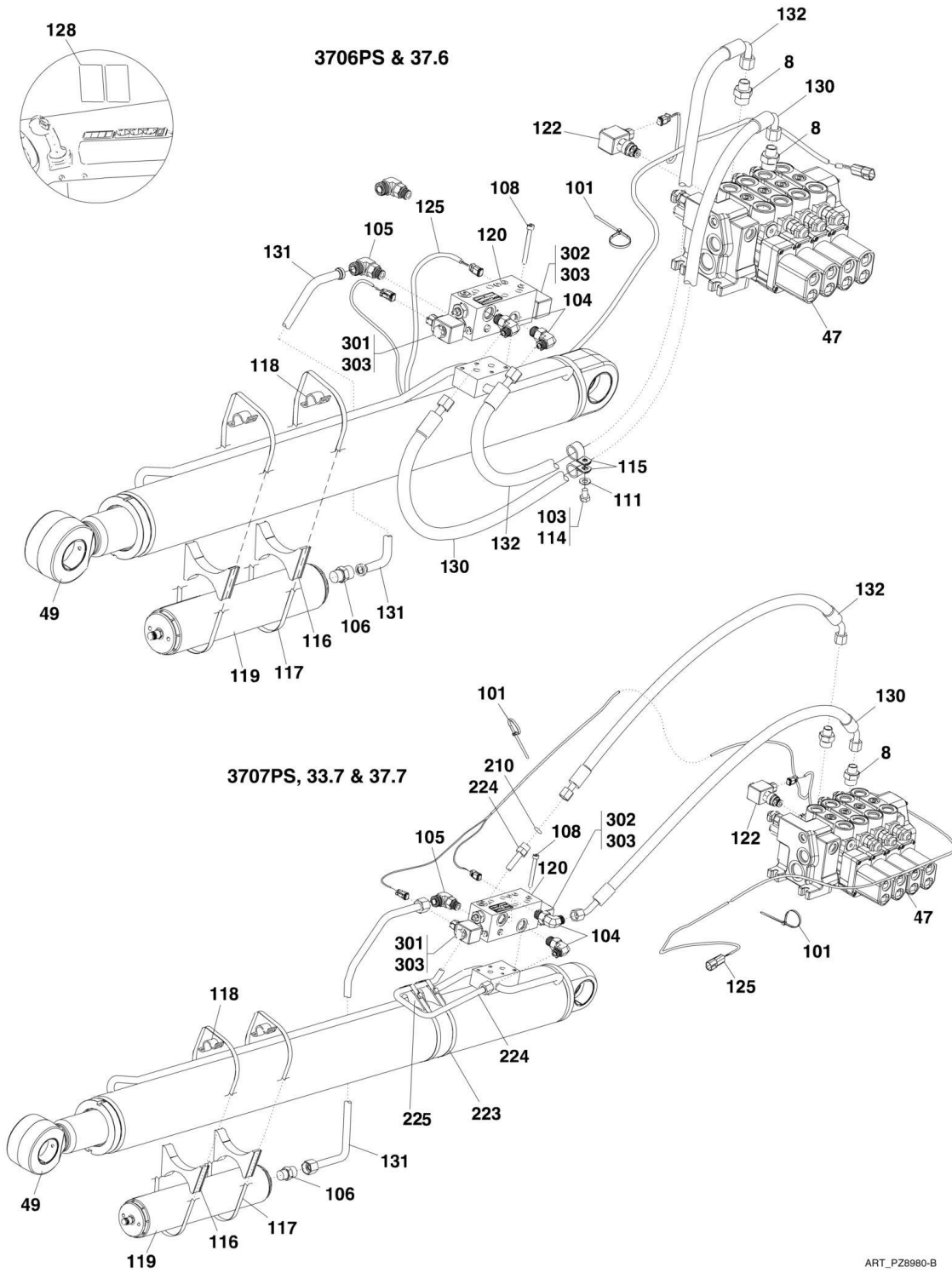
## SECTION 8 - HYDRAULIC CIRCUITS

**FIGURE 8-9. LIFT CYLINDER CIRCUIT - 3706PS, 3707PS, 33.7, 37.6 & 37.7**

ITEM	PART NUMBER	QTY	DESCRIPTION	REV
	1001144576	Ref	BOOM RAISE HOSES INSTALLATION, (3706PS & 37.6), (not available to order, see items 1 thru 9 for service)	B
	1001144619	Ref	BOOM RAISE HOSES INSTALLATION, (3707PS, 33.7 & 37.7), (not available to order, see items 2, 3, 8, 204 & 205 for service)	A
1	0761007	2	HEX HD CAPSCREW, M10X14, GR8.8, (torque to 55 Nm/40.56 lb-ft)	
2	2130810	2	ADAPTER, 90, (includes o-ring)	
3	4031913	4	SOCKET HD CAPSCREW, M8X45, (torque to 31 Nm/22.86 lb-ft)	
4	4812000	2	WASHER, 10mm	
5	1001095650	AR	LOCTITE 243	
6	1001100319	2	HOSE CLIP, M10	
7	1001144577	1	HOSE ASSY, (3706PS & 37.6)	
8	1001110911	1	LOAD HOLD VALVE	
9	1001151936	1	HOSE ASSY, (3706PS & 37.6)	
108	2110812	2	ADAPTER, CONNECTOR, (includes o-ring)	
147		Ref	MAIN CONTROL VALVE, (See HYDRAULIC COMPONENTS SECTION for Breakdown)	
149		Ref	LIFT CYLINDER, (See HYDRAULIC COMPONENTS SECTION for Breakdown)	
204	1001144620	1	HOSE ASSY, (3707PS, 33.7 & 37.7)	
205	1001144621	1	HOSE ASSY, (3707PS, 33.7 & 37.7)	

# SECTION 8 - HYDRAULIC CIRCUITS

## FIGURE 8-10. LIFT CYLINDER CIRCUIT - 3706PS, 3707PS, 33.7, 37.6 & 37.7



ART\_PZ8980-B

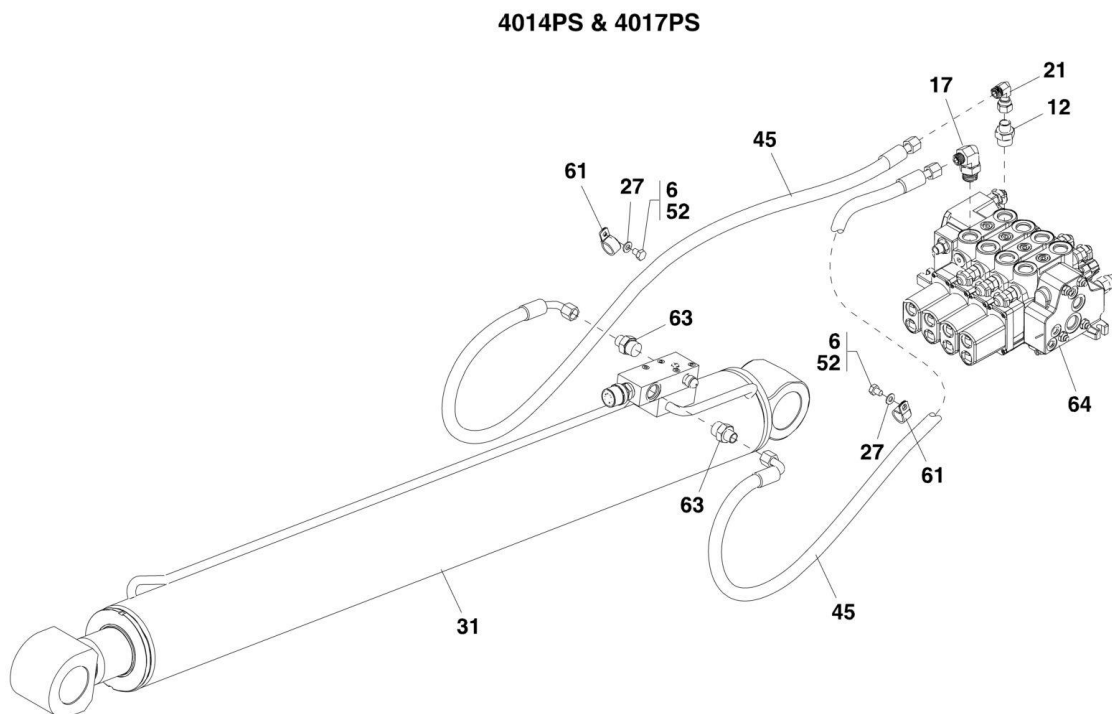
## SECTION 8 - HYDRAULIC CIRCUITS

**FIGURE 8-10. LIFT CYLINDER CIRCUIT - 3706PS, 3707PS, 33.7, 37.6 & 37.7**

ITEM	PART NUMBER	QTY	DESCRIPTION	REV
8	2110812	2	CONNECTOR, (includes o-ring)	
47		Ref	MAIN CONTROL VALVE, (See HYDRAULIC COMPONENTS SECTION for Breakdown)	
49		Ref	LIFT CYLINDER, (See HYDRAULIC COMPONENTS SECTION for Breakdown)	
	1001151784	Ref	BOOM SUSPENSION INSTALLATION, (3706PS & 37.6, if equipped), (not available to order, see items 101 thru 134 for service)	D
	1001151785	Ref	BOOM SUSPENSION INSTALLATION, (3707PS, 33.7 & 37.7, if equipped), (not available to order, see items 101, 104 thru 106, 108, 116 thru 120, 122, 125, 128, 130 thru 134, 210 & 223 thru 225 for service)	E
101	471678	12	CABLE BAND	
103	0761008	1	HEX HD CAPSCREW, M10X16, GR8.8, (torque to 36.87 lb-ft/50 Nm)	
104	2130810	2	ELBOW, 90, (includes o-ring)	
105	2131008	1	ELBOW, 90, (includes o-ring)	
106	2151010	1	CONNECTOR, (includes o-ring)	
108	4031919	4	HEX SOCKET HD SCREW, M8X75, (torque to 19.17 lb-ft/26 Nm)	
111	4812000	1	WASHER, 10 MM	
114	1001095650	AR	LOCTITE 243	
115	1001100319	2	HOSE CLIP	
116	1001100380	2	CYLINDER SADDLE, (3706PS & 37.6)	
116	1001102739	2	CYLINDER SADDLE, (3707PS, 33.7 & 37.7)	
117	1001101063	2	HOSE CLAMP,	
118	1001101064	2	TUBE BRIDGE CLIP	
119	1001106729	1	ACCUMALATOR	
120	1001106782	1	BOOM SUSPENSION VALVE, (includes items 301 thru 303)	A
122	1001108253	1	MCV VENT	
122	70022143	1	CARTRIDGE VALVE WITH NUT	
122	70022144	1	COIL, 12 VOLT DC	
125		Ref	BOOM SUSPENSION ELECTRICAL COMPONENTS, (See ELECTRICAL SECTION for Breakdown)	
128	1001135692	1	BOOM FLOAT DECAL	
130	1001144577	1	HOSE ASSEMBLY, (3706PS & 37.6)	
130	1001151779	1	HOSE ASSEMBLY, (3707PS, 33.7 & 37.7)	
131	1001148376	1	PIPE ASSEMBLY, (3706PS & 37.6)	
131	1001148126	1	PIPE ASSEMBLY, (3707PS, 33.7 & 37.7)	
132	1001151777	1	HOSE ASSEMBLY, (3706PS & 37.6)	
132	1001144621	1	HOSE ASSEMBLY, (3707PS, 33.7 & 37.7)	
134		Ref	RIDE AND FLOAT CAB HARNESS, (See ELECTRICAL SECTION for Breakdown)	
210	1001008805	1	SEAL	
223	1001109818	2	HOSE BAND	
224	1001110956	1	PIPE ASSEMBLY	
225	1001110957	2	HOSE CLAMP, (3707PS, 33.7 & 37.7)	
301	70022145	1	CARTRIDGE	
302	70022146	1	CARTRIDGE	
303	70022147	2	COIL	

# SECTION 8 - HYDRAULIC CIRCUITS

## FIGURE 8-11. LIFT CYLINDER CIRCUIT - 4014PS & 4017PS



PZ7840



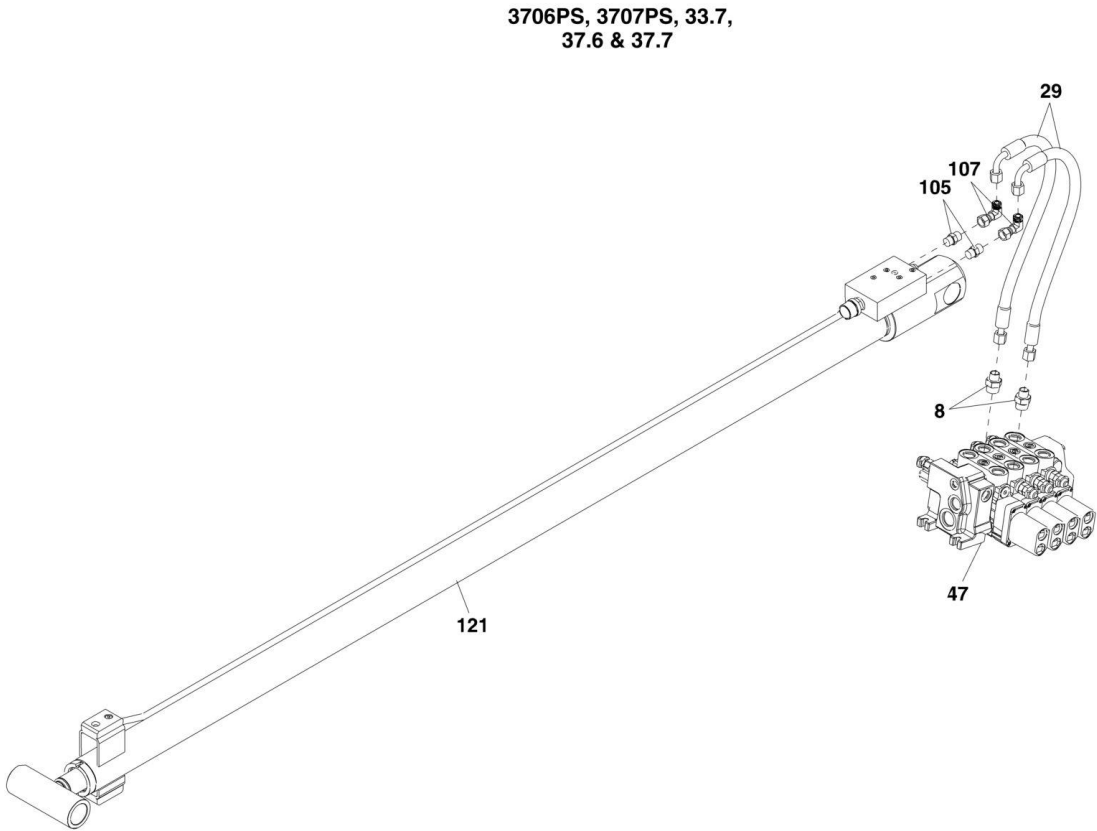
## SECTION 8 - HYDRAULIC CIRCUITS

### FIGURE 8-11. LIFT CYLINDER CIRCUIT - 4014PS & 4017PS

ITEM	PART NUMBER	QTY	DESCRIPTION	REV
6	0761007	2	HEX HD CAPSCREW, M10X14, GR8.8	
12	2110812	1	ADAPTER, (includes o-ring), (4014PS)	
12	2111012	1	ADAPTER, (includes o-ring), (4017PS)	
17	2130812	1	ELBOW, 90, (includes o-ring), (4014PS)	
17	2131012	1	ELBOW, 90, (includes o-ring), (4017PS)	
21	2172108	1	ELBOW, 90, (includes o-ring), (4014PS)	
21	2172110	1	ELBOW, 90, (includes o-ring), (4017PS)	
27	4812000	2	FLAT WASHER, 10mm	
31		Ref	LIFT CYLINDER, (See HYDRAULIC COMPONENTS SECTION for Breakdown)	
45	1001144868	2	HOSE ASSY, (4014PS)	
45	1001144902	2	HOSE ASSY, (4017PS)	
52	1001095650	AR	LOCTITE 243	
61	1001100319	2	CLIP, (4014PS)	
61	1001100320	2	CLIP, (4017PS)	
63	1001105941	2	ADAPTER, (includes o-ring), (4014PS)	
63	1001105942	2	ADAPTER, (includes o-ring), (4017PS)	
64		Ref	MAIN CONTROL VALVE, (See HYDRAULIC COMPONENTS SECTION for Breakdown)	

# SECTION 8 - HYDRAULIC CIRCUITS

FIGURE 8-12. EXTEND/RETRACT CYLINDER CIRCUIT - 3706PS, 3707PS, 33.7, 37.6 & 37.7



ART\_PZ7640-B

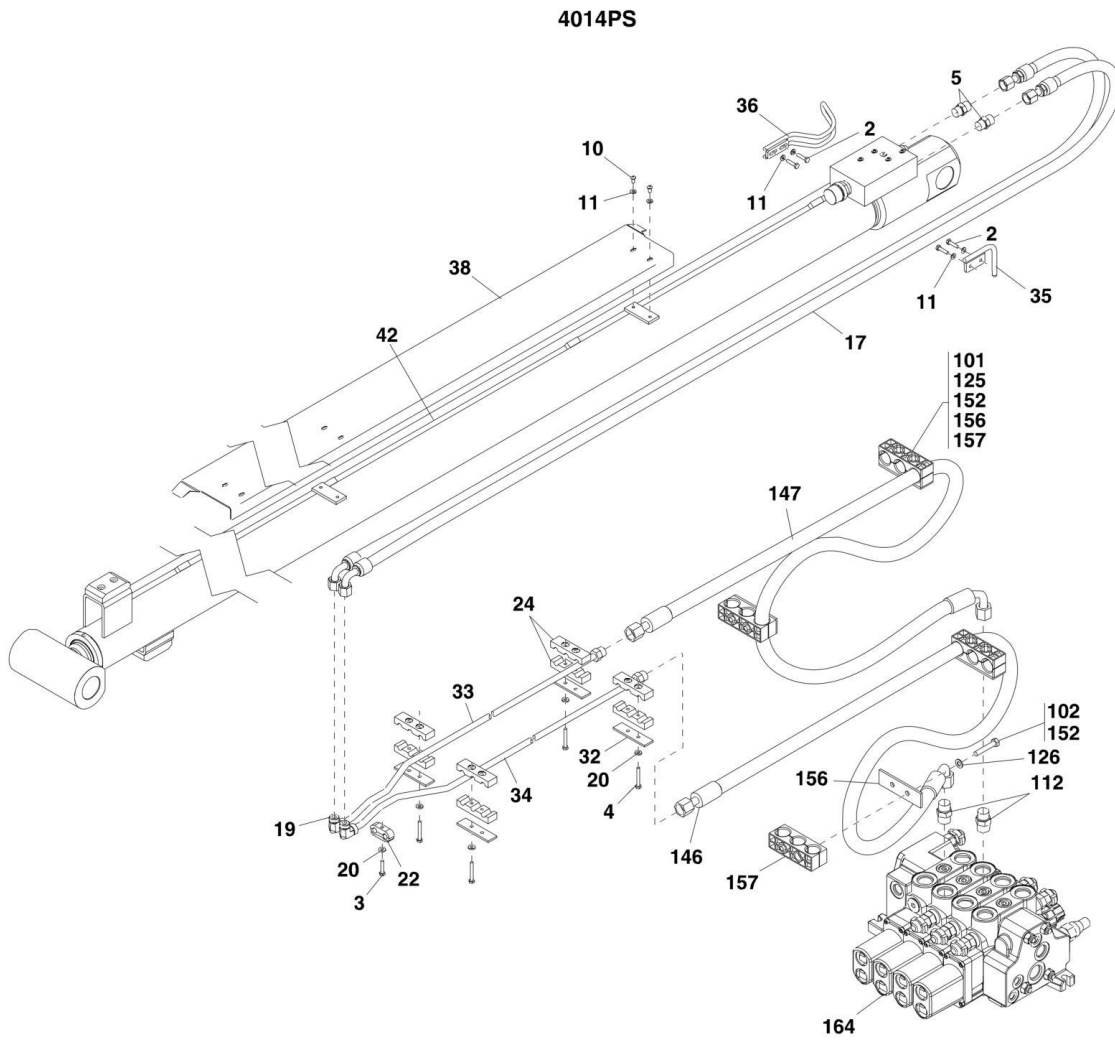
## SECTION 8 - HYDRAULIC CIRCUITS

**FIGURE 8-12. EXTEND/RETRACT CYLINDER CIRCUIT - 3706PS, 3707PS, 33.7, 37.6 & 37.7**

ITEM	PART NUMBER	QTY	DESCRIPTION	REV
8	2110812	2	ADAPTER, CONNECTOR, (includes o-ring)	
29	1001144819	2	HOSE ASSY, (3706PS & 37.6)	
29	1001144834	2	HOSE ASSY, (3707PS, 33.7 & 37.7)	
47		Ref	MAIN CONTROL VALVE, (See HYDRAULIC COMPONENTS SECTION for Breakdown)	
105	2110808	2	ADAPTER, CONNECTOR, (includes o-ring)	
107	2172108	2	ADAPTER, 90, (includes o-ring)	
121		Ref	EXTEND/RETRACT CYLINDER, (See HYDRAULIC COMPONENTS SECTION for Breakdown)	

# SECTION 8 - HYDRAULIC CIRCUITS

## FIGURE 8-13. EXTEND/RETRACT CYLINDER CIRCUIT - 4014PS



ART\_31200722-8-13

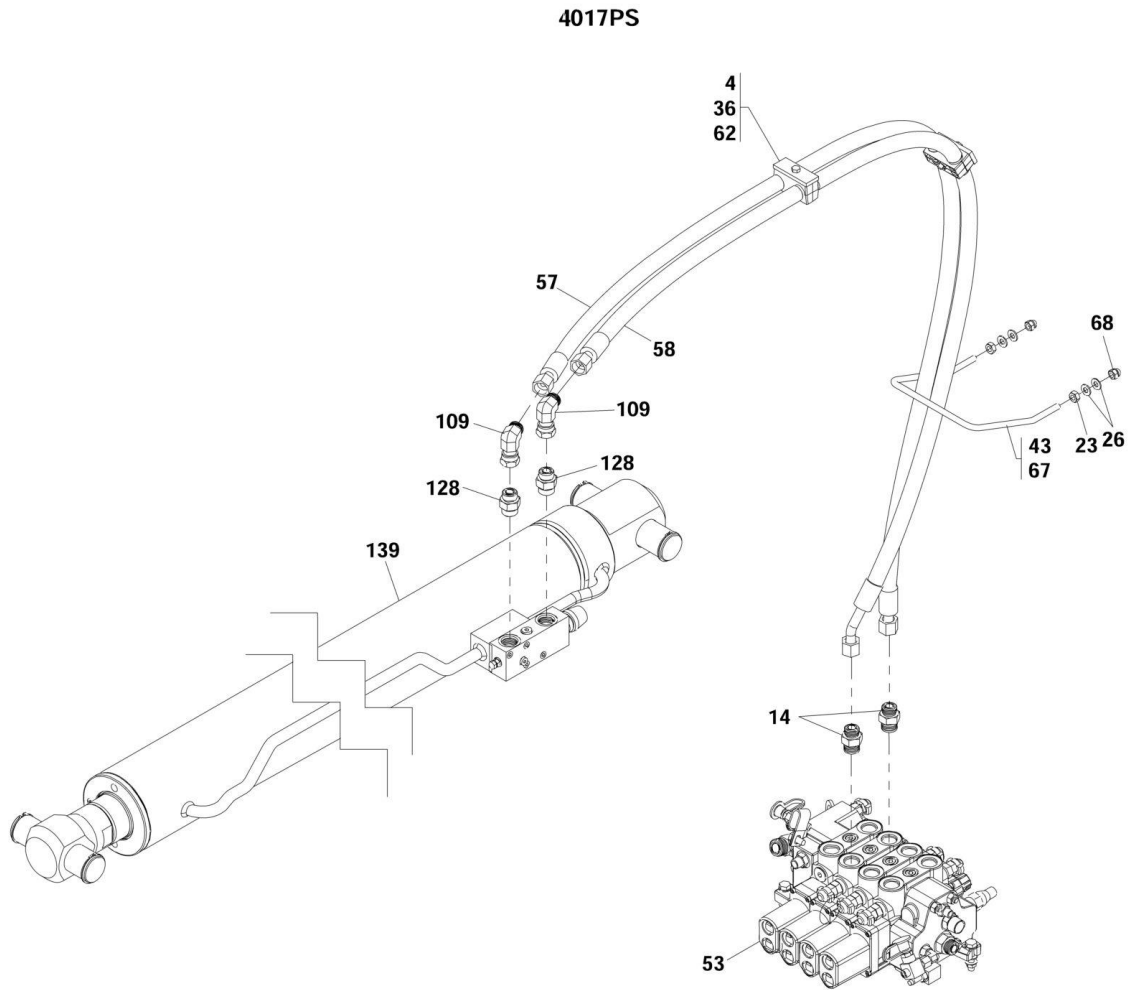
## SECTION 8 - HYDRAULIC CIRCUITS

**FIGURE 8-13. EXTEND/RETRACT CYLINDER CIRCUIT - 4014PS**

ITEM	PART NUMBER	QTY	DESCRIPTION	REV
2	0700612	4	HEX HD CAPSCREW, M6X25, GR8.8, (torque to 11 Nm/8.11 lb-ft)	
3	0700614	1	HEX HD CAPSCREW, M6X30, GR8.8, (torque to 11 Nm/8.11 lb-ft)	
4	0700617	8	HEX HD CAPSCREW, M6X45, GR8.8, (torque to 11 Nm/8.11 lb-ft)	
5	2110808	2	ADAPTER, STRAIGHT, (includes o-ring)	
10	3900362	6	BUTTON HD CAPSCREW, M6-1X12mm	
11	4811700	10	WASHER, 6mm	
17	1001144559	1	TWIN HOSE	
19	1001008805	2	SEAL	
20	1001009124	9	HARD WASHER	
22	1001092129	1	CLAMP WITH COVER	
24	1001093387	8	CLAMP	
32	1001103554	4	CLAMP COVER PLATE	
33	1001104032	1	PIPE	
34	1001104033	1	PIPE	
35	1001104670	1	HOSE GUIDE BRACKET	
36	1001104717	1	IGUS CHAIN GUIDE BRACKET	
38	1001115210	1	CHAIN GUIDE PLATE	
42		Ref	EXTEND/RETRACT CYLINDER, (See HYDRAULIC COMPONENTS SECTION for Breakdown)	
101	0700618	4	HEX HD CAPSCREW, M6X50, GR8.8, (torque to 12 Nm/8.85 lb-ft)	
102	0700817	4	HEX HD CAPSCREW, M8X45, GR8.8, (torque to 28 Nm/20.65 lb-ft)	
112	2110812	2	ADAPTER, STRAIGHT, (includes o-ring)	
125	4811700	4	WASHER, 6m	
126	4811900	4	WASHER, 8mm	
146	1001144869	1	HOSE ASSY	
147	1001144870	1	HOSE ASSY	
152	1001095650	AR	LOCTITE 243	
156	1001098123	4	TRIPLE CLAMP COVER PLATE	
157	1001098128	4	TRIPLE CLAMP	
164		Ref	MAIN CONTROL VALVE, (See HYDRAULIC COMPONENTS SECTION for Breakdown)	

# SECTION 8 - HYDRAULIC CIRCUITS

## FIGURE 8-14. EXTEND/RETRACT CYLINDER CIRCUIT - 4017PS



PAP32940

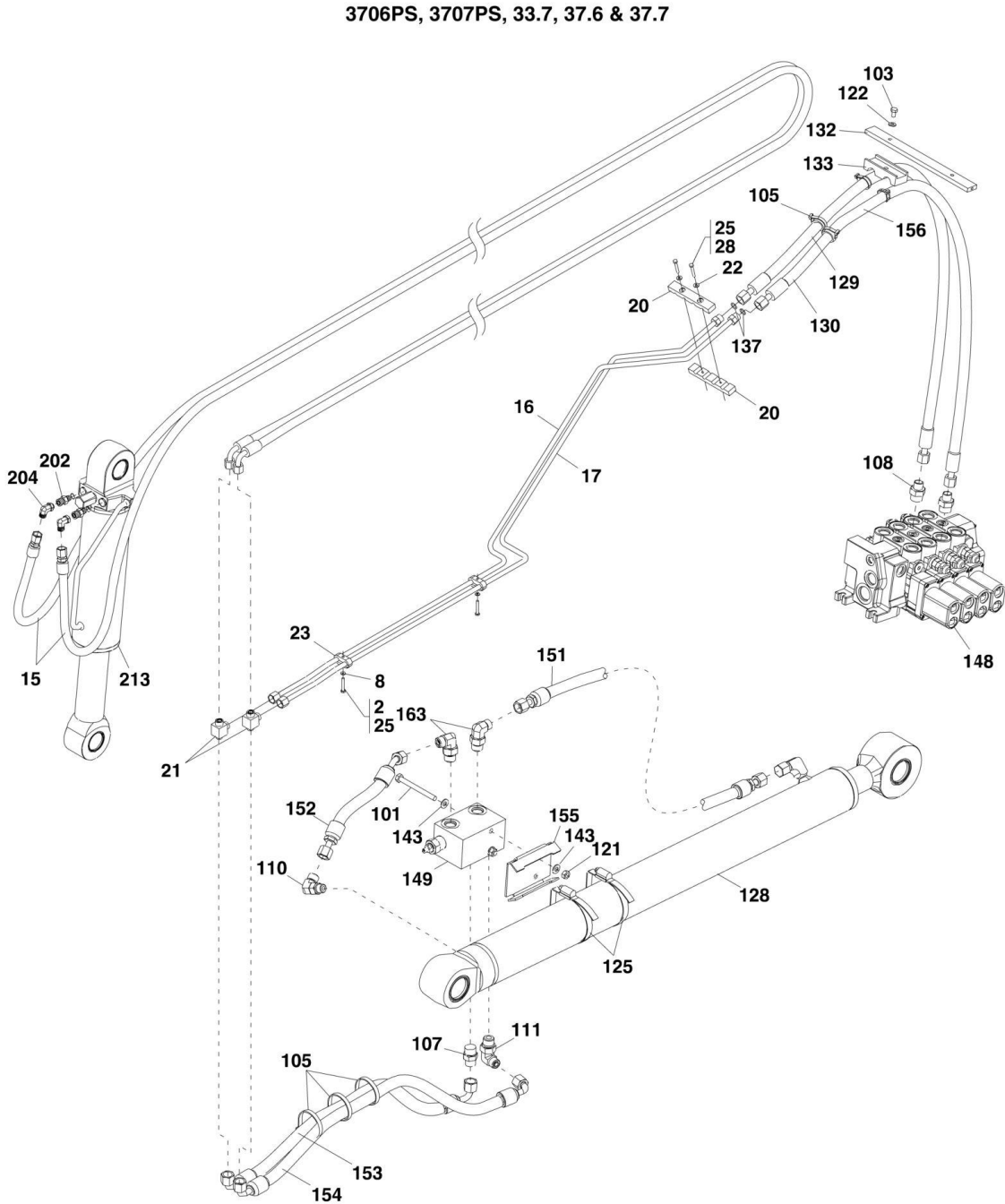
## SECTION 8 - HYDRAULIC CIRCUITS

**FIGURE 8-14. EXTEND/RETRACT CYLINDER CIRCUIT - 4017PS**

ITEM	PART NUMBER	QTY	DESCRIPTION	REV
4	0760818	2	HEX HD CAPSCREW, M8X50, GR8.8, (torque to 26 Nm/19.17 lb-ft)	
14	2111012	2	ADAPTER, CONNECTOR, (includes o-ring)	
23	3291001	2	HEX NUT, M10X1.50	
26	4812000	4	WASHER, 10mm	
36	1001008747	2	COVER	
43	1001095650	AR	LOCTITE 243	
53		Ref	MAIN CONTROL VALVE, (See HYDRAULIC COMPONENTS SECTION for Breakdown)	
57	1001144897	1	HOSE ASSY	
58	1001144903	1	HOSE ASSY	
62	1001111827	2	CLAMP ASSY	
67	1001114850	1	BRACKET	
68	1001114969	2	HEXAGON DOMED CAP NUT, GR8, (torque to 55 Nm/40.56 lb-ft)	
109	2172110	2	ADAPTER, 90, (includes o-ring)	
128	1001105942	2	ADAPTER, CONNECTOR, (includes o-ring)	
139		Ref	EXTEND/RETRACT CYLINDER, (See HYDRAULIC COMPONENTS SECTION for Breakdown)	

# SECTION 8 - HYDRAULIC CIRCUITS

FIGURE 8-15. TILT AND TILT COMPENSATION CYLINDER CIRCUIT - 3706PS, 3707PS, 33.7, 37.6 & 37.7



ART\_PZ7931-B



## SECTION 8 - HYDRAULIC CIRCUITS

**FIGURE 8-15. TILT AND TILT COMPENSATION CYLINDER CIRCUIT - 3706PS, 3707PS, 33.7, 37.6 & 37.7**

ITEM	PART NUMBER	QTY	DESCRIPTION	REV
2	0700615	2	HEX HD CAPSCREW, 6X40mm, GR8.8, (torque to 11Nm/8 lb-ft)	
8	4811700	3	HARD WASHER, (3706PS & 37.6)	
8	4811700	4	FLAT WASHER, 6mm, (3707PS, 33.7 & 37.7)	
15	1001144553	1	TWIN HOSE ASSY, (3706PS & 37.6)	
15	1001144555	1	TWIN HOSE ASSY, (3707PS, 33.7 & 37.7)	
16	1001101002	1	TUBE ASSY, (3706PS & 37.6)	
16	1001002787	1	TUBE ASSY, (3707PS, 33.7 & 37.7)	
17	1001101003	1	TUBE ASSY, (3706PS & 37.6)	
17	1001002788	1	TUBE ASSY, (3707PS, 33.7 & 37.7)	
20	1001002816	2	CLAMP	
21	1001003435	2	ADAPTER, (includes o-ring)	
23	1001092129	1	CLAMP SET, (3706PS & 37.6)	
23	1001092129	2	CLAMP SET, (3707PS, 33.7 & 37.7)	
25	1001095650	AR	LOCTITE 243	
28	0700618	2	HEX HD CAPSCREW, M6X50, GR8.8	
101	0700825	2	HEX HD CAPSCREW, M8X85, GR8.8, (torque to 28 Nm/20.65 lb-ft)	
103	0760807	1	HEX HD CAPSCREW, 8X14 MM, GR8.8, (torque to 23 Nm/17 lb-ft)	
105	1062255	5	TIE WRAP, (3706PS & 37.6)	
105	1062255	6	TIE WRAP, (3707PS, 33.7 & 37.7)	
107	2110608	1	ADAPTER, (includes o-ring)	
108	2110812	2	CONNECTOR, (includes o-ring)	
110	2130606	1	ELBOW, 90, (includes o-ring)	
111	2130608	3	ADAPTER, 90, (includes o-ring)	
121	3290801	2	HEX NUT, M8X1/25	
122	4811900	5	FLAT WASHER, 8mm	
125	10719267	2	CLAMP, (torque to 4.5-5 Nm/3.31-3.68 lb-ft)	
128		Ref	TILT COMPENSATION CYLINDER, (See HYDRAULIC COMPONENTS SECTION for Breakdown)	
129	1001144821	1	HOSE ASSY, (3706PS & 37.6)	
129	1001144832	1	HOSE ASSY, (3707PS, 33.7 & 37.7)	
130	1001144821	1	HOSE ASSY, (3706PS & 37.6)	
130	1001144833	1	HOSE ASSY, (3707PS, 33.7 & 37.7)	
132	1001002817	1	CLAMP PLATE	
133	1001002818	1	CLAMP HALF	
137	1001008805	2	SEAL	
148		Ref	MAIN CONTROL VALVE, (See HYDRAULIC COMPONENTS SECTION for Breakdown)	
149	1001108529	1	ANTI-KICK BACK VALVE	
151	1001144828	1	HOSE ASSY	
152	1001144829	1	HOSE ASSY	
153	1001144822	1	HOSE ASSY, (3706PS & 37.6)	
153	1001144830	1	HOSE ASSY, (3707PS, 33.7 & 37.7)	
154	1001144823	1	HOSE ASSY, (3706PS & 37.6)	
154	1001144831	1	HOSE ASSY, (3707PS, 33.7 & 37.7)	
155	1001112726	1	BRACKET	
156	1001151080	2	SPLIT POLY CONDUIT	
202	2110808	2	CONNECTOR, (includes o-ring)	
204	2172108	2	ELBOW, 90, (includes o-ring)	
213		Ref	TILT CYLINDER, (See HYDRAULIC COMPONENTS SECTION for	

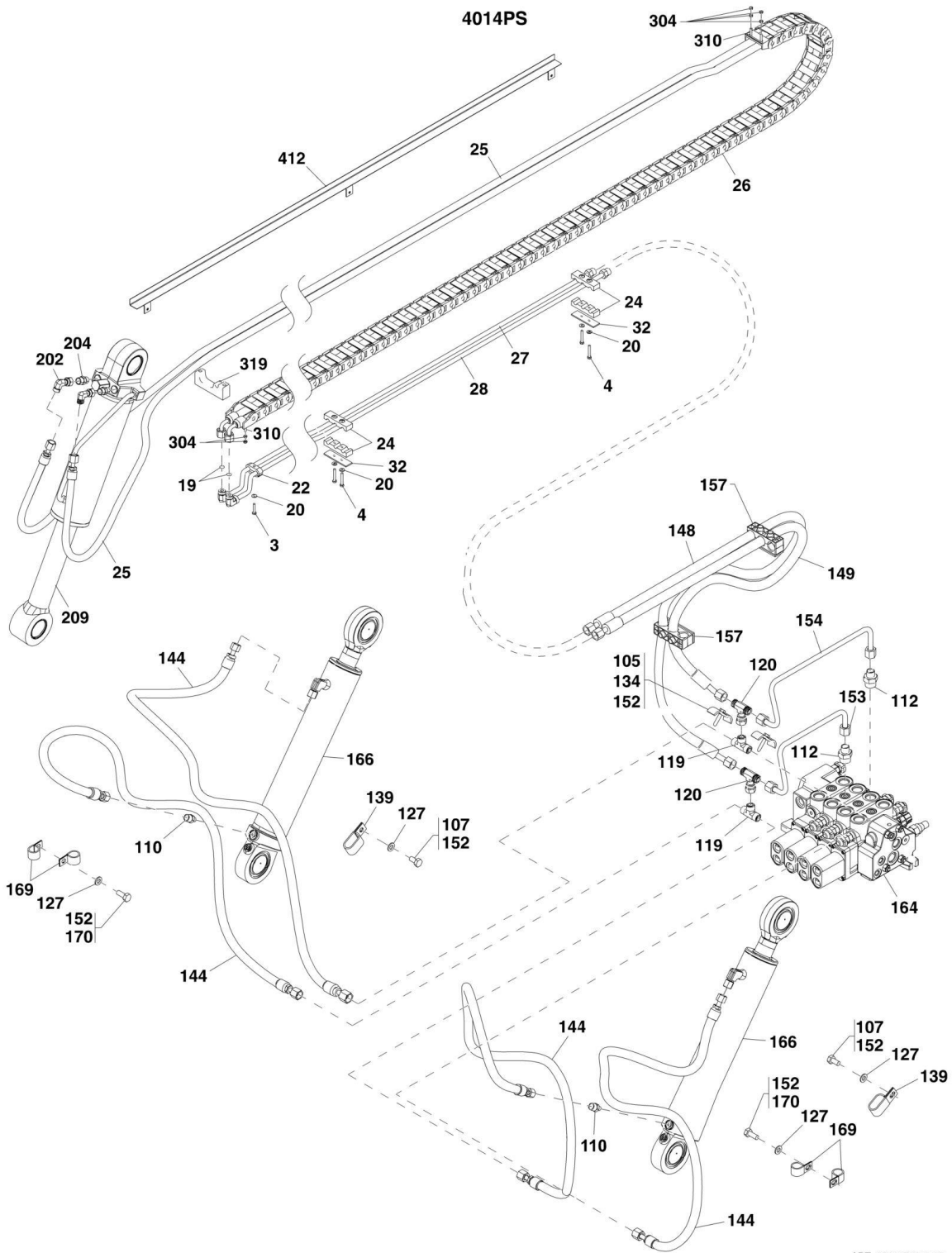
## SECTION 8 - HYDRAULIC CIRCUITS

ITEM	PART NUMBER	QTY	DESCRIPTION	REV
			Breakdown)	



# SECTION 8 - HYDRAULIC CIRCUITS

## FIGURE 8-16. TILT AND TILT COMPENSATION CYLINDER CIRCUIT - 4014PS



ART\_31200722-8-16

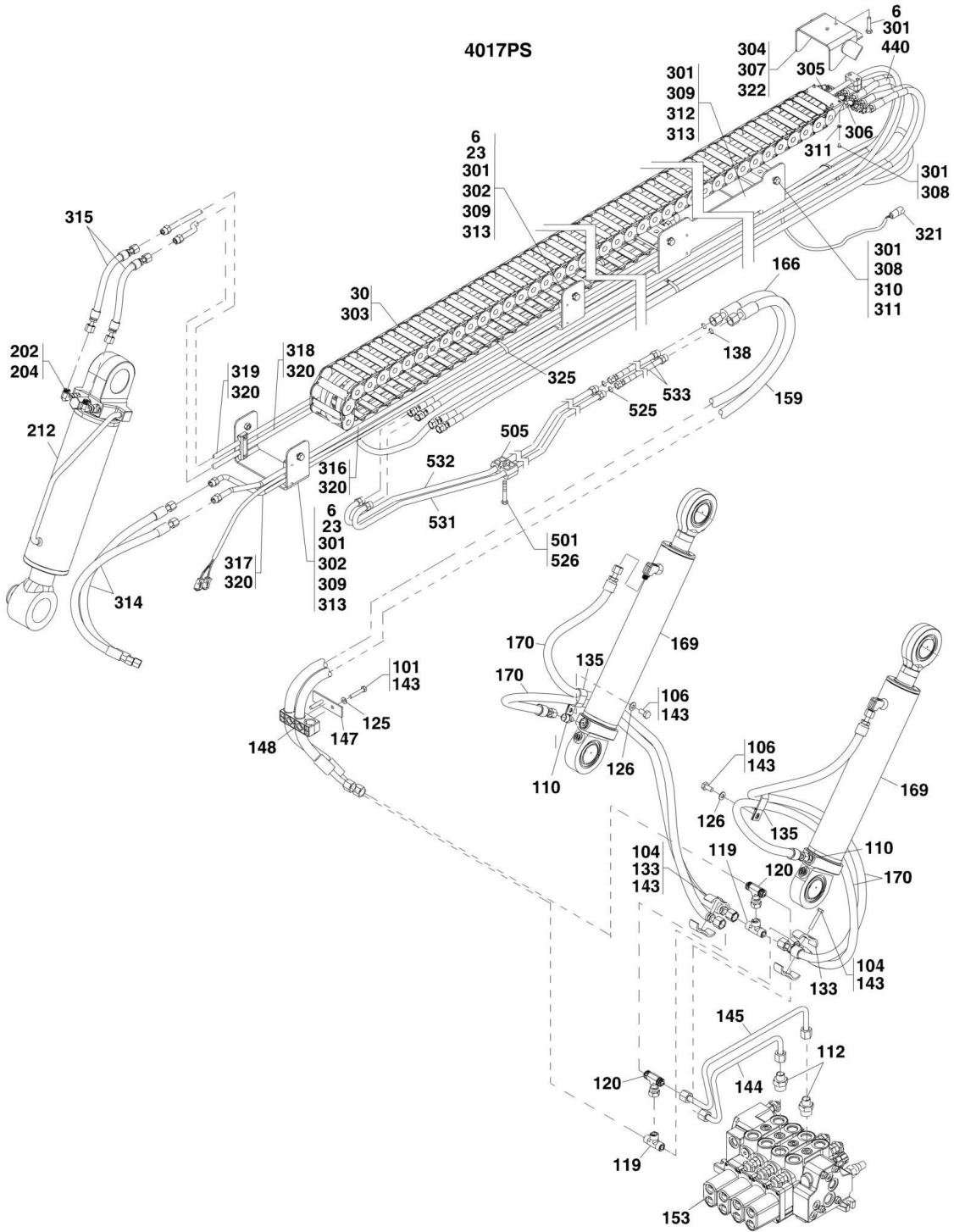
## SECTION 8 - HYDRAULIC CIRCUITS

**FIGURE 8-16. TILT AND TILT COMPENSATION CYLINDER CIRCUIT - 4014PS**

ITEM	PART NUMBER	QTY	DESCRIPTION	REV
3	0700614	2	HEX HD CAPSCREW, 6X30mm, GR8.8, (torque to 12 Nm/8.8 lb-ft)	
4	0700617	4	HEX HD CAPSCREW, 6X40mm, GR8.8, (torque to 12 Nm/8.8 lb-ft)	
19	1001008805	2	SEAL	
20	1001009124	5	HARD WASHER	
22	1001092129	2	CLAMP WITH COVER	
24	1001093387	4	CLAMP HALF	
25	1001144561	2	HOSE ASSY	
26	1001097391	1	HOSE CARRIER	
27	1001097902	1	PIPE ASSY	
28	1001097903	1	PIPE ASSY	
32	1001103554	2	CLAMP COVER PLATE	
105	0760818	2	HEX HD CAPSCREW, 8X50mm, GR8.8	
107	0761010	2	HEX HD CAPSCREW, 10X20mm, GR8.8, (torque to 55 Nm/40.5 lb-ft)	
110	2110604	2	ADAPTER, (includes o-ring)	
112	2110812	2	ADAPTER, (includes o-ring)	
119	2170508	2	TEE FITTING, (includes o-ring)	
120	2170808	2	TEE FITTING, (includes o-ring)	
127	4812000	4	WASHER, 10mm	
130	1001002496	2	PIN	
134	1001005961	2	CLIP	
139	1001026104	2	CLIP	
144	1001175785	4	HOSE ASSY, TILT COMP 4014	
148	1001144871	1	HOSE ASSY	
149	1001144872	1	HOSE ASSY	
152	1001095650	AR	LOCTITE 243	
153	1001097289	1	PIPE ASSY	
154	1001097290	1	PIPE ASSY	
157	1001098128	2	CLAMP	
166		Ref	TILT COMPENSATION CYLINDER, (See HYDRAULIC COMPONENTS SECTION for Breakdown)	
164		Ref	MAIN CONTROL VALVE, (See HYDRAULIC COMPONENTS SECTION for Breakdown)	
169	1001004144	4	CLIP	
170	0761012	2	HEX HD CAPSCREW, 10X20mm, GR8.8	
209		Ref	TILT CYLINDER, (See HYDRAULIC COMPONENTS SECTION for Breakdown)	
202	2110808	2	CONNECTOR, (includes o-ring)	
204	2172108	2	ELBOW, 90, (includes o-ring)	
304	3290601	8	HEX NUT, 6X1mm, (torque adjusting nut to 3 Nm/2.2 lb-ft), (torque locking nut to 12 Nm/8.8 lb-ft)	
310	1001103495	2	CHAIN ANCHOR BRACKET	
319	1001113286	1	CLAMP	
319	1001107679	1	CLAMP, (if equipped for platform)	
412	1001119560	NLA	PLATE, BOX SECTION, (no longer available, use 1001155578 for replacement)	
412	1001155578	1	CONDUIT	

# SECTION 8 - HYDRAULIC CIRCUITS

FIGURE 8-17. TILT AND TILT COMPENSATION CYLINDER CIRCUIT - 4017PS



ART\_31200722-8-17

## SECTION 8 - HYDRAULIC CIRCUITS

**FIGURE 8-17. TILT AND TILT COMPENSATION CYLINDER CIRCUIT - 4017PS**

ITEM	PART NUMBER	QTY	DESCRIPTION	REV
6	0761214	10	HEX HD CAPSCREW, M12X30, GR8.8	
23	4812100	8	WASHER, M12	
30	1001144557	1	HOSE CARRIER ASSY, (includes items 301 thru 325)	B
30	1001144575	1	HOSE CARRIER ASSY, (includes items 301 thru 325), (if equipped for platform)	A
101	0700817	2	HEX HD CAPSCREW, M8X45, GR8.8	
104	0760818	2	HEX HD CAPSCREW, M8X50, GR8.8	
106	0761010	2	HEX HD CAPSCREW, M10X20, GR8.8	
110	2110604	2	ADAPTER, (includes o-ring)	
112	2110812	2	ADAPTER, (includes o-ring)	
119	2170508	2	TEE FITTING, (includes o-ring)	
120	2170808	2	TEE FITTING, (includes o-ring)	
125	4811900	4	WASHER, 8mm	
126	4812000	4	WASHER, 10mm	
133	1001005961	4	CLIP	
135	1001008626	2	CLIP	
143	1001095650	AR	LOCTITE 243	
144	1001097289	1	PIPE ASSY	
145	1001097290	1	PIPE ASSY	
147	1001098123	1	COVER PLATE	
148	1001098128	1	CLAMP	
153		Ref	MAIN CONTROL VALVE, (See HYDRAULIC COMPONENTS SECTION for Breakdown)	
159	1001144898	1	HOSE ASSY	
166	1001144900	1	HOSE ASSY	
169		Ref	TILT COMPENSATION CYLINDER, (See HYDRAULIC COMPONENTS SECTION for Breakdown)	
170	1001144901	4	HOSE ASSY	
202	2110808	2	ADAPTER, (includes o-ring)	
204	2172108	2	ADAPTER, 90, (includes o-ring)	
212		Ref	TILT CYLINDER, (See HYDRAULIC COMPONENTS SECTION for Breakdown)	
301	0100011	AR	LOCTITE 242	
302	0903405	2	MOUNTING BRACKET	
303	1001120416	1	HOSE CARRIER	
304	2171108	4	ADAPTER, (includes o-ring)	
305	1001144562	1	HOSE ASSY	
306	1001144563	1	HOSE ASSY	
307	3576314	1	HOSE CARRIER MOUNT	
308	3900362	12	BUTTON HD SCREW, M6-1X12mm	
309	3900380	12	SOCKET HD CAPSCREW, M6-1X20mm	
310	4700044	2	SLIDE	
311	4811700	12	WASHER, 6mm	
312	1001093238	1	REAR MOUNT BRACKET	
313	1001100075	6	CLAMP	
314		Ref	HOSE ASSY, (See AUXILIARY HYDRAULIC CIRCUIT for Breakdown)	
315	1001144565	2	HOSE ASSY	
316	1001115560	1	PIPE ASSY	
317	1001115561	1	PIPE ASSY	
318	1001115562	1	PIPE ASSY	

## SECTION 8 - HYDRAULIC CIRCUITS

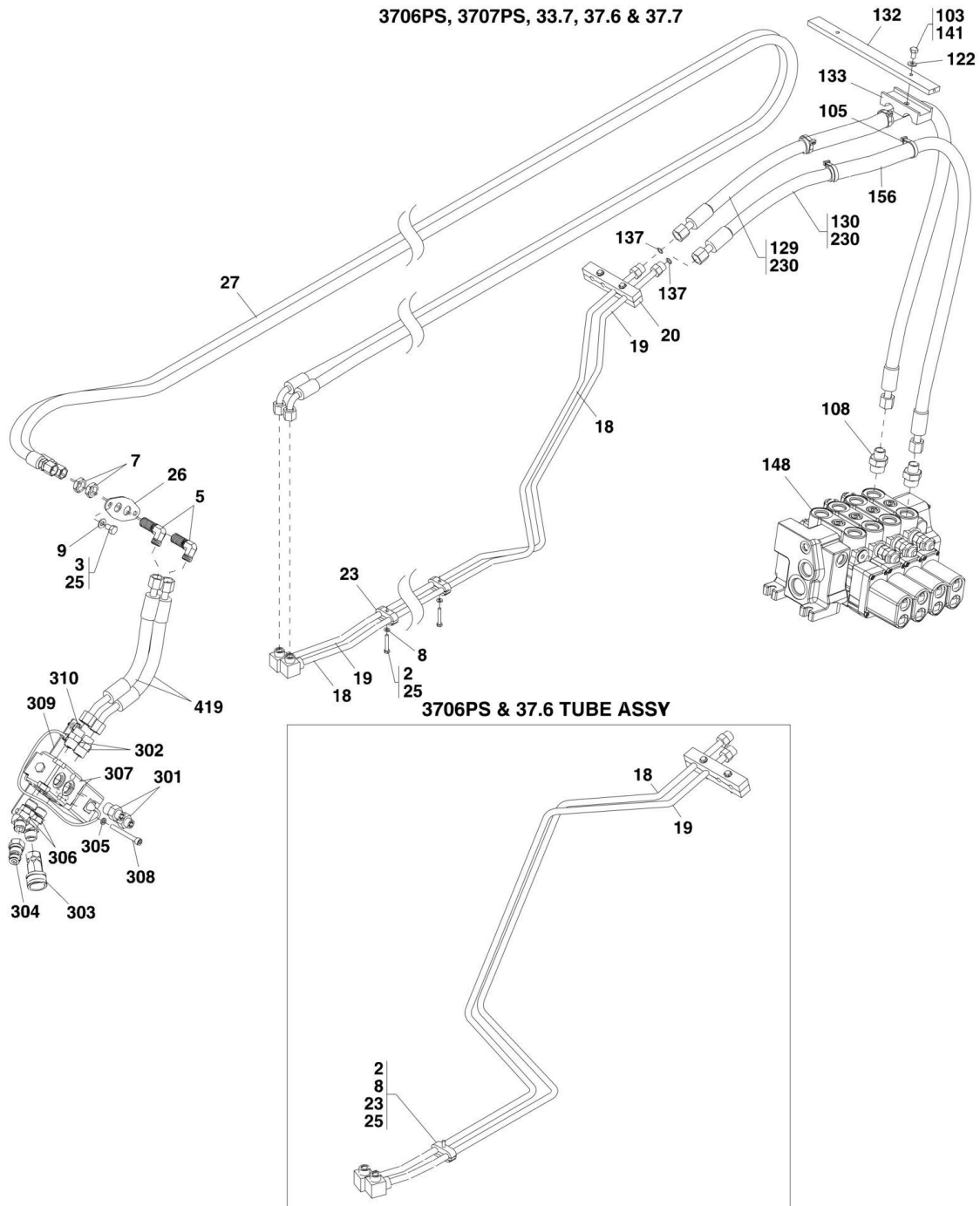
ITEM	PART NUMBER	QTY	DESCRIPTION	REV
319	1001115563	1	PIPE ASSY	
320	1001008805	8	SEAL	
321		Ref	BOOM HARNESS, (See ELECTRICAL SECTION for Breakdown)	
322	2172208	4	NUT, GR8	
325	471678	6	TIE STRAP	
440	1001144558	1	HOSE ASSY	
501	0700816	5	HEX HD CAPSCREW, M8x40, GR8.8	
505	1320626	5	CLAMP ASSY	
525	1001008922	2	SEAL	
526	1001095650	AR	LOCTITE 243	
531	1001118705	1	PIPE ASSY	
532	1001118706	1	PIPE ASSY	
533	1001118707	2	PIPE ASSY	





# SECTION 8 - HYDRAULIC CIRCUITS

FIGURE 8-18. AUXILIARY HYDRAULIC CIRCUIT - 3706PS, 3707PS, 33.7, 37.6 & 37.7



ART\_PZ7942-B

## SECTION 8 - HYDRAULIC CIRCUITS

**FIGURE 8-18. AUXILIARY HYDRAULIC CIRCUIT - 3706PS, 3707PS, 33.7, 37.6 & 37.7**

ITEM	PART NUMBER	QTY	DESCRIPTION	REV
2	0700615	1	HEX HD CAPSCREW, 6x35, GR8.8, (3706PS & 37.6)	
2	0700615	2	HEX HD CAPSCREW, 6x35, GR8.8, (3707PS, 33.7 & 37.7)	
3	0761008	2	HEX HD CAPSCREW, 10X16mm, GR8.8, (torque to 55 Nm/41 lb-ft)	
5	2171208	2	ELBOW, 90, (includes o-ring)	
7	2172208	2	NUT	
8	4811700	1	FLAT WASHER, 6mm, (3706PS & 37.6)	
8	4811700	2	FLAT WASHER, 6mm, (3707PS, 33.7 & 37.7)	
9	4812000	2	FLAT WASHER, 10mm	
18	1001101004	1	TUBE ASSY, (3706PS & 37.6)	
18	1001002789	1	TUBE ASSY, (3707PS, 33.7 & 37.7)	
19	1001101005	1	TUBE ASSY, (3706PS & 37.6)	
19	1001002790	1	TUBE ASSY, (3707PS, 33.7 & 37.7)	
20		Ref	CLAMP, (See TILT AND TILT COMPENSATION CYLINDER CIRCUIT for Breakdown)	
23	1001092129	1	CLAMP SET,(3706PS & 37.6)	
23	1001092129	2	CLAMP SET, (3707PS, 33.7 & 37.7)	
25	1001095650	AR	LOCTITE 243	
26	1001098386	1	BULKHEAD PLATE	
27	1001144554	1	TWIN HOSE ASSY, (3706PS & 37.6)	
27	1001144556	1	TWIN HOSE ASSY, (3707PS, 33.7 & 37.7)	
103	0760807	1	HEX HD CAPSCREW, 8X14mm, GR8.8	
105	1062255	2	TY-RAP	
108	2110812	2	CONNECTOR, (includes o-ring)	
122	4811900	1	FLAT WASHER, 8mm	
129	1001144832	1	HOSE ASSY, (3707PS, 33.7 & 37.7)	
130	1001144833	1	HOSE ASSY, (3707PS, 33.7 & 37.7)	
132		Ref	CLAMP, (See TILT AND TILT COMPENSATION CYLINDER CIRCUIT for Breakdown)	
133	1001002818	1	CLAMP HALF	
137	1001008805	2	SEAL	
141	1001095650	AR	LOCTITE 243	
148		Ref	MAIN CONTROL VALVE, (See HYDRAULIC COMPONENTS SECTION for Breakdown)	
156	1001151080	2	SPLIT POLY CONDUIT	
230	1001144821	2	HOSE ASSY, (3706PS & 37.6)	
	1001146389	Ref	VALVE GROUP INSTALLATION, (not available to order, see items 301 thru 312 for service)	A
301	1001003400	2	FITTING, CONNECTOR	
302	1001003411	2	FITTING, CONNECTOR	
303	1001101042	1	QUICK DISCONNECT COUPLING, FEMALE	
304	1001101041	1	QUICK DISCONNECT COUPLING, MALE	
305	1001005262	2	HARD WASHER	
306	1001005904	2	ELBOW, 45	
307		Ref	DIVERTER VALVE, (See HYDRAULIC COMPONENTS SECTION for Breakdown)	
308	4031918	2	SOCKET HD CAPSCREW, M8X70, (torque to 12-14 Nm/8.85-10.32 lb-ft)	
309	1001108918	1	PLATE	
310	1001004720	2	CABLE STRAP	
311		Ref	HYDRAULIC LOCK SWITCH, (not shown), (See ELECTRICAL SECTION for Breakdown)	

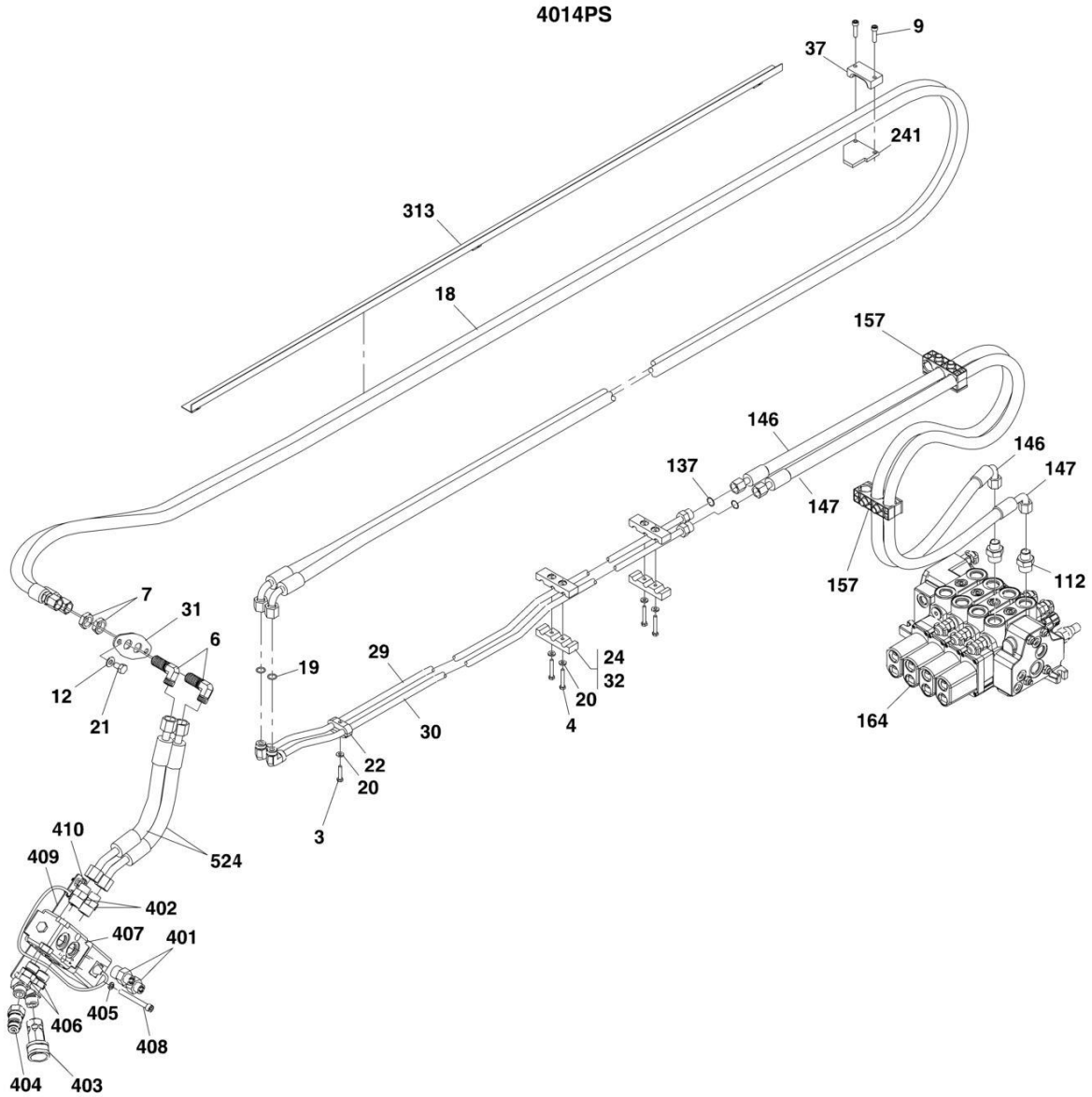
## SECTION 8 - HYDRAULIC CIRCUITS

ITEM	PART NUMBER	QTY	DESCRIPTION	REV
312		Ref	RIDE CONTROL SWITCH BODY, (not shown), (See ELECTRICAL SECTION for Breakdown)	
419		Ref	HOSE ASSY, (See BOOM SECTION for Breakdown)	



# SECTION 8 - HYDRAULIC CIRCUITS

## FIGURE 8-19. AUXILIARY HYDRAULIC CIRCUIT - 4014PS



ART\_31200722-8-19

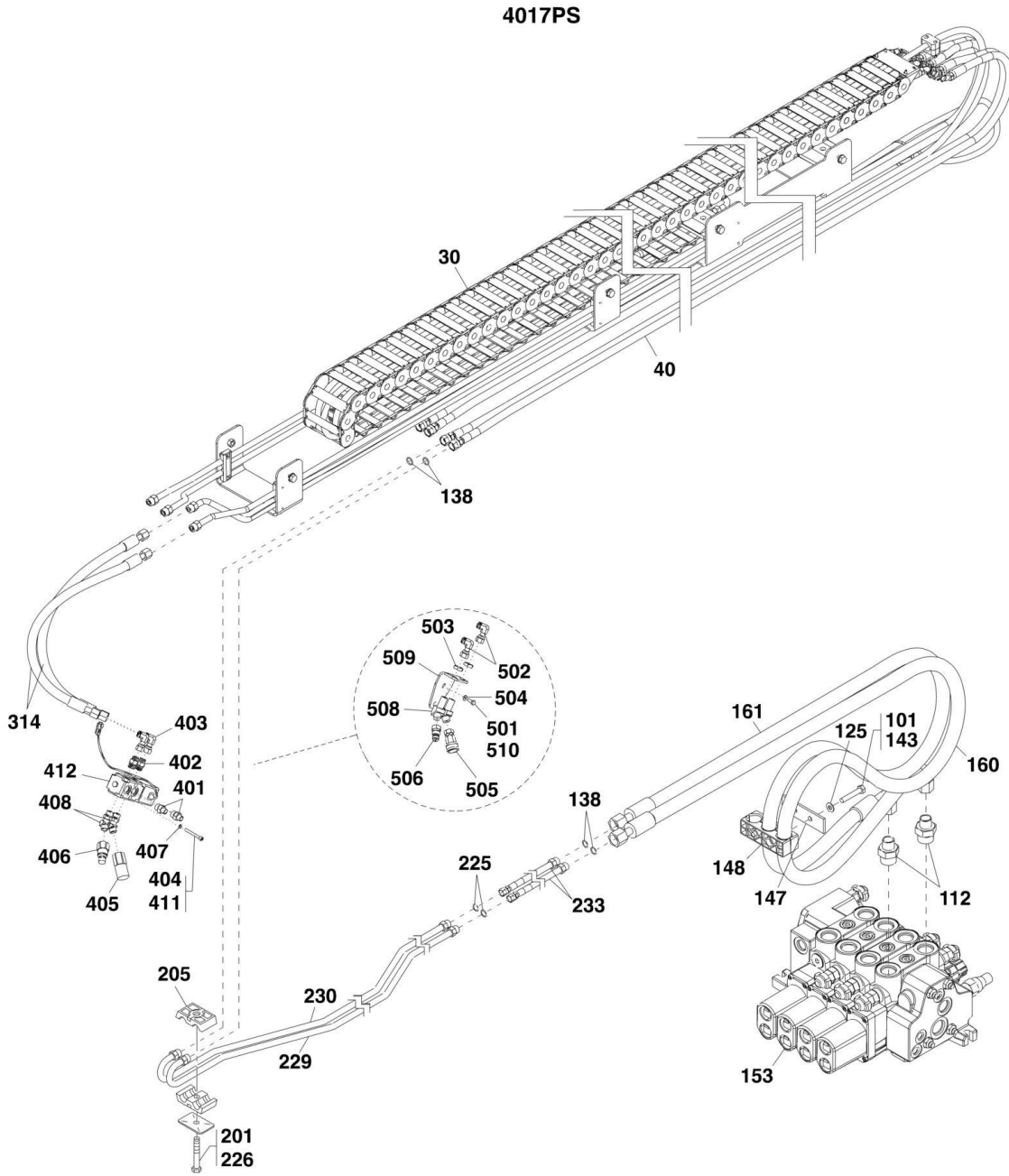
## SECTION 8 - HYDRAULIC CIRCUITS

**FIGURE 8-19. AUXILIARY HYDRAULIC CIRCUIT - 4014PS**

ITEM	PART NUMBER	QTY	DESCRIPTION	REV
3	0700614	2	HEX HD CAPSCREW, 6X30mm, GR8.8, (torque to 12Nm/8.8lb-ft)	
4	0700617	4	HEX HD CAPSCREW, 6X45mm, GR8.8, (torque to 12Nm/8.8lb-ft)	
6	2171208	2	ELBOW, 90, (includes o-ring)	
7	2172208	2	BULKHEAD NUT	
9	4031709	2	HEX HEAD SCREW, 6X25mm	
12	4812000	2	FLAT WASHER, 10mm	
18	1001144560	1	HOSE ASSY	
19	1001008805	2	SEAL	
20	1001009124	8	HARD WASHER	
21	1001009326	2	TORX HD CAPSCREW, 10X20mm	
22	1001092129	2	CLAMP SET	
24	1001093387	4	CLAMP HALF	
29	1001097904	1	PIPE ASSY	
30	1001097905	1	PIPE ASSY	
31	1001098386	1	BULKHEAD PLATE	
32	1001103554	2	CLAMP COVER PLATE	
37	1001110596	1	HOSE CLAMP PLATE	
112	2110812	2	ADAPTER, (includes o-ring)	
137	1001008805	2	SEAL	
146	1001144869	1	HOSE ASSY	
147	1001144870	1	HOSE ASSY	
157		Ref	CLAMP, (See TILT AND TILT COMPENSATION CYLINDER CIRCUIT for Breakdown)	
164		Ref	MAIN CONTROL VALVE, (See HYDRAULIC COMPONENTS SECTION for Breakdown)	
241		Ref	THIRD BOOM SECTION, (See BOOM SECTION for Breakdown)	
313	1001119560	NLA	PLATE, BOX SECTION, (no longer available, use 1001155578 for replacement)	
313	1001155578	1	CONDUIT	
	1001146389	Ref	VALVE GROUP INSTALLATION, (not available to order, see items 401 thru 412 for service)	A
401	1001003400	2	FITTING, CONNECTOR	
402	1001003411	2	FITTING, CONNECTOR	
403	1001101042	1	QUICK DISCONNECT COUPLING, FEMALE	
404	1001101041	1	QUICK DISCONNECT COUPLING, MALE	
405	1001005262	2	HARD WASHER	
406	1001005904	2	ELBOW, 45	
407		Ref	DIVERTER VALVE, (See HYDRAULIC COMPONENTS SECTION for Breakdown)	
408	4031918	2	SOCKET HD CAPSCREW, M8X70, (torque to 12-14 Nm/8.85-10.32 lb-ft)	
409	1001108918	1	PLATE	
410	1001004720	2	CABLE STRAP	
411		Ref	HYDRAULIC LOCK SWITCH, (not shown) (See ELECTRICAL SECTION for Breakdown)	
412		Ref	RIDE CONTROL SWITCH BODY, (not shown), (See ELECTRICAL SECTION for Breakdown)	
524		Ref	HOSE ASSY, (See BOOM SECTION for Breakdown)	

# SECTION 8 - HYDRAULIC CIRCUITS

## FIGURE 8-20. AUXILIARY HYDRAULIC CIRCUIT - 4017PS



ART\_31200722-8-20



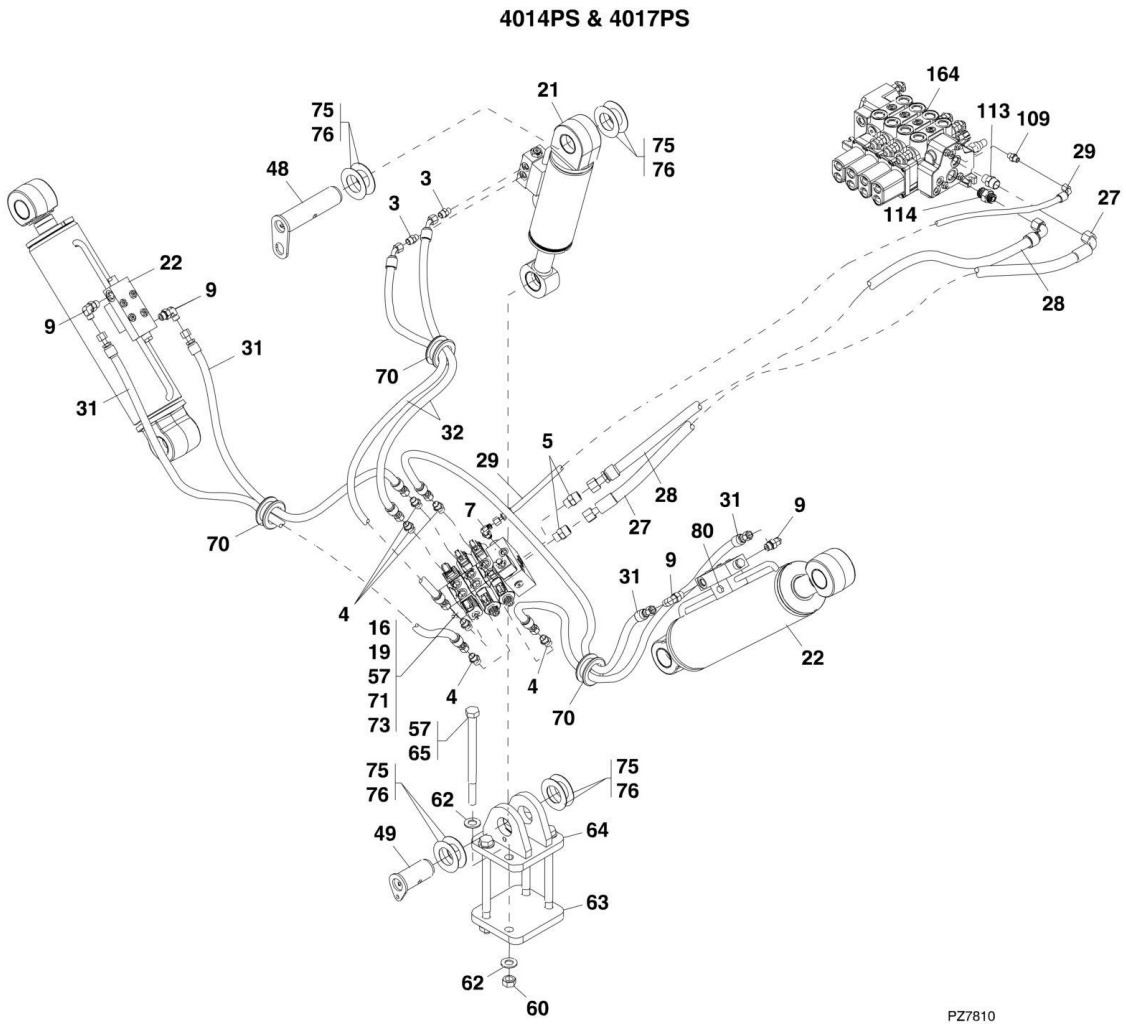
## SECTION 8 - HYDRAULIC CIRCUITS

**FIGURE 8-20. AUXILIARY HYDRAULIC CIRCUIT - 4017PS**

ITEM	PART NUMBER	QTY	DESCRIPTION	REV
30		Ref	HOSE CARRIER ASSY, (See TILT AND TILT COMPENSATION CYLINDER CIRCUIT for Breakdown)	
40	1001144558	1	HOSE ASSY	
101	0700817	2	HEX HD CAPSCREW	
112	2110812	2	STRAIGHT FITTING	
125	4811900	2	WASHER, 8mm	
138	1001008805	4	SEAL	
143	1001095650	Ref	LOCTITE 243	
147	1001098123	1	COVER PLATE	
148	1001098128	1	CLAMP	
153		Ref	MAIN CONTROL VALVE, (See HYDRAULIC COMPONENTS SECTION for Breakdown)	
161	1001144899	1	HOSE ASSY	
160	1001144904	1	HOSE ASSY	
201	0700816	5	HEX HD CAPSCREW, M8x40, GR8.8	
205	1320626	5	CLAMP ASSY	
225	1001008922	2	SEAL	
226	1001095650	AR	LOCTITE 243	
229	1001118703	1	PIPE ASSY	
230	1001118704	1	PIPE ASSY	
233	1001118707	2	PIPE ASSY	
314	1001144564	2	HOSE ASSY	
	1001146390	Ref	AUX VALVE INSTALLATION, (not available to order, see items 401 thru 412 for service)	B
401	2110610	2	ADAPTER, CONNECTOR, (includes o-ring)	
402	2110810	2	ADAPTER, CONNECTOR, (includes o-ring)	
403	2172108	2	ADAPTER, 90, (includes o-ring)	
404	4031918	2	SOCKET HD CAPSCREW, M8X70, (torque to 12-14 Nm/8.85-10.32 lb-ft)	
405	1001101042	1	QUICK DISCONNECT COUPLING, FEMALE	
406	1001101041	1	QUICK DISCONNECT COUPLING, MALE	
407	1001005262	2	HARD WASHER	
408	1001005904	2	ELBOW	
409		Ref	HYDRAULIC LOCK SWITCH, (not shown), (See ELECTRICAL SECTION for Breakdown)	
411	1001095650	AR	LOCTITE 243	
412		Ref	DIVERTER VALVE, (See HYDRAULIC COMPONENTS SECTION for Breakdown)	
	1001145701	Ref	BOOM AUX INSTALLATION, (not available to order, see items 501 thru 510 for service)	C
501	0760810	2	HEX HD CAPSCREW, M8X20, GR8.8	
502	2172108	2	ADAPTER, 90, (includes o-ring)	
503	2172208	2	BULKHEAD NUT	
504	5240800	2	HARDENED WASHER, 8mm	
505	1001101042	1	QUICK DISCONNECT COUPLING, FEMALE	
506	1001101041	1	QUICK DISCONNECT COUPLING, MALE	
508	1001103640	2	ADAPTER, 45, (includes o-ring)	
509	1001113075J	2	BOOM AUX COUPLING BRACKET	
510	1001095650	AR	LOCTITE 243	

# SECTION 8 - HYDRAULIC CIRCUITS

## FIGURE 8-21. FRAME LEVEL AND OUTRIGGER - 4014PS & 4017PS



PZ7810

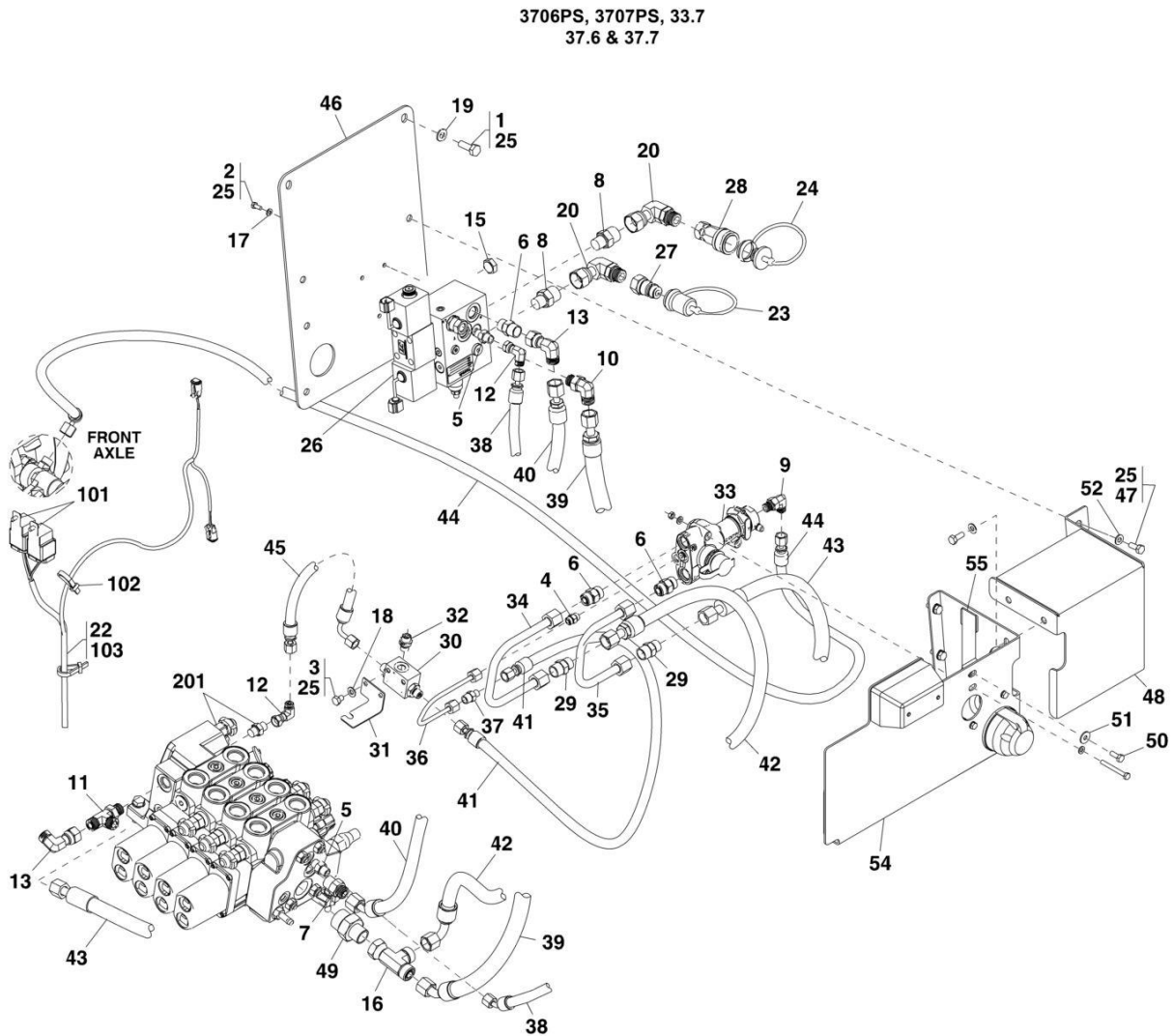
## SECTION 8 - HYDRAULIC CIRCUITS

**FIGURE 8-21. FRAME LEVEL AND OUTRIGGER - 4014PS & 4017PS**

ITEM	PART NUMBER	QTY	DESCRIPTION	REV
3	2110606	2	ADAPTER, CONNECTOR, (includes o-ring)	
4	2110608	6	ADAPTER, CONNECTOR, (includes o-ring)	
5	2111010	2	ADAPTER, CONNECTOR, (includes o-ring)	
7	2130406	1	ADAPTER, 90, (includes o-ring)	
9	2130608	4	ADAPTER, 90, (includes o-ring)	
16		Ref	FRAME LEVEL AND OUTRIGGER VALVE, (See HYDRAULIC COMPONENTS SECTION for Breakdown)	
19	1001100379	4	STUD, 6X30mm	
21		Ref	FRAME LEVEL CYLINDER, (See HYDRAULIC COMPONENTS SECTION for Breakdown)	
22		Ref	OUTRIGGER CYLINDER, (See HYDRAULIC COMPONENTS SECTION for Breakdown)	
27	1001144877	1	HOSE ASSY	
28	1001144878	1	HOSE ASSY	
29	1001144879	1	HOSE ASSY	
31	1001144886	4	HOSE ASSY	
32	1001144887	2	HOSE ASSY	
48		Ref	PIN, (See HYDRAULIC COMPONENTS SECTION for Breakdown)	
49		Ref	PIN, (See HYDRAULIC COMPONENTS SECTION for Breakdown)	
57	1001095650	AR	LOCTITE 243	
60	3332011	4	HEX NUT, M20X2.5, (torque to 550 Nm/405.65 lb-ft)	
62	5242000	8	WASHER, 20mm	
63	1001002847	1	PLATE	
64	1001002849	1	BRACKET	
65	1001004121	4	HEX HD BOLT	
70	1001028308	3	GROMMET	
71	4811700	4	FLAT WASHER, 6MM	
73	3290601	4	HEX NUT, 6X1mm, (torque to 12 Nm/8.85 lb-ft)	
75	8307904	AR	SHIM	
76	8310093	AR	SHIM	
80	2220237	2	PLUG	
109	2110406	2	ADAPTER, CONNECTOR, (includes o-ring)	
113	2111010	1	ADAPTER, CONNECTOR, (includes o-ring)	
114	2111012	1	ADAPTER, CONNECTOR, (includes o-ring)	
164		Ref	MAIN CONTROL VALVE, (See HYDRAULIC COMPONENTS SECTION for Breakdown)	

# SECTION 8 - HYDRAULIC CIRCUITS

## FIGURE 8-22. TRAILER BRAKES - 3706PS, 3707PS, 33.7, 37.6 & 37.7



ART\_31200722-8-22

## SECTION 8 - HYDRAULIC CIRCUITS

**FIGURE 8-22. TRAILER BRAKES - 3706PS, 3707PS, 33.7, 37.6 & 37.7**

ITEM	PART NUMBER	QTY	DESCRIPTION	REV
	1001145729	Ref	TRAILER BRAKE INSTALLATION, HYDRAULIC, (3707PS, 33.7 & 37.7), (not available to order, see items 1 thru 55 for service)	G
	1001152606	Ref	TRAILER BRAKE INSTALLATION, HYDRAULIC, (3706PS & 37.6),(not available to order, see items 1 thru 55 for service)	E
1	0701014	4	HEX HD CAPSCREW, M10X30, GR8.8	
2	0760607	3	HEX HD CAPSCREW, M6X14, GR8.8	
3	0760805	2	HEX HD CAPSCREW, M8X10, GR8.8	
4	2110404	1	ADAPTER, CONNECTOR, (includes o-ring)	
5	2110406	2	ADAPTER, CONNECTOR, (includes o-ring)	
6	2110808	3	ADAPTER, CONNECTOR, (includes o-ring)	
7	2110810	1	ADAPTER, CONNECTOR, (includes o-ring)	
8	2111008	2	ADAPTER, CONNECTOR, (includes o-ring)	
9	2130406	1	ADAPTER, 90, (includes o-ring)	
10	2130808	1	ADAPTER, 90, (includes o-ring)	
11	2170308	1	ADAPTER, RUN TEE, (includes o-ring)	
12	2172104	2	ADAPTER, 90, (includes o-ring)	
13	2172108	2	ADAPTER, 90, (includes o-ring)	
16	2170708	1	ADAPTER, RUN TEE, (includes o-ring)	
17	4811700	3	WASHER, 6mm	
18	4811900	4	WASHER, 8mm	
19	4812000	3	WASHER, 10mm	
20	1001090103	2	ADAPTER, 90, (swivel nut), (includes o-ring)	
21		Ref	HYDRAULIC TRAILER BRAKE SWITCH, (not shown), (See ELECTRICAL SECTION for Breakdown)	
22	1001158830	1	TOW HITCH HARNESS INSTALLATION, (includes items 101 thru 103)	A
23	1001093826	1	DUST CAP	
24	1001093827	1	DUST PLUG	
25	1001095650	AR	LOCTITE 243	
26		Ref	COMBINATION VALVE, (See HYDRAULIC COMPONENTS SECTION for Breakdown)	
27	1001101041	1	QUICK DISCONNECT COUPLING, MALE	
28	1001101042	1	QUICK DISCONNECT COUPLING, FEMALE	
29	1001110490	2	ADAPTER, CONNECTOR, (includes o-ring)	
30	1001151257	1	DYNAMIC SELECT VALVE	
31	1001120482	1	TRAILER VALVE PLATE	
32	1001120501	1	ADAPTER, CONNECTOR, (includes o-ring)	
33		Ref	TRAILER BRAKE VALVE, (See HYDRAULIC COMPONENTS SECTION for Breakdown)	
34	1001143592	1	TRAILER BRAKE PIPE	
35	1001143593	1	TRAILER BRAKE PIPE	
36	1001143594	1	TRAILER BRAKE PIPE	
37	1001143857	1	ADAPTER, CONNECTOR, (includes o-ring)	
38	1001145732	1	HOSE ASSY, (3707PS, 37.7 & 33.7)	
38	1001152760	1	HOSE ASSY, (3706PS & 37.6)	
39	1001145733	1	HOSE ASSY, (3707PS & 37.7)	
39	1001152761	1	HOSE ASSY, (3706PS & 37.6)	
40	1001145734	1	HOSE ASSY, (3707PS, 37.7 & 33.7)	
40	1001152772	1	HOSE ASSY, (3706PS & 37.6)	
41	1001145735	1	HOSE ASSY, (3707PS, 37.7 & 33.7)	
41	1001152756	1	HOSE ASSY, (3706PS & 37.6)	

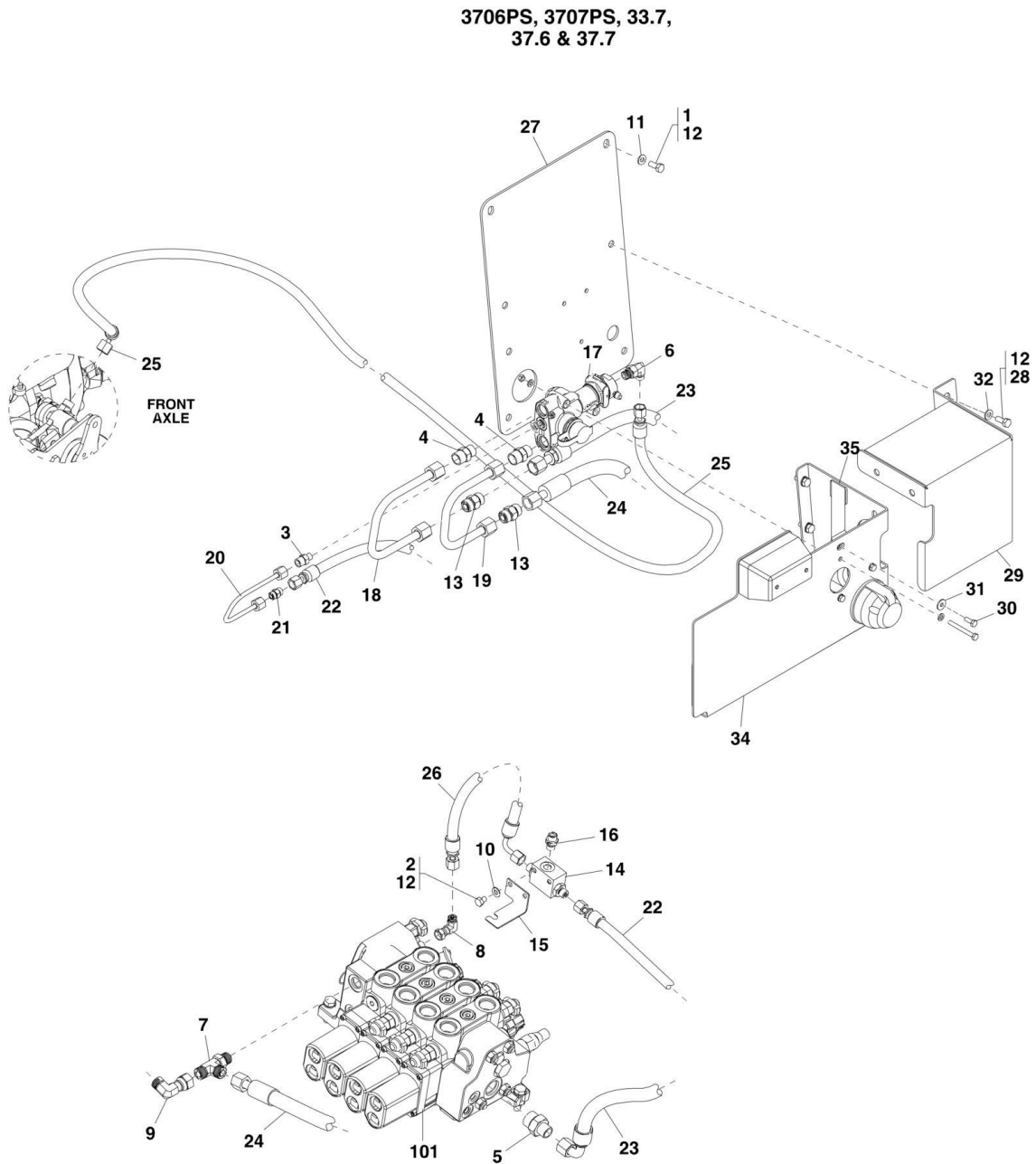
## SECTION 8 - HYDRAULIC CIRCUITS

ITEM	PART NUMBER	QTY	DESCRIPTION	REV
42	1001145736	1	HOSE ASSY, (3707PS & 37.7)	
42	1001152758	1	HOSE ASSY, (3706PS & 37.6)	
43	1001145737	1	HOSE ASSY, (3707PS,37.7 & 33.7)	
43	1001152759	1	HOSE ASSY, (3706PS & 37.6)	
44	1001151816	1	HOSE ASSY, (3707PS, 37.7 & 33.7)	
44	1001158379	1	HOSE ASSY, (3706PS & 37.6)	
45	1001145740	1	HOSE ASSY	
46	1001159337J	1	VALVE MOUNT PLATE, (3707PS, 3706PS, 37.6 & 37.7)	
47	0760810	3	HEX HD CAPSCREW, M8X20, GR8.8	
48	1001159276J	1	TRAILER SERVICES SHIELD ASSY, (3707PS, 3706PS, 37.6 & 37.7)	
49	2110812	1	ADAPTER, CONNECTOR, (includes o-ring)	
50	0760608	1	HEX HD CAPSCREW, M6X16, GR8.8	
51	4811702	1	WASHER, 6mm	
52	4811902	1	WASHER, 8mm	
53	4812002	1	WASHER, 10mm, (not shown)	
54		Ref	LICENSE PLATE BRACKET, (See ENGINE AND ATTACHING PARTS SECTION for Breakdown)	
55	1001159279J	1	BRACKET, (3707PS, 3706PS, 37.6 & 37.7)	
101	5200605	2	RIPP BOLT, M6X10mm	
102	1001008923	7	STRAP-CABLE	
103		Ref	TOW HITCH HARNESS, (See ELECTRICAL SECTION for Breakdown)	
201		Ref	MAIN CONTROL VALVE, (See HYDRAULIC COMPONENTS SECTION for Breakdown)	



# SECTION 8 - HYDRAULIC CIRCUITS

## FIGURE 8-23. TRAILER BRAKES - 3706PS, 3707PS, 33.7, 37.6 & 37.7



ART\_31200722-8-23



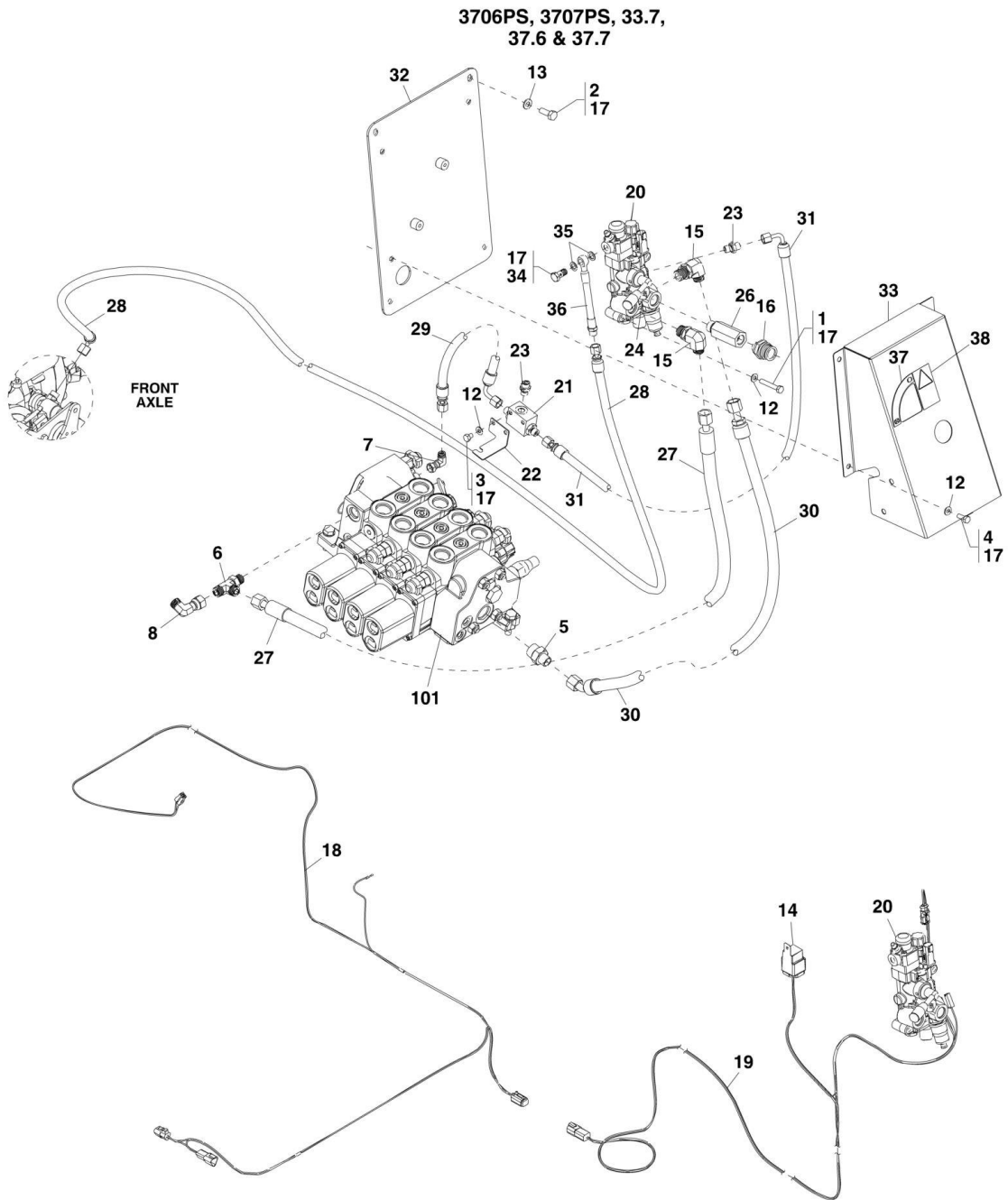
## SECTION 8 - HYDRAULIC CIRCUITS

**FIGURE 8-23. TRAILER BRAKES - 3706PS, 3707PS, 33.7, 37.6 & 37.7**

ITEM	PART NUMBER	QTY	DESCRIPTION	REV
	1001145730	Ref	TRAILER BRAKE INSTALLATION, MANUAL, (3707PS, 33.7 & 37.7), (not available to order, see items 1 thru 35 for service)	E
	1001152607	Ref	TRAILER BRAKE INSTALLATION, MANUAL, (3706PS & 37.6), (not available to order, see items 1 thru 35 for service)	C
1	0701014	4	HEX HD CAPSCREW, M10X30, GR8.8	
2	0760805	2	HEX HD CAPSCREW, M8X10, GR8.8	
3	2110404	1	ADAPTER, CONNECTOR, (includes o-ring)	
4	2110808	2	ADAPTER, CONNECTOR, (includes o-ring)	
5	2110812	1	ADAPTER, CONNECTOR, (includes o-ring)	
6	2130406	1	ADAPTER, 90, (includes o-ring)	
7	2170308	1	ADAPTER, RUN TEE, (includes o-ring)	
8	2172104	1	ADAPTER, 90, (includes o-ring)	
9	2172108	1	ADAPTER, 90, (includes o-ring)	
10	4811900	4	WASHER, 8mm	
11	4812000	3	WASHER, 10mm	
12	1001095650	AR	LOCTITE 243	
13	1001110490	2	ADAPTER, CONNECTOR, (includes o-ring)	
14	1001151257	1	DYNAMIC SELECT VALVE	
15	1001120482	1	TRAILER VALVE PLATE	
16	1001120501	1	ADAPTER, CONNECTOR, (includes o-ring)	
17		Ref	TRAILER BRAKE VALVE, (See HYDRAULIC COMPONENTS SECTION for Breakdown)	
18	1001143592	1	TRAILER BRAKE PIPE	
19	1001143593	1	TRAILER BRAKE PIPE	
20	1001143594	1	TRAILER BRAKE PIPE	
21	1001143857	1	ADAPTER, CONNECTOR, (includes o-ring)	
22	1001145735	1	HOSE ASSY, (3707PS, 33.7 & 37.7)	
22	1001152756	1	HOSE ASSY, (3706PS & 37.6)	
23	1001145736	1	HOSE ASSY, (3707PS, 33.7 & 37.7)	
23	1001152758	1	HOSE ASSY, (3706PS & 37.6)	
24	1001145737	1	HOSE ASSY, (3707PS, 33.7 & 37.7)	
24	1001152759	1	HOSE ASSY, (3706PS & 37.6)	
25	1001151816	1	HOSE ASSY, (3707PS, 33.7 & 37.7)	
25	1001158379	1	HOSE ASSY, (3706PS & 37.6)	
26	1001145740	1	HOSE ASSY	
27	1001159337J	1	VALVE MOUNT PLATE	
28	0760810	1	HEX HD CAPSCREW, M8X20, GR8.8	
29	1001159276J	1	TRAILER SERVICES SHIELD ASSY	
30	0760608	1	HEX HD CAPSCREW, M6X16, GR8.8	
31	4811702	1	WASHER, 6mm	
32	4811902	1	WASHER, 8mm	
33	4812002	1	WASHER, 10mm, (not shown)	
34		Ref	LICENSE PLATE BRACKET, (See FRAME AND ATTACHING PARTS for Breakdown)	
35	1001159279J	1	BRACKET	
101		Ref	MAIN CONTROL VALVE, (See HYDRAULIC COMPONENTS SECTION for Breakdown)	

# SECTION 8 - HYDRAULIC CIRCUITS

## FIGURE 8-24. TRAILER BRAKES - 3706PS, 3707PS, 33.7, 37.6 & 37.7



## SECTION 8 - HYDRAULIC CIRCUITS

**FIGURE 8-24. TRAILER BRAKES - 3706PS, 3707PS, 33.7, 37.6 & 37.7**

ITEM	PART NUMBER	QTY	DESCRIPTION	REV
	1001145731	Ref	TRAILER BRAKE INSTALLATION, ITALIAN, (3707PS, 33.7 & 37.7), (not available to order, see items 1 thru 38 for service)	F
	1001152608	Ref	TRAILER BRAKE INSTALLATION, ITALIAN, (3706PS & 37.6), (not available to order, see items 1 thru 38 for service)	C
1	0700818	2	HEX HD CAPSCREW, M8X50, GR8.8, (torque to 28 Nm/20.65 lb-ft)	
2	0701013	4	HEX HD CAPSCREW, M10X28, GR8.8, (torque to 55 Nm/40.56 lb-ft)	
3	0760805	2	HEX HD CAPSCREW, M8X10, GR8.8, (torque to 28 Nm/20.65 lb-ft)	
4	0760810	3	HEX HD CAPSCREW, M8X20, GR8.8, (torque to 28 Nm/20.65 lb-ft)	
5	2110812	1	ADAPTER, CONNECTOR, (includes o-ring)	
6	2170308	1	ADAPTER, RUN TEE, (includes o-ring)	
7	2172104	1	ADAPTER, 90, (includes o-ring)	
8	2172108	1	ADAPTER, 90, (includes o-ring)	
9		Ref	BODY INDICATOR, (not shown), (See ELECTRICAL SECTION for Breakdown)	
10		Ref	TRAILER PARK BRAKE INDICATOR, (not shown), (See ELECTRICAL SECTION for Breakdown)	
11		Ref	BLANK SYMBOL PLATE, BLACK, (not shown), (See ELECTRICAL SECTION for Breakdown)	
12	4811900	7	WASHER, 8mm	
13	4812000	4	WASHER, 10mm	
14	5200605	1	RIPP BOLT, M6X10mm	
15	8770175	2	ADAPTER, 90, (includes o-ring)	
16	1001005893	1	BRAKE COUPLER	
17	1001095650	AR	LOCTITE 243	
18		Ref	TRAILER BRAKE CAB HARNESS, ITALIAN, (See ELECTRICAL SECTION for Breakdown)	
19		Ref	TRAILER BRAKE CHASSIS HARNESS, ITALIAN, (See ELECTRICAL SECTION for Breakdown)	
20		Ref	TRAILER BRAKE VALVE, ITALIAN, (See HYDRAULIC COMPONENTS SECTION for Breakdown)	
21		Ref	DYNAMIC SELECT VALVE, ITALIAN, (See HYDRAULIC COMPONENTS SECTION for Breakdown)	
22	1001120482	1	TRAILER VALVE PLATE	
23	1001120501	2	ADAPTER, CONNECTOR, (includes o-ring)	
24	1001120505	1	ADAPTER, PLUG	
26	1001120602	1	ADAPTER, CONNECTOR, (includes o-ring)	
27	1001145737	1	HOSE ASSY, (3707PS, 33.7 & 37.7)	
27	1001152783	1	HOSE ASSY, (3706PS & 37.6)	
28	1001151816	1	HOSE ASSY, (3707PS, 33.7 & 37.7)	
28	1001152781	1	HOSE ASSY, (3706PS & 37.6)	
29	1001145740	1	HOSE ASSY	
30	1001145742	1	HOSE ASSY, (3707PS, 33.7 & 37.7)	
30	1001152782	1	HOSE ASSY, (3706PS & 37.6)	
31	1001145743	1	HOSE ASSY, (3707PS, 33.7 & 37.7)	
31	1001152780	1	HOSE ASSY, (3706PS & 37.6)	
32	1001120399J	1	TRAILER VALVE MOUNT PLATE	
33	1001149025J	1	TRAILER VALVE COVER	
34	0630609	1	HOLLOW BOLT, M12X1.25	

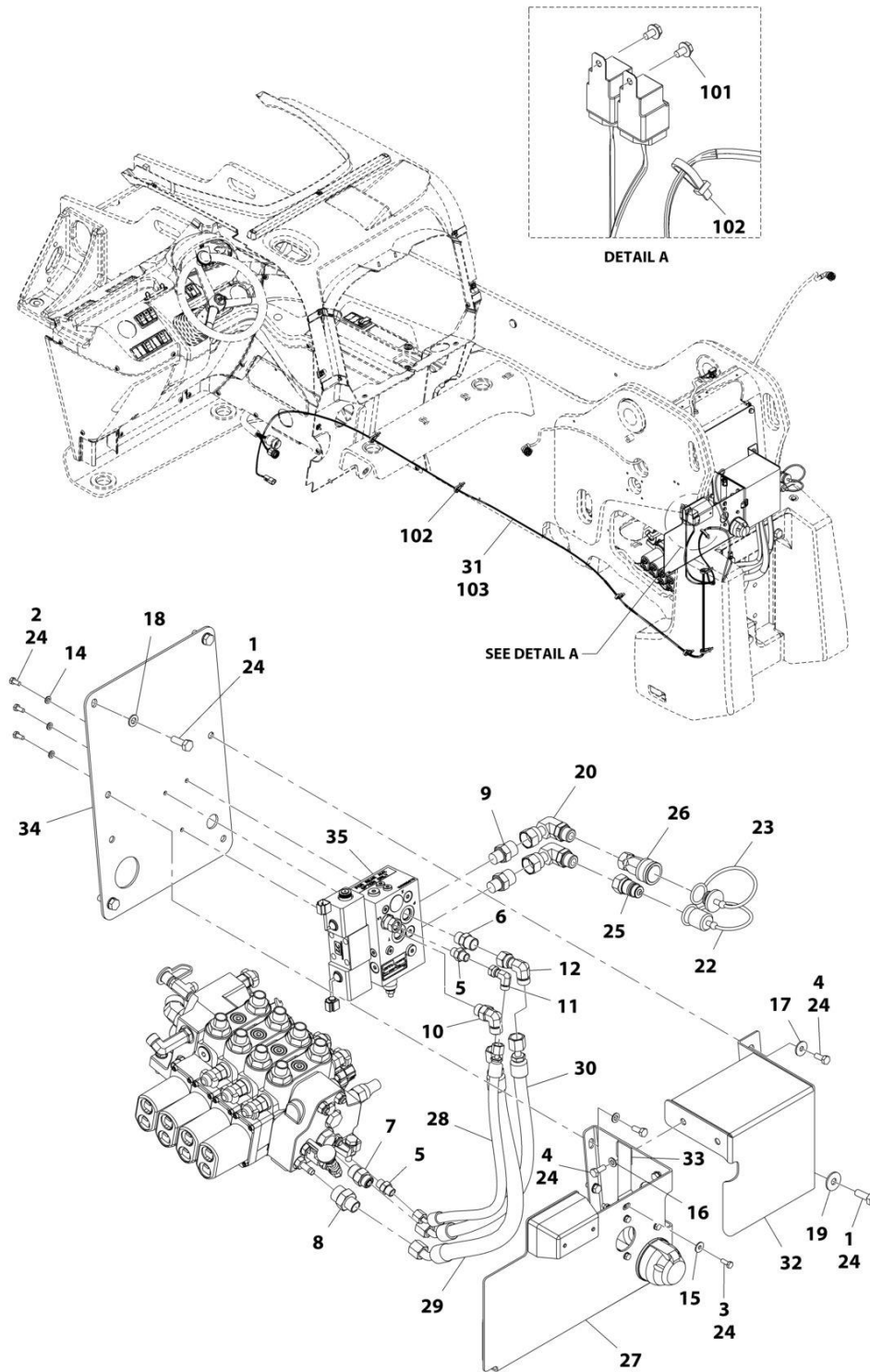
## SECTION 8 - HYDRAULIC CIRCUITS

ITEM	PART NUMBER	QTY	DESCRIPTION	REV
35	4740566	2	COPPER WASHER, M12	
36	1001149050	1	HOSE ASSY	
37	1001120652	1	DECAL, TRAILER VALVE COVER	
38	1001151489	1	DECAL, TRAILER VALVE COVER	



# SECTION 8 - HYDRAULIC CIRCUITS

## FIGURE 8-25. TRAILER BRAKES - 3706PS, 3707PS, 33.7, 37.6 & 37.7



ART\_31200722-8-25

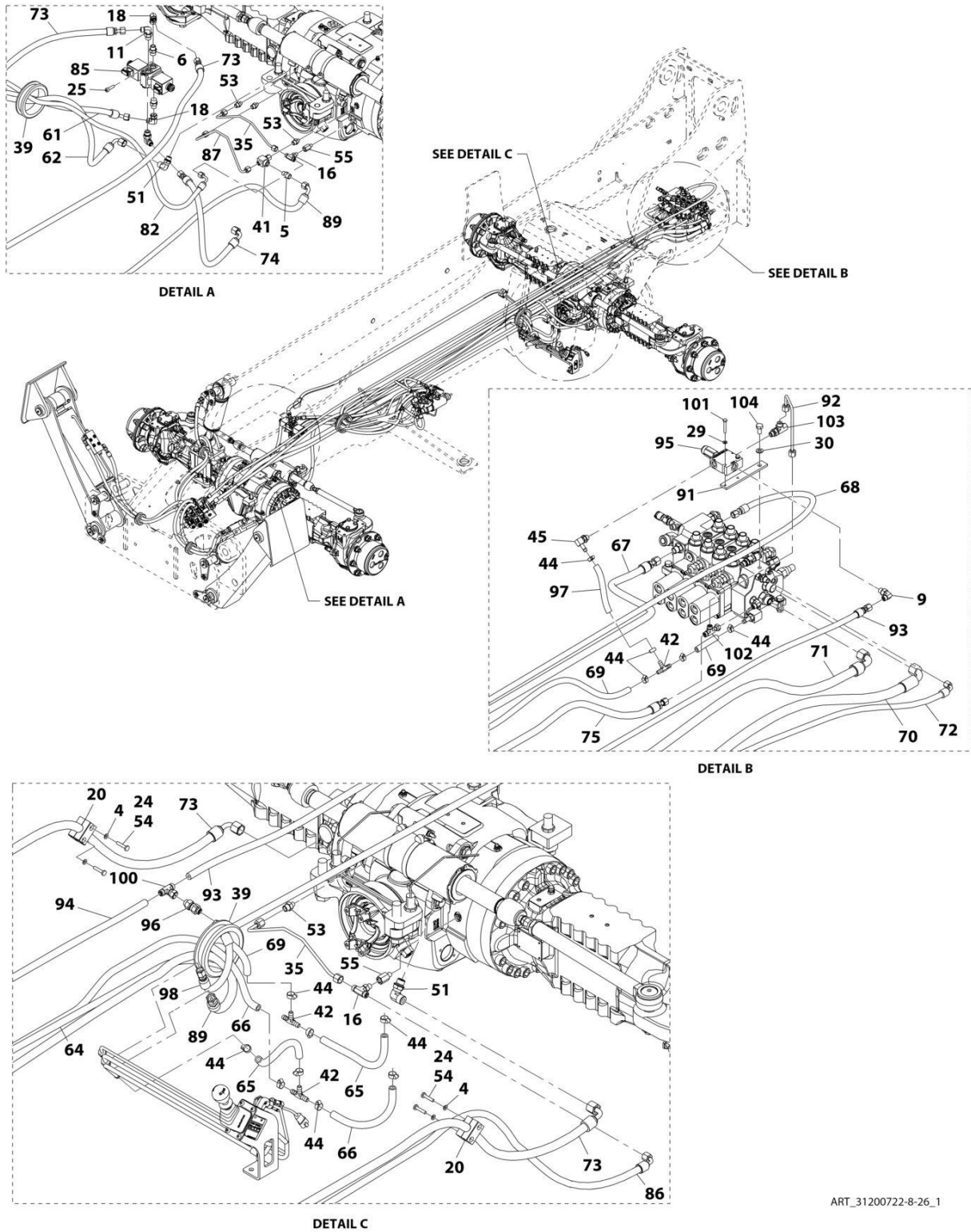
## SECTION 8 - HYDRAULIC CIRCUITS

**FIGURE 8-25. TRAILER BRAKES - 3706PS, 3707PS, 33.7, 37.6 & 37.7**

ITEM	PART NUMBER	QTY	DESCRIPTION	REV
	1001165873	Ref	TRAILER BRAKE INSTALLATION, (if equipped with Rear Auxiliary), (3706PS & 37.6), (includes all items)	C
	1001165874	Ref	TRAILER BRAKE INSTALLATION, (if equipped with Rear Auxiliary), (3707PS, 33.7 & 37.7), (includes all items)	C
1	0701014	4	HEX HD CAPSCREW, M10X30, GR8.8	
2	0760607	3	HEX HD CAPSCREW, M6X14, GR8.8	
3	0760608	1	HEX HD CAPSCREW, M6X16, GR8.8	
4	0760810	3	HEX HD CAPSCREW, M8X20, GR8.8	
5	2110406	2	ADAPTER, CONNECTOR, (includes o-ring)	
6	2110808	1	ADAPTER, CONNECTOR, (includes o-ring)	
7	2110810	1	ADAPTER, CONNECTOR, (includes o-ring)	
8	2110812	1	ADAPTER, CONNECTOR, (includes o-ring)	
9	2111008	2	ADAPTER, CONNECTOR, (includes o-ring)	
10	2130808	1	ADAPTER, 90, (includes o-ring)	
11	2172104	1	ADAPTER, 90, (includes o-ring)	
12	2172108	1	ADAPTER, 90, (includes o-ring)	
14	4811700	3	WASHER, 6mm	
15	4811702	1	WASHER, 6mm	
16	4811900	2	WASHER, 8mm	
17	4811902	1	WASHER, 8mm	
18	4812000	3	WASHER, 10mm	
19	4812002	1	WASHER, 10mm	
20	1001090103	2	ADAPTER, 90, (swivel nut), (includes o-ring)	
21		Ref	HYDRAULIC TRAILER BRAKE SWITCH, (not shown), (See ELECTRICAL SECTION for Breakdown)	
22	1001093826	1	DUST CAP	
23	1001093827	1	DUST PLUG	
24	1001095650	AR	LOCTITE 243	
25	1001101041	1	QUICK DISCONNECT COUPLING, MALE	
26	1001101042	1	QUICK DISCONNECT COUPLING, FEMALE	
27		Ref	LICENSE PLATE BRACKET, (See ENGINE AND ATTACHING PARTS SECTION for Breakdown)	
28	1001152760	1	HOSE ASSY, (3706PS & 37.6)	
28	1001145732	1	HOSE ASSY, (3707PS, 37.7 & 33.7)	
29	1001152761	1	HOSE ASSY, (3706PS & 37.6)	
29	1001145733	1	HOSE ASSY, (3707PS, 37.7)	
30	1001152772	1	HOSE ASSY, (3706PS & 37.6)	
30	1001145734	1	HOSE ASSY, (3707PS, 37.7 & 33.7)	
31	1001158830	1	TOW HITCH HARNESS INSTALLATION, (includes items 101 thru 103)	A
32	1001159276J	1	TRAILER SERVICES SHIELD ASSY, (3706PS, 3707PS, 37.6 & 37.7)	
33	1001159279J	1	BRACKET, (3706PS, 3707PS, 37.6 & 37.7)	
34	1001159337J	1	VALVE MOUNT PLATE, (3706PS, 3707PS, 37.6 & 37.7)	
35		Ref	COMBINATION VALVE, (See HYDRAULIC COMPONENTS SECTION for Breakdown)	
101	5200605	2	RIPP BOLT, M6X10mm	
102	1001008923	12	STRAP-CABLE	
103		Ref	TOW HITCH HARNESS, (See ELECTRICAL SECTION for Breakdown)	

# SECTION 8 - HYDRAULIC CIRCUITS

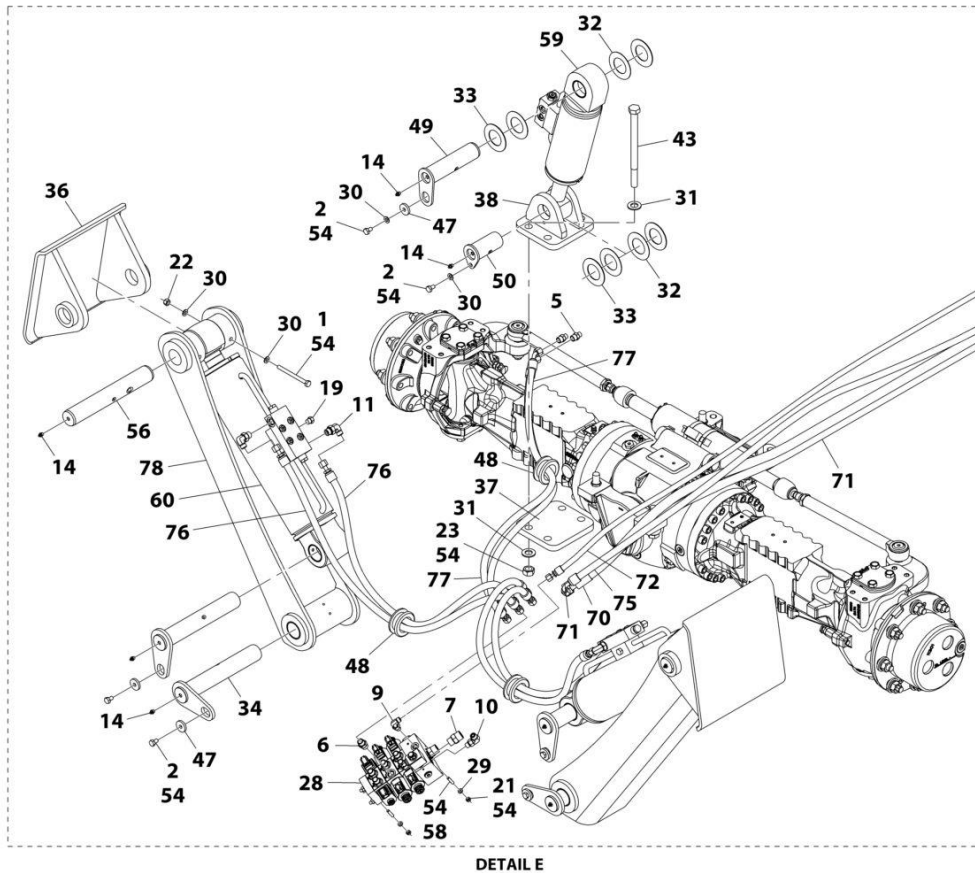
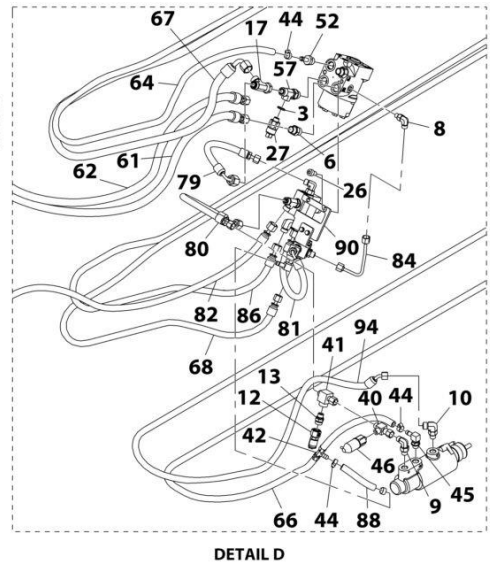
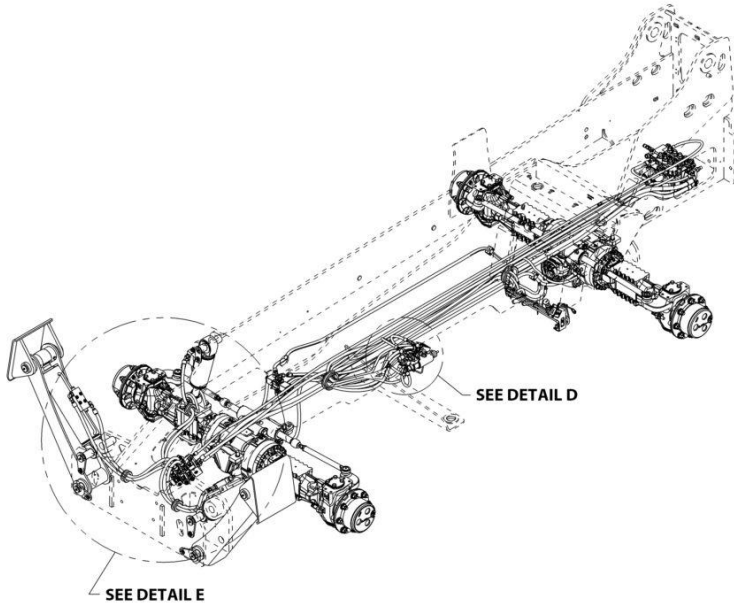
FIGURE 8-26. STEERING INSTALLATION, (HYDRAULIC PARK BRAKE) - 4014PS & 4017PS



ART\_31200722-8-26\_1



# SECTION 8 - HYDRAULIC CIRCUITS



ART\_31200722-8-26\_2

## SECTION 8 - HYDRAULIC CIRCUITS

FIGURE 8-26. STEERING INSTALLATION, (HYDRAULIC PARK BRAKE) - 4014PS & 4017PS

ITEM	PART NUMBER	QTY	DESCRIPTION	REV
	1001156092	Ref	STEERING INSTALL, (HYDRAULIC PARK BRAKE), (4014PS - if equipped), (not available to order, see items 1 thru 104 for service)	G
	1001156093	Ref	STEERING INSTALL, (HYDRAULIC PARK BRAKE), (4017PS - if equipped), (not available to order, see items 1 thru 104 for service)	F
1	0701029	2	HEX HD CAPSCREW, M10X120, GR8.8	
2	0761008	6	HEX HD CAPSCREW, M10X16, GR8.8	
3	1074306	1	RING SEAL	
4	1302325	4	DISK	
5	2110606	3	ADAPTER, CONNECTOR, (includes o-ring)	
6	2110608	10	ADAPTER, CONNECTOR, (includes o-ring)	
7	2111010	2	ADAPTER, CONNECTOR, (includes o-ring)	
8	2130404	1	ELBOW, 90, (includes o-ring)	
9	2130406	3	ADAPTER, 90, (includes o-ring)	
10	2130606	2	ADAPTER, 90, (includes o-ring)	
11	2130608	6	ELBOW, 90, (includes o-ring)	
12	2144104	1	TEST PORT	
13	2144803	1	ADAPTER, CONNECTOR	
14	2160016	8	GREASE FITTING	
16	2170404	2	BRANCH TEE, (includes o-ring)	
17	2170708	1	BRANCH TEE, (includes o-ring)	
18	2172106	2	ELBOW, 90, (includes o-ring)	
19	2220237	2	PLUG	
20	2997586	2	CLIP BODY	
21	3290601	4	HEX NUT, M6X1	
22	3291005	2	HEX LOCKNUT, M10X1.5	
23	3332011	4	HEX NUT, M20X2-1/2	
24	4010614	4	PAN HD SCREW, M6X30	
25	4031910	2	SOCKET HD CAPSCREW, 8X30mm	
26	4032007	2	SOCKET HD CAPSCREW, 10X16mm	
27	4360585	1	PRESSURE SWITCH	
28	4641516	1	OUTRIGGER AND FRAME LEVEL VALVE	
29	4811700	6	WASHER, 6mm	
30	4812000	7	WASHER, 10mm	
31	5242000	8	WASHER, 20mm	
32	8307904	AR	SHIM	
33	8310093	AR	SHIM	
34	1001002503	4	PIN	
35	1001002809	2	PIPE ASSY	
36	1001169243	2	STAB PAD, WELDMENT	
37	1001002847	1	PLATE	
38	1001002849	1	BRACKET	
39	1001003439	2	GROMMET	
40	1001003566	1	ADAPTER, SWIVEL TEE	
41	1001003617	2	ADAPTER, TEE, (includes o-ring)	
42	1001003934	4	TEE BARB	
43	1001004121	4	HEX HD BOLT	
44	1001004141	20	CLAMP	
45	1001005508	2	ELBOW, 90, (includes o-ring)	
46	1001006362	1	PRESSURE SWITCH	
47	1001008948	5	WASHER	

## SECTION 8 - HYDRAULIC CIRCUITS

ITEM	PART NUMBER	QTY	DESCRIPTION	REV
48	1001028308	3	GROMMET	
49	1001092492	1	PIN	
50	1001092534	1	PIN	
51	1001094262	4	ADAPTER, 90, (includes o-ring)	
52	1001094303	1	ADAPTER	
53	1001094726	4	ADAPTER, (includes o-ring)	
54	1001095650	AR	LOCTITE 243	
55	1001099030	2	NIPPLE	
56	1001099913	2	PIN	
57	1001100108	1	RUN TEE, (includes o-ring)	
58	1001100379	4	STUD, 6X30mm	
59		Ref	FRAME LEVEL CYLINDER, (4014PS), (See HYDRAULIC COMPONENTS SECTION for breakdown)	
59		Ref	FRAME LEVEL CYLINDER, (4017PS), (See HYDRAULIC COMPONENTS SECTION for breakdown)	
60		Ref	OUTRIGGER CYLINDER, (4014PS), (See HYDRAULIC COMPONENTS SECTION for breakdown)	
60		Ref	OUTRIGGER CYLINDER, (4017PS), (See HYDRAULIC COMPONENTS SECTION for breakdown)	
61	1001144890	1	HOSE ASSY	
62	1001144889	1	HOSE ASSY	
64	1001144862	1	HOSE, (4014PS)	
64	1001144888	1	HOSE, (4017PS)	
65	1001144844	2	HOSE ASSY	
66	1001144864	1	HOSE, (4014PS)	
66	1001144893	1	HOSE, (4017PS)	
67	1001144891	1	HOSE ASSY	
68	1001144892	1	HOSE ASSY	
69	1001144876	1	HOSE	
70	1001144877	1	HOSE ASSY	
71	1001144878	1	HOSE ASSY	
72	1001144879	1	HOSE ASSY	
73	1001144883	2	HOSE ASSY	
74	1001144884	1	HOSE ASSY	
75	1001144885	1	HOSE ASSY	
76	1001144886	4	HOSE ASSY	
77	1001144887	2	HOSE ASSY	
78	1001145267	2	OUTRIGGER LEG ASSY	
79	1001152825	1	HOSE ASSY, (Hydraulic Park Brake)	
80	1001152827	1	HOSE ASSY, (Hydraulic Park Brake)	
81	1001152828	1	HOSE ASSY, (Hydraulic Park Brake)	
82	1001152891	1	HOSE ASSY, (4014PS)	
82	1001154842	1	HOSE ASSY, (4017PS)	
84	1001153724	1	PIPE	
85	1001153748	1	STEERING SELECT VALVE	
85	1001153811	1	HOSE ASSY, (4014PS)	
86	1001154844	1	HOSE ASSY, (4017PS)	
87	1001153968	1	PIPE, (Hydraulic Park Brake)	
88	1001154847	1	HOSE, BULK	
89	1001155459	1	HOSE ASSY	
90		Ref	RELAY VALVE INSTALLATION, (Hydraulic Park Brake), (See HYDRAULIC COMPONENTS SECTION for Breakdown)	

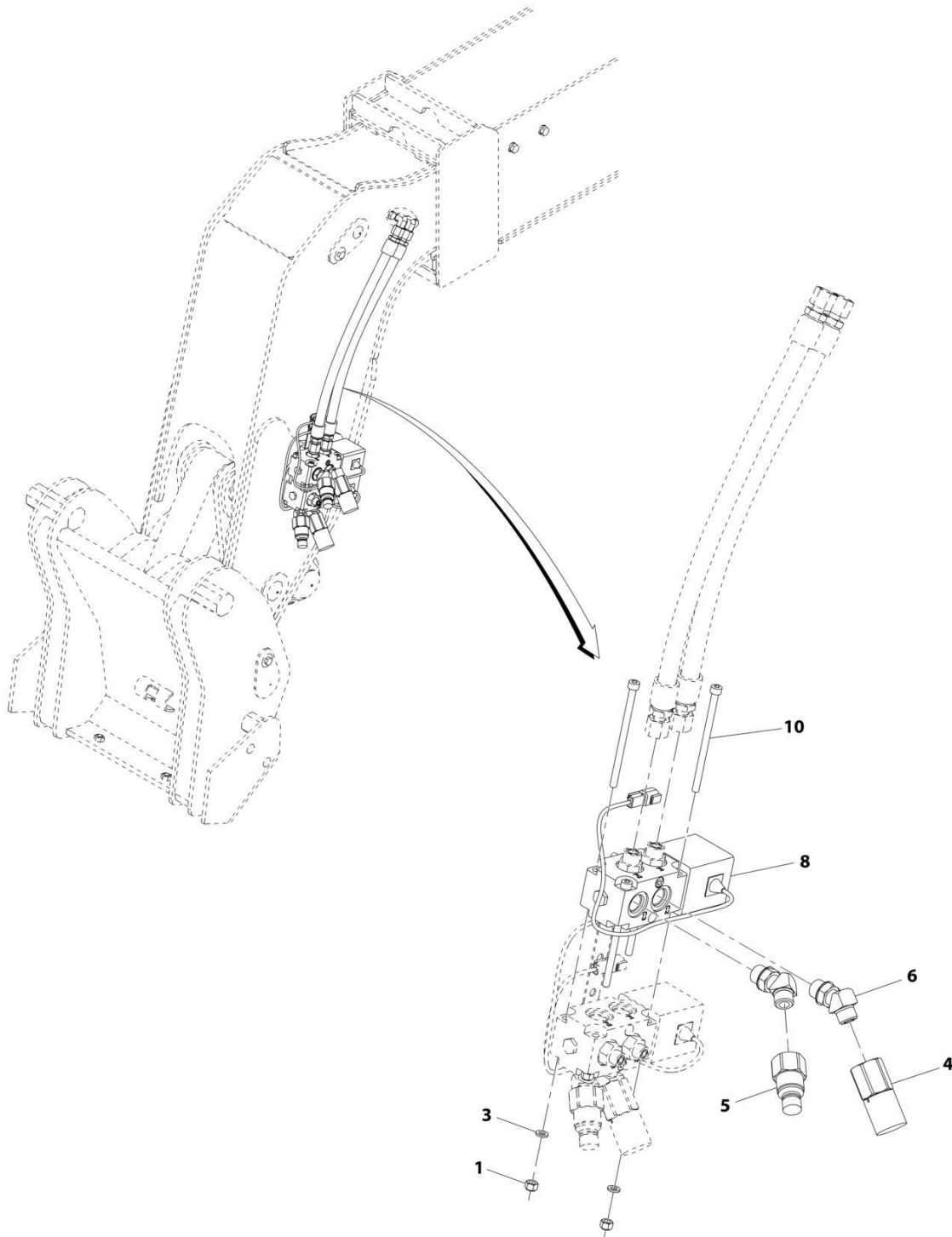
## SECTION 8 - HYDRAULIC CIRCUITS

ITEM	PART NUMBER	QTY	DESCRIPTION	REV
91	1001168143	1	PLATE, VALVE MOUNTING	
92	1001178672	1	PIPE	
93	1001169790	1	HOSE ASSY	
94	1001169792	1	HOSE ASSY, (4014PS)	
94	1001169793	1	HOSE ASSY, (4017PS)	
95	1001169801	1	VALVE, PRESSURE LIMITING 20 BAR	
96	1001169803	1	VALVE	
97	1001174580	1	HOSE, BULK	
98	1001170238	1	HOSE ASSY, (4014PS)	
98	1001170429	1	HOSE ASSY, (4017PS)	
100	2170804	1	ADAPTER	
101	0700616	2	HEX HD CAPSCREW, M6X40, GR8.8	
102	2170704	2	SWIVEL RUN TEE	
103	1001094498	1	ADAPTER	
104	0761010	1	HEX HD CAPSCREW, M10X20, GR8.8	



# SECTION 8 - HYDRAULIC CIRCUITS

FIGURE 8-27. AUXILIARY VALVE GROUP INSTALLATION - 3706PS, 3707PS, 33.7, 37.6 & 37.7



ART\_31200722-8-27

## SECTION 8 - HYDRAULIC CIRCUITS

**FIGURE 8-27. AUXILIARY VALVE GROUP INSTALLATION - 3706PS, 3707PS, 33.7, 37.6 & 37.7**

ITEM	PART NUMBER	QTY	DESCRIPTION	REV
	1001110024	Ref	AUXILIARY VALVE GROUP INSTALLATION, (3706PS, 3707PS, 33.7, 37.6 & 37.7), (not available to order, includes all items) <b>(Prior to SN 1160006848, Excluding 1160006753 and 1160006758)</b>	B
	1001154974	Ref	AUXILIARY VALVE GROUP INSTALLATION, (3706PS, 3707PS, 33.7, 37.6 & 37.7), (not available to order, includes all items) <b>(SN 1160006848 to Present, Including 1160006753 and 1160006758)</b>	B
1	3290805	4	HEX LOCKNUT, 8mm	
3	4831900	4	SPRING LOCKWASHER, 8mm	
4	1001003478	1	QUICK DISCONNECT COUPLING, FEMALE <b>(Prior to SN 1160006848, Excluding 1160006753 and 1160006758)</b>	
4	1001101042	1	QUICK DISCONNECT COUPLING, FEMALE <b>(SN 1160006848 to Present, Including 1160006753 and 1160006758)</b>	
5	1001003479	1	QUICK DISCONNECT COUPLING, MALE <b>(Prior to SN 1160006848, Excluding 1160006753 and 1160006758)</b>	
5	1001101041	1	QUICK DISCONNECT COUPLING, MALE <b>(SN 1160006848 to Present, Including 1160006753 and 1160006758)</b>	
6	1001005904	1	ELBOW, 45	
8		Ref	DIVERTER VALVE, (See HYDRAULIC COMPONENTS SECTION for Breakdown)	
10	1001110115	4	SOCKET HEAD CAPSCREW, M8X130	

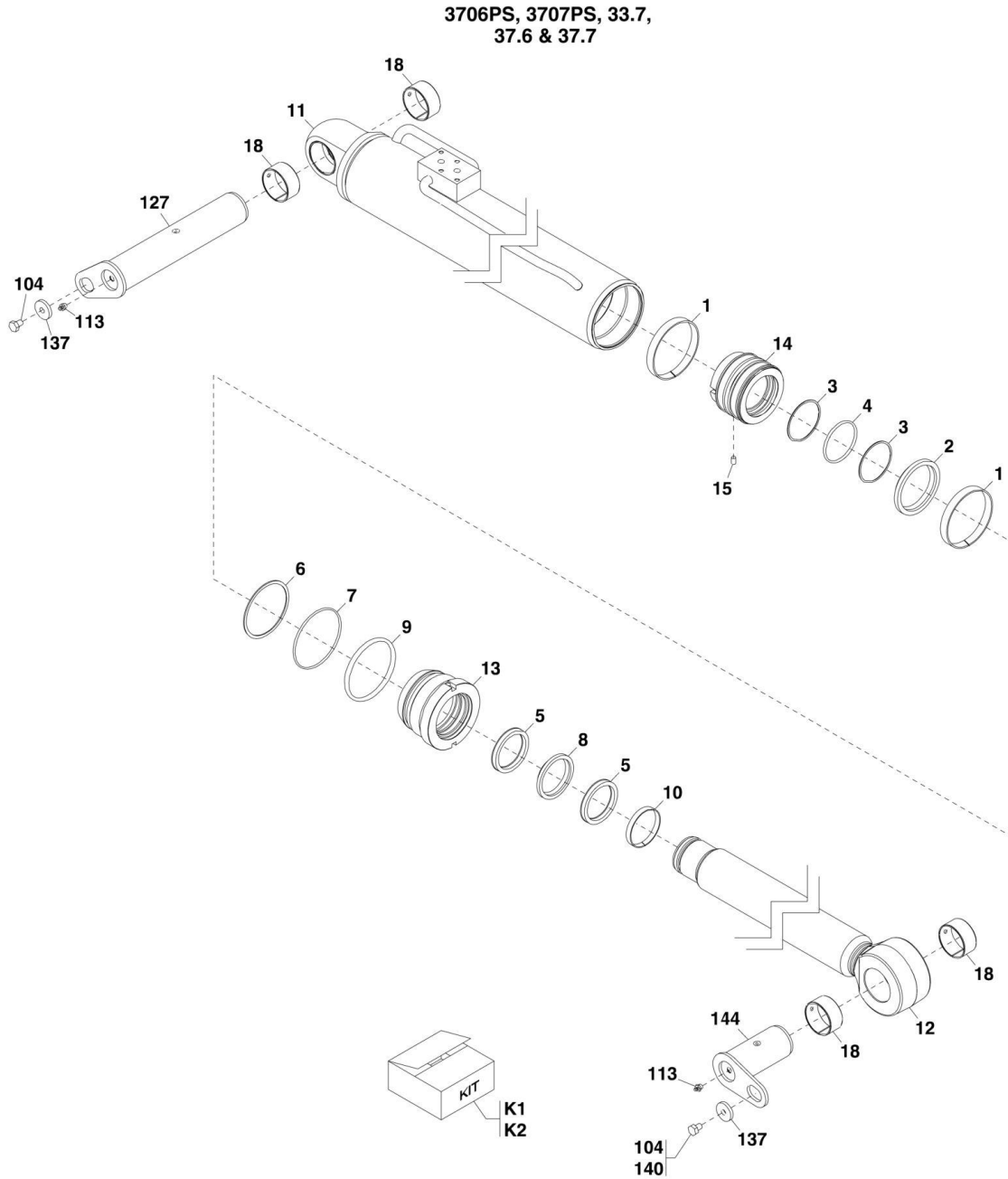




**SECTION 9 - HYDRAULIC COMPONENTS**

# SECTION 9 - HYDRAULIC COMPONENTS

FIGURE 9-1. LIFT CYLINDER AND HARDWARE - 3706PS, 3707PS, 33.7, 37.6 & 37.7



ART\_PAM3650-B

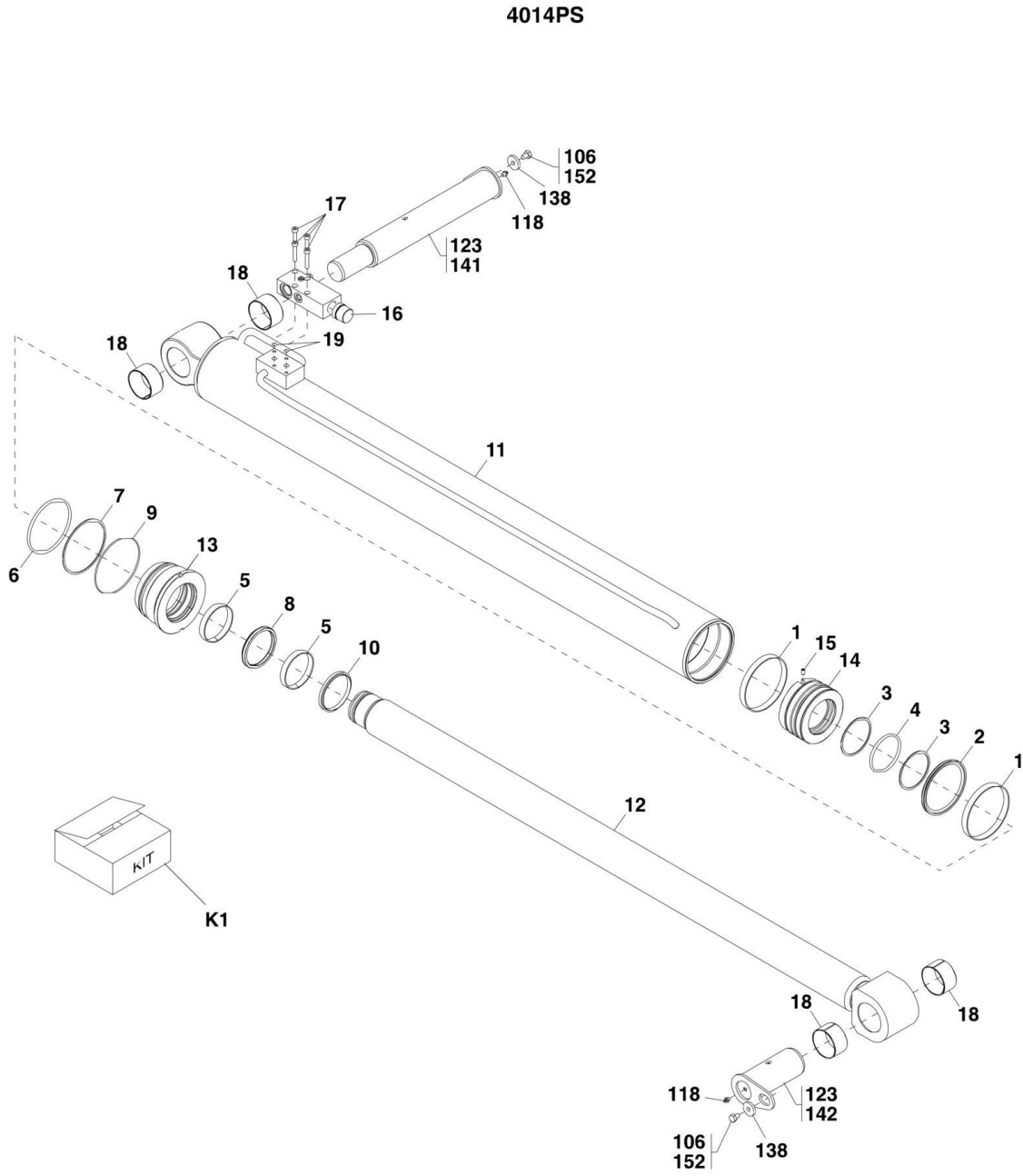
## SECTION 9 - HYDRAULIC COMPONENTS

**FIGURE 9-1. LIFT CYLINDER AND HARDWARE - 3706PS, 3707PS, 33.7, 37.6 & 37.7**

ITEM	PART NUMBER	QTY	DESCRIPTION	REV
	1001110909	1	LIFT CYLINDER, (3706PS & 37.6), (includes items 1 thru 18)	B
	1001110910	1	LIFT CYLINDER, (3707PS, 33.7 & 37.7), (includes items 1 thru 18)	B
1	Kit	2	PISTON BEARING	
2	Kit	1	PISTON SEAL	
3	Kit	2	BACK UP RING	
4	Kit	1	O-RING	
5	Kit	2	ROD BEARING	
6	Kit	1	O-RING	
7	Kit	1	BACK UP RING	
8	Kit	1	ROD SEAL	
9	Kit	1	O-RING	
10	Kit	1	WIPER SEAL	
11	70020434	1	BARREL, (3706PS & 37.6)	
11	70020443	1	BARREL, (3707PS, 33.7 & 37.7)	
12	70020444	1	ROD, (3707PS, 33.7 & 37.7)	
12	70020435	1	ROD, (3706PS & 37.6)	
13	70020436	1	ROD GUIDE, (3706PS & 37.6)	
13	70020445	1	ROD GUIDE, (3707PS, 33.7 & 37.7)	
14	70020437	1	PISTON, (3706PS & 37.6)	
14	70020446	1	PISTON, (3707PS, 33.7 & 37.7)	
15	70020438	1	PISTON LOCKING SCREW	
18	70020441	4	BUSHING	
104	0761007	2	HEX HD CAPSCREW, M8X85, GR8.8, (torque to 55 Nm/40.56 lb-ft)	
113	2160016	2	GREASE FITTING	
127	1001002531	1	PIN	
137	1001008948	2	WASHER	
140	1001095650	AR	LOCTITE 243	
144	1001098577	1	PIN	
K1	70020442	1	SEAL KIT, (includes items 1 thru 10), (3706PS & 37.6)	
K2	70020447	1	SEAL KIT, (includes items 1 thru 10), (3707PS, 33.7 & 37.7)	

# SECTION 9 - HYDRAULIC COMPONENTS

## FIGURE 9-2. LIFT CYLINDER AND HARDWARE - 4014PS



PZ7830

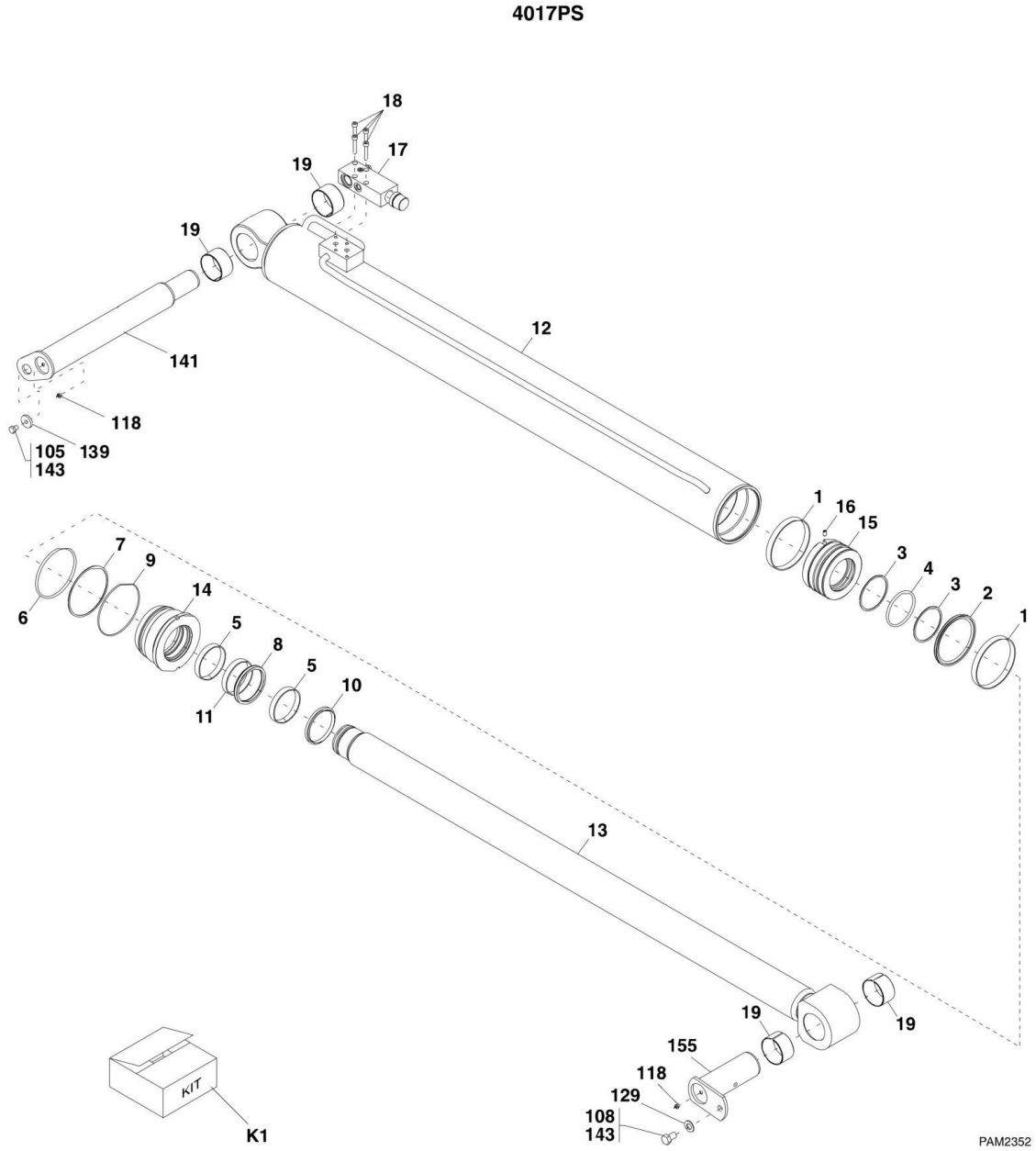
## SECTION 9 - HYDRAULIC COMPONENTS

**FIGURE 9-2. LIFT CYLINDER AND HARDWARE - 4014PS**

ITEM	PART NUMBER	QTY	DESCRIPTION	REV
	1001002620	1	LIFT CYLINDER, (4014PS), (includes items 1 thru 19)	E
1	Kit	2	PISTON BEARING	
2	Kit	1	PISTON SEAL	
3	Kit	2	BACK UP RING	
4	Kit	1	O-RING	
5	Kit	2	ROD BEARING	
6	Kit	1	O-RING	
7	Kit	1	BACK UP RING	
8	Kit	1	ROD SEAL	
9	Kit	1	O-RING	
10	Kit	1	WIPER SEAL	
11	70020448	1	BARREL ASSY	
12	70020449	1	ROD	
13	70020450	1	ROD GUIDE	
14	70020451	1	PISTON	
15	70020438	1	PISTON LOCKING SCREW	
16	70020439	1	VALVE BLOCK ASSY, (includes seals)	
17	70020440	4	SCREW, M8X45	
18	70020452	4	BUSHING	
19		Ref	O-RING	
106	0761007	2	HEX HD CAPSCREW, M10X14, GR8.8, (torque to 55 Nm/40.56 lb-ft)	
118	2160016	2	GREASE FITING	
123	3020040	AR	MOLY PASTE LUBRICANT	
138	1001008948	2	HARD WASHER	
141	1001092463	1	PIN	
142	1001092508	1	PIN	
152	1001095650	AR	LOCTITE 243	
K1	70020453	1	SEAL KIT, (includes items 1 thru 10)	

# SECTION 9 - HYDRAULIC COMPONENTS

## FIGURE 9-3. LIFT CYLINDER AND HARDWARE - 4017PS



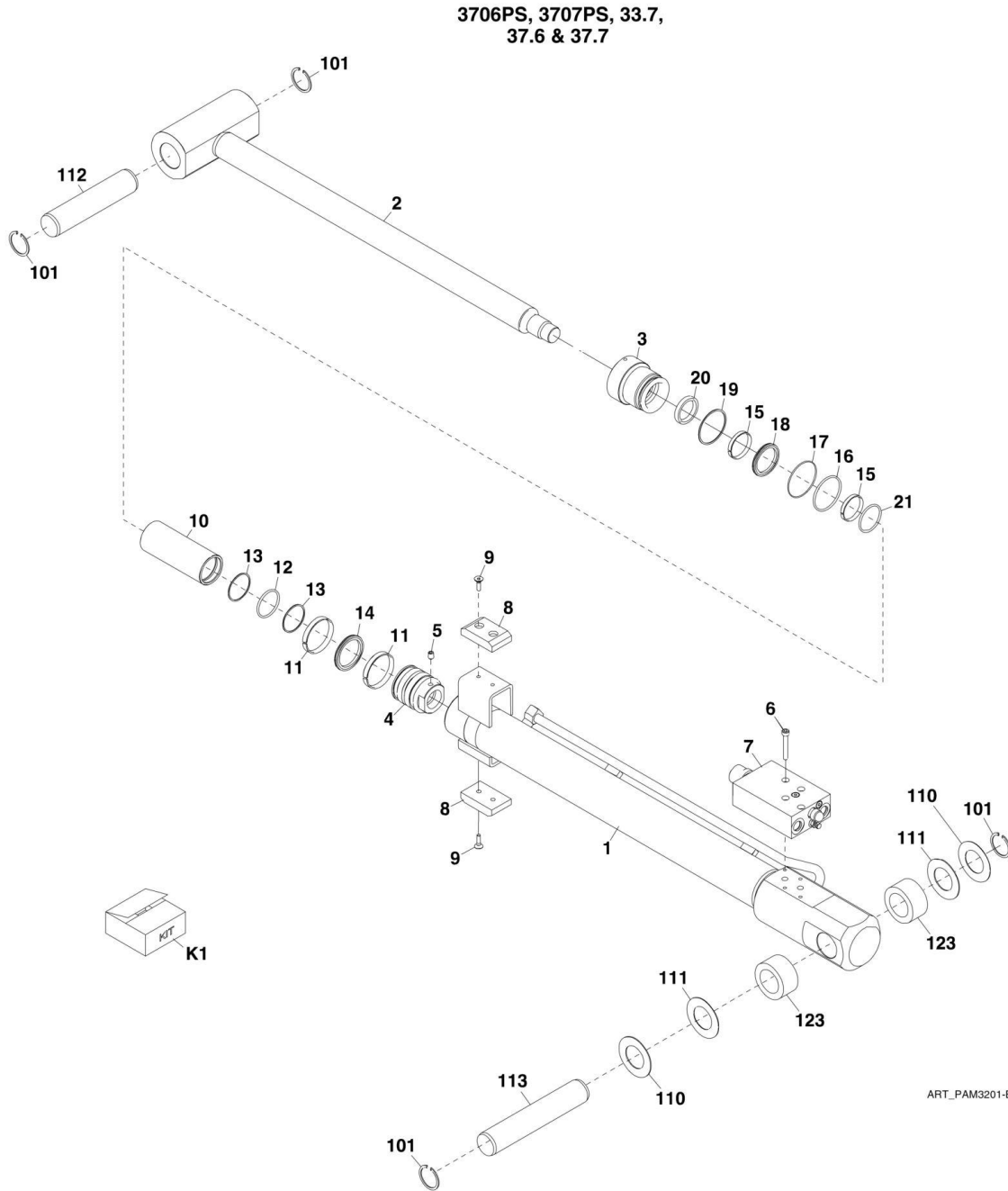
## SECTION 9 - HYDRAULIC COMPONENTS

**FIGURE 9-3. LIFT CYLINDER AND HARDWARE - 4017PS**

ITEM	PART NUMBER	QTY	DESCRIPTION	REV
	1001114753	1	LIFT CYLINDER, (4017PS), (includes items 1 thru 19)	B
1	Kit	2	PISTON BEARING	
2	Kit	1	PISTON SEAL	
3	Kit	2	BACK UP RING	
4	Kit	1	O-RING	
5	Kit	2	ROD BEARING	
6	Kit	1	O-RING	
7	Kit	1	BACK UP RING	
8	Kit	1	ROD SEAL	
9	Kit	1	O-RING	
10	Kit	1	WIPER SEAL	
11	Kit	1	BUFFER	
12	70020454	1	BARREL ASSY	
13	70020455	1	ROD	
14	70020456	1	ROD GUIDE	
15	70020457	1	PISTON	
16	70020438	1	PISTON LOCKING SCREW	
17	70020439	1	VALVE BLOCK ASSY, (includes seals)	
18	70020440	4	SCREW, M8X45	
19	70020452	4	BUSHING	
105	0761007	1	HEX HD CAPSCREW, M10X14, GR8.8, (torque to 55 Nm/40.56 lb-ft)	
108	0761612	1	HEX HD CAPSCREW, M16X25, GR8.8, (torque to 241 Nm/177.75 lb-ft)	
118	2160016	2	GREASE FITTING	
129	5241600	1	WASHER, 16mm	
139	1001008948	1	HARD WASHER	
141	1001092494	1	PIN	
143	1001095650	AR	LOCTITE 242	
155	1001111126	1	PIN	
K1	70020458	1	SEAL KIT, (includes items 1 thru 11)	

# SECTION 9 - HYDRAULIC COMPONENTS

FIGURE 9-4. EXTEND/RETRACT CYLINDER AND HARDWARE - 3706PS, 3707PS, 33.7, 37.6 & 37.7





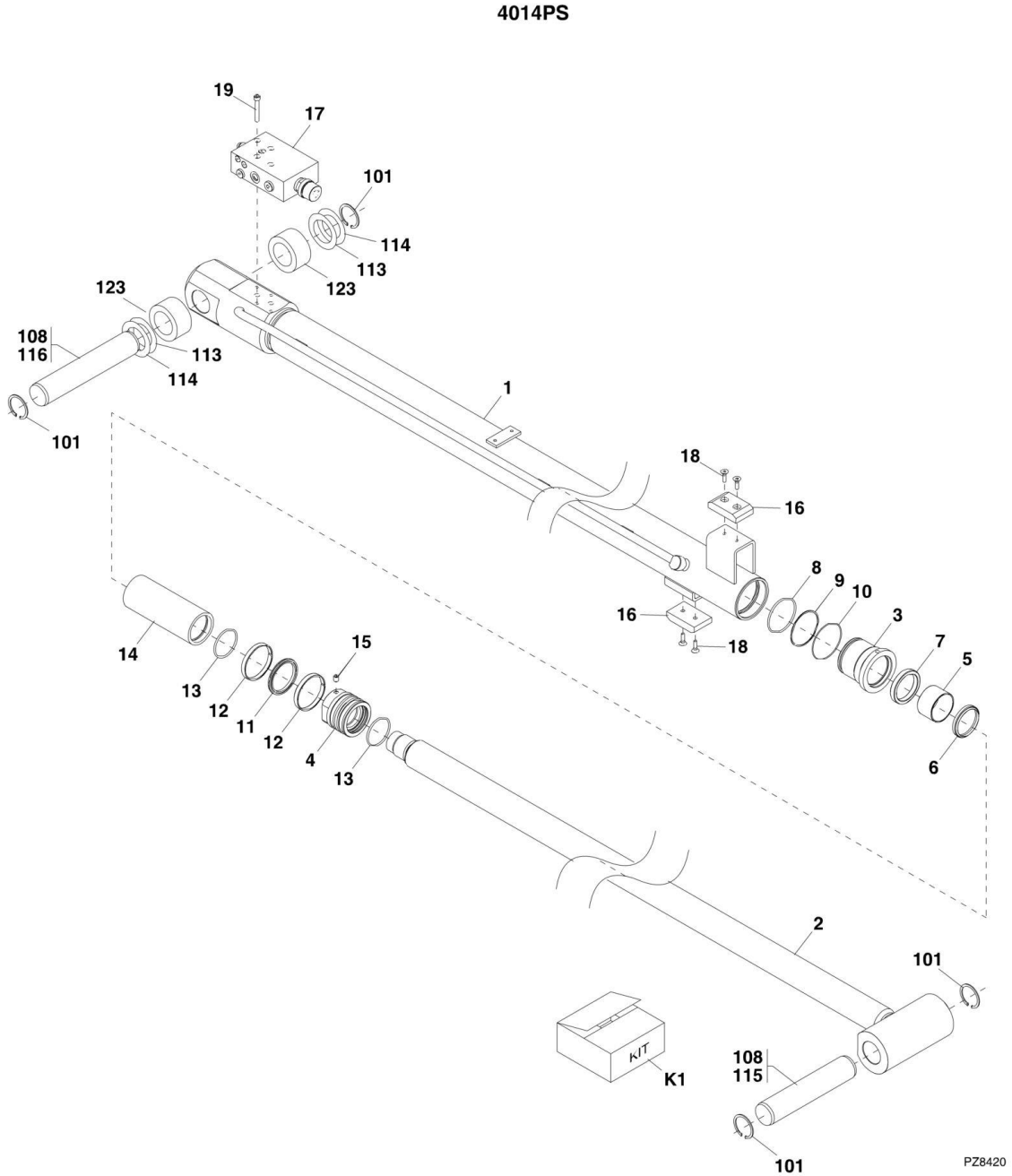
## SECTION 9 - HYDRAULIC COMPONENTS

**FIGURE 9-4. EXTEND/RETRACT CYLINDER AND HARDWARE - 3706PS, 3707PS, 33.7, 37.6 & 37.7**

ITEM	PART NUMBER	QTY	DESCRIPTION	REV
	1001114783	1	EXTEND/RETRACT CYLINDER, (3706PS & 37.6), (includes items 1 thru 21)	C
	1001114784	1	EXTEND/RETRACT CYLINDER, (3707PS, 33.7 & 37.7), (includes items 1 thru 21)	D
1	70023911	1	BARREL, (3706PS & 37.6)	
1	70023922	1	BARREL, (3707PS, 33.7 & 37.7)	
2	70023912	1	ROD, (3706PS & 37.6)	
2	70023923	1	ROD, (3707PS, 33.7 & 37.7)	
3	70023913	1	GLAND	
4	70023914	1	PISTON	
5	70023915	1	SET SCREW, M6X8	
6	70023916	4	SCREW, M8X45	
7	1001002815	1	LOAD CONTROL VALVE	
8	70023918	2	BUFFER DISC	
9	70023919	4	SCREW, M8X25	
10	70023920	1	SPACER	
11	Kit	2	BEARING	
12	Kit	1	PISTON SEAL	
13	Kit	2	BACKUP RING	
14	Kit	1	O-RING	
15	Kit	2	ROD BEARING	
16	Kit	1	O-RING	
17	Kit	1	BACKUP RING	
18	Kit	1	ROD SEAL	
19	Kit	1	O-RING	
20	Kit	1	WIPER SEAL	
21	Kit	1	O-RING	
101	314689	4	CIRCLIP	
110	8307904	AR	SHIM	
111	8310093	AR	SHIM	
112	1001002489	1	PIN	
113	1001002498	1	PIN	
123	1001092297	2	SPACER	
K1	70023921	1	SEAL KIT, (includes items 11 thru 21)	

# SECTION 9 - HYDRAULIC COMPONENTS

## FIGURE 9-5. EXTEND/RETRACT CYLINDER AND HARDWARE - 4014PS



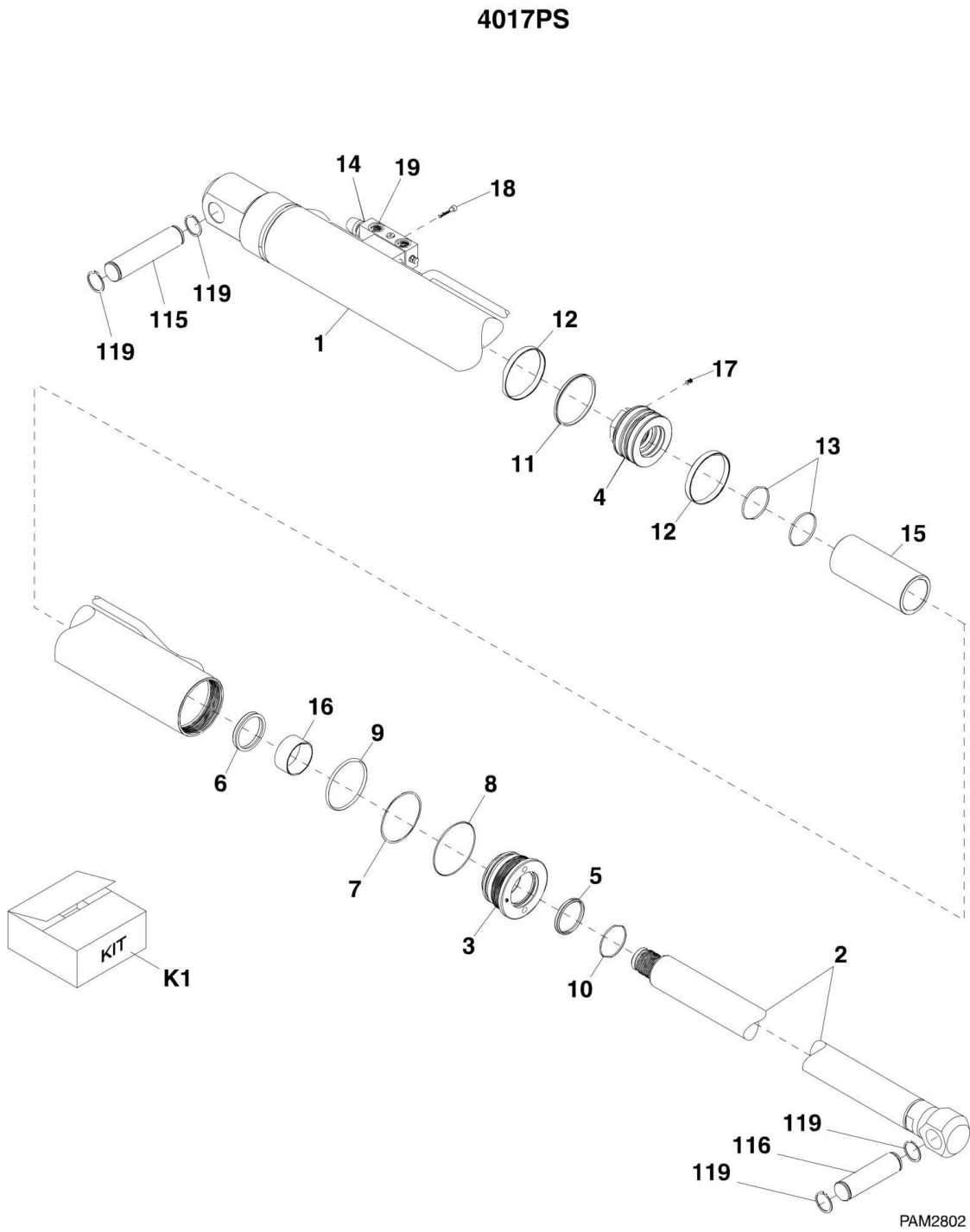
## SECTION 9 - HYDRAULIC COMPONENTS

**FIGURE 9-5. EXTEND/RETRACT CYLINDER AND HARDWARE - 4014PS**

ITEM	PART NUMBER	QTY	DESCRIPTION	REV
	1001129530	1	EXTEND/RETRACT CYLINDER, (4014PS), (includes items 1 thru 19)	B
1	70024435	1	CASE ASSY	
2	70020521	1	PISTON ROD ASSY	
3	70020522	1	GLAND ASSY, (includes item 5), (apply Delo #5249 and torque to 320-370 Nm/236.01-272.89 lb-ft)	
4	70020523	1	PISTON, (torque to 815-865 Nm/601.11-637.99 lb-ft)	
5	Kit	1	BEARING, (high strength / high temperature retaining compound)	
6	Kit	1	WIPER	
7	Kit	1	ROD SEAL	
8	Kit	1	O-RING	
9	Kit	1	BACKRING	
10	Kit	1	O-RING	
11	Kit	1	PISTON SEAL	
12	Kit	2	PISTON GUIDE RING	
13	Kit	2	O-RING	
14	70020524	1	SPACER	
15	Kit	1	SET SCREW, M10X16, (apply high strength / high temperature retaining compound and torque to 20-25 Nm/14.75-18.43 lb-ft)	
16	7029623	2	BUFFER DISC	
17	1001002815	1	LOAD CONTROL VALVE	
18	7029626	4	COUNTERSUNK SCREW, (apply high strength / high temperature retaining compound and torque to 20-25 Nm/14.75-18.43 lb-ft)	
19	70020516	4	HEX SOCKET HEAD SCREW, M8X45	
101	314689	4	RETAINING RING	
108	3020040	AR	MOLY PASTE LUBRICANT	
113	8307904	AR	SHIM, 2.0X0.048X3.0	
114	8310093	AR	SHIM, 2.0X0.075X3.50	
115	1001002489	1	PIN	
116	1001002498	1	PIN	
123	1001092297	2	SPACER TUBE	
K1	70020525	1	SEAL KIT, (includes items 5 thru 13 & item 15)	

# SECTION 9 - HYDRAULIC COMPONENTS

## FIGURE 9-6. EXTEND/RETRACT CYLINDER AND HARDWARE - 4017PS



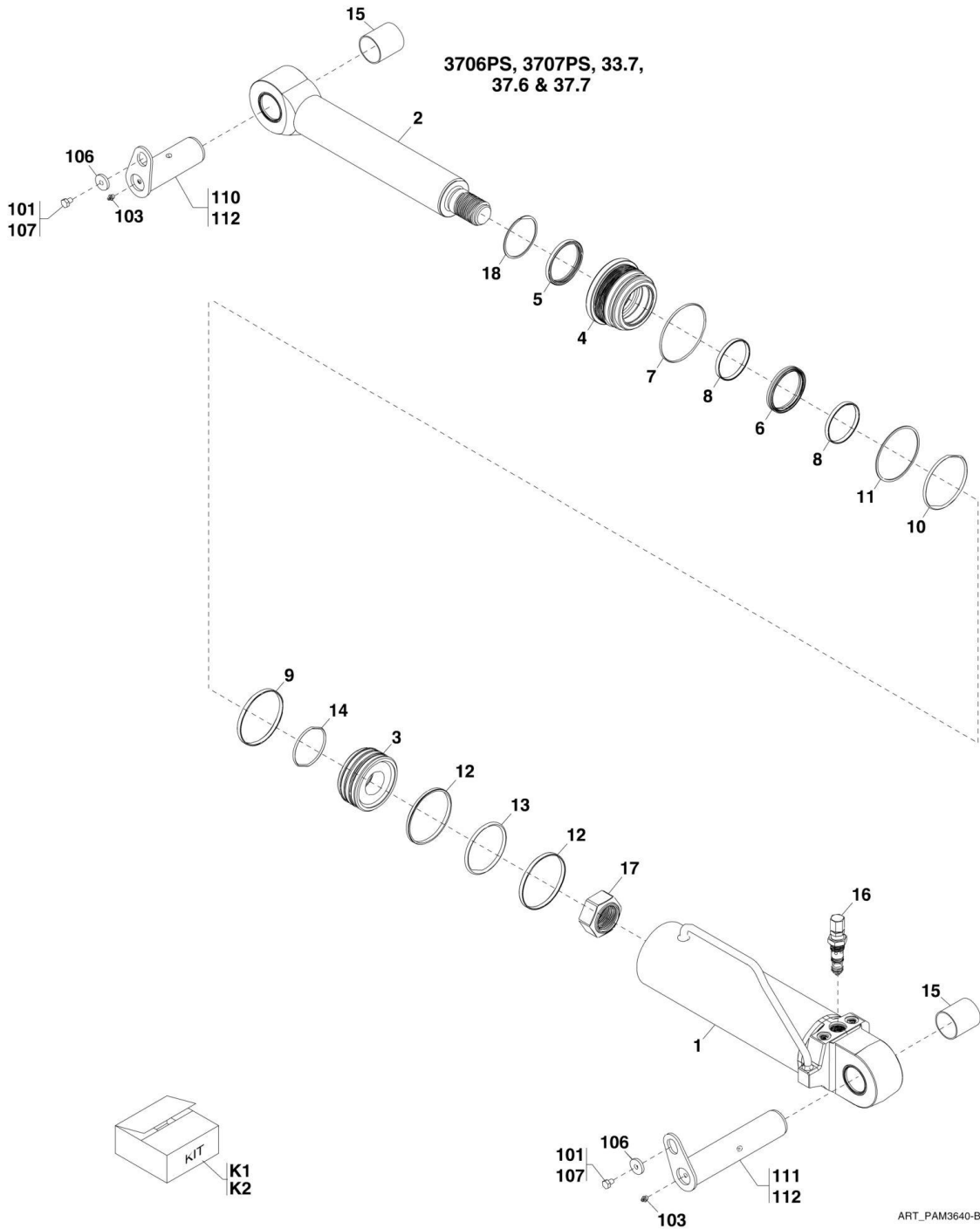
## SECTION 9 - HYDRAULIC COMPONENTS

**FIGURE 9-6. EXTEND/RETRACT CYLINDER AND HARDWARE - 4017PS**

ITEM	PART NUMBER	QTY	DESCRIPTION	REV
	1001107509	1	EXTEND/RETRACT CYLINDER, (4017PS), (includes items 1 thru 19)	E
1	70023088	1	CASE ASSY	
2	70023089	1	PISTON ROD ASSY	
3	70023090	1	GLAND	
4	70023091	1	PISTON	
5	Kit	1	METAL CASED SINGLE LIP WIPER	
6	Kit	1	GLAND SEAL	
7	Kit	1	BACK UP RING	
8	Kit	1	O-RING	
9	Kit	1	O-RING	
10	Kit	1	O-RING	
11	Kit	1	PISTON SEAL	
12	Kit	2	PISTON BEARING RING	
13	Kit	2	O-RING	
14	1001212358	1	LOAD CONTROL VALVE	
15	70023092	1	SPACER	
16	70023093	1	BUSHING	
17	70029940	1	SCREW	
18	70029966	4	SCREW	
19	70023094	1	O-RING	
115	3423140	1	PIN	
116	3423141	1	PIN	
119	3760493	4	RETAINING RING	
K1	70023095	1	SEAL KIT, (includes items 5 thru 13)	

# SECTION 9 - HYDRAULIC COMPONENTS

FIGURE 9-7. TILT CYLINDER AND HARDWARE - 3706PS, 3707PS, 33.7, 37.6 & 37.7



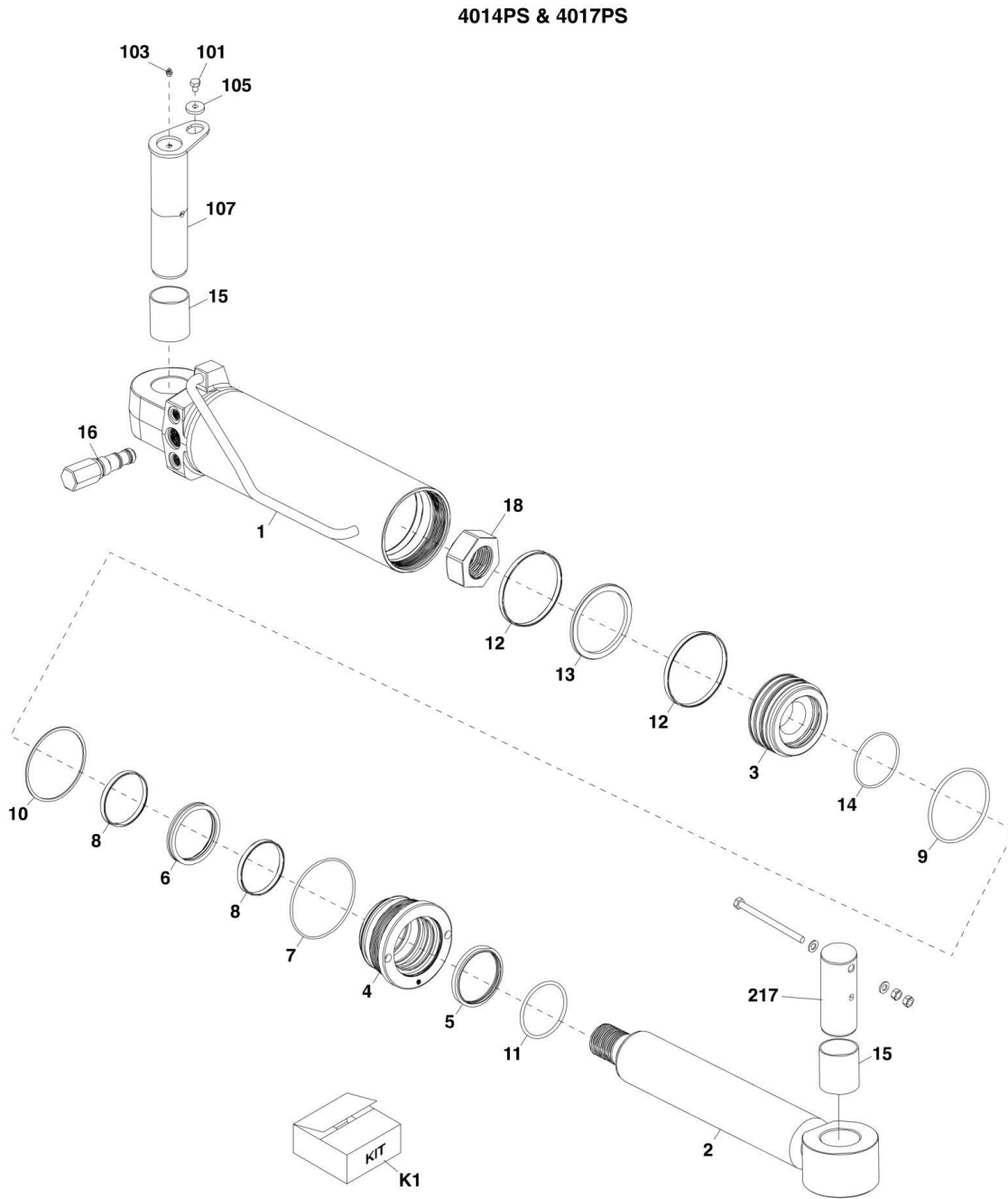
## SECTION 9 - HYDRAULIC COMPONENTS

**FIGURE 9-7. TILT CYLINDER AND HARDWARE - 3706PS, 3707PS, 33.7, 37.6 & 37.7**

ITEM	PART NUMBER	QTY	DESCRIPTION	REV
	1001125308	1	TILT CYLINDER, (3706PS & 37.6), (includes items 1 thru 18)	C
	1001125309	1	TILT CYLINDER, (3707PS, 33.7 & 37.7), (includes items 1 thru 18)	B
1	70020579	1	BARREL, (3706PS & 37.6)	
1	70020584	1	BARREL, (3707PS, 33.7 & 37.7)	
2	70020580	1	ROD, (3706PS & 37.6)	
2	70020585	1	ROD, (3707PS, 33.7 & 37.7)	
3	70020581	1	PISTON, (3706PS & 37.6)	
3	70020586	1	PISTON, (3707PS, 33.7 & 37.7)	
4	70020582	1	GLAND, (3706PS & 37.6)	
4	70020587	1	GLAND, (3707PS, 33.7 & 37.7)	
5	Kit	1	WIPER SEAL	
6	Kit	1	GLAND SEAL	
7	Kit	1	O-RING	
8	Kit	2	WEAR RING	
9	Kit	1	O-RING	
10	Kit	1	BACKUP RING	
11	Kit	1	O-RING	
12	Kit	2	WEAR RING	
13	Kit	1	PISTON SEAL	
14	Kit	1	O-RING	
15	70021499	2	BUSHING	
16	70024108	1	LOAD CONTROL VALVE	
17	70023087	1	NUT	
18	70000699	1	SNAP RING	
101	0761007	2	HEX HD CAPSCREW, M10X14, GR8.8, (torque to 55 Nm/40.56 lb-ft)	
103	2160016	2	GREASE FITTING	
106	1001008948	2	WASHER	
107	1001095650	AR	LOCTITE 243	
110	1001097127	1	PIN	
111	1001097156	1	PIN	
112	1001098457	AR	LITHIUM GREASE LUBE	
K1	70020583	1	SEAL KIT, (3706PS & 37.6), (includes items 5 thru 14)	
K2	70020588	1	SEAL KIT, (3707PS, 33.7 & 37.7), (includes items 5 thru 14)	

# SECTION 9 - HYDRAULIC COMPONENTS

## FIGURE 9-8. TILT CYLINDER AND HARDWARE - 4014PS & 4017PS





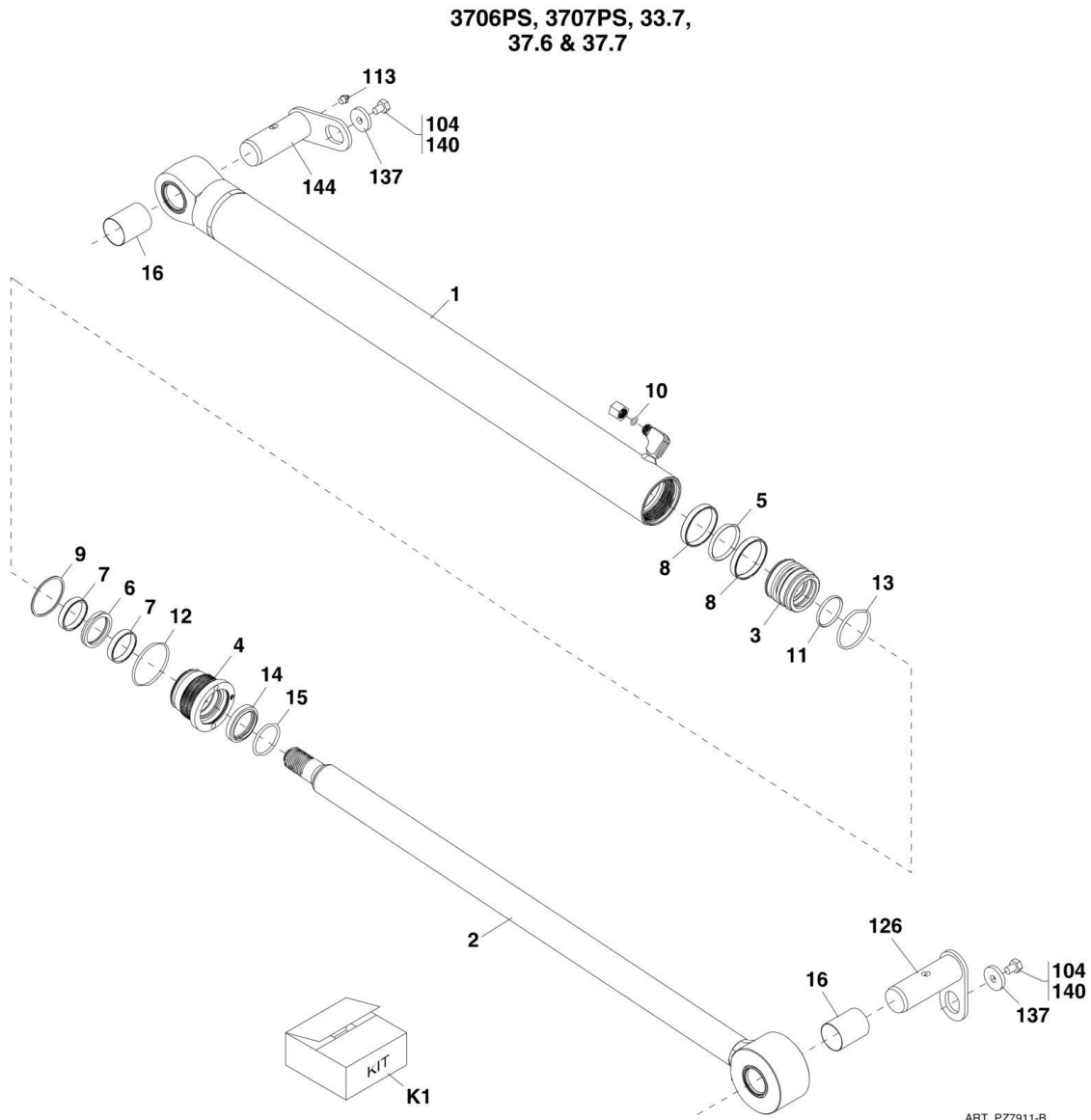
## SECTION 9 - HYDRAULIC COMPONENTS

**FIGURE 9-8. TILT CYLINDER AND HARDWARE - 4014PS & 4017PS**

ITEM	PART NUMBER	QTY	DESCRIPTION	REV
	1001125310	1	TILT CYLINDER, (4014PS & 4017PS), (includes items 1 thru 18)	A
1	70023083	1	BARREL ASSY	
2	70023084	1	ROD ASSY	
3	70023085	1	PISTON HEAD	
4	70020592	1	GLAND	
5	Kit	1	WIPER SEAL	
6	Kit	1	GLAND SEAL	
7	Kit	1	O-RING	
8	Kit	2	WEAR RING	
9	Kit	1	O-RING	
10	Kit	1	SEAL	
11	Kit	1	O-RING	
12	Kit	2	WEAR RING	
13	Kit	1	PISTON SEAL	
14	Kit	1	O-RING	
15	70021500	2	BUSHING	
16	70024108	1	LOAD CONTROL VALVE	
17	70023086	1	SNAP RING, (not shown)	
18	70023087	1	NUT	
101	0761007	1	HEX HD CAPSCREW, M10X14, GR8.8, (torque to 50 Nm/36.87 lb-ft)	
103	2160016	1	GREASE FITTING	
105	1001008948	1	HARD WASHER	
107	1001097560	1	PIN	
217		Ref	PIN AND HARDWARE	
K1	70020593	1	SEAL KIT, (includes items 5 thru 14)	

# SECTION 9 - HYDRAULIC COMPONENTS

FIGURE 9-9. COMPENSATION CYLINDER AND HARDWARE - 3706PS, 3707PS, 33.7, 37.6 & 37.7



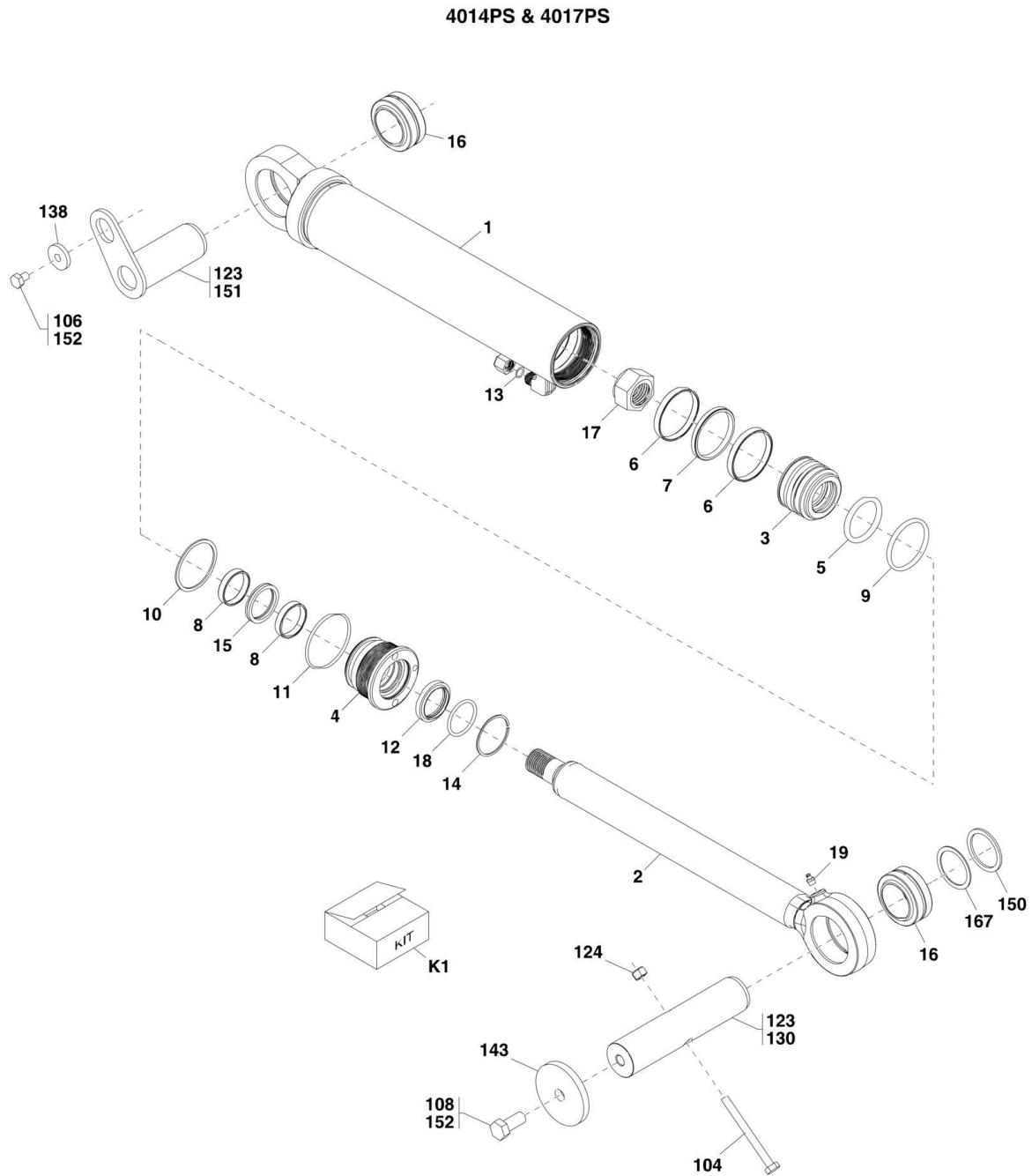
## SECTION 9 - HYDRAULIC COMPONENTS

**FIGURE 9-9. COMPENSATION CYLINDER AND HARDWARE - 3706PS, 3707PS, 33.7, 37.6 & 37.7**

ITEM	PART NUMBER	QTY	DESCRIPTION	REV
	1001002680	1	COMPENSATION CYLINDER, (3706PS, 3707PS, 33.7, 37.6 & 37.7), (includes items 1 thru 16)	D
1	70020599	1	BARREL ASSY	
2	70020600	1	ROD ASSY	
3	70020601	1	PISTON HEAD	
4	70020602	1	GLAND	
5	Kit	1	PISTON SEAL	
6	Kit	1	GLAND SEAL	
7	Kit	2	ROD SEAL	
8	Kit	2	WEAR RING	
9	Kit	1	BACK-UP RING	
10	Kit	1	O-RING	
11	Kit	1	O-RING	
12	Kit	1	O-RING	
13	Kit	1	O-RING	
14	Kit	1	WIPER SEAL	
15	Kit	1	O-RING	
16	70021497	2	BUSHING	
104	0761007	2	HEX HD CAPSCREW, 10X14 MM, GR8.8, (torque to 55 Nm/41 lb-ft)	
113	2160016	1	GREASE FITTING, STRAIGHT	
126	1001002530	1	PIN	
137	1001008948	2	HARD WASHER	
140	1001095650	AR	LOCTITE 243	
144	1001098524	1	PIN	
K1	70020603	1	SEAL KIT, (includes items 5 thru 15)	

# SECTION 9 - HYDRAULIC COMPONENTS

## FIGURE 9-10. COMPENSATION CYLINDER AND HARDWARE - 4014PS & 4017PS



ART\_31200722-9-10

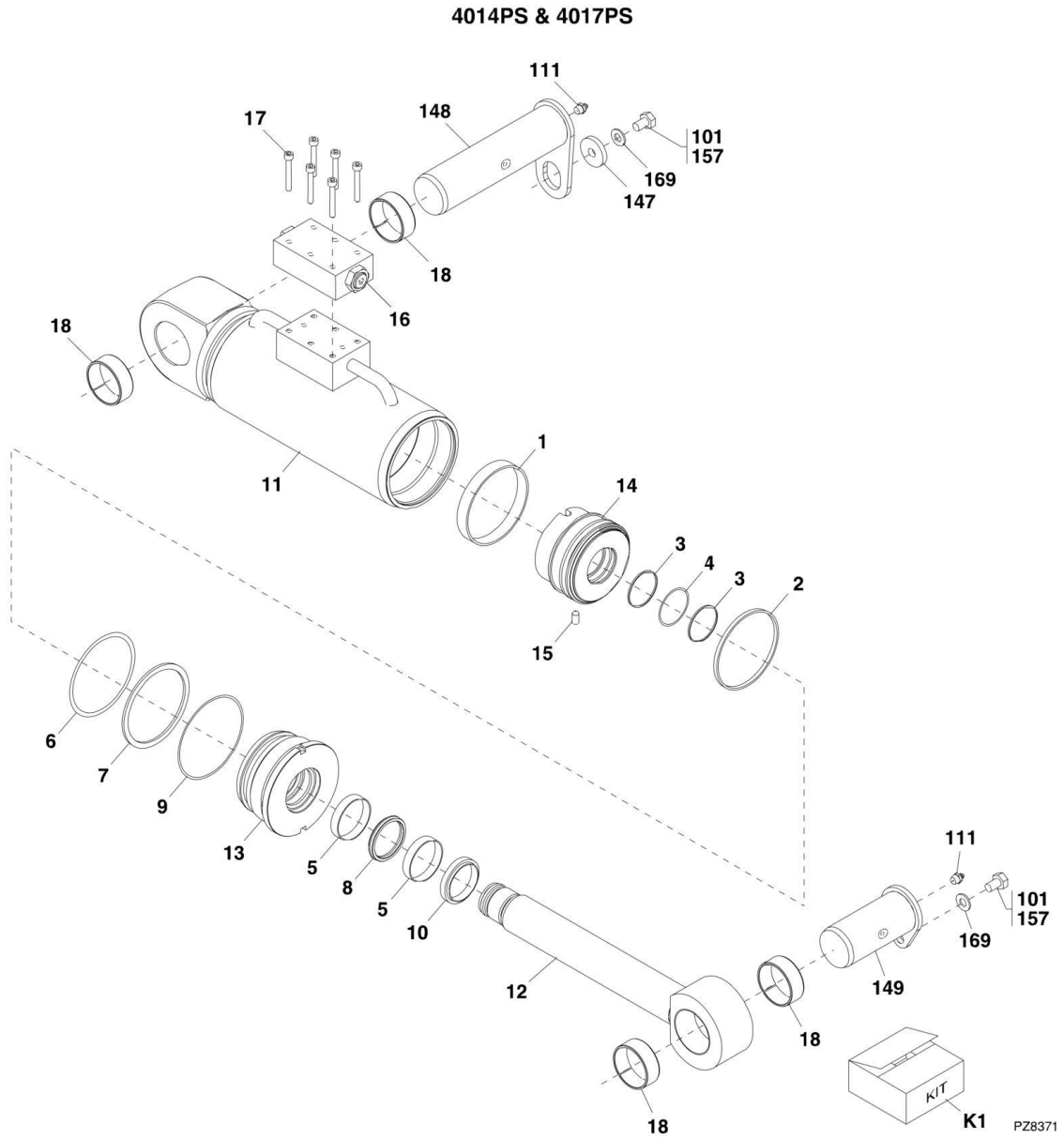
## SECTION 9 - HYDRAULIC COMPONENTS

**FIGURE 9-10. COMPENSATION CYLINDER AND HARDWARE - 4014PS & 4017PS**

ITEM	PART NUMBER	QTY	DESCRIPTION	REV
	1001115037	1	COMPENSATION CYLINDER, (4014PS & 4017PS), (includes items 1 thru 19)	A
1	70023098	1	BARREL ASSY	
2	70023099	1	ROD ASSY	
3	70021863	1	PISTON HEAD	
4	70021864	1	GLAND	
5	Kit	1	O-RING	
6	Kit	2	PISTON BEARING RING	
7	Kit	1	PISTON SEAL	
8	Kit	2	ROD BEARING RING	
9	Kit	1	O-RING	
10	Kit	1	BACK UP RING	
11	Kit	1	O-RING	
12	Kit	1	METAL CASED DOUBLE LIP WIPER	
13	Kit	1	O-RING	
14	Kit	1	O-RING	
15	Kit	1	GLAND SEAL	
16	70021498	2	BUSHING	
17	70023100	1	NUT	
18	70023101	1	SNAP RING	
19	70029941	2	STRAIGHT GREASE NIPPLE	
104	0701028	1	HEX HD CAPSCREW, M10X110, GR8.8, (torque to 50Nm/36.87 lb-ft), (4014PS)	
106	0761007	1	HEX HD CAPSCREW, M10X14, GR8.8, (torque to 55Nm/40.56 lb-ft)	
107	0761210	1	HEX HD CAPSCREW, M12X20, GR8.8, (torque to 90 Nm/66 lb-ft), (4017PS), (not shown)	
108	0761615	1	HEX HD CAPSCREW, M16X35, GR8.8, (torque to 55Nm/40.56 lb-ft), (4014PS)	
123	3020040	AR	MOLY PASTE LUBRICANT	
124	3291005	1	HEX LOCKNUT, M10X1.5, (4014PS)	
128	5241200	1	WASHER, 12mm, (4017PS), (not shown)	
130	1001137974	1	PIN, (4014PS)	
138	1001008948	1	HARD WASHER	
143	1001137363	1	RETENTION WASHER, (4014PS)	
150	1001139140	1	RING, SUPPORT, (4014PS)	
151	1001095400	1	PIN	
152	1001095650	AR	LOCTITE 243	
156	1001111152	1	PIN, (4017PS), (not shown)	
167	1001139103	AR	SHIM, 50X62X1.5mm, (4014PS)	
K1	70021862	1	SEAL KIT, (includes items 5 thru 15)	

# SECTION 9 - HYDRAULIC COMPONENTS

## FIGURE 9-11. FRAME LEVEL CYLINDER AND HARDWARE - 4014PS & 4017PS



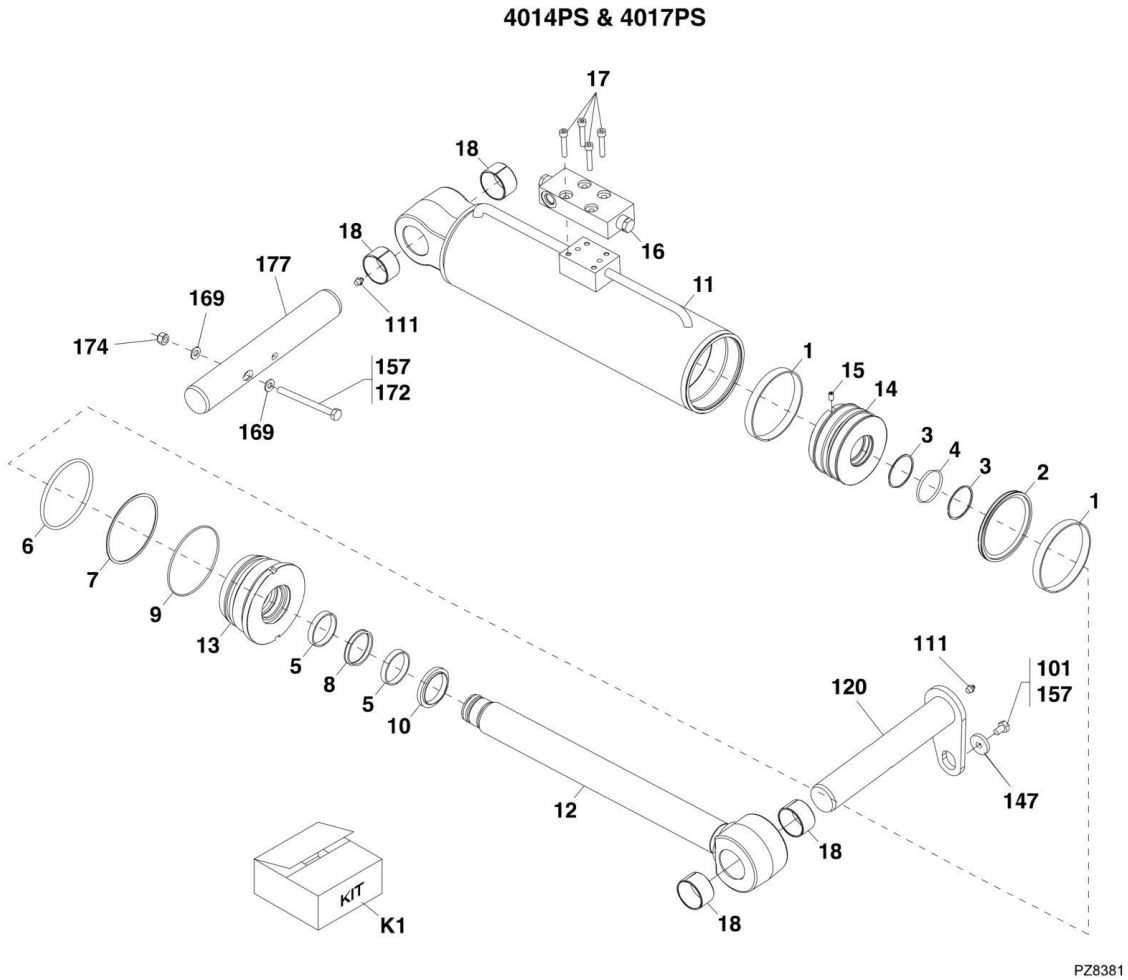
## SECTION 9 - HYDRAULIC COMPONENTS

**FIGURE 9-11. FRAME LEVEL CYLINDER AND HARDWARE - 4014PS & 4017PS**

ITEM	PART NUMBER	QTY	DESCRIPTION	REV
	1001115040	1	FRAME LEVEL CYLINDER, (4014PS), (includes items 1 thru 18)	A
	1001115710	1	FRAME LEVEL CYLINDER, (4017PS), (includes items 1 thru 18)	A
1	Kit	1	PISTON BEARING	
2	Kit	1	PISTON SEAL	
3	Kit	2	BACK UP RING	
4	Kit	1	O-RING	
5	Kit	1	BACK UP RING	
6	Kit	1	O-RING	
7	Kit	1	BACK UP RING	
8	Kit	1	ROD SEAL	
9	Kit	1	O-RING	
10	Kit	1	WIPER SEAL	
11	70024220	1	BARREL ASSY, (4014PS)	
11	70024241	1	BARREL ASSY, (4017PS)	
12	70024242	1	ROD	
13	70020461	1	ROD GUIDE, (4014PS)	
13	70020468	1	ROD GUIDE, (4017PS)	
14	70020462	1	PISTON, (4014PS)	
14	70020469	1	PISTON, (4017PS)	
15	70020438	1	PISTON LOCKING SCREW	
16	1001092075	1	VALVE BLOCK ASSY, (includes seals)	
17	70020464	6	SCREW, M6X45	
18	70020465	4	BUSHING	
101	0761008	2	HEX HD CAPSCREW, M10X16, GR8.8, (torque to 55Nm/40.56 lb-ft)	
111	2160016	2	GREASE FITTING	
147	1001008948	2	HARD WASHER	
148	1001092492	1	PIN	
149	1001092534	1	PIN	
157	1001095650	AR	LOCTITE 243	
169	4812000	2	WASHER, 10mm	
K1	70020466	1	SEAL KIT, (includes items 1 thru 10), (4014PS)	
K1	70020470	1	SEAL KIT, (includes items 1 thru 10), (4017PS)	

# SECTION 9 - HYDRAULIC COMPONENTS

## FIGURE 9-12. OUTRIGGER CYLINDER AND HARDWARE - 4014PS & 4017PS





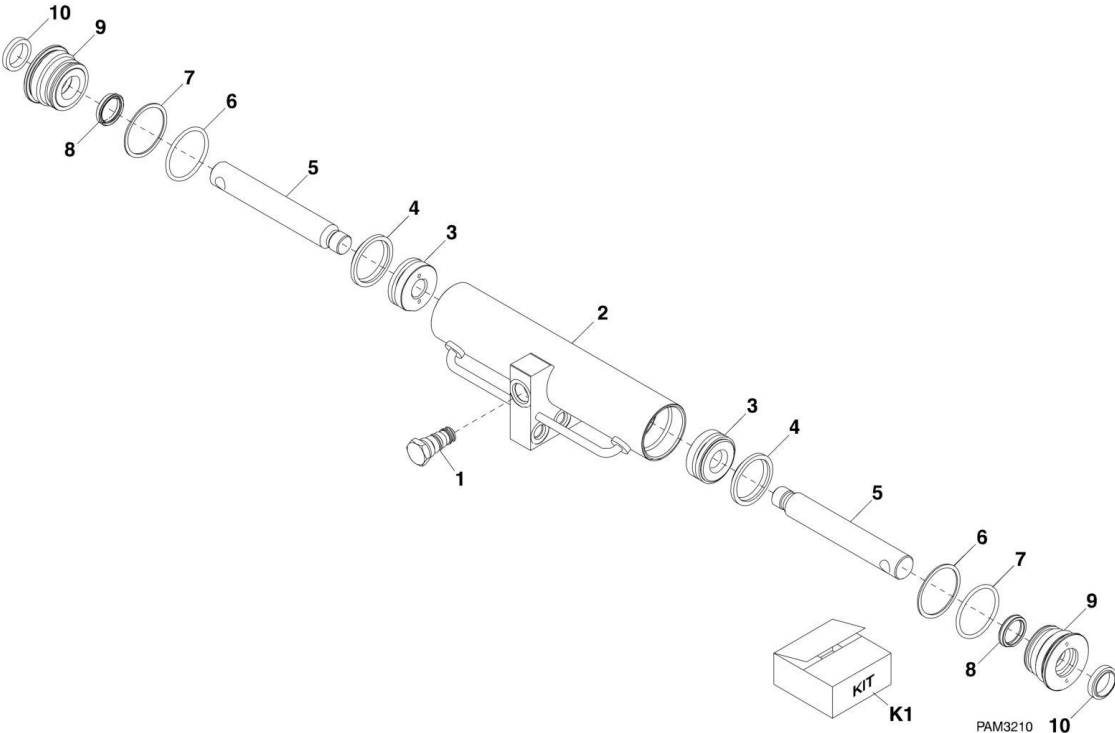
## SECTION 9 - HYDRAULIC COMPONENTS

**FIGURE 9-12. OUTRIGGER CYLINDER AND HARDWARE - 4014PS & 4017PS**

ITEM	PART NUMBER	QTY	DESCRIPTION	REV
	1001115041	1	OUTRIGGER CYLINDER, (4014PS), (includes items 1 thru 18)	A
	1001115711	1	OUTRIGGER CYLINDER, (4017PS), (includes items 1 thru 18)	A
1	Kit	2	PISTON BEARING	
2	Kit	2	PISTON SEAL	
3	Kit	2	BACK UP RING	
4	Kit	1	O-RING	
5	Kit	2	ROD BEARING	
6	Kit	1	O-RING	
7	Kit	1	BACK UP RING	
8	Kit	1	ROD SEAL	
9	Kit	1	O-RING	
10	Kit	1	WIPER SEAL	
11	70020471	1	BARREL ASSY, (4014PS)	
11	70024240	1	BARREL ASSY, (4017PS)	
12	70020472	1	ROD, (4014PS)	
12	70020479	1	ROD, (4017PS)	
13	70020473	1	ROD GUIDE, (4014PS)	
13	70020480	1	ROD GUIDE, (4017PS)	
14	70020474	1	PISTON, (4014PS)	
14	70020481	1	PISTON, (4017PS)	
15	70020438	1	PISTON LOCKING SCREW	
16	1001004639	1	VALVE BLOCK ASSY, (includes seals)	
17	70020440	4	SCREW, M8X45	
18	70020476	4	BUSHING	
101	0761008	1	HEX HD CAPSCREW, M10X16, GR8.8, (torque to 55Nm/40.56 lb-ft)	
111	2160016	2	GREASE FITTING	
120	1001002503	1	PIN	
147	1001008948	2	HARD WASHER	
157	1001095650	AR	LOCTITE 243	
169	4812000	2	WASHER, 10mm	
172	0701029	1	HEX HD CAPSCREW, M10X120, GR8.8, (torque to 55Nm/40.56 lb-ft)	
174	3291005	1	LOCKNUT, M10X1.5	
177	1001099913	1	PIN	
K1	70020477	1	SEAL KIT, (includes items 1 thru 10), (4014PS)	
K1	70020482	1	SEAL KIT, (includes items 1 thru 10), (4017PS)	

**SECTION 9 - HYDRAULIC COMPONENTS**

**FIGURE 9-13. QUICK ATTACH CYLINDER**



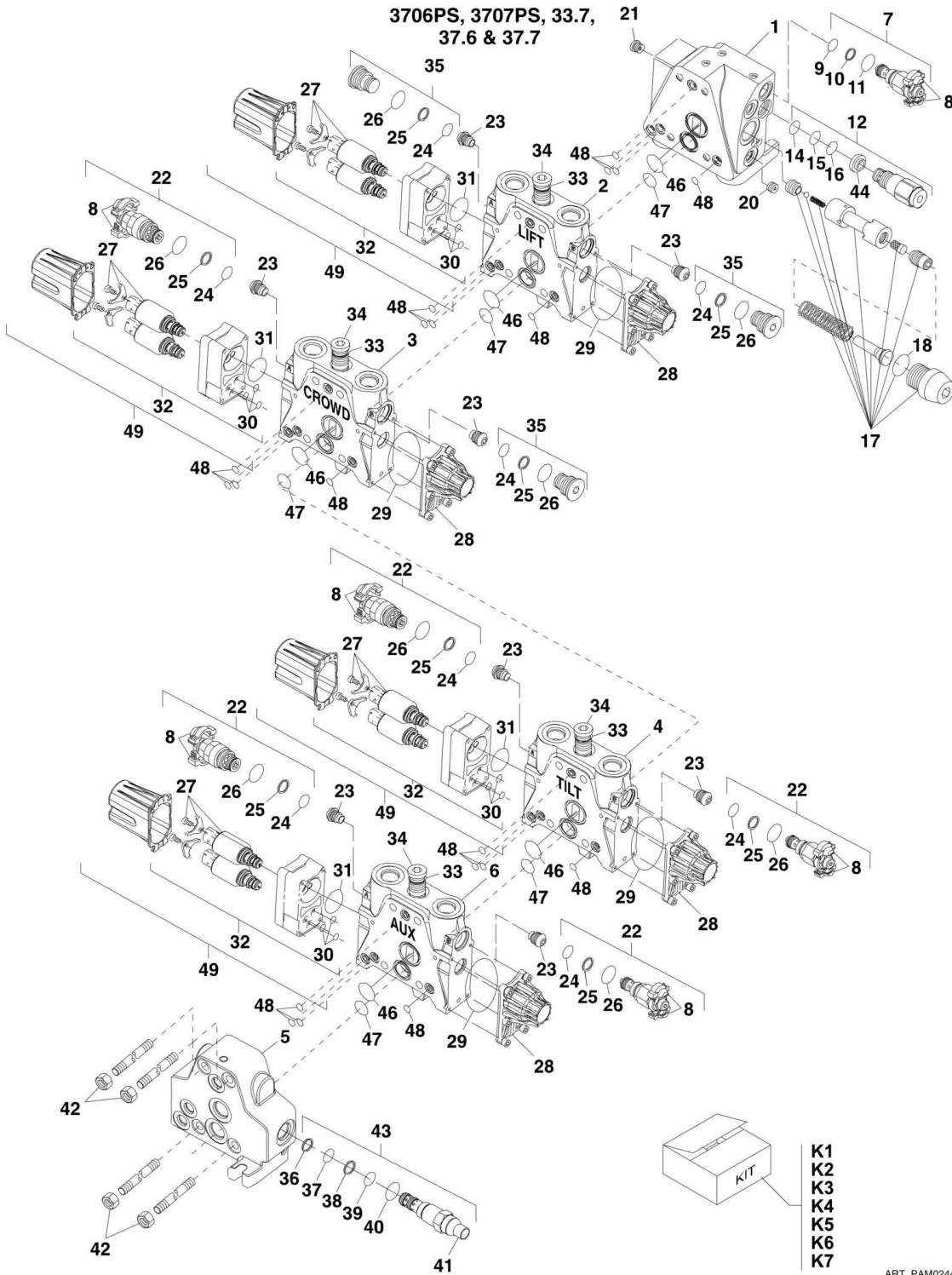
## SECTION 9 - HYDRAULIC COMPONENTS

### FIGURE 9-13. QUICK ATTACH CYLINDER

ITEM	PART NUMBER	QTY	DESCRIPTION	REV
	1001114787	1	QUICK ATTACH CYLINDER, (includes all items)	A
1	70024163	1	CHECK VALVE	
2	70024164	1	BODY	
3	70024165	2	PISTON	
4	Kit	2	PISTON SEAL	
5	70024166	2	ROD	
6	Kit	2	O-RING	
7	Kit	2	BACKUP RING	
8	Kit	2	ROD SEAL	
9	70024167	2	GLAND	
10	Kit	2	WIPER SEAL	
K1	70024168	1	SEAL KIT, (includes items 4, 6 thru 8 & 10)	

# SECTION 9 - HYDRAULIC COMPONENTS

FIGURE 9-14. MAIN CONTROL VALVE - 3706PS, 3707PS, 33.7, 37.6 & 37.7



ART\_PAM0244-B

## SECTION 9 - HYDRAULIC COMPONENTS

**FIGURE 9-14. MAIN CONTROL VALVE - 3706PS, 3707PS, 33.7, 37.6 & 37.7**

ITEM	PART NUMBER	QTY	DESCRIPTION	REV
	1001104292	1	MAIN CONTROL VALVE, (3706PS, 3707PS, 33.7, 37.6 & 37.7), (includes all items)	B
1	70020688	1	SECTION ASSY, (inlet), (includes items 7 thru 21)	
2	70020689	1	SECTION ASSY, (Lift), (includes items 23 thru 35 & 49)	
3	70020690	1	SECTION ASSY, (Telescope), (includes items 8, 22 thru 35 & 49)	
4	70020691	1	SECTION ASSY, (Tilt), (includes items 8, 22 thru 35 & 49)	
5	70020692	1	SECTION ASSY, (outlet), (includes items 19 & 36 thru 41)	
6	70022829	1	SECTION ASSY, (Auxiliary), (includes items 8, 22 thru 35 & 49)	
7	70020693	1	PRESSURE RELIEF VALVE	
8	70020694	6	LOCKING COVER	
9	Kit	1	O-RING	
10	Kit	1	THRUST RING	
11	Kit	1	O-RING	
12	70020695	1	FLOW REGULATOR, (includes items 14 thru 16 & 44)	
14	Kit	1	O-RING	
15	Kit	1	THRUST WASHER	
16	Kit	1	O-RING	
17	70021870	1	REGULATOR KIT, (includes item 18 and shims not shown)	
18	Kit	1	O-RING	
20	70020698	1	FILTER	
21	70020699	1	SHUTTLE VALVE	
22	70020700	5	PRESSURE RELIEF VALVE, (includes items 8 & 24 thru 26)	
23	70020701	8	CHECK VALVE	
24	Kit	1	O-RING	
25	Kit	1	THRUST WASHER	
26	Kit	1	O-RING	
27	70020702	4	SOLENOID	
28	70020714	4	INTERFACE AND SOLENOID KIT	
29	Kit	4	O-RING	
30	Kit	4	O-RING	
31	Kit	4	O-RING	
32	70020703	4	INTERFACE AND SOLENOID, (includes items 27, 30 & 31)	
33	N.S.S.	4	O-RING	
34	70020704	4	PRESSURE COMPENSATOR	
35	70020705	3	PLUG	
36	Kit	1	THRUST RING	
37	Kit	1	O-RING	
38	Kit	1	O-RING	
39	Kit	1	THRUST RING	
40	Kit	1	O-RING	
41	70020706	1	VALVE COVER ASSY	
42	70020707	1	TIE RODS	
43	70021223	1	PRESSURE REDUCING VALVE, (includes items 36 thru 41)	
44	70021874	1	FLOW REGULATOR FILTER	
46	Kit	1	O-RING	
47	Kit	1	O-RING	
48	Kit	4	O-RING	
49	70023735	4	INTERFACE AND SOLENOID W/COVER, (includes items 27, 30 & 31)	
K1	70021871	5	ELEMENT SEAL KIT, (includes items 46 thru 48)	

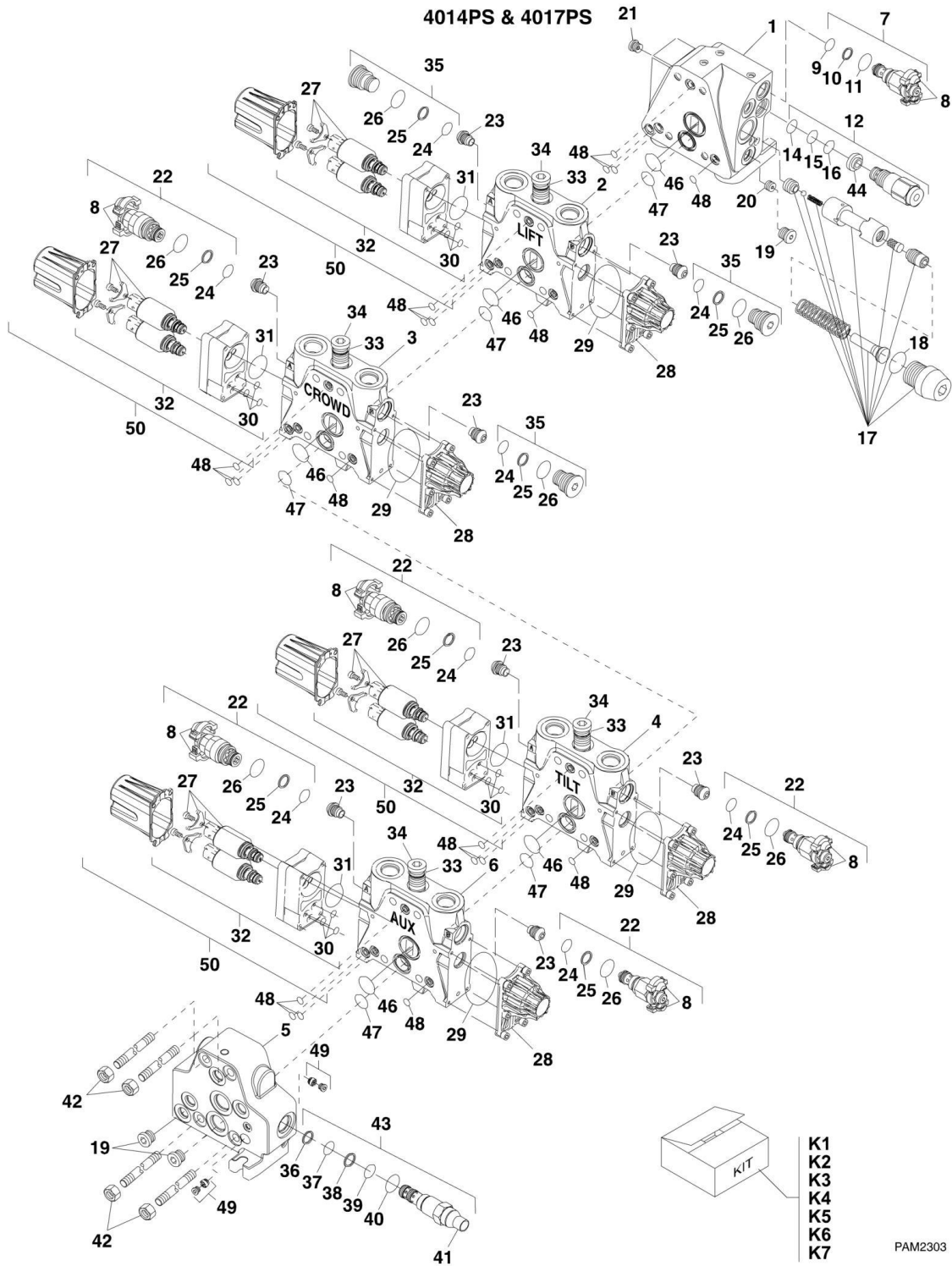
## SECTION 9 - HYDRAULIC COMPONENTS

ITEM	PART NUMBER	QTY	DESCRIPTION	REV
K2	70020708	1	REGULATOR SEAL KIT, (includes item 18 and shims not shown)	
K3	70020709	4	PRESSURE RELIEF SEAL KIT, (includes items 24 thru 26)	
K4	70020710	4	SOLENOID SEAL KIT, (includes items 29 thru 31 and others not shown)	
K5	70020711	1	FLOW REGULATOR SEAL KIT, (includes items 14 thru 16)	
K6	70020712	1	PRESSURE RELIEF SEAL KIT, (includes items 9 thru 11)	
K7	70020713	1	PRESSURE REDUCING SEAL KIT, (includes items 36 thru 40)	



# SECTION 9 - HYDRAULIC COMPONENTS

## FIGURE 9-15. MAIN CONTROL VALVE - 4014PS & 4017PS





## SECTION 9 - HYDRAULIC COMPONENTS

**FIGURE 9-15. MAIN CONTROL VALVE - 4014PS & 4017PS**

ITEM	PART NUMBER	QTY	DESCRIPTION	REV
	1001107523	1	MAIN CONTROL VALVE, (4014PS & 4017PS), (includes all items)	A
1	70021868	1	SECTION ASSY, (INLET), (includes items 7 thru 21 & 44)	
2	70020689	1	SECTION ASSY, (LIFT), (includes items 23 thru 35 & 50)	
3	70020690	1	SECTION ASSY, (TELESCOPE), (includes items 8, 22 thru 35 & 50)	
4	70020691	1	SECTION ASSY, (TILT), (includes items 8, 22 thru 35 & 50)	
5	70021869	1	SECTION ASSY, (OUTLET), (includes items 19, 36 thru 41 & 49)	
6	70022829	1	SECTION ASSY, (AUXILIARY), (includes items 8, 22 thru 35 & 50)	
7	70020693	1	PRESSURE RELIEF VALVE, (includes items 8 thru 11)	
8	70020694	6	LOCKING COVER	
9	Kit	1	O-RING	
10	Kit	1	THRUST RING	
11	Kit	1	O-RING	
12	70020695	1	FLOW REGULATOR, (includes items 14 thru 16 & 44)	
14	Kit	1	O-RING	
15	Kit	1	THRUST WASHER	
16	Kit	1	O-RING	
17	70021870	1	REGULATOR KIT, (includes item 18 and shims not shown)	
18	Kit	1	O-RING	
19	70020697	3	PLUG	
20	70020698	1	FILTER	
21	70020699	1	SHUTTLE VALVE	
22	70020700	5	PRESSURE RELIEF VALVE, (includes items 8 & 24 thru 26)	
23	70020701	8	CHECK VALVE	
24	Kit	8	O-RING	
25	Kit	8	THRUST WASHER	
26	Kit	8	O-RING	
27	70020702	4	SOLENOID	
28	70020714	4	INTERFACE AND SOLENOID KIT	
29	Kit	4	O-RING	
30	Kit	4	O-RING	
31	Kit	4	O-RING	
32	70020703	4	INTERFACE AND SOLENOID, (includes items 27, 30 & 31)	
33	N.S.S.	4	O-RING	
34	70020704	4	PRESSURE COMPENSATOR	
35	70020705	3	PLUG, (includes items 24 thru 26)	
36	Kit	1	THRUST RING	
37	Kit	1	O-RING	
38	Kit	1	O-RING	
39	Kit	1	THRUST RING	
41	Kit	1	O-RING	
41	70020706	1	VALVE COVER ASSY	
42	70020707	1	TIE RODS	
43	70021223	1	PRESSURE REDUCING VALVE, (includes items 36 thru 41)	
44	70021874	1	FLOW REGULATOR FILTER	
46	Kit	5	O-RING	
47	Kit	5	O-RING	
48	Kit	20	O-RING	
49	70021872	2	ACCUMULATOR LOAD CHECK VALVE KIT	
50	70023735	4	INTERFACE AND SOLENOID W/ COVER, (includes items 27, 30	

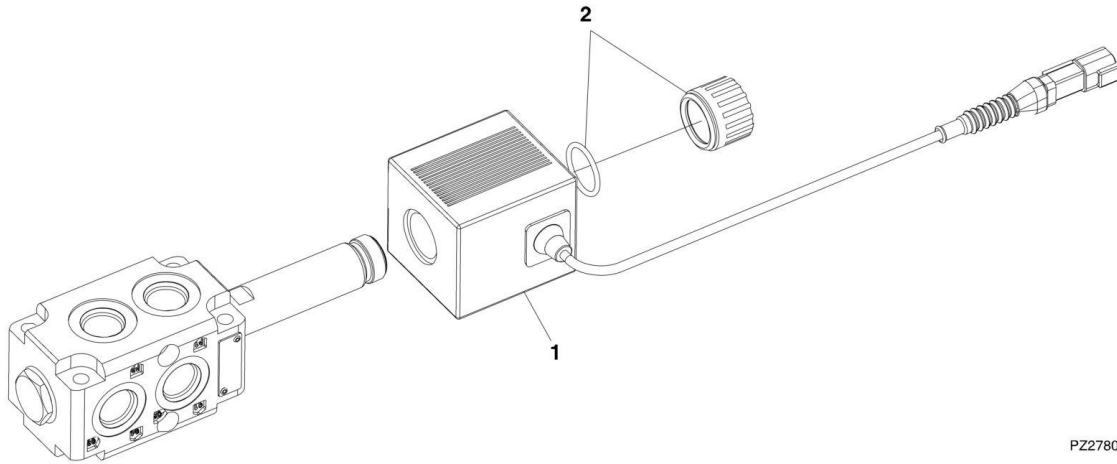
## SECTION 9 - HYDRAULIC COMPONENTS

ITEM	PART NUMBER	QTY	DESCRIPTION	REV
			& 31)	
K1	70021871	1	ELEMENT SEAL KIT, (includes items 46 thru 48)	
K2	70020708	1	REGULATOR SEAL KIT, (includes item 18 and others not shown)	
K3	70020709	4	PRESSURE RELIEF SEAL KIT, (includes items 24 thru 26)	
K4	70020710	4	SOLENOID SEAL KIT, (includes items 29 thru 31 and others not shown)	
K5	70020711	1	FLOW REGULATOR SEAL KIT, (includes items 14 thru 16)	
K6	70020712	1	PRESSURE RELIEF SEAL KIT, (includes items 9 thru 11)	
K7	70020713	1	PRESSURE REDUCING SEAL KIT, (includes items 36 thru 40)	



# SECTION 9 - HYDRAULIC COMPONENTS

## FIGURE 9-16. DIVERTER VALVE



PZ2780

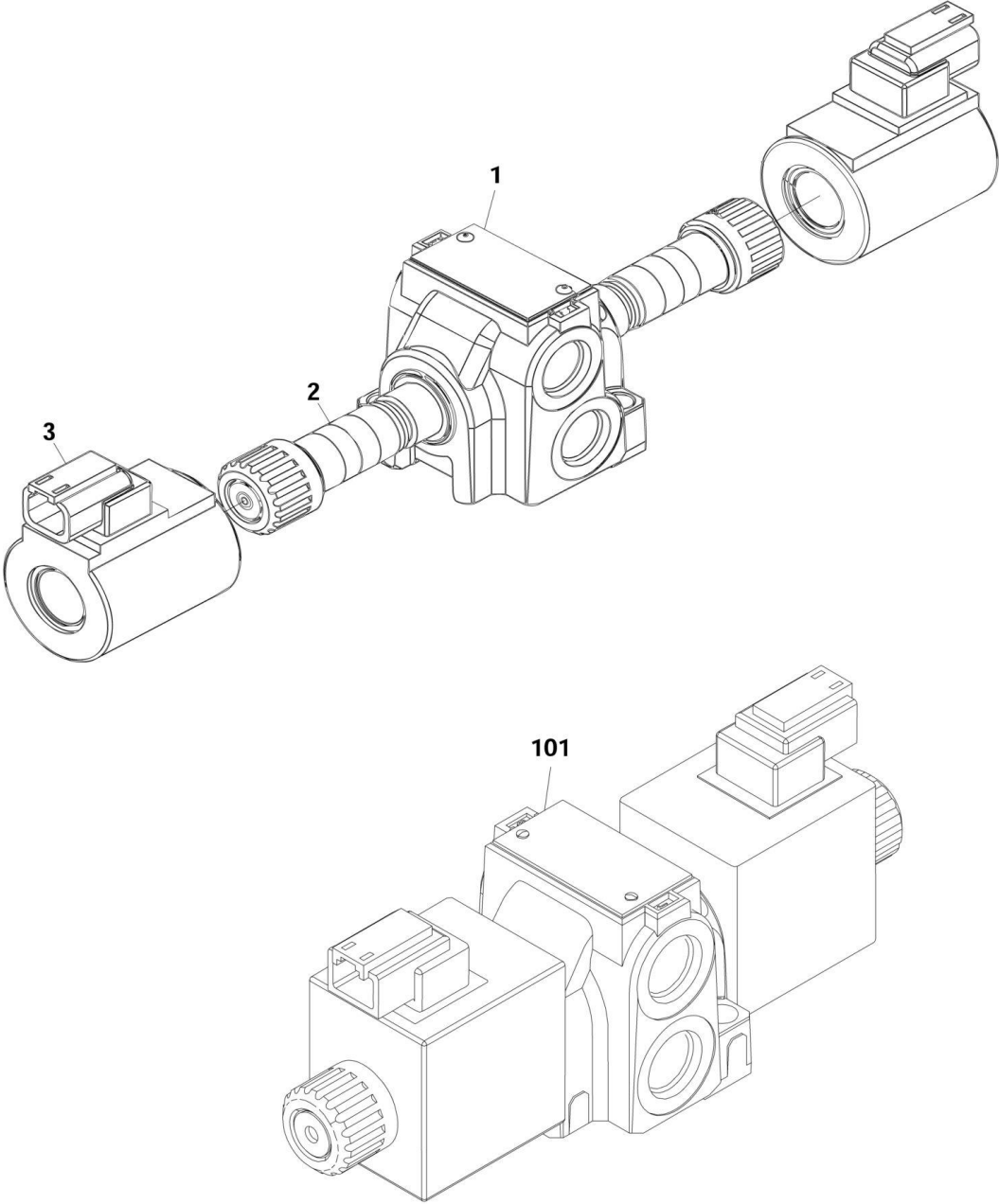
## SECTION 9 - HYDRAULIC COMPONENTS

### FIGURE 9-16. DIVERTER VALVE

ITEM	PART NUMBER	QTY	DESCRIPTION	REV
	1001104477	1	DIVERTER VALVE, (includes all items)	D
	1001110023	1	DIVERTER VALVE, (3707PS, 3707PS, 33.7, 37.6 & 37.7)	B
1	70020764	1	COIL	
2	70021531	1	RETAINER KIT, (includes o-rings and nut)	

**SECTION 9 - HYDRAULIC COMPONENTS**

**FIGURE 9-17. STEERING SELECT VALVE**



PAP31530

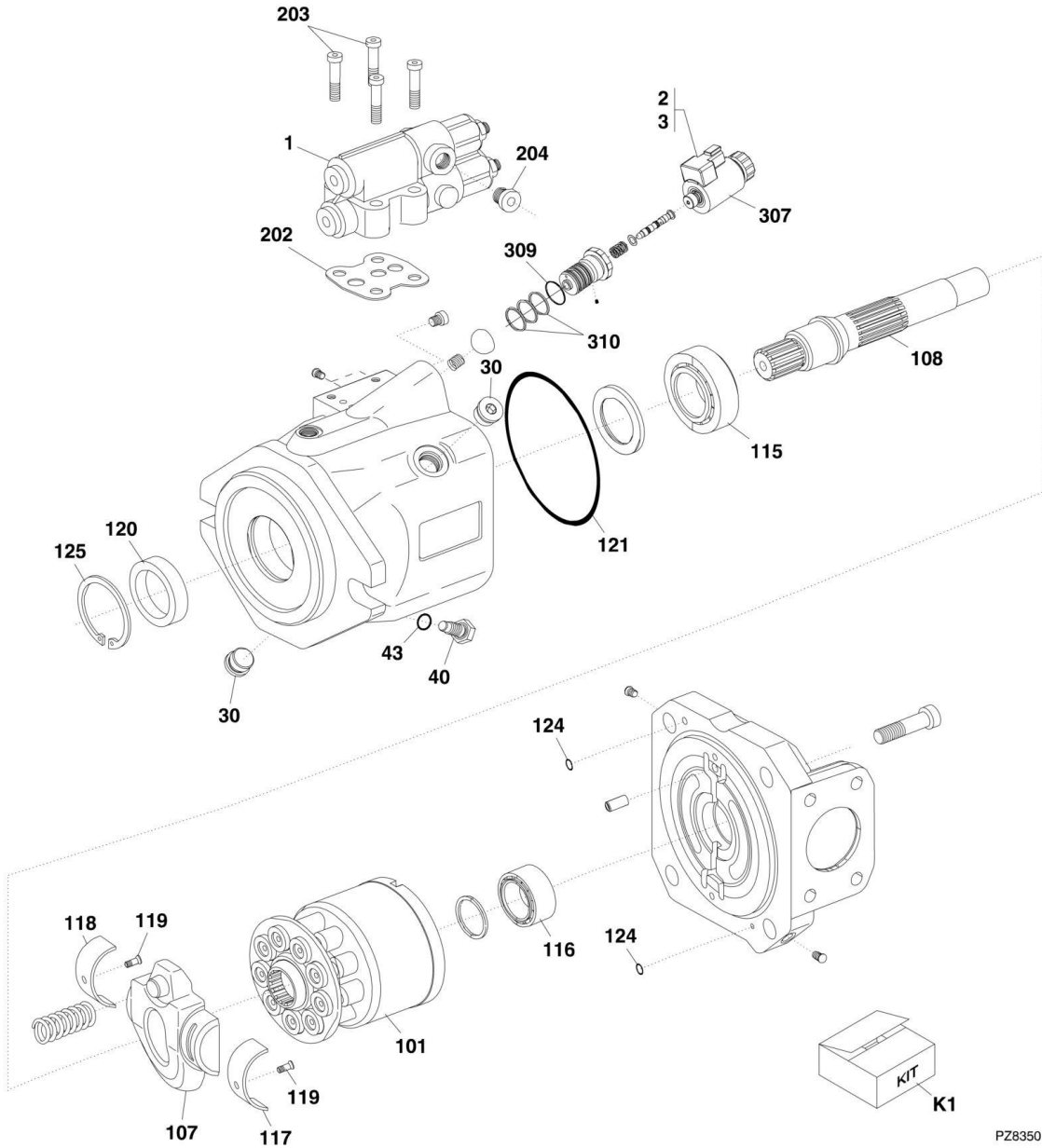
## SECTION 9 - HYDRAULIC COMPONENTS

### FIGURE 9-17. STEERING SELECT VALVE

ITEM	PART NUMBER	QTY	DESCRIPTION	REV
	4641519	NLA	STEERING SELECT VALVE, (no longer available, order item 101 for service or replacement), (includes items 1 thru 3)	C
1	70020866	1	VALVE BODY	
2	70020867	2	SEAL KIT	
3	70020868	2	COIL	
101	1001153748	1	STEERING SELECT VALVE	

# SECTION 9 - HYDRAULIC COMPONENTS

## FIGURE 9-18. PISTON PUMP



PZ8350



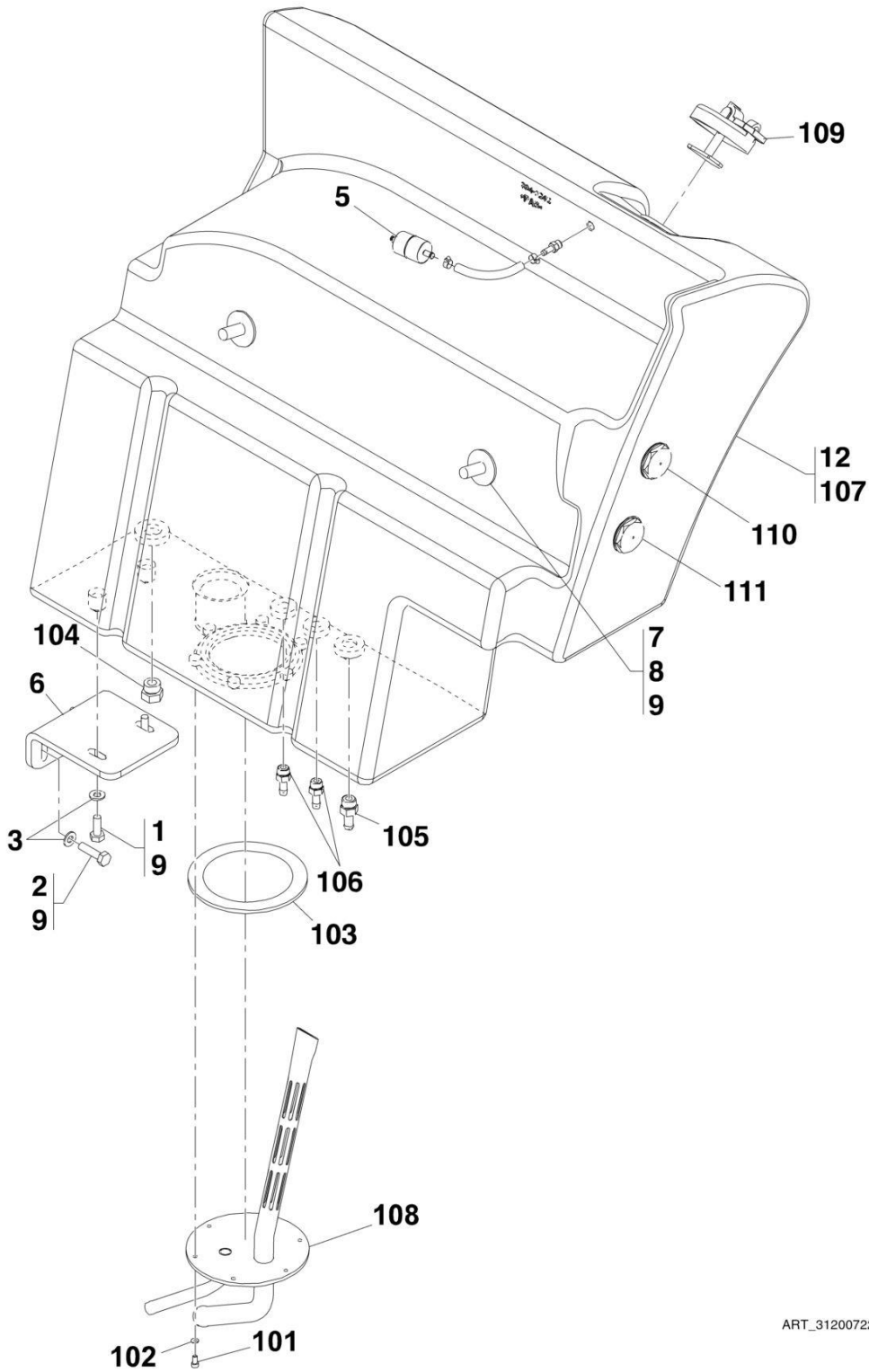
## SECTION 9 - HYDRAULIC COMPONENTS

### FIGURE 9-18. PISTON PUMP

ITEM	PART NUMBER	QTY	DESCRIPTION	REV
	1001121053	1	HYDRAULIC PISTON PUMP, 63cc, (3706PS, 3707PS, 4017PS, 33.7, 37.6 & 37.7), (includes items 1 thru 310)	B
	1001121054	1	HYDRAULIC PISTON PUMP, 45cc, (4014PS), (includes items 1 thru 310)	A
1	70003738	1	CONTROL VALVE	
2	70024186	1	CONTROL VALVE	
3	70024187	1	ADJUSTING PIECE, 63cc	
3	70028556	1	ADJUSTING PIECE, 45cc	
30	70024407	2	PLUG	
40	70024408	1	STOP SCREW, 63cc	
40	70028557	1	STOP SCREW, 45cc	
43	70024409	1	O-RING	
101	70024411	1	ROTARY GROUP, 63cc	
101	70028558	1	ROTARY GROUP, 45cc	
107	70024412	1	SWASH PLATE, 63cc	
107	70028559	1	SWASH PLATE, 45cc	
108	70024413	1	DRIVE SHAFT, 63cc	
108	70003175	1	DRIVE SHAFT, 45cc	
115	7024943	1	BEARING, 63cc	
115	7024038	1	BEARING, 45cc	
116	7024944	1	BEARING, 63cc	
116	7012706	1	BEARING, 45cc	
117	70024414	1	BEARING-LINER, 63cc	
117	70028560	1	BEARING-LINER, 45cc	
118	70024415	1	BEARING-LINER, 63cc	
118	70028560	1	BEARING-LINER, 45cc	
119	7024953	2	SCREW	
120	7024947	1	SHAFT SEAL RING, 63cc	
120	70028561	1	SHAFT SEAL RING, 45cc	
121	7024948	1	O-RING, 63cc	
121	70003176	1	O-RING, 45cc	
124	7024950	2	SEAL RING	
125	80334277	1	RETAINING RING, 63cc	
125	70003177	1	RETAINING RING, 45cc	
202	70021867	1	GASKET	
203	7024954	4	SOCKET HD CAPSCREW	
204	70024416	1	PLUG	
307	70025897	1	SOLENOID	
309	7024949	1	O-RING	
310	70024417	3	R-RING	
K1	70024410	1	SEAL KIT, 63cc, (includes items 30, 43, 120 thru 125, 202, 204, 309 & 310)	
K1	70028562	1	SEAL KIT, 45cc, (includes items 30, 43, 120 thru 125, 202, 204, 309 & 310)	

# SECTION 9 - HYDRAULIC COMPONENTS

## FIGURE 9-19. HYDRAULIC TANK



ART\_31200722-9-19

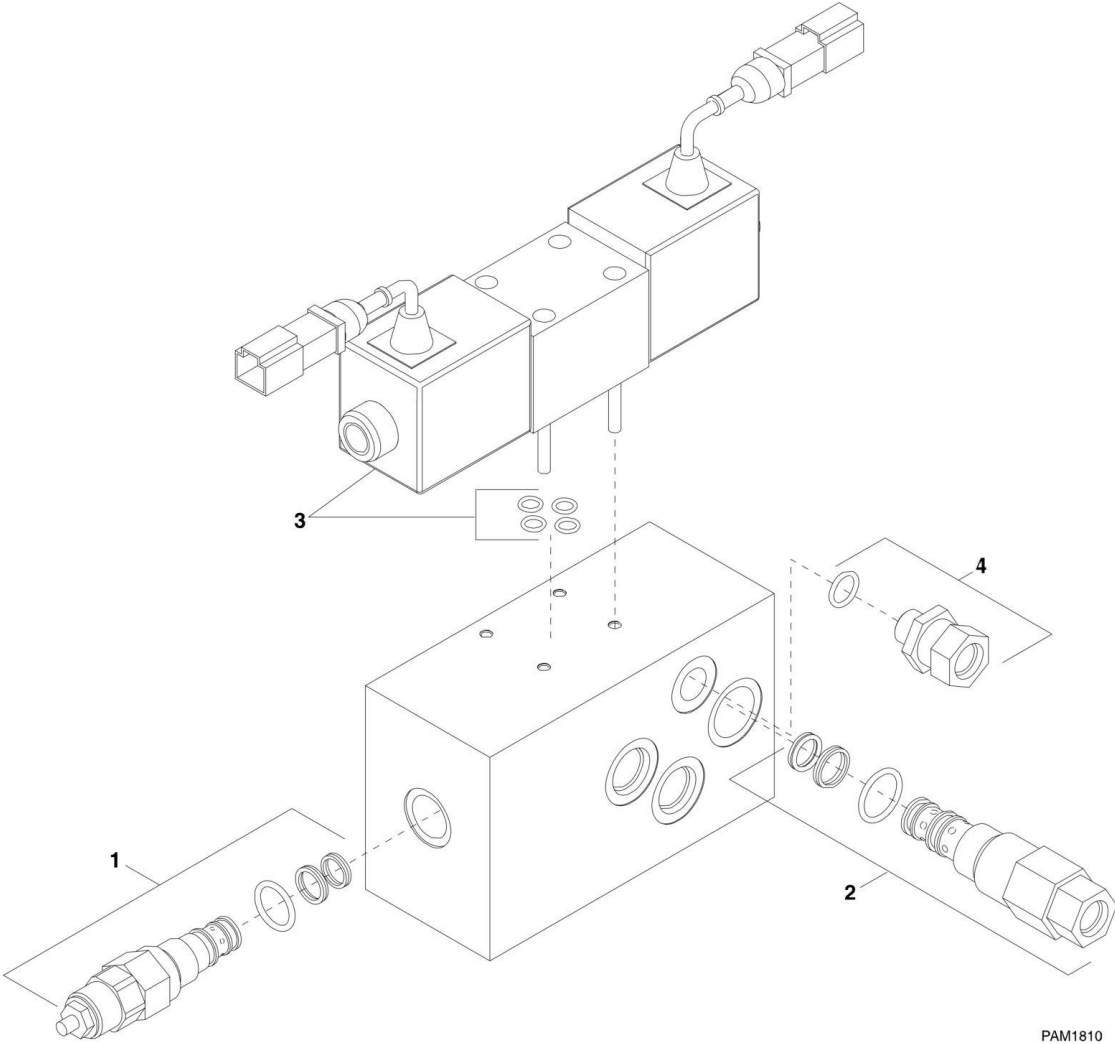
## SECTION 9 - HYDRAULIC COMPONENTS

### FIGURE 9-19. HYDRAULIC TANK

ITEM	PART NUMBER	QTY	DESCRIPTION	REV
	1001142663	Ref	HYDRAULIC TANK INSTALLATION, (4014PS & 4017PS), (not available to order, see items 1 thru 12 for service)	B
	1001142663	Ref	HYDRAULIC TANK INSTALLATION, (3706PS, 3707PS, 33.7, 37.6 & 37.7), (not available to order, See items 1 thru 12 for service) <b>(Prior to SN 1160007654)</b>	B
	1001186582	Ref	HYDRAULIC TANK INSTALLATION, (3706PS, 3707PS, 33.7, 37.6 & 37.7), (not available to order, see items 1 thru 12 for service) <b>(SN 1160007654 to Present)</b>	A
1	0701013	2	HEX HD CAPSCREW, M10X40, GR8.8, (torque to 13-17 Nm/9.58-12.53 lb-ft)	
2	0761016	2	HEX HD CAPSCREW, M10X40, GR8.8, (torque to 55 Nm/40.56 lb-ft)	
3	4812000	4	WASHER, 10mm	
5		Ref	FILTER, (See HYDRAULIC CIRCUITS SECTION for Breakdown)	
6	1001090205	1	BRACKET	
7	1001091951	2	HEX HD CAPSCREW, M16-2X200, GR8.8, (torque to 280 Nm/206.51 lb-ft)	
8	1001092256	4	WASHER, 17mm	
9	1001095650	AR	LOCTITE 243	
12	1001142664	1	HYDRAULIC TANK ASSEMBLY, (4014PS & 4017PS), (includes items 101 thru 110)	C
12	1001142664	1	HYDRAULIC TANK ASSEMBLY, (3706PS, 3707PS, 33.7, 37.6 & 37.7), (includes items 101 thru 110) <b>(Prior to SN 1160007654)</b>	C
12	1001186581	1	HYDRAULIC TANK ASSEMBLY, (3706PS, 3707PS, 33.7, 37.6 & 37.7), (includes items 101 thru 111) <b>(SN 1160007654 to Present)</b>	B
101	4031607	6	HEX SOCKET HD CAPSCREW, M5X16, (torque to 5.75-6.25 Nm/4.24-4.60 lb-ft)	
102	4831600	6	LOCKWASHER, 5mm	
103	1001003301	1	O-RING	
104	1001003427	1	PLUG, (torque to 30-40 Nm/22.12-29.50 lb-ft)	
105	1001003647	1	CONNECTOR, (torque to 21-25 Nm/15.48-18.43 lb-ft)	
106	1001059362	3	STRAIGHT CONNECTOR, (torque to 12-14 Nm/8.85-10.32 lb-ft)	
107	1001090160	1	HYDRAULIC TANK	
108	1001154970	1	HYDRAULIC RETURN MANIFOLD	
109	1001142659	1	CAP	
110	1001184545	2	OIL LEVEL PLUG, (4014PS & 4017PS)	
110	1001184545	2	OIL LEVEL PLUG, (3706PS, 3707PS, 33.7, 37.6 & 37.7) <b>(Prior to SN 1160007654)</b>	
110	1001184545	1	OIL LEVEL PLUG, (3706PS, 3707PS, 33.7, 37.6 & 37.7) <b>(SN 1160007654 to Present)</b>	
111	1001202323	1	HYDRAULIC TANK PLUG, M40, (3706PS, 3707PS, 33.7, 37.6 & 37.7) <b>(SN 1160007654 to Present)</b>	

**SECTION 9 - HYDRAULIC COMPONENTS**

**FIGURE 9-20. COMBINATION VALVE**



PAM1810

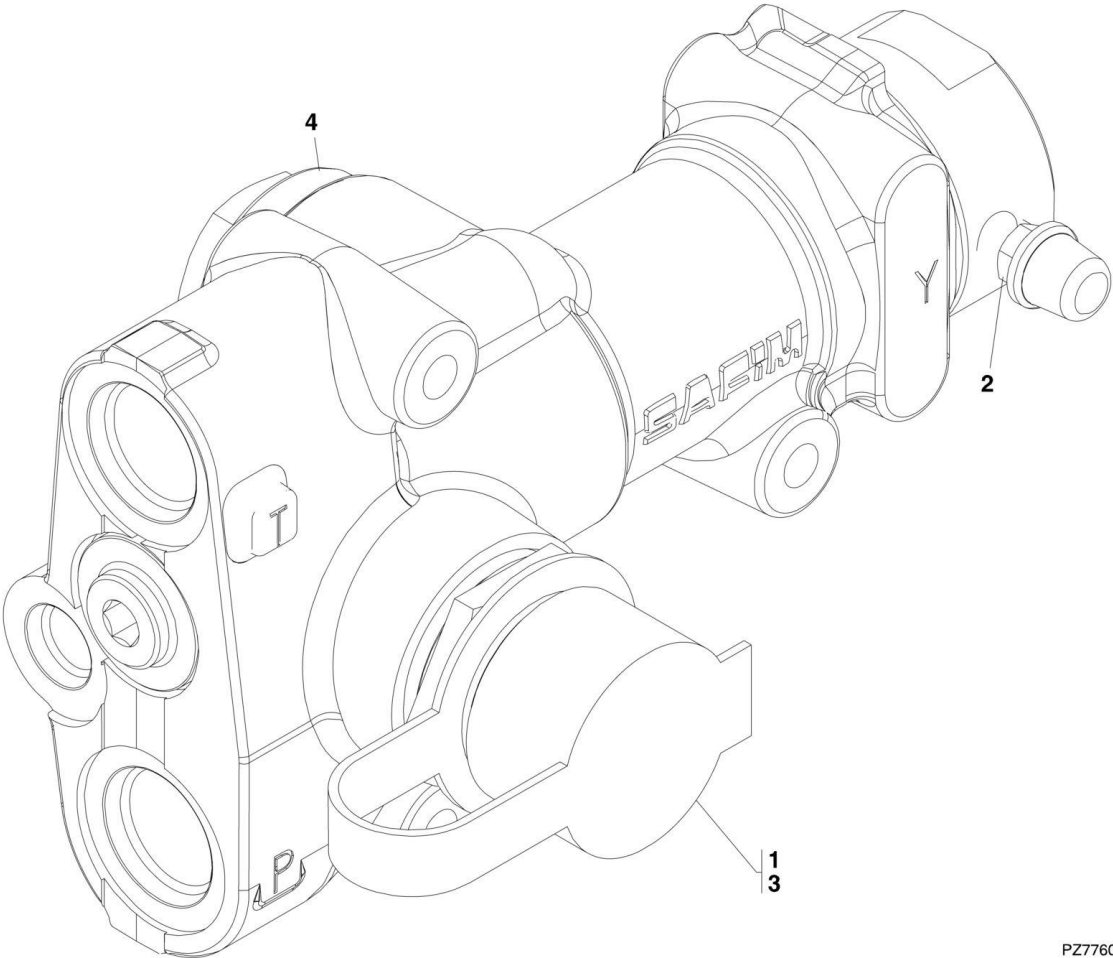
## SECTION 9 - HYDRAULIC COMPONENTS

### FIGURE 9-20. COMBINATION VALVE

ITEM	PART NUMBER	QTY	DESCRIPTION	REV
	1001099120	1	COMBINATION VALVE, (includes items 1 thru 4) <b>(Prior to SN 1160007746)</b>	C
	1001165875	1	COMBINATION VALVE, (includes items 1, 3 & 4) <b>(SN 1160007746 to Present)</b>	C
1	70021589	1	OVERCENTER VALVE	
1	70021590	1	SEAL KIT	
2	70021591	1	PRESSURE REDUCING VALVE	
2	70021592	1	SEAL KIT	
3	70021593	1	SOLENOID VALVE, (includes mounting hardware)	
3	70021594	1	COIL	
3	70021595	1	SEAL KIT	
4	70021596	1	CHECK VALVE	
4	70021597	1	SEAL KIT	

**SECTION 9 - HYDRAULIC COMPONENTS**

**FIGURE 9-21. TRAILER BRAKE VALVE**



PZ7760

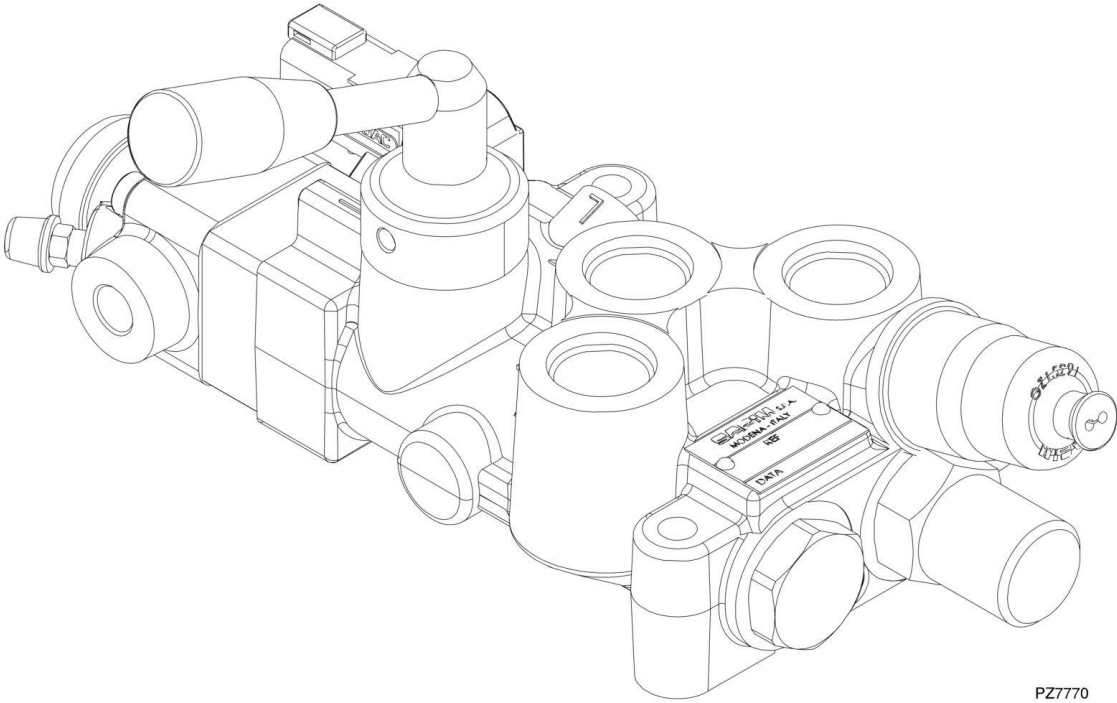
## SECTION 9 - HYDRAULIC COMPONENTS

FIGURE 9-21. TRAILER BRAKE VALVE

ITEM	PART NUMBER	QTY	DESCRIPTION	REV
	1001139393	1	TRAILER BRAKE VALVE, (includes all items)	A
1	70024401	1	QUICK RELEASE, (male)	
3	70024400	1	Screw, Bleeding	
3	70024399	1	RUBBER CAP	
4	N.S.S.	1	VALVE BODY	

**SECTION 9 - HYDRAULIC COMPONENTS**

**FIGURE 9-22. TRAILER BRAKE VALVE**



PZ770



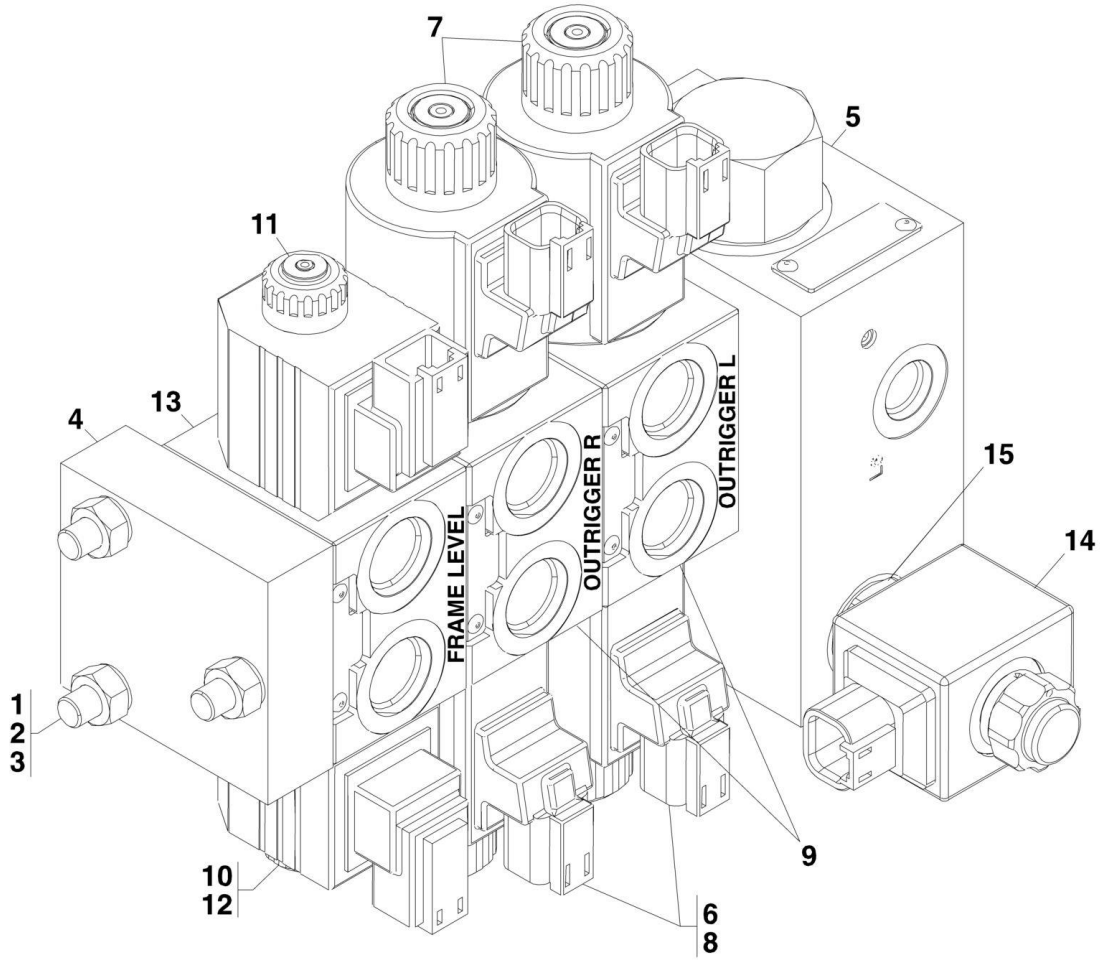
## SECTION 9 - HYDRAULIC COMPONENTS

FIGURE 9-22. TRAILER BRAKE VALVE

ITEM	PART NUMBER	QTY	DESCRIPTION	REV
	1001120316	1	TRAILER BRAKE VALVE, ITALY	A

# SECTION 9 - HYDRAULIC COMPONENTS

FIGURE 9-23. OUTRIGGER MAIN CONTROL VALVE



PAM1682

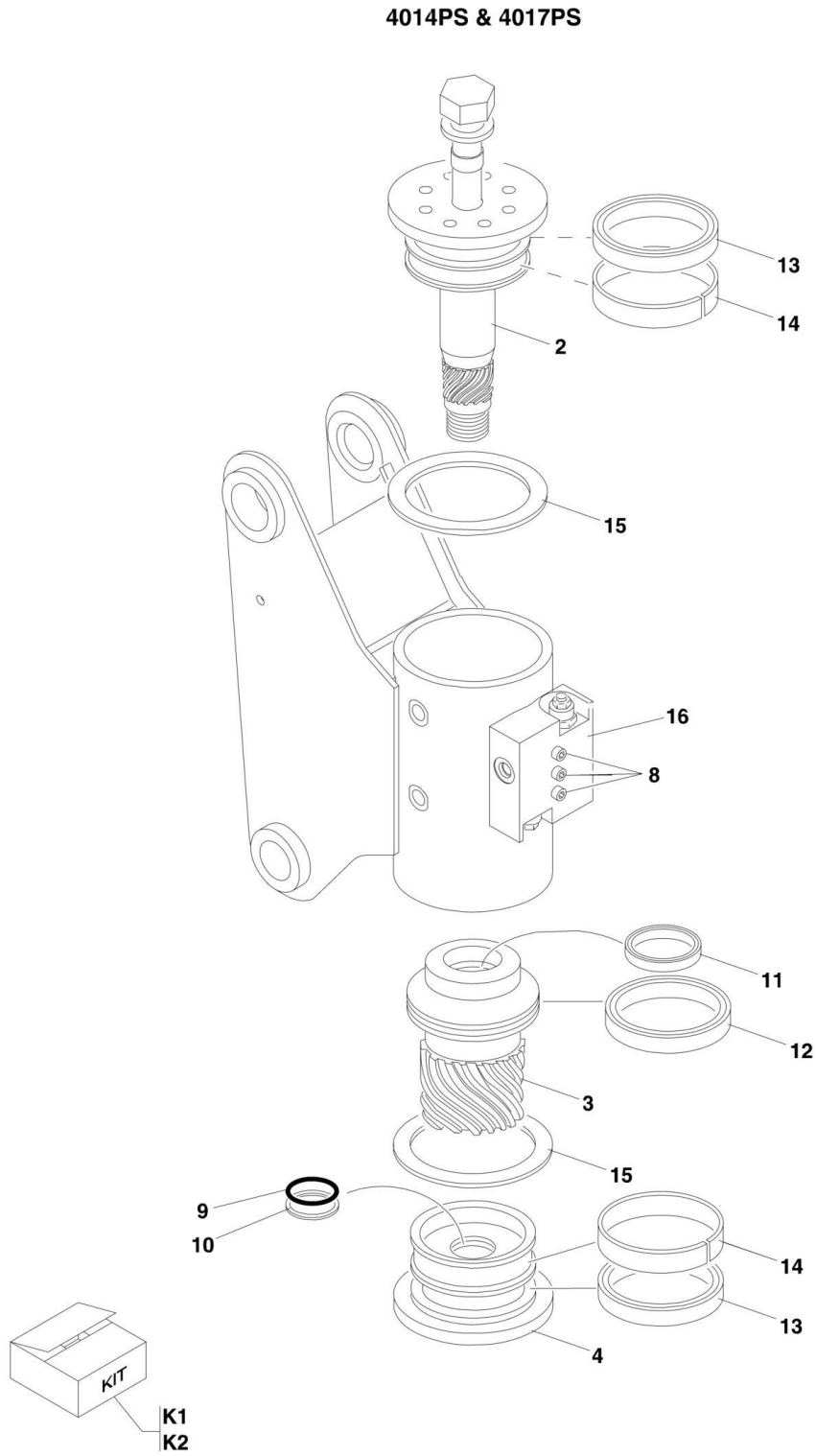
## SECTION 9 - HYDRAULIC COMPONENTS

**FIGURE 9-23. OUTRIGGER MAIN CONTROL VALVE**

ITEM	PART NUMBER	QTY	DESCRIPTION	REV
	4641516	1	OUTRIGGER AND FRAME LEVEL VALVE, (includes items 1 thru 16)	B
1	70021211	3	BOLT, M8X185	
2	70021212	3	NUT, M8	
3	70021201	3	WASHER, M8	
4	70021205	1	COVER	
5	70021215	1	INLET BODY	
6	70021214	2	SECTION ASSY, OUTRIGGER, (includes items 7 thru 9)	
7	70020868	2	COIL	
8	70021217	2	RETAINER KIT W/ SEALS	
9	70021218	1	VALVE SECTION	
10	70021213	1	SECTION ASSY, FRAME LEVEL, (includes items 11 thru 13)	
11	70021208	2	COIL	
12	70021209	2	RETAINER KIT W/ SEALS	
13	70021219	1	VALVE SECTION	
14	70022147	1	COIL	
15	70023327	1	SOLENOID	
16	70023326	1	ORIFICE, 1mm, (not shown, located internally between frame level and outrigger section)	

# SECTION 9 - HYDRAULIC COMPONENTS

## FIGURE 9-24. ACTUATOR ASSEMBLY - 4014PS & 4017PS



PAP13850

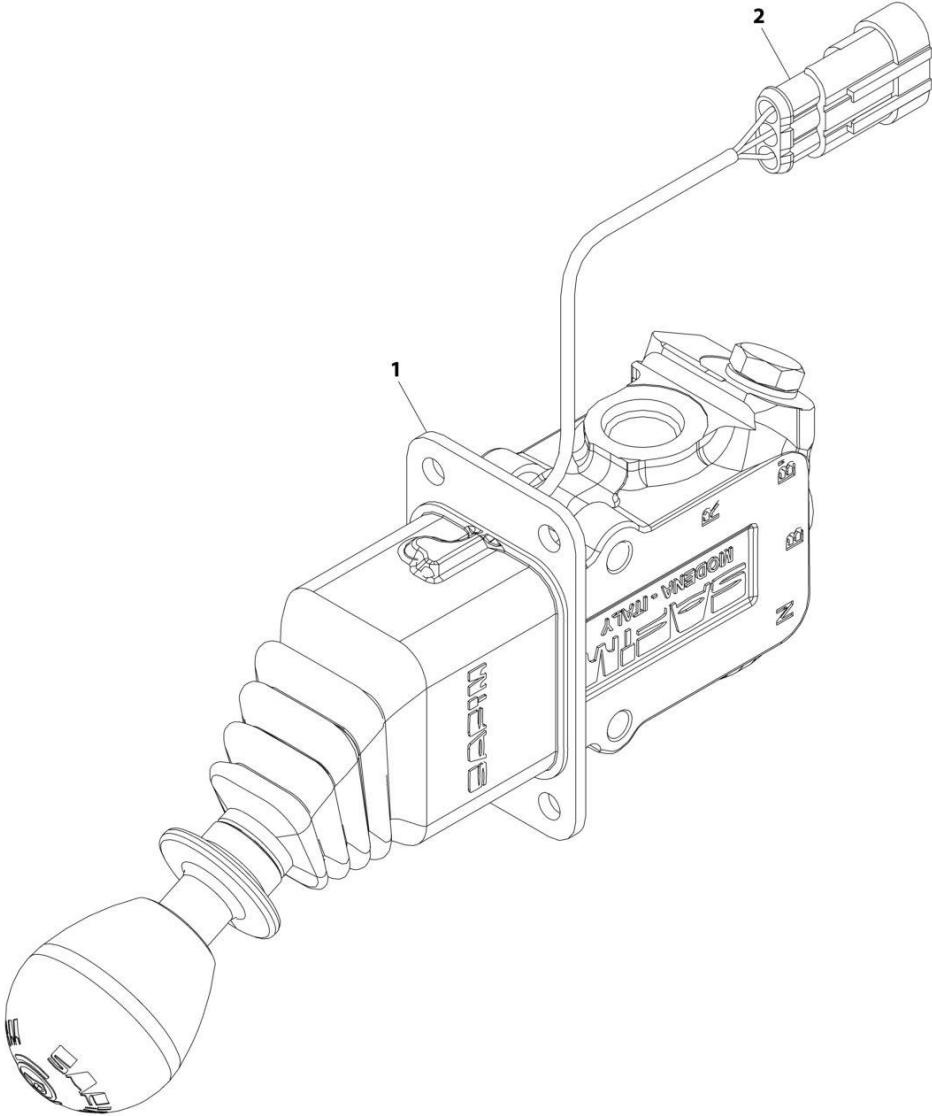
## SECTION 9 - HYDRAULIC COMPONENTS

**FIGURE 9-24. ACTUATOR ASSEMBLY - 4014PS & 4017PS**

ITEM	PART NUMBER	QTY	DESCRIPTION	REV
	1001095681	1	ACTUATOR ASSY, (4014PS & 40174PS), (includes all items)	E
2	70021727	1	SHAFT	
3	7017168	1	PISTON SLEEVE	
4	7017169	1	END CAP	
8	70021729	1	HARDWARE KIT	
9	Kit	1	O-RING	
10	Kit	1	BACK-UP RING	
11	Kit	1	ROD SEAL	
12	Kit	1	PISTON SEAL	
13	Kit	2	CUP SEAL	
14	Kit	2	WEAR GUIDE	
15	Kit	2	THRUST WASHER	
16	70021730	1	COUNTERBALANCE VALVE ASSY	
16	70021731	2	O-RING	
K1	70021728	1	SEAL KIT, (includes items 9 thru 13)	
K2	7017178	1	BEARING KIT, (includes items 14 & 15)	

# SECTION 9 - HYDRAULIC COMPONENTS

FIGURE 9-25. HYDRAULIC PARK BRAKE RELEASE VALVE



ART\_1001098153-D

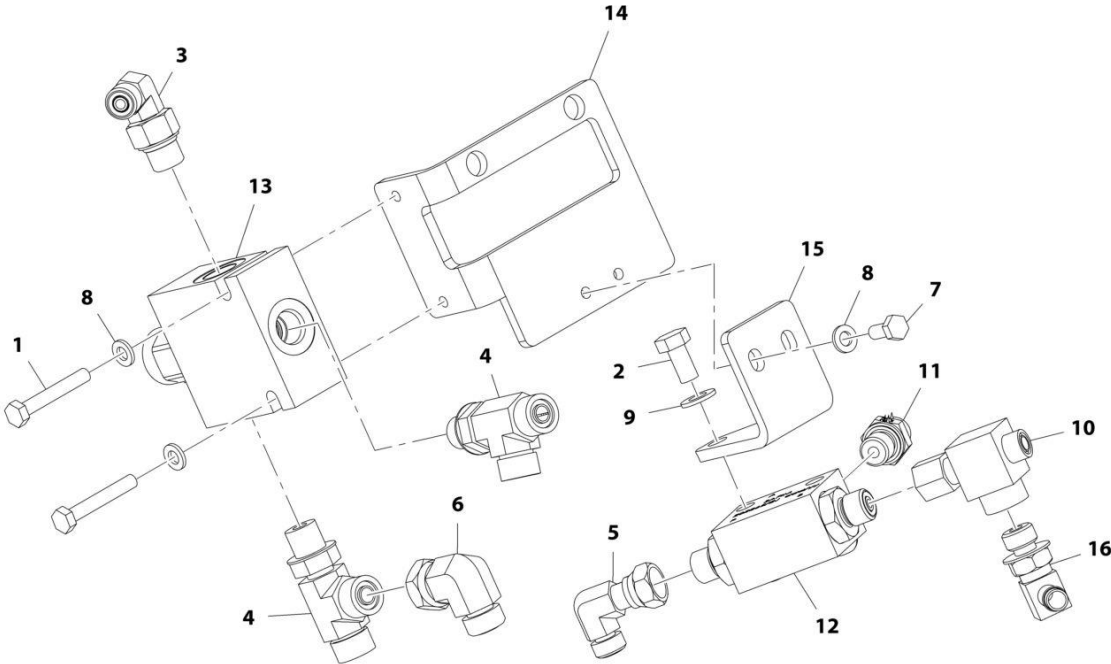
## SECTION 9 - HYDRAULIC COMPONENTS

FIGURE 9-25. HYDRAULIC PARK BRAKE RELEASE VALVE

ITEM	PART NUMBER	QTY	DESCRIPTION	REV
	1001098153	Ref	HYDRAULIC PARK BRAKE RELEASE VALVE	C
1	70020922	1	KIT, SEAL	
2	70022847	1	MICROSWITCH KIT	

**SECTION 9 - HYDRAULIC COMPONENTS**

**FIGURE 9-26. RELAY VALVE INSTALLATION (HYDRAULIC PARK BRAKE)**



ART\_1001156494-C



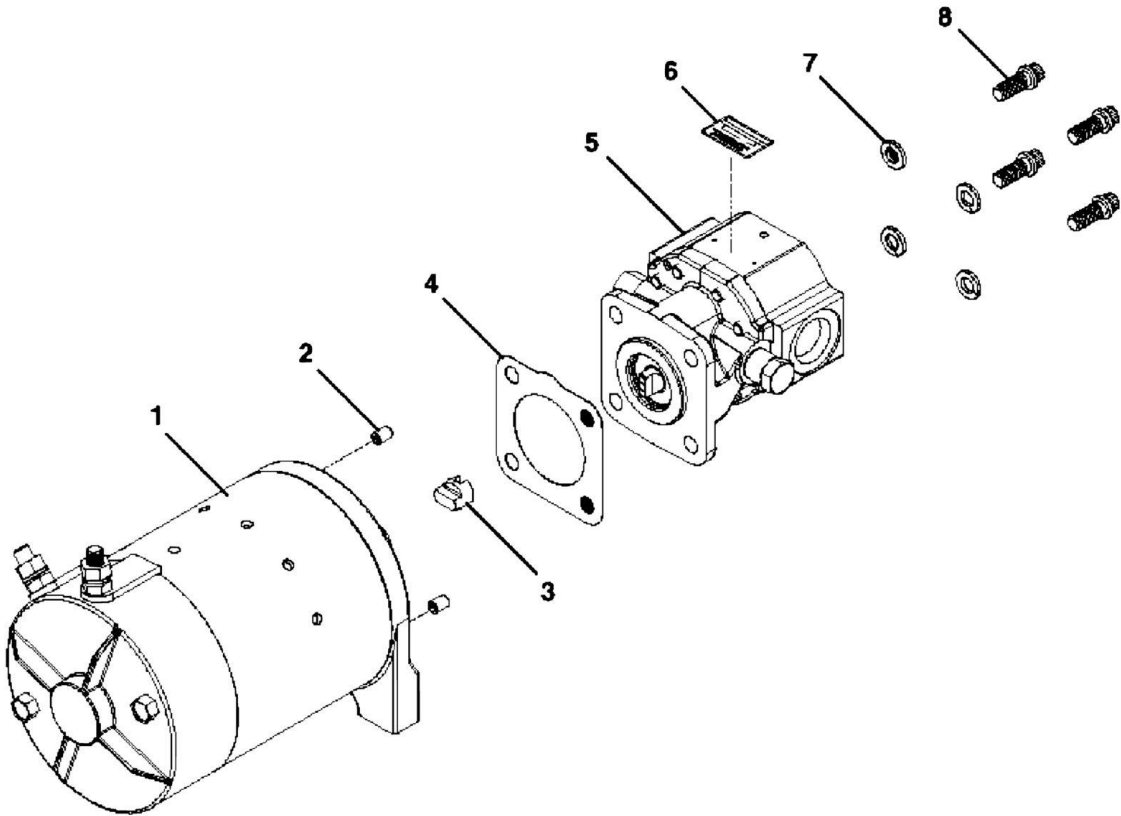
## SECTION 9 - HYDRAULIC COMPONENTS

**FIGURE 9-26. RELAY VALVE INSTALLATION (HYDRAULIC PARK BRAKE)**

ITEM	PART NUMBER	QTY	DESCRIPTION	REV
	1001156494	Ref	RELAY VALVE INSTALLATION, ( hydraulic park brake)	C
1	0700616	2	HEX HD CAPSCREW, M6X40, GR8.8	
2	0760808	2	HEX HD CAPSCREW, M8X16, GR8.8	
3	2130406	1	ADAPTER, 90, (includes o-ring)	
4	2170306	2	ADAPTER, RUN TEE, (includes o-ring)	
5	2172104	1	ADAPTER, 90, (includes o-ring)	
6	2172106	1	ELBOW, 90, (includes o-ring)	
7	0760607	2	HEX HD CAPSCREW, M6X14, GR8.8	
8	4811700	4	WASHER, 6mm	
9	4811900	2	WASHER, 8mm	
10	1001003617	1	ADAPTER, TEE, (includes o-ring)	
11	1001120501	1	CONNECTOR, (includes o-ring)	
12		Ref	DYNAMIC SELECT VALVE, (See DYNAMIC SELECT VALVE for Breakdown)	
13	1001152552	1	VALVE, PILOTED 2.8 BAR	
14	1001153670	1	BRACKET, VALVE MOUNTING	
15	1001153671	1	BRACKET, VALVE MOUNTING	
16	1001153809	1	ADAPTER-MECH, ORIFICE 0.7M	

**SECTION 9 - HYDRAULIC COMPONENTS**

**FIGURE 9-27. AUXILIARY POWER PUMP**



ART\_3600422-C

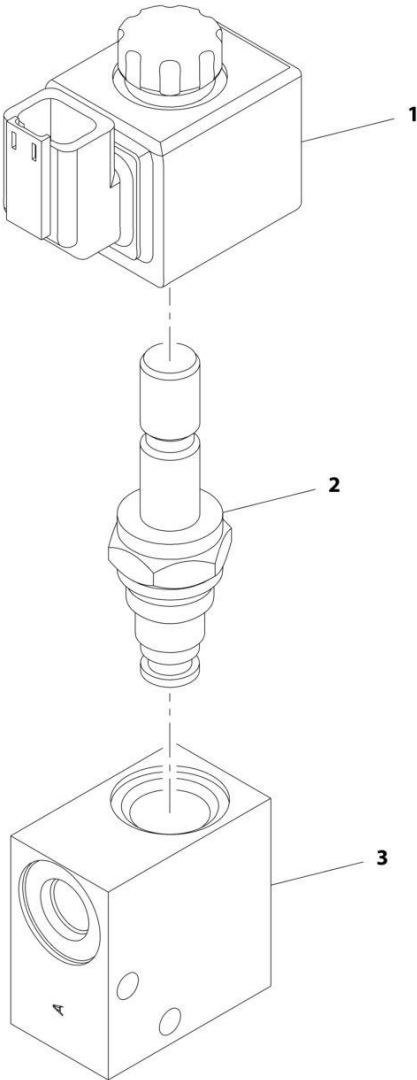
## SECTION 9 - HYDRAULIC COMPONENTS

FIGURE 9-27. AUXILIARY POWER PUMP

ITEM	PART NUMBER	QTY	DESCRIPTION	REV
	3600422	1	AUXILIARY POWER PUMP, (includes all items)	C
1	7011067	1	MOTOR W/END HEAD	
2	7029592	2	SET SCREW	
3	7011016	1	COUPLING	
4	7011044	1	GASKET	
5	7029593	1	PUMP ASSY	
6	N.S.S.	1	LABEL	
7	7011048	4	WASHER	
8	7011043	4	SCREW	

**SECTION 9 - HYDRAULIC COMPONENTS**

**FIGURE 9-28. DIVERTER VALVE - 4014PS & 4017PS**



ART\_4641524-B

## SECTION 9 - HYDRAULIC COMPONENTS

**FIGURE 9-28. DIVERTER VALVE - 4014PS & 4017PS**

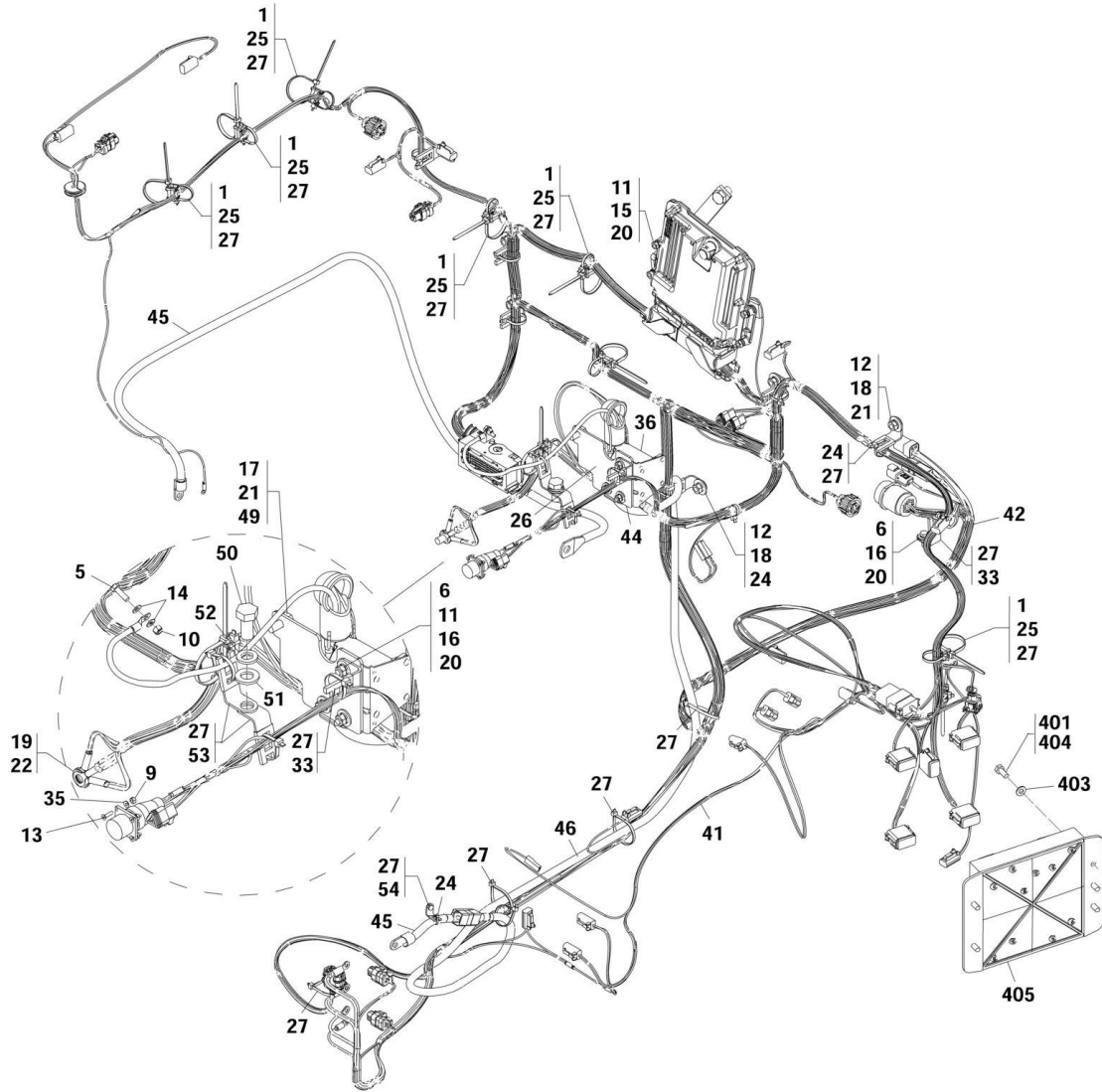
ITEM	PART NUMBER	QTY	DESCRIPTION	REV
	4641524	1	Diverter Valve, (4014PS & 4017PS), (includes all items)	B
1	70021930	1	Coil	
2	70021931	1	Solenoid Cartridge	
3	70021932	1	Valve Body	



**SECTION 10 - ELECTRICAL**

# SECTION 10 - ELECTRICAL

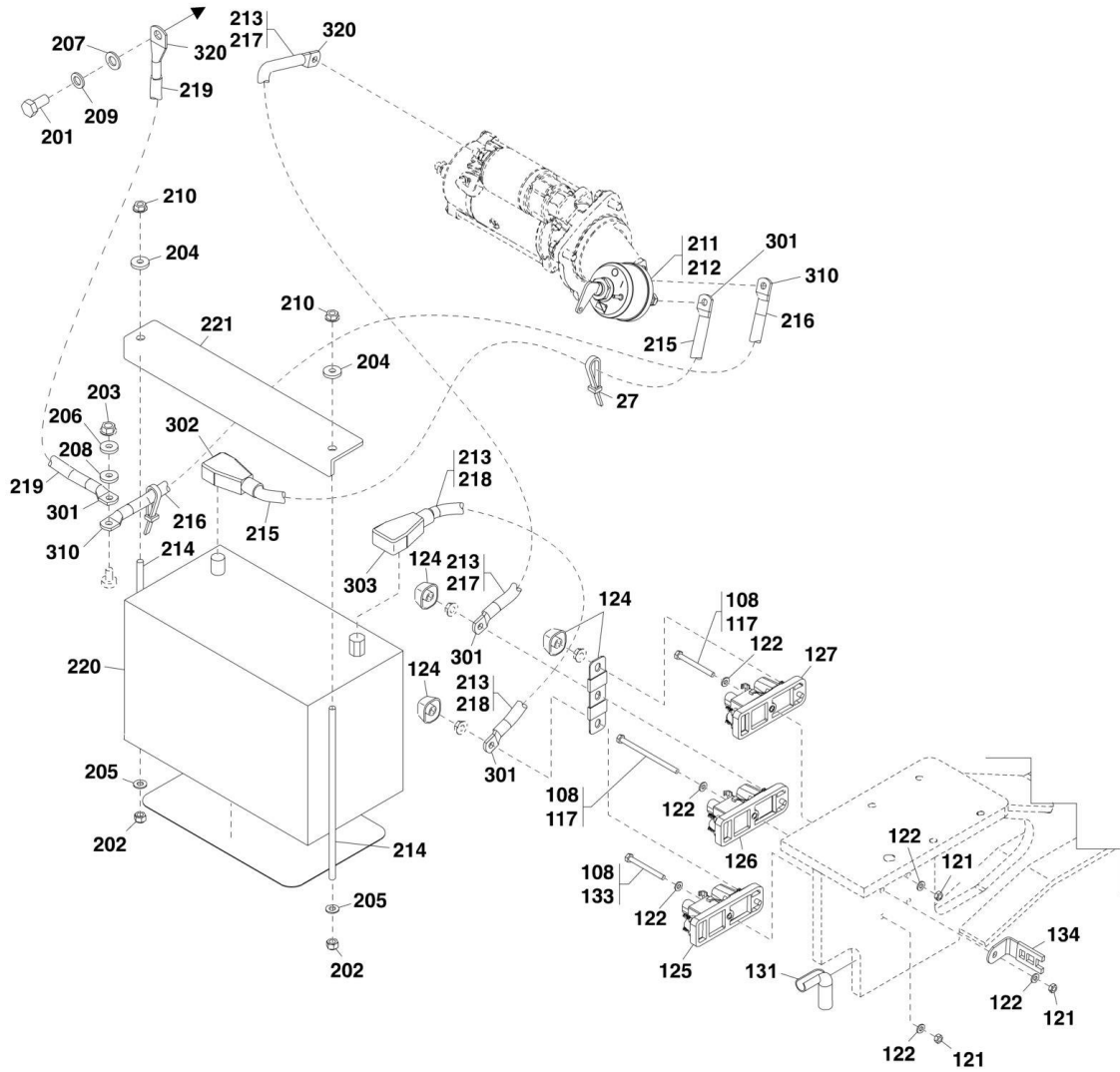
## FIGURE 10-1. ENGINE COMPARTMENT ELECTRICAL INSTALLATION



ART\_31200722-10-1\_1



# SECTION 10 - ELECTRICAL



ART\_31200722-10-1\_2

# SECTION 10 - ELECTRICAL

## FIGURE 10-1. ENGINE COMPARTMENT ELECTRICAL INSTALLATION

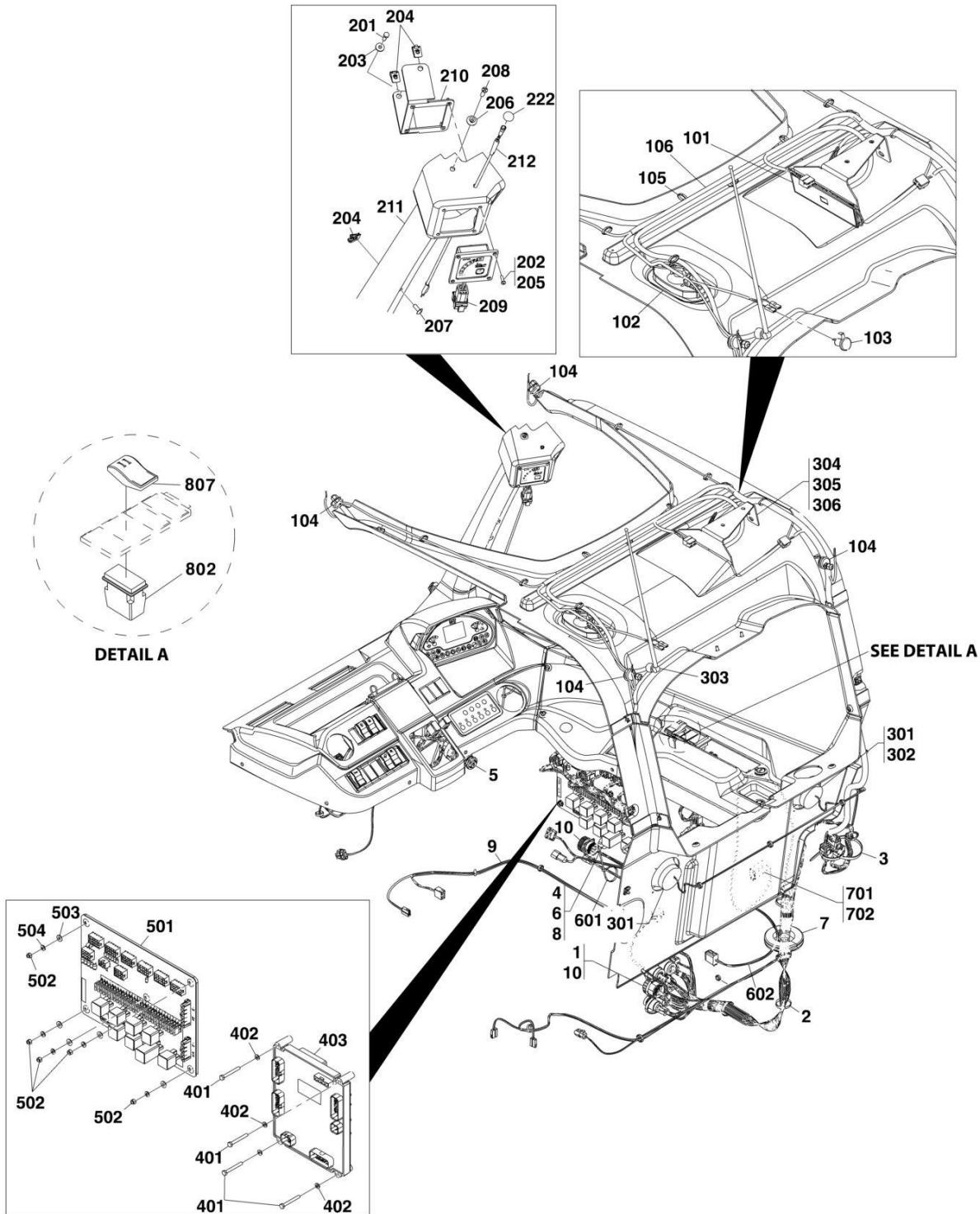
ITEM	PART NUMBER	QTY	DESCRIPTION	REV
	1001134339	Ref	ENGINE BAY AND TRANSMISSION HARNESS INSTALLATION, (not available to order, see items 1 thru 54 for service)	G
1	471678	10	CABLE BAND	
5	0760508	1	HEX HD CAPSCREW, M5X16, GR8.8	
6	0760610	4	HEX HD CAPSCREW, M6X20, GR8.8	
9	3290305	4	HEX LOCKNUT, M3X0.5	
10	3290505	1	HEX LOCKNUT, N5X0.8	
11	3290601	7	HEX NUT, M6X1	
12	3290801	5	HEX NUT, M8X1.25	
13	1001143566	4	SOCKET HD CAPSCREW, M3X12, GR10.9	
14	4811600	2	WASHER, 5mm	
15	4811700	4	WASHER, 6mm	
16	4811702	7	WASHER, 6mm	
17	4811900	1	WASHER, 8mm	
18	4811902	5	WASHER, 8MM	
19	4812000	1	WASHER, 10mm	
20	4831700	11	SPRING LOCKWASHER, 6mm	
21	4831900	6	SPRING LOCKWASHER, 8mm	
22	4832000	1	SPRING LOCKWASHER, 10mm	
24	1001003305	7	CLIP	
25	1001004723	10	SADDLE	
26	1001008469	1	GROMMET	
27	1001008559	27	CABLE STRAP	
33	1001025749	3	CLIP	
35	1001110544	4	WASHER, 3MM	
36	1001117308	1	TROMBETTA RELAY, 200 AMP	
41		Ref	TRANSMISSION HARNESS, (See TRANSMISSION HARNESS for Breakdown)	
42		Ref	ENGINE BAY HARNESS, (See ENGINE BAY HARNESS for Breakdown)	
44	1001134953	1	START AID CONNECTOR BRACKET	
45	1001153349	1	ALTERNATOR CABLE	
46	1001135069	1	START AID CABLE	
49	0760810	1	HEX HD CAPSCREW, M8X20, GR8.8	
50	0761212	1	HEX HD CAPSCREW, M12X25, GR8.8	
51	4812100	1	WASHER, 12mm	
52	4832100	1	SPRING LOCKWASHER, 12mm	
53	1001025751	2	CLIP	
54	0760806	1	HEX HD CAPSCREW, M8X12, GR8.8, (torque to 28 Nm/21 lb-ft)	
117	0700620	2	HEX HD CAPSCREW, M6X60, GR8.8, (torque to 4-5 Nm/295-3.68 lb-ft)	
121	3290601	3	HEX NUT, M6X1	
122	4811700	6	WASHER, 6mm	
124	1001092585	1	BUS BAR INSULATOR	
125	1001127694	1	POWER MODULE RELAY, RED, (torque to 14-16 Nm/10.3-11.8 lb-ft), (contains one 30 AMP Fuse, 70023593 and one 20 AMP Fuse, 70023592)	
126	1001127683	1	POWER MODULE RELAY, GREEN, (torque to 14-16 Nm/10.3-11.8 lb-ft), (contains one 60 AMP Fuse, 70022079 and one 50 AMP Fuse, 70022077)	
127	1001127692	1	POWER MODULE RELAY, YELLOW, (torque to 14-16 Nm/10.3-11.8 lb-ft), (contains one 60 AMP Fuse, 70022079 and one 30 AMP	

## SECTION 10 - ELECTRICAL

ITEM	PART NUMBER	QTY	DESCRIPTION	REV
131	1001135584	1	Fuse, 70023593)	
133	0700621	1	CONDUIT	
134	1001025749	1	HEX HD CAPSCREW, M6X65, GR8.8, (torque to 4-5 Nm/295-3.68 lb-ft)	
	1001138770	Ref	CLIP	
			BATTERY INSTALLATION, (not available to order, see items 201 thru 221 for service)	F
201	0761212	1	HEX HD CAPSCREW, M12X25, GR8.8	
202	3290805	2	HEX LOCKNUT, M8X1.25, GR8	
203	3291007	1	HEX LOCKNUT, M10X1.25, GR8	
204	5240800	2	WASHER	
205	4811900	2	WASHER, 8mm	
206	4812000	1	WASHER, 10mm	
207	4812102	1	WASHER, 12mm	
208	4832000	1	SPRING LOCKWASHER, 10mm	
209	4832100	1	SPRING LOCKWASHER, 12mm	
210	5220800	2	RIPP NUT, 8mm	
211	1001008540	1	PLATE	
212	1001008926	NLA	QUICK DISCONNECT SWITCH, (no longer available, use 1001192142 for replacement)	
212	1001192142	1	QUICK DISCONNECT SWITCH	
213	1001095650	AR	LOCTITE 243	
214	1001099701	2	THREADED ROD, M8X1.25	
215	1001121265	1	BATTERY CABLE, (includes items 301 & 302)	
216	1001121262	1	ISOLATOR TO POD CABLE, (includes item 310)	
217	1001135244	1	POSITIVE BATTERY CABLE, (includes items 301 & 320)	
218	1001136832	1	BATTERY POSITIVE TO BUSSBAR CABLE, (includes items 301 & 303)	
219	1001136924	1	POD TO ENGINE CABLE, (includes items 301 & 320)	
220	1001009339	1	BATTERY, 12V	
221	1001139882	1	BATTERY CLAMP BRACKET	
301	4461270	1	TERMINAL RING	
302	4461266	1	TERMINAL	
303	4461265	1	TERMINAL	
310	4461270	2	TERMINAL RING	
320	1001117118	1	TERMINAL RING	
	1001130752	Ref	TRANSMISSION CONTROL MODULE INSTALLATION, (not available to order, see items 401 thru 405 for service)	B
401	0760810	4	HEX HD CAPSCREW, M8X20, GR8.8, (torque to 28 Nm/6 lb-ft)	
403	4811900	4	WASHER, 8mm	
404		Ref	LOCTITE 243	
405	1001127796	1	TRANSMISSION CONTROL MODULE	

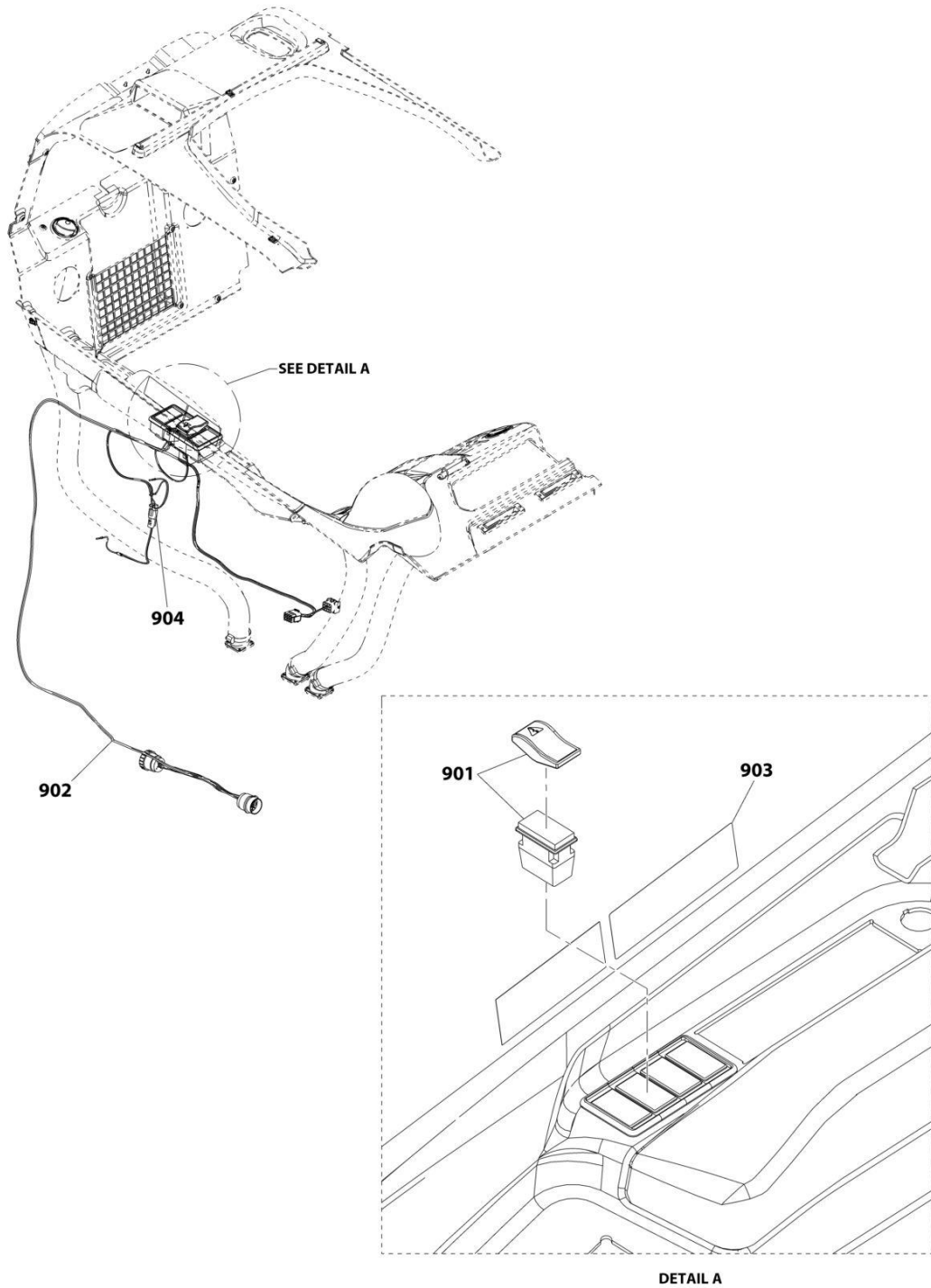
# SECTION 10 - ELECTRICAL

## FIGURE 10-2. CAB ELECTRICAL INSTALLATION



ART\_31200722-10-2\_1

# SECTION 10 - ELECTRICAL



ART\_31200722-10-2\_2

# SECTION 10 - ELECTRICAL

## FIGURE 10-2. CAB ELECTRICAL INSTALLATION

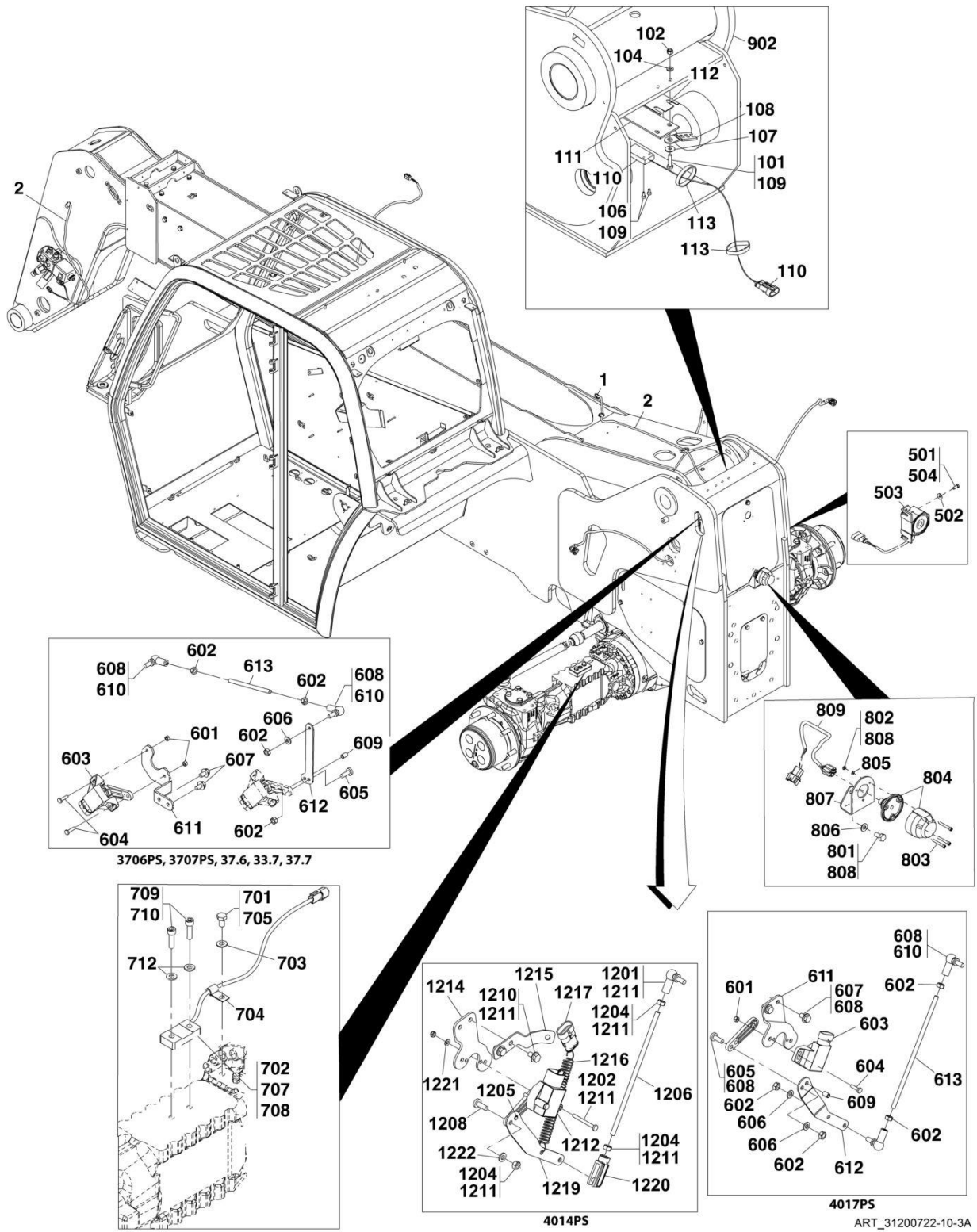
ITEM	PART NUMBER	QTY	DESCRIPTION	REV
	1001139333	Ref	CAB ELECTRICAL INSTALLATION, (3706PS, 3707PS, 4014PS & 4017PS), (not available to order, see items 1 thru 10 for service)	B
1	0100089	AR	DIELECTRIC GREASE	
2	471678	AR	CABLE BAND, 4.8X204mm	
3	1062255	5	TIE STRAP	
4	4031506	1	HEX HD CAPSCREW, M4X12	
5	4360657	1	IGNITION SWITCH, (3706PS, 3707PS, 4014PS & 4017PS)	
5	70021220	1	KEY	
5		Ref	KEY	
6	4811400	1	WASHER, 4mm	
7	1001008571	1	GROMMET	
8	1001110789	1	TOOL CLIP	
9		Ref	CAB FLOOR HARNESS, (See CAB FLOOR HARNESS for Breakdown)	
10	1001008997	1	RECEPTACLE CAP	
	1001090239	Ref	CAB ROOF WIRING INSTALLATION, (not available to order, see items 101 thru 106 for service)	D
101	1671327	1	COVER	
102	2920209	1	LIGHT	
102	70020795	1	BULB	
103	1001112674	1	12V TERMINAL	
104	1001005347	4	PLUG	
105	1001008559	13	TY-WRAP	
106		Ref	CAB ROOF HARNESS, (See CAB ROOF HARNESS for Breakdown)	
	1001139310	Ref	LMI DISPLAY INSTALLATION, (3706PS, 3707PS, 33.7, 37.6 & 37.7), (not available to order see items 201 thru 212 for service)	D
	1001139609	Ref	LMI DISPLAY INSTALLATION, (4014PS & 4017PS), (not available to order see items 201 thru 211 & 222 for service)	D
201	0760610	1	SOCKET HD CAPSCREW, M6X20, GR8.8	
202	1001126837	4	PAN HD CAPSCREW, M4X16	
203	4811702	1	WASHER, 6mm	
204	8305919	4	NUT, M6X1	
205	1001095650	AR	LOCTITE 243	
206	1001097540	1	WASHER, 6mm	
207	1001097715	2	SCREW, M6X16	
208	1001098151	1	SCREW, M6X25	
209	1001192979	1	LSI DISPLAY	
210	1001126848	1	BRACKET	
211	1001139311	1	COVER	
212	1001128537	1	LSI HARNESS	
222	1001128293	1	CAP	
	1001090238	Ref	RADIO INSTALLATION, (not available to order, see items 301 thru 306 for service)	E
301	1671326	2	COVER	
302	1001146901	1	SPEAKER	
303	8005901	1	ANTENNA	
304	3290605	2	HEX LOCKNUT, M6X1	
305	4811700	2	WASHER, 6mm	
306	1001002911	1	BRACKET	
	1001139880	Ref	UGM INSTALLATION, (not available to order, see items 401 thru	J

## SECTION 10 - ELECTRICAL

ITEM	PART NUMBER	QTY	DESCRIPTION	REV
			403 for service)	
401	0760618	4	HEX HD CAPSCREW, M6X50, GR8.8	
402	4811700	4	WASHER, 6mm	
403	1001131047	1	UGM CONTROLLER	
	1001091750	Ref	POWER DISTRIBUTION INSTALLATION, (not available to order, see items 501 thru 504 for service) <b>(Prior to SN 1160007660)</b>	E
	1001156749	ref	POWER DISTRIBUTION INSTALLATION, (not available to order, see items 501 thru 504 for service) <b>(SN 1160007660 to Present)</b>	A
501	1001134580	1	POWER DISTRIBUTION ASSEMBLY <b>(Prior to SN 1160007660)</b>	
501	1001156748	1	POWER DISTRIBUTION ASSEMBLY <b>(SN 1160007660 to Present)</b>	
502	3290605	5	HEX LOCKNUT, M6X1	
503	4740563	5	WASHER	
504	4811700	10	WASHER, 6mm	
	1001145378	1	RIDE CONTROL HARNESS INSTALLATION, (not available to order, see items 601 & 602 for service)	A
601	471678	5	TY-WRAP	
602		Ref	RIDE CONTROL HARNESS, (See RIDE CONTROL HARNESS for Breakdown)	
	1001154057	1	DUAL SEAT SWITCH WIRE HARNESS INSTALLATION, (includes items 701 & 702)	A
701	471678	1	BAND CABLE	
702		Ref	DUAL SEAT SWITCH HARNESS, (See DUAL SEAT SWITCH HARNESS for Breakdown)	
802	4360664	1	SWITCH BODY	
807	1001091037	1	AUXILLARY SWITCH	
	1001214998	1	MACHINE SAFETY SYSTEM OVERRIDE (MSSO) INSTALLATION	C
901		Ref	CAB SWITCHES, (See CAB SWITCHES for Breakdown)	
902	1001214539	1	3B PLATFORM HARNESS, (See 3B PLATFORM HARNESS for Breakdown)	
903	1001218564	1	DECAL, MSSO DESCENT	
904	4460465	1	TERMINAL	

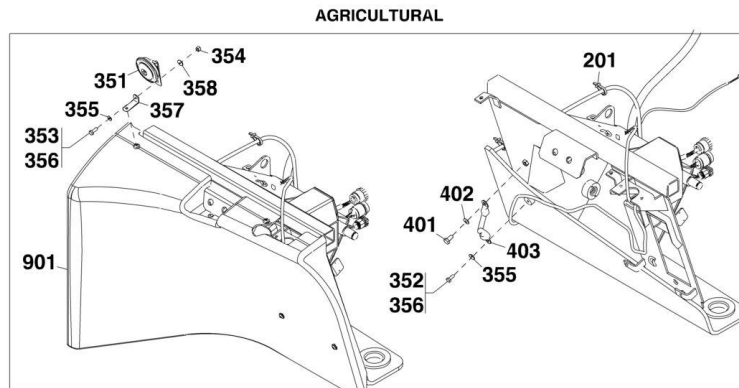
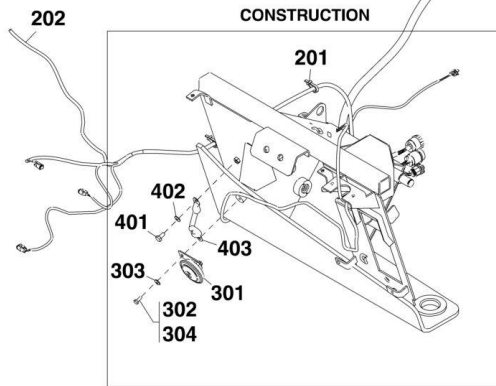
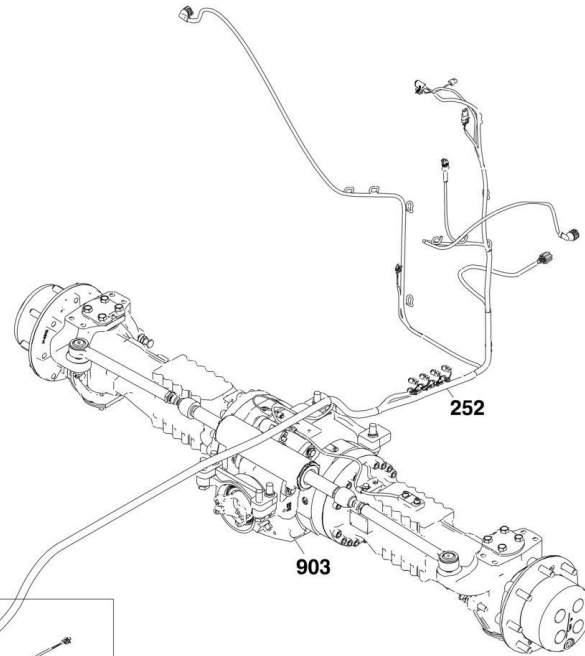
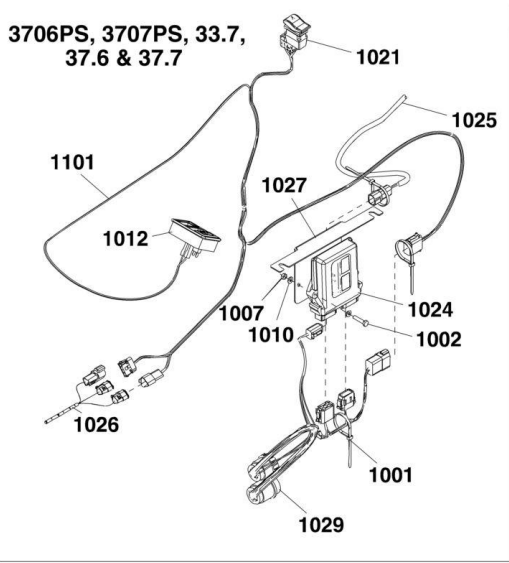
# SECTION 10 - ELECTRICAL

## FIGURE 10-3. BOOM AND FRAME ELECTRICAL INSTALLATION





# SECTION 10 - ELECTRICAL



ART\_PZ8990-B

# SECTION 10 - ELECTRICAL

## FIGURE 10-3. BOOM AND FRAME ELECTRICAL INSTALLATION

ITEM	PART NUMBER	QTY	DESCRIPTION	REV
	1001090155	Ref	BOOM WIRING INSTALLATION, (not available to order, see items 1 & 2 for service)	F
1	1001008923	10	CABLE STRAP	
2		Ref	BOOM HARNESS, (See BOOM HARNESS for Breakdown)	
	1001125823	Ref	PROXIMITY SENSOR INSTALLATION, (not available to order, see items 101 thru 113 for service)	C
101	0760614	2	HEX HD CAPSCREW, M6X30, GR8.8	
102	3290605	2	HEX LOCK NUT, M6X1	
104	4811700	2	WASHER, 6mm	
106	4031504	2	SOCKET HD SCREW, M4X8	
107	4811702	2	WASHER, 6mm	
108	1001008593	1	CLIP	
109	1001095650	AR	LOCTITE 243	
110	1001121021	1	PROXIMITY SENSOR	
111	1001129902	1	PLATE	
112	1001130032	AR	SHIM	
113	1001008923	2	CABLE STRAP	
	1001090219	Ref	FRONT FRAME HARNESS INSTALLATION, (not available to order, see items 201 & 202 for service)	A
201	1001008923	12	CABLE STRAP	
202		Ref	FRONT FRAME HARNESS, (See FRONT FRAME HARNESS for Breakdown)	
	1001090222	Ref	REAR FRAME HARNESS INSTALLATION, (not available to order, see items 251 & 252 for service)	C
251	1001008923	AR	CABLE STRAP, (not shown)	
252		Ref	REAR FRAME HARNESS, (See REAR FRAME HARNESS for Breakdown)	
	1001100089	Ref	HORN INSTALLATION, (Construction), (not available to order, see items 301 thru 304 for service)	B
301	1001003596	1	HORN	
302	0760810	1	HEX HD CAPSCREW, M8X20, GR8.8	
303	4811902	1	WASHER, 8MM	
304	1001095650	AR	LOCTITE 243	
	1001104438	Ref	HORN INSTALLATION, (Agricultural), (not available to order, see items 351 thru 358 for service)	C
351	1001003596	1	HORN	
352	0760808	1	HEX HD CAPSCREW, M8X16, GR8.8	
353	0760810	1	HEX HD CAPSCREW, M8X20, GR8.8	
354	3290805	1	HEX LOCKNUT, M8X1.25	
355	4811900	2	WASHER, 8mm	
356	1001095650	AR	LOCTITE 243	
357	1001104437	1	BRACKET	
358	4811902	1	WASHER, 8MM	
	1001100088	Ref	FRAME-CAB GROUND INSTALLATION, (not available to order, see items 401 thru 403 for service)	A
401	0761010	1	HEX HD CAPSCREW, M10X20, GR8.8	
402	4812000	1	WASHER, 10mm	
403	1001009038	1	GROUND CABLE	
	1001100653	Ref	BACK-UP ALARM INSTALLATION, (not available to order, see items 501 thru 504 for service)	B
501	0760607	2	HEX HD CAPSCREW, M6X14, GR8.8	
502	4811702	2	WASHER, 6mm	

## SECTION 10 - ELECTRICAL

ITEM	PART NUMBER	QTY	DESCRIPTION	REV
503	1001101808	1	BACKUP ALARM	
504	1001095650	AR	LOCTITE 243	
	1001132193	Ref	BOOM ANGLE SENSOR INSTALLATION, (3706PS, 3707PS, 37.6, 33.7 & 37.7), (not available to order, see items 601 thru 613 for service)	A
	1001099349	Ref	BOOM ANGLE SENSOR, INSTALL, (4014PS), (not available to order, see items 601 thru 604 and 606 thru 614 for service)	E
	1001112890	Ref	BOOM ANGLE SENSOR, INSTALL, (4017PS), (not available to order, see items 601 thru 613 for service)	B
601	3290405	2	HEX LOCKNUT, M4X0.7	
602	3290601	4	HEX NUT, M6X1 (3706PS, 3707PS, 37.6, 33.7, 37.7 & 4017PS)	
602	3290601	3	HEX NUT, M6X1 (4014PS)	
603	4000015	1	SENSOR	
604	4010408	2	SCREW, M4X16	
605	4010608	1	SCREW, M6X16 (3706PS, 3707PS, 37.6, 33.7, 37.7 & 4017PS)	
606	4811700	AR	WASHER, 6mm	
607	5200605	2	BOLT, M6X10	
608	1001095650	AR	LOCTITE 243	
609	1001103156	1	PIN	
610	1001103300	2	BALL JOINT, M6X25 (3706PS, 3707PS, 37.6, 33.7, 37.7 & 4017PS)	
610	1001103300	1	BALL JOINT, M6X25 (4014PS)	
611	1001131945	1	BRACKET (3706PS, 3707PS, 37.6, 33.7 & 37.7)	
611	1001101145	1	BRACKET (4014PS & 4017PS)	
612	1001132191	1	LINK (3706PS, 3707PS, 37.6, 33.7 & 37.7)	
612	1001112393	1	LINK (4017PS)	
612	1001134483	1	LINK, (4014PS)	
613	1001132192	1	ROD, (3706PS, 3707PS, 37.6, 33.7 & 37.7)	
613	3841763	1	ROD, (4014PS & 4017PS)	
614	1001134274	1	CLEVIS. (4014PS)	
	1001121879	Ref	LSI SENSOR INSTALLATION, (not available to order, see items 701 thru 712 for service)	E
701	0761009	1	HEX HD CAPSCREW, M10X18, GR8.8	
702	1001116128	AR	POLY-SILOXANE SEALANT	
703	4812000	1	WASHER, 10mm	
704	1001008773	1	CLIP	
705	1001095650	AR	LOCTITE 243	
707	1001125465	AR	LOCTITE 7063	
708	1001160730	1	REAR AXLE LSI SENSOR	
709	5272011	2	SOCKET HD CAPSCREW, M10X35	
710	1001129425	AR	LOCTITE 246	
712	1001009092	2	WASHER	
	1001100652	Ref	TRAILER ELECTRICAL INSTALLATION, (not available to order, see items 801 thru 809 for service)	C
801	0761010	1	HEX HD CAPSCREW, M10X20, GR8.8	
802	3290501	3	HEX NUT, M5X0.8	
803	4031612	3	SOCKET HD CAPSCREW, M5X40	
804	4461170	1	7 PIN TRAILER CONNECTOR	
805	4811600	3	WASHER, 5mm	
806	4812000	1	Washer, 10mm	
807	1001100614	1	BRACKET	
808	1001095650	AR	LOCTITE 243	
809	1001111743	1	TRAILER JUMPER HARNESS	

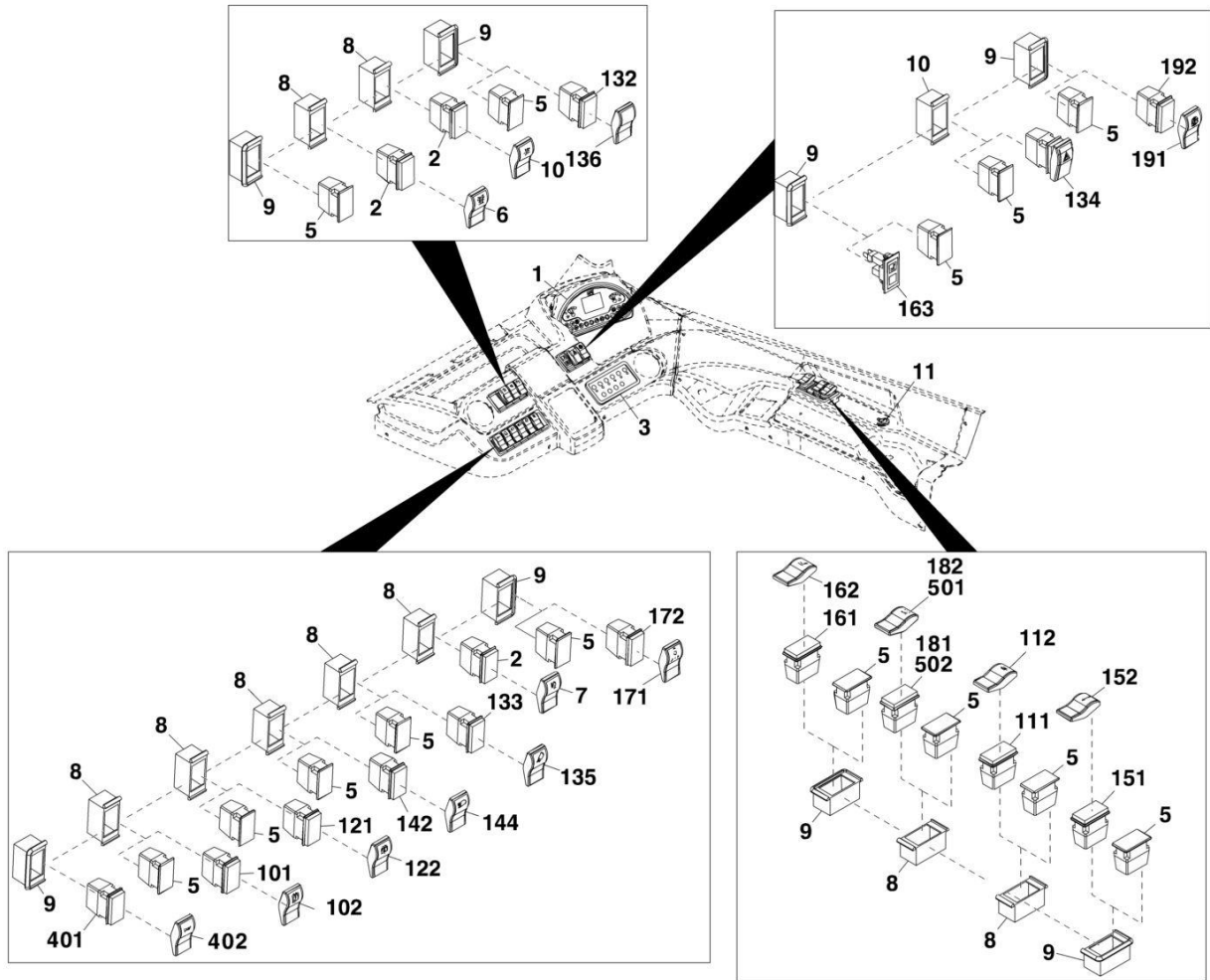
## SECTION 10 - ELECTRICAL

ITEM	PART NUMBER	QTY	DESCRIPTION	REV
901		Ref	FRONT CAB COVER INSTALLATION, (See CAB SECTION for Breakdown)	
902		Ref	FIRST BOOM SECTION, (See BOOM SECTION for Breakdown)	
903		Ref	REAR AXLE, (See DRIVE TRAIN SECTION for Breakdown)	
1001	471678	3	BAND CABLE	
1002	0760613	2	HEX HD CAPSCREW, M6X28, GR8.8	
1007	3290601	2	HEX NUT, M6X1	
1010	4811700	4	WASHER, 6mm	
1012		Ref	3 POSITION SWITCH FRAME, (See CAB SWITCHES for Breakdown)	
1021		Ref	RIDE CONTROL SWITCH KEY, (See CAB SWITCHES for Breakdown)	
1024	1001151975	1	ACCESSORY CONTROL MODULE	
1025		Ref	RIDE AND FLOAT CHASSIS HARNESS, (See RIDE AND FLOAT CHASSIS HARNESS for Breakdown)	
1026		Ref	CAB AUX POWER EXTENSION HARNESS, (See CAB AUXILIARY POWER EXTENSION HARNESS for Breakdown)	
1027	1001112824	1	MODULE BRACKET	
1029		Ref	RIDE AND FLOAT CONTROLLER HARNESS, (See RIDE AND FLOAT CONTROLLER HARNESS for Breakdown)	
1101		Ref	RIDE AND FLOAT CAB HARNESS, (See RIDE AND FLOAT CAB HARNESS for Breakdown)	
	1001102545	Ref	BOOM ANGLE SENSOR INSTALLATION, (ACCESS PLATFORM - If equipped), (4014PS), (not available to order, see items 1201 thru 1220 for service)	F
	1001112400	Ref	BOOM ANGLE SENSOR INSTALLATION, (ACCESS PLATFORM - If equipped), (4017PS), (not available to order, see items 1201 thru 1222 for service)	A
1201	1001103300	1	BALL JOINT, M6X25, (4014PS)	
1201	1001103300	2	BALL JOINT, M6X25, (4017PS)	
1202	4010415	2	POZIDRIV PAN HD SCREW, M4 X 35mm LG, (4014PS)	
1202	4010416	2	POZIDRIV PAN HD SCREW, M4 X 35mm LG, (4017PS)	
1204	3290601	3	HEX NUT, M6X1, (4014PS)	
1204	3290601	4	HEX NUT, M6X1, (4017PS)	
1205	1001103156	1	PIN	
1206	3841763	1	LINKAGE, ROD	
1208	4010608	1	POSI-DRIVE MACHINE SCREW, M6X16	
1210	5200605	2	RIPP BOLT, M6X10mm	
1211	1001095650	AR	LOCTITE 243	
1212	1001099717	1	ANGLE SENSOR	
1214	1001101145	1	BOOM ANGLE SENSOR, BRACKET	
1215	1001102627	1	SPRING SUPPORT, BRACKET, (4014PS)	
1215	1001112380	1	SPRING SUPPORT, BRACKET, (4017PS)	
1216	1001093875	1	EXTENSION SPRING	
1219	1001134483	1	LINK, (4014PS)	
1219	1001112393	1	LINK, (4017PS)	
1220	1001134274	1	CLEVIS, (4014PS)	
1221	4811400	2	WASHER, 4mm, (4017PS)	
1222	4811700	2	WASHER, 6mm, (4017PS)	
1217	1001106994	1	CONNECTOR	



# SECTION 10 - ELECTRICAL

## FIGURE 10-4. CAB SWITCHES



ART\_31200722-10-4

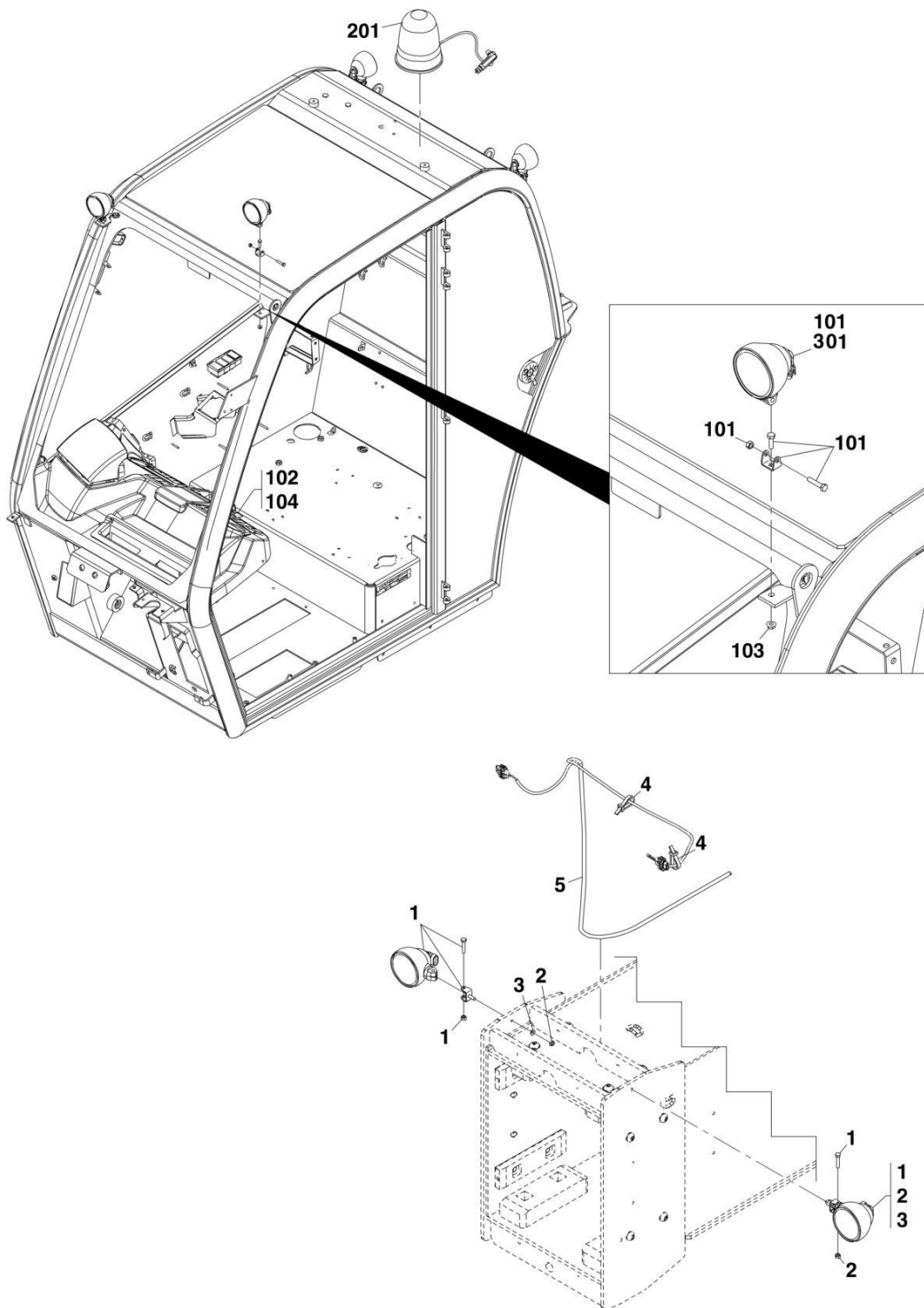
## SECTION 10 - ELECTRICAL

### FIGURE 10-4. CAB SWITCHES

ITEM	PART NUMBER	QTY	DESCRIPTION	REV
	1001139102	1	CAB SWITCHES INSTALLATION, (3706PS, 3707PS, 4014PS & 4017PS), (not available to order, see items 1 thru 12 for service)	A
1	1600449	1	GAUGE CLUSTER, (3706PS, 3707PS, 4014PS & 4017PS)	
2	4360644	3	BODY SWITCH	
3	4360660	1	SWITCH KEYPAD, (3706PS, 3707PS, 4014PS & 4017PS)	
5	4360669	14	BLANK SWITCH ASSEMBLY, (includes body and cover), (if equipped)	
6	1001090590	1	BEACON SWITCH KEY	
7	1001090591	1	BOOM SWITCH KEY	
8	1001090606	10	SWITCH HOLDER	
9	1001090607	8	SWITCH HOLDER END	
10	1001090610	1	XMSN NEUTRALIZER SWITCH KEY	
11	1001095804	1	12V POWER CONNECTOR	
101	4360642	1	ROOF WIPER SWITCH BODY, (if equipped)	
102	1001090612	1	ROOF WIPER SWITCH KEY, (if equipped)	
111	4360665	1	AUX HYD SWITCH BODY	
112	1001090584	1	AUX HYD SWITCH KEY	
121	4360642	1	REAR WIPER SWITCH BODY	
122	1001090582	1	REAR WIPER SWITCH KEY	
132	4360644	1	SWITCH BODY	
133	4360653	1	SWITCH BODY	
134	1001090570	1	HAZARD SWITCH	
135	1001090583	1	DRIVING LIGHTS SWITCH KEY	
136	1001090596	1	FOG LIGHTS SWITCH KEY	
142	4360653	1	FRONT WORKLIGHTS SWITCH BODY, (if equipped)	
144	1001090592	1	FRONT WORKLIGHTS SWITCH KEY, (if equipped)	
151	4360647	1	TRAILER BRAKE SWITCH BODY	
152	1001090614	1	TRAILER BRAKE SWITCH KEY	
161	1001092861	1	RIDE CONTROL SWITCH BODY	
162	1001107684	1	RIDE CONTROL SWITCH KEY	
163	2420213	1	LAMP ASSY (includes holder and bulb)	
164	4360639	1	TRAILER BRAKE INDICATOR (not shown)	
171	1001090604	1	HYDRAULIC COUPLER SWITCH KEY	
172	1001090605	1	HYDRAULIC COUPLER SWITCH BODY	
181	4360647	1	FRAME LEVELING SWITCH BODY, (if equipped)	
182	1001090594	1	FRAME LEVELING SWITCH KEY, (if equipped)	
191	1001092420	1	FAN REVERSE SWITCH KEY, (if equipped)	
192	4360642	1	FAN REVERSE SWITCH BODY, (if equipped)	
301	2420213	1	LAMP ASSY (includes holder and bulb), (if equipped with Italian trailer brake) (not shown)	
401	1001092861	1	SWITCH, SPDT MOMENTARY, (if equipped with Joystick Mounted FNR)	
402	1001130551	1	SWITCH KEY, HORN, (if equipped with Joystick Mounted FNR)	
433	1001108527	1	SYMBOL PLATE, RIDE CONTROL, (not shown)	
501	4360642	1	SWITCH BODY	
502	1001214974	1	MSSO 3B SWITCH, KEY	

# SECTION 10 - ELECTRICAL

## FIGURE 10-5. WORKLIGHT INSTALLATIONS



ART\_31200722-10-5



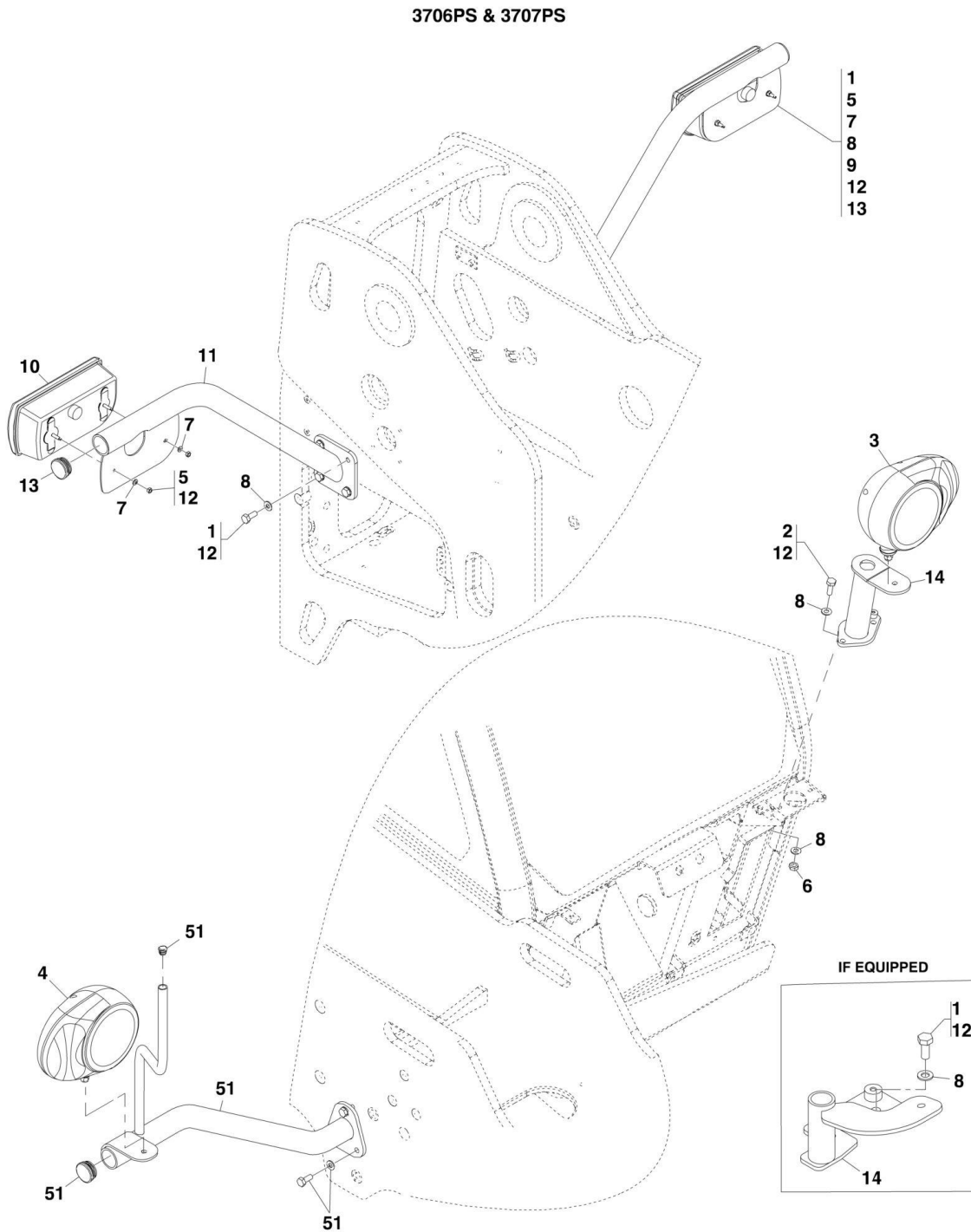
## SECTION 10 - ELECTRICAL

### FIGURE 10-5. WORKLIGHT INSTALLATIONS

ITEM	PART NUMBER	QTY	DESCRIPTION	REV
	1001090157	Ref	BOOM WORK LIGHT INSTALLATION, (not available to order, see items 1 thru 5 for service)	B
1	2920206	2	WORK LIGHT	
1	70020796	1	REPLACEMENT BULB, 12V-50W	
2	3290601	2	HEX NUT, M6X1	
3	4811700	2	WASHER, 6mm	
4	1001008923	9	TY-WRAP	
5		Ref	BOOM WORK LIGHT HARNESS, (See BOOM LIGHT HARNESS for Breakdown)	
	1001131282	Ref	CAB WORK LIGHTS INSTALLATION, (not available to order, see items 101 thru 104 for service)	C
101	2920206	4	WORK LIGHT	
101	70020796	1	REPLACEMENT BULB, 12V-50W	
102		Ref	CAB WORK LIGHT SWITCH BODY, (See CAB SWITCHES for Breakdown)	
103	5220600	4	NUT, 6mm, GR10	
104		Ref	CAB WORK LIGHT SWITCH KEY, (See CAB SWITCHES for Breakdown)	
	1001090626	Ref	BEACON LIGHT INSTALLATION, (not available to order, see item 201 for service)	C
201	1001091573	NLA	BEACON LIGHT (no longer available, use 1001217623 for replacement)	
201	1001217623	1	BEACON LIGHT	
301	1001095650	AR	LOCTITE 243	

# SECTION 10 - ELECTRICAL

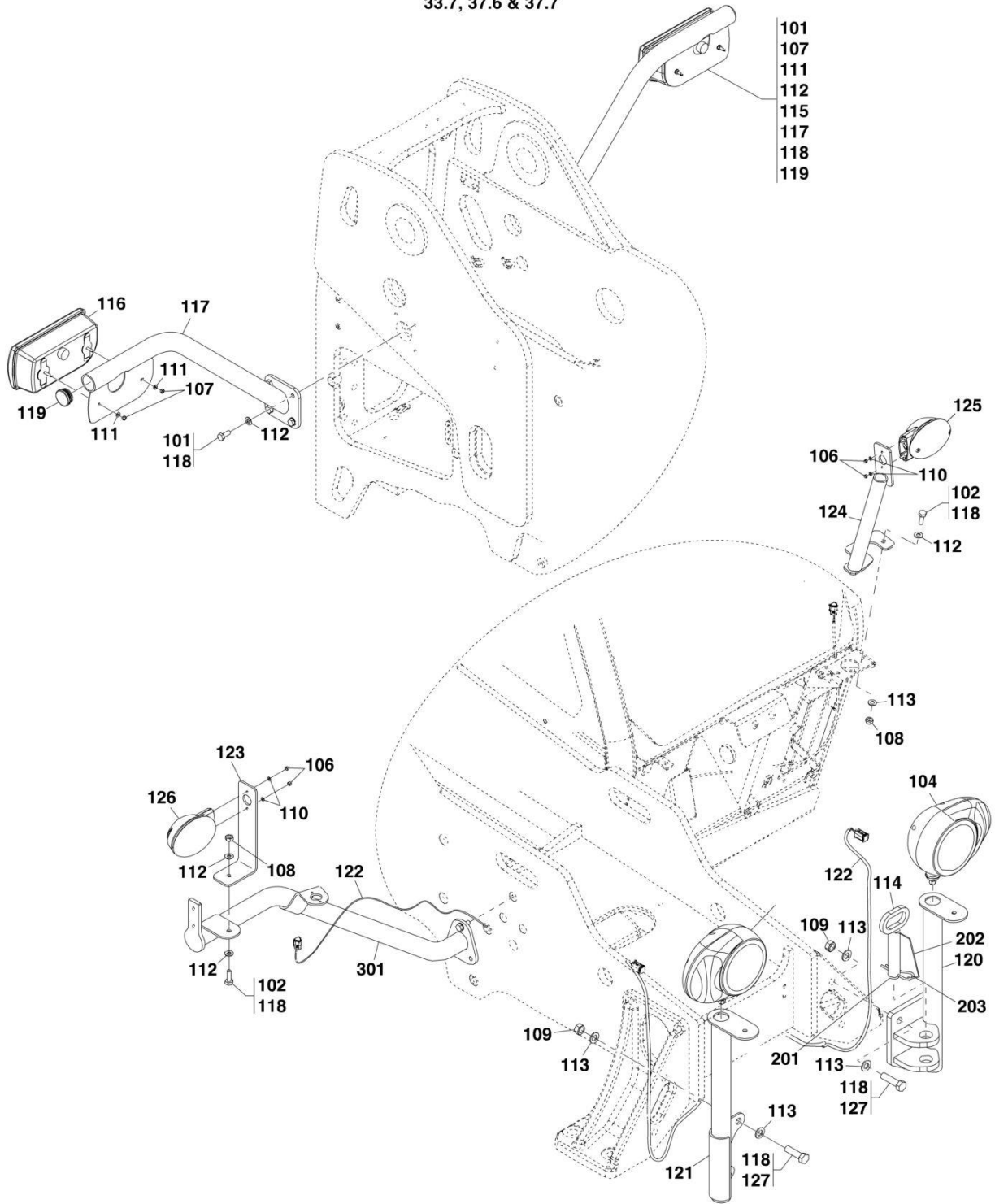
## FIGURE 10-6. DRIVING LIGHTS - 3706PS, 3707PS, 33.7, 37.6 & 37.7



ART\_31200722-10-6A

# SECTION 10 - ELECTRICAL

33.7, 37.6 & 37.7



ART\_31200722-10-6B

## SECTION 10 - ELECTRICAL

**FIGURE 10-6. DRIVING LIGHTS - 3706PS, 3707PS, 33.7, 37.6 & 37.7**

ITEM	PART NUMBER	QTY	DESCRIPTION	REV
	1001125518	Ref	RH DIP DRIVE LIGHTS INSTALLATION, (Construction - AUS and CE, if equipped), (not available to order, see items 1 thru 14 & 51 for service)	D
	1001125515	Ref	RH DIP DRIVE LIGHTS INSTALLATION, (Construction - CE, if equipped with remote HVAC intake), (not available to order, see items 1 thru 14 & 51 for service)	F
	1001125513	Ref	LH DIP DRIVE LIGHTS INSTALLATION, (Construction - AUS, UK, Ireland and Hewden, if equipped), (not available to order, see items 1 thru 15 & 51 for service)	D
	1001125514	Ref	LH DIP DRIVE LIGHTS INSTALLATION, (Construction - AUS, UK, Ireland and Hewden, if equipped with remote HVAC intake), (not available to order, see items 1 thru 14 & 51 for service)	F
1	0761012	8	HEX HD CAPSCREW, M10X25, GR8.8	
2	0761014	2	HEX HD CAPSCREW, M10X30, GR8.8	
3	2920207	1	LH DRIVE LIGHT, (RH DIP)	
3	1001002779	1	LH DRIVE LIGHT, (LH DIP)	
3	7029969	1	BULB, (RH DIP and LH DIP)	
3	7029970	1	BULB, 55W, (RH DIP and LH DIP)	
3	7029971	1	BULB, 21W, (RH DIP and LH DIP)	
4	2920208	1	RH DRIVE LIGHT, (RH DIP)	
4	1001002778	1	RH DRIVE LIGHT, (LH DIP)	
4	7029969	1	BULB, (RH DIP and LH DIP)	
4	7029970	1	BULB, 55W, (RH DIP and LH DIP)	
4	7029971	1	BULB, 21W, (RH DIP and LH DIP)	
5	3290601	4	HEX NUT, M6X1	
6	3291001	2	HEX NUT, M10X1.5	
7	4811700	4	WASHER, 6mm	
8	4812000	12	WASHER, 10mm	
9	1001091715	1	LH REAR LIGHT	
9	70021341	1	BULB, 5W	
9	70021340	1	BULB, 21W	
9	7029971	1	BULB, 21W	
10	1001091716	1	RH REAR LIGHT	
10	70021341	1	BULB, 5W	
10	70021340	1	BULB, 21W	
10	7029971	1	BULB, 21W	
11	1001092375	2	BRACKET	
12	1001095650	AR	LOCTITE 243	
13	1001096913	2	CAP	
14	1001157689	1	BRACKET	
14	1001214521	1	BRACKET, (if equipped with remote HVAC intake)	
15		Ref	SHIFTER SWITCH ASSY, (not shown), (See CONTROLS SECTION for Breakdown)	
51		Ref	MIRROR BRACKET AND HARDWARE, (See FRAME AND ATTACHING PARTS for Breakdown)	
	1001134081	Ref	RH DIP DRIVE LIGHTS INSTALLATION, (Agricultural - CE, if equipped), (not available to order, see items 101 thru 127 for service)	I
	1001134310	Ref	LH DIP DRIVE LIGHTS INSTALLATION, (Agricultural - UK and Ireland, if equipped), (not available to order, see items 101 thru 127 for service)	I
101	0761012	8	HEX HD CAPSCREW, M10X25, GR8.8	
102	0761014	3	HEX HD CAPSCREW, M10X30, GR8.8	

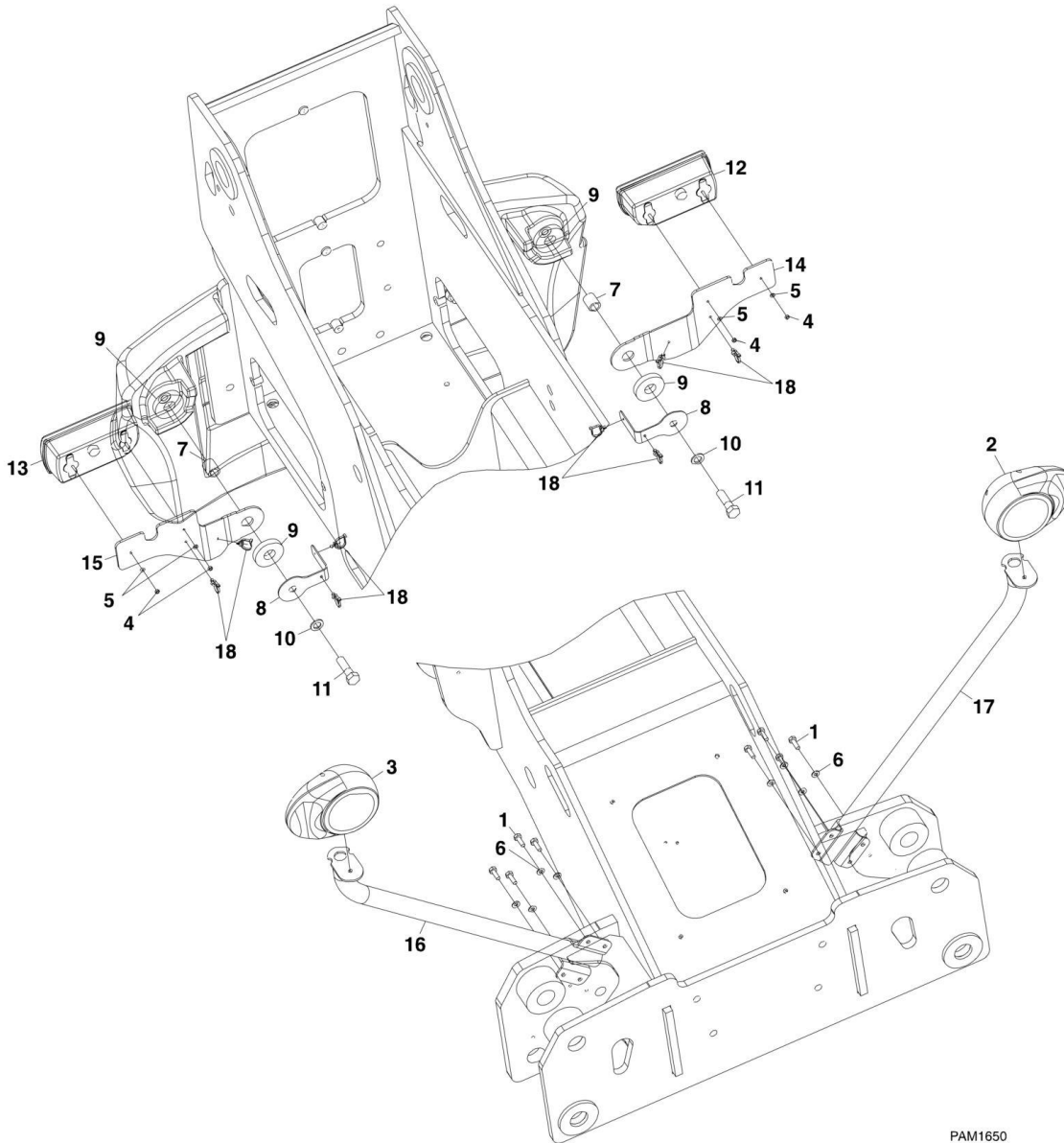
## SECTION 10 - ELECTRICAL

ITEM	PART NUMBER	QTY	DESCRIPTION	REV
103	0761619	2	HEX HD CAPSCREW, M16X55, GR8.8	
104	2920207	1	LH DRIVE LIGHT, (RH DIP)	
104	1001002779	1	LH DRIVE LIGHT, (LH DIP)	
104	7029969	1	BULB, (RH DIP and LH DIP)	
104	7029970	1	BULB, 55W, (RH DIP and LH DIP)	
104	7029971	1	BULB, 21W, (RH DIP and LH DIP)	
105	2920208	1	RH DRIVE LIGHT, (RH DIP)	
105	1001002778	1	RH DRIVE LIGHT, (LH DIP)	
105	7029969	1	BULB, (RH DIP and LH DIP)	
105	7029970	1	BULB, 55W, (RH DIP and LH DIP)	
105	7029971	1	BULB, 21W, (RH DIP and LH DIP)	
106	3290501	4	HEX NUT, M5X0.8	
107	3290601	4	HEX NUT, M6X1	
108	3291001	3	HEX NUT, M10X1.5	
109	3291601	4	HEX NUT, M16X2	
110	4811600	4	WASHER, 5mm	
111	4811700	4	WASHER, 6mm	
112	4812000	14	WASHER, 10mm	
113	4812300	8	WASHER, 16mm	
114	1001003391	1	PIN ASSEMBLY, (includes items 201 thru 203)	B
115	1001091715	1	LH REAR LIGHT	
115	70021341	1	BULB, 5W	
115	70021340	1	BULB, 21W	
115	7029971	1	BULB, 21W	
116	1001091716	1	RH REAR LIGHT	
116	70021341	1	BULB, 5W	
116	70021340	1	BULB, 21W	
116	7029971	1	BULB, 21W	
117	1001092375	2	BRACKET	
118	1001095650	AR	LOCTITE 243	
119	1001096913	2	CAP	
120	1001144326	1	BRACKET	
121	1001168802	1	BRACKET	
122		Ref	HEADLIGHT EXTENSION HARNESS, (See HEADLIGHT EXTENSION HARNESS for Breakdown)	
123	1001147290	1	BRACKET, RH LIGHT	
124	1001157278	1	BRACKET, LH LIGHT	
125	1001105167	1	LH SIDELIGHT	
126	1001105168	1	RH SIDELIGHT	
127	1001110853	2	HEX HD CAPSCREW, M16X70, GR8.8	
201	1001003339	1	PIN	
202	1001003487	1	CABLE	
203	1001008688	1	COTTER PIN	
301		Ref	LIGHT BRACKET AND HARDWARE, (See FRAME AND ATTACHING PARTS for Breakdown)	

# SECTION 10 - ELECTRICAL

## FIGURE 10-7. DRIVING LIGHTS - 4014PS & 4017PS

4014PS & 4017PS



PAM1650

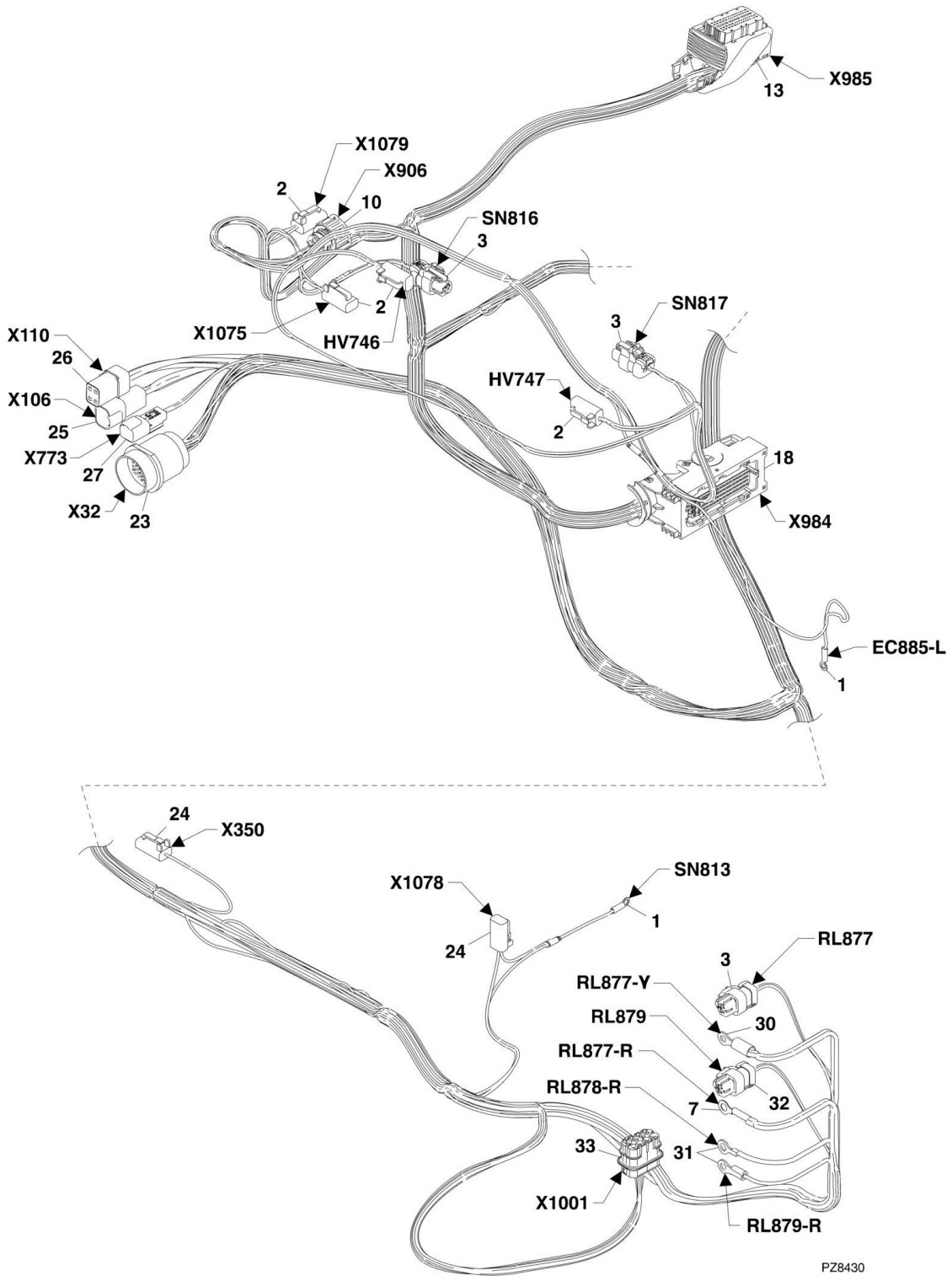
## SECTION 10 - ELECTRICAL

**FIGURE 10-7. DRIVING LIGHTS - 4014PS & 4017PS**

ITEM	PART NUMBER	QTY	DESCRIPTION	REV
	1001093179	Ref	DRIVING LIGHT INSTALLATION, (Italy, Germany, France and ANSI), (not available to order, see items 1 thru 18 for service)	D
	1001096953	Ref	DRIVING LIGHT INSTALLATION, (UK, Ireland, CE and Hewden), (not available to order, see items 1 thru 18 for service)	C
	1001115312	Ref	RH DRIVING LIGHT INSTALLATION, (4017PS), (Germany), (not available to order, see items 1 thru 15, 17 & 18)	A
	1001115232	Ref	DRIVING LIGHT INSTALLATION, (4017PS), (UK, Ireland, CE and Hewden), (not available to order, see items 1 thru 15, 17 & 18)	A
1	0761014	8	HEX HD CAPSCREW, M10X30, GR8.8	
2	0761014	4	HEX HD CAPSCREW, M10X30, GR8.8, (4017PS)	
2	2920207	1	LH DRIVING LIGHT, (Italy, Germany, France and ANSI)	
2	1001002779	1	LH DRIVING LIGHT, (UK, Ireland, CE and Hewden)	
2	7029969	1	REPLACEMENT BULB	
2	7029970	1	REPLACEMENT BULB, 55W	
2	7029971	1	REPLACEMENT BULB, 21W	
3	2920208	1	RH DRIVING LIGHT, (Italy, Germany, France and ANSI)	
3	1001002778	1	RH DRIVING LIGHT, (UK, Ireland, CE and Hewden)	
3	7029969	1	REPLACEMENT BULB	
3	7029970	1	REPLACEMENT BULB, 55W	
3	7029971	1	REPLACEMENT BULB, 21W	
4	3290601	4	HEX NUT, M6X1	
5	4811700	4	WASHER, 6mm	
6	4812000	8	WASHER, 10mm	
6	4812000	4	WASHER, 10mm, (4017PS)	
7	1001005697	2	TUBE	
8	1001005698	2	BRACKET	
9	1001005699	4	RUBBER WASHER	
10	1001009094	2	HARD WASHER	
11	1001009102	2	BOLT, M20X2.5	
12	1001091715	1	LH REAR LIGHT	
12	70021341	1	REPLACEMENT BULB, 5W	
12	70021340	1	REPLACEMENT BULB, 21W	
12	7029971	1	REPLACEMENT BULB, 21W	
13	1001091716	1	RH REAR LIGHT	
13	70021341	1	REPLACEMENT BULB, 5W	
13	70021340	1	REPLACEMENT BULB, 21W	
13	7029971	1	REPLACEMENT BULB, 21W	
14	1001093162	1	BRACKET	
15	1001093163	1	BRACKET	
16	1001094704	1	BRACKET	
17	1001094709	1	BRACKET	
18	1001004720	8	STRAP CABLE	

# SECTION 10 - ELECTRICAL

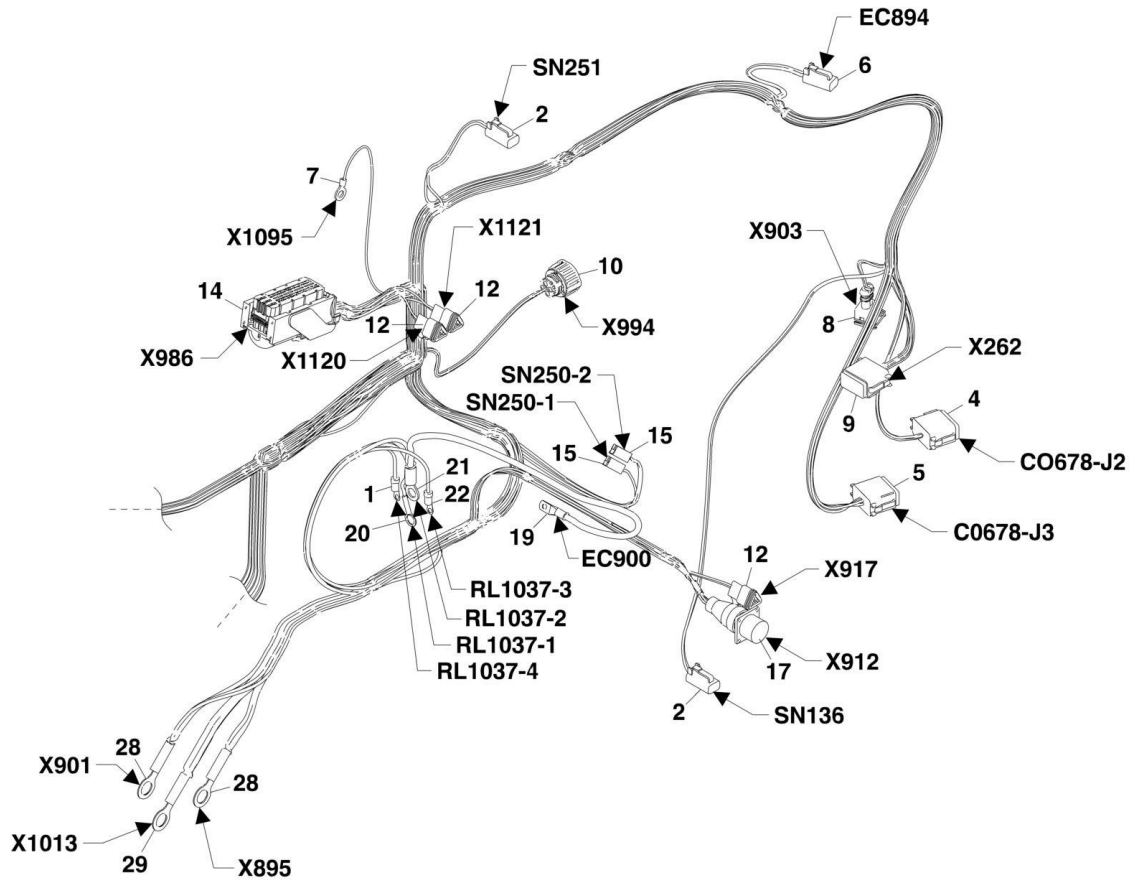
FIGURE 10-8. ENGINE BAY HARNESS (Prior to SN 1160006748, Excluding 11600065999)



PZ8430



# SECTION 10 - ELECTRICAL



PZ8440



## SECTION 10 - ELECTRICAL

**FIGURE 10-8. ENGINE BAY HARNESS (Prior to SN 1160006748, Excluding 11600065999)**

ITEM	PART NUMBER	QTY	DESCRIPTION	REV
	1001133707	1	ENGINE BAY HARNESS, (includes all items)	I
1	4460247	3	RING TERMINAL	
2	4460891	8	PLUG CONNECTOR, (includes rear seal)	
2	80604016	1	WEDGE LOCK	
2	4460465	2	TERMINAL	
3	1001116950	3	CONNECTOR	
3	4460465	2	TERMINAL	
4	4460836	1	PLUG CONNECTOR	
4	4460466	9	PLUG	
4	4460465	3	TERMINAL	
5	4460934	1	PLUG CONNECTOR, (includes rear seal)	
5	80604016	1	WEDGE LOCK	
5	4460466	4	PLUG	
5	4460465	8	TERMINAL	
7	4460312	2	RING TERMINAL	
8	1001116983	1	JR POWER TIMER CONNECTOR	
8	1001116710	2	TERMINAL	
9	4460933	1	PLUG CONNECTOR, (includes rear seal)	
9	80604016	1	WEDGE LOCK	
9	4460466	3	PLUG	
9	4460465	3	TERMINAL	
9	4460944	6	TERMINAL	
10	1001133714	2	4 WAY PLUG	
10	1001133715	3	TERMINAL	
10	1001135650	3	WIRE SEAL	
10	1001135651	1	PLUG	
12	4461095	3	PLUG CONNECTOR	
12	70021825	1	WEDGE LOCK	
12	4460944	2	TERMINAL	
12	4460466	1	PLUG	
12	4461070	1	CONNECTOR WITH TERMINATING RESISTOR	
13	1001126360	1	CONNECTOR	
13	1001126357	10	PLUG, 1.5MM	
13	1001126351	14	TERMINAL	
13	1001126356	18	CAVITY PLUG	
13	1001126384	18	TERMINAL	
14	1001126349	1	CONNECTOR	
14	1001126352	6	TERMINAL	
14	1001126353	6	WIRE SEAL	
14	1001126357	2	PLUG, 1.5MM	
14	1001126356	58	CAVITY PLUG	
14	1001126384	26	TERMINAL	
14	1001126351	2	TERMINAL	
15	1001116995	2	FASTON CONNECTOR	
15	1001118379	1	TERMINAL	
16	1001116995	1	FASTON CONNECTOR	
16	1001118379	2	TERMINAL	
17	1001138155	1	CONNECTOR	
17	4461071	6	TERMINAL	
17	1001134351	1	CAP	

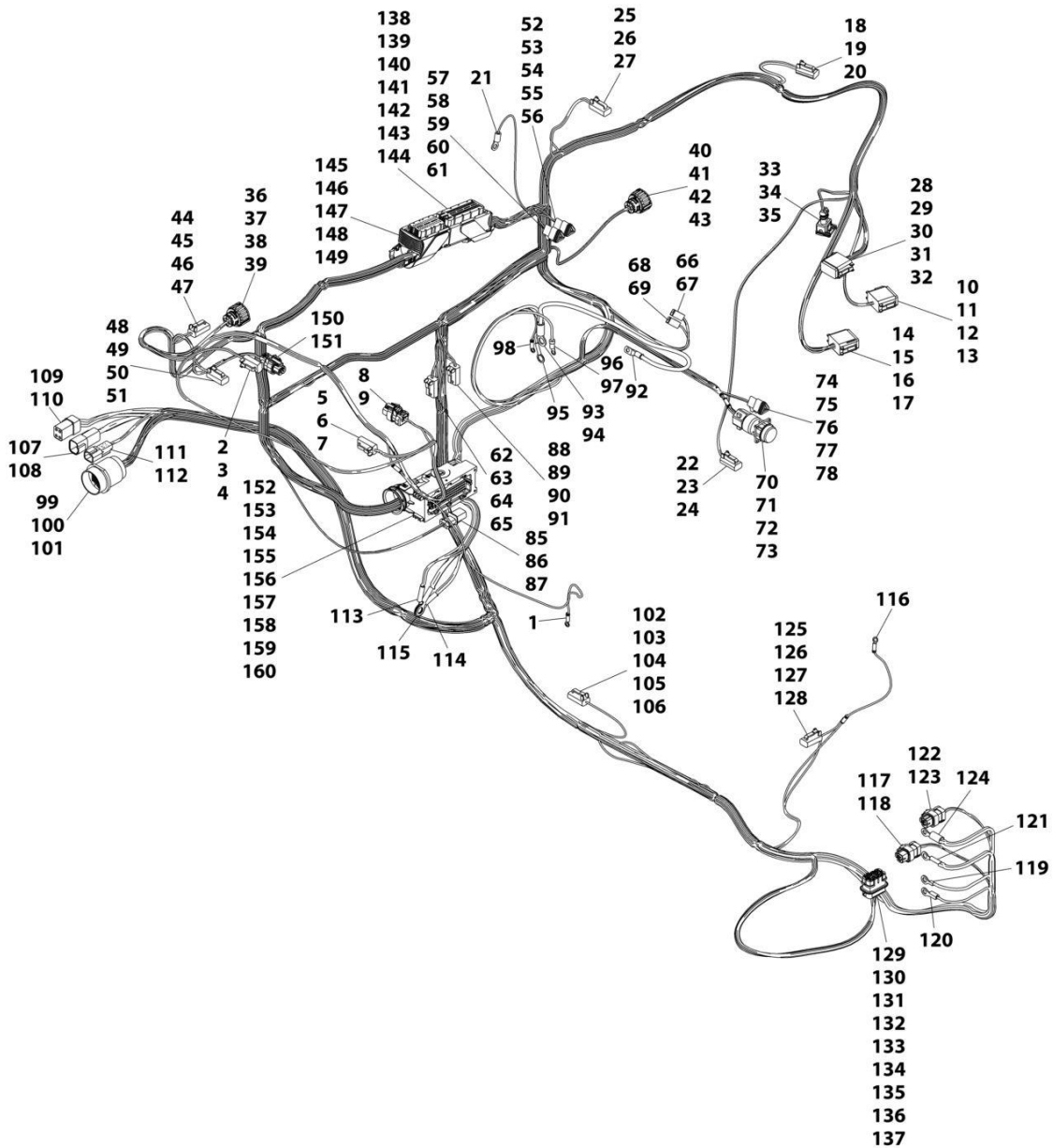
## SECTION 10 - ELECTRICAL

ITEM	PART NUMBER	QTY	DESCRIPTION	REV
17	1001134581	1	SHROUD	
18	1001126362	1	CONNECTOR	
18	1001126363	22	TERMINAL	
18	1001126364	32	CAVITY PLUG	
18	1001126392	14	TERMINAL	
18	1001126391	22	CAVITY PLUG	
18	4461008	4	PLUG	
19	1001138592	1	RING TERMINAL	
20	8220115	1	RING TERMINAL	
20	1001139217	1	BOOT	
21	4460256	1	RING TERMINAL	
22	4460042	1	RING TERMINAL	
22	1001139219	1	BOOT	
23	1001116976	1	CONNECTOR	
23	1001118391	16	CAVITY PLUG	
23	1001118380	21	TERMINAL	
24	4460891	2	PLUG CONNECTOR	
24	4460897	1	TERMINAL	
24	4460466	2	PLUG	
24	4460465	1	TERMINAL	
24	4460466	1	PLUG	
25	1001116811	1	CONNECTOR, (includes real seal)	
25	4460508	4	TERMINAL	
26	1001116810	1	CONNECTOR, (includes real seal)	
26	70021826	1	WEDGE LOCK	
26	4460509	4	TERMINAL	
27	4460897	1	CONNECTOR, (includes real seal)	
27	80604017	1	LOCKWEDGE	
27	4460464	2	TERMINAL	
28	1001117110	2	RING TERMINAL	
29	1001117109	1	RING TERMINAL	
30	4460043	1	RING TERMINAL	
31	1001117106	2	RING TERMINAL	
32	1001116952	1	CONNECTOR	
32	4460465	2	TERMINAL	
33	80484081	1	CONNECTOR	
33	1001116747	3	TERMINAL	
33	1001116728	5	TERMINAL	
33	4460458	8	WIRE SEAL	
33	1001129285	1	DIODE	
33	8229242	1	MINFUSE, 5 AMP	
33	1001129286	1	CAP	



# SECTION 10 - ELECTRICAL

FIGURE 10-9. ENGINE BAY HARNESS (SN 1160006748 to Present, Including 11600065999)



ART\_1001153177-D

## SECTION 10 - ELECTRICAL

**FIGURE 10-9. ENGINE BAY HARNESS (SN 1160006748 to Present, Including 11600065999)**

ITEM	PART NUMBER	QTY	DESCRIPTION	REV
	1001153177	Ref	ENGINE BAY HARNESS	D
1	4460247	1	RING TERMINAL	
2	4460891	1	CONNECTOR, (includes rear seal)	
3	4460465	2	TERMINAL	
4	80604018	1	WEDGE LOCK	
5	4460891	1	CONNECTOR, (includes rear seal)	
6	4460465	2	TERMINAL	
7	80604018	1	WEDGE LOCK	
8	1001116950	1	CONNECTOR	
9	4460465	2	TERMINAL	
10	4460836	1	CONNECTOR, (includes rear seal)	
11	4460465	3	TERMINAL	
12	4460466	9	PLUG	
13	80604016	1	WEDGE LOCK	
14	4460934	1	CONNECTOR, (includes rear seal)	
15	4460465	8	TERMINAL	
16	4460466	4	PLUG	
17	80604016	1	WEDGE LOCK	
18	4460891	1	CONNECTOR, (includes rear seal)	
19	4460942	2	TERMINAL	
20	80604018	1	WEDGE LOCK	
21	4460043	1	RING TERMINAL	
22	4460891	1	CONNECTOR, (includes rear seal)	
23	4460465	2	TERMINAL	
24	80604018	1	WEDGE LOCK	
25	4460891	1	CONNECTOR,(includes rear seal)	
26	4460465	2	TERMINAL	
27	80604018	1	WEDGE LOCK	
28	4460933	1	CONNECTOR, (includes rear seal)	
29	4460465	3	TERMINAL	
30	4460944	6	TERMINAL	
31	4460466	3	PLUG	
32	80604016	1	WEDGE LOCK	
33	1001116983	1	CONNECTOR	
34	1001116710	2	TERMINAL	
35	4461006	2	SEAL	
36	1001133714	1	CONNECTOR	
37	1001133715	3	TERMINAL	
38	1001135651	1	PLUG	
39	1001135650	3	SEAL	
40	1001133714	1	CONNECTOR	
41	1001133715	3	TERMINAL	
42	1001135651	1	PLUG	
43	1001135650	3	SEAL	
44	4460891	1	CONNECTOR, (includes rear seal)	
45	4460465	2	TERMINAL	
46	4460897	1	TERMINAL	
47	80604018	1	WEDGE LOCK	
48	4460891	1	CONNECTOR, (includes rear seal)	
49	4460465	2	TERMINAL	

## SECTION 10 - ELECTRICAL

ITEM	PART NUMBER	QTY	DESCRIPTION	REV
50	4460897	1	TERMINAL	
51	80604018	1	WEDGE LOCK	
52	4461095	1	CONNECTOR	
53	4460944	2	TERMINAL	
54	4461070	1	TERMINAL	
55	4460466	1	PLUG	
56	1001167683	1	WEDGE LOCK	
57	4461095	1	CONNECTOR	
58	4460944	2	TERMINAL	
59	4461070	1	TERMINAL	
60	4460466	1	PLUG	
61	1001167683	1	WEDGE LOCK	
62	4460891	1	CONNECTOR, (includes rear seal)	
63	4460465	2	TERMINAL	
64	4460897	1	TERMINAL	
65	80604018	1	WEDGE LOCK	
66	1001116995	1	CONNECTOR	
67	1001118379	1	TERMINAL	
68	1001116995	1	CONNECTOR	
69	1001118379	2	TERMINAL	
70	1001138155	1	CONNECTOR	
71	1001134351	1	PLUG	
72	1001134581	1	PLUG	
73	4461071	6	TERMINAL	
74	4461095	1	CONNECTOR	
75	4460944	2	TERMINAL	
76	4461070	1	TERMINAL	
77	4460466	1	PLUG	
78	1001167683	1	WEDGE LOCK	
85	1001138110	1	CONNECTOR	
86	1001138111	2	TERMINAL	
87	1001138113	2	SEAL	
88	4460891	1	CONNECTOR, (includes rear seal)	
89	4460465	2	TERMINAL	
90	4460897	1	TERMINAL	
91	80604018	1	WEDGE LOCK	
92	1001138592	1	RING TERMINAL	
93	8220115	1	RING TERMINAL	
94	1001139217	1	BOOT	
95	4460256	1	RING TERMINAL	
96	4460042	1	RING TERMINAL	
97	1001139219	1	BOOT	
98	4460247	1	RING TERMINAL	
99	1001116976	1	CONNECTOR	
100	1001118380	21	TERMINAL	
101	1001118391	16	TERMINAL	
102	4460891	1	CONNECTOR, (includes rear seal)	
103	4460897	1	TERMINAL	
104	4460465	1	TERMINAL	
105	4460466	3	PLUG	
106	80604018	1	WEDGE LOCK	



## SECTION 10 - ELECTRICAL

ITEM	PART NUMBER	QTY	DESCRIPTION	REV
107	1001116811	1	CONNECTOR	
108	4460508	4	TERMINAL	
109	1001116810	1	CONNECTOR, (includes rear seal)	
110	4460509	4	TERMINAL	
111	4460897	1	CONNECTOR, (includes rear seal)	
112	4460464	2	TERMINAL	
113	1001117110	1	RING TERMINAL	
114	1001117110	1	RING TERMINAL	
115	1001117109	1	RING TERMINAL	
116	4460247	1	RING TERMINAL	
117	1001116950	1	CONNECTOR	
118	4460465	2	TERMINAL	
119	4460312	1	RING TERMINAL	
120	4460043	1	RING TERMINAL	
121	1001117106	1	RING TERMINAL	
122	1001116952	1	CONNECTOR	
123	4460465	2	TERMINAL	
124	1001117106	1	RING TERMINAL	
125	4460891	1	CONNECTOR, (includes rear seal)	
126	4460897	1	TERMINAL	
127	4460465	1	TERMINAL	
128	80604018	1	WEDGE LOCK	
129	80484081	1	CONNECTOR	
130	1001129286	1	CAP	
131	1001129285	3	TERMINAL	
132	8229242	1	TERMINAL	
133	1001116747	1	TERMINAL	
134	1001116728	6	TERMINAL	
135	8220125	1	TERMINAL	
136	4460458	7	SEAL	
137	8220089	1	SEAL	
138	1001126349	1	CONNECTOR	
139	1001126352	6	TERMINAL	
140	1001126384	26	TERMINAL	
141	1001126351	2	TERMINAL	
142	1001126357	2	PLUG	
143	1001126356	58	PLUG	
144	1001126353	6	SEAL	
145	1001126360	1	CONNECTOR	
146	1001126351	12	TERMINAL	
147	1001126384	19	TERMINAL	
148	1001126357	10	PLUG	
149	1001126356	19	PLUG	
150	1001116950	1	CONNECTOR	
151	4460465	2	TERMINAL	
152	1001126362	1	CONNECTOR	
153	1001126363	24	TERMINAL	
154	1001126392	10	TERMINAL	
155	1001126393	10	SEAL	
156	1001126391	22	SEAL	
157	4461008	4	PLUG	

## SECTION 10 - ELECTRICAL

ITEM	PART NUMBER	QTY	DESCRIPTION	REV
158	1001126364	24	TERMINAL	
159	4461054	2	SEAL	
160	1001126365	2	TERMINAL	



# SECTION 10 - ELECTRICAL

## FIGURE 10-10. TRANSMISSION HARNESS

CO678-J1				
CONN POS	WIRE COLOR	WIRE LABEL	GAUGE	JACKET
1				
2				
3				
4	BLK	000-42	1.5 mm <sup>2</sup>	FLRYW
5	YEL	002-0-5-1	1 mm <sup>2</sup>	FLRYW
6	RED	1-6	0.75 mm <sup>2</sup>	CABLE
7	BLK	1-6	0.75 mm <sup>2</sup>	CABLE
8	SHLD	1-6	0.75 mm <sup>2</sup>	SHLD
9				
10				
11				
12				

HV785				
CONN POS	WIRE COLOR	WIRE LABEL	GAUGE	JACKET
1	WHT	091-5	1 mm <sup>2</sup>	FLRYW
2	BLK	000-71-3-2	1 mm <sup>2</sup>	FLRYW

HV781				
CONN POS	WIRE COLOR	WIRE LABEL	GAUGE	JACKET
1	WHT	091-6	1 mm <sup>2</sup>	FLRYW
2	BLK	000-71-3-1	1 mm <sup>2</sup>	FLRYW

SN690				
CONNECTOR PART NUMBER: 1001116999				
CONN POS	WIRE COLOR	WIRE LABEL	GAUGE	JACKET
1	ORG	078-3	1 mm <sup>2</sup>	FLRYW

HV787				
CONN POS	WIRE COLOR	WIRE LABEL	GAUGE	JACKET
1	WHT	090-1	1 mm <sup>2</sup>	FLRYW
2	BLK	000-71-1-1	1 mm <sup>2</sup>	FLRYW

X262				
CONN POS	WIRE COLOR	WIRE LABEL	GAUGE	JACKET
1				
2	BLK	000-42	1.5 mm <sup>2</sup>	FLRYW
3	YEL	000-0-5-1	1 mm <sup>2</sup>	FLRYW
4	ORG	078-3	1 mm <sup>2</sup>	FLRYW
5	RED	1-7	0.75 mm <sup>2</sup>	CABLE
6	BLK	1-7	0.75 mm <sup>2</sup>	CABLE
7				
8				
9	SHLD	1-7	0.75 mm <sup>2</sup>	SHLD
10	RED	1-6	0.75 mm <sup>2</sup>	CABLE
11	BLK	1-6	0.75 mm <sup>2</sup>	CABLE
12	SHLD	1-6	0.75 mm <sup>2</sup>	SHLD

CO678-J4				
CONN POS	WIRE COLOR	WIRE LABEL	GAUGE	JACKET
1				
2				
3	RED	1-7	0.75 mm <sup>2</sup>	CABLE
4	BLK	1-7	0.75 mm <sup>2</sup>	CABLE
5	SHLD	1-7	0.75 mm <sup>2</sup>	SHLD
6				
7				
8				

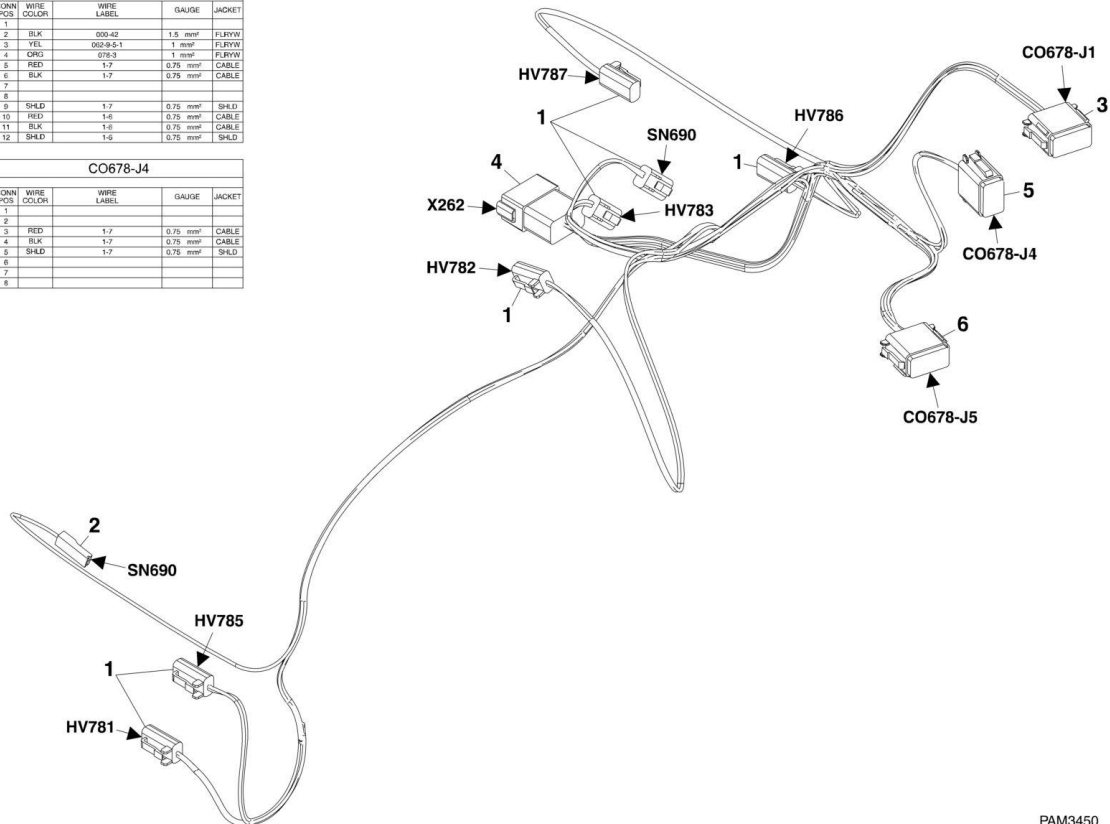
HV783				
CONN POS	WIRE COLOR	WIRE LABEL	GAUGE	JACKET
1	WHT	091-4	1 mm <sup>2</sup>	FLRYW
2	BLK	000-71-1-2	1 mm <sup>2</sup>	FLRYW

HV784				
CONN POS	WIRE COLOR	WIRE LABEL	GAUGE	JACKET
1	WHT	091-3	1 mm <sup>2</sup>	FLRYW
2	BLK	000-71-2-1	1 mm <sup>2</sup>	FLRYW

HV782				
CONN POS	WIRE COLOR	WIRE LABEL	GAUGE	JACKET
1	WHT	091-5	1 mm <sup>2</sup>	FLRYW
2	BLK	000-71-1-3	1 mm <sup>2</sup>	FLRYW

HV786				
CONN POS	WIRE COLOR	WIRE LABEL	GAUGE	JACKET
1	WHT	091-1	1 mm <sup>2</sup>	FLRYW
2	BLK	000-71-3-2	1 mm <sup>2</sup>	FLRYW

CO678-J5				
CONN POS	WIRE COLOR	WIRE LABEL	GAUGE	JACKET
1	WHT	092-1	1 mm <sup>2</sup>	FLRYW
2				
3	WHT	091-1	1 mm <sup>2</sup>	FLRYW
4	WHT	091-2	1 mm <sup>2</sup>	FLRYW
5	WHT	091-3	1 mm <sup>2</sup>	FLRYW
6	WHT	091-4	1 mm <sup>2</sup>	FLRYW
7	WHT	091-5	1 mm <sup>2</sup>	FLRYW
8	WHT	091-6	1 mm <sup>2</sup>	FLRYW
9				
10				
11				
12	BLK	000-71	1 mm <sup>2</sup>	FLRYW



PAM3450

## SECTION 10 - ELECTRICAL

### FIGURE 10-10. TRANSMISSION HARNESS

ITEM	PART NUMBER	QTY	DESCRIPTION	REV
	1001130754	1	TRANSMISSION HARNESS, (includes all items)	B
1	4460891	7	CONNECTOR	
1	80604018	7	WEDGE LOCK	
1	4460465	2	TERMINAL	
2	1001116995	1	CONNECTOR	
2	1001118379	1	TERMINAL	
3	4460933	1	CONNECTOR	
3	80604016	1	WEDGE LOCK	
3	4460466	7	PLUG	
3	4460465	2	TERMINAL	
3	4460944	3	TERMINAL	
4	4460970	1	CONNECTOR	
4	80604015	1	WEDGE LOCK	
4	4460466	3	PLUG	
4	4460464	3	TERMINAL	
4	4460943	6	TERMINAL	
5	4460930	1	CONNECTOR	
5	80604025	1	WEDGE LOCK	
5	4460466	5	PLUG	
5	4460944	3	TERMINAL	
6	4460935	1	CONNECTOR	
6	80604016	1	WEDGE LOCK	
6	4460465	8	TERMINAL	
6	4460466	4	PLUG	
1	4460465	2	TERMINAL	
3	4460466	7	PLUG	
3	4460465	2	TERMINAL	
4	4460466	3	PLUG	
5	4460466	5	PLUG	
6	4460465	8	TERMINAL	
6	4460466	4	PLUG	









## SECTION 10 - ELECTRICAL

### FIGURE 10-11. CAB FLOOR HARNESS

ITEM	PART NUMBER	QTY	DESCRIPTION	REV
	1001143032	1	CAB FLOOR HARNESS, (includes all items)	B
1	1001116995	11	CONNECTOR	
1	1001118379	1	TERMINAL	
2	4461164	1	CONNECTOR	
2	1001104519	6	TERMINAL	
2	1001116716	2	TERMINAL	
2	N.S.S.	1	PLUG	
3	4461164	1	CONNECTOR	
3	1001104519	5	TERMINAL	
3	1001116716	4	TERMINAL	
3	N.S.S.	1	PLUG	
4	4461164	6	CONNECTOR	
4	1001104519	4	TERMINAL	
4	N.S.S.	4	PLUG	
5	4461164	3	CONNECTOR	
5	1001104519	6	TERMINAL	
5	N.S.S.	2	PLUG	
6	1001103012	1	CONNECTOR	
6	1001116698	2	PLUG	
6	1001116697	2	TERMINAL	
6	1001104498	2	SEAL	
7	4460894	2	CONNECTOR	
7	4460466	2	PLUG	
7	4460465	4	TERMINAL	
8	4460930	1	CONNECTOR	
8	4460465	7	TERMINAL	
8	4460466	1	PLUG	
9	4461164	1	CONNECTOR	
9	1001104519	5	TERMINAL	
9	N.S.S.	3	PLUG	
10	1001116995	2	CONNECTOR	
10	1001091751	2	BUZZER	
10	1001118379	1	TERMINAL	
11	4460367	1	CONNECTOR	
11	1001118378	11	TERMINAL	
11	N.S.S.	1	PLUG	
12	1001118685	1	CONNECTOR	
12	1001104519	4	TERMINAL	
12	1001118383	2	TERMINAL	
13	1001117121	1	CONNECTOR	
13	1001104519	2	TERMINAL	
13	N.S.S.	4	PLUG	
14	4461164	1	CONNECTOR	
14	1001104519	8	TERMINAL	
15	1001116992	1	CONNECTOR	
15	1001118382	19	TERMINAL	
15	N.S.S.	1	PLUG	
16	4460265	1	CONNECTOR	
16	1001118378	7	TERMINAL	
16	N.S.S.	1	PLUG	

## SECTION 10 - ELECTRICAL

ITEM	PART NUMBER	QTY	DESCRIPTION	REV
17	4460891	2	CONNECTOR	
17	4460465	2	TERMINAL	
18	1001116993	1	CONNECTOR	
18	1001118382	14	TERMINAL	
18	N.S.S.	10	PLUG	
19	4460930	1	CONNECTOR	
19	4460465	8	TERMINAL	
19	N.S.S.	1	SHIELD	
20	4460899	1	CONNECTOR	
20	4460464	3	TERMINAL	
20	4460466	3	PLUG	
21	1001117064	1	CONNECTOR	
21	91554014	6	TERMINAL	
22	4460539	1	CONNECTOR	
22	4460465	3	TERMINAL	
23	70022833	1	DIODE	
24	4460343	1	CONNECTOR	
24	4460268	11	TERMINAL	
24	N.S.S.	1	PLUG	
25	1001117013	1	CONNECTOR	
25	4460887	4	TERMINAL	
25	N.S.S.	1	PLUG	
26	4460434	1	CONNECTOR	
26	4460268	14	TERMINAL	
26	N.S.S.	1	PLUG	
27	4460434	1	CONNECTOR	
27	4460267	14	TERMINAL	
27	N.S.S.	1	PLUG	
28	1001116982	1	CONNECTOR	
28	1001118379	1	TERMINAL	
29	1001117004	1	CONNECTOR	
29	1001116701	2	TERMINAL	
30	4460434	1	CONNECTOR	
30	4460268	11	TERMINAL	
30	N.S.S.	4	PLUG	
31	4460434	1	CONNECTOR	
31	4460267	9	TERMINAL	
31	N.S.S.	6	PLUG	
32	4460434	1	CONNECTOR	
32	4460268	15	TERMINAL	
33	4460343	1	CONNECTOR	
33	4460267	4	TERMINAL	
33	N.S.S.	8	PLUG	
34	70020190	1	DIODE	
35	4460434	1	CONNECTOR	
35	4460267	15	TERMINAL	
36	4460539	1	CONNECTOR	
36	4460942	2	TERMINAL	
36	4460465	1	TERMINAL	
36	4460466	3	SEAL	
37	1001116922	1	CONNECTOR	

## SECTION 10 - ELECTRICAL

ITEM	PART NUMBER	QTY	DESCRIPTION	REV
37	4460464	7	TERMINAL	
37	4460466	2	PLUG	
37	N.S.S.	1	SHIELD	
38	4461164	2	CONNECTOR	
38	1001104519	5	TERMINAL	
38	N.S.S.	3	PLUG	
39	1001117012	1	CONNECTOR	
39	4460887	4	TERMINAL	
39	N.S.S.	1	PLUG	
40	4460874	1	TERMINAL	
40	4460905	19	PLUG	
40	4460871	16	TERMINAL	
41	461217	1	CONNECTOR	
41	4460929	5	TERMINAL	
41	4460518	1	PLUG	
42	4460875	1	CONNECTOR	
42	4460871	22	TERMINAL	
42	4460905	13	PLUG	
43	4460872	1	CONNECTOR	
43	4460905	4	PLUG	
43	4460871	10	TERMINAL	
44	4460873	1	CONNECTOR	
44	4460871	19	TERMINAL	
44	4460905	17	PLUG	
46	1001116998	2	CONNECTOR	
46	1001118387	1	TERMINAL	
47	1001117002	3	CONNECTOR	
47	1001118388	1	TERMINAL	
48	4460260	2	CONNECTOR	
48	1001118379	1	TERMINAL	
49	4460708	1	CONNECTOR	
49	4460267	14	TERMINAL	
49	N.S.S.	1	PLUG	
50	4460878	1	CONNECTOR	
50	4460887	4	TERMINAL	
51	1001113961	1	CONNECTOR	
51	4460905	3	PLUG	
51	4460871	5	TERMINAL	
52	4460876	1	CONNECTOR	
52	4460871	27	TERMINAL	
52	4460905	8	PLUG	
53	4460266	1	CONNECTOR	
53	4460267	8	TERMINAL	
53	N.S.S.	1	PLUG	
54	4460994	3	CONNECTOR	
54	1001104519	2	TERMINAL	
55	4460539	1	CONNECTOR	
55	4460466	1	PLUG	
55	4460465	2	TERMINAL	
56	4460891	1	CONNECTOR	
56	4460942	2	TERMINAL	

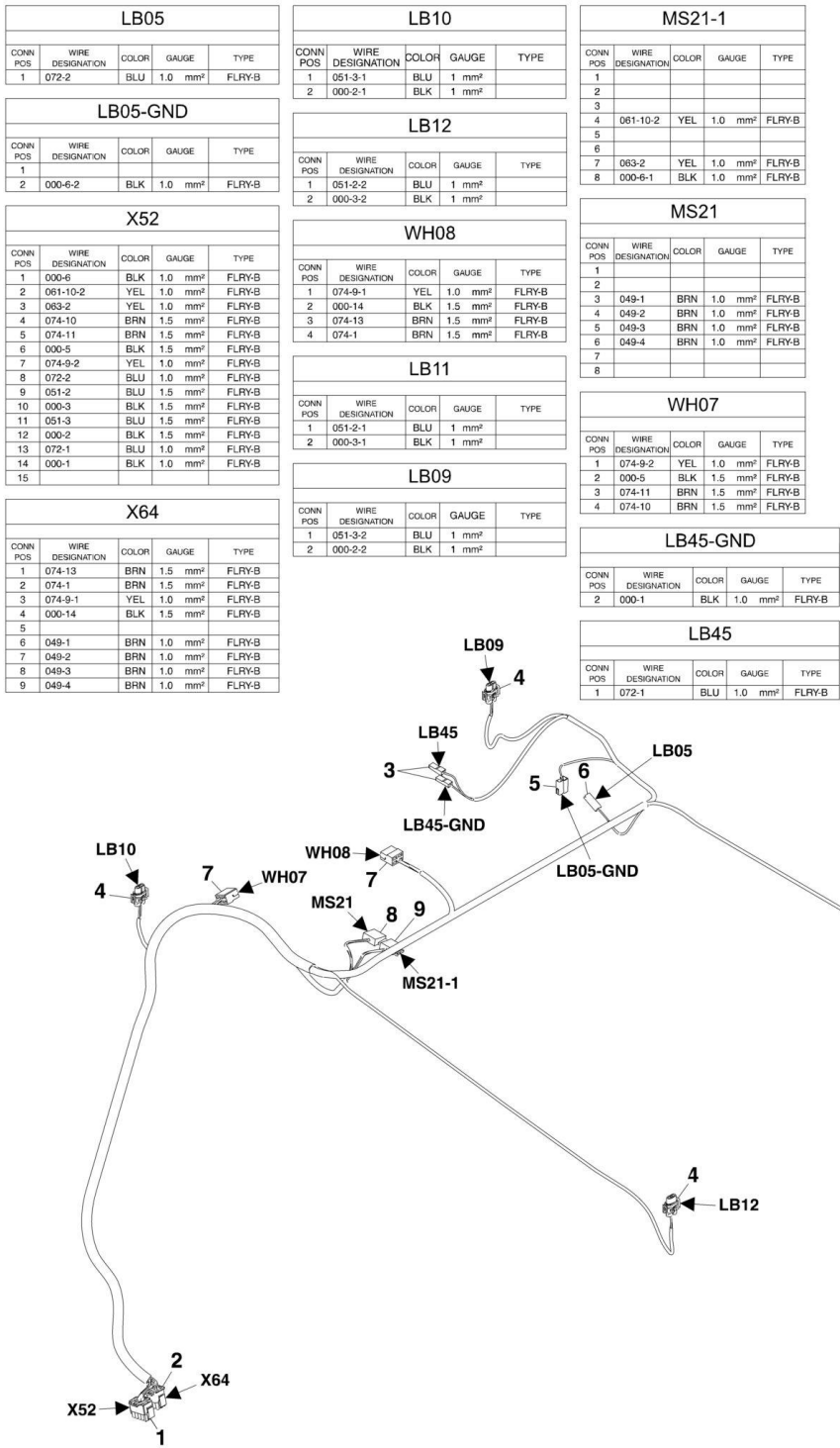
## SECTION 10 - ELECTRICAL

ITEM	PART NUMBER	QTY	DESCRIPTION	REV
57	1001116986	1	CONNECTOR	
57	1001104519	4	TERMINAL	
58	4460884	1	CONNECTOR	
58	4460465	4	TERMINAL	
59	4460932	1	CONNECTOR	
59	4460464	4	TERMINAL	
59	4460466	4	SEAL	
60	1001116810	1	CONNECTOR	
60	4460509	4	TERMINAL	
61	1001116987	1	CONNECTOR	
61	1001116709	4	TERMINAL	
61	1001118380	11	TERMINAL	
61	1001118391	1	PLUG	
61	1001118391	16	SEAL	
62	1001116990	1	CONNECTOR	
62	1001118380	16	TERMINAL	
63	1001116978	1	CONNECTOR	
63	1001118381	36	TERMINAL	
63	1001118391	1	PLUG	
64	1001117134	1	CONNECTOR	
64	1001118381	24	TERMINAL	
65	1001116976	1	CONNECTOR	
65	1001118380	26	TERMINAL	
65	1001118391	11	PLUG	
66	1001116988	1	CONNECTOR	
66	1001118380	8	TERMINAL	
66	1001118391	1	PLUG	
66	1001118391	9	SEAL	
67	1001116997	1	CONNECTOR	
67	1001104519	5	TERMINAL	
67	N.S.S.	1	PLUG	
68	4460343	1	CONNECTOR	
68	4460268	2	TERMINAL	
68	N.S.S.	10	PLUG	
69	1001116811	1	CONNECTOR	
69	4460508	4	TERMINAL	



# SECTION 10 - ELECTRICAL

## FIGURE 10-12. CAB ROOF HARNESS



PAM3480

## SECTION 10 - ELECTRICAL

### FIGURE 10-12. CAB ROOF HARNESS

ITEM	PART NUMBER	QTY	DESCRIPTION	REV
	1001114334	1	CAB ROOF HARNESS, (includes all items)	B
1	4460434	1	CONNECTOR	
1	4460268	14	TERMINAL	
1	N.S.S.	1	PLUG	
2	4460265	1	CONNECTOR	
2	4460268	8	TERMINAL	
2	N.S.S.	1	PLUG	
3	1001116982	2	CONNECTOR	
3	1001118379	1	TERMINAL	
4	4461115	3	CONNECTOR	
4	1001103564	3	WEDGE LOCK	
4	4460746	2	TERMINAL	
4	4460458	2	SEAL	
5	4460994	1	CONNECTOR	
5	1001118379	1	TERMINAL	
6	4460260	1	CONNECTOR	
6	1001118379	1	TERMINAL	
7	1001116986	2	CONNECTOR	
7	1001118385	4	TERMINAL	
8	1001116984	1	CONNECTOR	
8	1001118386	4	TERMINAL	
8	N.S.S.	4	PLUG	
9	1001116985	1	CONNECTOR	
9	1001118386	3	TERMINAL	
9	N.S.S.	5	PLUG	

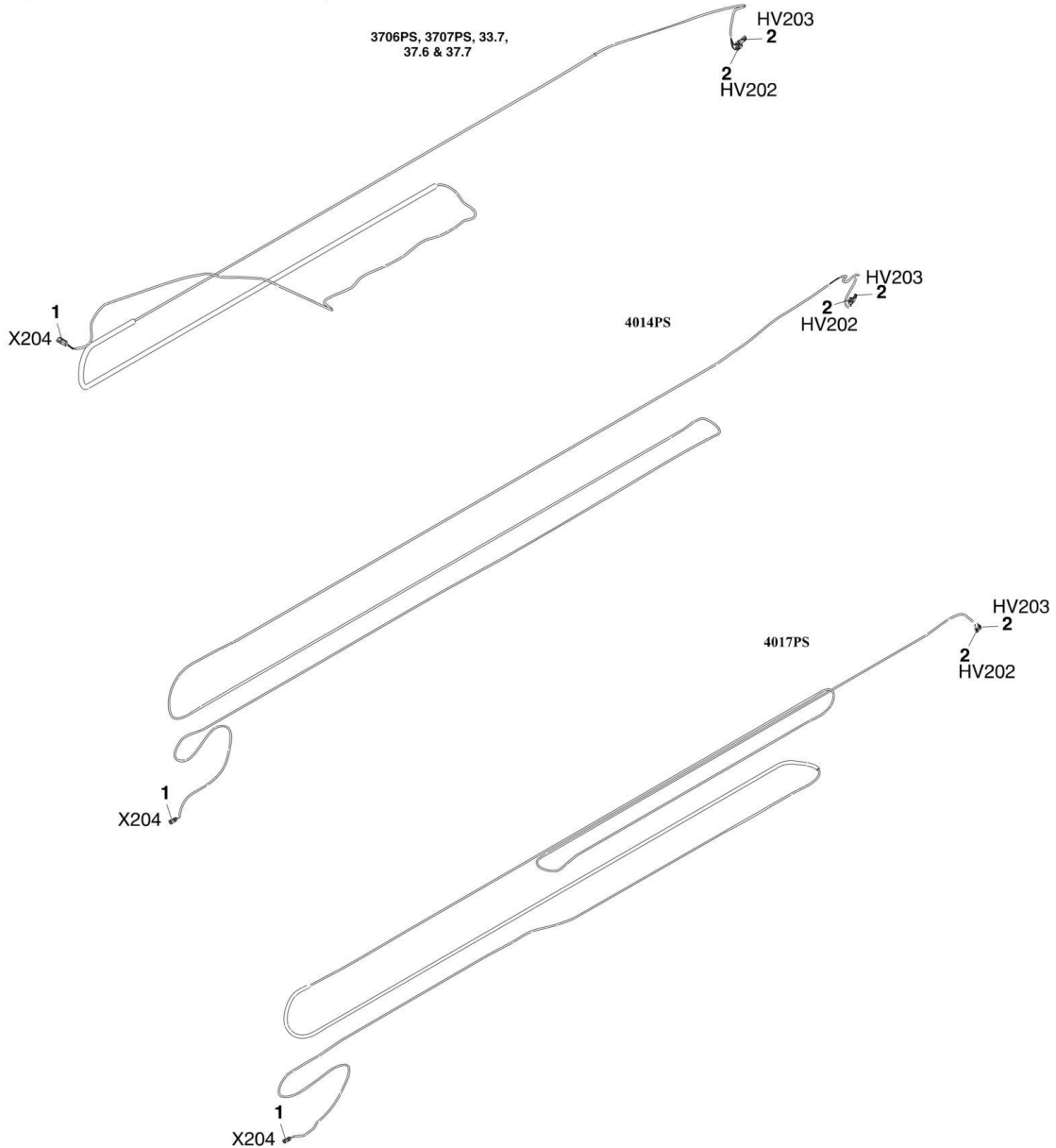
# SECTION 10 - ELECTRICAL

## FIGURE 10-13. BOOM HARNESS

X204 TO REAR FRAME HARNESS			
CONN. POS.	WIRE DESIGNATION	COLOR	GAUGE
1	BOOM CABLE, 4 COND.	1 BLK	1.5 mm <sup>2</sup>
2	BOOM CABLE, 4 COND.	2 BLK	1.5 mm <sup>2</sup>
3	BOOM CABLE, 4 COND.	3 BLK	1.5 mm <sup>2</sup>
4	BOOM CABLE, 4 COND.	GRN/YEL	1.5 mm <sup>2</sup>

HV202 TO QUICK COUPLER			
CONN. POS.	WIRE DESIGNATION	COLOR	GAUGE
1	BOOM CABLE, 4 COND.	3 BLK	1.5 mm <sup>2</sup>
2	BOOM CABLE, 4 COND.	GRN/YEL	1.5 mm <sup>2</sup>

HV203 TO AUX 1/2			
CONN. POS.	WIRE DESIGNATION	COLOR	GAUGE
1	BOOM CABLE, 4 COND.	1 BLK	1.5 mm <sup>2</sup>
2	BOOM CABLE, 4 COND.	2 BLK	1.5 mm <sup>2</sup>



ART\_PZ8330-B



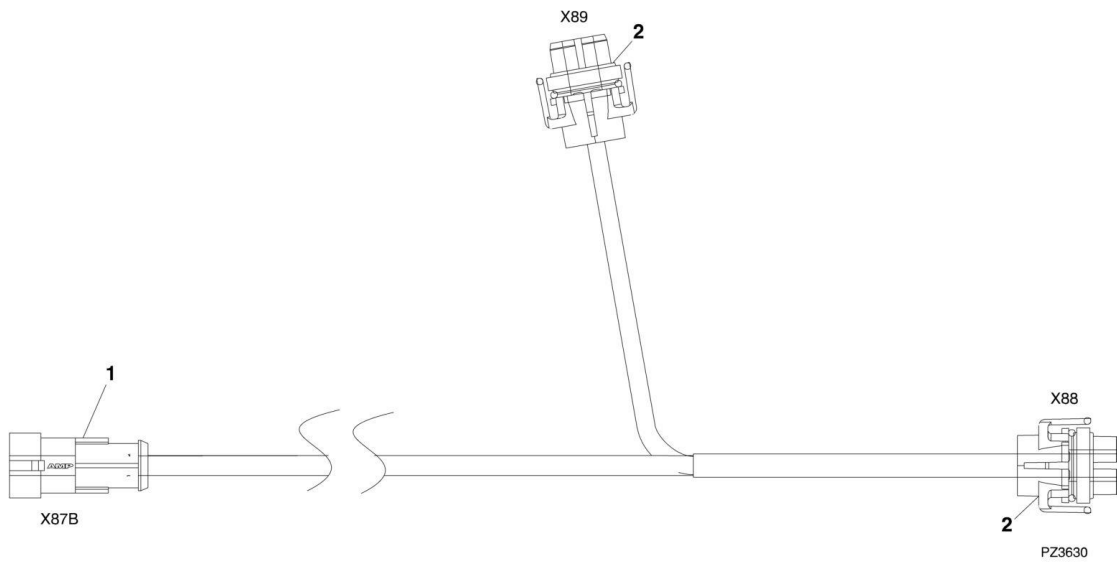
## SECTION 10 - ELECTRICAL

### FIGURE 10-13. BOOM HARNESS

ITEM	PART NUMBER	QTY	DESCRIPTION	REV
	1001092048	1	BOOM HARNESS, (3706PS, 3707PS, 33.7, 37.6 & 37.7), (includes all items)	E
	1001110791	1	BOOM HARNESS, (4014PS), (includes all items)	E
	1001113381	1	BOOM HARNESS, (4017PS), (includes all items)	D
1	4460932	1	CONNECTOR, (includes rear seal)	
1	80604020	1	WEDGELOCK	
1	4460464	4	TERMINAL	
2	4460891	2	PLUG CONNECTOR, (includes rear seal)	
2	77363244	1	WEDGELOCK	
2	4460465	2	CONTACT	

# SECTION 10 - ELECTRICAL

## FIGURE 10-14. BOOM LIGHT HARNESS



## SECTION 10 - ELECTRICAL

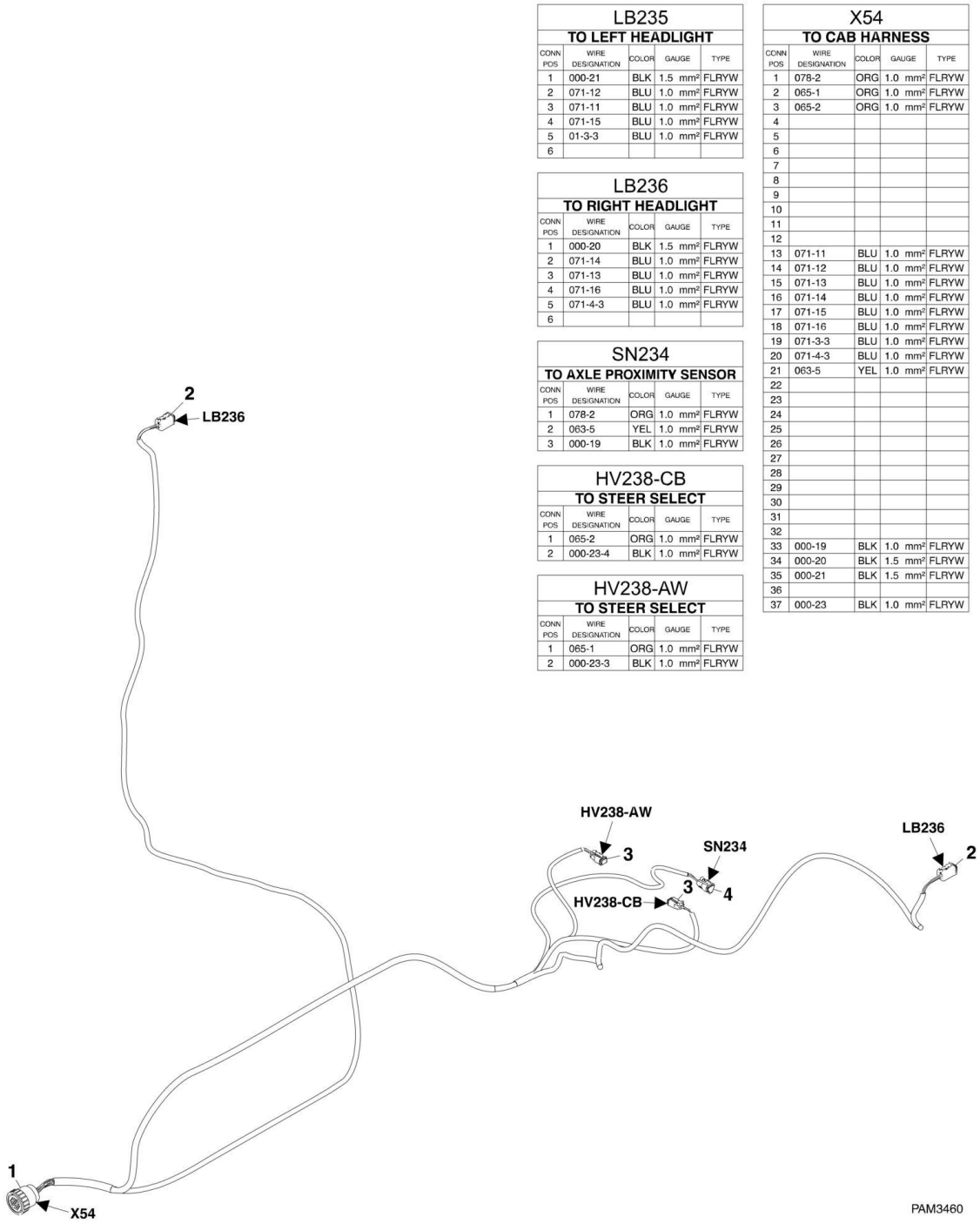
### FIGURE 10-14. BOOM LIGHT HARNESS

ITEM	PART NUMBER	QTY	DESCRIPTION	REV
	1001094011	1	BOOM LIGHT HARNESS, (if equipped), (includes all items)	A
1	4461227	1	CONNECTOR	
2	4461115	2	CONNECTOR	

# SECTION 10 - ELECTRICAL

## FIGURE 10-15. FRONT FRAME HARNESS - 3706PS, 3707PS, 4014PS & 4017PS

3706PS, 3707PS 4014PS & 4017 PS



PAM3460

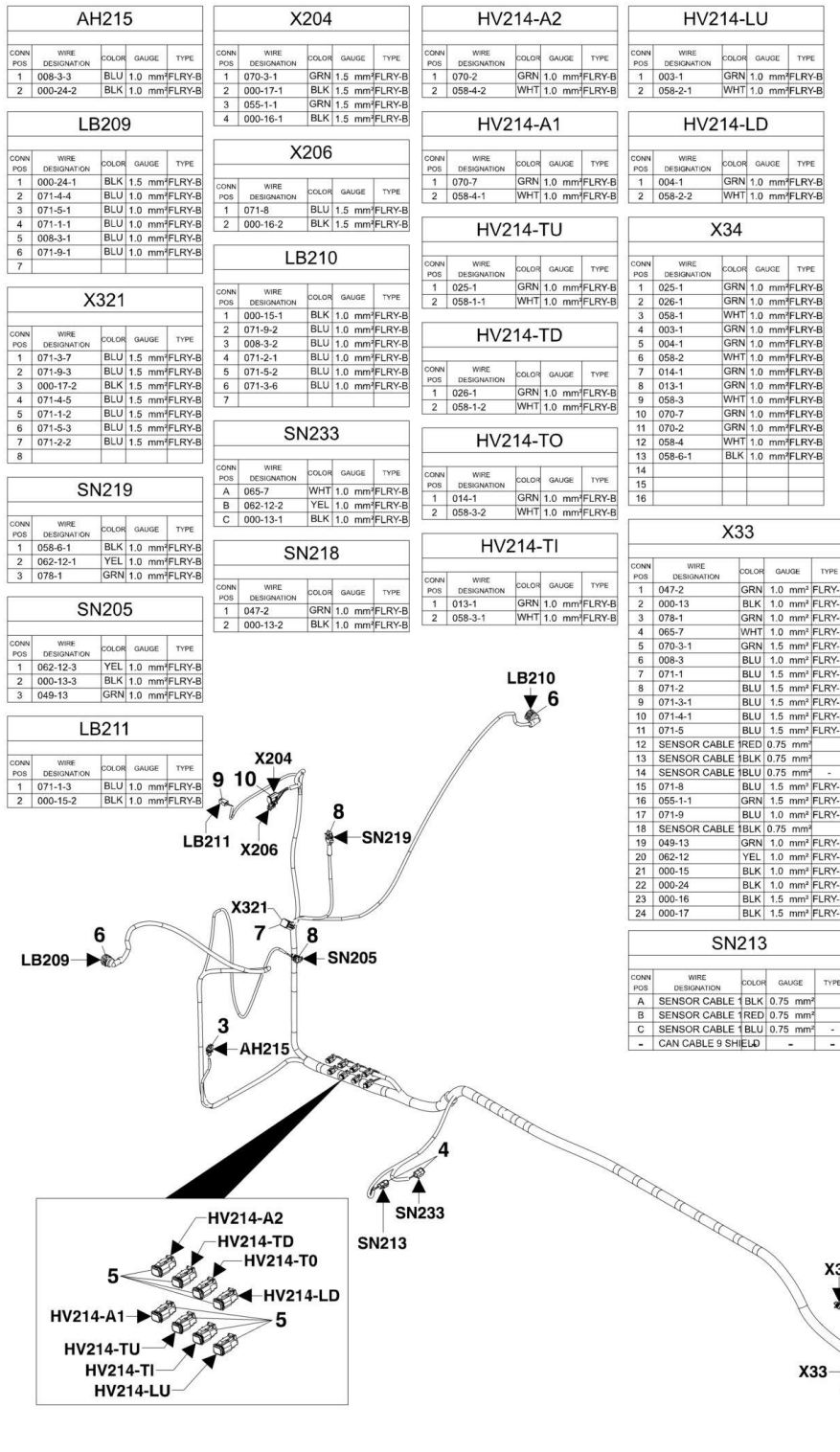
## SECTION 10 - ELECTRICAL

**FIGURE 10-15. FRONT FRAME HARNESS - 3706PS, 3707PS, 4014PS & 4017PS**

ITEM	PART NUMBER	QTY	DESCRIPTION	REV
	1001090727	1	FRONT FRAME HARNESS, (includes all items)	C
1	1001116978	1	CONNECTOR	
1	1001118381	16	TERMINAL	
1	1001118391	21	PLUG	
2	4460894	2	CONNECTOR	
2	80604023	2	WEDGE LOCK	
2	4460465	5	TERMINAL	
2	4460466	1	PLUG	
3	4460891	2	CONNECTOR	
3	80604018	2	WEDGE LOCK	
3	4460465	2	TERMINAL	
4	4460539	1	CONNECTOR	
4	77363244	1	WEDGE LOCK	
4	4460465	3	TERMINAL	

# SECTION 10 - ELECTRICAL

## FIGURE 10-16. REAR FRAME HARNESS



## SECTION 10 - ELECTRICAL

### FIGURE 10-16. REAR FRAME HARNESS

ITEM	PART NUMBER	QTY	DESCRIPTION	REV
	1001120969	1	REAR FRAME HARNESS, (includes all items)	A
1	4461131	1	CONNECTOR	
1	1001118380	24	TERMINAL	
2	1001116977	1	CONNECTOR	
2	1001118381	13	TERMINAL	
2	N.S.S.	3	PLUG	
3	4461118	3	CONNECTOR	
3	1001116697	2	TERMINAL	
4	4460539	2	CONNECTOR	
4	77363244	2	WEDGE LOCK	
4	4460465	3	TERMINAL	
5	4460891	8	CONNECTOR	
5	80604018	8	WEDGE LOCK	
5	4460465	2	TERMINAL	
6	1001116996	2	CONNECTOR	
6	7028639	2	BOOT	
6	1001118392	1	TERMINAL	
6	1001118393	5	TERMINAL	
6	1001137578	5	SEAL	
6	4461008	1	PLUG	
7	4460930	1	CONNECTOR	
7	80604025	1	WEDGE LOCK	
7	4460464	7	TERMINAL	
7	4460966	1	PLUG	
8	4461262	2	CONNECTOR	
8	1001116697	3	TERMINAL	
8	1001104498	3	SEAL	
9	1001117133	1	CONNECTOR	
9	1001104519	2	TERMINAL	
10	4460884	1	CONNECTOR	
10	80604021	1	WEDE LOCK	
10	4460465	4	TERMINAL	

# SECTION 10 - ELECTRICAL

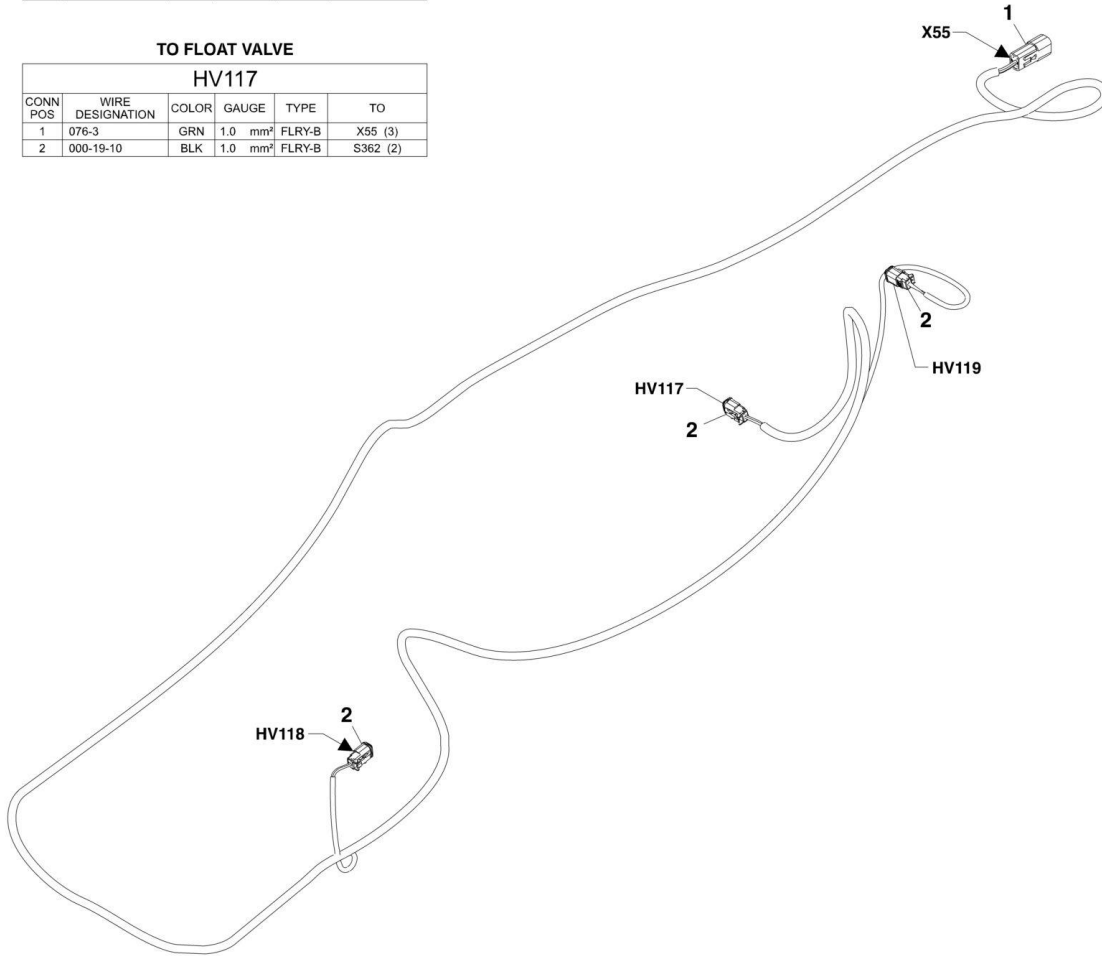
FIGURE 10-17. RIDE AND FLOAT CHASSIS SIDE HARNESS - 3706PS, 3707PS, 33.7, 37.6 & 37.7

**TO RIDE VALVE**

HV119					
CONN POS	WIRE DESIGNATION	COLOR	GAUGE	TYPE	TO
1	076-1	GRN	1.0 mm <sup>2</sup>	FLRY-B	X55 (1)
2	000-19-11	BLK	1.0 mm <sup>2</sup>	FLRY-B	S362 (2)

**TO FLOAT VALVE**

HV117					
CONN POS	WIRE DESIGNATION	COLOR	GAUGE	TYPE	TO
1	076-3	GRN	1.0 mm <sup>2</sup>	FLRY-B	X55 (3)
2	000-19-10	BLK	1.0 mm <sup>2</sup>	FLRY-B	S362 (2)



**TO CONTROLLER HARNESS**

X55					
CONN POS	WIRE DESIGNATION	COLOR	GAUGE	TYPE	TO
1	076-1	GRN	1.0 mm <sup>2</sup>	FLRY-B	HV119 (1)
2	076-2	GRN	1.0 mm <sup>2</sup>	FLRY-B	HV118 (1)
3	076-3	GRN	1.0 mm <sup>2</sup>	FLRY-B	HV117 (1)
4	000-19-8	BLK	1.5 mm <sup>2</sup>	FLRY-B	S362 (1)

**TO MAIN CONTROL VENT VALVE**

HV118					
CONN POS	WIRE DESIGNATION	COLOR	GAUGE	TYPE	TO
1	076-2	GRN	1.0 mm <sup>2</sup>	FLRY-B	X55 (2)
2	000-19-9	BLK	1.0 mm <sup>2</sup>	FLRY-B	S362 (1)

PZ8360



## SECTION 10 - ELECTRICAL

**FIGURE 10-17. RIDE AND FLOAT CHASSIS SIDE HARNESS - 3706PS, 3707PS, 33.7, 37.6 & 37.7**

ITEM	PART NUMBER	QTY	DESCRIPTION	REV
	1001107182	1	RIDE AND FLOAT CHASSIS SIDE HARNESS, (includes all items) <b>(3707PS Prior to SN 1160008184)</b>	B
	1001109525	1	RIDE AND FLOAT CHASSIS SIDE HARNESS, (includes all items), (3706PS & 37.6) <b>(3707PS SN 1160008184 to Present)</b>	B
1	4460932	1	CONNECTOR, (includes rear seal)	
1	80604020	1	WEDGE LOCK	
1	4460464	4	TERMINAL	
2	4460891	3	PLUG CONNECTOR, (includes rear seal)	
2	80604018	1	WEDGE LOCK	
2	4460465	2	TERMINAL	

# SECTION 10 - ELECTRICAL

## FIGURE 10-18. RIDE AND FLOAT CAB HARNESS

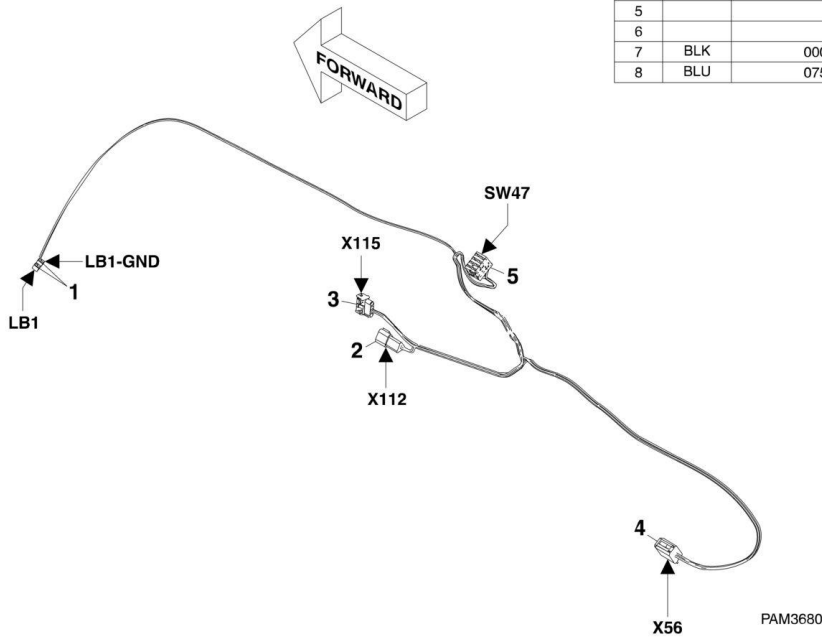
LB1-GND				
CONN POS	WIRE COLOR	WIRE LABEL	GAUGE	JACKET
2	BLK	000-19-7	1 mm <sup>2</sup>	FLRY-B

LB1				
CONN POS	WIRE COLOR	WIRE LABEL	GAUGE	JACKET
1	LGR	047-1	1 mm <sup>2</sup>	FLRY-B

X112				
CONN POS	WIRE COLOR	WIRE LABEL	GAUGE	JACKET
A	YEL	063-11	1.5 mm <sup>2</sup>	FLRY-B
B	BLK	000-19-3	1.5 mm <sup>2</sup>	FLRY-B
C	BLU	075-9-16	1 mm <sup>2</sup>	FLRY-B

X56				
CONN POS	WIRE COLOR	WIRE LABEL	GAUGE	JACKET
1	LGR	047-1	1 mm <sup>2</sup>	FLRY-B
2	WHT	TWISTED PAIR 1	1 mm <sup>2</sup>	FLRY-B
3	BLK	TWISTED PAIR 1	1 mm <sup>2</sup>	FLRY-B
4	LGR	049-1	1 mm <sup>2</sup>	FLRY-B
5	BLK	000-19-4	1.5 mm <sup>2</sup>	FLRY-B
6	YEL	063-11-1	1 mm <sup>2</sup>	FLRY-B
7				
8				

SW47				
CONN POS	WIRE COLOR	WIRE LABEL	GAUGE	JACKET
1				
2	YEL	063-11-2	1 mm <sup>2</sup>	FLRY-B
3	LGR	049-1	1 mm <sup>2</sup>	FLRY-B
4				
5				
6				
7	BLK	000-19-6	1 mm <sup>2</sup>	FLRY-B
8	BLU	075-9-16	1 mm <sup>2</sup>	FLRY-B



## SECTION 10 - ELECTRICAL

### FIGURE 10-18. RIDE AND FLOAT CAB HARNESS

ITEM	PART NUMBER	QTY	DESCRIPTION	REV
	1001143050	1	RIDE AND FLOAT CAB HARNESS, (includes all items)	A
1	1001116995	2	CONNECTOR	
1	1001118379	1	TERMINAL	
2	4460536	1	CONNECTOR	
2	80604019	1	WEDGE LOCK	
2	4460464	3	TERMINAL	
3	1001119032	1	CONNECTOR	
3	4460267	4	TERMINAL	
4	4460930	1	CONNECTOR	
4	80604025	1	WEDGE LOCK	
4	4460465	6	TERMINAL	
4	4460466	2	PLUG	
5	8220904	1	CONNECTOR	
5	1001104519	4	TERMINAL	
5	N.S.S.	4	PLUG	

# SECTION 10 - ELECTRICAL

## FIGURE 10-19. RIDE AND FLOAT CONTROLLER HARNESS

**TO CAB HARNESS**

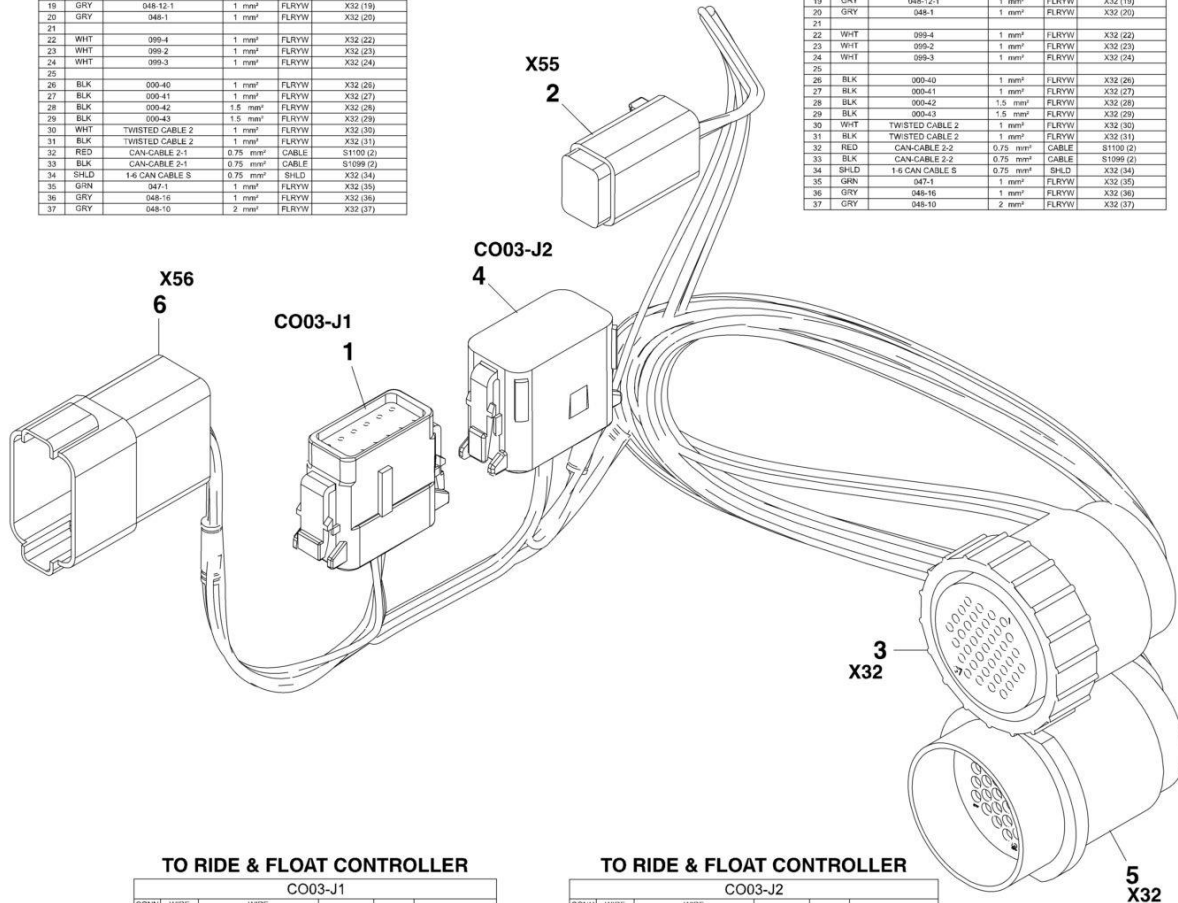
**X32**

CONN POS	WIRE COLOR	WIRE LABEL	GAUGE	JACKET	TO
1	WHT	099-5	1 mm <sup>2</sup>	FLRYW	X32 (1)
2	BRN	074-6-1	1 mm <sup>2</sup>	FLRYW	X32 (2)
3	BRN	073-15-2	1 mm <sup>2</sup>	FLRYW	X32 (3)
4	BLK	058-8	1 mm <sup>2</sup>	FLRYW	X32 (4)
5	YEL	062-9-5	1.5 mm <sup>2</sup>	FLRYW	X32 (5)
6	YEL	057-1	1 mm <sup>2</sup>	FLRYW	X32 (6)
7	GRY	048-21	1 mm <sup>2</sup>	FLRYW	X32 (7)
8	GRY	048-18	1 mm <sup>2</sup>	FLRYW	X32 (8)
9	BRN	073-9	1 mm <sup>2</sup>	FLRYW	X32 (9)
10	WHT	048-23	1 mm <sup>2</sup>	FLRYW	X32 (10)
11	GRY	048-22	1 mm <sup>2</sup>	FLRYW	X32 (11)
12	GRY	048-25	1 mm <sup>2</sup>	FLRYW	X32 (12)
13	YEL	063-39	1 mm <sup>2</sup>	FLRYW	X32 (13)
14	GRY	048-3	1 mm <sup>2</sup>	FLRYW	X32 (14)
15	GRY	048-24	1 mm <sup>2</sup>	FLRYW	X32 (15)
16	WHT	059-1	1 mm <sup>2</sup>	FLRYW	X32 (16)
17	ORG	078-3	1 mm <sup>2</sup>	FLRYW	X32 (17)
18	GRY	048-11	1 mm <sup>2</sup>	FLRYW	X32 (18)
19	GRY	048-12-1	1 mm <sup>2</sup>	FLRYW	X32 (19)
20	GRY	048-1	1 mm <sup>2</sup>	FLRYW	X32 (20)
21					
22	WHT	099-4	1 mm <sup>2</sup>	FLRYW	X32 (22)
23	WHT	099-2	1 mm <sup>2</sup>	FLRYW	X32 (23)
24	WHT	099-3	1 mm <sup>2</sup>	FLRYW	X32 (24)
25					
26	BLK	000-40	1 mm <sup>2</sup>	FLRYW	X32 (26)
27	BLK	000-41	1 mm <sup>2</sup>	FLRYW	X32 (27)
28	BLK	000-42	1.5 mm <sup>2</sup>	FLRYW	X32 (28)
29	BLK	000-43	1.5 mm <sup>2</sup>	FLRYW	X32 (29)
30	WHT	TWISTED CABLE 2	1 mm <sup>2</sup>	FLRYW	X32 (30)
31	BLK	TWISTED CABLE 2	1 mm <sup>2</sup>	FLRYW	X32 (31)
32	RED	CAN-CABLE 2-1	0.75 mm <sup>2</sup>	CABLE	S1109 (2)
33	BLK	CAN-CABLE 2-1	0.75 mm <sup>2</sup>	CABLE	S1109 (2)
34	SHLD	1-6 CAN CABLE S	0.75 mm <sup>2</sup>	SHLD	X32 (34)
35	GRN	047-1	1 mm <sup>2</sup>	FLRYW	X32 (35)
36	GRY	048-16	1 mm <sup>2</sup>	FLRYW	X32 (36)
37	GRY	048-10	2 mm <sup>2</sup>	FLRYW	X32 (37)

**TO ENGINE HARNESS**

**X32**

CONN POS	WIRE COLOR	WIRE LABEL	GAUGE	JACKET	TO
1	WHT	099-5	1 mm <sup>2</sup>	FLRYW	X32 (1)
2	BRN	074-6-1	1 mm <sup>2</sup>	FLRYW	X32 (2)
3	BRN	073-15-2	1 mm <sup>2</sup>	FLRYW	X32 (3)
4	BLK	058-8	1 mm <sup>2</sup>	FLRYW	X32 (4)
5	YEL	062-9-5	1.5 mm <sup>2</sup>	FLRYW	X32 (5)
6	YEL	057-1	1 mm <sup>2</sup>	FLRYW	X32 (6)
7	GRY	048-21	1 mm <sup>2</sup>	FLRYW	X32 (7)
8	GRY	048-18	1 mm <sup>2</sup>	FLRYW	X32 (8)
9	BRN	073-9	1 mm <sup>2</sup>	FLRYW	X32 (9)
10	WHT	048-23	1 mm <sup>2</sup>	FLRYW	X32 (10)
11	GRY	048-22	1 mm <sup>2</sup>	FLRYW	X32 (11)
12	GRY	048-25	1 mm <sup>2</sup>	FLRYW	X32 (12)
13	YEL	063-39	1 mm <sup>2</sup>	FLRYW	X32 (13)
14	GRY	048-3	1 mm <sup>2</sup>	FLRYW	X32 (14)
15	GRY	048-24	1 mm <sup>2</sup>	FLRYW	X32 (15)
16	WHT	059-1	1 mm <sup>2</sup>	FLRYW	X32 (16)
17	ORG	078-3	1 mm <sup>2</sup>	FLRYW	X32 (17)
18	GRY	048-11	1 mm <sup>2</sup>	FLRYW	X32 (18)
19	GRY	048-12-1	1 mm <sup>2</sup>	FLRYW	X32 (19)
20	GRY	048-1	1 mm <sup>2</sup>	FLRYW	X32 (20)
21					
22	WHT	099-4	1 mm <sup>2</sup>	FLRYW	X32 (22)
23	WHT	099-2	1 mm <sup>2</sup>	FLRYW	X32 (23)
24	WHT	099-3	1 mm <sup>2</sup>	FLRYW	X32 (24)
25					
26	BLK	000-40	1 mm <sup>2</sup>	FLRYW	X32 (26)
27	BLK	000-41	1 mm <sup>2</sup>	FLRYW	X32 (27)
28	BLK	000-42	1.5 mm <sup>2</sup>	FLRYW	X32 (28)
29	BLK	000-43	1.5 mm <sup>2</sup>	FLRYW	X32 (29)
30	WHT	TWISTED CABLE 2	1 mm <sup>2</sup>	FLRYW	X32 (30)
31	BLK	TWISTED CABLE 2	1 mm <sup>2</sup>	FLRYW	X32 (31)
32	RED	CAN-CABLE 2-2	0.75 mm <sup>2</sup>	CABLE	S1109 (2)
33	BLK	CAN-CABLE 2-2	0.75 mm <sup>2</sup>	CABLE	S1109 (2)
34	SHLD	1-6 CAN CABLE S	0.75 mm <sup>2</sup>	SHLD	X32 (34)
35	GRN	047-1	1 mm <sup>2</sup>	FLRYW	X32 (35)
36	GRY	048-16	1 mm <sup>2</sup>	FLRYW	X32 (36)
37	GRY	048-10	2 mm <sup>2</sup>	FLRYW	X32 (37)



**TO RIDE & FLOAT CONTROLLER**

**CO03-J1**

CONN POS	WIRE COLOR	WIRE LABEL	GAUGE	JACKET	TO
1	YEL	063-11-1	0.5 mm <sup>2</sup>	FLRY-B	X58 (6)
2	BLK	000-19-4	0.5 mm <sup>2</sup>	FLRY-B	S377 (2)
3	LGR	048-1	0.5 mm <sup>2</sup>	FLRY-B	X58 (4)
4					
5					
6					
7	GRN	076-1	0.5 mm <sup>2</sup>	FLRY-B	X55 (1)
8	GRN	076-2	0.5 mm <sup>2</sup>	FLRY-B	X55 (2)
9	GRN	076-3	0.5 mm <sup>2</sup>	FLRY-B	X55 (3)
10					
11	LGR	047-1	0.5 mm <sup>2</sup>	FLRY-B	X58 (1)
12					

**TO RIDE & FLOAT CONTROLLER**

**CO03-J2**

CONN POS	WIRE COLOR	WIRE LABEL	GAUGE	JACKET	TO
1					
2					
3					
4					
5					
6					
7					
8					
9	RED	CAN-CABLE 2	0.75 mm <sup>2</sup>	CABLE	S1109 (1)
10	BLK	CAN-CABLE 2	0.75 mm <sup>2</sup>	CABLE	S1099 (1)
11	WHT	TWISTED PAIR 1	0.5 mm <sup>2</sup>	FLRY-B	X58 (2)
12	BLK	TWISTED PAIR 1	0.5 mm <sup>2</sup>	FLRY-B	X58 (3)

**TO CHASSIS HARNESS**

**X55**

CONN POS	WIRE COLOR	WIRE LABEL	GAUGE	JACKET	TO
1	GRN	076-1	0.5 mm <sup>2</sup>	FLRY-B	CO03-J1 (7)
2	GRN	076-2	0.5 mm <sup>2</sup>	FLRY-B	CO03-J1 (8)
3	GRN	076-3	0.5 mm <sup>2</sup>	FLRY-B	CO03-J1 (9)
4	BLK	000-19-8	1.5 mm <sup>2</sup>	FLRY-B	S377 (2)

**TO CAB SIDE HARNESS**

**X56**

CONN POS	WIRE COLOR	WIRE LABEL	GAUGE	JACKET	TO
1	LGR	047-1	0.5 mm <sup>2</sup>	FLRY-B	CO03-J1 (11)
2	WHT	TWISTED PAIR 1	0.5 mm <sup>2</sup>	FLRY-B	CO03-J2 (11)
3	BLK	TWISTED PAIR 1	0.5 mm <sup>2</sup>	FLRY-B	CO03-J2 (12)
4	LGR	048-1	0.5 mm <sup>2</sup>	FLRY-B	CO03-J1 (3)
5	BLK	000-19-4	1.5 mm <sup>2</sup>	FLRY-B	S377 (1)
6	YEL	063-11-1	0.5 mm <sup>2</sup>	FLRY-B	CO03-J1 (1)
7					
8					

ART\_1001143047-B

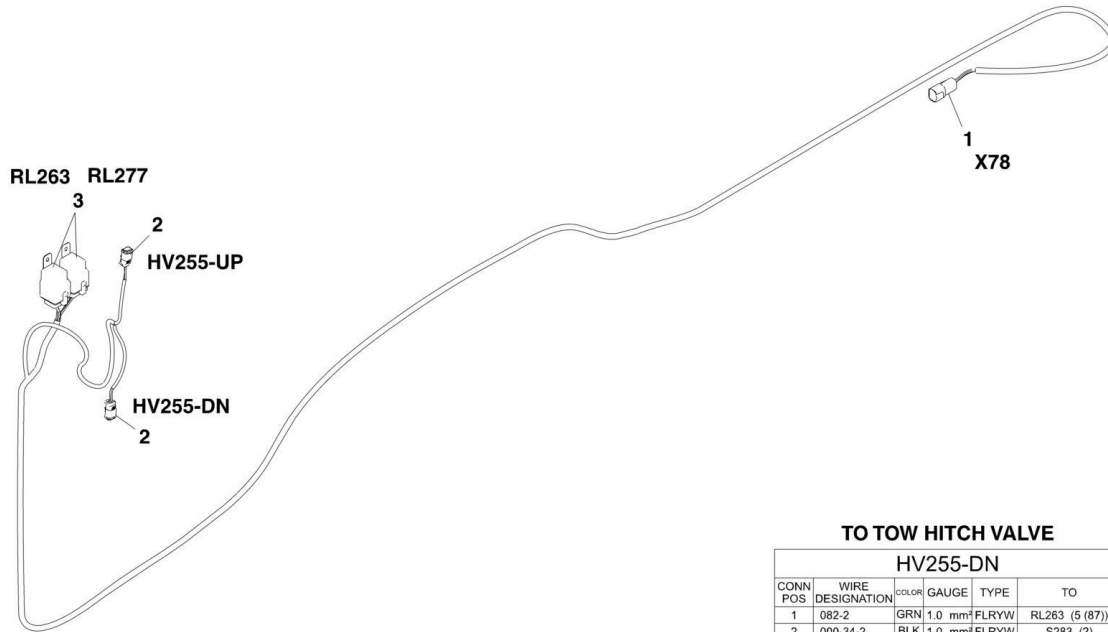
## SECTION 10 - ELECTRICAL

### FIGURE 10-19. RIDE AND FLOAT CONTROLLER HARNESS

ITEM	PART NUMBER	QTY	DESCRIPTION	REV
	1001143047	1	RIDE AND FLOAT CONTROLLER HARNESS, (includes all items)	B
1	1001116808	1	PLUG CONNECTOR, (includes rear seal)	
1	4460909	1	HOUSING	
1	4460915	1	WEDGE LOCK	
1	4460928	7	TERMINAL	
1	4460518	5	PLUG	
2	4460884	1	PLUG CONNECTOR, (includes rear seal)	
2	80604021	1	WEDGE LOCK	
2	4460465	4	TERMINAL	
3	1001116978	1	CONNECTOR PLUG	
3	1001118381	35	TERMINAL	
3	1001118391	3	PLUG	
4	1001116774	1	CONNECTOR PLUG, (includes rear seal)	
4	4460908	1	HOUSING	
4	4460915	1	WEDGE LOCK	
4	4460518	8	PLUG	
4	4460918	2	TERMINAL	
4	4460928	2	TERMINAL	
5	1001116976	1	CONNECTOR	
5	1001118380	35	TERMINAL	
5	1001118391	3	PLUG	
6	4460931	1	CONNECTOR, (includes rear seal)	
6	80604024	1	WEDGE LOCK	
6	4460464	6	TERMINAL	
6	4460466	2	PLUG	

# SECTION 10 - ELECTRICAL

## FIGURE 10-20. TOW HITCH HARNESS



### TO TOW HITCH VALVE

HV255-DN					
CONN POS	WIRE DESIGNATION	COLOR	GAUGE	TYPE	TO
1	082-2	GRN	1.0 mm <sup>2</sup>	FLRYW	RL263 (5 (87))
2	000-34-2	BLK	1.0 mm <sup>2</sup>	FLRYW	S283 (2)

### TO TOW HITCH VALVE

HV255-UP					
CONN POS	WIRE DESIGNATION	COLOR	GAUGE	TYPE	TO
1	081-2	GRN	1.0 mm <sup>2</sup>	FLRYW	RL277 (5 (87))
2	000-34-1	BLK	1.0 mm <sup>2</sup>	FLRYW	S283 (2)

### TO CAB HARNESS

X78					
CONN POS	WIRE DESIGNATION	COLOR	GAUGE	TYPE	TO
1	081-1	GRN	1.0 mm <sup>2</sup>	FLRYW	RL277 (1 (86))
2	082-1	GRN	1.0 mm <sup>2</sup>	FLRYW	RL263 (1 (86))
3	063-22	YEL	1.0 mm <sup>2</sup>	FLRYW	S278 (1)
4	000-34	BLK	1.0 mm <sup>2</sup>	FLRYW	S283 (1)

### TO RELAY

RL263					
CONN POS	WIRE DESIGNATION	COLOR	GAUGE	TYPE	TO
1 (86)	082-1	GRN	1.0 mm <sup>2</sup>	FLRYW	X78 (2)
2 (85)	000-34-3	BLK	1.0 mm <sup>2</sup>	FLRYW	S283 (2)
3 (30)	063-22-2	YEL	1.0 mm <sup>2</sup>	FLRYW	S278 (2)
4	N/C				
5 (87)	082-2	GRN	1.0 mm <sup>2</sup>	FLRYW	HV255-DN (1)

### TO RELAY

RL277					
CONN POS	WIRE DESIGNATION	COLOR	GAUGE	TYPE	TO
1 (86)	081-1	GRN	1.0 mm <sup>2</sup>	FLRYW	X78 (1)
2 (85)	000-34-4	BLK	1.0 mm <sup>2</sup>	FLRYW	S283 (2)
3 (30)	063-22-1	YEL	1.0 mm <sup>2</sup>	FLRYW	S278 (2)
4	N/C				
5 (87)	081-2	GRN	1.0 mm <sup>2</sup>	FLRYW	HV255-UP (1)

PZ7720

## SECTION 10 - ELECTRICAL

### FIGURE 10-20. TOW HITCH HARNESS

ITEM	PART NUMBER	QTY	DESCRIPTION	REV
	1001094593	1	TOW HITCH HARNESS, (includes all items)	A
1	4460884	1	PLUG CONNECTOR, (includes rear seal)	
1	80604021	1	SECONDARY WEDGE LOCK	
1	4460465	4	TERMINAL	
2	4460891	2	PLUG CONNECTOR, (includes rear seal)	
2	80604018	1	SECONDARY WEDGE LOCK	
2	4460465	2	TERMINAL	
3	1001117025	2	CONNECTOR	
3	1001116733	3	TERMINAL	
3	3740080	1	RELAY	

# SECTION 10 - ELECTRICAL

## FIGURE 10-21. TRAILER BRAKE CAB HARNESS, ITALIAN

**TO TRAILER BRAKE LAMP**  
**LB50\_1**

CONN POS	WIRE COLOR	WIRE LABEL	GAUGE	JACKET	TO
1	BLU	047-21	1 mm <sup>2</sup>	FLRY-B	X120A (2)

**TO TRAILER BRAKE LAMP**  
**LB50\_2**

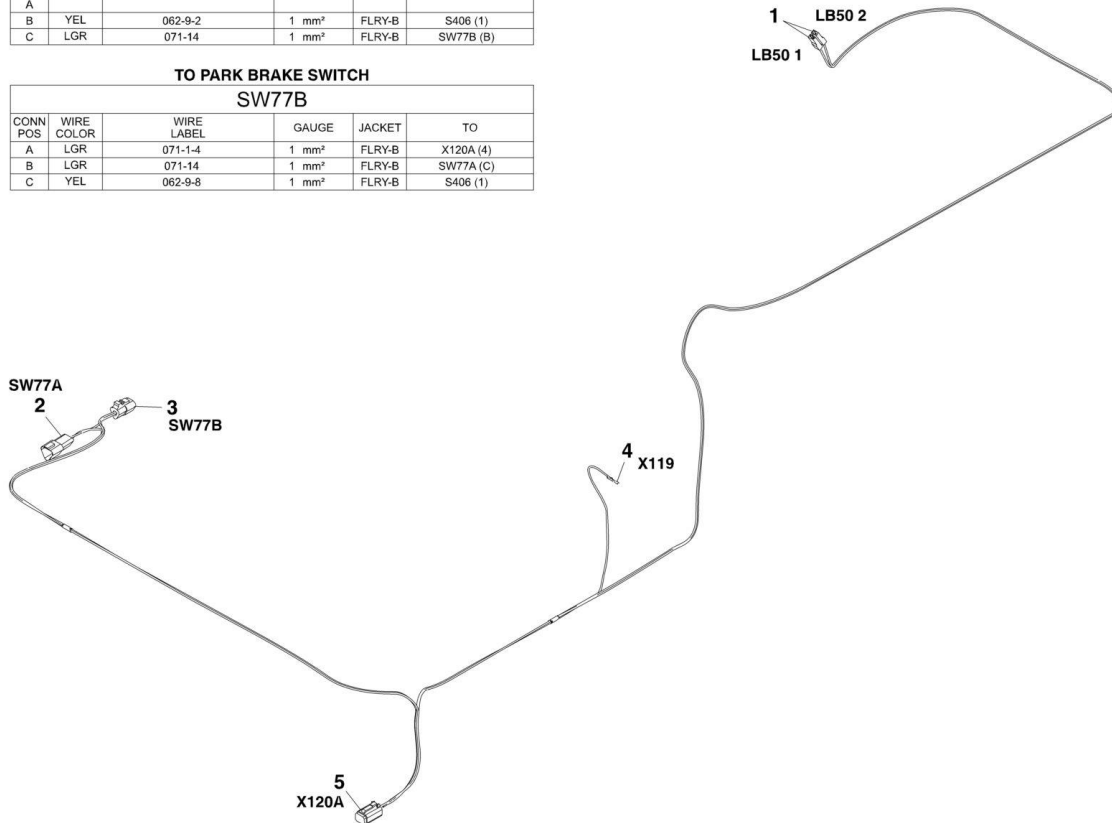
CONN POS	WIRE COLOR	WIRE LABEL	GAUGE	JACKET	TO
2	BLK	000-58-1	1 mm <sup>2</sup>	FLRY-B	S405 (1)

**TO CAB HARNESS**  
**SW77A**

CONN POS	WIRE COLOR	WIRE LABEL	GAUGE	JACKET	TO
A					
B	YEL	062-9-2	1 mm <sup>2</sup>	FLRY-B	S406 (1)
C	LGR	071-14	1 mm <sup>2</sup>	FLRY-B	SW77B (B)

**TO PARK BRAKE SWITCH**  
**SW77B**

CONN POS	WIRE COLOR	WIRE LABEL	GAUGE	JACKET	TO
A	LGR	071-1-4	1 mm <sup>2</sup>	FLRY-B	X120A (4)
B	LGR	071-14	1 mm <sup>2</sup>	FLRY-B	SW77A (C)
C	YEL	062-9-8	1 mm <sup>2</sup>	FLRY-B	S406 (1)



**TO UGM GROUND**  
**X119**

CONN POS	WIRE COLOR	WIRE LABEL	GAUGE	JACKET	TO
J2-28	BLK	000-58	1 mm <sup>2</sup>	FLRY-B	S405 (1)

**TO TRAILER BRAKE CHASSIS HARNESS**  
**X120A**

CONN POS	WIRE COLOR	WIRE LABEL	GAUGE	JACKET	TO
1	YEL	062-9-9	1 mm <sup>2</sup>	FLRY-B	S406 (2)
2	BLU	047-21	1 mm <sup>2</sup>	FLRY-B	LB50_1 (1)
3	BLK	000-58-2	1 mm <sup>2</sup>	FLRY-B	S405 (2)
4	LGR	071-1-4	1 mm <sup>2</sup>	FLRY-B	SW77B (A)

PZ7780



## SECTION 10 - ELECTRICAL

### FIGURE 10-21. TRAILER BRAKE CAB HARNESS, ITALIAN

ITEM	PART NUMBER	QTY	DESCRIPTION	REV
	1001117921	1	TRAILER BRAKE CAB HARNESS	C
1	1001116995	2	FASTON HOUSING	
1	1001118379	1	TERMINAL	
2	4460536	1	3 PIN MALE TERMINAL, (includes rear seal)	
2	80604019	1	SECONDARY WEDGE LOCK	
2	4460466	1	PLUG	
2	4460464	2	TERMINAL	
3	4460539	1	3 PIN CONNECTOR, (includes rear seal)	
3	80604019	1	SECONDARY WEDGE LOCK	
3	4460465	3	TERMINAL	
4	4460871	1	TERMINAL	
5	4460884	1	PLUG CONNECTOR, (includes rear seal)	
5	80604021	1	SECONDARY WEDGE LOCK	
5	4460465	4	TERMINAL	

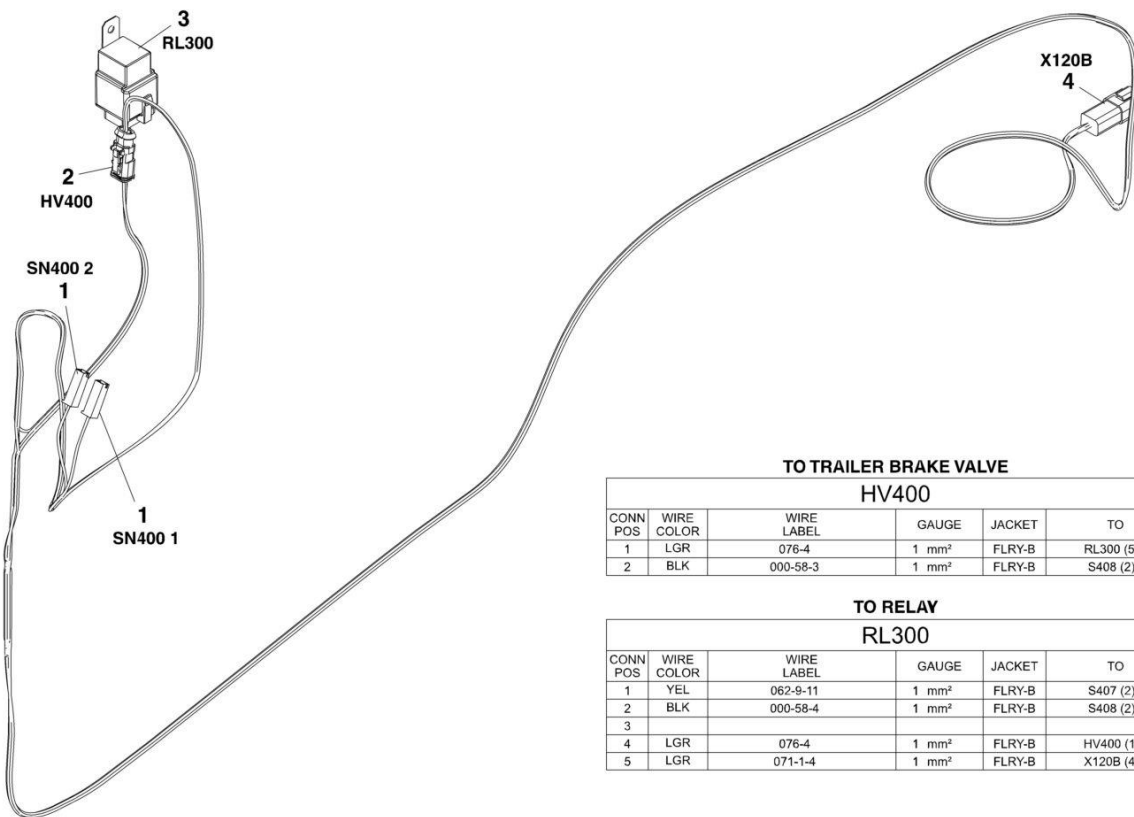
# SECTION 10 - ELECTRICAL

## FIGURE 10-22. TRAILER BRAKE CHASSIS HARNESS, ITALIAN

TO TRAILER BRAKE PRESSURE SWITCH					
SN400-1					
CONN POS	WIRE COLOR	WIRE LABEL	GAUGE	JACKET	TO
1	YEL	062-9-10	1 mm <sup>2</sup>	FLRY-B	S407 (2)

TO TRAILER BRAKE PRESSURE SWITCH					
SN400-2					
CONN POS	WIRE COLOR	WIRE LABEL	GAUGE	JACKET	TO
1	BLU	047-21	1 mm <sup>2</sup>	FLRY-B	X120B (2)

TO TRAILER BRAKE CAB HARNESS					
X120B					
CONN POS	WIRE COLOR	WIRE LABEL	GAUGE	JACKET	TO
1	YEL	062-9-9	1 mm <sup>2</sup>	FLRY-B	S407 (1)
2	BLU	047-21	1 mm <sup>2</sup>	FLRY-B	SN400-2 (1)
3	BLK	000-58-2	1 mm <sup>2</sup>	FLRY-B	S408 (1)
4	LGR	071-1-4	1 mm <sup>2</sup>	FLRY-B	RL300 (5)



TO TRAILER BRAKE VALVE					
HV400					
CONN POS	WIRE COLOR	WIRE LABEL	GAUGE	JACKET	TO
1	LGR	076-4	1 mm <sup>2</sup>	FLRY-B	RL300 (5)
2	BLK	000-58-3	1 mm <sup>2</sup>	FLRY-B	S408 (2)

TO RELAY					
RL300					
CONN POS	WIRE COLOR	WIRE LABEL	GAUGE	JACKET	TO
1	YEL	062-9-11	1 mm <sup>2</sup>	FLRY-B	S407 (2)
2	BLK	000-58-4	1 mm <sup>2</sup>	FLRY-B	S408 (2)
3					
4	LGR	076-4	1 mm <sup>2</sup>	FLRY-B	HV400 (1)
5	LGR	071-1-4	1 mm <sup>2</sup>	FLRY-B	X120B (4)

ART\_1001117922-D

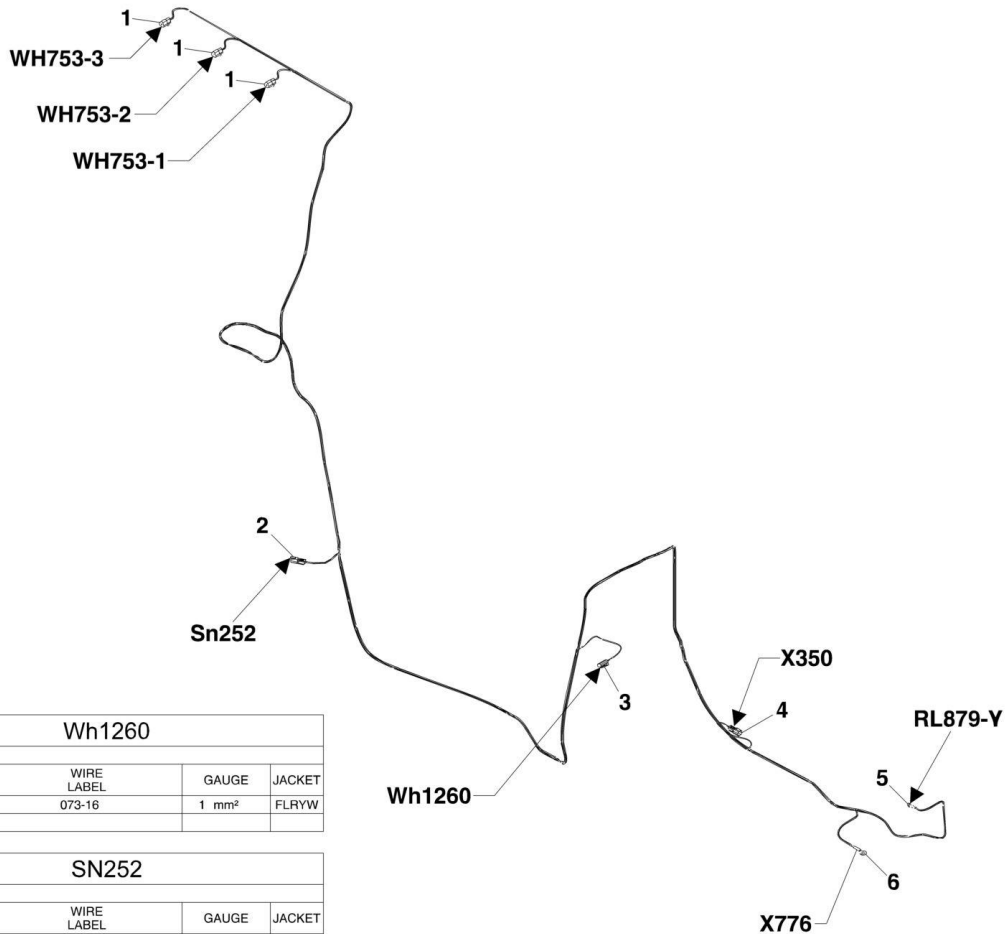
## SECTION 10 - ELECTRICAL

**FIGURE 10-22. TRAILER BRAKE CHASSIS HARNESS, ITALIAN**

ITEM	PART NUMBER	QTY	DESCRIPTION	REV
	1001117922	1	TRAILER BRAKE CHASSIS HARNESS, (Italian), (includes all items)	D
1	4460260	2	TERMINAL HOUSING	
1	4460259	1	TERMINAL	
2	1001148635	1	2 POSITION PLUG TERMINAL, (includes rear seal)	
2	80604018	1	WEDGE LOCK	
2	4460942	2	TERMINAL	
3	1001118282	1	METRI-PACK CONNECTOR	
3	1001116733	4	TERMINAL	
4	4460932	1	CONNECTOR, (includes rear seal)	
4	80604020	1	WEDGE LOCK	
4	4460464	4	TERMINAL	

# SECTION 10 - ELECTRICAL

## FIGURE 10-23. A/C HARNESS



Wh1260				
CONN POS	WIRE COLOR	WIRE LABEL	GAUGE	JACKET
1	BRN	073-16	1 mm <sup>2</sup>	FLRYW
2				

SN252				
CONN POS	WIRE COLOR	WIRE LABEL	GAUGE	JACKET
1	BRN	073-9-1	1 mm <sup>2</sup>	FLRYW
2	BRN	073-16	1 mm <sup>2</sup>	FLRYW

RL879-Y				
CONN POS	WIRE COLOR	WIRE LABEL	GAUGE	JACKET
1	BRN	083-1	1 mm <sup>2</sup>	FLRYW
1	BRN	083-2	1 mm <sup>2</sup>	FLRYW
1	BRN	083-3	1 mm <sup>2</sup>	FLRYW

X766				
CONN POS	WIRE COLOR	WIRE LABEL	GAUGE	JACKET
1	BLK	000-65	1 mm <sup>2</sup>	FLRYW
1	BLK	000-66	1 mm <sup>2</sup>	FLRYW
1	BLK	000-67	1 mm <sup>2</sup>	FLRYW

X350				
CONN POS	WIRE COLOR	WIRE LABEL	GAUGE	JACKET
1	BRN	073-9-1	1 mm <sup>2</sup>	FLRYW
2	BLK	000-73	1 mm <sup>2</sup>	FLRYW

WH753-1				
CONN POS	WIRE COLOR	WIRE LABEL	GAUGE	JACKET
A	BRN	083-3	1 mm <sup>2</sup>	FLRYW
B	BLK	000-67	1 mm <sup>2</sup>	FLRYW
C				

WH753-2				
CONN POS	WIRE COLOR	WIRE LABEL	GAUGE	JACKET
A	BRN	083-2	1 mm <sup>2</sup>	FLRYW
B	BLK	000-66	1 mm <sup>2</sup>	FLRYW
C				

WH753-3				
CONN POS	WIRE COLOR	WIRE LABEL	GAUGE	JACKET
A	BRN	083-1	1 mm <sup>2</sup>	FLRYW
B	BLK	000-65	1 mm <sup>2</sup>	FLRYW
C				

PZ8250

## SECTION 10 - ELECTRICAL

### FIGURE 10-23. A/C HARNESS

ITEM	PART NUMBER	QTY	DESCRIPTION	REV
	1001139621	1	A/C HARNESS, (includes all items)	D
1	4460539	3	CONNECTOR	
1	77363244	3	WEDGELOCK	
1	4460465	2	TERMINAL	
1	4460466	1	PLUG	
2	4460897	1	CONNECTOR	
2	80604017	1	WEDGE LOCK	
2	4460464	2	TERMINAL	
3	4460891	1	CONNECTOR	
3	80604018	1	WEDGE LOCK	
3	4460465	2	TERMINAL	
4	4460897	1	CONNECTOR	
4	80604017	1	WEDGE LOCK	
4	4460464	1	TERMINAL	
4	4460466	1	PLUG	
5	4460312	1	CONNECTOR	
5	N.S.S.	3	TERMINAL	
6	1001117110	1	CONNECTOR	
6	N.S.S.	3	TERMINAL	

# SECTION 10 - ELECTRICAL

## FIGURE 10-24. BOOM EXTENSION HARNESS - 4017PS

4017PS

X308				
CONN POS	WIRE DESIGNATION	COLOR	GAUGE	TYPE
1	063-25-3	YEL	1.0 mm <sup>2</sup>	FLRY-B
2	000-44-5	YEL	1.0 mm <sup>2</sup>	FLRY-B
3	049-11	YEL	1.0 mm <sup>2</sup>	FLRY-B
4	062-12-7	YEL	1.0 mm <sup>2</sup>	FLRY-B
5	058-6-5	BLK	1.0 mm <sup>2</sup>	FLRY-B
6	049-14	WHT	1.0 mm <sup>2</sup>	FLRY-B

SN400				
CONN POS	WIRE DESIGNATION	COLOR	GAUGE	TYPE
1	063-25-3	YEL	1.0 mm <sup>2</sup>	FLRY-B
2	000-44-5	YEL	1.0 mm <sup>2</sup>	FLRY-B
3	049-11	YEL	1.0 mm <sup>2</sup>	FLRY-B

SN392				
CONN POS	WIRE DESIGNATION	COLOR	GAUGE	TYPE
1	062-12-7	YEL	1.0 mm <sup>2</sup>	FLRY-B
2	058-6-5	BLK	1.0 mm <sup>2</sup>	FLRY-B
3	049-14	WHT	1.0 mm <sup>2</sup>	FLRY-B



## SECTION 10 - ELECTRICAL

**FIGURE 10-24. BOOM EXTENSION HARNESS - 4017PS**

ITEM	PART NUMBER	QTY	DESCRIPTION	REV
	1001116133		BOOM EXTENSION HARNESS	C
1	4460899	1	CONNECTOR	
1	4460464	3	TERMINAL	
1	4460466	3	PLUG	
2	4461262	2	CONNECTOR	
2	1001116697	3	TERMINAL	
2	1001104498	3	SEAL	

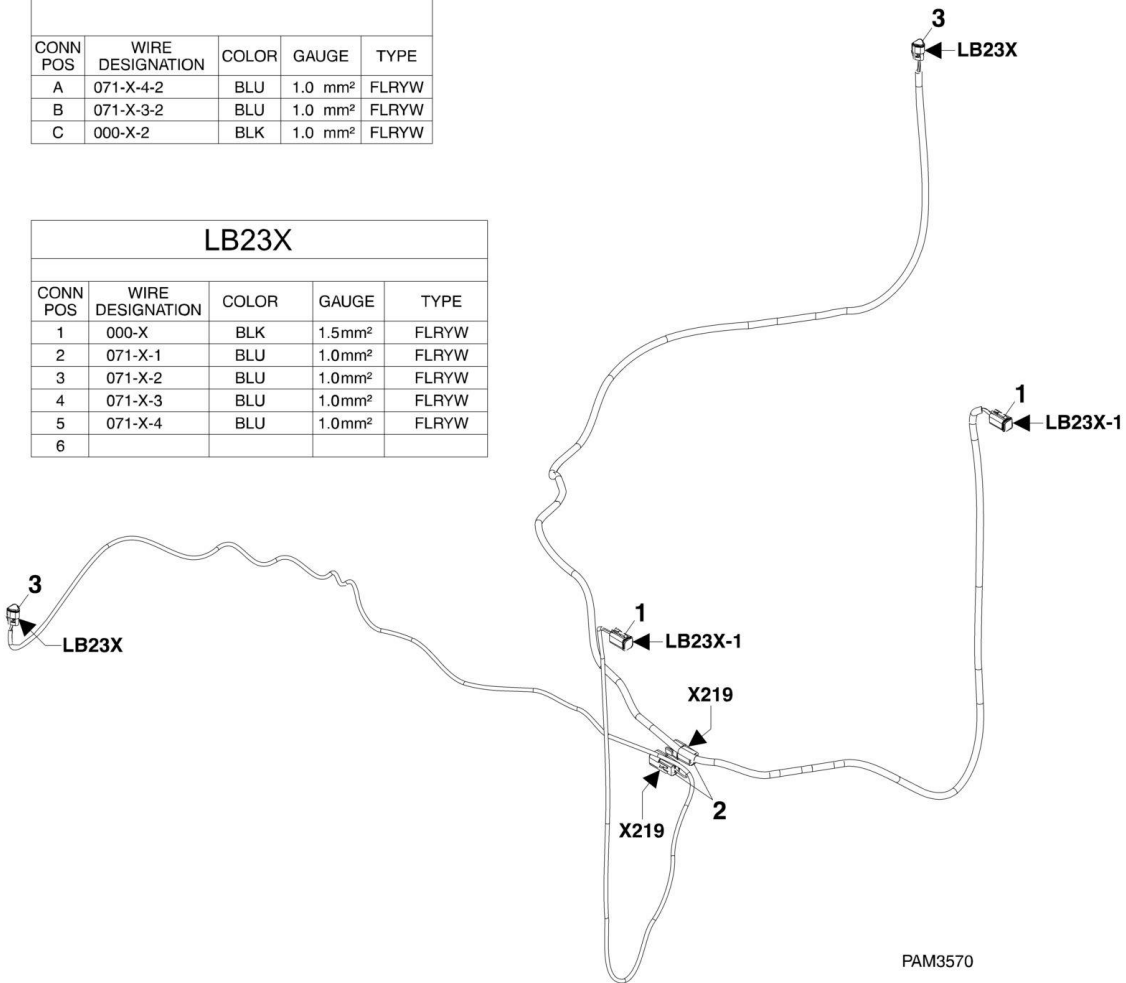
# SECTION 10 - ELECTRICAL

## FIGURE 10-25. HEADLIGHT EXTENSION HARNESS

X219				
CONN POS	WIRE DESIGNATION	COLOR	GAUGE	TYPE
1	000-X-1	BLK	1.5 mm <sup>2</sup>	FLRYW
2	071-X-1	BLU	1.0 mm <sup>2</sup>	FLRYW
3	071-X-2	BLU	1.0 mm <sup>2</sup>	FLRYW
4	071-X-3-1	BLU	1.0 mm <sup>2</sup>	FLRYW
5	071-X-4-1	BLU	1.0 mm <sup>2</sup>	FLRYW
6				

LB23X-1				
CONN POS	WIRE DESIGNATION	COLOR	GAUGE	TYPE
A	071-X-4-2	BLU	1.0 mm <sup>2</sup>	FLRYW
B	071-X-3-2	BLU	1.0 mm <sup>2</sup>	FLRYW
C	000-X-2	BLK	1.0 mm <sup>2</sup>	FLRYW

LB23X				
CONN POS	WIRE DESIGNATION	COLOR	GAUGE	TYPE
1	000-X	BLK	1.5mm <sup>2</sup>	FLRYW
2	071-X-1	BLU	1.0mm <sup>2</sup>	FLRYW
3	071-X-2	BLU	1.0mm <sup>2</sup>	FLRYW
4	071-X-3	BLU	1.0mm <sup>2</sup>	FLRYW
5	071-X-4	BLU	1.0mm <sup>2</sup>	FLRYW
6				



PAM3570



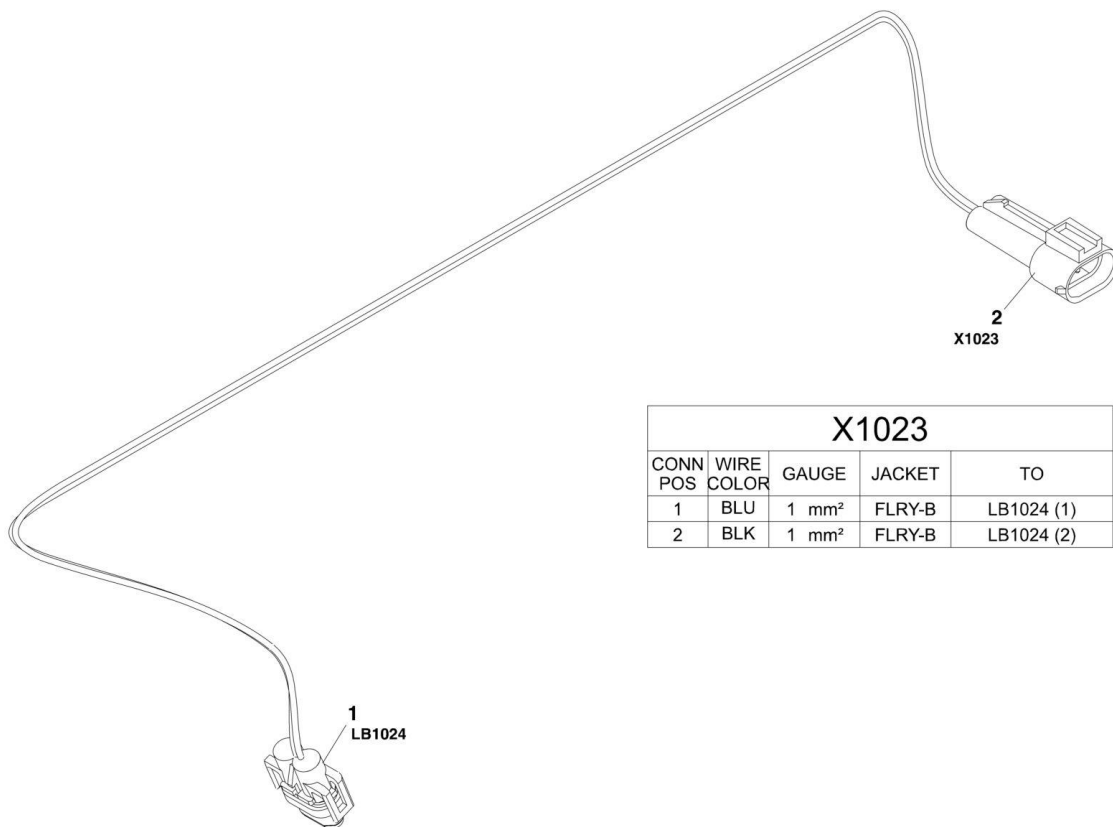
## SECTION 10 - ELECTRICAL

**FIGURE 10-25. HEADLIGHT EXTENSION HARNESS**

ITEM	PART NUMBER	QTY	DESCRIPTION	REV
	1001101229	2	HEADLIGHT EXTENSION HARNESS, (includes all items)	E
1	4460539	1	CONNECTOR	
1	77363244	1	WEDGE LOCK	
1	4460465	3	TERMINAL	
2	4460899	1	CONNECTOR	
2	80604022	1	WEDGE LOCK	
2	4460464	5	TERMINAL	
2	4460466	1	PLUG	
3	4460894	1	CONNECTOR	
3	80604023	1	WEDGE LOCK	
3	4460465	5	TERMINAL	
3	4460466	1	PLUG	

# SECTION 10 - ELECTRICAL

## FIGURE 10-26. LIGHT EXTENSION HARNESS



X1023				
CONN POS	WIRE COLOR	GAUGE	JACKET	TO
1	BLU	1 mm <sup>2</sup>	FLRY-B	LB1024 (1)
2	BLK	1 mm <sup>2</sup>	FLRY-B	LB1024 (2)

LB1024				
CONN POS	WIRE COLOR	GAUGE	JACKET	TO
1	BLU	1 mm <sup>2</sup>	FLRY-B	X1023 (1)
2	BLK	1 mm <sup>2</sup>	FLRY-B	X1023 (2)

PZ8960

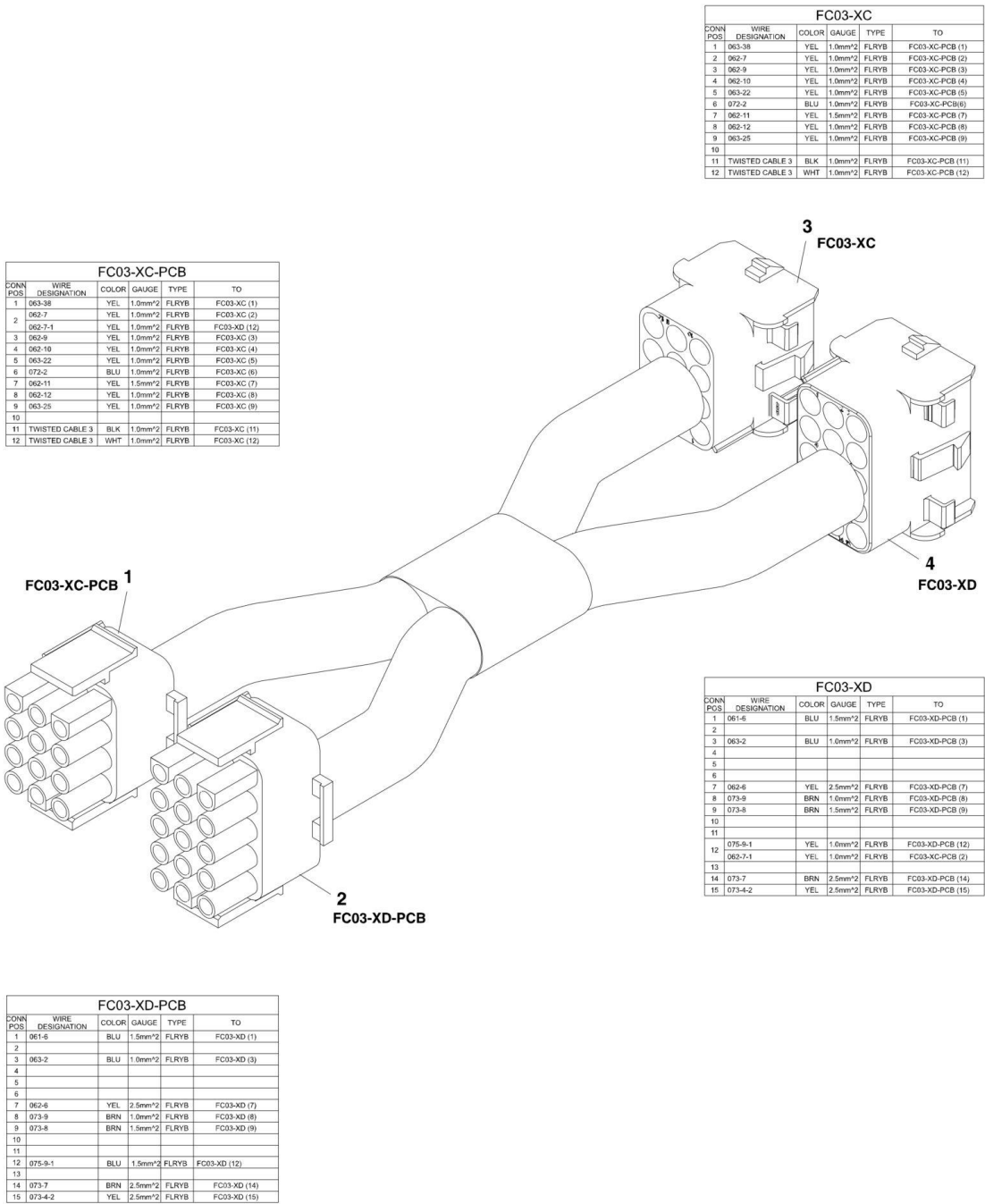
## SECTION 10 - ELECTRICAL

### FIGURE 10-26. LIGHT EXTENSION HARNESS

ITEM	PART NUMBER	QTY	DESCRIPTION	REV
	1001133224	2	LIGHT EXTENSION HARNESS, (if equipped), (includes all items)	A
1	4461115	1	CONNECTOR	
1	1001116728	2	TERMINAL	
1	4460458	2	SEAL	
2	1001133213	1	CONNECTOR	
2	1001116745	2	TERMINAL	
2	4460458	2	SEAL	

# SECTION 10 - ELECTRICAL

## FIGURE 10-27. WORKLIGHT HARNESS



FC03-XC-PCB					
CONN POS	WIRE DESIGNATION	COLOR	GAUGE	TYPE	TO
1	063-38	YEL	1.0mm <sup>2</sup>	FLRYB	FC03-XC (1)
2	062-7	YEL	1.0mm <sup>2</sup>	FLRYB	FC03-XC (2)
	062-7-1	YEL	1.0mm <sup>2</sup>	FLRYB	FC03-XD (12)
3	062-9	YEL	1.0mm <sup>2</sup>	FLRYB	FC03-XC (3)
4	062-10	YEL	1.0mm <sup>2</sup>	FLRYB	FC03-XC (4)
5	063-22	YEL	1.0mm <sup>2</sup>	FLRYB	FC03-XC (5)
6	072-2	BLU	1.0mm <sup>2</sup>	FLRYB	FC03-XC (6)
7	062-11	YEL	1.5mm <sup>2</sup>	FLRYB	FC03-XC (7)
8	062-12	YEL	1.0mm <sup>2</sup>	FLRYB	FC03-XC (8)
9	063-25	YEL	1.0mm <sup>2</sup>	FLRYB	FC03-XC (9)
10					
11	TWISTED CABLE 3	BLK	1.0mm <sup>2</sup>	FLRYB	FC03-XC (11)
12	TWISTED CABLE 3	WHT	1.0mm <sup>2</sup>	FLRYB	FC03-XC (12)

FC03-XC					
CONN POS	WIRE DESIGNATION	COLOR	GAUGE	TYPE	TO
1	063-38	YEL	1.0mm <sup>2</sup>	FLRYB	FC03-XC-PCB (1)
2	062-7	YEL	1.0mm <sup>2</sup>	FLRYB	FC03-XC-PCB (2)
3	062-9	YEL	1.0mm <sup>2</sup>	FLRYB	FC03-XC-PCB (3)
4	062-10	YEL	1.0mm <sup>2</sup>	FLRYB	FC03-XC-PCB (4)
5	063-22	YEL	1.0mm <sup>2</sup>	FLRYB	FC03-XC-PCB (5)
6	072-2	BLU	1.0mm <sup>2</sup>	FLRYB	FC03-XC-PCB(6)
7	062-11	YEL	1.5mm <sup>2</sup>	FLRYB	FC03-XC-PCB (7)
8	062-12	YEL	1.0mm <sup>2</sup>	FLRYB	FC03-XC-PCB (8)
9	063-25	YEL	1.0mm <sup>2</sup>	FLRYB	FC03-XC-PCB (9)
10					
11	TWISTED CABLE 3	BLK	1.0mm <sup>2</sup>	FLRYB	FC03-XC-PCB (11)
12	TWISTED CABLE 3	WHT	1.0mm <sup>2</sup>	FLRYB	FC03-XC-PCB (12)

FC03-XD					
CONN POS	WIRE DESIGNATION	COLOR	GAUGE	TYPE	TO
1	061-6	BLU	1.5mm <sup>2</sup>	FLRYB	FC03-XD-PCB (1)
2					
3	063-2	BLU	1.0mm <sup>2</sup>	FLRYB	FC03-XD-PCB (3)
4					
5					
6					
7	062-6	YEL	2.5mm <sup>2</sup>	FLRYB	FC03-XD-PCB (7)
8	073-9	BRN	1.0mm <sup>2</sup>	FLRYB	FC03-XD-PCB (8)
9	073-8	BRN	1.5mm <sup>2</sup>	FLRYB	FC03-XD-PCB (9)
10					
11					
12	075-9-1	YEL	1.0mm <sup>2</sup>	FLRYB	FC03-XD-PCB (12)
	062-7-1	YEL	1.0mm <sup>2</sup>	FLRYB	FC03-XC-PCB (2)
13					
14	073-7	BRN	2.5mm <sup>2</sup>	FLRYB	FC03-XD-PCB (14)
15	073-4-2	YEL	2.5mm <sup>2</sup>	FLRYB	FC03-XD-PCB (15)

FC03-XD-PCB					
CONN POS	WIRE DESIGNATION	COLOR	GAUGE	TYPE	TO
1	061-6	BLU	1.5mm <sup>2</sup>	FLRYB	FC03-XD (1)
2					
3	063-2	BLU	1.0mm <sup>2</sup>	FLRYB	FC03-XD (3)
4					
5					
6					
7	062-6	YEL	2.5mm <sup>2</sup>	FLRYB	FC03-XD (7)
8	073-9	BRN	1.0mm <sup>2</sup>	FLRYB	FC03-XD (8)
9	073-8	BRN	1.5mm <sup>2</sup>	FLRYB	FC03-XD (9)
10					
11					
12	075-9-1	BLU	1.5mm <sup>2</sup>	FLRYB	FC03-XD (12)
13					
14	073-7	BRN	2.5mm <sup>2</sup>	FLRYB	FC03-XD (14)
15	073-4-2	YEL	2.5mm <sup>2</sup>	FLRYB	FC03-XD (15)

PZ8970

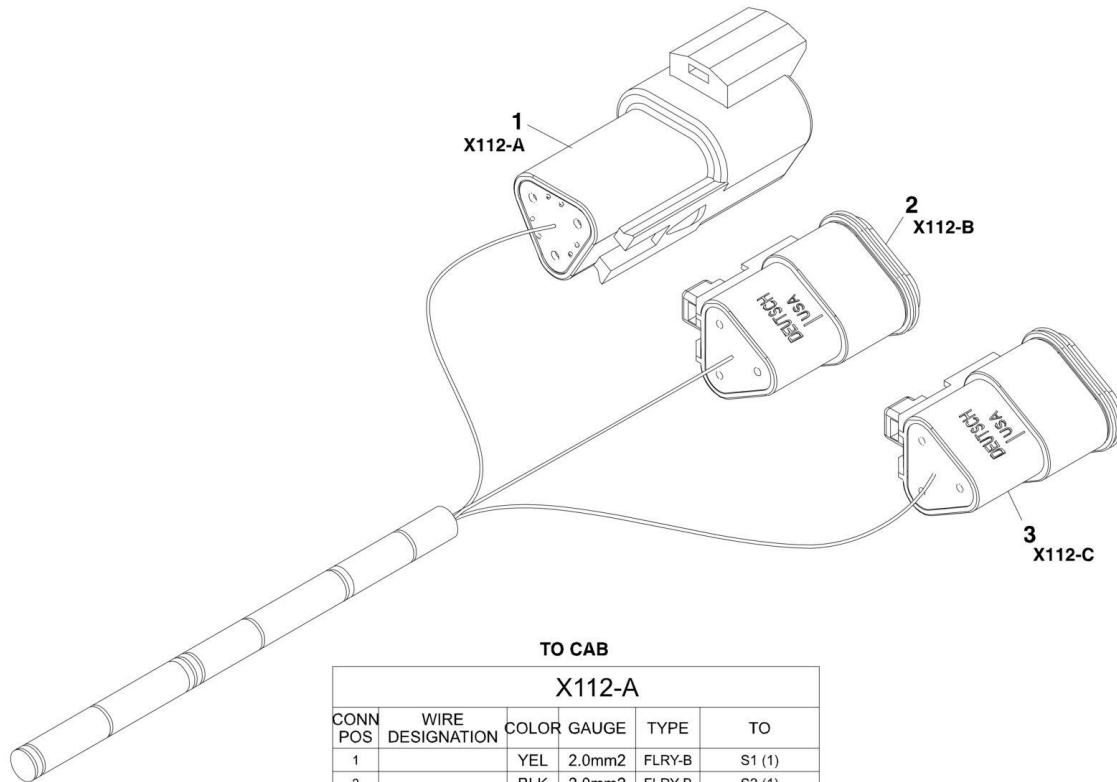
## SECTION 10 - ELECTRICAL

### FIGURE 10-27. WORKLIGHT HARNESS

ITEM	PART NUMBER	QTY	DESCRIPTION	REV
	1001139817	1	WORKLIGHT HARNESS, (includes all items)	A
1	4460343	1	CONNECTOR	
1	4460268	11	TERMINAL	
2	4460268	1	CONNECTOR	
2	4460268	8	TERMINAL	
3	4460367	1	CONNECTOR	
3	4460267	11	TERMINAL	
4	4460267	1	CONNECTOR	
4	4460267	8	TERMINAL	

# SECTION 10 - ELECTRICAL

## FIGURE 10-28. CAB AUXILIARY POWER HARNESS



**TO CAB**

X112-A					
CONN POS	WIRE DESIGNATION	COLOR	GAUGE	TYPE	TO
1		YEL	2.0mm2	FLRY-B	S1 (1)
2		BLK	2.0mm2	FLRY-B	S2 (1)
3		BLU	1.0mm2	FLRY-B	S3 (1)

**TO REV FAN**

X112-B					
CONN POS	WIRE DESIGNATION	COLOR	GAUGE	TYPE	TO
1		YEL	2.0mm2	FLRY-B	S1 (1)
2		BLK	2.0mm2	FLRY-B	S2 (1)
3		BLU	1.0mm2	FLRY-B	S3 (1)

**TO RIDE/FLOAT**

X112-C					
CONN POS	WIRE DESIGNATION	COLOR	GAUGE	TYPE	TO
1		YEL	2.0mm2	FLRY-B	S1 (1)
2		BLK	2.0mm2	FLRY-B	S2 (1)
3		BLU	1.0mm2	FLRY-B	S3 (1)

PZ9000

## SECTION 10 - ELECTRICAL

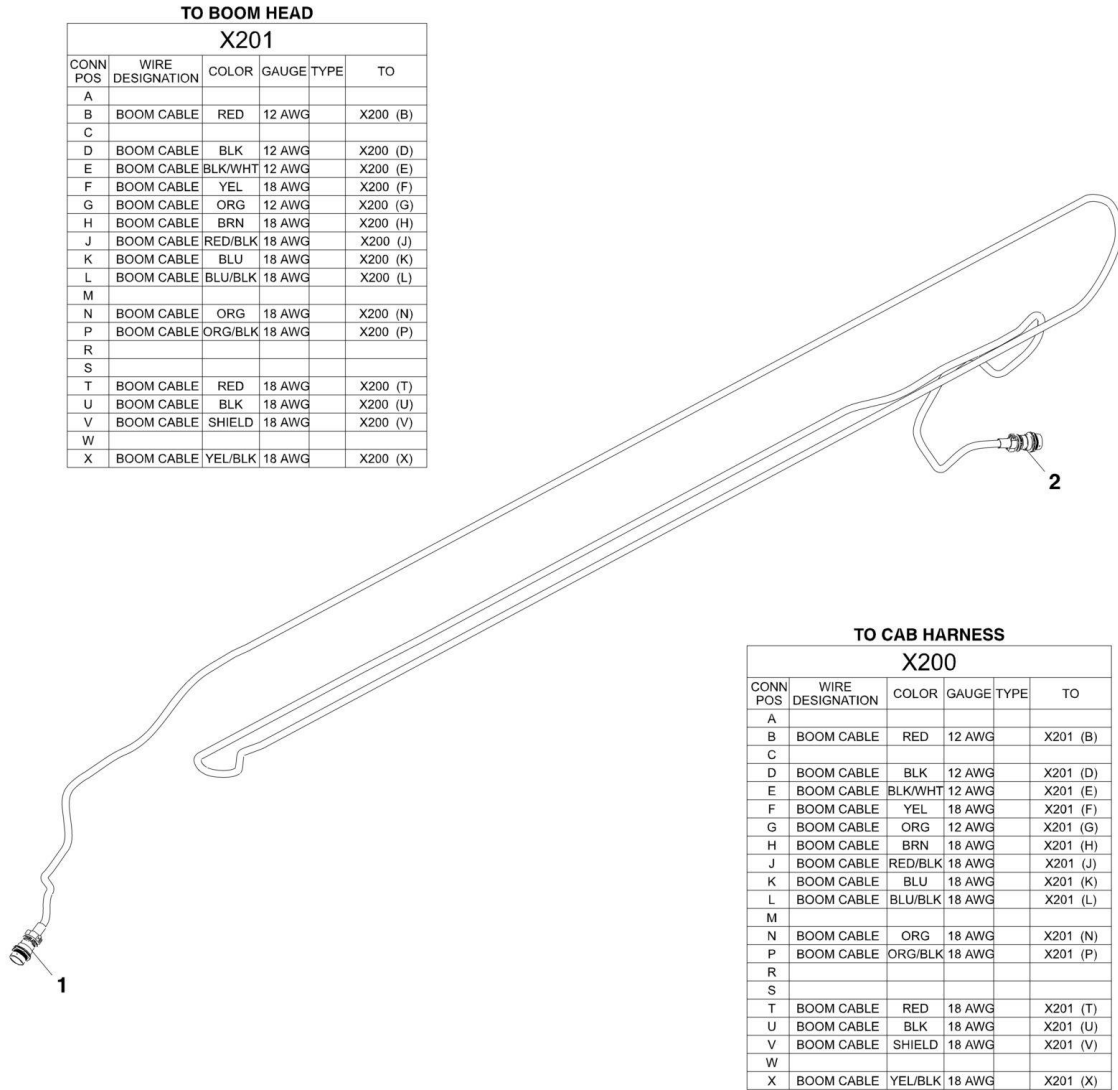
**FIGURE 10-28. CAB AUXILIARY POWER HARNESS**

ITEM	PART NUMBER	QTY	DESCRIPTION	REV
	1001109784	1	CAB AUXILIARY POWER HARNESS, (includes all items)	A
1	4460536	1	CONNECTOR	
1	80604019	1	SECONDARY LOCK WEDGE	
1	4460941	2	TERMINAL	
1	4460464	1	TERMINAL	
2	4460539	1	CONNECTOR	
2	77363244	1	SECONDARY LOCK WEDGE	
2	4460942	2	TERMINAL	
2	4460465	1	TERMINAL	
3	4460536	1	CONNECTOR	
3	80604019	1	SECONDARY LOCK WEDGE	
3	4460942	2	TERMINAL	
3	4460465	1	TERMINAL	

# SECTION 10 - ELECTRICAL

## FIGURE 10-29. PLATFORM BOOM HARNESS - 4014PS

4014PS



PZ9030



## SECTION 10 - ELECTRICAL

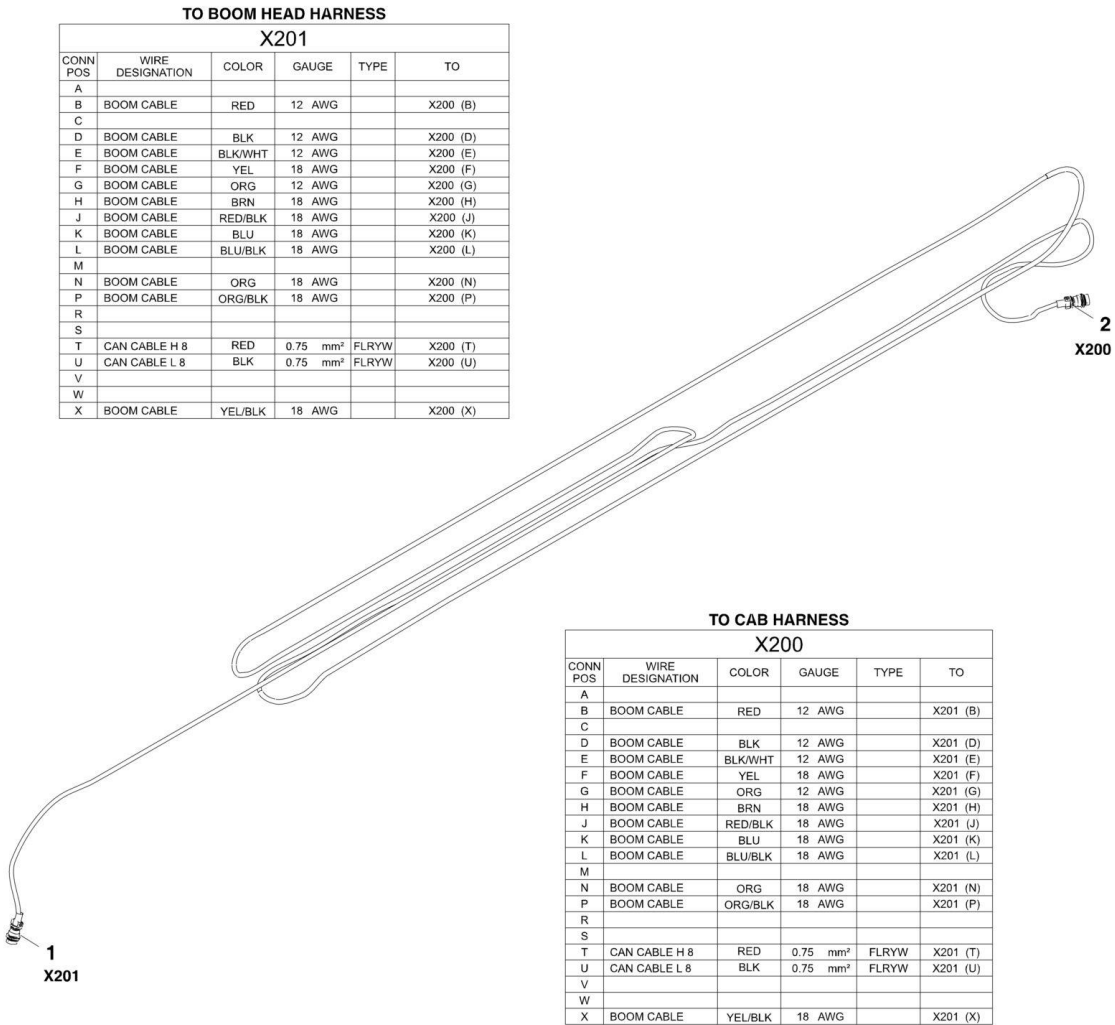
**FIGURE 10-29. PLATFORM BOOM HARNESS - 4014PS**

ITEM	PART NUMBER	QTY	DESCRIPTION	REV
	1001092223	1	PLATFORM BOOM HARNESS, (includes all items)	F
1	1001118281	1	CONNECTOR	
1	1321647	1	CABLE CLAMP	
1	4460466	6	PLUG	
1	4460509	4	TERMINAL	
1	4460465	8	TERMINAL	
1	4460944	3	TERMINAL	
2	1001116930	1	CONNECTOR	
2	1321647	1	CABLE CLAMP	
2	4460466	6	PLUG	
2	4460508	4	TERMINAL	
2	4460464	8	TERMINAL	
2	4460943	3	TERMINAL	

# SECTION 10 - ELECTRICAL

## FIGURE 10-30. PLATFORM BOOM HARNESS - 4017PS

4017PS



PZ9020

## SECTION 10 - ELECTRICAL

**FIGURE 10-30. PLATFORM BOOM HARNESS - 4017PS**

ITEM	PART NUMBER	QTY	DESCRIPTION	REV
	1001113275	1	PLATFORM BOOM HARNESS, (includes all items)	C
1	1001118281	1	CONNECTOR	
1	1321647	1	CABLE CLAMP	
1	4460466	6	PLUG	
1	4460509	4	TERMINAL	
1	4460465	8	TERMINAL	
1	4460944	3	TERMINAL	
2	1001116930	1	CONNECTOR	
2	132647	1	CABLE CLAMP	
2	4460466	7	PLUG	
2	4460508	4	TERMINAL	
2	4460464	8	TERMINAL	
2	4460943	2	TERMINAL	

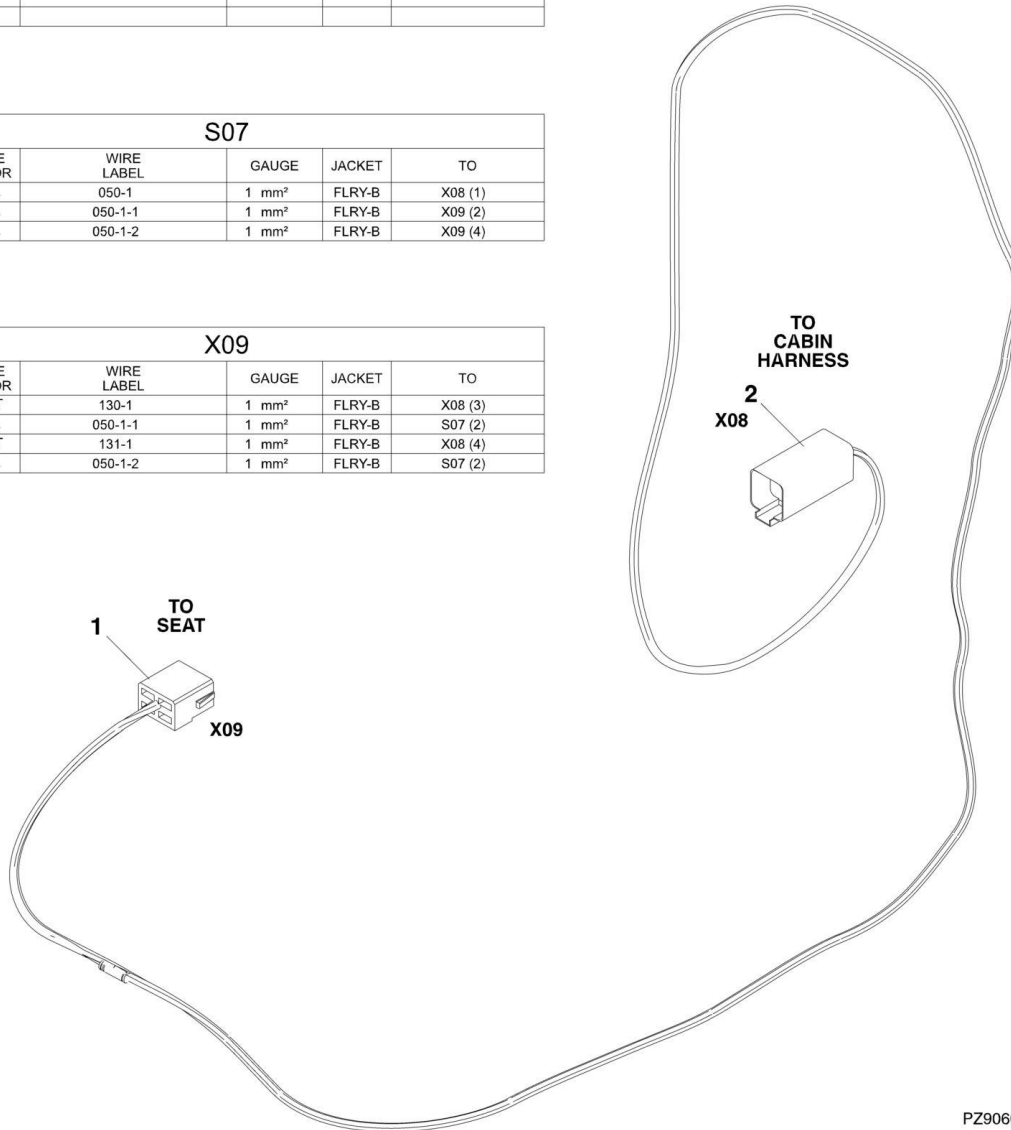
# SECTION 10 - ELECTRICAL

## FIGURE 10-31. DUAL SEAT SWITCH HARNESS

X08					
CONN POS	WIRE COLOR	WIRE LABEL	GAUGE	JACKET	TO
1	YEL	050-1	1 mm <sup>2</sup>	FLRY-B	S07 (1)
2					
3	WHT	130-1	1 mm <sup>2</sup>	FLRY-B	X09 (1)
4	WHT	131-1	1 mm <sup>2</sup>	FLRY-B	X09 (3)
5					
6					

S07					
CONN POS	WIRE COLOR	WIRE LABEL	GAUGE	JACKET	TO
1	YEL	050-1	1 mm <sup>2</sup>	FLRY-B	X08 (1)
2	YEL	050-1-1	1 mm <sup>2</sup>	FLRY-B	X09 (2)
2	YEL	050-1-2	1 mm <sup>2</sup>	FLRY-B	X09 (4)

X09					
CONN POS	WIRE COLOR	WIRE LABEL	GAUGE	JACKET	TO
1	WHT	130-1	1 mm <sup>2</sup>	FLRY-B	X08 (3)
2	YEL	050-1-1	1 mm <sup>2</sup>	FLRY-B	S07 (2)
3	WHT	131-1	1 mm <sup>2</sup>	FLRY-B	X08 (4)
4	YEL	050-1-2	1 mm <sup>2</sup>	FLRY-B	S07 (2)



PZ9060

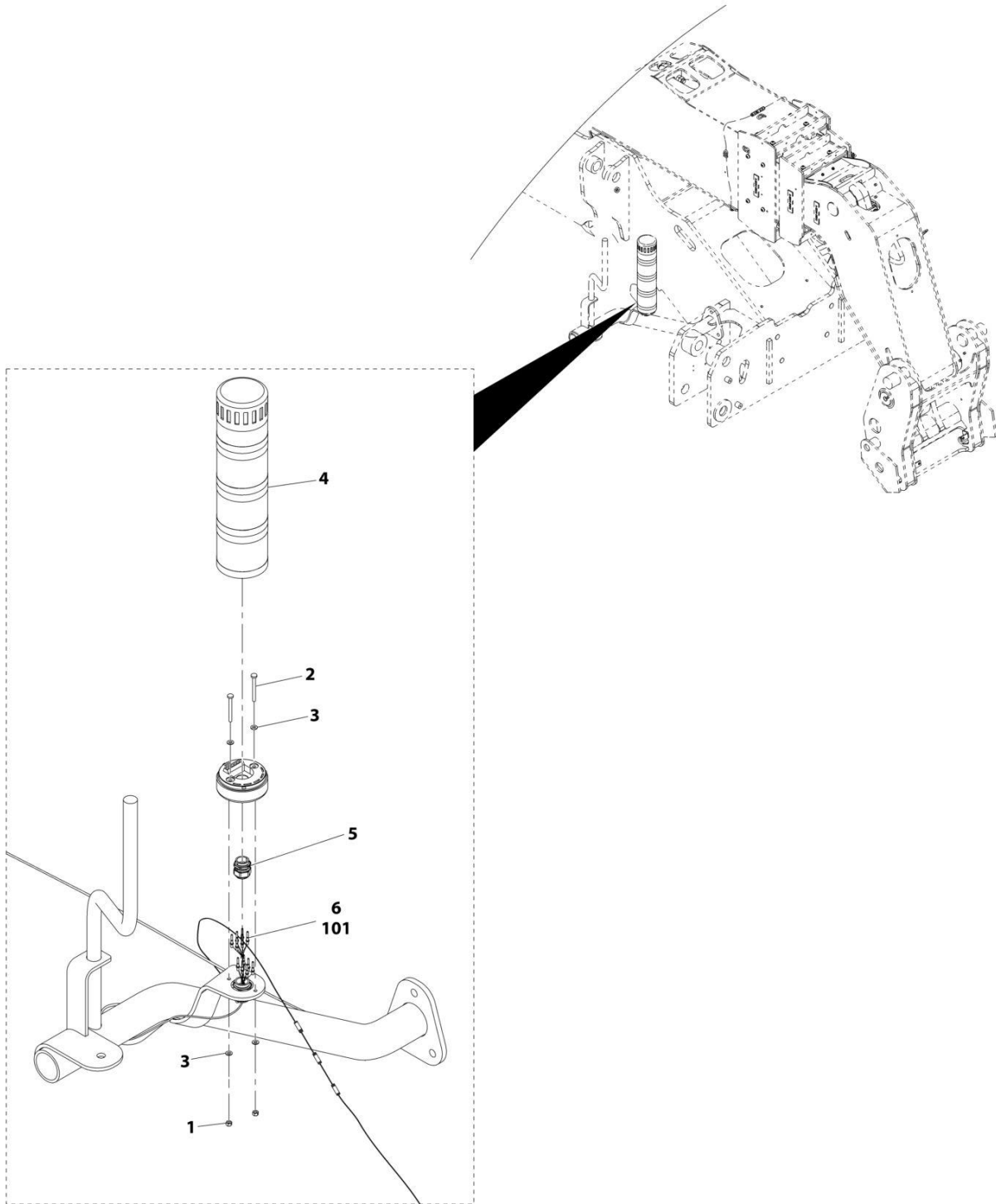
## SECTION 10 - ELECTRICAL

### FIGURE 10-31. DUAL SEAT SWITCH HARNESS

ITEM	PART NUMBER	QTY	DESCRIPTION	REV
	1001150428	1	DUAL SEAT SWITCH HARNESS, (includes all items)	B
1	1001116986	1	CONNECTOR	
1	1001104519	4	TERMINAL	
2	4460899	1	CONNECTOR, (includes rear seal)	
2	80604022	1	SECONDARY LOCK WEDGE	
2	4460464	3	TERMINAL	
2	4460466	3	SEAL PLUG	

# SECTION 10 - ELECTRICAL

FIGURE 10-32. BEACON LMIS INSTALLATION - 4014PS & 4017PS



ART\_1001115890-B

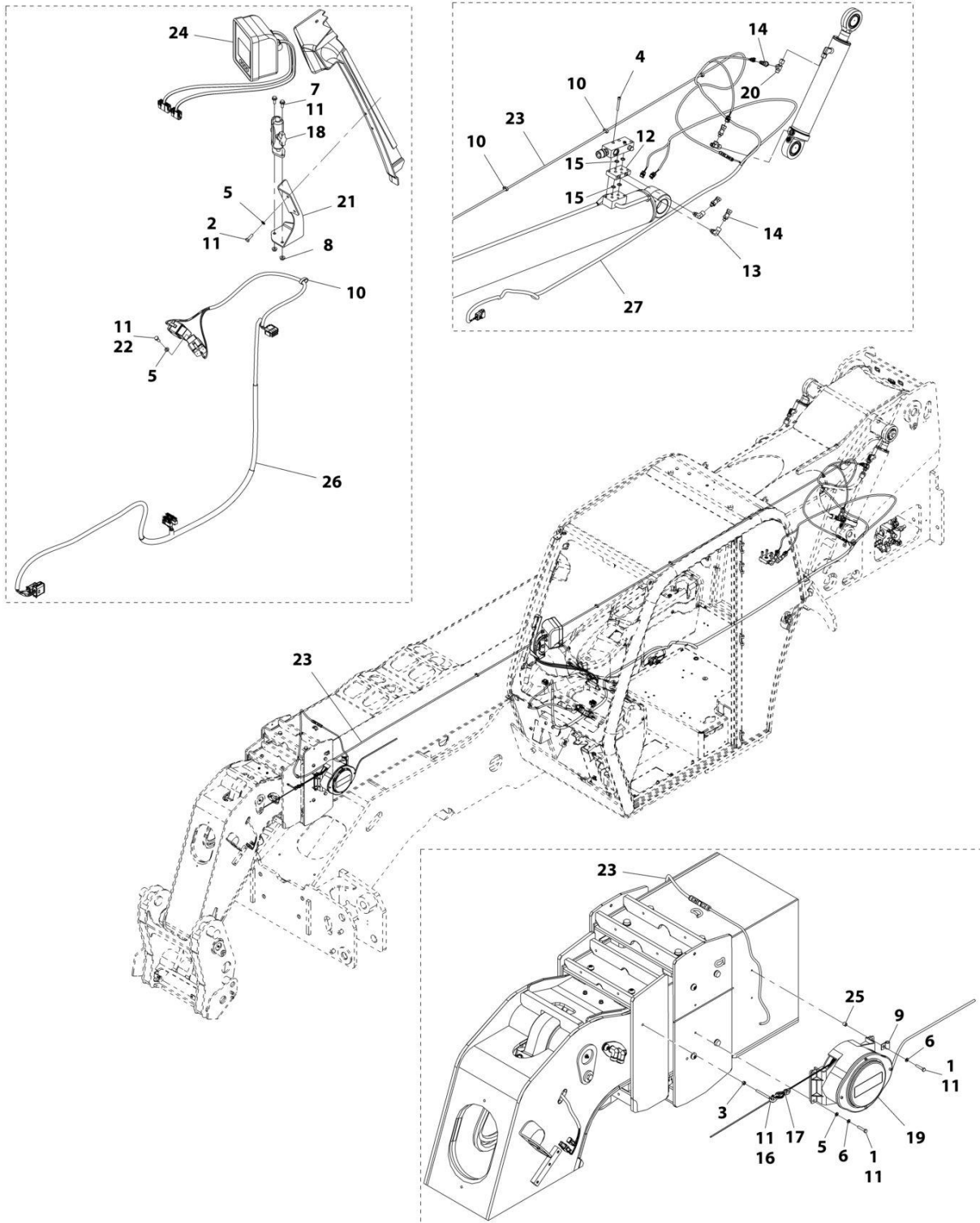
## SECTION 10 - ELECTRICAL

**FIGURE 10-32. BEACON LMIS INSTALLATION - 4014PS & 4017PS**

ITEM	PART NUMBER	QTY	DESCRIPTION	REV
	1001115890	Ref	BEACON LMIS INSTALLATION, (4014PS & 4017PS), (if equipped), (includes all items)	B
1	3290405	2	HEX LOCKNUT, M4X0.7	
2	4010416	2	POZIDRIV PAN HD SCREW	
3	4811400	4	WASHER, 4mm	
4	1001108661	1	LMIS WARNING BEACON LIGHT	
5	E000269	1	CABLE GLAND M20 X 1.5	
6	1001117247	1	HARNESS	C
101	4460932	1	CONNECTOR KIT	
102	70020830	1	CONNECTOR, (not shown)	

# SECTION 10 - ELECTRICAL

FIGURE 10-33. LMIS INSTALLATION - 4014PS & 4017PS



ART\_31200722-10-33



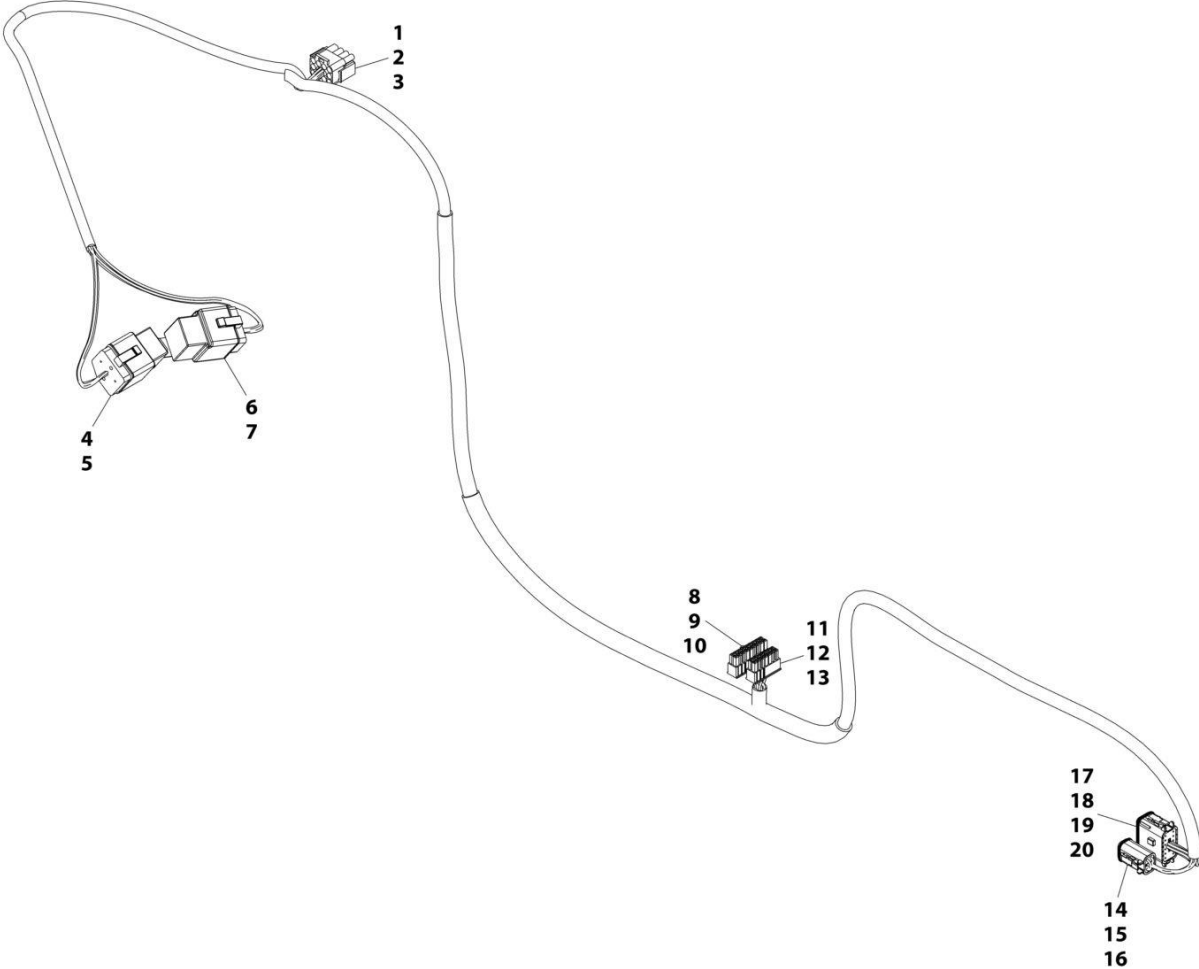
## SECTION 10 - ELECTRICAL

**FIGURE 10-33. LMIS INSTALLATION - 4014PS & 4017PS**

ITEM	PART NUMBER	QTY	DESCRIPTION	REV
	1001156412	Ref	LMIS INSTALLATION, (4014PS), (includes all items )	B
	1001156413	Ref	LMIS INSTALLATION, (4017PS), (includes all items)	B
1	0700614	4	HEX HD CAPSCREW, M6X30, GR8.8, (4014PS)	
1	0700615	4	HEX HD CAPSCREW, M6X35, GR8.8, (4017PS)	
2	0760610	2	HEX HD CAPSCREW, M6X20, GR8.8	
3	3290601	1	HEX NUT, M6X1	
4	4031916	4	HEX HD CAPSCREW, M8X60	
5	4811700	6	WASHER, 6MM	
6	4831700	4	LOCK WASHER 6MM	
7	5200608	2	BOLT, M6X16 MM	
8	5220600	2	NUT, 6MM	
9	1001003044	1	CLIP	
10	1001008923	AR	STRAP	
11	1001095650	AR	LOCTITE 243	
12	1001108857	1	MANIFOLD, LMI SYSTEM	
13	1001101855	2	ADAPTER, (includes o-ring)	
14	1001101954	4	PRESSURE SENSOR	
15	1001102080	4	O-RING	
16	1001102633	1	SCREW M6X60	
17	1001104341	1	CLIP	
18	1001104344	1	SUPPORT	
19	1001106385	1	REEL	
20	1001107963	2	ADAPTER (includes o-ring)	
21	1001108785	1	PLATE	
22	0760608	1	HEX HD CAPSCREW, M6X16, GR8.8	
23	1001113625	1	LMIS REEL EXTENTION HARNESS	
24	1001104415	1	GAUGE	
25	1001115064	2	SLEEVE 6.3 ID X 8 25, (4014PS)	
25	1001103807	2	SLEEVE 6.4 ID X 12.7, (4017PS)	
26		Ref	LMIS CAB HARNESS (See LMIS CAB HARNESS for Breakdown)	
27		Ref	LMIS FRAME HARNESS (See LMIS FRAME HARNESS for Breakdown)	

**SECTION 10 - ELECTRICAL**

**FIGURE 10-34. LMIS CAB HARNESS**



ART\_1001117245-B

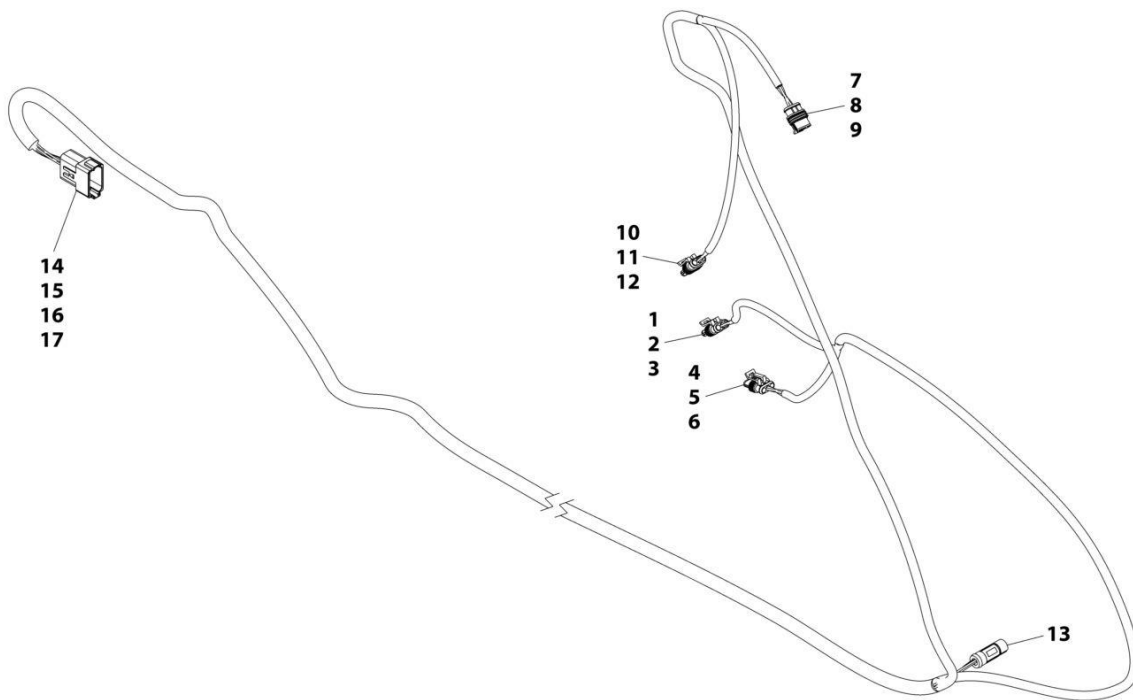
## SECTION 10 - ELECTRICAL

### FIGURE 10-34. LMIS CAB HARNESS

ITEM	PART NUMBER	QTY	DESCRIPTION	REV
	1001117245	Ref	LMIS CAB HARNESS	B
1	4460343	1	CONNECTOR	
2	4460268	12	TERMINAL	
3	N.S.S.	3	PLUG	
4	1001117025	1	CONNECTOR	
5	4460419	4	TERMINAL	
6	1001118282	1	CONNECTOR	
7	4460419	4	TERMINAL	
8	250216	1	CONNECTOR	
9	4460877	12	TERMINAL	
10	N.S.S.	6	PLUG	
11	4460920	1	CONNECTOR	
12	4460877	8	TERMINAL	
13	N.S.S.	9	PLUG	
14	4460884	1	CONNECTOR	
15	80604021	1	WEDGE LOCK	
16	4460268	4	TERMINAL	
17	4460933	1	CONNECTOR	
18	80604016	1	WEDGE LOCK	
19	4460465	9	TERMINAL	
20	4460466	3	PLUG	

# SECTION 10 - ELECTRICAL

## FIGURE 10-35. LMIS FRAME HARNESS



ART\_1001117246-B

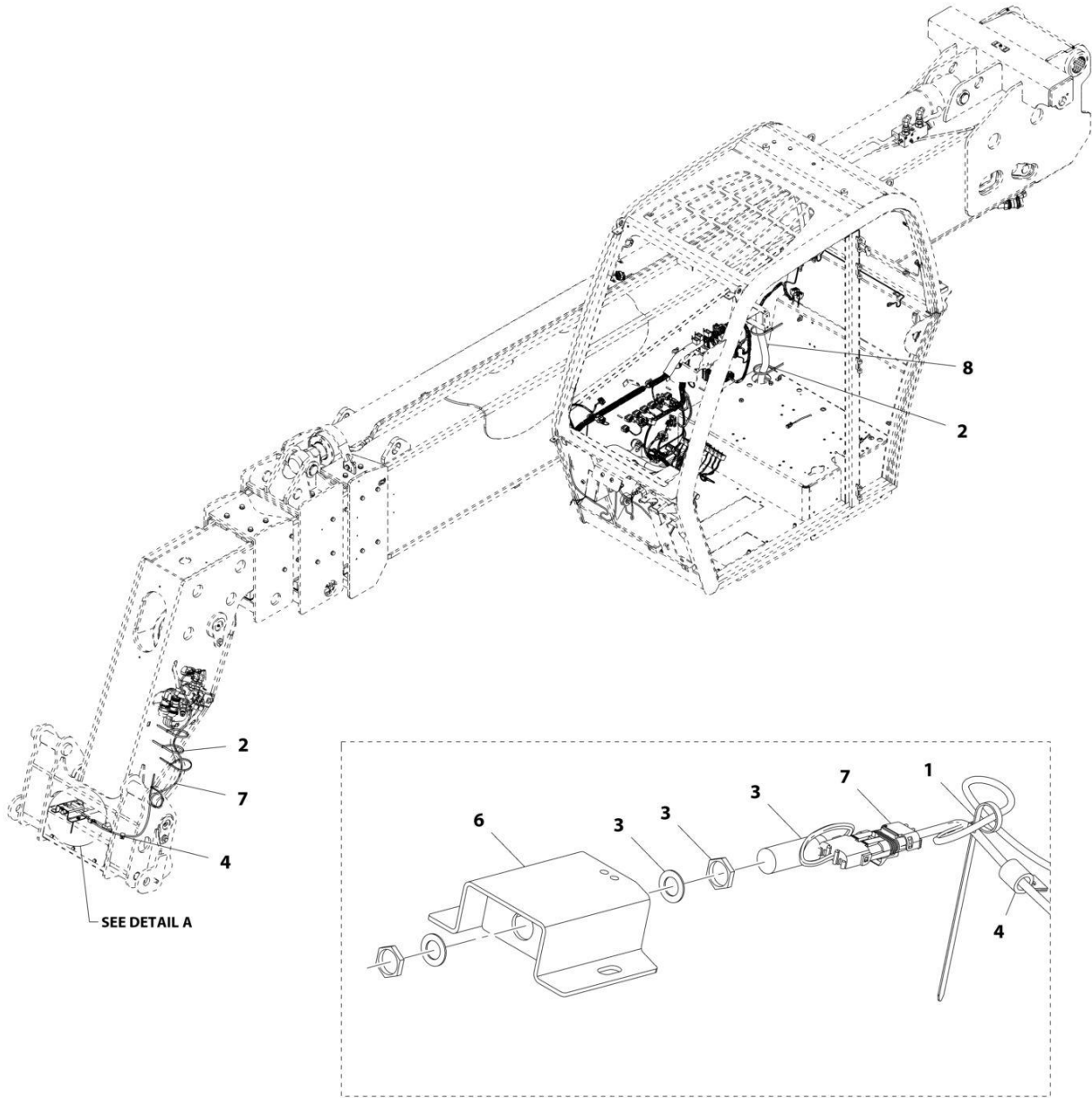
## SECTION 10 - ELECTRICAL

### FIGURE 10-35. LMIS FRAME HARNESS

ITEM	PART NUMBER	QTY	DESCRIPTION	REV
	1001117246	Ref	LMIS FRAME HARNESS	B
1	4461262	1	CONNECTOR	
2	1001116697	3	TERMINAL	
3	1001104498	3	SEAL	
4	4461262	1	CONNECTOR	
5	1001116697	3	TERMINAL	
6	1001104498	3	SEAL	
7	4461262	1	CONNECTOR	
8	1001116697	3	TERMINAL	
9	1001104498	3	SEAL	
10	4461262	1	CONNECTOR	
11	1001116697	3	TERMINAL	
12	1001104498	3	SEAL	
13	1001118325	1	CONNECTOR	
14	4460970	1	CONNECTOR	
15	80604015	1	WEDGE LOCK	
16	4460464	9	TERMINAL	
17	4460466	3	PLUG	

# SECTION 10 - ELECTRICAL

## FIGURE 10-36. PLATFORM SENSOR INSTALLATION



DETAIL A

ART\_1001156948-A

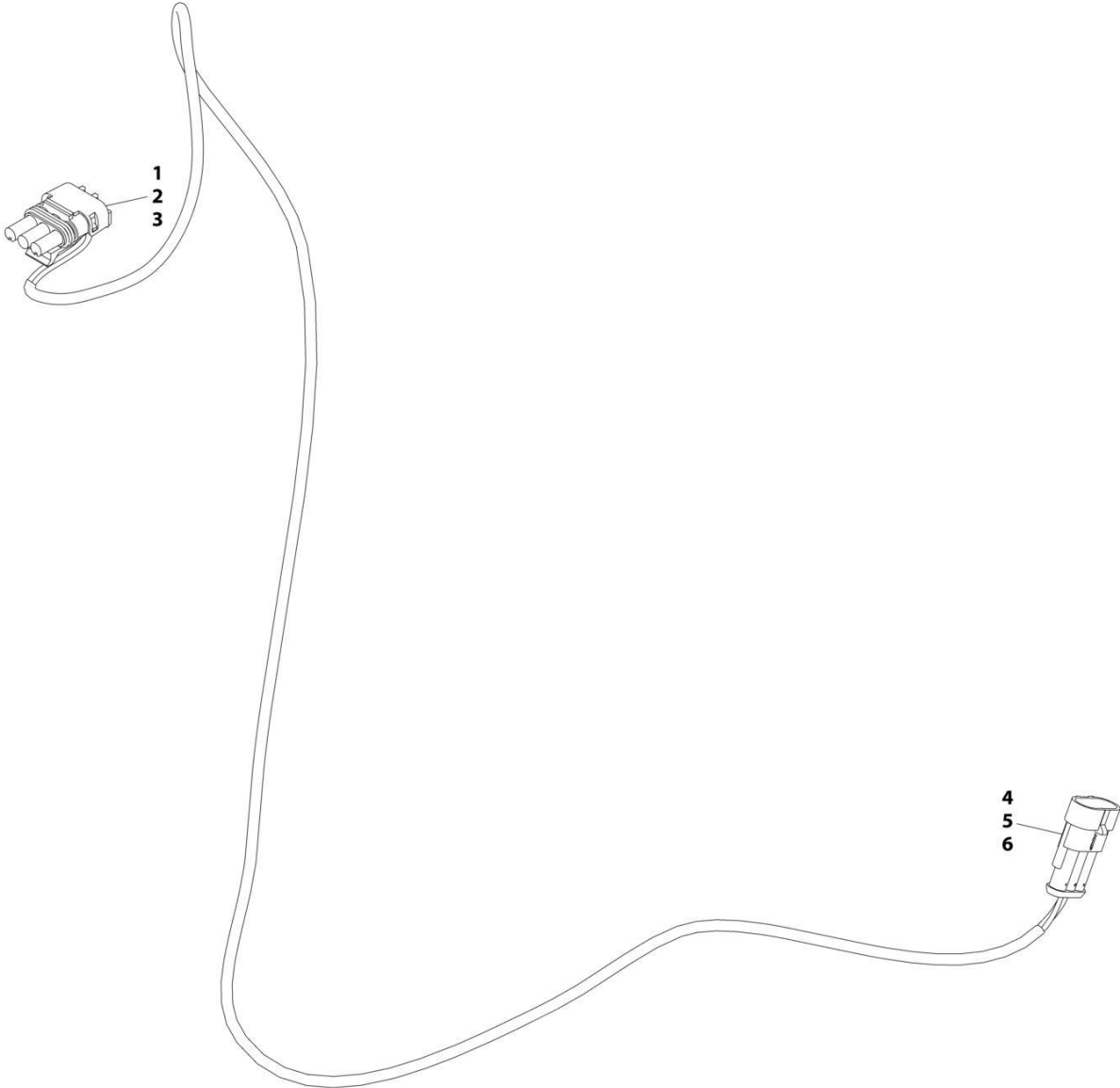
## SECTION 10 - ELECTRICAL

**FIGURE 10-36. PLATFORM SENSOR INSTALLATION**

ITEM	PART NUMBER	QTY	DESCRIPTION	REV
	1001156948	Ref	PLATFORM SENSOR INSTALLATION	A
1	471678	1	CABLE BAND, 4.8X204mm	
2	1062255	12	TIE STRAP	
3	80363166	1	SENSOR	
4	1001003322	2	CLIP	
5	1001095650	AR	LOCTITE 243 (not shown)	
6	1001114167	1	BRACKET	
7	1001121234	1	HARNESS, PLATFORM RECOGNITION (See PLATFORM RECOGNITION HARNESS for Breakdown)	
8	1001121471	1	WIRE, PLATFORM RECOGNITION	

**SECTION 10 - ELECTRICAL**

**FIGURE 10-37. PLATFORM RECOGNITION INSTALLATION**



ART\_1001121234-C



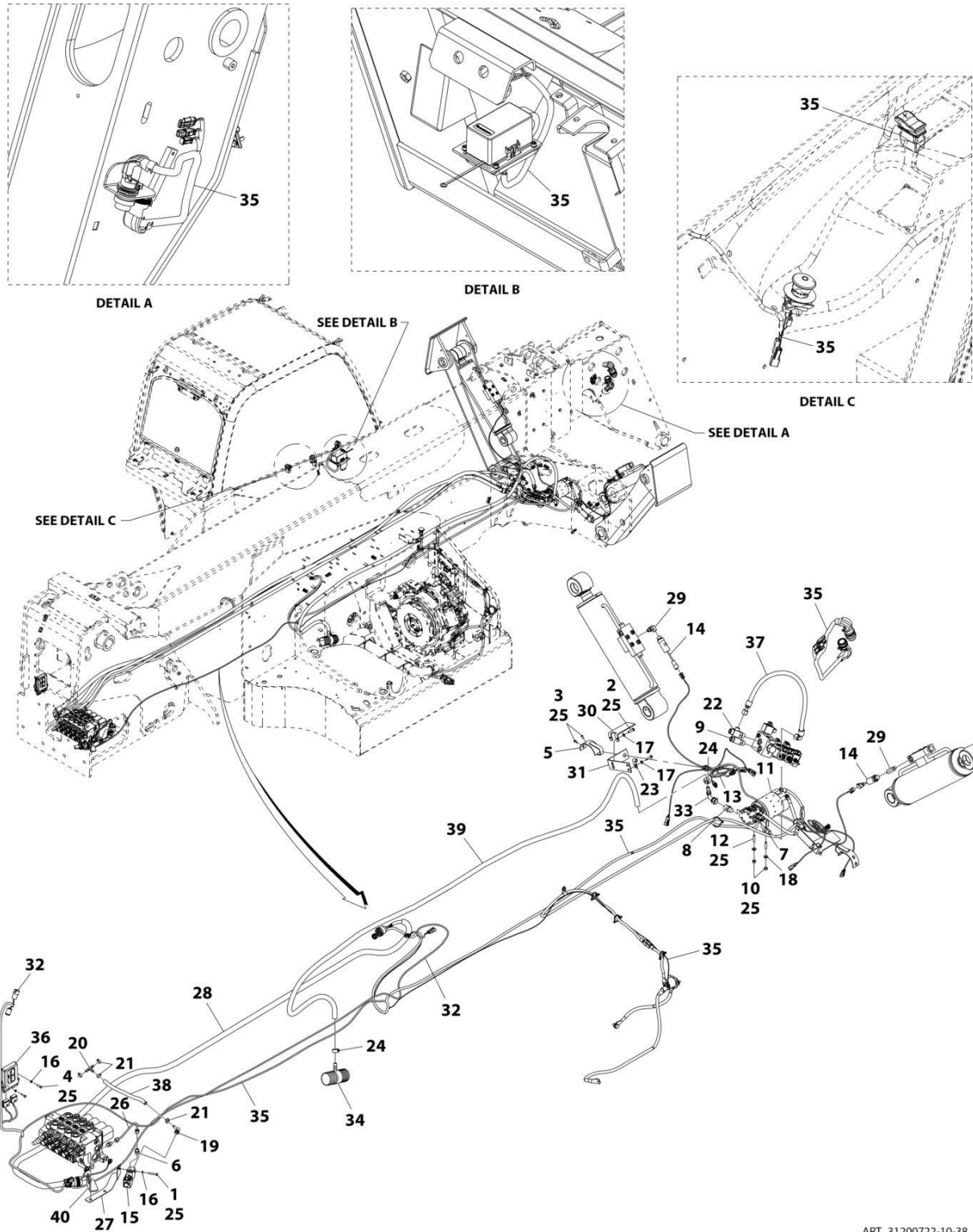
## SECTION 10 - ELECTRICAL

### FIGURE 10-37. PLATFORM RECOGNITION INSTALLATION

ITEM	PART NUMBER	QTY	DESCRIPTION	REV
	1001121234	1	PLATFORM RECOGNITION HARNESS	C
1	4460459	1	CONNECTOR	
2	4460743	3	TERMINAL	
3	4460458	3	SEAL	
4	4461119	1	CONNECTOR	
5	1001104497	3	TERMINAL	
6	1001104498	3	SEAL	

# SECTION 10 - ELECTRICAL

## FIGURE 10-38. AUXILIARY POWER UNIT INSTALLATION - 4014PS & 4017PS



ART\_31200722-10-38

## SECTION 10 - ELECTRICAL

**FIGURE 10-38. AUXILIARY POWER UNIT INSTALLATION - 4014PS & 4017PS**

ITEM	PART NUMBER	QTY	DESCRIPTION	REV
	1001152040	Ref	AUXILIARY POWER UNIT INSTALLATION, (4014PS), (includes items 1 thru 3, 5 thru 31, 33 thru 35, 37 thru 40)	E
	1001152041	Ref	AUXILIARY POWER UNIT INSTALLATION, (4017PS), (includes items 1 thru 40)	E
1	0700616	2	HEX HD CAPSCREW, M6X40, GR8.8, (torque to 12 Nm/9 lb-ft)	
2	0700814	4	HEX HD CAPSCREW, M8X30, GR8.8	
3	0760606	4	HEX HD CAPSCREW, M6X12, GR8.8, (torque to 11 Nm/8.11 lb-ft)	
4	0760612	2	HEX HD CAPSCREW, M6X25, GR8.8, (torque to 12 Nm/9 lb-ft)	
5	0903342	2	STRIKER WELDMENT BRACKET	
6	2110406	2	CONNECTOR, (includes o-ring)	
7	2110808	1	ADAPTER, CONNECTOR, (includes o-ring)	
8	2111010	1	ADAPTER, CONNECTOR, (includes o-ring)	
9	2170110	1	ADAPTER, CONNECTOR, (includes o-ring)	
10	3271601	2	HEX NUT, GR8	
11	3600422	1	AUXILIARY POWER PUMP, (See HYDRAULIC COMPONENTS SECTION for Breakdown)	
12	3951612	2	KNURLED CAPSCREW	
13	4000017	2	PROXIMITY SENSOR	
14	4360661	2	PRESSURE SWITCH	
15		Ref	DIVERTER VALVE, (See HYDRAULIC COMPONENTS SECTION for Breakdown)	
16	4811700	2	FLAT WASHER, 6mm, (4014PS)	
16	4811700	4	FLAT WASHER, 6mm, (4017PS)	
17	4811900	4	FLAT WASHER, 8mm	
18	4812000	2	FLAT WASHER, 10mm	
19	1001003443	1	ADAPTER, CONNECTOR, (includes o-ring)	
20	1001003934	1	TEE BARB	
21	1001004141	4	CLAMP	
22	1001007012	1	TEE FITTING, (includes o-ring)	
23	1001008773	2	CLIP	
24	1001008609	2	CLAMP	
25	1001095650	AR	LOCTITE 243	
26	1001102403	1	TUBE	
27	1001102406	1	BRACKET ASSY	
28		Ref	INSTALLATION, BOOM AUXILARY ELECTRICAL HARNESS, (See BOOM AUX ELECTRICAL HARNESS INSTALLATION for Breakdown)	
29	1001103249	2	ADAPTER, CONNECTOR, (includes o-ring)	
30	1001106884	2	SWITCH COVER PLATE	
31	1001107004	2	PROXIMITY SUPPORT BRACKET, (4014PS)	
31	1001115932	2	PROXIMITY SUPPORT BRACKET, (4017PS)	
32		Ref	HARNESS, BOOM EXTENSION LIMIT, (See BOOM EXTENSION LIMIT HARNESS for Breakdown)	
33	1001137296	1	ELBOW, 90, (includes o-ring)	
34	1001172775	1	HOSE ASSY	
35		Ref	INSTALLATION, PLATFORM ELECTRICAL, (See PLATFORM ELECTRICAL INSTALLATION for Breakdown)	
36	1001151975	1	CONTROL, ACCESSORY MODULE	
37	1001152056	1	HOSE	
38	1001152124	1	HOSE	
39	1001152055	1	HOSE	

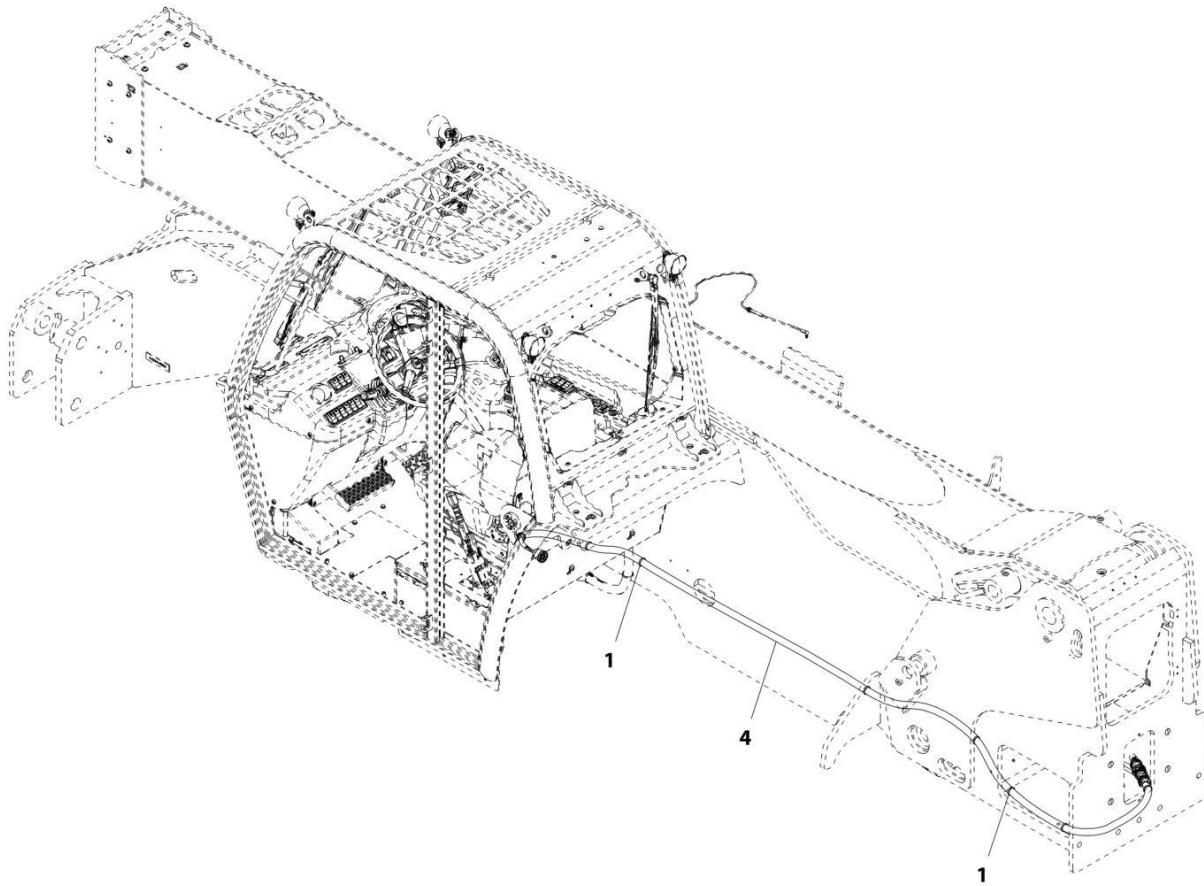
## SECTION 10 - ELECTRICAL

ITEM	PART NUMBER	QTY	DESCRIPTION	REV
40	1001102571	1	CABLE BRACKET	



# SECTION 10 - ELECTRICAL

## FIGURE 10-39. BOOM AUXILIARY ELECTRICAL HARNESS INSTALLATION



ART\_1001102453-B

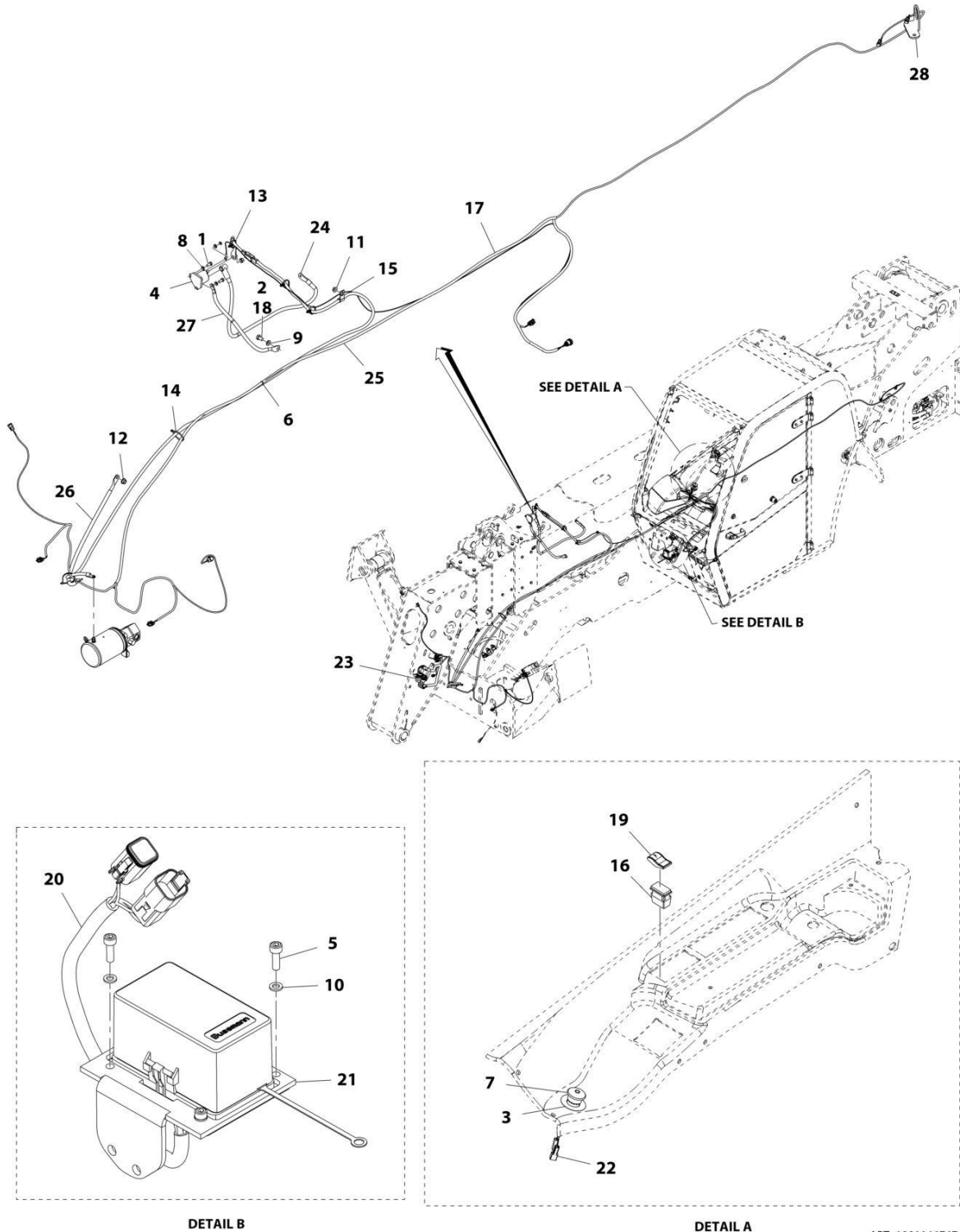
## SECTION 10 - ELECTRICAL

**FIGURE 10-39. BOOM AUXILIARY ELECTRICAL HARNESS INSTALLATION**

ITEM	PART NUMBER	QTY	DESCRIPTION	REV
1	1001102453	Ref	BOOM AUXILIARY ELECTRICAL HARNESS INSTALLATION	B
1	4240017	AR	TIE STRAP	
4	1001094170	1	HARNESS, CAB TO BOOM, (See CAB TO BOOM HARNESS for Breakdown)	

# SECTION 10 - ELECTRICAL

## FIGURE 10-40. PLATFORM ELECTRICAL INSTALLATION



ART\_1001146767-E



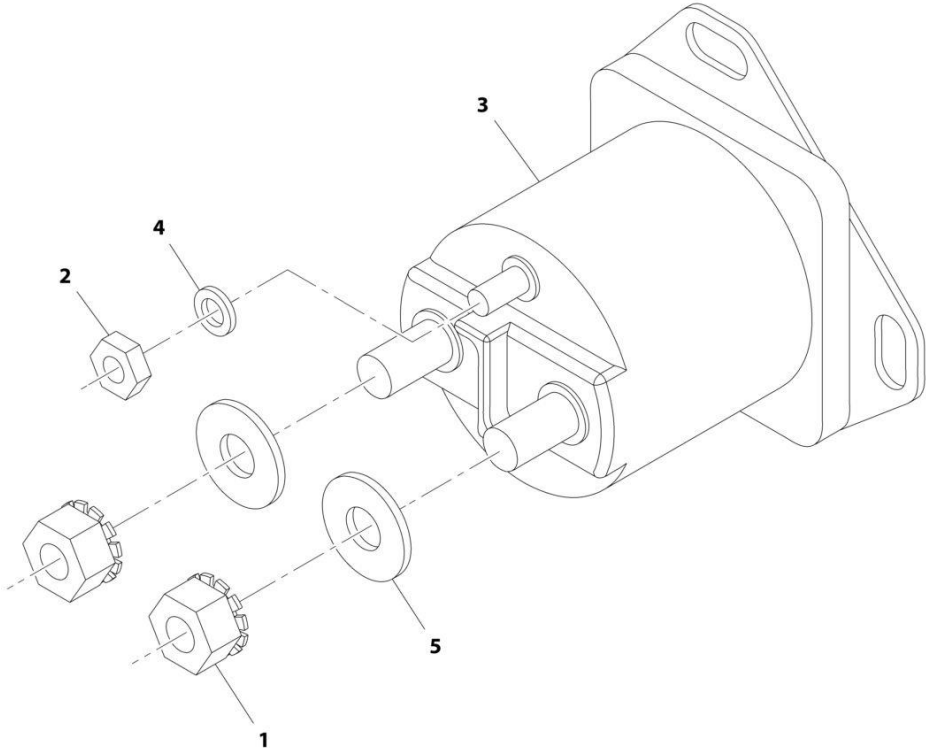
## SECTION 10 - ELECTRICAL

**FIGURE 10-40. PLATFORM ELECTRICAL INSTALLATION**

ITEM	PART NUMBER	QTY	DESCRIPTION	REV
	1001146767	Ref	PLATFORM ELECTRICAL INSTALLATION	E
1	0760607	2	HEX HD CAPSCREW, M6X14, GR8.8, (torque to 12 Nm/8.85 lb-ft)	
2	0761210	1	HEX HD CAPSCREW, M12X20, GR8.8, (torque to 90 Nm/66 lb-ft)	
3	1704260	1	EMS DECAL	
4		Ref	SOLENOID ASSEMBLY RELAY, (see ELECTRICAL SECTION for Breakdown)	
5	4031607	4	SOCKET HD CAPSCREW, M5X16, (torque to 6.5-7.5 Nm/4.79-5.53 lb-ft)	
6	4240017	1	TIE STRAP	
7	4360475	1	EMERGENCY STOP SWITCH	
8	4811700	2	WASHER, 6mm	
9	4812100	1	WASHER, 12mm	
10	4831600	4	SPRING LOCKWASHER, 5mm	
11	5220800	1	RIPP NUT, 8mm	
12	5221200	1	RIPP NUT, 12mm	
13	1001004720	3	CABLE STRAP	
14	1001008559	2	CABLE STRAP	
15	1001008773	1	CLIP	
16	1001092861	1	RIDE CONTROL SWITCH BODY	
17		Ref	HARNESS, PLATFORM, (See PLATFORM HARNESS for Breakdown)	
18	1001095650	AR	LOCTITE 243	
19	1001103109	1	SWITCH KEY	
20		Ref	HARNESS, PLATFORM RELAY BOX, (See PLATFORM RELAY BOX HARNESS for Breakdown)	
21	1001103264	1	RELAY BOX BRACKET	
22		Ref	HARNESS, EMERGENCY STOP LINK, (See EMERGENCY STOP LINK HARNESS for Breakdown)	
23	1001115519	1	HARNESS, AUXILIARY PLATFORM, (See AUXILIARY PLATFORM HARNESS for Breakdown)	
24	1001146744	1	RELAY CABLE	
25	1001146745	1	CABLE	
26	1001146746	1	CABLE	
27	1001146747	1	CABLE	
28	1001102571	1	CABLE BRACKET	

**SECTION 10 - ELECTRICAL**

**FIGURE 10-41. SOLENOID ASSEMBLY**



ART\_3740067-E

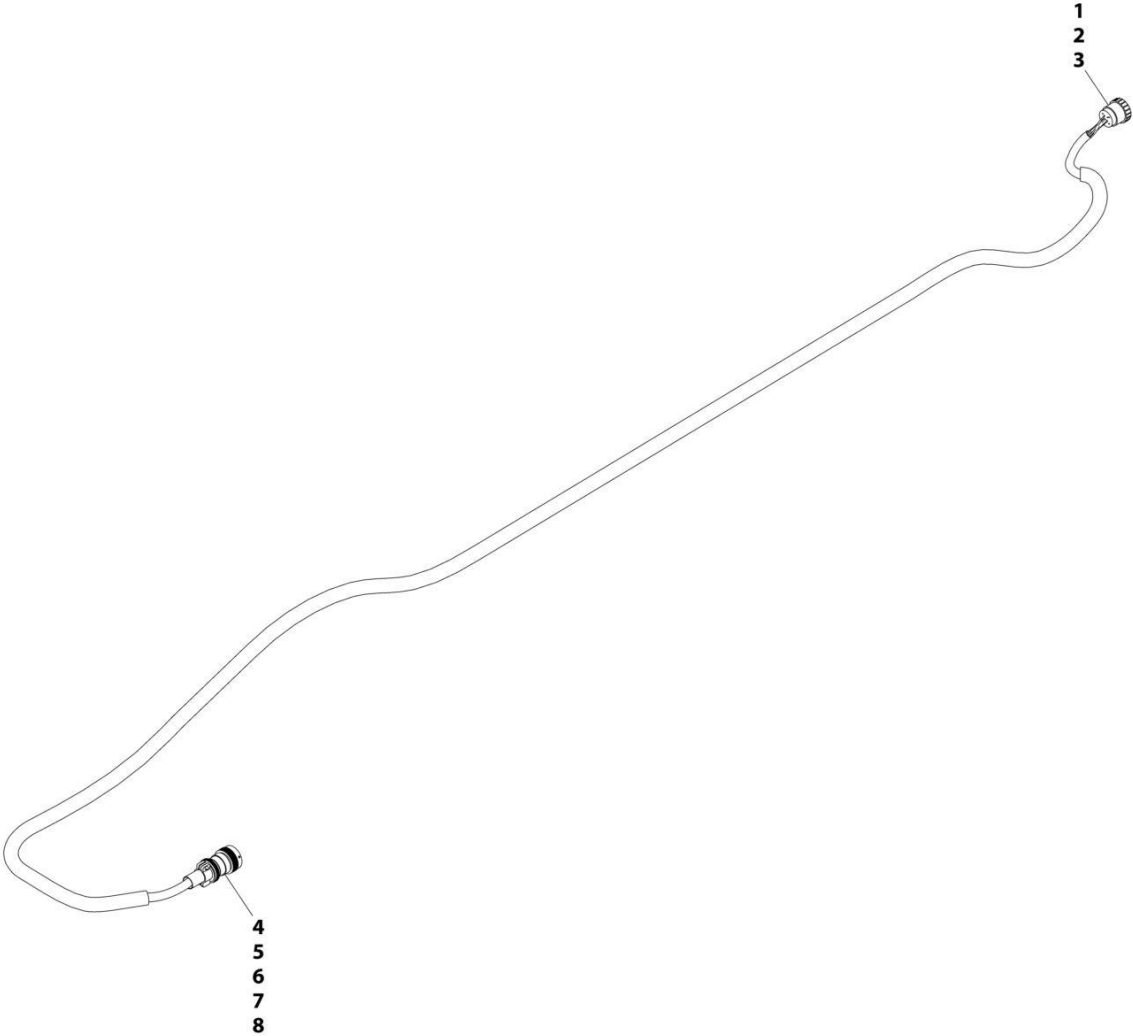
## SECTION 10 - ELECTRICAL

### FIGURE 10-41. SOLENOID ASSEMBLY

ITEM	PART NUMBER	QTY	DESCRIPTION	REV
	3740067	Ref	SOLENOID ASSEMBLY	E
1	3300220	2	HEX NUT	
2	3321001	1	HEX NUT, GR2	
3	3740140	1	POWER RELAY	
4	4761000	1	WASHER	
5	1001111424	2	WASHER	

**SECTION 10 - ELECTRICAL**

**FIGURE 10-42. CAB TO BOOM HARNESS**



ART\_1001094170-A

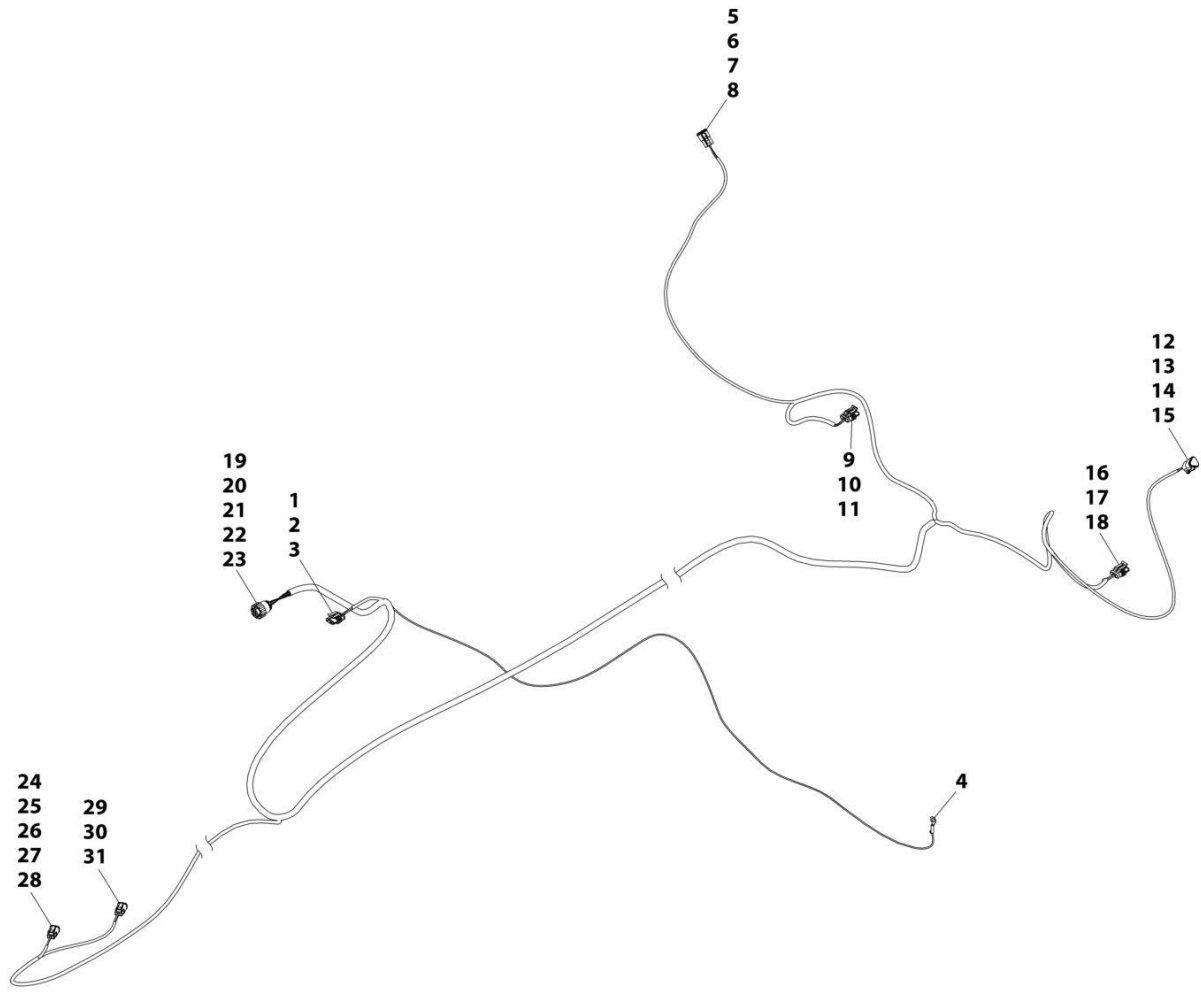
## SECTION 10 - ELECTRICAL

### FIGURE 10-42. CAB TO BOOM HARNESS

ITEM	PART NUMBER	QTY	DESCRIPTION	REV
	1001094170	1	CAB TO BOOM HARNESS	A
1	1001116979	1	CONNECTOR	
2	1001118381	15	TERMINAL	
3	1001118391	1	PLUG	
4	1001116926	1	CONNECTOR	
5	4460509	4	TERMINAL	
6	4460465	8	TERMINAL	
7	4460944	3	TERMINAL	
8	4460466	6	PLUG	

# SECTION 10 - ELECTRICAL

## FIGURE 10-43. PLATFORM HARNESS



ART\_1001165117-A

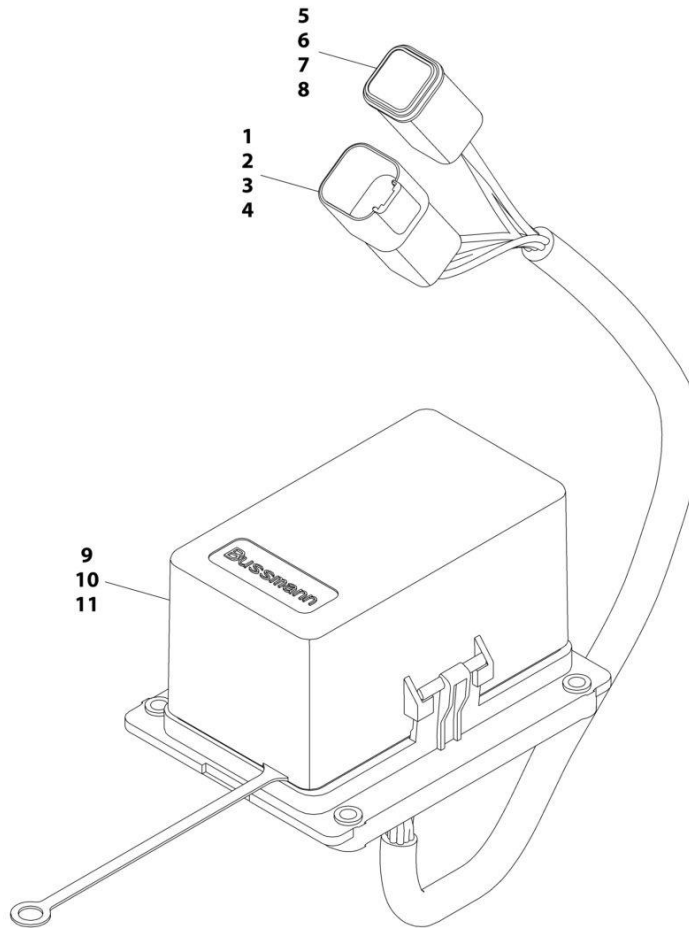
## SECTION 10 - ELECTRICAL

### FIGURE 10-43. PLATFORM HARNESS

ITEM	PART NUMBER	QTY	DESCRIPTION	REV
	1001165117	1	PLATFORM HARNESS	A
1	1001116980	1	CONNECTOR	
2	1001118381	8	TERMINAL	
3	1001118391	1	PLUG	
4	4460247	1	RING TERMINAL	
5	4460539	1	CONNECTOR	
6	77363244	1	SECONDARY LOCK WEDGE	
7	4460465	2	TERMINAL	
8	4460466	1	PLUG	
9	4461262	1	CONNECTOR	
10	1001116697	3	TERMINAL	
11	1001104498	3	SEAL	
12	4460539	1	CONNECTOR	
13	77363244	1	SECONDARY LOCK WEDGE	
14	4460465	2	TERMINAL	
15	4460466	1	PLUG	
16	4461262	1	CONNECTOR	
17	1001116697	3	TERMINAL	
18	1001104498	3	SEAL	
19	4461262	1	CONNECTOR	
20	1001116697	1	TERMINAL	
21	1001104498	3	SEAL	
22	4461119	1	CONNECTOR	
23	1001116698	2	PLUG	
24	4460891	1	CONNECTOR	
25	80604018	1	SECONDARY LOCK WEDGE	
26	4460465	2	TERMINAL	
27	4460897	1	CONNECTOR	
28	4460466	2	PLUG	
29	4460891	1	CONNECTOR	
30	80604018	1	SECONDARY LOCK WEDGE	
31	4460465	2	TERMINAL	

# SECTION 10 - ELECTRICAL

## FIGURE 10-44. PLATFORM RELAY BOX HARNESS



ART\_1001103262-A



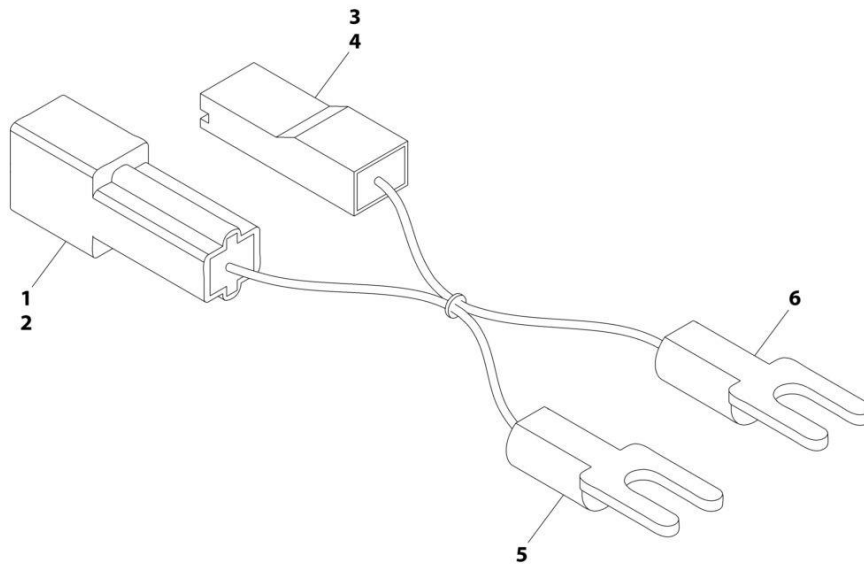
## SECTION 10 - ELECTRICAL

### FIGURE 10-44. PLATFORM RELAY BOX HARNESS

ITEM	PART NUMBER	QTY	DESCRIPTION	REV
	1001103262	1	PLATFORM RELAY BOX HARNESS	A
1	4460899	1	CONNECTOR	
2	80604022	1	SECONDARY LOCK WEDGE	
3	4460464	4	TERMINAL	
4	4460466	3	PLUG	
5	4460894	1	CONNECTOR	
6	80604023	1	SECONDARY LOCK WEDGE	
7	4460465	3	TERMINAL	
8	4460466	3	PLUG	
9	1001167616	1	FUSE BOX ASSEMBLY	
10	1001116726	12	TERMINAL	
11	1001116727	38	PLUG	

# SECTION 10 - ELECTRICAL

## FIGURE 10-45. EMERGENCY STOP LINK HARNESS



ART\_1001105487-A

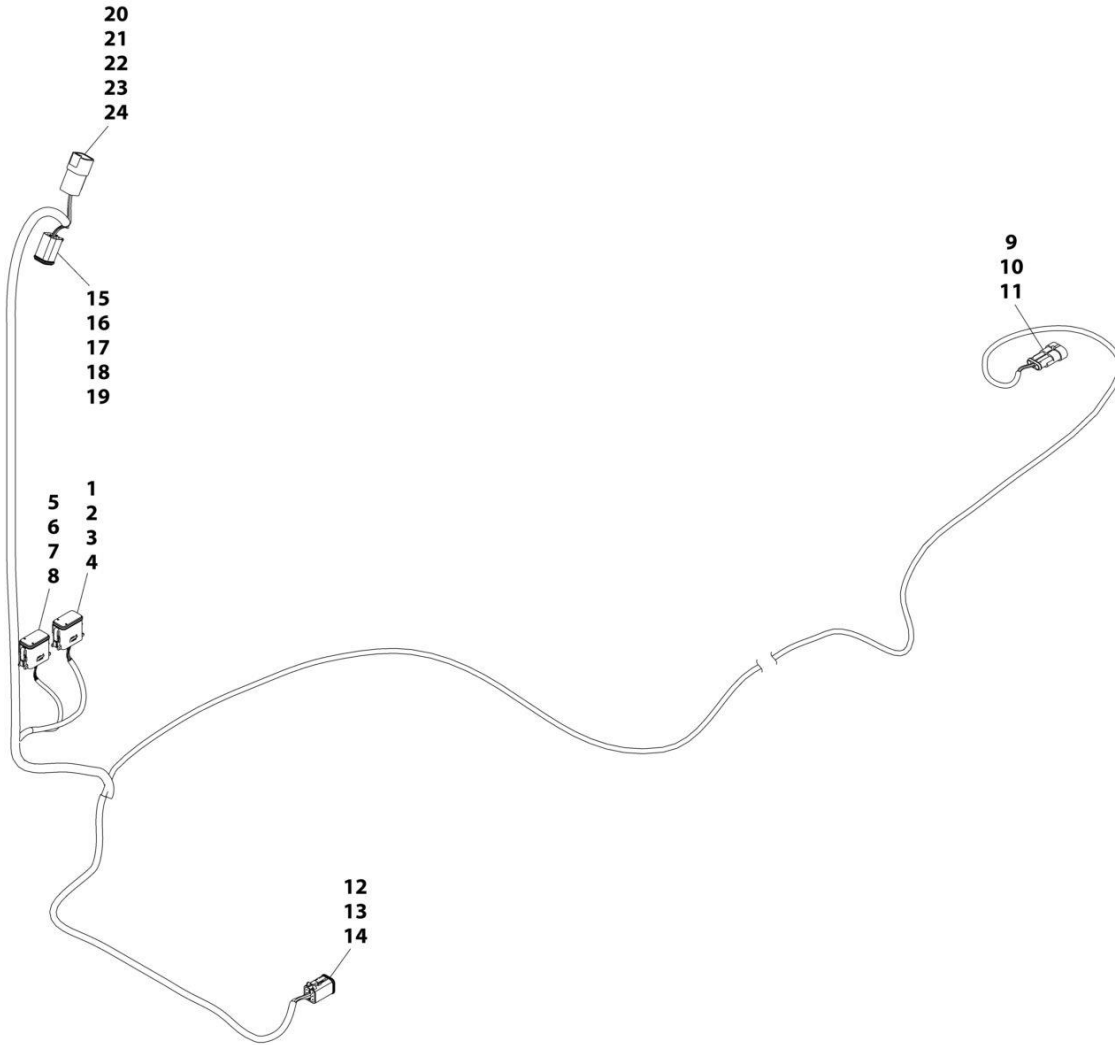
## SECTION 10 - ELECTRICAL

### FIGURE 10-45. EMERGENCY STOP LINK HARNESS

ITEM	PART NUMBER	QTY	DESCRIPTION	REV
	1001105487	1	EMERGENCY STOP LINK HARNESS	A
1	1001117004	1	CONNECTOR	
2	1001116700	1	TERMINAL	
3	1001116982	1	CONNECTOR	
4	1001118379	1	TERMINAL	
5	4460144	1	FORK TERMINAL	
6	4460144	1	FORK TERMINAL	

# SECTION 10 - ELECTRICAL

## FIGURE 10-46. BOOM EXTENSION LIMIT HARNESS



ART\_1001116132-A

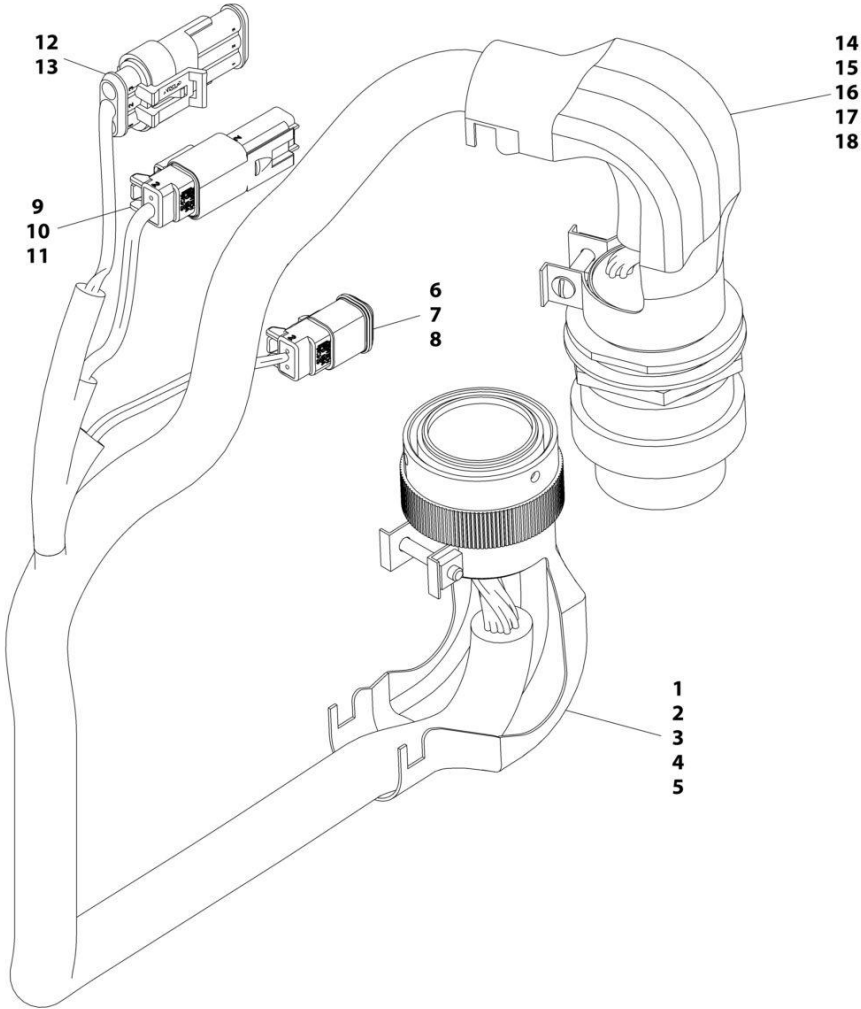
## SECTION 10 - ELECTRICAL

**FIGURE 10-46. BOOM EXTENSION LIMIT HARNESS**

ITEM	PART NUMBER	QTY	DESCRIPTION	REV
	1001116132	1	BOOM EXTENSION LIMIT HARNESS	A
1	1001116808	1	CONNECTOR	
2	4460915	1	SECONDARY LOCK WEDGE	
3	4460928	3	TERMINAL	
4	4460518	9	PLUG	
5	1001116774	1	CONNECTOR	
6	4460915	1	SECONDARY LOCK WEDGE	
7	4460928	2	TERMINAL	
8	4460518	10	PLUG	
9	4461119	1	CONNECTOR	
10	1001104497	3	TERMINAL	
11	1001104498	3	SEAL	
12	4460894	1	CONNECTOR	
13	80604023	1	SECONDARY LOCK WEDGE	
14	4460465	6	TERMINAL	
15	4460894	1	CONNECTOR	
16	80604023	1	SECONDARY LOCK WEDGE	
17	4460465	2	TERMINAL	
18	4460944	2	TERMINAL	
19	4460466	2	PLUG	
20	4460899	1	CONNECTOR	
21	80604022	1	SECONDARY LOCK WEDGE	
22	4460464	2	TERMINAL	
23	4460943	2	TERMINAL	
24	4460466	2	PLUG	

**SECTION 10 - ELECTRICAL**

**FIGURE 10-47. AUXILIARY PLATFORM HARNESS**



ART\_1001115519-A

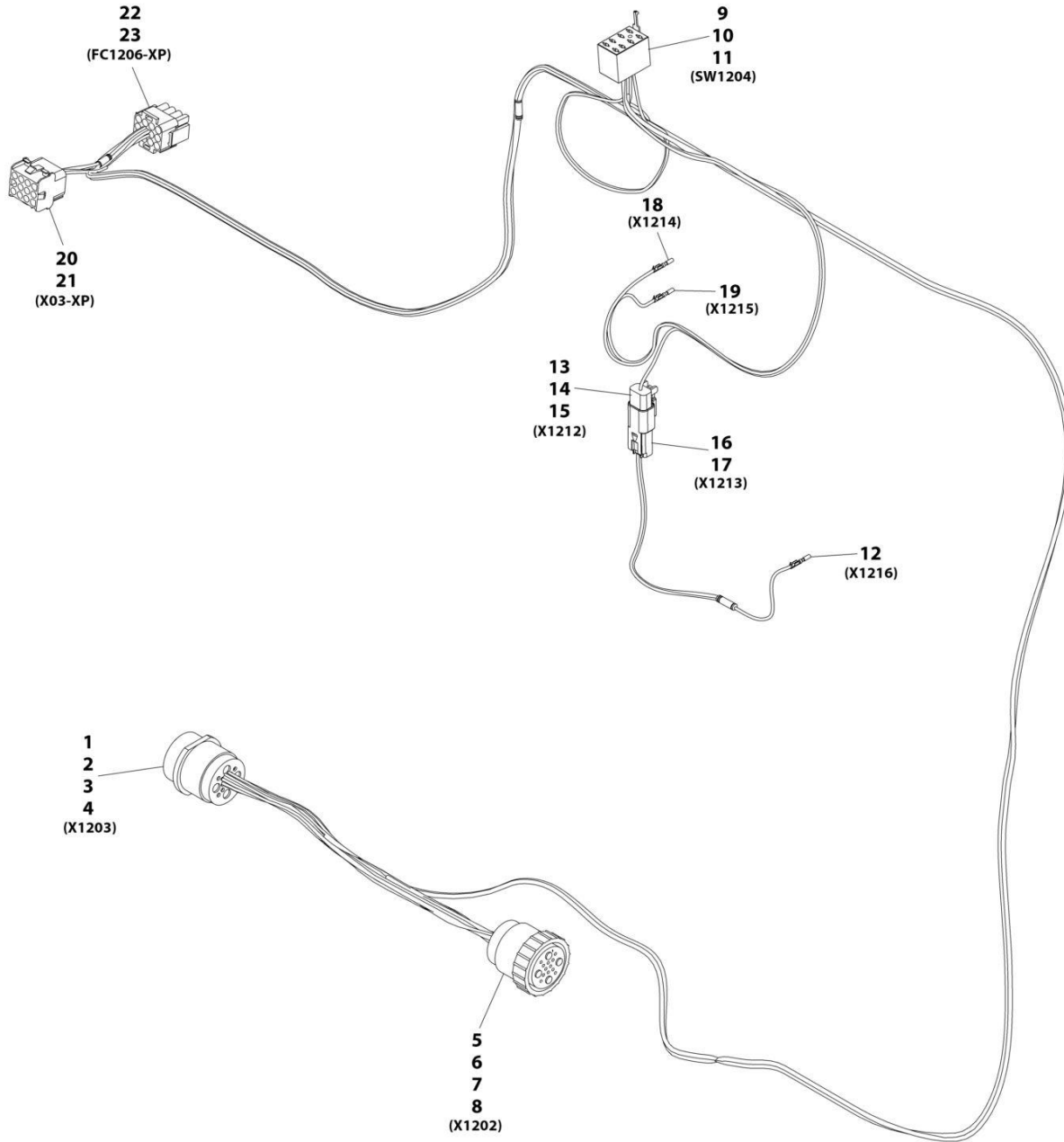
## SECTION 10 - ELECTRICAL

### FIGURE 10-47. AUXILIARY PLATFORM HARNESS

ITEM	PART NUMBER	QTY	DESCRIPTION	REV
	1001115519	1	AUXILIARY PLATFORM HARNESS	A
1	1001116955	1	CONNECTOR	
2	4460508	4	TERMINAL	
3	4460464	8	TERMINAL	
4	4460943	1	TERMINAL	
5	4460466	6	PLUG	
6	4460891	1	CONNECTOR	
7	80604018	1	SECONDARY LOCK WEDGE	
8	4460465	2	TERMINAL	
9	4460891	1	CONNECTOR	
10	80604018	1	SECONDARY LOCK WEDGE	
11	4460465	2	TERMINAL	
12	4461262	1	CONNECTOR	
13	1001116697	3	TERMINAL	
14	4461240	1	CONNECTOR	
15	4460509	4	TERMINAL	
16	4460465	3	TERMINAL	
17	4460944	3	TERMINAL	
18	4460466	11	PLUG	

# SECTION 10 - ELECTRICAL

## FIGURE 10-48. 3B PLATFORM HARNESS



ART\_1001214539-B



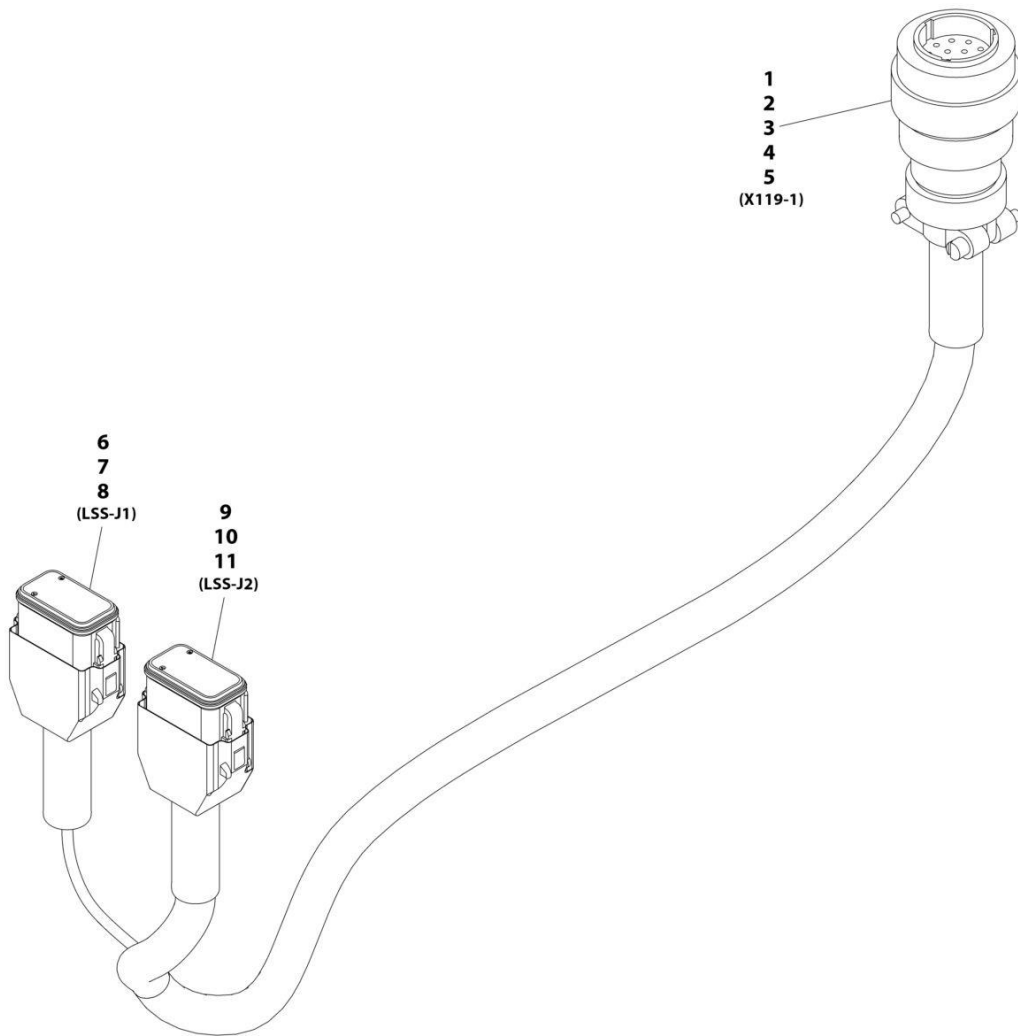
## SECTION 10 - ELECTRICAL

### FIGURE 10-48. 3B PLATFORM HARNESS

ITEM	PART NUMBER	QTY	DESCRIPTION	REV
	1001214539	Ref	3B PLATFORM HARNESS	B
1	1001116987	1	CONNECTOR	
2	1001116709	4	TERMINAL	
3	1001118380	11	TERMINAL	
4	1001118391	1	PLUG	
5	1001116979	1	CONNECTOR	
6	1001116718	4	TERMINAL	
7	1001118381	11	TERMINAL	
8	1001118391	1	PLUG	
9	4461164	1	CONNECTOR	
10	1001116716	2	TERMINAL	
11	1001104519	5	TERMINAL	
12	4460871	1	SOCKET TERMINAL	
13	4460891	1	CONNECTOR	
14	80604018	1	WEDGE LOCK	
15	4460465	1	TERMINAL	
16	4460466	1	PLUG	
17	4460897	1	CONNECTOR	
18	80604017	1	WEDGE LOCK	
19	4460464	1	TERMINAL	
20	4460871	1	SOCKET TERMINAL	
21	4460871	1	SOCKET TERMINAL	
22	4460367	1	CONNECTOR	
23	4460268	4	TERMINAL	
24	4460343	1	CONNECTOR	
25	4460267	10	TERMINAL	

# SECTION 10 - ELECTRICAL

## FIGURE 10-49. CAN-BUS HARNESS



ART\_4923573-C

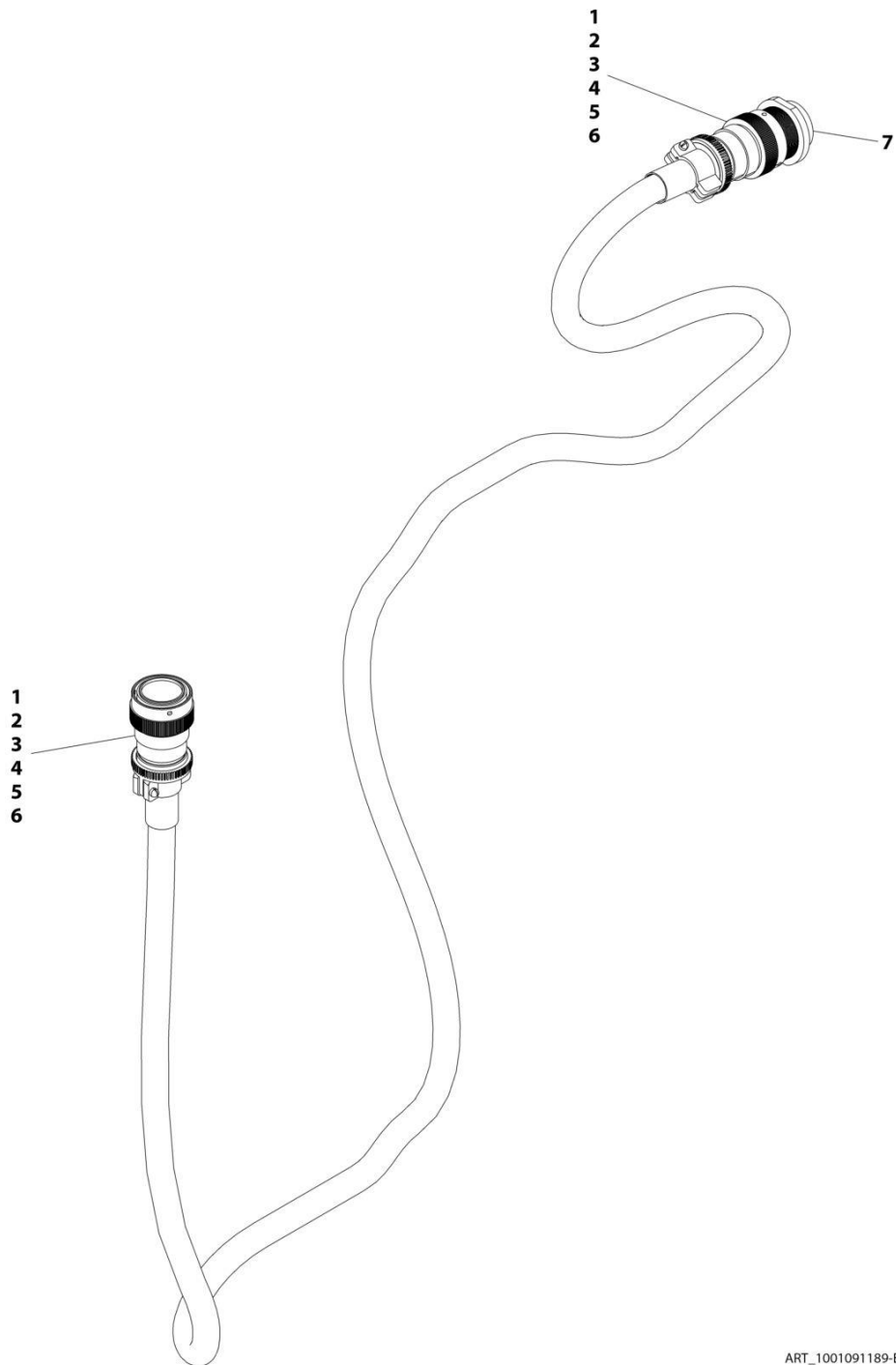
## SECTION 10 - ELECTRICAL

### FIGURE 10-49. CAN-BUS HARNESS

ITEM	PART NUMBER	QTY	DESCRIPTION	REV
	4923573	Ref	CAN-BUS HARNESS	C
1	4461253	1	CONNECTOR	
2	4460464	2	TERMINAL	
3	4460943	6	TERMINAL	
4	4460466	6	PLUG	
5	4460492	1	CLAMP	
6	4460933	1	CONNECTOR	
7	4460465	2	TERMINAL	
8	4460466	10	PLUG	
9	4460836	1	CONNECTOR	
10	4460944	6	TERMINAL	
11	4460466	6	PLUG	

# SECTION 10 - ELECTRICAL

## FIGURE 10-50. PLATFORM CONSOLE HARNESS



ART\_1001091189-E

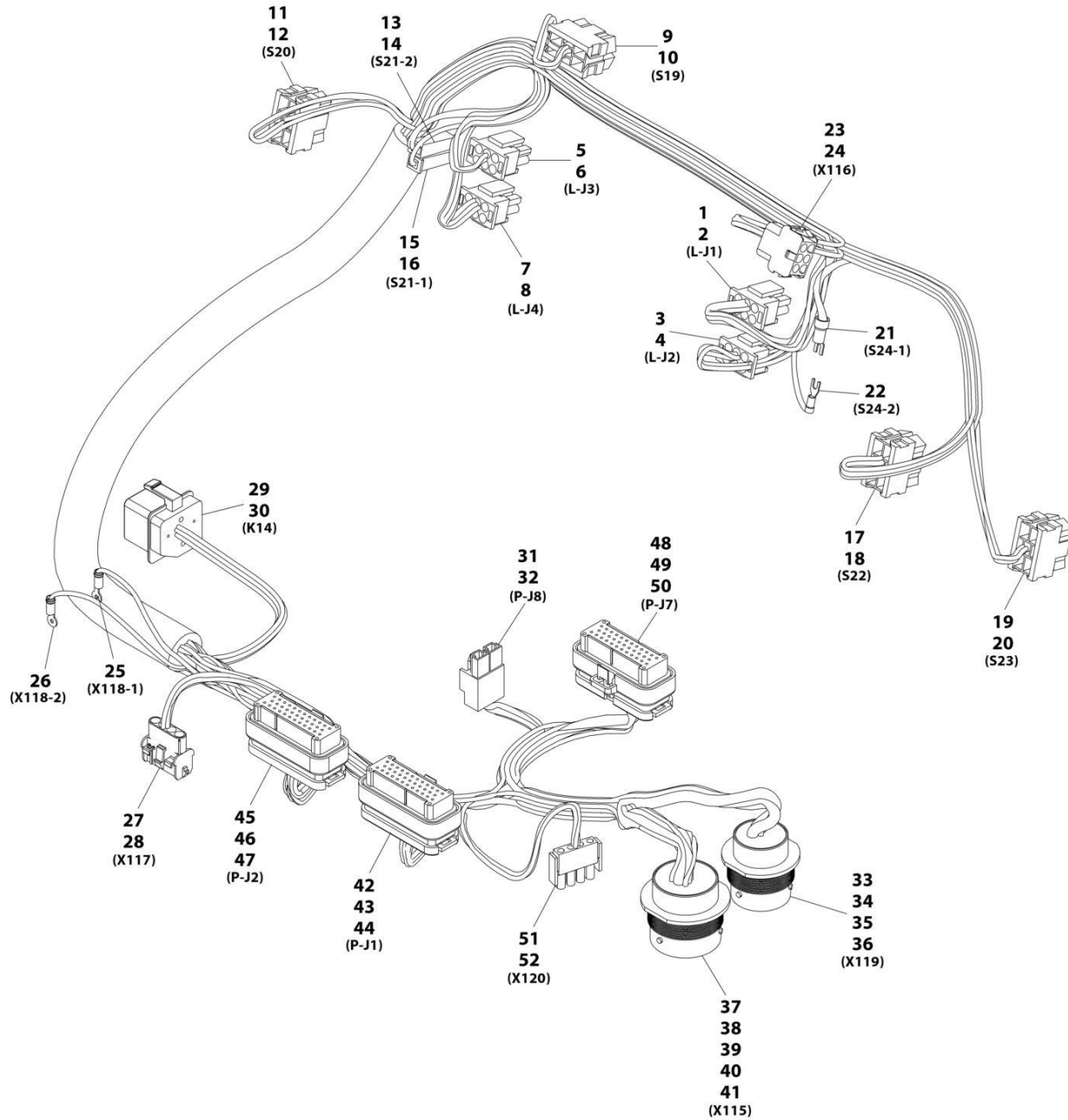
## SECTION 10 - ELECTRICAL

### FIGURE 10-50. PLATFORM CONSOLE HARNESS

ITEM	PART NUMBER	QTY	DESCRIPTION	REV
	1001091189	Ref	PLATFORM CONSOLE HARNESS, (includes items 1 thru 7)	E
1	1001116916	2	HOUSING	
2	4460473	2	CLAMP	
3	1001116693	6	PIN	
4	70020887	8	PIN	
5	7022736	12	PIN	
6	4460466	11	PLUG	
7	4460468	1	COVER	

# SECTION 10 - ELECTRICAL

## FIGURE 10-51. CONSOLE HARNESS



ART\_1001096360-E

## SECTION 10 - ELECTRICAL

### FIGURE 10-51. CONSOLE HARNESS

ITEM	PART NUMBER	QTY	DESCRIPTION	REV
	1001096360	Ref	CONSOLE HARNESS	E
1	4460225	1	CONNECTOR	
2	4460226	5	TERMINAL	
3	4460225	1	CONNECTOR	
4	4460226	5	TERMINAL	
5	4460225	1	CONNECTOR	
6	4460226	2	TERMINAL	
7	4460225	1	CONNECTOR	
8	4460226	5	TERMINAL	
9	4460418	1	CONNECTOR	
10	4460419	4	TERMINAL	
11	4460418	1	CONNECTOR	
12	4460419	4	TERMINAL	
13	4460260	1	CONNECTOR	
14	4460259	2	TERMINAL	
15	4460260	1	CONNECTOR	
16	4460259	1	TERMINAL	
17	4460418	1	CONNECTOR	
18	4460419	3	TERMINAL	
19	4460418	1	CONNECTOR	
20	4460419	3	TERMINAL	
21	4460806	2	SPADE TERMINAL	
22	4460888	1	FORK TERMINAL	
23	4460224	1	CONNECTOR	
24	4460227	1	TERMINAL	
25	4460213	1	WIRE TERMINAL	
26	4460213	1	WIRE TERMINAL	
27	4460761	1	CONNECTOR	
28	4460227	4	TERMINAL	
29	1001118282	1	CONNECTOR	
30	4460419	5	TERMINAL	
31	4460879	1	CONNECTOR	
32	4460887	4	TERMINAL	
33	4461241	1	CONNECTOR	
34	4460465	2	TERMINAL	
35	4460944	6	TERMINAL	
36	4460466	6	PLUG	
37	4461240	1	CONNECTOR	
38	4460465	3	TERMINAL	
39	4460509	4	TERMINAL	
40	4460944	3	TERMINAL	
41	4460466	9	PLUG	
42	4460874	1	CONNECTOR	
43	4460871	8	TERMINAL	
44	4460905	27	PLUG	
45	4460875	1	CONNECTOR	
46	4460871	22	TERMINAL	
47	4460905	13	PLUG	
48	4460875	1	CONNECTOR	
49	4460871	11	TERMINAL	

## SECTION 10 - ELECTRICAL

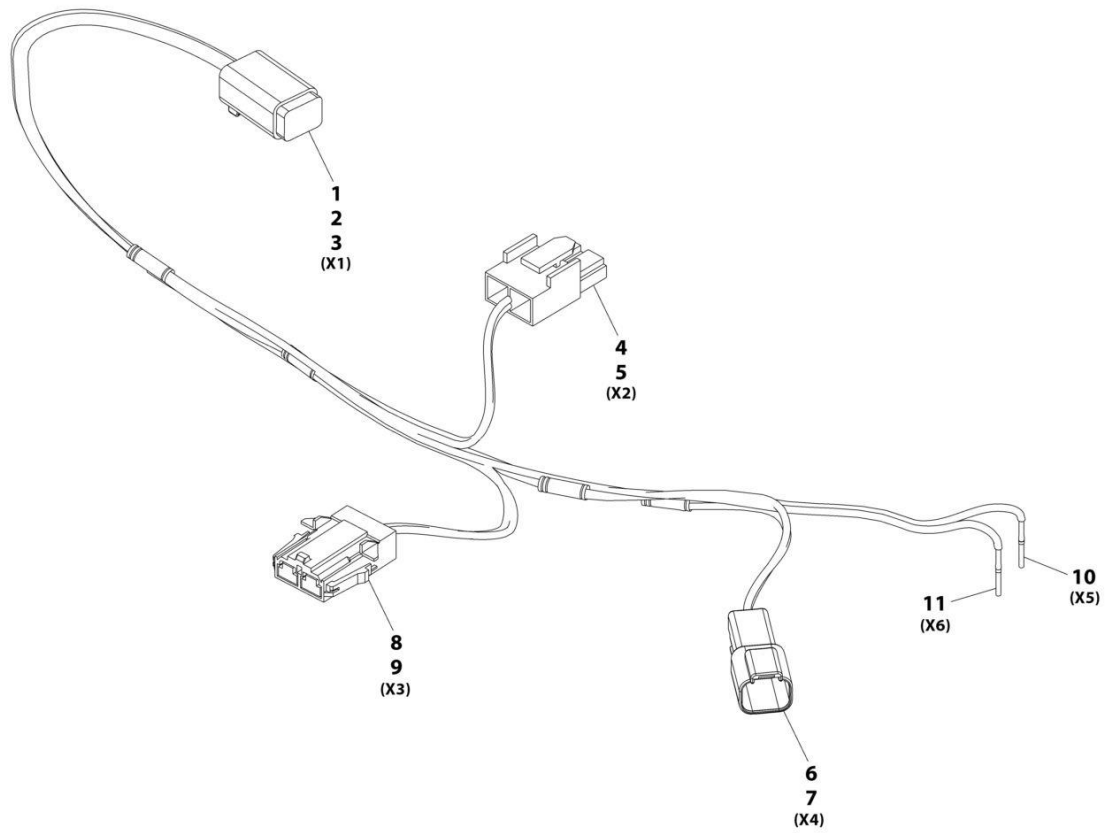
ITEM	PART NUMBER	QTY	DESCRIPTION	REV
50	4460905	24	PLUG	
51	1001119031	1	CONNECTOR	
52	4460226	3	TERMINAL	





# SECTION 10 - ELECTRICAL

## FIGURE 10-52. TEMPERATURE SENSOR HARNESS



ART\_1001172047-A

## SECTION 10 - ELECTRICAL

### FIGURE 10-52. TEMPERATURE SENSOR HARNESS

ITEM	PART NUMBER	QTY	DESCRIPTION	REV
	1001172047	Ref	TEMPERATURE SENSOR HARNESS	A
1	4460884	1	CONNECTOR	
2	4460465	2	TERMINAL	
3	4460944	2	TERMINAL	
4	4460879	1	CONNECTOR	
5	4460887	2	TERMINAL	
6	4460897	1	CONNECTOR	
7	4460943	2	TERMINAL	
8	1001120471	1	CONNECTOR	
9	428170011	2	TERMINAL	
10	4460944	1	TERMINAL	
11	4460944	1	TERMINAL	

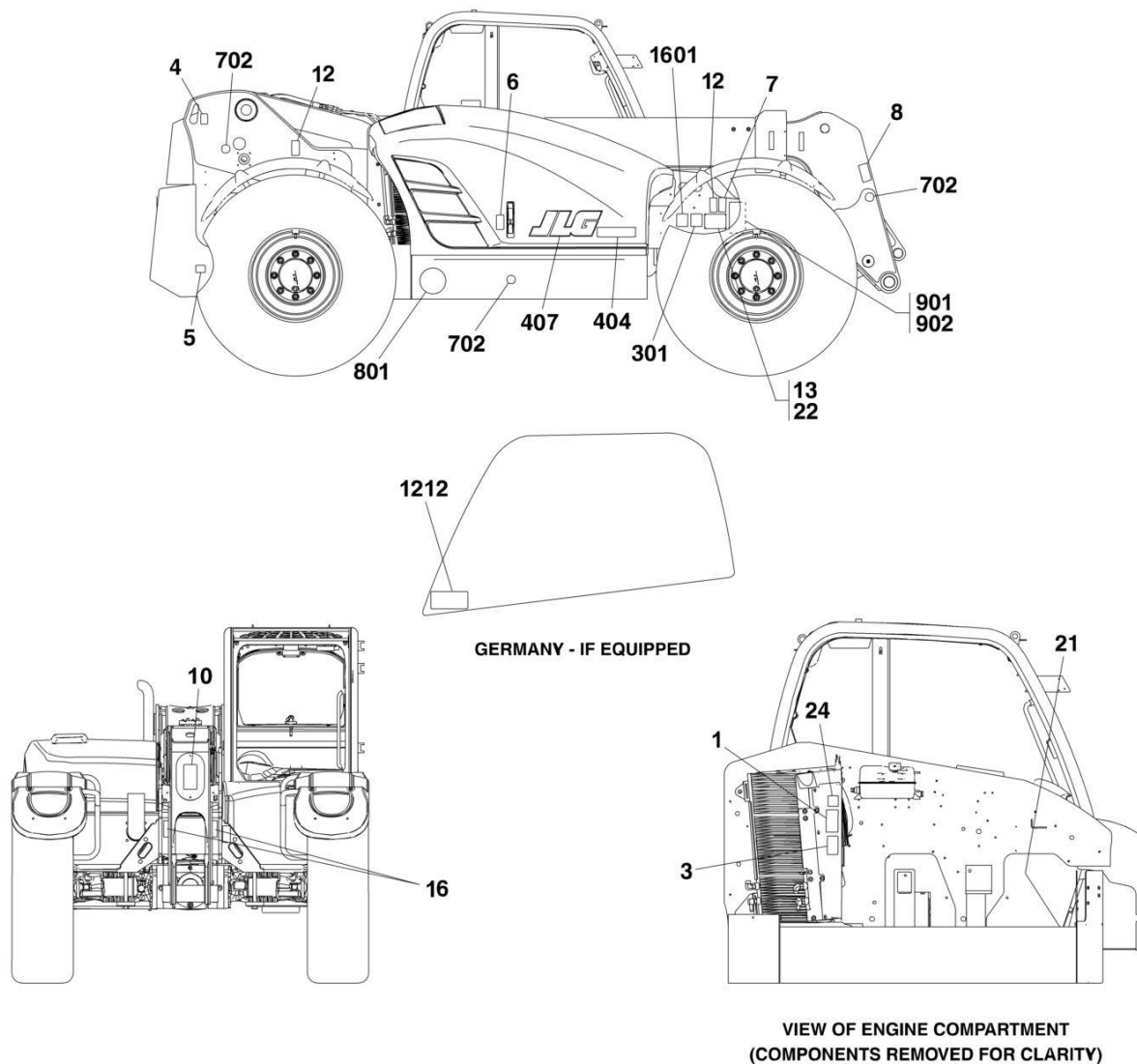


**SECTION 11 - DECALS**

# SECTION 11 - DECALS

## FIGURE 11-1. CAB AND FRAME DECALS

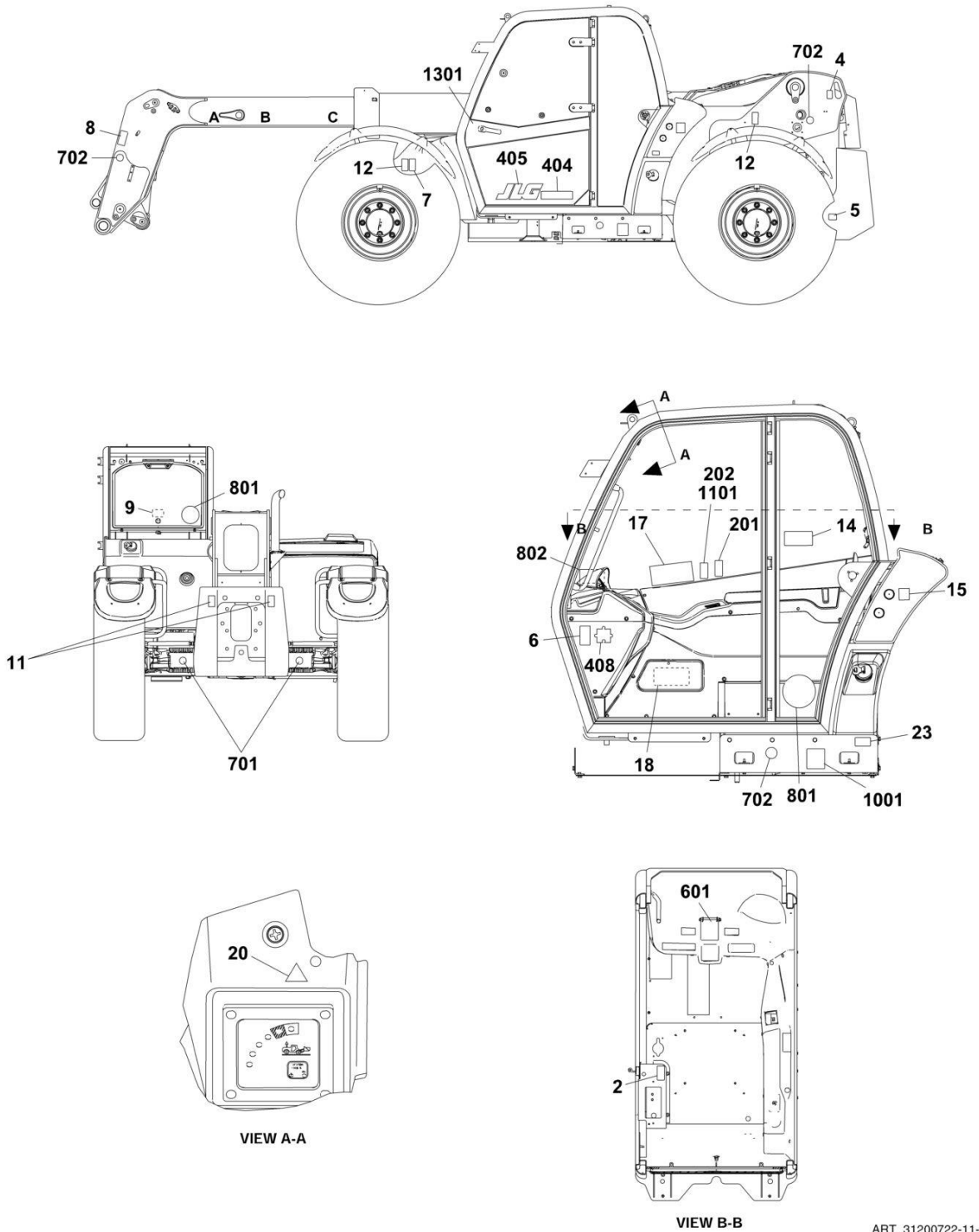
3706PS, 3707PS, 33.7, 37.6 & 37.7



ART\_31200722-11-1A

# SECTION 11 - DECALS

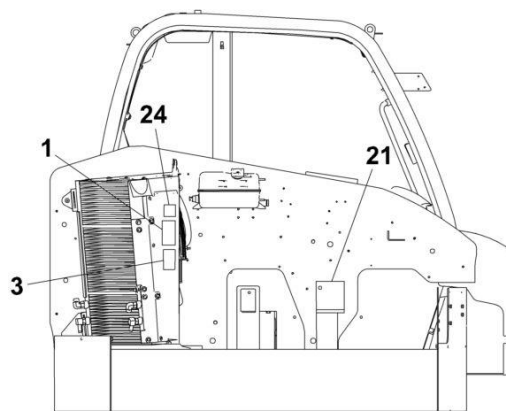
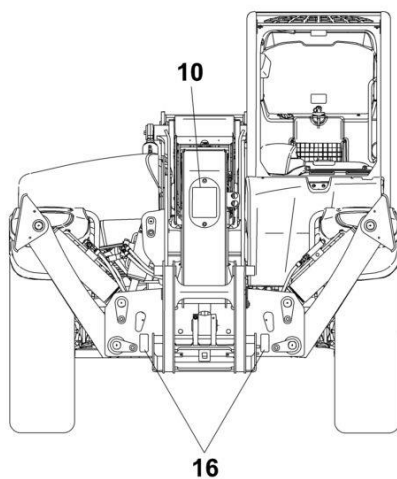
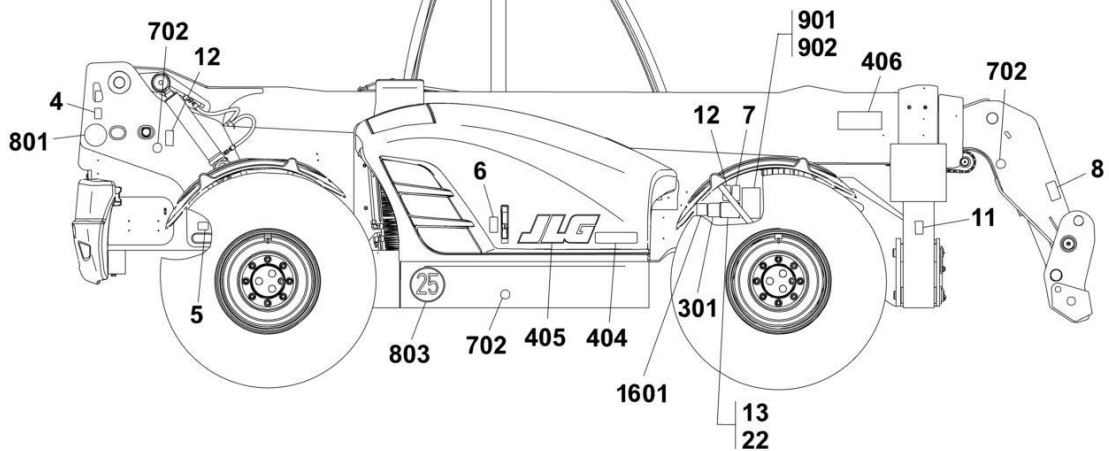
3706PS, 3707PS, 33.7, 37.6 & 37.7



ART\_31200722-11-1B

# SECTION 11 - DECALS

4014PS & 4017PS



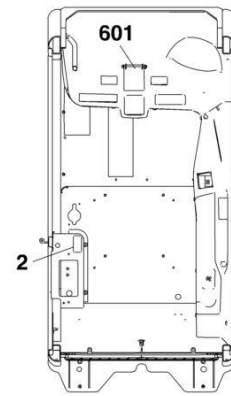
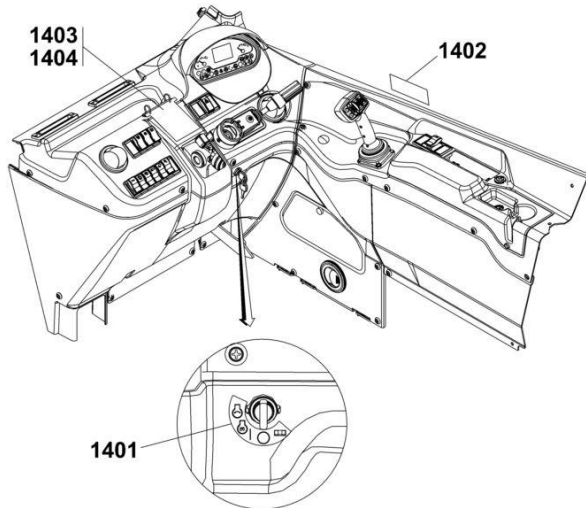
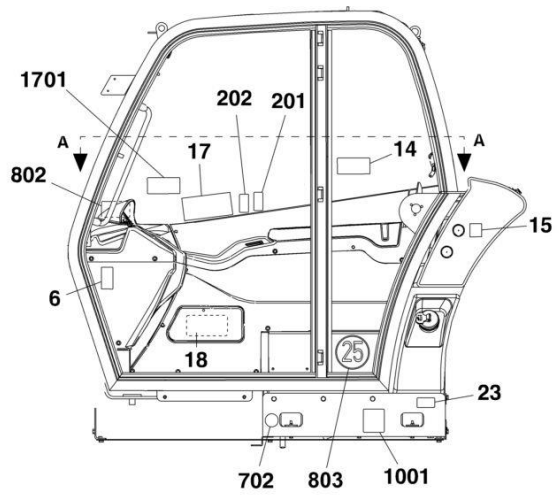
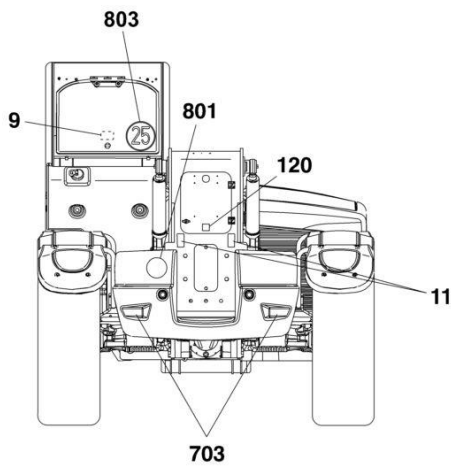
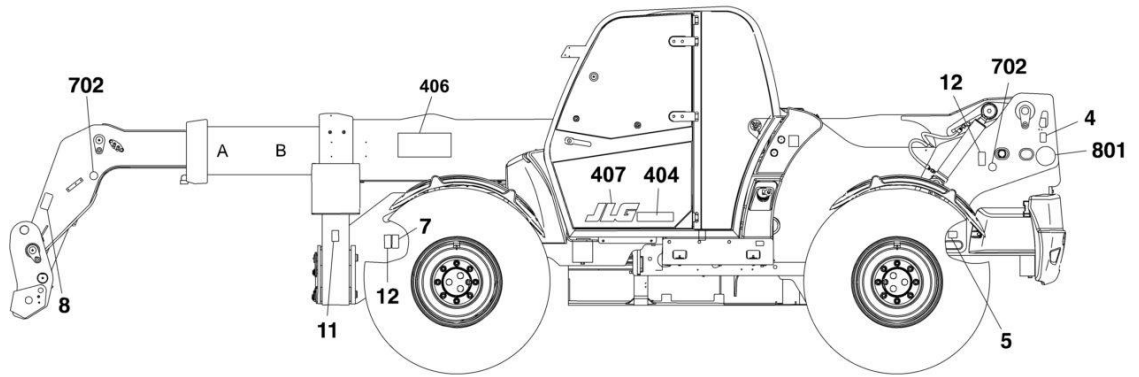
VIEW OF ENGINE COMPARTMENT  
(COMPONENTS REMOVED FOR CLARITY)

ART\_31200722-11-1C



# SECTION 11 - DECALS

4014PS & 4017PS

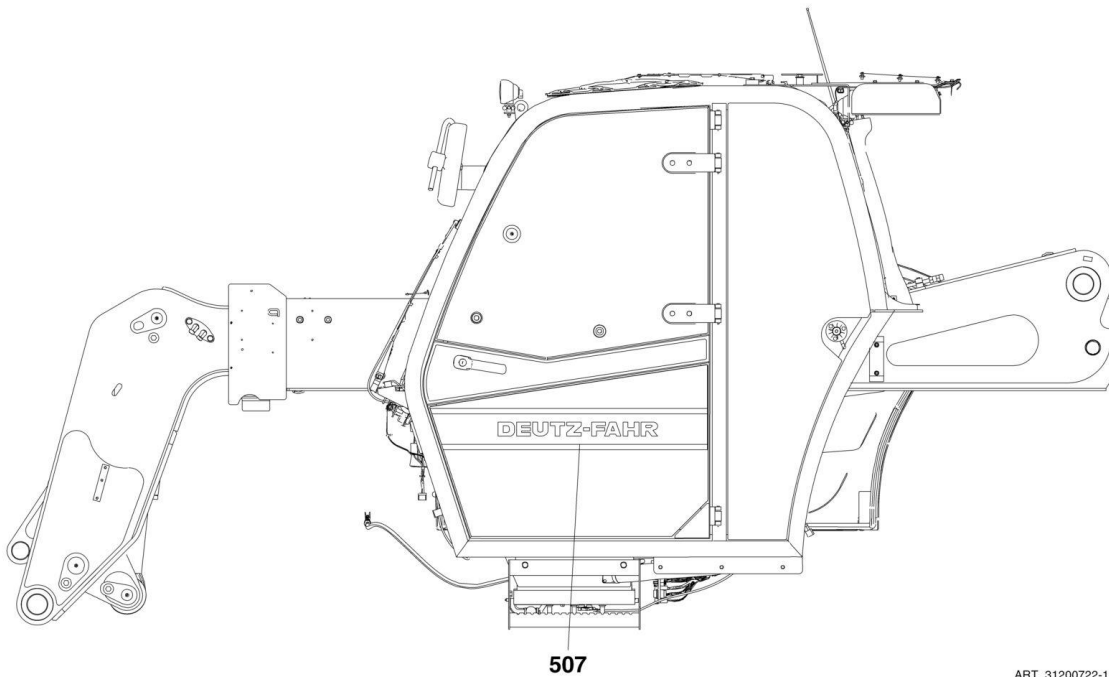
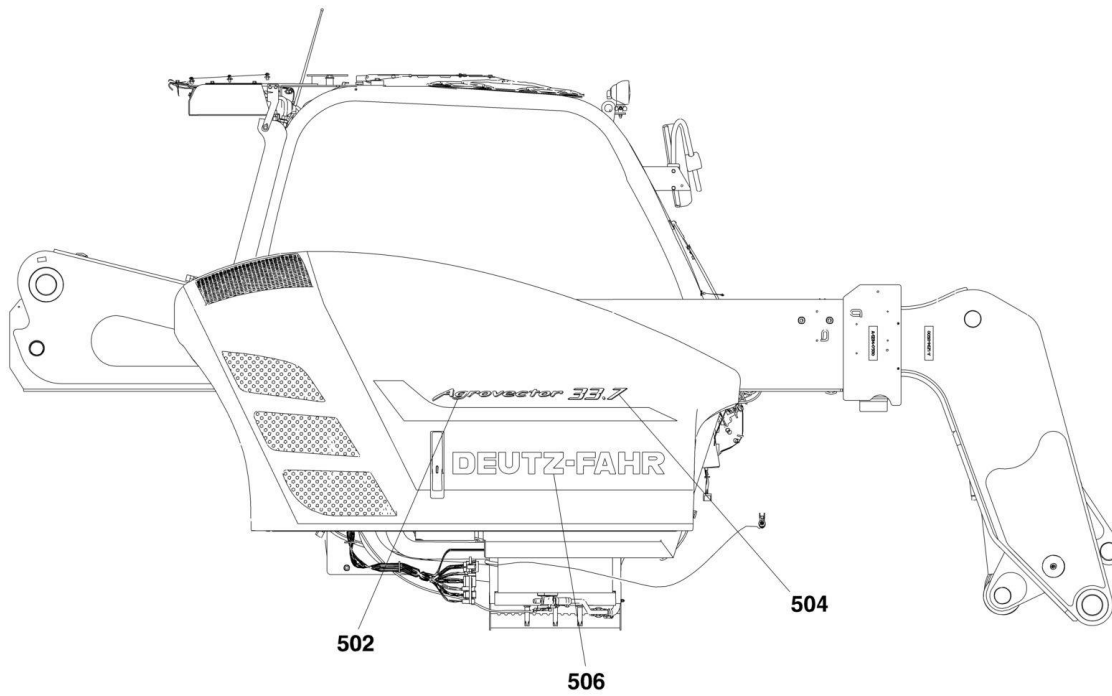


VIEW A-A

ART\_31200722-11-1D

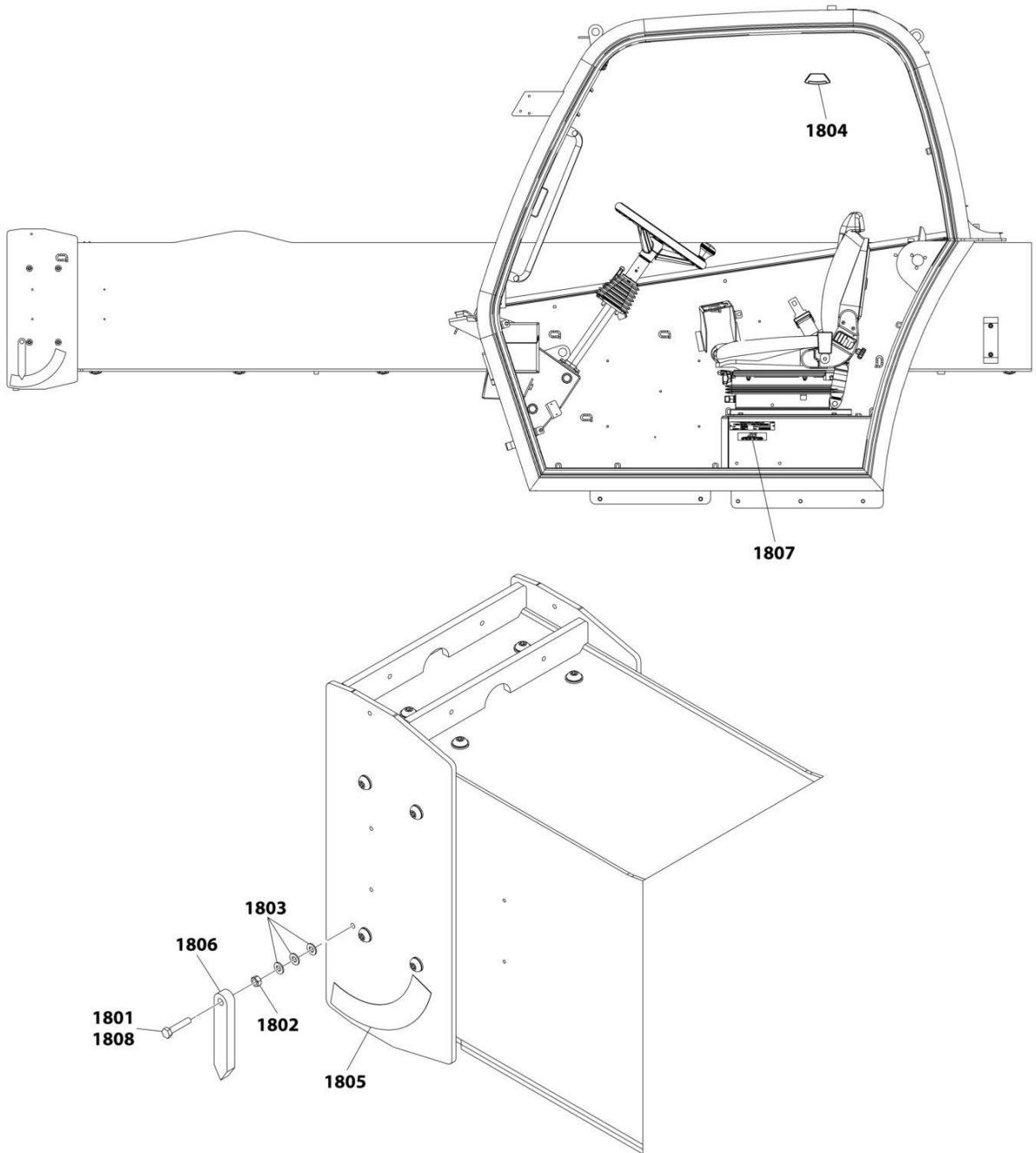
# SECTION 11 - DECALS

33.7, 37.6 & 37.7



ART\_31200722-11-1E

# SECTION 11 - DECALS



ART\_31200722-11-1F

# SECTION 11 - DECALS

## FIGURE 11-1. CAB AND FRAME DECALS

ITEM	PART NUMBER	QTY	DESCRIPTION	REV
	1001139649	Ref	CHART LOCATION INSTALLATION, (3706PS, 3707PS, 33.7, 37.6 & 37.7), (if equipped for ULS), (not available to order, see items 1 thru 24 for service)	E
	1001150959	Ref	CHART LOCATION INSTALLATION, (4014PS & 4017PS), (if equipped for ULS), (not available to order, see items 1 thru 18, 21 thru 24 & 120 for service)	D
	1001164471	Ref	CHART LOCATION INSTALLATION, (3706PS, 3707PS, 33.7, 37.6 & 37.7), (if equipped for LS), (not available to order, see items 1 thru 22 & 24 for service)	B
	1001164488	Ref	CHART LOCATION INSTALLATION, (4014PS & 4017PS), (if equipped for LS), (not available to order, see items 1 thru 18, 21, 22, 24 & 120 for service)	B
1	1706098	1	ETHER WARNING DECAL	
2	1706209	1	PARK BRAKE DECAL	
3	1706285	1	MOVING PARTS DECAL	
4	8005616	2	LIFTING POINT DECAL	
5	8005617	2	TIE DOWN POINT DECAL	
6	8005670	2	INSTRUCTION/SAFETY DECAL	
7	8005671	2	CYLINDER LOCK WARNING DECAL	
8	8005675	2	RAISED BOOM WARNING DECAL	
9	8005870	1	EMERGENCY EXIT DECAL	
10		Ref	NO RIDERS WARNING DECAL, (3706PS, 3707PS, 33.7, 37.6 & 37.7), (See BOOM DECALS for Breakdown)	
10		Ref	CARRY PERSONNEL DECAL, (4014PS & 4017PS), (See BOOM DECALS for Breakdown)	
11	8006612	2	STAY CLEAR WARNING DECAL, (3706PS, 3707PS, 33.7, 37.6 & 37.7)	
11	8006612	4	STAY CLEAR WARNING DECAL, (4014PS & 4017PS)	
12	8008657	4	SET BRAKE LEVER WARNING DECAL	
13	1001009178	4	FASTENER TACKS	
14	1001092878	1	NO RIDERS DECAL	
15	1001094708	1	OIL CHECK DECAL	
16	1001100957	2	TIE DOWN DECAL	
17	1001101895	1	CAB WARNING DECAL	
18	1001156399	1	FUSE DECAL	
20	1001127546	1	LSI PASSIVE WARNING DECAL, (3706PS, 3707PS, 33.7, 37.6 & 37.7)	
21	1001139164	1	BATTERY WARNING DECAL	
22	N.S.S.	1	SERIAL NUMBER PLATE	
23	1001139654	1	ULTRA LOW SULPHUR DECAL	
24	AU2105	1	NO KARCHER DECAL	
120	1001104319	1	GREASING ROLLER DECAL, (4014PS & 4017PS)	
201	1001135690	1	JOYSTICK DECAL, (LOADER PATTERN)	
201	1001135765	1	JOYSTICK DECAL, (3706PS, 3707PS, 33.7, 37.6 & 37.7), (LIFT PATTERN), (4014PS & 4017PS)	
201	1001167232	1	LOADER JOYSTICK FNR DECAL, (3706PS, 3707PS, 37.6 & 37.7), (LOADER PATTERN)	
201	1001167233	1	LOADER JOYSTICK DECAL, (3706PS, 3707PS, 37.6 & 37.7), (LIFT PATTERN)	
202	1001135691	1	LOADER JOYSTICK DECAL, (4014PS & 4017PS), (with outriggers)	
301	1001121555	1	PCT DECAL, (Russia, EU)	
	1001144460	Ref	JLG DECAL INSTALLATION, (3706PS), (not available to order, see items 404 thru 408 for service)	C

## SECTION 11 - DECALS

ITEM	PART NUMBER	QTY	DESCRIPTION	REV
	1001144461	Ref	JLG DECAL INSTALLATION, (3707PS), (not available to order, see items 404 thru 408 for service)	C
	1001144463	Ref	JLG DECAL INSTALLATION, (4014PS), (not available to order, see items 404 thru 408 for service)	C
	1001144466	Ref	JLG DECAL INSTALLATION, (4017PS), (not available to order, see items 404 thru 408 for service)	C
404	1001158217	2	JLG DECAL, (3706PS)	
404	1001158218	2	JLG DECAL, (3707PS)	
404	1001158219	2	JLG DECAL, (4014PS)	
404	1001158220	2	JLG DECAL, (4017PS)	
405	1001160775	1	JLG DECAL, (3706PS, 3707PS, 4014PS & 4017PS)	
406	1001160820	2	JLG DECAL, (3706PS, 3707PS)	
406	1001159323	2	JLG DECAL, (4014PS & 4017PS)	
407	1001160925	1	JLG DECAL, (3706PS, 3707PS, 4014PS & 4017PS)	
408	1001165280	1	GROUND SUPPORT DECAL, (3706PS, 3707PS, 4014PS & 4017PS)	
502	1001152401	1	SDF LOGO DECAL	
504	1001152480	1	SDF DECAL, (37.6)	
504	1001152400	1	SDF DECAL, (37.7)	
504	1001180222	1	SDF DECAL, (33.7)	
506	1001152402	1	SDF DEUTZ-FAHR HOOD, DECAL	
507	1001152405	1	SDF DEUTZ-FAHR DOOR, DECAL	
601	1001147090	1	METRIC LOAD CHART, (3706PS)	C
601	1001147047	1	METRIC LOAD CHART, (3707PS)	C
601	1001147048	1	METRIC LOAD CHART, (4014PS)	E
601	1001155795	1	METRIC LOAD CHART, (AUS), (4014PS)	C
601	1001147049	1	METRIC LOAD CHART, (4017PS)	D
601	1001156045	1	METRIC LOAD CHART, (AUS), (4017PS)	C
601	1001174719	1	METRIC LOAD CHART, (4014PS) (if equipped with Manitou Coupler)	A
601	1001174720	1	METRIC LOAD CHART, (4017PS) (if equipped with Manitou Coupler)	A
701	3700015	2	REFLECTOR, (3706PS, 3707PS, 33.7, 37.6 & 37.7)	
702	3700016	6	REFLECTOR	
703	1001009211	2	REFLECTOR, (4014PS & 4017PS)	
801	2603207	3	SPEED DECAL, 20KPH, (3706PS, 3707PS, 4014PS & 4017PS), (Germany), (if equipped)	
801	1706438	3	SPEED DECAL, 30KPH, (3706PS, 3707PS, 4014PS & 4017PS), (Germany), (if equipped)	
801	2999964	3	SPEED DECAL, 40KPH, (3706PS & 3707PS), (Germany), (if equipped)	
801	8009377	3	SPEED DECAL, 35KPH, (4014PS & 4017PS), (Germany), (if equipped)	
802	1001119218	1	HOMOLOGATION DECAL, (Germany), (if equipped)	
803	1001153442	3	SPEED DECAL, 25KPH, (4014PS & 4017PS), (France), (if equipped)	
	1001165381	Ref	HOMOLOGATION PLATE INSTALLATION, (3706PS, 3707PS, 37.7 & 37.6, 4014PS & 4017PS - Germany), (if equipped), (includes items 901 & 902)	A
	1001166443	Ref	HOMOLOGATION PLATE INSTALLATION, (3706PS, 3707PS, 4014PS & 4017PS - SPAIN), (if equipped), (includes items 901 & 902)	B
	1001165383	Ref	HOMOLOGATION PLATE INSTALLATION, (3706PS, 3707PS, 4014PS & 4017PS - Belgium), (if equipped), (includes items 901 & 902)	A

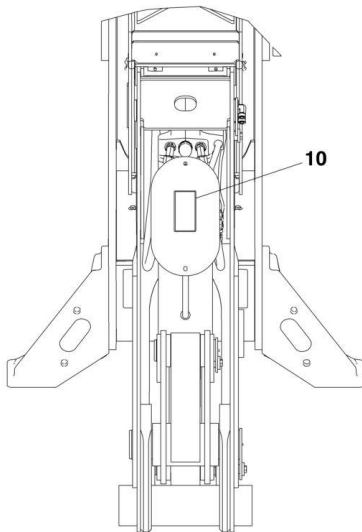
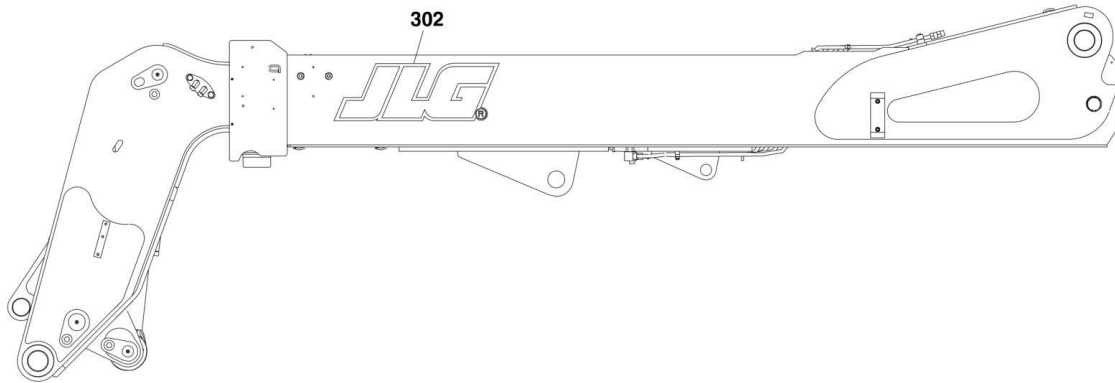
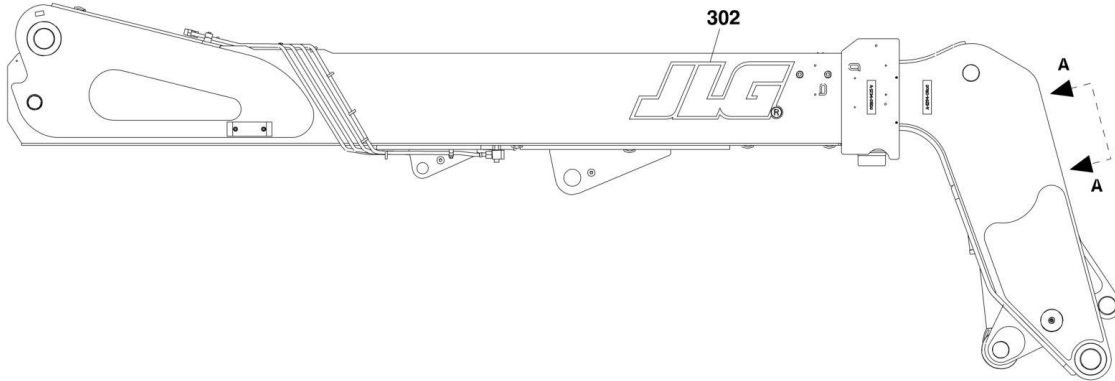
## SECTION 11 - DECALS

ITEM	PART NUMBER	QTY	DESCRIPTION	REV
901	1001009178	4	FASTENER TACKS	
902	1001138051	1	HOMOLOGATION PLATE	
1001	1705980	1	106dB SOUND PLATE, (3706PS, 3707PS, 4014PS & 4017PS)	
1101	1001135692	1	BOOM FLOAT DECAL, (3706PS, 3707PS, 37.6 & 37.7), (if equipped)	
1212	1001119218	1	BOOM HEIGHT DECAL, (Germany - if equipped)	
1301	1001139562	1	SDF CAB DECAL	
	1001154432	Ref	PLATFORM DECAL INSTALLATION, (4014PS - CE, if equipped), (not available to order, see items 1401 thru 1404)	A
	1001155582	Ref	PLATFORM DECAL INSTALLATION, (4014PS - AUS, if equipped), (not available to order, see items 1401 thru 1404)	A
	1001154433	Ref	PLATFORM DECAL INSTALLATION, (4017PS - CE, if equipped), (not available to order, see items 1401 thru 1404)	A
	1001155583	Ref	PLATFORM DECAL INSTALLATION, (4017PS - AUS, if equipped), (not available to order, see items 1401 thru 1404)	A
1401	1001102837	1	PLATFORM IGNITION SWITCH DECAL	
1402	1001104909	1	EMERGENCY DECENT DECAL	
1403	1001154442	1	FIXED PLATFORM LOAD CHART, (4014PS - CE)	
1403	1001155530	1	FIXED PLATFORM LOAD CHART, (4014PS - AUS)	
1403	1001154444	1	FIXED PLATFORM LOAD CHART, (4017PS - CE)	
1403	1001155532	1	FIXED PLATFORM LOAD CHART, (4017PS - AUS)	
1404	1001154443	1	EXTENDED PLATFORM LOAD CHART, (4014PS - CE)	
1404	1001155531	1	EXTENDED PLATFORM LOAD CHART, (4014PS - AUS)	
1404	1001154445	1	EXTENDED PLATFORM LOAD CHART, (4017PS - CE)	
1404	1001155533	1	EXTENDED PLATFORM LOAD CHART, (4017PS - AUS)	
	1001173936	Ref	EAC DECAL, INSTALLATION, (includes item 1601)	A
1601	1001173703	1	EAC DECAL	
1701	1001127735	1	BOOM POSITION DECAL, (3706PS & 3707PS - if equipped), (for homologation machines)	
1701	1001156308	1	BOOM POSITION DECAL, (4014PS - if equipped), (for homologation machines)	
1701	1001126676	1	BOOM POSITION DECAL, (4017PS - if equipped), (for homologation machines)	
	1001155252	Ref	HOMOLOGATION INSTALLATION, (4014PS - AUS, if equipped), (see items 1801 thru 1808 for service)	A
	1001164828	Ref	HOMOLOGATION INSTALLATION, (4017PS - AUS, if equipped), (see items 1801,1804 thru 1808 for service)	A
1801	0700816	1	HEX HD CAPSCREW, M8x40, GR8.8, (4014PS - AUS)	
1801	0630585	1	SHOULDER BOLT, (4017PS - AUS)	
1802	3290801	1	HEX NUT, M8X1-1/4	
1803	4811900	3	WASHER, 8mm	
1804	8466306	1	TILT ANGLE, GAGE	
1805	1001094171	1	DECAL, BOOM ANGLE INDICATOR	
1806	1001094172	1	PENDULUM, BOOM ANGLE INDICATOR	
1807	1001155230	1	DECAL, CAB AUS SAFETY	
1808	1001095650	1	LOCTITE 243	

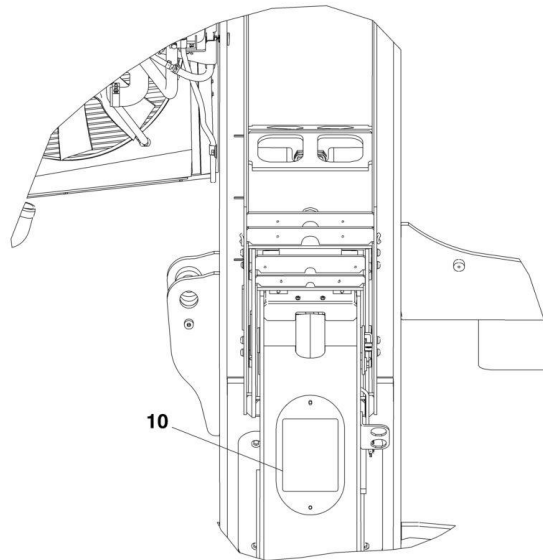


# SECTION 11 - DECALS

## FIGURE 11-2. BOOM DECALS



**VIEW A-A**  
(3706PS, 3707PS, 33.7, 37.6 & 37.7)

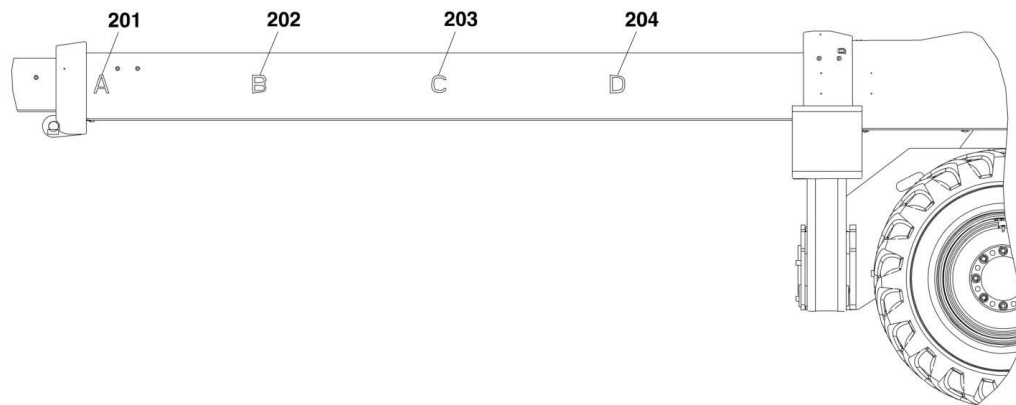
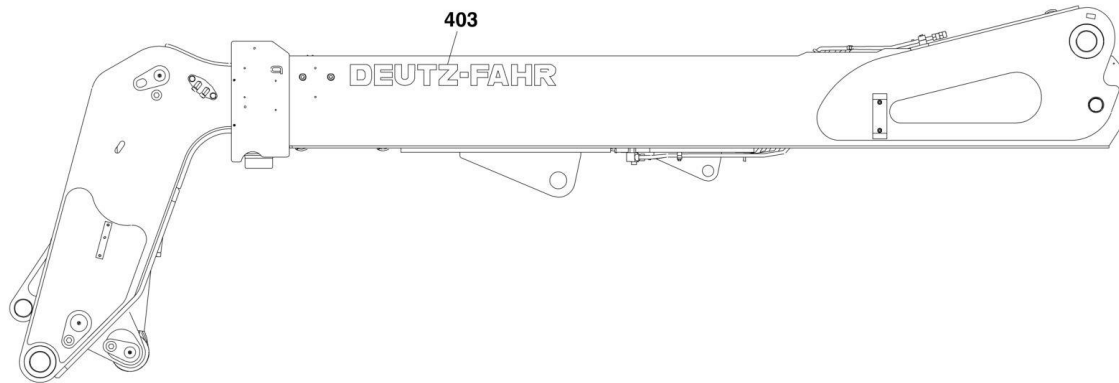
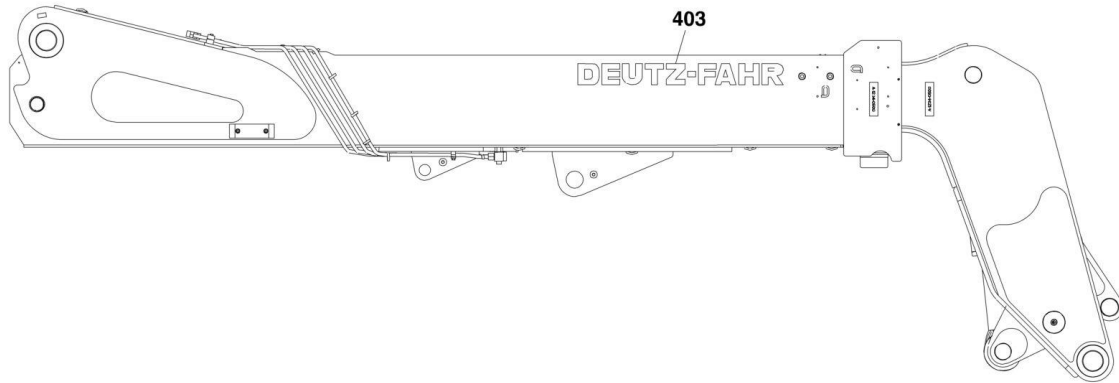


**VIEW A-A**  
(4014PS & 4017PS)

ART\_P28630-B



# SECTION 11 - DECALS



PZ8640

# SECTION 11 - DECALS

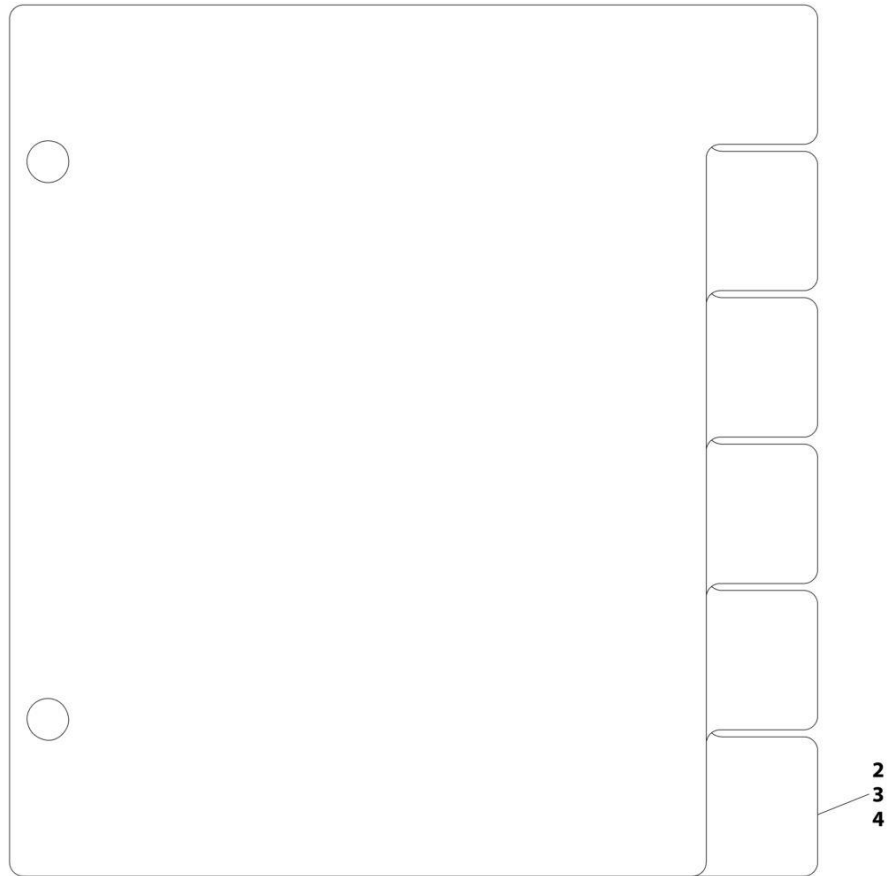
## FIGURE 11-2. BOOM DECALS

ITEM	PART NUMBER	QTY	DESCRIPTION	REV
	1001139649	Ref	CHART LOCATION INSTALLATION, (3706PS, 3707PS, 33.7, 37.6 & 37.7), (if equipped for ULS), (not available to order, see items 1 thru 24 on CAB AND FRAME DECALS and item 10 on BOOM DECALS for service)	E
	1001150959	Ref	CHART LOCATION INSTALLATION, (4014PS & 4017PS), (if equipped for ULS), (not available to order, see items 1 thru 19, 21 thru 24 & 120 on CAB AND FRAME DECALS and item 10 on BOOM DECALS for service)	D
	1001164471	Ref	CHART LOCATION INSTALLATION, (3706PS, 3707PS, 33.7, 37.6 & 37.7), (if equipped for LS), (not available to order, see items 1 thru 22 & 24 on CAB AND FRAME DECALS and item 10 on BOOM DECALS for service)	B
	1001164488	Ref	CHART LOCATION INSTALLATION, (4014PS & 4017PS), (if equipped for LS), (not available to order, see items 1 thru 18, 21, 22, 24 & 120 on CAB AND FRAME DECALS and item 10 on BOOM DECALS for service)	B
10	8006038	1	NO RIDERS WARNING DECAL, (3706PS, 3707PS, 33.7, 37.6 & 37.7)	
10	1706282	1	CARRY PERSONNEL DECAL, (4014PS & 4017PS)	
	1001171783	Ref	BOOM DECALS INSTALLATION, (3706PS, 3707PS, 37.6 & 37.7), (not available to order, see items 201 thru 203 for service)	A
	1001171798	Ref	BOOM DECALS INSTALLATION, (4014PS & 4017PS), (not available to order, see items 201 thru 204 for service)	A
201	1706753	1	"A" DECAL	
202	1706754	1	"B" DECAL	
203	1706755	1	"C" DECAL	
204	1706756	1	"D" DECAL, (4014PS & 4017PS)	
302	8008629	2	JLG DECAL, (3706PS, 3707PS, 4014PS & 4017PS)	



# SECTION 11 - DECALS

## FIGURE 11-3. CAPACITY CHART – VOLVO ADAPTER



ART\_31200722-11-3

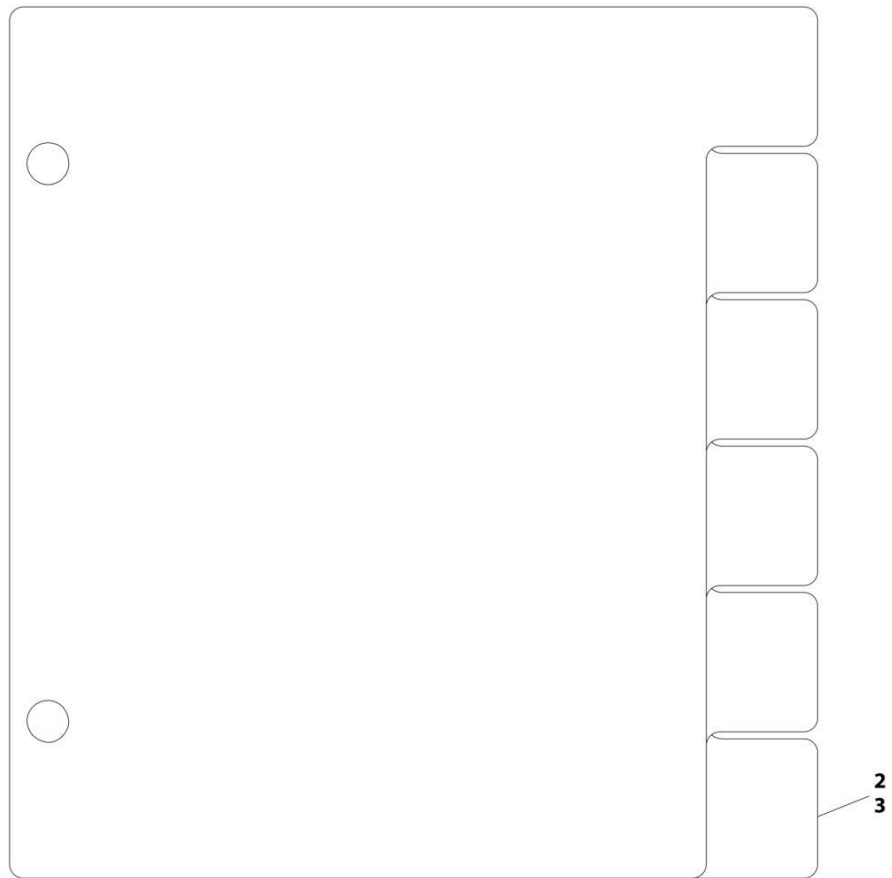
## SECTION 11 - DECALS

**FIGURE 11-3. CAPACITY CHART – VOLVO ADAPTER**

ITEM	PART NUMBER	QTY	DESCRIPTION	REV
	1001173159	1	VOLVO ADAPTER INSTALLATION, METRIC, (4014PS), (AUS), (includes items 1 & 4)	A
	1001173160	1	VOLVO ADAPTER INSTALLATION, METRIC, (4017PS), (AUS), (includes items 1 & 4)	A
	1001173150	1	VOLVO ADAPTER INSTALLATION, METRIC, (3706PS), (CE), (includes items 1 & 2)	A
	1001173151	1	VOLVO ADAPTER INSTALLATION, (3707PS), (CE), (includes items 1 & 2)	A
	1001173154	1	VOLVO ADAPTER INSTALLATION, (4014PS), (CE), (includes items 1 & 3)	A
	1001173155	1	VOLVO ADAPTER INSTALLATION, (4014PS), (Germany), (includes items 1 & 3)	A
	1001173156	1	VOLVO ADAPTER INSTALLATION, (4017PS), (CE), (includes items 1 & 3)	A
1		Ref	CARRIAGE, VOLVO ADAPTER, METRIC, (not shown), (See ATTACHMENTS for Breakdown)	
2	1001171061	1	CHART, CAPACITY, WITHOUT STABILIZERS, METRIC, (4014PS), (AUS)	
2	1001171063	1	CHART, CAPACITY, WITHOUT STABILIZERS, METRIC, (4017PS), (AUS)	
2	1001171049	1	CHART, CAPACITY, METRIC, (3706PS), (CE)	
2	1001171050	1	CHART, CAPACITY, METRIC, (3707PS), (CE)	
2	1001171053	1	CHART, CAPACITY, METRIC, (4014PS), (CE)	
2	1001171055	1	CHART, CAPACITY, METRIC, (4014PS), (Germany)	
2	1001171057	1	CHART, CAPACITY, METRIC, (4017PS), (CE)	
3	1001171062	1	CHART, CAPACITY, WITH STABILIZERS, METRIC, (4014PS), (AUS)	
3	1001171064	1	CHART, CAPACITY, WITH STABILIZERS, METRIC, (4017PS), (AUS)	
3	1001171054	1	CHART, CAPACITY, WITH STABILIZERS, METRIC, (4014PS), (CE)	
3	1001171056	1	CHART, CAPACITY, WITH STABILIZERS, METRIC, (4014PS), (Germany)	
3	1001171058	1	CHART, CAPACITY, WITH STABILIZERS, METRIC, (4017PS), (CE)	
4	1001174575	1	CHART, COVER, METRIC, (4014PS), (AUS)	
4	1001174576	1	CHART, COVER, METRIC, (4017PS), (AUS)	

# SECTION 11 - DECALS

## FIGURE 11-4. CAPACITY CHART – FEM ADAPTER



ART\_31200722-11-4

## SECTION 11 - DECALS

**FIGURE 11-4. CAPACITY CHART – FEM ADAPTER**

ITEM	PART NUMBER	QTY	DESCRIPTION	REV
	1001172675	1	FEM ADAPTER INSTALLATION (3706PS), (includes item 1 & 2)	A
	1001172678	1	FEM ADAPTER INSTALLATION (3707PS), (includes item 1 & 2)	A
	1001172681	1	FEM ADAPTER INSTALLATION, (4014PS), (includes item 1 & 3)	A
	1001172683	1	FEM ADAPTER INSTALLATION (4014PS), (AUS), (includes item 1 & 3)	A
	1001172685	1	FEM ADAPTER INSTALLATION (4014PS), (Germany), (includes item 1 & 3)	A
	1001172687	1	FEM ADAPTER INSTALLATION (4017PS), (includes item 1 & 3)	A
	1001172689	1	FEM ADAPTER INSTALLATION (4017PS), (AUS), (includes item 1 & 3)	A
1		Ref	CARRIAGE, FEM ADAPTER, (not shown), (See ATTACHMENTS for Breakdown)	
2	1001171516	1	CHART, CAPACITY, MATRIC, (3706PS)	
2	1001171519	1	CHART, CAPACITY, MATRIC, (3707PS)	
2	1001171523	1	CHART, CAPACITY, MATRIC, (4014PS)	
2	1001174031	1	CHART, CAPACITY, MATRIC, (4014PS), (AUS)	
2	1001171526	1	CHART, CAPACITY, MATRIC, (4014PS), (AUS)	
2	1001171528	1	CHART, CAPACITY, MATRIC, (4014PS), (Germany)	
2	1001171530	1	CHART, CAPACITY, MATRIC, (4017PS)	
2	1001173159	1	CHART, CAPACITY, MATRIC, (4017PS), (AUS)	
2	1001171532	1	CHART, CAPACITY, MATRIC, (4017PS), (AUS)	
3	1001171525	1	CHART, CAPACITY, WITH STABILIZERS, METRIC, (4014PS)	
3	1001171527	1	CHART, CAPACITY, WITH STABILIZERS, METRIC, (4014PS), (AUS)	
3	1001171529	1	CHART, CAPACITY, WITH STABILIZERS, METRIC, (4014PS), (Germany)	
3	1001171531	1	CHART, CAPACITY, WITH STABILIZERS, METRIC, (4017PS)	
3	1001171533	1	CHART, CAPACITY, WITH STABILIZERS, METRIC, (4017PS), (AUS)	





## **SECTION 12 - RECOMMENDED SPARE PARTS**

## **SECTION 12 - RECOMMENDED SPARE PARTS**

## SECTION 12 - RECOMMENDED SPARE PARTS

FIGURE 12-1. RECOMMENDED SPARE PARTS

ITEM	PART NUMBER	QTY	DESCRIPTION	REV
	Note	Ref	<b>Note: The following list will service fleets of machines (built to current production per date on the front cover) with repair parts which can be installed in the field. Parts from the list should be replaced when inventory is depleted to keep service parts stock supplied. For further information, contact your JLG dealer or the JLG Industries Parts Department.</b>	
		Ref	<b>Boom</b>	
	1001144819	2	Hose Assy, (3706PS & 37.6)	
	1001144834	2	Hose Assy, (3707PS, 33.7 & 37.7)	
	1001144559	1	Twin Hose Assy, (4014PS)	
	1001144897	1	Hose Assy, (4017PS)	
	1001144903	1	Hose Assy, (4017PS)	
	1001144553	1	Twin Hose Assy, (3706PS & 37.6)	
	1001144555	1	Twin Hose Assy, (3707PS, 33.7 & 37.7)	
	1001144561	2	Twin Hose Assy, (4014PS)	
	1001115564	2	Twin Hose Assy, (4017PS)	
	1001003132	1	Resilient Pad, (3706PS & 37.6)	
	4700021	10	Wear Pad, (3706PS, 3707PS, 33.7, 37.6, 37.7 & 4017PS)	
	8010148	4	Wear Pad, (3706PS, 3707PS, 33.7, 37.6, 37.7 & 4014PS)	
	1001002261	2	Wear Pad, (3706PS, 3707PS, 33.7, 37.6 & 37.7)	
	1001096320	8	Wear Pad, (4014PS)	
	1001096322	5	Wear Pad, (3706PS, 3707PS, 33.7, 37.6, 37.7 & 4014PS)	
	8002200	42	Wear Pad	
	8002201	4	Wear Pad, (4017PS)	
	1001111747	2	Wear Pad, (4017PS)	
	1001120545	1	Wear Pad, (3706PS, 3707PS, 33.7, 37.6 & 37.7)	
	1001120555	1	Wear Pad, (3706PS, 3707PS, 33.7, 37.6 & 37.7)	
	4700047	4	Wear Pad, (4014PS & 4017PS)	
	4700030	1	Wear Pad, (4017PS)	
	4700031	1	Wear Pad, (4017PS)	
	4700032	4	Wear Pad, (4017PS)	
	1001093784	4	Wear Pad, (4017PS)	
	8003243	5	Spacer, (3706PS, 3707PS, 33.7, 37.6 & 37.7)	
	1001003030	AR	Spacer, (4014PS)	
	1001003031	AR	Spacer, (3706PS, 3707PS, 33.7, 37.6, 37.7 & 4014PS)	
	1001097302	AR	Spacer, (4014PS)	
	1001097303	AR	Spacer, (4014PS)	
	8002904	AR	Spacer, (4017PS)	
	1001120556	2	Spacer, (3706PS, 3707PS, 33.7, 37.6 & 37.7)	
	1001128328	AR	Spacer, (4014PS)	
	4071108	AR	Spacer, (4017PS)	
	4071109	AR	Spacer, (4017PS)	
	8002637	AR	Spacer, (4017PS)	
	8003242	AR	Spacer, (4017PS)	
	4071105	AR	Spacer, (4017PS)	
	4071106	AR	Spacer, (4017PS)	
	8009987	AR	Shim, 50X160X2.0mm, (3706PS, 3707PS, 33.7, 37.6 & 37.7)	
	8008634	AR	Shim, 0.5X50X200mm, (3706PS, 3707PS, 33.7, 37.6 & 37.7)	
	8008640	AR	Shim, 0.5X50X200mm, (3706PS, 3707PS, 33.7, 37.6 & 37.7)	

## SECTION 12 - RECOMMENDED SPARE PARTS

ITEM	PART NUMBER	QTY	DESCRIPTION	REV
	4071110	AR	Shim, 3X50X200mm, (4017PS)	
	8008070	AR	Shim, 2X50X200mm, (4017PS)	
	1001120604	AR	Shim, 0.5X70X250mm, (3706PS, 3707PS, 33.7, 37.6 & 37.7)	
	1001104463	AR	Shim, 0.75X31X200mm, (4014PS)	
	4071085	AR	Shim, 2X70X200mm, (4017PS)	
	4071093	AR	Shim, 4X50X200mm, (4017PS)	
	4071098	AR	Shim, 3X70X200mm, (4017PS)	
	4071099	AR	Shim, 2X60X200mm, (4017PS)	
	4071104	AR	Shim, 4X70X200mm, (4017PS)	
	4071107	AR	Shim, 1X60X200mm, (4017PS)	
	4071087	AR	Shim, 4X50X200mm, (4017PS)	
	1001132895	2	Quick Attach Pivot Pin, (3706PS, 3707PS, 33.7, 37.6 & 37.7)	
	1001132898	2	Quick Attach Pin, (3706PS, 3707PS, 33.7, 37.6 & 37.7)	
		Ref	<b>Engine</b>	
	70025153	1	Fuel Filter Element, Primary	
	70024963	1	Spin On Fuel Filter Element, Secondary	
	7016331	1	Oil Filter, (if equipped for LS)	
	70025537	1	Dipstick	
	1001142658	1	Fuel Cap	
	1001148542	1	Fan	
	1101312	1	Air Cleaner Primary Filter Element	
	1101313	1	Air Cleaner Secondary Filter Element	
	70025478	1	V-Belt	
		Ref	<b>Drive Train</b>	
	1001131940	1	Joystick Assy	
	70024466	1	Transmission Oil Filter	
	8005079	8	Universal Clampset	
	1001004210	32	Hex Nut, (3706PS, 3707PS, 4014PS, 33.7, 37.6 & 37.7)	
	3300479	40	Wheel Nut, M22X1.5, (4017PS)	
		Ref	<b>Hydraulic System</b>	
	70020442	1	Lift Cylinder Seal Kit, (3706PS & 37.6)	
	70020447	1	Lift Cylinder Seal Kit, (3707PS, 33.7 & 37.7)	
	70020453	1	Lift Cylinder Seal Kit, (4014PS)	
	70020458	1	Lift Cylinder Seal Kit, (4017PS)	
	70023921	1	Extend/Retract Cylinder Seal Kit, (3706PS, 3707PS, 33.7, 37.6 & 37.7)	
	70020525	1	Extend/Retract Cylinder Seal Kit, (4014PS)	
	70023095	1	Extend/Retract Cylinder Seal Kit, (4017PS)	
	70020583	1	Tilt Cylinder Seal Kit, (3706PS & 37.6)	
	70020588	1	Tilt Cylinder Seal Kit, (3707PS, 33.7 & 37.7)	
	70020593	1	Tilt Cylinder Seal Kit, (4014PS & 4017PS)	
	70020603	1	Tilt Compensating Cylinder Seal Kit, (3706PS, 3707PS, 33.7, 37.6 & 37.7)	
	70021862	1	Tilt Compensating Cylinder Seal Kit, (4014PS & 4017PS)	
	70020466	1	Frame Level Cylinder Seal Kit, (4014PS)	
	70020470	1	Frame Level Cylinder Seal Kit, (4017PS)	
	70020477	1	Outrigger Cylinder Seal Kit, (4014PS)	
	70020482	1	Outrigger Cylinder Seal Kit, (4017PS)	
	70024168	1	Quick Attach Cylinder Seal Kit	
	70024410	1	Piston Pump Seal Kit	
	1001142659	1	Hydraulic Tank Fill Cap	
	70021834	2	Hydraulic Tank Sight Gauge	

## SECTION 12 - RECOMMENDED SPARE PARTS

ITEM	PART NUMBER	QTY	DESCRIPTION	REV
	1001009247	1	Hydraulic Tank Filter	
		Ref	<b>Electrical</b>	
	1001009339	1	12-V Battery	
	70020795	1	Dome Light Replacement Bulb, (if equipped)	
	1001101808	1	Back-up Alarm	
	1001003596	1	Horn	
	70020796	6	Replacement Bulb	
	7029969	2	Replacement Bulb	
	7029970	2	Replacement Bulb	
	7029971	4	Replacement Bulb	
	70021340	2	Replacement Bulb	
	70021341	2	Replacement Bulb	
		Ref	<b>Miscellaneous</b>	
	1001142724	1	Convex Mirror	
	1001142726	1	Convex Mirror	
	1001143339	1	Convex Mirror	
	1001150306	1	Rear View Mirror, (4017PS)	
	1001005981	1	Mirror, (3706PS, 3707PS, 33.7, 37.6 & 37.7 - if equipped)	
	1001142726	1	Cab Mirror	
	1001090336	2	Front Wiper Blade	
	1001090337	2	Rear Wiper Blade	
	1001090338	1	Roof Wiper Blade	
	70021220	1	Replacement Key, (3706PS, 3707PS, 4014PS, 33.7 & 4017PS)	
	31200753	1	Operation and Safety Manual, (3706PS, 3707PS, 4014PS & 4017PS)	
	31200800	1	Service Manual	

## SECTION 12 - RECOMMENDED SPARE PARTS

### PART NUMBER INDEX

## SECTION 12 - RECOMMENDED SPARE PARTS

0100009.....131	0701620...35, 37, 39, 375	0761010 ... 19, 25, 49, 65,	1001002778.....558, 559,
0100011...51, 97, 99, 117,	0701629.....161	69, 71, 81, 85, 128,	561
122, 127, 383, 441	0701631.....18	161, 178, 179, 371,	1001002779.....558, 559,
0100019.....19, 193	0701634.....18	375, 379, 406, 411,	561
0100020.....370	0711015.....375	439, 441, 470, 548, 549	1001002786.....406
0100048.....117, 122, 131	0711030.....375	0761011 .... 69, 178, 180,	1001002787.....435
0100081.....51, 131	0711214.....117, 122	185, 189	1001002788.....435
0100089.....544	0711220.....122	0761012 ... 18, 24, 65, 69,	1001002789.....445
0140011.....131	0711234... 91, 93, 95, 97,	71, 117, 122, 178, 180,	1001002790.....445
0240063.....149	99	183, 189, 349, 370,	1001002809.....421, 468
0240110.....149	0711624.....33, 117, 122	376, 389, 399, 439, 558	1001002810.....419
0240143.....105	0712026.....193	0761014 ... 18, 24, 59, 65,	1001002815.....483, 485
0240158.....147	0712029.....18, 349	127, 173, 178, 185,	1001002816.....435
0440296.....75, 79	0712030.....17	371, 558, 561	1001002817.....435
0440298.....75	0712031.....193	0761015 ... 51, 59, 65, 69,	1001002818.....435, 445
0498748.....357	0712032.....17, 52	117, 122, 127, 161,	1001002847.....453, 468
0630568.....132	0721006.....131	173, 371	1001002849.....453, 468
0630576.....25	0760405.....349	0761016 51, 69, 349, 517	1001002852.....173
0630585.....127, 680	0760408.....363	0761210 ... 65, 69, 71, 75,	1001002868.....357
0630609.....461	0760508.....127, 540	79, 495, 643	1001002869.....357
0641404.....131	0760605...45, 81, 83, 101	0761212 .65, 69, 71, 398,	1001002870.....354
0641414.....124, 131	0760606... 185, 189, 355,	401, 540, 541	1001002871.....354
0641415.....132	637	0761214 ... 19, 59, 63, 65,	1001002872.....354
0641606.....117	0760607 ... 183, 185, 189,	69, 111, 122, 128, 185,	1001002873.....354
0700408.....349	455, 465, 531, 548, 643	441	1001002911.....544
0700507.....173	0760608. 30, 49, 51, 117,	0761215 ..... 69	1001002943.....358
0700608.....174	178, 179, 349, 374,	0761216 ..... 105	1001002944.....357, 358
0700610.....39, 117, 122	375, 456, 459, 465, 627	0761218 ..... 51	1001002946.....358
0700612.....257, 431	0760610 ... 375, 540, 544,	0761612 ..... 111, 481	1001002947.....358
0700614....431, 439, 449,	627	0761615 ..... 17, 257, 495	1001002948.....358
627	0760612 .... 45, 178, 257,	0761616 ..... 161	1001002953.....358
0700615....117, 122, 435,	637	0761619 ..... 559	1001002954.....358
445, 627	0760613 ..... 550	0762020 ..... 17	1001002955.....358
0700616.....45, 470, 531,	0760614 .... 19, 350, 355,	0770812 ..... 367	1001002956.....358
637	548	0781028 ..... 161	1001002957.....358
0700617 ....431, 439, 449	0760618 ..... 545	0902751 ..... 131	1001002958.....354
0700618.....49, 119, 379,	0760805 ....455, 459, 461	0902894 ..... 122	1001002959.....358
431, 435	0760806 .....73, 540	0902919 ..... 117	1001002961.....357
0700619.....30, 117, 122	0760807 ....122, 435, 445	0902920 ..... 117	1001002962.....357
0700620.....127, 540	0760808 ... 52, 83, 87, 89,	0903342 ..... 637	1001002963.....357
0700621.....541	91, 101, 179, 357, 363,	0903366 ..... 105	1001002975.....349
0700810.....185	370, 374, 531, 548	0903405 ..... 441	1001002976.....349
0700814.....637	0760810 ... 17, 18, 24, 27,	0903412 ..... 122	1001002992.....370
0700815.....183, 357	30, 89, 101, 119, 124,	0930003 ..... 155, 157	1001002993.....383
0700816....442, 451, 680	179, 185, 189, 349,	0930004 ..... 143	1001002996.....355
0700817....431, 441, 451	355, 374, 398, 401,	0930015 ..... 141	1001002997.....358
0700818.....461	407, 451, 456, 459,	0930016 ..... 141	1001003000.....383, 387
0700819.....122	461, 465, 540, 541, 548	0962257 ..... 127	1001003011.....355
0700822.....174	0760812 ... 18, 19, 24, 25,	0962450 ..... 117, 122	1001003030....57, 63, 67,
0700824.....399, 402	46, 49, 127, 178, 179,	1001002207J.....57	692
0700825.....435	180, 257, 370, 374,	1001002261 ..... 55, 692	1001003031....55, 57, 61,
0700827.....105	376, 407	1001002468 ..... 57	63, 67, 692
0701013.....461, 517	0760814 19, 24, 122, 127,	1001002489 ..... 483, 485	1001003043.....354
0701014....174, 455, 459,	180, 185	1001002496 ..... 439	1001003044.....627
465	0760815 ..... 61	1001002498 ..... 483, 485	1001003048.....178
0701015.....383	0760818....433, 439, 441	1001002503 27, 468, 499	1001003064.....141
0701016.....398	0760820 .....117, 122	1001002523 ... 91, 93, 95,	1001003132.....45, 692
0701018.....45, 401	0761006 ..... 402	97, 99	1001003272.....354
0701028.....495	0761007 ... 45, 46, 81, 83,	1001002525 ..... 45	1001003273.....354
0701029....107, 109, 468,	85, 87, 89, 91, 93, 95,	1001002530 ..... 493	1001003274.....354
499	97, 99, 101, 423, 427,	1001002531 ..... 477	1001003301.....517
0701215.....161	477, 479, 481, 489,	1001002606 ..... 45	1001003305.....376, 540
0701217.....105	491, 493, 495	1001002620 ..... 479	1001003306.....354
0701219.....127	076100824, 27, 425, 445,	1001002680 ..... 493	1001003322.....185, 189,
0701234...83, 87, 89, 101	468, 497, 499	1001002769 ..... 411	633
0701617.....161	0761009 .....24, 549		1001003334.....265

## SECTION 12 - RECOMMENDED SPARE PARTS

1001003339..... 559	1001006101..... 87, 89	1001008845.....249, 251	1001060417..... 251
1001003360..... 265	1001006141..... 105	1001008857.....354, 358	1001060439..... 255
1001003391..... 559	1001006259..... 174	1001008922.....442, 451	1001061256..... 251
1001003400..... 445, 449	1001006329..... 174	1001008923.....456, 465,	1001061257..... 251
1001003411..... 445, 449	1001006362.....419, 421,	548, 555, 627	1001061258..... 251
1001003427..... 174, 517	468	1001008926.....541	1001061259..... 251
1001003435..... 435	1001006370..... 406, 411	1001008928.....354	1001063175..... 25
1001003439..... 398, 401,	1001006730..... 367	1001008944.....354	1001063407..... 255
411, 468	1001006814.....265	1001008948.....27, 45, 46,	1001063420..... 255
1001003443..... 637	1001006913.....387	49, 81, 83, 85, 87, 89,	1001063529..... 349
1001003470..... 354	1001006914.....387	91, 93, 95, 97, 99, 101,	1001090103.....455, 465
1001003478..... 473	1001006954.....349	468, 477, 479, 481,	1001090150... 45, 49, 61,
1001003479..... 473	1001006955.....349	489, 491, 493, 495,	67, 71
1001003485..... 350	1001007012..... 637	497, 499	1001090155..... 548
1001003487..... 559	1001007215..... 194	1001008997.....544	1001090157..... 555
1001003566..... 419, 421,	1001007417..... 383	1001009038..... 17, 548	1001090159..... 174
468	1001007542..... 111	1001009062..... 18, 19	1001090160..... 517
1001003590..... 398	1001007591..... 383, 387	1001009092.....370, 549	1001090205..... 517
1001003596..... 548, 694	1001007641..... 348	1001009094..... 33, 561	1001090219..... 548
1001003617..... 419, 421,	1001007846..... 264	1001009095.....33	1001090222..... 548
468, 531	1001008106..... 387	1001009097..... 387	1001090238..... 544
1001003647..... 517	1001008436..... 18, 19	1001009102.....561	1001090239..... 544
1001003749..... 354	1001008450..... 398, 401	1001009104.....383, 387	1001090272..... 348
1001003797..... 383	1001008459..... 111	1001009105.....141	1001090274..... 348
1001003803..... 33	1001008462..... 193	1001009120.....387	1001090301..... 355
1001003934..... 406, 411,	1001008466..... 162, 399,	1001009124.....348, 431,	1001090314..... 174
468, 637	402	439, 449	1001090334..... 363
1001004121..... 453, 468	1001008469. 39, 354, 540	1001009133.....383	1001090335..... 363
1001004141..... 363, 364,	1001008475... 18, 19, 348	1001009136.....354	1001090336.....363, 694
406, 407, 411, 412,	1001008506..... 161	1001009146..... 18, 194	1001090337.....363, 694
468, 637	1001008540.....541	1001009154.....183	1001090338.....363, 694
100100414461, 173, 178,	1001008552..... 255	1001009162.....355	1001090339..... 363
439	1001008559.....399, 403,	1001009163.....179, 399,	1001090340..... 363
1001004210 17, 194, 693	540, 544, 643	402	1001090341..... 363
1001004617..... 141	1001008571.....544	1001009178.....678, 680	1001090342..... 363
1001004618..... 141	1001008586..... 379	1001009207.....173, 180,	1001090343..... 363
1001004619..... 141	1001008593..... 548	406, 411	1001090347..... 361
1001004639..... 499	1001008604..... 348	1001009211..... 679	1001090348..... 361
1001004720..... 445, 449,	1001008609..... 174, 370,	1001009219.....383	1001090349..... 361
561, 643	399, 402, 406, 408,	1001009220.....383	1001090393..... 73
1001004723..... 173, 399,	411, 412, 637	1001009247.....407, 412,	1001090394..... 77
402, 540	1001008626.....441	694	1001090570..... 553
1001004771..... 265	1001008635..... 399, 402	1001009250.....255	1001090582..... 553
1001004904J..... 18	1001008657..... 406, 411	1001009325...55, 57, 61,	1001090583..... 553
1001005045J..... 18	1001008665..... 141	63, 67	1001090584..... 553
1001005134..... 33	1001008666..... 355, 367	1001009326...63, 67, 449	1001090590..... 553
1001005193..... 349	1001008667..... 179	1001009339.....541, 694	1001090591..... 553
1001005207..... 33	1001008673..... 399, 402	1001009365.....255, 387	1001090592..... 553
1001005262..... 445, 449,	1001008688..... 559	1001009388.....354	1001090594..... 553
451	1001008719.....265	1001010646.....367	1001090596..... 553
1001005267..... 33, 41	1001008720.....370, 407,	1001010647.....367	1001090604..... 553
1001005347..... 544	412	1001010648.....367	1001090605..... 553
1001005368..... 354	1001008721..... 178	1001010649.....367	1001090606..... 553
1001005387..... 25	1001008730..... 383, 387	1001010650.....367	1001090607..... 553
1001005508..... 406, 411,	1001008741..... 173	1001010838..... 18, 19	1001090610..... 553
468	1001008742..... 363	1001010839.....349	1001090612..... 553
1001005697..... 561	1001008747..... 433	1001016799.....255	1001090614..... 553
1001005698..... 561	1001008761..... 398, 419	1001017166.....255	1001090626..... 555
1001005699..... 561	1001008773..... 379, 549,	1001025749..... 540, 541	1001090727..... 591
1001005893..... 461	637, 643	1001025751.....540	1001091033..... 389
1001005904..... 445, 449,	1001008784..... 87, 89	1001026104.....439	1001091037..... 545
451, 473	1001008796..... 354	1001027047.....255	1001091126..... 17
1001005960..... 361	1001008800..... 354	1001028308.....453, 469	1001091189..... 663
1001005961..... 439, 441	1001008804..... 379	1001045589.....255	1001091193..... 374
1001005980..... 19	1001008805.....425, 431,	1001058688.....255	1001091194..... 374
1001005981..... 19, 694	435, 439, 442, 445,	1001059362.....406, 411,	1001091273..... 355
1001006072..... 179	449, 451	517	1001091313..... 113

## SECTION 12 - RECOMMENDED SPARE PARTS

1001091376.....370	1001093179..... 561	1001095400 .....495	1001097290.....439, 441
1001091383.....370	1001093238.....441	1001095650 ...17, 18, 19,	1001097302...57, 63, 692
1001091416.....371	1001093267 .....127	24, 25, 27, 30, 33, 35,	1001097303...57, 63, 692
1001091417.....371	1001093278 .....127	37, 39, 45, 46, 49, 52,	1001097342.....18
1001091418.....371	1001093328 .....127	55, 57, 59, 61, 63, 65,	1001097345.....383
1001091419.....371	1001093329 .....127	67, 69, 71, 73, 75, 79,	1001097371.....73
1001091537.....371	1001093387 .... 431, 439,	81, 83, 85, 87, 89, 91,	1001097381.....411
1001091573.....555	449	93, 95, 97, 99, 101,	1001097391.....439
1001091581.....51	1001093401 .....179	119, 124, 161, 173,	1001097481.....118, 123
1001091685.....178, 180	1001093774 .....127	178, 179, 180, 183,	1001097499J.....25
1001091694.....350	1001093784 ...69, 71, 692	185, 186, 189, 257,	1001097524.....30
1001091715.....558, 559,	1001093819 .....127	260, 349, 350, 355,	1001097538.....361
561	1001093820 .....127	357, 358, 363, 367,	1001097540.....357, 361,
1001091716.....558, 559,	1001093826 .... 113, 118,	370, 371, 374, 375,	544
561	123, 455, 465	379, 389, 398, 399,	1001097560.....491
1001091728.....370	1001093827 .... 113, 118,	401, 402, 403, 406,	1001097661.....91
1001091750.....545	123, 455, 465	407, 411, 412, 415,	1001097662.....91
1001091751.....579	1001093875 .....550	417, 423, 425, 427,	1001097663.....91
1001091786.....355	1001093948 .....127	431, 433, 435, 439,	1001097664.....91
1001091787.....355	1001094011 .....589	441, 442, 445, 451,	1001097666.....91
1001091788.....355	1001094140 .....370	453, 455, 459, 461,	1001097686.....385
1001091789.....39	1001094170 .....641, 647	465, 469, 477, 479,	1001097715.....544
1001091871.....370, 374	1001094171 .....680	481, 489, 493, 495,	1001097734.....118
1001091923.....374	1001094172 .....680	497, 499, 517, 541,	1001097902.....439
1001091924.....370	1001094198 .....123	544, 548, 549, 550,	1001097903.....439
1001091951.....517	1001094215 .....370, 374	555, 558, 559, 627,	1001097904.....449
1001092008.....265	1001094225 .....361	633, 637, 643, 680	1001097905.....449
1001092009.....265	1001094262 .... 415, 417,	1001095681 .....527	1001097979.....18
1001092048.....587	469	1001095804 .....553	1001098106BL .....17
1001092069.....51	1001094303 .... 406, 411,	1001095974J.....20, 25	1001098123.....431, 441,
1001092075.....497	469	1001096059 .....119, 124	451
1001092088.....370	1001094312 .....357	1001096169 .....371	1001098128.....431, 439,
1001092122.....174	1001094450 .....127	1001096209 .....127	441, 451
1001092129.....431, 435,	1001094451 .....127	1001096320 ...57, 63, 67,	1001098146...46, 49, 81,
439, 445, 449	1001094498 .....398, 470	692	83, 85, 87, 89, 91, 93,
1001092164.....193	1001094531 .....419	1001096322 ...55, 57, 61,	95, 97, 99, 101
1001092223.....619	1001094534 .....363	692	1001098147...46, 49, 81,
1001092242.....265	1001094541 .....363	1001096357 .....132	83, 85, 87, 89, 91, 93,
1001092256.....517	1001094543 .....363	1001096358 .....131	95, 97, 99, 101
1001092264.....174	1001094555 .... 113, 118,	1001096359 .....131	1001098150.....361
1001092297.....483, 485	123, 143, 145, 147,	1001096360 .....665	1001098151.....544
1001092298.....45	155, 157	1001096361 .....131	1001098153.....529
1001092348.....349	1001094556 .... 113, 118,	1001096365 .....357, 358	1001098386.....445, 449
1001092375.....558, 559	123, 143, 145, 147,	1001096465 .....354	1001098457...45, 71, 81,
1001092420.....553	155, 157	1001096466 .....354	83, 85, 87, 89, 91, 93,
1001092463.....479	1001094577 .....123	1001096470 .....354	95, 97, 99, 101, 387,
1001092492.....469, 497	1001094593 .....601	1001096471 .....354	489
1001092494.....481	1001094611 .....141	1001096517 .....357	1001098458.....33
1001092508.....479	1001094612 .....141	1001096563 .....363	1001098524.....493
1001092534.....469, 497	1001094615 .....141	1001096565 .....363	1001098577.....477
1001092535.....73	1001094616 .....141	1001096629 .....131	1001098629.....35
1001092536.....77	1001094632 .....371	1001096634 .....349	1001098630.....35
1001092542.....73	1001094658 .....354	1001096659 .....370	1001098631.....37
1001092543.....77	1001094659 .....354	1001096669 .....389	1001098632.....37
1001092585.....540	1001094700 .....349	1001096726 .....45	1001098636.....37
1001092767.....257	1001094701 .....349	1001096870 .....45	1001098827.....118, 123
1001092859.....257	1001094704 .....561	1001096913 .....558, 559	1001098828.....118
1001092860.....257	1001094708 .....678	1001096914 .....17, 18	1001099028.....30
1001092861.....553, 643	1001094709 .....561	1001096930 .....45	1001099030.....421, 469
1001092878.....678	1001094726 .....421, 469	1001096953 .....561	1001099066.....355
1001093001J.....20, 25	1001094743 .....402	1001097076 .....131	1001099120.....519
1001093007J.....20, 25	1001094853 .....127	1001097127 .....45, 489	1001099166.....73
1001093029J.....20, 25	1001094854 .....127	1001097141 ...91, 93, 95,	1001099169.....355
1001093031J.....25	1001094867 .....127	97, 99	1001099204.....264
1001093143J.....25	1001094976 .....30	1001097156 .....489	1001099267.....161, 407
1001093162.....561	1001095136 .....118, 123	1001097287 .....143, 157	1001099268.....161, 408
1001093163.....561	1001095301 .....173	1001097289 .....439, 441	



## SECTION 12 - RECOMMENDED SPARE PARTS

1001099269..... 406, 407, 411, 412	1001101483..... 95	1001103202..... 95	1001104958..... 145
1001099349..... 549	1001101485..... 97	1001103203..... 95	1001104990..... 57, 61, 63
1001099540..... 127	1001101539..... 85	1001103204..... 95	1001105081... 55, 57, 61, 67
1001099562..... 119	1001101551..... 260	1001103205..... 95	1001105127BL..... 17
1001099563..... 124	1001101552..... 260	1001103206..... 95	1001105167..... 559
1001099577..... 127	1001101553..... 260	1001103207..... 95	1001105168..... 559
1001099641..... 127	1001101554..... 260	1001103208..... 95	1001105260..... 55, 61
1001099685..... 127	1001101555..... 260	1001103209..... 95	1001105350..... 67
1001099701..... 541	1001101556..... 260	1001103217..... 128	1001105487..... 653
1001099717..... 550	1001101557..... 260	1001103230..... 95	1001105735..... 118, 123
1001099751..... 118, 123	1001101558..... 260	1001103231..... 95	1001105742..... 61
1001099866..... 118	1001101559..... 260	1001103249..... 637	1001105743..... 73
1001099913..... 469, 499	1001101560..... 260	1001103262..... 651	1001105761..... 61
1001100060..... 419	1001101561..... 260	1001103264..... 643	1001105941..... 427
1001100075..... 441	1001101563..... 260	1001103300..... 549, 550	1001105942..... 427, 433
1001100088..... 548	1001101564..... 91	1001103375..... 99	1001106385..... 627
1001100089..... 548	1001101584..... 91	1001103495..... 439	1001106516..... 73
1001100108..... 398, 401, 469	1001101587..... 91	1001103522..... 99	1001106528..... 77
1001100154..... 46	1001101590..... 91	1001103523..... 99	1001106532..... 77
1001100212..... 49	1001101628..... 19	1001103524..... 99	1001106570..... 33
1001100262..... 105	1001101632..... 45	1001103525..... 99	1001106579..... 425
100110031917, 370, 399, 402, 406, 407, 411, 412, 423, 425, 427	1001101633..... 45	1001103526..... 99	1001106729..... 30
1001100320..... 406, 411, 427	1001101674..... 45	1001103527..... 99	1001106782J..... 425
1001100379..... 453, 469	1001101694..... 45	1001103528..... 99	1001106884..... 637
1001100380..... 425	1001101695..... 46	1001103529..... 99	1001106930..... 145
1001100442..... 45	1001101702..... 379	1001103530..... 99, 113	1001106994..... 550
1001100614..... 549	1001101732..... 19	1001103531..... 99	1001107004..... 637
1001100651..... 265	1001101746..... 19	1001103532..... 99	1001107182..... 595
1001100652..... 549	1001101755..... 19	1001103533... 95, 99, 113	1001107192..... 357
1001100653..... 548	1001101756..... 19	1001103534..... 99	1001107294..... 49
1001100711..... 132	1001101791..... 355	1001103536..... 99	1001107295..... 49
1001100845..... 257	1001101808..... 549, 694	1001103537..... 99	1001107296..... 49
1001100862..... 355	1001101855..... 627	1001103554..... 431, 439, 449	1001107333..... 105
1001100911..... 111	1001101895..... 678	1001103564..... 585	1001107336..... 105
1001100957..... 678	1001101954..... 627	1001103597..... 35, 37	1001107338..... 105
1001101002..... 435	1001102080..... 627	1001103640..... 451	1001107509..... 487
1001101003..... 435	1001102403..... 637	1001103640..... 451	1001107523..... 507
1001101004..... 445	1001102406..... 637	1001103807..... 627	1001107581..... 105
1001101005..... 445	1001102453..... 641	1001103984..... 389, 393	1001107586..... 111
1001101012..... 389	1001102545..... 550	1001104032..... 431	1001107679..... 439
100110104139, 445, 449, 451, 455, 465, 473	1001102571..... 638, 643	1001104033..... 431	1001107684..... 553
100110104239, 445, 449, 451, 455, 465, 473	1001102627..... 550	1001104277..... 361	1001107721..... 401
1001101063..... 425	1001102633..... 627	1001104280..... 383	1001107963..... 627
1001101064..... 425	1001102739..... 425	1001104292..... 503	1001108133..... 93, 95
1001101121..... 128	1001102830..... 19	1001104302..... 35	1001108253..... 425
1001101140..... 260	1001102837..... 680	1001104319..... 678	1001108527..... 553
1001101141..... 260	1001102866..... 361	1001104341..... 627	1001108529..... 435
1001101142..... 260	1001102916..... 35	1001104344..... 627	1001108621..... 45
1001101145..... 549, 550	1001102917..... 35	1001104349..... 97	1001108639..... 194
1001101229..... 611	1001102918..... 37	1001104350..... 97	1001108661..... 625
1001101257..... 398, 419	1001102919..... 37	1001104415..... 627	1001108663..... 193
1001101274..... 19	1001102920..... 35	1001104437..... 548	1001108785..... 627
1001101291..... 19	1001102939..... 95	1001104438..... 548	1001108830..... 357
1001101326..... 91	1001102941..... 99	1001104463..... 63, 693	1001108857..... 627
1001101355..... 91	1001102941..... 99	1001104477..... 511	1001108918..... 445, 449
1001101356..... 91	1001103012..... 579	1001104497..... 52, 635, 655	1001108930..... 193
1001101425..... 91	1001103109..... 643	1001104498..... 579, 593, 609, 631, 635, 649, 655	1001108954..... 73
1001101442..... 149	1001103155..... 97	1001104519..... 393, 579, 581, 582, 593, 597, 623, 659	1001109023..... 73
1001101454..... 357	1001103156..... 549, 550	1001104670..... 431	1001109525..... 595
1001101458..... 19	1001103157..... 97	1001104717..... 431	1001109744..... 389
	1001103192..... 93, 95	1001104909..... 680	1001109784..... 617
	1001103193..... 93, 95	1001104933..... 91	1001109818..... 425
	1001103194..... 93, 95	1001104937..... 55, 57, 61, 63, 67	1001109890..... 389
	1001103195..... 93, 95		1001109891..... 389
	1001103196..... 93, 95		1001109892..... 389
	1001103198..... 95		1001110023..... 511
	1001103199..... 95		
	1001103200..... 95		

## SECTION 12 - RECOMMENDED SPARE PARTS

1001110024.....473	1001112923..... 194	1001116733 ..... 601, 605	1001118007.....132
1001110115.....473	1001112924..... 194	1001116745 ..... 613	1001118022.....371
1001110490.....455, 459	1001113075J..... 451	1001116747 ..... 566, 571	1001118096.....39
1001110498.....393	1001113275..... 621	1001116774 ..... 599, 655	1001118140.....355
1001110527J.....59	1001113286..... 439	1001116808 ..... 599, 655	1001118228.....371
1001110544.....540	1001113287..... 203, 223, 277, 291, 305, 319	1001116810 ..... 566, 571, 582	1001118229.....375
1001110596.....449	1001113381..... 587	1001116811 ..... 566, 571, 582	1001118231.....370, 375
1001110789.....544	1001113483..... 119	1001116916 ..... 663	1001118281.....619, 621
1001110791.....587	1001113625..... 627	1001116922 ..... 580	1001118282.....605, 629, 665
1001110853.....559	1001113669.....178, 180	1001116926 ..... 647	1001118308.....374
1001110856.....371	1001113749..... 51	1001116930 ..... 619, 621	1001118325.....631
1001110909.....477	1001113961..... 581	1001116950 ..... 565, 569, 571	1001118366.....371
1001110910.....477	1001114141..... 389	1001116952 ..... 566, 571	1001118378.....579
1001110911.....423	1001114167..... 633	1001116955 ..... 657	1001118379.....565, 570, 575, 579, 580, 581, 585, 597, 603, 653
1001110956.....425	1001114334..... 585	1001116976 ..... 566, 570, 582, 599	1001118380.....566, 570, 582, 593, 599, 659
1001110957.....425	1001114408J..... 51	1001116977 ..... 593	1001118381.....582, 591, 593, 599, 647, 649, 659
1001111076.....361	1001114753..... 481	1001116978 ..... 582, 591, 599	1001118382.....579, 580
1001111126.....481	1001114783..... 483	1001116979 ..... 647, 659	1001118383.....579
1001111147.....349	1001114784..... 483	1001116980 ..... 649	1001118385.....585
1001111152.....495	1001114787..... 501	1001116982 ..... 580, 585, 653	1001118386.....585
1001111153.....357	1001114802..... 194	1001116983 ..... 565, 569	1001118387.....581
1001111317.....354, 357	1001114850..... 433	1001116984 ..... 585	1001118388.....581
1001111424.....645	1001114969..... 433	1001116985 ..... 585	1001118391.....566, 570, 582, 591, 599, 647, 649, 659
1001111743.....30, 549	1001115037..... 495	1001116986 ..... 582, 585, 623	1001118392.....593
1001111747.....59, 692	1001115040..... 497	1001116987 ..... 582, 659	1001118393.....593
1001111757.....93, 95	1001115041..... 499	1001116988 ..... 582	1001118417.....131, 135
1001111758.....93, 95	1001115064..... 627	1001116990 ..... 582	1001118426.....25
1001111761.....95	1001115140..... 132	1001116992 ..... 579	1001118439.....370, 375
1001111762.....93	1001115210..... 431	1001116993 ..... 580	1001118589.....370
1001111766.....93	1001115229..... 18	1001116995 ..... 565, 570, 575, 579, 597, 603	1001118685.....579
1001111767.....93	1001115232..... 561	1001116996 ..... 593	1001118703.....451
1001111772.....93	1001115312..... 561	1001116997 ..... 582	1001118704.....451
1001111773.....93	1001115519.....643, 657	1001116998 ..... 581	1001118705.....442
1001111774.....93	1001115560..... 441	1001116999 ..... 581	1001118706.....442
1001111775.....93	1001115561..... 441	1001117002 ..... 581	1001118707.....442, 451
1001111776.....93	1001115562..... 441	1001117004 ..... 580, 653	1001119031.....666
1001111813.....93	1001115563..... 442	1001117011 ..... 367	1001119032.....597
1001111827.....433	1001115564..... 692	1001117012 ..... 581	1001119218.....679, 680
1001111830.....52	1001115710..... 497	1001117013 ..... 580	1001119220.....375
1001111831.....52	1001115711..... 499	1001117025 ..... 601, 629	1001119285.....18
1001111836.....93	1001115890..... 625	1001117064 ..... 580	1001119560.....439, 449
1001111837.....93	1001115932..... 637	1001117106 ..... 566, 571	1001120182.....105
1001111838.....93	1001115943..... 51	1001117109 ..... 566, 571	1001120316.....523
1001111839.....93	1001116128..... 549	1001117110 ..... 566, 571, 607	1001120399J.....461
1001111840.....93	1001116132..... 655	1001117118 ..... 541	1001120416.....441
1001111841.....93	1001116133..... 609	1001117121 ..... 579	1001120471.....669
1001111842.....93	1001116142..... 51	1001117133 ..... 593	1001120482.....455, 459, 461
1001111843.....93	1001116423..... 383	1001117134 ..... 582	1001120501.....455, 459, 461, 531
1001111844.....93	1001116431..... 383	1001117245 ..... 629	1001120505.....461
1001111845.....93	1001116495..... 371	1001117246 ..... 631	1001120523.....161
1001111846.....93	1001116513..... 257	1001117247 ..... 625	1001120545.....61, 692
1001111847.....93	1001116543..... 257	1001117308 ..... 540	1001120555.....61, 692
1001112130J.....27	1001116693..... 663	1001117360 ..... 383	1001120556.....61, 692
1001112380.....550	1001116697..... 579, 593, 609, 631, 649, 657	1001117746 ..... 51	1001120602.....461
1001112393.....549, 550	1001116698.....52, 579, 649	1001117889 ..... 131	1001120604.....61, 693
1001112400.....550	1001116700..... 653	1001117921 ..... 603	1001120652.....462
1001112426.....24	1001116701..... 580	1001117922 ..... 605	1001120892.....179
1001112431.....389	1001116709.....582, 659	1001117945 ..... 111	1001120904.....179
1001112559.....111	1001116710.....565, 569	1001117995 ..... 257	
1001112560.....111	1001116716.....579, 659		
1001112618.....105	1001116718..... 659		
1001112646.....131	1001116726..... 651		
1001112674.....544	1001116727..... 651		
1001112726.....435	1001116728..... 566, 571, 613		
1001112824.....550			
1001112890.....549			
1001112892J.....18			

## SECTION 12 - RECOMMENDED SPARE PARTS

1001120969..... 593	1001127290..... 371	1001132191..... 549	1001133715..... 565, 569
1001121021..... 548	1001127396..... 371	1001132192..... 549	1001133753..... 193
1001121053..... 515	1001127516..... 349	1001132193..... 549	1001133773..... 173
1001121054..... 515	1001127517..... 348	1001132236..... 179	1001133774..... 173
1001121234..... 633, 635	1001127546..... 678	1001132239..... 399, 403	1001133777..... 173
1001121262..... 541	1001127596..... 193	1001132244..... 180	1001133778..... 173
1001121265..... 541	1001127683..... 540	1001132247..... 178	1001133779..... 173
1001121267..... 162	1001127692..... 540	1001132340..... 178	1001133780..... 173
1001121345..... 193	1001127694..... 540	1001132352..... 61	1001133781..... 173
1001121471..... 633	1001127735..... 680	1001132353..... 61	1001133784..... 173
1001121555..... 678	1001127796..... 541	1001132392..... 180	1001133785..... 173
1001121674..... 361	1001127848..... 387	1001132400..... 24	1001133793..... 173
1001121675..... 354	1001127870..... 193	1001132418..... 180	1001133809..... 161
1001121707..... 354	1001127872..... 193	1001132564..... 357, 361	1001133954..... 179
1001121879..... 549	1001127876..... 387	1001132828..... 161	1001133955..... 179
1001122312..... 357	1001128131..... 39	1001132859..... 24	1001134049..... 376
1001122362..... 357	1001128293..... 544	1001132860..... 24	1001134081..... 558
1001122363C..... 357	1001128328..... 63, 692	1001132862..... 24	1001134127..... 161
1001122363J..... 357	1001128415..... 398, 401	1001132863..... 24	1001134186..... 355
1001122365C..... 357	1001128451..... 17	1001132872..... 24	1001134187..... 355
1001122366..... 357	1001128478..... 399, 403	1001132873..... 24	1001134188..... 186
1001122408..... 354	1001128537..... 544	1001132877..... 399, 403	1001134224..... 185
1001122552..... 17	1001128763..... 357	1001132878..... 180	1001134225..... 185
1001123042..... 185, 189	1001128764..... 357	1001132879..... 180	1001134226..... 185
1001125071J..... 55	1001129285..... 566, 571	1001132880..... 180	1001134274..... 549, 550
1001125115..... 45, 55, 57, 61, 63, 67	1001129286..... 566, 571	1001132884..... 85	1001134285..... 19
1001125117..... 55, 57, 61, 63, 67	1001129425..... 549	1001132885..... 85	1001134286..... 19
1001125264J..... 55	1001129530..... 485	1001132887..... 85	1001134307..... 19
1001125286..... 185, 189	1001129555..... 135	1001132888..... 85	1001134310..... 558
1001125308..... 489	1001129676..... 179	1001132889..... 85	1001134339..... 540
1001125309..... 489	1001129677..... 173	1001132895..... 81, 85, 693	1001134351..... 565, 570
1001125310..... 491	1001129678..... 178	1001132898..... 81, 85, 693	1001134483..... 549, 550
1001125409..... 370, 399, 402, 407, 411	1001129680..... 376	1001132920..... 180	1001134525..... 376
1001125465..... 549	1001129879..... 24	1001133089..... 357	1001134528..... 185
1001125466..... 179	1001129902..... 548	1001133213..... 613	1001134529..... 185
1001125508..... 18	1001130032..... 548	1001133224..... 613	1001134580..... 545
1001125513..... 558	1001130203..... 165	1001133239..... 375	1001134581..... 566, 570
1001125514..... 558	1001130351..... 398	1001133260..... 361	1001134758..... 370
1001125515..... 558	1001130421..... 61	1001133306..... 389	1001134759..... 376
1001125518..... 558	1001130423..... 61	1001133307..... 389	1001134920..... 375
1001125823..... 548	1001130551..... 553	1001133355..... 389	1001134953..... 540
1001126349..... 565, 571	1001130735..... 24	1001133471..... 67	1001135069..... 540
1001126351..... 565, 571	1001130752..... 541	1001133472..... 67	1001135244..... 541
1001126352..... 565, 571	1001130754..... 575	1001133483..... 71	1001135245..... 161
1001126353..... 565, 571	1001130822..... 105	1001133484..... 71	1001135257..... 161
1001126356..... 565, 571	1001131047..... 545	1001133490..... 406, 411	1001135386..... 370
1001126357..... 565, 571	1001131165..... 52	1001133491..... 407, 411	1001135466..... 401
1001126360..... 565, 571	1001131205..... 375	1001133492..... 407, 411	1001135467..... 401
1001126362..... 566, 571	1001131252..... 165	1001133493..... 407, 411	1001135485..... 161
1001126363..... 566, 571	1001131282..... 555	1001133494..... 407	1001135486..... 161
1001126364..... 566, 572	1001131283..... 389	1001133495..... 407, 411	1001135584..... 407, 411, 412, 541
1001126365..... 572	1001131347..... 81	1001133560..... 63	1001135650..... 565, 569
1001126384..... 565, 571	1001131348..... 85	1001133561..... 63	1001135651..... 565, 569
1001126391..... 566, 571	1001131367..... 24	1001133564..... 65	1001135690..... 678
1001126392..... 566, 571	1001131371..... 24	1001133565..... 65	1001135691..... 678
1001126393..... 571	1001131373..... 24	1001133566..... 69	1001135692..... 425, 680
1001126493..... 185, 189	1001131375..... 24	1001133567..... 69	1001135765..... 678
1001126517..... 189	1001131377..... 24	1001133579..... 406	1001135838..... 389
1001126600..... 174	1001131378..... 24	1001133580..... 406	1001135841..... 389
1001126676..... 680	1001131642..... 179	1001133582..... 407	1001136001..... 367
1001126837..... 544	1001131752..... 401	1001133583..... 407	1001136005..... 367
1001126848..... 544	1001131940..... 393, 693	1001133585..... 407	1001136005..... 367
1001127021..... 193	1001131945..... 549	1001133587..... 375	1001136181..... 83
1001127272..... 18	1001131962..... 180	1001133648..... 179	1001136182..... 87
	1001131989..... 178	1001133700..... 375	1001136183..... 83, 87, 89, 101
	1001131990..... 178	1001133707..... 565	1001136209..... 85
	1001132053..... 389	1001133714..... 565, 569	

## SECTION 12 - RECOMMENDED SPARE PARTS

1001136211.....83, 87, 89, 101	1001139217.....566, 570	1001142282.....264	1001143536.....401
1001136214.....83, 87, 89, 97, 101	1001139219.....566, 570	1001142283.....264	1001143537.....398, 401
1001136215.....87, 89	1001139230.....361	1001142284.....264	1001143538.....398, 401
1001136487.....375	1001139231.....361	1001142285.....263	1001143566.....540
1001136545.....376	1001139232.....361	1001142286.....263	1001143592.....455, 459
1001136546.....376	1001139235.....361	1001142287.....263	1001143593.....455, 459
1001136550.....399, 402	1001139236.....361	1001142288.....263	1001143594.....455, 459
1001136554.....399, 402	1001139310.....544	1001142289.....263	1001143627.....183
1001136832.....541	1001139311.....544	1001142290.....263	1001143657.....361
1001136924.....541	1001139333.....544	1001142291.....263	1001143745.....183
1001137125.....185, 189	1001139393.....521	1001142292.....263	1001143833.....183
1001137296.....371, 637	1001139513.....361	1001142293.....263	1001143857.....455, 459
1001137321.....193	1001139562.....680	1001142294.....263	1001143939.....183
1001137322.....193	1001139609.....544	1001142295.....263	1001144016.....183
1001137323.....193	1001139621.....607	1001142296.....263	1001144063.....24
1001137363.....495	1001139649.....678, 684	1001142300.....263	1001144066.....399, 402
1001137542.....83	1001139654.....678	1001142301.....263	1001144126.....24
1001137543.....87	1001139817.....615	1001142302.....263	1001144135.....179
1001137544.....83, 87, 89, 101	1001139880.....544	1001142303.....264	1001144326.....559
1001137555.....83, 87, 89, 97, 101	1001139882.....541	1001142304.....264	1001144344.....183
1001137558.....87, 89	1001139884.....141	1001142305.....264	1001144345.....374
1001137578.....593	1001139982.....161	1001142306.....263	1001144443.....61
1001137585.....189	1001139983.....161	1001142307.....264	1001144460.....678
1001137974.....495	1001140296.....178	1001142308.....264	1001144461.....679
1001138051.....680	1001140354.....402	1001142309.....264	1001144463.....679
1001138110.....570	1001140355.....402	1001142310.....264	1001144466.....679
1001138111.....570	1001140356.....402	1001142311.....264	1001144553.....435, 692
1001138113.....570	1001141228.....161	1001142312.....264	1001144554.....445
1001138114.....49	1001141393.....185, 189	1001142313.....264	1001144555.....435, 692
1001138115.....49	1001141394.....185, 189	1001142314.....264	1001144556.....445
1001138144.....367	1001141398.....185, 189	1001142315.....263	1001144557.....441
1001138155.....565, 570	1001141401.....185, 189	1001142316.....263	1001144558.....442, 451
1001138215.....51	1001141402.....185, 189	1001142317.....265	1001144559.....431, 692
1001138216.....51	1001141412.....24	1001142318.....265	1001144560.....449
1001138592.....566, 570	1001141439.....24	1001142319.....265	1001144561.....439, 692
1001138745.....189	1001141713.....185, 189	1001142320.....265	1001144562.....441
1001138770.....541	1001141714.....185	1001142321.....265	1001144563.....441
1001138923.....348	1001141715.....185	1001142322.....265	1001144564.....451
1001138924.....348	1001141725.....185, 189	1001142347.....178	1001144565.....441
1001138927.....348	1001141765.....25, 46, 49	1001142386.....178	1001144575.....441
1001138928.....348	1001141772.....52	1001142427.....179	1001144576.....423
1001139034.....179	1001141800.....399, 403	1001142445.....179	1001144577.....423, 425
1001139102.....553	1001141835.....179	1001142488.....17	1001144619.....423
1001139103.....495	1001141952.....183	1001142489.....17	1001144620.....423
1001139111.....361	1001142001.....179	1001142652.....375	1001144621.....423, 425
1001139140.....495	1001142003.....178	1001142653.....374	1001144629.....119
1001139158.....361	1001142036.....45	1001142658.....174, 693	1001144635.....370, 371, 374
1001139159.....361	1001142037.....45	1001142659.....517, 693	1001144636.....39
1001139160.....361	1001142038.....45	1001142663.....517	1001144637.....39
1001139161.....24	1001142039.....45	1001142664.....517	1001144651.....85, 91, 95, 99
1001139164.....678	1001142049.....49	1001142665.....174	1001144652.....99
1001139167.....375	1001142050.....49	1001142666.....174	1001144653.....95
1001139168.....375	1001142051.....51	1001142723.....348	1001144654.....91
1001139169.....375	1001142052.....51	1001142724.....18, 694	1001144677.....374
1001139191.....235, 237, 239, 243, 247, 249, 251, 255	1001142080.....179	1001142726.....18, 349, 694	1001144678.....374
1001139192.....235, 237, 239, 243, 247, 249, 251, 255	1001142081.....179	1001142727.....349	1001144679.....374
1001139193.....235, 237, 239, 243, 247, 249, 251, 255	1001142082.....179	1001142738.....18	1001144683.....87, 89
	1001142089.....399, 402	1001142942.....178	1001144684.....87, 89
	1001142185.....178	1001142975.....406	1001144685.....374
	1001142186.....24	1001143032.....579	1001144765.....374
	1001142275.....263	1001143047.....599	1001144774.....399, 402
	1001142276.....263	1001143050.....597	1001144779.....399, 402
	1001142277.....263	1001143197.....363, 364	1001144784.....370
	1001142278.....263	1001143198.....363, 364	1001144819.....429, 692
	1001142279.....263	1001143339.....18, 694	1001144821.....435, 445
	1001142280.....263	1001143500.....183	
	1001142281.....263	1001143535.....183	

## SECTION 12 - RECOMMENDED SPARE PARTS

1001144822.....	435	1001144900.....	441	1001146501.....	354	1001152378.....	161
1001144823.....	435	1001144901.....	441	1001146502.....	354	1001152400.....	679
1001144824.....	398	1001144902.....	427	1001146557.....	363	1001152401.....	679
1001144825.....	398	1001144903.....	433, 692	1001146576.....	18	1001152402.....	679
1001144827.....	406	1001144904.....	451	1001146583.....	376	1001152405.....	679
1001144828.....	435	1001145010.....	162	1001146588.....	179	1001152412.....	87
1001144829.....	435	1001145011.....	178	1001146707.....	399, 403	1001152480.....	679
1001144830.....	435	1001145012.....	178	1001146744.....	643	1001152521.....	367
1001144831.....	435	1001145013.....	178	1001146745.....	643	1001152552.....	531
1001144832.....	435, 445	1001145027.....	197	1001146746.....	643	1001152553.....	276
1001144833.....	435, 445	1001145028.....	219	1001146747.....	643	1001152554.....	304
1001144834.....	429, 692	1001145029.....	197	1001146767.....	643	1001152606.....	455
1001144835.....	398	1001145030.....	219	1001146901.....	544	1001152607.....	459
1001144836.....	398	1001145031.....	197	1001146950.....	399, 402	1001152608.....	461
1001144837.....	406	1001145032.....	219	1001147047.....	679	1001152655.....	105
1001144838.....	415	1001145062.....	179	1001147048.....	679	1001152729.....	173
1001144839.....	398	1001145208.....	193	1001147049.....	679	1001152756.....	455, 459
1001144840.....	419	1001145209.....	193	1001147090.....	679	1001152758.....	456, 459
1001144841.....	406	1001145210.....	193	1001147290.....	559	1001152759.....	456, 459
1001144842.....	406	1001145218.....	374	1001147375.....	355	1001152760.....	455, 465
1001144843.....	406	1001145250.....	371	1001147376.....	389	1001152761.....	455, 465
1001144844.....	406, 411, 469	1001145267.....	27, 469	1001147449.....	361, 371	1001152772.....	455, 465
1001144845.....	415	1001145272.....	407, 412	1001147828.....	161	1001152780.....	461
1001144846.....	415	1001145273.....	407, 412	1001148126.....	425	1001152781.....	461
1001144847.....	415	1001145329.....	375	1001148376.....	425	1001152782.....	461
1001144848.....	398	1001145378.....	545	1001148542.....	179, 693	1001152783.....	461
1001144849.....	415	1001145448.....	374	1001148635.....	605	1001152824.....	367
1001144850.....	398	1001145461.....	389	1001149025J.....	461	1001152825.....	469
1001144851.....	406	1001145463.....	389	1001149050.....	462	1001152827.....	469
1001144852.....	406	1001145694.....	17	1001149162.....	59	1001152828.....	469
1001144853.....	406	1001145695.....	17	1001149221.....	57	1001152861.....	17
1001144854.....	419	1001145696.....	17	1001149232.....	55	1001152862.....	363, 364
1001144855.....	419	1001145701.....	451	1001149234.....	55	1001152891.....	469
1001144856.....	407, 412	1001145729.....	455	1001149278.....	361	1001152937.....	367
1001144857.....	407, 412	1001145730.....	459	1001149369.....	17	1001152940.....	179
1001144860.....	421	1001145731.....	461	1001149375.....	178	1001153042.....	290
1001144862.....	411, 469	1001145732.....	455, 465	1001149589J.....	371	1001153043.....	318
1001144864.....	411, 469	1001145733.....	455, 465	1001150306.....	18, 694	1001153177.....	569
1001144868.....	427	1001145734.....	455, 465	1001150428.....	623	1001153349.....	540
1001144869.....	431, 449	1001145735.....	455, 459	1001150959.....	678, 684	1001153394.....	193
1001144870.....	431, 449	1001145736.....	456, 459	1001151043.....	370	1001153395.....	193
1001144871.....	439	1001145737.....	456, 459, 461	1001151044.....	33	1001153442.....	679
1001144872.....	439	1001145740.....	456, 459, 461	1001151057.....	25	1001153617.....	173
1001144873.....	401			1001151080.....	435, 445	1001153670.....	531
1001144874.....	401	1001145742.....	461	1001151257.....	455, 459	1001153671.....	531
1001144875.....	411	1001145743.....	461	1001151369.....	407, 411	1001153724.....	469
1001144876.....	411, 469	1001145746.....	19, 25	1001151489.....	462	1001153748.....	469, 513
1001144877.....	453, 469	1001145747.....	19, 25	1001151613.....	173	1001153761.....	193
1001144878.....	453, 469	1001145748.....	25	1001151725.....	173	1001153809.....	531
1001144879.....	453, 469	1001145749.....	25	1001151777.....	425	1001153811.....	469
1001144883.....	417, 469	1001145781.....	119	1001151779.....	425	1001153968.....	469
1001144884.....	417, 469	1001145787.....	179	1001151784.....	425	1001154057.....	545
1001144885.....	421, 469	1001146001.....	30	1001151785.....	425	1001154249.....	173
1001144886.....	453, 469	1001146018.....	30	1001151816.....	456, 459, 461	1001154259.....	367
1001144887.....	453, 469	1001146021.....	374	1001151913.....	399, 403	1001154265.....	194
1001144888.....	411, 469	1001146081.....	35, 37	1001151936.....	423	1001154296.....	375
1001144889.....	417, 469	1001146121.....	371	1001151975.....	550, 637	1001154297.....	375
1001144890.....	417, 469	1001146143.....	374	1001151975.....	550, 637	1001154311.....	376
1001144891.....	401, 469	1001146153.....	371	1001152040.....	637	1001154312.....	376
1001144892.....	401, 469	1001146260.....	399, 403	1001152041.....	637	1001154313.....	376
1001144893.....	411, 469	1001146290.....	363	1001152055.....	637	1001154314.....	376
1001144894.....	421	1001146291.....	363	1001152056.....	637	1001154332.....	17
1001144895.....	421	1001146292.....	363	1001152109.....	51	1001154430.....	407
1001144897.....	433, 692	1001146339.....	363, 364	1001152124.....	637	1001154432.....	680
1001144898.....	441	1001146389.....	445, 449	1001152257.....	17	1001154433.....	680
1001144899.....	451	1001146390.....	451	1001152259.....	105	1001154442.....	680
				1001152336.....	379	1001154443.....	680

## SECTION 12 - RECOMMENDED SPARE PARTS

1001154444.....680	1001157627 .....118, 123	1001165276 .....358	1001172047.....669
1001154445.....680	1001157689.....558	1001165280 .....679	1001172667.....153
1001154465.....364	1001157839.....18	1001165381 .....679	1001172675.....153, 689
1001154471.....81, 85	1001157922.....355	1001165383 .....679	1001172678.....153, 689
1001154760.....407, 411	1001157924.....355	1001165873 .....465	1001172681.....153, 689
1001154842.....469	1001158122.....376	1001165874 .....465	1001172683.....153, 689
1001154844.....469	1001158217 .....679	1001165875 .....519	1001172685.....153, 689
1001154847.....469	1001158218.....679	1001166283 .....173	1001172687.....153, 689
1001154953.....379	1001158219.....679	1001166443 .....679	1001172689.....153, 689
1001154955.....379	1001158220.....679	1001166539 .....135	1001172775.....637
1001154968.....81, 85	1001158328.....30	1001166868 .....376	1001172807.....265
1001154970.....517	1001158379.....456, 459	1001167232 .....678	1001172815.....97
1001154974.....473	1001158829.....39	1001167233 .....678	1001173150.....151, 687
1001155001.....379	1001158830.....455, 465	1001167616 .....651	1001173151.....151, 687
1001155117.....169	1001158839.....389	1001167683 .....570	1001173154.....151, 687
1001155118.....169	1001159244J.....30	1001167950 .....17	1001173155.....151, 687
1001155230.....680	1001159273.....101	1001168058 .....19	1001173156.....151, 687
1001155239.....379	1001159275.....89	1001168143 .....470	1001173159.....151, 687, 689
1001155251.....61	1001159276J...456, 459, 465	1001168377 .....19	1001173160.....151, 687
1001155252.....680	1001159279J...456, 459, 465	1001168531 .....367	1001173162.....151
1001155414.....379	1001159323.....679	1001168802 .....559	1001173703.....680
1001155459.....469	1001159337J...456, 459, 465	1001169243.....27, 468	1001173936.....680
1001155530.....680	1001159690.....117	1001169787 .....358	1001174031.....689
1001155531.....680	1001159691.....122	1001169790 .....470	1001174441.....117
1001155532.....680	1001160056.....257	1001169792 .....470	1001174575.....687
1001155533.....680	1001160062.....370	1001169793 .....470	1001174576.....687
1001155534.....61	1001160117.....370	1001169801 .....470	1001174576.....687
1001155570.....61	1001160543.....355	1001169803 .....470	1001174580.....470
1001155573.....193	1001160730.....549	1001169810 .....354	1001174719.....679
1001155578.....439, 449	1001160775.....679	1001170238 .....470	1001174720.....679
1001155582.....680	1001160820.....679	1001170429 .....470	1001175533.....355
1001155583.....680	1001160882.....389	1001171049 .....687	1001175541.....132
1001155589.....361	1001160883.....389	1001171050 .....687	1001175721.....149
1001155781.....379	1001160884.....389	1001171053 .....687	1001175785.....439
1001155795.....679	1001160885.....389	1001171054 .....687	1001175847.....24
1001155806.....399, 403	1001160925.....679	1001171055 .....687	1001177509.....85, 87, 89
1001155930.....118, 123	1001161009.....119, 124	1001171056 .....687	1001177888.....131
1001155932.....371	1001161072.....123, 124	1001171057 .....687	1001177926.....117
1001156045.....679	1001161073.....118	1001171058 .....687	1001177927.....122
1001156092.....468	1001161439.....370	1001171061 .....687	1001178045.....357
1001156093.....468	1001161447.....185, 189	1001171062 .....687	1001178047.....354
1001156105.....17	1001161673...81, 83, 101	1001171063 .....687	1001178097.....363
1001156163.....379	1001161807.....370	1001171064 .....687	1001178122.....357
1001156230.....393	1001162500.....89	1001171241 .....173	1001178244.....371
1001156308.....680	1001162636...81, 83, 101	1001171310 .....173	1001178298.....263
1001156354.....122	1001162771.....105, 141	1001171453 .....67	1001178299.....263
1001156399.....678	1001163095.....132	1001171454 .....67	1001178300.....263
1001156403.....118, 123	1001163145.....257	1001171457 .....165	1001178672.....470
1001156412.....627	1001163281.....178	1001171458 .....165	1001180222.....679
1001156413.....627	1001163311.....257	1001171459 .....171	1001181353.....350
1001156461.....117	1001163514.....257	1001171460 .....171	1001181357.....350
1001156462.....122	1001163611.....257	1001171516 .....689	1001182741.....178
1001156494.....531	1001163625.....141	1001171519 .....689	1001184108.....165
1001156625.....189	1001163676.....105	1001171523 .....689	1001184110.....165
1001156734.....189	1001163929.....105	1001171525 .....689	1001184545.....517
1001156748.....545	1001163938.....105	1001171526 .....689	1001184610.....85, 87, 89
1001156749.....545	1001164210.....189	1001171527 .....689	1001185163.....257
1001156779.....399	1001164237.....105	1001171528 .....689	1001185165.....257
1001156817.....89, 101	1001164273.....105	1001171529 .....689	1001186262.....257
1001156851.....189	1001164471.....678, 684	1001171530 .....689	1001186581.....517
1001156853.....119, 124	1001164488.....678, 684	1001171531 .....689	1001186582.....517
1001156948.....633	1001164828.....680	1001171532 .....689	1001187947.....349
1001156989.....101	1001165117.....649	1001171533 .....689	1001188047.....349
1001156990.....89	1001165275.....358	1001171766.....97	1001188067.....349
1001156994.....83, 87		1001171783.....684	1001188365.....179
1001156995.....83, 87		1001171798.....684	1001188418.....127
1001157278.....559		1001171940.....97	1001188419.....127

## SECTION 12 - RECOMMENDED SPARE PARTS

1001188529.....	127	1001212619.....	264	1366865.....	363	2131010 ...	399, 402, 407, 412
1001190506.....	264	1001213059.....	354	1600387.....	117, 123	2131012.....	427
1001190507.....	264	1001213936.....	350	1600449.....	553	2143404.....	401
1001190508.....	264	1001214157.....	117	1670829.....	132	2143511.....	117, 123
1001190738.....	264	1001214158.....	122	1671176.....	131	2144104 ...	399, 401, 402, 419, 421, 468
1001190739J.....	265	1001214479.....	264	1671326.....	544	2144606.....	173
1001191691.....	264	1001214521.....	558	1671327.....	544	2144803 ...	399, 401, 402, 419, 421, 468
1001191692.....	264	1001214539.....	545, 659	1701518.....	119	2150406.....	398
1001191693.....	264	1001214821.....	265	1701640.....	119, 124	2150608.....	415
1001191708J ...	119, 124	1001214822.....	265	1702773.....	119, 124	2151010.....	425
1001191885.....	194	1001214823.....	263	1704016.....	119, 124	2151012.....	406, 411
1001192142.....	541	1001214824.....	263	1704260.....	131, 643	2160016 ...	27, 45, 52, 75, 77, 81, 83, 85, 87, 89, 91, 93, 95, 97, 99, 101, 260, 468, 477, 479, 481, 489, 491, 493, 497, 499
1001192515.....	127	1001214825.....	117, 122	1704277.....	119, 124	2160017.....	46, 73
1001192516.....	127	1001214974.....	553	1705158.....	124	2160018.....	79
1001192786.....	399	1001214998.....	545	1705980.....	680	2170110.....	637
1001192979.....	544	1001216658.....	264	1706098.....	678	2170208.....	398
1001193204.....	348	1001216661.....	264	1706209.....	678	2170306 ...	419, 421, 531
1001193205.....	349	1001216664.....	263	1706282.....	684	2170308 ...	455, 459, 461
1001197130.....	193	1001216667.....	263	1706285.....	678	2170350.....	419
1001198245.....	118	1001217623.....	555	1706285.....	678	2170404.....	421, 468
1001198247.....	119	1001218033.....	118	1706373.....	194	2170508.....	439, 441
1001198965.....	119	1001218034.....	119	1706438.....	679	2170704.....	470
1001199390.....	264	1001218564.....	545	1706753.....	684	2170708.....	455, 468
1001200141.....	263	1001219433.....	118	1706754.....	684	2170710.....	407
1001200142.....	263	1001219434.....	124	1706755.....	684	2170804.....	470
1001200143.....	263	1001223184.....	149	1706756.....	684	2170808.....	439, 441
1001200709.....	178	1001226638.....	257	1706885.....	131	2170906.....	419
1001202323.....	517	1001226910.....	376	1706886.....	131	2171108.....	441
1001203520.....	122	1001234054.....	149	1706887.....	131	2171110.....	399, 402
1001207964.....	257	1001234068.....	149	1706888.....	131	2171204.....	85
1001210287.....	350	1001234567.....	185, 189	1781813.....	349	2171208.....	445, 449
1001210288.....	349	1001237489.....	33	1784861.....	19	2171816.....	398, 401
1001210533.....	174	1001238460.....	33	2080040.....	119, 127	2171824.....	401
1001212358.....	487	1001238877.....	33, 41	2080092.....	361	2171832.....	398, 401
1001212584.....	264	1001238915.....	41	2110404 ...	398, 455, 459	2172104 ...	419, 455, 459, 461, 465, 531
1001212585.....	264	1001238919.....	41	2110406...85, 87, 89, 398,		2172106 ...	417, 468, 531
1001212587.....	264	1060628.....	19	453, 455, 465, 637		2172108 ...	427, 429, 435, 439, 441, 451, 455, 459, 461, 465
1001212588.....	264	1062255.....	51, 370, 375, 398, 399, 401, 402, 406, 407, 411, 412, 435, 445, 544, 633	2110604 ...	401, 439, 441	2172110 ...	399, 402, 427, 433
1001212590.....	265			2110606.....	453, 468	2172208 ...	442, 445, 449, 451
1001212591.....	265			2110608...401, 415, 417,		2180869.....	371, 374
1001212592.....	265			435, 453, 468		2220237 ...	27, 161, 398, 411, 453, 468
1001212593.....	265	10719267.....	435	2110610.....	39, 451	2220239.....	179, 398
1001212594.....	264	1074306...398, 401, 468		2110808...429, 431, 435,		2220240.....	398
1001212595.....	264	1101312.....	183, 693	439, 441, 455, 459,		2221257.....	370
1001212596.....	265	1101313.....	183, 693	465, 637		2340030.....	111
1001212597.....	265	1170002.....	107, 109	2110810...451, 455, 465		2340041.....	111
1001212598.....	265	1170028.....	105	2110812...423, 425, 427,		2420202.....	117, 123
1001212599.....	265	1170058.....	139	429, 431, 435, 439,		2420213.....	553
1001212600.....	265	1170096.....	132	441, 445, 449, 451,		250216.....	629
1001212601.....	265	1220096.....	132	456, 459, 461, 465		2540049.....	123
1001212602.....	265	1260391.....	75	2111008.....	455, 465	2600281.....	119, 127
1001212603.....	265	1260392.....	79	2111010...179, 399, 402,		2603207.....	679
1001212604.....	265	1260393.....	75	453, 468, 637		2700118.....	137
1001212605.....	265	1260394.....	79	2111012...406, 411, 427,			
1001212606.....	265	130029.....	73	433, 453			
1001212607.....	265	1302325...415, 417, 468		2111212.....	398, 401		
1001212608.....	265	1320224.....	117, 122	2130404...398, 401, 468			
1001212609.....	265	1320301.....	117, 122	2130406...419, 421, 453,			
1001212610.....	264	1320626.....	442, 451	455, 459, 468, 531			
1001212611.....	264	1321141.....	117, 122	2130606...419, 421, 435,			
1001212612.....	265	1321647.....	619, 621	468			
1001212613.....	265	1321675.....	117, 122	2130608...417, 435, 453,			
1001212614.....	265	132647.....	621	468			
1001212615.....	265	1360276.....	75, 79	2130808.....	455, 465		
1001212616.....	264	1360277.....	75	2130810.....	423, 425		
1001212617.....	264	1360278.....	79	2130812.....	427		
1001212618.....	264	1360279.....	75	2131008.....	425		
		1360282.....	75, 79				

## SECTION 12 - RECOMMENDED SPARE PARTS

2820018.....131	3321001 ..... 645	4010617 ..... 127	4460144.....653
2920154.....131	3331211 .....118, 123	4031504 ..... 548	4460213.....665
2920204.....30	3331215 ..... 357	4031506 ..... 544	4460224.....665
2920206.....555	3331611 ..... 33	4031507 ..... 370, 374	4460225.....665
2920207.....558, 559, 561	3332011 17, 18, 349, 453, 468	4031607 .... 174, 517, 643	4460226.....665, 666
2920208.....558, 559, 561	3332015 ..... 52	4031608 ..... 390	4460227.....132, 665
2920209.....544	3332411 ..... 193	4031612 ..... 30, 549	4460234.....131
2940074.....119, 127	3340941 ..... 51	4031709 ..... 449	4460247....565, 569, 570, 571, 649
2988212.....183	3423110 ..... 79	4031713 ..... 51	4460256.....566, 570
2997586.....415, 417, 468	3423116 .....75, 79	4031906 ..... 59	4460259.....605, 665
2999964.....679	3423117 ..... 79	4031908 ..... 55, 57	4460260....581, 585, 605, 665
3020039.....117, 123, 127	3423118 ..... 75	4031909 ..... 367, 371	4460265.....579, 585
3020040.....49, 479, 485, 495	3423119 ..... 75	4031910 ..... 417, 468	4460266.....581
31200753.....694	3423120 ..... 75	4031913 ..... 415, 423	4460267....580, 581, 597, 615, 659
31200800.....694	3423121 ..... 75	4031916 ..... 627	4460268....580, 582, 585, 615, 629, 659
3128764.....135	3423122 ..... 75	4031918 ... 445, 449, 451	4460312....565, 571, 607
314689...73, 77, 483, 485	3423123 ..... 75	4031919 ..... 425	4460343....580, 582, 615, 629, 659
3271601.....637	3423140 ..... 487	4031927 ..... 179	4460367....579, 615, 659
3290301.....363, 364	3423141 ..... 487	4032007 ..... 468	4460418.....665
3290305.....540	3423258 ..... 105	4032109 ..... 105	4460419.....629, 665
3290405.....349, 549, 625	3470003 .....73, 132	4032110 ..... 59, 65	4460428.....131
3290501.....30, 549, 559	3520030 ..... 131	4032111 59, 65, 398, 401	4460434.....580, 585
3290505.....30, 127, 540	3520054 ..... 131	4032112 ..... 59	4460458....566, 571, 585, 613, 635
3290601....30, 45, 49, 51, 350, 355, 375, 379, 439, 453, 468, 540, 549, 550, 555, 558, 559, 561, 627	3520072 ..... 127	4040283 ..... 105	4460459.....635
3290605.....25, 117, 119, 123, 257, 379, 544, 545, 548	3520182 .....119, 124	4061054 ..... 118	4460464....566, 571, 575, 580, 581, 582, 587, 593, 595, 597, 599, 603, 605, 607, 609, 611, 617, 619, 621, 623, 631, 651, 655, 657, 659, 661
3290606.....127	3576314 ..... 441	4071085 .. 65, 69, 71, 693	4460465....545, 565, 566, 569, 570, 571, 575, 579, 580, 581, 582, 587, 591, 593, 595, 597, 599, 601, 603, 607, 611, 617, 619, 621, 629, 647, 649, 651, 655, 657, 659, 661, 665, 669
3290607.....24	3580330 ..... 75	4071087 ..... 69, 71, 693	4460466....565, 566, 569, 570, 575, 579, 580, 581, 582, 591, 597, 599, 603, 607, 609, 611, 619, 621, 623, 629, 631, 647, 649, 651, 655, 657, 659, 661, 663, 665
3290801 19, 24, 105, 128, 174, 178, 179, 180, 183, 370, 374, 383, 399, 402, 406, 412, 435, 540, 680	3580332 ..... 75	4071093 ..... 65, 693	4460468....118, 123, 663
3290805.....24, 105, 123, 127, 398, 401, 473, 541, 548	3580336 ..... 79	4071098 ..... 65, 693	4460470....118, 123, 131
3290807.....24	3600422 .....533, 637	4071099 ..... 65, 693	4460471....118, 123, 131
3291001....161, 173, 178, 185, 349, 376, 383, 433, 558, 559	3700015 ..... 679	4071104 .. 65, 69, 71, 693	4460473.....663
3291005....107, 109, 117, 122, 123, 468, 495, 499	3700016 ..... 679	4071105 ..... 69, 71, 692	4460492.....661
3291007.....541	3740067 ..... 645	4071106 ..... 69, 71, 692	4460496.....131
3291201....19, 83, 87, 89, 91, 93, 95, 97, 99, 101, 105, 128	3740080 .....131, 601	4071107 ..... 65, 693	4460497.....131
3291205.....105, 123	3740140 ..... 645	4071108 ..... 65, 692	4460508....566, 571, 582, 619, 621, 657
3291207.....51	3760488 .....75, 79	4071109 ..... 65, 692	4460509....566, 571, 582, 619, 621, 647, 657, 665
3291601..35, 37, 39, 161, 559	3760489 .....75, 79	4071110 ... 59, 65, 69, 71, 693	4460518....581, 599, 655
3291607.....118, 123	3760490 ..... 75	4191706 ..... 371	4460536....597, 603, 617
3292001....17, 73, 75, 77, 79	3760493 ..... 487	4220215 ..... 75, 79	
3292401.....75	3760508 ..... 105	4240017 ..... 641, 643	
3300220.....645	3790012 ..... 131	4240032 ..... 363, 364	
3300353.....131	3820020 ..... 119	4240033 .... 118, 123, 132	
3300408.....131	3820032 .....119, 124	4240127 .... 375, 399, 402	
3300430.....124	3841763 .....549, 550	428170011 ..... 669	
3300479.....194, 693	3900265 ..... 374	429063 ..... 178	
3311405.....132	3900357 .....51, 379	4360328 ..... 131	
3311601.....132	3900362 .....431, 441	4360330 ..... 131	
	3900364 .....357, 375	4360387 ..... 131	
	3900380 ..... 441	4360475 ..... 131, 643	
	3911018 ..... 131	4360585 .... 398, 401, 468	
	3931416 ..... 132	4360639 ..... 553	
	3940606 .....363, 364	4360642 ..... 553	
	3946123 ..... 357	4360644 ..... 553	
	3951612 ..... 637	4360647 ..... 553	
	3953973 ..... 371	4360653 ..... 553	
	3960585 .....75, 79	4360657 ..... 544	
	3960601 ..... 132	4360658 ..... 383	
	3964987 ..... 105	4360660 ..... 553	
	4000015 ..... 549	4360661 ..... 637	
	4000017 ..... 637	4360664 ..... 545	
	4010308 .....363, 364	4360665 ..... 553	
	4010408 ..... 549	4360669 ..... 553	
	4010415 ..... 550	4400493 ..... 363	
	4010416 .....550, 625	4420051 ..... 119, 124	
	4010608 ....357, 549, 550	4460042 ..... 566, 570	
	4010614 ....415, 417, 468	4460043 .... 566, 569, 571	
	4010615 ..... 354		



## SECTION 12 - RECOMMENDED SPARE PARTS

4460539 ... 580, 581, 591, 593, 603, 607, 611, 617, 649	4461071..... 565, 570	4811900.... 18, 19, 24, 30, 52, 61, 73, 83, 87, 89, 91, 101, 119, 123, 124, 127, 174, 178, 179, 180, 185, 189, 355, 357, 361, 363, 370, 374, 383, 398, 399, 401, 402, 406, 407, 412, 431, 435, 441, 445, 451, 455, 459, 461, 465, 531, 540, 541, 548, 637, 680	5220600 ..... 555, 627
4460708 ..... 581	4461095..... 565, 570	4811902.... 17, 20, 24, 25, 27, 46, 49, 105, 178, 179, 180, 183, 185, 257, 370, 371, 374, 376, 407, 412, 456, 459, 465, 540, 548	5220800 ..... 24, 173, 357, 406, 407, 411, 412, 541, 643
4460743 ..... 635	4461115..... 585, 589, 613	4812000.... 17, 18, 20, 24, 25, 59, 65, 69, 71, 81, 85, 118, 123, 127, 161, 173, 174, 178, 180, 183, 185, 189, 349, 350, 370, 371, 376, 379, 389, 398, 399, 401, 402, 406, 411, 423, 425, 427, 433, 439, 441, 445, 449, 455, 459, 461, 465, 468, 497, 499, 517, 540, 541, 548, 549, 558, 559, 561, 637	5221000 ..... 17, 45, 401
4460746 ..... 585	4461118..... 593	481200224, 45, 117, 118, 122, 123, 178, 185, 375, 376, 456, 459, 465	5221200 ..... 643
4460761 ..... 131, 665	4461119..... 635, 649, 655	4812100.... 83, 87, 89, 91, 93, 95, 97, 99, 101, 123, 128, 161, 185, 357, 398, 401, 441, 540, 643	5240800 ..... 179, 451, 541
4460806 ..... 665	4461131..... 593	4812102..... 541	5241000 ..... 179
4460836 .... 565, 569, 661	4461164.... 393, 579, 581, 659	4812300.... 17, 18, 35, 37, 39, 118, 123, 161, 257, 376, 559	5241200 ..... 105, 495
4460871 ... 135, 581, 603, 659, 665	4461170..... 30, 549	4812500..... 17, 349	5241600 ..... 33, 481
4460872 ..... 581	4461227..... 589	4831600.... 173, 517, 643	5242000 ..... 18, 453, 468
4460873 ..... 581	4461240..... 657, 665	4831700.... 51, 183, 185, 189, 374, 379, 540, 627	5242400 ..... 193
4460874 ..... 581, 665	4461241..... 665	4831900.... 178, 183, 185, 186, 189, 473, 540	5260800 ..... 179
4460875 ..... 581, 665	4461253..... 661	4832000.... 183, 185, 540, 541	5272011 ..... 549
4460876 ..... 581	4461262.... 593, 609, 631, 649, 657	4871200..... 363, 364	70000345 ..... 171
4460877 ..... 629	4461265..... 541	4871700.... 363, 364, 374	70000699 ..... 489
4460878 ..... 581	4461266..... 541	4891600..... 128	70002718 ... 165, 169, 171
4460879 ..... 665, 669	4461270..... 541	4891800.... 118, 123, 127	70002730 ..... 135
4460884 ... 582, 593, 599, 601, 603, 629, 669	461217..... 581	4892000..... 118, 123	70002731 ..... 135
4460887 ... 580, 581, 665, 669	4641516..... 468, 525	4892600..... 118, 123	70002732 ..... 135
4460888 ..... 665	4641519..... 513	4923573..... 661	70002733 ..... 135
4460891 ... 565, 566, 569, 570, 571, 575, 580, 581, 587, 591, 593, 595, 601, 607, 649, 657, 659	4641521..... 389	5200605.... 456, 461, 465, 549, 550	70002734 ..... 135
4460894 ... 579, 591, 611, 651, 655	4641524..... 535	5200608..... 627	70002735 ..... 135
4460897 ... 566, 569, 570, 571, 607, 649, 659, 669	4700021.... 55, 59, 65, 69, 692	5200808..... 357	70002906 ..... 135
4460899 ... 580, 609, 611, 623, 651, 655	4700030..... 65, 692	5201012..... 161	70003175 ..... 515
4460905 .... 581, 665, 666	4700031..... 65, 692	5211702..... 25	70003176 ..... 515
4460908 ..... 599	4700032..... 69, 71, 692		70003177 ..... 515
4460909 ..... 599	4700044..... 441		70003738 ..... 515
4460915 ..... 599, 655	4700047..... 63, 65, 692		70003779 ..... 305
4460918 ..... 599	4711400..... 124		70004280 ..... 171
4460920 ..... 629	4711500..... 132		70020190 ..... 580
4460928 .... 393, 599, 655	4712400..... 118, 123		70020201 ..... 137, 139
4460929 ..... 581	47167830, 173, 178, 349, 375, 379, 399, 402, 425, 442, 540, 544, 545, 550, 633		70020202 ..... 137
4460930 ... 575, 579, 580, 593, 597	4740532.... 51, 59, 65, 69, 71		70020203 ..... 137, 147
4460931 ..... 599	4740535..... 75, 79		70020204 ..... 137, 147
4460932 ... 582, 587, 595, 605, 625	4740563..... 545		70020205 ..... 137, 139
4460933 ... 565, 569, 575, 629, 661	4740566..... 462		70020206 ..... 137, 139
4460934 ..... 565, 569	4740572..... 178, 180		70020392 ..... 141
4460935 ..... 575	4751000..... 131		70020417 ..... 139
4460941 ..... 617	4751400..... 124, 131		70020421 ..... 149
4460942 ... 569, 580, 581, 605, 617	4761000..... 645		70020422 ..... 149
4460943 ... 575, 619, 621, 655, 657, 661, 669	4802100..... 141		70020423 ..... 149
4460944 ... 565, 569, 570, 575, 619, 621, 647, 655, 657, 661, 665, 669	4805670..... 141		70020424 ..... 149
4460966 ..... 593	4806433..... 24		70020434 ..... 477
4460970 ..... 575, 631	4811400.... 544, 550, 625		70020435 ..... 477
4460994 ..... 581, 585	4811600.... 30, 127, 387, 540, 549, 559		70020436 ..... 477
4461006 ..... 569	4811700.... 19, 25, 30, 39, 45, 49, 51, 119, 174, 178, 179, 183, 349, 357, 375, 379, 431, 435, 441, 445, 453, 455, 465, 468, 531, 540, 544, 545, 548, 549, 550, 555, 558, 559, 561, 627, 637, 643		70020437 ..... 477
4461008 .... 566, 571, 593	4811702.... 24, 118, 119, 123, 127, 179, 257, 350, 355, 374, 375, 379, 456, 459, 465, 540, 544, 548		70020438 . 477, 479, 481, 497, 499
4461054 ..... 572			70020439 ..... 479, 481
4461070 ..... 565, 570			70020440 ... 479, 481, 499

## SECTION 12 - RECOMMENDED SPARE PARTS

70020457.....481	70020713.....504, 508	70020954 .205, 225, 277, 291, 305, 319	70021018.....205, 225
70020458.....481, 693	70020714.....503, 507	70020955 .205, 225, 277, 291, 305, 319	70021019..209, 229, 291, 319, 339
70020461.....497	70020723.....147	70020956 .205, 225, 277, 291, 305, 319	70021020..209, 229, 291, 319
70020462.....497	70020724.....147	70020957 .205, 225, 277, 291, 305, 319	70021021..209, 229, 291, 319
70020464.....497	70020725.....147	70020958 .205, 225, 277, 291, 305, 319	70021022..209, 229, 291, 319
70020465.....497	70020726.....147	70020959 .205, 225, 277, 291, 305, 319	70021023..213, 231, 292, 319, 343
70020466.....497, 693	70020727.....147	70020960 .....205	70021024...213, 231, 343
70020468.....497	70020728.....147	70020961 .....205	70021025..213, 231, 292, 319
70020469.....497	70020729.....147	70020962 .....205	70021026...231, 292, 319
70020470.....497, 693	70020730...113, 145, 147	70020963 .....205	70021027..213, 231, 292, 320
70020471.....499	70020731.....113, 147	70020964 .....205	70021028..213, 231, 292, 320
70020472.....499	70020732.....147	70020965 .207, 277, 291, 335	70021029.....292, 320
70020473.....499	70020764 .....511	70020966 ..207, 227, 335	70021030..215, 233, 292, 320
70020474.....499	70020783.....389	70020967 .207, 227, 277, 291, 305, 319	70021031.....227
70020476.....499	70020784.....389	70020968 .209, 229, 277, 305, 337	70021032...209, 229, 339
70020477.....499, 693	70020785.....389	70020969 .209, 229, 277, 305	70021034.....229, 339
70020479.....499	70020786.....389	70020972 .213, 231, 278, 305, 341	70021035...225, 319, 333
70020480.....499	70020787.....389	70020973 ..213, 231, 341	70021122.....370
70020481.....499	70020788.....389	70020974 .....213, 231	70021124.....370, 375
70020482.....499, 693	70020789.....389	70020976 .213, 231, 278, 306	70021127.....370, 375
70020516.....485	70020793.....389	70020977 .....215, 233	70021128.....374
70020521.....485	70020794.....389	70020980 .....217	70021130.....374
70020522.....485	70020795.....544, 694	70020983 .....217	70021131.....374
70020523.....485	70020796.....555, 694	70020984 .....217	70021132.....374
70020524.....485	70020830.....625	70020985 .199, 201, 221, 276, 304	70021133.....374
70020525.....485, 693	70020848.....385	70020986 .203, 223, 277, 291, 304, 318	70021134.....374
70020579.....489	70020849.....385	70020989 .....225	70021135.....375
70020580.....489	70020850.....385	70020990 .....225	70021136.....375
70020581.....489	70020851.....385	70020991 .....225	70021137.....375
70020582.....489	70020852.....385	70020992 .....205, 225	70021201.....525
70020583.....489, 693	70020853.....385	70020994 ..227, 305, 319	70021205.....525
70020584.....489	70020855.....385	70020996 .....201	70021208.....525
70020585.....489	70020856.....385	70020997 .....201	70021209.....525
70020586.....489	70020857.....385	70020998 .....201	70021211.....525
70020587.....489	70020858.....385	70020999 .....201	70021212.....525
70020588.....489, 693	70020866.....513	70021000 .....201	70021213.....525
70020592.....491	70020867.....513	70021001 .215, 233, 278, 306	70021214.....525
70020593.....491, 693	70020868.....513, 525	70021002 .203, 223, 277, 305	70021215.....525
70020599.....493	70020887.....663	70021004 ..225, 305, 333	70021217.....525
70020600.....493	70020922.....529	70021005 ..201, 290, 318	70021218.....525
70020601.....493	70020936 .199, 201, 304, 318	70021007 ..203, 223, 325	70021219.....525
70020602.....493	70020937 .....199, 201	70021008 ..203, 223, 325	70021220.....544, 694
70020603.....493, 693	70020938 .199, 201, 304, 318	70021009 .....325	70021223.....503, 507
70020688.....503	70020939 .203, 223, 277, 305, 323	70021010 .203, 223, 291, 319, 329	70021241.....113
70020689.....503, 507	70020940 ...203, 223, 323	70021011 .203, 223, 290, 318	70021249.....385
70020690.....503, 507	70020941 .203, 223, 277, 305, 327, 331	70021015 .203, 223, 291, 318	70021307.....363
70020691.....503, 507	70020942 .203, 223, 276, 304	70021016 .....203, 223	70021308.....363
70020692.....503	70020944 ...203, 223, 327	70021017 ..205, 291, 333	70021340..558, 559, 561, 694
70020693.....503, 507	70020945 ...203, 223, 327		70021341....30, 558, 559, 561, 694
70020694.....503, 507	70020947 .203, 223, 277, 304		70021482.....376
70020695.....503, 507	70020948...205, 277, 333		70021497.....493
70020697.....507	70020949...205, 225, 333		70021498.....495
70020698.....503, 507	70020950 .205, 225, 277, 291, 305, 319		70021499.....489
70020699.....503, 507	70020951 .205, 225, 277, 291, 305, 319		70021500.....491
70020700.....503, 507	70020952 .205, 217, 225, 277, 291, 305, 319		70021531.....511
70020701.....503, 507	70020953 .205, 225, 277, 291, 305, 319		70021550.....376
70020702.....503, 507			
70020703.....503, 507			
70020704.....503, 507			
70020705.....503, 507			
70020706.....503, 507			
70020707.....503, 507			
70020708.....504, 508			
70020709.....504, 508			
70020710.....504, 508			
70020711.....504, 508			
70020712.....504, 508			

## SECTION 12 - RECOMMENDED SPARE PARTS

70021551..... 376	70022149..... 203, 223	70023915..... 483	70024477..... 165
70021558..... 107, 109	70022150.. 203, 223, 290, 318	70023916..... 483	70024481..... 169
70021559..... 107, 109	70022151..... 221	70023918..... 483	70024483..... 165, 169
70021560..... 107, 109	70022152.. 221, 276, 290, 304, 318	70023919..... 483	70024484..... 165
70021561..... 107, 109	70022153..... 221	70023920..... 483	70024485..... 165, 169
70021562..... 107, 109	70022154.. 203, 223, 327	70023921..... 483, 693	70024486..... 165, 169
70021563..... 107, 109	70022155..... 205	70023922..... 483	70024487..... 165
70021589..... 519	70022156..... 217	70023923..... 483	70024489..... 165
70021590..... 519	70022550..... 374	70024108..... 489, 491	70024490..... 165
70021591..... 519	70022559..... 91	70024163..... 501	70024491..... 165
70021592..... 519	70022818..... 37	70024164..... 501	70024492..... 165
70021593..... 519	70022819..... 37	70024165..... 501	70024494..... 165, 171
70021594..... 519	70022820..... 37	70024166..... 501	70024496..... 165
70021595..... 519	70022821..... 35	70024167..... 501	70024497..... 165
70021596..... 519	70022822..... 35	70024168..... 501, 693	70024498..... 165, 169
70021597..... 519	70022823..... 35	70024169..... 370, 375	70024499..... 165, 169
70021727..... 527	70022824..... 35	70024170..... 375	70024501..... 165
70021728..... 527	70022825..... 35	70024171..... 375	70024502..... 165
70021729..... 527	70022826..... 35	70024186..... 515	70024503... 165, 169, 171
70021730..... 527	70022829..... 503, 507	70024187..... 515	70024504... 166, 169, 171
70021731..... 527	70022831..... 111	70024220..... 497	70024505..... 165
70021825..... 565	70022833..... 580	70024240..... 499	70024506..... 165
70021826..... 566	70022847..... 529	70024241..... 497	70024507... 165, 169, 171
70021831.. 203, 223, 329	70022906..... 113	70024242..... 497	70024508..... 165
70021832.. 203, 223, 329	70022907..... 113	70024381..... 374	70024509..... 171
70021833.. 203, 223, 329	70022912..... 113	70024399..... 521	70024510..... 165
70021834..... 693	70022922..... 113	70024400..... 521	70024511..... 165
70021835..... 113	70022923..... 113	70024401..... 521	70024513..... 165, 169
70021836..... 113	70022924..... 113	70024407..... 515	70024632..... 237
70021838..... 113	70022925..... 113	70024408..... 515	70024633..... 237
70021839..... 113	70022927..... 113, 145	70024409..... 515	70024634..... 237
70021840..... 113	70022928..... 113	70024410..... 515, 693	70024635..... 237
70021841..... 113	70022929..... 113	70024411..... 515	70024636..... 237
70021842..... 113	70022930..... 113	70024412..... 515	70024637..... 237
70021843..... 113	70023083..... 491	70024413..... 515	70024638..... 237
70021862..... 495, 693	70023084..... 491	70024414..... 515	70024639..... 237
70021863..... 495	70023085..... 491	70024415..... 515	70024640..... 237
70021864..... 495	70023086..... 491	70024416..... 515	70024641..... 237, 255
70021867..... 515	70023087..... 489, 491	70024417..... 515	70024642..... 237
70021868..... 507	70023088..... 487	70024435..... 485	70024643..... 237
70021869..... 507	70023089..... 487	70024436..... 145	70024644..... 237
70021870..... 503, 507	70023090..... 487	70024437..... 145	70024645..... 237
70021871..... 503, 508	70023091..... 487	70024438..... 145	70024646..... 237, 255
70021872..... 507	70023092..... 487	70024439..... 145	70024647..... 237
70021874..... 503, 507	70023093..... 487	70024440..... 145	70024648..... 237
70021930..... 535	70023094..... 487	70024441..... 145	70024649..... 237
70021931..... 535	70023095..... 487, 693	70024442..... 145	70024650..... 237
70021932..... 535	70023098..... 495	70024443..... 145	70024651..... 237
70021967..... 370, 375	70023099..... 495	70024444..... 145	70024652..... 237
70022080.. 209, 229, 277, 305	70023100..... 495	70024445..... 145	70024653..... 237
70022081.. 209, 229, 277, 305	70023101..... 495	70024446..... 145	70024654..... 237
70022082.. 211, 277, 291, 305, 319	70023273..... 99	70024447..... 145	70024655..... 237
70022083.. 213, 231, 278, 305	70023274..... 95	70024448..... 145	70024904..... 171
70022084..... 217	70023276..... 113	70024449..... 145	70024905..... 171
70022085..... 217	70023277..... 113	70024450..... 145	70024906..... 171
70022086..... 217	70023278..... 113	70024451..... 145	70024907..... 171
70022087..... 217	70023326..... 525	70024452..... 145	70024909..... 171
70022143..... 425	70023327..... 525	70024453..... 145	70024910..... 171
70022144..... 425	70023348..... 35	70024454..... 145	70024911..... 171
70022145..... 425	70023484..... 143	70024455..... 145	70024912..... 171
70022146..... 425	70023735..... 503, 507	70024456..... 145	70024913..... 171
70022147..... 425, 525	70023911..... 483	70024466..... 235, 693	70024914..... 171
70022148..... 217	70023912..... 483	70024472..... 165	70024915..... 171
	70023913..... 483	70024473..... 165, 169	70024917..... 171
	70023914..... 483	70024474..... 165, 169	70024918..... 171
		70024475..... 165	70024920... 166, 169, 171
		70024476..... 165	70024922..... 171

## SECTION 12 - RECOMMENDED SPARE PARTS

70024923.....	171	70025411.....	243	70025476.....	255	70028559.....	515
70024924.....	171	70025412.....	243	70025477.....	166, 169	70028560.....	515
70024925.....	171	70025413.....	243	70025478 ..	166, 169, 693	70028561.....	515
70024926.....	171	70025414.....	243	70025479.....	166, 169	70028562.....	515
70024961.....	165, 169	70025415.....	243	70025493.....	237, 243	70028978.....	113
70024962.....	166, 169	70025416.....	243	70025494.....	237, 243	70028979.....	113
70024963... ..	165, 169, 693	70025417.....	243	70025495.....	237	70028980.....	113
70025088.....	169	70025418.....	243	70025496.....	237, 243	70029011.....	109, 157
70025121... ..	165, 166, 169	70025419.....	243	70025497.....	237, 243	70029012.....	109
70025153... ..	165, 169, 693	70025420.....	243	70025498.....	237, 247	70029013.....	109
70025181.....	171	70025421.....	243	70025499.....	237, 243	70029940.....	487
70025239.....	165, 169	70025422.....	243	70025500.....	237, 243	70029941.....	495
70025242.....	186	70025423.....	243	70025501.....	237, 243	70029966.....	487
70025357.....	407, 411	70025424.....	243	70025502.....	237, 243	7003928.....	135
70025358.....	407, 411	70025425.....	243	70025503.....	237	70040080.....	165, 169
70025359.....	407, 411	70025426.....	243	70025504 ..	237, 239, 247	7011016.....	533
70025360.....	239	70025427.....	243	70025505.....	237, 239	7011043.....	533
70025361.....	239	70025428.....	243	70025506.....	237	7011044.....	533
70025362.....	239	70025429 ..	244, 247, 249, 251	70025507.....	237	7011048.....	533
70025363.....	239	70025430 ..	247, 249, 251, 255	70025508.....	239, 243	7011067.....	533
70025364.....	239	70025431.....	247	70025509.....	239, 243	7012706.....	515
70025365.....	239	70025432 ..	247, 249, 251	70025510.....	239	7016331....	165, 169, 171, 693
70025366.....	239	70025433 ..	247, 249, 251	70025511.....	239	7017168.....	527
70025367.....	239	70025434 ..	247, 249, 251	70025512.....	239	7017169.....	527
70025368.....	239	70025435.....	247, 251	70025513.....	239	7017178.....	527
70025369.....	239	70025436.....	247, 251	70025514.....	240, 243	70204065.....	171
70025370.....	239	70025437 ..	247, 249, 251	70025515.....	249	7020465.....	169
70025371.....	239	70025438 ..	247, 249, 251	70025516.....	249	7022736.....	663
70025372.....	239	70025439 ..	247, 249, 251	70025517.....	249	7022808.....	135
70025373.....	239	70025440 ..	247, 249, 251	70025518.....	249	7022815.....	135
70025374.....	239	70025441.....	247	70025532.....	169	7022819.....	135
70025375.....	239	70025442.....	247, 251	70025533.....	169	7024038.....	515
70025376.....	239	70025443.....	249	70025534.....	169	7024943.....	515
70025377.....	239	70025444.....	249	70025535.....	169	7024944.....	515
70025378.....	239	70025445.....	249	70025536.....	169	7024947.....	515
70025379.....	239	70025446.....	249	70025537.....	169, 693	7024948.....	515
70025380.....	239	70025447.....	249	70025538.....	169	7024949.....	515
70025381.....	239	70025448.....	249, 251	70025865.....	276, 290	7024949.....	515
70025382.....	239	70025449.....	249	70025866.....	276, 290	7024950.....	515
70025383.....	239	70025450.....	251	70025867 ..	276, 290, 304, 318	7024953.....	515
70025384.....	239	70025451.....	255	70025868 ..	277, 291, 304, 318	7024954.....	515
70025385.....	239	70025452.....	255	70025869.....	331	7028092.....	141
70025386.....	239	70025453.....	255	70025870.....	331	7028093.....	141
70025387.....	239	70025454.....	255	70025871.....	331	7028094.....	141
70025388.....	239	70025455.....	255	70025872.....	331	7028124.....	143
70025389.....	239	70025456.....	255	70025873.....	331	7028125.....	143
70025390.....	239	70025457.....	255	70025874 ..	277, 291, 305, 319	7028126.....	143
70025391.....	239	70025458.....	255	70025875 ..	209, 229, 337	7028127.....	143
70025392.....	239	70025459.....	255	70025876.....	229, 337	7028128.....	143
70025393.....	239	70025460.....	255	70025877.....	186	7028129.....	143
70025394.....	239	70025461.....	255	70025897.....	515	7028130.....	143
70025395.....	239	70025462.....	255	70025913 ..	203, 223, 290, 318	7028131....	143, 155, 157
70025396.....	239	70025463.....	255	70025914 ..	203, 223, 291, 319, 325	7028132.....	143
70025397.....	240	70025464.....	255	70025915 ..	305, 319, 335	7028133.....	143
70025398.....	240	70025465.....	255	70026018.....	113	7028134.....	143
70025399.....	240	70025466.....	255	70026828.....	231, 278	7028135.....	143
70025400.....	243	70025467.....	255	70027291.....	109, 157	7028136.....	107, 109
70025401.....	243	70025468.....	255	70028028.....	113	7028137.....	107, 109
70025402.....	243	70025469.....	255	70028031.....	113	7028403....	205, 225, 277, 291, 319
70025403.....	243	70025470.....	255	70028556.....	515	7028417....	213, 231, 278, 306
70025404.....	243	70025471.....	255	70028557.....	515	7028421.....	213
70025405.....	243	70025472.....	255	70028558.....	515	7028423....	213, 231, 278, 305
70025406.....	243	70025473.....	255			7028455....	276, 290, 304, 318
70025407.....	243	70025474.....	255				
70025408.....	243	70025475.....	255				
70025409.....	243						
70025410.....	243						

## SECTION 12 - RECOMMENDED SPARE PARTS

7028466 ... 201, 221, 276, 290, 304, 318	8002904....59, 65, 69, 71, 692	8220115.....566, 570	91474039. 199, 201, 276, 290, 304, 318
7028478 ... 225, 277, 291, 305, 319	8003164.....375	8220125.....571	91474041. 199, 201, 221, 276, 290, 304, 318
7028488 ..... 291, 319	8003242... 65, 69, 71, 692	8229242.....566, 571	91474043. 201, 221, 276, 290, 304, 318
7028508 ... 215, 233, 278, 306	8003243..... 55, 61, 692	8275212.....189	91474044. 201, 221, 276, 290, 304, 318
7028509 ... 215, 233, 278, 306	8005079..... 193, 693	8275247.....185, 189	91474045. 201, 221, 276, 290, 304, 318
7028510 ... 215, 233, 278, 306	8005616..... 678	8305919....355, 357, 361, 544	91474046. 201, 221, 276, 290, 304, 318
7028513 ... 276, 290, 304, 318	8005617..... 678	8307222.....349	91474047. 201, 221, 276, 290, 304, 318
7028628 ..... 111	8005670..... 678	8307904....453, 468, 483, 485	91474048. 201, 221, 276, 290, 304, 318
7028639 ..... 593	8005671..... 678	8310093....453, 468, 483, 485	91474050. 199, 201, 221, 276, 290, 304, 318
7028910 .... 143, 155, 157	8005675..... 678	8310491.....349, 363	91474051. 199, 201, 221, 276, 290, 304, 318
7028911 ..... 155, 157	8005827..... 194	8310665.....363	91474053. 199, 201, 221, 276, 290, 304, 318
7028912 ..... 155, 157	8005870..... 678	8310686.....370	91474054. 199, 201, 221, 276, 290, 304, 318
7028913 ..... 155, 157	8005901..... 544	8405006.....173, 178	91474055. 199, 201, 221, 276, 290, 304, 318
7028914 ..... 155	8006038..... 684	8405101.....178	91474056...199, 201, 221
7028915 ..... 155, 157	8006105..... 25	8405201.....371, 374	91474057. 199, 201, 221, 276, 290, 304, 318
7028916 ..... 155, 157	8006242..... 25	8405402.....183	91474058. 199, 201, 221, 276, 290, 304, 318
7028917 ..... 155, 157	8006612.... 119, 124, 678	8406302.....179	91474064.....276, 290
7028918 ..... 155, 157	8008047..... 52	8410011.....183	91474065.....276, 290
7028919 ..... 155, 157	8008055..... 79	8410013.... 173, 174, 178	91474066.....276, 290
7028920 ..... 155, 157	8008070.. 59, 65, 69, 693	8410014.....178	91474067.....276, 290
7028923 ..... 155, 157	8008424..... 141	8466306.....361, 680	91474068. 199, 201, 221, 276, 290, 304, 318
7028982 ..... 155, 157	8008629..... 684	8769123..... 118, 123	91474069. 221, 276, 290, 304, 318
7028983 ..... 155, 157	8008634..... 55, 61, 692	8769140..... 118, 123	91474071. 221, 276, 290, 304, 318
7028984 .... 143, 155, 157	8008640..... 55, 61, 692	8770143....370, 399, 402, 406, 411	91474072. 221, 276, 290, 304, 318
7028985 ..... 155	8008657..... 678	8770175.....461	91474073. 201, 221, 276, 290, 304, 318
7028986 ..... 143	8009377..... 679	885236.....371	91474075.....276, 290
7028987 ..... 143	8009987.. 55, 57, 59, 692	8990147.....119, 124	91474077...203, 223, 323
7028988 ..... 143	8010148..... 55, 57, 692	91364023.....183	91474078...203, 223, 323
7028989 ..... 143	80334277..... 515	91364028..199, 201, 221, 276, 290, 304, 318	91474082. 203, 223, 276, 304
7028990 ..... 155, 157	8033609.... 199, 201, 276, 290, 304, 318	91364039..199, 201, 276, 290, 304, 318	91474083. 203, 223, 277, 291, 305, 319
7028991 ..... 155, 157	8035118.... 221, 276, 290, 304, 318	91364041.....277, 291	91474084. 203, 223, 277, 291, 305, 319
7028995 ..... 157	8035120.... 221, 276, 290, 304, 318	91364042.....278, 292	91474085. 203, 213, 223, 231, 277, 278, 291, 292, 305, 306, 319, 320
7029356 ..... 143	8035180.... 207, 227, 277, 291, 305, 319	91364048..207, 227, 277, 291, 305, 319	91474086. 203, 223, 276, 304
7029486 ..... 361, 383	8035189.... 209, 229, 337	91364049..207, 227, 277, 291, 305, 319	91474087. 203, 223, 276, 290, 304, 318
7029592 ..... 533	8035190.... 209, 229, 337	91364050..207, 227, 277, 291, 305, 319	91474091. 203, 223, 276, 290, 304, 318
7029593 ..... 533	8035235.... 215, 233, 278, 292, 306, 320	91364052...207, 277, 291	91474092. 203, 223, 276, 290, 304, 318
7029623 ..... 485	80363166..... 633	91364054...207, 227, 335	91474093. 203, 223, 277, 291, 304, 318
7029626 ..... 485	80373094..... 183	91364056...207, 277, 291	
7029749 ..... 143	80374114..... 52	91364070..205, 225, 277, 291, 305, 319	
7029834 .... 209, 229, 339	80484081..... 566, 571	91364078.....217	
7029837 ..... 229	80604015..... 575, 631	91364093..215, 233, 292, 320	
7029969 ... 558, 559, 561, 694	80604016..565, 569, 575, 629	91364094..215, 233, 292, 320	
7029970 ... 558, 559, 561, 694	80604017.. 566, 607, 659	91364095..215, 233, 292, 320	
7029971 ... 558, 559, 561, 694	80604018..569, 570, 571, 575, 591, 593, 595, 601, 605, 607, 649, 657, 659	91364096..215, 233, 292, 320	
7346000235 ..... 393	80604019.. 597, 603, 617	91474037..199, 201, 215, 221, 233, 276, 278, 290, 292, 304, 306, 318, 320	
7346000239 ..... 393	80604020.. 587, 595, 605	91474038..199, 201, 221, 276, 290, 304, 318	
77363244 . 587, 591, 593, 607, 611, 617, 649	80604021..593, 599, 601, 603, 629		
77363349 ..... 393	80604022.. 611, 623, 651, 655		
8000565 ..... 349	80604023..591, 611, 651, 655		
8000567 ..... 349	80604024..... 599		
8000802 ..... 357	80604025.. 575, 593, 597		
8001332 ..... 357	806253..... 19		
8002200 ... 57, 59, 61, 63, 65, 67, 69, 71, 692	806264..... 19		
8002201 ..... 59, 69, 692	8220089..... 571		
8002637 .. 65, 69, 71, 692			

## SECTION 12 - RECOMMENDED SPARE PARTS

91474094..203, 223, 276, 290, 304, 318	91474119 . 205, 225, 277, 291, 305, 319	91474141 . 211, 277, 291, 305, 319	91474157..213, 231, 292, 319
91474095..203, 223, 276, 290, 304, 318	91474126 . 207, 227, 277, 291, 305, 319	91474142 . 211, 277, 291, 305, 319	91474160..213, 231, 278, 292, 306, 320
91474096..203, 223, 277, 291, 304, 318	91474128 . 207, 227, 277, 291, 305, 319	91474143 ..... 278, 292	91474161.....278, 305
91474100...205, 225, 333	91474136 . 211, 278, 292, 305, 319	91474144 ..... 278, 292	91474162..215, 233, 292, 320
91474101...205, 225, 333	91474137 . 211, 278, 292, 305, 319	91474145 ..... 278, 292	91474163..215, 233, 278, 306
91474102...205, 225, 333	91474138 . 211, 278, 292, 305, 319	91474146 ..... 278, 292	91474632.....229, 339
91474114.....305	91474139 . 211, 277, 291, 305, 319	91474147 ..... 278, 292	91554014.....580
91474115..205, 225, 277, 291, 305, 319		91474149 ..... 277, 291	AU2105.....678
91474116..205, 225, 277, 291, 305, 319		91474151 ..... 278, 292	E000269 .....625
		91474152 . 211, 278, 292, 305, 319	H005238 ..... 183
		91474155 . 213, 231, 292, 319	N.S.S ..... 139





31200722



An Oshkosh Corporation Company

**Corporate Office**  
**JLG Industries, Inc.**  
**1 JLG Drive**  
**McConnellsburg, PA 17233-9533 USA**  
**☎ (717) 485-5161 (Corporate)**  
**☎ (877) 554-5438 (Customer Support)**  
**📠 (717) 485-6417**

**Visit our website for JLG Worldwide Locations.**  
**[www.jlg.com](http://www.jlg.com)**