



A TEREX BRAND

Parts Manual

Serial Number Range

Z-40/23N
Z-40/23N RJ

from SN Z40N16N-4000 to
Z40N16N-4499

from SN Z40NN-4500 to
Z40NN-4915

Part No. 1263372GT
Rev: C.05
February 2023

Technical Publications

Genie has endeavored to deliver the highest degree of accuracy possible. However, continuous improvement of our products is a Genie policy. Therefore, product specifications are subject to change without notice.

Readers are encouraged to notify Genie of errors and send in suggestions for improvement. All communications will be carefully considered for future printings of this and all other manuals.

Contact Us:

Internet: www.genielift.com
e-mail: awp.techpub@terex.com

Find a Manual for this Model

Go to <http://www.genielift.com>

Use the links to locate Operator's, Parts, Maintenance, and Service and Repair Manuals.

Copyright © 2017 by Terex Corporation

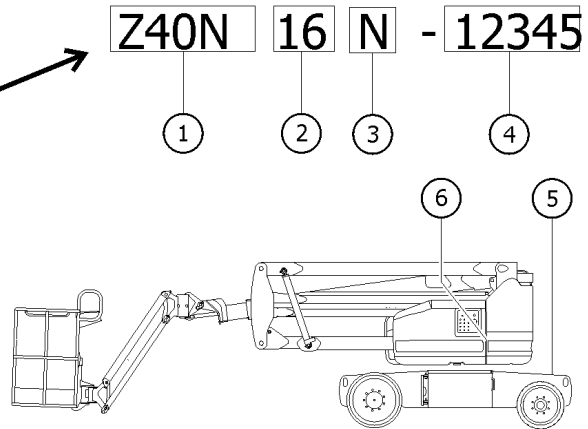
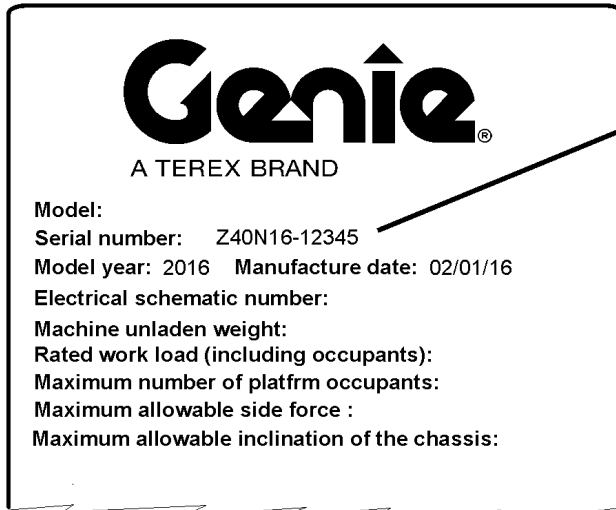
1263372GT Rev C.05 February 2023
Second Edition, Third Printing

Genie is a registered trademark of Terex South Dakota, Inc. in the USA and many other countries. "Z" is a trademark of Terex South Dakota, Inc.



Printed on recycled paper

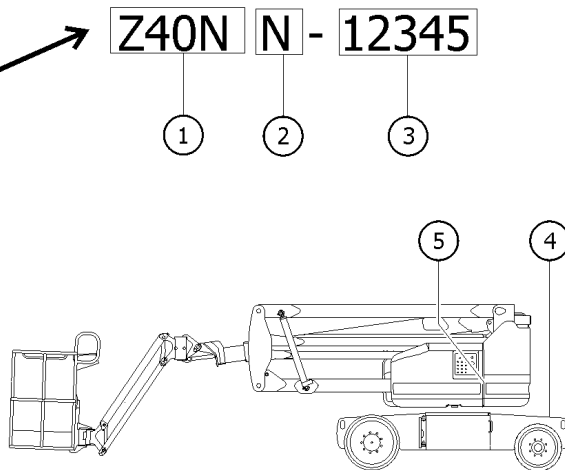
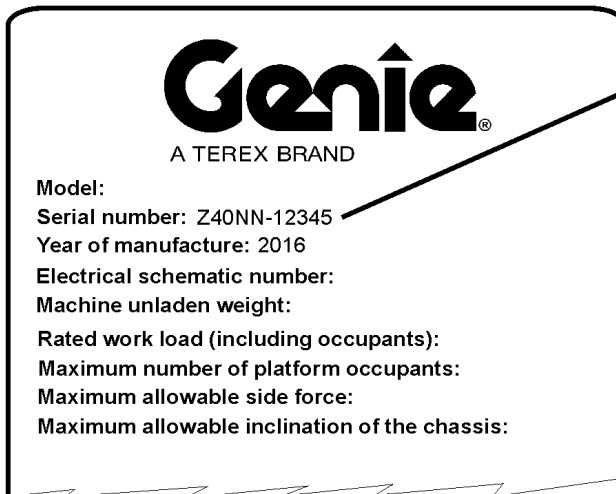
To August 31, 2016



- 1 Model
- 2 Model year
- 3 Facility code

- 4 Sequence number
- 5 Serial number (stamped on chassis)
- 6 Serial label (located under cover)

From September 1, 2016



- 1 Model
- 2 Facility code
- 3 Sequence number

- 4 Serial number (stamped on chassis)
- 5 Serial label (located under cover)

How to Order Parts

Please be prepared with the following information when ordering replacement parts for your Terex or Genie product.

- Machine model number
- Machine serial number
- Part number
- Part description and quantity
- Purchase order number
- "Ship to" address
- Desired method of shipment
- Name and telephone number of the authorized distributor in your area

Use the Service Parts Fax Order Form on the next page and fax your order to our Parts Department.

If you don't know the name of your authorized distributor, or if your area is not currently serviced by an authorized distributor, please call Terex or Genie Industries.

Machine Information

Model

Serial Number

Date of Purchase

Authorized Genie Distributor

Phone Number

North America

Telephone (425)881-1800

Toll Free (800)536-1800 in US and Canada

Fax (425)556-8659

Toll Free fax (888)274-6192

Email AWP.PartsSalesPO@terex.com

<http://genielift.com/en>

EMEAR (Europe, Middle East, Africa and Russia)

Telephone (31)(165)519 313

Fax (31)(165)511 148

<http://genielift.co.uk>

Asia Pacific (Genie Singapore)

Telephone +65 6692 7777

Fax +65 6261 8893

<http://genielift.com.sg/>

Australia

Telephone (61)(7)3456 4444

Fax (61)(7)3456 4466

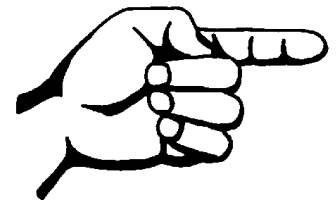
<http://genielift.com.au>

South America

Telephone (55)(11)4082 5600

Fax (55)(11)4082 5630

Please refer to section 001 for the Recommended Spare Parts List.



This page intentionally left blank.

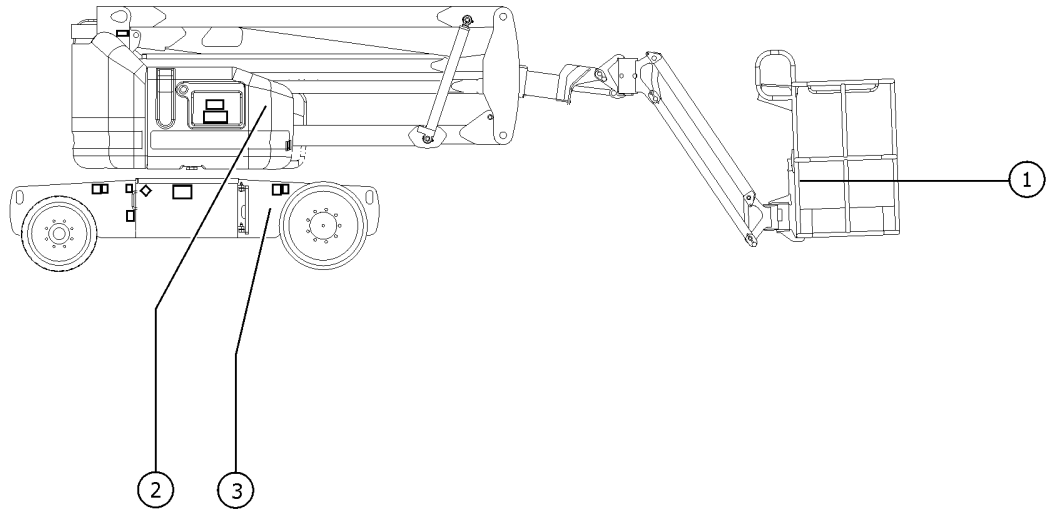
Description	Page
001 Parts Stocking List	10
001.1 Parts Stocking List	10
100 Decals	12
101.1 Decals with Words	12
102.1 Decals with Symbols	16
200 Chassis Components	20
201.1 Front Axle Assembly	20
202.1 Rear Axle Assembly	24
203.1 Drive Chassis Components - View 1	28
204.1 Drive Chassis Components - View 2	32
205.1 Drive Chassis Components - View 3	34
206.1 Fuse Box Assembly	38
207.1 Power Cables	40
208.1 Battery Charger	42
300 Turntable Components	44
301.1 Turntable Rotator	44
302.1 Turntable Components - View 1	46
303.1 Turntable Components - View 2	50
304.1 Ground Control Box - View 1	54
305.1 Ground Control Box - View 2	58
306.1 Turntable Cover - View 1	60
307.1 Turntable Cover - View 2	62
308.1 Wire Harness Diagram	64
400 Boom Components	66
401.1 Boom Pins and Bearings	66
402.1 Secondary Linkage	68
403.1 Upper Pivot	72
404.1 Primary Boom Wear Pads	74
405.1 Primary and Extension Booms	76
406.1 Cable Track	80
407.1 Jib Boom and Platform Rotator	82
408.1 Rotating Jib Boom Assembly	86
500 Pumps and Manifolds	90
501.1 Hydraulic Power Unit	90
502.1 Function Manifold	92
503.1 Jib Rotate Manifold	96

Table of Contents

Description	Page
504.1 Jib Manifold	98
600 Platform Components	100
601.1 Platform Components	100
602.1 Platform Control Box - View 1	104
603.1 Platform Control Box - View 2	106
604.1 Joystick Controller	110
700 Hydraulic Hoses and Fittings	112
701.1 Drive Chassis	112
702.1 Turntable Components	114
703.1 Boom Components	116
800 Accessories	118
801.1 Flashing Beacon	118
802.1 Air Line to Platform	120
803.1 Platform Accessories - View 1	122
804.1 Platform Accessories - View 2	124
805.1 Auxiliary Rail Assembly	126
806.1 Platform Overload	128
807.1 Hostile Environmental Package - Primary Boom Wipers	130
808.1 Hostile Environmental Package - Cylinder Bellows	132
809.1 Inverter	134
810.1 Lift Guard Contact Alarm (from January 2017)	136
811.1 Telematics Option	140
Part Number Index	142



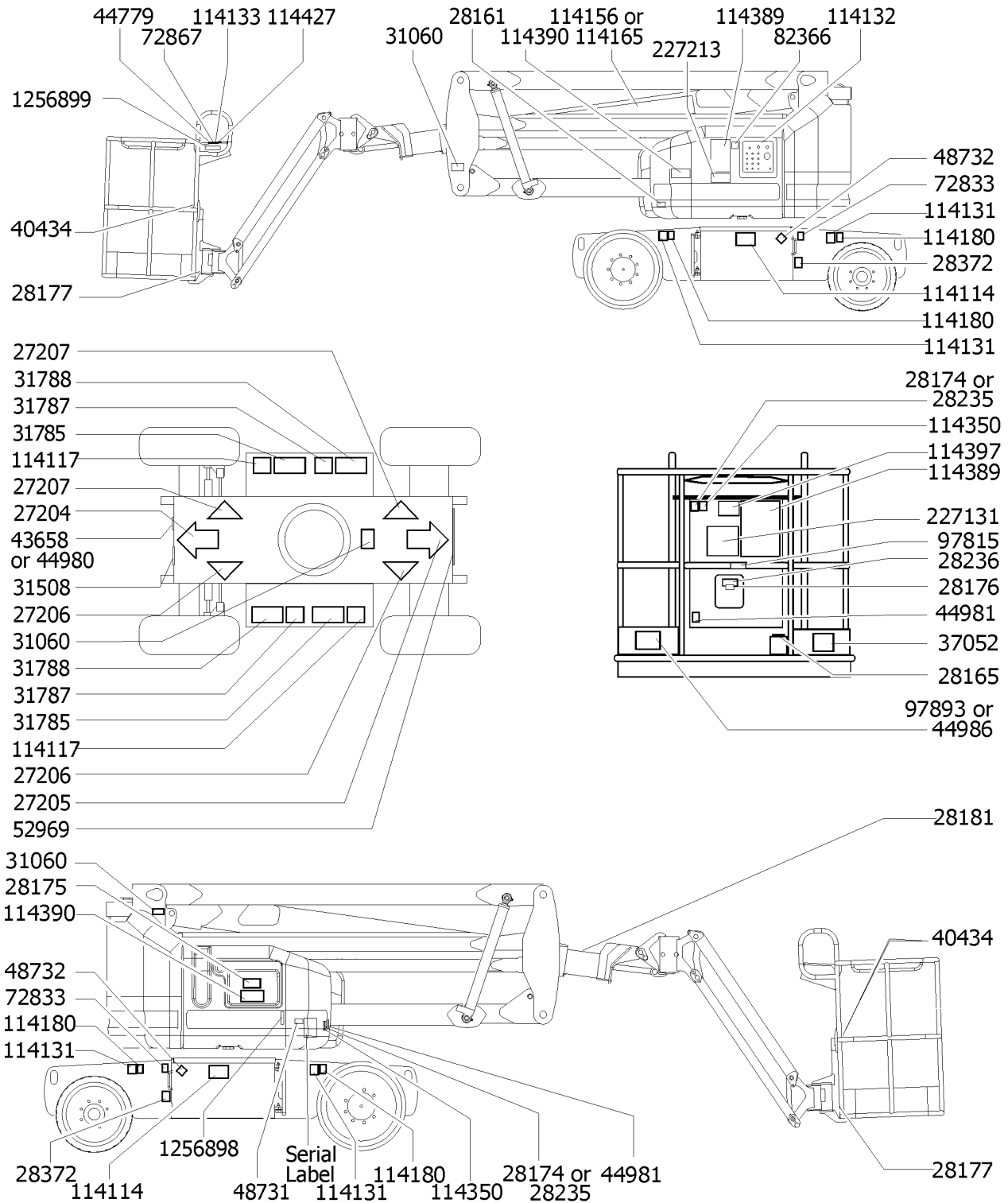
001.1 Parts Stocking List



Item	Part No.	Description	Qty.
A		— GENERAL SERVICE PARTS —	
A-	1484GT	PAINT, AEROSOL, BRIGHT BLUE*** 12-ounce spray paint	
A-	1268GT	PAINT, AEROSOL, GENIE GRAY*** 12-ounce spray paint	
A-	1258567GT	PAINT, AEROSOL, TRAFFIC BLACK 12-ounce spray paint	
A-	32150GT	PAINT, WET, GENIE BLUE (1 GL)** 1-gallon	
A-	32151GT	PAINT, WET, GENIE GRAY (1GL)** 1-gallon	
A-	1257733GT	PAINT, WET, TRAFFIC BLACK(1 GL)** 1-gallon	
A-	66399GT	GREASE, DIELECTRIC 4 OZ**	
A-	1283776GT	SEAL MARKER,CROSS CHECK,BLUE,TUBE	
A-	93500GT	PARKER DIGITAL PRESSURE GAUGE	
A-	49612GT	O-RING KIT (ORFS FITTINGS) O-ring kit, ORFS	
A-	49613GT	PLUG AND CAP KIT-SERVICE,ORFS* Plug and cap kit, ORFS	
A-	28750GT	O-RING KIT,FIELD SVC,ALL PROD* O-ring kit, SAE	
A-	33994GT	PLUG AND CAP KIT-SERVICE,37 ** Plug and cap kit, SAE	
A-	36555GT	CHOCK,CYLINDER (SERVICE TOOL)	
1		— MANUALS —	
1-	27581GT	MANUAL, EMI SAFETY	
1-	1298933GT	MANUAL, SAIA MANUAL OF RESPONSIBILITIES, MEWP	
2		— HYD FILTERS —	
2-	78622GT	FILTER ASSY,SAE8,10 MIC,PAPR**	
2-	44788GT	FILTER ELEMENT-10MICRON, PAPER*	
3		— FUSES —	
3-	18576GT	FUSE,200 AMP	
3-	43179GT	FUSE,500 AMP,VERY FAST ACTING	



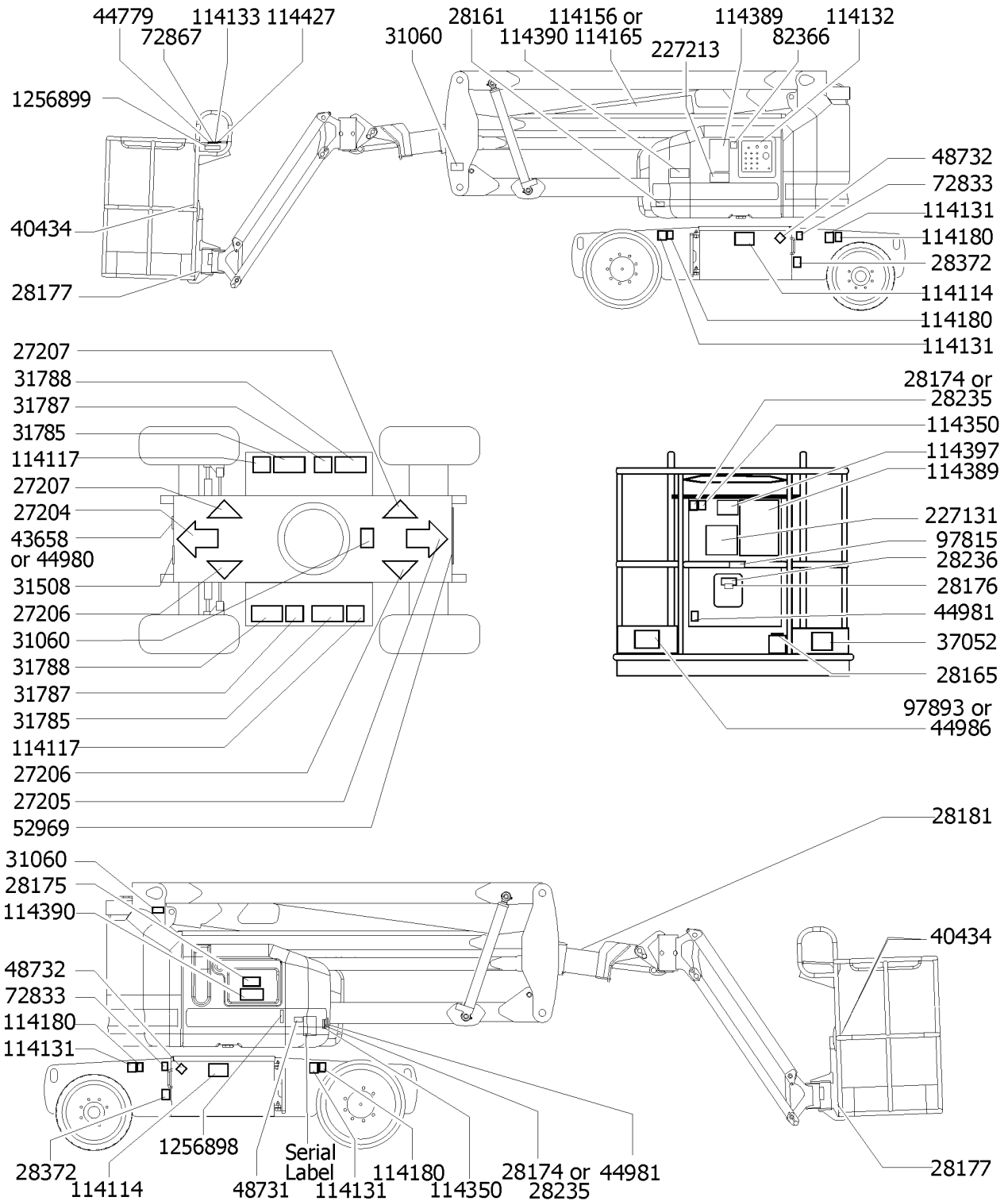
101.1 Decals with Words



Item	Part No.	Description	Qty.
	119874GT	DECAL KIT WORDS Z40 does not include items 23 25-28, 30, 31, 38, 39, 40, 42 and 43	
	1298971GT	DECAL KIT, PLAT Z-40, WORD platform kit from SN 4000 to 4915	
1	27204GT	DECAL, ARROW BLUE	1
2	27205GT	DECAL, ARROW YELLOW LRG 9"	1
3	27206GT	DECAL, TRIANGLE, BLUE	2
4	27207GT	DECAL, TRIANGLE, YELLOW	2
5	28161GT	DECAL, WARN, CRUSH HAZARD HAND	2
6	28165GT	DECAL, INSTRUCT, FOOTSWITCH OPER	1
7	28174GT	DECAL, POWER TO PLATFORM 230V	2
8	28175GT	DECAL, WARNING-COMPART ACCESS	2
9	28176GT	DECAL, LABEL, MANUAL NOT HERE	1
10	28177GT	DECAL, WARN, CRUSH HAZARD PLAT	2
11	28181GT	DECAL, WARN, FALL HAZARD	1
12	28235GT	DECAL, POWER TO PLATFORM 115V	2
13	28236GT	DECAL, WARN, IMPROPER OPERATION	1
14	28372GT	DECAL, NOTICE, BATTERY CABLES	2
15	31060GT	DECAL, DANGER DO NOT ALTER SWTC	1
16	31508GT	DECAL, DANGER, ELECT HAZARD, PLUG	1
17	31785GT	DECAL, NOTICE, CHARGER INSTRUC	1
18	31787GT	DECAL, DANGER, TIP-OVER BATTERY	2
19	31788GT	DECAL, DANGER, BATTERY SAFETY***	2
20	37052GT	DECAL, NOTICE, MAX LOAD 500 LBS	1
21	40434GT	DECAL, LANYARD ANCHORAGE POINT	2
22	43658GT	DECAL, LABEL, PWR TO CHARGR 230V	1
23	44779GT	DECAL, GENERATOR OPTION	1
24	44980GT	DECAL, LABEL, PWR TO CHARGR 115V	1
25	44981GT	DECAL, LABEL, AIRLINE 110 PSI	2
26	44986GT	DECAL, INSTR, SIDE FRC/WIND, AUS	1



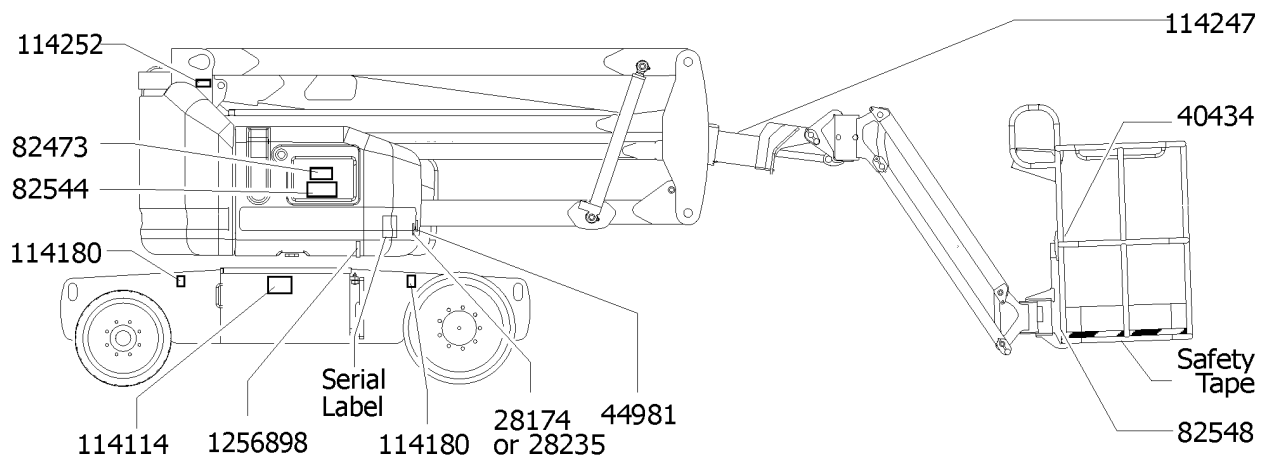
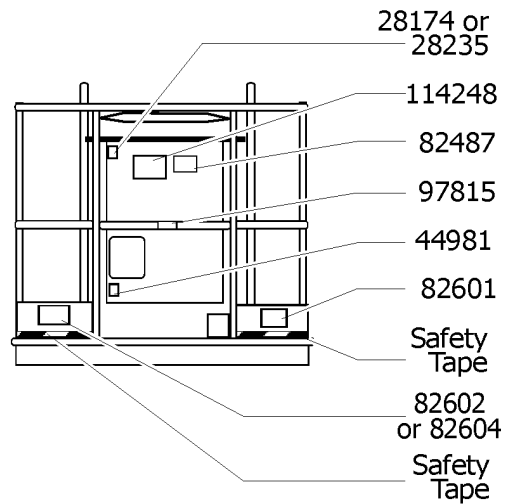
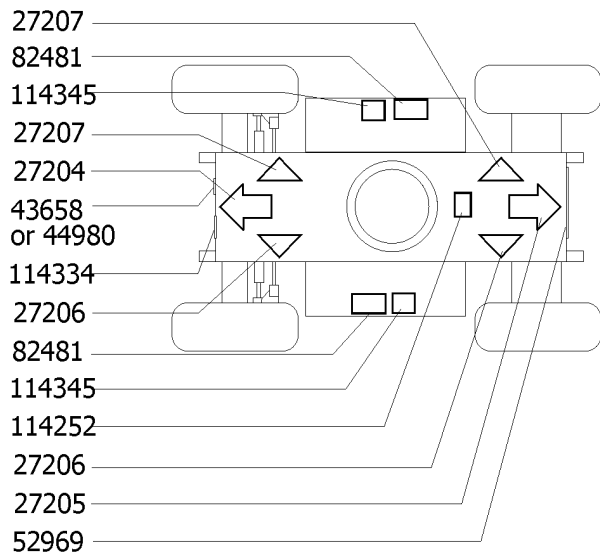
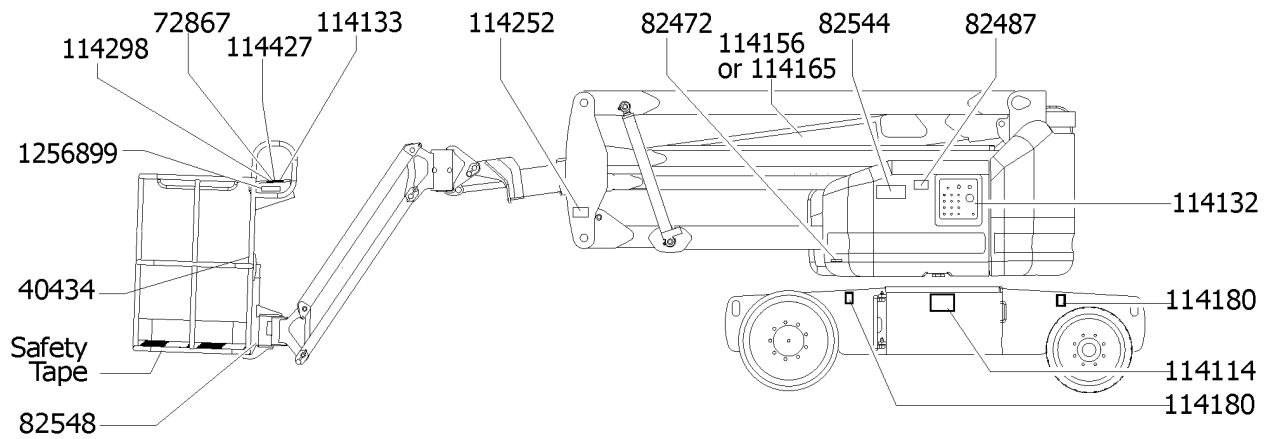
101.1 Decals with Words



Item	Part No.	Description	Qty.
29	52969GT	DECAL,COSMETIC,GENIE BOOM,HORZ	1
30	72833GT	DECAL,LABEL,OPEN,LATCH	2
31	72867GT	DECAL,LABEL,LIGHTS***	1
32	82366GT	DECAL,CHEVRON RANDO HD	1
33	97815GT	DECAL,LABEL,LOWER MIDRAIL	1
34	97893GT	DECAL,NOTICE,SIDE FRC/WINDANSI	1
35	114117GT	DECAL,BATT CONN DIAGRAM	1
36	114131GT	DECAL,TIRE SPECS	4
37	114132GT	DECAL,GROUND CONTROL PANEL,Z40	1
38	114133GT	DECAL,PLATFORM CONTROL PANEL	1
39	114165GT	DECAL,GENIE Z40/23NRJ	1
		option	
40	114180GT	DECAL,WHEEL LOAD	4
41	114114GT	DECAL,LABEL,TRANSPORT	1
42	114350GT	DECAL,AC INVERTER POWER,115V	2
43	114389GT	DECAL,DANGER,GENERAL SAFETY	2
44	114390GT	DECAL,DANGER,ELECT HAZARD***	2
45	114397GT	DECAL,DANGER,TILT ALARM	1
46	114427GT	DECAL,LABEL,CLEAR	1
47	227131GT	DECAL,OPER INST,Z40 PLAT AUS	1
48	227213GT	DECAL,OPER INST,DC BOOM GND AU	1
49	1256898GT	LABEL,TCON SOFTWARE,Z40	1
50	1256899GT	LABEL,PCON SOFTWARE,Z40	1
51	114156GT	DECAL,GENIE Z40/23N	1
		option	



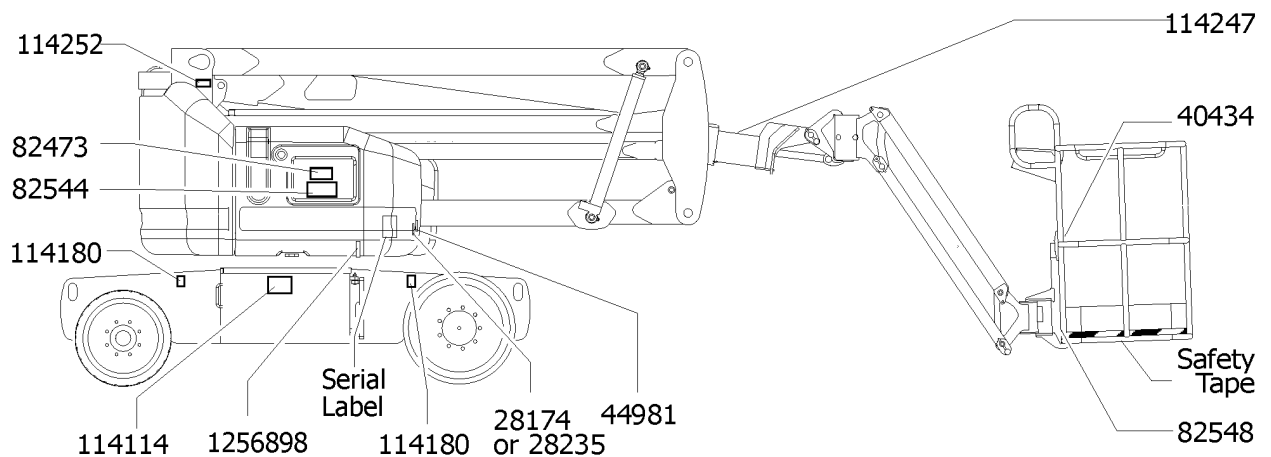
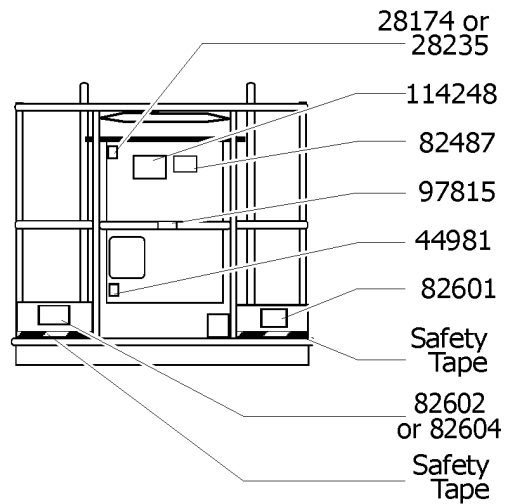
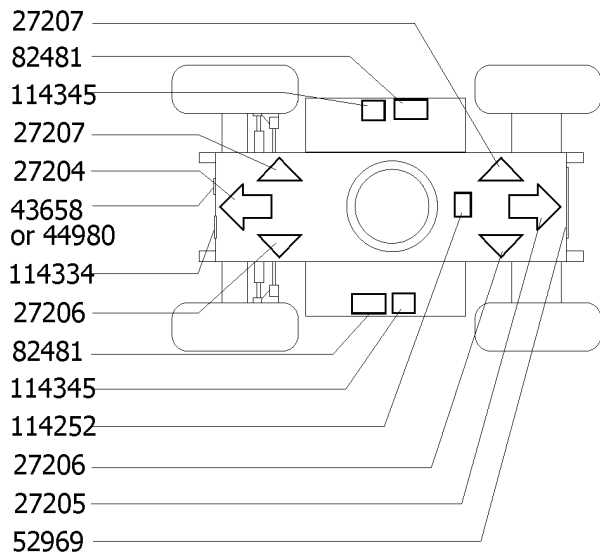
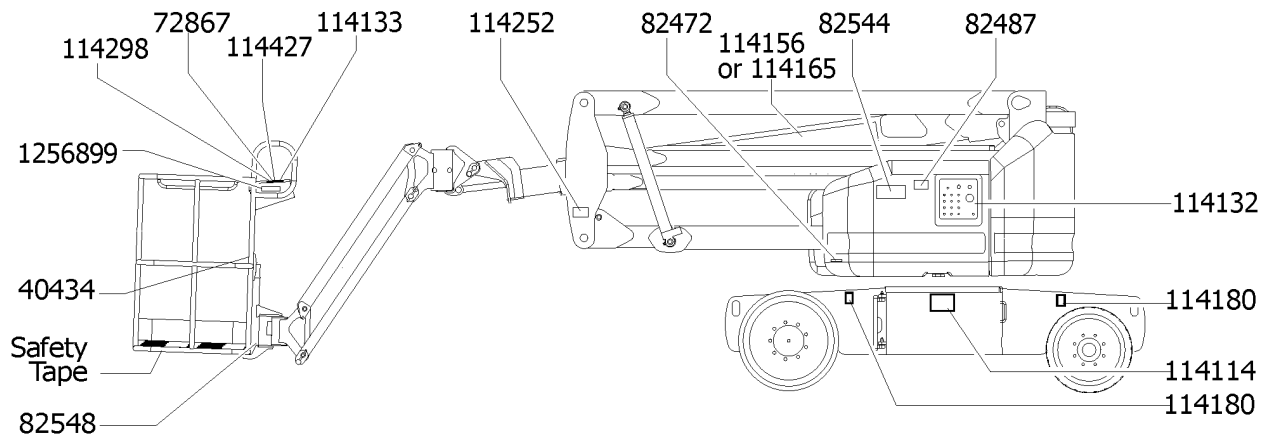
102.1 Decals with Symbols



Item	Part No.	Description	Qty.
	119875GT	DECAL KIT SYMBOLS Z40 does not include items 8-10, and 22-25	
	1298977GT	DECAL KIT, PLAT Z40/Z34/Z30, SYMBOL platform kit from SN 4000 to 4915	
1	27204GT	DECAL, ARROW BLUE	1
2	27205GT	DECAL, ARROW YELLOW LRG 9"	1
3	27206GT	DECAL, TRIANGLE, BLUE	2
4	27207GT	DECAL, TRIANGLE, YELLOW	2
5	28174GT	DECAL, POWER TO PLATFORM 230V	2
6	28235GT	DECAL, POWER TO PLATFORM 115V	2
7	40434GT	DECAL, LANYARD ANCHORAGE POINT	2
8	43658GT	DECAL, LABEL, PWR TO CHARGR 230V	1
9	44980GT	DECAL, LABEL, PWR TO CHARGR 115V	1
10	44981GT	DECAL, LABEL, AIRLINE 110 PSI	2
11	52969GT	DECAL, COSMETIC, GENIE BOOM, HORZ	1
12	72867GT	DECAL, LABEL, LIGHTS***	1
13	82472GT	DECAL, WARNING, CRUSHING HAZARD	4
14	82473GT	DECAL, SYMBOL-COMP ACCESS	1
15	82481GT	DECAL, SYMBOL-BATTERY SAFETY	2
16	82487GT	DECAL, SYMBOL-READ THE MANUAL	2
17	82544GT	DECAL, DANGER, ELEC. HAZ. STAY CLR	2
18	82548GT	DECAL, WARN, CRUSH HAZARD PLAT	2
19	82601GT	DECAL, LABEL, MAX CAPACITY***	1
20	82602GT	DECAL, DANGER, MAX SIDE FRC, 667N	1
21	82604GT	DECAL, DANGER, SIDE FRC 400N	1
22	97815GT	DECAL, LABEL, LOWER MIDRAIL	1
25	114132GT	DECAL, GROUND CONTROL PANEL, Z40	1
26	114133GT	DECAL, PLATFORM CONTROL PANEL	1
28	114165GT	DECAL, GENIE Z40/23NRJ option	1
29	114180GT	DECAL, WHEEL LOAD	4



102.1 Decals with Symbols

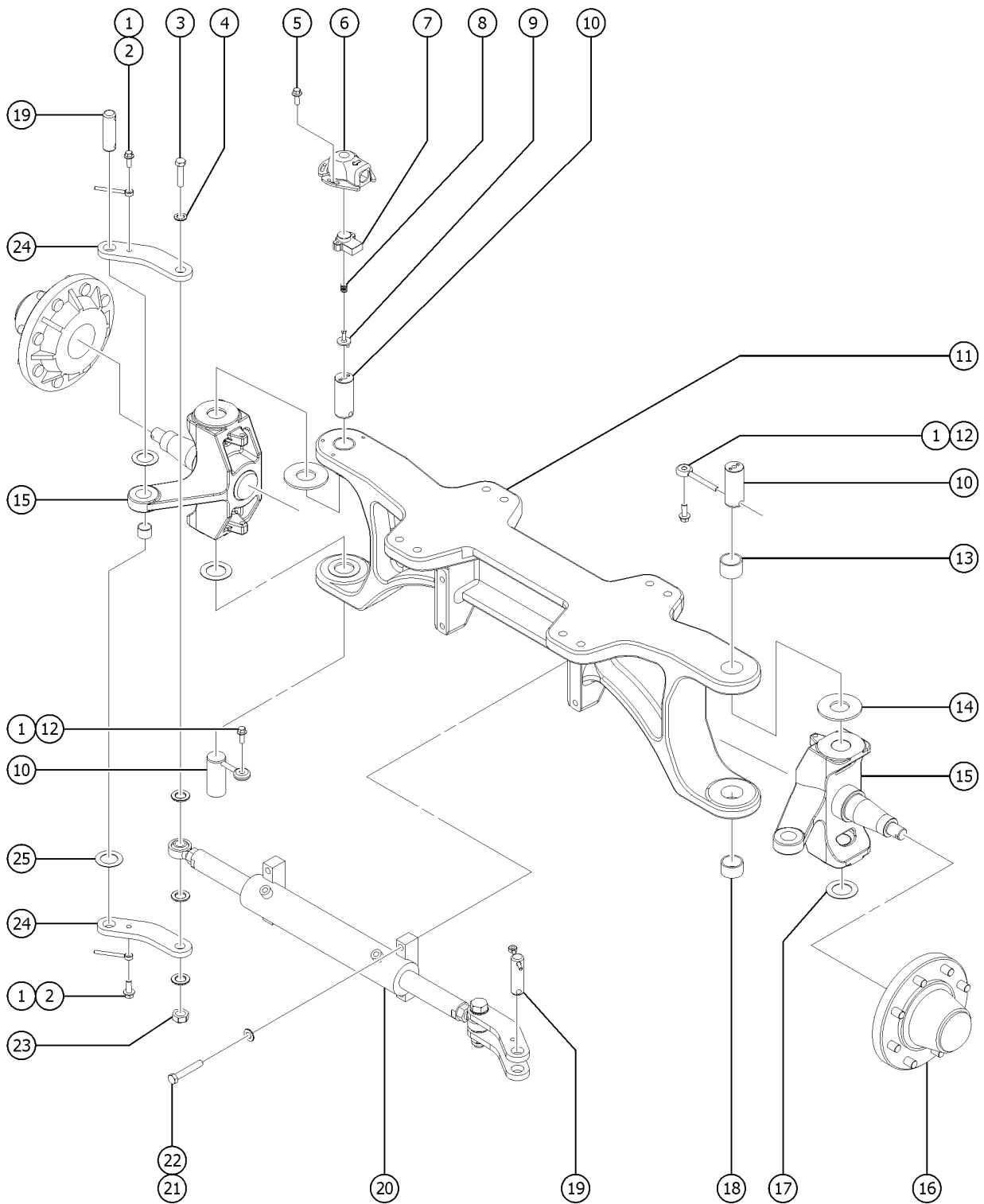


102.1 Decals with Symbols

<i>Item</i>	<i>Part No.</i>	<i>Description</i>	<i>Qty.</i>
30	114247GT	DECAL,LABEL,FALL HAZARD***	1
31	114248GT	DECAL,LABEL,TIPOVER,TILT AL SY	1
32	114252GT	DECAL,LABEL,TIP OVER LMT SWTCH	1
33	114298GT	DECAL,LABEL,DRIVE ENABLE PATCH	1
34	114334GT	DECAL,SYM-ELEC HAZARD,PLUG	1
35	114114GT	DECAL,LABEL,TRANSPORT	2
36	114345GT	DECAL,LABEL,TIPOVER,BATTERIES	2
37	114427GT	DECAL,LABEL,CLEAR	1
38	1256898GT	LABEL,TCON SOFTWARE,Z40	1
39	1256899GT	LABEL,PCON SOFTWARE,Z40	1
40	114156GT	DECAL,GENIE Z40/23N	1



201.1 Front Axle Assembly

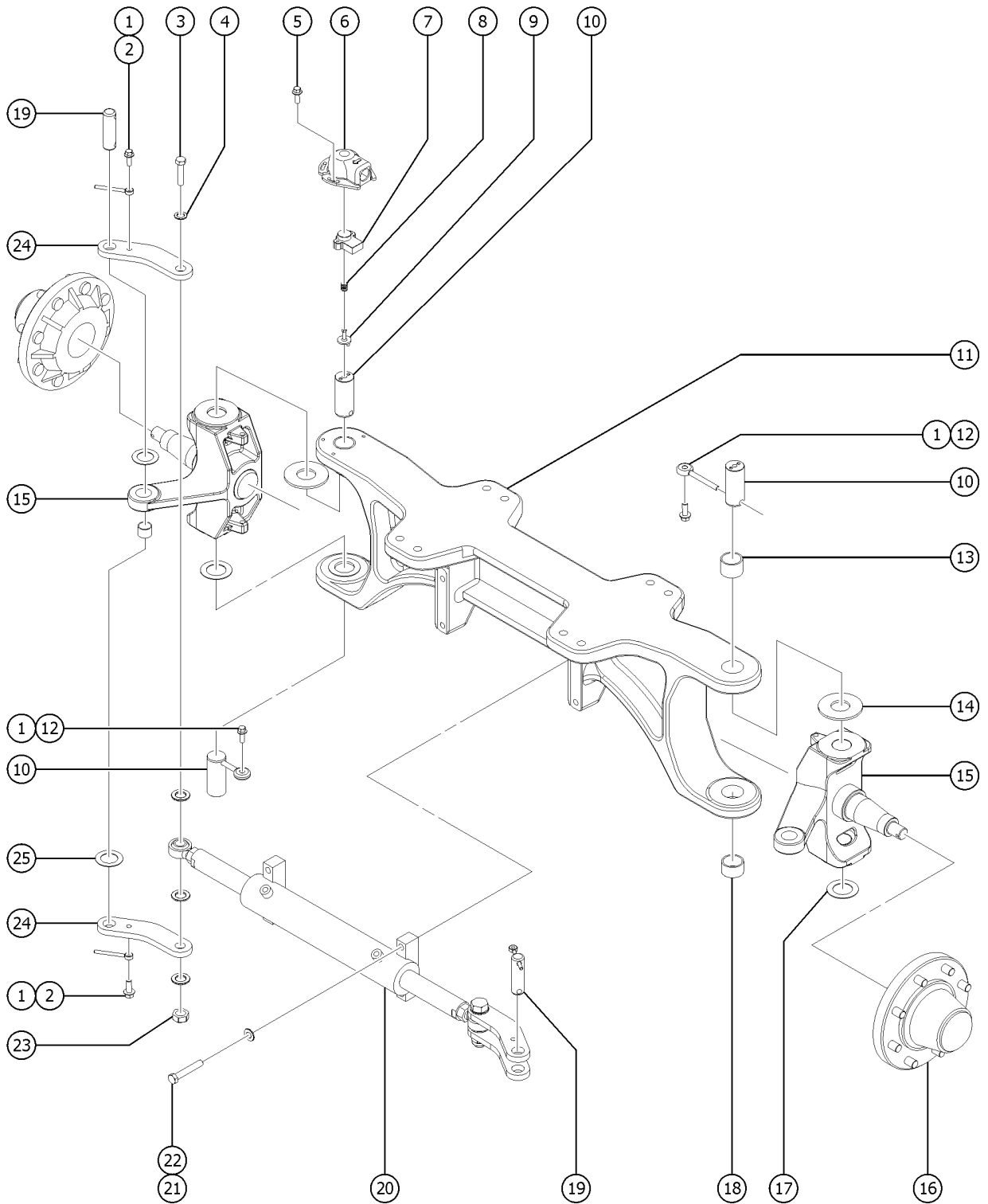


201.1 Front Axle Assembly

Item	Part No.	Description	Qty.
1	824090GT	SCREW,HHF,3/8-16X1,8,ZAG	8
2	1255452GT	ROD END,.375 X 2.25,ZAG	4
3	231514GT	SCREW,HHC,M20-2.5X100,DIN933,1	2
4	1256863GT	WASHER,FLAT,.75,F436,HRD,ZAG	8
5	824078GT	SCREW,HHF,1/4-20X.75,8,ZAG	3
6	110998GT	SUBASSY,STEER SENSOR	1
		includes items 7	
6-	110452GT	COVER,STEERING SENSOR	
6-	75041GT	SCREW,PHILLIPS,PHM,10-32 X 1	
6-	6607GT	WASHER,LOCK,#10 PLTD	
6-	49413GT	WASHER,FLAT, M5 YELLOW ZINC	
6-	60746GT	BUSHING, STRAIN RELIEF, 1"	
7	110533GT	SENSOR,STEER ANGLE	1
8	119910GT	SPRING,COMP,300 OD X .63LG	1
9	110556GT	STEER SENSOR ACTUATOR,HEX	1
10	110370GT	PIN,1.5DIA X 3.45LG,1 HOLE	4
10-	21858GT	PLUG,NYLON .38 BLACK DOMED	
11	110380GT	CASTING ,FRONT AXLE,MACHINED	1
12	825019GT	ROD END,.375 X 3.69,ZAG	4
13	110876GT	BEARING,1.5"ID X 1.75OD X1.25L	2
14	45074GT	WASHER,THRUST,1.5 X 3.5 X .187	2
15	119877GT	STEER YOKE ASSY,Z40	2
15-	25817GT	BEARING,1.00IDX1.25ODX1.00L	
15-	21858GT	PLUG,NYLON .38 BLACK DOMED	
16	45043GT	HUB ASSEMBLY MODEL#60-8***	2
16-	21166GT	LUG BOLT,5/8-18,WHEEL HUB***	
16-	40145GT	BEARING RACE (LARGE) (45873)	
		inner cone not included	
16-	40146GT	BEARING RACE (SMALL) (45873)	
		outer cone not included	
16-	45110GT	SEAL-GREASE,MODEL 60-8	



201.1 Front Axle Assembly

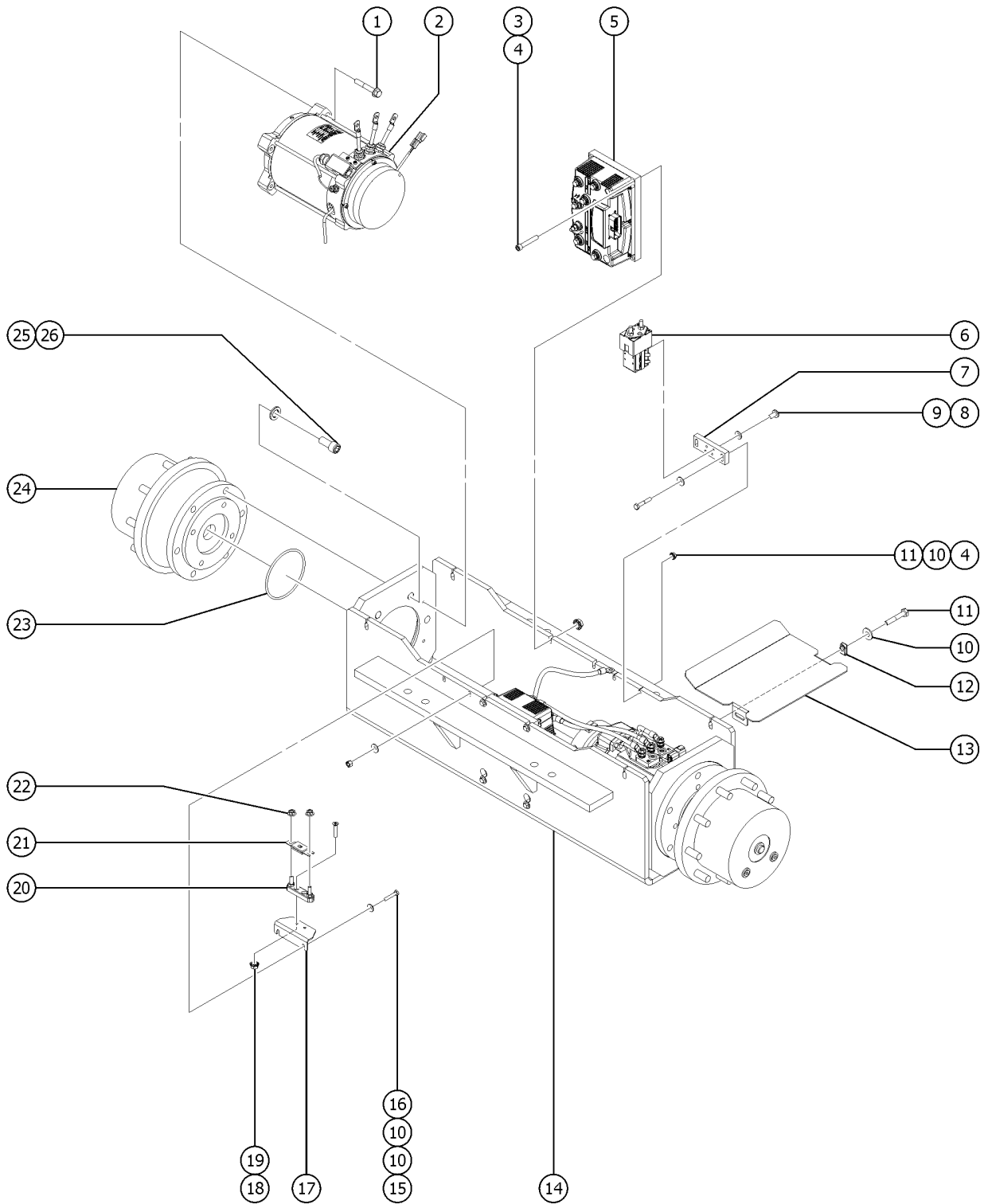


201.1 Front Axle Assembly

<i>Item</i>	<i>Part No.</i>	<i>Description</i>	<i>Qty.</i>
16-	45111GT	CAP,DUST,45873 HUB KIT	
17	1251565GT	WASHER,SHIM,1.56X2.5X.061,ZAG	2
18	119426GT	BUSHING,1.5ID X 1.75OD X 1.1LG	2
19	110875GT	PIN,1.00DIA X 3.44LG,2HOLE	2
20	110362GT	CYLINDER,STEER,DOUBLE RODDED**	1
20-	119427GT	SEAL KIT (110362) for 110362	
20-	1259444GT	GLAND NUT ASSY,Z40 STEER CYL for 110362	
20-	128514GT	ROD END,20MM,Z40 STEER CYL***	
21	1257464GT	SCREW,HHC,1/2-13X2.5,8,ZAG	4
22	825353GT	WASHER,FLAT,1/2,SAE,HRD,ZAG	4
23	1263237GT	NUT,TL,M20-2.5,DIN980,10,ZAB	2
24	110871GT	PLATE,STEERING LINK,MACHINED**	4
25	30748GT	WASHER,SHIM,1.01 X 1.63 X.062	4



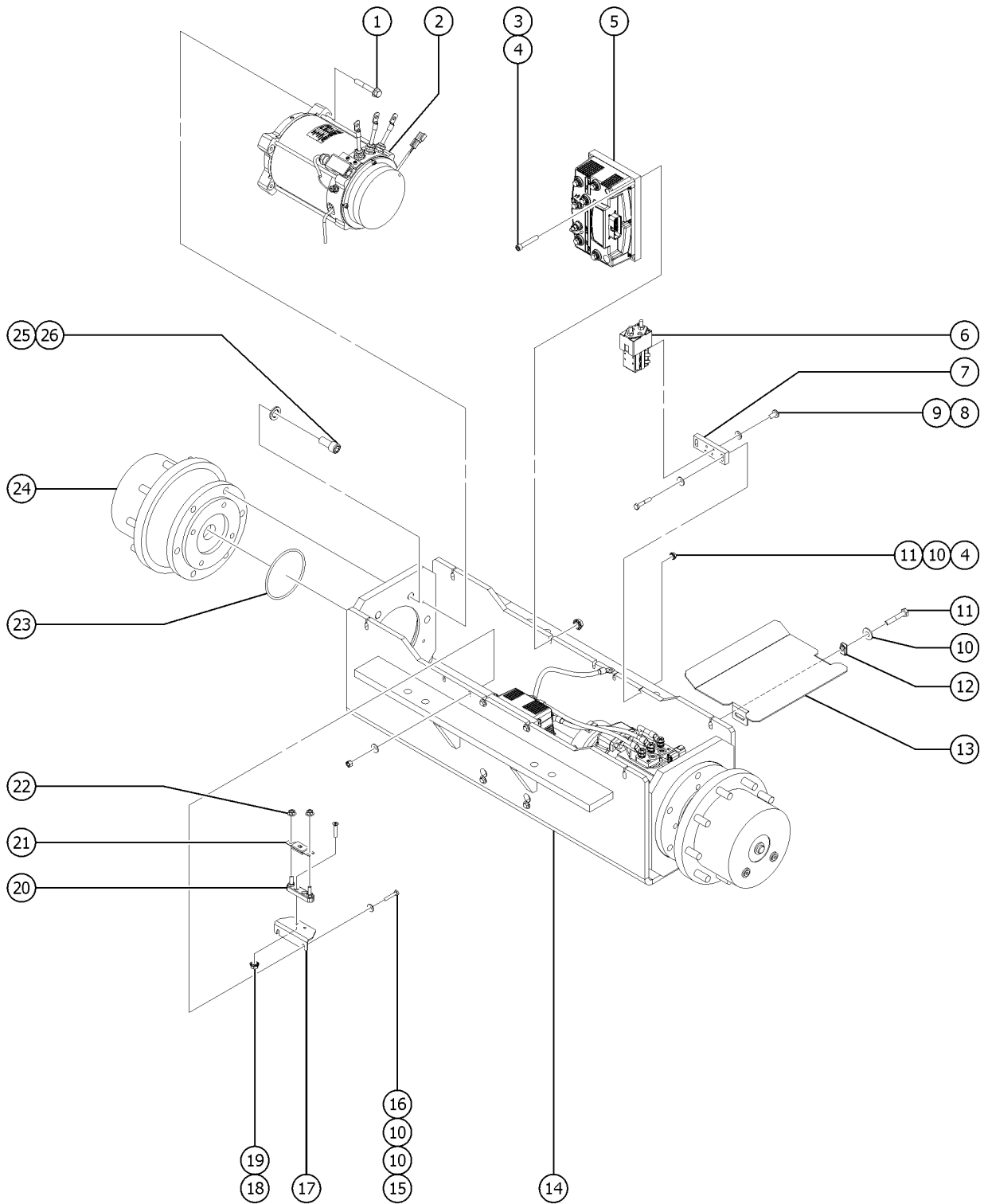
202.1 Rear Axle Assembly



Item	Part No.	Description	Qty.
1	1257803GT	SCREW,HHF,5/16-18X2,8,ZAG	8
2	1255013GT	MOTOR, DRIVE, AC, INT.BRK, Z40	2
2-	1283975GT	BOLT SERVICE KIT M8 X 250	
		for 1255013	
2-	1283976GT	OIL SEAL 30X52X7	
		for 1255013	
2-	1283977GT	O-RING 180X3.55 GB/T3452.1	
		for 1255013	
2-	1283978GT	BEARING (NSK 6207-ZZ/C3)	
		for 1255013	
2-	1283979GT	BEARING (NSK 6206-ZZ/C3)	
		for 1255013	
2-	1283980GT	WAVY SPRING (D62) JB/T7590	
		for 1255013	
2-	1283981GT	O-RING 160X3.55 GB/T3452.1	
		for 1255013	
2-	1283982GT	CABLE GLAND M16X1.5	
		for 1255013	
2-	1283983GT	CABLE GLAND M12X1.5	
		for 1255013	
2-	1283984GT	CONNECTOR SERVICE KIT DTM04-6P	
		for 1255013	
2-	1283985GT	SPEED SENSOR SERVICE KIT	
		for 1255013	
2-	1283986GT	PULSE WHEEL SERVICE KIT 64	
		for 1255013	
2-	1283987GT	BRAKE SERVICE KIT	
		for 1255013	
2-	1283988GT	VENT SERVICE KIT	
		for 1255013	
2-	1283989GT	RETAINING RING M72 GB/T893.1	
		for 1255013	
2-	1283990GT	THERMAL SENSOR SERVICE KIT	
		for 1255013	
2-	1283991GT	CONNECTOR BRACKET SERVICE KIT	
		for 1255013	
2-	1283992GT	PULSE WHEEL COVER SERVICE KIT	
		for 1255013	
3	1263236GT	SCREW,SHC,1/4-20X1.75,A574,ZAG	8
4	1256679GT	NUT,SERRATED,1/4-20,8,ZAG	10
5	110665GT	MOTOR CONTROLLER,48VAC,3PH	2
5-	226254GT	CLAMP,CABLE,MOTOR CONTROLLER	
6	74267GT	CONTACTOR,DRIVE,24V,180A***	1
6-	74468GT	SPRING, RETURN (FOR 74267)	
6-	74469GT	FIXED CONTACT (FOR 74267)	
6-	74470GT	MOVING CONTACT (FOR PN 74267)	



202.1 Rear Axle Assembly

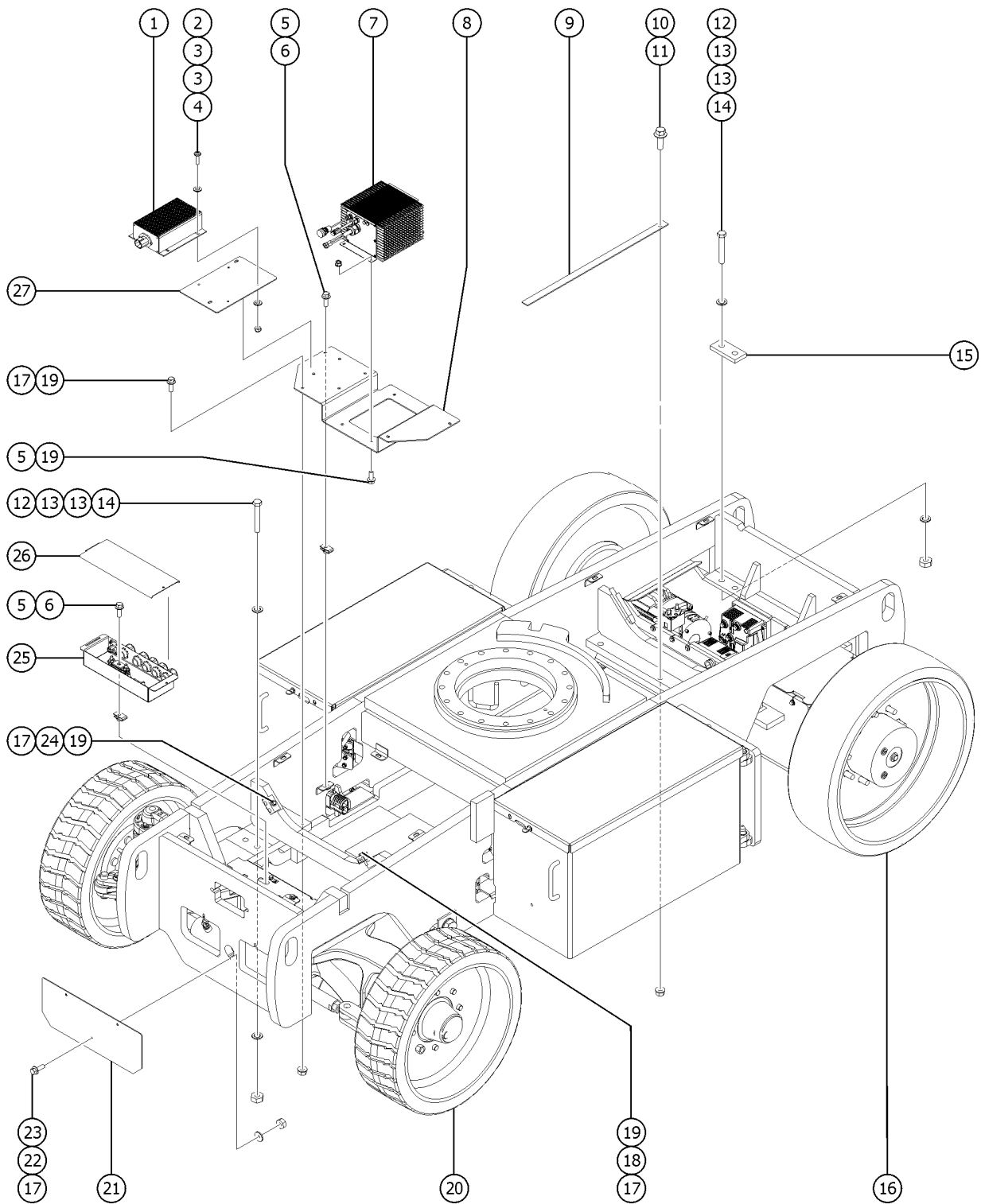


202.1 Rear Axle Assembly

Item	Part No.	Description	Qty.
7	110880GT	BRACKET, CONTACTOR MOUNT	1
8	825349GT	SCREW, PHPM, 10-32X.38, ZAG	2
9	826215GT	WASHER, FLAT, M5, DIN125, ZAB	2
10	824113GT	WASHER, FLAT, 1/4, USS, ZAG	10
11	824062GT	SCREW, HHC, 1/4-20X1.5, 8, ZAG	6
12	56912GT	SPRING CLIP, 1/4-20, .025-.15X.54, ZAG	4
13	110554GT	COVER, REAR AXLE	2
14	236303GT	WELDMENT, REAR AXLE, Z40	1
15	824061GT	SCREW, HHC, 1/4-20X1.25, 8, ZAG	2
16	824024GT	NUT, TL, 1/4-20, C, ZAG	2
17	119432GT	FORMING, FUSE MOUNT BRACKET	1
18	1264261GT	NUT, SERRATED, 10-32, ZAG	2
19	826783GT	SCREW, FHPM, 10-32X.1, 00, ZAG	2
20	66717GT	FUSE BLOCK, ANN & ANL FUSE	1
21	18576GT	FUSE, 200 AMP	1
22	1255805GT	NUT, SERRATED, 5/16-18, 8, ZAG	2
23	110965GT	O-RING, .188 X 5'OD, BUNA N, 70A	2
24	107712GT	WHEEL DRIVE. Z-40***	2
24-	58320GT	KIT, TORQUE HUB COVER(101584)** for 107712	
24-	74714GT	BEARING KIT-74097 TORQUE HUB** for 107712 (inventory limited to stock on hand as component is no longer available)	
24-	1286601GT	BEARING KIT, WHEEL DRIVE (106148/106445/107712) for 107712	
24-	1286600GT	SEAL KIT, WHEEL DRIVE (106148/106445/107712) for 107712 (inventory limited to stock on hand as component is no longer available)	
24-	1286600GT	SEAL KIT, WHEEL DRIVE (106148/106445/107712) for 107712	
24-	106123GT	O-RING, END COVER, 4HP/4HB*** for 107712	
24-	232486GT	SNAP RING, WHEEL DRIVE for 107712 (large snap ring for end cover)	
24-	21149GT	LUG, WHEEL STUD, 5/8-18, W1/4HB** for 107712	
25	824104GT	SCREW, SHC, 5/8-11X1.75, A574, ZAG	12
26	1256182GT	WASHER, FLAT, 5/8, F436, HRD, ZAG	12



203.1 Drive Chassis Components - View 1



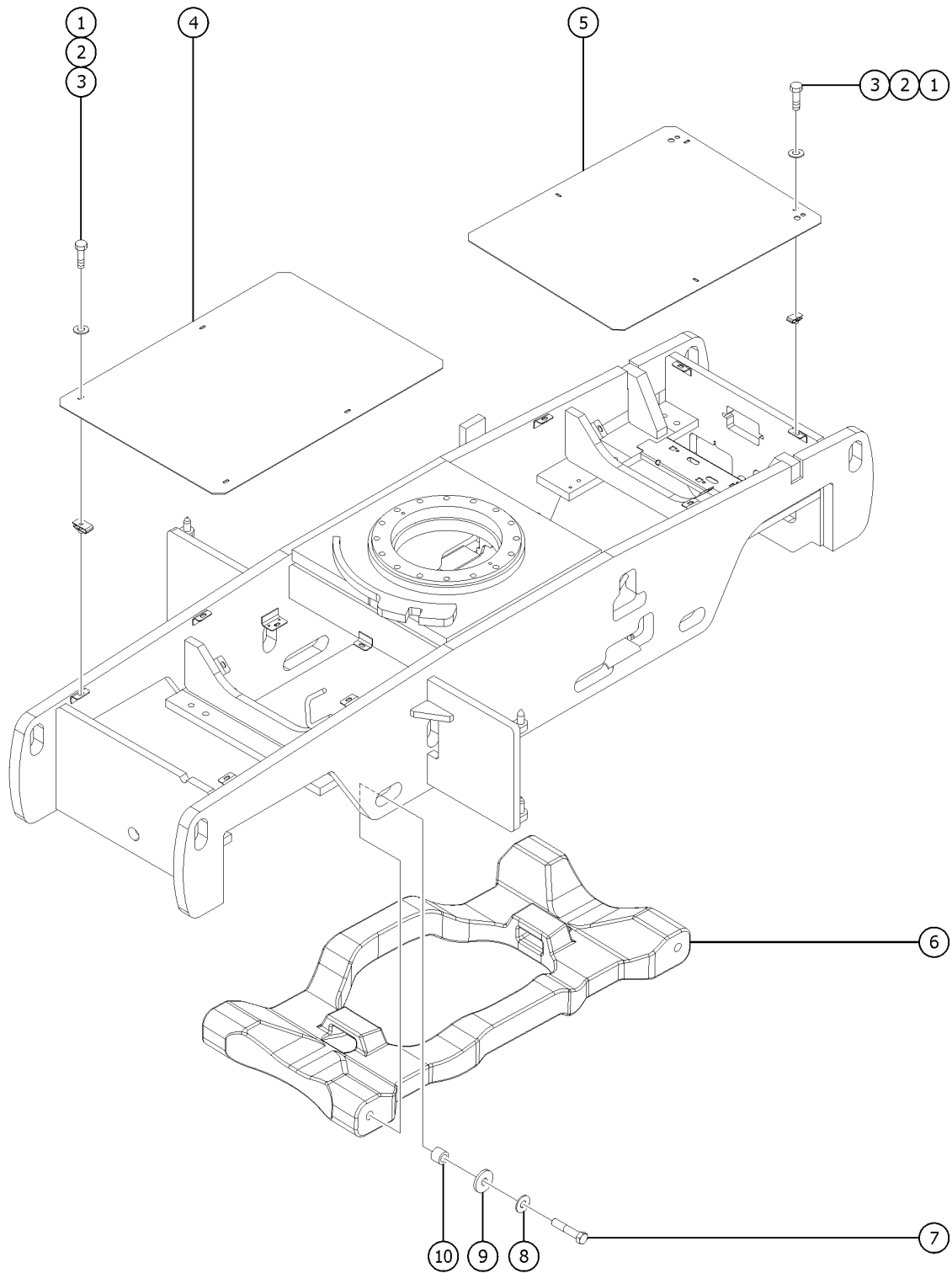
Item	Part No.	Description	Qty.
1	79452GT	CONVERTER, DC-DC, 48-26 VOLT**	1
1-	216186GT	DC-DC CONVERTER, RETRO KIT	
1-	216228GT	HARNESS, KIT,48-24 CONVERTER,	
2	49826GT	SCREW,PHILLIPS,PHM,10-32 X.625	4
3	6146GT	WASHER,FLAT,MS,#10,Y	8
4	6178GT	NUT,NYLOCK,10-32	4
5	824078GT	SCREW,HHF,1/4-20X.75,8,ZAG	7
6	56912GT	SPRING CLIP,1/4-20,.025-.15X.54,ZAG	3
7		Ref. CHARGER	
		refer to 208.1	
8	216397GT	MOUNTING BKT,DC-DC CONVERTER	1
		(one bracket per machine)	
9	107578GT	GROUND STRAP,24"LONG	1
10	826171GT	SCREW,HHF,1/2-13X1.75,8,ZAG	1
11	1261724GT	NUT,SERRATED,1/2-13,8,ZAG	1
12	1256170GT	SCREW,HHC,5/8-11X4,8,ZAG	12
13	1256182GT	WASHER,FLAT,5/8,F436,HRD,ZAG	24
14	1258049GT	NUT,TL,5/8-11,C,ZAG	12
15	110619GT	PLATE,REAR AXLE BOLT SPACER	4
16	110877GT	TIRE/WHEEL ASSY,REAR,N-MARK	2
		Solid, Non-marking, rear (9 x 9.5 inch bolt center)	
16-	54627GT	NUT,LUG,5/8-18 X 90 DEGREE,Z45	18
17	824082GT	SCREW,HHF,1/4-20X1.75,8,ZAG	7
18	101723GT	CLAMP,HOSE,UHMW	1
19	824027GT	NUT, TL FLG, 1/4-20, G, ZAG	8
20	94908GT	TIRE & WHEEL ASSY,FRONT N-M	2
		Solid, Non-marking, front (8 x 8 inch bolt center)	
20-	45109GT	NUT, LUG, 5/8-1/8 X 90 DEGREE*	16
21	110609PGT	PLATE,FRONT ACCESS PAINTED	1
22	824113GT	WASHER,FLAT,1/4,USS,ZAG	3
23	824024GT	NUT,TL,1/4-20,C,ZAG	3
24	70606GT	BLOCK,CABLE CLAMP,2/0 DOUBLE	1

203.1 Drive Chassis Components - View 1

<i>Item</i>	<i>Part No.</i>	<i>Description</i>	<i>Qty.</i>
25		Ref. ENCLOSURE,FUSE BOX refer to 206.1	
26		Ref. COVER, FUSE BOX refer to 206.1	
27	216185GT	MOUNTING BRACKET,DC CONVERTER	1



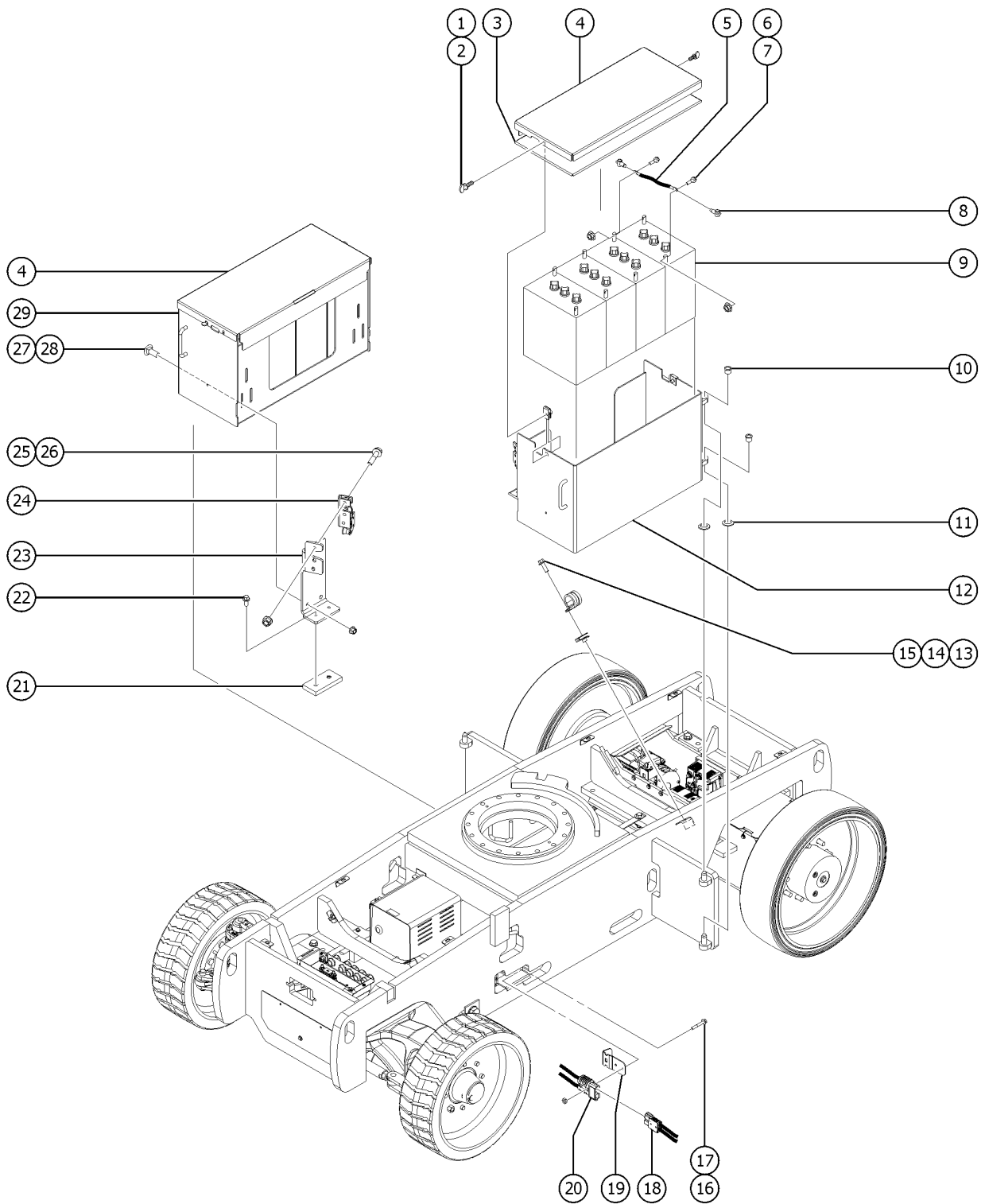
204.1 Drive Chassis Components - View 2



<i>Item</i>	<i>Part No.</i>	<i>Description</i>	<i>Qty.</i>
1	824060GT	SCREW,HHC,1/4-20X1,8,ZAG	8
2	824113GT	WASHER,FLAT,1/4,USS,ZAG	8
3	56912GT	SPRING CLIP,1/4-20,.025-.15X.54,ZAG	8
4	50371GT	COVER,DRIVE CHASSIS,REAR	1
5	50770-SGT	COVER,DR CHASSIS FRONT,NON-OSC	1
6	119287GT	COUNTERWEIGHT,CAST,554LBS	1
7	1268833GT	SCREW,HHC,1-8X4.5,5,ZAG	4
8	1256469GT	WASHER,FLAT,1.0,USS,ZAG	4
9	119815GT	PLATE,WASHER,FLAT,RETAINING	4
10	107574GT	TUBE,CHASSIS SPACER	4

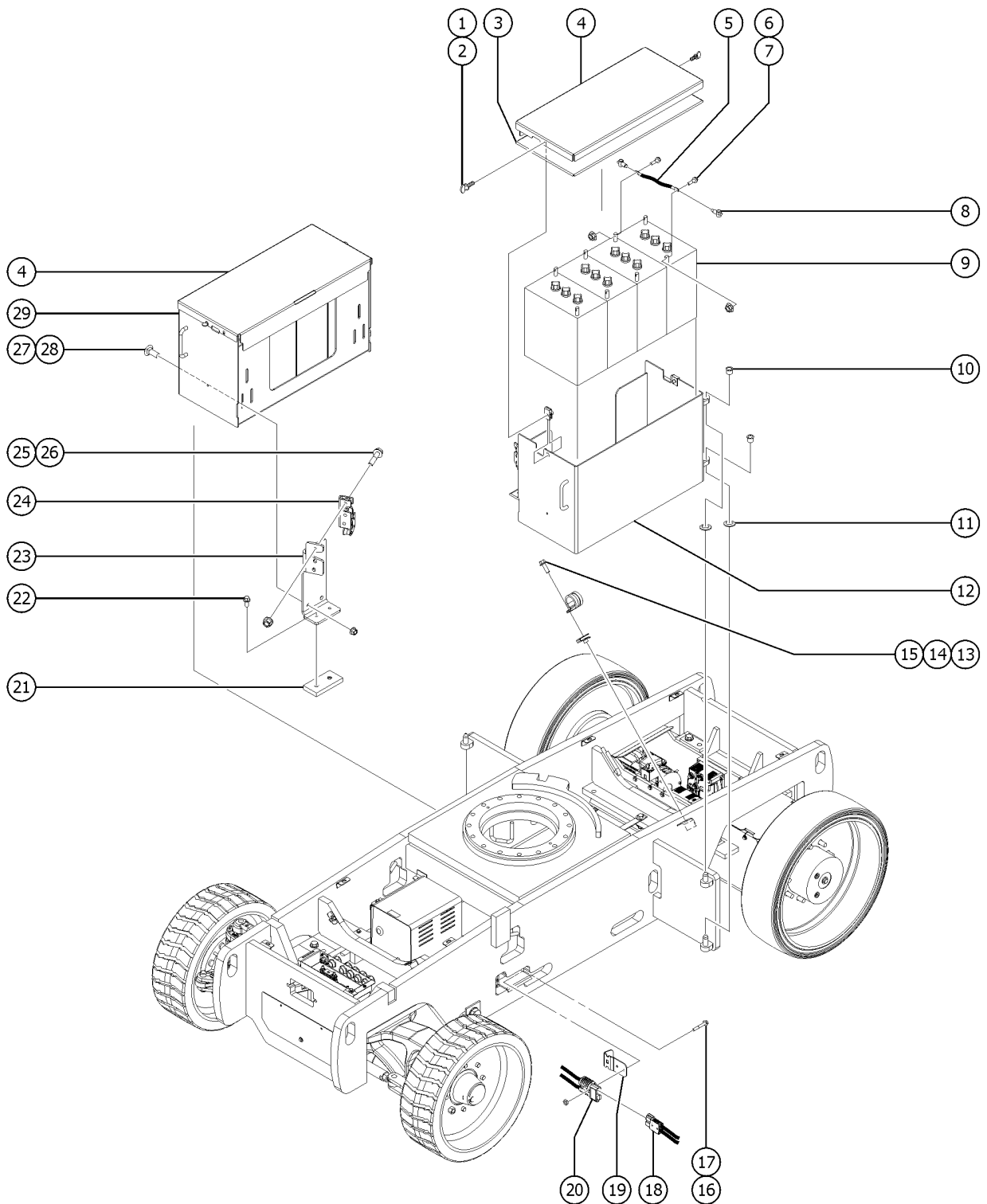


205.1 Drive Chassis Components - View 3



Item	Part No.	Description	Qty.
1	824228GT	SCREW,THUMB,A-REG,3/8-16X1,ZAG	4
2	29868GT	SPRING CLIP,3/8-16,.05-.20X.73,ZAG	4
3	106241GT	INSULATION,48V BATT.BOX LID	1
		models with AGM option	
4	74704GT	COVER,BATTERY BOX**	2
5	19520GT	BATTERY CABLE ASSY,9.5"JUMPER	6
6	824086GT	SCREW, HHF, 5/16-18 X 1, 8, ZAG	
7	1255805GT	NUT,SERRATED,5/16-18,8,ZAG	
8	51147GT	BOOT,CABLE TERMINAL,LG,RED,2/0	4
9A	56461GT	BATTERY, 390AH L16,WET	8
9B	1297475GT	BATTERY, AGM, 6V/370A, L16	8
		models with AGM option	
10	36369GT	BEARING,0.75IDX1.00ODX0.75L	4
11	36212GT	WASHER,THRUST,.75 X 1.38X.13	4
12	161554GT	WELDMENT, BATTERY BOX, LH	1
13	824078GT	SCREW,HHF,1/4-20X.75,8,ZAG	2
14	18666GT	CLAMP,1.00,#16 X 1/4,RUB CUSH	2
15	56912GT	SPRING CLIP,1/4-20,.025-.15X.54,ZAG	2
16	824082GT	SCREW,HHF,1/4-20X1.75,8,ZAG	4
17	824037GT	NUT, HH JAM, 1/4-20, A, ZAG	4
18	128015GT	BATTERY CABLE ASSEMBLY (Z40)	2
19	119787GT	FORMING,BATTERY CONN HANDLE	2
20	1251892GT	HARN ASSY, POWER PACK, Z40	1
21	45209GT	WEAR PAD,4X2X.5 W/INSERT***	2
22	1256855	SCREW,HHF,1/4-20X.625,8,ZAG	4
23A	101426GT	FORMING,BATTERY BOX LATCH RH**	1
		(shown)	
23B	101425GT	FORMING,BATTERY BOX LATCH LH**	1
24A	66900GT	LATCH,ROTARY, W/KNOB, LEFT	1
		(shown) installed on RIGHT side of chassis	
24B	66901GT	LATCH,ROTARY, W/KNOB,RIGHT	1
		installed on LEFT side of chassis	
25	1255763GT	SCREW,HHF,5/16-18X1.5,8,ZAG	6

205.1 Drive Chassis Components - View 3

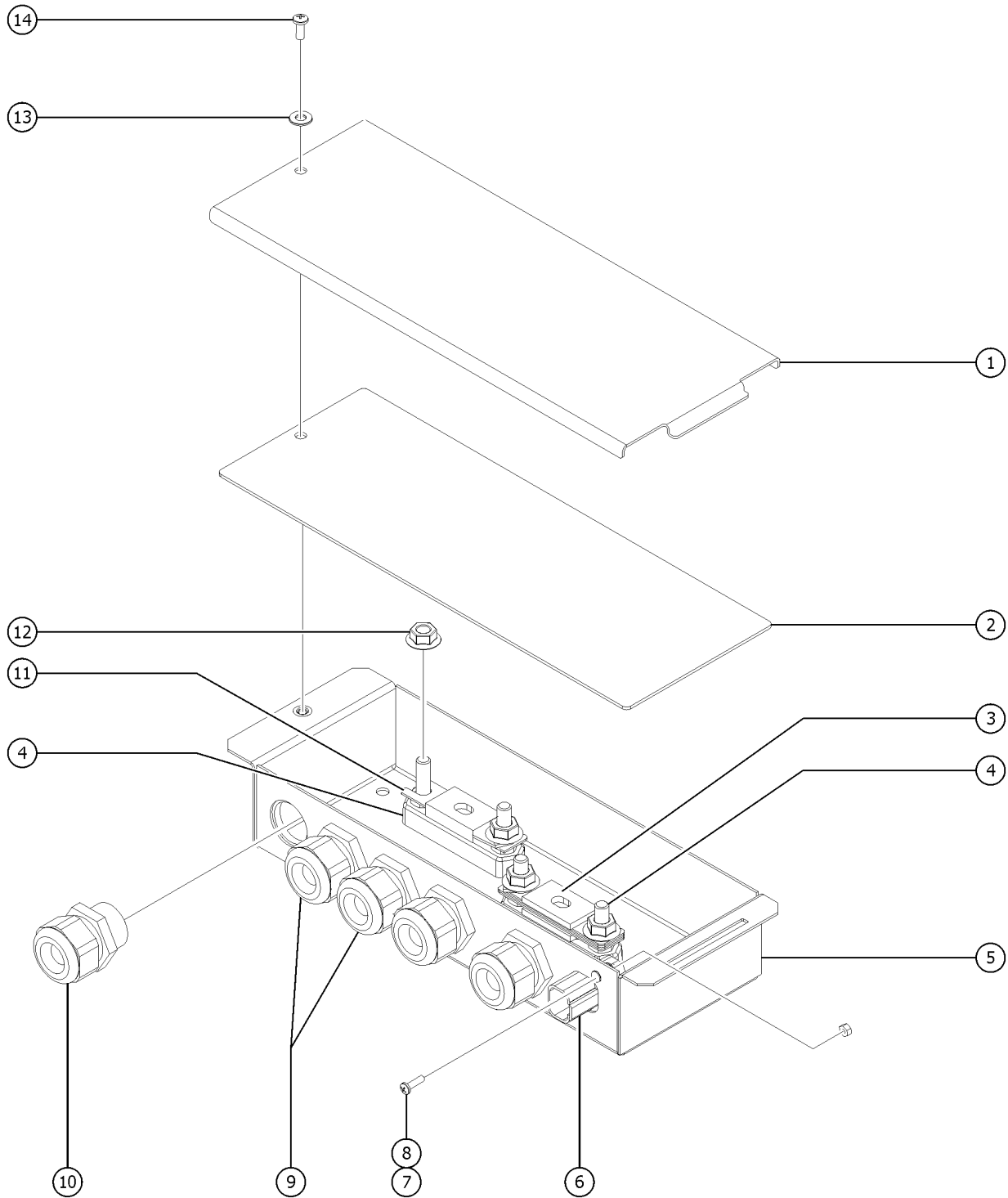


205.1 Drive Chassis Components - View 3

<i>Item</i>	<i>Part No.</i>	<i>Description</i>	<i>Qty.</i>
26	824028GT	NUT,TL FLG,5/16-18,G,ZAG	6
27	824125GT	BOLT,CARRIAGE,3/8-16X1,5,ZAG	6
28	824029GT	NUT,TL FLG,3/8-16,G,ZAG	6
29	161553GT	WELDMENT, BATTERY BOX, RH	1

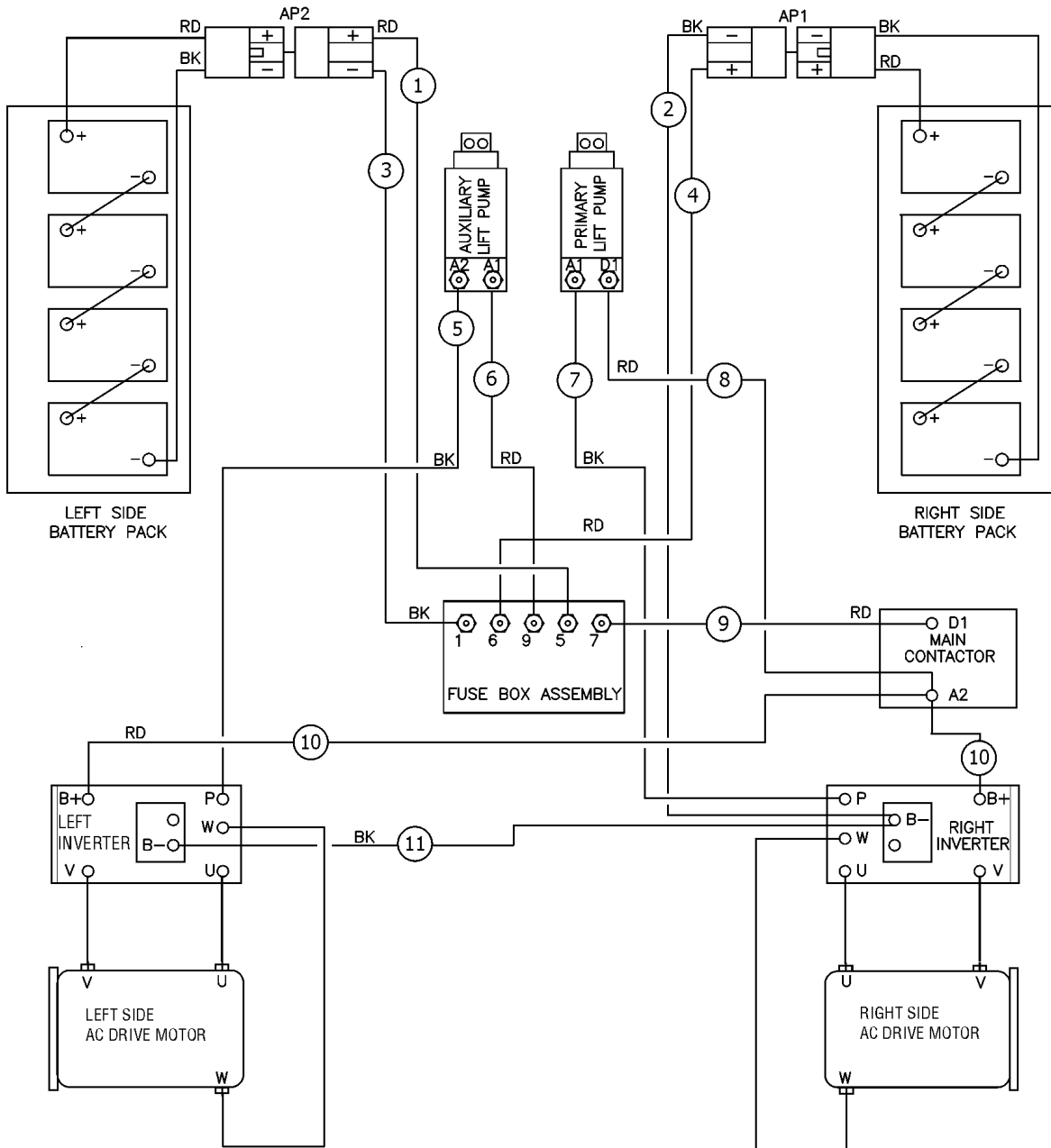


206.1 Fuse Box Assembly



<i>Item</i>	<i>Part No.</i>	<i>Description</i>	<i>Qty.</i>
A	119402GT	ASSEMBLY, ENCLOSURE, FUSE BOX	
1	119399GT	FORMING,COVER,FUSE BOX	1
2	119400GT	GASKET,FUSE ENCLOSURE	1
3	43179GT	FUSE,500 AMP,VERY FAST ACTING	1
4	66717GT	FUSE BLOCK, ANN & ANL FUSE	2
4-	17626GT	SCREW,FHM,10-32 X .75	
4-	824032GT	NUT,TL FLG,10-32,F,ZAG	
5	119401GT	FORMING,FUSE BOX	1
6	73723GT	CONN RECEPT,FLANGED	1
7	824214GT	SCREW,PHPM,6-32X.5,ZAG	2
8	824019GT	NUT,TL,6-32,A,ZAG	2
9A	70684GT	STRAIN RELIEF, 3/4, NPT, GRY	2
9B	1251901GT	PLUG,SANTOPRENE 1.125 BLK DOME	2
10	70684GT	STRAIN RELIEF, 3/4, NPT, GRY	3
10-	14041GT	LOCKNUT,ELECTRIC,3/4"	
11	36372GT	FUSE,50 AMP,VERY FAST ACTING	1
12	1255805GT	NUT,SERRATED,5/16-18,8,ZAG	4
13	1253185GT	WASHER,FLAT,#10,USS,ZAG	1
14	1251757GT	SCREW,PHPM,10-32X.50,ZAG	1

207.1 Power Cables

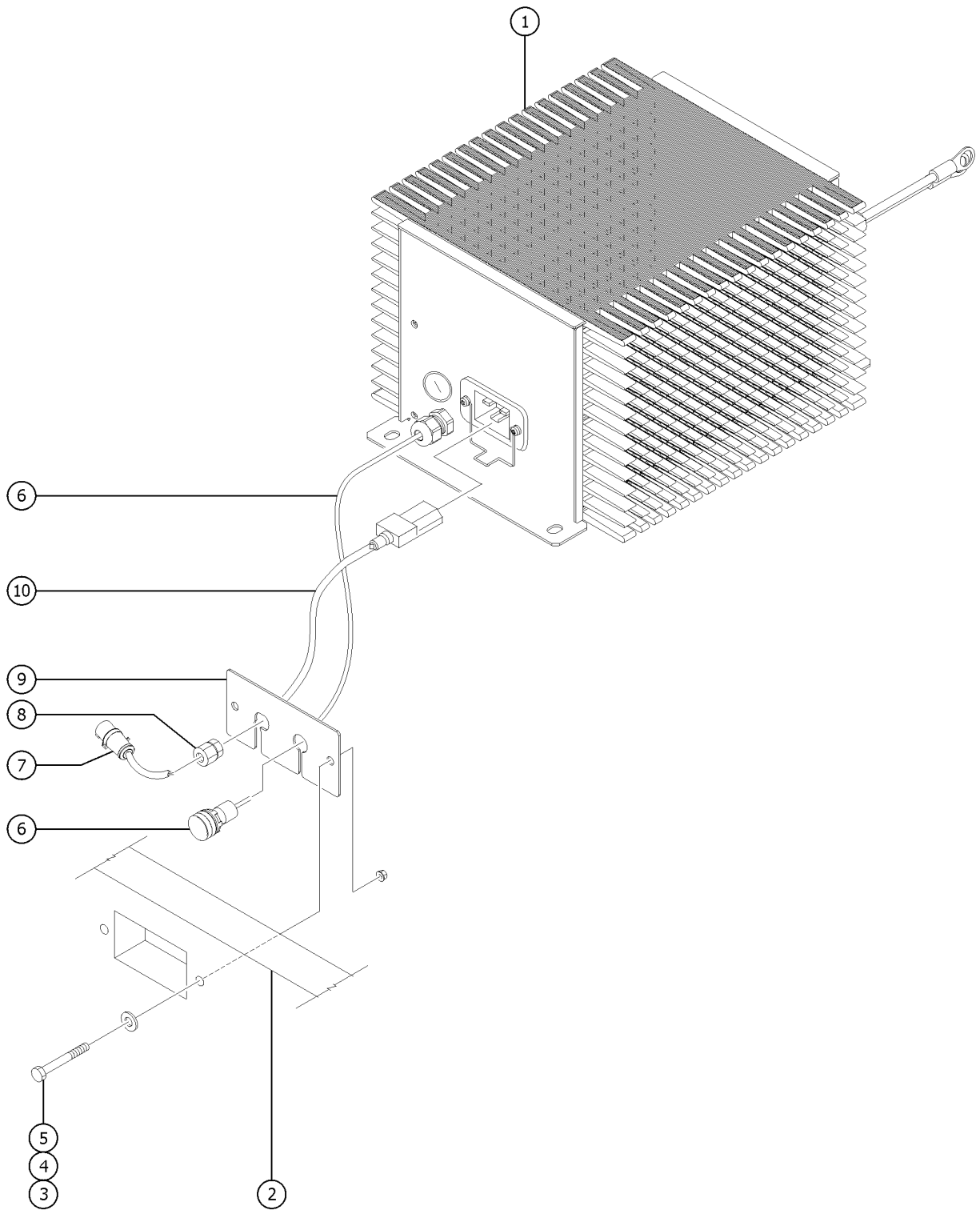


207.1 Power Cables

<i>Item</i>	<i>Part No.</i>	<i>Description</i>	<i>Qty.</i>
1	110807-3750GT	CABLE ASSY #2 RED ANDERSON	1
2	110808-7000GT	CABLE ASSY #2 BLACK ANDERSON	1
3	110808-3350GT	CABLE ASSY #2 RED ANDERSON	1
4	110807-4500GT	CABLE ASSY #2 RED ANDERSON	1
5	110809-9500GT	CABLE ASSY #4 BLACK 5/16	1
6	110805-9450GT	CABLE ASSY #2 RED 5/16	1
7	110811-11250GT	CABLE ASSY #2 BLACK 5/16 & 3/8	1
8	110810-10600GT	CABLE ASSY #2 RED 5/16 & 3/8	1
9	110805-7750GT	CABLE ASSY #2 RED 5/16	1
10	110805-1700GT	CABLE ASSY #2 RED 5/16	2
11	110806-1300GT	CABLE ASSY #2 BLACK 5/16	1



208.1 Battery Charger

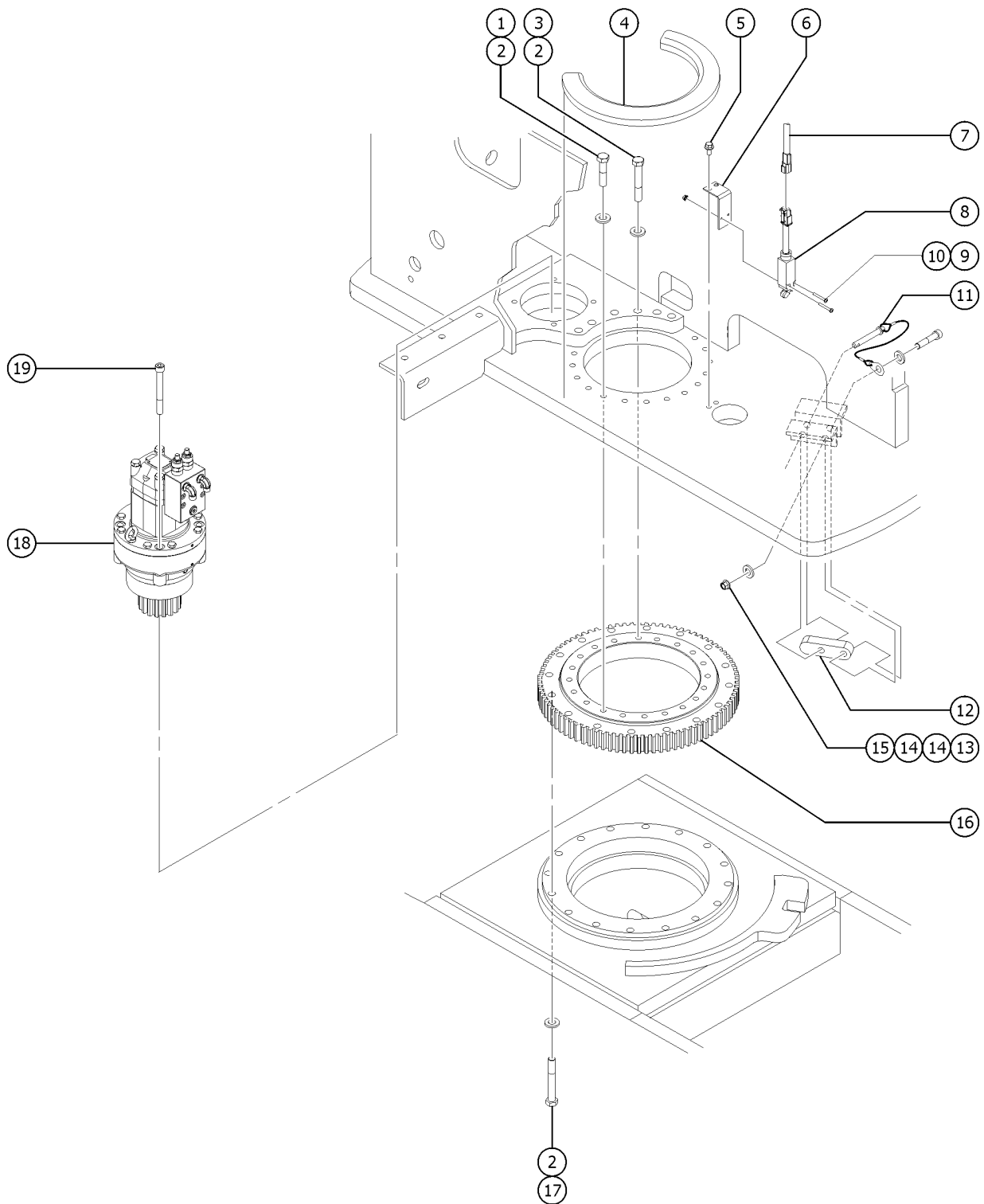


208.1 Battery Charger

Item	Part No.	Description	Qty.
1	128375GT	CHARGER 48V/30A AUTO AC X-LED (includes item 6) (order power cord separately)	1
1-	133286GT	DECAL, POWER TO CHARGER, UNIV	
1-	139858GT	HARN.CHARGER INTERLOCK Z34	
1-	228946GT	ASSY,LED,IES CHARGER	
1-	228947GT	CLIP,RETAINING,IES CHARGER	
2		Ref. Chassis	
3	1256108GT	SCREW,HHC,3/8-16X2,8,ZAG	2
4	1255758GT	WASHER,FLAT,3/8,USS,ZAG	2
5	824029GT	NUT,TL FLG,3/8-16,G,ZAG	2
6	228973GT	KIT,ASSY,LED,IES CHARGER	1
7A	119403GT	CONN,PLUG 120 AC/15A DOMESTIC	1
7B	144161GT	PLUG,PWR,UK,16AMP,3PIN,BLK	1
7C	25388GT	PLUG,FUSED,250V,13AMP,U.K.**	1
8A	128118GT	BUSHING,STRAIN RELIEF,.875/.40 (domestic)	1
8B	139318GT	BUSHING,STRAIN RELIEF,.875/.30 (UK)	1
9	128825GT	BRACKET, CHARGER CORD AND LED	
10A	128645GT	CORD AC IEC320-C19 TO 220EU	1
10B	128377GT	CORD AC IEC320-C19 TO 110US	1
10C	128376GT	CORD EURO AC IEC320-C19PIGTAIL	1



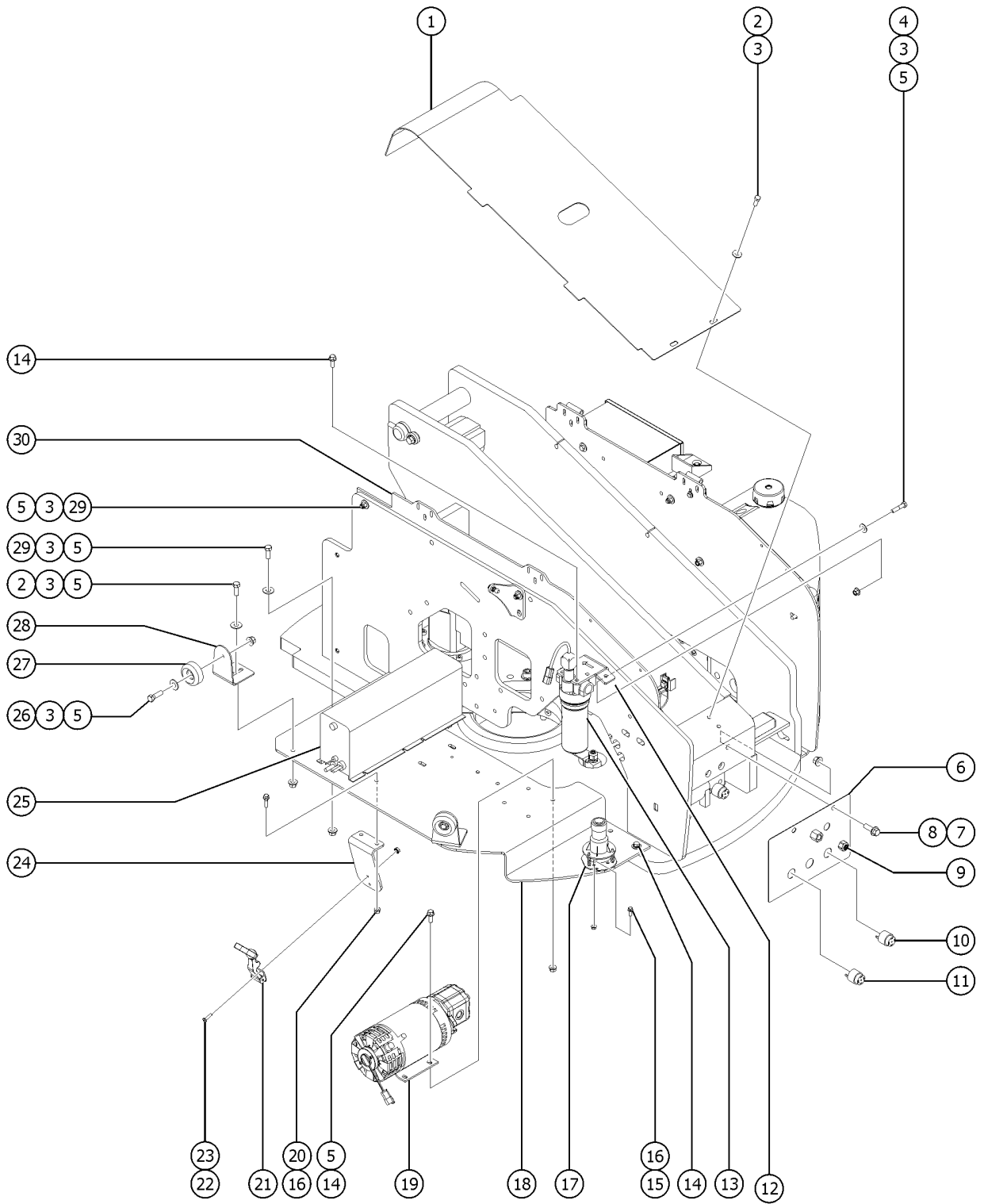
301.1 Turntable Rotator



Item	Part No.	Description	Qty.
1	1263234GT	SCREW,HHC,5/8-11X2.75,8,ZAG	12
2	1256182GT	WASHER,FLAT,5/8,F436,HRD,ZAG	34
3	1256170GT	SCREW,HHC,5/8-11X4,8,ZAG	6
4	107651GT	PROTECTOR,SLEW BOLT	1
5	824089GT	SCREW,HHF,3/8-16X.75,8,ZAG	2
6	50469GT	BRACKET,DRIVE SENSOR,ENABLE	1
7		Ref Chassis Wire Harness (see figure 308.1)	
8	88356-11103GT	SWITCH,LIMIT,W/RLR ARM,NO/NC	1
8-	106427GT	LS ROT.HEAD W/O LEVER (ZCE01)	
8-	110160GT	HARNESS,LS,D.E. Z45	
8-	97128GT	ROLLER ARM,LIMIT SWITCH***	
9	824216GT	SCREW, PHPM, 10-32 X 1.5, ZAG	2
10	1264261GT	NUT,SERRATED,10-32,ZAG	2
11	54145-800GT	RETAINING PIN, ASSY	1
12	50776PGT	PLATE,SWING LOCK,PAINTED***	1
13	1251997GT	NUT,TL,FLG,1/2-13,G,ZAG	1
14	1255760GT	WASHER,FLAT,1/2,USS,ZAG	2
15	824103GT	SCREW,SHC,1/2-13X3,A574,ZAG	1
16	101815GT	BEARING,SWING CHASSIS	1
16-	88635-4024GT	HOSE ASSY 1/4,STR FEM,PIPETHRE	1
17	1263142GT	SCREW,HHC,5/8-11,4.5,8,ZAG	16
18	824050GT	SWING DRIVE ASSEMBLY	1
		replaces 77082 and 147209	
18-	48904GT	ELBOW, 90D, 520220-4	
		not included, must order seperately	
18-	824051GT	SEAL KIT, SWING DRIVE	
		for 824050	
18-	824052GT	VALVE BLOCK, SWING DRIVE	
		for 824050	
19	1263232GT	SCREW,SHC,1/2-13X4.5,A574,ZAG	4

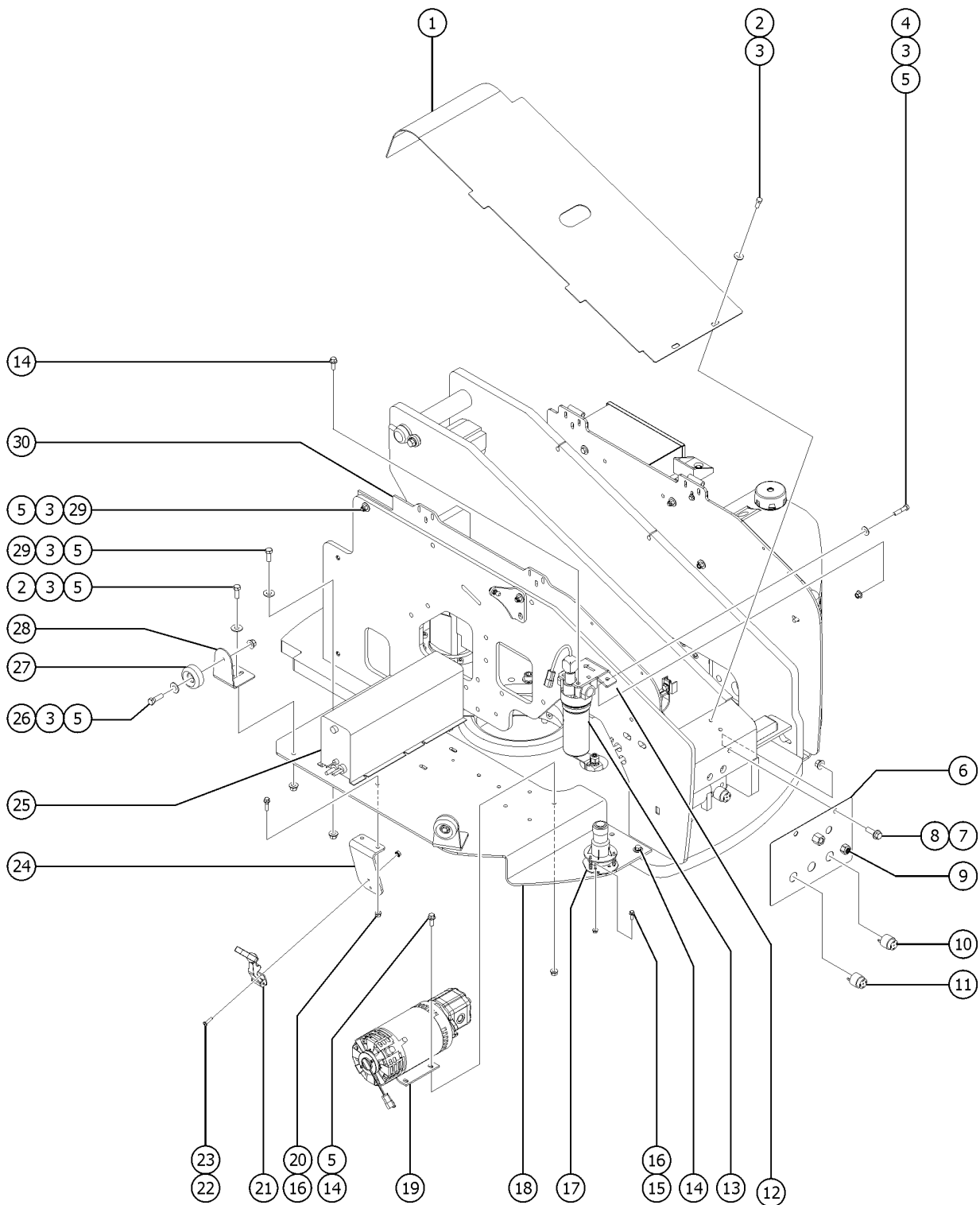


302.1 Turntable Components - View 1



Item	Part No.	Description	Qty.
1	119784GT	COVER,CENTER SWING CHASSIS**	1
2	824067GT	SCREW, HHC, 3/8-16 X 1, 8, ZAG	4
3	1255758GT	WASHER,FLAT,3/8,USS,ZAG	10
4	1256847GT	SCREW,HHC,3/8-16X1.75,8,ZAG	2
5	824029GT	NUT,TL FLG,3/8-16,G,ZAG	12
6	70647GT	PLATE,FRONT COVER***	1
7	1253498GT	SCREW,HHF,1/2-13X1.5,8,ZAG	2
8	1251997GT	NUT,TL,FLG,1/2-13,G,ZAG	2
9	7056GT	CONN, SQZ, 1/2NPT, 0.38-0.50,SM	1
10	18963GT	ALARM,INTERMITTENT TONE 6-30V*	1
11	45462GT	ALARM,CHIME TONE 5-25VDC***	1
12	88269GT	BRACKET,HIGH PRESSURE FILTER	1
13	110448GT	FILTER ASSY,HIGH PRESS W/SWITC	1
13-	119900GT	SWITCH,CLOGGING INDICATOR	
13-	60857GT	FILTER,ELEMENT,BETA(5)=1000	
13-	60442GT	CONN,RECEP 4 WAY, 14-18GA	
14	824090GT	SCREW,HHF,3/8-16X1,8,ZAG	10
15	824078GT	SCREW,HHF,1/4-20X.75,8,ZAG	3
16	824027GT	NUT, TL FLG, 1/4-20, G, ZAG	5
17A	94077GT	SENSOR,LEVEL,4.5 DEG ANSI/CSA	1
17B	110382GT	LEVEL SENSOR,LS60,YL,2.5X4.5 CE models	1
17C	42439GT	SENSOR,LEVEL 3 DEG** Australia models	1
18	60106GT	FORMING,SWING CHASSIS TRAY	1
19		Ref. MOTOR W/TACH 48VDC,3.5HP Refer to 501.1	1
20	824079GT	SCREW,HHF,1/4-20X1,8,ZAG	2
21	45363GT	LATCH,FLEXIBLE	1
22	824215GT	SCREW, PHPM, 10-32 X .75, ZAG	2
23	1264261GT	NUT,SERRATED,10-32,ZAG	2

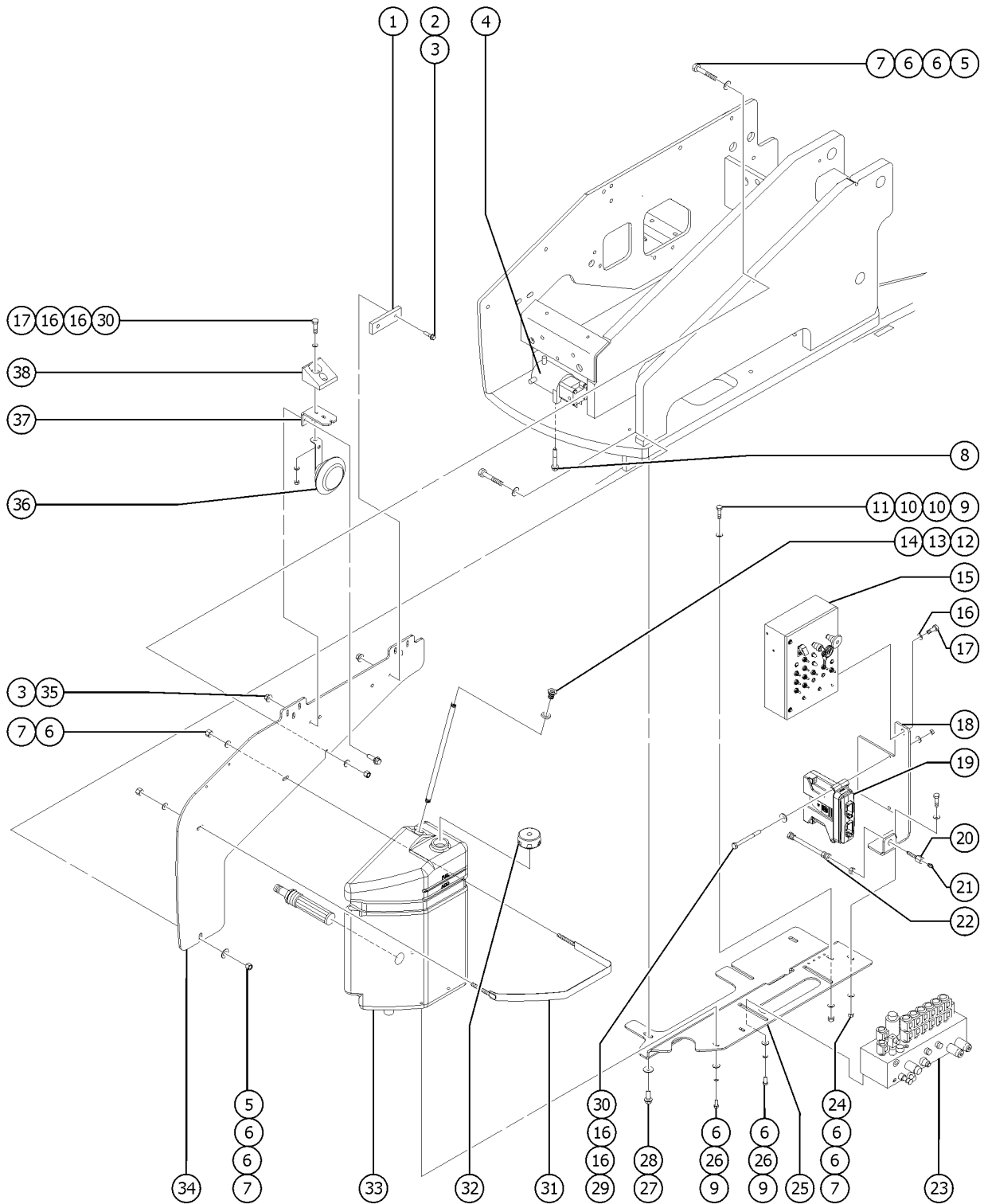
302.1 Turntable Components - View 1



<i>Item</i>	<i>Part No.</i>	<i>Description</i>	<i>Qty.</i>
24	128319GT	FORMING,DRAW LATCH MOUNT	1
25		Ref. INVERTER	1
		refer to 808.1	
26	824068GT	SCREW,HHC,3/8-16X1.25,8,ZAG	
27	50974GT	BUMPER,RUBBER,COVERS	2
28	54363GT	BRACKET,RUBBER BUMPER,ENGCOVER	2
29	1256118GT	SCREW,HHC,3/8-16X1.5,8,ZAG	4
30	60000GT	BULKHEAD,SWING CHASSIS,LH	1



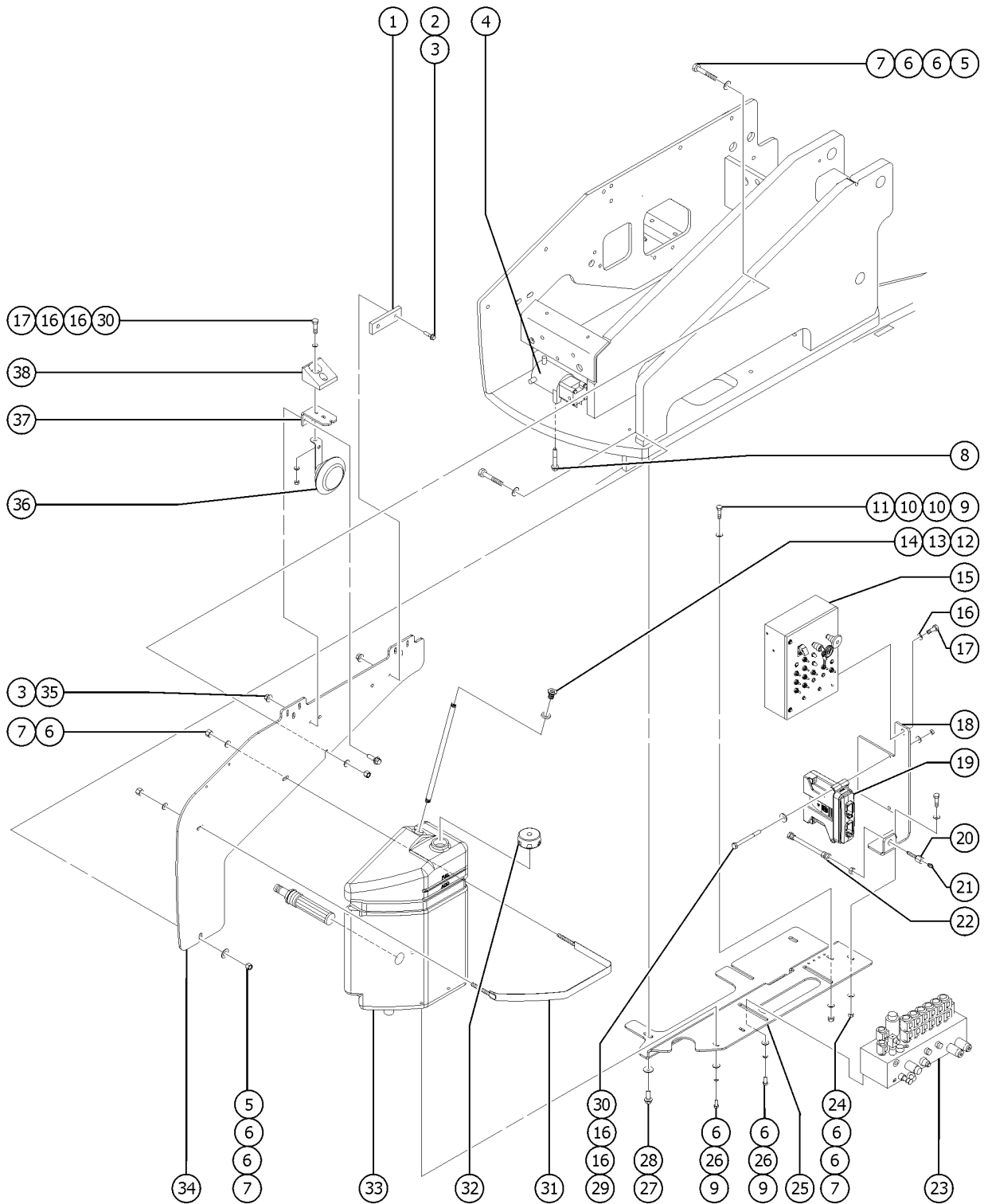
303.1 Turntable Components - View 2



Item	Part No.	Description	Qty.
A	1289561GT	BRACKET, TELEMATICS	
A	1289520GT	MODULE, TELEMATICS, ZTR, M7, NORTH AMERICA	
A	1289521GT	MODULE, TELEMATICS, ZTR, M7, EMEA/APAC	
1	54231GT	WEAR PAD, 4.88 X 1.5 X .5	1
2	824092GT	SCREW, HHF, 3/8-16 X 1.5, 8, ZAG	2
3	824029GT	NUT, TL FLG, 3/8-16, G, ZAG	4
4	36179GT	POWER UNIT, AUX PUMP 24VDC	1
4-	37184GT	MOTOR, 24V (36179)	
4-	37185GT	PUMP ASSEMBLY (36179) Part 37185GT is no longer backwards compatible with 37184GT. Order complete Aux Pump 36179GT	
4-	37186GT	VALVE, CHECK (36179)	
4-	37187GT	SEAL KIT, 37185 PUMP	
4-	37191GT	GASKET, PUMP / MOTOR (36179)	
4-	37192GT	COUPLER, PUMP / MOTOR (36179)	
4-	49878GT	NYLON WASHER, (36179)	
5	1256108GT	SCREW, HHC, 3/8-16X2, 8, ZAG	2
6	1255758GT	WASHER, FLAT, 3/8, USS, ZAG	14
7	824025GT	NUT, TL, 3/8-16, C, ZAG	5
8	1257803GT	SCREW, HHF, 5/16-18X2, 8, ZAG	2
9	824067GT	SCREW, HHC, 3/8-16 X 1, 8, ZAG	
10	825358GT	WASHER, FLAT, 5/16, USS, ZAG	2
11	824038GT	NUT, TL JAM, 3/8-16, A, ZAG	
12	39223GT	BULKHEAD FITTING, PLASTIC X 8**	1
13	62088GT	WASHER/BULKHEAD***	1
14	60065GT	TUBE, PLASTIC .5 NPT X 18"	1
15		Ref. Ground Controls (refer to 304.1 or 305.1)	
16	824113GT	WASHER, FLAT, 1/4, USS, ZAG	7
17	824060GT	SCREW, HHC, 1/4-20X1, 8, ZAG	3
18	119042GT	BRACKET, GROUND CONTROL BOX	1

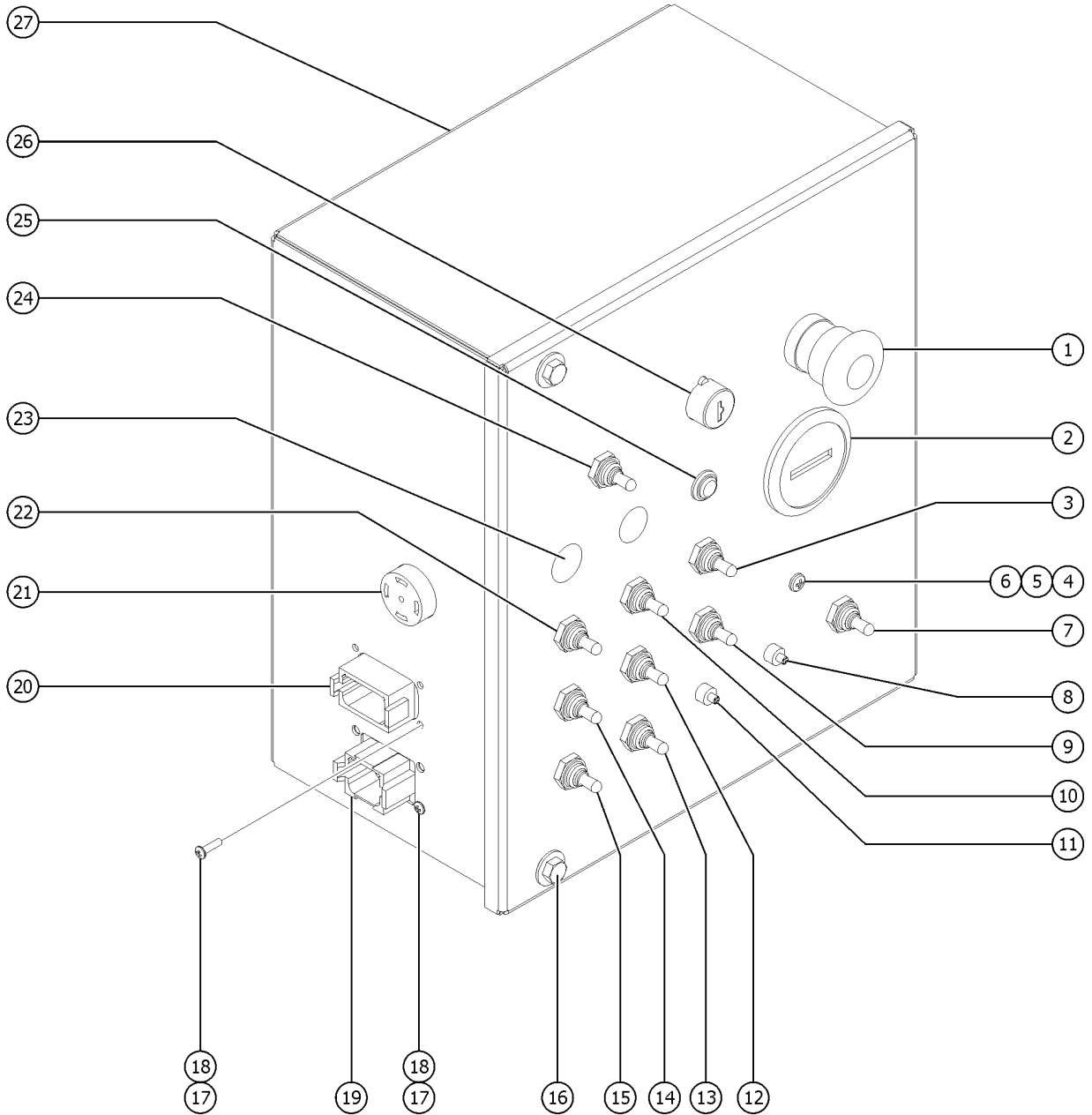


303.1 Turntable Components - View 2



Item	Part No.	Description	Qty.
19	1256894GT	CONTROLLER ASSY,TCON Z40	1
20	28646GT	ZERK,GREASE,1/8 NPT	1
21	48885GT	CONNECTOR,BULKHEAD,FEMALE-4	1
22	88635-4024GT	HOSE ASSY 1/4,STR FEM,PIPETHRE	1
23		Ref. Function Manifold	
		(refer to 502.1)	
24	824068GT	SCREW,HHC,3/8-16X1.25,8,ZAG	1
25	50959GT	FORMING,SWING CHASSIS,RH	1
26	824110GT	WASHER, LOCK, 3/8, ZAG	6
27	1253498GT	SCREW,HHF,1/2-13X1.5,8,ZAG	3
28	1255760GT	WASHER,FLAT,1/2,USS,ZAG	3
29	1256803GT	SCREW,HHC,1/4-20X2.75,8,ZAG	2
30	824024GT	NUT,TL,1/4-20,C,ZAG	4
31	77435GT	STRAP ASSY,29.25LG,W/RUBBER	1
32	42019GT	TANK BREATHER,NYLON **	1
33	50966GT	TANK,HYDRAULIC,8 GALLON,DC/BI	1
33-	56022GT	PLUG,3/4 MAGNETIC PIPE SQ.DRV	
33-		Ref. Strainer assembly, 1.25" NPT***	
		(refer to 702.1)	
34	54443GT	BULKHEAD,SWING,RIGHT,Z45 DC/BE	1
35	824091GT	SCREW,HHF,3/8-16X1.25,8,ZAG	2
36	81579GT	HORN, 24VDC, SPADE TERMINALS***	1
37	50744GT	BRACKET,RETURN FILTER**	1
38	54360GT	CUP,PROP ROD,DC/BI	1

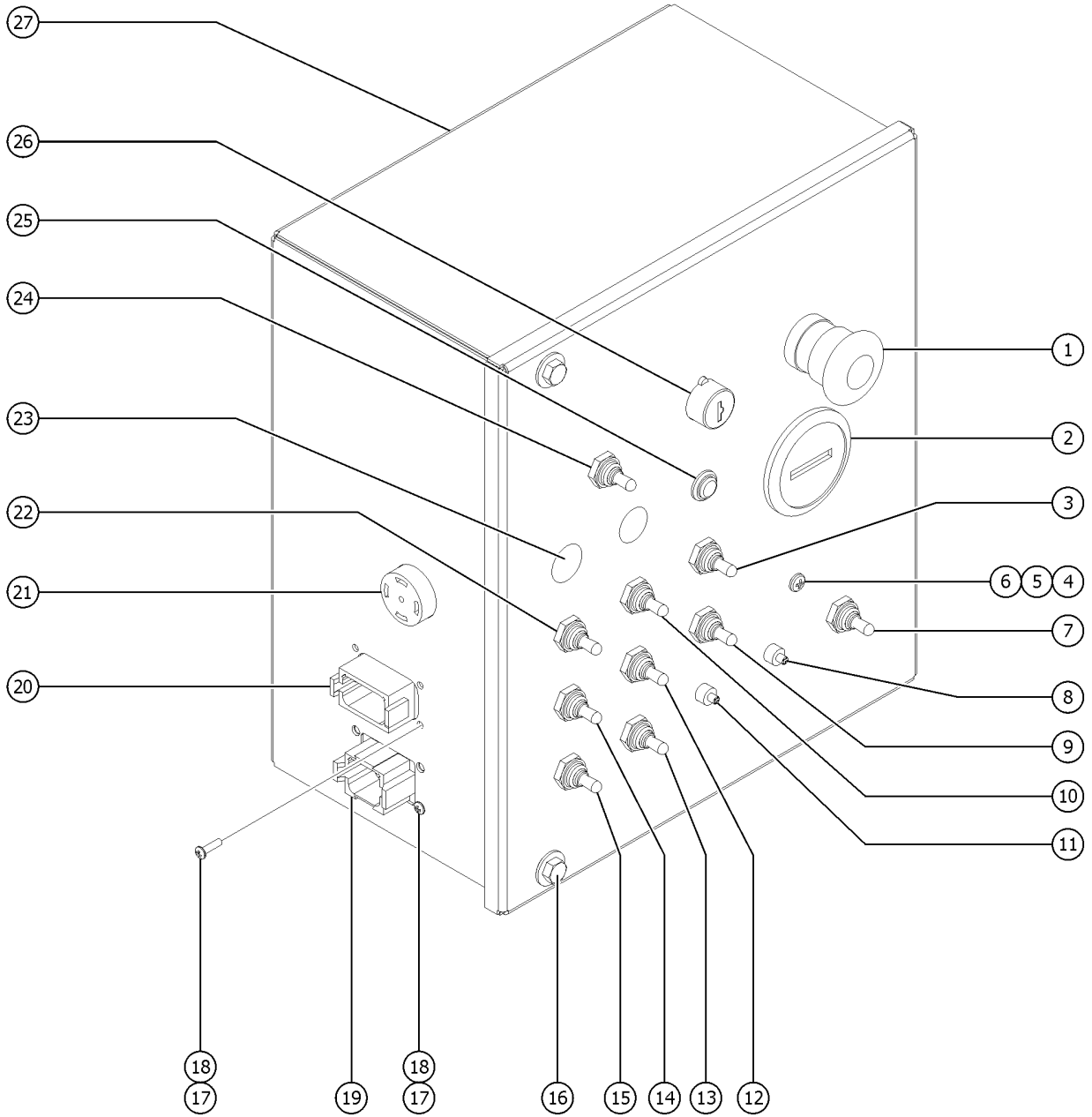
304.1 Ground Control Box - View 1



Item	Part No.	Description	Qty.
A	110973GT	GROUND CONTROL BOX ASSY	1
1	66812GT	BUTTON,PUSH,RED MUSHROOM HEAD	1
1-	66817GT	E-STOP NC CONTACT	
		includes 1 N.C. contact	
1-	66818GT	CONTACT,NC	
2	19506GT	HOUR METER, 10-80 VOLTS***	1
		includes mounting bracket	
3	128580GT	SWITCH TOGGLE SPDT 3P MOM SHDR	1
		(Jib Rotate Option)	
4	1251757GT	SCREW,PHPM,10-32X.50,ZAG	3
5	13268GT	CLAMP,0.75,#12 X 1/4,RUB CUSH	3
6	6178GT	NUT,NYLOCK,10-32	3
7	128580GT	SWITCH TOGGLE SPDT 3P MOM SHDR	1
		(Function Enable)	
8	24018GT	CIRCUIT BREAKER 15 AMP	1
9	128580GT	SWITCH TOGGLE SPDT 3P MOM SHDR	1
		(Secondary Boom Up/Down)	
10	128580GT	SWITCH TOGGLE SPDT 3P MOM SHDR	1
		(Primary Boom Up/Down)	
11	38020GT	CIRCUIT BREAKER, 15 AMP	1
12	128580GT	SWITCH TOGGLE SPDT 3P MOM SHDR	1
		(Jib Boom Up/Down)	
13	128580GT	SWITCH TOGGLE SPDT 3P MOM SHDR	1
		(Platform Level)	
14	128580GT	SWITCH TOGGLE SPDT 3P MOM SHDR	1
		(Turntable Rotate)	
15	128580GT	SWITCH TOGGLE SPDT 3P MOM SHDR	1
		(Platform Rotate)	
16	824078GT	SCREW,HHF,1/4-20X.75,8,ZAG	2
17	824214GT	SCREW,PHPM,6-32X.5,ZAG	8
18	12344GT	NUT,NYLOCK,6-32	8
19	87755GT	CONN,RECEP 8 WAY 14-18GA,FL	1
20	73730GT	CONN,RECEP 12 WAY,GRY FLANGE	1
21	39540GT	ALARM,STEADY TONE***	1
		Does not include 72326 nut, (Standard Alarm Option)	
21-	72326GT	NUT,PLASTIC,RING FOR ALARMS	
21B	1313257GT	WHITE NOISE ALARM 24VDC	1
		(White Noise Alarm Option)	
22	128580GT	SWITCH TOGGLE SPDT 3P MOM SHDR	1
		(Primary Boom Ext/Ret)	
23	229567GT	PLUG,SANTOPRENE .5 BLACK DOME	2



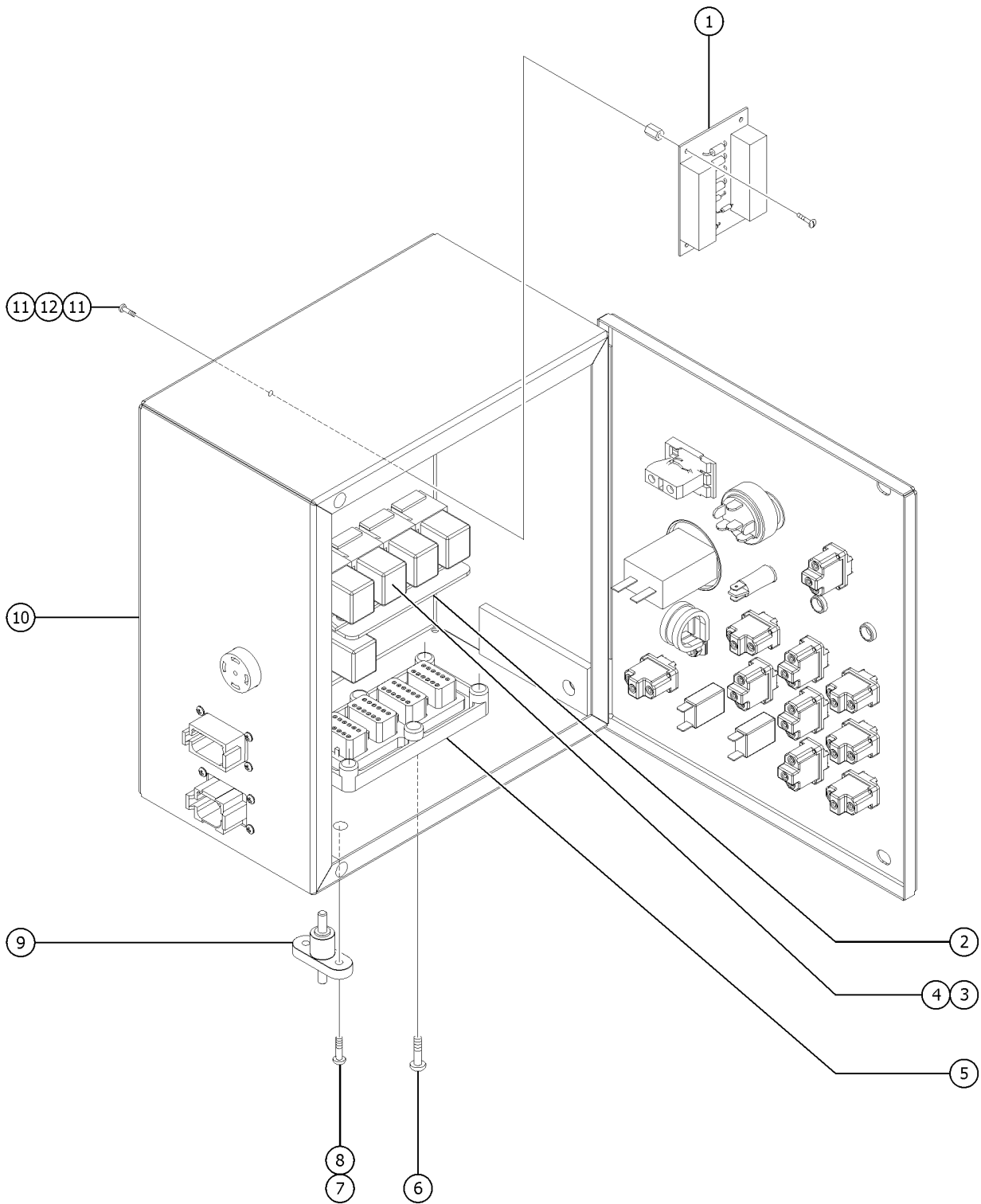
304.1 Ground Control Box - View 1



<i>Item</i>	<i>Part No.</i>	<i>Description</i>	<i>Qty.</i>
24	128580GT	SWITCH TOGGLE SPDT 3P MOM SHDR (Auxiliary Power)	1
25	824878GT	LIGHT,LED IND. RED 24V NH	1
26	96008-SGT	KEYSWITCH,3 POS. W/KEYS***	1
26-	83093GT	KEY SINGLE***	
26-	85239GT	NUT,RETAINER (96008)	
26-	88827GT	GASKET,KEYSWITCH,PLASTIC***	
26-	96010GT	SCREW,PHILLIPS,PHM,8-32 X.25**	6
27		REF. GROUND CONTROL BOX ASSY refer to 305.1	1

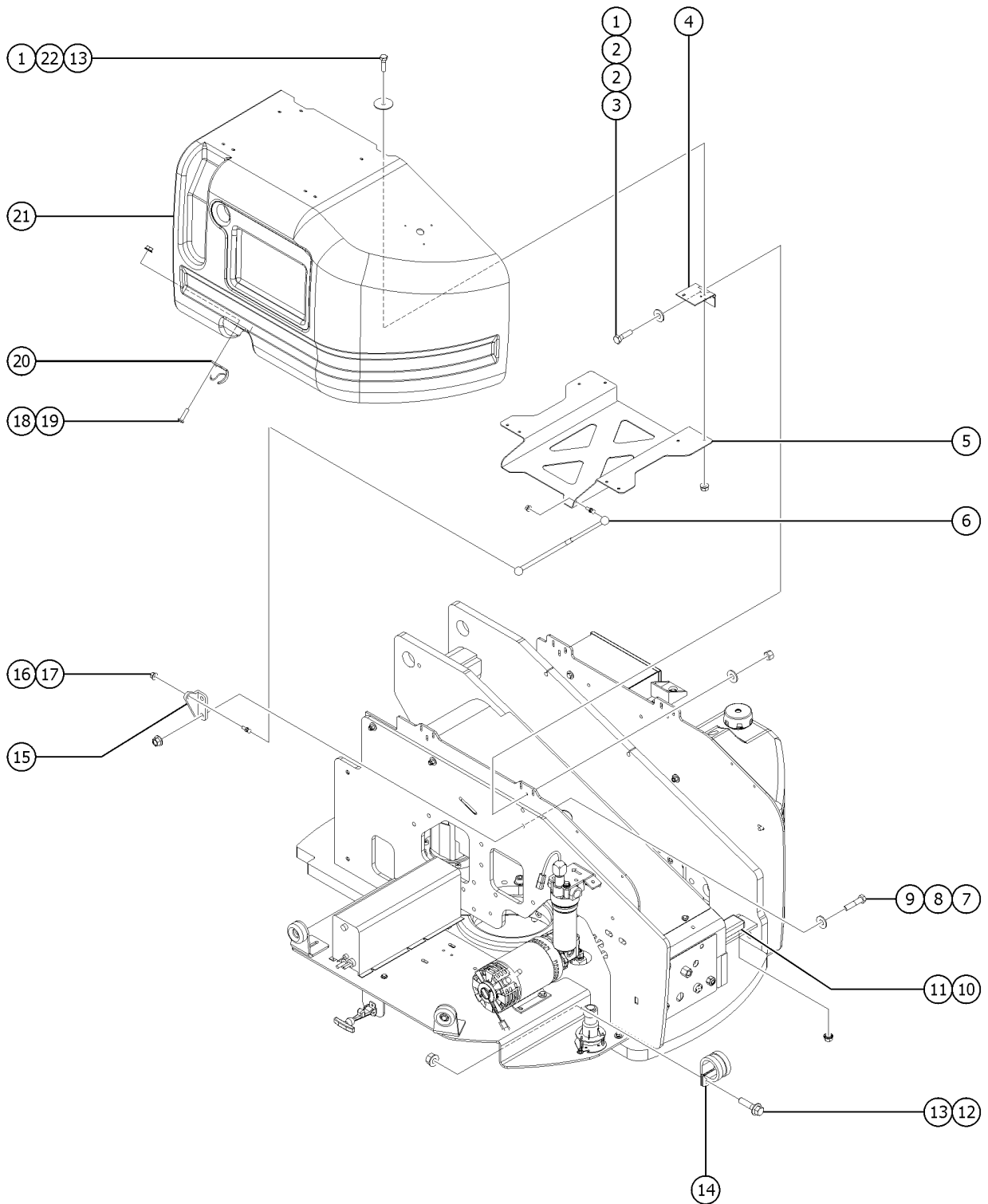


305.1 Ground Control Box - View 2



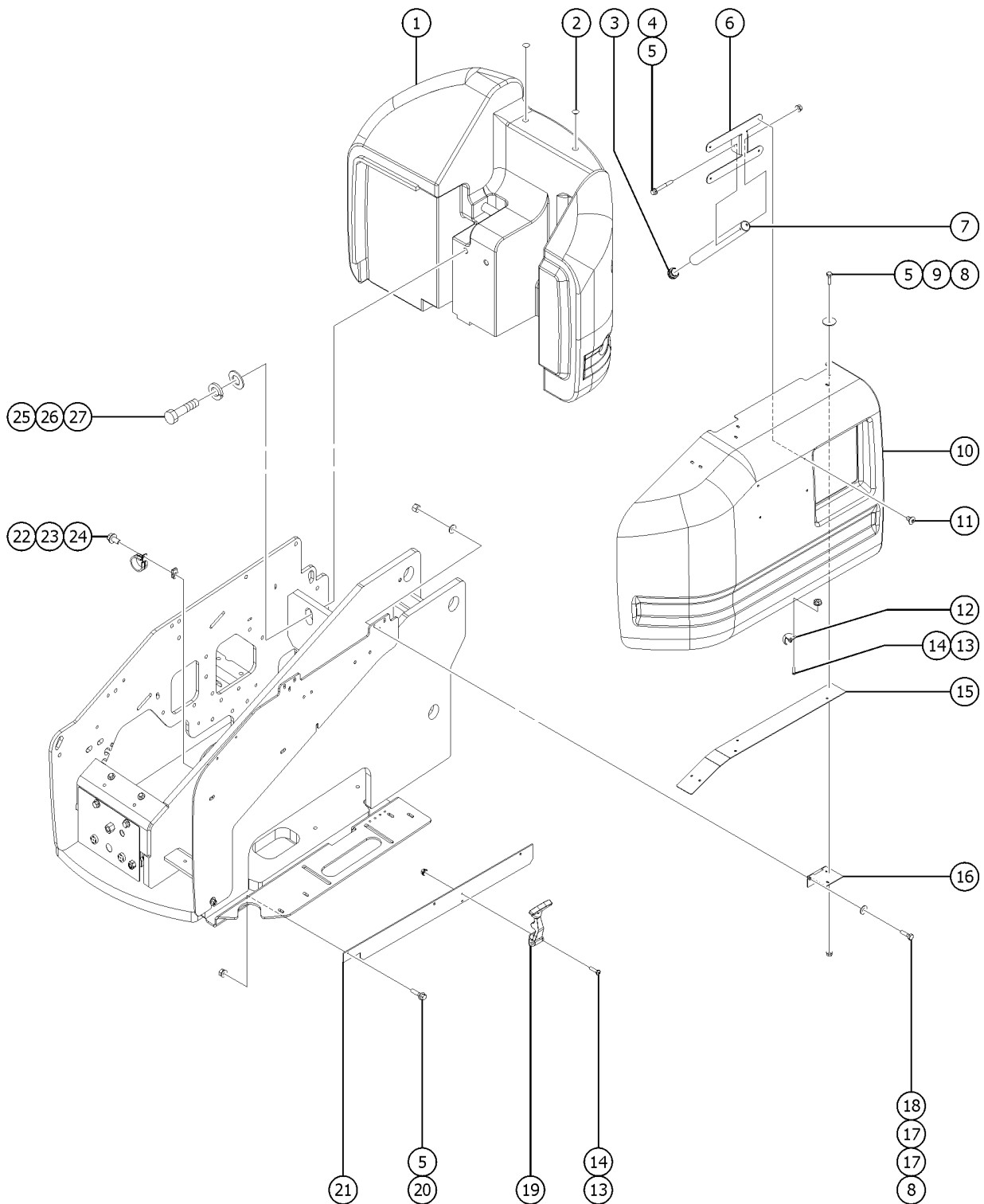
<i>Item</i>	<i>Part No.</i>	<i>Description</i>	<i>Qty.</i>
1	119584GT	ASSY VOLTAGE DIV AND DIODE	1
2	54534GT	ANGLE,RELAY MNT,W/NUTSERTS,PNT includes nutserts	1
2-	1256855	SCREW,HHF,1/4-20X.625,8,ZAG	
2-	23404GT	NUTSERT,1/4-20,STEEL CAD PLTD	
3	56302GT	RELAY,24VDC,40/30A,SEALED***	5
4	34053GT	ASSY,RELAY SOCKET, AUTO	5
4-	1251757GT	SCREW,PHPM,10-32X.50,ZAG	
4-	6178GT	NUT,NYLOCK,10-32	
5	73736GT	CONN,RECEP 48 WAY,4 X 12	1
5-	54255GT	LOCK,RECEP 12 WAY, 14-18GA	
6	824226GT	SCREW,PHPSH,#12-11X.75,ZAG	6
7	1251757GT	SCREW,PHPM,10-32X.50,ZAG	2
8	6178GT	NUT,NYLOCK,10-32	2
9	106404GT	STANDOFF, 1/4" PASS THRU, BLK	1
10	110929GT	GROUND CONTROL BOX ASSY	1
10-	119429GT	GASKET,GROUND CONTROL BOX	
10-	30997GT	CORROSION INHIBITOR,FOAM	
11	1257402GT	SCREW,PHPM,6-32X.25,ZAG	8
12	1257403GT	STANDOFF,6-32,1/4 FEMALE HEX	4

306.1 Turntable Cover - View 1



<i>Item</i>	<i>Part No.</i>	<i>Description</i>	<i>Qty.</i>
1	824060GT	SCREW,HHC,1/4-20X1,8,ZAG	14
2	824113GT	WASHER,FLAT,1/4,USS,ZAG	12
3	824024GT	NUT,TL,1/4-20,C,ZAG	6
4	75073GT	HINGE,,375X.120THK.,SLOTTED	2
5	50990GT	FORMING,ENGINE COVER SUPPORT	1
6	106069GT	STRUT,GAS,200 LB***	1
7	1256847GT	SCREW,HHC,3/8-16X1.75,8,ZAG	2
8	1255758GT	WASHER,FLAT,3/8,USS,ZAG	2
9	824029GT	NUT,TL FLG,3/8-16,G,ZAG	2
10	56849GT	PAD,REST,1"THICK,W/STUDS*	1
11	1257628GT	NUT,SERRATED,3/8-16,8,ZAG	2
12	824079GT	SCREW,HHF,1/4-20X1,8,ZAG	1
13	824027GT	NUT, TL FLG, 1/4-20, G, ZAG	9
14	18666GT	CLAMP,1.00,#16 X 1/4,RUB CUSH	1
15	107594GT	FORMING,GAS STRUT MOUNT,PNTD**	1
16	824028GT	NUT,TL FLG,5/16-18,G,ZAG	2
17	33555GT	BALL STUD**	2
18	824215GT	SCREW, PHPM, 10-32 X .75, ZAG	2
19	1264261GT	NUT,SERRATED,10-32,ZAG	2
20	75076GT	KEEPER,LATCH (45363)	1
21	50784GT	COVER,TURNTABLE,LH,DC/BE does not include decals, refer to section 100	1
22	824119GT	WASHER,FLAT,,25X1.25X.062,ZAG	8

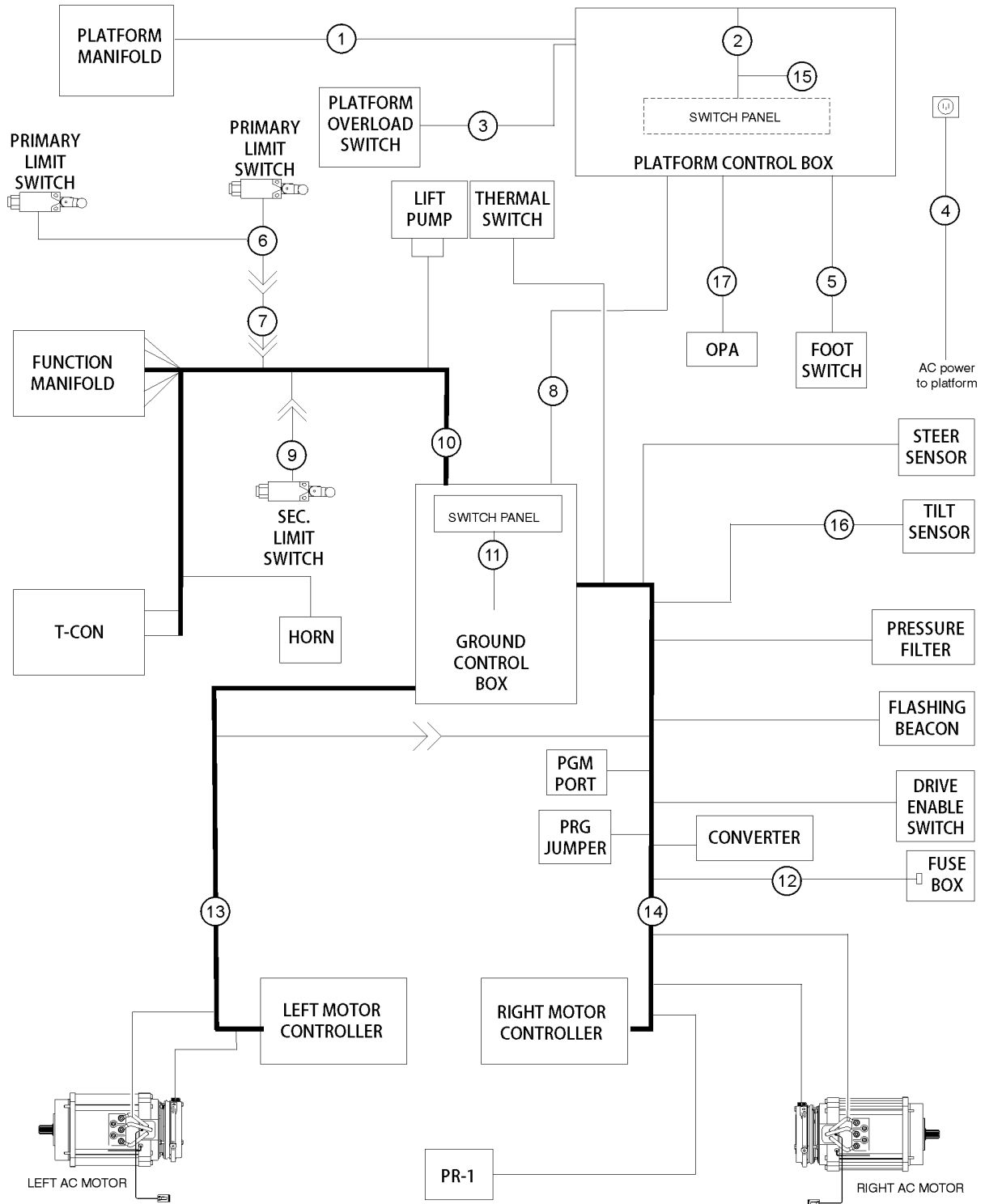
307.1 Turntable Cover - View 2



Item	Part No.	Description	Qty.
1	110472GT	COUNTERWEIGHT,CAST,5600LBS	1
2	15243GT	PLUG,NYLON .875 BLACK DOMED	2
3	55753GT	BUMPER, PLASTIC, 1.25 O.D.	1
4	1253485GT	SCREW,HHF,1/4-20X2,8,ZAG	1
5	824027GT	NUT, TL FLG, 1/4-20, G, ZAG	10
6	77034PGT	FORMING,CLEVIS PROP ROD,DC/BI	1
7	54455PGT	TUBE,PROP ROD,12.25"LG,DC/BI	1
8	824060GT	SCREW,HHC,1/4-20X1,8,ZAG	12
9	824119GT	WASHER,FLAT,..25X1.25X.062,ZAG	6
10	77032GT	COVER,TANK SIDE,DC/BI does not include decals, please refer to section 1	1
11	824207GT	RIVET,STL,STL,DOME,1/4X.375,Z	4
12	75076GT	KEEPER,LATCH (45363)	1
13	824215GT	SCREW, PHPM, 10-32 X .75, ZAG	4
14	1264261GT	NUT,SERRATED,10-32,ZAG	4
15	139417GT	DOUBLER,BENT,COVER,DC/BI,RH	1
16	75073GT	HINGE,.375X.120THK.,SLOTTED	2
17	824113GT	WASHER,FLAT,1/4,USS,ZAG	12
18	824024GT	NUT,TL,1/4-20,C,ZAG	6
19	45363GT	LATCH,FLEXIBLE	1
20	824079GT	SCREW,HHF,1/4-20X1,8,ZAG	3
21	60015GT	PLATE,DRAW LATCH MOUNT	1
22	824089GT	SCREW,HHF,3/8-16X.75,8,ZAG	2
23	39518GT	CLAMP,2.00,#32 X 3/8,RUB CUSH	2
24	29868GT	SPRING CLIP,3/8-16,.05-.20X.73,ZAG	2
25	824074GT	SCREW,HHC,1-8X3,8,ZAG	2
26	1264259GT	WASHER,LOCK,1.0,ZAG	2
27	1256469GT	WASHER,FLAT,1.0,USS,ZAG	2



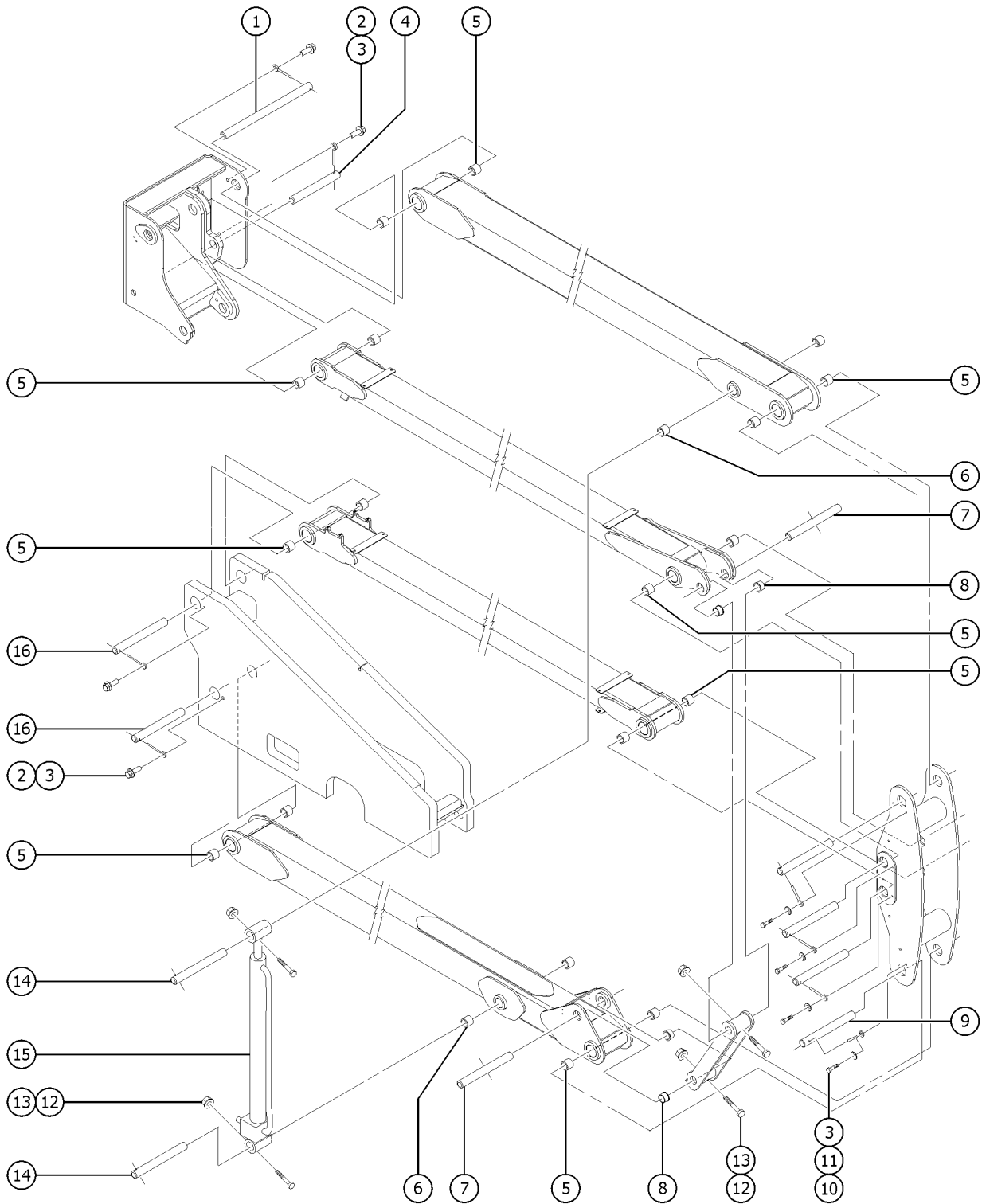
308.1 Wire Harness Diagram



Item	Part No.	Description	Qty.
A	58253GT	KIT,REPAIR,DEUTSCH PLUG,W/TUBE (small kit)	
B	83129GT	KIT,REPAIR,DEUTSH CONNECTORS** (large kit)	
C	61794GT	CRIMPER,DEUTSCH,LIGHT DUTY*** (tool)	
D	110803GT	HARNESS PROGRAM CAN PLUS1	
E	1264822GT	KIT, TRC RETROFIT, STNDRD Telematics (includes 1264834)	
E-	1264834GT	INSTRN, TRC RETROFIT, STNDRD	
1A	107998GT	HARNESS JIB MANIFOLD NRJ Z40	1
1B	110795GT	HARNESS JIB MANIFOLD RJ Z40	1
2	110802GT	HARNESS,PLAT BOX,Z40	1
3	110796GT	HARNESS LS PLUNGER LOAD LIMIT	1
4	43955GT	WIRE CABLE,12/3 CON.TPE JKT	664
5	110255GT	ASSEMBLY FOOT SWITCH	1
6	88725GT	HARNESS,LS,PRIM/EXT	1
7	110798GT	HARNESS LS PRIMARY PIG	1
8	110794GT	HARNESS BOOM CONTROL CABLE Z40	1
9	110800GT	HARNESS LS OP SEC Z40	1
10	110791GT	HARNESS TURNTABLE TCON Z40	1
11	110801GT	HARNESS BASE BOX Z40	1
12	162161GT	HARNESS,FUSE BOX,Z40	1
13	1257650GT	HARNESS, MOTOR CTRL LT, Z40	1
14	1257649GT	HARNESS, MOTOR CTRL RT, Z40	1
15	110797GT	HARNESS,SPEED DIAL *** controller assy with wire harness	1
16	1261845GT	HARNESS,TILT 24V,CSA PROD	1
16-	1285812GT	KIT,TILT ALARM,DC AND BI-ENERGY MODELS	
16-	1285689GT	INSTRUCTIONS,INSTALL (LEVEL SENSOR ALARM) for kit 1285812	
17A	1255859GT	HARN,PBOX,OPA,PLUS1	1
17B	1255030GT	PLUG,BLANKING	1



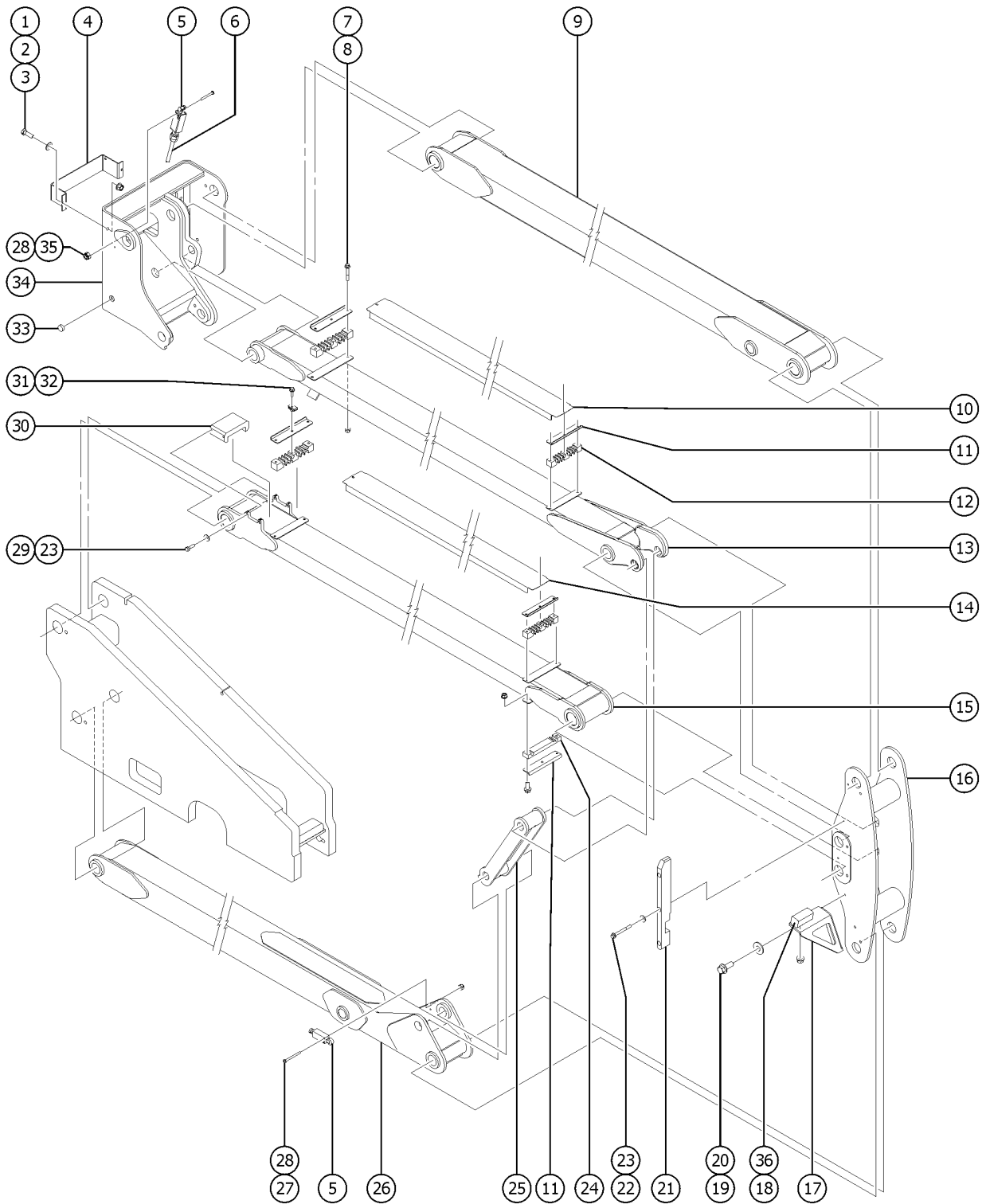
401.1 Boom Pins and Bearings



401.1 Boom Pins and Bearings

<i>Item</i>	<i>Part No.</i>	<i>Description</i>	<i>Qty.</i>
1	88676GT	PIN,2.00DIAX24.00LG,CHAMFER***	1
2	1253498GT	SCREW,HHF,1/2-13X1.5,8,ZAG	4
3	1256267GT	ROD END,.5 X 3.75,ZAG	8
4	107859GT	PIN,2.00DIAX12.88LG,CHAMFER*** (replaced 107589)	1
5	18720GT	BEARING,2.00IDX2.25ODX1.50L	16
6	45071GT	BEARING,1.5IDX1.75ODX1.5L	4
7	107727GT	PIN,1.50DIAX7.50LG,1HOLE***	2
8	54156GT	BEARING,FL,1.5IDX1.75ODX1.10LG	4
9	107588GT	PIN,2.00DIAX10.88LG,CHAMFER	4
10	1256844GT	SCREW,HHC,1/2-13X1.5,8,ZAG	4
11	824111GT	WASHER, LOCK, 1/2, ZAG	4
12	1260940GT	SCREW,HHC,3/8-16X3,8,ZAG	6
13	824029GT	NUT,TL FLG,3/8-16,G,ZAG	6
14	50455GT	PIN,1.50DIAX13.88LG,2HOLE	2
15	88203GT	CYLINDER,ELEVATE,Z45/25***	2
15-	77303GT	VALVE, CNTRBAL 3500 PSI, ATM VEN	
15-	77521GT	SEAL KIT,ELEVATE (88203)	
16	110776GT	PIN,2.00DIAX11.38LG,CHAMFER	2

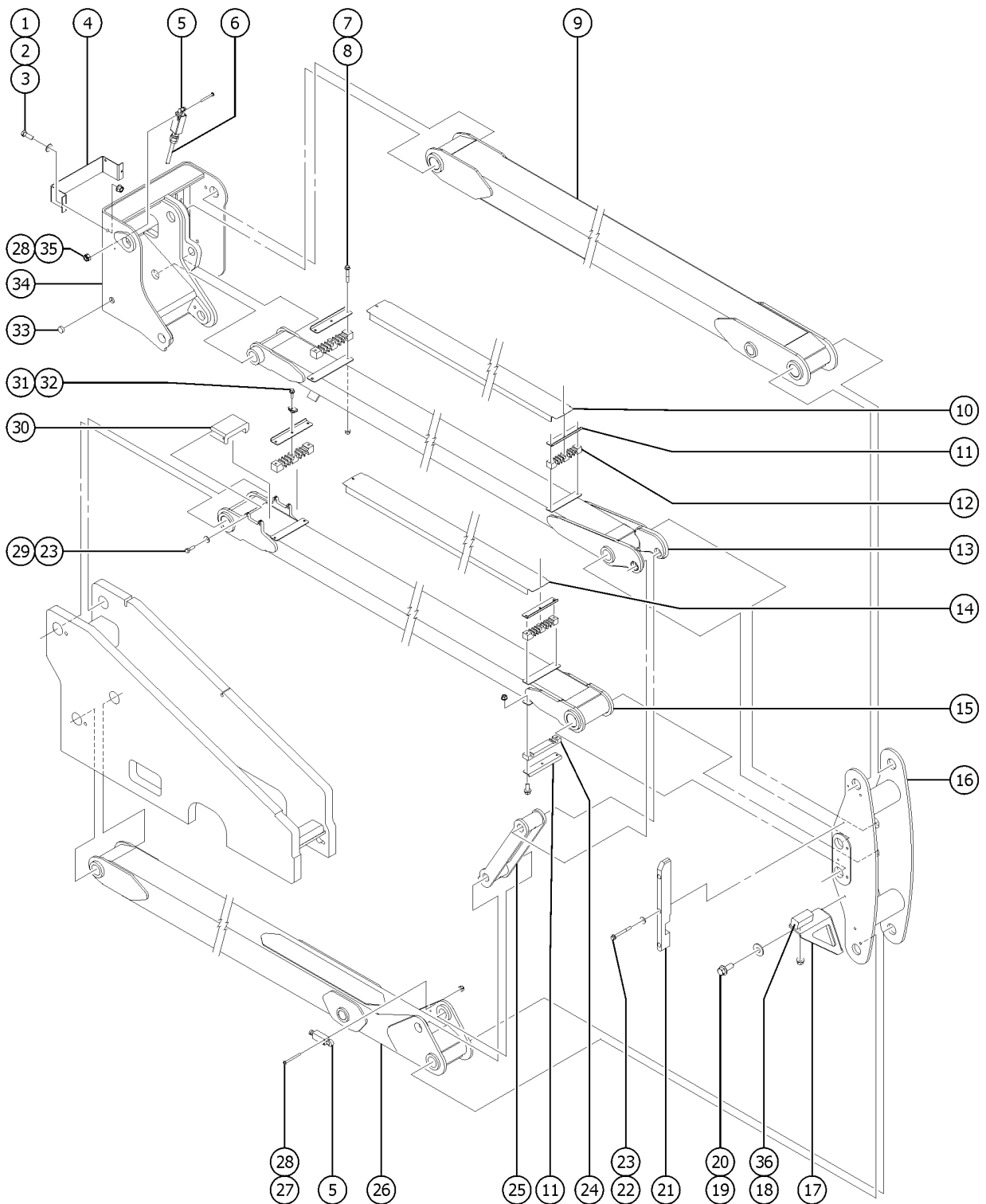
402.1 Secondary Linkage



402.1 Secondary Linkage

Item	Part No.	Description	Qty.
1	824068GT	SCREW,HHC,3/8-16X1.25,8,ZAG	2
2	1255758GT	WASHER,FLAT,3/8,USS,ZAG	2
3	824029GT	NUT,TL FLG,3/8-16,G,ZAG	2
4	237688GT	COVER, UPPER PIVOT	1
5	88356-11205GT	SWITCH,LIMIT,W/RLLR ARM NO/NC	2
5-	106427GT	LS ROT.HEAD W/O LEVER (ZCE01)	
5-		REF. HARNESS LS PRIMARY DUAL Z40	
		refer to 308.1	
5-	97128GT	ROLLER ARM,LIMIT SWITCH***	
6	1505GT	WIRE CABLE,16/2 SJO,BULK	37
7	824082GT	SCREW,HHF,1/4-20X1.75,8,ZAG	10
8	824027GT	NUT, TL FLG, 1/4-20, G, ZAG	10
9	107921GT	WELDMENT,UPPER SECONDARY	1
10	106621PGT	COVER,UPPER LEVEL ARM,PAINTED	1
11	128027PGT	BRACKET, CLAMP, PAINTED	5
12	128028GT	CLAMPING BLOCK, SECONDARY	4
13	107919GT	WELDMENT,UPPER LEVELING ARM	1
14	106622PGT	COVER,LOWER LEVEL ARM,PAINTED	1
15	107917GT	WELDMENT,LOWER LEVELING ARM	1
16	106617GT	WELDMENT,MIDPIVOT,MACHINED	1
17	106628GT	WELDMENT, BOOM REST	1
18	56927GT	PAD,REST,2"THICK,W/STUDS*	1
19	1255469GT	SCREW,HHF,1/2-13X1.25,8,ZAG	3
20	1255760GT	WASHER,FLAT,1/2,USS,ZAG	3
21	106629GT	WEAR PAD, MID-PIVOT	1
22	824083GT	SCREW,HHF,1/4-20X2.5,8,ZAG	3
23	824113GT	WASHER,FLAT,1/4,USS,ZAG	7
24	106630GT	CLAMPING BLOCK,SECONDARY	1
25	50479-SGT	CONNECTING LINK, Z45/25	1

402.1 Secondary Linkage

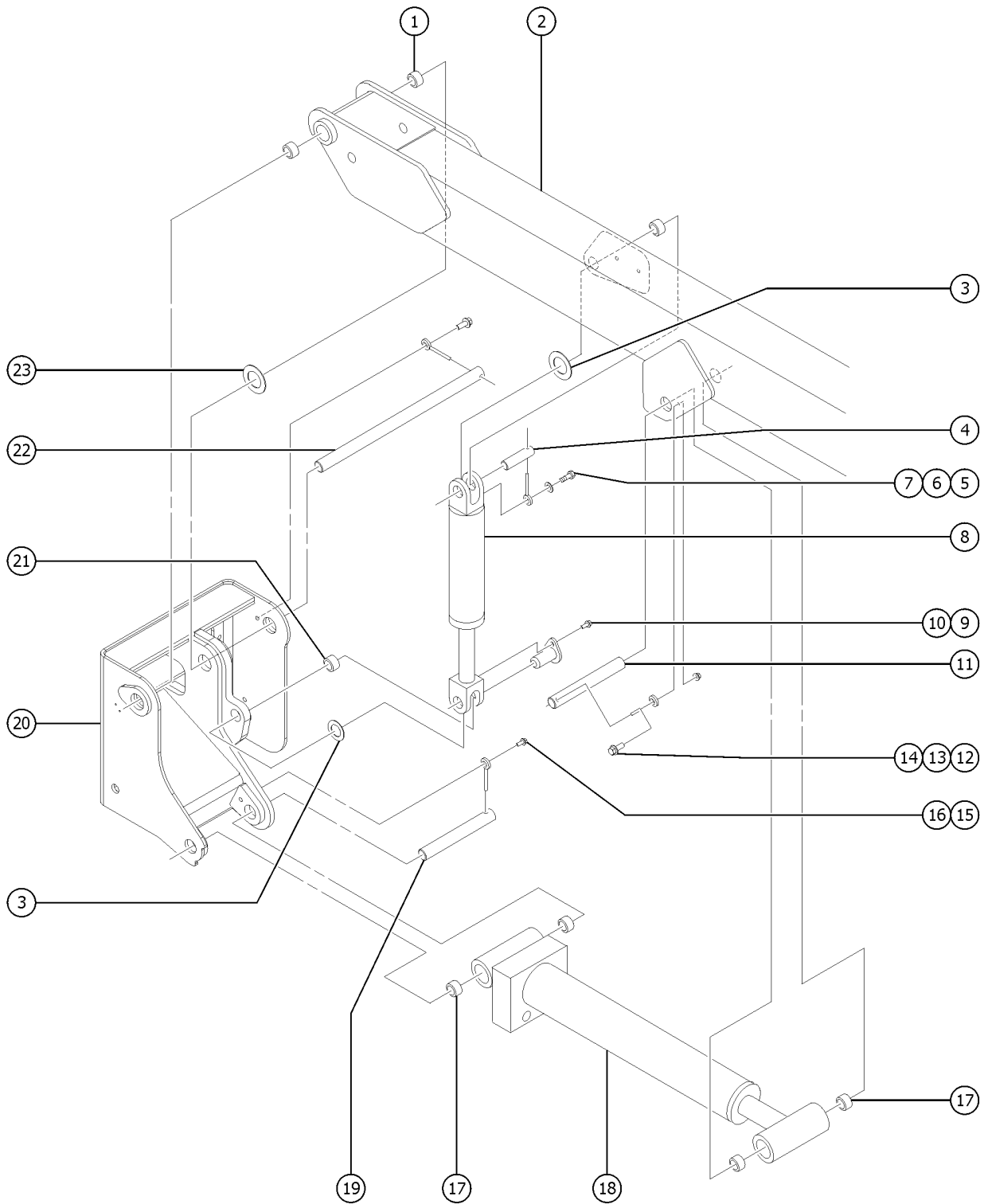


402.1 Secondary Linkage

<i>Item</i>	<i>Part No.</i>	<i>Description</i>	<i>Qty.</i>
26	107915GT	WELDMENT,LOWER,SECONDARY	1
27	1256922GT	SCREW,PHPM,10-32X2.25,ZAG	2
28	6178GT	NUT,NYLOCK,10-32	4
29	824060GT	SCREW,HHC,1/4-20X1,8,ZAG	4
30	128288GT	REST PAD,SECONDARY	1
31	824078GT	SCREW,HHF,1/4-20X.75,8,ZAG	4
32	56912GT	SPRING CLIP,1/4-20,.025-.15X.54,ZAG	4
33	55753GT	BUMPER, PLASTIC, 1.25 O.D.	2
34	110576GT	WELDMENT,UPPER PIVOT	1
35	1256177GT	SCREW,PHPM,10-32X1.75,ZAG	2
36A	824068GT	SCREW,HHC,3/8-16X1.25,8,ZAG	2
		to August 2017	
36B	1257628GT	NUT,SERRATED,3/8-16,8,ZAG	2
		from September 2017	



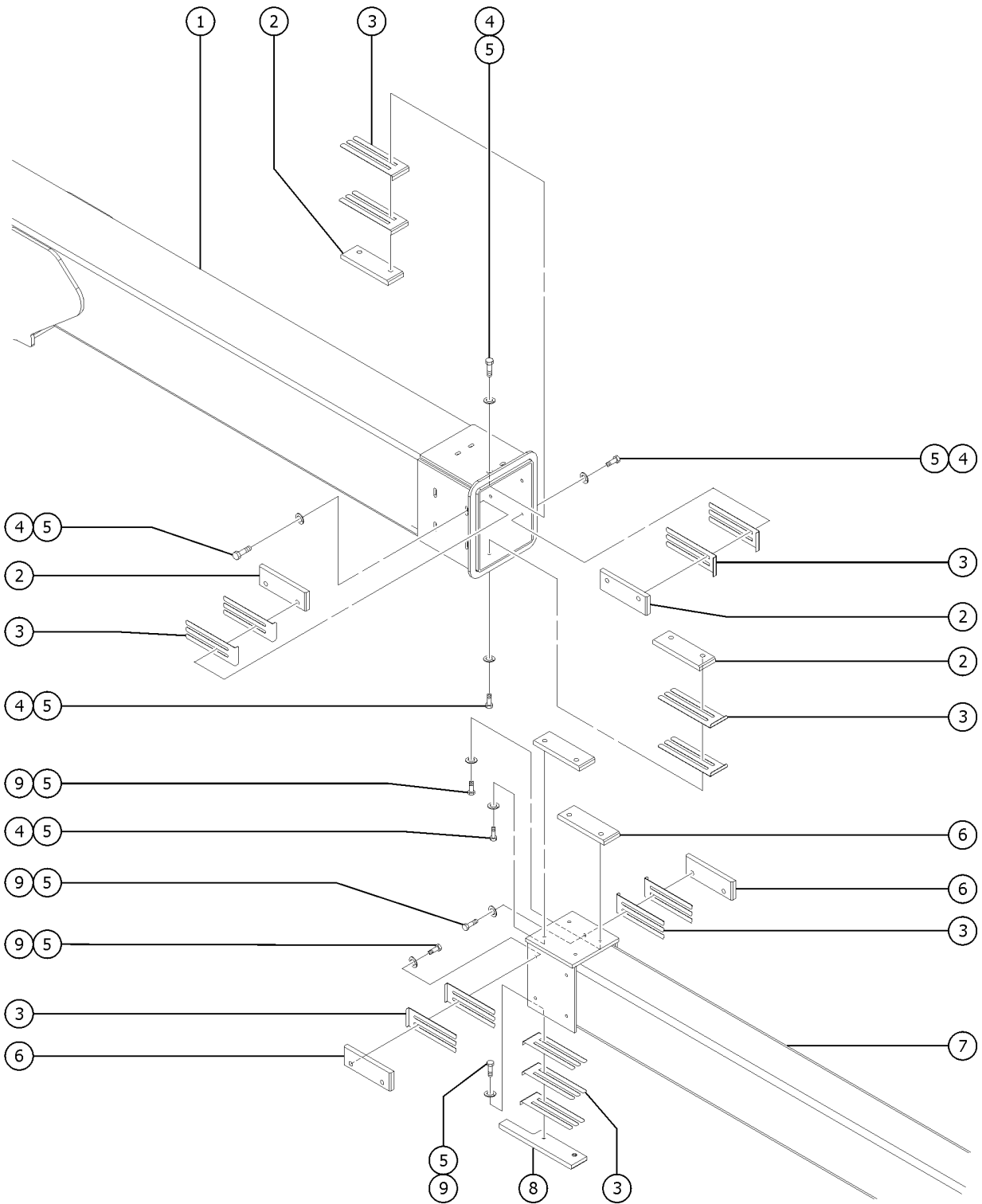
403.1 Upper Pivot



Item	Part No.	Description	Qty.
1		Ref. BEARING refer to 405.1	
2		Ref. PRIMARY BOOM refer to 405.1	1
3	824151GT	WASHER,SHIM,1.270X2.130X.062,Z	2
4	34276GT	PIN,1.25DIAX3.37LG,1HOLE	1
5	824067GT	SCREW, HHC, 3/8-16 X 1, 8, ZAG	
6	824110GT	WASHER, LOCK, 3/8, ZAG	
7	1255452GT	ROD END,.375 X 2.25,ZAG	
8	110317GT	CYLINDER,LEVELING,UPPER PIVOT,Z-40	1
8-	77364GT	SEAL KIT, LEVELING CYLINDER	
9	824089GT	SCREW,HHF,3/8-16X.75,8,ZAG	1
10	70671GT	PIN,1.25 DIA X 3.19 LG, PLATE	1
11	50542GT	PIN,1.75DIAX9.25LG,1HOLE	1
12	824092GT	SCREW, HHF, 3/8-16 X 1.5, 8, ZAG	1
13	825019GT	ROD END,.375 X 3.69,ZAG	1
14	824029GT	NUT,TL FLG,3/8-16,G,ZAG	1
15	1256172GT	SCREW,HHF,1/2-13X 2,8,ZAG	1
16	1256267GT	ROD END,.5 X 3.75,ZAG	1
17	1262633GT	BUSHING,POLYGON,BM5120	4
18	1263057GT	CYLINDER,PRIM LIFT JIB,Z45	1
18-	77014GT	VALVE,COUNTERBALANCE,3800 PSI for 77188, 1263057	
18-	77189GT	SEAL KIT,CYL,Z45 (77187&77188) for 77188, 1263057	
19	70534GT	PIN,1.75DIAX11.88LG,CHAMFER	1
20		Ref. UPPER PIVOT ASSEMBLY refer to 402.1	1
21	30370GT	BEARING,1.25IDX1.5ODX1.00L	2
22		Ref. PIN,2.00DIAX24.00LG,CHAMFER*** refer to 401.1	1
23	18730GT	WASHER,FLAT,2.01 X 3.5 X .06	1



404.1 Primary Boom Wear Pads

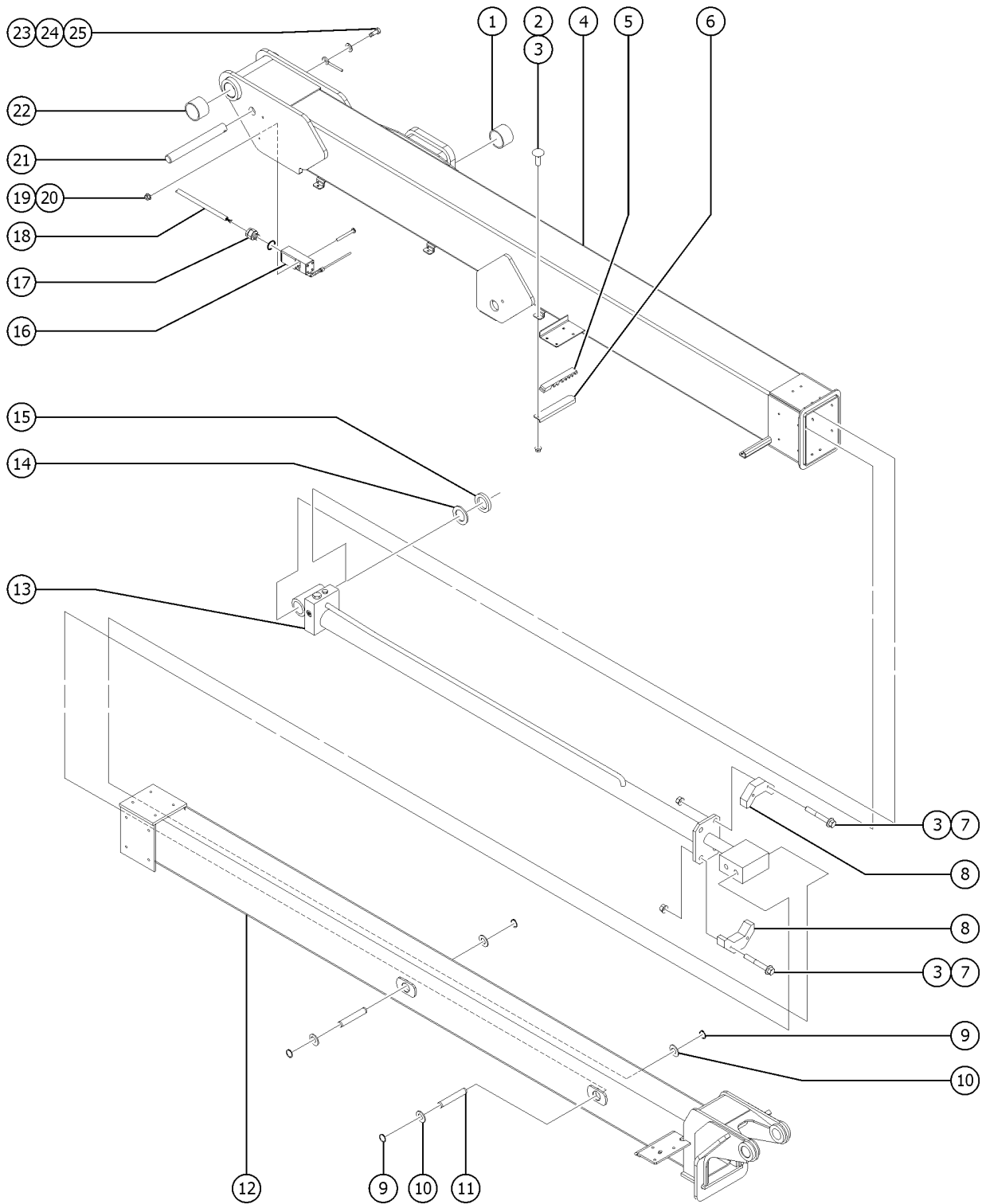


404.1 Primary Boom Wear Pads

<i>Item</i>	<i>Part No.</i>	<i>Description</i>	<i>Qty.</i>
1		Ref., PRIMARY BOOM refer to 405.1	
2	101429GT	WEAR PAD,EXT BOOM*** 6 x 2 x 0.6875	8
3	74134GT	SHIM,WEAR PAD .030	30
4	824060GT	SCREW,HHC,1/4-20X1,8,ZAG	18
5	824109GT	WASHER,LOCK,1/4,ZAG	32
6	74044GT	WEAR PAD,EXT BOOM*** 6 x 2 x 0.4375	6
7		Ref., EXTENSION BOOM refer to 405.1	
8	128037GT	WEARPAD, LS, EXT. BOOM	2
9	824059GT	SCREW,HHC,1/4-20X.75,8,ZAG	14



405.1 Primary and Extension Booms

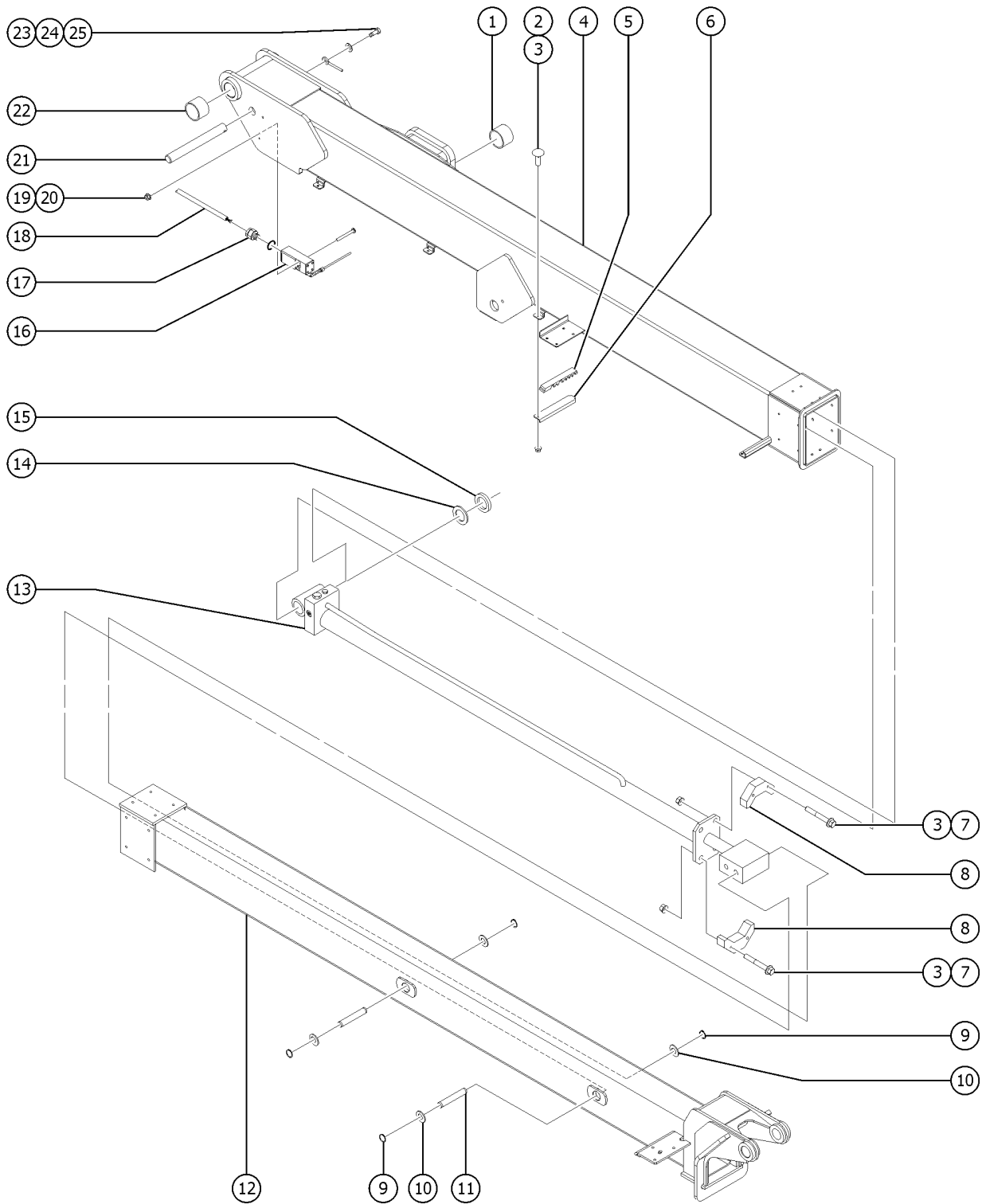


405.1 Primary and Extension Booms

Item	Part No.	Description	Qty.
1		Ref. BEARING,1.25IDX1.5ODX1.00L refer to 403.1	1
2	824124GT	BOLT,CARRIAGE,1/4-20X.75,5,ZAG	3
3	824027GT	NUT, TL FLG, 1/4-20, G, ZAG	7
4	110516GT	PRIMARY BOOM ASSEMBLY, Z40	1
4-	1269535GT	WELDMENT, PRIMARYBOOM, Z40	
5	128616GT	CLAMP, PRI, HOSE/CABLE, Z40	3
6	128995GT	FORMING, HOSE CLAMP RETAINER	3
7	824082GT	SCREW,HHF,1/4-20X1.75,8,ZAG	4
8	110752GT	WEAR PAD,EXTENSION CYLINDER	2
9	824164GT	SNAP RING,EXTERNAL,1.25,ZAG	4
10	824151GT	WASHER,SHIM,1.270X2.130X.062,Z	4
11	50546GT	PIN,1.25DIAX6.36LG,2RING	2
12	128612GT	WELDMENT, EXT. BOOM, Z40	1
13	110658GT	CYLINDER,EXTEND	1
13-	119526GT	SEAL KIT (110658)***	
13-	119955GT	VALVE,COUNTERBALANCE	
13-	77409GT	VALVE,COUNTERBALANCE,1000 ATM	
14	77375GT	SPACER,NYLON,2.01 X 1.28 X.135	1
15	77376GT	SPACER,NYLON,2.00 X 1.33 X.310	1
16	88356-11165GT	SWITCH,LIMIT,W/RLLR ARM,NO/NC*	1
16-		Ref. HARNESS,LS,PRIM/EXT refer to 308.1	
16-	106427GT	LS ROT.HEAD W/O LEVER (ZCE01)	
16-	97128GT	ROLLER ARM,LIMIT SWITCH***	
17	7056GT	CONN, SQZ, 1/2NPT, 0.38-0.50,SM	
18	1505GT	WIRE CABLE,16/2 SJO,BULK	
19	1264261GT	NUT,SERRATED,10-32,ZAG	2
20	1256177GT	SCREW,PHPM,10-32X1.75,ZAG	2
21	50584GT	PIN,1.25DIAX9.38LG,THREADED	1



405.1 Primary and Extension Booms

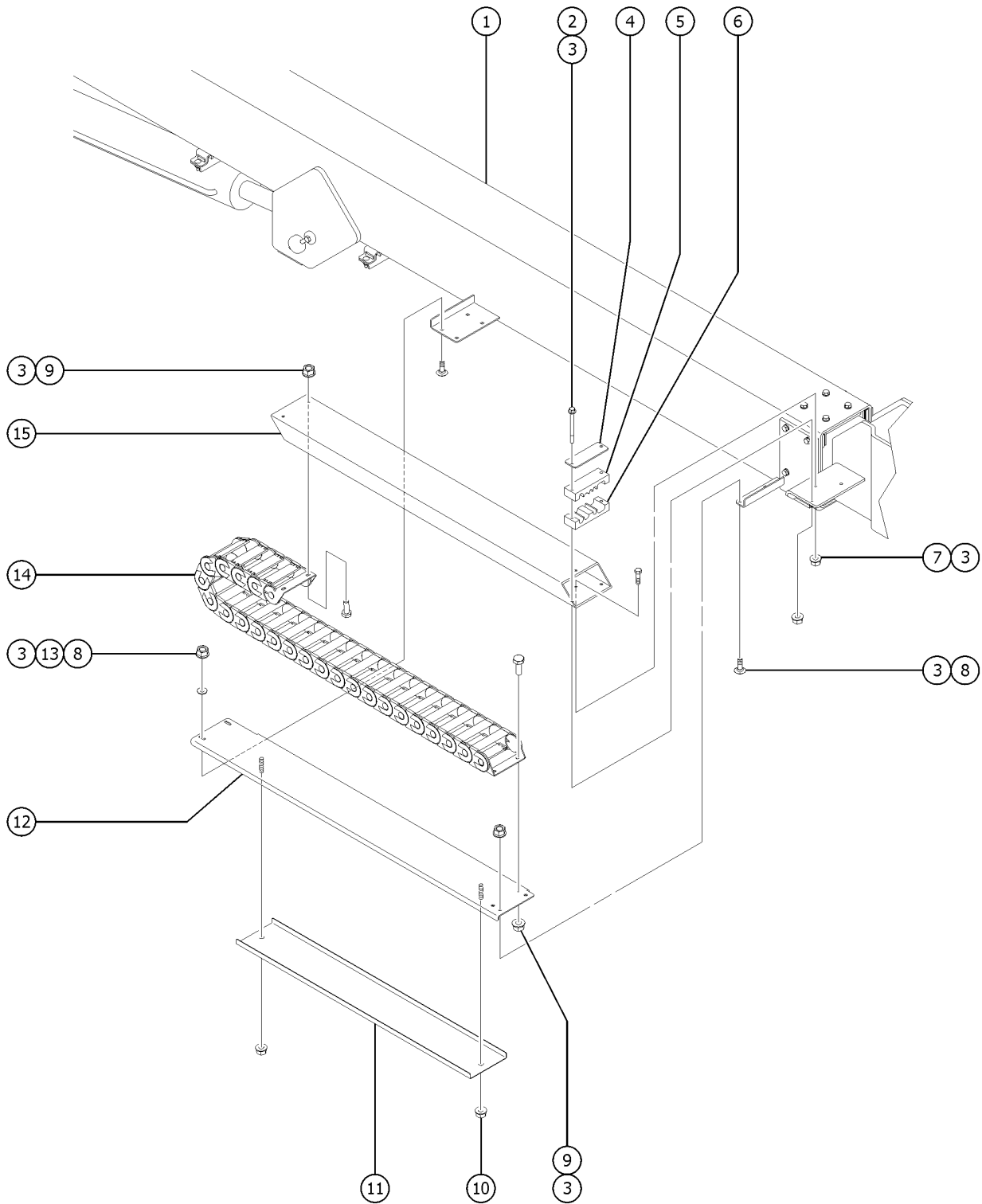


405.1 Primary and Extension Booms

<i>Item</i>	<i>Part No.</i>	<i>Description</i>	<i>Qty.</i>
22	18720GT	BEARING,2.00IDX2.25ODX1.50L	2
23	824067GT	SCREW, HHC, 3/8-16 X 1, 8, ZAG	1
24	824110GT	WASHER, LOCK, 3/8, ZAG	1
25	825019GT	ROD END,.375 X 3.69,ZAG	1



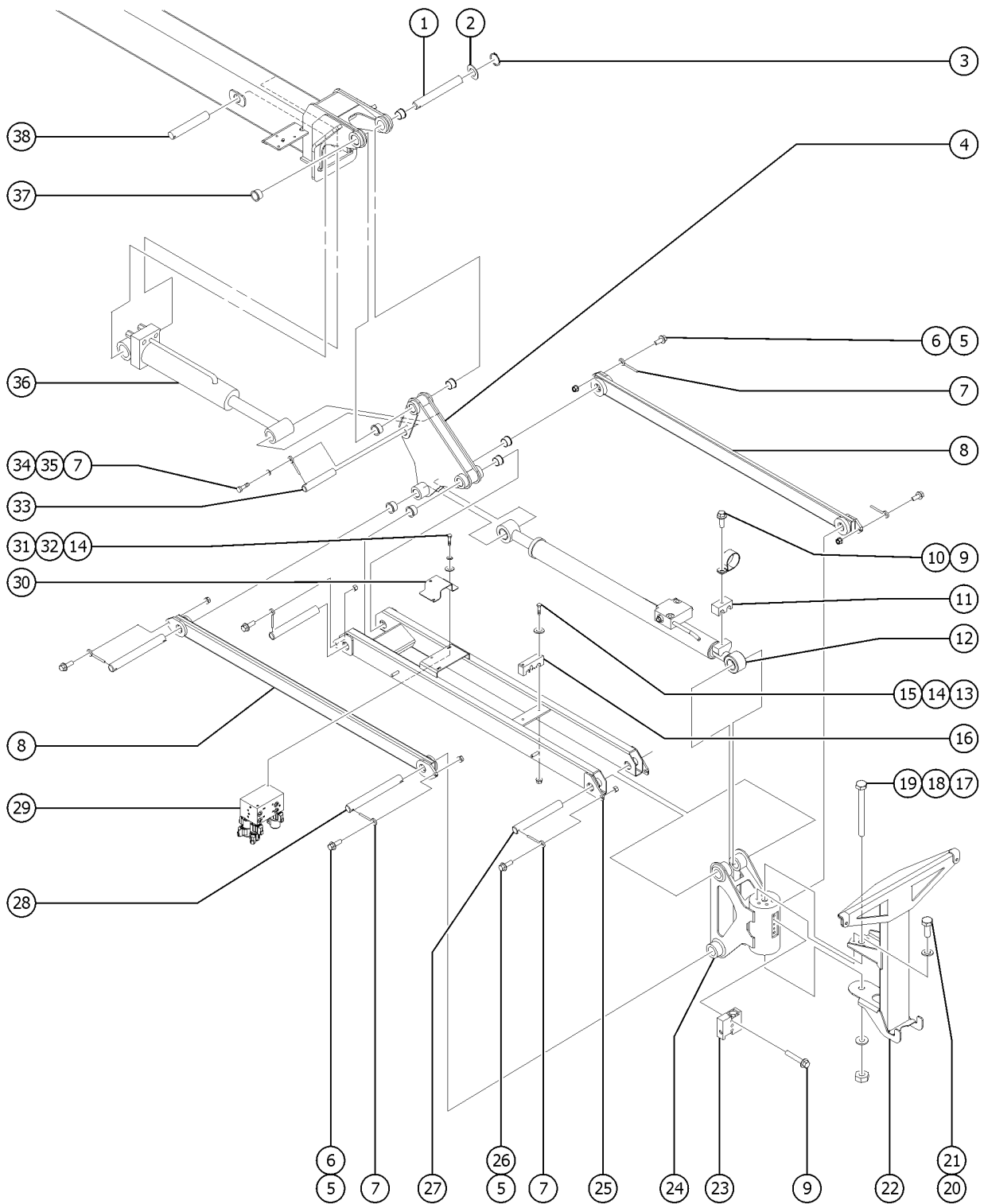
406.1 Cable Track



Item	Part No.	Description	Qty.
1		Ref. PRIMARY BOOM refer to 405.1	
2	824084GT	SCREW, HHF, 1/4-20 X 3, 8, ZAG	2
3	824027GT	NUT, TL FLG, 1/4-20, G, ZAG	11
4	128862GT	BACKING PLATE, PULLTUBE	1
5	128613GT	CLAMP, CABLETRACK, TOP, Z40	1
6	128614GT	CLAMP, CABLETRACK, BOT, Z40	1
7	824060GT	SCREW,HHC,1/4-20X1,8,ZAG	1
8	824124GT	BOLT,CARRIAGE,1/4-20X.75,5,ZAG	4
9	824059GT	SCREW,HHC,1/4-20X.75,8,ZAG	4
10	1274322GT	NUT,NYLOCK FLG,3/8-16,F,ZAG	2
11	128308GT	COVER,CABLETRACK TRAY,Z40/45	1
12	139781GT	WELDMENT, CABLETRACK TRAY	1
13	824113GT	WASHER,FLAT,1/4,USS,ZAG	2
14	139702GT	CABLE TRACK, NP400, 23 LINK	1
14-	111051GT	REPAIR LINK,7 LINKS NP400-7*** for 139702	
14-	111052GT	REPAIR LINK,NP400-7*** for 139702	
14-	111053GT	REPAIR END BRKT SET,NP400-7*** for 139702	
15	128309GT	TUBE, CABLETRACK ARM, Z40/45	1



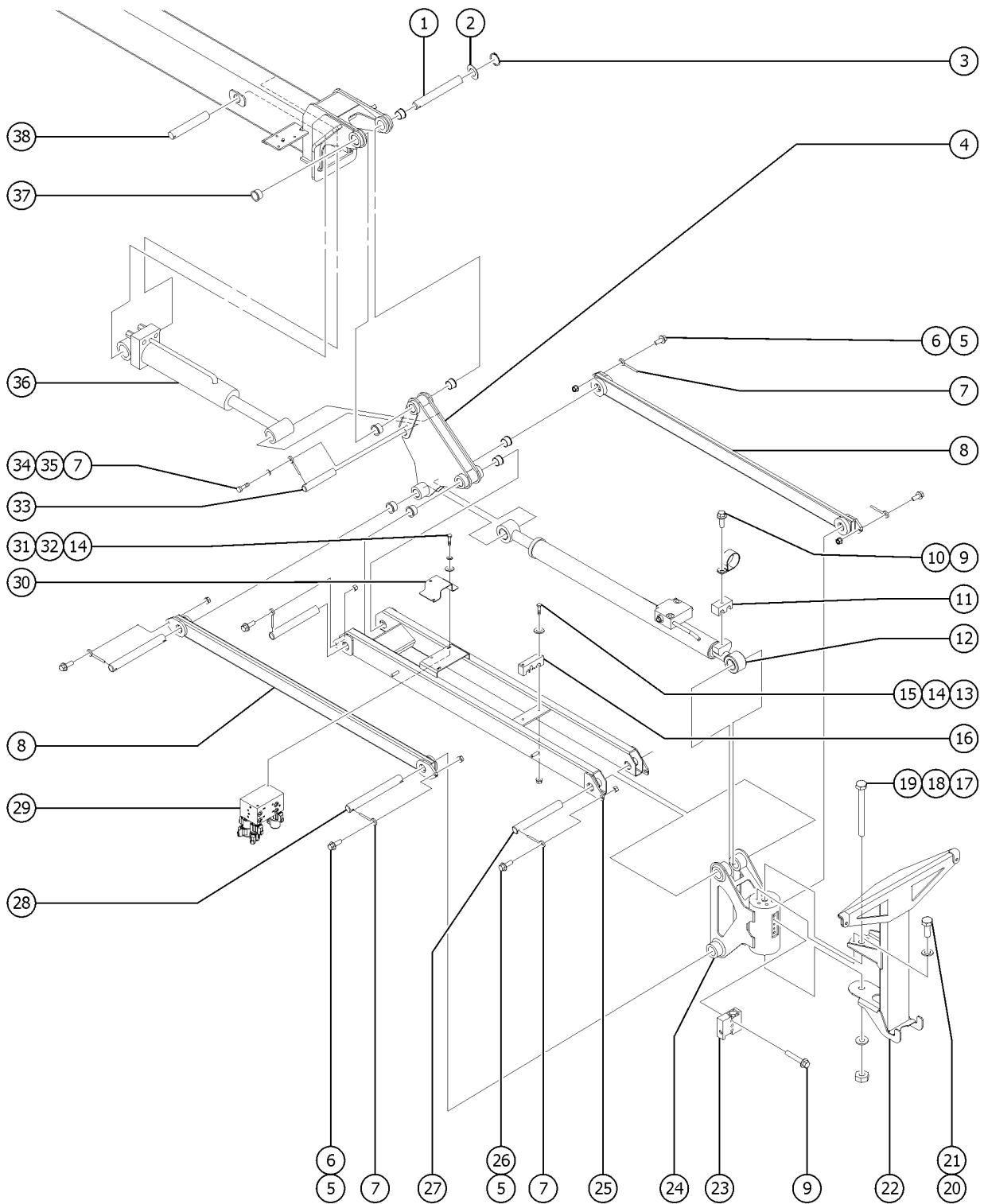
407.1 Jib Boom and Platform Rotator



Item	Part No.	Description	Qty.
-	42939GT	WIRE LOOM,1.88 DIA.	109
1	128550GT	PIN,1.25DIA X 7.64LG,2RING	1
2	824151GT	WASHER,SHIM,1.270X2.130X.062,Z as-needed	
3	824164GT	SNAP RING,EXTERNAL,1.25,ZAG	2
4	110528GT	WELDMENT,BELLCRANK	1
5	824092GT	SCREW, HHF, 3/8-16 X 1.5, 8, ZAG	6
6	1274322GT	NUT,NYLOCK FLG,3/8-16,F,ZAG	4
7	825019GT	ROD END,.375 X 3.69,ZAG	7
8	36054-SGT	COMPRESSION MEMBER (BORED)***	2
9	824081GT	SCREW,HHF,1/4-20X1.5,8,ZAG	4
10	27497GT	CLAMP,RUBBER CUSHIONED-2 5/32	1
11	70606GT	BLOCK,CABLE CLAMP,2/0 DOUBLE	1
12	110318GT	CYLINDER,JIB	1
12-	31106GT	VALVE,CNTERBAL,CBBB-LHN@3000**	
12-	94261GT	SEAL KIT,94218 for 110318	
13	824064GT	SCREW, HHC, 1/4-20 X 2.25, 8, ZAG	2
14	824113GT	WASHER,FLAT,1/4,USS,ZAG	4
15	1277924GT	NUT,NYLOCK FLG,1/4-20,F,ZAG	2
16	119519GT	CLAMP,JIB BOOM	1
17	1273205GT	SCREW,HHC,3/4-10X9.5,8,ZAG	1
18	1256863GT	WASHER,FLAT,.75,F436,HRD,ZAG	1
19	1274173GT	NUT,NYLOCK,3/4-10,C,ZAG	1
20	1256109GT	SCREW,HHC,3/8-16X.75,8,ZAG	6
21	826793GT	WASHER,FLAT,3/8,SAE,HRD,ZAG	6
22		REF. PLATFORM SUPPORT refer to 601.1	1
23	56929GT	MANIFOLD,ROTATOR,180 DEG.***	1
23-	62506GT	VALVE - COUNTERBALANCE**	
23-	62507GT	O-RING, ROTATOR MANIFOLD	



407.1 Jib Boom and Platform Rotator

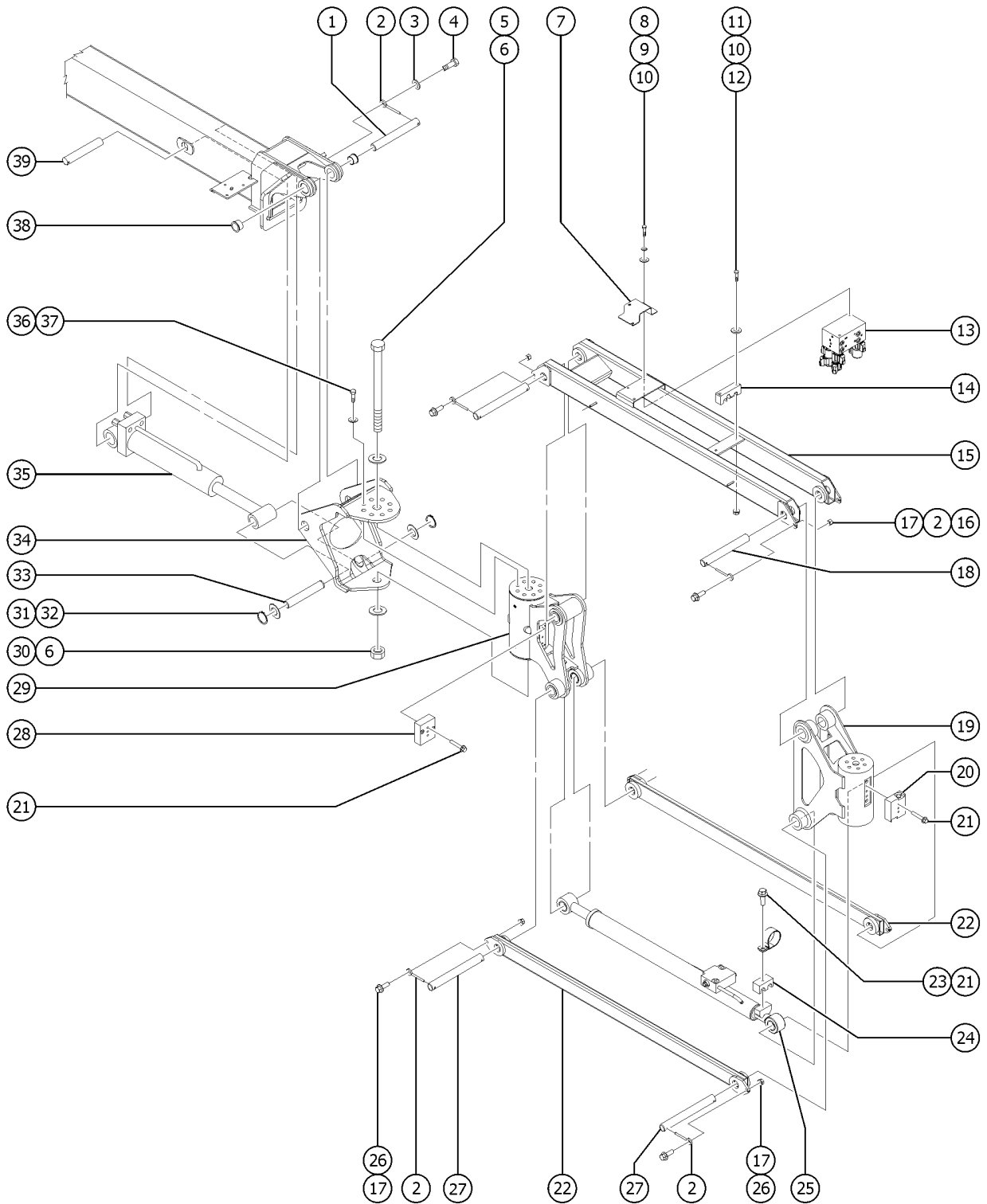


407.1 Jib Boom and Platform Rotator

Item	Part No.	Description	Qty.
24	233717GT	ROTATOR,PLAT,Z30/34/Z40 (replaced 94404)	1
24-	233745GT	SEAL AND BRG KIT,4.5K ROTATOR (for 233717)	
24-	35675GT	BEARING,FL,1.25IDX1.5ODX1.25L	
25	119563GT	JIB BOOM MACHINING	1
26	1274322GT	NUT,NYLOCK FLG,3/8-16,F,ZAG	2
27	36199GT	PIN,1.25DIA.X10.38LG,1HOLE	2
28	42797GT	PIN,1.25DIAX12.50LG,2HOLE	2
29		Ref. JIB MANIFOLD refer to 504.1	1
30	119222PGT	FORMING,HOSE GUIDE PAINTED	1
31	824059GT	SCREW,HHC,1/4-20X.75,8,ZAG	2
32	824109GT	WASHER,LOCK,1/4,ZAG	2
33	119032GT	PIN,1.25DIAX4.38LG,1HOLE	1
34	824068GT	SCREW,HHC,3/8-16X1.25,8,ZAG	1
35	824110GT	WASHER, LOCK, 3/8, ZAG	1
36	110360GT	CYLINDER,LEVELING,BELLCRANK,Z-40	1
36-	35088GT	BEARING,FL,1.25IDX1.41ODX.89L rod end	
36-	47377GT	BEARING,1.25 ID X 1.5 OD X .75 barrel end	
36-	74735GT	VALVE,COUNTERBALANCE	
36-	94260GT	SEAL KIT, LEVELING CYLINDER	
37	35675GT	BEARING,FL,1.25IDX1.5ODX1.25L	8
38		Ref. PIN refer to 405.1	1

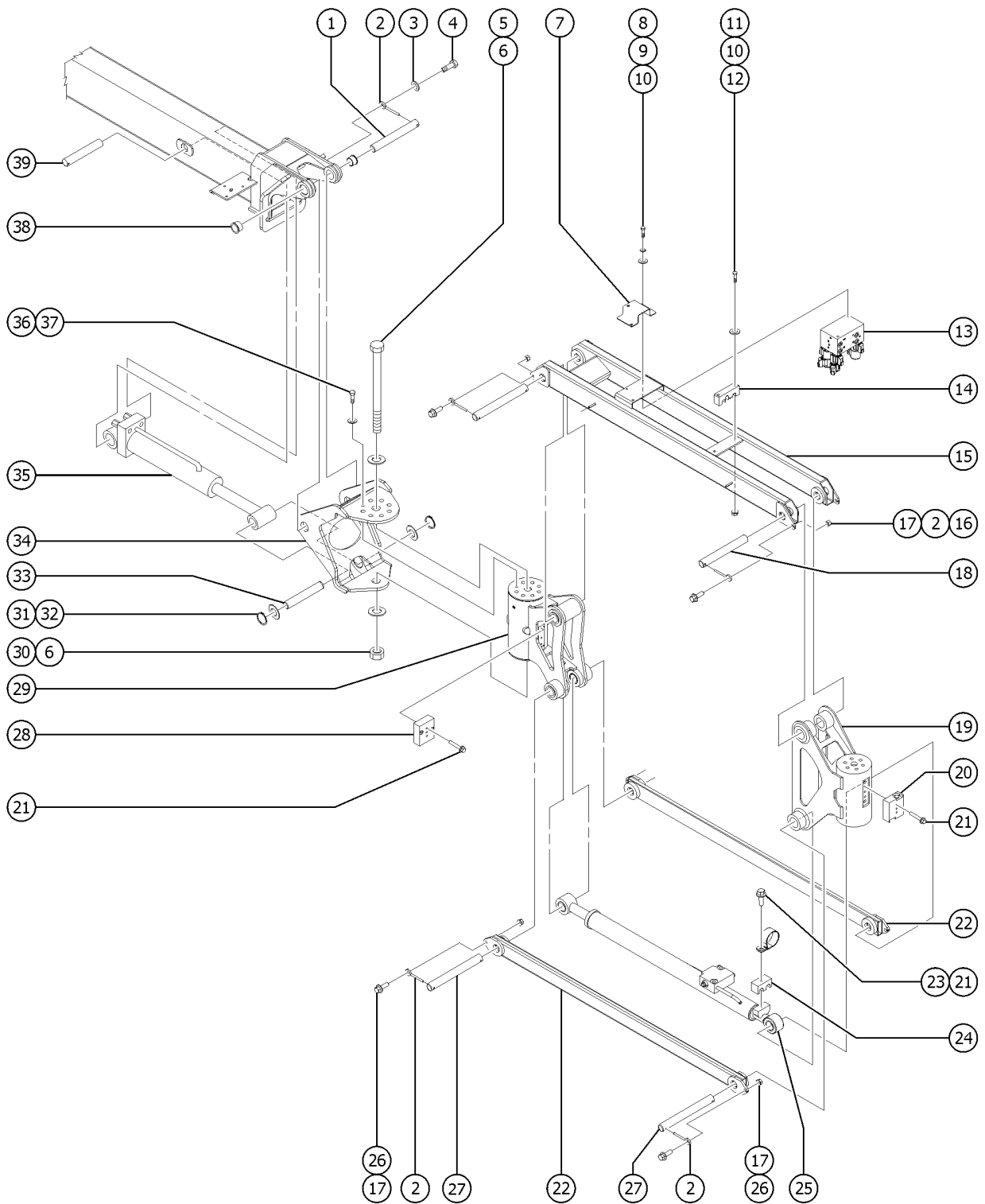


408.1 Rotating Jib Boom Assembly



Item	Part No.	Description	Qty.
1	74089GT	PIN,1.25DIAx9.63LG,1HOLE	1
2	825019GT	ROD END,.375 X 3.69,ZAG	7
3	824110GT	WASHER, LOCK, 3/8, ZAG	1
4	824068GT	SCREW,HHC,3/8-16X1.25,8,ZAG	1
5	824075GT	SCREW, HHC, 1-8 X 12.75, 5, ZAG	1
6	824116GT	WASHER,FLAT,1.0,F436,HRD,ZAG	2
7	119222PGT	FORMING,HOSE GUIDE PAINTED	1
8	824059GT	SCREW,HHC,1/4-20X.75,8,ZAG	2
9	824109GT	WASHER,LOCK,1/4,ZAG	2
10	824113GT	WASHER,FLAT,1/4,USS,ZAG	4
11	824064GT	SCREW, HHC, 1/4-20 X 2.25, 8, ZAG	2
12	824027GT	NUT, TL FLG, 1/4-20, G, ZAG	2
13		Ref. ROTATING JIB MANIFOLD	1
		Refer to 503.1	
14	119519GT	CLAMP,JIB BOOM	1
15	119563GT	JIB BOOM MACHINING	1
16	824025GT	NUT,TL,3/8-16,C,ZAG	2
17	824092GT	SCREW, HHF, 3/8-16 X 1.5, 8, ZAG	7
18	36199GT	PIN,1.25DIA.X10.38LG,1HOLE	2
19	233717GT	ROTATOR,PLAT,Z30/34/Z40	1
		replaced 94404	
19-	233745GT	SEAL AND BRG KIT,4.5K ROTATOR	
19-	35675GT	BEARING,FL,1.25IDX1.5ODX1.25L	
20	56929GT	MANIFOLD,ROTATOR,180 DEG.***	1
20-	62506GT	VALVE - COUNTERBALANCE**	
20-	62507GT	O-RING, ROTATOR MANIFOLD	
21	824082GT	SCREW,HHF,1/4-20X1.75,8,ZAG	7
22	36054-SGT	COMPRESSION MEMBER (BORED)***	2
23	27497GT	CLAMP,RUBBER CUSHIONED-2 5/32	2
24	70606GT	BLOCK,CABLE CLAMP,2/0 DOUBLE	1

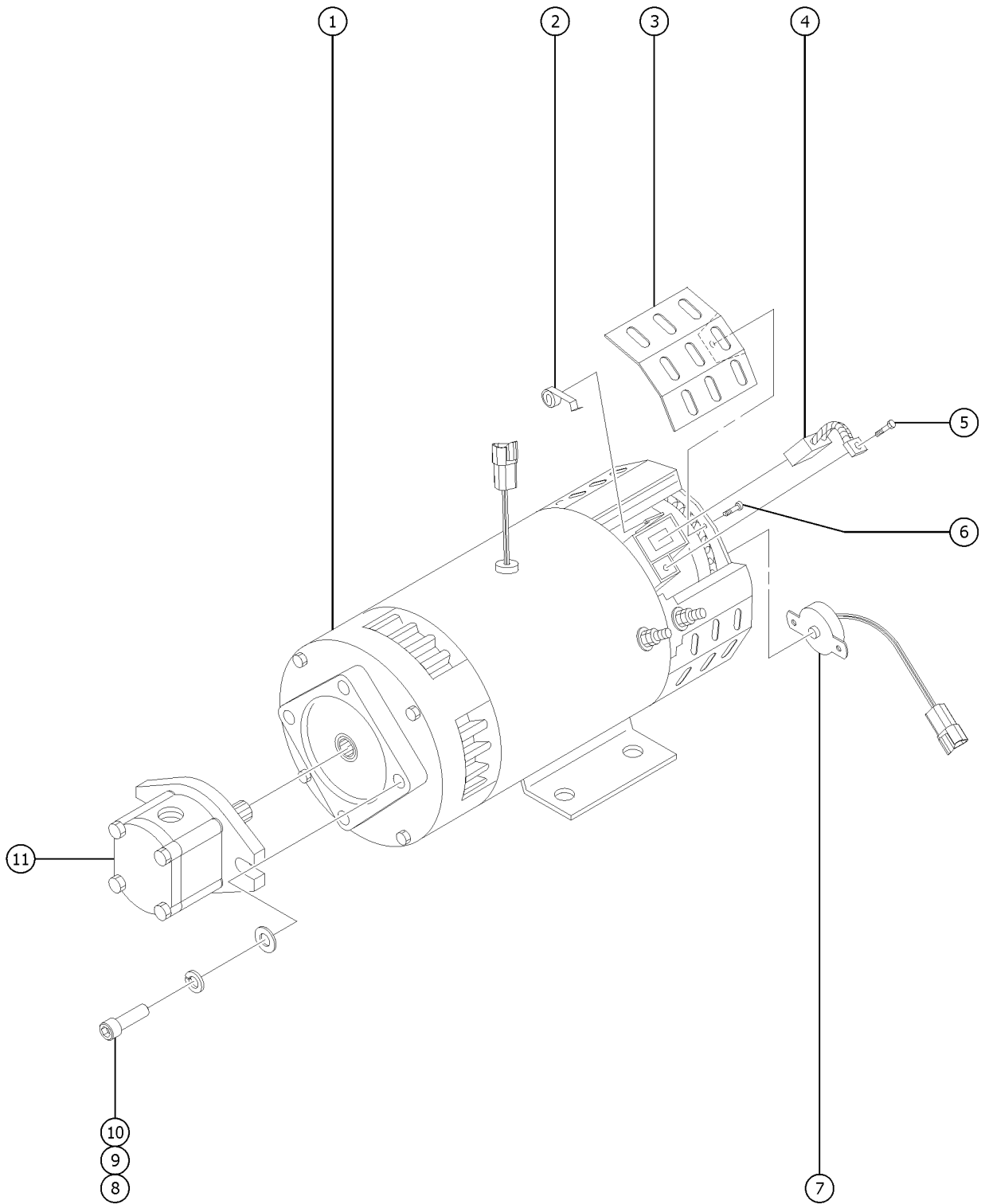
408.1 Rotating Jib Boom Assembly



Item	Part No.	Description	Qty.
25	110318GT	CYLINDER,JIB	1
25-	31106GT	VALVE,CNTERBAL,CBBB-LHN@3000**	
25-	94261GT	SEAL KIT,94218	
		for 110318	
26	824029GT	NUT,TL FLG,3/8-16,G,ZAG	5
27	42797GT	PIN,1.25DIAX12.50LG,2HOLE	2
28	74051GT	MANIFOLD,ROTATOR 200 DEG.	1
28-	62506GT	VALVE - COUNTERBALANCE**	
28-	62507GT	O-RING, ROTATOR MANIFOLD	
29	226540GT	ROTATOR,JIB,180 DEG,15K	1
29-	226542GT	SEAL KIT, 15K ROTATOR	
		for 226540	
29-	35675GT	BEARING,FL,1.25IDX1.5ODX1.25L	
30	826794GT	NUT,TL,1-8,C,ZAGRING	1
31	824164GT	SNAP RING,EXTERNAL,1.25,ZAG	2
32	824152GT	WASHER,SHIM,1.270X1.875X.062,Z	2
33	139655GT	PIN,SLAVE CYLINDER	1
34	74081GT	MACH,SUPPORT ROTATOR	1
34-	74866GT	BEARING,1.25IDX1.50ODX1.25L	
35	110360GT	CYLINDER,LEVELING,BELLCRANK,Z-40	1
35-	35088GT	BEARING,FL,1.25IDX1.41ODX.89L	
		rod end	
35-	47377GT	BEARING,1.25 ID X 1.5 OD X .75	
		barrel end	
35-	74735GT	VALVE,COUNTERBALANCE	
35-	94260GT	SEAL KIT, LEVELING CYLINDER	
36	1256843GT	SCREW,HHC,1/2-13X1.25,8,ZAG	8
37	825353GT	WASHER,FLAT,1/2,SAE,HRD,ZAG	8
38	35675GT	BEARING,FL,1.25IDX1.5ODX1.25L	2
39		REF. PIN	1
		Refer to 405.1	



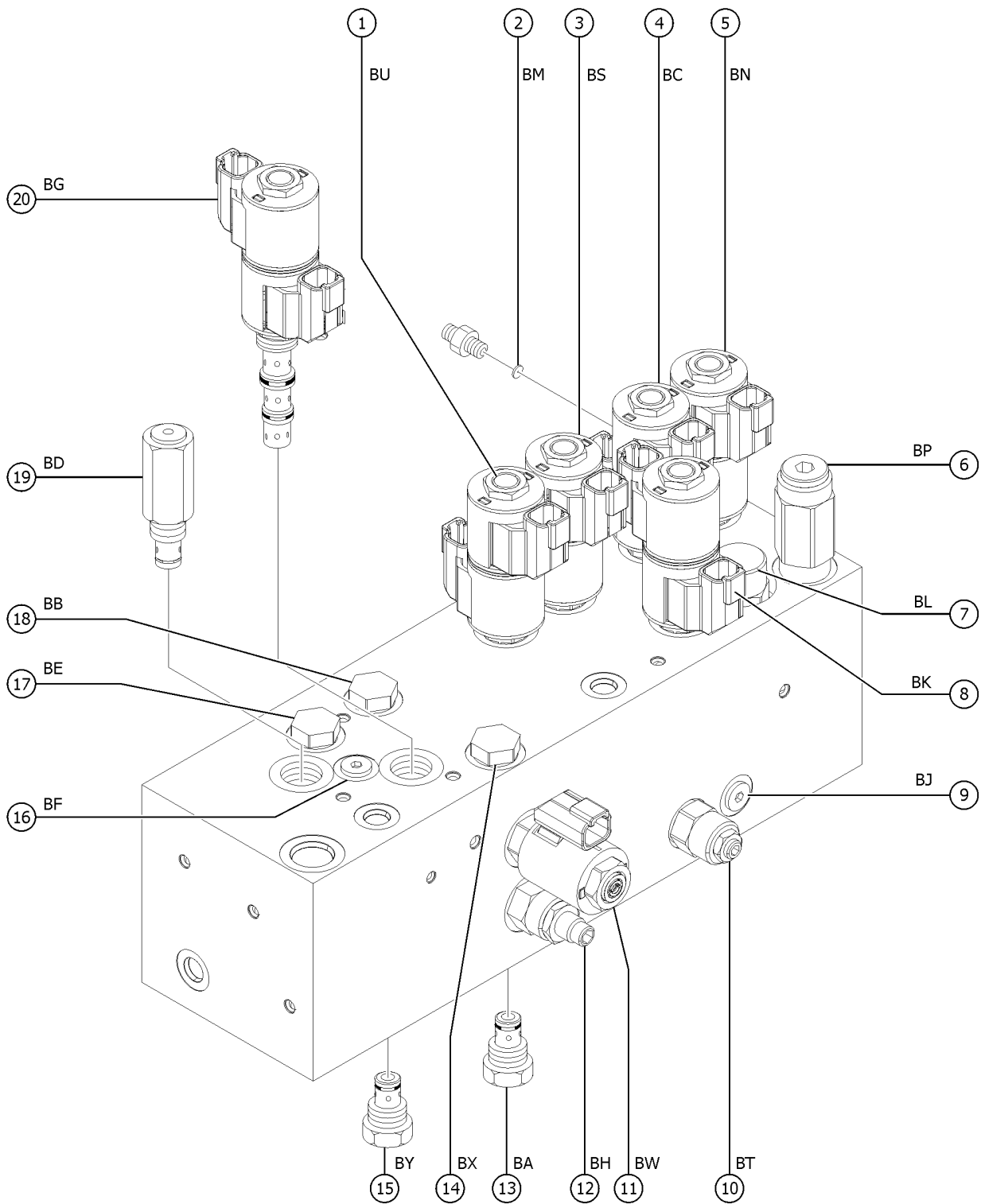
501.1 Hydraulic Power Unit



<i>Item</i>	<i>Part No.</i>	<i>Description</i>	<i>Qty.</i>
1	110573GT	MOTOR W/TACH 48VDC,3.5HP	1
2	44750GT	SPRING-BRUSH,40844, SCISSORS	1
3	58936GT	BRUSH COVER -PLATE-(48504)*	1
4	58932GT	BRUSH SET 4 EA	1
5	52913GT	SCREW,HH TAPETITE THRD8-32X.50	
6	52914GT	SCREW,HHTAPTITE THREAD8-32X.38	
7	128009GT	SENSOR KIT, SPEED (110573) includes sensor, magnet, and fasteners	1
8	824100GT	SCREW,SHC,3/8-24X1.25,A574,ZAG	2
9	824110GT	WASHER, LOCK, 3/8, ZAG	2
10	826793GT	WASHER,FLAT,3/8,SAE,HRD,ZAG	2
11	231572GT	PUMP,4CC,GEAR,CCW	1
11-	233641GT	SEAL KIT,BOSCH PUMP	
11-	85197GT	SEAL KIT,BOSCH PUMP***	



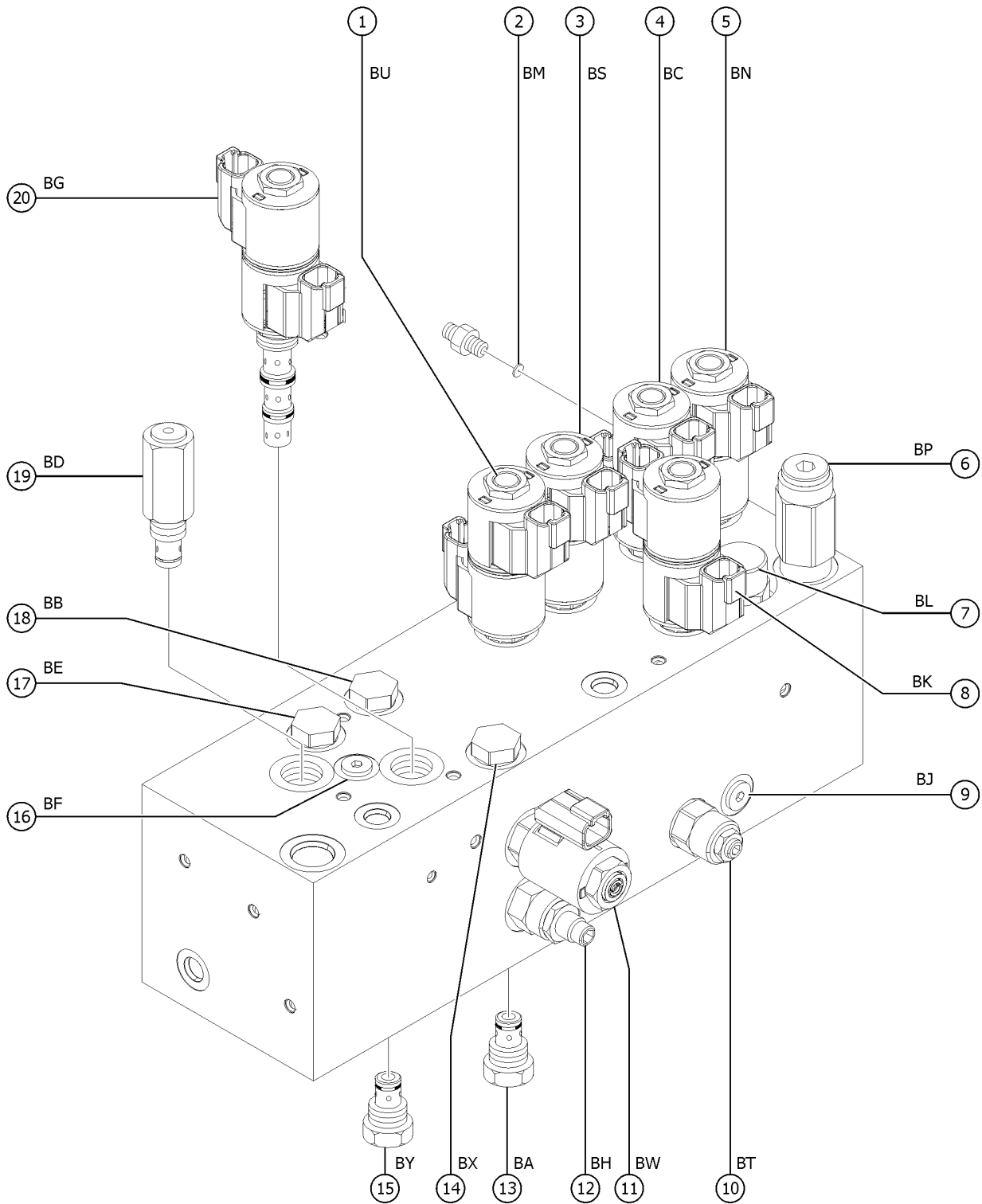
502.1 Function Manifold



Item	Part No.	Description	Qty.
A	110338GT	MANIFOLD,FUNCTION	
1	107788GT	VALVE,PROPORTIONAL 3 POS 4 WY BU, Primary boom extend/retract	
1-	119827GT	COIL, 20V, ZENER DIODE DEUTSCH	
1-	44229GT	SEAL KIT, VALVE	
2	47092GT	ORIFICE DISC,.046",GREEN BM, Secondary boom down	
3	94614GT	VALVE,PROP,3 POS,4-WAY*** BS, Primary boom up/down	
3-	119827GT	COIL, 20V, ZENER DIODE DEUTSCH	
3-	44229GT	SEAL KIT, VALVE	
4	119828GT	VALVE,PROPORTIONAL 3 POS 4 WY* BC, Steer left/right	
4-	119827GT	COIL, 20V, ZENER DIODE DEUTSCH	
4-	44229GT	SEAL KIT, VALVE	
5	94614GT	VALVE,PROP,3 POS,4-WAY*** BN, Secondary boom up/down	
5-	119827GT	COIL, 20V, ZENER DIODE DEUTSCH	
5-	44229GT	SEAL KIT, VALVE	
6	119829GT	VALVE,RELIEF 2100 PSI BP, Secondary down	
6-	44227GT	SEAL KIT, VALVE	
7	110180GT	VALVE, COMPENSATOR, 80 PSI BL, Turntable rotate circuit	
8	107816GT	VALVE,PROPORTIONAL 3 POS 4 WY* BK, Turntable rotate left/right	
8-	119827GT	COIL, 20V, ZENER DIODE DEUTSCH	
8-	44229GT	SEAL KIT, VALVE	
9	826779GT	VALVE,SHUTTLE BJ Turntable rotate circuit	
10	54063GT	VALVE,CB,CBBC-LHN@1000*** BT, Primary down	
10-	43018GT	SEAL KIT (39345)	
11	119830GT	VALVE,PROPORTIONAL RELIEF BW, System relief	
11-	119825GT	COIL, 24V, DEUTSCH NO DIODE	
11-	44227GT	SEAL KIT, VALVE	
12	101055GT	VALVE,NEEDLE,FINE ADJUSTMENT** BH, Platform level up/down	
13	52368GT	VALVE,CHECK,GS68 (SIZE8 8) BA, Prevents oil from draining out of jib/rotate manifold back to tank	



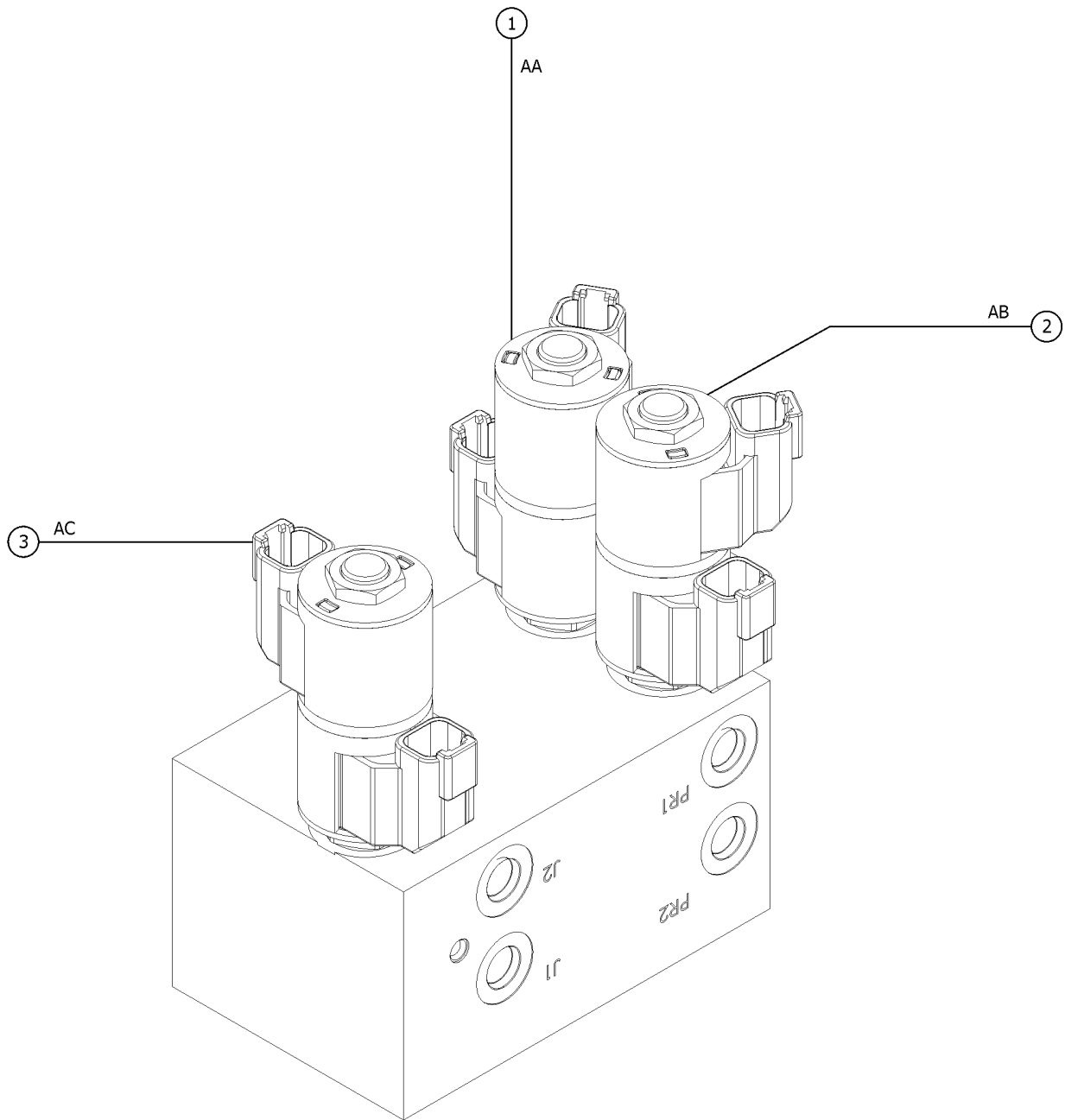
502.1 Function Manifold



Item	Part No.	Description	Qty.
13-	44227GT	SEAL KIT, VALVE	
14	107740GT	VALVE, CHECK 25 PSI BX, System relief valve circuit	
15	52368GT	VALVE,CHECK,GS68 (SIZE8 8) BY, Prevents oil from draining out of jib/rotate manifold back to tank	
15-	44227GT	SEAL KIT, VALVE	
16	44216GT	VALVE,SHUTTLE	
		BF, Platform level	
16-	44235GT	SEAL KIT-FOR PN.44216 & 826779	
17	101958GT	VALVE,CHECK,DUAL PILOT,135 PSI	
		BE, Platform level	
18	107740GT	VALVE, CHECK 25 PSI	
		BB, Prevents oil from draining out of manifold	
19	101114GT	VALVE RELIEF,2500PSI(88513)**	
		BD, Platform level Relief	
20	39346GT	VALVE,SOLENOID 3 POS.4 WAY***	
		BG, Platform level up/down	
20-	119827GT	COIL, 20V, ZENER DIODE DEUTSCH	
20-	44229GT	SEAL KIT, VALVE	



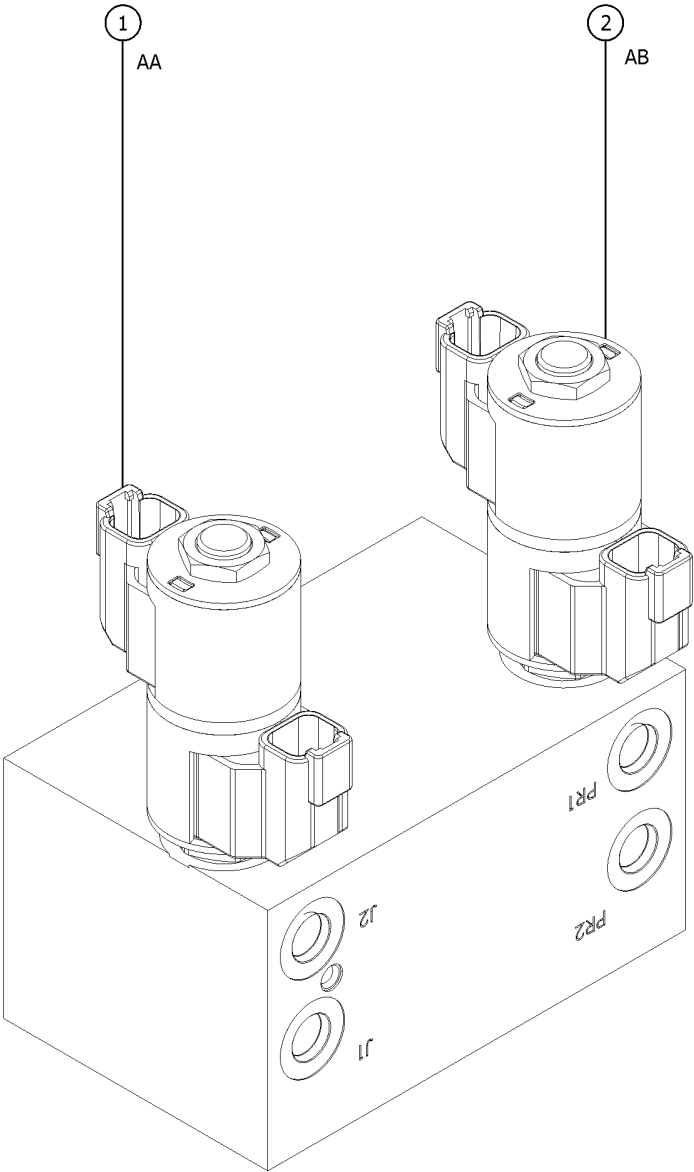
503.1 Jib Rotate Manifold



Item	Part No.	Description	Qty.
A	128570GT	MANIFOLD,ROTATING JIB,Z40	
1	94614GT	VALVE,PROP,3 POS,4-WAY*** AA, Jib boom up / down	
1-	119836GT	COIL, 20V, DEUTSCH NO DIODE	
1-	44174GT	NUT-COIL SHORT	
1-	44229GT	SEAL KIT, VALVE	
1-	97372GT	SPACER, COIL	
2	107816GT	VALVE,PROPORTIONAL 3 POS 4 WY* AB, Platform rotate	
2-	119836GT	COIL, 20V, DEUTSCH NO DIODE	
2-	44174GT	NUT-COIL SHORT	
2-	44229GT	SEAL KIT, VALVE	
2-	44236GT	SPACER-DUAL COIL,#8***	
3	107816GT	VALVE,PROPORTIONAL 3 POS 4 WY* AC, Jib boom rotate	
3-	119836GT	COIL, 20V, DEUTSCH NO DIODE	
3-	44174GT	NUT-COIL SHORT	
3-	44229GT	SEAL KIT, VALVE	
3-	44236GT	SPACER-DUAL COIL,#8***	



504.1 Jib Manifold

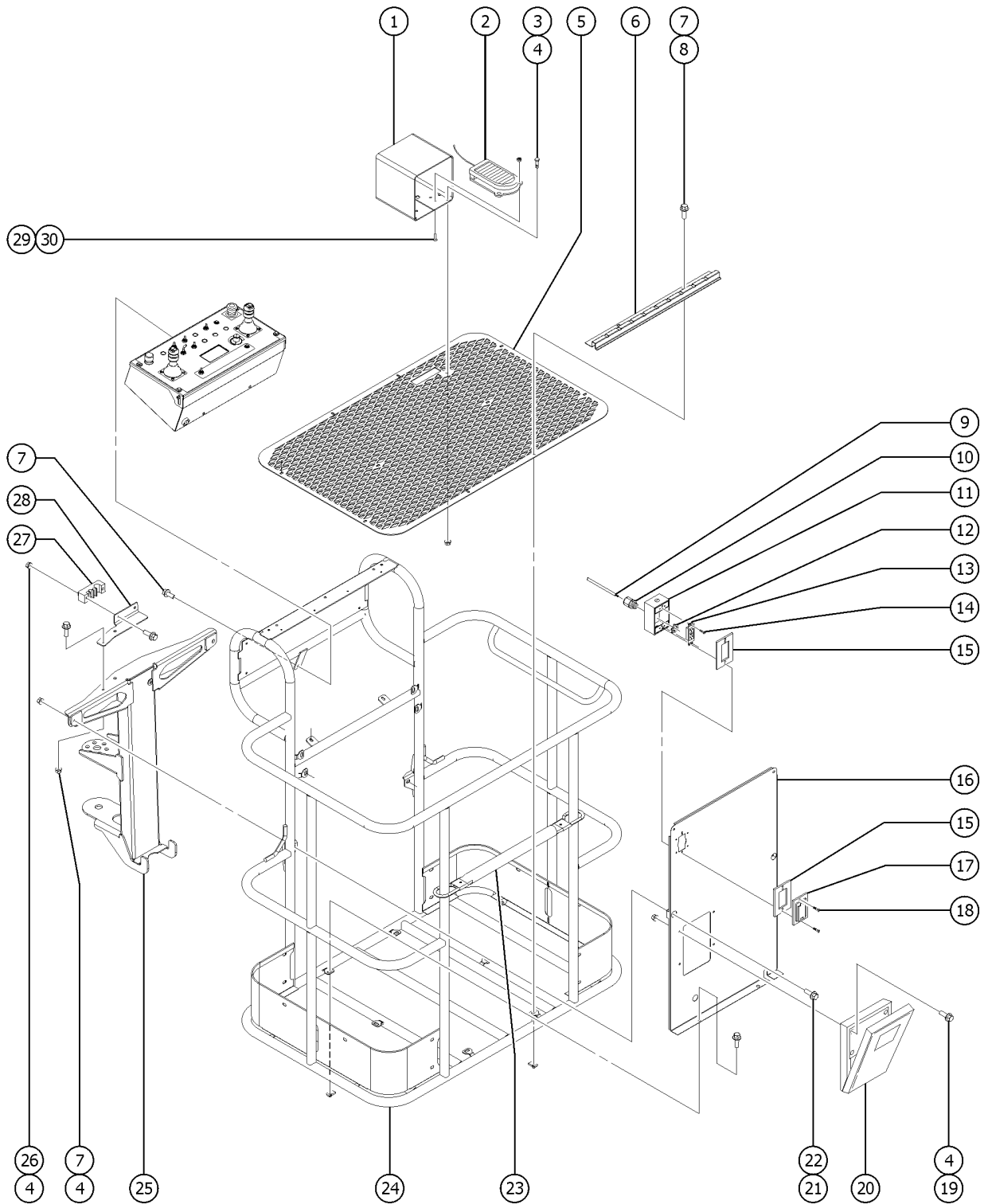


504.1 Jib Manifold

<i>Item</i>	<i>Part No.</i>	<i>Description</i>	<i>Qty.</i>
A	128569GT	MANIFOLD,JIB,Z40***	
1	94614GT	VALVE,PROP,3 POS,4-WAY***	1
		AA, Platform rotate	
1-	119836GT	COIL, 20V, DEUTSCH NO DIODE	
1-	44174GT	NUT-COIL SHORT	
1-	44229GT	SEAL KIT, VALVE	
1-	97372GT	SPACER, COIL	
2	107816GT	VALVE,PROPORTIONAL 3 POS 4 WY*	1
		AB, Jib boom up / down	
2-	119836GT	COIL, 20V, DEUTSCH NO DIODE	
2-	44174GT	NUT-COIL SHORT	
2-	44229GT	SEAL KIT, VALVE	
2-	97372GT	SPACER, COIL	



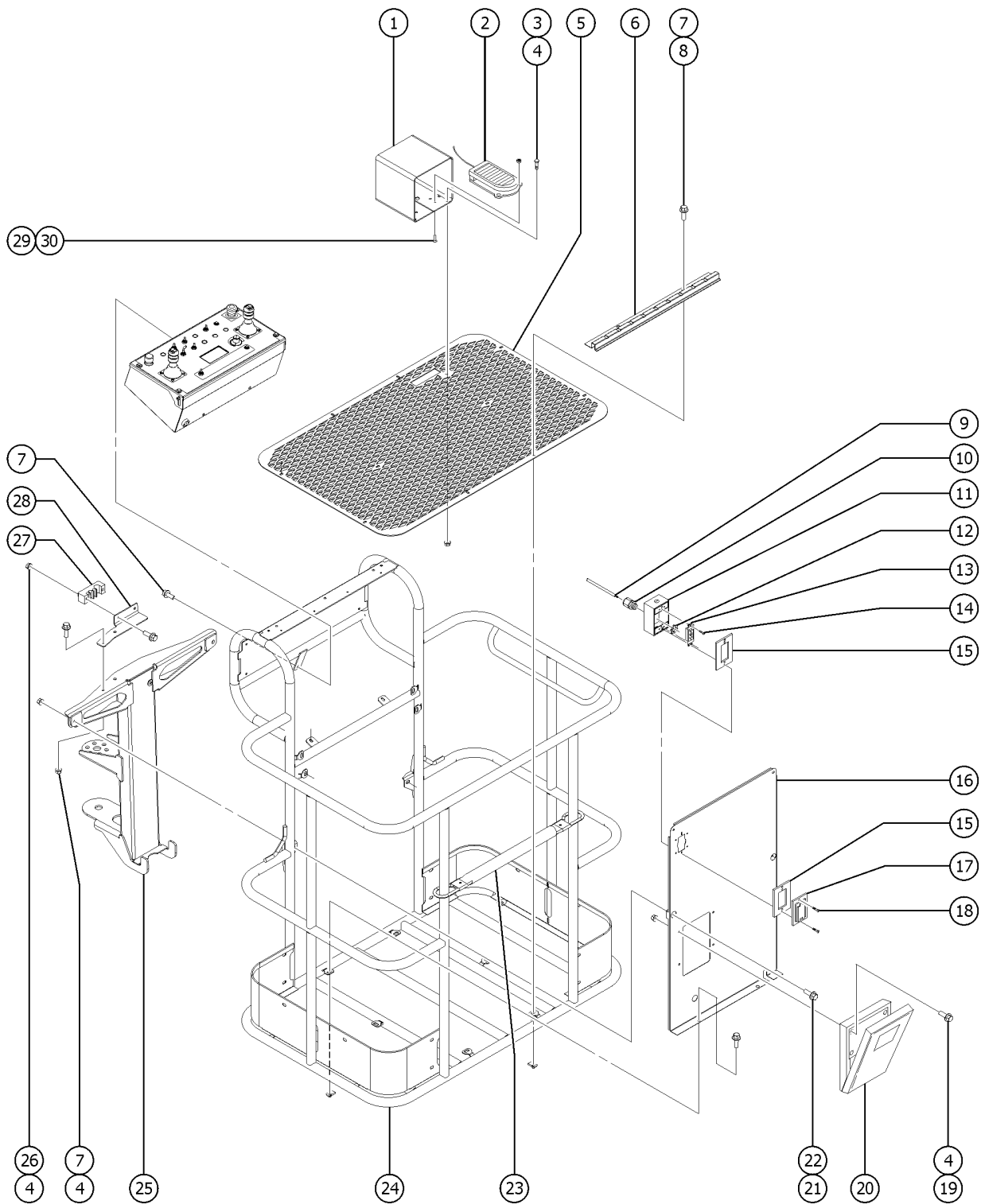
601.1 Platform Components



Item	Part No.	Description	Qty.
A	106633GT	WELDMENT,PLATFORM 46X30 does not include decals, refer to section 1, Australia	
B	106634GT	WELDMENT,PLATFORM 56X30 does not include decals, refer to section 1, Australia	
C	119895GT	PLAT.ASSY.W/DECAL 4'Z40 ANSI USA and Canadian models	
D	119896GT	PLAT.ASSY.W/DECAL 4' Z40 CE European models	
E	119897GT	PLAT.ASSY.W/DECAL 5'Z40 ANSI USA and Canadian models	
F	119898GT	PLAT.ASSY.W/DECAL 5'Z40 CE European models	
G	128010GT	PLAT.ASSY.W/DECAL 4' Z40 ASIA Asia and South American models	
H	128011GT	PLAT.ASSY.W/DECAL 5'Z40 ASIA Asia and South American models	
1A	32710GT	GUARD,FOOTSWITCH,W/DECAL STEEL USA/Canada/Australia models	
1B	30807P-SGT	FOOTSWITCH HOUSING,PAINTED CE/Asia/South America models	1
2	228308GT	ASSY,FOOT SWITCH,GOLD CONTACT	1
3	824059GT	SCREW,HHC,1/4-20X.75,8,ZAG	2
4	824027GT	NUT, TL FLG, 1/4-20, G, ZAG	
5A	56465GT	FLOORING,PLATFORM 46X30***	1
5B	56576GT	FLOORING,PLATFORM,56X30	1
6	56656GT	PLATFORM STEP ***	1
7	824078GT	SCREW,HHF,1/4-20X.75,8,ZAG	
8	56912GT	SPRING CLIP,1/4-20,.025-.15X.54,ZAG	
9	43955GT	WIRE CABLE,12/3 CON.TPE JKT	720
10	7057GT	CONN. SQZ,1/2NPT .39-.56 MED.	1
11	10775GT	T-BOX,2.75 X 4.5 X 2.0	1
12	6935GT	CONN, SQZ, 1/2NPT, LOCKNUT	1
13A	13585GT	OUTLET, 110V North America	1
13B	T112560GT	RECEPTACLE,UK,110 VOLT UK (for use after T112563 is installed)	1
13B-	T112561GT	PLATE,UK POWER TO PLATFORM UK	
13B-	T112563GT	SVC KIT,UK RECEPT.REPLACEMENT UK	
14	824214GT	SCREW,PHPM,6-32X.5,ZAG	
15	74052GT	GASKET,COVER,GFCI,WEATHERPROOF	2



601.1 Platform Components

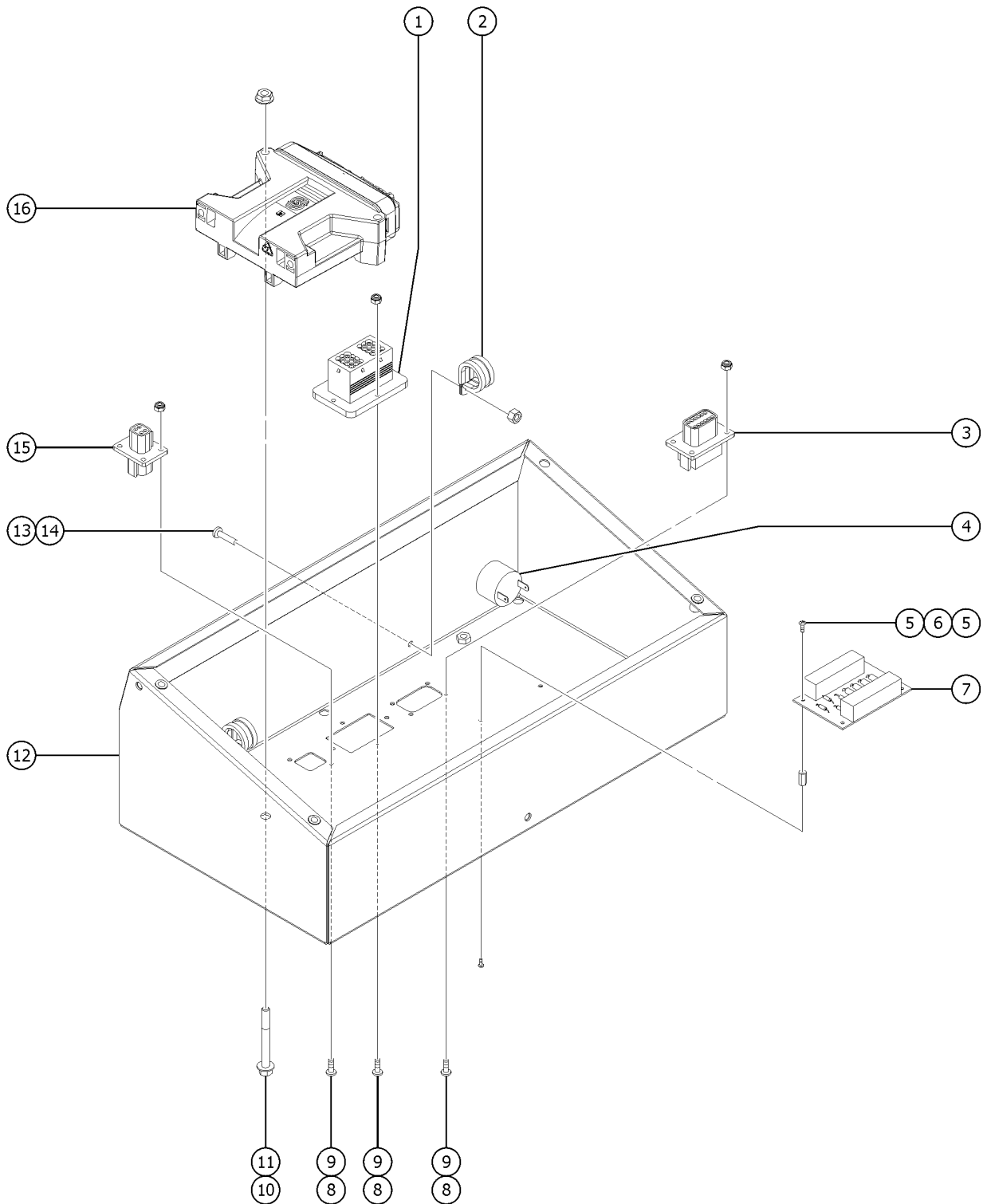


601.1 Platform Components

Item	Part No.	Description	Qty.
16	1287692GT	FORMING, ALUM. DECAL PANEL	1
17	45437GT	COVER,GFCI,WEATHERPROOF	
18	33759GT	SCREW,PHILLIPS,PHM,8-32 X.375	
19	824077GT	SCREW,HHF,1/4-20X.5,8,ZAG	4
20A	44743GT	MANUAL BOX W/DECALS*** USA/Canada/Australia	1
20B	24514GT	BOX,INSTRUCTION STORAGE Europe/Asia/South America (decal required; refer to Section100)	1
21	824087GT	SCREW,HHF,5/16-18X1.25,8,ZAG	2
22	824028GT	NUT,TL FLG,5/16-18,G,ZAG	2
23	102992GT	SLIDING MIDRAIL KIT,PTD	1
23-	12443GT	MIDRAIL GUIDE (HOOK)	
23-	20973GT	WIRE LOOM,3/8 POLY SLIT	
23-	21121GT	CABLE TIE, 4" BLK, HEAT RESISTANT	
24	1299159GT	ASSY,4 FT SMALL PLATFORM,NO DECALS USA/Canada/Australia	1
24-	1299160GT	WELDMENT,4 FT SMALL PLATFORM	
24B	101982GT	PLAT RAIL ASSY, 4' CE CE/Asia/South America (railing only; refer to the top of the parts list for complete platform) ..	1
24C	119913GT	PLAT RAILING ASSY,5'ANSI USA/Canada/Australia (railing only; refer to the top of the parts list for complete platform) ..	1
24D	119914GT	PLAT RAILING ASSY 5' CE CE/Asia/South America (railing only; refer to the top of the parts list for complete platform) ..	1
25	56500-SGT	WELDMENT,PLATFORM SUPPORT***	1
26	824081GT	SCREW,HHF,1/4-20X1.5,8,ZAG	2
27	119518GT	CLAMP,CABLE STRAIN RELIEF	1
28	119221GT	FORMING,CLAMP MOUNT	1
29	824225GT	SCREW,FHPM,10-32X.75,ZAG	
30	6178GT	NUT,NYLOCK,10-32	

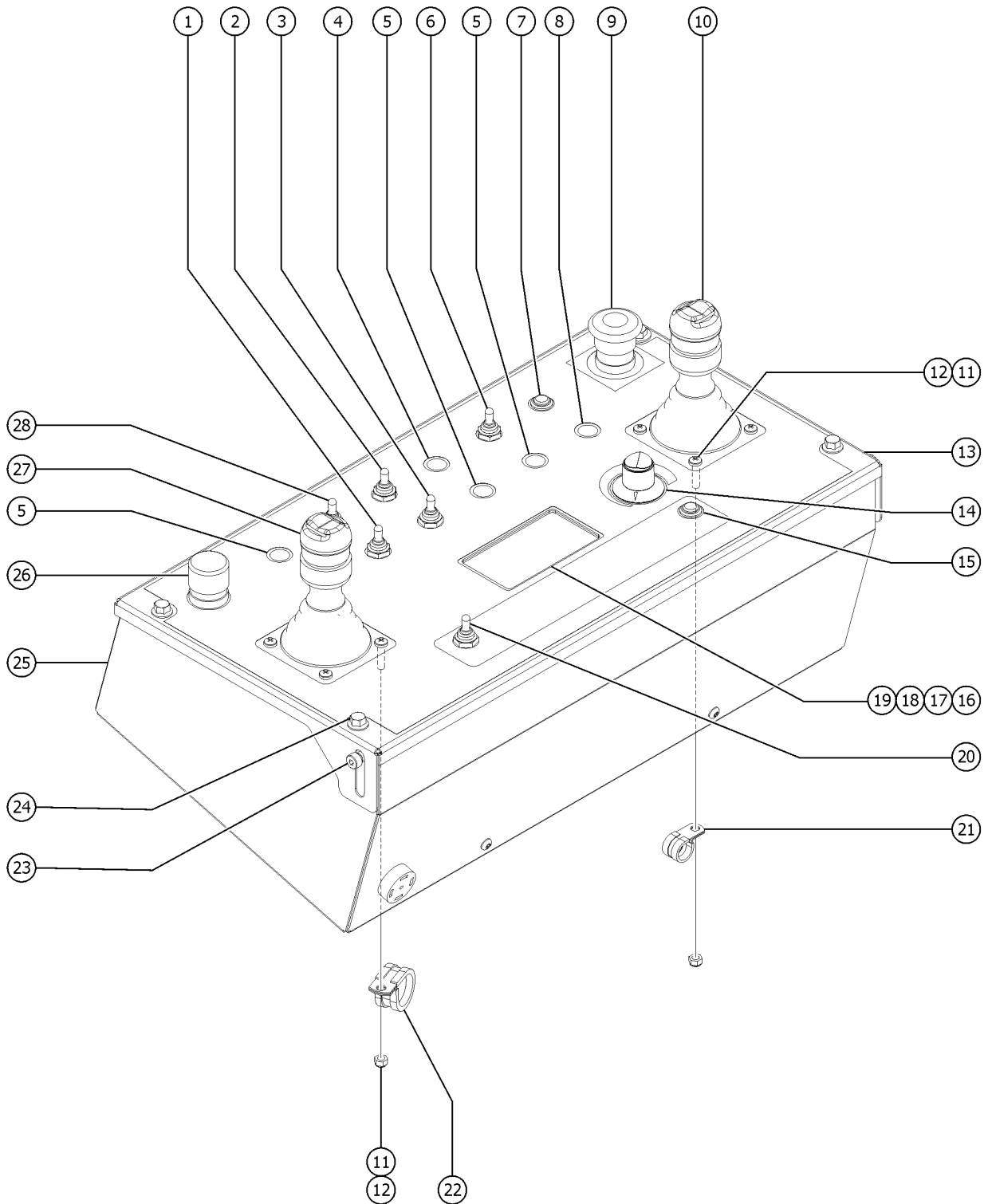


602.1 Platform Control Box - View 1



Item	Part No.	Description	Qty.
1	73753GT	CONN,RECEP 24 WAY,W/FLANGE	1
2	13268GT	CLAMP,0.75,#12 X 1/4,RUB CUSH	2
3	73730GT	CONN,RECEP 12 WAY,GRY FLANGE	1
3-	54255GT	LOCK,RECEP 12 WAY, 14-18GA	
4	39540GT	ALARM,STEADY TONE*** Does not include 72326 nut	1
4-	72326GT	NUT,PLASTIC,RING FOR ALARMS	
5	1257402GT	SCREW,PHPM,6-32X.25,ZAG	8
6	88287GT	STANDOFF,6-32 X 1/2L X 1/4 HEX	4
7	119584GT	ASSY VOLTAGE DIV AND DIODE	1
7-	119583GT	PCB VOLTAGE DIV(BLANK) Z40	
8	824214GT	SCREW,PHPM,6-32X.5,ZAG	10
9	12344GT	NUT,NYLOCK,6-32	10
10	1257866GT	SCREW,HHF,1/4-20X2.25,8,ZAG	2
11	1256679GT	NUT,SERRATED,1/4-20,8,ZAG	2
12		REF. PLATFORM CONTROL BOX BASE ASSY refer to 603.1	1
13	1251757GT	SCREW,PHPM,10-32X.50,ZAG	2
14	824036GT	NUT, TL, 10-32, A, ZAG	2
15	73723GT	CONN RECEP,FLANGED	1
15-	60443GT	LOCK, RECEP 4WAY, 14-18GA	
16	1256897GT	CONTROLLER ASSY PCON Z40	1

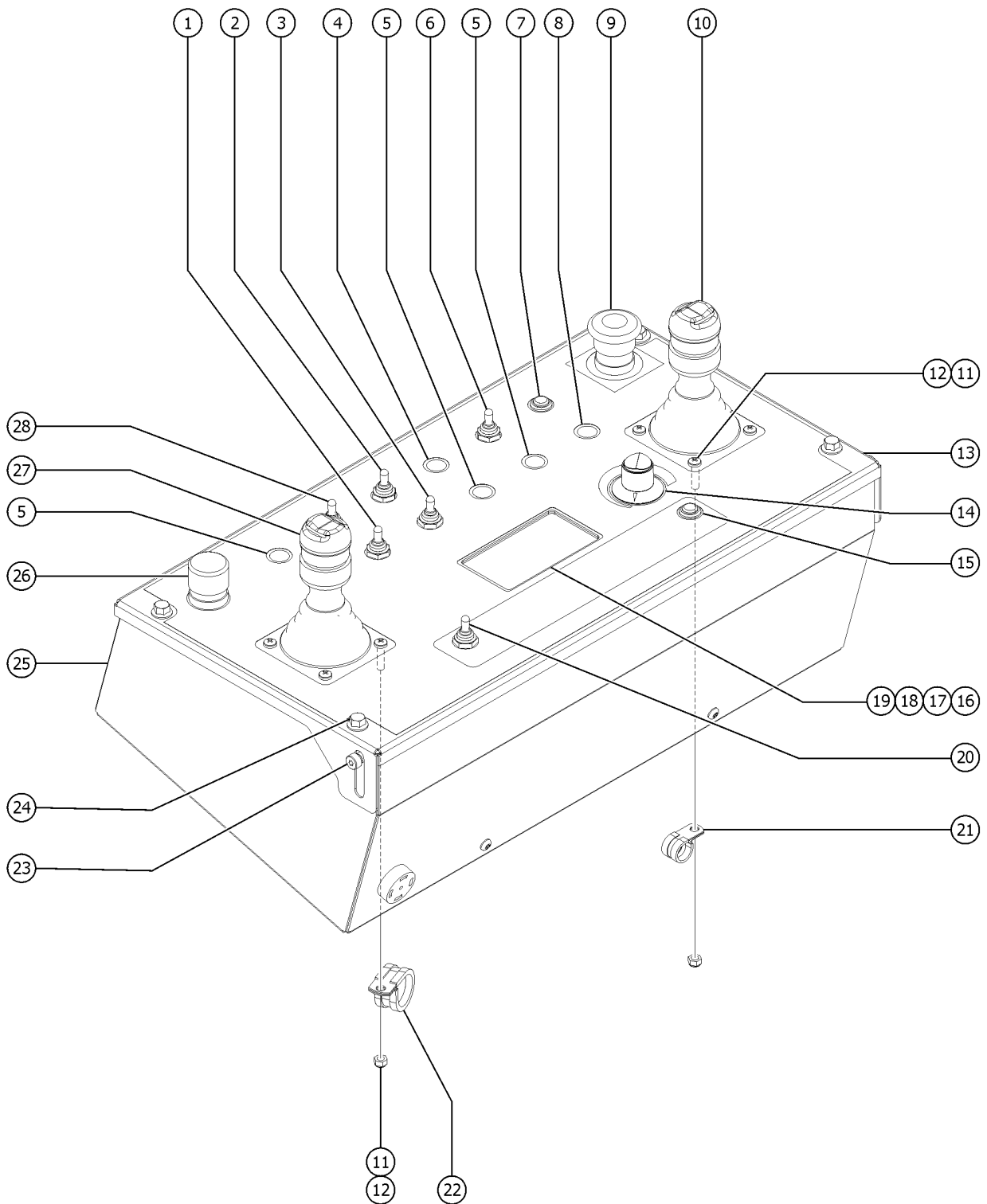
603.1 Platform Control Box - View 2



Item	Part No.	Description	Qty.
1	128580GT	SWITCH TOGGLE SPDT 3P MOM SHDR secondary boom up/down	1
2	128580GT	SWITCH TOGGLE SPDT 3P MOM SHDR platform rotate	1
3	128580GT	SWITCH TOGGLE SPDT 3P MOM SHDR jib boom up/down	1
4A	229567GT	PLUG,SANTOPRENE .5 BLACK DOME	1
4B	128580GT	SWITCH TOGGLE SPDT 3P MOM SHDR jib rotate if equipped	1
5	229567GT	PLUG,SANTOPRENE .5 BLACK DOME	6
6	128580GT	SWITCH TOGGLE SPDT 3P MOM SHDR auxiliary power	1
7A	824878GT	LIGHT,LED IND. RED 24V NH auxiliary power	1
7B	229567GT	PLUG,SANTOPRENE .5 BLACK DOME	1
8A	229567GT	PLUG,SANTOPRENE .5 BLACK DOME	1
8B	824878GT	LIGHT,LED IND. RED 24V NH platform overload if equipped	1
9	66812GT	BUTTON,PUSH,RED MUSHROOM HEAD	1
9-	146478GT	BOOT(BELLOWS),E-STOP,BLACK	
9-	66817GT	E-STOP NC CONTACT includes 1 N.C. contacts	
10A	101005GT	JOYSTICK,1 AXIS ROCKER,DEUTSCH (OEM joystick) drive/steer	1
10B	101005HGT	JOYSTICK,SINGLE AXIS W/STEER (aftermarket joystick) drive/steer	1
11	1257404GT	SCREW,PHPM-ST,M5-0.8X20,DIN7500C,ZAB	8
12	233647GT	NUT,NYLOCK,M5-0.8	
13	1296652GT	LID,PLATFORM CONTROL BOX,PAINTED	1
13-	110851GT	GASKET,PLATFORM CONTROL BOX	
14	101648GT	KNOB,BLACK PLASTIC,.25 SHAFT	1
14-	110797GT	HARNES, SPEED DIAL *** controller assy with wire harness; does not include 101648 knob, order separately (includes 119958)	
15	824878GT	LIGHT,LED IND. RED 24V NH	1
16	1263694GT	DISPLAY,PLATFORM,ENGAGE4,GEN2	1
16-	119976GT	BUMPER,5/16DIA X 7/64 PROJ,ADH.	6
17	110853GT	GUARD,DISPLAY,POLYCARB	1
18	110854GT	GASKET,DISPLAY GUARD	1
19	110852PGT	BRACKET,DISPLAY RETAINER	1

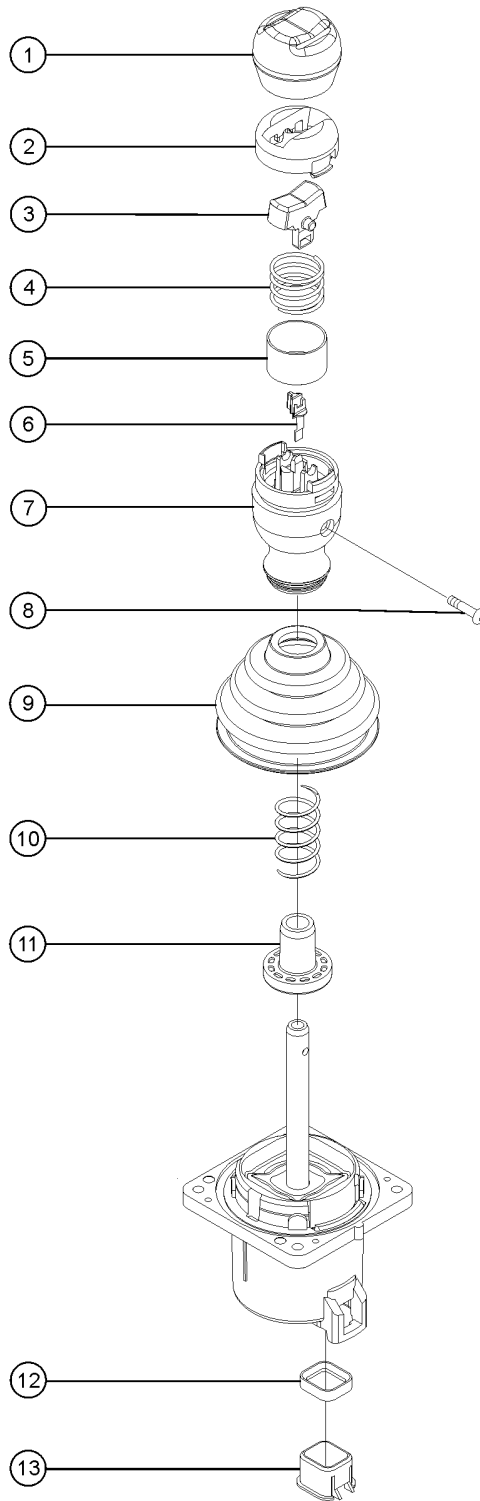


603.1 Platform Control Box - View 2



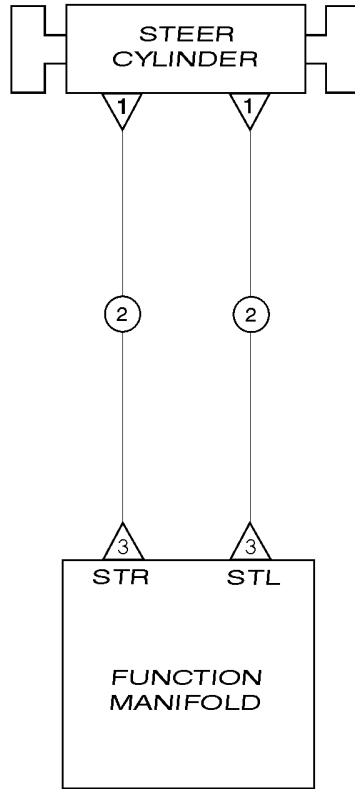
<i>Item</i>	<i>Part No.</i>	<i>Description</i>	<i>Qty.</i>
19-	1256679GT	NUT,SERRATED,1/4-20,8,ZAG	4
20	128580GT	SWITCH TOGGLE SPDT 3P MOM SHDR drive enable	1
21	6833GT	CLAMP,0.50,#8 X 1/4,RUB CUSH	1
22	13268GT	CLAMP,0.75,#12 X 1/4,RUB CUSH	2
23	1263233GT	BOLT,SHS,5/16X.25X1/4-20,8,ZAG	2
24	824078GT	SCREW,HHF,1/4-20X.75,8,ZAG	4
25	110848GT	PLATFORM CONTROL BOX BASE ASSY (includes nutserts)	1
26	66813GT	BUTTON,PUSH,BLACK W/SEAL***	1
26-	66815GT	BASE, W/1 N.O. CONTACTS*** includes 1 N.O. contact	
26-	66816GT	CONTACT,N.O.***	
27A	101173GT	JOYSTICK,2 AXIS,ROCKER,DEUTSCH (OEM joystick) boom up/down, extend/retract and turntable rotate	1
27B	101173HGT	JOYSTICK,DUAL AXIS W/STEER (aftermarket joystick) boom up/down, extend/retract and turntable rotate	1
28	128580GT	SWITCH TOGGLE SPDT 3P MOM SHDR platform level	1



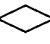
604.1 Joystick Controller



Item	Part No.	Description	Qty.
A-	101173GT	JOYSTICK,2 AXIS,ROCKER,DEUTSCH (calibration required after replacement), OEM joystick	
B-	101173HGT	JOYSTICK,DUAL AXIS W/STEER (calibration required after replacement), aftermarket joystick	
C-	101005GT	JOYSTICK,1 AXIS ROCKER,DEUTSCH (calibration required after replacement), OEM joystick	
D-	101005HGT	JOYSTICK,SINGLE AXIS W/STEER (calibration required after replacement), aftermarket joystick	
1	75443GT	BOOT, ROCKER JOYSTICK 75565	1
2	75444GT	ROCKER,RETAINER, 75565	1
3	75445GT	ROCKER ASSY.,MAGNETIC 75565	1
4	75446GT	SPRING,SWITCH CENTERING,75565	1
5	75447GT	SWITCH SHIELD,ROCK JOYSTK75565	1
6	75448GT	SUPPORT,SENSOR,JOYSTICK	1
7	75449GT	KNOB,ROCKER JOYSTICK 75565	1
8	T112626GT	SCREW, PHM, #6-32 X .625 ZINC	1
9	139598GT	BOOT,JOYSTICK	1
10		SPRING,JOYSTK CENTR,62390/91 no longer available from supplier	1
11	119915GT	COLLAR,JOYSTICK,CENTER	1
12	128000GT	SEAL, CONNECTOR (DT JOYSTICKS)	1
13	128001GT	SLEEVE,CONNECTOR,DT JOYSTICKS	1

701.1 Drive Chassis

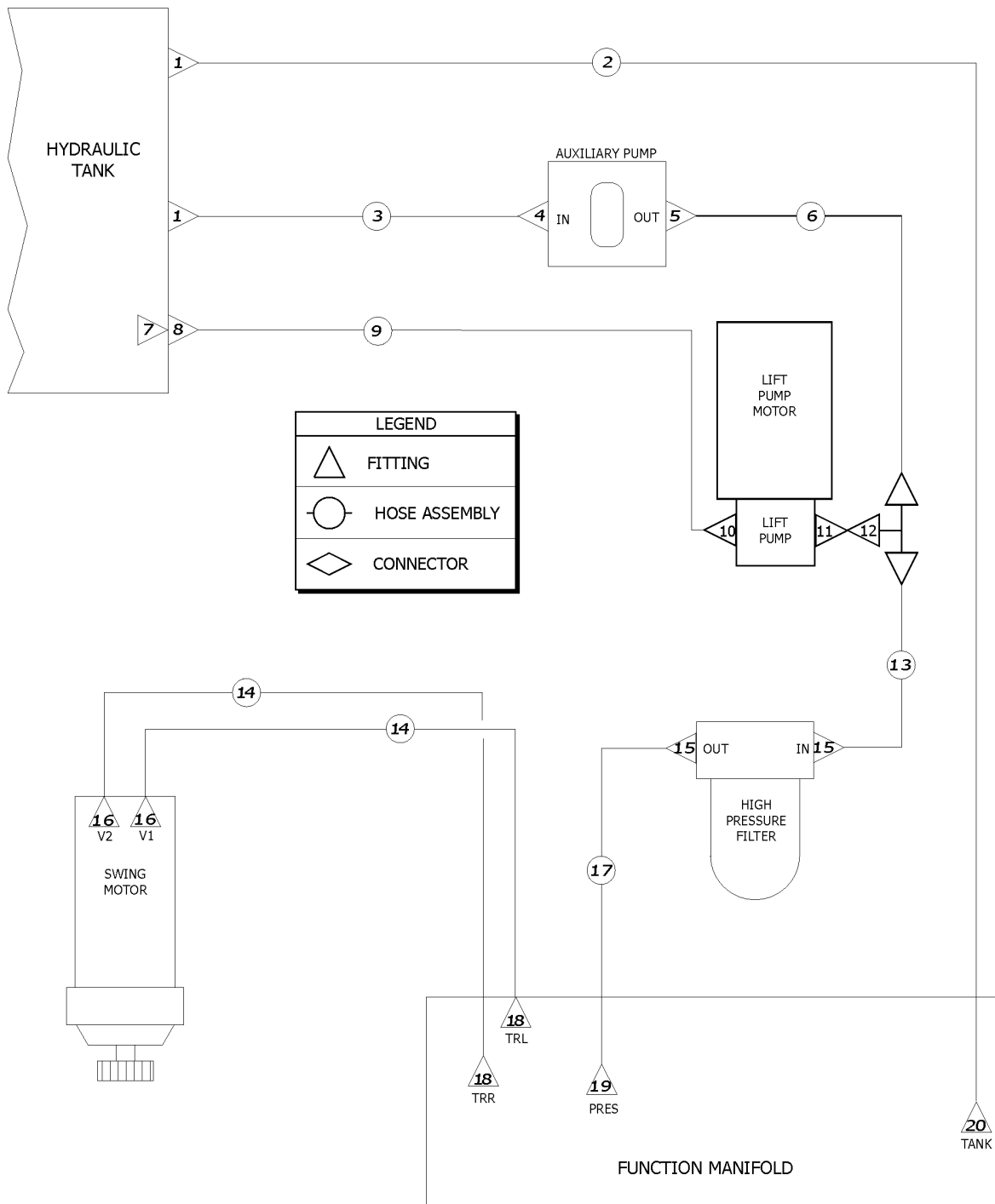


LEGEND	
	FITTING
	HOSE ASSEMBLY
	CONNECTOR

<i>Item</i>	<i>Part No.</i>	<i>Description</i>	<i>Qty.</i>
1	48907GT	ELBOW,45D,520320-4	2
2	49119-9878GT	HOSE ASSY,1/4,STR FEM,STR FEM	2
3	48905GT	CONN,520120-4***	2



702.1 Turntable Components

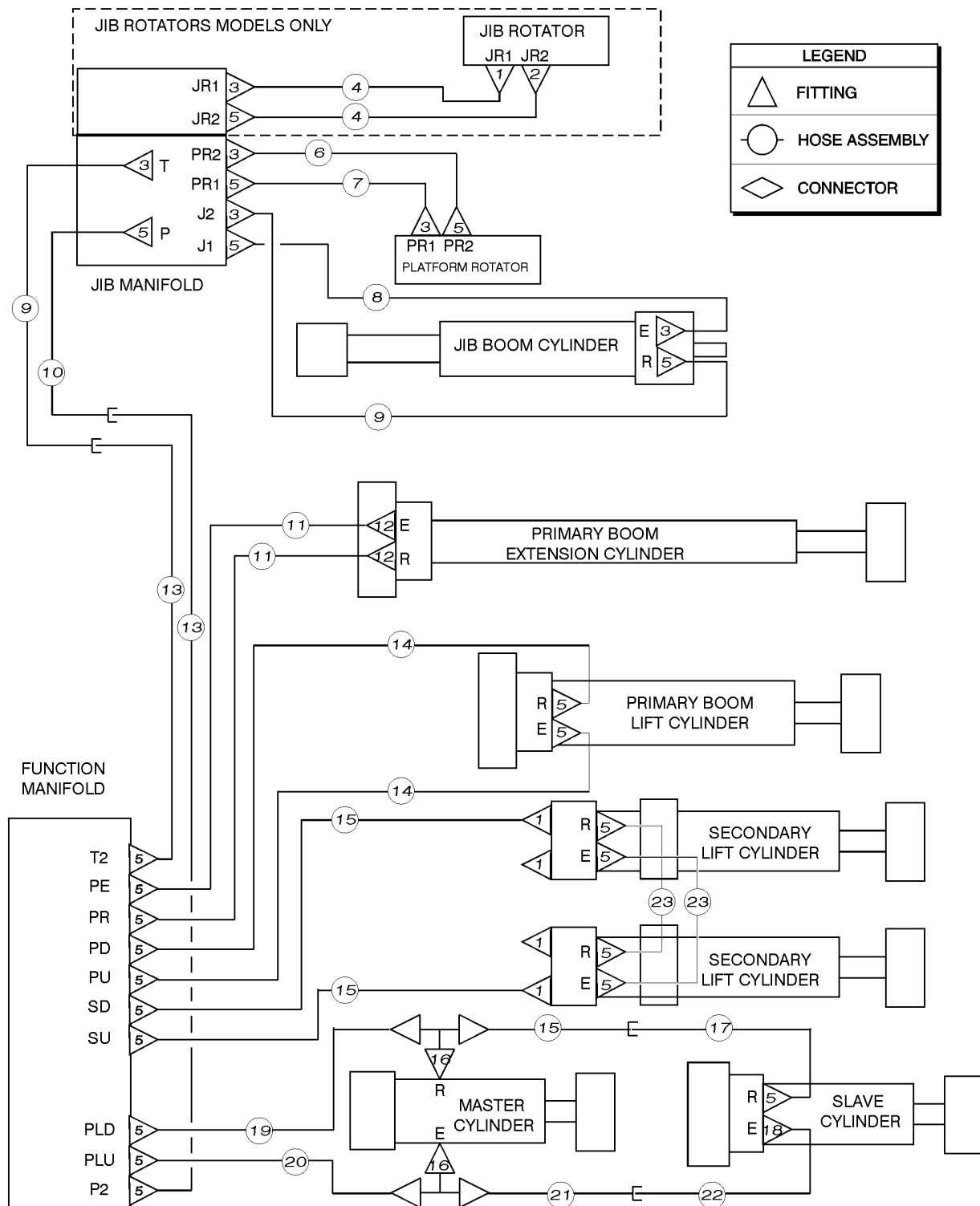


702.1 Turntable Components

<i>Item</i>	<i>Part No.</i>	<i>Description</i>	<i>Qty.</i>
1	48944GT	CONN,520102-8-8	2
2	49143-2692GT	ASSY, HOSE, HYD, -8, 3000, STR, 90	1
3	119812-2021GT	HOSE ASSY,1/2,STR FEM,STR FEM	1
4	48916GT	CONN, 520120-6	1
5	48911GT	ELBOW,90D,520220-4-6***	1
6	49164-2143GT	HOSE ASSY,1/4,90 DEG FEM,STR F	1
7	45162GT	STRAINER ASSEMBLY,1.25" NPT***	1
8	48966GT	CONN,520102-12	1
9	49150-2430GT	HOSE ASSY 3/4" 90 DEG STR FEM	1
10	48975GT	CONN,520120-12-10	1
11	48999GT	VALVE,CHK,#8PORT-#8MALEORFS	1
12	48939GT	TEE,BRANCH,520433-8	1
13	75278-1829GT	HOSE ASSY,1/2,90 FEM,STR FEM	1
14	49119-2878GT	ASSY, HOSE, HYD, -4, 3250, STR, STR	2
15	48947GT	ELBOW,90D,520220-8-12	2
16	48904GT	ELBOW, 90D, 520220-4	2
17	81812-4792GT	HOSE ASSY,1/2,STR FEM,STR FEM	1
18	48905GT	CONN,520120-4***	2
19	48930GT	CONN,520120-6-8	1
20	48933GT	CONN,520120-8***	1



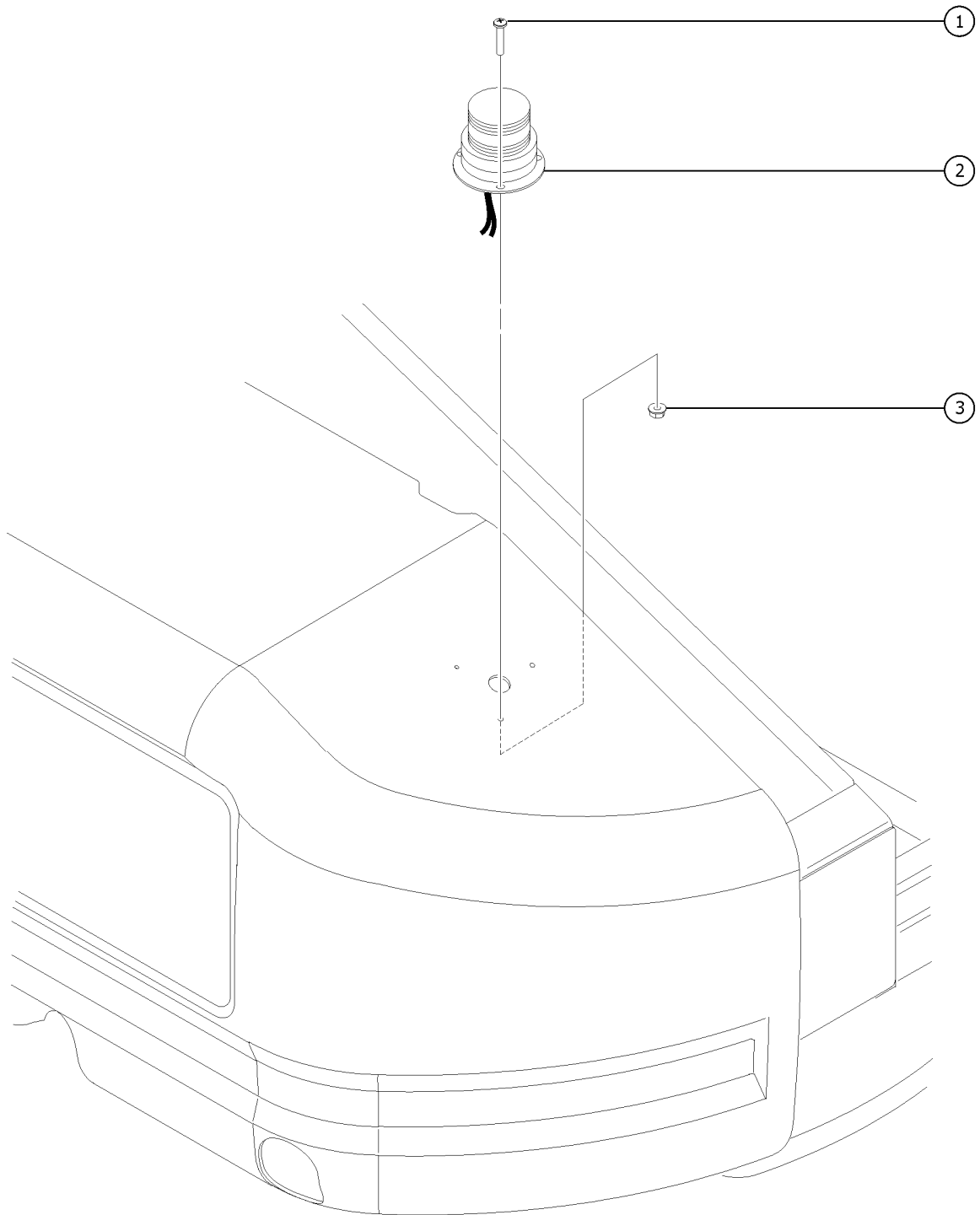
703.1 Boom Components



<i>Item</i>	<i>Part No.</i>	<i>Description</i>	<i>Qty.</i>
1	48904GT	ELBOW, 90D, 520220-4	3
2	48926GT	FITTING,ELBOW,90D,520220-6-4	1
3	48927GT	CONN,520120-6-4	6
4	49120-2481GT	HOSE ASSY,1/4"STR FEM,STR FEM	2
5	48905GT	CONN,520120-4***	14
6	49114-4911GT	HOSE ASSY,1/4"90 FEM,STR FEM	1
7	49117-4891GT	HOSE ASSY,1/4,90 FEM,STR FEM	1
8	49120-1881GT	HOSE ASSY,1/4"STR FEM,STR FEM	2
9	119813-24791GT	HOSE ASSY,1/4,STR FEM,STR MALE	1
10	49121-24788GT	HOSE ASSY,1/4,STR FEM,STR MALE	1
11	49120-31981GT	HOSE ASSY,1/4"STR FEM,STR FEM	2
12	48917GT	CONN,LONG,520122-6	2
13	49119-33278GT	HOSE ASSY,1/4,STR FEM,STR FEM	2
14	49119-34978GT	HOSE ASSY,1/4,STR FEM,STR FEM	2
15	49119-19978GT	HOSE ASSY,1/4,STR FEM,STR FEM	3
16	48890GT	FITTING,TEE,BRANCH,520429-4***	2
17	49121-3088GT	HOSE ASSY,1/4,STR FEM,STR MALE	1
18	48916GT	CONN, 520120-6	1
19	49119-33678GT	HOSE ASSY,1/4,STR FEM,STR FEM	1
20	49119-34078GT	HOSE ASSY,1/4.STR FEM,STR FEM*	1
21	49121-19488GT	HOSE ASSY 1/4.STR FEM,STR MALE	1
22	49120-3081GT	HOSE ASSY,1/4"STR FEM,STR FEM	1
23	49119-2178GT	HOSE ASSY,1/4,STR FEM,STR FEM	2



801.1 Flashing Beacon

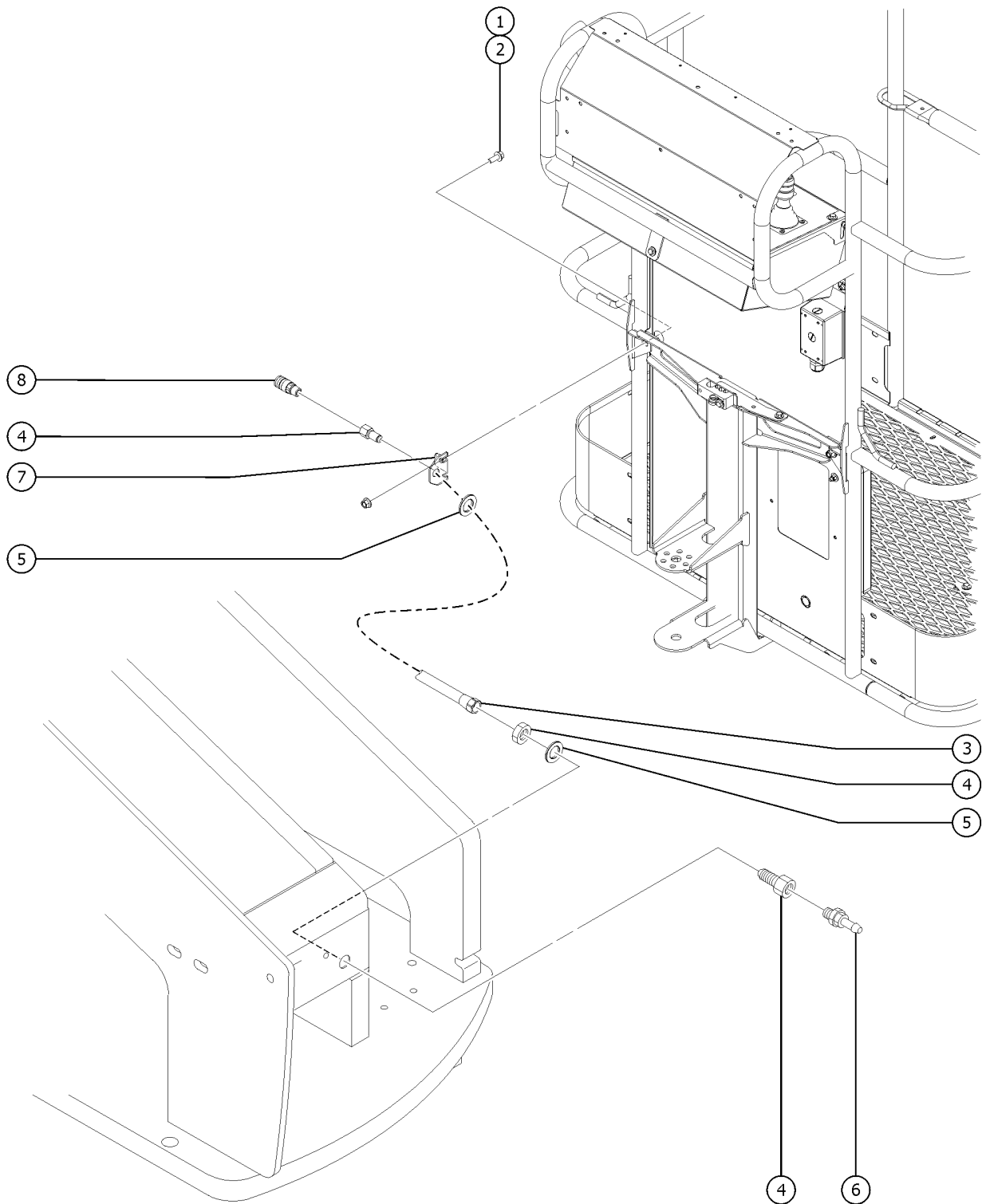


801.1 Flashing Beacon

<i>Item</i>	<i>Part No.</i>	<i>Description</i>	<i>Qty.</i>
1	826516GT	SCREW, PHPM, 10-32 X 1.0, ZAG	3
2	56704GT	STROBE, FIREBOLT, 12-80VDC, AMB** (replaced 20189)	1
2-	122019GT	FLASHTUBE, U SHAPED, 360DEG, BULB	
2-	226393GT	FLASHTUBE, STRAIGHT, 360DEG, BULB	
2-	72282GT	LENS, AMBER, STROBE, FIREBOLT	
3	824032GT	NUT, TL FLG, 10-32, F, ZAG	3



802.1 Air Line to Platform

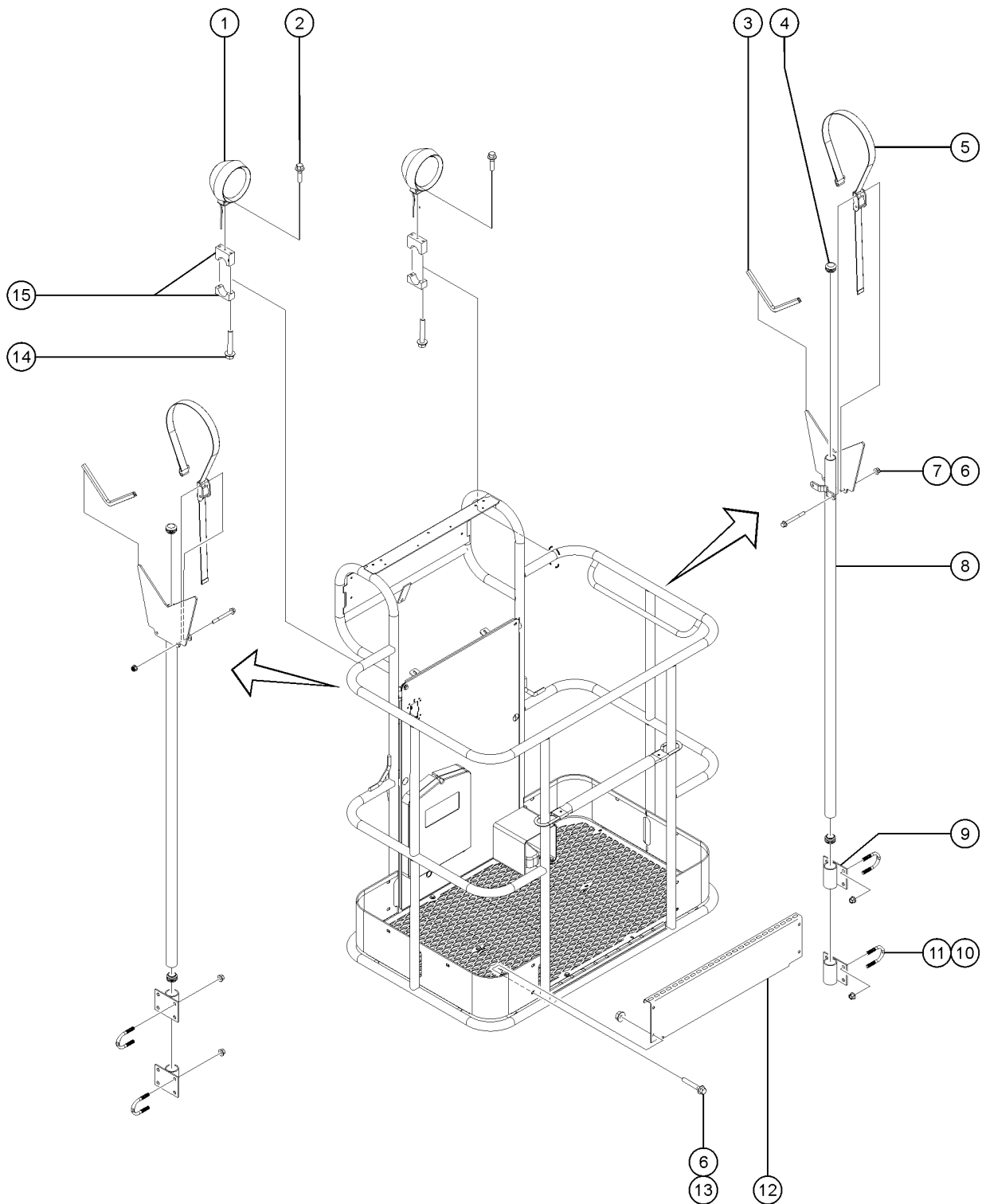


802.1 Air Line to Platform

<i>Item</i>	<i>Part No.</i>	<i>Description</i>	<i>Qty.</i>
A	110515GT	OPT,AIRLINE TO PLAT,Z40	1
1	824092GT	SCREW, HHF, 3/8-16 X 1.5, 8, ZAG	1
2	824029GT	NUT,TL FLG,3/8-16,G,ZAG	1
3	70644-66292GT	HOSE ASSY,3/8 STR FEM STR FEM	1
4	49212GT	FEMALE BULKHEAD CONNECTOR-8	2
5	1256863GT	WASHER,FLAT,.75,F436,HRD,ZAG	2
6	49214GT	MALE PIPE THD,1/4" SER,3/8"X18	1
7	119249PGT	BRACKET,AIR LINE TO PLAT PAINT	1
8	49215GT	MPT,CPLR,1/4"SER,3/8"X18	1



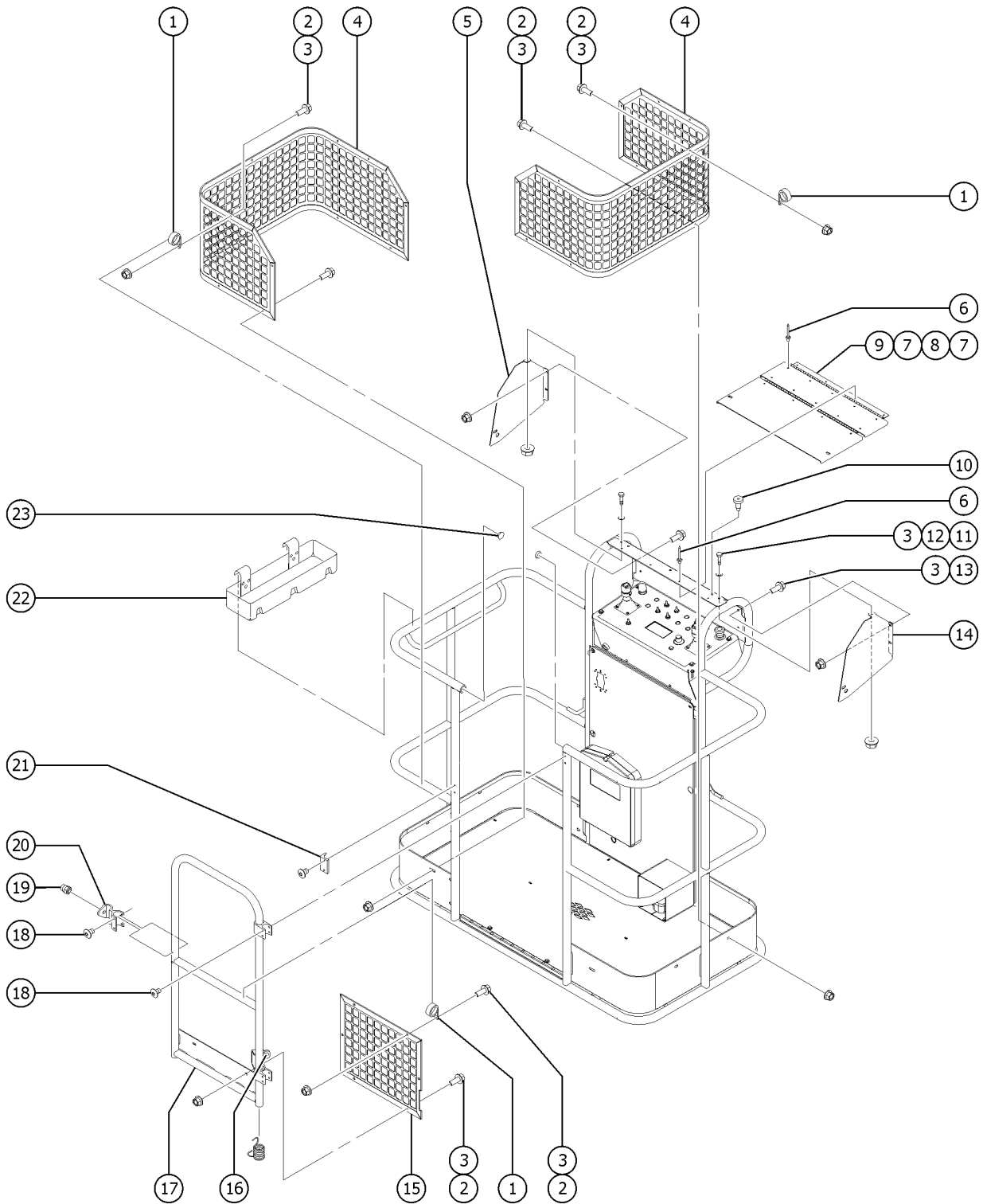
803.1 Platform Accessories - View 1



Item	Part No.	Description	Qty.
A	85300GT	PIPE CRADLE ASSY. SERV (ONE)** (ANSI & CE only) (This is a single assembly. Qty 2 of 85300GT required to complete a set)	
A-	65630GT	INSTRUCTIONS-PIPE CRADLE,BOOMS	
B	110514GT	WORKLIGHT OPTION 48V	
C	60922GT	OPTION,EURO TOEBOARD	
1	107858GT	WORKLIGHT,48 VOLT	2
2	824085GT	SCREW, HHF, 5/16-18 X .75, 8, ZAG	
3	19018-1100GT	TRIMLOCK,BLACK,5/32"	2
4	55753GT	BUMPER, PLASTIC, 1.25 O.D.	4
5	56570GT	STRAP, CONDUIT HOLDER 60"***	2
6	1277924GT	NUT,NYLOCK FLG,1/4-20,F,ZAG	8
7	824083GT	SCREW,HHF,1/4-20X2.5,8,ZAG	4
8	56525GT	WELDMENT, PIPE CRADLE	2
9	81368GT	WELDMENT,PIPE CRADLE MOUNT	4
10	1251600GT	U-BOLT, FLATTENED, 1.5DIA. X 3/8 UNC,ZAG	8
11	1274322GT	NUT,NYLOCK FLG,3/8-16,F,ZAG	16
12	94745PGT	TOEBOARD,ENTRY EUROPEAN PNTD**	1
13	1256855	SCREW,HHF,1/4-20X.625,8,ZAG	4
14	824081GT	SCREW,HHF,1/4-20X1.5,8,ZAG	4
15	35956GT	WORK LIGHT MOUNTING BRACKET	2

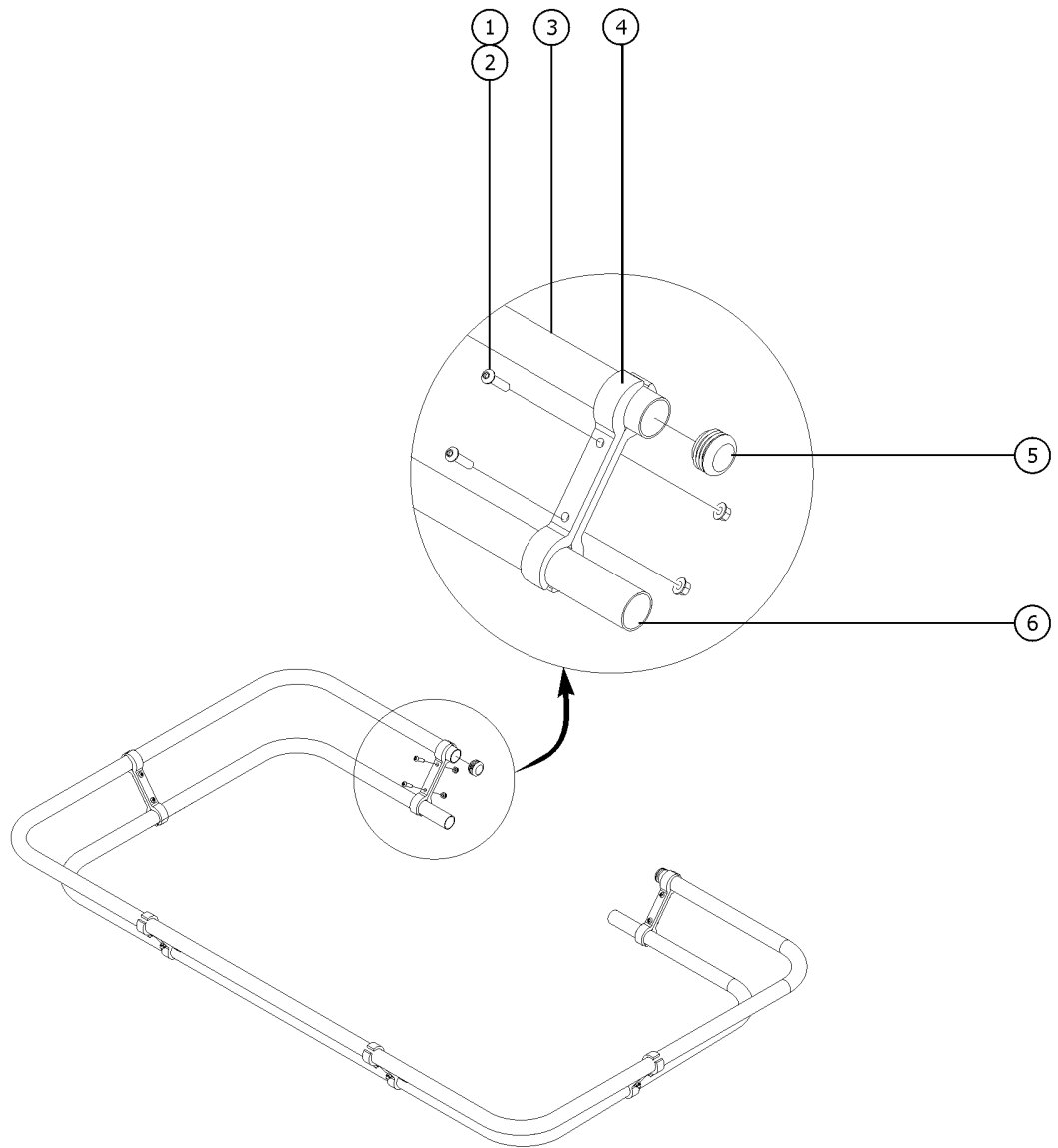


804.1 Platform Accessories - View 2



<i>Item</i>	<i>Part No.</i>	<i>Description</i>	<i>Qty.</i>
1	56424GT	CLAMP,1.25X.5 RUBBER-CUSHION	12
2	824078GT	SCREW,HHF,1/4-20X.75,8,ZAG	22
3	824027GT	NUT, TL FLG, 1/4-20, G, ZAG	22
4A	74007GT	MESH,HALF HEIGHT,5'***	2
4B	74009GT	MESH,HALF HEIGHT RH,4'***	2
5	101677GT	CONTROL BOX COVER, LH	1
6	87085GT	RIVET,ALUM,P,.188 X .25	
7	77860GT	HINGE,CONTROL BOX	2
8	101678GT	LID,CONTROL BOX COVER	1
9	101679GT	LID,CONTROL BOX COVER	1
10	34619GT	BUMPER,RUBBER***	6
11	1268957GT	SCREW,HHC,1/4-20X.63,8,ZAG	2
12	824113GT	WASHER,FLAT,1/4,USS,ZAG	2
13	1256855	SCREW,HHF,1/4-20X.625,8,ZAG	4
14	101676GT	CONTROL BOX COVER, RH	1
15	54457GT	MESH,HALF,SWING GATE***	1
16	43392GT	BUMPER,BATTERY BOX & RAILS	1
17A	128368GT	KIT,SWING GATE W/SPRING	1
17	1290135GT	KIT,HALF FRONT,SWING GATE	
17A-	128374GT	WELDMENT,SWING GATE,ALUMINUM	
17A-	42104GT	SPRING,SHORT PLATFORM GATE	
18	824207GT	RIVET,STL,STL,DOME,1/4X..375,Z	14
19	33674GT	PIN,LOCK,SHORT***	1
20	1487GT	GATE LATCH CASTING--DRILLED	1
21	1488GT	RAILING CATCH CASTING--DRILLED	1
22	9599-SGT	TOOL TRAY ACCESSORY***	1
23	55753GT	BUMPER, PLASTIC, 1.25 O.D.	2

805.1 Auxiliary Rail Assembly

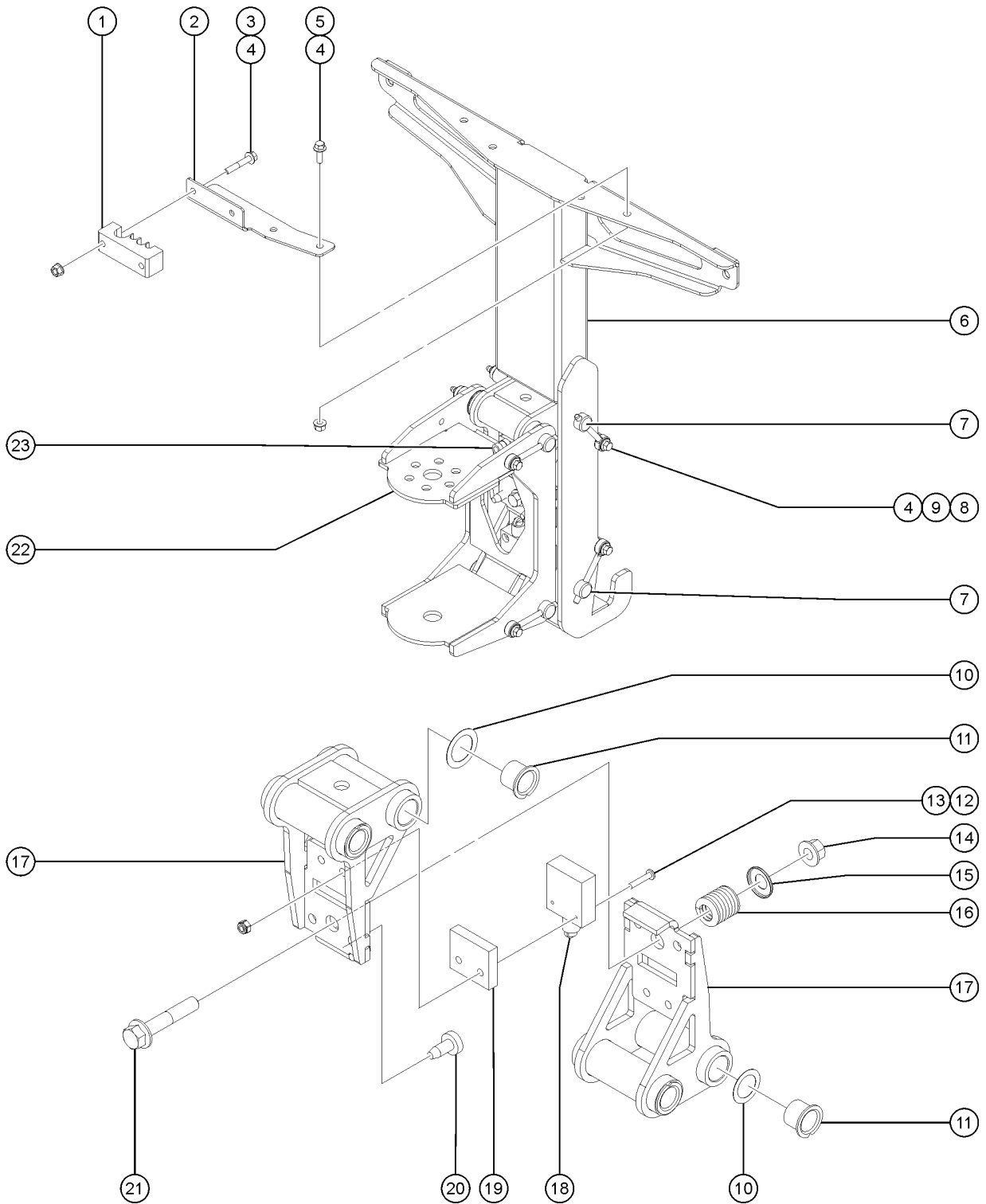


805.1 Auxiliary Rail Assembly

<i>Item</i>	<i>Part No.</i>	<i>Description</i>	<i>Qty.</i>
1	1259715GT	SCREW,BHTC,1/4-20X1,ZAG	12
2	824027GT	NUT, TL FLG, 1/4-20, G, ZAG	12
3A	T112779GT	KIT, AUX. RAIL, 4' PLATFORM	1
		includes 1, 2, 4 and 5	
3B	T112780GT	KIT, AUX. RAIL, 5' PLATFORM	1
		includes 1, 2, 4 and 5	
4	122073GT	SUPPORT, RAILING	12
5	55753GT	BUMPER, PLASTIC, 1.25 O.D.	2
6		Ref. PLAT RAIL ASSY	
		refer to 601.1	



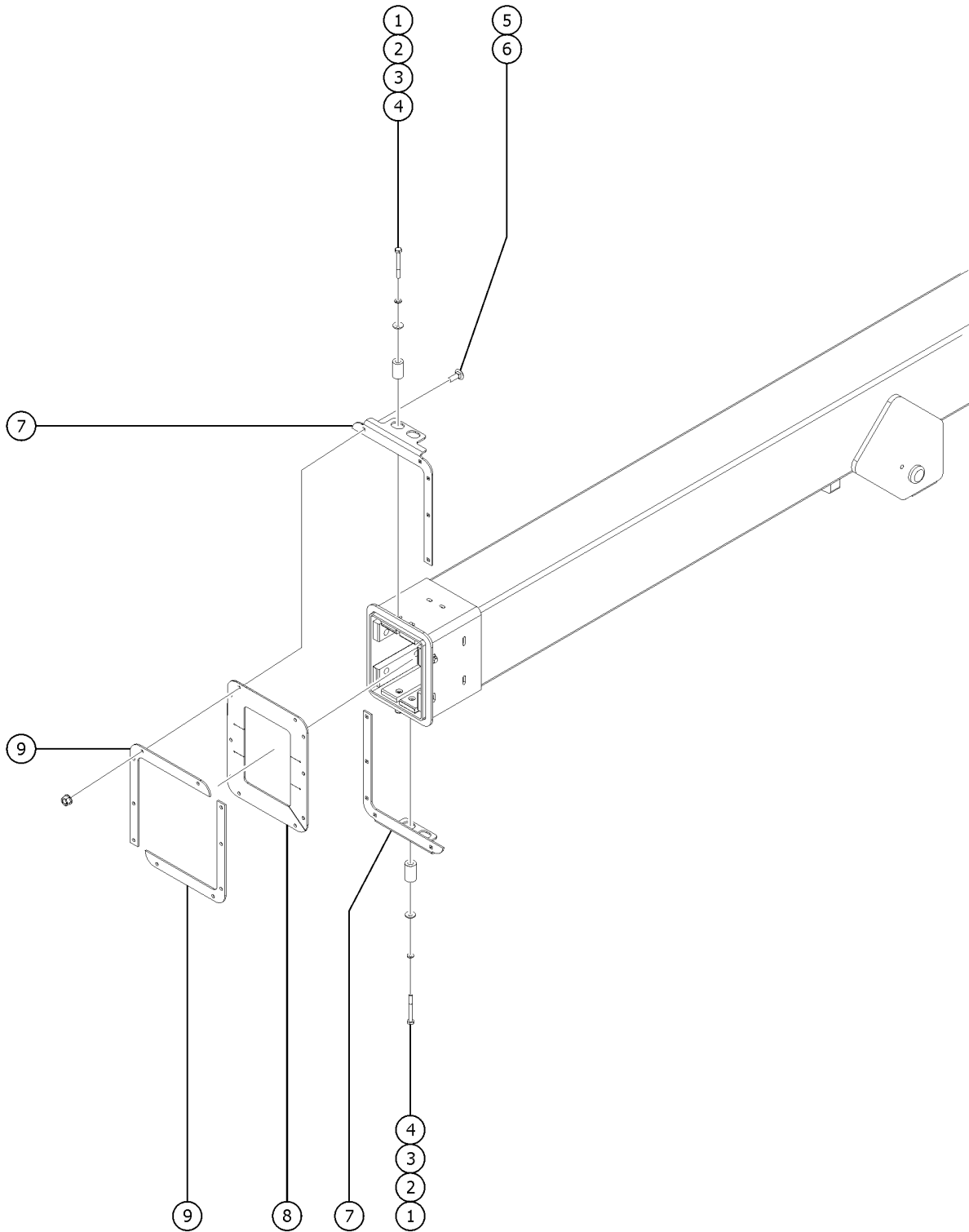
806.1 Platform Overload



Item	Part No.	Description	Qty.
A	110509GT	OPT, PLAT SPT, LOAD SENSE	
1	119518GT	CLAMP,CABLE STRAIN RELIEF	1
2	119221GT	FORMING,CLAMP MOUNT	1
3	824081GT	SCREW,HHF,1/4-20X1.5,8,ZAG	2
4	824027GT	NUT, TL FLG, 1/4-20, G, ZAG	8
5	824078GT	SCREW,HHF,1/4-20X.75,8,ZAG	2
6	94176GT	WELDMENT,PLATFORM SUPPORT	1
7	61726GT	PIN,0.75DIA X 5.75LG,CHAMFER	4
8	824080GT	SCREW,HHF,1/4-20X1.25,8,ZAG	4
9	825020GT	ROD END,.250X2.75,ZAG	4
10	110789GT	WASHER,SHIM .0151 THK.	as -n ee ded
11	25685GT	BEARING,GARLOCK,12FDU12	8
12	826516GT	SCREW, PHPM, 10-32 X 1.0, ZAG	2
13	6178GT	NUT,NYLOCK,10-32	2
14	824029GT	NUT,TL FLG,3/8-16,G,ZAG	1
15	61975GT	RETAINER,SPRING,1.21 X .375	1
16	61974GT	SPRING,COMP,1" OD,232 LB/IN	1
17	94191GT	WELDMENT,LOAD SUPPORT	2
		includes item 10 and 11	
18	61973GT	SWITCH,ROLLER PLUNGER LIMIT	1
19	61972GT	MOUNT,SWITCH	1
20	34619GT	BUMPER,RUBBER***	1
21	1253478GT	SCREW,HHF,3/8-16X2,8,ZAG	1
22	94170GT	WELDMENT,ROTATOR SUPPORT	1
23	45470GT	CLAMP,0.31,#5 X 1/4,RUB CUSH	1



807.1 Hostile Environmental Package - Primary Boom Wipers

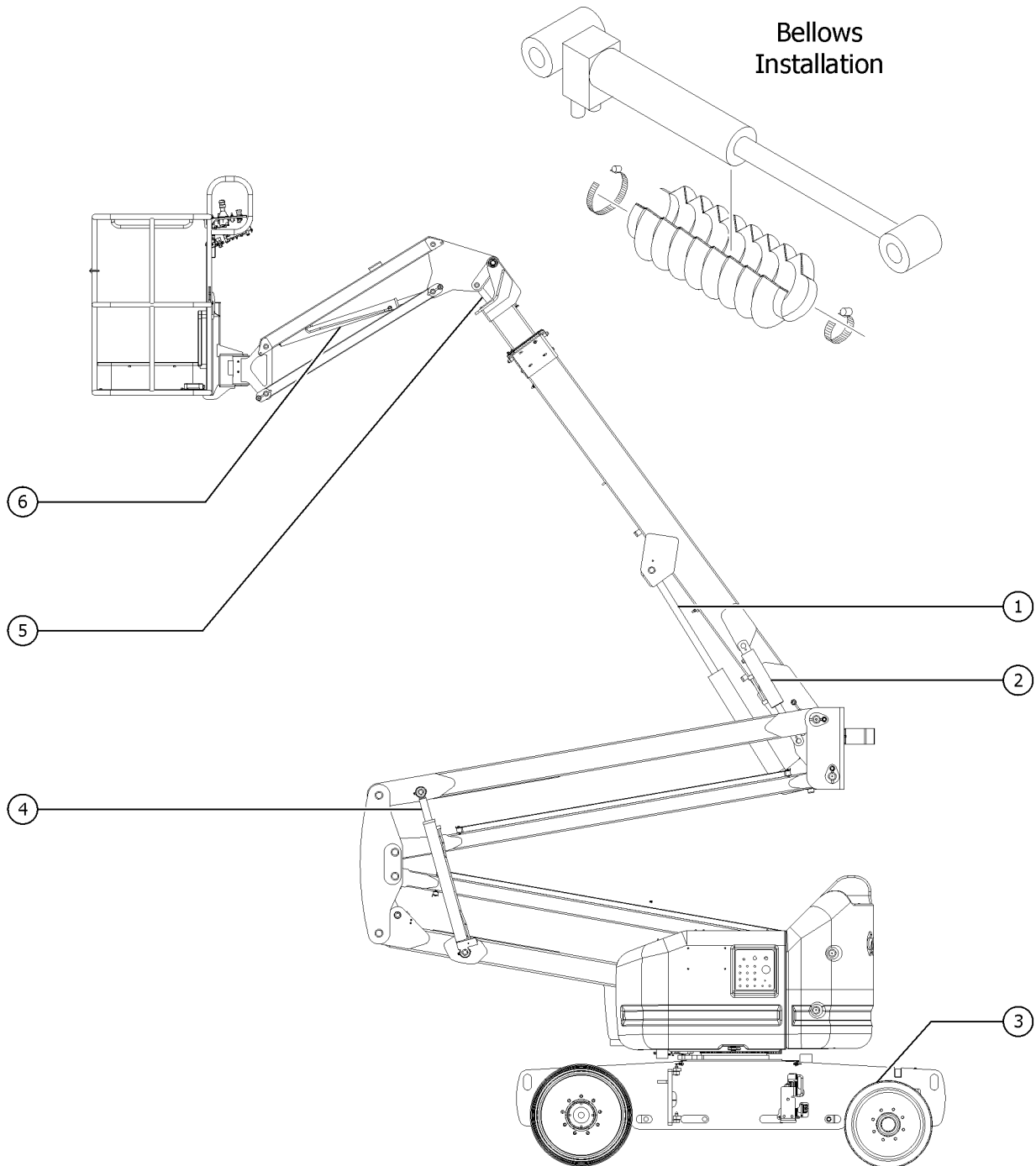


807.1 Hostile Environmental Package - Primary Boom Wipers

<i>Item</i>	<i>Part No.</i>	<i>Description</i>	<i>Qty.</i>
A	110510GT	OPTION,HOSTILE ENVIRONMENT	1
B	147344GT	KIT, WIPER, Z-40/23N (order kit for first time replacement of p/n 119076P)	1
1	824064GT	SCREW, HHC, 1/4-20 X 2.25, 8, ZAG	4
2	824109GT	WASHER,LOCK,1/4,ZAG	4
3	824113GT	WASHER,FLAT,1/4,USS,ZAG	4
4	119077GT	TUBE,RD,STL,DOM,.75OD X .375ID	4
5	824124GT	BOLT,CARRIAGE,1/4-20X.75,5,ZAG	10
6	824027GT	NUT, TL FLG, 1/4-20, G, ZAG	10
7	128972GT	FORMING,WIPER MOUNT	2
8	128971GT	WIPER,PRIMARY BOOM	1
9	128973GT	PLATE,WIPER BACKING	2



808.1 Hostile Environmental Package - Cylinder Bellows

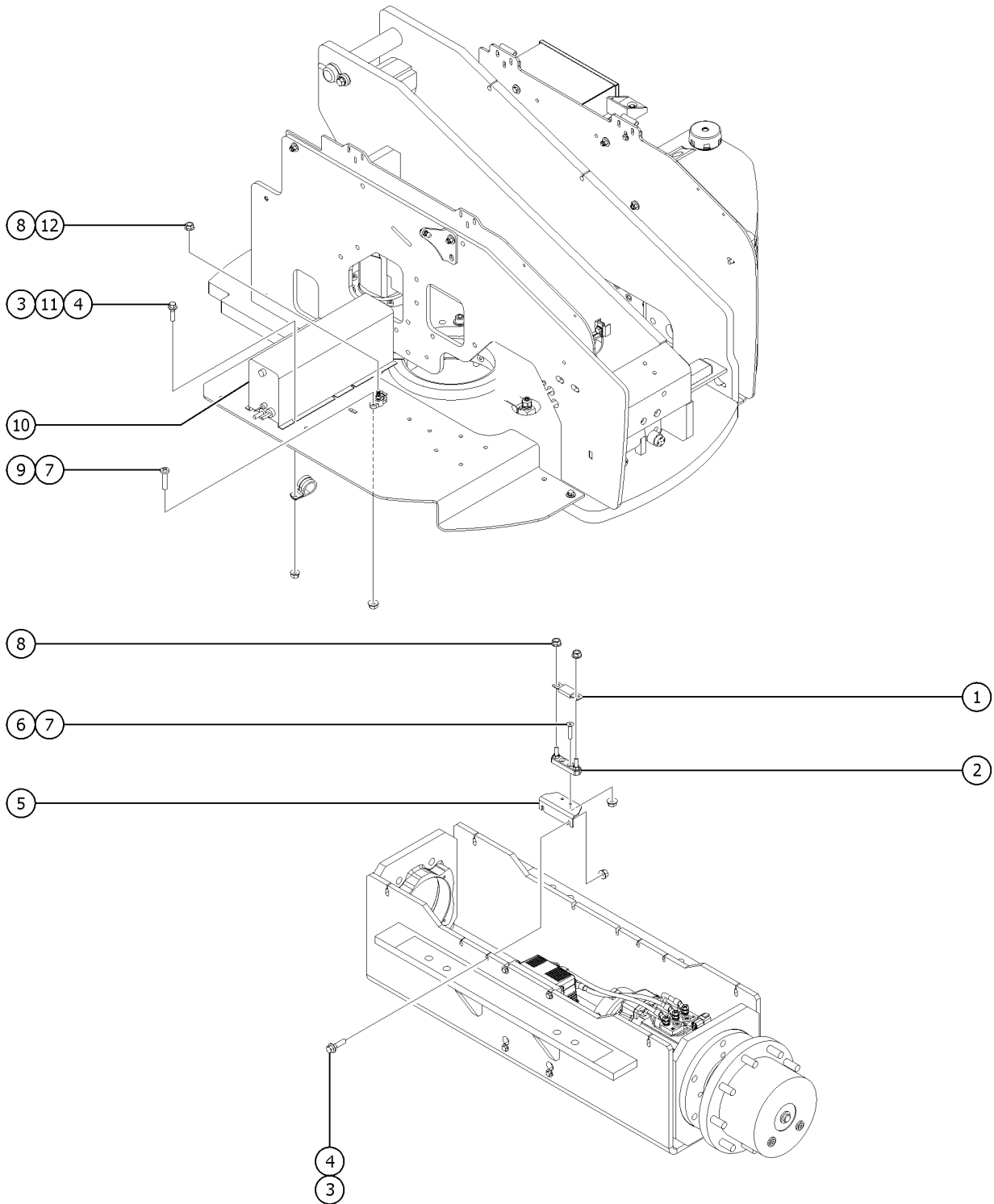


808.1 Hostile Environmental Package - Cylinder Bellows

<i>Item</i>	<i>Part No.</i>	<i>Description</i>	<i>Qty.</i>
A	119772GT	KIT,CYLINDER BELLOW,Z40	
1	54638GT	BELLOWS,PRIMARY CYLINDER,JIB	1
2	54640GT	BELLOWS,MASTER CYLINDER	1
3	110873GT	BELLOWS,STEER CYLINDER	2
		not shown	
4	54652GT	BELLOWS,SECONDARY,ELEVATE CYL	2
5	54639GT	BELLOWS,SLAVE CYLINDER	1
6	94462GT	BELLOWS,JIB CYLINDER	1



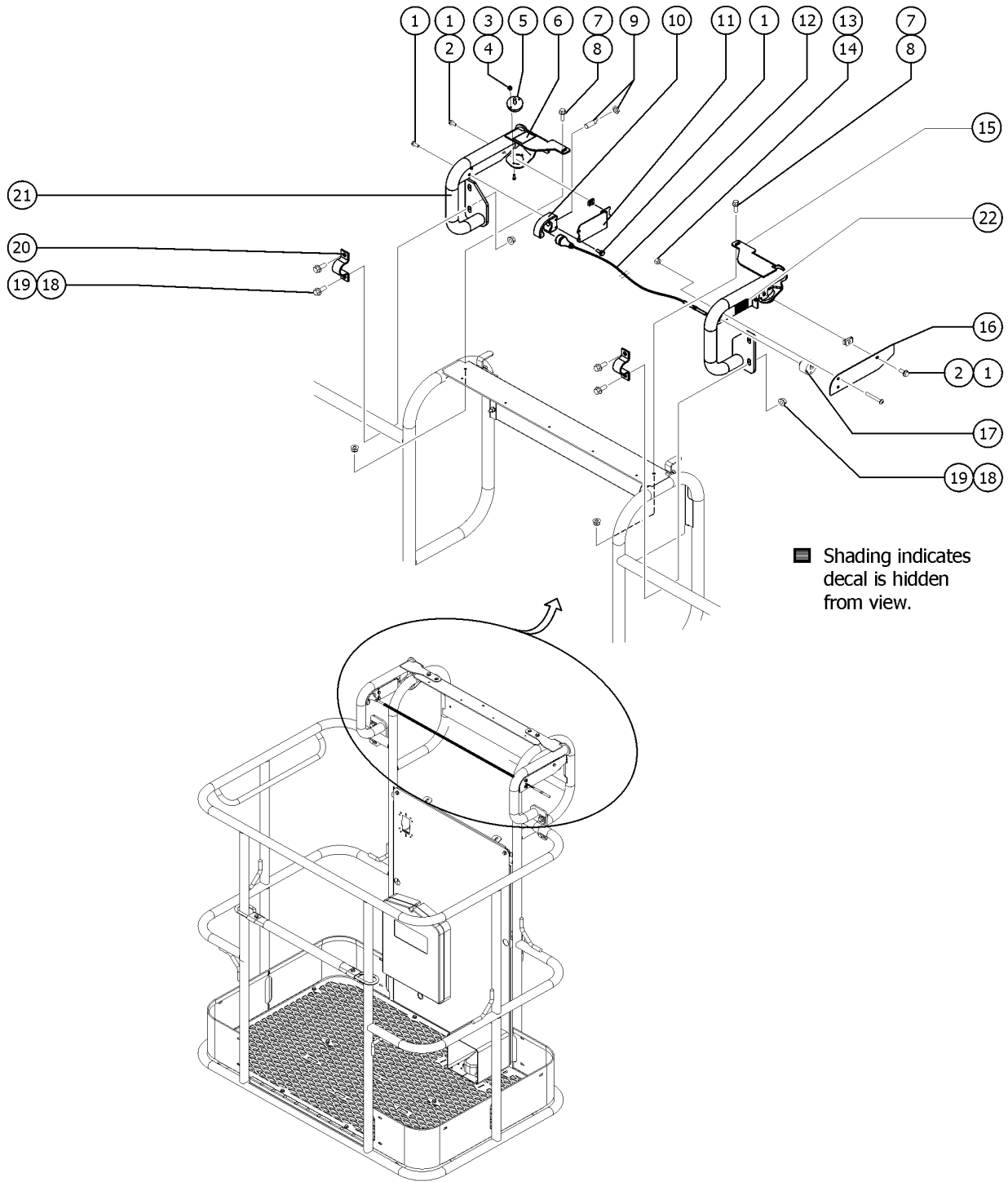
809.1 Inverter



Item	Part No.	Description	Qty.
1	36372GT	FUSE,50 AMP,VERY FAST ACTING	1
2	66717GT	FUSE BLOCK, ANN & ANL FUSE	1
2-	8910GT	BOOT,CABLE TERM,MED.RED,4/0	
3	824079GT	SCREW,HHF,1/4-20X1,8,ZAG	6
4	824027GT	NUT, TL FLG, 1/4-20, G, ZAG	6
5	1272488GT	FORMING,FUSE MOUNT BRACKET	1
6	1257046GT	SCREW,FHS,10-32X1,F835,ZAG	2
7	824032GT	NUT,TL FLG,10-32,F,ZAG	4
8	1257628GT	NUT,SERRATED,3/8-16,8,ZAG	4
9	824215GT	SCREW, PHPM, 10-32 X .75, ZAG	2
10	150026GT	INVERTER,48VDC,120VAC/60HZ	1
10-	139325GT	HARNESS,INVERTER	
10-	53471GT	WIRE LOOM,3/8 NYLON,HI TEMP	48
11	18666GT	CLAMP,1.00,#16 X 1/4,RUB CUSH	2
12A	8910GT	BOOT,CABLE TERM,MED.RED,4/0	2
12B	94981GT	STUD,POWER 3/8" RED battery positive	1
12C	94982GT	STANDOFF, 3/8" BLACK ground	1



810.1 Lift Guard Contact Alarm (from January 2017)

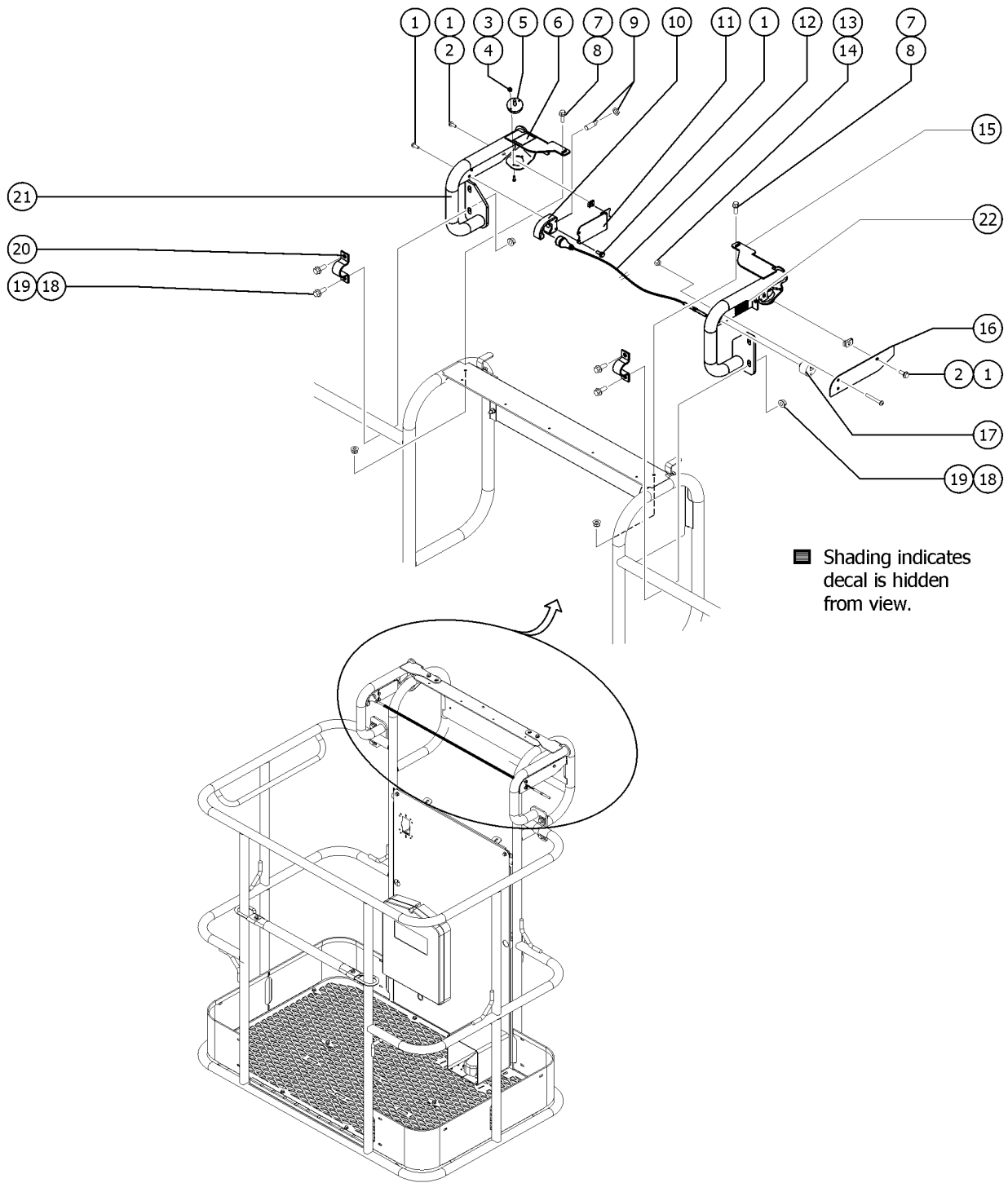


810.1 Lift Guard Contact Alarm (from January 2017)

Item	Part No.	Description	Qty.
A-		From January 2017, this option became a standard installation on all models unless the customer specifically request not to have it installed	
B-	1279136GT	KIT,LIFT GUARD CONTACT ALARM,4'-5' PLATFORM	
C-	1278499GT	MACHINED, ANGLE SENSOR HOUSING	
D-	78098GT	RELAY,24VDC,40/30A,SLD W/BRKT*	
E-	1278121GT	MODULE, PLUS+1, OPA2 located inside the Platform Control Box	
1	1264934GT	SCREW,HHF,10-24X.5	
2	73575GT	SPRING CLIP,10-24,.025-.125X.468,ZAG	
3	12344GT	NUT,NYLOCK,6-32	
4	1256859GT	SCREW,PHPM,6-32X7/8,ZAG	
5	1278111GT	ASSEMBLY, LIGHT, CONTACT ALARM	2
5B	1285850GT	ASSEMBLY,AMBER LIGHTS,CONTACT	
6	1278542GT	DECAL, INSTRUCTION, CONTACT ALARM	
7	824078GT	SCREW,HHF,1/4-20X.75,8,ZAG	
8	1277924GT	NUT,NYLOCK FLG,1/4-20,F,ZAG	
9	1278119GT	ASSEMBLY, SENSOR, PROX, CONTACT ALARM	1
10	1278433GT	ASSY SENSOR W/HOUSING (Includes holder item 1277877 and sensor part 1278119)	
10-	1277877GT	HOLDER, SENSOR	1
11	1277873GT	FORMING, SENSOR HOLDER	1
12	1278417GT	ASSEMBLY, OPA CABLE, SMALL	1
12-	1278124GT	MAGNET, 1/4-20, 15 LB. Part of assembly 1278417	
12-	1278459GT	OPA WIRE ASSY, SMALL Part of assembly 1278417	
12-	1278368GT	GRIP, CABLE Part of assembly 1278417	
12-	1261184GT	NUT,1/4-20,8,ZAG Part of assembly 1278417	
13	825352GT	SCREW,PHPM,10-32X1.25,ZAG	
14	1264261GT	NUT,SERRATED,10-32,ZAG	
15	1278175GT	WELDMENT, RIGHT OPA, SMALL	1
16	1277875GT	PLATE, CABLE AND WIRE COVER	1
17	1277876GT	GUIDE, CABLE	1



810.1 Lift Guard Contact Alarm (from January 2017)

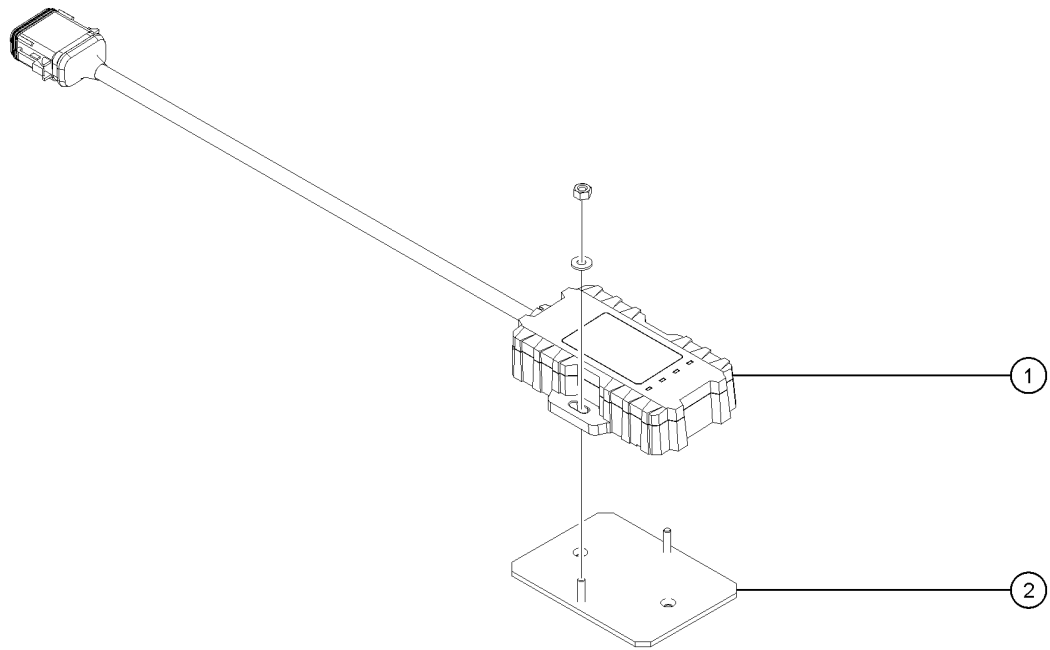


810.1 Lift Guard Contact Alarm (from January 2017)

<i>Item</i>	<i>Part No.</i>	<i>Description</i>	<i>Qty.</i>
18	1274322GT	NUT,NYLOCK FLG,3/8-16,F,ZAG	
19	824090GT	SCREW,HHF,3/8-16X1,8,ZAG	
20	1278363GT	CLAMP, 1.25 INCH TUBE	2
21	1278177GT	WELDMENT, LEFT OPA, SMALL	1
22	1278982GT	DECAL, INSTRUCTION, ACTUATOR SWITCH SOCKET	1



811.1 Telematics Option



811.1 Telematics Option

Item	Part No.	Description	Qty.
-	1296694GT	KIT, WIRING, Z-40, LIFT CONNECT for first time insulation, must order this kit with one of the models 1289520GT, 1289521GT, 1289522GT, or 1289523GT	1
-	1293414GT	HARNESS, RETROFIT, PLUS1 for first time insulation, must order this Harness with one of the models 1289520GT, 1289521GT, 1289522GT, or 1289523GT	
-	1294588GT	HARNESS, FUNCT. ENAB., LIFT CONNECT	
1	1289520GT	MODULE, TELEMATICS, ZTR, M7, NORTH AMERICA North America	1
1B	1289521GT	MODULE, TELEMATICS, ZTR, M7, EMEA/APAC EMEA/APAC	
1C	1289522GT	MODULE, TELEMATICS, ZTR, M7, APAC/ANZ APAC/ANZ	
1D	1289523GT	MODULE, TELEMATICS, ZTR, M7, JAPAN Japan	
2	1289561GT	BRACKET, TELEMATICS	1



<u>Part no.</u>	<u>Page Number</u>	<u>Part no.</u>	<u>Page Number</u>	<u>Part no.</u>	<u>Page Number</u>
1268GT	11	27205GT	13, 17	36179GT	51
1484GT	11	27206GT	13, 17	36199GT	85, 87
1487GT	125	27207GT	13, 17	36212GT	35
1488GT	125	27497GT	83, 87	36369GT	35
1505GT	69, 77	27581GT	11	36372GT	39, 135
6146GT	29	28161GT	13	36555GT	11
6178GT	29, 35, 39, 71, 103, 129	28165GT	13	37052GT	13
6607GT	21	28174GT	13, 17	37184GT	51
6833GT	109	28175GT	13	37185GT	51
6935GT	101	28176GT	13	37186GT	51
7056GT	47, 77	28177GT	13	37187GT	51
7057GT	101	28181GT	13	37191GT	51
8910GT	135	28235GT	13, 17	37192GT	51
9599-SGT	125	28236GT	13	38020GT	55
10775GT	101	28372GT	13	39223GT	51
12344GT	55, 105, 137	28646GT	53	39346GT	95
12443GT	103	28750GT	11	39518GT	63
13268GT	55, 105, 109	29868GT	35, 63	39540GT	55, 105
13585GT	101	30370GT	73	40145GT	21
14041GT	39	30748GT	23	40146GT	21
15243GT	63	30807P-SGT	101	40434GT	13, 17
17626GT	39	30997GT	59	42019GT	53
18576GT	11, 27	31060GT	13	42104GT	125
18666GT	35, 61, 135	31106GT	83, 89	42439GT	47
18720GT	67, 79	31508GT	13	42797GT	85, 89
18730GT	73	31785GT	13	42939GT	83
18963GT	47	31787GT	13	43018GT	93
19018-1100GT	123	31788GT	13	43179GT	11, 39
19506GT	55	32150GT	11	43392GT	125
19520GT	35	32151GT	11	43658GT	13, 17
20973GT	103	32710GT	101	43955GT	65, 101
21121GT	103	33555GT	61	44174GT	97, 99
21149GT	27	33674GT	125	44216GT	95
21166GT	21	33759GT	103	44227GT	93, 95
21858GT	21	33994GT	11	44229GT	93, 95, 97, 99
23404GT	59	34053GT	59	44235GT	95
24018GT	55	34276GT	73	44236GT	97
24514GT	103	34619GT	125, 129	44743GT	103
25388GT	43	35088GT	85, 89	44750GT	91
25685GT	129	35675GT	85, 87, 89	44779GT	13
25817GT	21	35956GT	123	44788GT	11
27204GT	13, 17	36054-SGT	83, 87	44980GT	13, 17



<u>Part no.</u>	<u>Page Number</u>	<u>Part no.</u>	<u>Page Number</u>	<u>Part no.</u>	<u>Page Number</u>
44981GT	13, 17	49119-34078GT	117	54145-800GT	45
44986GT	13	49119-34978GT	117	54156GT	67
45043GT	21	49120-1881GT	117	54231GT	51
45071GT	67	49120-2481GT	117	54255GT	59, 105
45074GT	21	49120-3081GT	117	54360GT	53
45109GT	29	49120-31981GT	117	54363GT	49
45110GT	21	49121-3088GT	117	54443GT	53
45111GT	23	49121-19488GT	117	54455PGT	63
45162GT	115	49121-24788GT	117	54457GT	125
45209GT	35	49143-2692GT	115	54534GT	59
45363GT	47, 63	49150-2430GT	115	54627GT	29
45437GT	103	49164-2143GT	115	54638GT	133
45462GT	47	49212GT	121	54639GT	133
45470GT	129	49214GT	121	54640GT	133
47092GT	93	49215GT	121	54652GT	133
47377GT	85, 89	49413GT	21	55753GT	63, 71, 123, 125, 127
48885GT	53	49612GT	11	56022GT	53
48890GT	117	49613GT	11	56302GT	59
48904GT	45, 115, 117	49826GT	29	56424GT	125
48905GT	113, 115, 117	49878GT	51	56461GT	35
48907GT	113	50371GT	33	56465GT	101
48911GT	115	50455GT	67	56500-SGT	103
48916GT	115, 117	50469GT	45	56525GT	123
48917GT	117	50479-SGT	69	56570GT	123
48926GT	117	50542GT	73	56576GT	101
48927GT	117	50546GT	77	56656GT	101
48930GT	115	50584GT	77	56704GT	119
48933GT	115	50744GT	53	56849GT	61
48939GT	115	50770-SGT	33	56912GT	27, 29, 33, 35, 71, 101
48944GT	115	50776PGT	45	56927GT	69
48947GT	115	50784GT	61	56929GT	83, 87
48966GT	115	50959GT	53	58253GT	65
48975GT	115	50966GT	53	58320GT	27
48999GT	115	50974GT	49	58932GT	91
49114-4911GT	117	50990GT	61	58936GT	91
49117-4891GT	117	51147GT	35	60000GT	49
49119-2178GT	117	52368GT	93, 95	60015GT	63
49119-2878GT	115	52913GT	91	60065GT	51
49119-9878GT	113	52914GT	91	60106GT	47
49119-19978GT	117	52969GT	15, 17	60442GT	47
49119-33278GT	117	53471GT	135	60443GT	105
49119-33678GT	117	54063GT	93	60746GT	21



<u>Part no.</u>	<u>Page Number</u>	<u>Part no.</u>	<u>Page Number</u>	<u>Part no.</u>	<u>Page Number</u>
60857GT	47	74081GT	89	82473GT	17
60922GT	123	74089GT	87	82481GT	17
61726GT	129	74134GT	75	82487GT	17
61794GT	65	74267GT	25	82544GT	17
61972GT	129	74468GT	25	82548GT	17
61973GT	129	74469GT	25	82601GT	17
61974GT	129	74470GT	25	82602GT	17
61975GT	129	74704GT	35	82604GT	17
62088GT	51	74714GT	27	83093GT	57
62506GT	83, 87, 89	74735GT	85, 89	83129GT	65
62507GT	83, 87, 89	74866GT	89	85197GT	91
65630GT	123	75041GT	21	85239GT	57
66399GT	11	75073GT	61, 63	85300GT	123
66717GT	27, 39, 135	75076GT	61, 63	87085GT	125
66812GT	55, 107	75278-1829GT	115	87755GT	55
66813GT	109	75443GT	111	88203GT	67
66815GT	109	75444GT	111	88269GT	47
66816GT	109	75445GT	111	88287GT	105
66817GT	55, 107	75446GT	111	88356-11103GT	45
66818GT	55	75447GT	111	88356-11165GT	77
66900GT	35	75448GT	111	88356-11205GT	69
66901GT	35	75449GT	111	88635-4024GT	45, 53
70534GT	73	77014GT	73	88676GT	67
70606GT	29, 83, 87	77032GT	63	88725GT	65
70644-66292GT	121	77034PGT	63	88827GT	57
70647GT	47	77189GT	73	93500GT	11
70671GT	73	77303GT	67	94077GT	47
70684GT	39	77364GT	73	94170GT	129
72282GT	119	77375GT	77	94176GT	129
72326GT	55, 105	77376GT	77	94191GT	129
72833GT	15	77409GT	77	94260GT	85, 89
72867GT	15, 17	77435GT	53	94261GT	83, 89
73575GT	137	77521GT	67	94462GT	133
73723GT	39, 105	77860GT	125	94614GT	93, 97, 99
73730GT	55, 105	78098GT	137	94745PGT	123
73736GT	59	78622GT	11	94908GT	29
73753GT	105	79452GT	29	94981GT	135
74007GT	125	81368GT	123	94982GT	135
74009GT	125	81579GT	53	96008-SGT	57
74044GT	75	81812-4792GT	115	96010GT	57
74051GT	89	82366GT	15	97128GT	45, 69, 77
74052GT	101	82472GT	17	97372GT	97, 99



<u>Part no.</u>	<u>Page Number</u>	<u>Part no.</u>	<u>Page Number</u>	<u>Part no.</u>	<u>Page Number</u>
97815GT	15, 17	107788GT	93	110794GT	65
97893GT	15	107816GT	93, 97, 99	110795GT	65
101005GT	107, 111	107858GT	123	110796GT	65
101005HGT	107, 111	107859GT	67	110797GT	65, 107
101055GT	93	107915GT	71	110798GT	65
101114GT	95	107917GT	69	110800GT	65
101173GT	109, 111	107919GT	69	110801GT	65
101173HGT	109, 111	107921GT	69	110802GT	65
101425GT	35	107998GT	65	110803GT	65
101426GT	35	110160GT	45	110805-1700GT	41
101429GT	75	110180GT	93	110805-7750GT	41
101648GT	107	110255GT	65	110805-9450GT	41
101676GT	125	110317GT	73	110806-1300GT	41
101677GT	125	110318GT	83, 89	110807-3750GT	41
101678GT	125	110338GT	93	110807-4500GT	41
101679GT	125	110360GT	85, 89	110808-3350GT	41
101723GT	29	110362GT	23	110808-7000GT	41
101815GT	45	110370GT	21	110809-9500GT	41
101958GT	95	110380GT	21	110810-10600GT	41
101982GT	103	110382GT	47	110811-11250GT	41
102992GT	103	110448GT	47	110848GT	109
106069GT	61	110452GT	21	110851GT	107
106123GT	27	110472GT	63	110852PGT	107
106241GT	35	110509GT	129	110853GT	107
106404GT	59	110510GT	131	110854GT	107
106427GT	45, 69, 77	110514GT	123	110871GT	23
106617GT	69	110515GT	121	110873GT	133
106621PGT	69	110516GT	77	110875GT	23
106622PGT	69	110528GT	83	110876GT	21
106628GT	69	110533GT	21	110877GT	29
106629GT	69	110554GT	27	110880GT	27
106630GT	69	110556GT	21	110929GT	59
106633GT	101	110573GT	91	110965GT	27
106634GT	101	110576GT	71	110973GT	55
107574GT	33	110609PGT	29	110998GT	21
107578GT	29	110619GT	29	111051GT	81
107588GT	67	110658GT	77	111052GT	81
107594GT	61	110665GT	25	111053GT	81
107651GT	45	110752GT	77	114114GT	15, 19
107712GT	27	110776GT	67	114117GT	15
107727GT	67	110789GT	129	114131GT	15
107740GT	95	110791GT	65	114132GT	15, 17



<u>Part no.</u>	<u>Page Number</u>	<u>Part no.</u>	<u>Page Number</u>	<u>Part no.</u>	<u>Page Number</u>
114133GT	15, 17	119815GT	33	128514GT	23
114156GT	15, 19	119825GT	93	128550GT	83
114165GT	15, 17	119827GT	93, 95	128569GT	99
114180GT	15, 17	119828GT	93	128570GT	97
114247GT	19	119829GT	93	128580GT	55, 57, 107, 109
114248GT	19	119830GT	93	128612GT	77
114252GT	19	119836GT	97, 99	128613GT	81
114298GT	19	119874GT	13	128614GT	81
114334GT	19	119875GT	17	128616GT	77
114345GT	19	119877GT	21	128645GT	43
114350GT	15	119895GT	101	128825GT	43
114389GT	15	119896GT	101	128862GT	81
114390GT	15	119897GT	101	128971GT	131
114397GT	15	119898GT	101	128972GT	131
114427GT	15, 19	119900GT	47	128973GT	131
119032GT	85	119910GT	21	128995GT	77
119042GT	51	119913GT	103	133286GT	43
119077GT	131	119914GT	103	139318GT	43
119221GT	103, 129	119915GT	111	139325GT	135
119222PGT	85, 87	119955GT	77	139417GT	63
119249PGT	121	119976GT	107	139598GT	111
119287GT	33	122019GT	119	139655GT	89
119399GT	39	122073GT	127	139702GT	81
119400GT	39	128000GT	111	139781GT	81
119401GT	39	128001GT	111	139858GT	43
119402GT	39	128009GT	91	144161GT	43
119403GT	43	128010GT	101	146478GT	107
119426GT	23	128011GT	101	147344GT	131
119427GT	23	128015GT	35	150026GT	135
119429GT	59	128027PGT	69	161553GT	37
119432GT	27	128028GT	69	161554GT	35
119518GT	103, 129	128037GT	75	162161GT	65
119519GT	83, 87	128118GT	43	216185GT	31
119526GT	77	128288GT	71	216186GT	29
119563GT	85, 87	128308GT	81	216228GT	29
119583GT	105	128309GT	81	216397GT	29
119584GT	59, 105	128319GT	49	226254GT	25
119772GT	133	128368GT	125	226393GT	119
119784GT	47	128374GT	125	226540GT	89
119787GT	35	128375GT	43	226542GT	89
119812-2021GT	115	128376GT	43	227131GT	15
119813-24791GT	117	128377GT	43	227213GT	15



<u>Part no.</u>	<u>Page Number</u>	<u>Part no.</u>	<u>Page Number</u>	<u>Part no.</u>	<u>Page Number</u>
228308GT	101	824083GT	69, 123	826793GT	83, 91
228946GT	43	824084GT	81	826794GT	89
228947GT	43	824085GT	123	1251565GT	23
228973GT	43	824086GT	35	1251600GT	123
229567GT	55, 107	824087GT	103	1251757GT	39, 55, 59, 105
231514GT	21	824089GT	45, 63, 73	1251892GT	35
231572GT	91	824090GT	21, 47, 139	1251901GT	39
232486GT	27	824091GT	53	1251997GT	45, 47
233641GT	91	824092GT	51, 73, 83, 87, 121	1253185GT	39
233647GT	107	824100GT	91	1253478GT	129
233717GT	85, 87	824103GT	45	1253485GT	63
233745GT	85, 87	824104GT	27	1253498GT	47, 53, 67
236303GT	27	824109GT	75, 85, 87, 131	1255013GT	25
237688GT	69	824110GT	53, 73, 79, 85, 87, 91	1255030GT	65
824019GT	39	824111GT	67	1255452GT	21, 73
824024GT	27, 29, 53, 61, 63	824113GT	27, 29, 33, 51, 61, 63...	1255469GT	69
824025GT	51, 87	824116GT	87	1255758GT	43, 47, 51, 61, 69
824027GT	29, 47, 61, 63, 69, 77...	824119GT	61, 63	1255760GT	45, 53, 69
824028GT	37, 61, 103	824124GT	77, 81, 131	1255763GT	35
824029GT	37, 43, 47, 51, 61, 67...	824125GT	37	1255805GT	27, 35, 39
824032GT	39, 119, 135	824151GT	73, 77, 83	1255859GT	65
824036GT	105	824152GT	89	1256108GT	43, 51
824037GT	35	824164GT	77, 83, 89	1256109GT	83
824038GT	51	824207GT	63, 125	1256118GT	49
824050GT	45	824214GT	39, 55, 101, 105	1256170GT	29, 45
824051GT	45	824215GT	47, 61, 63, 135	1256172GT	73
824052GT	45	824216GT	45	1256177GT	71, 77
824059GT	75, 81, 85, 87, 101	824225GT	103	1256182GT	27, 29, 45
824060GT	33, 51, 61, 63, 71, 75...	824226GT	59	1256267GT	67, 73
824061GT	27	824228GT	35	1256469GT	33, 63
824062GT	27	824878GT	57, 107	1256679GT	25, 105, 109
824064GT	83, 87, 131	825019GT	21, 73, 79, 83, 87	1256803GT	53
824067GT	47, 51, 73, 79	825020GT	129	1256843GT	89
824068GT	49, 53, 69, 71, 85, 87	825349GT	27	1256844GT	67
824074GT	63	825352GT	137	1256847GT	47, 61
824075GT	87	825353GT	23, 89	1256855	35, 59, 123, 125
824077GT	103	825358GT	51	1256859GT	137
824078GT	21, 29, 35, 47, 55, 71...	826171GT	29	1256863GT	21, 83, 121
824079GT	47, 61, 63, 135	826215GT	27	1256894GT	53
824080GT	129	826516GT	119, 129	1256897GT	105
824081GT	83, 103, 123, 129	826779GT	93	1256898GT	15, 19
824082GT	29, 35, 69, 77, 87	826783GT	27	1256899GT	15, 19

<u>Part no.</u>	<u>Page Number</u>	<u>Part no.</u>	<u>Page Number</u>	<u>Part no.</u>	<u>Page Number</u>
1256922GT	71	1277875GT	137	1286601GT	27
1257046GT	135	1277876GT	137	1287692GT	103
1257402GT	59, 105	1277877GT	137	1289520GT	51, 141
1257403GT	59	1277924GT	83, 123, 137	1289521GT	51, 141
1257404GT	107	1278111GT	137	1289522GT	141
1257464GT	23	1278119GT	137	1289523GT	141
1257628GT	61, 71, 135	1278121GT	137	1289561GT	51, 141
1257649GT	65	1278124GT	137	1290135GT	125
1257650GT	65	1278175GT	137	1293414GT	141
1257733GT	11	1278177GT	139	1294588GT	141
1257803GT	25, 51	1278363GT	139	1296652GT	107
1257866GT	105	1278368GT	137	1296694GT	141
1258049GT	29	1278417GT	137	1297475GT	35
1258567GT	11	1278433GT	137	1298933GT	11
1259444GT	23	1278459GT	137	1298971GT	13
1259715GT	127	1278499GT	137	1298977GT	17
1260940GT	67	1278542GT	137	1299159GT	103
1261184GT	137	1278982GT	139	1299160GT	103
1261724GT	29	1279136GT	137	1313257GT	55
1261845GT	65	1283776GT	11	T112560GT	101
1262633GT	73	1283975GT	25	T112561GT	101
1263057GT	73	1283976GT	25	T112563GT	101
1263142GT	45	1283977GT	25	T112626GT	111
1263232GT	45	1283978GT	25	T112779GT	127
1263233GT	109	1283979GT	25	T112780GT	127
1263234GT	45	1283980GT	25		
1263236GT	25	1283981GT	25		
1263237GT	23	1283982GT	25		
1263694GT	107	1283983GT	25		
1264259GT	63	1283984GT	25		
1264261GT	27, 45, 47, 61, 63, 77...	1283985GT	25		
1264822GT	65	1283986GT	25		
1264834GT	65	1283987GT	25		
1264934GT	137	1283988GT	25		
1268833GT	33	1283989GT	25		
1268957GT	125	1283990GT	25		
1269535GT	77	1283991GT	25		
1272488GT	135	1283992GT	25		
1273205GT	83	1285689GT	65		
1274173GT	83	1285812GT	65		
1274322GT	81, 83, 85, 123, 139	1285850GT	137		
1277873GT	137	1286600GT	27		



California Proposition 65

 **WARNING**

Operating, servicing and maintaining this equipment, passenger vehicle or off-highway motor vehicle can expose you to chemicals including engine exhaust, carbon monoxide, phthalates, and lead, which are known to the State of California to cause cancer and birth defects or other reproductive harm. These chemicals can be emitted from or contained in other various parts and systems, fluids and some component wear by-products. To minimize exposure, avoid breathing exhaust, do not idle the engine except as necessary, service your equipment and vehicle in a well-ventilated area and wear gloves or wash your hands frequently when servicing your equipment or vehicle and after operation. For more information go to www.P65Warnings.ca.gov/passenger-vehicle.

Breathing diesel engine exhaust exposes you to chemicals known to the State of California to cause cancer and birth defects or other reproductive harm.

- Always start and operate the engine in a well-ventilated area.
- If in an enclosed area, vent the exhaust to the outside.
- Do not modify or tamper with the exhaust system.
- Do not idle the engine except as necessary.

For more information go to www.P65warnings.ca.gov/diesel.

www.genielift.com

Distributed By: